

适用于可穿戴设备光学心率监测、SpO₂ 和电生物传感的 AFE4950 超小型集成式 AFE

1 特性

- 支持同时且同步采集多达 24 个 PPG 和单引线 ECG 信号。
- 在每个相位内均可实现灵活的 8 个 LED、4 个 PD 分配
- ECG 信号链：
 - 频率高达 2kHz 的单引线 ECG 信号采集
 - 用于驱动第三电极的 RLD 输出
 - 输入噪声：0.7 μ Vrms
 - 支持高达 $\pm 0.65V$ 的差分直流失调电压和 $\pm 0.55V$ 的共模范围
 - 可编程 INA 增益：11、21
 - 可实现快速饱和和恢复的高通滤波器
 - 集成式 300Hz 抗混叠低通滤波器
 - 交流、直流导联脱落检测：2.9nA 至 92.5nA
 - 低功耗持续导联接检测
- 阻抗信号链
 - 可对 2 个电极之间的阻抗进行持续低功耗监控
 - 7M Ω 范围
 - 620k Ω 上具有 300 Ω 噪声
- PPG 发送器：
 - 8 位可编程 LED 电流，可调范围为 25mA 至 250mA
 - 并行点亮两个 LED 的模式
 - 支持 8 个采用共阳极配置的 LED，适用于 SpO₂、多波长 HRM
- PPG 接收器：
 - 2 个并行接收器（两组 TIA/滤波器）
 - 支持到每个接收器的 4 路时分多路复用光电二极管输入
 - 每个 TIA 输入端的 8 位环境失调电压减法（256 μ A 范围）
 - 8 位 LED 失调电压减法 DAC（64 μ A 范围）
 - TIA 输入端的自动环境消除和动态 LED 直流消除
 - 在高达 10Hz 的频率下，环境抑制接近 100dB
 - 具有可编程带宽的噪声滤波功能
 - 跨阻增益：3.7k Ω 至 1M Ω
- 精确、连续的心率监测：
 - 在 16 μ A PD 电流下系统 SNR 高达 109dB
 - 用于在可穿戴设备上持续运行的低电流，其典型值为：LED 为 15 μ A，接收器为 20 μ A
- 外部时钟和内部振荡器模式
- 以与系统主时钟同步的方式采集数据
- 采样深度为 256 的 FIFO
- SPI、I²C 接口：可通过引脚进行选择

- 2.6mm \times 2.5mm DSBGA 封装，0.4mm 间距
- 电源：Rx：1.7V-1.9V（LDO 旁路）；1.9V-3.6V（LDO 使能），Tx：3V-5.5V，IO：1.7-RX_SUP

2 应用

- 用于可穿戴设备和耳戴式设备的光学心率监测 (HRM)
- 高性能 ECG 信号采集
- 同步监测 PPG 和 ECG 以便估算血压
- 心率变异分析 (HRV)
- 脉动式血氧计 (SpO₂) 测量

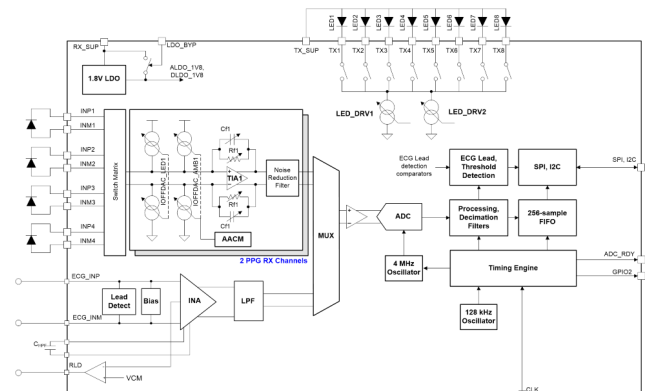
3 说明

AFE4950 器件是一款用于同步采集 PPG 和 ECG 信号的模拟前端 (AFE)。该器件还可用于心率监测 (HRM) 和外周毛细血管氧饱和度 (SpO₂) 测量等光学生物传感应用。ECG 信号链支持双电极和三电极配置，并具有集成式右腿驱动 (RLD) 缓冲器。ECG 信号链还可用于以较低功耗连续监测一对电极间的阻抗。

器件信息

器件型号	封装 ⁽¹⁾	封装尺寸 (标称值)
AFE4950	DSBGA (36)	2.60mm \times 2.50mm

(1) 如需了解所有可用封装，请参阅数据表末尾的可订购产品附录。



简化版原理图



4 Revision History

注：以前版本的页码可能与当前版本的页码不同

Changes from Revision A (July 2020) to Revision B (July 2021) Page

- 将特性列表中的交流、直流导联脱落检测值从 2.6nA 至 85nA 更改为 2.9nA 至 92.5nA 1
-

Changes from Revision * (June 2020) to Revision A (July 2020) Page

- 将数据表从预告信息更改为量产数据..... 1
-

5 Device and Documentation Support

5.1 接收文档更新通知

要接收文档更新通知，请导航至 ti.com 上的器件产品文件夹。点击 [订阅更新](#) 进行注册，即可每周接收产品信息更改摘要。有关更改的详细信息，请查看任何已修订文档中包含的修订历史记录。

5.2 支持资源

TI E2E™ 支持论坛 是工程师的重要参考资料，可直接从专家获得快速、经过验证的解答和设计帮助。搜索现有解答或提出自己的问题可获得所需的快速设计帮助。

链接的内容由各个贡献者“按原样”提供。这些内容并不构成 TI 技术规范，并且不一定反映 TI 的观点；请参阅 TI 的《[使用条款](#)》。

5.3 Trademarks

TI E2E™ is a trademark of Texas Instruments.
所有商标均为其各自所有者的财产。

5.4 静电放电警告



静电放电 (ESD) 会损坏这个集成电路。德州仪器 (TI) 建议通过适当的预防措施处理所有集成电路。如果不遵守正确的处理和安装程序，可能会损坏集成电路。

ESD 的损坏小至导致微小的性能降级，大至整个器件故障。精密的集成电路可能更容易受到损坏，这是因为非常细微的参数更改都可能会导致器件与其发布的规格不相符。

5.5 术语表

TI 术语表 本术语表列出并解释了术语、首字母缩略词和定义。

Mechanical, Packaging, and Orderable Information

The following pages include mechanical, packaging, and orderable information. This information is the most current data available for the designated devices. This data is subject to change without notice and revision of this document. For browser-based versions of this data sheet, refer to the left-hand navigation.

PACKAGING INFORMATION

Orderable Device	Status (1)	Package Type	Package Drawing	Pins	Package Qty	Eco Plan (2)	Lead finish/ Ball material (6)	MSL Peak Temp (3)	Op Temp (°C)	Device Marking (4/5)	Samples
AFE4950YBGR	ACTIVE	DSBGA	YBG	36	3000	RoHS & Green	SAC396	Level-1-260C-UNLIM	-40 to 85	AFE4950	Samples
AFE4950YBGT	ACTIVE	DSBGA	YBG	36	250	RoHS & Green	SAC396	Level-1-260C-UNLIM	-40 to 85	AFE4950	Samples

(1) The marketing status values are defined as follows:

ACTIVE: Product device recommended for new designs.

LIFEBUY: TI has announced that the device will be discontinued, and a lifetime-buy period is in effect.

NRND: Not recommended for new designs. Device is in production to support existing customers, but TI does not recommend using this part in a new design.

PREVIEW: Device has been announced but is not in production. Samples may or may not be available.

OBSOLETE: TI has discontinued the production of the device.

(2) **RoHS:** TI defines "RoHS" to mean semiconductor products that are compliant with the current EU RoHS requirements for all 10 RoHS substances, including the requirement that RoHS substance do not exceed 0.1% by weight in homogeneous materials. Where designed to be soldered at high temperatures, "RoHS" products are suitable for use in specified lead-free processes. TI may reference these types of products as "Pb-Free".

RoHS Exempt: TI defines "RoHS Exempt" to mean products that contain lead but are compliant with EU RoHS pursuant to a specific EU RoHS exemption.

Green: TI defines "Green" to mean the content of Chlorine (Cl) and Bromine (Br) based flame retardants meet JS709B low halogen requirements of <=1000ppm threshold. Antimony trioxide based flame retardants must also meet the <=1000ppm threshold requirement.

(3) MSL, Peak Temp. - The Moisture Sensitivity Level rating according to the JEDEC industry standard classifications, and peak solder temperature.

(4) There may be additional marking, which relates to the logo, the lot trace code information, or the environmental category on the device.

(5) Multiple Device Markings will be inside parentheses. Only one Device Marking contained in parentheses and separated by a "~" will appear on a device. If a line is indented then it is a continuation of the previous line and the two combined represent the entire Device Marking for that device.

(6) Lead finish/Ball material - Orderable Devices may have multiple material finish options. Finish options are separated by a vertical ruled line. Lead finish/Ball material values may wrap to two lines if the finish value exceeds the maximum column width.

Important Information and Disclaimer:The information provided on this page represents TI's knowledge and belief as of the date that it is provided. TI bases its knowledge and belief on information provided by third parties, and makes no representation or warranty as to the accuracy of such information. Efforts are underway to better integrate information from third parties. TI has taken and continues to take reasonable steps to provide representative and accurate information but may not have conducted destructive testing or chemical analysis on incoming materials and chemicals. TI and TI suppliers consider certain information to be proprietary, and thus CAS numbers and other limited information may not be available for release.

In no event shall TI's liability arising out of such information exceed the total purchase price of the TI part(s) at issue in this document sold by TI to Customer on an annual basis.

TAPE AND REEL INFORMATION

QUADRANT ASSIGNMENTS FOR PIN 1 ORIENTATION IN TAPE

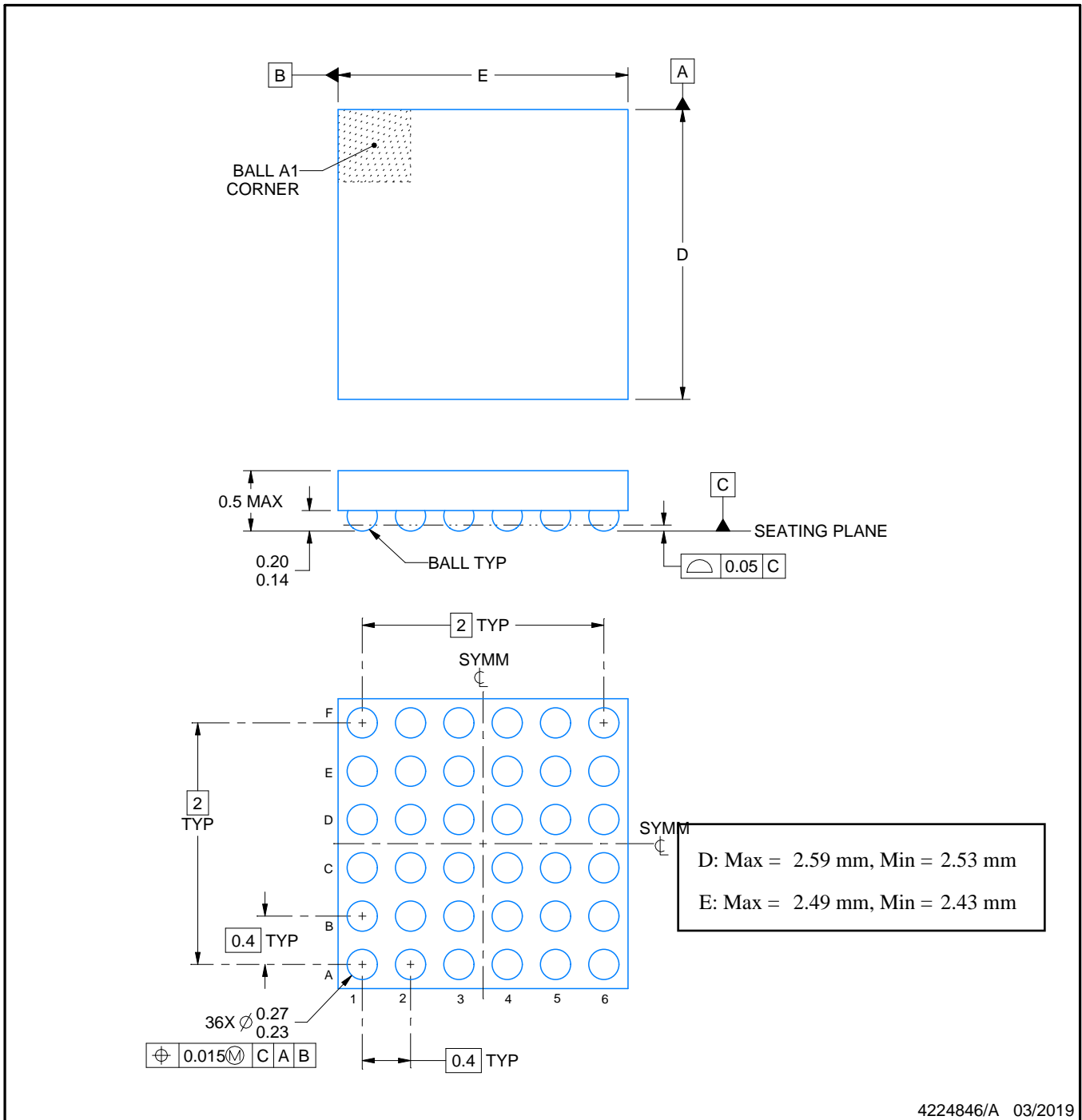
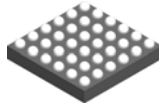

*All dimensions are nominal

Device	Package Type	Package Drawing	Pins	SPQ	Reel Diameter (mm)	Reel Width W1 (mm)	A0 (mm)	B0 (mm)	K0 (mm)	P1 (mm)	W (mm)	Pin1 Quadrant
AFE4950YBGR	DSBGA	YBG	36	3000	330.0	12.4	2.64	2.8	0.74	8.0	12.0	Q1
AFE4950YBGT	DSBGA	YBG	36	250	330.0	12.4	2.64	2.8	0.74	8.0	12.0	Q1

TAPE AND REEL BOX DIMENSIONS


*All dimensions are nominal

Device	Package Type	Package Drawing	Pins	SPQ	Length (mm)	Width (mm)	Height (mm)
AFE4950YBGR	DSBGA	YBG	36	3000	345.0	365.0	55.0
AFE4950YBGT	DSBGA	YBG	36	250	345.0	365.0	55.0



NOTES:

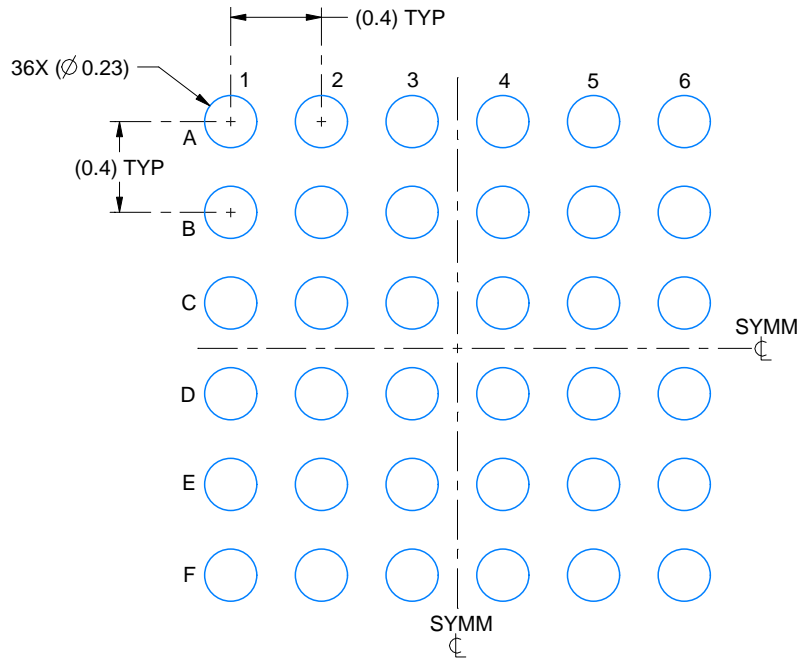
1. All linear dimensions are in millimeters. Any dimensions in parenthesis are for reference only. Dimensioning and tolerancing per ASME Y14.5M.
2. This drawing is subject to change without notice.

EXAMPLE BOARD LAYOUT

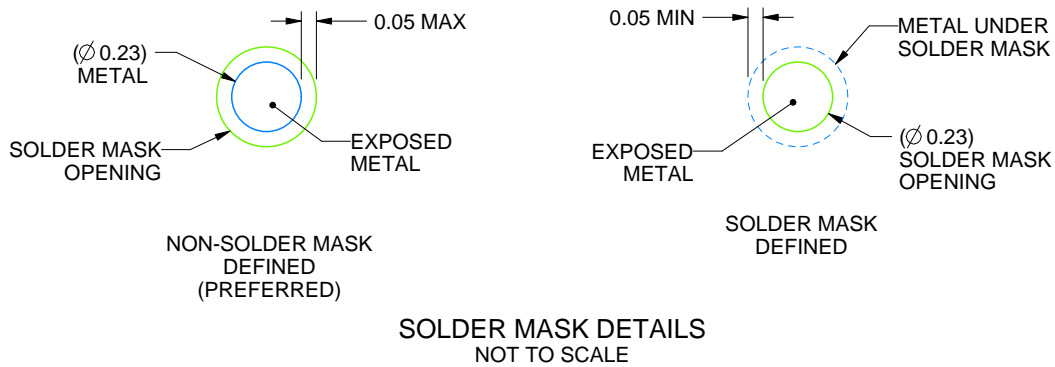
YBG0036

DSBGA - 0.5 mm max height

DIE SIZE BALL GRID ARRAY



LAND PATTERN EXAMPLE
EXPOSED METAL SHOWN
SCALE: 30X



SOLDER MASK DETAILS
NOT TO SCALE

4224846/A 03/2019

NOTES: (continued)

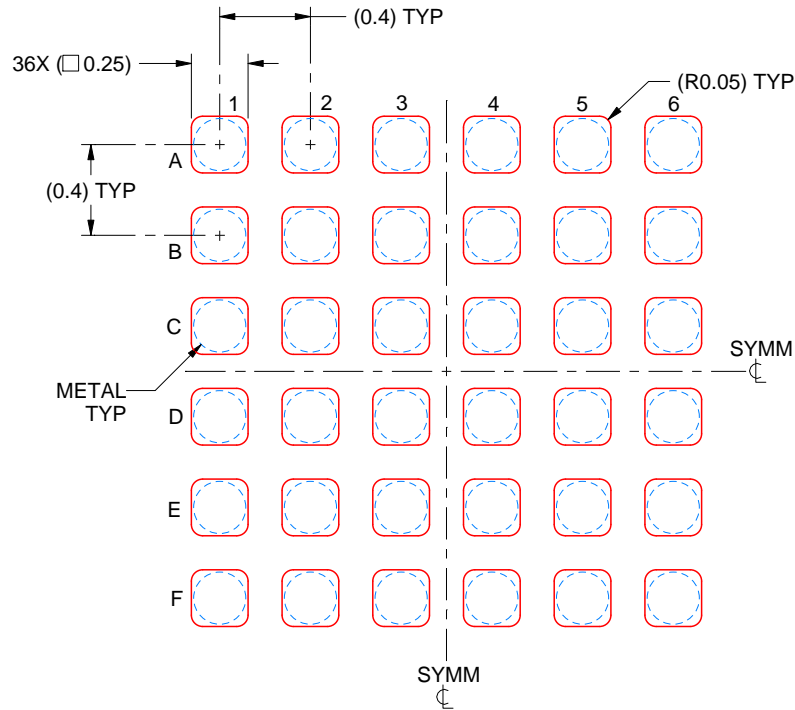
- Final dimensions may vary due to manufacturing tolerance considerations and also routing constraints. See Texas Instruments Literature No. SNVA009 (www.ti.com/lit/snva009).

EXAMPLE STENCIL DESIGN

YBG0036

DSBGA - 0.5 mm max height

DIE SIZE BALL GRID ARRAY



SOLDER PASTE EXAMPLE
BASED ON 0.1 mm THICK STENCIL
SCALE: 30X

4224846/A 03/2019

NOTES: (continued)

4. Laser cutting apertures with trapezoidal walls and rounded corners may offer better paste release.

重要声明和免责声明

TI“按原样”提供技术和可靠性数据（包括数据表）、设计资源（包括参考设计）、应用或其他设计建议、网络工具、安全信息和其他资源，不保证没有瑕疵且不做任何明示或暗示的担保，包括但不限于对适销性、某特定用途方面的适用性或不侵犯任何第三方知识产权的暗示担保。

这些资源可供使用 TI 产品进行设计的熟练开发人员使用。您将自行承担以下全部责任：(1) 针对您的应用选择合适的 TI 产品，(2) 设计、验证并测试您的应用，(3) 确保您的应用满足相应标准以及任何其他功能安全、信息安全、监管或其他要求。

这些资源如有变更，恕不另行通知。TI 授权您仅可将这些资源用于研发本资源所述的 TI 产品的应用。严禁对这些资源进行其他复制或展示。您无权使用任何其他 TI 知识产权或任何第三方知识产权。您应全额赔偿因在这些资源的使用中对 TI 及其代表造成的任何索赔、损害、成本、损失和债务，TI 对此概不负责。

TI 提供的产品受 [TI 的销售条款](#) 或 [ti.com](#) 上其他适用条款/TI 产品随附的其他适用条款的约束。TI 提供这些资源并不会扩展或以其他方式更改 TI 针对 TI 产品发布的适用的担保或担保免责声明。

TI 反对并拒绝您可能提出的任何其他或不同的条款。

邮寄地址：Texas Instruments, Post Office Box 655303, Dallas, Texas 75265

Copyright © 2023，德州仪器 (TI) 公司