

具有电源路径和基于电压 TS 的 BQ2407xT 独立型 1 节电池 1.5A 线性电 池充电器

1 特性

- 完全符合 USB 充电器标准
- 最大输入电流可选 100mA 和 500mA
- 100mA 最大电流限制可确保充电符合 USB-IF 标准
- 基于输入的动态电源管理 (VIN-DPM)，用于保护免受不良 USB 电源损害
- 28V 输入额定值，具有过压保护功能
- 集成动态电源路径管理 (DPPM) 功能可同时独立进行系统供电和对电池充电
- 系统输出跟踪电池电压 (BQ24072T)
- 借助电流监控输出 (ISET) 功能可支持高达 1.5A 的充电电流
- 针对墙上适配器的高达 1.5A 的可编程输入电流限制
- 通过 SYSOFF 输入实现的电池断开功能
- 反向电流、短路和热保护
- 基于电压的 NTC 热敏电阻灵活输入
- 专有启动序列可限制浪涌电流
- 具有充电中/充电完成和电源正常的状态指示
- 小型 3mm x 3mm 16 引线 VQFN 封装

2 应用

- 智能手机
- 掌上电脑 (PDA)
- MP3 播放器
- 低功耗手持设备

3 说明

BQ2407xT 系列器件是集成型锂离子线性充电器和系统电源路径管理器件，适用于空间受限的便携式应用。该器件由 USB 端口或交流适配器供电，支持高达 1.5A 的充电电流，还具有输入过压保护功能，因此在输入电压范围内支持非稳压适配器。BQ2407xT 的 USB 输入电流限制精度和启动序列使得这款器件能够符合 USB-IF 浪涌电流规范。此外，输入动态电源管理 (VIN-DPM) 可防止充电器损毁错误配置的 USB 电源。

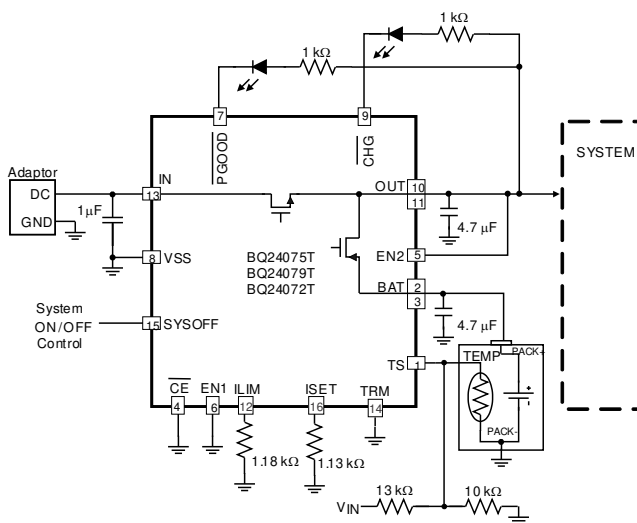
BQ2407xT 具有动态电源路径管理 (DPPM) 功能，可在为系统供电的同时独立为电池充电。当输入电流限制引起系统输出降至 DPPM 阈值时，DPPM 电路将减少充电电流；因此，可在为系统负载供电时随时监测充电电流。这个特性减少了电池上充放电周期的数量，可实现充电正常终止并使得系统能够在由有缺陷或者不完整的电池组供电的情况下运行。

器件信息(1)

| 器件型号 | 封装 | 封装尺寸 (标称值) |
|----------|-----------|-----------------|
| BQ24072T | VQFN (16) | 3.00mm x 3.00mm |
| BQ24075T | | |
| BQ24079T | | |

(1) 如需了解所有可用封装，请参阅数据表末尾的可订购产品附录。

简化电路



目录

| | | | |
|--|-----------|---|-----------|
| 1 特性 | 1 | 9.4 Device Functional Modes | 20 |
| 2 应用 | 1 | 10 Applications and Implementation | 25 |
| 3 说明 | 1 | 10.1 Application Information | 25 |
| 4 修订历史记录 | 2 | 10.2 Typical Applications | 25 |
| 5 说明 (续) | 3 | 11 Power Supply Recommendations | 31 |
| 6 Device Options | 3 | 11.1 Power On | 31 |
| 7 Pin Configuration and Functions | 4 | 12 Layout | 33 |
| 8 Specifications | 6 | 12.1 Layout Guidelines | 33 |
| 8.1 Absolute Maximum Ratings | 6 | 12.2 Layout Example | 33 |
| 8.2 ESD Ratings | 6 | 12.3 Thermal Package | 34 |
| 8.3 Recommended Operating Conditions | 6 | 13 器件和文档支持 | 35 |
| 8.4 Thermal Information | 7 | 13.1 器件支持 | 35 |
| 8.5 Electrical Characteristics | 7 | 13.2 相关链接 | 35 |
| 8.6 Typical Characteristics | 10 | 13.3 接收文档更新通知 | 35 |
| 9 Detailed Description | 13 | 13.4 支持资源 | 35 |
| 9.1 Overview | 13 | 13.5 商标 | 35 |
| 9.2 Functional Block Diagram | 13 | 13.6 静电放电警告 | 35 |
| 9.3 Feature Description | 14 | 13.7 Glossary | 35 |
| | | 14 机械、封装和可订购信息 | 35 |

4 修订历史记录

注：之前版本的页码可能与当前版本有所不同。

| Changes from Revision B (November 2014) to Revision C | Page |
|--|------|
| • 更改了数据表标题 | 1 |
| • Moved Storage temperature From: the <i>ESD table</i> to the <i>Absolute Maximum Ratings</i> | 6 |
| • Changed the <i>Handling Ratings</i> table to <i>ESD Ratings</i> | 6 |
| • Changed V_{IN-LOW} To: I_{IN-DPM} in the <i>Electrical Characteristics Power Path</i> section | 7 |
| • Changed V_{IN-LOW} To V_{IN-DPM} in the <i>Functional Block Diagram</i> | 13 |
| • Changed: "R3 must be added.." To: "R8 must be added..." in the <i>Battery Pack Temperature Monitoring</i> section | 20 |
| • Changed R6 From: 10 k Ω To: 19.1 k Ω and R7 From: 13.2 k Ω To: 8.25 k Ω in Figure 23 | 25 |
| • Changed text: "which for this case are R6 = 8.25 k Ω and R7 = 19.1k Ω .." To: "which for this case are R7 = 8.25 k Ω and R6 = 19.1 k Ω " | 26 |
| • Changed Equation 8 | 34 |

| Changes from Revision A (April 2010) to Revision B | Page |
|---|------|
| • 添加了“处理额定值”表、“特性说明”部分、器件功能模式、“应用和实施”部分、“电源相关建议”部分、“布局”部分、“器件和文档支持”部分以及“机械、封装和可订购信息”部分 | 1 |
| • Deleted text from the Pin Configuration and Functions section: "Pin out designations are not final. Subject to change." | 4 |
| • Changed $V_{O(REG)}$ to $V_{BAT(REG)}$ in Min Typ Max columns on the V_{RCH} spec. of <i>Electrical Characteristics</i> table under sub section BATTERY CHARGER | 8 |
| • Changed I_{OUT} 5.5 V To V_{OUT} 5.5 V in Figure 28 | 27 |

| Changes from Original (December 2009) to Revision A | Page |
|---|------|
| • 已添加 向数据表标题添加了 BQ24072T 器件 | 1 |
| • 已添加 添加了 BQ24072T 特性项目符号 | 1 |
| • 已添加 向图形中添加了“BQ24072T” | 1 |

| | |
|--|----|
| • Added BQ24072T spec. to Ordering Info table | 3 |
| • Added BQ24072T Pin Diagram | 4 |
| • Added BQ24072T to $V_{O(REG)}$ in the <i>Electrical Characteristics Power Path</i> section | 7 |
| • Added "BQ24072T" to V_{DPPM} in the <i>Electrical Characteristics</i> table..... | 8 |
| • Added "BQ24072T" to $V_{BAT(REG)}$ the <i>Electrical Characteristics</i> table..... | 8 |
| • Added BQ24072T Termination Disable (TD) description | 17 |
| • Added graphic entity for BQ24072T DPPM and Battery Supplement Modes | 23 |
| • Added graphic entity for BQ24072T Host Controlled Charger application..... | 29 |
| • Added Termination Disable operation procedure..... | 29 |

5 说明（续）

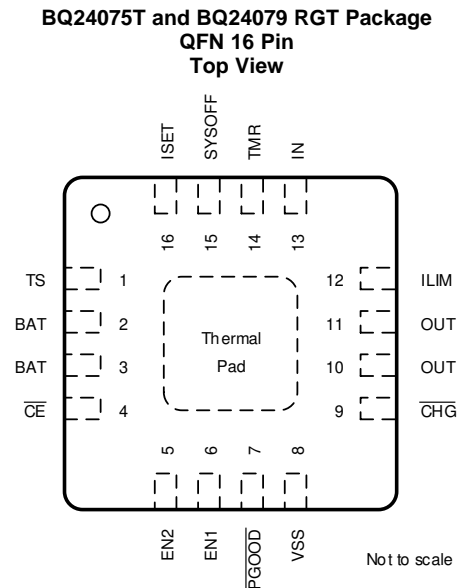
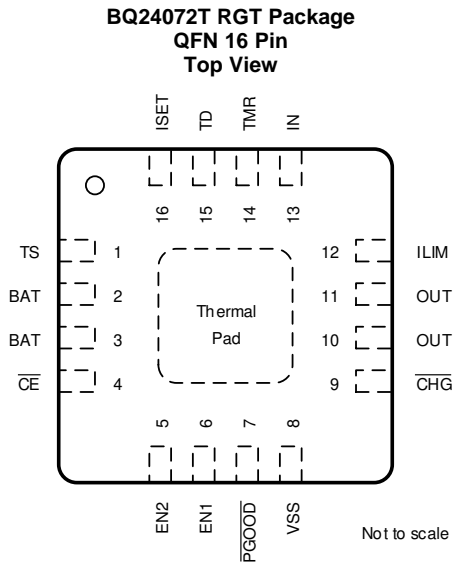
此外，该系列充电器可提供经稳压的系统输入，即使在电池完全放电的情况下，也可使系统在连接电源后实现瞬间开启。此电源路径管理架构还允许在适配器不能够发送峰值系统电流时补偿系统电流需求，从而使得能够使用较小的适配器。

电池充电发生于以下三个阶段：调节、恒定电流和恒定电压。在所有的充电阶段，一个内部控制环路监测 IC 结温并且如果超过此内部温度阈值则减少充电电流。充电器功率级和充电电流感应功能完全集成在了一起。该充电器具高精度电流和电压调节环路、充电状态显示和充电终止功能。输入电流限制和充电电流可使用外部电阻编程设定。

6 Device Options

| PART NO. | V_{OVP} | $V_{BAT(REG)}$ | $V_{OUT(REG)}$ | V_{DPPM} | OPTIONAL FUNCTION |
|--------------|-----------|----------------|----------------------------|-----------------------------|-------------------|
| BQ24072TRGTR | 6.6 V | 4.2 V | $V_{BAT} + 225 \text{ mV}$ | $V_{OREG} - 100 \text{ mV}$ | TD |
| BQ24072TRGTT | 6.6 V | 4.2 V | $V_{BAT} + 225 \text{ mV}$ | $V_{OREG} - 100 \text{ mV}$ | TD |
| BQ24075TRGTR | 6.6 V | 4.2 V | 5.5 V | 4.3 V | SYSOFF |
| BQ24075TRGTT | 6.6 V | 4.2 V | 5.5 V | 4.3 V | SYSOFF |
| BQ24079TRGTR | 6.6 V | 4.1 V | 5.5 V | 4.3 V | SYSOFF |
| BQ24079TRGTT | 6.6 V | 4.1 V | 5.5 V | 4.3 V | SYSOFF |

7 Pin Configuration and Functions



Pin Functions

| NAME | PIN NUMBER | | I/O | DESCRIPTION |
|--------------------|------------|----------------------|-----|---|
| | BQ24072T | BQ24075T BQ24079T | | |
| TS | 1 | 1 | I/O | External NTC Thermistor Input. Connect the TS input to the center tap of a resistor divider from V_{IN} to GND with the NTC in parallel with the bottom resistor to monitor the NTC in the battery pack. For applications that do not utilize the TS function, set the resistor divider to be a 20% ratio. See the Battery Pack Temperature Monitoring section for details on calculating the resistor values. |
| BAT | 2, 3 | 2, 3 | I/O | Charger Power Stage Output and Battery Voltage Sense Input. Connect BAT to the positive terminal of the battery. Bypass BAT to VSS with a 4.7 μ F to 47 μ F ceramic capacitor. |
| \overline{CE} | 4 | 4 | I | Charge Enable Active-Low Input. Connect \overline{CE} to a high logic level to place the battery charger in standby mode. In standby mode, OUT is active and battery supplement mode is available. Connect \overline{CE} to a low logic level to enable the battery charger. \overline{CE} is internally pulled down with \sim 285k Ω . Do not leave \overline{CE} unconnected to ensure proper operation. |
| EN2 | 5 | 5 | I | Input Current Limit Configuration Inputs. Use EN1 and EN2 to control the maximum input current and enable USB compliance. See for the description of the operation states. EN1 and EN2 are internally pulled down with \sim 285k Ω . Do not leave EN1 or EN2 unconnected to ensure proper operation. |
| EN1 | 6 | 6 | I | |
| \overline{PGOOD} | 7 | 7 | O | Open-Drain Power Good Status Indication Output. \overline{PGOOD} pulls to VSS when a valid input source is detected. \overline{PGOOD} is high-impedance when the input power is not within specified limits. Connect \overline{PGOOD} to the desired logic voltage rail using a 1k Ω to 100k Ω resistor, or use with an LED for visual indication. |
| VSS | 8 | 8 | – | Ground. Connect to the thermal pad and to the ground rail of the circuit. |
| \overline{CHG} | 9 | 9 | O | Open-Drain Charging Status Indication Output. \overline{CHG} pulls to VSS when the battery is charging. \overline{CHG} is high-impedance when charging is complete or when the charger is disabled. \overline{CHG} flashes to indicate a timer fault. Connect \overline{CHG} to the desired logic voltage rail using a 1k Ω to 100k Ω resistor, or use with an LED for visual indication. |
| OUT | 10, 11 | 10, 11 | O | System Supply Output. OUT provides a regulated output when the input is below the OVP threshold and above the regulation voltage. When the input is out of the operation range, OUT is connected to VBAT except when SYSOFF is high. Connect OUT to the system load. Bypass OUT to VSS with a 4.7 μ F to 47 μ F ceramic capacitor. |
| ILIM | 12 | 12 | O | Adjustable Current Limit Programming Input. Connect a 1.07k Ω to 7.5k Ω resistor from ILIM to VSS to program the maximum input current (EN2=1, EN1=0). The input current includes the system load and the battery charge current. Leaving ILIM unconnected disables all charging. |
| IN | 13 | 13 | I | Input Power Connection. Connect IN to the external DC supply (AC adapter or USB port). The input operating range is 4.35V to 6.6V. The input accepts voltages up to 26V without damage, but operation is suspended. Bypass IN to VS with a 1 μ F to 10 μ F ceramic capacitor. |
| TMR | 14 | 14 | I | Timer Programming Input. TMR controls the pre-charge and fast-charge safety timers. Connect TMR to VSS to disable all safety timers. Connect a 18k Ω to 72k Ω resistor between TMR and VSS to program the timers to a desired length. Leave TMR unconnected to set the timers to the default values. |

Pin Functions (continued)

| PIN | | | | DESCRIPTION |
|-------------|----------|----------------------|-----|--|
| NAME | NUMBER | | I/O | |
| | BQ24072T | BQ24075T BQ24079T | | |
| SYSOFF | – | 15 | I | System Enable Input. Connect SYSOFF high to turn off the FET connecting the battery to the system output. When an adapter is connected, charge is also disabled. Connect SYSOFF low for normal operation. SYSOFF is internally pulled up to VBAT through a large resistor (~5MΩ). Do not leave SYSOFF unconnected to ensure proper operation. |
| TD | 15 | – | I | Termination Disable Input. Connect TD high to disable charger termination. Connect TD to VSS to enable charger termination. TD is checked during startup only and cannot be changed during operation. See the TD section in this datasheet for a description of the behavior when termination is disabled. TD is internally pulled down to VSS with ~285 kΩ. Do not leave TD unconnected to ensure proper operation. |
| ISET | 16 | 16 | I/O | Fast Charge Current Programming Input. Connect a 590 Ω to 3 kΩ resistor from ISET to VSS to program the fast charge current level. Charging is disabled if ISET is left unconnected. While charging, the voltage ISET reflects the actual charging current and can be used to monitor charge current. See the Charge Current Translator section of this datasheet for more details. |
| Thermal Pad | – | -- | – | There is an internal electrical connection between the exposed thermal pad and the VSS pin of the device. The thermal pad must be connected to the same potential as the VSS pin on the printed circuit board. Do not use the thermal pad as the primary ground input for the device. VSS must be connected to ground at all times. |

Table 1. EN1/EN2 Settings

| EN2 | EN1 | MAXIMUM INPUT CURRENT INTO IN |
|-----|-----|---|
| 0 | 0 | 100 mA. USB100 mode |
| 0 | 1 | 500 mA. USB500 mode |
| 1 | 0 | Set by external resistor from ILIM to VSS |
| 1 | 1 | Standby (USB suspend mode) |

8 Specifications

8.1 Absolute Maximum Ratings^{(1) (2)}

over operating free-air temperature range (unless otherwise noted)

| | | MIN | MAX | UNIT |
|--------------------------------|--|------|-----|------|
| Input voltage | IN (with respect to VSS) | -0.3 | 28 | V |
| | BAT (with respect to VSS) | -0.3 | 5 | V |
| | OUT, EN1, EN2, \overline{CE} , TS, ISET, \overline{PGOOD} , \overline{CHG} , ILIM, VREF, ITERM, SYSOFF, TD (with respect to VSS) | -0.3 | 7 | V |
| Input current | IN | | 1.6 | A |
| Output current (Continuous) | OUT | | 5 | A |
| | BAT (Discharge mode) | | 5 | A |
| | BAT (Charging mode) | | 1.5 | A |
| Output sink current | \overline{CHG} , \overline{PGOOD} | | 15 | mA |
| Junction temperature, T_J | | -40 | 150 | °C |
| Storage temperature, T_{stg} | | -65 | 150 | °C |

- Stresses beyond those listed under *absolute maximum ratings* may cause permanent damage to the device. These are stress ratings only, and functional operation of the device at these or any other conditions beyond those indicated under *recommended operating conditions* is not implied. Exposure to absolute-maximum-rated conditions for extended periods may affect device reliability.
- The IC operational charging life is reduced to 20,000 hours, when charging at 1.5A and 125°C. The thermal regulation feature reduces charge current if the IC's junction temperature reaches 125°C; thus without a good thermal design the maximum programmed charge current may not be reached.

8.2 ESD Ratings

| | | | VALUE | UNIT |
|-------------|-------------------------|--|-------|------|
| $V_{(ESD)}$ | Electrostatic discharge | Human body model (HBM), per ANSI/ESDA/JEDEC JS-001, all pins ⁽¹⁾ | ±2000 | V |
| | | Charged device model (CDM), per JEDEC specification JESD22-C101, all pins ⁽²⁾ | ±500 | V |

- JEDEC document JEP155 states that 500-V HBM allows safe manufacturing with a standard ESD control process.
- JEDEC document JEP157 states that 250-V CDM allows safe manufacturing with a standard ESD control process.

8.3 Recommended Operating Conditions

over operating free-air temperature range (unless otherwise noted)

| | | MIN | MAX | UNITS |
|-------------|---|------|--------------------|------------|
| V_{IN} | IN voltage range | 4.35 | 26 | V |
| | IN operating voltage range | 4.35 | 6.4 | V |
| I_{IN} | Input current, IN pin | | 1.5 | A |
| I_{OUT} | Current, OUT pin | | 4.5 | A |
| I_{BAT} | Current, BAT pin (Discharging) | | 4.5 | A |
| I_{CHG} | Current, BAT pin (Charging) | | 1.5 ⁽¹⁾ | A |
| T_J | Junction Temperature | 0 | 125 | °C |
| R_{ILIM} | Maximum input current programming resistor | 1.07 | 7.5 | k Ω |
| R_{ISET} | Fast-charge current programming resistor ⁽²⁾ | 590 | 3000 | Ω |
| R_{ITERM} | Termination current programming resistor | 0 | 15 | k Ω |
| R_{TMR} | Timer programming resistor | 18 | 72 | k Ω |

- The IC operational charging life is reduced to 20,000 hours, when charging at 1.5A and 125°C. The thermal regulation feature reduces charge current if the IC's junction temperature reaches 125°C; thus without a good thermal design the maximum programmed charge current may not be reached.
- Use a 1% tolerance resistor R_{ISET} to avoid issues with the R_{ISET} short test when using the maximum charge current setting.

8.4 Thermal Information

| THERMAL METRIC ⁽¹⁾ | | RGT [VQFN] | UNIT |
|-------------------------------|--|------------|------|
| | | 16 PINS | |
| R _{θJA} | Junction-to-ambient thermal resistance | 45.8 | °C/W |
| R _{θJC(top)} | Junction-to-case (top) thermal resistance | 53.6 | °C/W |
| R _{θJB} | Junction-to-board thermal resistance | 18.1 | °C/W |
| ψ _{JT} | Junction-to-top characterization parameter | 1.1 | °C/W |
| ψ _{JB} | Junction-to-board characterization parameter | 18.0 | °C/W |
| R _{θJC(bot)} | Junction-to-case (bottom) thermal resistance | 5.2 | °C/W |

(1) For more information about traditional and new thermal metrics, see the *IC Package Thermal Metrics* application report, [SPRA953](#).

8.5 Electrical Characteristics

Over junction temperature range (0°C < T_J < 125°C) and the recommended supply voltage range (unless otherwise noted)

| PARAMETER | | TEST CONDITIONS | MIN | TYP | MAX | UNIT |
|--------------------------------------|---|--|--------------------------------------|---------------------------|---------------------------|------|
| INPUT | | | | | | |
| V _{UVLO} | Under-voltage lock-out | V _{IN} : 0V → 4V | 3.2 | 3.3 | 3.4 | V |
| V _{HYS-UVLO} | Hysteresis on UVLO | V _{IN} : 4V → 0V | 200 | | 300 | mV |
| V _{IN-DT} | Input power detection threshold | (Input power detected if V _{IN} > V _{BAT} + V _{IN-DT}) V _{BAT} = 3.6V, V _{IN} : 3.5V → 4V | 55 | 80 | 140 | mV |
| V _{HYS-INDT} | Hysteresis on V _{IN-DT} | V _{BAT} = 3.6V, V _{IN} : 4V → 3.5V | 20 | | | mV |
| t _{DGL(PGOOD)} | Deglitch time, input power detected status | Time measured from V _{IN} : 0V → 5V, 1μs rise-time to PGOOD = LO | | 1.2 | | ms |
| V _{OVP} | Input overvoltage protection threshold | V _{IN} : 5V → 7V | 6.4 | 6.6 | 6.8 | V |
| V _{HYS-OVP} | Hysteresis on OVP | V _{IN} : 7V → 5V | | 240 | | mV |
| t _{BLK(OVP)} | Input over-voltage blanking time | | | 50 | | μs |
| t _{REC(OVP)} | Input over-voltage recovery time | Time measured from V _{IN} : 11V → 5V 1μs fall-time to PGOOD = LO | | 1.2 | | ms |
| ILIM, ISET SHORT CIRCUIT TEST | | | | | | |
| I _{SC} | Current source | | | 1.3 | | mA |
| V _{SC} | | | | 520 | | mV |
| QUIESCENT CURRENT | | | | | | |
| I _{BAT(PDWN)} | Sleep current into BAT pin | \overline{CE} = LO or HI, input power not detected, no load on OUT pin | | | 6.5 | μA |
| I _{IN(STDBY)} | Standby current into IN pin | EN1 = HI, EN2 = HI, V _{IN} ≤ 6V EN1 = HI, EN2 = HI, V _{IN} > 6V | | | 50 200 | μA |
| I _{CC} | Active supply current, IN pin | \overline{CE} = LO, V _{IN} = 6V, no load on OUT pin, V _{BAT} > V _{BAT(REG)} , (EN1, EN2) ≠ (HI, HI) | | | 1.5 | mA |
| POWER PATH | | | | | | |
| V _{DO(IN-OUT)} | V _{IN} - V _{OUT} | V _{IN} = 4.3V, I _{IN} = 1A, V _{BAT} = 4.2V | | 300 | 475 | mV |
| V _{DO(BAT-OUT)} | V _{BAT} - V _{OUT} | I _{OUT} = 1A, V _{IN} = 0V, V _{BAT} > 3V | | 50 | 100 | mV |
| V _{O(REG)} | OUT pin voltage regulation (BQ24072T) | V _{IN} > V _{OUT} + V _{DO(IN-OUT)} , V _{BAT} < 3.2 V | 3.3 | 3.4 | 3.5 | V |
| | | V _{IN} > V _{OUT} + V _{DO(IN-OUT)} , V _{BAT} ≥ 3.2 V | V _{BAT} + 150 mV | V _{BAT} + 225 mV | V _{BAT} + 270 mV | |
| | OUT pin voltage regulation (BQ24075T, BQ24079T) | V _{IN} > V _{OUT} + V _{DO(IN-OUT)} | 5.4 | 5.5 | 5.6 | |
| I _{IN-MAX} | Maximum input current | EN1 = LO, EN2 = LO | 90 | 95 | 100 | mA |
| | | EN1 = HI, EN2 = LO | 450 | 475 | 500 | mA |
| | | EN2 = HI, EN1 = LO | K _{ILIM} /R _{ILIM} | | | A |
| K _{ILIM} | Maximum input current factor | ILIM ≥ 500mA | 1500 | 1600 | 1700 | AΩ |
| | | 200mA < ILIM < 500mA | 1330 | 1512 | 1700 | |
| I _{IN-MAX} | Programmable input current limit range | EN2 = HI, EN1 = LO, R _{ILIM} = 8kΩ to 1.1kΩ | 200 | | 1500 | mA |
| V _{IN-DPM} | Input voltage threshold when input current is reduced | EN2 = LO, EN1 = X | 4.35 | 4.5 | 4.63 | V |

Electrical Characteristics (continued)

 Over junction temperature range ($0^{\circ}\text{C} < T_J < 125^{\circ}\text{C}$) and the recommended supply voltage range (unless otherwise noted)

| PARAMETER | | TEST CONDITIONS | MIN | TYP | MAX | UNIT |
|--------------------------------|--|---|--------------------------|--------------------------|-------------------------|---------------|
| V_{DPPM} | Output voltage threshold when charging current is reduced | BQ24072T | $V_{O(REG)}$ –180 mV | $V_{O(REG)}$ –100 mV | $V_{O(REG)}$ –30 mV | V |
| | | BQ24075T, BQ24079T | 4.2 | 4.3 | 4.4 | |
| V_{BSUP1} | Enter battery supplement mode | VOUT falling, Supplement mode entered when $V_{OUT} < V_{BSUP1}$ | | $V_{BAT} - 40\text{mV}$ | | V |
| V_{BSUP2} | Exit battery supplement mode | VOUT rising, Supplement mode exited when $V_{OUT} > V_{BSUP2}$ | | $V_{BAT} - 20\text{mV}$ | | V |
| $V_{O(SC1)}$ | Output short-circuit detection threshold, power-on | | 0.8 | 0.9 | 1.0 | V |
| $V_{O(SC2)}$ | Output short-circuit detection threshold, supplement mode $V_{BAT} - V_{OUT} > V_{O(SC2)}$ indicates short-circuit | | 200 | 250 | 300 | mV |
| $t_{DGL(SC2)}$ | Deglintch time, supplement mode short circuit | | | 250 | | μs |
| $t_{REC(SC2)}$ | Recovery time, supplement mode short circuit | | | 60 | | ms |
| BATTERY CHARGER | | | | | | |
| $I_{BAT(SC)}$ | Source current for BAT pin short-circuit detection | | 4 | 7.5 | 11 | mA |
| $V_{BAT(SC)}$ | BAT pin short-circuit detection threshold | | 1.6 | 1.8 | 2.0 | V |
| $V_{BAT(REG)}$ | Battery charge voltage | BQ24072T, BQ24075T | 4.16 | 4.20 | 4.24 | V |
| | | BQ24079T | 4.059 | 4.100 | 4.141 | |
| V_{LOWV} | Pre-charge to fast-charge transition threshold | | 2.9 | 3 | 3.1 | V |
| $t_{DGL1(LOWV)}$ | Deglintch time on pre-charge to fast-charge transition | | | 25 | | ms |
| $t_{DGL2(LOWV)}$ | Deglintch time on fast-charge to pre-charge transition | | | 25 | | ms |
| I_{CHG} | Battery fast charge current range | $V_{BAT(REG)} > V_{BAT} > V_{LOWV}$, $V_{IN} = 5\text{V}$, $\overline{CE} = \text{LO}$, $\text{EN1} = \text{LO}$, $\text{EN2} = \text{HI}$ | 300 | | 1500 | mA |
| I_{CHG} | Battery fast charge current | $\overline{CE} = \text{LO}$, $\text{EN1} = \text{LO}$, $\text{EN2} = \text{HI}$, $V_{BAT} > V_{LOWV}$, $V_{IN} = 5\text{V}$, $I_{IN-MAX} > I_{CHG}$, no load on OUT pin, thermal loop not active, DPM loop not active | | K_{ISET}/R_{ISET} | | A |
| K_{ISET} | Fast charge current factor | | 797 | 890 | 975 | $A\Omega$ |
| I_{PRECHG} | Pre-charge current | | | K_{PRECHG}/R_{ISET} | | A |
| k_{PRECHG} | Pre-charge current factor | | 70 | 88 | 106 | |
| I_{TERM} | Charge current value for termination detection threshold | $\overline{CE} = \text{LO}$, $(\text{EN1}, \text{EN2}) \neq (\text{LO}, \text{LO})$, $V_{BAT} > V_{RCH}$, $t < t_{MAXCH}$, $V_{IN} = 5\text{V}$, DPM loop not active, thermal loop not active | $0.09 \times I_{CHG}$ | $0.1 \times I_{CHG}$ | $0.11 \times I_{CHG}$ | |
| | | $\overline{CE} = \text{LO}$, $(\text{EN1}, \text{EN2}) = (\text{LO}, \text{LO})$, $V_{BAT} > V_{RCH}$, $t < t_{MAXCH}$, $V_{IN} = 5\text{V}$, DPM loop not active, thermal loop not active | $0.027 \times I_{CHG}$ | $0.033 \times I_{CHG}$ | $0.040 \times I_{CHG}$ | |
| $t_{DGL(TERM)}$ | Deglintch time, termination detected | | | 25 | | ms |
| V_{RCH} | Recharge detection threshold | | $V_{BAT(REG)}$ –140mV | $V_{BAT(REG)}$ –100mV | $V_{BAT(REG)}$ –60mV | V |
| $t_{DGL(RCH)}$ | Deglintch time, recharge threshold detected | | | 62.5 | | ms |
| $t_{DGL(NO-IN)}$ | Delay time, input power loss to charger turn-off | $V_{BAT} = 3.6\text{V}$. Time measured from V_{IN} : $5\text{V} \rightarrow 3.3\text{V}$ $1\mu\text{s}$ fall-time | | 20 | | ms |
| $I_{BAT(DET)}$ | Sink current for battery detection | | 5 | 7.5 | 10 | mA |
| t_{DET} | Battery detection timer | | | 250 | | ms |
| BATTERY CHARGING TIMERS | | | | | | |
| t_{PRECHG} | Pre-charge safety timer value | TMR = floating | 1440 | 1800 | 2160 | s |
| t_{MAXCH} | Charge safety timer value | TMR = floating | 14400 | 18000 | 21600 | s |
| t_{PRECHG} | Pre-charge safety timer value(externally set) | $18\text{k}\Omega < R_{TMR} < 72\text{k}\Omega$ | | $R_{TMR} \times K_{TMR}$ | | s |

Electrical Characteristics (continued)

Over junction temperature range ($0^{\circ}\text{C} < T_J < 125^{\circ}\text{C}$) and the recommended supply voltage range (unless otherwise noted)

| PARAMETER | | TEST CONDITIONS | MIN | TYP | MAX | UNIT |
|---|---|--|--|------|------|----------------------|
| t_{MAXCH} | Charge safety timer value (externally set) | $18\text{k}\Omega < R_{\text{TMR}} < 72\text{k}\Omega$ | $10 \times R_{\text{TMR}} \times K_{\text{TMR}}$ | | | s |
| K_{TMR} | Timer factor | | 35 | 45 | 55 | s / $\text{k}\Omega$ |
| BATTERY – PACK NTC MONITOR | | | | | | |
| V_{HOT} | High temperature trip point | Battery charging | 12 | 12.5 | 13 | % of V_{IN} |
| $V_{\text{HYS(HOT)}}$ | Hysteresis on high trip point | Battery charging | | 1 | | % of V_{IN} |
| V_{COLD} | Low temperature trip point | Battery charging | 24.5 | 25 | 25.5 | % of V_{IN} |
| $V_{\text{HYS(COLD)}}$ | Hysteresis on low trip point | Battery charging | | 1 | | % of V_{IN} |
| $t_{\text{DGL(TS)}}$ | Deglitch time, pack temperature fault detection | Battery charging | | 50 | | ms |
| THERMAL REGULATION | | | | | | |
| $T_{\text{J(REG)}}$ | Temperature Regulation Limit | | | 125 | | $^{\circ}\text{C}$ |
| $T_{\text{J(OFF)}}$ | Thermal shutdown temperature | | | 155 | | $^{\circ}\text{C}$ |
| $T_{\text{J(OFF-HYS)}}$ | Thermal shutdown hysteresis | | | 20 | | $^{\circ}\text{C}$ |
| LOGIC LEVELS ON EN1, EN2, $\overline{\text{CE}}$, SYSOFF, TD | | | | | | |
| V_{IL} | Logic LOW input voltage | | 0 | | 0.4 | V |
| V_{IH} | Logic HIGH input voltage | | 1.4 | | 6.0 | V |
| I_{IL} | | | | | 1 | μA |
| I_{IH} | | | | | 10 | μA |
| LOGIC LEVELS ON $\overline{\text{PGOOD}}$, $\overline{\text{CHG}}$ | | | | | | |
| V_{OL} | Output LOW voltage | $I_{\text{SINK}} = 5 \text{ mA}$ | | | 0.4 | V |

8.6 Typical Characteristics

$V_{IN} = 6\text{ V}$, $EN1 = 1$, $EN2 = 0$, $T_A = 25^\circ\text{C}$, unless otherwise noted.

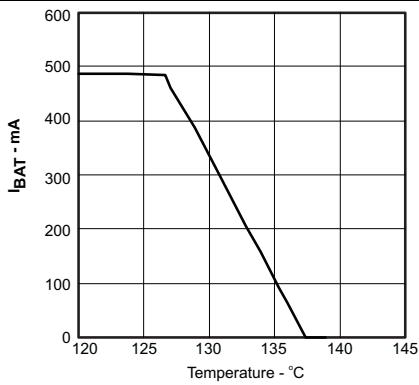


Figure 1. Thermal Regulation

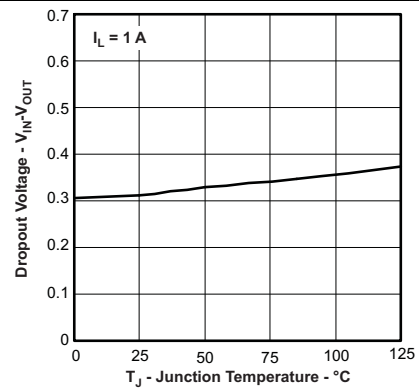


Figure 2. Dropout Voltage vs Temperature

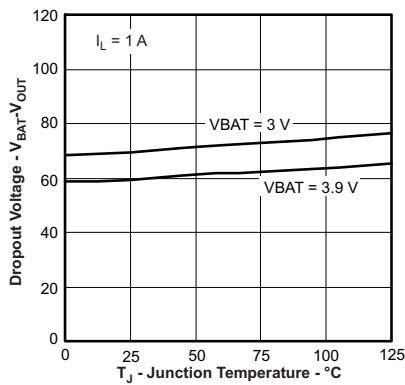


Figure 3. Dropout Voltage vs Temperature

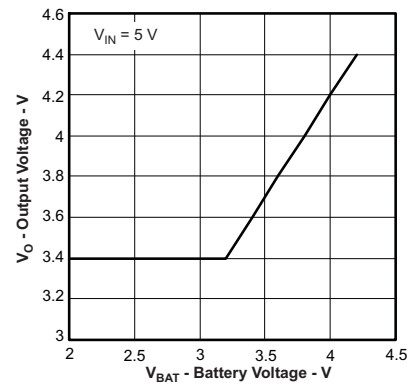


Figure 4. BQ24072T Output Regulation Voltage vs Battery Voltage

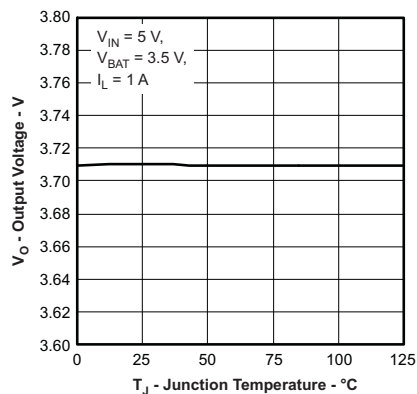


Figure 5. BQ24072T Output Regulation Voltage vs Temperature

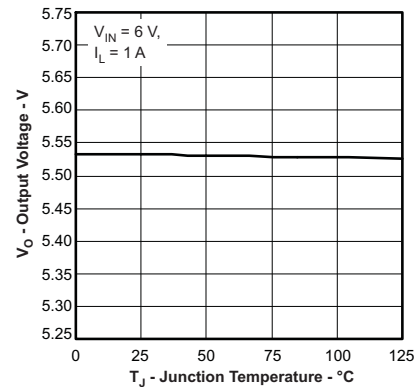


Figure 6. Output Regulation Voltage vs Temperature

Typical Characteristics (continued)

$V_{IN} = 6\text{ V}$, $EN1 = 1$, $EN2 = 0$, $T_A = 25^\circ\text{C}$, unless otherwise noted.

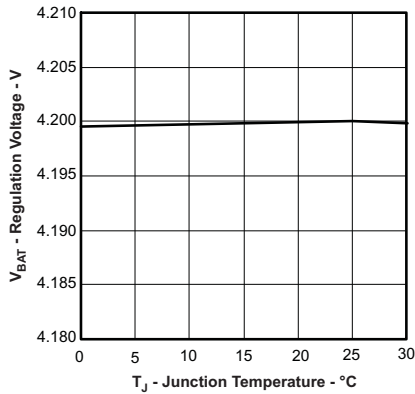


Figure 7. BQ24075T BAT Regulation Voltage vs Temperature

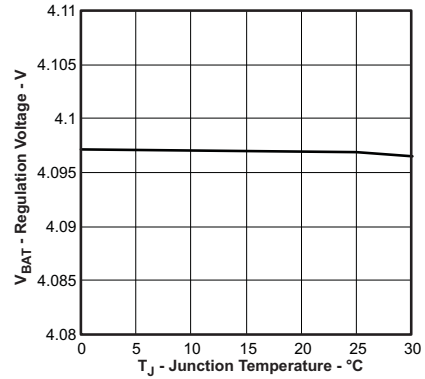


Figure 8. BQ24079T Battery Regulation Voltage vs Temperature

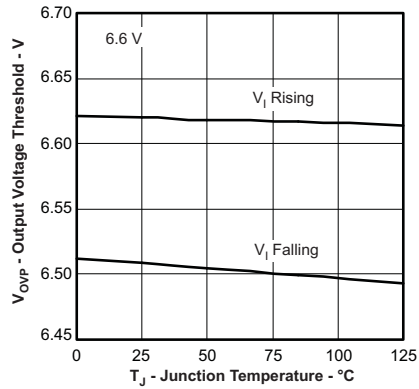


Figure 9. Overvoltage Protection Threshold vs Temperature

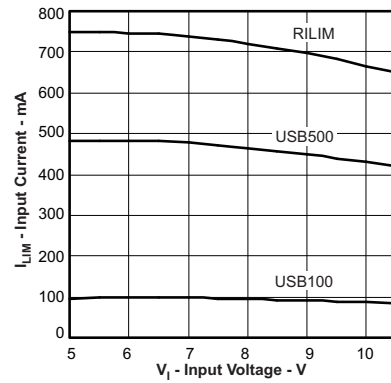


Figure 10. Input Current Limit vs Input Voltage

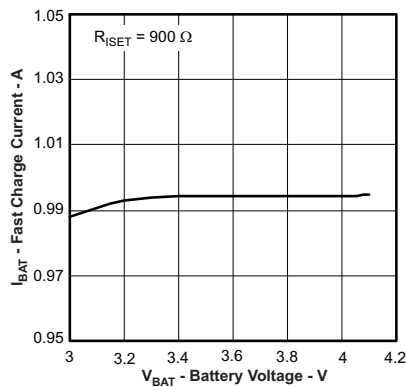


Figure 11. Fastcharge Current vs Battery Voltage

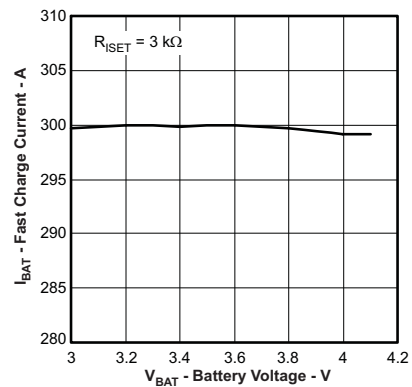


Figure 12. Fastcharge Current vs Battery Voltage

Typical Characteristics (continued)

$V_{IN} = 6\text{ V}$, $EN1 = 1$, $EN2 = 0$, $T_A = 25^\circ\text{C}$, unless otherwise noted.

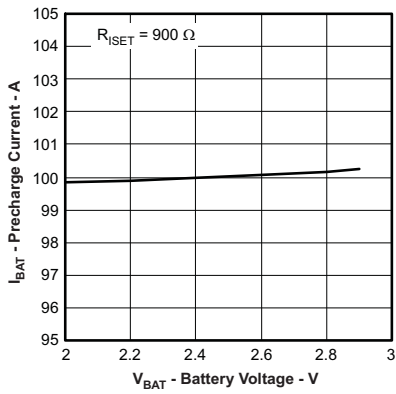


Figure 13. Fastcharge Current vs Battery Voltage

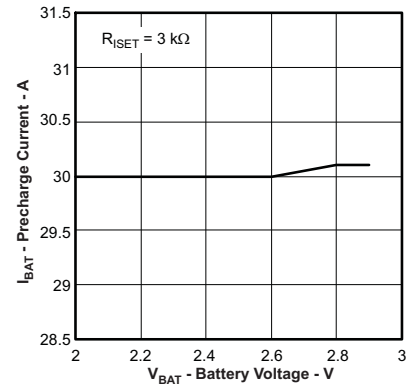


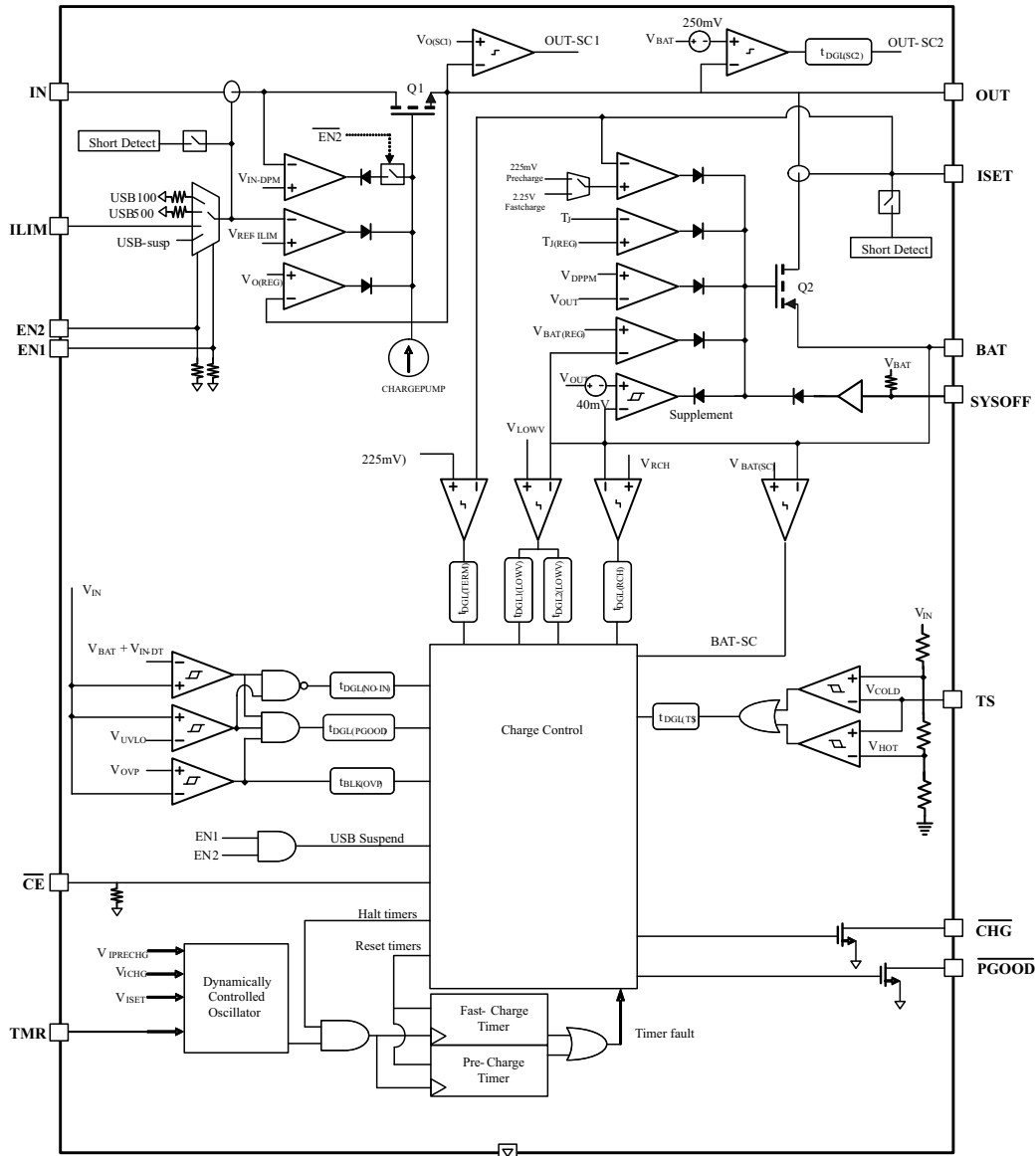
Figure 14. Precharge Current vs Battery Voltage

9 Detailed Description

9.1 Overview

The BQ2407x devices are integrated Li-Ion linear chargers and system power path management devices targeted at space-limited portable applications. The device powers the system while simultaneously and independently charging the battery. This feature reduces the number of charge and discharge cycles on the battery, allows for proper charge termination and enables the system to run with a defective or absent battery pack. It also allows instant system turn-on even with a totally discharged battery. The input power source for charging the battery and running the system can be an AC adapter or a USB port. The devices feature Dynamic Power Path Management (DPPM), which shares the source current between the system and battery charging, and automatically reduces the charging current if the system load increases. When charging from a USB port, the input dynamic power management (V_{IN-DPM}) circuit reduces the input current if the input voltage falls below a threshold, preventing the USB port from crashing. The power-path architecture also permits the battery to supplement the system current requirements when the adapter cannot deliver the peak system currents.

9.2 Functional Block Diagram



9.3 Feature Description

9.3.1 Undervoltage Lockout (UVLO)

The BQ2407X family remains in power down mode when the input voltage at the IN pin is below the undervoltage threshold (UVLO). During the power down mode the host commands at the control inputs ($\overline{\text{CE}}$, EN1 and EN2) are ignored. The Q1 FET connected between IN and OUT pins is off, and the status outputs, $\overline{\text{CHG}}$ and $\overline{\text{PGOOD}}$, are high impedance. The Q2 FET that connects BAT to OUT is ON. (If SYSOFF is high, Q2 is off). During power down mode, the VOUT(SC2) circuitry is active and monitors for overload conditions on OUT.

9.3.2 Overvoltage Protection (OVP)

The BQ2407xT accepts inputs up to 28V without damage. Additionally, an overvoltage protection (OVP) circuit is implemented that shuts off the internal LDO and discontinues charging when $V_{\text{IN}} > V_{\text{OVP}}$ for a period longer than $t_{\text{DGL(OVP)}}$. When in OVP, the system output (OUT) is connected to the battery and $\overline{\text{PGOOD}}$ is high impedance. Once the OVP condition is removed, a new power on sequence starts (See the *POWER ON* section). The safety timers are reset and a new charge cycle will be indicated by the $\overline{\text{CHG}}$ output.

9.3.3 Dynamic Power-Path Management

The BQ2407xT features an OUT output that powers the external load connected to the battery. This output is active whenever a source is connected to IN or BAT. The following sections discuss the behavior of OUT with a source connected to IN to charge the battery and a battery source only.

9.3.4 Battery Charging

Set $\overline{\text{CE}}$ low to initiate battery charging. First, the device checks for a short-circuit on the BAT pin by sourcing $I_{\text{BAT(SC)}}$ to the battery and monitoring the voltage. When the BAT voltage exceeds $V_{\text{BAT(SC)}}$, the battery charging continues. The battery is charged in three phases: conditioning pre-charge, constant current fast charge (current regulation) and a constant voltage tapering (voltage regulation). In all charge phases, an internal control loop monitors the IC junction temperature and reduces the charge current if an internal temperature threshold is exceeded.

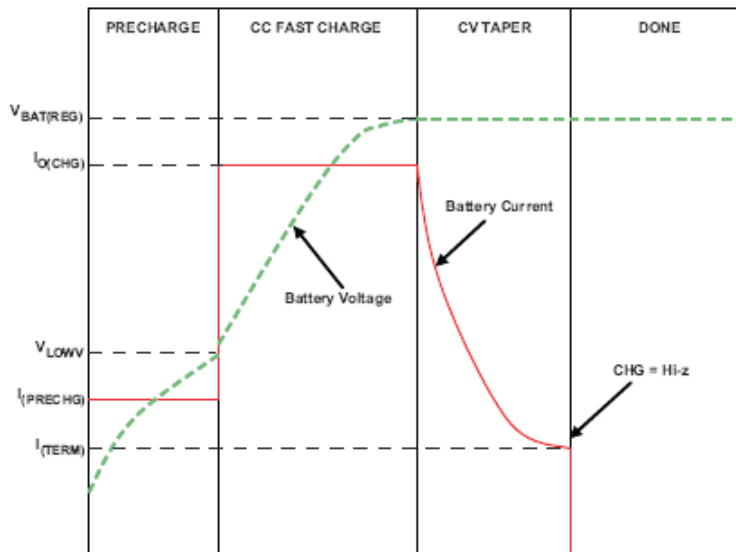


Figure 15. Typical Charging Cycle

Feature Description (continued)

Figure 15 illustrates a normal Li-Ion charge cycle using the BQ2407xT. In the pre-charge phase, the battery is charged at with the pre-charge current (I_{PRECHG}). Once the battery voltage crosses the V_{LOWV} threshold, the battery is charged with the fast-charge current (I_{CHG}). As the battery voltage reaches $V_{BAT(REG)}$, the battery is held at a constant voltage of $V_{BAT(REG)}$ and the charge current tapers off as the battery approaches full charge. When the battery current reaches I_{TERM} , the CHG pin indicates *charging done* by going high-impedance.

Note that termination detection is disabled whenever the charge rate is reduced because of the actions of the thermal loop, the DPPM loop or the V_{IN-DPM} loop.

The value of the fast-charge current is set by the resistor connected from the ISET pin to VSS, and is given by Equation 1.

$$I_{CHG} = K_{ISET} / R_{ISET} \quad (1)$$

The charge current limit is adjustable up to 1.5A. The valid resistor range is 590Ω to 3 kΩ. Note that if I_{CHG} is programmed as greater than the input current limit, the battery will not charge at the rate of I_{CHG} , but at the slower rate of $I_{IN(MAX)}$ (minus the load current on the OUT pin, if any). In this case, the charger timers will be proportionately slowed down.

9.3.5 Charge Current Translator

When the charger is enabled, internal circuits generate a current proportional to the charge current at the ISET input. The current out of ISET is 1/400 ($\pm 10\%$) of the charge current. This current, when applied to the external charge current programming resistor, R_{ISET} , generates an analog voltage that can be monitored by an external host to calculate the current sourced from BAT.

$$V_{ISET} = I_{CHARGE} / 400 \times R_{ISET} \quad (2)$$

Feature Description (continued)

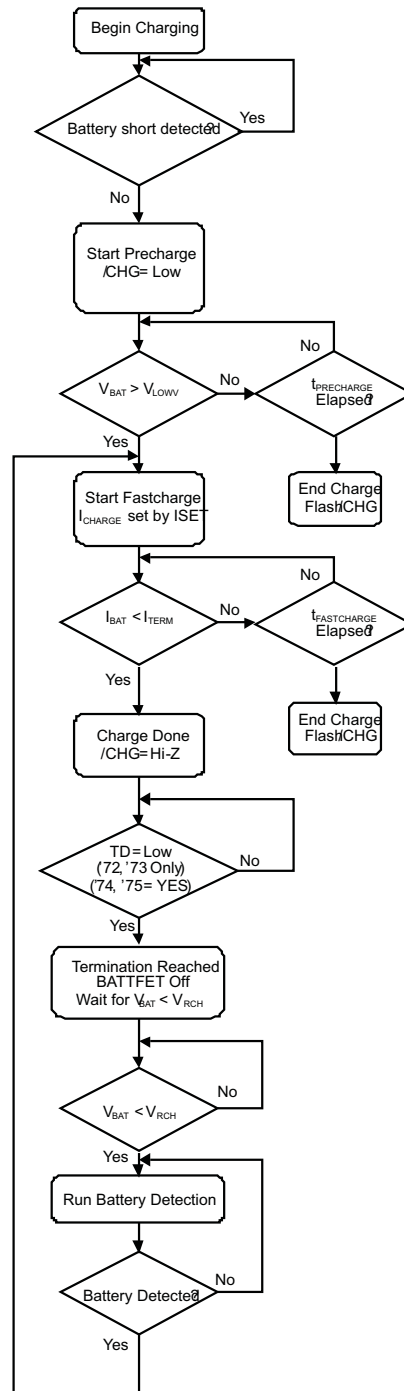


Figure 16. Battery Charging Flow Diagram

Feature Description (continued)

9.3.6 Battery Detection and Recharge

The BQ2407xT automatically detects if a battery is connected or removed. Once a charge cycle is complete, the battery voltage is monitored. When the battery voltage falls below V_{RCH} , the battery detection routine is run. During battery detection, current ($I_{BAT(DET)}$) is pulled from the battery for a duration t_{DET} to see if the voltage on BAT falls below V_{LOWV} . If not, charging begins. If it does, then it indicates that the battery is missing or the protector is open. Next, the precharge current is applied for t_{DET} to close the protector if possible. If $V_{BAT} < V_{RCH}$, then the protector is closed and charging is initiated. If $V_{BAT} > V_{RCH}$, then the battery is determined to be missing and the detection routine continues.

9.3.7 Termination Disable (TD Input, BQ24072T)

The BQ24072T contains a TD input that allows termination to be enabled/ disabled. Connect TD to a logic high to disable charge termination. When termination is disabled, the device goes through the pre-charge, fast-charge and CV phases, then remains in the CV phase. During the CV phase, the charger maintains the output voltage at BAT equal to $V_{BAT(REG)}$, and charging current does not terminate. The charge current is set by I_{CHG} or $I_{IN,max}$, whichever is less. Battery detection is not performed. The \overline{CHG} output is high impedance once the current falls below I_{TERM} and does not go low until the input power or \overline{CE} are toggled. When termination is disabled, the pre-charge and fast-charge safety timers are also disabled.

9.3.8 Battery Disconnect (YSOFF Input)

The BQ24075T and BQ24079T feature a YSOFF input that allows the user to turn the FET Q2 off and disconnect the battery from the OUT pin. This is useful for disconnecting the system load from the battery, factory programming where the battery is not installed or for host side impedance track fuel gauging, such as BQ27500, where the battery open circuit voltage level must be detected before the battery charges or discharges. The \overline{CHG} output remains low when YSOFF is high. Connect YSOFF to VSS, to turn Q2 on for normal operation. YSOFF is internally pulled to VBAT through ~5 M Ω resistor.

9.3.9 Dynamic Charge Timers (TMR Input)

The BQ2407xT devices contain internal safety timers for the pre-charge and fast-charge phases to prevent potential damage to the battery and the system. The timers begin at the start of the respective charge cycles. The timer values are programmed by connecting a resistor from TMR to VSS. The resistor value is calculated using the following equation:

$$t_{PRECHG} = K_{TMR} \times R_{TMR}$$

$$t_{MAXCHG} = 10 \times K_{TMR} \times R_{TMR}$$

Leave TMR unconnected to select the internal default timers. Disable the timers by connecting TMR to VSS.

Note that timers are suspended when the device is in thermal shutdown, and the timers are slowed proportionally to the charge current when the device enters thermal regulation.

1. During the fast charge phase, several events increase the timer durations.
2. The system load current activates the DPPM loop which reduces the available charging current
3. The input current is reduced because the input voltage has fallen to V_{IN-DPM}
4. The device has entered thermal regulation because the IC junction temperature has exceeded $T_{J(REG)}$

During each of these events, the internal timers are slowed down proportionately to the reduction in charging current. For example, if the charging current is reduced by half for two minutes, the timer clock is reduced to half the frequency and the counter counts half as fast resulting in only one minute of "counting" time.

If the precharge timer expires before the battery voltage reaches V_{LOWV} , the BQ2407xT indicates a fault condition. Additionally, if the battery current does not fall to I_{TERM} before the fast charge timer expires, a fault is indicated. The \overline{CHG} output flashes at approximately 2 Hz to indicate a fault condition. The fault condition is cleared by toggling \overline{CE} or the input power, entering/ exiting USB suspend mode, or an OVP event.

Feature Description (continued)

9.3.10 Status Indicators ($\overline{\text{PGOOD}}$, $\overline{\text{CHG}}$)

The BQ2407xT contains two open-drain outputs that signal its status. The $\overline{\text{PGOOD}}$ output signals when a valid input source is connected. $\overline{\text{PGOOD}}$ is low when $(V_{\text{BAT}} + V_{\text{IN(DT)}}) < V_{\text{IN}} < V_{\text{OVP}}$. When the input voltage is outside of this range, $\overline{\text{PGOOD}}$ is high impedance.

The charge cycle after power-up, $\overline{\text{CE}}$ going low, or exiting OVP is indicated with the $\overline{\text{CHG}}$ output on (low - LED on), whereas all refresh (subsequent) charges will result in the $\overline{\text{CHG}}$ output off (open - LED off). In addition, the $\overline{\text{CHG}}$ signals timer faults by flashing at approximately 2 Hz.

Table 2. $\overline{\text{PGOOD}}$ Status Indicator

| INPUT STATE | $\overline{\text{PGOOD}}$ OUTPUT |
|---|----------------------------------|
| $V_{\text{IN}} < V_{\text{UVLO}}$ | Hi impedance |
| $V_{\text{UVLO}} < V_{\text{IN}} < V_{\text{IN(DT)}}$ | Hi impedance |
| $V_{\text{IN(DT)}} < V_{\text{IN}} < V_{\text{OVF}}$ | Low |
| $V_{\text{IN}} < V_{\text{OVP}}$ | Hi impedance |

Table 3. $\overline{\text{CHG}}$ Status Indicator

| CHARGE STATE | $\overline{\text{CHG}}$ OUTPUT |
|--|--------------------------------|
| Charging | Low (for first charge cycle) |
| Charging suspended by thermal loop, or DPPM loop | |
| Safety timers expired | Flashing at 2 Hz |
| Charging done | Hi impedance |
| Recharging after termination | |
| IC disabled or no valid input power | |
| Battery absent | |

9.3.11 Thermal Regulation and Thermal Shutdown

The BQ2407xT contain a thermal regulation loop that monitors the die temperature. If the temperature exceeds $T_{\text{J(REG)}}$, the device automatically reduces the charging current to prevent the die temperature from increasing further. In some cases, the die temperature continues to rise despite the operation of the thermal loop, particularly under high V_{IN} and heavy OUT system load conditions. Under these conditions, if the die temperature increases to $T_{\text{J(OFF)}}$, the input FET Q1 is turned OFF. FET Q2 is turned ON to ensure that the battery still powers the load on OUT. Once the device die temperature cools by $T_{\text{J(OFF-HYS)}}$, the input FET Q1 is turned on and the device returns to thermal regulation. Continuous overtemperature conditions result in a "hiccup" mode. During thermal regulation, the safety timers are slowed down proportionately to the reduction in current limit.

Note that this feature monitors the die temperature of the BQ2407xT. This is not synonymous with ambient temperature. Self heating exists due to the power dissipated in the IC because of the linear nature of the battery charging algorithm and the LDO associated with OUT. A modified charge cycle with the thermal loop active is shown in [Figure 17](#). Battery termination is disabled during thermal regulation.

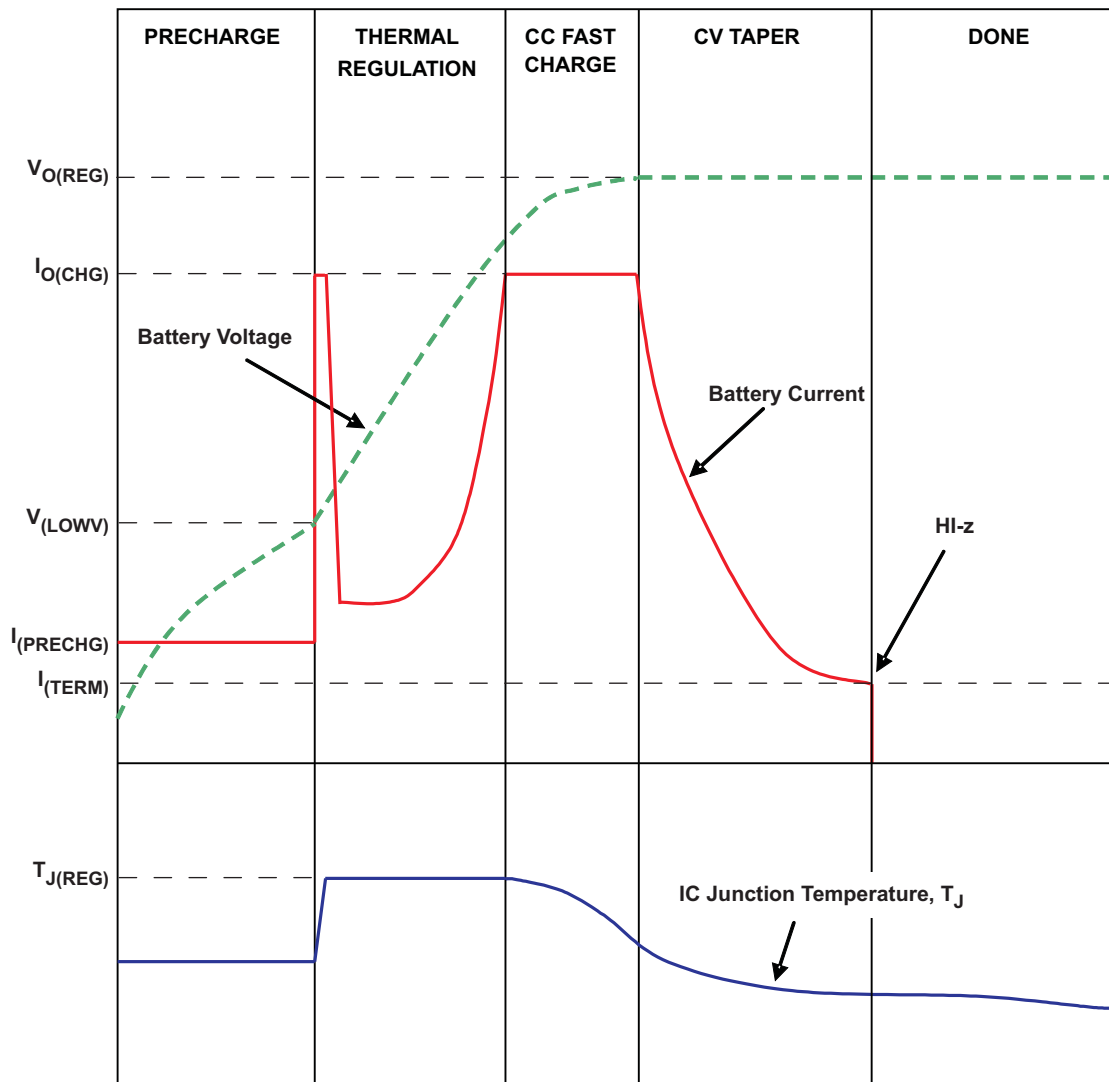


Figure 17. Charge Cycle Modified by Thermal Loop

9.3.12 Battery Pack Temperature Monitoring

The BQ2407xT features an external battery pack temperature monitoring input. The TS input connects to the NTC thermistor in the battery pack to monitor battery temperature and prevent dangerous over-temperature conditions. During charging, the voltage at TS is continuously monitored. If, at any time, the voltage at TS is outside of the operating range (V_{COLD} to V_{HOT}), charging is suspended. The timers maintain their values but suspend counting. When the voltage measured at TS returns to within the operation window, charging is resumed and the timers continue counting. When charging is suspended due to a battery pack temperature fault, the CHG output remains low and continues to indicate charging.

$$R6 = \frac{\frac{V_{IN}}{V_{COLD}} - 1}{\frac{1}{R7} + \frac{1}{RCOLD}} \quad (3)$$

$$R7 = \frac{V_{IN} \times RCOLD \times RHOT \times \left[\frac{1}{V_{COLD}} - \frac{1}{V_{HOT}} \right]}{RHOT \times \left[\frac{V_{IN}}{V_{HOT}} - 1 \right] - RCOLD \times \left[\frac{V_{IN}}{V_{COLD}} - 1 \right]} \quad (4)$$

Where:

$$V_{\text{COLD}} = 0.25 \times V_{\text{IN}}$$

$$V_{\text{HOT}} = 0.125 \times V_{\text{IN}}$$

R_{HOT} is the expected thermistor resistance at the programmed hot threshold, R_{COLD} is the expected thermistor resistance at the programmed cold threshold. If the value of R₆ is less than 100 kΩ, R₈ must be added to protect the IC from 28V inputs. If R₆ is greater than 100 kΩ, R₈ does not need to be used.

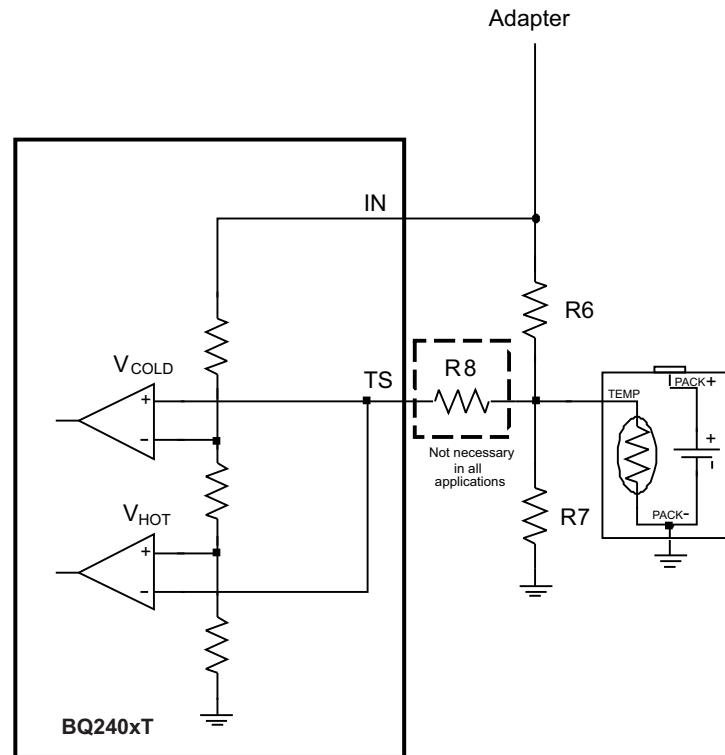


Figure 18. NTC Monitoring Function

For applications that do not require the TS monitoring function, set R₆ = 200 kΩ and R₇ = 49.9 kΩ to set the TS voltage at a valid level and maintain charging.

9.4 Device Functional Modes

9.4.1 Input Source Connected (Adapter or USB)

With a source connected, the dynamic power-path management (DPPM) circuitry of the BQ2407xT monitors the input current continuously. The OUT output for the BQ24075T and BQ24079T is regulated to a fixed voltage ($V_{\text{O(REG)}}$). For the BQ24072T, OUT is regulated to 225 mV above the voltage at BAT. If the BAT voltage is less than 3.2 V, OUT is clamped to 3.4 V. This allows for proper startup of the system load even with a discharged battery. The current into IN is shared between charging the battery and powering the system load at OUT. The BQ2407xT has internal selectable current limits of 100 mA (USB100) and 500 mA (USB500) for charging from USB ports, as well as a resistor-programmable input current limit.

The BQ2407xT is USB IF compliant for the inrush current testing. The USB spec allows up to 10 μF to be hard started, which establishes 50 μC as the maximum inrush charge value when exceeding 100 mA. The input current limit for the BQ2407xT prevents the input current from exceeding this limit, even with system capacitances greater than 10 μF. Note that the input capacitance to the device must be selected small enough to prevent a violation (<10 μF), as this current is not limited. [Figure 19](#) demonstrates the startup of the BQ2407xT and compares it to the USB-IF specification.

Device Functional Modes (continued)

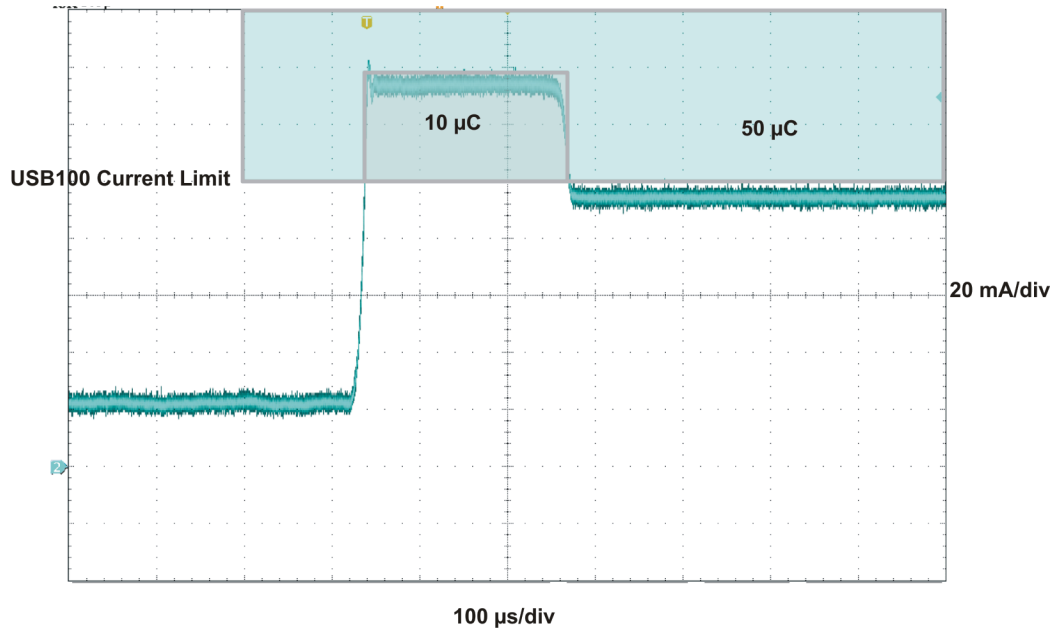


Figure 19. USB-IF Inrush Current Test

The input current limit selection is controlled by the state of the EN1 and EN2 pins as shown in Table 1. When using the resistor-programmable current limit, the input current limit is set by the value of the resistor connected from the ILIM pin to VSS, and is given by the equation:

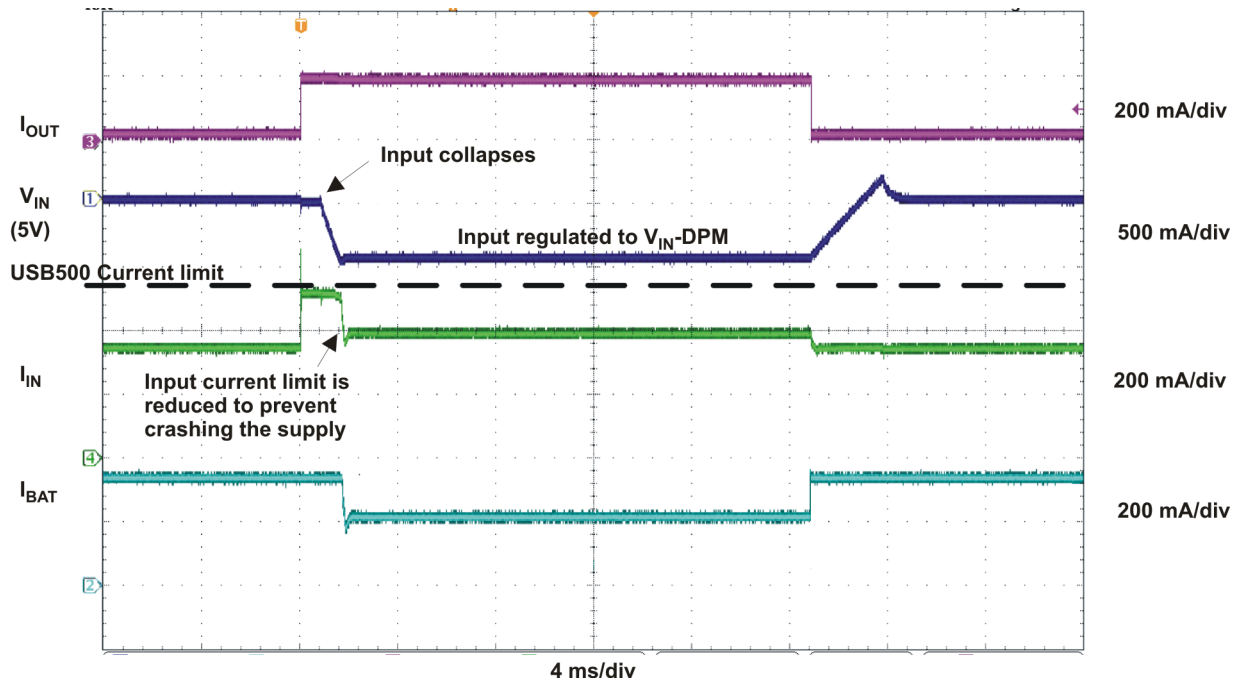
$$I_{N-MAX} = K_{ILIM} / R_{ILIM} \quad (5)$$

The input current limit is adjustable up to 1.5 A. The valid resistor range is 1.07 kΩ to 7.5 kΩ.

When the IN source is connected, priority is given to the system load. The DPPM and Battery Supplement modes are used to maintain the system load. Figure 21 illustrates an example of the DPPM and supplement modes. These modes are explained in detail in the following sections.

9.4.1.1 Input DPM Mode (V_{IN-DPM})

The BQ2407xT uses the V_{IN-DPM} mode for operation from current-limited USB ports. When EN1 and EN2 are configured for USB100 (EN2=0, EN1=0) or USB500 (EN2=0, EN1=1) modes, the input voltage is monitored. If V_{IN} falls to V_{IN-DPM} , the input current limit is reduced to prevent the input voltage from falling further. This prevents the BQ2407xT from crashing poorly designed or incorrectly configured USB sources. Figure 20 shows the V_{IN-DPM} behavior to a current limited source. In this figure, the input source has a 400 mA current limit and the device is in USB500 mode (EN1=1, EN2=0).

Device Functional Modes (continued)

Figure 20. V_{IN-DPM} Mode
9.4.1.2 DPPM Mode

When the sum of the charging and system load currents exceeds the maximum input current (programmed with EN1, EN2 and ILIM pins), the voltage at OUT decreases. Once the voltage on the OUT pin falls to V_{DPPM} , the BQ2407xT enters DPPM mode. In this mode, the charging current is reduced as the OUT current increases in order to maintain the system output. Battery termination is disabled while in DPPM mode.

9.4.1.3 Battery Supplement Mode

While in DPPM mode, if the charging current falls to zero and the system load current increases beyond the programmed input current limit, the voltage at OUT reduces further. When the OUT voltage drops below the V_{BSUP1} threshold, the battery supplements the system load. The battery stops supplementing the system load when the voltage at OUT rises above the V_{BSUP2} threshold.

During supplement mode, the battery supplement current is not regulated (BAT-FET is fully on), however there is a short circuit protection circuit built in. demonstrate supplement mode. If during battery supplement mode, the voltage at OUT drops $V_{O(SC2)}$ below the BAT voltage, the OUT output is turned off if the overload exists after $t_{DGL(SC2)}$. The short circuit recovery timer then starts counting. After $t_{REC(SC2)}$, OUT turns on and attempts to restart. If the short circuit remains, OUT is turned off and the counter restarts. Battery termination is disabled while in supplement mode.

Device Functional Modes (continued)

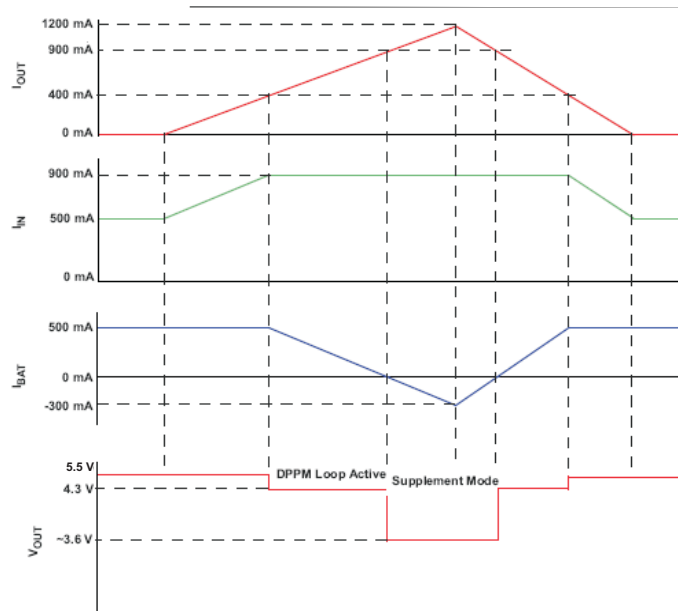


Figure 21. BQ24075T, '79T DPPM and Battery Supplement Modes ($V_{OREG} = 5.5$ V, $V_{BAT} = 3.6$ V)

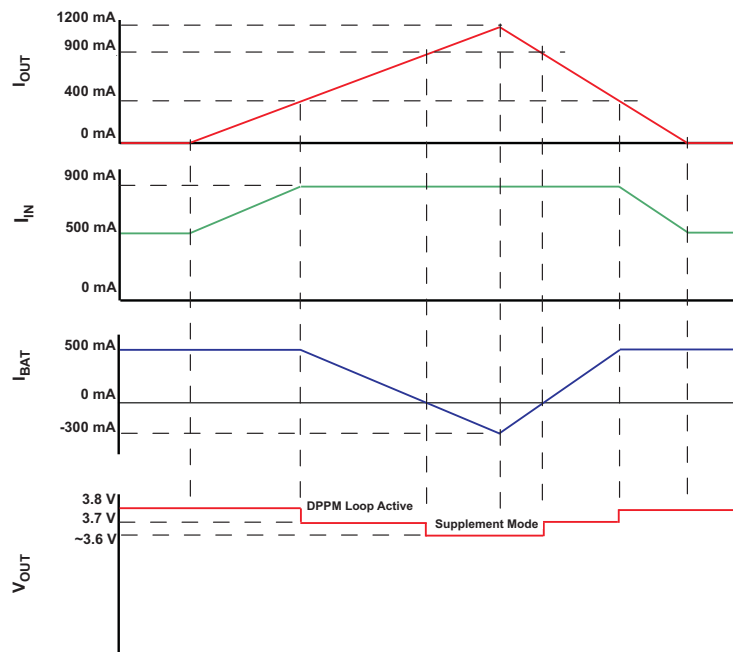


Figure 22. BQ24072T DPPM and Battery Supplement Modes ($V_{OREG} = V_{BAT} + 225$ mV, $V_{BAT} = 3.6$ V)

Device Functional Modes (continued)

9.4.2 Input Source Not Connected

When no source is connected to the IN input, OUT is powered strictly from the battery. During this mode the current into OUT is not regulated, similar to Battery Supplement Mode, however the short circuit circuitry is active. If the OUT voltage falls below the BAT voltage by 250 mV for longer than $t_{DGL(SC2)}$, OUT is turned off. The short circuit recovery timer then starts counting. After $t_{REC(SC2)}$, OUT turns on and attempts to restart. If the short circuit remains, OUT is turned off and the counter restarts. This ON/OFF cycle continues until the overload condition is removed.

10 Applications and Implementation

NOTE

Information in the following applications sections is not part of the TI component specification, and TI does not warrant its accuracy or completeness. TI's customers are responsible for determining suitability of components for their purposes. Customers should validate and test their design implementation to confirm system functionality.

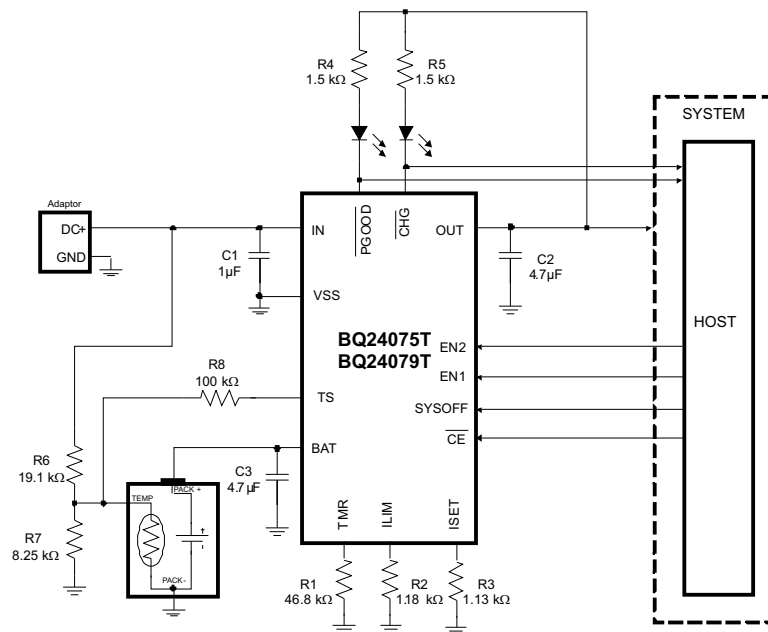
10.1 Application Information

The BQ2407xT series of devices are integrated Li-ion linear chargers and system power path management devices targeted at space-limited portable applications.

10.2 Typical Applications

10.2.1 Using the BQ24075T, BQ24079T to Disconnect the Battery from the System

The BQ24075T and BQ24079T are designed for applications that require the input supply to be passed through to the output (OUT). For these devices, the OUT regulation threshold is set to 5.5 V. For applications with a typical regulation on the adapter of 5 V, the main LDO in the BQ24075T and BQ24079T operates in dropout mode so that OUT is as high as possible to supply downstream devices. The input OVP and regulation threshold on OUT protect downstream devices from faulty or incorrect adapters. The BQ24075T and BQ24079T also contain a SYSOFF input that disconnects the OUT output from the battery to prevent standby loads from draining the battery during long storage intervals. See the "System ON/OFF" section for more details.



NOTE: V_{IN} = UVLO to V_{OVP} , $I_{FASTCHG}$ = 800mA, $I_{IN(MAX)}$ = 1.35A, Battery Temperature Charge Range = 0°C to 50°C, 6.25 hour Fastcharge Safety Timer

Figure 23. Using the BQ24075T, BQ24079T to Disconnect the Battery from the System

10.2.1.1 Design Requirements

- Supply voltage = 5 V
- Fast charge current of approximately 800 mA; ISET – pin 16
- Input Current Limit = 1.35 A; ILIM – pin 12
- Safety timer duration, Fast-Charge = 6.25 hours; TMR – pin 14
- Battery Temperature Sense = 10 kΩ; NTC (103AT-2), 0°C to 50°C Operation

Typical Applications (continued)

10.2.1.2 Detailed Design Procedure

10.2.1.2.1 Program the Fast Charge Current (ISET):

- $R_{ISET} = K_{ISET} / I_{CHG}$
- $K_{ISET} = 890 \text{ A}\Omega$; from the [Electrical Characteristics](#) table
- $R_{ISET} = 890 \text{ A}\Omega / 0.8 \text{ A} = 1.1125 \text{ k}\Omega$
- Select the closest standard value, which for this case is 1.13 k Ω . Connect this resistor between ISET (pin 16) and V_{SS} .

10.2.1.2.2 Program the Input Current Limit (ILIM):

- $R_{ILIM} = K_{ILIM} / I_{IN(MAX)}$
- $K_{ILIM} = 1600 \text{ A}\Omega$; from the [Electrical Characteristics](#) table
- $R_{ISET} = 1600 \text{ A}\Omega / 1.35 \text{ A} = 1.19 \text{ k}\Omega$
- Select the closest standard value, which for this case is 1.18 k Ω . Connect this resistor between ILIM (pin 12) and V_{SS} .

10.2.1.2.3 Program 6.25-hour Fast-Charge Safety Timer (TMR):

- $R_{TMR} = t_{MAXCHG} / (10 \times K_{TMR})$
- $K_{TMR} = 45 \text{ s/k}\Omega$ from the [Electrical Characteristics](#) table.
- $R_{TMR} = (6.25 \text{ hr} \times 3600 \text{ s/hr}) / (10 \times 45 \text{ s/k}\Omega) = 46.8 \text{ k}\Omega$;
- Select the closest standard value, which for this case is 46.4 k Ω . Connect this resistor between TMR (pin 2) and V_{SS} .

10.2.1.2.4 TS Function:

Using a 10 k Ω NTC thermistor in the battery pack (103AT-2). Connect a resistor divider from V_{IN} to V_{SS} with the thermistor and TS connected to the center tap (R6 and R7 in [Figure 23](#)).

- $R_{HOT} = 4.086 \text{ k}\Omega$; 50°C threshold from NTC data sheet
- $R_{COLD} = 28.16 \text{ k}\Omega$; 0°C threshold from NTC data sheet
- $V_{COLD} = 0.25 \times V_{IN} = 0.25 \times 5 \text{ V} = 1.25 \text{ V}$
- $V_{HOT} = 0.125 \times V_{IN} = 0.125 \times 5 \text{ V} = 0.625 \text{ V}$

$$R7 = \frac{V_{IN} \times R_{COLD} \times R_{HOT} \times \left[\frac{1}{V_{COLD}} - \frac{1}{V_{HOT}} \right]}{R_{HOT} \times \left[\frac{V_{IN}}{V_{HOT}} - 1 \right] - R_{COLD} \times \left[\frac{V_{IN}}{V_{COLD}} - 1 \right]} = \frac{5 \times 28160 \times 4086 \times \left[\frac{1}{1.25} - \frac{1}{0.625} \right]}{4086 \times \left[\frac{5}{0.625} - 1 \right] - 28160 \times \left[\frac{5}{1.25} - 1 \right]} = 8.236 \text{ k}\Omega \quad (6)$$

$$R6 = \frac{\frac{V_{IN}}{V_{COLD}} - 1}{\frac{1}{R7} + \frac{1}{R_{COLD}}} = \frac{\frac{5}{1.25} - 1}{\frac{1}{8250} + \frac{1}{28160}} = 19.14 \text{ k}\Omega \quad (7)$$

Since the calculated values for R6 is less than 100 k Ω , a 100 k Ω resistor for R8 must be used. Choose the closest standard values, which for this case are R7 = 8.25 k Ω and R6 = 19.1 k Ω .

For applications that do not require the TS monitoring function, set R6 = 200 k Ω and R7 = 49.9 k Ω to set the TS voltage at a valid level and maintain charging.

10.2.1.2.5 \overline{CHG} and \overline{PGOOD} LED Status:

Connect a 1.5 k Ω resistor in series with a LED between OUT and \overline{CHG} to indicate charging status. Connect a 1.5 k Ω resistor in series with a LED between OUT and \overline{PGOOD} to indicate when a valid input source is connected.

Typical Applications (continued)

10.2.1.2.6 Processor Monitoring Status:

Connect a pullup resistor (on the order of 100 kΩ) between the processor power rail and $\overline{\text{CHG}}$ and PGOOD.

10.2.1.2.7 System ON/OFF (SYSOFF):

Connect SYSOFF high to disconnect the battery from the system load. Connect SYSOFF low for normal operation.

10.2.1.2.8 Selecting IN, OUT and BAT Capacitors

In most applications, all that is needed is a high-frequency decoupling capacitor (ceramic) on the power pin, input, output and battery pins. Using the values shown on the application diagram, is recommended. After evaluation of these voltage signals with real system operational conditions, one can determine if capacitance values can be adjusted toward the minimum recommended values (DC load application) or higher values for fast high amplitude pulsed load applications. Note if designed high input voltage sources (bad adapters or wrong adapters), the capacitor needs to be rated appropriately. Ceramic capacitors are tested to 2x their rated values so a 16 V capacitor may be adequate for a 30 V transient (verify tested rating with capacitor manufacturer).

10.2.1.3 Application Curves

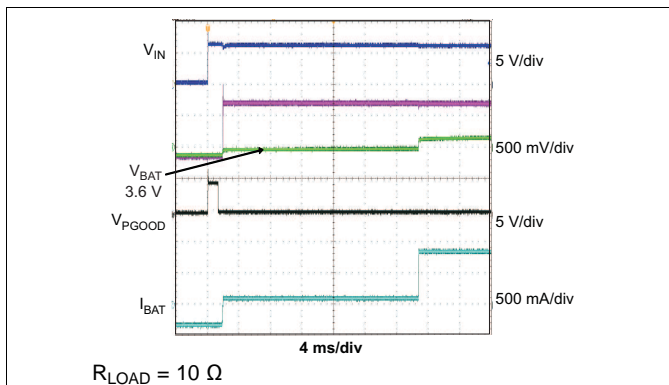


Figure 24. Adapter Plug-In Battery Connected

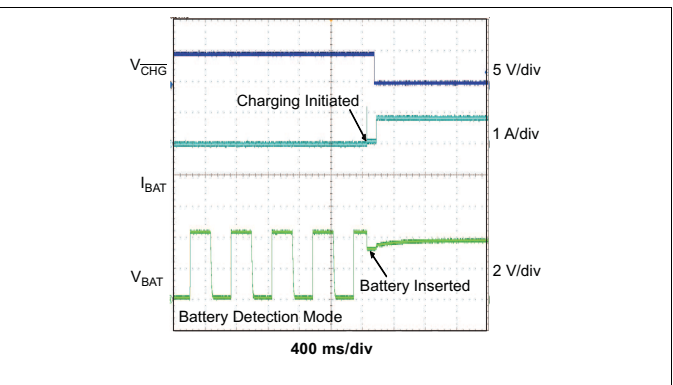


Figure 25. Battery Detection / Battery Inserted

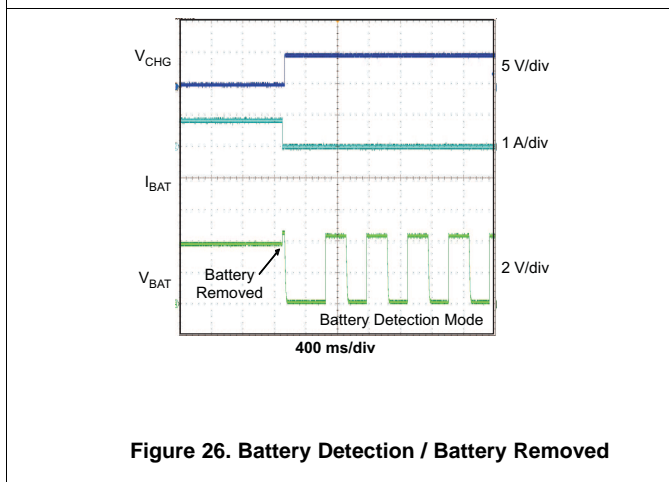


Figure 26. Battery Detection / Battery Removed

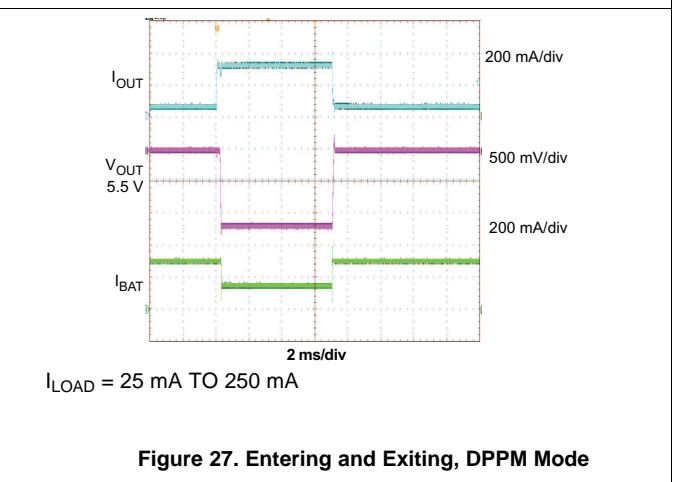
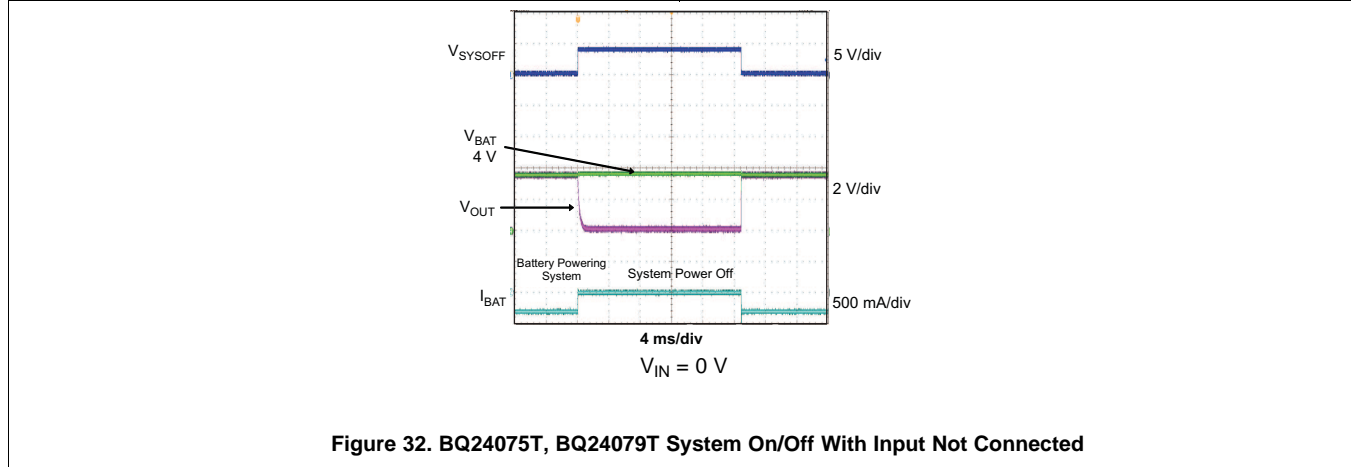
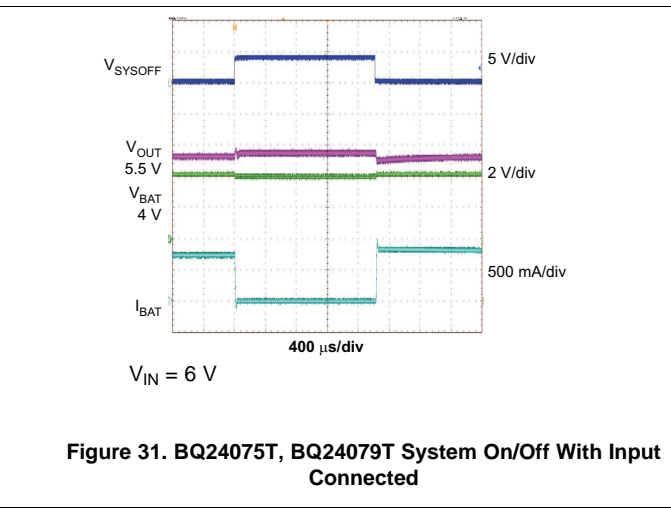
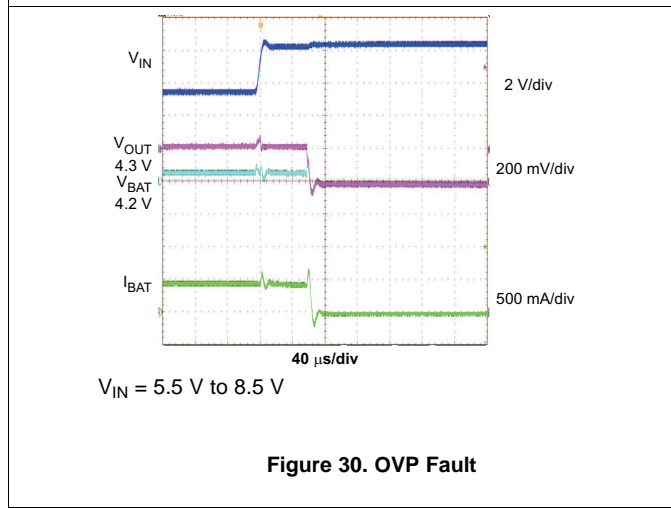
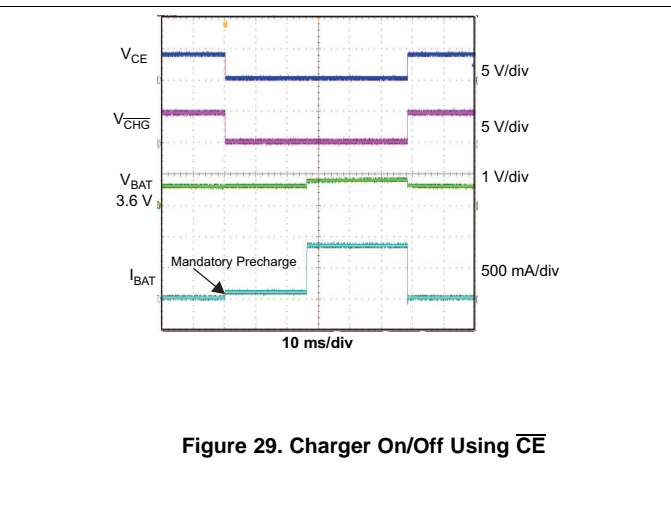
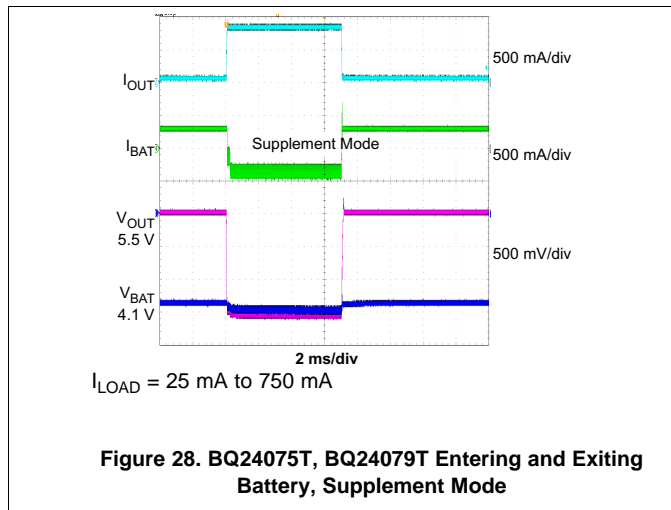


Figure 27. Entering and Exiting, DPPM Mode

Typical Applications (continued)



Typical Applications (continued)

10.2.2 BQ24072T in a Host Controlled Charger Application

The BQ24072T is designed for applications that require a lower regulation on the system rail. For BQ24072T, the OUT regulation threshold is set to $V_{BAT} + 225\text{ mV}$. The lower regulation point protects downstream devices from the higher voltage on the supply. Additionally, the lower difference between the BAT and OUT outputs decreases the voltage drop during supplement events. The BQ24072T also contains a TD input that enables/disables the termination function. See the [Termination Disable](#) section for more details.

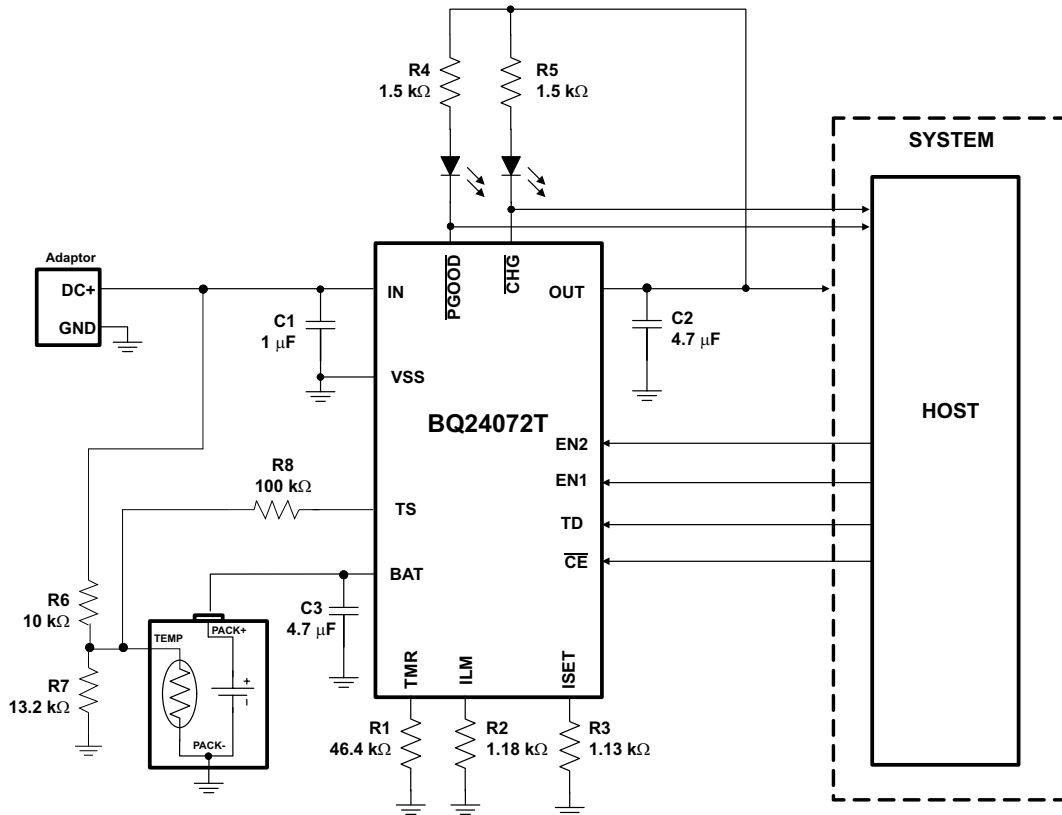


Figure 33. Using BQ24072T in a Host Controlled Charger Application

10.2.2.1 Design Requirements

Refer to the [Design Requirements](#) for the Design Requirements.

10.2.2.2 Detailed Design Procedures

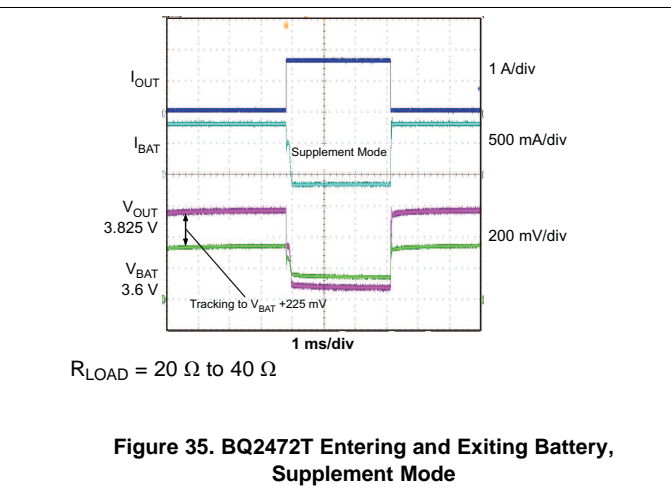
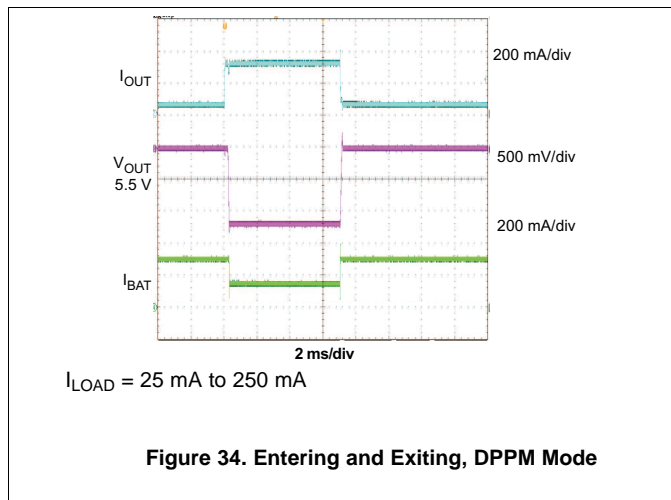
Refer to the [Detailed Design Procedure](#) for the Detailed Design Procedures.

10.2.2.2.1 Termination Disable:

Connect TD high to disable termination. Connect TD low to enable termination.

Typical Applications (continued)

10.2.2.3 Application Curves



11 Power Supply Recommendations

11.1 Power On

When V_{IN} exceeds the UVLO threshold, the BQ2407xT powers up. While V_{IN} is below $V_{BAT} + V_{IN(DT)}$, the host commands at the control inputs (\overline{CE} , EN1 and EN2) are ignored. The Q1 FET connected between IN and OUT pins is off, and the status outputs CHG and PGOOD are high impedance. The Q2 FET that connects BAT to OUT is ON. (If SYSOFF is high, Q2 is off). During this mode, the $V_{OUT(SC2)}$ circuitry is active and monitors for overload conditions on OUT.

Once V_{IN} rises above $V_{BAT} + V_{IN(DT)}$, PGOOD is driven low to indicate the valid power status and the \overline{CE} , EN1, and EN2 inputs are read. The device enters standby mode if (EN1 = EN2 = HI) or if an input overvoltage condition occurs. In standby mode, Q1 is OFF and Q2 is ON so OUT is connected to the battery input. (If SYSOFF is high, FET Q2 is off). During this mode, the $V_{OUT(SC2)}$ circuitry is active and monitors for overload conditions on OUT.

When the input voltage at IN is within the valid range: $V_{IN} > UVLO$ AND $V_{IN} > V_{BAT} + V_{IN(DT)}$ AND $V_{IN} < V_{OVP}$, and the EN1 and EN2 pins indicate that the USB suspend mode is not enabled [(EN1, EN2) ≠ (HI, HI)] all internal timers and other circuit blocks are activated. The device then checks for short-circuits at the ISET and ILIM pins. If no short conditions exists, the device switches on the input FET Q1 with a 100mA current limit to checks for a short circuit at OUT. When V_{OUT} is above V_{SC} , the FET Q1 switches to the current limit threshold set by EN1, EN2 and R_{ILIM} and the device enters into the normal operation. During normal operation, the system is powered by the input source (Q1 is regulating), and the device continuously monitors the status of \overline{CE} , EN1 and EN2 as well as the input voltage conditions.

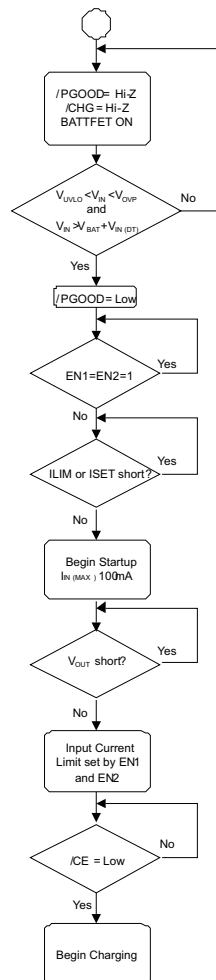


Figure 36. Startup Flow Diagram

Power On (continued)

11.1.1 Half-Wave Adapters

Some adapters implement a half rectifier topology, which causes the adapter output voltage to fall below the battery voltage during part of the cycle. To enable operation with adapters under those conditions, the BQ2407xT family keeps the charger on for at least 20 msec (typical) after the input power puts the part in sleep mode. This feature enables use of external adapters using 50 Hz networks. The input must not drop below the UVLO voltage for the charger to work properly. Thus, the battery voltage should be above the UVLO to help prevent the input from dropping out. Additional input capacitance may be needed.

When the input is between V_{UVLO} and $V_{IN(DT)}$, the device enters sleep mode. After entering sleep mode for 20 ms the internal FET connection between the IN and OUT pin is disabled and pulling the input to ground will not discharge the battery, other than the leakage on the BAT pin. If one has a full 1000mAh battery and the leakage is 10 μ A, then it would take $1000 \text{ mAh} / 10 \mu\text{A} = 100000$ hours (11.4 years) to discharge the battery. The battery's self discharge is typically 5 times higher than this.

12 Layout

12.1 Layout Guidelines

1. To obtain optimal performance, the decoupling capacitor from IN to GND (thermal pad) and the output filter capacitors from OUT to GND (thermal pad) should be placed as close as possible to the BQ2407xT, with short trace runs to both IN, OUT and GND (thermal pad).
2. All low-current GND connections should be kept separate from the high-current charge or discharge paths from the battery. Use a single-point ground technique incorporating both the small signal ground path and the power ground path.
3. The high current charge paths into IN pin and from the OUT pin must be sized appropriately for the maximum charge current in order to avoid voltage drops in these traces.

The BQ2407xT family is packaged in a thermally enhanced MLP package. The package includes a thermal pad to provide an effective thermal contact between the IC and the printed circuit board (PCB); this thermal pad is also the main ground connection for the device. Connect the thermal pad to the PCB ground connection. Full PCB design guidelines for this package are provided in [QFN and SON PCB Attachment Application Report](#).

12.2 Layout Example

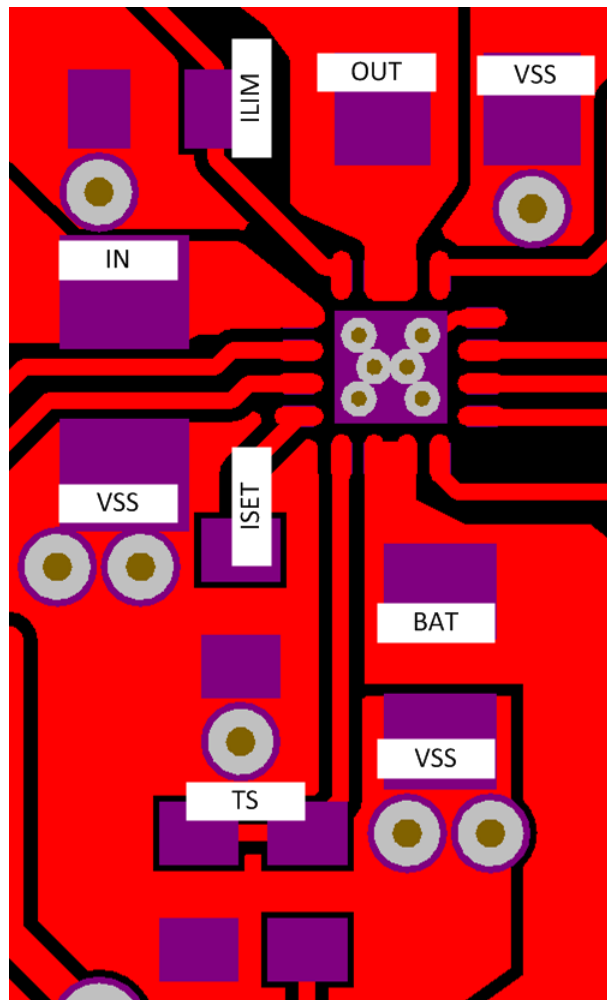


Figure 37. BQ2407xT Layout

12.3 Thermal Package

The BQ2407xT family is packaged in a thermally enhanced MLP package. The package includes a thermal pad to provide an effective thermal contact between the IC and the printed circuit board (PCB). The power pad should be directly connected to V_{SS} . Full PCB design guidelines for this package are provided in the application note entitled: QFN/SON PCB Attachment Application Note. The most common measure of package thermal performance is thermal impedance (θ_{JA}) measured (or modeled) from the chip junction to the air surrounding the package surface (ambient).

The mathematical expression for θ_{JA} is: $\theta_{JA} = (T_J - T) / P$

Where:

- T_J = chip junction temperature
- T = ambient temperature
- P = device power dissipation
- Factors that can influence the measurement and calculation of θ_{JA} include
- Whether or not the device is board mounted
- Trace size, composition, thickness, and geometry
- Orientation of the device (horizontal or vertical)
- Volume of the ambient air surrounding the device under test and airflow
- Whether other surfaces are in close proximity to the device being tested

Due to the charge profile of Li-Ion batteries the maximum power dissipation is typically seen at the beginning of the charge cycle when the battery voltage is at its lowest. Typically after fast charge begins the pack voltage increases to 3.4 V within the first 2 minutes. The thermal time constant of the assembly typically takes a few minutes to heat up so when doing maximum power dissipation calculations, 3.4 V is a good minimum voltage to use. This is verified, with the system and a fully discharged battery, by plotting temperature on the bottom of the PCB under the IC (pad should have multiple vias), the charge current and the battery voltage as a function of time. The fast charge current will start to taper off if the part goes into thermal regulation.

The device power dissipation, P , is a function of the charge rate and the voltage drop across the internal PowerFET. It can be calculated from [Equation 8](#) when a battery pack is being charged:

$$P = [V_{IN} - V_{OUT}] \times [I_{OUT} + I_{BAT}] + [V_{OUT} - V_{BAT}] \times I_{BAT} \quad (8)$$

The thermal loop feature reduces the charge current to limit excessive IC junction temperature. It is recommended that the design not run in thermal regulation for typical operating conditions (nominal input voltage and nominal ambient temperatures) and use the feature for non typical situations such as hot environments or higher than normal input source voltage. With that said, the IC still performs as described, if the thermal loop is always active.

13 器件和文档支持

13.1 器件支持

13.1.1 第三方产品免责声明

TI 发布的与第三方产品或服务有关的信息，不能构成与此类产品或服务或保修的适用性有关的认可，不能构成此类产品或服务单独或与任何 TI 产品或服务一起的表示或认可。

13.2 相关链接

下表列出了快速访问链接。类别包括技术文档、支持和社区资源、工具和软件，以及立即订购快速访问。

表 4. 相关链接

| 器件 | 产品文件夹 | 立即订购 | 技术文档 | 工具与软件 | 支持和社区 |
|----------|----------------------|----------------------|----------------------|----------------------|----------------------|
| BQ24072T | 单击此处 | 单击此处 | 单击此处 | 单击此处 | 单击此处 |
| BQ24075T | 单击此处 | 单击此处 | 单击此处 | 单击此处 | 单击此处 |
| BQ24079T | 单击此处 | 单击此处 | 单击此处 | 单击此处 | 单击此处 |

13.3 接收文档更新通知

要接收文档更新通知，请导航至 ti.com 上的器件产品文件夹。单击右上角的 [通知我](#) 进行注册，即可每周接收产品信息更改摘要。有关更改的详细信息，请查看任何已修订文档中包含的修订历史记录。

13.4 支持资源

[TI E2E™ support forums](#) are an engineer's go-to source for fast, verified answers and design help — straight from the experts. Search existing answers or ask your own question to get the quick design help you need.

Linked content is provided "AS IS" by the respective contributors. They do not constitute TI specifications and do not necessarily reflect TI's views; see TI's [Terms of Use](#).

13.5 商标

E2E is a trademark of Texas Instruments.

All other trademarks are the property of their respective owners.

13.6 静电放电警告



这些装置包含有限的内置 ESD 保护。存储或装卸时，应将导线一起截短或将装置放置于导电泡棉中，以防止 MOS 门极遭受静电损伤。

13.7 Glossary

[SLYZ022](#) — *TI Glossary*.

This glossary lists and explains terms, acronyms, and definitions.

14 机械、封装和可订购信息

以下页面包含机械、封装和可订购信息。这些信息是指定器件的最新可用数据。数据如有变更，恕不另行通知，且不会对此文档进行修订。如需获取此数据表的浏览器版本，请查阅左侧的导航栏。

PACKAGING INFORMATION

| Orderable Device | Status (1) | Package Type | Package Drawing | Pins | Package Qty | Eco Plan (2) | Lead finish/ Ball material (6) | MSL Peak Temp (3) | Op Temp (°C) | Device Marking (4/5) | Samples |
|------------------|---------------|--------------|-----------------|------|-------------|-----------------|--------------------------------------|----------------------|--------------|-------------------------|-------------------------|
| BQ24072TRGTR | ACTIVE | VQFN | RGT | 16 | 3000 | RoHS & Green | NIPDAU | Level-2-260C-1 YEAR | -40 to 85 | PAP | Samples |
| BQ24072TRGTT | ACTIVE | VQFN | RGT | 16 | 250 | RoHS & Green | NIPDAU | Level-2-260C-1 YEAR | -40 to 85 | PAP | Samples |
| BQ24075TRGTR | ACTIVE | VQFN | RGT | 16 | 3000 | RoHS & Green | NIPDAU | Level-2-260C-1 YEAR | -40 to 85 | OEC | Samples |
| BQ24075TRGTT | ACTIVE | VQFN | RGT | 16 | 250 | RoHS & Green | NIPDAU | Level-2-260C-1 YEAR | -40 to 85 | OEC | Samples |
| BQ24079TRGTR | ACTIVE | VQFN | RGT | 16 | 3000 | RoHS & Green | NIPDAU | Level-2-260C-1 YEAR | -40 to 85 | OED | Samples |
| BQ24079TRGTT | ACTIVE | VQFN | RGT | 16 | 250 | RoHS & Green | NIPDAU | Level-2-260C-1 YEAR | -40 to 85 | OED | Samples |

(1) The marketing status values are defined as follows:

ACTIVE: Product device recommended for new designs.

LIFEBUY: TI has announced that the device will be discontinued, and a lifetime-buy period is in effect.

NRND: Not recommended for new designs. Device is in production to support existing customers, but TI does not recommend using this part in a new design.

PREVIEW: Device has been announced but is not in production. Samples may or may not be available.

OBSOLETE: TI has discontinued the production of the device.

(2) **RoHS:** TI defines "RoHS" to mean semiconductor products that are compliant with the current EU RoHS requirements for all 10 RoHS substances, including the requirement that RoHS substance do not exceed 0.1% by weight in homogeneous materials. Where designed to be soldered at high temperatures, "RoHS" products are suitable for use in specified lead-free processes. TI may reference these types of products as "Pb-Free".

RoHS Exempt: TI defines "RoHS Exempt" to mean products that contain lead but are compliant with EU RoHS pursuant to a specific EU RoHS exemption.

Green: TI defines "Green" to mean the content of Chlorine (Cl) and Bromine (Br) based flame retardants meet JS709B low halogen requirements of <=1000ppm threshold. Antimony trioxide based flame retardants must also meet the <=1000ppm threshold requirement.

(3) MSL, Peak Temp. - The Moisture Sensitivity Level rating according to the JEDEC industry standard classifications, and peak solder temperature.

(4) There may be additional marking, which relates to the logo, the lot trace code information, or the environmental category on the device.

(5) Multiple Device Markings will be inside parentheses. Only one Device Marking contained in parentheses and separated by a "~" will appear on a device. If a line is indented then it is a continuation of the previous line and the two combined represent the entire Device Marking for that device.

(6) Lead finish/Ball material - Orderable Devices may have multiple material finish options. Finish options are separated by a vertical ruled line. Lead finish/Ball material values may wrap to two lines if the finish value exceeds the maximum column width.

Important Information and Disclaimer: The information provided on this page represents TI's knowledge and belief as of the date that it is provided. TI bases its knowledge and belief on information provided by third parties, and makes no representation or warranty as to the accuracy of such information. Efforts are underway to better integrate information from third parties. TI has taken and continues to take reasonable steps to provide representative and accurate information but may not have conducted destructive testing or chemical analysis on incoming materials and chemicals. TI and TI suppliers consider certain information to be proprietary, and thus CAS numbers and other limited information may not be available for release.

In no event shall TI's liability arising out of such information exceed the total purchase price of the TI part(s) at issue in this document sold by TI to Customer on an annual basis.

TAPE AND REEL INFORMATION

QUADRANT ASSIGNMENTS FOR PIN 1 ORIENTATION IN TAPE


*All dimensions are nominal

| Device | Package Type | Package Drawing | Pins | SPQ | Reel Diameter (mm) | Reel Width W1 (mm) | A0 (mm) | B0 (mm) | K0 (mm) | P1 (mm) | W (mm) | Pin1 Quadrant |
|--------------|--------------|-----------------|------|------|--------------------|--------------------|---------|---------|---------|---------|--------|---------------|
| BQ24072TRGTR | VQFN | RGT | 16 | 3000 | 330.0 | 12.4 | 3.3 | 3.3 | 1.1 | 8.0 | 12.0 | Q2 |
| BQ24072TRGTR | VQFN | RGT | 16 | 3000 | 330.0 | 12.4 | 3.3 | 3.3 | 1.1 | 8.0 | 12.0 | Q2 |
| BQ24072TRGTT | VQFN | RGT | 16 | 250 | 180.0 | 12.4 | 3.3 | 3.3 | 1.1 | 8.0 | 12.0 | Q2 |
| BQ24075TRGTR | VQFN | RGT | 16 | 3000 | 330.0 | 12.4 | 3.3 | 3.3 | 1.1 | 8.0 | 12.0 | Q2 |
| BQ24075TRGTT | VQFN | RGT | 16 | 250 | 180.0 | 12.4 | 3.3 | 3.3 | 1.1 | 8.0 | 12.0 | Q2 |
| BQ24079TRGTR | VQFN | RGT | 16 | 3000 | 330.0 | 12.4 | 3.3 | 3.3 | 1.1 | 8.0 | 12.0 | Q2 |
| BQ24079TRGTR | VQFN | RGT | 16 | 3000 | 330.0 | 12.4 | 3.3 | 3.3 | 1.1 | 8.0 | 12.0 | Q2 |
| BQ24079TRGTT | VQFN | RGT | 16 | 250 | 180.0 | 12.4 | 3.3 | 3.3 | 1.1 | 8.0 | 12.0 | Q2 |
| BQ24079TRGTT | VQFN | RGT | 16 | 250 | 180.0 | 12.4 | 3.3 | 3.3 | 1.1 | 8.0 | 12.0 | Q2 |

TAPE AND REEL BOX DIMENSIONS



*All dimensions are nominal

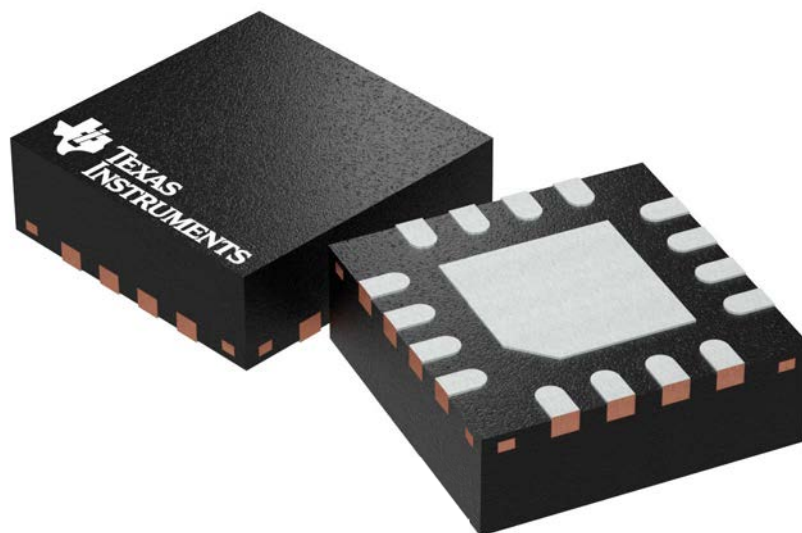
| Device | Package Type | Package Drawing | Pins | SPQ | Length (mm) | Width (mm) | Height (mm) |
|--------------|--------------|-----------------|------|------|-------------|------------|-------------|
| BQ24072TRGTR | VQFN | RGT | 16 | 3000 | 346.0 | 346.0 | 33.0 |
| BQ24072TRGTR | VQFN | RGT | 16 | 3000 | 367.0 | 367.0 | 35.0 |
| BQ24072TRGTT | VQFN | RGT | 16 | 250 | 210.0 | 185.0 | 35.0 |
| BQ24075TRGTR | VQFN | RGT | 16 | 3000 | 346.0 | 346.0 | 33.0 |
| BQ24075TRGTT | VQFN | RGT | 16 | 250 | 210.0 | 185.0 | 35.0 |
| BQ24079TRGTR | VQFN | RGT | 16 | 3000 | 367.0 | 367.0 | 35.0 |
| BQ24079TRGTR | VQFN | RGT | 16 | 3000 | 346.0 | 346.0 | 33.0 |
| BQ24079TRGTT | VQFN | RGT | 16 | 250 | 210.0 | 185.0 | 35.0 |
| BQ24079TRGTT | VQFN | RGT | 16 | 250 | 210.0 | 185.0 | 35.0 |

RGT 16

GENERIC PACKAGE VIEW

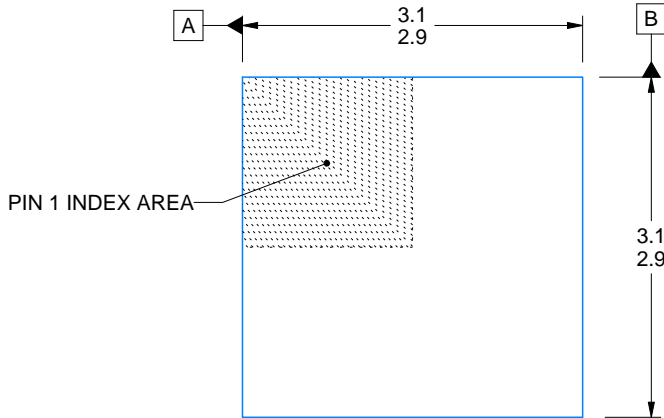
VQFN - 1 mm max height

PLASTIC QUAD FLATPACK - NO LEAD



Images above are just a representation of the package family, actual package may vary.
Refer to the product data sheet for package details.

4203495/1



| SIDE WALL METAL THICKNESS DIM A | |
|---------------------------------|----------|
| OPTION 1 | OPTION 2 |
| 0.1 | 0.2 |



4222419/D 04/2022

NOTES:

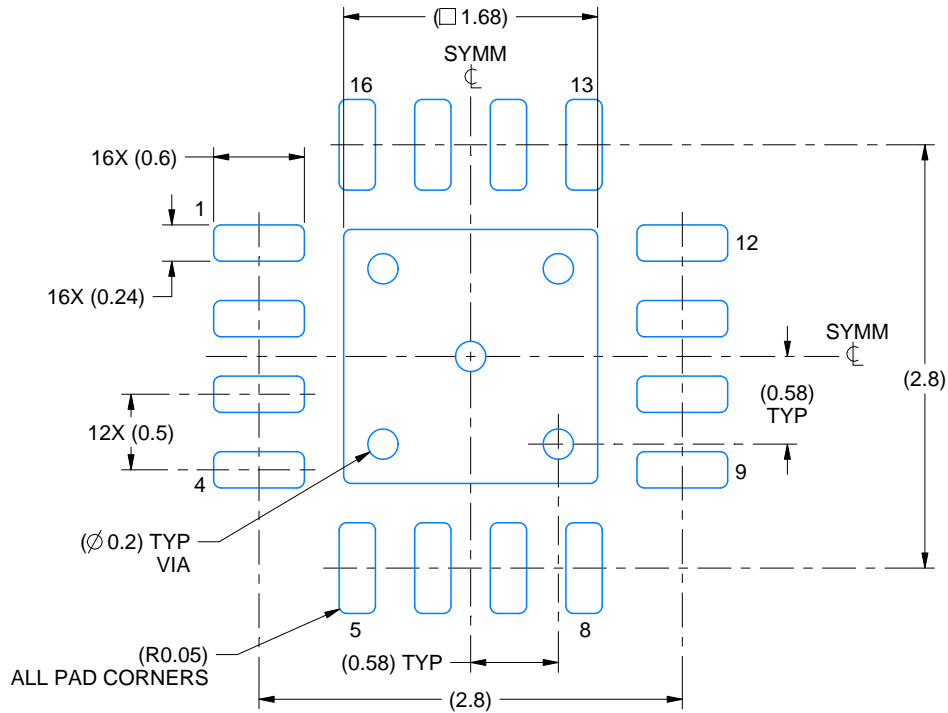
1. All linear dimensions are in millimeters. Any dimensions in parenthesis are for reference only. Dimensioning and tolerancing per ASME Y14.5M.
2. This drawing is subject to change without notice.
3. The package thermal pad must be soldered to the printed circuit board for thermal and mechanical performance.

EXAMPLE BOARD LAYOUT

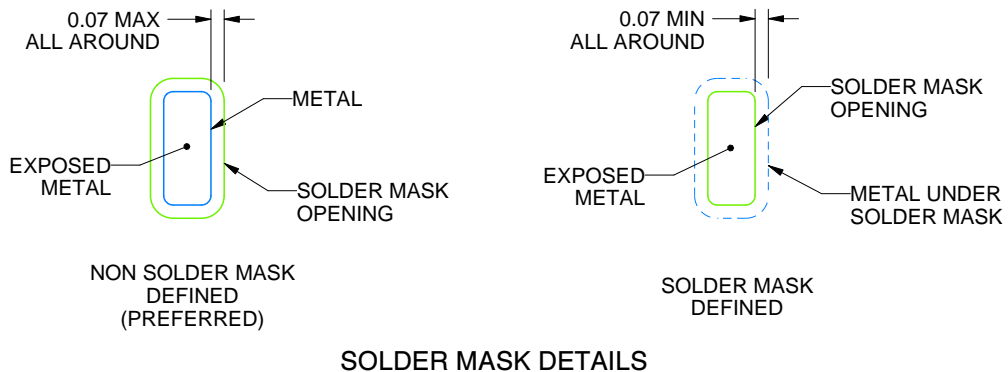
RGT0016C

VQFN - 1 mm max height

PLASTIC QUAD FLATPACK - NO LEAD



LAND PATTERN EXAMPLE
EXPOSED METAL SHOWN
SCALE:20X



SOLDER MASK DETAILS

4222419/D 04/2022

NOTES: (continued)

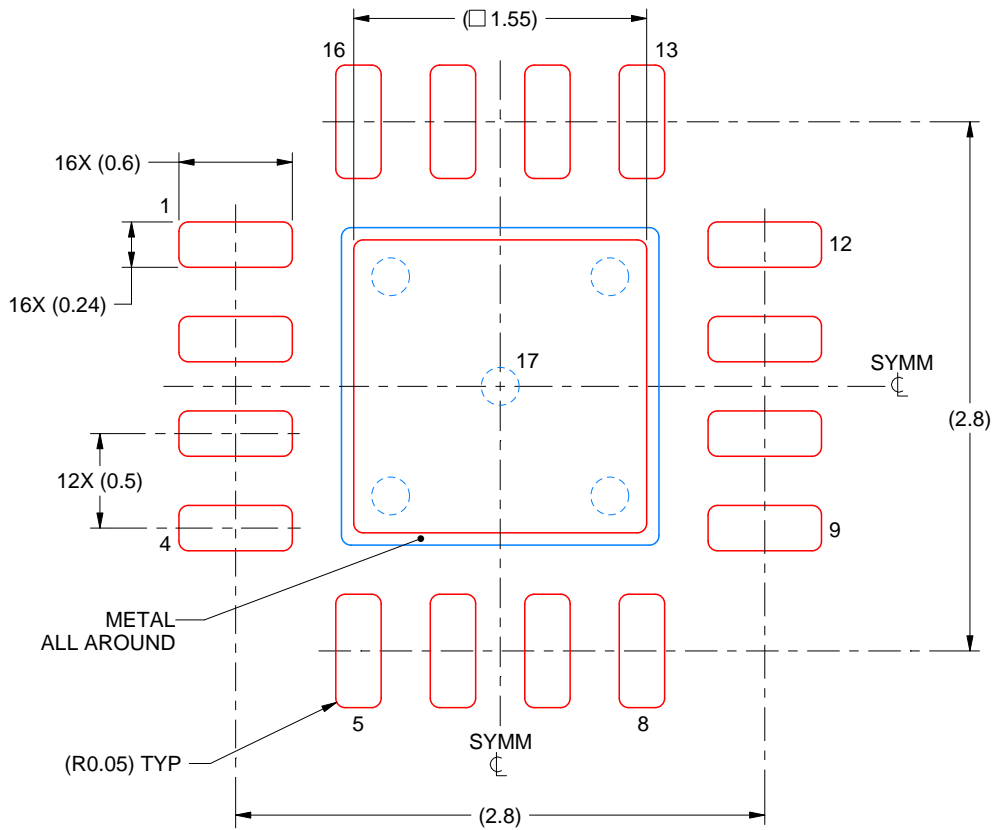
- This package is designed to be soldered to a thermal pad on the board. For more information, see Texas Instruments literature number SLUA271 (www.ti.com/lit/slua271).
- Vias are optional depending on application, refer to device data sheet. If any vias are implemented, refer to their locations shown on this view. It is recommended that vias under paste be filled, plugged or tented.

EXAMPLE STENCIL DESIGN

RGT0016C

VQFN - 1 mm max height

PLASTIC QUAD FLATPACK - NO LEAD



SOLDER PASTE EXAMPLE
BASED ON 0.125 mm THICK STENCIL

EXPOSED PAD 17:
85% PRINTED SOLDER COVERAGE BY AREA UNDER PACKAGE
SCALE:25X

4222419/D 04/2022

NOTES: (continued)

6. Laser cutting apertures with trapezoidal walls and rounded corners may offer better paste release. IPC-7525 may have alternate design recommendations.

重要声明和免责声明

TI“按原样”提供技术和可靠性数据（包括数据表）、设计资源（包括参考设计）、应用或其他设计建议、网络工具、安全信息和其他资源，不保证没有瑕疵且不做任何明示或暗示的担保，包括但不限于对适销性、某特定用途方面的适用性或不侵犯任何第三方知识产权的暗示担保。

这些资源可供使用 TI 产品进行设计的熟练开发人员使用。您将自行承担以下全部责任：(1) 针对您的应用选择合适的 TI 产品，(2) 设计、验证并测试您的应用，(3) 确保您的应用满足相应标准以及任何其他功能安全、信息安全、监管或其他要求。

这些资源如有变更，恕不另行通知。TI 授权您仅可将这些资源用于研发本资源所述的 TI 产品的应用。严禁对这些资源进行其他复制或展示。您无权使用任何其他 TI 知识产权或任何第三方知识产权。您应全额赔偿因在这些资源的使用中对 TI 及其代表造成的任何索赔、损害、成本、损失和债务，TI 对此概不负责。

TI 提供的产品受 [TI 的销售条款](#) 或 [ti.com](#) 上其他适用条款/TI 产品随附的其他适用条款的约束。TI 提供这些资源并不会扩展或以其他方式更改 TI 针对 TI 产品发布的适用的担保或担保免责声明。

TI 反对并拒绝您可能提出的任何其他或不同的条款。

邮寄地址：Texas Instruments, Post Office Box 655303, Dallas, Texas 75265

Copyright © 2024，德州仪器 (TI) 公司