

## CDCE937 支持 SSC 以降低 EMI 的 灵活低功耗 LVCMOS 时钟发生器

### 1 特性

- 可编程时钟发生器系列产品成员
  - CDCE913 : 1PLL , 3 个输出
  - CDCE925 : 2PLL , 5 个输出
  - CDCE937 : 3PLL , 7 个输出
  - CDCE949 : 4LL , 9 个输出
- 系统内可编程性和 EEPROM
  - 串行可编程易失性寄存器
  - 非易失性 EEPROM 以存储客户设置
- 灵活的输入计时理念
  - 外部晶体 : 8MHz 至 32MHz
  - 片上 VCXO : 上拉范围  $\pm 150$ ppm
  - 单端低电压互补金属氧化物半导体 (LVCMOS) 高达 160MHz
- 高达 230MHz 可自由选择的输出频率
- 低噪声 PLL 内核
  - 集成了 PLL 环路滤波器组件
  - 低周期抖动 (典型值 60ps)
- 独立的输出电源引脚
  - CDCE937 : 3.3V 和 2.5V
  - CDCEL937 : 1.8V
- 灵活的时钟驱动器
  - 3 个用户可定义的控制输入 [S0/S1/S2], 例如, 展频时钟 (SSC) 选择、频率切换、输出使能或掉电
  - 为视频、音频、USB、IEEE1394、RFID、Bluetooth™、WLAN、Ethernet™ 和 GPS 生成高精度时钟
  - 生成适用于 TI-DaVinci™、OMAP™ 和 DSP 的常见时钟频率
  - 可编程 SSC 调制
  - 启用 0PPM 时钟生成
- 1.8V 器件电源
- 宽温度范围 : -40°C 至 85°C
- 采用 TSSOP 封装
- 适用于简易 PLL 设计和编程的开发和编程套件 (TI Pro-Clock™)

### 2 应用

数字电视 (D-TV)、机顶盒 (STB)、网络机顶盒 (IP-STB)、DVD 播放器、DVD 录像机、打印机

### 3 说明

CDCE937 和 CDCEL937 器件是基于 PLL 的低成本、高性能、模块化可编程时钟合成器、倍频器和分频器。此类器件可从单个输入频率中生成多达 7 个输出时钟。借助最多三个独立的可配置 PLL, 可在系统内针对任何时钟频率 (最高可达 230MHz) 对每个输出进行编程。

CDCE937 具有单独的输出电源引脚 (VDDOUT), 对于 CDCEL937, 此引脚上的电压为 1.8V, 而对于 CDCE937, 此引脚上的电压为 2.5V 至 3.3V。

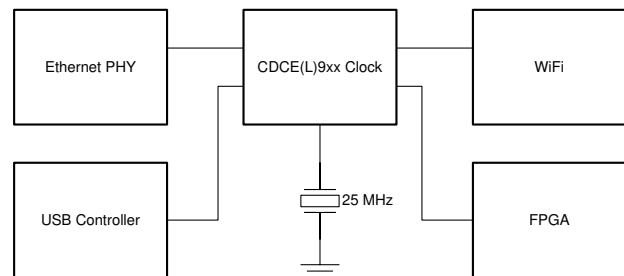
此输入接受一个外部晶振或 LVCMOS 时钟信号。如果使用了外部晶振, 对于大多数应用来说, 一个片载负载电容器就足够用了。负载电容器的值可在 0pF 至 20pF 的范围内进行编程。此外, 还可以选择片上 VCXO, 从而使输出频率与外部控制信号 (即 PWM 信号) 同步。

#### 器件信息

器件型号	封装 <sup>(1)</sup>	封装尺寸 <sup>(2)</sup>
CDCE937 , CDCEL937	TSSOP (20)	6.50mm x 6.40mm

(1) 如需了解所有可用封装, 请参阅数据表末尾的可订购产品附录。

(2) 封装尺寸 (长 × 宽) 为标称值, 并包括引脚 (如适用)。



Copyright © 2016, Texas Instruments Incorporated

典型应用原理图



## Table of Contents

<b>1 特性</b> .....	<b>1</b>	<b>8 Register Maps</b> .....	<b>16</b>
<b>2 应用</b> .....	<b>1</b>	8.1 SDA/SCL Configuration Registers.....	<b>16</b>
<b>3 说明</b> .....	<b>1</b>	<b>9 Application and Implementation</b> .....	<b>22</b>
<b>4 Pin Configuration and Functions</b> .....	<b>3</b>	9.1 Application Information.....	<b>22</b>
<b>5 Specifications</b> .....	<b>4</b>	9.2 Typical Application.....	<b>22</b>
5.1 Absolute Maximum Ratings.....	<b>4</b>	<b>10 Power Supply Recommendations</b> .....	<b>26</b>
5.2 ESD Ratings.....	<b>4</b>	<b>11 Layout</b> .....	<b>27</b>
5.3 Recommended Operating Conditions.....	<b>4</b>	11.1 Layout Guidelines.....	<b>27</b>
5.4 Thermal Information.....	<b>5</b>	11.2 Layout Example.....	<b>28</b>
5.5 Electrical Characteristics.....	<b>5</b>	<b>12 Device and Documentation Support</b> .....	<b>29</b>
5.6 Timing Requirements: CLK_IN.....	<b>7</b>	12.1 Device Support.....	<b>29</b>
5.7 Timing Requirements: SDA/SCL.....	<b>7</b>	12.2 Documentation Support.....	<b>29</b>
5.8 EEPROM Specification.....	<b>7</b>	12.3 接收文档更新通知.....	<b>29</b>
5.9 Typical Characteristics.....	<b>8</b>	12.4 支持资源.....	<b>29</b>
<b>6 Parameter Measurement Information</b> .....	<b>9</b>	12.5 Trademarks.....	<b>29</b>
<b>7 Detailed Description</b> .....	<b>10</b>	12.6 静电放电警告.....	<b>29</b>
7.1 Overview.....	<b>10</b>	12.7 术语表.....	<b>29</b>
7.2 Functional Block Diagram.....	<b>11</b>	<b>13 Revision History</b> .....	<b>30</b>
7.3 Feature Description.....	<b>11</b>	<b>14 Mechanical, Packaging, and Orderable Information</b> .....	<b>31</b>
7.4 Device Functional Modes.....	<b>14</b>		
7.5 Programming.....	<b>15</b>		

## 4 Pin Configuration and Functions

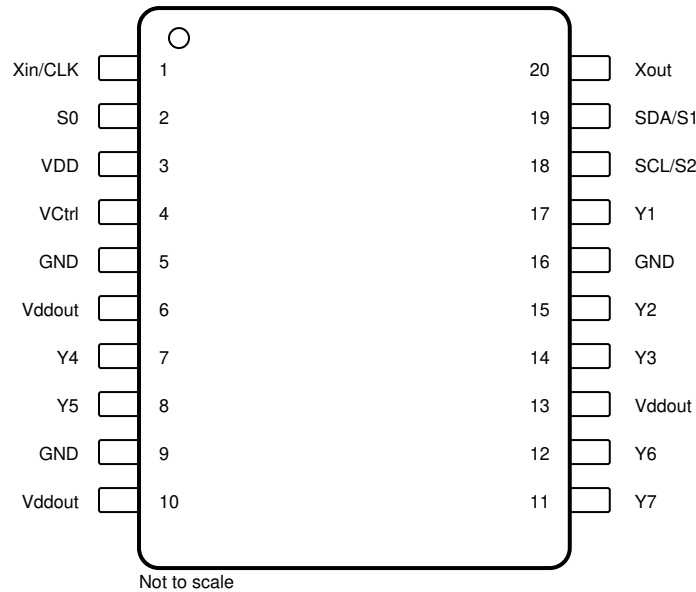


图 4-1. PW Package 20-Pin TSSOP Top View

表 4-1. Pin Functions

PIN		TYPE <sup>(1)</sup>	DESCRIPTION
NAME	NO.		
GND	5, 9, 16	G	Ground
SCL/S2	18	I	SCL: Serial clock input (default configuration), LVCMOS; Internal pullup 500k; S2: User programmable control input; LVCMOS inputs; Internal pullup 500k
SDA/S1	19	I/O	SDA: Bi-directional serial data input/output (default configuration). LVCMOS; Internal pullup 500k; S1: User programmable control input; LVCMOS inputs; Internal pullup 500k
S0	2	I	User programmable control input S0; LVCMOS inputs; Internal pullup 500k
V <sub>Ctrl</sub>	4	I	VCXO control voltage, leave open or pullup (approximately 500k) when not used
V <sub>DD</sub>	3	P	1.8-V power supply for the device
Vddout	6, 10, 13	P	CDCEL937: 1.8-V supply for all outputs
			CDCE937: 3.3-V or 2.5-V supply for all outputs
Xin/CLK	1	I	Crystal oscillator input or LVCMOS clock input (selectable through SDA/SCL bus)
Xout	20	O	Crystal oscillator output, leave open or pullup (≈500k) when not used
Y1	17	O	LVCMOS outputs
Y2	15	O	LVCMOS outputs
Y3	14	O	LVCMOS outputs
Y4	7	O	LVCMOS outputs
Y5	8	O	LVCMOS outputs
Y6	12	O	LVCMOS outputs
Y7	11	O	LVCMOS outputs

(1) G= Ground, I = Input, O = Output, P = Power

## 5 Specifications

### 5.1 Absolute Maximum Ratings

over operating free-air temperature range (unless otherwise noted)<sup>(1)</sup>

	MIN	MAX	UNIT
Supply voltage, $V_{DD}$	- 0.5	2.5	V
Input voltage, $V_I$ <sup>(2) (3)</sup>	- 0.5	$V_{DD} + 0.5$	V
Output voltage, $V_O$ <sup>(2)</sup>	- 0.5	$V_{DD} + 0.5$	V
Input current, $I_I$ ( $V_I < 0$ , $V_I > V_{DD}$ )		20	mA
Continuous output current, $I_O$		50	mA
Junction temperature, $T_J$		125	°C
Storage temperature, $T_{stg}$	- 65	150	°C

- (1) Operation outside the *Absolute Maximum Ratings* may cause permanent device damage. *Absolute Maximum Ratings* do not imply functional operation of the device at these or any other conditions beyond those listed under *Recommended Operating Conditions*. If used outside the *Recommended Operating Conditions* but within the *Absolute Maximum Ratings*, the device may not be fully functional, and this may affect device reliability, functionality, performance, and shorten the device lifetime.
- (2) The input and output negative voltage ratings can be exceeded if the input and output clamp-current ratings are observed.
- (3) SDA and SCL can go up to 3.6 V as stated in [Recommended Operating Conditions](#).

### 5.2 ESD Ratings

		VALUE	UNIT
$V_{(ESD)}$ Electrostatic discharge	Human-body model (HBM), per ANSI/ESDA/JEDEC JS-001 <sup>(1)</sup>	±2000	V
	Charged-device model (CDM), per JEDEC specification JESD22-C101 <sup>(2)</sup>	±1500	

- (1) JEDEC document JEP155 states that 500-V HBM allows safe manufacturing with a standard ESD control process.
- (2) JEDEC document JEP157 states that 250-V CDM allows safe manufacturing with a standard ESD control process.

### 5.3 Recommended Operating Conditions

		MIN	NOM	MAX	UNIT
$V_{DD}$	Device supply voltage	1.7	1.8	1.9	V
$V_O$	Output Yx supply voltage, $V_{ddout}$	CDCE937		3.6	V
		CDCEL937	1.7	1.9	
$V_{IL}$	Low-level input voltage LVC MOS			$0.3 \times V_{DD}$	V
$V_{IH}$	High-level input voltage LVC MOS	$0.7 \times V_{DD}$			V
$V_{I(thresh)}$	Input voltage threshold LVC MOS		$0.5 \times V_{DD}$		V
$V_{IS}$	Input voltage	S0		1.9	V
		S1, S2, SDA, SCL, $V_{I(thresh)} = 0.5 V_{DD}$	0	3.6	
$V_{I(CLK)}$	Input voltage, CLK	0		1.9	V
$I_{OH} / I_{OL}$	Output current	$V_{ddout} = 3.3$ V		±12	mA
		$V_{ddout} = 2.5$ V		±10	
		$V_{ddout} = 1.8$ V		±8	
$C_L$	Output load LVC MOS			10	pF
$T_A$	Operating free-air temperature	- 40		85	°C
<b>CRYSTAL AND VCXO<sup>(1)</sup></b>					
$f_{xtal}$	Crystal input frequency (fundamental mode)	8	27	32	MHz
ESR	Effective series resistance			100	Ω
$f_{PR}$	Pulling ( $0$ V $\leq V_{ctrl} \leq 1.8$ V) <sup>(2)</sup>	±120	±150		ppm
	Frequency control voltage, $V_{ctrl}$	0		$V_{DD}$	V
$C_0/C_1$	Pullability ratio			220	
$C_L$	On-chip load capacitance at $X_{in}$ and $X_{out}$	0		20	pF

- (1) For more information about VCXO configuration, and crystal recommendation, see [VCXO Application Guideline for CDCE\(L\)9xx Family](#) (SCAA085).

- (2) Pulling range depends on crystal-type, on-chip crystal load capacitance and PCB stray capacitance; pulling range of min  $\pm 120$  ppm applies for crystal listed in [VCXO Application Guideline for CDCE\(L\)9xx Family](#) (SCAA085).

## 5.4 Thermal Information

THERMAL METRIC <sup>(1)</sup>		CDCE937, CDCEL937	UNIT
		PW (TSSOP)	
		20 PINS	
$R_{\theta JA}$	Junction-to-ambient thermal resistance	89.04	$^{\circ}\text{C}/\text{W}$
$R_{\theta JC(\text{top})}$	Junction-to-case (top) thermal resistance	31.33	$^{\circ}\text{C}/\text{W}$
$R_{\theta JB}$	Junction-to-board thermal resistance	54.6	$^{\circ}\text{C}/\text{W}$
$\psi_{JT}$	Junction-to-top characterization parameter	0.8	$^{\circ}\text{C}/\text{W}$
$\psi_{JB}$	Junction-to-board characterization parameter	48.8	$^{\circ}\text{C}/\text{W}$
$R_{\theta JC(\text{bot})}$	Junction-to-case (bottom) thermal resistance	—	$^{\circ}\text{C}/\text{W}$

- (1) For more information about traditional and new thermal metrics, see the [Semiconductor and IC Package Thermal Metrics](#) application report.

## 5.5 Electrical Characteristics

over recommended operating free-air temperature range (unless otherwise noted)

PARAMETER		TEST CONDITIONS		MIN	TYP <sup>(1)</sup>	MAX	UNIT
$I_{DD}$	Supply current (see <a href="#">图 5-1</a> )	All outputs off, $f_{(\text{CLK})} = 27$ MHz, $f_{(\text{VCO})} = 135$ MHz	All PLLS on		29		mA
			Per PLL		9		
$I_{DD\text{OUT}}$	Output supply current (see <a href="#">图 5-2</a> and <a href="#">图 5-3</a> )	No load, all outputs on, $f_{\text{OUT}} = 27$ MHz	CDCE937, $V_{DD\text{OUT}} = 3.3$ V		3.1		mA
			CDCEL937, $V_{DD\text{OUT}} = 1.8$ V		1.5		
$I_{DD(\text{PD})}$	Power-down current	Every circuit powered down except SDA/SCL, $f_{\text{IN}} = 0$ MHz, $V_{DD} = 1.9$ V			50		$\mu\text{A}$
$V_{(\text{PUC})}$	Supply voltage $V_{\text{DD}}$ threshold for power-up control circuit			0.85		1.45	V
$f_{(\text{VCO})}$	VCO frequency range of PLL			80		230	MHz
$f_{\text{OUT}}$	LVCMOS output frequency	$V_{\text{DDOUT}} = 3.3$ V		230			MHz
		$V_{\text{DDOUT}} = 1.8$ V		230			
<b>LVCMOS PARAMETER</b>							
$V_{\text{IK}}$	LVCMOS input voltage	$V_{DD} = 1.7$ V, $I_{\text{I}} = -18$ mA				-1.2	V
$I_{\text{I}}$	LVCMOS Input current	$V_{\text{I}} = 0$ V or $V_{DD}$ , $V_{DD} = 1.9$ V				$\pm 5$	$\mu\text{A}$
$I_{\text{IH}}$	LVCMOS Input current for S0/S1/S2	$V_{\text{I}} = V_{DD}$ , $V_{DD} = 1.9$ V				5	$\mu\text{A}$
$I_{\text{IL}}$	LVCMOS Input current for S0/S1/S2	$V_{\text{I}} = 0$ V, $V_{DD} = 1.9$ V				-4	$\mu\text{A}$
$C_{\text{I}}$	Input capacitance at Xin/Clk	$V_{\text{I}(\text{Clk})} = 0$ V or $V_{DD}$			6		pF
	Input capacitance at Xout	$V_{\text{I}(\text{Xout})} = 0$ V or $V_{DD}$			2		
	Input capacitance at S0/S1/S2	$V_{\text{IS}} = 0$ V or $V_{DD}$			3		
<b>CDCE937 - LVCMOS FOR <math>V_{\text{DDOUT}} = 3.3</math> V</b>							
$V_{\text{OH}}$	LVCMOS high-level output voltage	$V_{\text{DDOUT}} = 3$ V, $I_{\text{OH}} = -0.1$ mA		2.9			V
		$V_{\text{DDOUT}} = 3$ V, $I_{\text{OH}} = -8$ mA		2.4			
		$V_{\text{DDOUT}} = 3$ V, $I_{\text{OH}} = -12$ mA		2.2			
$V_{\text{OL}}$	LVCMOS low-level output voltage	$V_{\text{DDOUT}} = 3$ V, $I_{\text{OL}} = 0.1$ mA			0.1		V
		$V_{\text{DDOUT}} = 3$ V, $I_{\text{OL}} = 8$ mA			0.5		
		$V_{\text{DDOUT}} = 3$ V, $I_{\text{OL}} = 12$ mA			0.8		
$t_{\text{PLH}}, t_{\text{PHL}}$	Propagation delay	All PLL bypass			3.2		ns
$t_{\text{r}}, t_{\text{f}}$	Rise and fall time	$V_{\text{DDOUT}} = 3.3$ V (20% - 80%)			0.6		ns

## 5.5 Electrical Characteristics (续)

over recommended operating free-air temperature range (unless otherwise noted)

PARAMETER		TEST CONDITIONS	MIN	TYP <sup>(1)</sup>	MAX	UNIT
t <sub>jitt(cc)</sub>	Cycle-to-cycle jitter <sup>(2) (3)</sup>	1 PLL switching, Y2-to-Y3		60	90	ps
		3 PLL switching, Y2-to-Y7		100	150	
t <sub>jitt(per)</sub>	Peak-to-peak period jitter <sup>(3)</sup>	1 PLL switching, Y2-to-Y3		70	100	ps
		3 PLL switching, Y2-to-Y7		120	180	
t <sub>sk(o)</sub>	Output skew <sup>(4)</sup> (see 表 7-2)	f <sub>OUT</sub> = 50 MHz, Y1-to-Y3			60	ps
		f <sub>OUT</sub> = 50 MHz, Y2-to-Y5			160	
odc	Output duty cycle <sup>(5)</sup>	f <sub>VCO</sub> = 100 MHz, Pdiv = 1	45%		55%	
<b>CDCE937 – LVC MOS FOR V<sub>ddout</sub> = 2.5 V</b>						
V <sub>OH</sub>	LVC MOS high-level output voltage	V <sub>ddout</sub> = 2.3 V, I <sub>OH</sub> = - 0.1 mA		2.2		V
		V <sub>ddout</sub> = 2.3 V, I <sub>OH</sub> = - 6 mA		1.7		
		V <sub>ddout</sub> = 2.3 V, I <sub>OH</sub> = - 10 mA		1.6		
V <sub>OL</sub>	LVC MOS low-level output voltage	V <sub>ddout</sub> = 2.3 V, I <sub>OL</sub> = 0.1 mA			0.1	V
		V <sub>ddout</sub> = 2.3 V, I <sub>OL</sub> = 6 mA			0.5	
		V <sub>ddout</sub> = 2.3 V, I <sub>OL</sub> = 10 mA			0.7	
t <sub>PLH</sub> , t <sub>PHL</sub>	Propagation delay	All PLL bypass		3.4		ns
t <sub>r</sub> /t <sub>f</sub>	Rise and fall time	V <sub>ddout</sub> = 2.5 V (20% - 80%)		0.8		ns
t <sub>jitt(cc)</sub>	Cycle-to-cycle jitter <sup>(2) (3)</sup>	1 PLL switching, Y2-to-Y3		60	90	ps
		3 PLL switching, Y2-to-Y7		100	150	
t <sub>jitt(per)</sub>	Peak-to-peak period jitter <sup>(4)</sup>	1 PLL switching, Y2-to-Y3		70	100	ps
		3 PLL switching, Y2-to-Y7		120	180	
t <sub>sk(o)</sub>	Output skew <sup>(4)</sup> (see 表 7-2)	f <sub>OUT</sub> = 50 MHz, Y1-to-Y3			60	ps
		f <sub>OUT</sub> = 50 MHz, Y2-to-Y5			160	
odc	Output duty cycle <sup>(5)</sup>	f <sub>VCO</sub> = 100 MHz, Pdiv = 1	45%		55%	
<b>CDCEL937 – LVC MOS FOR V<sub>ddout</sub> = 1.8 V</b>						
V <sub>OH</sub>	LVC MOS high-level output voltage	V <sub>ddout</sub> = 1.7 V, I <sub>OH</sub> = - 0.1 mA		1.6		V
		V <sub>ddout</sub> = 1.7 V, I <sub>OH</sub> = - 4 mA		1.4		
		V <sub>ddout</sub> = 1.7 V, I <sub>OH</sub> = - 8 mA		1.1		
V <sub>OL</sub>	LVC MOS low-level output voltage	V <sub>ddout</sub> = 1.7 V, I <sub>OL</sub> = 0.1 mA			0.1	V
		V <sub>ddout</sub> = 1.7 V, I <sub>OL</sub> = 4 mA			0.3	
		V <sub>ddout</sub> = 1.7 V, I <sub>OL</sub> = 8 mA			0.6	
t <sub>PLH</sub> , t <sub>PHL</sub>	Propagation delay	All PLL bypass		2.6		ns
t <sub>r</sub> /t <sub>f</sub>	Rise and fall time	V <sub>ddout</sub> = 1.8 V (20% - 80%)		0.7		ns
t <sub>jitt(cc)</sub>	Cycle-to-cycle jitter <sup>(2) (3)</sup>	1 PLL switching, Y2-to-Y3		70	120	ps
		3 PLL switching, Y2-to-Y7		100	150	
t <sub>jitt(per)</sub>	Peak-to-peak period jitter <sup>(3)</sup>	1 PLL switching, Y2-to-Y3		90	140	ps
		3 PLL switching, Y2-to-Y7		120	190	
t <sub>sk(o)</sub>	Output skew <sup>(4)</sup> (see 表 7-2)	f <sub>OUT</sub> = 50 MHz, Y1-to-Y3			60	ps
		f <sub>OUT</sub> = 50 MHz, Y2-to-Y5			160	
odc	Output duty cycle <sup>(5)</sup>	f <sub>VCO</sub> = 100 MHz, Pdiv = 1	45%		55%	
<b>SDA AND SCL</b>						
V <sub>IK</sub>	SCL and SDA input clamp voltage	V <sub>DD</sub> = 1.7 V; I <sub>I</sub> = - 18 mA			- 1.2	V
I <sub>IH</sub>	SCL and SDA input current	V <sub>I</sub> = V <sub>DD</sub> ; V <sub>DD</sub> = 1.9 V			±10	μA
V <sub>IH</sub>	SDA/SCL input high voltage <sup>(6)</sup>		0.7 × V <sub>DD</sub>			V
V <sub>IL</sub>	SDA/SCL input low voltage <sup>(6)</sup>			0.3 × V <sub>DD</sub>		V
V <sub>OL</sub>	SDA low-level output voltage	I <sub>OL</sub> = 3 mA, V <sub>DD</sub> = 1.7 V			0.2 × V <sub>DD</sub>	V
C <sub>I</sub>	SCL/SDA Input capacitance	V <sub>I</sub> = 0 V or V <sub>DD</sub>		3	10	pF

(1) All typical values are at respective nominal V<sub>DD</sub>.

- (2) 10000 cycles.
- (3) Jitter depends on configuration. Data is taken under the following conditions: 1-PLL is  $f_{IN} = 27$  MHz and  $Y2/3 = 27$  MHz (measured at Y2); 3-PLL is  $f_{IN} = 27$  MHz,  $Y2/3 = 27$  MHz (measured at Y2),  $Y4/5 = 16.384$  MHz, and  $Y6/7 = 74.25$  MHz.
- (4) The tsk(o) specification is only valid for equal loading of each bank of outputs, and outputs are generated from the same divider; data taking on rising edge (tr).
- (5) odc depends on output rise and fall time ( $t_r/t_f$ ).
- (6) SDA and SCL pins are 3.3-V tolerant.

## 5.6 Timing Requirements: CLK\_IN

over operating free-air temperature range (unless otherwise noted)

		MIN	NOM	MAX	UNIT
$f_{CLK}$	LVCMOS clock input frequency	PLL bypass mode		160	MHz
		PLL mode	8	160	
$t_r / t_f$	Rise and fall time CLK signal (20% to 80%)			3	ns
duty <sub>CLK</sub>	Duty cycle CLK at $V_{DD}/2$	40%		60%	

## 5.7 Timing Requirements: SDA/SCL

over operating free-air temperature range (unless otherwise noted; see [图 7-2](#))

		MIN	NOM	MAX	UNIT
$f_{SCL}$	SCL clock frequency	Standard mode		100	kHz
		Fast mode	0	400	
$t_{su}(START)$	START setup time (SCL high before SDA low)	Standard mode	4.7		$\mu$ s
		Fast mode	0.6		
$t_{h}(START)$	START hold time (SCL low after SDA low)	Standard mode	4		$\mu$ s
		Fast mode	0.6		
$t_{w}(SCLL)$	SCL low-pulse duration	Standard mode	4.7		$\mu$ s
		Fast mode	1.3		
$t_{w}(SCLH)$	SCL high-pulse duration	Standard mode	4		$\mu$ s
		Fast mode	0.6		
$t_{h}(SDA)$	SDA hold time (SDA valid after SCL low)	Standard mode	0	3.45	$\mu$ s
		Fast mode	0	0.9	
$t_{su}(SDA)$	SDA setup time	Standard mode	250		ns
		Fast mode	100		
$t_r$	SCL/SDA input rise time	Standard mode		1000	ns
		Fast mode		300	
$t_f$	SCL/SDA input fall time			300	ns
$t_{su}(STOP)$	STOP setup time	Standard mode	4		$\mu$ s
		Fast mode	0.6		
$t_{BUS}$	Bus free time between a STOP and START condition	Standard mode	4.7		$\mu$ s
		Fast mode	1.3		

## 5.8 EEPROM Specification

		MIN	TYP	MAX	UNIT
EEcyc	Programming cycles of EEPROM	1000			cycles
EEret	Data retention	10			years

### 5.9 Typical Characteristics

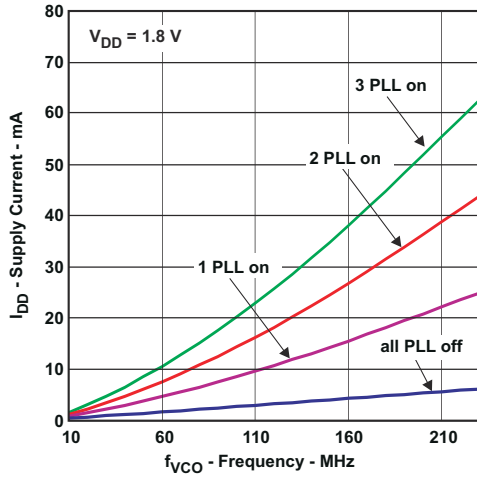


图 5-1. CDCE937 Supply Current vs PLL Frequency

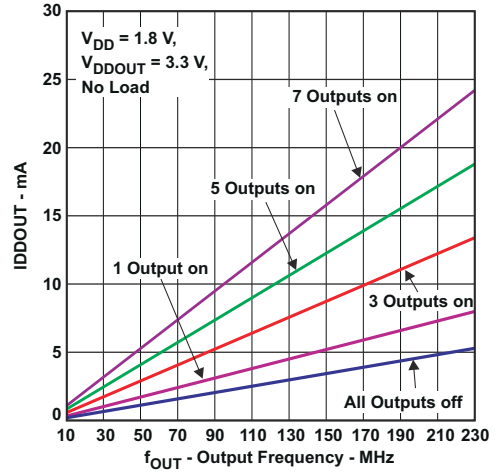


图 5-2. CDCE937 Output Current vs Output Frequency

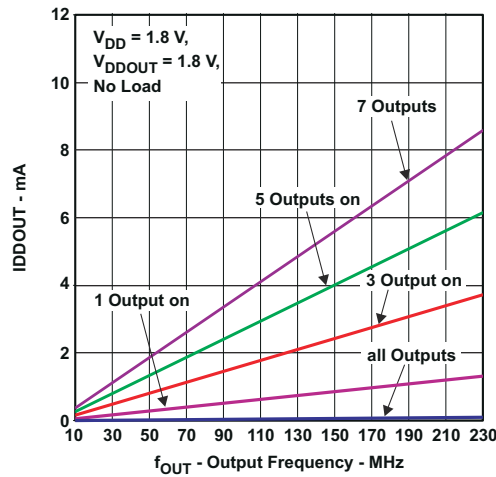
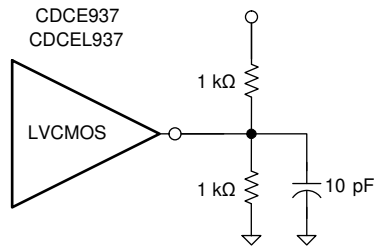


图 5-3. CDCEL937 Output Current vs Output Frequency

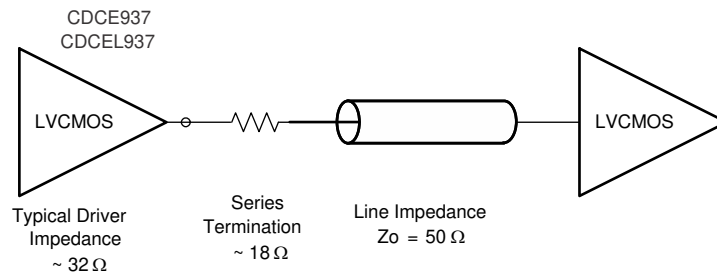


## 6 Parameter Measurement Information



Copyright © 2016, Texas Instruments Incorporated

**图 6-1. Test Load**



Copyright © 2016, Texas Instruments Incorporated

**图 6-2. Test Load for 50-Ω Board Environment**

## 7 Detailed Description

### 7.1 Overview

The CDCE937 and CDCEL937 devices are modular PLL-based, low-cost, high-performance, programmable clock synthesizers, multipliers, and dividers. The devices generate up to seven output clocks from a single input frequency. Each output can be programmed in-system for any clock frequency up to 230 MHz, using one of the three integrated configurable PLLs. The CDCx937 has separate output supply pins, VDDOUT, which is 1.8 V for CDCEL937 and 2.5 V to 3.3 V for CDCE937.

The input accepts an external crystal or LVCMOS clock signal. If an external crystal is used, an on-chip load capacitor is adequate for most applications. The value of the load capacitor is programmable from 0 to 20 pF.

Additionally, a selectable on-chip VCXO allows synchronization of the output frequency to an external control signal, that is, the PWM signal.

The deep M/N divider ratio allows the generation of 0 ppm audio/video, networking (WLAN, BlueTooth, Ethernet, GPS) or Interface (USB, IEEE1394, Memory Stick) clocks from a reference input frequency such as 27 MHz.

All PLLs supports SSC (Spread-Spectrum Clocking). SSC can be Center-Spread or Down-Spread clocking which is a common technique to reduce electro-magnetic interference (EMI).

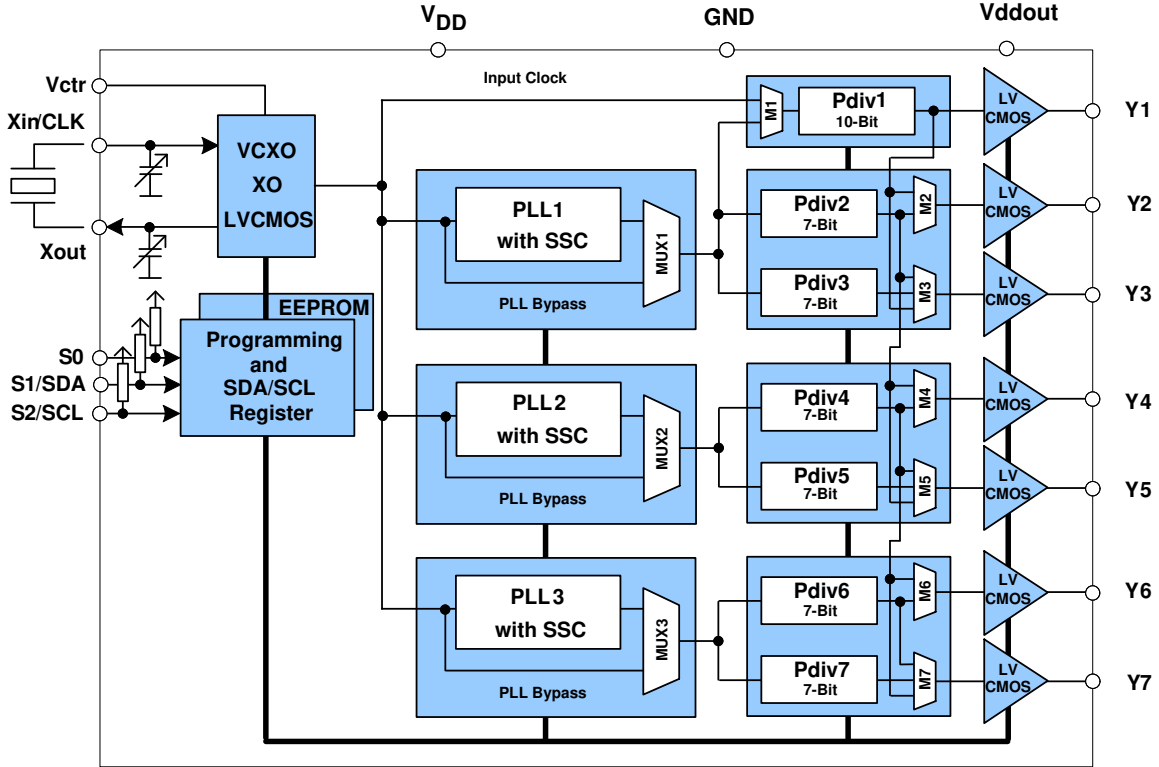
Based on the PLL frequency and the divider settings, the internal loop filter components are automatically adjusted to achieve high stability and optimized jitter transfer characteristic of each PLL.

The device supports non-volatile EEPROM programming for ease-customized application. The device is preset to a factory default configuration (see [Default Device Setting](#)). The device can be reprogrammed to a different application configuration before PCB assembly, or reprogrammed by in-system programming. All device settings are programmable through SDA/SCL bus, a 2-wire serial interface.

Three programmable control inputs, S0, S1 and S2, can be used to control various aspects of operation including frequency selection changing the SSC parameters to lower EMI, PLL bypass, power down, and choosing between low level or 3-state for output-disable function.

The CDCx937 operates in a 1.8-V environment. The CDCx937 is characterized for operation from  $-40^{\circ}\text{C}$  to  $85^{\circ}\text{C}$ .

## 7.2 Functional Block Diagram



Copyright © 2016, Texas Instruments Incorporated

## 7.3 Feature Description

### 7.3.1 Control Terminal Setting

The CDCE937 has three user-definable control terminals (S0, S1, and S2) which allow external control of device settings. The terminals can be programmed to any of the following setting:

- Spread spectrum clocking selection → spread type and spread amount selection
- Frequency selection → switching between any of two user-defined frequencies
- Output state selection → output configuration and power down control

The user can predefine up to eight different control settings. 表 7-1 and 表 7-2 explain these settings.

表 7-1. Control Terminal Definition

EXTERNAL CONTROL BITS	PLL1 SETTING			PLL2 SETTING			PLL3 SETTING			Y1 SETTING
Control Function	PLL Frequency Selection	SSC Selection	Output Y2/Y3 Selection	PLL Frequency Selection	SSC Selection	Output Y4/Y5 Selection	PLL Frequency Selection	SSC Selection	Output Y6/Y7 Selection	Output Y1 and Power-Down Selection

表 7-2. PLLx Setting (Can Be Selected for Each PLL Individual)

SSC SELECTION (CENTER/DOWN) <sup>(1)</sup>				
SSCx [3-bits]			CENTER	DOWN
0	0	0	0% (off)	0% (off)
0	0	1	±0.25%	- 0.25%
0	1	0	±0.5%	- 0.5%
0	1	1	±0.75%	- 0.75%
1	0	0	±1%	- 1%

表 7-2. PLLx Setting (Can Be Selected for Each PLL Individual) (续)

SSC SELECTION (CENTER/DOWN) <sup>(1)</sup>				
SSCx [3-bits]			CENTER	DOWN
1	0	1	±1.25%	- 1.25%
1	1	0	±1.5%	- 1.5%
1	1	1	±2%	- 2%
FREQUENCY SELECTION <sup>(2)</sup>				
FSx		FUNCTION		
0		Frequency0		
1		Frequency1		
OUTPUT SELECTION <sup>(3)</sup> (Y2 ... Y7)				
YxYx		FUNCTION		
0		State0		
1		State1		

- (1) Center/Down-Spread, Frequency0/1 and State0/1 are user-definable in PLLx Configuration Register
- (2) Frequency0 and Frequency1 can be any frequency within the specified  $f_{VCO}$  range
- (3) State0/1 selection is valid for both outputs of the corresponding PLL module and can be power down, 3-state, low or active

表 7-3. Y1 Setting <sup>(1)</sup>

Y1 SELECTION	
Y1	FUNCTION
0	State 0
1	State 1

- (1) State0 and State1 are user definable in Generic Configuration Register and can be power down, 3-state, low, or active.

S1/SDA and S2/SCL pins of the CDCE937 are dual function pins. In default configuration the pins are defined as SDA/SCL for the serial interface. The pins can be programmed as control-pins (S1/S2) by setting the relevant bits in the EEPROM. Note that the changes to the Control register (Bit [6] of Byte [02]) have no effect until the pins are written into the EEPROM.

Once the pins are set as control pins, the serial programming interface is no longer available. However, if  $V_{DDOUT}$  is forced to GND, the two control-pins, S1 and S2, temporarily act as serial programming pins (SDA/SCL).

S0 is not a multi-use pin, the pin is a control pin only.

### 7.3.2 Default Device Setting

The internal EEPROM of CDCE937 is preconfigured as shown in 图 7-1. (The input frequency is passed through to the output as a default.) This allows the device to operate in default mode without the extra production step of programming. The default setting appears after power is supplied or after power-down or power-up sequence until the settings are reprogrammed by the user to a different application configuration. A new register setting is programmed through the serial SDA/SCL Interface

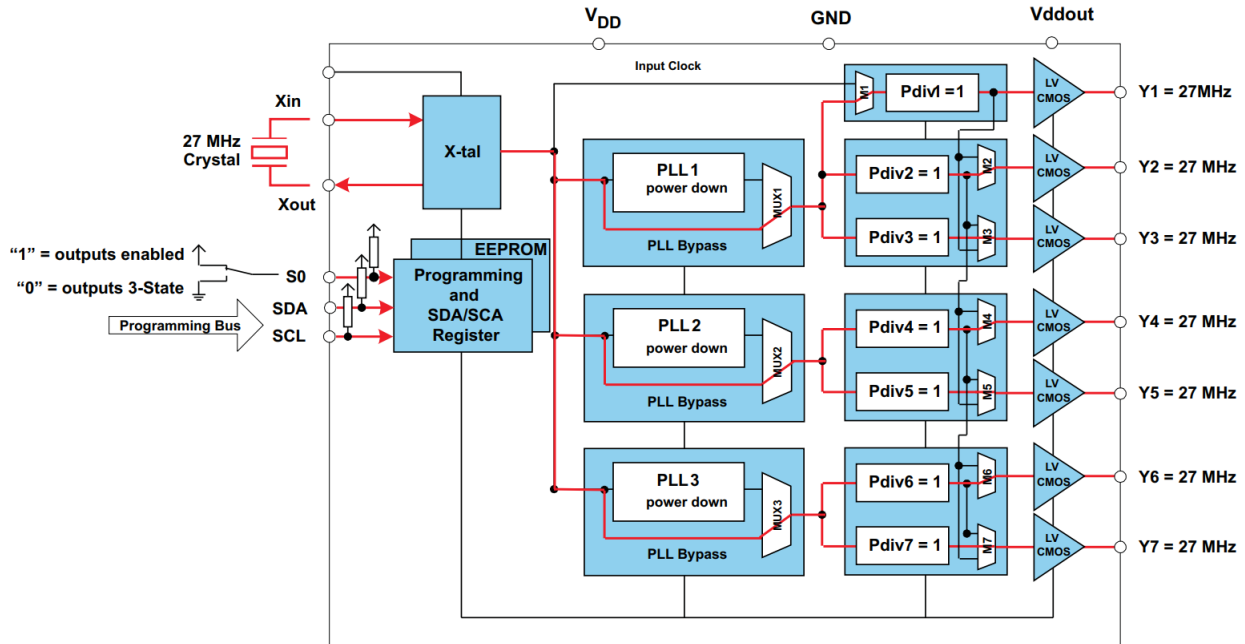


图 7-1. Default Device Setting

表 7-4 shows the factory default setting for the Control Terminal Register (external control pins). In normal operation, all 8 register settings are available, but in the default configuration only the first two settings (0 and 1) can be selected with S0, as S1 and S2 configured as programming pins in default mode.

表 7-4. Factory Default Setting for Control Terminal Register (1)

EXTERNAL CONTROL PINS			Y1	PLL1 SETTINGS			PLL2 SETTINGS			PLL3 SETTINGS		
S2	S1	S0	OUTPUT SELECTION	FREQUENCY SELECTION	SSC SELECTION	OUTPUT SELECTION	FREQUENCY SELECTION	SSC SELECTION	OUTPUT SELECTION	FREQUENCY SELECTION	SSC SELECTION	OUTPUT SELECTION
SCL (I2C)	SDA (I2C)	0	3-state	$f_{VCO1\_0}$	off	3-state	$f_{VCO2\_0}$	off	3-state	$f_{VCO3\_0}$	off	3-state
SCL (I2C)	SDA (I2C)	1	enabled	$f_{VCO1\_0}$	off	enabled	$f_{VCO2\_0}$	off	enabled	$f_{VCO3\_0}$	off	enabled

(1) In default mode or when programmed respectively, S1 and S2 act as serial programming interface, SDA/SCL. S1 and S2 do not have any control-pin function but S1 and S2 are internally interpreted as if S1=0 and S2=0. However, S0 is a control-pin which in the default mode switches all outputs ON or OFF (as previously predefined).

### 7.3.3 SDA/SCL Serial Interface

The CDCE937 operates as a slave device of the 2-wire serial SDA/SCL bus, compatible with the popular SMBus or I<sup>2</sup>C specification. The device operates in the standard-mode transfer (up to 100 kbit/s) and fast-mode transfer (up to 400kbit/s) and supports 7-bit addressing.

The S1/SDA and S2/SCL pins of the CDC9xx are dual function pins. In the default configuration the pins are used as SDA/SCL serial programming interface. The pins can be reprogrammed as general purpose control pins, S1 and S2, by changing the corresponding EEPROM setting, Byte 02, Bit [6].

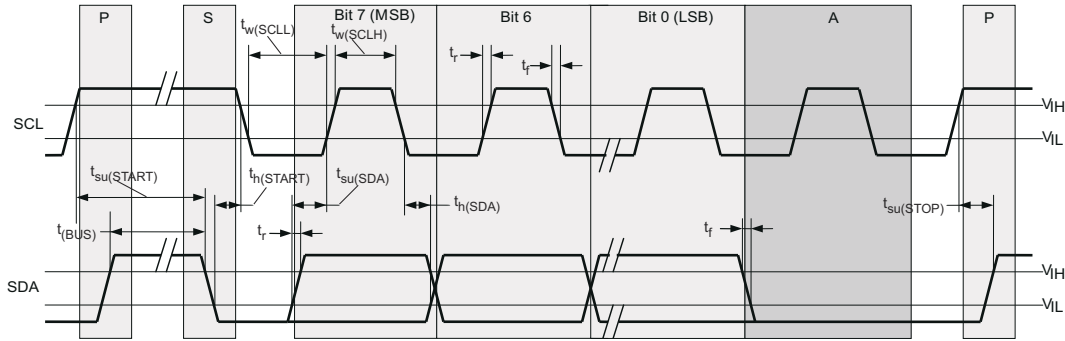


图 7-2. Timing Diagram for SDA/SCL Serial Control Interface

### 7.3.4 Data Protocol

The device supports *Byte Write and Byte Read* and *Block Write and Block Read* operations.

For *Byte Write/Read* operations, the system controller can individually access addressed bytes.

For *Block Write/Read* operations, the bytes are accessed in sequential order from lowest to highest byte (with most significant bit first) with the ability to stop after any complete byte has been transferred. The numbers of Bytes read-out are defined by Byte Count in the Generic Configuration Register. At Block Read instruction all bytes defined in the Byte Count has to be readout to correctly finish the read cycle.

Once a byte has been sent, the byte is written into the internal register and is effective immediately. This applies to each transferred byte independent of whether this is a *Byte Write* or a *Block Write* sequence.

If the EEPROM Write Cycle is initiated, the internal SDA register contents are written into the EEPROM. During this write cycle, data is not accepted at the SDA/SCL bus until the write cycle is completed. However, data can be read during the programming sequence (Byte Read or Block Read). The programming status can be monitored by reading *EEPIP*, Byte 01 – Bit [6].

The offset of the indexed byte is encoded in the command code, as described in 表 7-5.

表 7-5. Slave Receiver Address (7 Bits)

DEVICE	A6	A5	A4	A3	A2	A1 <sup>(1)</sup>	A0 <sup>(1)</sup>	R/ W
CDCEX913	1	1	0	0	1	0	1	1/0
CDCEX925	1	1	0	0	1	0	0	1/0
CDCEX937	1	1	0	1	1	0	1	1/0
CDCEX949	1	1	0	1	1	0	0	1/0

(1) Address bits A0 and A1 are programmable through the SDA/SCL bus (Byte 01, Bit [1:0]). This allows addressing up to 4 devices connected to the same SDA/SCL bus. The least-significant bit of the address byte designates a write or read operation.

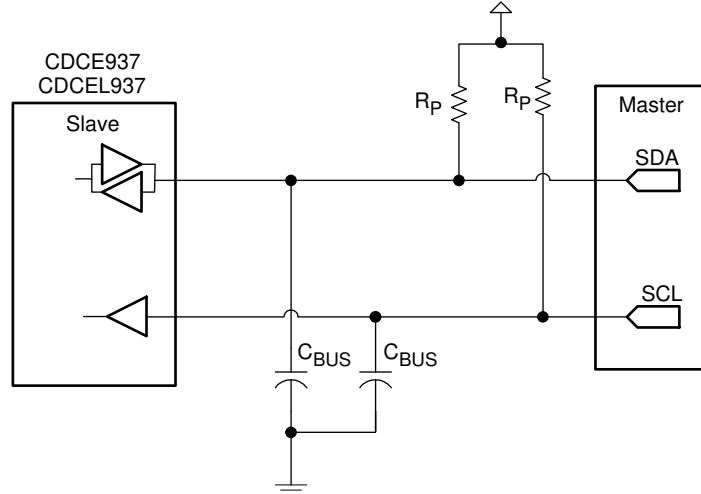
## 7.4 Device Functional Modes

### 7.4.1 SDA/SCL Hardware Interface

图 7-3 shows how the CDCEX937 clock synthesizer is connected to the SDA/SCL serial interface bus. Multiple devices can be connected to the bus but the speed can require reduction (400 kHz is the maximum) if many devices are connected.

Note that the pullup resistors ( $R_P$ ) depends on the supply voltage, bus capacitance, and number of connected devices. The recommended pullup value is 4.7 kΩ. The pullup value must meet the minimum sink current of 3 mA at

$V_{OLmax} = 0.4$  V for the output stages (for more details, see [SMBus](#) or [I<sup>2</sup>C Bus](#) specification).



Copyright © 2016, Texas Instruments Incorporated

图 7-3. SDA/SCL Hardware Interface

## 7.5 Programming

表 7-6. Command Code Definition

BIT	DESCRIPTION
7	0 = Block Read or Block Write operation 1 = Byte Read or Byte Write operation
(6:0)	Byte Offset for Byte Read, Block Read, Byte Write and Block Write operation.

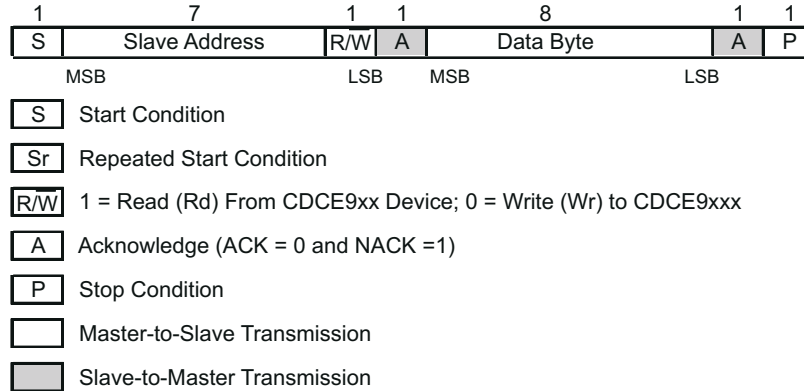


图 7-4. Generic Programming Sequence



图 7-5. Byte Write Protocol

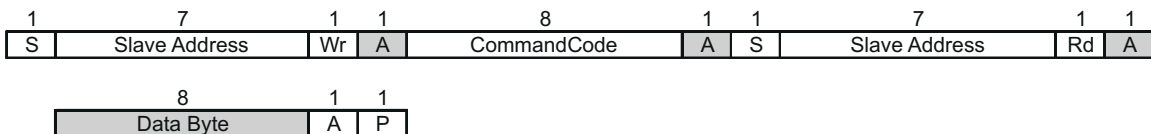
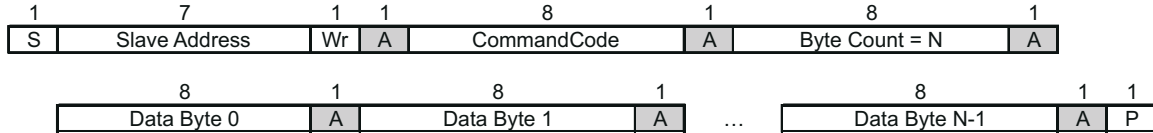


图 7-6. Byte Read Protocol



Data byte 0 bits [7:0] is reserved for Revision Code and Vendor Identification. The data byte is also used for internal test purposes and must not be overwritten.

图 7-7. Block Write Protocol

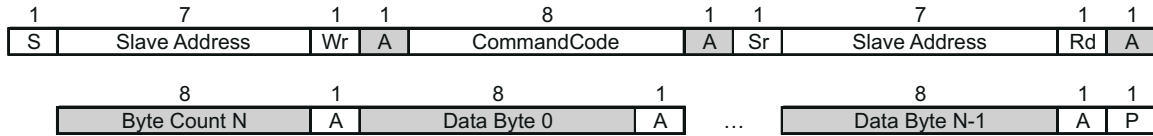


图 7-8. Block Read Protocol

## 8 Register Maps

### 8.1 SDA/SCL Configuration Registers

The clock input, control pins, PLLs, and output stages are user configurable. The following tables and explanations describe the programmable functions of the CDCEX937. All settings can be manually written into the device through the SDA/SCL bus or easily programmed by using the TI Pro-Clock™ software. TI Pro-Clock™ software allows the user to quickly make all settings and automatically calculates the values for optimized performance at lowest jitter.

表 8-1. SDA and SCL Registers

ADDRESS OFFSET	REGISTER DESCRIPTION	TABLE
00h	Generic Configuration Register	表 8-3
10h	PLL1 Configuration Register	表 8-4
20h	PLL2 Configuration Register	表 8-5
30h	PLL3 Configuration Register	表 8-6

The gray-highlighted bits, described in the Configuration Registers tables in the following pages, belong to the Control Terminal Register. The user can predefine up to eight different control settings. These settings then can be selected by the external control pins, S0, S1, and S2 (see [Control Terminal Setting](#) ).

表 8-2. Configuration Register, External Control Terminals

	EXTERNAL CONTROL PINS			Y1	PLL1 SETTINGS			PLL2 SETTINGS			PLL3 SETTINGS		
	S2	S1	S0	OUTPUT SELECTION	FREQ. SELECTION	SSC SELECTION	OUTPUT SELECTION	FREQ. SELECTION	SSC SELECTION	OUTPUT SELECTION	FREQ. SELECTION	SSC SELECTION	OUTPUT SELECTION
0	0	0	0	Y1_0	FS1_0	SSC1_0	Y2Y3_0	FS2_0	SSC2_0	Y4Y5_0	FS3_0	SSC3_0	Y6Y7_0
1	0	0	1	Y1_1	FS1_1	SSC1_1	Y2Y3_1	FS2_1	SSC2_1	Y4Y5_1	FS3_1	SSC3_1	Y6Y7_1
2	0	1	0	Y1_2	FS1_2	SSC1_2	Y2Y3_2	FS2_2	SSC2_2	Y4Y5_2	FS3_2	SSC3_2	Y6Y7_2
3	0	1	1	Y1_3	FS1_3	SSC1_3	Y2Y3_3	FS2_3	SSC2_3	Y4Y5_3	FS3_3	SSC3_3	Y6Y7_3
4	1	0	0	Y1_4	FS1_4	SSC1_4	Y2Y3_4	FS2_4	SSC2_4	Y4Y5_4	FS3_4	SSC3_4	Y6Y7_4
5	1	0	1	Y1_5	FS1_5	SSC1_5	Y2Y3_5	FS2_5	SSC2_5	Y4Y5_5	FS3_5	SSC3_5	Y6Y7_5
6	1	1	0	Y1_6	FS1_6	SSC1_6	Y2Y3_6	FS2_6	SSC2_6	Y4Y5_6	FS3_6	SSC3_6	Y6Y7_6
7	1	1	1	Y1_7	FS1_7	SSC1_7	Y2Y3_7	FS2_7	SSC2_7	Y4Y5_7	FS3_7	SSC3_7	Y6Y7_7
	Address Offset <sup>(1)</sup>			04h	13h	10h - 12h	15h	23h	20h - 22h	25h	33h	30h - 32h	35h

(1) Address Offset refers to the byte address in the Configuration Register in the following pages.



**表 8-3. Generic Configuration Register**

OFFSET <sup>(1)</sup>	BIT <sup>(2)</sup>	ACRONYM	DEFAULT <sup>(3)</sup>	DESCRIPTION
00h	7	E_EL	Xb	Device identification (read-only): 1 is CDCE937 (3.3 V), 0 is CDCEL937 (1.8 V)
	6:4	RID	Xb	Revision Identification Number (read only)
	3:0	VID	1h	Vendor Identification Number (read only)
01h	7	-	0b	Reserved - always write 0
	6	EEPIP	0b	EEPROM Programming Status: <sup>(4)</sup> (read only) 0 - EEPROM programming is completed 1 - EEPROM is in programming mode
	5	EELOCK	0b	Permanently Lock EEPROM Data <sup>(5)</sup> 0 - EEPROM is not locked 1 - EEPROM is permanently locked
	4	PWDN	0b	Device Power Down (overwrites S0/S1/S2 setting; configuration register settings are unchanged) Note: PWDN cannot be set to 1 in the EEPROM. 0 - device active (PLL1 and all outputs are enabled) 1 - device power down (PLL1 in power down and all outputs in 3-state)
	3:2	INCLK	00b	Input clock selection: 00 - Xtal 01 - VCXO 10 - LVCMOS 11 - reserved
	1:0	SLAVE_ADDR	00b	Programmable Address Bits A0 and A1 of the Slave Receiver Address
02h	7	M1	1b	Clock source selection for output Y1: 0 - input clock 1 - PLL1 clock
	6	SPICON	0b	Operation mode selection for pin 18/19 <sup>(6)</sup> 0 - serial programming interface SDA (pin 19) and SCL (pin 18) 1 - control pins S1 (pin 19) and S2 (pin 18)
	5:4	Y1_ST1	11b	Y1-State0/1 Definition
	3:2	Y1_ST0	01b	00 - device power down (all PLLs in power down and all outputs in 3-State) 10 - Y1 disabled to low 01 - Y1 disabled to 3-state 11 - Y1 enabled
	1:0	Pdiv1 [9:8]	2h	10-Bit Y1-Output-Divider Pdiv1: 0 - divider reset and stand-by 1-to-1023 - divider value
03h	7:0	Pdiv1 [7:0]		
04h	7	Y1_7	0b	Y1_ST0/Y1_ST1 State Selection <sup>(7)</sup> 0 - State0 (predefined by Y1_ST0) 1 - State1 (predefined by Y1_ST1)
	6	Y1_6	0b	
	5	Y1_5	0b	
	4	Y1_4	0b	
	3	Y1_3	0b	
	2	Y1_2	0b	
	1	Y1_1	1b	
	0	Y1_0	0b	
05h	7:3	XCSEL	0Ah	Crystal Load Capacitor Selection <sup>(8)</sup> 00h → 0 pF 01h → 1 pF 02h → 2 pF : 14h-to-1Fh → 20 pF
	2:0		0b	Reserved - do not write other than 0
06h	7:1	BCOUNT	40h	7-Bit Byte Count (defines the number of bytes which is sent from this device at the next Block Read transfer); all bytes have to be read out to correctly finish the read cycle.)
	0	EEWRITE	0b	Initiate EEPROM Write Cycle <sup>(4)</sup> <sup>(9)</sup> 0 - no EEPROM write cycle 1 - start EEPROM write cycle (internal configuration register is saved to the EEPROM)
07h-0Fh		—	0h	Unused address range

- (1) Writing data beyond '40h' can affect device function.
- (2) All data transferred with the MSB first.
- (3) Unless customer-specific setting.
- (4) During EEPROM programming, no data is allowed to be sent to the device through the SDA/SCL bus until the programming sequence is completed. However, data can be read out during the programming sequence (Byte Read or Block Read).
- (5) If this bit is set to high in the EEPROM, the actual data in the EEPROM is permanently locked. There is no further programming possible. However, data can still be written through the SDA/SCL bus to the internal register to change device function on the fly. New data can no longer be saved to the EEPROM. EELOCK is effective only if written into the EEPROM.

- (6) Selection of control pins is effective only if written into the EEPROM. Once written into the EEPROM, the serial programming pins are no longer available. However, if  $V_{DDOUT}$  is forced to GND, the two control pins, S1 and S2, temporarily act as serial programming pins (SDA/SCL), and the two slave receiver address bits are reset to A0 = 0 and A1 = 0.
- (7) These are the bits of the Control Terminal Register. The user can predefine up to eight different control settings. These settings then can be selected by the external control pins, S0, S1, and S2.
- (8) The internal load capacitor (C1, C2) has to be used to achieve the best clock performance. External capacitors must be used only to finely adjust  $C_L$  by a few pFs. The value of  $C_L$  can be programmed with a resolution of 1 pF for a crystal load range of 0 pF to 20 pF. For  $C_L > 20$  pF, use additional external capacitors. Also, the value of the device input capacitance has to be considered which always adds 1.5 pF (6 pF/2 pF) to the selected  $C_L$ . For more information about VCXO configuration and crystal recommendation, see [VCXO Application Guideline for CDCE\(L\)9xx Family](#) (SCAA085).
- (9) Note: The EEPROM WRITE bit must be sent last. This verifies that the content of all internal registers are stored in the EEPROM. The EEWRITE cycle is initiated with the rising edge of the EEWRITE bit. A static level high does not trigger an EEPROM WRITE cycle. The EEWRITE bit has to be reset to low after the programming is completed. The programming status can be monitored by reading out EEPIP. If EELOCK is set to high, no EEPROM programming is possible.

表 8-4. PLL1 Configuration Register

OFFSET <sup>(1)</sup>	BIT <sup>(2)</sup>	ACRONYM	DEFAULT <sup>(3)</sup>	DESCRIPTION																		
10h	7:5	SSC1_7 [2:0]	000b	SSC1: PLL1 SSC Selection (Modulation Amount) <sup>(4)</sup>  <table border="0"> <tr> <td><b>Down</b></td> <td><b>Center</b></td> </tr> <tr> <td>000 (off)</td> <td>000 (off)</td> </tr> <tr> <td>001 - 0.25%</td> <td>001 ± 0.25%</td> </tr> <tr> <td>010 - 0.5%</td> <td>010 ± 0.5%</td> </tr> <tr> <td>011 - 0.75%</td> <td>011 ± 0.75%</td> </tr> <tr> <td>100 - 1.0%</td> <td>100 ± 1.0%</td> </tr> <tr> <td>101 - 1.25%</td> <td>101 ± 1.25%</td> </tr> <tr> <td>110 - 1.5%</td> <td>110 ± 1.5%</td> </tr> <tr> <td>111 - 2.0%</td> <td>111 ± 2.0%</td> </tr> </table>	<b>Down</b>	<b>Center</b>	000 (off)	000 (off)	001 - 0.25%	001 ± 0.25%	010 - 0.5%	010 ± 0.5%	011 - 0.75%	011 ± 0.75%	100 - 1.0%	100 ± 1.0%	101 - 1.25%	101 ± 1.25%	110 - 1.5%	110 ± 1.5%	111 - 2.0%	111 ± 2.0%
	<b>Down</b>	<b>Center</b>																				
	000 (off)	000 (off)																				
001 - 0.25%	001 ± 0.25%																					
010 - 0.5%	010 ± 0.5%																					
011 - 0.75%	011 ± 0.75%																					
100 - 1.0%	100 ± 1.0%																					
101 - 1.25%	101 ± 1.25%																					
110 - 1.5%	110 ± 1.5%																					
111 - 2.0%	111 ± 2.0%																					
4:2	SSC1_6 [2:0]	000b																				
1:0	SSC1_5 [2:1]	000b																				
11h	7		SSC1_5 [0]																			
	6:4	SSC1_4 [2:0]	000b																			
	3:1	SSC1_3 [2:0]	000b																			
	0	SSC1_2 [2]	000b																			
12h	7:6	SSC1_2 [1:0]																				
	5:3	SSC1_1 [2:0]	000b																			
	2:0	SSC1_0 [2:0]	000b																			
13h	7	FS1_7	0b	FS1_x: PLL1 Frequency Selection <sup>(4)</sup>  0 - $f_{VCO1_0}$ (predefined by PLL1_0 - Multiplier/Divider value) 1 - $f_{VCO1_1}$ (predefined by PLL1_1 - Multiplier/Divider value)																		
	6	FS1_6	0b																			
	5	FS1_5	0b																			
	4	FS1_4	0b																			
	3	FS1_3	0b																			
	2	FS1_2	0b																			
	1	FS1_1	0b																			
	0	FS1_0	0b																			
14h	7	MUX1	0b	PLL1 Multiplexer: 0 - PLL1 1 - PLL1 Bypass (PLL1 is in power down)																		
	6	M2	1b	Output Y2 Multiplexer: 0 - Pdiv1 1 - Pdiv2																		
	5:4	M3	10b	Output Y3 Multiplexer: 00 - Pdiv1-Divider 01 - Pdiv2-Divider 10 - Pdiv3-Divider 11 - reserved																		
	3:2	Y2Y3_ST1	11b	00 - Y2/Y3 disabled to 3-State (PLL1 is in power down)																		
	1:0	Y2Y3_ST0	01b	Y2, Y3-State0/1definition: 01 - Y2/Y3 disabled to 3-State 10 - Y2/Y3 disabled to low 11 - Y2/Y3 enabled																		
15h	7	Y2Y3_7	0b	Y2Y3_x Output State Selection <sup>(4)</sup>  0 - state0 (predefined by Y2Y3_ST0) 1 - state1 (predefined by Y2Y3_ST1)																		
	6	Y2Y3_6	0b																			
	5	Y2Y3_5	0b																			
	4	Y2Y3_4	0b																			
	3	Y2Y3_3	0b																			
	2	Y2Y3_2	0b																			
	1	Y2Y3_1	1b																			
	0	Y2Y3_0	0b																			
16h	7	SSC1DC	0b	PLL1 SSC down/center selection: 0 - down 1 - center																		
	6:0	Pdiv2	08h	7-Bit Y2-Output-Divider Pdiv2: 0 - reset and stand-by 1-to-127 is divider value																		

表 8-4. PLL1 Configuration Register (续)

OFFSET <sup>(1)</sup>	BIT <sup>(2)</sup>	ACRONYM	DEFAULT <sup>(3)</sup>	DESCRIPTION
17h	7	—	0b	Reserved - do not write others than 0
	6:0	Pdiv3	04h	7-Bit Y3-Output-Divider Pdiv3: 0 - reset and stand-by 1-to-127 is divider value
18h	7:0	PLL1_ON [11:4]	E10h	PLL1_0 <sup>(5)</sup> : 30-Bit Multiplier/Divider value for frequency $f_{VCO1_0}$ (for more information, see <a href="#">PLL Frequency Planning</a> ).
19h	7:4	PLL1_ON [3:0]		
	3:0	PLL1_OR [8:5]	132h	
1Ah	7:3	PLL1_OR[4:0]		
	2:0	PLL1_0Q [5:3]	1Dh	
1Bh	7:5	PLL1_0Q [2:0]		
	4:2	PLL1_0P [2:0]	010b	
1Bh	1:0	VCO1_0_RANGE	11b	$f_{VCO1_0}$ range selection: 00 - $f_{VCO1_0} < 125$ MHz 01 - $125 \text{ MHz} \leq f_{VCO1_0} < 150$ MHz 10 - $150 \text{ MHz} \leq f_{VCO1_0} < 175$ MHz 11 - $f_{VCO1_0} \geq 175$ MHz
	1Ch	7:0	PLL1_1N [11:4]	E10h
1Dh	7:4	PLL1_1N [3:0]		
	1Eh	3:0	PLL1_1R [8:5]	132h
7:3		PLL1_1R[4:0]		
1Eh	2:0	PLL1_1Q [5:3]	1Dh	
	7:5	PLL1_1Q [2:0]		
1Fh	4:2	PLL1_1P [2:0]	010b	
	1:0	VCO1_1_RANGE	00b	$f_{VCO1_1}$ range selection: 00 - $f_{VCO1_1} < 125$ MHz 01 - $125 \text{ MHz} \leq f_{VCO1_1} < 150$ MHz 10 - $150 \text{ MHz} \leq f_{VCO1_1} < 175$ MHz 11 - $f_{VCO1_1} \geq 175$ MHz

- (1) Writing data beyond 40h can adversely affect device function.  
(2) All data is transferred MSB-first.  
(3) Unless a custom setting is used.  
(4) The user can predefine up to eight different control settings. In normal device operation, these settings can be selected by the external control pins, S0, S1, and S2.  
(5) PLL settings limits:  $16 \leq q \leq 63$ ,  $0 \leq p \leq 7$ ,  $0 \leq r \leq 511$ ,  $0 < N < 4096$ .

表 8-5. PLL2 Configuration Register

OFFSET <sup>(1)</sup>	BIT <sup>(2)</sup>	ACRONYM	DEFAULT <sup>(3)</sup>	DESCRIPTION																		
20h	7:5	SSC2_7 [2:0]	000b	SSC2: PLL2 SSC Selection (Modulation Amount) <sup>(4)</sup>																		
	4:2	SSC2_6 [2:0]	000b																			
	1:0	SSC2_5 [2:1]	000b																			
21h	7	SSC2_5 [0]	000b	<table border="0"> <tr> <td><b>Down</b></td> <td><b>Center</b></td> </tr> <tr> <td>000 (off)</td> <td>000 (off)</td> </tr> <tr> <td>001 - 0.25%</td> <td>001 ± 0.25%</td> </tr> <tr> <td>010 - 0.5%</td> <td>010 ± 0.5%</td> </tr> <tr> <td>011 - 0.75%</td> <td>011 ± 0.75%</td> </tr> <tr> <td>100 - 1.0%</td> <td>100 ± 1.0%</td> </tr> <tr> <td>101 - 1.25%</td> <td>101 ± 1.25%</td> </tr> <tr> <td>110 - 1.5%</td> <td>110 ± 1.5%</td> </tr> <tr> <td>111 - 2.0%</td> <td>111 ± 2.0%</td> </tr> </table>	<b>Down</b>	<b>Center</b>	000 (off)	000 (off)	001 - 0.25%	001 ± 0.25%	010 - 0.5%	010 ± 0.5%	011 - 0.75%	011 ± 0.75%	100 - 1.0%	100 ± 1.0%	101 - 1.25%	101 ± 1.25%	110 - 1.5%	110 ± 1.5%	111 - 2.0%	111 ± 2.0%
	<b>Down</b>	<b>Center</b>																				
	000 (off)	000 (off)																				
	001 - 0.25%	001 ± 0.25%																				
010 - 0.5%	010 ± 0.5%																					
011 - 0.75%	011 ± 0.75%																					
100 - 1.0%	100 ± 1.0%																					
101 - 1.25%	101 ± 1.25%																					
110 - 1.5%	110 ± 1.5%																					
111 - 2.0%	111 ± 2.0%																					
22h	6:4	SSC2_4 [2:0]	000b																			
	3:1	SSC2_3 [2:0]	000b																			
	0	SSC2_2 [2]	000b																			
22h	7:6	SSC2_2 [1:0]	000b																			
	5:3	SSC2_1 [2:0]																				
	2:0	SSC2_0 [2:0]																				
23h	7	FS2_7	0b	FS2_x: PLL2 Frequency Selection <sup>(4)</sup> 0 - $f_{VCO2_0}$ (predefined by PLL2_0 - Multiplier/Divider value) 1 - $f_{VCO2_1}$ (predefined by PLL2_1 - Multiplier/Divider value)																		
	6	FS2_6	0b																			
	5	FS2_5	0b																			
	4	FS2_4	0b																			
	3	FS2_3	0b																			
	2	FS2_2	0b																			
	1	FS2_1	0b																			
	0	FS2_0	0b																			

表 8-5. PLL2 Configuration Register (续)

OFFSET <sup>(1)</sup>	BIT <sup>(2)</sup>	ACRONYM	DEFAULT <sup>(3)</sup>	DESCRIPTION	
24h	7	MUX2	0b	PLL2 Multiplexer: 0 - PLL2 1 - PLL2 Bypass (PLL2 is in power down)	
	6	M4	1b	Output Y4 Multiplexer: 0 - Pdiv2 1 - Pdiv4	
	5:4	M5	10b	Output Y5 Multiplexer: 00 - Pdiv2-Divider 01 - Pdiv4-Divider 10 - Pdiv5-Divider 11 - reserved	
	3:2	Y4Y5_ST1	11b	Y4, Y5-State0/1definition: 00 - Y4/Y5 disabled to 3-State (PLL2 is in power down) 01 - Y4/Y5 disabled to 3-State 10 - Y4/Y5 disabled to low 11 - Y4/Y5 enabled	
	1:0	Y4Y5_ST0	01b		
25h	7	Y4Y5_7	0b	Y4Y5_x Output State Selection <sup>(4)</sup> 0 - state0 (predefined by Y4Y5_ST0) 1 - state1 (predefined by Y4Y5_ST1)	
	6	Y4Y5_6	0b		
	5	Y4Y5_5	0b		
	4	Y4Y5_4	0b		
	3	Y4Y5_3	0b		
	2	Y4Y5_2	0b		
	1	Y4Y5_1	1b		
	0	Y4Y5_0	0b		
26h	7	SSC2DC	0b	PLL2 SSC down/center selection: 0 - down 1 - center	
	6:0	Pdiv4	05h	7-Bit Y4-Output-Divider Pdiv4: 0 - reset and stand-by 1-to-127 - divider value	
27h	7	—	0b	Reserved - do not write others than 0	
	6:0	Pdiv5	05h	7-Bit Y5-Output-Divider Pdiv5: 0 - reset and stand-by 1-to-127 - divider value	
28h	7:0	PLL2_0N [11:4]	E58h	PLL2_0 <sup>(5)</sup> : 30-Bit Multiplier/Divider value for frequency $f_{VCO2_0}$ (for more information see <a href="#">PLL Frequency Planning</a> ).	
29h	7:4	PLL2_0N [3:0]			
	3:0	PLL2_0R [8:5]	198h		
2Ah	7:3	PLL2_0R[4:0]	1Ch		
	2:0	PLL2_0Q [5:3]			
2Bh	7:5	PLL2_0Q [2:0]	010b		
	4:2	PLL2_0P [2:0]			
	1:0	VCO2_0_RANGE			11b
2Ch	7:0	PLL2_1N [11:4]	E58h		PLL2_1 <sup>(5)</sup> : 30-Bit Multiplier/Divider value for frequency $f_{VCO2_1}$ (for more information see <a href="#">PLL Frequency Planning</a> ).
2Dh	7:4	PLL2_1N [3:0]			
	3:0	PLL2_1R [8:5]	198h		
2Eh	7:3	PLL2_1R[4:0]	1Ch		
	2:0	PLL2_1Q [5:3]			
2Fh	7:5	PLL2_1Q [2:0]	010b		
	4:2	PLL2_1P [2:0]			
	1:0	VCO2_1_RANGE		00b	

(1) Writing data beyond 40h can adversely affect device function.

(2) All data is transferred MSB-first.

(3) Unless a custom setting is used.

(4) The user can predefine up to eight different control settings. In normal device operation, these settings can be selected by the external control pins, S0, S1, and S2.

(5) PLL settings limits:  $16 \leq q \leq 63$ ,  $0 \leq p \leq 7$ ,  $0 \leq r \leq 511$ ,  $0 < N < 4096$ .

**表 8-6. PLL3 Configuration Register**

OFFSET <sup>(1)</sup>	BIT <sup>(2)</sup>	ACRONYM	DEFAULT <sup>(3)</sup>	DESCRIPTION																		
30h	7:5	SSC3_7 [2:0]	000b	<b>SSC3: PLL3 SSC Selection (Modulation Amount)<sup>(4)</sup></b>  <table border="0"> <tr> <td><b>Down</b></td> <td><b>Center</b></td> </tr> <tr> <td>000 (off)</td> <td>000 (off)</td> </tr> <tr> <td>001 - 0.25%</td> <td>001 ± 0.25%</td> </tr> <tr> <td>010 - 0.5%</td> <td>010 ± 0.5%</td> </tr> <tr> <td>011 - 0.75%</td> <td>011 ± 0.75%</td> </tr> <tr> <td>100 - 1.0%</td> <td>100 ± 1.0%</td> </tr> <tr> <td>101 - 1.25%</td> <td>101 ± 1.25%</td> </tr> <tr> <td>110 - 1.5%</td> <td>110 ± 1.5%</td> </tr> <tr> <td>111 - 2.0%</td> <td>111 ± 2.0%</td> </tr> </table>	<b>Down</b>	<b>Center</b>	000 (off)	000 (off)	001 - 0.25%	001 ± 0.25%	010 - 0.5%	010 ± 0.5%	011 - 0.75%	011 ± 0.75%	100 - 1.0%	100 ± 1.0%	101 - 1.25%	101 ± 1.25%	110 - 1.5%	110 ± 1.5%	111 - 2.0%	111 ± 2.0%
	<b>Down</b>	<b>Center</b>																				
	000 (off)	000 (off)																				
001 - 0.25%	001 ± 0.25%																					
010 - 0.5%	010 ± 0.5%																					
011 - 0.75%	011 ± 0.75%																					
100 - 1.0%	100 ± 1.0%																					
101 - 1.25%	101 ± 1.25%																					
110 - 1.5%	110 ± 1.5%																					
111 - 2.0%	111 ± 2.0%																					
4:2	SSC3_6 [2:0]	000b																				
1:0	SSC3_5 [2:1]	000b																				
31h	7	SSC3_5 [0]	000b																			
	6:4	SSC3_4 [2:0]																				
	3:1	SSC3_3 [2:0]																				
	0	SSC3_2 [2]																				
32h	7:6	SSC3_2 [1:0]	000b																			
	5:3	SSC3_1 [2:0]																				
	2:0	SSC3_0 [2:0]																				
33h	7	FS3_7	0b	<b>FS3_x: PLL3 Frequency Selection<sup>(4)</sup></b>  0 - f <sub>VCO3_0</sub> (predefined by PLL3_0 - Multiplier/Divider value) 1 - f <sub>VCO3_1</sub> (predefined by PLL3_1 - Multiplier/Divider value)																		
	6	FS3_6																				
	5	FS3_5																				
	4	FS3_4																				
	3	FS3_3																				
	2	FS3_2																				
	1	FS3_1																				
	0	FS3_0																				
34h	7	MUX3	0b	PLL3 Multiplexer: 0 - PLL3 1 - PLL3 Bypass (PLL3 is in power down)																		
	6	M6	1b	Output Y6 Multiplexer: 0 - Pdiv4 1 - Pdiv6																		
	5:4	M7	10b	Output Y7 Multiplexer: 00 - Pdiv4-Divider 01 - Pdiv6-Divider 10 - Pdiv7-Divider 11 - reserved																		
	3:2	Y6Y7_ST1	11b	Y6, Y7- State0/1definition: 00 - Y6/Y7 disabled to 3-State and PLL3 power down 01 - Y6/Y7 disabled to 3-State 10 - Y6/Y7 disabled to low 11 - Y6/Y7 enabled																		
	1:0	Y6Y7_ST0	01b																			
35h	7	Y6Y7_7	0b	<b>Y6Y7_x Output State Selection<sup>(4)</sup></b>  0 - state0 (predefined by Y6Y7_ST0) 1 - state1 (predefined by Y6Y7_ST1)																		
	6	Y6Y7_6																				
	5	Y6Y7_5																				
	4	Y6Y7_4																				
	3	Y6Y7_3																				
	2	Y6Y7_2																				
	1	Y6Y7_1																				
	0	Y6Y7_0																				
36h	7	SSC3DC	0b	PLL3 SSC down/center selection: 0 - down 1 - center																		
	6:0	Pdiv6	09h	7-Bit Y6-Output-Divider Pdiv6: 0 - reset and stand-by 1-to-127 - divider value																		
37h	7	—	0b	Reserved - do not write others than 0																		
	6:0	Pdiv7	04h	7-Bit Y7-Output-Divider Pdiv7: 0 - reset and stand-by 1-to-127 - divider value																		

表 8-6. PLL3 Configuration Register (续)

OFFSET <sup>(1)</sup>	BIT <sup>(2)</sup>	ACRONYM	DEFAULT <sup>(3)</sup>	DESCRIPTION										
38h	7:0	PLL3_0N [11:4]	FF8h	PLL3_0 <sup>(5)</sup> : 30-Bit Multiplier/Divider value for frequency $f_{VCO3\_0}$ (for more information, see <a href="#">PLL Frequency Planning</a> ).										
39h	7:4	PLL3_0N [3:0]												
	3:0	PLL3_0R [8:5]	000h											
3Ah	7:3	PLL3_0R[4:0]	10h											
	2:0	PLL3_0Q [5:3]												
3Bh	7:5	PLL3_0Q [2:0]	001b											
	4:2	PLL3_0P [2:0]												
	1:0	VCO3_0_RANGE		$f_{VCO3\_0}$ range selection: <table style="margin-left: 20px;"> <tr><td>00</td><td>-</td><td><math>f_{VCO3\_0} &lt; 125</math> MHz</td></tr> <tr><td>01</td><td>-</td><td><math>125 \text{ MHz} \leq f_{VCO3\_0} &lt; 150</math> MHz</td></tr> <tr><td>10</td><td>-</td><td><math>150 \text{ MHz} \leq f_{VCO3\_0} &lt; 175</math> MHz</td></tr> <tr><td>11</td><td>-</td><td><math>f_{VCO3\_0} \geq 175</math> MHz</td></tr> </table>	00	-	$f_{VCO3\_0} < 125$ MHz	01	-	$125 \text{ MHz} \leq f_{VCO3\_0} < 150$ MHz	10	-	$150 \text{ MHz} \leq f_{VCO3\_0} < 175$ MHz	11
00	-	$f_{VCO3\_0} < 125$ MHz												
01	-	$125 \text{ MHz} \leq f_{VCO3\_0} < 150$ MHz												
10	-	$150 \text{ MHz} \leq f_{VCO3\_0} < 175$ MHz												
11	-	$f_{VCO3\_0} \geq 175$ MHz												
3Ch	7:0	PLL3_1N [11:4]	FF8h	PLL3_1 <sup>(5)</sup> : 30-Bit Multiplier/Divider value for frequency $f_{VCO3\_1}$ (for more information, see <a href="#">PLL Frequency Planning</a> ).										
3Dh	7:4	PLL3_1N [3:0]												
	3:0	PLL3_1R [8:5]	000h											
3Eh	7:3	PLL3_1R[4:0]	10h											
	2:0	PLL3_1Q [5:3]												
3Fh	7:5	PLL3_1Q [2:0]	001b											
	4:2	PLL3_1P [2:0]												
	1:0	VCO3_1_RANGE		$f_{VCO3\_1}$ range selection: <table style="margin-left: 20px;"> <tr><td>00</td><td>-</td><td><math>f_{VCO3\_1} &lt; 125</math> MHz</td></tr> <tr><td>01</td><td>-</td><td><math>125 \text{ MHz} \leq f_{VCO3\_1} &lt; 150</math> MHz</td></tr> <tr><td>10</td><td>-</td><td><math>150 \text{ MHz} \leq f_{VCO3\_1} &lt; 175</math> MHz</td></tr> <tr><td>11</td><td>-</td><td><math>f_{VCO3\_1} \geq 175</math> MHz</td></tr> </table>	00	-	$f_{VCO3\_1} < 125$ MHz	01	-	$125 \text{ MHz} \leq f_{VCO3\_1} < 150$ MHz	10	-	$150 \text{ MHz} \leq f_{VCO3\_1} < 175$ MHz	11
00	-	$f_{VCO3\_1} < 125$ MHz												
01	-	$125 \text{ MHz} \leq f_{VCO3\_1} < 150$ MHz												
10	-	$150 \text{ MHz} \leq f_{VCO3\_1} < 175$ MHz												
11	-	$f_{VCO3\_1} \geq 175$ MHz												

- (1) Writing data beyond 40h can affect device function.  
(2) All data is transferred MSB-first.  
(3) Unless a custom setting is used.  
(4) These are the bits of the Control Terminal Register. The user can pre-define up to eight different control settings. At normal device operation, these setting can be selected by the external control pins, S0, S1, and S2.  
(5) PLL settings limits:  $16 \leq q \leq 63$ ,  $0 \leq p \leq 7$ ,  $0 \leq r \leq 511$ ,  $0 < N < 4096$ .

## 9 Application and Implementation

### 备注

以下应用部分中的信息不属于 TI 器件规格的范围，TI 不担保其准确性和完整性。TI 的客户应负责确定器件是否适用于其应用。客户应验证并测试其设计，以确保系统功能。

### 9.1 Application Information

The CDCE937 device is an easy-to-use, high-performance, programmable CMOS clock synthesizer. It can be used as a crystal buffer, clock synthesizer with separate output supply pin. The CDCE937 features an on-chip loop filter and spread-spectrum modulation. Programming can be done through SPI, pin-mode, or using on-chip EEPROM. The following section shows some examples of using CDCE937 in various applications.

### 9.2 Typical Application

图 9-1 shows the use of the CDCE937 devices for replacement of crystals and crystal oscillators on a Gigabit Ethernet Switch application.

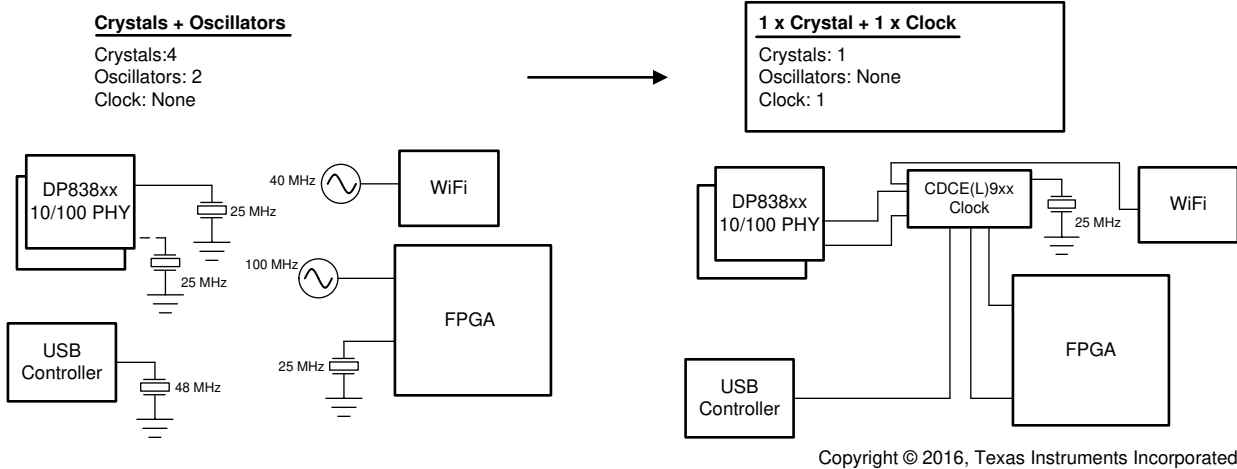


图 9-1. Crystal and Oscillator Replacement Example

### 9.2.1 Design Requirements

CDCEx937 supports spread-spectrum clocking (SSC) with multiple control parameters:

- Modulation amount (%)
- Modulation frequency (>20 kHz)
- Modulation shape (triangular)
- Center spread / down spread ( $\pm$  or  $-$ )

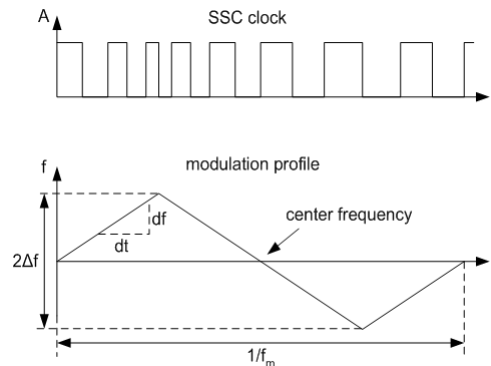
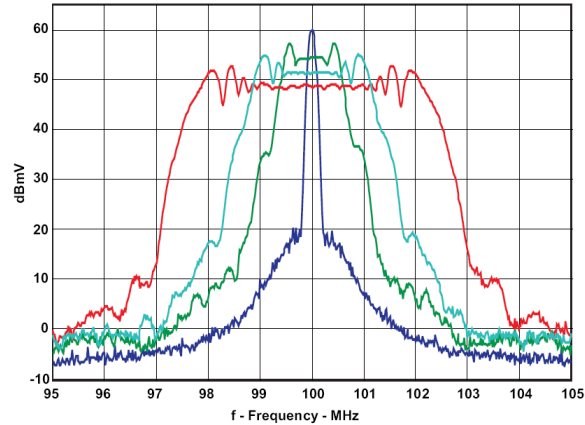


图 9-2. Modulation Frequency ( $f_m$ ) and Modulation Amount

### 9.2.2 Detailed Design Procedure

#### 9.2.2.1 Spread Spectrum Clock (SSC)

Spread-spectrum modulation is a method to spread emitted energy over a larger bandwidth. In clocking, spread spectrum can reduce Electromagnetic Interference (EMI) by reducing the level of emission from clock distribution network.



CDCS502 with a 25-MHz Crystal, FS = 1, Fout = 100 MHz, and 0%, ±0.5, ±1%, and ±2% SSC

图 9-3. Comparison Between Typical Clock Power Spectrum and Spread-Spectrum Clock

### 9.2.2.2 PLL Frequency Planning

At a given input frequency ( $f_{IN}$ ), the output frequency ( $f_{OUT}$ ) of the CDCE913 are calculated with 方程式 1.

$$f_{OUT} = \frac{f_{IN}}{Pdiv} \times \frac{N}{M} \quad (1)$$

where

- M (1 to 511) and N (1 to 4095) are the multiplier/divide values of the PLL
- Pdiv (1 to 127) is the output divider

The target VCO frequency ( $f_{VCO}$ ) of each PLL is calculated with 方程式 2.

$$f_{VCO} = f_{IN} \times \frac{N}{M} \quad (2)$$

The PLL internally operates as fractional divider and needs the following multiplier/divider settings:

- N
- $P = 4 - \text{int}(\log_2 N/M)$ ; if  $P < 0$  then  $P = 0$
- $Q = \text{int}(N'/M)$
- $R = N' - M \times Q$

where

$$N' = N \times 2^P$$

$$N \geq M;$$

$$80 \text{ MHz} \leq f_{VCO} \leq 230 \text{ MHz}$$

$$16 \leq Q \leq 63$$

$$0 \leq P \leq 4$$

$$0 \leq R \leq 51$$

#### Example:

for  $f_{IN} = 27 \text{ MHz}$ ;  $M = 1$ ;  $N = 4$ ;  $Pdiv = 2$

- $f_{OUT} = 54 \text{ MHz}$
- $f_{VCO} = 108 \text{ MHz}$

for  $f_{IN} = 27 \text{ MHz}$ ;  $M = 2$ ;  $N = 11$ ;  $Pdiv = 2$

- $f_{OUT} = 74.25 \text{ MHz}$
- $f_{VCO} = 148.50 \text{ MHz}$



→  $P = 4 - \text{int}(\log_2 4) = 4 - 2 = 2$   
 →  $N' = 4 \times 2^2 = 16$   
 →  $Q = \text{int}(16) = 16$   
 →  $R = 16 - 16 = 0$

→  $P = 4 - \text{int}(\log_2 5.5) = 4 - 2 = 2$   
 →  $N' = 11 \times 2^2 = 44$   
 →  $Q = \text{int}(22) = 22$   
 →  $R = 44 - 44 = 0$

The values for P, Q, R, and N' are automatically calculated when using TI Pro-Clock™ software.

### 9.2.2.3 Crystal Oscillator Start-Up

When the CDCE937 is used as a crystal buffer, crystal oscillator start-up dominates the start-up time compared to the internal PLL lock time. Figure 9-4 shows the oscillator start-up sequence for a 27-MHz crystal input with an 8-pF load. The start-up time for the crystal is in the order of approximately 250 μs compared to approximately 10 μs of lock time. In general, lock time is an order of magnitude less compared to the crystal start-up time.

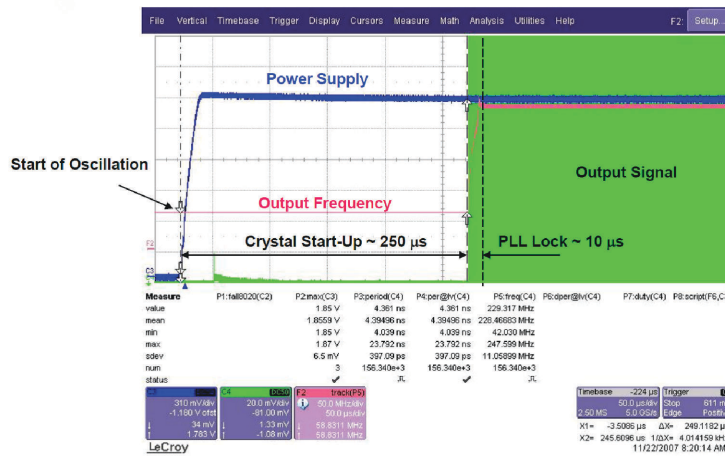
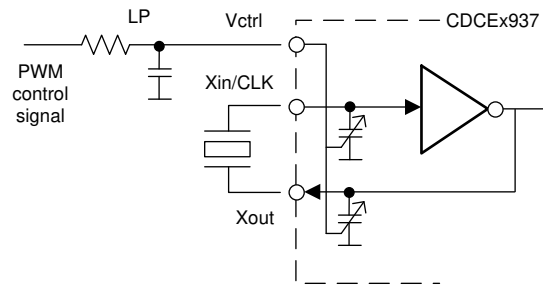


图 9-4. Crystal Oscillator Start-Up vs PLL Lock Time

### 9.2.2.4 Frequency Adjustment With Crystal Oscillator Pulling

The frequency for the CDCE937 is adjusted for media and other applications with the VCXO control input Vctrl. If a PWM modulated signal is used as a control signal for the VCXO, an external filter is needed.



Copyright © 2016, Texas Instruments Incorporated

图 9-5. Frequency Adjustment Using PWM Input to the VCXO Control

### 9.2.2.5 Unused Inputs and Outputs

If VCXO pulling functionality is not required, Vctrl must be left floating. All other unused inputs must be set to GND. Unused outputs must be left floating.

If one output block is not used, TI recommends disabling the output block. However, TI always recommends providing the supply for the second output block even if the output block is disabled.

CDCE937, CDCEL937

ZHCSVJ2H – AUGUST 2007 – REVISED JULY 2024

9.2.2.6 Switching Between XO and VCXO Mode

When the CDCE937 is in crystal oscillator or in VCXO configuration, the internal capacitors require different internal capacitance. The following steps are recommended to switch to VCXO mode when the configuration for the on-chip capacitor is still set for XO mode. To center the output frequency to 0 ppm:

1. While in XO mode, put  $V_{ctrl} = V_{dd} / 2$
2. Switch from XO mode to VCXO mode
3. Program the internal capacitors to obtain 0 ppm at the output

9.2.3 Application Curves

图 9-6, 图 9-7, 图 9-8, and 图 9-9 show CDCE937 measurements with the SSC feature enabled. Device configuration: 27-MHz input, 27-MHz output.

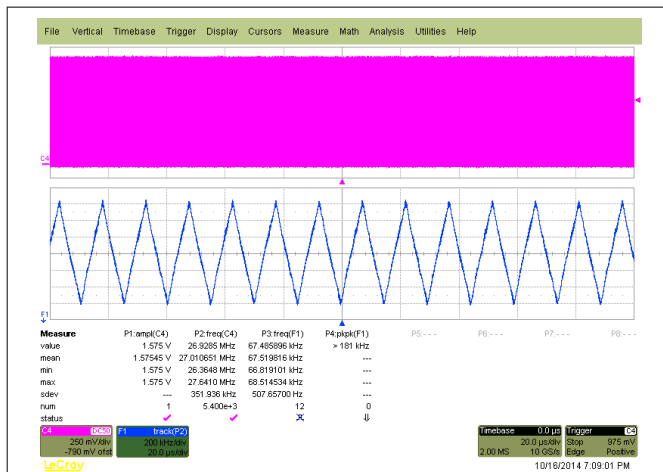


图 9-6. f<sub>out</sub> = 27 MHz, VCO frequency < 125 MHz, SSC (2% center)

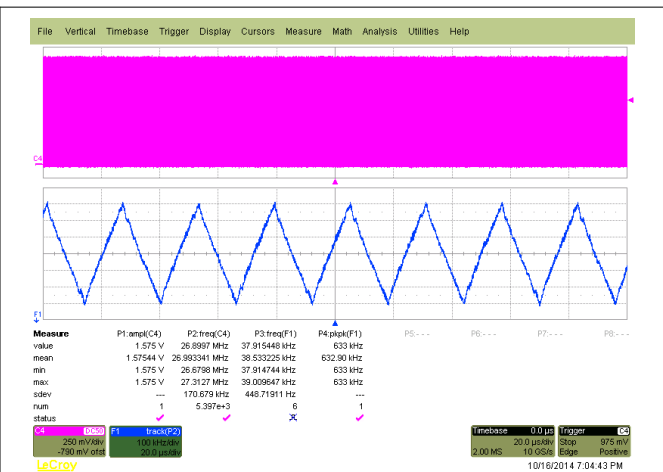


图 9-7. f<sub>out</sub> = 27 MHz, VCO frequency > 175 MHz, SSC (1% center)

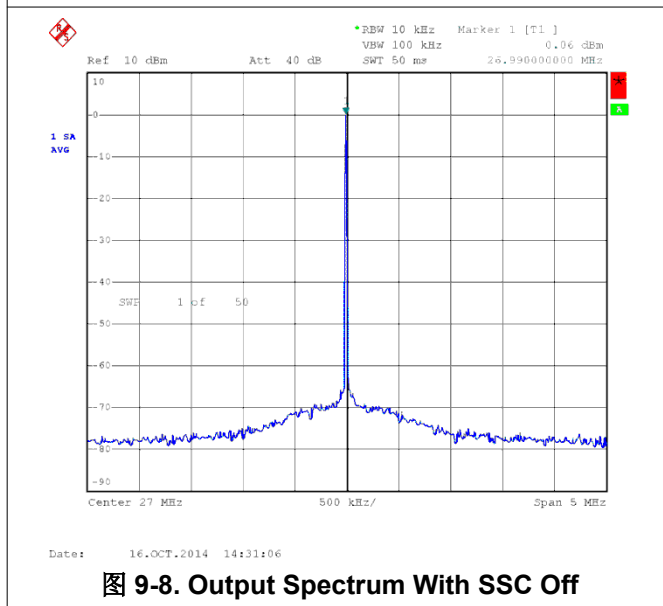


图 9-8. Output Spectrum With SSC Off

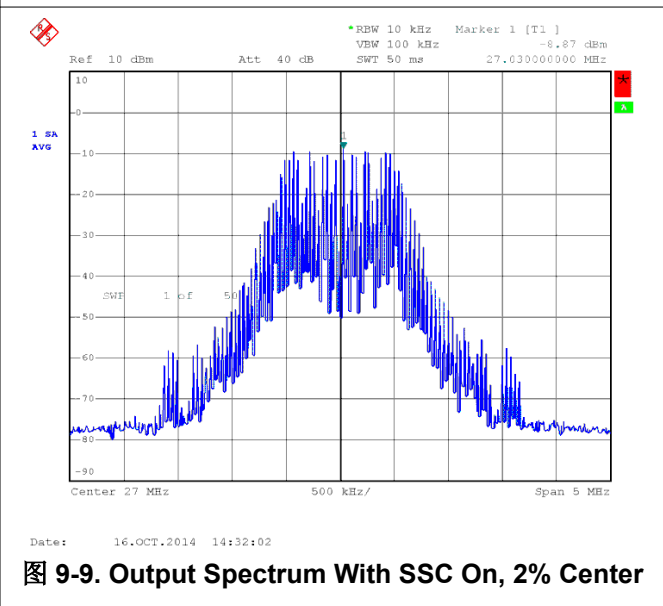


图 9-9. Output Spectrum With SSC On, 2% Center

10 Power Supply Recommendations

There is no restriction on the power-up sequence. In case VDDOUT is applied first, TI recommends grounding VDD. In case VDDOUT is powered while VDD is floating, there is a risk of high current flowing on the VDDOUT.

The device has a power-up control that is connected to the 1.8-V supply. This keeps the whole device disabled until the 1.8-V supply reaches a sufficient voltage level. Then the device switches on all internal components, including the outputs. If there is a 3.3-V V<sub>ddout</sub> available before the 1.8 V, the outputs remain disabled until the 1.8-V supply has reached a certain level.

## 11 Layout

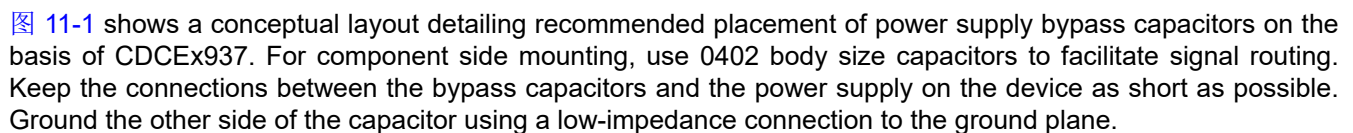
### 11.1 Layout Guidelines

When the CDCE<sub>x</sub>937 is used as a crystal buffer, any parasitics across the crystal affects the pulling range of the VCXO. Therefore, take care in placing the crystal units on the board. Crystals must be placed as close to the device as possible, verifying that the routing lines from the crystal terminals to XIN and XOUT have the same length.

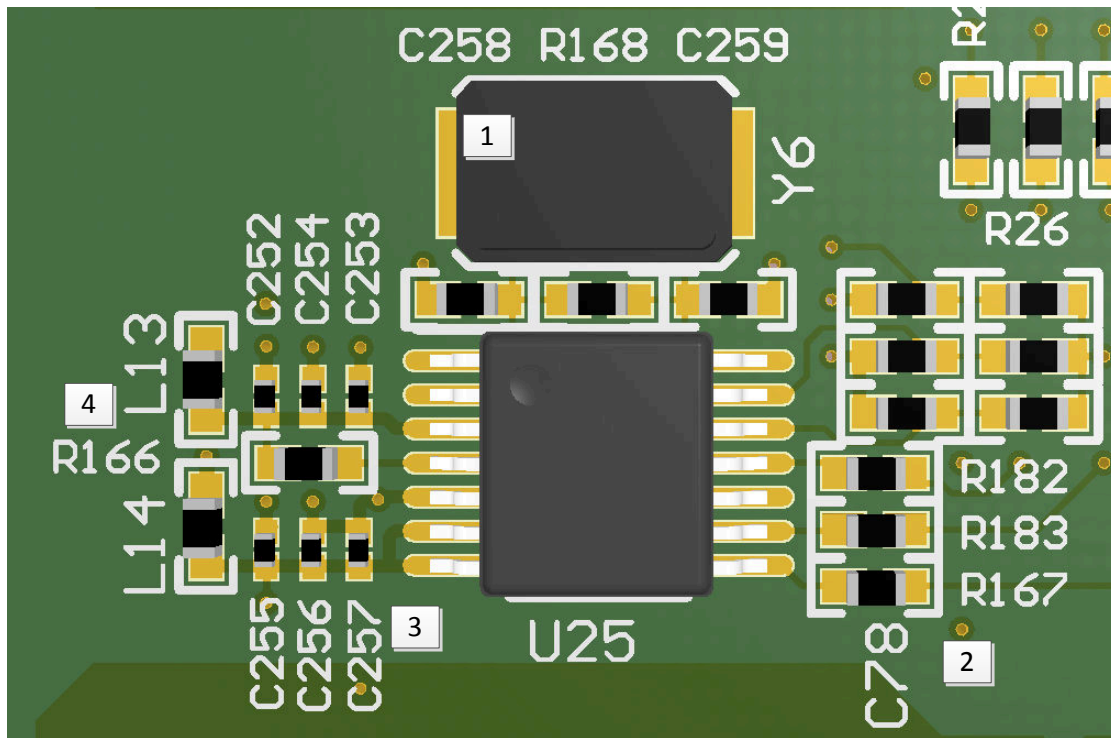
If possible, cut out both ground plane and power plane under the area where the crystal and the routing to the device are placed. In this area, always avoid routing any other signal line, to avoid creating a source of noise coupling.

Additional discrete capacitors can be required to meet the load capacitance specification of certain crystal. For example, a 10.7-pF load capacitor is not fully programmable on the chip, because the internal capacitor can range from 0 pF to 20 pF with steps of 1 pF. The 0.7-pF capacitor therefore can be discretely added on top of an internal 10 pF.

To minimize the inductive influence of the trace, TI recommends placing this small capacitor as close to the device as possible and symmetrically with respect to XIN and XOUT.

 **图 11-1** shows a conceptual layout detailing recommended placement of power supply bypass capacitors on the basis of CDCE<sub>x</sub>937. For component side mounting, use 0402 body size capacitors to facilitate signal routing. Keep the connections between the bypass capacitors and the power supply on the device as short as possible. Ground the other side of the capacitor using a low-impedance connection to the ground plane.

## 11.2 Layout Example



- |   |   |
|---|---|
| <p><b>1</b> Place crystal with associated load caps as close to the chip</p>        | <p><b>2</b> Place series termination resistors at Clock outputs to improve signal integrity</p> |
| <p><b>3</b> Place bypass caps close to the device pins, ensure wide freq. range</p> | <p><b>4</b> Use ferrite beads to isolate the device supply pins from board noise sources</p>    |

图 11-1. Annotated Layout

## 12 Device and Documentation Support

### 12.1 Device Support

#### 12.1.1 第三方产品免责声明

TI 发布的与第三方产品或服务有关的信息，不能构成与此类产品或服务或保修的适用性有关的认可，不能构成此类产品或服务单独或与任何 TI 产品或服务一起的表示或认可。

#### 12.1.2 Development Support

For development support see the following:

- [SMBus](#)
- [I<sup>2</sup>C Bus](#)

### 12.2 Documentation Support

#### 12.2.1 Related Documentation

For related documentation see the following:

1. Texas Instruments, [VCXO Application Guideline for CDCE\(L\)9xx Family](#) application note

### 12.3 接收文档更新通知

要接收文档更新通知，请导航至 [ti.com](#) 上的器件产品文件夹。点击 [通知](#) 进行注册，即可每周接收产品信息更改摘要。有关更改的详细信息，请查看任何已修订文档中包含的修订历史记录。

### 12.4 支持资源

[TI E2E™ 中文支持论坛](#) 是工程师的重要参考资料，可直接从专家处获得快速、经过验证的解答和设计帮助。搜索现有解答或提出自己的问题，获得所需的快速设计帮助。

链接的内容由各个贡献者“按原样”提供。这些内容并不构成 TI 技术规范，并且不一定反映 TI 的观点；请参阅 TI 的 [使用条款](#)。

### 12.5 Trademarks

Bluetooth™ is a trademark of Bluetooth SIG.

Ethernet™ is a trademark of Xerox Corporation.

TI-DaVinci™, OMAP™, Pro-Clock™, and TI E2E™ are trademarks of Texas Instruments.

所有商标均为其各自所有者的财产。

### 12.6 静电放电警告



静电放电 (ESD) 会损坏这个集成电路。德州仪器 (TI) 建议通过适当的预防措施处理所有集成电路。如果不遵守正确的处理和安装程序，可能会损坏集成电路。

ESD 的损坏小至导致微小的性能降级，大至整个器件故障。精密的集成电路可能更容易受到损坏，这是因为非常细微的参数更改都可能会导致器件与其发布的规格不相符。

### 12.7 术语表

[TI 术语表](#) 本术语表列出并解释了术语、首字母缩略词和定义。

## 13 Revision History

注：以前版本的页码可能与当前版本的页码不同

<b>Changes from Revision G (October 2016) to Revision H (July 2024)</b>	<b>Page</b>
• 通篇更新了表格、图和交叉参考的编号格式.....	1
<hr/>	
<b>Changes from Revision F (March 2010) to Revision G (October 2016)</b>	<b>Page</b>
• 添加了 ESD 等级表、特性说明部分、器件功能模式、应用和实施部分、电源相关建议部分、布局部分、器件和文档支持部分以及机械、封装和可订购信息部分.....	1
• 更改了应用.....	1
• Changed Thermal Resistance Junction to Ambient, $R_{\theta JA}$ , values in <i>Thermal Information</i> From: 89 (0 lfm), 75 (150 lfm), 74 (200 lfm), 74 (250 lfm), and 69 (500 lfm) To: 89.04.....	5
• Deleted <i>Input Capacitance</i> figure.....	16
<hr/>	
<b>Changes from Revision E (October 2009) to Revision F (March 2010)</b>	<b>Page</b>
• Added PLL settings limits: $16 \leq q \leq 63$ , $0 \leq p \leq 7$ , $0 \leq r \leq 511$ , $0 < N < 4096$ foot to PLL1, PLL2, and PLL3 Configure Register Table.....	16
• Changed $100 \text{ MHz} < f_{VCO} > 200 \text{ MHz}$ ; $80 \text{ MHz} \leq f_{VCO} \leq 230 \text{ MHz}$ ; and changed $0 \leq p \leq 7$ TO $0 \leq p \leq 4$ .....	24
• Changed under Example, fifth row, N", 2 places TO N'.....	24
<hr/>	
<b>Changes from Revision D (September 2009) to Revision E (October 2009)</b>	<b>Page</b>
• Deleted sentence - A different default setting can be programmed on customer request. Contact Texas Instruments sales or marketing representative for more information.....	16
<hr/>	
<b>Changes from Revision C (January 2009) to Revision D (September 2009)</b>	<b>Page</b>
• Added Note 3: SDA and SCL can go up to 3.6 V as stated in the <i>Recommended Operating Conditions</i> table.....	4
<hr/>	
<b>Changes from Revision B (December 2007) to Revision C (January 2009)</b>	<b>Page</b>
• Changed Generic Configuration Register table SLAVE_ADR default value From: 00b To: 01b.....	16
<hr/>	
<b>Changes from Revision A (September 2007) to Revision B (December 2007)</b>	<b>Page</b>
• Changed Terminal Functions Table - the pin numbers to correspond with pin outs on the package.....	3
• Added note to PWDN description to <i>Generic Configuration Register</i> table.....	16
• Changed <i>Generic Configuration Register</i> table RID default From: 0h To: Xb.....	16
<hr/>	
<b>Changes from Revision * (August 2007) to Revision A (September 2007)</b>	<b>Page</b>
• 将数据表状态从“产品预发布”更改为“量产数据”.....	1

## 14 Mechanical, Packaging, and Orderable Information

The following pages include mechanical, packaging, and orderable information. This information is the most current data available for the designated devices. This data is subject to change without notice and revision of this document. For browser-based versions of this data sheet, refer to the left-hand navigation.

**PACKAGING INFORMATION**

Orderable Device	Status (1)	Package Type	Package Drawing	Pins	Package Qty	Eco Plan (2)	Lead finish/ Ball material (6)	MSL Peak Temp (3)	Op Temp (°C)	Device Marking (4/5)	Samples
CDCE937PW	ACTIVE	TSSOP	PW	20	70	RoHS & Green	NIPDAU	Level-1-260C-UNLIM	-40 to 85	CDCE937	Samples
CDCE937PWG4	ACTIVE	TSSOP	PW	20	70	RoHS & Green	NIPDAU	Level-1-260C-UNLIM	-40 to 85	CDCE937	Samples
CDCE937PWR	ACTIVE	TSSOP	PW	20	2000	RoHS & Green	NIPDAU	Level-1-260C-UNLIM	-40 to 85	CDCE937	Samples
CDCE937PWRG4	ACTIVE	TSSOP	PW	20	2000	RoHS & Green	NIPDAU	Level-1-260C-UNLIM	-40 to 85	CDCE937	Samples
CDCEL937PW	ACTIVE	TSSOP	PW	20	70	RoHS & Green	NIPDAU	Level-1-260C-UNLIM	-40 to 85	CDCEL937	Samples
CDCEL937PWR	ACTIVE	TSSOP	PW	20	2000	RoHS & Green	NIPDAU	Level-1-260C-UNLIM	-40 to 85	CDCEL937	Samples

(1) The marketing status values are defined as follows:

**ACTIVE:** Product device recommended for new designs.

**LIFEBUY:** TI has announced that the device will be discontinued, and a lifetime-buy period is in effect.

**NRND:** Not recommended for new designs. Device is in production to support existing customers, but TI does not recommend using this part in a new design.

**PREVIEW:** Device has been announced but is not in production. Samples may or may not be available.

**OBSELETE:** TI has discontinued the production of the device.

(2) **RoHS:** TI defines "RoHS" to mean semiconductor products that are compliant with the current EU RoHS requirements for all 10 RoHS substances, including the requirement that RoHS substance do not exceed 0.1% by weight in homogeneous materials. Where designed to be soldered at high temperatures, "RoHS" products are suitable for use in specified lead-free processes. TI may reference these types of products as "Pb-Free".

**RoHS Exempt:** TI defines "RoHS Exempt" to mean products that contain lead but are compliant with EU RoHS pursuant to a specific EU RoHS exemption.

**Green:** TI defines "Green" to mean the content of Chlorine (Cl) and Bromine (Br) based flame retardants meet JS709B low halogen requirements of <=1000ppm threshold. Antimony trioxide based flame retardants must also meet the <=1000ppm threshold requirement.

(3) MSL, Peak Temp. - The Moisture Sensitivity Level rating according to the JEDEC industry standard classifications, and peak solder temperature.

(4) There may be additional marking, which relates to the logo, the lot trace code information, or the environmental category on the device.

(5) Multiple Device Markings will be inside parentheses. Only one Device Marking contained in parentheses and separated by a "-" will appear on a device. If a line is indented then it is a continuation of the previous line and the two combined represent the entire Device Marking for that device.

(6) Lead finish/Ball material - Orderable Devices may have multiple material finish options. Finish options are separated by a vertical ruled line. Lead finish/Ball material values may wrap to two lines if the finish value exceeds the maximum column width.



**Important Information and Disclaimer:** The information provided on this page represents TI's knowledge and belief as of the date that it is provided. TI bases its knowledge and belief on information provided by third parties, and makes no representation or warranty as to the accuracy of such information. Efforts are underway to better integrate information from third parties. TI has taken and continues to take reasonable steps to provide representative and accurate information but may not have conducted destructive testing or chemical analysis on incoming materials and chemicals. TI and TI suppliers consider certain information to be proprietary, and thus CAS numbers and other limited information may not be available for release.

In no event shall TI's liability arising out of such information exceed the total purchase price of the TI part(s) at issue in this document sold by TI to Customer on an annual basis.

**OTHER QUALIFIED VERSIONS OF CDCE937, CDCEL937 :**

- Automotive : [CDCE937-Q1](#), [CDCEL937-Q1](#)

**NOTE: Qualified Version Definitions:**

- Automotive - Q100 devices qualified for high-reliability automotive applications targeting zero defects

**TAPE AND REEL INFORMATION**

**QUADRANT ASSIGNMENTS FOR PIN 1 ORIENTATION IN TAPE**


\*All dimensions are nominal

Device	Package Type	Package Drawing	Pins	SPQ	Reel Diameter (mm)	Reel Width W1 (mm)	A0 (mm)	B0 (mm)	K0 (mm)	P1 (mm)	W (mm)	Pin1 Quadrant
CDCE937PWR	TSSOP	PW	20	2000	330.0	16.4	6.95	7.1	1.6	8.0	16.0	Q1
CDCEL937PWR	TSSOP	PW	20	2000	330.0	16.4	6.95	7.1	1.6	8.0	16.0	Q1

**TAPE AND REEL BOX DIMENSIONS**


\*All dimensions are nominal

Device	Package Type	Package Drawing	Pins	SPQ	Length (mm)	Width (mm)	Height (mm)
CDCE937PWR	TSSOP	PW	20	2000	356.0	356.0	35.0
CDCEL937PWR	TSSOP	PW	20	2000	367.0	367.0	38.0

**TUBE**


\*All dimensions are nominal

Device	Package Name	Package Type	Pins	SPQ	L (mm)	W (mm)	T (μm)	B (mm)
CDCE937PW	PW	TSSOP	20	70	530	10.2	3600	3.5
CDCE937PWG4	PW	TSSOP	20	70	530	10.2	3600	3.5
CDCEL937PW	PW	TSSOP	20	70	530	10.2	3600	3.5

# PW0020A



# PACKAGE OUTLINE

## TSSOP - 1.2 mm max height

SMALL OUTLINE PACKAGE



4220206/A 02/2017

### NOTES:

1. All linear dimensions are in millimeters. Any dimensions in parenthesis are for reference only. Dimensioning and tolerancing per ASME Y14.5M.
2. This drawing is subject to change without notice.
3. This dimension does not include mold flash, protrusions, or gate burrs. Mold flash, protrusions, or gate burrs shall not exceed 0.15 mm per side.
4. This dimension does not include interlead flash. Interlead flash shall not exceed 0.25 mm per side.
5. Reference JEDEC registration MO-153.

# EXAMPLE BOARD LAYOUT

PW0020A

TSSOP - 1.2 mm max height

SMALL OUTLINE PACKAGE



LAND PATTERN EXAMPLE  
EXPOSED METAL SHOWN  
SCALE: 10X



SOLDER MASK DETAILS

4220206/A 02/2017

NOTES: (continued)

- 6. Publication IPC-7351 may have alternate designs.
- 7. Solder mask tolerances between and around signal pads can vary based on board fabrication site.

# EXAMPLE STENCIL DESIGN

PW0020A

TSSOP - 1.2 mm max height

SMALL OUTLINE PACKAGE



SOLDER PASTE EXAMPLE  
BASED ON 0.125 mm THICK STENCIL  
SCALE: 10X

4220206/A 02/2017

NOTES: (continued)

8. Laser cutting apertures with trapezoidal walls and rounded corners may offer better paste release. IPC-7525 may have alternate design recommendations.
9. Board assembly site may have different recommendations for stencil design.

## 重要声明和免责声明

TI“按原样”提供技术和可靠性数据（包括数据表）、设计资源（包括参考设计）、应用或其他设计建议、网络工具、安全信息和其他资源，不保证没有瑕疵且不做任何明示或暗示的担保，包括但不限于对适销性、某特定用途方面的适用性或不侵犯任何第三方知识产权的暗示担保。

这些资源可供使用 TI 产品进行设计的熟练开发人员使用。您将自行承担以下全部责任：(1) 针对您的应用选择合适的 TI 产品，(2) 设计、验证并测试您的应用，(3) 确保您的应用满足相应标准以及任何其他功能安全、信息安全、监管或其他要求。

这些资源如有变更，恕不另行通知。TI 授权您仅可将这些资源用于研发本资源所述的 TI 产品的应用。严禁对这些资源进行其他复制或展示。您无权使用任何其他 TI 知识产权或任何第三方知识产权。您应全额赔偿因在这些资源的使用中对 TI 及其代表造成的任何索赔、损害、成本、损失和债务，TI 对此概不负责。

TI 提供的产品受 [TI 的销售条款](#) 或 [ti.com](#) 上其他适用条款/TI 产品随附的其他适用条款的约束。TI 提供这些资源并不会扩展或以其他方式更改 TI 针对 TI 产品发布的适用的担保或担保免责声明。

TI 反对并拒绝您可能提出的任何其他或不同的条款。

邮寄地址：Texas Instruments, Post Office Box 655303, Dallas, Texas 75265

Copyright © 2024，德州仪器 (TI) 公司