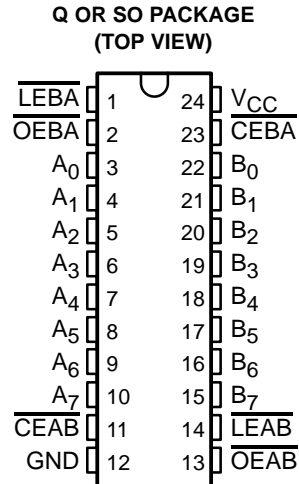


# CY74FCT2543T

## 8-BIT LATCHED TRANSCEIVER WITH 3-STATE OUTPUTS

SCCS042C – SEPTEMBER 1994 – REVISED NOVEMBER 2001

- Function and Pinout Compatible With FCT and F Logic
- 25-Ω Output Series Resistors to Reduce Transmission-Line Reflection Noise
- Reduced  $V_{OH}$  (Typically = 3.3 V) Versions of Equivalent FCT Functions
- Edge-Rate Control Circuitry for Significantly Improved Noise Characteristics
- $I_{off}$  Supports Partial-Power-Down Mode Operation
- Matched Rise and Fall Times
- Fully Compatible With TTL Input and Output Logic Levels
- 12-mA Output Sink Current  
15-mA Output Source Current
- Separation Controls for Data Flow in Each Direction
- Back-to-Back Latches for Storage
- ESD Protection Exceeds JESD 22
  - 2000-V Human-Body Model (A114-A)
  - 200-V Machine Model (A115-A)
  - 1000-V Charged-Device Model (C101)
- 3-State Outputs



### description

The CY74FCT2543T octal latched transceiver contains two sets of eight D-type latches. Separate latch enable ( $\overline{LEAB}$ ,  $\overline{LEBA}$ ) and output enable ( $\overline{OEAB}$ ,  $\overline{OEBA}$ ) inputs permit each latch set to have independent control of inputting and outputting in either direction of data flow. For example, for data flow from A to B, the A-to-B enable ( $\overline{CEAB}$ ) input must be low to enter data from A or to take data from B, as indicated in the function table. With  $\overline{CEAB}$  low, a low signal on the A-to-B latch enable ( $\overline{LEAB}$ ) input makes the A-to-B latches transparent; a subsequent low-to-high transition of  $\overline{LEAB}$  puts the A latches in the storage mode and their outputs no longer change with the A inputs. With  $\overline{CEAB}$  and  $\overline{OEAB}$  both low, the 3-state B output buffers are active and reflect data present at the output of the A latches. Control of data from B to A is similar, but uses  $\overline{CEAB}$ ,  $\overline{LEAB}$ , and  $\overline{OEAB}$  inputs. On-chip termination resistors at the outputs reduce system noise caused by reflections. The CY74FCT2543T can replace the CY74FCT543T to reduce noise in an existing design.

This device is fully specified for partial-power-down applications using  $I_{off}$ . The  $I_{off}$  circuitry disables the outputs, preventing damaging current backflow through the device when it is powered down.



Please be aware that an important notice concerning availability, standard warranty, and use in critical applications of Texas Instruments semiconductor products and disclaimers thereto appears at the end of this data sheet.

PRODUCTION DATA information is current as of publication date. Products conform to specifications per the terms of Texas Instruments standard warranty. Production processing does not necessarily include testing of all parameters.

**TEXAS  
INSTRUMENTS**

POST OFFICE BOX 655303 • DALLAS, TEXAS 75265

Copyright © 2001, Texas Instruments Incorporated

# CY74FCT2543T

## 8-BIT LATCHED TRANSCEIVER

### WITH 3-STATE OUTPUTS

SCCS042C – SEPTEMBER 1994 – REVISED NOVEMBER 2001

#### PIN DESCRIPTION

NAME	DESCRIPTION
$\overline{OEAB}$	A-to-B output-enable input (active low)
$\overline{OEBA}$	B-to-A output-enable input (active low)
$\overline{CEAB}$	A-to-B enable input (active low)
$\overline{CEBA}$	B-to-A enable input (active low)
$\overline{LEAB}$	A-to-B latch-enable input (active low)
$\overline{LEBA}$	B-to-A latch-enable input (active low)
A	A-to-B data inputs or B-to-A 3-state outputs
B	B-to-A data inputs or A-to-B 3-state outputs

#### ORDERING INFORMATION

T <sub>A</sub>	PACKAGE†		SPEED (ns)	ORDERABLE PART NUMBER	TOP-SIDE MARKING
-40°C to 85°C	QSOP – Q	Tape and reel	5.3	CY74FCT2543CTQCT	FCT2543C
	SOIC – SO	Tube	5.3	CY74FCT2543CTSOC	FCT2543C
		Tape and reel	5.3	CY74FCT2543CTSOCT	
	QSOP – Q	Tape and reel	6.5	CY74FCT2543ATQCT	FCT2543A
	SOIC – SO	Tube	6.5	CY74FCT2543ATSOC	FCT2543A
		Tape and reel	6.5	CY74FCT2543ATSOCT	
QSOP – Q	Tape and reel	8.5	CY74FCT2543TQCT	FCT2543	

† Package drawings, standard packing quantities, thermal data, symbolization, and PCB design guidelines are available at [www.ti.com/sc/package](http://www.ti.com/sc/package).

#### FUNCTION TABLE

INPUTS			LATCH A-TO-B‡	OUTPUT B
$\overline{CEAB}$	$\overline{LEAB}$	$\overline{OEAB}$		
H	X	X	Storing	Z
X	H	X	Storing	X
X	X	H	X	Z
L	L	L	Transparent	Current A inputs
L	H	L	Storing	Previous A inputs

‡ Before  $\overline{LEAB}$  low-to-high transition

H = High logic level, L = Low logic level, X = Don't care,

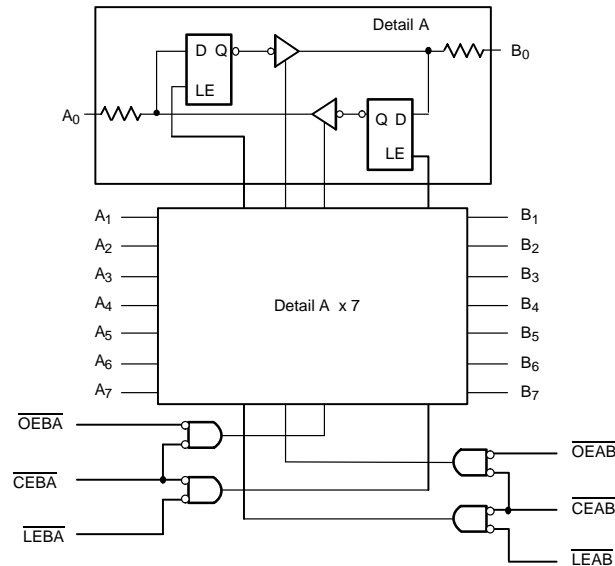
Z = High-impedance state

A-to-B data flow shown; B-to-A is the same, except using  $\overline{CEBA}$ ,  $\overline{LEBA}$ , and  $\overline{OEBA}$ .

# CY74FCT2543T 8-BIT LATCHED TRANSCEIVER WITH 3-STATE OUTPUTS

SCCS042C – SEPTEMBER 1994 – REVISED NOVEMBER 2001

## functional block diagram



## absolute maximum rating over operating free-air temperature range (unless otherwise noted)†

Supply voltage range to ground potential .....	-0.5 V to 7 V
DC input voltage range .....	-0.5 V to 7 V
DC output voltage range .....	-0.5 V to 7 V
DC output current (maximum sink current/pin) .....	120 mA
Package thermal impedance, $\theta_{JA}$ (see Note 1): Q package .....	61°C/W
SO package .....	46°C/W
Ambient temperature range with power applied, $T_A$ .....	-65°C to 135°C
Storage temperature range, $T_{stg}$ .....	-65°C to 150°C

† Stresses beyond those listed under “absolute maximum ratings” may cause permanent damage to the device. These are stress ratings only, and functional operation of the device at these or any other conditions beyond those indicated under “recommended operating conditions” is not implied. Exposure to absolute-maximum-rated conditions for extended periods may affect device reliability.

NOTE 1: The package thermal impedance is calculated in accordance with JESD 51-7.

## recommended operating conditions (see Note 2)

		MIN	NOM	MAX	UNIT
$V_{CC}$	Supply voltage	4.75	5	5.25	V
$V_{IH}$	High-level input voltage	2			V
$V_{IL}$	Low-level input voltage			0.8	V
$I_{OH}$	High-level output current			-15	mA
$I_{OL}$	Low-level output current			12	mA
$T_A$	Operating free-air temperature	-40		85	°C

NOTE 2: All unused inputs of the device must be held at  $V_{CC}$  or GND to ensure proper device operation.

# CY74FCT2543T

## 8-BIT LATCHED TRANSCEIVER

### WITH 3-STATE OUTPUTS

SCCS042C – SEPTEMBER 1994 – REVISED NOVEMBER 2001

electrical characteristics over recommended operating free-air temperature range (unless otherwise noted)

PARAMETER	TEST CONDITIONS		MIN	TYP†	MAX	UNIT	
$V_{IK}$	$V_{CC} = 4.75\text{ V}$ ,	$I_{IN} = -18\text{ mA}$	-0.7	-1.2		V	
$V_{OH}$	$V_{CC} = 4.75\text{ V}$ ,	$I_{OH} = -15\text{ mA}$	2.4	3.3		V	
$V_{OL}$	$V_{CC} = 4.75\text{ V}$ ,	$I_{OL} = 12\text{ mA}$		0.3	0.55	V	
$R_{out}$	$V_{CC} = 4.75\text{ V}$ ,	$I_{OL} = 12\text{ mA}$	20	25	40	$\Omega$	
$V_{hys}$	All inputs			0.2		V	
$I_{IH}$	$V_{CC} = 5.25\text{ V}$	$V_{IN} = V_{CC}$			5	$\mu\text{A}$	
		$V_{IN} = 2.7\text{ V}$			$\pm 1$		
$I_{IL}$	$V_{CC} = 5.25\text{ V}$ ,	$V_{IN} = 0.5\text{ V}$			$\pm 1$	$\mu\text{A}$	
$I_{OZH}$	$V_{CC} = 5.25\text{ V}$ ,	$V_{OUT} = 2.7\text{ V}$			15	$\mu\text{A}$	
$I_{OZL}$	$V_{CC} = 5.25\text{ V}$ ,	$V_{OUT} = 0.5\text{ V}$			-15	$\mu\text{A}$	
$I_{OS}^{\ddagger}$	$V_{CC} = 5.25\text{ V}$ ,	$V_{OUT} = 0\text{ V}$	-60	-120	-225	mA	
$I_{off}$	$V_{CC} = 0\text{ V}$ ,	$V_{OUT} = 4.5\text{ V}$			$\pm 1$	$\mu\text{A}$	
$I_{CC}$	$V_{CC} = 5.25\text{ V}$ ,	$V_{IN} \leq 0.2\text{ V}$ , $V_{IN} \geq V_{CC} - 0.2\text{ V}$		0.1	0.2	mA	
$\Delta I_{CC}$	$V_{CC} = 5.25\text{ V}$ , $V_{IN} = 3.4\text{ V}^{\S}$ , $f_1 = 0$ , Outputs open			0.5	2	mA	
$I_{CCD}^{\uparrow}$	$V_{CC} = 5.25\text{ V}$ , One input switching at 50% duty cycle, Outputs open, $\overline{CEAB}$ and $\overline{OEAB} = \text{LOW}$ , $\overline{CEBA} = \text{HIGH}$ , $V_{IN} \leq 0.2\text{ V}$ or $V_{IN} \geq V_{CC} - 0.2\text{ V}$			0.06	1.2	mA/MHz	
$I_C^{\#}$	$V_{CC} = 5.25\text{ V}$ , $f_0 = 10\text{ MHz}$ , Outputs open, $\overline{CEAB}$ and $\overline{OEAB} = \text{LOW}$ , $\overline{CEBA} = \text{HIGH}$ , $f_0 = \overline{LEAB} = 10\text{ MHz}$	One bit switching at $f_1 = 5\text{ MHz}$ at 50% duty cycle	$V_{IN} \leq 0.2\text{ V}$ or $V_{IN} \geq V_{CC} - 0.2\text{ V}$		0.7	1.4	mA
			$V_{IN} = 3.4\text{ V}$ or GND		1.2	3.4	
		Eight bits switching at $f_1 = 5\text{ MHz}$ at 50% duty cycle	$V_{IN} \leq 0.2\text{ V}$ or $V_{IN} \geq V_{CC} - 0.2\text{ V}$		2.8	5.6	
			$V_{IN} = 3.4\text{ V}$ or GND		5.1	14.6	
$C_i$				5	10	pF	
$C_o$				9	12	pF	

† Typical values are at  $V_{CC} = 5\text{ V}$ ,  $T_A = 25^\circ\text{C}$ .

‡ Not more than one output should be shorted at a time. Duration of short should not exceed one second. The use of high-speed test apparatus and/or sample-and-hold techniques are preferable to minimize internal chip heating and more accurately reflect operational values. Otherwise, prolonged shorting of a high output can raise the chip temperature well above normal and cause invalid readings in other parametric tests. In any sequence of parameter tests,  $I_{OS}$  tests should be performed last.

§ Per TTL-driven input ( $V_{IN} = 3.4\text{ V}$ ); all other inputs at  $V_{CC}$  or GND

↑ This parameter is derived for use in total power-supply calculations.

#  $I_C = I_{CC} + \Delta I_{CC} \times D_H \times N_T + I_{CCD} (f_0/2 + f_1 \times N_1)$

Where:

$I_C$  = Total supply current

$I_{CC}$  = Power-supply current with CMOS input levels

$\Delta I_{CC}$  = Power-supply current for a TTL high input ( $V_{IN} = 3.4\text{ V}$ )

$D_H$  = Duty cycle for TTL inputs high

$N_T$  = Number of TTL inputs at  $D_H$

$I_{CCD}$  = Dynamic current caused by an input transition pair (HLH or LHL)

$f_0$  = Clock frequency for registered devices, otherwise zero

$f_1$  = Input signal frequency

$N_1$  = Number of inputs changing at  $f_1$

All currents are in milliamperes and all frequencies are in megahertz.

|| Values for these conditions are examples of the  $I_C$  formula.



**CY74FCT2543T**  
**8-BIT LATCHED TRANSCEIVER**  
**WITH 3-STATE OUTPUTS**

SCCS042C – SEPTEMBER 1994 – REVISED NOVEMBER 2001

**timing requirements over recommended operating free-air temperature range (unless otherwise noted) (see Figure 1)**

PARAMETER		CY74FCT2543T		CY74FCT2543AT		CY74FCT2543CT		UNIT
		MIN	MAX	MIN	MAX	MIN	MAX	
$t_w$	Pulse duration, $\overline{LEBA}$ or $\overline{LEAB}$ low	5		5		5		ns
$t_{su}$	Setup time, high or low	A or B before $\overline{LEBA}\downarrow$ or $\overline{LEAB}\downarrow$		2		2		ns
$t_h$	Hold time, high or low	A or B after $\overline{LEBA}\downarrow$ or $\overline{LEAB}\downarrow$		2		2		ns

**switching characteristics over operating free-air temperature range (see Figure 1)**

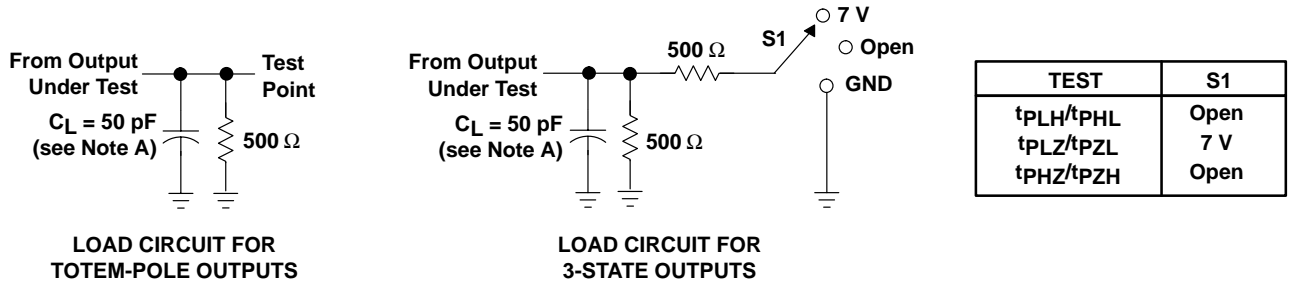
PARAMETER	FROM (INPUT)	TO (OUTPUT)	CY74FCT2543T		CY74FCT2543AT		CY74FCT2543CT		UNIT
			MIN	MAX	MIN	MAX	MIN	MAX	
$t_{PLH}$	A or B	B or A	2.5	8.5	2.5	6.5	2.5	5.5	ns
$t_{PHL}$									
$t_{PLH}$	$\overline{LEBA}$ or $\overline{LEAB}$	A or B	2.5	12.5	2.5	8	2.5	7	ns
$t_{PHL}$									
$t_{PZH}$	$\overline{OEBA}$ or $\overline{OEAB}$	A or B	2	12	2	9	2	8	ns
$t_{PZL}$									
$t_{PZH}$	$\overline{CEBA}$ or $\overline{CEAB}$	A or B	2	12	2	9	2	8	ns
$t_{PZL}$									
$t_{PHZ}$	$\overline{OEBA}$ or $\overline{OEAB}$	A or B	2	9	2	7.5	2	6.5	ns
$t_{PLZ}$									
$t_{PHZ}$	$\overline{CEBA}$ or $\overline{CEAB}$	A or B	2	9	2	7.5	2	6.5	ns
$t_{PLZ}$									



**CY74FCT2543T**  
**8-BIT LATCHED TRANSCEIVER**  
**WITH 3-STATE OUTPUTS**

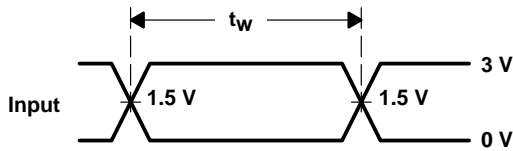
SCCS042C – SEPTEMBER 1994 – REVISED NOVEMBER 2001

**PARAMETER MEASUREMENT INFORMATION**

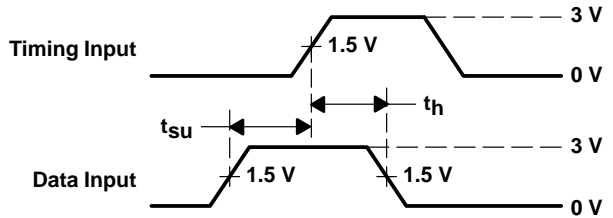


**LOAD CIRCUIT FOR TOTEM-POLE OUTPUTS**

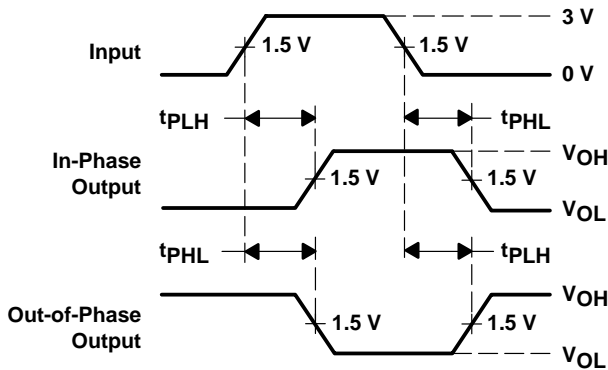
**LOAD CIRCUIT FOR 3-STATE OUTPUTS**



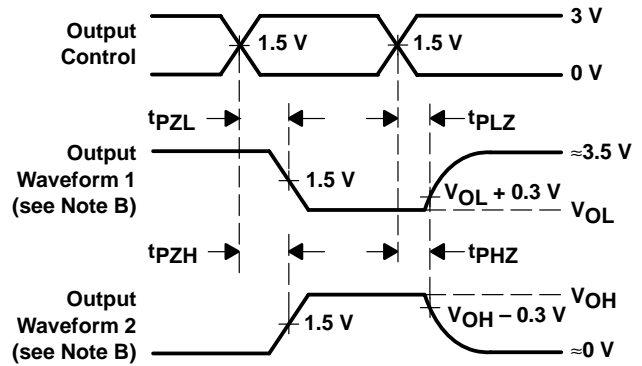
**VOLTAGE WAVEFORMS PULSE DURATION**



**VOLTAGE WAVEFORMS SETUP AND HOLD TIMES**



**VOLTAGE WAVEFORMS PROPAGATION DELAY TIMES INVERTING AND NONINVERTING OUTPUTS**



**VOLTAGE WAVEFORMS ENABLE AND DISABLE TIMES LOW- AND HIGH-LEVEL ENABLING**

- NOTES: A.  $C_L$  includes probe and jig capacitance.  
 B. Waveform 1 is for an output with internal conditions such that the output is low except when disabled by the output control. Waveform 2 is for an output with internal conditions such that the output is high except when disabled by the output control.  
 C. The outputs are measured one at a time with one input transition per measurement.

**Figure 1. Load Circuit and Voltage Waveforms**

**PACKAGING INFORMATION**

Orderable part number	Status (1)	Material type (2)	Package   Pins	Package qty   Carrier	RoHS (3)	Lead finish/ Ball material (4)	MSL rating/ Peak reflow (5)	Op temp (°C)	Part marking (6)
<a href="#">CY74FCT2543ATQCT</a>	Active	Production	SSOP (DBQ)   24	2500   LARGE T&R	Yes	NIPDAU	Level-2-260C-1 YEAR	-40 to 85	FCT2543A
CY74FCT2543ATQCT.B	Active	Production	SSOP (DBQ)   24	2500   LARGE T&R	Yes	NIPDAU	Level-2-260C-1 YEAR	-40 to 85	FCT2543A
<a href="#">CY74FCT2543ATSOC</a>	Active	Production	SOIC (DW)   24	25   TUBE	Yes	NIPDAU	Level-1-260C-UNLIM	-40 to 85	FCT2543A
CY74FCT2543ATSOC.B	Active	Production	SOIC (DW)   24	25   TUBE	Yes	NIPDAU	Level-1-260C-UNLIM	-40 to 85	FCT2543A
<a href="#">CY74FCT2543CTQCT</a>	Active	Production	SSOP (DBQ)   24	2500   LARGE T&R	Yes	NIPDAU	Level-2-260C-1 YEAR	-40 to 85	FCT2543C
CY74FCT2543CTQCT.B	Active	Production	SSOP (DBQ)   24	2500   LARGE T&R	Yes	NIPDAU	Level-2-260C-1 YEAR	-40 to 85	FCT2543C
CY74FCT2543CTQCTG4	Active	Production	SSOP (DBQ)   24	2500   LARGE T&R	Yes	NIPDAU	Level-2-260C-1 YEAR	-40 to 85	FCT2543C
CY74FCT2543CTQCTG4.B	Active	Production	SSOP (DBQ)   24	2500   LARGE T&R	Yes	NIPDAU	Level-2-260C-1 YEAR	-40 to 85	FCT2543C
<a href="#">CY74FCT2543CTSOC</a>	Active	Production	SOIC (DW)   24	25   TUBE	Yes	NIPDAU	Level-1-260C-UNLIM	-40 to 85	FCT2543C
CY74FCT2543CTSOC.B	Active	Production	SOIC (DW)   24	25   TUBE	Yes	NIPDAU	Level-1-260C-UNLIM	-40 to 85	FCT2543C

(1) **Status:** For more details on status, see our [product life cycle](#).

(2) **Material type:** When designated, preproduction parts are prototypes/experimental devices, and are not yet approved or released for full production. Testing and final process, including without limitation quality assurance, reliability performance testing, and/or process qualification, may not yet be complete, and this item is subject to further changes or possible discontinuation. If available for ordering, purchases will be subject to an additional waiver at checkout, and are intended for early internal evaluation purposes only. These items are sold without warranties of any kind.

(3) **RoHS values:** Yes, No, RoHS Exempt. See the [TI RoHS Statement](#) for additional information and value definition.

(4) **Lead finish/Ball material:** Parts may have multiple material finish options. Finish options are separated by a vertical ruled line. Lead finish/Ball material values may wrap to two lines if the finish value exceeds the maximum column width.

(5) **MSL rating/Peak reflow:** The moisture sensitivity level ratings and peak solder (reflow) temperatures. In the event that a part has multiple moisture sensitivity ratings, only the lowest level per JEDEC standards is shown. Refer to the shipping label for the actual reflow temperature that will be used to mount the part to the printed circuit board.

(6) **Part marking:** There may be an additional marking, which relates to the logo, the lot trace code information, or the environmental category of the part.

Multiple part markings will be inside parentheses. Only one part marking contained in parentheses and separated by a "~" will appear on a part. If a line is indented then it is a continuation of the previous line and the two combined represent the entire part marking for that device.

**Important Information and Disclaimer:** The information provided on this page represents TI's knowledge and belief as of the date that it is provided. TI bases its knowledge and belief on information provided by third parties, and makes no representation or warranty as to the accuracy of such information. Efforts are underway to better integrate information from third parties. TI has taken and continues to take reasonable steps to provide representative

and accurate information but may not have conducted destructive testing or chemical analysis on incoming materials and chemicals. TI and TI suppliers consider certain information to be proprietary, and thus CAS numbers and other limited information may not be available for release.

In no event shall TI's liability arising out of such information exceed the total purchase price of the TI part(s) at issue in this document sold by TI to Customer on an annual basis.



**TAPE AND REEL INFORMATION**

**QUADRANT ASSIGNMENTS FOR PIN 1 ORIENTATION IN TAPE**


\*All dimensions are nominal

Device	Package Type	Package Drawing	Pins	SPQ	Reel Diameter (mm)	Reel Width W1 (mm)	A0 (mm)	B0 (mm)	K0 (mm)	P1 (mm)	W (mm)	Pin1 Quadrant
CY74FCT2543ATQCT	SSOP	DBQ	24	2500	330.0	16.4	6.5	9.0	2.1	8.0	16.0	Q1
CY74FCT2543CTQCT	SSOP	DBQ	24	2500	330.0	16.4	6.5	9.0	2.1	8.0	16.0	Q1
CY74FCT2543CTQCTG4	SSOP	DBQ	24	2500	330.0	16.4	6.5	9.0	2.1	8.0	16.0	Q1

**TAPE AND REEL BOX DIMENSIONS**


\*All dimensions are nominal

Device	Package Type	Package Drawing	Pins	SPQ	Length (mm)	Width (mm)	Height (mm)
CY74FCT2543ATQCT	SSOP	DBQ	24	2500	353.0	353.0	32.0
CY74FCT2543CTQCT	SSOP	DBQ	24	2500	353.0	353.0	32.0
CY74FCT2543CTQCTG4	SSOP	DBQ	24	2500	353.0	353.0	32.0

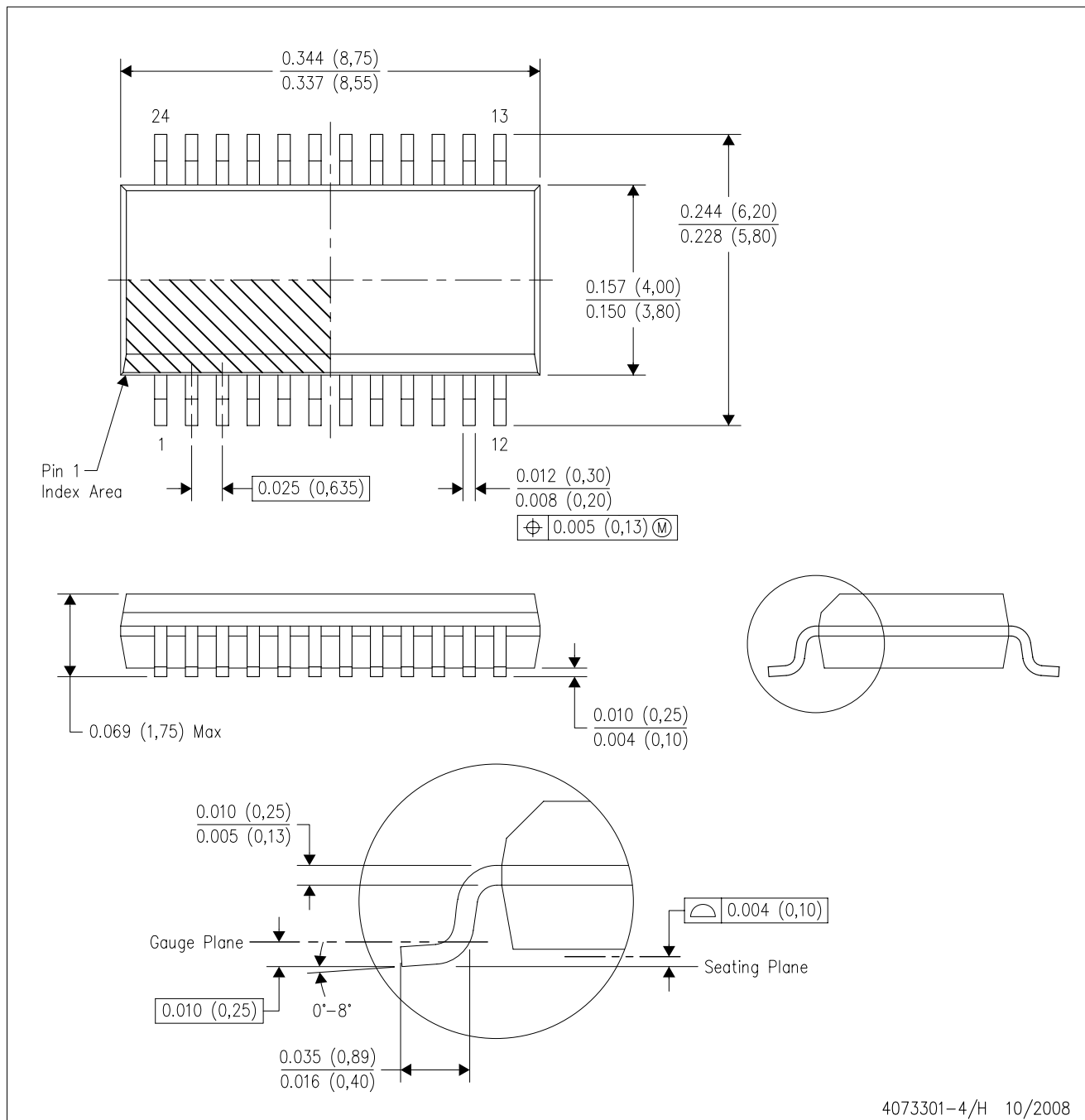
**TUBE**


\*All dimensions are nominal

Device	Package Name	Package Type	Pins	SPQ	L (mm)	W (mm)	T (μm)	B (mm)
CY74FCT2543ATSOC	DW	SOIC	24	25	506.98	12.7	4826	6.6
CY74FCT2543ATSOC.B	DW	SOIC	24	25	506.98	12.7	4826	6.6
CY74FCT2543CTSOC	DW	SOIC	24	25	506.98	12.7	4826	6.6
CY74FCT2543CTSOC.B	DW	SOIC	24	25	506.98	12.7	4826	6.6

DBQ (R-PDSO-G24)

PLASTIC SMALL-OUTLINE PACKAGE



- NOTES:
- A. All linear dimensions are in inches (millimeters).
  - B. This drawing is subject to change without notice.
  - C. Body dimensions do not include mold flash or protrusion not to exceed 0.006 (0,15) per side.
  - D. Falls within JEDEC MO-137 variation AE.

DW (R-PDSO-G24)

PLASTIC SMALL OUTLINE



- NOTES:
- A. All linear dimensions are in inches (millimeters). Dimensioning and tolerancing per ASME Y14.5M-1994.
  - B. This drawing is subject to change without notice.
  - C. Body dimensions do not include mold flash or protrusion not to exceed 0.006 (0,15).
  - D. Falls within JEDEC MS-013 variation AD.

## IMPORTANT NOTICE AND DISCLAIMER

TI PROVIDES TECHNICAL AND RELIABILITY DATA (INCLUDING DATASHEETS), DESIGN RESOURCES (INCLUDING REFERENCE DESIGNS), APPLICATION OR OTHER DESIGN ADVICE, WEB TOOLS, SAFETY INFORMATION, AND OTHER RESOURCES "AS IS" AND WITH ALL FAULTS, AND DISCLAIMS ALL WARRANTIES, EXPRESS AND IMPLIED, INCLUDING WITHOUT LIMITATION ANY IMPLIED WARRANTIES OF MERCHANTABILITY, FITNESS FOR A PARTICULAR PURPOSE OR NON-INFRINGEMENT OF THIRD PARTY INTELLECTUAL PROPERTY RIGHTS.

These resources are intended for skilled developers designing with TI products. You are solely responsible for (1) selecting the appropriate TI products for your application, (2) designing, validating and testing your application, and (3) ensuring your application meets applicable standards, and any other safety, security, regulatory or other requirements.

These resources are subject to change without notice. TI grants you permission to use these resources only for development of an application that uses the TI products described in the resource. Other reproduction and display of these resources is prohibited. No license is granted to any other TI intellectual property right or to any third party intellectual property right. TI disclaims responsibility for, and you fully indemnify TI and its representatives against any claims, damages, costs, losses, and liabilities arising out of your use of these resources.

TI's products are provided subject to [TI's Terms of Sale](#), [TI's General Quality Guidelines](#), or other applicable terms available either on [ti.com](http://ti.com) or provided in conjunction with such TI products. TI's provision of these resources does not expand or otherwise alter TI's applicable warranties or warranty disclaimers for TI products. Unless TI explicitly designates a product as custom or customer-specified, TI products are standard, catalog, general purpose devices.

TI objects to and rejects any additional or different terms you may propose.

Copyright © 2025, Texas Instruments Incorporated

Last updated 10/2025