

DAC539G2-Q1 用于通过自动检测的 I²C 或 SPI 进行通用输入 (GPI) 至脉宽调制 (PWM) 转换的汽车类 10 位智能 DAC

1 特性

- 符合面向汽车应用的 AEC-Q100 标准：
 - 温度等级 1：-40°C 至 +125°C，T_A
- 三路通用输入
- 使用锯齿波形或三角波形的 PWM 输出
- 10 位 GPI 至电压输出
 - 1LSB DNL
- 自动检测 I²C 和 SPI
 - 1.62V V_{IH} (V_{DD} = 5.5V)
- 在编程和独立模式之间选择 MODE 引脚
- 用户可编程的非易失性存储器 (NVM)
- 内部、外部和 VDD 基准
- PWM 频率误差校正选项
- 宽工作范围
 - 电源：1.8V 至 5.5V
- 微型封装：16 引脚 WQFN (3mm × 3mm)

2 应用

- 后灯
- 状态监控模块
- 有线控制

3 说明

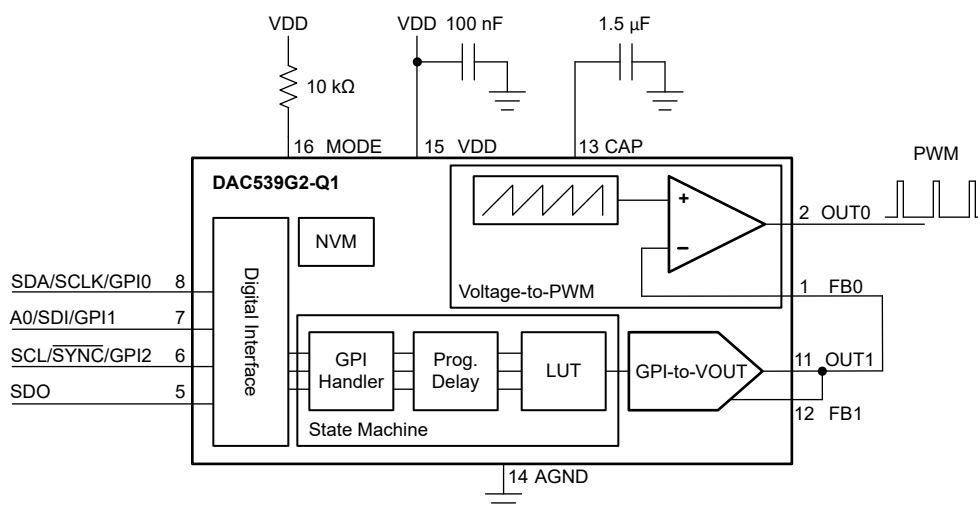
DAC539G2-Q1 是一款基于查找表 (LUT) 的应用特定型 GPI 至 PWM 转换器。该器件具有一个 10 位 GPI 至电压输出转换器和一个电压至 PWM 转换器。这两个电路都可以通过外部连接来创建一个 GPI 至 PWM 转换器。三个 GPI 映射到八个代表电压输出的 10 位数字代码。GPI 具有可编程延迟，可消除对这些输入的干扰。查找表值通过 I²C 或 SPI 进行编程，并存储在 NVM 中。GPI 与 I²C 和 SPI 进行多路复用。电压至 PWM 转换器可使用比较器，其中一个输入作为可编程锯齿波形或三角波形，另一个输入作为外部电压输入。

该器件可自动检测 I²C 和 SPI 并具有内部基准。DAC539G2-Q1 是汽车制动灯和转向灯以及类似工业应用中故障通信的理想选择。

封装信息

器件型号	封装 ⁽¹⁾	封装尺寸 ⁽²⁾
DAC539G2-Q1	RTE (WQFN , 16)	3.00mm × 3.00mm
DAC539G2W-Q1	RTE (WQFN , 16 , 可湿性侧面)	

- 如需了解所有可用封装，请参阅数据表末尾的可订购产品附录。
- 封装尺寸 (长 × 宽) 为标称值，并包括引脚 (如适用)。



功能方框图

Table of Contents

1 特性	1	6.17 Typical Characteristics: Comparator.....	21
2 应用	1	6.18 典型特性：通用.....	22
3 说明	1	7 Detailed Description	23
4 Revision History	2	7.1 Overview.....	23
5 Pin Configuration and Functions	3	7.2 Functional Block Diagram.....	23
6 Specifications	5	7.3 Feature Description.....	24
6.1 Absolute Maximum Ratings.....	5	7.4 Device Functional Modes.....	26
6.2 ESD Ratings.....	5	7.5 Programming.....	33
6.3 Recommended Operating Conditions.....	5	7.6 Register Maps.....	39
6.4 Thermal Information.....	5	8 Application and Implementation	49
6.5 Electrical Characteristics: Voltage Output.....	7	8.1 Application Information.....	49
6.6 Electrical Characteristics: Comparator Mode.....	9	8.2 Typical Application.....	49
6.7 Electrical Characteristics: General.....	10	8.3 Power Supply Recommendations.....	54
6.8 Timing Requirements: I ² C Standard Mode.....	11	8.4 Layout.....	54
6.9 Timing Requirements: I ² C Fast Mode.....	11	9 Device and Documentation Support	55
6.10 Timing Requirements: I ² C Fast Mode Plus.....	11	9.1 Documentation Support.....	55
6.11 Timing Requirements: SPI Write Operation.....	12	9.2 接收文档更新通知.....	55
6.12 Timing Requirements: SPI Read and Daisy Chain Operation (FSDO = 0).....	12	9.3 支持资源.....	55
6.13 Timing Requirements: SPI Read and Daisy Chain Operation (FSDO = 1).....	12	9.4 Trademarks.....	55
6.14 Timing Requirements: GPIO.....	14	9.5 静电放电警告.....	55
6.15 时序图.....	14	9.6 术语表.....	55
6.16 典型特性：电压输出.....	16	10 Mechanical, Packaging, and Orderable Information	55

4 Revision History

注：以前版本的页码可能与当前版本的页码不同

Changes from Revision * (January 2023) to Revision A (September 2023)

Page

• 添加了可湿性侧面 RTE (WQFN , 16) 封装.....	1
--------------------------------------	----------

5 Pin Configuration and Functions

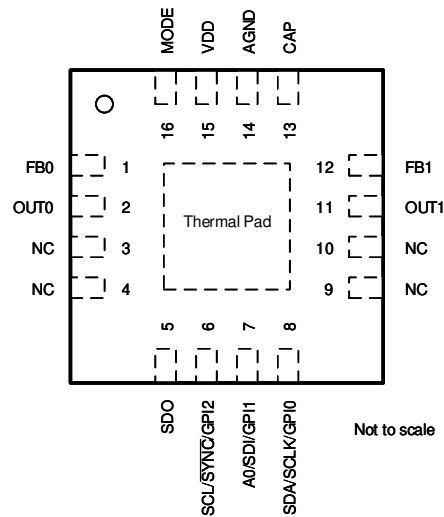


图 5-1. RTE Package, 16-pin WQFN (Top View)

表 5-1. Pin Functions

PIN		TYPE	DESCRIPTION
NO.	NAME		
1	FB0	Input	Comparator input.
2	OUT0	Output	PWM output from comparator.
3	NC	—	Leave this pin unconnected.
4	NC	—	Leave this pin unconnected.
5	SDO	Output	Configuration mode (MODE pin low): SPI serial data output. Connect the pin to the I/O voltage with an external pullup resistor. Standalone mode (MODE pin high): Not connected.
6	SCL/SYNC/ GPI2	Output	Configuration mode (MODE pin low): I ² C serial interface clock or SPI chip select input. In the SPI chip select function, this pin must be connected to the I/O voltage using an external pullup resistor. Standalone mode (MODE pin high): General-purpose input 2.
7	A0/SDI/GPI1	Input	Configuration mode (MODE pin low): Address configuration input for I ² C or serial data input for SPI. In A0 function, connect this pin to VDD, AGND, SDA, or SCL for address configuration. In SDI function, this pin need not be pulled up or pulled down. Standalone mode (MODE pin high): General-purpose input 1.
8	SDA/SCLK/ GPI0	Input/ Output	Configuration mode (MODE pin low): Bidirectional I ² C serial data bus or SPI clock input. In the I ² C mode, connect this pin to the I/O voltage using an external pullup resistor. Standalone mode (MODE pin high): General-purpose input 0.
9	NC	—	Leave this pin unconnected.
10	NC	—	Leave this pin unconnected.
11	OUT1	Output	Voltage output for DAC.
12	FB1	Input	Voltage feedback input for the DAC output amplifier. Connect this pin to OUT1 for closed-loop voltage output.
13	CAP	Power	External bypass capacitor for the internal LDO. Connect a capacitor (approximately 1.5 μ F) between CAP and AGND.
14	AGND	Ground	Ground reference point for all circuitry on the device.
15	VDD	Power	Supply voltage: 1.8 V to 5.5 V.
16	MODE	Input	Interface selection and external reference input. Connect a capacitor (approximately 0.1 μ F) between MODE and AGND. Use a pullup resistor to VDD when external reference is not used. Do not ramp up this pin before VDD. If external reference is used, make sure the reference ramps up after VDD.

表 5-1. Pin Functions (续)

PIN		TYPE	DESCRIPTION
NO.	NAME		
—	Thermal Pad	Ground	Connect the thermal pad to AGND.

6 Specifications

6.1 Absolute Maximum Ratings

over operating free-air temperature range (unless otherwise noted)⁽¹⁾

		MIN	MAX	UNIT
V _{DD}	Supply voltage, V _{DD} to AGND	- 0.3	6	V
	Digital inputs to AGND	- 0.3	V _{DD} + 0.3	V
	V _{FBX} to AGND	- 0.3	V _{DD} + 0.3	V
	V _{OUTX} to AGND	- 0.3	V _{DD} + 0.3	V
V _{REF}	External reference, V _{REF} to AGND	- 0.3	V _{DD} + 0.3	V
	Current into any pin except the OUTx, VDD, and AGND pins	- 10	10	mA
T _J	Junction temperature	- 40	150	°C
T _{stg}	Storage temperature	- 65	150	°C

- (1) Operation outside the Absolute Maximum Ratings may cause permanent device damage. Absolute Maximum Ratings do not imply functional operation of the device at these or any other conditions beyond those listed under Recommended Operating Conditions. If used outside the Recommended Operating Conditions but within the Absolute Maximum Ratings, the device may not be fully functional, and this may affect device reliability, functionality, performance, and shorten the device lifetime.

6.2 ESD Ratings

			VALUE	UNIT
V _(ESD)	Electrostatic discharge	Human body model (HBM), per AEC Q100-002 ⁽¹⁾ HBM ESD classification level 2	±2000	V
		Charged device model (CDM), per AEC Q100-011 CDM ESD classification level C4B	±750	
		All pins	±500	

- (1) AEC Q100-002 indicates that HBM stressing shall be in accordance with the ANSI/ESDA/JEDEC JS-001 specification.

6.3 Recommended Operating Conditions

over operating free-air temperature range (unless otherwise noted)

		MIN	NOM	MAX	UNIT
V _{DD}	Positive supply voltage to ground (AGND)	1.7		5.5	V
V _{REF}	External reference to ground (AGND)	1.7		V _{DD}	V
V _{IH}	Digital input high voltage, 1.7 V < V _{DD} ≤ 5.5 V	1.62			V
V _{IL}	Digital input low voltage			0.4	V
C _{CAP}	External capacitor on CAP pin	0.5		15	μF
T _A	Ambient temperature	- 40		125	°C

6.4 Thermal Information

THERMAL METRIC ⁽¹⁾		DAC539G2-Q1	
		RTE (WQFN)	
		16 PINS	
			UNIT
R _{θJA}	Junction-to-ambient thermal resistance	49	°C/W
R _{θJC(top)}	Junction-to-case (top) thermal resistance	50	°C/W
R _{θJB}	Junction-to-board thermal resistance	24.1	°C/W
Ψ _{JT}	Junction-to-top characterization parameter	1.1	°C/W
Ψ _{JB}	Junction-to-board characterization parameter	24.1	°C/W

THERMAL METRIC ⁽¹⁾		DAC539G2-Q1	UNIT
		RTE (WQFN)	
		16 PINS	
R _{θJC(bot)}	Junction-to-case (bottom) thermal resistance	8.7	°C/W

(1) For information about traditional and new thermal metrics, see the [Semiconductor and IC Package Thermal Metrics application report](#).

6.5 Electrical Characteristics: Voltage Output

minimum and maximum specifications at $T_A = -40^\circ\text{C}$ to $+125^\circ\text{C}$ and typical specifications at $T_A = 25^\circ\text{C}$, $1.7\text{ V} \leq V_{DD} \leq 5.5\text{ V}$, DAC reference tied to VDD, gain = 1 ×, DAC output pin (OUT) loaded with resistive load ($R_L = 5\text{ k}\Omega$ to AGND) and capacitive load ($C_L = 200\text{ pF}$ to AGND), and digital inputs at VDD or AGND (unless otherwise noted)

PARAMETER		TEST CONDITIONS	MIN	TYP	MAX	UNIT
STATIC PERFORMANCE						
	Resolution		10			Bits
INL	Integral nonlinearity ⁽¹⁾		- 1.25		1.25	LSB
DNL	Differential nonlinearity ⁽¹⁾		- 1		1	LSB
	Zero-code error ⁽⁴⁾	Code 0d into DAC, external reference, $V_{DD} = 5.5\text{ V}$		6	12	mV
	Zero-code error ⁽⁴⁾	Code 0d into DAC, internal V_{REF} , gain = 4 ×, $V_{DD} = 5.5\text{ V}$		6	15	mV
	Zero-code error temperature coefficient ⁽⁴⁾			±10		μV/°C
	Offset error ⁽⁴⁾	$1.7\text{ V} \leq V_{DD} < 2.7\text{ V}$, V_{FB} pin shorted to V_{OUT} , DAC code: 8d	- 0.75	0.3	0.75	%FSR
		$2.7\text{ V} \leq V_{DD} \leq 5.5\text{ V}$, V_{FB} pin shorted to V_{OUT} , DAC code: 8d	- 0.5	0.25	0.5	
	Offset-error temperature coefficient ⁽⁴⁾	V_{FB} pin shorted to V_{OUT} , DAC code: 8d		±0.0003		%FSR/°C
	Gain error ⁽⁴⁾	Between end-point codes: 8d and 1016d	- 0.5	0.25	0.5	%FSR
	Gain-error temperature coefficient ⁽⁴⁾	Between end-point codes: 8d and 1016d		±0.0008		%FSR/°C
	Full-scale error ⁽⁴⁾	$1.7\text{ V} \leq V_{DD} < 2.7\text{ V}$, DAC at full-scale	- 1		1	%FSR
	Full-scale error ⁽⁴⁾	$2.7\text{ V} \leq V_{DD} \leq 5.5\text{ V}$, DAC at full-scale	- 0.6		0.6	%FSR
	Full-scale-error temperature coefficient ⁽⁴⁾	DAC at full-scale		±0.0008		%FSR/°C
OUTPUT						
	Output voltage	Reference tied to V_{DD}	0		V_{DD}	V
C_L	Capacitive load ⁽²⁾	$R_L = \text{infinite}$, phase margin = 30°			200	pF
		Phase margin = 30°			1000	
	Load regulation	DAC at midscale, $-10\text{ mA} \leq I_{OUT} \leq 10\text{ mA}$, $V_{DD} = 5.5\text{ V}$, $V_{REF} = 5.5\text{ V}$, V_{REF} not shorted to V_{DD}		0.007		mV/mA
	Short-circuit current	$V_{DD} = 1.7\text{ V}$, full-scale output shorted to AGND or zero-scale output shorted to V_{DD}		15		mA
		$V_{DD} = 2.7\text{ V}$, full-scale output shorted to AGND or zero-scale output shorted to V_{DD}		50		
		$V_{DD} = 5.5\text{ V}$, full-scale output shorted to AGND or zero-scale output shorted to V_{DD}		60		
	Output-voltage headroom ⁽²⁾	To V_{DD} (DAC output unloaded, internal reference = 1.21 V), $V_{DD} \geq 1.21\text{ V} \times \text{gain} + 0.2\text{ V}$	0.2			V
		To V_{DD} and to AGND (DAC output unloaded, external reference at V_{DD} (gain = 1 ×), the V_{REF} pin is not shorted to V_{DD})	0.8			%FSR
		To V_{DD} and to AGND ($I_{LOAD} = 10\text{ mA}$ at $V_{DD} = 5.5\text{ V}$, $I_{LOAD} = 3\text{ mA}$ at $V_{DD} = 2.7\text{ V}$, $I_{LOAD} = 1\text{ mA}$ at $V_{DD} = 1.8\text{ V}$), external reference at V_{DD} (gain = 1 ×), the V_{REF} pin is not shorted to V_{DD})	10			%FSR

6.5 Electrical Characteristics: Voltage Output (续)

minimum and maximum specifications at $T_A = -40^\circ\text{C}$ to $+125^\circ\text{C}$ and typical specifications at $T_A = 25^\circ\text{C}$, $1.7\text{ V} \leq V_{DD} \leq 5.5\text{ V}$, DAC reference tied to VDD, gain = 1 ×, DAC output pin (OUT) loaded with resistive load ($R_L = 5\text{ k}\Omega$ to AGND) and capacitive load ($C_L = 200\text{ pF}$ to AGND), and digital inputs at VDD or AGND (unless otherwise noted)

PARAMETER		TEST CONDITIONS	MIN	TYP	MAX	UNIT
V_{OUT}	dc output impedance	DAC output enabled and DAC code = midscale, $V_{DD} = 5.5\text{ V}$, external reference mode		0.007		Ω
		DAC output enabled and DAC code = 8d, $V_{DD} = 5.5\text{ V}$, external reference mode		0.25		
		DAC output enabled and DAC code = 1016d, $V_{DD} = 5.5\text{ V}$, external reference mode		0.25		
Z_O	V_{FB} dc output impedance ⁽³⁾	DAC output enabled, internal reference (gain = 1.5 × or 2 ×)	400	500	600	k Ω
		DAC output enabled, internal reference (gain = 3 × or 4 ×)	325	400	485	
	Power supply rejection ratio (dc)	Internal V_{REF} , gain = 2 ×, DAC at midscale, $V_{DD} = 5\text{ V} \pm 10\%$		0.25		mV/V
DYNAMIC PERFORMANCE						
t_{sett}	Output voltage settling time	1/4 to 3/4 scale and 3/4 to 1/4 scale settling to 10%FSR, $V_{DD} = 5.5\text{ V}$		20		μs
		1/4 to 3/4 scale and 3/4 to 1/4 scale settling to 10%FSR, $V_{DD} = 5.5\text{ V}$, internal V_{REF} , gain = 4 ×		25		
	Slew rate	$V_{DD} = 5.5\text{ V}$		0.3		V/ μs
	Power-on glitch magnitude	At start-up (DAC output disabled)		75		mV
		At start-up (DAC output disabled), $R_L = 100\text{ k}\Omega$		200		
	Output-enable glitch magnitude	DAC output disabled to enabled (DAC registers at zero scale), $R_L = 100\text{ k}\Omega$		250		mV
V_n	Output noise voltage (peak to peak)	f = 0.1 Hz to 10 Hz, DAC at midscale, $V_{DD} = 5.5\text{ V}$		50		μV_{PP}
		Internal V_{REF} , gain = 4 ×, f = 0.1 Hz to 10 Hz, DAC at midscale, $V_{DD} = 5.5\text{ V}$		90		
	Output noise density	f = 1 kHz, DAC at midscale, $V_{DD} = 5.5\text{ V}$		0.35		$\mu\text{V}/\sqrt{\text{Hz}}$
		Internal V_{REF} , gain = 4 ×, f = 1 kHz, DAC at midscale, $V_{DD} = 5.5\text{ V}$		0.9		
	Power supply rejection ratio (ac) ⁽³⁾	Internal V_{REF} , gain = 4 ×, 200-mV 50-Hz or 60-Hz sine wave superimposed on power supply voltage, DAC at midscale		-68		dB
	Code change glitch impulse	± 1 LSB change around midscale (including feedthrough)		10		nV-s
	Code change glitch impulse magnitude	± 1 LSB change around midscale (including feedthrough)		15		mV
POWER						
I_{DD}	Current flowing into VDD ^{(4) (5)}	Normal operation, DACs at full scale, digital pins static, external reference at V_{DD} but the V_{REF} pin is not shorted to V_{DD}		150		$\mu\text{A}/\text{ch}$

- (1) Measured with DAC output unloaded. For external reference and internal reference $V_{DD} \geq 1.21 \times \text{gain} + 0.2\text{ V}$, between end-point codes: 8d and 1016d.
- (2) Specified by design and characterization, not production tested.
- (3) Specified with 200-mV headroom with respect to reference value when internal reference is used.
- (4) Measured with DAC output unloaded.
- (5) The total power consumption is calculated by $I_{DD} \times (\text{total number of channels powered on}) + (\text{sleep-mode current})$.

6.6 Electrical Characteristics: Comparator Mode

minimum and maximum specifications at $T_A = -40^\circ\text{C}$ to $+125^\circ\text{C}$ and typical specifications at $T_A = 25^\circ\text{C}$, $1.7\text{ V} \leq V_{DD} \leq 5.5\text{ V}$, DAC reference tied to VDD, gain = 1 × in voltage output mode, DAC output pin (OUT) loaded with resistive load ($R_L = 5\text{ k}\Omega$ to AGND) and capacitive load ($C_L = 200\text{ pF}$ to AGND), and digital inputs at VDD or AGND (unless otherwise noted)

PARAMETER	TEST CONDITIONS	MIN	TYP	MAX	UNIT
STATIC PERFORMANCE					
Offset error ^{(1) (2)}	$1.7\text{ V} \leq V_{DD} \leq 5.5\text{ V}$; DAC at midscale, comparator input at Hi-Z, and DAC operating with external reference	-7.5	0	7.5	mV
Offset error time drift ⁽¹⁾	$V_{DD} = 5.5\text{ V}$, $T_A = 125^\circ\text{C}$, FB in Hi-Z mode, DAC at full scale and V_{FB} at 0 V or DAC at zero scale and V_{FB} at 1.84 V, drift specified for 10 years of continuous operation		4		mV
OUTPUT					
Input voltage	V_{REF} connected to V_{DD} , V_{FB} resistor network connected to ground	0		V_{DD}	V
	V_{REF} connected to V_{DD} , V_{FB} resistor network disconnected from ground	0	$V_{DD} (1/3 - 1/100)$		
V_{OL}	Logic low output voltage $I_{LOAD} = 100\ \mu\text{A}$, output in open-drain mode		0.1		V
DYNAMIC PERFORMANCE					
t_{resp}	Output response time DAC at midscale with 10-bit resolution, FB input at Hi-Z, and transition step at FB node is ($V_{DAC} - 2\text{ LSB}$) to ($V_{DAC} + 2\text{ LSB}$), transition time measured between 10% and 90% of output, output current of 100 μA , comparator output configured in push-pull mode, load capacitor at DAC output is 25 pF		10		μs

- (1) Specified by design and characterization, not production tested.
 (2) This specification does not include the total unadjusted error (TUE) of the DAC.

6.7 Electrical Characteristics: General

minimum and maximum specifications at $T_A = -40^\circ\text{C}$ to $+125^\circ\text{C}$ and typical specifications at $T_A = 25^\circ\text{C}$, $1.7\text{ V} \leq V_{DD} \leq 5.5\text{ V}$, DAC reference tied to VDD, gain = 1 × in voltage output mode, DAC output pin (OUT) loaded with resistive load ($R_L = 5\text{ k}\Omega$ to AGND) in voltage-output mode and capacitive load ($C_L = 200\text{ pF}$ to AGND), and digital inputs at VDD or AGND (unless otherwise noted)

PARAMETER		TEST CONDITIONS	MIN	TYP	MAX	UNIT
INTERNAL REFERENCE						
	Initial accuracy	$T_A = 25^\circ\text{C}$	1.1979	1.212	1.224	V
	Reference output temperature coefficient ^{(1) (2)}				60	ppm/ $^\circ\text{C}$
EXTERNAL REFERENCE						
	External reference input range		1.7		V_{DD}	V
	V_{REF} input impedance ^{(1) (3)}			192		$\text{k}\Omega$ -ch
EEPROM						
	Endurance ⁽¹⁾	$-40^\circ\text{C} \leq T_A \leq +85^\circ\text{C}$		20000		Cycles
		$T_A = 125^\circ\text{C}$		1000		
	Data retention ⁽¹⁾	$T_A = 25^\circ\text{C}$		50		Years
	EEPROM programming write cycle time ⁽¹⁾				200	ms
	Device boot-up time ⁽¹⁾	Time taken from power valid ($V_{DD} \geq 1.7\text{ V}$) to output valid state (output state as programmed in EEPROM), 0.5- μF capacitor on the CAP pin		5		ms
DIGITAL INPUTS						
	Digital feedthrough	Voltage output mode, DAC output static at midscale, fast mode plus, SCL toggling		20		nV-s
	Pin capacitance	Per pin		10		pF
POWER-DOWN MODE 2						
I_{DD}	Current flowing into VDD	DAC in sleep mode, internal reference powered down, external reference at 5.5 V			28	μA
	Current flowing into VDD ⁽¹⁾	DAC in sleep mode, internal reference enabled, additional current through internal reference		10		
		DAC channels enabled, internal reference enabled, additional current through internal reference per DAC channel in voltage-output mode		12.5		
HIGH-IMPEDANCE OUTPUT						
I_{LEAK}	Current flowing into V_{OUTX} and V_{FBX}	DAC in Hi-Z output mode, $1.7\text{ V} \leq V_{DD} \leq 5.5\text{ V}$		10		nA
		$V_{DD} = 0\text{ V}$, $V_{OUT} \leq 1.5\text{ V}$, decoupling capacitor between V_{DD} and AGND = 0.1 μF		200		
		$V_{DD} = 0\text{ V}$, $1.5\text{ V} < V_{OUT} \leq 5.5\text{ V}$, decoupling capacitor between V_{DD} and AGND = 0.1 μF		500		
		100 $\text{k}\Omega$ between V_{DD} and AGND, $V_{OUT} \leq 1.25\text{ V}$, series resistance of 10 $\text{k}\Omega$ at OUT pin		± 2		μA

(1) Specified by design and characterization, not production tested.

(2) Measured at -40°C and $+125^\circ\text{C}$ and calculated the slope.

(3) Impedances for the DAC channels are connected in parallel.

6.8 Timing Requirements: I²C Standard Mode

all input signals are timed from VIL to 70% of V_{pull-up}, 1.7 V ≤ V_{DD} ≤ 5.5 V, -40°C ≤ T_A ≤ +125°C, and 1.7 V ≤ V_{pull-up} ≤ V_{DD}

		MIN	NOM	MAX	UNIT
f _{SCLK}	SCL frequency			100	kHz
t _{BUF}	Bus free time between stop and start conditions	4.7			μs
t _{HDSTA}	Hold time after repeated start	4			μs
t _{SUSTA}	Repeated start setup time	4.7			μs
t _{SUSTO}	Stop condition setup time	4			μs
t _{HDDAT}	Data hold time	0			ns
t _{SUDAT}	Data setup time	250			ns
t _{LOW}	SCL clock low period	4700			ns
t _{HIGH}	SCL clock high period	4000			ns
t _F	Clock and data fall time			300	ns
t _R	Clock and data rise time			1000	ns
t _{VDDAT}	Data valid time, R = 360 Ω, C _{trace} = 23 pF, C _{probe} = 10 pF			3.45	μs
t _{VDACK}	Data valid acknowledge time, R = 360 Ω, C _{trace} = 23 pF, C _{probe} = 10 pF			3.45	μs

6.9 Timing Requirements: I²C Fast Mode

all input signals are timed from VIL to 70% of V_{pull-up}, 1.7 V ≤ V_{DD} ≤ 5.5 V, -40°C ≤ T_A ≤ +125°C, and 1.7 V ≤ V_{pull-up} ≤ V_{DD}

		MIN	NOM	MAX	UNIT
f _{SCLK}	SCL frequency			400	kHz
t _{BUF}	Bus free time between stop and start conditions	1.3			μs
t _{HDSTA}	Hold time after repeated start	0.6			μs
t _{SUSTA}	Repeated start setup time	0.6			μs
t _{SUSTO}	Stop condition setup time	0.6			μs
t _{HDDAT}	Data hold time	0			ns
t _{SUDAT}	Data setup time	100			ns
t _{LOW}	SCL clock low period	1300			ns
t _{HIGH}	SCL clock high period	600			ns
t _F	Clock and data fall time			300	ns
t _R	Clock and data rise time			300	ns
t _{VDDAT}	Data valid time, R = 360 Ω, C _{trace} = 23 pF, C _{probe} = 10 pF			0.9	μs
t _{VDACK}	Data valid acknowledge time, R = 360 Ω, C _{trace} = 23 pF, C _{probe} = 10 pF			0.9	μs

6.10 Timing Requirements: I²C Fast Mode Plus

all input signals are timed from VIL to 70% of V_{pull-up}, 1.7 V ≤ V_{DD} ≤ 5.5 V, -40°C ≤ T_A ≤ +125°C, and 1.7 V ≤ V_{pull-up} ≤ V_{DD}

		MIN	NOM	MAX	UNIT
f _{SCLK}	SCL frequency			1	MHz
t _{BUF}	Bus free time between stop and start conditions	0.5			μs
t _{HDSTA}	Hold time after repeated start	0.26			μs
t _{SUSTA}	Repeated start setup time	0.26			μs
t _{SUSTO}	Stop condition setup time	0.26			μs
t _{HDDAT}	Data hold time	0			ns
t _{SUDAT}	Data setup time	50			ns
t _{LOW}	SCL clock low period	0.5			μs
t _{HIGH}	SCL clock high period	0.26			μs
t _F	Clock and data fall time			120	ns
t _R	Clock and data rise time			120	ns

all input signals are timed from VIL to 70% of $V_{pull-up}$, $1.7\text{ V} \leq V_{DD} \leq 5.5\text{ V}$, $-40^\circ\text{C} \leq T_A \leq +125^\circ\text{C}$, and $1.7\text{ V} \leq V_{pull-up} \leq V_{DD}$

		MIN	NOM	MAX	UNIT
t _{VDDAT}	Data valid time, R = 360 Ω, C _{trace} = 23 pF, C _{probe} = 10 pF			0.45	μs
t _{VDDACK}	Data valid acknowledge time, R = 360 Ω, C _{trace} = 23 pF, C _{probe} = 10 pF			0.45	μs

6.11 Timing Requirements: SPI Write Operation

all input signals are specified with $t_r = t_f = 1\text{ V/ns}$ (10% to 90% of V_{IO}) and timed from a voltage level of $(V_{IL} + V_{IH}) / 2$, $1.7\text{ V} \leq V_{IO} \leq 5.5\text{ V}$, $1.7\text{ V} \leq V_{DD} \leq 5.5\text{ V}$, and $-40^\circ\text{C} \leq T_A \leq +125^\circ\text{C}$

		MIN	NOM	MAX	UNIT
f _{SCLK}	Serial clock frequency			50	MHz
t _{SCLKHIGH}	SCLK high time	9			ns
t _{SCLKLOW}	SCLK low time	9			ns
t _{SDIS}	SDI setup time	8			ns
t _{SDIH}	SDI hold time	8			ns
t _{CSS}	$\overline{\text{SYNC}}$ to SCLK falling edge setup time	18			ns
t _{CSH}	SCLK falling edge to $\overline{\text{SYNC}}$ rising edge	10			ns
t _{CSHIGH}	$\overline{\text{SYNC}}$ high time	50			ns
t _{DACWAIT}	Sequential DAC update wait time (time between subsequent $\overline{\text{SYNC}}$ rising edges) for same channel	2			μs

6.12 Timing Requirements: SPI Read and Daisy Chain Operation (FSDO = 0)

all input signals are specified with $t_r = t_f = 1\text{ V/ns}$ (10% to 90% of V_{IO}) and timed from a voltage level of $(V_{IL} + V_{IH}) / 2$, $1.7\text{ V} \leq V_{IO} \leq 5.5\text{ V}$, $1.7\text{ V} \leq V_{DD} \leq 5.5\text{ V}$, $-40^\circ\text{C} \leq T_A \leq +125^\circ\text{C}$, and FSDO = 0

		MIN	NOM	MAX	UNIT
f _{SCLK}	Serial clock frequency			1.25	MHz
t _{SCLKHIGH}	SCLK high time	350			ns
t _{SCLKLOW}	SCLK low time	350			ns
t _{SDIS}	SDI setup time	8			ns
t _{SDIH}	SDI hold time	8			ns
t _{CSS}	$\overline{\text{SYNC}}$ to SCLK falling edge setup time	400			ns
t _{CSH}	SCLK falling edge to $\overline{\text{SYNC}}$ rising edge	400			ns
t _{CSHIGH}	$\overline{\text{SYNC}}$ high time	1			μs
t _{SDODLY}	SCLK rising edge to SDO falling edge, I _{OL} ≤ 5 mA, C _L = 20 pF.			300	ns

6.13 Timing Requirements: SPI Read and Daisy Chain Operation (FSDO = 1)

all input signals are specified with $t_r = t_f = 1\text{ V/ns}$ (10% to 90% of V_{IO}) and timed from a voltage level of $(V_{IL} + V_{IH}) / 2$, $1.7\text{ V} \leq V_{IO} \leq 5.5\text{ V}$, $1.7\text{ V} \leq V_{DD} \leq 5.5\text{ V}$, $-40^\circ\text{C} \leq T_A \leq +125^\circ\text{C}$, and FSDO = 1

		MIN	NOM	MAX	UNIT
f _{SCLK}	Serial clock frequency			2.5	MHz
t _{SCLKHIGH}	SCLK high time	175			ns
t _{SCLKLOW}	SCLK low time	175			ns
t _{SDIS}	SDI setup time	8			ns
t _{SDIH}	SDI hold time	8			ns
t _{CSS}	$\overline{\text{SYNC}}$ to SCLK falling edge setup time	300			ns
t _{CSH}	SCLK falling edge to $\overline{\text{SYNC}}$ rising edge	300			ns
t _{CSHIGH}	$\overline{\text{SYNC}}$ high time	1			μs

all input signals are specified with $t_r = t_f = 1 \text{ V/ns}$ (10% to 90% of V_{IO}) and timed from a voltage level of $(V_{IL} + V_{IH}) / 2$, $1.7 \text{ V} \leq V_{IO} \leq 5.5 \text{ V}$, $1.7 \text{ V} \leq V_{DD} \leq 5.5 \text{ V}$, $-40^\circ\text{C} \leq T_A \leq +125^\circ\text{C}$, and $F_{SDO} = 1$

		MIN	NOM	MAX	UNIT
t_{SDODLY}	SCLK rising edge to SDO falling edge, $I_{OL} \leq 5 \text{ mA}$, $C_L = 20 \text{ pF}$.			300	ns

6.14 Timing Requirements: GPIO

all input signals are specified with $t_r = t_f = 1 \text{ V/ns}$ (10% to 90% of V_{IO}) and timed from a voltage level of $(V_{IL} + V_{IH}) / 2$, $1.7 \text{ V} \leq V_{IO} \leq 5.5 \text{ V}$, $1.7 \text{ V} \leq V_{DD} \leq 5.5 \text{ V}$, and $-40^\circ\text{C} \leq T_A \leq +125^\circ\text{C}$

		MIN	NOM	MAX	UNIT
$t_{GPIHIGH}$	GPI high time	2			μs
t_{GPILOW}	GPI low time	2			μs

6.15 时序图

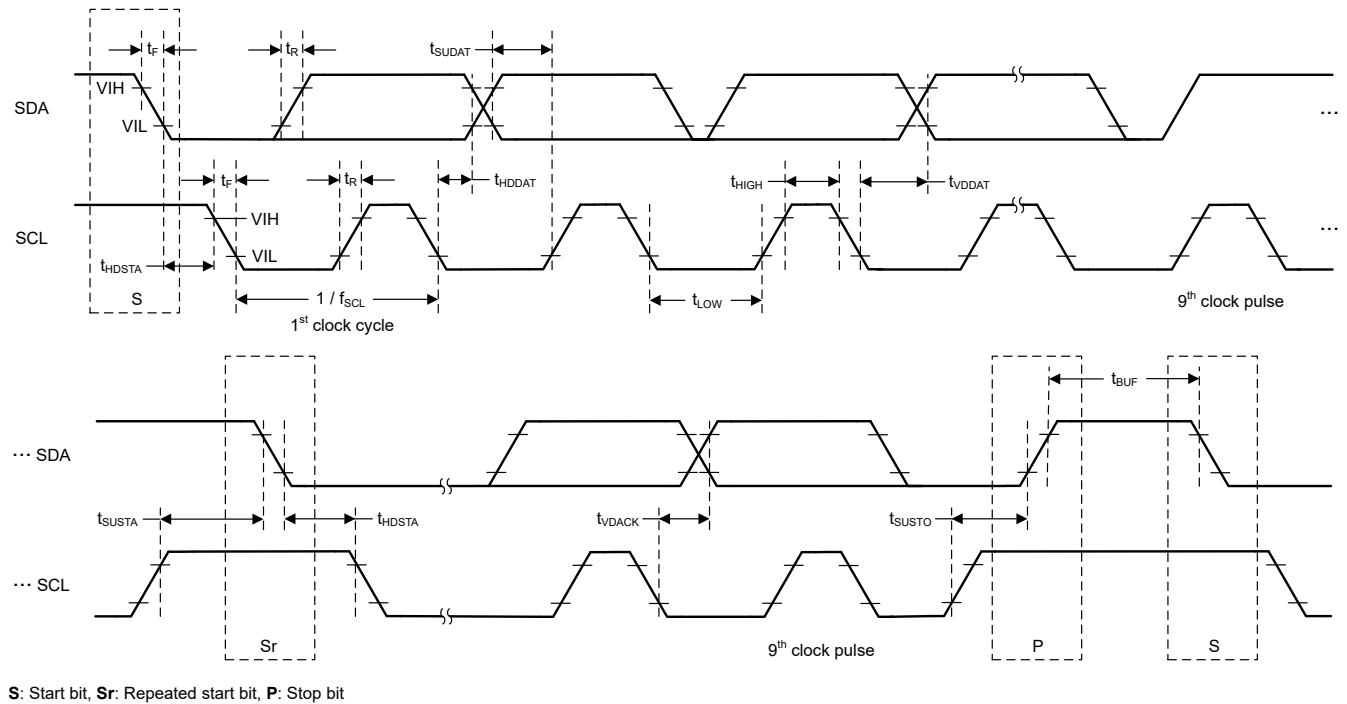


图 6-1. I²C 时序图

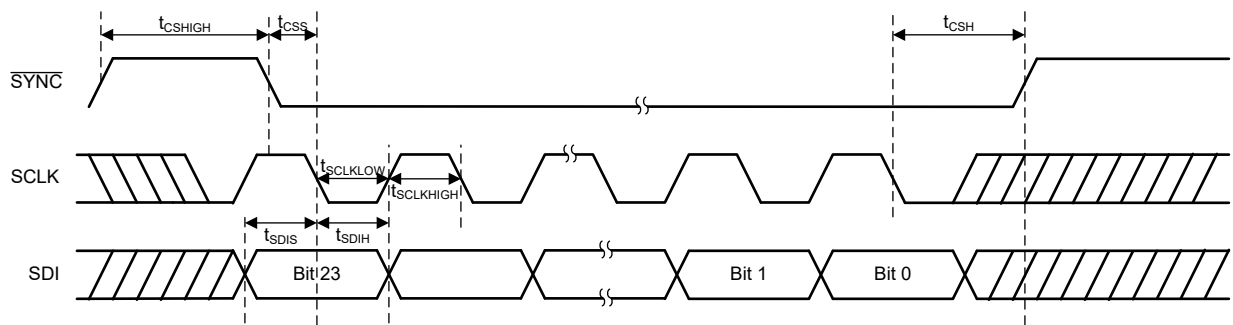


图 6-2. SPI 写入时序图

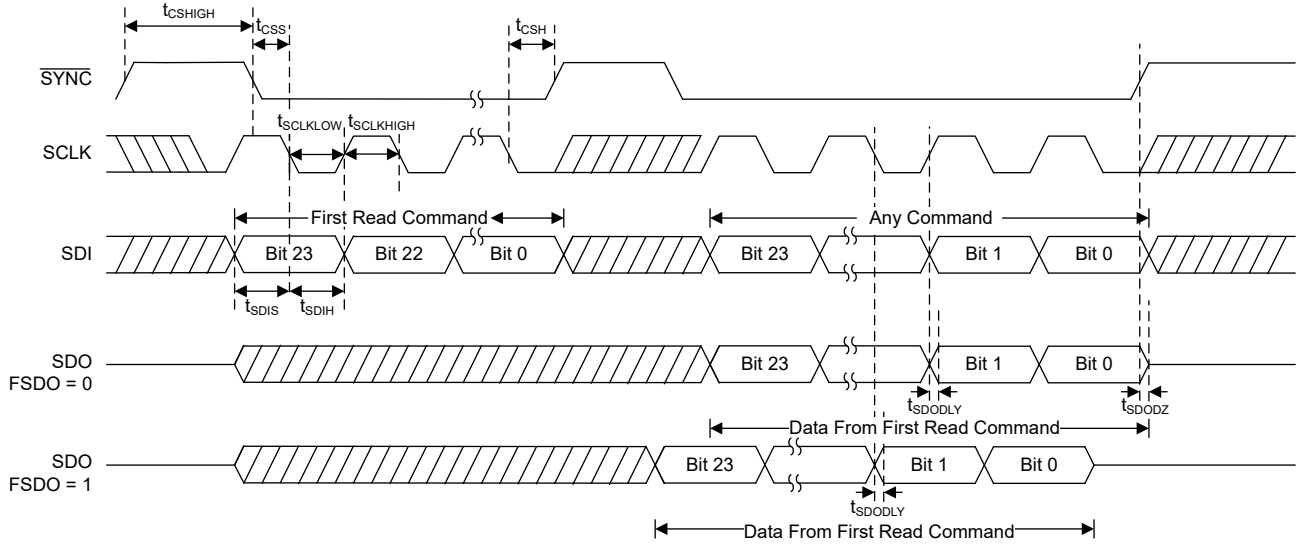


图 6-3. SPI 读取时序图

6.16 典型特性：电压输出

$T_A = 25^\circ\text{C}$, $V_{DD} = 5.5\text{V}$, 外部基准 = 5.5V, 增益 = 1 x 且 DAC 输出为空载 (除非另有说明)

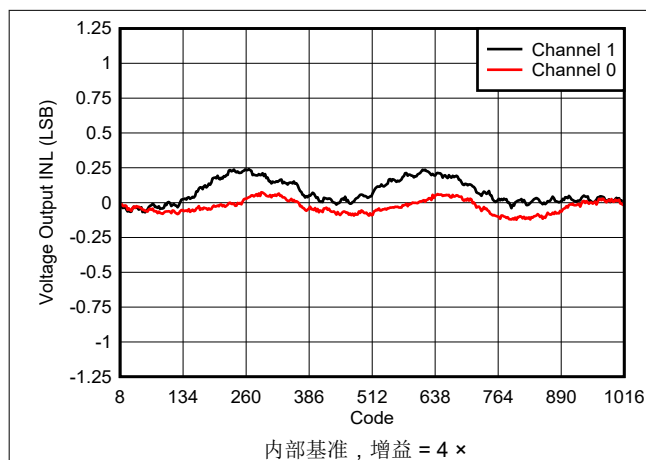


图 6-4. 电压输出 INL 与数字输入代码间的关系

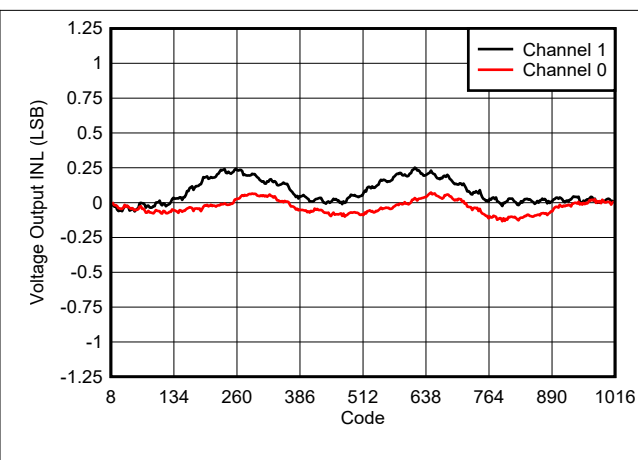


图 6-5. 电压输出 INL 与数字输入代码间的关系

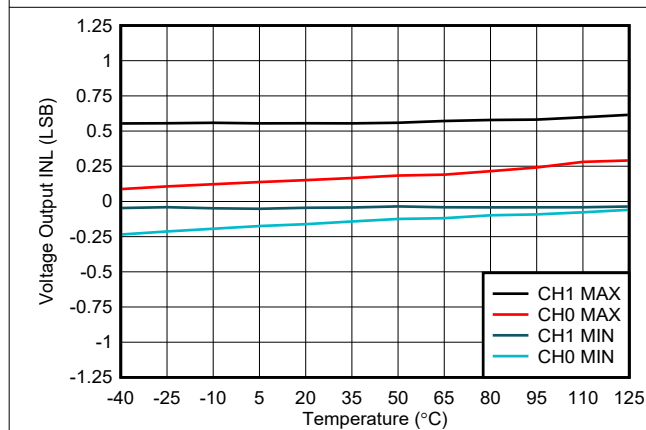


图 6-6. 电压输出 INL 与温度间的关系

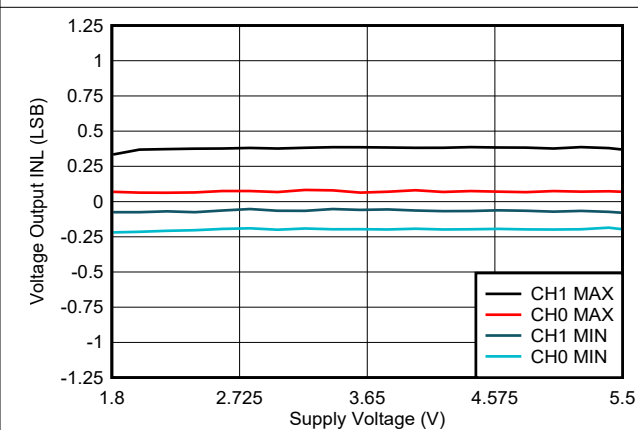


图 6-7. 电压输出 INL 与电源电压间的关系

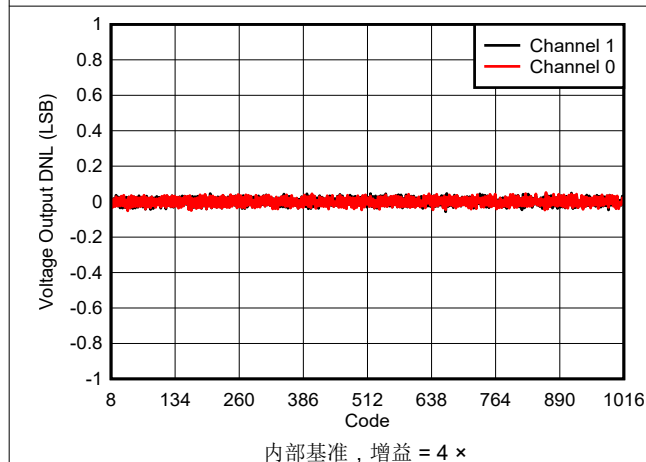


图 6-8. 电压输出 DNL 与数字输入代码间的关系

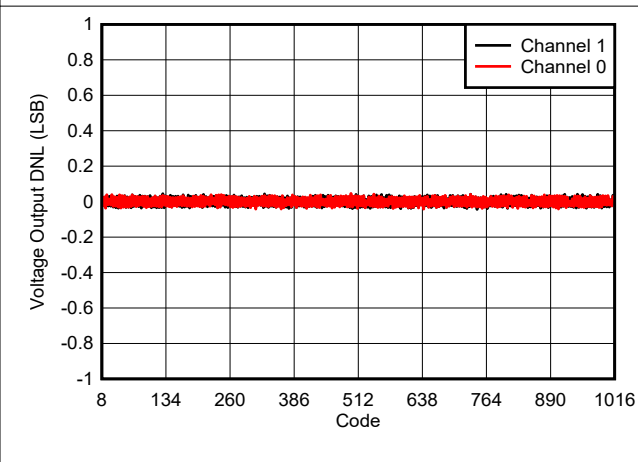


图 6-9. 电压输出 DNL 与数字输入代码间的关系

6.16 典型特性：电压输出（续）

$T_A = 25^\circ\text{C}$, $V_{DD} = 5.5\text{V}$, 外部基准 = 5.5V, 增益 = 1 x 且 DAC 输出为空载 (除非另有说明)

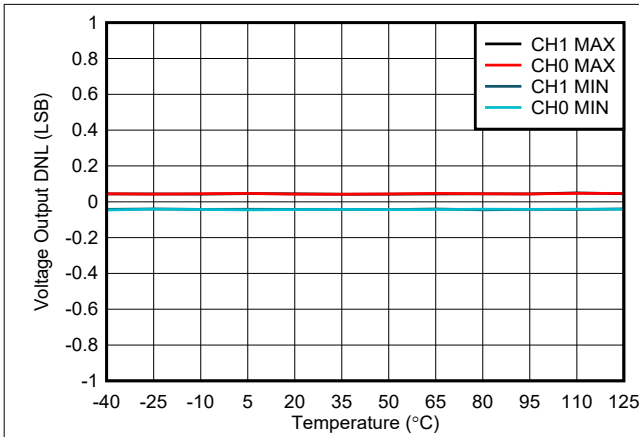


图 6-10. 电压输出 DNL 与温度间的关系

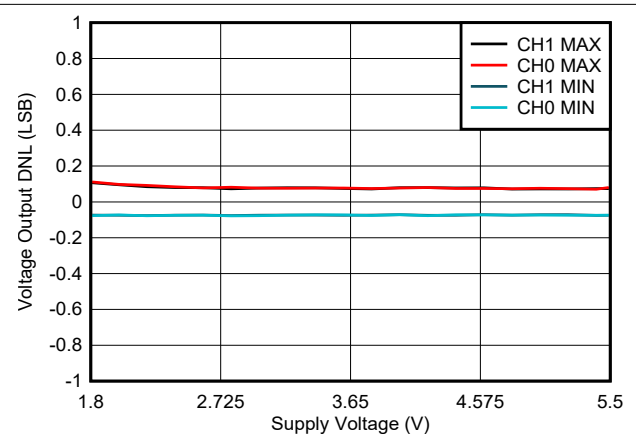


图 6-11. 电压输出 DNL 与电源电压间的关系

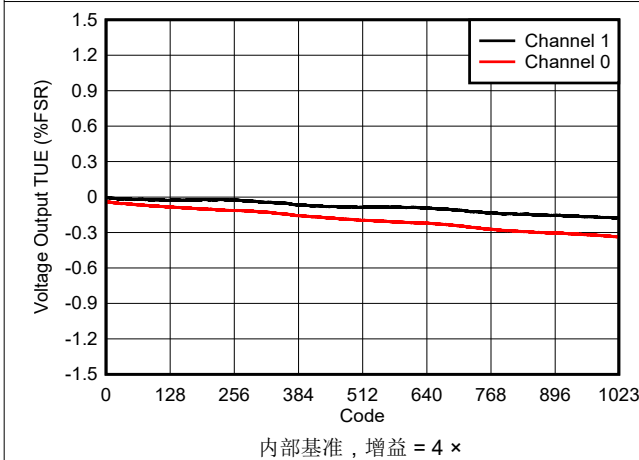


图 6-12. 电压输出 TUE 与数字输入代码间的关系

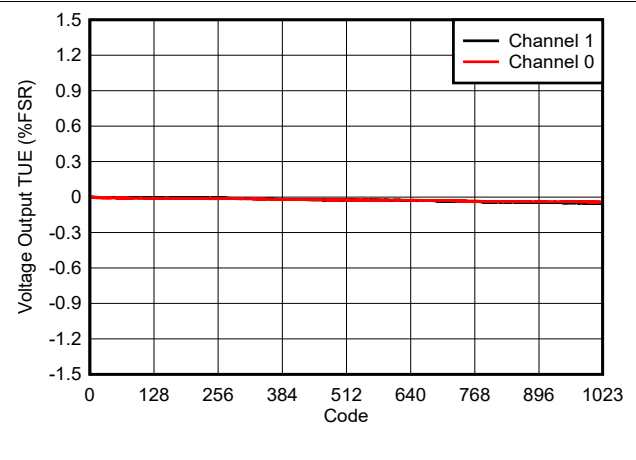


图 6-13. 电压输出 TUE 与数字输入代码间的关系

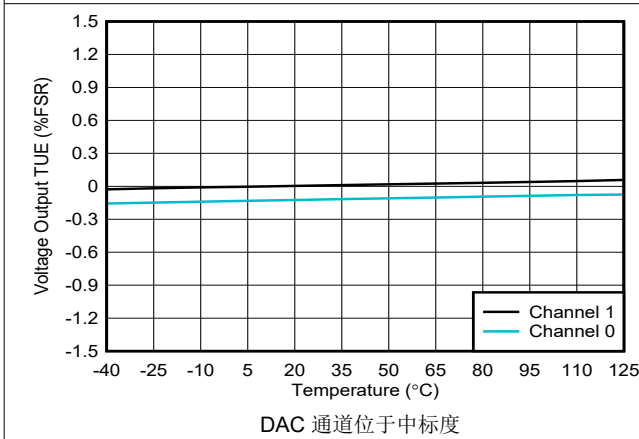


图 6-14. 电压输出 TUE 与温度间的关系

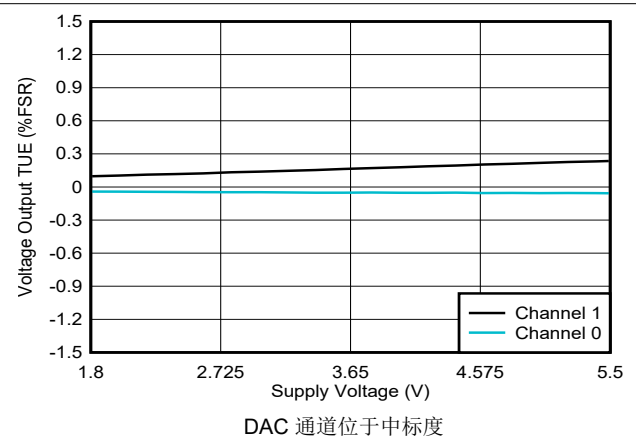


图 6-15. 电压输出 TUE 与电源电压间的关系

6.16 典型特性：电压输出（续）

$T_A = 25^\circ\text{C}$, $V_{DD} = 5.5\text{V}$, 外部基准 = 5.5V, 增益 = 1x 且 DAC 输出为空载 (除非另有说明)

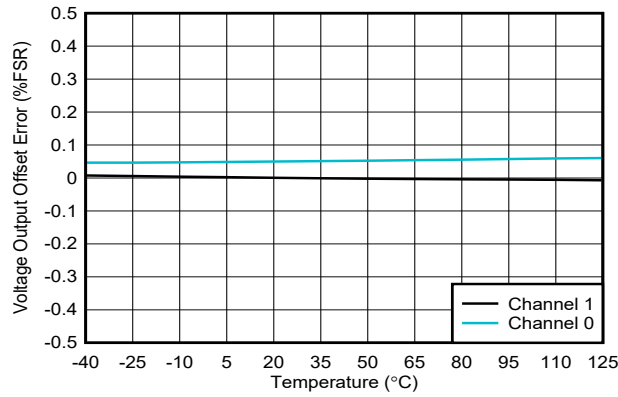


图 6-16. 电压输出偏移误差与温度间的关系

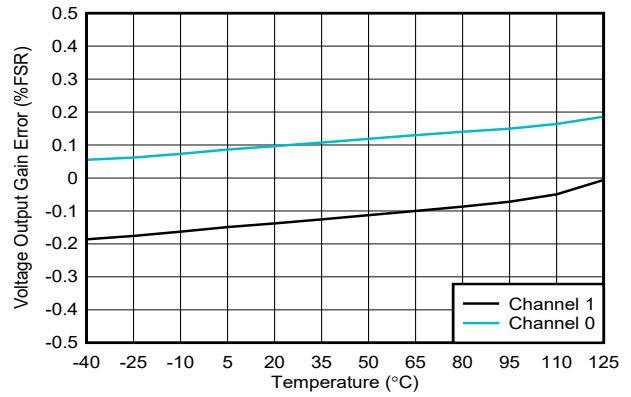
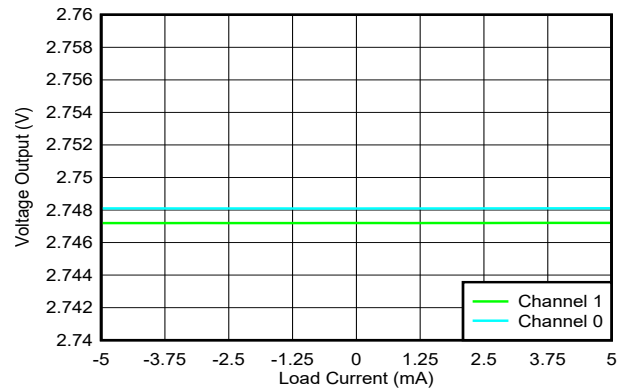


图 6-17. 电压输出增益误差与温度间的关系



DAC 通道位于中标度

图 6-18. 电压输出与负载电流间的关系

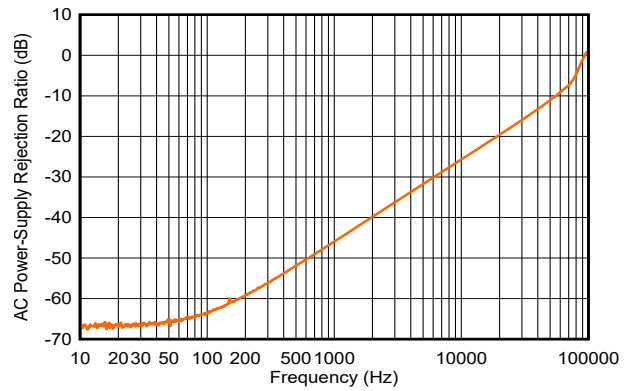


图 6-19. 电压输出交流 PSRR 与频率间的关系

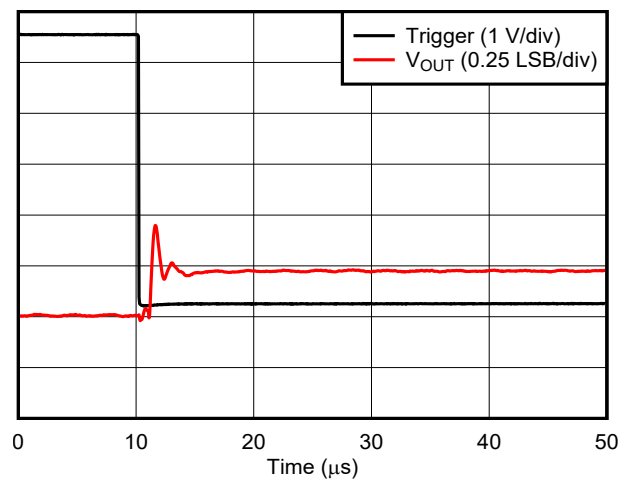


图 6-20. 电压输出代码对代码干扰 - 上升沿

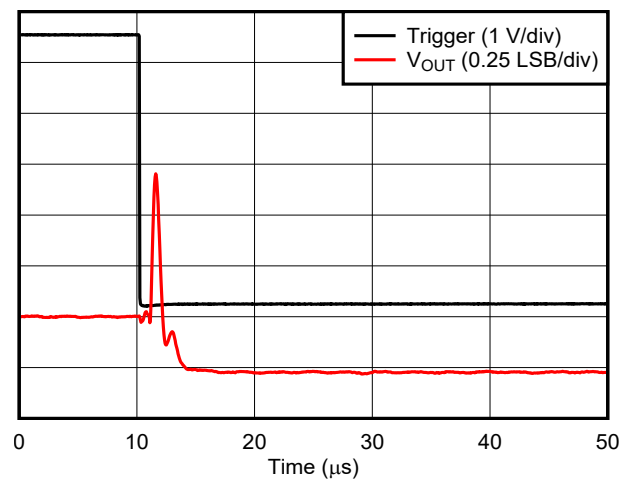
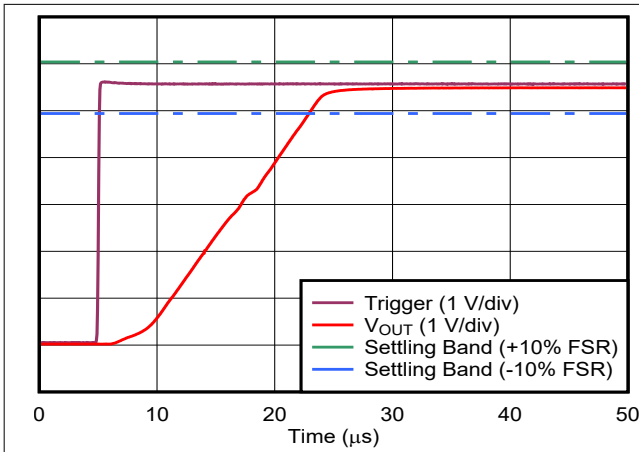


图 6-21. 电压输出代码对代码干扰 - 下降沿

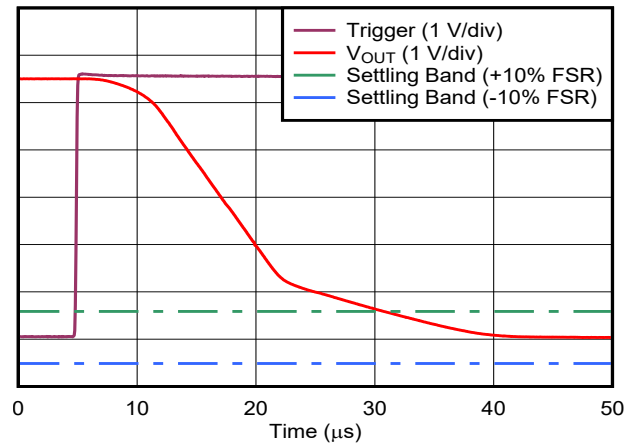
6.16 典型特性：电压输出（续）

$T_A = 25^\circ\text{C}$, $V_{DD} = 5.5\text{V}$, 外部基准 = 5.5V, 增益 = 1 x 且 DAC 输出为空载 (除非另有说明)



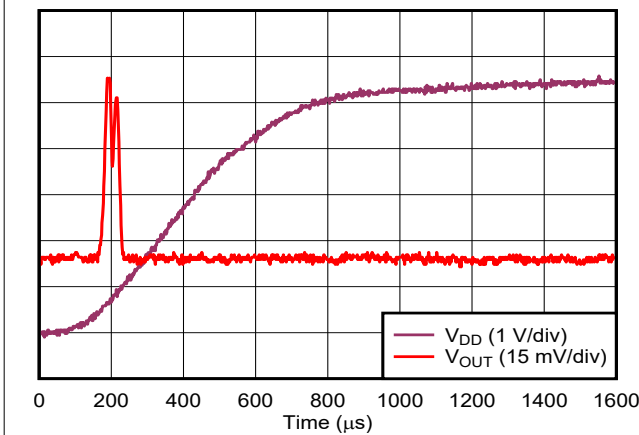
零标度到满量程摆幅

图 6-22. 电压输出建立时间 - 上升沿



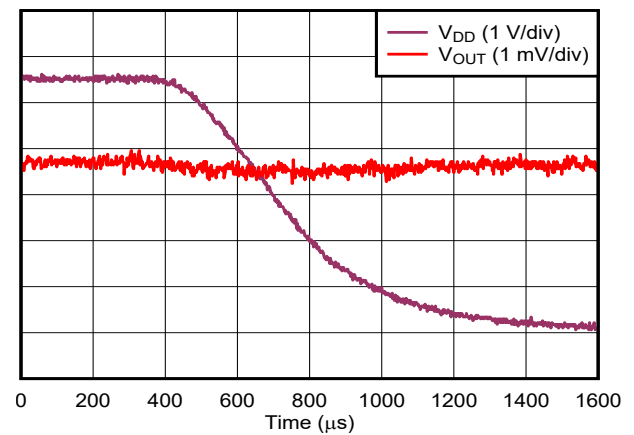
满量程到零标度摆幅

图 6-23. 电压输出建立时间 - 下降沿



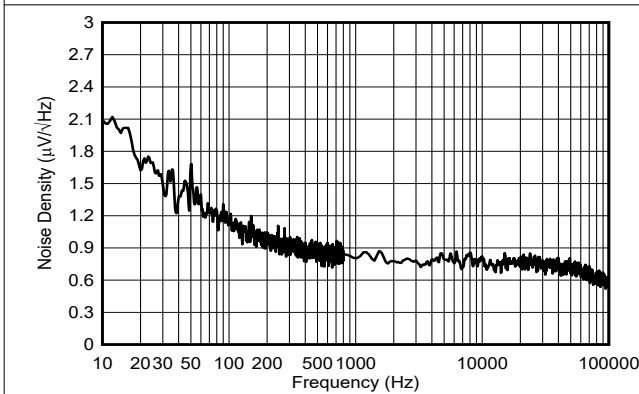
DAC 处于高阻态断电模式

图 6-24. 电压输出上电干扰



DAC 处于零标度

图 6-25. 电压输出断电干扰



内部基准, 增益 = 4 ×

图 6-26. 电压输出噪声密度

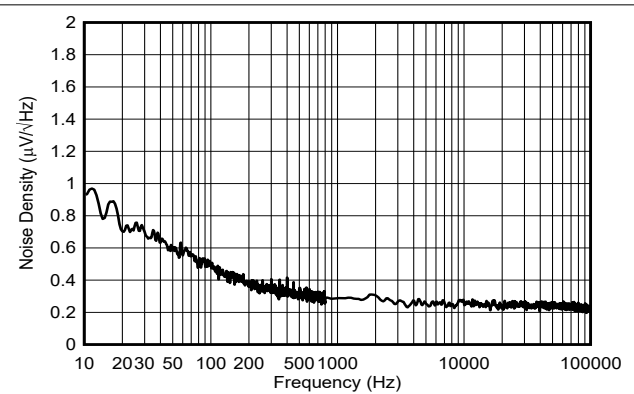
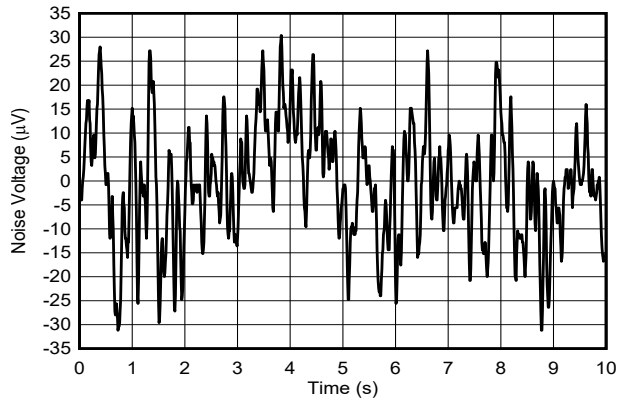


图 6-27. 电压输出噪声密度

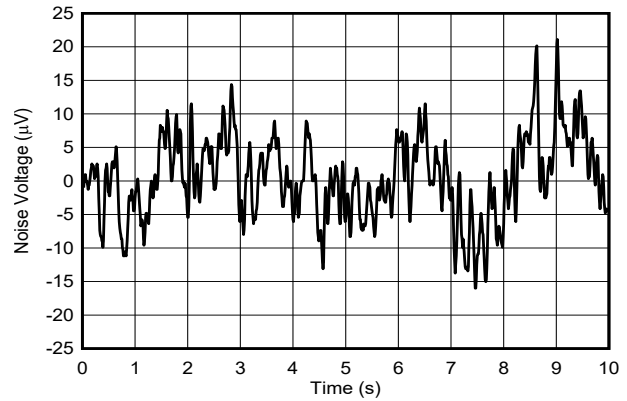
6.16 典型特性：电压输出（续）

$T_A = 25^\circ\text{C}$ ， $V_{DD} = 5.5\text{V}$ ，外部基准 = 5.5V，增益 = 1 x 且 DAC 输出为空载（除非另有说明）



内部基准，增益 = 4x， $f = 0.1\text{Hz}$ 至 10Hz

图 6-28. 电压输出闪烁噪声



$f = 0.1\text{Hz}$ 至 10Hz

图 6-29. 电压输出闪烁噪声

6.17 Typical Characteristics: Comparator

at $T_A = 25^\circ\text{C}$, $V_{DD} = 5.5\text{ V}$, external reference = 5.5 V , gain = $1 \times$, FBx pin in Hi-Z mode, and DAC outputs unloaded (unless otherwise noted)

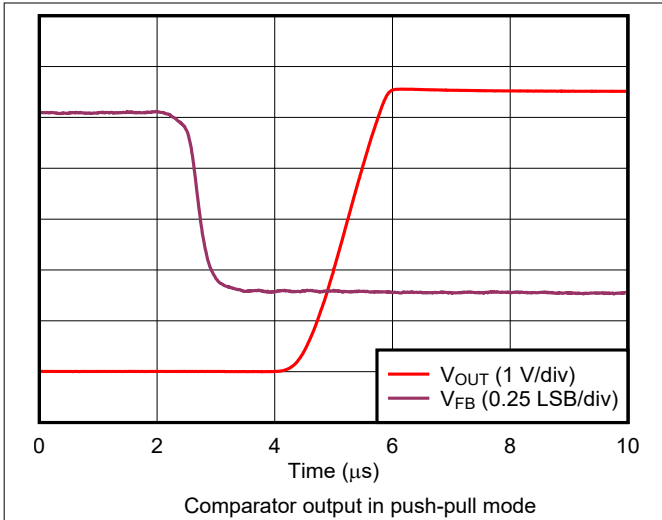


图 6-30. Comparator Response Time: Low-to-High Transition

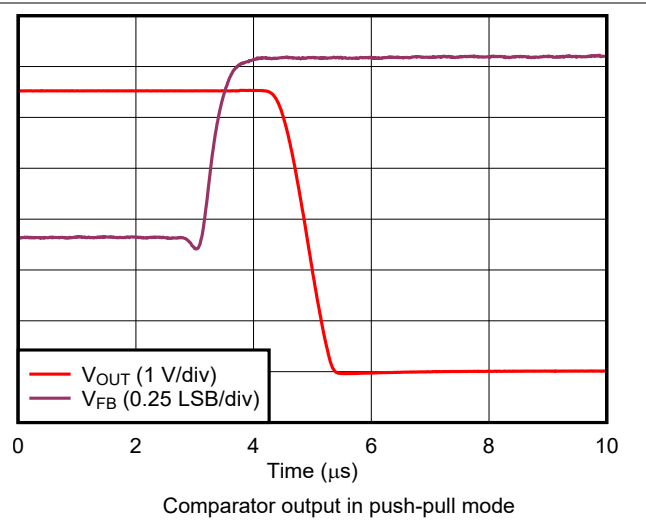


图 6-31. Comparator Response Time: High-to-Low Transition

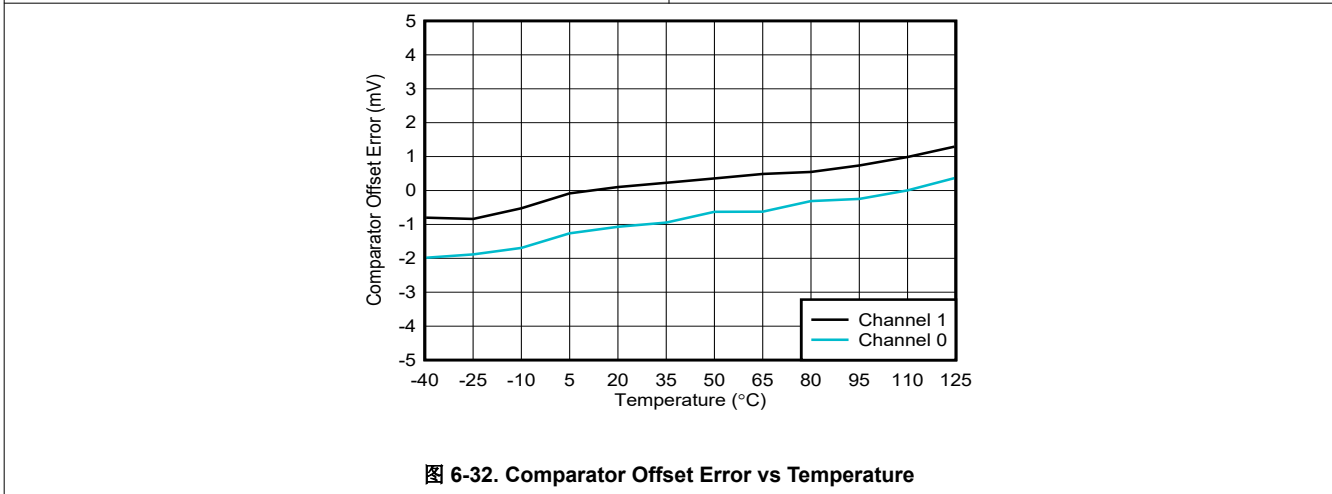
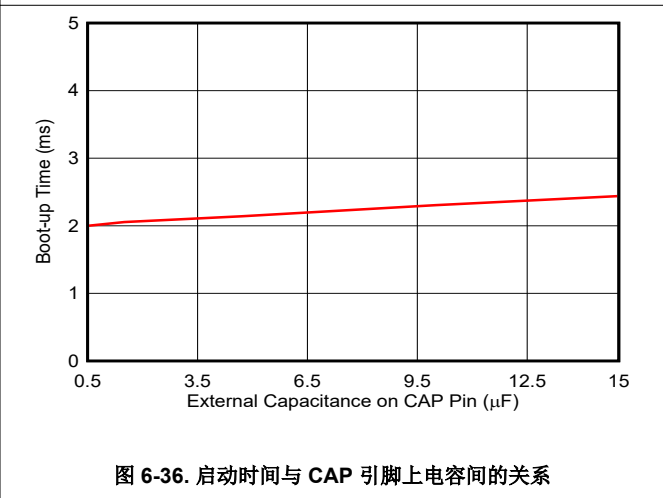
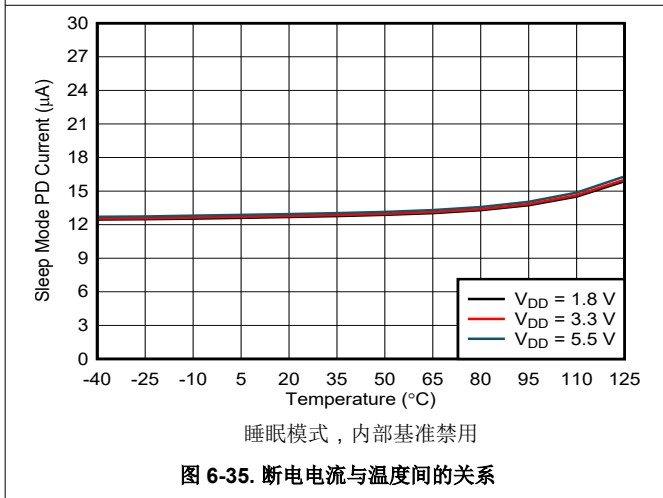
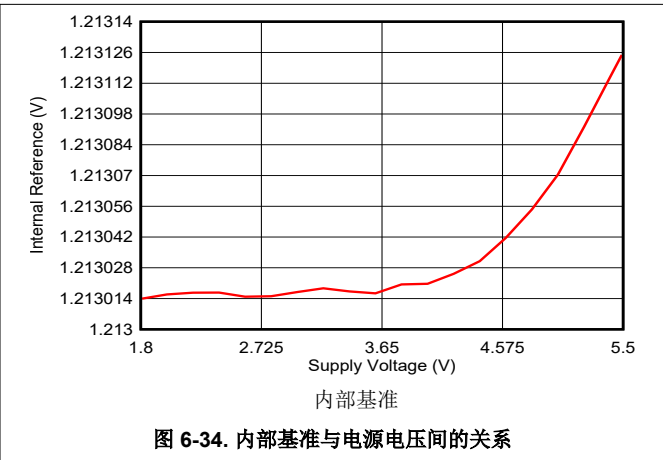
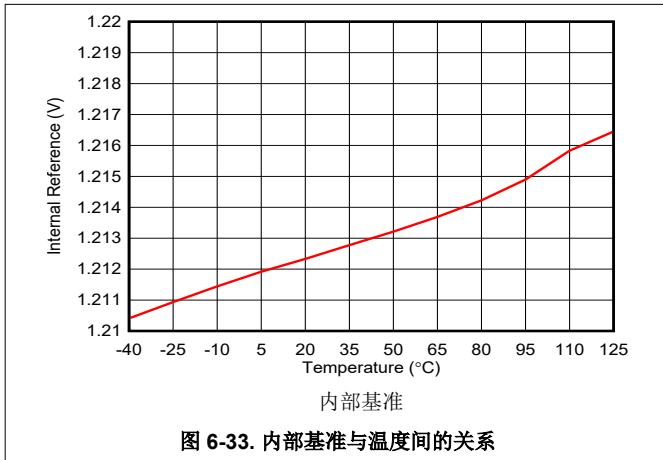


图 6-32. Comparator Offset Error vs Temperature

6.18 典型特性：通用

$T_A = 25^\circ\text{C}$, $V_{DD} = 5.5\text{V}$, 且 DAC 输出为空载 (除非另有说明)



7 Detailed Description

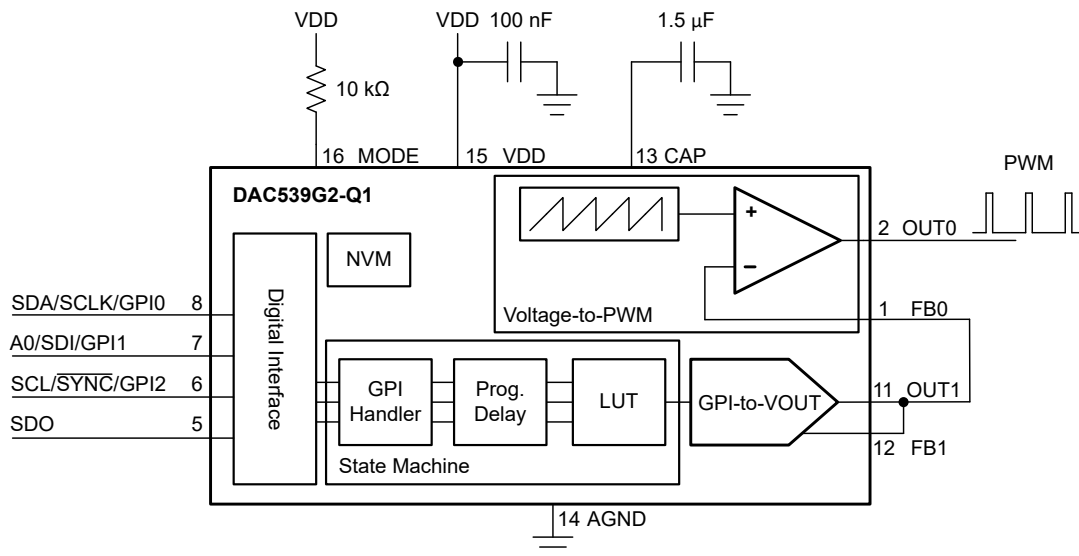
7.1 Overview

The DAC539G2-Q1 is an application-specific, look-up table (LUT) based GPI-to-PWM converter. This device has a 10-bit GPI-to-voltage output converter and a voltage-to-PWM converter. Both these circuits can be externally connected to create a GPI-to-PWM converter. Three GPIs are mapped to eight 10-bit digital codes that represent the voltage output. There is a programmable delay at the GPIs to eliminate glitches on these inputs. The look-up table values are programmed using I²C or SPI. The GPIs are multiplexed with the I²C and SPI pins. The voltage-to-PWM converter uses a comparator with one input as a programmable sawtooth or triangle waveform, and the other input as an external voltage input connected from the GPI-to-voltage converter.

This smart DAC use the MODE pin to select between programming mode (I²C or SPI) and standalone-application mode. The DAC539G2-Q1 provides nonvolatile memory (NVM) to store the register settings at factory using the I²C or SPI. After being programmed, this device functions autonomously without the need for a processor.

The DAC539G2-Q1 is an excellent choice for fault communication in automotive stop light and turn indicator modules. This device can also be used for fault communication in other industrial and automotive applications.

7.2 Functional Block Diagram



7.3 Feature Description

7.3.1 Smart Digital-to-Analog Converter (DAC) Architecture

The DAC539G2-Q1 uses a string architecture with a voltage-output amplifier for digital-to-analog converter functions. With an external FB pin, channel 0 functions as a programmable comparator. Channel 0 also functions as a voltage-to-PWM converter using a triangle or sawtooth waveform on the noninverting input of the amplifier. Channel 1 functions as a GPI-to-voltage converter using a look-up table with eight entries corresponding to all the binary combinations of the three GPI pins.

节 7.2 shows the DAC architecture within the block diagram, which operates from a 1.8-V to 5.5-V power supply. Voltage output mode uses one of the three reference options: the power supply, the DAC internal voltage reference of 1.21 V, or an external reference. This device supports multiple programmable output ranges.

The DAC539G2-Q1 provides a state machine with configurable parameters, which converts three GPI signals to PWM output. 图 7-1 shows the digital architecture of DAC539G2-Q1. The state machine is implemented in one-time programmable (OTP) memory that is one-to-one mapped to a static random access memory (SRAM). The application configuration data are stored in the SRAM section mapped to the NVM (EEPROM). The state machine can access the digital I/O directly while accessing the DAC outputs through the register map. The state machine is inaccessible by the end user. The state machine can be operated in standalone mode without interfacing to a processor (*processor-less operation*).

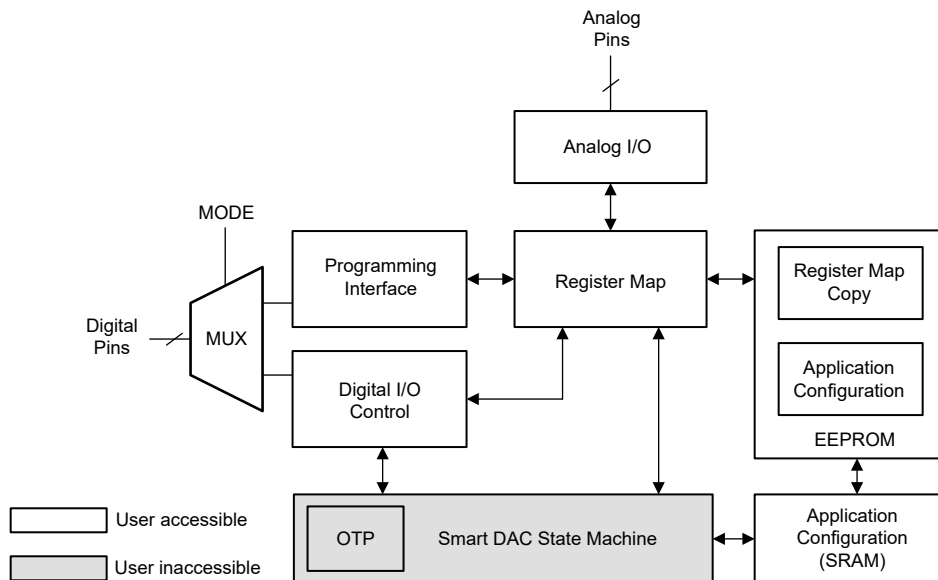


图 7-1. Smart DAC Architecture

7.3.2 Programming Interface

The DAC539G2-Q1 has five digital I/O pins that control I²C, SPI, GPI, and mode selection. The MODE pin must be at logic low to enable the programming interface. These devices automatically detect I²C and SPI protocols at the first successful communication after power-on, and then connect to the detected interface. After an interface protocol is connected, any change in the protocol is ignored. The I²C interface uses the A0 pin to select from among four address options. The SPI is a three-wire interface by default. No readback capability is available in three-wire SPI mode. The SDO pin can be enabled in the register map and then programmed into the NVM. The SPI readback mode is slower than the write mode. The programming interface pins are:

- I²C: SCL, SDA, A0
- SPI: SCLK, SDI, SYNC, SDO

All the digital pins are open drain when used as outputs. Therefore, all the output pins must be pulled up to the desired I/O voltage using external resistors.

7.3.3 Nonvolatile Memory (NVM)

The DAC539G2-Q1 contains nonvolatile memory (NVM) bits. These memory bits are user programmable and erasable, and retain the set values in the absence of a power supply. The highlighted gray cells in [表 7-9](#) show all the register bits that can be stored in the NVM by setting NVM-PROG = 1 in the COMMON-TRIGGER register. The NVM-PROG bit autoresets. The NVM-BUSY bit in the GENERAL-STATUS register is set to 1 by the device when an NVM write or reload operation is ongoing. During this time, the device blocks all read/write operations from and to the device. The NVM-BUSY bit is set to 0 after the write or reload operation is complete; at this point, all read/write operations from and to the device are allowed. The default value for all the registers in the DAC539G2-Q1 is loaded from NVM as soon as a POR event is issued.

The DAC539G2-Q1 also implements a NVM-RELOAD bit in the COMMON-TRIGGER register. Set this bit to 1 for the device to start an NVM-reload operation. The NVM-reload operation overwrites the register map with the stored data from the NVM. After completion, the device autoresets this bit to 0. During the NVM-RELOAD operation, the NVM-BUSY bit is set to 1.

7.4 Device Functional Modes

7.4.1 GPI-to-Voltage Converter

The output for each channel is enabled by selecting the power-up option in the VOUT-PDN-X fields in the COMMON-CONFIG register. For the GPI-to-voltage converter, short the OUT1 and FB1 pins externally for a closed-loop amplifier output. An open FB1 pin saturates the amplifier output. To achieve the desired voltage output, select the correct reference option, select the amplifier gain for the required output range, and program the look-up table with DAC codes in the VOUT-DATA-X register. 表 7-1 shows the GPI to look-up table register mapping.

表 7-1. GPI-to-Voltage Converter Look up Table

GPI2	GPI1	GPI0	Register	Default Value
0	0	0	VOUT-DATA-0	3900h
0	0	1	VOUT-DATA-1	9940h
0	1	0	VOUT-DATA-2	5900h
0	1	1	VOUT-DATA-3	7940h
1	0	0	VOUT-DATA-4	3900h
1	0	1	VOUT-DATA-5	9940h
1	1	0	VOUT-DATA-6	5900h
1	1	1	VOUT-DATA-7	7940h

The DAC539G2-Q1 also supports a programmable delay to suppress or debounce any unwanted glitch on the GPI pins. A change in the GPI signals is passed to the GPI-to-voltage converter only when the change is stable for more than the delay configured using the DEBOUNCE-DELAY field in the GPI-DEBOUNCE register. The default debounce delay is approximately 50 ms. 图 7-2 shows the flowchart for the GPI-to-voltage conversion.

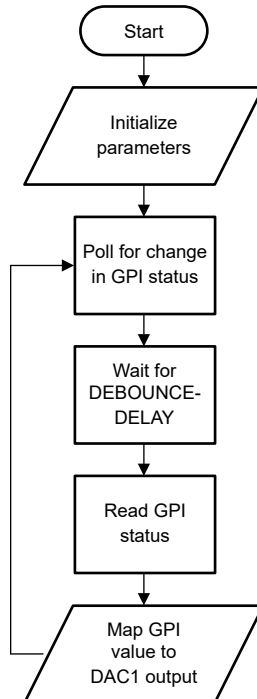


图 7-2. GPI-to-Voltage Conversion Flowchart

7.4.1.1 Voltage Reference and DAC Transfer Function

图 7-3 shows the three possible voltage reference options with the DAC539G2-Q1: the power supply as reference, internal reference, or external reference (MODE pin). The DAC transfer function in the voltage-output and comparator modes changes based on the voltage reference selection.

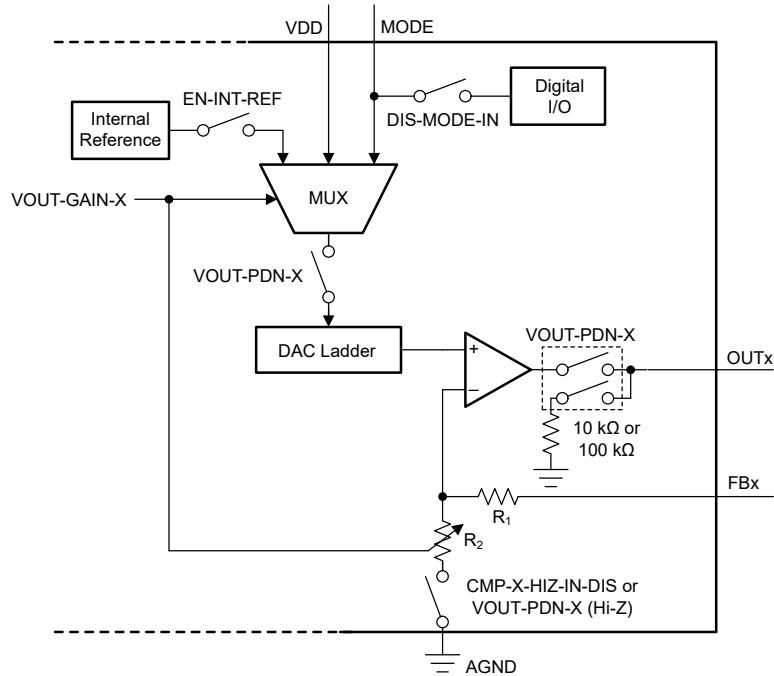


图 7-3. Voltage Reference Selection and Power-Down Logic

7.4.1.2 Power-Supply as Reference

By default, the DAC539G2-Q1 operates with the power-supply pin (VDD) as a reference. 方程式 1 shows DAC transfer function when the power-supply pin is used as reference. The gain at the output stage is always 1 ×.

$$V_{OUT} = \frac{V_{OUT_DATA_X}}{2^N} \times V_{DD} \quad (1)$$

where:

- N is the resolution in bits, that is 10 bits.
- VOUT_DATA_X is the decimal equivalent of the binary code that is loaded to the VOUT-DATA-X field in the VOUT-DATA-X register.
- VOUT_DATA_X ranges from 0 to $2^N - 1$.
- V_{DD} is used as the DAC reference voltage.

7.4.1.3 Internal Reference

The DAC539G2-Q1 contains an internal reference that is disabled by default. To enable the internal reference, write 1 to bit EN-INT-REF in the COMMON-CONFIG register. The internal reference generates a fixed 1.21-V voltage (typical). Use the VOUT-GAIN-X field in the DAC-X-VOUT-CMP-CONFIG register to achieve gains of 1.5 ×, 2 ×, 3 ×, or 4 × for the DAC output voltage (V_{OUT}). 方程式 2 shows DAC transfer function using the internal reference.

$$V_{OUT} = \frac{V_{OUT_DATA_X}}{2^N} \times V_{REF} \times GAIN \quad (2)$$

where:

- N is the resolution in bits, that is 10 bits
- VOUT_DATA_X is the decimal equivalent of the binary code that is loaded to the VOUT-DATA-X field in the VOUT-DATA-X register.
- VOUT_DATA_X ranges from 0 to $2^N - 1$.
- V_{REF} is the internal reference voltage = 1.21 V.
- GAIN = 1.5 ×, 2 ×, 3 ×, or 4 ×, based on VOUT-X-GAIN bits.

7.4.1.4 External Reference

The DAC539G2-Q1 provide an external reference input. Select the external reference option by configuring the VOUT-GAIN-X field in the DAC-X-VOUT-CMP-CONFIG register appropriately. Write 1 to the DIS-MODE-IN bit in the DEVICE-MODE-CONFIG register to minimize quiescent current. The external reference can be between 1.8 V and VDD. 方程式 3 shows DAC transfer function when the external reference is used.

备注

The external reference must be less than VDD in both transient and steady-state conditions. Therefore, the external reference must ramp up after VDD and ramp down before VDD.

$$V_{OUT} = \frac{DAC_DATA}{2^N} \times V_{REF} \quad (3)$$

where:

- N is the resolution in bits, 10 bits for DAC539G2-Q1.
- DAC_DATA is the decimal equivalent of the binary code that is loaded to the DAC-X-DATA field in the DAC-X-DATA register.
- DAC_DATA ranges from 0 to $2^N - 1$.
- V_{REF} is the external reference voltage.

7.4.2 Voltage-to-PWM Converter

Channel 0 functions as the voltage-to-PWM converter. Channel 1 can also be used as a comparator, if needed after the application is stopped using the STATE_MACHINE-CONFIG register. To enter the comparator mode for a channel, write 1 to the CMP-X-EN and the CMP-X-OUT-EN bits in the respective DAC-X-VOULT-CMP-CONFIG register. The comparator output can be configured as push-pull or open-drain using the CMP-X-OD-EN bit. To invert the comparator output, write 1 to the CMP-X-INV-EN bit. The FBx pin has a finite impedance. To enable high-impedance on the FBx pin, write 1 to the CMP-X-HIZ-IN-DIS bit.

备注

In the Hi-Z input mode, the comparator input range is limited to:

- For GAIN = 1 ×, 1.5 ×, or 2 ×: $V_{FB} \leq (V_{REF} \times GAIN) / 3$
- For GAIN = 3 ×, or 4 ×: $V_{FB} \leq (V_{REF} \times GAIN) / 6$

Any higher input voltage is clipped.

7.4.2.1 Function Generation

The DAC539G2-Q1 implements a continuous waveform generation feature. This device generates a triangular wave or a sawtooth wave on channel 0 for voltage-to-PWM conversion.

7.4.2.1.1 Triangular Waveform Generation

图 7-4 shows that the triangular waveform uses the FUNCTION-MIN and FUNCTION-MAX registers for minimum and maximum levels, respectively. 方程式 4 calculates the frequency of the waveform depending on the minimum and maximum levels, and the CODE-STEP and TIME-STEP settings. An external resistor-capacitor (RC) load with a time-constant greater than the TIME-STEP settings can be dominant over the internal frequency calculation. The CODE-STEP and TIME-STEP settings are available in the FUNCTION-CONFIG register. Write 0b000 to the FUNCTION-SELECT bit field in the FUNCTION-CONFIG register to select the triangular waveform.

$$f_{TRIANGLE} = \frac{1}{2 \times TIME_STEP \times CEILING\left(\frac{FUNCTION_MAX - FUNCTION_MIN}{CODE_STEP}\right)} \quad (4)$$

where:

- TIME_STEP is the TIME-STEP setting specified in the FUNCTION-CONFIG register.
- CODE_STEP is the CODE-STEP setting specified in the FUNCTION-CONFIG register.
- FUNCTION_MAX is the decimal value specified in the FUNCTION-MAX register. Specify the value of FUNCTION_MAX as $\min(\text{full code}, (\text{FUNCTION_MIN} + n \times \text{CODE_STEP}))$, where n is an integer.
- FUNCTION_MIN is the decimal value specified in the FUNCTION-MIN register.

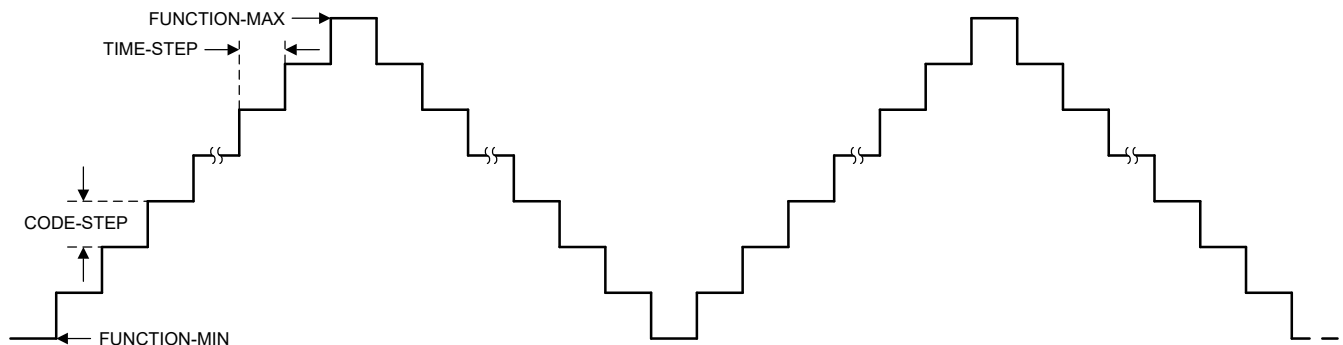


图 7-4. Triangle Waveform

7.4.2.1.2 Sawtooth Waveform Generation

图 7-5 shows that the sawtooth and the inverse sawtooth waveforms use the FUNCTION-MIN and FUNCTION-MAX registers for minimum and maximum levels, respectively. 方程式 5 calculates the frequency of the waveform, depending on the minimum and maximum levels, and the CODE-STEP and TIME-STEP settings. An external RC load with a time constant greater than the TIME-STEP settings can be dominant over the internal frequency calculation. The CODE-STEP and TIME-STEP settings are available in the FUNCTION-CONFIG register. Write 0b001 to the FUNCTION-SELECT bit field in the FUNCTION-CONFIG register to select the sawtooth waveform, and write 0b010 to select the inverse sawtooth waveform.

$$f_{SAWTOOTH} = \frac{1}{TIME_STEP \times CEILING\left(\frac{FUNCTION_MAX - FUNCTION_MIN}{CODE_STEP} + 1\right)} \quad (5)$$

where:

- TIME_STEP is the TIME-STEP setting as specified in the FUNCTION-CONFIG register.
- CODE_STEP is the CODE-STEP setting as specified in the FUNCTION-CONFIG register.
- FUNCTION_MAX is the decimal value specified in the FUNCTION-MAX register. Specify the value of FUNCTION_MAX as $\min(\text{full code}, (\text{FUNCTION_MIN} + n \times \text{CODE_STEP}))$, where n is an integer.
- FUNCTION_MIN is the decimal value specified in the FUNCTION-MIN register.

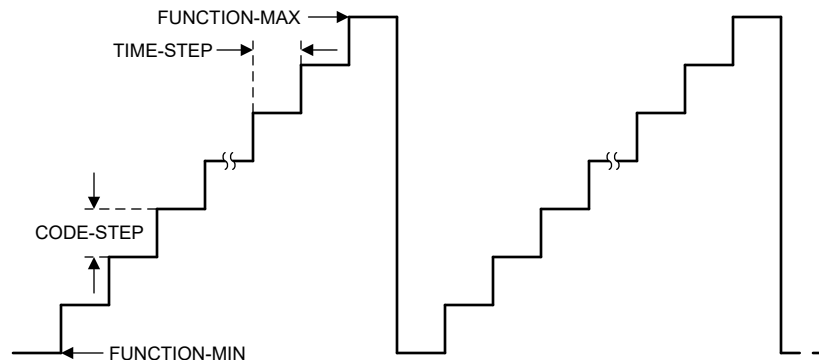


图 7-5. Sawtooth Waveform

7.4.2.1.3 PWM Frequency Correction

The accuracy of the waveform frequencies depend on the accuracy of the internal oscillator. The DAC539G2-Q1 supports a calibration option to get the best PWM frequency accuracy. The FREQUENCY-ERROR bits in the PWM-FREQUENCY-ERROR register store the oscillator error in 2's compliment format. The stored error resolution is 0.2% per LSB. 方程式 6 calculates the percentage frequency error.

$$f_{ERROR}(\%) = FREQUENCY_ERROR \times 0.2 \quad (6)$$

To correct the PWM frequency error, either FUNCTION-MAX or FUNCTION-MIN or both values need to be adjusted with respect to the error magnitude. Invert 方程式 4 and 方程式 5 to calculate the required correction factor.

7.4.3 Device Reset and Fault Management

This section provides the details of power-on-reset (POR), software reset, and other diagnostics and fault-management features of the DAC539G2-Q1.

7.4.3.1 Power-On Reset (POR)

The DAC539G2-Q1 includes a power-on reset (POR) function that controls the output voltage at power up. After the V_{DD} supply has been established, a POR event is issued. The POR causes all registers to initialize to default values, and communication with the device is valid only after a POR (boot-up) delay. The default value for all the registers in the DAC539G2-Q1 is loaded from NVM as soon as the POR event is issued.

When the device powers up, a POR circuit sets the device to the default mode. 图 7-6 shows that the POR circuit requires specific V_{DD} levels to make sure that the internal capacitors discharge and reset the device at power up. To make sure that a POR occurs, V_{DD} must be less than 0.7 V for at least 1 ms. When V_{DD} drops to less than 1.65 V, but remains greater than 0.7 V (shown as the undefined region), the device may or may not reset under all specified temperature and power-supply conditions. In this case, initiate a POR. When V_{DD} remains greater than 1.65 V, a POR does not occur.

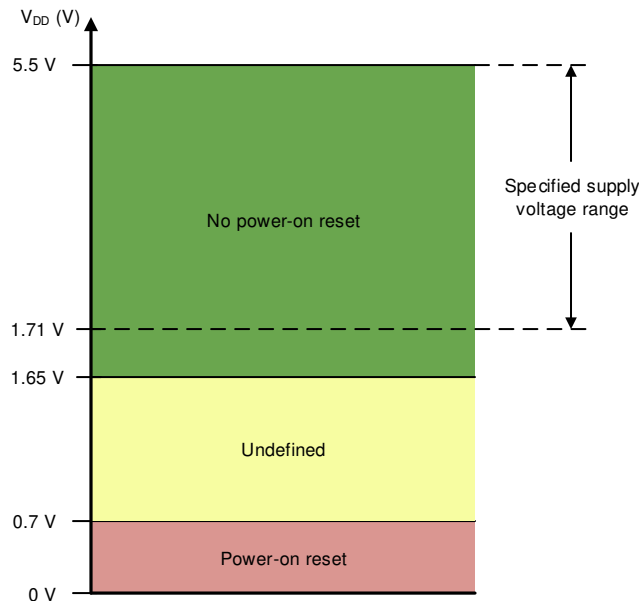


图 7-6. Threshold Levels for V_{DD} POR Circuit

7.4.3.2 External Reset

An external reset to the device is triggered through the register map. To initiate a device software reset event, write the reserved code 0b1010 to the RESET field in the COMMON-TRIGGER register. A software reset initiates a POR event.

7.4.3.3 Register-Map Lock

The DAC539G2-Q1 implements a register-map lock feature that prevents an accidental or unintended write to the DAC registers. The device locks all the registers when the DEV-LOCK bit in the COMMON-CONFIG register is set to 1. However, the software reset function through the COMMON-TRIGGER register is not blocked when using I²C. To bypass the DEV-LOCK setting, write 0b0101 to the DEV-UNLOCK bits in the COMMON-TRIGGER register.

7.4.3.4 NVM Cyclic Redundancy Check (CRC)

The DAC539G2-Q1 implements a cyclic redundancy check (CRC) feature for the NVM to make sure that the data stored in the NVM is uncorrupted. There are two types of CRC alarm bits implemented in DAC539G2-Q1:

- NVM-CRC-FAIL-USER
- NVM-CRC-FAIL-INT

The NVM-CRC-FAIL-USER bit indicates the status of the user-programmable NVM bits, and the NVM-CRC-FAIL-INT bit indicates the status of the internal NVM bits. The CRC feature is implemented by storing a 16-bit CRC (CRC-16-CCITT) along with the NVM data each time an NVM program operation (write or reload) is performed and during the device start-up. The device reads the NVM data and validates the data with the stored CRC. The CRC alarm bits (NVM-CRC-FAIL-USER and NVM-CRC-FAIL-INT in the GENERAL-STATUS register) report any errors after the data are read from the device NVM. The alarm bits are set only at boot up.

7.4.3.4.1 NVM-CRC-FAIL-USER Bit

A logic 1 on the NVM-CRC-FAIL-USER bit indicates that the user-programmable NVM data are corrupt. During this condition, all registers in the DAC are initialized with factory reset values, and all DAC registers can be written to or read from. To reset the alarm bits to 0, issue a software reset command (see [§ 7.4.3.2](#)), or cycle power to the DAC. A software reset or power-cycle also reloads the user-programmable NVM bits. In case the failure persists, reprogram the NVM.

7.4.3.4.2 NVM-CRC-FAIL-INT Bit

A logic 1 on NVM-CRC-FAIL-INT bit indicates that the internal NVM data are corrupt. During this condition, all registers in the DAC are initialized with factory reset values, and all DAC registers can be written to or read from. In case of a temporary failure, to reset the alarm bits to 0, issue a software reset command (see [§ 7.4.3.2](#)) or cycle power to the DAC. A permanent failure in the NVM makes the device unusable.

7.4.4 Power-Down Mode

The DAC539G2-Q1 output amplifier and internal reference can be independently powered down through the EN-INT-REF and VOUT-PDN-X bits in the COMMON-CONFIG register (see [图 7-3](#)). At power up, the DAC outputs are enabled and the internal reference is disabled by default. Use the VOUT-PDN-X bits to configure the DAC outputs (OUTx pins) as Hi-Z, 10 k Ω -A_{GND}, or 100 k Ω -A_{GND} power-down mode.

The DAC power-up state can be programmed to any state (power-down or normal mode) using the NVM. [表 7-2](#) shows the DAC power-down bits.

表 7-2. DAC Power-Down Bits

REGISTER	VOUT-PDN-X[1]	VOUT-PDN-X[0]	DESCRIPTION
COMMON-CONFIG	0	0	Power up VOUT-X.
	0	1	Power down VOUT-X with 10 k Ω to AGND.
	1	0	Power down VOUT-X with 100 k Ω to AGND.
	1	1	Power down VOUT-X to Hi-Z.

7.5 Programming

7.5.1 SPI Programming Mode

An SPI access cycle for the DAC539G2-Q1 is initiated by asserting the $\overline{\text{SYNC}}$ pin low. The serial clock, SCLK, can be continuous or gated. SDI data are clocked on the SCLK falling edges. The SPI frame for the DAC539G2-Q1 is 24 bits long. Therefore, the $\overline{\text{SYNC}}$ pin must stay low for at least 24 SCLK falling edges. The access cycle ends when the $\overline{\text{SYNC}}$ pin is deasserted high. If the access cycle contains less than the minimum clock edges, the communication is ignored. By default, the SDO pin is not enabled (three-wire SPI). In three-wire SPI mode, if the access cycle contains more than the minimum clock edges, only the first 24 bits are used by the device. When $\overline{\text{SYNC}}$ is high, the SCLK and SDI signals are blocked, and SDO becomes Hi-Z to allow data readback from other devices connected on the bus.

表 7-3 和 图 7-7 describe the format for the 24-bit SPI access cycle. The first byte input to SDI is the instruction cycle. The instruction cycle identifies the request as a read or write command and the 7-bit address that is to be accessed. The last 16 bits in the cycle form the data cycle.

表 7-3. SPI Read/Write Access Cycle

BIT	FIELD	DESCRIPTION
23	R/ $\overline{\text{W}}$	Identifies the communication as a read or write command to the address register: R/ $\overline{\text{W}}$ = 0 sets a write operation. R/ $\overline{\text{W}}$ = 1 sets a read operation
22-16	A[6:0]	Register address: specifies the register to be accessed during the read or write operation
15-0	D[15:0]	Data cycle bits: If a write command, the data cycle bits are the values to be written to the register with address A[6:0]. If a read command, the data cycle bits are <i>don't care</i> values.

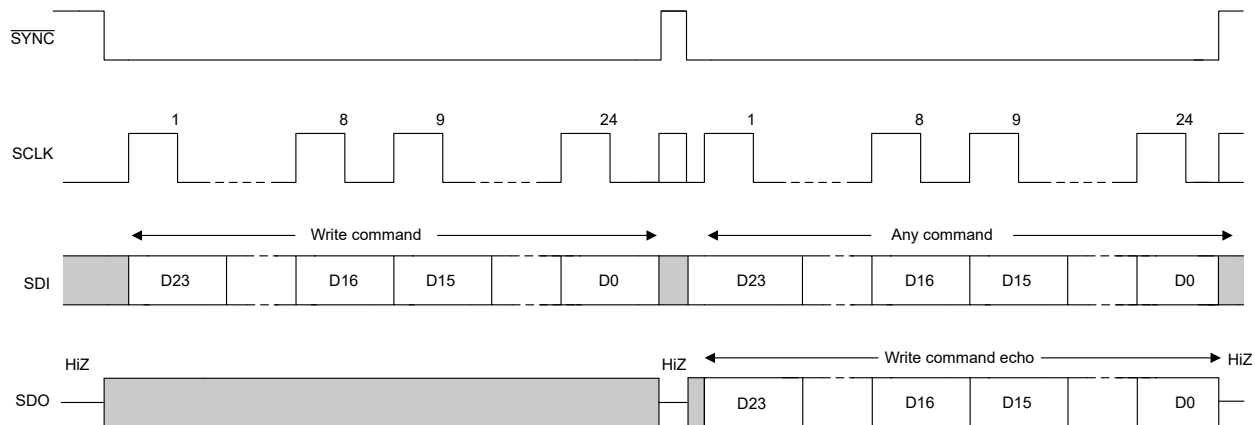


图 7-7. SPI Write Cycle

Read operations require that the SDO pin is first enabled by setting the SDO-EN bit in the INTERFACE-CONFIG register. This configuration is called four-wire SPI. A read operation is initiated by issuing a read command access cycle. After the read command, a second access cycle must be issued to get the requested data. 表 7-4 和 图 7-8 show the output data format. Data are clocked out on the SDO pin either on the falling edge or rising edge of SCLK according to the FSDO bit (see also 图 6-3).

表 7-4. SDO Output Access Cycle

BIT	FIELD	DESCRIPTION
23	R/ $\overline{\text{W}}$	Echo R/ $\overline{\text{W}}$ from previous access cycle
22-16	A[6:0]	Echo register address from previous access cycle
15-0	D[15:0]	Readback data requested on previous access cycle

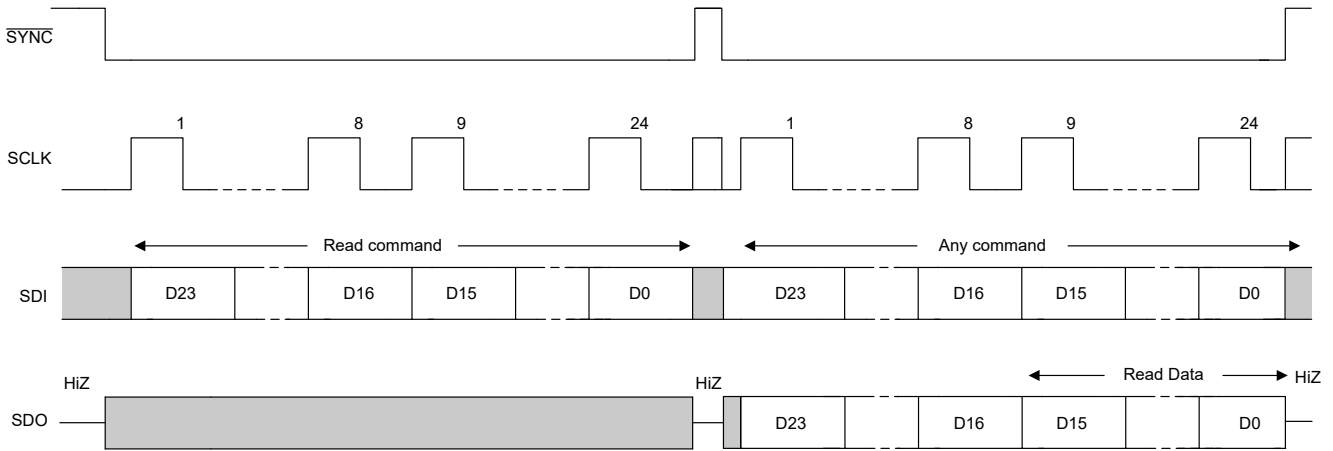


图 7-8. SPI Read Cycle

The daisy-chain operation is also enabled with the SDO pin. 图 7-9 shows that in daisy-chain mode, multiple devices are connected in a *chain* with the SDO pin of one device is connected to SDI pin of the following device. The SPI host drives the SDI pin of the first device in the chain. The SDO pin of the last device in the chain is connected to the POCI pin of the SPI host. In four-wire SPI mode, if the access cycle contains multiples of 24 clock edges, only the last 24 bits are used by the device first device in the chain. If the access cycle contains clock edges that are not in multiples of 24, the SPI packet is ignored by the device. 图 7-10 describes the packet format for the daisy-chain write cycle.

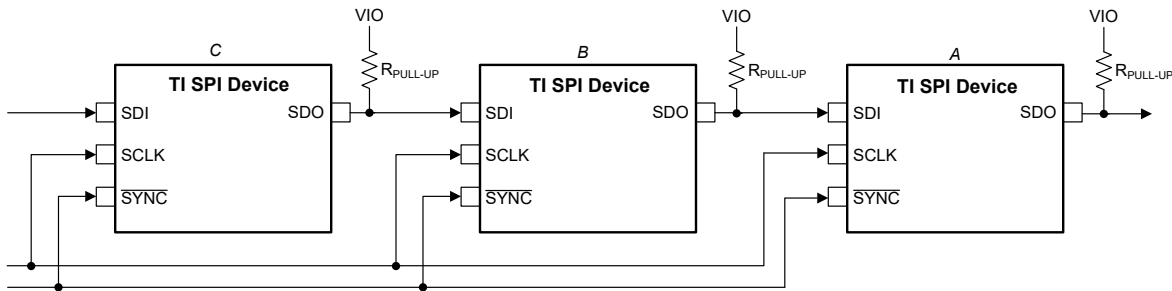


图 7-9. SPI Daisy-Chain Connection

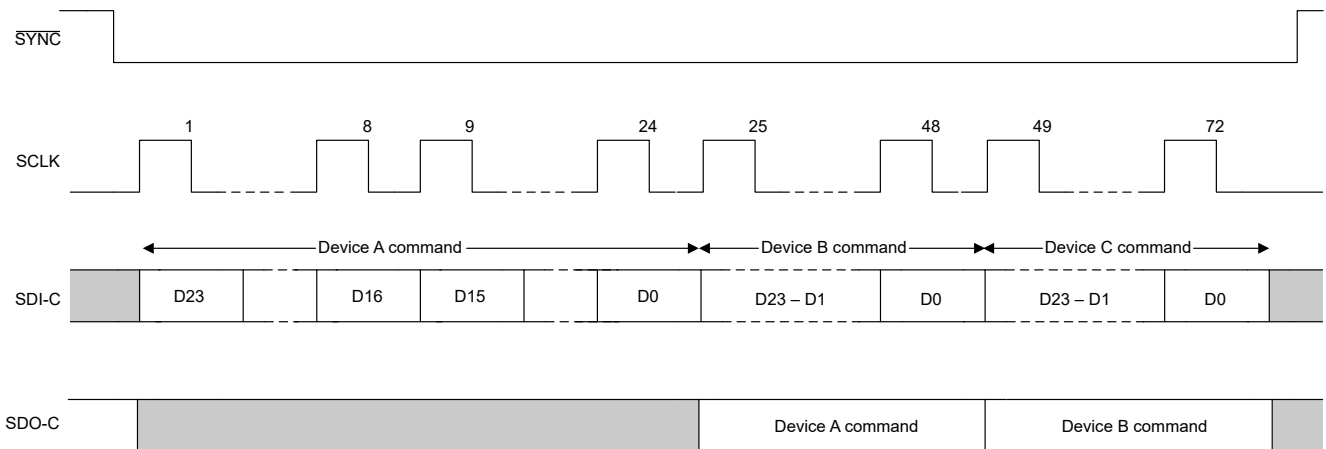


图 7-10. SPI Daisy-Chain Write Cycle

7.5.2 I²C Programming Mode

The DAC539G2-Q1 has a 2-wire serial interface (SCL and SDA), and one address pin (A0); see also 图 5-1. The I²C bus consists of a data line (SDA) and a clock line (SCL) with pullup structures. When the bus is idle, both SDA and SCL lines are pulled high. All the I²C-compatible devices connect to the I²C bus through the open drain I/O pins, SDA and SCL.

The I²C specification states that the device that controls communication is called a *controller*, and the devices that are controlled by the controller are called *targets*. The controller generates the SCL signal. The controller also generates special timing conditions (start condition, repeated start condition, and stop condition) on the bus to indicate the start or stop of a data transfer. Device addressing is completed by the controller. The controller on an I²C bus is typically a microcontroller or digital signal processor (DSP). The DAC539G2-Q1 operates as a target on the I²C bus. A target acknowledges controller commands, and upon controller control, receives or transmits data.

Typically, the DAC539G2-Q1 family operates as a target receiver. A controller writes to the DAC539G2-Q1, a target receiver. However, if a controller requires the DAC539G2-Q1 internal register data, the DAC539G2-Q1 operates as a target transmitter. In this case, the controller reads from the DAC539G2-Q1. According to I²C terminology, read and write refer to the controller.

The DAC539G2-Q1 supports the following data transfer modes:

- Standard mode (100Kbps)
- Fast mode (400Kbps)
- Fast mode plus (1.0Mbps)

The data transfer protocol for standard and fast modes is exactly the same; therefore, both modes are referred to as *F/S-mode* in this document. The fast mode plus protocol is supported in terms of data transfer speed, but not output current. The low-level output current is 3 mA; similar to the case of standard and fast modes. The DAC539G2-Q1 supports 7-bit addressing. The 10-bit addressing mode is not supported. The device supports the general call reset function. Sending the following sequence initiates a software reset within the device: start or repeated start, 0x00, 0x06, stop. The reset is asserted within the device on the rising edge of the ACK bit, following the second byte.

Other than specific timing signals, the I²C interface works with serial bytes. At the end of each byte, a ninth clock cycle generates and detects an acknowledge signal. An acknowledge is when the SDA line is pulled low during the high period of the ninth clock cycle. 图 7-11 depicts a not-acknowledge, when the SDA line is left high during the high period of the ninth clock cycle.

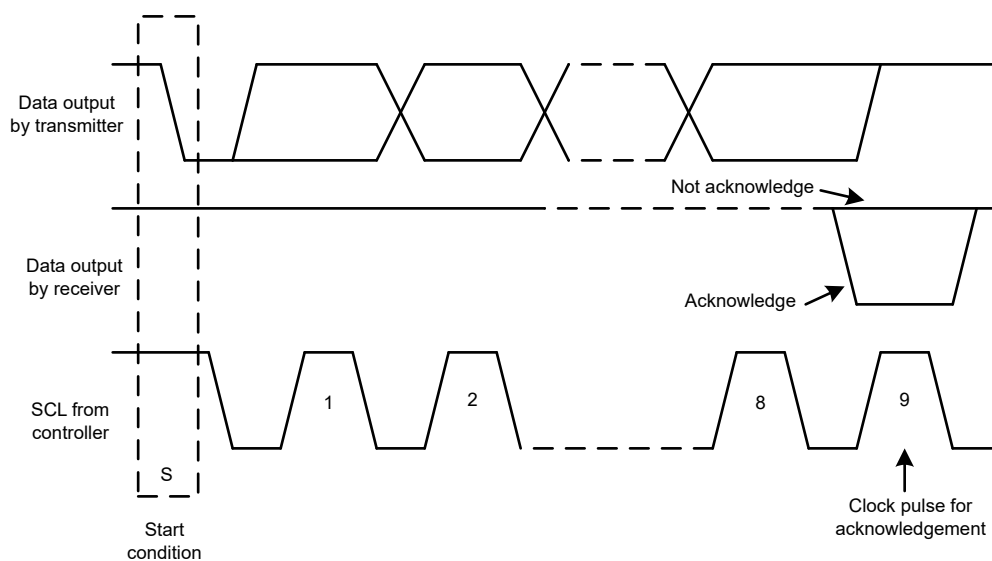


图 7-11. Acknowledge and Not Acknowledge on the I²C Bus

7.5.2.1 F/S Mode Protocol

The following steps explain a complete transaction in F/S mode.

1. The controller initiates data transfer by generating a start condition. 图 7-12 shows that the start condition is when a high-to-low transition occurs on the SDA line while SCL is high. All I²C-compatible devices recognize a start condition.
2. The controller then generates the SCL pulses, and transmits the 7-bit address and the read/write direction bit (R/\bar{W}) on the SDA line. During all transmissions, the controller makes sure that data are valid. 图 7-13 shows that a valid data condition requires the SDA line to be stable during the entire high period of the clock pulse. All devices recognize the address sent by the controller and compare the address to the respective internal fixed address. Only the target device with a matching address generates an acknowledge by pulling the SDA line low during the entire high period of the 9th SCL cycle (see also 图 7-11). When the controller detects this acknowledge, the communication link with a target has been established.
3. The controller generates further SCL cycles to transmit (R/\bar{W} bit 0) or receive (R/\bar{W} bit 1) data to the target. In either case, the receiver must acknowledge the data sent by the transmitter. The acknowledge signal can be generated by the controller or by the target, depending on which is the receiver. The 9-bit valid data sequences consists of eight data bits and one acknowledge-bit, and can continue as long as necessary.
4. 图 7-12 shows that to signal the end of the data transfer, the controller generates a stop condition by pulling the SDA line from low-to-high while the SCL line is high. This action releases the bus and stops the communication link with the addressed target. All I²C-compatible devices recognize the stop condition. Upon receipt of a stop condition, the bus is released, and all target devices then wait for a start condition followed by a matching address.

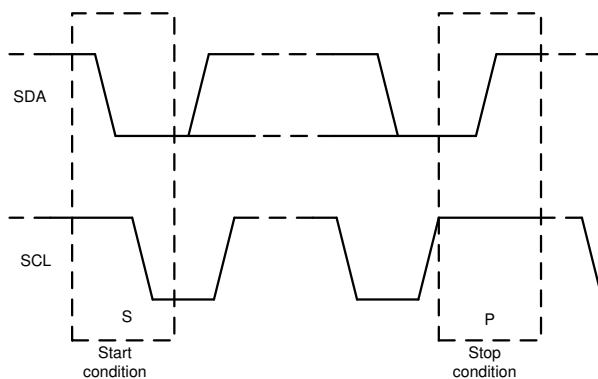


图 7-12. Start and Stop Conditions

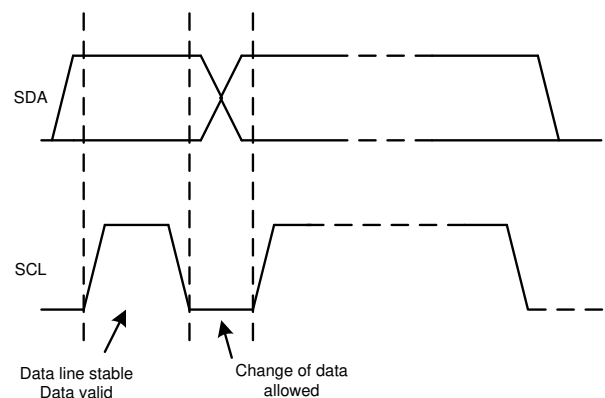


图 7-13. Bit Transfer on the I²C Bus

7.5.2.2 I²C Update Sequence

表 7-5 shows that for a single update, the DAC539G2-Q1 requires a start condition, a valid I²C address byte, a command byte, and two data bytes.

表 7-5. Update Sequence

MSB	LSB	ACK	MSB	...	LSB	ACK	MSB	...	LSB	ACK	MSB	...	LSB	ACK
Address (A) byte 节 7.5.2.2.1				Command byte 节 7.5.2.2.2				Data byte - MSDB				Data byte - LSDB			
DB [31:24]				DB [23:16]				DB [15:8]				DB [7:0]			

图 7-14 shows that after each byte is received, the DAC539G2-Q1 acknowledges the byte by pulling the SDA line low during the high period of a single clock pulse. These four bytes and acknowledge cycles make up the 36 clock cycles required for a single update to occur. A valid I²C address byte selects the DAC539G2-Q1.

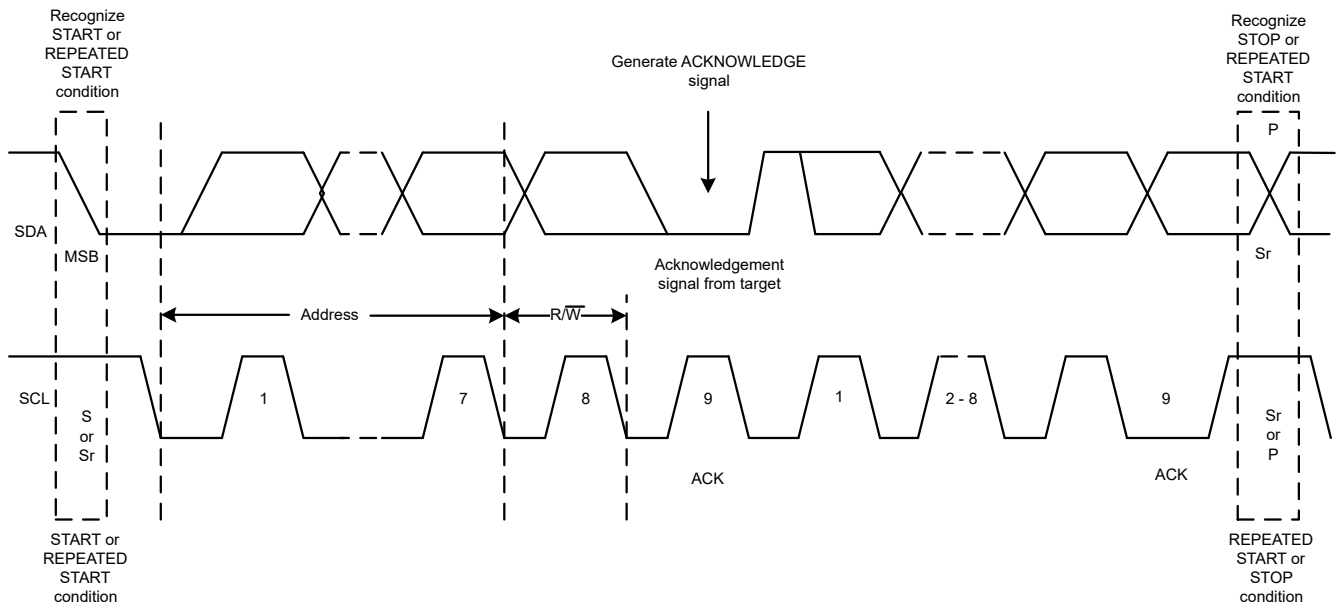


图 7-14. I²C Bus Protocol

The command byte sets the operating mode of the selected DAC539G2-Q1 device. For a data update to occur when the operating mode is selected by this byte, the DAC539G2-Q1 device must receive two data bytes: the most significant data byte (MSDB) and least significant data byte (LSDB). The DAC539G2-Q1 device performs an update on the falling edge of the acknowledge signal that follows the LSDB.

When using fast mode (clock = 400 kHz), the maximum DAC update rate is limited to 10 kSPS. Using fast mode plus (clock = 1 MHz), the maximum DAC update rate is limited to 25 kSPS. When a stop condition is received, the DAC539G2-Q1 device releases the I²C bus and awaits a new start condition.

7.5.2.2.1 Address Byte

表 7-6 depicts the address byte, the first byte received from the controller device following the start condition. The first four bits (MSBs) of the address are factory preset to 0b1001. The next three bits of the address are controlled by the A0 pin. The A0 pin input can be connected to VDD, AGND, SCL, or SDA. The A0 pin is sampled during the first byte of each data frame to determine the address. The device latches the value of the address pin, and consequently responds to that particular address according to 表 7-7.

表 7-6. Address Byte

COMMENT	MSB							LSB
	AD6	AD5	AD4	AD3	AD2	AD1	AD0	
—								R/ \bar{W}
General address	1	0	0	1	See 表 7-7 (target address column)			0 or 1
Broadcast address	1	0	0	0	1	1	1	0

表 7-7. Address Format

TARGET ADDRESS	A0 PIN
000	AGND
001	VDD
010	SDA
011	SCL

The DAC539G2-Q1 supports broadcast addressing, which is used for synchronously updating or powering down multiple DAC539G2-Q1 devices. When the broadcast address is used, the DAC539G2-Q1 responds regardless of the address pin state. Broadcast is supported only in write mode.

7.5.2.2.2 Command Byte

表 7-10 lists the command byte in the ADDRESS column.

7.5.2.3 I²C Read Sequence

To read any register the following command sequence must be used:

1. Send a start or repeated start command with a target address and the R/ \bar{W} bit set to 0 for writing. The device acknowledges this event.
2. Send a command byte for the register to be read. The device acknowledges this event again.
3. Send a repeated start with the target address and the R/ \bar{W} bit set to 1 for reading. The device acknowledges this event.
4. The device writes the MSDB byte of the addressed register. The controller must acknowledge this byte.
5. Finally, the device writes out the LSDB of the register.

The broadcast address cannot be used for reading.

表 7-8. Read Sequence

S	MSB	...	R/ \bar{W} (0)	ACK	MSB	...	LSB	ACK	Sr	MSB	...	R/ \bar{W} (1)	ACK	MSB	...	LSB	ACK	MSB	...	LSB	ACK
	Address byte 节 7.5.2.2.1				Command byte 节 7.5.2.2.2				Sr	Address byte 节 7.5.2.2.1				MSDB				LSDB			
	From controller			Target	From controller			Target		From controller			Target	From target			Controller	From target			Controller

7.6 Register Maps

表 7-9. Register Map

REGISTER	MOST SIGNIFICANT DATA BYTE (MSDB)								LEAST SIGNIFICANT DATA BYTE (LSDB)								
	BIT15	BIT14	BIT13	BIT12	BIT11	BIT10	BIT9	BIT8	BIT7	BIT6	BIT5	BIT4	BIT3	BIT2	BIT1	BIT0	
NOP	NOP																
DAC-X-VOUT-CMP-CONFIG	X		VOUT-X-GAIN				X				CMP-X-OD-EN	CMP-X-OUT-EN	CMP-X-HIZ-IN-DIS	CMP-X-INV-EN	CMP-X-EN		
COMMON-CONFIG	RESERVED	DEV-LOCK	RESERVED	EN-INT-REF	VOUT-PDN-0		RESERVED						VOUT-PDN-1		RESERVED		
COMMON-TRIGGER	DEV-UNLOCK				RESET				RESERVED						NVM-PROG	NVM-RELOAD	
FUNCTION-TRIGGER	RESERVED															START-FUNCTION	
GENERAL-STATUS	NVM-CRC-FAIL-INT	NVM-CRC-FAIL-USER	X	DAC-0-BUSY	X		DAC-1-BUSY	NVM-BUSY	DEVICE-ID								
DEVICE-MODE-CONFIG	RESERVED		DIS-MODE-IN	RESERVED						SM-IO-EN	RESERVED						
INTERFACE-CONFIG	X			TIMEOUT-EN	RESERVED										FAST-SDO-EN	X	SDO-EN
STATE-MACHINE-CONFIG	RESERVED												SM-ABORT	SM-START	SM-EN		
SRAM-CONFIG	X								SRAM-ADDR								
SRAM-DATA	SRAM-DATA																
FUNCTION-CONFIG	RESERVED				FUNC-SELECT				RESERVED	CODE-STEP				TIME-STEP			
FUNCTION-MAX	FUNCTION-MAX								X								
FUNCTION-MIN	FUNCTION-MIN								X								
GPI-DEBOUNCE	DEBOUNCE-DELAY																
VOUT-DATA-X	VOUT-DATA-X								X								
PWM-FREQUENCY-ERROR	RESERVED								FREQUENCY-ERROR								

Note: Shaded cells indicate the register bits or fields that are stored in NVM.

Note: X = Don't care.

表 7-10. Register Names

I ² C/SPI ADDRESS	SRAM ADDR	REGISTER NAME	SECTION
00h	--	NOP	节 7.6.1
15h	--	DAC-0-VOUT-CMP-CONFIG	节 7.6.2
03h	--	DAC-1-VOUT-CMP-CONFIG	节 7.6.2
1Fh	--	COMMON-CONFIG	节 7.6.3
20h	--	COMMON-TRIGGER	节 7.6.4
21h	--	FUNCTION-TRIGGER	节 7.6.5
22h	--	GENERAL-STATUS	节 7.6.6
25h	--	DEVICE-MODE-CONFIG	节 7.6.7
26h	--	INTERFACE-CONFIG	节 7.6.8
27h	--	STATE-MACHINE-CONFIG	节 7.6.9
2Bh	--	SRAM-CONFIG	节 7.6.10
2Ch	--	SRAM-DATA	节 7.6.11
--	20h	FUNCTION-CONFIG	节 7.6.12
--	21h	FUNCTION-MAX	节 7.6.13
--	22h	FUNCTION-MIN	节 7.6.14
--	23h	GPI-DEBOUNCE	节 7.6.15
--	24h	VOUT-DATA-0	节 7.6.16
--	25h	VOUT-DATA-1	节 7.6.16
--	26h	VOUT-DATA-2	节 7.6.16
--	27h	VOUT-DATA-3	节 7.6.16
--	28h	VOUT-DATA-4	节 7.6.16
--	29h	VOUT-DATA-5	节 7.6.16
--	2Ah	VOUT-DATA-6	节 7.6.16
--	2Bh	VOUT-DATA-7	节 7.6.16
--	9Eh	PWM-FREQUENCY-ERROR	节 7.6.17

7.6.1 NOP Register (address = 00h) [reset = 0000h]

图 7-15. NOP Register

15	14	13	12	11	10	9	8	7	6	5	4	3	2	1	0
NOP															
R/W-0000h															

表 7-11. NOP Register Field Descriptions

Bit	Field	Type	Reset	Description
15-0	NOP	R/W	0000h	No operation

7.6.2 DAC-X-VOUT-CMP-CONFIG Register (address = 15h, 03h) [reset = 0400h]

图 7-16. DAC-X-VOUT-CMP-CONFIG Register (X = 0, 1)

15	14	13	12	11	10	9	8	7	6	5	4	3	2	1	0
X		VOUT-GAIN-X				X				CMP-X-OD-EN	CMP-X-OUT-EN	CMP-X-HIZ-IN-DIS	CMP-X-INV-EN	CMP-X-EN	
X-0h		R/W-0h				X-00h				R/W-0h	R/W-0h	R/W-0h	R/W-0h	R/W-0h	

表 7-12. DAC-X-VOUT-CMP-CONFIG Register Field Descriptions

Bit	Field	Type	Reset	Description
15-13	X	X	0h	Don't care.
12-10	VOUT-GAIN-X	R/W	001	001: Gain = 1 ×, VDD as reference. 010: Gain = 1.5 ×, internal reference. 011: Gain = 2 ×, internal reference. 100: Gain = 3 ×, internal reference. 101: Gain = 4 ×, internal reference. Others: NA.
9-5	X	X	0h	Don't care.
4	CMP-X-OD-EN	R/W	0	1: Set OUTx pin as open-drain in comparator mode (CMP-X-EN = 1 and CMP-X-OUT-EN = 1). 0: Set OUTx pin as push-pull.
3	CMP-X-OUT-EN	R/W	0	1: Bring comparator output to the respective OUTx pin. 0: Generate comparator output but consume internally.
2	CMP-X-HIZ-IN-DIS	R/W	0	0: FBx input has high-impedance. Input voltage range is limited. 1: FBx input is connected to resistor divider and has finite impedance. Input voltage range is same as full-scale.
1	CMP-X-INV-EN	R/W	0	1: Invert the comparator output. 0: Don't invert the comparator output.
0	CMP-X-EN	R/W	0	1: Enable comparator mode. 0: Disable comparator mode.

7.6.3 COMMON-CONFIG Register (address = 1Fh) [reset = 03F9h]

图 7-17. COMMON-CONFIG Register

15	14	13	12	11	10	9	8	7	6	5	4	3	2	1	0
RESERVED	DEV-LOCK	RESERVED	EN-INT-REF	VOUT-PDN-0	RESERVED							VOUT-PDN-1	RESERVED		
R/W-0	R/W-0	R/W-0	R/W-0	R/W-0	R/W-00	R/W-7Fh							R/W-00	R/W-1	

表 7-13. COMMON-CONFIG Register Field Descriptions

Bit	Field	Type	Reset	Description
15	RESERVED	R/W	0	Always write 0.
14	DEV-LOCK	R/W	0	0: Device not locked 1: Device locked, the device locks all the registers. To set this bit back to 0 (unlock device), write to the unlock code to the DEV-UNLOCK field in the COMMON-TRIGGER register first, followed by a write to the DEV-LOCK bit as 0.
13	RESERVED	R/W	0	Always write 0.
12	EN-INT-REF	R/W	0	0: Disable internal reference 1: Enable internal reference. This bit must be set before using internal reference gain settings.
11-10	VOUT-PDN-0	R/W	00	00: Power-up VOUT-0. 01: Power-down VOUT-0 with 10 k Ω to AGND. 10: Power-down VOUT-0 with 100 k Ω to AGND. 11: Power-down VOUT-0 with Hi-Z to AGND.
9-3	RESERVED	R/W	7Fh	Always write 7Fh.
2-1	VOUT-PDN-1	R/W	00	00: Power-up VOUT-1. 01: Power-down VOUT-1 with 10 k Ω to AGND. 10: Power-down VOUT-1 with 100 k Ω to AGND. 11: Power-down VOUT-1 with Hi-Z to AGND.
0	RESERVED	R/W	1	Always write 1.

7.6.4 COMMON-TRIGGER Register (address = 20h) [reset = 0000h]

图 7-18. COMMON-TRIGGER Register

15	14	13	12	11	10	9	8	7	6	5	4	3	2	1	0	
DEV-UNLOCK				RESET				RESERVED							NVM-PROG	NVM-RELOAD
R/W-0h				R/W-0h				R/W-00h							R/W-0h	R/W-0h

表 7-14. COMMON-TRIGGER Register Field Descriptions

Bit	Field	Type	Reset	Description
15-12	DEV-UNLOCK	R/W	0000	0101: Device unlocking password. Others: Don't care.
11-8	RESET	R/W	0000	1010: POR reset triggered. This field self-resets. Others: Don't care.
7-2	RESERVED	R/W	00h	Always write 00h.
1	NVM-PROG	R/W	0	0: NVM write not triggered. 1: NVM write triggered. This bit self-resets.
0	NVM-RELOAD	R/W	0	0: NVM reload not triggered. 1: Reload data from NVM to register map. This bit self-resets.

7.6.5 FUNCTION-TRIGGER Register (address = 21h) [reset = 0001h]

图 7-19. FUNCTION-TRIGGER Register

15	14	13	12	11	10	9	8	7	6	5	4	3	2	1	0
RESERVED															START-FUNCTION
R/W-0000h															R/W-0h

表 7-15. FUNCTION-TRIGGER Register Field Descriptions

Bit	Field	Type	Reset	Description
15-1	RESERVED	R/W	0000h	Always write 0.
0	START-FUNCTION	R/W	0	0: Stop function generation. 1: Start function generation as per the settings in the FUNCTION-CONFIG register.

7.6.6 GENERAL-STATUS Register (address = 22h) [reset = 2068h]

图 7-20. GENERAL-STATUS Register

15	14	13	12	11	10	9	8	7	6	5	4	3	2	1	0
NVM-CRC-FAIL-INT	NVM-CRC-FAIL-USER	X	DAC-0-BUSY	X	DAC-1-BUSY	NVM-BUSY	DEVICE-ID						VERSION-ID		
R-0h	R-0h	X-1h	R-0h	X-0h	R-0h	R-0h	R-1Ah						R-0h		

表 7-16. GENERAL-STATUS Register Field Descriptions

Bit	Field	Type	Reset	Description
15	NVM-CRC-FAIL-INT	R	0	0: No CRC error in OTP. 1: Indicates a failure in OTP loading. A software reset or power-cycle brings the device out of this condition in case of temporary failure.
14	NVM-CRC-FAIL-USER	R	0	0: No CRC error in NVM loading. 1: Indicates a failure in NVM loading. The register settings are corrupted. The device allows all operations during this error condition. Reprogram the NVM to get the original state. A software reset brings the device out of this error condition.
13	X	X	1	Don't care.
12	DAC-0-BUSY	R	0	0: DAC-0 channel accepts commands. 1: DAC-0 channel does not accept commands.
11-10	X	X	0	Don't care.
9	DAC-1-BUSY	R	0	0: DAC-1 channel accepts commands. 1: DAC-1 channel does not accept commands.
8	NVM-BUSY	R	0	0: NVM is available for read and write. 1: NVM is not available for read or write.
7-2	DEVICE-ID	R	1Ah	Device identifier.
1-0	VERSION-ID	R	00	Version identifier.

7.6.7 DEVICE-MODE-CONFIG Register (address = 25h) [reset = 8040h]

图 7-21. DEVICE-MODE-CONFIG Register

15	14	13	12	11	10	9	8	7	6	5	4	3	2	1	0
RESERVED		DIS-MODE-IN	RESERVED				SM-IO-EN	RESERVED							
R/W-10		R/W-0	R/W-00h				R/W-1	R/W-00h							

表 7-17. DEVICE-MODE-CONFIG Register Field Descriptions

Bit	Field	Type	Reset	Description
15-14	RESERVED	R/W	10	Always write 10.
13	DIS-MODE-IN	R/W	0	0: MODE function enabled. 1: MODE function disabled.
12-7	RESERVED	R/W	00h	Always write 00h.
6	SM-IO-EN	R/W	1	0: The state machine does not have control over the digital input-output. 1: Digital input-output controlled by the state machine.
5-0	RESERVED	R/W	00h	Always write 00h.

7.6.8 INTERFACE-CONFIG Register (address = 26h) [reset = 0000h]

图 7-22. INTERFACE-CONFIG Register

15	14	13	12	11	10	9	8	7	6	5	4	3	2	1	0
X		TIMEOUT-EN	X				FSDO-EN	X	SDO-EN						
X-0h		R/W-0h	X-0h				R/W-0h	X-0h	R/W-0h						

表 7-18. INTERFACE-CONFIG Register Field Descriptions

Bit	Field	Type	Reset	Description
15-13	X	X	0h	Don't care.
12	TIMEOUT-EN	R/W	0	0: I ² C timeout disabled. 1: I ² C timeout enabled.
11-3	X	X	0h	Don't care.
2	FSDO-EN	R/W	0	0: Fast SDO disabled. 1: Fast SDO enabled.
1	X	X	0	Don't care.
0	SDO-EN	R/W	0	0: SDO disabled. 1: SDO enabled.

7.6.9 STATE-MACHINE-CONFIG Register (address = 27h) [reset = 0003h]

图 7-23. STATE-MACHINE-CONFIG Register

15	14	13	12	11	10	9	8	7	6	5	4	3	2	1	0
RESERVED												SM-ABORT	SM-START	SM-EN	
R/W-0000h												R/W-0h	R/W-1	R/W-1	

表 7-19. STATE-MACHINE-CONFIG Register Field Descriptions

Bit	Field	Type	Reset	Description
15-3	RESERVED	R/W	0000h	Always write 0000h.
2	SM-ABORT	R/W	0	0: State machine not aborted. 1: State machine aborted.
1	SM-START	R/W	1	0: State machine stopped. 1: State machine started. The state machine must be enabled using the SM-EN bit.
0	SM-EN	R/W	1	0: State machine disabled. 1: State machine enabled.

7.6.10 SRAM-CONFIG Register (address = 2Bh) [reset = 0000h]

图 7-24. SRAM-CONFIG Register

15	14	13	12	11	10	9	8	7	6	5	4	3	2	1	0
X								SRAM-ADDR							
X-00h								R/ W-00h							

表 7-20. SRAM-CONFIG Register Field Descriptions

Bit	Field	Type	Reset	Description
15-8	X	X	00h	Don't care.
7-0	SRAM-ADDR	R/W	00h	8-bit SRAM address. Writing to this register field configures the SRAM address to be accessed next. This address automatically increments after a read or write from the SRAM.

7.6.11 SRAM-DATA Register (address = 2Ch) [reset = 0000h]

图 7-25. SRAM-DATA Register

15	14	13	12	11	10	9	8	7	6	5	4	3	2	1	0
SRAM-DATA															
R/ W-0000h															

表 7-21. SRAM-DATA Register Field Descriptions

Bit	Field	Type	Reset	Description
15-0	SRAM-DATA	R/W	0000h	16-bit SRAM data. This data is written to or read from the address configured in the SRAM-CONFIG register.

7.6.12 FUNCTION-CONFIG Register (SRAM address = 20h) [reset = 007Ah]

备注

This register address is mapped to SRAM. Use the SRAM-CONFIG and SRAM-DATA registers to read and write.

图 7-26. FUNCTION-CONFIG Register

15	14	13	12	11	10	9	8	7	6	5	4	3	2	1	0
RESERVED					FUNC-SELECT		RESE RVED	CODE-STEP			TIME-STEP				
R/W-00h					R/W-000		R/W-0	R/W-111			R/W-Ah				

表 7-22. FUNCTION-CONFIG Register Field Descriptions

Bit	Field	Type	Reset	Description
15-11	RESERVED	R/W	00h	Always write 0.
10-8	FUNC-SELECT	R/W	000	000: Triangular wave. 001: Sawtooth wave. 010: Inverse sawtooth wave. 111: Disable function generation. Others: Invalid.
7	RESERVED	R/W	0	Always write 0.
6-4	CODE-STEP	R/W	111	000: 1 LSB. 001: 2 LSB. 010: 3 LSB. 011: 4 LSB. 100: 6 LSB. 101: 8 LSB. 110: 16 LSB. 111: 32 LSB.
3-0	TIME-STEP	R/W	Ah	0000: Invalid. 0001: 4 μ s/step. 0010: 8 μ s/step. 0011: 12 μ s/step. 0100: 18 μ s/step. 0101: 27.04 μ s/step. 0110: 40.48 μ s/step. 0111: 60.72 μ s/step. 1000: 91.12 μ s/step. 1001: 136.72 μ s/step. 1010: 239.2 μ s/step. 1011: 418.64 μ s/step. 1100: 732.56 μ s/step. 1101: 1282 μ s/step. 1110: 2563.92 μ s/step. 1111: 5127.92 μ s/step.

7.6.13 FUNCTION-MAX Register (SRAM address = 21h) [reset = B900h]

备注

This register address is mapped to SRAM. Use the SRAM-CONFIG and SRAM-DATA registers to read and write.

图 7-27. FUNCTION-MAX Register

15	14	13	12	11	10	9	8	7	6	5	4	3	2	1	0
FUNCTION-MAX											X				
R/W-2E4h											X-00h				

表 7-23. FUNCTION-MAX Register Field Descriptions

Bit	Field	Type	Reset	Description
15-6	FUNCTION-MAX	R/W	2E4h	Maximum DAC code for the function generator. Data are in straight-binary format.
5-0	X	X	00h	Don't care

7.6.14 FUNCTION-MIN Register (SRAM address = 22h) [reset = 1900h]

备注

This register address is mapped to SRAM. Use the SRAM-CONFIG and SRAM-DATA registers to read and write.

图 7-28. FUNCTION-MIN Register

15	14	13	12	11	10	9	8	7	6	5	4	3	2	1	0
FUNCTION-MIN											X				
R/W-064h											X-00h				

表 7-24. FUNCTION-MIN Register Field Descriptions

Bit	Field	Type	Reset	Description
15-6	FUNCTION-MIN	R/W	064h	Minimum DAC code for the function generator. Data are in straight-binary format.
5-0	X	X	00h	Don't care

7.6.15 GPI-DEBOUNCE Register (SRAM address = 23h) [reset = 0138h]

备注

This register address is mapped to SRAM. Use the SRAM-CONFIG and SRAM-DATA registers to read and write.

图 7-29. GPI-DEBOUNCE Register

15	14	13	12	11	10	9	8	7	6	5	4	3	2	1	0
DEBOUNCE-DELAY															
R/W-0138h															

表 7-25. GPI-DEBOUNCE Register Field Descriptions

Bit	Field	Type	Reset	Description
15-0	DEBOUNCE-DELAY	R/W	0138h	Debounce delay for the GPI pins. Set to 0 to disable the delay. Delay (sec) = (DEBOUNCE-DELAY) x 160 μs.

7.6.16 VOUT-DATA-X Register (SRAM address = 24h to 2Bh) [reset = see 表 7-26]

备注

This register address is mapped to SRAM. Use the SRAM-CONFIG and SRAM-DATA registers to read and write.

图 7-30. VOUT-DATA-X Register (X = 0, 1, 2, 3, 4, 5, 6, 7)

15	14	13	12	11	10	9	8	7	6	5	4	3	2	1	0
VOUT-DATA-X											X				
R/W											X-0h				

表 7-26. VOUT-DATA-X Register Field Descriptions

Bit	Field	Type	Reset	Description
15-6	VOUT-DATA-X	R/W	VOUT-DATA-0: 0E4h VOUT-DATA-1: 265h VOUT-DATA-2: 164h VOUT-DATA-3: 1E5h VOUT-DATA-4: 0E4h VOUT-DATA-5: 265h VOUT-DATA-6: 164h VOUT-DATA-7: 1E5h	Look up table values for DAC output as per the GPI pins. Data are in straight-binary format.
5-0	X	X	0h	Don't care

7.6.17 PWM-FREQUENCY-ERROR Register (SRAM address = 9Eh) [reset = device-specific]

备注

This register address is mapped to SRAM. Use the SRAM-CONFIG and SRAM-DATA registers to read and write.

图 7-31. PWM-FREQUENCY-ERROR Register

15	14	13	12	11	10	9	8	7	6	5	4	3	2	1	0
RESERVED											FREQUENCY-ERROR				
R-000h											R-00h				

表 7-27. PWM-FREQUENCY-ERROR Register Field Descriptions

Bit	Field	Type	Reset	Description
15-6	RESERVED	R	000h	Reserved field. Readback value can depend on device revision.
5-0	FREQUENCY-ERROR	R	Device-specific	Oscillator frequency error for the given device. The error resolution is $\pm 0.2\%$.

8 Application and Implementation

备注

Information in the following applications sections is not part of the TI component specification, and TI does not warrant its accuracy or completeness. TI's customers are responsible for determining suitability of components for their purposes, as well as validating and testing their design implementation to confirm system functionality.

8.1 Application Information

The DAC539G2-Q1 is a dual-channel, buffered, force-sense output, voltage-output smart DAC that includes an NVM and internal reference, and is available in a tiny 3-mm × 3-mm package. The FBx pins function as inputs in comparator mode. The device is configured as an application-specific, look-up table (LUT) based GPI-to-PWM converter. One DAC channel is configured in voltage-output mode, and the other is configured as a comparator for PWM output. Three digital inputs control an internal LUT to select between eight configurable 10-bit DAC codes on the voltage output. The comparator channel is configured for a triangle or sawtooth waveform that sets the threshold of the comparator. Connect the LUT output to the FB0 input of the comparator to achieve the PWM output from the comparator output. The PWM frequency error is stored in the device and is calibrated out by adjusting the triangle- or sawtooth-wave frequency. The LUT values are programmed using I²C or SPI and stored in the NVM. The GPIs are multiplexed with other digital pins. The MODE pin determines whether the device is in programming or standalone mode.

8.2 Typical Application

This design uses a dual-channel, buffered voltage output smart DAC to decode three GPIs into a constant-frequency PWM output with eight selectable duty-cycle levels. In this design, the integrated buffer acts as a comparator, and a triangle or sawtooth waveform generated by the device acts as the threshold for the comparator. The DAC539G2-Q1 output buffers have an exposed feedback path through the feedback pin (FBx), which acts as the voltage input to the comparator. The comparator generates a PWM output with the same frequency as the triangle or sawtooth wave, and a duty cycle that depends on the FBx input. Use this circuit in applications such as automotive rear lights, rear light fault indication, and fault communication in factory automation and control designs. 图 8-1 shows how to connect the two DAC outputs to achieve a PWM output.

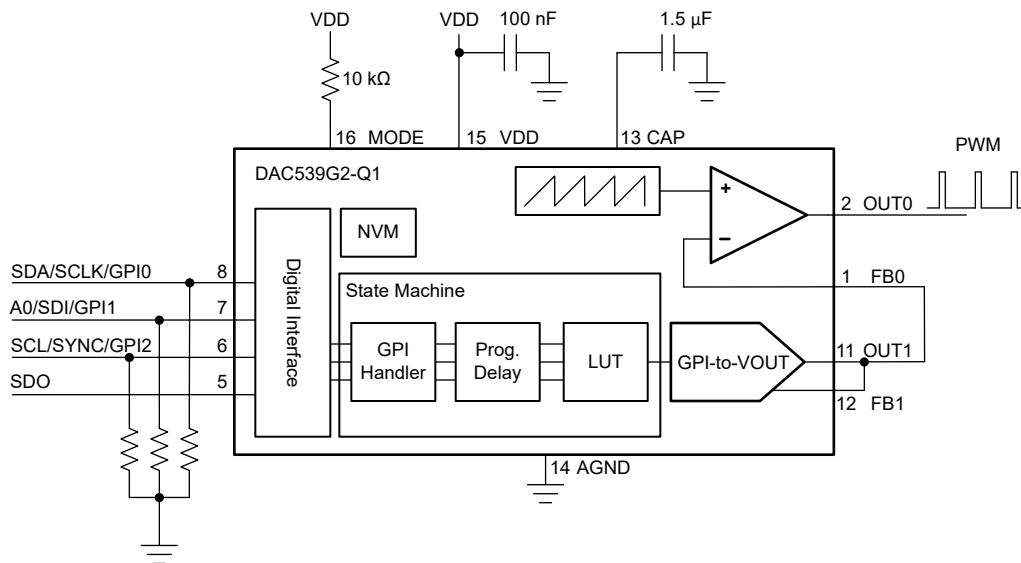


图 8-1. GPI to PWM

8.2.1 Design Requirements

表 8-1. Design Parameters

PARAMETER	VALUE
Frequency	100 Hz
Duty cycle	12.5%, 25%, 37.5%, 50%, 62.5%, 75%, 87.5%, 100%
Delay	50 ms

8.2.2 Detailed Design Procedure

Calculate the PWM frequency by using the time steps and code step from 表 7-22, either 方程式 4 for a triangle wave or 方程式 5 for a sawtooth wave, and the selected FUNCTION-MAX and FUNCTION-MIN DAC codes. 节 7.4.2.1 describes the details on the function generation settings. The FUNCTION-MAX and FUNCTION-MIN DAC codes represent the peaks of the triangle or sawtooth waveforms. To achieve a frequency of 100 Hz, this example uses a triangle wave with a margin high of 725, a margin low of 100, slew rate of 8 μ s, and code step of 1 LSB:

$$f_{TRIANGLE} = \frac{1}{2 \times 8 \mu s \times CEILING\left(\frac{725 - 100}{1}\right)} = 100 \text{ Hz} \quad (7)$$

The DAC539G2-Q1 is a 10-bit device, which means the maximum DAC code is 1023d. Choose margin-high and -low values that are away from the endpoints to avoid effects from the zero-code and full-scale errors.

For small step sizes, the duty cycles can be estimated by:

$$Duty_Cycle_{TRIANGLE} = \frac{FUNCTION_MAX - VOUT_DATA_X}{CEILING\left(\frac{FUNCTION_MAX - FUNCTION_MIN}{CODE_STEP}\right)} = 100 \text{ Hz} \quad (8)$$

Where VOUT_DATA_X is the DAC code set in the LUT for every combination of the GPI inputs (VOUT-DATA-X).

For a duty cycle duty cycle of 12.5%, the VOUT_DATA_X is calculated by:

$$VOUT_DATA_X_{TRIANGLE} = FUNCTION_MAX - CEILING\left(\frac{FUNCTION_MAX - FUNCTION_MAX}{CODE_STEP}\right) \times Duty_Cycle = 725 - 2 \times CEILING\left(\frac{725 - 100}{1}\right) \times 0.125 = 646.88 \quad (9)$$

This result is rounded up to 647d (0x287). 表 8-2 lists the LUT table values for the remaining duty cycles.

表 8-2. LUT Codes

DUTY CYCLE	VOUT_DATA_X
12.5%	0x287
25%	0x239
37.5%	0x1EB
50%	0x19D
62.5%	0x14E
75%	0x100
87.5%	0x0B2
100%	0x064

The LUT codes are written to the DAC outputs depending on the state of the three GPI pins. The DAC codes do not have to increase chronologically with the GPIs. A programmable delay can be used so that the DAC output changes only after the GPIs have settled to avoid any switching noise on the output. The delay setting is 16 bits

with a step size of 160 μ s, and is stored in the GPI-DEBOUNCE SRAM register. Set the delay code to 312d for a 50-ms delay.

The oscillator error is directly reflected on the output frequency of the PWM signal. This error can be compensated for by adjusting the margin-high and -low codes to adjust the frequency of the triangle wave generated on channel 0. The DAC539G2-Q1 oscillator error is stored in SRAM register 0x9E. This error is a 6-bit value with a code step of 0.2%, so the margin-high and -low codes can be modified to correct for - 6.4% to +6.2% of error. For example, for code 0x2C, the oscillator error is - 4%, or the frequency is 4% higher than the target. Increase the margin high - margin low differential value so that the calculated frequency is 4% lower than the target value.

Follow these guidelines to set up the registers on the DAC539G2-Q1:

- Stop the state machine before updating the application parameters by writing 0 to the STATE-MACHINE-CONFIG register.
- Set all of the application parameters shown in 表 8-3. These locations must be used to save the settings in the NVM. For example, the DAC register locations for FUNCTION-CONFIG, FUNCTION-MAX, and FUNCTION-MIN are not mapped to the NVM and are not saved when an NVM write is triggered.
- If the function generator is already running, the function generator must be stopped before any changes to the triangle wave take effect. Write a 0 to the START-FUNC field in the COMMON-DAC-TRIG register (0x21) to stop the function generator. The function generator is automatically started when the state machine is enabled.
- VOUT-DATA-0 and VOUT-DATA-7 correspond to the three GPIs being set to 0b000 and 0b111, respectively.
- Configure the reference for both channels in the DAC-X-VOUT-CMP-CONFIG register. Set the reference for channel 1 to the same reference chosen for channel 0.
- Configure DAC channel 0 in triangle-wave mode with the chosen slew rate and code step in the FUNCTION-CONFIG SRAM register.
- Set the margin-high and margin-low codes for the channel 0 triangle wave in the FUNCTION-MAX and FUNCTION-MIN SRAM registers, respectively.
- Power on the DAC outputs in voltage mode using the COMMON-CONFIG register.
- Set the DEVICE-MODE-CONFIG register to 0x8040.
- Start the state machine by writing 3d to the STATE-MACHINE-CONFIG.
- Trigger an NVM write by setting the NVM-PROG bit in the COMMON-TRIGGER register (0x20) to 1.

表 8-3. Application Parameters

REGISTER FIELD NAME	ADDRESS [FIELD]	ADDRESS LOCATION
FUNCTION-CONFIG	0x20[10:9][6:0]	SRAM
FUNCTION-MAX	0x21[15:6]	SRAM
FUNCTION-MIN	0x22[15:6]	SRAM
GPI-DEBOUNCE	0x23[15:0]	SRAM
VOUT-DATA-0	0x24[15:6]	SRAM
VOUT-DATA-1	0x25[15:6]	SRAM
VOUT-DATA-2	0x26[15:6]	SRAM
VOUT-DATA-3	0x27[15:6]	SRAM
VOUT-DATA-4	0x28[15:6]	SRAM
VOUT-DATA-5	0x29[15:6]	SRAM
VOUT-DATA-6	0x2A[15:6]	SRAM
VOUT-DATA-7	0x2B[15:6]	SRAM
DAC-0-VOUT-CMP-CONFIG	0x15[12:10][4:0]	Register

表 8-3. Application Parameters (续)

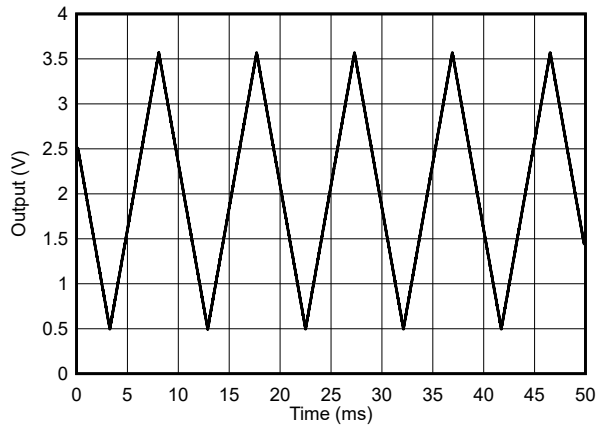
REGISTER FIELD NAME	ADDRESS [FIELD]	ADDRESS LOCATION
DAC-1-VOUT-CMP-CONFIG	0x03[12:10][4:0]	Register
COMMON-CONFIG	0x1F[15:0]	Register
DEVICE-MODE-CONFIG	0x25[15:0]	Register
STATE-MACHINE-CONFIG	0x27[2:0]	Register

Only the bits listed in the address column of 表 8-3 are saved in NVM and used in the state machine. For example, only bits 12 to 10, and 4 to 0 are saved in NVM for the DAC-X-VOUT-CMP-CONFIG registers.

The pseudocode for this application example is as follows:

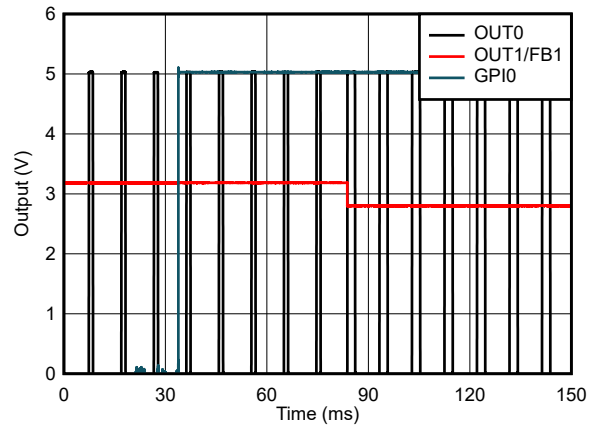
```
//SYNTAX: WRITE <REGISTER NAME(Hex Code)>, <MSB DATA>, <LSB DATA>
//Stop the state machine
WRITE STATE-MACHINE-CONFIG(0x27), 0x00, 0x03
//Stop the function generator
WRITE COMMON-DAC-TRIG(0x21), 0x00, 0x00
//Set the code step, slew rate, and waveform mode
WRITE FUNCTION-CONFIG(SRAM 0x20), 0x00, 0x02
WRITE FUNCTION-MAX(SRAM 0x21), 0xB5, 0x40
WRITE FUNCTION-MIN(SRAM 0x22), 0x19, 0x00
//Set the programmable debounce delay (this is the device default)
WRITE GPI-DEBOUNCE(SRAM 0x23), 0x01, 0x38
//Set the LUT values
WRITE VOUT-DATA-0(SRAM 0x24), 0xA1, 0xC0
WRITE VOUT-DATA-1(SRAM 0x25), 0x8E, 0x40
WRITE VOUT-DATA-2(SRAM 0x26), 0x7A, 0xC0
WRITE VOUT-DATA-3(SRAM 0x27), 0x67, 0x40
WRITE VOUT-DATA-4(SRAM 0x28), 0x53, 0x80
WRITE VOUT-DATA-5(SRAM 0x29), 0x40, 0x00
WRITE VOUT-DATA-6(SRAM 0x2A), 0x2C, 0x80
WRITE VOUT-DATA-7(SRAM 0x2B), 0x18, 0xC0
//Set the channel 0 reference to VDD (this is the device default)
WRITE DAC-0-VOUT-CMP-CONFIG(0x15), 0x04, 0x00
//Set channel 1 reference to VDD (this is the device default)
WRITE DAC-1-VOUT-CMP-CONFIG(0x03), 0x04, 0x00
//Power on the DAC channels (this is the device default)
WRITE COMMON-CONFIG(0x1F), 0x03, 0xF9
//Set the device mode (this is the device default)
WRITE DEVICE-MODE-CONFIG(0x25), 0x80, 0x40
//Start the state machine
WRITE STATE-MACHINE-CONFIG(0x27), 0x00, 0x03
//Save settings to NVM
WRITE COMMON-TRIGGER(0x20), 0x00, 0x02
```

8.2.3 Application Curves



The triangular waveform when OUT0 and FB0 are shorted

图 8-2. OUT0/FB0 Triangular Waveform



GPIOs toggled from 000b to 001b

图 8-3. PWM Out: 12.5% to 25% Duty Cycle Transition

8.3 Power Supply Recommendations

The DAC539G2-Q1 does not require specific power-supply sequencing. These devices require a single power supply, V_{DD} . However, make sure the external voltage reference is applied after V_{DD} . Use a 0.1- μF decoupling capacitor for the V_{DD} pin. Use a bypass capacitor with a value of approximately 1.5 μF for the CAP pin.

8.4 Layout

8.4.1 Layout Guidelines

The DAC539G2-Q1 pin configuration separates the analog, digital, and power pins for an optimized layout. For signal integrity, separate the digital and analog traces, and place decoupling capacitors close to the device pins.

8.4.2 Layout Example

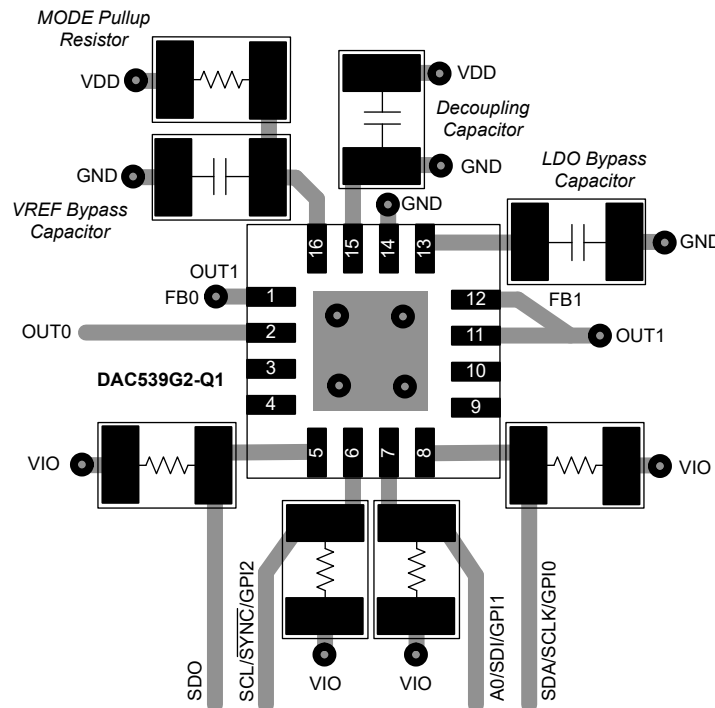


图 8-4. Layout Example

Note: The ground and power planes have been omitted for clarity. Connect the thermal pad to ground.

9 Device and Documentation Support

TI offers an extensive line of development tools. Tools and software to evaluate the performance of the device, generate code, and develop solutions are listed below.

9.1 Documentation Support

备注

TI is transitioning to use more inclusive terminology. Some language may be different than what you would expect to see for certain technology areas.

9.2 接收文档更新通知

要接收文档更新通知，请导航至 ti.com 上的器件产品文件夹。点击 [订阅更新](#) 进行注册，即可每周接收产品信息更改摘要。有关更改的详细信息，请查看任何已修订文档中包含的修订历史记录。

9.3 支持资源

[TI E2E™ 支持论坛](#) 是工程师的重要参考资料，可直接从专家获得快速、经过验证的解答和设计帮助。搜索现有解答或提出自己的问题可获得所需的快速设计帮助。

链接的内容由各个贡献者“按原样”提供。这些内容并不构成 TI 技术规范，并且不一定反映 TI 的观点；请参阅 TI 的 [《使用条款》](#)。

9.4 Trademarks

TI E2E™ is a trademark of Texas Instruments.

所有商标均为其各自所有者的财产。

9.5 静电放电警告



静电放电 (ESD) 会损坏这个集成电路。德州仪器 (TI) 建议通过适当的预防措施处理所有集成电路。如果不遵守正确的处理和安装程序，可能会损坏集成电路。

ESD 的损坏小至导致微小的性能降级，大至整个器件故障。精密的集成电路可能更容易受到损坏，这是因为非常细微的参数更改都可能会导致器件与其发布的规格不相符。

9.6 术语表

[TI 术语表](#) 本术语表列出并解释了术语、首字母缩略词和定义。

10 Mechanical, Packaging, and Orderable Information

The following pages include mechanical, packaging, and orderable information. This information is the most current data available for the designated devices. This data is subject to change without notice and revision of this document. For browser-based versions of this data sheet, refer to the left-hand navigation.

PACKAGING INFORMATION

Orderable Device	Status (1)	Package Type	Package Drawing	Pins	Package Qty	Eco Plan (2)	Lead finish/ Ball material (6)	MSL Peak Temp (3)	Op Temp (°C)	Device Marking (4/5)	Samples
DAC539G2RTERQ1	ACTIVE	WQFN	RTE	16	3000	RoHS & Green	NIPDAU	Level-2-260C-1 YEAR	-40 to 125	539G2Q	Samples
DAC539G2WRTERQ1	ACTIVE	WQFN	RTE	16	3000	RoHS & Green	NIPDAU	Level-2-260C-1 YEAR	-40 to 125	539G2Q	Samples

(1) The marketing status values are defined as follows:

ACTIVE: Product device recommended for new designs.

LIFEBUY: TI has announced that the device will be discontinued, and a lifetime-buy period is in effect.

NRND: Not recommended for new designs. Device is in production to support existing customers, but TI does not recommend using this part in a new design.

PREVIEW: Device has been announced but is not in production. Samples may or may not be available.

OBSOLETE: TI has discontinued the production of the device.

(2) **RoHS:** TI defines "RoHS" to mean semiconductor products that are compliant with the current EU RoHS requirements for all 10 RoHS substances, including the requirement that RoHS substance do not exceed 0.1% by weight in homogeneous materials. Where designed to be soldered at high temperatures, "RoHS" products are suitable for use in specified lead-free processes. TI may reference these types of products as "Pb-Free".

RoHS Exempt: TI defines "RoHS Exempt" to mean products that contain lead but are compliant with EU RoHS pursuant to a specific EU RoHS exemption.

Green: TI defines "Green" to mean the content of Chlorine (Cl) and Bromine (Br) based flame retardants meet JS709B low halogen requirements of <=1000ppm threshold. Antimony trioxide based flame retardants must also meet the <=1000ppm threshold requirement.

(3) MSL, Peak Temp. - The Moisture Sensitivity Level rating according to the JEDEC industry standard classifications, and peak solder temperature.

(4) There may be additional marking, which relates to the logo, the lot trace code information, or the environmental category on the device.

(5) Multiple Device Markings will be inside parentheses. Only one Device Marking contained in parentheses and separated by a "~" will appear on a device. If a line is indented then it is a continuation of the previous line and the two combined represent the entire Device Marking for that device.

(6) Lead finish/Ball material - Orderable Devices may have multiple material finish options. Finish options are separated by a vertical ruled line. Lead finish/Ball material values may wrap to two lines if the finish value exceeds the maximum column width.

Important Information and Disclaimer:The information provided on this page represents TI's knowledge and belief as of the date that it is provided. TI bases its knowledge and belief on information provided by third parties, and makes no representation or warranty as to the accuracy of such information. Efforts are underway to better integrate information from third parties. TI has taken and continues to take reasonable steps to provide representative and accurate information but may not have conducted destructive testing or chemical analysis on incoming materials and chemicals. TI and TI suppliers consider certain information to be proprietary, and thus CAS numbers and other limited information may not be available for release.

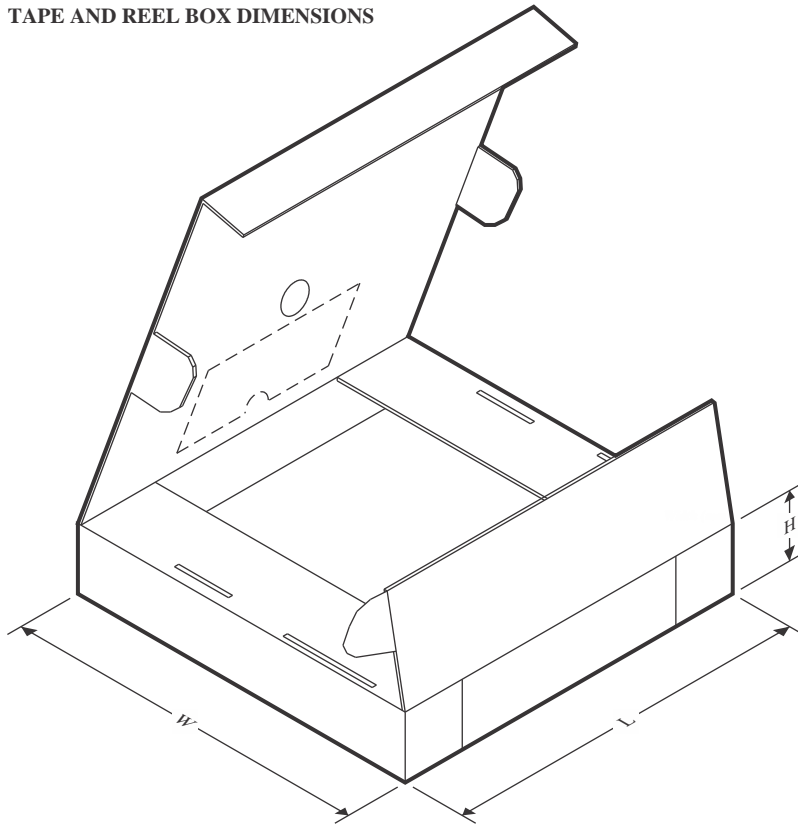
In no event shall TI's liability arising out of such information exceed the total purchase price of the TI part(s) at issue in this document sold by TI to Customer on an annual basis.

TAPE AND REEL INFORMATION

QUADRANT ASSIGNMENTS FOR PIN 1 ORIENTATION IN TAPE


*All dimensions are nominal

Device	Package Type	Package Drawing	Pins	SPQ	Reel Diameter (mm)	Reel Width W1 (mm)	A0 (mm)	B0 (mm)	K0 (mm)	P1 (mm)	W (mm)	Pin1 Quadrant
DAC539G2RTERQ1	WQFN	RTE	16	3000	330.0	12.4	3.3	3.3	1.1	8.0	12.0	Q2
DAC539G2WRTERQ1	WQFN	RTE	16	3000	330.0	12.4	3.3	3.3	1.1	8.0	12.0	Q2

TAPE AND REEL BOX DIMENSIONS


*All dimensions are nominal

Device	Package Type	Package Drawing	Pins	SPQ	Length (mm)	Width (mm)	Height (mm)
DAC539G2RTERQ1	WQFN	RTE	16	3000	367.0	367.0	35.0
DAC539G2WRTERQ1	WQFN	RTE	16	3000	367.0	367.0	35.0

GENERIC PACKAGE VIEW

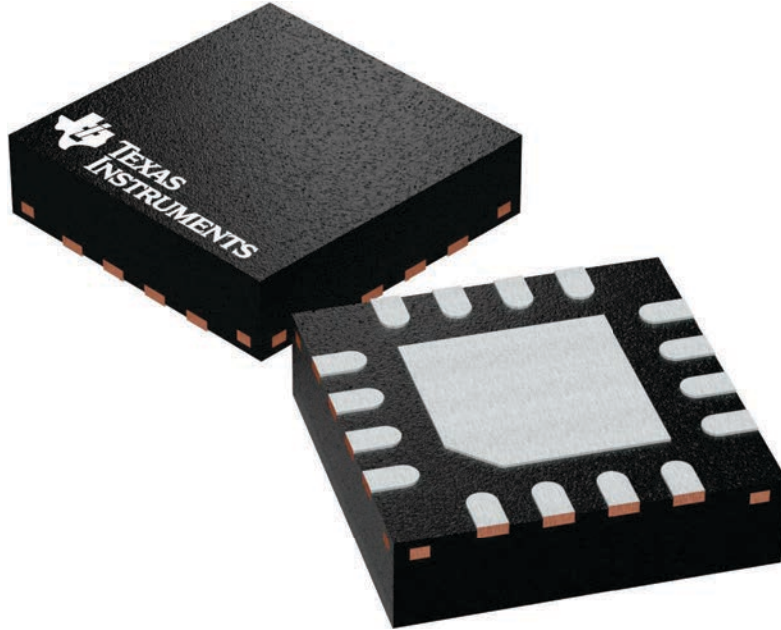
RTE 16

WQFN - 0.8 mm max height

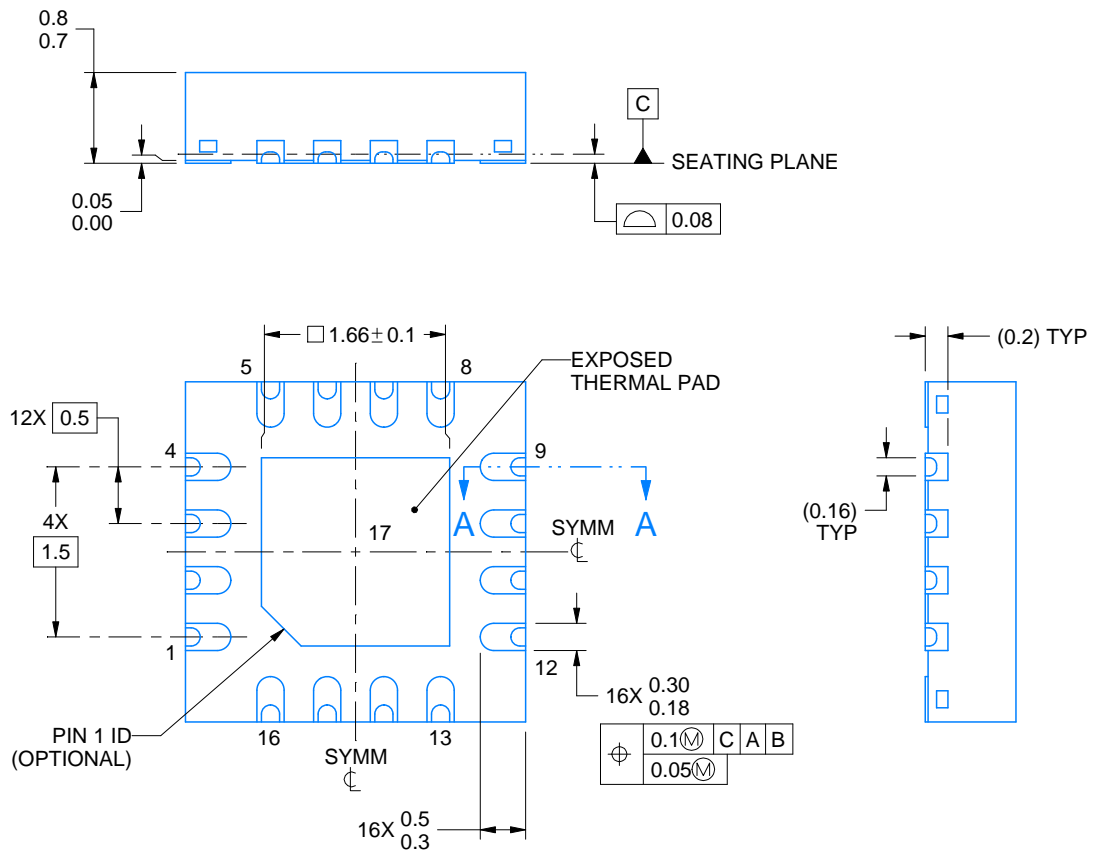
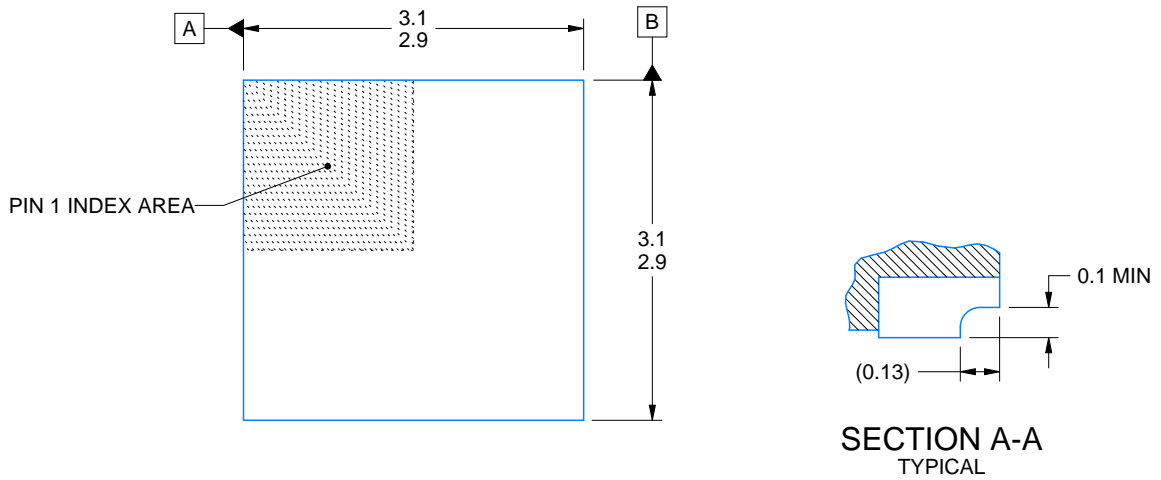
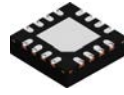
3 x 3, 0.5 mm pitch

PLASTIC QUAD FLATPACK - NO LEAD

This image is a representation of the package family, actual package may vary.
Refer to the product data sheet for package details.



4225944/A



4224938/C 03/2022

NOTES:

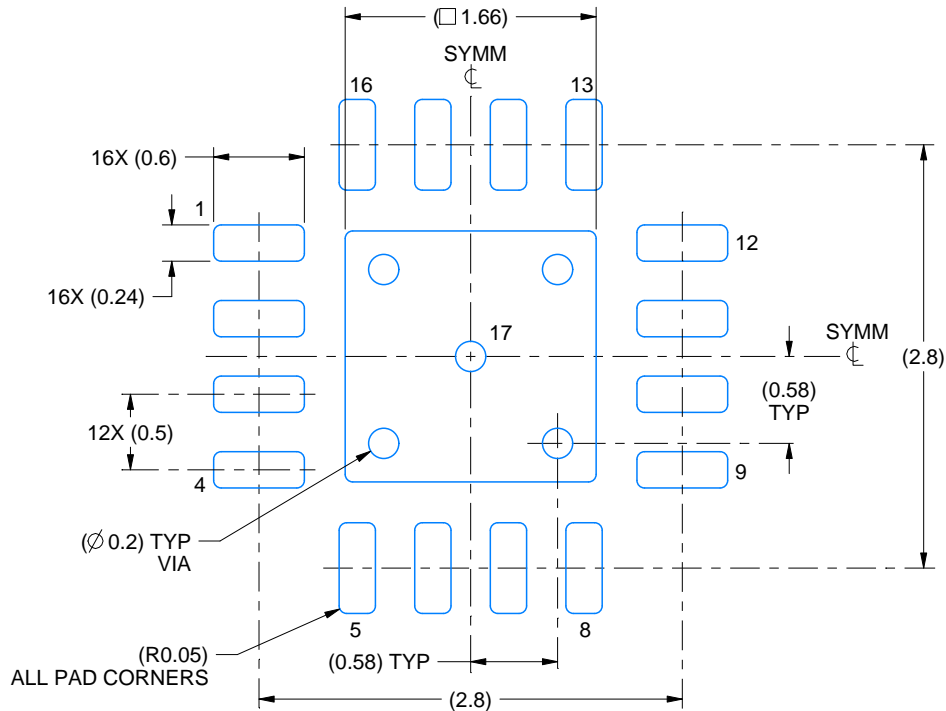
1. All linear dimensions are in millimeters. Any dimensions in parenthesis are for reference only. Dimensioning and tolerancing per ASME Y14.5M.
2. This drawing is subject to change without notice.
3. The package thermal pad must be soldered to the printed circuit board for thermal and mechanical performance.

EXAMPLE BOARD LAYOUT

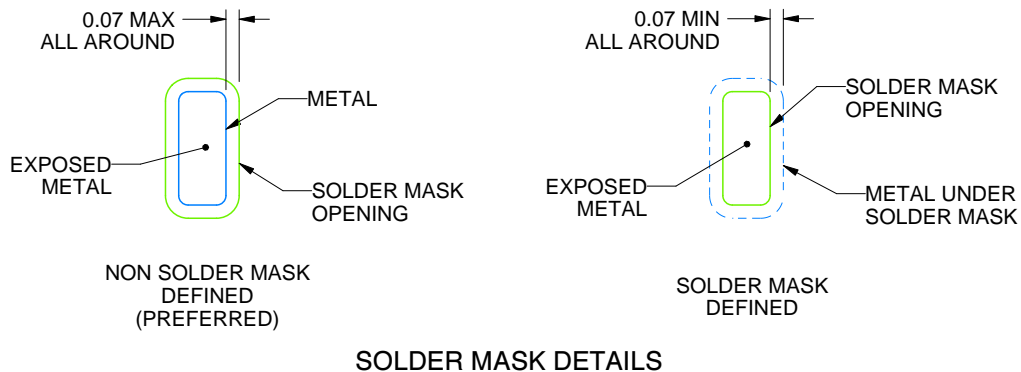
RTE0016K

WQFN - 0.8 mm max height

PLASTIC QUAD FLATPACK - NO LEAD



LAND PATTERN EXAMPLE
EXPOSED METAL SHOWN
SCALE:20X



SOLDER MASK DETAILS

4224938/C 03/2022

NOTES: (continued)

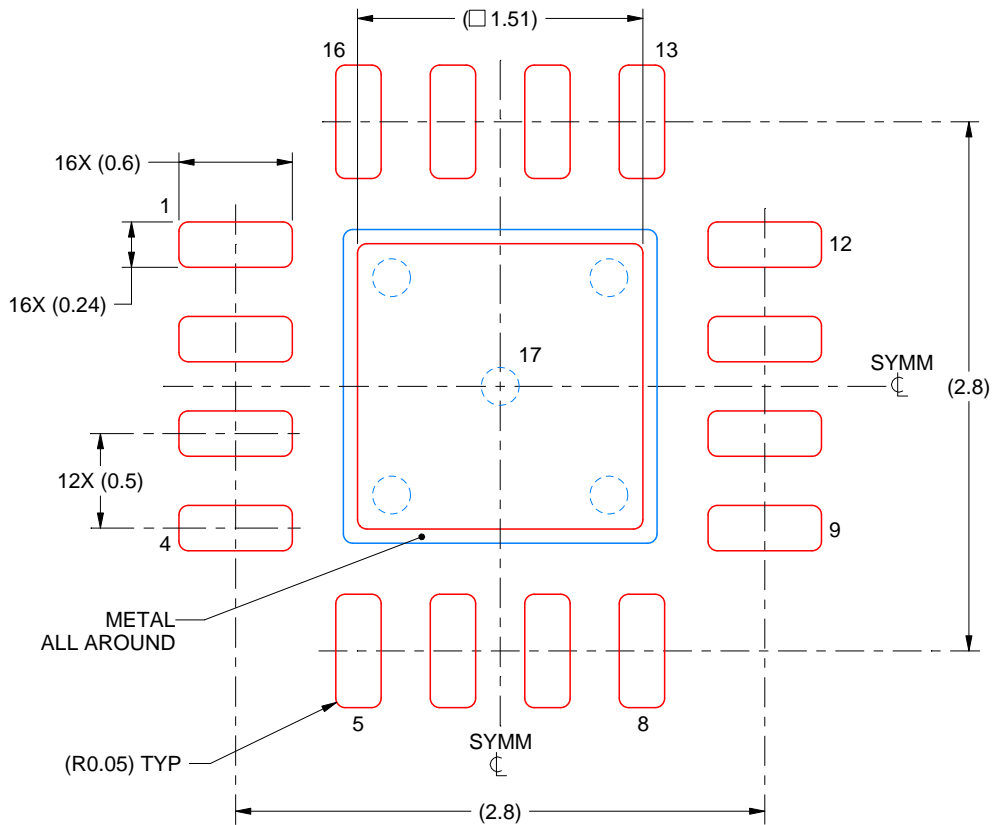
- This package is designed to be soldered to a thermal pad on the board. For more information, see Texas Instruments literature number SLUA271 (www.ti.com/lit/slua271).
- Vias are optional depending on application, refer to device data sheet. If any vias are implemented, refer to their locations shown on this view. It is recommended that vias under paste be filled, plugged or tented.

EXAMPLE STENCIL DESIGN

RTE0016K

WQFN - 0.8 mm max height

PLASTIC QUAD FLATPACK - NO LEAD



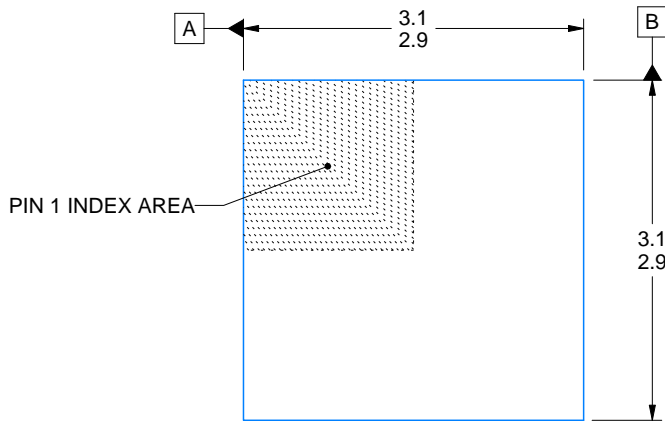
SOLDER PASTE EXAMPLE
BASED ON 0.125 mm THICK STENCIL

EXPOSED PAD 17:
84% PRINTED SOLDER COVERAGE BY AREA UNDER PACKAGE
SCALE:25X

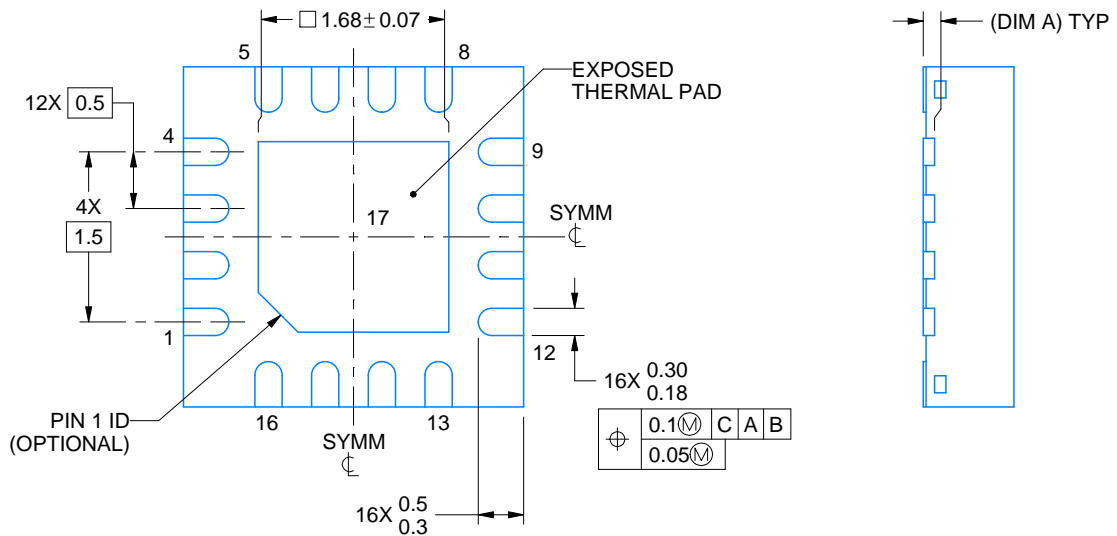
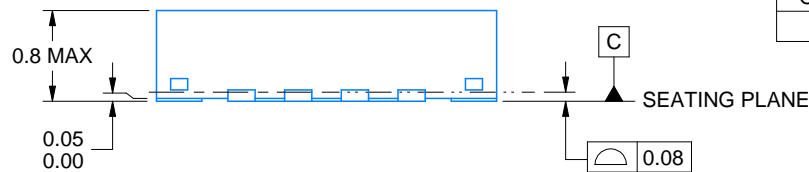
4224938/C 03/2022

NOTES: (continued)

6. Laser cutting apertures with trapezoidal walls and rounded corners may offer better paste release. IPC-7525 may have alternate design recommendations.



SIDE WALL METAL THICKNESS DIM A	
OPTION 1	OPTION 2
0.1	0.2



4219117/B 04/2022

NOTES:

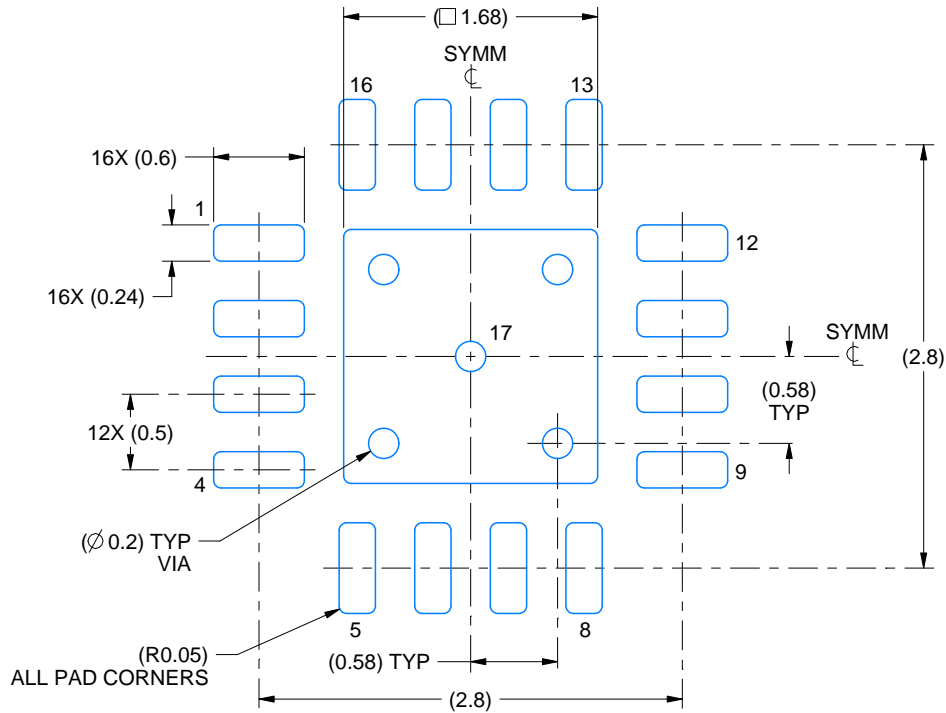
1. All linear dimensions are in millimeters. Any dimensions in parenthesis are for reference only. Dimensioning and tolerancing per ASME Y14.5M.
2. This drawing is subject to change without notice.
3. The package thermal pad must be soldered to the printed circuit board for thermal and mechanical performance.

EXAMPLE BOARD LAYOUT

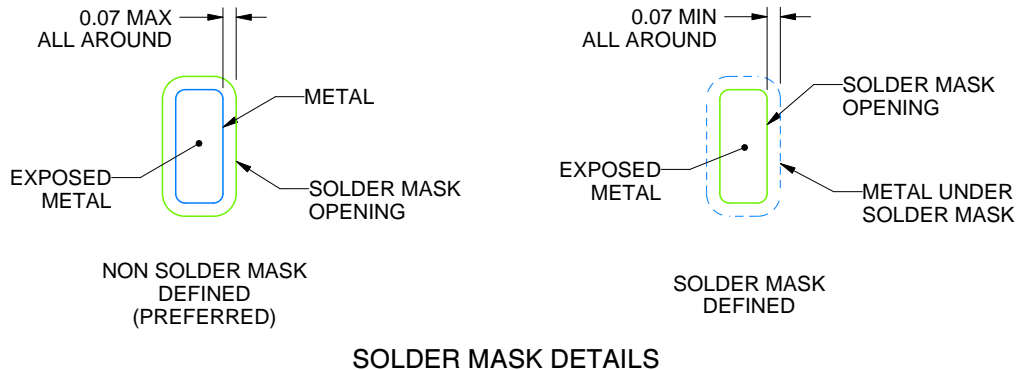
RTE0016C

WQFN - 0.8 mm max height

PLASTIC QUAD FLATPACK - NO LEAD



LAND PATTERN EXAMPLE
EXPOSED METAL SHOWN
SCALE:20X



SOLDER MASK DETAILS

4219117/B 04/2022

NOTES: (continued)

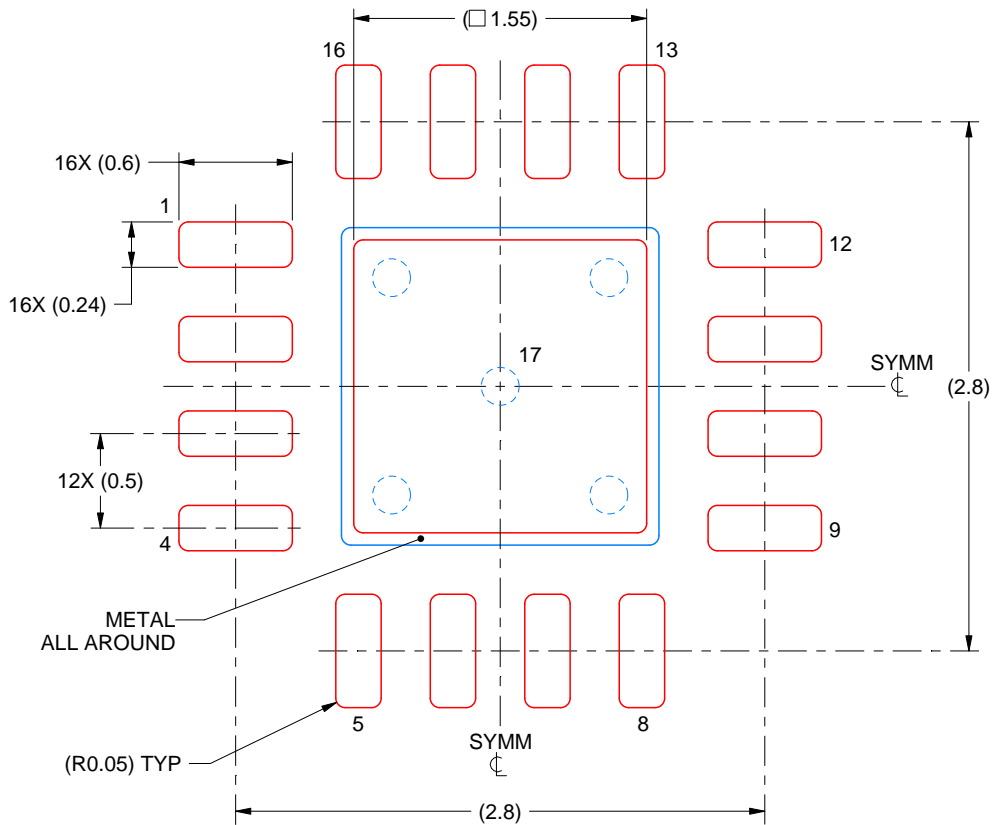
- This package is designed to be soldered to a thermal pad on the board. For more information, see Texas Instruments literature number SLUA271 (www.ti.com/lit/sl原因271).
- Vias are optional depending on application, refer to device data sheet. If any vias are implemented, refer to their locations shown on this view. It is recommended that vias under paste be filled, plugged or tented.

EXAMPLE STENCIL DESIGN

RTE0016C

WQFN - 0.8 mm max height

PLASTIC QUAD FLATPACK - NO LEAD



SOLDER PASTE EXAMPLE
BASED ON 0.125 mm THICK STENCIL

EXPOSED PAD 17:
85% PRINTED SOLDER COVERAGE BY AREA UNDER PACKAGE
SCALE:25X

4219117/B 04/2022

NOTES: (continued)

6. Laser cutting apertures with trapezoidal walls and rounded corners may offer better paste release. IPC-7525 may have alternate design recommendations.

重要声明和免责声明

TI“按原样”提供技术和可靠性数据（包括数据表）、设计资源（包括参考设计）、应用或其他设计建议、网络工具、安全信息和其他资源，不保证没有瑕疵且不做任何明示或暗示的担保，包括但不限于对适销性、某特定用途方面的适用性或不侵犯任何第三方知识产权的暗示担保。

这些资源可供使用 TI 产品进行设计的熟练开发人员使用。您将自行承担以下全部责任：(1) 针对您的应用选择合适的 TI 产品，(2) 设计、验证并测试您的应用，(3) 确保您的应用满足相应标准以及任何其他功能安全、信息安全、监管或其他要求。

这些资源如有变更，恕不另行通知。TI 授权您仅可将这些资源用于研发本资源所述的 TI 产品的应用。严禁对这些资源进行其他复制或展示。您无权使用任何其他 TI 知识产权或任何第三方知识产权。您应全额赔偿因在这些资源的使用中对 TI 及其代表造成的任何索赔、损害、成本、损失和债务，TI 对此概不负责。

TI 提供的产品受 [TI 的销售条款](#) 或 [ti.com](#) 上其他适用条款/TI 产品随附的其他适用条款的约束。TI 提供这些资源并不会扩展或以其他方式更改 TI 针对 TI 产品发布的适用的担保或担保免责声明。

TI 反对并拒绝您可能提出的任何其他或不同的条款。

邮寄地址：Texas Instruments, Post Office Box 655303, Dallas, Texas 75265

Copyright © 2023，德州仪器 (TI) 公司