

DLPA2005 电源管理和 LED/灯驱动器 IC

1 特性

- 高效红-绿-蓝三色 (RGB) 发光二极管 (LED)/灯驱动器，在小型芯片级封装中集成了降压/升压 DC-DC 转换器、数字微镜器件 (DMD) 电源、数字电源外设 (DPP) 内核电源、1.8V 负载开关以及测量系统
- 三个用于通道选择的低阻抗 (27°C 时典型值为 30mΩ) 金属氧化物半导体场效应晶体管 (MOSFET) 开关
- 每个通道具有独立的 10 位电流控制
- 针对 DLPA2005 嵌入式应用的最大 LED 电流为 2.4A
- DMD 调节器
 - 仅需一个电感器
 - VOFS: 10V
 - VBIAS: 18V
 - VRST: -14V
 - 当禁用时对接地 (GND) 被动放电
- DPP 1.1V 内核电源
 - 具有集成开关场效应晶体管 (FET) 的同步降压转换器
 - 支持高达 600mA 的输出电流
- VLED 降压/升压转换器
 - 轻负载电流状态下的省电模式
- 低阻抗负载开关
 - V_{IN} 范围为 1.8V 至 3.6V
 - 支持高达 200mA 的电流
 - 当禁用时对接地 (GND) 被动放电
- DMD 复位信号生成和电源排序
- 33MHz 串行外设接口 (SPI)
- 用于测量模拟信号的多路复用器
 - 电池电压
 - LED 电压, LED 电流

- 光传感器 (用于白点修正)
- 内部基准电压
- 外部 (热敏电阻) 温度传感器
- 监视和保护电路
 - 热模警告和热关断
 - 低电池电压警告
 - 可编程的电池欠压闭锁 (UVLO)
 - 负载开关 UVLO
 - 过流和欠压保护
- DLPA2005 QFN 封装
 - 48 引脚 0.4mm 间距
 - 芯片尺寸: 6.0mm × 6.0mm ± 0.15mm

2 应用

DLP® Pico™ 投影仪

DLP® 移动传感

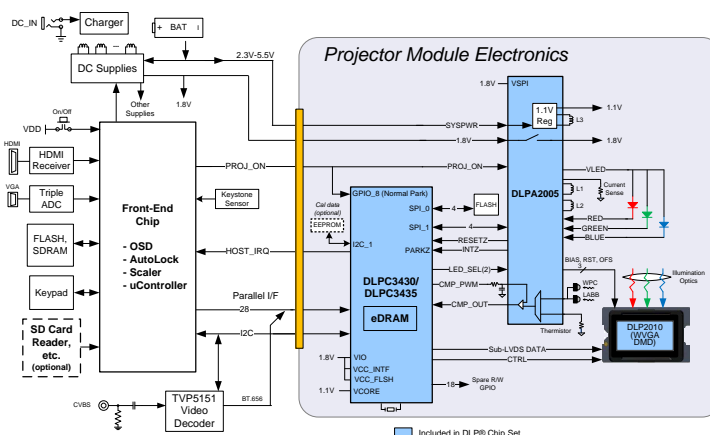
3 说明

DLPA2005 是一款专用于 DLP2010、DLP2010NIR 和 DLP3010 数字微镜器件 (DMD) 的电源管理多通道 IC (PMIC)/RGB LED/灯驱动器，与 DLPC3430、DLPC3433、DLPC3435、DLCP3438 或 DLPC150 数字控制器搭配使用。为确保这些芯片组可靠运行，必须与 DLPA2000 或 DLPA2005 搭配使用。

器件信息⁽¹⁾

| 器件型号 | 封装 | 封装尺寸 (标称值) |
|----------|-----------|---------------------------|
| DLPA2005 | VQFN (48) | 6.00mm × 6.00mm ± 0.150mm |

(1) 要了解所有可用封装，请见数据表末尾的可订购产品附录。



目录

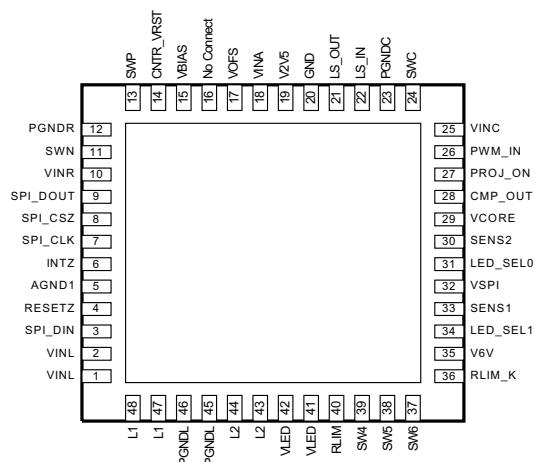
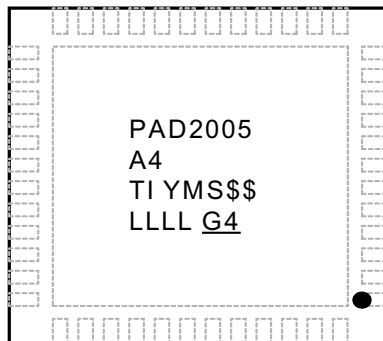
| | | | | | |
|----------|--|-----------|-----------|---|-----------|
| 1 | 特性 | 1 | 7.4 | Device Functional Modes | 25 |
| 2 | 应用 | 1 | 7.5 | Register Maps | 27 |
| 3 | 说明 | 1 | 8 | Application and Implementation | 38 |
| 4 | 修订历史记录 | 2 | 8.1 | Application Information | 38 |
| 5 | Pin Configuration and Functions | 3 | 8.2 | Typical Projector Application | 38 |
| 6 | Specifications | 5 | 8.3 | Typical Mobile Sensing Application | 40 |
| 6.1 | Absolute Maximum Ratings | 5 | 9 | Power Supply Recommendations | 43 |
| 6.2 | ESD Ratings | 5 | 10 | Layout | 44 |
| 6.3 | Recommended Operating Conditions | 5 | 10.1 | Layout Guidelines | 44 |
| 6.4 | Thermal Information | 5 | 10.2 | Layout Example | 44 |
| 6.5 | Electrical Characteristics | 6 | 10.3 | Thermal Considerations | 45 |
| 6.6 | Data Transmission Timing Requirements | 10 | 11 | 器件和文档支持 | 46 |
| 6.7 | Typical Characteristics | 11 | 11.1 | 器件支持 | 46 |
| 7 | Detailed Description | 12 | 11.2 | 商标 | 46 |
| 7.1 | Overview | 12 | 11.3 | 静电放电警告 | 46 |
| 7.2 | Functional Block Diagram | 12 | 11.4 | Glossary | 46 |
| 7.3 | Feature Description | 13 | 12 | 机械、封装和可订购信息 | 46 |

4 修订历史记录

| Changes from Revision A (September 2014) to Revision B | Page |
|--|-------------|
| • 已更新标题 | 1 |
| • 已添加 移动传感应用 | 1 |
| • Updated <i>Detailed Description</i> | 12 |
| • Added new Typical Mobile Sensing application in <i>Application Information</i> | 38 |

| Changes from Original (August 2014) to Revision A | Page |
|--|-------------|
| • 已更新特性, 应用, 和 说明 | 1 |
| • 已更改 器件状态“产品预览”至“量产数据”并发布了完整文档。 | 1 |

5 Pin Configuration and Functions

DLPA2005 VQFN Package
(BOTTOM VIEW)

Package Marking DLPA2005
(TOP VIEW)


TI = TI LETTERS
YM = YEAR / MONTH DATE CODE
LLLL = ASSY LOT CODE
S = ASSEMBLY SITE CODE
PER QSS 005-120
\$\$ = WAFER FAB CODE
(1 or 2 CHARACTERS)
● = pin 1 Marking

Pin Functions

| PIN | | I/O | DESCRIPTION |
|------------|--------|-------|--|
| NAME | NUMBER | | |
| VINL | 1 | I | Power supply input for VLED BUCK-BOOST power stage. Connect to system power. |
| | 2 | | |
| SPI_DIN | 3 | I | SPI data input |
| RESETZ | 4 | O | Reset output to the DLP system (active low). Pin is held low to reset DLP system. |
| AGND1 | 5 | GND | Analog ground. Connect to ground plane. |
| INTZ | 6 | O | Interrupt output signal (open drain). Connect to pullup resistor or short to ground. |
| SPI_CLK | 7 | I | Clock input for SPI interface |
| SPI_CSZ | 8 | I | SPI chip select (active low) |
| SPI_DOUT | 9 | O | SPI data output |
| VINR | 10 | I | Power supply input for DMD switch mode power supply (SMPS). Connect to system power. |
| SWN | 11 | I | Connection for the DMD SMPS-inductor (high-side switch). |
| PGNDR | 12 | GND | Power ground for DMD SMPS. Connect to ground plane. |
| SWP | 13 | O | Connection for the DMD SMPS-inductor (low-side switch). |
| CNTR_VRST | 14 | O | Connection to VRST for fast discharge function |
| VBIAS | 15 | O | VBIAS output rail. Connect to ceramic capacitor. |
| No Connect | 16 | I | Previously reference pin for the VRST regulator. On A4 design this reference is internal to DLPA2005 chip. |
| VOFS | 17 | O | VOFS output rail. Connect to ceramic capacitor. |
| VINA | 18 | POWER | Power supply input for sensitive analog circuitry |
| V2V5 | 19 | O | Internal supply filter pin for digital logic; typical 2.5 V |
| GND | 20 | GND | Ground connection to be connected to ground plane. |
| LS_OUT | 21 | O | Load switch |
| LS_IN | 22 | I | Load switch |
| PGND | 23 | GND | Power ground for VCORE BUCK |
| SWC | 24 | I/O | Connection for 1.1-V BUCK inductor |
| VINC | 25 | I | Power supply input for VCORE BUCK power stage. Connect to system power. |
| PWM_IN | 26 | I | Reference voltage input for analog comparator. |
| PROJ_ON | 27 | I | Input signal to enable or disable the IC and DLP projector. |

Pin Functions (continued)

| PIN | | I/O | DESCRIPTION |
|----------|---------|-----|---|
| NAME | NUMBER | | |
| CMP_OUT | 28 | O | Analog-comparator output. |
| VCORE | 29 | I | VCORE BUCK converter feedback pin. |
| SENS2 | 30 | I | Input signal from temperature sensor. |
| LED_SEL0 | 31 | I | Digital input to the RGB Strobe Decoder |
| VSPI | 32 | I | Power supply input for SPI interface. Connect to system I/O voltage. |
| SENS1 | 33 | I | Input signal from light sensor. |
| LED_SEL1 | 34 | I | Digital input to the RGB Strobe Decoder |
| V6V | 35 | O | Internal supply filter pin for gate driver circuitry. Typical 6.25 V |
| RLIM_K | 36 | I | Kelvin sense connection to top side of LED current sense resistor. For best accuracy, route this trace directly to the top of the current sense resistor and separate it from the normal trace from the current sense resistor to the RLIM pins. |
| SW6 | 37 | O | Low-side MOSFET switch for LED cathode. Connect to RGB LED assembly. |
| SW5 | 38 | O | Low-side MOSFET switch for LED cathode. Connect to RGB LED assembly. |
| SW4 | 39 | O | Low-side MOSFET switch for LED cathode. Connect to RGB LED assembly. |
| RLIM | 40 | O | Connection to LED 'current sense' resistor. Bottom side of sense resistor is connected to GND. |
| VLED | 41 / 42 | O | VLED BUCK-BOOST converter output pin. |
| L2 | 43 / 44 | I | Connection for VLED BUCK-BOOST inductor. |
| PGNDL | 45 / 46 | GND | Power ground for VLED BUCK-BOOST. Connect to ground plane. |
| L1 | 47 / 48 | O | Connection for VLED BUCK-BOOST inductor. |

6 Specifications

6.1 Absolute Maximum Ratings

Over operating free-air temperature (unless otherwise noted)⁽¹⁾

| | | MIN | MAX | UNIT |
|------------------|---|--|-----|------|
| | Input voltage at VINL, VINA, VINR, VINC | -0.3 | 7 | V |
| | Ground pins to system ground | -0.3 | 0.3 | V |
| | Voltage at SWN | -18 | 7 | V |
| | Voltage at SWP, VBIAS | -0.3 | 20 | V |
| | Voltage at VOFS | -0.3 | 12 | V |
| | Voltage at V6V, VLED, L1, L2, SWC, SW4, SW5, SW6, INTZ, PROJ_ON | -0.3 | 7 | V |
| | Voltage at all pins, unless noted otherwise | -0.3 | 3.6 | V |
| | Source current RESETZ, CMP_OUT | | 1 | mA |
| | Source current SPI_DOUT | | 5.5 | mA |
| | Sink current RESETZ, CMP_OUT | | 1 | mA |
| | Sink current SPI_DOUT, INTZ | | 5.5 | mA |
| | Peak output current | Internally limited | | |
| | Continuous total power dissipation | Internally limited by thermal shutdown | | |
| T _J | Operating junction temperature | -30 | 150 | °C |
| T ^{stg} | Storage temperature | -65 | 150 | °C |

(1) Stresses beyond those listed under *Absolute Maximum Ratings* may cause permanent damage to the device. These are stress ratings only, which do not imply functional operation of the device at these or any other conditions beyond those indicated under *Recommended Operating Conditions*. Exposure to absolute-maximum-rated conditions for extended periods may affect device reliability.

6.2 ESD Ratings

| | | VALUE | UNIT |
|--------------------|-------------------------|--|-------|
| V _(ESD) | Electrostatic discharge | Human body model (HBM), per ANSI/ESDA/JEDEC JS-001, all pins ⁽¹⁾ | ±2000 |
| | | Charged device model (CDM), per JEDEC specification JESD22-C101, all pins ⁽²⁾ | ±500 |

(1) JEDEC document JEP155 states that 500-V HBM allows safe manufacturing with a standard ESD control process.

(2) JEDEC document JEP157 states that 250-V CDM allows safe manufacturing with a standard ESD control process.

6.3 Recommended Operating Conditions

over operating free-air temperature range (unless otherwise noted).

| | | MIN | NOM | MAX | UNIT |
|--|--|------|-----|-----|------|
| Input voltage at VINL, VINA, VINR, VINC, | Full functional and parametric performance | 2.7 | 3.6 | 6 | V |
| | Extended operating range, limited parametric performance | 2.3 | 3.6 | 6 | |
| | Voltage at VSPI | 1.65 | 1.8 | 3.6 | V |
| | Operational ambient temperature | -10 | | 85 | °C |
| | Operational junction temperature | -10 | | 120 | °C |

6.4 Thermal Information

| THERMAL METRIC ⁽¹⁾ | DLPA2005 | UNIT |
|--|---------------|------|
| | RSL (48 PINS) | |
| R _{θJA} Junction-to-ambient thermal resistance ⁽²⁾ | 27.9 | °C/W |

(1) For more information about traditional and new thermal metrics, see the *IC Package Thermal Metrics* application report, [SPRA953](#).

(2) Estimated when mounted on high K JEDEC board per JESD 51-7 with thickness of 1.6 mm, 4 layers, size of 76.2 mm × 114.3 mm, and 2-oz. copper for top and bottom plane. Actual thermal impedance will depend on PCB used in the application.

6.5 Electrical Characteristics

 over operating free-air temperature range (unless otherwise noted) (see ⁽¹⁾(²)(³))

| PARAMETER | | TEST CONDITIONS | MIN | TYP | MAX | UNIT |
|--------------------------|--|--|------|------|-----|------|
| SUPPLIES | | | | | | |
| INPUT VOLTAGE | | | | | | |
| V _{IN} | Input voltage range | V _{INA} , V _{INR} , V _{INL} , V _{INC} | 2.7 | 3.6 | 6 | V |
| | Extended input voltage range ⁽¹⁾ | | 2.3 | 3.6 | 6 | |
| V _{LOW_BAT} | Low-battery warning threshold | V _{INA} falling | 3 | | | V |
| | Hysteresis | V _{INA} rising | 100 | | | mV |
| V _{hys(UVLO)} | Undervoltage lockout threshold | V _{INA} falling (through 5-bit trim function) | 2.3 | | 4.5 | V |
| | Hysteresis | V _{INA} rising | 100 | | | mV |
| V _{STARTUP} | Startup voltage | V _{BIAS} , V _{OFS} , V _{RST} ; loaded with 2 mA | 2.5 | | | V |
| INPUT CURRENT | | | | | | |
| I _Q | ACTIVE mode | Motor current excluded | | 15 | | mA |
| I _{STD} | STANDBY mode | | | 900 | | μA |
| I _{IDLE} | IDLE mode | | | 10 | | μA |
| INTERNAL SUPPLIES | | | | | | |
| V _{V6V} | Internal supply, analog | | | 6.25 | | V |
| C _{LDO_V6V} | Filter capacitor for V6V LDO | | | 100 | | nF |
| V _{V2V5} | Internal supply, logic | | | 2.5 | | V |
| C _{LDO_V2V5} | Filter capacitor for V2V5 LDO | | | 2.2 | | μF |
| DMD REGULATOR | | | | | | |
| R _{DS(ON)} | MOSFET ON-resistance | Switch E (from V _{INR} to SW _N) | 1000 | | | mΩ |
| | | Switch F (from SW _P to PG _{NDR}) | 320 | | | |
| V _{FW} | Forward voltage drop | Switch G ⁽²⁾ (from SW _P to V _{BIAS} [2]) V _{INR} = 5 V, V _{SWP} = 2 V, I _F = 100 mA | 1.3 | | | V |
| | | Switch H (from SW _P to V _{OFS}) V _{INR} = 5 V, V _{SWP} = 2 V, I _F = 100 mA | 1.3 | | | |
| t _{DIS} | Rail discharge time | V _{IN} = 2.9 V; C _{OUT} = 110 nF | | | 40 | μs |
| t _{PG} | Power-good timeout | Not tested in production | | 6 | | ms |
| I _{LIMIT} | Switch current limit | | | 312 | | mA |
| L | Inductor value | | | 10 | | μH |
| VOFS REGULATOR | | | | | | |
| V _{OFS} | Output voltage | | | 10 | | V |
| | DC output voltage accuracy | I _{OUT} = 2 mA | -2% | | 2% | |
| | DC load regulation | V _{IN} = 3.6 V, I _{OUT} = 0 to 2 mA | | -19 | | V/A |
| | DC line regulation | V _{INA} , V _{INL} , V _{INR} , V _{INC} 2.7 to 6 V, I _{OUT} = 2 mA | | 35 | | mV/V |
| V _{RIPPLE} | Output ripple | V _{IN} = 3.6 V, I _{OUT} = 2 mA, C _{OUT} = 440 nF ⁽⁴⁾ | | 375 | | mVpp |
| I _{OUT} | Output current | | 0 | | 3 | mA |
| PG | Power-good threshold (fraction of nominal output voltage) | V _{OFS} rising | 86% | | | |
| | | V _{OFS} falling | 66% | | | |
| R _{DIS} | Output discharge resistor | Active when rail is disabled | 100 | | | Ω |
| C _{OUT} | Output capacitor | Recommended value (output capacitors for V _{OFS} / V _{BIAS} must be equal) | 110 | 220 | | nF |
| | | t _{DISCHARGE} < 40 μs at 2.9 V | 100 | | 110 | nF |

(1) Fully functional but limited parametric performance

(2) Including rectifying diode

(3) Typicals are at 25 C.

 (4) To reduce ripple the C_{OUT} can be increased. V_{RIPPLE} is inversely proportional to C_{OUT}.

Electrical Characteristics (continued)

over operating free-air temperature range (unless otherwise noted) (see ⁽¹⁾⁽²⁾⁽³⁾)

| PARAMETER | | TEST CONDITIONS | MIN | TYP | MAX | UNIT |
|---------------------------------------|---|---|-----|--------|-----|------|
| VBIAS REGULATOR | | | | | | |
| V _{BIAS} | Output voltage | | | 18 | | V |
| | DC output voltage accuracy | I _{OUT} = 2 mA | -2% | | 2% | |
| | DC Load regulation | V _{IN} = 3.6 V, I _{OUT} = 0 to 2 mA | | -14 | | V/A |
| | DC Line regulation | V _{INA} , V _{INL} , V _{INR} , V _{INC} 2.7 to 6 V, I _{OUT} = 2 mA | | 18 | | mV/V |
| V _{RIPPLE} | Output ripple | V _{IN} = 3.6 V, I _{OUT} = 2 mA, C _{OUT} = 440 nF (see ⁽⁴⁾) | | 375 | | mVpp |
| I _{OUT} | Output current | | 0 | | 4 | mA |
| PG | Power-good threshold (fraction of nominal output voltage) | V _{BIAS} rising | | 86% | | |
| | | V _{BIAS} falling | | 66% | | |
| R _{DIS} | Output discharge resistor | Active when rail is disabled | | 100 | | Ω |
| C _{OUT} | Output capacitor | Recommended value (output capacitors for VOFS / VBIAS must be equal) | 110 | 220 | | nF |
| | | t _{DISCHARGE} < 40 μs at 2.9 V | 100 | | 110 | |
| VRST REGULATOR | | | | | | |
| V _{RST} | Output voltage | | | -14 | | V |
| | DC output voltage accuracy | I _{OUT} = 2 mA | -3% | | 3% | |
| | DC load regulation | V _{IN} = 3.6 V, I _{OUT} = 0 to 2 mA | | 13 | | V/A |
| | DC line regulation | V _{INA} , V _{INL} , V _{INR} , V _{INC} 2.7 to 6 V, I _{OUT} = 2 mA | | -21 | | mV/V |
| V _{RIPPLE} | Output ripple | V _{IN} = 3.6 V, I _{OUT} = 2 mA, C _{OUT} = 440 nF (see ⁽⁴⁾) | | 375 | | mVpp |
| V _{REF_VRST} | Reference voltage | | | 500 | | mV |
| I _{OUT} | Output current | | 0 | | 4 | mA |
| PG | Power-good threshold (fraction of nominal output voltage) | V _{RST} rising | | 90% | | |
| | | V _{RST} falling | | 90% | | |
| R _{DIS} | Output discharge resistor | Active when rail is disabled | | ±150 | | Ω |
| C _{OUT} | Output capacitor | | 110 | 220 | | nF |
| | | t _{DISCHARGE} < 70 μs at VBAT ≥ 2.7 V | 100 | | 110 | |
| LED DRIVER | | | | | | |
| VLED BUCK-BOOST | | | | | | |
| V _{LED} | Output voltage range | | 1.2 | | 5.4 | V |
| | Default output voltage | SW4, SW5, SW6 in OPEN position | | 3.5 | | |
| V _{OVP} | Output overvoltage protection | Clamps buck-boost output | 5.5 | | 7 | V |
| V _{LED_OVP} | Fault detection threshold | Triggers VLED_OVP interrupt | | 5.4 | | V |
| I _{SW} | Switch current limit | | 3.5 | 4.0 | 4.5 | A |
| R _{DS(ON)} | MOSFET ON-resistance | Switch A (from VINL to L1) | | 50 | | mΩ |
| | | Switch B (from L1 to PGNDL) | | 50 | | |
| | | Switch C (from L2 to PGNDL) | | 50 | | |
| | | Switch D (from L2 to VLED) | | 50 | | |
| f _{SW} | Switching frequency | | | 2.25 | | MHz |
| C _{OUT} | Output capacitance | | | 2 × 22 | | μF |
| RGB STROBE CONTROLLER SWITCHES | | | | | | |
| R _{DS(ON)} | Drain-source ON-resistance | SW4, SW5, SW6 | | 30 | 75 | mΩ |
| I _{LEAK} | OFF-state leakage current | V _{DS} = 5 V | | | 1 | μA |

Electrical Characteristics (continued)

 over operating free-air temperature range (unless otherwise noted) (see ⁽¹⁾⁽²⁾⁽³⁾)

| PARAMETER | | TEST CONDITIONS | MIN | TYP | MAX | UNIT |
|---------------------------------|-----------------------------------|--|-----------|------|------|------------|
| LED CURRENT CONTROL | | | | | | |
| V_f | LED forward voltage | | | | 4.55 | V |
| I_{LED} | LED Currents | $V_{IN} \geq 4.50$ V, $V_{LED} \leq 4.8$ V; (closed loop operation) Covers USB power and 5 V AC adapter Current at max. code 0x3CBh for SWx_IDAC[9:0] $R_{LIM} = 39$ m Ω , 0.1%, $T_A \leq 45^\circ$ C (see register settings) | 2200 | 2400 | 2600 | mA |
| | | $V_{IN} \geq 2.7$ V, $V_{LED} \leq 4.8$ V, (closed loop operation) Covers single cell Li-ion battery with high current loading Current at max. code 0x20Eh for SWx_IDAC[9:0] $R_{LIM} = 39$ m Ω , 0.1%, $T_A = 25$ C (see register settings) | | 1300 | | |
| | DC current accuracy, SW4, 5, 6 | $R_{LIM} = 39$ m Ω | ± 100 | | | mA |
| | Transient LED current limit range | ILIM[3:0] = 0000 at $R_{LIM} = 39$ m Ω ILIM[3:0] = 1111 | 333 | | | mA |
| | | | 3846 | | | |
| t_{rise} | Current rise time | I_{LED} from 5% to 95%, $I_{LED} = 300$ mA, Transient current limit disabled Not tested in production | | | 50 | μ s |
| 1.1-V REGULATOR | | | | | | |
| VCORE (BUCK) | | | | | | |
| V_{IN} | Input voltage | | 2.3 | | 6 | V |
| V_{OUT} | Nominal fixed output voltage | | | 1.1 | | V |
| | DC output voltage accuracy | 0 mA $\leq I_{OUT} \leq 600$ mA at $V_{IN} > 2.5$ V $V_{OUT} = 1.1$ V | -1.5% | | 1.5% | |
| d | Maximum duty cycle | | | | 100% | |
| $R_{DS(ON)}$ | Low-side MOSFET on-resistance | $V_{IN} = 3.6$ V, $T_J = 27^\circ$ C | | 185 | 380 | m Ω |
| | High-side MOSFET on-resistance | | | 240 | 480 | m Ω |
| I_{OUT} | Output current | $V_{IN} > 2.3$ V | | 300 | 600 | mA |
| I_{LIMIT} | Switch current limit | | | 1 | | A |
| t_{SS} | Soft-start time | Time to ramp from 10% to 90% of V_{OUT} , $V_{IN} = 3.6$ V | | 250 | | μ s |
| C_{OUT} | Output capacitance | | | 10 | | μ F |
| L | Nominal Inductance | | | 2.2 | | μ H |
| LOAD SWITCH | | | | | | |
| V_{IN} | Input voltage range | LS_IN | 1.8 | | 3.6 | V |
| $R_{DS(ON)}$ | P-channel MOSFET on-resistance | $V_{IN} = 1.8$ V, over full temperature range | | 340 | 385 | m Ω |
| C_{OUT} | Output capacitor | Ceramic | 4.7 | 10 | 12 | μ F |
| | ESR of output capacitor | Ceramic | 5 | 20 | 500 | m Ω |
| MEASUREMENT SYSTEM (AFE) | | | | | | |
| G | Amplifier gain (PGA) | AFE_GAIN[1:0] = 01 | | 1.0 | | V/V |
| | | AFE_GAIN[1:0] = 10 | | 9.5 | | |
| | | AFE_GAIN[1:0] = 11 | | 18 | | |

Electrical Characteristics (continued)

over operating free-air temperature range (unless otherwise noted) (see ⁽¹⁾⁽²⁾⁽³⁾)

| PARAMETER | | TEST CONDITIONS | MIN | TYP | MAX | UNIT |
|--|----------------------------------|--|------------------------|-----|------------------------|------|
| V _{OFS} | Input referred offset voltage | PGA, AFE_CAL_DIS = 1 Not tested in production | -1 | | 1 | mV |
| | | Comparator Not tested in production | -1.5 | | 1.5 | |
| t _{settle} | Settling time | To 1% of final value (not tested in production) | | | 15 | μs |
| | | To 0.1% of final value (not tested in production) | | | 52 | |
| f _{sample} | Sampling rate | Not tested in production | | | 19 | kHz |
| LOGIC LEVELS AND TIMING CHARACTERISTICS | | | | | | |
| V _{OL} | Output low-level | I _O = 0.5-mA sink current (RESETZ, CMP_OUT) | 0 | | 0.3 | V |
| | | I _O = 5-mA sink current (SPI_DOUT, INTZ) | 0 | | 0.3 × V _{SPI} | |
| V _{OH} | Output high-level | I _O = 0.5-mA source current (RESETZ, CMP_OUT) | 1.3 | | 2.5 | V |
| | | I _O = 5-mA source current (SPI_DOUT) | 0.7 × V _{SPI} | | V _{SPI} | |
| V _{IL} | Input low-level | PROJ_ON, LED_SEL0, LED_SEL1 | 0 | | 0.4 | V |
| | | SPI_CSZ, SPI_CLK, SPI_DIN | 0 | | 0.3 × V _{SPI} | |
| V _{IH} | Input high-level | PROJ_ON, LED_SEL0, LED_SEL1 | 1.2 | | | V |
| | | SPI_CSZ, SPI_CLK, SPI_DIN | 0.7 × V _{SPI} | | V _{SPI} | |
| I _{BIAS} | Input bias current | V _{IO} = 3.3 V, any input pin | | | 0.5 | μA |
| t _{DEGLITCH} | Deglitch time | PROJ_ON, (not tested in production) | | 1 | | ms |
| | | LED_SEL0, LED_SEL1 pins (not tested in production) | | 300 | | ns |
| INTERNAL OSCILLATOR | | | | | | |
| f _{OSC} | Oscillator frequency | | | 9 | | MHz |
| | Frequency accuracy | T _A = -30 to 85°C | -10% | | 10% | |
| THERMAL SHUTDOWN | | | | | | |
| T _{WARN} | Thermal warning (HOT threshold) | | | 120 | | °C |
| | Hysteresis | | | 10 | | |
| T _{SHTDWN} | Thermal shutdown (TSD threshold) | | | 150 | | °C |
| | Hysteresis | | | 15 | | |

6.6 Data Transmission Timing Requirements

VBAT = 3.6 ± 5%, T_A = 25 °C, C_L = 10 pF (unless otherwise noted)

| | | MIN | TYP | MAX | UNIT |
|-------------------|---|-----|-----|-----|------|
| f _{CLK} | Serial clock frequency | 0 | | 36 | MHz |
| t _{CLKL} | Pulse width low, SPI_CLK, 50% level | 10 | | | ns |
| t _{CLKH} | Pulse width high, SPI_CLK, 50% level | 10 | | | ns |
| t _t | Transition time, 20% to 80% level, all signals | 0.2 | | 4 | ns |
| t _{CSCR} | SPI_CSZ falling to SPI_CLK rising, 50% level | 8 | | | ns |
| t _{CFCS} | SPI_CLK falling to SPI_CSZ rising, 50% level | | | 1 | ns |
| t _{CDS} | SPI_DIN data setup time, 50% level | 7 | | | ns |
| t _{CDH} | SPI_DIN data hold time, 50% level | 6 | | | ns |
| t _{IS} | SPI_DOUT data setup time ⁽¹⁾ , 50% level | 10 | | | ns |
| t _{IH} | SPI_DOUT data hold time ⁽¹⁾ , 50% level | 0 | | | ns |
| t _{CFDO} | SPI_CLK falling to SPI_DOUT data valid, 50% level | | | 13 | ns |
| t _{CSZ} | SPI_CSZ rising to SPI_DOUT HiZ | | | 6 | ns |

(1) The DLPC3430/DLPC3435 processors send and receive data on the falling edge of the clock.

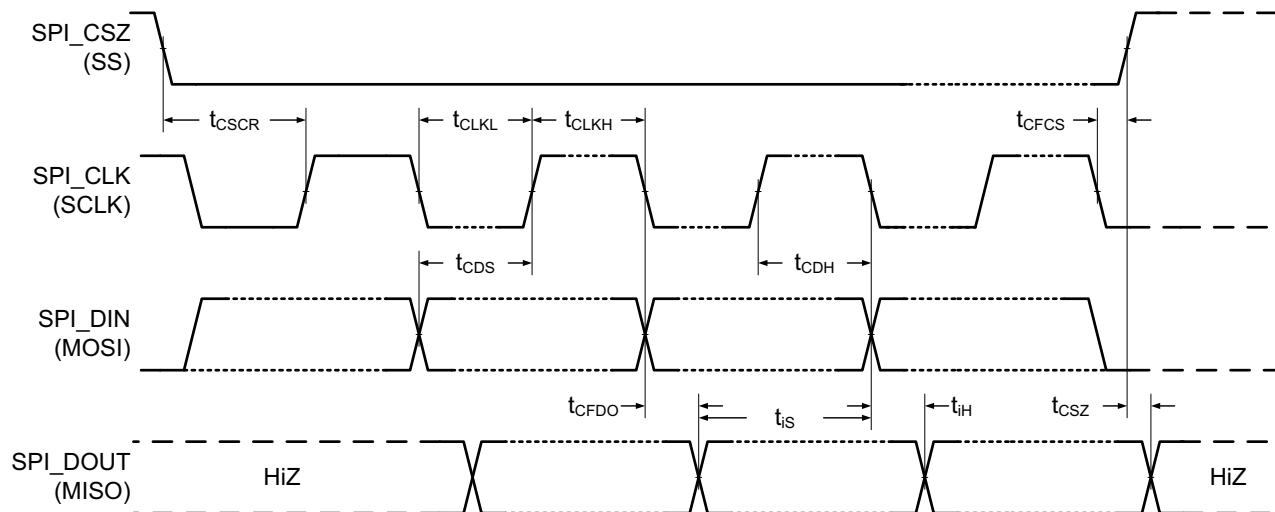
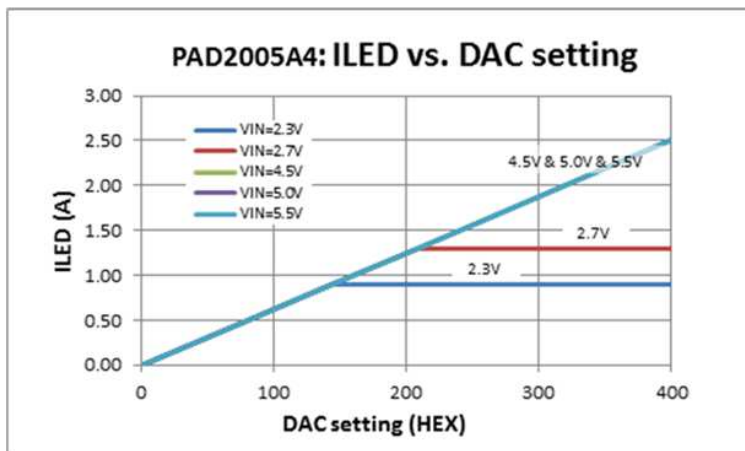


Figure 1. SPI Timing Diagram

6.7 Typical Characteristics

The maximum output current of the buck-boost is a function of input voltage (VIN), and output voltage (VLED). The relationship between VIN, VLED, and MAX ILED is shown in Figure 2. Please note that VLED is the output of the buck-boost regulator, which includes the voltage drop across the sense resistor RLIM (39 mOhms typical), internal strobe control switch (75 mΩ max), and the forward voltage of the LED. For example, to drive 2.4 A of current through a LED with Vf = 4.8 V using the DLPA2005, the minimum input voltage needs to be 4.5 V.



$$2.3\text{ V} < \text{VLED} < 4.8\text{ V}$$

Figure 2. Maximum LED Output Current as a Function of Input Voltage (VIN) and Buck-Boost Output Voltage (VLED)

NOTE

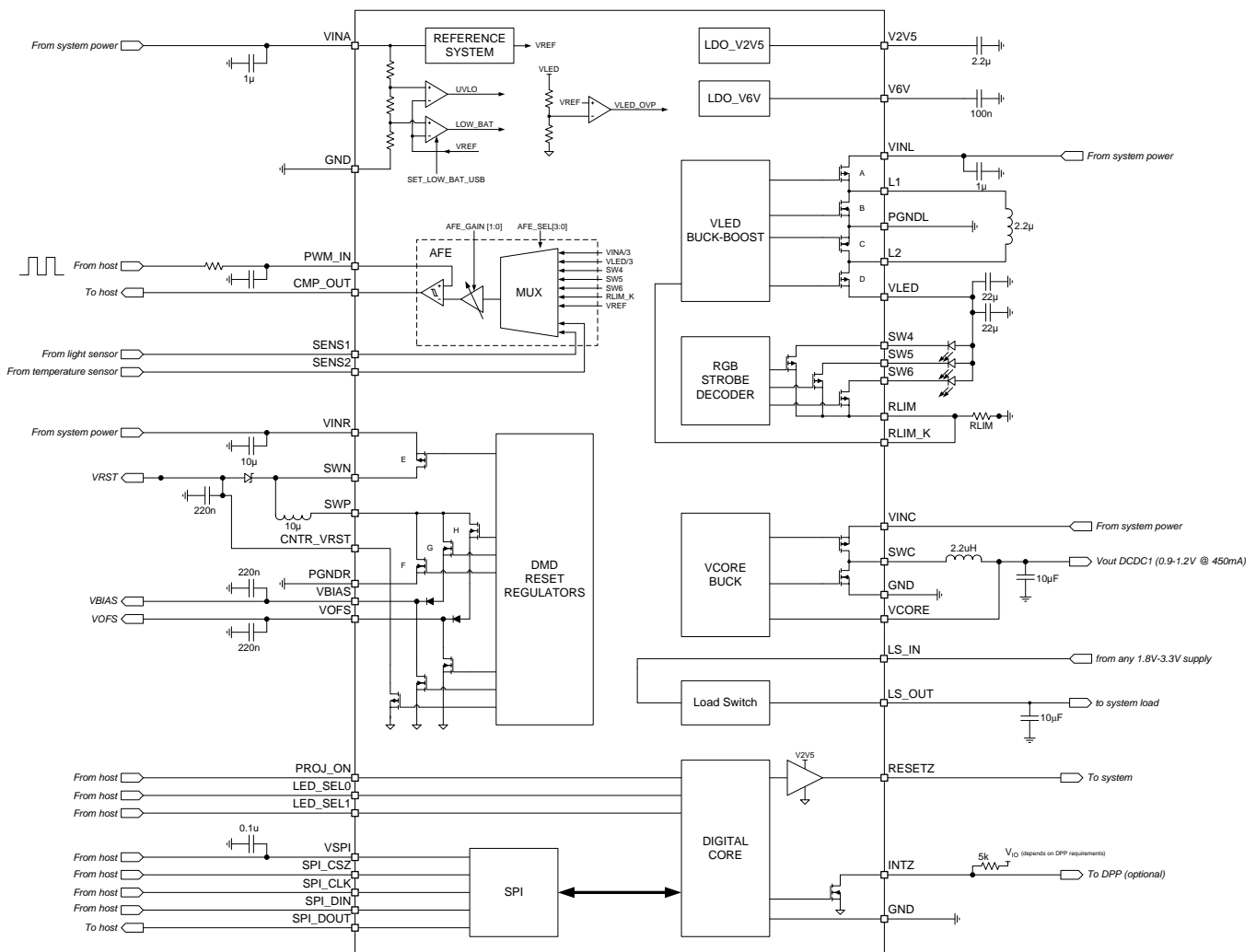
Measured on a typical unit. VLED is the output of the buck-boost regulator and includes the voltage drop across the sense resistor, internal strobe control switch, and the forward voltage of the LED.

7 Detailed Description

7.1 Overview

The DLPA2005 is a power management and LED driver IC optimized for DLP video and data display systems. DLPA2005 is part of the chipset comprising of either DLP2010 (.2WVGA) DMD and DLPC3430/DLPC3435 controller, the DLP2010NIR (.2WVGA-NIR) DMD and DLPC150 controller, or the DLP3010 (.3 720p) DMD and DLPC3433/DLPC3438 controller. The DLPA2005 contains a complete LED driver including high efficiency power convertors. The DLPA2005 can supply up to 2.4 A per LED. Integrated high-current switches are included for sequentially selecting R, G, and B LEDs. The DLPA2005 also contains three regulated DC supplies for the DMD reset circuitry: VBIAS, VRST and VOFS, as well as a regulated DC supply of 1.1 V and a load switch for the 1.8 V to support the controllers. The DLPA2005 has a SPI used for setting the configuration. Using SPI, currents can be set independently for each LED with 10-bit resolution. Other features included are the generation of the system reset, power sequencing, input signals for sequentially selecting the active LED, IC self-protections, and an analog MUX for routing analog information to an external ADC.

7.2 Functional Block Diagram



- Pin names refer to DLPA2005 pinout
- Pins connected to 'system power' can be locally decoupled with the capacity as indicated in the block diagram. At least adequate decoupling capacity (50 μ F or more) should be connected at the location the supply is entering the board.

7.3 Feature Description

7.3.1 DMD Regulators

DLPA2005 contains three switch-mode power supplies that power the DMD. These rails are VOFS, VBIAS, and VRST. After pulling the PROJ_ON pin high, the DMD is first initialized followed by a power-up of the VOFS line after a small delay of less than 10 ms followed by VBIAS and VRST with an additional delay of 145 ms. The LED driver and STROBE DECODER circuit can only be enabled after all three rails are enabled. There are two power-down sequences, the normal power-down timing initiated after pulling the PROJ_ON pin low, and a fast power-down mode where if any one of the rails encounters a fault such as an output short, all three rails are discharged simultaneously. The detailed power-up and power-down diagrams are shown in Figure 3 and Figure 4.

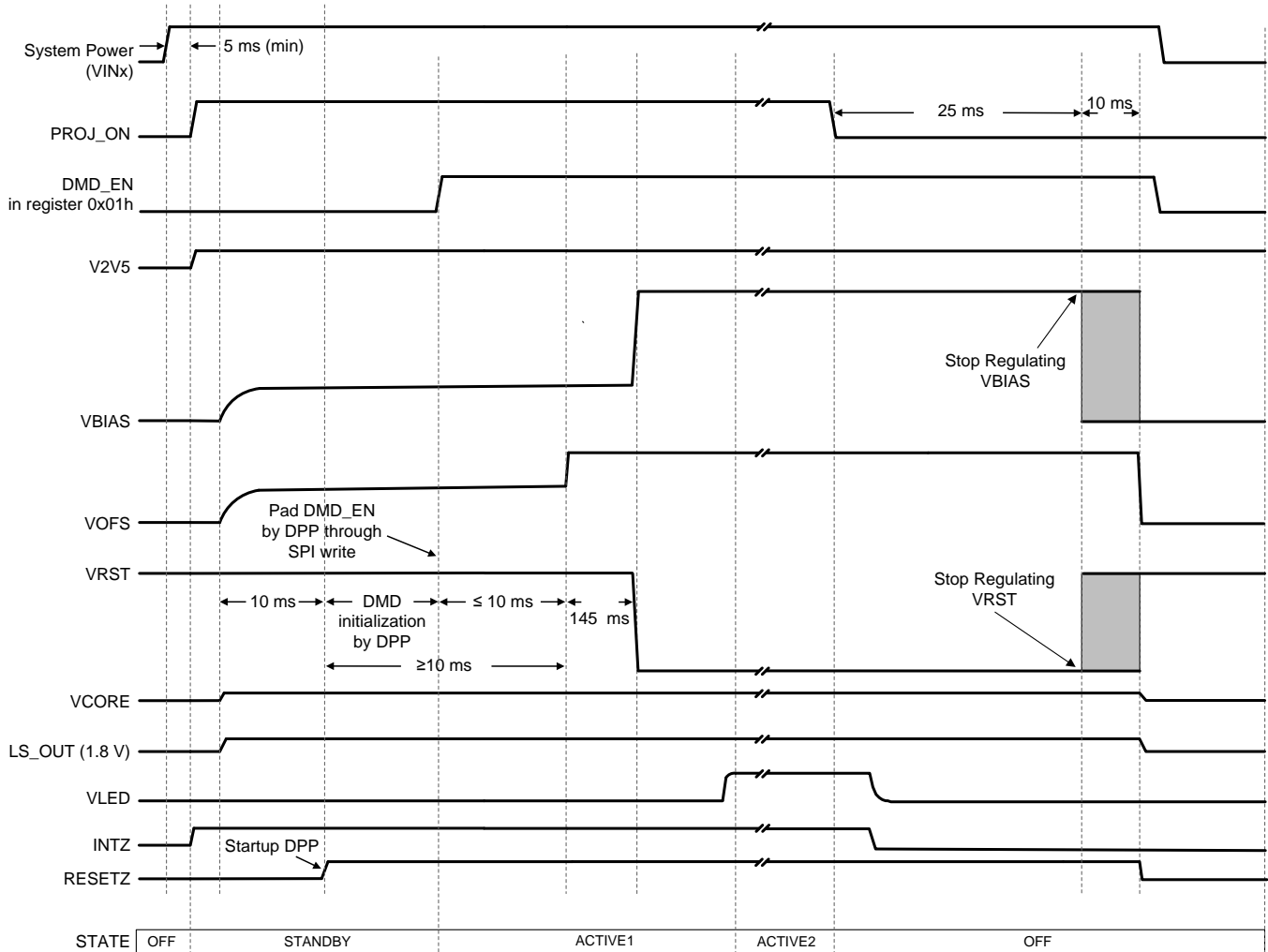
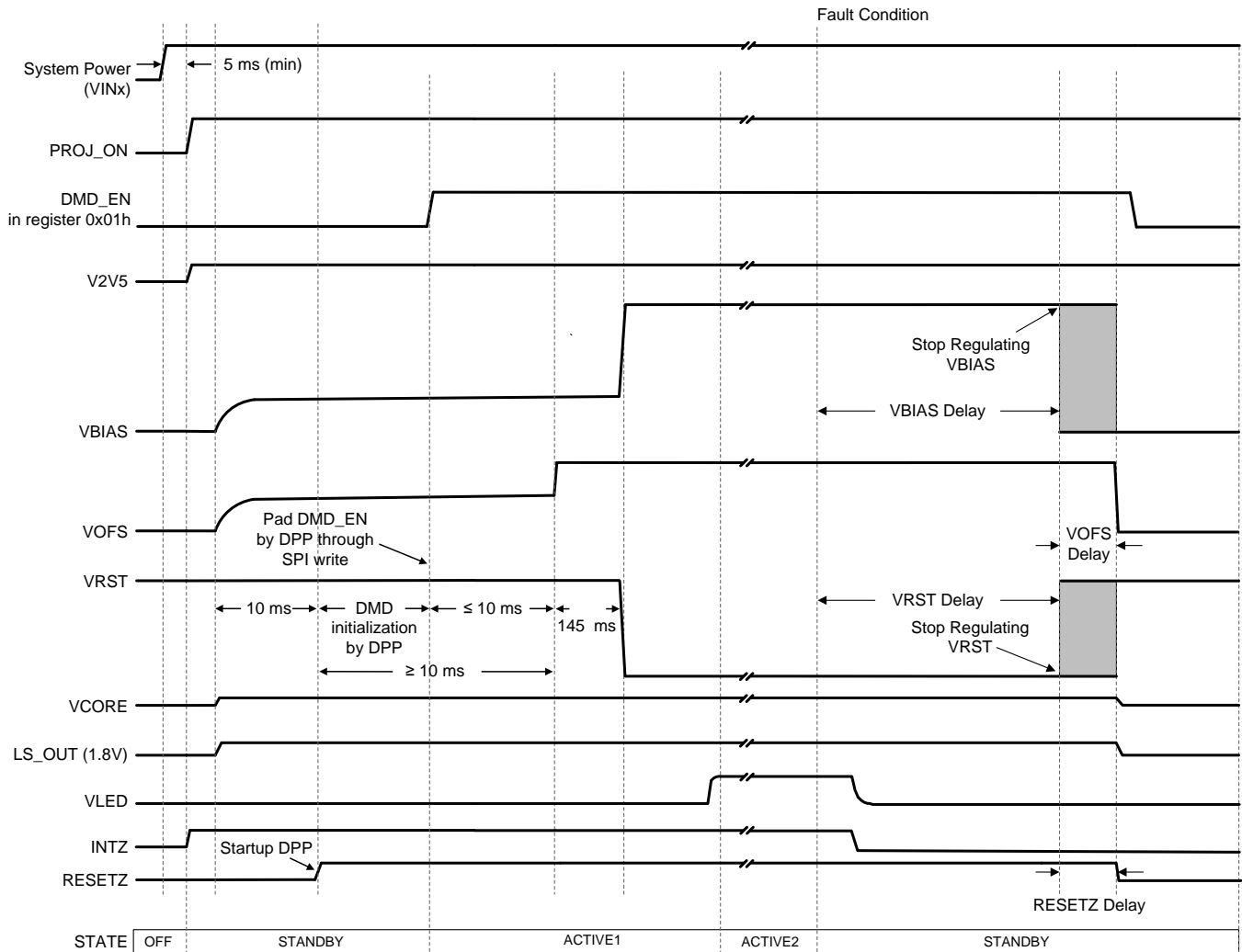


Figure 3. Power Sequence Normal Shutdown Mode

NOTE

All values are typical (unless otherwise noted).

Feature Description (continued)



(1) If the FAULT condition happens and its associated interrupt is masked in the Interrupt Mask Register (0Dh), the INTZ does not go low, but all other timing shown in the diagram is unaffected.

Figure 4. Power Sequence Fault Shutdown Mode

NOTE

All values are typical (unless otherwise noted).

7.3.2 RGB Strobe Decoder

DLPA2005 contains RGB color-sequential circuitry that is composed of three NMOS switches, the LED driver, the strobe decoder, and the LED current control. The NMOS switches are connected to the terminals of the external LED package and turn the currents through the LEDs on and off. Package connections are shown in Figure 5 and Figure 9 and corresponding switch map in Table 1.

The LED_SEL[1:0] signals typically receive a rotating code switching from RED to GREEN to BLUE and then back to RED. When the LED_SEL[1:0] input signals select a specific color, the NMOSFETs are controlled based on the color selected, and a 10-bit current control DAC for this color is selected that provides a control current to the RGB LEDs feedback control network.

Feature Description (continued)

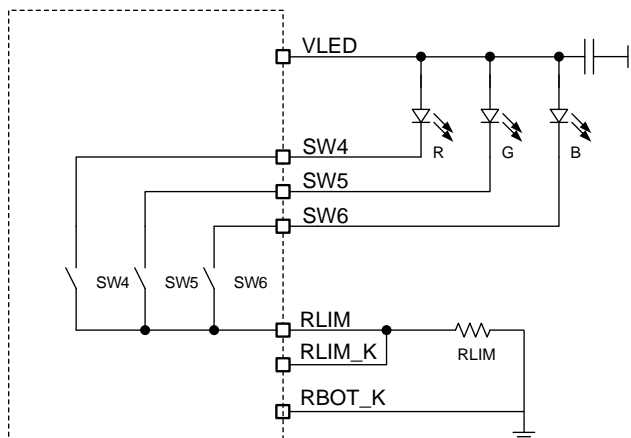


Figure 5. Switch Connection for a Common-Anode LED Assembly

Table 1. Switch Positions for Common Anode RGB LEDs (MAP = 0)

| Common Anode | | | | |
|--------------|--------|--------|--------|---------------|
| LED_SEL[1:0] | SW6 | SW5 | SW4 | IDAC Input |
| 0x00h | Open | Open | Open | N/A |
| 0x01h | Open | Open | Closed | SW4_IDAC[9:0] |
| 0x02h | Open | Closed | Open | SW5_IDAC[9:0] |
| 0x03h | Closed | Open | Open | SW6_IDAC[9:0] |

The switching of the three NMOS switches is controlled such that switches are returned to the open position first before the closed connections are made (break before make). The dead time between opening and closing switches is controlled through the BBM register. Switches that already are in the closed position (and are to remain in the closed state according to the SWCNTRL register) are not opened during the BBM delay time.

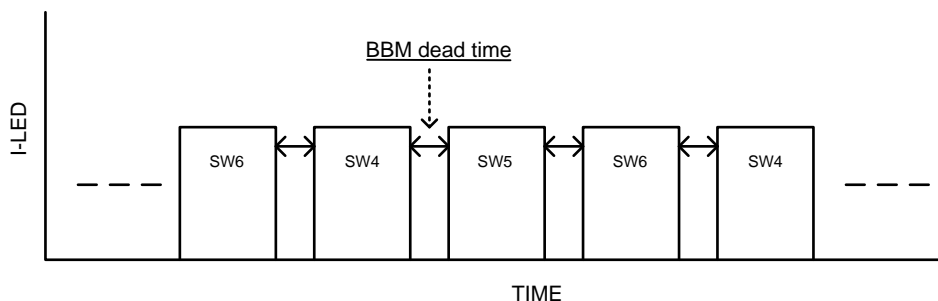


Figure 6. BBM Timing (See Register 0Bh in Table 20)

7.3.3 LED Current Control

DLPA2005 provides time-sequential circuitry to drive three LEDs with independent current control. A system based on a common anode LED configuration is shown in Figure 9 and consists of a buck-boost converter, which provides the voltage to drive the LEDs, three switches connected to the cathodes of the LEDs, an RLIM resistor used to sense the LED current, and a current DAC to control the LED current. The voltage measured at the pin V(RLIM_K) is used by the regulator loop.

The STROBE DECODER controls the switch positions as described in the previous section (RGB Strobe Decoder). With all switches in the open position, the buck-boost output assumes an output voltage of 3.5 V.

For a common-anode RGB LED configuration, the buck-boost output voltage (V_{LED}) assumes a value such that the voltage drop across the sense resistor equals

$$(SW4_IDAC[9:0]I_{value} + I_{LED}) \times R_{LIM} \quad (1)$$

when SW4 is closed. The exact value of V_{LED} depends on the current setting and the voltage drop across the LED but is limited to 5.4 V. When the STROBE decoder switches from SW4 to SW5, the buck-boost assumes a new output voltage such that the sense voltage equals:

$$(SW5_IDAC[9:0]I_{value} + I_{LED}) \times R_{LIM} \quad (2)$$

and finally when SW6 is selected.

$$(SW6_IDAC[9:0]I_{value} + I_{LED}) \times R_{LIM} \quad (3)$$

7.3.4 Maximum Led Currents and Efficiency Considerations

The DLPA2005 comprises a buck-boost power converter to supply the appropriate V_{LED} to the LEDs. The maximum obtainable LED current for a given LED forward voltage are limited by three items:

- The inherent maximum LED current of the PAD2005, i.e. for DAC setting 03FFh.
- The maximum input current of about 4 A.
- The converter efficiency.
- Junction and ambient temperature

In the [Figure 2](#) graph the LED current versus DAC setting is given for several supply voltages (V_{IN}). The load was configured for each supply case such that at the maximum attainable current $V_{OUT\ max}=4.8\ V$.

For the higher supply voltages $V_{IN}>4.5\ V$ the DAC current increases linearly up to the max setting of 3FFh. At that setting the I_{LED} is about 2.5 A. For $V_{IN}=2.3\ V$ and $V_{IN}=2.7\ V$ the LED current is typically limited to 0.9 A and 1.3 A, respectively. Main reason of this limitation is the maximum input current in combination with the limited converter efficiency. This can be understood by looking at the equation describing the power conversion:

$$V_{OUT} \cdot I_{OUT} = \eta_{eff} \cdot V_{IN} \cdot I_{IN}$$

This equation states that the output power of the converter is equal to the input power times the converter efficiency. As indicated above, the input current I_{IN} of the power converter is maximized to about 4A. The η_{eff} is the efficiency of the power converter, as described further down this section. For the lower input voltage the power converter runs as a boost converter.

($V_{OUT}=4.8\ V$). Assuming 100% efficiency, $V_{IN}=2.3\ V$, $V_{OUT}=4.8\ V$ and $I_{IN\ max}=4\ A$, the maximum attainable I_{LED} is:

$$I_{LED} = \frac{\eta_{eff} \cdot V_{IN} \cdot I_{IN}}{V_{OUT}} = \frac{1 \cdot 2.3V \cdot 4A}{4.8V} = 1.9A$$

For the power converter approaching the maximum input current, the efficiency can roll down significantly. As a result the maximum LED current for $V_{IN}=2.3\ V$ and $V_{OUT}=4.8\ V$ is about 0.9 A.

The efficiency of the power converter depends on the input supply voltage and the output loading, i.e. output voltage and output current. In the below graph efficiency curves as a function of the LED current are given for several input supply voltages. Again for each of these supply cases the load was controlled such that at maximum output current the output voltage was about 4.8 V.

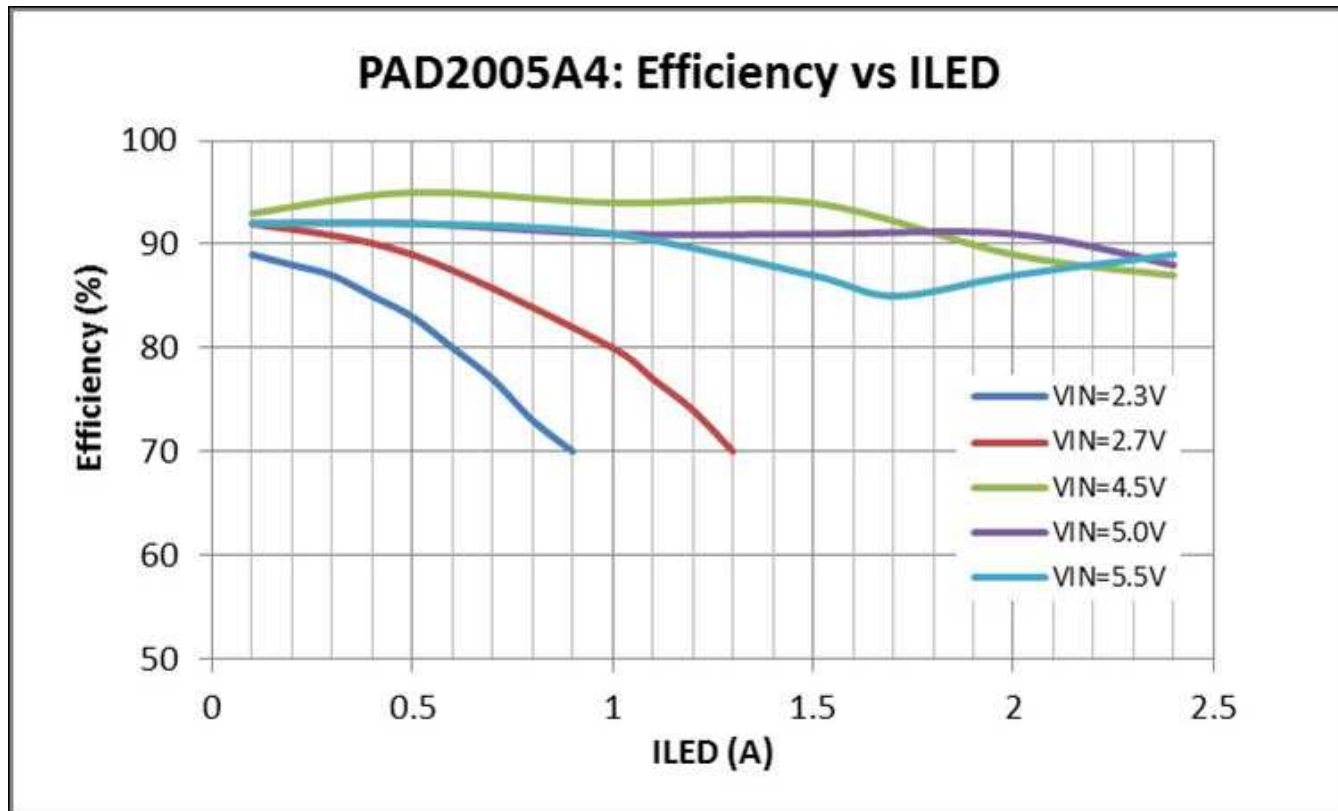


Figure 7. Measured Typical Power converter efficiency as a function of ILED for several supply voltages (VOUTmax=4.8V for each supply)

Note that in the measurement the output of the buck-boost regulator includes the voltage drop across the sense resistor RLIM, the voltage drop across the internal strobe control switch, and the forward voltage of the LED.

For higher input voltages the power converter runs at an efficiency of 85% or better. For the lower supply voltages because of the boost action, the efficiency quickly rolls down. Refer to section [Thermal Considerations](#) for information related to these efficiencies.

7.3.5 Calculating Inductor Peak Current

To properly configure the DLPA2005 device, a 2.2-μH inductor must be connected between pin L1 and pin L2. The peak current for the inductor in steady state operation can be calculated.

[Equation 4](#) shows how to calculate the peak current I_1 in step down mode operation, and [Equation 5](#) shows how to calculate the peak current I_2 in boost mode operation. V_{IN1} is the maximum input voltage, V_{IN2} is the minimum input voltage, f is the switching frequency (2.25 MHz), and L the inductor value (2.2 μH).

$$I_1 = \frac{I_{OUT}}{0.8} + \frac{V_{OUT}(V_{IN1} - V_{OUT})}{2 \times V_{IN1} \times f \times L} \tag{4}$$

$$I_2 = \frac{V_{OUT} \times I_{OUT}}{0.8 \times V_{IN2}} + \frac{V_{IN2}(V_{OUT} - V_{IN2})}{2 \times V_{OUT} \times f \times L} \tag{5}$$

The critical current value for selecting the right inductor is the higher value of I_1 and I_2 . Also consider that load transients and error conditions may cause higher inductor currents. This needs to be accounted for when selecting an appropriate inductor. Internally the switching current is limited to a maximum of 4 A.

7.3.6 LED Current Accuracy

The LED drive current is controlled by a current DAC (Digital to Analog Converter) and can be set independently for switch SW4, SW5 and SW6. For the DLPA2005, the DAC is trimmed at a current of 2528 mA at code: 0x3FFh, and the step size is 2.47 mA. First order gain-error of the DAC can be neglected, but an offset current error must be taken into account. This offset error differs depending on the used RLIM, and is ± 100 mA for the DLPA2005 using a current sense resistor of 39 m Ω .

The max current of the DLPA2005 (SWx_IDAC[9:0] = 0x3FFh) is regulated to 2528 mA. At the lowest setting (SWx_IDAC[9:0] = 0x029h) the current is regulated to 101 mA (DLPA2005). For this current setting (0x028h), the absolute current error results into a large relative error, however this is not a typical operating point.

For best accuracy of the LED current, take the below two considerations into account:

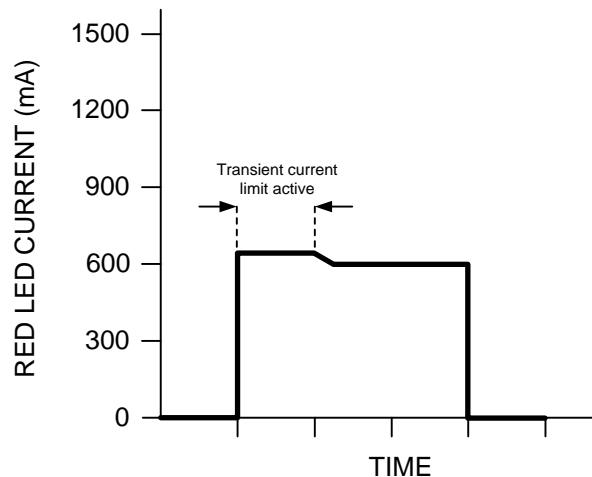
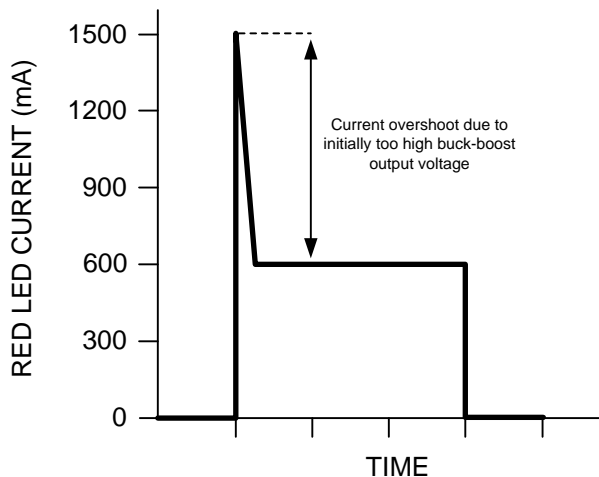
- The LED current setting does not only depend on the accuracy of the RLIM resistor but also strongly depends on the added resistance of pcb traces in the ground route of RLIM and the soldering quality. Due to the low value of the current sense resistor RLIM, any extra introduced resistance of e.g. several milliohms will result in a noticeable different LED current.
- Voltage sensing across RLIM is internally referred to the analog ground, i.e. pin 5 AGND1 and pin 20 GND. To prevent any voltage drop between the ground connection of RLIM and the AGND of the PAD2005, make a star connection of the RLIM ground near pin 5. Take care to make it a low ohmic route that can handle the high LED current. Subsequently, make the ground connection for pin 5 to the system ground low ohmic as well.

Taking the above measures relative to RLIM, the ILED current should align with the calculated value according to:

- $\text{Decimal_Code\#} = (\text{set_current} - \text{min_current}) / \text{step_current}$.
- If needed translate the Decimal_Code# to HEX code before entering in the control software.

7.3.7 Transient Current Limiting

Typically the forward voltages of the green and blue diodes are close to each other (about 3 to 4 V). However, the forward voltage of the red diode is significantly lower (1.8 to 2.5 V). This can lead to a current spike in the red diode when the strobe controller switches from green or blue to red because VLED is initially at a higher voltage than required to drive the RED diode. DLPA2005 provides transient current limiting for each switch to limit the current in the LEDs during the transition. The transient current limit value is controlled through the ILIM[3:0] bits in the IREG register. The same register also contains three bits to select which switch employs the transient current limiting feature. In a typical application, the transient current limit will only apply to the RED diode, and the ILIM[3:0] value will typically be set approximately 10% higher than the DC regulation current. The effect that the transient current limit has on the LED current is shown in [Figure 8](#).



Red LED current without transient current limit. The current overshoots because the buck-boost voltage starts at the (higher) level of the green or blue LED.

LED current with transient current limit.

Figure 8. RED LED Current With and Without Transient Current Limit

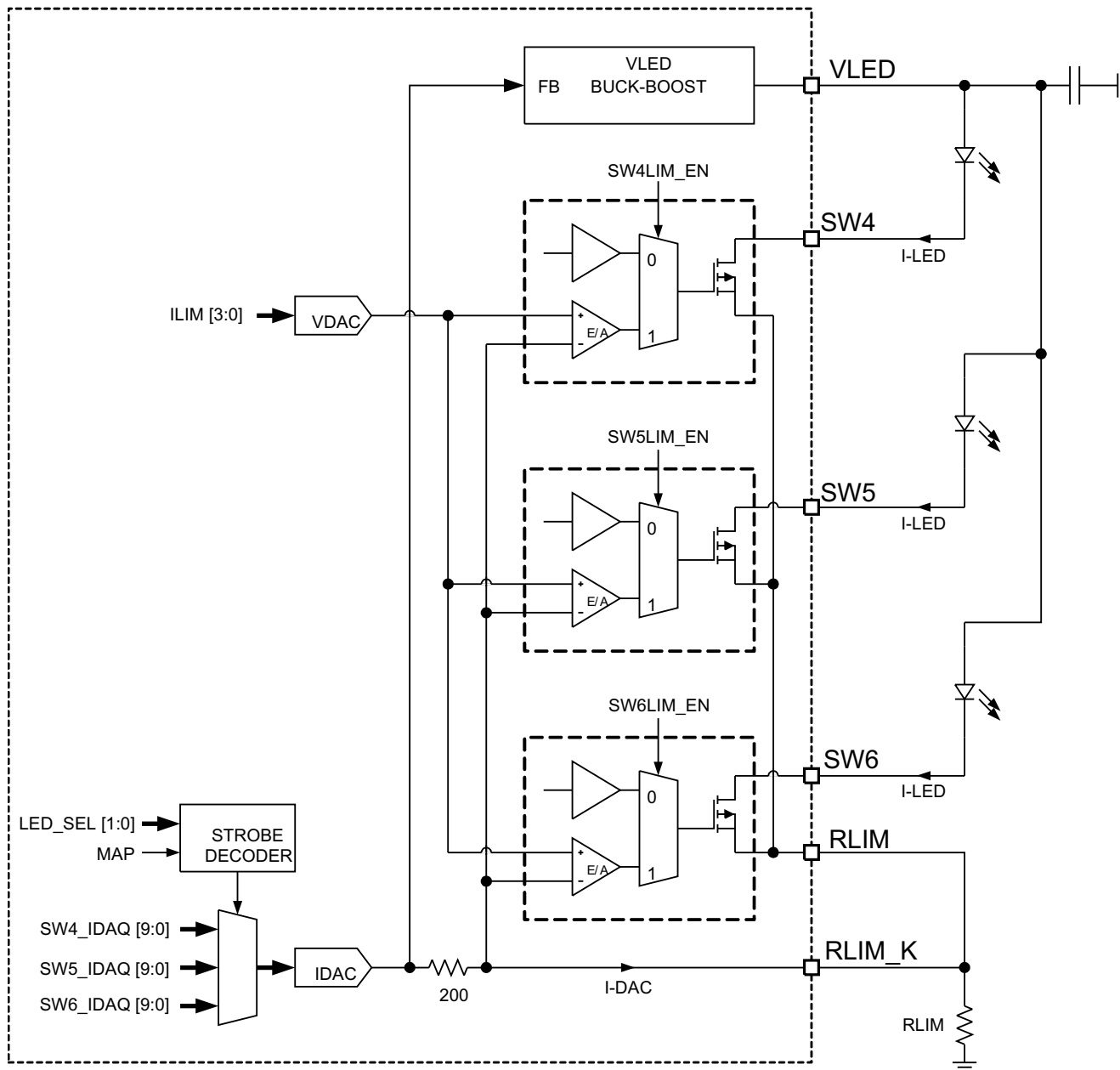


Figure 9. LED Driver Block Diagram

7.3.8 1.1-V Regulator (Buck Converter)

The buck converter creates a voltage of 1.1 V, and due to its switching nature, an output ripple with a frequency of approximately 2.25 MHz occurs on its output. This ripple is strongly dependent on the decoupling capacitor at the output in combination with the inductor. The magnitude of the ripple can be calculated with Equation 6.

$$\Delta V_{CORE} = V_{CORE} \times \frac{1 - \frac{V_{CORE}}{V_{INC}}}{L \times f} \times \left(\frac{1}{8 \times C_{OUT} \times f} + ESR \right) \quad (6)$$

The best way to minimize this ripple is to select a capacitor with a very-low ESR.

7.3.9 Measurement System

The measurement system is composed of a 10:1 analog multiplexer (MUX), a programmable-gain amplifier, and a comparator. It works together with the DPP processor to provide:

- White-point correction (WPC) by independently adjusting the RGB LED currents after measuring the brightness of each color with an external light sensor
- A measurement of the:
 - Battery voltage
 - LED forward voltage
 - Exact LED current
 - Temperature as derived by measuring the voltage across an external thermistor

Figure 10 shows a block diagram of the measurement system.

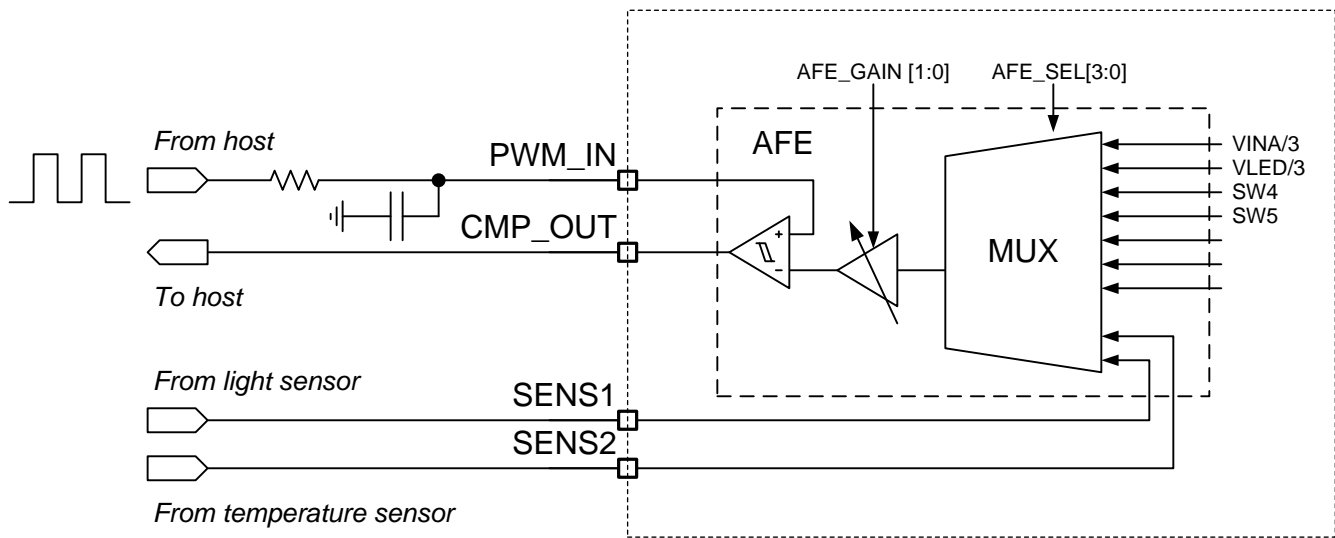
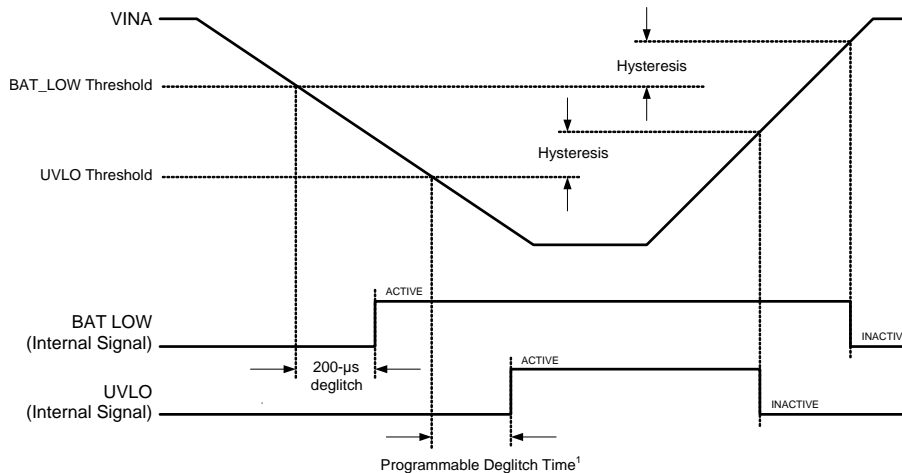


Figure 10. Block Diagram of the Measurement System

Table 2. Recommended Configuration of the AFE for Different Input Selections

| AFE_SEL[3:0] | SELECTED INPUT | RECOMMENDED GAIN SETTING AFE-GAIN[1:0] | RECOMMENDED SETTING OF AFE_CAL_DIS BIT |
|--------------|----------------|---|---|
| 0x00h | SENS2 | 0x01h (1x) | Setting has no effect on measurement |
| 0x01h | VLED | 0x01h (1x) | Setting has no effect on measurement |
| 0x02h | VINA | 0x01h (1x) | Setting has no effect on measurement |
| 0x03h | SENS1 | 0x01h (1x) | Setting has no effect on measurement |
| 0x04h | RLIM_K | 0x03h (18x) | Set to 1 if sense voltage is >100 mV. Otherwise set to 0 (default) |
| 0x05h | SW4 | 0x02h (9.5x) | Set to 1 if sense voltage is >200 mV. Otherwise set to 0 (default) |
| 0x06h | SW5 | 0x02h (9.5x) | Set to 1 if sense voltage is >200 mV. Otherwise set to 0 (default) |
| 0x07h | SW6 | 0x02h (9.5x) | Set to 1 if sense voltage is >200 mV. Otherwise set to 0 (default) |
| 0x08h | No connect | N/A | N/A |
| 0x09h | VREF | 0x01h (1x) | Setting has no effect on measurement |



(1) This time is programmable from 0 to 100 μ s

Figure 12. UVLO is Asserted When the Input Supply Drops Below the UVLO Threshold

7.3.10.3 DMD Regulator Fault (DMD_FLT)

The DMD regulator is continuously monitored to check if the output rails are in regulation and if the inductor current increases as expected during a switching cycle. If either one of the output rails drops out of regulation (for example, due to a shorted output) or the inductor current does not increase as expected during a switching cycle (due to a disconnected inductor), the DMD_FLT interrupt bit is set in the INT register, the DMD_EN bit is reset, and the DMD regulator is shut down. Resetting the DMD_EN bit also causes the LED driver to power down. To restart the system, the PROJ_ON pin must be toggled. In case the interrupt is masked, it is sufficient to set the DMD_EN bit to restart the system.

7.3.10.4 V6V Power-Good (V6V_PGF) Fault

The LED driver regulation loop requires the V6V rail for proper operation. The rail is continuously monitored and should the output drop below the power-good threshold, the V6V_PGF bit is set. The VLED buck-boost is then disabled and attempts to restart automatically.

7.3.10.5 VLED Overvoltage (VLED_OVP) Fault

If the buck-boost output voltage rises above 5.4 V, the VLED_OVP interrupt is set but the buck-boost regulator is not turned off. A typical condition to cause this fault is an open LED.

7.3.10.6 VLED Power Save Mode

In normal PWM operation, the efficiency of the VLED buck-boost converter dramatically reduces for LED currents below 100 mA. In this case, the power save mode allows high converting efficiency at low output currents by skipping pulses in the switcher's gate driver control.

7.3.10.7 V1V8 PG Failure

If for any reason the voltage on the LS_OUT drops below approximately 1.3 V, then VOFS, VBIAS, and VRST immediately go into fast shut down. Holding off power down to do mirror parking is not included since 1.3 V is too low to wait for this. Reactivating can only be done by toggling the PROJ_ON off and on again.

7.3.10.8 Interrupt Pin (INTZ)

Use the interrupt pin to signal events and fault conditions to the host processor. Whenever a fault or event occurs in the IC, the corresponding interrupt bit is set in the INT register, and the open-drain output is pulled low. The INTZ pin is released (returns to HiZ state) and fault bits are cleared when the INT register is read by the host.

However, if a failure persists, the corresponding INT bit remains set and the INTZ pin is pulled low again after a maximum of 32 μ s.

Interrupt events include fault conditions such as power-good faults, over-voltage, over-temperature shutdown, and UVLO. For all interrupt conditions see the interrupt register on [Table 22](#).

The MASK register is used to mask events from generating interrupts, that is, from pulling the INTZ pin low. The MASK settings affect the INTZ pin only and have no impact on protection and monitor circuits themselves. When an interrupt is masked, the event causing the interrupt still sets the corresponding bit in the INT register. However, it does not pull the INTZ pin low.

7.3.10.9 SPI

DLPA2005 provides a 4-wire SPI port that supports high-speed serial data transfers up to 33.3 MHz. Support includes register and data buffer write and read operations. The SPI_CSZ input serves as the active low chip select for the SPI port. The SPI_CSZ input must be forced low in order to write or read registers and data buffers. When SPI_CSZ is forced high, the data at the SPI_DIN input is ignored, and the SPI_DOUT output is forced to a high-impedance state. The SPI_DIN input serves as the serial data input for the port; the SPI_DOUT output serves as the serial data output. The SPI_CLK input serves as the serial data clock for both the input and output data. Data is latched at the SPI_DIN input on the rising edge of SPI_CLK, while data is clocked out of the SPI_DOUT output on the falling edge of SPI_CLK. [Figure 13](#) illustrates the SPI port protocol. Byte 0 is referred to as the command byte, where the most significant bit is the write/not read bit. For the W/nR bit, a 1 indicates a write operation, while a 0 indicates a read operation. The remaining seven bits of the command byte are the register address targeted by the write or read operation. The SPI port supports write and read operations for multiple sequential register addresses through the implementation of an auto-increment mode. As shown in [Figure 13](#), the auto-increment mode is invoked by simply holding the SPI_CSZ input low for multiple data bytes. The register address is automatically incremented after each data byte transferred, starting with the address specified by the command byte. After reaching address 0x7Fh the address pointer jumps back to 0x00h.

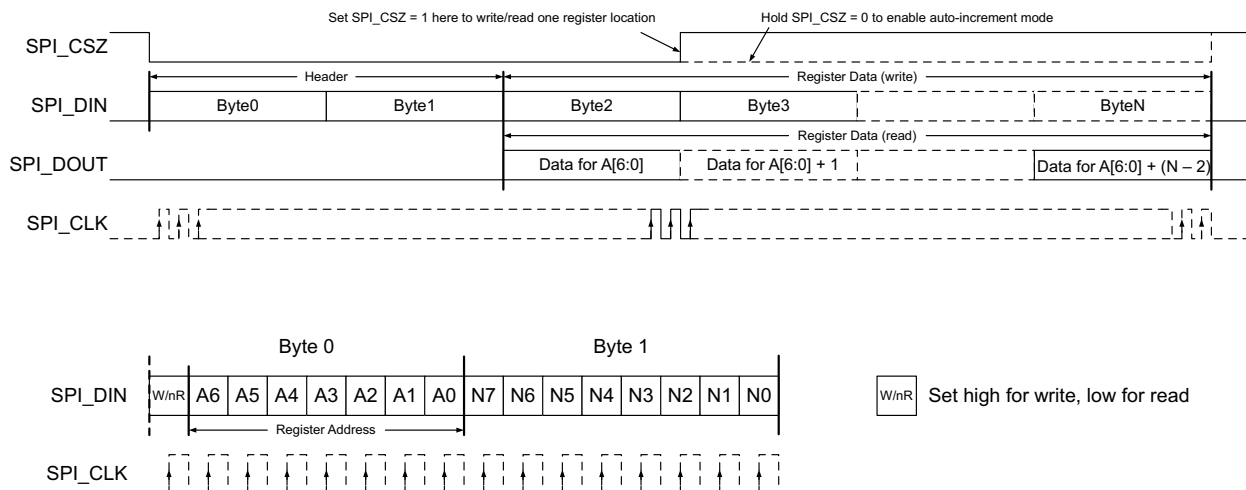


Figure 13. SPI Protocol

7.3.11 Password Protected Registers

Register addresses 0x11h through 0x27h can be read-accessed the same way as any other register, but are protected against accidental write operations through the PASSWORD register (address 0x10h). To write to a protected register, follow these steps:

1. Write data 0xBAh to register address 0x10h.
2. Write data 0xBEh to register address 0x10h.

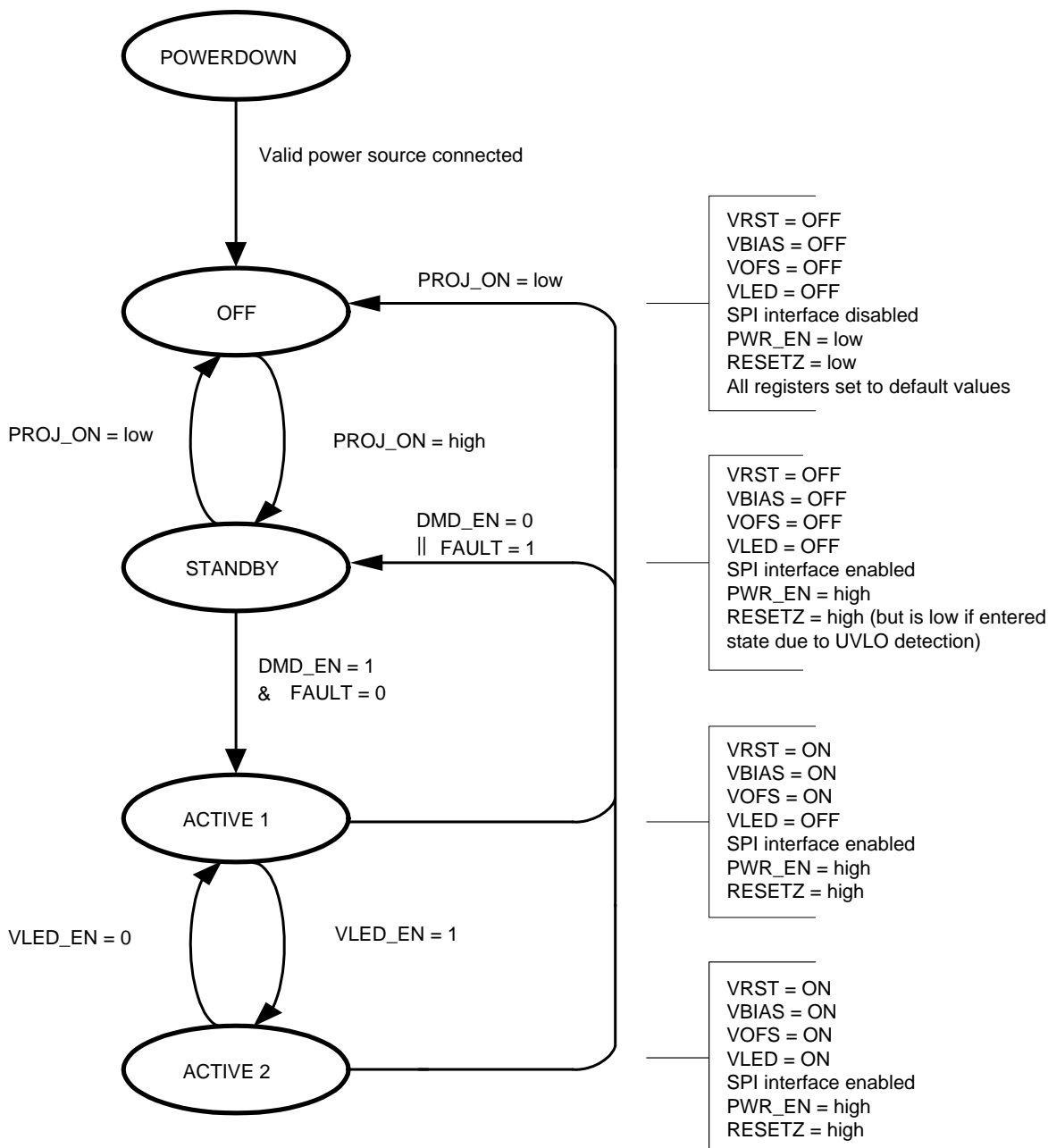
Both writes must be consecutive, that is, there must be no other read or write operation in between sending the two bytes. After the password has been successfully written, registers 0x11h through 0x27h are unlocked and can be write accessed using the regular SPI protocol. They remain unlocked until any byte other than 0xBAh is written to the PASSWORD register or the part is power cycled.

To check if the registers are unlocked, read back the PASSWORD register. If the data returned is 0x00h, the registers are locked. If the PASSWORD register returns 0x01h, the registers are unlocked.

7.4 Device Functional Modes

MODES OF OPERATION

- OFF** This is the lowest-power mode of operation. All power functions are turned off, registers are reset to their default values and the IC does not respond to SPI commands. RESETZ pin is pulled low. The IC will enter OFF mode whenever the PROJ_ON pin is low.
- STANDBY** The DMD regulators and LED power (VLED) are turned off, but the IC does respond to the SPI interface. The device enters STANDBY mode whenever PROJ_ON is set high or DMD_EN7 bit is set to 0 using the SPI interface after PROJ_ON is already high. The device also enters STANDBY mode when a fault condition is detected⁸. (see the section about Protection Circuits on pages 28 & 30)
- ACTIVE1** The DMD supplies are enabled but LED power (VLED) is disabled. PROJ_ON pin must be high, DMD_EN bit must be set to 1, and VLED_EN9 bit is set to 0.
- ACTIVE2** DMD supplies and LED power are enabled. PROJ_ON pin must be high and DMD_EN and VLED_EN bits must both be set to 1.

Device Functional Modes (continued)


- A. || = OR , & = AND
- B. FAULT = Undervoltage on any supply (except LS_OUT), thermal shutdown, or UVLO detection
- C. UVLO detection, per the diagram, causes the DLPA2005 to go into the standby state. This is not the lowest power state. If lower power is desired, PROJ_ON should be set low.
- D. DMD_EN register bit can be reset or set by SPI writes. DMD_EN defaults to 0 when PROJ_ON goes from low to high and then the DPP ASIC software automatically sets it to 1. Also, FAULT = 1 causes the DMD_EN register bit to be reset.
- E. PWR_EN is a signal internal to the DLPA2005. This signal turns on the VCORE regulator and the load switch that drives pin LS_OUT

Figure 14. State Diagram

Table 3. Device State as a Function of Control-Pin Status

| PROJ_ON PIN | STATE |
|-------------|--|
| LOW | OFF |
| HIGH | STANDBY ACTIVE1 ACTIVE2 (Device state depends on DMD_EN and VLED_EN bits and whether there are any fault conditions.) |

Table 4. Modes of Operation

| MODE | DESCRIPTION |
|---------|---|
| OFF | This is the lowest-power mode of operation. All power functions are turned off, registers are reset to their default values, and the IC does not respond to SPI commands. RESETZ pin is pulled low. The IC will enter OFF mode whenever the PROJ_ON pin is low. |
| STANDBY | The DMD regulators and LED power (VLED) are turned off, but the IC does respond to the SPI. The device enters STANDBY mode whenever PROJ_ON is set high or DMD_EN ⁽¹⁾ bit is set to 0 using the SPI interface after PROJ_ON is already high. The device also enters STANDBY mode when a fault condition is detected ⁽²⁾ . (See Protection Circuits .) |
| ACTIVE1 | The DMD supplies are enabled but LED power (VLED) is disabled. PROJ_ON pin must be high, DMD_EN bit must be set to 1, and VLED_EN ⁽³⁾ bit is set to 0. |
| ACTIVE2 | DMD supplies and LED power are enabled. PROJ_ON pin must be high and DMD_EN and VLED_EN bits must both be set to 1. |

(1) Settings can be done through Reg01h [9] and Reg2E [119]

(2) Power-good faults, over-voltage, overtemperature shutdown, and undervoltage lockout

(3) Settings can be done through Reg47h [60], bit is named VLED_EN_SET

7.5 Register Maps

Table 5. Register Description

| REGISTER | ADDRESS (Hex) | NAME | TABLE | DESCRIPTION | DEFAULT |
|---|---------------|------------|------------------------------------|---|---------|
| USER CONFIGURATION DEFINITIONS | | | | | |
| R | 0x00 | CHIP ID | Table 6 | Chip Revision Register; DLPA2005 | C4 |
| R/W | 0x01 | CHIPENABLE | Table 7 | Enable Register | 0F |
| R/W | 0x02 | IREG | Table 8 | Transient-current limit settings | 30 |
| R/W | 0x03 | SW4MSB | Table 9 | Regulation current MSB, SW4 | 0 |
| R/W | 0x04 | SW4LSB | Table 10, Table 11 | Regulation current LSB, SW4 | 0 |
| R/W | 0x05 | SW5MSB | Table 12 | Regulation current MSB, SW5 | 0 |
| R/W | 0x06 | SW5LSB | Table 13, Table 14 | Regulation current LSB, SW5 | 0 |
| R/W | 0x07 | SW6MSB | Table 15 | Regulation current MSB, SW6 | 0 |
| R/W | 0x08 | SW6LSB | Table 16, Table 17 | Regulation current LSB, SW6 | 0 |
| R/W | 0x09 | SWCNTRL | Table 18 | Switch ON/OFF control (direct mode) | 0 |
| R/W | 0x0A | AFE | Table 19 | AFE (MUX) control | 0 |
| R/W | 0x0B | BBM | Table 20, Table 21 | Break Before Make timing | 0 |
| R | 0x0C | INT | Table 22, Table 23 | Interrupt register | 0 |
| R/W | 0x0D | INT MASK | Table 24, Table 25 | Interrupt Mask register | DFh |
| R/W | 0x0E | TIMING | Table 26, Table 27 | Timing register VOFS, VBIAS, VRST, and RESETZ | 7 |
| USER PROTECTED DEFINITION | | | | | |
| R/W | 0x10 | PASSWORD | Table 28 | Password register | 0 |
| R/W | 0x11 | SYSTEM | Table 29 | System Configuration register | 0 |
| USER EEPROM SCRATCH PAD DEFINITION | | | | | |
| R/W | 0x20 | BYTE0 | Table 31 | User EEPROM, Byte0 | 0 |

Register Maps (continued)
Table 5. Register Description (continued)

| REGISTER | ADDRESS (Hex) | NAME | TABLE | DESCRIPTION | DEFAULT |
|----------|---------------|-------|--------------------------|--------------------|---------|
| R/W | 0x21 | BYTE1 | Table 32 | User EEPROM, Byte1 | 0 |
| R/W | 0x22 | BYTE2 | Table 33 | User EEPROM, Byte2 | 0 |
| R/W | 0x23 | BYTE3 | Table 34 | User EEPROM, Byte3 | 0 |
| R/W | 0x24 | BYTE4 | Table 35 | User EEPROM, Byte4 | 0 |
| R/W | 0x25 | BYTE5 | Table 36 | User EEPROM, Byte5 | 0 |
| R/W | 0x26 | BYTE6 | Table 37 | User EEPROM, Byte6 | 0 |
| R/W | 0x27 | BYTE7 | Table 38 | User EEPROM, Byte7 | 0 |

Table 6. Chip Revision Register

| REGISTER = 00h | | | | | | | | | |
|----------------------|---------------|----------------|----|-------------|----|----|----|----|-----|
| DATA BIT | D7 | D6 | D5 | D4 | D3 | D2 | D1 | D0 | HEX |
| FIELD NAME | CHIP ID [7:0] | | | | | | | | |
| READ/WRITE | R | R | R | R | R | R | R | R | |
| RESET VALUE DLPA2005 | 1 | 1 | 0 | 0 | 0 | 1 | 0 | 0 | C4 |
| FIELD NAME | BIT | BIT DEFINITION | | | | | | | |
| CHIP ID | [7:0] | 7:4 | | CHIPID<3:0> | | | | | |
| | | 3:0 | | REVID<3:0> | | | | | |

Table 7. Enable Register

| REGISTER = 01h | | | | | | | | | |
|----------------|-------------------|----------------|-----|--|-----|-----|-----|-----|-----|
| DATA BIT | D7 | D6 | D5 | D4 | D3 | D2 | D1 | D0 | HEX |
| FIELD NAME | CHIPENABLE [15:8] | | | | | | | | |
| READ/WRITE | R/W | R/W | R/W | R/W | R/W | R/W | R/W | R/W | |
| RESET VALUE | 0 | 0 | 0 | 0 | 1 | 1 | 1 | 1 | 0F |
| FIELD NAME | BIT | BIT DEFINITION | | | | | | | |
| CHIPENABLE | [15:8] | 15:12 | | USER_GPO<3:0> | | | | | |
| | | 11 | | VLED_POWER_SAVE_MODE_DIS Power save mode is used to improve efficiency at light load. | | | | | |
| | | 10 | | FAST_SHUTDOWN_EN Applicable only during a fault condition. Shutdown timing is defined by register 0Eh. (see Figure 5) | | | | | |
| | | 9 | | DMD_EN | | | | | |
| | | 8 | | VLED_EN | | | | | |

Table 8. Transient-Current Limit Settings

| REGISTER = 02h | | | | | | | | | |
|----------------|--------------|----------------|--|-----|--------------|-----|-----|-----|-----|
| DATA BIT | D7 | D6 | D5 | D4 | D3 | D2 | D1 | D0 | HEX |
| Field Name | IREG [23:16] | | | | | | | | |
| Read/Write | R/W | R/W | R/W | R/W | R/W | R/W | R/W | R/W | |
| Reset Value | 0 | 0 | 1 | 1 | 0 | 0 | 0 | 0 | 30 |
| FIELD NAME | BIT | BIT DEFINITION | | | | | | | |
| Not used | | 23 | | TBD | | | | | |
| IREG [3:0] | [23:16] | 22:19 | IREG_ILIM<3:0> | | Rlim = 39 mΩ | | | | |
| | | | 0000 | | 333 mA | | | | |
| | | | 0001 | | 385 mA | | | | |
| | | | 0010 | | 442 mA | | | | |
| | | | 0011 | | 494 mA | | | | |
| | | | 0100 | | 564 mA | | | | |
| | | | 0101 | | 705 mA | | | | |
| | | | 0110 | | 846 mA | | | | |
| | | | 0111 | | 1128 mA | | | | |
| | | | 1000 | | 1410 mA | | | | |
| | | | 1001 | | 1692 mA | | | | |
| | | | 1010 | | 1974 mA | | | | |
| | | | 1011 | | 2256 mA | | | | |
| | | | 1100 | | 2538 mA | | | | |
| 1101 | | 2974 mA | | | | | | | |
| 1110 | | 3410 mA | | | | | | | |
| 1111 | | 3846 mA | | | | | | | |
| SW6LIM_EN | | 18 | SW6LIM_EN Transient current-limit enable for SW6 0 – Transient current-limit is disabled 1 – Transient current-limit is enabled | | | | | | |
| SW5LIM_EN | | 17 | SW5LIM_EN Transient current-limit enable for SW5 0 – Transient current-limit is disabled 1 – Transient current-limit is enabled | | | | | | |
| SW4LIM_EN | | 16 | SW4LIM_EN Transient current-limit enable for SW4 0 – Transient current-limit is disabled 1 – Transient current-limit is enabled | | | | | | |

Table 9. Regulation Current MSB, SW4⁽¹⁾

| REGISTER = 03h | | | | | | | | | |
|----------------|----------------|----------------|-----|---------------|-----|-----|-----|-----|-----|
| DATA BIT | D7 | D6 | D5 | D4 | D3 | D2 | D1 | D0 | HEX |
| FIELD NAME | SW4MSB [31:24] | | | | | | | | |
| READ/WRITE | R/W | R/W | R/W | R/W | R/W | R/W | R/W | R/W | |
| RESET VALUE | 0 | 0 | 0 | 0 | 0 | 0 | 0 | 0 | 00 |
| FIELD NAME | Bit | BIT DEFINITION | | | | | | | |
| SW4MSB | [31:24] | 31:26 | | TBD | | | | | |
| | | 25:24 | | SW4_IDAC<9:8> | | | | | |

(1) The DLPA2005 can use up to code 0x3ffh for SW4_IDAC[9:0].

Table 10. Regulation Current LSB, SW4

| REGISTER = 04h | | | | | | | | | |
|----------------|----------------|----------------|-----|---------------|-----|-----|-----|-----|-----|
| DATA BIT | D7 | D6 | D5 | D4 | D3 | D2 | D1 | D0 | HEX |
| FIELD NAME | SW4LSB [39:32] | | | | | | | | |
| READ/WRITE | R/W | R/W | R/W | R/W | R/W | R/W | R/W | R/W | |
| RESET VALUE | 0 | 0 | 0 | 0 | 0 | 0 | 0 | 0 | 00 |
| FIELD NAME | Bit | BIT DEFINITION | | | | | | | |
| SW4LSB | [39:32] | 39:32 | | SW4_IDAC<7:0> | | | | | |

Table 11. Regulation Current LSB, SW4 Bit Definitions

| DLPA2005 ⁽¹⁾ ⁽²⁾ | | | | | | | |
|--|-------------|---------------|-------------|---------------|-------------|---------------|-------------|
| SW4_IDAC[9:0] | LED CURRENT | SW4_IDAC[9:0] | LED CURRENT | SW4_IDAC[9:0] | LED CURRENT | SW4_IDAC[9:0] | LED CURRENT |
| 0x000h | 0 mA | 0x100h | 633 mA | 0x200h | 1265 mA | 0x300h | 1898 mA |
| 0x029h | 101 mA | 0x101h | 635 mA | 0x201h | 1268 mA | 0x301h | 1900 mA |
| 0x02Ah | 104 mA | 0x102h | 638 mA | 0x202h | 1270 mA | 0x302h | 1903 mA |
| ... | ... | ... | ... | ... | ... | ... | ... |
| 0x0FEh | 628 mA | 0x1FEh | 1260 mA | 0x2FEh | 1893 mA | 0x3FEh | 2526 mA |
| 0x0FFh | 630 mA | 0x1FFh | 1263 mA | 0x2FFh | 1895 mA | 0x3FFh | 2528 mA |

(1) Values shown are for a typical DLPA2005 unit at T = 25°C. Typical step size is 2.47 mA for R_{LIM} = 39 mΩ

(2) The DLPA2005 can use up to code 0x3FFh for SW4_IDAC[9:0].

Table 12. Regulation Current MSB, SW5⁽¹⁾

| REGISTER = 05h | | | | | | | | | |
|----------------|----------------|----------------|-----|---------------|-----|-----|-----|-----|-----|
| DATA BIT | D7 | D6 | D5 | D4 | D3 | D2 | D1 | D0 | HEX |
| FIELD NAME | SW5MSB [47:40] | | | | | | | | |
| READ/WRITE | R/W | R/W | R/W | R/W | R/W | R/W | R/W | R/W | |
| RESET VALUE | 0 | 0 | 0 | 0 | 0 | 0 | 0 | 0 | 00 |
| FIELD NAME | Bit | BIT DEFINITION | | | | | | | |
| SW5MSB | [47:40] | 47:42 | | TBD | | | | | |
| | | 41:40 | | SW5_IDAC<9:8> | | | | | |

(1) The DLPA2005 can use up to code 0x3FFh for SW5_IDAC[9:0].

Table 13. Regulation Current LSB, SW5

| REGISTER = 06h | | | | | | | | | |
|----------------|----------------|----------------|-----|---------------|-----|-----|-----|-----|-----|
| DATA BIT | D7 | D6 | D5 | D4 | D3 | D2 | D1 | D0 | HEX |
| FIELD NAME | SW5LSB [55:48] | | | | | | | | |
| READ/WRITE | R/W | R/W | R/W | R/W | R/W | R/W | R/W | R/W | |
| RESET VALUE | 0 | 0 | 0 | 0 | 0 | 0 | 0 | 0 | 00 |
| FIELD NAME | BIT | BIT DEFINITION | | | | | | | |
| SW5LSB | [55:48] | 55:48 | | SW5_IDAC<7:0> | | | | | |

Table 14. Regulation Current LSB, SW5 Bit Definitions

| DLPA2005 ⁽¹⁾ ⁽²⁾ | | | | | | | |
|--|-------------|---------------|-------------|---------------|-------------|---------------|-------------|
| SW5_IDAC[9:0] | LED CURRENT | SW5_IDAC[9:0] | LED CURRENT | SW5_IDAC[9:0] | LED CURRENT | SW5_IDAC[9:0] | LED CURRENT |
| 0x000h | 0 mA | 0x100h | 633 mA | 0x200h | 1265 mA | 0x300h | 1898 mA |
| 0x029Ch | 101 mA | 0x101h | 635 mA | 0x201h | 1268 mA | 0x301h | 1900 mA |
| 0x02Ah | 104 mA | 0x102h | 638 mA | 0x202h | 1270 mA | 0x302h | 1903 mA |
| ... | ... | ... | ... | ... | ... | ... | ... |
| 0x0FEh | 628 mA | 0x1FEh | 1260 mA | 0x2FEh | 1893 mA | 0x3FEh | 2526 mA |
| 0x0FFh | 630 mA | 0x1FFh | 1263 mA | 0x2FFh | 1895 mA | 0x3FFh | 2528 mA |

(1) Values shown are for a typical DLPA2005 unit at T = 25°C. Typical step size is 2.47 mA for R_{LIM} = 39 mΩ

(2) The DLPA2005 can use up to code 0x3FFh for SW5_IDAC[9:0].

Table 15. Regulation Current MSB, SW6⁽¹⁾

| REGISTER = 07h | | | | | | | | | |
|----------------|----------------|----------------|-----|---------------|-----|-----|-----|-----|-----|
| DATA BIT | D7 | D6 | D5 | D4 | D3 | D2 | D1 | D0 | HEX |
| FIELD NAME | SW6MSB [63:56] | | | | | | | | |
| READ/WRITE | R/W | R/W | R/W | R/W | R/W | R/W | R/W | R/W | |
| RESET VALUE | 0 | 0 | 0 | 0 | 0 | 0 | 0 | 0 | 00 |
| FIELD NAME | BIT | BIT DEFINITION | | | | | | | |
| SW6MSB | [63:56] | 63:58 | | TBD | | | | | |
| | | 57:56 | | SW6_IDAC<9:8> | | | | | |

(1) The DLPA2005 can use up to code 0x3FFh for SW6_IDAC[9:0].

Table 16. Regulation Current LSB, SW6

| REGISTER = 08h | | | | | | | | | |
|----------------|----------------|----------------|-----|---------------|-----|-----|-----|-----|-----|
| DATA BIT | D7 | D6 | D5 | D4 | D3 | D2 | D1 | D0 | HEX |
| FIELD NAME | SW6LSB [71:64] | | | | | | | | |
| READ/WRITE | R/W | R/W | R/W | R/W | R/W | R/W | R/W | R/W | |
| RESET VALUE | 0 | 0 | 0 | 0 | 0 | 0 | 0 | 0 | 00 |
| FIELD NAME | BIT | BIT DEFINITION | | | | | | | |
| SW6LSB | [71:64] | 71:64 | | SW6_IDAC<7:0> | | | | | |

Table 17. Regulation Current LSB, SW6 Bit Definitions

| DLPA2005 ⁽¹⁾ ⁽²⁾ | | | | | | | |
|--|-------------|---------------|-------------|---------------|-------------|---------------|-------------|
| SW6_IDAC[9:0] | LED CURRENT | SW6_IDAC[9:0] | LED CURRENT | SW6_IDAC[9:0] | LED CURRENT | SW6_IDAC[9:0] | LED CURRENT |
| 0x000h | 0 mA | 0x100h | 633 mA | 0x200h | 1265 mA | 0x300h | 1898 mA |
| 0x029h | 101 mA | 0x101h | 635 mA | 0x201h | 1268 mA | 0x301h | 1900 mA |
| 0x02Ah | 104 mA | 0x102h | 638 mA | 0x202h | 1270 mA | 0x302h | 1903 mA |
| ... | ... | ... | ... | ... | ... | ... | ... |
| 0x0FEh | 628 mA | 0x1 FEh | 1260 mA | 0x2FEh | 1893 mA | 0x3FEh | 2526 mA |
| 0x0FFh | 630 mA | 0x1 FFh | 1263 mA | 0x2FFh | 1895 mA | 0x3FFh | 2528 mA |

(1) Values shown are for a typical DLPA2005 unit at T = 25°C. Typical step size is 2.47 mA for R_{LIM} = 39 mΩ

(2) The DLPA2005 can use up to code 0x3FFh for SW6_IDAC[9:0].

Table 18. Switch On/Off Control (Direct Mode)

| REGISTER = 09h | | | | | | | | | | |
|----------------|-----------------|----------------|---|-------|---------------------------------------|-----|-----|-----|-----|--|
| DATA BIT | D7 | D6 | D5 | D4 | D3 | D2 | D1 | D0 | HEX | |
| FIELD NAME | SWCNTRL [79:72] | | | | | | | | | |
| READ/WRITE | R/W | R/W | R/W | R/W | R/W | R/W | R/W | R/W | | |
| RESET VALUE | 0 | 0 | 0 | 0 | 0 | 0 | 0 | 0 | 00 | |
| FIELD NAME | BIT | BIT DEFINITION | | | | | | | | |
| SWCNTRL | [79:72] | 79 | SW6 (controls switch 6 if direct mode (see reg 11h) is enabled) | | | | | | | |
| | | 78 | SW5 (controls switch 5 if direct mode (see reg 11h) is enabled) | | | | | | | |
| | | 77 | SW4 (controls switch 4 if direct mode (see reg 11h) is enabled) | | | | | | | |
| | | 76:72 | UVLO_TRIM<4:0> | | | | | | | |
| | | | | 00000 | 2.3 V (minimum value – default value) | | | | | |
| | | | | 00001 | 2.37 V | | | | | |
| | | | | | Step approximately 70 mV | | | | | |
| | | | | 11110 | 4.43 V | | | | | |
| | | | | 11111 | 4.5 V (maximum value) | | | | | |

Table 19. AFE (MUX) Control

| REGISTER = 0Ah | | | | | | | | | | |
|----------------|-------------|----------------|---------------|-----|-----|-----|-----|-----|-----|--|
| DATA BIT | D7 | D6 | D5 | D4 | D3 | D2 | D1 | D0 | HEX | |
| FIELD NAME | AFE [87:80] | | | | | | | | | |
| READ/WRITE | R/W | R/W | R/W | R/W | R/W | R/W | R/W | R/W | | |
| RESET VALUE | 0 | 0 | 0 | 0 | 0 | 0 | 0 | 0 | 00 | |
| FIELD NAME | BIT | BIT DEFINITION | | | | | | | | |
| AFE | [87:80] | 87 | AFE_EN | | | | | | | |
| | | 86 | AFE_CAL_DIS | | | | | | | |
| | | 85:84 | AFE_GAIN<1:0> | | | | | | | |
| | | 83:80 | AFE_SEL<3:0> | | | | | | | |

Table 20. Break Before Make (BBM) Timing

| REGISTER = 0Bh | | | | | | | | | |
|----------------|-------------|-----|-----|-----|-----|-----|-----|-----|-----|
| DATA BIT | D7 | D6 | D5 | D4 | D3 | D2 | D1 | D0 | HEX |
| FIELD NAME | BBM [95:88] | | | | | | | | |
| READ/WRITE | R/W | R/W | R/W | R/W | R/W | R/W | R/W | R/W | |
| RESET VALUE | 0 | 0 | 0 | 0 | 0 | 0 | 0 | 0 | 00 |

Table 21. Break Before Make (BBM) Timing Bit Definitions⁽¹⁾

| FIELD NAME | BIT | BIT DEFINITION | | | | | | | |
|------------|---------|----------------|----------------|-----------------|-----------------|-----------------|--|--|--|
| BBM | [95:88] | 95:88 | BBM_DELAY<7:0> | | | | | | |
| | | | 0x00 – 0 ns | 0x40 – 7326 ns | 0x80 – 14430 ns | 0xC0 – 21534 ns | | | |
| | | | 0x01 – 333 ns | 0x41 – 7437 ns | 0x81 – 14541 ns | 0xC1 – 21645 ns | | | |
| | | | 0x02 – 444 ns | 0x42 – 7548 ns | 0x82 – 14652 ns | 0xC2 – 21756 ns | | | |
| | | | ... | ... | ... | ... | | | |
| | | | 0x3E – 7104 ns | 0x7E – 14208 ns | 0xBE – 21312 ns | 0xFE – 28416 ns | | | |
| | | | 0x3F – 7215 ns | 0x7F – 14319 ns | 0xBF – 21423 ns | 0xFF – 28527 ns | | | |

(1) It takes 333 to 444 ns to turn off the switches from the time a change occurs on LED_SEL[1:0].

Table 22. Interrupt Register

| REGISTER = 0Ch | | | | | | | | | |
|----------------|--------------|----|----|----|----|----|----|----|-----|
| DATA BIT | D7 | D6 | D5 | D4 | D3 | D2 | D1 | D0 | HEX |
| FIELD NAME | INT [103:96] | | | | | | | | |
| READ/WRITE | R | R | R | R | R | R | R | R | |
| RESET VALUE | 0 | 0 | 0 | 0 | 0 | 0 | 0 | 0 | 00 |

Table 23. Interrupt Register Bit Definitions

| FIELD NAME | BIT | BIT DEFINITION | |
|------------|----------|----------------|--|
| INT | [103:96] | 103 | VLED_OVP VLED buck_boost overvoltage fault interrupt (normal operation resumes) 0 – No fault 1 – Buck_boost output is above OVP threshold |
| | | 102 | IREG_PG_FAULT V6V power-good fault interrupt (normal operation resumes) 0 – No fault 1 – V6V is not in regulation |
| | | 101 | PROJ_ON_INT Proj_On interrupt (part enters OFF mode) 0 – Pin is pulled high, normal mode 1 – Pin is pulled low, alerts the DPP that the DMD regulator is about to shut down. |
| | | 100 | DMD_FAULT DMD regulator fault (part enters STANDBY mode and DMD_EN bit is cleared) 0 – No fault 1 – The inductor current is not increasing at the correct rate, likely to be caused by an open inductor. Or, one of the regulator outputs has dropped below the power-good threshold, likely to be caused by a short |
| | | 99 | UVLO UVLO interrupt (sensed at VINA pin), DMD bit is cleared. 0 – Battery voltage is above the UVLO threshold 1 – Battery voltage has dropped below the UVLO threshold |
| | | 98 | BAT_LOW_WARN Low battery warning interrupt (sensed at VINA pin, normal operation resumes) 0 – Battery voltage is above the low-battery threshold 1 – Battery voltage has dropped below the low-battery threshold |
| | | 97 | TS_WARN Thermal warning interrupt (normal operation resumes) 0 – Die temperature is in normal operating range 1 – Die temperature is above the HOT threshold Or, part has not cooled down enough to recover from HOT. |
| | | 96 | TS_WARN Thermal Warning Interrupt (normal operation resumes) 0 – Die temperature is in normal operating range 1 – Die temperature is above the HOT threshold Or, part has not cooled down enough to recover from HOT. |

Table 24. Interrupt Mask Register

| REGISTER = 0Dh | | | | | | | | | |
|----------------|--------------------|-----|-----|-----|-----|-----|-----|-----|-----|
| DATA BIT | D7 | D6 | D5 | D4 | D3 | D2 | D1 | D0 | HEX |
| FIELD NAME | INT MASK [111:104] | | | | | | | | |
| READ/WRITE | R/W | R/W | R/W | R/W | R/W | R/W | R/W | R/W | |
| RESET VALUE | 1 | 1 | 0 | 1 | 1 | 1 | 1 | 1 | DF |

Table 25. Interrupt Mask Register Bit Definitions

| FIELD NAME | BIT | BIT DEFINITION | |
|------------|-----------|----------------|---|
| INT MASK | [111:104] | 111 | VLED_BUCK_BOOST Overvoltage fault interrupt mask 0 – Interrupt is not masked 1 – Interrupt is masked |
| | | 110 | IREG_PG_FAULT_MASK 0 – Interrupt is not masked 1 – Interrupt is masked |
| | | 109 | PROJ_ON interrupt mask 0 – Interrupt is not masked 1 – Interrupt is masked |
| | | 108 | DMD_REGULATOR fault mask 0 – Interrupt is not masked 1 – Interrupt is masked |
| | | 107 | UVLO_MASK 0 – Interrupt is not masked 1 – Interrupt is masked |
| | | 106 | Low Battery Warning Mask (sensed at VINA pin) 0 – Interrupt is not masked 1 – Interrupt is masked |
| | | 105 | Thermal Shutdown Interrupt Mask 0 – Interrupt is not masked 1 – Interrupt is masked |
| | | 104 | Thermal Warning Interrupt Mask 0 – Interrupt is not masked 1 – Interrupt is masked |

Table 26. Timing Register VOFS, VBIAS, VRST, and RESETZ

| REGISTER = 0Eh | | | | | | | | | |
|----------------|------------------|-----|-----|-----|-----|-----|-----|-----|-----|
| DATA BIT | D7 | D6 | D5 | D4 | D3 | D2 | D1 | D0 | HEX |
| FIELD NAME | TIMING [119:112] | | | | | | | | |
| READ/WRITE | R/W | R/W | R/W | R/W | R/W | R/W | R/W | R/W | |
| RESET VALUE | 0 | 0 | 0 | 0 | 0 | 1 | 1 | 1 | 07 |

Table 27. Timing Register VOFS, VBIAS, VRST, and RESETZ Bit Definitions

| FIELD NAME | BIT | BIT DEFINITION | | |
|------------|-----------|----------------|---|----------------|
| TIMING | [119:112] | 119:116 | VOFS/RESETZ_DELAY<3:0> (for values see min and max delay) | |
| | | 115:112 | VBIAS/VRST_DELAY<3:0> (for values see min and max delay) | |
| | | | Min Delay (μs) | Max Delay (μs) |
| | | 0000 | 4.0 | 4.4 |
| | | 0001 | 8.0 | 8.9 |
| | | 0010 | 16.0 | 17.8 |
| | | 0011 | 32.0 | 35.5 |
| | | 0100 | 64.0 | 71.1 |
| | | 0101 | 128.0 | 142.2 |
| | | 0110 | 256.0 | 284.4 |
| | | 0111 | 512.0 | 569.0 |
| | | 1000 | 6.2 | 7.1 |
| | | 1001 | 12.4 | 14.2 |
| | | 1010 | 24.9 | 28.4 |
| | | 1011 | 49.8 | 56.9 |
| | | 1100 | 99.5 | 113.8 |
| | | 1101 | 199.1 | 227.6 |
| | | 1110 | 398.3 | 455.2 |
| 1111 | 1024.2 | 1138.0 | | |

Table 28. Password Register

| REGISTER = 10h | | | | | | | | | |
|----------------|--------------------|----------------|-----|---|-----|-----|-----|-----|-----|
| DATA BIT | D7 | D6 | D5 | D4 | D3 | D2 | D1 | D0 | HEX |
| FIELD NAME | PASSWORD [135:128] | | | | | | | | |
| READ/WRITE | R/W | R/W | R/W | R/W | R/W | R/W | R/W | R/W | |
| RESET VALUE | 0 | 0 | 0 | 0 | 0 | 0 | 0 | 0 | 00 |
| FIELD NAME | BIT | BIT DEFINITION | | | | | | | |
| PASSWORD | [135:128] | 135:128 | | USER PASSWORD (0xBAh + 0xBEh) Disable (0x00h) Once set, register 11h can be written. | | | | | |

Table 29. System Configuration Register

| REGISTER = 11h | | | | | | | | | |
|----------------|------------------|-----|-----|-----|-----|-----|-----|-----|-----|
| DATA BIT | D7 | D6 | D5 | D4 | D3 | D2 | D1 | D0 | HEX |
| FIELD NAME | SYSTEM [143:136] | | | | | | | | |
| READ/WRITE | R/W | R/W | R/W | R/W | R/W | R/W | R/W | R/W | |
| RESET VALUE | 0 | 0 | 0 | 0 | 0 | 0 | 0 | 0 | 00 |

Table 30. System Configuration Register Bit Definitions

| FIELD NAME | BIT | BIT DEFINITION | |
|------------|-----------|----------------|--|
| SYSTEM | [143:136] | 143:139 | TBD |
| | | 138 | EEPROM_PROGRAM Program scratch pad values to EEPROM |
| | | 137 | DIRECT_MODE Allows direct control of switches through SW CONTROL REGISTER |
| | | 136 | TBD |

Table 31. User EEPROM, BYTE0

| REGISTER = 20h | | | | | | | | | |
|----------------|-------------|----------------|-----|-------------|-----|-----|-----|-----|-----|
| DATA BIT | D7 | D6 | D5 | D4 | D3 | D2 | D1 | D0 | HEX |
| FIELD NAME | BYTE0 [7:0] | | | | | | | | |
| READ/WRITE | R/W | R/W | R/W | R/W | R/W | R/W | R/W | R/W | |
| RESET VALUE | 0 | 0 | 0 | 0 | 0 | 0 | 0 | 0 | 00 |
| FIELD NAME | BIT | BIT DEFINITION | | | | | | | |
| BYTE0 | [7:0] | 7:0 | | USER BYTE 0 | | | | | |

Table 32. User EEPROM, BYTE1

| REGISTER = 21h | | | | | | | | | |
|----------------|--------------|----------------|-----|-------------|-----|-----|-----|-----|-----|
| DATA BIT | D7 | D6 | D5 | D4 | D3 | D2 | D1 | D0 | HEX |
| FIELD NAME | BYTE1 [15:8] | | | | | | | | |
| READ/WRITE | R/W | R/W | R/W | R/W | R/W | R/W | R/W | R/W | |
| RESET VALUE | 0 | 0 | 0 | 0 | 0 | 0 | 0 | 0 | 00 |
| FIELD NAME | BIT | BIT DEFINITION | | | | | | | |
| BYTE1 | [15:8] | 15:8 | | USER BYTE 1 | | | | | |

Table 33. User EEPROM, BYTE2

| REGISTER = 22h | | | | | | | | | |
|----------------|---------------|----------------|-----|-------------|-----|-----|-----|-----|-----|
| DATA BIT | D7 | D6 | D5 | D4 | D3 | D2 | D1 | D0 | HEX |
| FIELD NAME | BYTE2 [23:16] | | | | | | | | |
| READ/WRITE | R/W | R/W | R/W | R/W | R/W | R/W | R/W | R/W | |
| RESET VALUE | 0 | 0 | 0 | 0 | 0 | 0 | 0 | 0 | 00 |
| FIELD NAME | BIT | BIT DEFINITION | | | | | | | |
| BYTE2 | [23:16] | 23:16 | | USER BYTE 2 | | | | | |

Table 34. User EEPROM, BYTE3

| REGISTER = 23h | | | | | | | | | |
|----------------|---------------|----------------|-----|-------------|-----|-----|-----|-----|-----|
| DATA BIT | D7 | D6 | D5 | D4 | D3 | D2 | D1 | D0 | HEX |
| FIELD NAME | BYTE3 [31:24] | | | | | | | | |
| READ/WRITE | R/W | R/W | R/W | R/W | R/W | R/W | R/W | R/W | |
| RESET VALUE | 0 | 0 | 0 | 0 | 0 | 0 | 0 | 0 | 00 |
| FIELD NAME | BIT | BIT DEFINITION | | | | | | | |
| BYTE3 | [31:24] | 31:24 | | USER BYTE 3 | | | | | |

Table 35. User EEPROM, BYTE4

| REGISTER = 24h | | | | | | | | | |
|----------------|---------------|----------------|-----|-------------|-----|-----|-----|-----|-----|
| DATA BIT | D7 | D6 | D5 | D4 | D3 | D2 | D1 | D0 | HEX |
| FIELD NAME | BYTE4 [39:32] | | | | | | | | |
| READ/WRITE | R/W | R/W | R/W | R/W | R/W | R/W | R/W | R/W | |
| RESET VALUE | 0 | 0 | 0 | 0 | 0 | 0 | 0 | 0 | 00 |
| FIELD NAME | BIT | BIT DEFINITION | | | | | | | |
| BYTE4 | [39:32] | 39:32 | | USER BYTE 4 | | | | | |

Table 36. User EEPROM, BYTE5

| REGISTER = 25h | | | | | | | | | |
|----------------|---------------|----------------|-----|-------------|-----|-----|-----|-----|-----|
| DATA BIT | D7 | D6 | D5 | D4 | D3 | D2 | D1 | D0 | HEX |
| FIELD NAME | BYTE5 [47:40] | | | | | | | | |
| READ/WRITE | R/W | R/W | R/W | R/W | R/W | R/W | R/W | R/W | |
| RESET VALUE | 0 | 0 | 0 | 0 | 0 | 0 | 0 | 0 | 00 |
| FIELD NAME | BIT | BIT DEFINITION | | | | | | | |
| BYTE5 | [47:40] | 47:40 | | USER BYTE 5 | | | | | |

Table 37. User EEPROM, BYTE6

| REGISTER = 26h | | | | | | | | | |
|----------------|---------------|----------------|-----|-------------|-----|-----|-----|-----|-----|
| DATA BIT | D7 | D6 | D5 | D4 | D3 | D2 | D1 | D0 | HEX |
| FIELD NAME | BYTE6 [55:48] | | | | | | | | |
| READ/WRITE | R/W | R/W | R/W | R/W | R/W | R/W | R/W | R/W | |
| RESET VALUE | 0 | 0 | 0 | 0 | 0 | 0 | 0 | 0 | 00 |
| FIELD NAME | BIT | BIT DEFINITION | | | | | | | |
| BYTE6 | [55:48] | 55:48 | | USER BYTE 6 | | | | | |

Table 38. User EEPROM, BYTE7

| REGISTER = 27h | | | | | | | | | |
|----------------|---------------|----------------|----|-------------|----|----|----|----|-----|
| DATA BIT | D7 | D6 | D5 | D4 | D3 | D2 | D1 | D0 | HEX |
| FIELD NAME | BYTE7 [63:56] | | | | | | | | |
| READ/WRITE | R | R | R | R | R | R | R | R | |
| RESET VALUE | 0 | 0 | 0 | 0 | 0 | 0 | 0 | 0 | 00 |
| FIELD NAME | BIT | BIT DEFINITION | | | | | | | |
| BYTE7 | [63:56] | 63:56 | | USER BYTE 7 | | | | | |

8 Application and Implementation

NOTE

Information in the following applications sections is not part of the TI component specification, and TI does not warrant its accuracy or completeness. TI's customers are responsible for determining suitability of components for their purposes. Customers should validate and test their design implementation to confirm system functionality.

8.1 Application Information

A DLPC343x controller can be used with a DLP2010 (.2 WVGA) DMD or DLP3010 (.3 720p) DMD to provide a compact, reliable, high-efficiency display solution for many different video display applications. The DMDs are spatial light modulators which reflect incoming light from an illumination source to one of two directions with the primary direction being into collection optics within a projection lens. The projection lens sends the light to the destination needed for the application. Each application is derived primarily from the optical architecture of the system and the format of the pixel data being input into the DLPC343x.

In display applications using the DLP2010 DMD or DLP3010 DMD, the DLPA2005 provides all needed analog functions including the analog power supplies and the RGB LED driver to provide a robust and efficient display solution. Display applications of interest include pico-projectors embedded in display devices like smart phones, tablets, cameras, and camcorders. Other applications include wearable (near-eye) displays, battery-powered mobile accessory, interactive display, low latency gaming displays, and digital signage.

Alternately, a DLPC150 controller can be used with a DLP2010 or DLP2010NIR DMD. Applications of interest when using the DLPC150 controller include machine vision systems, spectrometers, skin analysis, medical systems, material identification, chemical sensing, infrared projection, and compressive sensing. In a spectroscopy application the DLPC150 controller and DLP2010NIR DMD are often combined with a single element detector to replace expensive InGaAs array-based detector designs. In this application the DMD acts as a wavelength selector reflecting specific wavelengths of light into the single point detector.

8.2 Typical Projector Application

A common application when using DLPA2005 with DLP2010 DMD and DLPC3430/DLPC3435 controller is for creating an accessory projector for a smart phone, tablet or any other portable smart device. The DLPC3430/DLPC3435 in an accessory projector typically receives images from a smart device over either HDMI as shown below (WI-FI can also be used to transmit data). DLPA2005 provides power supply sequencing and controls the RGB LED currents as required by the application.

Typical Projector Application (continued)

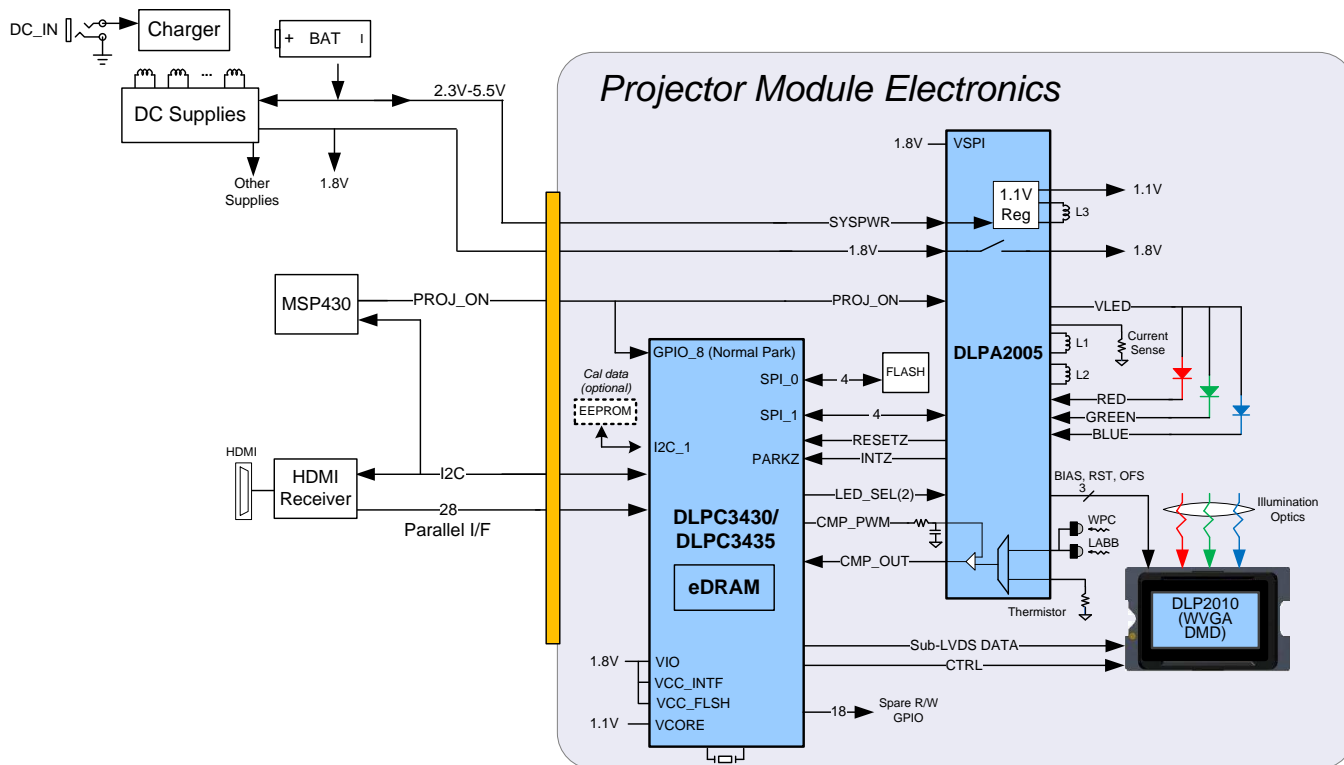


Figure 15. Typical Setup Using DLPA2005

8.2.1 Design Requirements

A pico-projector is created by using a DLP chip set comprised of DLP2010 (.2 WVGA) DMD, DLPC3430 or DLPC3435 controller and DLPA2005 PMIC/LED driver. The DLPC3430 or DLPC3435 does the digital image processing, the DLPA2005 provides the needed analog functions for the projector, and DMD is the display device for producing the projected image. In addition to the three DLP chips in the chip set, other chips may be needed. At a minimum a flash part is needed to store the software and firmware to control the DLPC3430 or DLPC3435. The illumination light that is applied to the DMD is typically from red, green, and blue LEDs. These are often contained in three separate packages, but sometimes more than one color of LED die may be in the same package to reduce the overall size of the pico-projector. For connecting the DLPC3430 or DLPC3435 to the front end for receiving images parallel interface is used. While using parallel interface, I²C should be connected to the front end for sending commands to the DLPC3430 or DLPC3435. The only power supplies needed external to the projector are the battery (SYSVWR) and a regulated 1.8 V supply. The entire pico-projector can be turned on and off by using a single signal called PROJ_ON. When PROJ_ON is high, the projector turns on and begins displaying images. When PROJ_ON is set low, the projector turns off and draws just microamps of current on SYSVWR. When PROJ_ON is set low, the 1.8 V supply can continue to be left at 1.8 V and used by other non-projector sections of the product. If PROJ_ON is low, the DLPA2005 will not draw current on the 1.8 V supply.

8.2.2 Detailed Design Procedure

For connecting together the DLP2010, DLPC3430 or DLPC3435 and DLPA2005, see the reference design schematic. When a circuit board layout is created from this schematic a very small circuit board is possible. An example small board layout is included in the reference design data base. Layout guidelines should be followed to achieve a reliable projector. The optical engine that has the LED packages and the DMD mounted to it is typically supplied by an optical OEM who specializes in designing optics for DLP projectors.

Typical Projector Application (continued)

8.2.3 Application Curves

As the LED currents that are driven time-sequentially through the red, green, and blue LEDs are increased, the brightness of the projector increases. This increase is somewhat non-linear, and the curve for typical white screen lumens changes with LED currents. It's assumed that the same current amplitude is applied to the red, green, and blue LEDs.

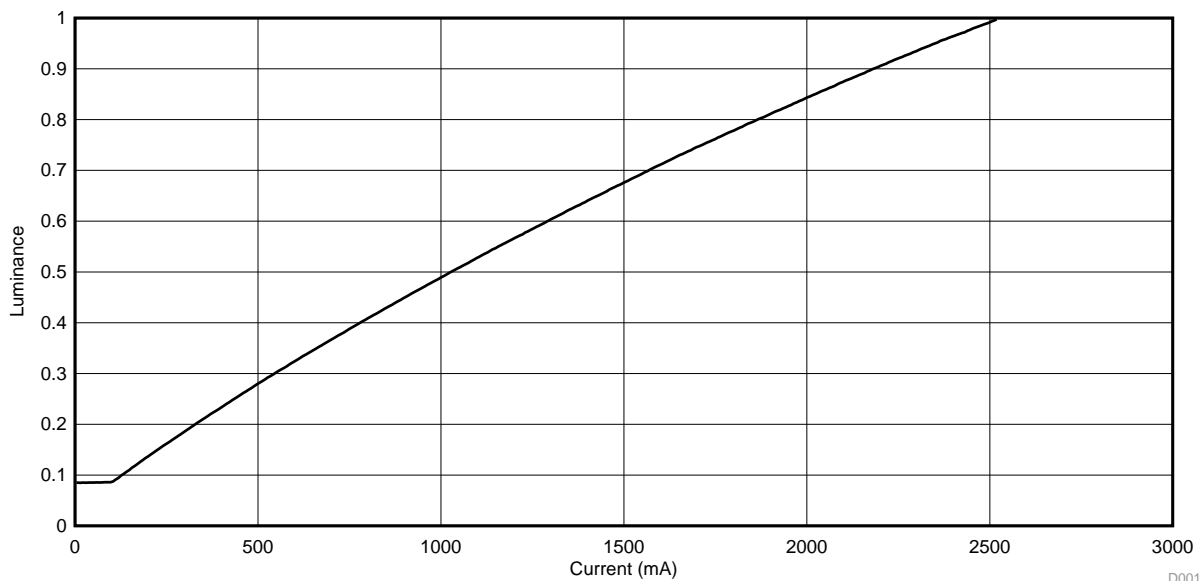


Figure 16. Luminance vs Current

8.3 Typical Mobile Sensing Application

A typical embedded system application using the DLPC150 controller and the DLPC2010NIR is shown in [Figure 17](#). In this configuration, the DLPC150 controller supports a 24-bit parallel RGB input, typical of LCD interfaces, from an external source or processor. The DLPC150 controller processes the digital input image and converts the data into the format needed by the DLP2010NIR. The DLP2010NIR steers light by setting specific micromirrors to the "on" position, directing light to the detector, while unwanted micromirrors are set to "off" position, directing light away from the detector. The microprocessor sends binary images to the DLP2010NIR to steer specific wavelengths of light into the detector. The microprocessor uses an analog-to-digital converter to sample the signal received by the detector into a digital value. By sequentially selecting different wavelengths of light and capturing the values at the detector, the microprocessor can then plot a spectral response to the light.

Typical Mobile Sensing Application (continued)

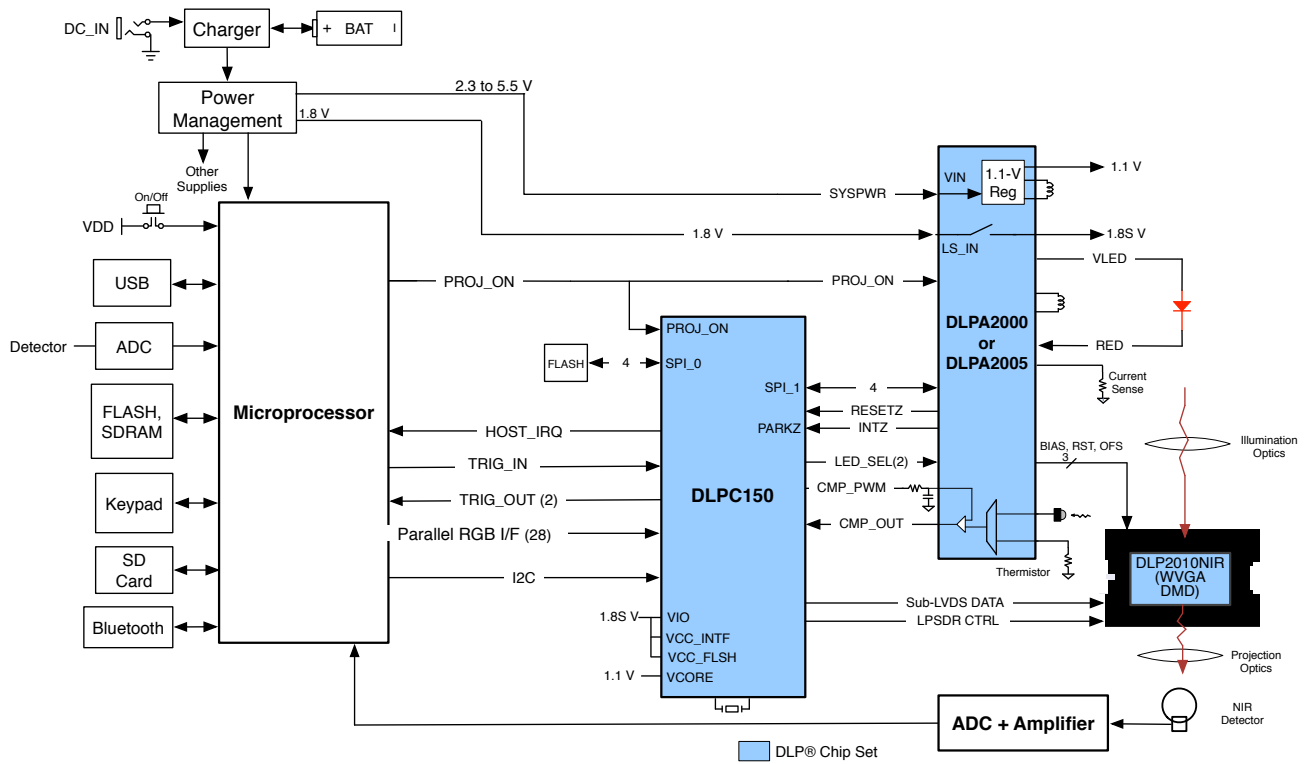


Figure 17. Typical Application Diagram

8.3.1 Design Requirements

All applications using the DLP 0.2-inch WVGA chipset require the:

- DLPC150 controller, and
- DLPA2005 PMIC, and
- DLP2010 or DLP2010NIR DMD

components for operation. The system also requires an external parallel flash memory device loaded with the DLPC150 configuration and support firmware. DLPC150 does the digital image processing and formats the data for the DMD. DLPA2005 PMIC provides the needed analog functions for the DLPC150 and DLP2010 or DLP2010NIR. The chipset has several system interfaces and requires some support circuitry. The following interfaces and support circuitry are required:

- DLPC150 system interfaces:
 - Control interface
 - Trigger interface
 - Input data interface
 - Illumination interface
- DLPC150 support circuitry and interfaces:
 - Reference clock
 - PLL
 - Program memory flash interface
- DMD interfaces:
 - DLPC150 to DMD digital data
 - DLPC150 to DMD control interface
 - DLPC150 to DMD micromirror reset control interface

Typical Mobile Sensing Application (continued)

8.3.2 Detailed Design Procedure

8.3.2.1 Dlp150 System Interfaces

The 0.2-inch WVGA chipset supports a 16-bit or 24-bit parallel RGB interface for image data transfers from another device. There are two primary output interfaces: illumination driver control interface and sync outputs.

8.3.2.1.1 Control Interface

The 0.2-inch WVGA chipset supports I2C commands through the control interface. The control interface allows another master processor to send commands to the DLPC150 controller to query system status or perform realtime operations such as LED driver current settings.

8.3.3 Application Curve

In a reflective spectroscopy application, a broadband light source illuminates a sample and the reflected light spectrum is dispersed onto the DLP2010NIR. A microprocessor in conjunction with the DLPC150 controls individual DLP2010NIR micromirrors to reflect specific wavelengths of light to a single point detector. The microprocessor uses an analog-to-digital converter to sample the signal received by the detector into a digital value. By sequentially selecting different wavelengths of light and capturing the values at the detector, the microprocessor can then plot a spectral response to the light. This systems allows the measurement of the collected light and derive the wavelengths absorbed by the sample. This process leads to the absorption spectrum shown in [Figure 18](#).

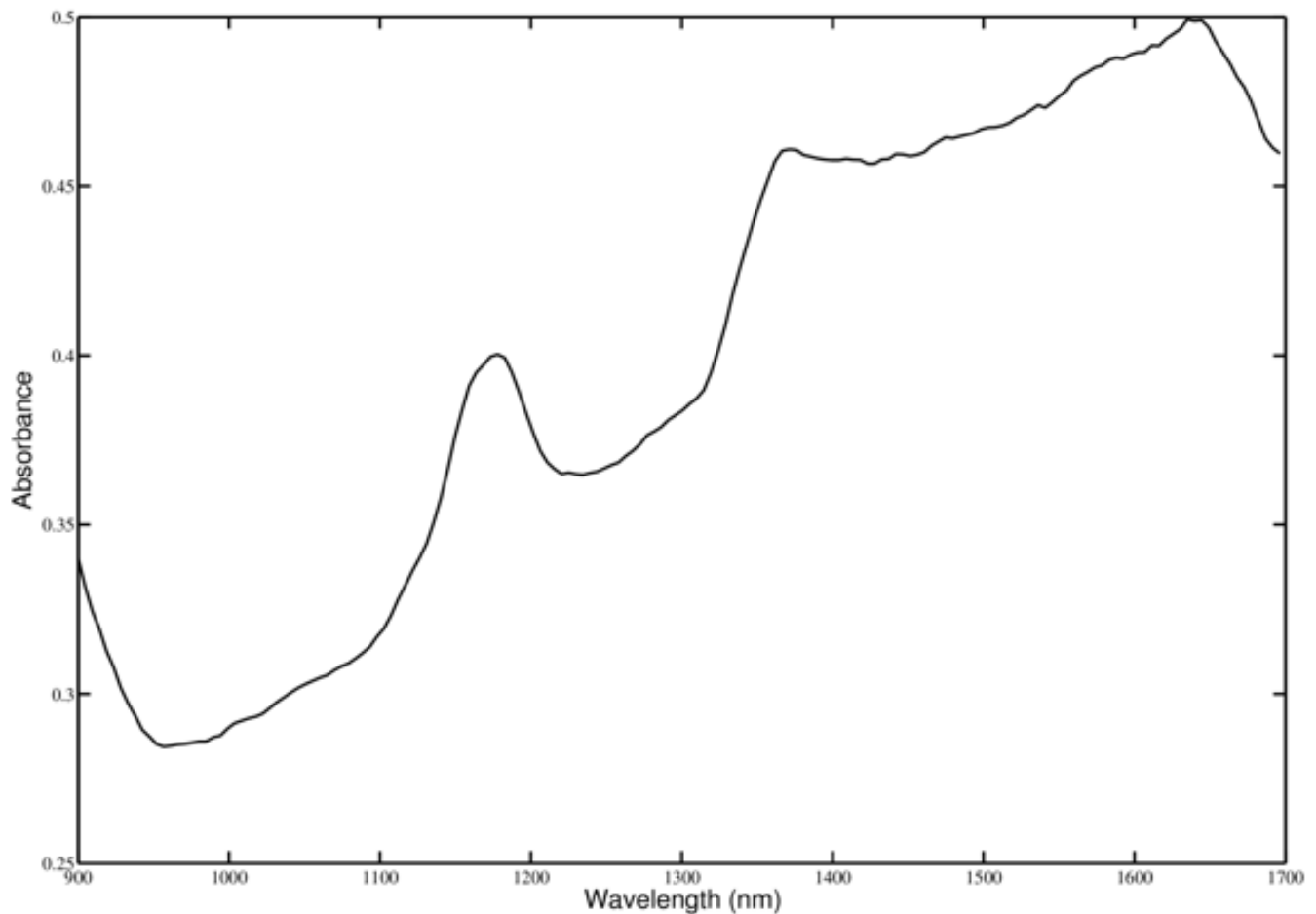


Figure 18. Sample Dlp150 Based Spectrometer Output

9 Power Supply Recommendations

The DLPA2005 is designed to operate from a 2.3 to 6 V input voltage supply or battery. To avoid insufficient supply current due to line drop, ringing due to trace inductance at the VIN terminal, or supply peak current limitations, additional bulk capacitance may be required. In the case ringing that is caused by the interaction with the ceramic input capacitors, an electrolytic or tantalum type capacitor may be needed for damping.

The amount of bulk capacitance required should be evaluated such that the input voltage can remain in spec long enough for a proper fast shutdown to occur for the vofs, vrst, and vbias supplies. The shutdown begins when the input voltage drops below the programmable UVLO threshold such as when the external power supply or battery supply is suddenly removed from the system.

10 Layout

10.1 Layout Guidelines

As for all chips with switching power supplies, the layout is an important step in the design, especially in the case of high peak currents and high switching frequencies. If the layout is not carefully done, the regulators could show stability problems as well as EMI problems. Therefore, use wide and short traces for the main current paths and for the power ground tracks. Input capacitors, output capacitors, and inductors should be placed as close as possible to the IC.

Figure 19 shows an example layout that has critical parts placed as close as possible to the pins they are connected to. Here are recommendations for the following components:

- R1 is RLIM and is connected via a wide trace (low resistance) to the system ground. The analog ground at pin 5 should be star connected to the point where RLIM is connected to the system ground. Aim on a wide and low-ohmic trace as well, although this one is less critical (tens of mA).
- L1 is the big inductor for the VLED that is connected via two wide traces to the pins
- C4 are the decoupling capacitors for the VLED and they are as close as possible placed to the part and directly connected to ground.
- L3/C20 are components used for the VCORE BUCK. L3 is placed close to the pin and connected with a wide trace to the part. C20 is placed directly beside the inductor and connected to the PGND pin
- L2 This inductor is part of the DMD reset regulators and is also placed as close as possible to the DLPA2005 using wide PCB traces.

10.2 Layout Example

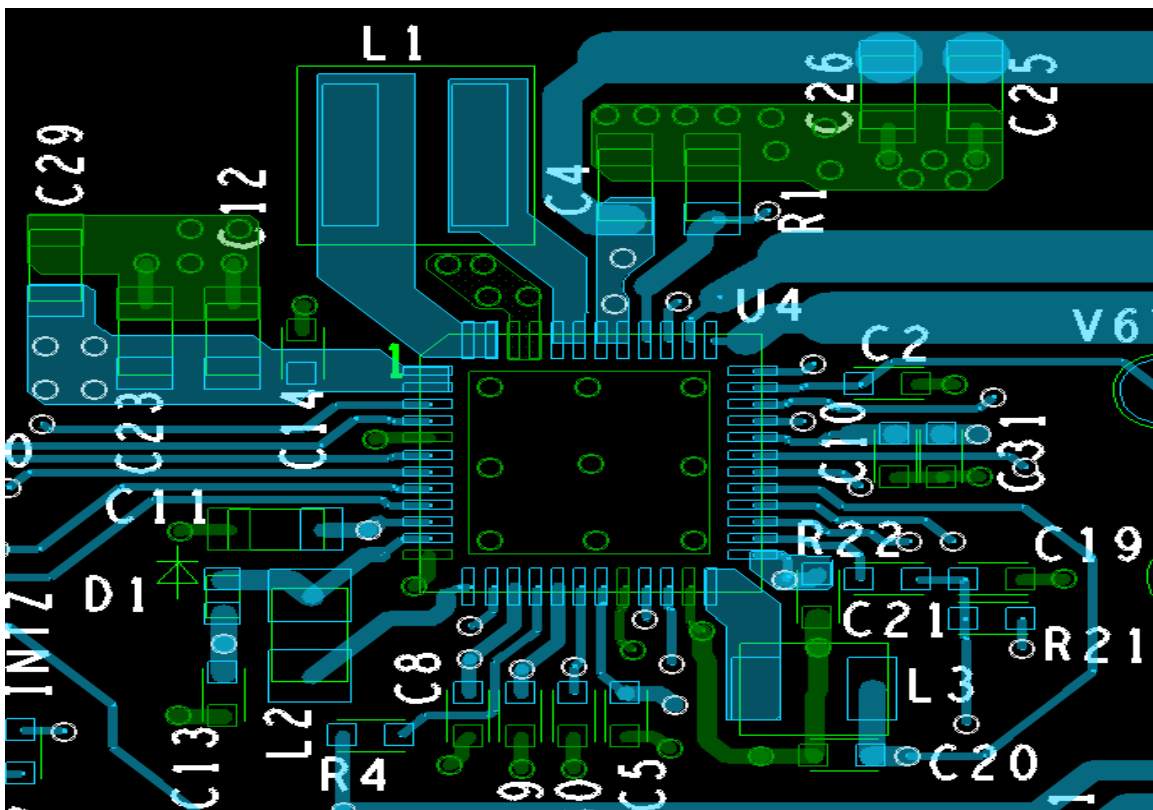


Figure 19. Example Layout of DLPA2005

10.3 Thermal Considerations

An important consequence of the efficiency numbers shown in Figure 7 is that it enables to perform DLPA2005 thermal calculations. Since the efficiency is not 100%, power is dissipated in the DLPA2005 chip. Due to that dissipation die temperature will rise. For reliability reasons it is good to aim for as low as possible die temperatures. Using a heat sink and airflow are efficient means to keep die temperature reasonably low. In cases that airflow and / or a heat sink are / is not feasible, the system designer should specifically pay attention to the thermal design. The die temperature for regular operation should remain below 120°C.

In the following an example is given of such a thermal calculation. The calculation starts with summarizing all blocks in the DLPA2005 that dissipate. Clearly, the buck-boost converter supplying the LED power is the main source of dissipation. For illustrating purposes here we assume this buck-boost converter to be the only block that dissipates significantly. For the example assume: $V_{OUT}=4.8\text{ V}$ (for all three LEDs), $I_{OUT}=2.4\text{ A}$ and $V_{IN}=5\text{ V}$. From Figure 7 it can be derived that the related efficiency equals about $\eta_{eff}=88\%$.

The power dissipated by the DLPA2005 is then given by:

$$P_{DISS} = P_{IN} - P_{OUT} = P_{OUT} \left(\frac{100\%}{\eta_{eff}} - 1 \right) = 4.8\text{V} \cdot 2.4\text{A} \cdot \left(\frac{100\%}{88\%} - 1 \right) = 1.6\text{W}$$

The rise of die temperature due to this power dissipation can be calculated using the thermal resistance from junction to ambient, $\theta_{JA}=27.9^\circ\text{C/W}$. This calculation yields:

$$T_{JUNCTION} = T_{AMBIENT} + P_{DISS} \cdot \theta_{JA} = 25^\circ\text{C} + 1.6\text{W} \cdot 27.9^\circ\text{C/W} = 69.6^\circ\text{C}$$

It is also possible to calculate the maximum allowable ambient temperature to prevent surpassing the maximum die temperature. Assume again the dissipation of $P_{DISS}=1.6\text{W}$. The maximum ambient temperature that is allowed is then given by:

$$T_{AMBIENT-max} = T_{JUNCTION-max} - P_{DISS} \cdot \theta_{JA} = 120^\circ\text{C} - 1.6\text{W} \cdot 27.9^\circ\text{C/W} = 75.4^\circ\text{C}$$

It is again stressed here that for proper calculations the total power dissipation of the PAD2005 should be taken into account. On top of that, if components that are close to the PAD2005 also dissipate a significant amount of power, the (local) ambient temperature can be higher than the ambient temperature of the system.

If calculations show that the die temperature will surpass the maximum specified value, two basic options exist:

- Adding a heat sink with or without airflow. This will reduce θ_{JA} yielding lower die temperature.
- Lowering the dissipation in the PAD2005 implying lowering the maximum allowable LED current.

11 器件和文档支持

11.1 器件支持

11.1.1 器件命名规则

Package Marking DLPA2005 (TOP VIEW)

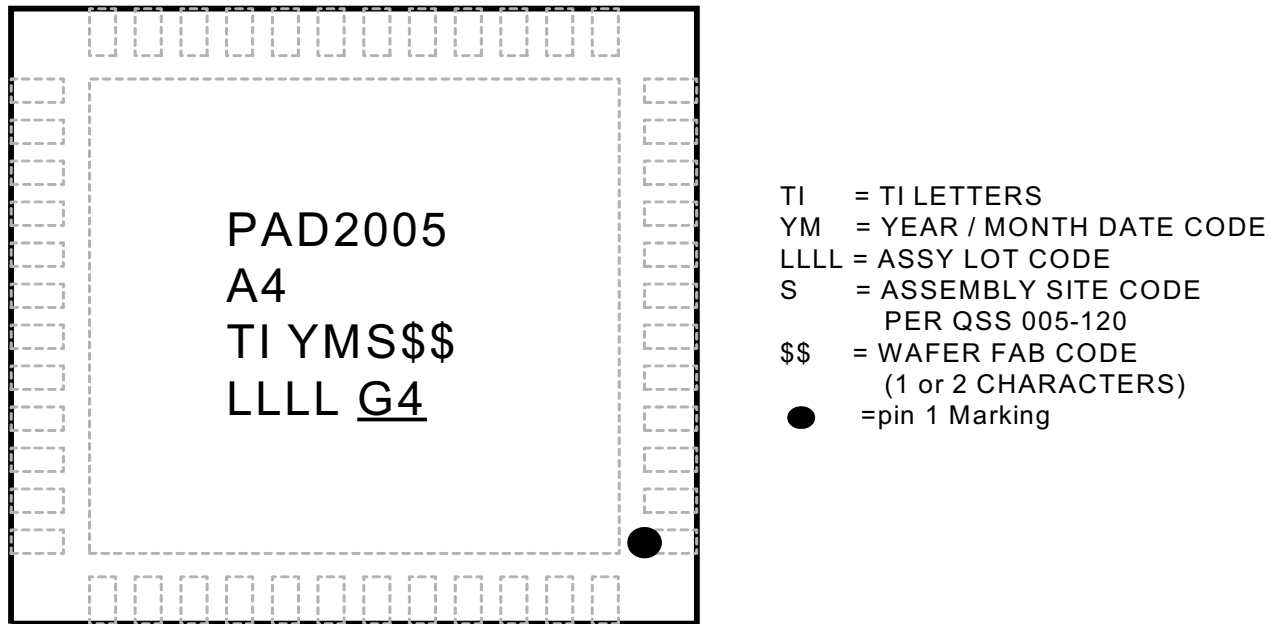


图 20. 封装标记 DLPA2005 (顶视图)

11.2 商标

Pico is a trademark of Texas Instruments.
 DLP is a registered trademark of Texas Instruments.
 All other trademarks are the property of their respective owners.

11.3 静电放电警告



这些装置包含有限的内置 ESD 保护。存储或装卸时，应将导线一起截短或将装置放置于导电泡棉中，以防止 MOS 门极遭受静电损伤。

11.4 Glossary

[SLYZ022](#) — *TI Glossary*.

This glossary lists and explains terms, acronyms, and definitions.

12 机械、封装和可订购信息

以下页中包括机械、封装和可订购信息。这些信息是针对指定器件可提供的最新数据。这些数据会在无通知且不对本文档进行修订的情况下发生改变。欲获得该数据表的浏览器版本，请查阅左侧的导航栏。

盖带 盖带不覆盖导孔并且不会从载带移出。

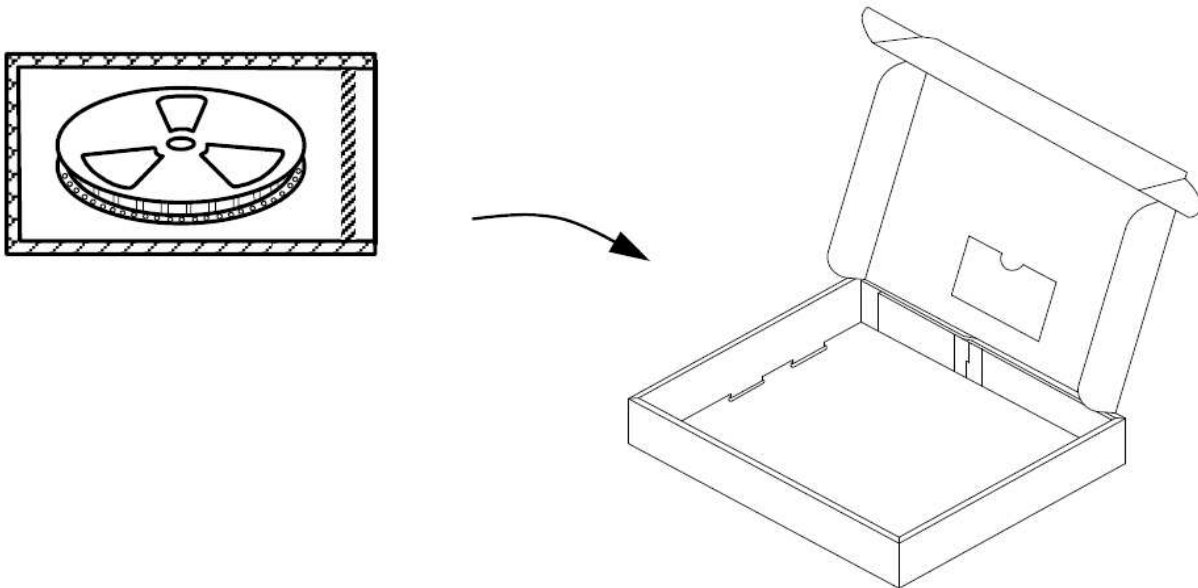
抗静电放电 (ESD) 载带和盖带使用的塑料材料均为抗静电型。

器件插入方向 定位器件时，符号朝上，引脚朝下。

包装方法 用胶带将导引带末端固定，然后用防潮袋来包装卷带并热封固定。方形扁平无引脚 (QFN) 器件的包装中含有干燥剂和湿度指示剂。

带盒 每个防潮袋均包装到带盒内。

带结构 载带由塑料制成，其结构如上文的电路原理图所示。器件置于载带的压纹区域，并由塑料制成的盖带覆盖。



Reel box (carton)

带盒材料 瓦楞纸板

PACKAGING INFORMATION

| Orderable Device | Status (1) | Package Type | Package Drawing | Pins | Package Qty | Eco Plan (2) | Lead finish/ Ball material (6) | MSL Peak Temp (3) | Op Temp (°C) | Device Marking (4/5) | Samples |
|------------------|---------------|--------------|-----------------|------|-------------|-----------------|--------------------------------------|----------------------|--------------|-------------------------|-------------------------|
| DLPA2005ERSLR | ACTIVE | VQFN | RSL | 48 | 3000 | RoHS & Green | NIPDAU | Level-3-260C-168 HR | -10 to 85 | PAD2005 A4 | Samples |
| DLPA2005ERSLT | ACTIVE | VQFN | RSL | 48 | 250 | RoHS & Green | NIPDAU | Level-3-260C-168 HR | -10 to 85 | PAD2005 A4 | Samples |

(1) The marketing status values are defined as follows:

ACTIVE: Product device recommended for new designs.

LIFEBUY: TI has announced that the device will be discontinued, and a lifetime-buy period is in effect.

NRND: Not recommended for new designs. Device is in production to support existing customers, but TI does not recommend using this part in a new design.

PREVIEW: Device has been announced but is not in production. Samples may or may not be available.

OBsolete: TI has discontinued the production of the device.

(2) **RoHS:** TI defines "RoHS" to mean semiconductor products that are compliant with the current EU RoHS requirements for all 10 RoHS substances, including the requirement that RoHS substance do not exceed 0.1% by weight in homogeneous materials. Where designed to be soldered at high temperatures, "RoHS" products are suitable for use in specified lead-free processes. TI may reference these types of products as "Pb-Free".

RoHS Exempt: TI defines "RoHS Exempt" to mean products that contain lead but are compliant with EU RoHS pursuant to a specific EU RoHS exemption.

Green: TI defines "Green" to mean the content of Chlorine (Cl) and Bromine (Br) based flame retardants meet JS709B low halogen requirements of <=1000ppm threshold. Antimony trioxide based flame retardants must also meet the <=1000ppm threshold requirement.

(3) MSL, Peak Temp. - The Moisture Sensitivity Level rating according to the JEDEC industry standard classifications, and peak solder temperature.

(4) There may be additional marking, which relates to the logo, the lot trace code information, or the environmental category on the device.

(5) Multiple Device Markings will be inside parentheses. Only one Device Marking contained in parentheses and separated by a "~" will appear on a device. If a line is indented then it is a continuation of the previous line and the two combined represent the entire Device Marking for that device.

(6) Lead finish/Ball material - Orderable Devices may have multiple material finish options. Finish options are separated by a vertical ruled line. Lead finish/Ball material values may wrap to two lines if the finish value exceeds the maximum column width.

Important Information and Disclaimer:The information provided on this page represents TI's knowledge and belief as of the date that it is provided. TI bases its knowledge and belief on information provided by third parties, and makes no representation or warranty as to the accuracy of such information. Efforts are underway to better integrate information from third parties. TI has taken and continues to take reasonable steps to provide representative and accurate information but may not have conducted destructive testing or chemical analysis on incoming materials and chemicals. TI and TI suppliers consider certain information to be proprietary, and thus CAS numbers and other limited information may not be available for release.

In no event shall TI's liability arising out of such information exceed the total purchase price of the TI part(s) at issue in this document sold by TI to Customer on an annual basis.

TAPE AND REEL INFORMATION

QUADRANT ASSIGNMENTS FOR PIN 1 ORIENTATION IN TAPE


*All dimensions are nominal

| Device | Package Type | Package Drawing | Pins | SPQ | Reel Diameter (mm) | Reel Width W1 (mm) | A0 (mm) | B0 (mm) | K0 (mm) | P1 (mm) | W (mm) | Pin1 Quadrant |
|---------------|--------------|-----------------|------|------|--------------------|--------------------|---------|---------|---------|---------|--------|---------------|
| DLPA2005ERSLR | VQFN | RSL | 48 | 3000 | 330.0 | 16.4 | 6.3 | 6.3 | 1.1 | 12.0 | 16.0 | Q2 |
| DLPA2005ERSLT | VQFN | RSL | 48 | 250 | 180.0 | 16.4 | 6.3 | 6.3 | 1.1 | 12.0 | 16.0 | Q2 |

TAPE AND REEL BOX DIMENSIONS


*All dimensions are nominal

| Device | Package Type | Package Drawing | Pins | SPQ | Length (mm) | Width (mm) | Height (mm) |
|---------------|--------------|-----------------|------|------|-------------|------------|-------------|
| DLPA2005ERSLR | VQFN | RSL | 48 | 3000 | 367.0 | 367.0 | 38.0 |
| DLPA2005ERSLT | VQFN | RSL | 48 | 250 | 210.0 | 185.0 | 35.0 |

GENERIC PACKAGE VIEW

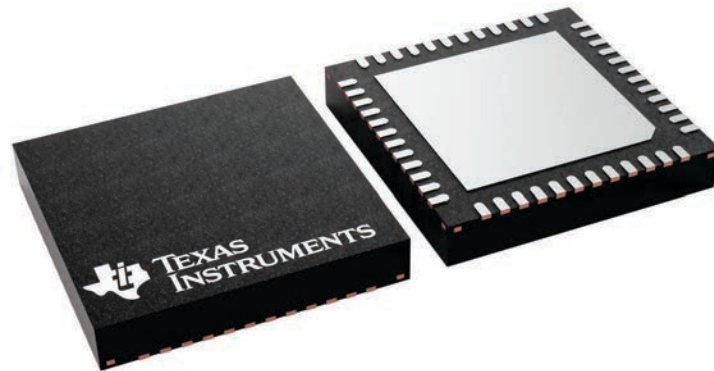
RSL 48

VQFN - 1 mm max height

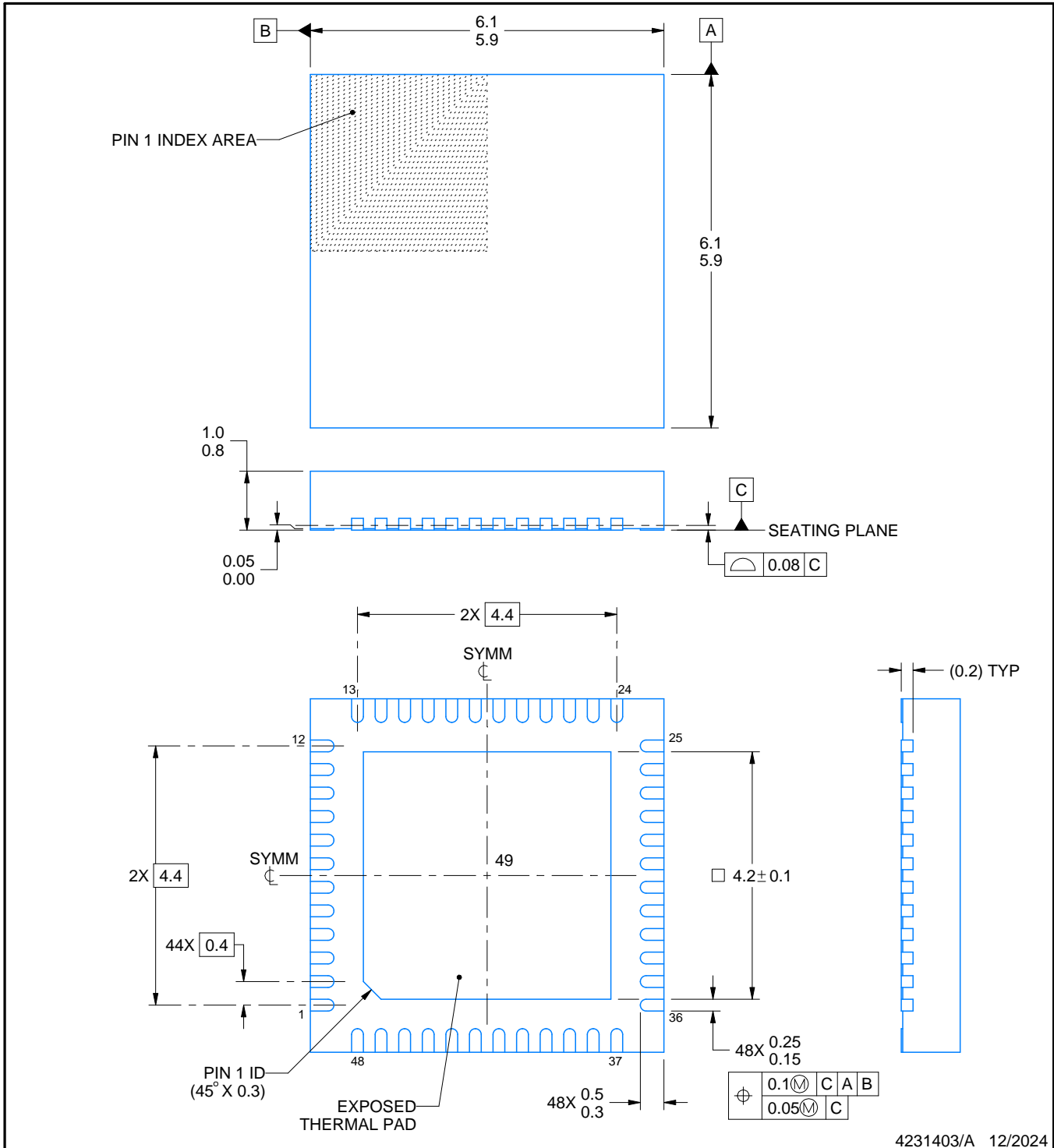
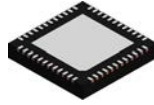
6 x 6, 0.4 mm pitch

QUAD FLATPACK - NO LEAD

This image is a representation of the package family, actual package may vary.
Refer to the product data sheet for package details.



4225749/A



NOTES:

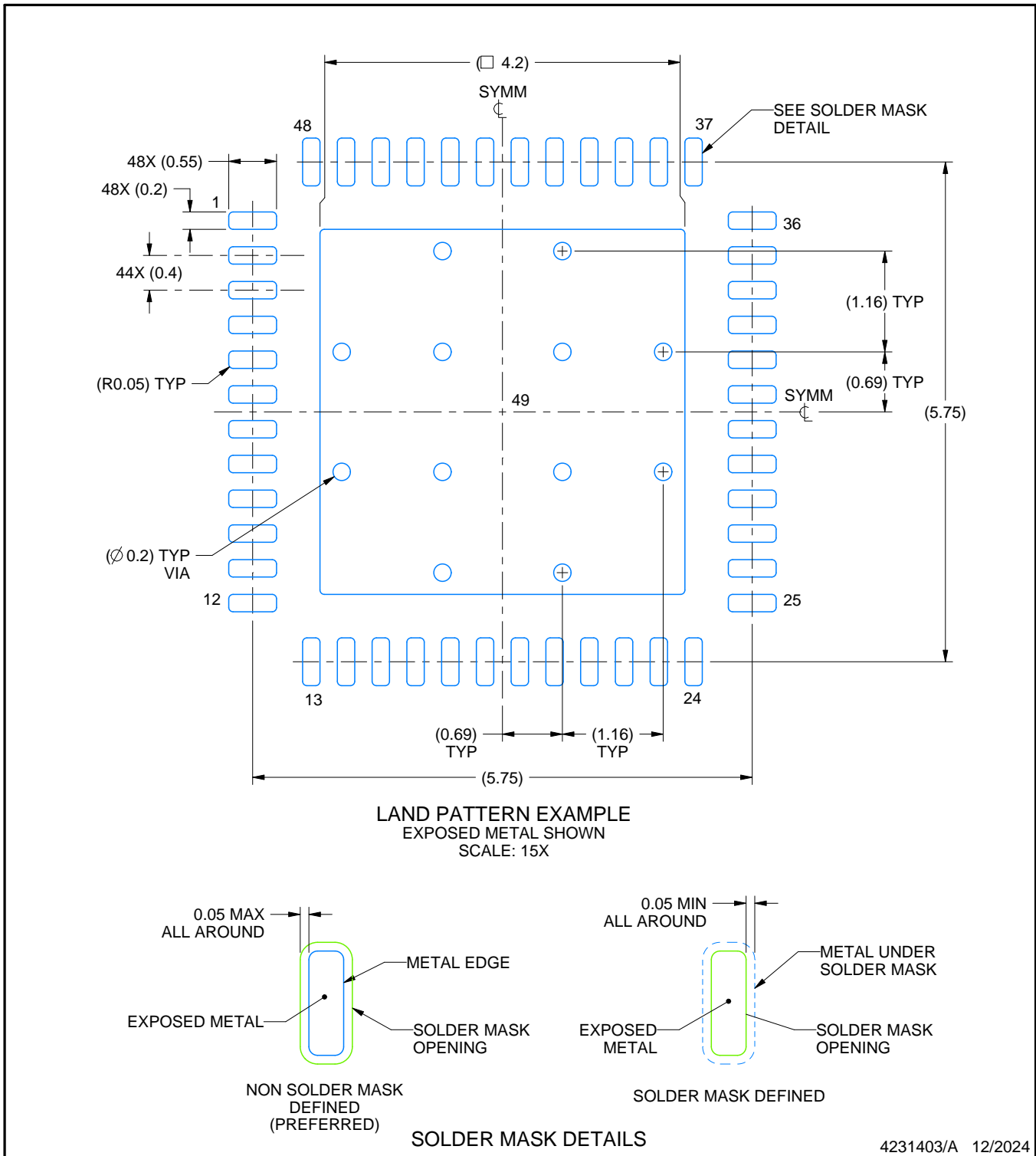
1. All linear dimensions are in millimeters. Any dimensions in parenthesis are for reference only. Dimensioning and tolerancing per ASME Y14.5M.
2. This drawing is subject to change without notice.
3. The package thermal pad must be soldered to the printed circuit board for thermal and mechanical performance.

EXAMPLE BOARD LAYOUT

RSL0048G

VQFN - 1 mm max height

PLASTIC QUAD FLATPACK - NO LEAD



4231403/A 12/2024

NOTES: (continued)

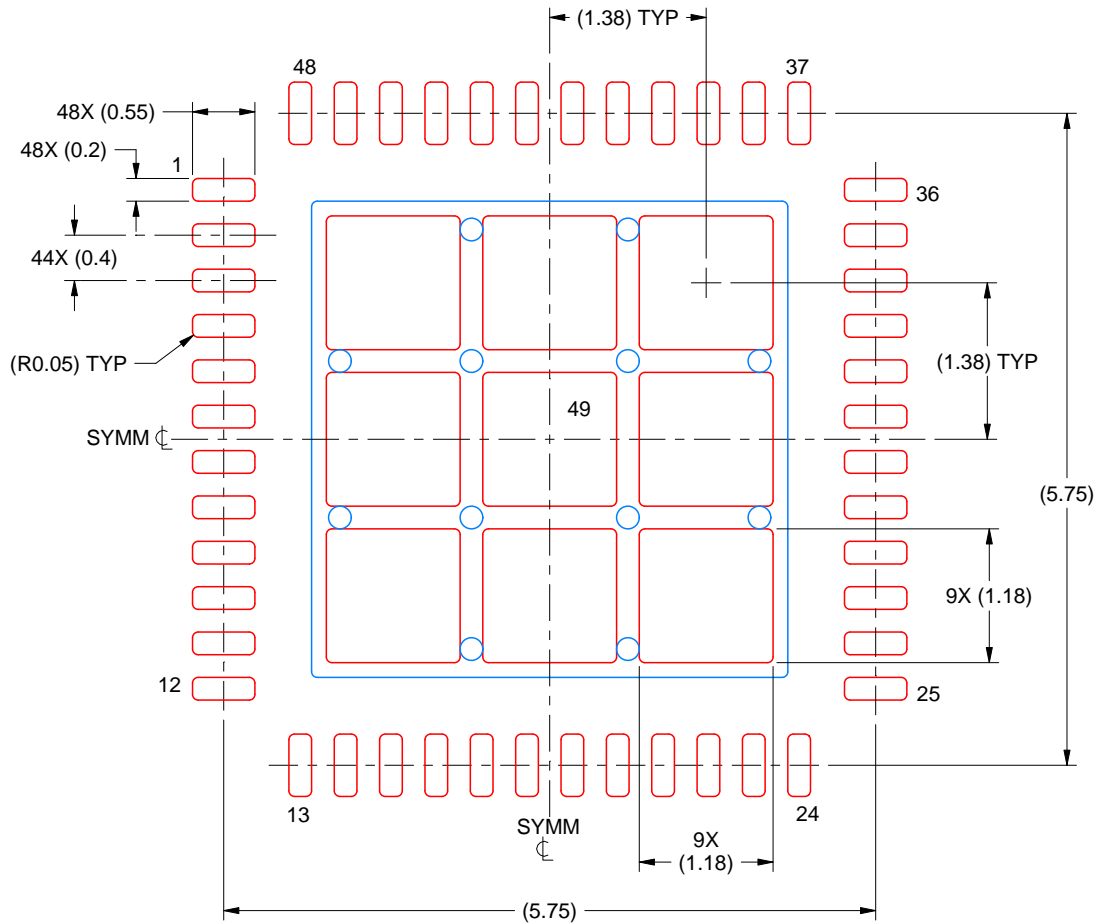
- This package is designed to be soldered to a thermal pad on the board. For more information, see Texas Instruments literature number SLUA271 (www.ti.com/lit/slua271).
- Vias are optional depending on application, refer to device data sheet. If any vias are implemented, refer to their locations shown on this view. It is recommended that vias under paste be filled, plugged or tented.

EXAMPLE STENCIL DESIGN

RSL0048G

VQFN - 1 mm max height

PLASTIC QUAD FLATPACK - NO LEAD



SOLDER PASTE EXAMPLE
 BASED ON 0.1 MM THICK STENCIL
 SCALE: 15X

EXPOSED PAD 49
 71% PRINTED SOLDER COVERAGE BY AREA UNDER PACKAGE

4231403/A 12/2024

NOTES: (continued)

6. Laser cutting apertures with trapezoidal walls and rounded corners may offer better paste release. IPC-7525 may have alternate design recommendations.

重要通知和免责声明

TI“按原样”提供技术和可靠性数据（包括数据表）、设计资源（包括参考设计）、应用或其他设计建议、网络工具、安全信息和其他资源，不保证没有瑕疵且不做任何明示或暗示的担保，包括但不限于对适销性、某特定用途方面的适用性或不侵犯任何第三方知识产权的暗示担保。

这些资源可供使用 TI 产品进行设计的熟练开发人员使用。您将自行承担以下全部责任：(1) 针对您的应用选择合适的 TI 产品，(2) 设计、验证并测试您的应用，(3) 确保您的应用满足相应标准以及任何其他功能安全、信息安全、监管或其他要求。

这些资源如有变更，恕不另行通知。TI 授权您仅可将这些资源用于研发本资源所述的 TI 产品的相关应用。严禁以其他方式对这些资源进行复制或展示。您无权使用任何其他 TI 知识产权或任何第三方知识产权。您应全额赔偿因在这些资源的使用中对 TI 及其代表造成的任何索赔、损害、成本、损失和债务，TI 对此概不负责。

TI 提供的产品受 [TI 的销售条款](#) 或 [ti.com](#) 上其他适用条款/TI 产品随附的其他适用条款的约束。TI 提供这些资源并不会扩展或以其他方式更改 TI 针对 TI 产品发布的适用的担保或担保免责声明。

TI 反对并拒绝您可能提出的任何其他或不同的条款。

邮寄地址：Texas Instruments, Post Office Box 655303, Dallas, Texas 75265
版权所有 © 2025，德州仪器 (TI) 公司