

DRV8801-Q1 DMOS 全桥电机驱动器

1 特性

- 符合汽车应用要求
- 符合 AEC-Q100 标准的下列结果:
 - 器件温度 1 级: $T_A = -40^{\circ}\text{C}$ 至 125°C
 - 器件人体模型 (HBM) 静电放电 (ESD) 分类等级 H2
 - 器件组件充电模式 (CDM) ESD 分类等级 C4
- 低 $R_{DS(on)}$ 输出 (典型值为 $0.83\ \Omega$ HS + LS)
- 低功耗睡眠模式
- 支持 100% 脉宽调制 (PWM) 占空比
- 8-38V 工作电源电压范围
- 耐热增强型表面贴装封装
- 可配置过流限制
- 保护特性:
 - VBB 欠压闭锁 (UVLO)
 - 过流保护 (OCP)
 - 电源短路保护
 - 接地短路保护
 - 过热警告 (OTW)
 - 过热关断 (OTS)
 - 引脚 (nFAULT) 指示过流和过热故障情况

2 应用

- 汽车车身系统
- 车门锁
- 加热, 通风和空调环境系统 (HVAC) 传动器
- 压电报警

3 说明

DRV8801-Q1 包含全 H 桥驱动器, 提供多用途电源驱动器解决方案。此器件能够驱动一个有刷直流电机或者步进电机的一个绕组, 以及其它诸如螺线管等器件。通过一个简单的相位/使能接口即可轻松与控制器电路相连

输出级使用配置为 $\frac{1}{2}$ H 桥的 N 通道功率 MOSFET。DRV8801-Q1 能够提供高达 $\pm 2.8\text{A}$ 的峰值输出电流和高达 38V 的工作电压。一个内部电荷泵用来生成所需的栅极驱动电压。

低功耗睡眠模式可将部分内部电路关断, 以实现极低的静态电流和功耗。可使用一个专用的 nSLEEP 引脚来设定这个睡眠模式。

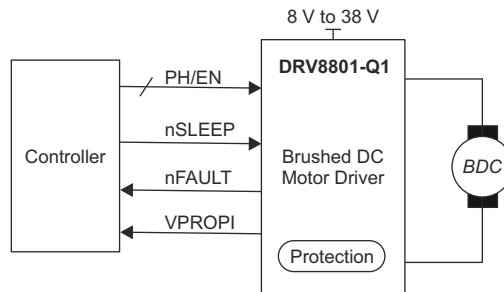
提供的内部保护功能包括: 欠压锁定、过流保护、电源短路保护、接地短路保护、过热警告和过热关断。过流 (包括接地短路和电源短路) 和过热故障条件由 nFAULT 引脚指示。

DRV8801-Q1 采用 16 引脚 QFN 封装, 具有外露散热焊盘, 可以更好地散热。

器件信息

器件型号 ⁽¹⁾	封装	封装尺寸 (标称值)
DRV8801-Q1	QFN (16)	4.00mm x 4.00mm

(1) 如需了解所有可用封装, 请参阅数据表末尾的可订购产品附录。



简化版原理图



Table of Contents

1 特性	1	8 Application and Implementation	15
2 应用	1	8.1 Application Information.....	15
3 说明	1	8.2 Typical Application.....	15
4 Revision History	2	8.3 Parallel Configuration.....	18
5 Pin Configuration and Functions	4	9 Power Supply Recommendations	22
6 Specifications	5	9.1 Bulk Capacitance.....	22
6.1 Absolute Maximum Ratings.....	5	10 Layout	23
6.2 ESD Ratings.....	5	10.1 Layout Guidelines.....	23
6.3 Recommended Operating Conditions.....	5	10.2 Layout Example.....	23
6.4 Thermal Information.....	5	11 Device and Documentation Support	24
6.5 Electrical Characteristics.....	6	11.1 Documentation Support.....	24
6.6 Timing Requirements.....	7	11.2 Receiving Notification of Documentation Updates.....	24
6.7 Typical Characteristics.....	9	11.3 支持资源.....	24
7 Detailed Description	10	11.4 Trademarks.....	24
7.1 Overview.....	10	11.5 静电放电警告.....	24
7.2 Functional Block Diagram.....	10	11.6 术语表.....	24
7.3 Feature Description.....	10	12 Mechanical, Packaging, and Orderable Information	24
7.4 Device Functional Modes.....	14		

4 Revision History

注：以前版本的页码可能与当前版本的页码不同

Changes from Revision C (June 2016) to Revision D (March 2021)	Page
• Improved description for pins CP1,CP2,nFAULT, nSLEEP, VBB and VCP in <i>Pin Functions</i> table.....	4
• Added entries for VCP and CP2 pins in <i>Absolute Maximum Ratings</i> table.....	5
• Change SLEEP to nSLEEP in PWM Control Timing Figure.....	7
• Provide additional information on SENSE pin behavior.....	12
• Added equation for VPROPI to help when connecting pin' s output to ADC in <i>Feature Description</i>	13
• Added die temperature estimation equation utilizing junction to ambient thermal impedance in <i>Application and Implementation</i> section.....	16
• Added information on using motor driver' s pulse width modulating modes in <i>Application and Implementation</i> section.....	17
• Added information on connecting multiple DRV8801-Q1 together to support higher current in <i>Application and Implementation</i> section.....	18
Changes from Revision B (January 2016) to Revision C (June 2016)	Page
• Changed one of the MODE1 pins to MODE2 in the <i>Functional Block Diagram</i> section	10
• Added the <i>Receiving Notification of Documentation Updates</i> section	24
Changes from Revision A (January 2014) to Revision B (October 2014)	Page
• Added <i>ESD Rating</i> table, <i>Feature Description</i> section, <i>Device Functional Modes</i> , <i>Application and Implementation</i> section, <i>Power Supply Recommendations</i> section, <i>Layout</i> section, <i>Device and Documentation Support</i> section, and <i>Mechanical, Packaging, and Orderable Information</i> section	5
• Added t_{pd} to the <i>Overcurrent Control Timing</i> image.....	12
Changes from Revision * (February 2011) to Revision A (January 2014)	Page
• 从页眉中删除了器件型号 DRV8800-Q1.....	1
• 向“特性”列表中添加了“AEC-Q100 资格”	1
• 在首页添加了“应用”部分.....	1
• 删除了“说明”部分中的器件型号 DRV8800-Q1.....	1
• 删除了“订购信息”表.....	1

• Deleted DRV8800-Q1 pinout diagram.....	4
• Deleted Terminal Name column for DRV8800-Q1 from Terminal Functions table.....	4
• Deleted DRV8800-Q1 pin descriptions for pins 5 and 9 from Terminal Functions table.....	4
• Added a Thermal Information table.....	5
• Removed DRV8800-Q1 part number from column heading of Thermal Information table.....	5
• Changed parameter name and test condition for Electrical Characteristics, VTRP row.....	6
• Added two notes to end of Electrical Characteristics table.....	6
• Changed "Overcurrent protection period" parameter to "Overcurrent retry time".....	7
• Deleted DRV8800-Q1 from text of Device Operation section.....	10
• Deleted DRV8800-Q1 Functional Block Diagram.....	10
• Updated the <i>Overcurrent Control Timing</i> image.....	12
• Updated the <i>Overcurrent Control Timing</i> image.....	13
• Changed <i>active low</i> to <i>low</i> in Diagnostic Output section.....	14
• Deleted VREG section; deleted "(DRV8801-Q1 Only)" from VPROPI section title.....	14
• Changed a value in row 5 of the Control Logic Table.....	14
• Added a row to Control Logic Table.....	14
• Deleted DRV8800-Q1 from the text of the Low-Power Mode section.....	14
• Deleted DRV8800-Q1 Typical Application Diagram.....	15
• Corrected part number in DRV8801-Q1 application diagram.....	15

5 Pin Configuration and Functions

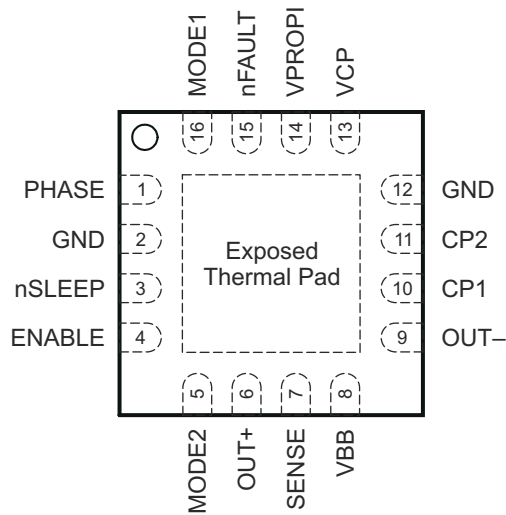


图 5-1. RTY Package 16-Pin QFN With Exposed Thermal Pad Top View

表 5-1. Pin Functions

PIN		I/O	DESCRIPTION
NAME	NO.		
CP1	10	PWR	Charge pump switching node. Connect a X7R, 0.1- μ F, VBB-rated ceramic capacitor from CP1 to CP2.
CP2	11	PWR	
ENABLE	4	I	Enable logic input
GND	2, 12	PWR	Ground
MODE 1	16	I	Mode logic input
MODE 2	5	I	Mode 2 logic input
nFAULT	15	O	Fault indication. Pulled logic low with fault condition; open-drain output requires an external pullup resistor.
nSLEEP	3	I	Sleep mode input. Logic high to enable device; logic low to enter low-power sleep mode; internal pulldown resistor.
OUT+	6	O	DMOS full-bridge output positive
OUT -	9	O	DMOS full-bridge output negative
PHASE	1	I	Phase logic input for direction control
SENSE	7	IO	Sense power return
VBB	8	PWR	Driver supply voltage. Bypass to GND with 0.1- μ F ceramic capacitors plus a bulk capacitor rated for VBB.
VCP	13	O	Charge pump reservoir capacitor pin. Connect a X7R, 0.1- μ F, 16-V ceramic capacitor to VBB.
VPROPI	14	O	Winding current proportional voltage output
Thermal Pad	PAD	PWR	Exposed pad for thermal dissipation; connect to GND pins.

6 Specifications

6.1 Absolute Maximum Ratings

over operating free-air temperature range (unless otherwise noted) ⁽¹⁾

		MIN	MAX	UNIT
V _{BB}	Load supply voltage ⁽²⁾	- 0.3	40	V
VCP and CP2	Charge pump voltage	- 0.3	V _{BB} +17	V
I _{OUT}	Output current	0	2.8	A
V _{Sense}	Sense voltage	- 500	500	mV
V _{BB_OUT}	V _{BB} to OUTx		36	V
V _{OUT_SEN}	OUTx to SENSE		36	V
V _{DD}	PHASE, ENABLE, MODE1, MODE2, nSLEEP, nFAULT ⁽²⁾	- 0.3	7	V
P _D	Continuous total power dissipation		See # 6.4	
T _A	Operating free-air temperature	- 40	125	°C
T _J	Maximum junction temperature	- 40	150	°C
T _{stg}	Storage temperature	- 40	125	°C

- (1) Stresses beyond those listed under *Absolute Maximum Ratings* may cause permanent damage to the device. These are stress ratings only, which do not imply functional operation of the device at these or any other conditions beyond those indicated under [# 6.3](#). Exposure to absolute-maximum-rated conditions for extended periods may affect device reliability.
- (2) All voltage values are with respect to network ground terminal.

6.2 ESD Ratings

		VALUE	UNIT
V _(ESD)	Electrostatic discharge	Human body model (HBM), per AEC Q100-002 ⁽¹⁾	±2000
		Charged device model (CDM), per AEC Q100-011	Corner pins (1, 4, 5, 8, 9, 12, 13, and 16) ±750
		Other pins	±500

- (1) AEC Q100-002 indicates HBM stressing is done in accordance with the ANSI/ESDA/JEDEC JS-001 specification.

6.3 Recommended Operating Conditions

		MIN	MAX	UNIT
V _{BB}	Power supply voltage	8	38	V
V _{DD}	Logic voltage	0	5.5	V
f _{PWM}	Applied PWM signal (PHASE and ENABLE)	0	100	kHz
T _A	Ambient temperature	- 40	125	°C

6.4 Thermal Information

THERMAL METRIC ⁽¹⁾		DRV8801-Q1		UNIT
		RTY (QFN)		
		16 PINS		
R _{θ JA}	Junction-to-ambient thermal resistance	46.1		°C/W
R _{θ JC(top)}	Junction-to-case (top) thermal resistance	43.0		°C/W
R _{θ JB}	Junction-to-board thermal resistance	22.5		°C/W
ψ _{JT}	Junction-to-top characterization parameter	0.6		°C/W
ψ _{JB}	Junction-to-board characterization parameter	22.5		°C/W
R _{θ JC(bot)}	Junction-to-case (bottom) thermal resistance	3.8		°C/W

- (1) For more information about traditional and new thermal metrics, see the *Semiconductor and IC Package Thermal Metrics* application report, [SPRA953](#).

6.5 Electrical Characteristics

over recommended operating conditions (unless otherwise noted)

PARAMETER		TEST CONDITIONS	MIN	TYP	MAX	UNIT	
POWER SUPPLIES (VBB)							
VBB	VBB operating voltage		8		38	V	
I _{VBB}	VBB operating supply current	f _{PWM} < 50 kHz		6		mA	
		Charge pump on, outputs disabled		3.2			
I _{VBBQ}	VBB sleep-mode supply current	nSLEEP = 0, T _J = 25°C			10	μA	
CONTROL INPUTS (PHASE, ENABLE, MODE1, MODE2, nSLEEP)							
V _{IL}	Input logic low voltage	PHASE, ENABLE, MODE1, MODE2			0.8	V	
V _{IH}	Input logic high voltage			2			
V _{IHYS}	Input hysteresis			100	500	800	mV
I _{IL}	Input logic low current	PHASE, MODE1, MODE2	V _{IN} = 0.8 V	-20	< -2	20	μA
I _{IH}	Input logic high current		V _{IN} = 2.0 V		< 1	20	
I _{IL}	Input logic low current	ENABLE	V _{IN} = 0.8 V		16	40	μA
I _{IH}	Input logic high current		V _{IN} = 2.0 V		40	100	
V _{IL}	Input logic low voltage	nSLEEP				0.8	V
V _{IH}	Input logic high voltage			2.7			V
I _{IL}	Input logic low current		V _{IN} = 0.8 V		<1	10	μA
I _{IH}	Input logic high current		V _{IN} = 2.7 V		27	50	
CONTROL OUTPUTS (nFAULT)							
V _{OL}	Output logic low voltage	I _O = 1 mA			0.4	V	
VBBNFR	VBB nFAULT release	8 V < VBB < 40 V		12	13.8	V	
DMOS DRIVERS (OUT+, OUT-, SENSE, VPROPI)							
R _{DS(on)}	Output ON resistance	Source driver, I _{OUT} = -2.8 A, T _J = 25°C		0.48		Ω	
		Source driver, I _{OUT} = -2.8 A, T _J = 125°C		0.74	0.85		
		Sink driver, I _{OUT} = 2.8 A, T _J = 25°C		0.35			
		Sink driver, I _{OUT} = 2.8 A, T _J = 125°C		0.52	0.7		
V _{TRIP}	SENSE trip voltage	R _{SENSE} between SENSE and GND		500		mV	
V _f	Body diode forward voltage	Source diode, I _f = -2.8 A			1.4	V	
		Sink diode, I _f = 2.8 A			1.4		
A _{VDA}	Differential AMP gain	SENSE = 0.1 V to 0.4 V		5		V/V	
PROTECTION CIRCUITRY							
VUV	UVLO threshold	VBB increasing		6.5	7.5	V	
I _{OC}	Overcurrent protection trip level	VBB = 8.0 approximately 38 V		3		A	
T _{OTW}	Thermal warning temperature	Die temperature T _J ⁽¹⁾		160		°C	
T _{OTW HYS}	Thermal warning hysteresis	Die temperature T _J		15		°C	
T _{OTS}	Thermal shutdown temperature	Die temperature T _J ⁽²⁾		175		°C	
T _{OTS HYS}	Thermal shutdown hysteresis	Die temperature T _J		15		°C	

- Once the device reaches the thermal warning temperature of 160°C, the device remains in thermal warning until the device cools to 145°C. This is known as the thermal-warning hysteresis of the device.
- Once the device reaches the thermal shutdown temperature of 175°C, the device remains in thermal shutdown until the device cools to 160°C. This is known as the thermal-shutdown hysteresis of the device.

6.6 Timing Requirements

		MIN	NOM	MAX	UNIT
t_{pd}	Propagation delay time	Input edge to source or sink ON			ns
		Input edge to source or sink OFF			
t_{COD}	Crossover delay	500			ns
t_{DEG}	Overcurrent deglitch time	3			μ s
t_{OCP}	Overcurrent retry time	1.2			ms

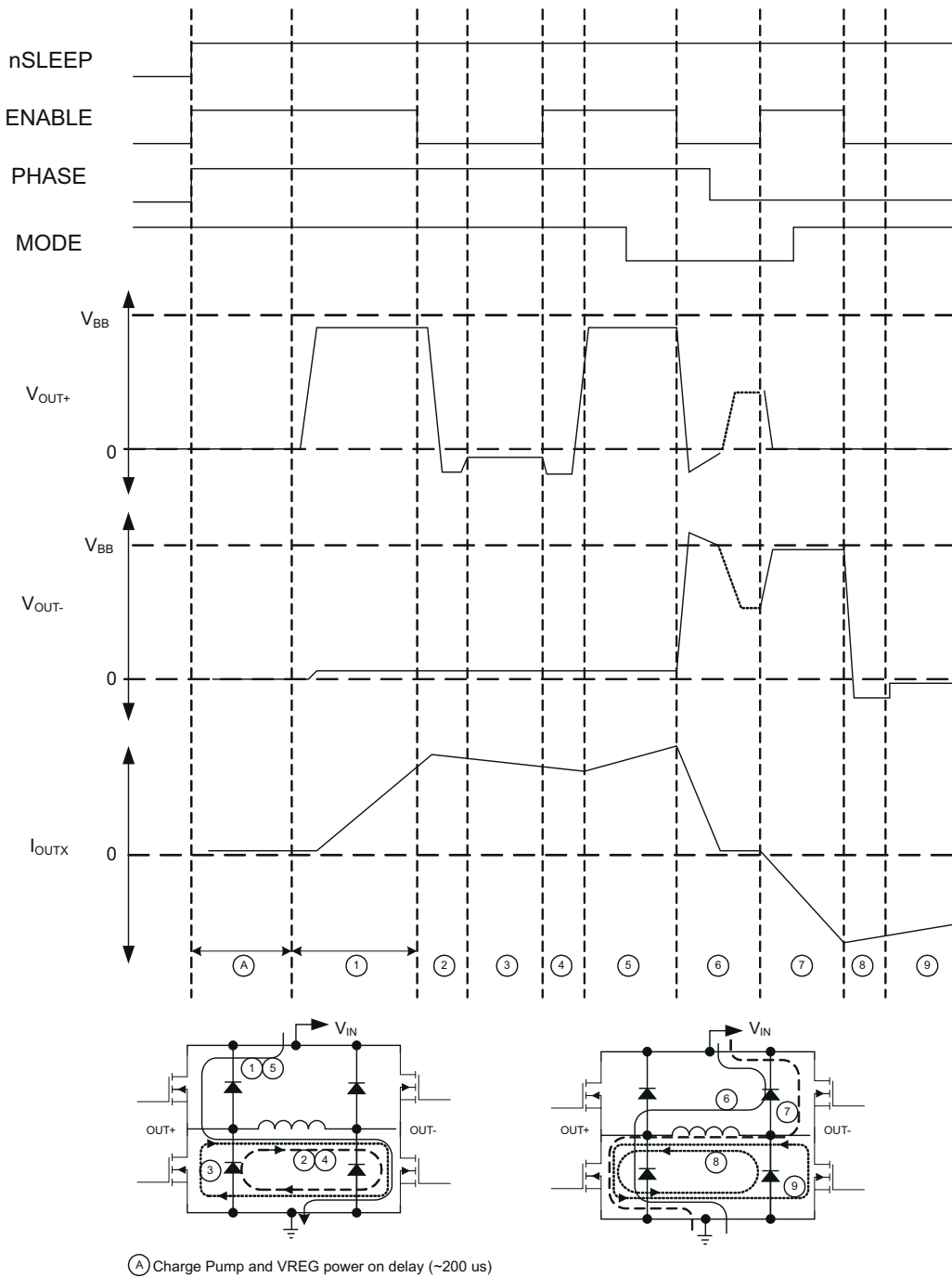


图 6-1. PWM Control Timing

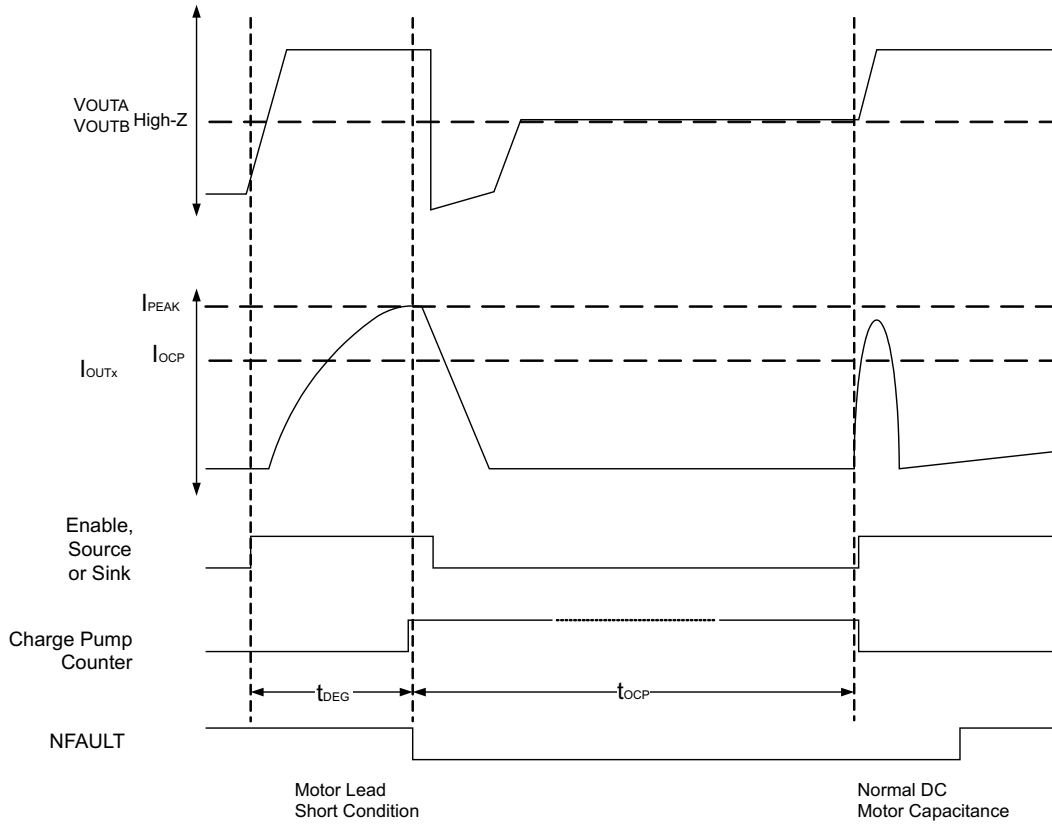


图 6-2. Overcurrent Control Timing

6.7 Typical Characteristics

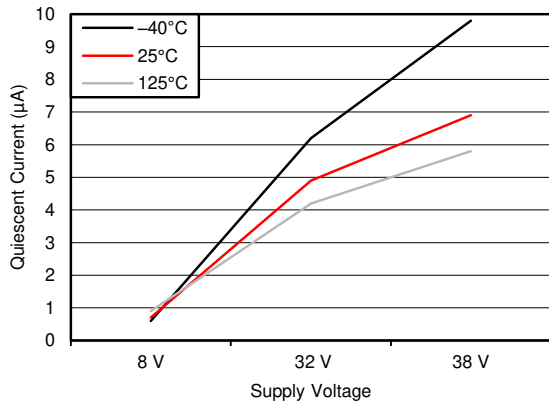


图 6-3. I_{VBQ} vs V_{BB}

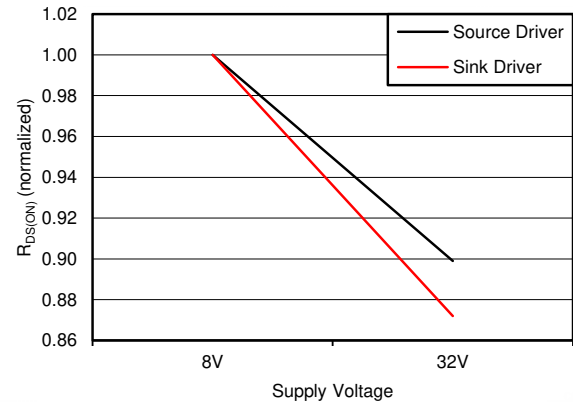


图 6-4. $R_{DS(ON)}$ vs V_{BB} (Normalized to $V_{BB} = 8\text{ V}$)

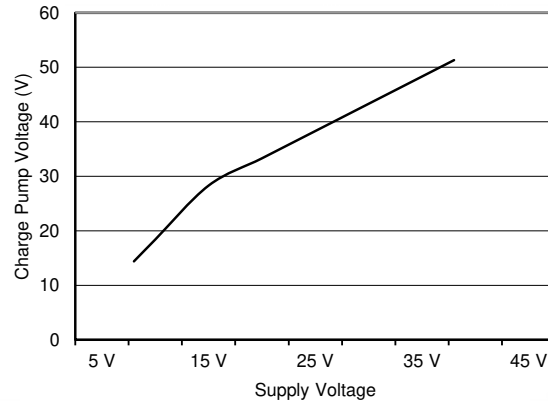


图 6-5. V_{CP} vs V_{BB}

7 Detailed Description

7.1 Overview

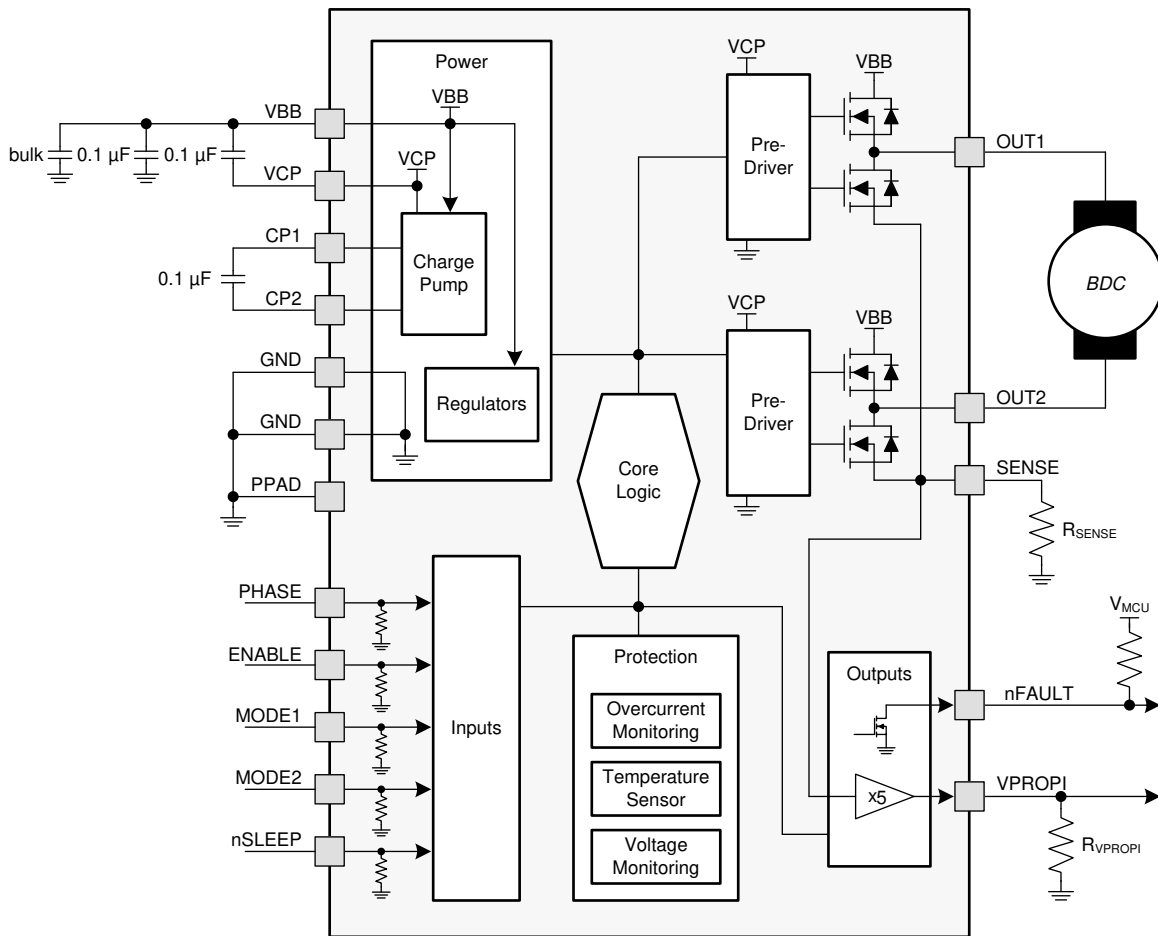
The DRV8801-Q1 is an integrated motor driver solution for brushed-DC motors. The device integrates a DMOS H-bridge and current sense and protection circuitry. The device can be powered with a supply voltage between 8 and 38 V, and is capable of providing an output current up to 2.8 A peak.

A simple PHASE-ENABLE interface allows control of the motor speed and direction.

A shunt amplifier output is provided for accurate current measurements by the system controller. The VPROPI pin will output a voltage that is 5 times the voltage seen at the SENSE pin.

A low-power sleep mode is included which allows the system to save power when not driving the motor.

7.2 Functional Block Diagram



Copyright © 2016, Texas Instruments Incorporated

7.3 Feature Description

7.3.1 Power Supervisor

The control input, nSLEEP, is used to minimize power consumption when the DRV8801-Q1 device is not in use. A logic low on the nSLEEP input disables much of the internal circuitry, including the internal voltage rails and charge pump. A logic high on this input pin results in normal operation. When switching from low to high, the user should allow a 1-ms delay before applying PWM signals. This time is needed for the charge pump to stabilize.

7.3.2 Bridge Control

表 7-1 shows the logic for the DRV8801-Q1:

表 7-1. Bridge Control Logic Table

nSLEEP	PHASE	ENABLE	MODE1	MODE2	OUTA	OUTB	OPERATION
0	X	X	X	X	Z	Z	Sleep mode
1	0	1	X	X	L	H	Reverse
1	1	1	X	X	H	L	Forward
1	0	0	0	X	H	L	Fast decay
1	1	0	0	X	L	H	Fast decay
1	X	0	1	0	L	L	Low-side Slow decay
1	X	0	1	1	H	H	High-side Slow decay

To prevent reversal of current during fast-decay synchronous rectification, outputs go to the high impedance state as the current approaches 0 A.

The path of current flow for each of the states in the above logic table is shown in [图 7-1](#).

7.3.2.1 MODE 1

Input MODE 1 is used to toggle between fast-decay mode and slow-decay mode. A logic high puts the device in slow-decay mode.

7.3.2.2 MODE 2

MODE 2 is used to select which set of drivers (high side versus low side) is used during the slow-decay recirculation. MODE 2 is meaningful only when MODE 1 is asserted high. A logic high on MODE 2 has current recirculation through the high-side drivers. A logic low has current recirculation through the low-side drivers.

7.3.3 Fast Decay with Synchronous Rectification

This decay mode is equivalent to a phase change where the FETs opposite of the driving FETs are switched on (2 in [图 7-1](#)). When in fast decay, the motor current is not allowed to go negative because this would cause a change in direction. Instead, as the current approaches zero, the drivers turn off. See the [节 8.2.2.2](#) section for an equation to calculate power.

7.3.4 Slow Decay with Synchronous Rectification (Brake Mode)

In slow-decay mode, both low-side and high-side drivers turn on, allowing the current to circulate through the low-side and high-side body diodes of the H-bridge and the load (3 and 4 in [图 7-1](#)). See the [节 8.2.2.2](#) section for equations to calculate power for both high-side and low-side slow decay.

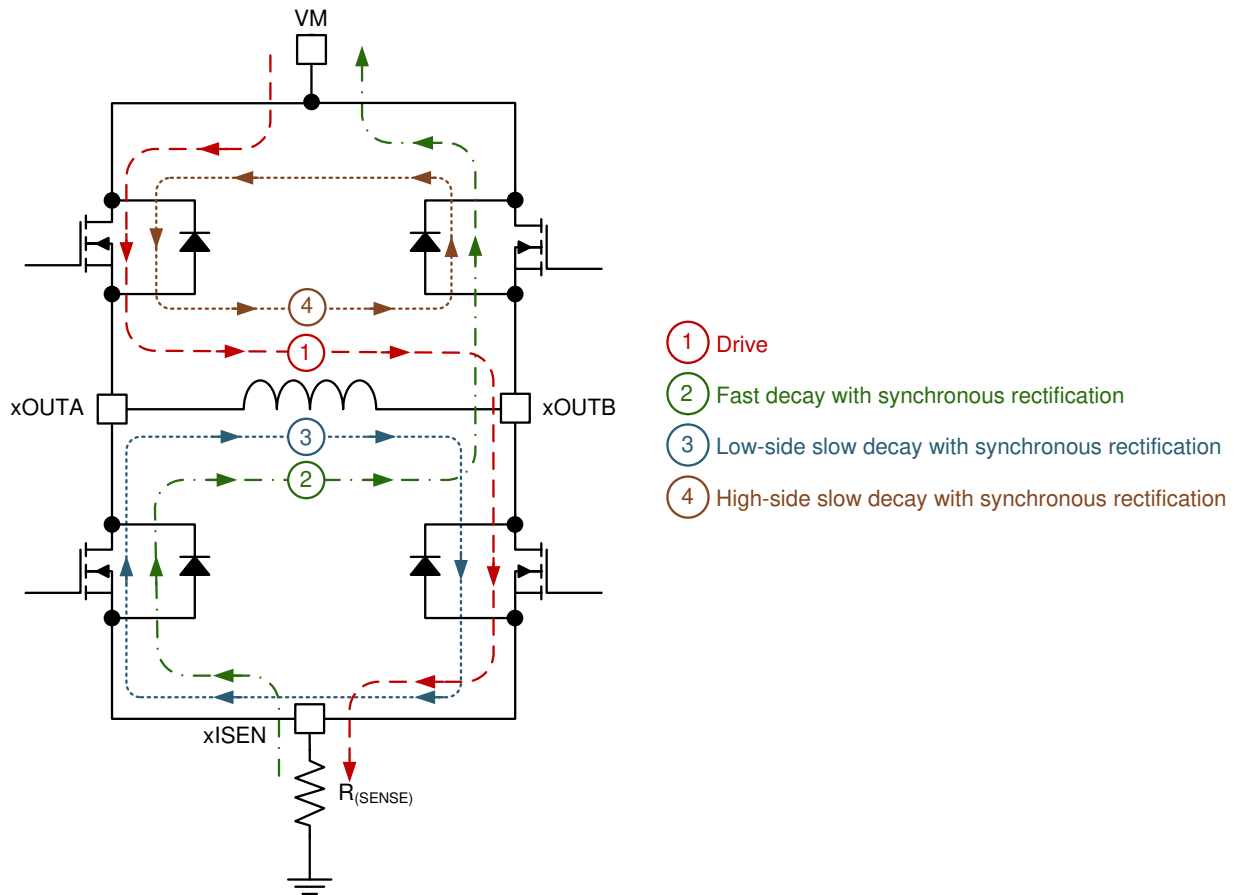


图 7-1. H-Bridge Operation Modes

7.3.5 Charge Pump

The charge pump is used to generate a supply above V_{BB} to drive the source-side DMOS gates. A $0.1\text{-}\mu\text{F}$ ceramic monolithic capacitor should be connected between CP1 and CP2 for pumping purposes. A $0.1\text{-}\mu\text{F}$ ceramic monolithic capacitor should be connected between VCP and V_{BB} to act as a reservoir to run the high-side DMOS devices.

7.3.6 SENSE

A low-value SENSE resistor is used to set an overcurrent threshold lower than the default maximum value of 2.8 A and to provide a voltage for VPROPI. This SENSE resistor must be connected between the SENSE pin and ground. To minimize ground-trace IR drops in sensing the output current level, the current-sensing resistor should have an independent ground return to the star ground point. This trace should be as short as possible. For low-value sense resistors, the IR drops in the PCB can be significant, and should be taken into account.

A direction connection to ground yields a SENSE voltage equal to zero. In that case, maximum current is 2.8 A and VPROPI outputs 0 V. A resistor connected as explained before, will yield a VPROPI output as detailed in the 节 7.3.7. Size the sense resistor such that voltage drop across the sense resistor is less than 500mV under normal loading conditions. Any voltage equal or larger to 500 mV will signal the device to hi-Z the H-bridge output as overcurrent trip threshold has been reached. In this case, device will enter recirculation as stipulated by the MODE input pin. The device automatically retries with a period of $t_{(OCP)}$.

方程式 1 shows the value of the resistor to a particular current setting.

$$R_{\text{sense}} = \frac{500 \text{ mV}}{I_{\text{trip}}} \tag{1}$$

The overcurrent trip level selected cannot be greater than $I_{(OCP)}$.

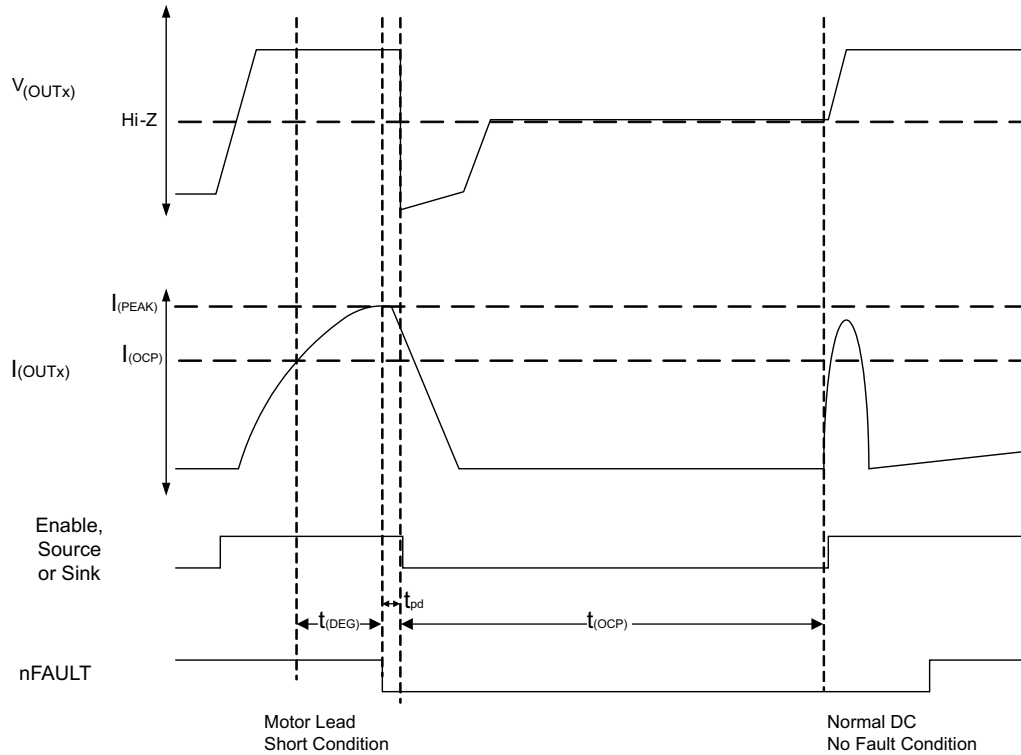


图 7-2. Overcurrent Control Timing

7.3.7 VPROPI

The analog output VPROPI offers SENSE current information as an analog voltage proportional to the current flowing through the DC motor winding. This voltage can be used by an analog to digital converter and microcontroller to accurately determine how much current is flowing through the controlled DC motor. The later section discussing the SENSE resistor provides guidance on how to choose the SENSE resistor value.

7.3.7.1 Connecting VPROPI Output to ADC

The analog output VPROPI varies proportionally with the SENSE voltage according to 方程式 2. It's important to note even if V_{SENSE} is negative VPROPI will remain at 0 V.

$$VPROPI = 5 \times V_{SENSE} \quad (2)$$

An RC network in series with the VPROPI output is recommended, if this voltage is to be sampled by an analog to digital converter.

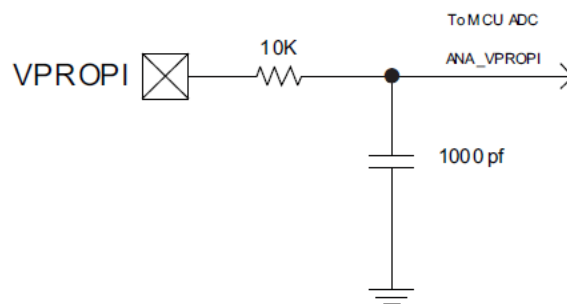


图 7-3. RC Network in Series With the VPROPI Output

It is imperative to realize that VPROPI will decrease to 0 V while the H-Bridge enters slow decay recirculation.

7.3.8 Protection Circuits

The DRV8801-Q1 device is fully protected against V_{BB} undervoltage, overcurrent, and overtemperature events.

表 7-2. DRV8801-Q1 Fault Responses

FAULT	ERROR REPORT	H-BRIDGE	CHARGE PUMP	RECOVERY
V_{BB} undervoltage (UVLO)	No error report - nFAULT is hi-Z	Disabled	Shut Down	$V_{BB} > V_{UVLO}$ RISING
Overcurrent (OCP)	nFAULT pulled low	Disabled	Operating	Retry time, $t_{(OCP)}$
Overtemperature Warning (OTW)	nFAULT pulled low	Enabled	Operating	$T_J < T_{(OTW)} - T_{hys(OTW)}$
Overtemperature Shutdown (OTS)	nFAULT remains pulled low (set during OTW)	Disabled	Shut Down	$T_J < T_{(OTS)} - T_{hys(OTS)}$

7.3.8.1 V_{BB} Undervoltage Lockout (UVLO)

If at any time the voltage on the V_{BB} pin falls below the undervoltage lockout threshold voltage, all FETs in the H-bridge are disabled and the charge pump is disabled. The nFAULT pin does not report the UVLO fault condition and remains hi-Z. Operation resumes when V_{BB} rises above the UVLO threshold.

7.3.8.2 Overcurrent Protection (OCP)

The current flowing through the high-side and low-side drivers is monitored to ensure that the motor lead is not shorted to supply or ground. If a short is detected, all FETs in the H-bridge are disabled, nFAULT is driven low, and a $t_{(OCP)}$ fault timer is started. After this period, $t_{(OCP)}$, the device is then allowed to follow the input commands and another turn-on is attempted (nFAULT releases during this attempt). If there is still a fault condition, the cycle repeats. If the short condition is not present after $t_{(OCP)}$ expires, normal operation resumes and nFAULT is released.

7.3.8.3 Overtemperature Warning (OTW)

If the die temperature increases past the thermal warning threshold the nFAULT pin is driven low. When the die temperature has fallen below the hysteresis level, the nFAULT pin is released. If the die temperature continues to increase, the device enters overtemperature shutdown as described in the [§ 7.3.8.4](#) section.

7.3.8.4 Overtemperature Shutdown (OTS)

If the die temperature exceeds the thermal shutdown temperature, all FETs in the H-bridge are disabled and the charge pump shuts down. The nFAULT pin remains pulled low during this fault condition. When the die temperature falls below the hysteresis threshold, operation automatically resumes.

7.3.9 Thermal Shutdown (TSD)

Two die-temperature monitors are integrated on the chip. As die temperature increases toward the maximum, a thermal warning signal is triggered at 160°C. This fault drives nFAULT low, but does not disable the operation of the chip. If the die temperature increases further, to approximately 175°C, the full-bridge outputs are disabled until the internal temperature falls below a hysteresis of 15°C.

7.4 Device Functional Modes

The DRV8801-Q1 device is active unless the nSLEEP pin is brought logic low. In sleep mode the charge pump is disabled and the H-bridge FETs are disabled hi-Z. The DRV8801-Q1 device is brought out of sleep mode automatically if nSLEEP is brought logic high.

8 Application and Implementation

备注

Information in the following applications sections is not part of the TI component specification, and TI does not warrant its accuracy or completeness. TI's customers are responsible for determining suitability of components for their purposes. Customers should validate and test their design implementation to confirm system functionality.

8.1 Application Information

The DRV8801-Q1 device is used in medium voltage brushed DC motor control applications.

8.2 Typical Application

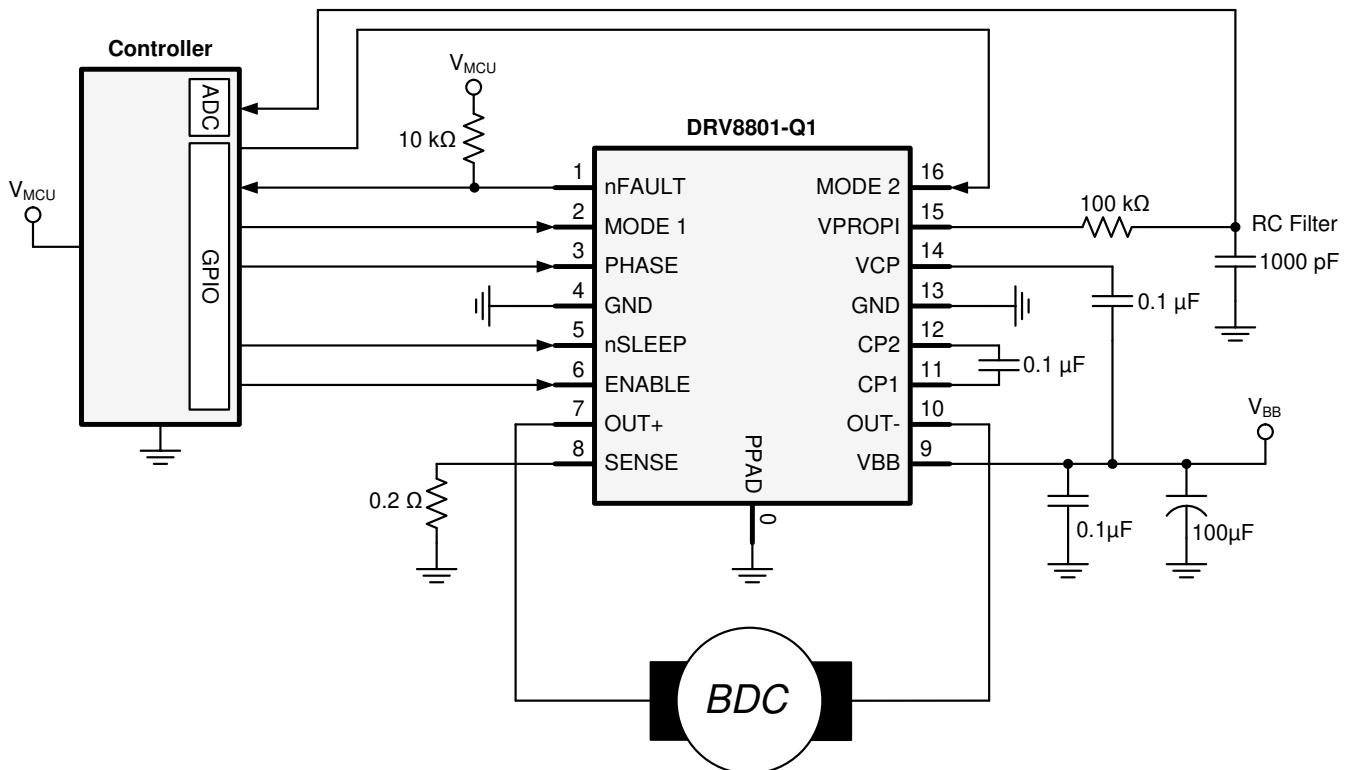


图 8-1. Typical Application Schematic

8.2.1 Design Requirements

For this design example, use the parameters listed in 表 8-1 as the input parameters.

表 8-1. Design Parameters

DESIGN PARAMETER	REFERENCE	EXAMPLE VALUE
Motor Voltage	VBB	24 V
Motor RMS Current	IRMS	0.8 A
Motor Startup Current	ISTART	2 A
Motor Current Trip Point	ITRIP	2.5 A

8.2.2 Detailed Design Procedure

8.2.2.1 Motor Voltage

The motor voltage to use will depend on the ratings of the motor selected and the desired RPM. A higher voltage spins a brushed DC motor faster with the same PWM duty cycle applied to the power FETs. A higher voltage also increases the rate of current change through the inductive motor windings.

8.2.2.2 Power Dissipation

The power dissipation of the DRV8801-Q1 is a function of the RMS motor current and the each output's FET resistance ($R_{DS(ON)}$).

$$\text{Power} \approx I_{RMS}^2 \times (\text{High-Side } R_{DS(ON)} + \text{Low-Side } R_{DS(ON)}) \quad (3)$$

For this example, the ambient temperature is 35°C, and the junction temperature reaches 65°C. At 65°C, the sum of $R_{DS(ON)}$ is about 1 Ω . With an example motor current of 0.8 A, the dissipated power in the form of heat will be 0.8 A² × 1 Ω = 0.64 W.

The temperature that the DRV8801-Q1 reaches will depend on the thermal resistance to the air and PCB. It is important to solder the device thermal pad to the PCB ground plane, with vias to the top and bottom board layers, to dissipate heat into the PCB and reduce the device temperature. In the example used here, the DRV8801-Q1 had an effective thermal resistance $R_{\theta JA}$ of 47°C/W, and:

$$T_J = T_A + (P_D \times R_{\theta JA}) = 35^\circ\text{C} + (0.64 \text{ W} \times 47^\circ\text{C/W}) = 65^\circ\text{C} \quad (4)$$

8.2.2.3 Thermal Considerations

Although DRV8801-Q1 is rated at 2.8-A of current handling, the previous only holds true as long as the internal temperature does not exceed 170°C. In order to operate at this rate, the following measures must be taken under consideration.

8.2.2.3.1 Junction-to-Ambient Thermal Impedance (θ_{JA})

At any given time during the steady state portion of the cycle, two FETs are enabled: A high side sourcing FET and a low side sinking FET. The increase in die temperature above ambient can be estimated by [方程式 5](#)

$$T_{\text{die}} = \theta_{JA} \frac{^\circ\text{C}}{\text{W}} \times I_{\text{winding}}^2 \times R_{DS\text{ ON}} + T_A \quad (5)$$

8.2.2.4 Motor Current Trip Point

When the voltage on pin SENSE exceeds V_{TRIP} (0.5 V), overcurrent is detected. The R_{SENSE} resistor should be sized to set the desired I_{TRIP} level.

$$R_{SENSE} = 0.5 \text{ V} / I_{TRIP} \quad (6)$$

To set I_{TRIP} to 2.5 A, $R_{SENSE} = 0.5 \text{ V} / 2.5 \text{ A} = 0.2 \Omega$.

To prevent false trips, I_{TRIP} must be higher than regular operating current. Motor current during startup is typically much higher than steady-state spinning, because the initial load torque is higher, and the absence of back-EMF causes a higher voltage and extra current across the motor windings.

It is beneficial to limit startup current by using series inductors on the DRV8801-Q1 output, as that allows I_{TRIP} to be lower, and it may decrease the system's required bulk capacitance. Startup current can also be limited by ramping the forward drive duty cycle.

8.2.2.5 Sense Resistor Selection

For optimal performance, it is important for the sense resistor to be:

- Surface-mount
- Low inductance

- Rated for high enough power
- Placed closely to the motor driver

8.2.2.6 Drive Current

This current path is through the high-side sourcing DMOS driver, motor winding, and low-side sinking DMOS driver. Power dissipation I^2R losses in one source and one sink DMOS driver, as shown in [方程式 7](#).

$$P_D = I^2(r_{DS(on)Source} + r_{DS(on)Sink}) \quad (7)$$

8.2.3 Pulse-Width Modulating

8.2.3.1 Pulse-Width Modulating ENABLE

The most common H-Bridge direction/speed control scheme is to use a conventional GPIO output for the PHASE (selects direction) and pulse-width modulate ENABLE for speed control.

8.2.3.2 Pulse-Width Modulating PHASE

A technique that uses a speed/direction control scheme where ENABLE is connected to a GPIO output and the PHASE is pulse-width modulated. In this case, both direction and speed are controlled with a single signal. ENABLE is only used to disable the motor and stop all current flow.

When pulse-width modulating PHASE, a 50% duty cycle will stop the motor. Duty cycles above 50% will have the motor moving on the clockwise direction with proportional control; 100% duty cycle represents full speed.

Duty cycles below 50% will have the motor rotating with a counter clockwise direction; 0% duty cycle represents full speed.

8.2.4 Application Curves

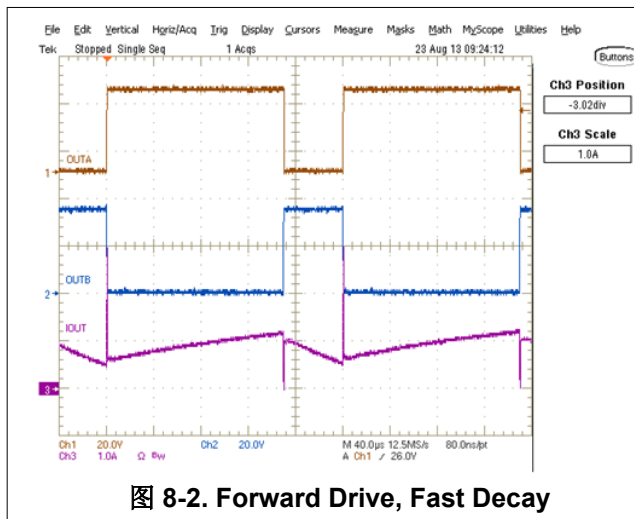


图 8-2. Forward Drive, Fast Decay

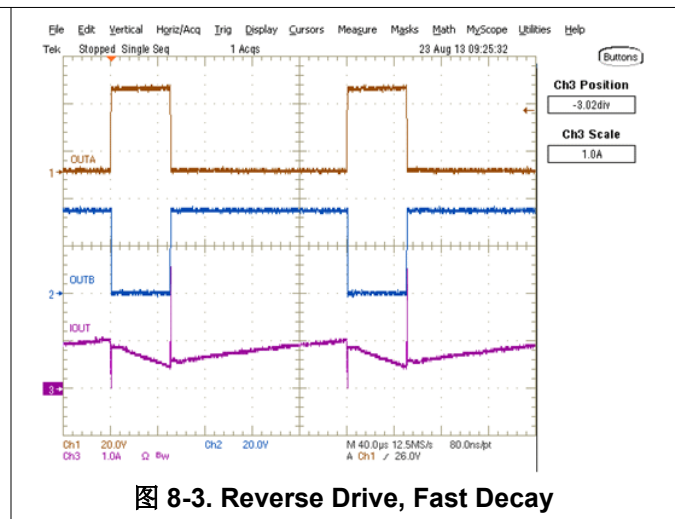


图 8-3. Reverse Drive, Fast Decay

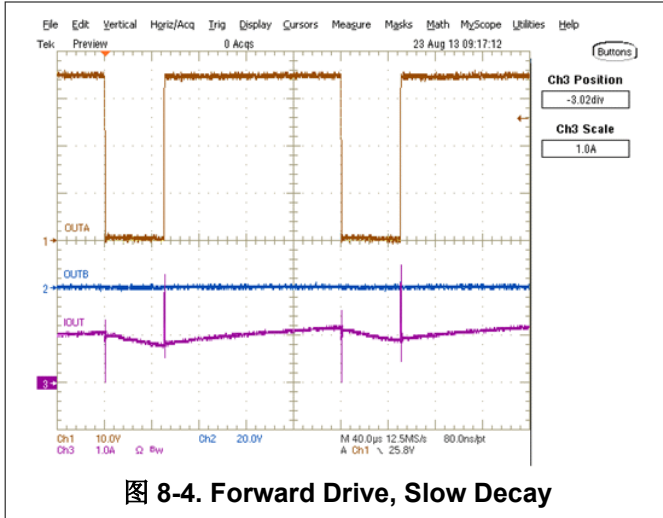


图 8-4. Forward Drive, Slow Decay

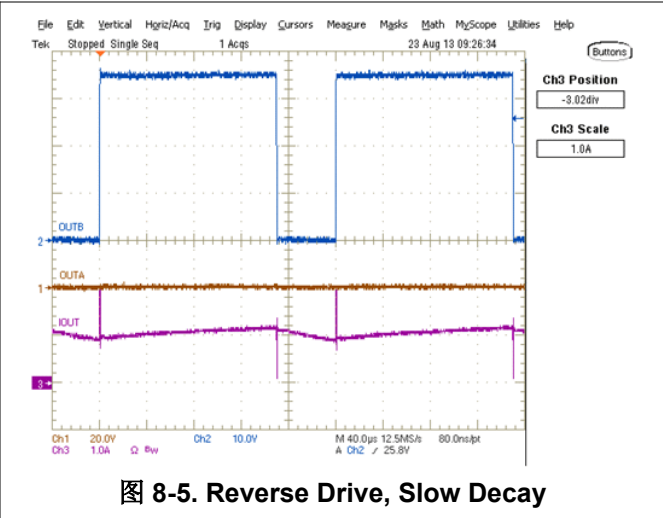


图 8-5. Reverse Drive, Slow Decay

8.3 Parallel Configuration

It is possible to drive higher than the 2.8 A of current by connecting more than one devices in parallel. To properly use this option the guidelines documented below must be followed.

8.3.1 Parallel Connections

图 8-6 shows the signals that need to be connected together. ENABLE, PHASE, MODE 1, MODE 2, nSLEEP, OUT+, OUT-, SENSE, VBB and GND.

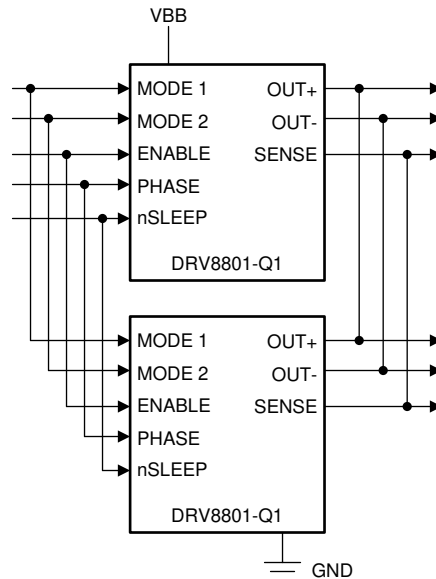


图 8-6. Functional Block Diagram (Connected Signals)

8.3.2 Non - Parallel Connections

图 8-7 shows the signals that should not be connected together and will be driven on an individual basis. These are: VCP, CP1, CP2, and VPROPI.

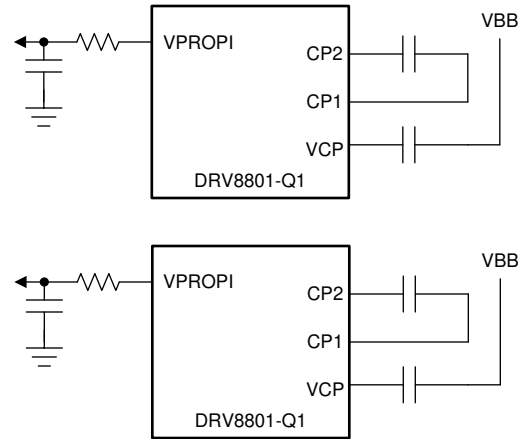


图 8-7. Functional Block Diagram (Individual Signals)

8.3.3 Wiring nFAULT as Wired OR

Since nFAULT is an open drain output, multiple nFAULT outputs can be paralleled with a single resistor. The end result is a wired OR configuration. When any individual nFAULT output goes to a logic low, the wired OR output will go to the same logic low. There is no need to determine which device signaled the fault condition, as once they are connected in parallel they function as a single device.

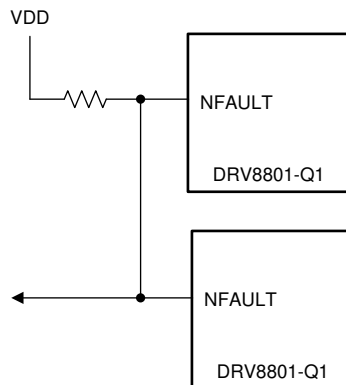


图 8-8. nFAULT as Wired OR

8.3.4 Electrical Considerations

8.3.4.1 Device Spacing

It is recommended that devices be connected as close as possible and with trace lengths as short as possible. Doing this minimizes the potential of generating timing differences between devices. Although it may seem like a harmful situation for the power stage, DRV8801-Q1 contains enough protection to effectively deal with enable time skews from device to device. This consideration focuses on motion quality, as total current needed for acceleration and proper speed control will only be available when all power stages are brought online.

8.3.4.2 Recirculation Current Handling

During recirculation, it is not possible to synchronize all devices connected in parallel so that the current is equally distributed. Also, during the asynchronous portion of the current decay, the body diode with the lowest forward voltage will start conducting and sink all of the current. Said body diode is not meant to handle the new increased current capacity and will be severely affected if allowed to sink current of said magnitude.

In order to assure proper operation when devices are connected in parallel, it is imperative that external schottky diodes be used. These schottky diodes will conduct during the asynchronous portion of the recirculation mode and will sink the inductive load current until the respective FET switches are brought online.

Schottky diodes should be connected as shown in [图 8-9](#).

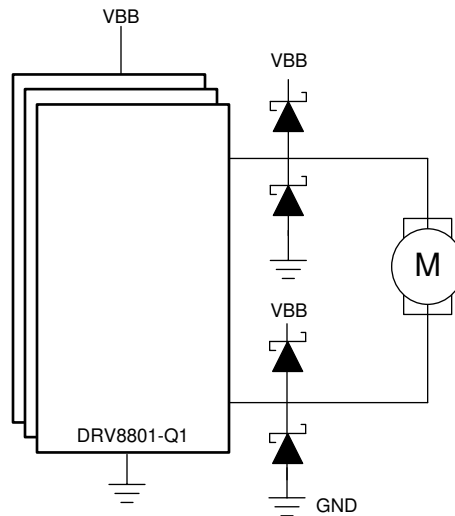


图 8-9. Schottky Diodes Connection

8.3.4.3 Sense Resistor Selection

The guideline for the SENSE resistor chosen doesn't change in parallel mode. As the goal of this configuration is to evenly distribute the current load across multiple devices, each device should be configured with the same I_{TRIP} setting. Therefore, the same SENSE resistor should be used for all devices connected in parallel.

Connection of the SENSE resistors should be as shown in [图 8-10](#).

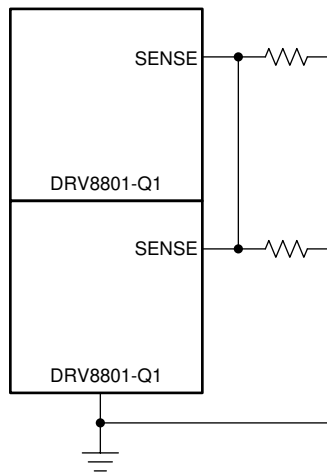


图 8-10. SENSE Resistors Connection

8.3.4.4 Maximum System Current

The idea behind placing multiple devices in parallel is to increase maximum drive current. At first glance, it may seem that the new increased I_{TRIP} setting is given by [方程式 8](#).

$$\text{System } I_{TRIP} = (I_{TRIP} \times N) \tag{8}$$

Where:

N is the number of devices connected in parallel.

I_{TRIP} is the individual I_{TRIP} value per device.

However, although in theory accurate, due to tolerances in internal SENSE amplifier/comparator circuitry, the system I_{TRIP} should be expected to be less than the addition of all the individual I_{TRIP} . The reason for this is that as soon as one of the devices senses a current for which the H Bridge should be disabled, the remaining devices will end up having to conduct the same current but with less capacity. Therefore, remaining devices are expected to get disabled shortly after.

A good rule of thumb is to expect 90% of the theoretical maximum.

By way of example, if the system level requirements indicate that 6 A of current are required to meet the motion control requirements, then:

$$6 \text{ A} = (2.8 \text{ A} \times 0.9)N$$

$$N = (6 \text{ A}) / (2.8 \text{ A} \times 0.9)$$

$$N = 2.38$$

In this example, three devices would be required to safely meet the needs of the system.

9 Power Supply Recommendations

9.1 Bulk Capacitance

Having appropriate local bulk capacitance is an important factor in motor drive system design. It is generally beneficial to have more bulk capacitance, while the disadvantages are increased cost and physical size.

The amount of local capacitance needed depends on a variety of factors, including:

- The highest current required by the motor system.
- The capacitance of the power supply and its ability to source current.
- The amount of parasitic inductance between the power supply and motor systems.
- The acceptable voltage ripple.
- The type of motor used (Brushed DC, Brushless DC, Stepper).
- The motor braking method.

The inductance between the power supply and motor drive system will limit the rate current can change from the power supply. If the local bulk capacitance is too small, the system will respond to excessive current demands or dumps from the motor with a change in voltage. When adequate bulk capacitance is used, the motor voltage remains stable and high current can be quickly supplied.

The data sheet generally provides a recommended value, but system-level testing is required to determine the appropriate sized bulk capacitor.

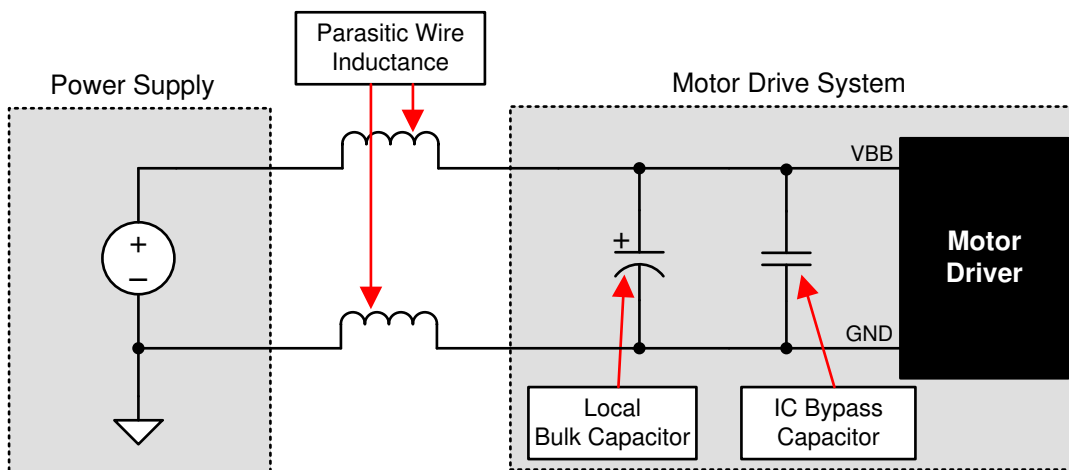


图 9-1. Example Setup of Motor Drive System With External Power Supply

10 Layout

10.1 Layout Guidelines

- The printed-circuit-board (PCB) should use a heavy ground plane. For optimal electrical and thermal performance, the DRV8801-Q1 must be soldered directly onto the board. On the underside of the DRV8801-Q1 is a thermal pad, which provides a path for enhanced thermal dissipation. The thermal pad should be soldered directly to an exposed surface on the PCB. Thermal vias are used to transfer heat to other layers of the PCB.
- The load supply pin VBB, should be decoupled with an electrolytic capacitor (typically 100 μF) in parallel with a ceramic capacitor (0.1 μF) placed as close as possible to the device.
- The ceramic capacitors (0.1 μF) between VCP and VBB and between CP1 and CP2 should be placed as close as possible to the device.
- The SENSE resistor should be close as possible to the SENSE pin and ground return to minimize parasitic inductance.

10.2 Layout Example

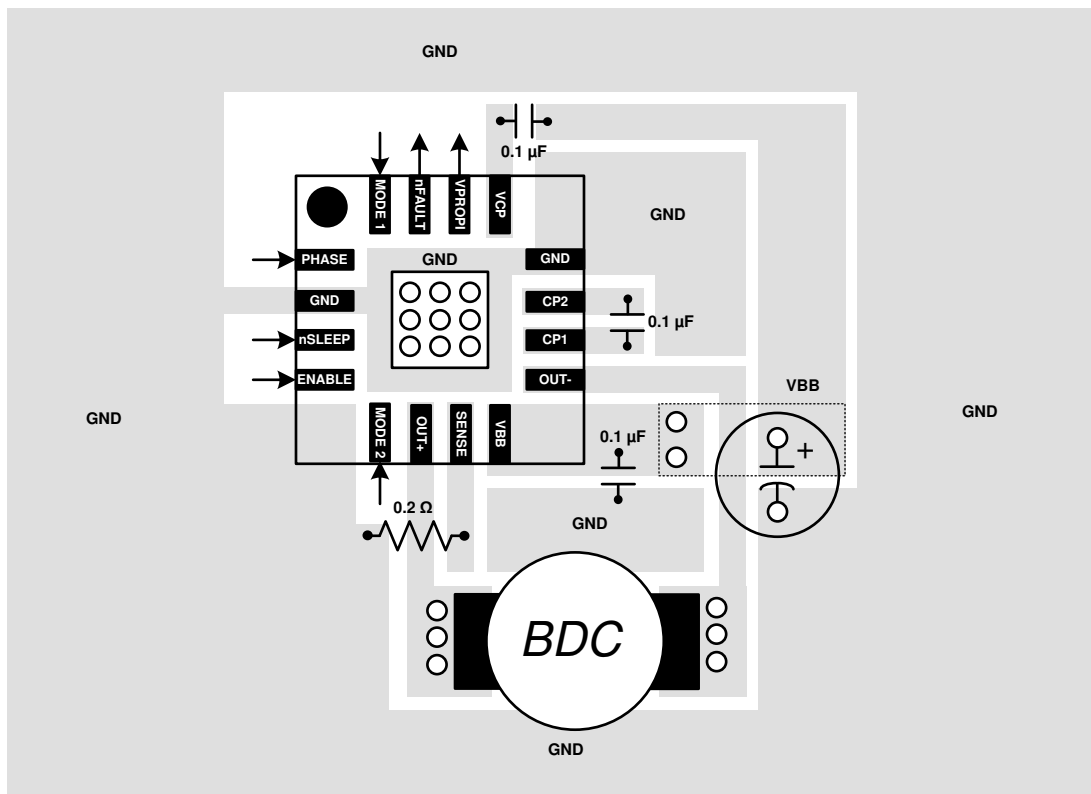


图 10-1. RTY Layout Example

11 Device and Documentation Support

11.1 Documentation Support

11.1.1 Related Documentation

For related documentation, see the following:

[QFN/SON PCB Attachment](#)

11.2 Receiving Notification of Documentation Updates

To receive notification of documentation updates, navigate to the device product folder on ti.com. In the upper right corner, click on *Alert me* to register and receive a weekly digest of any product information that has changed. For change details, review the revision history included in any revised document.

11.3 支持资源

TI E2E™ 支持论坛是工程师的重要参考资料，可直接从专家获得快速、经过验证的解答和设计帮助。搜索现有解答或提出自己的问题可获得所需的快速设计帮助。

链接的内容由各个贡献者“按原样”提供。这些内容并不构成 TI 技术规范，并且不一定反映 TI 的观点；请参阅 TI 的《使用条款》。

11.4 Trademarks

TI E2E™ is a trademark of Texas Instruments.

所有商标均为其各自所有者的财产。

11.5 静电放电警告



静电放电 (ESD) 会损坏这个集成电路。德州仪器 (TI) 建议通过适当的预防措施处理所有集成电路。如果不遵守正确的处理和安装程序，可能会损坏集成电路。

ESD 的损坏小至导致微小的性能降级，大至整个器件故障。精密的集成电路可能更容易受到损坏，这是因为非常细微的参数更改都可能会导致器件与其发布的规格不相符。

11.6 术语表

[TI 术语表](#) 本术语表列出并解释了术语、首字母缩略词和定义。

12 Mechanical, Packaging, and Orderable Information

The following pages include mechanical, packaging, and orderable information. This information is the most current data available for the designated devices. This data is subject to change without notice and revision of this document. For browser-based versions of this data sheet, refer to the left-hand navigation.

重要声明和免责声明

TI 提供技术和可靠性数据 (包括数据表)、设计资源 (包括参考设计)、应用或其他设计建议、网络工具、安全信息和其他资源, 不保证没有瑕疵且不做任何明示或暗示的担保, 包括但不限于对适销性、某特定用途方面的适用性或不侵犯任何第三方知识产权的暗示担保。

这些资源可供使用 TI 产品进行设计的熟练开发人员使用。您将自行承担以下全部责任: (1) 针对您的应用选择合适的 TI 产品, (2) 设计、验证并测试您的应用, (3) 确保您的应用满足相应标准以及任何其他安全、安保或其他要求。这些资源如有变更, 恕不另行通知。TI 授权您仅可将这些资源用于研发本资源所述的 TI 产品的应用。严禁对这些资源进行其他复制或展示。您无权使用任何其他 TI 知识产权或任何第三方知识产权。您应全额赔偿因在这些资源的使用中对 TI 及其代表造成的任何索赔、损害、成本、损失和债务, TI 对此概不负责。

TI 提供的产品受 TI 的销售条款 (<https://www.ti.com/legal/termsofsale.html>) 或 [ti.com](https://www.ti.com) 上其他适用条款/TI 产品随附的其他适用条款的约束。TI 提供这些资源并不会扩展或以其他方式更改 TI 针对 TI 产品发布的适用的担保或担保免责声明。

邮寄地址: Texas Instruments, Post Office Box 655303, Dallas, Texas 75265
Copyright © 2021, 德州仪器 (TI) 公司

PACKAGING INFORMATION

Orderable Device	Status (1)	Package Type	Package Drawing	Pins	Package Qty	Eco Plan (2)	Lead finish/ Ball material (6)	MSL Peak Temp (3)	Op Temp (°C)	Device Marking (4/5)	Samples
DRV8801QRTYRQ1	ACTIVE	QFN	RTY	16	3000	RoHS & Green	NIPDAU	Level-3-260C-168 HR	-40 to 125	DRV 8801Q	Samples

(1) The marketing status values are defined as follows:

ACTIVE: Product device recommended for new designs.

LIFEBUY: TI has announced that the device will be discontinued, and a lifetime-buy period is in effect.

NRND: Not recommended for new designs. Device is in production to support existing customers, but TI does not recommend using this part in a new design.

PREVIEW: Device has been announced but is not in production. Samples may or may not be available.

OBSOLETE: TI has discontinued the production of the device.

(2) **RoHS:** TI defines "RoHS" to mean semiconductor products that are compliant with the current EU RoHS requirements for all 10 RoHS substances, including the requirement that RoHS substance do not exceed 0.1% by weight in homogeneous materials. Where designed to be soldered at high temperatures, "RoHS" products are suitable for use in specified lead-free processes. TI may reference these types of products as "Pb-Free".

RoHS Exempt: TI defines "RoHS Exempt" to mean products that contain lead but are compliant with EU RoHS pursuant to a specific EU RoHS exemption.

Green: TI defines "Green" to mean the content of Chlorine (Cl) and Bromine (Br) based flame retardants meet JS709B low halogen requirements of <=1000ppm threshold. Antimony trioxide based flame retardants must also meet the <=1000ppm threshold requirement.

(3) MSL, Peak Temp. - The Moisture Sensitivity Level rating according to the JEDEC industry standard classifications, and peak solder temperature.

(4) There may be additional marking, which relates to the logo, the lot trace code information, or the environmental category on the device.

(5) Multiple Device Markings will be inside parentheses. Only one Device Marking contained in parentheses and separated by a "~" will appear on a device. If a line is indented then it is a continuation of the previous line and the two combined represent the entire Device Marking for that device.

(6) Lead finish/Ball material - Orderable Devices may have multiple material finish options. Finish options are separated by a vertical ruled line. Lead finish/Ball material values may wrap to two lines if the finish value exceeds the maximum column width.

Important Information and Disclaimer:The information provided on this page represents TI's knowledge and belief as of the date that it is provided. TI bases its knowledge and belief on information provided by third parties, and makes no representation or warranty as to the accuracy of such information. Efforts are underway to better integrate information from third parties. TI has taken and continues to take reasonable steps to provide representative and accurate information but may not have conducted destructive testing or chemical analysis on incoming materials and chemicals. TI and TI suppliers consider certain information to be proprietary, and thus CAS numbers and other limited information may not be available for release.

In no event shall TI's liability arising out of such information exceed the total purchase price of the TI part(s) at issue in this document sold by TI to Customer on an annual basis.

OTHER QUALIFIED VERSIONS OF DRV8801-Q1 :

- Catalog : [DRV8801](#)

NOTE: Qualified Version Definitions:

- Catalog - TI's standard catalog product

TAPE AND REEL INFORMATION

QUADRANT ASSIGNMENTS FOR PIN 1 ORIENTATION IN TAPE


*All dimensions are nominal

Device	Package Type	Package Drawing	Pins	SPQ	Reel Diameter (mm)	Reel Width W1 (mm)	A0 (mm)	B0 (mm)	K0 (mm)	P1 (mm)	W (mm)	Pin1 Quadrant
DRV8801QRTYRQ1	QFN	RTY	16	3000	330.0	12.4	4.25	4.25	1.15	8.0	12.0	Q2

TAPE AND REEL BOX DIMENSIONS

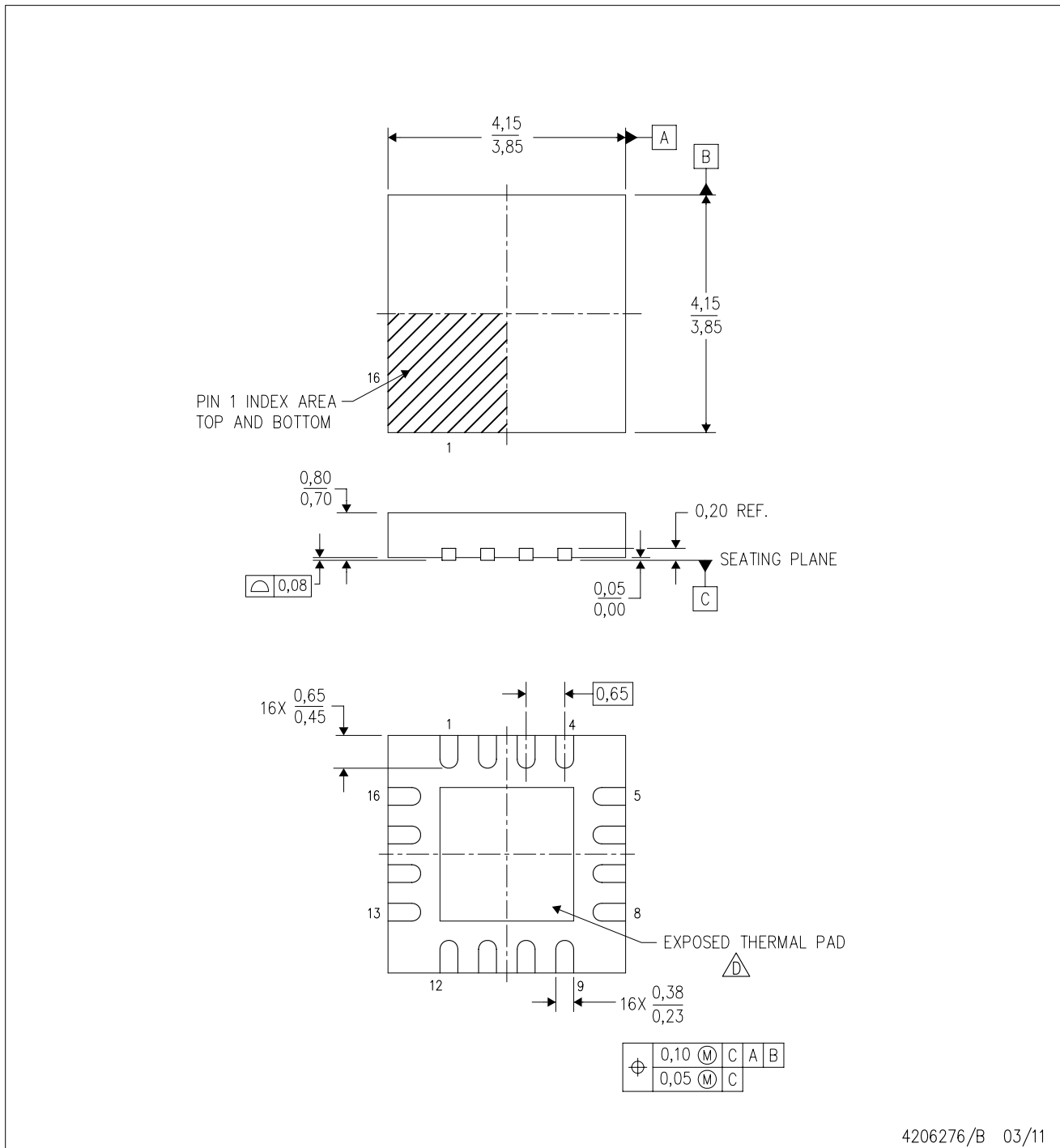

*All dimensions are nominal

Device	Package Type	Package Drawing	Pins	SPQ	Length (mm)	Width (mm)	Height (mm)
DRV8801QRQ1	QFN	RTY	16	3000	356.0	356.0	35.0

MECHANICAL DATA

RTY (S-PWQFN-N16)

PLASTIC QUAD FLATPACK NO-LEAD



4206276/B 03/11

- NOTES:
- A. All linear dimensions are in millimeters. Dimensioning and tolerancing per ASME Y14.5-1994.
 - B. This drawing is subject to change without notice.
 - C. Quad Flatpack, No-leads (QFN) package configuration.
 - D. The package thermal pad must be soldered to the board for thermal and mechanical performance. See the Product Data Sheet for details regarding the exposed thermal pad dimensions.
 - E. Falls within JEDEC MO-220.

THERMAL PAD MECHANICAL DATA

RTY (S-PWQFN-N16)

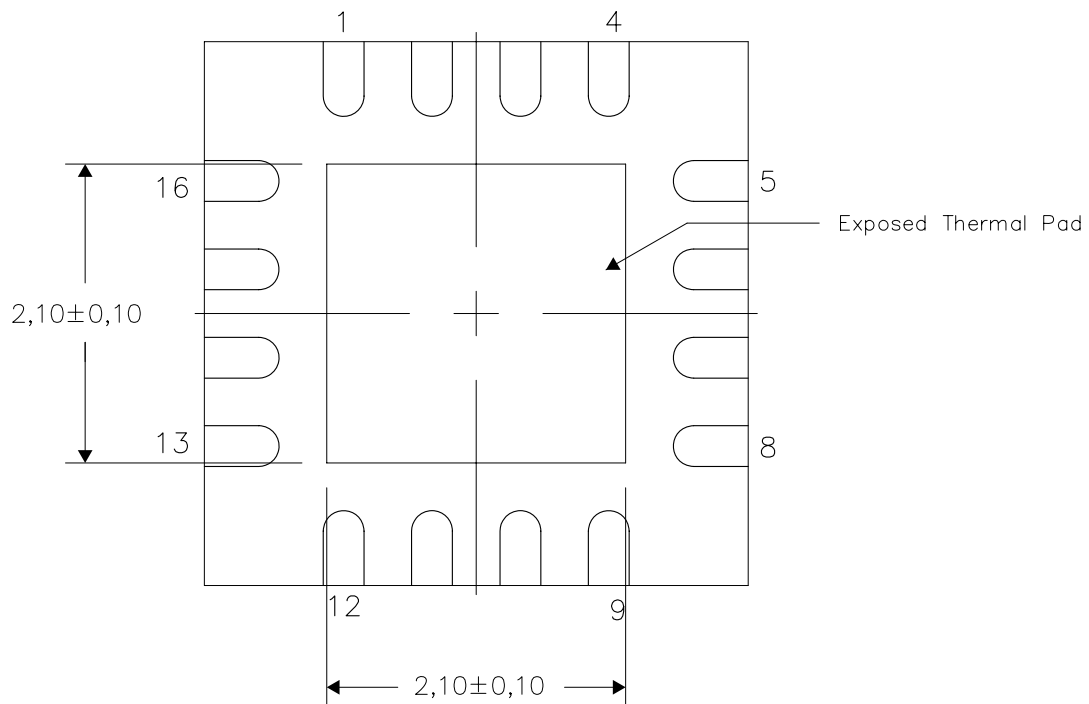
PLASTIC QUAD FLATPACK NO-LEAD

THERMAL INFORMATION

This package incorporates an exposed thermal pad that is designed to be attached directly to an external heatsink. The thermal pad must be soldered directly to the printed circuit board (PCB). After soldering, the PCB can be used as a heatsink. In addition, through the use of thermal vias, the thermal pad can be attached directly to the appropriate copper plane shown in the electrical schematic for the device, or alternatively, can be attached to a special heatsink structure designed into the PCB. This design optimizes the heat transfer from the integrated circuit (IC).

For information on the Quad Flatpack No-Lead (QFN) package and its advantages, refer to Application Report, QFN/SON PCB Attachment, Texas Instruments Literature No. SLUA271. This document is available at www.ti.com.

The exposed thermal pad dimensions for this package are shown in the following illustration.



Bottom View

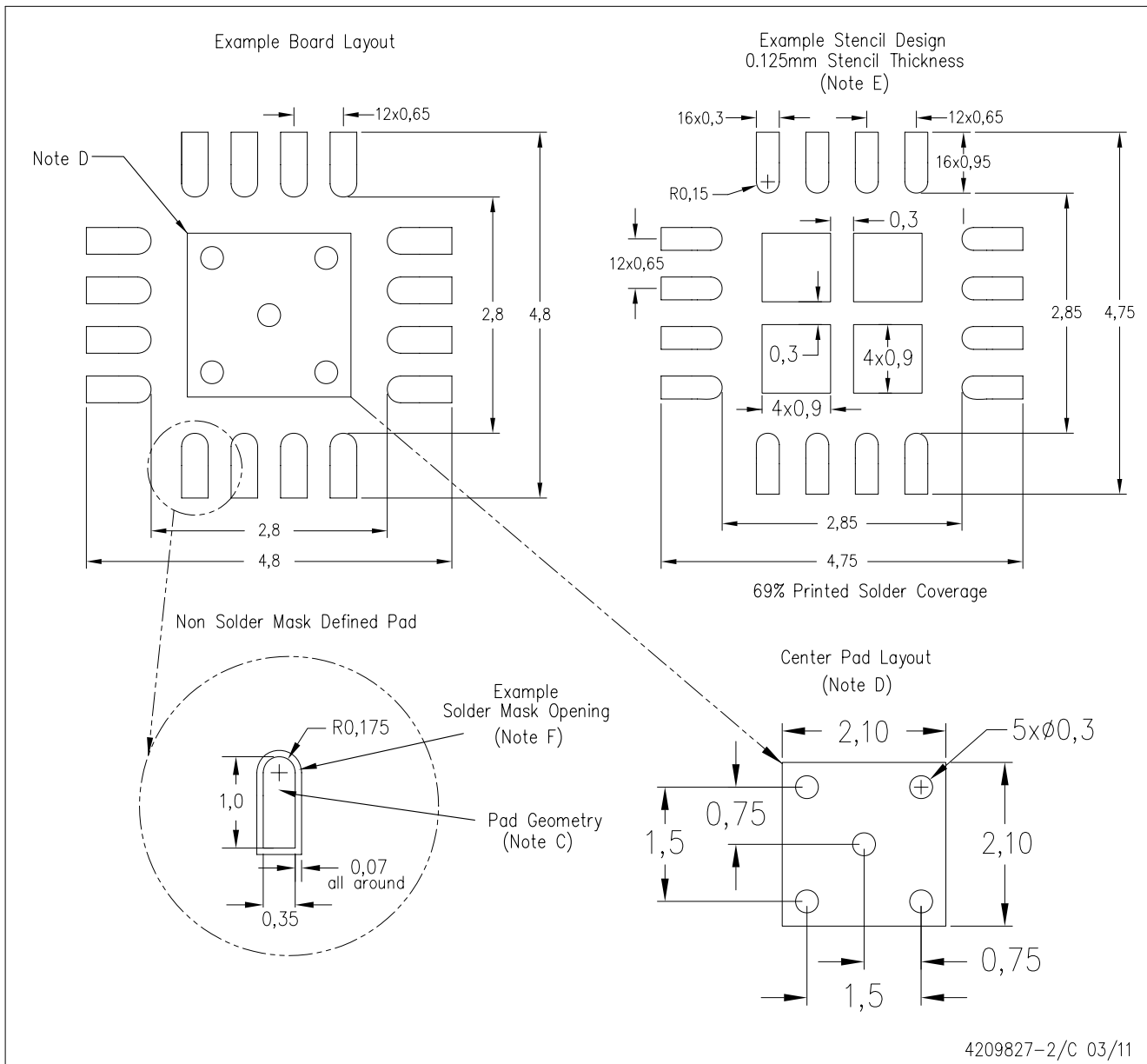
Exposed Thermal Pad Dimensions

4206277-2/E 03/11

NOTE: A. All linear dimensions are in millimeters

RTY (S-PWQFN-N16)

PLASTIC QUAD FLATPACK NO-LEAD



- NOTES: A. All linear dimensions are in millimeter.
 B. This drawing is subject to change without notice.
 C. Publication IPC-7351 is recommended for alternate designs.
 D. This package is designed to be soldered to a thermal pad on the board. Refer to Application Note, Quad Flat-Pack Packages, Texas Instruments Literature No. SLUA271, and also the Product Data Sheets for specific thermal information, via requirements, and recommended board layout. These documents are available at www.ti.com <<http://www.ti.com>>.
 E. Laser cutting apertures with trapezoidal walls and also rounding corners will offer better paste release. Customers should contact their board assembly site for stencil design recommendations. Refer to IPC 7525 for stencil design considerations.
 F. Customers should contact their board fabrication site for solder mask tolerances.

重要声明和免责声明

TI“按原样”提供技术和可靠性数据（包括数据表）、设计资源（包括参考设计）、应用或其他设计建议、网络工具、安全信息和其他资源，不保证没有瑕疵且不做任何明示或暗示的担保，包括但不限于对适销性、某特定用途方面的适用性或不侵犯任何第三方知识产权的暗示担保。

这些资源可供使用 TI 产品进行设计的熟练开发人员使用。您将自行承担以下全部责任：(1) 针对您的应用选择合适的 TI 产品，(2) 设计、验证并测试您的应用，(3) 确保您的应用满足相应标准以及任何其他功能安全、信息安全、监管或其他要求。

这些资源如有变更，恕不另行通知。TI 授权您仅可将这些资源用于研发本资源所述的 TI 产品的应用。严禁对这些资源进行其他复制或展示。您无权使用任何其他 TI 知识产权或任何第三方知识产权。您应全额赔偿因在这些资源的使用中对 TI 及其代表造成的任何索赔、损害、成本、损失和债务，TI 对此概不负责。

TI 提供的产品受 [TI 的销售条款](#) 或 [ti.com](#) 上其他适用条款/TI 产品随附的其他适用条款的约束。TI 提供这些资源并不会扩展或以其他方式更改 TI 针对 TI 产品发布的适用的担保或担保免责声明。

TI 反对并拒绝您可能提出的任何其他或不同的条款。

邮寄地址：Texas Instruments, Post Office Box 655303, Dallas, Texas 75265

Copyright © 2023，德州仪器 (TI) 公司