

DS90UB913A-Q1 25MHz 至 100MHz 10/12 位 FPD-Link III 串行器

1 特性

- 符合面向汽车应用的 AEC-Q100 标准
 - 器件温度等级 2：-40°C 至 +105°C 的环境工作温度
- 支持 25MHz 至 100MHz 输入像素时钟
- 可编程数据有效载荷：
 - 10 位有效载荷，高达 100MHz
 - 12 位有效载荷，高达 75MHz
- 连续低延迟双向控制接口通道，带有 I2C 接口，支持 400kHz 传输速率
- 嵌入式时钟具有 DC 均衡编码，用于支持 AC 耦合互连
- 可驱动长达 15m 的同轴电缆或 20m 的屏蔽双绞线电缆
- 稳健的同轴电缆供电 (PoC) 运行
- 4 个专用通用输入/输出
- 串行器上提供 1.8V、2.8V 或 3.3V 兼容并行输入
- 1.8V 单电源
- 符合 ISO 10605 和 IEC 61000-4-2 ESD 标准
- 小尺寸串行器 (5mm × 5mm)

2 应用

- 汽车
 - 环视系统 (SVS)
 - 前置摄像头 (FC)
 - 后视摄像头 (RVC)
 - 传感器融合
 - 驾驶员监视摄像头 (DMS)
 - 远距卫星雷达、ToF 和激光雷达传感器
- 安全和监控
- 机器视觉应用

3 说明

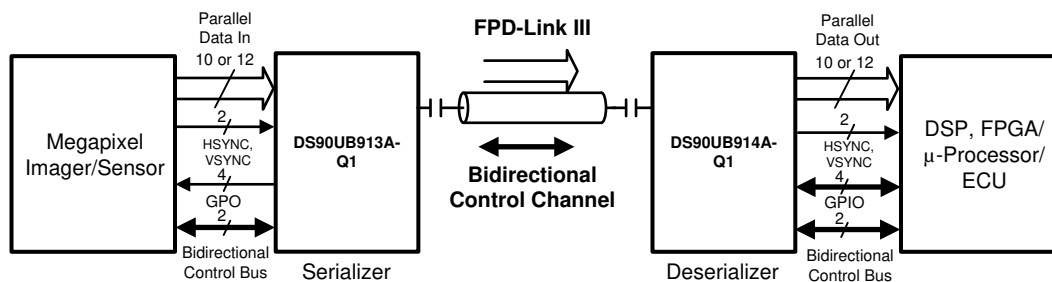
DS90UB913A-Q1 器件提供一个具有高速正向通道和双向控制通道的 FPD-Link III 接口，用来实现单一同轴电缆或差分对上的数据传输。DS90UB913A-Q1 器件的高速正向通道和双向控制通道数据路径上均包含差分信号。串行器/解串器对主要用于电子控制单元 (ECU) 中成像器与视频处理器的连接。该器件非常适用于驱动需要高达 12 位像素深度、2 个同步信号以及双向控制通道总线的视频数据。

凭借德州仪器 (TI) 的嵌入式时钟技术，可在单一差分对上进行透明的全双工通信，从而运载不对称的双向控制通道信息。这个单个串行数据流通过消除并行数据与时钟路径间的偏差，简化了印刷电路板 (PCB) 走线和电缆上的宽数据总线传输。这样，通过限制数据路径的宽度，大大节省了系统成本，相应地减少了 PCB 层数、电缆宽度以及连接器尺寸和引脚数量。内部 DC 均衡编码/解码用于支持 AC 耦合互连。

器件信息

| 器件型号 ⁽¹⁾ | 封装 | 封装尺寸 (标称值) |
|---------------------|-----------|-----------------|
| DS90UB913A-Q1 | WQFN (32) | 5.00mm × 5.00mm |

- (1) 如需了解所有可用封装，请参阅数据表末尾的可订购产品附录。



Copyright © 2016, Texas Instruments Incorporated

简化原理图



Table of Contents

| | | | |
|--|----------|--|-----------|
| 1 特性..... | 1 | 6.10 Serializer Switching Characteristics..... | 16 |
| 2 应用..... | 1 | 6.11 Typical Characteristics..... | 17 |
| 3 说明..... | 1 | 7 Detailed Description..... | 18 |
| 4 Revision History..... | 2 | 7.1 Overview..... | 18 |
| 5 Pin Configuration and Functions..... | 5 | 7.2 Functional Block Diagram..... | 18 |
| Pin Functions: DS90UB913A-Q1 Serializer..... | 5 | 7.3 Feature Description..... | 18 |
| 6 Specifications..... | 8 | 7.4 Device Functional Modes..... | 22 |
| 6.1 Absolute Maximum Ratings..... | 8 | 7.5 Programming..... | 27 |
| 6.2 ESD Ratings..... | 8 | 7.6 Register Maps..... | 31 |
| 6.3 Recommended Operating Conditions..... | 8 | 8 Layout..... | 46 |
| 6.4 Thermal Information..... | 9 | 8.1 Layout Guidelines..... | 46 |
| 6.5 Electrical Characteristics ^{(1) (2) (3)} | 9 | 8.2 Layout Example..... | 47 |
| 6.6 Recommended Serializer Timing For PCLK ^{(5) (6)} | 12 | 9 Device and Documentation Support..... | 49 |
| 6.7 AC Timing Specifications (SCL, SDA) - I2C- Compatible..... | 13 | 9.1 Documentation Support..... | 49 |
| 6.8 Bidirectional Control Bus DC Timing Specifications (SCL, SDA) - I2C-Compatible ⁽⁴⁾ | 13 | 9.2 Receiving Notification of Documentation Updates..... | 49 |
| 6.9 Timing Diagrams..... | 14 | 9.3 Support Resources..... | 49 |
| | | 9.4 Trademarks..... | 49 |

4 Revision History

注：以前版本的页码可能与当前版本的页码不同

| Changes from Revision F (January 2020) to Revision G (November 2020) | Page |
|---|-------------|
| • Added register 0x27[3] to register map..... | 31 |
| • Clarified PDB voltage level for t_3 and t_4 in Power-Up Sequencing from 90% V_{PDB} to PDB V_{IH} | 38 |
| • Changed Power-Up Sequencing alternative programming steps (t_3^*) to add NCLK reset..... | 38 |
| • Clarified Power-Up Sequencing alternative programming steps (t_3^*) to remove delay between I2C commands..... | 38 |
| Changes from Revision E (September 2018) to Revision F (January 2020) | Page |
| • Clarified GPO2 description by removing statement about leaving pin open if unused..... | 5 |
| • Added register 0x27[5] to register map..... | 31 |
| • Fixed missing register 0x29 typo..... | 31 |
| • Added maximum power up timing constraint between VDD_n and PDB..... | 38 |
| • Added recommended software programming steps if VDD_n to PDB maximum power up timing constraint can not be met..... | 38 |
| Changes from Revision D (October 2016) to Revision E (September 2018) | Page |
| • Added recommendation to ensure GPO2 is low when PDB goes high..... | 5 |
| • Added Power Over Coax supply noise to the recommended operating conditions table..... | 8 |
| • Clarified PCLK clock frequency range and added external clock input frequency range..... | 8 |
| • Added strap pin input current specification for MODE and IDX pins..... | 9 |
| • Updated T_{JIT1} PCLK input jitter in the external oscillator mode..... | 12 |
| • Added clarification on MODE pin description in PCLK from imager mode..... | 23 |
| • Updated pullup and pulldown resistor to R_1 and R_2 in MODE pin configuration diagram..... | 23 |
| • Updated the MODE setting values to ratio..... | 23 |
| • Updated pullup and pulldown resistor for IDX to R_3 and R_4 in the diagram..... | 29 |
| • Updated IDX setting values to ratio..... | 29 |
| • Updated register "TYPE" column per legend..... | 31 |
| • Added type and default value to the reserved register bits that were missing this information..... | 31 |

| | |
|---|----|
| • Added that register 0x00[7:1] does not auto update IDX strapped address | 31 |
| • Added description for 0x05 bits 1 and 0 (TX_MODE_12b and TX_MODE_10b) | 31 |
| • Clarified description on PDB pin usage during power up | 38 |
| • Added paragraph to explain setting registers if GPO2 state is not determined when PDB goes high | 38 |
| • Added GPO2 to suggested power-up sequencing diagram | 38 |
| • Added timing constraint for PDB to GPO2 delay | 38 |
| • Revised coax connection diagram to include pulldown resistor for GPO2 | 42 |
| • Revised STP connection diagram to include pulldown resistor for GPO2 | 44 |

Changes from Revision C (April 2016) to Revision D (August 2016) Page

| | |
|--|----|
| • Added back channel line rate = 5.5 MHz as test condition; also added footnote for clarification between MHz and Mbps distinction..... | 9 |
| • Removed 'ns' unit from specifications referencing period in units of T..... | 12 |
| • Updated test condition specs for jitter bandwidth regarding t_{JIT0} , t_{JIT1} , and t_{JIT2} | 12 |
| • Added input external oscillator frequency range for pin/freq. | 12 |
| • Added parameter for typical external oscillator frequency stability..... | 12 |
| • Added test conditions to t_{JIND} , t_{JINR} , and t_{JINT} | 16 |
| • Added DOUT± as measured output pins for jitter parameters..... | 16 |
| • Added note (6) for "Serializer output peak-to-peak total jitter includes deterministic jitter, random jitter, and jitter transfer from serializer input". | 16 |
| • Added jitter tolerance curve for typical system IJT configuration with DS90UB913A linked to DS90UB914A. | 17 |
| • Added device functional mode table for external oscillator operation with example XCLKIN = 48MHz. | 22 |

Changes from Revision B (December 2014) to Revision C (March 2016) Page

| | |
|---|----|
| • 已将文档拆分为两个独立文档 (器件 DS90UB913A-Q1 和 DS90UB914A-Q1) 。 | 1 |
| • 修改了汽车类特性..... | 1 |
| • Updated pin description for DIN to include active/inactive outputs corresponding to MODE setting..... | 5 |
| • Added pin description to GPO pins to leave open if unused. | 5 |
| • Changed Air Discharge ESD Rating (IEC61000-4-2: RD = 330 Ω, CS = 150 pF) to minimum ±25000 V. | 8 |
| • Added RTV text to Thermal Information table..... | 9 |
| • Added GPO[3:0] typical pin capacitances. | 9 |
| • Changed Differential Output Voltage minimum specification. | 9 |
| • Changed Single-Ended Output Voltage minimum specification..... | 9 |
| • Added Back Channel Differential Input Voltage minimum specification..... | 9 |
| • Added Back Channel Single-Ended Input Voltage minimum specification..... | 9 |
| • Updated IDDT for $V_{DD_n}=1.89V$, $V_{DDIO}=3.6V$, $RL=100\Omega$, Random Pattern with $f=100$ MHz, 10-bit mode to typical value of 65 mA; value is currently 54 mA..... | 9 |
| • Updated IDDT for $V_{DD_n}=1.89V$, $V_{DDIO}=3.6V$, $RL=100\Omega$, Random Pattern with $f=75$ MHz, 12-bit high freq mode to typical value of 64 mA; value is currently 54 mA..... | 9 |
| • Updated IDDT for $V_{DD_n}=1.89V$, $V_{DDIO}=3.6V$, $RL=100\Omega$, Random Pattern with $f=50$ MHz, 12-bit low freq mode to typical value of 63 mA; value is currently 54 mA. | 9 |
| • Updated frequency ranges for MODE settings and also revised with correct maximum clock periods. Added footnote and nominal clock period to be in terms of 'T'. ⁽⁶⁾ | 12 |
| • Deleted Revised jitter freq. test conditions to be $> f/20$ and also updated typical values for t_{jit0} and t_{jit2} | 12 |
| • Updated V_{OL} Output Low Level row with revised I_{OL} currents and max V_{OL} voltages, dependent upon $V_{DD IO}$ voltage. | 13 |
| • Updated Figure 2 title to state ‘ “Worst-Case” Test Pattern for Power Consumption’ | 14 |
| • Added footnote that states the following: “UI - Unit Interval is equivalent to one serialized data bit width. The UI scales with PCLK frequency.” Add below calculations to footnote. 12-bit LF mode 1 UI = 1 / | |

| | |
|---|----|
| (PCLK_Freq. x 28) 12-bit HF mode 1 UI = 1 / (PCLK_Freq. x 2/3 x 28) 10-bit mode 1 UI = 1 / (PCLK_Freq. / 2 x 28) | 16 |
| • Updated frequency requirements for 10-bit and 12-bit HF modes. 10-bit mode - 50 MHz to 100 MHz; 12-bit HF mode - 37.5 MHz to 75 MHz; 12-bit LF mode (no change) - 25 MHz to 50 MHz. | 18 |
| • Updated register 0x01[1] default value to be “0” | 31 |
| • Changed GPO0 Enable for 0x0D[4] to GPO1 Enable..... | 31 |
| • Added Inject Forward Channel Error Register 0x2D..... | 31 |
| • Updated power up sequencing information and timing diagram. | 38 |
| • Added description specifying that the voltage applied on V _{DDIO} (1.8 V, 3.3 V) or V _{DD_n} (1.8 V) should be at the input pin - any board level DC drop should be compensated. | 5 |
| • Added 913A EVM layout example image. | 47 |

Changes from Revision A (June 2013) to Revision B (December 2014)
Page

| | |
|--|----|
| • 添加了数据表流程和布局，以便符合新的 TI 标准。添加了以下部分：器件比较表；处理额定值；应用和实施；电源建议；布局；器件和文档支持；机械、封装和可订购信息..... | 1 |
| • Added additional thermal characteristics..... | 9 |
| • Changed typo in V _{out} test condition from R _L =500Ω to R _L =50Ω. | 9 |
| • Changed 图 6-6 to use V _{ODp-p} and to clarify difference between STP and Coax..... | 14 |
| • Added Internal Oscillator section to Device Functional Modes..... | 24 |
| • Added reference to Power over Coax Application report..... | 38 |
| • Added power up sequencing information and timing diagram..... | 38 |

Device Comparison Table

| PART NUMBER | FPD-III FUNCTION | PACKAGE | TRANSMISSION MEDIA | PCLK FREQUENCY |
|---------------|------------------|---------------|--------------------|----------------|
| DS90UB913Q-Q1 | Serializer | WQFN RTV (32) | STP | 10 to 100 MHz |
| DS90UB913A-Q1 | Serializer | WQFN RTV (32) | Coax or STP | 25 to 100 MHz |

5 Pin Configuration and Functions

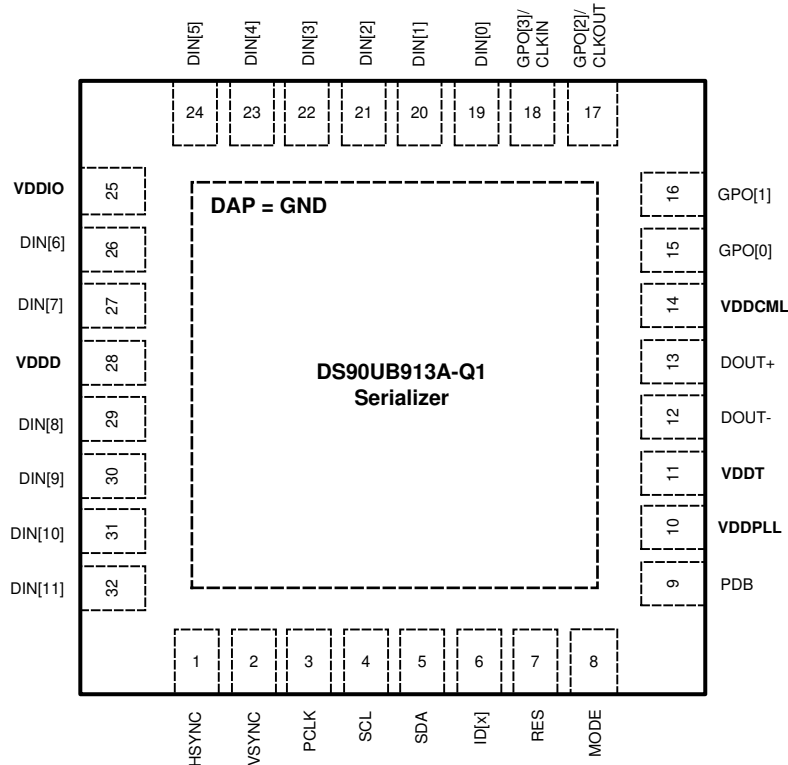


图 5-1. 32-Pin WQFN Package RTV Top View

Pin Functions: DS90UB913A-Q1 Serializer

| PIN | | I/O | DESCRIPTION |
|-----------------------------------|---------------------------------------|-----------------------------|--|
| NAME | NO. | | |
| LVC MOS PARALLEL INTERFACE | | | |
| DIN[0:11] | 19,20,21,22, 23,24,26,27, 29,30,31,32 | Inputs, LVC MOS w/ pulldown | Parallel Data Inputs. For 10-bit MODE, parallel inputs DIN[0:9] are active. DIN[10:11] are inactive and should not be used. Any unused inputs (including DIN[10:11]) should be No Connect. For 12-bit MODE (HF or LF), parallel inputs DIN[0:11] are active. Any unused inputs should be No Connect. |
| HSYNC | 1 | Input, LVC MOS w/ pulldown | Horizontal SYNC Input. Note: HS transition restrictions: 1. 12-bit Low-Frequency mode: No HS restrictions (raw) 2. 12-bit High-Frequency mode: No HS restrictions (raw) 3. 10-bit mode: HS restricted to no more than one transition per 10 PCLK cycles. Leave open if unused. |
| VSYNC | 2 | Input, LVC MOS w/ pulldown | Vertical SYNC Input. Note: VS transition restrictions: 1. 12-bit Low-Frequency mode: No VS restrictions (raw) 2. 12-bit High-Frequency mode: No VS restrictions (raw) 3. 10-bit High-Frequency mode: VS restricted to no more than one transition per 10 PCLK cycles. Leave open if unused. |
| PCLK | 3 | Input, LVC MOS w/ pulldown | Pixel Clock Input Pin. Strobe edge set by TRFB control register 0x03[0]. |

| PIN | | I/O | DESCRIPTION |
|---|-------|---------------------------|---|
| NAME | NO. | | |
| GENERAL PURPOSE OUTPUT (GPO) | | | |
| GPO[1:0] | 16,15 | Output, LVCMOS | General-purpose output pins can be configured as outputs; used to control and respond to various commands. GPO[1:0] can be configured to be the outputs for input signals coming from GPIO[1:0] pins on the Deserializer or can be configured to be outputs of the local register on the Serializer. Leave open if unused. |
| GPO[2]/CLKOUT | 17 | Output, LVCMOS | GPO[2] pin can be configured to be the output for input signal coming from the GPIO[2] pin on the Deserializer or can be configured to be the output of the local register on the Serializer. It can also be configured to be the output clock pin when the DS90UB913A-Q1 device is used in the External Oscillator mode. See § 7.4 section for a detailed description of External Oscillator Mode. It is recommended to pull GPO2 to GND with a minimum 40-k Ω resistor to ensure GPO2=LOW when PDB transitions from LOW to HIGH. |
| GPO[3]/CLKIN | 18 | Input/Output, LVCMOS | GPO[3] can be configured to be the output for input signals coming from the GPIO[3] pin on the Deserializer or can be configured to be the output of the local register setting on the Serializer. It can also be configured to be the input clock pin when the DS90UB913A-Q1 Serializer is working with an external oscillator. See § 7.4 section for a detailed description of External Oscillator Mode. Leave open if unused. |
| BIDIRECTIONAL CONTROL BUS - I2C-COMPATIBLE | | | |
| SCL | 4 | Input/Output, Open Drain | Clock line for the bidirectional control bus communication SCL requires an external pullup resistor to V _{DDIO} . |
| SDA | 5 | Input/Output, Open Drain | Data line for the bidirectional control bus communication SDA requires an external pullup resistor to V _{DDIO} . |
| MODE | 8 | Input, analog | Device Mode Select Resistor (Rmode) to Ground and 10-k Ω pullup to 1.8 V rail. MODE pin on the Serializer can be used to select whether the system is running off the PCLK from the imager or an external oscillator. See details in 表 7-2 . |
| ID[x] | 6 | Input, analog | Device ID Address Select The ID[x] pin on the Serializer is used to assign the I2C device address. Resistor (RID) to Ground and 10-k Ω pullup to 1.8 V rail. See 表 7-6 . |
| CONTROL AND CONFIGURATION | | | |
| PDB | 9 | Input, LVCMOS w/ pulldown | Power Down Mode Input Pin PDB = H, Serializer is enabled and is ON. PDB = L, Serializer is in Power Down mode. When the Serializer is in Power Down, the PLL is shutdown, and IDD is minimized. Programmed control register data is NOT retained and reset to default values. |
| RES | 7 | Input, LVCMOS w/ pulldown | Reserved This pin MUST be tied LOW. |
| FPD - Link III INTERFACE | | | |
| DOUT+ | 13 | Input/Output, CML | Non-inverting differential output, bidirectional control channel input. The interconnect must be AC Coupled with a 0.1- μ F capacitor. |
| DOUT- | 12 | Input/Output, CML | Inverting differential output, bidirectional control channel input. The interconnect must be AC Coupled with a 0.1- μ F capacitor. For applications using single-ended coaxial interconnect, a 0.047- μ F AC coupling capacitor should be placed in series with a 50 Ω resistor before terminating to GND. |
| POWER AND GROUND⁽¹⁾ | | | |
| VDDPLL | 10 | Power, Analog | PLL Power, 1.8 V \pm 5%. |
| VDDT | 11 | Power, Analog | Tx Analog Power, 1.8 V \pm 5%. |
| VDDCML | 14 | Power, Analog | CML & Bidirectional Channel Driver Power, 1.8 V \pm 5%. |
| VDDD | 28 | Power, Digital | Digital Power, 1.8 V \pm 5%. |
| VDDIO | 25 | Power, Digital | Power for I/O stage. The single-ended inputs and SDA, SCL are powered from V _{DDIO} . VDDIO can be connected to a 1.8 V \pm 5% or 2.8 V \pm 10% or 3.3 V \pm 10%. |

| PIN | | I/O | DESCRIPTION |
|------|-----|-------------|---|
| NAME | NO. | | |
| VSS | DAP | Ground, DAP | DAP must be grounded. DAP is the large metal contact at the bottom side, located at the center of the WQFN package. Connected to the ground plane (GND) with at least 9 vias. |

(1) See [# 8.1.2](#).

6 Specifications

6.1 Absolute Maximum Ratings

over operating free-air temperature range (unless otherwise noted)⁽¹⁾

| | MIN | MAX | UNIT |
|--|------|-------------------|------|
| Supply Voltage - V_{DD_n} (V_{DDPLL} , V_{DDT} , V_{DDCML} , V_{DDD}) | -0.3 | 2.5 | V |
| Supply Voltage - V_{DDIO} | -0.3 | 4.0 | V |
| LVC MOS Input Voltage | -0.3 | $V_{DDIO} + 0.3$ | V |
| CML Driver I/O Voltage - (V_{DD_n}) | -0.3 | $V_{DD_n} + 0.3$ | V |
| Junction Temperature | | 150 | °C |
| Storage temperature range, T_{stg} | -65 | 150 | °C |

- (1) Stresses beyond those listed under *Absolute Maximum Ratings* may cause permanent damage to the device. These are stress ratings only, which do not imply functional operation of the device at these or any other conditions beyond those indicated under *Recommended Operating Conditions*. Exposure to absolute-maximum-rated conditions for extended periods may affect device reliability.

6.2 ESD Ratings

| | | VALUE | UNIT | |
|--|--|--|-------|--|
| $V_{(ESD)}$ Electrostatic discharge | Human body model (HBM), per AEC Q100-002 ⁽¹⁾ HBM ESD Classification Level 3B | ±8000 | V | |
| | Charged device model (CDM), per AEC Q100-011 CDM ESD Classification Level C6 | Corner pins (1, 8, 9, 16, 17, 24, 25, 32) | | ±1000 |
| | | Other pins | | |
| | (IEC 61000-4-2) $R_D = 330 \Omega$, $C_s = 150\text{pF}$ | Air Discharge (DOU ⁺ , DOU ⁻ , RIN ⁺ , RIN ⁻) | | ±25000 |
| | | Contact Discharge (DOU ⁺ , DOU ⁻ , RIN ⁺ , RIN ⁻) | | ±7000 |
| | | (ISO10605) $R_D = 330 \Omega$, $C_s = 150/330 \text{pF}$ $R_D = 2 \text{K}\Omega$, $C_s = 150/330 \text{pF}$ | | Air Discharge (DOU ⁺ , DOU ⁻ , RIN ⁺ , RIN ⁻) |
| Contact Discharge (DOU ⁺ , DOU ⁻ , RIN ⁺ , RIN ⁻) | | | ±8000 | |

- (1) AEC Q100-002 indicates HBM stressing is done in accordance with the ANSI/ESDA/JEDEC JS-001 specification.

6.3 Recommended Operating Conditions

over operating free-air temperature range (unless otherwise noted)

| | | MIN | NOM | MAX | UNIT |
|--|--|------|-----|------|-------|
| Supply Voltage (V_{DD_n}) | | 1.71 | 1.8 | 1.89 | V |
| LVC MOS Supply Voltage | $V_{DDIO} = 1.8 \text{V}$ | 1.71 | 1.8 | 1.89 | V |
| | $V_{DDIO} = 3.3 \text{V}$ | 3 | 3.3 | 3.6 | |
| | $V_{DDIO} = 2.8 \text{V}$ | 2.52 | 2.8 | 3.08 | |
| Supply Noise ⁽¹⁾ | $V_{DD_n} = 1.8 \text{V}$ | | | 25 | mVp-p |
| | $V_{DDIO} = 1.8 \text{V}$ | | | 25 | |
| | $V_{DDIO} = 3.3 \text{V}$ | | | 50 | |
| Power-Over-Coax Supply Noise | $f = 30 \text{Hz} - 1 \text{KHz}$, $t_{rise} > 100 \mu\text{s}$ Measured differentially between DOU ⁺ and DOU ⁻ (coax mode only) | | 10 | | mVp-p |
| | $f = 1 \text{KHz} - 50 \text{MHz}$ Measured differentially between DOU ⁺ and DOU ⁻ (coax mode only) | | 10 | | mVp-p |
| Operating Free Air Temperature (T_A) | | -40 | 25 | 105 | °C |

over operating free-air temperature range (unless otherwise noted)

| | | MIN | NOM | MAX | UNIT |
|--|----------------|------|-----|-----|------|
| PCLK Clock Frequency | 10-bit mode | 50 | | 100 | MHz |
| | 12-bit HF mode | 37.5 | | 75 | MHz |
| | 12-bit LF mode | 25 | | 50 | MHz |
| External Clock Input Frequency to GPO3 | 10-bit mode | 25 | | 50 | MHz |
| | 12-bit HF mode | 25 | | 50 | MHz |
| | 12-bit LF mode | 25 | | 50 | MHz |

- (1) Supply noise testing was done with minimum capacitors (as shown on 图 8-9, 图 8-5 on the PCB. A sinusoidal signal is AC coupled to the V_{DD_n} (1.8 V) supply with amplitude = 25 mVp-p measured at the device V_{DD_n} pins. Bit error rate testing of input to the Ser and output of the Des with 10-meter cable shows no error when the noise frequency on the Ser is less than 1 MHz. The Des on the other hand shows no error when the noise frequency is less than 750 kHz.

6.4 Thermal Information

| THERMAL METRIC ⁽¹⁾ | | DS90UB913A-Q1 | UNIT |
|-------------------------------|--|---------------|------|
| | | RTV (WQFN) | |
| | | 32 PINS | |
| $R_{\theta JA}$ | Junction-to-ambient thermal resistance | 34.9 | °C/W |
| $R_{\theta JC(top)}$ | Junction-to-case (top) thermal resistance | 8.8 | °C/W |
| $R_{\theta JC(bot)}$ | Junction-to-case (bottom) thermal resistance | 3.4 | °C/W |
| $R_{\theta JB}$ | Junction-to-board thermal resistance | 23.4 | °C/W |
| ψ_{JT} | Junction-to-top characterization parameter | 0.3 | °C/W |
| ψ_{JB} | Junction-to-board characterization parameter | 8.8 | °C/W |

- (1) For more information about traditional and new thermal metrics, see the [Semiconductor and IC Package Thermal Metrics](#) application report (SPRA953).

6.5 Electrical Characteristics^{(1) (2) (3)}

Over recommended operating supply and temperature ranges unless otherwise specified.

| PARAMETER | TEST CONDITIONS | | MIN | TYP | MAX | UNIT |
|---|------------------------------|---|---------------|-----|---------------|------|
| LVC MOS DC SPECIFICATIONS 3.3 V I/O (SER INPUTS, GPIO, CONTROL INPUTS AND OUTPUTS) | | | | | | |
| V_{IH} | High Level Input Voltage | $V_{IN} = 3\text{ V to }3.6\text{ V}$ | 2 | | V_{IN} | V |
| V_{IL} | Low Level Input Voltage | $V_{IN} = 3\text{ V to }3.6\text{ V}$ | GND | | 0.8 | V |
| I_{IN} | Input Current | $V_{IN} = 0\text{ V or }3.6\text{ V}, V_{IN} = 3\text{ V to }3.6\text{ V}$ | -20 | ±1 | 20 | µA |
| V_{OH} | High Level Output Voltage | $V_{DDIO} = 3\text{ V to }3.6\text{ V}, I_{OH} = -4\text{ mA}$ | 2.4 | | V_{DDIO} | V |
| V_{OL} | Low Level Output Voltage | $V_{DDIO} = 3\text{ V to }3.6\text{ V}, I_{OL} = 4\text{ mA}$ | GND | | 0.4 | V |
| I_{OS} | Output Short Circuit Current | $V_{OUT} = 0\text{ V}$ | | -15 | | mA |
| I_{OZ} | TRI-STATE Output Current | $PDB = 0\text{ V}, V_{OUT} = 0\text{ V or }V_{DDIO}$ | -20 | | 20 | µA |
| C_{GPO} | Pin Capacitance | GPO [3:0] | | 1.5 | | pF |
| LVC MOS DC SPECIFICATIONS 1.8 V I/O (SER INPUTS, GPIO, CONTROL INPUTS AND OUTPUTS) | | | | | | |
| V_{IH} | High Level Input Voltage | $V_{IN} = 1.71\text{ V to }1.89\text{ V}$ | 0.65 V_{IN} | | V_{IN} | V |
| V_{IL} | Low Level Input Voltage | $V_{IN} = 1.71\text{ V to }1.89\text{ V}$ | GND | | 0.35 V_{IN} | |
| I_{IN} | Input Current | $V_{IN} = 0\text{ V or }1.89\text{ V}, V_{IN} = 1.71\text{ V to }1.89\text{ V}$ | -20 | ±1 | 20 | µA |

DS90UB913A-Q1

ZHCSEW6G - MAY 2013 - REVISED NOVEMBER 2020

Over recommended operating supply and temperature ranges unless otherwise specified.

| PARAMETER | | TEST CONDITIONS | | MIN | TYP | MAX | UNIT |
|---|--|---|---------------------------|--------------------------|---------------------------------------|---------------------|------|
| V _{OH} | High Level Output Voltage | V _{DDIO} = 1.71 V to 1.89 V, I _{OH} = -4 mA | | V _{DDIO} - 0.45 | | V _{DDIO} | V |
| V _{OL} | Low Level Output Voltage | V _{DDIO} = 1.71 V to 1.89 V, I _{OL} = 4 mA | | GND | | 0.45 | V |
| I _{OS} | Output Short Circuit Current | V _{OUT} = 0 V | Serializer GPO Outputs | - 11 | | | mA |
| I _{OZ} | TRI-STATE Output Current | PDB = 0 V, V _{OUT} = 0 V or V _{DDIO} | Serializer GPO Outputs | -20 | | 20 | μA |
| C _{GPO} | Pin Capacitance | GPO [3:0] | | 1.5 | | | pF |
| I _{IN-STRAP} | Strap pin input current | V _{IN} = 0 V to V _{DD_n} | | -1 | | 1 | μA |
| LVC MOS DC SPECIFICATIONS 2.8 V I/O (SER INPUTS, GPIO, CONTROL INPUTS AND OUTPUTS) | | | | | | | |
| V _{IH} | High Level Input Voltage | V _{IN} = 2.52 V to 3.08 V | | 0.7 V _{IN} | | V _{IN} | V |
| V _{IL} | Low Level Input Voltage | V _{IN} = 2.52 V to 3.08 V | | GND | | 0.3 V _{IN} | |
| I _{IN} | Input Current | V _{IN} = 0 V or 3.08 V, V _{IN} = 2.52 V to 3.08 V | | - 20 | ±1 | 20 | μA |
| V _{OH} | High Level Output Voltage | V _{DDIO} = 2.52 V to 3.08 V, I _{OH} = -4 mA | | V _{DDIO} - 0.4 | | V _{DDIO} | V |
| V _{OL} | Low Level Output Voltage | V _{DDIO} = 2.52 V to 3.08 V, I _{OL} = 4 mA | | GND | | 0.4 | V |
| I _{OS} | Output Short Circuit Current | V _{OUT} = 0 V | Serializer GPO Outputs | - 11 | | | mA |
| I _{OZ} | TRI-STATE Output Current | PDB = 0 V, V _{OUT} = 0 V or V _{DDIO} | Serializer GPO Outputs | - 20 | | 20 | μA |
| C _{GPO} | Pin Capacitance | GPO [3:0] | | 1.5 | | | pF |
| CML DRIVER DC SPECIFICATIONS (DOUT+, DOUT-) | | | | | | | |
| V _{OD} | Differential Output Voltage | R _L = 100 Ω (图 6-6), Back Channel Disabled | | 640 | | 824 | mV |
| V _{OUT} | Single-Ended Output Voltage | R _L = 50 Ω (图 6-6), Back Channel Disabled | | 320 | | 412 | |
| ΔV _{OD} | Differential Output Voltage Unbalance | R _L = 100 Ω | | | 1 | 50 | mV |
| V _{OS} | Output Offset Voltage | R _L = 100 Ω (图 6-6) | | | V _{DD_n} - V _{OD/2} | | V |
| ΔV _{OS} | Offset Voltage Unbalance | R _L = 100 Ω | | | 1 | 50 | mV |
| I _{OS} | Output Short Circuit Current | DOUT+ = 0 V or DOUT- = 0 V | | | - 26 | | mA |
| R _T | Differential Internal Termination Resistance | Differential across DOUT+ and DOUT- | | 80 | 100 | 120 | Ω |
| | Single-ended Termination Resistance | DOUT+ or DOUT- | | 40 | 50 | 60 | |
| V _{ID-BC} | Back Channel Differential Input Voltage | Back Channel Frequency = 5.5 MHz ⁽¹⁰⁾ | | 260 | | | mV |
| V _{IN-BC} | Back Channel Single-Ended Input Voltage | | | 130 | | | mV |
| SERIALIZER SUPPLY CURRENT | | | | | | | |

Over recommended operating supply and temperature ranges unless otherwise specified.

| PARAMETER | TEST CONDITIONS | MIN | TYP | MAX | UNIT | |
|---------------------|---|---|-----|-----|------|----|
| I _{DDT} | Serializer (Tx) V _{DD,n} Supply Current (includes load current) R _L = 100 Ω WORST CASE pattern (图 6-2) | V _{DD,n} = 1.89 V V _{DDIO} = 3.6 V f = 100 MHz, 10-bit mode Default Registers | | 61 | 80 | mA |
| | | V _{DD,n} = 1.89 V V _{DDIO} = 3.6 V f = 75 MHz, 12-bit high frequency mode Default Registers | | 61 | 80 | mA |
| | | V _{DD,n} = 1.89 V V _{DDIO} = 3.6 V f = 50 MHz, 12-bit low frequency mode Default Registers | | 61 | 80 | |
| I _{DDT} | Serializer (Tx) V _{DD,n} Supply Current (includes load current) R _L = 100 Ω RANDOM PRBS-7 pattern | V _{DD,n} = 1.89 V V _{DDIO} = 3.6 V f = 100 MHz, 10-bit mode Default Registers | | 65 | | mA |
| | | V _{DD,n} = 1.89 V V _{DDIO} = 3.6 V f = 75 MHz, 12-bit high frequency mode Default Registers | | 64 | | |
| | | V _{DD,n} = 1.89 V V _{DDIO} = 3.6 V f = 50 MHz, 12-bit low frequency mode Default Registers | | 63 | | |
| I _{DDIOT} | Serializer (Tx) V _{DDIO} Supply Current (includes load current) R _L = 100 Ω WORST CASE pattern (图 6-2) | V _{DDIO} = 1.89 V f = 75 MHz, 12-bit high frequency mode Default Registers | | 1.5 | 3 | mA |
| | | V _{DDIO} = 3.6 V f = 75 MHz, 12-bit high frequency mode Default Registers | | 5 | 8 | |
| I _{DDTZ} | Serializer (Tx) Supply Current Power Down PDB = 0V; All other LVCMOS Inputs = 0 V | V _{DDIO} = 1.89 V Default Registers | | 300 | 1000 | μA |
| | | V _{DDIO} = 3.6 V Default Registers | | 300 | 1000 | μA |
| I _{DDIOTZ} | Serializer (Tx) V _{DDIO} Supply Current Power Down PDB = 0V; All other LVCMOS Inputs = 0 V | V _{DDIO} = 1.89 V Default Registers | | 15 | 100 | μA |
| | | V _{DDIO} = 3.6 V Default Registers | | 15 | 100 | μA |

6.6 Recommended Serializer Timing For PCLK⁽⁵⁾ (6)

Over recommended operating supply and temperature ranges unless otherwise specified.

| PARAMETER | TEST CONDITIONS | PIN / FREQ | MIN | NOM | MAX | UNIT |
|--|--|--|-------|-------|-------|------|
| t _{TCP} Transmit Clock Period | 10-bit mode 50 MHz - 100 MHz | | 10 | T | 20 | ns |
| | 12-bit high frequency mode 37.5 MHz - 75MHz | | 13.33 | T | 26.67 | ns |
| | 12-bit low frequency mode 25 MHz - 50MHz | | 20 | T | 40 | ns |
| t _{TCH} Transmit Clock Input High Time | | | 0.4T | 0.5T | 0.6T | |
| t _{TCL} Transmit Clock Input Low Time | | | 0.4T | 0.5T | 0.6T | |
| t _{CLKT} PCLK Input Transition Time (图 6-7) | 10-bit mode 50 MHz - 100 MHz | | 0.05T | 0.25T | 0.3T | |
| | 12-bit high frequency mode 37.5 MHz - 75MHz | | 0.05T | 0.25T | 0.3T | |
| | 12-bit low frequency mode 25 MHz - 50MHz | | 0.05T | 0.25T | 0.3T | |
| t _{JIT0} PCLK Input Jitter (PCLK from imager mode) (3) | LPF = f/20, CDR PLL Loop BW = f/15, BER = 1E-10 | f _{PCLK} = 25 - 100 MHz ⁽⁸⁾ | | | 0.3 | UI |
| t _{JIT1} PCLK Input Jitter (External Oscillator mode) ⁽³⁾ | LPF = f/20, CDR PLL Loop BW = f/15, BER = 1E-10 | f _{PCLK} = 25 - 100 MHz ⁽⁸⁾ | | 1T | | |
| t _{JIT2} External Oscillator Jitter ⁽³⁾ | LPF = f/20, CDR PLL Loop BW = f/15, BER = 1E-10 | f _{OSC} = 25 - 50 MHz ⁽⁹⁾ | | | 0.3 | UI |
| Δ _{OSC} External Oscillator Frequency Stability | | f _{OSC} = 25 - 50 MHz ⁽⁹⁾ | | ±50 | | ppm |

6.7 AC Timing Specifications (SCL, SDA) - I2C-Compatible

Over recommended supply and temperature ranges unless otherwise specified. (图 6-1)

| PARAMETER | | TEST CONDITIONS | MIN | NOM | MAX | UNIT |
|--|---|-----------------|-----|-----|------|------|
| RECOMMENDED INPUT TIMING REQUIREMENTS | | | | | | |
| f _{SCL} | SCL Clock Frequency | Standard Mode | | | 100 | kHz |
| | | Fast Mode | | | 400 | kHz |
| t _{LOW} | SCL Low Period | Standard Mode | 4.7 | | | μs |
| | | Fast Mode | 1.3 | | | μs |
| t _{HIGH} | SCL High Period | Standard Mode | 4.0 | | | μs |
| | | Fast Mode | 0.6 | | | μs |
| t _{HD:STA} | Hold time for a start or a repeated start condition | Standard Mode | 4.0 | | | μs |
| | | Fast Mode | 0.6 | | | μs |
| t _{SU:STA} | Set Up time for a start or a repeated start condition | Standard Mode | 4.7 | | | μs |
| | | Fast Mode | 0.6 | | | μs |
| t _{HD:DAT} | Data Hold Time | Standard Mode | 0 | | 3.45 | μs |
| | | Fast Mode | 0 | | 900 | ns |
| t _{SU:DAT} | Data Set Up Time | Standard Mode | 250 | | | ns |
| | | Fast Mode | 100 | | | ns |
| t _{SU:STO} | Set Up Time for STOP Condition | Standard Mode | 4.0 | | | μs |
| | | Fast Mode | 0.6 | | | μs |
| t _{BUF} | Bus Free time between Stop and Start | Standard Mode | 4.7 | | | μs |
| | | Fast Mode | 1.3 | | | μs |
| t _r | SCL & SDA Rise Time | Standard Mode | | | 1000 | ns |
| | | Fast Mode | | | 300 | ns |
| t _f | SCL & SDA Fall Time | Standard Mode | | | 300 | ns |
| | | Fast Mode | | | 300 | ns |

6.8 Bidirectional Control Bus DC Timing Specifications (SCL, SDA) - I2C-Compatible⁽⁴⁾

Over recommended supply and temperature ranges unless otherwise specified

| PARAMETER | | TEST CONDITIONS | MIN | NOM | MAX | UNIT |
|--|---------------------------------|--|-----------------------|-----|-----------------------|------|
| RECOMMENDED INPUT TIMING REQUIREMENTS | | | | | | |
| V _{IH} | Input High Level | SDA and SCL | 0.7*V _{DDIO} | | V _{DDIO} | V |
| V _{IL} | Input Low Level | SDA and SCL | GND | | 0.3*V _{DDIO} | V |
| V _{HY} | Input Hysteresis | | | >50 | | mV |
| V _{OL} | Output Low Level ⁽⁷⁾ | SDA, V _{DDIO} = 1.8 V, I _{OL} = 0.9 mA | 0 | | 0.36 | V |
| | | SDA, V _{DDIO} = 3.3 V, I _{OL} = 1.6 mA | 0 | | 0.4 | |
| I _{IN} | Input Current | SDA or SCL, V _{IN} = V _{DDIO} OR GND | -10 | | 10 | μA |
| t _R | SDA Rise Time-READ | SDA, R _{PU} = 10 kΩ, C _b ≤ 400 pF | | 430 | | ns |
| t _F | SDA Fall Time-READ | (图 6-1) | | 20 | | ns |
| C _{IN} | | SDA or SCL | | <5 | | pF |

- (1) The Electrical Characteristics tables list verified specifications under the listed Recommended Operating Conditions except as otherwise modified or specified by the Electrical Characteristics Conditions and/or Notes. Typical specifications are estimations only and are not verified.
- (2) Current into device pins is defined as positive. Current out of a device pin is defined as negative. Voltages are referenced to ground except V_{OD} and ΔV_{OD} which are differential voltages.
- (3) Typical values represent most likely parametric norms at 1.8 V or 3.3 V, T_A = 25°C, and at the Recommended Operation Conditions at the time of product characterization and are not verified.
- (4) Specification is verified by design.
- (5) Recommended Input Timing Requirements are input specifications and not tested in production.

DS90UB913A-Q1

ZHCSEW6G - MAY 2013 - REVISED NOVEMBER 2020

- (6) T is the period of the PCLK.
- (7) FPD-Link device was designed primarily for point-to-point operation and a small number of attached slave devices. As such the Minimum I_{OL} pullup current is targeted to lower value than the minimum I_{OL} in the I2C specification.
- (8) f_{PCLK} denotes input PCLK frequency to the device.
- (9) f_{OSC} denotes input external oscillator frequency to the device (GPO3/CLKIN).
- (10) The back channel frequency (MHz) listed is the frequency of the internal clock used to generate the encoded back channel data stream. The data rate (Mbps) of the encoded back channel stream is the back channel frequency divided by 2.

6.9 Timing Diagrams

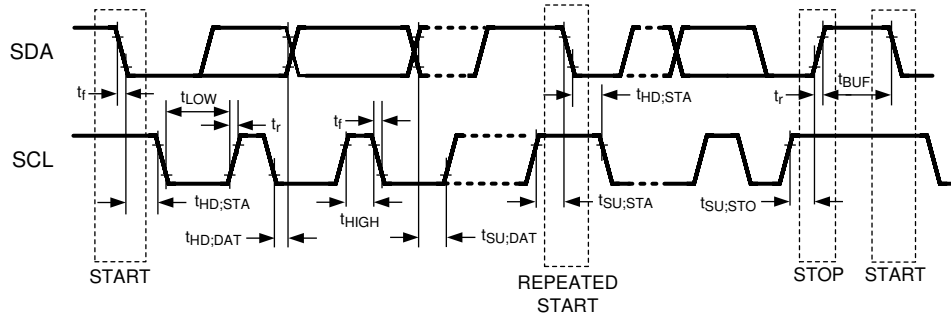


图 6-1. Bi-directional Control Bus Timing

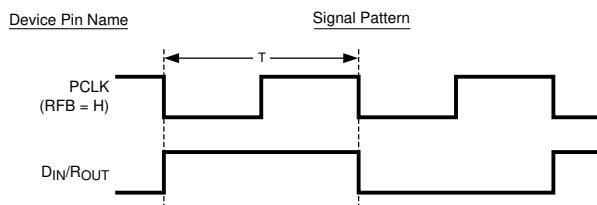


图 6-2. "Worst Case" Test Pattern for Power Consumption

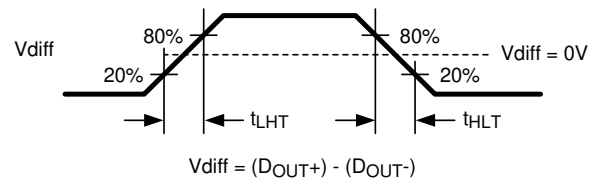
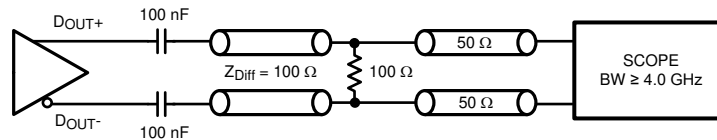
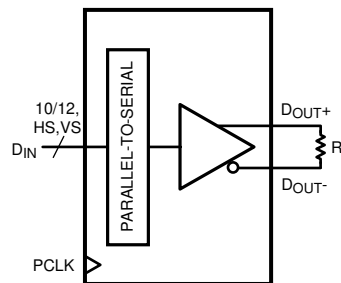


图 6-3. Serializer CML Output Load and Transition Times



Copyright © 2016, Texas Instruments Incorporated

图 6-4. Serializer CML Output Load and Transition Times



Copyright © 2016, Texas Instruments Incorporated

图 6-5. Serializer VOD Setup

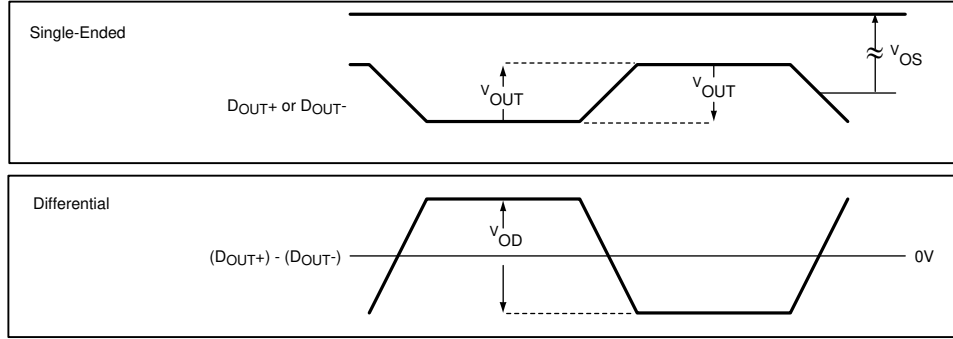


图 6-6. Serializer VOD Diagram

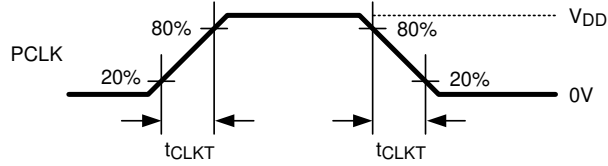


图 6-7. Serializer Input Clock Transition Times

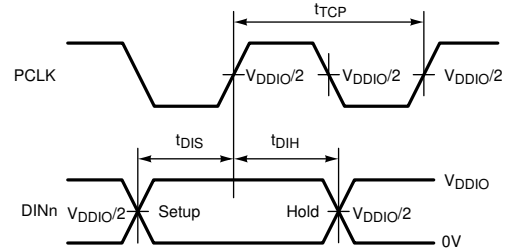


图 6-8. Serializer Setup/Hold Times

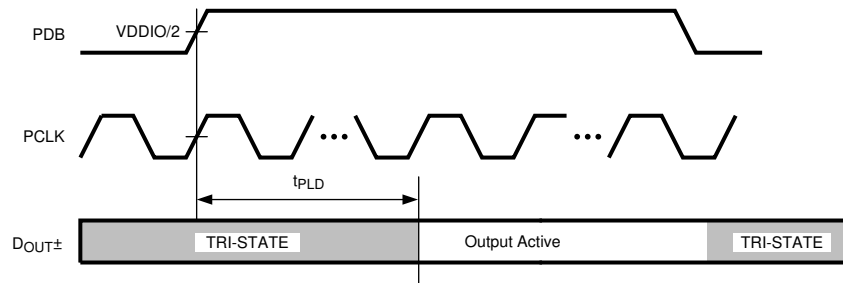


图 6-9. Serializer PLL Lock Time

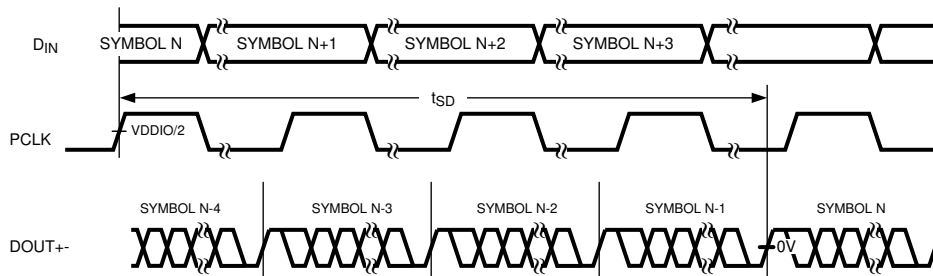


图 6-10. Serializer Delay

6.10 Serializer Switching Characteristics

Over recommended operating supply and temperature ranges unless otherwise specified.

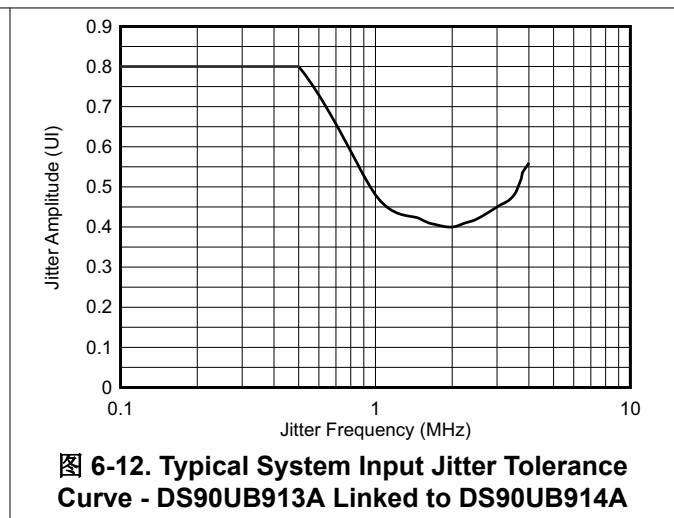
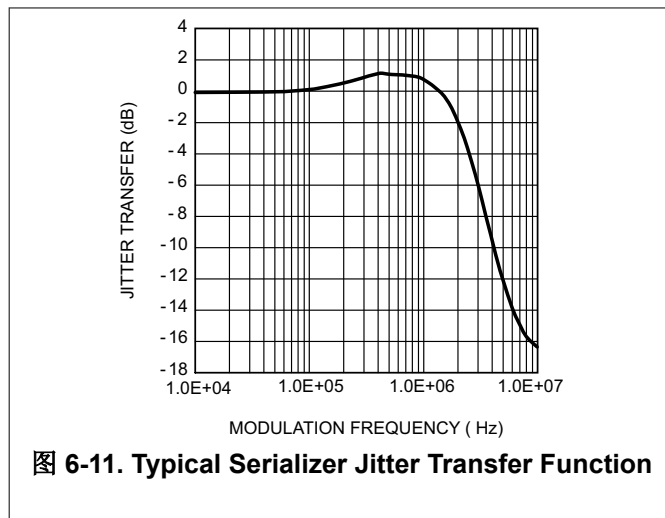
| PARAMETER | | TEST CONDITIONS | MIN | NOM | MAX | UNIT |
|-------------------|--|---|--------|-------|------|------|
| t_{LHT} | CML Low-to-High Transition Time | $R_L = 100 \Omega$ (图 6-3) | | 150 | 330 | ps |
| t_{HLT} | CML High-to-Low Transition Time | $R_L = 100 \Omega$ (图 6-3) | | 150 | 330 | ps |
| t_{DIS} | Data Input Setup to PCLK | Serializer Data Inputs (图 6-8) | 2 | | | ns |
| t_{DIH} | Data Input Hold from PCLK | | 2 | | | ns |
| t_{PLD} | Serializer PLL Lock Time ^{(1) (2)} | $R_L = 100 \Omega$ (图 6-9) | | 1 | 2 | ms |
| t_{SD} | Serializer Delay ⁽²⁾ | $R_T = 100 \Omega$, 10 - bit mode Register 0x03h b[0] (TRFB = 1) (图 6-10) | 32.5T | 38T | 44T | |
| | | $R_T = 100 \Omega$, 12 - bit mode Register 0x03h b[0] (TRFB = 1) (图 6-10) | 11.75T | 13T | 15T | |
| t_{JIND} | Serializer Output Deterministic Jitter ^{(3) (4) (5)} | PRBS-7 test pattern, CDR PLL Loop BW = $f/15$, BER = 1E-10 | | 0.17 | 0.26 | UI |
| t_{JINR} | Serializer Output Random Jitter ^{(3) (4) (5)} | PRBS-7 test pattern, CDR PLL Loop BW = $f/15$, BER = 1E-10 | | 0.016 | | UI |
| t_{JINT} | Peak-to-Peak Serializer Output Total Jitter ^{(3) (5) (7)} | PRBS-7 test pattern, CDR PLL Loop BW = $f/15$, BER = 1E-10 | | 0.4 | 0.52 | UI |
| λ_{STXBW} | Serializer Jitter Transfer Function -3 dB Bandwidth | 10 - bit mode PCLK = 100 MHz. Default Registers | | 2.20 | | MHz |
| | | 12 - bit high frequency mode PCLK = 75 MHz. Default Registers | | 2.20 | | |
| | | 12 - bit low frequency mode PCLK = 50 MHz. Default Registers | | 2.20 | | |
| δ_{STX} | Serializer Jitter Transfer Function (Peaking) | 10 - bit mode PCLK = 100 MHz. Default Registers | | 1.06 | | dB |
| | | 12 - bit high frequency mode PCLK = 75 MHz. Default Registers | | 1.09 | | |
| | | 12 - bit low frequency mode PCLK = 50 MHz. Default Registers | | 1.16 | | |
| δ_{STXf} | Serializer Jitter Transfer Function (Peaking Frequency) | 10 - bit mode PCLK = 100 MHz. Default Registers | | 400 | | kHz |

Over recommended operating supply and temperature ranges unless otherwise specified.

| PARAMETER | TEST CONDITIONS | MIN | NOM | MAX | UNIT |
|-----------|--|-----|-----|-----|------|
| | 12 - bit high frequency mode PCLK = 75 MHz. Default Registers | | 500 | | |
| | 12 - bit low frequency mode PCLK = 50 MHz. Default Registers | | 600 | | |

- (1) t_{PLD} is the time required by the serializer to obtain lock when exiting power-down state with an active PCLK.
- (2) Specification is verified by design.
- (3) Typical values represent most likely parametric norms at 1.8 V or 3.3 V, $T_A = 25^\circ\text{C}$, and at the Recommended Operation Conditions at the time of product characterization and are not verified.
- (4) Specification is verified by characterization and is not tested in production.
- (5) UI - Unit Interval is equivalent to one ideal serialized data bit width. The UI scales with PCLK frequency.
 10-bit mode: $1 \text{ UI} = 1 / (\text{PCLK_Freq.} / 2 \times 28)$
 12-bit HF mode: $1 \text{ UI} = 1 / (\text{PCLK_Freq.} \times 2/3 \times 28)$
 12-bit LF mode: $1 \text{ UI} = 1 / (\text{PCLK_Freq.} \times 28)$
- (6) **To ensure optimum device functionality, it is recommended to NOT write to any RESERVED registers.**
- (7) Serializer output peak-to-peak total jitter includes deterministic jitter, random jitter, and jitter transfer from serializer input.

6.11 Typical Characteristics



7 Detailed Description

7.1 Overview

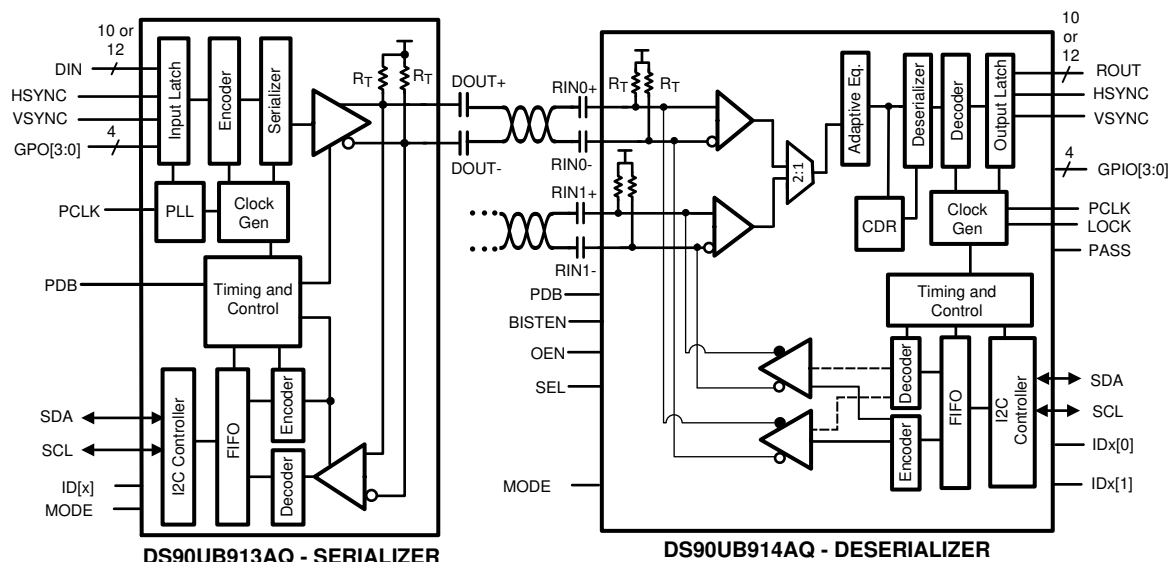
The DS90UB913A-Q1 is optimized to interface with the DS90UB914A-Q1 using a 50- Ω coax interface. The DS90UB913A-Q1 will also work with the DS90UB914A-Q1 using an STP interface.

The DS90UB913A/914A FPD- Link III chipsets are intended to link mega-pixel camera imagers and video processors in ECUs. The Serializer/Deserializer chipset can operate from 25 MHz to 100 MHz pixel clock frequency. The DS90UB913A-Q1 device transforms a 10/12-bit wide parallel LVCMOS data bus along with a bidirectional control channel control bus into a single high-speed differential pair. The high speed serial bit stream contains an embedded clock and DC-balanced information which enhances signal quality to support AC coupling. The DS90UB914A-Q1 device receives the single serial data stream and converts it back into a 10/12-bit wide parallel data bus together with the control channel data bus. The DS90UB913A/914A chipsets can accept up to:

- 12-bits of DATA + 2 bits SYNC for an input PCLK range of 25 MHz to 50 MHz in the 12-bit low frequency mode. Note: No HS/VS restrictions (raw).
- 12-bits of DATA + 2 SYNC bits for an input PCLK range of 37.5 MHz to 75 MHz in the 12-bit high frequency mode. Note: No HS/VS restrictions (raw).
- 10-bits of DATA + 2 SYNC bits for an input PCLK range of 50 MHz to 100 MHz in the 10-bit mode. Note: HS/VS restricted to no more than one transition per 10 PCLK cycles.

The DS90UB913A/914A chipset offer customers the choice to work with different clocking schemes. The DS90UB913A/914A chipsets can use an external oscillator as the reference clock source for the PLL (see section [7.4.1](#)) or PCLK from the imager as primary reference clock to the PLL (see section [7.4.2](#)).

7.2 Functional Block Diagram



Copyright © 2016, Texas Instruments Incorporated

7.3 Feature Description

7.3.1 Serial Frame Format

The High Speed Forward Channel is composed of 28 bits of data containing video data, sync signals, I2C and parity bits. This data payload is optimized for signal transmission over an AC-coupled link. Data is randomized, balanced and scrambled. The 28-bit frame structure changes in the 12-bit low frequency mode, 12-bit high frequency mode and the 10-bit mode internally and is seamless to the customer. The bidirectional control channel data is transferred over the single serial link along with the high-speed forward data. This architecture

provides a full duplex low speed forward and backward path across the serial link together with a high speed forward channel without the dependence on the video blanking phase.

7.3.2 Line Rate Calculations for the DS90UB913A/914A

The DS90UB913A-Q1 device divides the clock internally by divide-by-1 in the 12-bit low frequency mode, by divide-by-2 in the 10-bit mode and by divide-by-1.5 in the 12-bit high frequency mode. Conversely, the DS90UB914A-Q1 multiplies the recovered serial clock to generate the proper pixel clock output frequency. Thus the maximum line rate in the three different modes remains 1.4 Gbps. The following are the formulae used to calculate the maximum line rate in the different modes:

- For the 12-bit low frequency mode, Line rate = $f_{\text{PCLK}} * 28$; for example, $f_{\text{PCLK}} = 50 \text{ MHz}$, line rate = $50 * 28 = 1.4 \text{ Gbps}$
- For the 12-bit high frequency mode, Line rate = $f_{\text{PCLK}} * (2/3) * 28$; for example, $f_{\text{PCLK}} = 75 \text{ MHz}$, line rate = $(75) * (2/3) * 28 = 1.4 \text{ Gbps}$
- For the 10-bit mode, Line rate = $f_{\text{PCLK}} / 2 * 28$; for example, $f_{\text{PCLK}} = 100 \text{ MHz}$, line rate = $(100/2) * 28 = 1.4 \text{ Gbps}$

7.3.3 Error Detection

The chipset provides error detection operations for validating data integrity in long distance transmission and reception. The data error detection function offers users flexibility and usability of performing bit-by-bit data transmission error checking. The error detection operating modes support data validation of the following signals:

- Bidirectional control channel data across the serial link
- Parallel video/sync data across the serial link

The chipset provides 1 parity bit on the forward channel and 4 cyclic redundancy check (CRC) bits on the back channel for error detection purposes. The DS90UB913A/914A chipset checks the forward and back channel serial links for errors and stores the number of detected errors in two 8-bit registers in the Serializer and the Deserializer respectively.

To check parity errors on the forward channel, monitor registers 0x1A and 0x1B on the DS90UB914A. If there is a loss of LOCK, then the counters on registers 0x1A and 0x1B are reset. **Whenever there is a parity error on the forward channel, the PASS pin will go low.**

To check CRC errors on the back-channel, monitor registers 0x0A and 0x0B on the Serializer.

7.3.4 Synchronizing Multiple Cameras

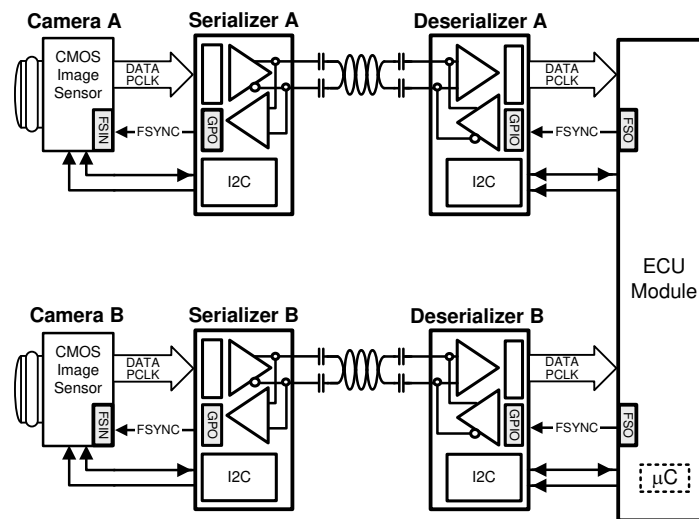
For applications requiring multiple cameras for frame-synchronization, it is recommended to utilize the General Purpose Input/Output (GPIO) pins to transmit control signals to synchronize multiple cameras together. To synchronize the cameras properly, the system controller needs to provide a field sync output (such as a vertical or frame sync signal) and the cameras must be set to accept an auxiliary sync input. The vertical synchronize signal corresponds to the start and end of a frame and the start and end of a field. Note this form of synchronization timing relationship has a non-deterministic latency. After the control data is reconstructed from the bidirectional control channel, there will be a time variation of the GPIO signals arriving at the different target devices (between the parallel links). The maximum latency delta (t_1) of the GPIO data transmitted across multiple links is 25 μs .

备注

The user must verify that the timing variations between the different links are within their system and timing specifications.

See [图 7-1](#) for an example of this function.

The maximum time (t_1) between the rising edge of GPIO (that is, sync signal) to the time the signal arrives at Camera A and Camera B is 25 μs .



Copyright © 2016, Texas Instruments Incorporated

图 7-1. Synchronizing Multiple Cameras

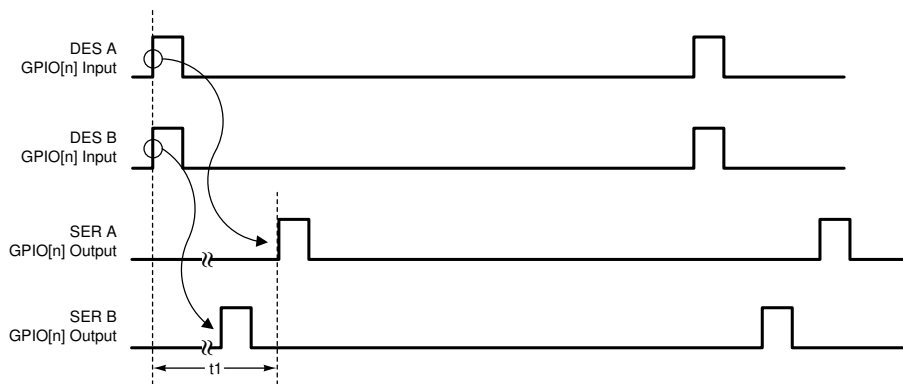


图 7-2. GPIO Delta Latency

7.3.5 General Purpose I/O (GPIO) Descriptions

There are 4 GPOs on the Serializer and 4 GPIOs on the Deserializer when the DS90UB913A/914A chipsets are run off the pixel clock from the imager as the reference clock source. The GPOs on the Serializer can be configured as outputs for the input signals that are fed into the Deserializer GPIOs. In addition, the GPOs on the Serializer can behave as outputs of the local register on the Serializer. The GPIOs on the Deserializer can be configured to be the input signals feeding the GPOs (configured as outputs) on the Serializer. In addition the GPIOs on the Deserializer can be configured to behave as outputs of the local register on the Deserializer. The DS90UB913A Serializer GPOs cannot be configured as inputs for remote communication with Deserializer. If the DS90UB913A/914A chipsets are run off the external oscillator source as the reference clock, then GPO3 on the Serializer is automatically configured to be the input for the external clock and GPO2 is configured to be the output of the divide-by-2 clock which is fed into the imager as its reference clock. In this case, the GPIO2 and GPIO3 on the Deserializer can only behave as outputs of the local register on the Deserializer. The GPIO maximum switching rate is up to 66 kHz when configured for communication between Deserializer GPIO to Serializer GPO.

7.3.6 LVCMOS V_{DDIO} Option

1.8 V/2.8 V/3.3 V Serializer inputs are user configurable to provide compatibility with 1.8 V, 2.8 V and 3.3 V system interfaces.

7.3.7 Pixel Clock Edge Select (TRFB / RRFB)

The TRFB/RRFB selects which edge of the Pixel Clock is used. For the SER, this register determines the edge that the data is latched on. If TRFB register is 1, data is latched on the Rising edge of the PCLK. If TRFB register is 0, data is latched on the Falling edge of the PCLK. For the DES, this register determines the edge that the data is strobed on. If RRFB register is 1, data is strobed on the Rising edge of the PCLK. If RRFB register is 0, data is strobed on the falling edge of the PCLK.

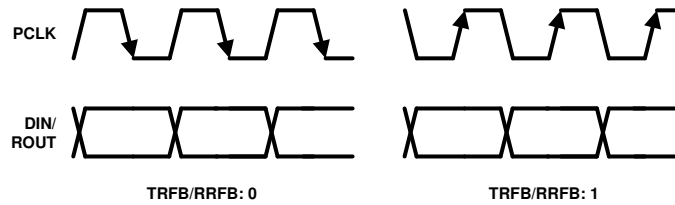


图 7-3. Programmable PCLK Strobe Select

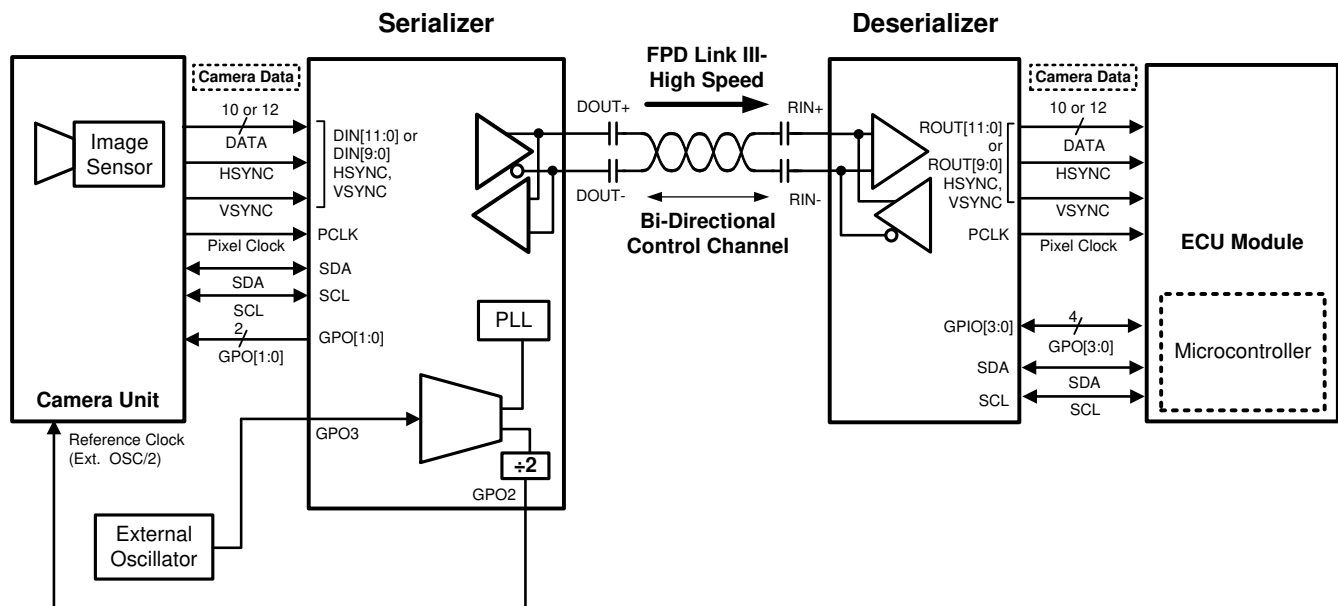
7.3.8 Power Down

The SER has a PDB input pin to ENABLE or power down the device. Enabling PDB on the SER will disable the link to save power. If PDB = HIGH, the SER will operate at its internal default oscillator frequency when the input PCLK stops. When the PCLK starts again, the SER locks to the valid input PCLK and transmit the data to the DES. When PDB = LOW, the high-speed driver outputs are static HIGH. Please refer to [# 8.1.2](#) for power-up requirements.

7.4 Device Functional Modes

7.4.1 DS90UB913A/914A Operation with External Oscillator as Reference Clock

In some applications, the pixel clock that comes from the imager can have jitter which exceeds the tolerance of the DS90UB913A/914A chipsets. In this case, the DS90UB913A-Q1 device should be operated by using an external clock source as the reference clock for the DS90UB913A/914A chipsets. **This is the recommended operating mode.** The external oscillator clock output goes through a divide-by-2 circuit in the DS90UB913A-Q1 Serializer and this divided clock output is used as the reference clock for the imager. The output data and pixel clock from the imager are then fed into the DS90UB913A-Q1 device. 图 7-4 shows the operation of the DS90UB13A/914A chipsets while using an external automotive grade oscillator.



Copyright © 2016, Texas Instruments Incorporated

图 7-4. DS90UB913A-Q1/914A-Q1 Operation in the External Oscillator Mode

When the DS90UB913A-Q1 device is operated using an external oscillator, the GPO3 pin on the DS90UB913A-Q1 is the input pin for the external oscillator. In applications where the DS90UB913A-Q1 device is operated from an external oscillator, the divide-by-2 circuit in the DS90UB913A-Q1 device feeds back the divided clock output to the imager device through GPO2 pin. The pixel clock to external oscillator ratios needs to be fixed for the 12-bit high frequency mode and the 10-bit mode. **In the 10-bit mode, the pixel clock frequency divided by the external oscillator frequency must be 2. In the 12-bit high frequency mode, the pixel clock frequency divided by the external oscillator frequency must be 1.5.** For example, if the external oscillator frequency is 48 MHz in the 10-bit mode, the pixel clock frequency of the imager needs to be twice of the external oscillator frequency, that is, 96 MHz. If the external oscillator frequency is 48MHz in the 12-bit high frequency mode, the pixel clock frequency of the imager needs to be 1.5 times of the external oscillator frequency, that is, 72 MHz.

When PCLK signal edge is detected, and 0x03[1] = 0, the DS90UB913A will switch from internal oscillator mode to an external PCLK. Upon removal of PCLK input, the device will switch back into internal oscillator mode. In external oscillator mode, GPO2 and GPO3 on the Serializer cannot act as the output of the input signal coming from GPIO2 or GPIO3 on the Deserializer.

表 7-1. Device Functional Mode w/ Example XCLKIN = 48 MHz

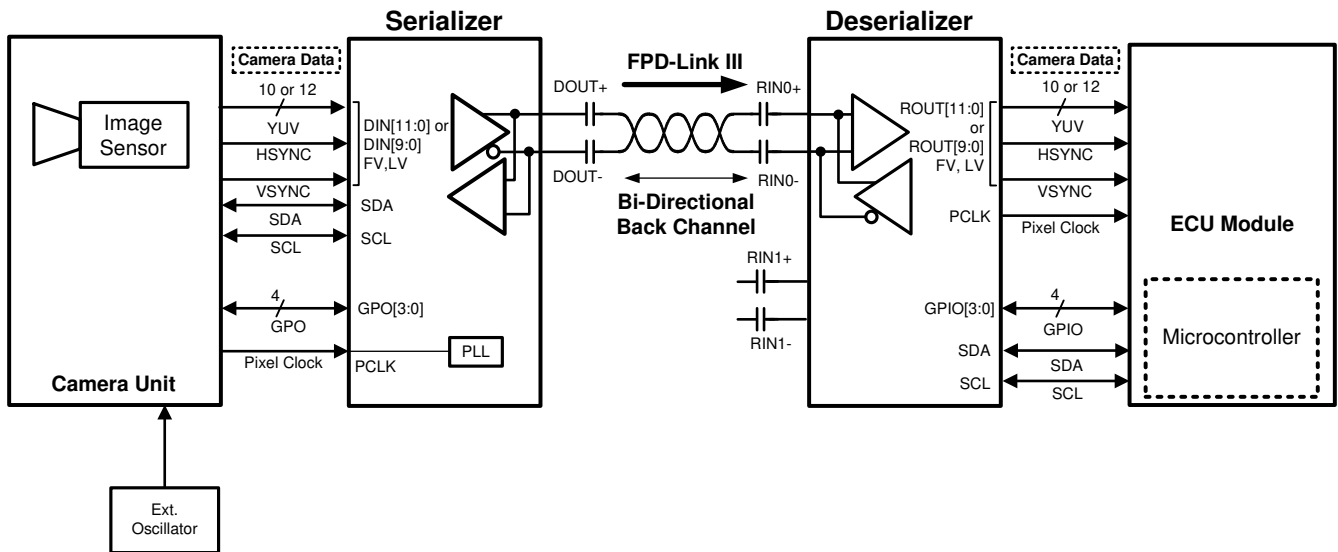
| MODE | GPIO3 XCLKIN | GPIO2 XCLKOUT = XCLKIN / 2 | Ratio | Input PCLK Frequency = XCLKIN * Ratio |
|----------------------------|--------------|----------------------------|-------|---------------------------------------|
| 10-bit | 48 MHz | 24 MHz | 2 | 96 MHz |
| 12-bit High Frequency (HF) | 48 MHz | 24 MHz | 1.5 | 72 MHz |

表 7-1. Device Functional Mode w/ Example XCLKIN = 48 MHz (continued)

| MODE | GPIO3 XCLKIN | GPIO2 XCLKOUT = XCLKIN / 2 | Ratio | Input PCLK Frequency = XCLKIN * Ratio |
|---------------------------|--------------|----------------------------|-------|---------------------------------------|
| 12-bit Low Frequency (LF) | 48 MHz | 24 MHz | 1 | 48 MHz |

7.4.2 DS90UB913A/914A Operation with Pixel Clock from Imager as Reference Clock

The DS90UB913A/914A chipsets can be operated by using the pixel clock from the imager as the reference clock. 图 7-5 shows the operation of the DS90UB913A/914A chipsets using the pixel clock from the imager. If the DS90UB913A-Q1 device is operated using the pixel clock from the imager as the reference clock, then the imager uses an external oscillator as its reference clock. There are 4 GPIOs available in this mode (PCLK from imager mode).

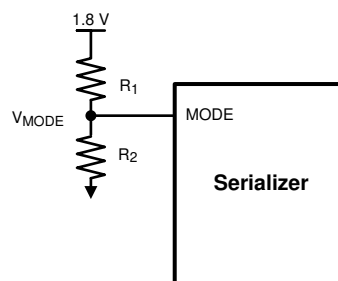


Copyright © 2016, Texas Instruments Incorporated

图 7-5. DS90UB913A-Q1/914A-Q1 Operation in PCLK mode

7.4.3 MODE Pin on Serializer

The MODE pin on the Serializer can be configured to select if the DS90UB913A-Q1 device is to be operated from the external oscillator or the PCLK from the imager. The pin must be pulled to V_{DD_n} (1.8 V, not V_{DDIO}) with a resistor R_1 and a pull-down resistor R_2 for external oscillator mode to create the ratio shown in 图 7-6. If the device is to be operated from PCLK from imager mode, MODE pin can be pulled up to V_{DD_n} (1.8V) with a 10-k Ω resistor directly or use the ratio shown in 图 7-6 and 表 7-2. The recommended maximum resistor tolerance is 1%.



Copyright © 2016, Texas Instruments Incorporated

图 7-6. MODE Pin Configuration on DS90UB913A-Q1

表 7-2. DS90UB913A-Q1 Serializer MODE Setting

| MODE SELECT | MINIMUM RATIO ($V_{MODE}/V_{(VDD_n)}$) | MAXIMUM RATIO ($V_{MODE}/V_{(VDD_n)}$) | SUGGESTED R ₁ RESISTOR VALUE (k Ω) | SUGGESTED R ₂ RESISTOR VALUE (k Ω) |
|--------------------------|---|---|--|--|
| PCLK from Imager mode | 0.750 | 1.000 | 10 | 100 |
| External Oscillator mode | 0.292 | 0.339 | 10 | 4.7 |

7.4.4 Internal Oscillator

When a PCLK is not applied to the DS90UB913A, the serializer will establish the FPD-III link using an internal oscillator. During normal operation (not BIST) the frequency of the internal oscillator can be adjusted from DS90UB913A register 0x14[2:1] according to 表 7-3. In BIST mode, the internal oscillator frequency should only be adjusted from the DS90UB914A. The BIST frequency can be set by either pin strapping (表 7-4) or register (表 7-5). In BIST DS90UB913A register 0x14[2:1] is automatically loaded from the DS90UB914A through the bi-directional control channel.

表 7-3. Clock Sources for Forward Channel Frame on the Serializer During Normal Operation

| DS90UB913A-Q1 Reg 0x14 [2:1] | 10 - BIT MODE | 12 - BIT HIGH-FREQUENCY MODE | 12 - BIT LOW-FREQUENCY MODE |
|---------------------------------|------------------|---------------------------------|--------------------------------|
| 00 | 50 MHz | 37.5 MHz | 25 MHz |
| 01 | 100 MHz | 75 MHz | 50 MHz |
| 10 | 50 MHz | 37.5 MHz | 25 MHz |
| 11 | Reserved | Reserved | Reserved |

7.4.5 Built In Self Test

An optional At-Speed Built In Self Test (BIST) feature supports the testing of the high-speed serial link and low-speed back channel. This is useful in the prototype stage, equipment production, and in-system test and also for system diagnostics.

7.4.6 BIST Configuration and Status

The chipset can be programmed into BIST mode using either pins or registers on the DES only. By default, BIST configuration is controlled through pins. BIST can be configured via registers using BIST Control register (0x24). Pin-based configuration is defined as follows:

- BISTEN = HIGH: Enable the BIST mode, BISTEN = LOW: Disable the BIST mode.
- Deserializer GPIO0 and GPIO1: Defines the BIST clock source (PCLK vs. various frequencies of internal OSC)

表 7-4. BIST Pin Configuration

| DESERIALIZER GPIO[0:1] | OSCILLATOR SOURCE | BIST FREQUENCY |
|------------------------|-------------------|-----------------------------|
| 00 | External PCLK | PCLK or External Oscillator |
| 01 | Internal | ~50 MHz |
| 10 | Internal | ~25 MHz |

表 7-5. BIST Register Configuration

| DS90UB914A-Q1 Reg 0x24 [2:1] | 10 - BIT MODE | 12 - BIT HIGH-FREQUENCY MODE | 12 - BIT LOW-FREQUENCY MODE |
|---------------------------------|------------------|---------------------------------|--------------------------------|
| 00 | PCLK | PCLK | PCLK |
| 01 | 100 MHz | 75 MHz | 50 MHz |
| 10 | 50 MHz | 37.5 MHz | 25 MHz |
| 11 | Reserved | Reserved | Reserved |

BIST mode provides various options for the PCLK source. Either external pins (GPIO0 and GPIO1) or registers can be used to program the BIST to use external PCLK or various OSC frequencies. Refer to 表 7-4 for pin settings. The BIST status can be monitored real-time on the PASS pin. For every frame with error(s), the PASS pin toggles low for one-half PCLK period. If two consecutive frames have errors, PASS will toggle twice to allow counting of frames with errors. Once the BIST is done, the PASS pin reflects the pass/fail status of the last BIST run only for one PCLK cycle. The status can also be read through I2C for the number of frames in errors. BIST status register retains results until it is reset by a new BIST session or a device reset. To evaluate BIST in external oscillator mode, both the external oscillator and PCLK need to be present. For all practical purposes, the BIST status can be monitored from the BIST Error Count register 0x25 on the DS90UB914A Deserializer.

7.4.7 Sample BIST Sequence

Step 1. For the DS90UB913A/914A FPD-Link III chipset, BIST Mode is enabled via the BISTEN pin of DS90UB914A-Q1 FPD-Link III deserializer. The desired clock source is selected through the deserializer GPIO0 and GPIO1 pins as shown in 表 7-4.

Step 2. The DS90UB913A-Q1 Serializer BIST pattern is enabled through the back channel. The BIST pattern is sent through the FPD-Link III to the deserializer. Once the serializer and deserializer are in the BIST mode and the deserializer acquires Lock, the PASS pin of the deserializer goes high and BIST starts checking FPD-Link III serial stream. If an error in the payload is detected, the PASS pin will switch low for one half of the clock period. During the BIST test, the PASS output can be monitored and counted to determine the payload error rate.

Step 3. To stop the BIST mode, the deserializer BISTEN pin is set LOW. The deserializer stops checking the data. The final test result is not maintained on the PASS pin. To monitor the BIST status, check the BIST Error Count register, 0x25 on the Deserializer.

Step 4. The link returns to normal operation after the deserializer BISTEN pin is low. 图 7-8 shows the waveform diagram of a typical BIST test for two cases. Case 1 is error free, and Case 2 shows one with multiple errors. In most cases, it is difficult to generate errors due to the robustness of the link (differential data transmission etc.), thus they may be introduced by greatly extending the cable length, faulting the interconnect, or by reducing signal condition enhancements (Rx equalization).

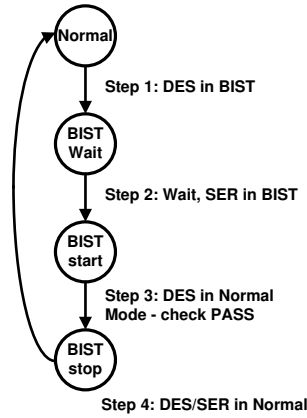


图 7-7. AT-Speed BIST System Flow Diagram

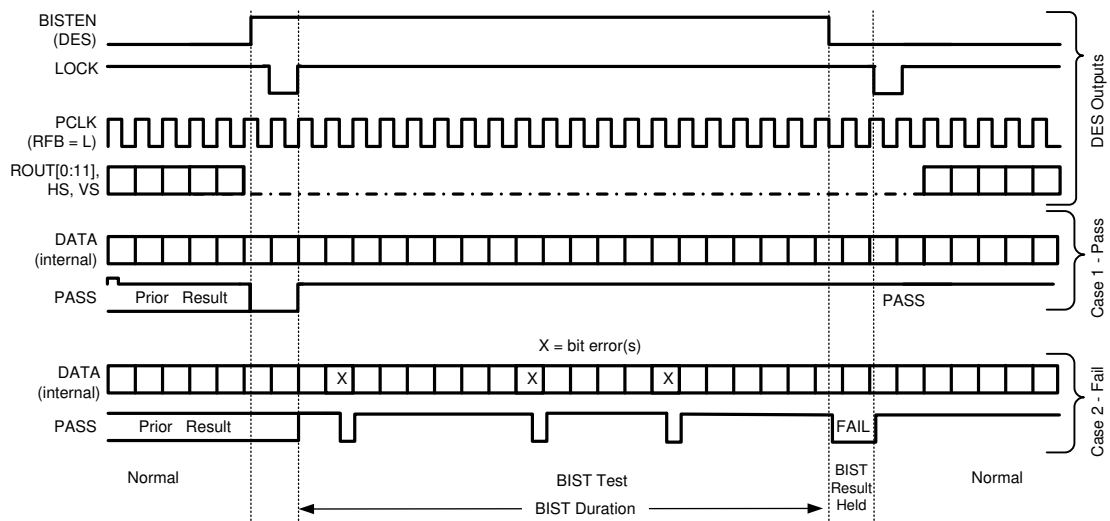


图 7-8. BIST Timing Diagram

7.5 Programming

7.5.1 Programmable Controller

An integrated I2C slave controller is embedded in the DS90UB913A-Q1 Serializer. It must be used to configure the extra features embedded within the programmable registers or it can be used to control the set of programmable GPIOs.

7.5.2 Description of Bidirectional Control Bus and I2C Modes

The I2C-compatible interface allows programming of the DS90UB913A-Q1, DS90UB914A-Q1, or an external remote device (such as image sensor) through the bidirectional control channel. Register programming transactions to/from the DS90UB913A-Q1/914A-Q1 chipset are employed through the clock (SCL) and data (SDA) lines. These two signals have open drain I/Os and both lines must be pulled-up to V_{DDIO} by an external resistor. Pullup resistors or current sources are required on the SCL and SDA busses to pull them high when they are not being driven low. A logic LOW is transmitted by driving the output low. Logic HIGH is transmitted by releasing the output and allowing it to be pulled-up externally. The appropriate pullup resistor values will depend upon the total bus capacitance and operating speed. The DS90UB913A I2C bus data rate supports up to 400 kbps according to I2C fast mode specifications.

For further description of general I2C communication, please refer to application note [Understanding the I2C Bus](#) (SLVA704). For more information on choosing appropriate pullup resistor values, please refer to application note [I2C Bus Pullup Resistor Calculation](#) (SLVA689).

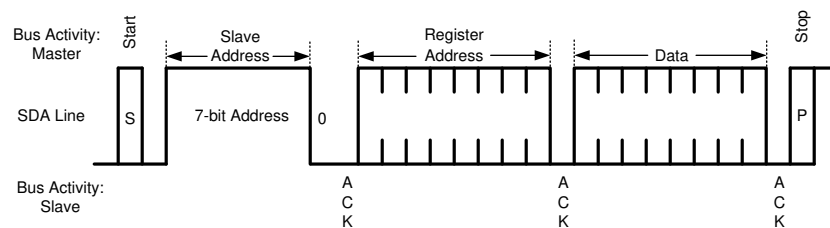


图 7-9. Write Byte

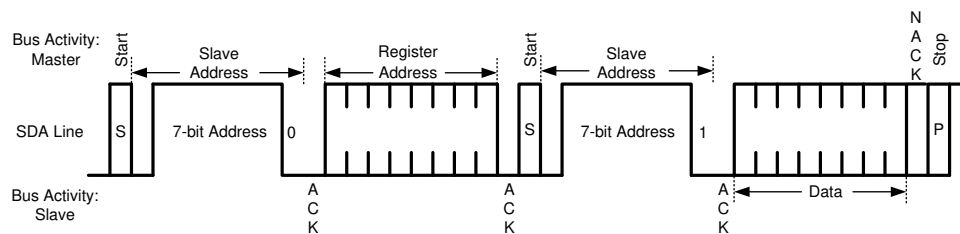


图 7-10. Read Byte

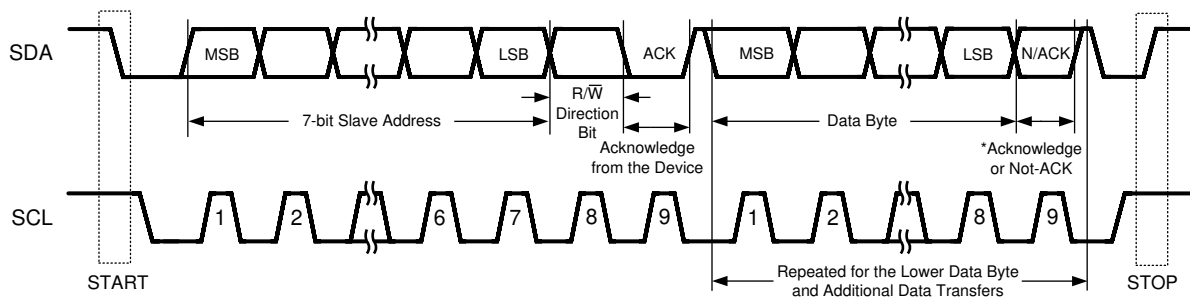


图 7-11. Basic Operation

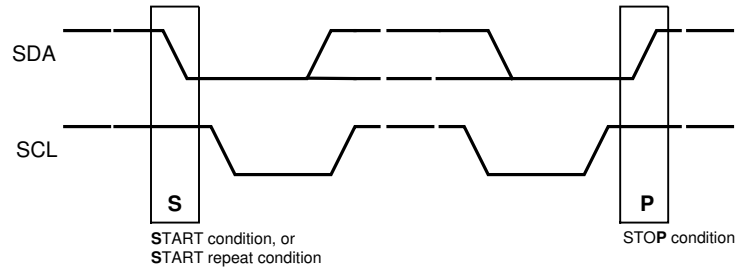


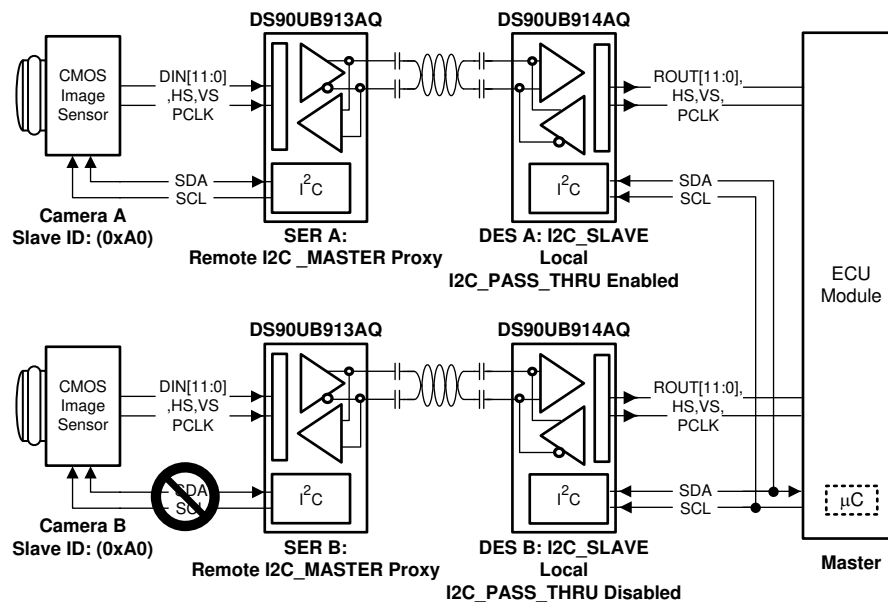
图 7-12. Start and Stop Conditions

7.5.3 I2C Pass-Through

I2C pass-through provides a way to access remote devices at the other end of the FPD-Link III interface. This option is used to determine if an I2C instruction is transferred over to the remote I2C bus. For example, when the I2C master is connected to the deserializer and I2C pass-through is enabled on the deserializer, any I2C traffic targeted for the remote serializer or remote slave will be allowed to pass through the deserializer to reach those respective devices.

See 图 7-13 for an example of this function and refer to application note [I2C over DS90UB913/4 FPD-Link III with Bidirectional Control Channel](#) (SNLA222).

If master controller transmits I2C transaction for address 0xA0, the DES A with I2C pass-through enabled will transfer I2C commands to remote Camera A. The DES B with I2C pass-through disabled, any I2C commands will NOT be passed on the I2C bus to Camera B.



Copyright © 2016, Texas Instruments Incorporated

图 7-13. I2C Pass-Through

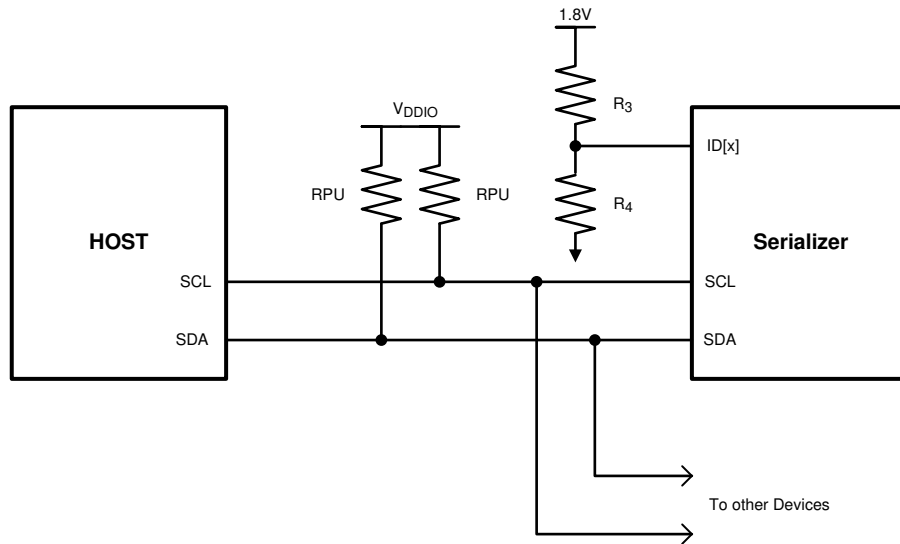
7.5.4 Slave Clock Stretching

The I2C-compatible interface allows programming of the DS90UB913A-Q1, DS90UB914A-Q1, or an external remote device (such as image sensor) through the bidirectional control. To communicate and synchronize with remote devices on the I2C bus through the bidirectional control channel/MCU, **the chipset utilizes bus clock stretching (holding the SCL line low) during data transmission**; where the I2C slave pulls the SCL line low on the 9th clock of every I2C transfer (before the ACK signal). The slave device will not control the clock and

only stretches it until the remote peripheral has responded. The I2C master must support clock stretching to operate with the DS90UB913A/914A chipset.

7.5.5 ID[x] Address Decoder on the Serializer

The ID[x] pin on the Serializer is used to decode and set the physical slave address of the Serializer (I2C only) to allow up to five devices on the bus connected to the Serializer using only a single pin. The pin sets one of the 6 possible addresses for each Serializer device. The pin must be pulled to V_{DD_n} (1.8 V, not V_{DDIO}) with a 10-k Ω resistor and a pull-down resistor (R_{ID}) of the recommended value to set the physical device address. The recommended maximum resistor tolerance is 1%.



Copyright © 2016, Texas Instruments Incorporated

图 7-14. ID[x] Address Decoder on the Serializer

表 7-6. IDX Setting for DS90UB913A-Q1 Serializer

| IDX Setting — DS90UB913A-Q1 SERIALIZER | | | | | |
|--|--|--|--|---------------|----------------------------------|
| MINIMUM RATIO ($V_{IDX}/V_{(VDD_n)}$) | MAXIMUM RATIO ($V_{IDX}/V_{(VDD_n)}$) | SUGGESTED R_3 RESISTOR VALUE (k Ω) | SUGGESTED R_4 RESISTOR VALUE (k Ω) | Address 7-bit | Address 8-bit 0 appended (WRITE) |
| 0 | 0 | Open | 0 | 0x58 | 0xB0 |
| 0.114 | 0.186 | 10 | 2 | 0x59 | 0xB2 |
| 0.297 | 0.347 | 10 | 4.7 | 0x5A | 0xB4 |
| 0.436 | 0.464 | 10 | 8.2 | 0x5B | 0xB6 |
| 0.564 | 0.608 | 10 | 14 | 0x5C | 0xB8 |
| 0.742 | 1.0 | 10 | 100 | 0x5D | 0xBA |

7.5.6 Multiple Device Addressing

Some applications require multiple camera devices with the same fixed address to be accessed on the same I2C bus. The DS90UB913A provides slave ID matching/aliasing to generate different target slave addresses when connecting more than two identical devices together on the same bus. This allows the slave devices to be independently addressed. Each device connected to the bus is addressable through a unique ID by programming of the Slave alias register on Deserializer. This will remap the Slave alias address to the target SLAVE_ID address; up to 8 ID Alias's are supported in sensor mode when slaves are attached to the DS90UB913A serializer. In display mode, when the external slaves are at the deserializer the DS90UB913A supports one ID Alias. The ECU Controller must keep track of the list of I2C peripherals in order to properly address the target device.

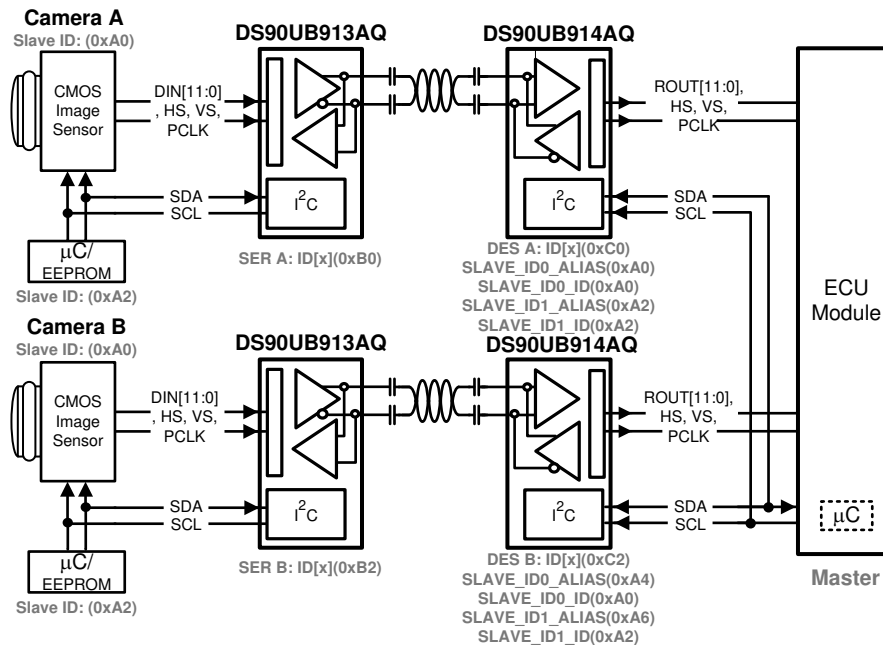
DS90UB913A-Q1

ZHCSEW6G - MAY 2013 - REVISED NOVEMBER 2020

See [图 7-15](#) for an example of this function.

- ECU is the I2C master and has an I2C master interface
- The I2C interfaces in DES A and DES B are both slave interfaces
- The I2C protocol is bridged from DES A to SER A and from DES B to SER B
- The I2C interfaces in SER A and SER B are both master interfaces

If master controller transmits I2C slave 0xA0, DES A (address 0xC0), with pass through enabled, will forward the transaction to remote Camera A. If the controller transmits slave address 0xA4, the DES B 0xC2 will recognize that 0xA4 is mapped to 0xA0 and will be transmitted to the remote Camera B. If controller sends command to address 0xA6, the DES B (address 0xC2), with pass through enabled, will forward the transaction to slave device 0xA2.



Copyright © 2016, Texas Instruments Incorporated

图 7-15. Multiple Device Addressing

7.6 Register Maps

In the register definitions under the *TYPE* and *DEFAULT* heading, the following definitions apply:

- R = Read only access
- R/W = Read / Write access
- R/RC = Read only access, Read to Clear
- (R/W)/SC = Read / Write access, Self-Clearing bit
- (R/W)/S = Read / Write access, Set based on strap pin configuration at startup
- LL = Latched Low and held until read
- LH = Latched High and held until read
- S = Set based on strap pin configuration at startup

表 7-7. DS90UB913A-Q1 Control Registers⁽⁶⁾

| Addr (Hex) | Name | Bits | Field | TYPE | Default | Description |
|------------|-----------------|------|---------------------------|------|-------------------------|---|
| 0x00 | I2C Device ID | 7:1 | DEVICE ID | R/W | 0xB0'h (1011_0000'b) | 7-bit address of Serializer (0x58'h default). This field does not auto update IDX strapped address. |
| | | 0 | Serializer ID SEL | | | 0: Device ID is from ID[x]. 1: Register I2C Device ID overrides ID[x]. |
| 0x01 | Power and Reset | 7 | RSVD | R/W | 0 | Reserved. |
| | | 6 | RDS | R/W | 0 | Digital Output Drive Strength. 1: High Drive Strength. 0: Low Drive Strength. |
| | | 5 | V _{DDIO} Control | R/W | 1 | Auto Voltage Control. 1: Enable. 0: Disable. |
| | | 4 | V _{DDIO} MODE | R/W | 1 | V _{DDIO} Voltage set. 1: V _{DDIO} = 3.3 V. 0: V _{DDIO} = 1.8 V. |
| | | 3 | ANAPWDN | R/W | 0 | This register can be set only through local I2C access. 1: Analog power down. Powers down the analog block in the Serializer. 0: No effect. |
| | | 2 | RSVD | R/W | 0 | Reserved. |
| | | 1 | DIGITAL RESET1 | R/W | 0 | 1: Resets the digital block except for register values. Does not affect device I2C Bus or Device ID. This bit is self-clearing. 0: Normal Operation. |
| | | 0 | DIGITAL RESETO | R/W | 0 | 1: Digital Reset, resets the entire digital block including all register values. This bit is self-clearing. 0: Normal Operation. |
| 0x02 | Reserved | | | | | |

表 7-7. DS90UB913A-Q1 Control Registers⁽⁶⁾ (continued)

| Addr (Hex) | Name | Bits | Field | TYPE | Default | Description |
|------------|-----------------------|------|-----------------------------------|------|---------|---|
| 0x03 | General Configuration | 7 | RX CRC Checker Enable | R/W | 1 | Back-channel CRC checker enable 1: Enable 0: Disable |
| | | 6 | TX Parity Generator Enable | R/W | 1 | Forward channel parity generator enable. 1: Enable 0: Disable |
| | | 5 | CRC Error Reset | R/W | 0 | Clear CRC error counters This bit is NOT self-clearing. 1: Clear counters 0: Normal operation |
| | | 4 | I2C Remote Write Auto Acknowledge | R/W | 0 | Automatically acknowledge I2C remote write The mode works when the system is LOCKed. 1: Enable: When enabled, I2C writes to the deserializer (or any remote I2C Slave, if I2C PASS ALL is enabled) are immediately acknowledged without waiting for the deserializer to acknowledge the write. The accesses are then remapped to address specified in 0x06. 0: Disable |
| | | 3 | I2C Pass-Through All | R/W | 0 | 1: Enable Forward Control Channel pass-through of all I2C accesses to I2C IDs that <i>do not match</i> the serializer I2C ID. <i>The I2C accesses are then remapped to address specified in register 0x06.</i> 0: Enable Forward Control Channel pass-through only of I2C accesses to I2C IDs <i>matching</i> either the remote deserializer ID or the remote I2C IDs. |
| | | 2 | I2C Pass-Through | R/W | 1 | I2C Pass-through mode 1: Pass-through enabled. DES alias 0x07 and slave alias 0x09 0: Pass-through disabled |
| | | 1 | OV_CLK2PLL | R/W | 0 | 1: Enabled : When enabled this register overrides the clock to PLL mode (External Oscillator mode or Direct PCLK mode) defined through MODE pin and allows selection through register 0x35 in the serializer. 0: Disabled : When disabled, Clock to PLL mode (External Oscillator mode or Direct PCLK mode) is defined through MODE pin on the Serializer. |
| | | 0 | TRFB | R/W | 1 | Pixel clock edge select 1: Parallel interface data is strobed on the rising clock edge 0: Parallel interface data is strobed on the falling clock edge |
| 0x04 | Reserved. | | | | | |

表 7-7. DS90UB913A-Q1 Control Registers⁽⁶⁾ (continued)

| Addr (Hex) | Name | Bits | Field | TYPE | Default | Description |
|------------|-------------|------|--------------------------------|------|---------|--|
| 0x05 | Mode Select | 7 | RSVD | R/W | 0 | Reserved. |
| | | 6 | RSVD | R/W | 0 | Reserved. |
| | | 5 | MODE_OVERRIDE | R/W | 0 | Allows overriding mode select bits coming from back-channel. 1: Overrides MODE select bits. 0: Does not override MODE select bits. |
| | | 4 | MODE_UP_TO_DATE | R | 0 | 1: Status of mode select from Deserializer is up-to-date. 0: Status is NOT up-to-date. |
| | | 3 | Pin_MODE_12-bit High Frequency | R | 0 | 1: 12-bit high frequency mode is selected. 0: 12-bit high frequency mode is not selected. |
| | | 2 | Pin_MODE_10-bit mode | R | 0 | 1: 10-bit mode is selected. 0: 10-bit mode is not selected. |
| | | 1 | TX_MODE_12b | R/W | 0 | Selects 12 bit data-bus. This bit changes the Tx mode settings if MODE_OVERRIDE is SET 0x05[5] = 1. 1: Enables 12 bit HF mode 0: Disables 12 bit HF mode Note: This bit changes mode settings on TX. When TX_MODE_12b is set TX_MODE_10b must be cleared; 0x05[1:0] = 10. |
| | | 0 | TX_MODE_10b | R/W | 0 | Selects 10 bit data-bus. This bit changes the Tx mode settings if MODE_OVERRIDE is SET 0x05[5] = 1. 1: Enables 10b mode 0: Disables 10b mode Note: This bit changes mode settings on TX. When TX_MODE_10b is set TX_MODE_12b must be cleared; 0x05[1:0] = 01. |
| 0x06 | DES ID | 7:1 | Deserializer Device ID | R/W | 0x00'h | 7-bit Deserializer Device ID Configures the I2C Slave ID of the remote Deserializer . A value of 0 in this field disables I2C access to the remote Deserializer . This field is automatically configured by the Bidirectional Control Channel once RX Lock has been detected. Software may overwrite this value, but should also assert the FREEZE DEVICE ID bit to prevent overwriting by the Bidirectional Control Channel. |
| | | 0 | Freeze Device ID | R/W | 0 | 1: Prevents auto-loading of the Deserializer Device ID by the bidirectional control channel. The ID will be frozen at the value written. 0: Update. |
| 0x07 | DES Alias | 7:1 | Deserializer ALIAS ID | R/W | 0x00 | 7-bit remote <i>deserializer</i> device alias ID Configures the decoder for detecting transactions designated for an I2C <i>deserializer</i> device. The transaction is remapped to the address specified in the DES ID register. A value of 0 in this field disables access to the remote <i>deserializer</i> . |
| | | 0 | RSVD | R/W | 0 | Reserved |
| 0x08 | SlaveID | 7:1 | SLAVE ID | R/W | 0x00'h | 7-bit Remote Slave Device ID Configures the physical I2C address of the remote I2C Slave device attached to the remote Deserializer . If an I2C transaction is addressed to the Slave Alias ID, the transaction will be remapped to this address before passing the transaction across the Bidirectional Control Channel to the Deserializer and then to remote slave. A value of 0 in this field disables access to the remote I2C slave. |
| | | 0 | RSVD | R/W | 0 | Reserved. |

表 7-7. DS90UB913A-Q1 Control Registers⁽⁶⁾ (continued)

| Addr (Hex) | Name | Bits | Field | TYPE | Default | Description |
|------------|---------------------------------|------|-----------------------|------|---------|--|
| 0x09 | Slave Alias | 7:1 | SLAVE ALIAS ID | R/W | 0x00'h | 7-bit Remote Slave Device Alias ID Configures the decoder for detecting transactions designated for an I2C Slave device attached to the remote Deserializer . The transaction will be remapped to the address specified in the Slave ID register. A value of 0 in this field disables access to the remote I2C Slave. |
| | | 0 | RSVD | R/W | 0 | Reserved. |
| 0x0A | CRC Errors | 7:0 | CRC Error Byte 0 | R | 0x00'h | Number of back-channel CRC errors during normal operation. Least Significant byte. |
| 0x0B | CRC Errors | 7:0 | CRC Error Byte 1 | R | 0x00'h | Number of back-channel CRC errors during normal operation. Most Significant byte. |
| 0x0C | General Status | 7:5 | Rev-ID | R | 0x0'h | Revision ID. 0x0: Production Revision ID. |
| | | 4 | RX Lock Detect | R | 0 | 1: RX LOCKED. 0: RX not LOCKED. |
| | | 3 | BIST CRC Error Status | R | 0 | 1: CRC errors in BIST mode. 0: No CRC errors in BIST mode. |
| | | 2 | PCLK Detect | R | 0 | 1: Valid PCLK detected. 0: Valid PCLK not detected. |
| | | 1 | DES Error | R | 0 | 1: CRC error is detected during communication with Deserializer. This bit is cleared upon loss of link or assertion of CRC ERROR RESET in register 0x03[5]. 0: No effect. |
| | | 0 | LINK Detect | R | 0 | 1: Cable link detected. 0: Cable link not detected. This includes any of the following faults: — Cable Open. — '+' and '-' shorted. — Short to GND. — Short to battery. |
| 0x0D | GPO[0] and GPO[1] Configuration | 7 | GPO1 Output Value | R/W | 0 | Local GPIO Output Value. This value is output on the GPIO pin when the GPIO function is enabled. The local GPIO direction is Output, and remote GPIO control is disabled. |
| | | 6 | GPO1 Remote Enable | R/W | 1 | Remote GPIO Control. 1: Enable GPIO control from remote Deserializer. The GPIO pin needs to be an output, and the value is received from the remote Deserializer. 0: Disable GPIO control from remote Deserializer. |
| | | 5 | RSVD | R/W | 0 | Reserved. |
| | | 4 | GPO1 Enable | R/W | 1 | 1: GPIO enable. 0: Tri-state. |
| | | 3 | GPO0 Output Value | R/W | 0 | Local GPIO Output Value. This value is output on the GPIO pin when the GPIO function is enabled. The local GPIO direction is Output, and remote GPIO control is disabled. |
| | | 2 | GPO0 Remote Enable | R/W | 1 | Remote GPIO Control. 1: Enable GPIO control from remote Deserializer. The GPIO pin needs to be an output, and the value is received from the remote Deserializer. 0: Disable GPIO control from remote Deserializer. |
| | | 1 | RSVD | R/W | 0 | Reserved. |
| | | 0 | GPO0 Enable | R/W | 1 | 1: GPIO enable. 0: Tri-state. |

表 7-7. DS90UB913A-Q1 Control Registers⁽⁶⁾ (continued)

| Addr (Hex) | Name | Bits | Field | TYPE | Default | Description |
|------------|---------------------------------|------|------------------------|------|---------|---|
| 0x0E | GPO[2] and GPO[3] Configuration | 7 | GPO3 Output Value | R/W | 0 | Local GPIO Output Value. This value is output on the GPIO pin when the GPIO function is enabled. The local GPIO direction is Output, and remote GPIO control is disabled. |
| | | 6 | GPO3 Remote Enable | R/W | 0 | Remote GPIO Control. 1: Enable GPIO control from remote Deserializer. The GPIO pin needs to be an output, and the value is received from the remote Deserializer. 0: Disable GPIO control from remote Deserializer. |
| | | 5 | GPO3 Direction | R/W | 1 | 1: Input. 0: Output. |
| | | 4 | GPO3 Enable | R/W | 1 | 1: GPIO enable. 0: Tri-state. |
| | | 3 | GPO2 Output Value | R/W | 0 | Local GPIO Output Value. This value is output on the GPIO pin when the GPIO function is enabled. The local GPIO direction is Output, and remote GPIO control is disabled. |
| | | 2 | GPO2 Remote Enable | R/W | 1 | Remote GPIO Control. 1: Enable GPIO control from remote Deserializer. The GPIO pin needs to be an output, and the value is received from the remote Deserializer. 0: Disable GPIO control from remote Deserializer. |
| | | 1 | RSVD | R/W | 0 | Reserved. |
| | | 0 | GPO2 Enable | R/W | 1 | 1: GPIO enable. 0: Tri-state. |
| 0x0F | I2C Master Config | 7:5 | RSVD | R | 0x0'h | Reserved. |
| | | 4:3 | SDA Output Delay | R/W | 00 | SDA Output Delay This field configures output delay on the SDA output. Setting this value will increase output delay in units of 50ns. Nominal output delay values for SCL to SDA are: 00: ~350 ns 01: ~400 ns 10: ~450 ns 11: ~500 ns |
| | | 2 | Local Write Disable | R/W | 0 | Disable Remote Writes to Local Registers Setting this bit to a 1 will prevent remote writes to local device registers from across the control channel. This prevents writes to the Serializer registers from an I2C master attached to the Deserializer. Setting this bit does not affect remote access to I2C slaves at the Serializer. |
| | | 1 | I2C Bus Timer Speed up | R/W | 0 | Speed up I2C Bus Watchdog Timer. 1: Watchdog Timer expires after approximately 50 microseconds. 0: Watchdog Timer expires after approximately 1 second. |
| | | 0 | I2C Bus Timer Disable | R/W | 0 | 1. Disable I2C Bus Watchdog Timer When the I2C Watchdog Timer may be used to detect when the I2C bus is free or hung up following an invalid termination of a transaction. If SDA is high and no signaling occurs for approximately 1 second, the I2C bus will assumed to be free. If SDA is low and no signaling occurs, the device will attempt to clear the bus by driving 9 clocks on SCL. 0: No effect. |

表 7-7. DS90UB913A-Q1 Control Registers⁽⁶⁾ (continued)

| Addr (Hex) | Name | Bits | Field | TYPE | Default | Description |
|-------------|---------------------------|------|----------------------------|------|------------------------|---|
| 0x10 | I2C Control | 7 | RSVD | R/W | 0 | Reserved. |
| | | 6:4 | SDA Hold Time | R/W | 0x1'h | Internal SDA Hold Time. This field configures the amount of internal hold time provided for the SDA input relative to the SCL input. Units are 50 ns. |
| | | 3:0 | I2C Filter Depth | R/W | 0x7'h | I2C Glitch Filter Depth. This field configures the maximum width of glitch pulses on the SCL and SDA inputs that will be rejected. Units are 10 ns. |
| 0x11 | SCL High Time | 7:0 | SCL High Time | R/W | 0x82'h | I2C Master SCL High Time This field configures the high pulse width of the SCL output when the Serializer is the Master on the local I2C bus. Units are 50 ns for the nominal oscillator clock frequency. The default value is set to provide a minimum (4 μ s + 1 μ s of rise time for cases where rise time is very fast) SCL high time with the internal oscillator clock running at 26 MHz rather than the nominal 20 MHz. |
| 0x12 | SCL LOW Time | 7:0 | SCL Low Time | R/W | 0x82'h | I2C SCL Low Time This field configures the low pulse width of the SCL output when the Serializer is the Master on the local I2C bus. This value is also used as the SDA setup time by the I2C Slave for providing data prior to releasing SCL during accesses over the Bidirectional Control Channel. Units are 50 ns for the nominal oscillator clock frequency. The default value is set to provide a minimum (4.7 μ s + 0.3 μ s of fall time for cases where fall time is very fast) SCL low time with the internal oscillator clock running at 26MHz rather than the nominal 20MHz. |
| 0x13 | General Purpose Control | 7:0 | GPCR[7:0] | R/W | 0x00'h | 1: High. 0: Low. |
| 0x14 | BIST Control | 7:5 | RSVD | R | 0x0'h | Reserved. |
| | | 4:3 | RSVD | R/W | 0x0'h | Reserved. |
| | | 2:1 | Clock Source | R/W | 0x0'h | Allows choosing different OSC clock frequencies for forward channel frame. OSC Clock Frequency in Functional Mode when OSC mode is selected or when the selected clock source is not present, for example, missing PCLK/ External Oscillator. See 表 7-3 for oscillator clock frequencies when PCLK/ External Clock is missing. |
| | | 0 | RSVD | R/W | 0 | Reserved. |
| 0x15 - 0x1D | Reserved. | | | | | |
| 0x1E | BCC Watchdog Control | 7:1 | BCC Watchdog Timer | R/W | 0x7F'h (111_1111'b) | The watchdog timer allows termination of a control channel transaction if it fails to complete within a programmed amount of time. This field sets the Bidirectional Control Channel Watchdog Timeout value in units of 2 ms. This field should not be set to 0. |
| | | 0 | BCC Watchdog Timer Disable | R/W | 0 | 1: Disables BCC Watchdog Timer operation. 0: Enables BCC Watchdog Timer operation. |
| 0x1F - 0x26 | Reserved | | | | | |
| 0x27 | Analog Power Down Control | 7:6 | Reserved | R | 0 | Reserved |
| | | 5 | Power Down PLL | RW | 0 | 1: Power down forward channel PLL 0: Normal operation |
| | | 4 | Reserved | RW | 0 | Reserved |
| | | 3 | Power Down NCLK | RW | 0 | 1: Power down NCLK 0: Normal operation |
| | | 2:0 | Reserved | RW | 0 | Reserved |

表 7-7. DS90UB913A-Q1 Control Registers⁽⁶⁾ (continued)

| Addr (Hex) | Name | Bits | Field | TYPE | Default | Description |
|-------------|------------------------------|------|---------------------------------|------|---------|---|
| 0x28 | Reserved | | | | | |
| 0x29 | OSC Divider | 7:6 | RSVD | R/W | 0x0 | Reserved |
| | | 5 | OSC Divider | R/W | 0 | Selects the OSC frequency to drive out on GPO2 in external oscillator mode. 0: Divide by 2 (default) 1: Divide by 4 |
| | | 4:0 | RSVD | R/W | 0x06 | Reserved |
| 0x2A | CRC Errors | 7:0 | BIST Mode CRC Errors Count | R | 0x00'h | Number of CRC Errors in the back channel when in BIST mode. |
| 0x2B - 0x2C | Reserved. | | | | | |
| 0x2D | Inject Forward Channel Error | 7 | Force Forward Channel Error | R/W | 0 | 1: Forces 1 (one) error over forward channel frame in normal operating mode. Self clearing bit. 0: No error. |
| | | 6:0 | Force BIST Error | R/W | 0x00'h | N: Forces N number of errors in BIST mode. This register MUST be set BEFORE BIST mode is enabled. BIST Error Count Register on the deserializer (i.e. 0x25 on 914A device) should be read AFTER BIST mode is disabled for the correct number of errors incurred while in BIST mode. 0: No error. |
| 0x2E - 0x34 | Reserved. | | | | | |
| 0x35 | PLL Clock Overwrite | 7:4 | RSVD | R/W | 0x0'h | Reserved. |
| | | 3 | PIN_LOCK to External Oscillator | R | 0 | Status of mode select pin. 1: Indicates External Oscillator mode is selected by mode-resistor. 0: External Oscillator mode is not selected by mode-resistor. |
| | | 2 | RSVD | R | 0 | Reserved. |
| | | 1 | LOCK to External Oscillator | R/W | 0 | Affects only when 0x03[1]=1 (OV_CLK2PLL) and 0x35[0]=0. 1: Routes GPO3 directly to PLL. 0: Allows PLL to lock to PCLK. |
| | | 0 | LOCK2OSC | R/W | 1 | Affects only when 0x03[1]=1 (OV_CLK2PLL). 1: Allows internal OSC clock to feed into PLL. 0: Allows PLL to lock to either PCLK or external clock from GPO3. |

Application and Implementation

备注

Information in the following applications sections is not part of the TI component specification, and TI does not warrant its accuracy or completeness. TI's customers are responsible for determining suitability of components for their purposes. Customers should validate and test their design implementation to confirm system functionality.

8.1 Application Information

The DS90UB913A was designed as a serializer to support automotive camera designs. Automotive cameras are often located in remote positions such as bumpers or trunk lids, and a major component of the system cost is the wiring. For this reason it is desirable to minimize the wiring to the camera. This chipset allows the video data, along with a bidirectional control channel, and power to all be sent over a single coaxial cable. The chipset is also able to transmit over STP and is pin-to-pin/backwards compatible with the DS90UB913Q.

8.1.1 Power Over Coax

See application report [Sending Power over Coax in DS90UB913A Designs](#) for more details.

8.1.2 Power-Up Requirements and PDB Pin

Clarified PDB voltage level for t3 and t4 in Power-Up Sequencing from 90% VPDB to PDB VIH

Transition of the PDB pin from LOW to HIGH must occur after the V_{DDIO} and V_{DD_n} supplies have reached their required operating voltage levels. Direct control of the PDB timing by processor GPIO is recommended if possible. When direct control of PDB is not available, the PDB pin can be tied to the power supply rail with an RC filter network to help ensure proper power up timing. GPO2 should be low when PDB goes high. Timing constraints are noted in [图 8-1](#) and [表 8-1](#). Please refer to [节 7.3.8](#) for device operation when powered down.

If GPO2 state is not determined when PDB goes high, DS90UB913A registers must be programmed to configure the transmission mode. Mode Select register 0x05[5] must be set to 1 and register 0x05 bit 1 and 0 are to be selected based on desired 12-bit or 10-bit transmit data format.

Common applications will tie the V_{DDIO} and V_{DD_n} supplies to the same power source of 1.8 V typically. This is an acceptable method for ramping the V_{DDIO} and V_{DD_n} supplies. The main constraint here is that the V_{DD_n} supply does not lead in ramping before the V_{DDIO} system supply. This is noted in [图 8-1](#) with the requirement of $t_1 \geq 0$. V_{DDIO} should reach the expected operating voltage earlier than V_{DD_n} or at the same time.

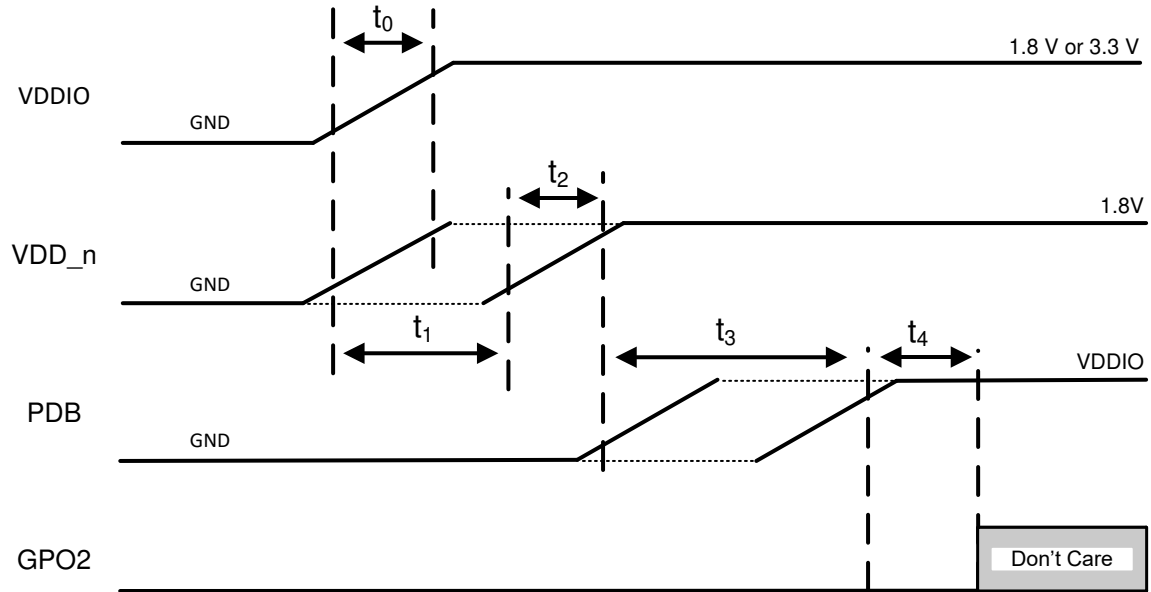


图 8-1. Suggested Power-Up Sequencing

表 8-1. Power-Up Sequencing Constraints for DS90UB913A-Q1

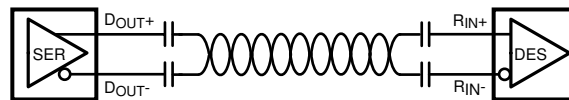
| SYMBOL | DESCRIPTION | TEST CONDITIONS | MIN | TYP | MAX | Units |
|---------|--------------------------------------|--|------|-----|-----|-------|
| t_0 | $V_{(VDDIO)}$ rise time | 10% to 90% of nominal voltage on rising edge. Monotonic signal ramp is required | 0.05 | | 5 | ms |
| t_1 | $V_{(VDDIO)}$ to $V_{(VDD_n)}$ delay | 10% of rising edge ($V_{(VDDIO)}$) to 10% of rising edge ($V_{(VDD_n)}$) | 0 | | | ms |
| t_2 | $V_{(VDD_n)}$ rise time | 10% to 90% of nominal voltage on rising edge. Monotonic signal ramp is required. $V_{PDB} < 10\%$ of $V_{(VDDIO)}$ | 0.05 | | 5 | ms |
| t_3^* | $V_{(VDD_n)}$ to PDB V_{IH} delay | 90% rising edge ($V_{(VDD_n)}$) to PDB V_{IH} | 0 | | 16 | ms |
| t_4 | PDB to GPO2 delay | PDB V_{IH} to 10% of rising edge (GPO2) | 1.3 | | | ms |

* If timing constraint t_3 cannot be assured, the following programming steps should be issued to the DS90UB913A-Q1 via local I2C control (not via remote back channel). These programming steps should be completed $> 10\text{ms}$ after the power sequence is complete ($V_{PDB} > PDB V_{IH}$) with no delay between write commands. This step will cause a brief restart of the forward channel output:

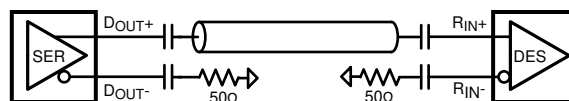
- Write Register 0x27 = 0x28
- Write Register 0x27 = 0x20
- Write Register 0x27 = 0x00

8.1.3 AC Coupling

The SER/DES supports only AC-coupled interconnects through an integrated DC-balanced decoding scheme. External AC-coupling capacitors must be placed in series in the FPD-Link III signal path as illustrated in 图 8-2. For applications utilizing single-ended 50- Ω coaxial cable, the unused data pin (DOUT $-$, RIN $-$) should utilize a 0.047- μF capacitor and should be terminated with a 50- Ω resistor. For high-speed FPD - Link III transmissions, the smallest available package should be used for the AC coupling capacitor. This will help minimize degradation of signal quality due to package parasitics.



Copyright © 2016, Texas Instruments Incorporated

图 8-2. AC-Coupled Connection (STP)

Copyright © 2016, Texas Instruments Incorporated

图 8-3. AC-Coupled Connection (Coaxial)

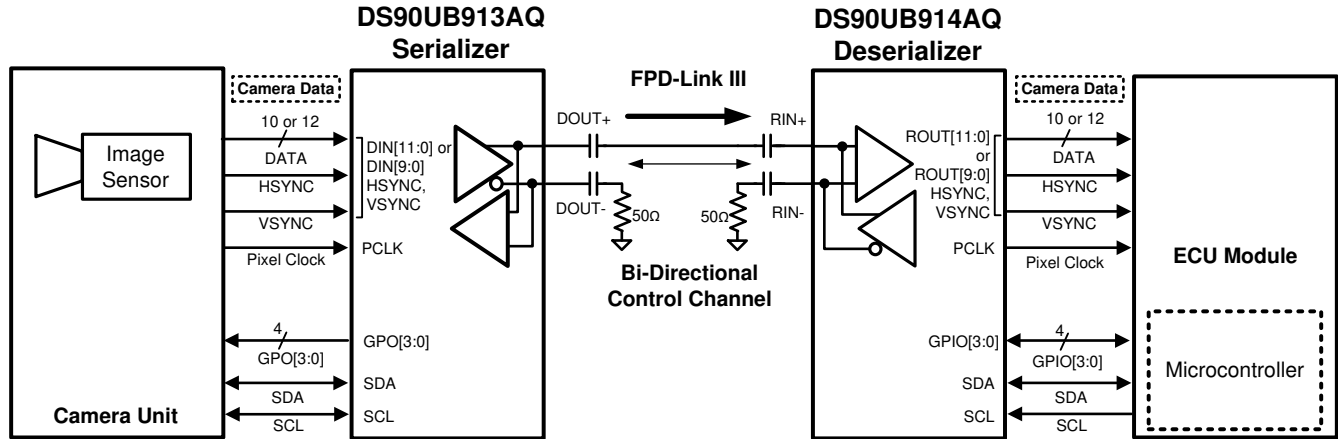
8.1.4 Transmission Media

The DS90UB913A/914A chipset is intended to be used in a point-to-point configuration through a shielded coaxial cable. The Serializer and Deserializer provide internal termination to minimize impedance discontinuities. The interconnect (cable and connectors) should have a differential impedance of 100 Ω , or a single-ended impedance of 50 Ω . The maximum length of cable that can be used is dependent on the quality of the cable (gauge, impedance), connector, board (discontinuities, power plane), the electrical environment (for example, power stability, ground noise, input clock jitter, PCLK frequency, etc). The resulting signal quality at the receiving end of the transmission media may be assessed by monitoring the differential eye opening of the serial data stream. A differential probe should be used to measure across the termination resistor at the CMLOUTP/N pins.

Please refer to [Cable Requirements for the DS90UB913A & DS90UB914A](#) or contact TI for a channel specification regarding cable loss parameters and further details on adaptive equalizer loss compensation.

8.2 Typical Applications

8.2.1 Coax Application



Copyright © 2016, Texas Instruments Incorporated

图 8-4. Coax Application Block Diagram

8.2.1.1 Design Requirements

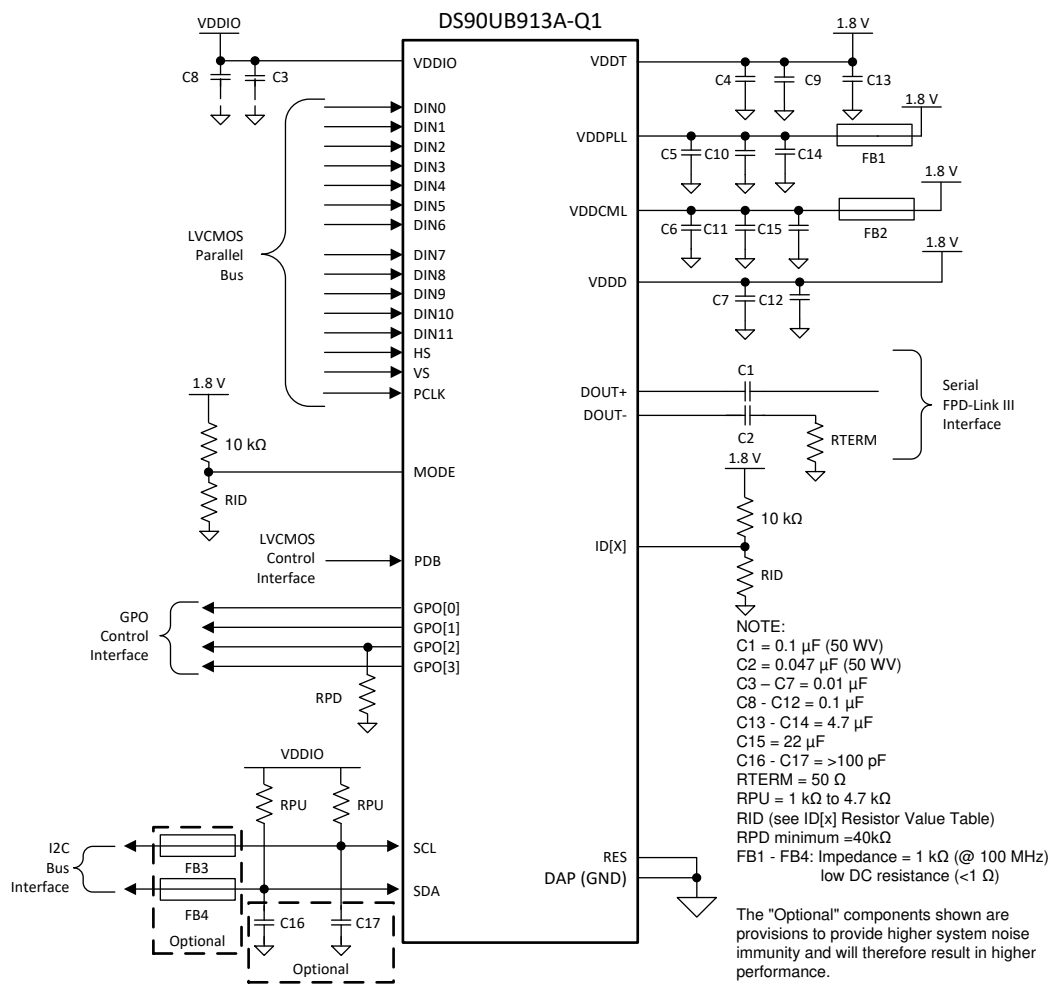
For the typical coax design applications, use the following as input parameters:

表 8-2. Coax Design Parameters

| DESIGN PARAMETER | EXAMPLE VALUE |
|----------------------------------|---|
| V _{DDIO} | 1.8 V, 2.8 V, or 3.3 V |
| V _{DD_n} | 1.8 V |
| AC Coupling Capacitors for DOUT± | 0.1 μF, 0.047 μF (For the unused data pin, DOUT -) |
| PCLK Frequency | 50 MHz (12-bit low frequency), 75 MHz (12-bit high frequency), 100 MHz (10-bit) |

8.2.1.2 Detailed Design Procedure

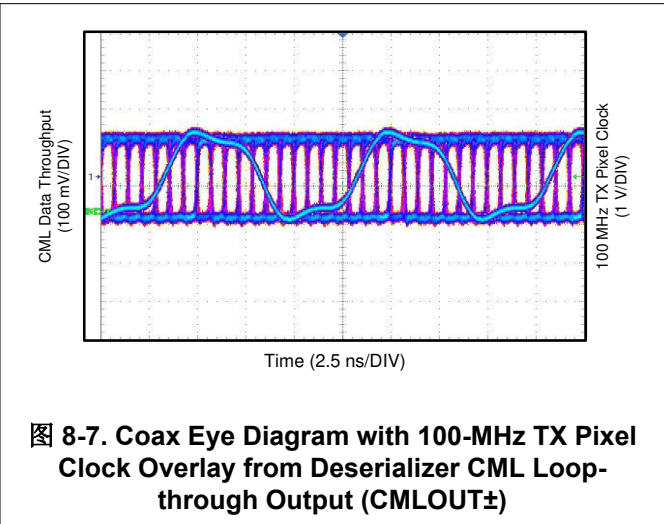
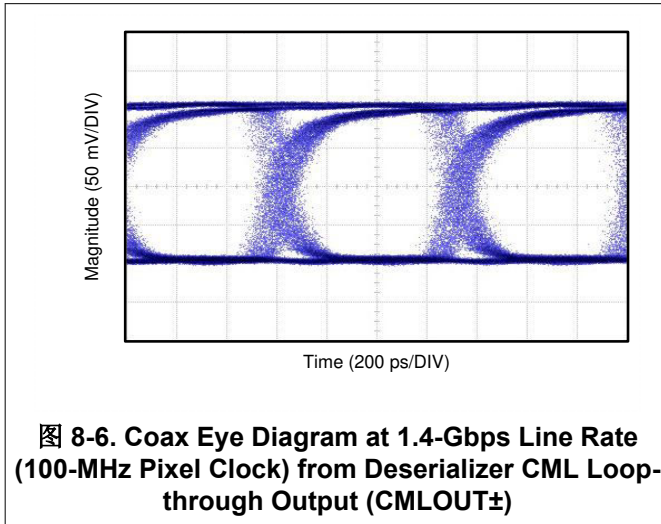
图 8-5 shows the typical connection of a DS90UB913A-Q1 Serializer using a coax interface.



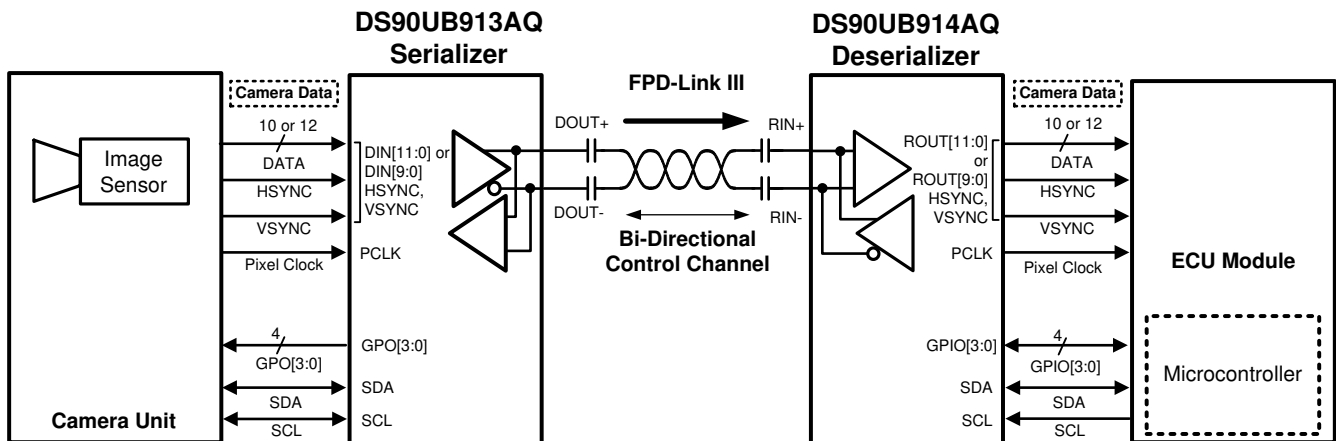
Copyright © 2016, Texas Instruments Incorporated

图 8-5. DS90UB913A-Q1 Typical Connection Diagram — Pin Control (Coax)

8.2.1.3 Application Curves



8.2.2 STP Application



Copyright © 2016, Texas Instruments Incorporated

图 8-8. STP Application Block Diagram

8.2.2.1 Design Requirements

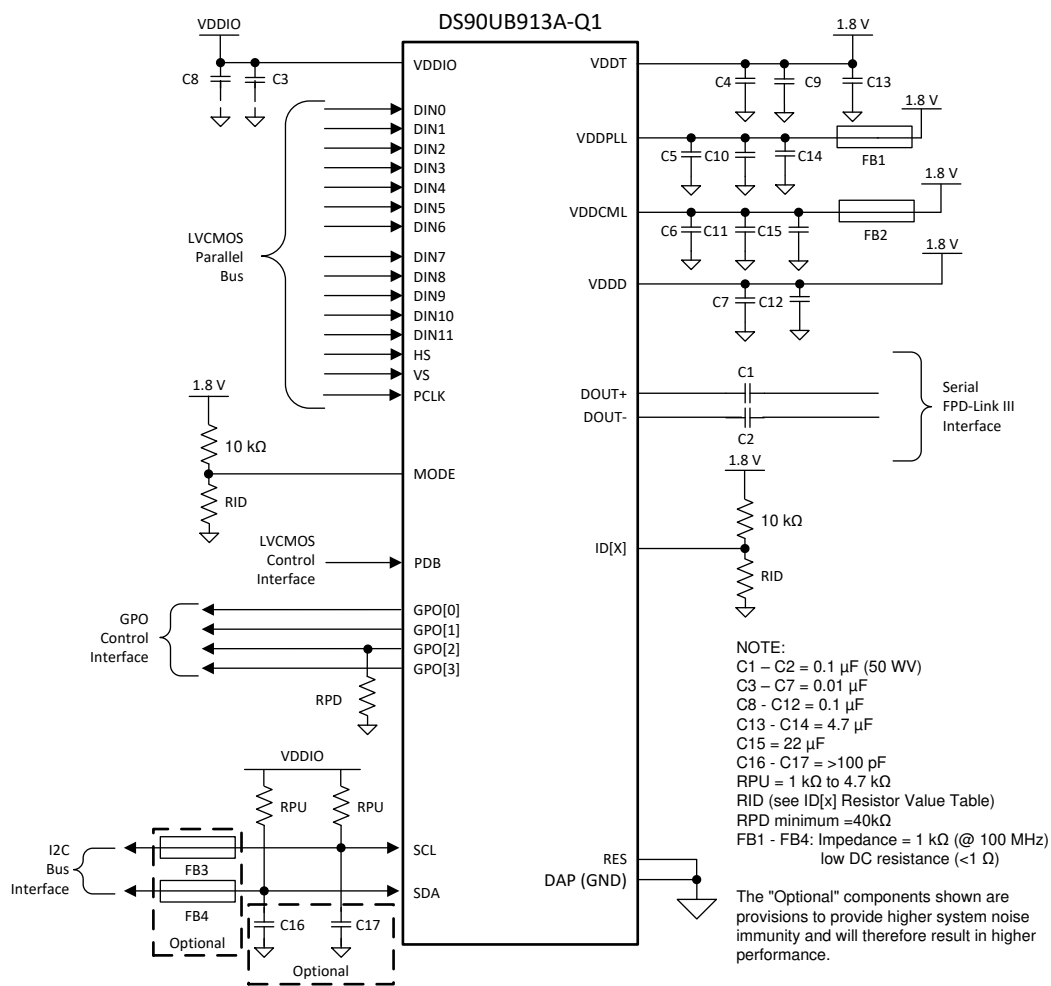
For the typical STP design applications, use the following as input parameters

表 8-3. STP Design Parameters

| DESIGN PARAMETER | EXAMPLE VALUE |
|----------------------------------|---|
| V _{DDIO} | 1.8 V, 2.8 V, or 3.3 V |
| V _{DD_n} | 1.8 V |
| AC Coupling Capacitors for DOUT± | 0.1 μF |
| PCLK Frequency | 50 MHz (12-bit low frequency), 75 MHz (12-bit high frequency), 100 MHz (10-bit) |

8.2.2.2 Detailed Design Procedure

图 8-9 shows a typical connection of a DS90UB913A-Q1 Serializer using an STP interface.



Copyright © 2016, Texas Instruments Incorporated

图 8-9. DS90UB913A-Q1 Typical Connection Diagram — Pin Control (STP)

8.2.2.3 Application Curves

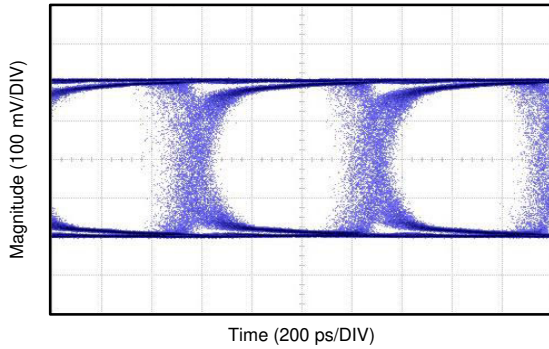


图 8-10. STP Eye Diagram at 1.4-Gbps Line Rate (100-MHz Pixel Clock) from Deserializer CML Loop-through Output (CMLOUT±)

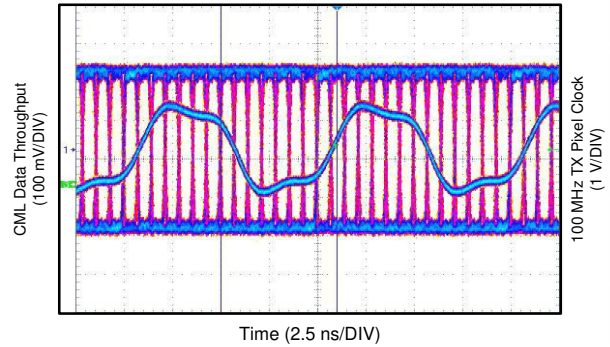


图 8-11. STP Eye Diagram with 100-MHz TX Pixel Clock Overlay from Deserializer CML Loop-through Output (CMLOUT±)

Power Supply Recommendations

This device is designed to operate from an input core voltage supply of 1.8 V. Some devices provide separate power and ground terminals for different portions of the circuit. This is done to isolate switching noise effects between different sections of the circuit. Separate planes on the PCB are typically not required. Terminal description tables typically provide guidance on which circuit blocks are connected to which power terminal pairs. In some cases, an external filter may be used to provide clean power to sensitive circuits such as PLLs. The voltage applied on V_{DDIO} (1.8 V, 2.8 V, 3.3 V) or other power supplies making up V_{DD_n} (1.8 V) should be at the input pin - any board level DC drop should be compensated (i.e. ferrite beads in the path of the power supply rails).

8 Layout

8.1 Layout Guidelines

Circuit board layout and stack-up for the Ser/Des devices should be designed to provide low-noise power feed to the device. Good layout practice will also separate high frequency or high-level inputs and outputs to minimize unwanted stray noise pickup, feedback and interference. Power system performance may be greatly improved by using thin dielectrics (2 to 4 mils) for power / ground sandwiches. This arrangement provides plane capacitance for the PCB power system with low-inductance parasitics, which has proven especially effective at high frequencies, and makes the value and placement of external bypass capacitors less critical. External bypass capacitors should include both RF ceramic and tantalum electrolytic types. RF capacitors may use values in the range of 0.01 μF to 0.1 μF . Tantalum capacitors may be in the 2.2- μF to 10- μF range. Voltage rating of the tantalum capacitors should be at least 5X the power supply voltage being used.

Surface mount capacitors are recommended due to their smaller parasitics. When using multiple capacitors per supply pin, locate the smaller value closer to the pin. A large bulk capacitor is recommended at the point of power entry. This is typically in the 50- μF to 100- μF range and will smooth low frequency switching noise. It is recommended to connect power and ground pins directly to the power and ground planes with bypass capacitors connected to the plane with via on both ends of the capacitor. Connecting power or ground pins to an external bypass capacitor will increase the inductance of the path.

A small body size X7R chip capacitor, such as 0603, is recommended for external bypass. Its small body size reduces the parasitic inductance of the capacitor. The user must pay attention to the resonance frequency of these external bypass capacitors, usually in the range of 20 to 30 MHz. To provide effective bypassing, multiple capacitors are often used to achieve low impedance between the supply rails over the frequency of interest. At high frequency, it is also a common practice to use two vias from power and ground pins to the planes, reducing the impedance at high frequency.

Some devices provide separate power for different portions of the circuit. This is done to isolate switching noise effects between different sections of the circuit. Separate planes on the PCB are typically not required. Pin Description tables typically provide guidance on which circuit blocks are connected to which power pin pairs. In some cases, an external filter may be used to provide clean power to sensitive circuits such as PLLs.

Use at least a four layer board with a power and ground plane. Locate LVCMOS signals away from the differential lines to prevent coupling from the LVCMOS lines to the differential lines. Closely-coupled differential lines of 100 Ω are typically recommended for differential interconnect. The closely coupled lines help to ensure that coupled noise will appear as common-mode and thus is rejected by the receivers. The tightly coupled lines will also radiate less.

Information on the WQFN style package is provided in TI Application Note: [AN-1187 Leadless Leadframe Package \(LLP\)](#) (SNOA401).

8.1.1 Interconnect Guidelines

See [AN-1108 Channel-Link PCB and Interconnect Design-In Guidelines](#) (SNLA008) for full details.

- Use 100 Ω coupled differential pairs
- Use the S/2S/3S rule in spacings
 - - S = space between the pair
 - - 2S = space between pairs
 - - 3S = space to LVCMOS signal
- Minimize the number of Vias
- Use differential connectors when operating above 500 Mbps line speed
- Maintain balance of the traces
- Minimize skew within the pair

Additional general guidance can be found in the LVDS Owner's Manual - available in PDF format from the Texas Instrument web site at: www.ti.com/lvds.

8.2 Layout Example

Stencil parameters such as aperture area ratio and the fabrication process have a significant impact on paste deposition. Inspection of the stencil prior to placement of the WQFN package is highly recommended to improve board assembly yields. If the via and aperture openings are not carefully monitored, the solder may flow unevenly through the DAP. Stencil parameters for aperture opening and via locations are shown below:

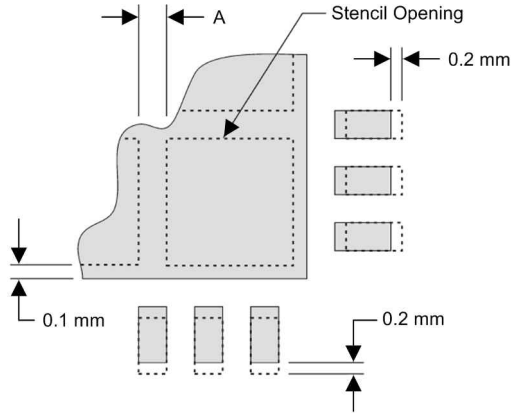


图 8-1. No Pullback WQFN, Single Row Reference Diagram

表 8-1. No Pullback WQFN Stencil Aperture Summary for DS90UB913A-Q1

| DEVICE | PIN COUNT | MKT DWG | PCB I/O PAD SIZE (mm) | PCB PITCH (mm) | PCB DAP SIZE(mm) | STENCIL I/O APERTURE (mm) | STENCIL DAP APERTURE (mm) | NUMBER OF DAP APERTURE OPENINGS | GAP BETWEEN DAP APERTURE (Dim A mm) |
|---------------|-----------|---------|-----------------------|----------------|------------------|---------------------------|---------------------------|---------------------------------|-------------------------------------|
| DS90UB913A-Q1 | 32 | RTV | 0.25 x 0.6 | 0.5 | 3.1 x 3.1 | 0.25 x 0.7 | 1.4 x 1.4 | 4 | 0.2 |

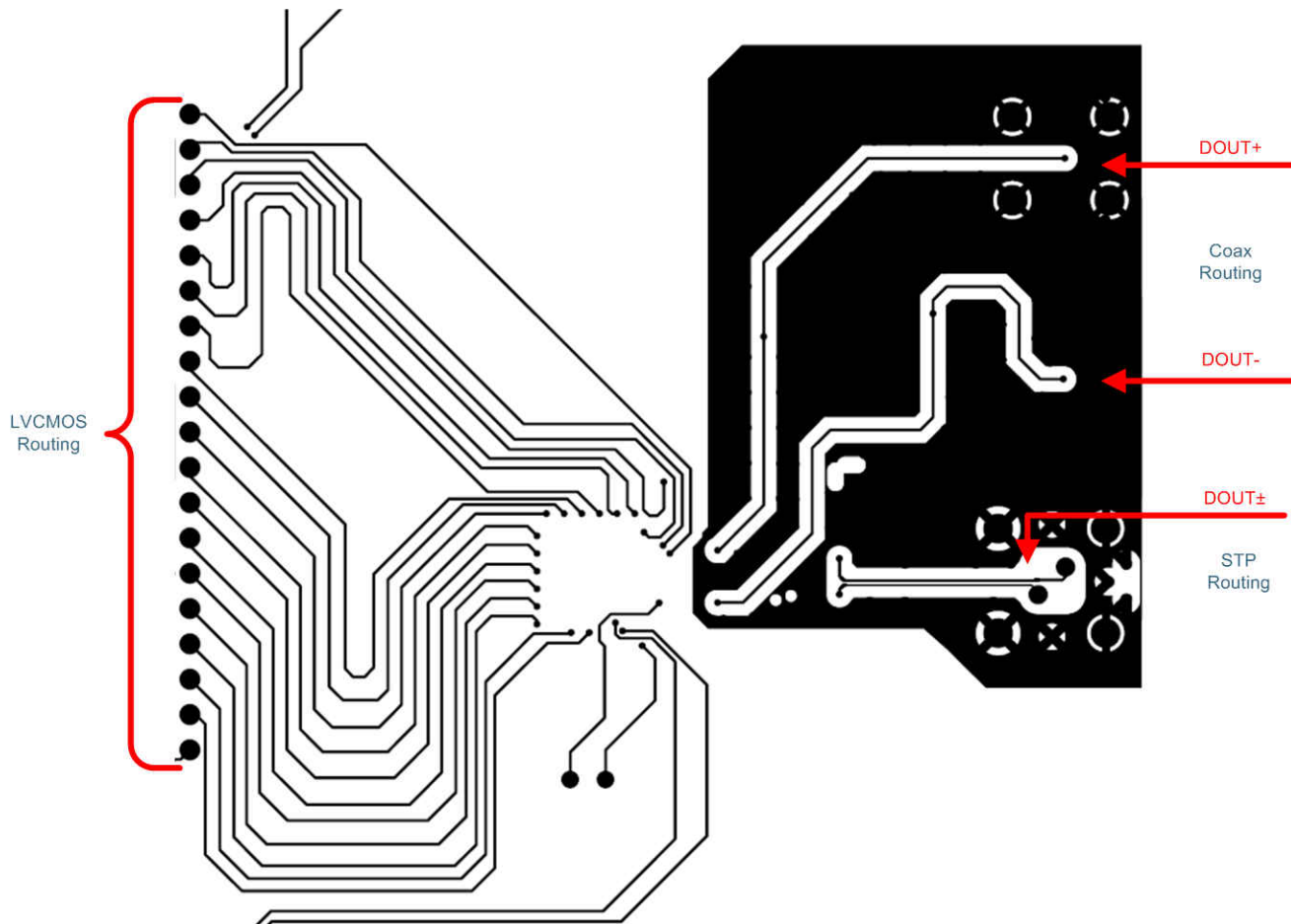


图 8-2. DS90UB913A-Q1 Serializer Example Layout

The following PCB layout examples are derived from the layout design of the DS90UB913A-Q1 Evaluation Module ([DS90UB913A-CXEVN](#) and [DS90UB914A-CXEVN REV A User's Guide](#)). These graphics and additional layout description are used to demonstrate both proper routing and proper solder techniques when designing in this Serializer.

9 Device and Documentation Support

9.1 Documentation Support

9.1.1 Related Documentation

For related documentation see the following:

- [DS90UB913A-CXEVM & DS90UB914A-CXEVM REV A User's Guide](#) (SNLU135)
- [I2C over DS90UB913/4 FPD-Link III with Bidirectional Control Channel](#) (SNLA222)
- [Sending Power Over Coax in DS90UB913A Designs](#) (SNOA549)
- [FPD-Link Learning Center](#)
- [I2C Bus Pullup Resistor Calculation](#) (SLVA689)
- [Soldering Specifications Application Report](#) (SNOA549)
- [IC Package Thermal Metrics Application Report](#) (SPRA953)
- [Leadless Leadframe Package \(LLP\) Application Report](#) (SNOA401)
- [LVDS Owner's Manual](#) (SNLA187)
- [Cable Requirements for the DS90UB913A & DS90UB914A](#) (SNLA229)
- [An EMC/EMI System-Design and Testing Methodology for FPD-Link III SerDes](#) (SLYT719)
- [Ten Tips for Successfully Designing with Automotive EMC/EMI Requirements](#) (SLYT636)

9.2 Receiving Notification of Documentation Updates

To receive notification of documentation updates, navigate to the device product folder on ti.com. In the upper right corner, click on *Alert me* to register and receive a weekly digest of any product information that has changed. For change details, review the revision history included in any revised document.

9.3 Support Resources

9.4 Trademarks

所有商标均为其各自所有者的财产。

Mechanical, Packaging, and Orderable Information

The following pages include mechanical, packaging, and orderable information. This information is the most current data available for the designated devices. This data is subject to change without notice and revision of this document. For browser-based versions of this data sheet, refer to the left-hand navigation.

PACKAGING INFORMATION

| Orderable Device | Status (1) | Package Type | Package Drawing | Pins | Package Qty | Eco Plan (2) | Lead finish/ Ball material (6) | MSL Peak Temp (3) | Op Temp (°C) | Device Marking (4/5) | Samples |
|-------------------|---------------|--------------|-----------------|------|-------------|-----------------|--------------------------------------|----------------------|--------------|-------------------------|-------------------------|
| DS90UB913ATRJVJQ1 | ACTIVE | WQFN | RTV | 32 | 2500 | RoHS & Green | SN | Level-3-260C-168 HR | -40 to 105 | UB913AQ | Samples |
| DS90UB913ATRVRQ1 | ACTIVE | WQFN | RTV | 32 | 1000 | RoHS & Green | SN | Level-3-260C-168 HR | -40 to 105 | UB913AQ | Samples |
| DS90UB913ATRVTQ1 | ACTIVE | WQFN | RTV | 32 | 250 | RoHS & Green | SN | Level-3-260C-168 HR | -40 to 105 | UB913AQ | Samples |

(1) The marketing status values are defined as follows:

ACTIVE: Product device recommended for new designs.

LIFEBUY: TI has announced that the device will be discontinued, and a lifetime-buy period is in effect.

NRND: Not recommended for new designs. Device is in production to support existing customers, but TI does not recommend using this part in a new design.

PREVIEW: Device has been announced but is not in production. Samples may or may not be available.

OBSOLETE: TI has discontinued the production of the device.

(2) **RoHS:** TI defines "RoHS" to mean semiconductor products that are compliant with the current EU RoHS requirements for all 10 RoHS substances, including the requirement that RoHS substance do not exceed 0.1% by weight in homogeneous materials. Where designed to be soldered at high temperatures, "RoHS" products are suitable for use in specified lead-free processes. TI may reference these types of products as "Pb-Free".

RoHS Exempt: TI defines "RoHS Exempt" to mean products that contain lead but are compliant with EU RoHS pursuant to a specific EU RoHS exemption.

Green: TI defines "Green" to mean the content of Chlorine (Cl) and Bromine (Br) based flame retardants meet JS709B low halogen requirements of <=1000ppm threshold. Antimony trioxide based flame retardants must also meet the <=1000ppm threshold requirement.

(3) MSL, Peak Temp. - The Moisture Sensitivity Level rating according to the JEDEC industry standard classifications, and peak solder temperature.

(4) There may be additional marking, which relates to the logo, the lot trace code information, or the environmental category on the device.

(5) Multiple Device Markings will be inside parentheses. Only one Device Marking contained in parentheses and separated by a "~" will appear on a device. If a line is indented then it is a continuation of the previous line and the two combined represent the entire Device Marking for that device.

(6) Lead finish/Ball material - Orderable Devices may have multiple material finish options. Finish options are separated by a vertical ruled line. Lead finish/Ball material values may wrap to two lines if the finish value exceeds the maximum column width.

Important Information and Disclaimer:The information provided on this page represents TI's knowledge and belief as of the date that it is provided. TI bases its knowledge and belief on information provided by third parties, and makes no representation or warranty as to the accuracy of such information. Efforts are underway to better integrate information from third parties. TI has taken and continues to take reasonable steps to provide representative and accurate information but may not have conducted destructive testing or chemical analysis on incoming materials and chemicals. TI and TI suppliers consider certain information to be proprietary, and thus CAS numbers and other limited information may not be available for release.

In no event shall TI's liability arising out of such information exceed the total purchase price of the TI part(s) at issue in this document sold by TI to Customer on an annual basis.

TAPE AND REEL INFORMATION

QUADRANT ASSIGNMENTS FOR PIN 1 ORIENTATION IN TAPE

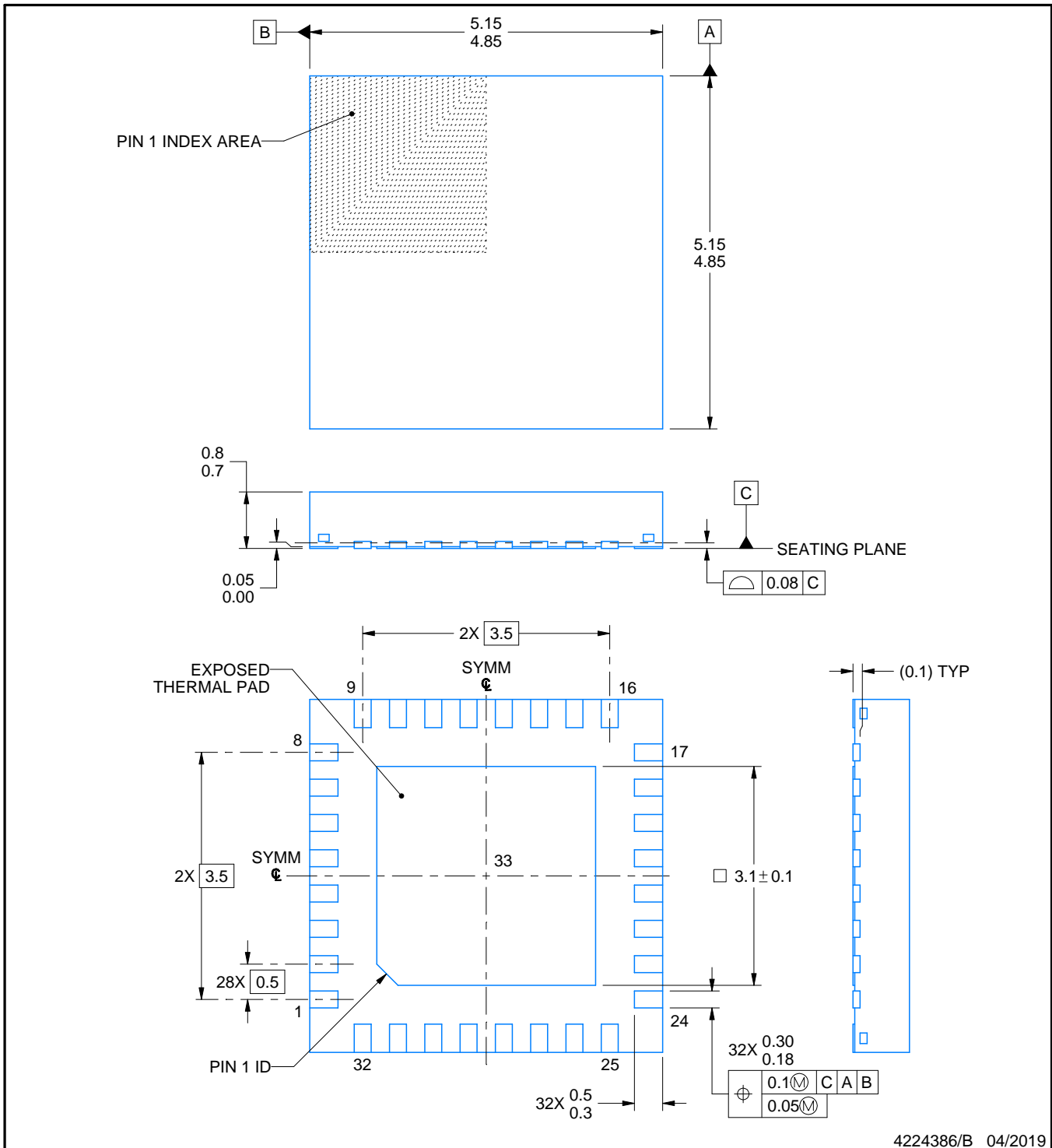
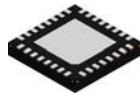

*All dimensions are nominal

| Device | Package Type | Package Drawing | Pins | SPQ | Reel Diameter (mm) | Reel Width W1 (mm) | A0 (mm) | B0 (mm) | K0 (mm) | P1 (mm) | W (mm) | Pin1 Quadrant |
|-------------------|--------------|-----------------|------|------|--------------------|--------------------|---------|---------|---------|---------|--------|---------------|
| DS90UB913ATRJVJQ1 | WQFN | RTV | 32 | 2500 | 330.0 | 12.4 | 5.3 | 5.3 | 1.3 | 8.0 | 12.0 | Q1 |
| DS90UB913ATRVRQ1 | WQFN | RTV | 32 | 1000 | 178.0 | 12.4 | 5.3 | 5.3 | 1.3 | 8.0 | 12.0 | Q1 |
| DS90UB913ATRVTQ1 | WQFN | RTV | 32 | 250 | 178.0 | 12.4 | 5.3 | 5.3 | 1.3 | 8.0 | 12.0 | Q1 |

TAPE AND REEL BOX DIMENSIONS


*All dimensions are nominal

| Device | Package Type | Package Drawing | Pins | SPQ | Length (mm) | Width (mm) | Height (mm) |
|-------------------|--------------|-----------------|------|------|-------------|------------|-------------|
| DS90UB913ATRTVJQ1 | WQFN | RTV | 32 | 2500 | 356.0 | 356.0 | 36.0 |
| DS90UB913ATRTVRQ1 | WQFN | RTV | 32 | 1000 | 208.0 | 191.0 | 35.0 |
| DS90UB913ATRTVTQ1 | WQFN | RTV | 32 | 250 | 208.0 | 191.0 | 35.0 |



NOTES:

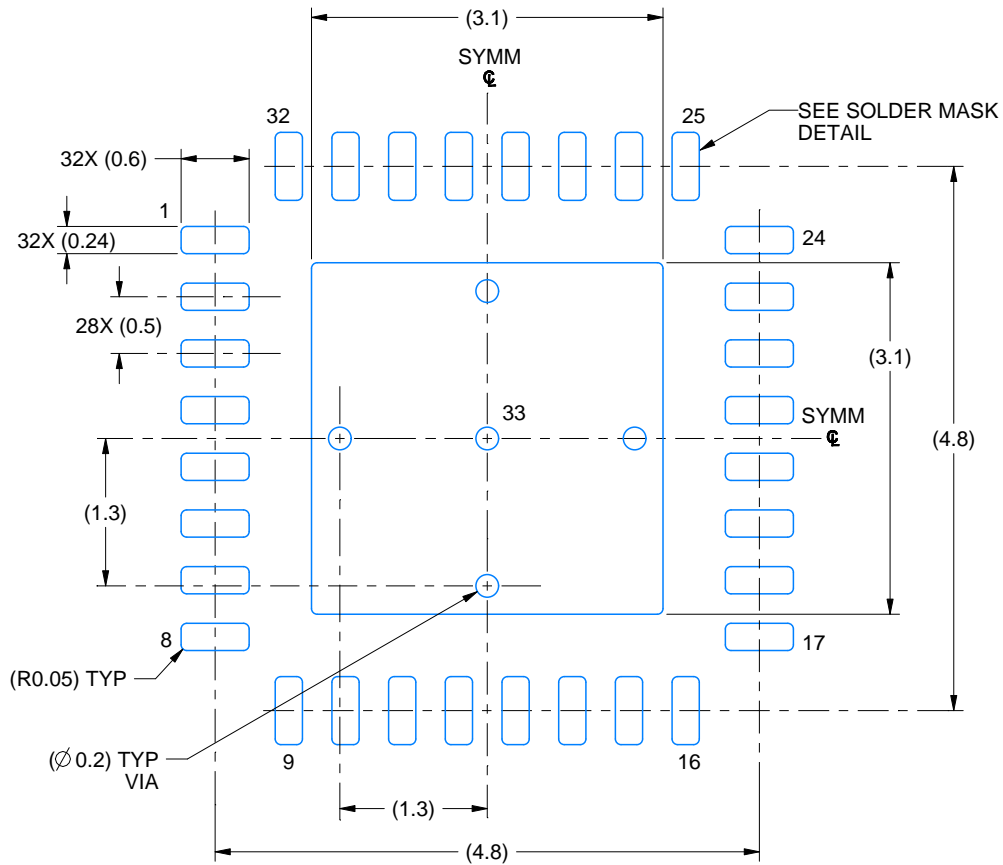
1. All linear dimensions are in millimeters. Any dimensions in parenthesis are for reference only. Dimensioning and tolerancing per ASME Y14.5M.
2. This drawing is subject to change without notice.
3. The package thermal pad must be soldered to the printed circuit board for thermal and mechanical performance.

EXAMPLE BOARD LAYOUT

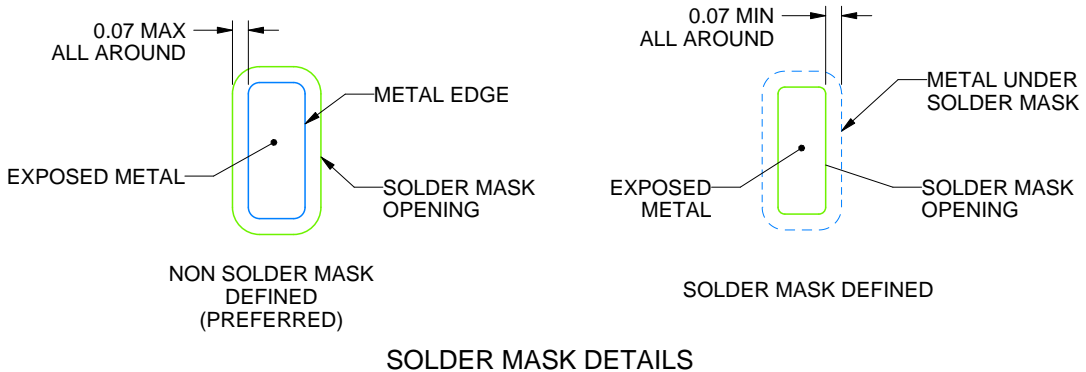
RTV0032A

WQFN - 0.8 mm max height

PLASTIC QUAD FLATPACK - NO LEAD



LAND PATTERN EXAMPLE
EXPOSED METAL SHOWN
SCALE: 15X



SOLDER MASK DETAILS

4224386/B 04/2019

NOTES: (continued)

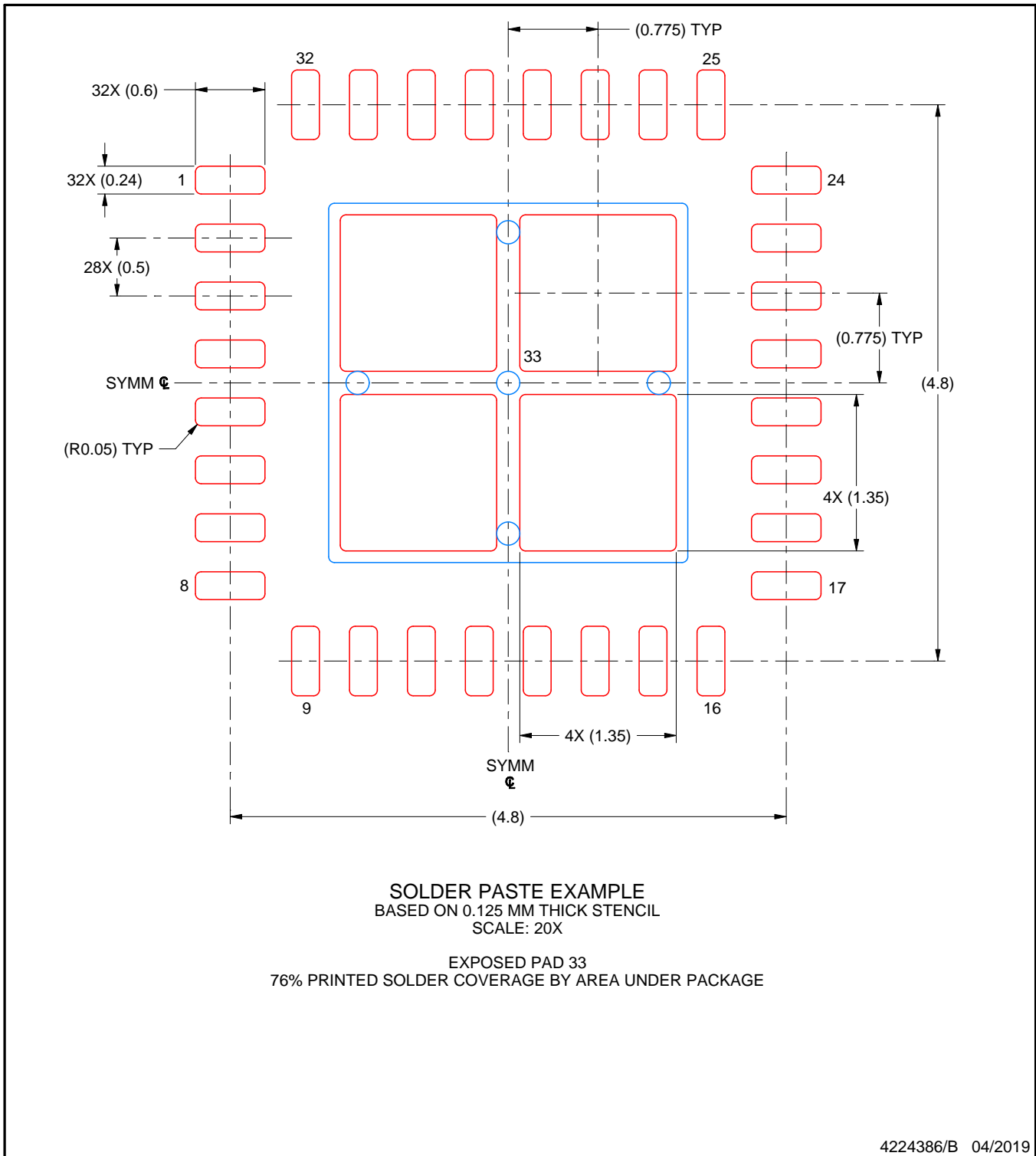
4. This package is designed to be soldered to a thermal pad on the board. For more information, see Texas Instruments literature number SLUA271 (www.ti.com/lit/sluea271).
5. Vias are optional depending on application, refer to device data sheet. If any vias are implemented, refer to their locations shown on this view. It is recommended that vias under paste be filled, plugged or tented.

EXAMPLE STENCIL DESIGN

RTV0032A

WQFN - 0.8 mm max height

PLASTIC QUAD FLATPACK - NO LEAD



NOTES: (continued)

6. Laser cutting apertures with trapezoidal walls and rounded corners may offer better paste release. IPC-7525 may have alternate design recommendations.

重要声明和免责声明

TI“按原样”提供技术和可靠性数据（包括数据表）、设计资源（包括参考设计）、应用或其他设计建议、网络工具、安全信息和其他资源，不保证没有瑕疵且不做任何明示或暗示的担保，包括但不限于对适销性、某特定用途方面的适用性或不侵犯任何第三方知识产权的暗示担保。

这些资源可供使用 TI 产品进行设计的熟练开发人员使用。您将自行承担以下全部责任：(1) 针对您的应用选择合适的 TI 产品，(2) 设计、验证并测试您的应用，(3) 确保您的应用满足相应标准以及任何其他功能安全、信息安全、监管或其他要求。

这些资源如有变更，恕不另行通知。TI 授权您仅可将这些资源用于研发本资源所述的 TI 产品的应用。严禁对这些资源进行其他复制或展示。您无权使用任何其他 TI 知识产权或任何第三方知识产权。您应全额赔偿因在这些资源的使用中对 TI 及其代表造成的任何索赔、损害、成本、损失和债务，TI 对此概不负责。

TI 提供的产品受 [TI 的销售条款](#) 或 [ti.com](#) 上其他适用条款/TI 产品随附的其他适用条款的约束。TI 提供这些资源并不会扩展或以其他方式更改 TI 针对 TI 产品发布的适用的担保或担保免责声明。

TI 反对并拒绝您可能提出的任何其他或不同的条款。

邮寄地址：Texas Instruments, Post Office Box 655303, Dallas, Texas 75265

Copyright © 2024，德州仪器 (TI) 公司