

# DS90UB940N-Q1 1080p FPD-Link III 转 CSI-2 解串器

## 1 特性

- 具有符合 AEC-Q100 标准的下列特性：
  - 器件温度等级 2:  $-40^{\circ}\text{C}$  至  $+105^{\circ}\text{C}$  的环境工作温度范围
- 支持高达 170MHz 的像素时钟频率, 可实现 WUXGA (1920x1200) 和 1080p60 分辨率和 24 位色深
- 具有偏斜校正能力的单通道或双通道 FPD-Link III 接口
- MIPI®D-PHY/CSI-2 发送器
  - 具有可选的 2 通道或 4 通道运行模式 (每个通道最高 1.3Gbps) 的 CSI-2 输出端口
  - 视频格式: RGB888/666/565、YUV422/420 和 RAW8/10/12
  - 可编程虚拟通道标识符
- 四通道高速 GPIO (每个通道最高 2Mbps)
- 自适应接收均衡
  - 1.7GHz 时的通道插入损耗补偿高达  $-15.3\text{dB}$
  - 提供自动温度和电缆老化补偿
- SPI 控制接口速率高达 3.3Mbps
- 具有 1Mbps 快速模式增强版的 I2C (主/从)
- 支持 7.1 多条 I2S (4 个数据) 通道

## 2 应用

- 汽车信息娱乐系统和仪表组：
  - 汽车中控台显示屏
  - 后座娱乐系统
  - 汽车仪表组显示屏
  - 汽车智能显示屏

## 3 说明

DS90UB940N-Q1 是一款 FPD-Link III 解串器, 与 DS90UB949/947/929-Q1 串行器配合使用时可将单通道或双通道 FPD-Link III 流转换成 MIPI® CSI-2 格式。该解串器能够在经济高效的 50Ω 单端同轴或 100Ω 差分屏蔽双绞线 (STP) 电缆上运行。该器件能够从单通道或双通道 FPD-Link III 串行流中恢复数据, 然后将数据转换为摄像机串行接口 (CSI-2) 格式, 最高可支持 WUXGA 和 1080p60 视频分辨率 (24 位色深)。

FPD-Link III 接口支持通过同一条差分链路进行视频和音频数据传输以及全双工控制 (包括 I2C 和 SPI 通信)。通过两个差分对实现视频数据和控制的整合可减小互连线尺寸和重量, 并简化系统设计。通过使用低压差分信令、数据换序和随机生成更大限度地减少了电磁干扰 (EMI)。在向后兼容模式下, 该器件在单一差分链路上最高可支持 WXGA 和 720p 分辨率 (24 位色深)。

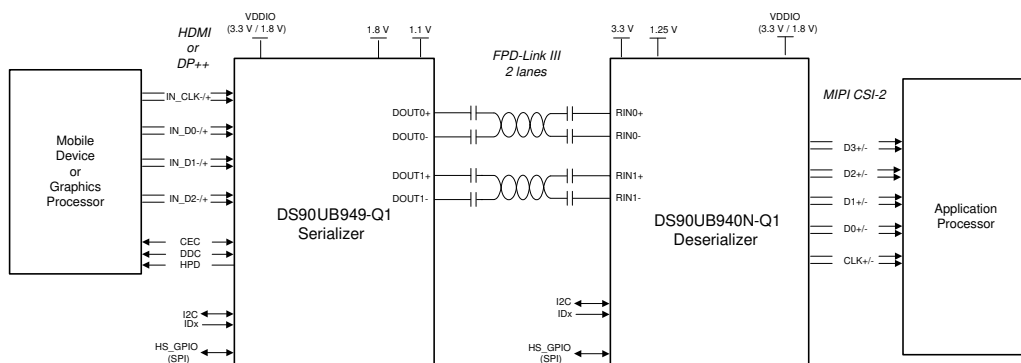
该器件将自动检测 FPD-Link III 通道并提供一种时钟对齐和偏移补偿功能, 无需任何特殊的训练模式。这可在互连线路 (例如, PCB 布线) 中出现不匹配问题、电缆线对长度存在差异以及连接器不平衡时确保相位偏移在容差范围内。

### 器件信息(1)

器件型号	封装	封装尺寸 (标称值)
DS90UB940N-Q1	WQFN (64)	9.00mm x 9.00mm

(1) 如需了解所有可用封装, 请参阅数据表末尾的可订购产品附录。

### 典型应用



Copyright © 2017, Texas Instruments Incorporated



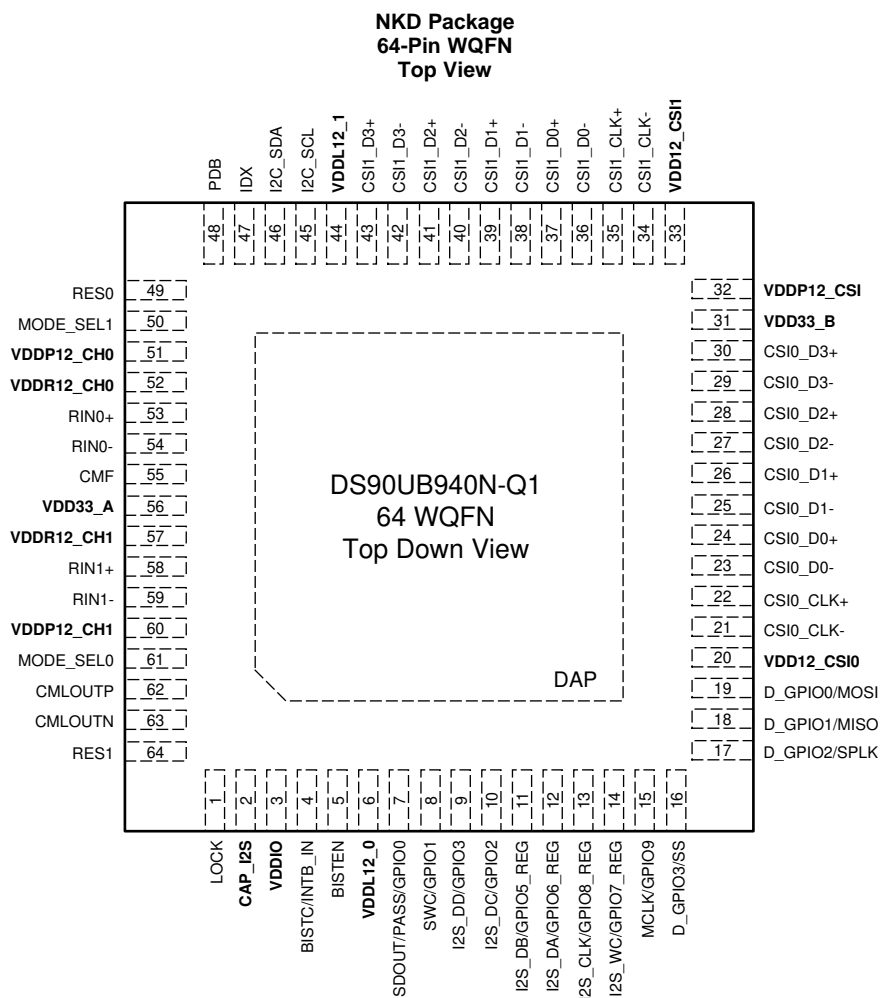
## 目录

1	特性 .....	1	7.6	Register Maps .....	45
2	应用 .....	1	<b>8</b>	<b>Application and Implementation .....</b>	<b>79</b>
3	说明 .....	1	8.1	Application Information .....	79
4	修订历史记录 .....	2	8.2	Typical Applications .....	79
<b>5</b>	<b>Pin Configuration and Functions .....</b>	<b>3</b>	<b>9</b>	<b>Power Supply Recommendations .....</b>	<b>84</b>
<b>6</b>	<b>Specifications .....</b>	<b>8</b>	9.1	Power-Up Requirements and PDB Pin .....	84
6.1	Absolute Maximum Ratings .....	8	9.2	Power Sequence .....	84
6.2	ESD Ratings .....	8	<b>10</b>	<b>Layout .....</b>	<b>86</b>
6.3	Recommended Operating Conditions .....	8	10.1	Layout Guidelines .....	86
6.4	Thermal Information .....	9	10.2	Ground .....	87
6.5	DC Electrical Characteristics .....	9	10.3	Routing FPD-Link III Signal Traces .....	87
6.6	AC Electrical Characteristics .....	12	10.4	CSI-2 Guidelines .....	88
6.7	Timing Requirements for the Serial ControlBus .....	13	10.5	Layout Example .....	89
6.8	Switching Characteristics .....	14	<b>11</b>	<b>器件和文档支持 .....</b>	<b>91</b>
6.9	Timing Diagrams and Test Circuits .....	16	11.1	文档支持 .....	91
6.10	Typical Characteristics .....	20	11.2	接收文档更新通知 .....	91
<b>7</b>	<b>Detailed Description .....</b>	<b>21</b>	11.3	社区资源 .....	91
7.1	Overview .....	21	11.4	商标 .....	91
7.2	Functional Block Diagram .....	21	11.5	静电放电警告 .....	91
7.3	Feature Description .....	22	11.6	术语表 .....	91
7.4	Device Functional Modes .....	35	<b>12</b>	<b>机械、封装和可订购信息 .....</b>	<b>91</b>
7.5	Programming .....	42			

## 4 修订历史记录

日期	版本	注释
2019 年 3 月	*	初始发行版。

## 5 Pin Configuration and Functions



### Pin Functions

PIN		I/O, TYPE	DESCRIPTION
NAME	NUMBER		
<b>MIPI DPHY / CSI-2 OUTPUT PINS</b>			
CSI0_CLK-	21	○	CSI-2 TX Port 0 differential clock output pins. Leave unused pins as No Connect. Do not connect to an external pullup or pulldown.
CSI0_CLK+	22		
CSI0_D0-	23	○	CSI-2 TX Port 0 differential data output pins. Leave unused pins as No Connect. Do not connect to an external pullup or pulldown.
CSI0_D0+	24		
CSI0_D1-	25		
CSI0_D1+	26		
CSI0_D2-	27		
CSI0_D2+	28		
CSI0_D3-	29	○	CSI-2 TX Port 1 differential clock output pins. Leave unused pins as No Connect. Do not connect to an external pullup or pulldown.
CSI0_D3+	30		
CSI1_CLK-	34	○	CSI-2 TX Port 1 differential clock output pins. Leave unused pins as No Connect. Do not connect to an external pullup or pulldown.
CSI1_CLK+	35		

**Pin Functions (continued)**

PIN		I/O, TYPE	DESCRIPTION
NAME	NUMBER		
CSI1_D0– CSI1_D0+	36 37	O	CSI-2 TX Port 1 differential data output pins. Leave unused pins as No Connect. Do not connect to an external pullup or pulldown.
CSI1_D1– CSI1_D1+	38 39	O	
CSI1_D2– CSI1_D2+	40 41	O	
CSI1_D3– CSI1_D3+	42 43	O	
<b>FPD-LINK III INTERFACE</b>			
RIN0–	54	I/O	FPD-Link III RX Port 0 pins. The port receives FPD-Link III, high-speed, forward channel video and control data, and transmits back channel control data. It can interface with a compatible FPD-Link III serializer TX through a STP or coaxial cable (see <a href="#">图 41</a> and <a href="#">图 42</a> ). It must be AC-coupled per <a href="#">表 101</a> . Leave unused pins as No Connect. Do not connect to an external pullup or pulldown.
RIN0+	53	I/O	
RIN1–	59	I/O	FPD-Link III RX Port 1 pins. The port receives FPD-Link III, high-speed, forward channel video and control data, and transmits back channel control data. It can interface with a compatible FPD-Link III serializer TX through a STP or coaxial cable (see <a href="#">图 41</a> and <a href="#">图 42</a> ). It must be AC-coupled per <a href="#">表 101</a> . Leave unused pins as No Connect. Do not connect to an external pullup or pulldown.
RIN1+	58	I/O	
CMF	55	I/O	Common mode filter. Connect a 0.1- $\mu$ F capacitor to GND.
<b>I2C PINS</b>			
I2C_SDA	46	I/O, OD	I2C Data Input / Output Interface pin. See <a href="#">Serial Control Bus</a> . TI recommend a 2.2-k $\Omega$ to 4.7-k $\Omega$ pullup to 1.8 V or 3.3 V. See <a href="#">I2C Bus Pullup Resistor Calculation</a> (SLVA689).
I2C_SCL	45	I/O, OD	I2C Clock Input / Output Interface pin. See <a href="#">Serial Control Bus</a> . TI recommend a 2.2-k $\Omega$ to 4.7-k $\Omega$ pullup to 1.8 V or 3.3 V. See <a href="#">I2C Bus Pullup Resistor Calculation</a> (SLVA689).
IDx	47	I, S	I2C Serial Control Bus Device ID Address Select configuration pin. Connect to an external pullup to VDD18 and a pulldown to GND to create a voltage divider. See <a href="#">表 10</a> .
<b>SPI PINS</b>			
MOSI (D_GPIO0)	19	I/O, PD	SPI Master Output, Slave Input pin (function programmed through register). It is a multifunction pin (shared with D_GPIO0) with a weak internal pulldown (3 $\mu$ A). Pin function is programmed through registers. See <a href="#">SPI Mode Configuration</a> . If unused, tie to an external pulldown.
MISO (D_GPIO1)	18	I/O, PD	SPI Master Input, Slave Output pin (function programmed through register). It is a multifunction pin (shared with D_GPIO1) with a weak internal pulldown (3 $\mu$ A). Pin function is programmed through registers. See <a href="#">SPI Mode Configuration</a> . If unused, tie to an external pulldown.
SPLK (D_GPIO2)	17	I/O, PD	SPI Clock pin (function programmed through register). It is a multifunction pin (shared with D_GPIO2) with a weak internal pulldown (3 $\mu$ A). Pin function is programmed through registers. See <a href="#">SPI Mode Configuration</a> . If unused, tie to an external pulldown.
SS (D_GPIO3)	16	I/O, PD	SPI Slave Select pin (function programmed through register). It is a multifunction pin (shared with D_GPIO3) with a weak internal pulldown (3 $\mu$ A). Pin function is programmed through registers. See <a href="#">SPI Mode Configuration</a> . If unused, tie to an external pulldown.
<b>CONTROL PINS</b>			
MODE_SELO	61	I, S	Mode Select 0 configuration pin. Connect to an external pullup to VDD33 and pulldown to GND to create a voltage divider. See <a href="#">表 7</a> .
MODE_SEL1	50	I, S	Mode Select 1 configuration pin. Connect to external pullup to VDD33 and pulldown to GND to create a voltage divider. See <a href="#">表 8</a> .

**Pin Functions (continued)**

PIN		I/O, TYPE	DESCRIPTION
NAME	NUMBER		
PDB	48	I, PD	Inverted Power-Down input pin. Typically connected to a processor GPIO with a pulldown. When PDB input is brought HIGH, the device is enabled and internal registers and state machines are reset to default values. Asserting PDB signal low will power down the device and consume minimum power. The default function of this pin is PDB = LOW; POWER DOWN with a weak (3 $\mu$ A) internal pulldown enabled. PDB should remain low until after power supplies are applied and reach minimum required levels. PDB = 1, device is enabled (normal operation) PDB = 0, device is powered down When the device is in the POWER DOWN state, the LVCMOS outputs are in tri-state, the PLL is shut down, and IDD is minimized.
BISTEN	5	I, PD	BIST Enable pin. 0: BIST mode is disabled 1: BIST mode is enabled It is a configuration pin with a weak (3 $\mu$ A) internal pulldown. If unused, tie to an external pulldown. See <a href="#">Built-In Self Test (BIST)</a> for more information.
BISTC (INTB_IN)	4	I, PD	BIST Clock Select pin (function set by BISTEN pin). 0: PCLK 1: 33 MHz It is a multifunction pin (shared with INTB_IN) with a weak internal pulldown (3 $\mu$ A). Pin function is only enabled when in BIST mode. If unused, tie to an external pulldown.
INTB_IN (BISTC)	4	I, PD	Interrupt Input pin (default function). It is a multifunction pin (shared with BISTC) with a weak internal pulldown (3 $\mu$ A). See <a href="#">Interrupt Pin — Functional Description and Usage (INTB_IN)</a> . If unused, tie to an external pulldown.
<b>GPIO PINS</b>			
GPIO0 (SDOUT) (PASS)	7	I/O, PD	General-Purpose Input / Output 0 pin (default function). Default state: logic <i>LOW</i> . It is a multifunction pin (shared with SDOUT and PASS) with a weak internal pulldown (3 $\mu$ A). Pin function is programmed through registers. See <a href="#">General-Purpose I/O (GPIO)</a> . If unused, tie to an external pulldown.
GPIO1 (SWC)	8	I/O, PD	General-Purpose Input / Output 1 pin (default function). Default state: logic <i>LOW</i> . It is a multifunction pin (shared with SWC) with a weak internal pulldown (3 $\mu$ A). Pin function is programmed through registers. See <a href="#">General-Purpose I/O (GPIO)</a> . If unused, tie to an external pulldown.
GPIO2 (I2S_DC)	10	I/O, PD	General-Purpose Input / Output 2 pin (default function). Default state: logic <i>LOW</i> . It is a multifunction pin (shared with I2S_DC) with a weak internal pulldown (3 $\mu$ A). Pin function is programmed through registers. See <a href="#">General-Purpose I/O (GPIO)</a> . If unused, tie to an external pulldown.
GPIO3 (I2S_DD)	9	I/O, PD	General-Purpose Input / Output 3 pin (default function). Default state: logic <i>LOW</i> . It is a multifunction pin (shared with I2S_DD) with a weak internal pulldown (3 $\mu$ A). Pin function is programmed through registers. See <a href="#">General-Purpose I/O (GPIO)</a> . If unused, tie to an external pulldown.
GPIO9 (MCLK)	15	I/O, PD	General-Purpose Input / Output 9 pin (default function). Default state: logic <i>LOW</i> . It is a multifunction pin (shared with MCLK) with a weak internal pulldown (3 $\mu$ A). Pin function is programmed through registers. See <a href="#">General-Purpose I/O (GPIO)</a> . If unused, tie to an external pulldown.
<b>HIGH-SPEED GPIO PINS</b>			
D_GPIO0 (MOSI)	19	I/O, PD	High-Speed, General-Purpose Input / Output 0 pin (default function). Default state: <i>tri-state</i> . Only available in Dual Link Mode. It is a multifunction pin (shared with MOSI) with a weak internal pulldown (3 $\mu$ A). Pin function is programmed through registers. See <a href="#">General-Purpose I/O (GPIO)</a> . If unused, tie to an external pulldown.
D_GPIO1 (MISO)	18	I/O, PD	High-Speed, General-Purpose Input / Output 1 pin (default function). Default state: <i>tri-state</i> . Only available in Dual Link Mode. It is a multifunction pin (shared with MISO) with a weak internal pulldown (3 $\mu$ A). Pin function is programmed through registers. See <a href="#">General-Purpose I/O (GPIO)</a> . If unused, tie to an external pulldown.

**Pin Functions (continued)**

PIN		I/O, TYPE	DESCRIPTION
NAME	NUMBER		
D_GPIO2 (SPLK)	17	I/O, PD	High-Speed, General-Purpose Input / Output 2 pin (default function). Default state: <i>tri-state</i> . Only available in Dual Link Mode. It is a multifunction pin (shared with SPLK) with a weak internal pulldown (3 $\mu$ A). Pin function is programmed through registers. See <a href="#">General-Purpose I/O (GPIO)</a> . If unused, tie to an external pulldown.
D_GPIO3 (SS)	16	I/O, PD	High-Speed, General-Purpose Input / Output 3 pin (default function). Default state: <i>tri-state</i> . Only available in Dual Link Mode. It is a multifunction pin (shared with SS) with a weak internal pulldown (3 $\mu$ A). Pin function is programmed through registers. See <a href="#">General-Purpose I/O (GPIO)</a> . If unused, tie to an external pulldown.
<b>REGISTER ONLY GPIO PINS</b>			
GPIO5_REG (I2S_DB)	11	I/O, PD	High-Speed, General-Purpose Input / Output 5 pin (default function). I2C register control only. Default state: logic <i>LOW</i> . It is a multifunction pin (shared with I2S_DB) with a weak internal pulldown (3 $\mu$ A). Pin function is programmed through registers. See <a href="#">General-Purpose I/O (GPIO)</a> . If unused, tie to an external pulldown.
GPIO6_REG (I2S_DA)	12	I/O, PD	High-Speed, General-Purpose Input / Output 6 pin (default function). I2C register control only. Default state: logic <i>LOW</i> . It is a multifunction pin (shared with I2S_DA) with a weak internal pulldown (3 $\mu$ A). Pin function is programmed through registers. See <a href="#">General-Purpose I/O (GPIO)</a> . If unused, tie to an external pulldown.
GPIO7_REG (I2S_WC)	14	I/O, PD	High-Speed, General-Purpose Input / Output 7 pin (default function). I2C register control only. Default state: logic <i>LOW</i> . It is a multifunction pin (shared with I2S_WC) with a weak internal pulldown (3 $\mu$ A). Pin function is programmed through registers. See <a href="#">General-Purpose I/O (GPIO)</a> . If unused, tie to an external pulldown.
GPIO8_REG (I2S_CLK)	13	I/O, PD	High-Speed, General-Purpose Input / Output 8 pin (default function). I2C register control only. Default state: logic <i>LOW</i> . It is a multifunction pin (shared with I2S_CLK) with a weak internal pulldown (3 $\mu$ A). Pin function is programmed through registers. See <a href="#">General-Purpose I/O (GPIO)</a> . If unused, tie to an external pulldown.
<b>SLAVE MODE LOCAL I2S CHANNEL PINS</b>			
I2S_WC (GPIO7_REG)	14	O	Slave Mode I2S Word Clock Output pin (function programmed through register). It is a multifunction pin (shared with GPIO7_REG). Pin function is programmed through registers. See <a href="#">I2S Audio Interface</a> . If unused, tie to an external pulldown.
I2S_CLK (GPIO8_REG)	13	O	Slave Mode I2S Clock Output pin (function programmed through register). <b>NOTE: Disable I2S data jitter cleaner, when using these pins, through the register bit I2S Control: 0x2B[7]=1.</b> It is a multifunction pin (shared with GPIO8_REG). Pin function is programmed through registers. See <a href="#">I2S Audio Interface</a> . If unused, tie to an external pulldown.
I2S_DA (GPIO6_REG)	12	O	Slave Mode I2S Data Output pin (function programmed through register). It is a multifunction pin (shared with GPIO6_REG). Pin function is programmed through registers. See <a href="#">I2S Audio Interface</a> . If unused, tie to an external pulldown.
I2S_DB (GPIO5_REG)	11	O	Slave Mode I2S Data Output pin (function programmed through register). It is a multifunction pin (shared with GPIO5_REG). Pin function is programmed through registers. See <a href="#">I2S Audio Interface</a> . If unused, tie to an external pulldown.
I2S_DC (GPIO2)	10	O	Slave Mode I2S Data Output (function programmed through register). It is a multifunction pin (shared with GPIO2). Pin function is programmed through registers. See <a href="#">I2S Audio Interface</a> . If unused, tie to an external pulldown.
I2S_DD (GPIO3)	9	O	Slave Mode I2S Data Output (function programmed through register). It is a multifunction pin (shared with GPIO3). Pin function is programmed through registers. See <a href="#">I2S Audio Interface</a> . If unused, tie to an external pulldown.
<b>MASTER MODE LOCAL I2S CHANNEL PINS</b>			
SWC (GPIO1)	8	O	Master Mode I2S Word Clock Output pin (function is programmed through registers). (Pin is shared with GPIO1). It is a multifunction pin (shared with GPIO1). Pin function is programmed through registers. See <a href="#">I2S Audio Interface</a> . If unused, tie to an external pulldown.

**Pin Functions (continued)**

PIN		I/O, TYPE	DESCRIPTION
NAME	NUMBER		
SDOUT (PASS) (GPIO0)	7	O	Master Mode I2S Data Output pin (function is programmed through registers). (Pin is shared with GPIO0 and PASS). It is a multifunction pin (shared with GPIO0 and PASS). Pin function is programmed through registers. See <a href="#">I2S Audio Interface</a> . If unused, tie to an external pulldown.
MCLK (GPIO9)	15	O	Master Mode I2S System Clock Output pin (function is programmed through registers). (Pin is shared with GPIO9). It is a multifunction pin (shared with GPIO9). Pin function is programmed through registers. See <a href="#">I2S Audio Interface</a> . If unused, tie to an external pulldown.
<b>STATUS PINS</b>			
LOCK	1	O	Lock Status Output pin. LOCK = 1: PLL acquired lock to the reference clock input; DPHY outputs are active. LOCK = 0: PLL is unlocked.
PASS (SDOUT) (GPIO0)	7	O	Normal mode status output pin (BISTEN = 0). PASS = 1: No fault detected on input display timing. PASS = 0: Indicates an error condition or corruption in display timing. Fault condition occurs: <ol style="list-style-type: none"> <li>DE length value mismatch measured once in succession.</li> <li>VSync length value mismatch measured twice in succession.</li> </ol> BIST mode status output pin (BISTEN = 1). (Pin is shared with SDOUT and GPIO0). PASS = 1: No error detected. PASS = 0: Error detected.
<b>POWER AND GROUND</b>			
VDD33_A, VDD33_B	56 31	P	3.3-V ( $\pm 10\%$ ) supply. Power to on-chip regulator. TI recommends to connect 10- $\mu$ F, 1- $\mu$ F, 0.1- $\mu$ F, and 0.01- $\mu$ F capacitors to GND.
VDDIO	3	P	LVC MOS I/O power supply: 1.8 V ( $\pm 5\%$ ) OR 3.3 V ( $\pm 10\%$ ). TI recommends to connect 10- $\mu$ F, 1- $\mu$ F, 0.1- $\mu$ F, and 0.01- $\mu$ F capacitors to GND.
VDD12_CSI0 VDDP12_CSI VDD12_CSI1 VDDL12_0 VDDL12_1 VDDP12_CH0 VDDR12_CH0 VDDP12_CH1 VDDR12_CH1	20 32 33 6 44 51 52 60 57	P	1.2-V ( $\pm 5\%$ ) supply. TI recommends to connect 10- $\mu$ F, 1- $\mu$ F, 0.1- $\mu$ F, and 0.01- $\mu$ F capacitors to GND at each VDD pin.
CAP_I2S	2	D	Decoupling capacitor connection for on-chip regulator. TI recommend to connect a 0.1- $\mu$ F decoupling capacitor to GND.
VSS	DAP	G	DAP is the large metal contact at the bottom side, located at the center of the WQFN package. Connect to the ground plane (GND) with at least 32 vias.
<b>OTHER PINS</b>			
CMLOUTP CMLOUTN	62 63	O	Channel Monitor Loop-through Driver differential output pins. Route to a test point or a pad with 100- $\Omega$ termination resistor between pins for channel monitoring (recommended). See <a href="#">Figure 38</a> or <a href="#">Figure 39</a> .
RES0 RES1	49 64	-	Reserved pins. May be left as No Connect pins or connected to ground through a 0.1- $\mu$ F capacitor.

The following definitions define the functionality of the I/O cells for each pin.

**I/O TYPE:**

- P = Power supply
- G = Ground
- D = Decoupling for an internal linear regulator
- S = Configuration/Strap Input (All strap pins have internal pulldowns determined by IOZ specification. If the default strap value is needed to be changed then an external resistor should be used.
- I = Input
- O = Output
- I/O = Input/Output
- PD = Internal pulldown

## 6 Specifications

### 6.1 Absolute Maximum Ratings

 Over operating free-air temperature range (unless otherwise noted)<sup>(1) (2)</sup>

		MIN	MAX	UNIT
Supply voltage	VDD33 (VDD33_A, VDD33_B)	-0.3	3.96	V
	VDD12 (VDD12_CSI0, VDD12_CSI1, VDDP12_CSI, VDDL_1, VDDL_2, VDDP12_CH0, VDDP12_CH1, VDDR12_CH0, VDDR12_CH1)	-0.3	1.44	V
	VDDIO	-0.3	3.96	V
Configuration input voltage	IDX, MODE_SEL0, MODE_SEL1	-0.3	3.96	V
LVCMOS I/O voltage	PDB, BIST_EN	-0.3	3.96	V
	GPIO[3:0], D_GPIO[3:0], GPIO[8:5]_REG, LOCK, PASS, INTB_IN, MCLK	-0.3	$V_{(VDDIO)} + 0.3$	V
Open-drain voltage	I2C_SDA, I2C_SCL	-0.3	3.96	V
CML output voltage	CMLOUTP, CMLOUTN	-0.3	2.75	V
FPD-Link III input voltage	RIN0+, RIN0-, RIN1+, RIN1-	-0.3	2.75	V
CSI-2 voltage	CSI0_D0+, CSI0_D0-, CSI0_D1+, CSI0_D1-, CSI0_D2+, CSI0_D2-, CSI0_D3+, CSI0_D3-, CSI0_CLK+, CSI0_CLK-, CSI1_D0+, CSI1_D0-, CSI1_D1+, CSI1_D1-, CSI1_D2+, CSI1_D2-, CSI1_D3+, CSI1_D3-, CSI1_CLK+, CSI1_CLK-,	-0.3	1.44	V
Junction temperature, $T_J$			150	°C
Storage temperature, $T_{stg}$		-65	150	°C

- (1) Stresses beyond those listed under *Absolute Maximum Ratings* may cause permanent damage to the device. These are stress ratings only, which do not imply functional operation of the device at these or any other conditions beyond those indicated under *Recommended Operating Conditions*. Exposure to absolute-maximum-rated conditions for extended periods may affect device reliability.
- (2) If Military/Aerospace specified devices are required, please contact the Texas Instruments Sales Office or Distributors for availability and specifications.

### 6.2 ESD Ratings

			VALUE	UNIT	
$V_{(ESD)}$	Electrostatic discharge	Human-body model (HBM), per AEC Q100-002 <sup>(1)</sup>	±8000	V	
		Charged-device model (CDM), per AEC Q100-011	±1250		
		IEC 61000-4-2 $R_D = 330 \Omega$ , $C_S = 150 \text{ pF}$	Contact Discharge ( $R_{IN0+}$ , $R_{IN0-}$ , $R_{IN1+}$ , $R_{IN1-}$ )		±8000
			Air-gap Discharge ( $R_{IN0+}$ , $R_{IN0-}$ , $R_{IN1+}$ , $R_{IN1-}$ )		±15000
		ISO 10605 $R_D = 330 \Omega$ , $C_S = 150$ and $330 \text{ pF}$ $R_D = 2 \text{ k}\Omega$ , $C_S = 150$ and $330 \text{ pF}$	Contact Discharge ( $R_{IN0+}$ , $R_{IN0-}$ , $R_{IN1+}$ , $R_{IN1-}$ )		±8000
			Air-gap Discharge ( $R_{IN0+}$ , $R_{IN0-}$ , $R_{IN1+}$ , $R_{IN1-}$ )		±15000

- (1) AEC Q100-002 indicates that HBM stressing shall be in accordance with the ANSI/ESDA/JEDEC JS-001 specification.

### 6.3 Recommended Operating Conditions

Over operating free-air temperature range (unless otherwise noted)

		MIN	NOM	MAX	UNIT
Supply voltage	$V_{(VDD33)}$	3	3.3	3.6	V
	$V_{(VDD12)}$	1.14	1.2	1.26	V
LVCMOS I/O supply voltage	$V_{(VDDIO)} = 3.3 \text{ V}$	3	3.3	3.6	V
	OR $V_{(VDDIO)} = 1.8 \text{ V}$	1.71	1.8	1.89	V
Open-drain voltage	I2C pins = $V_{(I2C)}$	1.71		3.6	V
Operating free air temperature, $T_A$		-40	25	105	°C
Pixel clock frequency (single link)		25		96	MHz
Pixel clock frequency (dual link)		50		170	MHz
Local I2C frequency, $f_{I2C}$				1	MHz



## Recommended Operating Conditions (continued)

Over operating free-air temperature range (unless otherwise noted)

		MIN	NOM	MAX	UNIT
Supply noise <sup>(1)</sup>	V <sub>(VDD33)</sub>			100	mV <sub>P-P</sub>
	V <sub>(VDDIO)</sub> = 3.3 V			100	mV <sub>P-P</sub>
	V <sub>(VDDIO)</sub> = 1.8 V			50	mV <sub>P-P</sub>
	V <sub>(VDD12)</sub>			25	mV <sub>P-P</sub>

(1) DC to 50 MHz.

## 6.4 Thermal Information

THERMAL METRIC <sup>(1)</sup>		DS90UB940N-Q1	UNIT
		NKD (WQFN)	
		64 PINS	
R <sub>θJA</sub>	Junction-to-ambient thermal resistance	24.8	°C/W
R <sub>θJC(top)</sub>	Junction-to-case (top) thermal resistance	6.2	°C/W
R <sub>θJB</sub>	Junction-to-board thermal resistance	3.6	°C/W
ψ <sub>JT</sub>	Junction-to-top characterization parameter	0.1	°C/W
ψ <sub>JB</sub>	Junction-to-board characterization parameter	3.6	°C/W
R <sub>θJC(bot)</sub>	Junction-to-case (bottom) thermal resistance	0.6	°C/W

(1) For more information about traditional and new thermal metrics, see the *Semiconductor and IC Package Thermal Metrics* application report.

## 6.5 DC Electrical Characteristics

Over recommended operating supply and temperature ranges unless otherwise specified.

PARAMETER		TEST CONDITIONS	PIN/FREQ.	MIN	TYP	MAX	UNIT
<b>POWER CONSUMPTION</b>							
P <sub>T</sub>	Total power consumption, normal operation	Checkerboard pattern, 170 MHz. See <a href="#">Figure 1</a> . 2-lane FPD-Link III input, 2 MIPI lanes output	VDD		628	875	mW
P <sub>Z</sub>	Total power consumption, power-down mode	PDB = 0 V			10	45	mW
<b>SUPPLY CURRENT</b>							
IDD12	Supply current, normal operation	Checkerboard pattern, 96 MHz. See <a href="#">Figure 1</a> . 1-lane FPD-Link III input, 2 MIPI lanes output	VDD12 = 1.2 V		150	250	mA
IDD33	Supply current, normal operation		VDD33 = 3.6 V		90	122	mA
IDDIO	Supply current, normal operation		VDDIO = 1.89 V		1	6	mA
			VDDIO = 3.6 V		1	6	mA
IDD12	Supply current, normal operation	Checkerboard pattern, 96 MHz. See <a href="#">Figure 1</a> . 1-lane FPD-Link III input, 4 MIPI lanes output	VDD12 = 1.2 V		125	225	mA
IDD33	Supply current, normal operation		VDD33 = 3.6 V		90	122	mA
IDDIO	Supply current, normal operation		VDDIO = 1.89 V		1	6	mA
			VDDIO = 3.6 V		1	6	mA
IDD12	Supply current, normal operation	Checkerboard pattern, 170 MHz. See <a href="#">Figure 1</a> . 2-lane FPD-Link III input, 2 MIPI lanes output	VDD12 = 1.2 V		250	345	mA
IDD33	Supply current, normal operation		VDD33 = 3.6 V		90	122	mA
IDDIO	Supply current, normal operation		VDDIO = 1.89 V		1	6	mA
			VDDIO = 3.6 V		1	6	mA

## DC Electrical Characteristics (continued)

Over recommended operating supply and temperature ranges unless otherwise specified.

PARAMETER		TEST CONDITIONS	PIN/FREQ.	MIN	TYP	MAX	UNIT
IDD12	Supply current, normal operation	Checkerboard pattern, 170 MHz. See <a href="#">Fig. 1</a> . 2-lane FPD-Link III input, 4 MIPI lanes output	VDD12 = 1.2 V		220	300	mA
IDD33	Supply current, normal operation		VDD33 = 3.6 V		90	122	mA
IDDIO	Supply current, normal operation		VDDIO = 1.89 V		1	6	mA
			VDDIO = 3.6 V		1	6	mA
IDD12Z	Supply current, power-down mode	PDB = 0 V	VDD12 = 1.2 V		2	30	mA
IDD33Z	Supply current, power-down mode		VDD33 = 3.6 V		2	8	mA
IDDIOZ	Supply current, power-down mode		VDDIO = 1.89 V		0.1	0.3	mA
		VDDIO = 3.6 V		0.1	0.3	mA	
<b>3.3-V LVCMOS I/O (<math>V_{VDDIO} = 3.3 V \pm 10\%</math>)</b>							
V <sub>IH</sub>	High level input voltage		PDB, BISTEN	2	V <sub>(VDDIO)</sub>		V
V <sub>IL</sub>	Low level input voltage			0	0.8		V
V <sub>IH</sub>	High level input voltage		BISTC, GPIO[3:0], D_GPIO[3:0], I2S_DA, I2S_DB, I2S_DC, I2S_DD, I2S_CLK, I2S_WC, LOCK, PASS	2	V <sub>(VDDIO)</sub>		V
V <sub>IL</sub>	Low level input voltage			0	0.8		V
I <sub>IN</sub>	Input current	V <sub>IN</sub> = 0 V or V <sub>(VDDIO)</sub>		-10		10	μA
V <sub>OH</sub>	High level output voltage	I <sub>OH</sub> = -4 mA		2.4	V <sub>(VDDIO)</sub>		V
V <sub>OL</sub>	Low level output voltage	I <sub>OL</sub> = 4 mA		0	0.4		V
I <sub>OS</sub>	Output short-circuit current	V <sub>OUT</sub> = 0 V			-55		mA
I <sub>OZ</sub>	Tri-state output current	PDB = 0 V V <sub>OUT</sub> = 0 V or V <sub>(VDDIO)</sub>		-20		20	μA
C <sub>IN</sub>	Input capacitance					10	pF
I <sub>IN-STRAP</sub>	Strap pin input current	V <sub>IN</sub> = 0V or V <sub>(VDDIO)</sub>	IDX, MODE_SEL0, MODE_SEL1	-1		1	μA
<b>1.8-V LVCMOS I/O (<math>V_{VDDIO} = 1.8 V \pm 5\%</math>)</b>							
V <sub>IH</sub>	High level input voltage		PDB, BISTEN	1.55	V <sub>(VDDIO)</sub>		V
V <sub>IL</sub>	Low level input voltage			0	0.35 × V <sub>(VDDIO)</sub>		V
V <sub>IH</sub>	High level input voltage		BISTC, GPIO[3:0], D_GPIO[3:0], I2S_DA, I2S_DB, I2S_DC, I2S_DD, I2S_CLK, I2S_WC, LOCK, PASS	0.65 × V <sub>(VDDIO)</sub>	V <sub>(VDDIO)</sub>		V
V <sub>IL</sub>	Low level input voltage			0	0.35 × V <sub>(VDDIO)</sub>		V
I <sub>IN</sub>	Input current	V <sub>IN</sub> = 0V or V <sub>(VDDIO)</sub>		-10		10	μA
V <sub>OH</sub>	High level output voltage	I <sub>OH</sub> = -4 mA		V <sub>(VDDIO)</sub> - 0.45	V <sub>(VDDIO)</sub>		V
V <sub>OL</sub>	Low level output voltage	I <sub>OL</sub> = 4 mA		0	0.45		V
I <sub>OS</sub>	Output short-circuit current	V <sub>OUT</sub> = 0 V			-35		mA
I <sub>OZ</sub>	Tri-state output current	PDB = 0 V V <sub>OUT</sub> = 0 V or V <sub>(VDDIO)</sub>		-20		20	μA
C <sub>IN</sub>	Input capacitance					10	pF
<b>SERIAL CONTROL BUS (<math>V_{VDDIO} = 1.8 V \pm 5\%</math> OR <math>3.3V \pm 10\%</math>)</b>							
V <sub>IH</sub>	Input high level	V <sub>(VDDIO)</sub> = 3.0 V to 3.6 V	I2C_SDA, I2C_SCL	2	V <sub>(VDDIO)</sub>		V
V <sub>IL</sub>	Input low level	V <sub>(VDDIO)</sub> = 3.0 V to 3.6 V		0	0.9		V
V <sub>IH</sub>	Input high level	V <sub>(VDDIO)</sub> = 1.71 V to 1.89 V		1.575	V <sub>(VDDIO)</sub>		V
V <sub>IL</sub>	Input low level	V <sub>(VDDIO)</sub> = 1.71 V to 1.89 V		0	0.9		V
V <sub>HYS</sub>	Input hysteresis				50		mV
V <sub>OL</sub>	Output low level	I <sub>OL</sub> = 4 mA			0	0.4	V
I <sub>IN</sub>	Input current	V <sub>IN</sub> = 0 V or V <sub>(VDDIO)</sub>			-10		10

## DC Electrical Characteristics (continued)

Over recommended operating supply and temperature ranges unless otherwise specified.

PARAMETER		TEST CONDITIONS	PIN/FREQ.	MIN	TYP	MAX	UNIT	
<b>FPD-LINK III INPUT</b>								
$V_{TH}$	Differential threshold high voltage	$V_{CM} = 2.1\text{ V}$	RIN0+, RIN0– RIN1+, RIN1–	50			mV	
$V_{TL}$	Differential threshold low voltage			–50			mV	
$V_{ID}$	Input differential threshold			100			mV	
$V_{CM}$	Differential common-mode voltage			2.1			V	
$R_T$	Internal termination resistor - differential			80	100	120	$\Omega$	
<b>HSTX DRIVER</b>								
$V_{CMTX}$	HS transmit static common-mode voltage			150	200	250	mV	
$ \Delta V_{CMTX(1,0)} $	$V_{CMTX}$ mismatch when output is 1 or 0			5			mV	
$ V_{OD} $	HS transmit differential voltage			140	200	270	mV	
$ \Delta V_{OD} $	$V_{OD}$ mismatch when output is 1 or 0			14			mV	
$V_{OHHS}$	HS output high voltage			360			mV	
$Z_{OS}$	Single-ended output impedance			40	50	62.5	$\Omega$	
$\Delta Z_{OS}$	Mismatch in single-ended output impedance			10			%	
<b>LPTX DRIVER</b>								
$V_{OH}$	High-level output voltage	$I_{OH} = -4\text{ mA}$	CSI0_D3±, CSI0_D2±, CSI0_D1±, CSI0_D0±, CSI0_CLK±, CSI1_D3±, CSI1_D2±, CSI1_D1±, CSI1_D0±, CSI1_CLK±	1.05	1.2	1.3	V	
$V_{OL}$	Low-level output voltage	$I_{OL} = 4\text{ mA}$		–50			50	mV
$Z_{OLP}$	Output impedance			110			$\Omega$	
<b>LOOP-THROUGH MONITOR OUTPUT</b>								
$V_{OD}$	Differential output voltage	$R_L = 100\ \Omega$	CML0UTP, CML0UTN	360			mV	

## 6.6 AC Electrical Characteristics

Over recommended operating supply and temperature ranges unless otherwise specified.

PARAMETER	TEST CONDITIONS	PIN/FREQ.	MIN	TYP	MAX	UNIT
<b>GPIO BIT RATE</b>						
R <sub>b,FC</sub>	Forward channel bit rate	PCLK = 25 MHz - 170 MHz <sup>(1)</sup>		0.25 × PCLK		Mbps
R <sub>b,BC</sub>	Back channel bit rate			133		kbps
R <sub>b,BC</sub>	Back channel bit rate	High speed (2-lane mode), 1 D_GPIO active See 表 3	D_GPIO[3:0]	2		Mbps
		High speed (2-lane mode), 2 D_GPIOs active See 表 3.		1.33		Mbps
		High speed (2-lane mode), 4 D_GPIOs active See 表 3		800		kbps
		Normal mode — see 表 3		133		kbps
t <sub>GPIO,FC</sub>	GPIO pulse width, forward channel			> 2 / PCLK <sup>(1)</sup>		s
t <sub>GPIO,BC</sub>	GPIO pulse width, back channel			20		μs
<b>RESET</b>						
t <sub>LRST</sub>	PDB reset low pulse		PDB	2		ms
<b>LOOP-THROUGH MONITOR OUTPUT</b>						
E <sub>W</sub>	Differential output eye opening width	R <sub>L</sub> = 100 Ω, jitter frequency > PCLK <sup>(1)</sup> / 40	CMLOUTP, CMLOUTN	0.4		UI <sup>(2)</sup>
E <sub>H</sub>	Differential output eye height	See 图 2		> 300		mV
<b>FPD-LINK III INPUT</b>						
t <sub>DDL</sub>	Lock time	See 图 4	RIN0+, RIN0–, RIN1+, RIN1–	5	10	ms
t <sub>JIT</sub>	Input jitter	Single Lane PCLK = 96 MHz f <sub>JIT</sub> > PCLK/20 BER < 1E-10 10-m DACAR535-2 STQ	RIN0+, RIN0–, RIN1+, RIN1–		0.3	UI <sup>(2)</sup>
		Dual Lane PCLK = 170 MHz f <sub>JIT</sub> > PCLK/20 BER < 1E-10 10-m DACAR535-2 STQ				
<b>I2S TRANSMITTER</b>						
t <sub>J,I2S</sub>	Clock output jitter		I2S_CLK	2		ns
t <sub>I2S</sub>	I2S clock period <sup>(3)</sup>	See 图 9		>2 / PCLK <sup>(1)</sup> or >77		ns
t <sub>HC,I2S</sub>	I2S clock high time <sup>(3)</sup>	See 图 9		0.48		t <sub>I2S</sub>
t <sub>LC,I2S</sub>	I2S clock low time <sup>(3)</sup>	See 图 9		0.48		t <sub>I2S</sub>
t <sub>SR,I2S</sub>	I2S set-up time	See 图 9	I2S_DA, I2S_DB, I2S_DC, I2S_DD	0.4		t <sub>I2S</sub>
t <sub>HR,I2S</sub>	I2S hold time	See 图 9		0.4		t <sub>I2S</sub>

- (1) PCLK refers to the equivalent pixel clock frequency, which is equal to the FPD-Link III line rate / 35.
- (2) UI – Unit Interval is equivalent to one serialized data bit width. For Single Lane mode 1UI = 1 / (35\*PCLK). For Dual Lane mode, 1UI = 1 / (35\*PCLK/2). The UI scales with PCLK frequency.
- (3) I2S specifications for t<sub>LC,I2S</sub> and t<sub>HC,I2S</sub> pulses must each be greater than 1 period to ensure sampling and supersedes the 0.35 × t<sub>I2S</sub> requirement. t<sub>LC,I2S</sub> and t<sub>HC,I2S</sub> must be longer than the greater of either 0.35 × t<sub>I2S</sub> or 2 × PCLK.

## 6.7 Timing Requirements for the Serial ControlBus

Over I<sup>2</sup>C supply and temperature ranges unless otherwise specified.

PARAMETER		TEST CONDITIONS	MIN	MAX	UNIT
f <sub>SCL</sub>	SCL clock frequency	Standard mode	> 0	100	kHz
		Fast mode	> 0	400	kHz
		Fast plus mode	> 0	1	MHz
t <sub>LOW</sub>	SCL low period	Standard mode	4.7		μs
		Fast mode	1.3		μs
		Fast plus mode	0.5		μs
t <sub>HIGH</sub>	SCL high period	Standard mode	4		μs
		Fast mode	0.6		μs
		Fast plus mode	0.26		μs
t <sub>HD,STA</sub>	Hold time for a start or a repeated start condition 图 8	Standard mode	4		μs
		Fast mode	0.6		μs
		Fast plus mode	0.26		μs
t <sub>SU,STA</sub>	Set-up time for a start or a repeated start condition 图 8	Standard mode	4.7		μs
		Fast mode	0.6		μs
		Fast plus mode	0.26		μs
t <sub>HD,DAT</sub>	Data hold time 图 8	Standard mode	0		μs
		Fast mode	0		μs
		Fast plus mode	0		μs
t <sub>SU,DAT</sub>	Data set-up time 图 8	Standard mode	250		ns
		Fast mode	100		ns
		Fast plus mode	50		ns
t <sub>SU,STO</sub>	Set-up time for STOP condition 图 8	Standard mode	4		μs
		Fast mode	0.6		μs
		Fast plus mode	0.26		μs
t <sub>BUF</sub>	Bus free time between STOP and START 图 8	Standard mode	4.7		μs
		Fast mode	1.3		μs
		Fast plus mode	0.5		μs
t <sub>r</sub>	SCL and SDA rise time, 图 8	Standard mode		1000	ns
		Fast mode		300	ns
		Fast plus mode		120	ns
t <sub>f</sub>	SCL and SDA fall time, 图 8	Standard mode		300	ns
		Fast mode		300	ns
		Fast plus mode		120	ns
C <sub>b</sub>	Capacitive load for each bus line	Standard mode		400	pF
		Fast mode		400	pF
		Fast plus mode		200	pF
t <sub>SP</sub>	Input filter	Fast mode		50	ns
		Fast plus mode		50	ns

## 6.8 Switching Characteristics

Over recommended operating supply and temperature ranges unless otherwise specified.

PARAMETER		TEST CONDITIONS	PIN/FREQ.	MIN	TYP	MAX	UNIT
<b>HSTX DRIVER</b>							
HSTX <sub>DBR</sub>	Data bit rate	MIPI 2 lanes	CSI0_D0± CSI0_D1± CSI0_D2± CSI0_D3± CSI1_D0± CSI1_D1± CSI1_D2± CSI1_D3± CSI0_CLK± CSI1_CLK±	350		1344	Mbps
		MIPI 4 lanes		175		1190	
f <sub>CLK</sub>	DDR Clock frequency	MIPI 2 lanes		175		672	MHz
		MIPI 4 lanes		87.5		595	
ΔV <sub>CMTX(HF)</sub>	Common mode voltage variations HF	Above 450 MHz				15	mV <sub>RMS</sub>
ΔV <sub>CMTX(LF)</sub>	Common mode voltage variations LF	Between 50 and 450 MHz				25	mV <sub>RMS</sub>
t <sub>RHS</sub> t <sub>FHS</sub>	20% to 80% rise and fall HS	HS bit rates ≤ 1 Gbps (UI ≥ 1 ns)				0.3	UI
		HS bit rates > 1 Gbps (UI < 1 ns)				0.35	UI
		Applicable for all HS bit rates. However, to avoid excessive radiation, bit rates ≤ 1 Gbps (UI ≥ 1 ns), must not use values below 150 ps.			100		ps
SDD <sub>TX</sub>	TX differential return loss	f <sub>LPMAX</sub>				-18	dB
		f <sub>H</sub>			-9	dB	
		f <sub>MAX</sub>			-3	dB	
<b>LPTX DRIVER</b>							
t <sub>RLP</sub>	Rise time LP <sup>(1)</sup>	15% to 85% rise time			25	ns	
t <sub>FLP</sub>	Fall time LP <sup>(1)</sup>	15% to 85% fall time			25	ns	
t <sub>REOT</sub>	Rise time post-EoT <sup>(1)</sup>	30% to 85% rise time			35	ns	
t <sub>LP-PULSE-TX</sub>	Pulse width of the LP exclusive-OR clock <sup>(1)</sup>	First LP exclusive-OR clock pulse after stop state or last pulse before stop state		40		ns	
		All other pulses		20		ns	
t <sub>LP-PER-TX</sub>	Period of the LP exclusive-OR clock			90		ns	
DV/DtSR	Slew rate <sup>(1)</sup>	C <sub>LOAD</sub> = 0 pF				500	mV/ns
		C <sub>LOAD</sub> = 5 pF				300	mV/ns
		C <sub>LOAD</sub> = 20 pF				250	mV/ns
		C <sub>LOAD</sub> = 70 pF				150	mV/ns
		C <sub>LOAD</sub> = 0 to 70 pF (falling edge only)			30		mV/ns
		C <sub>LOAD</sub> = 0 to 70 pF (rising edge only)			30		mV/ns
C <sub>LOAD</sub>	Load capacitance <sup>(1)</sup>			30 – 0.075 × (V <sub>O,INST</sub> – 700)		mV/ns	
				0		70	pF

- (1) C<sub>LOAD</sub> includes the low-frequency equivalent transmission line capacitance. The capacitance of TX and RX are assumed to always be <10 pF. The distributed line capacitance can be up to 50 pF for a transmission line with 2-ns delay.

## Switching Characteristics (continued)

Over recommended operating supply and temperature ranges unless otherwise specified.

PARAMETER		TEST CONDITIONS	PIN/FREQ.	MIN	TYP	MAX	UNIT
<b>DATA-CLOCK TIMING SPECIFICATIONS (图 10)</b>							
$UI_{INST}$	UI instantaneous	$f_{CLK}$ = CSI-2 DDR clock frequency	CSI0_D0± CSI0_D1±	$1/(f_{CLK} \times 2)$			UI
$\Delta UI$	UI variation	$UI \geq 1$ ns	CSI0_D2± CSI0_D3±	-10%		10%	UI
		$UI < 1$ ns	CSI1_D0± CSI1_D1±	-5%		5%	UI
$t_{SKEW(TX)}$	Data to clock skew (measured at transmitter) Skew between clock and data from ideal center	Data rate $\leq 1$ Gbps	CSI1_D2± CSI1_D3±	-0.15		0.15	$UI_{INST}$
		Data rate $> 1$ Gbps	CSI0_CLK± CSI1_CLK±	-0.2		0.2	$UI_{INST}$
<b>CSI-2 TIMING SPECIFICATIONS (图 11, 图 12)</b>							
$t_{CLK-MISS}$	Timeout for receiver to detect absence of clock transitions and disable the clock lane HS-RX			60			ns
$t_{CLK-POST}$	HS exit			$60 + 52 \times UI$			ns
$t_{CLK-PRE}$	Time HS clock shall be driver prior to any associated data lane beginning the transition from LP to HS mode		CSI0_D0± CSI0_D1±	8			UI
$t_{CLK-PREPARE}$	Clock lane HS Entry		CSI0_D2± CSI0_D3±	38		95	ns
$t_{CLK-SETTLE}$	Time interval during which the HS receiver shall ignore any clock lane HS transitions		CSI1_D0± CSI1_D1±	95		300	ns
$t_{CLK-TERM-EN}$	Timeout at clock lane display module to enable HS Termination		CSI1_D2± CSI1_D3±	Time for Dn to reach VTERM-EN		38	ns
$t_{CLK-TRAIL}$	Time that the transmitter drives the HS-0 state after the last payload clock bit of a HS transmission burst		CSI0_CLK± CSI1_CLK±	60			ns
$t_{CLK-PREPARE} + t_{CLK-ZERO}$	TCLK-PREPARE + time that the transmitter drives the HS-0 state prior to starting the Clock			300			ns
$t_{D-TERM-EN}$	Time for the Data Lane receiver to enable the HS line termination			Time for Dn to reach V-TERM-EN		$35 + 4 \times UI$	ns
$t_{EOT}$	Transmitted time interval from the start of $t_{HS-TRAIL}$ to the start of the LP-11 state following a HS burst	see <sup>(2)</sup>				$105 + 12 \times UI$	ns
$t_{HS-EXIT}$	Time that the transmitter drives LP=11 following a HS burst			100			ns
$t_{HS-PREPARE}$	Data lane HS entry			$40 + 4 \times UI$		$85 + 6 \times UI$	ns
$t_{HS-PREPARE} + t_{HS-ZERO}$	$t_{HS-PREPARE}$ + time that the transmitter drives the HS-0 state prior to transmitting the sync sequence			$145 + 10 \times UI$			ns
$t_{HS-SETTLE}$	Time interval during which the HS receiver ignores any data lane HS transitions, starting from the beginning of $t_{HS-SETTLE}$			$85 + 6 \times UI$		$145 + 10 \times UI$	ns
$t_{HS-SKIP}$	Time interval during which the HS-RX should ignore any transitions on the data lane, following a HS burst. The end point of the interval is defined as the beginning of the LP-11 state following the HS burst.			40		$55 + 4 \times UI$	ns
$t_{HS-TRAIL}$	Data lane HS exit			$60 + 4 \times UI$			ns
$t_{LPX}$	Transmitted length of LP state			50			ns

- (2) a. 1280 x 720p60; PCLK = 74.25 MHz; 4 MIPI lanes Reg0x6C=0x02; Reg0x6D=0x84  
b. 1280 x 720p60; PCLK = 74.25MHz; 2 MIPI lanes Reg0x6C=0x02; Reg0x6D=0x89  
c. 640 x 480p60; PCLK = 25 MHz; 4 MIPI lanes Reg0x6C=0x02; Reg0x6D=0x82  
d. 640 x 480p60; PCLK = 25 MHz; 2 MIPI lanes Reg0x6C=0x02; Reg0x6D=0x83  
e. Other video formats may require additional register configuration.

### Switching Characteristics (continued)

Over recommended operating supply and temperature ranges unless otherwise specified.

PARAMETER	TEST CONDITIONS	PIN/FREQ.	MIN	TYP	MAX	UNIT
$t_{WAKEUP}$	Recovery time from ultra-low-power state (ULPS)		1			ms

### 6.9 Timing Diagrams and Test Circuits

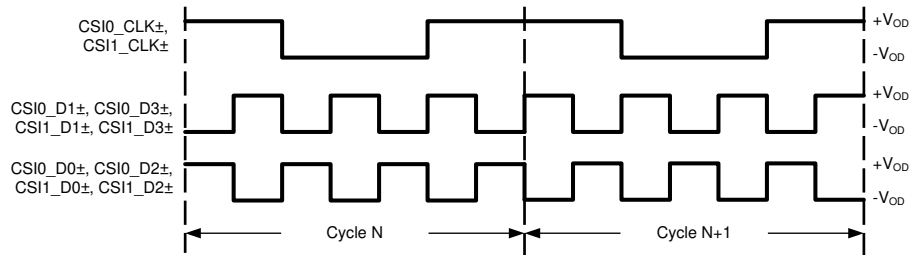


图 1. Checkerboard Data Pattern

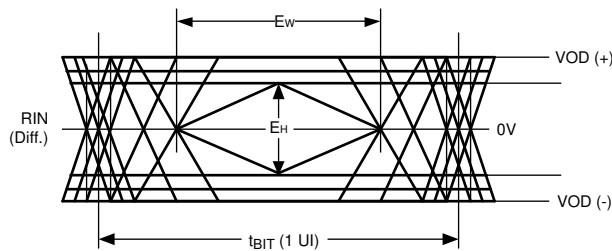


图 2. CML Output Driver

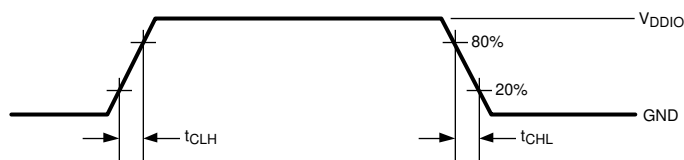


图 3. LVCMOS Transition Times

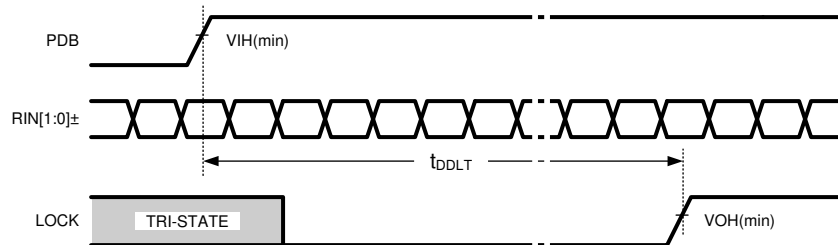


图 4. PLL Lock Time



Timing Diagrams and Test Circuits (接下页)

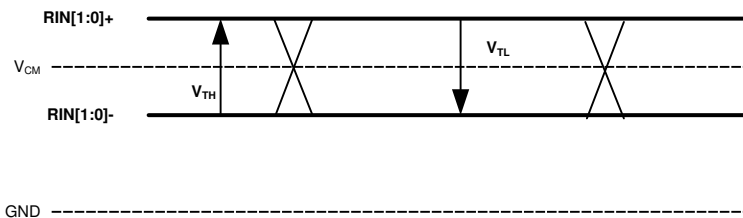


图 5. FPD-Link III Receiver DC  $V_{TH}/V_{TL}$  Definition

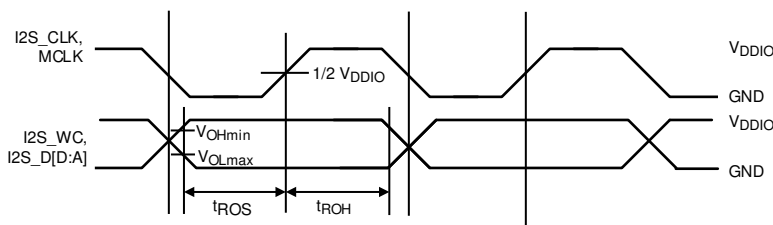


图 6. Output Data Valid (Setup and Hold) Times

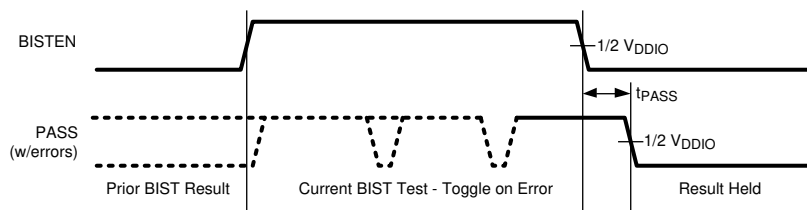


图 7. BIST PASS Waveform

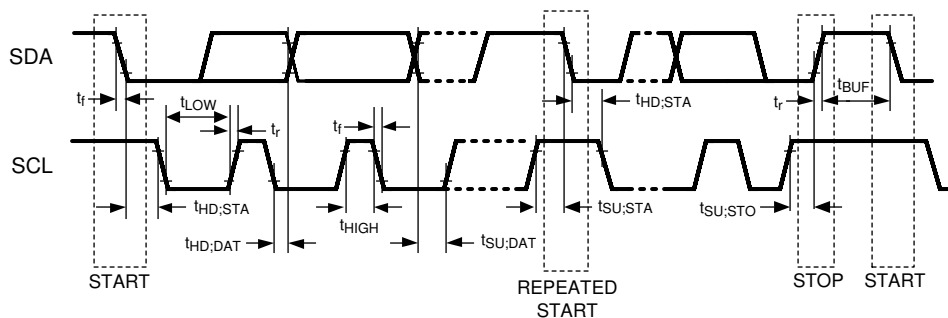


图 8. Serial Control Bus Timing Diagram

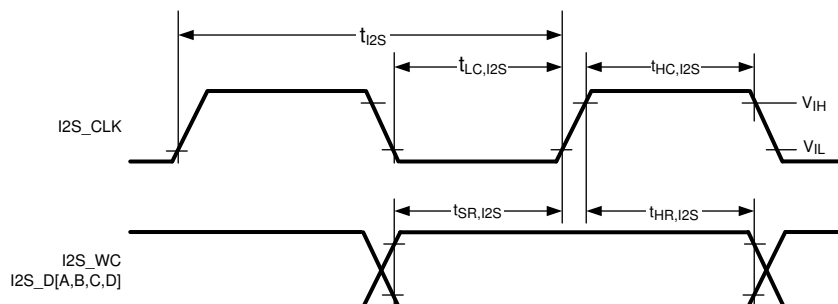


图 9. I2S Timing

Timing Diagrams and Test Circuits (接下页)

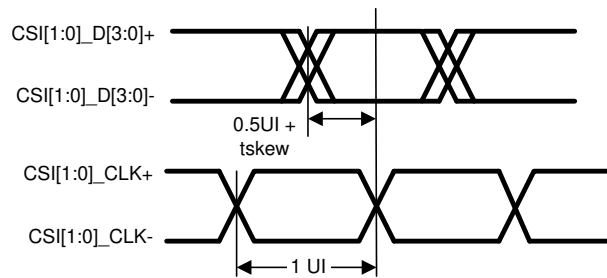


图 10. Clock and Data Timing in HS Transmission

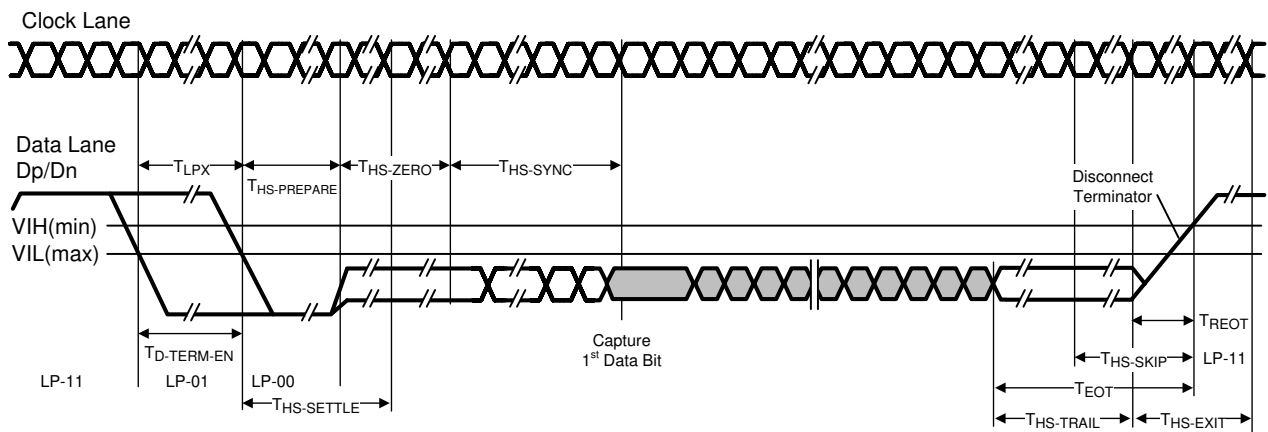


图 11. High-Speed Data Transmission Burst

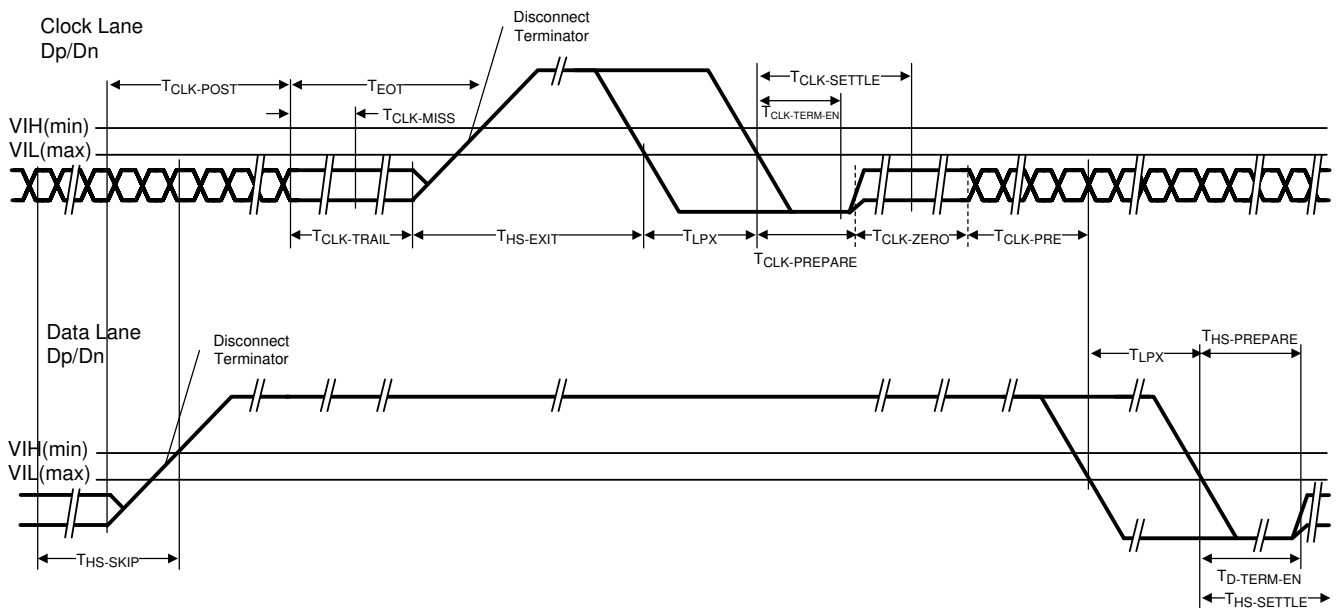


图 12. Switching the Clock Lane Between Clock Transmission and Low-Power Mode

Timing Diagrams and Test Circuits (接下页)

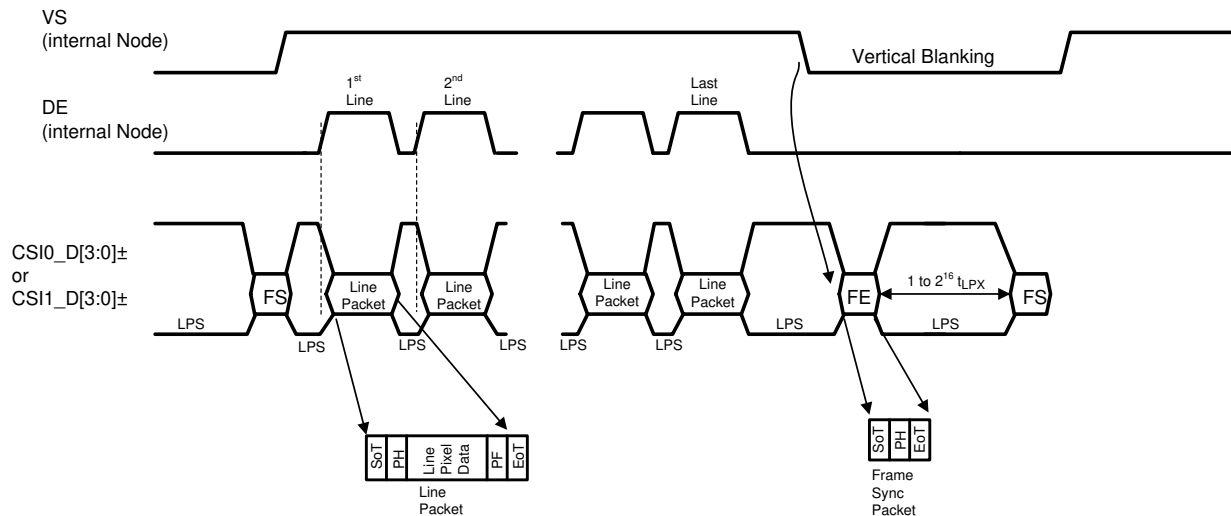


图 13. Long Line Packets and Short Frame Sync Packets

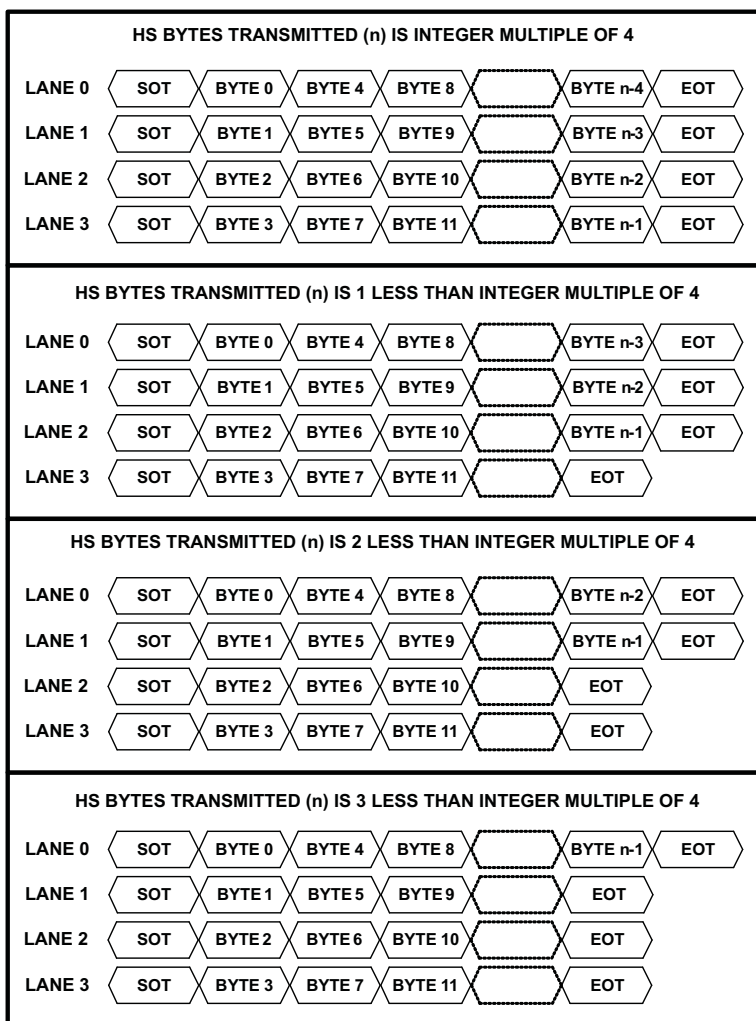


图 14. 4 MIPI® Data Lane Configuration

Timing Diagrams and Test Circuits (接下页)

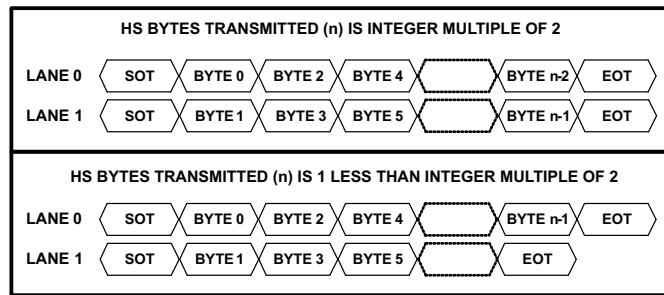


图 15. 2 MIPI® Data Lane Configuration

6.10 Typical Characteristics

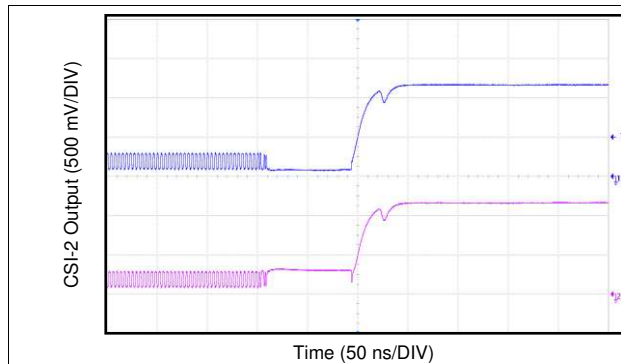


图 16. CSI-2 D0± End of Transmission

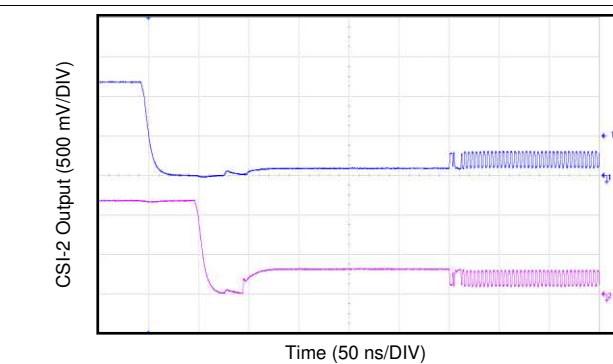


图 17. CSI-2 D0± Start of Transmission

## 7 Detailed Description

### 7.1 Overview

The DS90UB940N-Q1 receives a 35-bit symbol over single or dual serial FPD-Link III pairs that operate up to 3.36-Gbps in 1-lane FPD-Link III mode and 2.975 Gbps per lane in 2-lane FPD-Link III mode. The DS90UB940N-Q1 converts this stream into a CSI-2 MIPI Interface (4 data channels + 1 clock, or 8 data channels + 2 clocks in replicate mode). The FPD-Link III serial stream contains an embedded clock, video control signals, audio, GPIOs, I2C, and DC-balanced video and audio data that can enhance signal quality to support AC coupling.

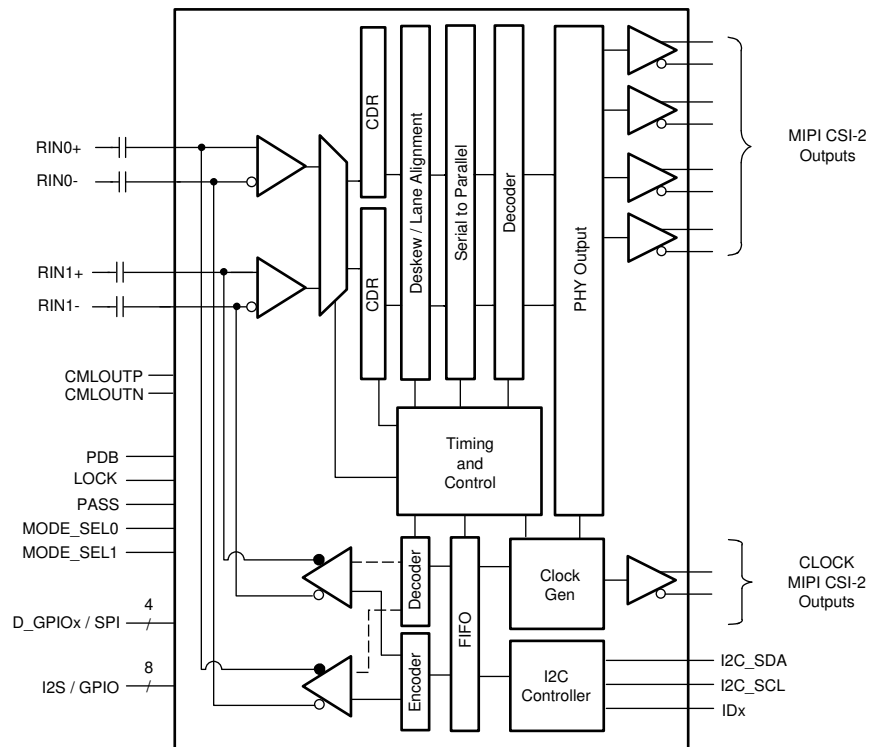
The DS90UB940N-Q1 was designed to be used with the DS90UB949-Q1 or DS90UB947-Q1 serializers, but the device is backward-compatible with the DS90UB925Q-Q1, DS90UB925AQ-Q1, and DS90UB927Q-Q1 FPD-Link III serializers.

The DS90UB940N-Q1 deserializer can lock to a data stream without the use of a separate reference clock source, which can help simplify system design and lower cost. The deserializer also synchronizes to the serializer regardless of the data pattern, delivering true automatic *plug and lock* performance. The deserializer can also lock to the incoming serial stream without the need of special training patterns or sync characters. The deserializer recovers the clock and data by extracting the embedded clock information, validating, then deserializing the incoming data stream.

The DS90UB940N-Q1 deserializer incorporates an I2C-compatible interface. The I2C-compatible interface allows the user to program the serializer or deserializer devices from a local host controller. The devices also incorporate a bidirectional control channel (BCC) that allows communication between the serializer and deserializer, as well as between remote I2C slave devices.

The bidirectional control channel (BCC) is implemented through embedded signaling in the high-speed forward channel (serializer to deserializer) combined with lower speed signaling in the reverse channel (deserializer to serializer). Through this interface, the BCC provides a mechanism to bridge I2C transactions across the serial link from one I2C bus to another. The implementation allows for arbitration with other I2C-compatible masters at either side of the serial link.

### 7.2 Functional Block Diagram



## 7.3 Feature Description

### 7.3.1 High-Speed Forward Channel Data Transfer

The high-speed forward channel is composed of 35 bits of data containing RGB data, sync signals, I2C, GPIOs, and I2S audio transmitted from serializer to deserializer. 图 18 shows the serial stream per clock cycle. This data payload is optimized for signal transmission over an AC-coupled link. Data is randomized, balanced, and scrambled.



图 18. FPD-Link III Serial Stream

The DS90UB940N-Q1 supports clocks in the range of 25 MHz to 96 MHz over 1 lane, or 50 MHz to 170 MHz over 2 lanes. The FPD-Link III serial stream rate is 3.36 Gbps maximum (875 Mbps minimum) or 2.975 Gbps maximum per lane (875 Mbps minimum), respectively.

### 7.3.2 Low-Speed Back Channel Data Transfer

The Low-Speed Backward Channel provides bidirectional communication between the display and host processor. The information is carried from the deserializer to the serializer as serial frames. The back channel control data is transferred over both serial links along with the high-speed forward data, DC balance coding, and embedded clock information. This architecture provides a backward path across the serial link together with a high-speed forward channel. The back channel contains the I2C, CRC, and 4 bits of standard GPIO information with a 5-Mbps or 20-Mbps line rate (configured by MODE\_SEL1).

### 7.3.3 FPD-Link III Port Register Access

Because the DS90UB940N-Q1 contains two ports, some registers must be duplicated to allow control and monitoring of the two ports. To facilitate this, PORT1\_SEL and PORT0\_SEL bits (0x34[1:0]) register controls access to the two sets of registers. Registers that are shared between ports (not duplicated) are available and independent of the settings in the PORT\_SEL register.

Setting the PORT1\_SEL and PORT0\_SEL bit allows a read of the register for the selected port. If both bits are set, port1 registers are returned. Writes occur to ports for which the select bit is set, allowing simultaneous writes to both ports if both select bits are set.

### 7.3.4 Clock and Output Status

When PDB is driven HIGH, the CDR PLL begins locking to the serial input and the LOCK is set to tri-state or LOW (depending on the value of the OUTPUT ENABLE setting). After the deserializer completes its lock sequence to the input serial data, the LOCK output is driven HIGH to indicate valid data and alert the user that the clock recovered from the serial input is available on the LVCMOS and LVDS outputs. The state of the outputs is based on the OUTPUT ENABLE and OUTPUT SLEEP STATE SELECT register settings. See register 0x02 in Table 11. The D\_GPIO are not controlled by OSS\_SEL in all cases. Only in OEN low and OSS\_SEL high does D\_GPIO match the other GPIO behavior (high Z). In other cases, D\_GPIO still operates as a normal output, instead of output Low.

表 1. Output State Table

INPUTS				OUTPUTS			
SERIAL INPUT	PDB	OUTPUT ENABLE Reg 0x02 [7]	OUTPUT SLEEP STATE SELECT Reg 0x02 [4]	LOCK	PASS	DATA GPIO / D_GPIO I2S	CSI-2 OUTPUT
X	L	X	X	Z	Z	Z	Z
X	H	L	L	L or H	L	L (D_GPIO per register setting)	HS0
X	H	L	H	L or H	Z	Z	Z
Static	H	H	L	L	L	L	HS0
Static	H	H	H	L	Previous status	L	HS0

**Feature Description (接下页)**
**表 1. Output State Table (接下页)**

INPUTS				OUTPUTS			
SERIAL INPUT	PDB	OUTPUT ENABLE Reg 0x02 [7]	OUTPUT SLEEP STATE SELECT Reg 0x02 [4]	LOCK	PASS	DATA GPIO / D_GPIO I2S	CSI-2 OUTPUT
Active	H	H	L	H	L	L (D_GPIO per register setting)	HS0
Active	H	H	H	H	Valid	Valid	Valid

**7.3.5 LVCMOS VDDIO Option**

The 1.8-V or 3.3-V inputs and outputs are powered from a separate VDDIO supply to offer compatibility with external system interface signals.

**注**

When configuring the VDDIO power supplies, all the single-ended data and control input pins for device must scale together with the same operating VDDIO levels.

**7.3.6 Power Down (PDB)**

The deserializer has a PDB input pin to ENABLE or POWER DOWN the device. This pin can be controlled by the host or through the VDDIO, where VDDIO = 3 V to 3.6 V or VDD33. To save power, disable the link when the display is not needed (PDB = LOW). When the pin is driven by the host, make sure to release the pin after VDD33 and VDDIO have reached final levels. No external components are required for this task. When the PDB input pin is driven by the VDDIO = 3 V to 3.6 V or VDD33 directly, a 10-kΩ resistor to the VDDIO = 3 V to 3.6 V or VDD33, and a >10-μF capacitor to the GND are required (see [图 38](#)).

**7.3.7 Interrupt Pin — Functional Description and Usage (INTB\_IN)**

The INTB\_IN pin is an active low interrupt input pin. This interrupt signal, when configured, propagates to the paired serializer. Consult the appropriate serializer data sheet for details of how to configure this interrupt functionality.

1. On the serializer, set register 0xC6[5] = 1 and 0xC6[0] = 1.
2. Deserializer INTB\_IN (pin 4) is set *LOW* by some downstream device.
3. Serializer pulls INTB pin *LOW*. The signal is active *LOW*, so a *LOW* indicates an interrupt condition.
4. External controller detects INTB = *LOW*. To determine interrupt source, read ISR register.
5. A read to ISR clears the interrupt at the Serializer, releasing INTB.
6. The external controller typically must then access the remote device to determine downstream interrupt source and clear the interrupt driving the deserializer INTB\_IN. This would be when the downstream device releases the INTB\_IN (pin 4) on the deserializer. The system is now ready to return to step (2) at next falling edge of INTB\_IN.

**7.3.8 General-Purpose I/O (GPIO)**

The DS90UB940N-Q1 deserializer features standard general-purpose I/O (GPIO) and high-speed, general-purpose I/O (D\_GPIO) pins. The D\_GPIO pins are functional only in 2-lane FPD-Link III mode.

**7.3.8.1 GPIOx and D\_GPIOx Pin Configuration**

In normal operation, GPIOx pins may be used as GPIOs in either forward channel (outputs) or back channel (inputs) mode. GPIO and D\_GPIO modes may be configured through the registers ([Table 11](#)). The same registers configure either GPIOx or D\_GPIOx pins, depending on the status of PORT1\_SEL and PORT0\_SEL bits (0x34[1:0]). D\_GPIO mode operation requires 2-lane FPD-Link III mode. Consult the appropriate serializer data sheet for details on D\_GPIOx pin configuration.

## 注

If paired with a DS90UB925Q-Q1 serializer, the devices must be configured for 18-bit mode to allow usage of GPIO pins on the serializer.

To enable 18-bit mode, set the serializer register 0x12[2] = 1. After setting the serializer register, 18-bit mode is auto-loaded into the deserializer from the serializer. See 表 2 for GPIOx pins enable and configuration.

**表 2. GPIO / D\_GPIO Enable and Configuration**

DESCRIPTION	DEVICE	FORWARD CHANNEL	BACK CHANNEL
GPIO3 / D_GPIO3	Serializer	0x0F[3:0] = 0x3	0x0F[3:0] = 0x5
	Deserializer	0x1F[3:0] = 0x5	0x1F[3:0] = 0x3
GPIO2 / D_GPIO2	Serializer	0x0E[7:4] = 0x3	0x0E[7:4] = 0x5
	Deserializer	0x1E[7:4] = 0x5	0x1E[7:4] = 0x3
GPIO1 / D_GPIO1	Serializer	0x0E[3:0] = 0x3	0x0E[3:0] = 0x5
	Deserializer	0x1E[3:0] = 0x5	0x1E[3:0] = 0x3
GPIO0 / D_GPIO0	Serializer	0x0D[3:0] = 0x3	0x0D[3:0] = 0x5
	Deserializer	0x1D[3:0] = 0x5	0x1D[3:0] = 0x3

The input value present on GPIO[3:0] or D\_GPIO[3:0] may also be read from register or configured to local output mode (Table 11).

The GPIO0 pin also includes PASS and SDOUT functions. To allow GPIO0 control, PASS needs to be disabled by clearing bit 1 in indirect CSI register 0x16.

The GPIO3 pin can also be programmed to be the PASS pin. To allow GPIO3 control, PASS needs to be disabled by clearing bit 2 in indirect CSI register 0x16.

### 7.3.8.2 Back Channel Configuration

The D\_GPIO[3:0] pins can be configured to have different sampling rates depending on the mode or back channel frequency. The mode is controlled by register 0x43 (Table 11). The back channel frequency can be controlled in several ways:

- Register 0x23[6] can set the divider that controls the back channel frequency based on the internal oscillator. 0x23[6] = 0 sets the divider to 4 and 0x23[6] = 1 sets the divider to 2. As long as BC\_HS\_CTL (0x23[4]) is set to 0, the back channel frequency is either 5 Mbps or 10 Mbps based on this bit.
- Register 0x23[4] can enable the high-speed back channel. This can also be pin-strapped through MODE\_SEL1 (see 表 3). This bit overrides 0x23[6] and sets the divider for the back channel frequency to 1. Setting this bit to 1 sets the back channel frequency to 20 Mbps.

The back channel frequency has variation of ±20%.

## 注

The back channel frequency must be set to 5 Mbps when paired with a DS90UB925Q-Q1, DS90UB925AQ-Q1, or DS90UB927Q-Q1. See 表 3 for details about configuring the D\_GPIOs in various modes.



表 3. Back Channel D\_GPIO Effective Frequency

HSCC_MODE (0x43[2:0])	MODE	NUMBER OF D_GPIOs	SAMPLES PER FRAME	D_GPIO EFFECTIVE FREQUENCY <sup>(1)</sup> (kHz)			D_GPIOs ALLOWED
				5 Mbps BC <sup>(2)</sup>	10 Mbps BC <sup>(3)</sup>	20 Mbps BC <sup>(4)</sup>	
000	Normal	4	1	33	66	133	D_GPIO[3:0]
011	Fast	4	6	200	400	800	D_GPIO[3:0]
010	Fast	2	10	333	666	1333	D_GPIO[1:0]
001	Fast	1	15	500	1000	2000	D_GPIO0

(1) The effective frequency assumes the worst-case back channel frequency (–20%) and a 4xsampling rate.

(2) 5 Mbps corresponds to BC\_FREQ\_SELECT = 0 & BC\_HS\_CTL = 0.

(3) 10 Mbps corresponds to BC\_FREQ\_SELECT = 1 & BC\_HS\_CTL = 0.

(4) 20 Mbps corresponds to BC\_FREQ\_SELECT = X & BC\_HS\_CTL = 1.

### 7.3.8.3 GPIO\_REG[8:5] Configuration

The GPIO\_REG[8:5] are register-only GPIOs and may be either programmed as outputs or read as inputs through local register bits only. Where applicable, these bits are shared with I2S pins and will override I2S input if enabled in GPIO\_REG mode. See 表 4 for GPIO enable and configuration.

#### 注

Local GPIO value may be configured and read either through local register access or remote register access through the low-speed bidirectional control channel. Configuration and state of these pins are not transported from serializer to deserializer as is the case for GPIO[3:0].

表 4. GPIO\_REG and GPIO Local Enable and Configuration

DESCRIPTION	REGISTER CONFIGURATION	FUNCTION
GPIO9	0x1A[3:0] = 0x1	Output, L
	0x1A[3:0] = 0x9	Output, H
	0x1A[3:0] = 0x3	Input, Read: 0x6F[1]
GPIO_REG8	0x21[7:4] = 0x1	Output, L
	0x21[7:4] = 0x9	Output, H
	0x21[7:4] = 0x3	Input, Read: 0x6F[0]
GPIO_REG7	0x21[3:0] = 0x1	Output, L
	0x21[3:0] = 0x9	Output, H
	0x21[3:0] = 0x3	Input, Read: 0x6E[7]
GPIO_REG6	0x20[7:4] = 0x1	Output, L
	0x20[7:4] = 0x9	Output, H
	0x20[7:4] = 0x3	Input, Read: 0x6E[6]
GPIO_REG5	0x20[3:0] = 0x1	Output, L
	0x20[3:0] = 0x9	Output, H
	0x20[3:0] = 0x3	Input, Read: 0x6E[5]
GPIO3	0x1F[3:0] = 0x1	Output, L
	0x1F[3:0] = 0x9	Output, H
	0x1F[3:0] = 0x3	Input, Read: 0x6E[3]
GPIO2	0x1E[7:4] = 0x1	Output, L
	0x1E[7:4] = 0x9	Output, H
	0x1E[7:4] = 0x3	Input, Read: 0x6E[2]
GPIO1	0x1E[3:0] = 0x1	Output, L
	0x1E[3:0] = 0x9	Output, H
	0x1E[3:0] = 0x3	Input, Read: 0x6E[1]

**表 4. GPIO\_REG and GPIO Local Enable and Configuration (接下页)**

DESCRIPTION	REGISTER CONFIGURATION	FUNCTION
GPIO0	0x1D[3:0] = 0x1	Output, L
	0x1D[3:0] = 0x9	Output, H
	0x1D[3:0] = 0x3	Input, Read: 0x6E[0]

### 7.3.9 SPI Communication

The SPI control channel uses the secondary link in a 2-lane FPD-Link III implementation. Two possible modes are available: forward channel and reverse channel mode. In forward channel mode, the SPI master is located at the serializer and allows the SPI data to flow in the same direction as the video data. In reverse channel mode, the SPI master is located at the deserializer and allows the SPI data to flow in the opposite direction of the video data.

The SPI control channel can operate in high-speed mode when writing data, but the SPI must operate at lower frequencies when reading data. During SPI reads, data is clocked from the slave to the master on the SPI clock falling edge. Thus, the SPI read must operate with a clock period that is greater than the round trip data latency. On the other hand, for SPI writes, data can be sent at much higher frequencies where the MISO pin can be ignored by the master.

SPI data rates are not symmetrical for the two modes of operation. Data over the forward channel can be sent much faster than data over the reverse channel.

---

**注**

SPI cannot be used to access serializer or deserializer registers.

---

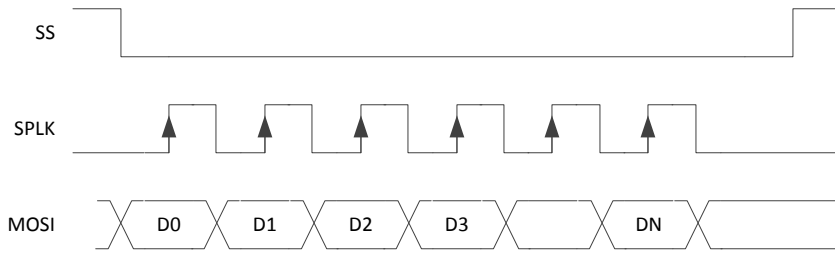
#### 7.3.9.1 SPI Mode Configuration

SPI is configured over I2C using the high-speed control channel configuration (HSCC\_CONTROL) register, 0x43 (see [Table 11](#)). HSCC\_MODE (0x43[2:0]) must be configured for either high-speed, forward channel SPI mode (110) or high-speed, reverse channel SPI mode (111).

#### 7.3.9.2 Forward Channel SPI Operation

In forward channel SPI operation, the SPI master located at the serializer generates the SPI clock (SPLK), master out / slave in data (MOSI), and active-low slave select (SS). The serializer oversamples the SPI signals directly using the video pixel clock. The three sampled values for SPLK, MOSI, and SS are each sent on data bits in the forward channel frame. At the deserializer, the SPI signals are regenerated using the pixel clock. To preserve setup and hold time, the deserializer holds MOSI data while the SPLK signal is high. The deserializer also delays SPLK by one pixel clock relative to the MOSI data, increasing setup by one pixel clock.

SERIALIZER



DESERIALIZER

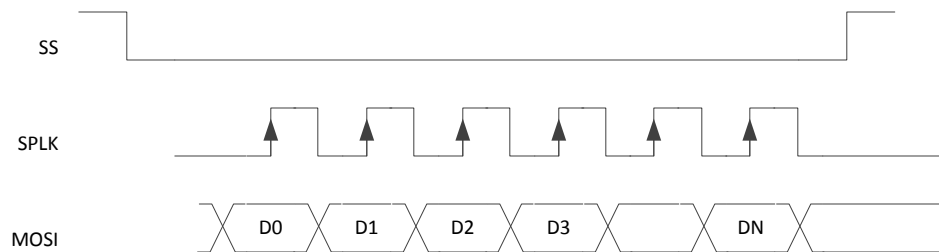
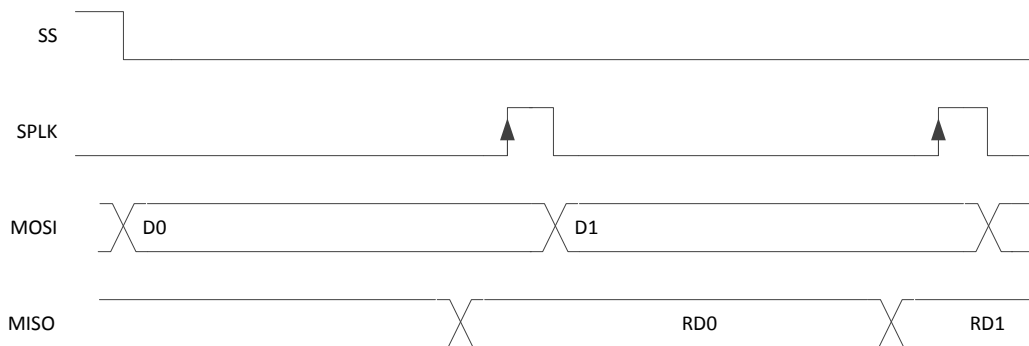


图 19. Forward Channel SPI Write

SERIALIZER



DESERIALIZER

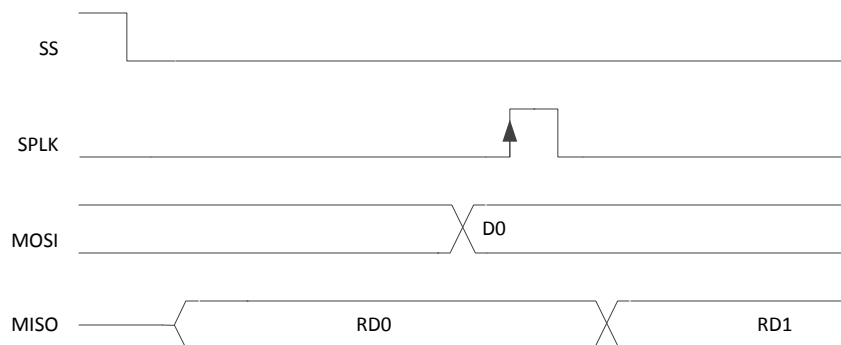
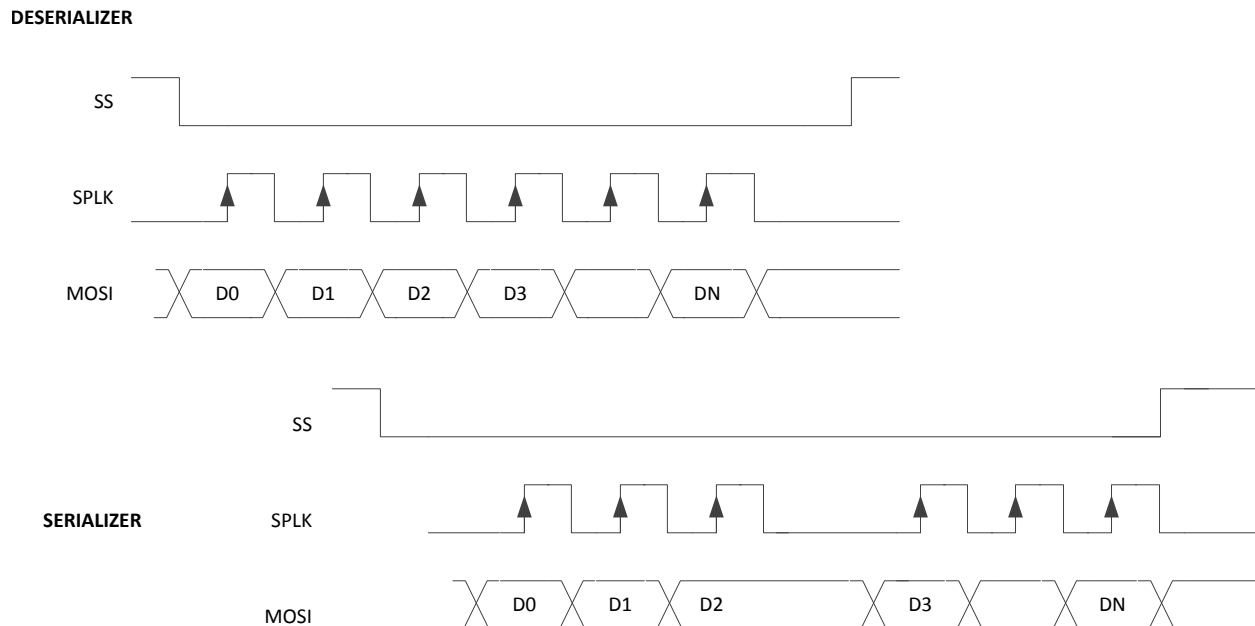


图 20. Forward Channel SPI Read

### 7.3.9.3 Reverse Channel SPI Operation

In reverse channel SPI operation, the deserializer samples the slave select (SS), SPI clock (SCLK) into the internal oscillator clock domain. Upon detection of the active SPI clock edge, the deserializer also samples the SPI data (MOSI). The SPI data samples are stored in a buffer to be passed to the serializer over the back channel. The deserializer sends SPI information in a back channel frame to the serializer. In each back channel frame, the deserializer sends an indication of the SS value. The SS must be inactive (high) for at least one back-channel frame period to ensure propagation to the serializer.

Because data is delivered in separate back channel frames and buffered, the data may be regenerated in bursts. [Figure 21](#) shows an example of the SPI data regeneration when the data arrives in three back channel frames. The first frame delivered the SS active indication, the second frame delivered the first three data bits, and the third frame delivers the additional data bits.



**图 21. Reverse Channel SPI Write**

For reverse channel SPI reads, the SPI master must wait for a round-trip response before generating the sampling edge of the SPI clock. This operation is similar to forward channel mode. Note that at most one data/clock sample is sent per back channel frame.

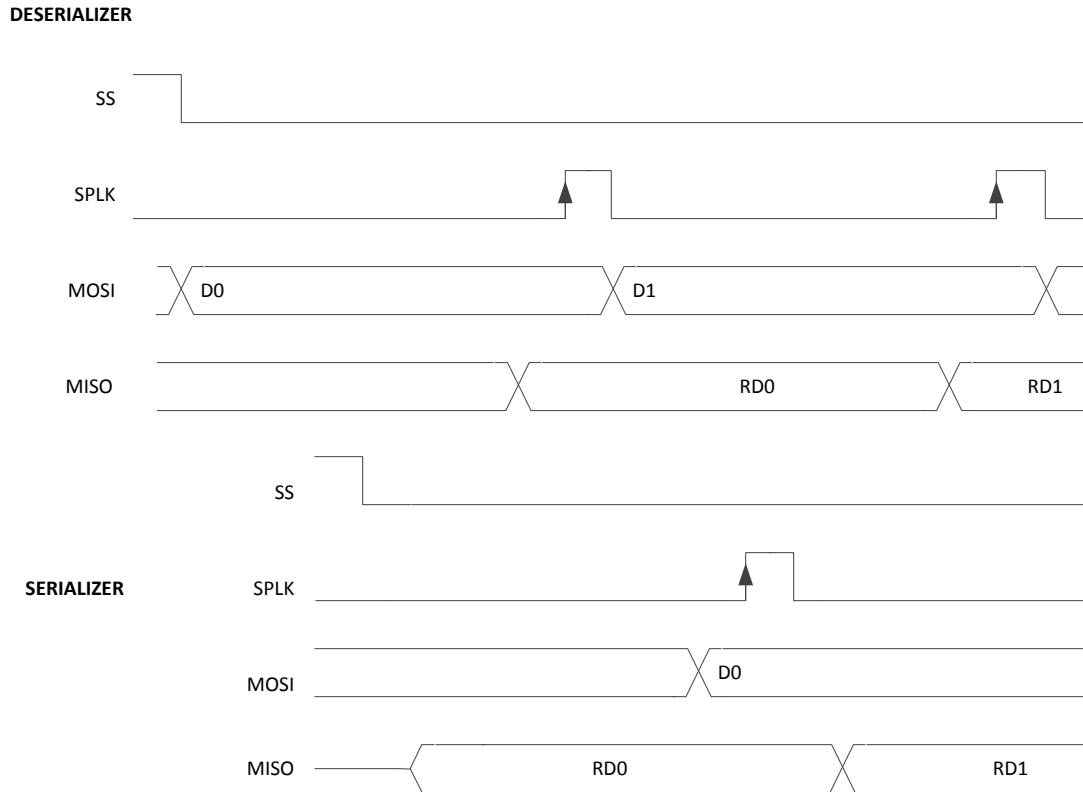


图 22. Reverse Channel SPI Read

For both reverse-channel SPI writes and reads, the SPI\_SS signal must be deasserted for at least one back-channel frame period.

表 5. SPI SS Deassertion Requirement

BACK CHANNEL FREQUENCY	DEASSERTION REQUIREMENT
5 Mbps	7.5 $\mu$ s
10 Mbps	3.75 $\mu$ s
20 Mbps	1.875 $\mu$ s

### 7.3.10 Backward Compatibility

The DS90UB940N-Q1 is also backward-compatible with the DS90UB925Q-Q1, DS90UB925AQ-Q1, and DS90UB927Q-Q1 for PCLK frequencies ranging from 25 MHz to 85 MHz. Backward compatibility does not need to be enabled. When paired with a backward-compatible device, the deserializer auto-detects to 1-lane FPD-Link III on the primary channel (RIN0 $\pm$ ).

### 7.3.11 Adaptive Equalizer

The FPD-Link III receiver inputs incorporate an adaptive equalizer (AEQ) to compensate for signal degradation from the communications channel and interconnect components. Each RX port signal path continuously monitors cable characteristics for long-term cable aging and temperature changes. The AEQ is primarily intended to adapt and compensate for channel losses over the lifetime of a cable installed in an automobile. The AEQ attempts to optimize the equalization setting of the RX receiver. This adaption includes compensating insertion loss from temperature effects and aging degradation due to bending and flexion. To determine the maximum cable reach, factors that affect signal integrity such as jitter, skew, inter-symbol interference (ISI), crosstalk, and so forth, must also be considered. The equalization configuration programmed in registers 0x35 (AEQ\_CTL1) and 0x45 (AEQ\_CTL2). See [Table 11](#).

### 7.3.11.1 Transmission Distance

The DS90UB940N-Q1 AEQ can compensate for the transmission channel insertion loss of up to  $-15.3$  dB at 1.7 GHz. When designing the transmission channel, consider the total insertion loss of all components in the signal path between a serializer and a deserializer. Typically, the transmission channel would consist of a serializer PCB, two or more connectors, one or more cables, and a deserializer PCB as shown in [Figure 23](#).



**图 23. Typical Transmission Channel Components With STQ Cables**

### 7.3.11.2 Adaptive Equalizer Algorithm

The AEQ process steps through the allowed values of the equalizer controls to find a value that allows the Clock Data Recovery (CDR) circuit to maintain a valid lock condition. For each EQ setting, the circuit waits for a programmed relock time period, then checks the results for a valid lock. If a valid lock is detected, the circuit will stop at the current EQ setting and maintain a constant value for as long as the lock state persists. If the deserializer loses the lock, the adaptive equalizer will resume the LOCK algorithm and the EQ setting is incremented to the next valid state. When the lock is lost, the circuit will continue searching the EQ settings to find a valid setting to reacquire the serial data stream sent by the serializer that remains locked.

### 7.3.11.3 AEQ Settings

#### 7.3.11.3.1 AEQ Start-Up and Initialization

The AEQ circuit can be restarted at any time by setting the AEQ\_RESTART bit in the AEQ\_CTL1 register 0x35. When the deserializer is powered on, the AEQ will continually search through EQ settings and could be at any setting when the signal is supplied from the serializer. If the Rx Port CDR locks to the signal, it may be good enough for low bit errors, but it could also not be optimized or over-equalized. For a consistent initial EQ setting, TI recommends that the user applies either AEQ\_RESTART or DIGITAL\_RESET0 when the serializer input signal frequency is stable to restart adaption from the minimum EQ gain value.

#### 7.3.11.3.2 AEQ Range

The user can program the AEQ circuit with the minimum AEQ level setting used during the EQ adaption. Using the full AEQ range will provide the most flexible solution, however, if the channel conditions are known, and an improved deserializer lock time can be achieved by narrowing the search window for allowable EQ gain settings. For example, in a system use case with a longer cable and multiple interconnects creating a higher channel attenuation, the AEQ would not adapt to the minimum EQ gain settings. In this case, starting the adaptation from a higher AEQ level would improve lock time. The AEQ range is determined by the AEQ\_CTL2 register 0x45 where the ADAPTIVE\_EQ\_FLOOR\_VALUE determines the starting value for EQ gain adaption. The maximum AEQ limit is not adjustable. To enable the minimum AEQ limit, OVERRIDE\_AEQ\_FLOOR and SET\_AEQ\_FLOOR bits in the AEQ\_CTL1 register must also be set. The setting for the AEQ after adaption can be read back from the AEQ\_STATUS register 0x3B. See [Table 11](#).

#### 7.3.11.3.3 AEQ Timing

The dwell time for AEQ to wait for either the lock or error-free status is also programmable. When checking each EQ setting, the AEQ will wait for a time interval, controlled by the ADAPTIVE\_EQ\_RELOCK\_TIME field in the AEQ\_CTL2 register (see [Table 11](#)) before incrementing to the next allowable EQ gain setting. The default wait time is set to 2.62 ms. Once the maximum setting is reached, if there is no lock acquired during the programmed relock time, the AEQ will restart the adaption at the minimum setting or AEQ\_FLOOR value.

### 7.3.12 I2S Audio Interface

This deserializer features six I2S output pins that, when paired with a compatible serializer, support surround-sound audio applications. The bit clock (I2S\_CLK) supports frequencies between 1 MHz and the smaller of the two:  $< PCLK/2$  or  $< 13$  MHz. Four I2S data outputs carry two channels of I2S-formatted digital audio each, with each channel delineated by the word select (I2C\_WC) input.

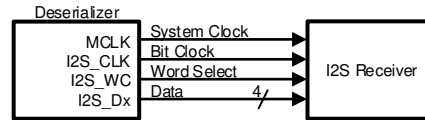


图 24. I2S Connection Diagram

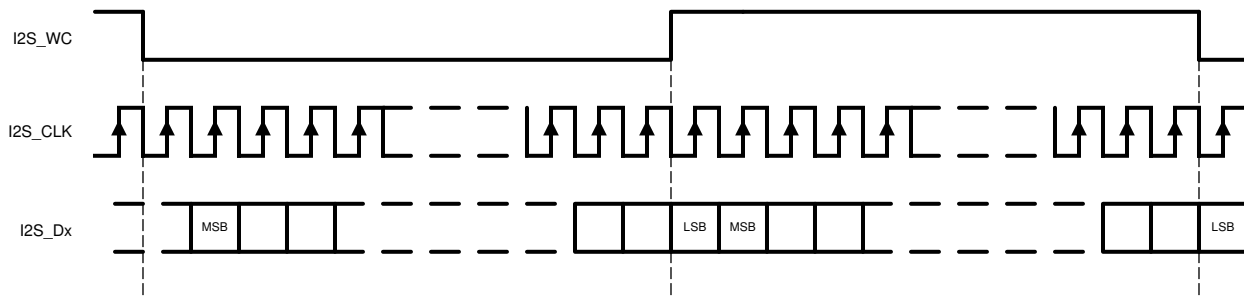


图 25. I2S Frame Timing Diagram

When paired with a DS90UB925Q, the deserializer I2S interface supports a single I2S data output through the I2S\_DA (24-bit video mode) or two I2S data outputs through the I2S\_DA and I2S\_DB (18-bit video mode).

#### 7.3.12.1 I2S Transport Modes

By default, packetized audio is received during video blanking periods in dedicated data island transport frames. The transport mode is set in the serializer and auto-loaded into the deserializer by default. The audio configuration may be disabled from the control registers if a forward channel frame transport of I2S data is desired. In frame transport, only the I2S\_DA is received to the deserializer. Surround sound mode, which transmits all four I2S data inputs (I2S\_D[D:A]), may only operate in data island transport mode. This mode is only available when connected to a DS90UB927Q, DS90UB949-Q1, DS90UB947-Q1, or DS90UB929-Q1 serializer. If connected to a DS90UB925Q serializer, only the I2S\_DA and I2S\_DB may be received.

#### 7.3.12.2 I2S Jitter Cleaning

This device features a standalone PLL to clean the I2S data jitter, which allows the device to support high-end car audio systems. If the I2S\_CLK frequency is less than 1 MHz, this feature must be disabled through register 0x2B[7]. See [Table 11](#).

#### 7.3.12.3 MCLK

The deserializer has an I2S Master Clock Output (MCLK). It supports x1, x2, or x4 of I2S CLK Frequency. When the I2S PLL is disabled, the MCLK output is off. [表 6](#) covers the range of I2S sample rates and MCLK frequencies. By default, all the MCLK output frequencies are x2 of the I2S CLK frequencies. The MCLK frequencies can also be enabled through the register bits 0x3A[6:4] (I2S DIVSEL), shown in [Table 11](#). To select desired MCLK frequency, write 0x3A[7], then write to bit [6:4] accordingly.

**表 6. Audio Interface Frequencies**

SAMPLE RATE (kHz)	I2S DATA WORD SIZE (BITS)	I2S CLK (MHz)	MCLK OUTPUT (MHz)	REGISTER 0x3A[6:4]’b
32	16	1.024	I2S_CLK x1	000
			I2S_CLK x2	001
			I2S_CLK x4	010
44.1		1.4112	I2S_CLK x1	000
			I2S_CLK x2	001
			I2S_CLK x4	010
48		1.536	I2S_CLK x1	000
			I2S_CLK x2	001
			I2S_CLK x4	010
96		3.072	I2S_CLK x1	001
			I2S_CLK x2	010
			I2S_CLK x4	011
192	6.144	I2S_CLK x1	010	
		I2S_CLK x2	011	
		I2S_CLK x4	100	
32	24	1.536	I2S_CLK x1	000
			I2S_CLK x2	001
			I2S_CLK x4	010
44.1		2.117	I2S_CLK x1	001
			I2S_CLK x2	010
			I2S_CLK x4	011
48		2.304	I2S_CLK x1	001
			I2S_CLK x2	010
			I2S_CLK x4	011
96		4.608	I2S_CLK x1	010
			I2S_CLK x2	011
			I2S_CLK x4	100
192	9.216	I2S_CLK x1	011	
		I2S_CLK x2	100	
		I2S_CLK x4	101	
32	32	2.048	I2S_CLK x1	001
			I2S_CLK x2	010
			I2S_CLK x4	011
44.1		2.8224	I2S_CLK x1	001
			I2S_CLK x2	010
			I2S_CLK x4	011
48		3.072	I2S_CLK x1	001
			I2S_CLK x2	010
			I2S_CLK x4	011
96		6.144	I2S_CLK x1	010
			I2S_CLK x2	011
			I2S_CLK x4	100
192	12.288	I2S_CLK x1	011	
		I2S_CLK x2	100	
		I2S_CLK x4	110	



### 7.3.13 Built-In Self Test (BIST)

An optional at-speed, built-in self test (BIST) feature supports testing of the high-speed serial link and the low-speed back channel without external data connections. This is useful in the prototype stage, equipment production, in-system test, and system diagnostics.

#### 7.3.13.1 BIST Configuration and Status

The BIST mode is enabled at the deserializer by the BISTEN pin or the BIST configuration register. The test may select either an external PCLK or the 33-MHz internal oscillator clock (OSC) frequency in the serializer. In the absence of PCLK, the user can select the internal OSC frequency at the deserializer through the BISTC pin or BIST configuration register.

When BIST is activated at the deserializer, a BIST enable signal is sent to the serializer through the back channel. The serializer outputs a test pattern and drives the link at speed. The deserializer detects the test pattern and monitors the pattern for errors. The deserializer PASS output pin toggles to flag each frame received that contains one or more errors. The serializer also tracks errors indicated by the CRC fields in each back channel frame.

The BIST status can be monitored in real time on the deserializer PASS pin, and each detected error results in a half pixel clock period toggled LOW. After BIST is deactivated, the result of the last test is held on the PASS output until a reset is triggered by a new BIST test or a power down. A high on PASS indicates that NO ERRORS were detected. A Low on PASS indicates that one or more errors were detected. The duration of the test is controlled by the pulse width applied to the deserializer BISTEN pin. LOCK status is valid throughout the entire duration of BIST.

See [图 26](#) for the BIST mode flow diagram.

#### 7.3.13.1.1 Sample BIST Sequence

**注**

Before BIST can be enabled, D\_GPIO0 (pin 19) must be strapped HIGH and D\_GPIO[3:1] (pins 16, 17, and 18) must be strapped LOW.

1. BIST Mode is enabled through the BISTEN pin of deserializer. The desired clock source is selected through the deserializer BISTC pin.
2. The serializer is awakened through the back channel if it is not already on. An all-zeros pattern is balanced, scrambled, randomized, and sent through the FPD-Link III interface to the deserializer. When the serializer and the deserializer are in BIST mode and the deserializer acquires LOCK, the PASS pin of the deserializer goes high and the BIST starts checking the data stream. If an error in the payload (1 to 35) is detected, the PASS pin switches low for one half of the clock period. During BIST mode, the PASS output can be monitored and counted to determine the payload error rate per 35 bits.
3. To stop BIST mode, set the BISTEN pin LOW. The deserializer stops checking the data, and the final test result is held on the PASS pin. If the test ran error-free, the PASS output remains HIGH. If one or more errors were detected, the PASS output outputs constant LOW. The PASS output state is held until a new BIST is run, the device is RESET, or the device is powered down. The BIST duration is user-controlled and may be of any length.

The link returns to normal operation after the deserializer BISTEN pin is low. [图 27](#) shows the waveform diagram of a typical BIST test for two cases. Case 1 is error-free, and Case 2 shows one with multiple errors. In most cases, it is difficult to generate errors due to the robustness of the link (differential data transmission, and so forth). Errors may be introduced by greatly extending the cable length, faulting the interconnect medium, or reducing signal condition enhancements (Rx equalization).

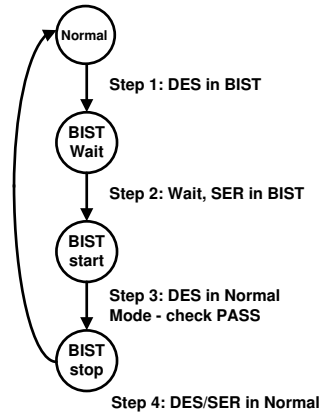


图 26. BIST Mode Flow Diagram

### 7.3.13.2 Forward Channel and Back Channel Error Checking

The deserializer, after locking to the serial stream, compares the recovered serial stream with all-zeroes and records any errors in the status registers. Errors are also dynamically reported on the PASS pin of the deserializer. Forward channel errors may also be read from register 0x25 (Table 11).

The back-channel data is checked for CRC errors once the serializer locks onto the back-channel serial stream, as indicated by the link detect status (register bit 0x0C[0] - Table 11). CRC errors are recorded in an 8-bit register in the serializer. The register is cleared when the serializer enters BIST mode. As soon as the serializer enters BIST mode, the functional mode CRC register starts recording any back channel CRC errors. The BIST mode CRC error register is active in BIST mode only, and keeps the record of the last BIST run until either the error is cleared or the serializer enters BIST mode again.

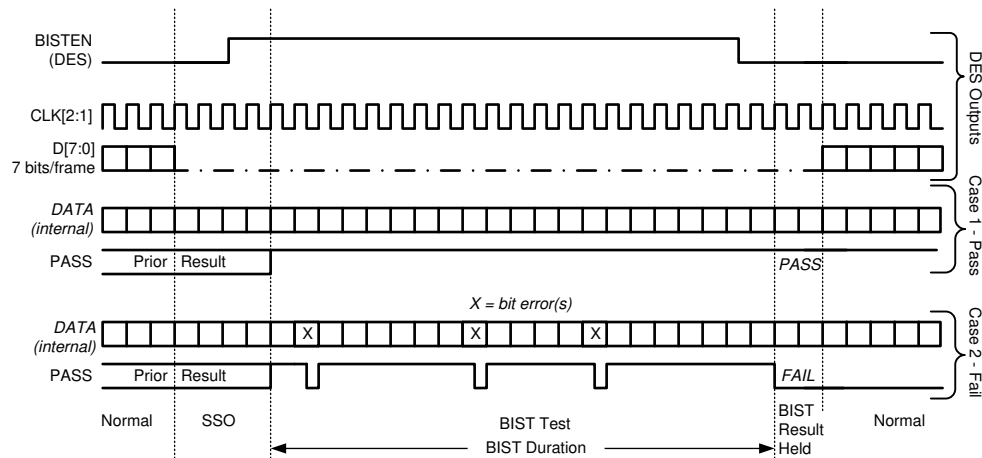


图 27. BIST Waveforms

### 7.3.14 Internal Pattern Generation

The deserializer supports the internal pattern generation feature. It allows basic testing and debugging of an integrated panel. The test patterns are simple and repetitive, and allow for a quick visual verification of panel operation. As long as the device is not in power-down mode, the test pattern is displayed even if no parallel input is applied. If no PCLK is received, the test pattern can be configured to use a programmed oscillator frequency. For more information, refer to the [Exploring the internal test pattern generation feature of 720p FPD-Link III devices](#) application report (SNLA132).

## 7.4 Device Functional Modes

### 7.4.1 Configuration Select

The DS90UB940N-Q1 can be configured for several different operating modes either through the MODE\_SEL[1:0] input pins or through register bits 0x23 [4:3] (MODE\_SEL1) and 0x6A [5:4] (MODE\_SEL0). A pullup resistor and a pulldown resistor of suggested values may be used to set the voltage ratio of the MODE\_SEL[1:0] input and VDD33 to select one of the possible selected modes.

The DS90UB940N-Q1 is capable of operating in either 1-lane or 2-lane modes for FPD-Link III. By default, the FPD-Link III receiver automatically configures the input based on 1- or 2-lane mode operation. Programming the register 0x34 [4:3] settings overrides the automatic detection. For each FPD-Link III pair, the serial data stream is composed of a 35-bit symbol.

The DS90UB940N-Q1 recovers the FPD-Link III serial data stream(s) and produces CSI-2 TX data driven to the MIPI DPHY interface. There are two CSI-2 ports (CSI0\_Dn and CSI1\_Dn), and each consist of one clock lane and four data lanes. The DS90UB940N-Q1 supports two CSI-2 TX ports, and each may be configured to support either two or four CSI-2 data lanes. Unused CSI-2 outputs are driven to LP11 states. The MIPI DPHY transmission operates in both differential (HS) and single-ended (LP) modes. During HS transmission, the pair of outputs operates in differential mode, and in LP mode, the pair operates as two independent single-ended traces. Both the data and clock lanes enter LP mode during the horizontal and vertical blanking periods.

The configurations outlined in [图 28](#) apply to DS90UB949-Q1, DS90UB947-Q1, DS90UB929-Q1, DS90UB925Q-Q1, DS90UB925AQ-Q1, and DS90UB927Q-Q1 FPD-Link III serializers.

The configurations outlined in [图 29](#) apply to DS90UB949-Q1 and DS90UB947-Q1 FPD-Link III serializers.

The device can be configured in following modes:

- 1-lane FPD-Link III input, 4 MIPI lanes output
- 1-lane FPD-Link III input, 2 MIPI lanes output
- 2-lane FPD-Link III input, 4 MIPI lanes output
- 2-lane FPD-Link III input, 4 MIPI lanes output
- 1- or 2-lane FPD-Link III input, 2 or 4 MIPI lanes output (replicate)

#### 7.4.1.1 1-Lane FPD-Link III Input, 4 MIPI® Lanes Output

In this configuration, the PCLK rate embedded within the 1-lane FPD-Link III frame can range from 25 MHz to 96 MHz, resulting in a link rate of 875 Mbps (35 bit × 25 MHz) to 3.36 Gbps (35 bit × 96 MHz). Each MIPI data lane operates at a speed of 7 × PCLK frequency, which results in a data rate of 175 Mbps to 672 Mbps. The corresponding MIPI transmit clock rate operates between 87.5 MHz to 336 MHz.

#### 7.4.1.2 1-Lane FPD-Link III Input, 2 MIPI® Lanes Output

In this configuration, the PCLK rate embedded within the 1-lane FPD-Link III frame can range from 25 MHz to 96 MHz, resulting in a link rate of 875 Mbps (35 bit × 25 MHz) to 3.36 Gbps (35 bit × 96 MHz). Each MIPI data lane operates at a speed of 14 × PCLK frequency, which results in a data rate of 350 Mbps to 1344 Mbps. The corresponding MIPI transmit clock rate operates between 175 MHz to 672 MHz.

#### 7.4.1.3 2-Lane FPD-Link III Input, 4 MIPI® Lanes Output

In this configuration, the PCLK rate embedded is split into 2-lane FPD-Link III frame and can range from 50 MHz to 170 MHz, resulting in a link rate of 875 Mbps (35 bit × 25 MHz) to 2.975 Gbps (35 bit × 85 MHz). The embedded data streams from the received FPD-Link III inputs are merged in HS mode to form packets that carry the video stream. Each MIPI data lane will operate at a speed of 7 × PCLK frequency, which results in a data rate of 350 Mbps to 1190 Mbps. The corresponding MIPI transmit clock rate operates between 175 MHz to 595 MHz.

## Device Functional Modes (接下页)

### 7.4.1.4 2-Lane FPD-Link III Input, 2 MIPI® Lanes Output

In this configuration, the PCLK rate embedded is split into 2-lane FPD-Link III frame and can range from 25 MHz to 48 MHz, resulting in a link rate of 875 Mbps (35 bit × 25 MHz) to 1.680 Gbps (35 bit × 48 MHz). The embedded data streams from the received FPD-Link III inputs are merged in HS mode to form packets that carry the video stream. Each MIPI data lane will operate at a speed of 14 × PCLK frequency, which results in a data rate of 700 Mbps to 1344 Mbps. The corresponding MIPI transmit clock rate will operate between 350 MHz to 672 MHz.

### 7.4.1.5 1- or 2-Lane FPD-Link III Input, 2 or 4 MIPI® Lanes Output in Replicate

Same as 1- or 2-lane FPD-Link III input(s), this mode can duplicate the MIPI CSI-2 lanes on CSI1\_D[3:0] and CSI1\_CLK outputs.

### 7.4.2 MODE\_SEL[1:0]

The engineer can configure the device through the MODE\_SEL[1:0] input pins or through the configuration register bits. A pullup resistor and a pulldown resistor of suggested values may be used to set the voltage ratio of the MODE\_SEL[1:0] inputs ( $V_{R4}$ ) and VDD33 to select one of the other eight possible selected modes. See 表 7 and 表 8. Possible configurations are shown in 图 28 and 图 29.

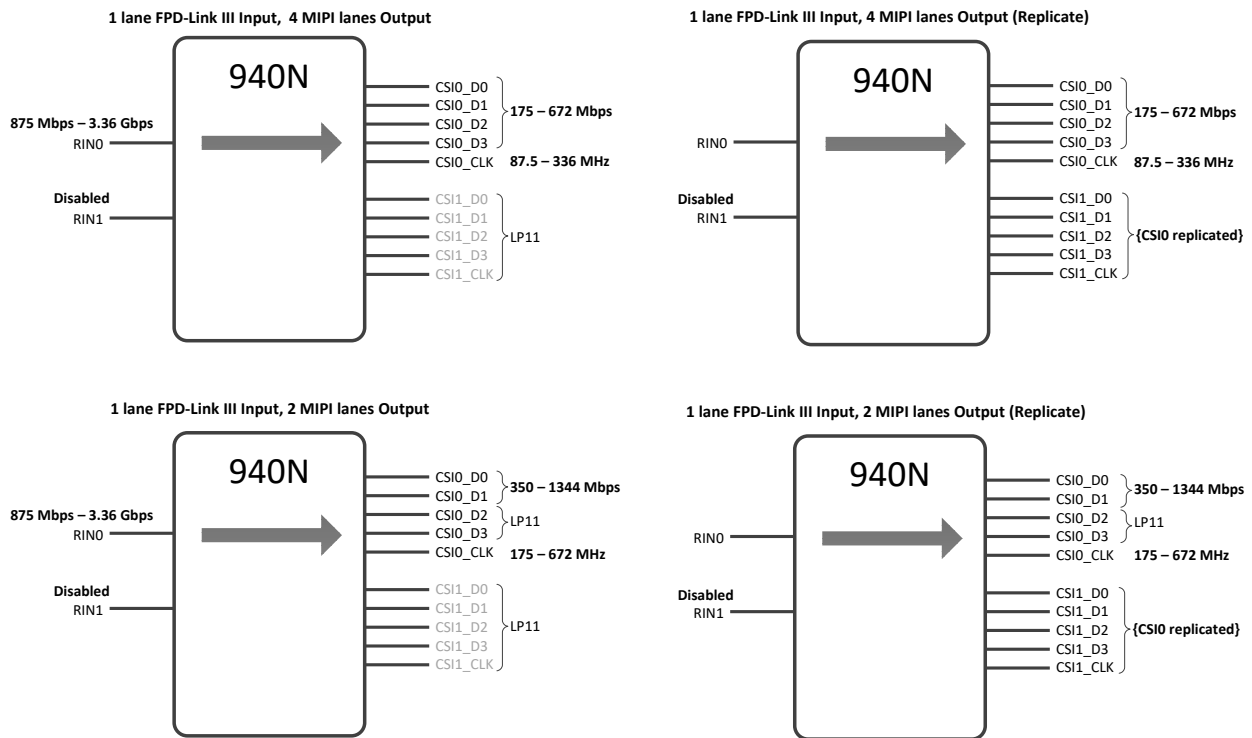


图 28. Data-Path Configurations With 1-Lane FPD-Link III Input

Device Functional Modes (接下一页)

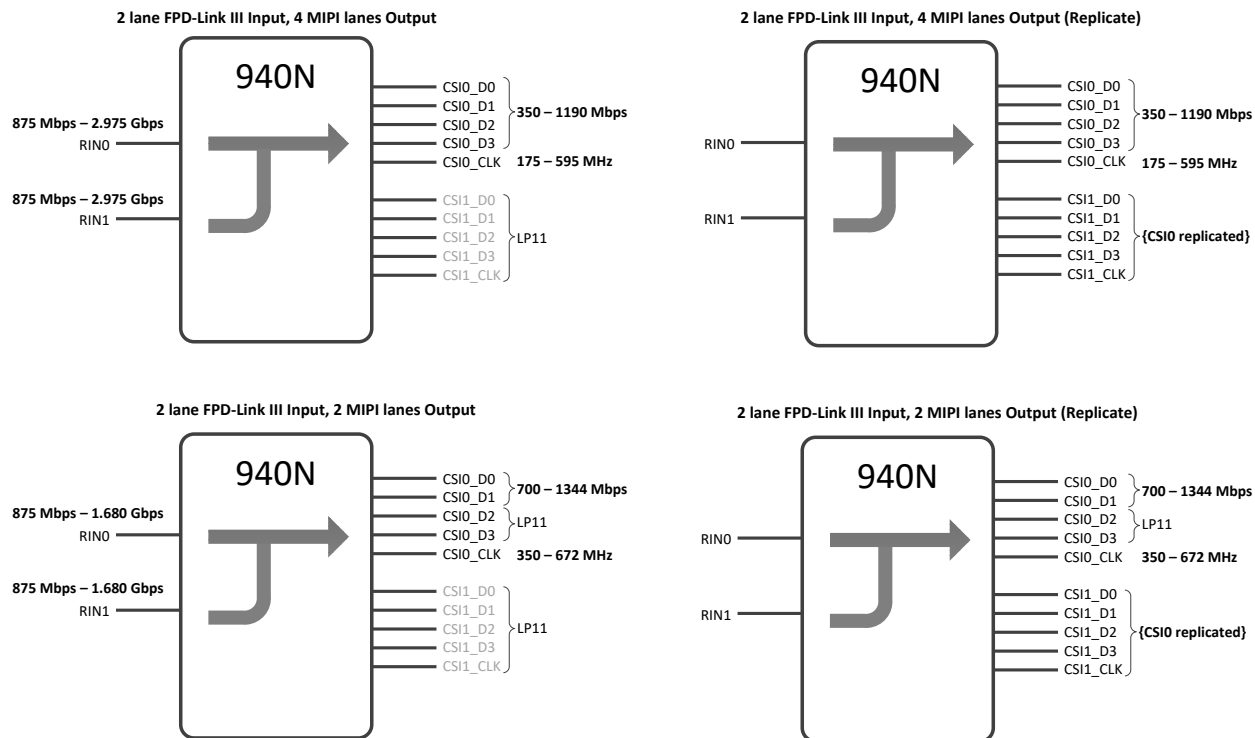


图 29. Data-Path Configurations With 2-Lane FPD-Link III Inputs

Device Functional Modes (接下页)

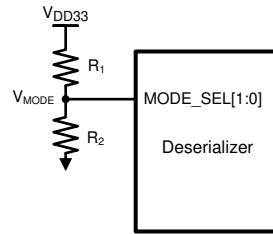


图 30. MODE\_SEL[1:0] Connection Diagram

表 7. Configuration Select (MODE\_SEL0)

NO.	V <sub>MODE</sub> VOLTAGE	V <sub>MODE</sub> TARGET VOLTAGE	SUGGESTED STRAP RESISTORS (1% TOLERANCE)		OUTPUT MODE
	V <sub>TYP</sub>	VDD33 = 3.3 V	R <sub>1</sub> (kΩ)	R <sub>2</sub> (kΩ)	
0	0	0	Open	10	4 data lanes. 1 CSI port active (determined by MODE_SEL1 CSI_SEL bit).
1	0.169 × V <sub>(VDD33)</sub>	0.559	73.2	15	4 data lanes. Both CSI ports active (overrides MODE_SEL1).
2	0.230 × V <sub>(VDD33)</sub>	0.757	66.5	20	2 data lanes. 1 CSI port active (determined by MODE_SEL1 CSI_SEL bit).
3	0.295 × V <sub>(VDD33)</sub>	0.974	59	24.9	2 data lanes. Both CSI port active (overrides MODE_SEL1).
4	0.376 × V <sub>(VDD33)</sub>	1.241	49.9	30.1	RESERVED
5	0.466 × V <sub>(VDD33)</sub>	1.538	46.4	40.2	RESERVED
6	0.556 × V <sub>(VDD33)</sub>	1.835	40.2	49.9	RESERVED
7	0.801 × V <sub>(VDD33)</sub>	2.642	18.7	75	RESERVED

表 8. Configuration Select (MODE\_SEL1)

NO.	V <sub>MODE</sub> VOLTAGE	V <sub>MODE</sub> TARGET VOLTAGE	SUGGESTED STRAP RESISTORS (1% TOLERANCE)		CSI_SEL (CSI PORT)	HIGH-SPEED BACK CHANNEL	INPUT MODE
	V <sub>TYP</sub>	VDD33 = 3.3 V	R <sub>1</sub> (kΩ)	R <sub>2</sub> (kΩ)			
0	0	0	Open	10	CSI0	5 Mbps	STP
1	0.169 × V <sub>(VDD33)</sub>	0.559	73.2	15	CSI0	5 Mbps	Coax
2	0.230 × V <sub>(VDD33)</sub>	0.757	66.5	20	CSI0	20 Mbps	STP
3	0.295 × V <sub>(VDD33)</sub>	0.974	59	24.9	CSI0	20 Mbps	Coax
4	0.376 × V <sub>(VDD33)</sub>	1.241	49.9	30.1	CSI1	5 Mbps	STP
5	0.466 × V <sub>(VDD33)</sub>	1.538	46.4	40.2	CSI1	5 Mbps	Coax
6	0.556 × V <sub>(VDD33)</sub>	1.835	40.2	49.9	CSI1	20 Mbps	STP
7	0.801 × V <sub>(VDD33)</sub>	2.642	18.7	75	CSI1	20 Mbps	Coax

### 7.4.3 CSI-2 Interface

The DS90UB940N-Q1 (in default mode) takes RGB 24-bpp data bits defined in the serializer and directly maps the bits to the pixel color space in the data frame. The DS90UB940N-Q1 follows the general frame format as described per the CSI-2 standard (图 31). At the end of the vertical sync pulse (VS), the DS90UB940N-Q1 generates the frame end and frame start synchronization packets within the vertical blanking period. The timing of the frame start will not reflect the timing of the VS signal.

On the rising edge of the DE signal, each active line outputs as a long data packet with the defined data format (图 13). At the end of each packet, the data lanes  $Dn\pm$  return to the LP-11 state and the clock lane  $CLK\pm$  continues to output the high-speed clock.

The DS90UB940N-Q1 CSI-2 transmitter consists of a high-speed clock ( $CLK\pm$ ) and data ( $Dn\pm$ ) outputs based on a source synchronous interface. The half rate clock at  $CLK\pm$  is derived from the pixel clock sourced by the clock/data recovery circuit of the DS90UB940N-Q1. The CSI-2 clock frequency is 3.5 times (four MIPI lanes) or seven times (two MIPI lanes) more than the recovered pixel clock frequency. The MIPI DPHY outputs either two or four high-speed data lanes ( $Dn\pm$ ) according to the CSI-2 protocol. The data rate of each lane is seven times (four MIPI lanes) or 14 times (two MIPI lanes) higher than the pixel clock. For example, in a 4-MPIP-line configuration at a pixel clock of 150 MHz, the  $CLK\pm$  runs at 525 MHz and each data lane runs at 1050 Mbps.

The half-rate clock maintains a quadrature phase relationship to the data signals and allows the receiver to sample data at the rising and falling edges of the clock (DDR). 图 10 shows the timing relationship of the clock and data lines. The DS90UB940N-Q1 supports a continuous high-speed clock. High-speed data is sent out at data lanes  $Dn\pm$  in bursts. In between data bursts, the data lanes return to low power (LP) states according to the protocol defined in the D-PHY standard. The rising edge of the differential clock ( $CSI\_CLK+ - CSI\_CLK-$ ) is sent during the first payload bit of a transmission burst in the data lanes.

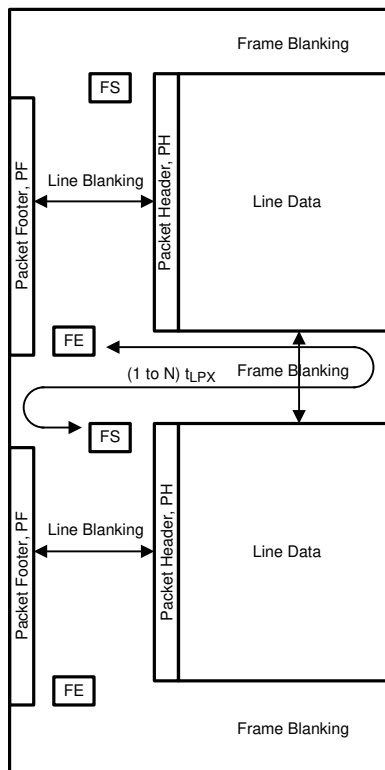


图 31. CSI-2 General Frame Format

#### 7.4.4 Input Display Timing

The DS90UB940N-Q1 has built-in support that can detect the incoming video format extracted from the FPD-Link III data stream(s) and automatically generate the CSI-2 output timing parameters accordingly. The input video format detection is derived from progressive display resolutions based on the CEA-861D specification. The engineer can measure the internal VS and DE signals to determine the video data and frame rates. The device supports up to 4095 pixels per line.

For system implementations with custom video resolutions, system designers should either program the TI-validated D-PHY timing parameters provided in the [Configuring DS90UH940N-Q1 MIPI® D-PHY timing parameters](#) application report (SNLA303), or validate the auto-generated parameters.

#### 7.4.5 MIPI® CSI-2 Output Data Formats

The DS90UB940N-Q1 CSI-2 Tx supports multiple data types. These can be seen in [表 9](#).

**表 9. CSI-2 Output Data Formats<sup>(1)</sup>**

DATA FORMAT	CSI-2 DATA TYPE [5:0]	Reg0x6B [3:2] IFMT	Reg0x6B [7:4] OFMT	DESCRIPTION
RGB888	0x24	00	0000	RGB888 image data – using 24-bit container for RGB 24-bpp
RGB666	0x23	00	0001	RGB666 image data
RGB565	0x22	00	0010	RGB565 image data
YUV420	0x1A	00	0011	YUV4:2:0 image data, Legacy YUV420 8-bit
YUV420 8-bit	0x18	00	0100	YUV4:2:0 image data
YUV422 8-bit	0x1E	00	0101	YUV4:2:2 image data
RAW8	0x2A	11	0110	RAW Bayer, 8-bit image data D[0:7] of serializer inputs are used as RAW data; alignment is configured with CSIIA_{0x6C}_0x09 [4]
RAW10	0x2B	11	0111	RAW Bayer, 10-bit image data D[0:9] of serializer inputs are used as RAW data; alignment is configured with CSIIA_{0x6C}_0x09 [4]
RAW12	0x2C	11	1000	RAW Bayer, 12-bit image data D[0:11] of serializer inputs are used as RAW data; alignment is configured with CSIIA_{0x6C}_0x09 [4]
YUV420 8-bit (CSPS)	0x1C	00	1001	YUV4:2:0 image data, YUV420 Chroma shifted pixel sampling

(1) Note: Color space conversion is only available from RGB to YUV.

#### 7.4.6 Non-Continuous / Continuous Clock

The DS90UB940N-Q1 D-PHY supports continuous clock mode and non-continuous clock mode on the CSI-2 interface. Default mode is non-continuous clock mode, where the clock lane enters LP mode between the transmissions of data packets. Non-continuous clock mode will only be non-continuous during the vertical blanking period for lower PCLK rates. For higher PCLK rates, the clock will be non-continuous between line and frame packets. Operating modes are configurable through 0x6A [1].

The clock lane enters LP11 during horizontal blanking if the horizontal blanking period is longer than the overhead time to start/stop the clock lane. There is auto-detection on the length of the horizontal blank period. The fixed threshold is 96 PCLK cycles.

#### 7.4.7 Ultra-Low-Power State (ULPS)

The DS90UB940N-Q1 supports the MIPI-defined, ultra-low-power state (ULPS). The DS90UB940N-Q1 D-PHY lanes enter ULPS mode upon software standby mode through 0x6A [2] generated by the processor. When ULPS is issued, all active CSI-2 lanes including the clock and data lanes of the enabled CSI-2 port are put in ULPS according to the MIPI DPHY protocol. D-PHY can reduce power consumption by entering ULPS mode. ULPS is exited by means of a Mark-1 state with a length TWAKEUP followed by a Stop state.



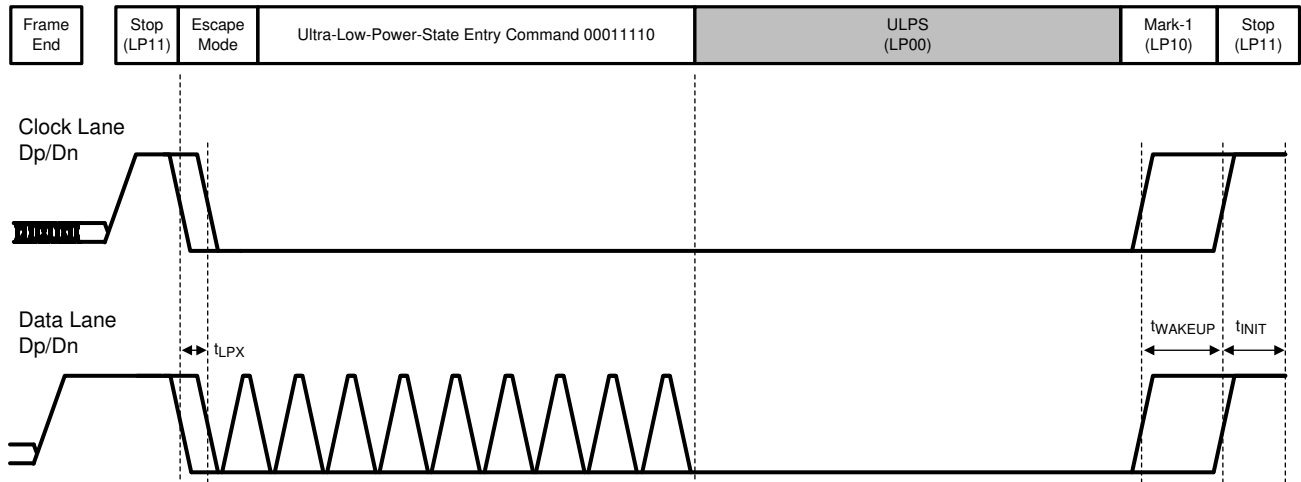


图 32. Ultra-Low-Power State

### 7.4.8 CSI-2 Data Identifier

The DS90UB940N-Q1 MIPI CSI-2 protocol interface transmits the data identifier byte containing the values for the virtual channel ID (VC) and data type (DT) for the application specific payload data, as shown in 图 33. The virtual channel ID is contained in the two MSBs of the data identifier byte and identify the data as directed to one of four virtual channels. The value of the data type is contained in the 6 LSBs of the data identifier byte.

- CSIIA\_{0x6C}\_0x2E[7:6] CSI\_VC\_ID: Configures the virtual ID linked to the current context.
- CSICFG1\_0x6B[7:4] OFMT: Configures the data format linked to the current context.

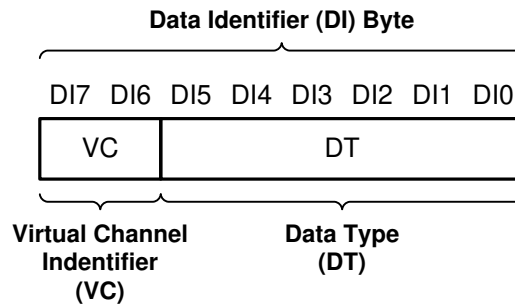
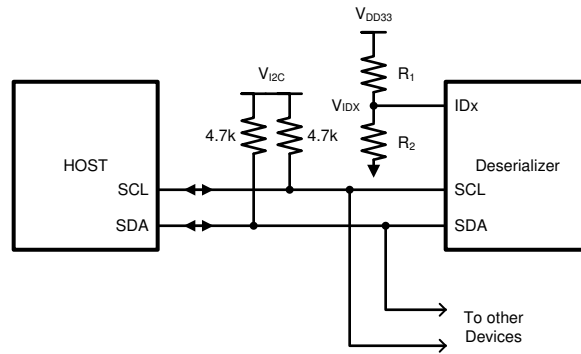


图 33. CSI-2 Data Identifier Structure

## 7.5 Programming

### 7.5.1 Serial Control Bus

The device may also be configured by the use of a I<sup>2</sup>C-compatible serial control bus. Multiple devices may share the serial control bus (up to eight device addresses supported). The device address is set through a resistor divider (R1 and R2 — see [图 34](#)) connected to the IDx pin.



**图 34. Serial Control Bus Connection**

The serial control bus consists of two signals: SCL and SDA. SCL is a serial bus clock input. SDA is the serial bus data input / output signal. Both SCL and SDA signals require an external pullup resistor to the 1.8-V or 3.3-V rail. For most applications, TI recommends that the user adds a 4.7-kΩ pullup resistor to the 3.3-V rail, however, the pullup resistor value may be adjusted for capacitive loading and data rate requirements. See [I<sup>2</sup>C bus pullup resistor calculation](#) (SLVA689) for more information. The signals are either pulled high or driven low.

The IDx pin configures the control interface to one of eight possible device addresses. A pullup resistor and a pulldown resistor may be used to set the appropriate voltage ratio between the IDx input pin ( $V_{R2}$ ) and VDD33, with each ratio corresponding to a specific device address. See [表 10](#) for more information.

**表 10. Serial Control Bus Addresses for IDx**

NO.	V <sub>IDX</sub> VOLTAGE	V <sub>IDX</sub> TARGET VOLTAGE	SUGGESTED STRAP RESISTORS (1% TOLERANCE)		PRIMARY ASSIGNED I2C ADDRESS	
	V <sub>TYP</sub>	VDD33 = 3.3 V	R <sub>1</sub> (kΩ)	R <sub>2</sub> (kΩ)	7-BIT	8-BIT
0	0	0	Open	10	0x2C	0x58
1	0.169 × V <sub>(VDD33)</sub>	0.559	73.2	15	0x2E	0x5C
2	0.230 × V <sub>(VDD33)</sub>	0.757	66.5	20	0x30	0x60
3	0.295 × V <sub>(VDD33)</sub>	0.974	59	24.9	0x32	0x64
4	0.376 × V <sub>(VDD33)</sub>	1.241	49.9	30.1	0x34	0x68
5	0.466 × V <sub>(VDD33)</sub>	1.538	46.4	40.2	0x36	0x6C
6	0.556 × V <sub>(VDD33)</sub>	1.835	40.2	49.9	0x38	0x70
7	0.801 × V <sub>(VDD33)</sub>	2.642	18.7	75	0x3C	0x78

The serial bus protocol is controlled by START, START-Repeated, and STOP phases. A START occurs when SDA transitions low while SCL is high. A STOP occurs when SDA transitions high while SCL is also HIGH. See [图 35](#).

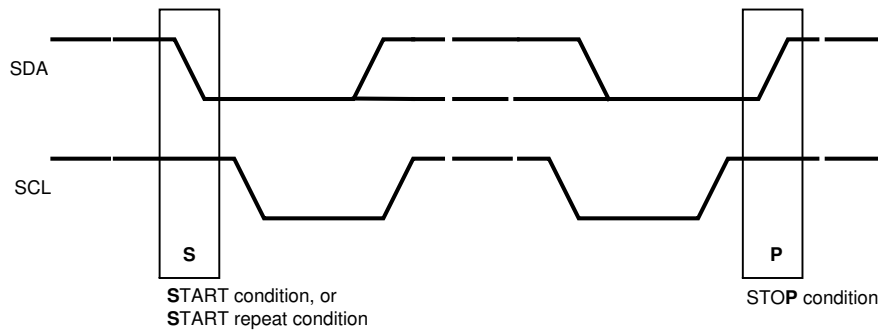


图 35. START and STOP Conditions

To communicate with a remote device, the host controller (master) sends the slave address and listens for a response from the slave. This response is referred to as an acknowledge bit (ACK). If a slave on the bus is addressed correctly, it acknowledges (ACKs) the master by driving the SDA bus low. If the address does not match the slave address of a device, the slave not-acknowledges (NACKs) the master by letting the SDA be pulled High. ACKs also occur on the bus when data is transmitted. When the master writes data, the slave sends an ACK after every data byte is successfully received. When the master reads data, the master sends an ACK after every data byte is received to let the slave know that the master is ready to receive another data byte. When the master wants to stop reading, the master sends a NACK after the last data byte to create a stop condition on the bus. All communication on the bus begins with either a start condition or a repeated Start condition. All communication on the bus ends with a stop condition. A READ is shown in [图 36](#) and a WRITE is shown in [图 37](#).

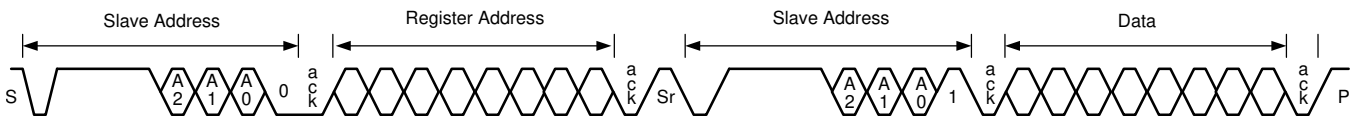


图 36. Serial Control Bus — READ



图 37. Serial Control Bus — WRITE

The I2C master located in the deserializer must support I2C clock stretching. For more information on I<sup>2</sup>C interface requirements and throughput considerations, refer to the [I<sup>2</sup>C communication over FPD-Link III with bidirectional control channel](#) (SNLA131).

### 7.5.2 Multi-Master Arbitration Support

The bidirectional control channel in the FPD-Link III devices implements I<sup>2</sup>C-compatible bus arbitration in the proxy I<sup>2</sup>C master implementation. When sending a data bit, each I<sup>2</sup>C master senses the value on the SDA line. If the master sends a logic 1 but senses a logic 0, the master loses arbitration. The master will stop driving SDA and retry the transaction when the bus becomes idle. Thus, multiple I<sup>2</sup>C masters may be implemented in the system.

For example, there might also be a local I<sup>2</sup>C master at each camera. The local I<sup>2</sup>C master could access the image sensor and EEPROM. The only restriction would be that the remote I<sup>2</sup>C master at the camera should not attempt to access a remote slave through the BCC that is located at the host controller side of the link. In other words, the control channel should only operate in camera mode for accessing remote slave devices to avoid issues with arbitration across the link. The remote I<sup>2</sup>C master should also not attempt to access the deserializer registers to avoid a conflict in register access with the Host controller.

If the system does require master-slave operation in both directions across the BCC, some method of communication must be used to ensure only one direction of operation occurs at any time. The communication method could include using available R/W registers in the deserializer to allow masters to communicate with each other to pass control between the two masters. An example would be to use register 0x18 or 0x19 in the deserializer as a mailbox register to pass control of the channel from one master to another.

### 7.5.3 I2C Restrictions on Multi-Master Operation

The I2C specification does not provide for arbitration between masters under certain conditions. The system should make sure the following conditions cannot occur to prevent undefined conditions on the I<sup>2</sup>C bus:

- One master generates a repeated start while another master is sending a data bit.
- One master generates a stop while another master is sending a data bit.
- One master generates a repeated start while another master sends a stop.

Note that these restrictions mainly apply to accessing the same register offsets within a specific I<sup>2</sup>C slave.

### 7.5.4 Multi-Master Access to Device Registers for Newer FPD-Link III Devices

When using the latest generation of FPD-Link III devices (like the DS90UB94x-Q1), serializers or deserializer registers may be accessed simultaneously from both local and remote I<sup>2</sup>C masters. These devices have internal logic to properly arbitrate between sources to allow proper read and write access without risk of corruption.

Access to remote I<sup>2</sup>C slaves is still be allowed in only one direction at a time (camera or display mode).

### 7.5.5 Multi-Master Access to Device Registers for Older FPD-Link III Devices

When using older FPD-Link III devices (in backward compatible mode), simultaneous access to serializer or deserializer registers from both local and remote I<sup>2</sup>C masters may cause incorrect operation. Thus, restrictions must be imposed on accessing of serializer and deserializer registers. The likelihood of an error occurrence is relatively small, but it is possible for collision on reads and writes to occur, resulting in a read or write error.

TI recommends two basic options:

- Allow device register access only from one controller.  
In a display mode system, this would allow only the host controller to access the serializer registers (local) and the deserializer registers (remote). A controller at the deserializer (local to the display) would not be allowed to access the deserializer or serializer registers.
- Allow local register access only with no access to remote serializer or deserializer registers.  
The host controller would be allowed to access the serializer registers while a controller at the deserializer could access those register only. Access to remote I<sup>2</sup>C slaves would still be allowed in one direction (camera or display mode).

In a very limited case, remote and local access could be allowed to the deserializer registers at the same time. Register access is ensured to work correctly if both local and remote masters are accessing the same deserializer register. This allows a simple method of passing control of the bidirectional control channel from one master to another.

### 7.5.6 Restrictions on Control Channel Direction for Multi-Master Operation

Only display or camera mode operation should be active at any time across the bidirectional control channel. If both directions are required, some method of transferring control between I<sup>2</sup>C masters should be implemented.

## 7.6 Register Maps

### 7.6.1 DS90UB940N-Q1 Registers

Table 11 lists the memory-mapped registers for the DS90UB940N-Q1 registers. All register offset addresses not listed in Table 11 should be considered as reserved locations and the register contents should not be modified.

In the register definitions under the *TYPE* heading, the following definitions apply:

- R = Read only access
- R/W = Read / Write access
- R/RC = Read only access, Read to Clear
- R/W/SC = Read / Write access, Self-Clearing bit
- R/W/S = Read / Write access, Set based on strap pin configuration at start-up
- S = Set based on strap pin configuration at start-up

**Table 11. DS90UB940N-Q1 Registers**

Address	Register Name	Section
0h	I2C_Device_ID	<a href="#">Go</a>
1h	Reset	<a href="#">Go</a>
2h	General_Configuration_0	<a href="#">Go</a>
3h	General_Configuration_1	<a href="#">Go</a>
4h	BCC_Watchdog_Control	<a href="#">Go</a>
5h	I2C_Control_1	<a href="#">Go</a>
6h	I2C_Control_2	<a href="#">Go</a>
7h	REMOTE_ID	<a href="#">Go</a>
8h	SlaveID_0	<a href="#">Go</a>
9h	SlaveID_1	<a href="#">Go</a>
Ah	SlaveID_2	<a href="#">Go</a>
Bh	SlaveID_3	<a href="#">Go</a>
Ch	SlaveID_4	<a href="#">Go</a>
Dh	SlaveID_5	<a href="#">Go</a>
Eh	SlaveID_6	<a href="#">Go</a>
Fh	SlaveID_7	<a href="#">Go</a>
10h	SlaveAlias_0	<a href="#">Go</a>
11h	SlaveAlias_1	<a href="#">Go</a>
12h	SlaveAlias_2	<a href="#">Go</a>
13h	SlaveAlias_3	<a href="#">Go</a>
14h	SlaveAlias_4	<a href="#">Go</a>
15h	SlaveAlias_5	<a href="#">Go</a>
16h	SlaveAlias_6	<a href="#">Go</a>
17h	SlaveAlias_7	<a href="#">Go</a>
18h	MAILBOX_18	<a href="#">Go</a>
19h	MAILBOX_19	<a href="#">Go</a>
1Ah	GPIO_9_Global_GPIO_Config	<a href="#">Go</a>
1Bh	Frequency_Counter	<a href="#">Go</a>
1Ch	General_Status	<a href="#">Go</a>
1Dh	GPIO0_Config	<a href="#">Go</a>
1Eh	GPIO1_2_Config	<a href="#">Go</a>
1Fh	GPIO_3_Config	<a href="#">Go</a>
20h	GPIO_5_6_Config	<a href="#">Go</a>
21h	GPIO_7_8_Config	<a href="#">Go</a>
22h	Datapath_Control	<a href="#">Go</a>

**Table 11. DS90UB940N-Q1 Registers (continued)**

Address	Register Name	Section
23h	RX_Mode_Status	<a href="#">Go</a>
24h	BIST_Control	<a href="#">Go</a>
25h	BIST_ERROR_COUNT	<a href="#">Go</a>
26h	SCL_High_Time	<a href="#">Go</a>
27h	SCL_Low_Time	<a href="#">Go</a>
28h	Datapath_Control_2	<a href="#">Go</a>
2Bh	I2S_Control	<a href="#">Go</a>
2Eh	PCLK_Test_Mode	<a href="#">Go</a>
34h	DUAL_RX_CTL	<a href="#">Go</a>
35h	AEQ_CTL1	<a href="#">Go</a>
37h	MODE_SEL	<a href="#">Go</a>
3Ah	I2S_DIVSEL	<a href="#">Go</a>
3Bh	Adaptive_EQ_Status	<a href="#">Go</a>
41h	LINK_ERROR_COUNT	<a href="#">Go</a>
43h	HSCC_CONTROL	<a href="#">Go</a>
44h	ADAPTIVE_EQ_BYPASS	<a href="#">Go</a>
45h	ADAPTIVE_EQ_MIN_MAX	<a href="#">Go</a>
52h	CML_OUTPUT_CTL1	<a href="#">Go</a>
56h	CML_OUTPUT_ENABLE	<a href="#">Go</a>
57h	CML_OUTPUT_CTL2	<a href="#">Go</a>
63h	CML_OUTPUT_CTL3	<a href="#">Go</a>
64h	PGCTL	<a href="#">Go</a>
65h	PGCFG	<a href="#">Go</a>
66h	PGIA	<a href="#">Go</a>
67h	PGID	<a href="#">Go</a>
68h	PGDBG	<a href="#">Go</a>
69h	PGTSTDAT	<a href="#">Go</a>
6Ah	CSICFG0	<a href="#">Go</a>
6Bh	CSICFG1	<a href="#">Go</a>
6Ch	CSIIA	<a href="#">Go</a>
6Dh	CSIID	<a href="#">Go</a>
6Eh	GPIO_Pin_Status_1	<a href="#">Go</a>
6Fh	GPIO_Pin_Status_2	<a href="#">Go</a>
F0h	ID0	<a href="#">Go</a>
F1h	ID1	<a href="#">Go</a>
F2h	ID2	<a href="#">Go</a>
F3h	ID3	<a href="#">Go</a>
F4h	ID4	<a href="#">Go</a>
F5h	ID5	<a href="#">Go</a>

### 7.6.1.1 I2C\_Device\_ID Register (Address = 0h) [reset = Strap]

I2C\_Device\_ID is described in [Table 12](#).

Return to [Summary Table](#).

**Table 12. I2C\_Device\_ID Register Field Descriptions**

Bit	Field	Type	Reset	Description
7-1	DEVICE_ID	R/W/S	Strap	7-bit address of Deserializer. Defaults to address configured by the IDX strap pin. See <a href="#">表 10</a> .
0	DES_ID	R/W	0h	0: Device ID is from IDX strap 1: Register I2C Device ID overrides IDX strap

### 7.6.1.2 Reset Register (Address = 1h) [reset = 4h]

Reset is described in [Table 13](#).

Return to [Summary Table](#).

**Table 13. Reset Register Field Descriptions**

Bit	Field	Type	Reset	Description
7 - 3	RESERVED	R/W	0h	Reserved
2	RESERVED	R/W	1h	Reserved
1	DIGITAL_RESET0	R/W/SC	0h	Digital Reset. Resets the entire digital block including registers. This bit is self-clearing. 1: Reset 0: Normal operation. Registers which are loaded by pin strap will be restored to their original strap value when this bit is set. These registers show 'Strap' as their default value in this table.
0	DIGITAL__RESET1	R/W/SC	0h	Digital Reset. Resets the entire digital block except registers. This bit is self-clearing. 1: Reset 0: Normal operation <b>Important Note:</b> - After issuing a DIGITAL_RESET1, add a 0.5-ms delay to ensure the DIGITAL_RESET1 is fully complete.

### 7.6.1.3 General\_Configuration\_0 Register (Address = 2h) [reset = 80h]

General\_Configuration\_0 is described in [Table 14](#).

Return to [Summary Table](#).

**Table 14. General\_Configuration\_0 Register Field Descriptions**

Bit	Field	Type	Reset	Description
7	OUTPUT_ENABLE	R/W	1h	Output Enable Override Value (in conjunction with Output Sleep State Select). If the Override control is not set, the Output Enable will be set to 1. A Digital reset 0x01[0] should be asserted after toggling Output Enable bit <i>LOW</i> to <i>HIGH</i> .
6	OUTPUT_ENABLE_OVE RRIDE	R/W	0h	Overrides Output Enable and Output Sleep State default. 0: Disable override 1: Enable override
5	OSC_CLOCK_OUTPUT_ ENABLE (AUTO_CLOCK_EN)	R/W	0h	OSC Clock Output Enable. If there is a loss of lock, OSC clock is output onto PCLK. The frequency is selected in register 0x24. 1: Enable 0: Disable

**Table 14. General\_Configuration\_0 Register Field Descriptions (continued)**

Bit	Field	Type	Reset	Description
4	OUTPUT_SLEEP_STATE_SELECT	R/W	0h	OSS Select Override value to control output state when LOCK is low (used in conjunction with Output Enable). If the Override control is not set, the Output Sleep State Select will be set to 1.
3 - 0	RESERVED	R/W	0h	Reserved

**7.6.1.4 General\_Configuration\_1 Register (Address = 3h) [reset = F0h]**

 General\_Configuration\_1 is described in [Table 15](#).

 Return to [Summary Table](#).

**Table 15. General\_Configuration\_1 Register Field Descriptions**

Bit	Field	Type	Reset	Description
7	RESERVED	R/W	1h	Reserved
6	BC_CRC_GENERATOR_ENABLE	R/W	1h	Back Channel CRC Generator Enable. 0: Disable 1: Enable
5	FAILSAFE_LOW	R/W	1h	Controls the pull direction for undriven LVCMOS inputs. 1: Pull down 0: Pull up
4	FILTER_ENABLE	R/W	1h	HS,VS,DE two clock filter (FPD-Link III 1-Lane Mode) or four clock filter (FPD-Link III 2-Lane Mode). When enabled, pulses less than two full PCLK cycles in 1-Lane mode (or less than four full PCLK cycles in 2-Lane mode) on the DE, HS, and VS inputs will be rejected. 1: Filtering enable 0: Filtering disable
3	I2C_PASS-THROUGH	R/W	0h	I2C Pass-Through to Serializer if decode matches. 0: Pass-Through Disabled 1: Pass-Through Enabled
2	AUTO_ACK	R/W	0h	Automatically Acknowledge I2C writes independent of the forward channel lock state. 1: Enable 0: Disable
1	DE_GATE_RGB	R/W	0h	Gate RGB data with DE signal. RGB data is gated with DE to allow packetized audio and block unencrypted data when paired with a serializer that supports HDCP. When paired with a serializer that does not support HDCP, RGB data is not gated with DE by default. However, to enable packetized audio, this bit must be set. 1: Gate RGB data with DE (has no effect when paired with a serializer that supports HDCP) 0: Pass RGB data independent of DE (has no effect when paired with a serializer that does not support HDCP)
0	RESERVED	R/W	0h	Reserved

**7.6.1.5 BCC\_Watchdog\_Control Register (Address = 4h) [reset = FEh]**

 BCC\_Watchdog\_Control is described in [Table 16](#).

 Return to [Summary Table](#).

**Table 16. BCC\_Watchdog\_Control Register Field Descriptions**

Bit	Field	Type	Reset	Description
7-1	BCC_WATCHDOG_TIMER	R/W	7Fh	The watchdog timer allows termination of a control channel transaction if it fails to complete within a programmed amount of time. This field sets the Bidirectional Control Channel Watchdog Timeout value in units of 2 milliseconds. This field should not be set to 0.



**Table 16. BCC\_Watchdog\_Control Register Field Descriptions (continued)**

Bit	Field	Type	Reset	Description
0	BCC_WATCHDOG_TIMER_DISABLE	R/W	0h	Disable Bidirectional Control Channel Watchdog Timer. 1: Disables BCC Watchdog Timer operation 0: Enables BCC Watchdog Timer operation

**7.6.1.6 I2C\_Control\_1 Register (Address = 5h) [reset = 1Eh]**

I2C\_Control\_1 is described in [Table 17](#).

Return to [Summary Table](#).

**Table 17. I2C\_Control\_1 Register Field Descriptions**

Bit	Field	Type	Reset	Description
7	I2C_PASS_THROUGH_ALL	R/W	0h	I2C Pass-Through All Transactions. 0: Disabled 1: Enabled
6-4	I2C_SDA_HOLD		1h	Internal SDA Hold Time. This field configures the amount of internal hold time provided for the SDA input relative to the SCL input. Units are 50 nanoseconds.
3-0	I2C_FILTER_DEPTH		Eh	I2C Glitch Filter Depth. This field configures the maximum width of glitch pulses on the SCL and SDA inputs that will be rejected. Units are 5 nanoseconds.

**7.6.1.7 I2C\_Control\_2 Register (Address = 6h) [reset = 0h]**

I2C\_Control\_2 is described in [Table 18](#).

Return to [Summary Table](#).

**Table 18. I2C\_Control\_2 Register Field Descriptions**

Bit	Field	Type	Reset	Description
7	FORWARD_CHANNEL_SEQUENCE_ERROR	R	0h	Control Channel Sequence Error Detected. This bit indicates a sequence error has been detected in forward control channel. If this bit is set, an error may have occurred in the control channel operation.
6	CLEAR_SEQUENCE_ERROR	R/W	0h	Clears the Sequence Error Detect bit.
5	RESERVED	R	0h	Reserved
4-3	SDA_Output_Delay	R/W	0h	SDA Output Delay. This field configures output delay on the SDA output. Setting this value will increase output delay in units of 50 ns. Nominal output delay values for SCL to SDA are: 00: 250 ns 01: 300 ns 10: 350 ns 11: 400 ns
2	LOCAL_WRITE_DISABLE	R/W	0h	Disable Remote Writes to Local Registers. Setting this bit to a 1 will prevent remote writes to local device registers from across the control channel. This prevents writes to the Deserializer registers from an I <sup>2</sup> C master attached to the Serializer. Setting this bit does not affect remote access to I <sup>2</sup> C slaves at the Deserializer.
1	I2C_BUS_TIMER_SPEEDUP	R/W	0h	Speed-up I <sup>2</sup> C Bus Watchdog Timer. 1: Watchdog Timer expires after approximately 50 microseconds 0: Watchdog Timer expires after approximately 1 second.

**Table 18. I2C\_Control\_2 Register Field Descriptions (continued)**

Bit	Field	Type	Reset	Description
0	I2C_BUS_TIMER_DISABLE	R/W	0h	Disable I <sup>2</sup> C Bus Watchdog Timer. When the I2C Watchdog Timer may be used to detect when the I <sup>2</sup> C bus is free or hung up following an invalid termination of a transaction. If SDA is high and no signalling occurs for approximately 1 second, the I <sup>2</sup> C bus will assumed to be free. If SDA is low and no signaling occurs, the device will attempt to clear the bus by driving 9 clocks on SCL.

**7.6.1.8 REMOTE\_ID Register (Address = 7h) [reset = 0h]**

 REMOTE\_ID is described in [Table 19](#).

 Return to [Summary Table](#).

**Table 19. REMOTE\_ID Register Field Descriptions**

Bit	Field	Type	Reset	Description
7-1	REMOTE_ID	R/W	0h	7-bit Serializer Device ID. Configures the I2C Slave ID of the remote Serializer. A value of 0 in this field disables I2C access to the remote Serializer. This field is automatically loaded from the Serializer once RX Lock has been detected. Software may overwrite this value, but should also assert the FREEZE DEVICE ID bit to prevent loading by the Bidirectional Control Channel.
0	FREEZE_DEVICE_ID	R/W	0h	Freeze Serializer Device ID. Prevent auto-loading of the Serializer Device ID from the Forward Channel. The ID will be frozen at the value written.

**7.6.1.9 SlaveID\_0 Register (Address = 8h) [reset = 0h]**

 SlaveID\_0 is described in [Table 20](#).

 Return to [Summary Table](#).

**Table 20. SlaveID\_0 Register Field Descriptions**

Bit	Field	Type	Reset	Description
7-1	SLAVE_ID0	R/W	0h	7-bit Remote Slave Device ID 0. Configures the physical I <sup>2</sup> C address of the remote I <sup>2</sup> C Slave device attached to the remote Serializer. If an I2C transaction is addressed to the Slave Alias ID0, the transaction will be remapped to this address before passing the transaction across the Bidirectional Control Channel to the Serializer.
0	RESERVED	R/W	0h	Reserved

**7.6.1.10 SlaveID\_1 Register (Address = 9h) [reset = 0h]**

 SlaveID\_1 is described in [Table 21](#).

 Return to [Summary Table](#).

**Table 21. SlaveID\_1 Register Field Descriptions**

Bit	Field	Type	Reset	Description
7-1	SLAVE_ID1	R/W	0h	7-bit Remote Slave Device ID 1. Configures the physical I <sup>2</sup> C address of the remote I <sup>2</sup> C Slave device attached to the remote Serializer. If an I2C transaction is addressed to the Slave Alias ID1, the transaction will be remapped to this address before passing the transaction across the Bidirectional Control Channel to the Serializer.
0	RESERVED	R/W	0h	Reserved

### 7.6.1.11 SlaveID\_2 Register (Address = Ah) [reset = 0h]

SlaveID\_2 is described in [Table 22](#).

Return to [Summary Table](#).

**Table 22. SlaveID\_2 Register Field Descriptions**

Bit	Field	Type	Reset	Description
7-1	SLAVE_ID2	R/W	0h	7-bit Remote Slave Device ID 2. Configures the physical I <sup>2</sup> C address of the remote I <sup>2</sup> C Slave device attached to the remote Serializer. If an I2C transaction is addressed to the Slave Alias ID2, the transaction will be remapped to this address before passing the transaction across the Bidirectional Control Channel to the Serializer.
0	RESERVED	R/W	0h	Reserved

### 7.6.1.12 SlaveID\_3 Register (Address = Bh) [reset = 0h]

SlaveID\_3 is described in [Table 23](#).

Return to [Summary Table](#).

**Table 23. SlaveID\_3 Register Field Descriptions**

Bit	Field	Type	Reset	Description
7-1	SLAVE_ID3	R/W	0h	7-bit Remote Slave Device ID 3. Configures the physical I <sup>2</sup> C address of the remote I <sup>2</sup> C Slave device attached to the remote Serializer. If an I2C transaction is addressed to the Slave Alias ID3, the transaction will be remapped to this address before passing the transaction across the Bidirectional Control Channel to the Serializer.
0	RESERVED	R/W	0h	Reserved.

### 7.6.1.13 SlaveID\_4 Register (Address = Ch) [reset = 0h]

SlaveID\_4 is described in [Table 24](#).

Return to [Summary Table](#).

**Table 24. SlaveID\_4 Register Field Descriptions**

Bit	Field	Type	Reset	Description
7-1	SLAVE_ID4	R/W	0h	7-bit Remote Slave Device ID 4. Configures the physical I <sup>2</sup> C address of the remote I <sup>2</sup> C Slave device attached to the remote Serializer. If an I2C transaction is addressed to the Slave Alias ID4, the transaction will be remapped to this address before passing the transaction across the Bidirectional Control Channel to the Serializer.
0	RESERVED	R/W	0h	Reserved

### 7.6.1.14 SlaveID\_5 Register (Address = Dh) [reset = 0h]

SlaveID\_5 is described in [Table 25](#).

Return to [Summary Table](#).

**Table 25. SlaveID\_5 Register Field Descriptions**

Bit	Field	Type	Reset	Description
7-1	SLAVE_ID5	R/W	0h	7-bit Remote Slave Device ID 5. Configures the physical I <sup>2</sup> C address of the remote I <sup>2</sup> C Slave device attached to the remote Serializer. If an I2C transaction is addressed to the Slave Alias ID5, the transaction will be remapped to this address before passing the transaction across the Bidirectional Control Channel to the Serializer.

**Table 25. SlaveID\_5 Register Field Descriptions (continued)**

Bit	Field	Type	Reset	Description
0	RESERVED	R/W	0h	Reserved

**7.6.1.15 SlaveID\_6 Register (Address = Eh) [reset = 0h]**

 SlaveID\_6 is described in [Table 26](#).

 Return to [Summary Table](#).

**Table 26. SlaveID\_6 Register Field Descriptions**

Bit	Field	Type	Reset	Description
7-1	SLAVE_ID6	R/W	0h	7-bit Remote Slave Device ID 6. Configures the physical I <sup>2</sup> C address of the remote I <sup>2</sup> C Slave device attached to the remote Serializer. If an I2C transaction is addressed to the Slave Alias ID6, the transaction will be remapped to this address before passing the transaction across the Bidirectional Control Channel to the Serializer.
0	RESERVED	R/W	0h	Reserved

**7.6.1.16 SlaveID\_7 Register (Address = Fh) [reset = 0h]**

 SlaveID\_7 is described in [Table 27](#).

 Return to [Summary Table](#).

**Table 27. SlaveID\_7 Register Field Descriptions**

Bit	Field	Type	Reset	Description
7-1	SLAVE_ID7	R/W	0h	7-bit Remote Slave Device ID 7. Configures the physical I <sup>2</sup> C address of the remote I <sup>2</sup> C Slave device attached to the remote Serializer. If an I2C transaction is addressed to the Slave Alias ID7, the transaction will be remapped to this address before passing the transaction across the Bidirectional Control Channel to the Serializer.
0	RESERVED	R/W	0h	Reserved

**7.6.1.17 SlaveAlias\_0 Register (Address = 10h) [reset = 0h]**

 SlaveAlias\_0 is described in [Table 28](#).

 Return to [Summary Table](#).

**Table 28. SlaveAlias\_0 Register Field Descriptions**

Bit	Field	Type	Reset	Description
7-1	SLAVE_ALIAS_ID0	R/W	0h	7-bit Remote Slave Device Alias ID 0. Configures the decoder for detecting transactions designated for an I2C Slave device attached to the remote Serializer. The transaction will be remapped to the address specified in the Slave ID0 register. A value of 0 in this field disables access to the remote I2C Slave.
0	RESERVED	R	0h	Reserved

**7.6.1.18 SlaveAlias\_1 Register (Address = 11h) [reset = 0h]**

SlaveAlias\_1 is described in [Table 29](#).

Return to [Summary Table](#).

**Table 29. SlaveAlias\_1 Register Field Descriptions**

Bit	Field	Type	Reset	Description
7-1	SLAVE_ALIAS_ID1	R/W	0h	7-bit Remote Slave Device Alias ID 1. Configures the decoder for detecting transactions designated for an I2C Slave device attached to the remote Serializer. The transaction will be remapped to the address specified in the Slave ID1 register. A value of 0 in this field disables access to the remote I2C Slave.
0	RESERVED	R	0h	Reserved

**7.6.1.19 SlaveAlias\_2 Register (Address = 12h) [reset = 0h]**

SlaveAlias\_2 is described in [Table 30](#).

Return to [Summary Table](#).

**Table 30. SlaveAlias\_2 Register Field Descriptions**

Bit	Field	Type	Reset	Description
7-1	SLAVE_ALIAS_ID2	R/W	0h	7-bit Remote Slave Device Alias ID 2. Configures the decoder for detecting transactions designated for an I2C Slave device attached to the remote Serializer. The transaction will be remapped to the address specified in the Slave ID2 register. A value of 0 in this field disables access to the remote I2C Slave.
0	RESERVED	R	0h	Reserved

**7.6.1.20 SlaveAlias\_3 Register (Address = 13h) [reset = 0h]**

SlaveAlias\_3 is described in [Table 31](#).

Return to [Summary Table](#).

**Table 31. SlaveAlias\_3 Register Field Descriptions**

Bit	Field	Type	Reset	Description
7-1	SLAVE_ALIAS_ID3	R/W	0h	7-bit Remote Slave Device Alias ID 3. Configures the decoder for detecting transactions designated for an I2C Slave device attached to the remote Serializer. The transaction will be remapped to the address specified in the Slave ID3 register. A value of 0 in this field disables access to the remote I2C Slave.
0	RESERVED	R	0h	Reserved

**7.6.1.21 SlaveAlias\_4 Register (Address = 14h) [reset = 0h]**

SlaveAlias\_4 is described in [Table 32](#).

Return to [Summary Table](#).

**Table 32. SlaveAlias\_4 Register Field Descriptions**

Bit	Field	Type	Reset	Description
7-1	SLAVE_ALIAS_ID4	R/W	0h	7-bit Remote Slave Device Alias ID 4. Configures the decoder for detecting transactions designated for an I2C Slave device attached to the remote Serializer. The transaction will be remapped to the address specified in the Slave ID4 register. A value of 0 in this field disables access to the remote I2C Slave.
0	RESERVED	R	0h	Reserved

**7.6.1.22 SlaveAlias\_5 Register (Address = 15h) [reset = 0h]**

 SlaveAlias\_5 is described in [Table 33](#).

 Return to [Summary Table](#).

**Table 33. SlaveAlias\_5 Register Field Descriptions**

Bit	Field	Type	Reset	Description
7-1	SLAVE_ALIAS_ID5	R/W	0h	7-bit Remote Slave Device Alias ID 5. Configures the decoder for detecting transactions designated for an I2C Slave device attached to the remote Serializer. The transaction will be remapped to the address specified in the Slave ID5 register. A value of 0 in this field disables access to the remote I2C Slave.
0	RESERVED	R	0h	Reserved

**7.6.1.23 SlaveAlias\_6 Register (Address = 16h) [reset = 0h]**

 SlaveAlias\_6 is described in [Table 34](#).

 Return to [Summary Table](#).

**Table 34. SlaveAlias\_6 Register Field Descriptions**

Bit	Field	Type	Reset	Description
7-1	SLAVE_ALIAS_ID6	R/W	0h	7-bit Remote Slave Device Alias ID 6. Configures the decoder for detecting transactions designated for an I2C Slave device attached to the remote Serializer. The transaction will be remapped to the address specified in the Slave ID6 register. A value of 0 in this field disables access to the remote I2C Slave.
0	RESERVED	R	0h	Reserved

**7.6.1.24 SlaveAlias\_7 Register (Address = 17h) [reset = 0h]**

 SlaveAlias\_7 is described in [Table 35](#).

 Return to [Summary Table](#).

**Table 35. SlaveAlias\_7 Register Field Descriptions**

Bit	Field	Type	Reset	Description
7-1	SLAVE_ALIAS_ID7	R/W	0h	7-bit Remote Slave Device Alias ID 7. Configures the decoder for detecting transactions designated for an I2C Slave device attached to the remote Serializer. The transaction will be remapped to the address specified in the Slave ID7 register. A value of 0 in this field disables access to the remote I2C Slave.
0	RESERVED	R	0h	Reserved

**7.6.1.25 MAILBOX\_18 Register (Address = 18h) [reset = 0h]**

 MAILBOX\_18 is described in [Table 36](#).

 Return to [Summary Table](#).

**Table 36. MAILBOX\_18 Register Field Descriptions**

Bit	Field	Type	Reset	Description
7-0	MAILBOX_18	R/W	0h	Mailbox Register. This register is an unused read/write register that can be used for any purpose such as passing messages between I <sup>2</sup> C masters on opposite ends of the link.

### 7.6.1.26 MAILBOX\_19 Register (Address = 19h) [reset = 1h]

MAILBOX\_19 is described in [Table 37](#).

Return to [Summary Table](#).

**Table 37. MAILBOX\_19 Register Field Descriptions**

Bit	Field	Type	Reset	Description
7-0	MAILBOX_19	R/W	1h	Mailbox Register. This register is an unused read/write register that can be used for any purpose such as passing messages between I <sup>2</sup> C masters on opposite ends of the link.

### 7.6.1.27 GPIO\_9\_Global\_GPIO\_Config Register (Address = 1Ah) [reset = 0h]

GPIO\_9\_Global\_GPIO\_Config is described in [Table 38](#).

Return to [Summary Table](#).

**Table 38. GPIO\_9\_Global\_GPIO\_Config Register Field Descriptions**

Bit	Field	Type	Reset	Description
7	GLOBAL_GPIO_OUTPUT_VALUE	R/W	0h	Global GPIO Output Value. This value is output on each GPIO pin when the individual pin is not otherwise enabled as a GPIO and the global GPIO direction is Output
6	RESERVED	R/W	0h	Reserved
5	GLOBAL_GPIO_FORCE_DIR	R/W	0h	The GLOBAL GPIO DIR and GLOBAL GPIO EN bits configure the pad in input direction or output direction for functional mode or GPIO mode. The GLOBAL bits are overridden by the individual GPIO DIR and GPIO EN bits. {GLOBAL GPIO DIR, GLOBAL GPIO EN} 00: Functional mode; output 10: Tri-state 01: Force mode; output 11: Force mode; input
4	GLOBAL_GPIO_FORCE_EN	R/W	0h	
3	GPIO9_OUTPUT_VALUE	R/W	0h	Local GPIO Output Value. This value is output on the GPIO pin when the GPIO function is enabled, the local GPIO direction is Output, and remote GPIO control is disabled.
2	RESERVED	R/W	0h	Reserved
1	GPIO9_DIR	R/W	0h	The GPIO DIR bits configure the pad in input direction or output direction for functional mode or GPIO mode. 00: Functional mode; output 10: Tri-state 01: GPIO mode; output 11: GPIO mode; input
0	GPIO9_EN	R/W	0h	The GPIO EN bits configure the pad in input direction or output direction for functional mode or GPIO mode. 00: Functional mode; output 10: Tri-state 01: GPIO mode; output 11: GPIO mode; input

### 7.6.1.28 Frequency\_Counter Register (Address = 1Bh) [reset = 0h]

Frequency\_Counter is described in [Table 39](#).

Return to [Summary Table](#).

**Table 39. Frequency\_Counter Register Field Descriptions**

Bit	Field	Type	Reset	Description
7-0	Frequency_Count	R/W	0h	Frequency Counter control. A write to this register will enable a frequency counter to count the number of pixel clock during a specified time interval. The time interval is equal to the value written multiplied by the oscillator clock period (nominally 40 ns). A read of the register returns the number of pixel clock edges seen during the enabled interval. The frequency counter will freeze at 0xff if it reaches the maximum value. The frequency counter will provide a rough estimate of the pixel clock period. If the pixel clock frequency is known, the frequency counter may be used to determine the actual oscillator clock frequency.

### 7.6.1.29 General\_Status Register (Address = 1Ch) [reset = 0h]

General\_Status is described in [Table 40](#).

Return to [Summary Table](#).

**Table 40. General\_Status Register Field Descriptions**

Bit	Field	Type	Reset	Description
7-6	RESERVED	R	0h	Reserved
5	RESERVED	R	1h	Reserved
4	DUAL_RX_STS	R	0h	Receiver Dual Link Status. This bit indicates the current operating mode of the FPD-Link III Receive port. 1: Dual-link mode active 0: Single-link mode active
3	I2S_LOCKED	R	0h	I2S LOCK STATUS. 0: I2S PLL controller not locked 1: I2S PLL controller locked to input I2S clock
2	RESERVED	R	0h	Reserved
1	RESERVED	R	0h or 1h	Reserved
0	LOCK	R	0h	De-Serializer CDR, PLL's clock to recovered clock frequency. 1: De-Serializer locked to recovered clock 0: De-Serializer not locked In Dual-link mode, this indicates both channels are locked.

### 7.6.1.30 GPIO0\_Config Register (Address = 1Dh) [reset = 0h]

GPIO0\_Config is described in [Table 41](#).

Return to [Summary Table](#).

GPIO0 and D\_GPIO0 Configuration

If PORT1\_SEL is set, this register controls the D\_GPIO0 pin.

**Table 41. GPIO0\_Config Register Field Descriptions**

Bit	Field	Type	Reset	Description
7-4	Rev-ID	R	0h	Revision ID. 0100: DS90UB940-Q1 0110: DS90UB940N-Q1
3	GPIO0_OUTPUT_VALUE _D_GPIO0_OUTPUT_VALUE	R/W	0h	Local GPIO Output Value. This value is output on the GPIO pin when the GPIO function is enabled, the local GPIO direction is Output, and remote GPIO control is disabled.



**Table 41. GPIO0\_Config Register Field Descriptions (continued)**

Bit	Field	Type	Reset	Description
2	GPIO0_REMOTE_ENABLE _D_GPIO0_REMOTE_ENABLE	R/W	0h	Remote GPIO Control. 1: Enable GPIO control from remote Serializer. The GPIO pin will be an output, and the value is received from the remote Serializer. 0: Disable GPIO control from remote Serializer.
1	GPIO0_DIR _D_GPIO0_DIR	R/W	0h	The GPIO DIR configures the pad in input direction or output direction for functional mode or GPIO mode. 00: Functional mode; output 10: Tri-state 01: GPIO mode; output 11: GPIO mode; input
0	GPIO0_EN _D_GPIO0_EN	R/W	0h	The GPIO EN configures the pad in input direction or output direction for functional mode or GPIO mode. 00: Functional mode; output 10: Tri-state 01: GPIO mode; output 11: GPIO mode; input

**7.6.1.31 GPIO1\_2\_Config Register (Address = 1Eh) [reset = 0h]**

GPIO1\_2\_Config is described in [Table 42](#).

Return to [Summary Table](#).

GPIO1 / GPIO2 and D\_GPIO1 / D\_GPIO2 Configuration

If PORT1\_SEL is set, this register controls the D\_GPIO1 / D\_GPIO2 pin.

**Table 42. GPIO1\_2\_Config Register Field Descriptions**

Bit	Field	Type	Reset	Description
7	GPIO2_OUTPUT_VALUE _D_GPIO2_OUTPUT_VALUE	R/W	0h	GPIO1/GPIO2 and D_GPIO1/D_GPIO2 Configuration. If PORT1_SEL is set, this register controls the D_GPIO1 and D_GPIO2 pins. Local GPIO Output Value. This value is output on the GPIO pin when the GPIO function is enabled, the local GPIO direction is Output, and remote GPIO control is disabled.
6	GPIO2_REMOTE_ENABLE _D_GPIO2_REMOTE_ENABLE	R/W	0h	Remote GPIO Control. 1: Enable GPIO control from remote Serializer. The GPIO pin will be an output, and the value is received from the remote Serializer. 0: Disable GPIO control from remote Serializer.
5	GPIO2_DIR _D_GPIO2_DIR	R/W	0h	The GPIO DIR configures the pad in input direction or output direction for functional mode or GPIO mode. 00: Functional mode; output 10: Tri-state 01: GPIO mode; output 11: GPIO mode; input
4	GPIO2_EN _D_GPIO2_EN	R/W	0h	The GPIO EN configures the pad in input direction or output direction for functional mode or GPIO mode. 00: Functional mode; output 10: Tri-state 01: GPIO mode; output 11: GPIO mode; input
3	GPIO1_OUTPUT_VALUE _D_GPIO1_OUTPUT_VALUE	R/W	0h	Local GPIO Output Value. This value is output on the GPIO pin when the GPIO function is enabled, the local GPIO direction is Output, and remote GPIO control is disabled.
2	GPIO1_REMOTE_ENABLE _D_GPIO1_REMOTE_ENABLE	R/W	0h	Remote GPIO Control. 1: Enable GPIO control from remote Serializer. The GPIO pin will be an output, and the value is received from the remote Serializer. 0: Disable GPIO control from remote Serializer.

**Table 42. GPIO1\_2\_Config Register Field Descriptions (continued)**

Bit	Field	Type	Reset	Description
1	GPIO1_DIR _D_GPIO1_DIR	R/W	0h	The GPIO DIR configures the pad in input direction or output direction for functional mode or GPIO mode. 00: Functional mode; output 10: Tri-state 01: GPIO mode; output 11: GPIO mode; input
0	GPIO1_EN _D_GPIO1_EN	R/W	0h	The GPIO EN configures the pad in input direction or output direction for functional mode or GPIO mode. 00: Functional mode; output 10: Tri-state 01: GPIO mode; output 11: GPIO mode; input

**7.6.1.32 GPIO\_3\_Config Register (Address = 1Fh) [reset = 0h]**

 GPIO\_3\_Config is described in [Table 43](#).

 Return to [Summary Table](#).

GPIO3 and D\_GPIO3 Configuration

If PORT1\_SEL is set, this register controls the D\_GPIO3 pin.

**Table 43. GPIO\_3\_Config Register Field Descriptions**

Bit	Field	Type	Reset	Description
7-4	RESERVED	R/W	0h	Reserved (No GPIO4)
3	GPIO3_OUTPUT _VALUE _D_GPIO3_OUTPUT _VALUE	R/W	0h	Local GPIO Output Value. This value is output on the GPIO pin when the GPIO function is enabled, the local GPIO direction is Output, and remote GPIO control is disabled.
2	GPIO3_REMOTE _ENABLE _D_GPIO3_REMOTE _ENABLE	R/W	0h	Remote GPIO Control. 1: Enable GPIO control from remote Serializer. The GPIO pin will be an output, and the value is received from the remote Serializer. 0: Disable GPIO control from remote Serializer.
1	GPIO3_DIR _D_GPIO3_DIR	R/W	0h	The GPIO DIR configures the pad in input direction or output direction for functional mode or GPIO mode. 00: Functional mode; output 10: Tri-state 01: GPIO mode; output 11: GPIO mode; input
0	GPIO3_EN _D_GPIO3_EN	R/W	0h	The GPIO EN configures the pad in input direction or output direction for functional mode or GPIO mode. 00: Functional mode; output 10: Tri-state 01: GPIO mode; output 11: GPIO mode; input

**7.6.1.33 GPIO\_5\_6\_Config Register (Address = 20h) [reset = 0h]**

 GPIO\_5\_6\_Config is described in [Table 44](#).

 Return to [Summary Table](#).

**Table 44. GPIO\_5\_6\_Config Register Field Descriptions**

Bit	Field	Type	Reset	Description
7	GPIO6_OUTPUT _VALUE	R/W	0h	Local GPIO Output Value. This value is output on the GPIO pin when the GPIO function is enabled, the local GPIO direction is Output, and remote GPIO control is disabled.

**Table 44. GPIO\_5\_6\_Config Register Field Descriptions (continued)**

Bit	Field	Type	Reset	Description
6	GPIO6_REMOTE_ENABLE	R/W	0h	Remote GPIO Control. 1: Enable GPIO control from remote Serializer. The GPIO pin will be an output, and the value is received from the remote Serializer. 0: Disable GPIO control from remote Serializer.
5	GPIO6_DIR	R/W	0h	The GPIO DIR configures the pad in input direction or output direction for functional mode or GPIO mode. 00: Functional mode; output 10: Tri-state 01: GPIO mode; output 11: GPIO mode; input
4	GPIO6_EN	R/W	0h	The GPIO EN configures the pad in input direction or output direction for functional mode or GPIO mode. 00: Functional mode; output 10: Tri-state 01: GPIO mode; output 11: GPIO mode; input
3	GPIO5_OUTPUT_VALUE	R/W	0h	Local GPIO Output Value. This value is output on the GPIO pin when the GPIO function is enabled, the local GPIO direction is Output, and remote GPIO control is disabled.
2	GPIO5_REMOTE_ENABLE	R/W	0h	Remote GPIO Control. 1: Enable GPIO control from remote Serializer. The GPIO pin will be an output, and the value is received from the remote Serializer. 0: Disable GPIO control from remote Serializer.
1	GPIO5_DIR	R/W	0h	The GPIO DIR configures the pad in input direction or output direction for functional mode or GPIO mode. 00: Functional mode; output 10: Tri-state 01: GPIO mode; output 11: GPIO mode; input
0	GPIO5_EN	R/W	0h	The GPIO EN configures the pad in input direction or output direction for functional mode or GPIO mode. 00: Functional mode; output 10: Tri-state 01: GPIO mode; output 11: GPIO mode; input

**7.6.1.34 GPIO\_7\_8\_Config Register (Address = 21h) [reset = 0h]**

GPIO\_7\_8\_Config is described in [Table 45](#).

Return to [Summary Table](#).

**Table 45. GPIO\_7\_8\_Config Register Field Descriptions**

Bit	Field	Type	Reset	Description
7	GPIO8_OUTPUT_VALUE	R/W	0h	Local GPIO Output Value. This value is output on the GPIO pin when the GPIO function is enabled, the local GPIO direction is Output, and remote GPIO control is disabled.
6	GPIO8_REMOTE_ENABLE	R/W	0h	Remote GPIO Control. 1: Enable GPIO control from remote Serializer. The GPIO pin will be an output, and the value is received from the remote Serializer. 0: Disable GPIO control from remote Serializer.
5	GPIO8_DIR	R/W	0h	The GPIO DIR configures the pad in input direction or output direction for functional mode or GPIO mode. 00: Functional mode; output 10: Tri-state 01: GPIO mode; output 11: GPIO mode; input

**Table 45. GPIO\_7\_8\_Config Register Field Descriptions (continued)**

Bit	Field	Type	Reset	Description
4	GPIO8_EN	R/W	0h	The GPIO EN configures the pad in input direction or output direction for functional mode or GPIO mode. 00: Functional mode; output 10: Tri-state 01: GPIO mode; output 11: GPIO mode; input
3	GPIO7_OUTPUT_VALUE	R/W	0h	Local GPIO Output Value. This value is output on the GPIO pin when the GPIO function is enabled, the local GPIO direction is Output, and remote GPIO control is disabled.
2	GPIO7_REMOTE_ENABLE	R/W	0h	Remote GPIO Control. 1: Enable GPIO control from remote Serializer. The GPIO pin will be an output, and the value is received from the remote Serializer. 0: Disable GPIO control from remote Serializer.
1	GPIO7_DIR	R/W	0h	The GPIO DIR configures the pad in input direction or output direction for functional mode or GPIO mode. 00: Functional mode; output 10: Tri-state 01: GPIO mode; output 11: GPIO mode; input
0	RESERVED	R/W	0h	Reserved

**7.6.1.35 Datapath\_Control Register (Address = 22h) [reset = 0h]**

Datapath\_Control is described in [Table 46](#).

Return to [Summary Table](#).

**Table 46. Datapath\_Control Register Field Descriptions**

Bit	Field	Type	Reset	Description
7	OVERRIDE_FC_CONFIG	R/W	0h	1: Disable loading of this register from the forward channel, keeping locally written values intact 0: Allow forward channel loading of this register
6	PASS_RGB	R/W	0h	Setting this bit causes RGB data to be sent independent of DE. This allows operation in systems which may not use DE to frame video data or send other data when DE is deasserted. Note that setting this bit prevents HDCP operation and blocks packetized audio. This bit does not need to be set in DS90UB928 or in Backward Compatibility mode. 1: Pass RGB independent of DE 0: Normal operation Note: this bit is automatically loaded from the remote serializer unless bit 7 of this register is set.
5	DE_POLARITY	R/W	0h	This bit indicates the polarity of the DE (Data Enable) signal. 1: DE is inverted (active low, idle high) 0: DE is positive (active high, idle low) Note: this bit is automatically loaded from the remote serializer unless bit 7 of this register is set.
4	I2S_RPTR_REGEN	R/W	0h	This bit controls whether the HDCP Receiver outputs packetized Auxiliary/Audio data on the RGB video output pins. 1: Don't output packetized audio data on RGB video output pins 0: Output packetized audio on RGB video output pins. Note: this bit is automatically loaded from the remote serializer unless bit 7 of this register is set.
3	I2S_4-CHANNEL_ENABLE_OVERRIDE	R/W	0h	1: Set I2S 4-Channel Enable from bit of of this register 0: Set I2S 4-Channel disabled Note: this bit is automatically loaded from the remote serializer unless bit 7 of this register is set.
2	18-BIT_VIDEO_SELECT	R/W	0h	1: Select 18-bit video mode 0: Select 24-bit video mode Note: this bit is automatically loaded from the remote serializer unless bit 7 of this register is set.

**Table 46. Datapath\_Control Register Field Descriptions (continued)**

Bit	Field	Type	Reset	Description
1	I2S_TRANSPORT_SELECT	R/W	0h	1: Enable I2S In-Band Transport 0: Enable I2S Data Island Transport Note: this bit is automatically loaded from the remote serializer unless bit 7 of this register is set.
0	I2S_4-CHANNEL_ENABLE	R/W	0h	I2S 4-Channel Enable. 1: Enable I2S 4-Channel 0: Disable I2S 4-Channel Note: this bit is automatically loaded from the remote serializer unless bit 7 of this register is set.

**7.6.1.36 RX\_Mode\_Status Register (Address = 23h) [reset = Strap]**

RX\_Mode\_Status is described in [Table 47](#).

Return to [Summary Table](#).

**Table 47. RX\_Mode\_Status Register Field Descriptions**

Bit	Field	Type	Reset	Description
7	RX_RGB_CHECKSUM	R/W	0h	RX RGB Checksum Enable. Setting this bit enables the Receiver to validate a one-byte checksum following each video line. Checksum failures are reported in the HDCP_STS register.
6	BC_FREQ_SELECT	R/W	0h	Back Channel Frequency Select. 0: Divide-by-4 frequency based on the OSC CLOCK DIVIDER in Register 0x32 1: Divide-by-2 frequency based on the OSC CLOCK DIVIDER in Register 0x32 This bit will be ignored if BC_HIGH_SPEED is set to a 1. Note that changing this setting will result in some errors on the back channel for a short period of time. If set over the control channel, the Serializer should first be programmed to Auto-Ack operation (Serializer register 0x03, bit 5) to avoid a control channel timeout due to lack of response from the Deserializer.
5	AUTO_I2S	R/W	1h	Auto I2S. Determine I2S mode from the AUX data codes.
4	BC_HIGH_SPEED	R/W/S	Strap	Back-Channel High-Speed control. Enables high-speed back-channel at 20 Mbps This bit will override the BC_FREQ_SELECT setting Note that changing this setting will result in some errors on the back channel for a short period of time. If set over the control channel, the Serializer should first be programmed to Auto-Ack operation (Serializer register 0x03, bit 5) to avoid a control channel timeout due to lack of response from the Deserializer. BC_HIGH_SPEED is loaded from the MODE_SEL1 pin strap options.
3	COAX_MODE	R/W/S	Strap	Coax Mode. Configures the FPD3 Receiver for operation over Coax or STP cabling: 0 : Shielded twisted-pair (STP) 1 : Coax Coax Mode is loaded from the MODE_SEL1 pin strap options.
2	REPEATER_MODE	R/S	Strap	Repeater Mode. Indicates device is strapped to repeater mode. Repeater Mode is loaded from the MODE_SEL1 pin strap options.
1	RESERVED	R/W	0h	Reserved
0	RESERVED	R/W	0h	Reserved

**7.6.1.37 BIST\_Control Register (Address = 24h) [reset = 8h]**

 BIST\_Control is described in [Table 48](#).

 Return to [Summary Table](#).

**Table 48. BIST\_Control Register Field Descriptions**

Bit	Field	Type	Reset	Description
7-6	RESERVED	R/W	0h	Reserved
5-4	AUTO_OSC_FREQ	R/W	0h	When register 0x02 bit 5 (AUTO)CLOCK_EN is set, this field controls the nominal frequency of the oscillator-based receive clock. 00: 50 MHz 01: 25 MHz 10: 10 MHz 11: Reserved
3	BIST_PIN_CONFIG	R/W	1h	BIST Configuration through Pin. 1: BIST configured through pin. 0: BIST configured through bits 2:0 in this register
2-1	BIST_CLOCK_SOURCE	R/W	0h	BIST Clock Source. This register field selects the BIST Clock Source at the Serializer. These register bits are automatically written to the CLOCK SOURCE bits (register offset 0x14) in the Serializer after BIST is enabled. See the appropriate Serializer register descriptions for details. 00: External Pixel Clock 01: Internal Pixel Clock 1x: Internal Pixel Clock
0	BIST_EN	R/W	0h	BIST Control. 1: Enabled 0: Disabled

**7.6.1.38 BIST\_ERROR\_COUNT Register (Address = 25h) [reset = 0h]**

 BIST\_ERROR\_COUNT is described in [Table 49](#).

 Return to [Summary Table](#).

**Table 49. BIST\_ERROR\_COUNT Register Field Descriptions**

Bit	Field	Type	Reset	Description
7-0	BIST_ERROR_COUNT	R	0h	Bist Error Count.

**7.6.1.39 SCL\_High\_Time Register (Address = 26h) [reset = 83h]**

 SCL\_High\_Time is described in [Table 50](#).

 Return to [Summary Table](#).

**Table 50. SCL\_High\_Time Register Field Descriptions**

Bit	Field	Type	Reset	Description
7-0	SCL_HIGH_TIME	R/W	83h	I <sup>2</sup> C Master SCL High Time. This field configures the high pulse width of the SCL output when the De-Serializer is the Master on the local I <sup>2</sup> C bus. Units are 50 ns for the nominal oscillator clock frequency. The default value is set to provide a minimum 5- $\mu$ s SCL high time with the internal oscillator clock running at 26 MHz rather than the nominal 20 MHz.

### 7.6.1.40 SCL\_Low\_Time Register (Address = 27h) [reset = 84h]

SCL\_Low\_Time is described in [Table 51](#).

Return to [Summary Table](#).

**Table 51. SCL\_Low\_Time Register Field Descriptions**

Bit	Field	Type	Reset	Description
7-0	SCL_LOW_TIME	R/W	84h	I2C SCL Low Time. This field configures the low pulse width of the SCL output when the De-Serializer is the Master on the local I <sup>2</sup> C bus. This value is also used as the SDA setup time by the I <sup>2</sup> C Slave for providing data prior to releasing SCL during accesses over the Bidirectional Control Channel. Units are 50 ns for the nominal oscillator clock frequency. The default value is set to provide a minimum 5- $\mu$ s SCL low time with the internal oscillator clock running at 26 MHz rather than the nominal 20 MHz.

### 7.6.1.41 Datapath\_Control\_2 Register (Address = 28h) [reset = Loaded from SER]

Datapath\_Control\_2 is described in [Table 52](#).

Return to [Summary Table](#).

**Table 52. Datapath\_Control\_2 Register Field Descriptions**

Bit	Field	Type	Reset	Description
7	OVERRIDE_FC_CONFIG	R/W	0h	1: Disable loading of this register from the forward channel, keeping locally written values intact 0: Allow forward channel loading of this register
6	RESERVED	R/W	0h	Reserved
5	VIDEO_DISABLED	R/W	Loaded from SER	Forward channel video disabled (Load from remote Serializer). 0 : Normal operation 1 : Video is disabled, control channel is enabled This is a status bit indicating the forward channel is not sending active video. In this mode, the control channel and GPIO functions are enabled. Setting OVERRIDE_FC_CONFIG will prevent this bit from changing.
4	DUAL_LINK	R/W	Loaded from SER	1: Dual-Link mode enabled 0: Single-Link mode enabled This bit indicates whether the FPD-Link III serializer is in single link or dual link mode. This control is used for recovering forward channel data when the FPD-Link III Receiver is in auto-detect mode. To force DUAL_LINK receive mode, use the RX_PORT_SEL register (address 0x34). Setting OVERRIDE_FC_CONFIG will prevent this bit from changing.
3	ALTERNATE_I2S_ENABLE	R/W	Loaded from SER	1: Enable alternate I2S output on GPIO1 (word clock) and GPIO0 (data) 0: Normal Operation
2	I2S_DISABLED	R/W	Loaded from SER	1: I2S DISABLED 0: Normal Operation
1	28BIT_VIDEO	R/W	Loaded from SER	1: 28-bit Video enable (that is, HS, VS, DE are present in forward channel) 0: Normal Operation
0	I2S_SURROUND	R/W	Loaded from SER	1: I2S Surround enabled 0: I2S Surround disabled

**7.6.1.42 I2S\_Control Register (Address = 2Bh) [reset = 0h]**

 I2S\_Control is described in [Table 53](#).

 Return to [Summary Table](#).

**Table 53. I2S\_Control Register Field Descriptions**

Bit	Field	Type	Reset	Description
7-4	RESERVED	R/W	0h	Reserved
3	I2S_FIFO_OVERFLOW_STATUS	R	0h	I2S FIFO Overflow Status.
2	I2S_FIFO_UNDERRUN_STATUS	R	0h	I2S FIFO Underrun Status.
1	I2S_FIFO_ERROR_RESET	R/W	0h	I2S Fifo Error Reset. 1: Clears FIFO Error
0	I2S_DATA_FALLING_EDGE	R/W	0h	I2S Clock Edge Select. 1: I2S Data is strobed on the Rising Clock Edge. 0: I2S Data is strobed on the Falling Clock Edge.

**7.6.1.43 PCLK\_Test\_Mode Register (Address = 2Eh) [reset = 0h]**

 PCLK\_Test\_Mode is described in [Table 54](#).

 Return to [Summary Table](#).

**Table 54. PCLK\_Test\_Mode Register Field Descriptions**

Bit	Field	Type	Reset	Description
7	EXTERNAL_PCLK	R/W	0h	Select pixel clock from BISTC input.
6-0	RESERVED	R/W	0h	Reserved

**7.6.1.44 DUAL\_RX\_CTL Register (Address = 34h) [reset = 1h]**

 DUAL\_RX\_CTL is described in [Table 55](#).

 Return to [Summary Table](#).

**Table 55. DUAL\_RX\_CTL Register Field Descriptions**

Bit	Field	Type	Reset	Description
7	RESERVED	R	0h	Reserved
6	RX_LOCK_MODE	R/W	0h	RX Lock Mode. Determines operating conditions for indication of RX_LOCK and generation of video data. 0 : RX_LOCK asserted only when receiving active video (Forward channel VIDEO_DISABLED bit is 0) 1 : RX_LOCK asserted when device is linked to a Serializer even if active video is not being sent. This allows indication of valid link where Bidirectional Control Channel is enabled, but Deserializer is not receiving Audio/Video data.
5	RAW_2ND_BC	R/W	0h	Enable Raw Secondary Back channel. if this bit is set to a 1, the secondary back channel will operate in a raw mode, passing D_GPIO0 from the Deserializer to the Serializer, without any oversampling or filtering.
4-3	FPD3_INPUT_MODE	R/W	0h	FPD-Link III Input Mode. Determines operating mode of dual FPD-Link III Receive interface 00: Auto-detect based on received data 01: Forced Mode: Dual link 10: Forced Mode: Single link, primary input 11: Forced Mode: Single link, secondary input
2	RESERVED	R/W	0h	Reserved



**Table 55. DUAL\_RX\_CTL Register Field Descriptions (continued)**

Bit	Field	Type	Reset	Description
1	PORT1_SEL	R/W	0h	Selects Port 1 for Register Access from primary I <sup>2</sup> C Address For writes, port1 registers and shared registers will both be written. For reads, port1 registers and shared registers will be read. This bit must be cleared to read port0 registers.
0	PORT0_SEL	R/W	1h	Selects Port 0 for Register Access from primary I <sup>2</sup> C Address For writes, port0 registers and shared registers will both be written. For reads, port0 registers and shared registers will be read. Note that if PORT1_SEL is also set, then port1 registers will be read.

**7.6.1.45 AEQ\_CTL1 Register (Address = 35h) [reset = 0h]**

AEQ\_CTL1 is described in [Table 56](#).

Return to [Summary Table](#).

**Table 56. AEQ\_CTL1 Register Field Descriptions**

Bit	Field	Type	Reset	Description
7	RESERVED	R/W	0h	Reserved
6	AEQ_RESTART	R/W	0h	Set high to restart AEQ adaptation from initial value. Method is write HIGH then write LOW - not self clearing. Adaption will be restarted on both ports.
5	OVERRIDE_AEQ_FLOOR	R/W	0h	Enable operation of SET_AEQ_FLOOR.
4	SET_AEQ_FLOOR	R/W	0h	Enable the ADAPTIVE_EQ_FLOOR_VALUE set in the AEQ_CTL2 register 0x45.
3-0	RESERVED	R/W	0h	Reserved

**7.6.1.46 MODE\_SEL Register (Address = 37h) [reset = 0h]**

MODE\_SEL is described in [Table 57](#).

Return to [Summary Table](#).

**Table 57. MODE\_SEL Register Field Descriptions**

Bit	Field	Type	Reset	Description
7	MODE1_DONE	R	0h	MODE_SEL1 Done. If set, indicates the MODE_SEL1 decode has completed and latched into the MODE_SEL1 status bits.
6-4	MODE_SEL1	R	0h	MODE_SEL1 Decode. 3-bit decode from MODE_SEL1 pin
3	MODE0_DONE	R	0h	MODE_SEL0 Done. If set, indicates the MODE_SEL0 decode has completed and latched into the MODE_SEL0 status bits.
2-0	MODE_SEL0	R	0h	MODE_SEL0 Decode. 3-bit decode from MODE_SEL0 pin

**7.6.1.47 I2S\_DIVSEL Register (Address = 3Ah) [reset = 0h]**

I2S\_DIVSEL is described in [Table 58](#).

Return to [Summary Table](#).

**Table 58. I2S\_DIVSEL Register Field Descriptions**

Bit	Field	Type	Reset	Description
7	REG_OV_MDIV	R/W	0h	0: No override for MCLK divider 1: Override divider select for MCLK

**Table 58. I2S\_DIVSEL Register Field Descriptions (continued)**

Bit	Field	Type	Reset	Description
6-4	REG_MDIV	R/W	0h	Divide ratio select for VCO output (32 × REF/M). 000: Divide by 32 (=REF/M) 001: Divide by 16 (=2 × REF/M) 010: Divide by 8 (=4 × REF/M) 011: Divide by 4 (=8 × REF/M) 100, 101: Divide by 2 (=16 × REF/M) 110, 111: Divide by 1 (=32 × REF/M)
3	RESERVED	R	0h	Reserved
2	REG_OV_MSELECT	R/W	0h	0: Divide ratio of reference clock VCO selected by PLL-SM 1: Override divide ratio of clock to VCO
1-0	REG_MSELECT	R/W	0h	Divide ratio select for VCO input (M). 00: Divide by 1 01: Divide by 2 10: Divide by 4 11: Divide by 8

**7.6.1.48 Adaptive\_EQ\_Status Register (Address = 3Bh) [reset = 0h]**

 Adaptive\_EQ\_status is described in [Table 59](#).

 Return to [Summary Table](#).

**Table 59. Adaptive\_EQ\_Status Register Field Descriptions**

Bit	Field	Type	Reset	Description
7-6	RESERVED	R	0h	Reserved
5-0	EQ_STATUS	R	0h	Adaptive EQ Status.

**7.6.1.49 LINK\_ERROR\_COUNT Register (Address = 41h) [reset = 3h]**

 LINK\_ERROR\_COUNT is described in [Table 60](#).

 Return to [Summary Table](#).

**Table 60. LINK\_ERROR\_COUNT Register Field Descriptions**

Bit	Field	Type	Reset	Description
7-5	RESERVED	R/W	0h	Reserved
4	LINK_ERROR_COUNT_ENABLE	R/W	0h	Enable serial link data integrity error count. 1: Enable error count 0: DISABLE
3-0	LINK_ERROR_COUNT	R/W	3h	Link error count threshold. Counter is pixel clock based. clk0, clk1 and DCA are monitored for link errors, if error count is enabled, deserializer loose lock once error count reaches threshold. If disabled, Deserializer loses lock with one error.

**7.6.1.50 HSCC\_CONTROL Register (Address = 43h) [reset = 0h]**

 HSCC\_CONTROL is described in [Table 61](#).

 Return to [Summary Table](#).

**Table 61. HSCC\_CONTROL Register Field Descriptions**

Bit	Field	Type	Reset	Description
7-5	RESERVED	R/W	0h	Reserved

**Table 61. HSCC\_CONTROL Register Field Descriptions (continued)**

Bit	Field	Type	Reset	Description
4	SPI_MISO_MODE	R/W	0h	SPI MISO pin mode during Reverse SPI mode. During Reverse SPI mode, SPI_MISO is typically an output signal. For bused SPI applications, it may be necessary to tri-state the SPI_MISO output if the device is not selected (SPI_SS = 0). 0: Always enable SPI_MISO output driver 1: Tri-state SPI_MISO output if SPI_SS is not asserted (low)
3	SPI_CPOL	R/W	0h	SPI Clock Polarity Control. 0: SPI Data driven on Falling clock edge, sampled on Rising clock edge 1: SPI Data driven on Rising clock edge, sampled on Falling clock edge
2-0	HSCC_MODE	R/W	0h	High-Speed Control Channel Mode. Enables high-speed modes for the secondary link back-channel, allowing higher speed signaling of GPIOs or SPI interface: These bits indicates the High-Speed Control Channel mode of operation: 000: Normal frame, GPIO mode 001: High-Speed GPIO mode, 1 GPIO 010: High-Speed GPIO mode, 2 GPIOs 011: High-Speed GPIO mode: 4 GPIOs 100: Normal frame, Forward Channel SPI mode 101: Normal frame, Reverse Channel SPI mode 110: High-Speed, Forward Channel SPI mode 111: High-Speed, Reverse Channel SPI mode

**7.6.1.51 ADAPTIVE\_EQ\_BYPASS Register (Address = 44h) [reset = 60h]**

ADAPTIVE\_EQ\_BYPASS is described in [Table 62](#).

Return to [Summary Table](#).

**Table 62. ADAPTIVE\_EQ\_BYPASS Register Field Descriptions**

Bit	Field	Type	Reset	Description
7-5	EQ_STAGE_1_SELECT_VALUE	R/W	3h	EQ select value[5:3] - Used if adaptive EQ is bypassed.
4	RESERVED	R/W	0h	Reserved
3-1	EQ_STAGE_2_SELECT_VALUE	R/W	0h	EQ select value [2:0] - Used if adaptive EQ is bypassed.
0	ADAPTIVE_EQ_BYPASS	R/W	0h	1: Disable adaptive EQ 0: Enable adaptive EQ

**7.6.1.52 ADAPTIVE\_EQ\_MIN\_MAX Register (Address = 45h) [reset = 88h]**

AEQ\_CTL2 is described in [Table 63](#).

Return to [Summary Table](#).

If PORT1\_SEL is set, this register sets Port1 AEQ configuration

**Table 63. ADAPTIVE\_EQ\_MIN\_MAX Register Field Descriptions**

Bit	Field	Type	Reset	Description
7-4	RESERVED	R/W	0h	Reserved
3-0	ADAPTIVE_EQ_FLOOR_VALUE	R/W	8h	AEQ adaptation starts from a pre-set floor value rather than from zero - good in long cable situations.

**7.6.1.53 CML\_OUTPUT\_CTL1 Register (Address = 52h) [reset = 0h]**

 areg12\_2 is described in [Table 64](#).

 Return to [Summary Table](#).

**Table 64. CML\_OUTPUT\_CTL1 Register Field Descriptions**

Bit	Field	Type	Reset	Description
7	CML_CHANNEL_SELECT_1	R/W	0h	Selects between PORT0 and PORT1 to output onto CMLOUT±. 0: Recovered forward channel data from RIN0± is output on CMLOUT± 1: Recovered forward channel data from RIN1± is output on CMLOUT± CMLOUT driver must be enabled by setting 0x56[3] = 1. Note: This bit must match 0x57[2:1] setting for PORT0 or PORT1.
6-0	RESERVED	R/W	0h	Reserved

**7.6.1.54 CML\_OUTPUT\_ENABLE Register (Address = 56h) [reset = 0h]**

 CML\_OUTPUT\_ENABLE is described in [Table 65](#).

 Return to [Summary Table](#).

**Table 65. CML\_OUTPUT\_ENABLE Register Field Descriptions**

Bit	Field	Type	Reset	Description
7-4	RESERVED	R/W	0h	Reserved
3	CMLOUT_ENABLE	R/W	0h	Enable CMLOUT± Loop-through Driver. 0: Disabled (Default) 1: Enabled
2-0	RESERVED	R/W	0h	Reserved

**7.6.1.55 CML\_OUTPUT\_CTL2 Register (Address = 57h) [reset = 0h]**

 CML\_OUTPUT\_CTL2 is described in [Table 66](#).

 Return to [Summary Table](#).

**Table 66. CML\_OUTPUT\_CTL2 Field Descriptions**

Bit	Field	Type	Reset	Description
7-3	RESERVED	R/W	0h	Reserved
2-1	CML_CHANNEL_SELECT_2	R/W	0h	Selects between PORT0 and PORT1 to output onto CMLOUT±. 01: Recovered forward channel data from RIN0± is output on CMLOUT± 10: Recovered forward channel data from RIN1± is output on CMLOUT± CMLOUT driver must be enabled by setting 0x56[3] = 1. Note: This must match 0x52[7] setting for PORT0 or PORT1.
0	RESERVED	R/W	0h	Reserved

**7.6.1.56 CML\_OUTPUT\_CTL3 Register (Address = 63h) [reset = 0h]**

 CML\_OUTPUT\_CTL3 is described in [Table 67](#).

 Return to [Summary Table](#).

**Table 67. CML\_OUTPUT\_CTL3 Field Descriptions**

Bit	Field	Type	Reset	Description
7-1	RESERVED	R/W	0h	Reserved

**Table 67. CML\_OUTPUT\_CTL3 Field Descriptions (continued)**

Bit	Field	Type	Reset	Description
0	CML_TX_PWDN	R/W	0h	Powerdown CML TX. 0: CML TX powered up 1: CML TX powered down <b>NOTE:</b> CML TX must be powered down prior to enabling Pattern Generator.

**7.6.1.57 PGCTL Register (Address = 64h) [reset = 10h]**

PGCTL is described in [Table 68](#).

Return to [Summary Table](#).

**Table 68. PGCTL Register Field Descriptions**

Bit	Field	Type	Reset	Description
7-4	PATGEN_SEL	R/W	1h	Fixed Pattern Select. This field selects the pattern to output when in Fixed Pattern Mode. Scaled patterns are evenly distributed across the horizontal or vertical active regions. This field is ignored when Auto-Scrolling Mode is enabled. The following table shows the color selections in noninverted followed by inverted color mode: 0000: Reserved 0001: White/Black 0010: Black/White 0011: Red/Cyan 0100: Green/Magenta 0101: Blue/Yellow 0110: Horizontally Scaled Black to White/White to Black 0111: Horizontally Scaled Black to Red/White to Cyan 1000: Horizontally Scaled Black to Green/White to Magenta 1001: Horizontally Scaled Black to Blue/White to Yellow 1010: Vertically Scaled Black to White/White to Black 1011: Vertically Scaled Black to Red/White to Cyan 1100: Vertically Scaled Black to Green/White to Magenta 1101: Vertically Scaled Black to Blue/White to Yellow 1110: Custom color (or its inversion) configured in PGRS, PGGS, PGBS registers 1111: Reserved See TI App Note <a href="#">AN-2198</a> (SNLA132).
3	PATGEN_UNH	R/W	0h	Enables the UNH-IOL compliance test pattern. 0: Pattern type selected by PATGEN_SEL 1: Compliance test pattern is selected. Value of PATGEN_SEL is ignored.
2	PATGEN_COLOR_BARS	R/W	0h	Enable Color Bars. 0: Color Bars disabled 1: Color Bars enabled (White, Yellow, Cyan, Green, Magenta, Red, Blue, Black)
1	PATGEN_VCOM_REV	R/W	0h	Reverse order of color bands in VCOM pattern. 0: Color sequence from top left is (Yellow, Cyan, Blue, Red) 1: Color sequence from top left is (Blue, Cyan, Yellow, Red)
0	PATGEN_EN	R/W	0h	Pattern Generator Enable. 1: Enable Pattern Generator 0: Disable Pattern Generator <b>NOTE:</b> CML TX must be powered down prior to enabling Pattern Generator by setting register bit 0x63[0]=1.

**7.6.1.58 PGCFG Register (Address = 65h) [reset = 0h]**

 PGCFG is described in [Table 69](#).

 Return to [Summary Table](#).

**Table 69. PGCFG Register Field Descriptions**

Bit	Field	Type	Reset	Description
7-5	RESERVED	R	0h	Reserved
4	PATGEN_18B	R/W	0h	18-bit Mode Select. 1: Enable 18-bit color pattern generation. Scaled patterns will have 64 levels of brightness and the R, G, and B outputs use the six most significant color bits. 0: Enable 24-bit pattern generation. Scaled patterns use 256 levels of brightness.
3	PATGEN_EXTCLK	R/W	0h	Select External Clock Source 1: Selects the external pixel clock when using internal timing. 0: Selects the internal divided clock when using internal timing This bit has no effect in external timing mode (PATGEN_TSEL = 0).
2	PATGEN_TSEL	R/W	0h	Timing Select Control. 1: The Pattern Generator creates its own video timing as configured in the Pattern Generator Total Frame Size, Active Frame Size, Horizontal Sync Width, Vertical Sync Width, Horizontal Back Porch, Vertical Back Porch, and Sync Configuration registers. 0: the Pattern Generator uses external video timing from the pixel clock, Data Enable, Horizontal Sync, and Vertical Sync signals.
1	PATGEN_INV	R/W	0h	Enable Inverted Color Patterns. 1: Invert the color output. 0: Do not invert the color output.
0	PATGEN_ASCRL	R/W	0h	Auto-Scroll Enable. 1: The Pattern Generator will automatically move to the next enabled pattern after the number of frames specified in the Pattern Generator Frame Time (PGFT) register. 0: The Pattern Generator retains the current pattern.

**7.6.1.59 PGIA Register (Address = 66h) [reset = 0h]**

 PGIA is described in [Table 70](#).

 Return to [Summary Table](#).

**Table 70. PGIA Register Field Descriptions**

Bit	Field	Type	Reset	Description
7-0	PATGEN_IA	R/W	0h	Indirect Address. This 8-bit field sets the indirect address for accesses to indirectly-mapped registers. It should be written prior to reading or writing the Pattern Generator Indirect Data register. See TI App Note <a href="#">AN-2198 Exploring the internal test pattern generation feature of 720p FPD-Link III devices (SNLA132)</a> .

**7.6.1.60 PGID Register (Address = 67h) [reset = 0h]**

PGID is described in [Table 71](#).

Return to [Summary Table](#).

**Table 71. PGID Register Field Descriptions**

Bit	Field	Type	Reset	Description
7-0	PATGEN_ID	R/W	0h	Indirect Data. When writing to indirect registers, this register contains the data to be written. When reading from indirect registers, this register contains the readback value. See TI App Note <a href="#">AN-2198 exploring the internal test pattern generation feature of 720p FPD-Link III devices (SNLA132)</a> .

**7.6.1.61 PGDBG Register (Address = 68h) [reset = 0h]**

PGDBG is described in [Table 72](#).

Return to [Summary Table](#).

**Table 72. PGDBG Register Field Descriptions**

Bit	Field	Type	Reset	Description
7-4	RESERVED	R/W	0h	Reserved
3	PATGEN_BIST_EN	R/W	0h	Pattern Generator BIST Enable. Enables Pattern Generator in BIST mode. Pattern Generator will compare received video data with local generated pattern. Upstream device must be programmed to the same pattern.
2-0	RESERVED	R/W	0h	Reserved

**7.6.1.62 PGTSTDAT Register (Address = 69h) [reset = 0h]**

PGTSTDAT is described in [Table 73](#).

Return to [Summary Table](#).

**Table 73. PGTSTDAT Register Field Descriptions**

Bit	Field	Type	Reset	Description
7	PATGEN_BIST_ERR	R	0h	Pattern Generator BIST Error Flag. During Pattern Generator BIST mode, this bit indicates if the BIST engine has detected errors. If the BIST Error Count (available in the Pattern Generator indirect registers) is non-zero, this flag will be set.
6-0	RESERVED	R	0h	Reserved

**7.6.1.63 CSICFG0 Register (Address = 6Ah) [reset = 0h]**

CSICFG0 is described in [Table 74](#).

Return to [Summary Table](#).

**Table 74. CSICFG0 Register Field Descriptions**

Bit	Field	Type	Reset	Description
7-6	RSV	R/W	0h	Reserved
5-4	LANE_COUNT	R/W	0h	Setup number of data lanes for the CSI ports. 00/01: 4 data lanes 10: 2 data lanes 11: 1 data lane
3	ULPM	R/W	0h	When set, put the data lanes in ultra-low power mode (LP00) by sending out a LP signalling sequence.
2	ULPS	R/W	0h	When set with ULPM, put the clock lane into ultra-low power mode. No effect if ULPM is not set.

**Table 74. CSICFG0 Register Field Descriptions (continued)**

Bit	Field	Type	Reset	Description
1	CONTS_CLK	R/W	0h	When set, keep the clock lane running (in HS mode) during line blank (DE=0) and frame blank (VS not active).
0	CSI_DIS	R/W	0h	When set, disable the CSI state machine. This functions as a soft reset.

**7.6.1.64 CSICFG1 Register (Address = 6Bh) [reset = 0h]**

 CSICFG1 is described in [Table 75](#).

 Return to [Summary Table](#).

**Table 75. CSICFG1 Register Field Descriptions**

Bit	Field	Type	Reset	Description
7-4	OFMT	R/W	0h	Program the output CSI data formats. 0000: RGB888 0001: RGB666 0010: RGB565 0011: YUV420 Legacy 0100: YUV420 0101: YUV422_8 0110: RAW8 0111: RAW10 1000: RAW12 1001: YUV420 (CSPS)
3-2	IFMT	R/W	0h	Program the input data format in HDMI terminology. 00: RGB444 01: YUV422 10: YUV444 11: RAW
1	INV_VS	R/W	0h	When set, the VS received from the digital receiver will be inverted. Because the CSI logic works on active-high VS, this bit is typically set when the VS from the data source is active-low.
0	INV_DE	R/W	0h	When set, the DE received from the digital receiver will be inverted. Because the CSI logic works on active-high DE, this bit is typically set when the DE from the data source is active-low.

**7.6.1.65 CSIIA Register (Address = 6Ch) [reset = 0h]**

 CSIIA is described in [Table 76](#).

 Return to [Summary Table](#).

**Table 76. CSIIA Register Field Descriptions**

Bit	Field	Type	Reset	Description
7-0	CSI_IA	R/W	0h	Indirect address port for accessing CSI registers.

**7.6.1.66 CSIID Register (Address = 6Dh) [reset = 0h]**

 CSIID is described in [Table 77](#).

 Return to [Summary Table](#).

**Table 77. CSIID Register Field Descriptions**

Bit	Field	Type	Reset	Description
7-0	CSI_ID	R/W	0h	Indirect data port for accessing CSI registers.



**7.6.1.67 GPIO\_Pin\_Status\_1 Register (Address = 6Eh) [reset = 0h]**

GPIO\_Pin\_Status\_1 is described in [Table 78](#).

Return to [Summary Table](#).

**Table 78. GPIO\_Pin\_Status\_1 Register Field Descriptions**

Bit	Field	Type	Reset	Description
7	GPIO7_Pin_Status	R	0h	GPIO7/I2S_WC pin status.
6	GPIO6_Pin_Status	R	0h	GPIO6/I2S_DA pin status.
5	GPIO5_Pin_Status	R	0h	GPIO5/I2S_DB pin status.
4	RESERVED	R	0h	Reserved
3	GPIO3_Pin_Status	R	0h	GPIO3 / I2S_DD pin status.
2	GPIO2_Pin_Status	R	0h	GPIO2 / I2S_DC pin status.
1	GPIO1_Pin_Status	R	0h	GPIO1 pin status.
0	GPIO0_Pin_Status	R	0h	GPIO0 pin status.

**7.6.1.68 GPIO\_Pin\_Status\_2 Register (Address = 6Fh) [reset = 0h]**

GPIO\_Pin\_Status\_2 is described in [Table 79](#).

Return to [Summary Table](#).

**Table 79. GPIO\_Pin\_Status\_2 Register Field Descriptions**

Bit	Field	Type	Reset	Description
7-2	RESERVED	R	0h	Reserved
1	GPIO9_Pin_Status	R	0h	GPIO9/MCLK pin status.
0	GPIO8_Pin_Status	R	0h	GPIO8/I2S_CLK pin status.

**7.6.1.69 ID0 Register (Address = F0h) [reset = 5Fh]**

ID0 is described in [Table 80](#).

Return to [Summary Table](#).

**Table 80. ID0 Register Field Descriptions**

Bit	Field	Type	Reset	Description
7-0	ID0	R	5Fh	ID0: First byte ID code, '_'.

**7.6.1.70 ID1 Register (Address = F1h) [reset = 55h]**

ID1 is described in [Table 81](#).

Return to [Summary Table](#).

**Table 81. ID1 Register Field Descriptions**

Bit	Field	Type	Reset	Description
7-0	ID1	R	55h	ID1: 2nd byte of ID code, 'U'.

**7.6.1.71 ID2 Register (Address = F2h) [reset = 48h]**

 ID2 is described in [Table 82](#).

 Return to [Summary Table](#).

**Table 82. ID2 Register Field Descriptions**

Bit	Field	Type	Reset	Description
7-0	ID2	R	48h	ID2: 3rd byte of ID code. Value will be either 'B' or 'H'. 'H' indicates an HDCP capable device.

**7.6.1.72 ID3 Register (Address = F3h) [reset = 39h]**

 ID3 is described in [Table 83](#).

 Return to [Summary Table](#).

**Table 83. ID3 Register Field Descriptions**

Bit	Field	Type	Reset	Description
7-0	ID3	R	39h	ID3: 4th byte of ID code: '9'.

**7.6.1.73 ID4 Register (Address = F4h) [reset = 34h]**

 ID4 is described in [Table 84](#).

 Return to [Summary Table](#).

**Table 84. ID4 Register Field Descriptions**

Bit	Field	Type	Reset	Description
7-0	ID4	R	34h	ID4: 5th byte of ID code: '4'.

**7.6.1.74 ID5 Register (Address = F5h) [reset = 30h]**

 ID5 is described in [Table 85](#).

 Return to [Summary Table](#).

**Table 85. ID5 Register Field Descriptions**

Bit	Field	Type	Reset	Description
7-0	ID5	R	30h	ID5: 6th byte of ID code: '0'.

## 7.6.2 CSI-2 Indirect Registers

Table 86 summarizes the DS90UB940N-Q1 CSI-2 indirect registers. All register offset addresses not listed in Table 86 should be considered as reserved locations and the register contents should not be modified.

In the register definitions under the *TYPE* heading, the following definitions apply:

- R = Read only access
- R/W = Read / Write access

**Table 86. CSI-2 Indirect Registers Summary**

Address	Acronym	Register Name	Section
0h	CSI_TCK_PREP		<a href="#">Go</a>
1h	CSI_TCK_ZERO		<a href="#">Go</a>
2h	CSI_TCK_TRAIL		<a href="#">Go</a>
3h	CSI_TCK_POST		<a href="#">Go</a>
4h	CSI_THS_PREP		<a href="#">Go</a>
5h	CSI_THS_ZERO		<a href="#">Go</a>
6h	CSI_THS_TRAIL		<a href="#">Go</a>
7h	CSI_THS_EXIT		<a href="#">Go</a>
8h	CSI_TLPX		<a href="#">Go</a>
9h	RAW_ALIGN		<a href="#">Go</a>
13h	CSI_EN_PORT0		<a href="#">Go</a>
14h	CSI_EN_PORT1		<a href="#">Go</a>
16h	CSIPASS		<a href="#">Go</a>
2Eh	CSI_VC_ID		<a href="#">Go</a>

### 7.6.2.1 CSI\_TCK\_PREP Register (Address = 0h) [reset = 0h]

CSI\_TCK\_PREP is described in [Table 87](#).

Return to [Summary Table](#).

**Table 87. CSI\_TCK\_PREP Register Field Descriptions**

Bit	Field	Type	Reset	Description
7	CSI_TCK_PREP_OV	R/W	0h	Override CSI Tck Prep Parameter 0: Tck Prep is automatically determined. 1: Override Tck Prep parameter with a value in bits [4:0] in this register.
6-5	RESERVED	R/W	0h	Reserved
4-0	CSI_TCK_PREP	R/W	0h	Tck Prep Value.

### 7.6.2.2 CSI\_TCK\_ZERO Register (Address = 1h) [reset = 0h]

CSI\_TCK\_ZERO is described in [Table 88](#).

Return to [Summary Table](#).

**Table 88. CSI\_TCK\_ZERO Register Field Descriptions**

Bit	Field	Type	Reset	Description
7	CSI_TCK_ZERO_OV	R/W	0h	Override CSI Tck Zero Parameter 0: Tck Zero is automatically determined. 1: Override Tck Zero parameter with a value in bits [5:0] in this register.
6	RESERVED	R/W	0h	Reserved
5-0	CSI_TCK_ZERO	R/W	0h	Tck Zero Value.

### 7.6.2.3 CSI\_TCK\_TRAIL Register (Address = 2h) [reset = 0h]

CSI\_TCK\_TRAIL is described in [Table 89](#).

Return to [Summary Table](#).

**Table 89. CSI\_TCK\_TRAIL Register Field Descriptions**

Bit	Field	Type	Reset	Description
7	CSI_TCK_TRAIL_OV	R/W	0h	Override CSI Tck Trail Parameter 0: Tck Trail is automatically determined. 1: Override Tck Trail parameter with a value in bits [3:0] in this register.
6-4	RESERVED	R/W	0h	Reserved
3-0	CSI_TCK_TRAIL	R/W	0h	Tck Trail Value.

### 7.6.2.4 CSI\_TCK\_POST Register (Address = 3h) [reset = 0h]

CSI\_TCK\_POST is described in [Table 90](#).

Return to [Summary Table](#).

**Table 90. CSI\_TCK\_POST Register Field Descriptions**

Bit	Field	Type	Reset	Description
7	CSI_TCK_POST_OV	R/W	0h	Override CSI Tck Post Parameter 0: Tck Post is automatically determined. 1: Override Tck Post parameter with a value in bits [5:0] in this register.
6	RESERVED	R/W	0h	Reserved
5-0	CSI_TCK_POST	R/W	0h	Tck Post Value.

### 7.6.2.5 CSI\_THS\_PREP Register (Address = 4h) [reset = 0h]

CSI\_THS\_PREP is described in [Table 91](#).

Return to [Summary Table](#).

**Table 91. CSI\_THS\_PREP Register Field Descriptions**

Bit	Field	Type	Reset	Description
7	CSI_THS_PREP_OV	R/W	0h	Override CSI Ths Prep Parameter 0: Ths Prep is automatically determined. 1: Override Ths Prep parameter with a value in bits [4:0] in this register.
6-5	RESERVED	R/W	0h	Reserved
4-0	CSI_THS_PREP	R/W	0h	Ths Prep Value.

### 7.6.2.6 CSI\_THS\_ZERO Register (Address = 5h) [reset = 0h]

CSI\_THS\_ZERO is described in [Table 92](#).

Return to [Summary Table](#).

**Table 92. CSI\_THS\_ZERO Register Field Descriptions**

Bit	Field	Type	Reset	Description
7	CSI_THS_ZERO_OV	R/W	0h	Override CSI Ths Zero Parameter 0: Ths Zero is automatically determined. 1: Override Ths Zero parameter with a value in bits [4:0] in this register.
6-5	RESERVED	R/W	0h	Reserved
4-0	CSI_THS_ZERO	R/W	0h	Ths Zero Value.

### 7.6.2.7 CSI\_THS\_TRAIL Register (Address = 6h) [reset = 0h]

CSI\_THS\_TRAIL is described in [Table 93](#).

Return to [Summary Table](#).

**Table 93. CSI\_THS\_TRAIL Register Field Descriptions**

Bit	Field	Type	Reset	Description
7	CSI_THS_TRAIL_OV	R/W	0h	Override CSI Ths Trail Parameter 0: Ths Trail is automatically determined. 1: Override Ths Trail parameter with a value in bits [3:0] in this register.
6-4	RESERVED	R/W	0h	Reserved
3-0	CSI_THS_TRAIL	R/W	0h	Ths Trail.

### 7.6.2.8 CSI\_THS\_EXIT Register (Address = 7h) [reset = 0h]

CSI\_THS\_EXIT is described in [Table 94](#).

Return to [Summary Table](#).

**Table 94. CSI\_THS\_EXIT Register Field Descriptions**

Bit	Field	Type	Reset	Description
7	CSI_THS_EXIT_OV	R/W	0h	Override CSI Ths Exit Parameter 0: Ths Exit is automatically determined. 1: Override Ths Exit parameter with a value in bits [4:0] in this register.
6-5	RESERVED	R/W	0h	Reserved
4-0	CSI_THS_EXIT	R/W	0h	Ths Exit.

### 7.6.2.9 CSI\_TLPX Register (Address = 8h) [reset = 0h]

CSI\_TLPX is described in [Table 95](#).

Return to [Summary Table](#).

**Table 95. CSI\_TLPX Register Field Descriptions**

Bit	Field	Type	Reset	Description
7	CSI_TLPX_OV	R/W	0h	Override CSI Tlpx Parameter 0: Tlpx is automatically determined. 1: Override Tlpx parameter with a value in bits [3:0] in this register.
6-4	RESERVED	R/W	0h	Reserved
3-0	CSI_TLPX	R/W	0h	Tlpx.

### 7.6.2.10 RAW\_ALIGN Register (Address = 9h) [reset = 0h]

RAW\_ALIGN is described in [Table 96](#).

Return to [Summary Table](#).

**Table 96. RAW\_ALIGN Register Field Descriptions**

Bit	Field	Type	Reset	Description
7	RESERVED	R/W	0h	Reserved
6	RESERVED	R/W	0h	Reserved
5	RESERVED	R/W	0h	Reserved
4	RAW_ALIGN	R/W	0h	Raw Align. 0: RAW Output onto LSB's of RGB Bus 1: RAW Output onto MSB's of RGB Bus
3-0	RESERVED	R/W	0h	Reserved

**7.6.2.11 CSI\_EN\_PORT0 Register (Address = 13h) [reset = 3Fh]**

 CSI\_EN\_PORT0 is described in [Table 97](#).

 Return to [Summary Table](#).

**Table 97. CSI\_EN\_PORT0 Register Field Descriptions**

Bit	Field	Type	Reset	Description
7	RCTL_PORT0	R/W	0h	Register Control 0 = Disable 1 = Enable
6	RESERVED	R/W	0h	Reserved
5-0	EN_PORT0	R/W	3Fh	0x00 = Disable CSI Port 0 0x3F = Enable CSI Port 0

**7.6.2.12 CSI\_EN\_PORT1 Register (Address = 14h) [reset = 0h]**

 CSI\_EN\_PORT1 is described in [Table 98](#).

 Return to [Summary Table](#).

**Table 98. CSI\_EN\_PORT1 Register Field Descriptions**

Bit	Field	Type	Reset	Description
7	RCTL_PORT1	R/W	0h	Register Control 0 = Disable 1 = Enable
6	RESERVED	R/W	0h	Reserved
5-0	EN_PORT1	R/W	0h	0x00 = Disable CSI Port 1 0x3F = Enable CSI Port 1

**7.6.2.13 CSIPASS Register (Address = 16h) [reset = 2h]**

 CSIPASS is described in [Table 99](#).

 Return to [Summary Table](#).

**Table 99. CSIPASS Register Field Descriptions**

Bit	Field	Type	Reset	Description
7-3	RESERVED	R/W	0h	Reserved
2	CSI_PASS_toGP3	R/W	0h	CSI_PASS to GPIO3. Configures GPIO3 to output the PASS signal when this bit is set HIGH.
1	CSI_PASS_toGP0	R/W	1h	CSI_PASS to GPIO0. Configures GPIO0 to output the PASS signal when this bit is set HIGH. This is the default.
0	CSI_PASS	R/W	0h	CSI_PASS. This bit reflects the status of the PASS signal.

**7.6.2.14 CSI\_VC\_ID Register (Address = 2Eh) [reset = 0h]**

 CSI\_VC\_ID is described in [Table 100](#).

 Return to [Summary Table](#).

**Table 100. CSI\_VC\_ID Register Field Descriptions**

Bit	Field	Type	Reset	Description
7-6	CSI_VC_ID	R/W	0h	CSI Virtual Channel Identifier. 00: CSI-2 outputs with ID as virtual channel 0. 01: CSI-2 outputs with ID as virtual channel 1. 10: CSI-2 outputs with ID as virtual channel 2. 11: CSI-2 outputs with ID as virtual channel 3.
5-0	RESERVED	R/W	0h	Reserved.

## 8 Application and Implementation

---

### 注

Information in the following applications sections is not part of the TI component specification, and TI does not warrant its accuracy or completeness. TI's customers are responsible for determining suitability of components for their purposes. Customers should validate and test their design implementation to confirm system functionality.

---

### 8.1 Application Information

The DS90UB940N-Q1 is a FPD-Link III deserializer which, in conjunction with the DS90UB949/947-Q1 serializers, converts 1-lane or 2-lane FPD-Link III streams into a MIPI CSI-2 interface. The deserializer can operate over cost-effective, 50-Ω single-ended coaxial or 100-Ω differential shielded twisted-pair (STP) cables. The deserializer recovers the data from two FPD-Link III serial streams and translates the data into a camera serial interface (CSI-2) format that is compatible with MIPI DPHY/CSI-2-supporting video resolutions up to WUXGA and 1080p60 with 24-bit color depth.

### 8.2 Typical Applications

Bypass capacitors must be placed near the power supply pins. At a minimum, use four 10-μF capacitors for local device bypassing. Ferrite beads are placed on the two sets of supply pins (VDD33 and VDDIO) for effective noise suppression. The interface to the graphics source is LVDS. The VDDIO pins may be connected to a 3.3 V or 1.8 V supply. A capacitor and resistor are placed on the PDB pin to delay the enabling of the device until power is stable. See [图 38](#) for a typical STP connection diagram and [图 39](#) for a typical coax connection diagram.

Typical Applications (接下页)

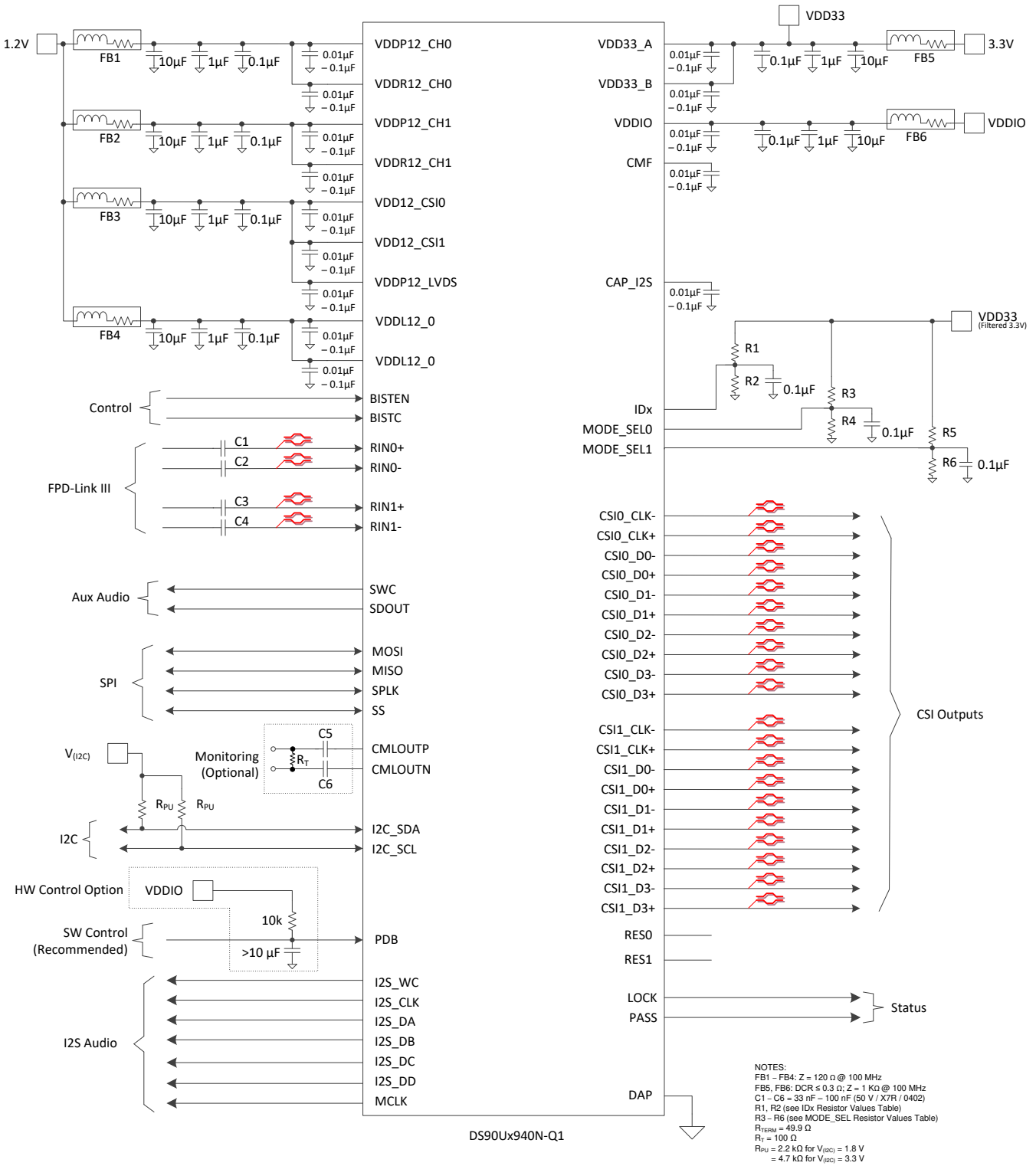


图 38. Typical Connection Diagram (STP)



Typical Applications (接下页)

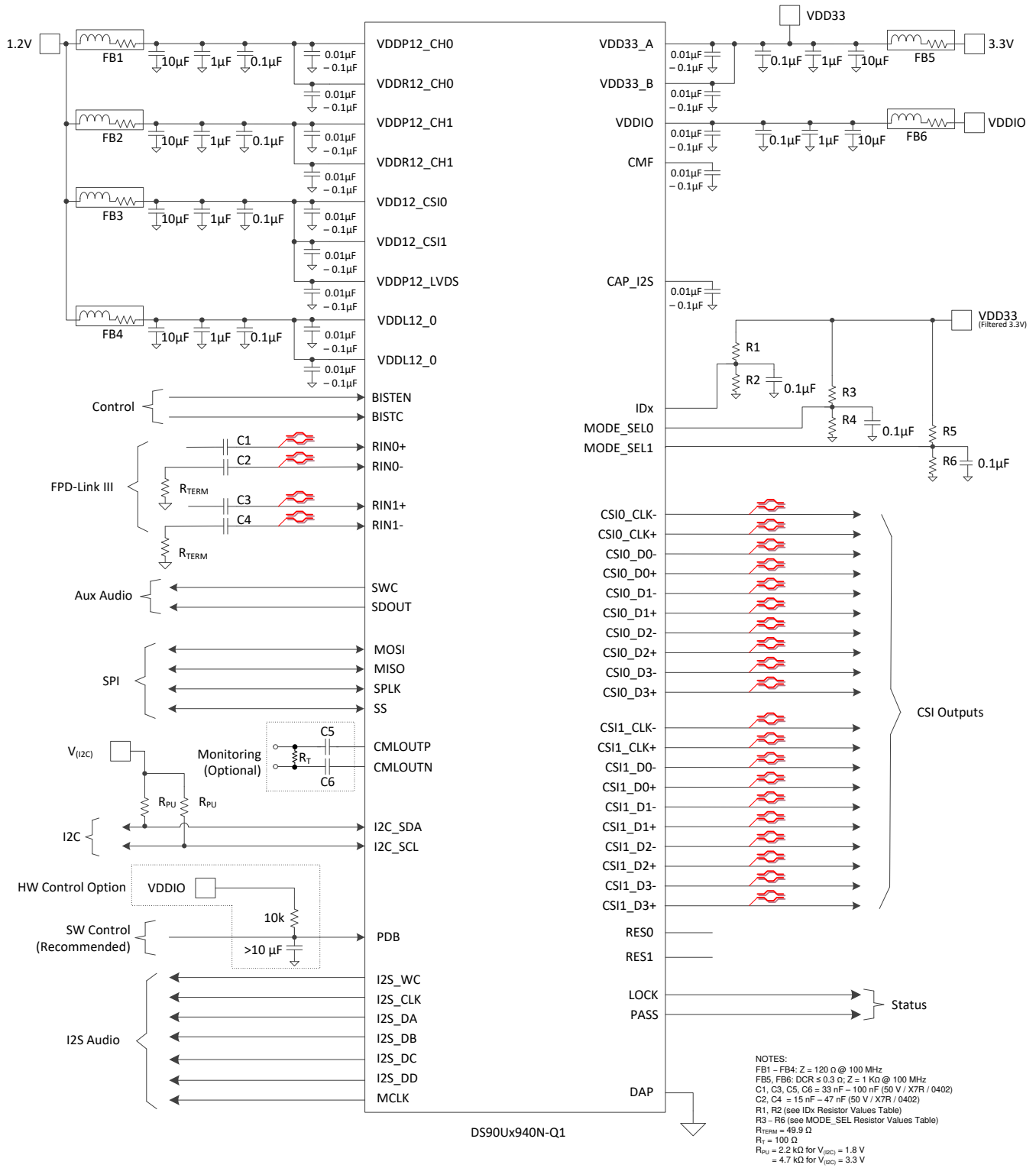
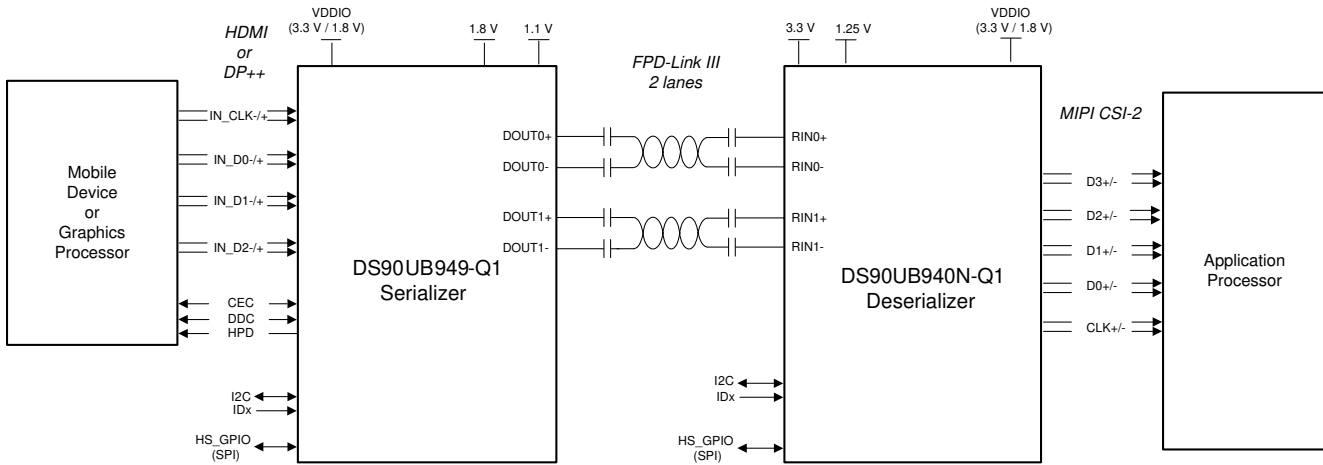


图 39. Typical Connection Diagram (Coax)



Copyright © 2017, Texas Instruments Incorporated

图 40. Typical Display System Diagram

### 8.2.1 Design Requirements

For the typical design application, use the following as input parameters.

表 101. Design Parameters

DESIGN PARAMETER	EXAMPLE VALUE
VDD33	3.3 V
VDDIO	1.8 or 3.3 V
VDD12	1.2 V
AC-coupling capacitor for STP with 925/927: RIN[1:0]±	100 nF
AC-coupling capacitor for STP with 929/947/949: RIN[1:0]±	33 nF - 100 nF
AC-coupling capacitor for Coax with 921: RIN[1:0]+	100 nF
AC-coupling capacitor for Coax with 921: RIN[1:0]-	47 nF
AC-coupling capacitor for Coax with 929/947/949: RIN[1:0]+	33 nF - 100 nF
AC-coupling capacitor for Coax with 929/947/949: RIN[1:0]+	15 nF - 47 nF

The SER/DES supports only AC-coupled interconnects through an integrated DC-balanced decoding scheme. External AC-coupling capacitors must be placed in series in the FPD-Link III signal path as shown in 图 41. For applications using a single-ended, 50-Ω coaxial cable, the unused data pins (RIN0- and RIN1-) must use a 15-nF to 47-nF capacitor and must be terminated with a 50-Ω resistor.

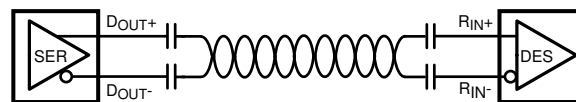


图 41. AC-Coupled Connection (STP)

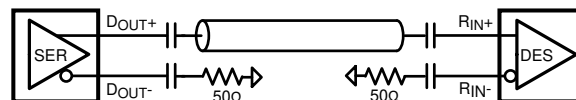


图 42. AC-Coupled Connection (Coaxial)

For high-speed FPD-Link III transmissions, use the smallest available package for the AC-coupling capacitor. This minimizes degradation of signal quality due to package parasitics.

## 8.2.2 Detailed Design Procedure

### 8.2.2.1 FPD-Link III Interconnect Guidelines

See [AN-1108 Channel-link PCB and interconnect design-in guidelines](#) (SNLA008) and [AN-905 Transmission line RAPIDESIGNER operation and application guide](#) (SNLA035) for full details.

- Use 100-Ω coupled differential pairs
- Use the S/2S/3S rule in spacings
  - S = space between the pair
  - 2S = space between pairs
  - 3S = space to LVCMOS signal
- Minimize the number of Vias
- Maintain balance of the traces
- Minimize skew within the pair
- Terminate as close to the TX outputs and RX inputs as possible

Additional general guidance can be found in the [LVDS owner's manual](#) (SNLA187) available in PDF format from the Texas Instruments web site.

### 8.2.3 Application Curves

The plots below correspond to 1080p60 video application with a 2-lane FPD-Link III input and MIPI 4-lane output.

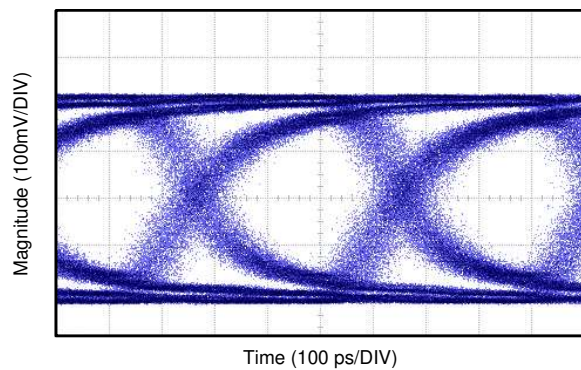


图 43. Loop-Through CML Output at 2.6-Gbps Serial Line Rate

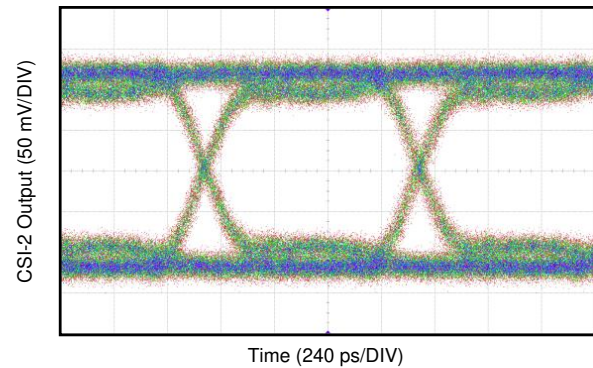


图 44. CSI-2 Data Output at 1040 Mbps

## 9 Power Supply Recommendations

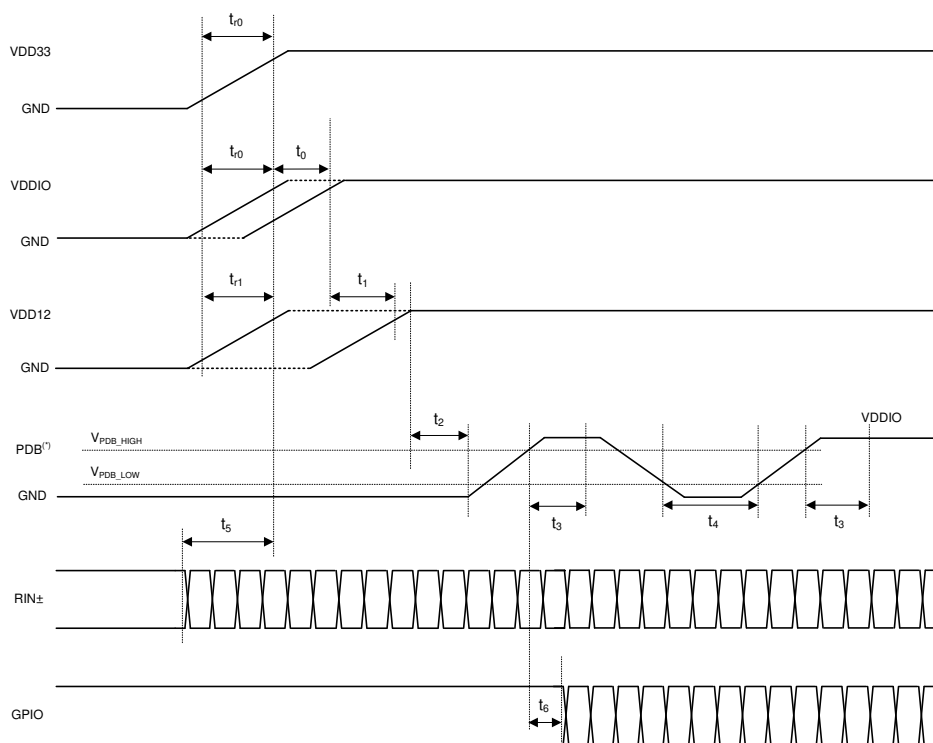
This device provides separate power and ground pins for different portions of the circuit. This is done to isolate switching noise effects between different sections of the circuit. Separate planes on the PCB are typically not required. The [Pin Configuration and Functions](#) section provides guidance on which circuit blocks are connected to which power pin pairs. In some cases, an external filter may be used to provide clean power to sensitive circuits such as PLLs.

### 9.1 Power-Up Requirements and PDB Pin

When power is applied, power from the highest voltage rail to the lowest voltage rail on any of the supply pins. For 3.3-V IO operation, VDDIO and VDD33 can be powered by the same supply and ramped simultaneously. Use a large capacitor on the PDB pin to ensure PDB arrives after all the supply pins have settled to the recommended operating voltage. When PDB pin is pulled up to VDD33, a 10-k $\Omega$  pullup and a > 10- $\mu$ F capacitor to GND are required to delay the PDB input signal rise. All inputs must not be driven until both VDD33 and VDDIO has reached steady state. Pins VDD33\_A and VDD33\_B must both be externally connected, bypassed, and driven to the same potential (they are not internally connected).

### 9.2 Power Sequence

The power-up sequence for the DS90UB940N-Q1 is as follows:



<sup>(1)</sup> It is recommended to assert PDB (active High) with a microcontroller rather than an RC filter network to help ensure proper sequencing of PDB pin after settling of power supplies.

**图 45. Power-Up Sequencing**

**Power Sequence (接下页)**
**表 102. Power-Up Sequence Timing Parameters**

	PARAMETER	MIN	TYP	MAX	UNIT	NOTES
$t_{r0}$	VDD33 / VDDIO rise time	0.2			ms	@10/90%
$t_{r1}$	VDD12 rise time	0.05			ms	@10/90%
$t_0$	VDD33 to VDDIO delay	0			ms	
$t_1$	VDD33 / VDDIO to VDD12 delay	0			ms	
$t_2$	VDDx to PDB delay	0			ms	Release PDB after all supplies are up and stable.
$t_3$	PDB to I2C ready delay	2			ms	
$t_4$	PDB pulse width	2			ms	Hard reset
$t_5$	Valid data on RIN± to VDDx delay	0			ms	Provide valid data from a compatible Serializer before power-up or apply reset as described in <sup>(1)</sup> .
$t_6$	PDB to GPIO delay	2			ms	Keep GPIOs low or high until PDB is high.

- (1) DS90UB940N-Q1 should be powered up after a compatible Serializer has started sending valid video data. If this condition is not satisfied, then a digital (software) reset or hard reset (toggling PDB pin) is required after receiving the input data. This requirement prevents the DS90UB940N-Q1 from locking to any random or noise signal, ensures DS90UB940N-Q1 has a deterministic startup behavior, specified lock time, and optimal adaptive equalizer setting.

## 10 Layout

### 10.1 Layout Guidelines

Circuit board layout and stack-up for the FPD-Link III devices must be designed to provide low-noise power feed to the device. Good layout practice also separates high frequency or high-level inputs and outputs to minimize unwanted stray noise pick-up, feedback, and interference. Power system performance may be greatly improved by using thin dielectrics (2 to 4 mils) for power/ground sandwiches. This arrangement provides plane capacitance for the PCB power system with low-inductance parasitics, which has proven especially effective at high frequencies, and makes the value and placement of external bypass capacitors less critical. External bypass capacitors should include both RF ceramic and tantalum electrolytic types. RF capacitors may use values in the range of 0.01  $\mu\text{F}$  to 0.1  $\mu\text{F}$ . Ceramic capacitors may be in the 2.2  $\mu\text{F}$  to 10  $\mu\text{F}$  range. The voltage rating of the ceramic capacitors must be at least 5 $\times$  higher than the power supply voltage being used.

TI recommends surface-mount capacitors due to their smaller parasitics. When using multiple capacitors per supply pin, place the smaller value closer to the pin. A large bulk capacitor is recommended at the point of power entry. This is typically in the 50  $\mu\text{F}$  to 100  $\mu\text{F}$  range, which smooths low frequency switching noise. TI recommends that the user connect the power and ground pins directly to the power and ground planes, and place a via on both ends of the bypass capacitors connected to the plane. Connecting the power or ground pins to an external bypass capacitor can increase the inductance of the path.

A small body size X7R chip capacitor, such as 0603 or 0402, is recommended for external bypass. The small body size reduces the parasitic inductance of the capacitor. The user must pay attention to the resonance frequency of these external bypass capacitors, usually in the range of 20 to 30 MHz. To provide effective bypassing, multiple capacitors are often used to achieve low impedance between the supply rails over the frequency of interest. At high frequency, it is also common practice to use two vias from the power and ground pins to the planes to reduce the impedance at high frequency.

Place the LVCMOS signals away from the differential lines to prevent coupling between the LVCMOS and differential lines. A differential impedance of 100  $\Omega$  is typically recommended for STP interconnect, and a single-ended impedance of 50  $\Omega$  is recommended for coaxial interconnects. The closely coupled lines help to ensure that coupled noise appears as common-mode, and thus is rejected by the receivers. The tightly coupled lines also radiate less.

Information on the WQFN package is provided in [AN-1187 Leadless leadframe package \(LLP\)](#) (SNOA401).

## 10.2 Ground

TI recommends that a consistent ground plane reference for the high-speed signals in the PCB design to provide the best image plane for signal traces running parallel to the plane. Connect the thermal pad of the device to this plane with vias.

At least 32 thermal vias are necessary from the device center DAP to the ground plane. They connect the device ground to the PCB ground plane, as well as conduct heat from the exposed pad of the package to the PCB ground plane. More information on the WQFN style package, including PCB design and manufacturing requirements, is provided in [AN-1187 Leadless leadframe package \(LLP\)](#) (SNOA401).

## 10.3 Routing FPD-Link III Signal Traces

Routing the FPD-Link III signal traces between the  $R_{IN}$  pins and the connector is the most critical piece of a successful PCB layout. [Figure 47](#) shows an example PCB layout. For additional PCB layout details, refer to the [DS90Ux940-Q1EVM user's guide](#) (SNLU162).

The following list provides essential recommendations for routing the FPD-Link III signal traces between the receiver input pins ( $R_{IN}$ ) and the connector.

- The routing of the FPD-Link III traces can all be on the top layer, or partially embedded in middle layers if EMI is a concern.
- The AC-coupling capacitors should be on the top layer and very close to the receiver input pins.
- Route the  $R_{IN}$  traces between the AC-coupling capacitor and the connector as a 100- $\Omega$ , differential microstrip with tight impedance control ( $\pm 10\%$ ). Calculate the proper width of the traces for a 100- $\Omega$  differential impedance based on the PCB stack-up.
- When choosing to implement a common-mode choke for common-mode noise reduction, minimize the effects of any impedance mismatch.
- Consult with connector manufacturer for optimized connector footprint. If the connector is mounted on the same side as the IC, minimize the impact of the through-hole connector stubs by routing the high-speed signal traces on the opposite side of the connector mounting side.

## 10.4 CSI-2 Guidelines

1. Route CSI\_D\*P/N pairs with controlled 100- $\Omega$ , differential impedance ( $\pm 20\%$ ) or 50- $\Omega$ , single-ended impedance ( $\pm 15\%$ ).
2. Keep away from other high-speed signals.
3. Keep intra-pair length mismatch to  $< 5$  mils.
4. Keep inter-pair length mismatch to  $< 50$  mils within a single CSI-2 TX port. CSI-2 TX Port 0 differential traces do not need to match CSI-2 Port 1 differential traces.
5. Have length matching near the location of mismatch.
6. Separate each pair by at least by 3 times the signal trace width.
7. Keep the use of bends in differential traces to a minimum. When bends are used, the number of left and right bends must be as equal as possible, and the angle of the bend should be  $\geq 135$  degrees. This arrangement minimizes any length mismatch caused by the bends, and therefore minimizes the impact that bends have on EMI.
8. Route all differential pairs on the same layer.
9. Keep the number of VIAS to a minimum — TI recommends keeping the VIA count to 2 or fewer.
10. Keep traces on layers adjacent to ground plane.
11. Do NOT route differential pairs over any plane split.
12. Place all test points in series and symmetrically, if used. Test points must not be placed in a manner that causes a stub on the differential pair. Remember the adding test points can cause impedance discontinuity, and therefore can negatively impact signal performance.



### 10.5 Layout Example

Stencil parameters such as aperture area ratio and the fabrication process have a significant impact on paste deposition. Inspection of the stencil prior to the WQFN package placement is highly recommended to improve board assembly yields. If the via and aperture openings are not carefully monitored, the solder may flow unevenly through the DAP. Stencil parameters for aperture opening and via locations are shown in 图 46:

表 103. No Pullback WQFN Stencil Aperture Summary

DEVICE	PIN COUNT	MKT DWG	PCB I/O Pad SIZE (mm)	PCB PITCH (mm)	PCB DAP SIZE(mm)	STENCIL I/O APERTURE (mm)	STENCIL DAP APERTURE (mm)	NUMBER OF DAP APERTURE OPENINGS	GAP BETWEEN DAP APERTURE (Dim A mm)
DS90UB940N-Q1	64	NKD	0.25 x 0.6	0.5	7.2 x 7.2	0.25 x 0.6	1.16 x 1.16	25	0.2

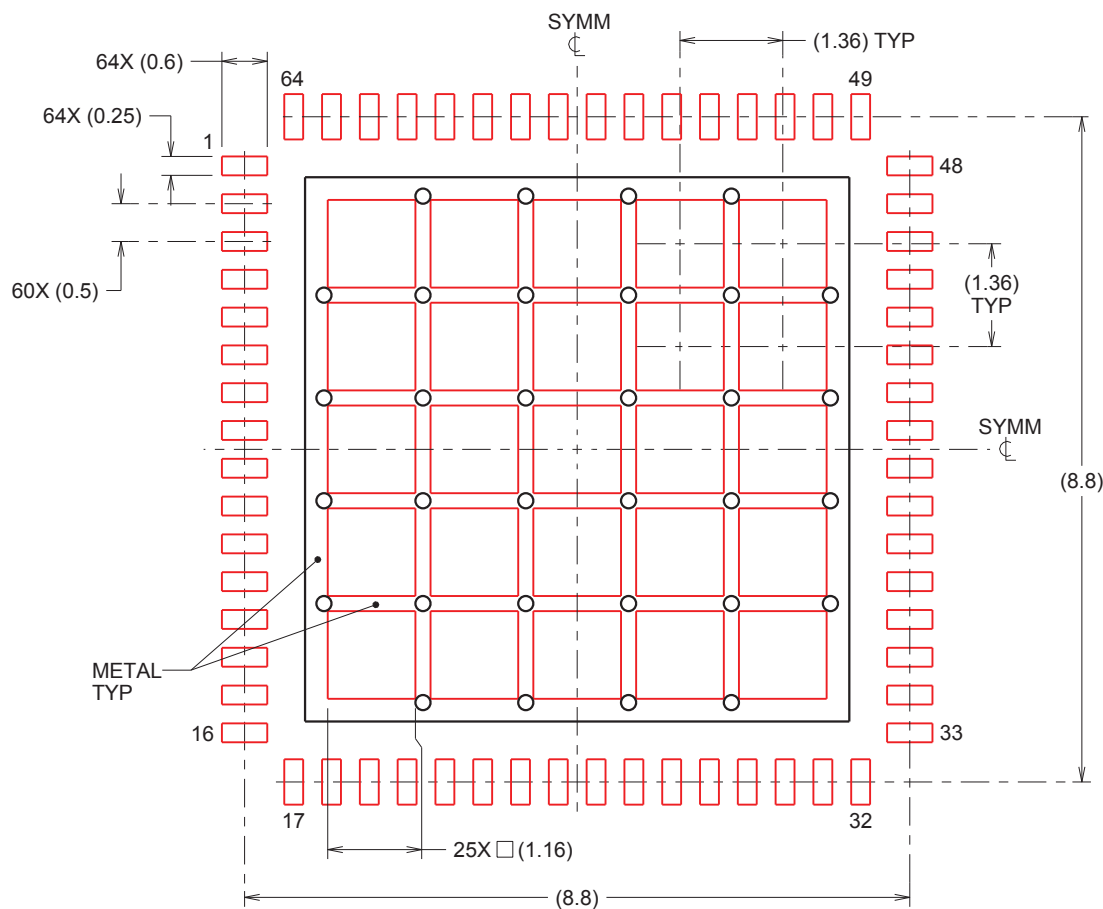


图 46. 64-Pin WQFN Stencil Example of Via and Opening Placement (Dimensions in mm)

图 47 (PCB layout example) is derived from a layout design of the DS90UB940N-Q1. This graphic and additional layout description are used to demonstrate both proper routing and proper solder techniques when designing in the deserializer.

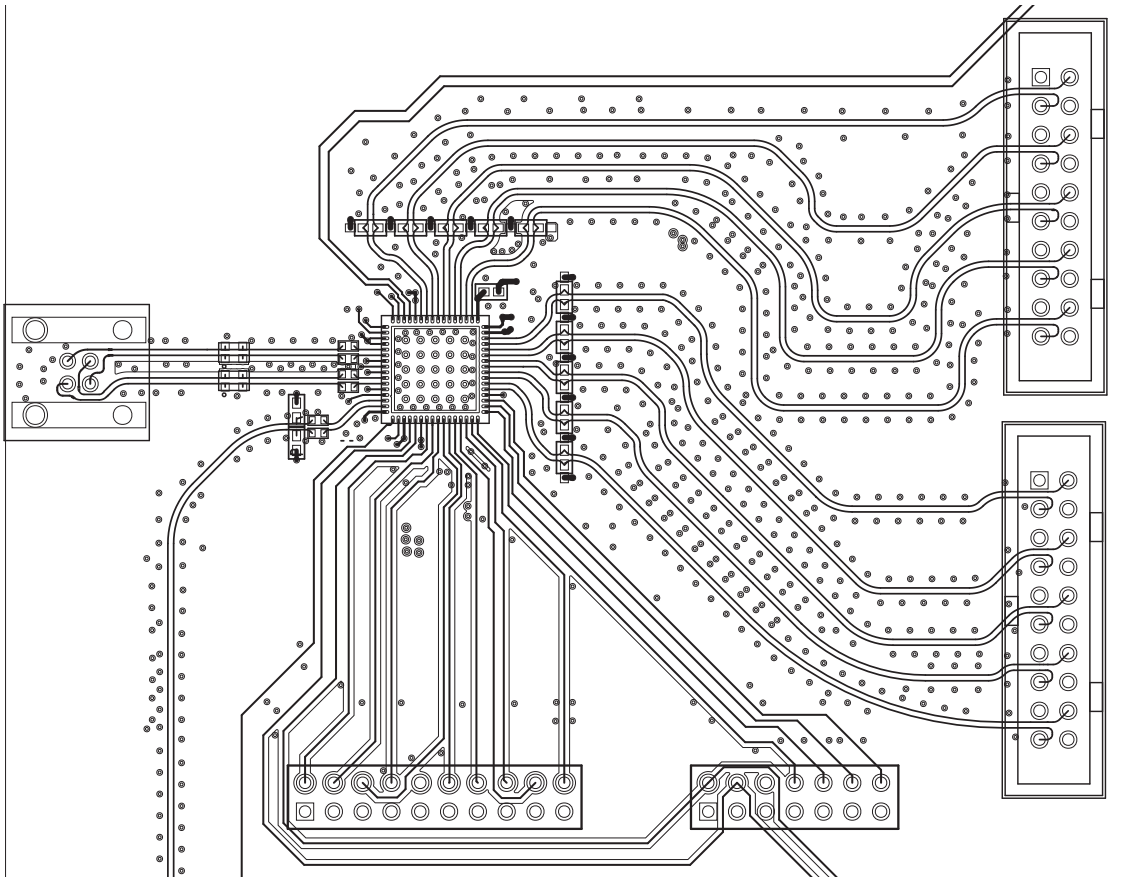


图 47. DS90UB940N-Q1 Deserializer Example Layout

## 11 器件和文档支持

### 11.1 文档支持

#### 11.1.1 相关文档

请参阅如下相关文档：

- 《焊接规格应用报告》(SNOA549)
- 《半导体和 IC 封装热指标应用报告》(SPRA953)
- 《AN-1108 通道链路 PCB 和互连设计指南》(SNLA008)
- 《AN-905 传输线路 RAPIDESIGNER 操作和应用指南》(SNLA035)
- 《AN-1187 无引线型引线框封装 (LLP)》(SNOA401)
- 《LVDS 用户手册》(SNLA187)
- 《AN-2173 通过具有双向控制通道的 FPD-Link III 进行 I2C 通信》(SNLA131)
- 《使用 DS90Ux92x FPD-Link III 器件的 I2S 音频接口》(SNLA221)
- 《AN-2198 探索 720p FPD-Link III 器件的内部测试图案生成特性》(SNLA132)
- 《I2C 总线上拉电阻器计算》(SLVA689)
- FPD-Link 学习中心
- 《一种适用于 FPD-Link III 串行器/解串器的 EMC/EMI 系统设计和测试方法》(SLYT719)
- 《按照车用 EMC/EMI 要求进行成功设计的 10 个技巧》(SLYT636)
- 《配置 DS90UH940N-Q1 MIPI® D-PHY 时序参数》(SNLA303)

#### 11.2 接收文档更新通知

要接收文档更新通知，请导航至 [TI.com.cn](http://TI.com.cn) 上的器件产品文件夹。单击右上角的通知我进行注册，即可每周接收产品信息更改摘要。有关更改的详细信息，请查看任何已修订文档中包含的修订历史记录。

#### 11.3 社区资源

下列链接提供到 TI 社区资源的连接。链接的内容由各个分销商“按照原样”提供。这些内容并不构成 TI 技术规范，并且不一定反映 TI 的观点；请参阅 TI 的《使用条款》。

**TI E2E™ Online Community TI's Engineer-to-Engineer (E2E) Community.** Created to foster collaboration among engineers. At [e2e.ti.com](http://e2e.ti.com), you can ask questions, share knowledge, explore ideas and help solve problems with fellow engineers.

**Design Support TI's Design Support** Quickly find helpful E2E forums along with design support tools and contact information for technical support.

#### 11.4 商标

E2E is a trademark of Texas Instruments.

MIPI is a registered trademark of Mobil Industry Processor Interface Alliance.

All other trademarks are the property of their respective owners.

#### 11.5 静电放电警告



这些装置包含有限的内置 ESD 保护。存储或装卸时，应将导线一起截短或将装置放置于导电泡棉中，以防止 MOS 门极遭受静电损伤。

#### 11.6 术语表

**SLYZ022** — TI 术语表。

这份术语表列出并解释术语、缩写和定义。

## 12 机械、封装和可订购信息

以下页面包含机械、封装和可订购信息。这些信息是指定器件的最新可用数据。数据如有变更，恕不另行通知，且不会对此文档进行修订。如需获取此数据表的浏览器版本，请查阅左侧的导航栏。

**PACKAGING INFORMATION**

Orderable Device	Status (1)	Package Type	Package Drawing	Pins	Package Qty	Eco Plan (2)	Lead finish/ Ball material (6)	MSL Peak Temp (3)	Op Temp (°C)	Device Marking (4/5)	Samples
DS90UB940NTNKDRQ1	ACTIVE	WQFN	NKD	64	2000	RoHS & Green	SN	Level-3-260C-168 HR	-40 to 105	90UB940NQ	<a href="#">Samples</a>
DS90UB940NTNKDTQ1	ACTIVE	WQFN	NKD	64	250	RoHS & Green	SN	Level-3-260C-168 HR	-40 to 105	90UB940NQ	<a href="#">Samples</a>

(1) The marketing status values are defined as follows:

**ACTIVE:** Product device recommended for new designs.

**LIFEBUY:** TI has announced that the device will be discontinued, and a lifetime-buy period is in effect.

**NRND:** Not recommended for new designs. Device is in production to support existing customers, but TI does not recommend using this part in a new design.

**PREVIEW:** Device has been announced but is not in production. Samples may or may not be available.

**OBSOLETE:** TI has discontinued the production of the device.

(2) **RoHS:** TI defines "RoHS" to mean semiconductor products that are compliant with the current EU RoHS requirements for all 10 RoHS substances, including the requirement that RoHS substance do not exceed 0.1% by weight in homogeneous materials. Where designed to be soldered at high temperatures, "RoHS" products are suitable for use in specified lead-free processes. TI may reference these types of products as "Pb-Free".

**RoHS Exempt:** TI defines "RoHS Exempt" to mean products that contain lead but are compliant with EU RoHS pursuant to a specific EU RoHS exemption.

**Green:** TI defines "Green" to mean the content of Chlorine (Cl) and Bromine (Br) based flame retardants meet JS709B low halogen requirements of <=1000ppm threshold. Antimony trioxide based flame retardants must also meet the <=1000ppm threshold requirement.

(3) MSL, Peak Temp. - The Moisture Sensitivity Level rating according to the JEDEC industry standard classifications, and peak solder temperature.

(4) There may be additional marking, which relates to the logo, the lot trace code information, or the environmental category on the device.

(5) Multiple Device Markings will be inside parentheses. Only one Device Marking contained in parentheses and separated by a "~" will appear on a device. If a line is indented then it is a continuation of the previous line and the two combined represent the entire Device Marking for that device.

(6) Lead finish/Ball material - Orderable Devices may have multiple material finish options. Finish options are separated by a vertical ruled line. Lead finish/Ball material values may wrap to two lines if the finish value exceeds the maximum column width.

**Important Information and Disclaimer:**The information provided on this page represents TI's knowledge and belief as of the date that it is provided. TI bases its knowledge and belief on information provided by third parties, and makes no representation or warranty as to the accuracy of such information. Efforts are underway to better integrate information from third parties. TI has taken and continues to take reasonable steps to provide representative and accurate information but may not have conducted destructive testing or chemical analysis on incoming materials and chemicals. TI and TI suppliers consider certain information to be proprietary, and thus CAS numbers and other limited information may not be available for release.

In no event shall TI's liability arising out of such information exceed the total purchase price of the TI part(s) at issue in this document sold by TI to Customer on an annual basis.



**TAPE AND REEL INFORMATION**

**QUADRANT ASSIGNMENTS FOR PIN 1 ORIENTATION IN TAPE**


\*All dimensions are nominal

Device	Package Type	Package Drawing	Pins	SPQ	Reel Diameter (mm)	Reel Width W1 (mm)	A0 (mm)	B0 (mm)	K0 (mm)	P1 (mm)	W (mm)	Pin1 Quadrant
DS90UB940NTNKDRQ1	WQFN	NKD	64	2000	330.0	16.4	9.3	9.3	1.3	12.0	16.0	Q2
DS90UB940NTNKDTQ1	WQFN	NKD	64	250	178.0	16.4	9.3	9.3	1.3	12.0	16.0	Q2

**TAPE AND REEL BOX DIMENSIONS**


\*All dimensions are nominal

Device	Package Type	Package Drawing	Pins	SPQ	Length (mm)	Width (mm)	Height (mm)
DS90UB940NTNKDRQ1	WQFN	NKD	64	2000	356.0	356.0	36.0
DS90UB940NTNKDTQ1	WQFN	NKD	64	250	208.0	191.0	35.0

## GENERIC PACKAGE VIEW

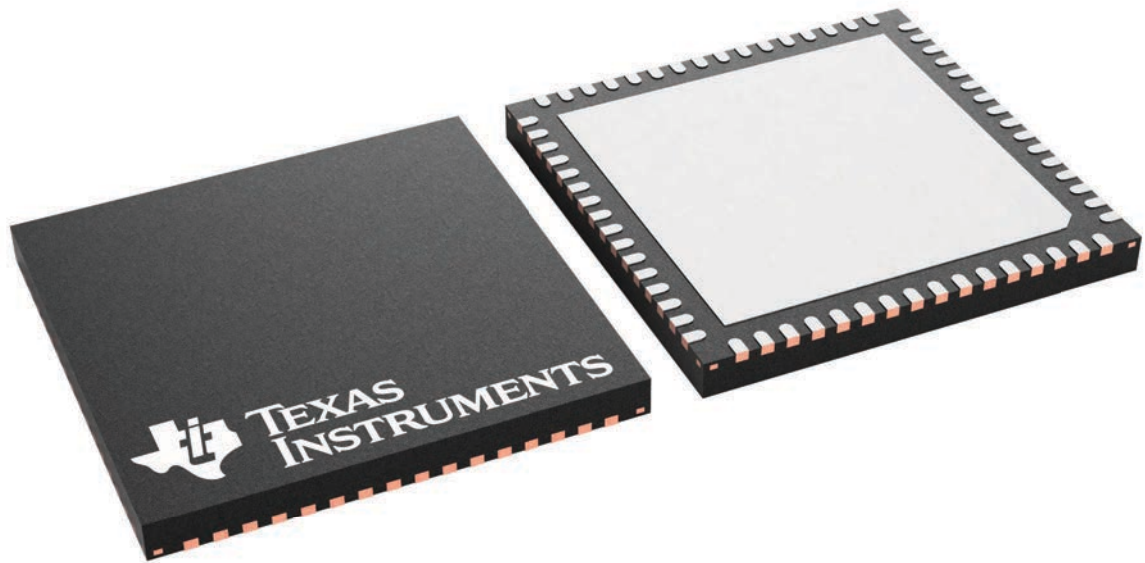
**NKD 64**

**WQFN - 0.8 mm max height**

9 x 9, 0.5 mm pitch

PLASTIC QUAD FLATPACK - NO LEAD

This image is a representation of the package family, actual package may vary.  
Refer to the product data sheet for package details.

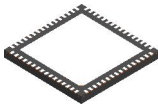


4229637/A



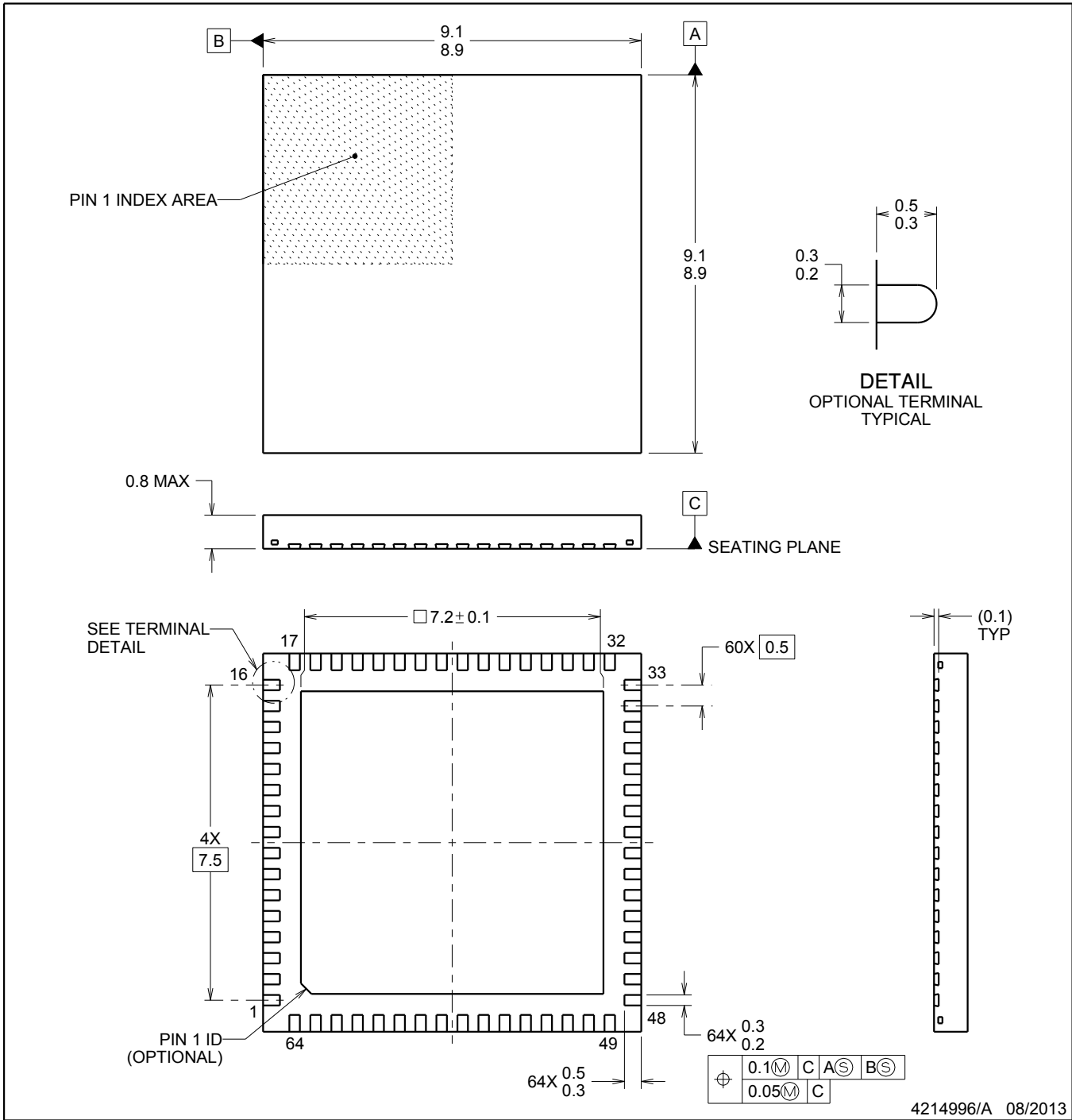
# PACKAGE OUTLINE

NKD0064A



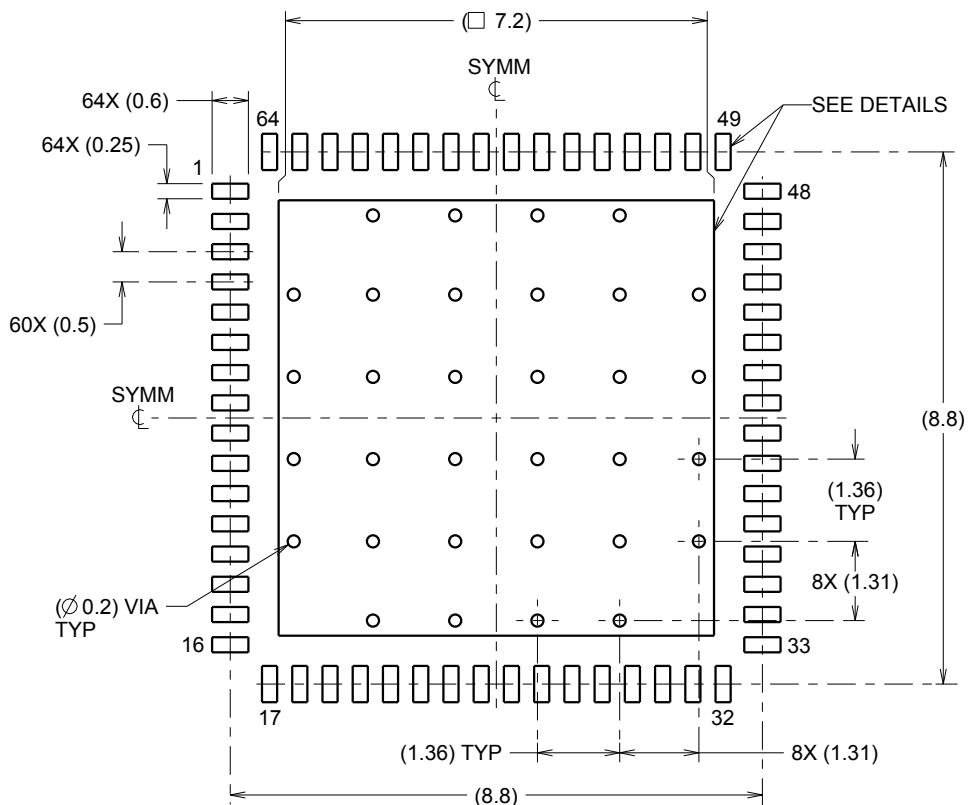
WQFN - 0.8 mm max height

WQFN

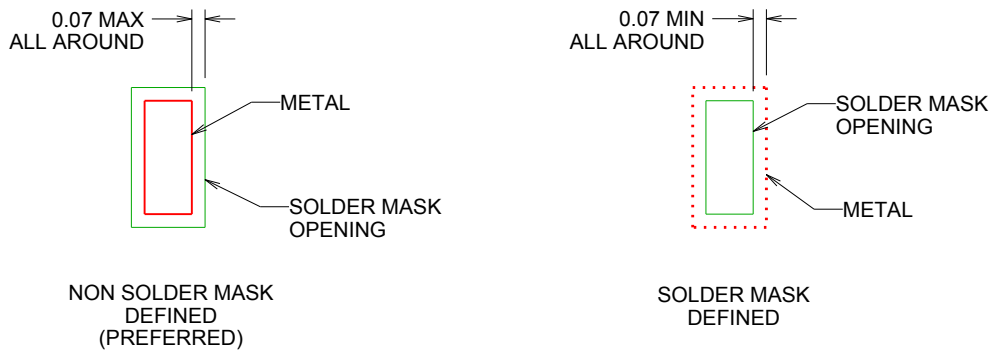


**NOTES:**

1. All linear dimensions are in millimeters. Dimensions in parenthesis are for reference only. Dimensioning and tolerancing per ASME Y14.5M.
2. This drawing is subject to change without notice.
3. The package thermal pad must be soldered to the printed circuit board for thermal and mechanical performance.



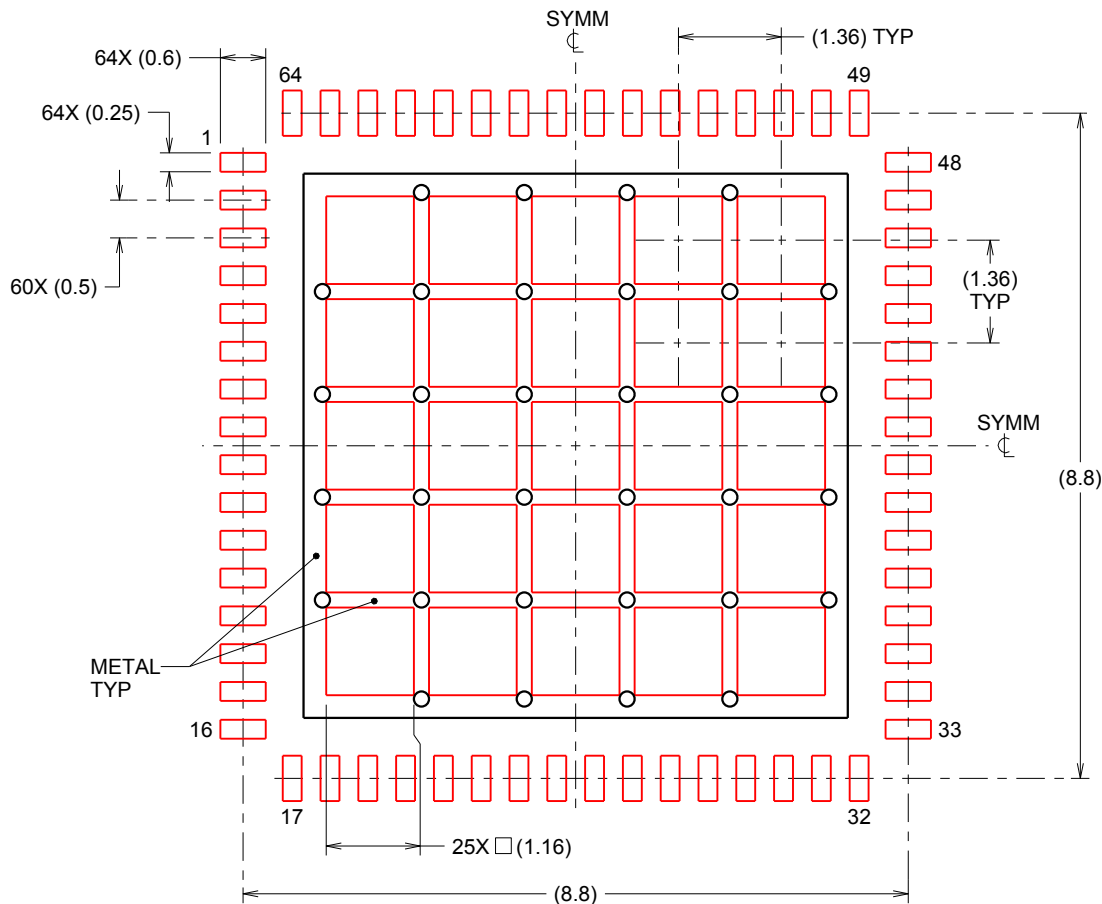
LAND PATTERN EXAMPLE  
SCALE:8X



SOLDER MASK DETAILS

NOTES: (continued)

4. This package is designed to be soldered to a thermal pad on the board. For more information, refer to QFN/SON PCB application note in literature No. SLUA271 ([www.ti.com/lit/slua271](http://www.ti.com/lit/slua271)).



**SOLDERPASTE EXAMPLE**  
 BASED ON 0.125mm THICK STENCIL  
 EXPOSED PAD  
 65% PRINTED SOLDER COVERAGE BY AREA  
 SCALE:10X

4214996/A 08/2013

NOTES: (continued)

5. Laser cutting apertures with trapezoidal walls and rounded corners may offer better paste release. IPC-7525 may have alternate design recommendations.

## 重要声明和免责声明

TI“按原样”提供技术和可靠性数据（包括数据表）、设计资源（包括参考设计）、应用或其他设计建议、网络工具、安全信息和其他资源，不保证没有瑕疵且不做任何明示或暗示的担保，包括但不限于对适销性、某特定用途方面的适用性或不侵犯任何第三方知识产权的暗示担保。

这些资源可供使用 TI 产品进行设计的熟练开发人员使用。您将自行承担以下全部责任：(1) 针对您的应用选择合适的 TI 产品，(2) 设计、验证并测试您的应用，(3) 确保您的应用满足相应标准以及任何其他功能安全、信息安全、监管或其他要求。

这些资源如有变更，恕不另行通知。TI 授权您仅可将这些资源用于研发本资源所述的 TI 产品的应用。严禁对这些资源进行其他复制或展示。您无权使用任何其他 TI 知识产权或任何第三方知识产权。您应全额赔偿因在这些资源的使用中对 TI 及其代表造成的任何索赔、损害、成本、损失和债务，TI 对此概不负责。

TI 提供的产品受 [TI 的销售条款](#) 或 [ti.com](#) 上其他适用条款/TI 产品随附的其他适用条款的约束。TI 提供这些资源并不会扩展或以其他方式更改 TI 针对 TI 产品发布的适用的担保或担保免责声明。

TI 反对并拒绝您可能提出的任何其他或不同的条款。

邮寄地址：Texas Instruments, Post Office Box 655303, Dallas, Texas 75265

Copyright © 2024，德州仪器 (TI) 公司