

# INA20x-Q1 具有补偿器和电压基准的汽车级 -16V 至 +80V、 低侧或高侧、高速、电压输出、电流感测放大器

## 1 特性

- 适用于汽车电子应用
- 具有符合 AEC-Q100 标准的下列结果：
  - 器件温度 1 级：-40°C 至 125°C 的环境运行温度范围
  - 器件人体放电模式 (HBM) 静电放电 (ESD) 分类等级 H2
  - 器件的带电模型 (CDM) ESD 分类等级 C3B
- 电流感测放大器：
  - 共模范围：-16V 至 +80V
  - 整个温度范围内的最大误差为 3.5%
  - 带宽：500kHz (INA200-Q1)
  - 三种增益选项：
    - 20V/V (INA200-Q1)
    - 50V/V (INA201-Q1)
    - 100V/V (INA202-Q1)
- 集成开漏比较器
  - 锁存功能
  - 0.6V 内部电压基准
- 静态电流：1800μA (最大值)
- 闩锁电流超过 100mA，符合 JESD78 标准
- 封装：超薄小外形尺寸封装 (VSSOP)-8

## 2 应用

- 电动助力转向 (EPS) 系统
- 车身控制模块
- 刹车系统
- 电子稳定性控制 (ESC) 系统

## 3 说明

INA200-Q1、INA201-Q1 和 INA202-Q1 (INA20x-Q1) 是具有电压输出的低侧或高侧分流监控器。INA20x-Q1 器件能够在 -16V 至 +80V 范围内的共模电压下感测分流器两端的压降。INA20x-Q1 提供三种输出电压级别，即 20V/V、50V/V 和 100V/V，带宽高达 500kHz。

INA20x-Q1 还集成了开漏比较器和内部电压基准，电压阈值为 0.6V。外部分压器设定电流跳变点。比较器具有锁存功能，可通过将 RESET 引脚接地（或悬空）进入透明状态。

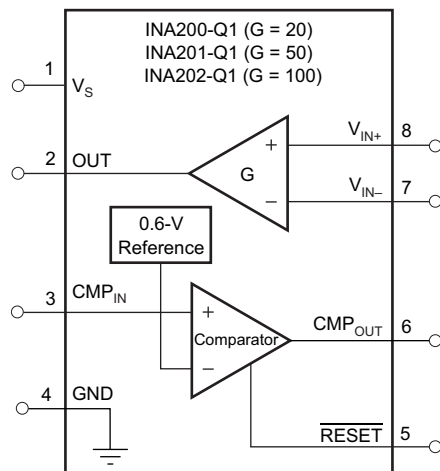
INA20x-Q1 由 2.7V 至 18V 的单电源供电，最大供电电流为 1800μA。这些器件均采用超小型 VSSOP-8 封装，而且额定工作环境温度范围均扩展为 -40°C 至 +125°C。

器件信息(1)

| 器件型号      | 封装        | 封装尺寸 (标称值)      |
|-----------|-----------|-----------------|
| INA200-Q1 | VSSOP (8) | 3.00mm x 3.00mm |
| INA201-Q1 |           |                 |
| INA202-Q1 |           |                 |

(1) 要了解所有可用封装，请参见数据表末尾的封装选项附录。

简化电路原理图



## 目录

|   |    |  |    |
|---|----|--|----|
| 1 特性 .....  | 1  | 9.1 Overview .....                           | 12 |
| 2 应用 .....  | 1  | 9.2 Functional Block Diagram .....           | 12 |
| 3 说明 .....  | 1  | 9.3 Feature Description .....                | 13 |
| 4 修订历史记录 .....  | 2  | 9.4 Device Functional Modes .....            | 13 |
| 5 Device Comparison Table .....                             | 3  | <b>10 Application Information</b> .....      | 14 |
| 6 Pin Configuration and Functions .....                     | 3  | 10.1 Application Information .....           | 14 |
| 7 Specifications .....                                      | 4  | 10.2 Typical Applications .....              | 18 |
| 7.1 Absolute Maximum Ratings .....                          | 4  | <b>11 Power Supply Recommendations</b> ..... | 22 |
| 7.2 ESD Ratings .....                                       | 4  | <b>12 Layout</b> .....                       | 22 |
| 7.3 Recommended Operating Conditions .....                  | 4  | 12.1 Layout Guidelines .....                 | 22 |
| 7.4 Thermal Information .....                               | 4  | 12.2 Layout Example .....                    | 22 |
| 7.5 Electrical Characteristics: Current-Shunt Monitor ..... | 5  | <b>13 器件和文档支持</b> .....                      | 23 |
| 7.6 Electrical Characteristics: Comparator .....            | 6  | 13.1 相关链接 .....                              | 23 |
| 7.7 Electrical Characteristics: General .....               | 6  | 13.2 社区资源 .....                              | 23 |
| 7.8 Typical Characteristics .....                           | 7  | 13.3 商标 .....                                | 23 |
| <b>8 Parameter Measurement Information</b> .....            | 11 | 13.4 静电放电警告 .....                            | 23 |
| 8.1 Hysteresis .....  | 11 | 13.5 Glossary .....                          | 23 |
| <b>9 Detailed Description</b> .....                         | 12 | <b>14 机械、封装和可订购信息</b> .....                  | 23 |

## 4 修订历史记录

注：之前版本的页码可能与当前版本有所不同。

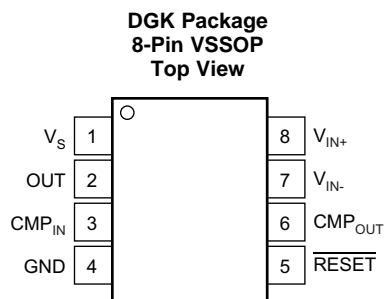
| Changes from Revision B (November 2012) to Revision C   | Page |
|---|------|
| • 已添加器件信息、ESD 额定值和热性能信息表，特性描述，器件功能模式，应用和实施，电源相关建议，布局，器件和文档支持以及机械、封装和可订购信息部分 .....   | 1    |
| • 已更新数据表标题 .....  | 1    |
| • 已更新特性要点（为了清晰起见） .....   | 1    |
| • 通篇将 MSOP 改为 VSSOP 以匹配行业标准术语 .....   | 1    |
| • 已更新应用要点 .....   | 1    |
| • 已更新描述部分的内容（为了清晰起见） .....  | 1    |
| • 已更改数据表中的所有图片以显示 Q1 器件名称 .....   | 1    |
| • Changed pin names in Absolute Maximum Ratings to show correct names .....   | 4    |
| • Added Operating Temperature to <i>Absolute Maximum Ratings</i> table .....  | 4    |
| • Changed $CMP V_{OUT}$ to $CMP_{OUT}$ in <i>large-signal differential voltage gain</i> parameter condition .....         | 6    |
| • Deleted package name from Figure 27 .....   | 15   |
| • Changed Figure 28 caption .....   | 15   |
| • Changed text from " $R_{FILT} - 3\%$ " to " $R_{FILT} + 3\%$ " in 2nd paragraph of <i>Input Filtering</i> section ..... | 15   |
| • Changed 22-k $\Omega$ $R_1$ resistor to $R_3$ in Figure 31 .....  | 18   |

| Changes from Revision A (September 2012) to Revision B | Page |
|--|------|
| • 已将器件状态由“混合量产”改为“量产数据”。 .....                         | 1    |
| • 已将器件图片数量由两张改为一张 .....                                | 1    |
| • 已添加 AEC-Q100 信息至特性要点的措辞 .....                        | 1    |
| • 已更新应用要点 .....  | 1    |
| • Removed D package from pin configuration image. .... | 4    |

## 5 Device Comparison Table

| DEVICE                     | DESCRIPTION  |
|----------------------------|--|
| <a href="#">INA193A-Q1</a> | Same amplifier performance as INA200-Q1 without integrated comparator                                |
| <a href="#">INA203-Q1</a>  | Dual comparator alternative to the INA200-Q1 single comparator                                       |
| <a href="#">INA282-Q1</a>  | Automotive, 80-V, bidirectional, high-accuracy, low- or high-side, voltage out current shunt monitor |
| <a href="#">INA300-Q1</a>  | Automotive, 36-V, low- or high-side, overcurrent protection comparator                               |
| <a href="#">INA301</a>     | Overcurrent protection, high-speed, precision, current sense amplifier with integrated comparator    |

## 6 Pin Configuration and Functions



**Pin Functions**

| PIN |                    | I/O           | DESCRIPTION                                |
|-----|--------------------|---------------|--|
| NO. | NAME               |               |  |
| 1   | $V_s$              | Analog        | Power supply                               |
| 2   | OUT                | Analog output | Output voltage                             |
| 3   | $CMP_{IN}$         | Analog input  | Comparator input                           |
| 4   | GND                | Analog        | Ground                                     |
| 5   | $\overline{RESET}$ | Analog input  | Comparator reset pin, active low           |
| 6   | $CMP_{OUT}$        | Analog output | Comparator output                          |
| 7   | $V_{IN-}$          | Analog input  | Negative input, connect to shunt low side  |
| 8   | $V_{IN+}$          | Analog input  | Positive input, connect to shunt high side |

## 7 Specifications

### 7.1 Absolute Maximum Ratings

over operating free-air temperature range (unless otherwise noted) <sup>(1)</sup>

|   |   | MIN       | MAX           | UNIT |
|---|---|-----------|---------------|------|
| Supply voltage, $V_S$   |   | 2.7       | 18            | V    |
| Current-shunt monitor analog inputs, $V_{IN+}$ , $V_{IN-}$                    | Differential ( $V_{IN+} - V_{IN-}$ )                            | -18       | 18            | V    |
|   | Common mode <sup>(2)</sup> , $V_{CM} = (V_{IN+} + V_{IN-}) / 2$ | -16       | 80            | V    |
| Comparator analog input and reset pins, $CMP_{IN}$ and $RESET$ <sup>(2)</sup> |   | GND - 0.3 | $(V_S) + 0.3$ | V    |
| Analog output, $OUT$ <sup>(2)</sup>   |   | GND - 0.3 | $(V_S) + 0.3$ | V    |
| Comparator output, $CMP_{OUT}$ <sup>(2)</sup>                                 |   | GND - 0.3 | 18            | V    |
| Input current into any pin <sup>(2)</sup>                                     |   |           | 5             | mA   |
| Operating temperature, $T_A$  |   | -40       | 125           | °C   |
| Junction temperature  |   |           | 150           | °C   |
| Storage temperature, $T_{stg}$  |   | -65       | 150           | °C   |

(1) Stresses beyond those listed under *Absolute Maximum Ratings* may cause permanent damage to the device. These are stress ratings only, which do not imply functional operation of the device at these or any other conditions beyond those indicated under *Recommended Operating Conditions*. Exposure to absolute-maximum-rated conditions for extended periods may affect device reliability.

(2) This voltage may exceed the ratings shown if the current at that pin does not exceed 5 mA.

### 7.2 ESD Ratings

|                                     |   | VALUE | UNIT |
|-------------------------------------|---|-------|------|
| $V_{(ESD)}$ Electrostatic discharge | Human-body model (HBM), per AEC Q100-002 <sup>(1)</sup> | ±2000 | V    |
|                                     | Charged-device model (CDM), per AEC Q100-011            | ±1000 |      |

(1) AEC Q100-002 indicates that HBM stressing shall be in accordance with the ANSI/ESDA/JEDEC JS-001 specification.

### 7.3 Recommended Operating Conditions

over operating free-air temperature range (unless otherwise noted)

|          |                                | MIN | NOM | MAX | UNIT |
|----------|--------------------------------|-----|-----|-----|------|
| $V_{CM}$ | Common-mode input voltage      | -16 | 12  | 80  | V    |
| $V_S$    | Operating supply voltage       | 2.7 | 12  | 18  | V    |
| $T_A$    | Operating free-air temperature | -40 | 25  | 125 | °C   |

### 7.4 Thermal Information

| THERMAL METRIC <sup>(1)</sup> |  | INA20x-Q1   | UNIT |
|-------------------------------|--|-------------|------|
|                               |  | DGK (VSSOP) |      |
|                               |  | 8 PINS      |      |
| $R_{\theta JA}$               | Junction-to-ambient thermal resistance       | 162.2       | °C/W |
| $R_{\theta JC(top)}$          | Junction-to-case (top) thermal resistance    | 37.7        | °C/W |
| $R_{\theta JB}$               | Junction-to-board thermal resistance         | 82.9        | °C/W |
| $\Psi_{JT}$                   | Junction-to-top characterization parameter   | 1.3         | °C/W |
| $\Psi_{JB}$                   | Junction-to-board characterization parameter | 81.4        | °C/W |

(1) For more information about traditional and new thermal metrics, see the *Semiconductor and IC Package Thermal Metrics* application report, [SPRA953](#).

## 7.5 Electrical Characteristics: Current-Shunt Monitor

at  $T_A = 25^\circ\text{C}$ ,  $V_S = 12\text{ V}$ ,  $V_{CM} = 12\text{ V}$ ,  $V_{SENSE} = V_{IN+} - V_{IN-} = 100\text{ mV}$ ,  $R_L = 10\text{ k}\Omega$  to GND,  $R_{PULL-UP} = 5.1\text{ k}\Omega$  connected from  $CMP_{OUT}$  to  $V_S$ , and  $CMP_{IN} = \text{GND}$  (unless otherwise noted)

| PARAMETER  |  | TEST CONDITIONS  | MIN       | TYP                 | MAX                          | UNIT                         |
|--|--|--|-----------|---------------------|------------------------------|------------------------------|
| <b>INPUT</b>   |  |  |           |                     |                              |                              |
| $V_{SENSE}$  | Full-scale sense input voltage           | $V_{SENSE} = V_{IN+} - V_{IN-}$  |           | 0.15                | $(V_S - 0.25) / \text{Gain}$ | V                            |
| $V_{CM}$   | Common-mode input range                  | $T_A = -40^\circ\text{C}$ to $125^\circ\text{C}$   | -16       |                     | 80                           | V                            |
| CMR  | Common-mode rejection                    | $V_{IN+} = -16\text{ V}$ to $80\text{ V}$  | 80        | 100                 |                              | dB                           |
|  |  | $V_{IN+} = 12\text{ V}$ to $80\text{ V}$ , $T_A = -40^\circ\text{C}$ to $125^\circ\text{C}$ .                        | 100       | 123                 |                              | dB                           |
| $V_{OS}$   | Offset voltage, RTI <sup>(1)</sup>       | $T_A = 25^\circ\text{C}$   |           | $\pm 0.5$           | $\pm 2.5$                    | mV                           |
|  |  | $T_A = 25^\circ\text{C}$ to $125^\circ\text{C}$  |           |                     | $\pm 3$                      | mV                           |
|  |  | $T_A = -40^\circ\text{C}$ to $25^\circ\text{C}$  |           |                     | $\pm 3.5$                    | mV                           |
| $dV_{OS}/dT$   | Offset voltage, RTI, versus temperature  | $T_A = -40^\circ\text{C}$ to $125^\circ\text{C}$   |           | 5                   |                              | $\mu\text{V}/^\circ\text{C}$ |
| PSR  | Offset voltage, RTI, versus power supply | $V_{OUT} = 2\text{ V}$ , $V_{IN+} = 18\text{ V}$ , $2.7\text{ V}$ , $T_A = -40^\circ\text{C}$ to $125^\circ\text{C}$ |           | 2.5                 | 100                          | $\mu\text{V}/\text{V}$       |
| $I_B$  | Input bias current, $V_{IN-}$ Pin        | $T_A = -40^\circ\text{C}$ to $125^\circ\text{C}$   |           | $\pm 9$             | $\pm 16$                     | $\mu\text{A}$                |
| <b>OUTPUT (<math>V_{SENSE} \geq 20\text{ mV}</math>)</b>               |  |  |           |                     |                              |                              |
| G  | Gain                                     | INA200-Q1  |           | 20                  |                              | V/V                          |
|  |  | INA201-Q1  |           | 50                  |                              | V/V                          |
|  |  | INA202-Q1  |           | 100                 |                              | V/V                          |
|  | Gain error                               | $V_{SENSE} = 20\text{ mV}$ to $100\text{ mV}$  |           | $\pm 0.2\%$         | $\pm 1\%$                    |                              |
|  |  | $V_{SENSE} = 20\text{ mV}$ to $100\text{ mV}$ , $T_A = -40^\circ\text{C}$ to $125^\circ\text{C}$                     |           |                     | $\pm 2\%$                    |                              |
|  | Total output error <sup>(2)</sup>        | $V_{SENSE} = 120\text{ mV}$ , $V_S = 16\text{ V}$  |           | $\pm 0.75\%$        | $\pm 2.2\%$                  |                              |
|  |  | $V_{SENSE} = 120\text{ mV}$ , $V_S = 16\text{ V}$ , $T_A = -40^\circ\text{C}$ to $125^\circ\text{C}$                 |           |                     | $\pm 3.5\%$                  |                              |
|  | Nonlinearity error <sup>(3)</sup>        | $V_{SENSE} = 20\text{ mV}$ to $100\text{ mV}$  |           | $\pm 0.002\%$       |                              |                              |
| $R_O$  | Output impedance                         |  |           | 1.5                 |                              | $\Omega$                     |
| $C_{LOAD}$   | Maximum capacitive load                  | No sustained oscillation   |           | 10                  |                              | nF                           |
| <b>OUTPUT (<math>V_{SENSE} &lt; 20\text{ mV}</math>)<sup>(4)</sup></b> |  |  |           |                     |                              |                              |
| Output   |  | $-16\text{ V} \leq V_{CM} < 0\text{ V}$  | INA20x-Q1 | 300                 |                              | mV                           |
|  |  |  |           |                     | 0.4                          | V                            |
|  |  | $0\text{ V} \leq V_{CM} \leq V_S$ , $V_S = 5\text{ V}$   | INA201-Q1 |                     | 1                            | V                            |
|  |  |  | INA202-Q1 |                     | 2                            | V                            |
|  |  | $V_S < V_{CM} \leq 80\text{ V}$  | INA20x-Q1 | 300                 |                              | mV                           |
| <b>VOLTAGE OUTPUT<sup>(5)</sup></b>                                    |  |  |           |                     |                              |                              |
|  | Output swing to the positive rail        | $V_{IN-} = 11\text{ V}$ , $V_{IN+} = 12\text{ V}$ , $T_A = -40^\circ\text{C}$ to $125^\circ\text{C}$                 |           | $(V_S) - 0.15$      | $(V_S) - 0.25$               | V                            |
|  | Output swing to GND <sup>(6)</sup>       | $V_{IN-} = 0\text{ V}$ , $V_{IN+} = -0.5\text{ V}$ , $T_A = -40^\circ\text{C}$ to $125^\circ\text{C}$                |           | $(V_{GND}) + 0.004$ | $(V_{GND}) + 0.05$           | V                            |
| <b>FREQUENCY RESPONSE</b>  |  |  |           |                     |                              |                              |
| BW   | Bandwidth                                | $C_{LOAD} = 5\text{ pF}$   | INA200-Q1 | 500                 |                              | kHz                          |
|  |  |  | INA201-Q1 | 300                 |                              | kHz                          |
|  |  |  | INA202-Q1 | 200                 |                              | kHz                          |
|  | Phase margin                             | $C_{LOAD} < 10\text{ nF}$  |           | 40                  |                              | Degrees                      |
| SR   | Slew rate                                |  |           | 1                   |                              | V/ $\mu\text{s}$             |
|  | Settling time (1%)                       | $V_{SENSE} = 10\text{ mV}_{PP}$ to $100\text{ mV}_{PP}$ , $C_{LOAD} = 5\text{ pF}$                                   |           | 2                   |                              | $\mu\text{s}$                |
| <b>NOISE, RTI</b>  |  |  |           |                     |                              |                              |
|  | Voltage noise density                    |  |           | 40                  |                              | nV/ $\sqrt{\text{Hz}}$       |

(1) Offset is extrapolated from measurements of the output at 20 mV and 100 mV  $V_{SENSE}$ .

(2) Total output error includes effects of gain error and  $V_{OS}$ .

(3) Linearity is best fit to a straight line.

(4) For details on this region of operation, see the [Accuracy Variations](#) section in the [Device Functional Modes](#).

(5) See [Figure 7](#).

(6) Specified by design.

## 7.6 Electrical Characteristics: Comparator

at  $T_A = 25^\circ\text{C}$ ,  $V_S = 12\text{ V}$ ,  $V_{CM} = 12\text{ V}$ ,  $V_{SENSE} = 100\text{ mV}$ ,  $R_L = 10\text{ k}\Omega$  to GND, and  $R_{PULL-UP} = 5.1\text{ k}\Omega$  connected from  $CMP_{OUT}$  to  $V_S$  (unless otherwise noted)

| PARAMETER  | TEST CONDITIONS  | MIN              | TYP    | MAX | UNIT             |
|--|--|------------------|--------|-----|------------------|
| <b>OFFSET VOLTAGE</b>                                  |  |                  |        |     |                  |
| Threshold  | $T_A = 25^\circ\text{C}$   | 590              | 608    | 620 | mV               |
|  | $T_A = -40^\circ\text{C}$ to $125^\circ\text{C}$   | 586              |        | 625 | mV               |
| Hysteresis <sup>(1)</sup>                              | $T_A = -40^\circ\text{C}$ to $85^\circ\text{C}$  |                  | -8     |     | mV               |
| <b>INPUT BIAS CURRENT<sup>(2)</sup></b>                |  |                  |        |     |                  |
| $CMP_{IN}$ pin   |  |                  | 0.005  | 10  | nA               |
|  | $T_A = -40^\circ\text{C}$ to $125^\circ\text{C}$   |                  |        | 15  | nA               |
| <b>INPUT VOLTAGE RANGE</b>                             |  |                  |        |     |                  |
| $CMP_{IN}$ pin   |  | 0 to $V_S - 1.5$ |        |     | V                |
| <b>OUTPUT (OPEN-DRAIN)</b>                             |  |                  |        |     |                  |
| Large-signal differential voltage gain                 | $CMP_{OUT} = 1\text{ V}$ to $4\text{ V}$ ,<br>$R_L \geq 15\text{ k}\Omega$ connected to $5\text{ V}$ |                  | 200    |     | V/mV             |
| $I_{LKG}$ High-level leakage current <sup>(3)(4)</sup> | $V_{ID} = 0.4\text{ V}$ , $V_{OH} = V_S$   |                  | 0.0001 | 1   | $\mu\text{A}$    |
| $V_{OL}$ Low-level output voltage <sup>(3)</sup>       | $V_{ID} = -0.6\text{ V}$ , $I_{OL} = 2.35\text{ mA}$   |                  | 220    | 300 | mV               |
| <b>RESPONSE TIME</b>                                   |  |                  |        |     |                  |
| Response time <sup>(5)</sup>                           | $R_L$ to $5\text{ V}$ , $C_L = 15\text{ pF}$ , 100-mV input step with<br>5-mV overdrive              |                  | 1.3    |     | $\mu\text{s}$    |
| <b>RESET</b>   |  |                  |        |     |                  |
| $\overline{\text{RESET}}$ threshold <sup>(6)</sup>     |  |                  | 1.1    |     | V                |
| Logic input impedance                                  |  |                  | 2      |     | $\text{M}\Omega$ |
| Minimum $\overline{\text{RESET}}$ pulse duration       |  |                  | 1.5    |     | $\mu\text{s}$    |
| $\overline{\text{RESET}}$ propagation delay            |  |                  | 3      |     | $\mu\text{s}$    |

- (1) Hysteresis refers to the threshold (the threshold specification applies to a rising edge of a noninverting input) of a falling edge on the noninverting input of the comparator; see [Figure 25](#).
- (2) Specified by design.
- (3)  $V_{ID}$  refers to the differential voltage at the comparator inputs.
- (4) Pulling the open-drain output to the range of 2.7 V to 18 V is permissible, regardless of  $V_S$ .
- (5) The comparator response time specified is the interval between the input step function and the instant when the output crosses 1.4 V.
- (6) The  $\overline{\text{RESET}}$  input has an internal 2-M $\Omega$  (typical) pulldown. Leaving  $\overline{\text{RESET}}$  open results in a low state, with transparent comparator operation.

## 7.7 Electrical Characteristics: General

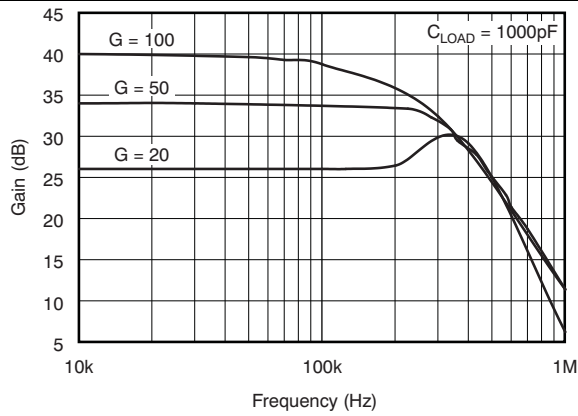
at  $T_A = 25^\circ\text{C}$ ,  $V_S = 12\text{ V}$ ,  $V_{CM} = 12\text{ V}$ ,  $V_{SENSE} = 100\text{ mV}$ ,  $R_L = 10\text{ k}\Omega$  to GND,  $R_{PULL-UP} = 5.1\text{ k}\Omega$  connected from  $CMP_{OUT}$  to  $V_S$ , and  $CMP_{IN} = 1\text{ V}$  (unless otherwise noted)

| GENERAL PARAMETERS                                 | CONDITIONS   | MIN | TYP  | MAX  | UNIT          |
|--|--|-----|------|------|---------------|
| <b>POWER SUPPLY</b>                                |  |     |      |      |               |
| $I_Q$ Quiescent current                            | $V_{OUT} = 2\text{ V}$   |     | 1350 | 1800 | $\mu\text{A}$ |
|  | $V_{SENSE} = 0\text{ mV}$ , $T_A = -40^\circ\text{C}$ to $125^\circ\text{C}$ |     |      | 1850 | $\mu\text{A}$ |
| Comparator power-on reset threshold <sup>(1)</sup> |  |     | 1.5  |      | V             |

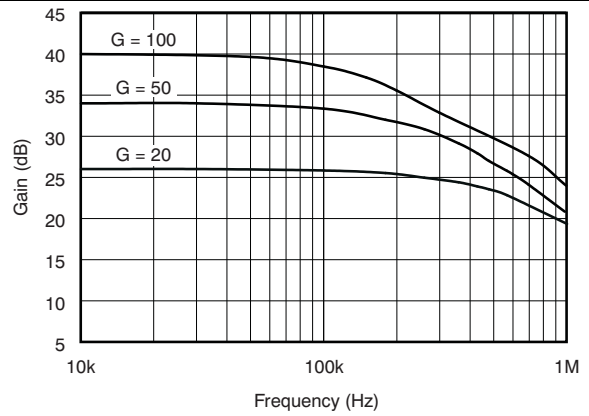
- (1) The INA20x-Q1 devices power up with the comparator in a defined reset state as long as the  $\overline{\text{RESET}}$  pin is open or grounded. The comparator is in reset as long as the power supply is below the voltage shown here. The comparator assumes a state based on the comparator input above this supply voltage. If  $\overline{\text{RESET}}$  is high at power up, the comparator output comes up high and requires a reset to assume a low state, if appropriate.

### 7.8 Typical Characteristics

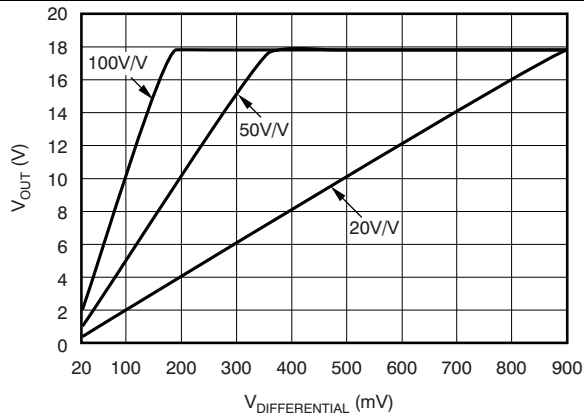
At  $T_A = 25^\circ\text{C}$ ,  $V_S = 12\text{ V}$ ,  $V_{IN+} = 12\text{ V}$ , and  $V_{SENSE} = 100\text{ mV}$  (unless otherwise noted)



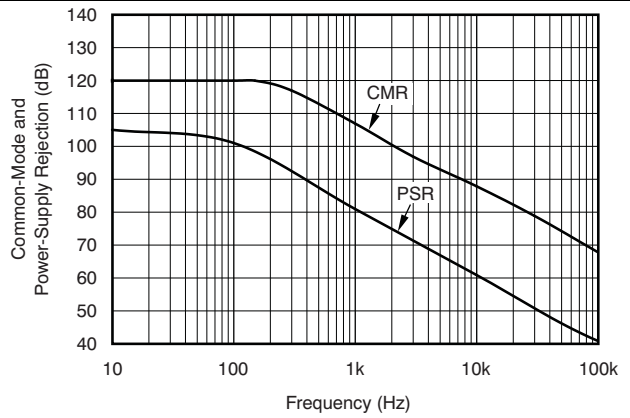
**Figure 1. Gain vs Frequency**



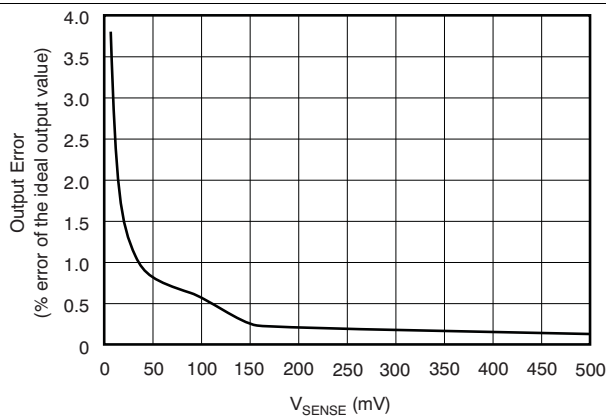
**Figure 2. Gain vs Frequency**



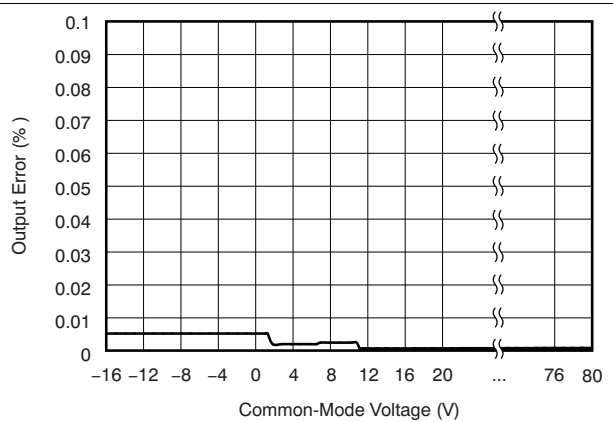
**Figure 3. Gain Plot**



**Figure 4. Common-Mode and Power-Supply Rejection vs Frequency**



**Figure 5. Output Error vs  $V_{SENSE}$**



**Figure 6. Output Error vs Common-Mode Voltage**





Typical Characteristics (continued)

At  $T_A = 25^\circ\text{C}$ ,  $V_S = 12\text{ V}$ ,  $V_{IN+} = 12\text{ V}$ , and  $V_{SENSE} = 100\text{ mV}$  (unless otherwise noted)

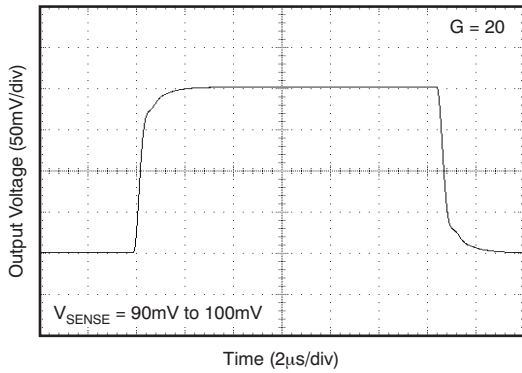


Figure 13. Step Response

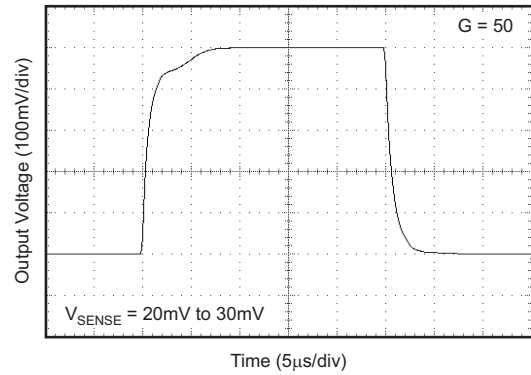


Figure 14. Step Response

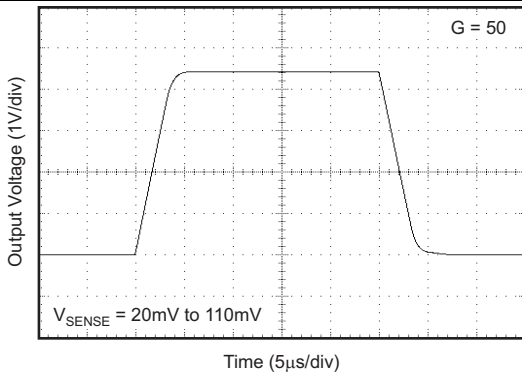


Figure 15. Step Response

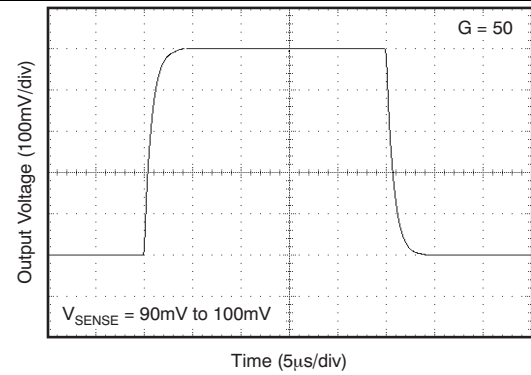


Figure 16. Step Response

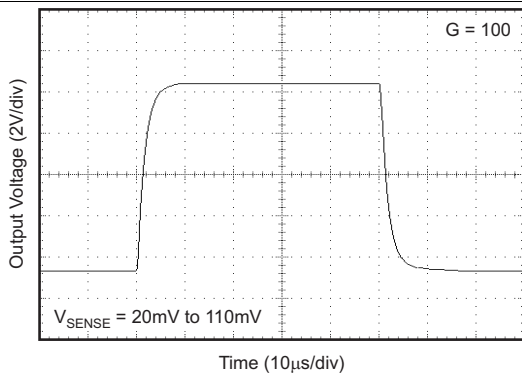


Figure 17. Step Response

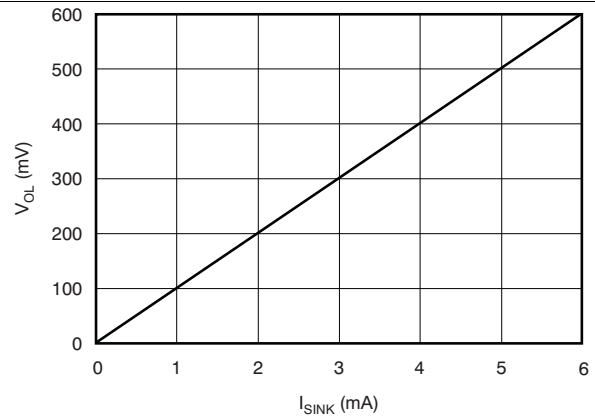
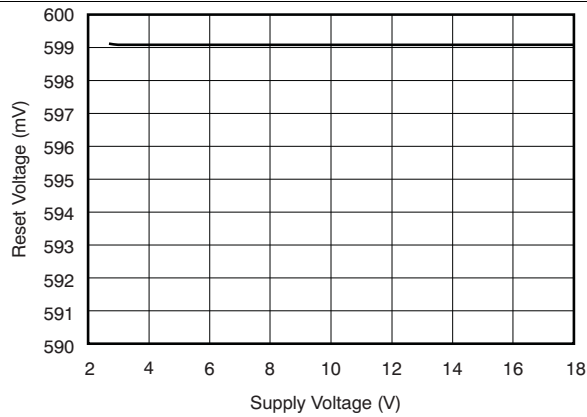


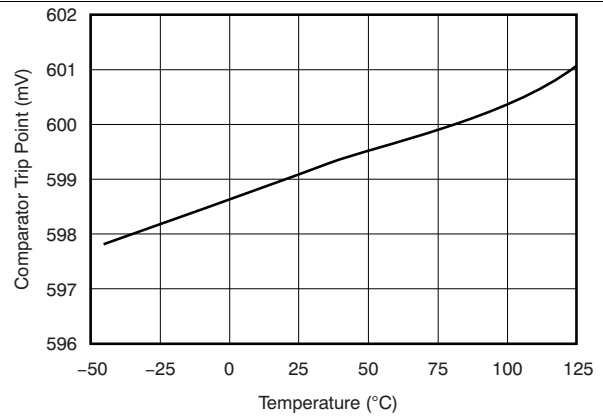
Figure 18. Comparator  $V_{OL}$  vs  $I_{SINK}$

## Typical Characteristics (continued)

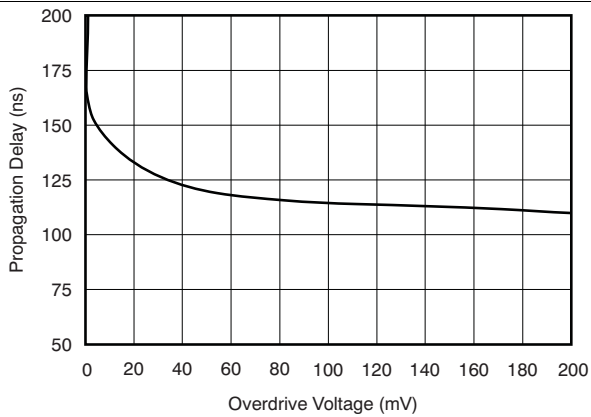
At  $T_A = 25^\circ\text{C}$ ,  $V_S = 12\text{ V}$ ,  $V_{IN+} = 12\text{ V}$ , and  $V_{SENSE} = 100\text{ mV}$  (unless otherwise noted)



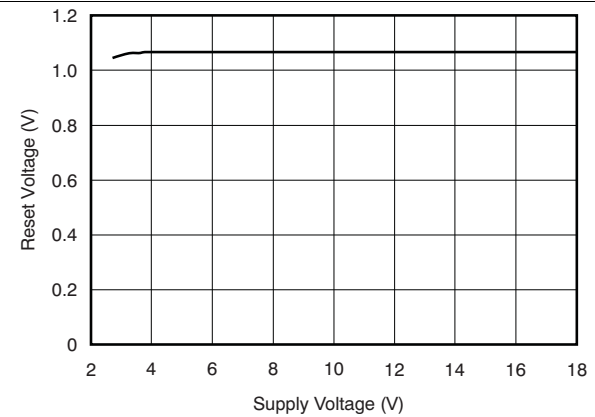
**Figure 19. Comparator Trip Point vs Supply Voltage**



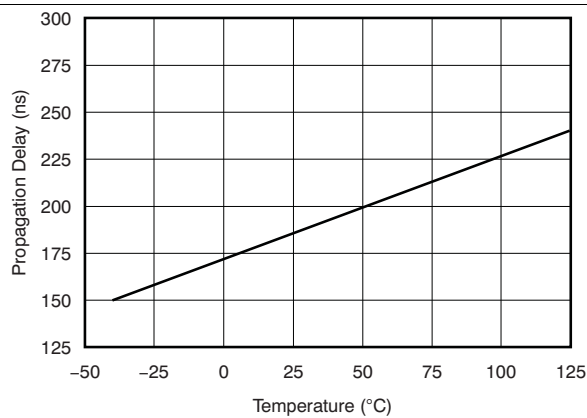
**Figure 20. Comparator Trip Point vs Temperature**



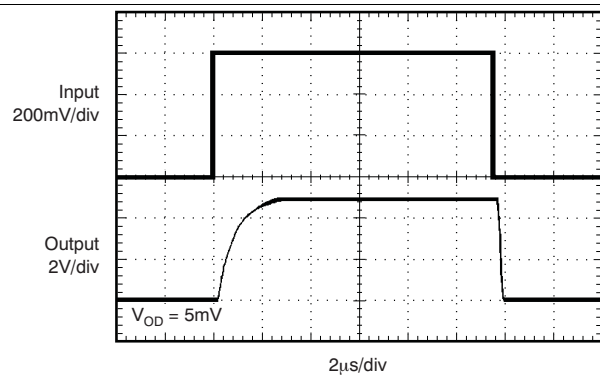
**Figure 21. Comparator Propagation Delay vs Overdrive Voltage**



**Figure 22. Comparator Reset Voltage vs Supply Voltage**



**Figure 23. Comparator Propagation Delay vs Temperature**

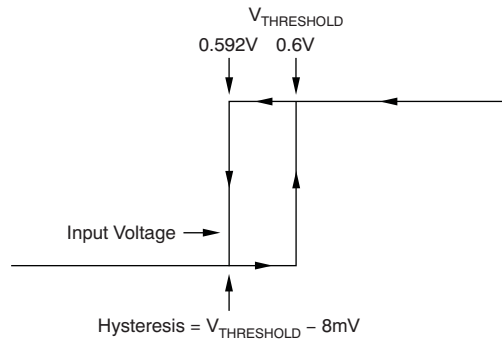


**Figure 24. Comparator Propagation Delay**

## 8 Parameter Measurement Information

### 8.1 Hysteresis

Figure 25 shows the typical comparator hysteresis.



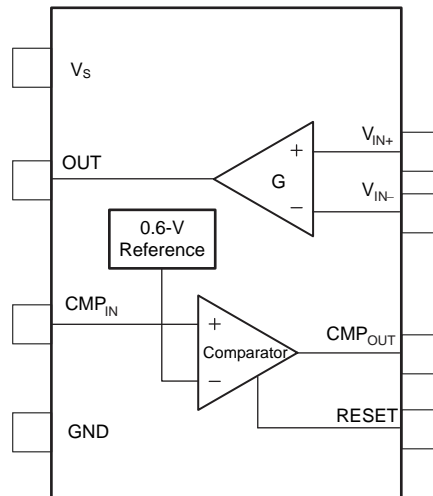
**Figure 25. Typical Comparator Hysteresis**

## 9 Detailed Description

### 9.1 Overview

The INA20x-Q1 current-shunt monitors operate over a wide common-mode voltage range ( $-16\text{ V}$  to  $+80\text{ V}$ ). These devices integrate an open-drain comparator with an internal  $0.6\text{-V}$  reference at the negative input. Use external dividers from the output of the current shunt monitor to the positive input of the comparator to set the positive input for overcurrent detection. The comparator includes a latching capability, but can also be made transparent by grounding (or floating) the RESET pin.

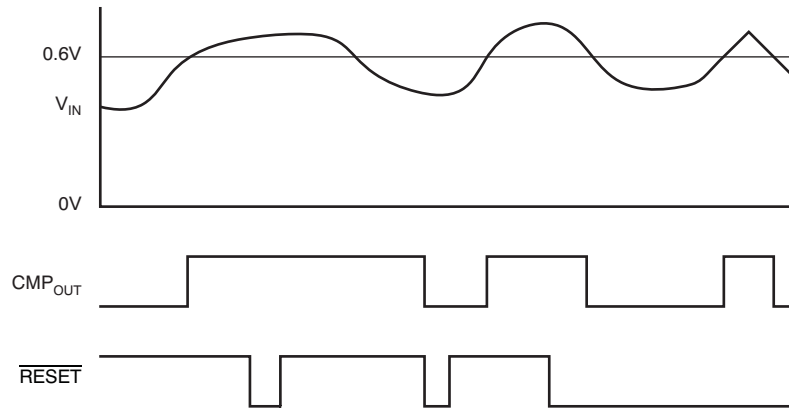
### 9.2 Functional Block Diagram



## 9.3 Feature Description

### 9.3.1 Comparator

The INA200-Q1, INA201-Q1, and INA202-Q1 devices incorporate an open-drain comparator. This comparator typically has 2 mV of offset and a 1.3  $\mu$ s (typical) response time. The  $\overline{\text{RESET}}$  pin latches and resets the output of the comparator; see [Figure 26](#).



**Figure 26. Comparator Latching Capability**

### 9.3.2 Output Voltage Range

The output of the INA20x-Q1 is accurate within the output voltage swing range set by the power supply pin,  $V_S$ . Best illustration of this performance occurs when using the INA202-Q1 (gain-of-100 version), where a 100-mV full-scale input from the shunt resistor requires an output voltage swing of 10 V, and a power-supply voltage sufficient to achieve 10 V on the output.

## 9.4 Device Functional Modes

The INA20x-Q1 have a single functional mode and are operational when the power-supply voltage is greater than 2.7 V. The common-mode voltage must be between  $-16$  V and  $+80$  V. The maximum power supply voltage for the INA20x-Q1 is 18 V.

## 10 Application Information

### NOTE

Information in the following applications sections is not part of the TI component specification, and TI does not warrant its accuracy or completeness. TI's customers are responsible for determining suitability of components for their purposes. Customers should validate and test their design implementation to confirm system functionality.

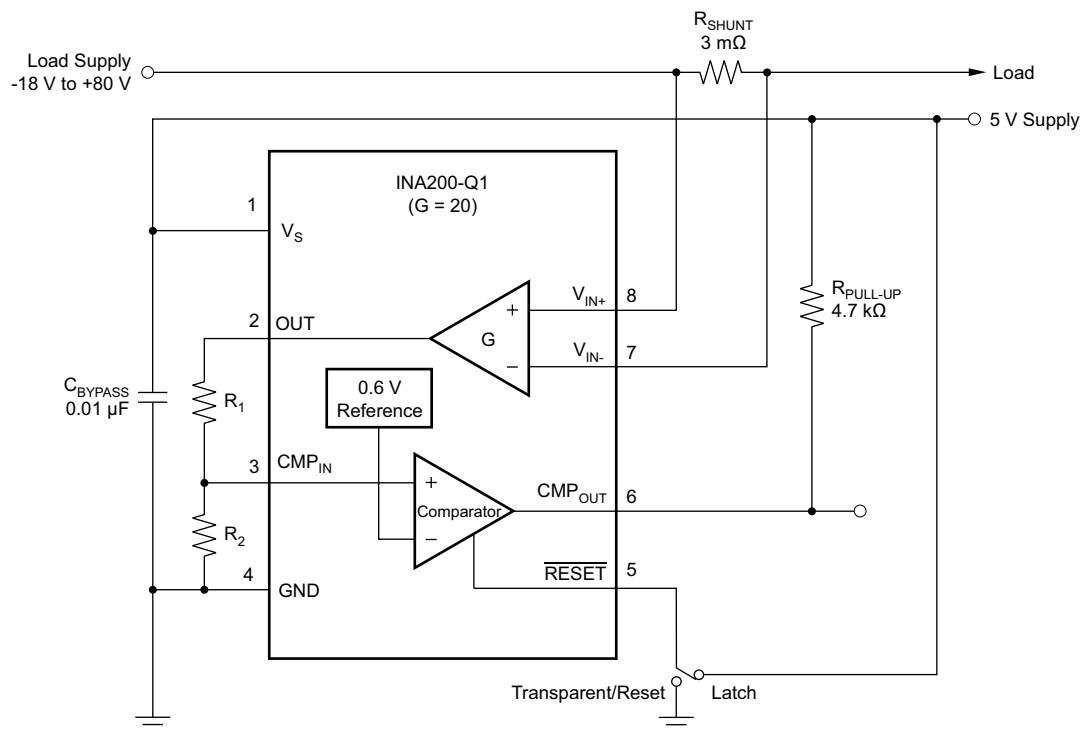
### 10.1 Application Information

The INA20x-Q1 series is designed to enable easy configuration for detecting overcurrent conditions and current monitoring in an application. This device is individually targeted towards overcurrent detection of a single threshold. However, this device can also be paired with additional devices and circuitry to create more complex monitoring functional blocks.

#### 10.1.1 Basic Connections

Figure 27 shows the basic connections of the INA200-Q1, INA201-Q1, and INA202-Q1. Connect the input pins,  $V_{IN+}$  and  $V_{IN-}$ , as close as possible to the shunt resistor to minimize any resistance in series with the shunt resistance.

Stability requires the use of power-supply bypass capacitors. Applications with noisy or high-impedance power supplies may require additional decoupling capacitors to reject power-supply noise. Connect bypass capacitors close to the device pins.



**Figure 27. INA200-Q1 Basic Connections**

#### 10.1.2 Selecting $R_S$

The value chosen for the shunt resistor,  $R_S$ , depends on the application and is a compromise between small-signal accuracy and maximum permissible voltage loss in the measurement line. High values of  $R_S$  provide better accuracy at lower currents by minimizing the effects of offset, whereas low values of  $R_S$  minimize voltage loss in the supply line. Most applications attain best performance with an  $R_S$  value that provides a full-scale shunt voltage range of 50 mV to 100 mV. Maximum input voltage for accurate measurements is 500 mV, but output voltage is limited by supply.

## Application Information (continued)

### 10.1.3 Input Filtering

An obvious and straightforward location for filtering is at the output of the INA20x-Q1 series; however, this location negates the advantage of the low output impedance of the internal buffer. The only other option for filtering is at the input pins of the INA20x-Q1, but the internal 5-k $\Omega$  + 30% input impedance complicates input filtering, as illustrated in Figure 28. Use the lowest possible resistor values to minimize both the initial shift in gain and effects of tolerance. Equation 1 gives the effect on initial gain:

$$\text{Gain Error \%} = 100 - \left( 100 \times \frac{5\text{k}\Omega}{5\text{k}\Omega + R_{\text{FILT}}} \right) \quad (1)$$

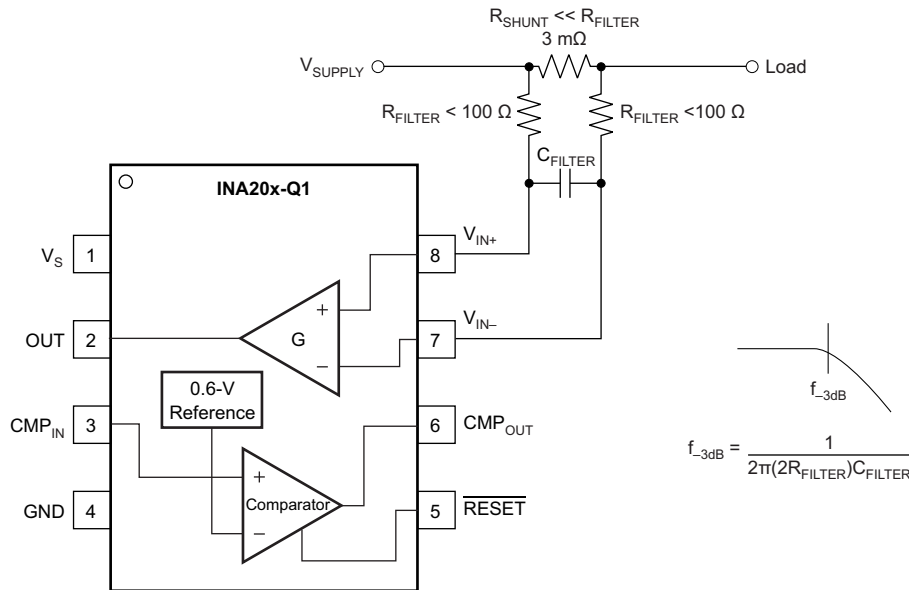


Figure 28. Input Filter

To calculate the total effect on gain error, replace the 5-k $\Omega$  term with 5 k $\Omega$  – 30%, (or 3.5 k $\Omega$ ) or 5 k $\Omega$  + 30% (or 6.5 k $\Omega$ ). One can also insert the tolerance extremes of  $R_{\text{FILT}}$  into the equation. If using a pair of 100- $\Omega$  1% resistors on the inputs, the initial gain error is 1.96%. Worst-case tolerance conditions always occur at the lower excursion of the internal 5-k $\Omega$  resistor (3.5-k $\Omega$ ), and the higher excursion of  $R_{\text{FILT}}$  + 3% in this case.

Note that one must then combine the specified accuracy of the INA20x-Q1 in addition to these tolerances. Although this discussion treated worst-case accuracy conditions by combining the extremes of the resistor values, it is appropriate to use geometric-mean or root-sum-square calculations to total the effects of accuracy variations.

### 10.1.4 Accuracy Variations as a Result of $V_{\text{SENSE}}$ and Common-Mode Voltage

The accuracy of the INA20x-Q1 current-shunt monitors is a function of two main variables:  $V_{\text{SENSE}}$  ( $V_{\text{IN}+} - V_{\text{IN}-}$ ) and common-mode voltage,  $V_{\text{CM}}$ , relative to the supply voltage,  $V_{\text{S}}$ . The expression for  $V_{\text{CM}}$  is  $(V_{\text{IN}+} + V_{\text{IN}-}) / 2$ ; however, in practice,  $V_{\text{CM}}$  is effectively the voltage at  $V_{\text{IN}+}$  because the voltage drop across  $V_{\text{SENSE}}$  is usually small.

This section addresses the accuracy of these specific operating regions:

- Normal Case 1:  $V_{\text{SENSE}} \geq 20$  mV,  $V_{\text{CM}} \geq V_{\text{S}}$
- Normal Case 2:  $V_{\text{SENSE}} \geq 20$  mV,  $V_{\text{CM}} < V_{\text{S}}$
- Low  $V_{\text{SENSE}}$  Case 1:  $V_{\text{SENSE}} < 20$  mV,  $-16$  V  $\leq V_{\text{CM}} < 0$
- Low  $V_{\text{SENSE}}$  Case 2:  $V_{\text{SENSE}} < 20$  mV,  $0$  V  $\leq V_{\text{CM}} \leq V_{\text{S}}$
- Low  $V_{\text{SENSE}}$  Case 3:  $V_{\text{SENSE}} < 20$  mV,  $V_{\text{S}} < V_{\text{CM}} \leq 80$  V

## Application Information (continued)

### 10.1.4.1 Normal Case 1: $V_{SENSE} \geq 20 \text{ mV}$ , $V_{CM} \geq V_S$

This region of operation provides the highest accuracy. Here, use of a two-step method characterizes and measures the input offset voltage. First, Equation 2 determines the gain.

$$G = \frac{V_{OUT1} - V_{OUT2}}{100\text{mV} - 20\text{mV}} \quad (2)$$

where:

$V_{OUT1}$  = output voltage with  $V_{SENSE} = 100 \text{ mV}$

$V_{OUT2}$  = output voltage with  $V_{SENSE} = 20 \text{ mV}$

Then the offset voltage is measured at  $V_{SENSE} = 100 \text{ mV}$  and referred to the input (RTI) of the current shunt monitor, as shown in Equation 3.

$$V_{OS\text{RTI}} \text{ (Referred-To-Input)} = \left[ \frac{V_{OUT1}}{G} \right] - 100\text{mV} \quad (3)$$

In the *Typical Characteristics*, Figure 6 (*Output Error versus Common-Mode Voltage* curve) shows the highest accuracy for the this region of operation. In this plot,  $V_S = 12 \text{ V}$ ; for  $V_{CM} \geq 12 \text{ V}$ , the output error is at its minimum. Using this case also creates the  $V_{SENSE} \geq 20 \text{ mV}$  output specifications in the *Electrical Characteristics: Current-Shunt Monitor* table.

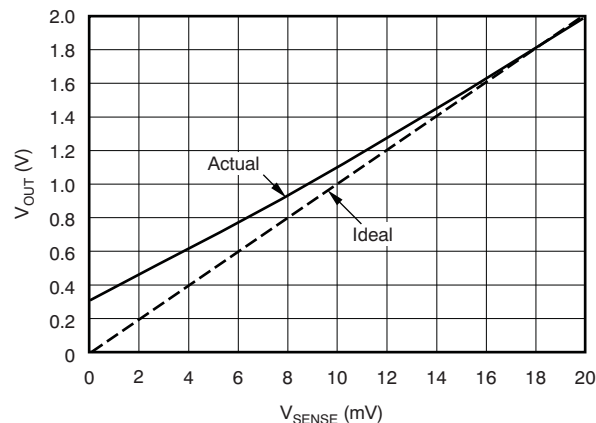
### 10.1.4.2 Normal Case 2: $V_{SENSE} \geq 20 \text{ mV}$ , $V_{CM} < V_S$

This region of operation has slightly less accuracy than Normal Case 1 as a result of the common-mode operating area in which the part functions, as seen in the Figure 6 (*Output Error versus Common-Mode Voltage* curve). As noted, for this graph  $V_S = 12 \text{ V}$ ; for  $V_{CM} < 12 \text{ V}$ , the output error increases as  $V_{CM}$  becomes less than  $12 \text{ V}$ , with a typical maximum error of 0.005% at the most negative  $V_{CM} = -16 \text{ V}$ .

### 10.1.4.3 Low $V_{SENSE}$ Case 1: $V_{SENSE} < 20 \text{ mV}$ , $-16 \text{ V} \leq V_{CM} < 0 \text{ V}$ ; and Low $V_{SENSE}$ Case 3: $V_{SENSE} < 20 \text{ mV}$ , $V_S < V_{CM} \leq 80 \text{ V}$

Although not designed for accurate operation in either of these regions, the INA20x-Q1 family of devices may have exposure to these conditions in some applications. For example, when monitoring power supplies being switched on and off with  $V_S$  still applied to the INA20x-Q1, it is important to know what the device behavior is in these regions.

As  $V_{SENSE}$  approaches 0 mV, in these  $V_{CM}$  regions, the device output accuracy degrades. A larger-than-normal offset can appear at the current shunt monitor output with a typical maximum value of  $V_{OUT} = 300 \text{ mV}$  for  $V_{SENSE} = 0 \text{ mV}$ . As  $V_{SENSE}$  approaches 20 mV,  $V_{OUT}$  returns to the expected output value with accuracy, as specified in the *Electrical Characteristics: Current-Shunt Monitor*. Figure 29 illustrates this effect using the INA202-Q1 (gain = 100).



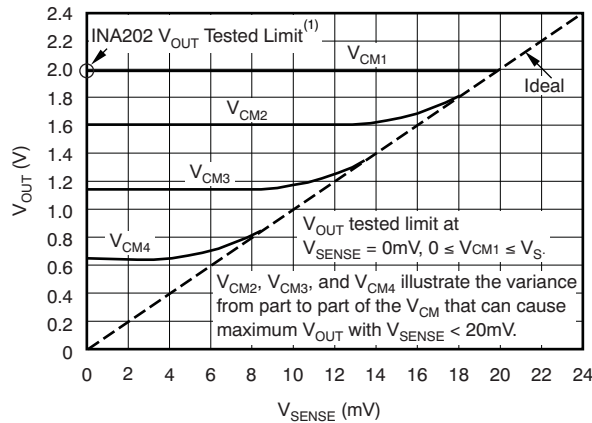
**Figure 29. Example for Low  $V_{SENSE}$  Cases 1 and 3 (INA202-Q1, Gain = 100)**



## Application Information (continued)

### 10.1.4.4 Low $V_{SENSE}$ Case 2: $V_{SENSE} < 20\text{ mV}$ , $0\text{ V} \leq V_{CM} \leq V_S$

This region of operation is the least accurate for the INA20x-Q1 family. To achieve the wide input common-mode voltage range, these devices use two op amp front ends in parallel. One op amp front end operates in the positive-input common-mode voltage range, and the other in the negative-input region. For this case, neither of these two internal amplifiers dominates, and overall loop gain is very low. Within this region,  $V_{OUT}$  approaches voltages close to linear operation levels for *normal case 2*. This deviation from linear operation becomes greatest the closer  $V_{SENSE}$  approaches 0 V. Within this region, as  $V_{SENSE}$  approaches 20 mV, device operation is closer to that described by *normal case 2*. Figure 30 illustrates this behavior for the INA202-Q1. To test the  $V_{OUT}$  maximum peak for this case, maintain a constant  $V_S$ , set  $V_{SENSE} = 0\text{ mV}$ , and sweep  $V_{CM}$  from 0 V to  $V_S$ . The exact  $V_{CM}$  at which  $V_{OUT}$  peaks during this test varies from part to part, but the tested  $V_{OUT}$  maximum peak for any part is less than the specified  $V_{OUT}$  test limit.



NOTE: (1) INA200  $V_{OUT}$  Tested Limit = 0.4V. INA201  $V_{OUT}$  Tested Limit = 1V.

Figure 30. Example for Low  $V_{SENSE}$  Case 2 (INA202-Q1, Gain = 100)

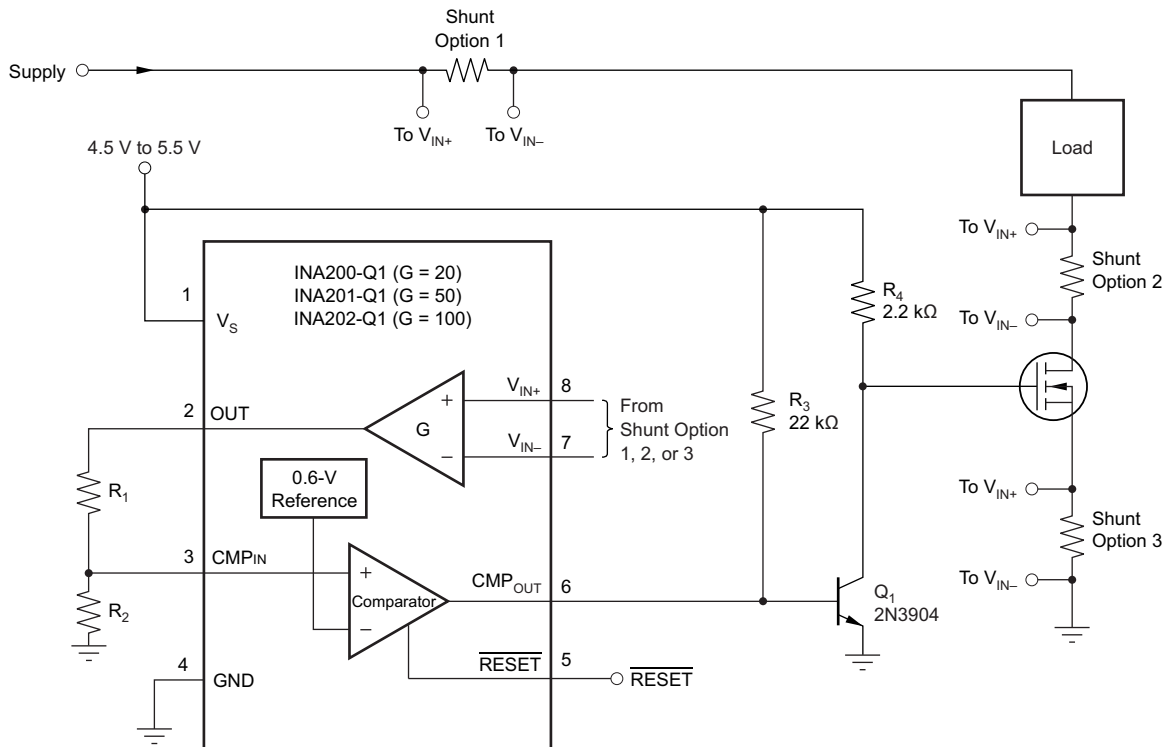
### 10.1.5 Transient Protection

The  $-16\text{-V}$  to  $+80\text{-V}$  common-mode range of the INA20X-Q1 is ideal for withstanding automotive fault conditions, ranging from 12-V battery reversal up to 80-V transients, because there is need for additional protective components up to those levels. In the event that the INA20x-Q1 are exposed to transients on the inputs in excess of their ratings, then external transient absorption with semiconductor transient absorbers (such as Zeners) is necessary. Do not use metal-oxide varistors (MOVs) or voltage-dependent resistors (VDRs) except when they are used in addition to a semiconductor transient absorber. Select the transient absorber such that it never allows exposure of the INA20X-Q1 to transients greater than 80 V (that is, allow for transient absorber tolerance, as well as additional voltage due to transient absorber dynamic impedance). Despite the use of internal zener-type ESD protection, the INA20x-Q1 do not lend themselves to using external resistors in series with the inputs, because the internal gain resistors can vary up to  $\pm 30\%$ . (If gain accuracy is not important, then one can add resistors in series with the INA20x-Q1 inputs with two equal resistors on each input.)

## 10.2 Typical Applications

### 10.2.1 Low-Side Switch Overcurrent Shutdown

The INA20x-Q1 measures current through a resistive shunt with current flowing in one direction, thus enabling detection of an overcurrent event only when the differential input voltage exceeds the threshold limit. When the current reaches the set limit of the divider  $R_1 / R_2$ , the output of  $CMP_{OUT}$  transitions high and Q1 turns on and pull the gate of the Pass-FET low and turn off the flow off current.



NOTE: In this case, Q1 is used to invert the comparator output.

**Figure 31. Low-Side Switch Overcurrent Shutdown**

#### 10.2.1.1 Design Requirements

For this design example, use the input parameters shown in [Table 1](#). All other register settings are default.

**Table 1. Design Parameters**

| DESIGN PARAMETER                 | EXAMPLE VALUE      |
|----------------------------------|--------------------|
| Supply voltage, $V_S$            | 3.3 V              |
| $R_2 / R_1$                      | 1.5                |
| R2                               | 15 k $\Omega$      |
| R1                               | 10 k $\Omega$      |
| Gain                             | 20 V/V (INA200-Q1) |
| Shunt resistor, $R_{SHUNT}$      | 5 m $\Omega$       |
| Desired trip current, $I_{TRIP}$ | 1 A                |

**10.2.1.2 Detailed Design Procedure**

Figure 31 shows the basic connections for a low-side, switch overcurrent shutdown application. Connect input pins IN+ and IN– as close as possible to the current-sensing resistor (R<sub>SHUNT</sub>) to minimize any resistance in series with the shunt resistance. Additional resistance between the current-sensing resistor and input pins can result in errors in the measurement. When input current flows through this external input resistance, the voltage developed across the shunt resistor can differ from the voltage reaching the input pins. Connect the input pins to one of the three shunt options shown in Figure 31.

Use the device gain and shunt resistor value to calculate the OUT pin voltage, V<sub>OUT\_TRIP</sub>, for the desired trip current, as shown in Equation 4:

$$V_{OUT\_TRIP} = I_{TRIP} \times R_{SHUNT} \times \text{Gain}$$

where

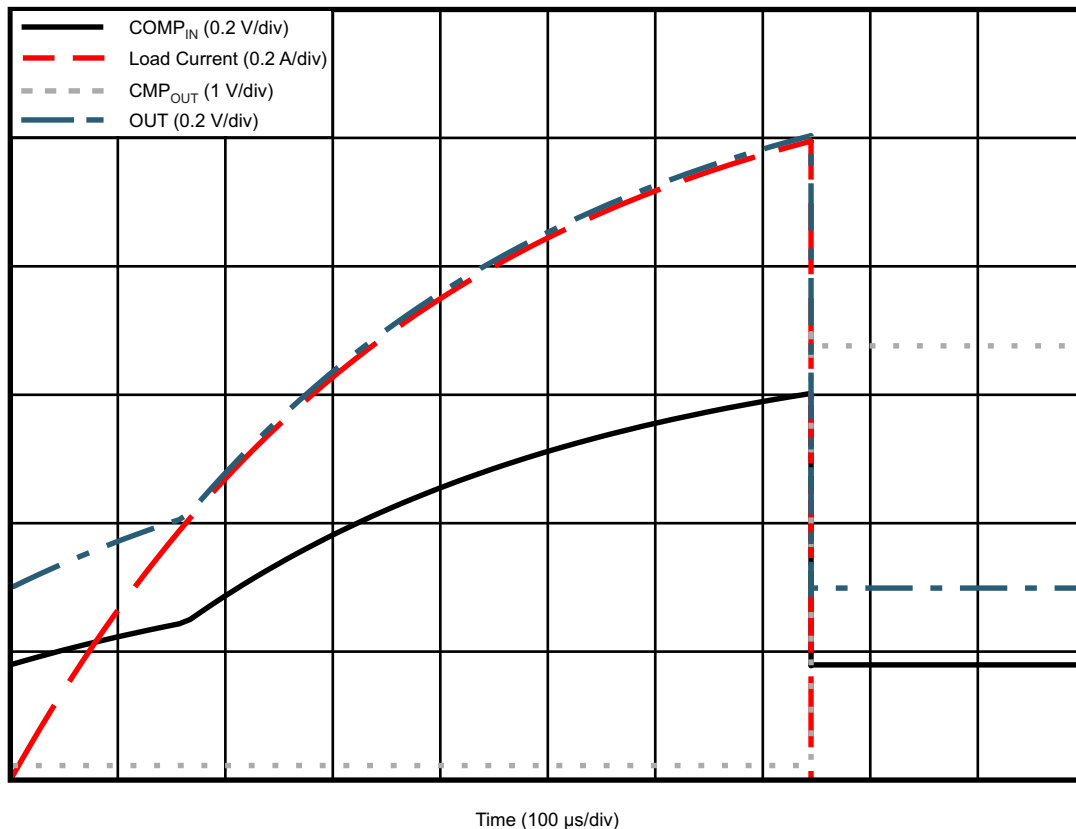
- I<sub>TRIP</sub> = Desired trip current
  - R<sub>SHUNT</sub> = Shunt resistor value
- (4)

Configure R<sub>1</sub> and R<sub>2</sub> so that the current trip point is equal to the 0.6-V reference voltage, as shown in Equation 5:

$$(R_2 / (R_1 + R_2)) \times V_{OUT\_TRIP} = 0.6 \text{ V}$$

(5)

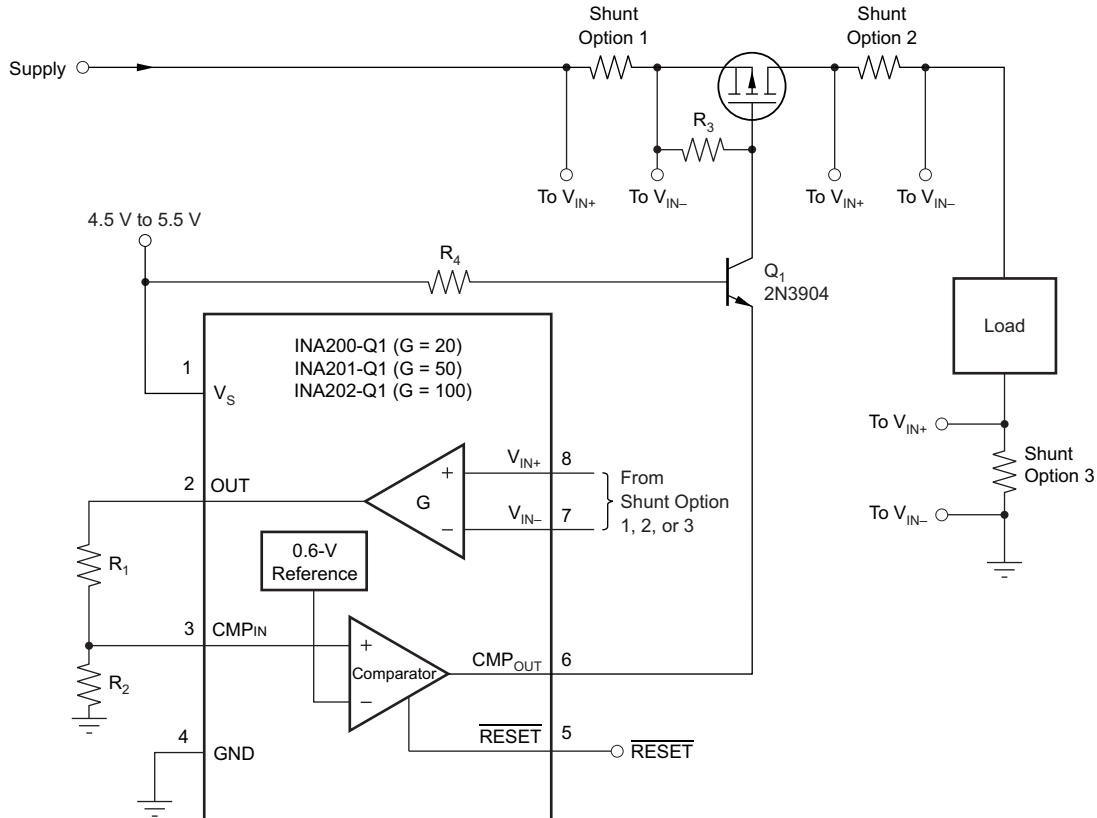
**10.2.1.3 Application Curves**



**Figure 32. Low-Side Switch Overcurrent Shutdown Response**

### 10.2.2 High-Side Switch Overcurrent Shutdown

Figure 33 shows the basic connection for a high-side, switch overcurrent shutdown application. The high-side PMOS switch disconnects when an overcurrent event occurs. The previous [Detailed Design Procedure](#) section describes how to apply this application example. The difference is that the current is sensed on the high side of the bus in this application, and the low side of the bus in the previous application example.

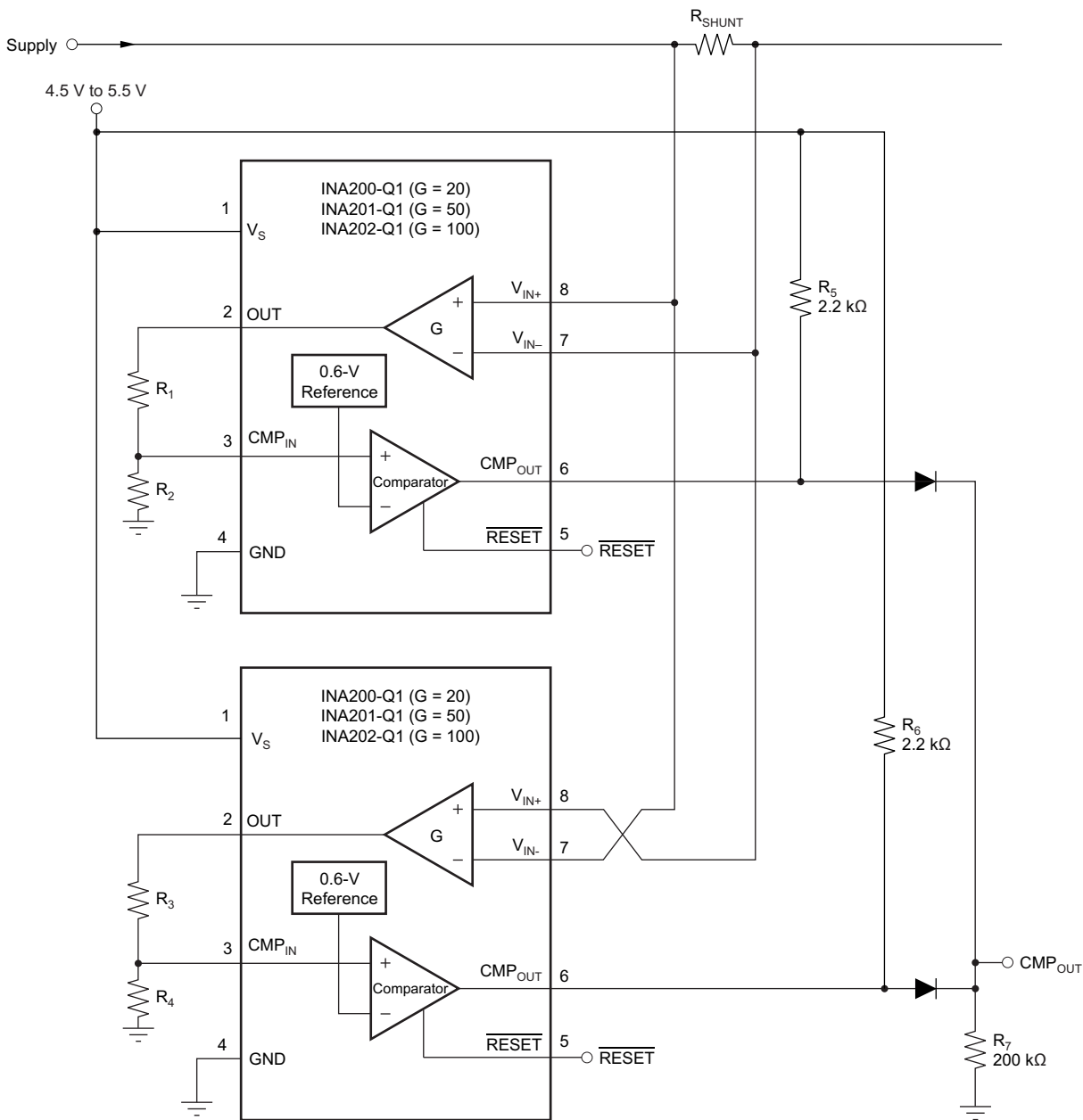


NOTE: Q cascades the comparator output to drive a high-side FET (the 2N3904 shown is good up to 60 V). The shunt can be located in any one of the three locations shown. Use the latching capability in shutdown applications to prevent oscillation at the trip point.

**Figure 33. High-Side Switch Overcurrent Shutdown**

### 10.2.3 Bidirectional Overcurrent Comparator

Figure 34 shows the basic connection for a bidirectional overcurrent comparator using two INA20x-Q1 devices of the same gain.



NOTE: It is possible to set different limits for each direction.

Figure 34. Bidirectional Overcurrent Comparator

## 11 Power Supply Recommendations

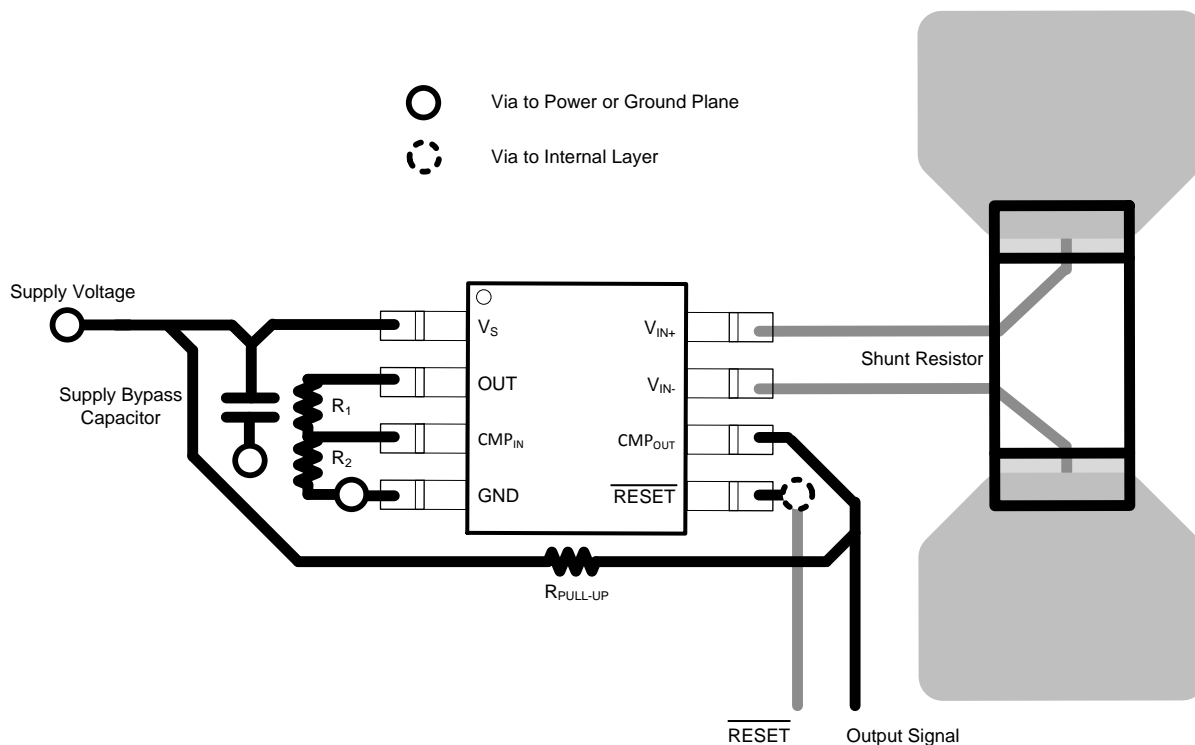
The input circuitry of the INA20x-Q1 accurately measures beyond the power-supply voltage,  $V_S$ . For example, the  $V_S$  power supply can be 5 V, whereas the load power-supply voltage goes up to 80 V. However, the voltages on the power-supply pins limit the output voltage range of the OUT pin.

## 12 Layout

### 12.1 Layout Guidelines

- Connect the input pins to the sensing resistor using a Kelvin or four-wire connection. This connection technique makes sure that only the current-sensing resistor impedance is detected between the input pins. Poor routing of the current-sensing resistor commonly results in additional resistance present between the input pins. Given the very low ohmic value of the current resistor, any additional high-current carrying impedance can cause significant measurement errors.
- Place the power-supply bypass capacitor as close as possible to the supply and ground pins. The recommended value of this bypass capacitor is 0.1  $\mu\text{F}$ . Add additional decoupling capacitance to compensate for noisy or high-impedance power supplies.

### 12.2 Layout Example



**Figure 35. INA20x-Q1 Layout Example**

## 13 器件和文档支持

### 13.1 相关链接

表 2 列出了快速访问链接。范围包括技术文档、支持与社区资源、工具和软件，以及样片与购买的快速访问。

表 2. 相关链接

| 器件        | 产品文件夹                 | 样片与购买                 | 技术文档                  | 工具与软件                 | 支持与社区                 |
|-----------|-----------------------|-----------------------|-----------------------|-----------------------|-----------------------|
| INA200-Q1 | <a href="#">请单击此处</a> | <a href="#">请单击此处</a> | <a href="#">请单击此处</a> | <a href="#">请单击此处</a> | <a href="#">请单击此处</a> |
| INA201-Q1 | <a href="#">请单击此处</a> | <a href="#">请单击此处</a> | <a href="#">请单击此处</a> | <a href="#">请单击此处</a> | <a href="#">请单击此处</a> |
| INA202-Q1 | <a href="#">请单击此处</a> | <a href="#">请单击此处</a> | <a href="#">请单击此处</a> | <a href="#">请单击此处</a> | <a href="#">请单击此处</a> |

### 13.2 社区资源

The following links connect to TI community resources. Linked contents are provided "AS IS" by the respective contributors. They do not constitute TI specifications and do not necessarily reflect TI's views; see TI's [Terms of Use](#).

**TI E2E™ Online Community** *TI's Engineer-to-Engineer (E2E) Community*. Created to foster collaboration among engineers. At [e2e.ti.com](http://e2e.ti.com), you can ask questions, share knowledge, explore ideas and help solve problems with fellow engineers.

**Design Support** *TI's Design Support* Quickly find helpful E2E forums along with design support tools and contact information for technical support.

### 13.3 商标

E2E is a trademark of Texas Instruments.  
All other trademarks are the property of their respective owners.

### 13.4 静电放电警告



ESD 可能会损坏该集成电路。德州仪器 (TI) 建议通过适当的预防措施处理所有集成电路。如果不遵守正确的处理措施和安装程序，可能会损坏集成电路。

ESD 的损坏小至导致微小的性能降级，大至整个器件故障。精密的集成电路可能更容易受到损坏，这是因为非常细微的参数更改都可能会导致器件与其发布的规格不相符。

### 13.5 Glossary

[SLYZ022](#) — *TI Glossary*.

This glossary lists and explains terms, acronyms, and definitions.

## 14 机械、封装和可订购信息

以下页中包括机械、封装和可订购信息。这些信息是针对指定器件可提供的最新数据。这些数据会在无通知且不对本文档进行修订的情况下发生改变。欲获得该数据表的浏览器版本，请查阅左侧的导航栏。

**PACKAGING INFORMATION**

| Orderable Device | Status<br>(1) | Package Type | Package Drawing | Pins | Package Qty | Eco Plan<br>(2) | Lead finish/<br>Ball material<br>(6) | MSL Peak Temp<br>(3) | Op Temp (°C) | Device Marking<br>(4/5) | Samples                 |
|------------------|---------------|--------------|-----------------|------|-------------|-----------------|--------------------------------------|----------------------|--------------|-------------------------|-------------------------|
| INA200AQDGKRQ1   | ACTIVE        | VSSOP        | DGK             | 8    | 2500        | RoHS & Green    | NIPDAU   NIPDAUAG                    | Level-2-260C-1 YEAR  | -40 to 125   | SHZ                     | <a href="#">Samples</a> |
| INA201AQDGKRQ1   | ACTIVE        | VSSOP        | DGK             | 8    | 2500        | RoHS & Green    | Call TI   NIPDAUAG                   | Level-2-260C-1 YEAR  | -40 to 125   | QWV                     | <a href="#">Samples</a> |
| INA202AQDGKRQ1   | ACTIVE        | VSSOP        | DGK             | 8    | 2500        | RoHS & Green    | NIPDAUAG                             | Level-2-260C-1 YEAR  | -40 to 125   | SIA                     | <a href="#">Samples</a> |

(1) The marketing status values are defined as follows:

**ACTIVE:** Product device recommended for new designs.

**LIFEBUY:** TI has announced that the device will be discontinued, and a lifetime-buy period is in effect.

**NRND:** Not recommended for new designs. Device is in production to support existing customers, but TI does not recommend using this part in a new design.

**PREVIEW:** Device has been announced but is not in production. Samples may or may not be available.

**OBSOLETE:** TI has discontinued the production of the device.

(2) **RoHS:** TI defines "RoHS" to mean semiconductor products that are compliant with the current EU RoHS requirements for all 10 RoHS substances, including the requirement that RoHS substance do not exceed 0.1% by weight in homogeneous materials. Where designed to be soldered at high temperatures, "RoHS" products are suitable for use in specified lead-free processes. TI may reference these types of products as "Pb-Free".

**RoHS Exempt:** TI defines "RoHS Exempt" to mean products that contain lead but are compliant with EU RoHS pursuant to a specific EU RoHS exemption.

**Green:** TI defines "Green" to mean the content of Chlorine (Cl) and Bromine (Br) based flame retardants meet JS709B low halogen requirements of <=1000ppm threshold. Antimony trioxide based flame retardants must also meet the <=1000ppm threshold requirement.

(3) MSL, Peak Temp. - The Moisture Sensitivity Level rating according to the JEDEC industry standard classifications, and peak solder temperature.

(4) There may be additional marking, which relates to the logo, the lot trace code information, or the environmental category on the device.

(5) Multiple Device Markings will be inside parentheses. Only one Device Marking contained in parentheses and separated by a "~" will appear on a device. If a line is indented then it is a continuation of the previous line and the two combined represent the entire Device Marking for that device.

(6) Lead finish/Ball material - Orderable Devices may have multiple material finish options. Finish options are separated by a vertical ruled line. Lead finish/Ball material values may wrap to two lines if the finish value exceeds the maximum column width.

**Important Information and Disclaimer:**The information provided on this page represents TI's knowledge and belief as of the date that it is provided. TI bases its knowledge and belief on information provided by third parties, and makes no representation or warranty as to the accuracy of such information. Efforts are underway to better integrate information from third parties. TI has taken and continues to take reasonable steps to provide representative and accurate information but may not have conducted destructive testing or chemical analysis on incoming materials and chemicals. TI and TI suppliers consider certain information to be proprietary, and thus CAS numbers and other limited information may not be available for release.



In no event shall TI's liability arising out of such information exceed the total purchase price of the TI part(s) at issue in this document sold by TI to Customer on an annual basis.

**OTHER QUALIFIED VERSIONS OF INA200-Q1, INA201-Q1, INA202-Q1 :**

- Catalog : [INA200](#), [INA201](#), [INA202](#)

NOTE: Qualified Version Definitions:

- Catalog - TI's standard catalog product

**TAPE AND REEL INFORMATION**

**QUADRANT ASSIGNMENTS FOR PIN 1 ORIENTATION IN TAPE**


\*All dimensions are nominal

| Device         | Package Type | Package Drawing | Pins | SPQ  | Reel Diameter (mm) | Reel Width W1 (mm) | A0 (mm) | B0 (mm) | K0 (mm) | P1 (mm) | W (mm) | Pin1 Quadrant |
|----------------|--------------|-----------------|------|------|--------------------|--------------------|---------|---------|---------|---------|--------|---------------|
| INA200AQDGKRQ1 | VSSOP        | DGK             | 8    | 2500 | 330.0              | 12.4               | 5.3     | 3.4     | 1.4     | 8.0     | 12.0   | Q1            |
| INA201AQDGKRQ1 | VSSOP        | DGK             | 8    | 2500 | 330.0              | 12.4               | 5.3     | 3.4     | 1.4     | 8.0     | 12.0   | Q1            |
| INA202AQDGKRQ1 | VSSOP        | DGK             | 8    | 2500 | 330.0              | 12.4               | 5.3     | 3.4     | 1.4     | 8.0     | 12.0   | Q1            |

**TAPE AND REEL BOX DIMENSIONS**


\*All dimensions are nominal

| Device         | Package Type | Package Drawing | Pins | SPQ  | Length (mm) | Width (mm) | Height (mm) |
|----------------|--------------|-----------------|------|------|-------------|------------|-------------|
| INA200AQDGKRQ1 | VSSOP        | DGK             | 8    | 2500 | 366.0       | 364.0      | 50.0        |
| INA201AQDGKRQ1 | VSSOP        | DGK             | 8    | 2500 | 366.0       | 364.0      | 50.0        |
| INA202AQDGKRQ1 | VSSOP        | DGK             | 8    | 2500 | 366.0       | 364.0      | 50.0        |

DGK0008A



# PACKAGE OUTLINE

VSSOP - 1.1 mm max height

SMALL OUTLINE PACKAGE



4214862/A 04/2023

NOTES:

PowerPAD is a trademark of Texas Instruments.

1. All linear dimensions are in millimeters. Any dimensions in parenthesis are for reference only. Dimensioning and tolerancing per ASME Y14.5M.
2. This drawing is subject to change without notice.
3. This dimension does not include mold flash, protrusions, or gate burrs. Mold flash, protrusions, or gate burrs shall not exceed 0.15 mm per side.
4. This dimension does not include interlead flash. Interlead flash shall not exceed 0.25 mm per side.
5. Reference JEDEC registration MO-187.

# EXAMPLE BOARD LAYOUT

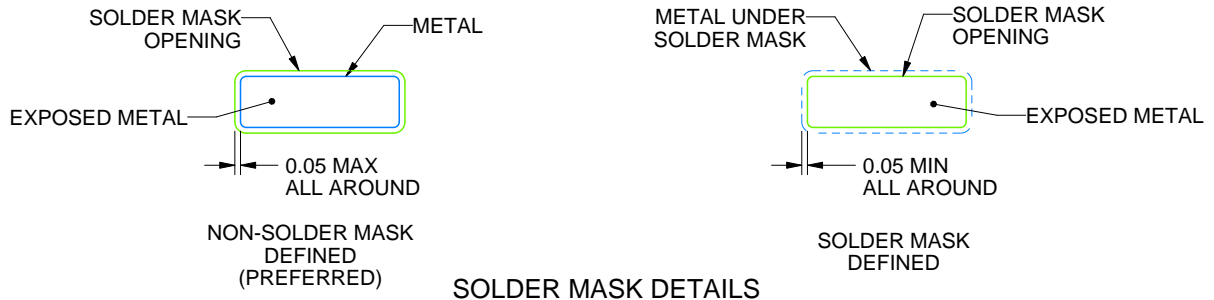
DGK0008A

<sup>TM</sup> VSSOP - 1.1 mm max height

SMALL OUTLINE PACKAGE



LAND PATTERN EXAMPLE  
EXPOSED METAL SHOWN  
SCALE: 15X



4214862/A 04/2023

NOTES: (continued)

6. Publication IPC-7351 may have alternate designs.
7. Solder mask tolerances between and around signal pads can vary based on board fabrication site.
8. Vias are optional depending on application, refer to device data sheet. If any vias are implemented, refer to their locations shown on this view. It is recommended that vias under paste be filled, plugged or tented.
9. Size of metal pad may vary due to creepage requirement.

# EXAMPLE STENCIL DESIGN

DGK0008A

<sup>TM</sup> VSSOP - 1.1 mm max height

SMALL OUTLINE PACKAGE



SOLDER PASTE EXAMPLE  
SCALE: 15X

4214862/A 04/2023

NOTES: (continued)

11. Laser cutting apertures with trapezoidal walls and rounded corners may offer better paste release. IPC-7525 may have alternate design recommendations.
12. Board assembly site may have different recommendations for stencil design.

## 重要声明和免责声明

TI“按原样”提供技术和可靠性数据（包括数据表）、设计资源（包括参考设计）、应用或其他设计建议、网络工具、安全信息和其他资源，不保证没有瑕疵且不做任何明示或暗示的担保，包括但不限于对适销性、某特定用途方面的适用性或不侵犯任何第三方知识产权的暗示担保。

这些资源可供使用 TI 产品进行设计的熟练开发人员使用。您将自行承担以下全部责任：(1) 针对您的应用选择合适的 TI 产品，(2) 设计、验证并测试您的应用，(3) 确保您的应用满足相应标准以及任何其他功能安全、信息安全、监管或其他要求。

这些资源如有变更，恕不另行通知。TI 授权您仅可将这些资源用于研发本资源所述的 TI 产品的应用。严禁对这些资源进行其他复制或展示。您无权使用任何其他 TI 知识产权或任何第三方知识产权。您应全额赔偿因在这些资源的使用中对 TI 及其代表造成的任何索赔、损害、成本、损失和债务，TI 对此概不负责。

TI 提供的产品受 [TI 的销售条款](#) 或 [ti.com](#) 上其他适用条款/TI 产品随附的其他适用条款的约束。TI 提供这些资源并不会扩展或以其他方式更改 TI 针对 TI 产品发布的适用的担保或担保免责声明。

TI 反对并拒绝您可能提出的任何其他或不同的条款。

邮寄地址：Texas Instruments, Post Office Box 655303, Dallas, Texas 75265

Copyright © 2024，德州仪器 (TI) 公司