

INA2128 双路低功耗仪表放大器

1 特性

- 低失调电压：50 μ V (最大值)
- 低温漂：0.5 μ V/ $^{\circ}$ C (最大值)
- 低输入偏置电流：5nA (最大值)
- 输入电压噪声：1kHz 时为 8nV/ $\sqrt{\text{Hz}}$
- 高带宽：1.3MHz ($G = 1\text{V/V}$)
- 高 CMR：120dB (最小值)
- 输入保护电压可达 $\pm 40\text{V}$
- 宽电源电压范围： $\pm 2.25\text{V}$ 至 $\pm 18\text{V}$
- 低静态电流：700 μ A (每通道)
- 温度范围： -40°C 至 $+85^{\circ}\text{C}$
- 封装：16 引脚 SOIC

2 应用

- 压力变送器
- 温度变送器
- 称重计
- 心电图 (ECG)
- 模拟输入模块
- 数据采集 (DAQ)

3 说明

INA2128 是一款双路低功耗通用仪表放大器 (IA)，可提供出色的准确性。此器件采用多功能三级运算放大器设计，尺寸小巧，适用于多种应用。即使在高增益 ($G = 100$ 时为 200 kHz) 情况下，电流反馈输入电路也可提供宽带宽。可通过单个外部电阻器在 1 到 10,000 范围内设置任意增益。内部输入保护可经受高达 $\pm 40\text{V}$ 的电压且无损坏。

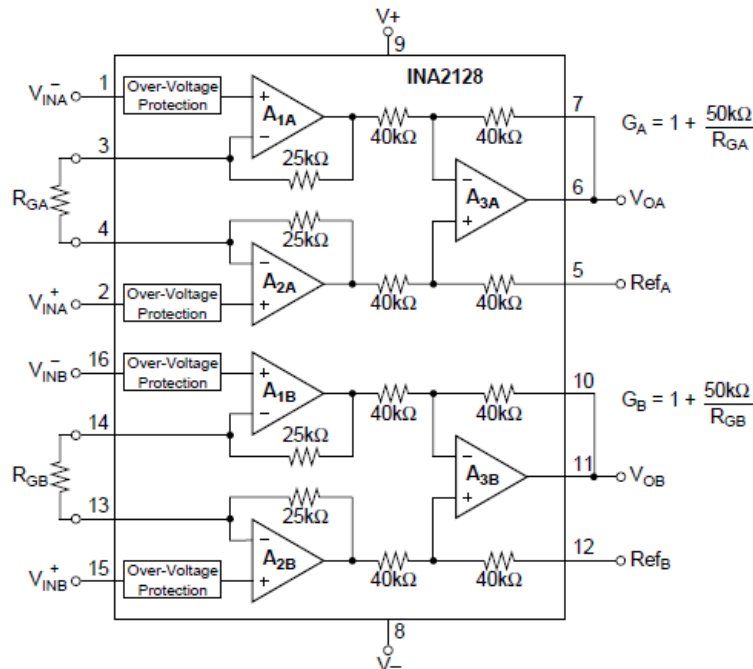
INA2128 经过激光修整，具有极低失调电压 (50 μ V)、极低温漂 (0.5 μ V/ $^{\circ}$ C) 和高共模抑制 ($G \geq 100$ 时为 120dB)。该器件采用低至 $\pm 2.25\text{V}$ 的电源电压，每 IA 静态电流仅 700 μ A，非常适合电池供电系统和多通道系统。

INA2128 采用 SOIC-16 封装，额定温度范围 -40°C 至 $+85^{\circ}\text{C}$ 。

封装信息

器件型号	封装 ⁽¹⁾	封装尺寸 ⁽²⁾
INA2128	DW (SOIC, 16)	10.3 mm \times 10.3 mm

- (1) 如需了解所有可用封装，请参阅数据表末尾的可订购产品附录。
- (2) 封装尺寸 (长 \times 宽) 为标称值，并包括引脚 (如适用)。



简化原理图



Table of Contents

1 特性.....	1	6.6 Typical Characteristics.....	8
2 应用.....	1	7 Application and Implementation.....	13
3 说明.....	1	7.1 Application Information.....	13
4 Revision History.....	2	7.2 Typical Application.....	13
5 Pin Configuration and Functions.....	4	8 Device and Documentation Support.....	18
6 Specifications.....	5	8.1 接收文档更新通知.....	18
6.1 Absolute Maximum Ratings.....	5	8.2 支持资源.....	18
6.2 ESD Ratings.....	5	8.3 Trademarks.....	18
6.3 Recommended Operating Conditions.....	5	8.4 静电放电警告.....	18
6.4 Thermal Information.....	5	8.5 术语表.....	18
6.5 Electrical Characteristics.....	6	9 Mechanical, Packaging, and Orderable Information..	18

4 Revision History

注：以前版本的页码可能与当前版本的页码不同

Changes from Revision A (April 2007) to Revision B (May 2023)	Page
• 更新了整个文档中的表格、图和交叉参考的编号格式.....	1
• 添加了封装信息表、引脚配置和功能部分、规格部分、详细描述部分、应用和实施部分、器件和文档支持部分以及机械、封装和可订购信息部分.....	1
• 向特性中添加了输入电压噪声、高带宽和温度范围要点.....	1
• 更改了特性要点以显示正确的封装名称.....	1
• 更改了应用要点以显示更新后的链接.....	1
• 将“封装信息”表的列名称从“封装尺寸(标称值)”更改为“封装尺寸”并添加了有关封装尺寸的注释.....	1
• Added single supply specification to <i>Absolute Maximum Ratings</i>	5
• Added note clarifying output short-circuit to ground in <i>Absolute Maximum Ratings</i> refers to short-circuit to VS / 2.....	5
• Added single supply specification to <i>Recommended Operating Conditions</i>	5
• Changed input common-mode voltage range specification from V - 2 to (V -) + 2 in <i>Recommended Operating Conditions</i>	5
• Deleted INA128-HT and INA129-HT operating temperature specifications from <i>Recommended Operating Conditions</i>	5
• Added specified temperature range to <i>Recommended Operating Conditions</i>	5
• Added test conditions below <i>Electrical Characteristics</i> title.....	6
• Changed test condition for offset voltage drift specification in <i>Electrical Characteristics</i> from "TA = TMIN to TMAX" to "TA = - 40°C to +85°C" for clarity.....	6
• Changed "±0.5±0/G" to "±0.5±20/G" in MAX column of Offset voltage RTI vs temperature row of <i>Electrical Characteristics</i>	6
• Changed typical long-term stability specification from ±0.1±3/GµV/mo to ±0.2±3/GµV/mo in <i>Electrical Characteristics</i>	6
• Deleted typical specification and changed common-mode voltage specification from (V -) + 2 V minimum and (V+) - 2 V maximum across one row in <i>Electrical Characteristics</i>	6
• Deleted typical VCM specifications in <i>Electrical Characteristics</i>	6
• Added test condition of "RS = 0 Ω" to safe input voltage specification in <i>Electrical Characteristics</i> for clarity....	6
• Changed parameter name to Input bias current and added test condition "TA = - 40°C to +85°C" to input bias current drift specification in <i>Electrical Characteristics</i> for clarity.....	6
• Changed parameter name to Input offset current drift and added test condition "TA = - 40°C to +85°C" to input offset current drift specification in <i>Electrical Characteristics</i> for clarity.....	6

- Changed maximum gain error specification for INA128PA/UA and INA129PA/UA with G = 1 from $\pm 0.01\%$ to $\pm 0.1\%$ in *Electrical Characteristics* 6
- Changed parameter name to Gain drift and added test condition "TA = - 40°C to +85°C" for gain drift in *Electrical Characteristics* for clarity..... 6
- Changed parameter names from "Voltage - Positive" to "Positive output voltage swing" and from "Voltage - Negative" to "Negative output voltage swing" in *Electrical Characteristics* 6
- Deleted typical positive and negative output voltage swing specifications in *Electrical Characteristics* 6
- Added test condition "Continuous to VS / 2" short-circuit current specification in *Electrical Characteristics* for clarity..... 6
- Changed typical bandwidth specification for G = 10 from 700 kHz to 600 kHz in *Electrical Characteristics* 6
- Changed typical slew rate specification from 4 V/ μ s to 1.2 V/ μ s in *Electrical Characteristics* 6
- Changed typical settling time specification for G = 1, G = 10, from 7 μ s to 9 μ s in *Electrical Characteristics* 6
- Deleted parameter "Temperature Range" as made redundant by "Recommended Operating Conditions" and "Absolute Maximum Ratings" 6
- Changed parameter name to "Total quiescent current" and deleted redundant voltage range, operating temperature range, and specification temperature range specifications from *Electrical Characteristics* 6
- Added test conditions below the *Typical Characteristics* title..... 8
- Changed Figure 6-1, *Gain vs Frequency* 8
- Changed Figure 6-3, *Positive Power Supply Rejection vs Frequency* 8
- Changed Figure 6-4, *Negative Power Supply Rejection vs Frequency* 8
- Changed Figure 6-7, *Crosstalk vs Frequency* 8
- Changed Figure 6-8, *Input-Referred Voltage Noise vs Frequency* 8
- Changed Figure 6-9, *Settling Time vs Gain* 8
- Changed Figure 6-11, *Input Overvoltage V/I Characteristics* 8
- Changed Figure 6-12, *Offset Voltage Warm-Up* 8
- Changed *Output Voltage Swing vs Output Current*, into two separate plots, one for positive (Figure 6-14) and one for negative (Figure 6-15)..... 8
- Changed Figure 6-22 to Figure 6-24, *Large-Signal Step Response* 8

5 Pin Configuration and Functions

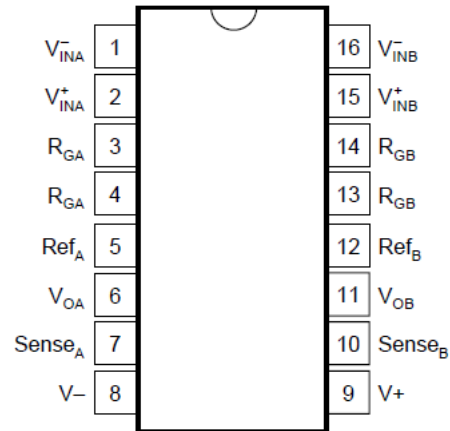


图 5-1. DW Package, 16-Pin SOIC (Top View)

6 Specifications

6.1 Absolute Maximum Ratings

over operating free-air temperature range (unless otherwise noted)⁽¹⁾

			MIN	MAX	UNIT
V _S	Supply voltage	Dual supply, V _S = (V+) - (V-)		±18	V
		Single supply, V _S = (V+) - 0 V		36	
	Analog input voltage			±40	V
	Output short-circuit ⁽²⁾		Continuous		
T _A	Operating temperature		- 40	125	°C
	Junction temperature			150	°C
	Lead temperature (soldering, 10 s)			300	°C
T _{stg}	Storage temperature		- 55	125	°C

- (1) Stresses beyond those listed under *Absolute Maximum Ratings* may cause permanent damage to the device. These are stress ratings only, which do not imply functional operation of the device at these or any other conditions beyond those indicated under *Recommended Operating Conditions*. Exposure to absolute-maximum-rated conditions for extended periods may affect device reliability.
- (2) Short-circuit to V_S / 2.

6.2 ESD Ratings

			VALUE	UNIT
V _(ESD)	Electrostatic discharge	Human-body model (HBM), per ANSI/ESDA/JEDEC JS-001 ⁽¹⁾	±2000	V
		Charged-device model (CDM), per JEDEC specification JESD22-C101 ⁽²⁾	±50	

- (1) JEDEC document JEP155 states that 500-V HBM allows safe manufacturing with a standard ESD control process.
- (2) JEDEC document JEP157 states that 250-V CDM allows safe manufacturing with a standard ESD control process.

6.3 Recommended Operating Conditions

over operating free-air temperature range (unless otherwise noted)

			MIN	TYP	MAX	UNIT
V _S	Supply voltage	Single-supply	4.5	30	36	V
		Dual-supply	±2.25	±15	±18	
	Input common-mode voltage range for V _O = 0 V		(V-) + 2		(V+) - 2	V
T _A	Specified temperature		- 40		85	°C

6.4 Thermal Information

THERMAL METRIC ⁽¹⁾		INA12x		UNIT
		D (SOIC)	P (PDIP)	
		8 PINS	8 PINS	
R _{θJA}	Junction-to-ambient thermal resistance	110	46.1	°C/W
R _{θJC(top)}	Junction-to-case (top) thermal resistance	57	34.1	°C/W
R _{θJB}	Junction-to-board thermal resistance	54	23.4	°C/W
ψ _{JT}	Junction-to-top characterization parameter	11	11.3	°C/W
ψ _{JB}	Junction-to-board characterization parameter	53	23.2	°C/W

- (1) For more information about traditional and new thermal metrics, see the [Semiconductor and IC Package Thermal Metrics](#) application report.

6.5 Electrical Characteristics

at $T_A = 25^\circ\text{C}$, $V_S = \pm 15\text{ V}$, $R_L = 10\text{ k}\Omega$, $V_{REF} = 0\text{ V}$, $V_{CM} = V_S / 2$, and $G = 1$ (unless otherwise noted)

PARAMETER		TEST CONDITIONS		MIN	TYP	MAX	UNIT
INPUT							
V_{OS}	Offset voltage (RTI)	INA2128U		$\pm 10 \pm 100 / G$	$\pm 50 \pm 500 / G$		μV
		INA2128UA		$\pm 25 \pm 100 / G$	$\pm 125 \pm 1000 / G$		
	Offset voltage drift (RTI)	$T_A = -40^\circ\text{C}$ to $+85^\circ\text{C}$	INA2128U	$\pm 0.2 \pm 2 / G$	$\pm 0.5 \pm 20 / G$		$\mu\text{V}/^\circ\text{C}$
			INA2128UA	$\pm 0.2 \pm 5 / G$	$\pm 1 \pm 20 / G$		
PSRR	Power-supply rejection ratio (RTI)	$V_S = \pm 2.25\text{ V}$ to $\pm 18\text{ V}$	INA2128U	$\pm 0.2 \pm 20 / G$	$\pm 1 \pm 100 / G$		$\mu\text{V}/\text{V}$
			INA2128UA	$\pm 0.2 \pm 20 / G$	$\pm 2 \pm 200 / G$		
	Long-term stability			$\pm 0.2 \pm 3 / G$			$\mu\text{V}/\text{mo}$
	Input impedance	Differential		10 2			$\text{G}\Omega$ pF
		Common-mode		100 9			
V_{CM}	Common-mode voltage ⁽¹⁾	$V_O = 0\text{ V}$		$(V^-) + 2$		$(V^+) - 2$	V
	Safe input voltage	$R_S = 0\ \Omega$				± 40	V
CMRR	Common-mode rejection ratio	$\Delta R_S = 1\text{ k}\Omega$, $V_{CM} = \pm 13\text{ V}$	G = 1	INA2128U	80	86	dB
				INA2128UA	73	86	
			G = 10	INA2128U	100	106	
				INA2128UA	93	106	
			G = 100	INA2128U	120	125	
				INA2128UA	110	125	
			G = 1000	INA2128U	120	130	
				INA2128UA	110	130	
INPUT BIAS CURRENT							
I_B	Input bias current	INA2128U			± 2	± 5	nA
		INA2128UA			± 2	± 10	
	Input bias current drift	$T_A = -40^\circ\text{C}$ to $+85^\circ\text{C}$			± 30		$\text{pA}/^\circ\text{C}$
I_{OS}	Input offset current	INA2128U			± 1	± 5	nA
		INA2128UA			± 1	± 10	
	Input offset current drift	$T_A = -40^\circ\text{C}$ to $+85^\circ\text{C}$			± 30		$\text{pA}/^\circ\text{C}$
NOISE							
e_N	Voltage noise (RTI)	G = 1000, $R_S = 0\ \Omega$	f = 10 Hz		10		$\text{nV}/\sqrt{\text{Hz}}$
			f = 100 Hz		8		
			f = 1 kHz		8		
			$f_B = 0.1\text{ Hz}$ to 10 Hz		0.2		μV_{PP}
	Current noise	$f_B = 0.1\text{ Hz}$ to 10 Hz	f = 10 Hz		0.9		$\text{pA}/\sqrt{\text{Hz}}$
			f = 1 kHz		0.3		
							30

6.5 Electrical Characteristics (continued)

at $T_A = 25^\circ\text{C}$, $V_S = \pm 15\text{ V}$, $R_L = 10\text{ k}\Omega$, $V_{REF} = 0\text{ V}$, $V_{CM} = V_S / 2$, and $G = 1$ (unless otherwise noted)

PARAMETER		TEST CONDITIONS		MIN	TYP	MAX	UNIT	
GAIN								
	Gain equation			1 + (50 k Ω / R _G)			V/V	
G	Gain			1		10000	V/V	
GE	Gain error	G = 1	INA2128U		±0.01	±0.024	%	
			INA2128UA		±0.01	±0.1		
		G = 10	INA2128U		±0.02	±0.4		
			INA2128UA		±0.02	±0.5		
		G = 100	INA2128U		±0.05	±0.5		
			INA2128UA		±0.05	±0.7		
		G = 1000	INA2128U		±0.5	±1		
			INA2128UA		±0.5	±2		
	Gain drift ⁽²⁾	T _A = -40°C to +85°C			±1	±10	ppm/°C	
			50-k Ω or 49.4-k Ω resistance ⁽³⁾		±25	±100		
	Gain nonlinearity	G = 1, V _O = ±13.6 V	INA2128U		±0.0001	±0.001	% of FSR	
			INA2128UA		±0.0001	±0.002		
		G = 10	INA2128U		±0.0003	±0.002		
			INA2128UA		±0.0003	±0.004		
		G = 100	INA2128U		±0.0005	±0.002		
			INA2128UA		±0.0005	±0.004		
		G = 1000 ⁽⁴⁾				±0.001		
		OUTPUT						
	Positive output voltage			(V ₊) - 1.4			V	
	Negative output voltage			(V ₋) + 1.4			V	
C _L	Load capacitance	Stable operation			1000		pF	
I _{SC}	Short-circuit current	Continuous to V _S / 2			+6/ - 15		mA	
FREQUENCY RESPONSE								
BW	Bandwidth, -3 dB		G = 1		1.3		MHz	
			G = 10		600		kHz	
			G = 100		200			
			G = 1000		20			
SR	Slew rate	G = 10, V _O = ±10 V			1.2		V/ μ s	
t _s	Settling time	To 0.01%	G = 1		9		μ s	
			G = 10		9			
			G = 100		12			
			G = 1000		80			
	Overload recovery	50% input overload			4		μ s	
POWER SUPPLY								
I _Q	Total quiescent current	V _{IN} = 0 V			±1.4	±1.5	mA	

- (1) Input common-mode voltage varies with output voltage; see *Typical Characteristics*.
- (2) Specified by wafer test.
- (3) Temperature coefficient of the 50-k Ω or 49.4-k Ω term in the gain equation.
- (4) Nonlinearity measurements in G = 1000 are dominated by noise. Typical nonlinearity is ±0.001%.

6.6 Typical Characteristics

at $T_A = +25^\circ\text{C}$, $V_S = \pm 15\text{ V}$, $V_{\text{REF}} = 0\text{ V}$, $G = 1$, $R_L = 10\text{ k}\Omega$, and $V_{\text{CM}} = V_S / 2$ (unless otherwise noted)

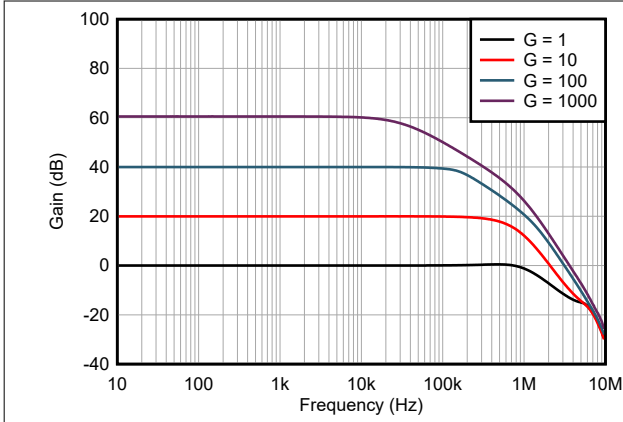


图 6-1. Gain vs Frequency

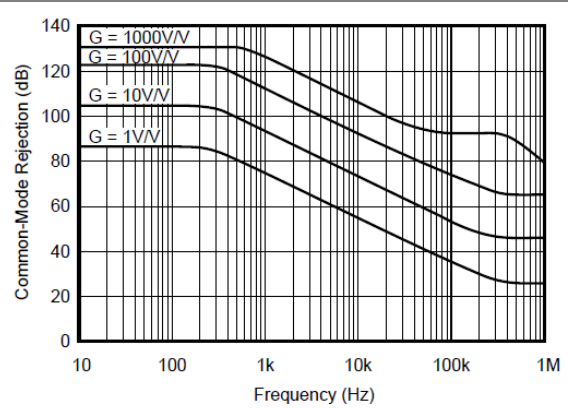


图 6-2. Common-Mode Rejection vs Frequency

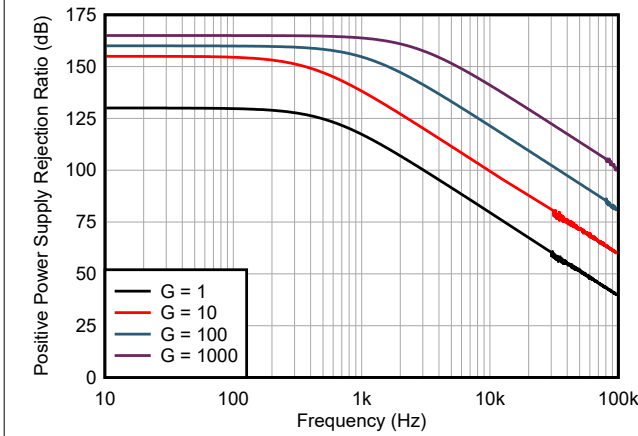


图 6-3. Positive Power Supply Rejection vs Frequency

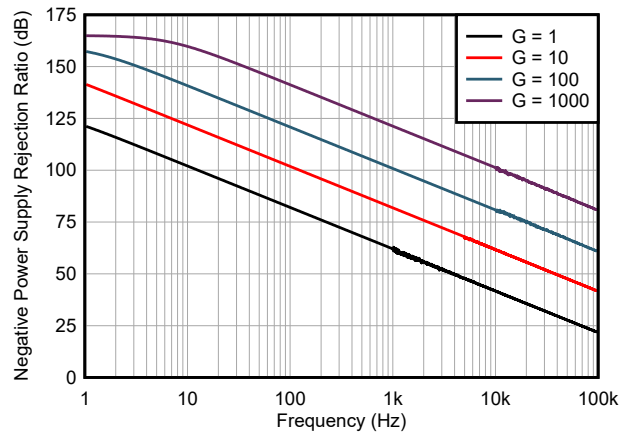


图 6-4. Negative Power Supply Rejection vs Frequency

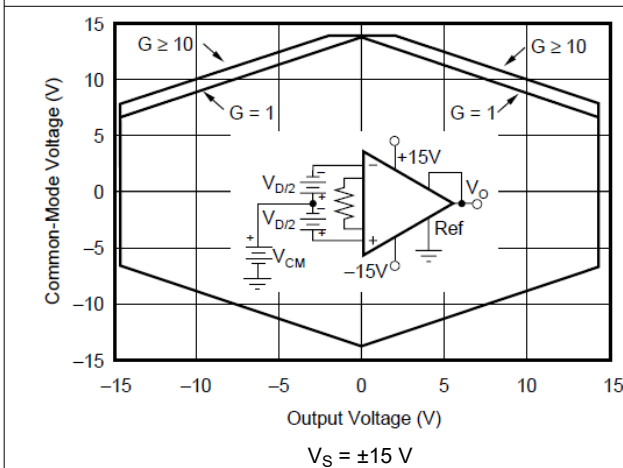


图 6-5. Input Common-Mode Range vs Output Voltage

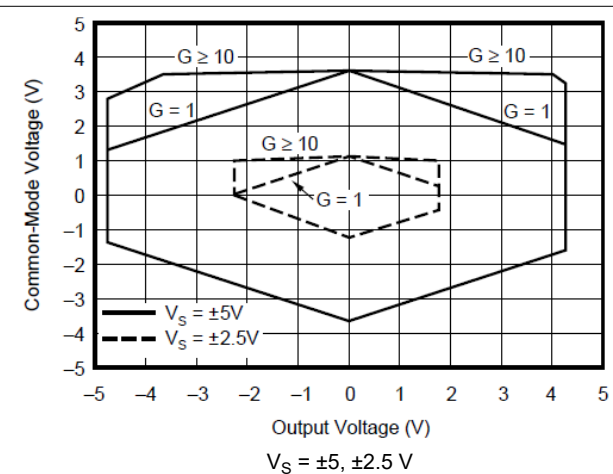


图 6-6. Input Common-Mode Range vs Output Voltage

6.6 Typical Characteristics (continued)

at $T_A = +25^\circ\text{C}$, $V_S = \pm 15\text{ V}$, $V_{REF} = 0\text{ V}$, $G = 1$, $R_L = 10\text{ k}\Omega$, and $V_{CM} = V_S / 2$ (unless otherwise noted)

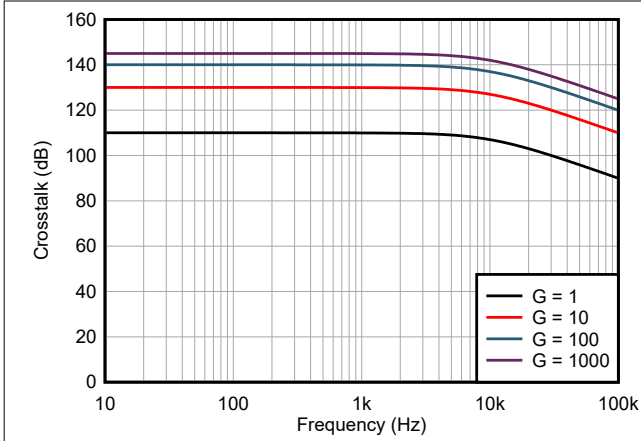


图 6-7. Crosstalk vs Frequency

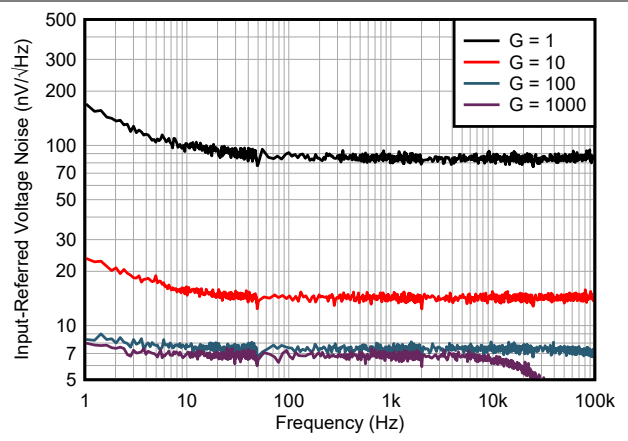


图 6-8. Input-Referred Voltage Noise vs Frequency

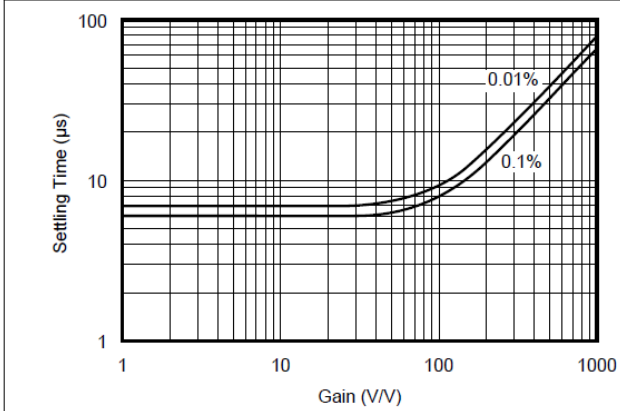


图 6-9. Settling Time vs Gain

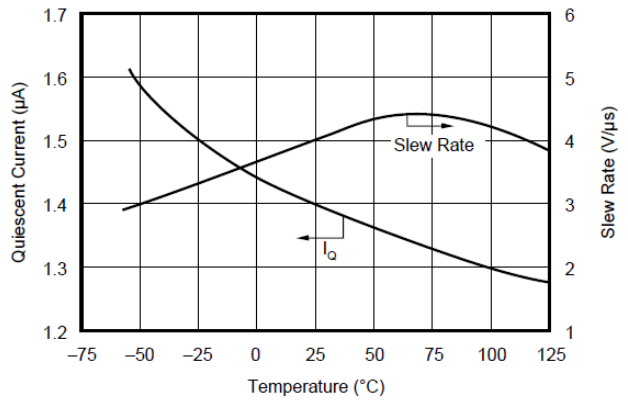


图 6-10. Quiescent Current and Slew Rate vs Temperature

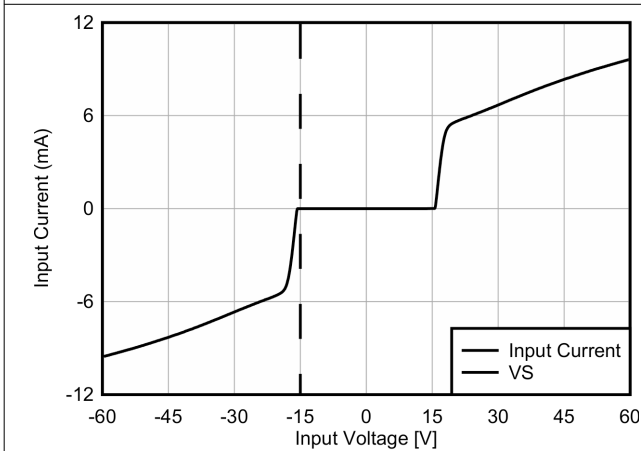


图 6-11. Input Overvoltage VI Characteristics

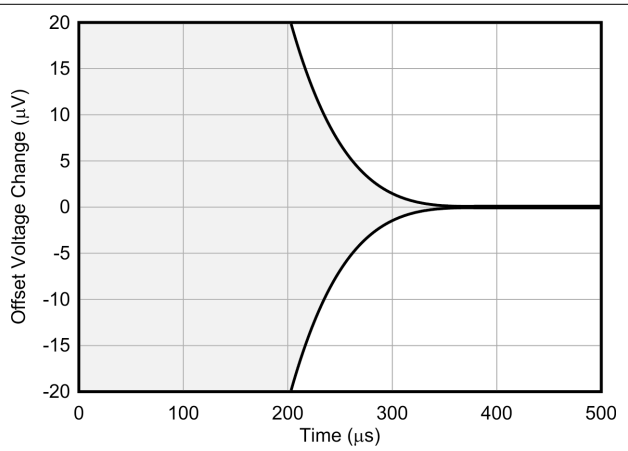


图 6-12. Offset Voltage Warm-Up

6.6 Typical Characteristics (continued)

at $T_A = +25^\circ\text{C}$, $V_S = \pm 15\text{ V}$, $V_{REF} = 0\text{ V}$, $G = 1$, $R_L = 10\text{ k}\Omega$, and $V_{CM} = V_S / 2$ (unless otherwise noted)

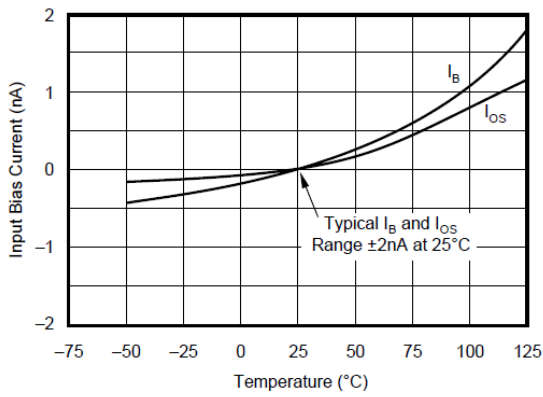


图 6-13. Input Bias Current vs Temperature

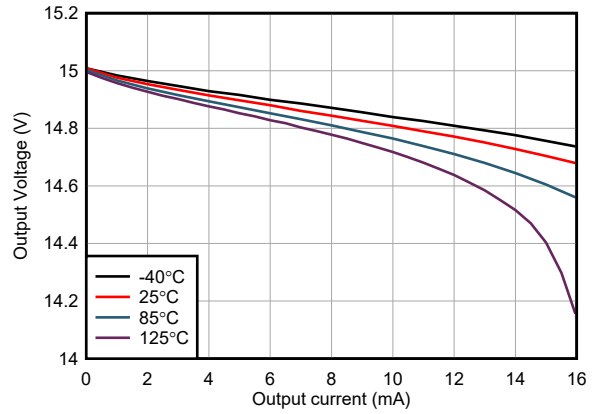


图 6-14. Positive Output Voltage Swing vs Output Current

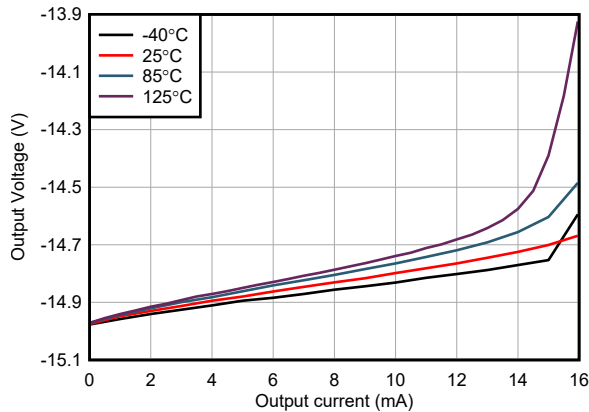


图 6-15. Negative Output Voltage Swing vs Output Current

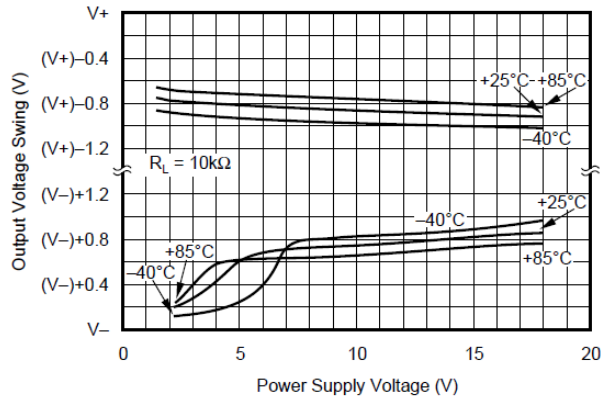


图 6-16. Output Voltage Swing vs Power Supply Voltage

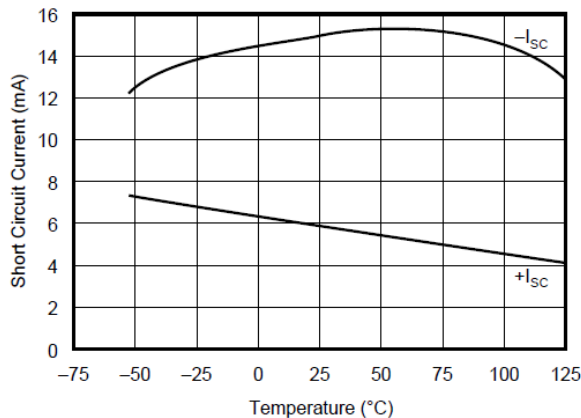


图 6-17. Short-Circuit Output Current vs Temperature

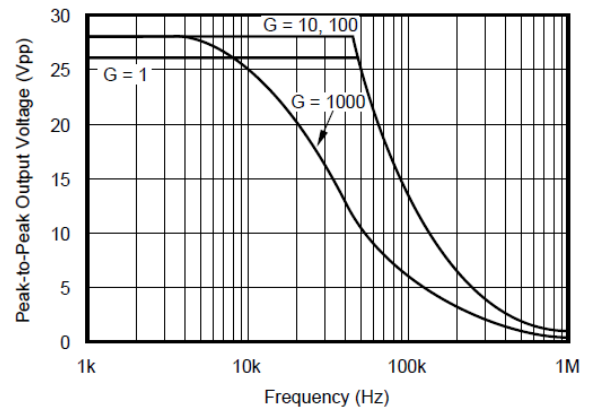


图 6-18. Maximum Output Voltage vs Frequency

6.6 Typical Characteristics (continued)

at $T_A = +25^\circ\text{C}$, $V_S = \pm 15\text{ V}$, $V_{REF} = 0\text{ V}$, $G = 1$, $R_L = 10\text{ k}\Omega$, and $V_{CM} = V_S / 2$ (unless otherwise noted)

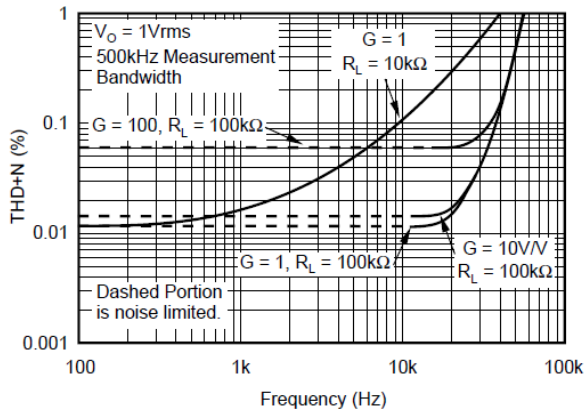


图 6-19. Total Harmonic Distortion + Noise vs Frequency

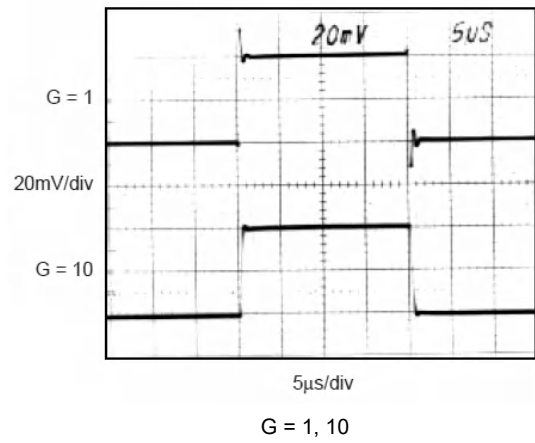


图 6-20. Small-Signal Step Response

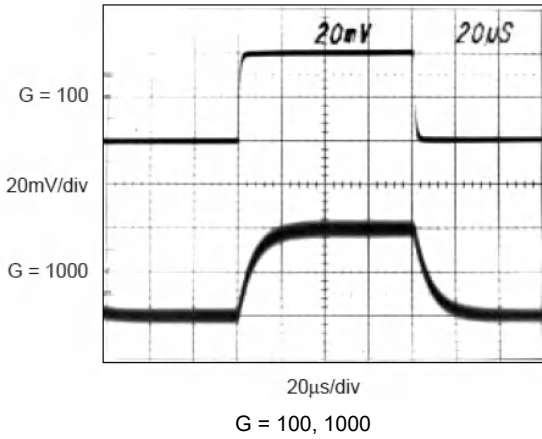


图 6-21. Small-Signal Step Response

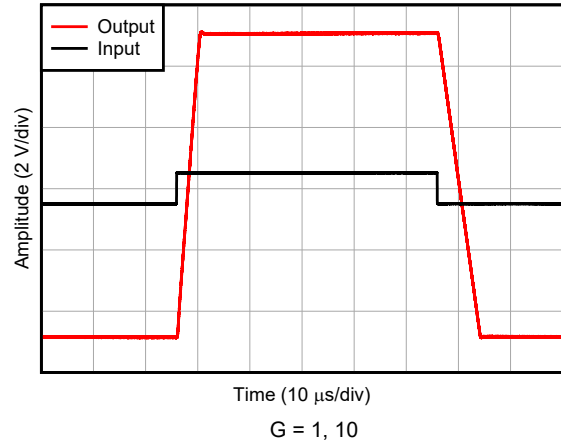


图 6-22. Large-Signal Step Response

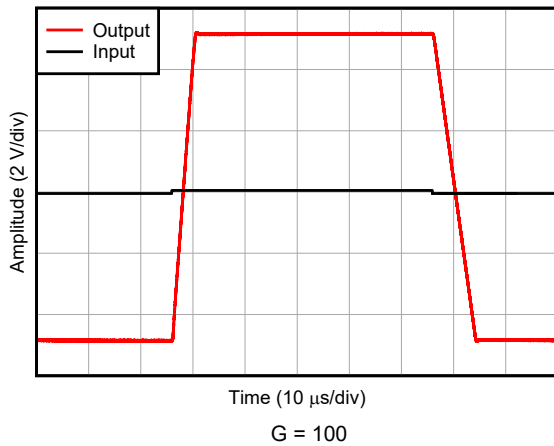


图 6-23. Large-Signal Step Response

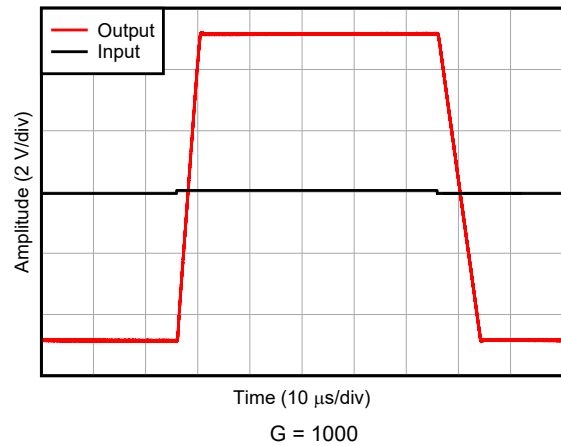
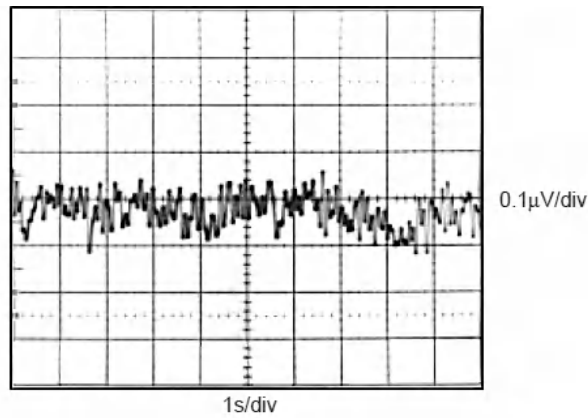


图 6-24. Large-Signal Step Response

6.6 Typical Characteristics (continued)

at $T_A = +25^\circ\text{C}$, $V_S = \pm 15\text{ V}$, $V_{\text{REF}} = 0\text{ V}$, $G = 1$, $R_L = 10\text{ k}\Omega$, and $V_{\text{CM}} = V_S / 2$ (unless otherwise noted)



$G \geq 100$

图 6-25. Voltage Noise 0.1 Hz to 10 Hz Input-Referred

7 Application and Implementation

备注

Information in the following applications sections is not part of the TI component specification, and TI does not warrant its accuracy or completeness. TI's customers are responsible for determining suitability of components for their purposes, as well as validating and testing their design implementation to confirm system functionality.

7.1 Application Information

图 7-1 shows the basic connections required for operation of the INA2128. Applications with noisy or high impedance power supplies may require decoupling capacitors close to the device pins as shown.

The output is referred to the output reference (Ref) terminals (Ref_A and Ref_B) which are normally grounded. These must be low-impedance connections to assure good common-mode rejection. A resistance of 8 Ω in series with a Ref pin will cause a typical device to degrade to approximately 80 dB CMR (G = 1).

The INA2128 has separate output sense feedback connections, Sense_A and Sense_B. These must be connected to their respective output terminals for proper operation. The output sense connection can be used to sense the output voltage directly at the load for best accuracy.

7.2 Typical Application

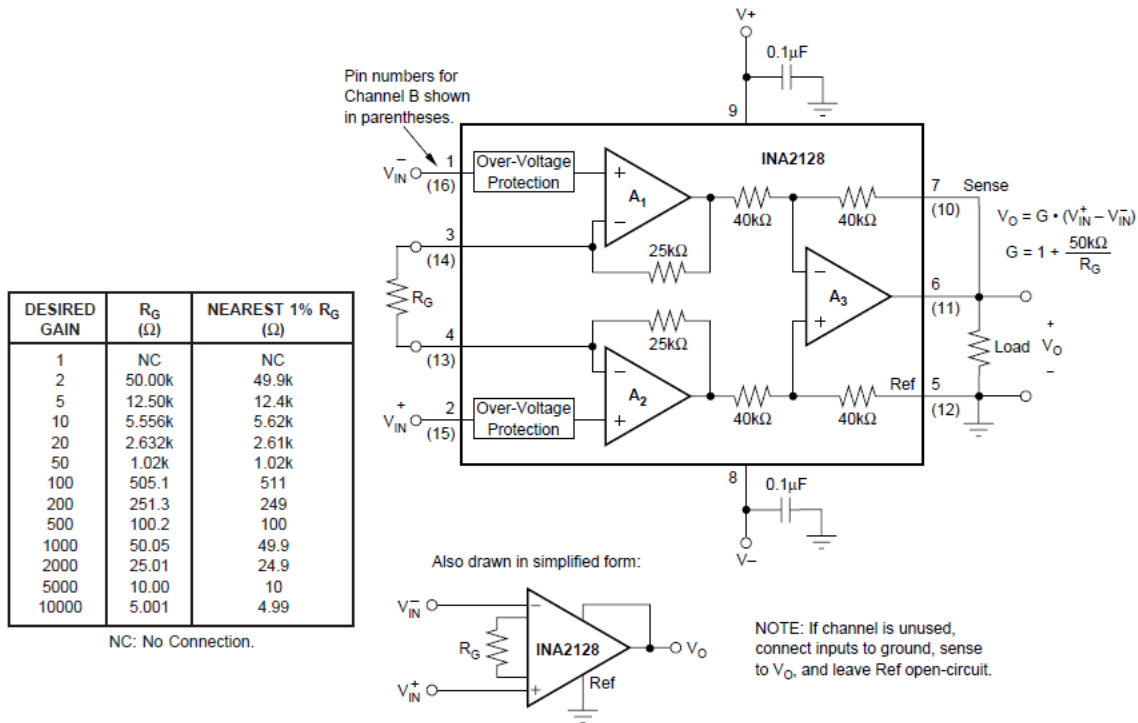


图 7-1. Basic Connections

7.2.1 Setting The Gain

Gain of the INA2128 is set by connecting a single external resistor, R_G , connected as shown:

$$G = 1 + \frac{50k\Omega}{R_G} \quad (1)$$

Commonly-used gains and resistor values are shown in [图 7-1](#).

The 50 k Ω term in [方程式 1](#) comes from the sum of the two internal feedback resistors, A_1 and A_2 . These on-chip metal film resistors are laser-trimmed to accurate absolute values. The accuracy and temperature coefficient of these resistors are included in the gain accuracy and drift specifications of the INA2128.

The stability and temperature drift of the external gain setting resistor, R_G , also affects gain. R_G 's contribution to gain accuracy and drift can be directly inferred from the gain equation (1). Low resistor values required for high gain can make wiring resistance important. Sockets add to the wiring resistance which will contribute additional gain error in gains of approximately 100 or greater.

7.2.2 Dynamic Performance

The typical performance curve [图 6-1](#) shows that despite its low quiescent current, the INA2128 achieves wide bandwidth, even at high gain. This is due to its current feedback topology. Settling time also remains excellent at high gain—see [图 6-9](#).

7.2.3 Noise Performance

The INA2128 provides very low noise in most applications. Low frequency noise is approximately 0.2 μV_{pp} measured from 0.1 Hz to 10 Hz ($G \geq 100$). This provides dramatically improved noise when compared to state-of-the-art chopper-stabilized amplifiers.

7.2.4 Offset Trimming

The INA2128 is laser-trimmed for low offset voltage and offset voltage drift. Most applications require no external offset adjustment. [图 7-2](#) shows an optional circuit for trimming the output offset voltage. The voltage applied to Ref terminal is summed with the output. The op amp buffer provides low impedance at the Ref terminal to preserve good common-mode rejection.

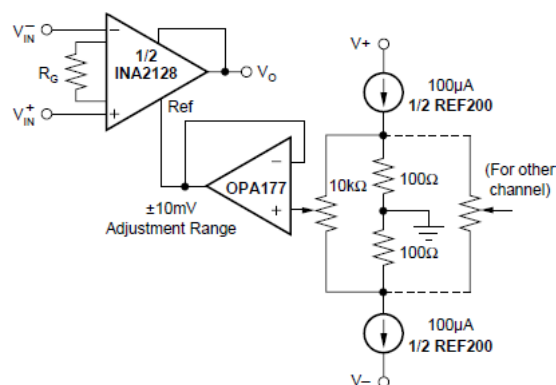


图 7-2. Optional Trimming of Output Offset Voltage

7.2.5 Input Bias Current Return Path

The input impedance of the INA2128 is extremely high—approximately $10^{10} \Omega$. However, a path must be provided for the input bias current of both inputs. This input bias current is approximately $\pm 2 \text{ nA}$. High input impedance means that this input bias current changes very little with varying input voltage.

Input circuitry must provide a path for this input bias current for proper operation. [Figure 7-3](#) shows various provisions for an input bias current path. Without a bias current path, the inputs float to a potential that exceeds the common-mode range of the INA2128 and the input amplifiers saturate.

If the differential source resistance is low, the bias current return path can be connected to one input (see the thermocouple example in [Figure 7-3](#)). With higher source impedance, using two equal resistors provides a balanced input with possible advantages of lower input offset voltage due to bias current and better high-frequency common-mode rejection.

7.2.6 Input Common-Mode Range

The linear input voltage range of the input circuitry of the INA2128 is from approximately 1.4 V less than the positive supply voltage to 1.7 V greater than the negative supply. As a differential input voltage causes the output voltage increase, the linear input range is limited by the output voltage swing of amplifiers A_1 and A_2 . Therefore, the linear common-mode input range is related to the output voltage of the complete amplifier. This behavior also depends on supply voltage—see performance curves [Figure 6-6](#) and [Figure 6-5](#).

Input-overload can produce an output voltage that appears normal. For example, if an input overload condition drives both input amplifiers to the positive output swing limit, the difference voltage measured by the output amplifier is near zero. The output of the INA2128 is near 0 V even though both inputs are overloaded.

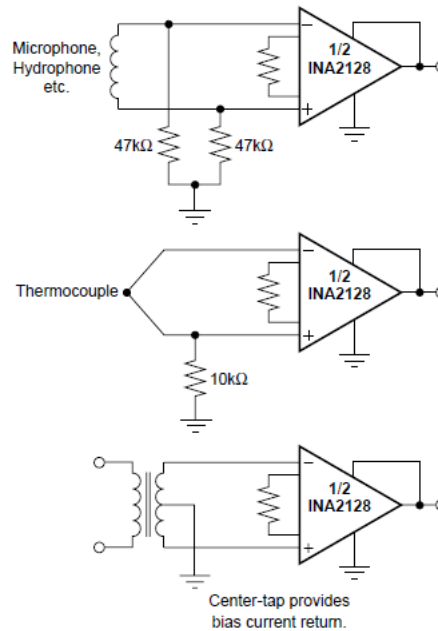


Figure 7-3. Providing an Input Common-Mode Current Path

7.2.7 Low-Voltage Operation

The INA2128 can be operated on power supplies as low as ± 2.25 V. Performance remains excellent with power supplies ranging from ± 2.25 V to ± 18 V. Most parameters vary only slightly throughout this supply voltage range — see 节 6.6. Operation at very low supply voltage requires careful attention to make sure that the input voltages remain within the linear range. Voltage swing requirements of internal nodes limit the input common-mode range with low power-supply voltage. Typical performance curves, 图 6-5 and 图 6-6, show the range of linear operation for ± 15 -V, ± 5 -V, and ± 2.5 -V supplies.

7.2.8 Input Protection

The inputs of the INA2128 are individually protected for voltages up to ± 40 V. For example, a condition of -40 V on one input and $+40$ V on the other input will not cause damage. Internal circuitry on each input provides low series impedance under normal signal conditions. To provide equivalent protection, series input resistors would contribute excessive noise. If the input is overloaded, the protection circuitry limits the input current to a safe value of approximately 1.5 mA to 5 mA. The typical performance curve “Input Bias Current vs Common-Mode Input Voltage” shows this input current limit behavior. The inputs are protected even if the power supplies are disconnected or turned off.

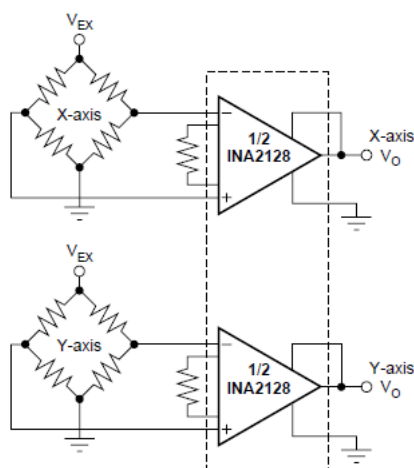


图 7-4. Two-Axis Bridge Amplifier

7.2.9 Channel Crosstalk

The two channels of the INA2128 are completely independent, including all bias circuitry. At dc and low frequency, there is virtually no signal coupling between channels. Crosstalk increases with frequency and depends on circuit gain, source impedance, and signal characteristics.

As source impedance increases, careful circuit layout helps achieve lowest channel crosstalk. Most crosstalk is produced by capacitive coupling of signals from one channel to the input section of the other channel. To minimize coupling, separate the input traces as far as practical from any signals associated with the opposite channel. A grounded guard trace surrounding the inputs helps reduce stray coupling between channels. Run the differential inputs of each channel parallel to each other or directly adjacent on top and bottom side of a circuit board. Stray coupling then tends to produce a common-mode signal which is rejected by the IA input.

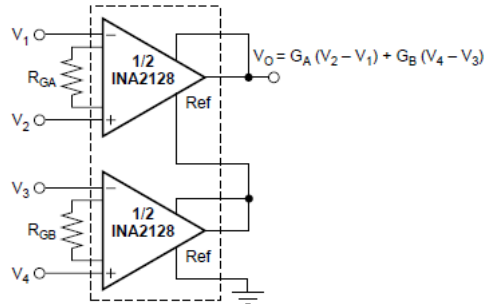


图 7-5. Sum of Differences Amplifier

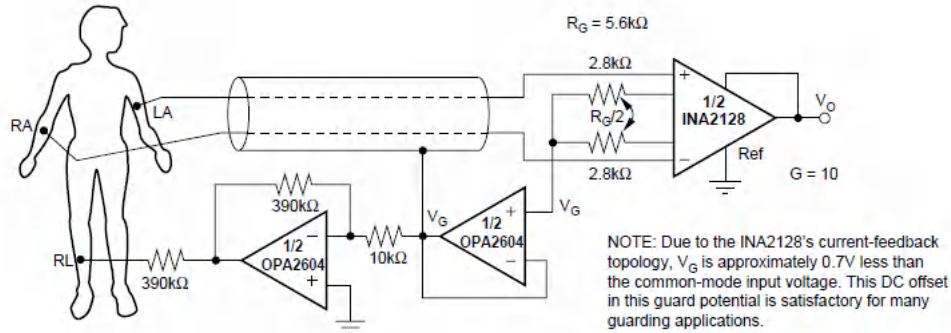


图 7-6. ECG Amplifier With Right-Leg Drive

8 Device and Documentation Support

TI offers an extensive line of development tools. Tools and software to evaluate the performance of the device, generate code, and develop solutions are listed below.

8.1 接收文档更新通知

要接收文档更新通知，请导航至 ti.com 上的器件产品文件夹。点击 [订阅更新](#) 进行注册，即可每周接收产品信息更改摘要。有关更改的详细信息，请查看任何已修订文档中包含的修订历史记录。

8.2 支持资源

TI E2E™ [支持论坛](#) 是工程师的重要参考资料，可直接从专家获得快速、经过验证的解答和设计帮助。搜索现有解答或提出自己的问题可获得所需的快速设计帮助。

链接的内容由各个贡献者“按原样”提供。这些内容并不构成 TI 技术规范，并且不一定反映 TI 的观点；请参阅 TI 的 [《使用条款》](#)。

8.3 Trademarks

TI E2E™ is a trademark of Texas Instruments.

所有商标均为其各自所有者的财产。

8.4 静电放电警告



静电放电 (ESD) 会损坏这个集成电路。德州仪器 (TI) 建议通过适当的预防措施处理所有集成电路。如果不遵守正确的处理和安装程序，可能会损坏集成电路。

ESD 的损坏小至导致微小的性能降级，大至整个器件故障。精密的集成电路可能更容易受到损坏，这是因为非常细微的参数更改都可能会导致器件与其发布的规格不相符。

8.5 术语表

[TI 术语表](#) 本术语表列出并解释了术语、首字母缩略词和定义。

9 Mechanical, Packaging, and Orderable Information

The following pages include mechanical, packaging, and orderable information. This information is the most current data available for the designated devices. This data is subject to change without notice and revision of this document. For browser-based versions of this data sheet, refer to the left-hand navigation.

PACKAGING INFORMATION

Orderable Device	Status (1)	Package Type	Package Drawing	Pins	Package Qty	Eco Plan (2)	Lead finish/ Ball material (6)	MSL Peak Temp (3)	Op Temp (°C)	Device Marking (4/5)	Samples
INA2128U	ACTIVE	SOIC	DW	16	40	RoHS & Green	NIPDAU	Level-2-260C-1 YEAR	-40 to 85	INA2128U	Samples
INA2128U/1K	ACTIVE	SOIC	DW	16	1000	RoHS & Green	NIPDAU	Level-2-260C-1 YEAR		INA2128U	Samples
INA2128UA	ACTIVE	SOIC	DW	16	40	RoHS & Green	NIPDAU	Level-2-260C-1 YEAR		(INA2128U, INA2128UA) A	Samples
INA2128UA/1K	ACTIVE	SOIC	DW	16	1000	RoHS & Green	NIPDAU	Level-2-260C-1 YEAR		(INA2128U, INA2128UA) A	Samples

(1) The marketing status values are defined as follows:

ACTIVE: Product device recommended for new designs.

LIFEBUY: TI has announced that the device will be discontinued, and a lifetime-buy period is in effect.

NRND: Not recommended for new designs. Device is in production to support existing customers, but TI does not recommend using this part in a new design.

PREVIEW: Device has been announced but is not in production. Samples may or may not be available.

OBSOLETE: TI has discontinued the production of the device.

(2) **RoHS:** TI defines "RoHS" to mean semiconductor products that are compliant with the current EU RoHS requirements for all 10 RoHS substances, including the requirement that RoHS substance do not exceed 0.1% by weight in homogeneous materials. Where designed to be soldered at high temperatures, "RoHS" products are suitable for use in specified lead-free processes. TI may reference these types of products as "Pb-Free".

RoHS Exempt: TI defines "RoHS Exempt" to mean products that contain lead but are compliant with EU RoHS pursuant to a specific EU RoHS exemption.

Green: TI defines "Green" to mean the content of Chlorine (Cl) and Bromine (Br) based flame retardants meet JS709B low halogen requirements of <=1000ppm threshold. Antimony trioxide based flame retardants must also meet the <=1000ppm threshold requirement.

(3) MSL, Peak Temp. - The Moisture Sensitivity Level rating according to the JEDEC industry standard classifications, and peak solder temperature.

(4) There may be additional marking, which relates to the logo, the lot trace code information, or the environmental category on the device.

(5) Multiple Device Markings will be inside parentheses. Only one Device Marking contained in parentheses and separated by a "~" will appear on a device. If a line is indented then it is a continuation of the previous line and the two combined represent the entire Device Marking for that device.

(6) Lead finish/Ball material - Orderable Devices may have multiple material finish options. Finish options are separated by a vertical ruled line. Lead finish/Ball material values may wrap to two lines if the finish value exceeds the maximum column width.

Important Information and Disclaimer: The information provided on this page represents TI's knowledge and belief as of the date that it is provided. TI bases its knowledge and belief on information provided by third parties, and makes no representation or warranty as to the accuracy of such information. Efforts are underway to better integrate information from third parties. TI has taken and continues to take reasonable steps to provide representative and accurate information but may not have conducted destructive testing or chemical analysis on incoming materials and chemicals. TI and TI suppliers consider certain information to be proprietary, and thus CAS numbers and other limited information may not be available for release.

In no event shall TI's liability arising out of such information exceed the total purchase price of the TI part(s) at issue in this document sold by TI to Customer on an annual basis.

TAPE AND REEL INFORMATION

QUADRANT ASSIGNMENTS FOR PIN 1 ORIENTATION IN TAPE


*All dimensions are nominal

Device	Package Type	Package Drawing	Pins	SPQ	Reel Diameter (mm)	Reel Width W1 (mm)	A0 (mm)	B0 (mm)	K0 (mm)	P1 (mm)	W (mm)	Pin1 Quadrant
INA2128U/1K	SOIC	DW	16	1000	330.0	16.4	10.75	10.7	2.7	12.0	16.0	Q1
INA2128UA/1K	SOIC	DW	16	1000	330.0	16.4	10.75	10.7	2.7	12.0	16.0	Q1

TAPE AND REEL BOX DIMENSIONS


*All dimensions are nominal

Device	Package Type	Package Drawing	Pins	SPQ	Length (mm)	Width (mm)	Height (mm)
INA2128U/1K	SOIC	DW	16	1000	350.0	350.0	43.0
INA2128UA/1K	SOIC	DW	16	1000	350.0	350.0	43.0

TUBE


*All dimensions are nominal

Device	Package Name	Package Type	Pins	SPQ	L (mm)	W (mm)	T (μm)	B (mm)
INA2128U	DW	SOIC	16	40	506.98	12.7	4826	6.6
INA2128UA	DW	SOIC	16	40	506.98	12.7	4826	6.6

GENERIC PACKAGE VIEW

DW 16

SOIC - 2.65 mm max height

7.5 x 10.3, 1.27 mm pitch

SMALL OUTLINE INTEGRATED CIRCUIT

This image is a representation of the package family, actual package may vary.
Refer to the product data sheet for package details.



4224780/A

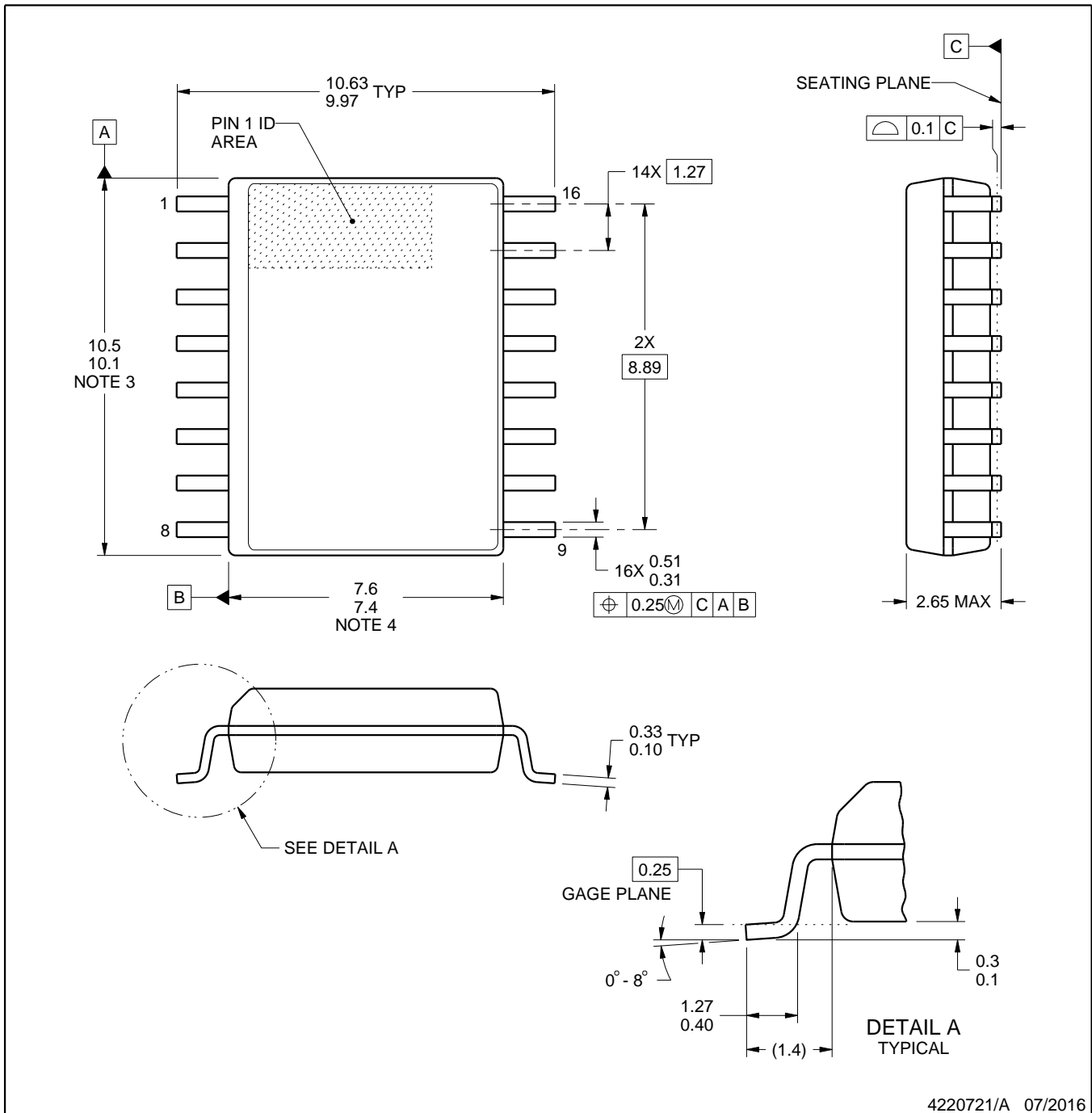


DW0016A

PACKAGE OUTLINE

SOIC - 2.65 mm max height

SOIC



4220721/A 07/2016

NOTES:

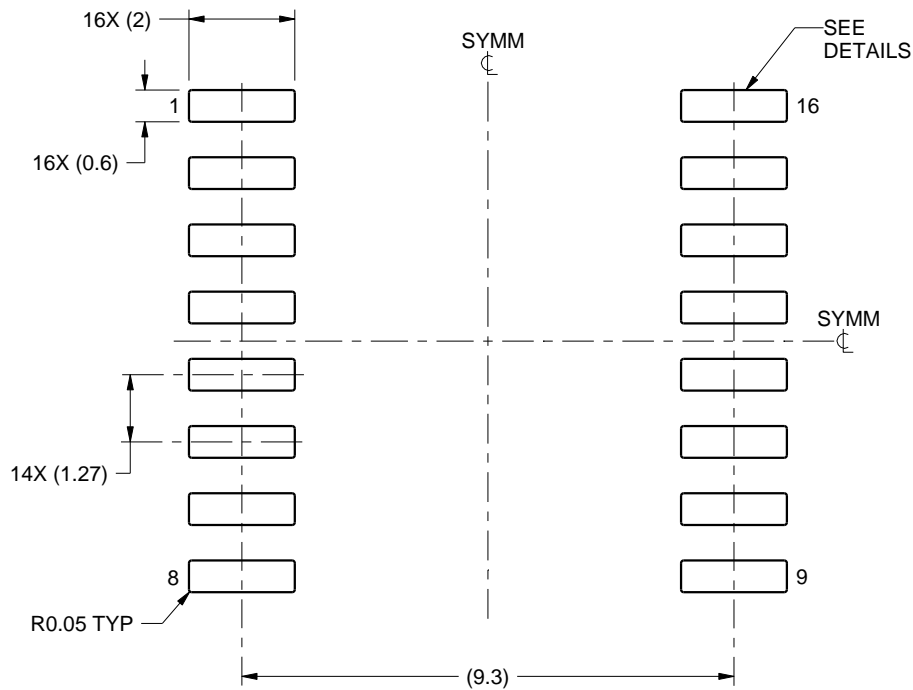
- All linear dimensions are in millimeters. Dimensions in parenthesis are for reference only. Dimensioning and tolerancing per ASME Y14.5M.
- This drawing is subject to change without notice.
- This dimension does not include mold flash, protrusions, or gate burrs. Mold flash, protrusions, or gate burrs shall not exceed 0.15 mm, per side.
- This dimension does not include interlead flash. Interlead flash shall not exceed 0.25 mm, per side.
- Reference JEDEC registration MS-013.

EXAMPLE BOARD LAYOUT

DW0016A

SOIC - 2.65 mm max height

SOIC



LAND PATTERN EXAMPLE
SCALE:7X



SOLDER MASK DETAILS

4220721/A 07/2016

NOTES: (continued)

6. Publication IPC-7351 may have alternate designs.

7. Solder mask tolerances between and around signal pads can vary based on board fabrication site.

EXAMPLE STENCIL DESIGN

DW0016A

SOIC - 2.65 mm max height

SOIC



SOLDER PASTE EXAMPLE
BASED ON 0.125 mm THICK STENCIL
SCALE:7X

4220721/A 07/2016

NOTES: (continued)

8. Laser cutting apertures with trapezoidal walls and rounded corners may offer better paste release. IPC-7525 may have alternate design recommendations.
9. Board assembly site may have different recommendations for stencil design.

重要声明和免责声明

TI“按原样”提供技术和可靠性数据（包括数据表）、设计资源（包括参考设计）、应用或其他设计建议、网络工具、安全信息和其他资源，不保证没有瑕疵且不做任何明示或暗示的担保，包括但不限于对适销性、某特定用途方面的适用性或不侵犯任何第三方知识产权的暗示担保。

这些资源可供使用 TI 产品进行设计的熟练开发人员使用。您将自行承担以下全部责任：(1) 针对您的应用选择合适的 TI 产品，(2) 设计、验证并测试您的应用，(3) 确保您的应用满足相应标准以及任何其他功能安全、信息安全、监管或其他要求。

这些资源如有变更，恕不另行通知。TI 授权您仅可将这些资源用于研发本资源所述的 TI 产品的应用。严禁对这些资源进行其他复制或展示。您无权使用任何其他 TI 知识产权或任何第三方知识产权。您应全额赔偿因在这些资源的使用中对 TI 及其代表造成的任何索赔、损害、成本、损失和债务，TI 对此概不负责。

TI 提供的产品受 [TI 的销售条款](#) 或 [ti.com](#) 上其他适用条款/TI 产品随附的其他适用条款的约束。TI 提供这些资源并不会扩展或以其他方式更改 TI 针对 TI 产品发布的适用的担保或担保免责声明。

TI 反对并拒绝您可能提出的任何其他或不同的条款。

邮寄地址：Texas Instruments, Post Office Box 655303, Dallas, Texas 75265
Copyright © 2024，德州仪器 (TI) 公司