

ISO722x 双通道数字隔离器

1 特性

- 1Mbps、5Mbps、25Mbps 和 150Mbps 信令速率选项
 - 低通道输出偏斜；最大值为 1ns
 - 低脉宽失真度 (PWD)；最大值为 1ns
 - 低抖动内容；速率为 150Mbps 时的典型值为 1ns
- 50kV/ μ s 典型瞬态抗扰度
- 由 2.8V (C 级)、3.3V 或 5V 电源供电
- 4kV ESD 保护
- 高电磁抗扰度
- 工作温度范围 -40°C 至 +125°C
- 额定电压下的使用寿命典型值为 28 年 (请参阅隔离寿命预测)
- 安全相关认证
 - DIN EN IEC 60747-17 (VDE 0884-17)
 - UL 1577 组件认证计划
 - IEC 61010-1、IEC 62368-1 认证

2 应用

- 工厂自动化
 - Modbus
 - Profibus™
 - DeviceNet™ 数据总线
- 计算机外设接口
- 伺服器控制接口
- 数据采集

3 说明

ISO7220x 和 ISO7221x 系列器件是双通道数字隔离器。为了方便 PCB 布局，各通道在 ISO7220x 中方向相同，在 ISO7221x 中方向相反。这些器件具有逻辑输入和输出缓冲器，该缓冲器由 TI 的二氧化硅 (SiO₂) 隔离栅进行隔离，提供符合 VDE 标准、高达 4000V_{PK} 的电隔离。当与隔离电源配合使用时，这些器件可阻止高电压和隔离接地，并可防止数据总线或其他电路上的噪声电流进入本地接地或对敏感电路造成干扰或损坏。

对二进制输入信号进行调理并转换为平衡的信号，然后由电容式隔离层进行差分。跨越该隔离层，差分比较器可接收逻辑转换信息，然后相应地设置或重置触发器和输出电路。电路将跨越隔离层发送定期更新脉冲，以验证直流输出电平是否正常。如果每 4 μ s 没有收到此直流更新脉冲，则会假定输入未通电，或者未主动驱动，故障保护电路会将输出驱动至逻辑高电平状态。

低容值电容和生成的时间常数提供高速运行，其信号传输速率范围为 0Mbps (直流) 到 150Mbps (线路上的信号传输速率是每秒进行的电压转换次数，以单位 bps 来表示)。A 选项、B 选项和 C 选项器件具有 TTL 输入阈值，并且在输入上具有噪声滤波器，可防止将瞬态脉冲传递到器件的输出。M 选项器件具有 CMOS $V_{CC}/2$ 输入阈值，没有输入噪声滤波器和额外的传播延迟。

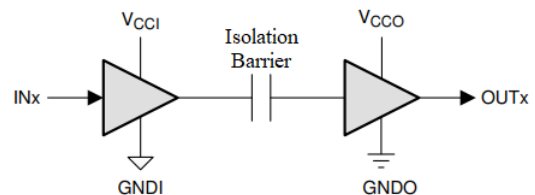
ISO7220x 和 ISO7221x 系列器件需要两个 2.8V (C 级)、3.3V、5V 电源或这些电源的任意组合。通过 2.8V 或 3.3V 电源供电时，所有输入均可耐受 5V 电压，所有输出均为 4mA CMOS。

ISO7220x 和 ISO7221x 系列器件在 -40°C 至 +125°C 的环境温度范围内运行。

封装信息

器件型号	封装 ⁽¹⁾	封装尺寸 (标称值)	封装尺寸 ⁽²⁾
ISO7220x	D (SOIC, 8)	4.90mm × 3.91mm	4.9mm × 6mm
ISO7221x			

- (1) 如需了解所有可用封装，请参阅数据表末尾的可订购产品附录。
- (2) 封装尺寸 (长 × 宽) 为标称值，并包括引脚 (如适用)。



V_{CCI} 和 $GNDI$ 分别是输入通道的电源和接地连接引脚。

V_{CCO} 和 $GNDO$ 分别是输出通道的电源和接地连接引脚。

简化版原理图



Table of Contents

1 特性	1	5.17 Switching Characteristics—3.3-V V_{CC1} and V_{CC2} Supplies.....	16
2 应用	1	5.18 Switching Characteristics—2.8-V V_{CC1} and V_{CC2} Supplies.....	16
3 说明	1	5.19 Insulation Characteristics Curves.....	17
4 Pin Configuration and Functions	3	5.20 Typical Characteristics.....	18
5 Specifications	4	6 Parameter Measurement Information	20
5.1 Absolute Maximum Ratings.....	4	7 Detailed Description	22
5.2 ESD Ratings.....	4	7.1 Overview.....	22
5.3 Recommended Operating Conditions.....	5	7.2 Functional Block Diagram.....	22
5.4 Thermal Information.....	5	7.3 Feature Description.....	23
5.5 Power Ratings.....	5	7.4 Device Functional Modes.....	23
5.6 Insulation Specifications.....	6	8 Application and Implementation	24
5.7 Safety-Related Certifications.....	6	8.1 Application Information.....	24
5.8 Safety Limiting Values.....	7	8.2 Typical Application.....	24
5.9 Electrical Characteristics—5-V V_{CC1} and V_{CC2} Supplies.....	8	8.3 Power Supply Recommendations.....	26
5.10 Electrical Characteristics—5-V V_{CC1} and 3.3-V V_{CC2} Supply.....	8	8.4 Layout.....	26
5.11 Electrical Characteristics—3.3-V V_{CC1} and 5-V V_{CC2} Supply.....	10	9 Device and Documentation Support	27
5.12 Electrical Characteristics—3.3-V V_{CC1} and V_{CC2} Supplies.....	11	9.1 Device Support.....	27
5.13 Electrical Characteristics—2.8-V V_{CC1} and V_{CC2} Supplies.....	12	9.2 Documentation Support.....	27
5.14 Switching Characteristics—5-V V_{CC1} and V_{CC2} Supplies.....	12	9.3 Related Links.....	27
5.15 Switching Characteristics—5-V V_{CC1} and 3.3-V V_{CC2} Supply.....	14	9.4 接收文档更新通知.....	27
5.16 Switching Characteristics—3.3-V V_{CC1} and 5-V V_{CC2} Supplies.....	15	9.5 支持资源.....	27
		9.6 Trademarks.....	28
		9.7 静电放电警告.....	28
		9.8 术语表.....	28
		10 Revision History	28
		11 Mechanical, Packaging, and Orderable Information	32

4 Pin Configuration and Functions

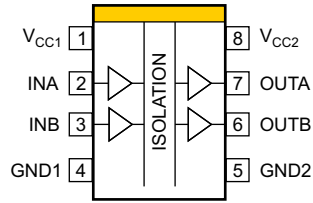


图 4-1. ISO7220x D Package 8-Pin SOIC Top View

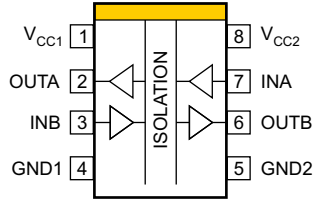


图 4-2. ISO7221x D Package 8-Pin SOIC Top View

表 4-1. Pin Functions

NAME	PIN		Type ⁽¹⁾	DESCRIPTION
	ISO7220x	ISO7221x		
INA	2	7	I	Input, channel A
INB	3	3	I	Input, channel B
GND1	4	4	—	Ground connection for V _{CC1}
GND2	5	5	—	Ground connection for V _{CC2}
OUTA	7	2	O	Output, channel A
OUTB	6	6	O	Output, channel B
V _{CC1}	1	1	—	Power supply, V _{CC1}
V _{CC2}	8	8	—	Power supply, V _{CC2}

(1) I = Input; O = Output

5 Specifications

5.1 Absolute Maximum Ratings

over operating free-air temperature range (unless otherwise noted)⁽¹⁾

		MIN	MAX	UNIT
V _{CC}	Supply voltage ⁽²⁾ , V _{CC1} , V _{CC2}	- 0.5	6	V
V _I	Voltage at IN, OUT	- 0.5	V _{CC} + 0.5 ⁽³⁾	V
I _O	Output current	- 15	15	mA
T _J	Maximum junction temperature		170	°C
T _{stg}	Storage temperature	- 65	150	°C

- (1) Operation outside the Absolute Maximum Ratings may cause permanent device damage. Absolute Maximum Ratings do not imply functional operation of the device at these or any other conditions beyond those listed under Recommended Operating Conditions. If used outside the Recommended Operating Conditions but within the Absolute Maximum Ratings, the device may not be fully functional, and this may affect device reliability, functionality, performance, and shorten the device lifetime.
- (2) All voltage values except differential I/O bus voltages are with respect to the local ground terminal (GND1 or GND2) and are peak voltage values.
- (3) Maximum voltage must not exceed 6 V.

5.2 ESD Ratings

			VALUE	UNIT
V _(ESD)	Electrostatic discharge	Human body model (HBM), per ANSI/ESDA/JEDEC JS-001, all pins ⁽¹⁾	±4000	V
		Charged device model (CDM), per JEDEC specification JESD22-C101, all pins ⁽²⁾	±1000	V

- (1) JEDEC document JEP155 states that 500-V HBM allows safe manufacturing with a standard ESD control process.
- (2) JEDEC document JEP157 states that 250-V CDM allows safe manufacturing with a standard ESD control process.

5.3 Recommended Operating Conditions

			MIN	NOM	MAX	UNIT
V _{CC}	Supply voltage ⁽²⁾ , V _{CC1} , V _{CC2}	ISO722xA, ISO722xB, ISO722xM	3		5.5	V
		ISO722xC	2.8		5.5	
I _{OH}	High-level output current		- 4			mA
I _{OL}	Low-level output current				4	mA
t _{ui}	Input pulse width ⁽¹⁾	ISO722xA	1			μs
		ISO722xB	200			ns
		ISO722xC	40			
		ISO722xM	6.67			
1/t _{ui}	Signaling rate ⁽¹⁾	ISO722xA	0		1000	kbps
		ISO722xB	0		5	Mbps
		ISO722xC	0		25	
		ISO722xM	0		150	
V _{IH}	High-level input voltage	ISO722xA, ISO722xB, ISO722xC	2		5.5	V
V _{IL}	Low-level input voltage	ISO722xA, ISO722xB, ISO722xC	0		0.8	V
V _{IH}	High-level input voltage	ISO722xM	0.7 × V _{CC}		V _{CC}	V
V _{IL}	Low-level input voltage	ISO722xM	0		0.3 × V _{CC}	V
T _J	Junction temperature		- 40		150	°C
H	External magnetic field-strength immunity per IEC 61000-4-8 and IEC 61000-4-9 certification				1000	A/m

(1) Typical signaling rate and Input pulse width are measured at ideal conditions at 25°C.

(2) For the 5-V operation, V_{CC1} or V_{CC2} is specified from 4.5 V to 5.5 V.

For the 3.3-V operation, V_{CC1} or V_{CC2} is specified from 3 V to 3.6 V.

For the 2.8-V operation, V_{CC1} or V_{CC2} is specified at 2.8 V.

5.4 Thermal Information

THERMAL METRIC ⁽¹⁾			ISO7220x ISO7221x	UNIT
			D (SOIC)	
			8 PINS	
R _{θJA}	Junction-to-ambient thermal resistance	Low-K Thermal Resistance ⁽²⁾	212	°C/W
		High-K Thermal Resistance	122	
R _{θJC(top)}	Junction-to-case (top) thermal resistance		69.1	°C/W
R _{θJB}	Junction-to-board thermal resistance		47.7	°C/W
ψ _{JT}	Junction-to-top characterization parameter		15.2	°C/W
ψ _{JB}	Junction-to-board characterization parameter		47.2	°C/W
R _{θJC(bot)}	Junction-to-case (bottom) thermal resistance		—	°C/W

(1) For more information about traditional and new thermal metrics, see the [Semiconductor and IC Package Thermal Metrics](#) application note.

(2) Tested in accordance with the Low-K or High-K thermal metric definitions of EIA/JESD51-3 for leaded surface mount packages.

5.5 Power Ratings

V_{CC1} = V_{CC2} = 5.5 V, T_J = 150°C, C_L = 15 pF, Input a 150 Mbps 50% duty cycle square wave

PARAMETER	TEST CONDITIONS	MIN	TYP	MAX	UNIT
P _D	Device power dissipation, ISO722xM			390	mW

5.6 Insulation Specifications

PARAMETER		TEST CONDITIONS	VALUE	UNIT
GENERAL				
CLR	External clearance ⁽¹⁾	Shortest terminal-to-terminal distance through air	4	mm
CPG	External creepage ⁽¹⁾	Shortest terminal-to-terminal distance across the package surface	4	mm
DTI	Distance through the insulation	Minimum internal gap (internal clearance)	0.008	mm
CTI	Comparative tracking index	DIN EN 60112 (VDE 0884-17); IEC 60112	400	V
	Material group		II	
	Overvoltage category	Rated mains voltage $\leq 150 V_{RMS}$	I-IV	
		Rated mains voltage $\leq 300 V_{RMS}$	I-III	
		Rated mains voltage $\leq 400 V_{RMS}$	I-II	
DIN EN IEC 60747-17 (VDE 0884-17):⁽²⁾				
V_{IORM}	Maximum repetitive peak isolation voltage	AC voltage (bipolar)	560	V_{PK}
V_{IOTM}	Maximum transient isolation voltage	$V_{TEST} = V_{IOTM}$, $t = 60$ s (qualification); $V_{TEST} = 1.2 \times V_{IOTM}$, $t = 1$ s (100% production)	4000	V_{PK}
q_{pd}	Apparent charge ⁽³⁾	Method a: After I/O safety test subgroup 2/3, $V_{ini} = V_{IOTM}$, $t_{ini} = 60$ s; $V_{pd(m)} = 1.2 \times V_{IORM}$, $t_m = 10$ s	≤ 5	pC
		Method a: After environmental tests subgroup 1, $V_{ini} = V_{IOTM}$, $t_{ini} = 60$ s; $V_{pd(m)} = 1.3 \times V_{IORM}$, $t_m = 10$ s	≤ 5	
		Method b: At routine test (100% production); $V_{ini} = 1.2 \times V_{IOTM}$, $t_{ini} = 1$ s; $V_{pd(m)} = 1.5 \times V_{IORM}$, $t_m = 1$ s (method b1) or $V_{pd(m)} = V_{ini}$, $t_m = t_{ini}$ (method b2)	≤ 5	
C_{IO}	Barrier capacitance, input to output ⁽⁴⁾	$V_{IO} = 0.4 \sin(2\pi ft)$, $f = 1$ MHz	1	pF
R_{IO}	Isolation resistance, input to output ⁽⁴⁾	$V_{IO} = 500$ V, $T_A = 25^\circ\text{C}$	$>10^{12}$	Ω
		$V_{IO} = 500$ V, $100^\circ\text{C} \leq T_A \leq 125^\circ\text{C}$	$>10^{11}$	
		$V_{IO} = 500$ V at $T_S = 150^\circ\text{C}$	$>10^9$	
	Pollution degree		2	
	Climatic category		40/125/21	
UL 1577				
V_{ISO}	Withstand isolation voltage	$V_{TEST} = V_{ISO} = 2500 V_{RMS}$, $t = 60$ s (qualification); $V_{TEST} = 1.2 \times V_{ISO} = 3000 V_{RMS}$, $t = 1$ s (100% production)	2500	V_{RMS}

- (1) Creepage and clearance requirements should be applied according to the specific equipment isolation standards of an application. Care should be taken to maintain the creepage and clearance distance of a board design to ensure that the mounting pads of the isolator on the printed-circuit board do not reduce this distance. Creepage and clearance on a printed-circuit board become equal in certain cases. Techniques such as inserting grooves and/or ribs on a printed circuit board are used to help increase these specifications.
- (2) This coupler is suitable for *basic electrical insulation* only within the maximum operating ratings. Compliance with the safety ratings shall be ensured by means of suitable protective circuits.
- (3) Apparent charge is electrical discharge caused by a partial discharge (pd).
- (4) All pins on each side of the barrier tied together creating a two-terminal device

5.7 Safety-Related Certifications

VDE	CSA	UL
Plan to certify according to DIN EN IEC 60747-17 (VDE 0884-17)	Plan to certify according to IEC 62368-1	Plan to certify according to UL 1577 Component Recognition Program
Certificate planned	Certificate planned	Certificate planned

5.8 Safety Limiting Values

Safety limiting⁽¹⁾ intends to minimize potential damage to the isolation barrier upon failure of input or output circuitry. A failure of the I/O can allow low resistance to ground or the supply and, without current limiting, dissipate sufficient power to overheat the die and damage the isolation barrier, potentially leading to secondary system failures.

PARAMETER		TEST CONDITIONS	MIN	TYP	MAX	UNIT
I _S	Safety input, output, or supply current	R _{θJA} = 212°C/W, V _I = 5.5 V, T _J = 170°C, T _A = 25°C, see 图 5-1			124	mA
		R _{θJA} = 212°C/W, V _I = 3.6 V, T _J = 170°C, T _A = 25°C, see 图 5-1			190	
T _S	Safety temperature				150	°C

- (1) The safety-limiting constraint is the maximum junction temperature specified in the data sheet. The power dissipation and junction-to-air thermal impedance of the device installed in the application hardware determines the junction temperature. The assumed junction-to-air [thermal resistance](#) in the table is that of a device installed on a high-K test board for leaded surface-mount packages. The power is the recommended maximum input voltage times the current. The junction temperature is then the ambient temperature plus the power times the junction-to-air thermal resistance.

5.9 Electrical Characteristics—5-V V_{CC1} and V_{CC2} Supplies

V_{CC1} and V_{CC2} at 5 V \pm 10% (over recommended operating conditions unless otherwise noted.)

PARAMETER		TEST CONDITIONS	MIN	TYP	MAX	UNIT
I_{CC1}	V_{CC1} supply current	ISO7220x quiescent, $V_I = V_{CC}$ or 0 V, no load		1	2	mA
		ISO7221 quiescent, $V_I = V_{CC}$ or 0 V, no load		8.5	17	
		ISO7220A and ISO7220B 1 Mbps, 0.5-MHz input clock signal, no load		2	3	mA
		ISO7221A, ISO7221B 1 Mbps, 0.5-MHz input clock signal, no load		10	18	
		ISO7220C, ISO7220M 25 Mbps, 12.5-MHz input clock signal, no load		4	9	mA
		ISO7221C and ISO7221M 25 Mbps, 12.5-MHz input clock signal, no load		12	22	
I_{CC2}	V_{CC2} supply current	ISO7220x quiescent, $V_I = V_{CC}$ or 0 V, no load		16	31	mA
		ISO7221x quiescent, $V_I = V_{CC}$ or 0 V, no load		8.5	17	
		ISO7220A and ISO7220B 1 Mbps, 0.5-MHz input clock signal, no load		17	32	mA
		ISO7221A, ISO7221B 1 Mbps, 0.5-MHz input clock signal, no load		10	18	
		ISO7220C, ISO7220M 25 Mbps, 12.5-MHz input clock signal, no load		20	34	mA
		ISO7221C and ISO7221M 25 Mbps, 12.5-MHz input clock signal, no load		12	22	
V_{OH}	High-level output voltage	$I_{OH} = -4$ mA, See 图 6-1	$V_{CC} - 0.8$	4.6		V
		$I_{OH} = -20$ μ A, See 图 6-1	$V_{CC} - 0.1$	5		
V_{OL}	Low-level output voltage	$I_{OL} = 4$ mA, See 图 6-1		0.2	0.4	V
		$I_{OL} = 20$ μ A, See 图 6-1		0	0.1	
$V_{I(HYS)}$	Input voltage hysteresis			150		mV
I_{IH}	High-level input current	IN from 0 V to V_{CC}			10	μ A
I_{IL}	Low-level input current	IN from 0 V to V_{CC}	-10			μ A
C_I	Input capacitance to ground	IN at V_{CC} , $V_I = 0.4 \sin(2\pi ft)$, $f = 2$ MHz.		1		pF
CMTI	Common-mode transient immunity	$V_I = V_{CC}$ or 0 V, See 图 6-3	25	50		kV/ μ s

5.10 Electrical Characteristics—5-V V_{CC1} and 3.3-V V_{CC2} Supply

V_{CC1} at 5 V \pm 10%, V_{CC2} at 3.3 V \pm 10% (over recommended operating conditions unless otherwise noted.)

PARAMETER		TEST CONDITIONS	MIN	TYP	MAX	UNIT
I_{CC1}	V_{CC1} supply current	ISO7220x quiescent, $V_I = V_{CC}$ or 0 V, no load		1	2	mA
		ISO7221x quiescent, $V_I = V_{CC}$ or 0 V, no load		8.5	17	
		ISO7220A and ISO7220B 1 Mbps, 0.5-MHz input clock signal, no load		2	3	mA
		ISO7221A and ISO7221B 1 Mbps, 0.5-MHz input clock signal, no load		10	18	
		ISO7220C and ISO7220M 25 Mbps, 12.5-MHz input clock signal, no load		4	9	mA
		ISO7221C and ISO7221M 25 Mbps, 12.5-MHz input clock signal, no load		12	22	
I_{CC2}	V_{CC2} supply current	ISO7220x quiescent, $V_I = V_{CC}$ or 0 V, no load		8	18	mA
		ISO7221x quiescent, $V_I = V_{CC}$ or 0 V, no load		4.3	9.5	
		ISO7220A and ISO7220B 1 Mbps, 0.5-MHz input clock signal, no load		9	19	mA
		ISO7221A and ISO7221B 1 Mbps, 0.5-MHz input clock signal, no load		5	11	
		ISO7220C and ISO7220M 25 Mbps, 12.5-MHz input clock signal, no load		10	20	mA
		ISO7221C and ISO7221M 25 Mbps, 12.5-MHz input clock signal, no load		6	12	

V_{CC1} at 5 V \pm 10%, V_{CC2} at 3.3 V \pm 10% (over recommended operating conditions unless otherwise noted.)

PARAMETER		TEST CONDITIONS	MIN	TYP	MAX	UNIT
V _{OH}	High-level output voltage	ISO7220x, ISO7221x (3.3-V side), I _{OH} = - 4 mA, See 图 6-1	V _{CC} - 0.4			V
		ISO7221x (5-V side), I _{OH} = - 4 mA, See 图 6-1	V _{CC} - 0.8			
		All devices, I _{OH} = - 20 μ A, See 图 6-1	V _{CC} - 0.1			
V _{OL}	Low-level output voltage	I _{OL} = 4 mA, See 图 6-1	0.4			V
		I _{OL} = 20 μ A, See 图 6-1	0.1			
V _{I(HYS)}	Input voltage hysteresis		150			mV
I _{IH}	High-level input current	IN from 0 V to V _{CC}	10			μ A
I _{IL}	Low-level input current	IN from 0 V to V _{CC}	- 10			μ A
C _I	Input capacitance to ground	IN at V _{CC} . V _I = 0.4 sin (2 π ft), f = 2MHz.	1			pF
CMTI	Common-mode transient immunity	V _I = V _{CC} or 0 V, See 图 6-3	15	40		kV/ μ s

5.11 Electrical Characteristics—3.3-V V_{CC1} and 5-V V_{CC2} Supply

V_{CC1} at 3.3 V \pm 10%, V_{CC2} at 5 V \pm 10% (over recommended operating conditions unless otherwise noted.)

PARAMETER		TEST CONDITIONS	MIN	TYP	MAX	UNIT
I_{CC1}	V_{CC1} supply current	ISO7220x quiescent, $V_I = V_{CC}$ or 0 V, no load		0.6	1	mA
		ISO7221x quiescent, $V_I = V_{CC}$ or 0 V, no load		4.3	9.5	
		ISO7220A and ISO7220B 1 Mbps, 0.5-MHz input clock signal, no load		1	2	mA
		ISO7221A and ISO7221B 1 Mbps, 0.5-MHz input clock signal, no load		5	11	
		ISO7220C and ISO7220M 25 Mbps, 12.5-MHz input clock signal, no load		2	4	mA
		ISO7221C and ISO7221M 25 Mbps, 12.5-MHz input clock signal, no load		6	12	
I_{CC2}	V_{CC2} supply current	ISO7220x quiescent, $V_I = V_{CC}$ or 0 V, no load		16	31	mA
		ISO7221x quiescent, $V_I = V_{CC}$ or 0 V, no load		8.5	17	
		ISO7220A and ISO7220B 1 Mbps, 0.5-MHz input clock signal, no load		18	32	mA
		ISO7221A and ISO7221B 1 Mbps, 0.5-MHz input clock signal, no load		10	18	
		ISO7220C and ISO7220M 25 Mbps, 12.5-MHz input clock signal, no load		20	34	mA
		ISO7221C and ISO7221M 25 Mbps, 12.5-MHz input clock signal, no load		12	22	
V_{OH}	High-level output voltage	ISO7220x and ISO7221x (5-V side), $I_{OH} = -4$ mA, See 图 6-1	$V_{CC} - 0.8$			V
		ISO7221x (3.3-V side), $I_{OH} = -4$ mA, See 图 6-1	$V_{CC} - 0.4$			
		All devices, $I_{OH} = -20$ μ A, See 图 6-1	$V_{CC} - 0.1$			
V_{OL}	Low-level output voltage	$I_{OL} = 4$ mA, See 图 6-1			0.4	V
		$I_{OL} = 20$ μ A, See 图 6-1		0	0.1	
$V_{I(HYS)}$	Input threshold voltage hysteresis			150		mV
I_{IH}	High-level input current	IN from 0 V or V_{CC}			10	μ A
I_{IL}	Low-level input current	IN from 0 V or V_{CC}	-10			μ A
C_I	Input capacitance to ground	IN at V_{CC} , $V_I = 0.4 \sin(2\pi ft)$, $f = 2$ MHz.		1		pF
CMTI	Common-mode transient immunity	$V_I = V_{CC}$ or 0 V, See 图 6-3	15	40		kV/ μ s

5.12 Electrical Characteristics—3.3-V V_{CC1} and V_{CC2} Supplies

V_{CC1} and V_{CC2} at 3.3 V \pm 10% (over recommended operating conditions unless otherwise noted.)⁽¹⁾

PARAMETER		TEST CONDITIONS	MIN	TYP	MAX	UNIT
I_{CC1}	V_{CC2} supply current	ISO7220x quiescent, $V_I = V_{CC}$ or 0 V, no load		0.6	1	mA
		ISO7221x quiescent, $V_I = V_{CC}$ or 0 V, no load		4.3	9.5	
		ISO7220A and ISO7220B 1 Mbps, 0.5-MHz input clock signal, no load		1	2	mA
		ISO7221A and ISO7221B 1 Mbps, 0.5-MHz input clock signal, no load		5	11	
		ISO7220C and ISO7220M 25 Mbps, 12.5-MHz input clock signal, no load		2	4	mA
		ISO7221C and ISO7221M 25 Mbps, 12.5-MHz input clock signal, no load		6	12	
I_{CC2}	V_{CC2} supply current	ISO7220x quiescent, $V_I = V_{CC}$ or 0 V, no load		8	18	mA
		ISO7221x quiescent, $V_I = V_{CC}$ or 0 V, no load		4.3	9.5	
		ISO7220A and ISO7220B 1 Mbps, 0.5-MHz input clock signal, no load		9	19	mA
		ISO7221A and ISO7221B 1 Mbps, 0.5-MHz input clock signal, no load		5	11	
		ISO7220C and ISO7220M 25 Mbps, 12.5-MHz input clock signal, no load		10	20	mA
		ISO7221C and ISO7221M 25 Mbps, 12.5-MHz input clock signal, no load		6	12	
V_{OH}	High-level output voltage	$I_{OH} = -4$ mA, See 图 6-1	$V_{CC} - 0.4$	3	V	
		$I_{OH} = -20$ μ A, See 图 6-1	$V_{CC} - 0.1$	3.3		
V_{OL}	Low-level output voltage	$I_{OL} = 4$ mA, See 图 6-1		0.2		0.4
		$I_{OL} = 20$ μ A, See 图 6-1		0		0.1
$V_{I(HYS)}$	Input voltage hysteresis			150	mV	
I_{IH}	High-level input current	IN from 0 V or V_{CC}			10	μ A
I_{IL}	Low-level input current	IN from 0 V or V_{CC}	-10			μ A
C_I	Input capacitance to ground	IN at V_{CC} , $V_I = 0.4 \sin(2\pi ft)$, $f = 2$ MHz.		1		pF
CMTI	Common-mode transient immunity	$V_I = V_{CC}$ or 0 V, See 图 6-3	15	40		kV/ μ s

(1) For the 3.3-V operation, V_{CC1} or V_{CC2} is specified from 3 V to 3.6 V.

5.13 Electrical Characteristics—2.8-V V_{CC1} and V_{CC2} Supplies

V_{CC1} and V_{CC2} at 2.8 V (over recommended operating conditions unless otherwise noted.) 2.8-V operation is only specified for ISO722xC with production screening starting in January 2012. The first two digits of the Lot Trace Code (YMSLLLLG4) written on top of each device can be used to identify year and month of production respectively.

PARAMETER		TEST CONDITIONS	MIN	TYP	MAX	UNIT
I_{CC1}	V_{CC1} supply current	ISO7220C quiescent, $V_I = V_{CC}$ or 0 V, no load		0.4	0.9	mA
		ISO7221C quiescent, $V_I = V_{CC}$ or 0 V, no load		3.7	7.5	
		ISO7220C 25 Mbps, 12.5-MHz input clock signal, no load		1.5	3.5	mA
		ISO7221C 25 Mbps, 12.5-MHz input clock signal, no load		4.5	10	
I_{CC2}	V_{CC2} supply current	ISO7220C quiescent, $V_I = V_{CC}$ or 0 V, no load		6.8	15	mA
		ISO7221C quiescent, $V_I = V_{CC}$ or 0 V, no load		3.7	7.5	
		ISO7220C 25 Mbps, 12.5-MHz input clock signal, no load		9	17	mA
		ISO7221C 25 Mbps, 12.5-MHz input clock signal, no load		4.5	10	
V_{OH}	High-level output voltage	$I_{OH} = -4$ mA, See 图 6-1	$V_{CC} - 0.6$	2.55		V
		$I_{OH} = -20$ μ A, See 图 6-1	$V_{CC} - 0.1$	2.8		
V_{OL}	Low-level output voltage	$I_{OL} = 4$ mA, See 图 6-1		0.25	0.6	
		$I_{OL} = 20$ μ A, See 图 6-1		0	0.1	
$V_{I(HYS)}$	Input voltage hysteresis			150		mV
I_{IH}	High-level input current	IN from 0 V or V_{CC}			10	μ A
I_{IL}	Low-level input current	IN from 0 V or V_{CC}	-10			μ A
C_I	Input capacitance to ground	IN at V_{CC} , $V_I = 0.4 \sin(2\pi ft)$, $f = 2$ MHz.		1		pF
CMTI	Common-mode transient immunity	$V_I = V_{CC}$ or 0 V, See 图 6-3	10	30		kV/ μ s

5.14 Switching Characteristics—5-V V_{CC1} and V_{CC2} Supplies

V_{CC1} and V_{CC2} at 5 V \pm 10% (over recommended operating conditions unless otherwise noted.)

PARAMETER		TEST CONDITIONS	MIN	TYP	MAX	UNIT
t_{PLH} , t_{PHL}	Propagation delay	ISO722xA, see 图 6-1	252	405	600	ns
PWD	Pulse-width distortion $ t_{PHL} - t_{PLH} ^{(1)}$		1	18		ns
t_{PLH} , t_{PHL}	Propagation delay	ISO722xB, see 图 6-1	35	55	70	ns
PWD	Pulse-width distortion $ t_{PHL} - t_{PLH} ^{(1)}$		1	3		ns
t_{PLH} , t_{PHL}	Propagation delay	ISO722xC, see 图 6-1	21	32	42	ns
PWD	Pulse-width distortion $ t_{PHL} - t_{PLH} ^{(1)}$		1	2		ns
t_{PLH} , t_{PHL}	Propagation delay	ISO722xM, see 图 6-1	6	10	16	ns
PWD	Pulse-width distortion $ t_{PHL} - t_{PLH} ^{(1)}$		0.5	1		ns
$t_{sk(pp)}$	Part-to-part skew ⁽²⁾	ISO722xA			180	ns
		ISO722xB			17	
		ISO722xC			10	
		ISO722xM			3	
$t_{sk(o)}$	Channel-to-channel output skew ⁽³⁾	ISO7220A		3	15	ns
		ISO7220B		0.6	3	
		ISO7220C			2	
		ISO7220M		0.2	1	
t_r	Output signal rise time	See 图 6-1		2.3		ns
t_f	Output signal fall time			2.3		ns
t_{fs}	Failsafe output delay time from input power loss	See 图 6-2		3		μ s
$t_{jit(pp)}$	Peak-to-peak eye-pattern jitter	ISO722xM, 150 Mbps PRBS NRZ data, 5-bit max same polarity input, both channels, See 图 6-4, 图 5-13		1		ns
		ISO722xM, 150 Mbps unrestricted bit run length data input, both channels, See 图 6-4		2		

(1) Also referred to as pulse skew.

- (2) $t_{sk(pp)}$ is the magnitude of the difference in propagation delay times between any specified pins of two devices when both devices operate with the same supply voltages, at the same temperature, and have identical packages and test circuits.
- (3) $t_{sk(o)}$ is the skew between specified outputs of a single device with all driving inputs connected together and the outputs switching in the same direction while driving identical specified loads.

5.15 Switching Characteristics—5-V V_{CC1} and 3.3-V V_{CC2} Supply

V_{CC1} at 5 V \pm 10%, V_{CC2} at 3.3 V \pm 10% (over recommended operating conditions unless otherwise noted.)

PARAMETER		TEST CONDITIONS	MIN	TYP	MAX	UNIT
t_{PLH} , t_{PHL}	Propagation delay	ISO722xA, see 图 6-1	253	410	585	ns
PWD	Pulse-width distortion $ t_{PHL} - t_{PLH} ^{(1)}$		1	18	ns	
t_{PLH} , t_{PHL}	Propagation delay	ISO722xB, see 图 6-1	35	58	75	ns
PWD	Pulse-width distortion $ t_{PHL} - t_{PLH} ^{(1)}$		1	3	ns	
t_{PLH} , t_{PHL}	Propagation delay	ISO722xC, see 图 6-1	21	36	48	ns
PWD	Pulse-width distortion $ t_{PHL} - t_{PLH} ^{(1)}$		1	2	ns	
t_{PLH} , t_{PHL}	Propagation delay	ISO722xM, see 图 6-1	7	12	20	ns
PWD	Pulse-width distortion $ t_{PHL} - t_{PLH} ^{(1)}$		0.5	1	ns	
$t_{sk(pp)}$	Part-to-part skew ⁽²⁾	ISO722xA			180	ns
		ISO722xB			17	
		ISO722xC			10	
		ISO722xM			5	
$t_{sk(o)}$	Channel-to-channel output skew ⁽³⁾	ISO7220A		3	15	ns
		ISO7220B		0.6	3	
		ISO7220C			2	
		ISO7220M		0.2	1	
t_r	Output signal rise time	See 图 6-1		2.3		ns
t_f	Output signal fall time			2.3		ns
t_{fs}	Failsafe output delay time from input power loss	See 图 6-2		3		μ s
$t_{jit(pp)}$	Peak-to-peak eye-pattern jitter	ISO722xM, 150 Mbps PRBS NRZ data, 5-bit max same polarity input, both channels, See 图 6-4, 图 5-13		1		ns
		ISO722xM, 150 Mbps unrestricted bit run length data input, both channels, See 图 6-4		2		

- (1) Also referred to as pulse skew.
- (2) $t_{sk(pp)}$ is the magnitude of the difference in propagation delay times between any specified pins of two devices when both devices operate with the same supply voltages, at the same temperature, and have identical packages and test circuits.
- (3) $t_{sk(o)}$ is the skew between specified outputs of a single device with all driving inputs connected together and the outputs switching in the same direction while driving identical specified loads.

5.16 Switching Characteristics—3.3-V_{CC1} and 5-V V_{CC2} Supplies

V_{CC1} at 3.3 V ± 10%, V_{CC2} at 5 V ± 10% (over recommended operating conditions unless otherwise noted.)

PARAMETER		TEST CONDITIONS	MIN	TYP	MAX	UNIT
t _{PLH} , t _{PHL}	Propagation delay	ISO722xA, see 图 6-1	268	395	605	ns
PWD	Pulse-width distortion t _{PHL} - t _{PLH} ⁽¹⁾			1	22	ns
t _{PLH} , t _{PHL}	Propagation delay	ISO722xB, see 图 6-1	38	58	75	ns
PWD	Pulse-width distortion t _{PHL} - t _{PLH} ⁽¹⁾			1	4	ns
t _{PLH} , t _{PHL}	Propagation delay	ISO722xC, see 图 6-1	21	36	48	ns
PWD	Pulse-width distortion t _{PHL} - t _{PLH} ⁽¹⁾			1	3	ns
t _{PLH} , t _{PHL}	Propagation delay	ISO722xM, see 图 6-1	7	12	21	ns
PWD	Pulse-width distortion t _{PHL} - t _{PLH} ⁽¹⁾			0.5	1	ns
t _{sk(pp)}	Part-to-part skew ⁽²⁾	ISO722xA			190	ns
		ISO722xB			17	
		ISO722xC			10	
		ISO722xM			5	
t _{sk(o)}	Channel-to-channel output skew ⁽³⁾	ISO7220A		3	15	ns
		ISO7220B		0.6	3	
		ISO7220C			2.5	
		ISO7220M		0.2	1	
t _r	Output signal rise time	See 图 6-1		2.3		ns
t _f	Output signal fall time			2.3		ns
t _{fs}	Failsafe output delay time from input power loss	See 图 6-2		3		μs
t _{jitter(pp)}	Peak-to-peak eye-pattern jitter	ISO722xM, 150 Mbps PRBS NRZ data, 5-bit max same polarity input, both channels, see 图 6-4, 图 5-13		1		ns
		ISO722xM, 150 Mbps unrestricted bit run length data input, both channels, see 图 6-4		2		

(1) Also referred to as pulse skew.

(2) t_{sk(pp)} is the magnitude of the difference in propagation delay times between any specified pins of two devices when both devices operate with the same supply voltages, at the same temperature, and have identical packages and test circuits.

(3) t_{sk(o)} is the skew between specified outputs of a single device with all driving inputs connected together and the outputs switching in the same direction while driving identical specified loads.

5.17 Switching Characteristics—3.3-V V_{CC1} and V_{CC2} Supplies

V_{CC1} and V_{CC2} at 3.3 V \pm 10% (over recommended operating conditions unless otherwise noted.)

PARAMETER		TEST CONDITIONS	MIN	TYP	MAX	UNIT
t_{PLH} , t_{PHL}	Propagation delay	ISO722xA, see 图 6-1	267	400	610	ns
PWD	Pulse-width distortion $ t_{PHL} - t_{PLH} ^{(1)}$		1	22	ns	
t_{PLH} , t_{PHL}	Propagation delay	ISO722xB, see 图 6-1	37	62	78	ns
PWD	Pulse-width distortion $ t_{PHL} - t_{PLH} ^{(1)}$		1	4	ns	
t_{PLH} , t_{PHL}	Propagation delay	ISO722xC, see 图 6-1	23	40	52	ns
PWD	Pulse-width distortion $ t_{PHL} - t_{PLH} ^{(1)}$		1	3	ns	
t_{PLH} , t_{PHL}	Propagation delay	ISO722xM, see 图 6-1	8	16	25	ns
PWD	Pulse-width distortion $ t_{PHL} - t_{PLH} ^{(1)}$		0.5	1	ns	
$t_{sk(pp)}$	Part-to-part skew ⁽²⁾	ISO722xA			190	ns
		ISO722xB			17	
		ISO722xC			10	
		ISO722xM			5	
$t_{sk(o)}$	Channel-to-channel output skew ⁽³⁾	ISO7220A		3	15	ns
		ISO7220B		0.6	3	
		ISO7220C			3.5	
		ISO7220M		0.2	1	
t_r	Output signal rise time	See 图 6-1		2.3		ns
t_f	Output signal fall time			2.3		ns
t_{fs}	Failsafe output delay time from input power loss	See 图 6-2		3		μ s
$t_{jit(pp)}$	Peak-to-peak eye-pattern jitter	ISO722xM, 150 Mbps PRBS NRZ data, 5-bit max same polarity input, both channels, See 图 6-4, 图 5-13		1		ns
		ISO722xM, 150 Mbps unrestricted bit run length data input, both channels, See 图 6-4		2		

- (1) Also referred to as pulse skew.
- (2) $t_{sk(pp)}$ is the magnitude of the difference in propagation delay times between any specified pins of two devices when both devices operate with the same supply voltages, at the same temperature, and have identical packages and test circuits.
- (3) $t_{sk(o)}$ is the skew between specified outputs of a single device with all driving inputs connected together and the outputs switching in the same direction while driving identical specified loads.

5.18 Switching Characteristics—2.8-V V_{CC1} and V_{CC2} Supplies

V_{CC1} and V_{CC2} at 2.8 V (over recommended operating conditions unless otherwise noted.)

PARAMETER		TEST CONDITIONS	MIN	TYP	MAX	UNIT
t_{PLH} , t_{PHL}	Propagation delay	ISO722xC, see 图 6-1	25	45	65	ns
PWD	Pulse-width distortion $ t_{PHL} - t_{PLH} ^{(1)}$		1.5	5	ns	
$t_{sk(pp)}$	Part-to-part skew ⁽²⁾	ISO722xC			12	ns
$t_{sk(o)}$	Channel-to-channel output skew ⁽³⁾	ISO7220C		0.2	5	ns
t_r	Output signal rise time	See 图 6-1		2.3		ns
t_f	Output signal fall time			2.3		ns
t_{fs}	Failsafe output delay time from input power loss	See 图 6-2		4.6		μ s

- (1) Also referred to as pulse skew.
- (2) $t_{sk(pp)}$ is the magnitude of the difference in propagation delay times between any specified pins of two devices when both devices operate with the same supply voltages, at the same temperature, and have identical packages and test circuits.
- (3) $t_{sk(o)}$ is the skew between specified outputs of a single device with all driving inputs connected together and the outputs switching in the same direction while driving identical specified loads.

5.19 Insulation Characteristics Curves

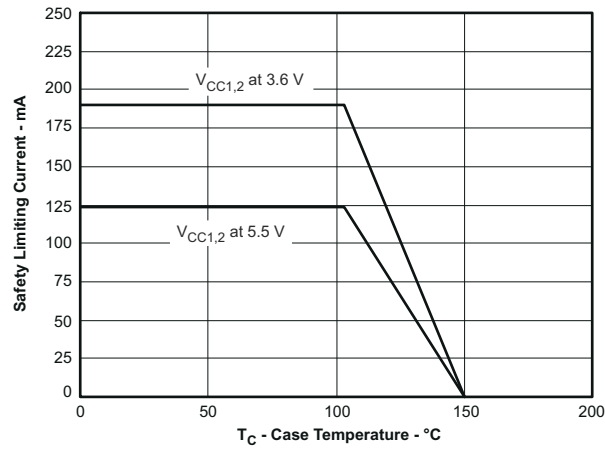


图 5-1. Thermal Derating Curve for Limiting Current per VDE

5.20 Typical Characteristics

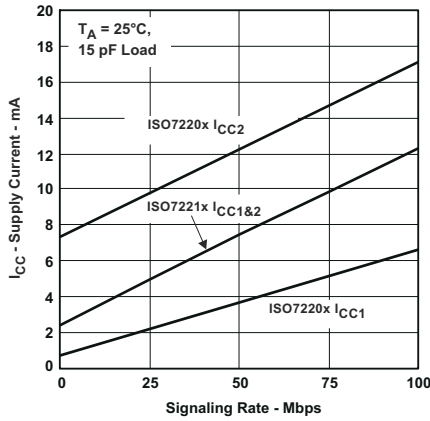


图 5-2. 3.3-V_{RMS} Supply Current vs Signaling Rate (Mbps)

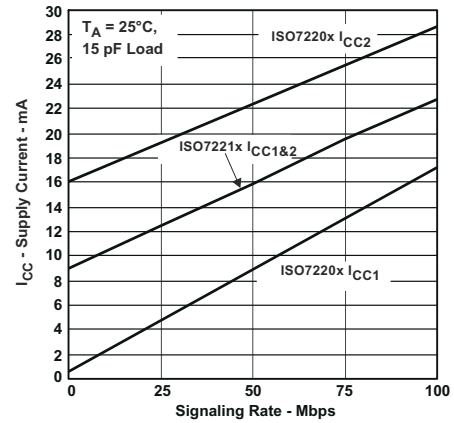


图 5-3. 5-V_{RMS} Supply Current vs Signaling Rate (Mbps)

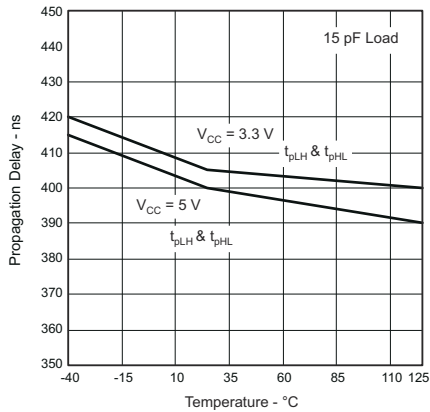


图 5-4. Propagation Delay vs Free-Air Temperature, ISO722xA

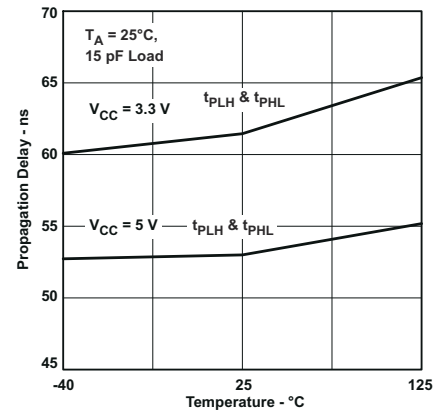


图 5-5. Propagation Delay vs Free-Air Temperature, ISO722xB

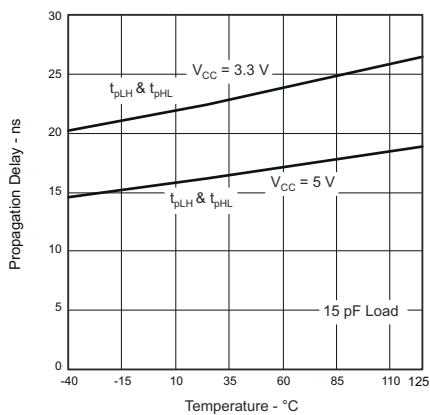


图 5-6. Propagation Delay vs Free-Air Temperature, ISO722xC

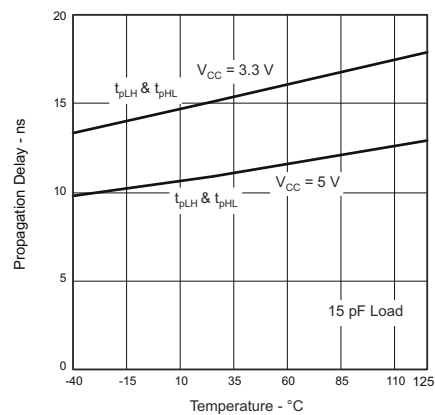


图 5-7. Propagation Delay vs Free-Air Temperature, ISO722xM

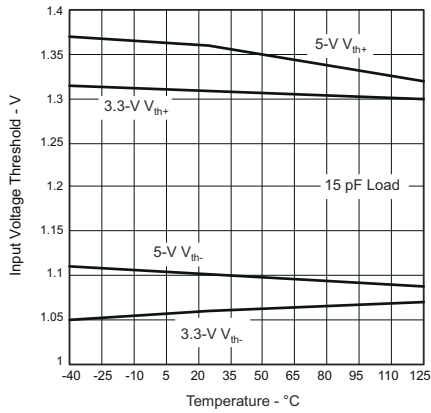


图 5-8. ISO722xA, ISO722xB and ISO722xC Input Voltage Low-to-High Switching Threshold vs Free-Air Temperature

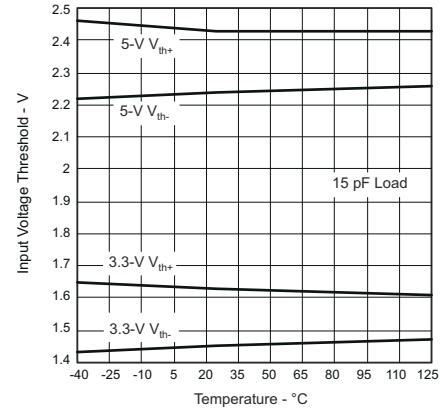


图 5-9. ISO722xM Input Voltage High-to-Low vs Free-Air Temperature

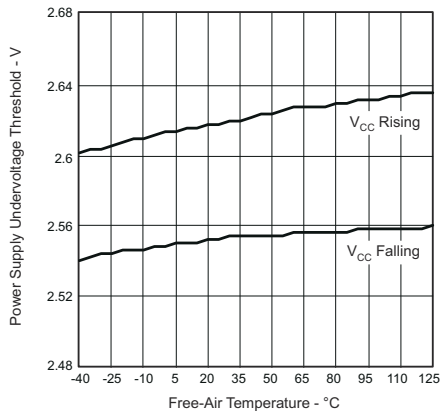


图 5-10. V_{CC} Undervoltage Threshold vs Free-Air Temperature

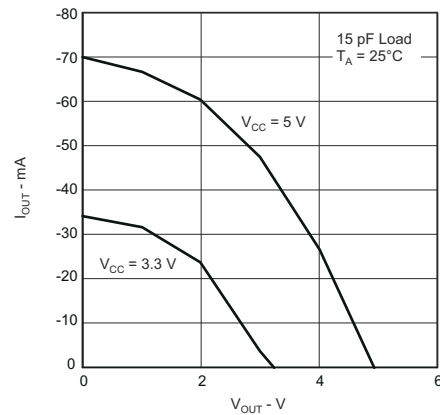


图 5-11. High-Level Output Current vs High-Level Output Voltage

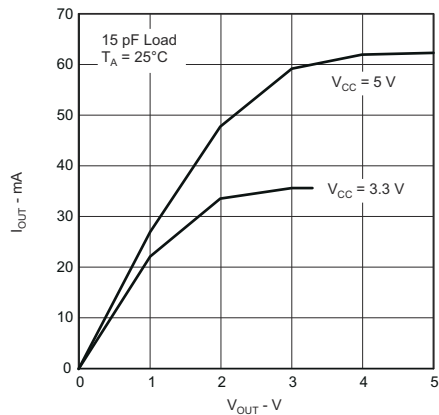


图 5-12. Low-Level Output Current vs Low-Level Output Voltage

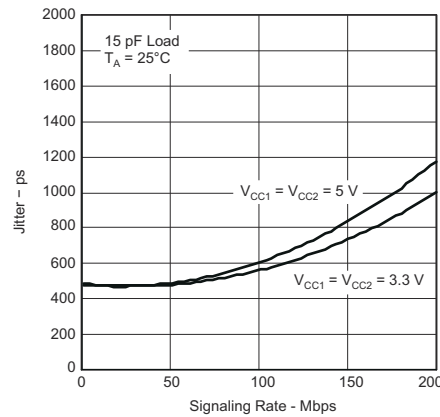
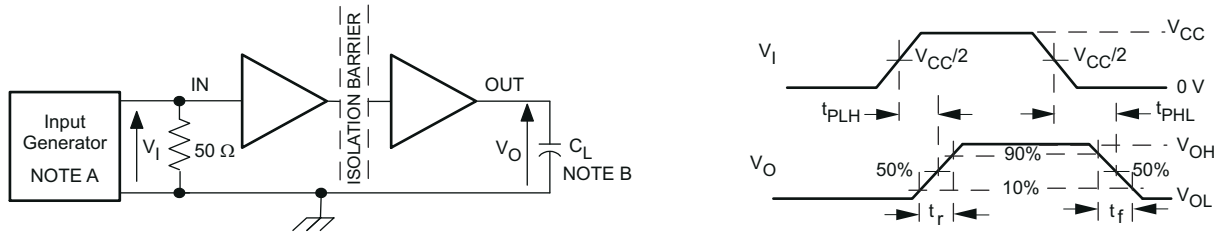


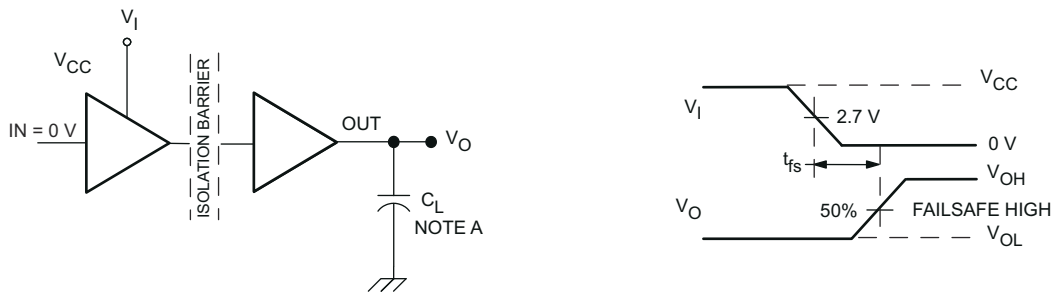
图 5-13. ISO722xM Jitter vs Signaling Rate

6 Parameter Measurement Information



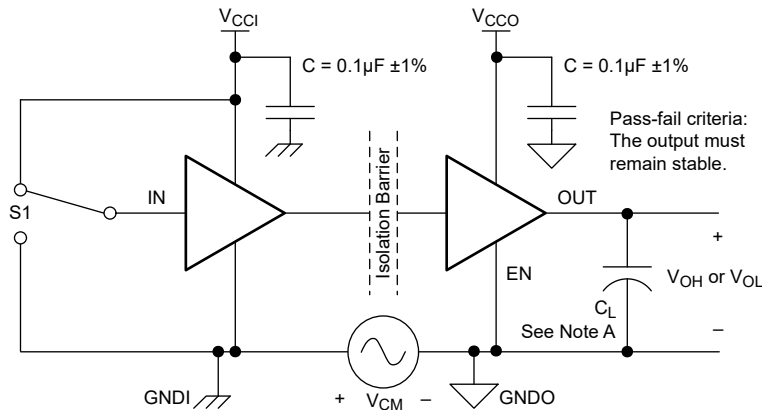
- A. The input pulse is supplied by a generator having the following characteristics: $PRR \leq 50 \text{ kHz}$, 50% duty cycle, $t_r \leq 3 \text{ ns}$, $t_f \leq 3 \text{ ns}$, $Z_0 = 50 \Omega$.
- B. $C_L = 15 \text{ pF}$ and includes instrumentation and fixture capacitance within $\pm 20\%$.

图 6-1. Switching Characteristic Test Circuit and Voltage Waveforms



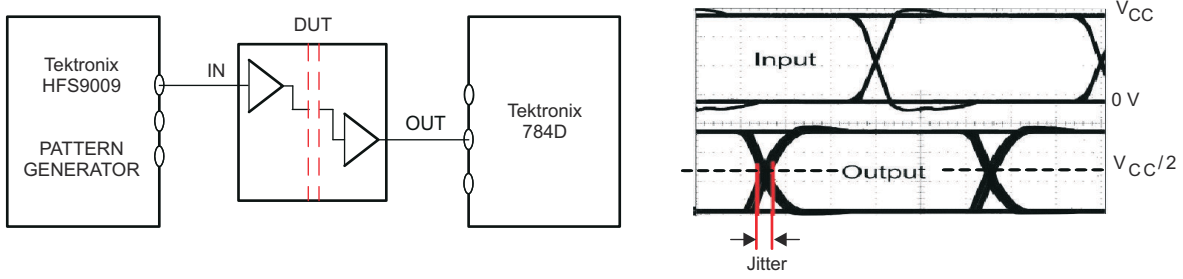
- A. $C_L = 15 \text{ pF}$ and includes instrumentation and fixture capacitance within $\pm 20\%$.

图 6-2. Failsafe Delay Time Test Circuit and Voltage Waveforms



- A. $C_L = 15 \text{ pF}$ and includes instrumentation and fixture capacitance within $\pm 20\%$.

图 6-3. Common-Mode Transient Immunity Test Circuit



PRBS bit pattern run length is $2^{16} - 1$. Transition time is 800 ps.

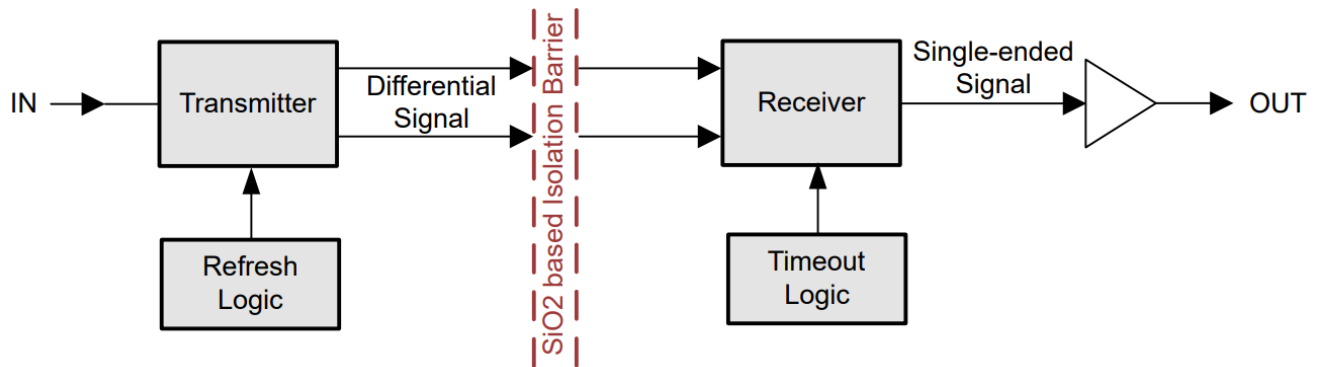
图 6-4. Peak-to-Peak Eye-Pattern Jitter Test Circuit and Voltage Waveform

7 Detailed Description

7.1 Overview

The ISO722x family of devices transmit digital data across a silicon dioxide based isolation barrier. The digital input signal (IN) of the device is sampled by a transmitter and at every data edge the transmitter sends a corresponding differential signal across the isolation barrier. When the input signal is static, the refresh logic periodically sends the necessary differential signal from the transmitter. On the other side of the isolation barrier, the receiver converts the differential signal into a single-ended signal which is output on the OUT pin through a buffer. If the receiver does not receive a data or refresh signal, the timeout logic detects the loss of signal or power from the input side and drives the output to the default level.

7.2 Functional Block Diagram



7.3 Feature Description

表 7-1 provides an overview of the device features.

表 7-1. Device Features

PART NUMBER	MAXIMUM SIGNALING RATE	INPUT THRESHOLD	CHANNEL DIRECTION
ISO7220A	1 Mbps	$\cong 1.5\text{ V (TTL)}$ (CMOS compatible)	Same direction
ISO7220B	5 Mbps	$\cong 1.5\text{ V (TTL)}$ (CMOS compatible)	
ISO7220C	25 Mbps	$\cong 1.5\text{ V (TTL)}$ (CMOS compatible)	
ISO7220M	150 Mbps	$V_{CC}/2$ (CMOS)	
ISO7221A	1 Mbps	$\cong 1.5\text{ V (TTL)}$ (CMOS compatible)	Opposite directions
ISO7221B	5 Mbps	$\cong 1.5\text{ V (TTL)}$ (CMOS compatible)	
ISO7221C	25 Mbps	$\cong 1.5\text{ V (TTL)}$ (CMOS compatible)	
ISO7221M	150 Mbps	$V_{CC}/2$ (CMOS)	

7.4 Device Functional Modes

The ISO7220x and ISO7221x family of devices functional modes are listed in 表 7-2.

表 7-2. ISO7220x or ISO7221x Function Table

INPUT SIDE V_{CC} ⁽¹⁾	OUTPUT SIDE V_{CC}	INPUT (IN)	OUTPUT (OUT)
PU	PU	H	H
		L	L
		Open	H
PD	PU	X	H
X	PD	X	Undetermined

- (1) PU = Powered Up ($V_{CC} \geq 3.0\text{ V}$), PD = Powered Down ($V_{CC} \leq 2.5\text{ V}$), X = Irrelevant, H = High Level,
L = Low Level

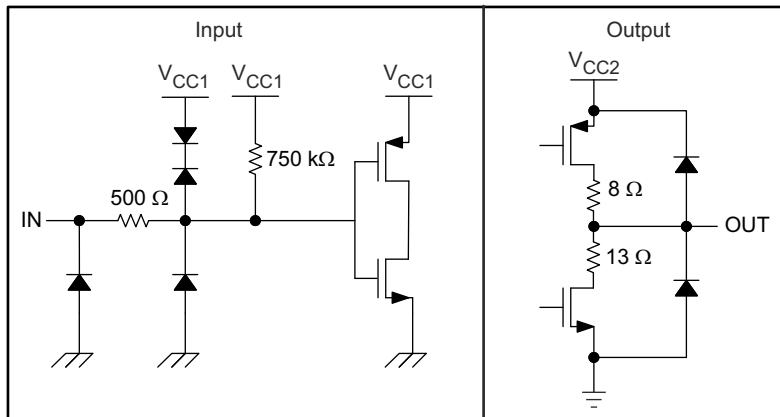


图 7-1. Device I/O Schematics

8 Application and Implementation

备注

以下应用部分中的信息不属于 TI 器件规格的范围，TI 不担保其准确性和完整性。TI 的客户应负责确定器件是否适用于其应用。客户应验证并测试其设计，以确保系统功能。

8.1 Application Information

The ISO7220x and ISO7221x family devices use single-ended TTL or CMOS-logic switching technology. The supply voltage range is from 3 V (2.8 V for C-grade) to 5.5 V for both supplies, V_{CC1} and V_{CC2} . When designing with digital isolators, because of the single-ended design structure, digital isolators do not conform to any specific interface standard and are only intended for isolating single-ended CMOS or TTL digital signal lines. The isolator is typically placed between the data controller (that is, μC or UART), and a data converter or a line transceiver, regardless of the interface type or standard.

8.2 Typical Application

The ISO7221x family of devices can be used with Texas Instruments' mixed signal micro-controller, digital-to-analog converter, transformer driver, and voltage regulator to create an isolated 4- to 20-mA current loop.

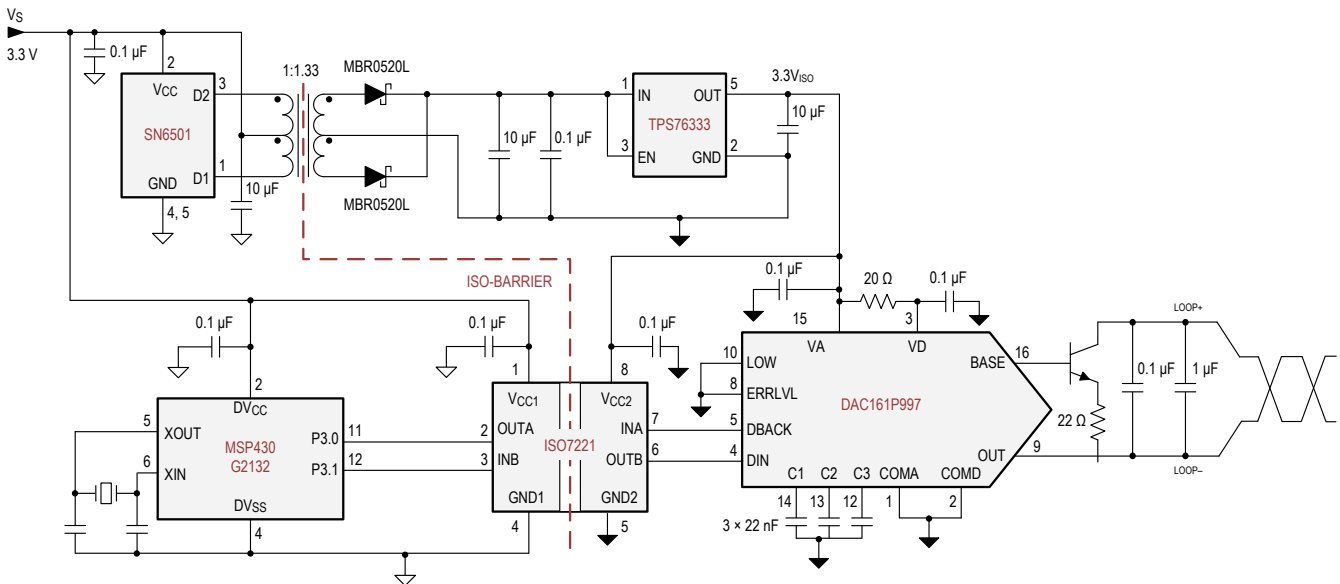


图 8-1. Isolated 4- to 20-mA Current Loop

8.2.1 Design Requirements

Unlike optocouplers, which require external components to improve performance, provide bias (or limit current), the ISO7220x and ISO7221x devices require only two external bypass capacitors to operate.

8.2.2 Detailed Design Procedure

图 8-2 和 图 8-3 显示了一个典型的 ISO7220x 和 ISO7221x 电路的接法。唯一的额外元件是两个旁路电容器。

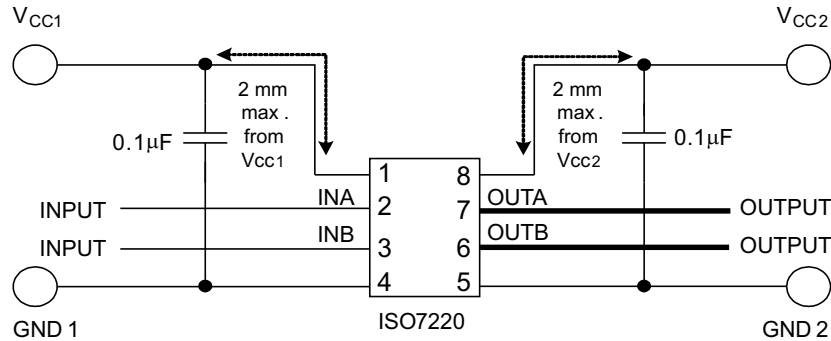


图 8-2. Typical ISO7220x Circuit Hook-Up

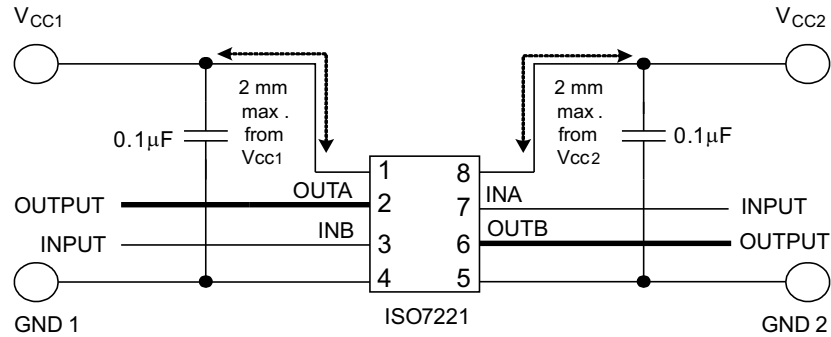


图 8-3. Typical ISO7221x Circuit Hook-Up

8.2.3 Insulation Lifetime

At maximum working voltage, the isolation barrier of the ISO72x and ISO72xM family of devices has more than 28 years of life.

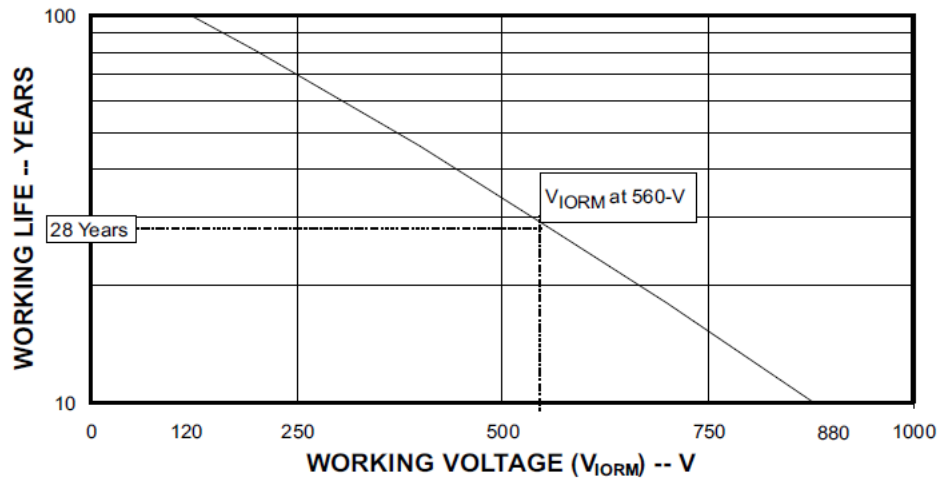


图 8-4. Insulation Lifetime Projection

8.3 Power Supply Recommendations

To help provide reliable operation at all data rates and supply voltages, a 0.1- μ F bypass capacitor is recommended at input and output supply pins (V_{CC1} and V_{CC2}). The capacitors must be placed as close to the supply pins as possible. If only a single primary-side power supply is available in an application, isolated power can be generated for the secondary-side with the help of a transformer driver such as Texas Instruments SN6501 device. For such applications, detailed power supply design and transformer selection recommendations are available in [SN6501 Transformer Driver for Isolated Power Supplies](#).

8.4 Layout

8.4.1 Layout Guidelines

A minimum of four layers are required to accomplish a low EMI PCB design (see [图 8-5](#)). Layer stacking must be in the following order (top-to-bottom): high-speed signal layer, ground plane, power plane and low-frequency signal layer.

- Route the high-speed traces on the top layer to avoid the use of vias (and the introduction of the inductances) and allow for clean interconnects between the isolator and the transmitter and receiver circuits of the data link.
- Place a solid ground plane next to the high-speed signal layer to establish controlled impedance for transmission line interconnects and provide an excellent low-inductance path for the return current flow.
- Place the power plane next to the ground plane to create additional high-frequency bypass capacitance of approximately 100 pF/in².
- Route the slower speed control signals on the bottom layer to allow for greater flexibility as these signal links usually have margin to tolerate discontinuities such as vias.

If an additional supply voltage plane or signal layer is needed, add a second power or ground plane system to the stack to keep the planes symmetrical. Adding a second plane system to the stack makes the stack mechanically stable and prevents warping. The power and ground plane of each power system can be placed closer together, thus increasing the high-frequency bypass capacitance significantly.

For detailed layout recommendations, refer to the [Digital Isolator Design Guide](#).

8.4.1.1 PCB Material

For digital circuit boards operating at less than 150 Mbps, (or rise and fall times greater than 1 ns), and trace lengths of up to 10 inches, use standard FR-4 UL94V-0 printed circuit board. This PCB is preferred over cheaper alternatives because of lower dielectric losses at high frequencies, less moisture absorption, greater strength and stiffness, and the self-extinguishing flammability-characteristics.

8.4.2 Layout Example

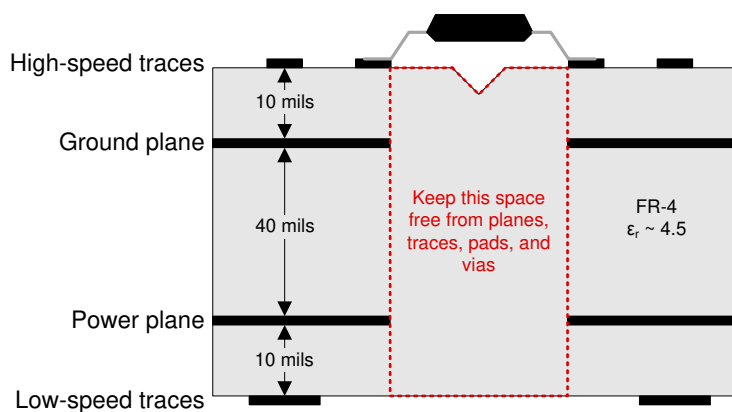


图 8-5. Recommended Layer Stack

9 Device and Documentation Support

9.1 Device Support

9.1.1 Development Support

For development support, refer to:

- [AC-mains LED Lighting with DALI DMX512 & Power Line Communications Reference Design](#)
- [Industrial Servo Drive and AC Inverter Drive Reference Design](#)
- [Low-Cost Single/Dual-Phase Isolated Electricity Measurement Reference Design](#)
- [Noise Tolerant Capacitive Touch HMI Reference Design](#)
- [Type 2 PoE PSE, 6kV Lightning Surge Reference Design](#)

9.2 Documentation Support

9.2.1 Related Documentation

For related documentation, see the following:

- Texas Instruments, [DAC161P997 Single-Wire 16-bit DAC for 4- to 20-mA Loops data sheet](#)
- Texas Instruments, [Digital Isolator Design Guide](#)
- Texas Instruments, [High-Voltage Lifetime of the ISO72x Family of Digital Isolators application report](#)
- Texas Instruments, [Isolation Glossary](#)
- Texas Instruments, [MSP430G2x32 Mixed Signal Microcontroller data sheet](#)
- Texas Instruments, [SN6501 Transformer Driver for Isolated Power Supplies data sheet](#)
- Texas Instruments, [TPS763xx Low-Power 150-mA Low-Dropout Linear Regulators data sheet](#)

9.3 Related Links

The table below lists quick access links. Categories include technical documents, support and community resources, tools and software, and quick access to sample or buy.

表 9-1. Related Links

PARTS	PRODUCT FOLDER	ORDER NOW	TECHNICAL DOCUMENTS	TOOLS & SOFTWARE	SUPPORT & COMMUNITY
ISO7220A	Click here	Click here	Click here	Click here	Click here
ISO7220B	Click here	Click here	Click here	Click here	Click here
ISO7220C	Click here	Click here	Click here	Click here	Click here
ISO7220M	Click here	Click here	Click here	Click here	Click here
ISO7221A	Click here	Click here	Click here	Click here	Click here
ISO7221B	Click here	Click here	Click here	Click here	Click here
ISO7221C	Click here	Click here	Click here	Click here	Click here
ISO7221M	Click here	Click here	Click here	Click here	Click here

9.4 接收文档更新通知

要接收文档更新通知，请导航至 [ti.com](https://www.ti.com) 上的器件产品文件夹。点击 [通知](#) 进行注册，即可每周接收产品信息更改摘要。有关更改的详细信息，请查看任何已修订文档中包含的修订历史记录。

9.5 支持资源

[TI E2E™ 中文支持论坛](#) 是工程师的重要参考资料，可直接从专家处获得快速、经过验证的解答和设计帮助。搜索现有解答或提出自己的问题，获得所需的快速设计帮助。

链接的内容由各个贡献者“按原样”提供。这些内容并不构成 TI 技术规范，并且不一定反映 TI 的观点；请参阅 TI 的 [使用条款](#)。

9.6 Trademarks

Profibus™ is a trademark of Profibus.
DeviceNet™ is a trademark of Open DeviceNet Vendors Association.
TI E2E™ is a trademark of Texas Instruments.
所有商标均为其各自所有者的财产。

9.7 静电放电警告



静电放电 (ESD) 会损坏这个集成电路。德州仪器 (TI) 建议通过适当的预防措施处理所有集成电路。如果不遵守正确的处理和安装程序，可能会损坏集成电路。

ESD 的损坏小至导致微小的性能降级，大至整个器件故障。精密的集成电路可能更容易受到损坏，这是因为非常细微的参数更改都可能会导致器件与其发布的规格不相符。

9.8 术语表

TI 术语表 本术语表列出并解释了术语、首字母缩略词和定义。

10 Revision History

注：以前版本的页码可能与当前版本的页码不同

Changes from Revision Q (August 2018) to Revision R (October 2024) Page

• 通篇将引用内容从电容隔离更新为隔离栅.....	1
• 更新了整个文档中的表格、图和交叉参考的编号格式.....	1
• Updated Thermal Characteristics, Safety Limiting Values, and Thermal Derating Curves to provide more accurate system-level thermal calculations.....	4
• Updated electrical and switching characteristics to match device performance.....	12

Changes from Revision P (August 2018) to Revision Q (January 2021) Page

• Removed nominal specifications in the RECOMMENDED OPERATING CONDITIONS table.....	5
---	---

Changes from Revision O (April 2017) to Revision P (August 2018) Page

• 通篇将 (VDE V 0884-10):2006-12 更改为 DIN VDE V 0884-11:2017-01	1
• 通篇将获得了 CSA 元件验收通知 5A 和 IEC 60950-1 批准 更改为获得了 CSA IEC 60950-1 和 IEC 62368-1 批准	1
• Added the basic insulation working voltage for CSA in the <i>Safety-Related Certifications</i> table.....	6
• Changed the VDE certification number from 40016131 to 40047657 in the <i>Safety-Related Certifications</i> table.....	6
• Changed the maximum propagation delay and pulse-width distortion in each <i>Switching Characteristics</i> table.....	12
• Changed ISO722x to ISO7220 for all part numbers for the Channel-to-channel output skew parameter in each <i>Switching Characteristic</i> table.....	12
• Added $\pm 10\%$ for the V_{CC1} and V_{CC2} voltages in the condition statement of the <i>Switching Characteristics—5-V V_{CC1} and V_{CC2} Supplies</i> table.....	12

Changes from Revision N (September 2015) to Revision O (April 2017)		Page
• Changed the <i>Dissipation Characteristics</i> table to <i>Power Ratings</i> . Combined the <i>DIN V VDE V 0884-10 (VDE V 0884-10):2006-12 Insulation Characteristics</i> table <i>IEC Package Characteristics</i> , and <i>IEC 60664-1 Ratings Table</i> in the <i>Insulation Specifications</i> table. Changed the <i>Regulatory Information</i> table to <i>Safety-Related Certifications</i>		5
• Deleted the maximum surge voltage, 4000 V _{PK} for VDE in the <i>Safety-Related Certifications</i> table.....		6
• Changed the CSA information in the <i>Safety-Related Certifications</i> table.....		6

Changes from Revision M (October 2014) to Revision N (September 2015)		Page
• 通篇将“VDE 认证”从“DIN EN 60747-5-5 (VDE 0884-5)”更改为“DIN V VDE V 0884-10 (VDE V 0884-10):2006-12”		1
• 将简化原理图更新为质量更高的版本.....		1
• Changed the max value of the IN and OUT voltage from 6 to V _{CC} + 0.5 in the <i>Absolute Maximum Ratings</i> table.....		4
• Added the JEDEC package dimensions note in the <i>IEC Package Characteristics</i> table.....		6
• Changed the DTI test condition From: IEC 60112 / VDE 0303 Part 1 To: DIN EN 60112 (VDE 0303-11); IEC 60112.....		6
• Added = 150°C to insulation resistance test condition in the <i>DIN V VDE V 0884-10 (VDE V 0884-10):2006-12 Insulation Characteristics</i> table.....		6
• Changed L(I01) MIN value from 4.8 to 4 in the <i>IEC Package Characteristics</i> table.....		6
• Added the DTI parameter to the <i>IEC Package Characteristics</i> table.....		6
• Added table row with input side V _{CC} = X to the <i>ISO7220x or ISO7221x Function</i> table.....		23

Changes from Revision L (January 2012) to Revision M (August 2014)		Page
• 将该数据表的标题更改为 <i>ISO722x 双通道数字隔离器</i>		1
• 添加了 <i>引脚配置和功能</i> 部分、 <i>处理额定值</i> 部分、 <i>功耗额定值表</i> 、 <i>特性说明</i> 部分、 <i>器件功能模式</i> 、 <i>应用和实施</i> 部分、 <i>电源相关建议</i> 部分、 <i>布局</i> 部分、 <i>器件和文档支持</i> 部分以及 <i>机械、封装和可订购信息</i> 部分，更改了 <i>热性能信息表</i>		1
• 更新了“特性”部分.....		1
• 在“说明”的第二句中添加了“符合 VDE 标准、高达 4000V _{PK} ”		1
• Updated the <i>Regulatory Information Table</i>		3
• Added the min and max values to the Storage temperature parameter in the <i>Absolute Maximum Ratings</i> table.....		4
• Changed in ROC table Max col, V _{IH} row from V _{CC} to 5.5.....		5
• Changed the L(I01) parameter name to external clearance (CLR) and L(I02) to external creepage (CPG). Also changed the input-to-output test voltage (V _{PR}) parameter name to apparent charge (q _{pd}).....		6
• Changed the Device Options table, Input Threshold column from ≠ symbol to ~ symbol 6 places		23
• Changed the name of the <i>Application Curve</i> section to <i>Insulation Lifetime</i> and moved to the <i>Application Curves</i> section.....		25
• Changed <i>Isolation Glossary</i>		27

Changes from Revision K (January 2010) to Revision L (January 2012)		Page
• 将“特性”中的“由 3.3V 或 5V 电源供电”更改为“由 2.8V (C 级)、3.3V 或 5V 电源供电”		1
• 将“特性”中的“4000V _(peak) 隔离, 560V _{peak} V _{IORM} ”更改为“4000V _{PK} V _{IOTM} , 560V _{PK} V _{IORM} , 符合 IEC 60747-5-2 (VDE 0884 , 修订版 2) 标准”		1
• Changed Note: (1) in the RECOMMENDED OPERATING CONDITIONS table.....		5

• Added device options to V_{CC} in the RECOMMENDED OPERATING CONDITIONS table.....	5
• Changed the CTI MIN value From: ≥ 175 V To: ≥ 400 V.....	6
• Updated the <i>Regulatory Information</i> table.....	6
• Changed Table Note: (1).....	8
• Changed I_{CC1} and I_{CC2} test conditions in the 5-V table.....	8
• Changed Table Note: (1).....	8
• Changed I_{CC1} and I_{CC2} test conditions in the V_{CC1} at 5 V, V_{CC2} at 3.3 V table.....	8
• Changed I_{CC1} and I_{CC2} test conditions in the V_{CC1} at 3.3 V, V_{CC2} at 5 V table.....	10
• Changed Table Note (1).....	10
• Changed I_{CC1} and I_{CC2} test conditions in the V_{CC1} and V_{CC2} at 3.3 V table.....	11
• Changed Table Note (1).....	11
• Added ELECTRICAL and Switching CHARACTERISTICS table for V_{CC1} and V_{CC2} at 2.8 V (ISO722xC-Only).....	12
• Changed V_{CC} Undervoltage Threshold vs Free-Air Temperature	18
• Changed <i>Failsafe Delay Time Test Circuit and Voltage Waveforms</i>	20

Changes from Revision J (May 2009) to Revision K () **Page**

• Changed Note (2) From: Typical signaling rate under ideal conditions at 25°C. To: Typical signaling rate and Input pulse width are measured at ideal conditions at 25°C.....	5
• Changed the RECOMMENDED OPERATING CONDITIONS so that Note (2) is associated with all device options in the Input pulse width and Signaling rate.....	5
• Changed column 2 of the AVAILABLE OPTIONS table From: Signaling Rate To: Max Signaling Rate.....	23

Changes from Revision I (December 2008) to Revision J () **Page**

• Changed ISO7221C Marked As column From: TI7221C To: I7221C in the AVAILABLE OPTIONS table.....	23
--	----

Changes from Revision H (May 2008) to Revision I () **Page**

• 向 UL 1577 特性要点中添加了“获得了 IEC 61010-1、IEC 60950-1 和 CSA 批准”	1
--	---

Changes from Revision G (March 2008) to Revision H () **Page**

• Added Note: (1) to the RECOMMENDED OPERATING CONDITIONS table.....	5
• Added Note: (1) to the ELECTRICAL CHARACTERISTICS: V_{CC1} and V_{CC2} at 5-V table.....	8
• Added Note: (1) to the ELECTRICAL CHARACTERISTICS: V_{CC1} at 5 V, V_{CC2} at 3.3 V table.....	8
• Added Note (1): to the ELECTRICAL CHARACTERISTICS: V_{CC1} at 3.3 V, V_{CC2} at 5 V table.....	10
• Added Note (1): to the ELECTRICAL CHARACTERISTICS: V_{CC1} and V_{CC2} at 3.3 V.....	11

Changes from Revision F (August 2007) to Revision G () **Page**

• 向数据表添加了器件型号 ISO7220B 和 ISO7221B.....	1
• 向“特性”列表中添加了 5Mbps 信令速率.....	1
• Added Part Numbers ISO7220B and ISO7221B to the ELECTRICAL CHARACTERISTICS: V_{CC1} and V_{CC2} at 5-V table.....	8
• Added Part Numbers ISO7220B and ISO7221B to the ELECTRICAL CHARACTERISTICS: V_{CC1} at 5 V, V_{CC2} at 3.3 V table.....	8

• Added Part Numbers ISO7220B and ISO7221B to the ELECTRICAL CHARACTERISTICS: V_{CC1} at 3.3 V, V_{CC2} at 5 V table.....	10
• Added Part Numbers ISO7220B and ISO7221B to the ELECTRICAL CHARACTERISTICS: V_{CC1} and V_{CC2} at 3.3 V.....	11
• Added PROPAGATION DELAY vs FREE-AIR TEMPERATURE, ISO722xB, <i>Propagaton Delay vs Free-Air Temperature, ISO722xB</i>	18
• Added Part Numbers ISO7220B and ISO7221B to the AVAILABLE OPTIONS table.....	23

Changes from Revision E (July 2007) to Revision F ()

Page

• Added $t_{sk(o)}$ footnote to the SWITCHING CHARACTERISTICS: V_{CC1} and V_{CC2} at 5-V OPERATION table....	12
• Added $t_{sk(pp)}$ footnote to the SWITCHING CHARACTERISTICS: V_{CC1} and V_{CC2} at 5-V OPERATION table..	12
• Added $t_{sk(pp)}$ footnote to the SWITCHING CHARACTERISTICS: V_{CC1} at 5 V, V_{CC2} at 3.3 V OPERATION table.....	14
• Added $t_{sk(o)}$ footnote to the SWITCHING CHARACTERISTICS: V_{CC1} at 5 V, V_{CC2} at 3.3 V OPERATION table.....	14
• Added $t_{sk(pp)}$ footnote to the SWITCHING CHARACTERISTICS: V_{CC1} at 3.3 V, V_{CC2} at 5 V OPERATION table.....	15
• Added $t_{sk(o)}$ footnote to the SWITCHING CHARACTERISTICS: V_{CC1} at 3.3 V, V_{CC2} at 5 V OPERATION table.....	15
• Added $t_{sk(pp)}$ footnote to the SWITCHING CHARACTERISTICS table.....	16
• Changed 3.3- V_{RMS} <i>Supply Current vs Signaling Rate</i> - Re-scaled the Y-axis.....	18
• Changed 5- V_{RMS} <i>Supply Current vs Signaling Rate</i> - New Curves.....	18

Changes from Revision D (June 2007) to Revision E ()

Page

• Changed 3.3- V_{RMS} <i>Supply Current vs Signaling Rate</i> - New Curves.....	18
• Changed 5- V_{RMS} <i>Supply Current vs Signaling Rate</i> - Re-scaled the Y-axis	18

Changes from Revision C (May 2007) to Revision D ()

Page

• Changed <i>Typical ISO7220x Circuit Hook-Up</i> - Pin 2 (INA) label From: OUTPUT to INPUT.....	25
--	----

Changes from Revision B (May 2007) to Revision C ()

Page

• Added the Signaling rate values to the RECOMMENDED OPERATING CONDITIONS table.....	5
• Changed the IEC 60664-1 RATINGS TABLE - Specification I-III test conditions From: Rated mains voltage ≤ 150 VRMS To: Rated mains voltage ≤ 300 VRMS. Added a row for the I-II specifications.....	6
• Added <i>ISO722xM Jitter vs Signaling Rate</i> cross reference to the Peak-to-peak eye-pattern jitter of the SWITCHING CHARACTERISTICS table.....	12
• Added <i>Time-Dependent Dielectric Breakdown Test Results</i>	25

Changes from Revision A (August 2006) to Revision B ()

Page

• Added the TYPICAL CHARACTERISTIC CURVES to the data sheet.....	18
• Added the PARAMETER MEASUREMENT INFORMATION to the data sheet.....	20
• Added the APPLICATION INFORMATION section to the data sheet.....	24

- Added the ISOLATION GLOSSARY section to the data sheet 27

Changes from Revision * (July 2006) to Revision A ()	Page
• 从 UL 1577 特性要点中删除了“并获得了 CSA 批准”	1
• Added option A to the AVAILABLE OPTIONS table.....	23

11 Mechanical, Packaging, and Orderable Information

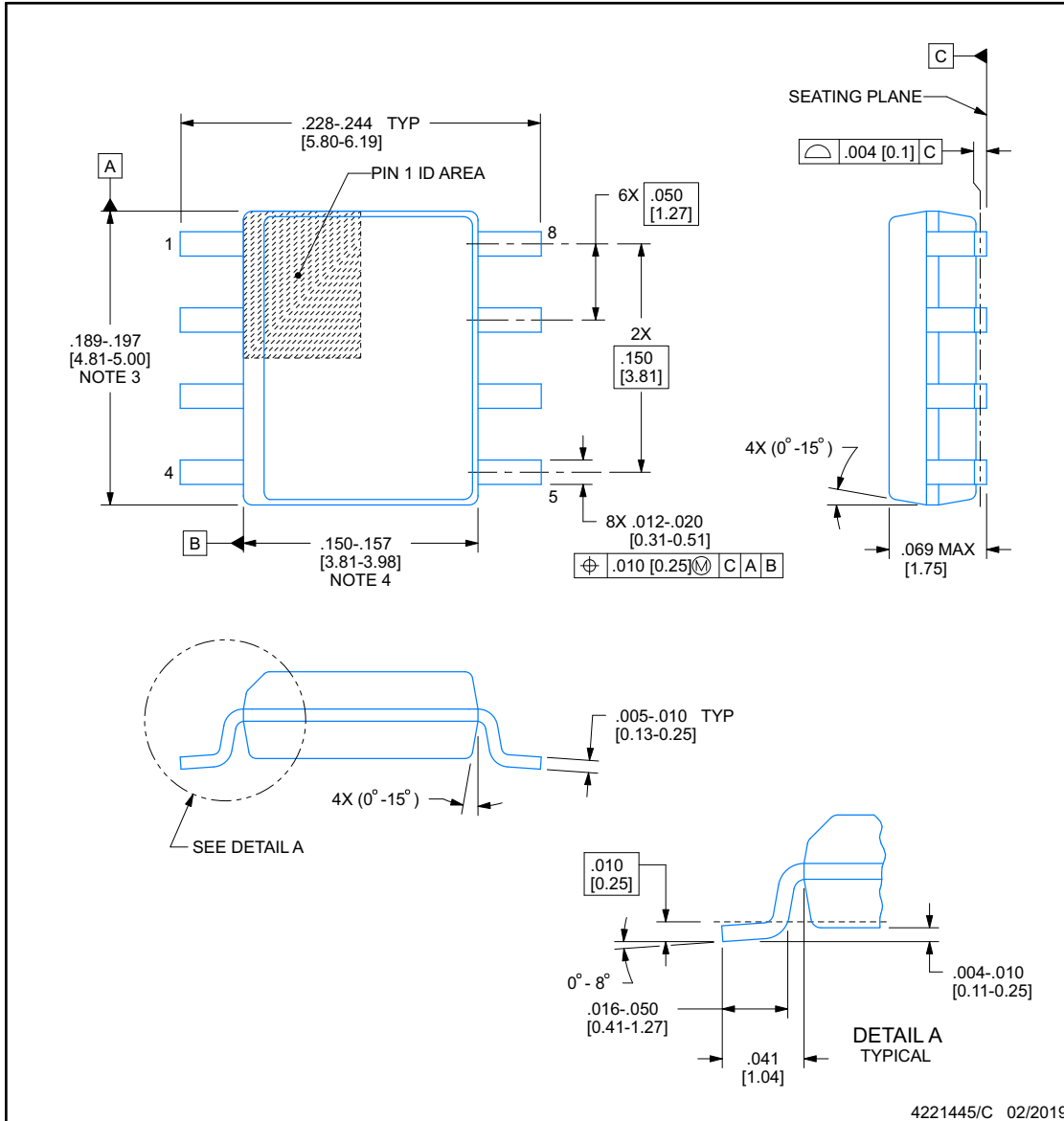
The following pages include mechanical, packaging, and orderable information. This information is the most current data available for the designated devices. This data is subject to change without notice and revision of this document. For browser-based versions of this data sheet, refer to the left-hand navigation.



D0008B

PACKAGE OUTLINE
SOIC - 1.75 mm max height

SMALL OUTLINE INTEGRATED CIRCUIT



NOTES:

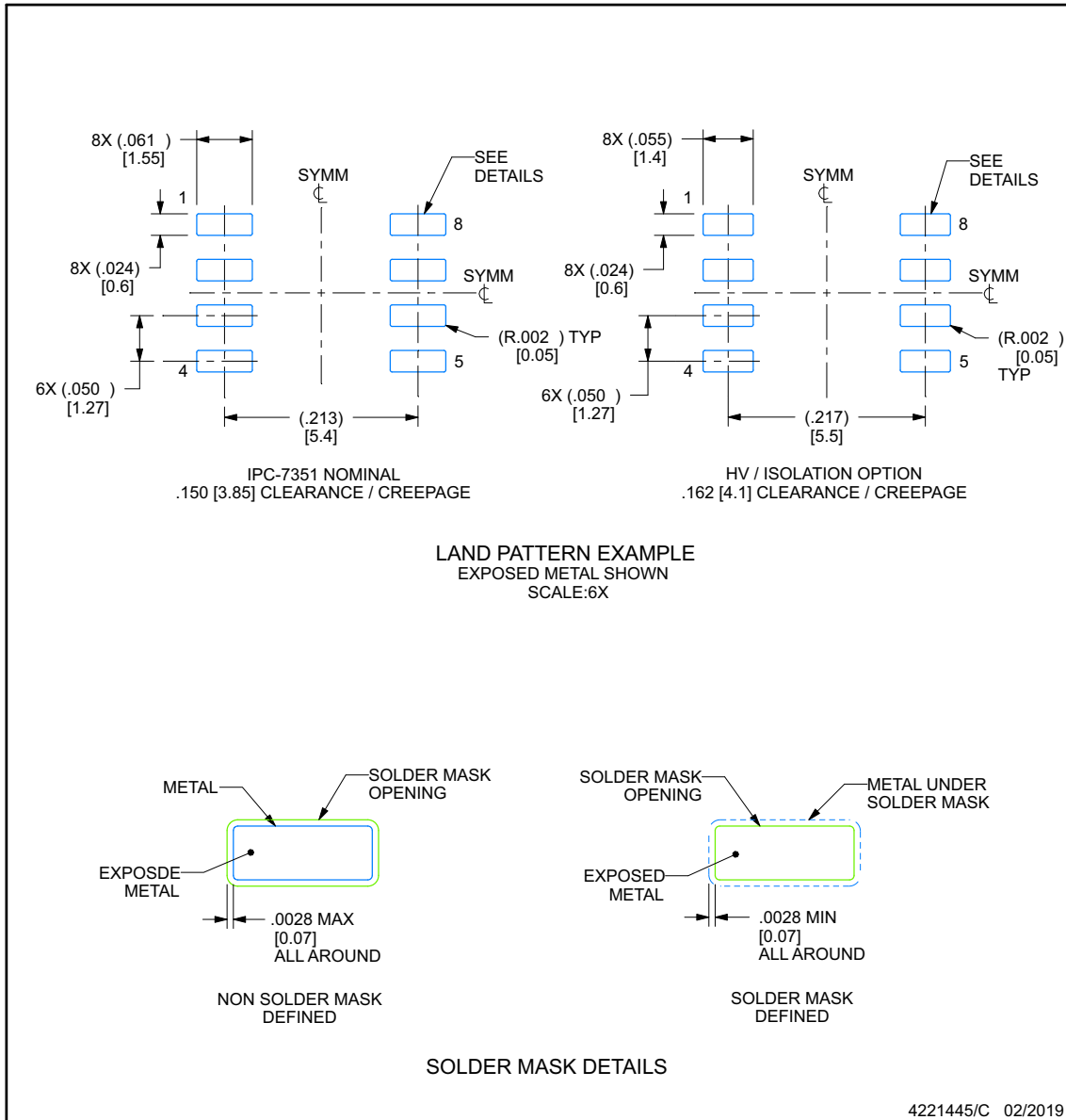
1. Linear dimensions are in inches [millimeters]. Dimensions in parenthesis are for reference only. Controlling dimensions are in inches. Dimensioning and tolerancing per ASME Y14.5M.
2. This drawing is subject to change without notice.
3. This dimension does not include mold flash, protrusions, or gate burrs. Mold flash, protrusions, or gate burrs shall not exceed $.006$ [0.15], per side.
4. This dimension does not include interlead flash.
5. Reference JEDEC registration MS-012, variation AA.

EXAMPLE BOARD LAYOUT

D0008B

SOIC - 1.75 mm max height

SMALL OUTLINE INTEGRATED CIRCUIT



NOTES: (continued)

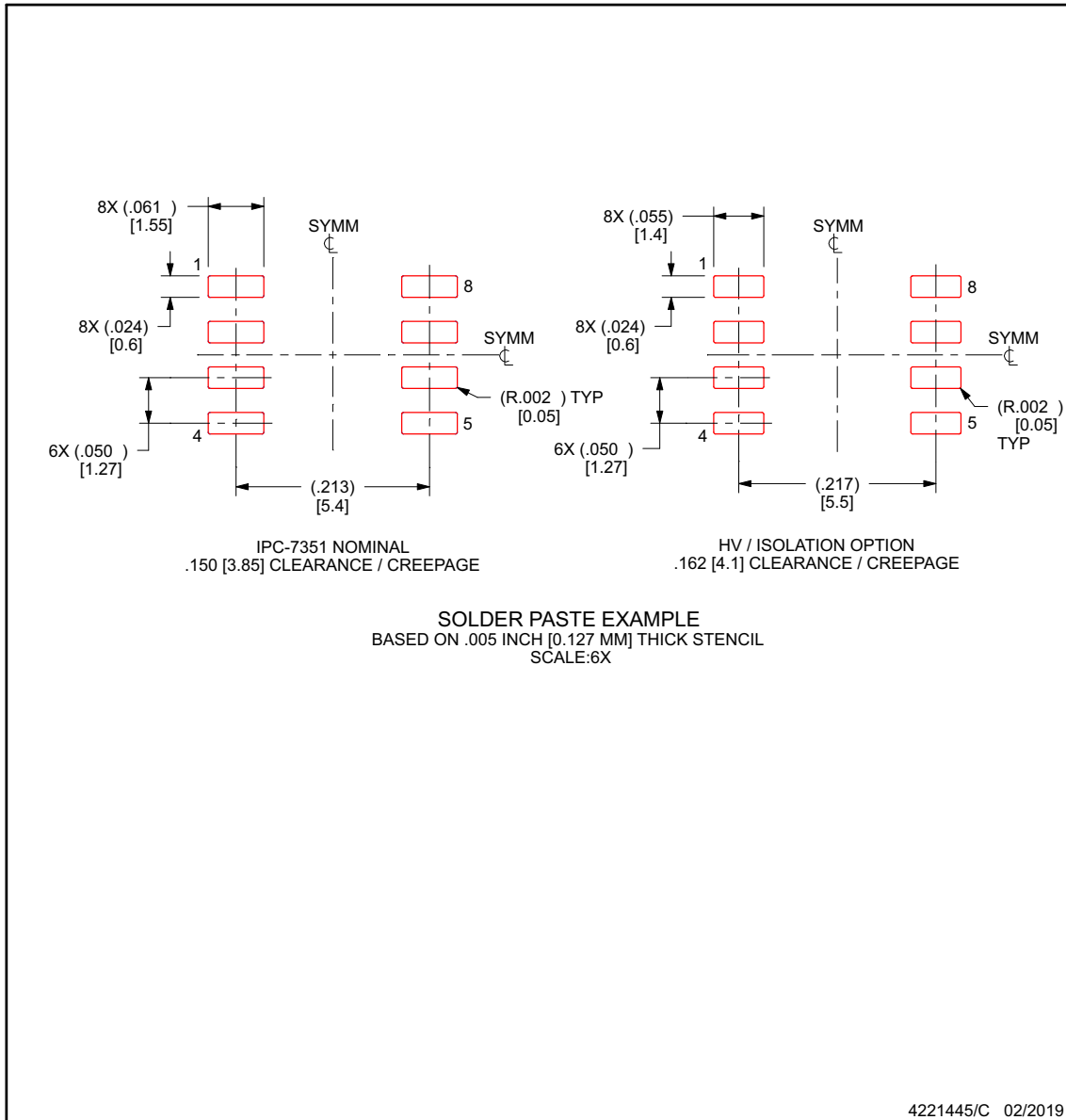
- Publication IPC-7351 may have alternate designs.
- Solder mask tolerances between and around signal pads can vary based on board fabrication site.

EXAMPLE STENCIL DESIGN

D0008B

SOIC - 1.75 mm max height

SMALL OUTLINE INTEGRATED CIRCUIT



NOTES: (continued)

8. Laser cutting apertures with trapezoidal walls and rounded corners may offer better paste release. IPC-7525 may have alternate design recommendations.
9. Board assembly site may have different recommendations for stencil design.

PACKAGING INFORMATION

Orderable Device	Status (1)	Package Type	Package Drawing	Pins	Package Qty	Eco Plan (2)	Lead finish/ Ball material (6)	MSL Peak Temp (3)	Op Temp (°C)	Device Marking (4/5)	Samples
ISO7220AD	OBSOLETE	SOIC	D	8		TBD	Call TI	Call TI	-40 to 125	I7220A	
ISO7220ADR	ACTIVE	SOIC	D	8	2500	RoHS & Green	NIPDAU	Level-1-260C-UNLIM	-40 to 125	I7220A	Samples
ISO7220ADRG4	ACTIVE	SOIC	D	8	2500	RoHS & Green	NIPDAU	Level-1-260C-UNLIM	-40 to 125	I7220A	Samples
ISO7220BD	OBSOLETE	SOIC	D	8		TBD	Call TI	Call TI	-40 to 125	I7220B	
ISO7220BDR	ACTIVE	SOIC	D	8	2500	RoHS & Green	NIPDAU	Level-1-260C-UNLIM	-40 to 125	I7220B	Samples
ISO7220CD	OBSOLETE	SOIC	D	8		TBD	Call TI	Call TI	-40 to 125	I7220C	
ISO7220CDR	ACTIVE	SOIC	D	8	2500	RoHS & Green	NIPDAU	Level-1-260C-UNLIM	-40 to 125	I7220C	Samples
ISO7220MD	OBSOLETE	SOIC	D	8		TBD	Call TI	Call TI	-40 to 125	I7220M	
ISO7220MDR	ACTIVE	SOIC	D	8	2500	RoHS & Green	NIPDAU	Level-1-260C-UNLIM	-40 to 125	I7220M	Samples
ISO7220MDRG4	ACTIVE	SOIC	D	8	2500	RoHS & Green	NIPDAU	Level-1-260C-UNLIM	-40 to 125	I7220M	Samples
ISO7221ADR	ACTIVE	SOIC	D	8	2500	RoHS & Green	NIPDAU	Level-1-260C-UNLIM	-40 to 125	I7221A	Samples
ISO7221ADRG4	ACTIVE	SOIC	D	8	2500	RoHS & Green	NIPDAU	Level-1-260C-UNLIM	-40 to 125	I7221A	Samples
ISO7221BDR	ACTIVE	SOIC	D	8	2500	RoHS & Green	NIPDAU	Level-1-260C-UNLIM	-40 to 125	I7221B	Samples
ISO7221BDRG4	ACTIVE	SOIC	D	8	2500	RoHS & Green	NIPDAU	Level-1-260C-UNLIM	-40 to 125	I7221B	Samples
ISO7221CD	OBSOLETE	SOIC	D	8		TBD	Call TI	Call TI	-40 to 125	I7221C	
ISO7221CDR	ACTIVE	SOIC	D	8	2500	RoHS & Green	NIPDAU	Level-1-260C-UNLIM	-40 to 125	I7221C	Samples
ISO7221CDRG4	ACTIVE	SOIC	D	8	2500	RoHS & Green	NIPDAU	Level-1-260C-UNLIM	-40 to 125	I7221C	Samples
ISO7221MD	OBSOLETE	SOIC	D	8		TBD	Call TI	Call TI	-40 to 125	I7221M	
ISO7221MDR	ACTIVE	SOIC	D	8	2500	RoHS & Green	NIPDAU	Level-1-260C-UNLIM	-40 to 125	I7221M	Samples

(1) The marketing status values are defined as follows:

ACTIVE: Product device recommended for new designs.

LIFEBUY: TI has announced that the device will be discontinued, and a lifetime-buy period is in effect.

NRND: Not recommended for new designs. Device is in production to support existing customers, but TI does not recommend using this part in a new design.

PREVIEW: Device has been announced but is not in production. Samples may or may not be available.

OBSOLETE: TI has discontinued the production of the device.

(2) **RoHS:** TI defines "RoHS" to mean semiconductor products that are compliant with the current EU RoHS requirements for all 10 RoHS substances, including the requirement that RoHS substance do not exceed 0.1% by weight in homogeneous materials. Where designed to be soldered at high temperatures, "RoHS" products are suitable for use in specified lead-free processes. TI may reference these types of products as "Pb-Free".

RoHS Exempt: TI defines "RoHS Exempt" to mean products that contain lead but are compliant with EU RoHS pursuant to a specific EU RoHS exemption.

Green: TI defines "Green" to mean the content of Chlorine (Cl) and Bromine (Br) based flame retardants meet JS709B low halogen requirements of ≤ 1000 ppm threshold. Antimony trioxide based flame retardants must also meet the ≤ 1000 ppm threshold requirement.

(3) MSL, Peak Temp. - The Moisture Sensitivity Level rating according to the JEDEC industry standard classifications, and peak solder temperature.

(4) There may be additional marking, which relates to the logo, the lot trace code information, or the environmental category on the device.

(5) Multiple Device Markings will be inside parentheses. Only one Device Marking contained in parentheses and separated by a "~" will appear on a device. If a line is indented then it is a continuation of the previous line and the two combined represent the entire Device Marking for that device.

(6) Lead finish/Ball material - Orderable Devices may have multiple material finish options. Finish options are separated by a vertical ruled line. Lead finish/Ball material values may wrap to two lines if the finish value exceeds the maximum column width.

Important Information and Disclaimer: The information provided on this page represents TI's knowledge and belief as of the date that it is provided. TI bases its knowledge and belief on information provided by third parties, and makes no representation or warranty as to the accuracy of such information. Efforts are underway to better integrate information from third parties. TI has taken and continues to take reasonable steps to provide representative and accurate information but may not have conducted destructive testing or chemical analysis on incoming materials and chemicals. TI and TI suppliers consider certain information to be proprietary, and thus CAS numbers and other limited information may not be available for release.

In no event shall TI's liability arising out of such information exceed the total purchase price of the TI part(s) at issue in this document sold by TI to Customer on an annual basis.

OTHER QUALIFIED VERSIONS OF ISO7220A, ISO7221A, ISO7221C :

- Automotive : [ISO7220A-Q1](#), [ISO7221A-Q1](#), [ISO7221C-Q1](#)

NOTE: Qualified Version Definitions:

- Automotive - Q100 devices qualified for high-reliability automotive applications targeting zero defects

TAPE AND REEL INFORMATION

QUADRANT ASSIGNMENTS FOR PIN 1 ORIENTATION IN TAPE


*All dimensions are nominal

Device	Package Type	Package Drawing	Pins	SPQ	Reel Diameter (mm)	Reel Width W1 (mm)	A0 (mm)	B0 (mm)	K0 (mm)	P1 (mm)	W (mm)	Pin1 Quadrant
ISO7220ADR	SOIC	D	8	2500	330.0	12.4	6.4	5.2	2.1	8.0	12.0	Q1
ISO7220BDR	SOIC	D	8	2500	330.0	12.4	6.4	5.2	2.1	8.0	12.0	Q1
ISO7220CDR	SOIC	D	8	2500	330.0	12.4	6.4	5.2	2.1	8.0	12.0	Q1
ISO7220MDR	SOIC	D	8	2500	330.0	12.4	6.4	5.2	2.1	8.0	12.0	Q1
ISO7221ADR	SOIC	D	8	2500	330.0	12.4	6.4	5.2	2.1	8.0	12.0	Q1
ISO7221BDR	SOIC	D	8	2500	330.0	12.4	6.4	5.2	2.1	8.0	12.0	Q1
ISO7221CDR	SOIC	D	8	2500	330.0	12.4	6.4	5.2	2.1	8.0	12.0	Q1
ISO7221MDR	SOIC	D	8	2500	330.0	12.4	6.4	5.2	2.1	8.0	12.0	Q1

TAPE AND REEL BOX DIMENSIONS


*All dimensions are nominal

Device	Package Type	Package Drawing	Pins	SPQ	Length (mm)	Width (mm)	Height (mm)
ISO7220ADR	SOIC	D	8	2500	350.0	350.0	43.0
ISO7220BDR	SOIC	D	8	2500	350.0	350.0	43.0
ISO7220CDR	SOIC	D	8	2500	350.0	350.0	43.0
ISO7220MDR	SOIC	D	8	2500	350.0	350.0	43.0
ISO7221ADR	SOIC	D	8	2500	350.0	350.0	43.0
ISO7221BDR	SOIC	D	8	2500	350.0	350.0	43.0
ISO7221CDR	SOIC	D	8	2500	350.0	350.0	43.0
ISO7221MDR	SOIC	D	8	2500	350.0	350.0	43.0



D0008A

PACKAGE OUTLINE

SOIC - 1.75 mm max height

SMALL OUTLINE INTEGRATED CIRCUIT



4214825/C 02/2019

NOTES:

- Linear dimensions are in inches [millimeters]. Dimensions in parenthesis are for reference only. Controlling dimensions are in inches. Dimensioning and tolerancing per ASME Y14.5M.
- This drawing is subject to change without notice.
- This dimension does not include mold flash, protrusions, or gate burrs. Mold flash, protrusions, or gate burrs shall not exceed .006 [0.15] per side.
- This dimension does not include interlead flash.
- Reference JEDEC registration MS-012, variation AA.

EXAMPLE BOARD LAYOUT

D0008A

SOIC - 1.75 mm max height

SMALL OUTLINE INTEGRATED CIRCUIT



LAND PATTERN EXAMPLE
EXPOSED METAL SHOWN
SCALE:8X



SOLDER MASK DETAILS

4214825/C 02/2019

NOTES: (continued)

- 6. Publication IPC-7351 may have alternate designs.
- 7. Solder mask tolerances between and around signal pads can vary based on board fabrication site.

EXAMPLE STENCIL DESIGN

D0008A

SOIC - 1.75 mm max height

SMALL OUTLINE INTEGRATED CIRCUIT



SOLDER PASTE EXAMPLE
BASED ON .005 INCH [0.125 MM] THICK STENCIL
SCALE:8X

4214825/C 02/2019

NOTES: (continued)

8. Laser cutting apertures with trapezoidal walls and rounded corners may offer better paste release. IPC-7525 may have alternate design recommendations.
9. Board assembly site may have different recommendations for stencil design.

重要声明和免责声明

TI“按原样”提供技术和可靠性数据（包括数据表）、设计资源（包括参考设计）、应用或其他设计建议、网络工具、安全信息和其他资源，不保证没有瑕疵且不做任何明示或暗示的担保，包括但不限于对适销性、某特定用途方面的适用性或不侵犯任何第三方知识产权的暗示担保。

这些资源可供使用 TI 产品进行设计的熟练开发人员使用。您将自行承担以下全部责任：(1) 针对您的应用选择合适的 TI 产品，(2) 设计、验证并测试您的应用，(3) 确保您的应用满足相应标准以及任何其他功能安全、信息安全、监管或其他要求。

这些资源如有变更，恕不另行通知。TI 授权您仅可将这些资源用于研发本资源所述的 TI 产品的应用。严禁对这些资源进行其他复制或展示。您无权使用任何其他 TI 知识产权或任何第三方知识产权。您应全额赔偿因在这些资源的使用中对 TI 及其代表造成的任何索赔、损害、成本、损失和债务，TI 对此概不负责。

TI 提供的产品受 [TI 的销售条款](#) 或 [ti.com](#) 上其他适用条款/TI 产品随附的其他适用条款的约束。TI 提供这些资源并不会扩展或以其他方式更改 TI 针对 TI 产品发布的适用的担保或担保免责声明。

TI 反对并拒绝您可能提出的任何其他或不同的条款。

邮寄地址：Texas Instruments, Post Office Box 655303, Dallas, Texas 75265
Copyright © 2024，德州仪器 (TI) 公司