

## LM5067 具有功率限制的负电压热插拔/浪涌电流控制器

### 1 特性

- 宽工作电压范围：-9 V 至 -80 V
- 浪涌电流限制，用于将电路板安全插入带电电源
- 外部导通器件中的可编程最大功耗
- 可调节电流限制
- 针对严重过流事件的断路器功能
- 可调节欠压锁定 (UVLO) 和迟滞
- 可调节过压锁定 (OVLO) 和迟滞
- 初始插入计时器可使振铃和瞬变在系统连接之后消除
- 可编程故障计时器可避免干扰性跳变
- 高电平有效、开漏电源正常状态输出
- 提供故障锁存和自动重启版本

### 2 应用

- 服务器背板系统
- 浪涌电流限制
- 固态断路器
- 瞬态电压保护器
- 固态继电器
- 欠压锁定
- 电源正常状态检测器和指示器

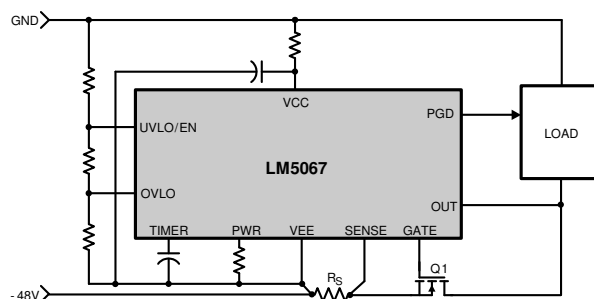
### 3 说明

LM5067 负电压热插拔控制器可在从带电系统背板或其他“热插拔”电源插入和移除电路板期间，为电源连接提供智能控制，并通过提供浪涌电流控制来限制系统电压下降和瞬变。外部串行导通 N 沟道 MOSFET 中的电流限制和功率耗散可进行编程，从而确保其在安全工作区 (SOA) 内工作。此外，LM5067 可监控过流和过压状况，从而提供电路保护。当输出电压接近输入电压时，会显示电源正常输出。输入欠压和过压锁定电平和迟滞，以及故障监测时间均可进行编程。LM5067-1 在检测到故障之后闭锁，同时 LM5067-2 以固定占空比自动尝试重启。LM5067 采用 10 引脚 VSSOP 封装和 14 引脚 SOIC 封装。

#### 器件信息<sup>(1)</sup>

器件型号	封装	封装尺寸 (标称值)
LM5067	VSSOP (10)	3.00mm x 3.00mm
	SOIC (14)	8.99mm x 7.49mm

(1) 如需了解所有可用封装，请参阅数据表末尾的可订购产品附录。



Copyright © 2016, Texas Instruments Incorporated

#### 负电源总线浪涌和故障保护



## Table of Contents

<b>1 特性</b> .....	1	8.2 Functional Block Diagram.....	13
<b>2 应用</b> .....	1	8.3 Feature Description.....	13
<b>3 说明</b> .....	1	8.4 Device Functional Modes.....	18
<b>4 Revision History</b> .....	2	<b>9 Application and Implementation</b> .....	19
<b>5 Device Comparison</b> .....	3	9.1 Application Information.....	19
<b>6 Pin Configuration and Functions</b> .....	4	9.2 Typical Application.....	19
Pin Functions.....	4	<b>10 Power Supply Recommendations</b> .....	37
<b>7 Specifications</b> .....	5	10.1 Operating Voltage.....	37
7.1 Absolute Maximum Ratings.....	5	<b>11 Layout</b> .....	37
7.2 ESD Ratings.....	5	11.1 Layout Guidelines.....	37
7.3 Recommended Operating Conditions.....	5	11.2 Layout Example.....	38
7.4 Thermal Information.....	5	<b>12 Device and Documentation Support</b> .....	39
7.5 Electrical Characteristics.....	6	12.1 Trademarks.....	39
7.6 Switching Characteristics.....	7	12.2 静电放电警告.....	39
7.7 Typical Characteristics.....	8	12.3 术语表.....	39
<b>8 Detailed Description</b> .....	12	<b>13 Mechanical, Packaging, and Orderable Information</b> .....	40
8.1 Overview.....	12		

## 4 Revision History

Changes from Revision C (March 2013) to Revision D (August 2020)	Page
• 添加了 ESD 等级表、特性说明部分、器件功能模式、应用和实现部分、电源相关建议部分、布局部分、器件和文档支持部分以及机械、封装和可订购信息部分.....	1
• 更新了整个文档中的表格、图和交叉参考的编号格式.....	1
• 更新了应用部分.....	1
• 删除了文本：“可提供 LM5067A...” .....	1

---

Changes from Revision B (September 2009) to Revision C (March 2013)	Page
• Changed layout of National Data Sheet to TI format.....	30

## 5 Device Comparison

表 5-1. Device Comparison Table

DEVICE NUMBER	RETRY BEHAVIOR AFTER FAULT	PACKAGE
LM5067-1	Latch-off	VSSOP (10), SOIC (14)
LM5067-2	Auto-retry	VSSOP (10), SOIC (14)

## 6 Pin Configuration and Functions

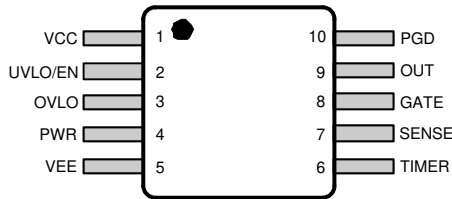


图 6-1. 10-Lead VSSOP Top View

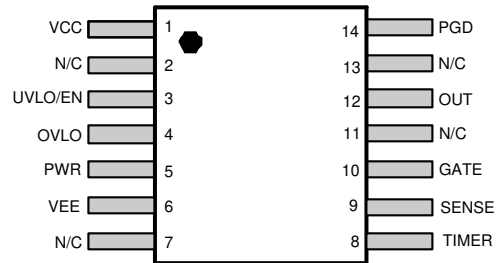


图 6-2. 14-Lead SOIC Top View

## Pin Functions

Name	Pin		I/O	Description
	VSSOP-10	SOIC-14		
VCC	1	1	I	Positive supply input: Connect to system ground through a resistor. Connect a bypass capacitor to VEE. The voltage from VCC to VEE is nominally 13 V set by an internal zener diode.
UVLO/EN	2	3	I	Under-voltage lockout: An external resistor divider from the system input voltage sets the under-voltage turn-on threshold. The enable threshold at the pin is 2.5 V above VEE. An internal 22 $\mu$ A current source provides hysteresis. This pin can be used for remote enable and disable.
OVLO	3	4	I	Overvoltage lockout: An external resistor divider from the system input voltage sets the overvoltage turn-off threshold. The disable threshold at the pin is 2.5 V above VEE. An internal 22 $\mu$ A current source provides hysteresis.
PWR	4	5	I	Power limit set: An external resistor at this pin, in conjunction with the current sense resistor ( $R_S$ ), sets the maximum power dissipation in the external series pass MOSFET.
VEE	5	6	I	Negative supply input: Connect to the system negative supply voltage (typically -48V).
TIMER	6	8	I/O	Timing capacitor: An external capacitor at this pin sets the insertion time delay and the fault timeout period. The capacitor also sets the restart timing of the LM5067-2.
SENSE	7	9	I	Current sense input: The voltage across the current sense resistor ( $R_S$ ) is measured from VEE to this pin. If the voltage across $R_S$ reaches 50 mV the load current is limited and the fault timer activates.
GATE	8	10	O	Gate drive output: Connect to the external N-channel MOSFET's gate.
OUT	9	12	I	Output feedback: Connect to the external MOSFET's drain. Internally used to determine the MOSFET $V_{DS}$ voltage for power limiting, and to control the PGD output pin.
PGD	10	14	0	Power Good indicator: An open drain output capable of sustaining 80 V when off. When the external MOSFET $V_{DS}$ decreases below 1.23 V the PGD pin switches high. When the external MOSFET $V_{DS}$ increases above $\approx 2.5$ V the PGD pin switches low.

## 7 Specifications

### 7.1 Absolute Maximum Ratings

over operating free-air temperature range (unless otherwise noted) <sup>(1)</sup>

		MIN	MAX	UNIT
Input voltage	OUT, PGD to VEE	- 0.3	100	V
	UVLO, OVLO to VEE	- 0.3	17	V
	SENSE to VEE	- 0.3	0.3	V
Current	Into VCC (100 $\mu$ s pulse)		100	mA
Junction Temperature			150	$^{\circ}$ C
Storage temperature, T <sub>stg</sub>		- 65	150	$^{\circ}$ C

- (1) Stresses beyond those listed under *Absolute Maximum Ratings* may cause permanent damage to the device. These are stress ratings only, which do not imply functional operation of the device at these or any other conditions beyond those indicated under *Recommended Operating Conditions*. Exposure to absolute-maximum-rated conditions for extended periods may affect device reliability.

### 7.2 ESD Ratings

			VALUE	UNIT
V <sub>(ESD)</sub>	Electrostatic discharge	Human body model (HBM), per ANSI/ESDA/JEDEC JS-001, all pins (LM50672NPA variant) <sup>(1)</sup>	$\pm$ 1750	V
		Human body model (HBM), per ANSI/ESDA/JEDEC JS-001, all pins (all other variants) <sup>(1)</sup>	$\pm$ 2000	
		Charged device model (CDM), per JEDEC specification JESD22-C101, all pins <sup>(2)</sup>	$\pm$ 500	

- (1) JEDEC document JEP155 states that 500-V HBM allows safe manufacturing with a standard ESD control process.  
 (2) JEDEC document JEP157 states that 250-V CDM allows safe manufacturing with a standard ESD control process.

### 7.3 Recommended Operating Conditions

over operating free-air temperature range (unless otherwise noted)

	MIN	NOM	MAX	UNIT
Current into VCC <sup>(1)</sup>	2			mA
OUT Voltage above VEE	0		80	V
PGD Off Voltage above VEE	0		80	V
Junction Temperature	-40		125	$^{\circ}$ C

- (1) Maximum continuous current into VCC is limited by power dissipation and die temperature. See the Thermal Considerations section.

### 7.4 Thermal Information

THERMAL METRIC <sup>(1)</sup> <sup>(2)</sup>		LM5067		UNIT
		VSSOP	SOIC	
		10 PINS	14 PINS	
R <sub><math>\theta</math>JA</sub>	Junction-to-ambient thermal resistance	94	90	$^{\circ}$ C/W
R <sub><math>\theta</math>JC</sub>	Junction-to-case thermal resistance	44	27	

- (1) For more information about traditional and new thermal metrics, see the [Semiconductor and IC package thermal metrics application report](#).  
 (2) Tested on a 4 layer JEDEC board with 2 vias under the package. See JEDEC standards JESD51-7 and JESD51-3. See the Thermal Considerations section.

## 7.5 Electrical Characteristics

Limits in standard type are for  $T_J = 25^\circ\text{C}$  only; limits in boldface type apply over the junction temperature ( $T_J$ ) range of  $-40^\circ\text{C}$  to  $+125^\circ\text{C}$ . Minimum and Maximum limits are specified through test, design, or statistical correlation. Typical values represent the most likely parametric norm at  $T_J = 25^\circ\text{C}$ , and are provided for reference purposes only. Unless otherwise stated the following conditions apply:  $I_{CC} = 2\text{ mA}$ , OUT Pin = 48V above VEE, all voltages are with respect to VEE. See (1).

PARAMETER		TETS CONDITIONS	MIN	TYP	MAX	UNIT
<b>Input</b>						
$V_Z$	Operating voltage, VCC - VEE	$I_{CC} = 2\text{ mA}$ , UVLO = 5V	<b>12.35</b>	13	<b>13.65</b>	V
$I_{CC-EN}$	Internal operating current, enabled	VCC-VEE = 11V, UVLO = 5V		0.8	<b>1</b>	mA
$I_{CC-DIS}$	Internal operating current, disabled	VCC-VEE = 11V, UVLO = 2V		480	<b>660</b>	$\mu\text{A}$
POR <sub>IT</sub>	Threshold voltage to start insertion timer	VCC-VEE increasing		7.7	<b>8.2</b>	V
POR <sub>EN</sub>	Threshold voltage to enable all functions	VCC-VEE increasing		8.4	<b>8.7</b>	V
POR <sub>EN-HYS</sub>	POR <sub>EN</sub> hysteresis	VCC-VEE decreasing		125		mV
<b>OUT Pin</b>						
$I_{OUT-EN}$	OUT bias current, enabled	OUT = VEE, Normal operation		0.1		$\mu\text{A}$
$I_{OUT-DIS}$	OUT bias current, disabled	Disabled, OUT = VEE + 48V		50		
<b>SENSE Pin</b>						
$I_{SNS-EN}$	SENSE bias current, enabled	OUT = VEE, Normal operation		-6		$\mu\text{A}$
$I_{SNS-DIS}$	SENSE bias current, disabled	Disabled, OUT = VEE + 48V		-50		
<b>UVLO, OVLO Pins</b>						
UVLO <sub>TH</sub>	UVLO threshold		<b>2.45</b>	2.5	<b>2.55</b>	V
UVLO <sub>HYS</sub>	UVLO hysteresis current	UVLO = VEE + 2V	<b>10</b>	22	<b>34</b>	$\mu\text{A}$
UVLO <sub>BIAS</sub>	UVLO bias current	UVLO = VEE + 5V			<b>1</b>	$\mu\text{A}$
OVLO <sub>TH</sub>	OVLO threshold		<b>2.43</b>	2.5	<b>2.57</b>	V
OVLO <sub>HYS</sub>	OVLO hysteresis current	OVLO = VEE+2.8V	<b>-34</b>	-22	<b>-10</b>	$\mu\text{A}$
OVLO <sub>BIAS</sub>	OVLO bias current	OVLO = VEE + 2.4V			<b>1</b>	$\mu\text{A}$
<b>Gate Control (GATE Pin)</b>						
$I_{GATE}$	Source current	Normal Operation	<b>-72</b>	-52	<b>-32</b>	$\mu\text{A}$
	Sink current	UVLO < 2.5V SENSE - VEE = 150 mV or VCC - VEE < POR <sub>IT</sub> , V <sub>GATE</sub> = 5V	<b>1.9</b> <b>45</b>	2.2 110	<b>2.68</b> <b>200</b>	mA
$V_{GATE}$	Gate output voltage in normal operation	GATE-VEE voltage		$V_Z$		V
<b>Current Limit</b>						
$V_{CL}$	Threshold voltage	SENSE - VEE voltage	<b>44</b>	50	<b>56</b>	mV
<b>Circuit Breaker</b>						
$V_{CB}$	Threshold voltage	SENSE - VEE voltage	<b>70</b>	100	<b>130</b>	mV
<b>Power Limit (PWR Pin)</b>						
PWR <sub>LIM</sub>	Power limit sense voltage (SENSE - VEE)	OUT - SENSE = 24V, R <sub>PWR</sub> = 75 k $\Omega$	<b>16.5</b>	22	<b>27.5</b>	mV
$I_{PWR}$	PWR pin current	V <sub>PWR</sub> = 2.5V		-23		$\mu\text{A}$
<b>Timer (TIMER Pin)</b>						
$V_{TMRH}$	Upper threshold		<b>3.76</b>	4	<b>4.16</b>	V
$V_{TMRL}$	Lower threshold	Restart cycles (LM5067-2)	<b>1.18</b>	1.25	<b>1.32</b>	V
		End of 8th cycle (LM5067-2)		0.3		V
		Re-enable threshold (LM5067-1)		0.3		V
$I_{TIMER}$	Insertion time current	TIMER pin = 2V	<b>-9.5</b>	-6	<b>-2.5</b>	$\mu\text{A}$
	Sink current, end of insertion time	TIMER pin = 2V	<b>1.2</b>	1.55	<b>1.9</b>	mA
	Fault detection current	TIMER pin = 2V	<b>-140</b>	-95	<b>-44</b>	$\mu\text{A}$
	Sink current, end of fault time		<b>0.9</b>	2.5	<b>4.25</b>	$\mu\text{A}$
DC <sub>FAULT</sub>	Fault Restart Duty Cycle	LM5067-2		0.5%		
<b>Power Good (PGD Pin)</b>						

## 7.5 Electrical Characteristics (continued)

Limits in standard type are for  $T_J = 25^\circ\text{C}$  only; limits in boldface type apply over the junction temperature ( $T_J$ ) range of  $-40^\circ\text{C}$  to  $+125^\circ\text{C}$ . Minimum and Maximum limits are specified through test, design, or statistical correlation. Typical values represent the most likely parametric norm at  $T_J = 25^\circ\text{C}$ , and are provided for reference purposes only. Unless otherwise stated the following conditions apply:  $I_{CC} = 2\text{ mA}$ , OUT Pin = 48V above VEE, all voltages are with respect to VEE. See <sup>(1)</sup>.

PARAMETER		TETS CONDITIONS	MIN	TYP	MAX	UNIT
PGD <sub>TH</sub>	Threshold measured at OUT - SENSE	Decreasing	<b>1.162</b>	1.23	<b>1.285</b>	V
		Increasing, relative to decreasing threshold	<b>1.143</b>	1.25	1.325	
PGD <sub>VOL</sub>	Output low voltage	$I_{SINK} = 2\text{ mA}$		60	<b>150</b>	mV
PGD <sub>IOH</sub>	Off leakage current	$V_{PGD} = 80\text{V}$			<b>5</b>	$\mu\text{A}$

(1) Current out of a pin is indicated as a negative value.

## 7.6 Switching Characteristics

over operating free-air temperature range (unless otherwise noted)

PARAMETER		TEST CONDITIONS	MIN	TYP	MAX	UNIT
<b>UVLO, OVLO Pins</b>						
UVLO <sub>DEL</sub>	UVLO hysteresis current	Delay to GATE high		26		$\mu\text{s}$
		Delay to GATE low		12		$\mu\text{s}$
OVLO <sub>DEL</sub>	OVLO delay	Delay to GATE high		26		$\mu\text{s}$
		Delay to GATE low		12		$\mu\text{s}$
<b>Current Limit</b>						
$t_{CL}$	Response time	SENSE - VEE stepped from 0 mV to 80 mV		25		$\mu\text{s}$
<b>Circuit Breaker</b>						
$t_{CB}$	Response time	SENSE - VEE stepped from 0 mV to 150 mV, time to GATE low, no load		0.65	<b>1.0</b>	$\mu\text{s}$
<b>Timer (TIMER Pin)</b>						
$t_{FAULT}$	Fault to GATE low delay	TIMER pin reaches 4.0V		15		$\mu\text{s}$

## 7.7 Typical Characteristics

Unless otherwise specified the following conditions apply:  $T_J = 25^\circ\text{C}$ .

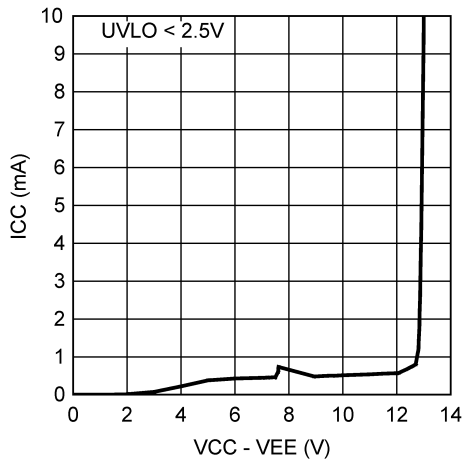


图 7-1. ICC vs Operating Voltage - Disabled

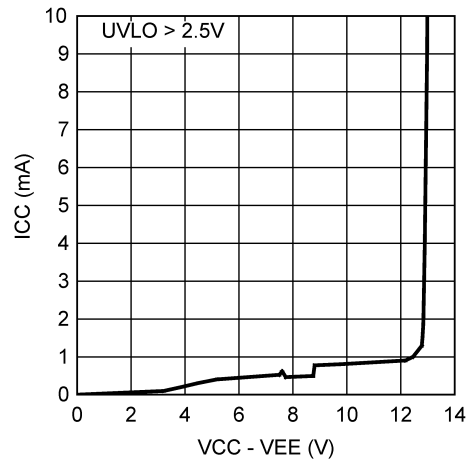


图 7-2. ICC vs Operating Voltage - Enabled

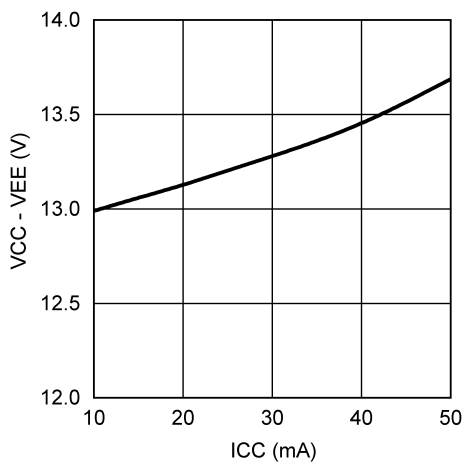


图 7-3. Operating Voltage vs ICC

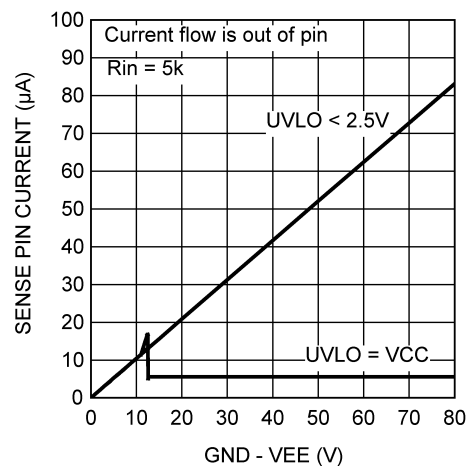


图 7-4. SENSE Pin Current vs System Voltage

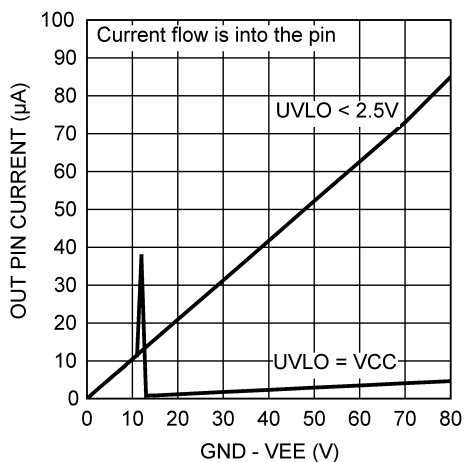


图 7-5. OUT Pin Current vs System Voltage

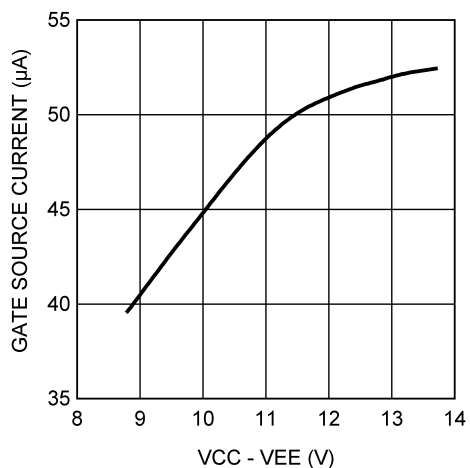


图 7-6. GATE Source Current vs Operating Voltage



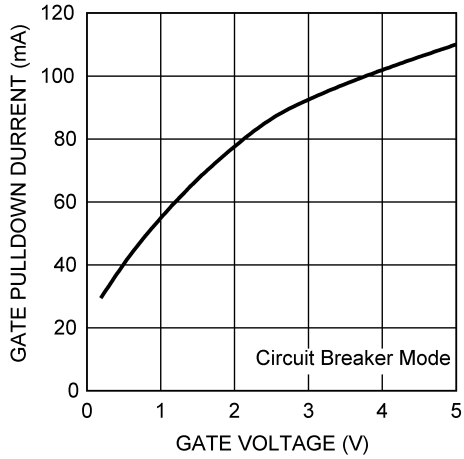


图 7-7. GATE Pull-Down Current, Circuit Breaker vs GATE Voltage

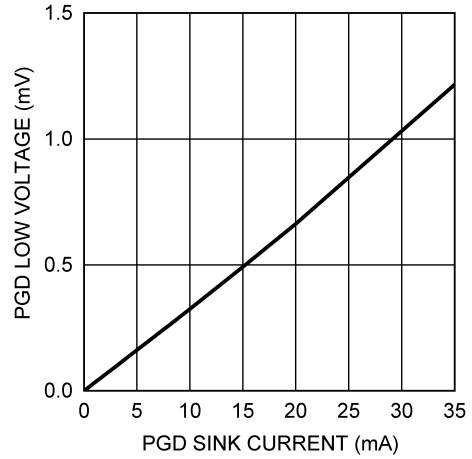


图 7-8. PGD Low Voltage vs Sink Current

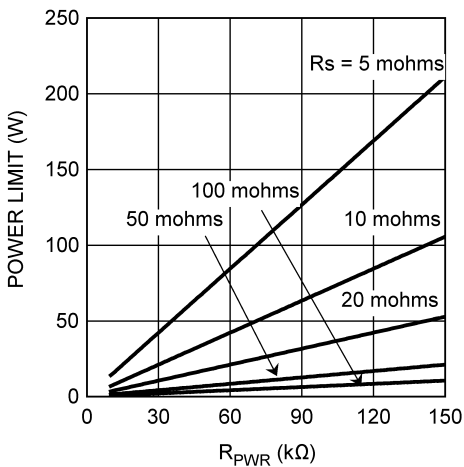


图 7-9. MOSFET Power Dissipation Limit vs  $R_{PWR}$  and  $R_S$

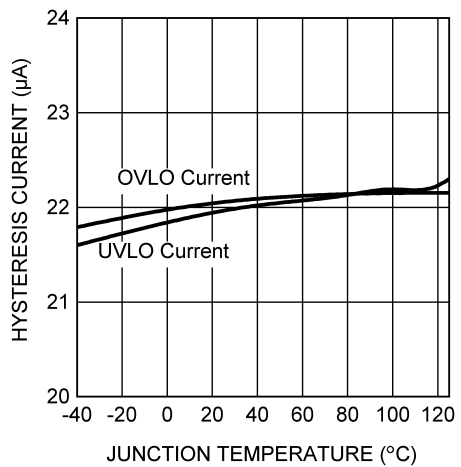


图 7-10. UVLO and OVLO Hysteresis Current vs Temperature

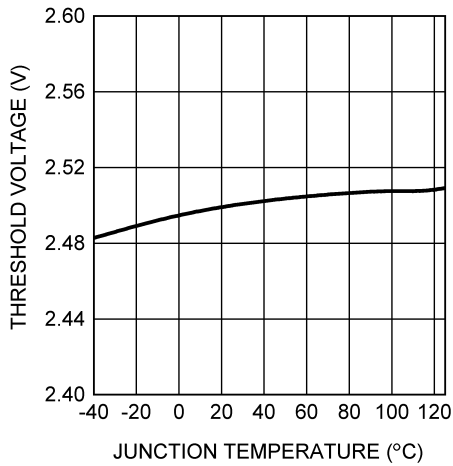


图 7-11. UVLO, OVLO Threshold Voltage vs UVLO, OVLO Threshold Voltage

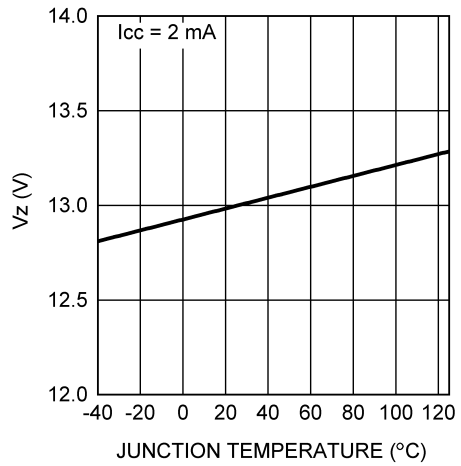


图 7-12.  $V_Z$  Operating Voltage vs Temperature

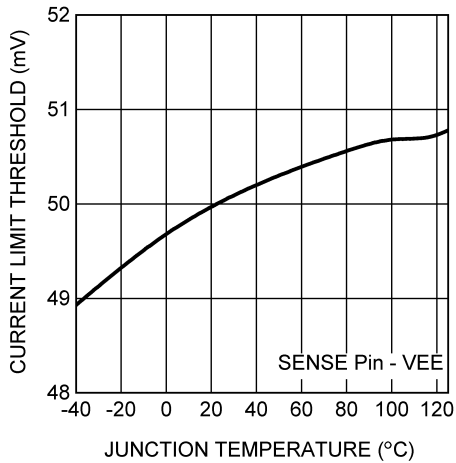


图 7-13. Current Limit Threshold vs Temperature

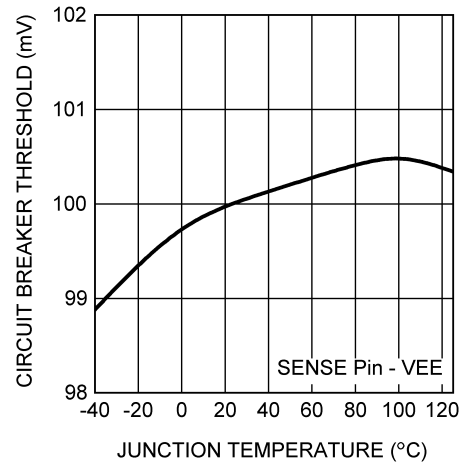


图 7-14. Circuit Breaker Threshold vs Temperature

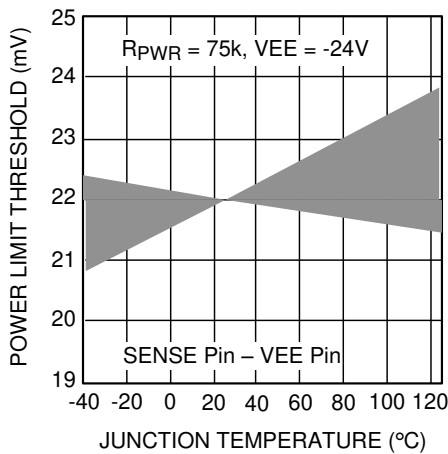


图 7-15. Power Limit Threshold vs Temperature

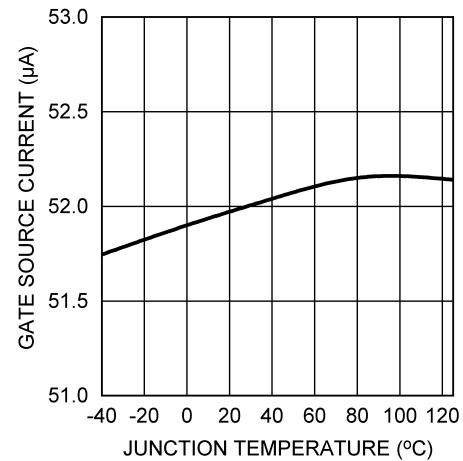


图 7-16. Gate Source Current vs Temperature

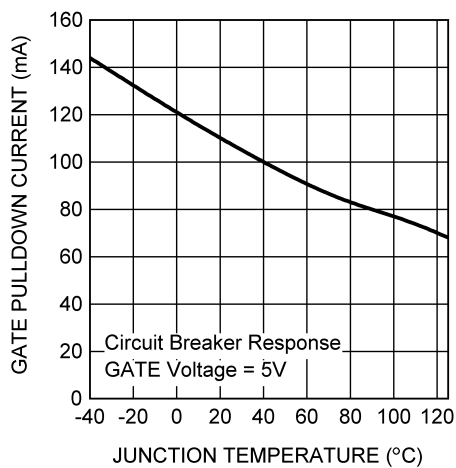


图 7-17. GATE Pull-Down Current, Circuit Breaker vs Temperature

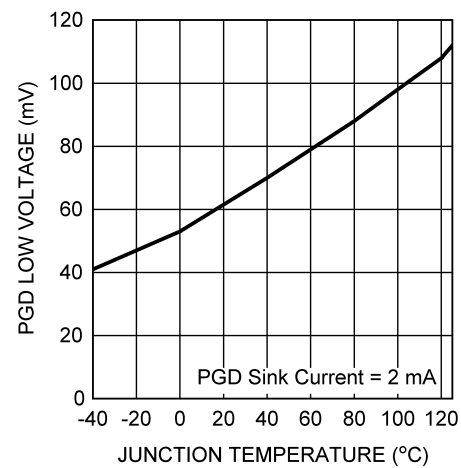


图 7-18. PGD Pin Low Voltage vs Temperature

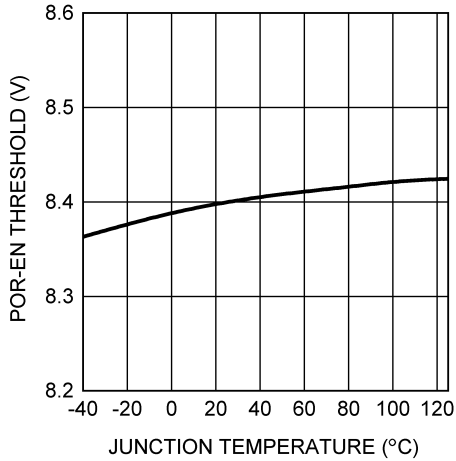


图 7-19. POR<sub>EN</sub> Threshold vs Temperature

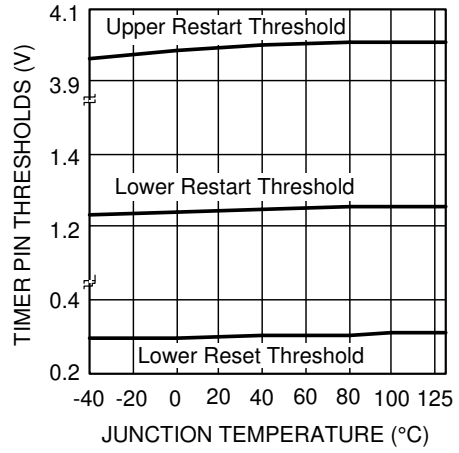


图 7-20. TIMER Pin Thresholds vs Temperature

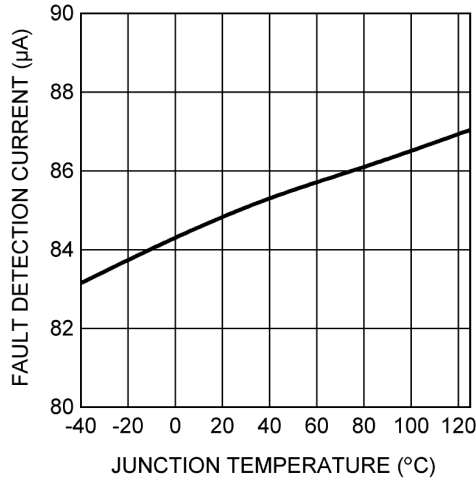
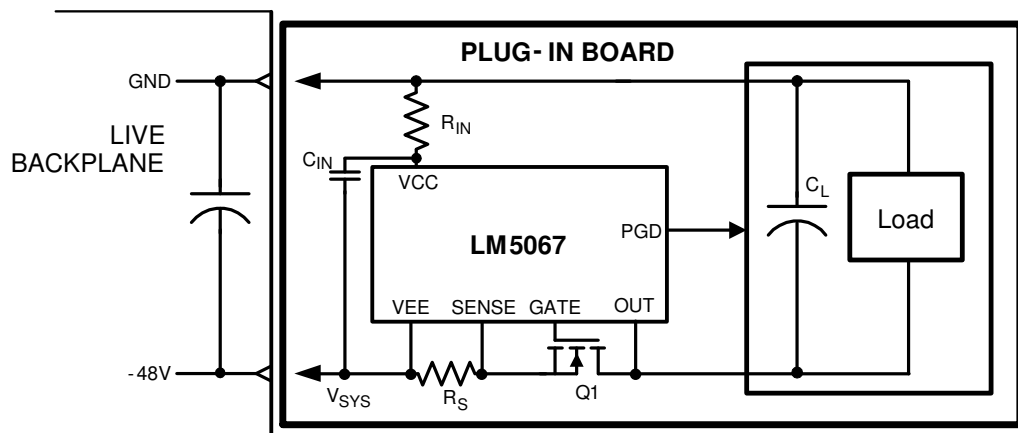


图 7-21. TIMER Pin Fault Detection Current vs Temperature

## 8 Detailed Description

### 8.1 Overview

The LM5067 is designed to control the in-rush current to the load upon insertion of a circuit card into a live backplane or other “hot” power source, thereby limiting the voltage sag on the backplane’s supply voltage, and the  $dV/dt$  of the voltage applied to the load. Effects on other circuits in the system are minimized, preventing possible unintended resets. During the system power up, the maximum power dissipation in the series pass device is limited to a safe value within the device’s Safe Operating Area (SOA). After the system power up is complete, the LM5067 monitors the load for excessive currents due to a fault or short circuit at the load. Limiting the load current and/or the power in the external MOSFET for an extended period of time results in the shutdown of the series pass MOSFET. After a fault event, the LM5067-1 latches off until the circuit is re-enabled by external control, while the LM5067-2 automatically restarts with defined timing. The circuit breaker function quickly switches off the series pass device upon detection of a severe over-current condition caused by, e.g. a short circuit at the load. The Power Good (PGD) output pin indicates when the output voltage is close to the normal operating value. Programmable undervoltage lock-out (UVLO) and overvoltage lock-out (OVLO) circuits shut down the LM5067 when the system input voltage is outside the desired operating range. The typical configuration of a circuit card with LM5067 hot swap protection is shown in [图 8-1](#).

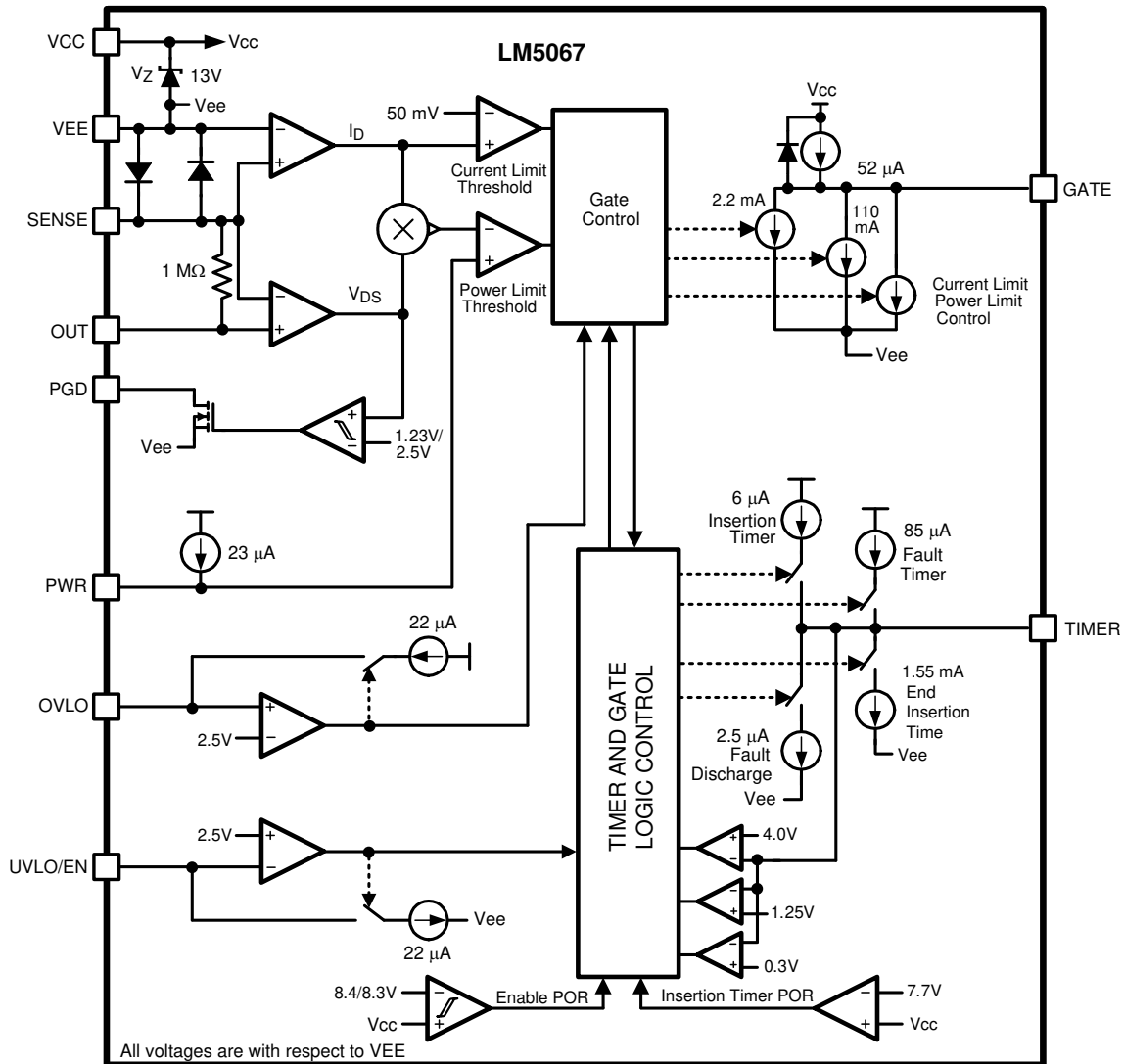


Copyright © 2016, Texas Instruments Incorporated

**图 8-1. LM5067 Application**

The LM5067 can be used in a variety of applications, other than plug-in boards, to monitor for excessive load current, provide transient protection, and ensuring the voltage to the load is within preferred limits. The circuit breaker function protects the system from a sudden short circuit at the load. Use of the UVLO/EN pin allows the LM5067 to be used as a solid state relay. The PGD output provides a status indication of the voltage at the load relative to the input system voltage.

## 8.2 Functional Block Diagram



Copyright © 2016, Texas Instruments Incorporated

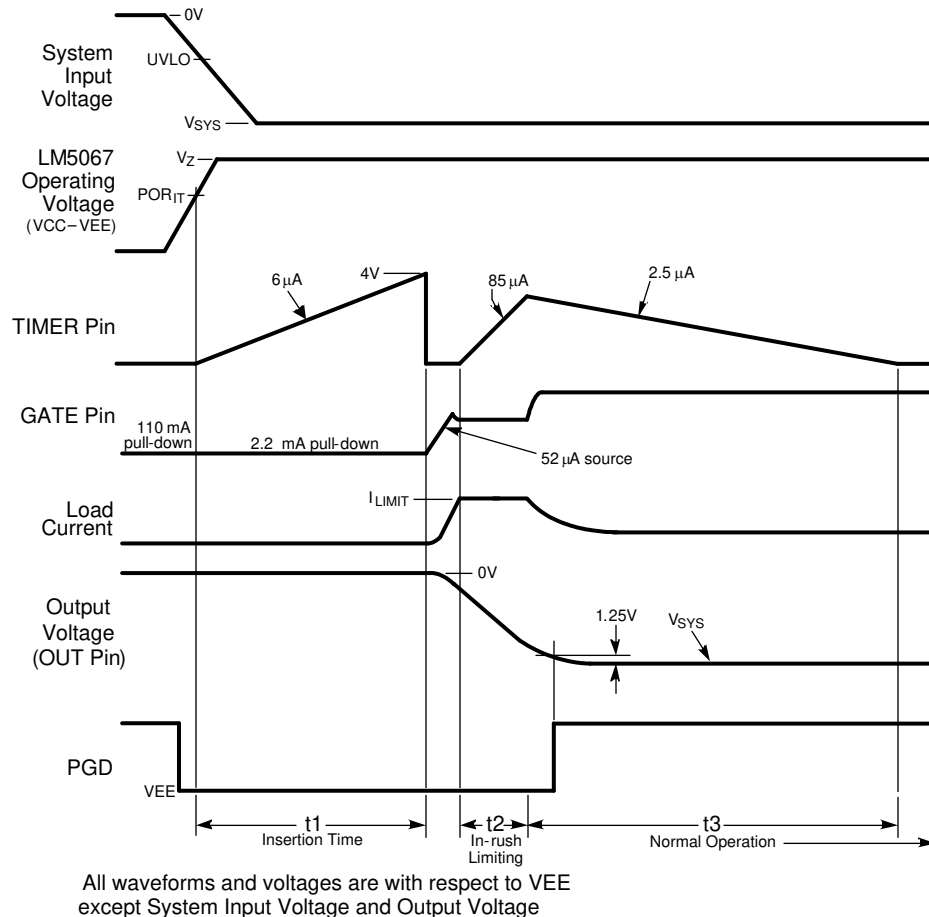
## 8.3 Feature Description

### 8.3.1 Power Up Sequence

The system voltage range of the LM5067 is  $-9\text{ V}$  to  $-80\text{ V}$ , with a transient capability to  $-100\text{ V}$ . Referring to the [Functional Block Diagram](#), [Figure 9-1](#), and [Figure 8-2](#), as the system voltage ( $V_{\text{SYS}}$ ) initially increases from zero, the external N-channel MOSFET (Q1) is held off by an internal 110 mA pull-down current at the GATE pin. The strong pull-down current at the GATE pin prevents an inadvertent turn-on as the MOSFET's gate-to-drain (Miller) capacitance is charged. When the operating voltage of the LM5067 ( $V_{\text{CC}} - V_{\text{EE}}$ ) reaches the  $\text{POR}_{\text{IT}}$  threshold (7.7V) the insertion timer starts. During the insertion time, the capacitor at the TIMER pin ( $C_{\text{T}}$ ) is charged by a 6 μA current source, and Q1 is held off by a 2.2 mA pull-down current at the GATE pin regardless of the system voltage. The insertion time delay allows ringing and transients at  $V_{\text{SYS}}$  to settle before Q1 can be enabled. The insertion time ends when the TIMER pin voltage reaches 4 V above V<sub>EE</sub>, and  $C_{\text{T}}$  is then quickly discharged by an internal 1.5 mA pull-down current. After the insertion time, the LM5067 control circuitry is enabled when the operating voltage reaches the  $\text{POR}_{\text{EN}}$  threshold (8.4 V). As  $V_{\text{SYS}}$  continues to increase, the LM5067 operating voltage is limited at  $\approx 13\text{ V}$  by an internal zener diode. The remainder of the system voltage is dropped across the input resistor  $R_{\text{IN}}$ .

The GATE pin switches on Q1 when  $V_{SYS}$  exceeds the UVLO threshold (UVLO pin  $>2.5V$  above VEE). If  $V_{SYS}$  exceeds the UVLO threshold at the end of the insertion time, Q1 is switched on at that time. The GATE pin sources  $52\ \mu A$  to charge Q1's gate capacitance. The maximum gate-to-source voltage of Q1 is limited by the LM5067's operating voltage ( $V_Z$ ) to approximately 13 V. During power up, as the voltage at the OUT pin increases in magnitude with respect to Ground, the LM5067 monitors Q1's drain current and power dissipation. In-rush current limiting and/or power limiting circuits actively control the current delivered to the load. During the in-rush limiting interval ( $t_2$  in [图 8-2](#)) an internal current source charges  $C_T$  at the TIMER pin. When the load current reduces from the limiting value to a value determined by the load the in-rush limiting interval is complete and  $C_T$  is discharged. The PGD pin switches high when the voltage at the OUT pin reaches to within 1.25 V of the voltage at the SENSE pin.

If the TIMER pin voltage reaches 4.0V before in-rush current limiting or power limiting ceases (during  $t_2$ ), a fault is declared and Q1 is turned off. See [Fault Timer and Restart](#) for a complete description of the fault mode.



**图 8-2. Power Up Sequence (Current Limit only)**

### 8.3.2 Gate Control

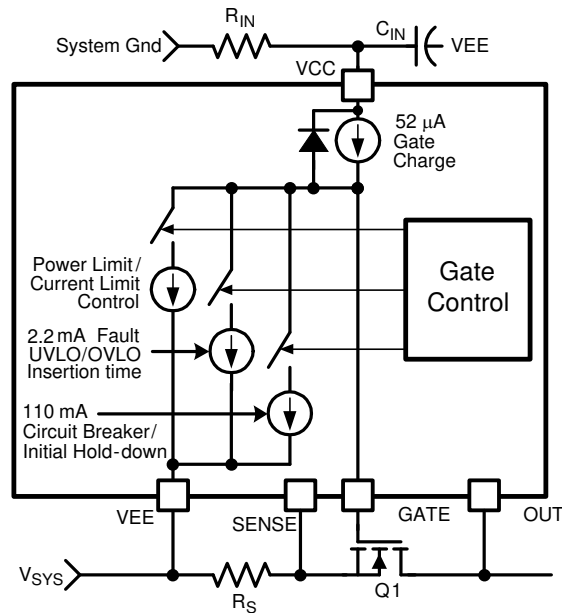
The external N-channel MOSFET is turned on when the GATE pin sources  $52\ \mu A$  to enhance the gate. During normal operation ( $t_3$  in [图 8-2](#)) Q1's gate is held charged to approximately 13V above VEE, typically within 20 mV of the voltage at VCC. If the maximum  $V_{GS}$  rating of Q1 is less than 13V, a lower voltage external zener diode must be added between the GATE and SENSE pins. The external zener diode must have a forward current rating of at least 110 mA.

When the system voltage is initially applied (before the operating voltage reaches the  $POR_{IT}$  threshold), the GATE pin is held low by a 110 mA pull-down current. The pull-down current helps prevent an inadvertent turn-on of the MOSFET through its drain-gate capacitance as the applied system voltage increases.

During the insertion time ( $t_1$  in [图 8-2](#)) the GATE pin is held low by a 2.2 mA pull-down current. This maintains Q1 in the off-state until the end of  $t_1$ , regardless of the voltage at VCC and UVLO.

Following the insertion time, during  $t_2$  in [图 8-2](#), the gate voltage of Q1 is modulated to keep the current or Q1's power dissipation level from exceeding the programmed levels. Current limiting and power limiting are considered fault conditions, during which the voltage on the TIMER pin capacitor increases. If the current and power limiting cease before the TIMER pin reaches 4 V the TIMER pin capacitor is discharged, and the circuit enters normal operation. See [Fault Timer and Restart](#) for details on the fault timer.

If the system input voltage falls below the UVLO threshold, or rises above the OVLO threshold, the GATE pin is pulled low by the 2.2 mA pull-down current to switch off Q1.



Copyright © 2016, Texas Instruments Incorporated

图 8-3. Gate Control

### 8.3.3 Current Limit

The current limit threshold is reached when the voltage across the sense resistor  $R_S$  (SENSE to VEE) reaches 50 mV. In the current limiting condition, the GATE voltage is controlled to limit the current in MOSFET Q1. While the current limit circuit is active, the fault timer is active as described in the [节 8.3.6](#) section. If the load current reduces below the current limit threshold before the end of the Fault Timeout Period, the LM5067 resumes normal operation. For proper operation, the  $R_S$  resistor value should be no larger than 100 mΩ.

### 8.3.4 Circuit Breaker

If the load current increases rapidly (e.g., the load is short-circuited) the current in the sense resistor ( $R_S$ ) may exceed the current limit threshold before the current limit control loop is able to respond. If the current exceeds approximately twice the current limit threshold ( $100 \text{ mV}/R_S$ ), Q1's gate is quickly pulled down by the 110 mA pull-down current at the GATE pin, and a Fault Timeout Period begins. When the voltage across  $R_S$  falls below 100 mV the 110 mA pull-down current at the GATE pin is switched off, and the gate voltage of Q1 is then determined by the current limit or the power limit functions. If the TIMER pin reaches 4.0V before the current limiting or power limiting condition ceases, Q1 is switched off by the 2.2 mA pull-down current at the GATE pin as described in the Fault Timer & Restart section.

### 8.3.5 Power Limit

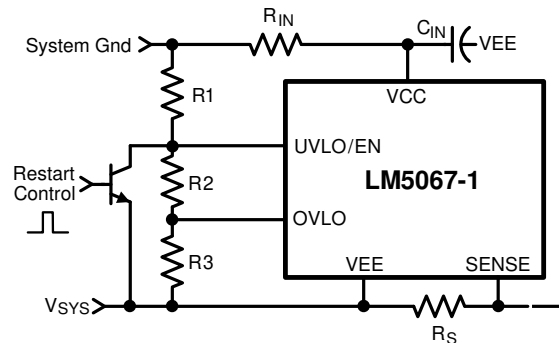
An important feature of the LM5067 is the MOSFET power limiting. The Power Limit function can be used to maintain the maximum power dissipation of MOSFET Q1 within the device SOA rating. The LM5067 determines the power dissipation in Q1 by monitoring its drain-source voltage (OUT to SENSE), and the drain current

through the sense resistor (SENSE to VEE). The product of the current and voltage is compared to the power limit threshold programmed by the resistor at the PWR pin. If the power dissipation reaches the limiting threshold, the GATE voltage is modulated to reduce the current in Q1, and the fault timer is active as described in the [Fault Timer and Restart](#) section.

### 8.3.6 Fault Timer and Restart

When the current limit or power limit threshold is reached during turn-on or as a result of a fault condition, the gate-to-source voltage of Q1 is modulated to regulate the load current and power dissipation in Q1. When either limiting function is active, an 85  $\mu\text{A}$  fault timer current source charges the external capacitor ( $C_T$ ) at the TIMER pin as shown in [图 8-5](#) (Fault Timeout Period). If the fault condition subsides before the TIMER pin reaches 4.0V, the LM5067 returns to the normal operating mode and  $C_T$  is discharged by the 2.5  $\mu\text{A}$  current sink. If the TIMER pin reaches 4.0V during the Fault Timeout Period, Q1 is switched off by a 2.2 mA pull-down current at the GATE pin. The subsequent restart procedure depends on which version of the LM5067 is in use.

The LM5067-1 latches the GATE pin low at the end of the Fault Timeout Period, and  $C_T$  is discharged by the 2.5  $\mu\text{A}$  fault current sink. The GATE pin is held low until a power up sequence is externally initiated by cycling the input voltage ( $V_{\text{SYS}}$ ), or momentarily pulling the UVLO/EN pin within 2.5V of VEE with an open-collector or open-drain device as shown in [图 8-4](#). The voltage across  $C_T$  must be  $<0.3\text{V}$  for the restart procedure to be effective.

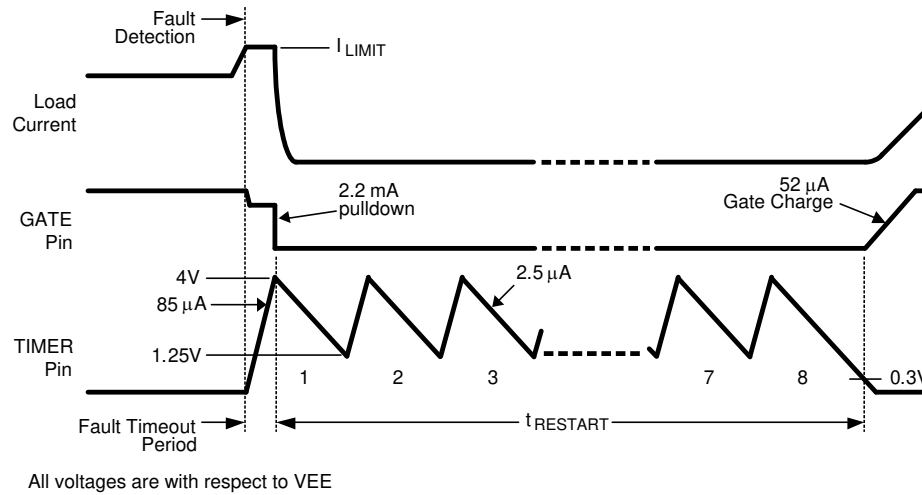


Copyright © 2016, Texas Instruments Incorporated

**图 8-4. Latched Fault Restart Control**

The LM5067-2 provides an automatic restart sequence which consists of the TIMER pin cycling between 4 V and 1.25 V seven times after the Fault Timeout Period, as shown in [图 8-5](#). The period of each cycle is determined by the 85  $\mu\text{A}$  charging current, and the 2.5  $\mu\text{A}$  discharge current, and the value of the capacitor  $C_T$ . When the TIMER pin reaches 0.3 V during the eighth high-to-low ramp, the 52  $\mu\text{A}$  current source at the GATE pin turns on Q1. If the fault condition is still present, the Fault Timeout Period and the restart cycle repeat.





**图 8-5. Restart Sequence (LM5067-2)**

### 8.3.7 Undervoltage Lock-Out (UVLO)

The series pass MOSFET (Q1) is enabled when the input supply voltage ( $V_{SYS}$ ) is within the operating range defined by the programmable undervoltage lockout (UVLO) and overvoltage lock-out (OVLO) levels. Typically the UVLO level at  $V_{SYS}$  is set with a resistor divider (R1-R3) as shown in [图 9-1](#). When  $V_{SYS}$  is less than the UVLO level, the internal 22  $\mu\text{A}$  current sink at UVLO/EN is enabled, the current source at OVLO is off, and Q1 is held off by the 2.2 mA pull-down current at the GATE pin.  $V_{SYS}$  reaches its UVLO level when the voltage at the UVLO/EN pin reaches 2.5V above VEE. Upon reaching the UVLO level, the 22  $\mu\text{A}$  current sink at the UVLO/EN pin is switched off, increasing the voltage at the pin, providing hysteresis for this threshold. With the UVLO/EN pin above 2.5V, Q1 is switched on by the 52  $\mu\text{A}$  current source at the GATE pin.

See [Application Information](#) for a procedure to calculate the values of the threshold setting resistors (R1-R3). The minimum possible UVLO level can be set by connecting the UVLO/EN pin to VCC. In this case Q1 is enabled when the operating voltage ( $V_{CC} - V_{EE}$ ) reaches the  $POR_{EN}$  threshold (8.4V).

### 8.3.8 Overvoltage Lock-Out (OVLO)

The series pass MOSFET (Q1) is enabled when the input supply voltage ( $V_{SYS}$ ) is within the operating range defined by the programmable undervoltage lockout (UVLO) and overvoltage lock-out (OVLO) levels. Typically the OVLO level at  $V_{SYS}$  is set with a resistor divider (R1-R3) as shown in [图 9-1](#). If  $V_{SYS}$  raises the OVLO pin voltage more than 2.5 V above VEE Q1 is switched off by the 2.2 mA pull-down current at the GATE pin, denying power to the load. When the OVLO pin is above 2.5 V, the internal 22  $\mu\text{A}$  current source at OVLO is switched on, raising the voltage at OVLO and providing threshold hysteresis. When the voltage at the OVLO pin is reduced below 2.5 V the 22  $\mu\text{A}$  current source is switched off, and Q1 is enabled. See [图 9-1](#) for a procedure to calculate the threshold setting resistor values.

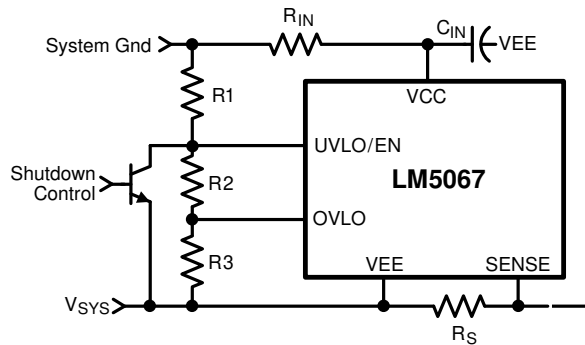
### 8.3.9 Power Good Pin

The Power Good output indicator pin (PGD) is connected to the drain of an internal N-channel MOSFET. An external pull-up resistor is required at PGD to an appropriate voltage to indicate the status to downstream circuitry. The off-state voltage at the PGD pin must be more positive than VEE, and can be up to 80V above VEE with transient capability to 100 V. PGD is switched high at the end of the turn-on sequence when the voltage from OUT to SENSE (the external MOSFET's  $V_{DS}$ ) decreases below 1.23 V. PGD switches low if the MOSFET's  $V_{DS}$  increases past 2.5 V, if the system input voltage goes below the UVLO threshold or above the OVLO threshold, or if a fault is detected. The PGD output is high when the operating voltage ( $V_{CC}-V_{EE}$ ) is less than 2 V.

## 8.4 Device Functional Modes

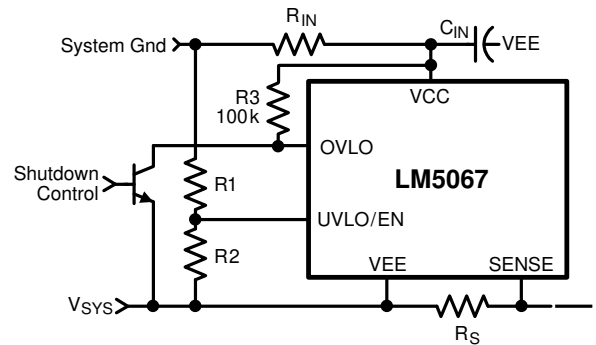
### 8.4.1 Shutdown / Enable Control

图 8-6 shows how to use the UVLO/EN pin for remote shutdown and enable control. Taking the UVLO/EN pin below its 2.5V threshold (with respect to VEE) shuts off the load current. Upon releasing the UVLO/EN pin the LM5067 switches on the load current with in-rush current and power limiting. In 图 8-7 the OVLO pin is used for remote shutdown and enable control. When the external transistor is off, the OVLO pin is above its 2.5 V threshold (with respect to VEE) and the load current is shut off. Turning on the external transistor allows the LM5067 to switch on the load current with in-rush current and power limiting.



Copyright © 2016, Texas Instruments Incorporated

图 8-6. Shutdown/Enable Using the UVLO/EN Pin



Copyright © 2016, Texas Instruments Incorporated

图 8-7. Shutdown/Enable Using the OVLO Pin

## 9 Application and Implementation

### Note

以下应用部分的信息不属于 TI 组件规范，TI 不担保其准确性和完整性。客户应负责确定 TI 组件是否适用于其应用。客户应验证并测试其设计，以确保系统功能。

### 9.1 Application Information

The LM5067 is a hotswap controller which is used to manage inrush current and protect in case of faults.

When designing a hotswap, three key scenarios should be considered:

- Start-up
- Output of a hotswap is shorted to ground when the hotswap is on. This is often referred to as a hot-short.
- Powering-up a board when the output and ground are shorted. This is usually called a start-into-short.

All of these scenarios place a lot of stress on the hotswap MOSFET and need special care when designing the hotswap circuit to keep the MOSFET within its SOA. A detailed design example is provided in the following sections and similar procedure can be followed for a custom design with different system target specifications. Alternatively, a spreadsheet design tool [LM5067 Design Calculator](#) is available for simplified calculations..

### 9.2 Typical Application

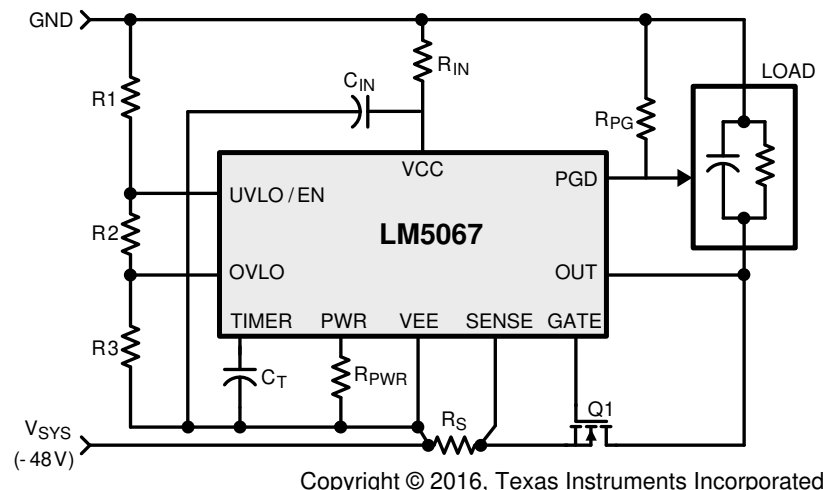


图 9-1. Basic Application Circuit

#### 9.2.1 Design Requirements

The recommended design-in procedure for the LM5067 is as follows:

- Determine the minimum and maximum system voltages (VEE). Select the input resistor ( $R_{IN}$ ) to provide at least 2 mA into the VCC pin at the minimum system voltage. The resistor's power rating must be suitable for its power dissipation at maximum system voltage ( $(V_{SYS} - 13V)^2/R_{IN}$ ).
- Determine the current limit threshold ( $I_{LIM}$ ). This threshold must be higher than the normal maximum load current, allowing for tolerances in the current sense resistor value and the LM5067 Current Limit threshold voltage. Use equation 1 to determine the value for  $R_S$ .
- Determine the maximum allowable power dissipation for the series pass FET (Q1), using the device's SOA information. Use equation 2 to determine the value for  $R_{PWR}$ .
- Determine the value for the timing capacitor at the TIMER pin ( $C_T$ ) using Equation 3. **The fault timeout period ( $t_{FAULT}$ ) must be longer than the circuit's turn-on-time.** The turn-on time can be estimated using the equations in the Turn-on Time section of this data sheet, but should be verified experimentally. Allow for tolerances in the values of the external capacitors, sense resistor, and the LM5067 Electrical Characteristics

for the TIMER pin, current limit and power limit. Review the resulting insertion time, and the restart timing if the LM5067-2 is used.

- Choose option A, B, C, or D from the UVLO, OVLO section of the Application Information for setting the UVLO and OVLO thresholds and hysteresis. Use the procedure in the appropriate option to determine the resistor values at the UVLO and OVLO pins.
- Choose the appropriate voltage, and pull-up resistor, for the Power Good output.

## 9.2.2 Detailed Design Procedure

### 9.2.2.1 $R_{IN}$ , $C_{IN}$

The LM5067 operating voltage is determined by an internal 13 V shunt regulator which receives its current from the system voltage via  $R_{IN}$ . When the system voltage exceeds 13V, the LM5067 operating voltage ( $V_{CC} - V_{EE}$ ) is between  $V_{EE}$  and  $V_{EE} + 13$  V. The remainder of the system voltage is dropped across the input resistor  $R_{IN}$ , which must be selected to pass at least 2 mA into the LM5067 at the minimum system voltage. The resistor's power rating must be selected based on the power dissipation at maximum system voltage, calculated from:

$$P_{RIN} = (V_{SYS(max)} - 13 \text{ V})^2 / R_{IN} \quad (1)$$

### 9.2.2.2 Current Limit, $R_S$

The LM5067 monitors the current in the external MOSFET (Q1) by measuring the voltage across the sense resistor ( $R_S$ ), connected from SENSE to VEE. The required resistor value is calculated from:

$$R_S = \frac{50 \text{ mV}}{I_{LIM}} \quad (2)$$

where

- $I_{LIM}$  is the desired current limit threshold

When the voltage across  $R_S$  reaches 50 mV, the current limit circuit modulates the gate of Q1 to regulate the current at  $I_{LIM}$ . While the current limiting circuit is active, the fault timer is active as described in the [Fault Timer and Restart](#) section. For proper operation,  $R_S$  must be no larger than 100 m $\Omega$ .

While the maximum load current in normal operation can be used to determine the required power rating for resistor  $R_S$ , basing it on the current limit value provides a more reliable design since the circuit can operate near the current limit threshold continuously. The resistor's surge capability must also be considered since the circuit breaker threshold is approximately twice the current limit threshold. Connections from  $R_S$  to the LM5067 should be made using Kelvin techniques. In the suggested layout of [图 9-2](#) the small pads at the upper corners of the sense resistor connect only to the sense resistor terminals, and not to the traces carrying the high current. With this technique, only the voltage across the sense resistor is applied to VEE and SENSE, eliminating the voltage drop across the high current solder connections.

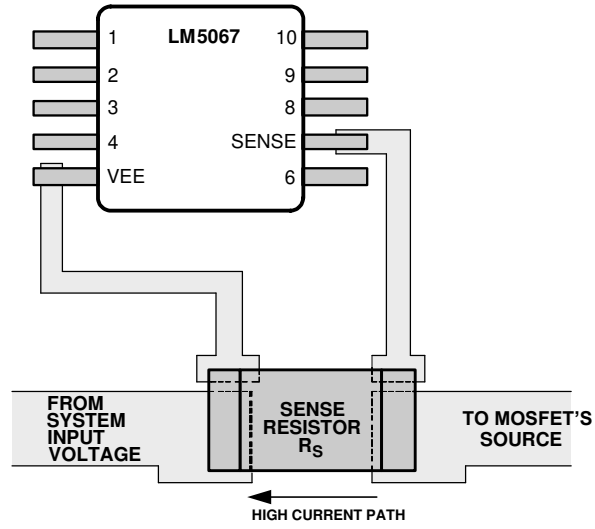


图 9-2. Sense Resistor Connections

### 9.2.2.3 Power Limit Threshold

The LM5067 determines the power dissipation in the external MOSFET (Q1) by monitoring the drain current (the current in  $R_S$ ), and the  $V_{DS}$  of Q1 (OUT to SENSE pins). The resistor at the PWR pin ( $R_{PWR}$ ) sets the maximum power dissipation for Q1, and is calculated from the following equation:

$$R_{PWR} = 1.42 \times 10^5 \times R_S \times P_{FET(LIM)} \quad (3)$$

where

- $P_{FET(LIM)}$  is the desired power limit threshold for Q1
- $R_S$  is the current sense resistor described in the Current Limit section

For example, if  $R_S$  is 10 m $\Omega$ , and the desired power limit threshold is 60W,  $R_{PWR}$  calculates to 85.2 k $\Omega$ . If the Q1 power dissipation reaches the power limit threshold, the Q1 gate is modulated to control the load current, keeping Q1 power from exceeding the threshold. For proper operation of the power limiting feature,  $R_{PWR}$  must be  $\leq 150$  k $\Omega$ . While the power limiting circuit is active, the fault timer is active as described in the [Fault Timer and Restart](#) section. Typically, power limit is reached during startup, or when the  $V_{DS}$  of Q1 increases due to a severe overload or short circuit.

The programmed maximum power dissipation should have a reasonable margin relative to the maximum power defined by the SOA chart if the LM5067-2 is used since the FET will be repeatedly stressed during fault restart cycles. The FET manufacturer should be consulted for guidelines. The PWR pin can be left open if the application does not require use of the power limit function.

### 9.2.2.4 Turn-On Time

The output turn-on time depends on whether the LM5067 operates in current limit only, or in both power limit and current limit, during turn-on.

#### 9.2.2.4.1 Turn-on With Current Limit Only

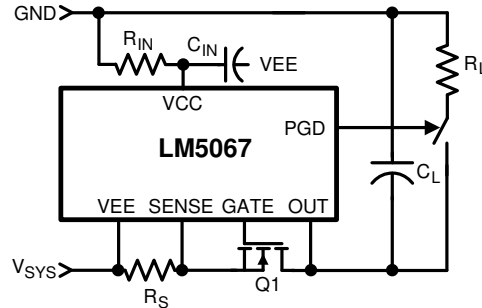
If the current limit threshold is less than the current defined by the power limit threshold at maximum  $V_{DS}$  the circuit operates only at the current limit threshold during turn-on. Referring to [Figure 9-5a](#), as the drain current reaches  $I_{LIM}$ , the gate-to-source voltage is controlled at  $V_{GSL}$  to maintain the current at  $I_{LIM}$ . As the output voltage reaches its final value ( $V_{DS} \approx 0$  V) the drain current reduces to the value defined by the load, and the gate is charged to approximately 13 V ( $V_{GATE}$ ). The time for the OUT pin voltage to transition from zero volts to  $V_{SYS}$  is equal to:

$$t_{ON} = \frac{V_{SYS} \times C_L}{I_{LIM}} \quad (4)$$

where

- $C_L$  is the load capacitance

For example, if  $V_{SYS} = -48$  V,  $C_L = 1000$   $\mu$ F, and  $I_{LIM} = 1$  A,  $t_{ON}$  calculates to 48 ms. The maximum instantaneous power dissipated in the MOSFET is 48W. This calculation assumes the time from  $t_1$  to  $t_2$  in [Figure 9-5a](#) is small compared to  $t_{ON}$ , and the load does not draw any current until after the output voltage has reached its final value, and PGD switches high ([Figure 9-3](#)).



Copyright © 2016, Texas Instruments Incorporated

图 9-3. No Load Current During Turn-on

If the load draws current during the turn-on sequence (图 9-4), the turn-on time is longer than the above calculation, and is approximately equal to:

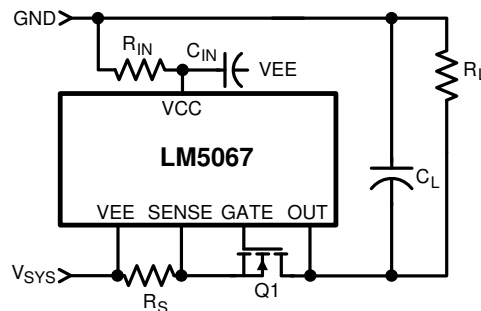
$$t_{ON} = - (R_L \times C_L) \times \left[ \frac{(I_{LIM} \times R_L) - V_{SYS}}{(I_{LIM} \times R_L)} \right] \quad (5)$$

where

- $R_L$  is the load resistance and  $V_{SYS}$  is the absolute value of the system input voltage

#### Note

The Fault Timeout Period must be set longer than  $t_{ON}$  to prevent a fault shutdown before the turn-on sequence is complete.



Copyright © 2016, Texas Instruments Incorporated

图 9-4. Load Draws Current During Turn-On

#### 9.2.2.4.2 Turn-on With Power Limit and Current Limit

The power dissipation limit in Q1 ( $P_{FET(LIM)}$ ) is defined by the resistor at the PWR pin, and the current sense resistor  $R_S$ . See [Power Limit Threshold](#). If the current limit threshold ( $I_{LIM}$ ) is higher than the current defined by the power limit threshold at maximum  $V_{DS}$  ( $P_{FET(LIM)}/V_{SYS}$ ) the circuit operates initially in power limit mode when the  $V_{DS}$  of Q1 is high, and then transitions to current limit mode as the current increases to  $I_{LIM}$  as  $V_{DS}$  decreases. See 图 9-5b. Assuming the load ( $R_L$ ) is not connected during turn-on, the time for the output voltage to reach its final value is approximately equal to:

$$t_{ON} = \frac{C_L \times V_{SYS}^2}{2 \times P_{FET(LIM)}} + \frac{C_L \times P_{FET(LIM)}}{2 \times I_{LIM}^2} \quad (6)$$

For example, if  $V_{SYS} = -48$  V,  $C_L = 1000$   $\mu$ F,  $I_{LIM} = 1$  A, and  $P_{FET(LIM)} = 20$  W,  $t_{ON}$  calculates to  $\approx 68$  ms, and the initial current level ( $I_p$ ) is approximately 0.42A.

**Note**

The Fault Timeout Period must be set longer than  $t_{ON}$

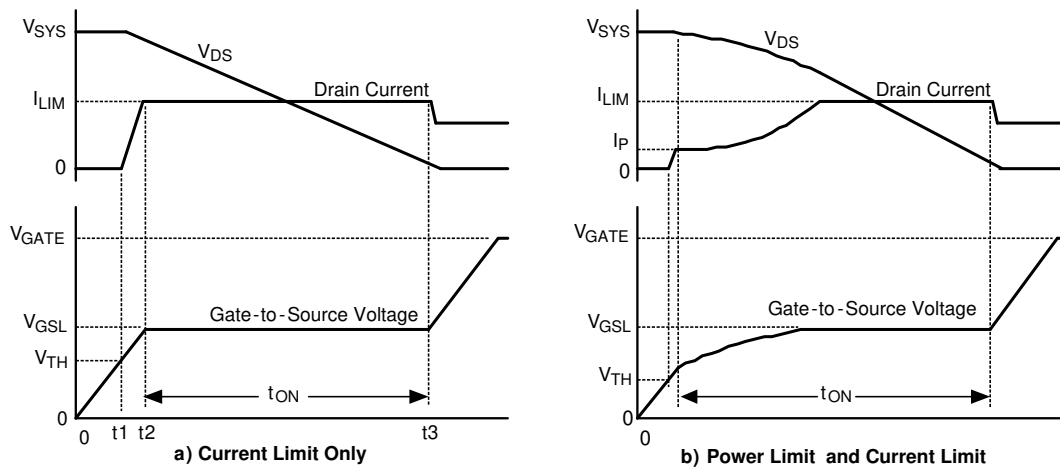


图 9-5. MOSFET Power Up Waveforms

### 9.2.2.5 MOSFET Selection

It is recommended that the external MOSFET (Q1) selection be based on the following criteria:

- The  $BV_{DSS}$  rating should be greater than the maximum system voltage ( $V_{SYS}$ ), plus ringing and transients which can occur at  $V_{SYS}$  when the circuit card, or adjacent cards, are inserted or removed.
- The maximum continuous current rating should be based on the current limit threshold ( $50 \text{ mV}/R_S$ ), not the maximum load current, since the circuit can operate near the current limit threshold continuously.
- The Pulsed Drain Current spec ( $I_{DM}$ ) must be greater than the current threshold for the circuit breaker function ( $100 \text{ mV}/R_S$ ).
- The SOA (Safe Operating Area) chart of the device, and the thermal properties, should be used to determine the maximum power dissipation threshold set by the  $R_{PWR}$  resistor. The programmed maximum power dissipation should have a reasonable margin from the maximum power defined by the FET's SOA chart if the LM5067-2 is used since the FET will be repeatedly stressed during fault restart cycles. The FET manufacturer should be consulted for guidelines.
- $R_{DS(on)}$  should be sufficiently low that the power dissipation at maximum load current ( $I_{L(max)}^2 \times R_{DS(on)}$ ) does not raise its junction temperature above the manufacturer's recommendation.

If the device chosen for Q1 has a maximum  $V_{GS}$  rating less than 13V, an external zener diode must be added from its gate to source, with the zener voltage less than the maximum  $V_{GS}$  rating. The zener diode's forward current rating must be at least 110 mA to conduct the GATE pull-down current during startup and in the circuit breaker mode.

### 9.2.2.6 Timer Capacitor, $C_T$

The TIMER pin capacitor ( $C_T$ ) sets the timing for the insertion time delay, fault timeout period, and restart timing of the LM5067-2.

#### 9.2.2.6.1 Insertion Delay

- Upon applying the system voltage ( $V_{SYS}$ ) to the circuit, the external MOSFET (Q1) is held off during the insertion time ( $t_1$  in 图 8-2) to allow ringing and transients at  $V_{SYS}$  to settle. Since each backplane's response to a circuit card plug-in is unique, the worst case settling time must be determined for each application. The insertion time starts when the operating voltage ( $V_{CC-VEE}$ ) reaches the  $POR_{IT}$  threshold, at which time the internal 6  $\mu\text{A}$  current source charges  $C_T$  from 0 V to 4 V. The required capacitor value is calculated from:



$$C_T = \frac{t_1 \times 6 \mu\text{A}}{4 \text{ V}} = t_1 \times 1.5 \times 10^{-6} \quad (7)$$

where

- $t_1$  is the desired insertion delay

For example, if the desired insertion delay is 250 ms,  $C_T$  calculates to 0.38  $\mu\text{F}$ . At the end of the insertion delay,  $C_T$  is quickly discharged by a 1.5 mA current sink.

#### 9.2.2.6.2 Fault Timeout Period

- During turn-on of the output voltage, or upon detection of a fault condition where the current limit and/or power limit circuits regulate the current through Q1,  $C_T$  is charged by the fault timer current source (85  $\mu\text{A}$ ). The Fault Timeout Period is the time required for the TIMER pin voltage to reach 4.0V above VEE, at which time Q1 is switched off. The required capacitor value for the desired Fault Timeout Period  $t_{\text{FAULT}}$  is calculated from:

$$C_T = \frac{t_{\text{FAULT}} \times 85 \mu\text{A}}{4 \text{ V}} = t_{\text{FAULT}} \times 2.13 \times 10^{-5} \quad (8)$$

For example, if the desired Fault Timeout Period is 16 ms,  $C_T$  calculates to 0.34  $\mu\text{F}$ . After a fault timeout, if the LM5067-1 is in use,  $C_T$  must be allowed to discharge to < 0.3 V by the 2.5  $\mu\text{A}$  current sink, after which a power up sequence can be initiated by external circuitry. See [Fault Timer and Restart](#) and [Latched Fault Restart Control](#). If the LM5067-2 is in use, after the Fault Timeout Period expires a restart sequence begins as described below (Restart Timing).

Since the LM5067 normally operates in power limit and/or current limit during a power up sequence, the Fault Timeout Period **MUST** be longer than the time required for the output voltage to reach its final value. See [Turn-On Time](#).

#### 9.2.2.6.3 Restart Timing

If the LM5067-2 is in use, after the Fault Timeout Period described above,  $C_T$  is discharged by the 2.5  $\mu\text{A}$  current sink to 1.25 V. The TIMER pin then cycles through seven additional charge/discharge cycles between 1.25 V and 4 V as shown in [Figure 8-5](#). The restart time ends when the TIMER pin voltage reaches 0.3 V during the final high-to-low ramp. The restart time, after the Fault Timeout Period, is equal to:

$$t_{\text{RESTART}} = C_T \times \left[ \frac{7 \times 2.75 \text{ V}}{2.5 \mu\text{A}} + \frac{7 \times 2.75 \text{ V}}{85 \mu\text{A}} + \frac{3.7 \text{ V}}{2.5 \mu\text{A}} \right] = C_T \times 9.4 \times 10^6 \quad (9)$$

For example, if  $C_T = 0.33 \mu\text{F}$ ,  $t_{\text{RESTART}} = 3.1$  seconds. At the end of the restart time, Q1 is switched on. If the fault is still present, the fault timeout and restart sequence repeats. The on-time duty cycle of Q1 is approximately 0.5% in this mode.

#### 9.2.2.7 UVLO, OVLO

By programming the UVLO and OVLO thresholds the LM5067 enables the series pass device (Q1) when the input supply voltage ( $V_{\text{SYS}}$ ) is within the desired operational range. If  $V_{\text{SYS}}$  is below the UVLO threshold, or above the OVLO threshold, Q1 is switched off, denying power to the load. Hysteresis is provided for each threshold.

---

#### Note

All voltages are with respect to Vee in the discussions below. Use absolute values in the equations.

---

### 9.2.2.7.1 Option A:

The configuration shown in 图 9-6 requires three resistors (R1-R3) to set the thresholds.

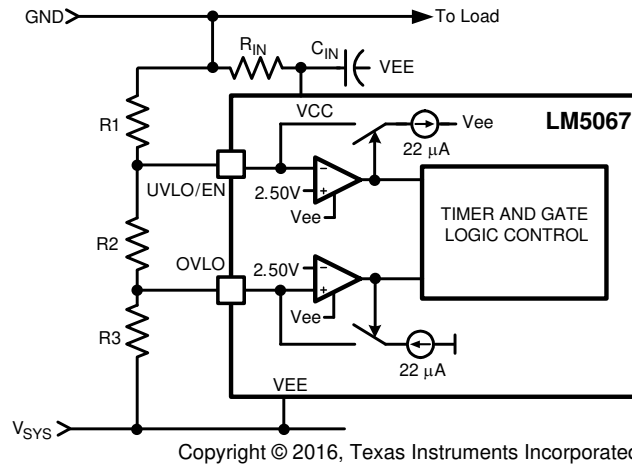


图 9-6. UVLO and OVLO Thresholds Set By R1-R3

The procedure to calculate the resistor values is as follows:

- Determine the upper UVLO threshold ( $V_{UVH}$ ) to enable Q1, and the lower UVLO threshold ( $V_{UVL}$ ) to disable Q1.
- Determine the upper OVLO threshold ( $V_{OVH}$ ) to disable Q1.
- The lower OVLO threshold ( $V_{OVL}$ ), to enable Q1, cannot be chosen in advance in this case, but is determined after the values for R1-R3 are determined. If  $V_{OVL}$  must be accurately defined in addition to the other three thresholds, see Option B below.

The resistors are calculated as follows:

$$R1 = \frac{V_{UVH} - V_{UVL}}{22 \mu A} = \frac{V_{UV(HYS)}}{22 \mu A}$$

$$R3 = \frac{2.5 V \times R1 \times V_{UVL}}{V_{OVH} \times (V_{UVL} - 2.5 V)}$$

$$R2 = \frac{2.5 V \times R1}{V_{UVL} - 2.5 V} - R3 \quad (10)$$

The lower OVLO threshold is calculated from:

$$V_{OVL} = + \left[ (R1 + R2 \times \left( \frac{2.5 V}{R2} - 22 \mu A \right)) \right] + 2.5 V \quad (11)$$

As an example, assume the application requires the following thresholds:  $V_{UVH} = -36V$ ,  $V_{UVL} = -32V$ ,  $V_{OVH} = -60V$ .

$$R1 = \frac{36 \text{ V} - 32 \text{ V}}{22 \text{ } \mu\text{A}} = \frac{4 \text{ V}}{22 \text{ } \mu\text{A}} = 182 \text{ k}\Omega$$

$$R3 = \frac{2.5 \text{ V} \times 182 \text{ k}\Omega \times 32 \text{ V}}{60 \text{ V} \times (32 \text{ V} - 2.5 \text{ V})} = 8.23 \text{ k}\Omega$$

$$R2 = \frac{2.5 \text{ V} \times 182 \text{ k}\Omega}{(32 \text{ V} - 2.5 \text{ V})} = -8.23 \text{ k}\Omega = 7.19 \text{ k}\Omega \quad (12)$$

The lower OVLO threshold calculates to -55.8V, and the OVLO hysteresis is 4.2V. Note that the OVLO hysteresis is always slightly greater than the UVLO hysteresis in this configuration.

When the R1-R3 resistor values are known, the threshold voltages and hysteresis are calculated from the following:

$$V_{UVH} = 2.5 \text{ V} + \left[ R1 \times \left( 22 \text{ } \mu\text{A} + \frac{2.5 \text{ V}}{R2 + R3} \right) \right]$$

$$V_{UVL} = \frac{2.5 \text{ V} \times (R1 + R2 + R3)}{R2 + R3}$$

$$V_{UV(HYS)} = R1 \times 22 \text{ } \mu\text{A}$$

$$V_{OVH} = \frac{2.5 \text{ V} \times (R1 + R2 + R3)}{R3}$$

$$V_{OVL} = \left[ (R1 + R2) \times \left( \frac{2.5 \text{ V}}{R3} - 22 \text{ } \mu\text{A} \right) \right] + 2.5 \text{ V}$$

$$V_{OV(HYS)} = (R1 + R2) \times 22 \text{ } \mu\text{A} \quad (13)$$

---

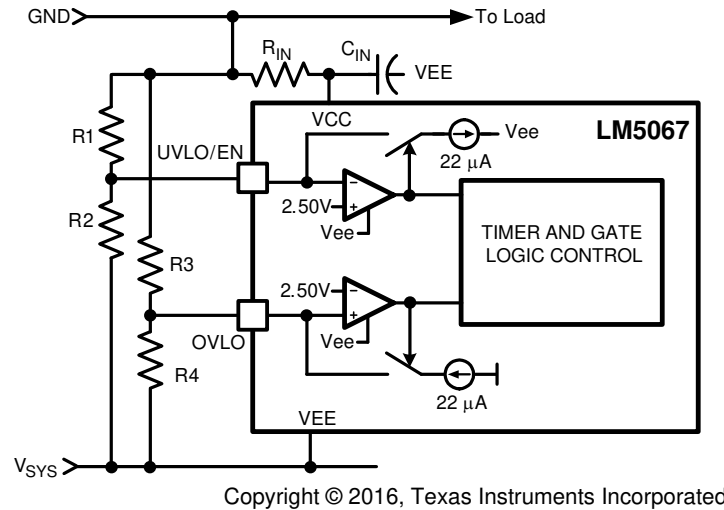
**Note**

Ensure the voltages at the UVLO and OVLO pins do not exceed the Absolute Maximum ratings for those pins when the system voltage is at maximum.

---

**9.2.2.7.2 Option B:**

If all four thresholds must be accurately defined, the configuration in [Figure 9-7](#) can be used.



**图 9-7. Programming the Four Thresholds**

The four resistor values are calculated as follows:

- Determine the upper UVLO threshold ( $V_{UVH}$ ) to enable Q1, and the lower UVLO threshold ( $V_{UVL}$ ) to disable Q1.

$$R1 = \frac{V_{UVH} - V_{UVL}}{22 \mu\text{A}} = \frac{V_{UV(HYS)}}{22 \mu\text{A}}$$

$$R2 = \frac{2.5 \text{ V} \times R1}{(V_{UVL} - 2.5 \text{ V})} \quad (14)$$

- Determine the upper OVLO threshold ( $V_{OVH}$ ) to disable Q1, and the lower OVLO threshold ( $V_{OVL}$ ) to enable Q1.

$$R3 = \frac{V_{OVH} - V_{OVL}}{22 \mu\text{A}} = \frac{V_{OV(HYS)}}{22 \mu\text{A}}$$

$$R4 = \frac{2.5 \text{ V} \times R3}{(V_{OVL} - 2.5 \text{ V})} \quad (15)$$

As an example, assume the application requires the following thresholds:  $V_{UVH} = -22 \text{ V}$ ,  $V_{UVL} = -17 \text{ V}$ ,  $V_{OVH} = -60 \text{ V}$ , and  $V_{OVL} = -58 \text{ V}$ . Therefore  $V_{UV(HYS)} = 5 \text{ V}$ , and  $V_{OV(HYS)} = 2 \text{ V}$ . The resistor values are:

$$R1 = 227 \text{ k}\Omega, R2 = 39.1 \text{ k}\Omega$$

$$R3 = 90.9 \text{ k}\Omega, R4 = 3.95 \text{ k}\Omega$$

Where the R1-R4 resistor values are known, the threshold voltages and hysteresis are calculated from the following:

$$V_{UVH} = 2.5 \text{ V} + \left[ R1 \times \left( \frac{2.5 \text{ V}}{R2} + 22 \mu\text{A} \right) \right]$$

$$V_{UVL} = \frac{2.5 \text{ V} \times (R1 + R2)}{R2}$$

$$V_{UV(HYS)} = R1 \times 22 \mu\text{A}$$

$$V_{OVH} = \frac{2.5 \text{ V} \times (R3 + R4)}{R4}$$

$$V_{OVL} = 2.5 \text{ V} + \left[ R3 \times \left( \frac{2.5 \text{ V}}{R4} - 22 \mu\text{A} \right) \right]$$

$$V_{OV(HYS)} = R3 \times 22 \mu\text{A} \tag{16}$$

---

**Note**

Ensure the voltages at the UVLO and OVLO pins do not exceed the Absolute Maximum ratings for those pins when the system voltage is at maximum.

---

### 9.2.2.7.3 Option C:

The minimum UVLO level is obtained by connecting the UVLO pin to VCC as shown in 图 9-8. Q1 is switched on when the operating voltage reaches the  $POR_{EN}$  threshold ( $\approx 8.4V$ ). The OVLO thresholds are set by R3 and R4 using the procedure in Option B.

#### Note

Ensure the voltage at the OVLO pin does not exceed the Absolute Maximum ratings for that pin when the system voltage is at maximum.

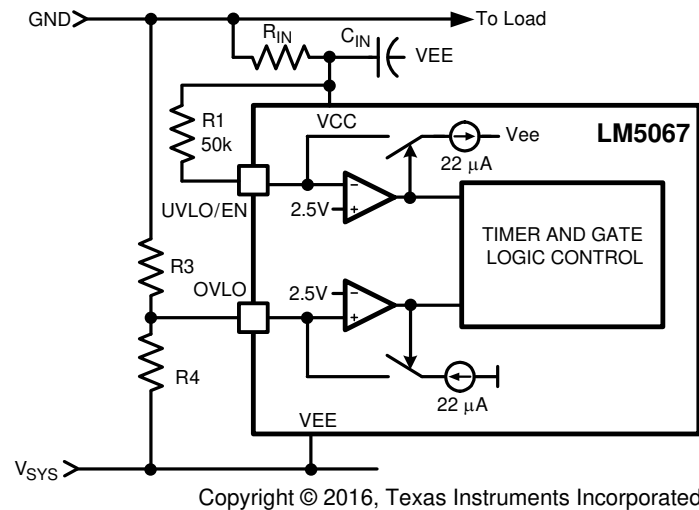


图 9-8. UVLO =  $POR_{EN}$

### 9.2.2.7.4 Option D:

The OVLO function can be disabled by connecting the OVLO pin to VEE. The UVLO thresholds are set as described in Option B or Option C.

### 9.2.2.8 Thermal Considerations

The LM5067 should be operated so that its junction temperature does not exceed 125°C. The junction temperature is equal to:

$$T_J = T_A + (R_{\theta JA} \times P_D) \quad (17)$$

where

- $T_A$  is the ambient temperature
- $R_{\theta JA}$  is the thermal resistance of the LM5067

$P_D$  is the power dissipated within the LM5067, calculated from:

$$P_D = 13V \times I_{CC} \quad (18)$$

where

- $I_{CC}$  is the current into the VCC pin (the current through the  $R_{IN}$  resistor).

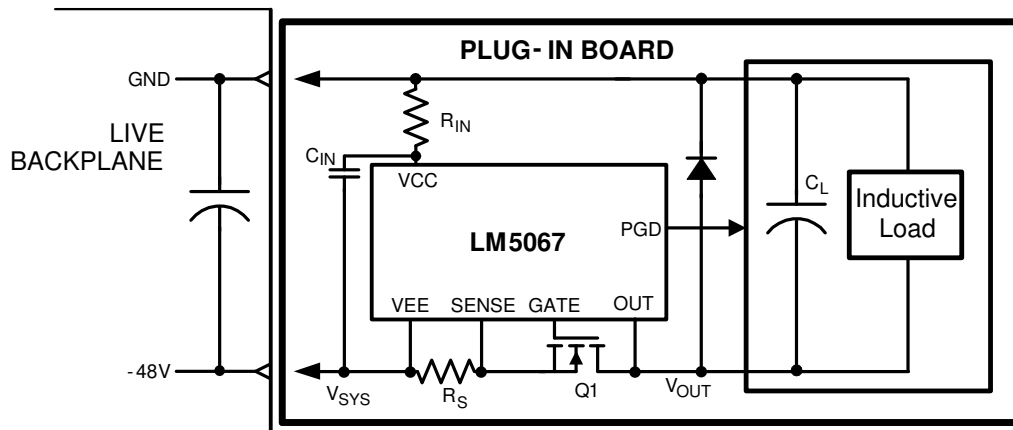
Values for  $R_{\theta JA}$  and  $R_{\theta JC}$  are in [Thermal Information](#).

### 9.2.2.9 System Considerations

Continued proper operation of the LM5067 hot swap circuit requires capacitance be present on the supply side of the connector into which the hot swap circuit is plugged in, as depicted in 图 8-1. The capacitor in the “Live

Backplane” section is necessary to absorb the transient generated whenever the hot swap circuit shuts off the load current. If the capacitance is not present, inductance in the supply lines will generate a voltage transient at shut-off which can exceed the absolute maximum rating of the LM5067, resulting in its destruction.

If the load powered via the LM5067 hot swap circuit has inductive characteristics, a diode is required across the LM5067’s output to provide a recirculating path for the load’s current. Adding the diode prevents possible damage to the LM5067 as the OUT pin will be taken above ground by the inductive load at shutoff. See 图 9-9



Copyright © 2016, Texas Instruments Incorporated

图 9-9. Output Diode Required for Inductive Loads

### 9.2.2.9.1 System Considerations During Surge Events

The control MOSFET, Q1, has a body-diode, illustrated in 图 9-10, where current can freely flow in the reverse direction. The most common cause of a reverse current is a discharge event at the input of the hot-swap circuit when the output capacitance discharges to the input. Normally, reverse current flow presents no issue for hotswap devices during events such as shutdown and minor input power perturbations. However, extreme situations such as high energy lighting surge line disturbances can expose the hot-swap circuit to pulses of ultra fast - high amplitude reverse currents. It is common to observe current amplitudes on the order of 1000 A in these situations. 图 9-10 illustrates what an extreme input discharge event may look like and how it affects the circuit.

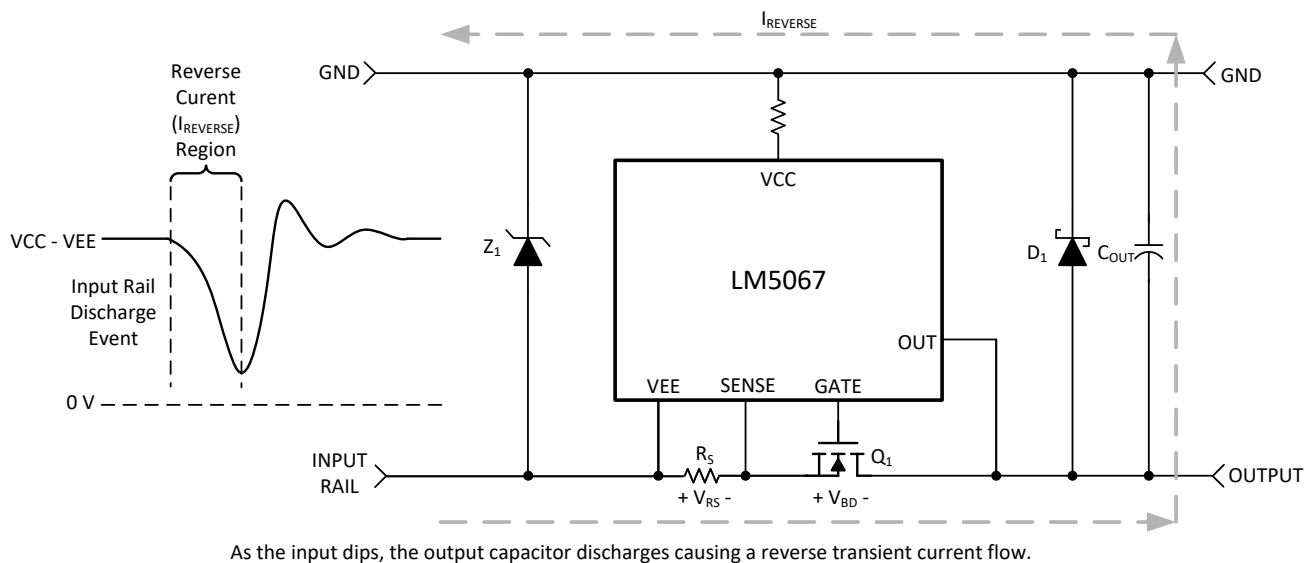


图 9-10. Differential Voltage Across Sense Resistor

图 9-10 shows how the induced reverse current spike causes a differential voltage across the sense resistor, VRS, and the Q1 body-diode, VBD. The transient reverse current, I<sub>REVERSE</sub>, is approximately equal to  $I_{REVERSE} = C_{OUT} \times dV_{IN}/dt$  because the output capacitor is discharged through the input. Faster discharge rates ( $dV_{IN}/dt$ ) will induce larger I<sub>REVERSE</sub> currents. If I<sub>REVERSE</sub> is extremely high, it can cause a large negative voltage at the SENSE and OUT pins with respect to the VEE pin of the LM5067. If the negative absolute maximum voltage rating is greatly exceeded, harmful currents can flow into the affected pins. Series pin resistors can be implemented to limit the pin current caused by the negative voltage excursion. Schottky diodes may also be implemented to completely clamp the voltage at these pins, 图 9-11 illustrates this.

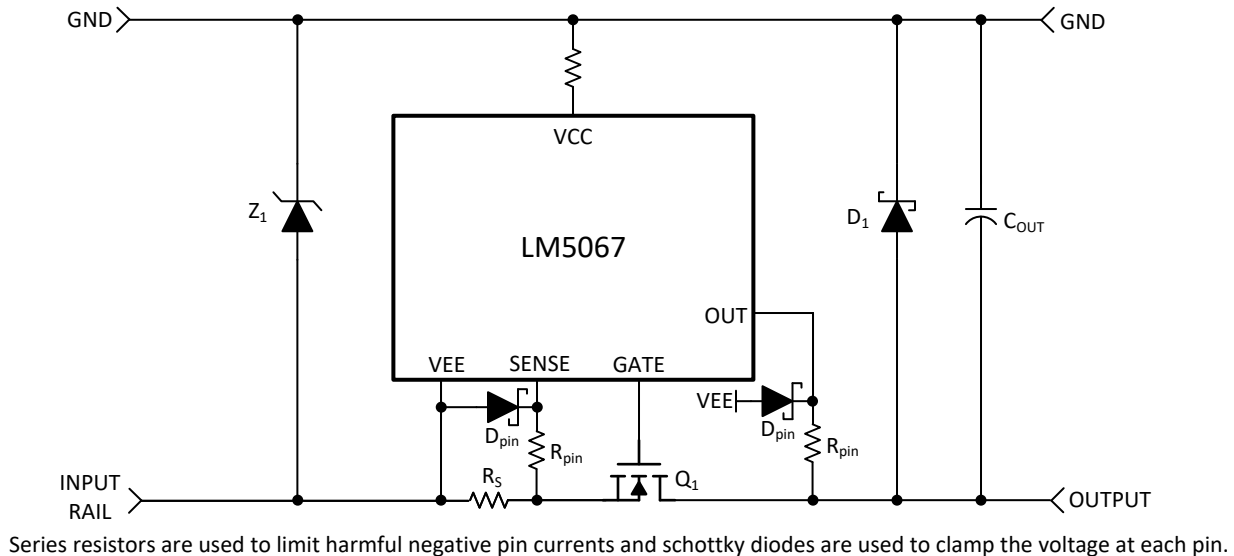


图 9-11. Schottky Diodes Used to Clamp Pin Voltage

A typical value of R<sub>pin</sub> can be 22 Ω to effectively limit the pin current during extreme negative voltage spikes. If schottky diodes are used, they only need to be applied to SENSE\_K, SENSE, and OUT. Each schottky diode return pin should be coupled closely with the VEE plane to provide the most effective clamping. The schottky diode at OUT should be able to withstand at least 100 V. VEE\_K needs a series resistor even though it's not subjected to negative voltage spikes in order to balance the differential current sense voltage signal. Protecting the SENSE\_K, SENSE, and OUT pins from negative voltage spikes will facilitate a robust hot-swap circuit and smooth operation during extreme reverse current surge events.

#### 9.2.2.10 Power Good Pin

During initial power up, the Power Good pin (PGD) is high until the operating voltage (VCC - VEE) increases above  $\approx 2V$ . PGD then switches low, remaining low as the system voltage and the operating voltage increase. After Q1 is switched on, when the voltage at the OUT pin is within 1.23 V of the SENSE pin ( $Q1 V_{DS} < 1.23 V$ ), PGD switches high indicating the output voltage is at, or nearly at, its final value. Any of the following situations will cause PGD to switch low within  $\approx 10 \mu s$ :

- The  $V_{DS}$  of Q1 increases above 2.5 V.
- The system input voltage decreases below the UVLO level.
- The system input voltage increase above the OVLO level.
- The TIMER pin increases to 4V due to a fault condition.

A pull-up resistor is required at PGD as shown in 图 9-12. The pull-up voltage ( $V_{PGD}$ ) can be as high as 80 V above VEE, with transient capability to 100 V, and can be higher or lower than the system ground.



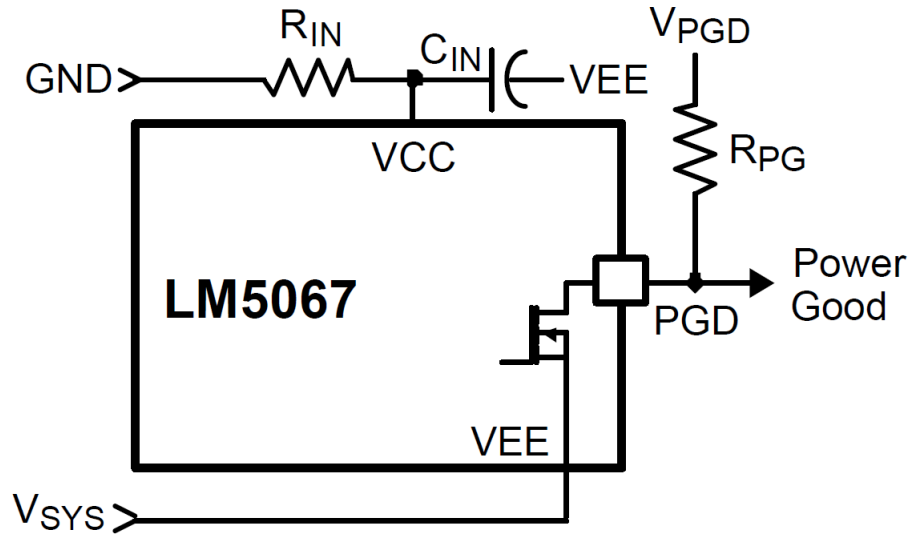
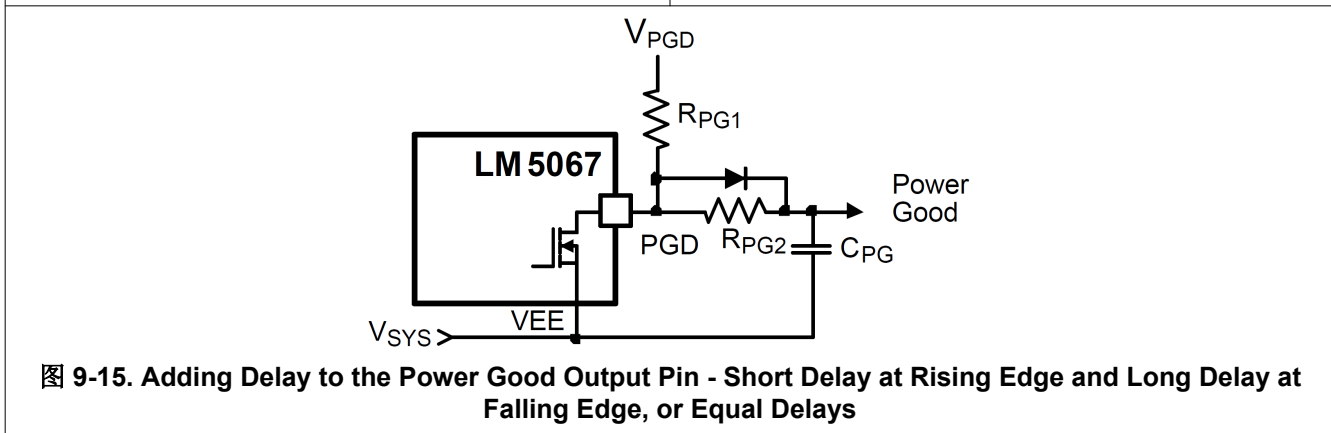
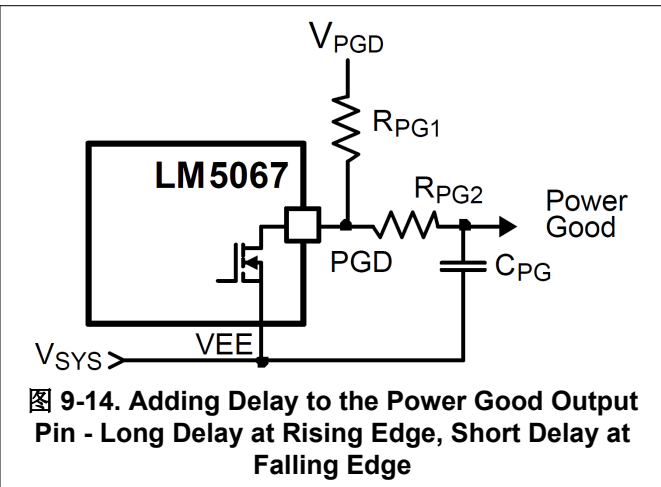
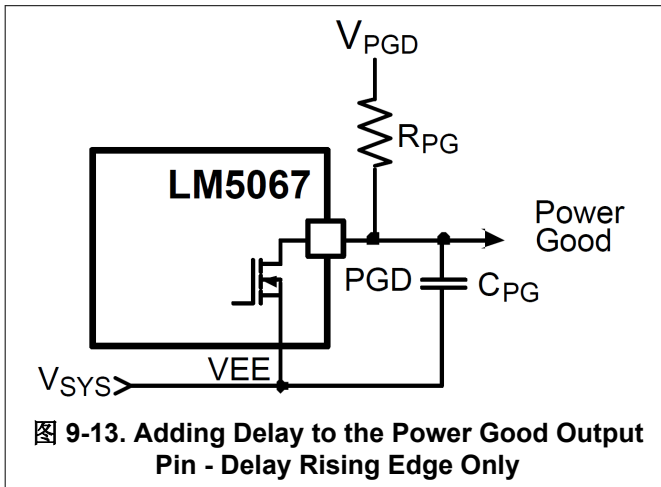


图 9-12. Power Good Output

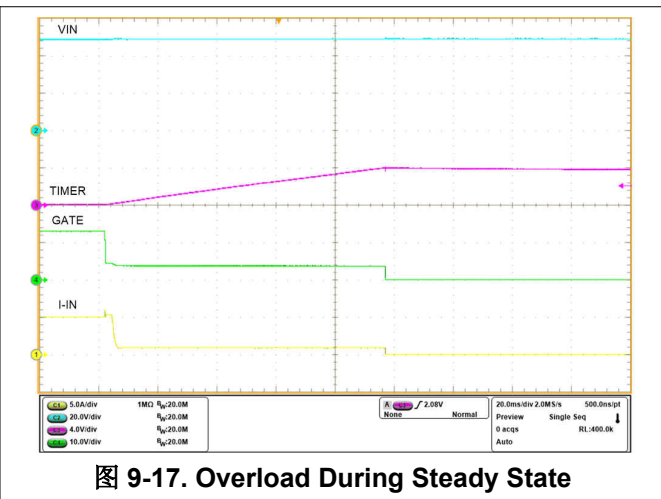
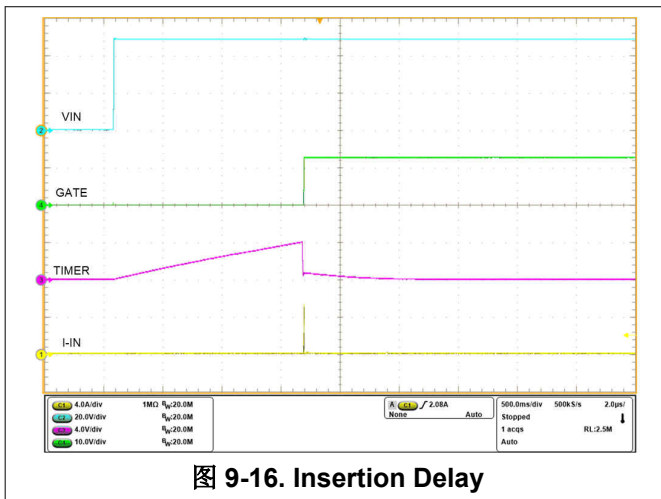
LM5067

ZHCSLQ5D - OCTOBER 2007 - REVISED AUGUST 2020

If a delay is required at PGD, suggested circuits are shown in the following figure. In 图 9-13, capacitor  $C_{PG}$  adds delay to the rising edge, but not to the falling edge. In 图 9-14, the rising edge is delayed by  $R_{PG1} + R_{PG2}$  and  $C_{PG}$ , while the falling edge is delayed a lesser amount by  $R_{PG2}$  and  $C_{PG}$ . Adding a diode across  $R_{PG2}$ . 图 9-15 allows for equal delays at the two edges, or a short delay at the rising edge and a long delay at the falling edge.



9.2.3 Application Curves



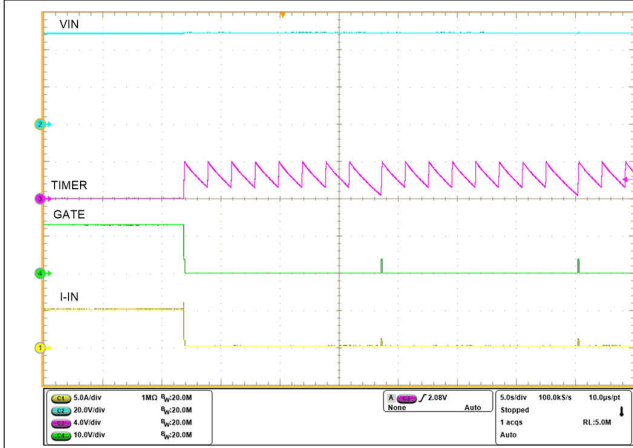


图 9-18. Overload With Retry

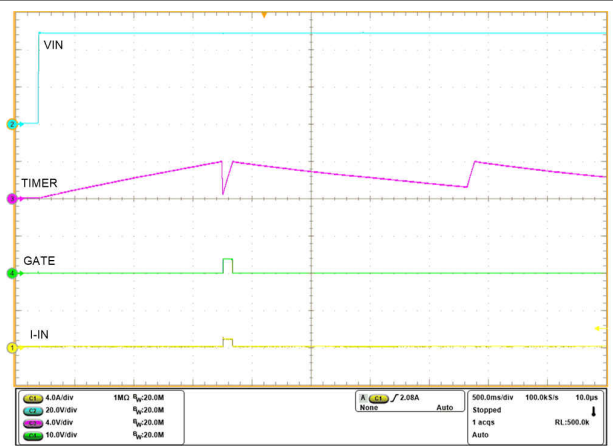


图 9-19. Power Into Short

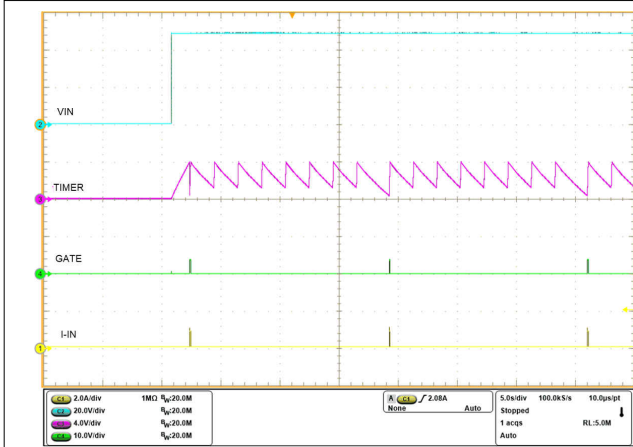


图 9-20. Power Into Short Retry Zoomed Out

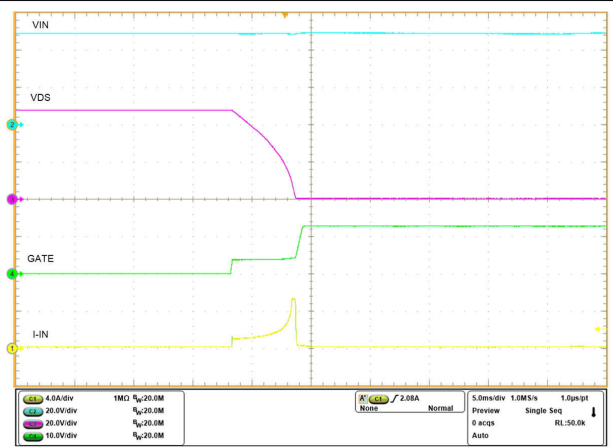


图 9-21. Power Limited Startup

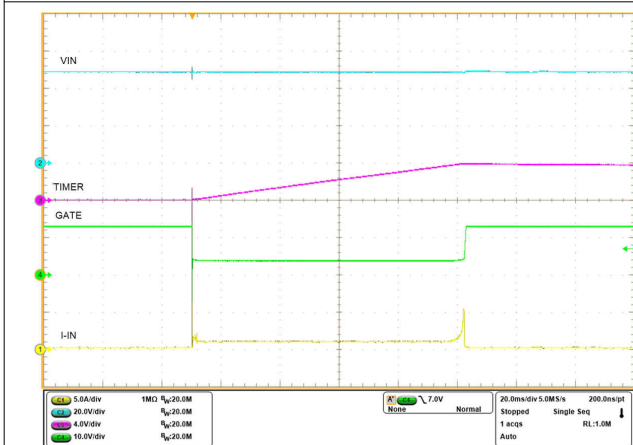


图 9-22. Short Circuit and Release

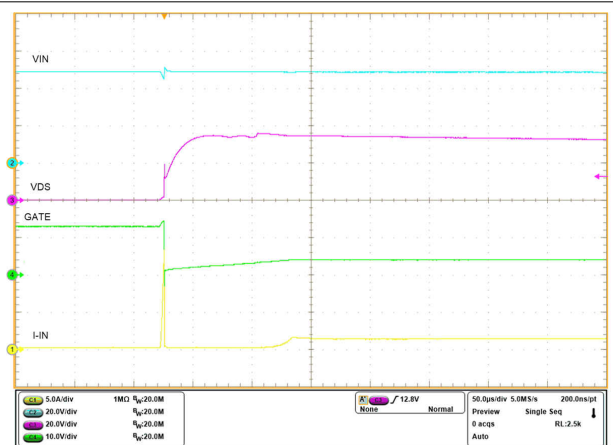


图 9-23. Short Circuit Zoomed In

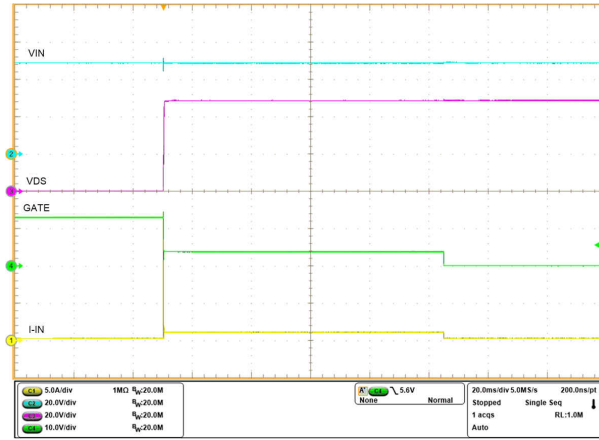


图 9-24. Short Circuit Zoomed Out

## 10 Power Supply Recommendations

### 10.1 Operating Voltage

The LM5067 operating voltage is the voltage from VCC to VEE. The maximum operating voltage is set by an internal 13V zener diode. With the IC connected as shown in [Figure 9-1](#), the LM5067 controller operates in the voltage range between VEE and VEE+13V. The remainder of the system voltage is dropped across the input resistor  $R_{IN}$ , which must be selected to pass at least 2 mA into the LM5067 at the minimum system voltage.

## 11 Layout

### 11.1 Layout Guidelines

The following guidelines should be followed when designing the PC board for the LM5067:

- Place the LM5067 close to the board's input connector to minimize trace inductance from the connector to the FET.
- Place  $R_{IN}$  and  $C_{IN}$  close to the VCC and VEE pins to keep transients below the Absolute Maximum rating of the LM5067. Transients of several volts can easily occur when the load current is shut off.
- The sense resistor ( $R_S$ ) should be close to the LM5067, and connected to it using the Kelvin techniques shown in [Figure 9-2](#).
- The high current path from the board's input to the load, and the return path (via Q1), should be parallel and close to each other wherever possible to minimize loop inductance.
- The VEE connection for the various components around the LM5067 should be connected directly to each other, and to the LM5067's VEE pin, and then connected to the system VEE at one point. Do not connect the various components to each other through the high current VEE track.
- Provide adequate heat sinking for the series pass device (Q1) to help reduce thermal stresses during turn-on and turn-off.
- The board's edge connector can be designed to shut off the LM5067 as the board is removed, before the supply voltage is disconnected from the LM5067. In [Figure 11-1](#) the voltage at the UVLO/EN pin goes to VEE before  $V_{SYS}$  is removed from the LM5067 due to the shorter edge connector pin. When the board is inserted into the edge connector, the system voltage is applied to the LM5067's VEE and VCC pins before voltage is applied to the UVLO/EN pin.
- If power dissipation within the LM5067 is high, an exposed copper pad should be provided beneath the package, and that pad should be connected to exposed copper on the board's other side with as many vias as possible. See [Thermal Considerations](#).

## 11.2 Layout Example

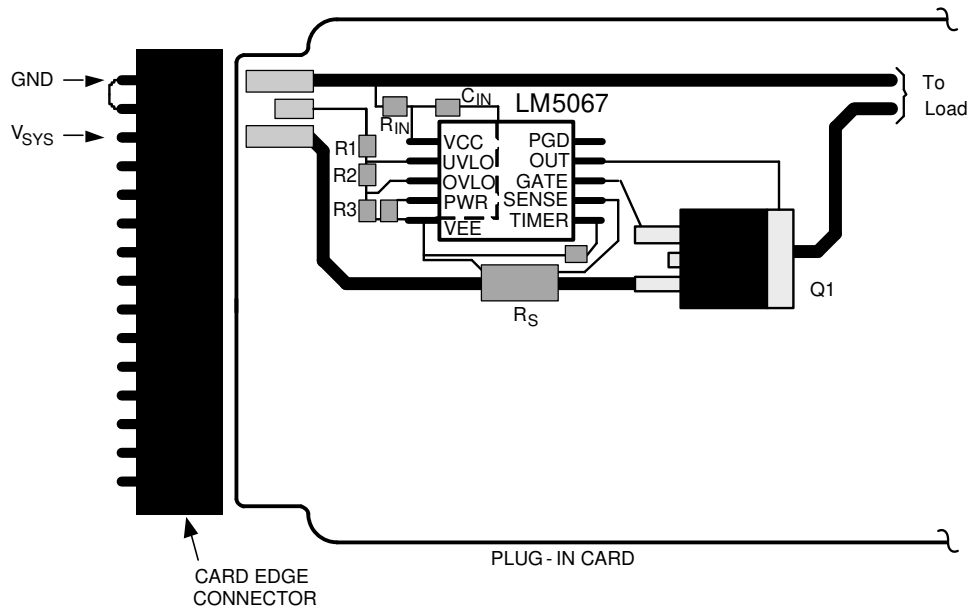


图 11-1. Suggested Board Connector Design

## 12 Device and Documentation Support

### 12.1 Trademarks

所有商标均为其各自所有者的财产。

### 12.2 静电放电警告



静电放电 (ESD) 会损坏这个集成电路。德州仪器 (TI) 建议通过适当的预防措施处理所有集成电路。如果不遵守正确的处理和安装程序, 可能会损坏集成电路。

ESD 的损坏小至导致微小的性能降级, 大至整个器件故障。精密的集成电路可能更容易受到损坏, 这是因为非常细微的参数更改都可能会导致器件与其发布的规格不相符。

### 12.3 术语表

**TI 术语表**      本术语表列出并解释了术语、首字母缩略词和定义。

## 13 Mechanical, Packaging, and Orderable Information

The following pages include mechanical, packaging, and orderable information. This information is the most current data available for the designated devices. This data is subject to change without notice and revision of this document. For browser-based versions of this data sheet, refer to the left-hand navigation.



**PACKAGING INFORMATION**

Orderable Device	Status (1)	Package Type	Package Drawing	Pins	Package Qty	Eco Plan (2)	Lead finish/ Ball material (6)	MSL Peak Temp (3)	Op Temp (°C)	Device Marking (4/5)	Samples
LM50672NPAR	ACTIVE	SOIC	NPA	14	1000	RoHS & Green	SN	Level-3-260C-168 HR	-40 to 125	LM50672 NPA	<a href="#">Samples</a>
LM5067MM-1/NOPB	ACTIVE	VSSOP	DGS	10	1000	RoHS & Green	SN	Level-1-260C-UNLIM	-40 to 125	SRUB	<a href="#">Samples</a>
LM5067MM-2/NOPB	ACTIVE	VSSOP	DGS	10	1000	RoHS & Green	SN	Level-1-260C-UNLIM	-40 to 125	SRVB	<a href="#">Samples</a>
LM5067MMX-2/NOPB	ACTIVE	VSSOP	DGS	10	3500	RoHS & Green	SN	Level-1-260C-UNLIM	-40 to 125	SRVB	<a href="#">Samples</a>
LM5067MW-1/NOPB	ACTIVE	SOIC	NPA	14	50	RoHS & Green	SN	Level-3-260C-168 HR		LM5067 MW-1	<a href="#">Samples</a>
LM5067MWX-1/NOPB	ACTIVE	SOIC	NPA	14	1000	RoHS & Green	SN	Level-3-260C-168 HR	-40 to 125	LM5067 MW-1	<a href="#">Samples</a>

(1) The marketing status values are defined as follows:

**ACTIVE:** Product device recommended for new designs.

**LIFEBUY:** TI has announced that the device will be discontinued, and a lifetime-buy period is in effect.

**NRND:** Not recommended for new designs. Device is in production to support existing customers, but TI does not recommend using this part in a new design.

**PREVIEW:** Device has been announced but is not in production. Samples may or may not be available.

**OBSELETE:** TI has discontinued the production of the device.

(2) **RoHS:** TI defines "RoHS" to mean semiconductor products that are compliant with the current EU RoHS requirements for all 10 RoHS substances, including the requirement that RoHS substance do not exceed 0.1% by weight in homogeneous materials. Where designed to be soldered at high temperatures, "RoHS" products are suitable for use in specified lead-free processes. TI may reference these types of products as "Pb-Free".

**RoHS Exempt:** TI defines "RoHS Exempt" to mean products that contain lead but are compliant with EU RoHS pursuant to a specific EU RoHS exemption.

**Green:** TI defines "Green" to mean the content of Chlorine (Cl) and Bromine (Br) based flame retardants meet JS709B low halogen requirements of <=1000ppm threshold. Antimony trioxide based flame retardants must also meet the <=1000ppm threshold requirement.

(3) MSL, Peak Temp. - The Moisture Sensitivity Level rating according to the JEDEC industry standard classifications, and peak solder temperature.

(4) There may be additional marking, which relates to the logo, the lot trace code information, or the environmental category on the device.

(5) Multiple Device Markings will be inside parentheses. Only one Device Marking contained in parentheses and separated by a "~" will appear on a device. If a line is indented then it is a continuation of the previous line and the two combined represent the entire Device Marking for that device.

<sup>(6)</sup> Lead finish/Ball material - Orderable Devices may have multiple material finish options. Finish options are separated by a vertical ruled line. Lead finish/Ball material values may wrap to two lines if the finish value exceeds the maximum column width.

**Important Information and Disclaimer:**The information provided on this page represents TI's knowledge and belief as of the date that it is provided. TI bases its knowledge and belief on information provided by third parties, and makes no representation or warranty as to the accuracy of such information. Efforts are underway to better integrate information from third parties. TI has taken and continues to take reasonable steps to provide representative and accurate information but may not have conducted destructive testing or chemical analysis on incoming materials and chemicals. TI and TI suppliers consider certain information to be proprietary, and thus CAS numbers and other limited information may not be available for release.

In no event shall TI's liability arising out of such information exceed the total purchase price of the TI part(s) at issue in this document sold by TI to Customer on an annual basis.

**TAPE AND REEL INFORMATION**

**QUADRANT ASSIGNMENTS FOR PIN 1 ORIENTATION IN TAPE**


\*All dimensions are nominal

Device	Package Type	Package Drawing	Pins	SPQ	Reel Diameter (mm)	Reel Width W1 (mm)	A0 (mm)	B0 (mm)	K0 (mm)	P1 (mm)	W (mm)	Pin1 Quadrant
LM50672NPAR	SOIC	NPA	14	1000	330.0	16.4	10.9	9.5	3.2	12.0	16.0	Q1
LM5067MM-1/NOPB	VSSOP	DGS	10	1000	178.0	12.4	5.3	3.4	1.4	8.0	12.0	Q1
LM5067MM-2/NOPB	VSSOP	DGS	10	1000	178.0	12.4	5.3	3.4	1.4	8.0	12.0	Q1
LM5067MMX-2/NOPB	VSSOP	DGS	10	3500	330.0	12.4	5.3	3.4	1.4	8.0	12.0	Q1
LM5067MWX-1/NOPB	SOIC	NPA	14	1000	330.0	16.4	10.9	9.5	3.2	12.0	16.0	Q1

**TAPE AND REEL BOX DIMENSIONS**


\*All dimensions are nominal

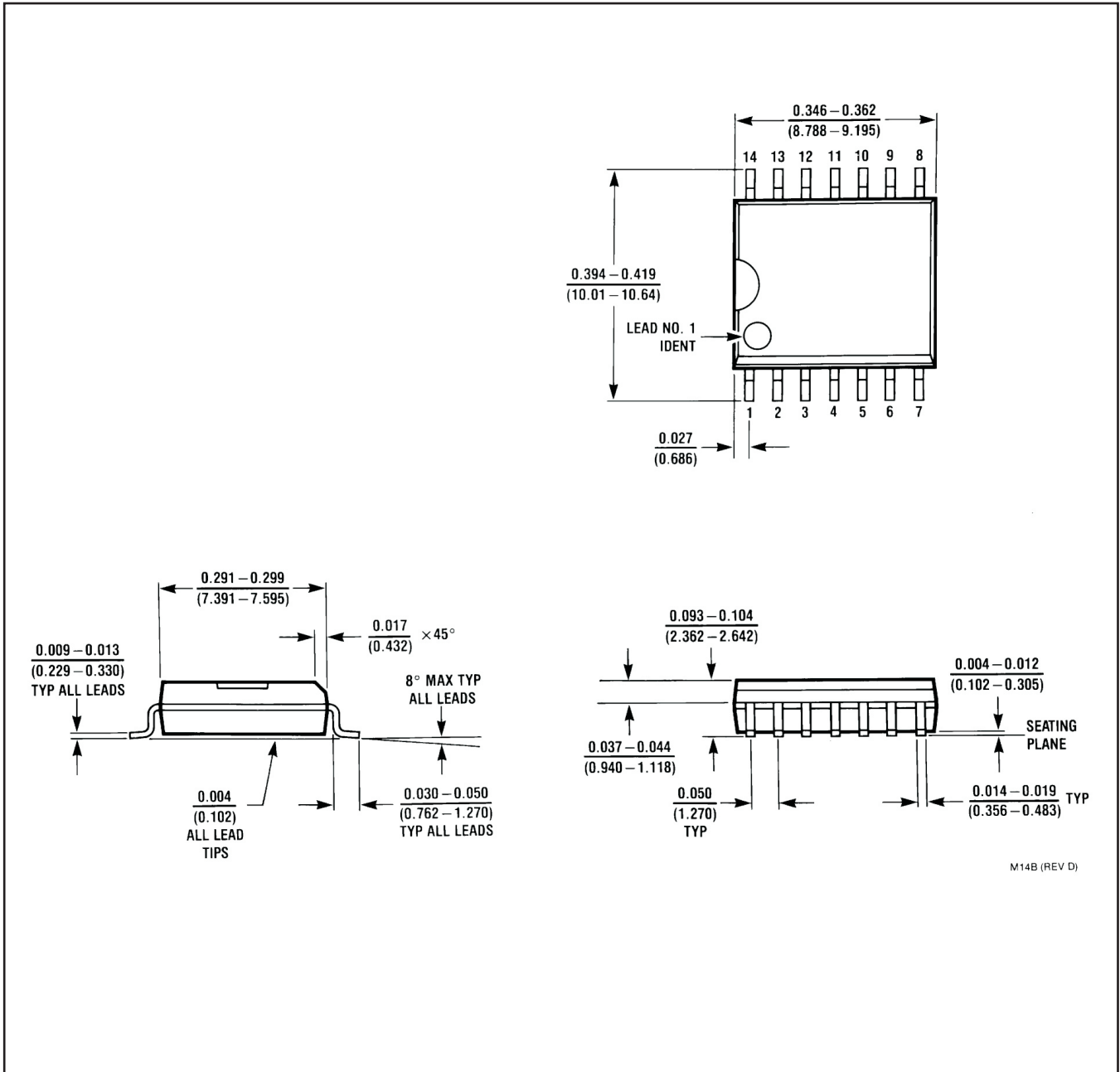
Device	Package Type	Package Drawing	Pins	SPQ	Length (mm)	Width (mm)	Height (mm)
LM50672NPAR	SOIC	NPA	14	1000	356.0	356.0	36.0
LM5067MM-1/NOPB	VSSOP	DGS	10	1000	208.0	191.0	35.0
LM5067MM-2/NOPB	VSSOP	DGS	10	1000	208.0	191.0	35.0
LM5067MMX-2/NOPB	VSSOP	DGS	10	3500	367.0	367.0	35.0
LM5067MWX-1/NOPB	SOIC	NPA	14	1000	356.0	356.0	36.0

**TUBE**


\*All dimensions are nominal

Device	Package Name	Package Type	Pins	SPQ	L (mm)	W (mm)	T (μm)	B (mm)
LM5067MW-1/NOPB	NPA	SOIC	14	50	495	15	5842	7.87

NPA0014B



# DGS0010A



# PACKAGE OUTLINE

## VSSOP - 1.1 mm max height

SMALL OUTLINE PACKAGE



4221984/A 05/2015

### NOTES:

1. All linear dimensions are in millimeters. Any dimensions in parenthesis are for reference only. Dimensioning and tolerancing per ASME Y14.5M.
2. This drawing is subject to change without notice.
3. This dimension does not include mold flash, protrusions, or gate burrs. Mold flash, protrusions, or gate burrs shall not exceed 0.15 mm per side.
4. This dimension does not include interlead flash. Interlead flash shall not exceed 0.25 mm per side.
5. Reference JEDEC registration MO-187, variation BA.

# EXAMPLE BOARD LAYOUT

DGS0010A

VSSOP - 1.1 mm max height

SMALL OUTLINE PACKAGE



LAND PATTERN EXAMPLE  
SCALE:10X



SOLDER MASK DETAILS  
NOT TO SCALE

4221984/A 05/2015

NOTES: (continued)

- 6. Publication IPC-7351 may have alternate designs.
- 7. Solder mask tolerances between and around signal pads can vary based on board fabrication site.



# EXAMPLE STENCIL DESIGN

DGS0010A

VSSOP - 1.1 mm max height

SMALL OUTLINE PACKAGE



SOLDER PASTE EXAMPLE  
BASED ON 0.125 mm THICK STENCIL  
SCALE:10X

4221984/A 05/2015

NOTES: (continued)

8. Laser cutting apertures with trapezoidal walls and rounded corners may offer better paste release. IPC-7525 may have alternate design recommendations.
9. Board assembly site may have different recommendations for stencil design.

## 重要声明和免责声明

TI“按原样”提供技术和可靠性数据（包括数据表）、设计资源（包括参考设计）、应用或其他设计建议、网络工具、安全信息和其他资源，不保证没有瑕疵且不做任何明示或暗示的担保，包括但不限于对适销性、某特定用途方面的适用性或不侵犯任何第三方知识产权的暗示担保。

这些资源可供使用 TI 产品进行设计的熟练开发人员使用。您将自行承担以下全部责任：(1) 针对您的应用选择合适的 TI 产品，(2) 设计、验证并测试您的应用，(3) 确保您的应用满足相应标准以及任何其他功能安全、信息安全、监管或其他要求。

这些资源如有变更，恕不另行通知。TI 授权您仅可将这些资源用于研发本资源所述的 TI 产品的应用。严禁对这些资源进行其他复制或展示。您无权使用任何其他 TI 知识产权或任何第三方知识产权。您应全额赔偿因在这些资源的使用中对 TI 及其代表造成的任何索赔、损害、成本、损失和债务，TI 对此概不负责。

TI 提供的产品受 [TI 的销售条款](#) 或 [ti.com](#) 上其他适用条款/TI 产品随附的其他适用条款的约束。TI 提供这些资源并不会扩展或以其他方式更改 TI 针对 TI 产品发布的适用的担保或担保免责声明。

TI 反对并拒绝您可能提出的任何其他或不同的条款。

邮寄地址：Texas Instruments, Post Office Box 655303, Dallas, Texas 75265  
Copyright © 2024，德州仪器 (TI) 公司