

LMT88 2.4V、10μA、SC-70 温度传感器

1 特性

- 经济高效的热敏电阻替代产品
- 额定温度范围为 -55°C 至 130°C
- 采用 SC70 封装
- 可预计曲率误差
- 适合于远程应用

2 应用

- 工业
- 制热、通风与空调控制 (HVAC)
- 磁盘驱动器
- 汽车用
- 便携式医疗仪器
- 计算机
- 电池管理
- 打印机
- 电源模块
- 传真机
- 移动电话
- 汽车

3 说明

LMT88 器件是一款高精度模拟输出 CMOS 集成电路温度传感器，工作温度范围为 -55°C 至 130°C。电源运行范围为 2.4V 至 5.5V。LMT88 的传递函数主要是线性的，但有一个轻微可预测的抛物线曲率。当指定 LMT88 器件的传递函数为抛物线传递函数时，其在 30°C 的环境温度下的精度通常为 $\pm 1.5^\circ\text{C}$ 。温度误差线性增加，并且在极端温度范围时达到一个 $\pm 2.5^\circ\text{C}$ 的最大值。此温度范围受电源电压的影响。当电源电压范围为 2.7V 至 5.5V 时，温度范围的上下限分别 130°C 和 -55°C。当电源电压降至 2.4V 时，下限值将变为 -30°C，而上限值将保持在 130°C。

LMT88 静态电流少于 10μA。因此，在空气不流通的环境中，自发热少于 0.02°C。LMT88 的关断功能是固有的，这是因为它的固有低功耗使其可直接由很多逻辑门的输出供电，或者根本不需要关断。

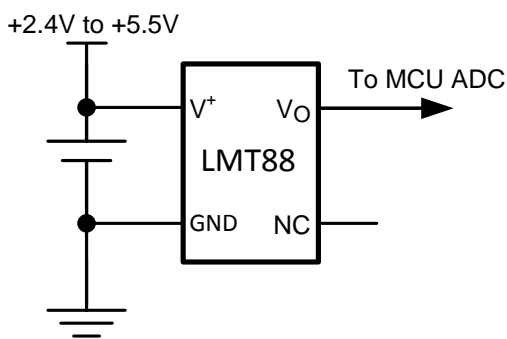
LMT88 是一款具有成本竞争优势的热敏电阻替代产品。

器件信息(1)

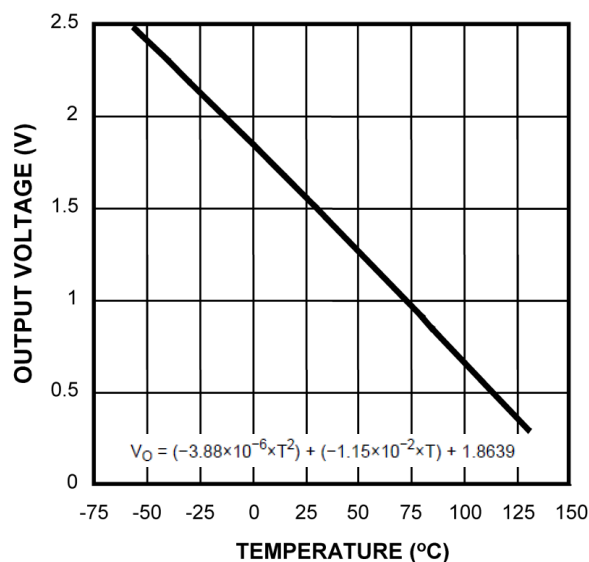
部件号	封装	封装尺寸 (标称值)
LMT88	SOT (5)	2.00mm × 1.25mm

(1) 要了解所有可用封装，请见数据表末尾的可订购产品附录。

简化电路原理图



输出电压与温度间的关系



目录

1	特性	1	7.4	Device Functional Modes.....	8
2	应用	1	8	Application and Implementation	9
3	说明	1	8.1	Application Information.....	9
4	修订历史记录	2	8.2	Typical Applications	10
5	Pin Configuration and Functions	3	8.3	System Examples	13
6	Specifications	4	9	Power Supply Recommendations	13
6.1	Absolute Maximum Ratings	4	10	Layout	14
6.2	ESD Ratings.....	4	10.1	Layout Guidelines	14
6.3	Recommended Operating Conditions.....	4	10.2	Layout Example	14
6.4	Thermal Information	4	10.3	Thermal Considerations	14
6.5	Electrical Characteristics.....	5	11	器件和文档支持	16
6.6	Typical Characteristics	6	11.1	商标	16
7	Detailed Description	7	11.2	静电放电警告.....	16
7.1	Overview	7	11.3	术语表	16
7.2	Functional Block Diagram	7	12	机械、封装和可订购信息.....	16
7.3	Feature Description.....	7			

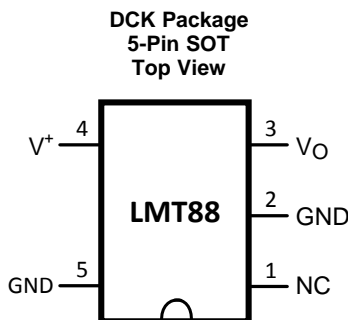
4 修订历史记录

Changes from Original (March 2013) to Revision A

Page

- | | |
|---|----------|
| • 已添加 引脚配置和功能部分, ESD 额定值表, 特性描述部分, 器件功能模式, 应用和实施部分, 电源相关建议部分, 布局部分, 器件和文档支持部分以及机械、封装和可订购信息部分..... | 1 |
|---|----------|

5 Pin Configuration and Functions



Pin Functions

PIN		TYPE	DESCRIPTION
NAME	NO.		
NC	1	—	NC (pin 1) must be left floating or grounded. Other signal traces must not be connected to this pin.
GND	2	GND	Device substrate and die attach paddle, connect to power supply negative terminal. For optimum thermal conductivity to the PCB ground plane, pin 2 must be grounded. This pin may also be left floating.
V_O	3	Analog Output	Temperature sensor analog output
V^+	4	Power	Positive power supply pin
GND	5	GND	Device ground pin, connect to power supply negative terminal.

6 Specifications

6.1 Absolute Maximum Ratings

 See ⁽¹⁾⁽²⁾.

	MIN	MAX	UNIT
Supply Voltage	-0.2	6.5	V
Output Voltage	-0.6 V	(V ⁺ + 0.6 V)	
Output Current		10	mA
Input Current at any pin ⁽³⁾		5	mA
Maximum Junction Temperature (T _{JMAX})		150	°C
Storage temperature (T _{stg})	-65	150	°C

- (1) Stresses beyond those listed under *Absolute Maximum Ratings* may cause permanent damage to the device. These are stress ratings only, which do not imply functional operation of the device at these or any other conditions beyond those indicated under *Recommended Operating Conditions*. Exposure to absolute-maximum-rated conditions for extended periods may affect device reliability.
- (2) Soldering process must comply with the Reflow Temperature Profile specifications. Refer to <http://www.ti.com/packaging>. Reflow temperature profiles are different for lead-free and non-lead-free packages.
- (3) When the input voltage (V_I) at any pin exceeds power supplies (V_I < GND or V_I > V⁺), the current at that pin should be limited to 5 mA.

6.2 ESD Ratings

		VALUE	UNIT
V _(ESD) Electrostatic discharge	Human-body model (HBM), per ANSI/ESDA/JEDEC JS-001 ⁽¹⁾	±2500	V
	Charged-device model (CDM), per JEDEC specification JESD22-C101 ⁽²⁾	±250	

- (1) JEDEC document JEP155 states that 500-V HBM allows safe manufacturing with a standard ESD control process.
- (2) JEDEC document JEP157 states that 250-V CDM allows safe manufacturing with a standard ESD control process.

6.3 Recommended Operating Conditions

over operating free-air temperature range (unless otherwise noted)

	MIN	MAX	UNIT
LMT88 with 2.4 V ≤ V ⁺ ≤ 2.7 V Temperature Range	-30	130	°C
LMT88 with 2.7 V ≤ V ⁺ ≤ 5.5 V Temperature Range	-55	130	°C
Supply Voltage Range (V ⁺)	2.4	5.5	V

6.4 Thermal Information

THERMAL METRIC ⁽¹⁾		LMT88	UNIT
		DCK	
		5 PINS	
R _{θJA}	Junction-to-ambient thermal resistance	282	°C/W
R _{θJC(top)}	Junction-to-case (top) thermal resistance	93	
R _{θJB}	Junction-to-board thermal resistance	62	
Ψ _{JT}	Junction-to-top characterization parameter	1.6	
Ψ _{JB}	Junction-to-board characterization parameter	62	
R _{θJC(bot)}	Junction-to-case (bottom) thermal resistance	—	

- (1) For more information about traditional and new thermal metrics, see the *IC Package Thermal Metrics* application report, [SPRA953](#). For measured thermal resistance using specific printed circuit board layouts for the LMT88 please see [Layout](#).

6.5 Electrical Characteristics

Unless otherwise noted, these specifications apply for $V^+ = +2.7 V_{DC}$. All limits $T_A = T_J = T_{MIN}$ to T_{MAX} unless otherwise noted.

PARAMETER	TEST CONDITIONS	MIN ⁽¹⁾	TYP ⁽²⁾	MAX ⁽¹⁾	UNIT
Temperature to Voltage Error when using: $V_O = (-3.88 \times 10^{-6} \times T^2) + (-1.15 \times 10^{-2} \times T) + 1.8639 V^{(3)}$	$T_A = 25^\circ C$ to $30^\circ C$	-4.0	± 1.5	4.0	$^\circ C$
	$T_A = 130^\circ C$	-5.0		5.0	$^\circ C$
	$T_A = 125^\circ C$	-5.0		5.0	$^\circ C$
	$T_A = 100^\circ C$	-4.7		± 4.7	$^\circ C$
	$T_A = 85^\circ C$	-4.6		4.6	$^\circ C$
	$T_A = 80^\circ C$	-4.5		4.5	$^\circ C$
	$T_A = 0^\circ C$	-4.4		4.4	$^\circ C$
	$T_A = -30^\circ C$	-4.7		4.7	$^\circ C$
	$T_A = -40^\circ C$	-4.8		4.8	$^\circ C$
	$T_A = -55^\circ C$	-5.0		5.0	$^\circ C$
Output Voltage at $0^\circ C$			1.8639		V
Variance from Curve			± 1.0		$^\circ C$
Non-Linearity ⁽⁴⁾	$-20^\circ C \leq T_A \leq 80^\circ C$		$\pm 0.4\%$		
Sensor Gain (Temperature Sensitivity or Average Slope) to equation: $V_O = -11.77 mV/^\circ C \times T + 1.860 V$	$-30^\circ C \leq T_A \leq 100^\circ C$	-12.6	-11.77	-11.0	mV/ $^\circ C$
Output Impedance	$0 \mu A \leq I_L \leq 16 \mu A^{(5)(6)}$			160	Ω
Load Regulation ⁽⁷⁾	Sourcing I_L $0 \mu A$ to $16 \mu A^{(5)(6)}$			-2.5	mV
Line Regulation ⁽⁸⁾	$2.4 V \leq V^+ \leq 5.0 V$			3.7	mV/V
	$5.0 V \leq V^+ \leq 5.5 V$			11	mV
Quiescent Current	$2.4 V \leq V^+ \leq 5.0 V; T_A = 25^\circ C$		4.5	7	μA
	$5.0 V \leq V^+ \leq 5.5 V; T_A = 25^\circ C$		4.5	9	μA
	$2.4 V \leq V^+ \leq 5.0 V$		4.5	10	μA
Change of Quiescent Current	$2.4 V \leq V^+ \leq 5.5 V$		0.7		μA
Temperature Coefficient of Quiescent Current			-11		nA/ $^\circ C$
Shutdown Current	$V^+ \leq 0.8 V$		0.02		μA

(1) Limits are specified to TI's AOQL (Average Outgoing Quality Level).

(2) Typicals are at $T_J = T_A = 25^\circ C$ and represent most likely parametric norm.

(3) Accuracy is defined as the error between the measured and calculated output voltage at the specified conditions of voltage, current, and temperature (expressed in $^\circ C$).

(4) Non-Linearity is defined as the deviation of the calculated output-voltage-versus-temperature curve from the best-fit straight line, over the temperature range specified.

(5) The LMT88 can at most sink $-1 \mu A$ and source $16 \mu A$.

(6) Load regulation or output impedance specifications apply over the supply voltage range of $2.4 V$ to $5.5 V$.

(7) Regulation is measured at constant junction temperature, using pulse testing with a low duty cycle. Changes in output due to heating effects can be computed by multiplying the internal dissipation by the thermal resistance.

(8) Line regulation is calculated by subtracting the output voltage at the highest supply input voltage from the output voltage at the lowest supply input voltage.

6.6 Typical Characteristics

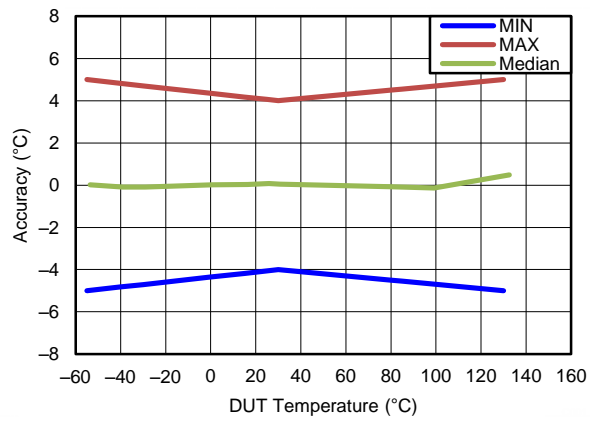


Figure 1. Temperature Sensor Accuracy

7 Detailed Description

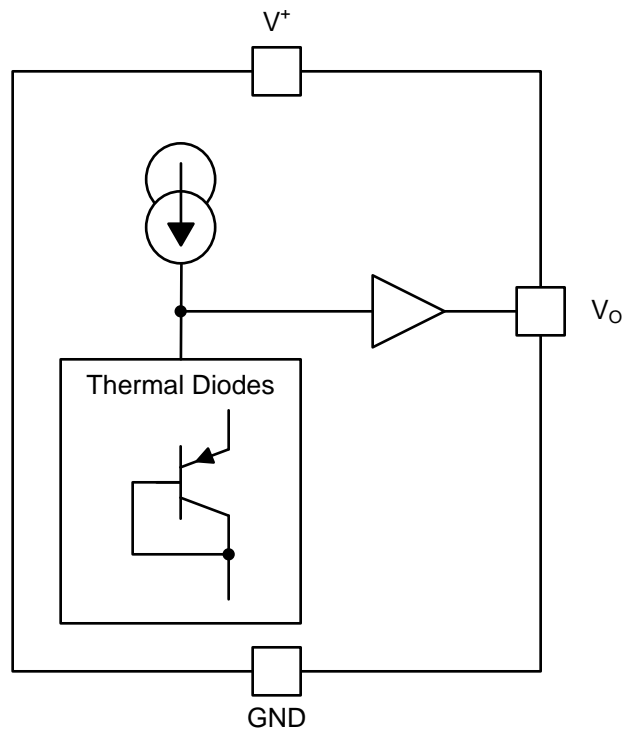
7.1 Overview

The LMT88 device is a precision analog output CMOS integrated-circuit temperature sensor that operates over a temperature range of -55°C to 130°C . The power supply operating range is 2.4 V to 5.5 V. The transfer function of LMT88 is predominately linear, yet has a slight predictable parabolic curvature. The accuracy of the LMT88 when specified to a parabolic transfer function is typically $\pm 1.5^{\circ}\text{C}$ at an ambient temperature of 30°C . The temperature error increases linearly and reaches a maximum of $\pm 5^{\circ}\text{C}$ at the temperature range extremes. The temperature range is affected by the power supply voltage. At a power supply voltage of 2.7 V to 5.5 V, the temperature range extremes are 130°C and -55°C . Decreasing the power supply voltage to 2.4 V changes the negative extreme to -30°C , while the positive remains at 130°C .

The LMT88 quiescent current is less than $10\ \mu\text{A}$. Therefore, self-heating is less than 0.02°C in still air. Shutdown capability for the LMT88 is intrinsic because its inherent low power consumption allows it to be powered directly from the output of many logic gates or does not necessitate shutdown at all.

The temperature sensing element is comprised of a simple base emitter junction that is forward biased by a current source. The temperature sensing element is then buffered by an amplifier and provided to the OUT pin. The amplifier has a simple class A output stage thus providing a low impedance output that can source $16\ \mu\text{A}$ and sink $1\ \mu\text{A}$.

7.2 Functional Block Diagram



7.3 Feature Description

7.3.1 LMT88 Transfer Function

The LMT88 transfer function can be described in different ways with varying levels of precision. A simple linear transfer function, with good accuracy near 25°C , is:

$$V_o = -11.69\ \text{mV}/^{\circ}\text{C} \times T + 1.8663\ \text{V} \quad (1)$$

Over the full operating temperature range of -55°C to 130°C , best accuracy can be obtained by using the parabolic transfer function.

Feature Description (continued)

$$V_O = (-3.88 \times 10^{-6} \times T^2) + (-1.15 \times 10^{-2} \times T) + 1.8639 \quad (2)$$

solving for T:

$$T = -1481.96 + \sqrt{2.1962 \times 10^6 + \frac{(1.8639 - V_O)}{3.88 \times 10^{-6}}} \quad (3)$$

 Using [Equation 2](#) the following temperature to voltage output characteristic table can be generated.

Table 1. Temperature to Voltage Output Characteristic Table

TEMP (°C)	VOUT (V)	TEMP (°C)	VOUT (V)	TEMP (°C)	VOUT (V)	TEMP (°C)	VOUT (V)	TEMP (°C)	VOUT (V)	TEMP (°C)	VOUT (V)	TEMP (°C)	VOUT (V)
-55	2.4847	-28	2.1829	-1	1.8754	26	1.5623	53	1.2435	80	0.9191	107	0.5890
-54	2.4736	-27	2.1716	0	1.8639	27	1.5506	54	1.2316	81	0.9069	108	0.5766
-53	2.4625	-26	2.1603	1	1.8524	28	1.5389	55	1.2197	82	0.8948	109	0.5643
-52	2.4514	-25	2.1490	2	1.8409	29	1.5271	56	1.2077	83	0.8827	110	0.5520
-51	2.4403	-24	2.1377	3	1.8294	30	1.5154	57	1.1958	84	0.8705	111	0.5396
-50	2.4292	-23	2.1263	4	1.8178	31	1.5037	58	1.1838	85	0.8584	112	0.5272
-49	2.4181	-22	2.1150	5	1.8063	32	1.4919	59	1.1719	86	0.8462	113	0.5149
-48	2.4070	-21	2.1037	6	1.7948	33	1.4802	60	1.1599	87	0.8340	114	0.5025
-47	2.3958	-20	2.0923	7	1.7832	34	1.4684	61	1.1480	88	0.8219	115	0.4901
-46	2.3847	-19	2.0810	8	1.7717	35	1.4566	62	1.1360	89	0.8097	116	0.4777
-45	2.3735	-18	2.0696	9	1.7601	36	1.4449	63	1.1240	90	0.7975	117	0.4653
-44	2.3624	-17	2.0583	10	1.7485	37	1.4331	64	1.1120	91	0.7853	118	0.4529
-43	2.3512	-16	2.0469	11	1.7369	38	1.4213	65	1.1000	92	0.7731	119	0.4405
-42	2.3401	-15	2.0355	12	1.7253	39	1.4095	66	1.0880	93	0.7608	120	0.4280
-41	2.3289	-14	2.0241	13	1.7137	40	1.3977	67	1.0760	94	0.7486	121	0.4156
-40	2.3177	-13	2.0127	14	1.7021	41	1.3859	68	1.0640	95	0.7364	122	0.4032
-39	2.3065	-12	2.0013	15	1.6905	42	1.3741	69	1.0519	96	0.7241	123	0.3907
-38	2.2953	-11	1.9899	16	1.6789	43	1.3622	70	1.0399	97	0.7119	124	0.3782
-37	2.2841	-10	1.9785	17	1.6673	44	1.3504	71	1.0278	98	0.6996	125	0.3658
-36	2.2729	-9	1.9671	18	1.6556	45	1.3385	72	1.0158	99	0.6874	126	0.3533
-35	2.2616	-8	1.9557	19	1.6440	46	1.3267	73	1.0037	100	0.6751	127	0.3408
-34	2.2504	-7	1.9442	20	1.6323	47	1.3148	74	0.9917	101	0.6628	128	0.3283
-33	2.2392	-6	1.9328	21	1.6207	48	1.3030	75	0.9796	102	0.6505	129	0.3158
-32	2.2279	-5	1.9213	22	1.6090	49	1.2911	76	0.9675	103	0.6382	130	0.3033
-31	2.2167	-4	1.9098	23	1.5973	50	1.2792	77	0.9554	104	0.6259	—	—
-30	2.2054	-3	1.8984	24	1.5857	51	1.2673	78	0.9433	105	0.6136	—	—
-29	2.1941	-2	1.8869	25	1.5740	52	1.2554	79	0.9312	106	0.6013	—	—

 Solving [Equation 2](#) for T:

$$T = -1481.96 + \sqrt{2.1962 \times 10^6 + \frac{(1.8639 - V_O)}{3.88 \times 10^{-6}}} \quad (4)$$

 For other methods of calculating T see [Detailed Design Procedure](#).

7.4 Device Functional Modes

The LMT88's only functional mode is that it has an analog output inversely proportional to temperature.

8 Application and Implementation

NOTE

Information in the following applications sections is not part of the TI component specification, and TI does not warrant its accuracy or completeness. TI's customers are responsible for determining suitability of components for their purposes. Customers should validate and test their design implementation to confirm system functionality.

8.1 Application Information

The LMT88 has very low supply current and a wide supply range therefore it can easily be driven by a battery as shown in [Figure 4](#).

8.1.1 Capacitive Loads

The LMT88 handles capacitive loading well. Without any precautions, the LMT88 can drive any capacitive load less than 300 pF, as shown in [Figure 2](#). Over the specified temperature range the LMT88 has a maximum output impedance of 160 Ω . In an extremely noisy environment it may be necessary to add some filtering to minimize noise pickup. TI recommends adding 0.1 μ F from V^+ to GND to bypass the power supply voltage, as shown in [Figure 3](#). In a noisy environment it may even be necessary to add a capacitor from the output to ground with a series resistor as shown in [Figure 3](#). A 1- μ F output capacitor with the 160- Ω maximum output impedance and a 200- Ω series resistor will form a 442-Hz lowpass filter. Because the thermal time constant of the LMT88 is much slower, the overall response time of the LMT88 will not be significantly affected.

In situations where a transient load current is placed on the circuit output the series resistance value may be increased to compensate for any ringing that may be observed.

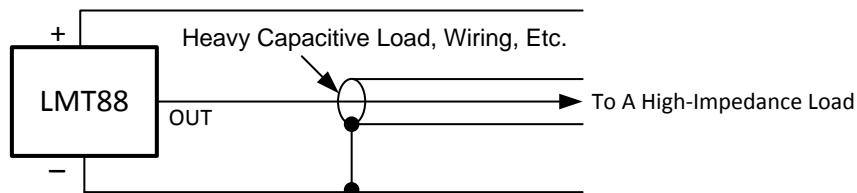


Figure 2. LMT88 No Decoupling Required for Capacitive Loads Less Than 300 pF

Table 2. Capacitive Loading Isolation

Minimum R (Ω)	C (μ F)
200	1
470	0.1
680	0.01
1 k	0.001

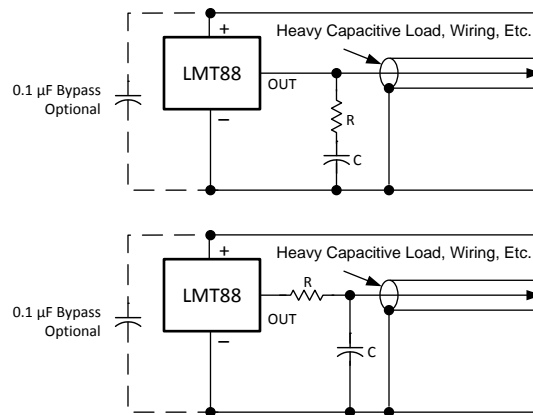


Figure 3. LMT88 With Filter for Noisy Environment and Capacitive Loading Greater Than 300 pF

NOTE

Either placement of resistor as shown in [Figure 2](#) and [Figure 3](#) is just as effective.

8.2 Typical Applications

8.2.1 Full-Range Centigrade Temperature Sensor

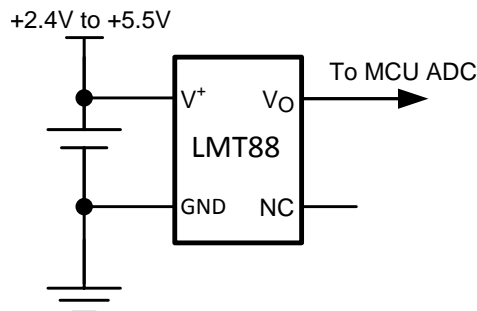


Figure 4. Full-Range Celsius (Centigrade) Temperature Sensor (–55°C to 130°C)

8.2.1.1 Design Requirements

Because the LMT88 is a simple temperature sensor that provides an analog output, design requirements related to layout are important, refer to [Layout](#) for detailed description.

8.2.1.2 Detailed Design Procedure

The LMT88 output follows [Equation 5](#).

$$V_o = (-3.88 \times 10^{-6} \times T^2) + (-1.15 \times 10^{-2} \times T) + 1.8639 \tag{5}$$

Typical Applications (continued)

Solving for T:

$$T = -1481.96 + \sqrt{2.1962 \times 10^6 + \frac{(1.8639 - V_O)}{3.88 \times 10^{-6}}}$$

where

- T is temperature, and V_O is the measured output voltage of the LMT88. Equation 6 is the most accurate equation that can be used to calculate the temperature of the LMT88. (6)

An alternative to the quadratic equation a second order transfer function can be determined using "least squares" method:

$$T = (-2.3654 \times V_O^2) + (-78.154 \times V_O) + 153.857$$

where

- T is temperature expressed in °C and V_O is the output voltage expressed in volts. (7)

A linear transfer function can be used over a limited temperature range by calculating a slope and offset that give best results over that range. A linear transfer function can be calculated from the parabolic transfer function of the LMT88. The slope of the linear transfer function can be calculated using the following equation:

$$m = -7.76 \times 10^{-6} \times T - 0.0115,$$

where

- T is the middle of the temperature range of interest and m is in V/°C. For example for the temperature range of $T_{MIN} = -30$ to $T_{MAX} = 100$ °C: (8)

$$T = 35^\circ\text{C} \quad (9)$$

and

$$m = -11.77 \text{ mV}/^\circ\text{C} \quad (10)$$

The offset of the linear transfer function can be calculated using the following equation:

$$b = (V_{OP}(T_{MAX}) + V_{OP}(T) - m \times (T_{MAX} + T))/2$$

where

- $V_{OP}(T_{MAX})$ is the calculated output voltage at T_{MAX} using the parabolic transfer function for V_O .
- $V_{OP}(T)$ is the calculated output voltage at T using the parabolic transfer function for V_O . (11)

Using this procedure, the best fit linear transfer function for many popular temperature ranges was calculated in Table 3. As shown in Table 3, the error that is introduced by the linear transfer function increases with wider temperature ranges.

Table 3. First Order Equations Optimized for Different Temperature Ranges

TEMPERATURE RANGE		LINEAR EQUATION	MAXIMUM DEVIATION OF LINEAR EQUATION FROM PARABOLIC EQUATION (°C)
T_{min} (°C)	T_{max} (°C)		
-55	130	$V_O = -11.79 \text{ mV}/^\circ\text{C} \times T + 1.8528 \text{ V}$	±1.41
-40	110	$V_O = -11.77 \text{ mV}/^\circ\text{C} \times T + 1.8577 \text{ V}$	±0.93
-30	100	$V_O = -11.77 \text{ mV}/^\circ\text{C} \times T + 1.8605 \text{ V}$	±0.70
-40	85	$V_O = -11.67 \text{ mV}/^\circ\text{C} \times T + 1.8583 \text{ V}$	±0.65
-10	65	$V_O = -11.71 \text{ mV}/^\circ\text{C} \times T + 1.8641 \text{ V}$	±0.23
35	45	$V_O = -11.81 \text{ mV}/^\circ\text{C} \times T + 1.8701 \text{ V}$	±0.004
20	30	$V_O = -11.69 \text{ mV}/^\circ\text{C} \times T + 1.8663 \text{ V}$	±0.004

8.2.1.3 Application Curve

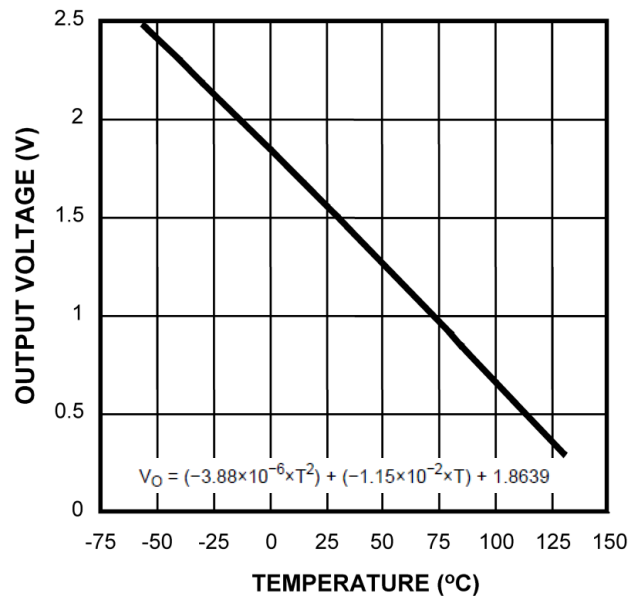


Figure 5. Output Voltage vs Temperature

8.2.2 Centigrade Thermostat

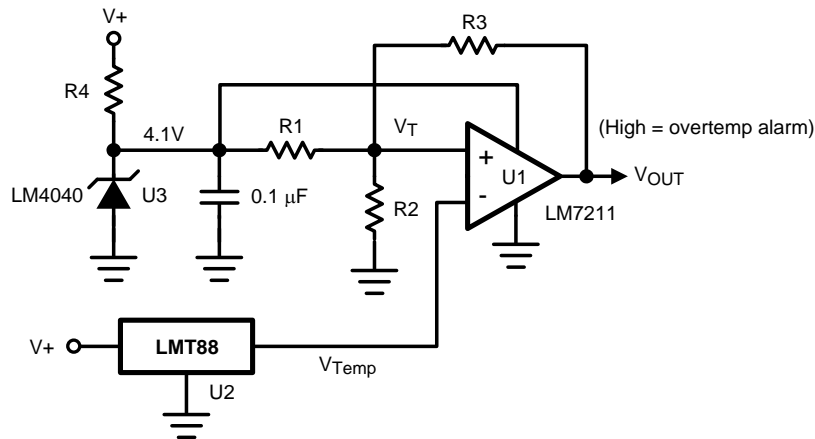


Figure 6. Centigrade Thermostat

8.2.2.1 Design Requirements

A simple thermostat can be created by using a reference (LM4040) and a comparator (LM7211) as shown in Figure 6.

8.2.2.2 Detailed Design Procedure

The threshold values can be calculated using the following equations.

$$V_{T1} = \frac{(4.1)R2}{R2 + R1 \parallel R3} \tag{12}$$

$$V_{T2} = \frac{(4.1)R2 \parallel R3}{R1 + R2 \parallel R3} \tag{13}$$

8.2.2.3 Application Curve

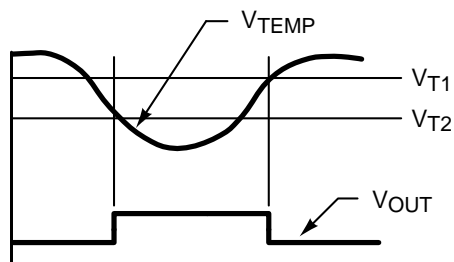


Figure 7. Thermostat Output Waveform

8.3 System Examples

The LMT88 draws very little power therefore it can simply be shutdown by driving its supply pin with the output of an logic gate as shown in Figure 8.

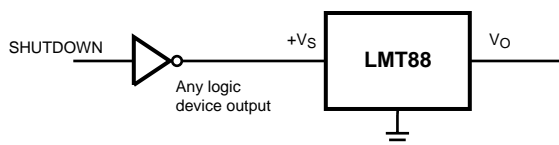


Figure 8. Conserving Power Dissipation With Shutdown

Most CMOS ADCs found in ASICs have a sampled data comparator input structure that is notorious for causing problems for analog output devices such as the LMT88 and many operational amplifiers. The cause of this difficulty is the requirement of instantaneous charge of the input sampling capacitor in the ADC. This requirement is easily accommodated by the addition of a capacitor. Because not all ADCs have identical input stages, the charge requirements will vary necessitating a different value of compensating capacitor. This ADC is shown as an example only. If a digital output temperature is required, refer to devices such as the LM74.

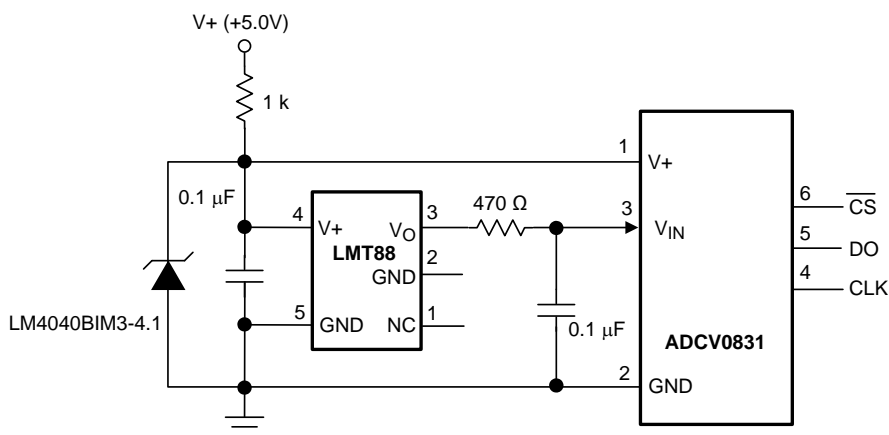


Figure 9. Suggested Connection to a Sampling Analog-to-Digital Converter Input Stage

9 Power Supply Recommendations

The LMT88 has a very wide 2.4-V to 5.5-V power supply voltage range making it ideal for many applications. In noisy environments, TI recommends adding at minimum 0.1 μ F from V^+ to GND to bypass the power supply voltage. Larger capacitances maybe required and are dependent on the power supply noise.

10 Layout

10.1 Layout Guidelines

The LMT88 can be applied easily in the same way as other IC temperature sensors. The device can be glued or cemented to a surface. The temperature that the LMT88 is sensing will be within about 0.02°C of the surface temperature to which the leads of LMT88 are attached.

This presumes that the ambient air temperature is almost the same as the surface temperature; if the air temperature were much higher or lower than the surface temperature, the actual temperature measured would be at an intermediate temperature between the surface temperature and the air temperature.

To ensure good thermal conductivity the backside of the LMT88 die is directly attached to the pin 2 GND pin. The temperatures of the lands and traces to the other leads of the LMT88 will also affect the temperature that is being sensed.

Alternatively, the LMT88 can be mounted inside a sealed-end metal tube, and can then be dipped into a bath or screwed into a threaded hole in a tank. As with any IC, the LMT88 and accompanying wiring and circuits must be kept insulated and dry, to avoid leakage and corrosion. This is especially true if the circuit may operate at cold temperatures where condensation can occur. Printed-circuit coatings and varnishes such as a conformal coating and epoxy paints or dips are often used to ensure that moisture cannot corrode the LMT88 or its connections.

10.2 Layout Example

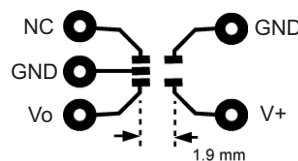


Figure 10. Layout Used for No Heat Sink Measurements

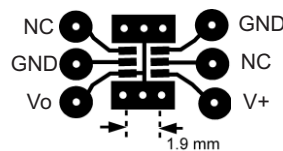


Figure 11. Layout Used for Measurements With Small Heat Sink

10.3 Thermal Considerations

The thermal resistance junction to ambient ($R_{\theta JA}$) is the parameter used to calculate the rise of a device junction temperature due to its power dissipation. For the LMT88, Equation 14 is used to calculate the rise in the die temperature:

$$T_J = T_A + \theta_{JA} [(V^+ I_Q) + (V^+ - V_O) I_L]$$

where

- I_Q is the quiescent current and I_L is the load current on the output. (14)

Because the junction temperature of the LMT88 is the actual temperature being measured, take care to minimize the load current that the LMT88 is required to drive.

Thermal Considerations (continued)

Table 4 summarizes the rise in die temperature of the LMT88 without any loading, and the thermal resistance for different conditions.

Table 4. Temperature Rise of LMT88 Due to Self-Heating and Thermal Resistance (θ_{JA})⁽¹⁾

	SC70-5		SC70-5	
	NO HEAT SINK		SMALL HEAT SINK	
	θ_{JA} (°C/W)	$T_J - T_A$ (°C)	θ_{JA} (°C/W)	$T_J - T_A$ (°C)
Still air	412	0.2	350	0.19
Moving air	312	0.17	266	0.15

(1) See for samples.

11 器件和文档支持

11.1 商标

All trademarks are the property of their respective owners.

11.2 静电放电警告



这些装置包含有限的内置 ESD 保护。存储或装卸时，应将导线一起截短或将装置放置于导电泡棉中，以防止 MOS 门极遭受静电损伤。

11.3 术语表

[SLYZ022](#) — *TI* 术语表。

这份术语表列出并解释术语、首字母缩略词和定义。

12 机械、封装和可订购信息

以下页中包括机械、封装和可订购信息。 这些信息是针对指定器件可提供的最新数据。 这些数据会在无通知且不对本文档进行修订的情况下发生改变。 欲获得该数据表的浏览器版本，请查阅左侧的导航栏。

PACKAGING INFORMATION

Orderable part number	Status (1)	Material type (2)	Package Pins	Package qty Carrier	RoHS (3)	Lead finish/ Ball material (4)	MSL rating/ Peak reflow (5)	Op temp (°C)	Part marking (6)
LMT88DCKR	Active	Production	SC70 (DCK) 5	3000 LARGE T&R	Yes	SN	Level-1-260C-UNLIM	-55 to 130	T9C
LMT88DCKR.A	Active	Production	SC70 (DCK) 5	3000 LARGE T&R	Yes	SN	Level-1-260C-UNLIM	-55 to 130	T9C
LMT88DCKT	Obsolete	Production	SC70 (DCK) 5	-	-	Call TI	Call TI	-55 to 130	T9C

⁽¹⁾ **Status:** For more details on status, see our [product life cycle](#).

⁽²⁾ **Material type:** When designated, preproduction parts are prototypes/experimental devices, and are not yet approved or released for full production. Testing and final process, including without limitation quality assurance, reliability performance testing, and/or process qualification, may not yet be complete, and this item is subject to further changes or possible discontinuation. If available for ordering, purchases will be subject to an additional waiver at checkout, and are intended for early internal evaluation purposes only. These items are sold without warranties of any kind.

⁽³⁾ **RoHS values:** Yes, No, RoHS Exempt. See the [TI RoHS Statement](#) for additional information and value definition.

⁽⁴⁾ **Lead finish/Ball material:** Parts may have multiple material finish options. Finish options are separated by a vertical ruled line. Lead finish/Ball material values may wrap to two lines if the finish value exceeds the maximum column width.

⁽⁵⁾ **MSL rating/Peak reflow:** The moisture sensitivity level ratings and peak solder (reflow) temperatures. In the event that a part has multiple moisture sensitivity ratings, only the lowest level per JEDEC standards is shown. Refer to the shipping label for the actual reflow temperature that will be used to mount the part to the printed circuit board.

⁽⁶⁾ **Part marking:** There may be an additional marking, which relates to the logo, the lot trace code information, or the environmental category of the part.

Multiple part markings will be inside parentheses. Only one part marking contained in parentheses and separated by a "-" will appear on a part. If a line is indented then it is a continuation of the previous line and the two combined represent the entire part marking for that device.

Important Information and Disclaimer: The information provided on this page represents TI's knowledge and belief as of the date that it is provided. TI bases its knowledge and belief on information provided by third parties, and makes no representation or warranty as to the accuracy of such information. Efforts are underway to better integrate information from third parties. TI has taken and continues to take reasonable steps to provide representative and accurate information but may not have conducted destructive testing or chemical analysis on incoming materials and chemicals. TI and TI suppliers consider certain information to be proprietary, and thus CAS numbers and other limited information may not be available for release.

In no event shall TI's liability arising out of such information exceed the total purchase price of the TI part(s) at issue in this document sold by TI to Customer on an annual basis.

TAPE AND REEL INFORMATION

QUADRANT ASSIGNMENTS FOR PIN 1 ORIENTATION IN TAPE


*All dimensions are nominal

Device	Package Type	Package Drawing	Pins	SPQ	Reel Diameter (mm)	Reel Width W1 (mm)	A0 (mm)	B0 (mm)	K0 (mm)	P1 (mm)	W (mm)	Pin1 Quadrant
LMT88DCKR	SC70	DCK	5	3000	178.0	8.4	2.25	2.45	1.2	4.0	8.0	Q3

TAPE AND REEL BOX DIMENSIONS


*All dimensions are nominal

Device	Package Type	Package Drawing	Pins	SPQ	Length (mm)	Width (mm)	Height (mm)
LMT88DCKR	SC70	DCK	5	3000	208.0	191.0	35.0

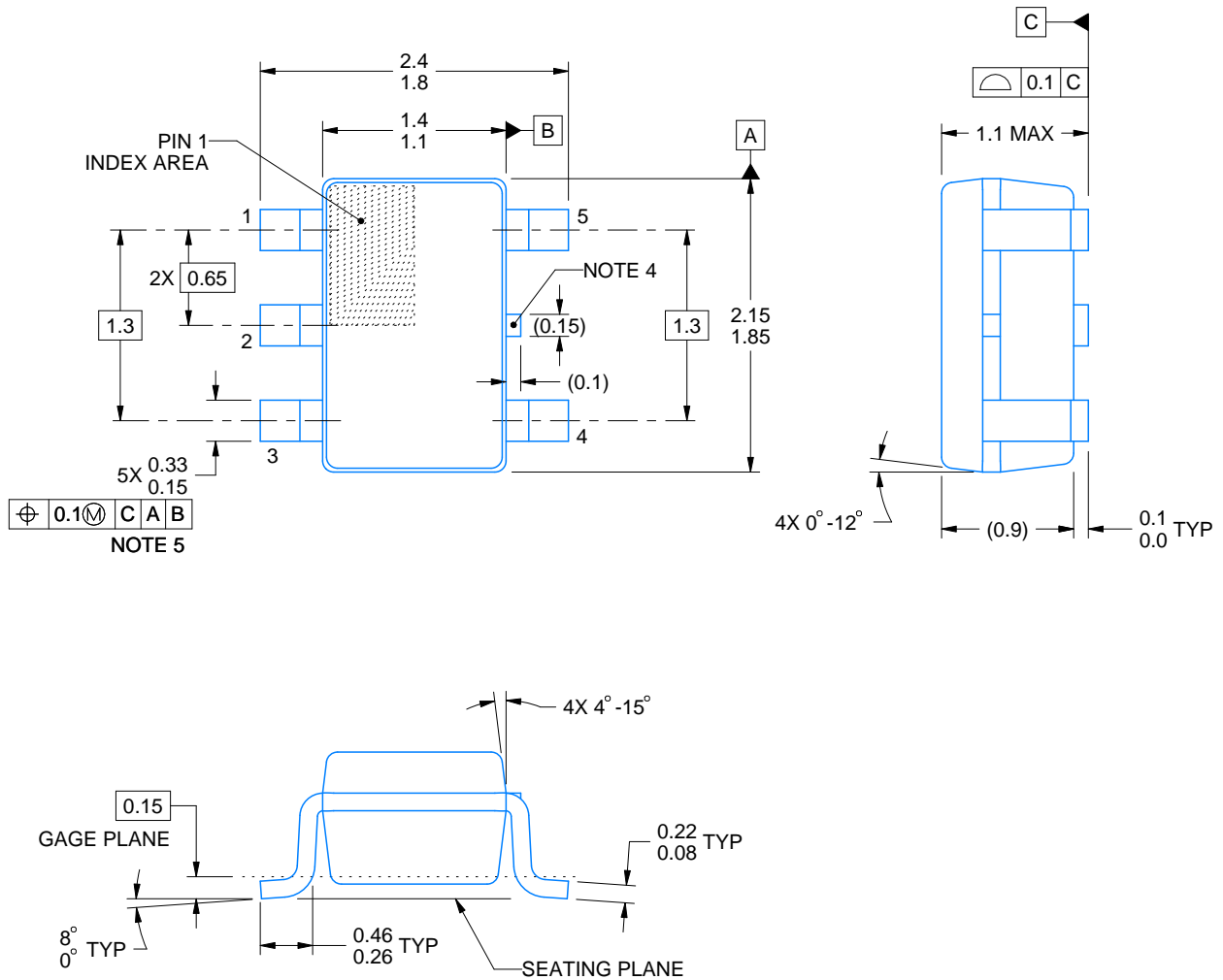
DCK0005A



PACKAGE OUTLINE

SOT - 1.1 max height

SMALL OUTLINE TRANSISTOR



4214834/G 11/2024

NOTES:

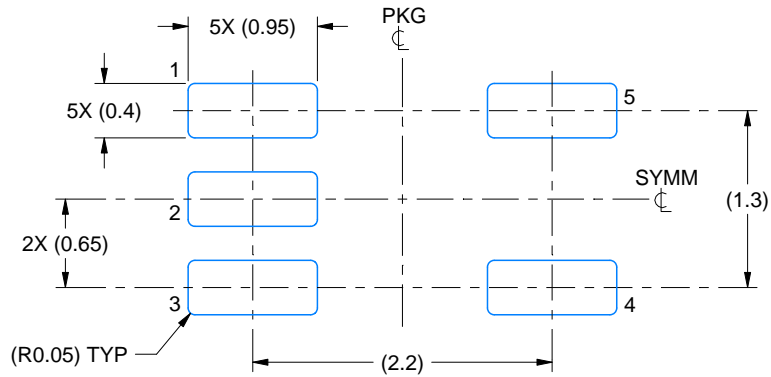
1. All linear dimensions are in millimeters. Any dimensions in parenthesis are for reference only. Dimensioning and tolerancing per ASME Y14.5M.
2. This drawing is subject to change without notice.
3. Reference JEDEC MO-203.
4. Support pin may differ or may not be present.
5. Lead width does not comply with JEDEC.
6. Body dimensions do not include mold flash, protrusions, or gate burrs. Mold flash, protrusions, or gate burrs shall not exceed 0.25mm per side

EXAMPLE BOARD LAYOUT

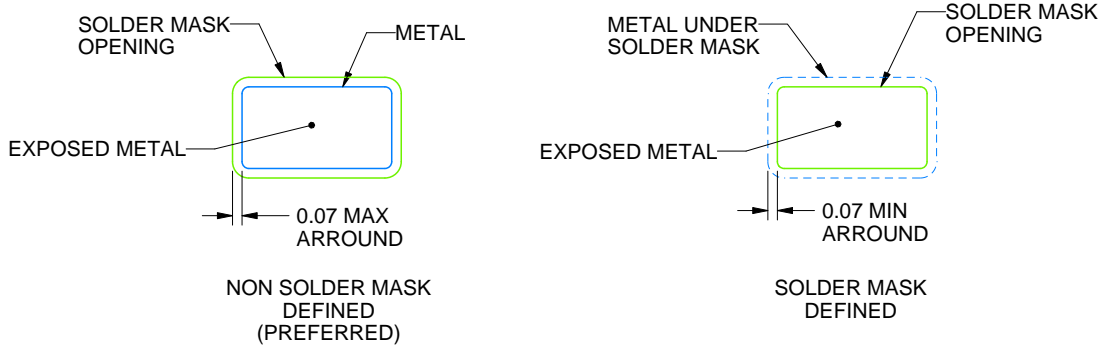
DCK0005A

SOT - 1.1 max height

SMALL OUTLINE TRANSISTOR



LAND PATTERN EXAMPLE
EXPOSED METAL SHOWN
SCALE:18X



SOLDER MASK DETAILS

4214834/G 11/2024

NOTES: (continued)

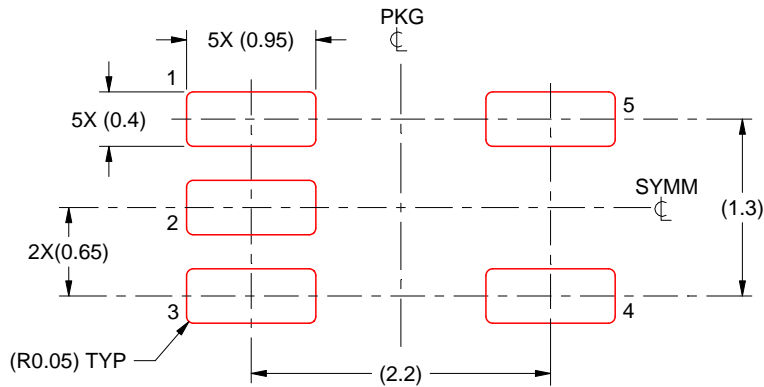
- 7. Publication IPC-7351 may have alternate designs.
- 8. Solder mask tolerances between and around signal pads can vary based on board fabrication site.

EXAMPLE STENCIL DESIGN

DCK0005A

SOT - 1.1 max height

SMALL OUTLINE TRANSISTOR



SOLDER PASTE EXAMPLE
BASED ON 0.125 THICK STENCIL
SCALE:18X

4214834/G 11/2024

NOTES: (continued)

9. Laser cutting apertures with trapezoidal walls and rounded corners may offer better paste release. IPC-7525 may have alternate design recommendations.
10. Board assembly site may have different recommendations for stencil design.

重要通知和免责声明

TI“按原样”提供技术和可靠性数据（包括数据表）、设计资源（包括参考设计）、应用或其他设计建议、网络工具、安全信息和其他资源，不保证没有瑕疵且不做任何明示或暗示的担保，包括但不限于对适销性、与某特定用途的适用性或不侵犯任何第三方知识产权的暗示担保。

这些资源可供使用 TI 产品进行设计的熟练开发人员使用。您将自行承担以下全部责任：(1) 针对您的应用选择合适的 TI 产品，(2) 设计、验证并测试您的应用，(3) 确保您的应用满足相应标准以及任何其他安全、安保法规或其他要求。

这些资源如有变更，恕不另行通知。TI 授权您仅可将这些资源用于研发本资源所述的 TI 产品的相关应用。严禁以其他方式对这些资源进行复制或展示。您无权使用任何其他 TI 知识产权或任何第三方知识产权。对于因您对这些资源的使用而对 TI 及其代表造成的任何索赔、损害、成本、损失和债务，您将全额赔偿，TI 对此概不负责。

TI 提供的产品受 [TI 销售条款](#)、[TI 通用质量指南](#) 或 [ti.com](#) 上其他适用条款或 TI 产品随附的其他适用条款的约束。TI 提供这些资源并不会扩展或以其他方式更改 TI 针对 TI 产品发布的适用的担保或担保免责声明。除非德州仪器 (TI) 明确将某产品指定为定制产品或客户特定产品，否则其产品均为按确定价格收入目录的标准通用器件。

TI 反对并拒绝您可能提出的任何其他或不同的条款。

版权所有 © 2025，德州仪器 (TI) 公司

最后更新日期：2025 年 10 月