

# LP5891-Q1 具有 48 个电流源、64 条扫描线的汽车类共阴极 LED 矩阵驱动器

## 1 特性

- 符合面向汽车应用的 AEC-Q100 标准：
  - 温度等级 1：-40°C 至 +125°C， $T_A$
- 支持分立式  $V_{CC}$  和  $V_{R/G/B}$  电源
  - $V_{CC}$  电压范围：2.5 V 至 5.5 V
  - $V_{R/G/B}$  电压范围：2.5 V 至 5.5 V
- 48 个电流源通道，范围从 0.2 mA 到 20 mA
  - 通道间精度：±0.5% (典型值)，±2% (最大值)；器件间一致性：±0.5% (典型值)，±2% (最大值)
  - 低拐点电压：当  $I_{OUT} = 5$  mA 时为 0.27 V (最大值)
  - 3 位 (8 级) 全局亮度控制
  - 8 位 (256 级) 色彩亮度控制
  - 最大 16 位 (65536 级) PWM 灰度控制
- 带  $190\text{m}\Omega$   $R_{DS(ON)}$  的 16 个线路扫描开关
- 超低功耗
  - 低至 2.5V 的独立  $V_{CC}$
  - 超低  $I_{CC}$  (低至 3.6 mA)，具有 50 MHz GCLK
  - 智能省电模式， $I_{CC}$  低至 0.9 mA
- 内置 SRAM 支持 1 至 64 路复用
  - 单个器件可驱动  $48 \times 16$  个 LED 或  $16 \times 16$  个 RGB 像素
  - 两个器件堆叠后可驱动  $96 \times 32$  个 LED 或  $32 \times 32$  个 RGB 像素
  - 三个器件堆叠后可驱动  $144 \times 48$  个 LED 或  $48 \times 48$  个 RGB 像素
  - 四个器件堆叠后可驱动  $192 \times 64$  个 LED 或  $64 \times 64$  个 RGB 像素
- 高速和低 EMI 连续时钟串行接口 (CCSI)
  - 仅三条总线：SCLK/SIN/SOUT
  - 外部 50MHz (最大值) SCLK 具有 rising 边传输机制

- 内部倍频器支持高频 GCLK
- 优化了 LED 矩阵显示屏的性能
  - 去除上下重影
  - 低灰度增强
  - LED 开路/弱短路/短路检测和消除

## 2 应用

- 车内灯
- 汽车尾灯
- 车用局部调光背光

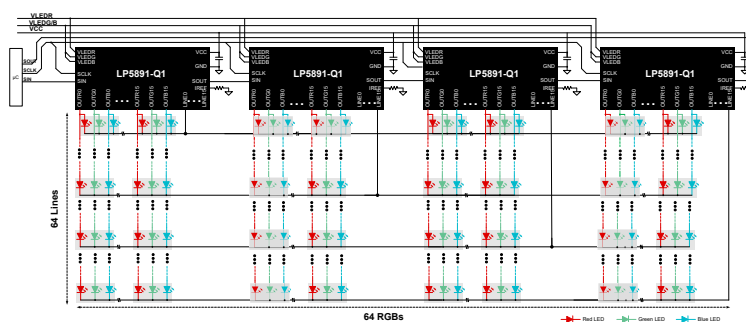
## 3 说明

LP5891-Q1 是一款高度集成的共阴极 LED 矩阵驱动器，具有 48 个恒流源和 16 个扫描 FET。LP5891-Q1 采用高速 rising 沿传输接口，可支持高器件数菊花链，同时尽可能降低电磁干扰 (EMI)。内部 GCLK 速率范围为 40MHz 至 160MHz。该器件在工作期间还能实现 LED 开路/弱短路/短路检测和消除。

### 封装信息

器件型号	封装 <sup>(1)</sup>	封装尺寸 (标称值)
LP5891-Q1	VQFN (76)	9.00mm x 9.00mm

- (1) 如需了解所有可用封装，请参阅数据表末尾的可订购产品附录。



LP5891-Q1 采用四器件可堆叠连接



## Table of Contents

<b>1 特性</b> .....	1	8.4 Device Functional Modes.....	25
<b>2 应用</b> .....	1	8.5 Continuous Clock Series Interface.....	25
<b>3 说明</b> .....	1	8.6 PWM Grayscale Control.....	31
<b>4 Revision History</b> .....	2	8.7 Register Maps.....	34
<b>5 说明 (续)</b> .....	2	<b>9 Application and Implementation</b> .....	49
<b>6 Pin Configuration and Functions</b> .....	3	9.1 Application Information.....	49
<b>7 Specifications</b> .....	5	9.2 Typical Application.....	49
7.1 Absolute Maximum Ratings.....	5	9.3 Power Supply Recommendations.....	56
7.2 ESD Ratings.....	5	9.4 Layout.....	56
7.3 Recommended Operating Conditions.....	5	<b>10 Device and Documentation Support</b> .....	61
7.4 Thermal Information.....	5	10.1 Documentation Support.....	61
7.5 Electrical Characteristics.....	6	10.2 接收文档更新通知.....	61
7.6 Timing Requirements.....	9	10.3 支持资源.....	61
7.7 Switching Characteristics.....	9	10.4 Trademarks.....	61
7.8 Typical Characteristics.....	10	10.5 静电放电警告.....	61
<b>8 Detailed Description</b> .....	12	10.6 术语表.....	61
8.1 Overview.....	12	<b>11 Mechanical, Packaging, and Orderable Information</b> .....	62
8.2 Functional Block Diagram.....	12		
8.3 Feature Description.....	13		

## 4 Revision History

注：以前版本的页码可能与当前版本的页码不同

Changes from Revision * (August 2022) to Revision A (December 2022)	Page
• 将器件状态从 <i>预告信息</i> 更改为 <i>量产数据</i> .....	1

## 5 说明 (续)

LP5891-Q1 是高度集成的共阴极矩阵 LED 显示驱动器，有 48 个恒流源和 16 个扫描 FET。除了像 LP5890 一样驱动  $16 \times 16$  和  $32 \times 32$  RGB LED 像素，三个 LP5891-Q1 器件还能够驱动  $48 \times 48$  RGB LED 像素，堆叠四个 LP5891-Q1 器件则可以驱动  $64 \times 64$  RGB LED 像素。为实现低功耗，该器件可通过其共阴极结构为红色、绿色和蓝色 LED 提供分立式电源。此外，通过超低的工作电压范围 ( $V_{CC}$  低至 2.5V) 和超低的工作电流 ( $I_{CC}$  低至 3.6mA)，LP5891-Q1 的运行功率可显著降低。

LP5891-Q1 实现了一个高速上升沿传输接口，可支持高器件数菊花链和高刷新率，同时尽可能降低电磁干扰 (EMI)。该器件支持高达 50MHz 的 SCLK (外部) 和高达 160MHz 的 GCLK (内部)。同时，该器件集成了增强电路和智能算法，解决了窄像素间距 (NPP) LED 显示应用以及 mini 和 micro-LED 产品中由 LED 开路或短路引起的各种显示难题：第一个扫描线过暗、上下重影、低灰度不均匀、耦合及毛毛虫现象，因此 LP5891-Q1 是此类应用的理想选择。

LP5891-Q1 还可以在运行期间实现 LED 开路/弱短路/短路的检测和消除，并可以将这些信息报告给配套的数字处理器。

## 6 Pin Configuration and Functions

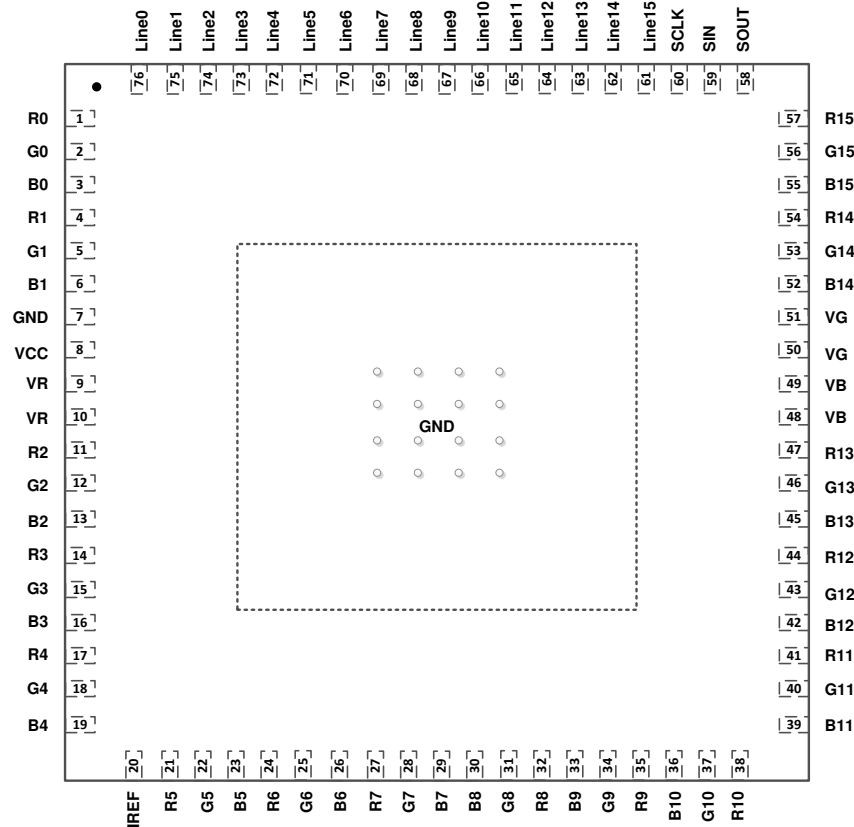


图 6-1. LP5891-Q1 RRF Package, 76-Pin VQFN With Exposed Thermal Pad (Top View)

表 6-1. Pin Functions

PIN		I/O	DESCRIPTION
NAME	RRF NO.		
IREF	20	I	Pin for setting the maximum constant-current value. Connecting an external resistor between IREF and GND sets the maximum current for each constant-current output channel. When this pin is connected directly to GND, all outputs are forced off. The external resistor must be placed close to the device.
VCC	8	I	Device power supply
VR	9, 10	I	Red LED power supply
VG	51, 50	I	Green LED power supply
VB	49, 48	I	Blue LED power supply
R0-R15	1, 4, 11, 14, 17, 21, 24, 27, 32, 35, 38, 41, 44, 47, 54, 57	O	Red LED constant-current output
G0-G15	2, 5, 12, 15, 18, 22, 25, 28, 31, 34, 37, 40, 43, 46, 53, 56	O	Green LED constant-current output
B0-B15	3, 6, 13, 16, 19, 23, 26, 29, 30, 33, 36, 39, 42, 45, 52, 55	O	Blue LED constant-current output

表 6-1. Pin Functions (continued)

PIN		I/O	DESCRIPTION
NAME	RRF NO.		
LINE0- LINE15	76, 75, 74, 73, 72, 71, 70, 69, 68, 67, 66, 65, 64, 63, 62, 61	O	Scan lines
SCLK	60	I	Clock-signal input pin
SIN	59	I	Serial-data input pin
SOUT	58	O	Serial data output pin
GND	7	—	Power-ground reference
Thermal pad	—	—	The thermal pad and the GND pin must be connected together on the board.

## 7 Specifications

### 7.1 Absolute Maximum Ratings

over operating free-air temperature range (unless otherwise noted)<sup>(1)</sup>

		MIN	MAX	UNIT
Voltage	V <sub>CC</sub>	- 0.3	6	V
	V <sub>R/G/B</sub>	- 0.3	6	V
	IREF, SCLK, SIN, SOUT	- 0.3	6	V
	RX/GX/BX	- 0.3	6	V
	LINE0 to LINE15	- 0.3	6	V
Operating junction temperature, T <sub>J</sub>		- 40	150	°C
Storage temperature, T <sub>stg</sub>		- 55	150	°C

- (1) Operation outside the *Absolute Maximum Ratings* may cause permanent device damage. *Absolute Maximum Ratings* do not imply functional operation of the device at these or any other conditions beyond those listed under *Recommended Operating Conditions*. If used outside the *Recommended Operating Conditions* but within the *Absolute Maximum Ratings*, the device may not be fully functional, and this may affect device reliability, functionality, performance, and shorten the device lifetime.

### 7.2 ESD Ratings

		VALUE	UNIT
V <sub>(ESD)</sub> Electrostatic discharge	Human body model (HBM), per AEC Q100-002 <sup>(1)</sup> HBM ESD classification level 3A	±4000	V
	Charged-device model (CDM), per AEC Q100-011 CDM ESD classification level C6	±1000	

- (1) AEC Q100-002 indicates that HBM stressing shall be in accordance with the ANSI/ESDA/JEDEC JS-001 specification.

### 7.3 Recommended Operating Conditions

over operating free-air temperature range (unless otherwise noted)

		MIN	NOM	MAX	UNIT
V <sub>CC</sub>	Device supply voltage	2.5		5.5	V
V <sub>LEDR/G/B</sub>	LED supply voltage	2.5		5.5	V
V <sub>IH</sub>	High level logic input voltage (SCLK, SIN)	0.7 × V <sub>CC</sub>			V
V <sub>IL</sub>	Low level logic input voltage (SCLK, SIN)			0.3 × V <sub>CC</sub>	V
I <sub>OH</sub>	High level logic output current (SOUT)			- 2	mA
I <sub>OL</sub>	Low level logic output current (SOUT)			2	mA
I <sub>CH</sub>	Constant output source current	0.2		20	mA
I <sub>LINE</sub>	Line scan switch load current	0		2	A
T <sub>A</sub>	Ambient operating temperature	- 40		125	°C

### 7.4 Thermal Information

THERMAL METRIC <sup>(1)</sup>		LP5891-Q1	UNIT
		RRF (VQFN)	
		76 PINS	
R <sub>θJA</sub>	Junction-to-ambient thermal resistance	22.2	°C/W
R <sub>θJC(top)</sub>	Junction-to-case (top) thermal resistance	10.7	°C/W
R <sub>θJB</sub>	Junction-to-board thermal resistance	7.2	°C/W
ψ <sub>JT</sub>	Junction-to-top characterization parameter	0.1	°C/W
ψ <sub>JB</sub>	Junction-to-board characterization parameter	7.1	°C/W

## 7.4 Thermal Information (continued)

THERMAL METRIC <sup>(1)</sup>		LP5891-Q1	
		RRF (VQFN)	
		76 PINS	
R <sub>θJC(bot)</sub>	Junction-to-case (bottom) thermal resistance	1.7	°C/W

(1) For more information about traditional and new thermal metrics, see the [Semiconductor and IC Package Thermal Metrics](#) application report.

## 7.5 Electrical Characteristics

At V<sub>CC</sub> = V<sub>R</sub> = 2.8 V, V<sub>G/B</sub> = 3.8 V, T<sub>A</sub> = -40°C to +125°C; Typical values are at T<sub>A</sub> = 25°C (unless otherwise specified)

PARAMETER		TEST CONDITIONS	MIN	TYP	MAX	UNIT	
V <sub>CC</sub>	Device supply voltage		2.5		5.5	V	
V <sub>UVR</sub>	Undervoltage restart	VCC rising			2.3	V	
V <sub>UVF</sub>	Undervoltage shutdown	VCC falling	2.0			V	
V <sub>UV(HYS)</sub>	Undervoltage shutdown hysteresis			0.1		V	
I <sub>CC</sub>	Device supply current	SCLK/SIN = 10 MHz, MPSP_EN=1bit, Matrix PSM enable, internal GCLK off, GS <sub>n</sub> = 0000h, BC = 2h, CCR/G/B = 63h, PS_EN= 1h, VOUT <sub>n</sub> = floating, R <sub>IREF</sub> = 7.8 kΩ (In intelligent power save mode)		0.9		mA	
		SCLK/SIN = 10 MHz, Standby enable, internal GCLK off, GS <sub>n</sub> = 0000h, BC = 2h, CCR/G/B = 63h, PS_EN= 1h, VOUT <sub>n</sub> = floating, R <sub>IREF</sub> = 7.8 kΩ (In intelligent power save mode)		0.9		mA	
		SCLK/SIN = 10 MHz, PSP_MOD=1bit, internal GCLK=50MHz, GS <sub>n</sub> = 0000h, BC = 2h, CCR/G/B = 63h, PS_EN= 1h, VOUT <sub>n</sub> = floating, R <sub>IREF</sub> = 7.8 kΩ (In power save mode)			3.6		mA
		SCLK = 10 MHz, internal GCLK = 50 MHz, GS <sub>n</sub> = 1FFFh, BC = 2h, CCR/G/B = 63h, VOUT <sub>n</sub> = floating, R <sub>IREF</sub> = 7.8 kΩ, I <sub>CH</sub> = 2 mA			3.6		mA
		SCLK = 10 MHz, internal GCLK = 100 MHz, GS <sub>n</sub> = 1FFFh, BC = 2h, CCR/G/B = 63h, VOUT <sub>n</sub> = floating, R <sub>IREF</sub> = 7.8 kΩ, I <sub>CH</sub> = 2 mA				4.9	mA
V <sub>R/G/B</sub>	LED supply voltage		2.5		5.5	V	
V <sub>IH</sub>	High level input voltage (SCLK, SIN)		0.7 × VCC			V	
V <sub>IL</sub>	Low level input voltage (SCLK, SIN)			0.3 × VCC		V	
V <sub>OH</sub>	High level output voltage (SOUT)	IOH = -2 mA at SOUT	VCC-0.4		VCC	V	
V <sub>OL</sub>	Low level output voltage (SOUT)	IOL = 2 mA at SOUT			0.4	V	
I <sub>LOGIC</sub>	Logic pin current (SCLK, SIN)	SCLK/SIN = VCC or GND	-1		1	uA	
R <sub>DS(ON)</sub>	Scan switches' on-state resistance (LINE0 to LINE15)	VCC = 2.8 V, T <sub>A</sub> = 25°C		190		mΩ	
V <sub>IREF</sub>	Reference voltage	SCLK/SIN = GND, internal GCLK= 0MHz, GS <sub>n</sub> = 0000h, BC = 2h, CCR/G/B = 63h, VOUT <sub>n</sub> = floating, R <sub>IREF</sub> = 7.8 kΩ		0.8		V	

## 7.5 Electrical Characteristics (continued)

At  $V_{CC} = V_R = 2.8\text{ V}$ ,  $V_{G/B} = 3.8\text{ V}$ ,  $T_A = -40^\circ\text{C}$  to  $+125^\circ\text{C}$ ; Typical values are at  $T_A = 25^\circ\text{C}$  (unless otherwise specified)

PARAMETER	TEST CONDITIONS	MIN	TYP	MAX	UNIT	
$V_{KNEE}$	Channel knee voltage (R0-R15 / G0-G15 / B0-B15)	VLEDR/G/B $\geq 2.8\text{ V}$ , all channel outputs on, output current at 1 mA		0.25	V	
		VLEDR/G/B $\geq 2.8\text{ V}$ , all channel outputs on, output current at 5 mA		0.27	V	
		VLEDR/G/B $\geq 2.8\text{ V}$ , all channel outputs on, output current at 10 mA		0.31	V	
		VLEDR/G/B $\geq 2.8\text{ V}$ , $I_{MAX} = 1b$ , all channel outputs on, output current at 15 mA		0.37	V	
		VLEDR/G/B $\geq 2.8\text{ V}$ , $I_{MAX} = 1b$ , all channel outputs on, output current at 20 mA		0.41	V	
$I_{CH(LKG)}$	Channel leakage current (R0-R15 / G0-G15 / B0-B15)	Channel voltage at 0 V		1	$\mu\text{A}$	
$\Delta I_{ERR(CC)}$	Constant-current channel to channel deviation (R0-R15 / G0-G15 / B0-B15) <sup>(1)</sup>	All CHn = on, BC = 00h, CC = 31h, $V_{OUTn} = (V_{LED}-1)\text{V}$ , $R_{IREF} = 19.05\text{ k}\Omega$ ( $I_{CH} = 0.2\text{-mA}$ target), $T_A = 25^\circ\text{C}$ , includes the $V_{IREF}$ tolerance, at same color grouped outputs of R0-R15 / G0-G15 / B0-B15		$\pm 1$	$\pm 2.5$	%
		All CHn = on, BC = 00h, CC = 7Dh, $V_{OUTn} = (V_{LED}-1)\text{V}$ , $R_{IREF} = 19.05\text{ k}\Omega$ ( $I_{CH} = 0.5\text{-mA}$ target), $T_A = 25^\circ\text{C}$ , includes the $V_{IREF}$ tolerance, at same color grouped outputs of R0-R15 / G0-G15 / B0-B15		$\pm 0.5$	$\pm 1.5$	%
		All CHn = on, BC = 00h, CC = FBh, $V_{OUTn} = (V_{LED}-1)\text{V}$ , $R_{IREF} = 19.05\text{ k}\Omega$ ( $I_{CH} = 1\text{-mA}$ target), $T_A = 25^\circ\text{C}$ , includes the $V_{IREF}$ tolerance, at same color grouped outputs of R0-R15 / G0-G15 / B0-B15		$\pm 0.5$	$\pm 1.5$	%
		All CHn = on, BC = 2h, CC = FBh, $V_{OUTn} = (V_{LED}-1)\text{V}$ , $R_{IREF} = 7.8\text{ k}\Omega$ ( $I_{CH} = 5\text{-mA}$ target), $T_A = 25^\circ\text{C}$ , includes the $V_{IREF}$ tolerance, at same color grouped outputs of R0-R15 / G0-G15 / B0-B15		$\pm 0.5$	$\pm 2.5$	%
		All CHn = on, BC = 6h, CC = A7h, $V_{OUTn} = (V_{LED}-1)\text{V}$ , $R_{IREF} = 7.8\text{ k}\Omega$ ( $I_{CH} = 10\text{-mA}$ target), $T_A = 25^\circ\text{C}$ , includes the $V_{IREF}$ tolerance, at same color grouped outputs of R0-R15 / G0-G15 / B0-B15		$\pm 0.5$	$\pm 2.5$	%
		All CHn = on, BC = 7h, CC = FBh, $I_{MAX} = 1b$ , $V_{OUTn} = (V_{LED}-1)\text{V}$ , $R_{IREF} = 6.8\text{ k}\Omega$ ( $I_{CH} = 20\text{-mA}$ target), $T_A = 25^\circ\text{C}$ , includes the $V_{IREF}$ tolerance, at same color grouped outputs of R0-R15 / G0-G15 / B0-B15		$\pm 0.5$	$\pm 2.7$	%

### 7.5 Electrical Characteristics (continued)

At  $V_{CC} = V_R = 2.8\text{ V}$ ,  $V_{G/B} = 3.8\text{ V}$ ,  $T_A = -40^\circ\text{C}$  to  $+125^\circ\text{C}$ ; Typical values are at  $T_A = 25^\circ\text{C}$  (unless otherwise specified)

PARAMETER	TEST CONDITIONS	MIN	TYP	MAX	UNIT	
$\Delta I_{ERR(DD)}$ Constant-current device to device deviation (R0-R15 / G0-G15 / B0-B15) <sup>(2)</sup>	All CHn = on, BC = 00h, CC = 31h, VOUTn = (VLED-1)V, R <sub>IREF</sub> = 19.05 k $\Omega$ ( $I_{CH} = 0.2\text{-mA}$ target), $T_A = 25^\circ\text{C}$ , includes the V <sub>IREF</sub> tolerance, at same color grouped outputs of R0-R15 / G0-G15 / B0-B15		$\pm 1$	$\pm 2.5$	%	
	All CHn = on, BC = 00h, CC = 7Dh, VOUTn = (VLED-1)V, R <sub>IREF</sub> = 19.05 k $\Omega$ ( $I_{CH} = 0.5\text{-mA}$ target), $T_A = 25^\circ\text{C}$ , includes the V <sub>IREF</sub> tolerance, at same color grouped outputs of R0-R15 / G0-G15 / B0-B15			$\pm 0.5$	$\pm 1.5$	%
	All CHn = on, BC = 00h, CC = FBh, VOUTn = (VLED-1)V, R <sub>IREF</sub> = 19.05 k $\Omega$ ( $I_{CH} = 1\text{-mA}$ target), $T_A = 25^\circ\text{C}$ , includes the V <sub>IREF</sub> tolerance, at same color grouped outputs of R0-R15 / G0-G15 / B0-B15			$\pm 0.5$	$\pm 1$	%
	All CHn = on, BC = 2h, CC = FBh, VOUTn = (VLED-1)V, R <sub>IREF</sub> = 7.8 k $\Omega$ ( $I_{CH} = 5\text{-mA}$ target), $T_A = 25^\circ\text{C}$ , includes the V <sub>IREF</sub> tolerance, at same color grouped outputs of R0-R15 / G0-G15 / B0-B15			$\pm 0.5$	$\pm 1.5$	%
	All CHn = on, BC = 6h, CC = A7h, VOUTn = (VLED-1)V, R <sub>IREF</sub> = 7.8 k $\Omega$ ( $I_{CH} = 10\text{-mA}$ target), $T_A = 25^\circ\text{C}$ , includes the V <sub>IREF</sub> tolerance, at same color grouped outputs of R0-R15 / G0-G15 / B0-B15			$\pm 0.5$	$\pm 2$	%
	All CHn = on, BC = 7h, CC = FBh, I <sub>MAX</sub> =1b, VOUTn = (VLED-1)V, R <sub>IREF</sub> = 6.8 k $\Omega$ ( $I_{CH} = 20\text{-mA}$ target), $T_A = 25^\circ\text{C}$ , includes the V <sub>IREF</sub> tolerance, at same color grouped outputs of R0-R15 / G0-G15 / B0-B15			$\pm 0.5$	$\pm 2$	%
$\Delta I_{REG(LINE)}$ Line regulation (R0-R15 / G0-G15 / B0-B15) <sup>(3)</sup>	VLED = 2.5 to 5.5V, All CHn = on, VOUTn = (VLED-1)V, at same color grouped outputs of R0-R15 / G0-G15 / B0-B15			$\pm 1$	%/V	
$\Delta I_{REG(LOAD)}$ Load regulation (R0-R15 / G0-G15 / B0-B15) <sup>(4)</sup>	VOUTn = (VLED-1)V to (VLED-3)V, VR=VG/B=VLED=3.8V, All CHn = on, at same color grouped outputs of R0-R15 / G0-G15 / B0-B15			$\pm 1$	%/V	
T <sub>TSD</sub>	Thermal shutdown threshold		170		$^\circ\text{C}$	
T <sub>HYS</sub>	Thermal shutdown hysteresis		15		$^\circ\text{C}$	

(1) The deviation of each output in same color group (OUTR0-15 or OUTG0-15 or OUTB0-15) from the average of same color group

constant current. The deviation is calculated by the formula. (X = R or G or B, n = 0-15)

$$\Delta(\%) = \left[ \frac{I_{Xn}}{\frac{I_{X0} + I_{X1} + \dots + I_{X14} + I_{X15}}{16}} - 1 \right] \times 100$$

(2) The deviation of the average of constant-current in each color group from the ideal constant-current value. (X = R or G or B) :



$$\Delta(\%) = \left[ \frac{I_{X0} + I_{X1} + \dots + I_{X14} + I_{X15} - \text{Ideal Output Current}}{\text{Ideal Output Current}} \right] \times 100$$

Ideal current is calculated by the following equation:

$$I_{IDEAL\_R(\text{or } G \text{ or } B)} = \frac{V_{IREF}}{R_{IREF}} \times GAIN_{(BC)} \times \frac{1 + CC\_R(\text{or } CC\_G \text{ or } CC\_B)}{256}$$

(3) Line regulation is calculated by the following equation. (X = R or G or B, n = 0-15):

$$\Delta(\%V) = \left[ \frac{(I_{Xn} \text{ at } V_{LED} = 5.5V) - (I_{Xn} \text{ at } V_{LED} = 2.5V)}{(I_{Xn} \text{ at } V_{LED} = 2.5V)} \right] \times \frac{100}{5.5V - 2.5V}$$

(4) Load regulation is calculated by the following equation. (X = R or G or B, n = 0-15):

$$\Delta(\%V) = \left[ \frac{(I_{Xn} \text{ at } V_{Xn} = 1V) - (I_{Xn} \text{ at } V_{Xn} = 3V)}{(I_{Xn} \text{ at } V_{Xn} = 3V)} \right] \times \frac{100}{3V - 1V}$$

## 7.6 Timing Requirements

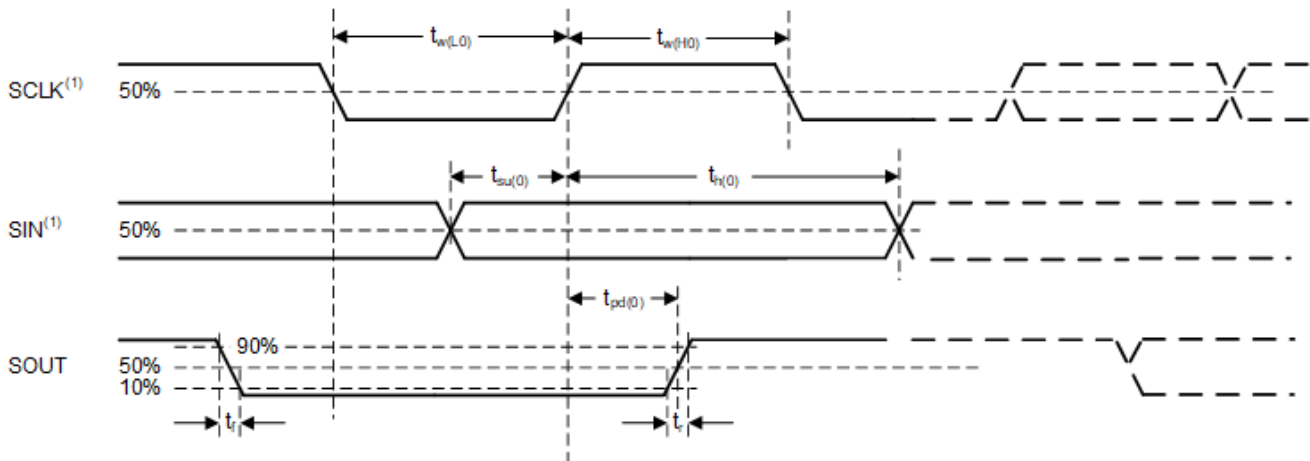
At  $V_{CC} = V_R = 2.8V$ ,  $V_{G/B} = 3.8V$ ,  $T_A = -40^\circ\text{C}$  to  $+125^\circ\text{C}$ ; Typical values are at  $T_A = 25^\circ\text{C}$  (unless otherwise specified)

PARAMETER	TEST CONDITIONS	MIN	TYP	MAX	UNIT
f <sub>SCLK</sub>	Clock frequency (SCLK)			50	MHz
t <sub>w(H0)</sub>	High level pulse duration (SCLK)	9			ns
t <sub>w(L0)</sub>	Low level pulse duration (SCLK)	9			ns
t <sub>su(0)</sub>	Set-up time	SIN to SCLK ↑	10		ns
t <sub>h(0)</sub>	Hold time	SCLK ↑ to SIN ↑ ↓	2		ns

## 7.7 Switching Characteristics

At  $V_{CC} = V_R = 2.8V$ ,  $V_{G/B} = 3.8V$ ,  $T_A = -40^\circ\text{C}$  to  $+125^\circ\text{C}$ ; Typical values are at  $T_A = 25^\circ\text{C}$  (unless otherwise specified)

PARAMETER	TEST CONDITIONS	MIN	TYP	MAX	UNIT
t <sub>r</sub>	Rise time (SOUT)	V <sub>CC</sub> = 3.3 V, C <sub>SOUT</sub> = 30 pF	2	10	ns
t <sub>f</sub>	Fall time (SOUT)	V <sub>CC</sub> = 3.3 V, C <sub>SOUT</sub> = 30 pF	2	10	ns
t <sub>pd(0)</sub>	Propagation delay	SCLK ↑ to SOUT ↑ ↓, full temperature, C <sub>SOUT</sub> = 30 pF	3.5	14.2	ns



(1). Input pulse rise and fall time is 2 ns typically.

图 7-1. Timing and Switching Diagram

## 7.8 Typical Characteristics

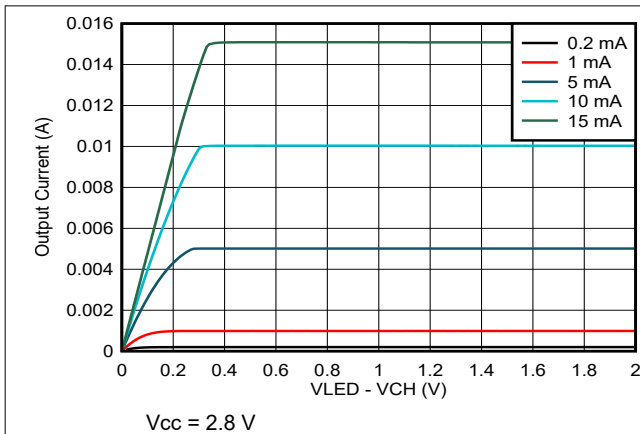


图 7-2. Channel Current vs (VLED-Vchannel) Voltage

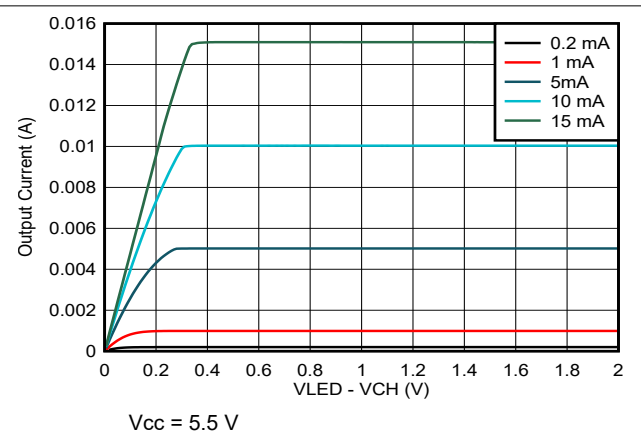


图 7-3. Channel Current vs (VLED-Vchannel) Voltage

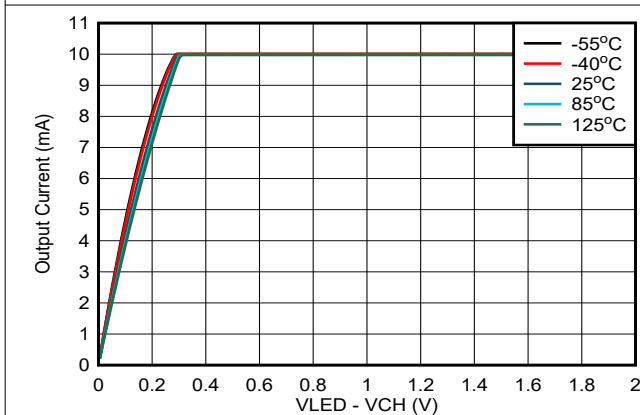


图 7-4. Channel Current vs (VLED-Vchannel) Voltage

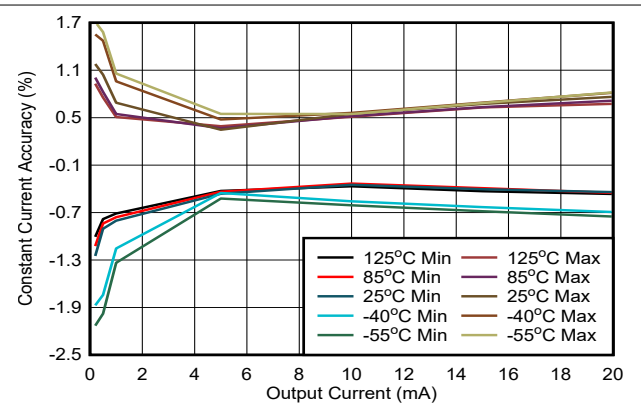


图 7-5. Channel to Channel Accuracy vs Output Current

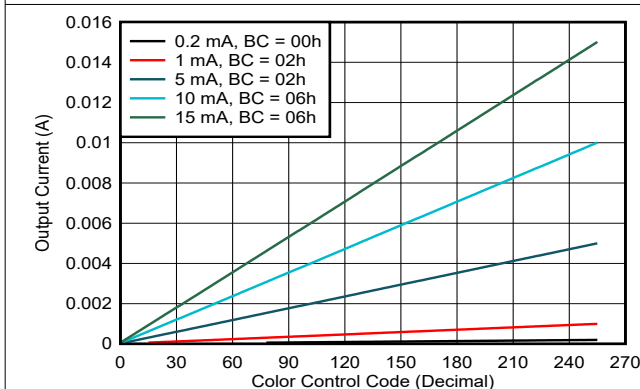


图 7-6. Color Control Code vs Output Current

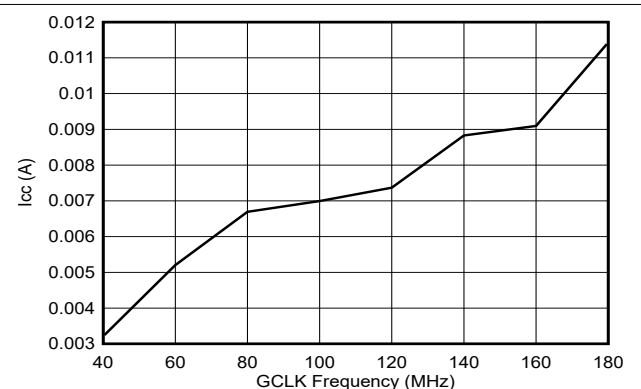
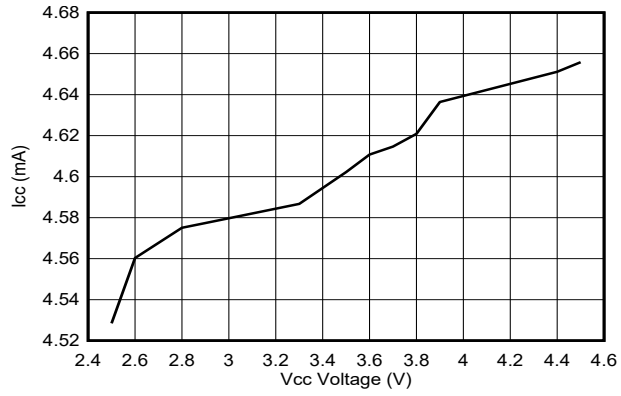


图 7-7. Icc Current vs GCLK Frequency

### 7.8 Typical Characteristics (continued)



GCLK = 80 MHz

图 7-8. Icc Current vs Vcc Voltage

## 8 Detailed Description

### 8.1 Overview

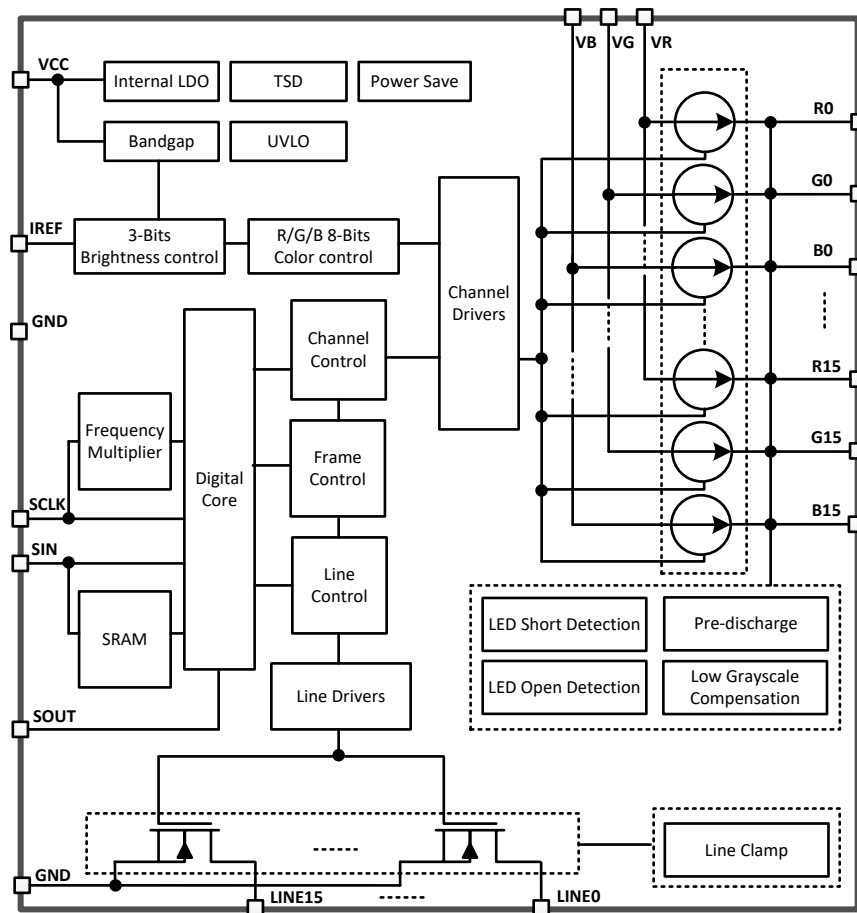
The LP5891-Q1 is a highly integrated RGB LED driver with 48 constant current sources and 16 scanning FETs. A single LP5891-Q1 is capable of driving 16 × 16 RGB LED pixels while stacking four LP5891-Q1 devices can drive 64 × 64 RGB LED pixels. To achieve low power consumption, the device supports separated power supplies for the red, green, and blue LEDs by its common cathode structure. Furthermore, the operation power of the LP5891-Q1 is significantly reduced by ultra-low operation voltage range ( $V_{CC}$  down to 2.5 V) and ultra-low operation current ( $I_{CC}$  down to 3.6 mA).

The LP5891-Q1 supports 0.2 mA to 20 mA per channel with typical 0.5% channel-to-channel current deviation and typical 0.5% device-to-device current deviation. The DC current value of all 48 channels is set by an external IREF resistor and can be adjusted by the 8-step global brightness control (BC) and the 256-step per-color group brightness control (CC\_R/CC\_G/CC\_B).

The LP5891-Q1 implements a high speed rising-edge transmission interface to support high device count daisy-chained and high refresh rate while minimizing electrical-magnetic interference (EMI). The LP5891-Q1 supports up to 50-MHz SCLK (external) and up to 160-MHz GCLK (internal).

The LP5891-Q1 also implements LED open, weak-short, and short detections and can also report this information out to the accompanying digital processor.

### 8.2 Functional Block Diagram



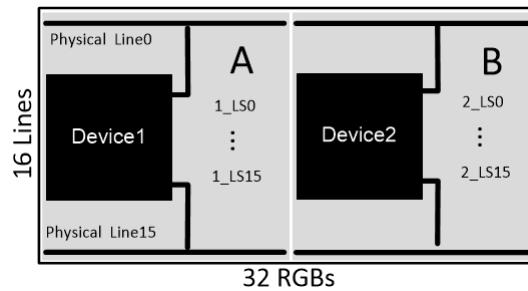
## 8.3 Feature Description

### 8.3.1 Independent and Stackable Mode

The LP5891-Q1 can operate in two different modes: independent or stackable. In independent mode, a single LP5891-Q1 can drive a 16 × 16 RGB LED matrix, while in stackable mode, up to four LP5891-Q1 devices can be stacked together, which means the line switches of one device can be shared to the others. Stacking three LP5891-Q1 devices can drive a 48 × 48 RGB LED matrix while stacking four LP5891-Q1 devices can drive a 64 × 64 RGB matrix. The mode can be configured by the MOD\_SIZE (see [FC2](#) for more details).

#### 8.3.1.1 Independent Mode

[图 8-1](#) shows an implementation of a 16 × 32 RGB LED matrix using two LP5891-Q1 devices in independent mode. Each device is responsible for its own 16 × 16 RGB LED matrix, which means that all the data for section A is stored in device 1 and the data for section B is stored in device 2.



**图 8-1. Two Devices in Independent Mode**

The unused line must be assigned to the last several lines of the device. For example, if there are only 14 scanning lines, then the two unused lines must be assigned to 1\_LS14 and 1\_LS15.

#### 8.3.1.2 Stackable Mode

While operating the LP5891-Q1 in stackable mode, as shown in below table.

**表 8-1. Stackable Mode**

Mode	Matrix Size	Register Value	Scan Sequence
Mode1	16x32	000b	D1, D2 independent
Mode2	32x32	001b	D1->D2
Mode3	48x48	010b	D1->D2->D3
Mode4	48x48	011b	D1->D3->D2
Mode5	48x64	100b	D1->D2->D3
Mode6	48x64	101b	D1->D3->D2
Mode7	64x64	110b	D1->D2->D3->D4
Mode8	64x64	111b	D1->D4->D2->D3

[图 8-2](#) device 2 needs to be rotated 180° relative to device 1. This action allows the position of line switches to be near the center column of the LED matrix for better routing. For device 1, the lines connect sequentially (line switch 0 connected to scan line 1). However on device 2, it is connected in reverse order, with the 16<sup>th</sup> scan line is connected to line switch 15 and the 32<sup>nd</sup> scan line is connected to line switch 0.

[图 8-2](#) shows the connection between two LP5891-Q1 devices in stackable mode driving 32 × 32 RGB LED pixels. The MOD\_SIZE must be configured to 001b. Device 1 supplies 16 line switches for the first 16 scan line, and device 2 supplies 16 line switches for scan line 17-32. The data for matrix sections A and C are stored in device 1, while matrix sections B and D data are stored in device 2.

To make sure the scanning sequence is still from 1<sup>st</sup> line to 32<sup>nd</sup> line, the scan line switching order of the second device must be reversed, which can be configured by the SCAN\_REV (see [FC4](#) for more details).

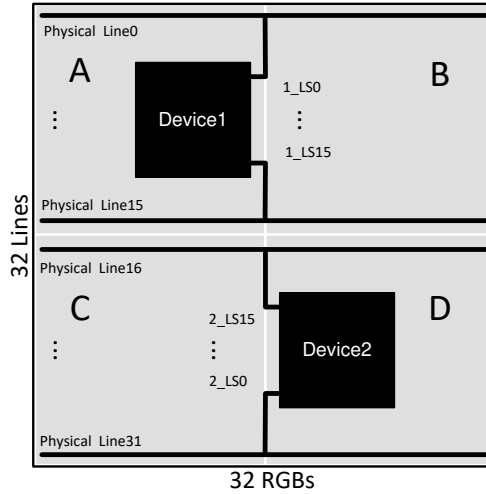


图 8-2. Mode2 Diagram

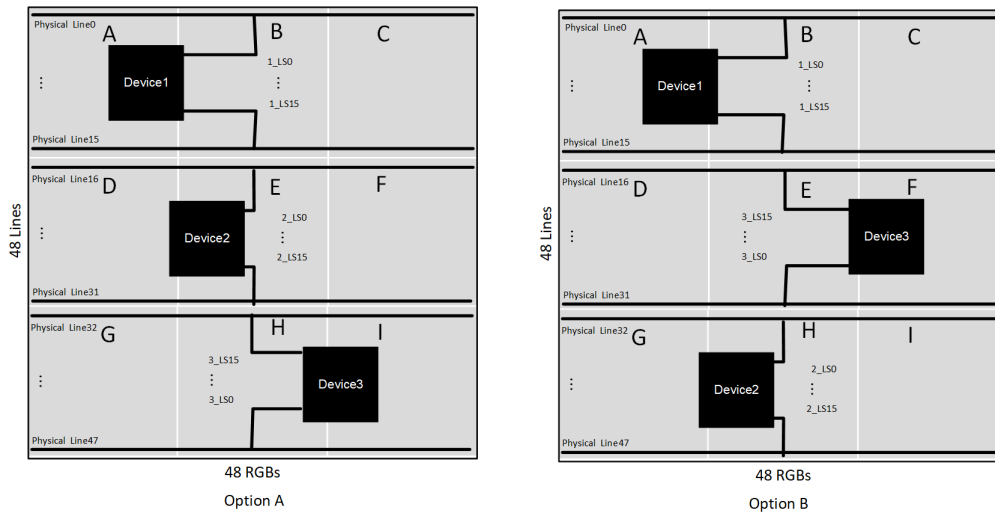


图 8-3. Mode3 and Mode4 Diagram

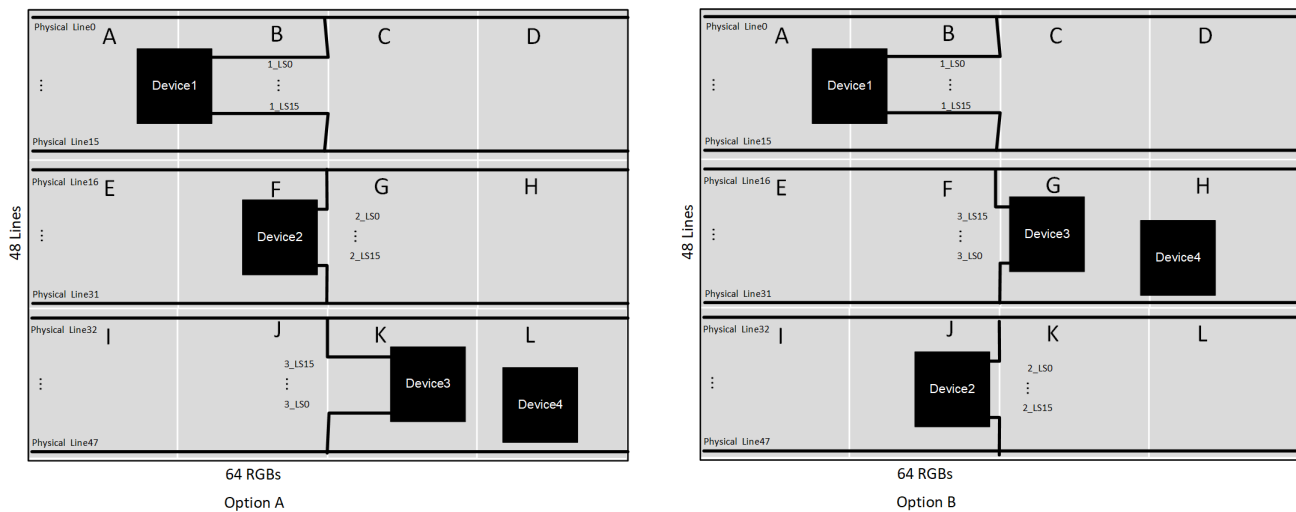


图 8-4. Mode5 and Mode6 Diagram

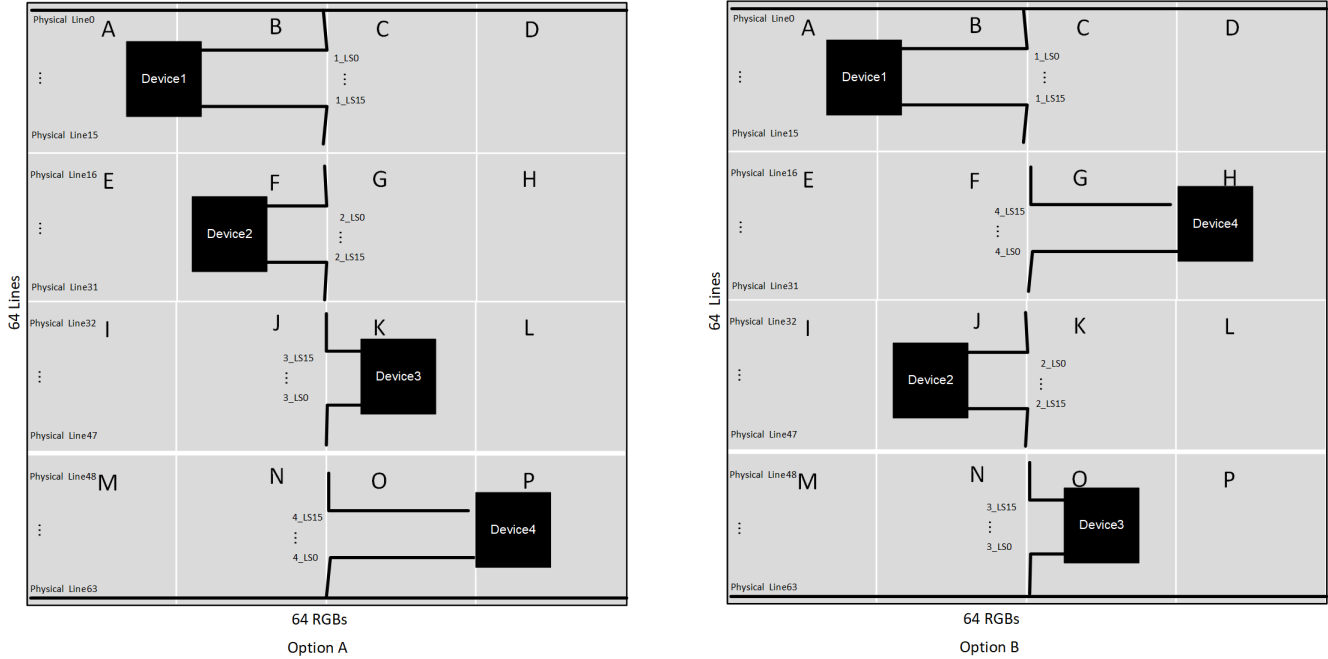


图 8-5. Mode7 and Mode8 Diagram

When two or more LP5891-Q1 devices are used in stackable mode, if there are unused line switches, these unused line switches must be the last line switches of the first or the second device. For example, if there are only 30 scanning lines, and if,

SCAN\_REV = '0'b, the unused line switches can be either of the below,

- 1\_LS14, 1\_LS15
- 2\_LS14, 2\_LS15

SCAN\_REV = '1'b, the unused line switches can be either of below,

- 1\_LS14, 1\_LS15
- 2\_LS1, 2\_LS0

The unused line switches must be 2\_LS14, 2\_LS15 if SCAN\_REV = '0'b, or 2\_LS1, 2\_LS0 if SCAN\_REV = '1'b.

### 8.3.2 Current Setting

#### 8.3.2.1 Brightness Control (BC) Function

The LP5891-Q1 device is able to adjust the output current of all constant-current outputs simultaneously. This function is called global brightness control (BC). The global BC for all outputs is programmed with a 3-bit register, thus all output currents can be adjusted in eight steps for a given current-programming resistor,  $R_{IREF}$ . When the 3-bit BC register changes, the gain of output current,  $GAIN_{BC}$  changes as 表 8-2 below.

表 8-2. Current Gain Versus BC Code

BC Register (BC)	Current Gain ( $GAIN_{BC}$ )
000b	24.17
001b	30.57
010b	49.49
011b (default)	86.61
100b	103.94
101b	129.92
110b	148.48

表 8-2. Current Gain Versus BC Code (continued)

BC Register (BC)	Current Gain (GAIN <sub>BC</sub> )
111b	173.23

The maximum output current per channel,  $I_{OUTSET}$ , is determined by resistor  $R_{IREF}$ , and the  $GAIN_{BC}$ . The voltage on IREF is typically 0.8 V.  $R_{IREF}$  can be calculated by 方程式 1 below. For noise immunity purpose, suggest  $R_{IREF} < 40 \text{ k}\Omega$ .

$$R_{IREF} (k\Omega) = \frac{V_{IREF} (V)}{I_{IREF} (mA)} = \frac{V_{IREF} (V)}{I_{OUTSET} (mA)} \times GAIN_{(BC)} \quad (1)$$

### 8.3.2.2 Color Brightness Control (CC) Function

The LP5891-Q1 device is able to adjust the output current of each of the three color groups R0-R15, G0-G15, and B0-B15 separately. This function is called color brightness control (CC). For each color, it has 8-bit data register, CC\_R, CC\_G, or CC\_B. Thus, all color group output currents can be adjusted in 256 steps from 0% to 100% of the maximum output current,  $I_{OUTSET}$ . The output current of each color,  $I_{OUT\_R}$  (or G or B) can be calculated by Equation 2 below.

$$I_{OUT\_R(or\ G\ or\ B)} = I_{OUTSET} \times \frac{1 + CC\_R(or\ CC\_G\ or\ CC\_B)}{256} \quad (2)$$

Table 表 8-3 shows the CC data versus the constant-current against  $I_{OUTSET}$ :

表 8-3. CC Data vs Current Ratio

CC Register (CC_R or CC_G or CC_B)	Ratio of $I_{OUTSET}$	
0000 0000b	1/256	0.39%
0000 0001b	2/256	0.78%
...	...	...
0111 1111b (default)	128/256	50%
...	...	...
1111 1110b	255/256	99.61%
1111 1111b	256/256	100%

### 8.3.2.3 Choosing BC/CC for a Different Application

BC is mainly used for global brightness adjustment to adapt to ambient brightness, such as between day and night, indoor and outdoor.

- Suggested BC is 3h or 4h, which is in the middle of the range, allowing flexible changes in brightness up and down.
- If the current of one color group (usually R LEDs) is close to the output maximum current (10 mA or 20 mA), to prevent the constant output current from exceeding the upper limit in case a larger BC code is input accidentally, choose the maximum BC value, 7h.
- If the current of one color group (usually B LEDs) is close to the output minimum current (0.2 mA), to prevent the constant output current from exceeding the lower limit in case a lower BC code is input accidentally, choose the minimum BC code, 0h.

CC can be used to fine tune the brightness in 256 steps. This is suitable for white balance adjustment between RGB color group. To get a pure white color, the general requirement for the luminous intensity ratio of R, G, B LED is 5:3:2. Depending on the characteristics of the LED (Electro-Optical conversion efficiency), the current ratio of R, G, B LED is much different from this ratio. Usually, the Red LED needs the largest current. Choose 255d (the maximum value) CC code for the color group that needs the largest initial current, then choose proper CC code for the other two color groups according to the current ratio requirement of the LED used.



### 8.3.3 Frequency Multiplier

The LP5891-Q1 has an internal frequency multiplier to generate the GCLK by SCLK. The GCLK frequency can be configured by `FREQ_MOD` (See [FC0](#) for more details) and `FREQ_MUL` (see [FC0](#) for more details ) from 40 MHz to 160 MHz. As [图 8-6](#) shows, if the GCLK frequency is not higher than 80 MHz, the `GCLK_MOD` is set to 1 to disable the bypass switch (enable the 1/2 divider), while the GCLK frequency is higher than 80 MHz, the `GCLK_MOD` is set to 0 to enable the bypass switch (disable the 1/2 divider).

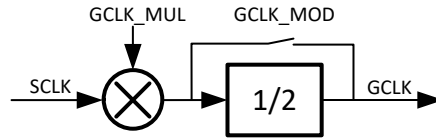


图 8-6. Frequency Multiplier Block Diagram

### 8.3.4 Line Transitioning Sequence

The LP5891-Q1 defines a timing sequence of scan line transition, shown as [图 8-7](#).  $T_{SW}$  is the total transitioning time.  $T_{SW}$  is broken up into four intervals:  $T_0$  is the time interval between the end of PWM time in current segment and the beginning of channel pre-discharge,  $T_1$  is the time interval between the beginning of the channel pre-discharge and the beginning of current line OFF,  $T_2$  is the time interval that the beginning of current line OFF and the beginning of next line ON,  $T_3$  is the time interval of the beginning of next line ON and the beginning of PWM time in next segment.

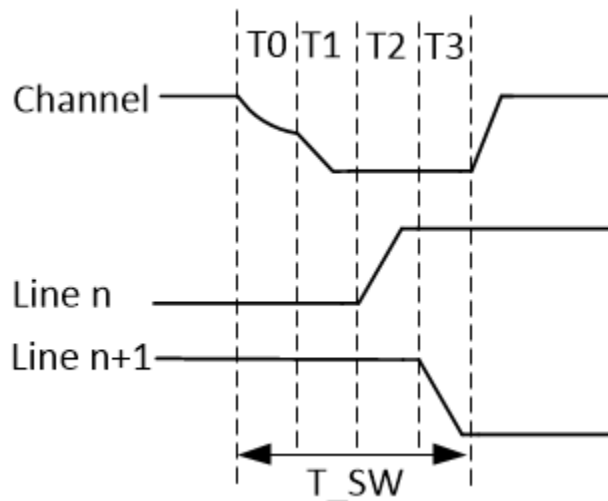


图 8-7. Line Transitioning Sequence

The line switch time  $T_{SW}$  equals to  $T_0 + T_1 + T_2 + T_3$ .  $T_{SW}$  can be configured by the `LINE_SWT` (see `FC1` register bit 40-37 in [表 8-8](#)).

[表 8-4](#) is the relation between `LINE_SWT` bits and the line switch time (GCLK numbers) with different internal GCLK frequency.

表 8-4. Line Switch Time

LINE_SW T	GCLK Numbers	$T_{SW}$ (us, 40 MHz GCLK)	$T_{SW}$ (us, 60 MHz GCLK)	$T_{SW}$ (us, 100 MHz GCLK)	$T_{SW}$ (us, 120 MHz GCLK)	$T_{SW}$ (us, 160 MHz GCLK)
0000b	45	1.125	0.7515	0.45	0.3735	0.2835
0001b	60	1.5	1.002	0.6	0.498	0.378
0010b	90	2.25	1.503	0.9	0.747	0.567
0011b	120	3	2.004	1.2	0.996	0.756
0100b	150	3.75	2.505	1.5	1.245	0.945

表 8-4. Line Switch Time (continued)

LINE_SW T	GCLK Numbers	T_SW (us, 40 MHZ GCLK)	T_SW (us, 60 MHZ GCLK)	T_SW (us, 100 MHZ GCLK)	T_SW (us, 120 MHZ GCLK)	T_SW (us, 160 MHZ GCLK)
0101b	180	4.5	3.006	1.8	1.494	1.134
0110b	210	5.25	3.507	2.1	1.743	1.323
0111b	240	6	4.008	2.4	1.992	1.512
1000b	270	6.75	4.509	2.7	2.241	1.701
1001b	300	7.5	5.01	3	2.49	1.89
1010b	330	8.25	5.511	3.3	2.739	2.079
1011b	360	9	6.012	3.6	2.988	2.268
1100b	390	9.75	6.513	3.9	3.237	2.457
1101b	420	10.5	7.014	4.2	3.486	2.646
1110b	450	11.25	7.515	4.5	3.735	2.835
1111b	480	12	8.016	4.8	3.984	3.024

### 8.3.5 Protections and Diagnostics

#### 8.3.5.1 Thermal Shutdown Protection

The thermal shutdown (TSD) function turns off all IC constant-current outputs when the junction temperature ( $T_J$ ) exceeds 170°C (typical). The function resumes normal operation when  $T_J$  falls below 155°C (typical).

#### 8.3.5.2 IREF Resistor Short Protection

The IREF resistor short protection (ISP) function prevents unwanted large currents from flowing through the constant-current output when the IREF resistor is shorted accidentally. The LP5891-Q1 device turns off all output channels when the IREF pin voltage is lower than 0.19 V (typical). When the IREF pin voltage goes higher than 0.325 V (typical), the LP5891-Q1 device resumes normal operation.

#### 8.3.5.3 LED Open Load Detection and Removal

##### 8.3.5.3.1 LED Open Detection

The LED Open Detection (LOD) function detects faults caused by an open circuit in any LED, or a short from OUT<sub>n</sub> to VLED with low impedance. This function was realized by comparing the OUT<sub>n</sub> voltage to the LOD detection threshold voltage level set by LODVTH\_R/LODVTH\_G/LODVTH\_B (See [FC3](#) for more details). If the OUT<sub>n</sub> voltage is higher than the programmed voltage, the corresponding output LOD bit is set to 1 to indicate an open LED. Otherwise, the output of that LOD bit is 0. LOD data output by the detection circuit are valid only during the OUT<sub>n</sub> turning on period.

[图 8-8](#) shows the equivalent circuit of LED open detection.

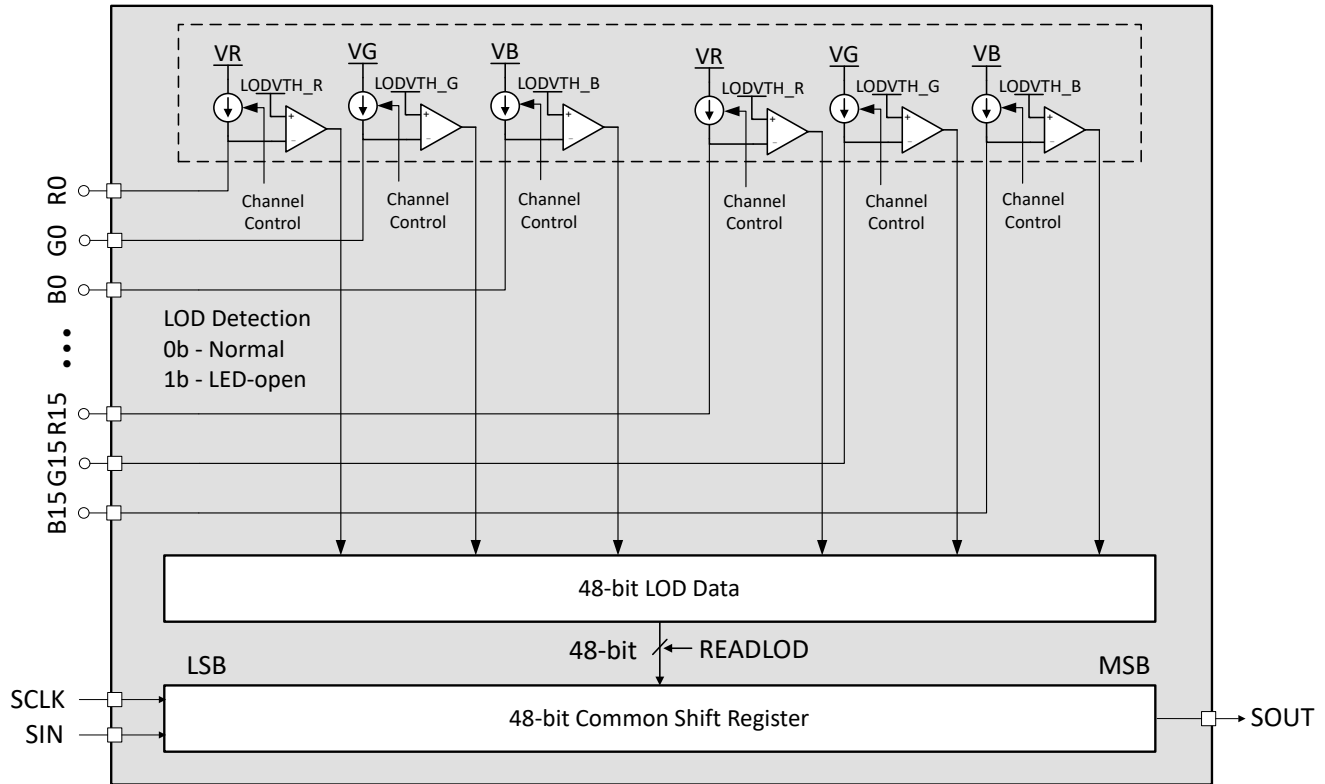


图 8-8. LED Open Detection Circuit

The LED open detection function records the position of the open LED, which contains the scan line number and relevant channel number. The scan line order is stored LOD\_LINE\_WARN register (see FC16, FC17 for more details), and the channel number is latched into the internal 48-bit LOD data register (see FC20 for more details) at the end of each segment. 图 8-9 shows the bit arrangement of the LOD data register.

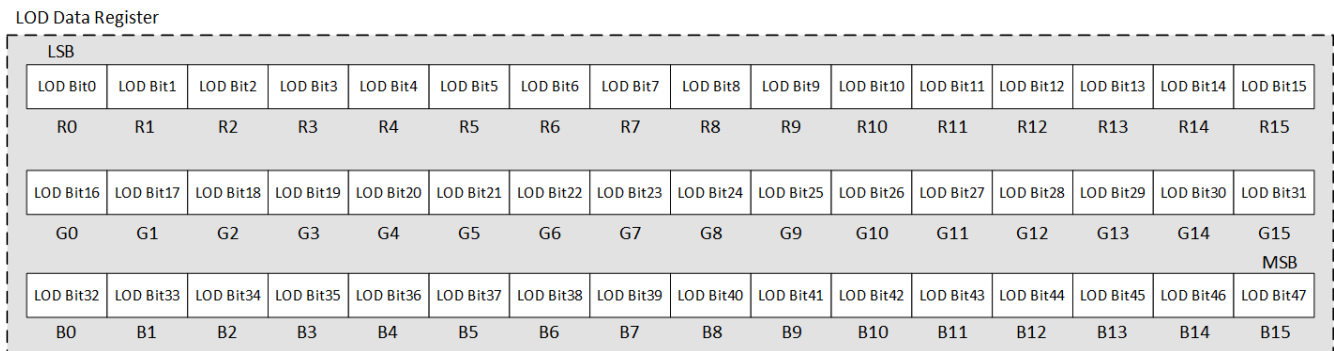


图 8-9. Bit Arrangement in LOD Data Register

### 8.3.5.3.2 Read LED Open Information

The LOD readback function must be enabled before read LED open information. This function is enabled by LOD\_LSD\_RB (see FC3 for more details).

图 8-10 shows the steps to read LED open information. Wait at least one sub-period time between Step2 and Step3 command.

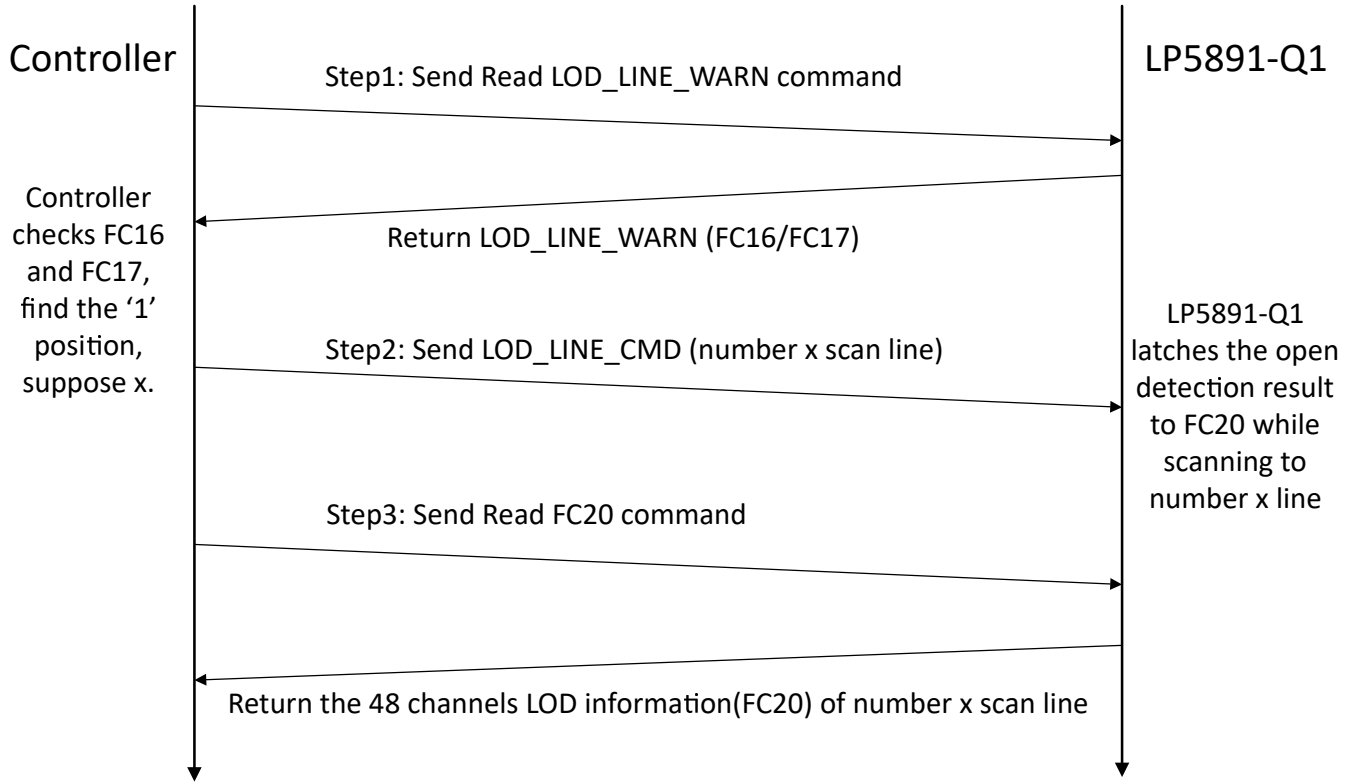


图 8-10. Steps to Read LED Open Information

### 8.3.5.3.3 LED Open Caterpillar Removal

图 8-11 shows the caterpillar issue caused by open LED. Suppose the LED0-1 is an open LED. When line 0 is chosen and the OUT1 is turned on, the OUT1 voltage is forced to approach to VLED because of the broken path of the current source. However, the voltage of the un-chosen lines are below the Vclamp which is much lower than VLED, causing all LEDs which connect to the channel OUT1, light unwanted.

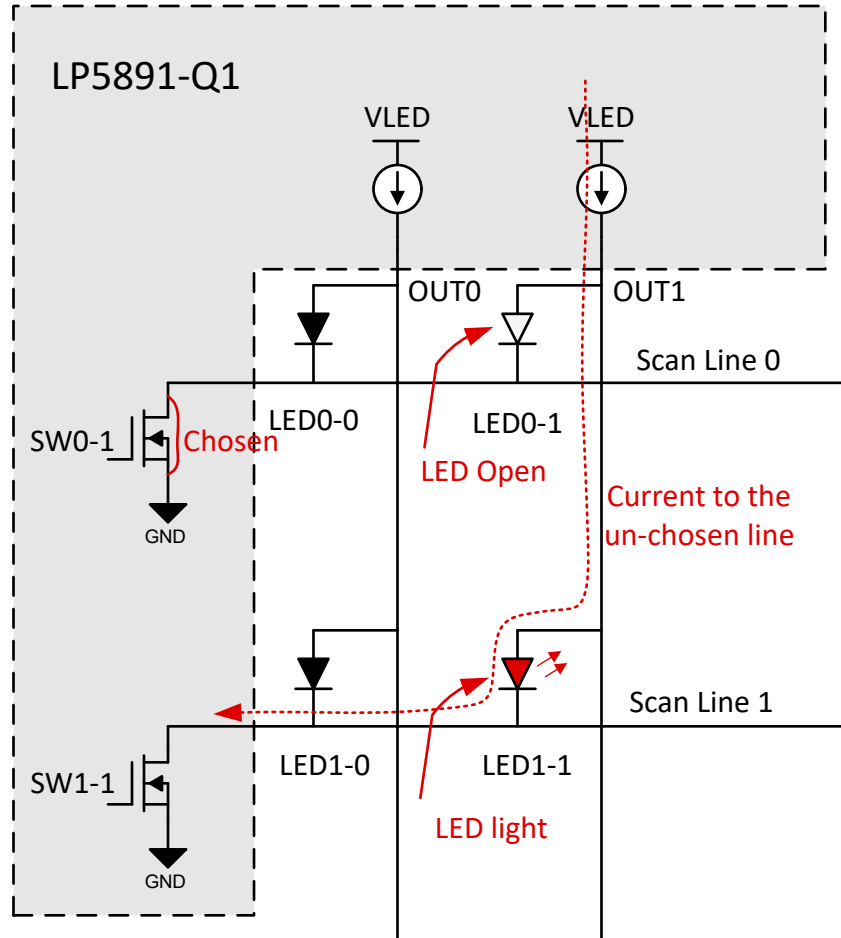


图 8-11. LED Open Caterpillar

The LP5891-Q1 implements circuits that can eliminate the caterpillar issue caused by open LEDs. The LED open caterpillar removal function is configured by LOD\_RM\_EN (see FC0 for more details). When LOD\_RM\_EN is set to 1b, the caterpillar removal function is enabled. The corresponding channel OUTn is turned off when scanning to line with open LED, The caterpillar issue is eliminated until device resets or LOD\_RM\_EN is set to 0b.

The internal caterpillar elimination circuit can handle a maximum of three lines that have open LEDs fault condition. If there are open LEDs located in three or fewer lines, the LP5891-Q1 is able to handle the open LEDs all in these lines. If there are open LEDs in more than three lines, the caterpillar issue is solved for the lines where the first three open LEDs were detected, but the open LEDs in the fourth and subsequent lines still cause the caterpillar issue.

### 8.3.5.4 LED Short and Weak Short Circuitry Detection and Removal

#### 8.3.5.4.1 LED Short/Weak Short Detection

The LED short detection (LSD) function detects faults caused by a short circuit in any LED. This function was realized by comparing the OUTn voltage to the LSD threshold voltage. If the OUTn voltage is lower than the threshold voltage, the corresponding output LSD bit is set to 1 to indicate an short LED, otherwise, the output of that LSD bit is 0. LSD data output by the detection circuit are valid only during the OUTn turning on period.

LSD weak short can be detected by adjusting threshold voltage, which level is set by LSDVTH\_R/LSDVTH\_G/LSDVTH\_B (See FC3 for more details).

图 8-12 shows the equivalent circuit of LED short detection.

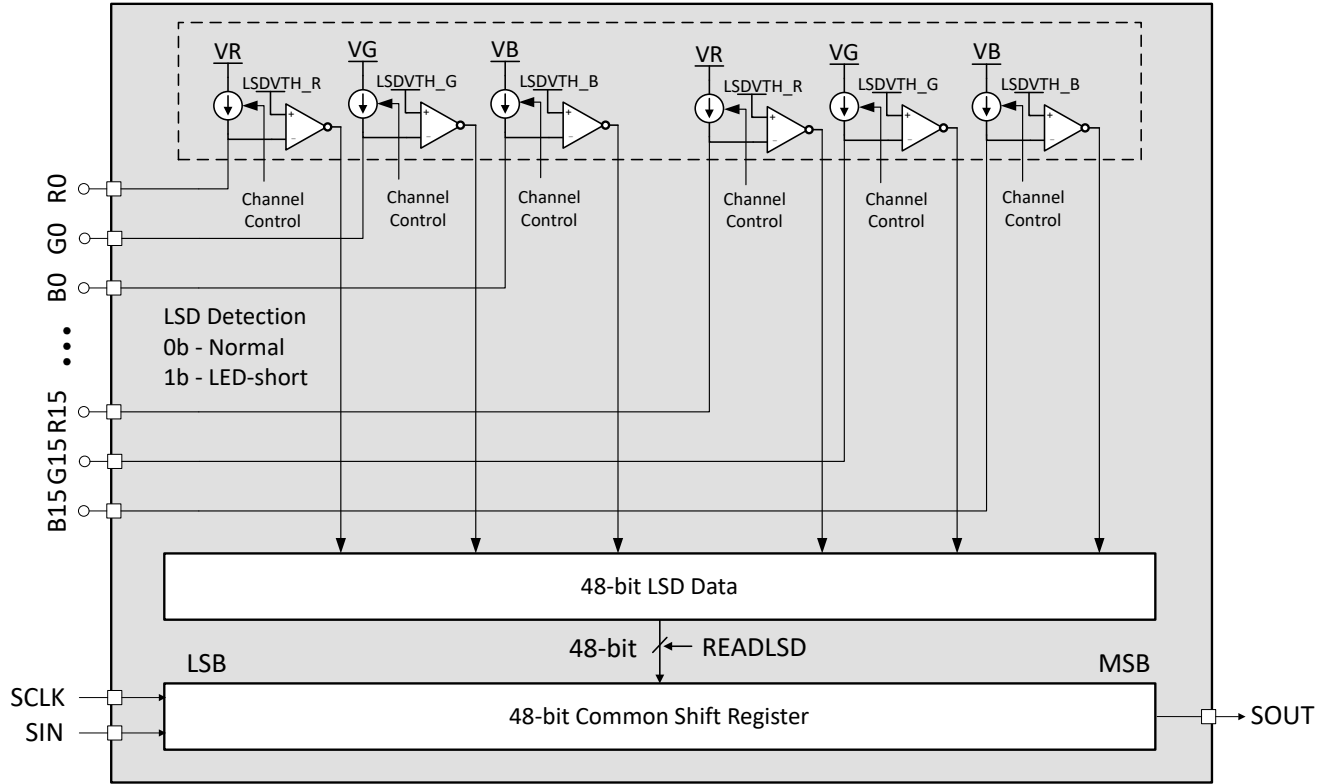


图 8-12. LED Short Detection Circuit

The LED short detection function records the position of the short LED, which contains the scan line order and relevant channel number. The scan line order is stored LSD\_LINE\_WARN register (see FC18, FC19 for more details), and the channel number is latched into the internal 48-bit LSD data register (see FC21 for more details) at the end of each segment. 图 8-13 shows the bit arrangement of the LSD data register.

LSD Data Register

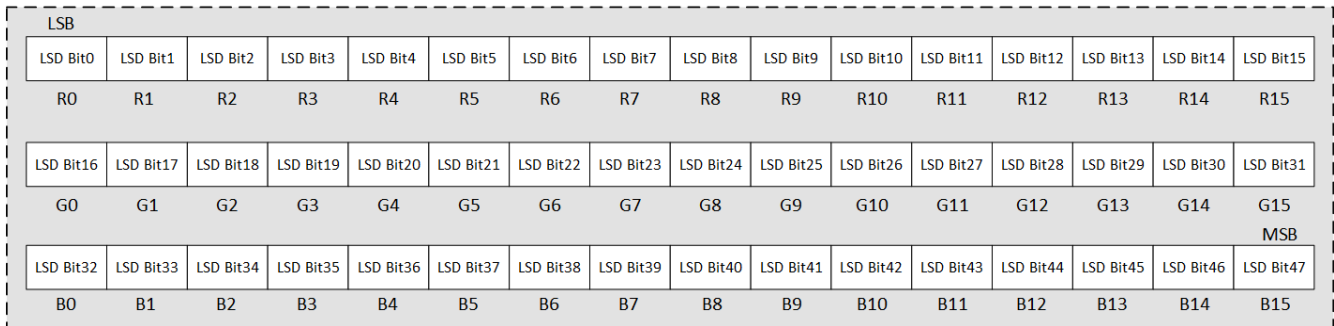
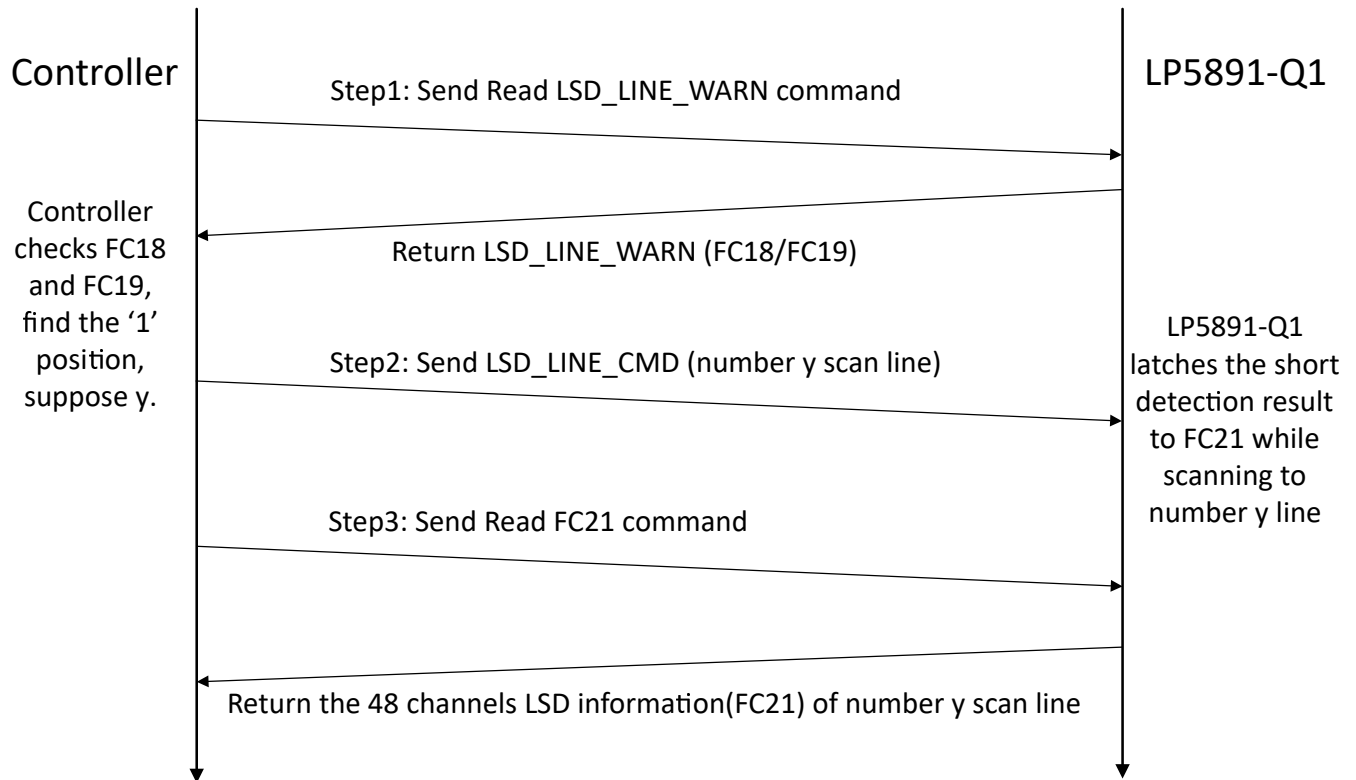


图 8-13. Bit Arrangement in the LSD Data Register

8.3.5.4.2 Read LED Short Information

The LSD readback function must be enabled before reading LED Short information. This function is enabled by LOD\_LSD\_RB (see FC3 for more details).

图 8-14 shows the steps to read LED Short information. Wait at least one sub-period time between Step2 and Step3 command.



**图 8-14. Steps to Read LED Short Information**

#### 8.3.5.4.3 LSD Caterpillar Removal

图 8-15 shows the LSD caterpillar issue caused by short LED. Suppose the LED0-1 is a short LED. When it scans to the line1 and the OUT1 is turned off, the OUT1 voltage is the same with scan line0 voltage because of the short path of the LED0-1. At this time, there is a current path from the line0 to the GND through the LED1-1 and SW1-1, which causes LED1-1 light unwanted.

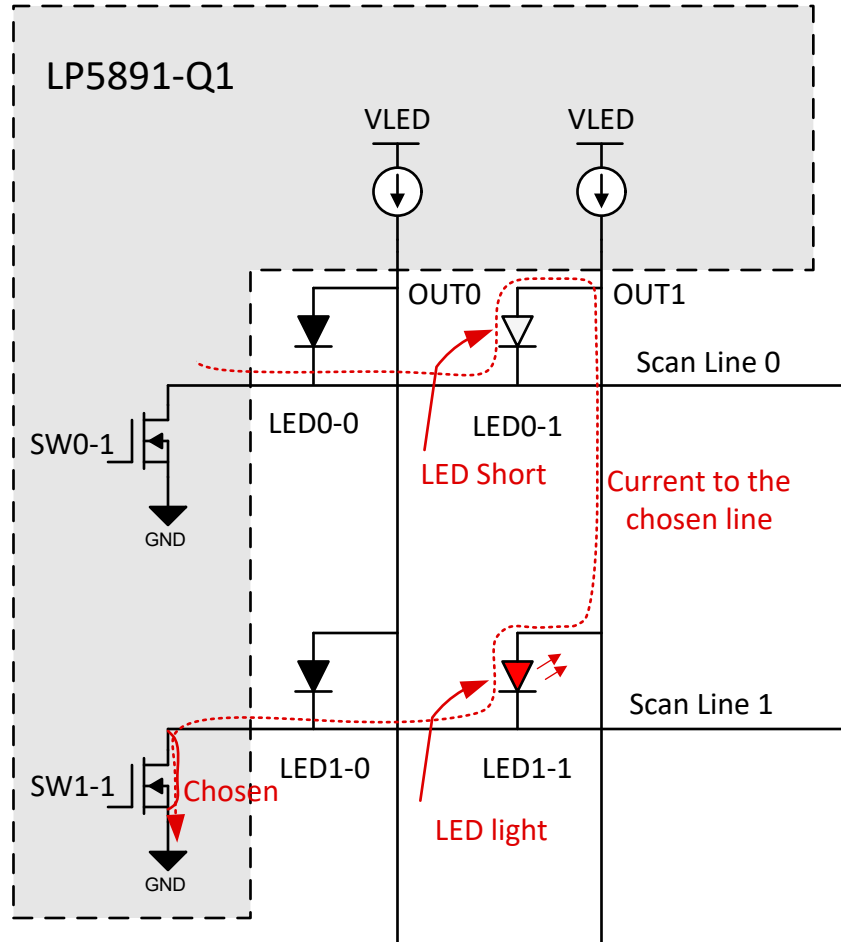


图 8-15. LED Short Caterpillar

The LP5891-Q1 device implements internal circuits that can eliminate the caterpillar issue by short LEDs. As is shown in 图 8-15, the LED short caterpillar is caused by the voltage of the Vclamp on the line. So it can be solved by adjusting the LSD\_RM\_EN (see FC3 for more details) to let the voltage drop of the LED1-1 be smaller than LED forward voltage.



## 8.4 Device Functional Modes

The device functional modes are shown in 图 8-16.

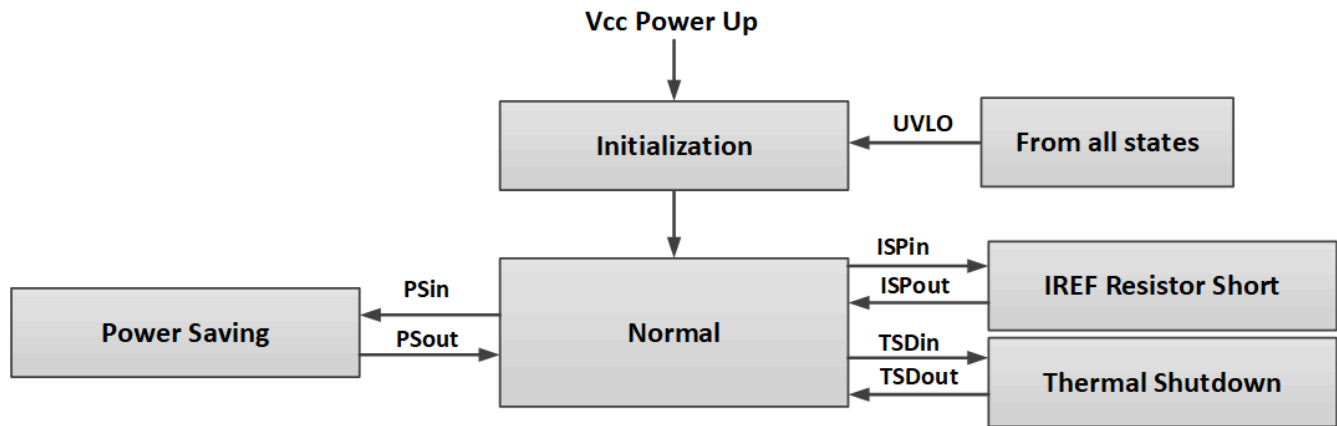


图 8-16. Functional Modes

- **Initialization:** The device enters into Initialization when Vcc goes down to UVLO voltage. In this mode, all the registers are reset. Entry can also be from any state.
- **Normal:** The device enters the normal mode when Vcc is higher than UVLO threshold. The display process is shown as below in normal mode.
- **Power saving:** The device automatically enters and gets out from the power save mode when it detects the condition PSin and PSout. In this mode, all channels turn off. PSin: after the device detects that the display data of the next frame all equal to zero, it enters in to power save mode when the VSYNC comes. PSout: after the device detects that there is non-zero display data of the next frame, it gets out from power save mode immediately.
- **IREF resistor short protection:** The device automatically enters and gets out from the IREF resistor short protection mode when it detects the condition ISPin and ISPout. In this mode, all channels turn off. ISPin: the device detects that the reference voltage is smaller than 0.195 V ISPout: the device detects that the reference voltage is larger than 0.325 V.
- **Thermal shutdown:** The device automatically enters and gets out from the thermal shutdown mode when it detects the condition TSDin and TSDout. In this mode, all channels turn off. TSDin: the device detects that the junction temperature exceeds 170°C TSDout: the device detects that the junction temperature is below 155°C.

## 8.5 Continuous Clock Series Interface

The continuous clock series interface (CCSI) provides access to the programmable functions and registers, SRAM data of the device. The interface contains two input digital pins, they are the serial data input (SIN) and serial clock (SCLK). Moreover, there is an another wire called serial data output (SOUT) as the output digital signal of the device. The SIN is set to HIGH when device is in idle status and the SCLK must be existent and continuous all the time considering as the clock source of internal Frequency Multiplier, the SOUT is used to transmit the data or read the data of internal registers.

This protocol can support up to 32 devices cascaded in a data chain. The devices receive the chip index command after power up. The chip index command configured addresses of the devices from 0x00 up to 0x1F according to the sequence that receives the command. Then the controller can communicate with all the devices through the broadcast way or particular device through non-broadcast way.

The broadcast is mainly used to transmit function control commands. All the devices in a data chain receive the same data in this way. The non-broadcast is mainly used to transmit function control commands or display data, and each device receives its own data in this way. These two ways are distinguished by the command identification.

### 8.5.1 Data Validity

The data on DIN wire must be stable at rising edges of the SCLK in transmission.

### 8.5.2 CCSI Frame Format

图 8-17 defines the format of the command and data transmission. There are four states in one frame.

- **IDLE:** SCLK is always existent and continuous, and DIN is always HIGH.
- **START:** DIN changes from HIGH to LOW after the IDLE states.
- **DATA:**
  - **Head\_bytes:** It is the command identifier, contains one 16-bit data and one check bit. It can be WRITE COMMAND ID or READ COMMAND ID (see [Register Maps](#) for more details).
  - **Data\_bytes\_N:** The N<sup>th</sup> data-bytes, contains 3 × 17-bit data, each 17-bit data contains one 16-bit data and one check bit. N is the number of devices cascaded in a data chain.
- **END:** The device recognizes continuous 18-bit HIGH on DIN, then returns to IDLE state.
- **CHECK BIT:** The check bit (17<sup>th</sup> bit) value is the NOT of 16<sup>th</sup> bit value to avoid continuous 18-bit HIGH (to distinguish with END).

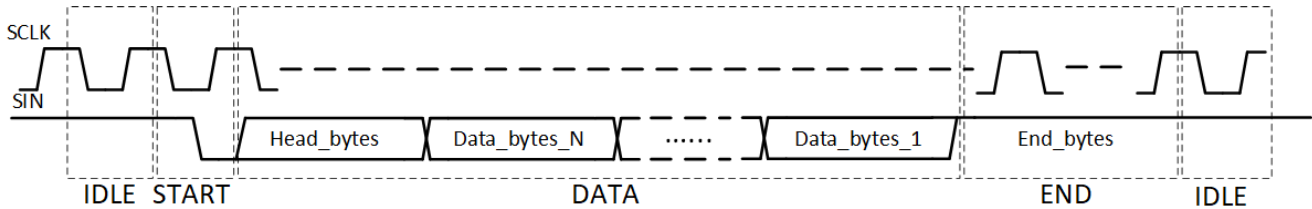


图 8-17. CCSI Frame

The IDLE state is not necessary, which means the START state of the next frame can connect to the END state of the current frame.

### 8.5.3 Write Command

Take m devices cascaded in a data chain for example.

#### 8.5.3.1 Chip Index Write Command

The chip index is used to set the identification of the device cascaded in a data chain. When the first device receives the chip index command Head\_bytes1, it sets the current address to 00h and meanwhile change the chip index command Head\_bytes2, then sends to the next device. When the device receives the Head\_bytes2, it sets the address to 01h and meanwhile changes the chip index command Head\_bytes3, then sends to the next device, likewise, all the cascaded devices get their unique identifications.

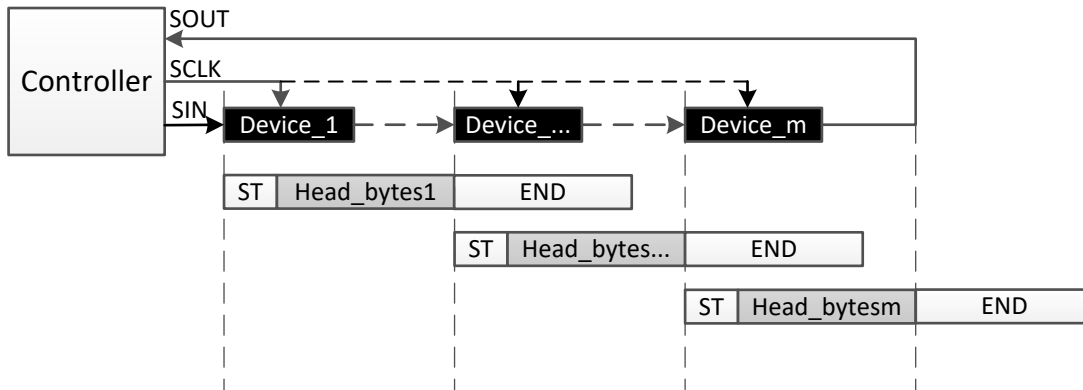


图 8-18. Chip Index Write Command

### 8.5.3.2 VSYNC Write Command

The VSYNC is used to sync the display of each frame for the devices in a cascaded chain. this command is a write-only command. The devices receive VSYNC command one time from the controller in each frame, and the VSYNC command needs to be active for all devices at the same time.

Because some devices receive the command earlier in the data chain, they need to wait until the last device receives the command, then all the devices are active at that time. To realize such function, each device needs to know its delay time from receiving VSYNC command to enabling VSYNC. The device uses some register bits to restore the device number in a data chain. This number minuses the device identification, and the result is the delay time of the device.

Because the sync function has been done by the device, the controller only must send the VSYNC command to the first device in a data chain.

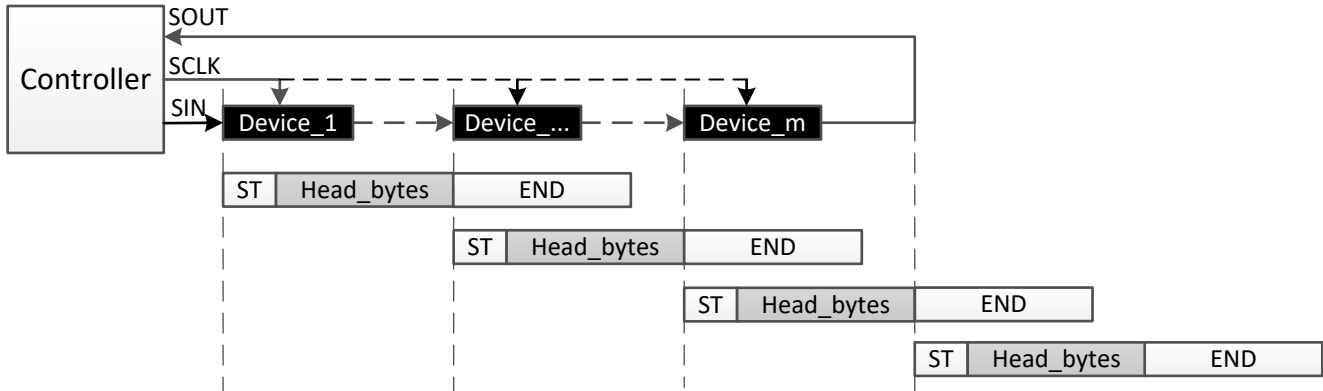


图 8-19. VSYNC Write Command

### 8.5.3.3 MPSM Write Command

The MPSM command is used to control the intelligent power save mode of devices in the same matrix. The device detects all zero data in a stackable module and receives MPSM command in current frame, then when VSYNC command comes, all devices in the same matrix turn off. After the device detects that there is non-zero display data of the next frame, it gets out from intelligent power save mode until MSPM command comes in current frame.

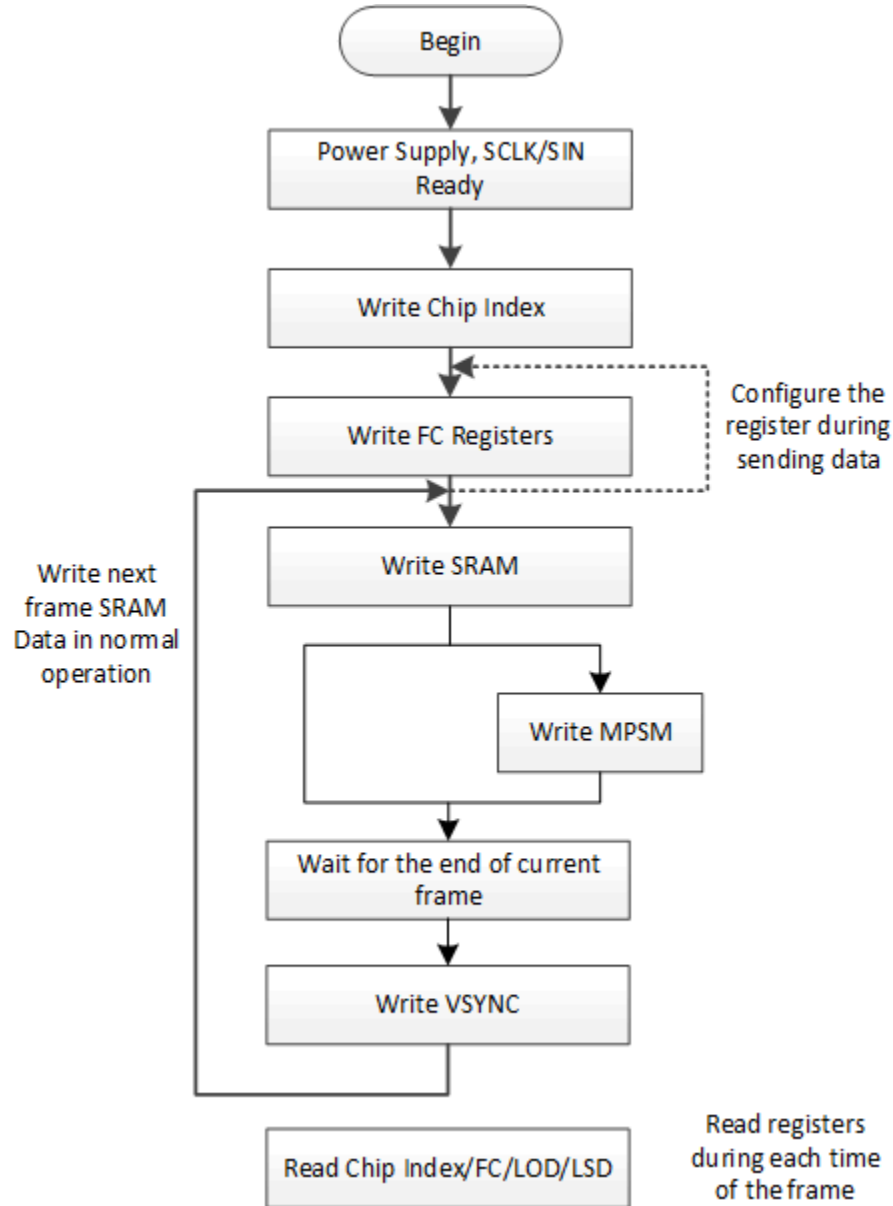


图 8-20. Design Procedure for MPSM Command

#### 8.5.3.4 Standby Clear and Enable Command

Standby clear command and standby enable command are used to control intelligent power save mode of devices in the same daisy chain. When the device receives standby enable command, it enters to intelligent power save mode right away and does not have to wait for other devices in a module or daisy chain. After the device receives standby enable command, it exits from intelligent power save mode immediately and does not wait for other devices in a module or daisy chain.

#### 8.5.3.5 Soft\_Reset Command

The Soft\_Reset Command is used to reset all the function registers to the default value, except for SRAM data. The format of this command is the same with VSYNC shown as [VSYNC Write Command](#). The difference is the headbytes.

### 8.5.3.6 Data Write Command

The device can receive the function control with broadcast and non-broadcast way, which depends on the configuration of the devices. If the cascaded devices have the same configuration, broadcast is used. If the cascaded devices have the different configurations, non-broadcast is used. It is always the MSB transmitted first and the LSB transmitted last. For 48-bits RGB data, the Blue data must be transmitted first, then the Green, and last the Red data.

For broadcast, the devices receive the same data, when devices recognize the broadcast command, they copy the data to their internal registers. Generally, it is used for write FC0-FC13 command, LOD/LSD.

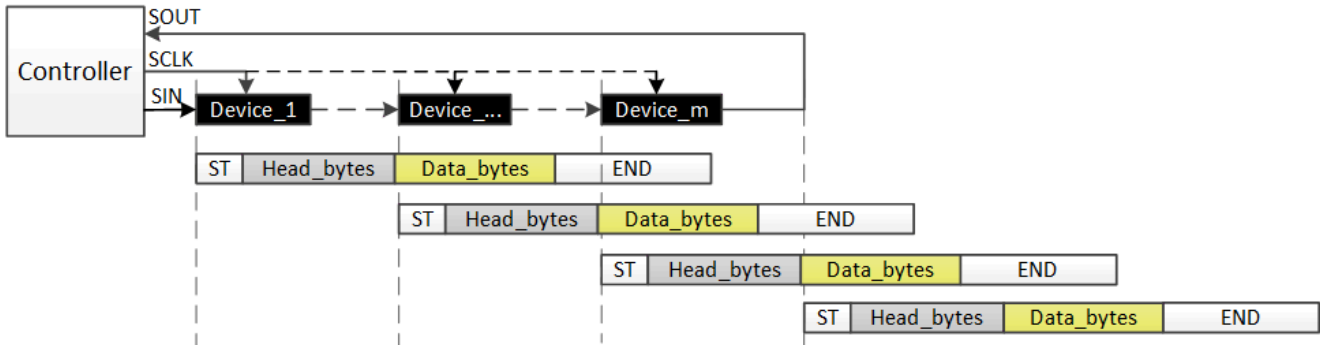


图 8-21. Data Write Command with Broadcast

图 8-22 shows the time diagram of the Data Write Command with Broadcast.

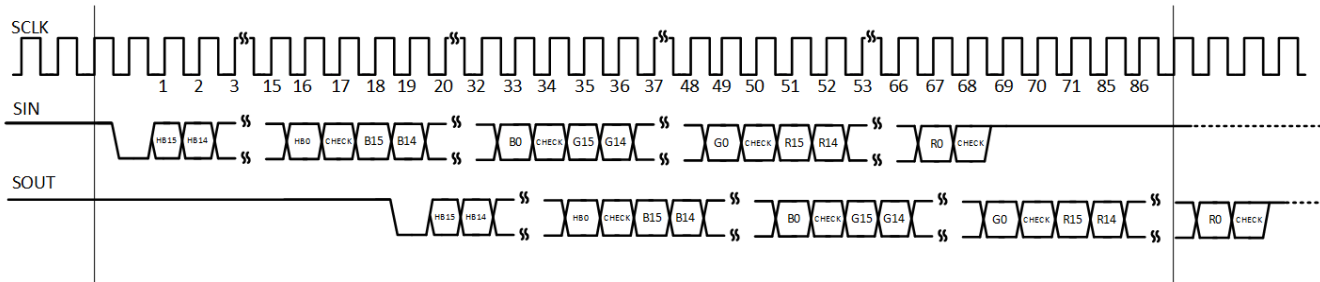


图 8-22. Data Write Command with Broadcast (Timing Diagram)

For non-broadcast, the devices receive the different data, the controller prepares the data as the figure shows. One pixel data is written to the corresponding device in each command. When the first device receives the END, it cuts off the last 51-bit ( $3 \times 17$ -bit) data before the END, and the left are shifted out from SDO to the second device. Similarly, when the second device receives the END bytes from the former device, it cuts off the last 51-bit ( $3 \times 17$ -bit) data before the END, and the left are shifted out to the next device. Generally, it is used for write SRAM command (WRTGS). Details for how to write a frame data into memory bank can be found in [Write a Frame Data into Memory Book](#).

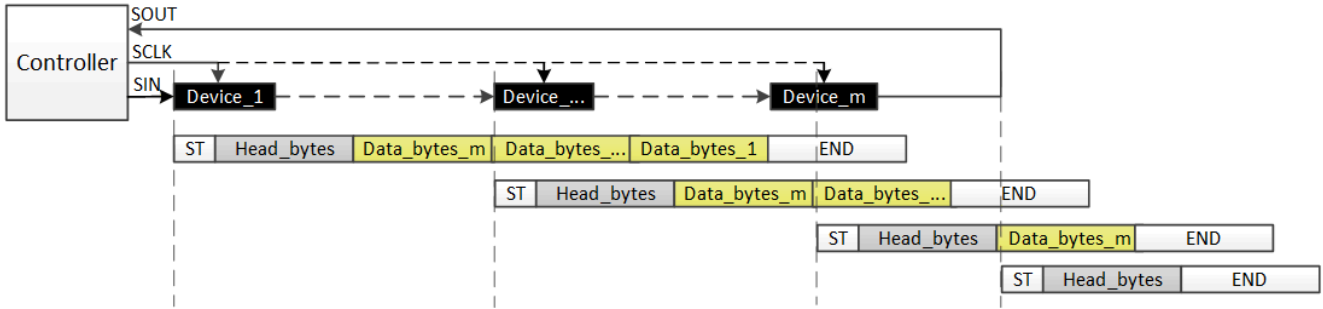


图 8-23. Data Write Command with Non-Broadcast

图 8-24 shows the time diagram of the Data Write Command with Non-Broadcast.

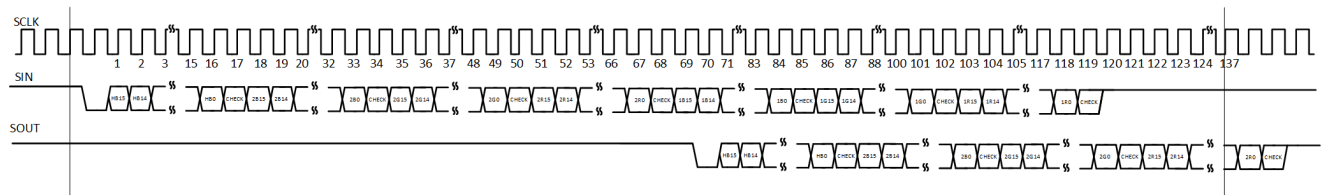


图 8-24. Data Write Command with Non-Broadcast (Timing Diagram)

### 8.5.4 Read Command

The controller sends the read command. When the first device receives this command, it inserts its 48-bit data before End\_bytes, and meanwhile shifts out to the second device. When the second device receives this command, it inserts its 48-bit data before End\_bytes and meanwhile shifts out to the third device. The data of all the device are shifted out from the last device SOUT with this flow. The MSB is always transmitted first and the LSB transmitted last.

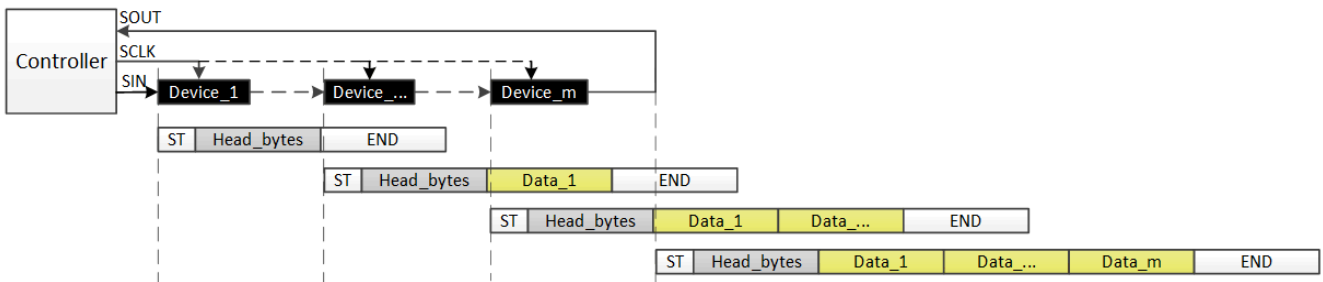


图 8-25. Data Read Command

## 8.6 PWM Grayscale Control

### 8.6.1 Grayscale Data Storage and Display

#### 8.6.1.1 Memory Structure Overview

The LP5891-Q1 implements a display memory unit to achieve high refresh rate and high contrast ratio in an LED display products. The internal display memory unit is divided into two BANKs: BANK A and BANK B. During the normal operation, one BANK is selected to display the data of current frame, another is used to restore the data of next frame. The BANK switcher is controlled by the BANK\_SEL bit, which is an internal flag register bit.

After power on, BANK\_SEL is initialized to 0, and BANK A is selected to restore the data of next frame. Meanwhile, the data in BANK B is read out for display. When one frame has elapsed, the controller sends the vertical synchronization (VSYNC) command to start the next frame, the BANK\_SEL bit value is toggled and the selection of the two BANKs reverses. Repeat this operation until all the frame images are displayed.

With this method, the LP5891-Q1 device can display the current frame image at a very high refresh rate. See [Figure 8-26](#) for more details about the BANK-selection exchange operation.

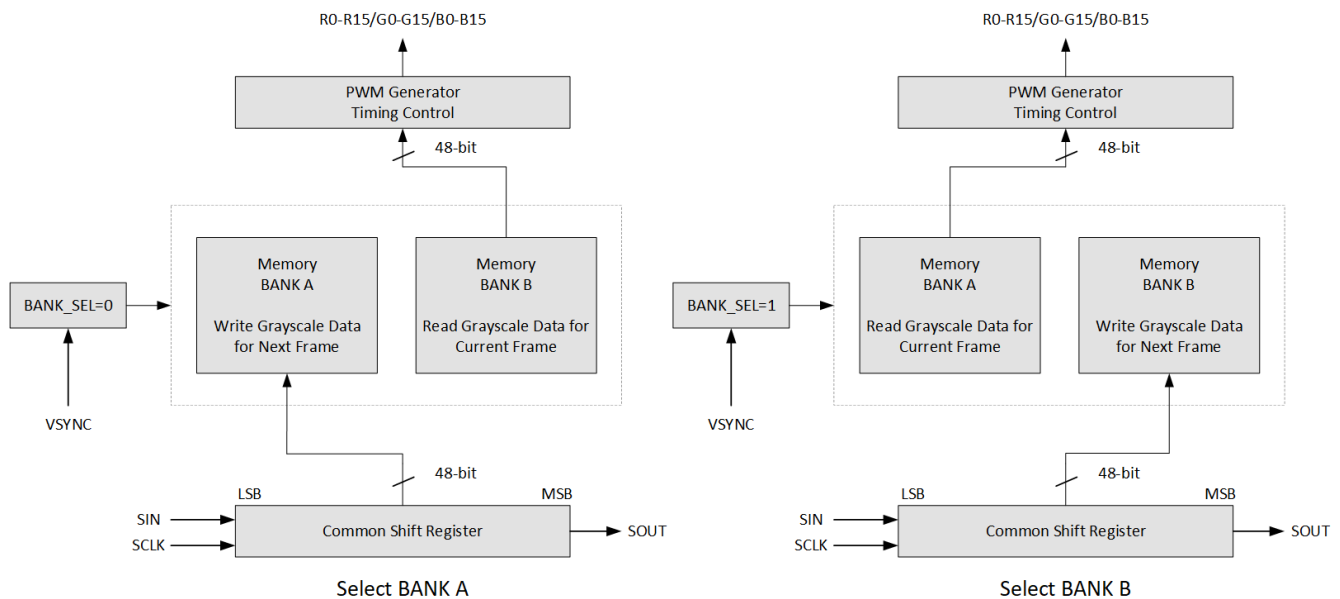


图 8-26. Bank Selection Exchange Operation

#### 8.6.1.2 Details of Memory Bank

Each memory BANK contains the frame-image grayscale data of all the 64 lines. Each line comprises sixteen 48-bit-width memory units. Each memory unit contains the grayscale data of the corresponding R/G/B channels.

Depending on the number of scan lines set in SCAN\_NUM (FC0 bit 21 to bit 16), the total number of memory units that must be written in one BANK is:  $48 \times$  the number of scan lines. For example, if the number of scan lines is set to 64, then 3072 ( $64 \times 48 = 3072$ ) memory units must be written during each frame period.

[Figure 8-27](#) shows the detailed memory structure of the LP5891-Q1 device.

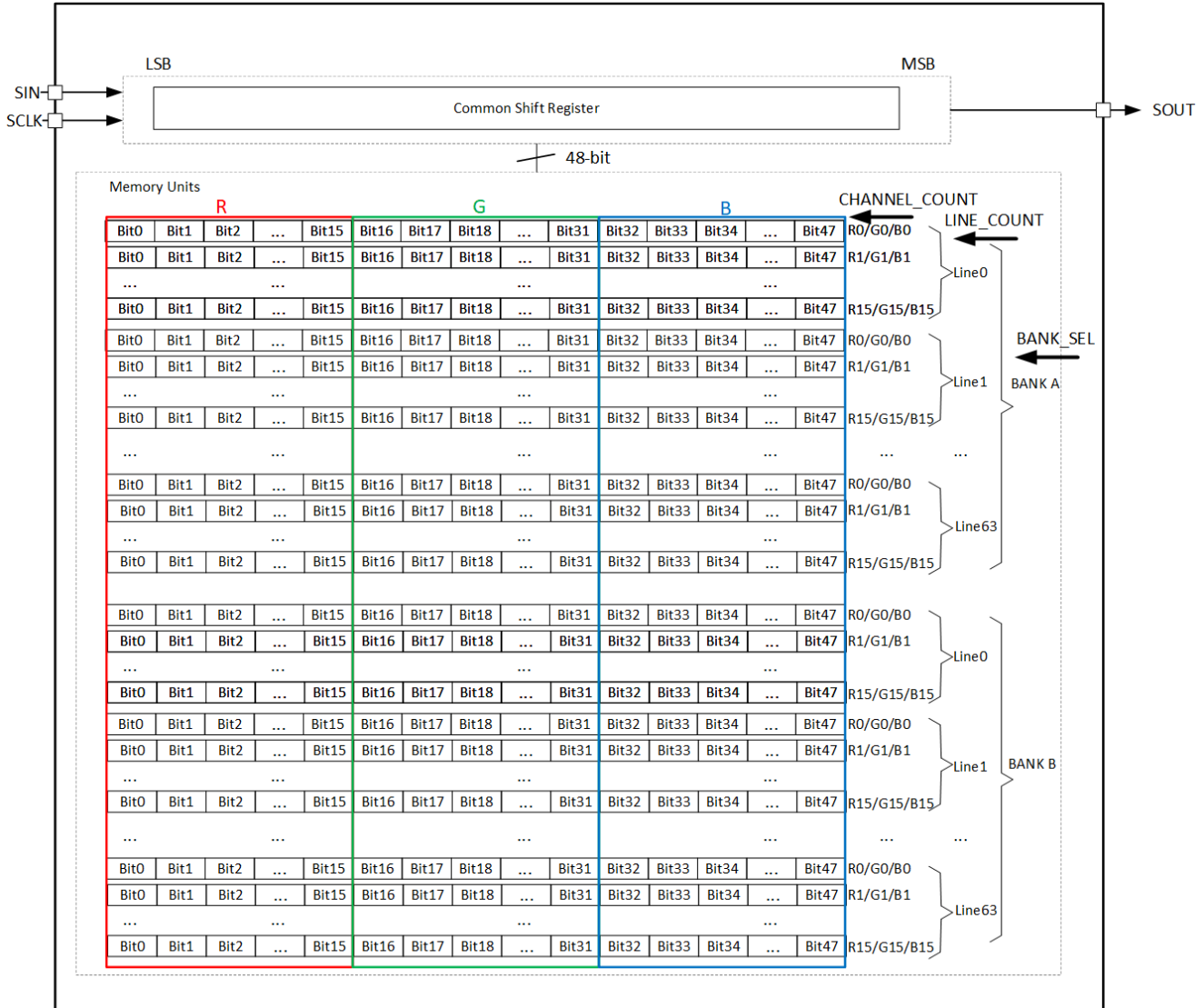


图 8-27. LP5891-Q1 Memory-unit Structure

### 8.6.1.3 Write a Frame Data into Memory Bank

After power on, the LP5891-Q1 internal flag BANK\_SEL, and counters LINE\_COUNT, CHANNEL\_COUNT, are all initialized to 0. Thus, the memory unit of channel R0/G0/B0, locating in line 0 of BANK A, is selected to restore the data transmitted the first time after VSYNC command.

When the first WRTGS command is received, all the data in the common shift register is latched into the memory unit of channel R0/G0/B0, locating in line 0 of BANK A. Then CHANNEL\_COUNT increases by 1 and LINE\_COUNT stays the same. Thus, the memory unit of channel R1/G1/B1, locating in line 0 of BANK A, is selected to restore the data transmitted the second time after VSYNC command.

When the second WRTGS command is received, all the data in the common shift register is latched into the memory unit of channel R1/G1/B1, locating in line 0 of BANK A. Then CHANNEL\_COUNT increases by 1 and LINE\_COUNT stays the same. Thus, the memory unit of channel R2/G2/B2, locating in line 0 of BANK A, is selected to restore the data transmitted the third time after VSYNC command.

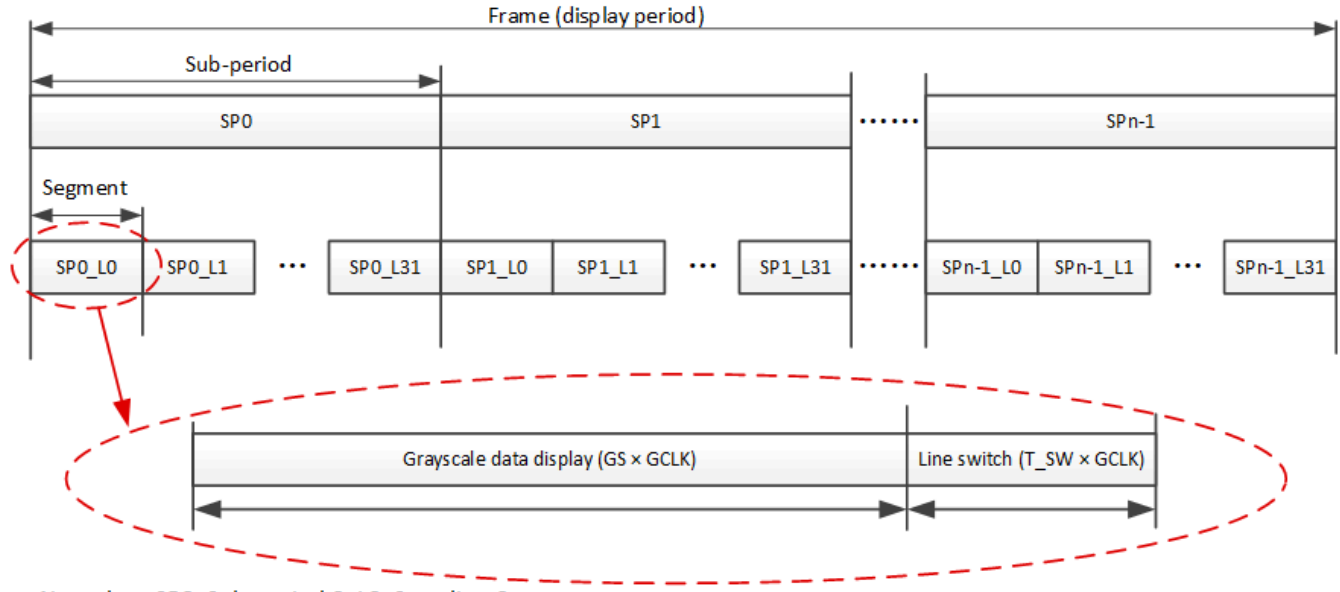
Repeat the grayscale-data-write operation until the 16<sup>th</sup> WRTGS command is received. Then CHANNEL\_COUNT is reset to 0 and LINE\_COUNT increases by 1. Thus, the memory unit of channel R0/G0/B0, locating in line 1 of BANK A, is selected to restore the data transmitted the 17<sup>th</sup> time after VSYNC command.



Repeat this operation for each line until the LINE\_COUNT exceeds the number of scan lines set in the SCAN\_NUM (See FC0 register bit21-16 ) and all scan lines have been updated with new GS data, which means one frame of GS data is restored into the memory BANK. Then the LINE\_COUNT is reset to 0.

### 8.6.2 PWM Control for Display

To increase the refresh rate in time-multiplexing display system, a DS-PWM (Dynamic Spectrum-Pulse Width Modulation) algorithm is proposed in this device. One frame is divided into many segments shown below. Note that one frame is divided into n sub-periods, n is set by SUBP\_NUM (FC0 register bit24-22), and each sub-period is divided into 32 segments for 32 scan lines. Each segment contains GS GCLKs time for grayscale data display and T\_SW GCLKs time for switching lines. GS is configured by the SEG\_LENGTH (FC1 register bit9-0 in [表 8-8](#)), and T\_SW is the line switch time, which is configured by the LINE\_SWT (see FC1 register bit 40-37 in [表 8-8](#)).



Note that, SP0: Sub-period 0, LO: Scan line 0

图 8-28. DS-PWM Algorithm with 32 Scan Lines

The DS-PWM can not only increase the refresh rate meanwhile keep the same frame rate, but also decrease the brightness loss in low grayscale, which can smoothly increase the sub-period number when the grayscale data increases.

To achieve ultra-low luminance, the LED driver must have the ability to output a very short current pulse (1 GCLK time), however, because of the parasitic capacitor of the LEDs, such pulse can not turn on the LEDs. The larger GCLK frequency is, the harder to turn on LEDs.

DS-PWM algorithm have a parameter called subperiod threshold, which is used to calculate when to change subperiod number according to the giving grayscale data. Subperiod threshold defines the LED minimum turn-on time, so as to conquer the current loss caused by LED parasitic capacitor. Subperiod threshold is configured by the LG\_STEP\_R/G/B (FC1 register bit24-10 in 表 8-8).

With DS-PWM algorithm, the brightness has smoothly increased with the gradient grayscale data.

### 8.7 Register Maps

表 8-5. Register Maps

REGISTER NAME	TYPE	WRITE COMMAND ID	READ COMMAND ID	DESCRIPTION
FC0	R/ $\bar{W}$	AA00h	AA60h	Common configuration
FC1	R/ $\bar{W}$	AA01h	AA61h	Common configuration
FC2	R/ $\bar{W}$	AA02h	AA62h	Common configuration
FC3	R/ $\bar{W}$	AA03h	AA63h	Common configuration
FC4	R/ $\bar{W}$	AA04h	AA64h	Common configuration
FC14	R/ $\bar{W}$	AA0Eh	AA6Eh	Locate the line for LOD
FC15	R/ $\bar{W}$	AA0Fh	AA6Fh	Locate the line for LSD
FC16	R		AAA0h	Read the lines' warning of LOD from 64th ~ 49th line
FC17	R		AAA1h	Read the lines' warning of LOD from 48th~1st line
FC18	R		AAA2h	Read the lines' warning of LSD from 64th ~ 49th line
FC19	R		AAA3h	Read the lines' warning of LSD from 48th~1st line

表 8-5. Register Maps (continued)

REGISTER NAME	TYPE	WRITE COMMAND ID	READ COMMAND ID	DESCRIPTION
FC20	R		AAA4h	Read the channel's warning of LOD
FC21	R		AAA5h	Read the channel's warning of LSD
Chip Index	R/ W	AA10h	AA70h	Read/Write chip index
VSYNC	W	AAF0h		Write VSYNC command
MPSM	W	AA90h		Write matrix PSM command
SBY_CLR	W	AAB0h		Write standby clear command
SBY_EN	W	AAB1h		Write standby enable command
Soft_Reset	W	AA80h		Reset the all the registers expect the SRAM
SRAM	W	AA30h		Write or read the SRAM data

表 8-6. Access Type Codes

Access Type	Code	Description
Read Type		
R	R	Read
Write Type		
W	W	Write
Reset or Default Value		
-n		Value after reset or the default value

### 8.7.1 FC0

FC0 is shown in [FC0 Register](#) and described in [FC0 Register Field Descriptions](#).

图 8-29. FC0 Register

47	46	45	44	43	42	41	40	39	38	37	36	35	34	33	32
LSD_R M_EN	RESERVED		GRP_DLY_B			GRP_DLY_G			GRP_DLY_R			RESERVED			
R/ W-0b	R-01b		R/W-000b			R/W-000b			R/W-000b			R-000b			
31	30	29	28	27	26	25	24	23	22	21	20	19	18	17	16
FREQ_MUL			FREQ_ MOD	RESERVED			SUBP_NUM			SCAN_NUM					
R/W-0111b			R/ W-0b	R-000b			R/W-000b			R/W-000000b					
15	14	13	12	11	10	9	8	7	6	5	4	3	2	1	0
LODR M_EN	PSP_MOD		PS_EN	RESERVED			PDC_E N	RESERVED			CHIP_NUM				
R/ W-0b	R/W-00b		R/ W-0b	R-000b			R/ W-1b	R-000b			R/W-00111b				

表 8-7. FC0 Register Field Descriptions

Bit	Field	Type	Reset	Description
4-0	CHIP_NUM	R/W	00111b	Set the device number 00000b: 1 device ... 01111b: 16 devices ... 11111b: 32 devices
7-5	RESERVED	R	000b	

表 8-7. FC0 Register Field Descriptions (continued)

Bit	Field	Type	Reset	Description
8	PDC_EN	R/W	1b	Enable or disable pre-discharge function 0b: disable 1b: enable
11-9	RESERVED	R	000b	
12	PS_EN	R/W	0b	Enable or disable the power saving mode 0b: disable 1b: enable
14-13	PSP_MOD	R/W	00b	Set the powering saving plus mode 00b: disable 01b: save power at high level 10b: save power at middle level 11b: save power at low level
15	LODRM_EN	R/W	0b	Enable or disable the LED open load removal function 0b: disable 1b: enable
21-16	SCAN_NUM	R/W	000000b	Set the scan line number 000000b: 1 line ... 001111b: 16 lines ... 011111b: 32 lines ... 111111b: 64 lines
24-22	SUBP_NUM	R/W	000b	Set the subperiod number 000b: 16 001b: 32 010b: 48 011b: 64 100b: 80 101b: 96 110b: 112 111b: 128
27-25	RESERVED	R	000b	
28	FREQ_MOD	R/W	0b	Set the GCLK multiplier mode 0b: high frequency mode, 80MHz to 160MHz 1b: low frequency mode, 40MHz to 80MHz
32-29	FREQ_MUL	R/W	0111b	Set the GCLK multiplier frequency 0000b: 1 x SCLK frequency ... 0111b: 8 x SCLK frequency ... 1111b: 16 x SCLK frequency
35-33	RESERVED	R	000b	
38-36	GRP_DLY_R	R/W	000b	Set the Red group delay, forward PWM mode only 000b: no delay 001b: 1 GCLK 010b: 2 GCLK 011b: 3 GCLK 100b: 4 GCLK 101b: 5 GCLK 110b: 6 GCLK 111b: 7 GCLK

**表 8-7. FC0 Register Field Descriptions (continued)**

Bit	Field	Type	Reset	Description
41-39	GRP_DLY_G	R/W	000b	Set the Green group delay, forward PWM mode only 000b: no delay 001b: 1 GCLK 010b: 2 GCLK 011b: 3 GCLK 100b: 4 GCLK 101b: 5 GCLK 110b: 6 GCLK 111b: 7 GCLK
44-42	GRP_DLY_B	R/W	000b	Set the Blue group delay, forward PWM mode only 000b: no delay 001b: 1 GCLK 010b: 2 GCLK 011b: 3 GCLK 100b: 4 GCLK 101b: 5 GCLK 110b: 6 GCLK 111b: 7 GCLK
46-45	RESERVED	R	01b	
47	LSD_RM_EN	R/W	0b	Enable or disable short LED caterpillar 0b: disable 1b: enable

## 8.7.2 FC1

FC1 is shown in [FC1 Register](#) and described in [FC1 Register Field Descriptions](#).

**图 8-30. FC1 Register**

47	46	45	44	43	42	41	40	39	38	37	36	35	34	33	32	
RESE RVED	BLK_ADJ						LINE_SWT						LG_ENH_B			LG_EN H_G
R-0b	R/W-000000b						R/W-0111b						R/W-0000b			
31	30	29	28	27	26	25	24	23	22	21	20	19	18	17	16	
LG_ENH_G			LG_ENH_R				LG_STEP_B					LG_STEP_G				
R/W-0000b			R/W-0000b				R/W-01001b					R/W-01001b				
15	14	13	12	11	10	9	8	7	6	5	4	3	2	1	0	
LG_ST EP_G	LG_STEP_R						SEG_LENGTH									
	R/W-01001b						R/W-0'000'000'000b									

**表 8-8. FC1 Register Field Descriptions**

Bit	Field	Type	Reset	Description
9-0	SEG_LENGTH	R/W	0'000'000'000b	Set the GCLK number in each segment 127d: 128 GCLK ... 1023d: 1024 GCLK others: 128 GCLK
14-10	LG_STEP_R	R/W	01001b	Adjust the smooth of the brightness in low grayscale 00000b: level 1 ... 01111b: level 16 ... 11111b: level 32
19-15	LG_STEP_G	R/W	01001b	Adjust the smooth of the brightness in low grayscale 00000b: level 1 ... 01111b: level 16 ... 11111b: level 32
24-20	LG_STEP_B	R/W	01001b	Adjust the smooth of the brightness in low grayscale 00000b: level 1 ... 01111b: level 16 ... 11111b: level 32
28-25	LG_ENH_R	R/W	0000b	Adjust low grayscale enhancement of red channels 0000b: level 0 ... 0111b: level 7 ... 1111b: level 15
32-29	LG_ENH_G	R/W	0000b	Adjust low grayscale enhancement of green channels 0000b: level 0 ... 0111b: level 7 ... 1111b: level 15
36-33	LG_ENH_B	R/W	0000b	Adjust low grayscale enhancement of blue channels 0000b: level 0 ... 0111b: level 7 ... 1111b: level 15

表 8-8. FC1 Register Field Descriptions (continued)

Bit	Field	Type	Reset	Description
40-37	LINE_SWT	R/W	0111b	Set the scan line switch time. 0000b: 45 GCLK 0001b: 2x30 GCLK ... 0111b: 8x30 GCLK ... 1111b: 16x30 GCLK
46-41	BLK_ADJ	R/W	000000b	Set the black field adjustment 000000b: 0 GCLK ... 011111b: 31 GCLK ... 111111b: 63 GCLK
47	RESERVED	R	0b	Reserved bit.

### 8.7.3 FC2

FC2 is shown in [FC2 Register](#) and described in [FC2 Register Field Descriptions](#).

图 8-31. FC2 Register

47	46	45	44	43	42	41	40	39	38	37	36	35	34	33	32
MPSM_EN	RESE RVED	MOD_SIZE			SUBP MAX_2 56	CH_B IMMU NITY	CH_G IMMU NITY	CH_R IMMU NITY	RESERVED			LG_COLOR_B			
R/ W-0b	R-0b	R/W-111b			R/ W-0b	R/ W-1b	R/ W-1b	R/ W-1b	R-000b			R/W-0000b			
31	30	29	28	27	26	25	24	23	22	21	20	19	18	17	16
LG_COLOR_G				LG_COLOR_R				DE_COUPLE1_B				DE_COUPLE1_G			
R/W-0000b				R/W-0000b				R/W-0000b				R/W-0000b			
15	14	13	12	11	10	9	8	7	6	5	4	3	2	1	0
DE_COUPLE1_R				V_PDC_B				V_PDC_G				V_PDC_R			
R/W-0000b				R/W-0110b				R/W-0110b				R/W-0110b			

表 8-9. FC2 Register Field Descriptions

Bit	Field	Type	Reset	Description
3-0	V_PDC_R	R/W	0110b	Set the Red pre_discharge voltage (typical), the voltage value must not be higher than (VR-1.3V). 0000b: 0.1V 0001b: 0.2V 0010b: 0.3V 0011b: 0.4V 0100b: 0.5V 0101b: 0.6V 0110b: 0.7V 0111b: 0.8V 1000b: 0.9V 1001b: 1.0V 1010b: 1.1V 1011b: 1.3V 1100b: 1.5V 1101b: 1.7V 1110b: 1.9V 1111b: 2.1V

表 8-9. FC2 Register Field Descriptions (continued)

Bit	Field	Type	Reset	Description
7-4	V_PDC_G	R/W	0110b	Set the Green pre_discharge voltage (typical), the voltage value must not be higher than (VG-1.3V). 0000b: 0.1V 0001b: 0.2V 0010b: 0.3V 0011b: 0.4V 0100b: 0.5V 0101b: 0.6V 0110b: 0.7V 0111b: 0.8V 1000b: 0.9V 1001b: 1.0V 1010b: 1.1V 1011b: 1.3V 1100b: 1.5V 1101b: 1.7V 1110b: 1.9V 1111b: 2.1V
11-8	V_PDC_B	R/W	0110b	Set the Blue pre_discharge voltage (typical), the voltage value must not be higher than (VB-1.3V). 0000b: 0.1V 0001b: 0.2V 0010b: 0.3V 0011b: 0.4V 0100b: 0.5V 0101b: 0.6V 0110b: 0.7V 0111b: 0.8V 1000b: 0.9V 1001b: 1.0V 1010b: 1.1V 1011b: 1.3V 1100b: 1.5V 1101b: 1.7V 1110b: 1.9V 1111b: 2.1V
15-12	DE_COUPLE1_R	R/W	0000b	Set the Red decoupling level 0000b: level 1 (lowest) ... 0111b: level 8 (middle) ... 1111b: level 16(highest)
19-16	DE_COUPLE1_G	R/W	0000b	Set the Green decoupling level 0000b: level 1 (lowest) ... 0111b: level 8 (middle) ... 1111b: level 16(highest)
23-20	DE_COUPLE1_B	R/W	0000b	Set the Blue decoupling level 0000b: level 1 (lowest) ... 0111b: level 8 (middle) ... 1111b: level 16(highest)
27-24	LG_COLOR_R	R/W	0000b	Set the Red brightness compensation level of the low grayscale 0000b: level 1 (lowest) ... 0111b: level 8 (middle) ... 1111b: level 16(highest)



**表 8-9. FC2 Register Field Descriptions (continued)**

Bit	Field	Type	Reset	Description
31-28	LG_COLOR_G	R/W	0000b	Set the Red brightness compensation level of the low grayscale 0000b: level 1 (lowest) ... 0111b: level 8 (middle) ... 1111b: level 16(highest)
35-32	LG_COLOR_B	R/W	0000b	Set the Red brightness compensation level of the low grayscale 0000b: level 1 (lowest) ... 0111b: level 8 (middle) ... 1111b: level 16(highest)
38-36	RESERVED	R	000b	
39	CH_R_IMMUNITY	R/W	1b	Set the immunity of the Red channels group 0b: high immunity 1b: low immunity
40	CH_G_IMMUNITY	R/W	1b	Set the immunity of the Green channels group 0b: high immunity 1b: low immunity
41	CH_B_IMMUNITY	R/W	1b	Set the immunity of the Blue channels group 0b: high immunity 1b: low immunity
42	SUBP_MAX_256	R/W	0b	Set the maximum subperiod to 256. 0b: disable 1b: enable
45-43	MOD_SIZE	R/W	111b	Set the module size. 000b: 16x16 RGB pixels 001b: 32x32 RGB pixels 010b: 48x48 RGB pixels with D3 reverse, and scan sequence D1,D2,D3 011b: 48x48 RGB pixels with D3 reverse, and scan sequence D1,D3,D2 100b: 48x64 RGB pixels with D3, D4 reverse, and scan sequence D1,D2,D3 101b: 48x64 RGB pixels with D3,D4 reverse, and scan sequence D1,D3,D2 110b: 64x64 RGB pixels with D3,D4 reserve, and scan sequeunce D1,D2,D3,D4 111b: 64x64 RGB pixels with D3,D4 reverse, and scan sequence D1,D4,D2,D3
46	RESERVED	R	0b	
47	MPSM_EN	R/W	0b	Enable or disable matrix power saving mode. 0b: disable 1b: enable

### 8.7.4 FC3

FC3 is shown in [FC3 Register](#) and described in [FC3 Register Field Descriptions](#).

**图 8-32. FC3 Register**

47	46	45	44	43	42	41	40	39	38	37	36	35	34	33	32
LSDVTH_B			LSDVTH_G			LSDVTH_R			LSD_RM			BC			
R/W-000b			R/W-000b			R/W-000b			R/W-0111b			R/W-011b			
31	30	29	28	27	26	25	24	23	22	21	20	19	18	17	16
CC_B						CC_G									
R/W-0111 1111b						R/W-0111 1111b									
15	14	13	12	11	10	9	8	7	6	5	4	3	2	1	0

图 8-32. FC3 Register (continued)

CC_R	LOD_L SD_RB	RESE RVED	LODVTH_B	LODVTH_G	LODVTH_R
R/W-0111 1111b	R/ W-0b	R-0b	R/W-00b	R/W-00b	R/W-00b

表 8-10. FC3 Register Field Descriptions

Bit	Field	Type	Reset	Description
1-0	LODVTH_R	R/W	00b	Set the Red LED open load detection threshold 00b: (V <sub>LEDR</sub> -0.2) V 01b: (V <sub>LEDR</sub> -0.5) V 10b: (V <sub>LEDR</sub> -0.9) V 11b: (V <sub>LEDR</sub> -1.2) V
3-2	LODVTH_G	R/W	00b	Set the Green LED open load detection threshold 00b: (V <sub>LEDG</sub> -0.2) V 01b: (V <sub>LEDG</sub> -0.5) V 10b: (V <sub>LEDG</sub> -0.9) V 11b: (V <sub>LEDG</sub> -1.2) V
5-4	LODVTH_B	R/W	00b	Set the Blue LED open load detection threshold 00b: (V <sub>LEDB</sub> -0.2) V 01b: (V <sub>LEDB</sub> -0.5) V 10b: (V <sub>LEDB</sub> -0.9) V 11b: (V <sub>LEDB</sub> -1.2) V
6	RESERVED	R	0b	
7	LOD_LSD_RB	R/W	0b	Enable or disable the LOD and LSD readback function 0b: disabled 01b: enabled
15-8	CC_R	R/W	0111 1111b	Set the Red color brightness level 0000 0000b: level 0 (lowest) ... 0111 1111b: level 127 (middle) ... 1111 1111b: level 255 (highest)
23-16	CC_G	R/W	0111 1111b	Set the Green color brightness level 0000 0000b: level 0 (lowest) ... 0111 1111b: level 127 (middle) ... 1111 1111b: level 255 (highest)
31-24	CC_B	R/W	0111 1111b	Set the Blue color brightness level 0000 0000b: level 0 (lowest) ... 0111 1111b: level 127 (middle) ... 1111 1111b: level 255 (highest)
34-32	BC	R/W	011b	Set the global brightness level 000b: level 0 (lowest) ... 011b: level 3 (middle) ... 111b: level 7 (highest)

**表 8-10. FC3 Register Field Descriptions (continued)**

Bit	Field	Type	Reset	Description
38-35	LSD_RM	R/W	0111b	Set the LED short removal level 0000b: level 1 0001b: level 2 0010b: level 3 0011b: level 4 0100b: level 5 0101b: level 6 0110b: level 7 0111b: level 8 1000b: level 9 1001b: level 10 1010b: level 11 1011b: level 12 1100b: level 13 1101b: level 14 1110b: level 15 1111b: level 16
41-39	LSDVTH_R	R/W	000b	Set the Red LED short/weak short circuitry detection threshold (typical) 000b: 0.2 V 001b: 0.4 V 010b: 0.8 V 011b: 1.0 V 100b: 1.2 V 101b: 1.4 V 110b: 1.6 V 111b: 1.8 V
44-42	LSDVTH_G	R/W	000b	Set the Green LED short/weak short circuitry detection threshold (typical) 000b: 0.2 V 001b: 0.4 V 010b: 0.8 V 011b: 1.2 V 100b: 1.6 V 101b: 2 V 110b: 2.4 V 111b: 2.8 V
47-45	LSDVTH_B	R/W	000b	Set the Blue LED short/weak short circuitry detection threshold (typical) 000b: 0.2 V 001b: 0.4 V 010b: 0.8 V 011b: 1.2 V 100b: 1.6 V 101b: 2 V 110b: 2.4 V 111b: 2.8 V

**8.7.5 FC4**

FC4 is shown in [FC4 Register](#) and described in [FC4 Register Field Descriptions](#).

**图 8-33. FC4 Register**

47	46	45	44	43	42	41	40	39	38	37	36	35	34	33	32
RESERVED			DE_COUPLE3_EN	DE_COUPLE3				DE_COUPLE2	FIRST_LINE_DIM				CAURSE_B	CAURSE_G	CAURSE_R
R-000b			R/W-0b	R/W-1000b				R/W-0b	R/W-0000b				R/W-0b	R/W-0b	R/W-0b
31	30	29	28	27	26	25	24	23	22	21	20	19	18	17	16
RESERVED				SR_ON_B		SR_ON_G		SR_ON_R		SR_OFF_B	SR_OFF_G	SR_OFF_R	FINE_B	FINE_G	FINE_R
R-0000b				R/W-01b		R/W-01b		R/W-01b		R/W-0b	R/W-0b	R/W-0b	R/W-0b	R/W-0b	R/W-0b
15	14	13	12	11	10	9	8	7	6	5	4	3	2	1	0

图 8-33. FC4 Register (continued)

RESERVED	SCAN_REV	RESERVED	IMAX	RESERVED
R-0b	R/W-1b	R-0000 0000 1111b	R/W-0b	R-0b

表 8-11. FC4 Register Field Descriptions

Bit	Field	Type	Reset	Description
0	RESERVED	R	0b	
1	IMAX	R/W	0b	Set the maximum current of each channel 0b: 10mA maximum 01b: 20 mA maximum
13-2	RESERVED	R	0000 0000 1111b	
14	SCAN_REV	R/W	1b	When 2 device stackable, the scan lines PCB layout is reversed. For the proper scan and SRAM read sequence, SCAN_REV register is provided. 0b: the PCB layout sequence is L0-L15, L16-L31. 1b: the PCB layout sequence is L0-L15, L31-L16.
15	RESERVED	R	0b	
16	FINE_R	R/W	0b	Enable the Red brightness compensation level fine range 0b: disable 1b: enable
17	FINE_G	R/W	0b	Enable the Green brightness compensation level fine range 0b: disable 1b: enable
18	FINE_B	R/W	0b	Enable the Blue brightness compensation level fine range 0b: disable 1b: enable
19	SR_OFF_R	R/W	0b	Slew rate control function when Red turns off operation 0b: slow slew rate. 1b: fast slew rate.
20	SR_OFF_G	R/W	0b	Slew rate control function when Green turns off operation 0b: slow slew rate. 1b: fast slew rate.
21	SR_OFF_B	R/W	0b	Slew rate control function when Blue turns off operation 0b: slow slew rate. 1b: fast slew rate.
23-22	SR_ON_R	R/W	01b	Slew rate control function when Red turns on operation 00b: the slower slew rate. 01b: slow slew rate. 10b: fast slew rate. 11b: the faster slew rate.
25-24	SR_ON_G	R/W	01b	Slew rate control function when Green turns on operation 00b: the slower slew rate. 01b: slow slew rate. 10b: fast slew rate. 11b: the faster slew rate.
27-26	SR_ON_B	R/W	01b	Slew rate control function when Blue turns on operation 00b: the slower slew rate. 01b: slow slew rate. 10b: fast slew rate. 11b: the faster slew rate.
31-28	RESERVED	R	0000b	
32	CAURSE_R	R/W	0b	Enable the Red brightness compensation level course range 0b: disable 1b: enable
33	CAURSE_G	R/W	0b	Enable the Green brightness compensation level course range 0b: disable 1b: enable

表 8-11. FC4 Register Field Descriptions (continued)

Bit	Field	Type	Reset	Description
34	CAURSE_B	R/W	0b	Enable the Blue brightness compensation level course range 0b: disable 1b: enable
38-35	FIRST_LINE_DIM	R/W	0000b	Adjust the first line dim level 0000b: level 1 ... 0111b: level 8 ... 1111b: level 16
39	DE_COUPLE2	R/W	0b	Decoupling between ON and OFF channels 0b: disabled 1b: enabled
43-40	DE_COUPLE3	R/W	1000b	Set decoupling enhancement level 0000b: level 1 ... 0111b: level 8 ... 1111b: level 16
44	DE_COUPLE3_EN	R/W	0b	Enable decoupling enhancement 0b: disabled 1b: enabled
47-45	RESERVED	R	000b	

### 8.7.6 FC14

FC14 is shown in [FC14 Register](#) and described in [FC14 Register Field Descriptions](#).

图 8-34. FC14 Register

47	46	45	44	43	42	41	40	39	38	37	36	35	34	33	32
RESERVED															
R-0b															
31	30	29	28	27	26	25	24	23	22	21	20	19	18	17	16
RESERVED															
R-0b															
15	14	13	12	11	10	9	8	7	6	5	4	3	2	1	0
RESERVED										LOD_LINE_CMD					
R-0b										R/W-000000b					

表 8-12. FC14 Register Field Descriptions

Bit	Field	Type	Reset	Description
5-0	LOD_LINE_CMD	R/W	000000b	Locate the line with LED open load warnings: 000000b: Line 0 ... 011111b: Line 31 ... 111111b: Line 63
47-6	RESERVED	R	0b	Reserved bits

### 8.7.7 FC15

FC15 is shown in [FC15 Register](#) and described in [FC15 Register Field Descriptions](#).

图 8-35. FC15 Register

47	46	45	44	43	42	41	40	39	38	37	36	35	34	33	32
RESERVED															

图 8-35. FC15 Register (continued)

R-0b															
31	30	29	28	27	26	25	24	23	22	21	20	19	18	17	16
RESERVED															
R-0b															
15	14	13	12	11	10	9	8	7	6	5	4	3	2	1	0
RESERVED										LSD_LINE_CMD					
R-0b										R/W-000000b					

表 8-13. FC15 Register Field Descriptions

Bit	Field	Type	Reset	Description
5-0	LSD_LINE_CMD	R/W	000000b	Locate the line with LED short circuitry warnings: 000000b: Line 0 ... 011111b: Line 31 ... 111111b: Line 63
47-6	RESERVED	R	0b	Reserved bits

### 8.7.8 FC16

FC16 is shown in [FC16 Register](#) and described in [FC16 Register Field Descriptions](#).

图 8-36. FC16 Register

47	46	45	44	43	42	41	40	39	38	37	36	35	34	33	32
RESERVED															
R-0b															
31	30	29	28	27	26	25	24	23	22	21	20	19	18	17	16
RESERVED															
R-0b															
15	14	13	12	11	10	9	8	7	6	5	4	3	2	1	0
LOD_LINE_WARN[63:48]															
R-0b															

表 8-14. FC16 Register Field Descriptions

Bit	Field	Type	Reset	Description
15-0	LOD_LINE_WARN[63:48]	R	0b	Read the line with LED open load warnings: Bit 0 = 0, Line 48 has no warning; Bit 0 = 1, Line 48 has warning ... Bit 15 = 0, Line 63 has no warning; Bit 15 = 1, Line 63 has warning
47-16	RESERVED	R	0b	Reserved bits

### 8.7.9 FC17

FC17 is shown in [FC17 Register](#) and described in [FC17 Register Field Descriptions](#).

图 8-37. FC17 Register

47	46	45	44	43	42	41	40	39	38	37	36	35	34	33	32
LOD_LINE_WARN[47:0]															
R-0b															
31	30	29	28	27	26	25	24	23	22	21	20	19	18	17	16
LOD_LINE_WARN[47:0]															
R-0b															

图 8-37. FC17 Register (continued)

15	14	13	12	11	10	9	8	7	6	5	4	3	2	1	0
LOD_LINE_WARN[47:0]															
R-0b															

表 8-15. FC17 Register Field Descriptions

Bit	Field	Type	Reset	Description
47-0	LOD_LINE_WARN[47:0]	R	0b	Read the line with LED open load warnings: Bit 0 = 0, Line 0 has no warning; Bit 0 = 1, Line 0 has warning ... Bit 47 = 0, Line 47 has no warning; Bit 47 = 1, Line 47 has warning

### 8.7.10 FC18

FC18 is shown in [FC18 Register](#) and described in [FC18 Register Field Descriptions](#).

图 8-38. FC18 Register

47	46	45	44	43	42	41	40	39	38	37	36	35	34	33	32
RESERVED															
R-0b															
15	14	13	12	11	10	9	8	7	6	5	4	3	2	1	0
RESERVED															
R-0b															
31	30	29	28	27	26	25	24	23	22	21	20	19	18	17	16
LSD_LINE_WARN[63:48]															
R-0b															

表 8-16. FC18 Register Field Descriptions

Bit	Field	Type	Reset	Description
47-0	LSD_LINE_WARN[63:48]	R	0b	Read the line with LED short circuitry warnings: Bit 0 = 0, Line 48 has no warning; Bit 0 = 1, Line 48 has warning ... Bit 15 = 0, Line 63 has no warning; Bit 15 = 1, Line 63 has warning
47-16	RESERVED	R	0b	Reserved bits

### 8.7.11 FC19

FC19 is shown in [FC19 Register](#) and described in [FC19 Register Field Descriptions](#).

图 8-39. FC19 Register

47	46	45	44	43	42	41	40	39	38	37	36	35	34	33	32
LSD_LINE_WARN[47:0]															
R-0b															
31	30	29	28	27	26	25	24	23	22	21	20	19	18	17	16
LSD_LINE_WARN[47:0]															
R-0b															
15	14	13	12	11	10	9	8	7	6	5	4	3	2	1	0
LSD_LINE_WARN[47:0]															
R-0b															

**表 8-17. FC19 Register Field Descriptions**

Bit	Field	Type	Reset	Description
47-0	LSD_LINE_WARN[47:0]	R	0b	Read the line with LED short circuitry warnings: Bit 0 = 0, Line 0 has no warning; Bit 0 = 1, Line 0 has warning ... Bit 47 = 0, Line 47 has no warning; Bit 47 = 1, Line 47 has warning

**8.7.12 FC20**

FC20 is shown in [FC20 Register](#) and described in [FC20 Register Field Descriptions](#).

**图 8-40. FC20 Register**

47	46	45	44	43	42	41	40	39	38	37	36	35	34	33	32
LOD_CH															
R-0b															
31	30	29	28	27	26	25	24	23	22	21	20	19	18	17	16
LOD_CH															
R-0b															
15	14	13	12	11	10	9	8	7	6	5	4	3	2	1	0
LOD_CH															
R-0b															

**表 8-18. FC20 Register Field Descriptions**

Bit	Field	Type	Reset	Description
47-0	LOD_CH	R	0b	Locate the LED open load channel: Bit 0 = 0, CH 0 is normal; Bit 0 = 1, CH 0 is short circuitry ... Bit 47 = 0, CH 47 is normal; Bit 47 = 1, CH 47 is short circuitry

**8.7.13 FC21**

FC21 is shown in [FC21 Register](#) and described in [FC21 Register Field Descriptions](#).

**图 8-41. FC21 Register**

47	46	45	44	43	42	41	40	39	38	37	36	35	34	33	32
LSD_CH															
R-0b															
31	30	29	28	27	26	25	24	23	22	21	20	19	18	17	16
LSD_CH															
R-0b															
15	14	13	12	11	10	9	8	7	6	5	4	3	2	1	0
LSD_CH															
R-0b															

**表 8-19. FC21 Register Field Descriptions**

Bit	Field	Type	Reset	Description
47-0	LSD_CH	R	0b	Locate the LED short circuitry channel: Bit 0 = 0, CH 0 is normal; Bit 0 = 1, CH 0 is short circuitry ... Bit 47 = 0, CH 47 is normal; Bit 47 = 1, CH 47 is short circuitry



## 9 Application and Implementation

### 备注

Information in the following applications sections is not part of the TI component specification, and TI does not warrant its accuracy or completeness. TI's customers are responsible for determining suitability of components for their purposes, as well as validating and testing their design implementation to confirm system functionality.

### 9.1 Application Information

The LP5891-Q1 integrates 48 constant current sources and 16 scanning FETs. A single LP5891-Q1 is capable of driving  $16 \times 16$  RGB LED pixels while stacking two LP5891-Q1 devices can drive  $32 \times 32$  RGB LED pixels. To achieve low power consumption, the LP5891-Q1 supports separated power supplies for the red, green, and blue LEDs by its common cathode structure.

The LP5891-Q1 implements a high speed rising edge transmission interface (up to 50 MHz) to support high device count daisy-chained and high refresh rate while minimizing electrical-magnetic interference (EMI). SCLK must be continuous, no matter there is data on SIN or not, because SCLK is not only used to sample the data on SIN, but also used as a clock source to generate GCLK by internal frequency multiplier. Based on rising-edge CCSI protocol, all the commands/FC registers/SRAM data are written from the SIN input terminal, and all the FC registers/ LED open and short flag can be read out from the SOUT output terminal. Moreover, the device supports up to 160-MHz GCLK frequency and can achieve 16-bit PWM resolution, with 3840 Hz or even higher refresh rate.

Meanwhile, the LP5891-Q1 integrates enhanced circuits and intelligent algorithms to solve the various display challenges in Narrow Pixel Pitch (NPP) LED display applications and mini and micro-LED products: dim at the first scan line, upper and downside ghosting, non-uniformity in low grayscale, coupling, caterpillar caused by open or short LEDs, which make the LP5891-Q1 a perfect choice in such applications.

The LP5891-Q1 also implements LED open, weak short, short detections and removals during operations and can also report this information out to the accompanying digital processor.

### 9.2 Typical Application

The LP5891-Q1 are typically connected in series in a daisy-chain to drive the LED matrix with only a few controller ports. 图 9-1 shows a typical application diagram with two LP5891-Q1 devices stackable connection to drive  $32 \times 32$  RGB LED pixels.

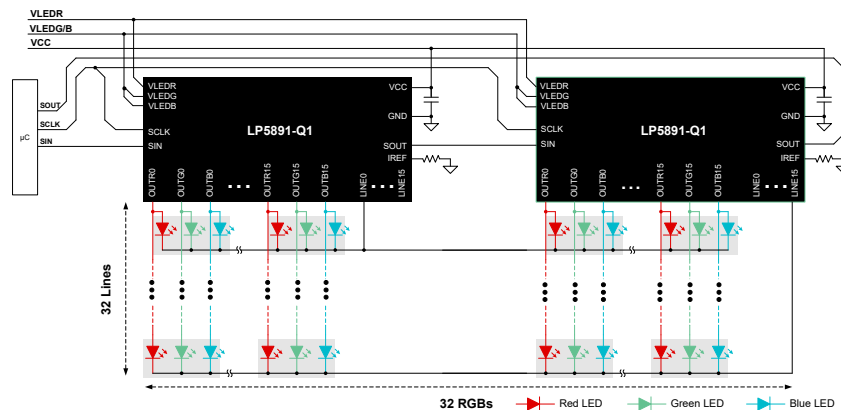


图 9-1. LP5891-Q1 with Dual Devices Stackable Connection

## 9.2.1 Design Requirements

Taking 4K micro-LED television for example, the resolution of the screen is 3840 × 2160, and the screen consists of many modules. The following sections show an example to build a LED display module with 240 × 180 pixels.

The example uses the following values as the system design parameters.

**表 9-1. LP5891-Q1 Design Parameters**

DESIGN PARAMETER	EXAMPLE VALUE
$V_{CC}$ and $V_R$	2.8 V
$V_G$ and $V_B$	3.8 V
Maximum current per LED	$I_{RED} = 3 \text{ mA}$ , $I_{GREEN} = 2 \text{ mA}$ , $I_{BLUE} = 1 \text{ mA}$
PWM resolution	14 bits
Frame rate	120 Hz
Refresh rate	3840 Hz
Display module size	240 × 180 pixels
cascaded devices number	8
devices number per LED display module	96

### 9.2.1.1 System Structure

To build an LED display module with 240 × 180 pixels, 96 LP5891-Q1 devices are required.

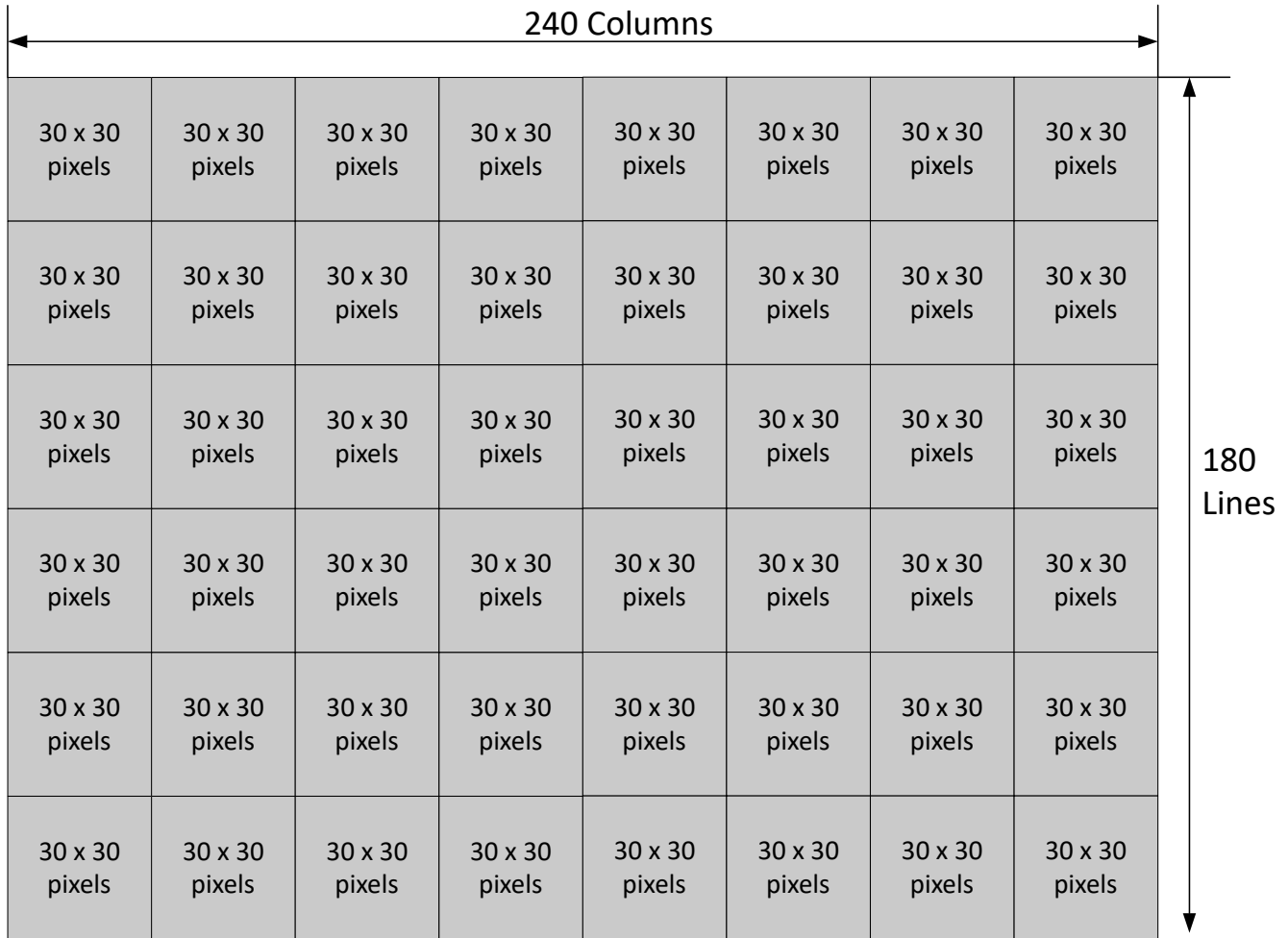


图 9-2. LED Display Module

As shown in 图 9-2, the total module can be divided into 48  $32 \times 32$  matrix. Each matrix includes two devices with stackable connection.

备注

To achieve the best performance, distribute the redundant channels and lines to each  $32 \times 32$  matrix. For this case, two Red/Green/Blue channels and two lines are not used in each matrix. And these unused pins can be floated. For the software, TI suggests zero data to send to the unused channels. There is no need to send the zero data to unused lines.

9.2.1.2 SCLK Frequency

The SCLK frequency is determined by the data volume of one frame and frame rate. In this application, the data volume  $V\_Data$  is  $30 \times 32 \times 48 \text{ bits} \times 4 = 184.32 \text{ Kb}$ , the frame rate is 120 Hz. Suppose the data transmission efficiency is 0.8, the minimum frequency of SCLK must be:  $f_{SCLK} = V\_Data \times f_{frame} / 0.8$ . So the minimum SCLK frequency is 27.65 MHz with rising-edge transmission.

9.2.1.3 Internal GCLK Frequency

The internal GCLK frequency is configured by the Frequency Multiplier (FREQ\_MUL), and is determined by the PWM resolution. The GCLK frequency can be calculated by the below equations:

$$N_{sub\_period} = \frac{f_{refresh\_rate}}{f_{frame\_rate}}$$

$$GS_{max} = 2^K$$

$$GS_{max} = N_{GCLK\_Seg} \times N_{sub\_period}$$

$$\frac{1}{f_{frame\_rate}} = \left( \frac{N_{GCLK\_Seg}}{f_{GCLK}} + T_{SW} \right) \times N_{scan\_line} \times N_{sub\_period} + T_{Blank} \quad (3)$$

where

- $f_{refresh\_rate}$  means the refresh rate
- $f_{frame\_rate}$  means the frame rate
- $K$  means the PWM resolution
- $N_{sub\_period}$  means the sub-period numbers within one frame
- $N_{GCLK\_seg}$  means the GCLK number per segment (line switch time excluded)
- $f_{GCLK}$  means GCLK frequency
- $T_{SW}$  means line switching time
- $N_{scan\_line}$  means the scan line number
- $T_{blank}$  means the blank time in one frame, equals to 0 in ideal configuration
- $GS_{max}$  means the maximum grayscale that the device can output in one frame

表 9-2 gives the values based on the system configuration and equation.

表 9-2. LP5891-Q1 Design Parameters for GCLK Frequency Calculation

DESIGN PARAMETER	EXAMPLE VALUE
$N_{sub\_period}$	32
$N_{scan\_line}$	30
$T_{SW}$	1.5 $\mu$ s
$T_{blank}$	0
$N_{GCLK\_seg}$	512
$GS_{max}$	16383
$f_{GCLK}$	71.3 MHz

Considering SCLK frequency and FREQ\_MUL, the SCLK can be 27.7 MHz, and FREQ\_MUL can be 0010b. So the GCLK is 83.1 MHz.

#### 9.2.1.4 Line Switch Time

The line switch time is digitalized with the GCLK number and can be set by the LINE\_SWT (Bit 40-37 in FC1 register). In this application, it is  $1.5 \mu\text{s} \times 83.1 \text{ MHz} = 125 \text{ GCLKs}$ , so the LINE\_SWT equals to 0011b (120 GCLKs), the actual line switch time is 1.44  $\mu\text{s}$ .

#### 9.2.1.5 Blank Time Removal

The LP5891-Q1 has an algorithm to distribute the blank time into each sub-period to prevent the black field when taking photos or video.

From Equation 3, 83.1-MHz GCLK frequency and 1.44- $\mu\text{s}$  line switch time, the calculated blank time is 1.0361 ms ( 86100 GCLK ), which is too long and brings black field.

Here are detailed steps of the algorithm.

#### Step 1: Distribute blank time into each segment

When the blank GCLK number is larger than  $N_{sub\_period} \times N_{scan\_line}$ , it can be distributed into each segment.

In this application, the blank GCLK number is 86100, and  $N_{sub\_period} \times N_{scan\_line}$  is 960, so the distributed GCLK number in each segment is  $86100/960 = 89...660$ . These 89 GCLKs can be used to increase PWM length or extend line switch time. If used to increase PWM length, the GCLK number in each segment will be  $512 + 89 = 601$ , so the SEG\_LENGTH (Bit9-0 in FC1 register) is 1001011001b.

### Step 2: Distribute blank time into each sub-period

If the left GCLK number is larger than  $N_{sub\_period}$ , it can be distributed into each sub-period.

In this application, the left GCLK is 660, the distributed GCLK number in each sub-period is  $660/32=20$ . The BLK\_ADJ (Bit46-41 in FC1 register) is 010100b.

After distributing into each sub-period, the left GCLK number is 0.

#### 9.2.1.6 BC and CC

Select the reference current-setting resistor  $R_{IREF}$  and configure a proper BC value to set the maximum current of the RGB LEDs (see [Brightness Control \(BC\) Function](#) for more details). Here the maximum current is 3 mA, BC value is 03h, according to equation [方程式 1](#), the reference resistor value is  $0.8 V/3 mA \times 86.61 = 23 k\Omega$ .

Configure the CC\_R/CC\_G/CC\_B registers to set the current of Red/Green/Blue LED current to 3 mA/2 mA/1 mA (see [Color Brightness Control \(CC\) Function](#) for more details).

[表 9-3](#) shows the reference current setting resistor  $R_{IREF}$ , BC and CC\_R/CC\_G/CC\_B register value.

**表 9-3. Current Setting Value**

DESIGN PARAMETER	EXAMPLE VALUE
$R_{IREF}$	23 k $\Omega$
BC	011 b
CC_R	11111110 b
CC_G	10101001 b
CC_B	01010100 b

### 9.2.2 Detailed Design Procedure

图 9-3 gives a detail design procedure for LED display. After power on and digital signals are ready, the first step for the controller is to send the chip index command to let the devices know their identifications. Then, the command sends the configuration data to the FC registers. After this, it sends the VSYNC at the beginning of each frame and also sends the data to each device. The devices displays the data of last frame when the VSYNC comes and meanwhile receive the data of current frame transmitted from controller. The registers can be read at anytime of the frame.

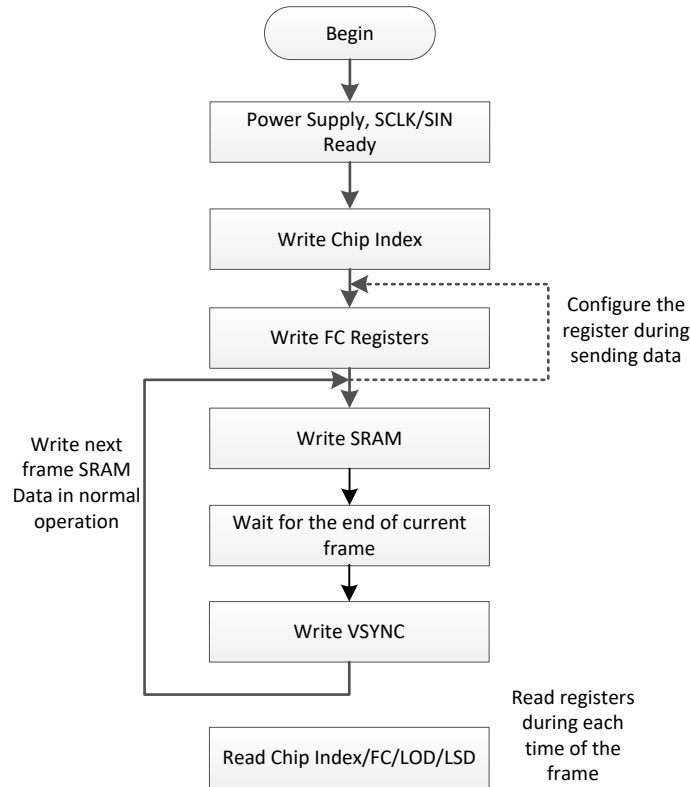


图 9-3. Design Procedure for LED Display

#### 9.2.2.1 Chip Index Command

The chip index is used to distribute the address of the devices in a data chain,. Each device gets its unique address by this command. Details can be found in [Chip Index Write Command](#).

#### 9.2.2.2 FC Registers Settings

Some bits of FC0, FC1, FC2, FC3 registers must be configured properly before the devices work normally. In this application, the registers value can be:

表 9-4. FC Registers Value

FC Registers	Register Value(BIN)	Register Value(HEX)
FC0	0001 0000 0000 0000 0101 1000 0011 1111 0000 0001 0000 0111 b	1000 583F 0107 h
FC1	0010 1010 1110 0000 0000 0000 1001 0100 1010 0110 0011 0001 b	2AE0 0094 A631 h
FC2	0000 1000 0000 0000 0000 0000 0000 1111 0000 0110 0110 0110 b	0800 000F 0666 h
FC3	0000 0000 0011 1011 0101 0100 1010 1001 1111 1111 0000 0000 b	003B 54A9 FF00 h

The controller can configure the FC by the data write command with broadcast mode (see [Data Write Command](#) for more detail), the FC0, FC1 registers are updated after the VSYNC command comes, and the other FC registers are updated right away regardless the VSYNC command.

### 9.2.2.3 Grayscale Data Write

The channel grayscale data is written to SRAM of the device by the data write command with non-broadcast way, details can be found in [Data Write Command](#) and [Write a Frame Data into Memory Book](#).

[Data Write Flow](#) is the data write flow for this application,  $P(i, j)$  is the data of pixel locating in  $i + 1$  row and  $j + 1$  column. Suppose channel R15/G15/B15 of each device is not used and not connected, the channel R14/G14/B14 is connected to  $P(i, 0)$ , the channel R13/G13/B13 is connected to  $P(i, 1)$ , ..., and channel R0/G0/B0 is connected to  $P(i, 14)$ . The data of unused channel must be zero noting  $D\_Zero$  in below figure, and  $D\_Zero = 000000000000000001\ 000000000000000001\ 000000000000000001b$ .

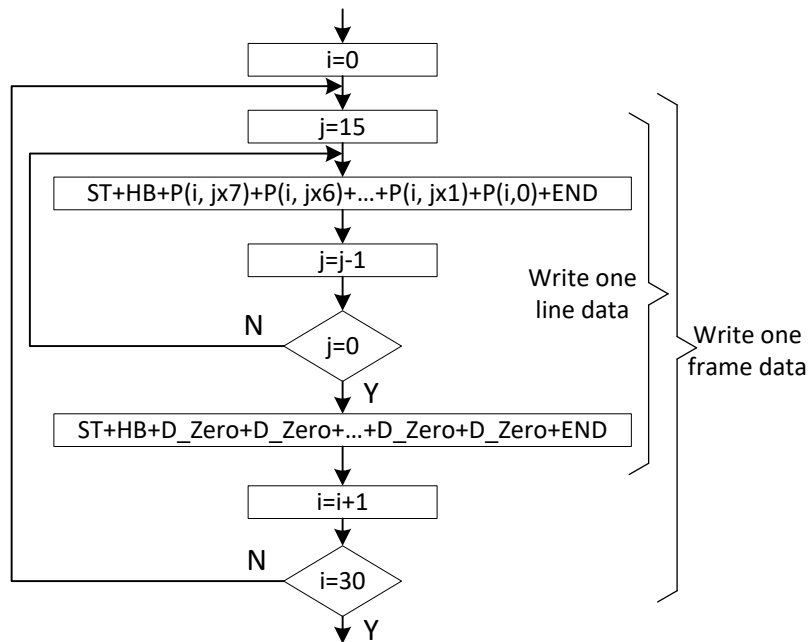


图 9-4. Data Write Flow

### 9.2.2.4 VSYNC Command

The VSYNC is used to sync the display of each frame for the devices in a cascaded chain. Details can be found in [VSYNC Write Command](#).

### 9.2.2.5 LED Open, Short Read

FC14, FC15, FC16, FC17, FC18, FC19, FC20, FC21 are the read command for LOD/LSD information. Details can be found in [Read LED-open Information](#) and [Read LED-short Information](#).

### 9.2.3 Application Curves

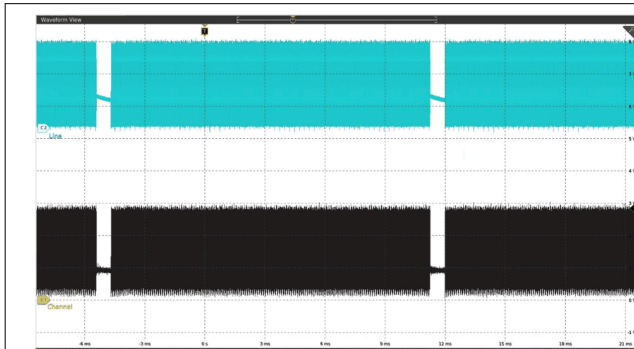


图 9-5. Line and Channel Waveform in One Frame (GSn = 0xFFFFh)

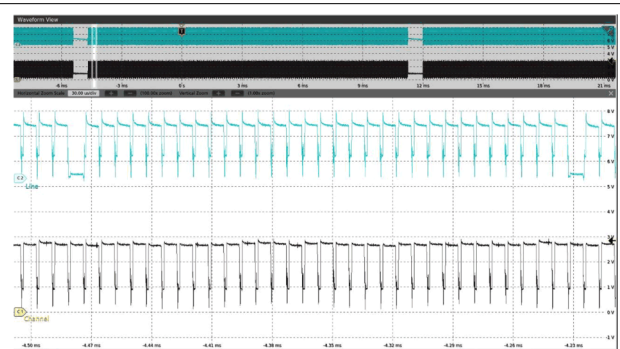


图 9-6. Line and Channel Waveform in One Subperiod (GSn = 0xFFFFh)

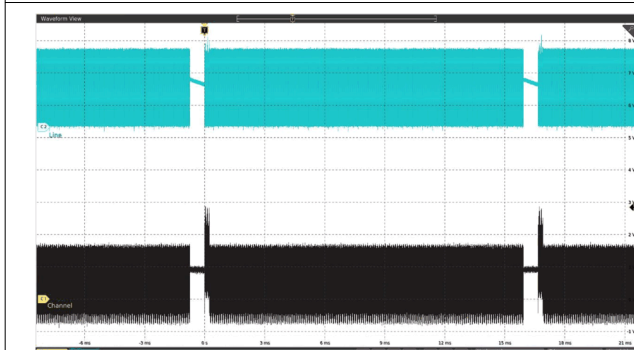


图 9-7. Line and Channel Waveform in One Frame (GSn = 0x0001h)

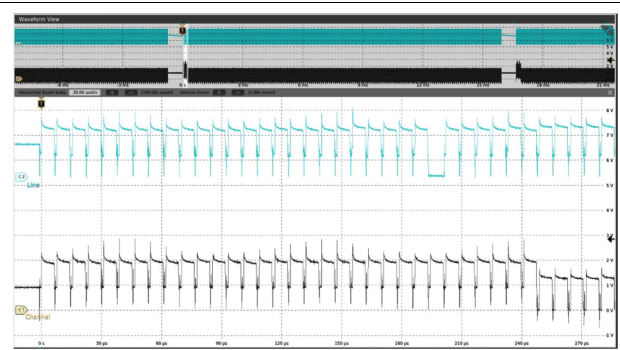


图 9-8. Line and Channel Waveform in One Frame (GSn = 0x0001h)

### 9.3 Power Supply Recommendations

Decouple the VCC power supply voltage by placing a 0.1- $\mu$ F ceramic capacitor close to VCC pin and GND plane. Depending on panel size, several electrolytic capacitors must be placed on the board equally distributed to get well regulated LED supply voltage VR/VG/VB. The ripple of the LED supply voltage must be less than 5% of their nominal value. Generally, the green and blue LEDs have the similar forward voltage, they can be supplied by the same power rail.

Furthermore, the  $VR > Vf(R) + 0.35\text{ V}$  (10-mA constant current example), the  $VG = VB > Vf(G/B) + 0.35\text{ V}$  (10-mA constant current example), here  $Vf(R)$ ,  $Vf(G/B)$  are representative for the maximum forward voltage of red, green/blue LEDs.

To simplify the power design, VCC can be connected to the VR power rail.

### 9.4 Layout

#### 9.4.1 Layout Guidelines

- Place the decoupling capacitor near the VCC/VR, VG/VB pins and GND plane.
- Place the current programming resistor RIREF close to IREF pin and GND plane.
- Route the GND thermal pad as widely as possible for large GND currents. Maximum GND current is approximately 2 A for two devices ( $96\text{-CH} \times 20\text{ mA} = 1.92\text{ A}$ ).
- The Thermal Pad must be connected to GND plane because the pad is used as power ground pin internally. There is a large current flow through this pad when all channels turn on. Furthermore, this pad must be connected to a heat sink layer by thermal via to reduce device temperature. For more information about suggested thermal via pattern and via size, see [PowerPAD™ Thermally Enhanced Package application note](#).

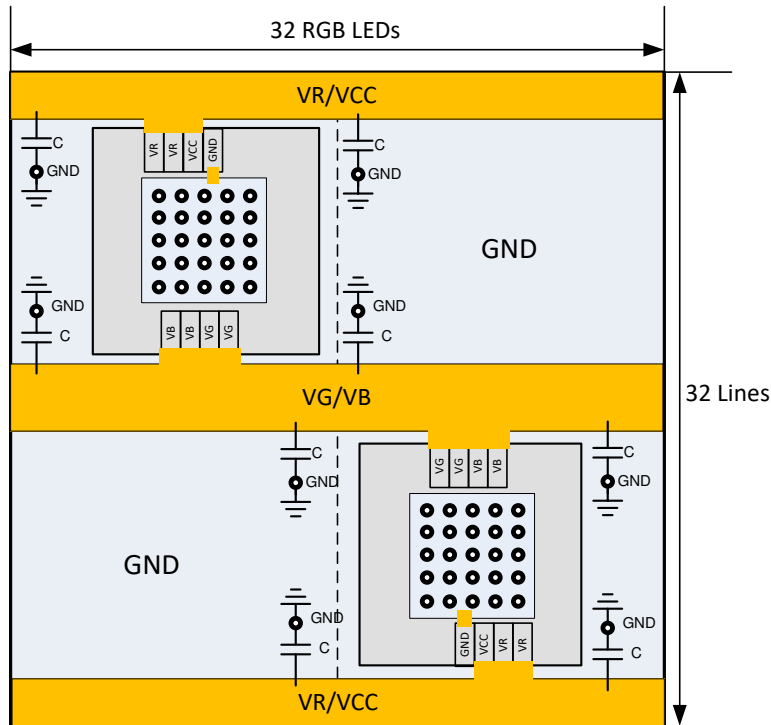


- Routing between the LED Anode side and the device OUTXn pin must be as short and straight as possible to reduce wire inductance.
- The line switch pins must be located in the middle of the matrix, which must be laid out as symmetrically as possible.

### 9.4.2 Layout Example

To simplify the system power rails design, VR, VCC must use one power rail and VG, VB use another power rail. [图 9-9](#) gives an example for power rails routing.

Connect the GND pin to the thermal pad on the board with the shortest wire and the thermal pad is connected to GND plane with the vias, as many as possible to help the power dissipation.



**图 9-9. Power Rails Routing Suggestion**

[图 9-10](#) gives an example for line routing. Connect the line switch to the center of the line bus, so as to uniform the current flowing from the line switch to the left side and right side LEDs in white grayscale. With this connection, the unbalance of the parasitic inductor from the routing is the smallest and the display performance is better, especially in low grayscale condition.

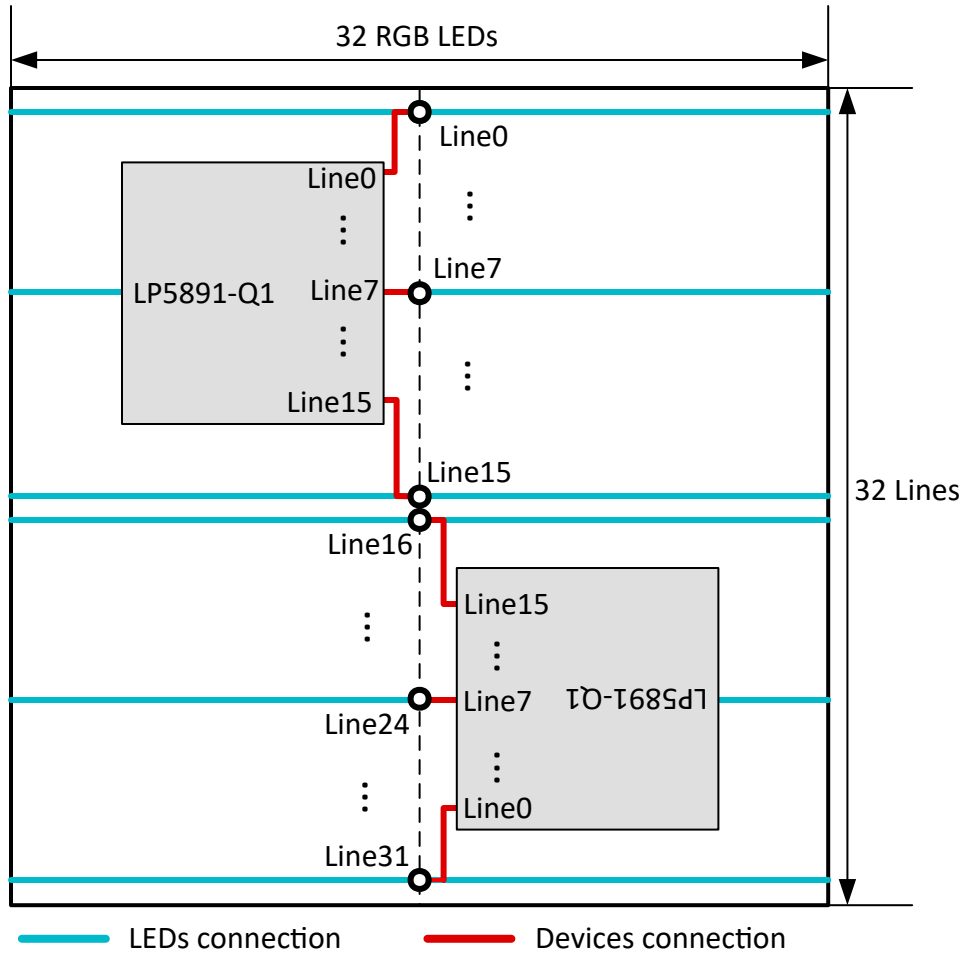


图 9-10. Line Routing Suggestion

图 9-11 gives an example for channel routing with the shortest wire. With this connection, the channel to the LED path is the shortest, which can reduce the wire inductance, and be a benefit to the performance. However, the data transmission sequence must be adjusted to follow the pins routing map. For example, R0 connects to column 15 (LED15). The first data must be column 15 (LED15) rather than column 0 (LED0).

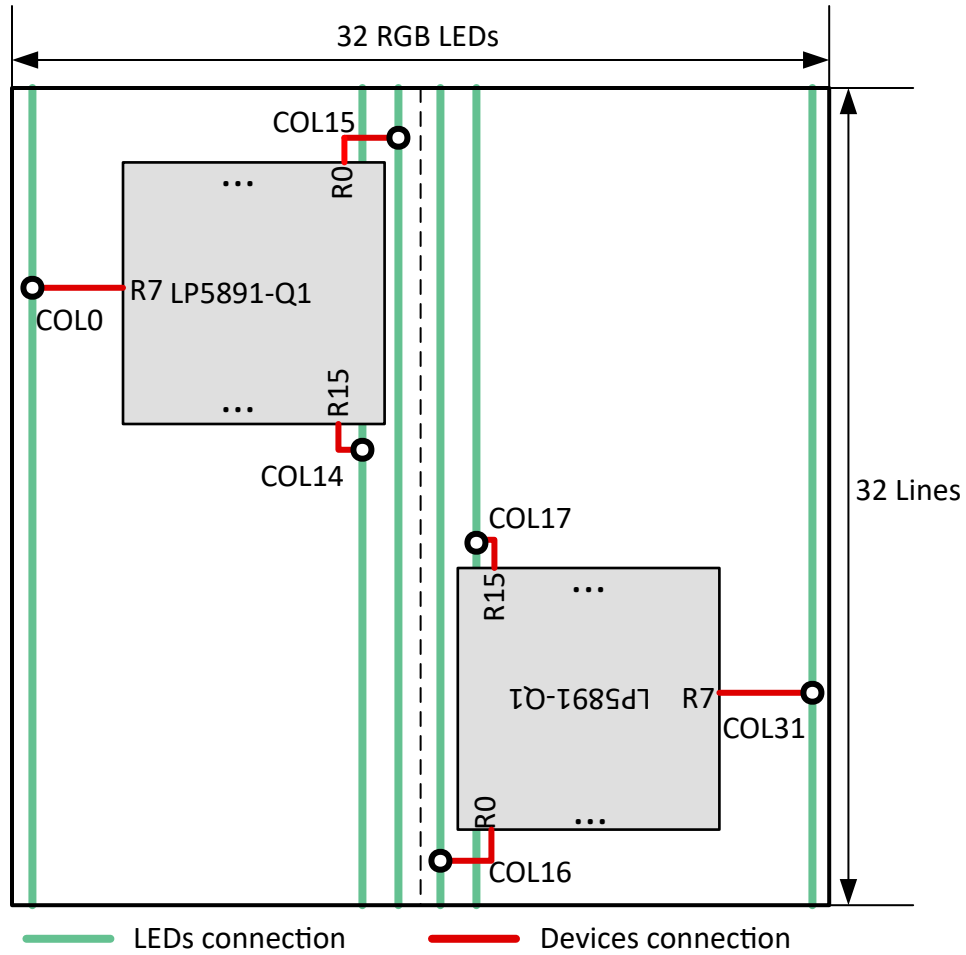


图 9-11. Channel Routing Suggestion with Shortest Wire

图 9-12 gives an example for channel routing with pin number sequence. With this connection, the data transmission sequence is the same with pin number sequence. For example, R0 connects to column 0 (LED0). However, with this connection, the inductance for each channel can be different, which can bring a slight difference for the worst case.

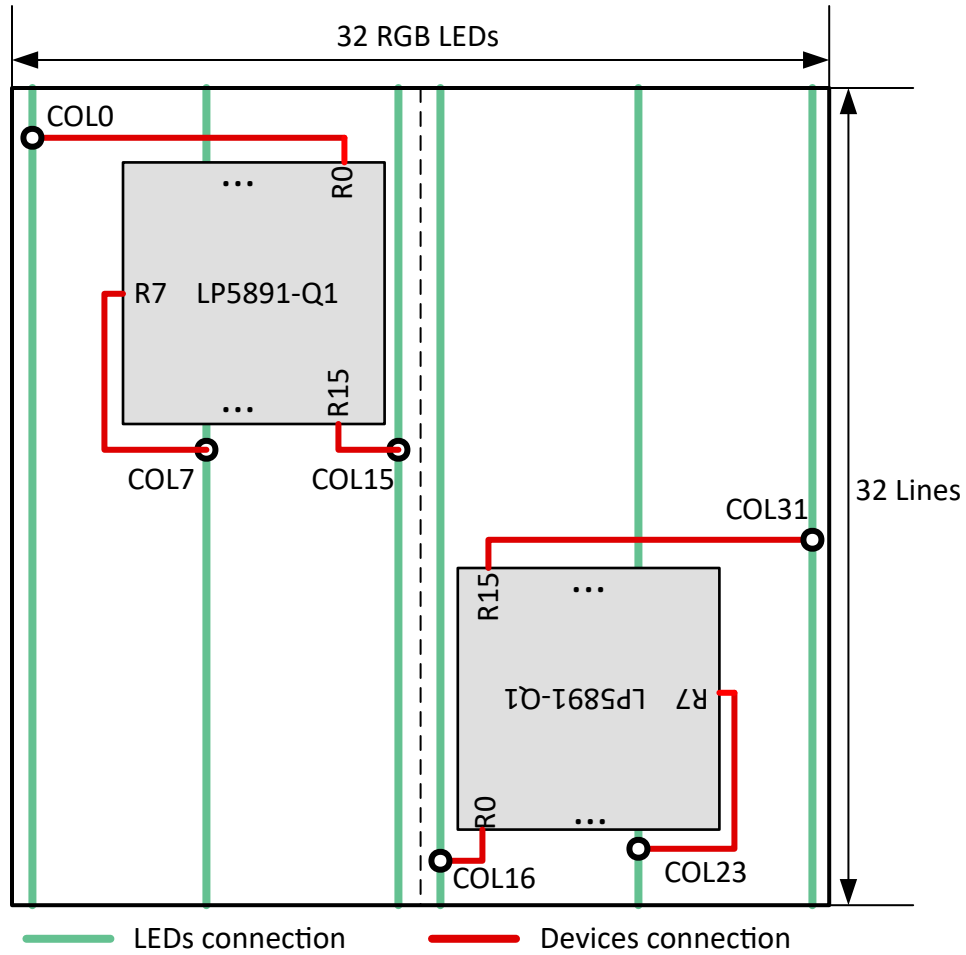


图 9-12. Channel Routing Suggestion with Channel Order Sequence

## 10 Device and Documentation Support

### 10.1 Documentation Support

#### 10.1.1 Related Documentation

Texas Instruments, [PowerPAD™ Thermally Enhanced Package application note](#)

### 10.2 接收文档更新通知

要接收文档更新通知，请导航至 [ti.com](https://www.ti.com) 上的器件产品文件夹。点击 [订阅更新](#) 进行注册，即可每周接收产品信息更改摘要。有关更改的详细信息，请查看任何已修订文档中包含的修订历史记录。

### 10.3 支持资源

[TI E2E™ 支持论坛](#) 是工程师的重要参考资料，可直接从专家获得快速、经过验证的解答和设计帮助。搜索现有解答或提出自己的问题可获得所需的快速设计帮助。

链接的内容由各个贡献者“按原样”提供。这些内容并不构成 TI 技术规范，并且不一定反映 TI 的观点；请参阅 TI 的《[使用条款](#)》。

### 10.4 Trademarks

TI E2E™ is a trademark of Texas Instruments.

所有商标均为其各自所有者的财产。

### 10.5 静电放电警告



静电放电 (ESD) 会损坏这个集成电路。德州仪器 (TI) 建议通过适当的预防措施处理所有集成电路。如果不遵守正确的处理和安装程序，可能会损坏集成电路。

ESD 的损坏小至导致微小的性能降级，大至整个器件故障。精密的集成电路可能更容易受到损坏，这是因为非常细微的参数更改都可能会导致器件与其发布的规格不相符。

### 10.6 术语表

[TI 术语表](#) 本术语表列出并解释了术语、首字母缩略词和定义。

## 11 Mechanical, Packaging, and Orderable Information

The following pages include mechanical, packaging, and orderable information. This information is the most current data available for the designated devices. This data is subject to change without notice and revision of this document. For browser-based versions of this data sheet, refer to the left-hand navigation.

**PACKAGING INFORMATION**

Orderable Device	Status (1)	Package Type	Package Drawing	Pins	Package Qty	Eco Plan (2)	Lead finish/ Ball material (6)	MSL Peak Temp (3)	Op Temp (°C)	Device Marking (4/5)	Samples
LP5891QRRFRQ1	ACTIVE	VQFN	RRF	76	2000	RoHS & Green	NIPDAU	Level-3-260C-168 HR	-40 to 125	LP5891Q	Samples

(1) The marketing status values are defined as follows:

**ACTIVE:** Product device recommended for new designs.

**LIFEBUY:** TI has announced that the device will be discontinued, and a lifetime-buy period is in effect.

**NRND:** Not recommended for new designs. Device is in production to support existing customers, but TI does not recommend using this part in a new design.

**PREVIEW:** Device has been announced but is not in production. Samples may or may not be available.

**OBSELETE:** TI has discontinued the production of the device.

(2) **RoHS:** TI defines "RoHS" to mean semiconductor products that are compliant with the current EU RoHS requirements for all 10 RoHS substances, including the requirement that RoHS substance do not exceed 0.1% by weight in homogeneous materials. Where designed to be soldered at high temperatures, "RoHS" products are suitable for use in specified lead-free processes. TI may reference these types of products as "Pb-Free".

**RoHS Exempt:** TI defines "RoHS Exempt" to mean products that contain lead but are compliant with EU RoHS pursuant to a specific EU RoHS exemption.

**Green:** TI defines "Green" to mean the content of Chlorine (Cl) and Bromine (Br) based flame retardants meet JS709B low halogen requirements of <=1000ppm threshold. Antimony trioxide based flame retardants must also meet the <=1000ppm threshold requirement.

(3) MSL, Peak Temp. - The Moisture Sensitivity Level rating according to the JEDEC industry standard classifications, and peak solder temperature.

(4) There may be additional marking, which relates to the logo, the lot trace code information, or the environmental category on the device.

(5) Multiple Device Markings will be inside parentheses. Only one Device Marking contained in parentheses and separated by a "-" will appear on a device. If a line is indented then it is a continuation of the previous line and the two combined represent the entire Device Marking for that device.

(6) Lead finish/Ball material - Orderable Devices may have multiple material finish options. Finish options are separated by a vertical ruled line. Lead finish/Ball material values may wrap to two lines if the finish value exceeds the maximum column width.

**Important Information and Disclaimer:**The information provided on this page represents TI's knowledge and belief as of the date that it is provided. TI bases its knowledge and belief on information provided by third parties, and makes no representation or warranty as to the accuracy of such information. Efforts are underway to better integrate information from third parties. TI has taken and continues to take reasonable steps to provide representative and accurate information but may not have conducted destructive testing or chemical analysis on incoming materials and chemicals. TI and TI suppliers consider certain information to be proprietary, and thus CAS numbers and other limited information may not be available for release.

In no event shall TI's liability arising out of such information exceed the total purchase price of the TI part(s) at issue in this document sold by TI to Customer on an annual basis.

**OTHER QUALIFIED VERSIONS OF LP5891-Q1 :**

- Catalog : [LP5891](#)

NOTE: Qualified Version Definitions:

- Catalog - TI's standard catalog product



## 重要声明和免责声明

TI“按原样”提供技术和可靠性数据（包括数据表）、设计资源（包括参考设计）、应用或其他设计建议、网络工具、安全信息和其他资源，不保证没有瑕疵且不做任何明示或暗示的担保，包括但不限于对适销性、某特定用途方面的适用性或不侵犯任何第三方知识产权的暗示担保。

这些资源可供使用 TI 产品进行设计的熟练开发人员使用。您将自行承担以下全部责任：(1) 针对您的应用选择合适的 TI 产品，(2) 设计、验证并测试您的应用，(3) 确保您的应用满足相应标准以及任何其他功能安全、信息安全、监管或其他要求。

这些资源如有变更，恕不另行通知。TI 授权您仅可将这些资源用于研发本资源所述的 TI 产品的应用。严禁对这些资源进行其他复制或展示。您无权使用任何其他 TI 知识产权或任何第三方知识产权。您应全额赔偿因在这些资源的使用中对 TI 及其代表造成的任何索赔、损害、成本、损失和债务，TI 对此概不负责。

TI 提供的产品受 [TI 的销售条款](#) 或 [ti.com](#) 上其他适用条款/TI 产品随附的其他适用条款的约束。TI 提供这些资源并不会扩展或以其他方式更改 TI 针对 TI 产品发布的适用的担保或担保免责声明。

TI 反对并拒绝您可能提出的任何其他或不同的条款。

邮寄地址：Texas Instruments, Post Office Box 655303, Dallas, Texas 75265

Copyright © 2023，德州仪器 (TI) 公司