

# LT1014, LT1014A, LT1014D QUAD PRECISION OPERATIONAL AMPLIFIERS

SLOS039D – JULY 1989 – REVISED AUGUST 2009

- **Single-Supply Operation:**  
Input Voltage Range Extends to Ground, and Output Swings to Ground While Sinking Current
- **Input Offset Voltage 300  $\mu\text{V}$  Max at 25°C for LT1014**
- **Offset Voltage Temperature Coefficient 2.5  $\mu\text{V}/^\circ\text{C}$  Max for LT1014**
- **Input Offset Current 1.5 nA Max at 25°C for LT1014**
- **High Gain 1.2  $\text{V}/\mu\text{V}$  Min ( $R_L = 2 \text{ k}\Omega$ ), 0.5  $\text{V}/\mu\text{V}$  Min ( $R_L = 600 \Omega$ ) for LT1014**
- **Low Supply Current 2.2 mA Max at 25°C for LT 1014**
- **Low Peak-to-Peak Noise Voltage 0.55  $\mu\text{V}$  Typ**
- **Low Current Noise 0.07  $\text{pA}/\sqrt{\text{Hz}}$  Typ**

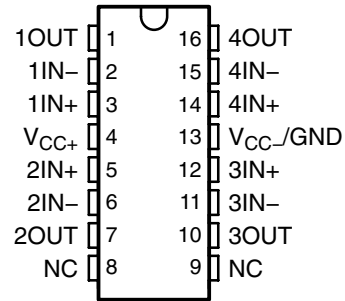
## description

The LT1014, LT1014A, and LT1014D are quad precision operational amplifiers with 14-pin industry-standard configuration. They feature low offset-voltage temperature coefficient, high gain, low supply current, and low noise.

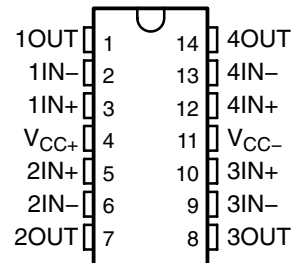
The LT1014, LT1014A, and LT1014D can be operated with both dual  $\pm 15\text{-V}$  and single 5-V power supplies. The common-mode input voltage range includes ground, and the output voltage can also swing to within a few millivolts of ground. Crossover distortion is eliminated.

The LT1014C and LT1014D are characterized for operation from 0°C to 70°C. The LT1014I and LT1014DI are characterized for operation from -40°C to 105°C. The LT1014M, LT1014AM and LT1014DM are characterized for operation over the full military temperature range of -55°C to 125°C.

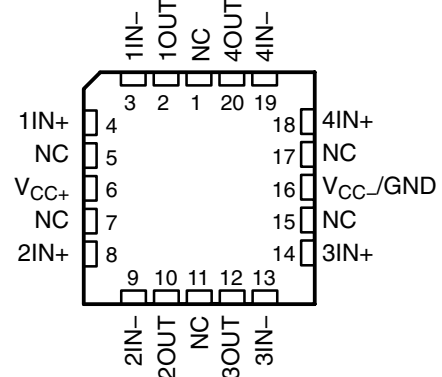
**DW PACKAGE  
(TOP VIEW)**



**J OR N PACKAGE  
(TOP VIEW)**



**FK PACKAGE  
(TOP VIEW)**



NC – No internal connection



Please be aware that an important notice concerning availability, standard warranty, and use in critical applications of Texas Instruments semiconductor products and disclaimers thereto appears at the end of this data sheet.

PRODUCTION DATA information is current as of publication date. Products conform to specifications per the terms of Texas Instruments standard warranty. Production processing does not necessarily include testing of all parameters.

**TEXAS  
INSTRUMENTS**

POST OFFICE BOX 655303 • DALLAS, TEXAS 75265

Copyright © 2009, Texas Instruments Incorporated

# LT1014, LT1014A, LT1014D QUAD PRECISION OPERATIONAL AMPLIFIERS

SLOS039D – JULY 1989 – REVISED AUGUST 2009

## AVAILABLE OPTIONS<sup>†</sup>

T <sub>A</sub>	V <sub>IO</sub> max AT 25°C	PACKAGED DEVICES <sup>‡</sup>			
		SMALL OUTLINE (DW) <sup>§</sup>	CHIP CARRIER (FK)	CERAMIC DIP (J)	PLASTIC DIP (N)
0°C to 70°C	300 μV 800 μV	— LT1014DDW	— —	— —	LT1014CN LT1014DN
–40°C to 105°C	300 μV 800 μV	— LT1014DIDW	— —	— —	LT1014IN LT1014DIN
–55°C to 125°C	180 μV 300 μV 800 μV	— — LT1014DMDW	LT1014AMFK LT1014MFK —	LT1014AMJ LT1014MJ —	— LT1014MN LT1014DMN

<sup>†</sup> For the most current package and ordering information, see the Package Option Addendum at the end of this document, or see the TI web site at [www.ti.com](http://www.ti.com).

<sup>‡</sup> Package drawings, thermal data, and symbolization are available at [www.ti.com/packaging](http://www.ti.com/packaging).

<sup>§</sup> The DW package is available taped and reeled. Add the suffix R to the device type (e.g., LT1014DDWR).

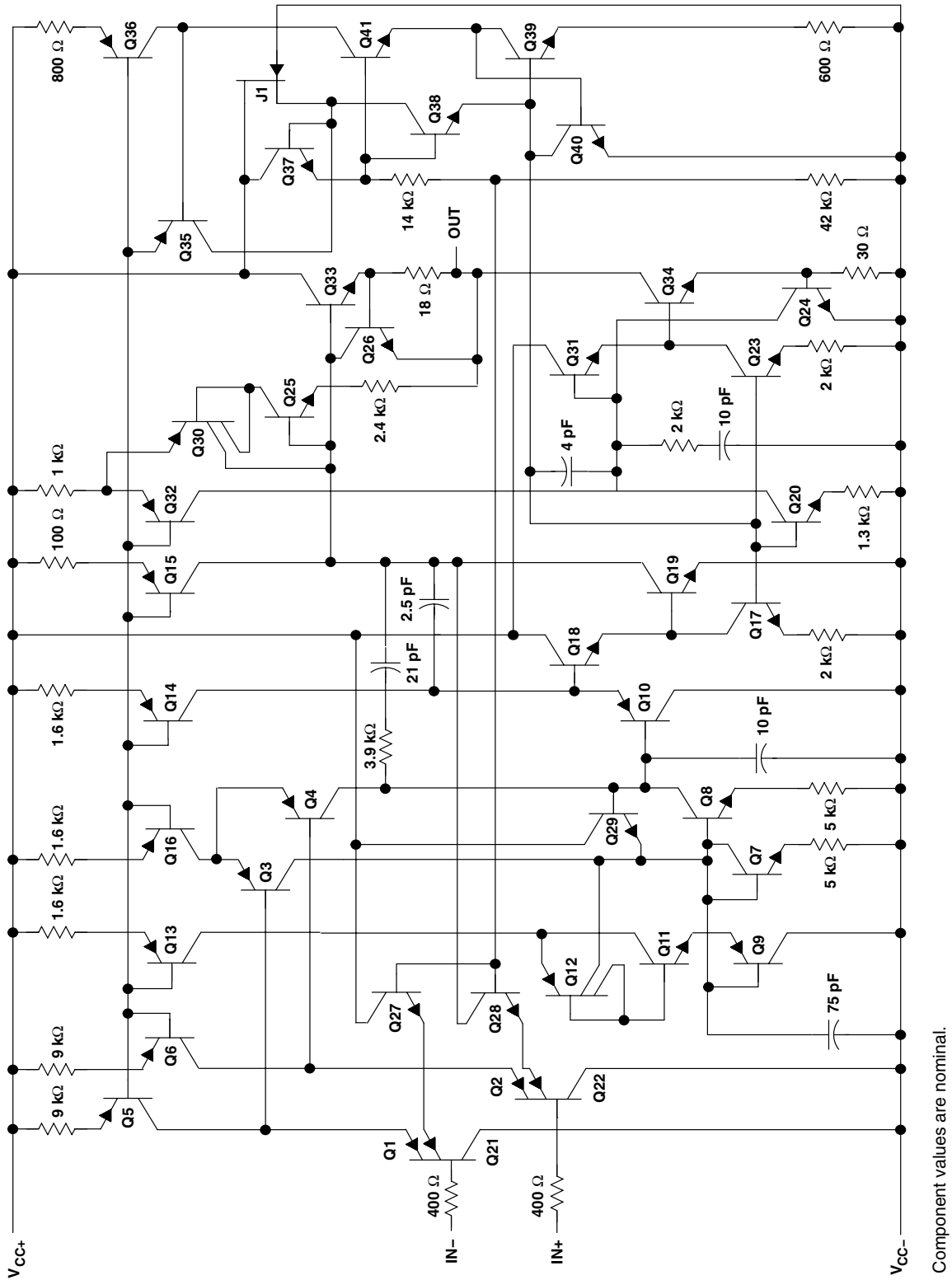


POST OFFICE BOX 655303 • DALLAS, TEXAS 75265

# LT1014, LT1014A, LT1014D QUAD PRECISION OPERATIONAL AMPLIFIERS

SLOS039D – JULY 1989 – REVISED AUGUST 2009

schematic (each amplifier)



# LT1014, LT1014A, LT1014D QUAD PRECISION OPERATIONAL AMPLIFIERS

SLOS039D – JULY 1989 – REVISED AUGUST 2009

## absolute maximum ratings over operating free-air temperature range (unless otherwise noted)<sup>†</sup>

Supply voltage (see Note 1): $V_{CC+}$ .....	22 V
$V_{CC-}$ .....	-22 V
Differential input voltage (see Note 2) .....	$\pm 30$ V
Input voltage range, $V_I$ (any input) (see Note 1) .....	$V_{CC-} - 5$ V to $V_{CC+}$
Duration of short-circuit current at (or below) $T_A = 25^\circ\text{C}$ (see Note 3) .....	Unlimited
Continuous total power dissipation .....	See Dissipation Rating Table
Operating free-air temperature range, $T_A$ : LT1014C, LT1014D .....	$-0^\circ\text{C}$ to $70^\circ\text{C}$
LT1014I, LT1014DI .....	$-40^\circ\text{C}$ to $105^\circ\text{C}$
LT1014M, LT1014AM, LT1014DM .....	$-55^\circ\text{C}$ to $125^\circ\text{C}$
Case temperature for 60 seconds: FK package .....	$260^\circ\text{C}$
Storage temperature range, $T_{stg}$ .....	$-65^\circ\text{C}$ to $150^\circ\text{C}$

<sup>†</sup> Stresses beyond those listed under “absolute maximum ratings” may cause permanent damage to the device. These are stress ratings only, and functional operation of the device at these or any other conditions beyond those indicated under “recommended operating conditions” is not implied. Exposure to absolute-maximum-rated conditions for extended periods may affect device reliability.

- NOTES: 1. All voltage values, except differential voltages, are with respect to the midpoint between  $V_{CC+}$  and  $V_{CC-}$ .  
 2. Differential voltages are at the noninverting input with respect to the inverting input.  
 3. The output may be shorted to either supply.

DISSIPATION RATING TABLE

PACKAGE	$T_A \leq 25^\circ\text{C}$ POWER RATING	DERATING FACTOR ABOVE $T_A = 25^\circ\text{C}$	$T_A = 70^\circ\text{C}$ POWER RATING	$T_A = 105^\circ\text{C}$ POWER RATING	$T_A = 125^\circ\text{C}$ POWER RATING
DW	1025 mW	8.2 mW/ $^\circ\text{C}$	656 mW	369 mW	205 mW
FK	1375 mW	11.0 mW/ $^\circ\text{C}$	880 mW	495 mW	275 mW
J	1375 mW	11.0 mW/ $^\circ\text{C}$	880 mW	495 mW	275 mW
N	1150 mW	9.2 mW/ $^\circ\text{C}$	736 mW	414 mW	230 mW



# LT1014, LT1014A, LT1014D QUAD PRECISION OPERATIONAL AMPLIFIERS

SLOS039D – JULY 1989 – REVISED AUGUST 2009

**electrical characteristics at specified free-air temperature,  $V_{CC\pm} = \pm 15\text{ V}$ ,  $V_{IC} = 0$  (unless otherwise noted)**

PARAMETER	TEST CONDITIONS	$T_A$ †	LT1014C			LT1014D			UNIT
			MIN	TYP‡	MAX	MIN	TYP‡	MAX	
$V_{IO}$ Input offset voltage	$R_S = 50\ \Omega$	25°C	60	300	200	800	$\mu\text{V}$		
		Full range	550			1000			
$\alpha_{V_{IO}}$ Temperature coefficient of input offset voltage		Full range	0.4	2.5	0.7	5	$\mu\text{V}/^\circ\text{C}$		
Long-term drift of input offset voltage		25°C	0.5		0.5		$\mu\text{V}/\text{mo}$		
$I_{IO}$ Input offset current		25°C	0.15	1.5	0.15	1.5	nA		
		Full range	2.8			2.8			
$I_{IB}$ Input bias current		25°C	-12	-30	-12	-30	nA		
		Full range	-38			-38			
$V_{ICR}$ Common-mode input voltage range		25°C	-15 to 13.5	-15.3 to 13.8	-15 to 13.5	-15.3 to 13.8	V		
		Full range	-15 to 13		-15 to 13				
$V_{OM}$ Maximum peak output voltage swing	$R_L = 2\ \text{k}\Omega$	25°C	$\pm 12.5$	$\pm 14$	$\pm 12.5$	$\pm 14$	V		
		Full range	$\pm 12$			$\pm 12$			
$A_{VD}$ Large-signal differential voltage amplification	$V_O = \pm 10\ \text{V}$ , $R_L = 600\ \Omega$	25°C	0.5	2	0.5	2	$\text{V}/\mu\text{V}$		
	$V_O = \pm 10\ \text{V}$ , $R_L = 2\ \text{k}\Omega$	25°C	1.2	8	1.2	8			
		Full range	0.7			0.7			
CMRR Common-mode rejection ratio	$V_{IC} = -15\ \text{V}$ to $13.5\ \text{V}$	25°C	97	117	97	117	dB		
	$V_{IC} = -15\ \text{V}$ to $13\ \text{V}$	Full range	94			94			
$k_{SVR}$ Supply-voltage rejection ratio ( $\Delta V_{CC}/\Delta V_{IO}$ )	$V_{CC\pm} = \pm 2\ \text{V}$ to $\pm 18\ \text{V}$	25°C	100	117	100	117	dB		
		Full range	97			97			
Channel separation	$V_O = \pm 10\ \text{V}$ , $R_L = 2\ \text{k}\Omega$	25°C	120	137	120	137	dB		
$r_{id}$ Differential input resistance		25°C	70	300	70	300	$\text{M}\Omega$		
$r_{ic}$ Common-mode input resistance		25°C	4			4		$\text{G}\Omega$	
$I_{CC}$ Supply current per amplifier		25°C	0.35	0.55	0.35	0.55	mA		
		Full range	0.6			0.6			

† Full range is 0°C to 70°C.

‡ All typical values are at  $T_A = 25^\circ\text{C}$ .



# LT1014, LT1014A, LT1014D QUAD PRECISION OPERATIONAL AMPLIFIERS

SLOS039D – JULY 1989 – REVISED AUGUST 2009

electrical characteristics at specified free-air temperature,  $V_{CC\pm} = 5\text{ V}$ ,  $V_{CC-} = 0$ ,  $V_O = 1.4\text{ V}$ ,  $V_{IC} = 0$  (unless otherwise noted)

PARAMETER	TEST CONDITIONS	$T_A^\dagger$	LT1014C			LT1014D			UNIT
			MIN	TYP	MAX	MIN	TYP	MAX	
$V_{IO}$ Input offset voltage	$R_S = 50\ \Omega$	25°C	90	450		250	950	$\mu\text{V}$	
		Full range			570		1200		
$I_{IO}$ Input offset current		25°C	0.2	2		0.2	2	nA	
		Full range			6		6		
$I_{IB}$ Input bias current		25°C	-15	-50		-15	-50	nA	
		Full range			-90		-90		
$V_{ICR}$ Common-mode input voltage range		25°C	0 to 3.5	-0.3 to 3.8		0 to 3.5	-0.3 to 3.8	V	
		Full range	0 to 3			0 to 3			
$V_{OM}$ Maximum peak output voltage swing	Output low, No load	25°C	15	25		15	25	mV	
	Output low, $R_L = 600\ \Omega$ to GND	25°C	5	10		5	10		
		Full range			13		13		
	Output low, $I_{\text{sink}} = 1\text{ mA}$	25°C	220	350		220	350	V	
	Output high, No load	25°C	4	4.4		4	4.4		
	Output high, $R_L = 600\ \Omega$ to GND	25°C	3.4	4		3.4	4		
Full range				3.2		3.2			
$A_{VD}$ Large-signal differential voltage amplification	$V_O = 5\text{ mV}$ to 4 V, $R_L = 500\ \Omega$	25°C	1			1	$\text{V}/\mu\text{V}$		
$I_{CC}$ Supply current per amplifier		25°C	0.3	0.5		0.3	0.5	mA	
		Full range			0.55		0.55		

† Full range is 0°C to 70°C.

operating characteristics,  $V_{CC\pm} = \pm 15\text{ V}$ ,  $V_{IC} = 0$ ,  $T_A = 25^\circ\text{C}$

PARAMETER	TEST CONDITIONS	MIN	TYP	MAX	UNIT
SR Slew rate		0.2	0.4		$\text{V}/\mu\text{s}$
$V_n$ Equivalent input noise voltage	$f = 10\text{ Hz}$		24		$\text{nV}/\sqrt{\text{Hz}}$
	$f = 1\text{ kHz}$		22		
$V_{N(PP)}$ Peak-to-peak equivalent input noise voltage	$f = 0.1\text{ Hz}$ to 10 Hz		0.55		$\mu\text{V}$
$I_n$ Equivalent input noise current	$f = 10\text{ Hz}$		0.07		$\text{pA}/\sqrt{\text{Hz}}$



# LT1014, LT1014A, LT1014D QUAD PRECISION OPERATIONAL AMPLIFIERS

SLOS039D – JULY 1989 – REVISED AUGUST 2009

**electrical characteristics at specified free-air temperature,  $V_{CC\pm} = \pm 15\text{ V}$ ,  $V_{IC} = 0$  (unless otherwise noted)**

PARAMETER	TEST CONDITIONS	$T_A$ †	LT1014I		LT1014DI		UNIT
			MIN	TYP‡	MAX	MIN	
$V_{IO}$ Input offset voltage	$R_S = 50\ \Omega$	25°C	60	300	200	800	$\mu\text{V}$
		Full range	550		1000		
$\alpha_{V_{IO}}$ Temperature coefficient of input offset voltage		Full range	0.4	2.5	0.7	5	$\mu\text{V}/^\circ\text{C}$
Long-term drift of input offset voltage		25°C	0.5		0.5		$\mu\text{V}/\text{mo}$
$I_{IO}$ Input offset current		25°C	0.15	1.5	0.15	1.5	nA
		Full range	2.8		2.8		
$I_{IB}$ Input bias current		25°C	-12	-30	-12	-30	nA
		Full range	-38		-38		
$V_{ICR}$ Common-mode input voltage range		25°C	-15 to 13.5	-15.3 to 13.8	-15 to 13.5	-15.3 to 13.8	V
		Full range	-15 to 13		-15 to 13		
$V_{OM}$ Maximum peak output voltage swing	$R_L = 2\ \text{k}\Omega$	25°C	$\pm 12.5$	$\pm 14$	$\pm 12.5$	$\pm 14$	V
		Full range	$\pm 12$		$\pm 12$		
$A_{VD}$ Large-signal differential voltage amplification	$V_O = \pm 10\ \text{V}$ , $R_L = 600\ \Omega$	25°C	0.5	2	0.5	2	$\text{V}/\mu\text{V}$
	$V_O = \pm 10\ \text{V}$ , $R_L = 2\ \text{k}\Omega$	25°C	1.2	8	1.2	8	
		Full range	0.7		0.7		
CMRR Common-mode rejection ratio	$V_{IC} = -15\ \text{V}$ to $13.5\ \text{V}$	25°C	97	117	97	117	dB
		Full range	94		94		
$k_{SVR}$ Supply-voltage rejection ratio ( $\Delta V_{CC}/\Delta V_{IO}$ )	$V_{CC\pm} = \pm 2\ \text{V}$ to $\pm 18\ \text{V}$	25°C	100	117	100	117	dB
		Full range	97		97		
Channel separation	$V_O = \pm 10\ \text{V}$ , $R_L = 2\ \text{k}\Omega$	25°C	120	137	120	137	dB
$r_{id}$ Differential input resistance		25°C	70	300	70	300	$\text{M}\Omega$
$r_{ic}$ Common-mode input resistance		25°C	4		4		$\text{G}\Omega$
$I_{CC}$ Supply current per amplifier		25°C	0.35	0.55	0.35	0.55	mA
		Full range	0.6		0.6		

† Full range is  $-40^\circ\text{C}$  to  $105^\circ\text{C}$ .

‡ All typical values are at  $T_A = 25^\circ\text{C}$ .



# LT1014, LT1014A, LT1014D QUAD PRECISION OPERATIONAL AMPLIFIERS

SLOS039D – JULY 1989 – REVISED AUGUST 2009

electrical characteristics at specified free-air temperature,  $V_{CC+} = 5\text{ V}$ ,  $V_{CC-} = 0$ ,  $V_O = 1.4\text{ V}$ ,  $V_{IC} = 0$  (unless otherwise noted)

PARAMETER	TEST CONDITIONS	$T_A$ †	LT1014I			LT1014DI			UNIT
			MIN	TYP	MAX	MIN	TYP	MAX	
$V_{IO}$ Input offset voltage	$R_S = 50\ \Omega$	25°C	90	450		250	950	$\mu\text{V}$	
		Full range			570		1200		
$I_{IO}$ Input offset current		25°C	0.2	2		0.2	2	nA	
		Full range			6		6		
$I_{IB}$ Input bias current		25°C	-15	-50		-15	-50	nA	
		Full range			-90		-90		
$V_{ICR}$ Common-mode input voltage range		25°C	0 to 3.5	-0.3 to 3.8		0 to 3.5	-0.3 to 3.8	V	
		Full range	0 to 3		0 to 3				
$V_{OM}$ Maximum peak output voltage swing	Output low, No load	25°C	15	25		15	25	mV	
	Output low, $R_L = 600\ \Omega$ to GND	25°C	5	10		5	10		
		Full range	13		13				
	Output low, $I_{\text{sink}} = 1\text{ mA}$	25°C	220	350		220	350	V	
	Output high, No load	25°C	4	4.4		4	4.4		
	Output high, $R_L = 600\ \Omega$ to GND	25°C	3.4	4		3.4	4		
Full range		3.2		3.2					
$A_{VD}$ Large-signal differential voltage amplification	$V_O = 5\text{ mV}$ to $4\text{ V}$ , $R_L = 500\ \Omega$	25°C	1		1		$\text{V}/\mu\text{V}$		
$I_{CC}$ Supply current per amplifier		25°C	0.3	0.5		0.3	0.5	mA	
		Full range	0.55		0.55				

† Full range is  $-40^\circ\text{C}$  to  $105^\circ\text{C}$ .

operating characteristics,  $V_{CC+} = \pm 15\text{ V}$ ,  $V_{IC} = 0$ ,  $T_A = 25^\circ\text{C}$

PARAMETER	TEST CONDITIONS	MIN	TYP	MAX	UNIT
SR Slew rate		0.2	0.4		$\text{V}/\mu\text{s}$
$V_n$ Equivalent input noise voltage	$f = 10\text{ Hz}$	24			$\text{nV}/\sqrt{\text{Hz}}$
	$f = 1\text{ kHz}$	22			
$V_{N(PP)}$ Peak-to-peak equivalent input noise voltage	$f = 0.1\text{ Hz}$ to $10\text{ Hz}$	0.55			$\mu\text{V}$
$I_n$ Equivalent input noise current	$f = 10\text{ Hz}$	0.07			$\text{pA}/\sqrt{\text{Hz}}$



# LT1014, LT1014A, LT1014D QUAD PRECISION OPERATIONAL AMPLIFIERS

SLOS039D – JULY 1989 – REVISED AUGUST 2009

**electrical characteristics at specified free-air temperature,  $V_{CC\pm} = \pm 15\text{ V}$ ,  $V_{IC} = 0$  (unless otherwise noted)**

PARAMETER	TEST CONDITIONS	$T_A^\dagger$	LT1014M			LT1014AM			LT1014DM			UNIT
			MIN	TYP $^\ddagger$	MAX	MIN	TYP $^\ddagger$	MAX	MIN	TYP $^\ddagger$	MAX	
$V_{IO}$ Input offset voltage	$R_S = 50\ \Omega$	25°C	60	300		60	180		200	800	$\mu\text{V}$	
		Full range			550		350			1000		
$\alpha_{V_{IO}}$ Temperature coefficient of input offset voltage		Full range	0.5	2.5		0.5	2		0.5	2.5	$\mu\text{V}/^\circ\text{C}$	
Long-term drift of input offset voltage		25°C	0.5			0.5			0.5		$\mu\text{V}/\text{mo}$	
$I_{IO}$ Input offset current		25°C	0.15	1.5		0.15	0.8		0.15	1.5	nA	
		Full range			5		2.8			5		
$I_{IB}$ Input bias current		25°C	-12	-30		-12	-20		-12	-30	nA	
		Full range			-45		-30			-45		
$V_{ICR}$ Common-mode input voltage range		25°C	-15 to 13.5	-15.3 to 13.8		-15 to 13.5	-15.3 to 13.8		-15 to 13.5	-15.3 to 13.8	V	
		Full range	-14.9 to 13			-14.9 to 13			-14.9 to 13			
$V_{OM}$ Maximum peak output voltage swing	$R_L = 2\ \text{k}\Omega$	25°C	$\pm 12.5$	$\pm 14$		$\pm 13$	$\pm 14$		$\pm 12.5$	$\pm 14$	V	
		Full range	$\pm 11.5$			$\pm 12$			$\pm 11.5$			
$A_{VD}$ Large-signal differential voltage amplification	$V_O = \pm 10\ \text{V}$ , $R_L = 600\ \Omega$	25°C	0.5	2		0.8	2.2		0.5	2	$\text{V}/\mu\text{V}$	
		25°C	$V_O = \pm 10\ \text{V}$ , $R_L = 2\ \text{k}\Omega$	1.2	8		1.5	8		1.2		8
				Full range	0.25			0.4				0.25
CMRR Common-mode rejection ratio	$V_{IC} = -15\ \text{V}$ to 13.5 V	25°C	97	117		100	117		97	117	dB	
		Full range	94			96			94			
$k_{SVR}$ Supply-voltage rejection ratio ( $\Delta V_{CC}/\Delta V_{IO}$ )	$V_{CC\pm} = \pm 2\ \text{V}$ to $\pm 18\ \text{V}$	25°C	100	117		103	117		100	117	dB	
		Full range	97			100			97			
Channel separation	$V_O = \pm 10\ \text{V}$ , $R_L = 2\ \text{k}\Omega$	25°C	120	137		123	137		120	137	dB	
$r_{id}$ Differential input resistance		25°C	70	300		100	300		70	300	$\text{M}\Omega$	
$r_{ic}$ Common-mode input resistance		25°C	4			4			4		$\text{G}\Omega$	
$I_{CC}$ Supply current per amplifier		25°C	0.35	0.55		0.35	0.50		0.35	0.55	mA	
		Full range			0.7		0.6			0.7		

$^\dagger$  Full range is  $-55^\circ\text{C}$  to  $125^\circ\text{C}$ .

$^\ddagger$  All typical values are at  $T_A = 25^\circ\text{C}$ .



# LT1014, LT1014A, LT1014D QUAD PRECISION OPERATIONAL AMPLIFIERS

SLOS039D – JULY 1989 – REVISED AUGUST 2009

electrical characteristics at specified free-air temperature,  $V_{CC+} = 5\text{ V}$ ,  $V_{CC-} = 0$ ,  $V_O = 1.4\text{ V}$ ,  $V_{IC} = 0$  (unless otherwise noted)

PARAMETER	TEST CONDITIONS	$T_A^\dagger$	LT1014M			LT1014AM			LT1014DM			UNIT
			MIN	TYP	MAX	MIN	TYP	MAX	MIN	TYP	MAX	
$V_{IO}$ Input offset voltage	$R_S = 50\Omega$	25°C	90	450		90	280		250	950	$\mu\text{V}$	
		Full range	400	1500		400	960		800	2000		
	$R_S = 50\Omega$ , $V_{IC} = 0.1\text{ V}$	125°C	200	750		200	480		560	1200		
$I_{IO}$ Input offset current		25°C	0.2	2		0.2	1.3		0.2	2	nA	
		Full range		10			7			10		
$I_{IB}$ Input bias current		25°C	-15	-50		-15	-35		-15	-50	nA	
		Full range		-120			-90			-120		
$V_{ICR}$ Common-mode input voltage range		25°C	0 to 3.5	-0.3 to 3.8		0 to 3.5	-0.3 to 3.8		0 to 3.5	-0.3 to 3.8	V	
		Full range	0.1 to 3			0.1 to 3			0.1 to 3			
$V_{OM}$ Maximum peak output voltage swing	Output low, No load	25°C	15	25		15	25		15	25	mV	
	Output low, $R_L = 600\Omega$ to GND	25°C	5	10		5	10		5	10		
		Full range		18			15			18		
	Output low, $I_{sink} = 1\text{ mA}$	25°C	220	350		220	350		220	350	V	
	Output high, No load	25°C	4	4.4		4	4.4		4	4.4		
	Output high, $R_L = 600\Omega$ to GND	Full range	3.1			3.2			3.1			
$A_{VD}$ Large-signal differential voltage amplification	$V_O = 5\text{ mV}$ to 4 V, $R_L = 500\Omega$	25°C		1			1			1	$\text{V}/\mu\text{V}$	
$I_{CC}$ Supply current per amplifier		25°C	0.3	0.5		0.3	0.45		0.3	0.5	mA	
		Full range		0.65			0.55			0.65		

$^\dagger$  Full range is -55°C to 125°C.

operating characteristics,  $V_{CC\pm} = \pm 15\text{ V}$ ,  $V_{IC} = 0$ ,  $T_A = 25^\circ\text{C}$

PARAMETER	TEST CONDITIONS	MIN	TYP	MAX	UNIT
SR Slew rate		0.2	0.4		$\text{V}/\mu\text{s}$
$V_n$ Equivalent input noise voltage	$f = 10\text{ Hz}$		24		$\text{nV}/\sqrt{\text{Hz}}$
	$f = 1\text{ kHz}$		22		
$V_{N(PP)}$ Peak-to-peak equivalent input noise voltage	$f = 0.1\text{ Hz}$ to 10 Hz		0.55		$\mu\text{V}$
$I_n$ Equivalent input noise current	$f = 10\text{ Hz}$		0.07		$\text{pA}/\sqrt{\text{Hz}}$



**TYPICAL CHARACTERISTICS**

**Table of Graphs**

		FIGURE	
$V_{IO}$	Input offset voltage vs Balanced source resistance	1	
$V_{IO}$	Input offset voltage vs Free-air temperature	2	
$\Delta V_{IO}$	Warm-Up Change in input offset voltage vs Elapsed time	3	
$I_{IO}$	Input offset current vs Free-air temperature	4	
$I_{IB}$	Input bias current vs Free-air temperature	5	
$V_{IC}$	Common-mode input voltage vs Input bias current	6	
$A_{VD}$	Differential voltage amplification	vs Load resistance	7, 8
		vs Frequency	9, 10
Channel separation vs Frequency		11	
Output saturation voltage vs Free-air temperature		12	
CMRR	Common-mode rejection ratio vs Frequency	13	
$k_{SVR}$	Supply-voltage rejection ratio vs Frequency	14	
$I_{CC}$	Supply current vs Free-air temperature	15	
$I_{OS}$	Short-circuit output current vs Elapsed time	16	
$V_n$	Equivalent input noise voltage vs Frequency	17	
$I_n$	Equivalent input noise current vs Frequency	17	
$V_{N(PP)}$	Peak-to-peak input noise voltage vs Time	18	
Pulse response (small signal) vs Time		19, 21	
Pulse response (large signal) vs Time		20, 22, 23	
Phase shift vs Frequency		9	

# LT1014, LT1014A, LT1014D QUAD PRECISION OPERATIONAL AMPLIFIERS

SLOS039D – JULY 1989 – REVISED AUGUST 2009

## TYPICAL CHARACTERISTICS†

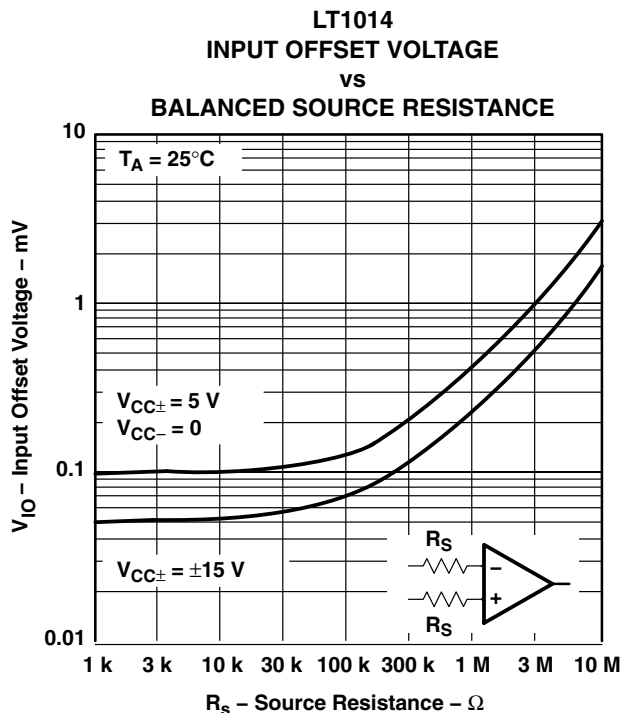


Figure 1

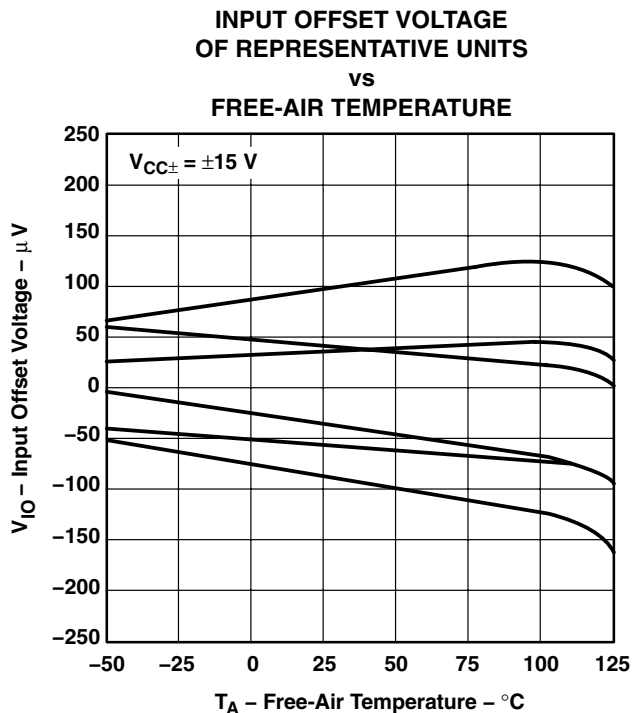


Figure 2

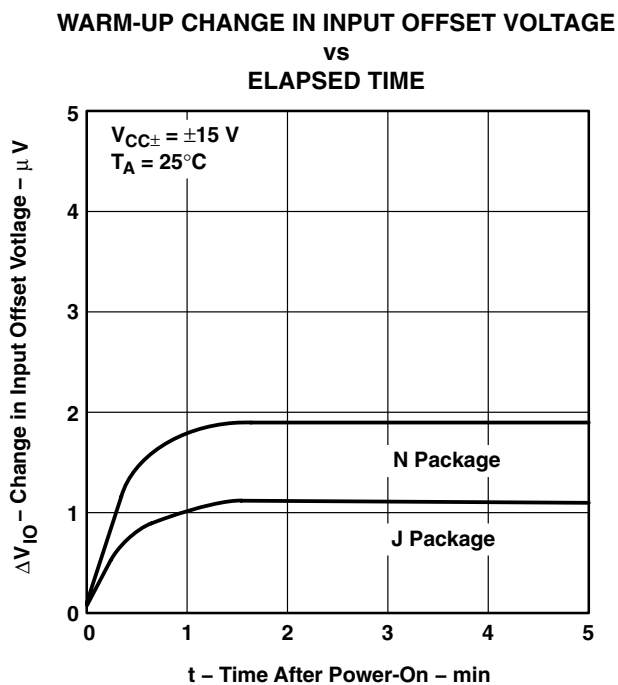


Figure 3

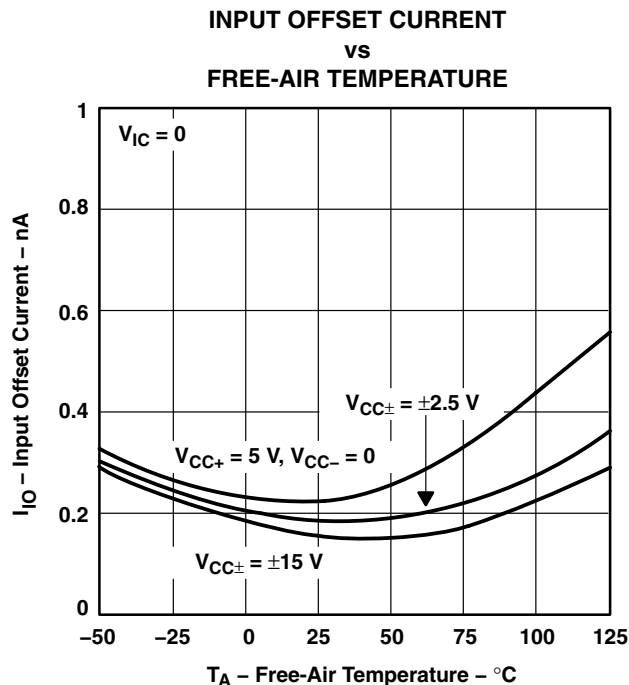
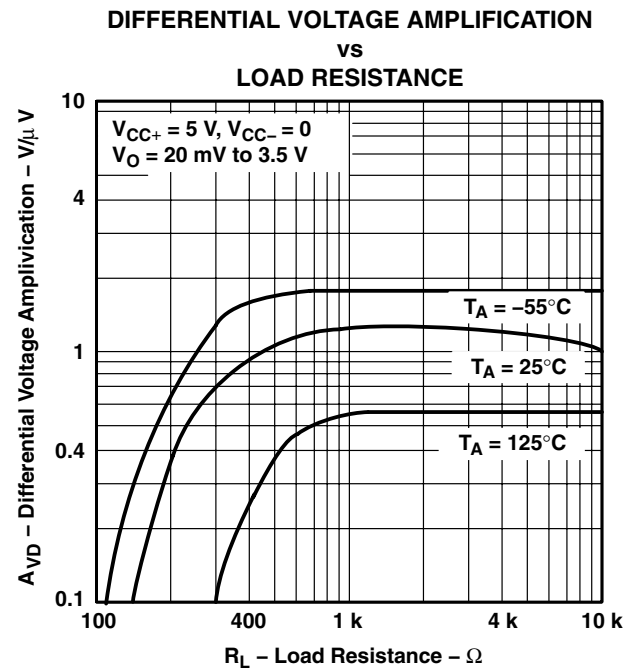
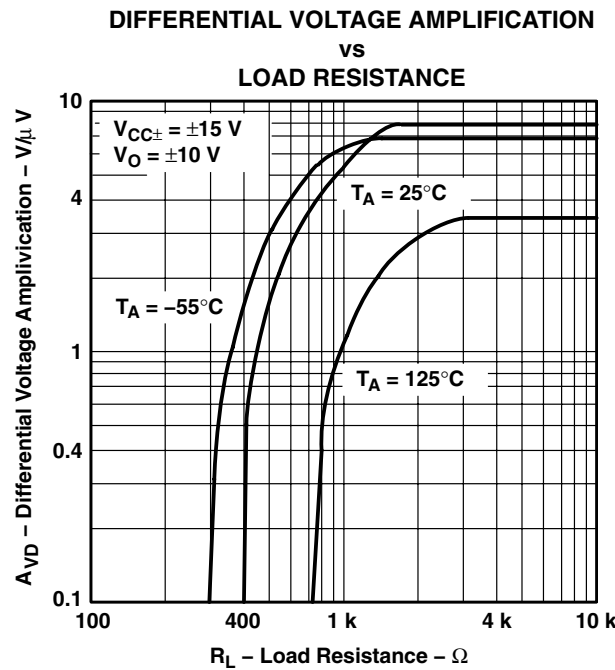
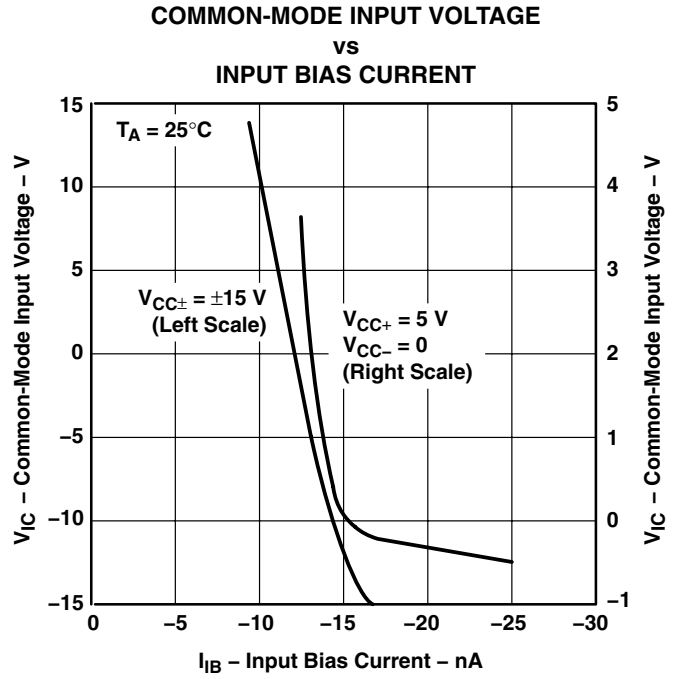
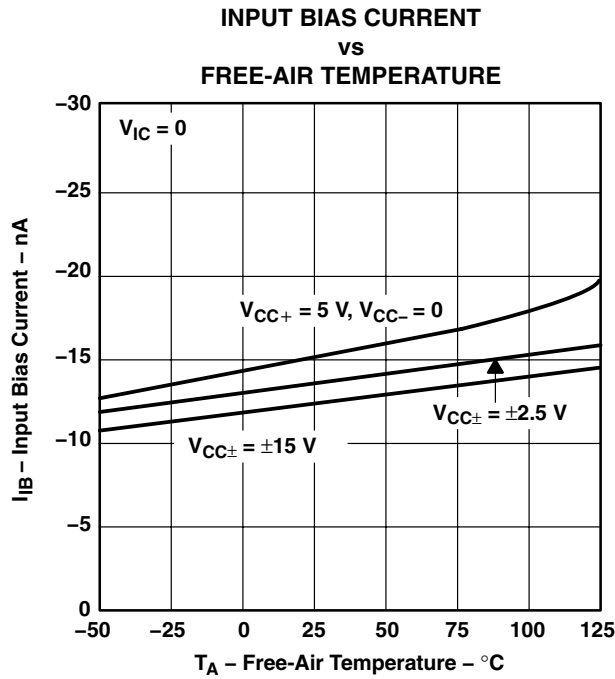


Figure 4

† Data at high and low temperatures are applicable only within the rated operating free-air temperature ranges of the various devices.

TYPICAL CHARACTERISTICS†



† Data at high and low temperatures are applicable only within the rated operating free-air temperature ranges of the various devices.

# LT1014, LT1014A, LT1014D QUAD PRECISION OPERATIONAL AMPLIFIERS

SLOS039D – JULY 1989 – REVISED AUGUST 2009

## TYPICAL CHARACTERISTICS†

**DIFFERENTIAL VOLTAGE AMPLIFICATION  
AND PHASE SHIFT  
vs  
FREQUENCY**

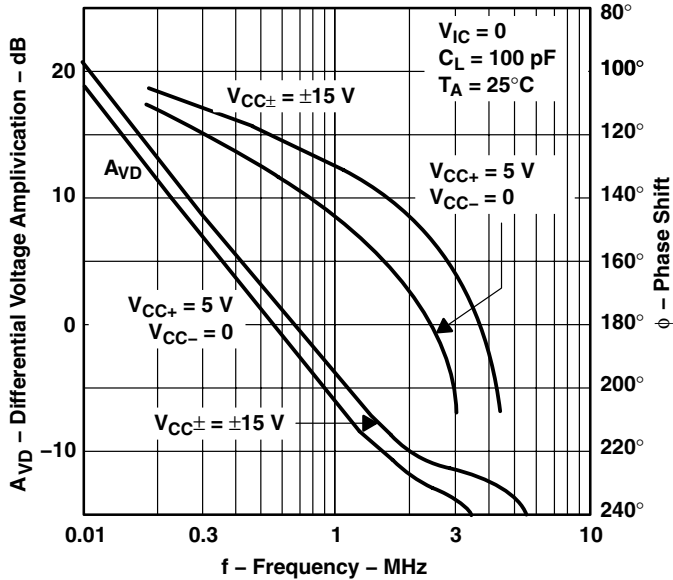


Figure 9

**DIFFERENTIAL VOLTAGE AMPLIFICATION  
vs  
FREQUENCY**

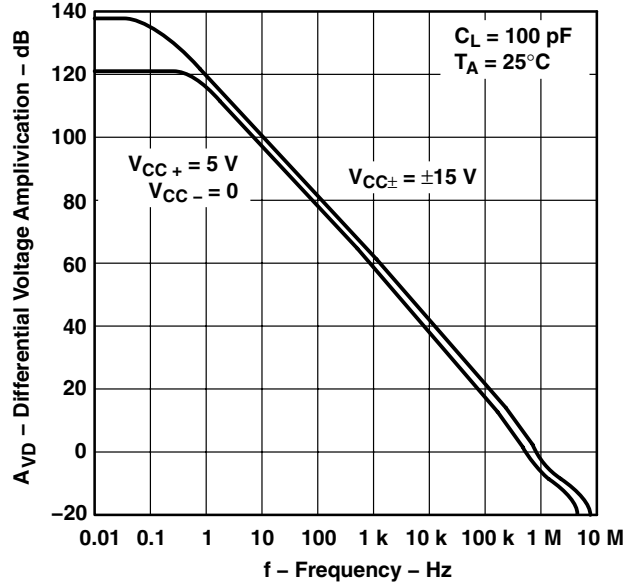


Figure 10

**CHANNEL SEPARATION  
vs  
FREQUENCY**

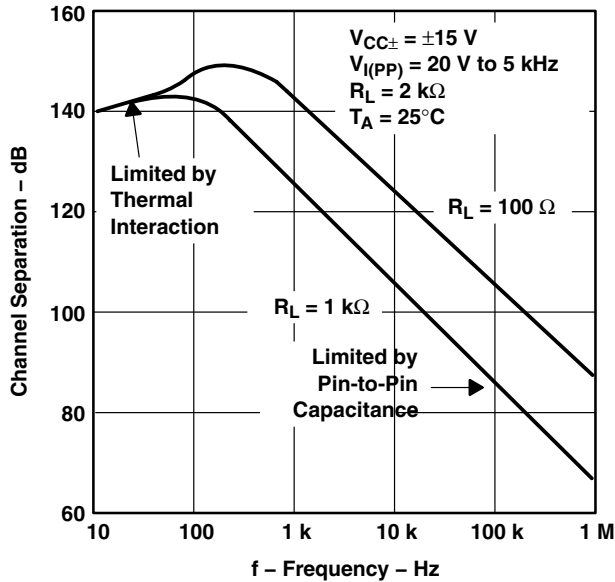


Figure 11

**OUTPUT SATURATION VOLTAGE  
vs  
FREE-AIR TEMPERATURE**

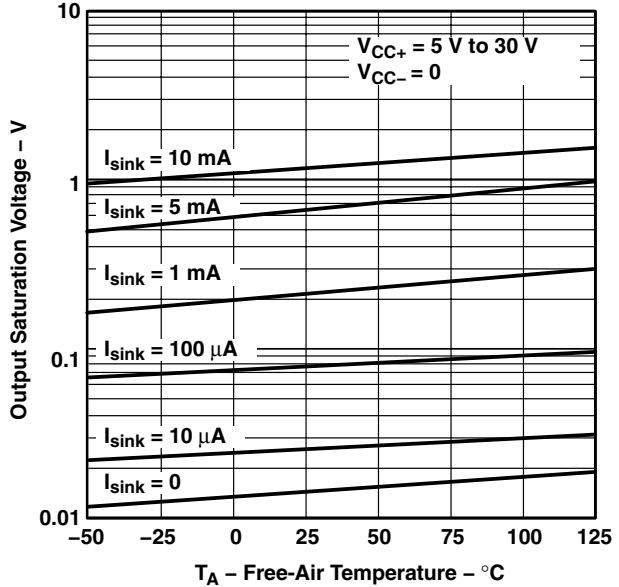
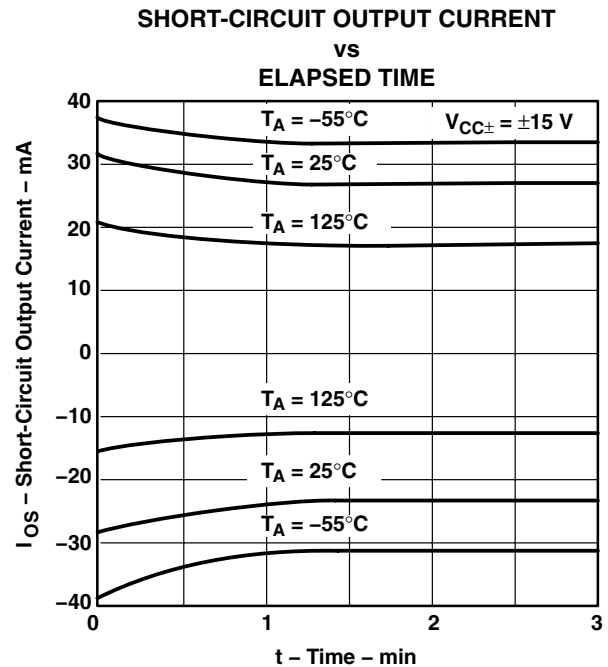
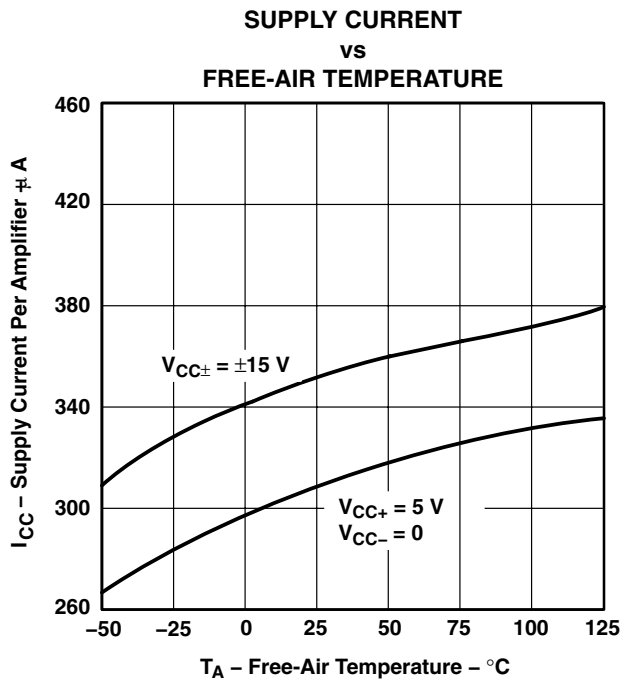
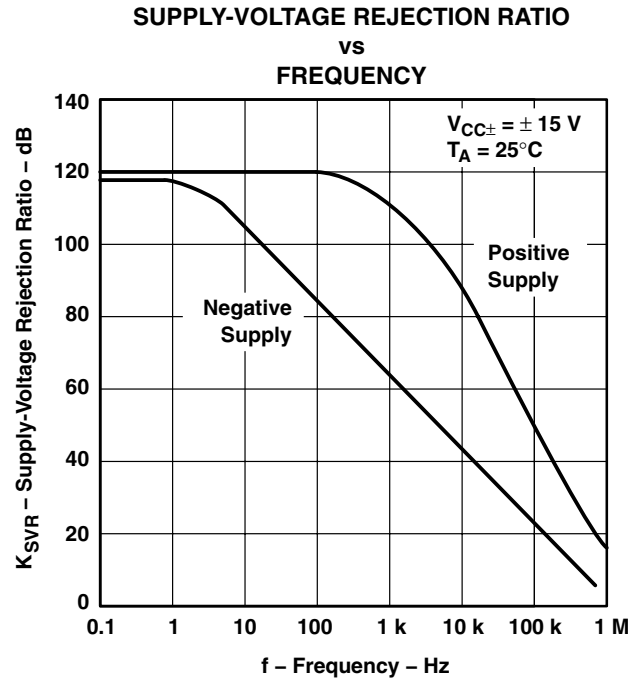
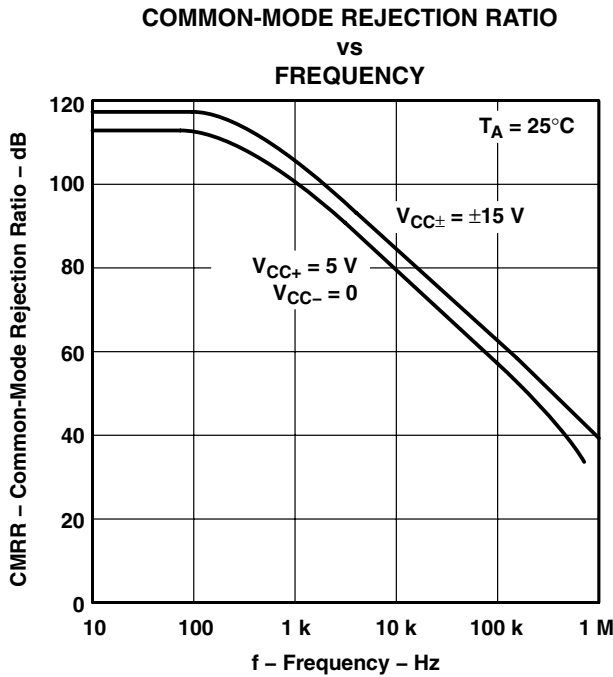


Figure 12

† Data at high and low temperatures are applicable only within the rated operating free-air temperature ranges of the various devices.



TYPICAL CHARACTERISTICS†



† Data at high and low temperatures are applicable only within the rated operating free-air temperature ranges of the various devices.

# LT1014, LT1014A, LT1014D QUAD PRECISION OPERATIONAL AMPLIFIERS

SLOS039D – JULY 1989 – REVISED AUGUST 2009

## TYPICAL CHARACTERISTICS

**EQUIVALENT INPUT NOISE VOLTAGE  
AND EQUIVALENT INPUT NOISE CURRENT**

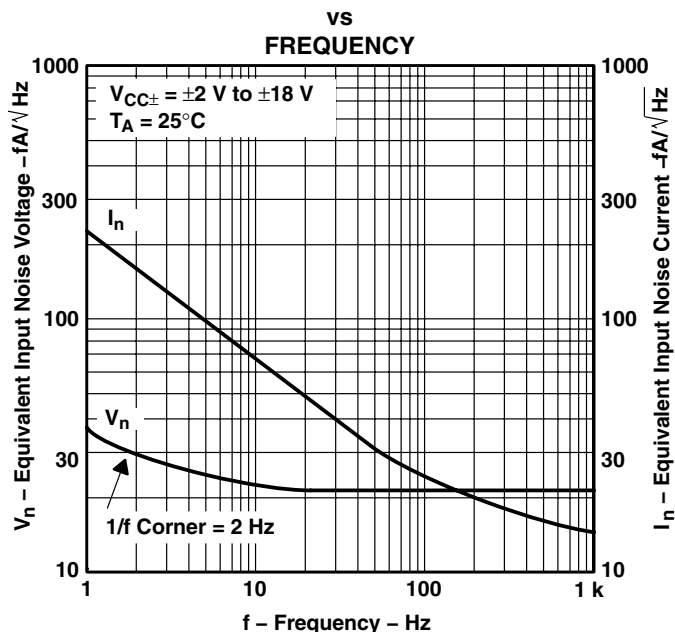


Figure 17

**PEAK-TO-PEAK INPUT NOISE VOLTAGE  
OVER A 10-SECOND PERIOD**

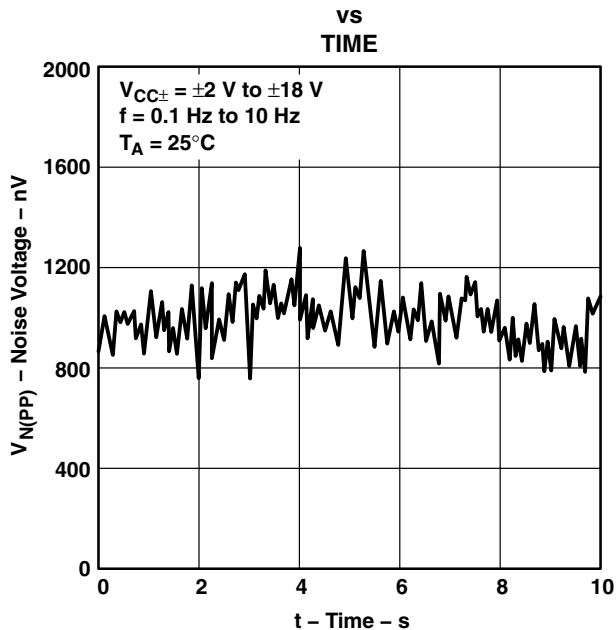


Figure 18

**VOLTAGE-FOLLOWER SMALL-SIGNAL  
PULSE RESPONSE**

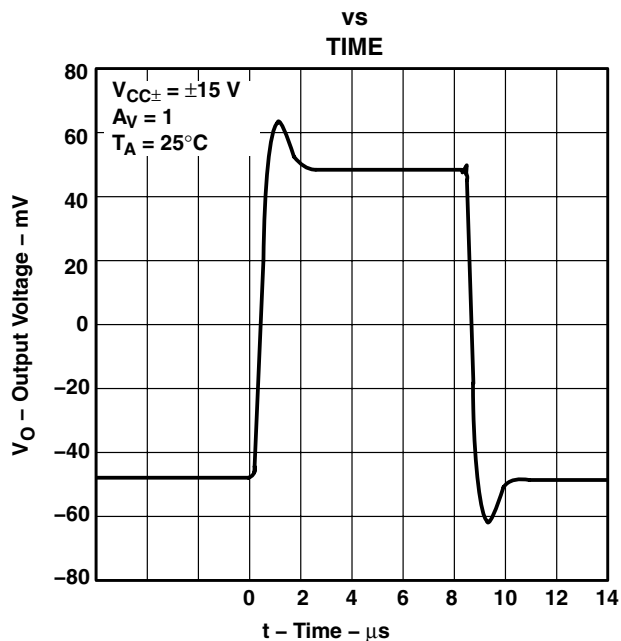


Figure 19

**VOLTAGE-FOLLOWER LARGE-SIGNAL  
PULSE RESPONSE**

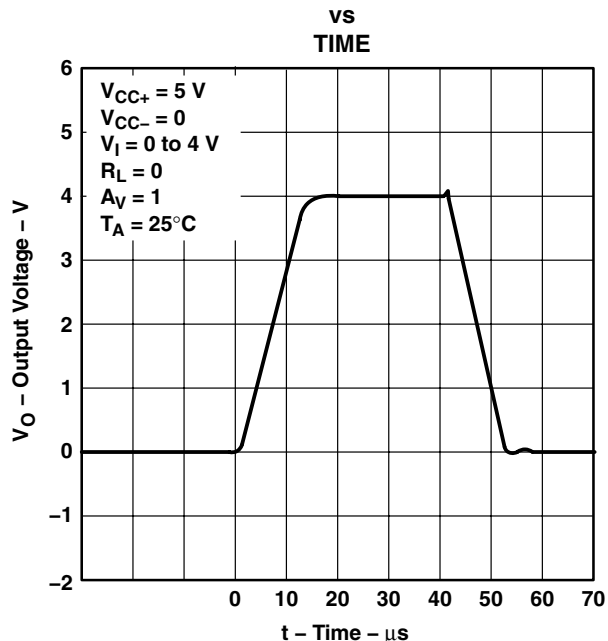


Figure 20



TYPICAL CHARACTERISTICS

VOLTAGE-FOLLOWER SMALL-SIGNAL  
 PULSE RESPONSE  
 vs  
 TIME

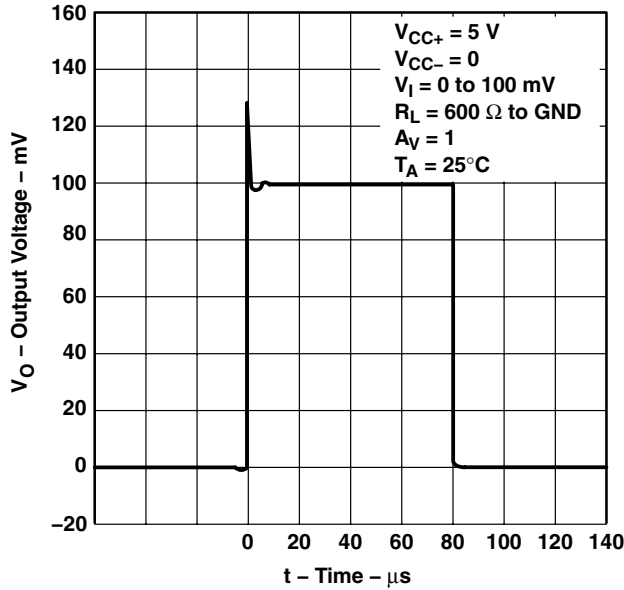


Figure 21

VOLTAGE-FOLLOWER LARGE-SIGNAL  
 PULSE RESPONSE  
 vs  
 TIME

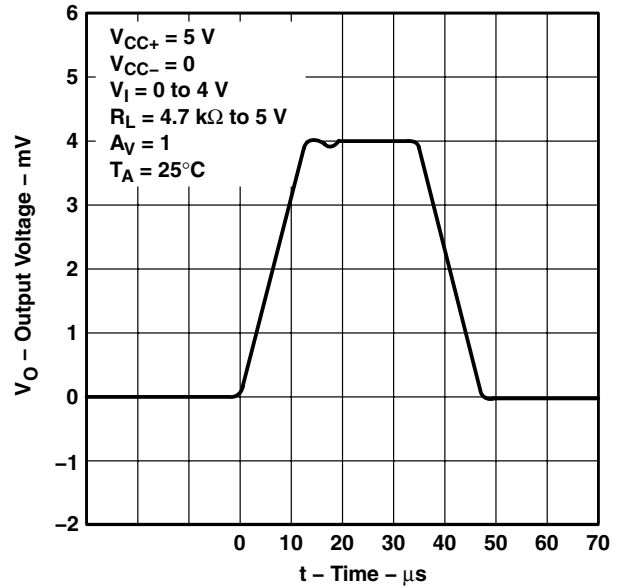


Figure 22

VOLTAGE-FOLLOWER LARGE-SIGNAL  
 PULSE RESPONSE  
 vs  
 TIME

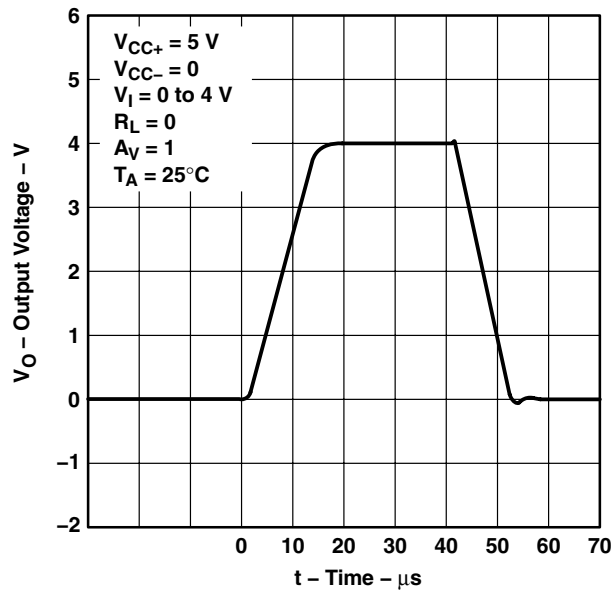


Figure 23

# LT1014, LT1014A, LT1014D QUAD PRECISION OPERATIONAL AMPLIFIERS

SLOS039D – JULY 1989 – REVISED AUGUST 2009

## APPLICATION INFORMATION

### single-supply operation

The LT1014 is fully specified for single-supply operation ( $V_{CC-} = 0$ ). The common-mode input voltage range includes ground, and the output swings within a few millivolts of ground.

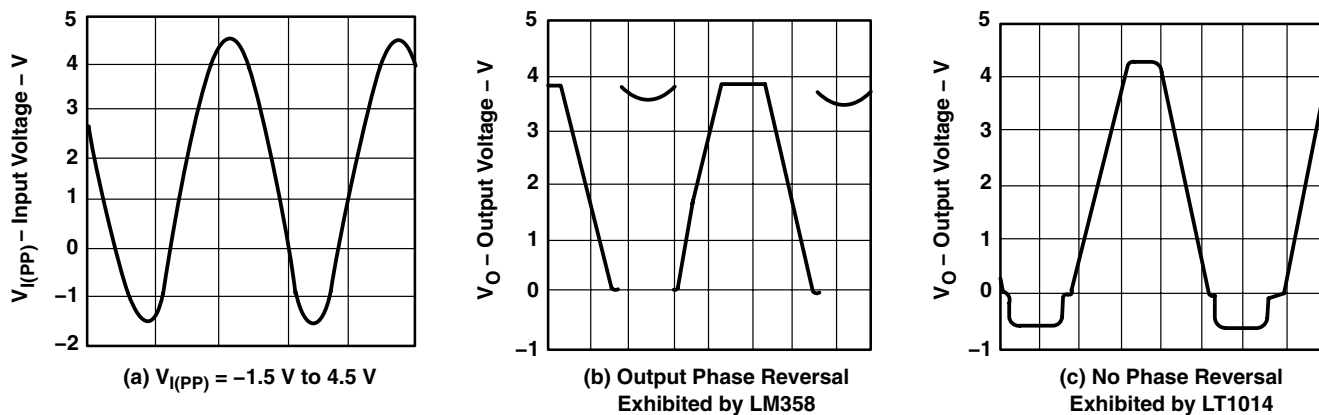
Furthermore, the LT1014 has specific circuitry that addresses the difficulties of single-supply operation, both at the input and at the output. At the input, the driving signal can fall below 0 V, either inadvertently or on a transient basis. If the input is more than a few hundred millivolts below ground, the LT1014 is designed to deal with the following two problems that can occur:

1. On many other operational amplifiers, when the input is more than a diode drop below ground, unlimited current flows from the substrate ( $V_{CC-}$  terminal) to the input, which can destroy the unit. On the LT1014, the 400- $\Omega$  resistors in series with the input (see schematic) protect the device even when the input is 5 V below ground.
2. When the input is more than 400 mV below ground (at  $T_A = 25^\circ\text{C}$ ), the input stage of similar type operational amplifiers saturates, and phase reversal occurs at the output. This can cause lockup in servo systems. Because of unique phase-reversal protection circuitry (Q21, Q22, Q27, and Q28), the LT1014 outputs do not reverse, even when the inputs are at  $-1.5$  V (see Figure 24).

However, this phase-reversal protection circuitry does not function when the other operational amplifier on the LT1014 is driven hard into negative saturation at the output. Phase-reversal protection does not work on an amplifier:

- When 4's output is in negative saturation (the outputs of 2 and 3 have no effect)
- When 3's output is in negative saturation (the outputs of 1 and 4 have no effect)
- When 2's output is in negative saturation (the outputs of 1 and 4 have no effect)
- When 1's output is in negative saturation (the outputs of 2 and 3 have no effect)

At the output, other single-supply designs either cannot swing to within 600 mV of ground or cannot sink more than a few microamperes while swinging to ground. The all-npn output stage of the LT1014 maintains its low output resistance and high gain characteristics until the output is saturated. In dual-supply operations, the output stage is free of crossover distortion.



**Figure 24. Voltage-Follower Response  
With Input Exceeding the Negative Common-Mode Input Voltage Range**

APPLICATION INFORMATION

comparator applications

The single-supply operation of the LT1014 can be used as a precision comparator with TTL-compatible output. In systems using both operational amplifiers and comparators, the LT1014 can perform multiple duties (see Figures 25 and 26).

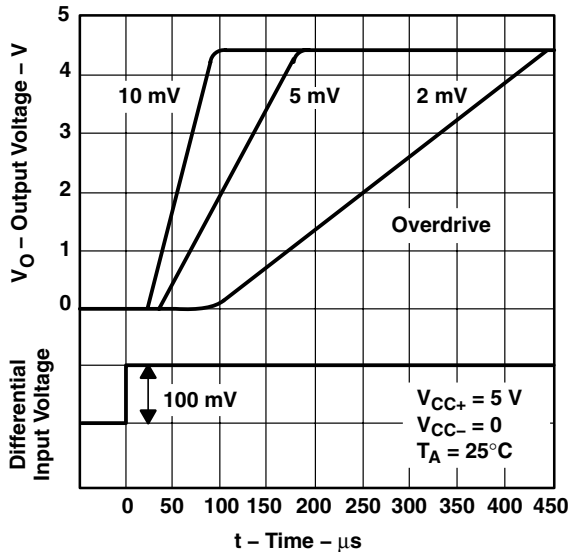


Figure 25. Low-to-High-Level Output Response for Various Input Overdrives

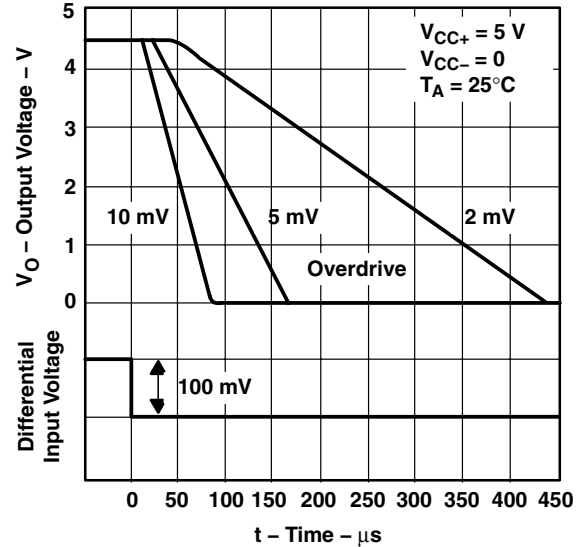


Figure 26. High-to-Low-Level Output Response for Various Input Overdrives

low-supply operation

The minimum supply voltage for proper operation of the LT1014 is 3.4 V (three Ni-Cad batteries). Typical supply current at this voltage is 290  $\mu$ A; therefore, power dissipation is only 1 mW per amplifier.

offset voltage and noise testing

Figure 30 shows the test circuit for measuring input offset voltage and its temperature coefficient. This circuit with supply voltages increased to  $\pm 20$  V is also used as the burn-in configuration.

The peak-to-peak equivalent input noise voltage of the LT1014 is measured using the test circuit shown in Figure 27. The frequency response of the noise tester indicates that the 0.1-Hz corner is defined by only one zero. The test time to measure 0.1-Hz to 10-Hz noise should not exceed 10 seconds, as this time limit acts as an additional zero to eliminate noise contribution from the frequency band below 0.1 Hz.

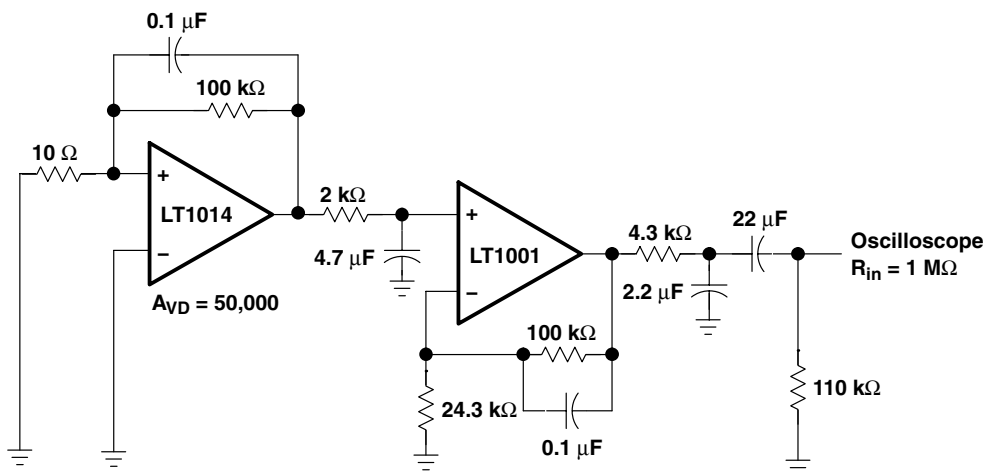
An input noise-voltage test is recommended when measuring the noise of a large number of units. A 10-Hz input noise-voltage measurement correlates well with a 0.1-Hz peak-to-peak noise reading because both results are determined by the white noise and the location of the 1/f corner frequency.

Noise current is measured by the circuit and formula shown in Figure 28. The noise of the source resistors is subtracted.

# LT1014, LT1014A, LT1014D QUAD PRECISION OPERATIONAL AMPLIFIERS

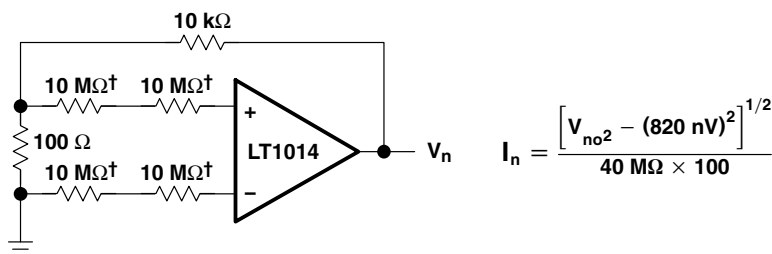
SLOS039D – JULY 1989 – REVISED AUGUST 2009

## APPLICATION INFORMATION



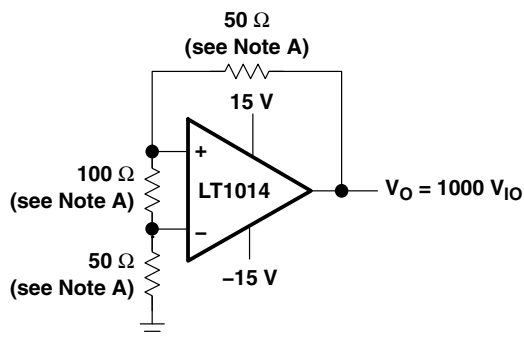
NOTE A: All capacitor values are for nonpolarized capacitors only.

Figure 27. 0.1-Hz to 10-Hz Peak-to-Peak Noise Test Circuit



† Metal-film resistor

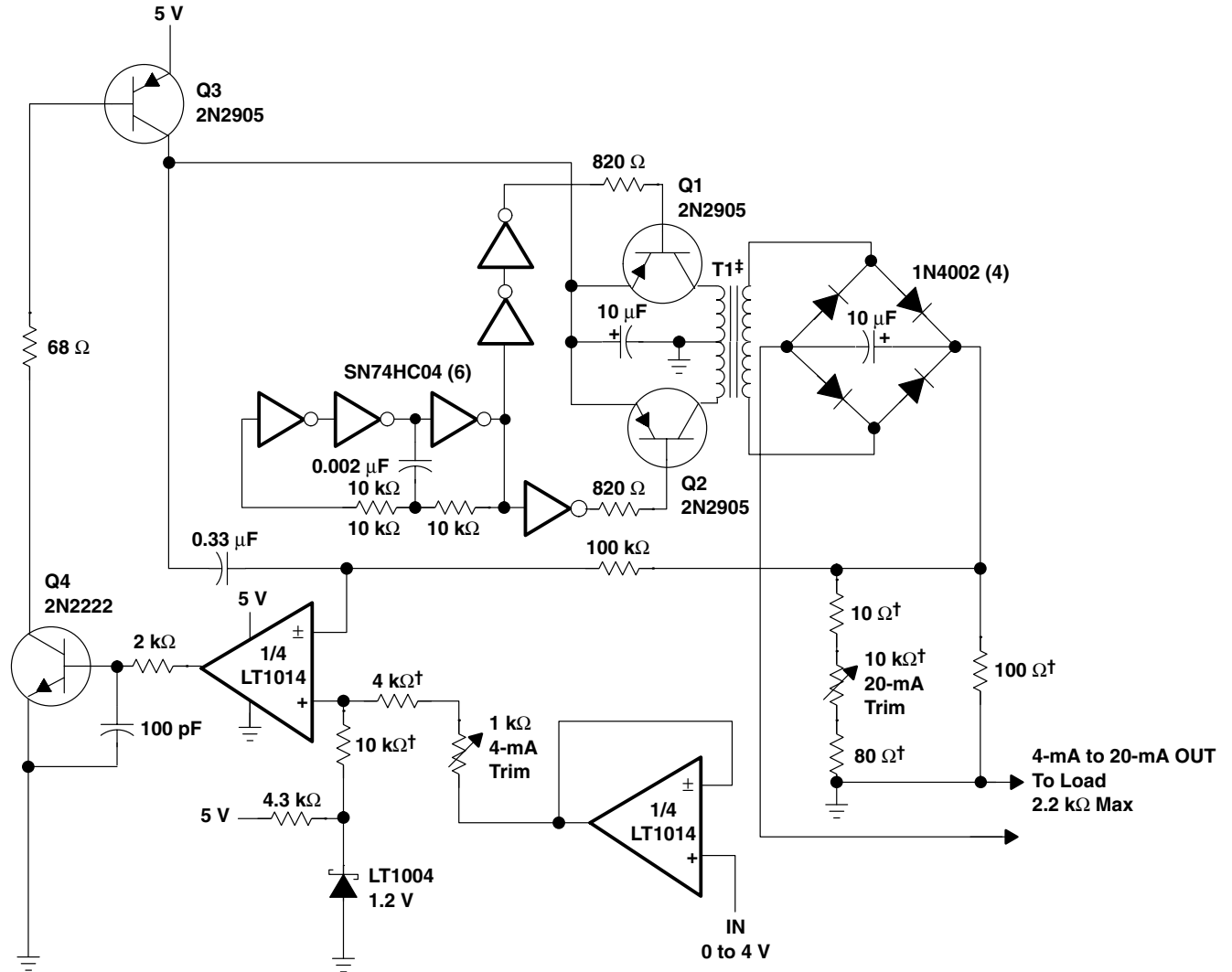
Figure 28. Noise-Current Test Circuit and Formula



NOTE A: Resistors must have low thermoelectric potential.

Figure 29. Test Circuit for  $V_{IO}$  and  $\alpha V_{IO}$

APPLICATION INFORMATION



† 1% film resistor. Match 10-kΩ resistors 0.05%.

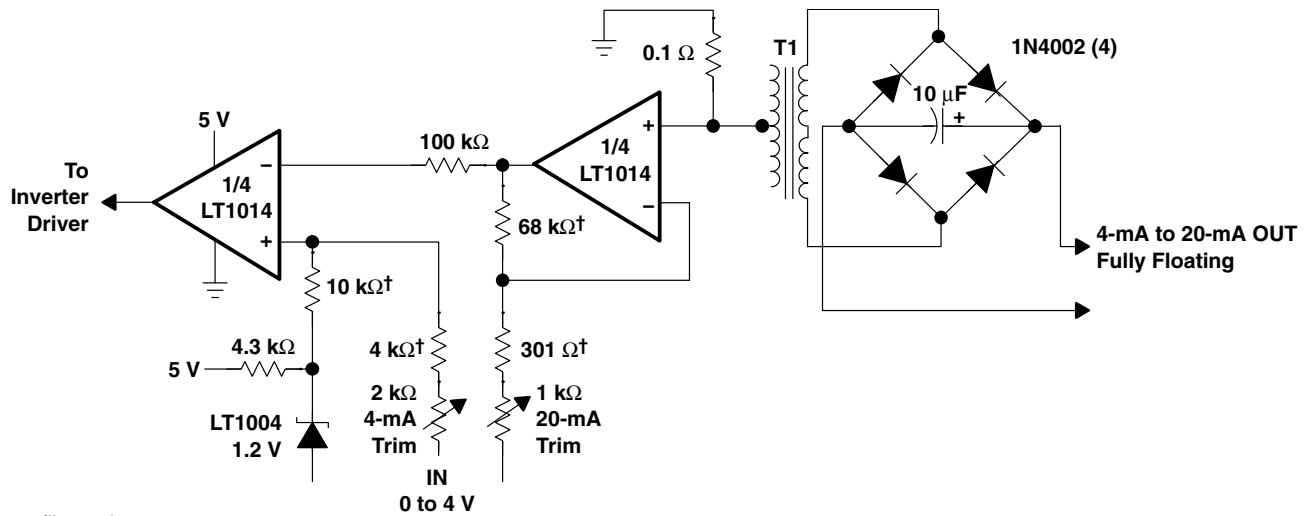
‡ T1 = PICO-31080

Figure 30. 5-V Powered, 4-mA to 20-mA Current-Loop Transmitter With 12-Bit Accuracy

# LT1014, LT1014A, LT1014D QUAD PRECISION OPERATIONAL AMPLIFIERS

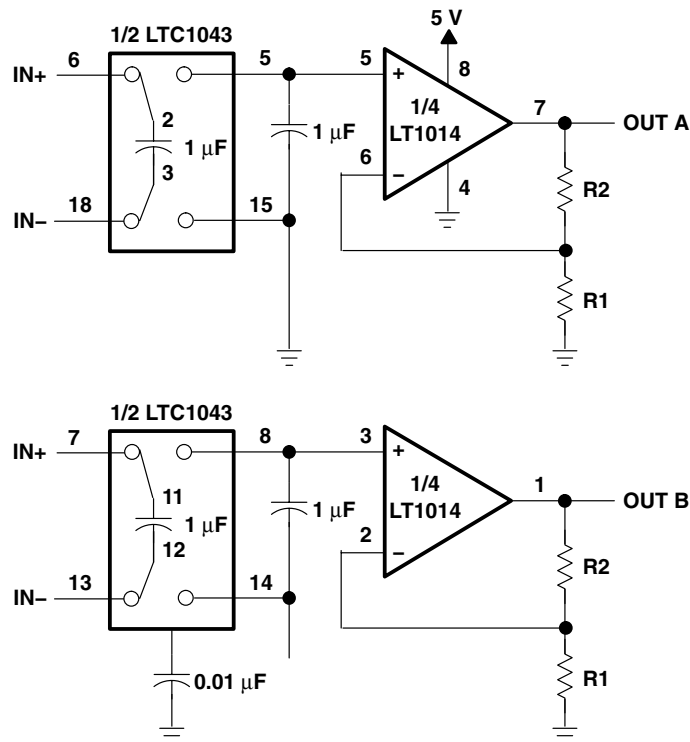
SLOS039D – JULY 1989 – REVISED AUGUST 2009

## APPLICATION INFORMATION



† 1% film resistor

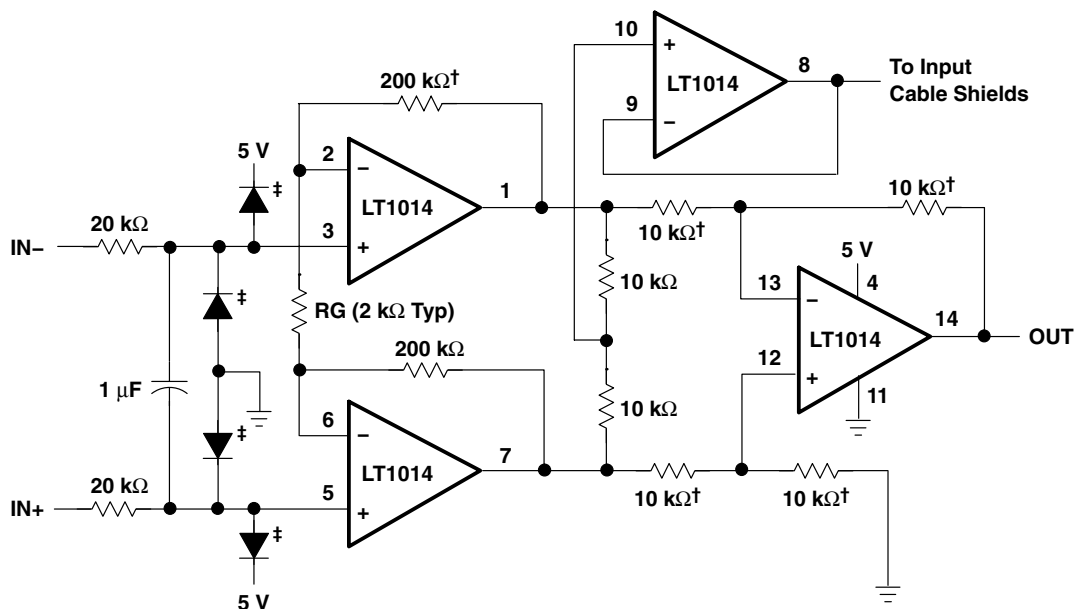
Figure 31. Fully Floating Modification to 4-mA to 20-mA Current-Loop Transmitter With 8-Bit Accuracy



NOTE A:  $V_{IO} = 150 \mu\text{V}$ ,  $A_{VD} = (R1/R2) + 1$ ,  $\text{CMRR} = 120 \text{ dB}$ ,  $V_{ICR} = 0 \text{ to } 5 \text{ V}$

Figure 32. 5-V Single-Supply Dual Instrumentation Amplifier

## APPLICATION INFORMATION



† † 1% film resistor. Match 10-kΩ resistors 0.05%.

‡ For high source impedances, use 2N2222 as diodes (with collector connected to base).

NOTE A:  $A_{VD} = (400,000/RG) + 1$

**Figure 33. 5-V Powered Precision Instrumentation Amplifier**

**PACKAGING INFORMATION**

Orderable part number	Status (1)	Material type (2)	Package   Pins	Package qty   Carrier	RoHS (3)	Lead finish/ Ball material (4)	MSL rating/ Peak reflow (5)	Op temp (°C)	Part marking (6)
<a href="#">5962-89677012A</a>	Active	Production	LCCC (FK)   20	55   TUBE	No	SNPB	N/A for Pkg Type	-55 to 125	5962- 89677012A LT1014 AMFKB
<a href="#">5962-8967701CA</a>	Active	Production	CDIP (J)   14	25   TUBE	No	SNPB	N/A for Pkg Type	-55 to 125	5962-8967701CA LT1014AMJB
<a href="#">5962-89677022A</a>	Active	Production	LCCC (FK)   20	55   TUBE	No	SNPB	N/A for Pkg Type	-55 to 125	5962- 89677022A LT1014MFKB
<a href="#">5962-8967702CA</a>	Active	Production	CDIP (J)   14	25   TUBE	No	SNPB	N/A for Pkg Type	-55 to 125	5962-8967702CA LT1014MJB
<a href="#">LT1014AMFKB</a>	Active	Production	LCCC (FK)   20	55   TUBE	No	SNPB	N/A for Pkg Type	-	5962- 89677012A LT1014 AMFKB
LT1014AMFKB.A	Active	Production	LCCC (FK)   20	55   TUBE	No	SNPB	N/A for Pkg Type	-55 to 125	5962- 89677012A LT1014 AMFKB
<a href="#">LT1014AMJ</a>	Active	Production	CDIP (J)   14	25   TUBE	No	SNPB	N/A for Pkg Type	-	LT1014AMJ
LT1014AMJ.A	Active	Production	CDIP (J)   14	25   TUBE	No	SNPB	N/A for Pkg Type	-55 to 125	LT1014AMJ
<a href="#">LT1014AMJB</a>	Active	Production	CDIP (J)   14	25   TUBE	No	SNPB	N/A for Pkg Type	-	5962-8967701CA LT1014AMJB
LT1014AMJB.A	Active	Production	CDIP (J)   14	25   TUBE	No	SNPB	N/A for Pkg Type	-55 to 125	5962-8967701CA LT1014AMJB
<a href="#">LT1014CN</a>	Active	Production	PDIP (N)   14	25   TUBE	Yes	NIPDAU	N/A for Pkg Type	0 to 70	LT1014CN
LT1014CN.A	Active	Production	PDIP (N)   14	25   TUBE	Yes	NIPDAU	N/A for Pkg Type	0 to 70	LT1014CN
<a href="#">LT1014DDW</a>	Active	Production	SOIC (DW)   16	40   TUBE	Yes	NIPDAU	Level-1-260C-UNLIM	0 to 70	LT1014D
LT1014DDW.A	Active	Production	SOIC (DW)   16	40   TUBE	Yes	NIPDAU	Level-1-260C-UNLIM	0 to 70	LT1014D
<a href="#">LT1014DDWR</a>	Active	Production	SOIC (DW)   16	2000   LARGE T&R	Yes	NIPDAU	Level-1-260C-UNLIM	0 to 70	LT1014D
LT1014DDWR.A	Active	Production	SOIC (DW)   16	2000   LARGE T&R	Yes	NIPDAU	Level-1-260C-UNLIM	0 to 70	LT1014D
<a href="#">LT1014DIDW</a>	Active	Production	SOIC (DW)   16	40   TUBE	Yes	NIPDAU	Level-1-260C-UNLIM	-40 to 105	LT1014DI
LT1014DIDW.A	Active	Production	SOIC (DW)   16	40   TUBE	Yes	NIPDAU	Level-1-260C-UNLIM	-40 to 105	LT1014DI

Orderable part number	Status (1)	Material type (2)	Package   Pins	Package qty   Carrier	RoHS (3)	Lead finish/ Ball material (4)	MSL rating/ Peak reflow (5)	Op temp (°C)	Part marking (6)
<a href="#">LT1014DIDWR</a>	Active	Production	SOIC (DW)   16	2000   LARGE T&R	Yes	NIPDAU	Level-1-260C-UNLIM	-40 to 105	LT1014DI
LT1014DIDWR.A	Active	Production	SOIC (DW)   16	2000   LARGE T&R	Yes	NIPDAU	Level-1-260C-UNLIM	-40 to 105	LT1014DI
<a href="#">LT1014DIN</a>	Active	Production	PDIP (N)   14	25   TUBE	Yes	NIPDAU	N/A for Pkg Type	-40 to 105	LT1014DIN
LT1014DIN.A	Active	Production	PDIP (N)   14	25   TUBE	Yes	NIPDAU	N/A for Pkg Type	-40 to 105	LT1014DIN
<a href="#">LT1014DMDW</a>	Active	Production	SOIC (DW)   16	40   TUBE	Yes	NIPDAU	Level-1-260C-UNLIM	-55 to 125	LT1014DM
LT1014DMDW.A	Active	Production	SOIC (DW)   16	40   TUBE	Yes	NIPDAU	Level-1-260C-UNLIM	-55 to 125	LT1014DM
<a href="#">LT1014DMDWG4</a>	Obsolete	Production	SOIC (DW)   16	-	-	Call TI	Call TI	-55 to 125	LT1014DM
<a href="#">LT1014DN</a>	Active	Production	PDIP (N)   14	25   TUBE	Yes	NIPDAU	N/A for Pkg Type	0 to 70	LT1014DN
LT1014DN.A	Active	Production	PDIP (N)   14	25   TUBE	Yes	NIPDAU	N/A for Pkg Type	0 to 70	LT1014DN
<a href="#">LT1014MFKB</a>	Active	Production	LCCC (FK)   20	55   TUBE	No	SNPB	N/A for Pkg Type	-55 to 125	5962- 89677022A LT1014MFKB
LT1014MFKB.A	Active	Production	LCCC (FK)   20	55   TUBE	No	SNPB	N/A for Pkg Type	-55 to 125	5962- 89677022A LT1014MFKB
<a href="#">LT1014MJ</a>	Active	Production	CDIP (J)   14	25   TUBE	No	SNPB	N/A for Pkg Type	-55 to 125	LT1014MJ
LT1014MJ.A	Active	Production	CDIP (J)   14	25   TUBE	No	SNPB	N/A for Pkg Type	-55 to 125	LT1014MJ
<a href="#">LT1014MJB</a>	Active	Production	CDIP (J)   14	25   TUBE	No	SNPB	N/A for Pkg Type	-	5962-8967702CA LT1014MJB
LT1014MJB.A	Active	Production	CDIP (J)   14	25   TUBE	No	SNPB	N/A for Pkg Type	-55 to 125	5962-8967702CA LT1014MJB

<sup>(1)</sup> **Status:** For more details on status, see our [product life cycle](#).

<sup>(2)</sup> **Material type:** When designated, preproduction parts are prototypes/experimental devices, and are not yet approved or released for full production. Testing and final process, including without limitation quality assurance, reliability performance testing, and/or process qualification, may not yet be complete, and this item is subject to further changes or possible discontinuation. If available for ordering, purchases will be subject to an additional waiver at checkout, and are intended for early internal evaluation purposes only. These items are sold without warranties of any kind.

<sup>(3)</sup> **RoHS values:** Yes, No, RoHS Exempt. See the [TI RoHS Statement](#) for additional information and value definition.

<sup>(4)</sup> **Lead finish/Ball material:** Parts may have multiple material finish options. Finish options are separated by a vertical ruled line. Lead finish/Ball material values may wrap to two lines if the finish value exceeds the maximum column width.

(5) **MSL rating/Peak reflow:** The moisture sensitivity level ratings and peak solder (reflow) temperatures. In the event that a part has multiple moisture sensitivity ratings, only the lowest level per JEDEC standards is shown. Refer to the shipping label for the actual reflow temperature that will be used to mount the part to the printed circuit board.

(6) **Part marking:** There may be an additional marking, which relates to the logo, the lot trace code information, or the environmental category of the part.

Multiple part markings will be inside parentheses. Only one part marking contained in parentheses and separated by a "~" will appear on a part. If a line is indented then it is a continuation of the previous line and the two combined represent the entire part marking for that device.

**Important Information and Disclaimer:**The information provided on this page represents TI's knowledge and belief as of the date that it is provided. TI bases its knowledge and belief on information provided by third parties, and makes no representation or warranty as to the accuracy of such information. Efforts are underway to better integrate information from third parties. TI has taken and continues to take reasonable steps to provide representative and accurate information but may not have conducted destructive testing or chemical analysis on incoming materials and chemicals. TI and TI suppliers consider certain information to be proprietary, and thus CAS numbers and other limited information may not be available for release.

In no event shall TI's liability arising out of such information exceed the total purchase price of the TI part(s) at issue in this document sold by TI to Customer on an annual basis.

**OTHER QUALIFIED VERSIONS OF LT1014D :**

- Enhanced Product : [LT1014D-EP](#)

NOTE: Qualified Version Definitions:

- Enhanced Product - Supports Defense, Aerospace and Medical Applications

**TAPE AND REEL INFORMATION**

**QUADRANT ASSIGNMENTS FOR PIN 1 ORIENTATION IN TAPE**


\*All dimensions are nominal

Device	Package Type	Package Drawing	Pins	SPQ	Reel Diameter (mm)	Reel Width W1 (mm)	A0 (mm)	B0 (mm)	K0 (mm)	P1 (mm)	W (mm)	Pin1 Quadrant
LT1014DDWR	SOIC	DW	16	2000	330.0	16.4	10.75	10.7	2.7	12.0	16.0	Q1
LT1014DIDWR	SOIC	DW	16	2000	330.0	16.4	10.75	10.7	2.7	12.0	16.0	Q1

**TAPE AND REEL BOX DIMENSIONS**


\*All dimensions are nominal

Device	Package Type	Package Drawing	Pins	SPQ	Length (mm)	Width (mm)	Height (mm)
LT1014DDWR	SOIC	DW	16	2000	350.0	350.0	43.0
LT1014DIDWR	SOIC	DW	16	2000	350.0	350.0	43.0

**TUBE**


\*All dimensions are nominal

Device	Package Name	Package Type	Pins	SPQ	L (mm)	W (mm)	T (μm)	B (mm)
5962-89677012A	FK	LCCC	20	55	506.98	12.06	2030	NA
5962-89677022A	FK	LCCC	20	55	506.98	12.06	2030	NA
LT1014AMFKB	FK	LCCC	20	55	506.98	12.06	2030	NA
LT1014AMFKB.A	FK	LCCC	20	55	506.98	12.06	2030	NA
LT1014CN	N	PDIP	14	25	506	13.97	11230	4.32
LT1014CN.A	N	PDIP	14	25	506	13.97	11230	4.32
LT1014DDW	DW	SOIC	16	40	506.98	12.7	4826	6.6
LT1014DDW.A	DW	SOIC	16	40	506.98	12.7	4826	6.6
LT1014DIDW	DW	SOIC	16	40	506.98	12.7	4826	6.6
LT1014DIDW.A	DW	SOIC	16	40	506.98	12.7	4826	6.6
LT1014DIN	N	PDIP	14	25	506	13.97	11230	4.32
LT1014DIN.A	N	PDIP	14	25	506	13.97	11230	4.32
LT1014DMDW	DW	SOIC	16	40	506.98	12.7	4826	6.6
LT1014DMDW.A	DW	SOIC	16	40	506.98	12.7	4826	6.6
LT1014DN	N	PDIP	14	25	506	13.97	11230	4.32
LT1014DN.A	N	PDIP	14	25	506	13.97	11230	4.32
LT1014MFKB	FK	LCCC	20	55	506.98	12.06	2030	NA
LT1014MFKB.A	FK	LCCC	20	55	506.98	12.06	2030	NA

## GENERIC PACKAGE VIEW

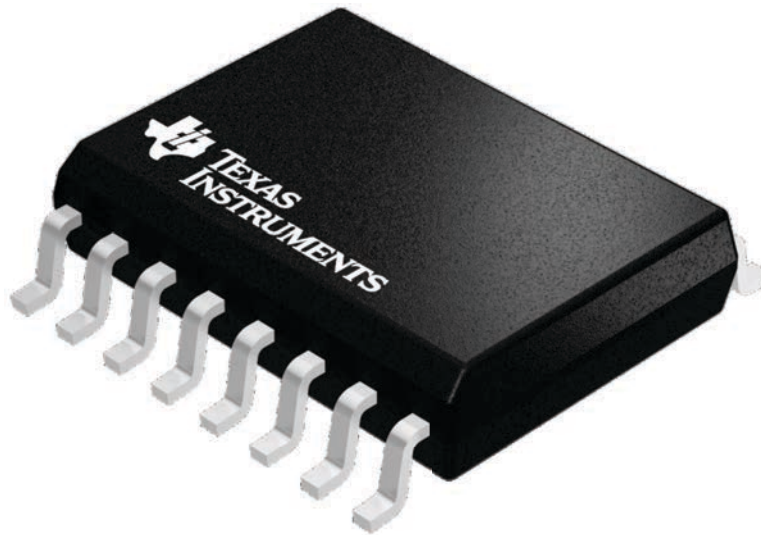
**DW 16**

**SOIC - 2.65 mm max height**

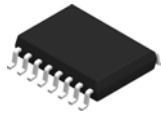
7.5 x 10.3, 1.27 mm pitch

SMALL OUTLINE INTEGRATED CIRCUIT

This image is a representation of the package family, actual package may vary.  
Refer to the product data sheet for package details.



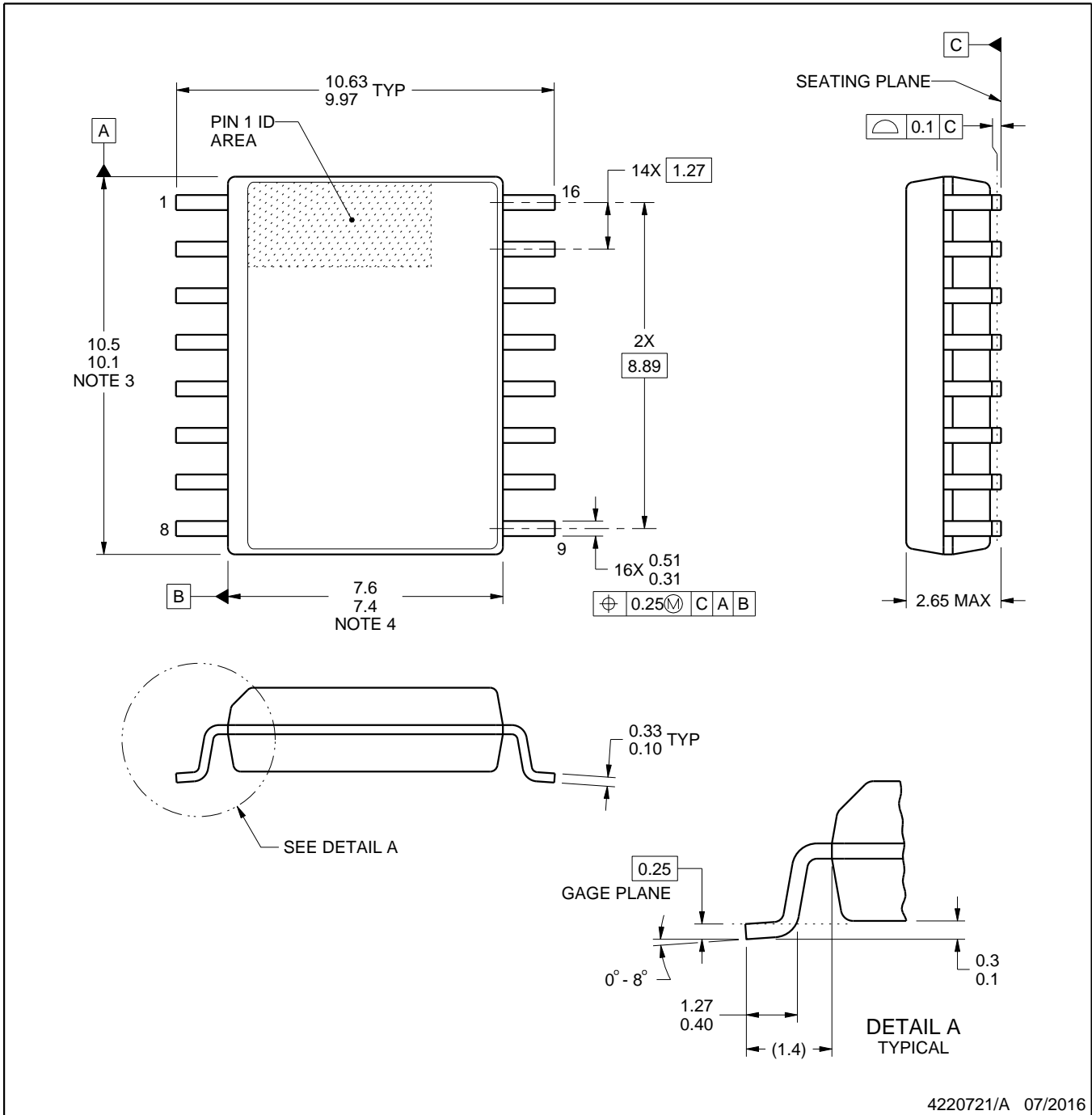
4224780/A



# DW0016A

# PACKAGE OUTLINE SOIC - 2.65 mm max height

SOIC



4220721/A 07/2016

## NOTES:

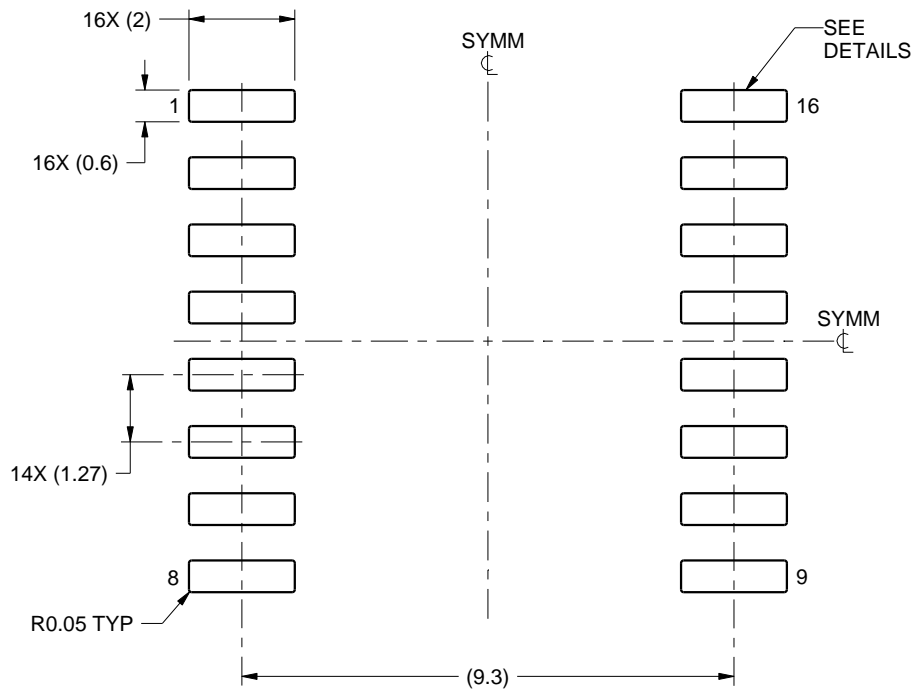
1. All linear dimensions are in millimeters. Dimensions in parenthesis are for reference only. Dimensioning and tolerancing per ASME Y14.5M.
2. This drawing is subject to change without notice.
3. This dimension does not include mold flash, protrusions, or gate burrs. Mold flash, protrusions, or gate burrs shall not exceed 0.15 mm, per side.
4. This dimension does not include interlead flash. Interlead flash shall not exceed 0.25 mm, per side.
5. Reference JEDEC registration MS-013.

# EXAMPLE BOARD LAYOUT

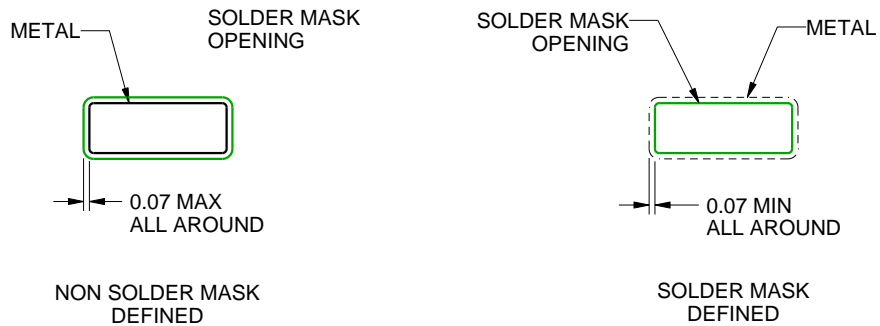
DW0016A

SOIC - 2.65 mm max height

SOIC



LAND PATTERN EXAMPLE  
SCALE:7X



SOLDER MASK DETAILS

4220721/A 07/2016

NOTES: (continued)

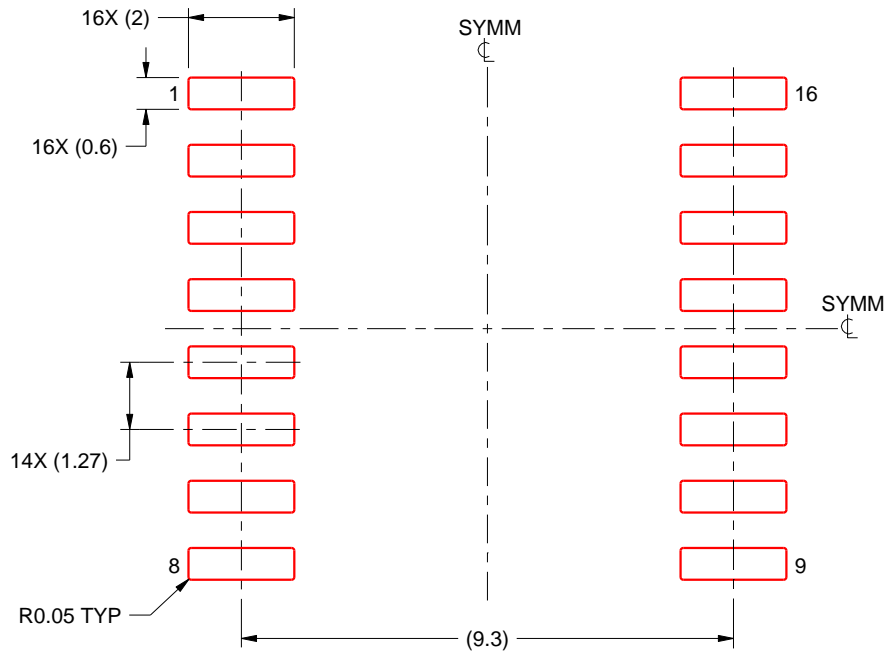
- 6. Publication IPC-7351 may have alternate designs.
- 7. Solder mask tolerances between and around signal pads can vary based on board fabrication site.

# EXAMPLE STENCIL DESIGN

DW0016A

SOIC - 2.65 mm max height

SOIC



SOLDER PASTE EXAMPLE  
BASED ON 0.125 mm THICK STENCIL  
SCALE:7X

4220721/A 07/2016

NOTES: (continued)

8. Laser cutting apertures with trapezoidal walls and rounded corners may offer better paste release. IPC-7525 may have alternate design recommendations.
9. Board assembly site may have different recommendations for stencil design.

## GENERIC PACKAGE VIEW

**FK 20**

**LCCC - 2.03 mm max height**

8.89 x 8.89, 1.27 mm pitch

LEADLESS CERAMIC CHIP CARRIER

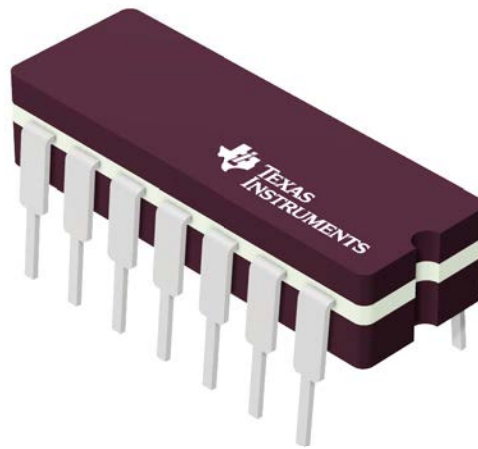
This image is a representation of the package family, actual package may vary.  
Refer to the product data sheet for package details.



4229370VA\

J 14

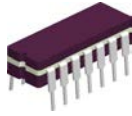
**GENERIC PACKAGE VIEW**  
**CDIP - 5.08 mm max height**  
CERAMIC DUAL IN LINE PACKAGE



Images above are just a representation of the package family, actual package may vary.  
Refer to the product data sheet for package details.

4040083-5/G

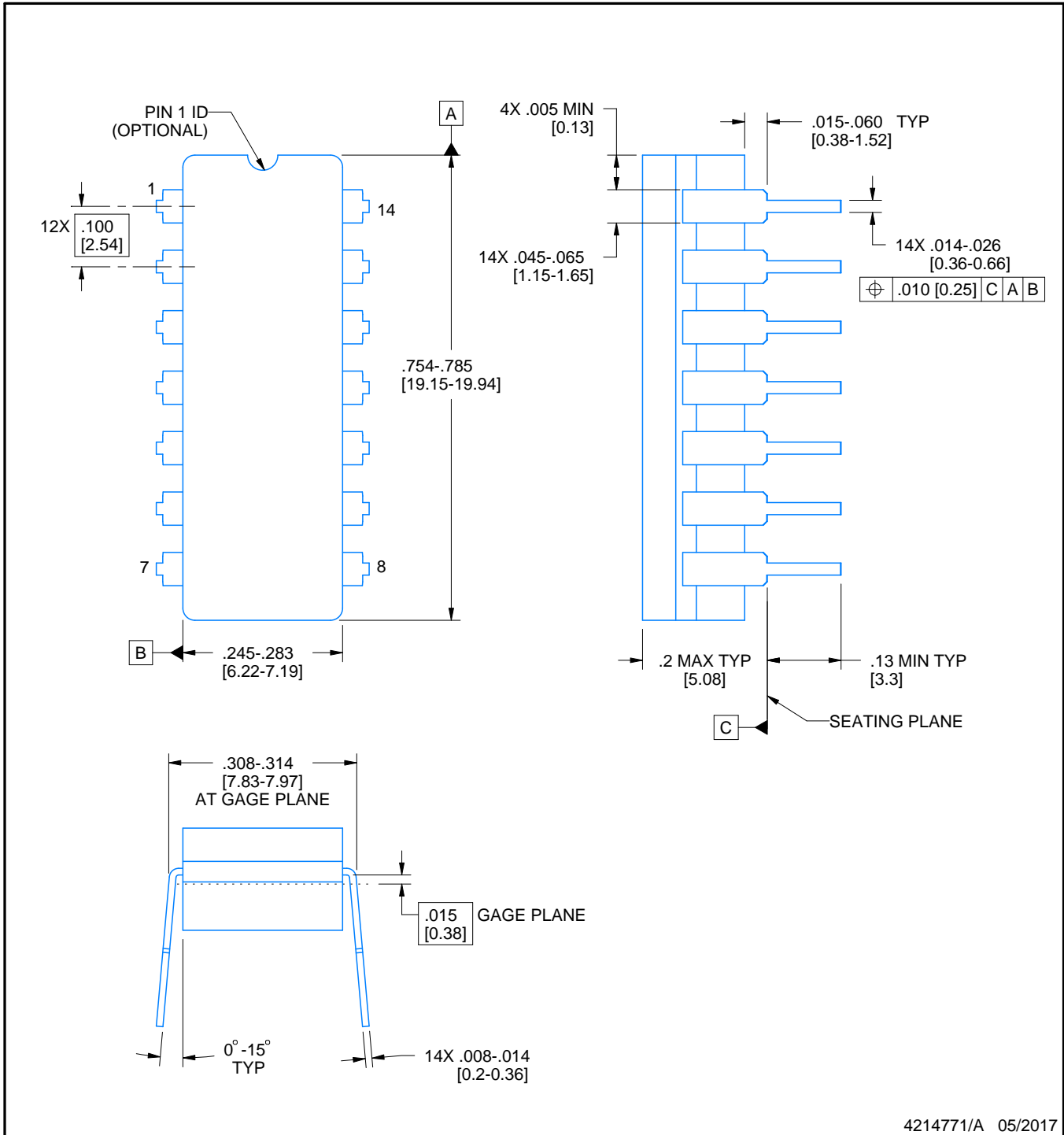
J0014A



# PACKAGE OUTLINE

CDIP - 5.08 mm max height

CERAMIC DUAL IN LINE PACKAGE



4214771/A 05/2017

NOTES:

1. All controlling linear dimensions are in inches. Dimensions in brackets are in millimeters. Any dimension in brackets or parenthesis are for reference only. Dimensioning and tolerancing per ASME Y14.5M.
2. This drawing is subject to change without notice.
3. This package is hermetically sealed with a ceramic lid using glass frit.
4. Index point is provided on cap for terminal identification only and on press ceramic glass frit seal only.
5. Falls within MIL-STD-1835 and GDIP1-T14.

# EXAMPLE BOARD LAYOUT

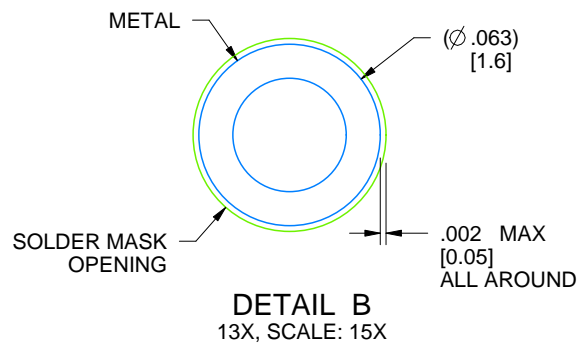
J0014A

CDIP - 5.08 mm max height

CERAMIC DUAL IN LINE PACKAGE



LAND PATTERN EXAMPLE  
NON-SOLDER MASK DEFINED  
SCALE: 5X



4214771/A 05/2017

N (R-PDIP-T\*\*)

PLASTIC DUAL-IN-LINE PACKAGE

16 PINS SHOWN



- NOTES:
- A. All linear dimensions are in inches (millimeters).
  - B. This drawing is subject to change without notice.
  - Falls within JEDEC MS-001, except 18 and 20 pin minimum body length (Dim A).
  - The 20 pin end lead shoulder width is a vendor option, either half or full width.

## IMPORTANT NOTICE AND DISCLAIMER

TI PROVIDES TECHNICAL AND RELIABILITY DATA (INCLUDING DATASHEETS), DESIGN RESOURCES (INCLUDING REFERENCE DESIGNS), APPLICATION OR OTHER DESIGN ADVICE, WEB TOOLS, SAFETY INFORMATION, AND OTHER RESOURCES "AS IS" AND WITH ALL FAULTS, AND DISCLAIMS ALL WARRANTIES, EXPRESS AND IMPLIED, INCLUDING WITHOUT LIMITATION ANY IMPLIED WARRANTIES OF MERCHANTABILITY, FITNESS FOR A PARTICULAR PURPOSE OR NON-INFRINGEMENT OF THIRD PARTY INTELLECTUAL PROPERTY RIGHTS.

These resources are intended for skilled developers designing with TI products. You are solely responsible for (1) selecting the appropriate TI products for your application, (2) designing, validating and testing your application, and (3) ensuring your application meets applicable standards, and any other safety, security, regulatory or other requirements.

These resources are subject to change without notice. TI grants you permission to use these resources only for development of an application that uses the TI products described in the resource. Other reproduction and display of these resources is prohibited. No license is granted to any other TI intellectual property right or to any third party intellectual property right. TI disclaims responsibility for, and you fully indemnify TI and its representatives against any claims, damages, costs, losses, and liabilities arising out of your use of these resources.

TI's products are provided subject to [TI's Terms of Sale](#), [TI's General Quality Guidelines](#), or other applicable terms available either on [ti.com](http://ti.com) or provided in conjunction with such TI products. TI's provision of these resources does not expand or otherwise alter TI's applicable warranties or warranty disclaimers for TI products. Unless TI explicitly designates a product as custom or customer-specified, TI products are standard, catalog, general purpose devices.

TI objects to and rejects any additional or different terms you may propose.

Copyright © 2026, Texas Instruments Incorporated

Last updated 10/2025