

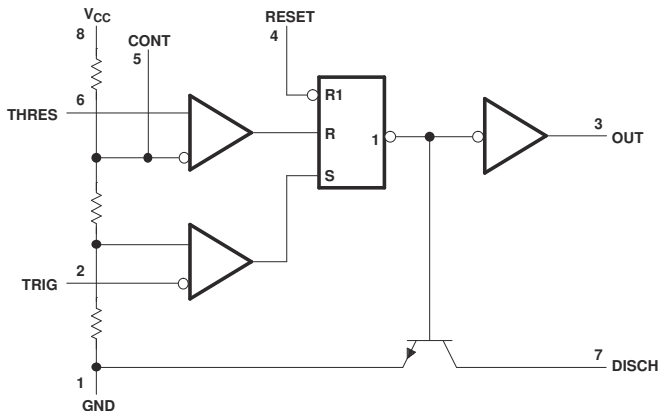
xx555 精密计时器

1 特性

- 将定时从微秒更改为小时
- 非稳态或单稳态工作模式
- 可调占空比
- 兼容 TTL 的灌电流和拉电流输出
最高可达 200mA
- 对于符合 MIL-PRF-38535 标准的产品，
所有参数均经过测试，除非另有说明。对于所有其他产品，生产流程不一定包含
对所有参数的测试。

2 应用

- 脉冲整形电路
- 漏脉冲检测器
- 脉宽调制器
- 脉冲位置调制器
- 顺序计时器
- 脉冲发生器
- 分频器
- 工业控制



简化版原理图

3 说明

Nx555 和 Sx555 器件是精密计时电路，能够实现准确的延时时间和振荡。在延时时间或单稳态工作模式下，计时间隔由单个外部电阻器和电容器网络控制。在非稳态工作模式下，频率和占空比由两个外部电阻器和单个外部电容器独立控制。

每个计时器有一个约等于电源电压三分之一的触发电平以及一个约等于电源电压三分之二的阈值电平。可使用控制电压引脚 (CONT) 来改变这些电平。当触发输入 (TRIG) 低于触发电平的时候，触发器被设定并且输出变为高电平。如果 TRIG 高于触发电平并且阈值输入 (THRES) 在阈值电平之上，触发器将被复位并且输出为低电平。复位输入 (RESET) 的优先级高于所有其他输入并且被用来启动一个新的定时周期。如果 RESET 为低电平，触发器被复位并且输出为低电平。只要当输出为低电平，就会在放电引脚 (DISCH) 和接地引脚 (GND) 之间提供一个低阻抗路径。将所有未用输入接入合适的逻辑电平以免发生误触发

输出电路能够驱动高达 200mA 的灌电流或拉电流。电源额定工作电压为 5V 至 15V。当供电为 5V 时，输出电平与 TTL 输入兼容。

器件信息

器件型号	工作温度	封装 ⁽¹⁾
NA555	$T_A = -40^{\circ}\text{C}$ 至 $+105^{\circ}\text{C}$	D (SOIC, 8)
		P (PDIP, 8)
NE555	$T_A = 0^{\circ}\text{C}$ 至 70°C	D (SOIC, 8)
		P (PDIP, 8)
		PS (SO, 8) PW (TSSOP, 8)
SA555	$T_A = -40^{\circ}\text{C}$ 至 $+85^{\circ}\text{C}$	D (SOIC, 8)
		P (PDIP, 8)
SE555	$T_A = -55^{\circ}\text{C}$ 至 $+125^{\circ}\text{C}$	D (SOIC, 8)
		FK (LCCC, 20)
		JG (CDIP, 8)
		P (PDIP, 8)

(1) 有关更多信息，请参阅节 10。

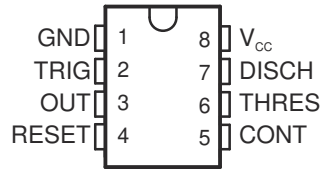


Table of Contents

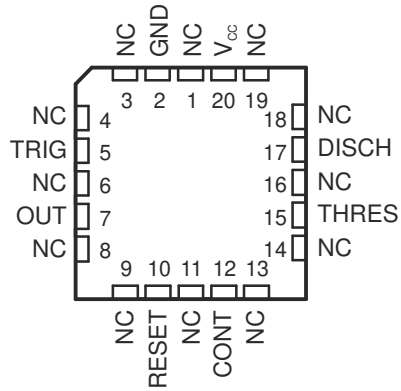
1 特性	1	6.3 Feature Description.....	12
2 应用	1	6.4 Device Functional Modes.....	14
3 说明	1	7 Applications and Implementation	15
4 Pin Configuration and Functions	3	7.1 Application Information.....	15
5 Specifications	4	7.2 Typical Applications.....	15
5.1 Absolute Maximum Ratings.....	4	7.3 Power Supply Recommendations.....	19
5.2 ESD Ratings.....	4	8 Device and Documentation Support	20
5.3 Recommended Operating Conditions.....	4	8.1 接收文档更新通知.....	20
5.4 Thermal Information.....	5	8.2 支持资源.....	20
5.5 Electrical Characteristics.....	5	8.3 Trademarks.....	20
5.6 Switching Characteristics.....	8	8.4 静电放电警告.....	20
5.7 Typical Characteristics.....	9	8.5 术语表.....	20
6 Detailed Description	11	9 Revision History	20
6.1 Overview.....	11	10 Mechanical, Packaging, and Orderable Information	21
6.2 Functional Block Diagram.....	11		

4 Pin Configuration and Functions

NA555...D OR P PACKAGE
NE555...D, P, PS, OR PW PACKAGE
SA555...D OR P PACKAGE
SE555...D, JG, OR P PACKAGE
(TOP VIEW)



SE555...FK PACKAGE
(TOP VIEW)



NC – No internal connection

表 4-1. Pin Functions

NAME	PIN		TYPE	DESCRIPTION
	NO.			
	D (SOIC), P (PDIP), PS (SO), PW (TSSOP), JG (CDIP)	FK (LCCC)		
CONT	5	12	Input/output	Controls comparator thresholds, Outputs $2/3 \times V_{CC}$, allows bypass capacitor connection
DISCH	7	17	Output	Open collector output to discharge timing capacitor
GND	1	2	—	Ground
NC	—	1, 3, 4, 6, 8, 9, 11, 13, 14, 16, 18, 19	—	No internal connection
OUT	3	7	Output	High current timer output signal
RESET	4	10	Input	Active low reset input forces output and discharge low.
THRES	6	15	Input	End of timing input. THRES > CONT sets output low and discharge low
TRIG	2	5	Input	Start of timing input. TRIG < $1/2$ CONT sets output high and discharge open
V _{CC}	8	20	—	Input supply voltage, 4.5V to 16V. SE555 maximum is 18V.

5 Specifications

5.1 Absolute Maximum Ratings

over operating free-air temperature range (unless otherwise noted)⁽¹⁾

		MIN	MAX	UNIT
V _{CC}	Supply voltage ⁽²⁾		18	V
V _I	Input voltage	CONT, RESET, THRES, TRIG		V _{CC}
I _O	Output current		±225	mA
T _J	Operating virtual junction temperature		150	°C
	Case temperature for 60 seconds	FK package	260	°C
	Lead temperature 1.6mm (1/16 inch) from case	JG package, 60 seconds	300	°C
T _{stg}	Storage temperature	- 65	150	°C

- (1) Operation outside the *Absolute Maximum Ratings* may cause permanent device damage. *Absolute Maximum Ratings* do not imply functional operation of the device at these or any other conditions beyond those listed under *Recommended Operating Conditions*. If used outside the *Recommended Operating Conditions* but within the *Absolute Maximum Ratings*, the device may not be fully functional, and this may affect device reliability, functionality, performance, and shorten the device lifetime.
- (2) All voltage values are with respect to GND.

5.2 ESD Ratings

		VALUE	UNIT
V _(ESD)	Electrostatic discharge	Human-body model (HBM), per ANSI/ESDA/JEDEC JS-001 ⁽¹⁾	±500
		Charged device model (CDM), per ANSI/ESDA/JEDEC JS-002 ⁽²⁾	±1500

- (1) JEDEC document JEP155 states that 500V HBM allows safe manufacturing with a standard ESD control process.
- (2) JEDEC document JEP157 states that 250V CDM allows safe manufacturing with a standard ESD control process.

5.3 Recommended Operating Conditions

over operating free-air temperature range (unless otherwise noted)

		MIN	MAX	UNIT
V _{CC}	Supply voltage	NA555, NE555, SA555	4.5	16
		SE555	4.5	18
I _O	Output current		±200	mA
T _A	Operating free-air temperature	NA555	- 40	105
		NE555	0	70
		SA555	- 40	85
		SE555	- 55	125

5.4 Thermal Information

THERMAL METRIC ⁽¹⁾		NA556, NE556, SA555, SE555	SE555		NA555, NE555	NE555		UNIT
		D (SOIC)	FK (LCCC)	JG (CDIP)	P (PDIP)	PS (SO)	PW (TSSOP)	
		8 PINS	20 PINS	8 PINS	8 PINS	8 PINS	8 PINS	
$R_{\theta JA}$	Junction-to-ambient thermal resistance	125.4	92.2	125.0	98.5	124.5	164.2	°C/W
$R_{\theta JC(top)}$	Junction-to-case (top) thermal resistance	64.9	67.6	73.3	77.8	61.2	70.5	°C/W
$R_{\theta JB}$	Junction-to-board thermal resistance	73.2	66.7	114.9	61.0	79.3	104.8	°C/W
ψ_{JT}	Junction-to-top characterization parameter	14.3	61.6	44.4	43.9	16.5	8.2	°C/W
ψ_{JB}	Junction-to-board characterization parameter	72.1	66.5	106.6	60.3	77.8	103.1	°C/W
$R_{\theta JC(bot)}$	Junction-to-case (bottom) thermal resistance	N/A	14.2	29.3	N/A	N/A	N/A	°C/W

(1) For more information about traditional and new thermal metrics, see the [Semiconductor and IC package thermal metrics](#) application report.

5.5 Electrical Characteristics

at $V_{CC} = 5V$ to $15V$ and $T_A = 25^\circ C$ (unless otherwise noted)

PARAMETER	TEST CONDITIONS		MIN	TYP	MAX	UNIT	
THRES voltage level	$V_{CC} = 15V$	NA555, NE555, SA555	8.8	10	11.2	V	
		SE555	9.4	10	10.6		
	$V_{CC} = 5V$	NA555, NE555, SA555	2.4	3.3	4.2		
		SE555	2.7	3.3	4		
THRES current ⁽¹⁾			30	250	nA		
TRIG voltage level	$V_{CC} = 15V$	NA555, NE555, SA555	4.5	5	5.6	V	
		SE555	4.8	5	5.2		
	$V_{CC} = 15V, T_A = -55^\circ C$ to $+125^\circ C$	SE555	3		6		
		$V_{CC} = 5V$	NA555, NE555, SA555	1.1	1.67		2.2
			SE555	1.45	1.67		1.9
$V_{CC} = 5V, T_A = -55^\circ C$ to $+125^\circ C$	SE555			1.9			
	TRIG current	TRIG at 0V	NA555, NE555, SA555		0.5	2	μA
SE555				0.5	0.9		
RESET voltage level			0.3	0.7	1	V	
	$T_A = -55^\circ C$ to $+125^\circ C$	SE555			1.1		
RESET current	RESET at V_{CC}			0.1	0.4	mA	
	RESET at 0V	NA555, NE555, SA555		-0.4	-1.5		
		SE555		-0.4	-1		
DISCH switch off-state current				20	100	nA	
DISCH switch on-state voltage	$V_{CC} = 5V, I_O = 8mA$	NA555, NE555, SA555		0.15	0.4	V	

5.5 Electrical Characteristics (续)

at $V_{CC} = 5V$ to $15V$ and $T_A = 25^\circ C$ (unless otherwise noted)

PARAMETER	TEST CONDITIONS	MIN	TYP	MAX	UNIT	
CONT voltage (open circuit)	$V_{CC} = 15V$	NA555, NE555, SA555	9	10	11	V
		SE555	9.6	10	10.4	
	$V_{CC} = 15V, T_A = -55^\circ C$ to $+125^\circ C$	SE555	9.6		10.4	
	$V_{CC} = 5V$	NA555, NE555, SA555	2.6	3.3	4	
		SE555	2.9	3.3	3.8	
$V_{CC} = 5V, T_A = -55^\circ C$ to $+125^\circ C$	SE555	2.9		3.8		
Low-level output voltage	$V_{CC} = 15V, I_{OL} = 10mA$	NA555, NE555, SA555		0.1	0.25	V
		SE555		0.1	0.15	
	$V_{CC} = 15V, I_{OL} = 10mA, T_A = -55^\circ C$ to $+125^\circ C$	SE555			0.2	
	$V_{CC} = 15V, I_{OL} = 50mA$	NA555, NE555, SA555		0.4	0.75	
		SE555		0.4	0.5	
	$V_{CC} = 15V, I_{OL} = 50mA, T_A = -55^\circ C$ to $+125^\circ C$	SE555			1	
	$V_{CC} = 15V, I_{OL} = 100mA$	NA555, NE555, SA555		2	2.5	
		SE555		2	2.2	
	$V_{CC} = 15V, I_{OL} = 100mA, T_A = -55^\circ C$ to $+125^\circ C$	SE555			2.7	
	$V_{CC} = 15V, I_{OL} = 200mA$			2.5		
	$V_{CC} = 5V, I_{OL} = 3.5mA, T_A = -55^\circ C$ to $+125^\circ C$	SE555			0.35	
	$V_{CC} = 5V, I_{OL} = 5mA$	NA555, NE555, SA555		0.1	0.35	
		SE555		0.1	0.2	
$V_{CC} = 5V, I_{OL} = 5mA, T_A = -55^\circ C$ to $+125^\circ C$	SE555			0.8		
$V_{CC} = 5V, I_{OL} = 8mA$	NA555, NE555, SA555		0.15	0.4		
	SE555		0.15	0.25		
High-level output voltage	$V_{CC} = 15V, I_{OH} = -100mA$	NA555, NE555, SA555	12.75	13.3	V	
		SE555	13	13.3		
	$V_{CC} = 15V, I_{OH} = -100mA, T_A = -55^\circ C$ to $+125^\circ C$	SE555	12			
	$V_{CC} = 15V, I_{OH} = -200mA$			12.5		
	$V_{CC} = 5V, I_{OH} = -100mA$	NA555, NE555, SA555	2.75	3.3		
		SE555	3	3.3		
$V_{CC} = 5V, I_{OH} = -100mA, T_A = -55^\circ C$ to $+125^\circ C$	SE555	2				

5.5 Electrical Characteristics (续)

at $V_{CC} = 5V$ to $15V$ and $T_A = 25^\circ C$ (unless otherwise noted)

PARAMETER	TEST CONDITIONS	MIN	TYP	MAX	UNIT
Supply current	Output low, no load, $V_{CC} = 15V$	NA555, NE555, SA555	10	15	mA
		SE555	10	12	
	Output low, no load, $V_{CC} = 5V$	NA555, NE555, SA555	3	6	
		SE555	3	5	
	Output high, no load, $V_{CC} = 15V$	NA555, NE555, SA555	9	13	
		SE555	9	10	
	Output high, no load, $V_{CC} = 5V$	NA555, NE555, SA555	2	5	
		SE555	2	4	

- (1) This parameter influences the maximum value of the timing resistors R_A and R_B in the circuit of [图 6-5](#). For example, when $V_{CC} = 5V$, the maximum value is $R = R_A + R_B \cong 3.4M\Omega$, and for $V_{CC} = 15V$, the maximum value is $R_A + R_B \cong 10M\Omega$.

5.6 Switching Characteristics

$V_{CC} = 5V$ to $15V$ and $T_A = 25^\circ C$ (unless otherwise noted); characteristic values are specified by design, characterization, or both, and are not production tested

PARAMETER		TEST CONDITIONS ⁽¹⁾		MIN	TYP	MAX	UNIT
	Temperature coefficient of timing interval	Each timer, monostable ⁽²⁾ , $T_A = \text{MIN to MAX}$	NA555, NE555, SA555		50		ppm/ $^\circ C$
			SE555		30	100	
		Each timer, astable ⁽³⁾ , $T_A = \text{MIN to MAX}$	NA555, NE555, SA555		150		
			SE555		90		
	Supply-voltage sensitivity of timing interval	Each timer, monostable ⁽²⁾	NA555, NE555, SA555		0.1	0.5	%/ V
			SE555		0.05	0.2	
		Each timer, astable ⁽³⁾	NA555, NE555, SA555		0.3		
			SE555		0.15		
t_r	Output-pulse rise time	$C_L = 15\text{pF}$, $T_A = 25^\circ C$, 20% to 80%	NA555, NE555, SA555		100	300	ns
			SE555		100	200	
t_f	Output-pulse fall time	$C_L = 15\text{pF}$, $T_A = 25^\circ C$, 80% to 20%	NA555, NE555, SA555		100	300	ns
			SE555		100	200	

- (1) For conditions shown as MIN or MAX, use the appropriate value specified under *Recommended Operating Conditions*.
- (2) Values specified are for a device in a monostable circuit similar to 图 6-2, with the following component values: $R_A = 2k\Omega$ to $100k\Omega$, $C = 0.1 \mu F$.
- (3) Values specified are for a device in an astable circuit similar to 图 6-5, with the following component values: $R_A = 1k\Omega$ to $100k\Omega$, $C = 0.1 \mu F$.

5.7 Typical Characteristics

data for temperatures less than -40°C and greater than 105°C are applicable for SE555 circuits only

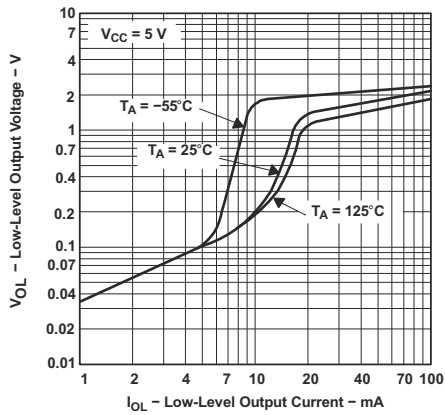


图 5-1. Low-Level Output Voltage vs Low-Level Output Current

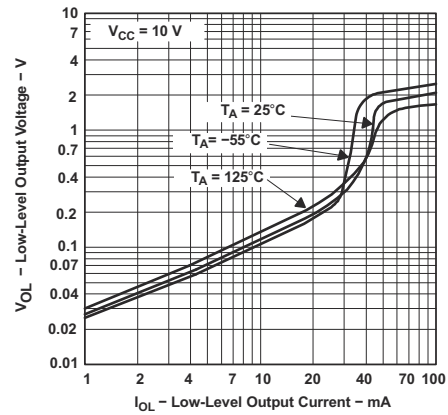


图 5-2. Low-Level Output Voltage vs Low-Level Output Current

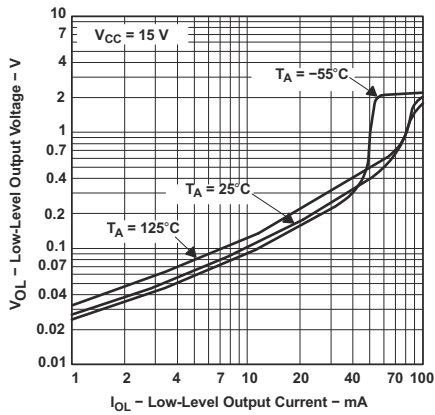


图 5-3. Low-Level Output Voltage vs Low-Level Output Current

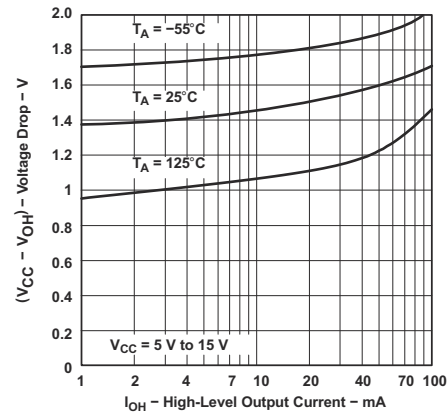


图 5-4. Drop Between Supply Voltage and Output vs High-Level Output Current

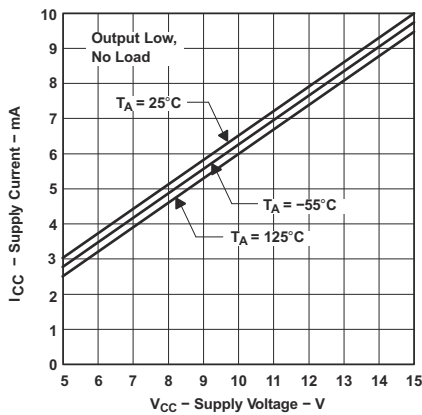


图 5-5. Supply Current vs Supply Voltage

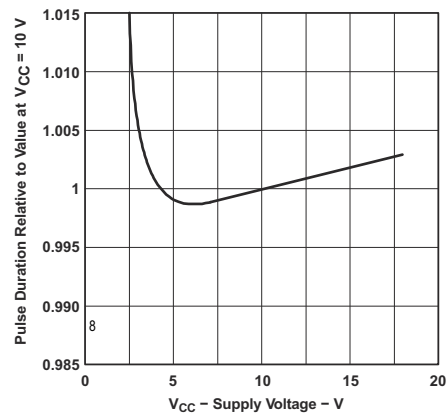


图 5-6. Normalized Output Pulse Duration (Monostable Operation) vs Supply Voltage

5.7 Typical Characteristics (continued)

data for temperatures less than -40°C and greater than 105°C are applicable for SE555 circuits only

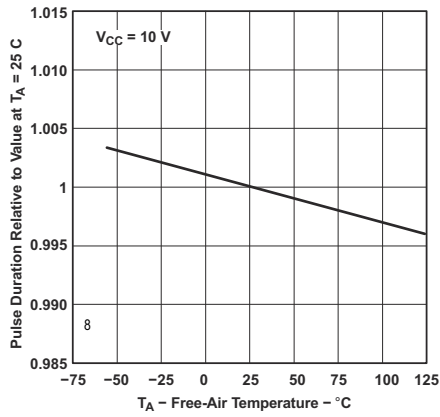


图 5-7. Normalized Output Pulse Duration (Monostable Operation) vs Free-Air Temperature

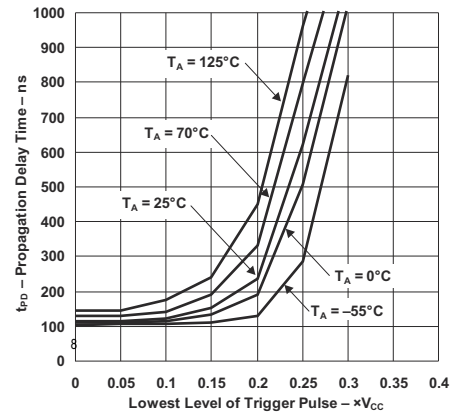
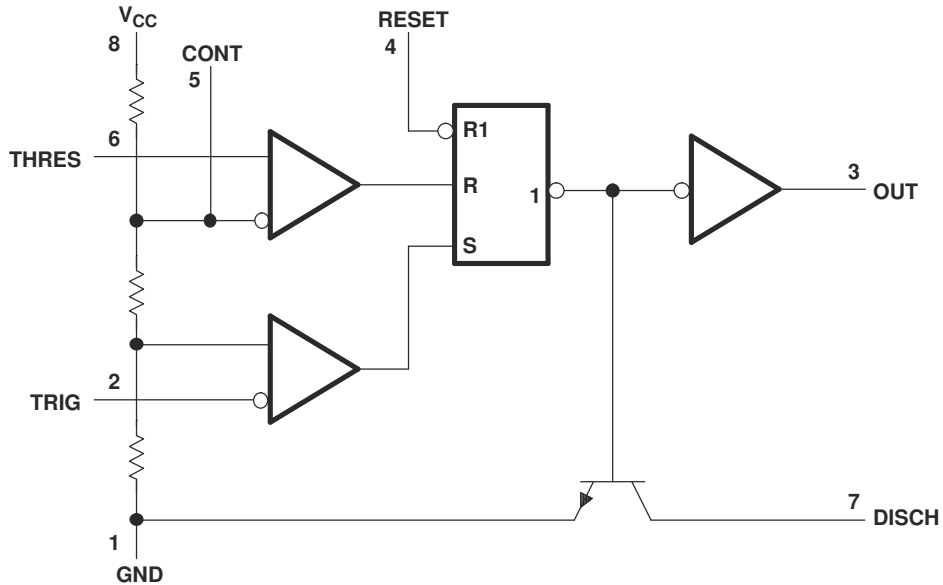


图 5-8. Propagation Delay Time vs Lowest Voltage Level of Trigger Pulse

6 Detailed Description

6.1 Overview

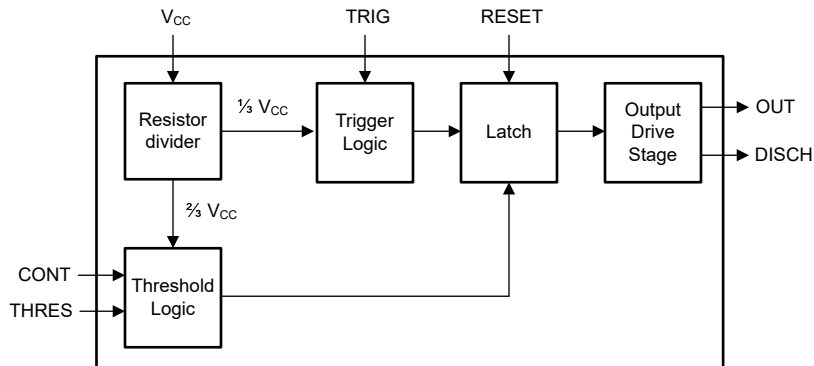
The Nx555 or Sx555 is a precision timing device for general-purpose timing applications from 10 μ s to hours or from < 1kHz to 100kHz. In the time-delay or monostable mode of operation, the timed interval is controlled by a single external resistor and capacitor network. In the astable mode of operation, the frequency and duty cycle can be controlled independently with two external resistors and a single external capacitor. Maximum output sink and discharge sink current are greater for higher V_{CC} and less for lower V_{CC} .



Note: Pin numbers shown are for the D, JG, P, PS, and PW packages.
 Note: RESET can override TRIG, which can override THRES.

图 6-1. Simplified Schematic

6.2 Functional Block Diagram



6.3 Feature Description

6.3.1 Monostable Operation

For monostable operation, [图 6-2](#) shows how to connect any of these timers. If the output is low, application of a negative-going pulse to the trigger (TRIG) sets the flip-flop (\bar{Q} goes low), drives the output high, and turns off Q1. Capacitor C is then charged through R_A until the voltage across the capacitor reaches the threshold voltage of the threshold (THRES) input. If TRIG has returned to a high level, the output of the threshold comparator resets the flip-flop (\bar{Q} goes high), drives the output low, and discharges C through Q1.

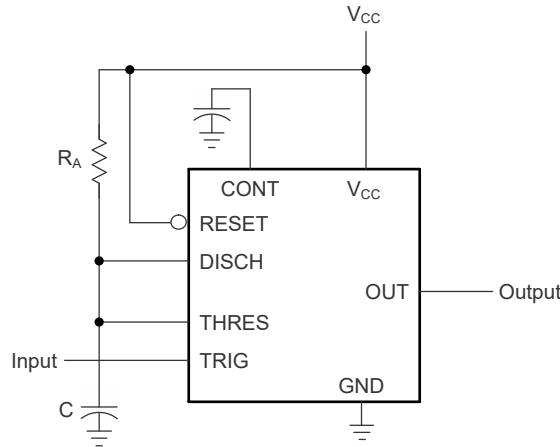


图 6-2. Circuit for Monostable Operation

Monostable operation is initiated when the TRIG voltage is less than the trigger threshold. After being initiated, the sequence ends only if TRIG is high for at least $10\mu\text{s}$ before the end of the timing interval. When the trigger is grounded, the comparator storage time can be as long as $10\mu\text{s}$, which limits the minimum monostable pulse width to $10\mu\text{s}$. As a result of the threshold level and saturation voltage of Q1, the output pulse duration is approximately $t_w = 1.1 \times R_A C$. [图 6-4](#) is a plot of the time constant for various values of R_A and C. The threshold levels and charge rates both are directly proportional to the supply voltage, V_{CC} . The timing interval is, therefore, independent of the supply voltage, as long as the supply voltage is constant during the time interval.

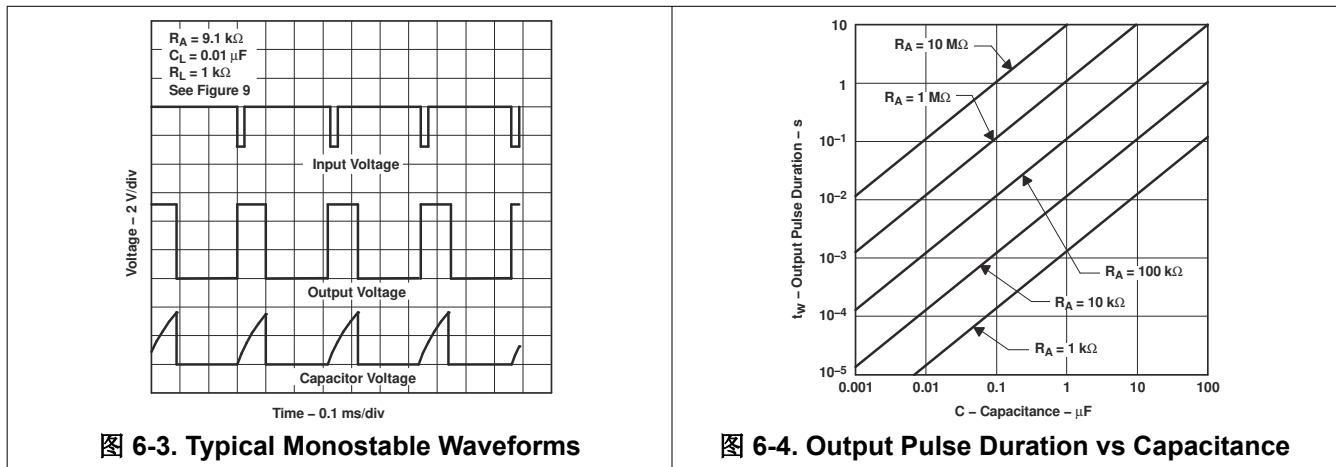


图 6-3. Typical Monostable Waveforms

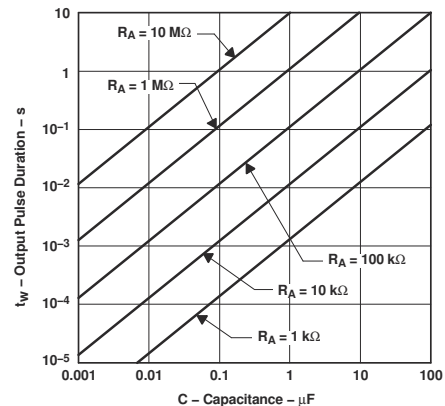
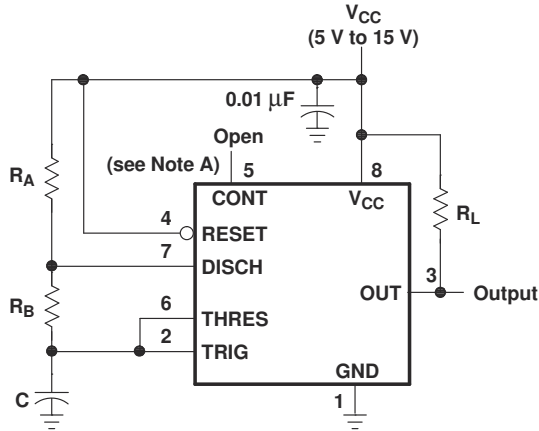


图 6-4. Output Pulse Duration vs Capacitance

Applying a negative-going trigger pulse simultaneously to RESET and TRIG during the timing interval discharges C and reinitiates the cycle, commencing on the positive edge of the reset pulse. The output is held low for as long as the reset pulse is low. To prevent false triggering, when RESET is not used, connect RESET to V_{CC} .

6.3.2 Astable Operation

图 6-5 shows that adding a second resistor, R_B , to the circuit of 图 6-2 and connecting the trigger input to the threshold input causes the timer to self-trigger and run as a multivibrator. Capacitor C charges through R_A and R_B and then discharges through R_B only. Therefore, the duty cycle is controlled by the values of R_A and R_B .



Pin numbers shown are for the D, JG, P, PS, and PW packages.
NOTE A: Decoupling CONT voltage to ground with a capacitor can improve operation. This should be evaluated for individual applications.

图 6-5. Circuit for Astable Operation

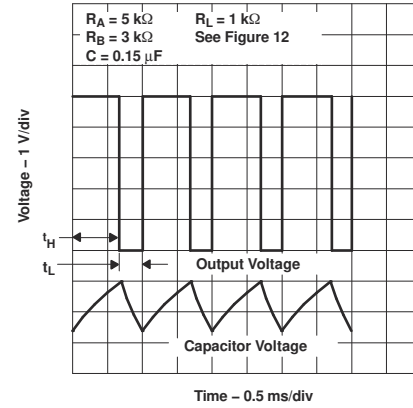


图 6-6. Typical Astable Waveforms

This astable connection results in capacitor C charging and discharging between the threshold-voltage level ($\cong 0.67 \times V_{CC}$) and the trigger-voltage level ($\cong 0.33 \times V_{CC}$). As in the mono-stable circuit, charge and discharge times (and, therefore, the frequency and duty cycle) are independent of the supply voltage. To reduce distortion, use at maximum frequency of 100kHz or below. If higher-frequency operation is required, consider using the [TLC555 LinCMOS™ Timer](#) instead.

图 6-6 shows typical waveforms generated during astable operation. The output high-level duration t_H and low-level duration t_L are calculated as follows:

$$t_H \cong 0.693 \times (R_A + R_B) \times C \quad (1)$$

$$t_L \cong 0.693 \times R_B \times C \quad (2)$$

Other useful relationships for period, frequency, and driver-referred and waveform-referred duty cycle are calculated as follows:

$$T = t_H + t_L \cong 0.693 \times (R_A + 2R_B) \times C \quad (3)$$

$$f = \frac{1}{T} \cong \frac{1.44}{(R_A + 2R_B) \times C} \quad (4)$$

$$\text{Output driver duty cycle} = \frac{t_L}{T} \cong \frac{R_B}{R_A + 2R_B} \quad (5)$$

$$\text{Output waveform duty cycle} = \frac{t_H}{T} \cong 1 - \frac{R_B}{R_A + 2R_B} = \frac{R_A + R_B}{R_A + 2R_B} \quad (6)$$

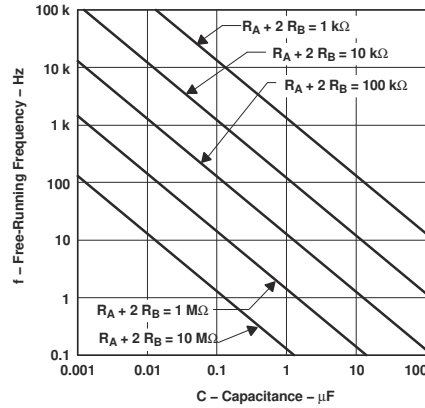
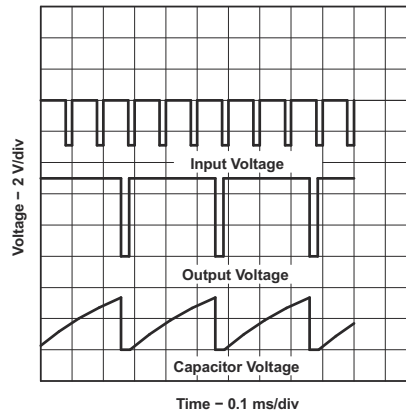


图 6-7. Free-Running Frequency

6.3.3 Frequency Divider

By adjusting the length of the timing cycle, the basic circuit of [图 6-2](#) can be made to operate as a frequency divider. [图 6-8](#) shows a divide-by-three circuit that makes use of the fact that retriggering cannot occur during the timing cycle.



$V_{CC} = 5V$

$R_A = 1250\ \Omega$

$C = 0.2\ \mu\text{F}$

See [图 6-2](#)

图 6-8. Divide-by-Three Circuit Waveforms

6.4 Device Functional Modes

[表 6-1](#) shows the device truth table. For a valid reset voltage condition, use an external pullup resistor to V_{CC} (if using the RESET functionality), or short the RESET pin directly to V_{CC} (if the RESET functionality is not used).

表 6-1. Function Table

RESET VOLTAGE ⁽¹⁾	TRIGGER VOLTAGE ⁽¹⁾	THRESHOLD VOLTAGE ⁽¹⁾	OUTPUT	DISCHARGE SWITCH
LOW	Irrelevant	Irrelevant	Low	On
> MAX	$< 1/3 \times V_{CC}$	Irrelevant ⁽²⁾	High	Off
> MAX	$> 1/3 \times V_{CC}$	$> 2/3 \times V_{CC}$	Low	On
> MAX	$> 1/3 \times V_{CC}$	$< 2/3 \times V_{CC}$	As previously established	

(1) Voltage levels shown are nominal.

(2) CONT pin open or $2/3 \times V_{CC}$.

7 Applications and Implementation

备注

以下应用部分中的信息不属于 TI 器件规格的范围，TI 不担保其准确性和完整性。TI 的客户应负责确定器件是否适用于其应用。客户应验证并测试其设计，以确保系统功能。

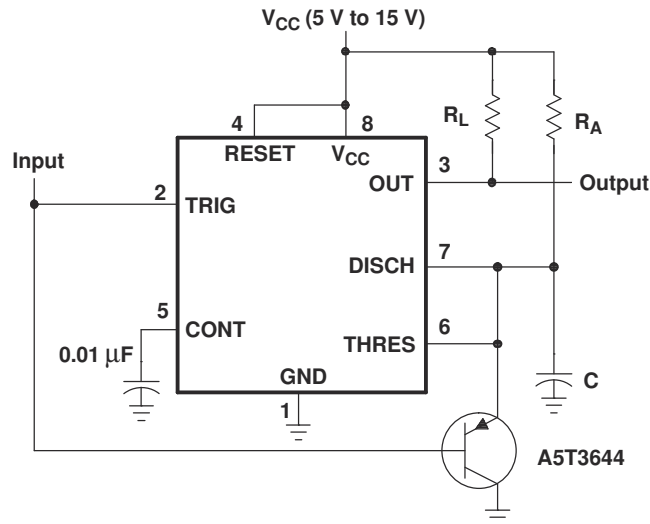
7.1 Application Information

The Nx555 and Sx555 precision timers use resistor and capacitor charging delay to provide a programmable time delay or operating frequency. This section presents a simplified discussion of the design process.

7.2 Typical Applications

7.2.1 Missing-Pulse Detector

The circuit shown in 图 7-1 can be used to detect a missing pulse or abnormally long spacing between consecutive pulses in a train of pulses. The timing interval of the monostable circuit is re-triggered continuously by the input pulse train as long as the pulse spacing is less than the timing interval. A longer pulse spacing, missing pulse, or terminated pulse train permits the timing interval to be completed, thereby generating an output pulse as shown in 图 7-2.



Pin numbers shown are shown for the D, JG, P, PS, and PW packages.

图 7-1. Circuit for Missing-Pulse Detector

7.2.1.1 Design Requirements

Input fault (missing pulses) must be input high. Input stuck low cannot be detected because the timing capacitor (C) remains discharged.

7.2.1.2 Detailed Design Procedure

Choose R_A and C so that $R_A \times C > [\text{maximum normal input high time}]$. R_L improves V_{OH} , but is not required for TTL compatibility.

7.2.1.3 Application Curve

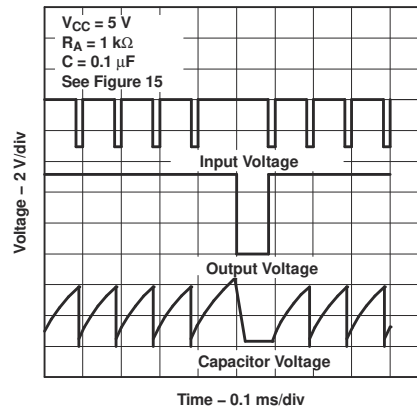
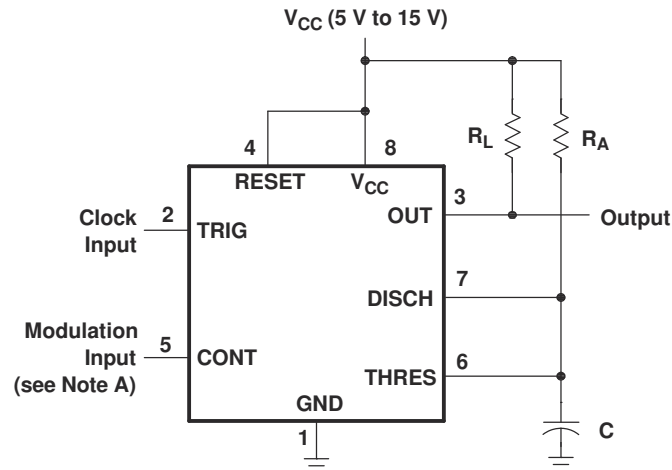


图 7-2. Completed Timing Waveforms for Missing-Pulse Detector

7.2.2 Pulse-Width Modulation

The operation of the timer can be modified by modulating the internal threshold and trigger voltages, which is accomplished by applying an external voltage (or current) to CONT. 图 7-3 shows a circuit for pulse-width modulation. A continuous input pulse train triggers the monostable circuit, and a control signal modulates the threshold voltage. 图 7-4 shows the resulting output pulse-width modulation. While a sine-wave modulation signal is shown, any wave shape can be used.



Pin numbers shown are for the D, JG, P, PS, and PW packages.
NOTE A: The modulating signal can be direct or capacitively coupled to CONT. For direct coupling, the effects of modulation source voltage and impedance on the bias of the timer should be considered.

图 7-3. Circuit for Pulse-Width Modulation

7.2.2.1 Design Requirements

Clock input must have V_{OL} and V_{OH} levels that are less than and greater than $1/3 \times V_{CC}$. Modulation input can vary from ground to V_{CC} . The application must be tolerant of a nonlinear transfer function; the relationship between modulation input and pulse width is not linear because the capacitor charge is RC-based with an negative exponential curve.

7.2.2.2 Detailed Design Procedure

Choose R_A and C so that $R_A \times C = 1/4$ [clock input period]. R_L improves V_{OH} , but is not required for TTL compatibility.

7.2.2.3 Application Curve

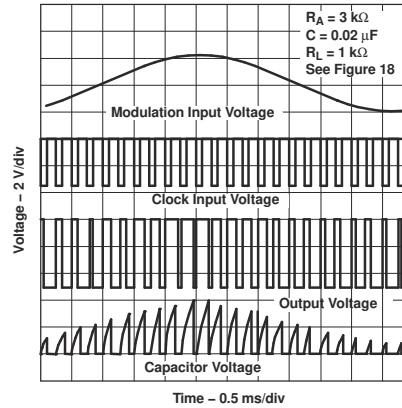
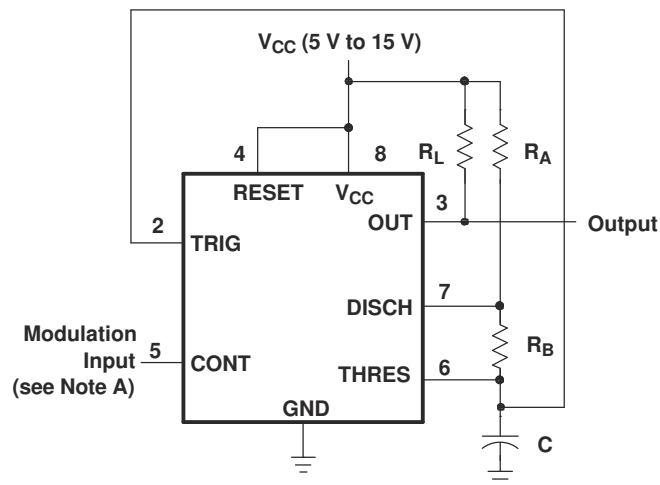


图 7-4. Pulse-Width-Modulation Waveforms

7.2.3 Pulse-Position Modulation

As shown in 图 7-5, any of these timers can be used as a pulse-position modulator. This application modulates the threshold voltage and, thereby, the time delay, of a free-running oscillator. 图 7-6 shows a triangular-wave modulation signal for such a circuit; however, any wave shape can be used.



Pin numbers shown are for the D, JG, P, PS, and PW packages.

NOTE A: The modulating signal can be direct or capacitively coupled to CONT. For direct coupling, the effects of modulation source voltage and impedance on the bias of the timer should be considered.

图 7-5. Circuit for Pulse-Position Modulation

7.2.3.1 Design Requirements

Both dc- and ac-coupled modulation input changes the upper and lower voltage thresholds for the timing capacitor. Both frequency and duty cycle vary with the modulation voltage.

7.2.3.2 Detailed Design Procedure

The nominal output frequency and duty cycle are determined using the formulas in 节 6.3.2. R_L improves V_{OH} , but R_L is not required for TTL compatibility.

7.2.3.3 Application Curve

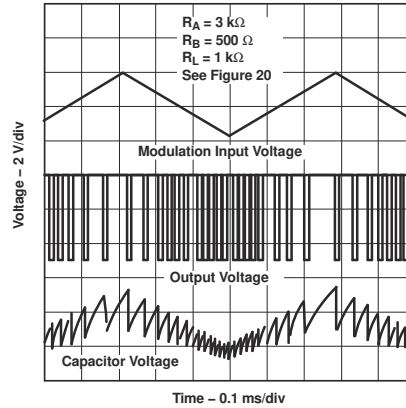
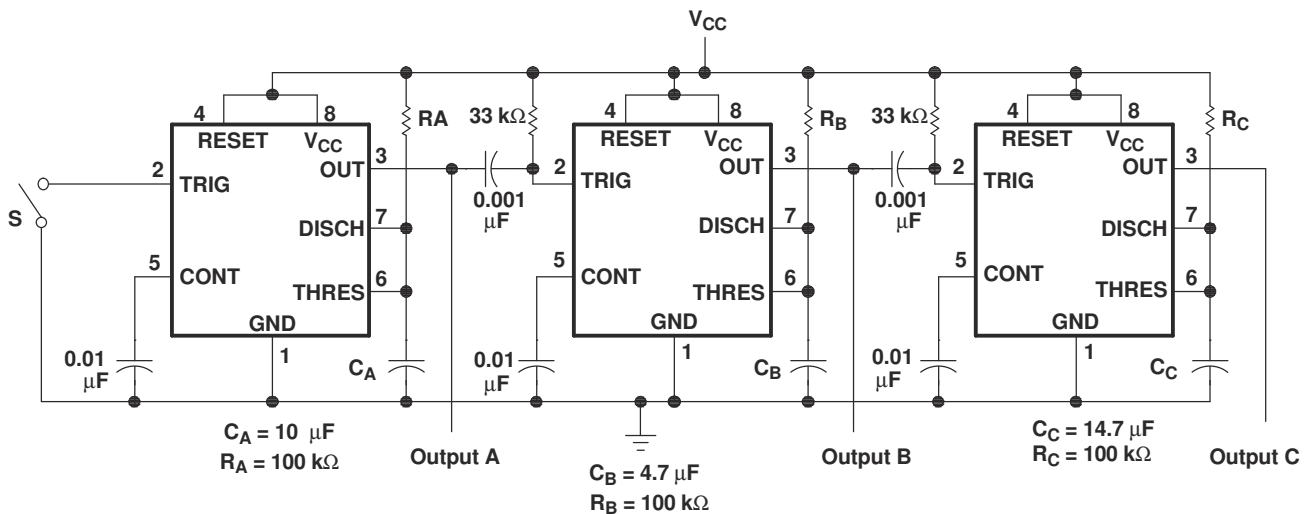


图 7-6. Pulse-Position-Modulation Waveforms

7.2.4 Sequential Timer

Many applications, such as computers, require signals for initializing conditions during start-up. Other applications, such as test equipment, require activation of test signals in sequence. These timing circuits can be connected to provide such sequential control. The timers can be used in various combinations of astable or monostable circuit connections, with or without modulation, for extremely flexible waveform control. 图 7-7 shows a sequencer circuit with possible applications in many systems, and 图 7-8 shows the output waveforms.



Pin numbers shown are for the D, JG, P, PS, and PW packages.

NOTE A: S closes momentarily at $t = 0$.

图 7-7. Sequential Timer Circuit

7.2.4.1 Design Requirements

The sequential timer application chains together multiple mono-stable timers. The joining components are the $33k\Omega$ resistors and $0.001\mu F$ capacitors. The output high to low edge passes a $10\mu s$ start pulse to the next monostable.

7.2.4.2 Detailed Design Procedure

The timing resistors and capacitors can be chosen using this formula. $t_w = 1.1 \times R \times C$.

7.2.4.3 Application Curve

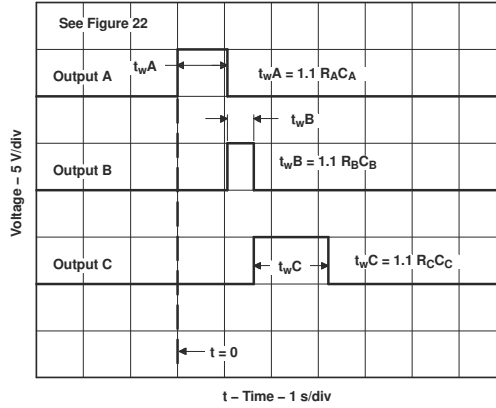


图 7-8. Sequential Timer Waveforms

7.3 Power Supply Recommendations

The Nx555 and Sx555 precision timers are designed to operate from an input voltage supply range between 4.5V and 16V (18V for SE555). A bypass capacitor is highly recommended from V_{CC} to the ground pin; a ceramic 0.1 μ F capacitor is sufficient.

8 Device and Documentation Support

8.1 接收文档更新通知

要接收文档更新通知，请导航至 ti.com 上的器件产品文件夹。点击 [通知](#) 进行注册，即可每周接收产品信息更改摘要。有关更改的详细信息，请查看任何已修订文档中包含的修订历史记录。

8.2 支持资源

[TI E2E™ 中文支持论坛](#) 是工程师的重要参考资料，可直接从专家处获得快速、经过验证的解答和设计帮助。搜索现有解答或提出自己的问题，获得所需的快速设计帮助。

链接的内容由各个贡献者“按原样”提供。这些内容并不构成 TI 技术规范，并且不一定反映 TI 的观点；请参阅 TI 的 [使用条款](#)。

8.3 Trademarks

TI E2E™ is a trademark of Texas Instruments.

所有商标均为其各自所有者的财产。

8.4 静电放电警告



静电放电 (ESD) 会损坏这个集成电路。德州仪器 (TI) 建议通过适当的预防措施处理所有集成电路。如果不遵守正确的处理和安装程序，可能会损坏集成电路。

ESD 的损坏小至导致微小的性能降级，大至整个器件故障。精密的集成电路可能更容易受到损坏，这是因为非常细微的参数更改都可能会导致器件与其发布的规格不相符。

8.5 术语表

[TI 术语表](#) 本术语表列出并解释了术语、首字母缩略词和定义。

9 Revision History

注：以前版本的页码可能与当前版本的页码不同

Changes from Revision I (September 2014) to Revision J (February 2025)	Page
• 更新了 <i>应用</i> 中终端设备的列表.....	1
• 更新了 <i>器件信息</i> 表.....	1
• Deleted package thermal impedance specifications from <i>Absolute Maximum Ratings</i> and added <i>Thermal Information</i> table with updated per-package thermal specifications.....	4
• Deleted <i>Handling Ratings</i> and moved storage temperature specification to <i>Absolute Maximum Ratings</i>	4
• Added <i>ESD Ratings</i> table.....	4
• Deleted redundant input voltage specification in <i>Recommended Operating Conditions</i>	4
• Changed <i>Operating Characteristics</i> title to <i>Switching Characteristics</i> , and clarified that values are specified by design or characterization and are not production tested.....	8
• Deleted initial error of timing interval specification in <i>Switching Characteristics</i> and clarified that output rise and fall times are 20% to 80% and 80% to 20%, respectively.....	8
• Changed functional block diagram to simplified schematic and moved to Overview.....	11
• Updated <i>Functional Block Diagram</i>	11
• Added CONT pin table note to Table 6-1, <i>Function Table</i>	14

Changes from Revision H (June 2010) to Revision I (September 2014)	Page
• 已将文档更新为新的 TI 增强型数据表格式.....	1
• 删除了 <i>订购信息</i> 表.....	1
• 向 <i>特性</i> 中添加了“军用免责声明”	1

- 添加了应用 1
- 添加了器件信息表..... 1
- Added DISCH switch on-state voltage parameter..... 5
- Added Mechanical, Packaging, and Orderable Information section..... 21

10 Mechanical, Packaging, and Orderable Information

The following pages include mechanical packaging and orderable information. This information is the most current data available for the designated devices. This data is subject to change without notice and revision of this document. For browser-based versions of this data sheet, refer to the left-side navigation.

PACKAGING INFORMATION

Orderable Device	Status (1)	Package Type	Package Drawing	Pins	Package Qty	Eco Plan (2)	Lead finish/ Ball material (6)	MSL Peak Temp (3)	Op Temp (°C)	Device Marking (4/5)	Samples
JM38510/10901BPA	ACTIVE	CDIP	JG	8	50	Non-RoHS & Green	SNPB	N / A for Pkg Type	-55 to 125	JM38510 /10901BPA	Samples
NA555D	OBSOLETE	SOIC	D	8		TBD	Call TI	Call TI	-40 to 105	NA555	
NA555DR	ACTIVE	SOIC	D	8	2500	RoHS & Green	NIPDAU	Level-1-260C-UNLIM	-40 to 105	NA555	Samples
NA555P	ACTIVE	PDIP	P	8	50	RoHS & Green	NIPDAU SN	N / A for Pkg Type	-40 to 105	NA555P	Samples
NA555PE4	ACTIVE	PDIP	P	8	50	RoHS & Green	NIPDAU	N / A for Pkg Type	-40 to 105	NA555P	Samples
NE555D	OBSOLETE	SOIC	D	8		TBD	Call TI	Call TI	0 to 70	NE555	
NE555DR	ACTIVE	SOIC	D	8	2500	RoHS & Green	NIPDAU SN	Level-1-260C-UNLIM	0 to 70	NE555	Samples
NE555DR1G4	ACTIVE	SOIC	D	8	2500	RoHS & Green	NIPDAU	Level-1-260C-UNLIM	0 to 70	NE555	Samples
NE555DRG4	OBSOLETE	SOIC	D	8		TBD	Call TI	Call TI	0 to 70	NE555	
NE555P	ACTIVE	PDIP	P	8	50	RoHS & Green	NIPDAU SN	N / A for Pkg Type	0 to 70	NE555P	Samples
NE555PE4	ACTIVE	PDIP	P	8	50	RoHS & Green	NIPDAU	N / A for Pkg Type	0 to 70	NE555P	Samples
NE555PS	ACTIVE	SO	PS	8	80	RoHS & Green	NIPDAU	Level-1-260C-UNLIM		N555	Samples
NE555PSR	ACTIVE	SO	PS	8	2000	RoHS & Green	NIPDAU	Level-1-260C-UNLIM	0 to 70	N555	Samples
NE555PW	OBSOLETE	TSSOP	PW	8		TBD	Call TI	Call TI	0 to 70	N555	
NE555PWR	ACTIVE	TSSOP	PW	8	2000	RoHS & Green	NIPDAU	Level-1-260C-UNLIM	0 to 70	N555	Samples
SA555D	OBSOLETE	SOIC	D	8		TBD	Call TI	Call TI	-40 to 85	SA555	
SA555DR	ACTIVE	SOIC	D	8	2500	RoHS & Green	NIPDAU SN	Level-1-260C-UNLIM	-40 to 85	SA555	Samples
SA555DRG4	OBSOLETE	SOIC	D	8		TBD	Call TI	Call TI	-40 to 85	SA555	
SA555P	ACTIVE	PDIP	P	8	50	RoHS & Green	NIPDAU	N / A for Pkg Type	-40 to 85	SA555P	Samples
SE555D	OBSOLETE	SOIC	D	8		TBD	Call TI	Call TI	-55 to 125	SE555	
SE555DG4	OBSOLETE	SOIC	D	8		TBD	Call TI	Call TI	-55 to 125	SE555	
SE555DR	ACTIVE	SOIC	D	8	2500	RoHS & Green	NIPDAU	Level-1-260C-UNLIM	-55 to 125	SE555	Samples

Orderable Device	Status (1)	Package Type	Package Drawing	Pins	Package Qty	Eco Plan (2)	Lead finish/ Ball material (6)	MSL Peak Temp (3)	Op Temp (°C)	Device Marking (4/5)	Samples
SE555DRG4	ACTIVE	SOIC	D	8	2500	RoHS & Green	NIPDAU	Level-1-260C-UNLIM	-55 to 125	SE555	Samples
SE555FKB	ACTIVE	LCCC	FK	20	55	Non-RoHS & Green	SNPB	N / A for Pkg Type	-55 to 125	SE555FKB	Samples
SE555JG	ACTIVE	CDIP	JG	8	50	Non-RoHS & Green	SNPB	N / A for Pkg Type	-55 to 125	SE555JG	Samples
SE555JGB	ACTIVE	CDIP	JG	8	50	Non-RoHS & Green	SNPB	N / A for Pkg Type	-55 to 125	SE555JGB	Samples
SE555P	ACTIVE	PDIP	P	8	50	RoHS & Green	NIPDAU	N / A for Pkg Type	-55 to 125	SE555P	Samples

(1) The marketing status values are defined as follows:

ACTIVE: Product device recommended for new designs.

LIFEBUY: TI has announced that the device will be discontinued, and a lifetime-buy period is in effect.

NRND: Not recommended for new designs. Device is in production to support existing customers, but TI does not recommend using this part in a new design.

PREVIEW: Device has been announced but is not in production. Samples may or may not be available.

OBSOLETE: TI has discontinued the production of the device.

(2) **RoHS:** TI defines "RoHS" to mean semiconductor products that are compliant with the current EU RoHS requirements for all 10 RoHS substances, including the requirement that RoHS substance do not exceed 0.1% by weight in homogeneous materials. Where designed to be soldered at high temperatures, "RoHS" products are suitable for use in specified lead-free processes. TI may reference these types of products as "Pb-Free".

RoHS Exempt: TI defines "RoHS Exempt" to mean products that contain lead but are compliant with EU RoHS pursuant to a specific EU RoHS exemption.

Green: TI defines "Green" to mean the content of Chlorine (Cl) and Bromine (Br) based flame retardants meet JS709B low halogen requirements of <=1000ppm threshold. Antimony trioxide based flame retardants must also meet the <=1000ppm threshold requirement.

(3) MSL, Peak Temp. - The Moisture Sensitivity Level rating according to the JEDEC industry standard classifications, and peak solder temperature.

(4) There may be additional marking, which relates to the logo, the lot trace code information, or the environmental category on the device.

(5) Multiple Device Markings will be inside parentheses. Only one Device Marking contained in parentheses and separated by a "~" will appear on a device. If a line is indented then it is a continuation of the previous line and the two combined represent the entire Device Marking for that device.

(6) Lead finish/Ball material - Orderable Devices may have multiple material finish options. Finish options are separated by a vertical ruled line. Lead finish/Ball material values may wrap to two lines if the finish value exceeds the maximum column width.

Important Information and Disclaimer:The information provided on this page represents TI's knowledge and belief as of the date that it is provided. TI bases its knowledge and belief on information provided by third parties, and makes no representation or warranty as to the accuracy of such information. Efforts are underway to better integrate information from third parties. TI has taken and

continues to take reasonable steps to provide representative and accurate information but may not have conducted destructive testing or chemical analysis on incoming materials and chemicals. TI and TI suppliers consider certain information to be proprietary, and thus CAS numbers and other limited information may not be available for release.

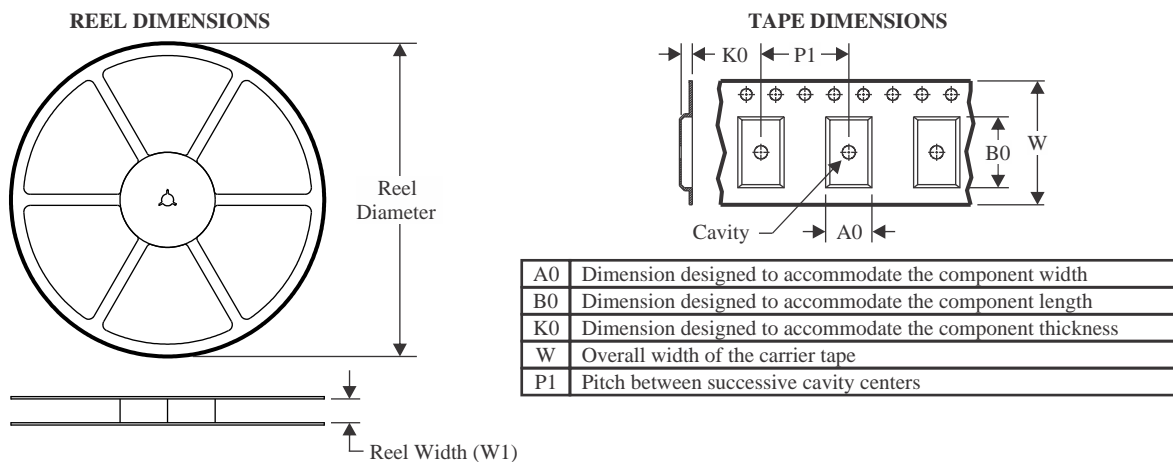
In no event shall TI's liability arising out of such information exceed the total purchase price of the TI part(s) at issue in this document sold by TI to Customer on an annual basis.

OTHER QUALIFIED VERSIONS OF SE555, SE555M :

- Catalog : [SE555](#)
- Military : [SE555M](#)
- Space : [SE555-SP](#), [SE555-SP](#)

NOTE: Qualified Version Definitions:

- Catalog - TI's standard catalog product
- Military - QML certified for Military and Defense Applications
- Space - Radiation tolerant, ceramic packaging and qualified for use in Space-based application

TAPE AND REEL INFORMATION

QUADRANT ASSIGNMENTS FOR PIN 1 ORIENTATION IN TAPE


*All dimensions are nominal

Device	Package Type	Package Drawing	Pins	SPQ	Reel Diameter (mm)	Reel Width W1 (mm)	A0 (mm)	B0 (mm)	K0 (mm)	P1 (mm)	W (mm)	Pin1 Quadrant
NA555DR	SOIC	D	8	2500	330.0	12.4	6.4	5.2	2.1	8.0	12.0	Q1
NE555DR	SOIC	D	8	2500	330.0	12.4	6.4	5.2	2.1	8.0	12.0	Q1
NE555DR1G4	SOIC	D	8	2500	330.0	12.4	6.4	5.2	2.1	8.0	12.0	Q1
NE555PSR	SO	PS	8	2000	330.0	16.4	8.35	6.6	2.4	12.0	16.0	Q1
NE555PWR	TSSOP	PW	8	2000	330.0	12.4	7.0	3.6	1.6	8.0	12.0	Q1
SA555DR	SOIC	D	8	2500	330.0	12.4	6.4	5.2	2.1	8.0	12.0	Q1
SE555DR	SOIC	D	8	2500	330.0	12.4	6.4	5.2	2.1	8.0	12.0	Q1
SE555DRG4	SOIC	D	8	2500	330.0	12.4	6.4	5.2	2.1	8.0	12.0	Q1

TAPE AND REEL BOX DIMENSIONS


*All dimensions are nominal

Device	Package Type	Package Drawing	Pins	SPQ	Length (mm)	Width (mm)	Height (mm)
NA555DR	SOIC	D	8	2500	353.0	353.0	32.0
NE555DR	SOIC	D	8	2500	353.0	353.0	32.0
NE555DR1G4	SOIC	D	8	2500	353.0	353.0	32.0
NE555PSR	SO	PS	8	2000	356.0	356.0	35.0
NE555PWR	TSSOP	PW	8	2000	356.0	356.0	35.0
SA555DR	SOIC	D	8	2500	353.0	353.0	32.0
SE555DR	SOIC	D	8	2500	350.0	350.0	43.0
SE555DRG4	SOIC	D	8	2500	350.0	350.0	43.0

TUBE


*All dimensions are nominal

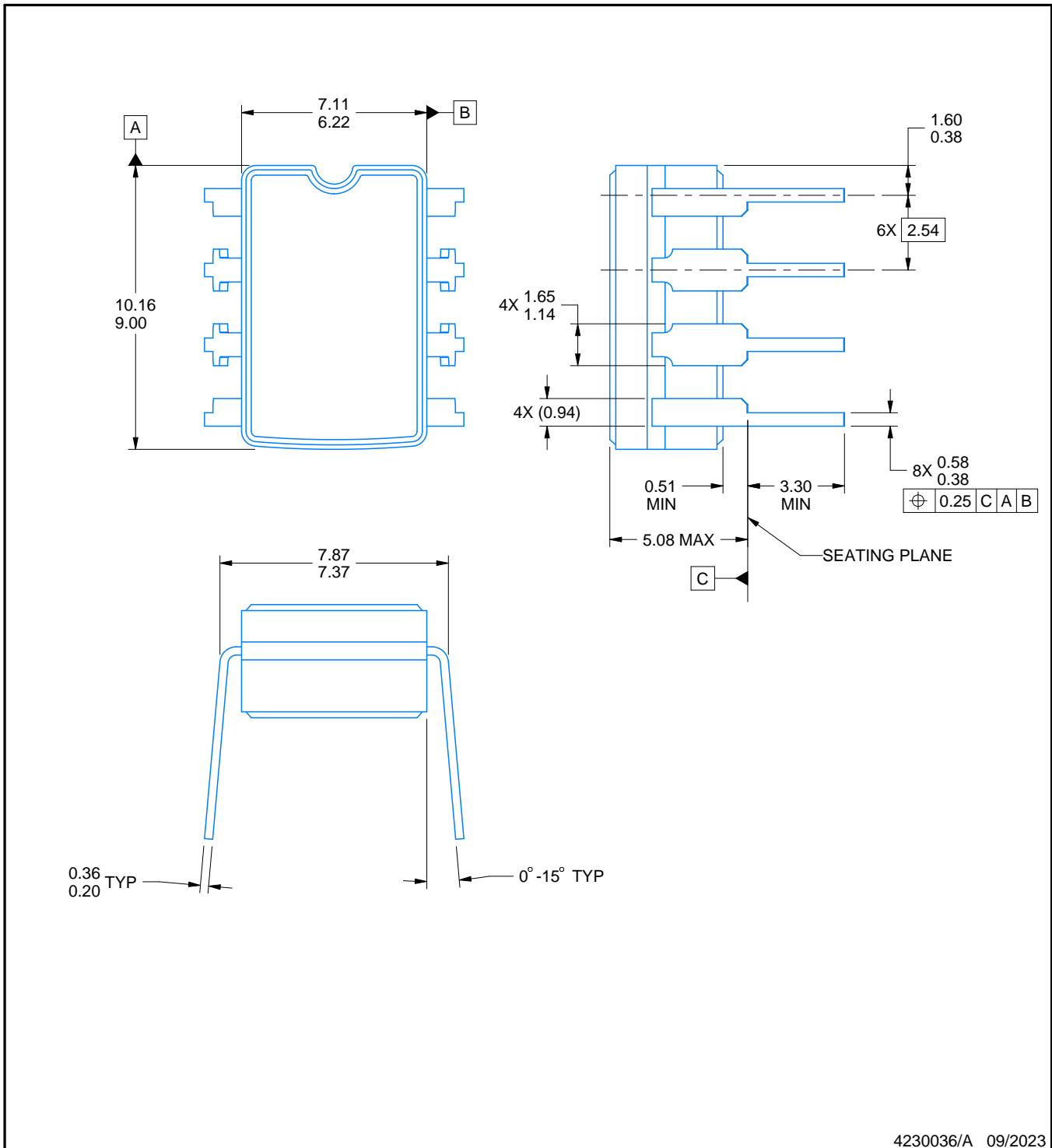
Device	Package Name	Package Type	Pins	SPQ	L (mm)	W (mm)	T (μm)	B (mm)
NA555P	P	PDIP	8	50	506	13.97	11230	4.32
NA555P	P	PDIP	8	50	506.1	9	600	5.4
NA555PE4	P	PDIP	8	50	506	13.97	11230	4.32
NE555P	P	PDIP	8	50	506	13.97	11230	4.32
NE555P	P	PDIP	8	50	506.1	9	600	5.4
NE555PE4	P	PDIP	8	50	506	13.97	11230	4.32
NE555PS	PS	SOP	8	80	530	10.5	4000	4.1
SA555P	P	PDIP	8	50	506	13.97	11230	4.32
SE555FKB	FK	LCCC	20	55	506.98	12.06	2030	NA
SE555P	P	PDIP	8	50	506	13.97	11230	4.32

PACKAGE OUTLINE

JG0008A

CDIP - 5.08 mm max height

CERAMIC DUAL IN-LINE PACKAGE



4230036/A 09/2023

NOTES:

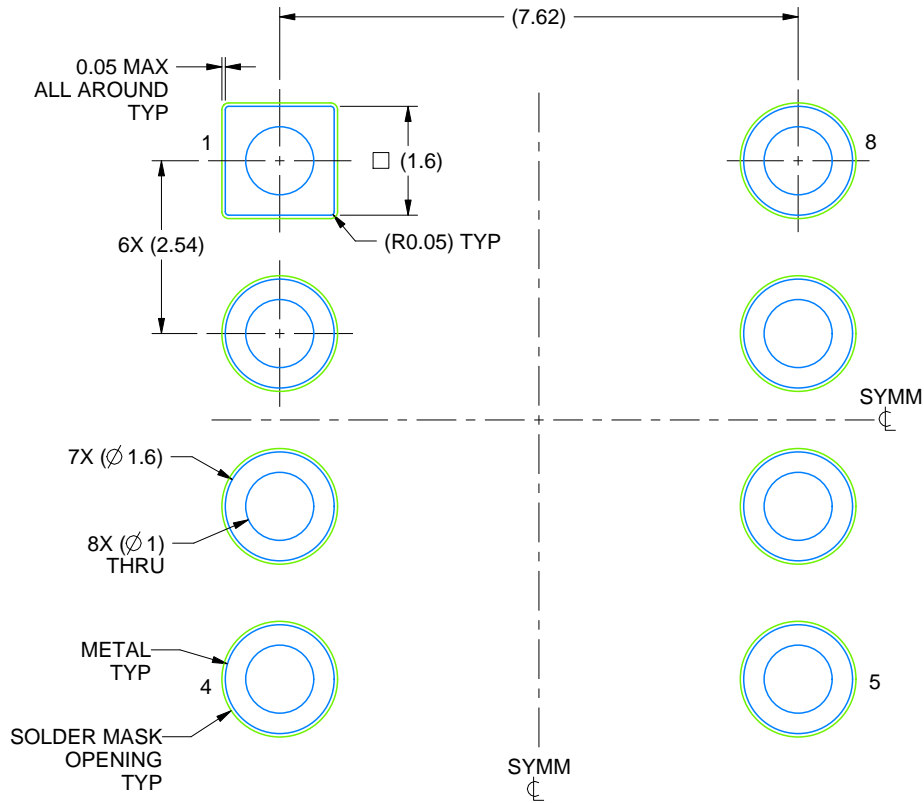
1. All linear dimensions are in millimeters. Any dimensions in parenthesis are for reference only. Dimensioning and tolerancing per ASME Y14.5M.
2. This drawing is subject to change without notice.
3. This package can be hermetically sealed with a ceramic lid using glass frit.
4. Index point is provided on cap for terminal identification.
5. Falls within MIL STD 1835 GDIP1-T8

EXAMPLE BOARD LAYOUT

JG0008A

CDIP - 5.08 mm max height

CERAMIC DUAL IN-LINE PACKAGE



LAND PATTERN EXAMPLE
NON SOLDER MASK DEFINED
SCALE: 9X

4230036/A 09/2023

GENERIC PACKAGE VIEW

FK 20

LCCC - 2.03 mm max height

8.89 x 8.89, 1.27 mm pitch

LEADLESS CERAMIC CHIP CARRIER

This image is a representation of the package family, actual package may vary.
Refer to the product data sheet for package details.



4229370VA\



D0008A

PACKAGE OUTLINE

SOIC - 1.75 mm max height

SMALL OUTLINE INTEGRATED CIRCUIT



4214825/C 02/2019

NOTES:

- Linear dimensions are in inches [millimeters]. Dimensions in parenthesis are for reference only. Controlling dimensions are in inches. Dimensioning and tolerancing per ASME Y14.5M.
- This drawing is subject to change without notice.
- This dimension does not include mold flash, protrusions, or gate burrs. Mold flash, protrusions, or gate burrs shall not exceed $.006$ [0.15] per side.
- This dimension does not include interlead flash.
- Reference JEDEC registration MS-012, variation AA.

EXAMPLE BOARD LAYOUT

D0008A

SOIC - 1.75 mm max height

SMALL OUTLINE INTEGRATED CIRCUIT



LAND PATTERN EXAMPLE
EXPOSED METAL SHOWN
SCALE:8X



SOLDER MASK DETAILS

4214825/C 02/2019

NOTES: (continued)

6. Publication IPC-7351 may have alternate designs.

7. Solder mask tolerances between and around signal pads can vary based on board fabrication site.

EXAMPLE STENCIL DESIGN

D0008A

SOIC - 1.75 mm max height

SMALL OUTLINE INTEGRATED CIRCUIT



SOLDER PASTE EXAMPLE
BASED ON .005 INCH [0.125 MM] THICK STENCIL
SCALE:8X

4214825/C 02/2019

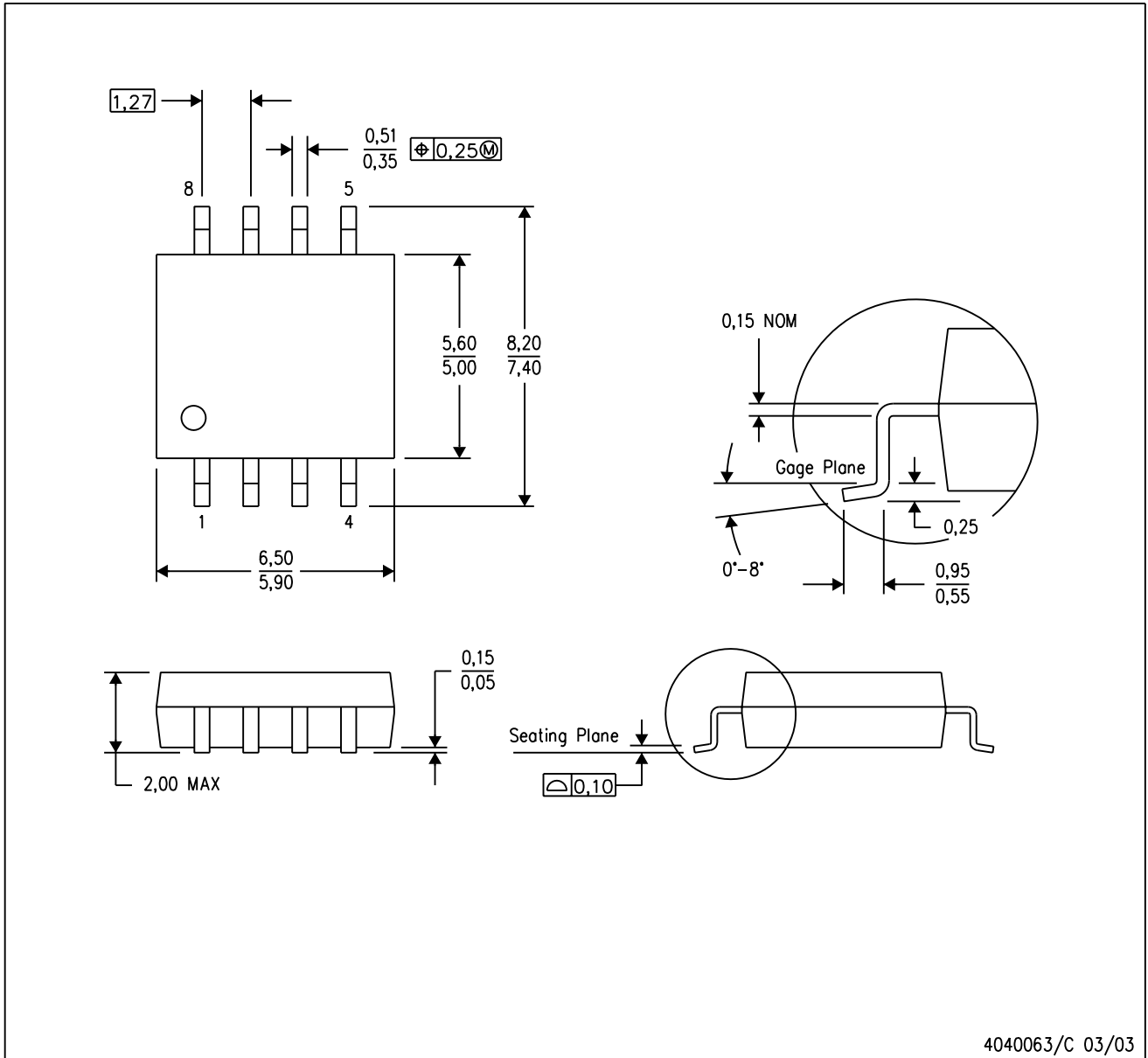
NOTES: (continued)

8. Laser cutting apertures with trapezoidal walls and rounded corners may offer better paste release. IPC-7525 may have alternate design recommendations.
9. Board assembly site may have different recommendations for stencil design.

MECHANICAL DATA

PS (R-PDSO-G8)

PLASTIC SMALL-OUTLINE PACKAGE



- NOTES:
- A. All linear dimensions are in millimeters.
 - B. This drawing is subject to change without notice.
 - C. Body dimensions do not include mold flash or protrusion, not to exceed 0,15.

PS (R-PDSO-G8)

PLASTIC SMALL OUTLINE



- NOTES:
- All linear dimensions are in millimeters.
 - This drawing is subject to change without notice.
 - Publication IPC-7351 is recommended for alternate designs.
 - Laser cutting apertures with trapezoidal walls and also rounding corners will offer better paste release. Customers should contact their board assembly site for stencil design recommendations. Refer to IPC-7525 for other stencil recommendations.
 - Customers should contact their board fabrication site for solder mask tolerances between and around signal pads.

P (R-PDIP-T8)

PLASTIC DUAL-IN-LINE PACKAGE



- NOTES:
- A. All linear dimensions are in inches (millimeters).
 - B. This drawing is subject to change without notice.
 - C. Falls within JEDEC MS-001 variation BA.

PW0008A



PACKAGE OUTLINE

TSSOP - 1.2 mm max height

SMALL OUTLINE PACKAGE



4221848/A 02/2015

NOTES:

1. All linear dimensions are in millimeters. Any dimensions in parenthesis are for reference only. Dimensioning and tolerancing per ASME Y14.5M.
2. This drawing is subject to change without notice.
3. This dimension does not include mold flash, protrusions, or gate burrs. Mold flash, protrusions, or gate burrs shall not exceed 0.15 mm per side.
4. This dimension does not include interlead flash. Interlead flash shall not exceed 0.25 mm per side.
5. Reference JEDEC registration MO-153, variation AA.

EXAMPLE BOARD LAYOUT

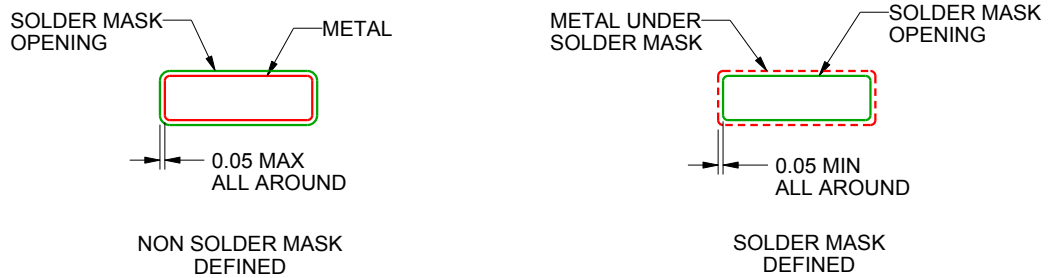
PW0008A

TSSOP - 1.2 mm max height

SMALL OUTLINE PACKAGE



LAND PATTERN EXAMPLE
SCALE:10X



SOLDER MASK DETAILS
NOT TO SCALE

4221848/A 02/2015

NOTES: (continued)

- 6. Publication IPC-7351 may have alternate designs.
- 7. Solder mask tolerances between and around signal pads can vary based on board fabrication site.

EXAMPLE STENCIL DESIGN

PW0008A

TSSOP - 1.2 mm max height

SMALL OUTLINE PACKAGE



SOLDER PASTE EXAMPLE
BASED ON 0.125 mm THICK STENCIL
SCALE:10X

4221848/A 02/2015

NOTES: (continued)

8. Laser cutting apertures with trapezoidal walls and rounded corners may offer better paste release. IPC-7525 may have alternate design recommendations.
9. Board assembly site may have different recommendations for stencil design.

重要通知和免责声明

TI“按原样”提供技术和可靠性数据（包括数据表）、设计资源（包括参考设计）、应用或其他设计建议、网络工具、安全信息和其他资源，不保证没有瑕疵且不做任何明示或暗示的担保，包括但不限于对适销性、某特定用途方面的适用性或不侵犯任何第三方知识产权的暗示担保。

这些资源可供使用 TI 产品进行设计的熟练开发人员使用。您将自行承担以下全部责任：(1) 针对您的应用选择合适的 TI 产品，(2) 设计、验证并测试您的应用，(3) 确保您的应用满足相应标准以及任何其他功能安全、信息安全、监管或其他要求。

这些资源如有变更，恕不另行通知。TI 授权您仅可将这些资源用于研发本资源所述的 TI 产品的相关应用。严禁以其他方式对这些资源进行复制或展示。您无权使用任何其他 TI 知识产权或任何第三方知识产权。您应全额赔偿因在这些资源的使用中对 TI 及其代表造成的任何索赔、损害、成本、损失和债务，TI 对此概不负责。

TI 提供的产品受 [TI 的销售条款](#) 或 [ti.com](#) 上其他适用条款/TI 产品随附的其他适用条款的约束。TI 提供这些资源并不会扩展或以其他方式更改 TI 针对 TI 产品发布的适用的担保或担保免责声明。

TI 反对并拒绝您可能提出的任何其他或不同的条款。

邮寄地址：Texas Instruments, Post Office Box 655303, Dallas, Texas 75265
版权所有 © 2025，德州仪器 (TI) 公司