

OPA165x 超低噪声、低失真、FET 输入、 Burr-Brown™ 音频运算放大器

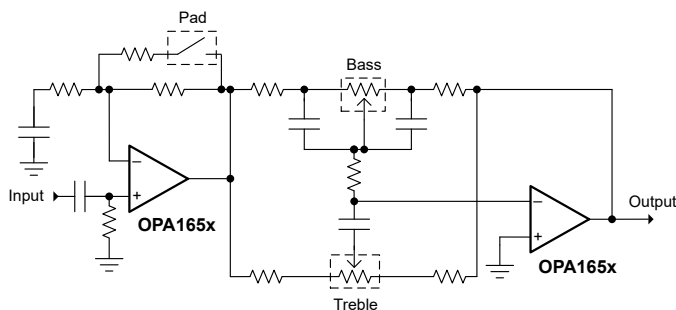


1 特性

- 超低噪声：
 - 电压噪声：10 kHz 时为 $2.9\text{nV}/\sqrt{\text{Hz}}$
 - 电流噪声：1 kHz 时为 $6\text{fA}/\sqrt{\text{Hz}}$
- 低失真：
 - 1kHz 时为 0.000029% (-131dB)
 - 20kHz 时为 0.000035% (-129dB)
- 高开环增益：150dB
- 高输出电流：100mA
- 低输入偏置电流：10pA
- 压摆率：24 V/ μs
- 增益带宽积：53 MHz
- 轨到轨输出
- 宽电源电压范围： $\pm 2.25\text{V}$ 至 $\pm 18\text{V}$ 或 4.5V 至 36V
- 静态电流：每通道 3.9 mA

2 应用

- 专业麦克风和无线系统
- 专业音频混合器/控制平面
- 吉他放大器和其他乐器放大器
- A/V 接收器
- 书架立体声音响系统
- 专业音频放大器
- DJ 设备
- 转盘
- 特殊功能模块



主动 Baxandall 音调控制

3 说明

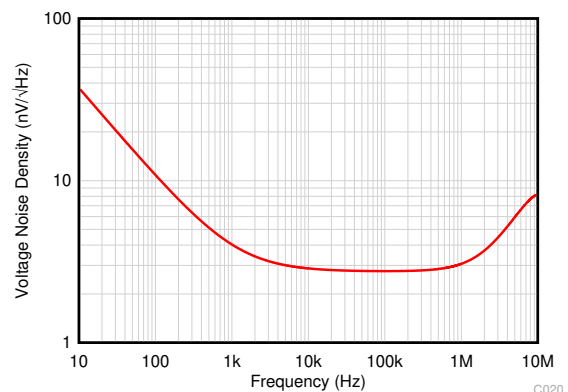
OPA1655 和 OPA1656 (OPA165x) 是 Burr-Brown™ 运算放大器，专为音频和工业应用而设计，在这些应用中保持信号保真度至关重要。FET 输入架构可达到 $2.9\text{nV}/\sqrt{\text{Hz}}$ 的低电压噪声密度和 $6\text{fA}/\sqrt{\text{Hz}}$ 电流噪声密度，能够在各种电路内将噪声降到超低。OPA165x 采用高带宽和高开环增益设计，在 20kHz 时的失真率低至 0.000035% (-129dB) 并且可提高全音频带宽内的音频信号保真。该器件还具有出色的输出电流驱动功能，在 $2\text{k}\Omega$ 负载下提供 250mV 电源电压范围内的轨到轨输出摆幅，并且可以提供 100mA 输出电流。

OPA165x 可在 $\pm 2.25\text{V}$ 至 $\pm 18\text{V}$ 的超宽电源电压范围内工作，也可在仅为 3.9mA 的电源电流 (4.5V 至 36V) 下工作，从而满足许多类型的音频产品的电源限制。它的额定工作温度范围为 -40°C 至 $+125^\circ\text{C}$ 。

器件信息

| 器件型号 | 通道 | 封装 ⁽¹⁾ |
|---------|-----|-------------------|
| OPA1655 | 单通道 | D (SOIC, 8) |
| | | DBV (SOT-23, 5) |
| OPA1656 | 双通道 | D (SOIC, 8) |

(1) 如需了解所有可用封装，请参阅数据表末尾的封装选项附录。



超低输入电压噪声



Table of Contents

| | | | |
|--|----|--|----|
| 1 特性 | 1 | 7.4 Device Functional Modes..... | 19 |
| 2 应用 | 1 | 8 Application and Implementation | 20 |
| 3 说明 | 1 | 8.1 Application Information..... | 20 |
| 4 Revision History | 2 | 8.2 Typical Applications..... | 21 |
| 5 Pin Configuration and Functions | 3 | 8.3 Power Supply Recommendations..... | 28 |
| 6 Specifications | 4 | 8.4 Layout..... | 28 |
| 6.1 Absolute Maximum Ratings..... | 4 | 9 Device and Documentation Support | 30 |
| 6.2 ESD Ratings..... | 4 | 9.1 Device Support..... | 30 |
| 6.3 Recommended Operating Conditions..... | 4 | 9.2 Documentation Support..... | 31 |
| 6.4 Thermal Information: OPA1655..... | 5 | 9.3 接收文档更新通知..... | 31 |
| 6.5 Thermal Information: OPA1656..... | 5 | 9.4 支持资源..... | 31 |
| 6.6 Electrical Characteristics..... | 6 | 9.5 Trademarks..... | 31 |
| 6.7 Typical Characteristics..... | 9 | 9.6 Electrostatic Discharge Caution..... | 31 |
| 7 Detailed Description | 16 | 9.7 术语表..... | 31 |
| 7.1 Overview..... | 16 | 10 Mechanical, Packaging, and Orderable Information | 31 |
| 7.2 Functional Block Diagram..... | 16 | | |
| 7.3 Feature Description..... | 16 | | |

4 Revision History

注：以前版本的页码可能与当前版本的页码不同

| Changes from Revision B (December 2021) to Revision C (September 2022) | Page |
|---|-------------|
| • 将 OPA1655 DBV (SOT-23, 5) 封装从“预发布”更改为“量产数据”（正在供货）..... | 1 |

| Changes from Revision A (July 2019) to Revision B (December 2021) | Page |
|--|-------------|
| • 添加了 OPA1655 器件的量产数据（正在供货）和相关内容..... | 1 |

| Changes from Revision * (March 2019) to Revision A (July 2019) | Page |
|---|-------------|
| • 将器件状态从“预告信息（预发布）”更改为“量产数据（正在供货）”..... | 1 |

5 Pin Configuration and Functions

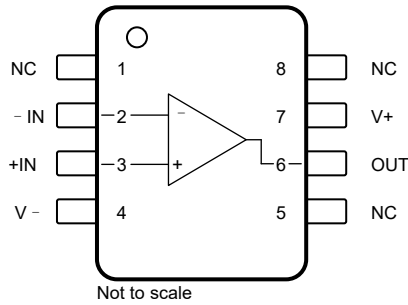


图 5-1. OPA1655 D (8-Pin SOIC) Package, Top View

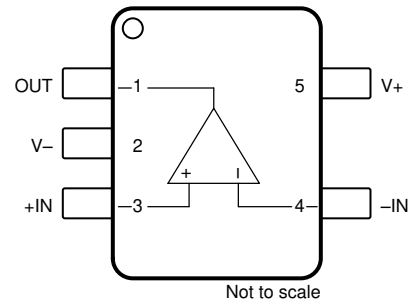


图 5-2. OPA1655 DBV (5-Pin SOT-23) Package, Top View

Pin Functions: OPA1655

| NAME | PIN NO. | | TYPE | DESCRIPTION |
|------|----------|--------------|--------|---------------------------------|
| | D (SOIC) | DBV (SOT-23) | | |
| - IN | 2 | 4 | Input | Inverting input |
| +IN | 3 | 3 | Input | Noninverting input |
| OUT | 6 | 1 | Output | Output |
| V - | 4 | 2 | Power | Negative (lowest) power supply |
| V+ | 7 | 5 | Power | Positive (highest) power supply |

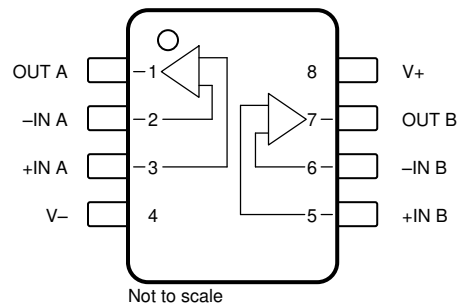


图 5-3. OPA1656 D (8-Pin SOIC) Package, Top View

Pin Functions: OPA1656

| NAME | PIN NO. | | TYPE | DESCRIPTION |
|--------|----------|--------------|--------|---------------------------------|
| | D (SOIC) | DBV (SOT-23) | | |
| - IN A | 2 | 4 | Input | Inverting input, channel A |
| +IN A | 3 | 3 | Input | Noninverting input, channel A |
| - IN B | 6 | 6 | Input | Inverting input, channel B |
| +IN B | 5 | 5 | Input | Noninverting input, channel B |
| OUT A | 1 | 1 | Output | Output, channel A |
| OUT B | 7 | 7 | Output | Output, channel B |
| V - | 4 | 2 | Power | Negative (lowest) power supply |
| V+ | 8 | 5 | Power | Positive (highest) power supply |

6 Specifications

6.1 Absolute Maximum Ratings

over operating free-air temperature range (unless otherwise noted)⁽¹⁾

| | | MIN | MAX | UNIT |
|-------------|---|--------------|--------------|------|
| Voltage | Supply voltage, $V_S = (V+) - (V-)$ | | 40 | V |
| | Input | $(V-) - 0.5$ | $(V+) + 0.5$ | V |
| Current | Input (all pins except power-supply pins) | - 10 | 10 | mA |
| | Output short-circuit ⁽²⁾ | Continuous | | |
| Temperature | Operating, T_A | - 55 | 125 | °C |
| | Junction, T_J | | 150 | °C |
| | Storage, T_{stg} | - 65 | 150 | °C |

- (1) Operation outside the Absolute Maximum Ratings may cause permanent device damage. Absolute Maximum Ratings do not imply functional operation of the device at these or any other conditions beyond those listed under Recommended Operating Conditions. If used outside the Recommended Operating Conditions but within the Absolute Maximum Ratings, the device may not be fully functional, and this may affect device reliability, functionality, performance, and shorten the device lifetime.
- (2) Short-circuit to $V_S / 2$ (ground/symmetrical dual-supply setups), one amplifier per package.

6.2 ESD Ratings

| | | | VALUE | UNIT |
|-------------|-------------------------|--|-------|------|
| $V_{(ESD)}$ | Electrostatic discharge | Human-body model (HBM), per ANSI/ESDA/JEDEC JS-001 ⁽¹⁾ | ±2000 | V |
| | | Charged-device model (CDM), per JEDEC specification JESD22-C101 ⁽²⁾ | ±1000 | |

- (1) JEDEC document JEP155 states that 500-V HBM allows safe manufacturing with a standard ESD control process.
- (2) JEDEC document JEP157 states that 250-V CDM allows safe manufacturing with a standard ESD control process.

6.3 Recommended Operating Conditions

over operating free-air temperature range (unless otherwise noted)

| | | | MIN | NOM | MAX | UNIT |
|-------|-----------------------|---------------|-------|-----|-----|------|
| V_S | Supply voltage | Single supply | 4.5 | | 36 | V |
| | | Dual supply | ±2.25 | | ±18 | |
| T_A | Operating temperature | | - 40 | | 125 | °C |

6.4 Thermal Information: OPA1655

| THERMAL METRIC ⁽¹⁾ | | OPA1655 | | UNIT |
|-------------------------------|--|----------|-------------|------|
| | | D (SOIC) | DBV (SOT23) | |
| | | 8 PINS | 5 PINS | |
| $R_{\theta JA}$ | Junction-to-ambient thermal resistance | 120.9 | 143.4 | °C/W |
| $R_{\theta JC(top)}$ | Junction-to-case (top) thermal resistance | 58.9 | 68.4 | °C/W |
| $R_{\theta JB}$ | Junction-to-board thermal resistance | 65.1 | 39.2 | °C/W |
| ψ_{JT} | Junction-to-top characterization parameter | 13.5 | 20.4 | °C/W |
| ψ_{JB} | Junction-to-board characterization parameter | 64.2 | 39.0 | °C/W |
| $R_{\theta JC(bot)}$ | Junction-to-case (bottom) thermal resistance | N/A | N/A | °C/W |

(1) For more information about traditional and new thermal metrics, see the [Semiconductor and IC Package Thermal Metrics](#) application report.

6.5 Thermal Information: OPA1656

| THERMAL METRIC ⁽¹⁾ | | OPA1656 | | UNIT |
|-------------------------------|--|----------|--|------|
| | | D (SOIC) | | |
| | | 8 PINS | | |
| $R_{\theta JA}$ | Junction-to-ambient thermal resistance | 119.9 | | °C/W |
| $R_{\theta JC(top)}$ | Junction-to-case (top) thermal resistance | 51.8 | | °C/W |
| $R_{\theta JB}$ | Junction-to-board thermal resistance | 65.4 | | °C/W |
| ψ_{JT} | Junction-to-top characterization parameter | 10.0 | | °C/W |
| ψ_{JB} | Junction-to-board characterization parameter | 64.2 | | °C/W |
| $R_{\theta JC(bot)}$ | Junction-to-case (bottom) thermal resistance | N/A | | °C/W |

(1) For more information about traditional and new thermal metrics, see the [Semiconductor and IC Package Thermal Metrics](#) application report.

6.6 Electrical Characteristics

at $T_A = 25^\circ\text{C}$, $V_S = \pm 18\text{ V}$, $R_L = 2\text{ k}\Omega$, and $V_{CM} = V_{OUT} = V_S/2$ (unless otherwise noted)

| PARAMETER | | TEST CONDITIONS | | MIN | TYP | MAX | UNIT | |
|----------------------------|---|--|---|-----------|-------------|----------|------------------------------|--|
| AUDIO PERFORMANCE | | | | | | | | |
| THD+N | Total harmonic distortion + noise | G = 1, $R_L = 600\ \Omega$, $V_O = 3.5\ V_{RMS}$, f = 1 kHz, 80-kHz measurement bandwidth | | 0.000029% | | | | |
| | | | | - 131 | | | dB | |
| | | G = 1, $R_L = 600\ \Omega$, $V_O = 3.5\ V_{RMS}$, f = 20 kHz, 80-kHz measurement bandwidth | | 0.0001% | | | | |
| | | | | - 120 | | | dB | |
| | | G = 1, $R_L = 2\text{ k}\Omega$, $V_O = 3.5\ V_{RMS}$, f = 1 kHz, 80-kHz measurement bandwidth | | 0.000029% | | | | |
| | | | | - 131 | | | dB | |
| | | G = 1, $R_L = 2\text{ k}\Omega$, $V_O = 3.5\ V_{RMS}$, f = 20 kHz, 80-kHz measurement bandwidth | | 0.000035% | | | | |
| | | | | - 129 | | | dB | |
| IMD | Intermodulation distortion | G = 1 $V_O = 3.5\ V_{RMS}$ | SMPTE/DIN two-tone, 4:1 (60 Hz and 7 kHz) | 0.000018% | | | | |
| | | | | - 135 | | | dB | |
| | | CCIF twin-tone (19 kHz and 20 kHz) | 0.000020% | | | | | |
| | | | | - 134 | | | dB | |
| FREQUENCY RESPONSE | | | | | | | | |
| GBW | Gain-bandwidth product | G = 100 | | | 53 | | MHz | |
| | Unity gain bandwidth | G = 1 | | | 20 | | MHz | |
| SR | Slew rate | G = - 1, 10-V step | | | 24 | | V/ μs | |
| | Full-power bandwidth ⁽¹⁾ | $V_O = 1\ V_P$ | | | 3.8 | | MHz | |
| | Overload recovery time | G = - 10 | | | 100 | | ns | |
| | Channel separation | f = 1 kHz | | | - 135 | | dB | |
| | Settling time | 0.01%, G = - 1, 10-V step | | | 800 | | ns | |
| NOISE | | | | | | | | |
| | Input voltage noise | f = 20 Hz to 20 kHz | | | 0.53 | | μV_{RMS} | |
| | | f = 0.1 Hz to 10 Hz | | | 1.9 | | μV_{PP} | |
| e_n | Input voltage noise density | f = 100 Hz | | | 11.8 | | nV/ $\sqrt{\text{Hz}}$ | |
| | | f = 1 kHz | | | 4.3 | | nV/ $\sqrt{\text{Hz}}$ | |
| | | f = 10 kHz | | | 2.9 | | | |
| | | | | | | | | |
| i_n | Input current noise density | f = 1 kHz | | | 6 | | fA/ $\sqrt{\text{Hz}}$ | |
| OFFSET VOLTAGE | | | | | | | | |
| V_{OS} | Input offset voltage | $V_S = \pm 2.25\text{ V to } \pm 18\text{ V}$ | | | ± 0.5 | ± 1 | mV | |
| dV_{OS}/dT | Input offset voltage drift ⁽²⁾ | $V_S = \pm 2.25\text{ V to } \pm 18\text{ V}$ $T_A = - 40^\circ\text{C to } +125^\circ\text{C}$ | | | 0.3 | 2 | $\mu\text{V}/^\circ\text{C}$ | |
| PSRR | Power-supply rejection ratio | $V_S = \pm 2.25\text{ V to } \pm 18\text{ V}$ | | | 0.3 | 5 | $\mu\text{V}/\text{V}$ | |
| INPUT BIAS CURRENT | | | | | | | | |
| I_B | Input bias current ⁽³⁾ | $V_{CM} = 0\text{ V}$ | OPA1655 | | ± 10 | | pA | |
| | | | OPA1656 | | ± 10 | ± 20 | | |
| I_{OS} | Input offset current | $V_{CM} = 0\text{ V}$ | OPA1655 | | ± 10 | | pA | |
| | | | OPA1656 | | ± 10 | ± 20 | | |
| INPUT VOLTAGE RANGE | | | | | | | | |
| V_{CM} | Common-mode voltage range | | | (V -) | (V+) - 2.25 | | V | |
| CMRR | Common-mode rejection ratio | $(V -) \leq V_{CM} \leq (V+) - 2.25$ | | 106 | 120 | | dB | |
| INPUT IMPEDANCE | | | | | | | | |
| | Differential | | | | 100 9.1 | | M Ω pF | |
| | Common-mode | | | | 6 1.9 | | $10^{12}\ \Omega$ pF | |
| OPEN-LOOP GAIN | | | | | | | | |

6.6 Electrical Characteristics (continued)

at $T_A = 25^\circ\text{C}$, $V_S = \pm 18\text{ V}$, $R_L = 2\text{ k}\Omega$, and $V_{CM} = V_{OUT} = V_S/2$ (unless otherwise noted)

| PARAMETER | | TEST CONDITIONS | MIN | TYP | MAX | UNIT |
|-----------------|------------------------|---|-----|-----|-----|------|
| A _{OL} | Open-loop voltage gain | $(V^-) + 1.3\text{ V} \leq V_O \leq (V^+) - 1.3\text{ V}$ $R_L = 600\ \Omega$ | 134 | 150 | | dB |
| | | $(V^-) + 0.5\text{ V} \leq V_O \leq (V^+) - 0.5\text{ V}$ $R_L = 2\text{ k}\Omega$ | 134 | 154 | | |

6.6 Electrical Characteristics (continued)

at $T_A = 25^\circ\text{C}$, $V_S = \pm 18\text{ V}$, $R_L = 2\text{ k}\Omega$, and $V_{CM} = V_{OUT} = V_S/2$ (unless otherwise noted)

| PARAMETER | | TEST CONDITIONS | MIN | TYP | MAX | UNIT |
|---------------------|--------------------------------------|---|----------------|----------------|-----|----------|
| OUTPUT | | | | | | |
| V_O | Voltage output | | $(V_-) + 0.25$ | $(V_+) - 0.25$ | | V |
| Z_O | Open-loop output impedance | $f = 1\text{ MHz}$ | | 26 | | Ω |
| I_{SC} | Short-circuit current ⁽⁴⁾ | | | ± 100 | | mA |
| C_L | Capacitive load drive | | | 100 | | pF |
| POWER SUPPLY | | | | | | |
| I_Q | Quiescent current (per channel) | $I_O = 0\text{ A}$, $V_S = \pm 2.25\text{ V}$ to $\pm 18\text{ V}$ | | 3.9 | 4.6 | mA |
| | | $I_O = 0\text{ A}$, $T_A = -40^\circ\text{C}$ to $+125^\circ\text{C}$ ⁽²⁾ | | | 5.0 | |

- (1) Full-power bandwidth = $SR / (2\pi \times V_P)$, where SR = slew rate.
- (2) Specified by design and characterization.
- (3) Input bias current test conditions can vary from nominal ambient conditions as a result of junction temperature differences.
- (4) One channel at a time.

6.7 Typical Characteristics

at $T_A = 25^\circ\text{C}$, $V_S = \pm 15\text{ V}$, $R_L = 2\text{ k}\Omega$, and $V_{CM} = V_S/2$ (unless otherwise noted)

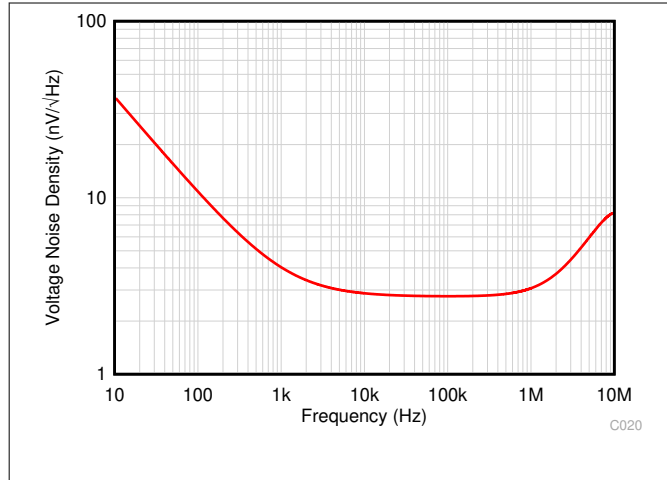


图 6-1. Input Voltage Noise Density vs Frequency

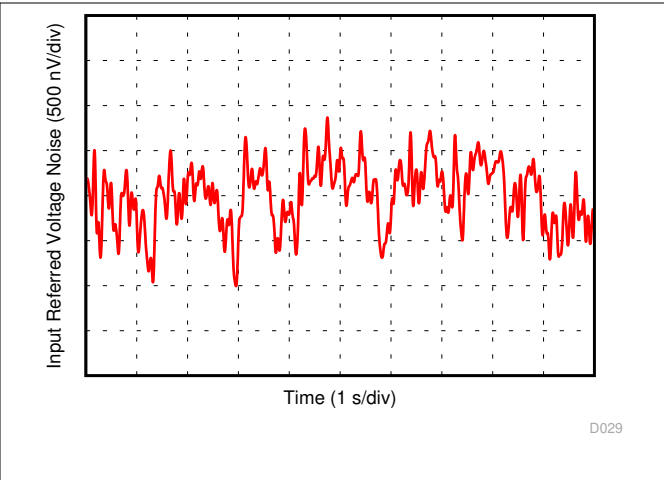


图 6-2. 0.1-Hz to 10-Hz Noise

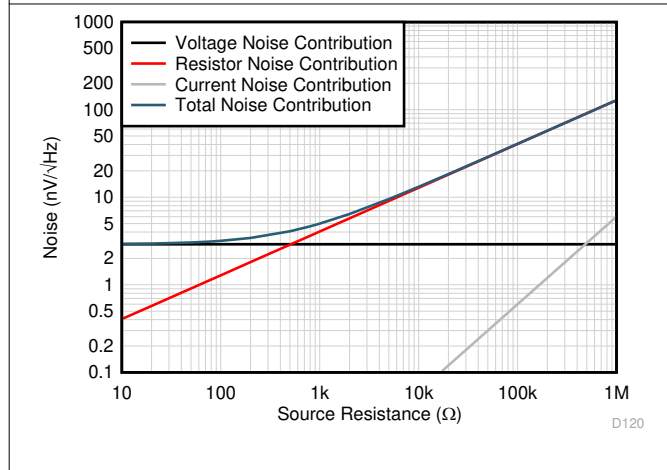


图 6-3. Voltage Noise vs Source Resistance

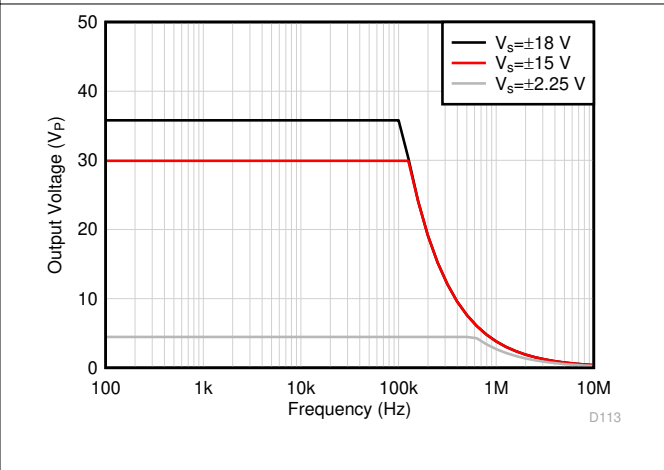


图 6-4. Maximum Output Voltage vs Frequency

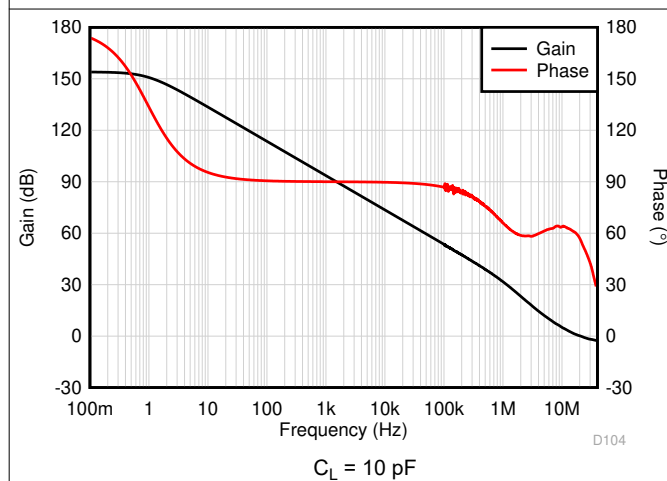


图 6-5. Open-Loop Gain and Phase vs Frequency

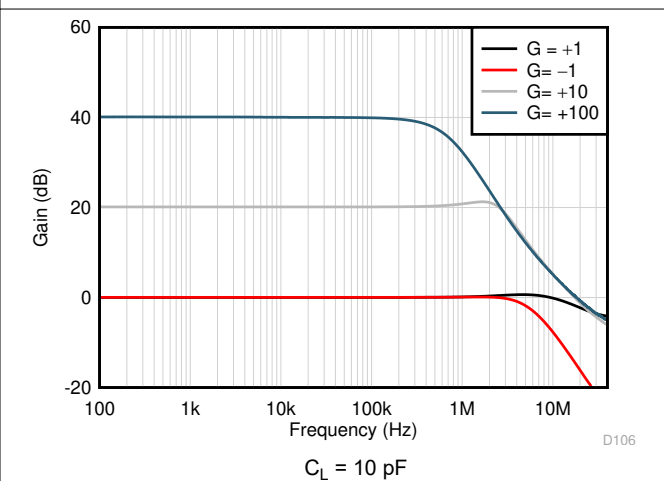


图 6-6. Closed-Loop Gain vs Frequency

6.7 Typical Characteristics (continued)

at $T_A = 25^\circ\text{C}$, $V_S = \pm 15\text{ V}$, $R_L = 2\text{ k}\Omega$, and $V_{CM} = V_S/2$ (unless otherwise noted)

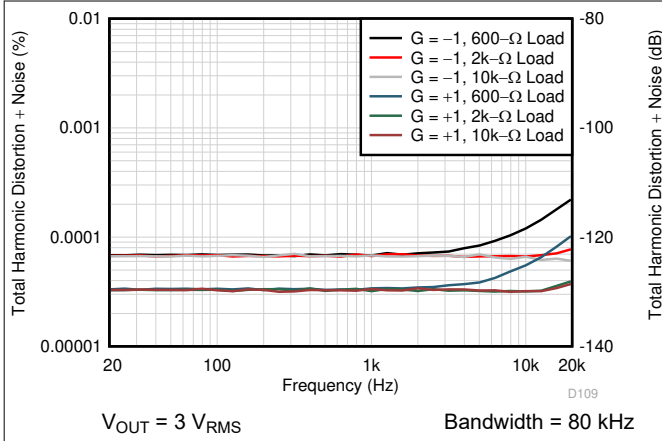


图 6-7. THD+N Ratio vs Frequency

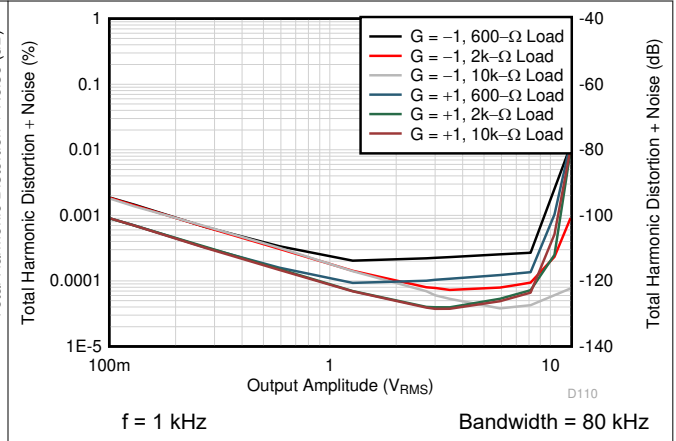


图 6-8. THD+N Ratio vs Output Amplitude

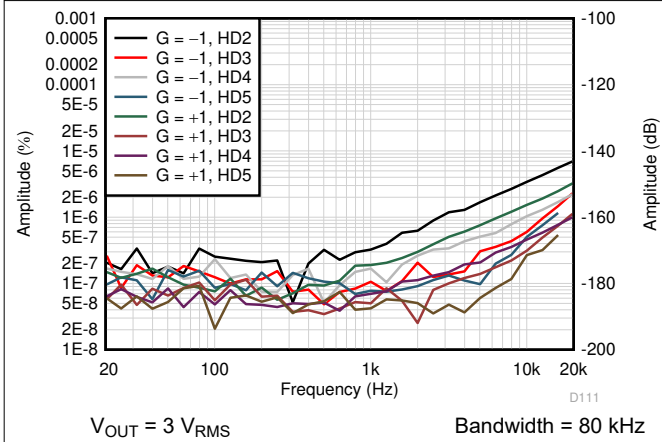


图 6-9. Individual Harmonic Amplitude vs Frequency

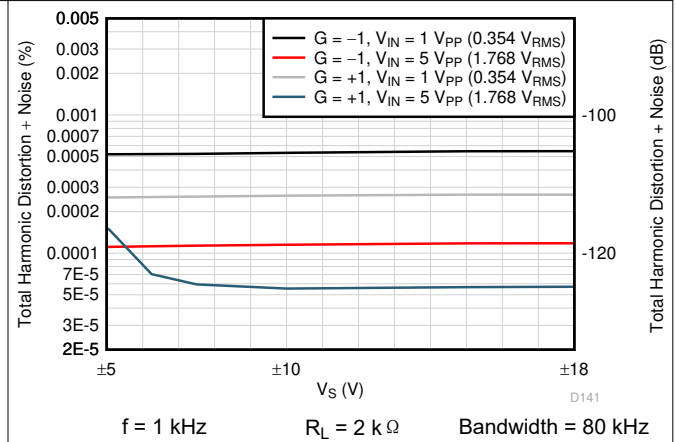


图 6-10. THD+N vs Supply Voltage

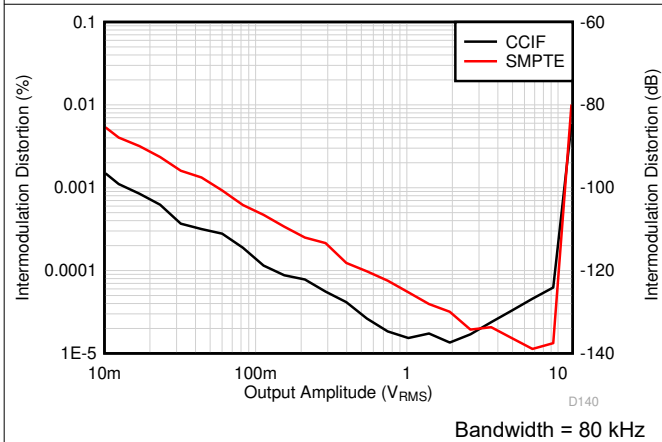


图 6-11. Intermodulation Distortion vs Amplitude

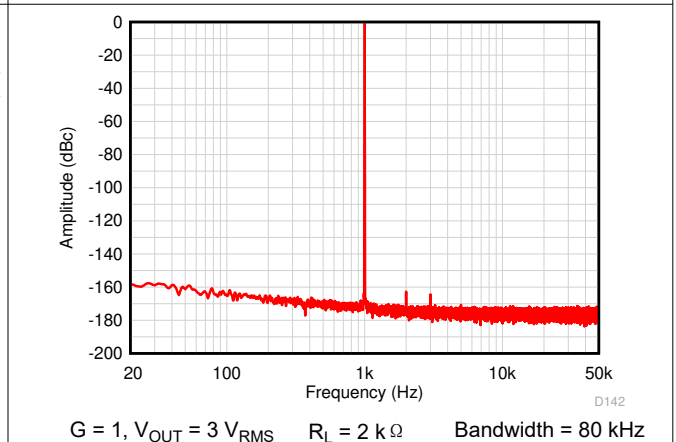
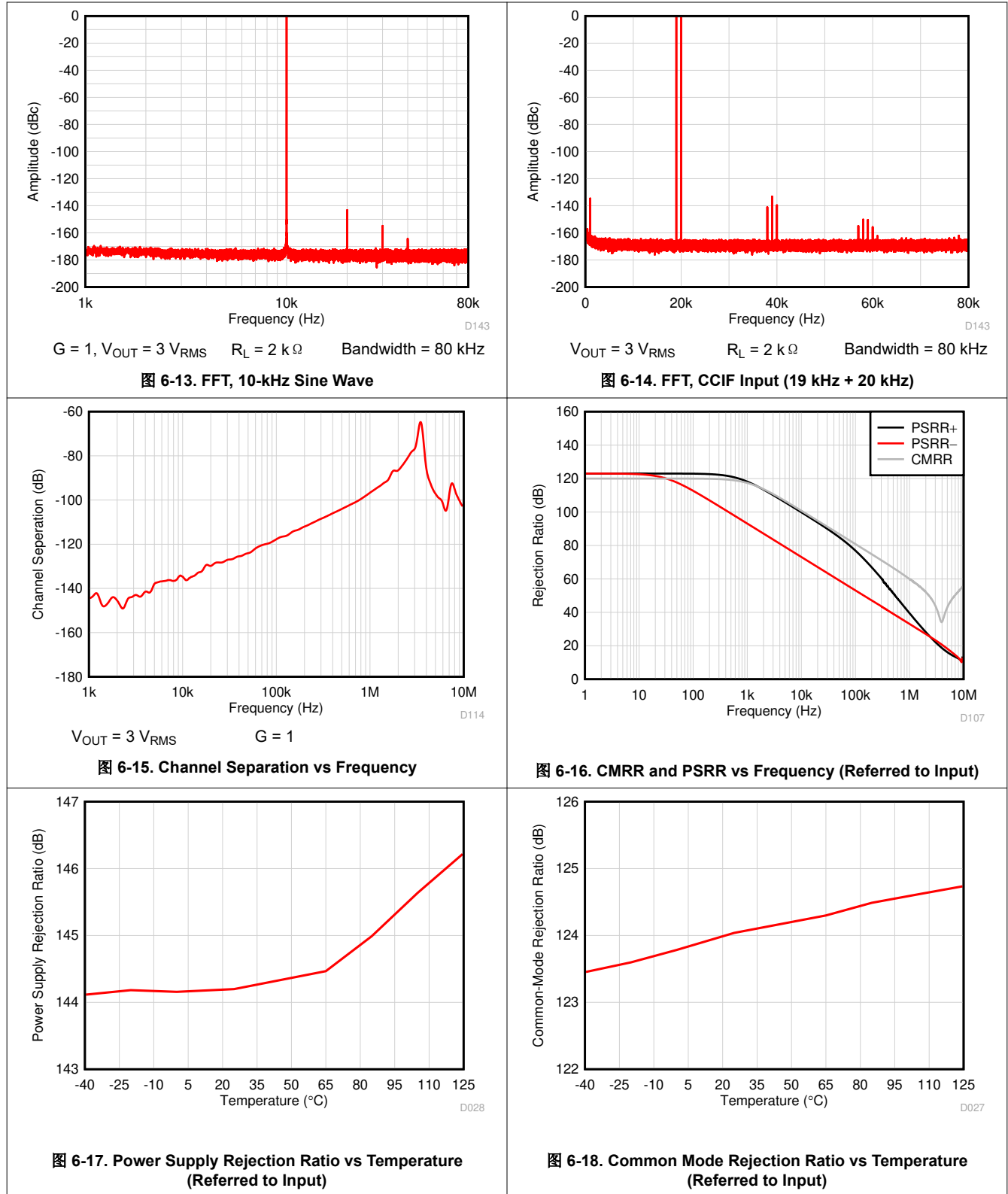


图 6-12. FFT, 1-kHz Sine Wave

6.7 Typical Characteristics (continued)

at $T_A = 25^\circ\text{C}$, $V_S = \pm 15\text{ V}$, $R_L = 2\text{ k}\Omega$, and $V_{CM} = V_S/2$ (unless otherwise noted)



6.7 Typical Characteristics (continued)

at $T_A = 25^\circ\text{C}$, $V_S = \pm 15\text{ V}$, $R_L = 2\text{ k}\Omega$, and $V_{CM} = V_S/2$ (unless otherwise noted)

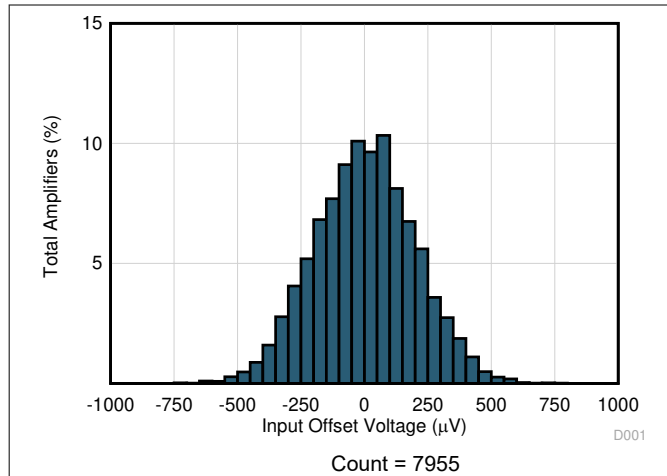


图 6-19. Input Offset Voltage Distribution

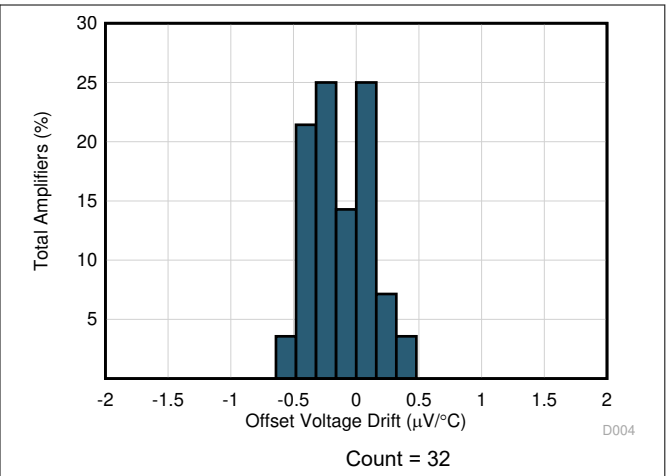


图 6-20. Input Offset Voltage Drift Distribution

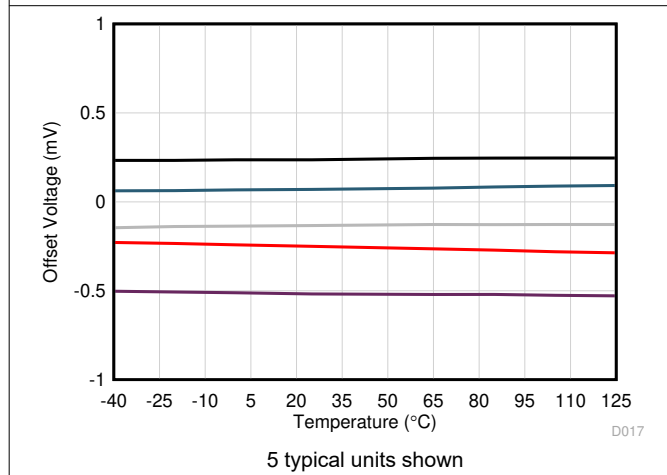


图 6-21. Input Offset vs Temperature

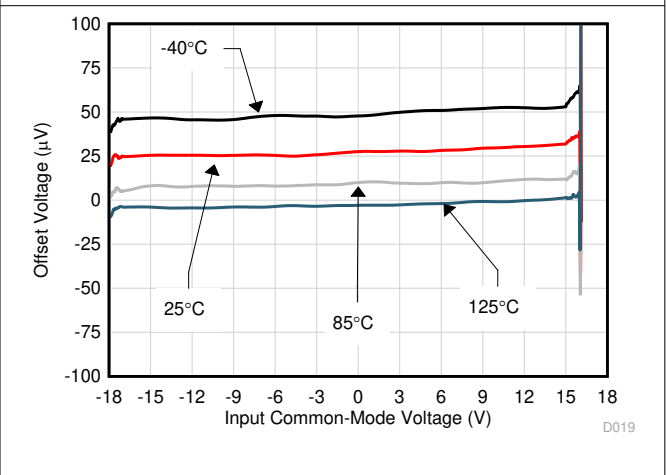


图 6-22. Input Offset vs Common Mode Voltage

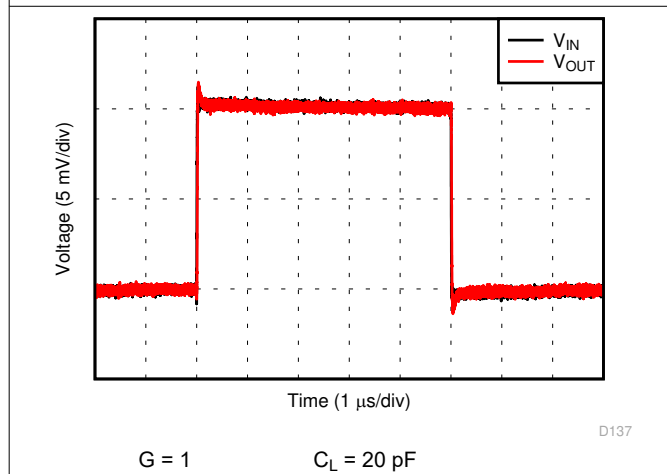


图 6-23. Small-Signal Step Response (100 mV)

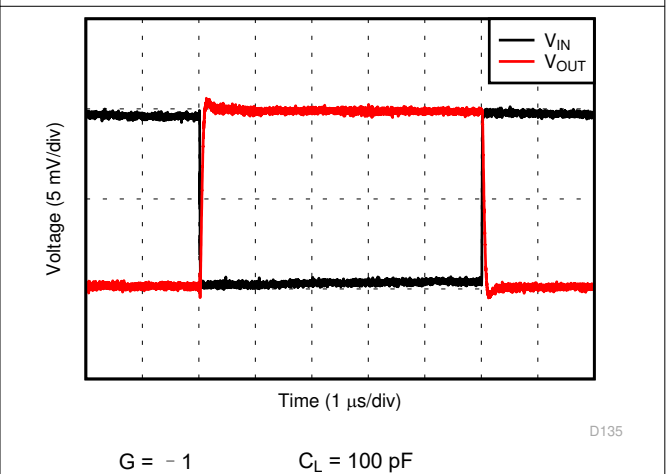
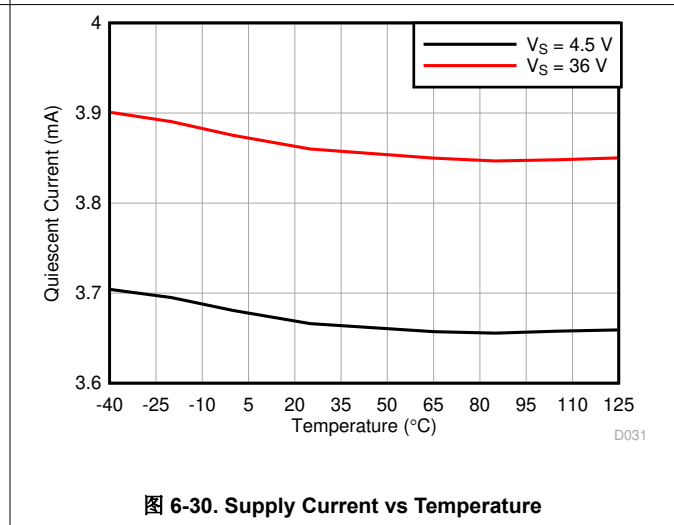
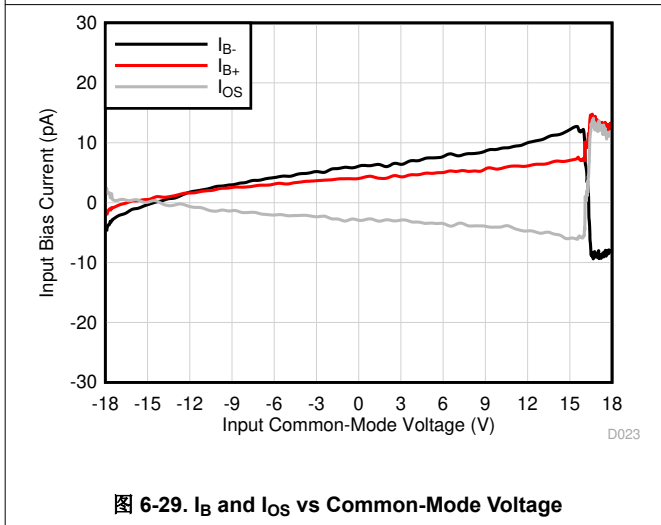
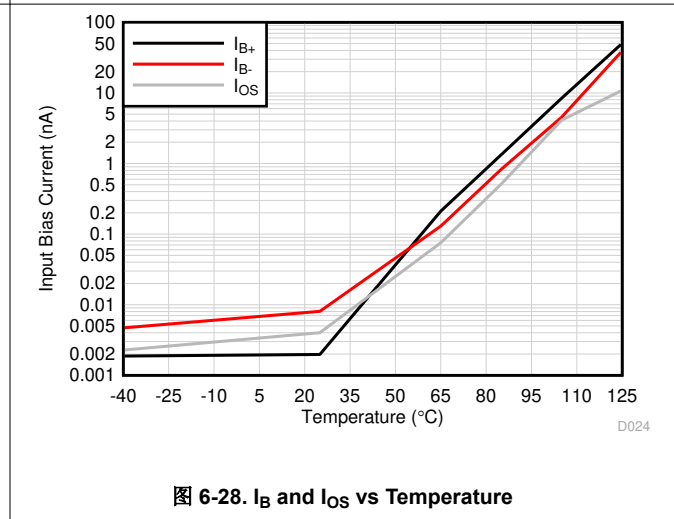
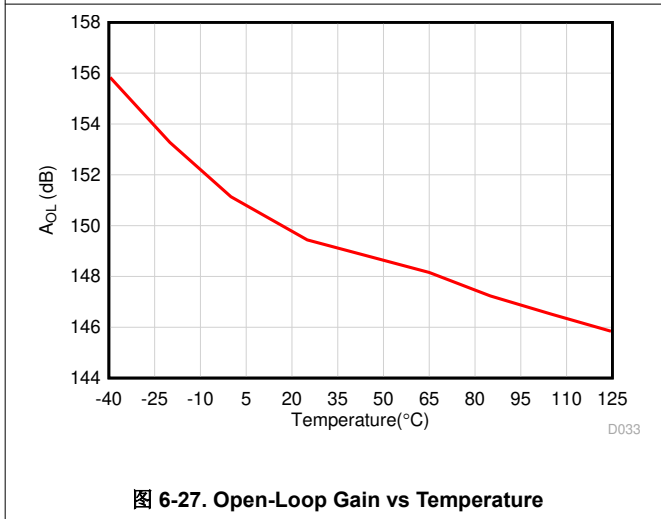
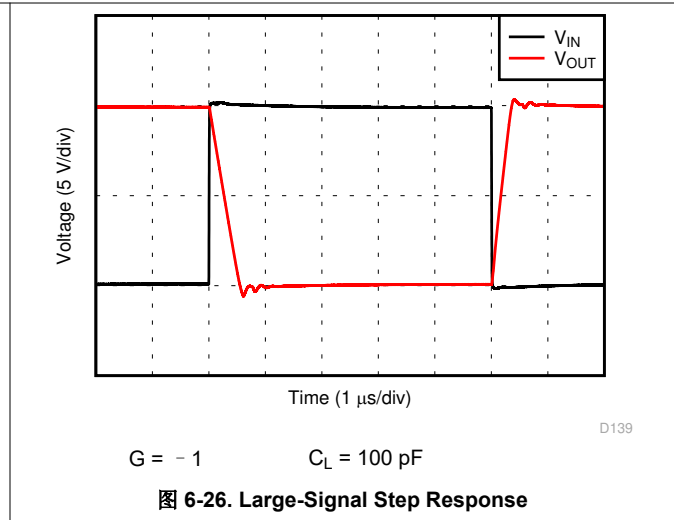
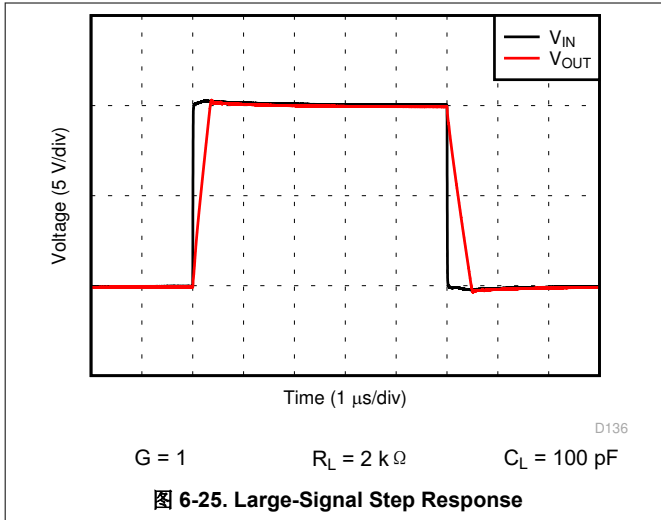


图 6-24. Small-Signal Step Response (100 mV)

6.7 Typical Characteristics (continued)

at $T_A = 25^\circ\text{C}$, $V_S = \pm 15\text{ V}$, $R_L = 2\text{ k}\Omega$, and $V_{CM} = V_S/2$ (unless otherwise noted)



6.7 Typical Characteristics (continued)

at $T_A = 25^\circ\text{C}$, $V_S = \pm 15\text{ V}$, $R_L = 2\text{ k}\Omega$, and $V_{CM} = V_S/2$ (unless otherwise noted)

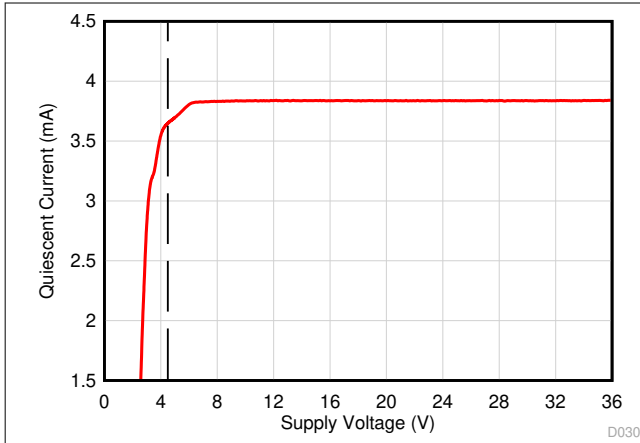


图 6-31. Supply Current vs Supply Voltage

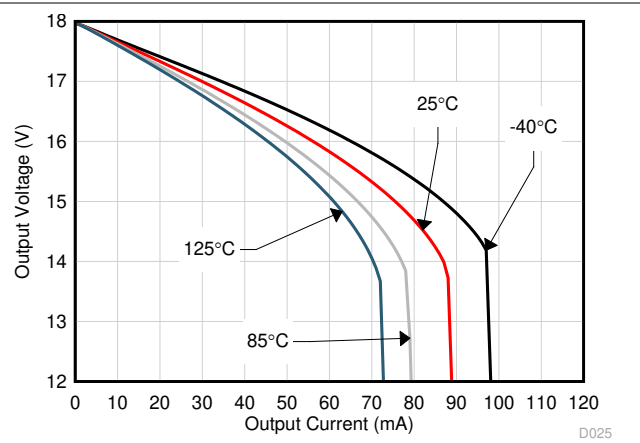


图 6-32. Output Voltage vs Output Current (Sourcing)

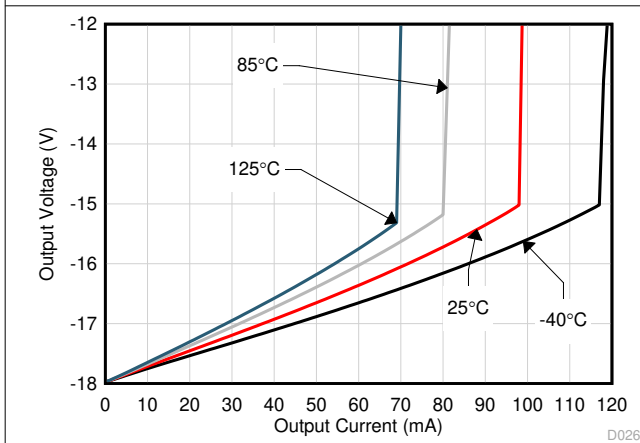


图 6-33. Output Voltage vs Output Current (Sinking)

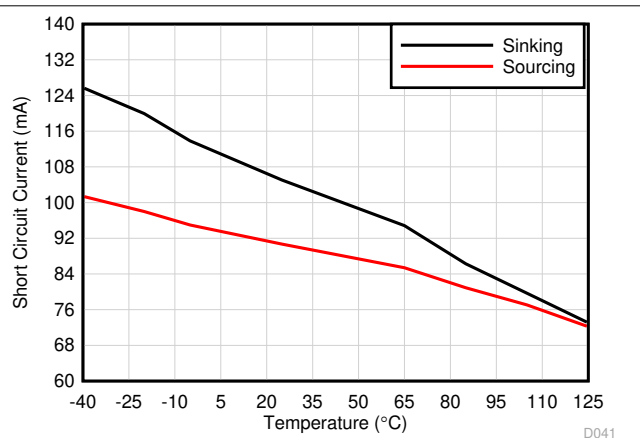


图 6-34. Short-Circuit Current vs Temperature

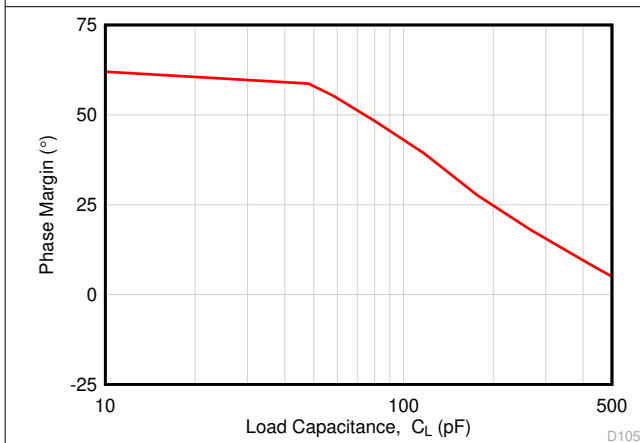


图 6-35. Phase Margin vs Capacitive Load

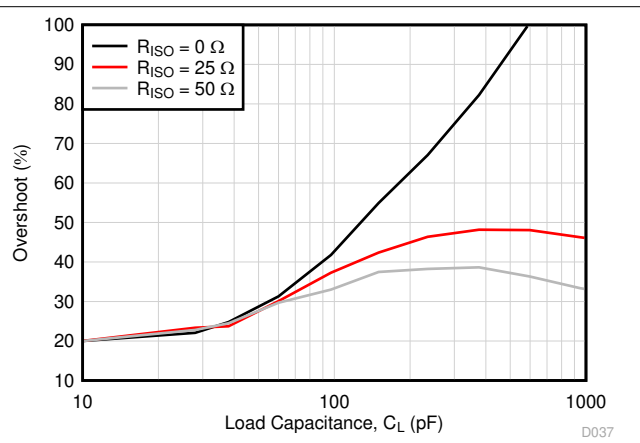


图 6-36. Percent Overshoot vs Capacitive Load

6.7 Typical Characteristics (continued)

at $T_A = 25^\circ\text{C}$, $V_S = \pm 15\text{ V}$, $R_L = 2\text{ k}\Omega$, and $V_{CM} = V_S/2$ (unless otherwise noted)

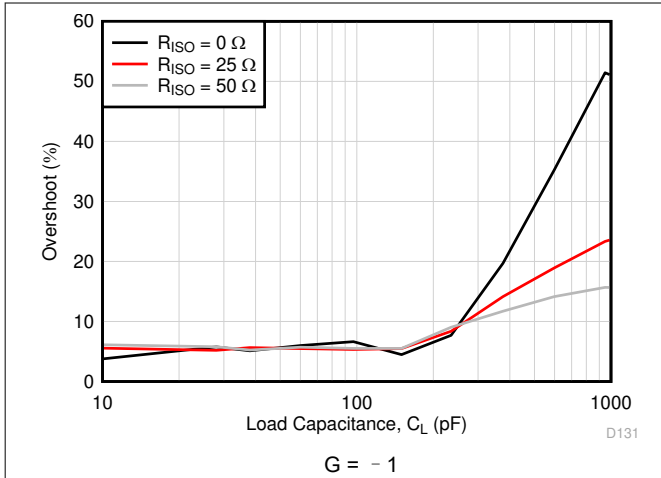


图 6-37. Percent Overshoot vs Capacitive Load

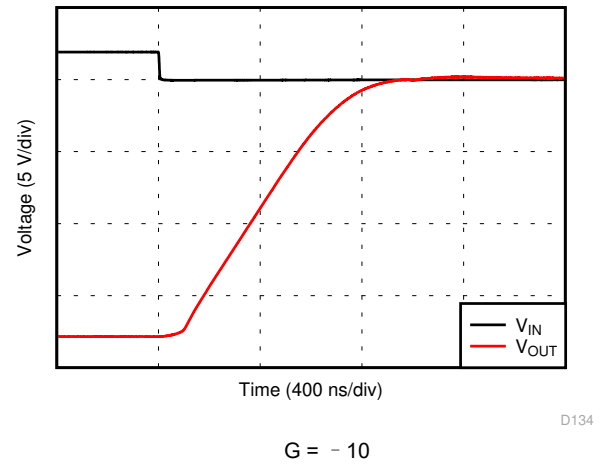


图 6-38. Negative Overload Recovery

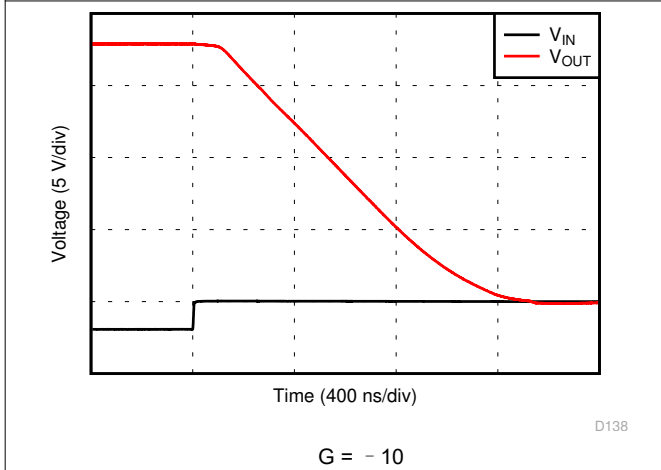


图 6-39. Positive Overload Recovery

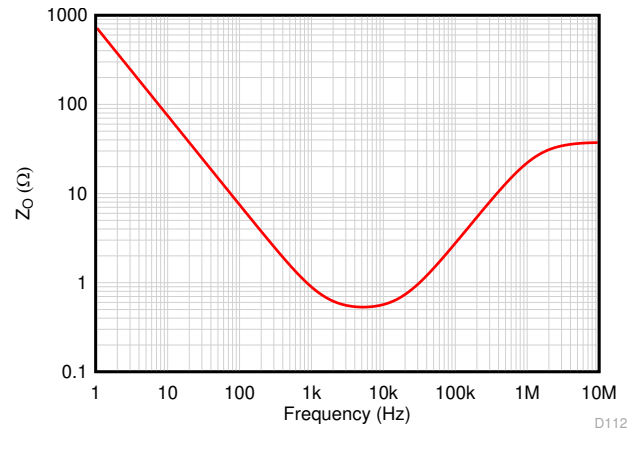


图 6-40. Open-Loop Output Impedance vs Frequency

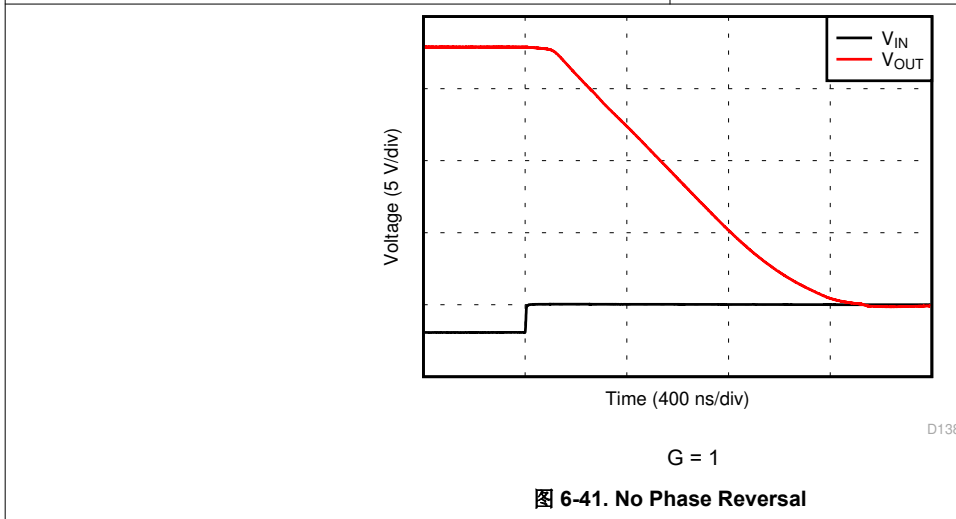


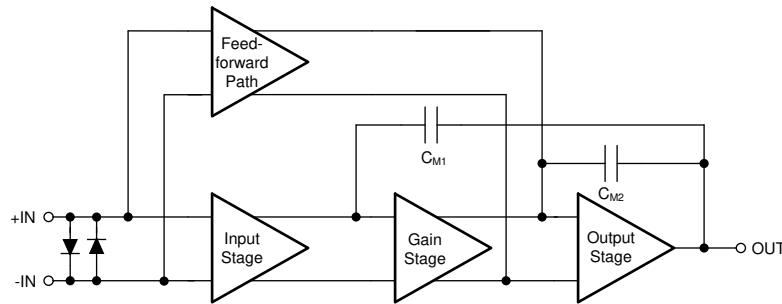
图 6-41. No Phase Reversal

7 Detailed Description

7.1 Overview

The OPA1655 and OPA1656 (OPA165x) use a three-gain-stage architecture to achieve very low noise and distortion. The *Functional Block Diagram* shows a simplified schematic of the OPA165x (one channel shown). The devices consist of a low-noise input stage and feedforward pathway coupled to a high-current output stage. This topology exhibits superior distortion performance under a wide range of loading conditions compared to other operational amplifiers.

7.2 Functional Block Diagram



7.3 Feature Description

7.3.1 Phase Reversal Protection

The OPA165x have internal phase-reversal protection. Many op amps exhibit phase reversal when the input is driven beyond the linear common-mode range. This condition is most often encountered in noninverting circuits when the input is driven beyond the specified common-mode voltage range, causing the output to reverse into the opposite rail. The input of the OPA165x prevents phase reversal with excessive common-mode voltage. Instead, the appropriate rail limits the output voltage. This performance is shown in [Figure 7-1](#).

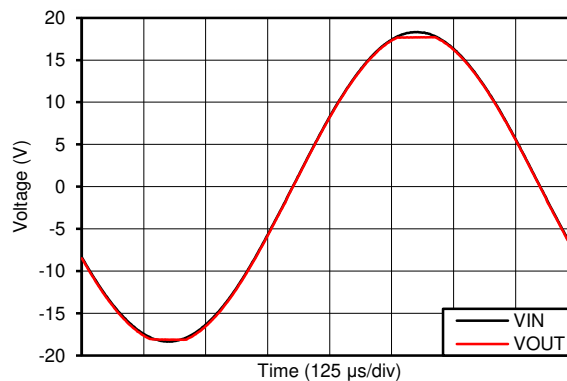


Figure 7-1. Output Waveform Devoid of Phase Reversal During an Input Overdrive Condition

7.3.2 Electrical Overstress

Designers often ask questions about the capability of an operational amplifier to withstand electrical overstress. These questions tend to focus on the device inputs, but can involve the supply voltage pins or even the output pin. Each of these different pin functions have electrical stress limits determined by the voltage breakdown characteristics of the particular semiconductor fabrication process and specific circuits connected to the pin. Additionally, internal electrostatic discharge (ESD) protection is built into these circuits to protect them from accidental ESD events both before and during product assembly.

A good understanding of this basic ESD circuitry and the relevance to an electrical overstress event is helpful. [Figure 7-2](#) illustrates the ESD circuits contained in the OPA165x (indicated by the dashed line area). The ESD protection circuitry involves several current-steering diodes connected from the input and output pins and routed back to the internal power-supply lines, where the diodes meet at an absorption device internal to the operational amplifier. This protection circuitry is intended to remain inactive during normal circuit operation.

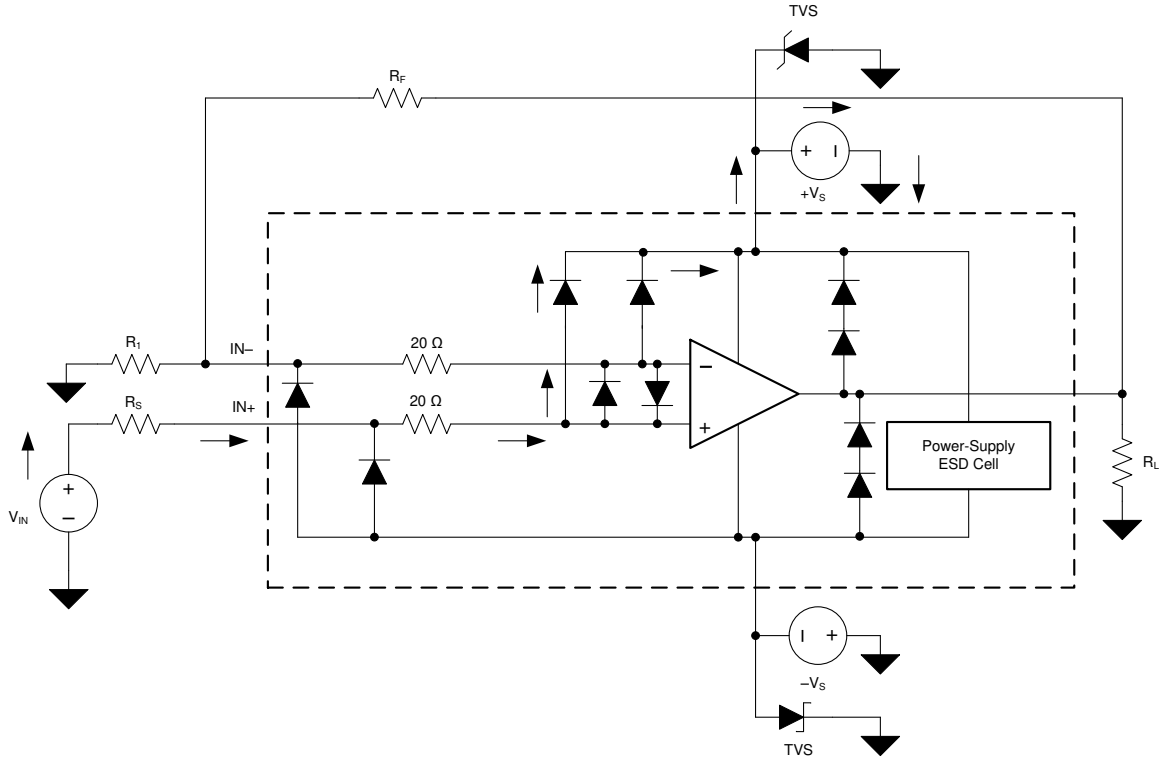


图 7-2. Equivalent Internal ESD Circuitry Relative to a Typical Circuit Application

An ESD event produces a short-duration, high-voltage pulse that is transformed into a short-duration, high-current pulse when discharging through a semiconductor device. The ESD protection circuits are designed to provide a current path around the operational amplifier core to prevent damage. The energy absorbed by the protection circuitry is then dissipated as heat.

When an ESD voltage develops across two or more amplifier device pins, current flows through one or more steering diodes. Depending on the path that the current takes, the absorption device can activate. The absorption device has a trigger, or threshold voltage, that is above the normal operating voltage of the OPA165x but below the device breakdown voltage level. When this threshold is exceeded, the absorption device quickly activates and clamps the voltage across the supply rails to a safe level.

When the operational amplifier connects into a circuit, as shown in [Figure 7-2](#), the ESD protection components are intended to remain inactive and do not become involved in the application circuit operation. However, circumstances may arise where an applied voltage exceeds the operating voltage range of a given pin. If this condition occurs, there is a risk that some internal ESD protection circuits can turn on and conduct current. Any such current flow occurs through steering-diode paths and rarely involves the absorption device.

[Figure 7-2](#) shows a specific example where the input voltage (V_{IN}) exceeds the positive supply voltage (V₊) by 500 mV or more. Much of what happens in the circuit depends on the supply characteristics. If V₊ can sink the current, one of the upper input steering diodes conducts and directs current to V₊. Excessively high current levels can flow with increasingly higher V_{IN}. As a result, the data sheet specifications recommend that applications limit the input current to 10 mA.

If the supply is not capable of sinking the current, V_{IN} can begin sourcing current to the operational amplifier and then take over as the source of positive supply voltage. The danger in this case is that the voltage can rise to levels that exceed the operational amplifier absolute maximum ratings.

Another common question involves what happens to the amplifier if an input signal is applied to the input when the power supplies ($V+$ or $V-$) are at 0 V. Again, this question depends on the supply characteristic when at 0 V, or at a level below the input signal amplitude. If the supplies appear as high impedance, then the input source supplies the operational amplifier current through the current-steering diodes. This state is not a normal bias condition; most likely, the amplifier does not operate normally. If the supplies are low impedance, then the current through the steering diodes can become quite high. The current level depends on the ability of the input source to deliver current, and any resistance in the input path.

If there is any uncertainty about the ability of the supply to absorb this current, add external Zener diodes to the supply pins; see [Figure 7-2](#). Select the Zener voltage so that the diode does not turn on during normal operation. However, the Zener voltage must be low enough so that the Zener diode conducts if the supply pin begins to rise above the safe-operating, supply-voltage level.

7.3.3 EMI Rejection Ratio (EMIRR)

The electromagnetic interference (EMI) rejection ratio, or EMIRR, describes the EMI immunity of operational amplifiers. An adverse effect that is common to many operational amplifiers is a change in the offset voltage as a result of RF signal rectification. An operational amplifier that is more efficient at rejecting this change in offset as a result of EMI has a higher EMIRR and is quantified by a decibel value. Measuring EMIRR can be performed in many ways, but this document provides the EMIRR IN+, which specifically describes the EMIRR performance when the RF signal is applied to the noninverting input pin of the operational amplifier. In general, only the noninverting input is tested for EMIRR for the following three reasons:

- Operational amplifier input pins are known to be the most sensitive to EMI, and typically rectify RF signals better than the supply or output pins.
- The noninverting and inverting operational amplifier inputs have symmetrical physical layouts and exhibit nearly matching EMIRR performance.
- EMIRR is easier to measure on noninverting pins than on other pins because the noninverting input pin can be isolated on a printed-circuit-board (PCB). This isolation allows the RF signal to be applied directly to the noninverting input pin with no complex interactions from other components or connecting PCB traces.

A more formal discussion of the EMIRR IN+ definition and test method is provided in the [EMI Rejection Ratio of Operational Amplifiers application report](#), available for download at www.ti.com.

The EMIRR IN+ of the OPA165x is plotted versus frequency in [Figure 7-3](#). If available, any dual and quad operational amplifier device versions have nearly identical EMIRR IN+ performance. The OPA165x unity-gain bandwidth is 20 MHz. EMIRR performance below this frequency denotes interfering signals that fall within the operational amplifier bandwidth.

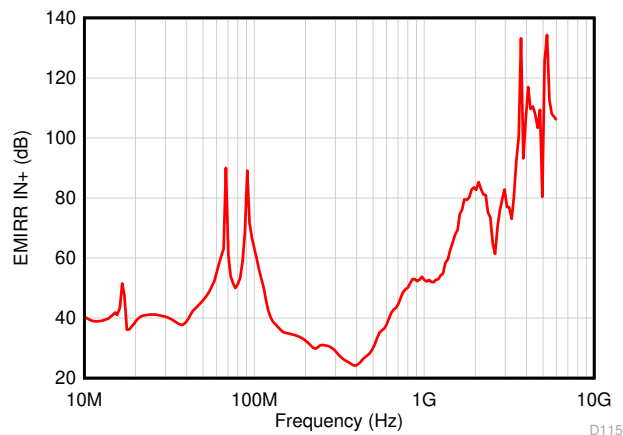


图 7-3. OPA165x EMIRR vs Frequency

表 7-1 lists the EMIRR IN+ values for the OPA165x at particular frequencies commonly encountered in real-world applications. Applications listed in 表 7-1 can be centered on or operated near the particular frequency shown. This information can be of special interest to designers working with these types of applications, or working in other fields likely to encounter RF interference from broad sources, such as the industrial, scientific, and medical (ISM) radio band.

表 7-1. OPA165x EMIRR IN+ for Frequencies of Interest

| FREQUENCY | APPLICATION OR ALLOCATION | EMIRR IN+ |
|-----------|---|-----------|
| 400 MHz | Mobile radio, mobile satellite, space operation, weather, radar, UHF | 36 dB |
| 900 MHz | GSM, radio communication and navigation, GPS (to 1.6 GHz), ISM, aeronautical mobile, UHF | 42 dB |
| 1.8 GHz | GSM, mobile personal comm. broadband, satellite, L-band | 52 dB |
| 2.4 GHz | 802.11b/g/n, Bluetooth® mobile personal comm., ISM, amateur radio and satellite, S-band | 64 dB |
| 3.6 GHz | Radiolocation, aero comm./nav., satellite, mobile, S-band | 67 dB |
| 5 GHz | 802.11a/n, aero communication and navigation, mobile communication, space and satellite operation, C-band | 77 dB |

7.3.3.1 EMIRR IN+ Test Configuration

图 7-4 shows the circuit configuration for testing the EMIRR IN+. An RF source is connected to the operational amplifier noninverting input pin using a transmission line. The operational amplifier is configured in a unity-gain buffer topology with the output connected to a low-pass filter (LPF) and a digital multimeter (DMM). A large impedance mismatch at the operational amplifier input causes a voltage reflection; however, this effect is characterized and accounted for when determining the EMIRR IN+. The resulting dc offset voltage is sampled and measured by the multimeter. The LPF isolates the multimeter from residual RF signals that can interfere with multimeter accuracy. See the [EMI Rejection Ratio of Operational Amplifiers application report](#) for more details.

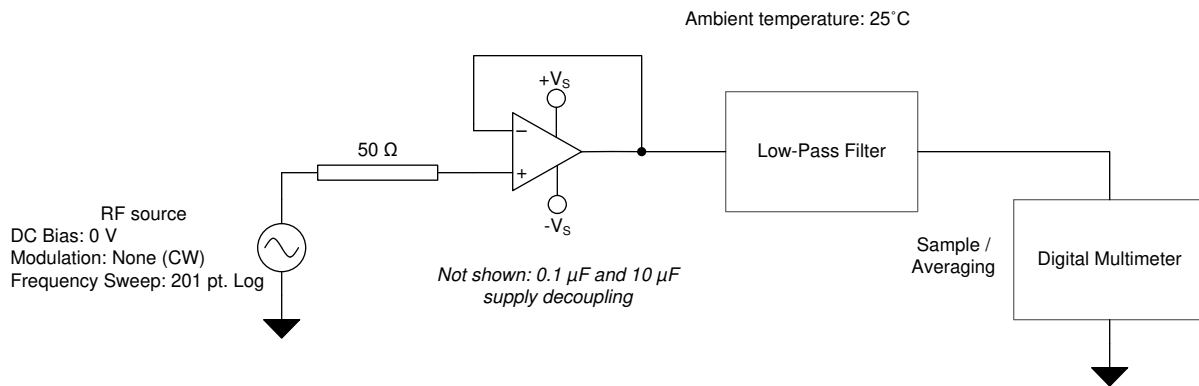


图 7-4. EMIRR IN+ Test Configuration Schematic

7.4 Device Functional Modes

The OPA165x have a single functional mode and are operational when the power-supply voltage is greater than 4.5 V. The maximum specified power-supply voltage for the OPA165x is 36 V.

In all cases, the common-mode voltage must be maintained within the specified range. In addition, key parameters are specified over the temperature range of $T_A = -40^\circ\text{C}$ to $+125^\circ\text{C}$.

8 Application and Implementation

备注

以下应用部分中的信息不属于 TI 器件规格的范围，TI 不担保其准确性和完整性。TI 的客户应负责确定器件是否适用于其应用。客户应验证并测试其设计，以确保系统功能。

8.1 Application Information

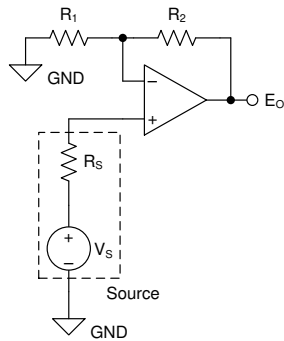
8.1.1 Basic Noise Calculations

Low-noise circuit design requires careful analysis of all noise sources. External noise sources can dominate in many cases; consider the effect of source resistance on overall op amp noise performance. Total noise of the circuit is the root-sum-square combination of all noise components.

图 8-1 shows noninverting (A) and inverting (B) op amp circuit configurations with gain. In circuit configurations with gain, the feedback network resistors contribute noise. In general, the current noise of the op amp reacts with the feedback resistors to create additional noise components.

The selected feedback resistor values make these noise sources negligible. Low impedance feedback resistors load the output of the amplifier. The equations for total noise are shown for both configurations.

(A) Noise in Noninverting Gain Configuration



Noise at the output is given as E_o , where

$$(1) \quad E_o = \left(1 + \frac{R_2}{R_1}\right) \cdot \sqrt{(e_S)^2 + (e_N)^2 + (e_{R_1 \parallel R_2})^2 + (i_N \cdot R_S)^2 + \left(i_N \cdot \left[\frac{R_1 \cdot R_2}{R_1 + R_2}\right]\right)^2} \quad [V_{RMS}]$$

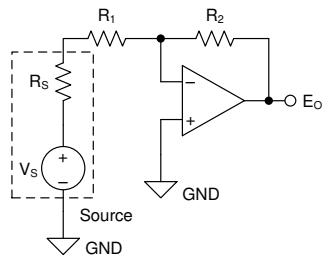
$$(2) \quad e_S = \sqrt{4 \cdot k_B \cdot T(K) \cdot R_S} \quad \left[\frac{V}{\sqrt{Hz}}\right] \quad \text{Thermal noise of } R_S$$

$$(3) \quad e_{R_1 \parallel R_2} = \sqrt{4 \cdot k_B \cdot T(K) \cdot \left[\frac{R_1 \cdot R_2}{R_1 + R_2}\right]} \quad \left[\frac{V}{\sqrt{Hz}}\right] \quad \text{Thermal noise of } R_1 \parallel R_2$$

$$(4) \quad k_B = 1.38065 \cdot 10^{-23} \quad \left[\frac{J}{K}\right] \quad \text{Boltzmann Constant}$$

$$(5) \quad T(K) = 237.15 + T(^{\circ}C) \quad [K] \quad \text{Temperature in kelvins}$$

(B) Noise in Inverting Gain Configuration



Noise at the output is given as E_o , where

$$(6) \quad E_o = \left(1 + \frac{R_2}{R_S + R_1}\right) \cdot \sqrt{(e_N)^2 + (e_{R_1 + R_S \parallel R_2})^2 + \left(i_N \cdot \left[\frac{(R_S + R_1) \cdot R_2}{R_S + R_1 + R_2}\right]\right)^2} \quad [V_{RMS}]$$

$$(7) \quad e_{R_1 + R_S \parallel R_2} = \sqrt{4 \cdot k_B \cdot T(K) \cdot \left[\frac{(R_S + R_1) \cdot R_2}{R_S + R_1 + R_2}\right]} \quad \left[\frac{V}{\sqrt{Hz}}\right] \quad \text{Thermal noise of } (R_1 + R_S) \parallel R_2$$

$$(8) \quad k_B = 1.38065 \cdot 10^{-23} \quad \left[\frac{J}{K}\right] \quad \text{Boltzmann Constant}$$

$$(9) \quad T(K) = 237.15 + T(^{\circ}C) \quad [K] \quad \text{Temperature in kelvins}$$

Copyright © 2017, Texas Instruments Incorporated

where

- e_N is the voltage noise of the amplifier. For the OPA165x, $e_N = 4.3 \text{ nV}/\sqrt{\text{Hz}}$ at 1 kHz.
- i_N is the current noise of the amplifier. For the OPA165x, $i_N = 6 \text{ fA}/\sqrt{\text{Hz}}$ at 1 kHz.

Note: For additional resources on noise calculations, see [TI's Precision Labs Series](#).

图 8-1. Noise Calculation in Gain Configurations

8.2 Typical Applications

8.2.1 Preampifier Circuit for Vinyl Record Playback With Moving-Magnet Phono Cartridges

The noise and distortion performance of the OPA165x is exceptional in applications with high source impedances, which makes these devices an excellent choice in preamplifier circuits for moving magnet phono cartridges. The high source impedance of the cartridge, and high gain required by the RIAA playback curve at low frequency, requires an amplifier with both low input current noise and low input voltage noise.

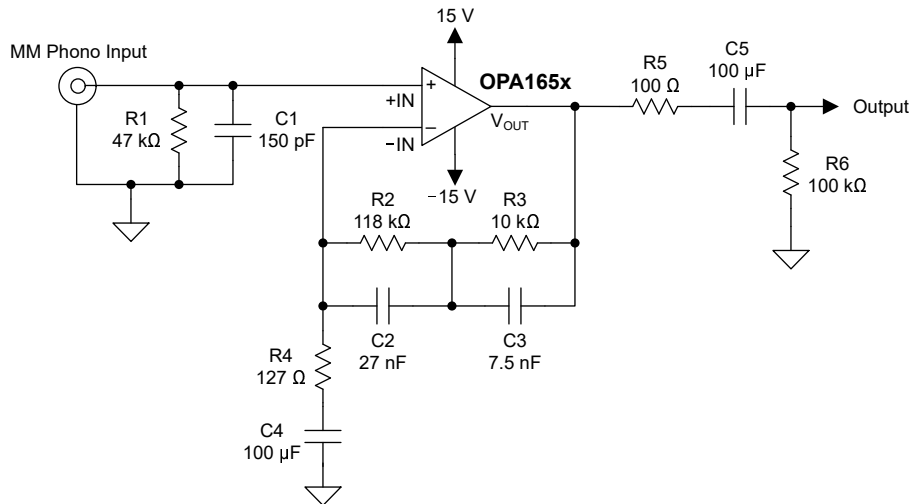


图 8-2. Preampifier Circuit for Vinyl Record Playback With Moving-Magnet Phono Cartridges (Single Channel Shown)

8.2.1.1 Design Requirements

- Gain: 40 dB (1 kHz)
- RIAA accuracy: ± 0.5 dB (100 Hz to 20 kHz)
- Power supplies: ± 15 V

8.2.1.2 Detailed Design Procedure

Vinyl records are recorded using an equalization curve specified by the Recording Institute Association of America (RIAA). The purpose of this equalization curve is to decrease the amount of space occupied by a groove on the record and therefore maximize the amount of information able to be stored. Proper playback of music stored on the record requires a preamplifier circuit that applies the inverse transfer function of the recording equalization curve. The combination of the recording equalization and the playback equalization results in a flat frequency response over the audio range, as 图 8-3 shows.

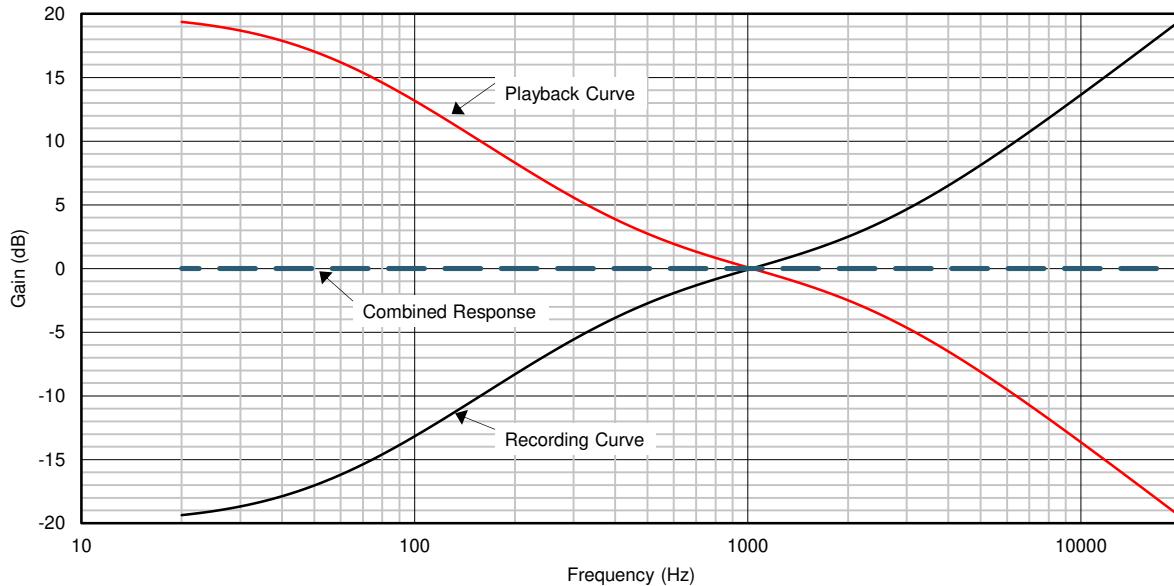


图 8-3. RIAA Recording and Playback Curves Normalized at 1 kHz

The basic RIAA playback curve implements three time constants: 75 μ s, 380 μ s, and 3180 μ s. An IEC amendment was later added to the playback curve and implements a pole in the curve at 20 Hz with the intent of protecting loudspeakers from excessive low frequency content. Rather than strictly adhering to the IEC amendment, this design moves this pole to a lower frequency to improve low frequency response and still provide protection for loudspeakers.

Resistor R1 and capacitor C1 are selected to provide the proper input impedance for the moving magnet cartridge. Cartridge loading is specified by the manufacturer in the cartridge datasheet and is absolutely crucial for proper response at high frequency. 47 k Ω is a common value for the input resistor, and the capacitive loading is usually specified from 200 pF to 300 pF per channel. This capacitive loading specification includes the capacitance of the cable connecting the turntable to the preamplifier, as well as any additional parasitic capacitances at the preamplifier input. Therefore, the value of C1 must be less than the loading specification to account for these additional capacitances.

The output network consisting of R5, R6, and C5 serves to ac couple the preamplifier circuit to any subsequent electronics in the signal path. 100- Ω resistor R5 limits in-rush current into coupling capacitor C5 and prevents parasitic capacitance from cabling from causing instability. R6 prevents charge accumulation on C5. Capacitor C5 is chosen to be the same value as C4; for simplicity however, the value of C5 must be large enough to avoid attenuating low-frequency information.

The feedback resistor elements must be selected to provide the correct response within the audio bandwidth. In order to achieve the correct frequency response, the passive components in [图 8-2](#) must satisfy [方程式 1](#), [方程式 2](#), and [方程式 3](#):

$$R_2 \times C_2 = 3180 \mu\text{s} \quad (1)$$

$$R_3 \times C_3 = 75 \mu\text{s} \quad (2)$$

$$(R_2 \parallel R_3) \times (C_2 + C_3) = 318 \mu\text{s} \quad (3)$$

R2, R3, and R4 must also be selected to meet the design requirements for gain. The gain at 1 kHz is determined by subtracting 20 dB from gain of the circuit at very low-frequency (near dc), as shown in [方程式 4](#):

$$A_{1\text{kHz}} = A_{\text{LF}} - 20 \text{ dB} \quad (4)$$

Therefore, the low frequency gain of the circuit must be 60 dB to meet the goal of 40 dB at 1 kHz and is determined by resistors R2, R3, and R4 as shown in [方程式 5](#):

$$A_{\text{LF}} = 1 + \frac{R_3 + R_2}{R_4} = 1000 (60 \text{ dB}) \quad (5)$$

Because there are multiple combinations of passive components that satisfy these equations, a spreadsheet or other software calculation tool is the easiest method to examine resistor and capacitor combinations.

Capacitor C4 forces the gain of the circuit to unity at dc in order to limit the offset voltage at the output of the preamplifier circuit. The high-pass corner frequency created by this capacitor is calculated by [方程式 6](#):

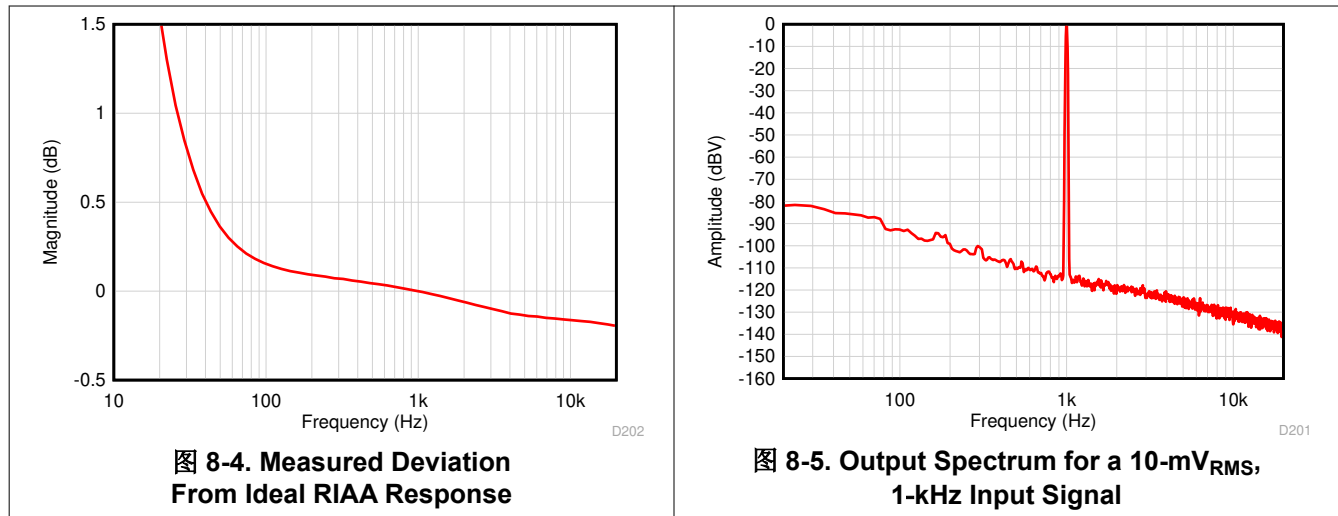
$$F_{\text{HP}} = \frac{1}{2\pi R_4 C_4} \quad (6)$$

The circuit described in [图 8-2](#) is constructed with 1% tolerance resistors and 5% tolerance NP0, C0G ceramic capacitors without any additional hand sorting. The large value of C4 typically requires an electrolytic type to be used. However, electrolytic capacitors have the potential to introduce distortion into the signal path. This circuit is constructed using a bipolar electrolytic capacitor specifically intended for audio applications.

8.2.1.3 Application Curves

The deviation from the ideal RIAA transfer function curve is shown in [图 8-4](#) and normalized to an ideal gain of 40 dB at 1 kHz. The measured gain at 1 kHz is 0.05 dB less than the design goal, and the maximum deviation from 100 Hz to 20 kHz is 0.18 dB. The deviation from the ideal curve can be improved by hand-sorting resistor and capacitor values to their ideal values. The value of C4 can also be increased to reduce the deviation at low frequency.

A spectrum of the preamplifier output signal is shown in [图 8-5](#) for a 10 mV_{RMS}, 1-kHz input signal (1-V_{RMS} output). All distortion harmonics are below the preamplifier noise floor.



8.2.2 Composite Headphone Amplifier

图 8-6 shows the BUF634A buffer inside the feedback loop of the OPA165x to increase the available output current for low-impedance headphones. If the BUF634A is used in wide-bandwidth mode, no additional components beyond the feedback resistors are required to maintain loop stability.

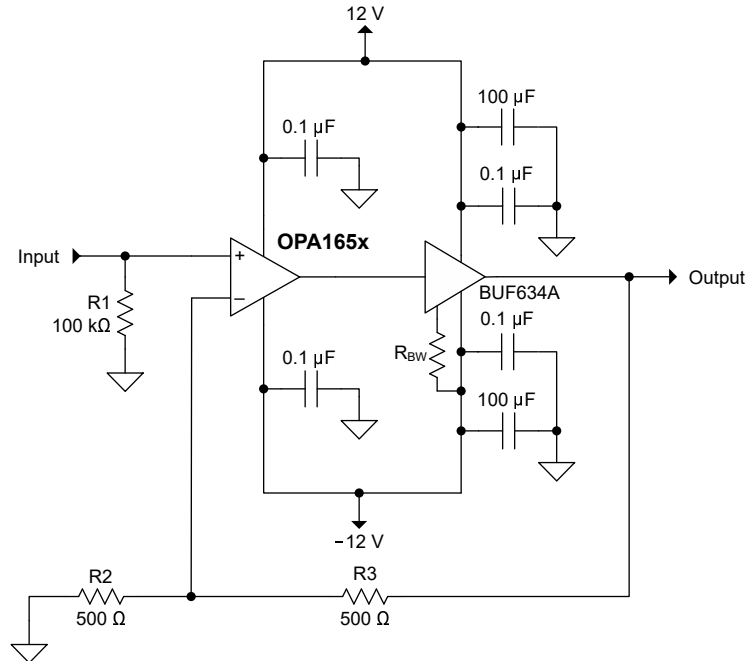
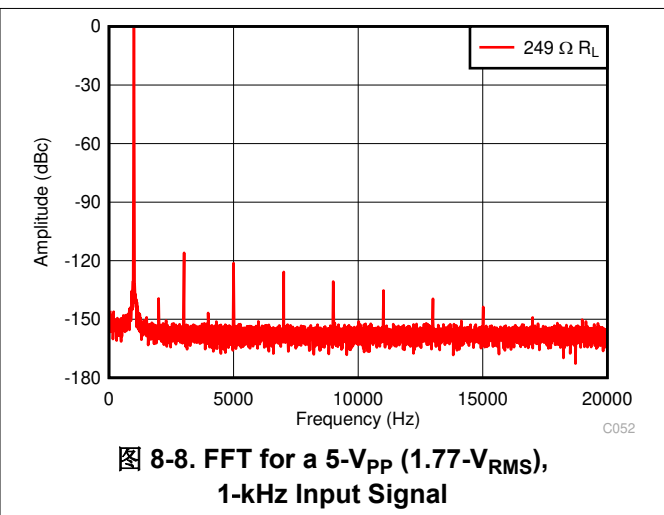
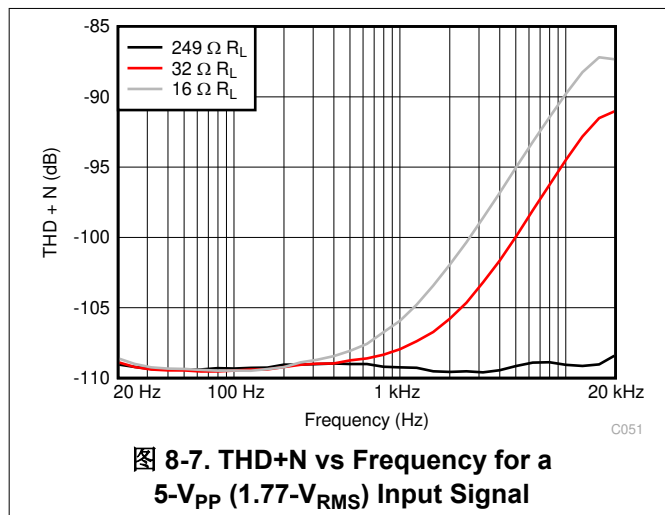


图 8-6. Composite Headphone Amplifier (Single-Channel Shown)

8.2.2.1 Application Curves



8.2.3 Baxandall Tone Control

图 8-9 给出了超低噪声和 THD 音调控制的示例。该电路在第一阶段提供 20 dB 增益，随后是两个独立的低音和高音音调控制。该被动电路旨在与电位器均设置为 50% 时提供平坦的增益响应。

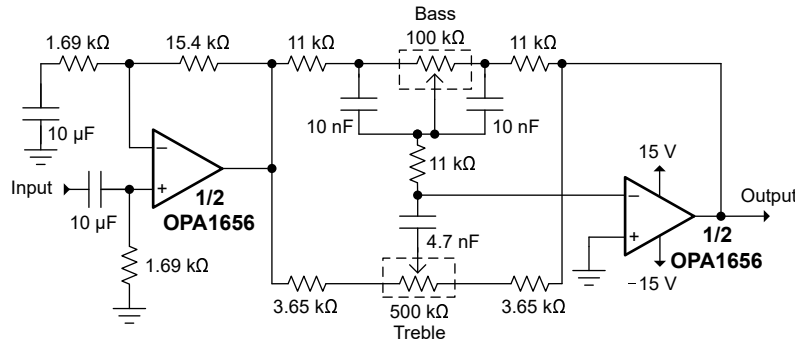


图 8-9. Dual Potentiometer Baxandall Tone Control

8.2.3.1 Application Curves

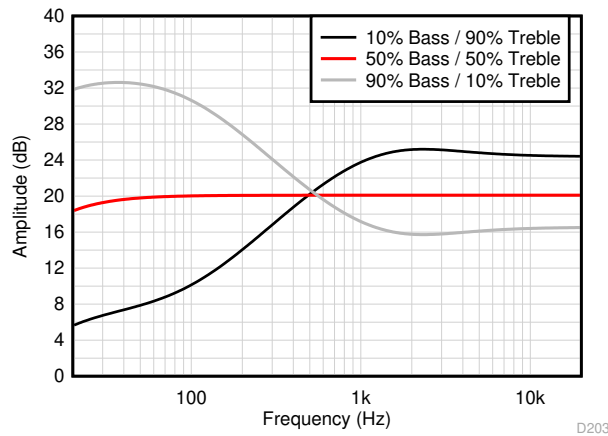


图 8-10. Amplitude vs Frequency for Various Tone-Control Settings

8.2.4 Guitar Input to XLR Output

The OPA165x are an excellent choice for guitar input circuits as a result of the high input impedance and ultra-low noise performance. 图 8-11 gives an example of a basic guitar input circuit to differential XLR schematic. The logarithmic taper potentiometer shown in this circuit provides 6 dB of gain at 0%, and 40 dB of gain at 100%. The rail-to-rail output swing of the OPA165x allows for a high amplitude swing at the outputs of the differentially configured amplifiers, while maintaining very low distortion performance. A 10- μF dc blocking capacitor is used in the feedback of the noninverting stage to remove any dc offset as a result of the amplifier offset voltage. However, this dc blocking capacitor can be eliminated for applications that are not sensitive to low dc offsets.

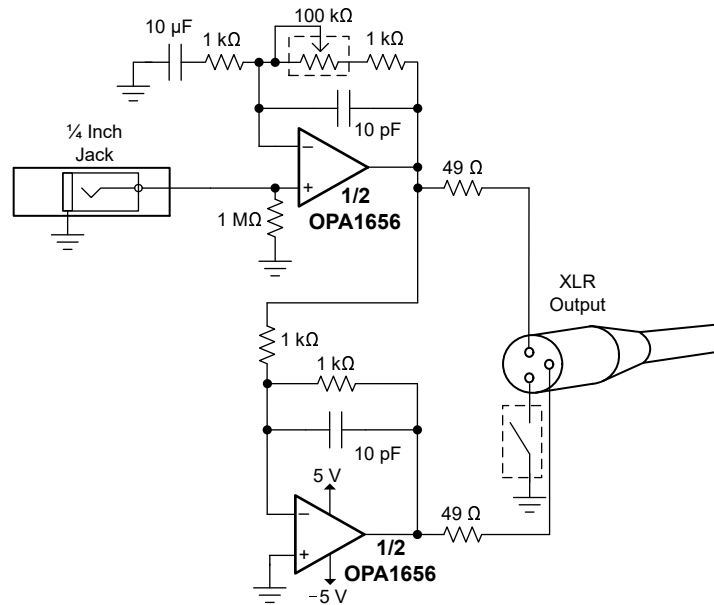


图 8-11. Guitar Input to XLR Output Schematic

8.2.4.1 Application Curves

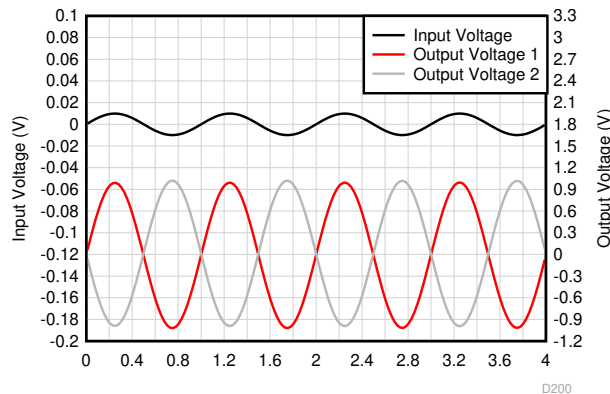


图 8-12. 1-kHz Input Signal Transient Simulation

8.3 Power Supply Recommendations

The OPA165x are specified for operation from 4.5 V to 36 V (± 2.25 V to ± 18 V); many specifications apply from -40°C to $+125^{\circ}\text{C}$. Parameters that can exhibit significant variance with regard to operating voltage or temperature are presented in the [Typical Characteristics](#) section.

The OPA165x operate with as little as 4.5 V between the supplies and with up to 36 V between the supplies. However, some applications do not require equal positive and negative output voltage swing. With the OPA165x, power-supply voltages are not required to be equal. For example, the positive supply can be set to 25 V with the negative supply at -5 V.

8.4 Layout

8.4.1 Layout Guidelines

For best operational performance of the device, use good printed-circuit board (PCB) layout practices, including:

- Noise can propagate into analog circuitry through the power pins of the circuit as a whole and of op amp itself. Bypass capacitors are used to reduce the coupled noise by providing low-impedance power sources local to the analog circuitry.
 - Connect low-ESR, 0.1- μF ceramic bypass capacitors between each supply pin and ground, placed as close to the device as possible. A single bypass capacitor from V+ to ground is applicable for single-supply applications.
- Separate grounding for analog and digital portions of circuitry is one of the simplest and most-effective methods of noise suppression. One or more layers on multilayer PCBs are usually devoted to ground planes. A ground plane helps distribute heat and reduces electromagnetic interference (EMI) noise pickup. Physically separate digital and analog grounds, observing the flow of the ground current.
- To reduce parasitic coupling, run the input traces as far away from the supply or output traces as possible. If these traces cannot be kept separate, crossing the sensitive trace perpendicular is much better as opposed to in parallel with the noisy trace.
- Place the external components as close to the device as possible. As illustrated in [Figure 8-13](#), keeping R_F and R_G close to the inverting input minimizes parasitic capacitance.
- Keep the length of input traces as short as possible. Always remember that the input traces are the most sensitive part of the circuit.
- Consider a driven, low-impedance guard ring around the critical traces. A guard ring can significantly reduce leakage currents from nearby traces that are at different potentials.
- Cleaning the PCB following board assembly is recommended for best performance.
- Any precision integrated circuit can experience performance shifts resulting from moisture ingress into the plastic package. Following any aqueous PCB cleaning process, baking the PCB assembly is recommended to remove moisture introduced into the device packaging during the cleaning process. A low-temperature, post-cleaning bake at 85°C for 30 minutes is sufficient for most circumstances.

8.4.1.1 Power Dissipation

The OPA165x op amps are capable of driving 600- Ω loads with a power-supply voltage up to ± 18 V and full operating temperature range. Internal power dissipation increases when operating at high supply voltages. Copper leadframe construction used in the OPA165x improves heat dissipation compared to conventional materials. Circuit board layout can also help minimize junction temperature rise. Wide copper traces help dissipate the heat by acting as an additional heat sink. Temperature rise can be further minimized by soldering the devices to the circuit board rather than using a socket.

8.4.2 Layout Example

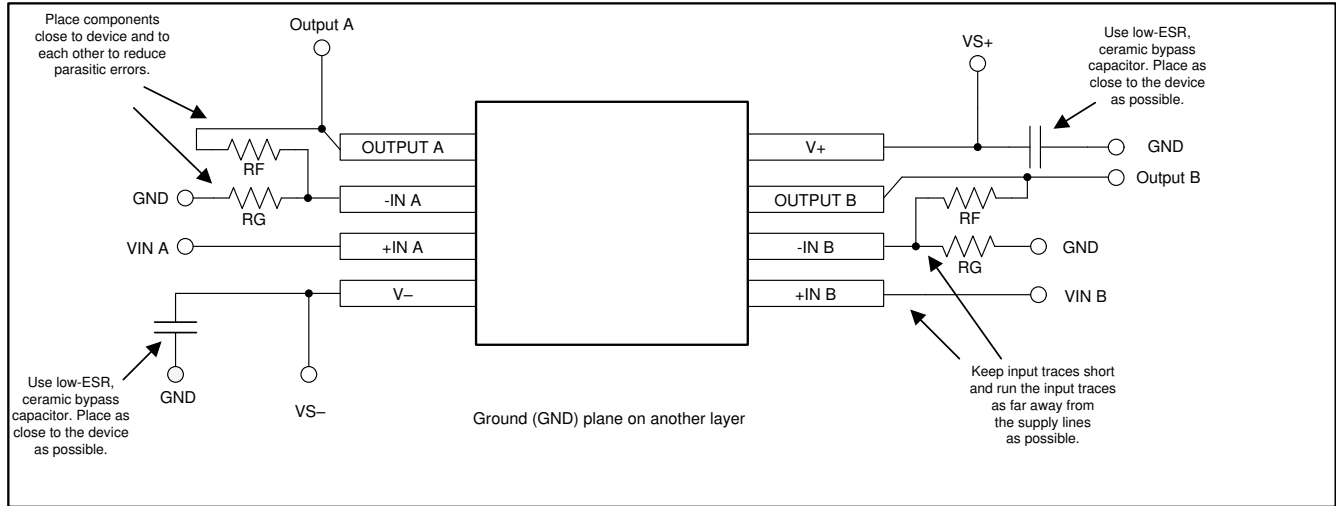
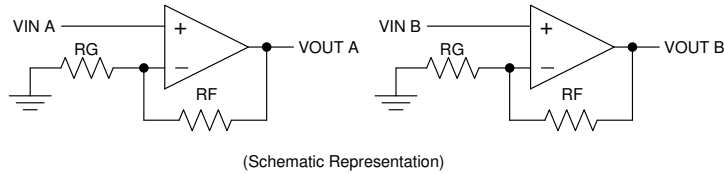


图 8-13. Operational Amplifier Board Layout for Noninverting Configuration

9 Device and Documentation Support

9.1 Device Support

9.1.1 Development Support

9.1.1.1 PSpice® for TI

PSpice® for TI 是可帮助评估模拟电路性能的设计和仿真环境。在进行布局和制造之前创建子系统设计和原型解决方案，可降低开发成本并缩短上市时间。

9.1.1.2 TINA-TI™ Simulation Software (Free Download)

TINA-TI™ simulation software is a simple, powerful, and easy-to-use circuit simulation program based on a SPICE engine. TINA-TI simulation software is a free, fully-functional version of the TINA™ software, preloaded with a library of macromodels, in addition to a range of both passive and active models. TINA-TI simulation software provides all the conventional dc, transient, and frequency domain analysis of SPICE, as well as additional design capabilities.

Available as a [free download](#) from the [Design tools and simulation](#) web page, TINA-TI simulation software offers extensive post-processing capability that allows users to format results in a variety of ways. Virtual instruments offer the ability to select input waveforms and probe circuit nodes, voltages, and waveforms, creating a dynamic quick-start tool.

备注

These files require that either the TINA software or TINA-TI software be installed. Download the free TINA-TI simulation software from the [TINA-TI™ software folder](#).

9.1.1.3 DIP-Adapter-EVM

Speed up your op amp prototyping and testing with the [DIP-Adapter-EVM](#), which provides a fast, easy and inexpensive way to interface with small, surface-mount devices. Connect any supported op amp using the included Samtec terminal strips or wire them directly to existing circuits. The DIP-Adapter-EVM kit supports the following industry-standard packages: D or U (SOIC-8), PW (TSSOP-8), DGK (VSSOP-8), DBV (SOT-23-6, SOT-23-5 and SOT-23-3), DCK (SC70-6 and SC70-5), and DRL (SOT563-6).

9.1.1.4 DIYAMP-EVM

The [DIYAMP-EVM](#) is a unique evaluation module (EVM) that provides real-world amplifier circuits, enabling the user to quickly evaluate design concepts and verify simulations. This EVM is available in three industry-standard packages (SC70, SOT23, and SOIC) and 12 popular amplifier configurations, including amplifiers, filters, stability compensation, and comparator configurations for both single and dual supplies.

9.1.1.5 TI Reference Designs

TI reference designs are analog solutions created by TI's precision analog applications experts. TI reference designs offer the theory of operation, component selection, simulation, complete PCB schematic and layout, bill of materials, and measured performance of many useful circuits. TI reference designs are available online at <https://www.ti.com/reference-designs>.

9.1.1.6 Filter Design Tool

The [filter design tool](#) is a simple, powerful, and easy-to-use active filter design program. The filter design tool allows the user to create optimized filter designs using a selection of TI operational amplifiers and passive components from TI's vendor partners.

Available as a web-based tool from the [Design tools and simulation](#) web page, the [filter design tool](#) allows the user to design, optimize, and simulate complete multistage active filter solutions within minutes.

9.2 Documentation Support

9.2.1 Related Documentation

The following documents are recommended for reference when using the OPA165x, and are available for download at www.ti.com.

- Texas Instruments, [Source Resistance and Noise Considerations in Amplifiers](#) technical brief
- Texas Instruments, [Single-Supply Operation of Operational Amplifiers](#) application bulletin
- Texas Instruments, [Op Amp Performance Analysis](#) application bulletin
- Texas Instruments, [Compensate Transimpedance Amplifiers Intuitively](#) application report
- Texas Instruments, [Tuning in Amplifiers](#) application bulletin
- Texas Instruments, [Feedback Plots Define Op Amp AC Performance](#) application bulletin
- Texas Instruments, [Active Volume Control for Professional Audio](#) design guide

9.3 接收文档更新通知

要接收文档更新通知，请导航至 ti.com 上的器件产品文件夹。点击 [订阅更新](#) 进行注册，即可每周接收产品信息更改摘要。有关更改的详细信息，请查看任何已修订文档中包含的修订历史记录。

9.4 支持资源

[TI E2E™ 支持论坛](#) 是工程师的重要参考资料，可直接从专家获得快速、经过验证的解答和设计帮助。搜索现有解答或提出自己的问题可获得所需的快速设计帮助。

链接的内容由各个贡献者“按原样”提供。这些内容并不构成 TI 技术规范，并且不一定反映 TI 的观点；请参阅 TI 的《[使用条款](#)》。

9.5 Trademarks

Burr-Brown™, TINA-TI™, and TI E2E™ are trademarks of Texas Instruments.

TINA™ is a trademark of DesignSoft, Inc.

Bluetooth® is a registered trademark of Bluetooth SIG, Inc.

PSPICE® is a registered trademark of Cadence Design Systems, Inc.

所有商标均为其各自所有者的财产。

9.6 Electrostatic Discharge Caution



This integrated circuit can be damaged by ESD. Texas Instruments recommends that all integrated circuits be handled with appropriate precautions. Failure to observe proper handling and installation procedures can cause damage.

ESD damage can range from subtle performance degradation to complete device failure. Precision integrated circuits may be more susceptible to damage because very small parametric changes could cause the device not to meet its published specifications.

9.7 术语表

[TI 术语表](#) 本术语表列出并解释了术语、首字母缩略词和定义。

10 Mechanical, Packaging, and Orderable Information

The following pages include mechanical, packaging, and orderable information. This information is the most current data available for the designated devices. This data is subject to change without notice and revision of this document. For browser-based versions of this data sheet, refer to the left-hand navigation.

PACKAGING INFORMATION

| Orderable Device | Status (1) | Package Type | Package Drawing | Pins | Package Qty | Eco Plan (2) | Lead finish/ Ball material (6) | MSL Peak Temp (3) | Op Temp (°C) | Device Marking (4/5) | Samples |
|------------------|---------------|--------------|-----------------|------|-------------|-----------------|--------------------------------------|----------------------|--------------|-------------------------|-------------------------|
| OPA1655DBVR | ACTIVE | SOT-23 | DBV | 5 | 3000 | RoHS & Green | SN | Level-2-260C-1 YEAR | -40 to 125 | 2R8Q | Samples |
| OPA1655DBVT | ACTIVE | SOT-23 | DBV | 5 | 250 | RoHS & Green | SN | Level-2-260C-1 YEAR | -40 to 125 | 2R8Q | Samples |
| OPA1655DR | ACTIVE | SOIC | D | 8 | 3000 | RoHS & Green | NIPDAU | Level-2-260C-1 YEAR | -40 to 125 | OP1655 | Samples |
| OPA1656ID | ACTIVE | SOIC | D | 8 | 75 | RoHS & Green | NIPDAU | Level-2-260C-1 YEAR | -40 to 125 | OP1656 | Samples |
| OPA1656IDR | ACTIVE | SOIC | D | 8 | 2500 | RoHS & Green | NIPDAU | Level-2-260C-1 YEAR | -40 to 125 | OP1656 | Samples |

(1) The marketing status values are defined as follows:

ACTIVE: Product device recommended for new designs.

LIFEBUY: TI has announced that the device will be discontinued, and a lifetime-buy period is in effect.

NRND: Not recommended for new designs. Device is in production to support existing customers, but TI does not recommend using this part in a new design.

PREVIEW: Device has been announced but is not in production. Samples may or may not be available.

OBSELETE: TI has discontinued the production of the device.

(2) **RoHS:** TI defines "RoHS" to mean semiconductor products that are compliant with the current EU RoHS requirements for all 10 RoHS substances, including the requirement that RoHS substance do not exceed 0.1% by weight in homogeneous materials. Where designed to be soldered at high temperatures, "RoHS" products are suitable for use in specified lead-free processes. TI may reference these types of products as "Pb-Free".

RoHS Exempt: TI defines "RoHS Exempt" to mean products that contain lead but are compliant with EU RoHS pursuant to a specific EU RoHS exemption.

Green: TI defines "Green" to mean the content of Chlorine (Cl) and Bromine (Br) based flame retardants meet JS709B low halogen requirements of <=1000ppm threshold. Antimony trioxide based flame retardants must also meet the <=1000ppm threshold requirement.

(3) MSL, Peak Temp. - The Moisture Sensitivity Level rating according to the JEDEC industry standard classifications, and peak solder temperature.

(4) There may be additional marking, which relates to the logo, the lot trace code information, or the environmental category on the device.

(5) Multiple Device Markings will be inside parentheses. Only one Device Marking contained in parentheses and separated by a "~" will appear on a device. If a line is indented then it is a continuation of the previous line and the two combined represent the entire Device Marking for that device.

(6) Lead finish/Ball material - Orderable Devices may have multiple material finish options. Finish options are separated by a vertical ruled line. Lead finish/Ball material values may wrap to two lines if the finish value exceeds the maximum column width.

Important Information and Disclaimer: The information provided on this page represents TI's knowledge and belief as of the date that it is provided. TI bases its knowledge and belief on information provided by third parties, and makes no representation or warranty as to the accuracy of such information. Efforts are underway to better integrate information from third parties. TI has taken and continues to take reasonable steps to provide representative and accurate information but may not have conducted destructive testing or chemical analysis on incoming materials and chemicals. TI and TI suppliers consider certain information to be proprietary, and thus CAS numbers and other limited information may not be available for release.

In no event shall TI's liability arising out of such information exceed the total purchase price of the TI part(s) at issue in this document sold by TI to Customer on an annual basis.

TAPE AND REEL INFORMATION

QUADRANT ASSIGNMENTS FOR PIN 1 ORIENTATION IN TAPE


*All dimensions are nominal

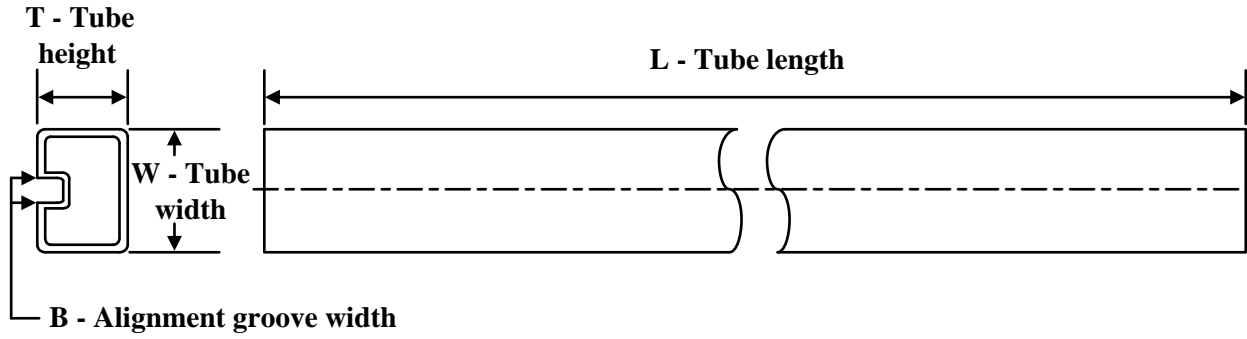
| Device | Package Type | Package Drawing | Pins | SPQ | Reel Diameter (mm) | Reel Width W1 (mm) | A0 (mm) | B0 (mm) | K0 (mm) | P1 (mm) | W (mm) | Pin1 Quadrant |
|-------------|--------------|-----------------|------|------|--------------------|--------------------|---------|---------|---------|---------|--------|---------------|
| OPA1655DBVR | SOT-23 | DBV | 5 | 3000 | 178.0 | 9.0 | 3.3 | 3.2 | 1.4 | 4.0 | 8.0 | Q3 |
| OPA1655DBVT | SOT-23 | DBV | 5 | 250 | 178.0 | 9.0 | 3.3 | 3.2 | 1.4 | 4.0 | 8.0 | Q3 |
| OPA1655DR | SOIC | D | 8 | 3000 | 330.0 | 12.4 | 6.4 | 5.2 | 2.1 | 8.0 | 12.0 | Q1 |
| OPA1656IDR | SOIC | D | 8 | 2500 | 330.0 | 12.4 | 6.4 | 5.2 | 2.1 | 8.0 | 12.0 | Q1 |

TAPE AND REEL BOX DIMENSIONS



*All dimensions are nominal

| Device | Package Type | Package Drawing | Pins | SPQ | Length (mm) | Width (mm) | Height (mm) |
|-------------|--------------|-----------------|------|------|-------------|------------|-------------|
| OPA1655DBVR | SOT-23 | DBV | 5 | 3000 | 190.0 | 190.0 | 30.0 |
| OPA1655DBVT | SOT-23 | DBV | 5 | 250 | 190.0 | 190.0 | 30.0 |
| OPA1655DR | SOIC | D | 8 | 3000 | 356.0 | 356.0 | 35.0 |
| OPA1656IDR | SOIC | D | 8 | 2500 | 356.0 | 356.0 | 35.0 |

TUBE


*All dimensions are nominal

| Device | Package Name | Package Type | Pins | SPQ | L (mm) | W (mm) | T (μm) | B (mm) |
|-----------|--------------|--------------|------|-----|--------|--------|--------|--------|
| OPA1656ID | D | SOIC | 8 | 75 | 506.6 | 8 | 3940 | 4.32 |



D0008A

PACKAGE OUTLINE

SOIC - 1.75 mm max height

SMALL OUTLINE INTEGRATED CIRCUIT



4214825/C 02/2019

NOTES:

1. Linear dimensions are in inches [millimeters]. Dimensions in parenthesis are for reference only. Controlling dimensions are in inches. Dimensioning and tolerancing per ASME Y14.5M.
2. This drawing is subject to change without notice.
3. This dimension does not include mold flash, protrusions, or gate burrs. Mold flash, protrusions, or gate burrs shall not exceed $.006$ [0.15] per side.
4. This dimension does not include interlead flash.
5. Reference JEDEC registration MS-012, variation AA.

EXAMPLE BOARD LAYOUT

D0008A

SOIC - 1.75 mm max height

SMALL OUTLINE INTEGRATED CIRCUIT



LAND PATTERN EXAMPLE
EXPOSED METAL SHOWN
SCALE:8X



SOLDER MASK DETAILS

4214825/C 02/2019

NOTES: (continued)

- 6. Publication IPC-7351 may have alternate designs.
- 7. Solder mask tolerances between and around signal pads can vary based on board fabrication site.

EXAMPLE STENCIL DESIGN

D0008A

SOIC - 1.75 mm max height

SMALL OUTLINE INTEGRATED CIRCUIT



SOLDER PASTE EXAMPLE
BASED ON .005 INCH [0.125 MM] THICK STENCIL
SCALE:8X

4214825/C 02/2019

NOTES: (continued)

8. Laser cutting apertures with trapezoidal walls and rounded corners may offer better paste release. IPC-7525 may have alternate design recommendations.
9. Board assembly site may have different recommendations for stencil design.

EXAMPLE BOARD LAYOUT

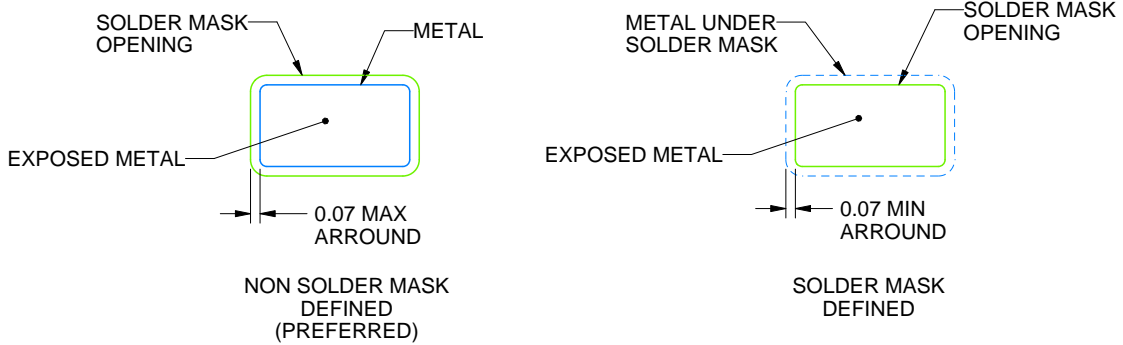
DBV0005A

SOT-23 - 1.45 mm max height

SMALL OUTLINE TRANSISTOR



LAND PATTERN EXAMPLE
EXPOSED METAL SHOWN
SCALE:15X



SOLDER MASK DETAILS

4214839/K 08/2024

NOTES: (continued)

- 6. Publication IPC-7351 may have alternate designs.
- 7. Solder mask tolerances between and around signal pads can vary based on board fabrication site.

EXAMPLE STENCIL DESIGN

DBV0005A

SOT-23 - 1.45 mm max height

SMALL OUTLINE TRANSISTOR



SOLDER PASTE EXAMPLE
BASED ON 0.125 mm THICK STENCIL
SCALE:15X

4214839/K 08/2024

NOTES: (continued)

8. Laser cutting apertures with trapezoidal walls and rounded corners may offer better paste release. IPC-7525 may have alternate design recommendations.
9. Board assembly site may have different recommendations for stencil design.

重要声明和免责声明

TI“按原样”提供技术和可靠性数据（包括数据表）、设计资源（包括参考设计）、应用或其他设计建议、网络工具、安全信息和其他资源，不保证没有瑕疵且不做任何明示或暗示的担保，包括但不限于对适销性、某特定用途方面的适用性或不侵犯任何第三方知识产权的暗示担保。

这些资源可供使用 TI 产品进行设计的熟练开发人员使用。您将自行承担以下全部责任：(1) 针对您的应用选择合适的 TI 产品，(2) 设计、验证并测试您的应用，(3) 确保您的应用满足相应标准以及任何其他功能安全、信息安全、监管或其他要求。

这些资源如有变更，恕不另行通知。TI 授权您仅可将这些资源用于研发本资源所述的 TI 产品的应用。严禁对这些资源进行其他复制或展示。您无权使用任何其他 TI 知识产权或任何第三方知识产权。您应全额赔偿因在这些资源的使用中对 TI 及其代表造成的任何索赔、损害、成本、损失和债务，TI 对此概不负责。

TI 提供的产品受 [TI 的销售条款](#) 或 [ti.com](#) 上其他适用条款/TI 产品随附的其他适用条款的约束。TI 提供这些资源并不会扩展或以其他方式更改 TI 针对 TI 产品发布的适用的担保或担保免责声明。

TI 反对并拒绝您可能提出的任何其他或不同的条款。

邮寄地址：Texas Instruments, Post Office Box 655303, Dallas, Texas 75265

Copyright © 2024，德州仪器 (TI) 公司