

## OPAx376-Q1 低噪声、低静态电流、 精密 e-trim™ 运算放大器

### 1 特性

- 符合面向汽车应用的 AEC-Q100 标准：
  - 温度等级 1：-40°C 至 +125°C，T<sub>A</sub>
- 功能安全型
  - 可提供用于功能安全系统设计的文档 ( OPA376-Q1 和 OPA2376-Q1 )
- 低噪声：1kHz 时为 7.5nV/√Hz
- 0.1Hz 至 10Hz 噪声：0.8 μV<sub>PP</sub>
- 静态电流：760 μA ( 典型值 )
- 低失调电压：5 μV ( 典型值 )
- 增益带宽积：5.5MHz
- 轨到轨输入和输出
- 单电源供电
- 电源电压：2.2V 至 5.5V
- 节省空间的封装：
  - SC70、SOT-23、VSSOP、TSSOP

### 2 应用

- 车载充电器 (OBC) 和无线充电器
- 逆变器和电机控制
- 直流/直流转换器
- 电池管理系统 (BMS)

### 3 说明

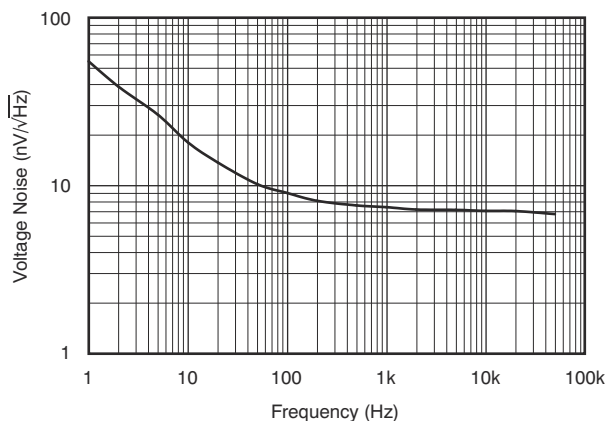
OPAx376-Q1 系列代表了新一代低噪声 e-trim™ 运算放大器，可提供出色的直流精度和交流性能。该器件具有轨到轨输出、低失调电压 ( 最大值为 25 μV )、低噪声 (7.5nV/√Hz)、950 μA 的静态电流 ( 最大值 ) 和 5.5MHz 带宽，对于各类精密和便携式应用极具吸引力。此外，OPA376-Q1 拥有较宽的电源电压范围和出色的 PSRR，因此非常适合直接由电池供电而无需调节的应用。

OPA376-Q1 ( 单通道版本 ) 采用 MicroSIZE SC70-5、SOT23-5 和 SOIC-8 封装。OPA2376-Q1 ( 双通道 ) 采用 SOIC-8 和 VSSOP-8 封装。OPA4376-Q1 ( 四通道 ) 采用 TSSOP-14 封装。所有器件版本的额定工作温度范围均为 -40°C 至 +125°C。

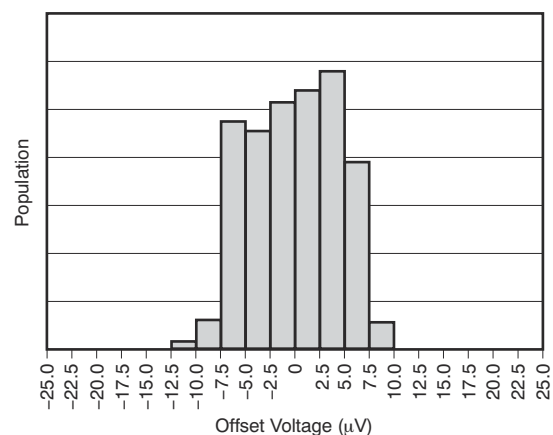
#### 器件信息

| 器件型号       | 封装 <sup>(1)</sup> | 封装尺寸 ( 标称值 )    |
|------------|-------------------|-----------------|
| OPA376-Q1  | SC70 (5)          | 2.00mm × 1.25mm |
|            | SOT-23 (5)        | 2.90mm × 1.60mm |
|            | SOIC (8)          | 4.90mm × 3.91mm |
| OPA2376-Q1 | SOIC (8)          | 4.90mm × 3.91mm |
|            | VSSOP (8)         | 3.00mm × 3.00mm |
| OPA4376-Q1 | TSSOP (14)        | 5.00mm × 4.40mm |

(1) 如需了解所有可用封装，请参阅数据表末尾的可订购产品附录。



输入电压噪声频谱密度



失调电压生产分配



## Table of Contents

|  |    |  |    |
|--|----|--|----|
| <b>1 特性</b> .....                              | 1  | 7.4 Device Functional Modes.....                                     | 15 |
| <b>2 应用</b> .....                              | 1  | <b>8 Application and Implementation</b> .....                        | 16 |
| <b>3 说明</b> .....                              | 1  | 8.1 Application Information.....                                     | 16 |
| <b>4 Revision History</b> .....                | 2  | 8.2 Typical Application.....   | 19 |
| <b>5 Pin Configuration and Functions</b> ..... | 3  | <b>9 Power Supply Recommendations</b> .....                          | 20 |
| <b>6 Specifications</b> .....                  | 6  | <b>10 Layout</b> .....   | 21 |
| 6.1 Absolute Maximum Ratings.....              | 6  | 10.1 Layout Guidelines.....  | 21 |
| 6.2 ESD Ratings.....                           | 6  | 10.2 Layout Example.....   | 21 |
| 6.3 Recommended Operating Conditions.....      | 6  | <b>11 Device and Documentation Support</b> .....                     | 22 |
| 6.4 Thermal Information: OPA376-Q1.....        | 7  | 11.1 Device Support.....   | 22 |
| 6.5 Thermal Information: OPA2376-Q1.....       | 7  | 11.2 Documentation Support.....                                      | 22 |
| 6.6 Thermal Information: OPA4376-Q1.....       | 7  | 11.3 接收文档更新通知.....   | 22 |
| 6.7 Electrical Characteristics.....            | 8  | 11.4 支持资源.....   | 22 |
| 6.8 Typical Characteristics.....               | 9  | 11.5 Trademarks.....   | 23 |
| <b>7 Detailed Description</b> .....            | 13 | 11.6 静电放电警告.....   | 23 |
| 7.1 Overview.....                              | 13 | 11.7 术语表.....  | 23 |
| 7.2 Functional Block Diagram.....              | 13 | <b>12 Mechanical, Packaging, and Orderable<br/>Information</b> ..... | 23 |
| 7.3 Feature Description.....                   | 13 |  |    |

## 4 Revision History

注：以前版本的页码可能与当前版本的页码不同

| <b>Changes from Revision B (May 2016) to Revision C (March 2021)</b> | <b>Page</b> |
|--|-------------|
| • 更新了整个文档中的表格、图和交叉参考的编号格式.....                                       | 1           |
| • 删除了特性中的 HBM 和 CDM 分级等级，并将其移至 ESD 等级.....                           | 1           |
| • 向特性添加了功能安全链接.....  | 1           |
| • 更改了应用要点.....   | 1           |
| • Changed ESD Ratings to show HBM and CDM classification levels..... | 6           |
| • Added Figure 6-8, Common-Mode Voltage vs Temperature.....          | 9           |
| • Added Figure 6-9, Offset Voltage vs Common-Mode Voltage.....       | 9           |

| <b>Changes from Revision A (January 2016) to Revision B (May 2016)</b>                    | <b>Page</b> |
|---|-------------|
| • 更新了应用示例.....  | 1           |
| • Updated the Pin Functions Table for OPA4376-Q1.....                                     | 3           |
| • Updated HBM ESD Rating.....   | 6           |
| • Changed units on Channel Separation.....  | 8           |
| • Deleted the temperature range parameters from the Electrical Characteristics table..... | 8           |
| • Removed section regarding WCSP photosensitivity.....                                    | 21          |

| <b>Changes from Revision * (April 2011) to Revision A (January 2016)</b>                                | <b>Page</b> |
|---|-------------|
| • 添加了引脚功能表、ESD 等级表、建议运行条件表、热性能信息表、特性说明部分、器件功能模式、应用和<br>实施部分、电源相关建议部分、布局部分、器件和文档支持部分以及机械、封装和可订购信息部分..... | 1           |
| • 已将 OPA2376-Q1 器件发布为量产数据.....  | 1           |
| • Added the Input Offset Voltage and Input Offset Voltage Drift section to the Feature Description..... | 13          |

## 5 Pin Configuration and Functions

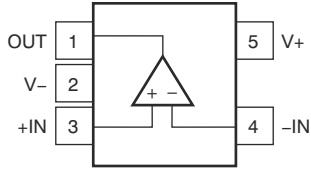


图 5-1. OPA376-Q1: DBV (5-Pin SOT-23) Package, Top View

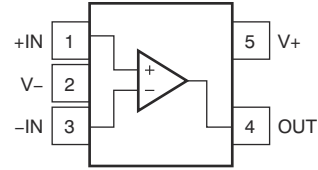
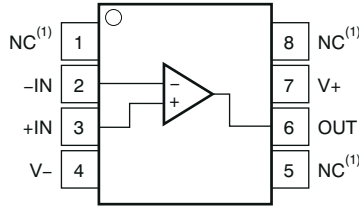


图 5-2. OPA376-Q1: DCK (5-Pin SC70) Package, Top View



(1) NC denotes no internal connection.

图 5-3. OPA376-Q1: D (8-Pin SOIC) Package, Top View

表 5-1. Pin Functions: OPA376-Q1

| NAME | PIN NO. |      |         | I/O | DESCRIPTION                                  |
|------|---------|------|---------|-----|--|
|      | SOT-23  | SC70 | SOIC    |     |  |
| +IN  | 3       | 1    | 3       | I   | Noninverting input <sup>+</sup>              |
| -IN  | 4       | 3    | 2       | I   | Inverting input <sup>-</sup>                 |
| NC   | —       | —    | 1, 5, 8 | —   | No internal connection                       |
| OUT  | 1       | 4    | 6       | O   | Output                                       |
| V+   | 5       | 5    | 7       | —   | Positive (highest) power supply <sup>+</sup> |
| V-   | 2       | 2    | 4       | —   | Negative (lowest) power supply <sup>-</sup>  |

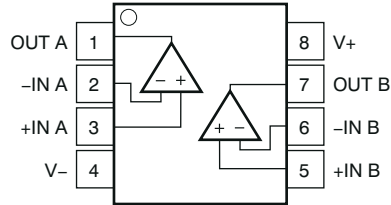


图 5-4. OPA2376-Q1: D (8-Pin SOIC) and DGK (8-Pin VSSOP) Packages, Top View

表 5-2. Pin Functions: OPA2376-Q1

| PIN            |     | I/O | DESCRIPTION                                |
|----------------|-----|-----|--|
| NAME           | NO. |     |  |
| +IN A          | 3   | I   | Noninverting input, channel A <sup>+</sup> |
| - IN A         | 2   | I   | Inverting input, channel A <sup>-</sup>    |
| +IN B          | 5   | I   | Noninverting input, channel B <sup>+</sup> |
| - IN B         | 6   | I   | Inverting input, channel B <sup>-</sup>    |
| OUT A          | 1   | O   | Output, channel A                          |
| OUT B          | 7   | O   | Output, channel B                          |
| V <sup>-</sup> | 4   | —   | Negative (lowest) power supply             |
| V <sup>+</sup> | 8   | —   | Positive (highest) power supply            |

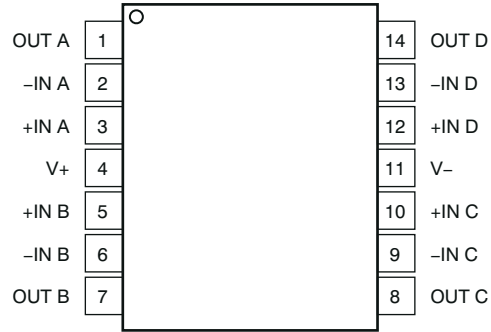


图 5-5. OPA4376-Q1: PW (14-Pin TSSOP) Package, Top View

表 5-3. Pin Functions: OPA4376-Q1

| PIN    |     | I/O | DESCRIPTION                                |
|--------|-----|-----|--|
| NAME   | NO. |     |  |
| +IN A  | 3   | I   | Noninverting input, channel A <sup>+</sup> |
| - IN A | 2   | I   | Inverting input, channel A <sup>-</sup>    |
| +IN B  | 5   | I   | Noninverting input, channel B <sup>+</sup> |
| - IN B | 6   | I   | Inverting input, channel B <sup>-</sup>    |
| +IN C  | 10  | I   | Noninverting input, channel C <sup>+</sup> |
| - IN C | 9   | I   | Inverting input, channel C <sup>-</sup>    |
| +IN D  | 12  | I   | Noninverting input, channel D <sup>+</sup> |
| - IN D | 13  | I   | Inverting input, channel D <sup>-</sup>    |
| OUT A  | 1   | O   | Output, channel A                          |
| OUT B  | 7   | O   | Output, channel B                          |
| OUT C  | 8   | O   | Output, channel C                          |
| OUT D  | 14  | O   | Output, channel D                          |
| V+     | 4   | —   | Positive (highest) power supply            |
| V-     | 11  | —   | Negative (lowest) power supply             |

## 6 Specifications

### 6.1 Absolute Maximum Ratings

over operating free-air temperature range (unless otherwise noted)<sup>(1)</sup>

|                     |   | MIN          | MAX          | UNIT |
|---------------------|---|--------------|--------------|------|
| $V_S = (V+) - (V-)$ | Supply voltage                              |              | 7            | V    |
|                     | Signal input pin voltage <sup>(2)</sup>     | $(V-) - 0.5$ | $(V+) + 0.5$ | V    |
|                     | Signal input pin current <sup>(2)</sup>     | - 10         | 10           | mA   |
|                     | Output short-circuit current <sup>(3)</sup> | Continuous   |              |      |
| $T_A$               | Operating temperature                       | - 40         | 125          | °C   |
| $T_J$               | Junction temperature                        |              | 150          | °C   |
| $T_{stg}$           | Storage temperature                         | - 65         | 150          | °C   |

- (1) Stresses beyond those listed under *Absolute Maximum Ratings* may cause permanent damage to the device. These are stress ratings only, which do not imply functional operation of the device at these or any other conditions beyond those indicated under *Recommended Operating Conditions*. Exposure to absolute-maximum-rated conditions for extended periods may affect device reliability.
- (2) Input terminals are diode-clamped to the power-supply rails. Input signals that can swing more than 0.5 V beyond the supply rails must be current limited to 10 mA or less.
- (3) Short-circuit to ground, one amplifier per package.

### 6.2 ESD Ratings

|             |                         |  | VALUE | UNIT |
|-------------|-------------------------|--|-------|------|
| $V_{(ESD)}$ | Electrostatic discharge | Human-body model (HBM), per AEC Q100-002 <sup>(1)</sup><br>HBM ESD classification level 3A | ±4000 | V    |
|             |                         | Charged-device model (CDM), per AEC Q100-011<br>CDM ESD classification level C6            | ±1000 |      |

- (1) AEC Q100-002 indicates that HBM stressing shall be in accordance with the ANSI/ESDA/JEDEC JS-001 specification.

### 6.3 Recommended Operating Conditions

over operating free-air temperature range (unless otherwise noted)

|                     |                       | MIN        | MAX         | UNIT |
|---------------------|-----------------------|------------|-------------|------|
| $V_S = (V+) - (V-)$ | Supply voltage        | 2.2 (±1.1) | 5.5 (±2.75) | V    |
| $T_A$               | Operating temperature | - 40       | 150         | °C   |

## 6.4 Thermal Information: OPA376-Q1

| THERMAL METRIC <sup>(1)</sup> |  | OPA376-Q1  |              |          | UNIT |
|-------------------------------|--|------------|--------------|----------|------|
|                               |  | DCK (SC70) | DBV (SOT-23) | D (SOIC) |      |
|                               |  | 5 PINS     | 5 PINS       | 8 PINS   |      |
| $R_{\theta JA}$               | Junction-to-ambient thermal resistance       | 267        | 273.8        | 100.1    | °C/W |
| $R_{\theta JC(top)}$          | Junction-to-case (top) thermal resistance    | 80.9       | 126.8        | 42.4     | °C/W |
| $R_{\theta JB}$               | Junction-to-board thermal resistance         | 54.8       | 85.9         | 41       | °C/W |
| $\psi_{JT}$                   | Junction-to-top characterization parameter   | 1.2        | 10.9         | 4.8      | °C/W |
| $\psi_{JB}$                   | Junction-to-board characterization parameter | 54.1       | 84.9         | 40.3     | °C/W |
| $R_{\theta JC(bot)}$          | Junction-to-case (bottom) thermal resistance | n/a        | n/a          | n/a      | °C/W |

(1) For more information about traditional and new thermal metrics, see the [Semiconductor and IC Package Thermal Metrics application report](#).

## 6.5 Thermal Information: OPA2376-Q1

| THERMAL METRIC <sup>(1)</sup> |  | OPA2376-Q1 |             | UNIT |
|-------------------------------|--|------------|-------------|------|
|                               |  | D (SOIC)   | DGK (VSSOP) |      |
|                               |  | 8 PINS     | 8 PINS      |      |
| $R_{\theta JA}$               | Junction-to-ambient thermal resistance       | 111.1      | 171.2       | °C/W |
| $R_{\theta JC(top)}$          | Junction-to-case (top) thermal resistance    | 54.7       | 63.9        | °C/W |
| $R_{\theta JB}$               | Junction-to-board thermal resistance         | 51.7       | 92.8        | °C/W |
| $\psi_{JT}$                   | Junction-to-top characterization parameter   | 10.5       | 9.2         | °C/W |
| $\psi_{JB}$                   | Junction-to-board characterization parameter | 51.2       | 91.2        | °C/W |
| $R_{\theta JC(bot)}$          | Junction-to-case (bottom) thermal resistance | n/a        | n/a         | °C/W |

(1) For more information about traditional and new thermal metrics, see the [Semiconductor and IC Package Thermal Metrics application report](#).

## 6.6 Thermal Information: OPA4376-Q1

| THERMAL METRIC <sup>(1)</sup> |  | OPA4376-Q1 | UNIT |
|-------------------------------|--|------------|------|
|                               |  | PW (TSSOP) |      |
|                               |  | 14 PINS    |      |
| $R_{\theta JA}$               | Junction-to-ambient thermal resistance       | 107.8      | °C/W |
| $R_{\theta JC(top)}$          | Junction-to-case (top) thermal resistance    | 29.6       | °C/W |
| $R_{\theta JB}$               | Junction-to-board thermal resistance         | 52.6       | °C/W |
| $\psi_{JT}$                   | Junction-to-top characterization parameter   | 1.5        | °C/W |
| $\psi_{JB}$                   | Junction-to-board characterization parameter | 51.6       | °C/W |
| $R_{\theta JC(bot)}$          | Junction-to-case (bottom) thermal resistance | n/a        | °C/W |

(1) For more information about traditional and new thermal metrics, see the [Semiconductor and IC Package Thermal Metrics application report](#).

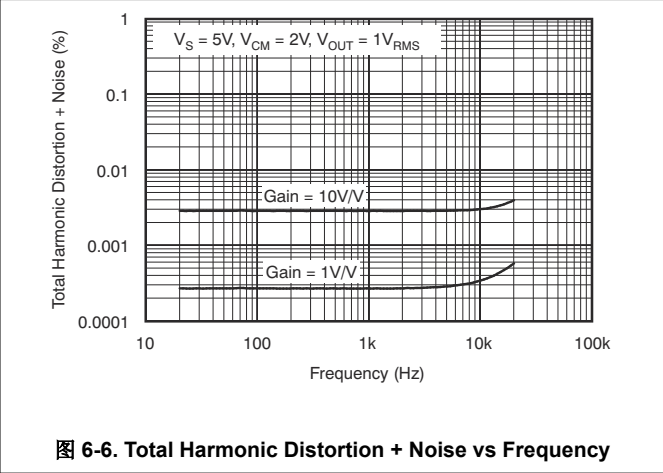
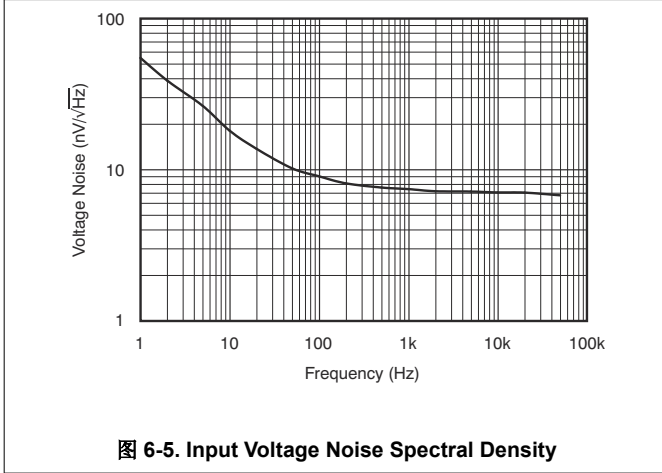
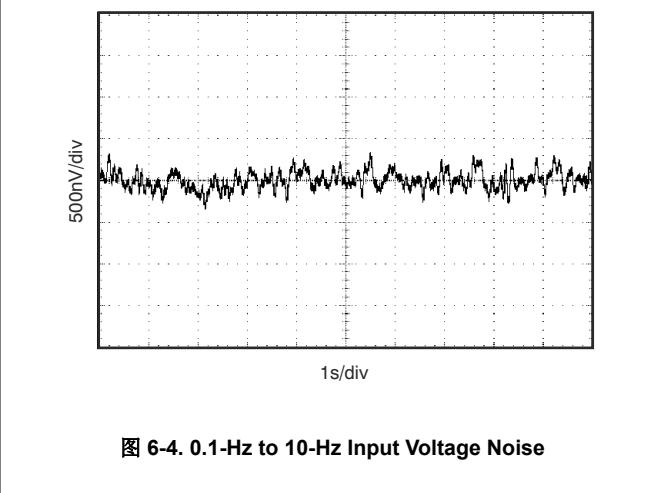
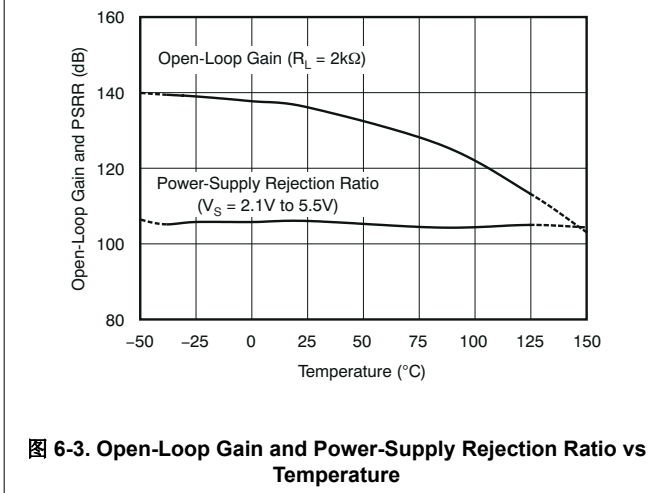
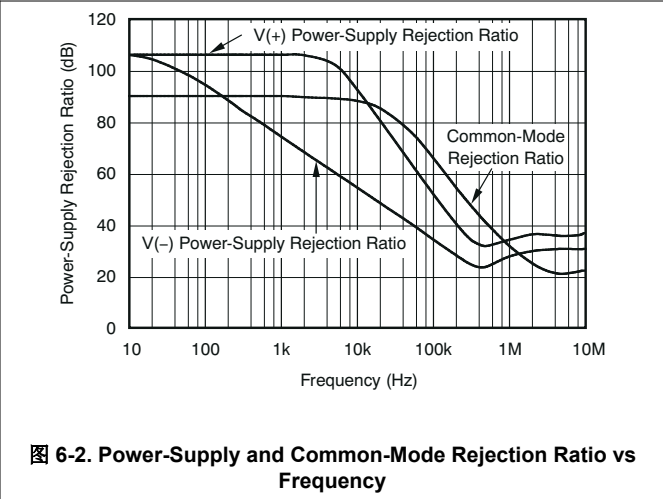
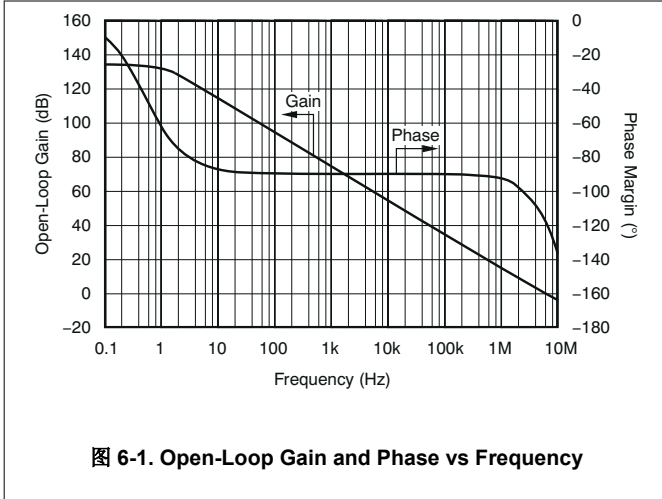
## 6.7 Electrical Characteristics

at  $T_A = 25^\circ\text{C}$ ,  $R_L = 10\text{ k}\Omega$  connected to  $V_S / 2$ ,  $V_{CM} = V_S / 2$ , and  $V_{O\ UT} = V_S / 2$  (unless otherwise noted)

| PARAMETER                 |  | TEST CONDITIONS   |   | MIN          | TYP       | MAX          | UNIT                         |
|---------------------------|--|---|---|--------------|-----------|--------------|------------------------------|
| <b>OFFSET VOLTAGE</b>     |  |   |   |              |           |              |                              |
| $V_{OS}$                  | Input offset voltage                     |   |   |              | 5         | 25           | $\mu\text{V}$                |
| $dV_{OS}/dT$              | Input offset voltage versus temperature  | $T_A = -40^\circ\text{C}$ to $+85^\circ\text{C}$                                    |   |              | 0.26      | 1            | $\mu\text{V}/^\circ\text{C}$ |
|                           |  | $T_A = -40^\circ\text{C}$ to $+125^\circ\text{C}$                                   |   |              | 0.32      | 2            | $\mu\text{V}/^\circ\text{C}$ |
| PSRR                      | Input offset voltage versus power supply | $V_S = 2.2\text{ V}$ to $5.5\text{ V}$ ,<br>$V_{CM} < (V+) - 1.3\text{ V}$          | $T_A = 25^\circ\text{C}$                          |              | 5         | 20           | $\mu\text{V}/\text{V}$       |
|                           |  |   | $T_A = -40^\circ\text{C}$ to $+125^\circ\text{C}$ |              | 5         |              | $\mu\text{V}/\text{V}$       |
|                           | Channel separation, dc (dual, quad)      |   |   |              | 0.5       |              | $\mu\text{V}/\text{V}$       |
| <b>INPUT BIAS CURRENT</b> |  |   |   |              |           |              |                              |
| $I_B$                     | Input bias current                       | $T_A = 25^\circ\text{C}$  |   |              | 0.2       | 10           | $\text{pA}$                  |
|                           |  | $T_A = -40^\circ\text{C}$ to $+125^\circ\text{C}$                                   |   |              | See # 6.8 |              | $\text{pA}$                  |
| $I_{OS}$                  | Input offset current                     |   |   |              | 0.2       | 10           | $\text{pA}$                  |
| <b>NOISE</b>              |  |   |   |              |           |              |                              |
|                           | Input voltage noise                      | $f = 0.1\text{ Hz}$ to $10\text{ Hz}$   |   |              | 0.8       |              | $\mu\text{V}_{PP}$           |
| $e_n$                     | Input voltage noise density              | $f = 1\text{ kHz}$  |   |              | 7.5       |              | $\text{nV}/\sqrt{\text{Hz}}$ |
| $i_n$                     | Input current noise                      | $f = 1\text{ kHz}$  |   |              | 2         |              | $\text{fA}/\sqrt{\text{Hz}}$ |
| <b>INPUT VOLTAGE</b>      |  |   |   |              |           |              |                              |
| $V_{CM}$                  | Common-mode voltage                      | See 图 6-8   |   | $(V-) - 0.1$ |           | $(V+) + 0.1$ | $\text{V}$                   |
| CMRR                      | Common-mode rejection ratio              | $(V-) < V_{CM} < (V+) - 1.3\text{ V}$   |   | 76           | 90        |              | $\text{dB}$                  |
| <b>INPUT CAPACITANCE</b>  |  |   |   |              |           |              |                              |
|                           | Differential                             |   |   |              | 6.5       |              | $\text{pF}$                  |
|                           | Common-mode                              |   |   |              | 13        |              | $\text{pF}$                  |
| <b>OPEN-LOOP GAIN</b>     |  |   |   |              |           |              |                              |
| $A_{OL}$                  | Open-loop voltage gain                   | $50\text{ mV} < V_O < (V+) - 50\text{ mV}$ , $R_L = 10\text{ k}\Omega$              |   | 120          | 134       |              | $\text{dB}$                  |
|                           |  | $100\text{ mV} < V_O < (V+) - 100\text{ mV}$ , $R_L = 2\text{ k}\Omega$             |   | 120          | 126       |              | $\text{dB}$                  |
| <b>FREQUENCY RESPONSE</b> |  |   |   |              |           |              |                              |
| GBW                       | Gain-bandwidth product                   | $C_L = 100\text{ pF}$ , $V_S = 5.5\text{ V}$  |   |              | 5.5       |              | $\text{MHz}$                 |
| SR                        | Slew rate                                | $G = 1$ , $C_L = 100\text{ pF}$ , $V_S = 5.5\text{ V}$                              |   |              | 2         |              | $\text{V}/\mu\text{s}$       |
| $t_s$                     | Settling time                            | 0.1%, 2-V Step, $G = 1$ , $C_L = 100\text{ pF}$ , $V_S = 5.5\text{ V}$              |   |              | 1.6       |              | $\mu\text{s}$                |
|                           |  | 0.01%, 2-V Step, $G = 1$ , $C_L = 100\text{ pF}$ , $V_S = 5.5\text{ V}$             |   |              | 2         |              | $\mu\text{s}$                |
|                           | Overload recovery time                   | $V_{IN} \times \text{Gain} > V_S$   |   |              | 0.33      |              | $\mu\text{s}$                |
| THD+N                     | THD + noise                              | $V_O = 1\text{ V}_{RMS}$ , $G = 1$ , $f = 1\text{ kHz}$ , $R_L = 10\text{ k}\Omega$ |   |              | 0.00027%  |              |                              |
| <b>OUTPUT</b>             |  |   |   |              |           |              |                              |
|                           | Voltage output swing from rail           | $R_L = 10\text{ k}\Omega$   | $T_A = 25^\circ\text{C}$                          |              | 10        | 20           | $\text{mV}$                  |
|                           |  |   | $T_A = -40^\circ\text{C}$ to $+125^\circ\text{C}$ |              |           | 40           | $\text{mV}$                  |
|                           |  | $R_L = 2\text{ k}\Omega$  | $T_A = 25^\circ\text{C}$                          |              | 40        | 50           | $\text{mV}$                  |
|                           |  |   | $T_A = -40^\circ\text{C}$ to $+125^\circ\text{C}$ |              |           | 80           | $\text{mV}$                  |
| $I_{SC}$                  | Short-circuit current                    |   |   |              | 30 / - 50 | $\text{mA}$  |                              |
| $C_{LOAD}$                | Capacitive load drive                    |   |   |              | See # 6.8 |              |                              |
| $R_O$                     | Open-loop output impedance               |   |   |              | 150       |              | $\Omega$                     |
| <b>POWER SUPPLY</b>       |  |   |   |              |           |              |                              |
| $V_S$                     | Specified voltage                        |   |   |              | 2.2       | 5.5          | $\text{V}$                   |
|                           | Operating voltage                        |   |   |              | 2 to 5.5  |              | $\text{V}$                   |
| $I_Q$                     | Quiescent current per amplifier          | $I_O = 0$ , $V_S = 5.5\text{ V}$ , $V_{CM} < (V+) - 1.3\text{ V}$                   | $T_A = 25^\circ\text{C}$                          |              | 760       | 950          | $\mu\text{A}$                |
|                           |  |   | $T_A = -40^\circ\text{C}$ to $+125^\circ\text{C}$ |              |           | 1            | $\text{mA}$                  |

### 6.8 Typical Characteristics

at  $T_A = 25^\circ\text{C}$ ,  $V_S = 5\text{ V}$ ,  $R_L = 10\text{ k}\Omega$  connected to  $V_S / 2$ ,  $V_{CM} = V_S / 2$ , and  $V_{OUT} = V_S / 2$  (unless otherwise noted)



## 6.8 Typical Characteristics (continued)

at  $T_A = 25^\circ\text{C}$ ,  $V_S = 5\text{ V}$ ,  $R_L = 10\text{ k}\Omega$  connected to  $V_S / 2$ ,  $V_{CM} = V_S / 2$ , and  $V_{OUT} = V_S / 2$  (unless otherwise noted)

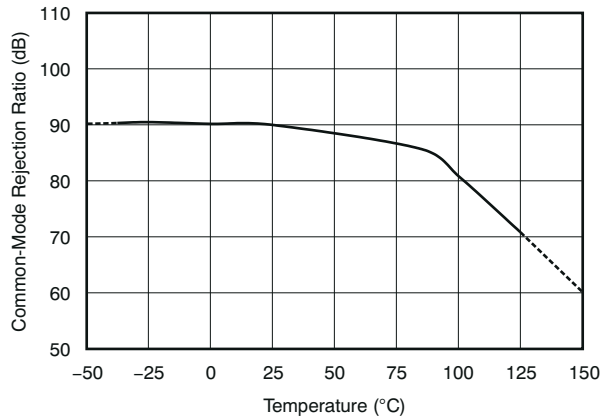
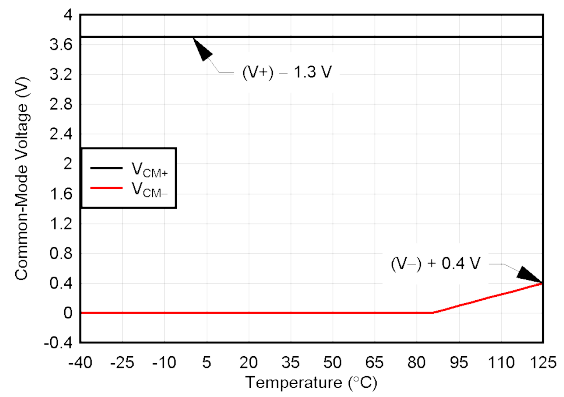
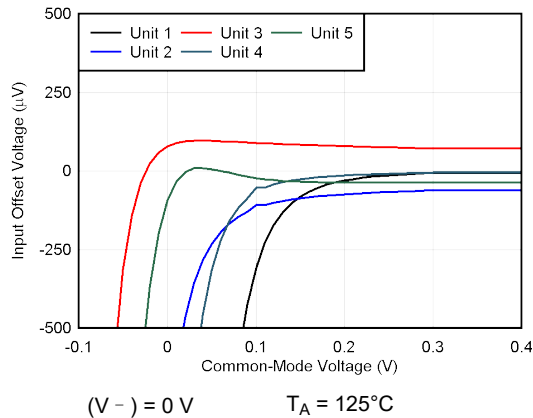


图 6-7. Common-Mode Rejection Ratio vs Temperature



$V_{CM}$  range for typical CMRR = 90 dB

图 6-8. Common-Mode Voltage vs Temperature



$(V_-) = 0\text{ V}$   $T_A = 125^\circ\text{C}$

图 6-9. Offset Voltage vs Common-Mode Voltage

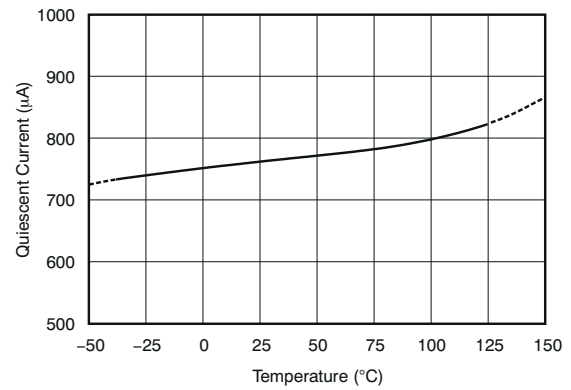


图 6-10. Quiescent Current vs Temperature

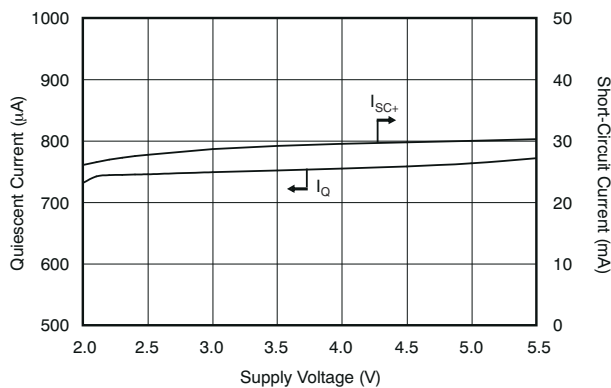


图 6-11. Quiescent and Short-Circuit Current vs Supply Voltage

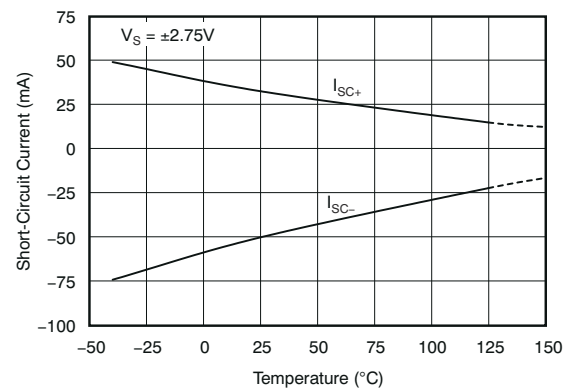


图 6-12. Short-Circuit Current vs Temperature

## 6.8 Typical Characteristics (continued)

at  $T_A = 25^\circ\text{C}$ ,  $V_S = 5\text{ V}$ ,  $R_L = 10\text{ k}\Omega$  connected to  $V_S / 2$ ,  $V_{CM} = V_S / 2$ , and  $V_{OUT} = V_S / 2$  (unless otherwise noted)

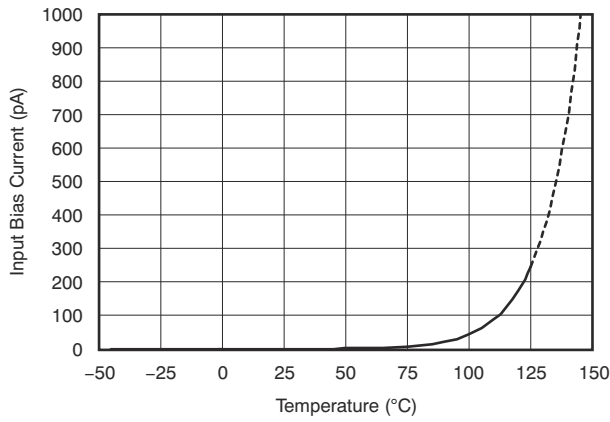


图 6-13. Input Bias Current vs Temperature

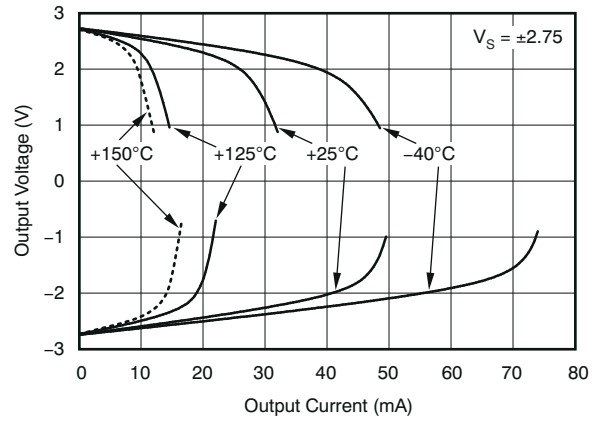


图 6-14. Output Voltage vs Output Current

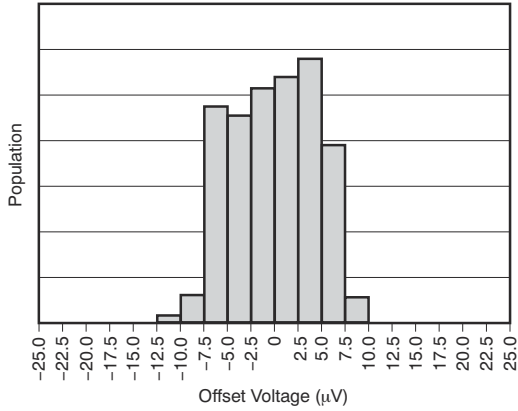


图 6-15. Offset Voltage Production Distribution

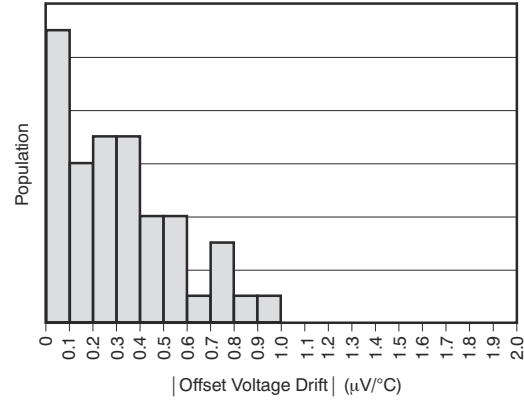


图 6-16. Offset Voltage Drift Production Distribution (-40°C to +125°C)

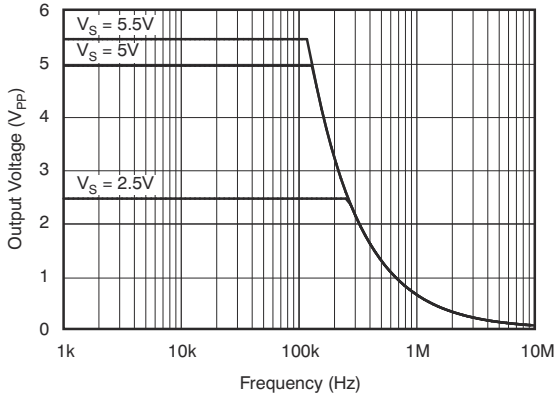


图 6-17. Maximum Output Voltage vs Frequency

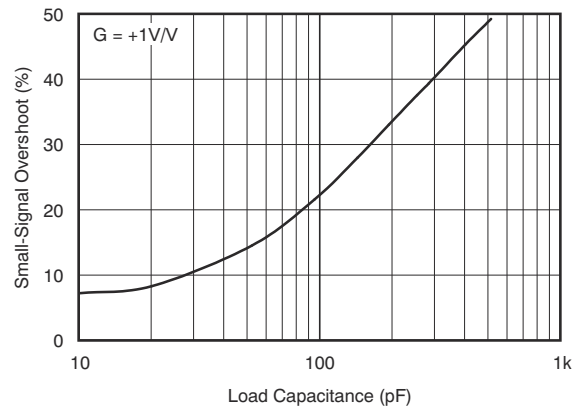


图 6-18. Small-Signal Overshoot vs Load Capacitance

## 6.8 Typical Characteristics (continued)

at  $T_A = 25^\circ\text{C}$ ,  $V_S = 5\text{ V}$ ,  $R_L = 10\text{ k}\Omega$  connected to  $V_S / 2$ ,  $V_{CM} = V_S / 2$ , and  $V_{OUT} = V_S / 2$  (unless otherwise noted)

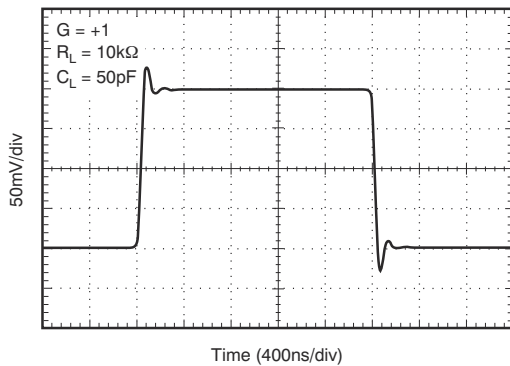


图 6-19. Small-Signal Pulse Response

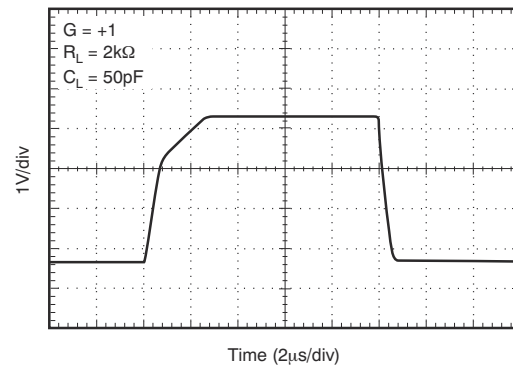


图 6-20. Large-Signal Pulse Response

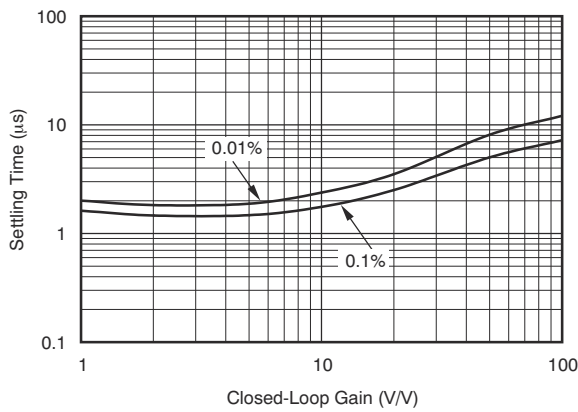


图 6-21. Settling Time vs Closed-Loop Gain

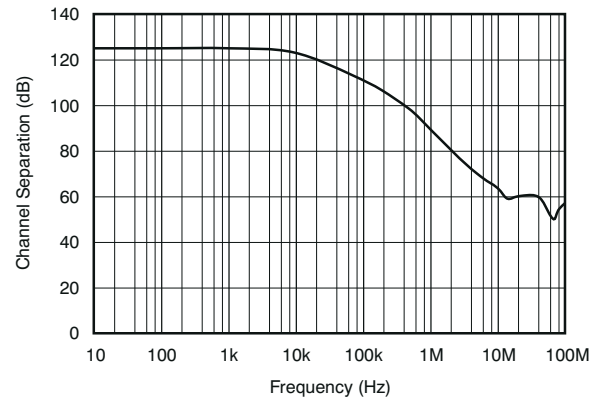


图 6-22. Channel Separation vs Frequency

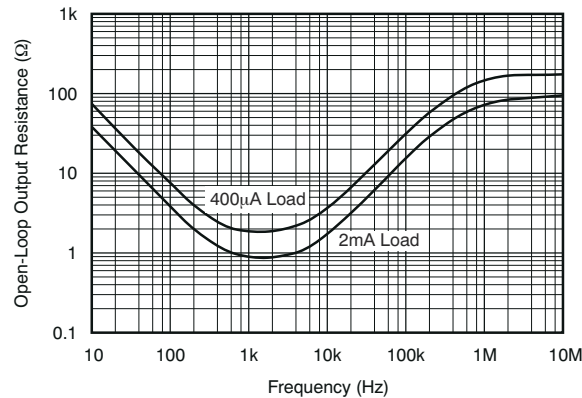


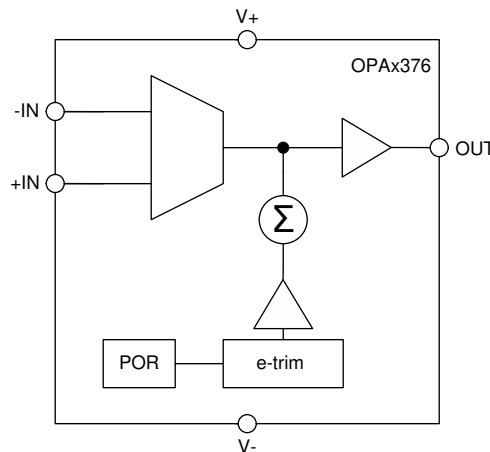
图 6-23. Open-Loop Output Resistance vs Frequency

## 7 Detailed Description

### 7.1 Overview

The OPAX376-Q1 family belongs to a new generation of low-noise e-trim operational amplifiers, giving customers outstanding dc precision and ac performance. Low noise, rail-to-rail input and output, low offset, and drawing a low quiescent current, make these devices an excellent choice for a variety of precision and portable applications. In addition, these devices have a wide supply range with excellent PSRR, making the OPAX376-Q1 a great option for applications that are battery powered without regulation.

### 7.2 Functional Block Diagram



### 7.3 Feature Description

The OPAX376-Q1 family of precision amplifiers offers excellent dc performance as well as excellent ac performance. Operating from a single power-supply the OPAX376-Q1 is capable of driving large capacitive loads, has a wide input common-mode voltage range, and is well-suited to drive the inputs of successive-approximation response (SAR) analog-to-digital converters (ADCs) as well as 24-bit and higher resolution converters. Including internal ESD protection, the OPAX376-Q1 family is offered in a variety of industry-standard packages, including a wafer chip-scale package for applications that require space savings.

#### 7.3.1 Operating Voltage

The OPAX376-Q1 family of amplifiers operate over a power-supply range of 2.2 V to 5.5 V ( $\pm 1.1$  V to  $\pm 2.75$  V). Many of the specifications apply from  $-40^{\circ}\text{C}$  to  $+125^{\circ}\text{C}$ . Parameters that can exhibit significant variance with regard to operating voltage or temperature are presented in [# 6.8](#).

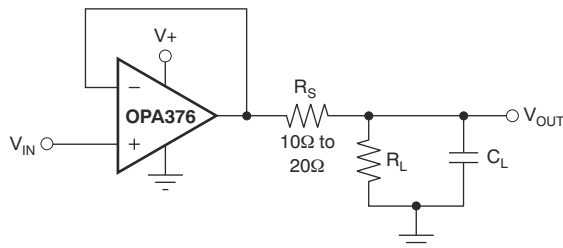
#### 7.3.2 Input Offset Voltage and Input Offset Voltage Drift

The OPAX376-Q1 family of e-trim operational amplifiers is manufactured using TI's proprietary trim technology, a method of trimming internal device parameters during either wafer probing or final testing. Each amplifier is trimmed in production, thereby minimizing errors associated with input offset voltage and input offset voltage drift.

#### 7.3.3 Capacitive Load and Stability

The OPAX376-Q1 series of amplifiers may be used in applications where driving a capacitive load is required. As with all op amps, there may be specific instances where the OPAX376-Q1 can become unstable, leading to oscillation. The particular op amp circuit configuration, layout, gain, and output loading are some of the factors to consider when establishing whether an amplifier is be stable in operation. An op amp in the unity-gain (1 V/V) buffer configuration and driving a capacitive load exhibits a greater tendency to be unstable than an amplifier operated at a higher noise gain. The capacitive load, in conjunction with the op amp output resistance, creates a pole within the feedback loop that degrades the phase margin. The degradation of the phase margin increases as the capacitive loading increases.

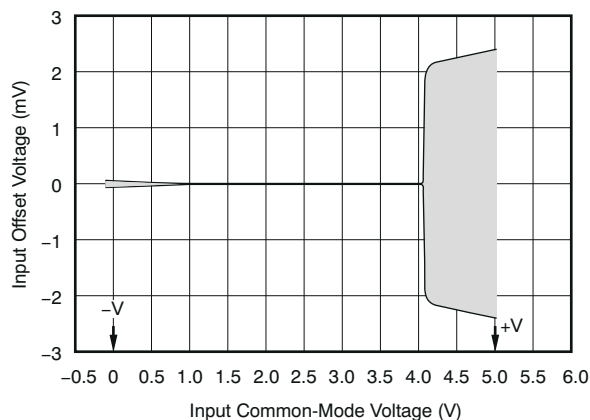
The OPAx376 in a unity-gain configuration can directly drive up to 250 pF of pure capacitive load. Increasing the gain enhances the ability of the amplifier to drive greater capacitive loads; see the typical characteristic plot [Figure 6-18, Small-Signal Overshoot vs Load Capacitance](#). In unity-gain configurations, capacitive load drive can be improved by inserting a small (10-Ω to 20-Ω) resistor,  $R_S$ , in series with the output, as shown in [Figure 7-1](#). This resistor significantly reduces ringing while maintaining dc performance for purely capacitive loads. However, if there is a resistive load in parallel with the capacitive load, a voltage divider is created, introducing a gain error at the output and slightly reducing the output swing. The error introduced is proportional to the ratio  $R_S / R_L$ , and is generally negligible at low output current levels.



**图 7-1. Improving Capacitive Load Drive**

### 7.3.4 Common-Mode Voltage Range

The input common-mode voltage range of the OPAx376-Q1 series extends 100 mV beyond the supply rails. The offset voltage of the amplifier is very low, from approximately  $(V^-)$  to  $(V^+) - 1$  V, as shown in [Figure 7-2](#). The offset voltage increases as common-mode voltage exceeds  $(V^+) - 1$  V. Common-mode rejection is specified from  $(V^-)$  to  $(V^+) - 1.3$  V.

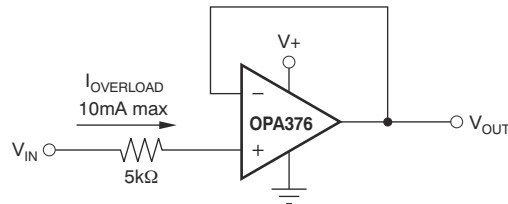


**图 7-2. Offset and Common-Mode Voltage**

### 7.3.5 Input and ESD Protection

The OPAx376-Q1 family incorporates internal electrostatic discharge (ESD) protection circuits on all pins. In the case of input and output pins, this protection primarily consists of current steering diodes connected between the input and power-supply pins. These ESD protection diodes also provide in-circuit, input overdrive protection, as long as the current is limited to 10 mA as stated in [§ 6.1](#).

[图 7-3](#) shows how a series input resistor may be added to the driven input to limit the input current. The added resistor contributes thermal noise at the amplifier input and its value must be kept to a minimum in noise-sensitive applications.



**图 7-3. Input Current Protection**

### 7.4 Device Functional Modes

The OPAx376-Q1 has a single functional mode and is operational when the power-supply voltage is greater than 2.2 V ( $\pm 1.1$  V). The maximum power supply voltage for the OPAx376-Q1 is 5.5 V ( $\pm 2.75$  V).

## 8 Application and Implementation

### 备注

以下应用部分中的信息不属于 TI 器件规格的范围，TI 不担保其准确性和完整性。TI 的客户应负责确定器件是否适用于其应用。客户应验证并测试其设计，以确保系统功能。

### 8.1 Application Information

The OPAx376-Q1 family of e-trim operational amplifiers is built using a proprietary technique in which offset voltage is adjusted during the final steps of manufacturing. This technique compensates for performance shifts that can occur during the molding process. Through *e-trim* operational amplifier technology, the OPAx376-Q1 family delivers excellent offset voltage (5  $\mu$ V, typical). Additionally, the amplifier boasts a fast slew rate, low drift, low noise, and excellent PSRR and  $A_{OL}$ . These 5.5-MHz CMOS op amps operate on 760  $\mu$ A (typical) quiescent current.

#### 8.1.1 Basic Amplifier Configurations

The OPAx376-Q1 family is unity-gain stable. It does not exhibit output phase inversion when the input is overdriven. A typical single-supply connection is shown in 图 8-1. The OPA376-Q1 is configured as a basic inverting amplifier with a gain of  $-10$  V/V. This single-supply connection has an output centered on the common-mode voltage,  $V_{CM}$ . For the circuit shown in 图 8-1, this voltage is 2.5 V, but may be any value within the common-mode input voltage range.

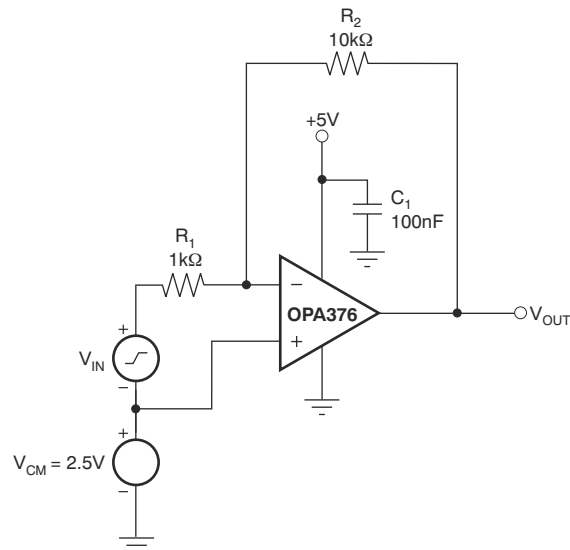


图 8-1. Basic Single-Supply Connection

### 8.1.2 Active Filtering

The OPA376-Q1 series is well-suited for filter applications requiring a wide bandwidth, fast slew rate, low-noise, single-supply operational amplifier. 图 8-2 shows a 50-kHz, second-order, low-pass filter. The components have been selected to provide a maximally-flat Butterworth response. Beyond the cutoff frequency, roll-off is -40 dB/dec. The Butterworth response is ideal for applications requiring predictable gain characteristics such as the anti-aliasing filter used ahead of an ADC.

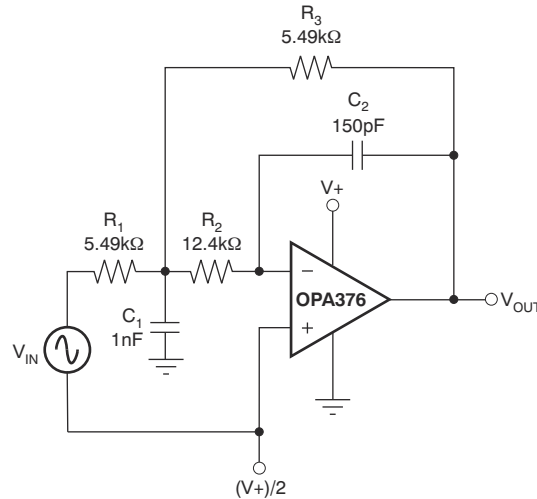
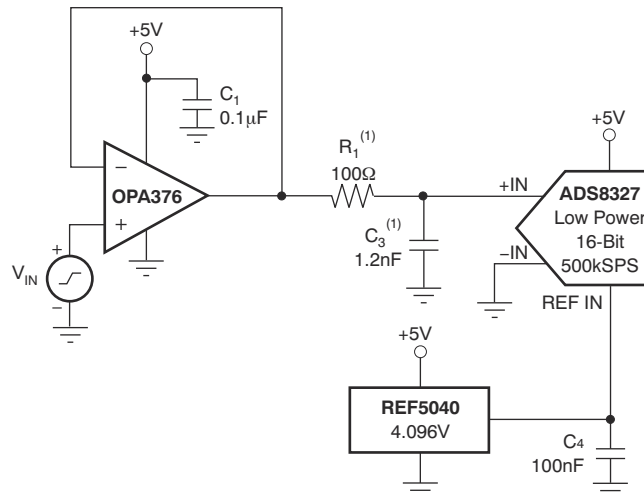


图 8-2. Second-Order Butterworth, 50-kHz Low-Pass Filter

### 8.1.3 Driving an Analog-to-Digital Converter

The low noise and wide gain bandwidth of the OPA376-Q1 family make it an ideal driver for ADCs. 图 8-3 illustrates the OPA376-Q1 driving an ADS8327, 16-bit, 250-kSPS converter. The amplifier is connected as a unity-gain, noninverting buffer.



(1) Suggested value; may require adjustment based on specific application.

图 8-3. Driving an ADS8327

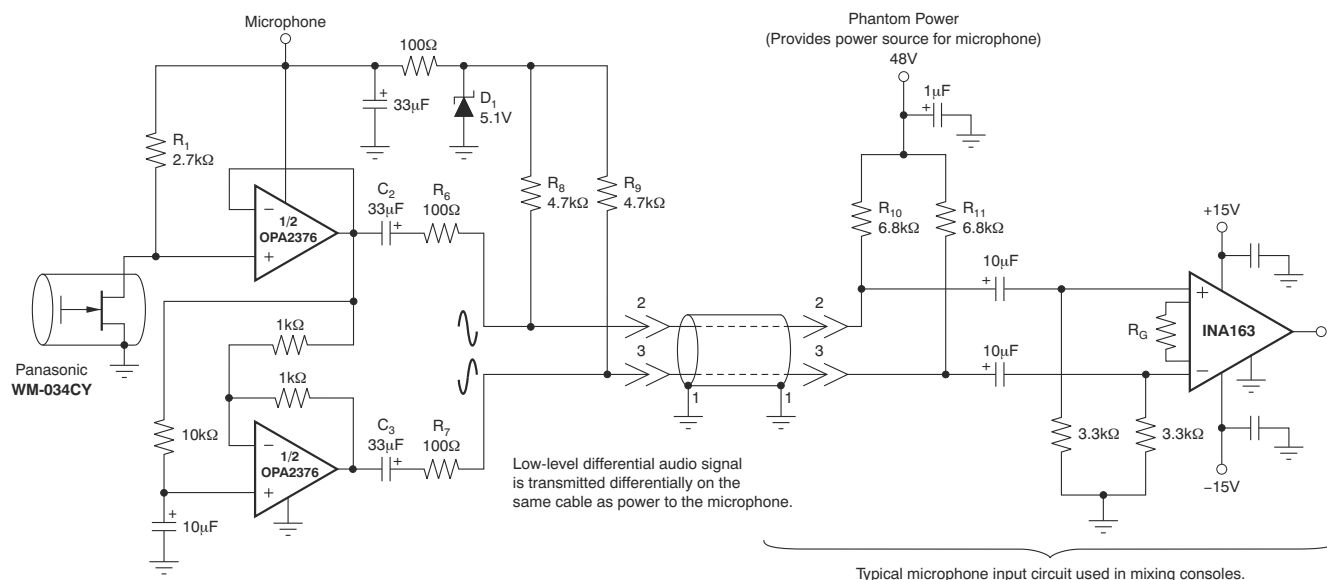
### 8.1.4 Phantom-Powered Microphone

The circuit shown in [图 8-4](#) depicts how a remote microphone amplifier can be powered by a phantom source on the output side of the signal cable. The cable serves double duty, carrying both the differential output signal from and dc power to the microphone amplifier stage.

An OPA2376-Q1 serves as a single-ended input to a differential output amplifier with a 6-dB gain. Common-mode bias for the two op amps is provided by the dc voltage developed across the electret microphone element. A 48-V phantom supply is reduced to 5.1 V by the series 6.8-k $\Omega$  resistors on the output side of the cable, and the 4.7-k $\Omega$  resistors and zener diode on the input side of the cable. AC coupling blocks the different dc voltage levels from each other on each end of the cable.

An [INA163](#) instrumentation amplifier provides differential inputs and receives the balanced audio signals from the cable.

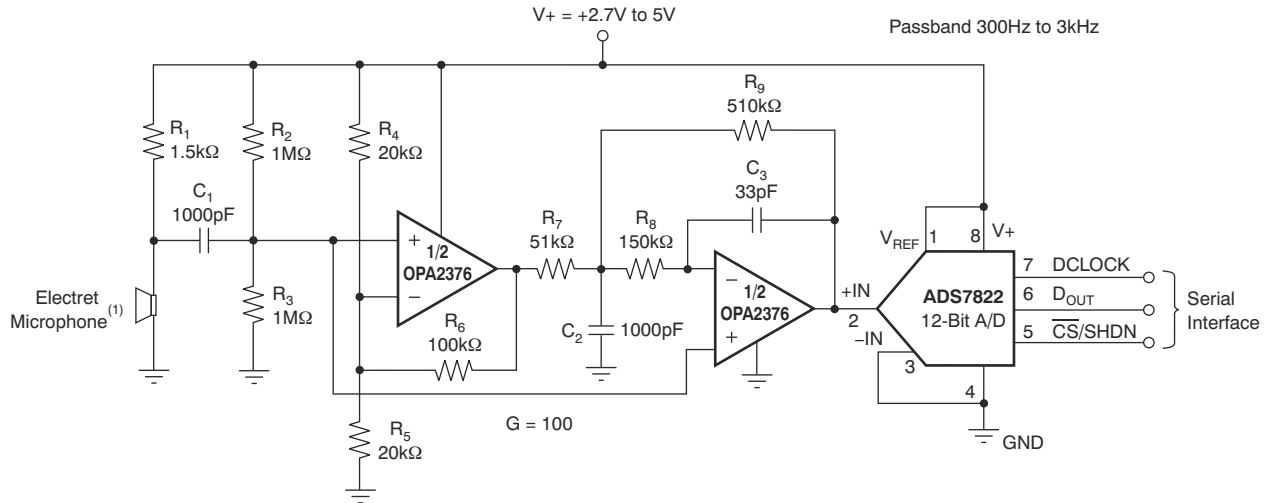
The INA163 gain may be set from 0 dB to 80 dB by selecting the  $R_G$  value. The INA163 circuit is typical of the input circuitry used in mixing consoles.



**图 8-4. Phantom-Powered Electret Microphone**

### 8.1.5 Speech Bandpass-Filtered Data Acquisition System

图 8-5 illustrates the OPA2376-Q1 driving a speech bandpass-filtered data acquisition system.



(1) Electret microphone powered by  $R_1$ .

图 8-5. OPA2376-Q1 as a Speech Bandpass-Filtered Data Acquisition System

### 8.2 Typical Application

Low-pass filters are commonly employed in signal processing applications to reduce noise and prevent aliasing. The OPA376-Q1 is ideally suited to construct high-speed, high-precision active filters. 图 8-6 shows a second-order, low-pass filter commonly encountered in signal processing applications.

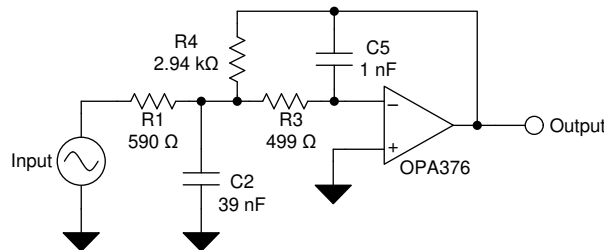


图 8-6. Typical Application Schematic

### 8.2.1 Design Requirements

Use the following parameters for this design example:

- Gain = 5 V/V (inverting gain)
- Low-pass cutoff frequency = 25 kHz
- Second-order Chebyshev filter response with 3-dB gain peaking in the passband

### 8.2.2 Detailed Design Procedure

The infinite-gain multiple-feedback circuit for a low-pass network function is shown in [图 8-6](#). Use [方程式 1](#) to calculate the voltage transfer function.

$$\frac{\text{Output}}{\text{Input}}(s) = \frac{-1/R_1 R_3 C_2 C_5}{s^2 + (s/C_2)(1/R_1 + 1/R_3 + 1/R_4) + 1/R_3 R_4 C_2 C_5} \quad (1)$$

This circuit produces a signal inversion. For this circuit, the gain at dc and the low-pass cutoff frequency are calculated by [方程式 2](#):

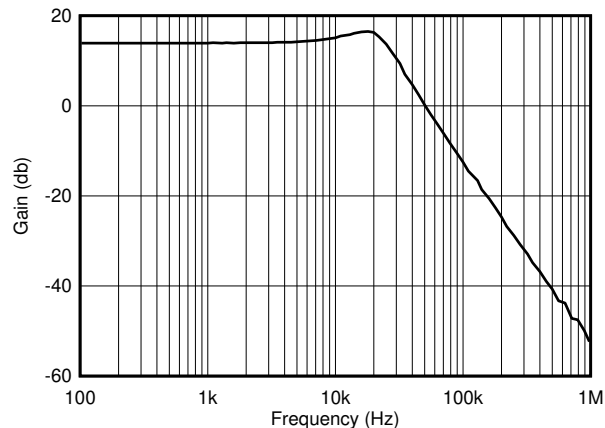
$$\text{Gain} = \frac{R_4}{R_1}$$

$$f_C = \frac{1}{2\pi} \sqrt{(1/R_3 R_4 C_2 C_5)} \quad (2)$$

Software tools are readily available to simplify filter design. [WEBENCH® Filter Designer](#) is a simple, powerful, and easy-to-use active filter design program. The WEBENCH Filter Designer lets you create optimized filter designs using a selection of TI operational amplifiers and passive components from TI's vendor partners.

Available as a web-based tool from the WEBENCH® Design Center, [WEBENCH® Filter Designer](#) allows you to design, optimize, and simulate complete multi-stage active filter solutions within minutes.

### 8.2.3 Application Curve



**图 8-7. Low-Pass Filter Transfer Function**

## 9 Power Supply Recommendations

The OPAx376-Q1 family of devices is specified for operation from 2.2 V to 5.5 V ( $\pm 1.1$  V to  $\pm 2.75$  V); many specifications apply from  $-40^\circ\text{C}$  to  $+125^\circ\text{C}$ . Parameters that can exhibit significant variance with regard to operating voltage or temperature are presented in [节 6.8](#).

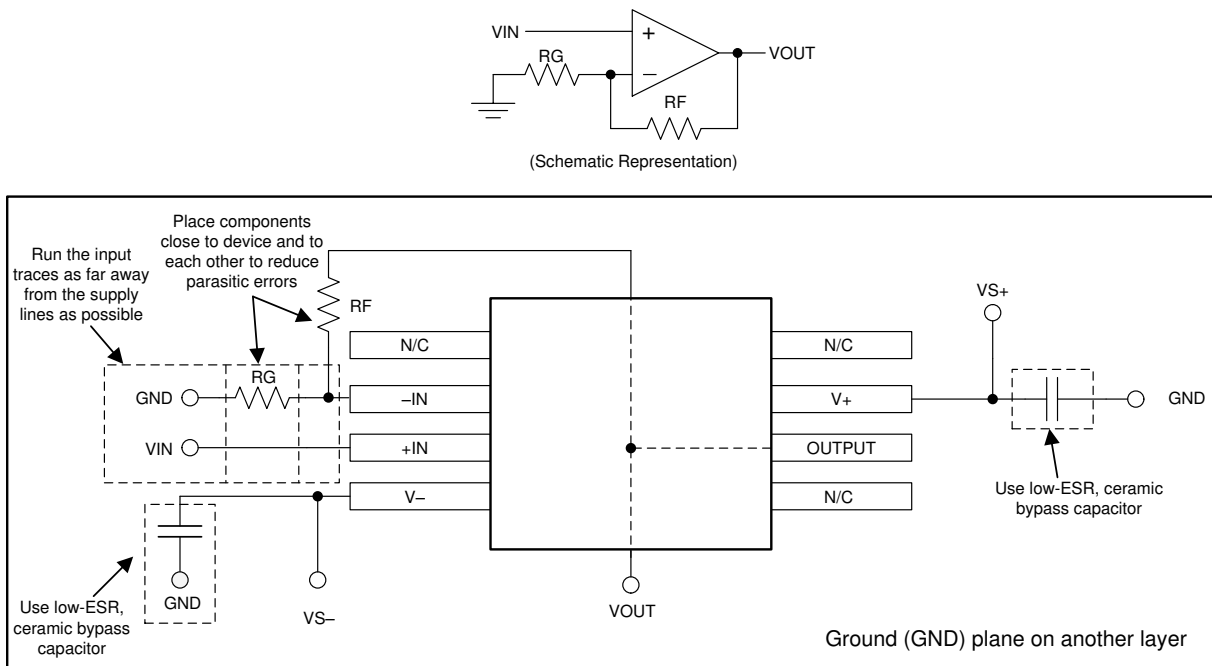
## 10 Layout

### 10.1 Layout Guidelines

For best operational performance of the device, use good printed circuit board (PCB) layout practices, including:

- Noise can propagate into analog circuitry through the power pins of the circuit as a whole and op amp itself. Bypass capacitors are used to reduce the coupled noise by providing low-impedance power sources local to the analog circuitry.
  - Connect low-ESR, 0.1- $\mu\text{F}$  ceramic bypass capacitors between each supply pin and ground, placed as close to the device as possible. A single bypass capacitor from  $V+$  to ground is applicable for single-supply applications.
- Separate grounding for analog and digital portions of circuitry is one of the simplest and most-effective methods of noise suppression. One or more layers on multilayer PCBs are usually devoted to ground planes. A ground plane helps distribute heat and reduces EMI noise pickup. Make sure to physically separate digital and analog grounds paying attention to the flow of the ground current. For more detailed information refer to the [Circuit Board Layout Techniques application report](#).
- In order to reduce parasitic coupling, run the input traces as far away from the supply or output traces as possible. If these traces cannot be kept separate, crossing the sensitive trace perpendicular is much better as opposed to in parallel with the noisy trace.
- Place the external components as close to the device as possible. As shown in [Figure 10-1](#), keeping  $R_F$  and  $R_G$  close to the inverting input minimizes parasitic capacitance.
- Keep the length of input traces as short as possible. Always remember that the input traces are the most sensitive part of the circuit.
- Consider a driven, low-impedance guard ring around the critical traces. A guard ring can significantly reduce leakage currents from nearby traces that are at different potentials.
- Cleaning the PCB following board assembly is recommended for best performance.
- Any precision integrated circuit may experience performance shifts due to moisture ingress into the plastic package. Following any aqueous PCB cleaning process, baking the PCB assembly is recommended to remove moisture introduced into the device packaging during the cleaning process. A low-temperature, post-cleaning bake at  $85^\circ\text{C}$  for 30 minutes is sufficient for most circumstances.

### 10.2 Layout Example



**图 10-1. Layout Example**

## 11 Device and Documentation Support

### 11.1 Device Support

#### 11.1.1 Development Support

##### 11.1.1.1 TINA-TI™ Simulation Software (Free Download)

TINA™ is a simple, powerful, and easy-to-use circuit simulation program based on a SPICE engine. TINA-TI™ simulation software is a free, fully-functional version of the TINA software, preloaded with a library of macro models in addition to a range of both passive and active models. TINA-TI simulation software provides all the conventional dc, transient, and frequency domain analysis of SPICE, as well as additional design capabilities.

Available as a [free download](#) from the Analog eLab Design Center, TINA-TI simulation software offers extensive post-processing capability that allows users to format results in a variety of ways. Virtual instruments offer the ability to select input waveforms and probe circuit nodes, voltages, and waveforms, creating a dynamic quick-start tool.

---

#### 备注

These files require that either the TINA software (from DesignSoft™) or TINA-TI software be installed. Download the free TINA-TI software from the [TINA-TI folder](#).

---

##### 11.1.1.2 TI Precision Designs

TI Precision Designs are analog solutions created by TI's precision analog applications experts and offer the theory of operation, component selection, simulation, complete PCB schematic and layout, bill of materials, and measured performance of many useful circuits. TI Precision Designs are available online at <http://www.ti.com/ww/en/analog/precision-designs/>.

##### 11.1.1.3 WEBENCH® Filter Designer

WEBENCH® Filter Designer is a simple, powerful, and easy-to-use active filter design program. The WEBENCH® Filter Designer lets you create optimized filter designs using a selection of TI operational amplifiers and passive components from TI's vendor partners.

Available as a web-based tool from the WEBENCH® Design Center, [WEBENCH® Filter Designer](#) allows you to design, optimize, and simulate complete multistage active filter solutions within minutes.

### 11.2 Documentation Support

#### 11.2.1 Related Documentation

For related documentation see the following:

- Texas Instruments, [INA163 Low-Noise, Low-Distortion Instrumentation Amplifier data sheet](#)
- Texas Instruments, [Operational Amplifier Gain stability, Part 3: AC Gain-Error Analysis](#)
- Texas Instruments, [Operational Amplifier Gain Stability, Part 2: DC Gain-Error Analysis](#)
- Texas Instruments, [Op Amp Performance Analysis](#)
- Texas Instruments, [Shelf-Life Evaluation of Lead-Free Component Finishes](#)
- Texas Instruments, [Single-Supply Operation of Operational Amplifiers](#)
- Texas Instruments, [Tuning in Amplifiers](#)
- Texas Instruments, [Using Infinite-Gain, MFB Filter Topology in Fully Differential Active Filters](#)

### 11.3 接收文档更新通知

要接收文档更新通知，请导航至 [ti.com](http://ti.com) 上的器件产品文件夹。点击 [订阅更新](#) 进行注册，即可每周接收产品信息更改摘要。有关更改的详细信息，请查看任何已修订文档中包含的修订历史记录。

### 11.4 支持资源

[TI E2E™ 支持论坛](#) 是工程师的重要参考资料，可直接从专家获得快速、经过验证的解答和设计帮助。搜索现有解答或提出自己的问题可获得所需的快速设计帮助。

链接的内容由各个贡献者“按原样”提供。这些内容并不构成 TI 技术规范，并且不一定反映 TI 的观点；请参阅 TI 的《使用条款》。

## 11.5 Trademarks

e-trim™, TINA-TI™, and TI E2E™ are trademarks of Texas Instruments.

TINA™ and DesignSoft™ are trademarks of DesignSoft, Inc.

WEBENCH® is a registered trademark of Texas Instruments.

所有商标均为其各自所有者的财产。

## 11.6 静电放电警告



静电放电 (ESD) 会损坏这个集成电路。德州仪器 (TI) 建议通过适当的预防措施处理所有集成电路。如果不遵守正确的处理和安装程序，可能会损坏集成电路。

ESD 的损坏小至导致微小的性能降级，大至整个器件故障。精密的集成电路可能更容易受到损坏，这是因为非常细微的参数更改都可能会导致器件与其发布的规格不相符。

## 11.7 术语表

[TI 术语表](#) 本术语表列出并解释了术语、首字母缩略词和定义。

## 12 Mechanical, Packaging, and Orderable Information

The following pages include mechanical, packaging, and orderable information. This information is the most current data available for the designated devices. This data is subject to change without notice and revision of this document. For browser-based versions of this data sheet, refer to the left-hand navigation.

**PACKAGING INFORMATION**

| Orderable part number            | Status<br>(1) | Material type<br>(2) | Package   Pins   | Package qty   Carrier | RoHS<br>(3) | Lead finish/<br>Ball material<br>(4) | MSL rating/<br>Peak reflow<br>(5) | Op temp (°C) | Part marking<br>(6) |
|----------------------------------|---------------|----------------------|------------------|-----------------------|-------------|--------------------------------------|-----------------------------------|--------------|---------------------|
| <a href="#">OPA2376AQDRQ1</a>    | Active        | Production           | SOIC (D)   8     | 2500   LARGE T&R      | Yes         | NIPDAU                               | Level-2-260C-1 YEAR               | -40 to 125   | 2376Q1              |
| OPA2376AQDRQ1.A                  | Active        | Production           | SOIC (D)   8     | 2500   LARGE T&R      | Yes         | NIPDAU                               | Level-2-260C-1 YEAR               | -40 to 125   | 2376Q1              |
| OPA2376AQDRQ1.B                  | Active        | Production           | SOIC (D)   8     | 2500   LARGE T&R      | Yes         | NIPDAU                               | Level-2-260C-1 YEAR               | -40 to 125   | 2376Q1              |
| <a href="#">OPA2376QDGKRQ1</a>   | Active        | Production           | VSSOP (DGK)   8  | 2500   LARGE T&R      | Yes         | NIPDAU   NIPDAUAG                    | Level-2-260C-1 YEAR               | -40 to 125   | 2376                |
| OPA2376QDGKRQ1.A                 | Active        | Production           | VSSOP (DGK)   8  | 2500   LARGE T&R      | Yes         | NIPDAUAG                             | Level-2-260C-1 YEAR               | -40 to 125   | 2376                |
| OPA2376QDGKRQ1.B                 | Active        | Production           | VSSOP (DGK)   8  | 2500   LARGE T&R      | Yes         | NIPDAUAG                             | Level-2-260C-1 YEAR               | -40 to 125   | 2376                |
| <a href="#">OPA376AQDBVRQ1</a>   | Active        | Production           | SOT-23 (DBV)   5 | 3000   LARGE T&R      | Yes         | NIPDAU                               | Level-2-260C-1 YEAR               | -40 to 125   | OUHQ                |
| OPA376AQDBVRQ1.A                 | Active        | Production           | SOT-23 (DBV)   5 | 3000   LARGE T&R      | Yes         | NIPDAU                               | Level-2-260C-1 YEAR               | -40 to 125   | OUHQ                |
| <a href="#">OPA376AQDBVRQ1G4</a> | Active        | Production           | SOT-23 (DBV)   5 | 3000   LARGE T&R      | Yes         | NIPDAU                               | Level-2-260C-1 YEAR               | -40 to 125   | OUHQ                |
| OPA376AQDBVRQ1G4.A               | Active        | Production           | SOT-23 (DBV)   5 | 3000   LARGE T&R      | Yes         | NIPDAU                               | Level-2-260C-1 YEAR               | -40 to 125   | OUHQ                |
| <a href="#">OPA4376AQPWRQ1</a>   | Active        | Production           | TSSOP (PW)   14  | 2000   LARGE T&R      | Yes         | NIPDAU                               | Level-2-260C-1 YEAR               | -40 to 125   | 4376Q1              |
| OPA4376AQPWRQ1.B                 | Active        | Production           | TSSOP (PW)   14  | 2000   LARGE T&R      | Yes         | NIPDAU                               | Level-2-260C-1 YEAR               | -40 to 125   | 4376Q1              |

(1) **Status:** For more details on status, see our [product life cycle](#).

(2) **Material type:** When designated, preproduction parts are prototypes/experimental devices, and are not yet approved or released for full production. Testing and final process, including without limitation quality assurance, reliability performance testing, and/or process qualification, may not yet be complete, and this item is subject to further changes or possible discontinuation. If available for ordering, purchases will be subject to an additional waiver at checkout, and are intended for early internal evaluation purposes only. These items are sold without warranties of any kind.

(3) **RoHS values:** Yes, No, RoHS Exempt. See the [TI RoHS Statement](#) for additional information and value definition.

(4) **Lead finish/Ball material:** Parts may have multiple material finish options. Finish options are separated by a vertical ruled line. Lead finish/Ball material values may wrap to two lines if the finish value exceeds the maximum column width.

(5) **MSL rating/Peak reflow:** The moisture sensitivity level ratings and peak solder (reflow) temperatures. In the event that a part has multiple moisture sensitivity ratings, only the lowest level per JEDEC standards is shown. Refer to the shipping label for the actual reflow temperature that will be used to mount the part to the printed circuit board.

(6) **Part marking:** There may be an additional marking, which relates to the logo, the lot trace code information, or the environmental category of the part.

Multiple part markings will be inside parentheses. Only one part marking contained in parentheses and separated by a "-" will appear on a part. If a line is indented then it is a continuation of the previous line and the two combined represent the entire part marking for that device.

**Important Information and Disclaimer:**The information provided on this page represents TI's knowledge and belief as of the date that it is provided. TI bases its knowledge and belief on information provided by third parties, and makes no representation or warranty as to the accuracy of such information. Efforts are underway to better integrate information from third parties. TI has taken and continues to take reasonable steps to provide representative and accurate information but may not have conducted destructive testing or chemical analysis on incoming materials and chemicals. TI and TI suppliers consider certain information to be proprietary, and thus CAS numbers and other limited information may not be available for release.

In no event shall TI's liability arising out of such information exceed the total purchase price of the TI part(s) at issue in this document sold by TI to Customer on an annual basis.

**OTHER QUALIFIED VERSIONS OF OPA2376-Q1, OPA376-Q1, OPA4376-Q1 :**

- Catalog : [OPA2376](#), [OPA376](#), [OPA4376](#)

NOTE: Qualified Version Definitions:

- Catalog - TI's standard catalog product

**TAPE AND REEL INFORMATION**

**QUADRANT ASSIGNMENTS FOR PIN 1 ORIENTATION IN TAPE**


\*All dimensions are nominal

| Device           | Package Type | Package Drawing | Pins | SPQ  | Reel Diameter (mm) | Reel Width W1 (mm) | A0 (mm) | B0 (mm) | K0 (mm) | P1 (mm) | W (mm) | Pin1 Quadrant |
|------------------|--------------|-----------------|------|------|--------------------|--------------------|---------|---------|---------|---------|--------|---------------|
| OPA2376AQDRQ1    | SOIC         | D               | 8    | 2500 | 330.0              | 12.4               | 6.4     | 5.2     | 2.1     | 8.0     | 12.0   | Q1            |
| OPA2376QDGKRQ1   | VSSOP        | DGK             | 8    | 2500 | 330.0              | 12.4               | 5.3     | 3.4     | 1.4     | 8.0     | 12.0   | Q1            |
| OPA376AQDBVRQ1G4 | SOT-23       | DBV             | 5    | 3000 | 179.0              | 8.4                | 3.2     | 3.2     | 1.4     | 4.0     | 8.0    | Q3            |
| OPA4376AQPWRQ1   | TSSOP        | PW              | 14   | 2000 | 330.0              | 12.4               | 6.9     | 5.6     | 1.6     | 8.0     | 12.0   | Q1            |

## TAPE AND REEL BOX DIMENSIONS



\*All dimensions are nominal

| Device           | Package Type | Package Drawing | Pins | SPQ  | Length (mm) | Width (mm) | Height (mm) |
|------------------|--------------|-----------------|------|------|-------------|------------|-------------|
| OPA2376AQDRQ1    | SOIC         | D               | 8    | 2500 | 353.0       | 353.0      | 32.0        |
| OPA2376QDGKRQ1   | VSSOP        | DGK             | 8    | 2500 | 366.0       | 364.0      | 50.0        |
| OPA376AQDBVRQ1G4 | SOT-23       | DBV             | 5    | 3000 | 213.0       | 191.0      | 35.0        |
| OPA4376AQPWRQ1   | TSSOP        | PW              | 14   | 2000 | 353.0       | 353.0      | 32.0        |



# EXAMPLE BOARD LAYOUT

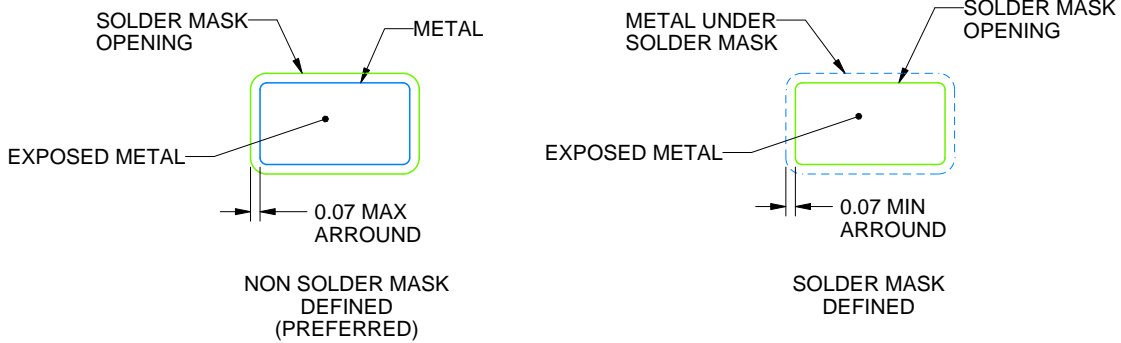
DBV0005A

SOT-23 - 1.45 mm max height

SMALL OUTLINE TRANSISTOR



LAND PATTERN EXAMPLE  
EXPOSED METAL SHOWN  
SCALE:15X



SOLDER MASK DETAILS

4214839/K 08/2024

NOTES: (continued)

- 6. Publication IPC-7351 may have alternate designs.
- 7. Solder mask tolerances between and around signal pads can vary based on board fabrication site.

# EXAMPLE STENCIL DESIGN

DBV0005A

SOT-23 - 1.45 mm max height

SMALL OUTLINE TRANSISTOR



SOLDER PASTE EXAMPLE  
BASED ON 0.125 mm THICK STENCIL  
SCALE:15X

4214839/K 08/2024

NOTES: (continued)

8. Laser cutting apertures with trapezoidal walls and rounded corners may offer better paste release. IPC-7525 may have alternate design recommendations.
9. Board assembly site may have different recommendations for stencil design.

# DGK0008A



# PACKAGE OUTLINE

VSSOP - 1.1 mm max height

SMALL OUTLINE PACKAGE



4214862/A 04/2023

**NOTES:**

PowerPAD is a trademark of Texas Instruments.

1. All linear dimensions are in millimeters. Any dimensions in parenthesis are for reference only. Dimensioning and tolerancing per ASME Y14.5M.
2. This drawing is subject to change without notice.
3. This dimension does not include mold flash, protrusions, or gate burrs. Mold flash, protrusions, or gate burrs shall not exceed 0.15 mm per side.
4. This dimension does not include interlead flash. Interlead flash shall not exceed 0.25 mm per side.
5. Reference JEDEC registration MO-187.

# EXAMPLE BOARD LAYOUT

DGK0008A

™ VSSOP - 1.1 mm max height

SMALL OUTLINE PACKAGE



LAND PATTERN EXAMPLE  
EXPOSED METAL SHOWN  
SCALE: 15X



SOLDER MASK DETAILS

4214862/A 04/2023

NOTES: (continued)

6. Publication IPC-7351 may have alternate designs.
7. Solder mask tolerances between and around signal pads can vary based on board fabrication site.
8. Vias are optional depending on application, refer to device data sheet. If any vias are implemented, refer to their locations shown on this view. It is recommended that vias under paste be filled, plugged or tented.
9. Size of metal pad may vary due to creepage requirement.

# EXAMPLE STENCIL DESIGN

DGK0008A

<sup>TM</sup> VSSOP - 1.1 mm max height

SMALL OUTLINE PACKAGE



SOLDER PASTE EXAMPLE  
SCALE: 15X

4214862/A 04/2023

NOTES: (continued)

11. Laser cutting apertures with trapezoidal walls and rounded corners may offer better paste release. IPC-7525 may have alternate design recommendations.
12. Board assembly site may have different recommendations for stencil design.



D0008A

# PACKAGE OUTLINE

SOIC - 1.75 mm max height

SMALL OUTLINE INTEGRATED CIRCUIT



4214825/C 02/2019

### NOTES:

- Linear dimensions are in inches [millimeters]. Dimensions in parenthesis are for reference only. Controlling dimensions are in inches. Dimensioning and tolerancing per ASME Y14.5M.
- This drawing is subject to change without notice.
- This dimension does not include mold flash, protrusions, or gate burrs. Mold flash, protrusions, or gate burrs shall not exceed .006 [0.15] per side.
- This dimension does not include interlead flash.
- Reference JEDEC registration MS-012, variation AA.

# EXAMPLE BOARD LAYOUT

D0008A

SOIC - 1.75 mm max height

SMALL OUTLINE INTEGRATED CIRCUIT



LAND PATTERN EXAMPLE  
 EXPOSED METAL SHOWN  
 SCALE:8X



SOLDER MASK DETAILS

4214825/C 02/2019

NOTES: (continued)

- 6. Publication IPC-7351 may have alternate designs.
- 7. Solder mask tolerances between and around signal pads can vary based on board fabrication site.

# EXAMPLE STENCIL DESIGN

D0008A

SOIC - 1.75 mm max height

SMALL OUTLINE INTEGRATED CIRCUIT



SOLDER PASTE EXAMPLE  
BASED ON .005 INCH [0.125 MM] THICK STENCIL  
SCALE:8X

4214825/C 02/2019

NOTES: (continued)

8. Laser cutting apertures with trapezoidal walls and rounded corners may offer better paste release. IPC-7525 may have alternate design recommendations.
9. Board assembly site may have different recommendations for stencil design.

PW0014A



# PACKAGE OUTLINE

## TSSOP - 1.2 mm max height

SMALL OUTLINE PACKAGE



4220202/B 12/2023

NOTES:

1. All linear dimensions are in millimeters. Any dimensions in parenthesis are for reference only. Dimensioning and tolerancing per ASME Y14.5M.
2. This drawing is subject to change without notice.
3. This dimension does not include mold flash, protrusions, or gate burrs. Mold flash, protrusions, or gate burrs shall not exceed 0.15 mm per side.
4. This dimension does not include interlead flash. Interlead flash shall not exceed 0.25 mm per side.
5. Reference JEDEC registration MO-153.

# EXAMPLE BOARD LAYOUT

PW0014A

TSSOP - 1.2 mm max height

SMALL OUTLINE PACKAGE



LAND PATTERN EXAMPLE  
EXPOSED METAL SHOWN  
SCALE: 10X



4220202/B 12/2023

NOTES: (continued)

- 6. Publication IPC-7351 may have alternate designs.
- 7. Solder mask tolerances between and around signal pads can vary based on board fabrication site.

# EXAMPLE STENCIL DESIGN

PW0014A

TSSOP - 1.2 mm max height

SMALL OUTLINE PACKAGE



SOLDER PASTE EXAMPLE  
BASED ON 0.125 mm THICK STENCIL  
SCALE: 10X

4220202/B 12/2023

NOTES: (continued)

8. Laser cutting apertures with trapezoidal walls and rounded corners may offer better paste release. IPC-7525 may have alternate design recommendations.
9. Board assembly site may have different recommendations for stencil design.

## 重要通知和免责声明

TI“按原样”提供技术和可靠性数据（包括数据表）、设计资源（包括参考设计）、应用或其他设计建议、网络工具、安全信息和其他资源，不保证没有瑕疵且不做任何明示或暗示的担保，包括但不限于对适销性、与某特定用途的适用性或不侵犯任何第三方知识产权的暗示担保。

这些资源可供使用 TI 产品进行设计的熟练开发人员使用。您将自行承担以下全部责任：(1) 针对您的应用选择合适的 TI 产品，(2) 设计、验证并测试您的应用，(3) 确保您的应用满足相应标准以及任何其他安全、安保法规或其他要求。

这些资源如有变更，恕不另行通知。TI 授权您仅可将这些资源用于研发本资源所述的 TI 产品的相关应用。严禁以其他方式对这些资源进行复制或展示。您无权使用任何其他 TI 知识产权或任何第三方知识产权。对于因您对这些资源的使用而对 TI 及其代表造成的任何索赔、损害、成本、损失和债务，您将全额赔偿，TI 对此概不负责。

TI 提供的产品受 [TI 销售条款](#)、[TI 通用质量指南](#) 或 [ti.com](#) 上其他适用条款或 TI 产品随附的其他适用条款的约束。TI 提供这些资源并不会扩展或以其他方式更改 TI 针对 TI 产品发布的适用的担保或担保免责声明。除非德州仪器 (TI) 明确将某产品指定为定制产品或客户特定产品，否则其产品均为按确定价格收入目录的标准通用器件。

TI 反对并拒绝您可能提出的任何其他或不同的条款。

版权所有 © 2026，德州仪器 (TI) 公司

最后更新日期：2025 年 10 月