

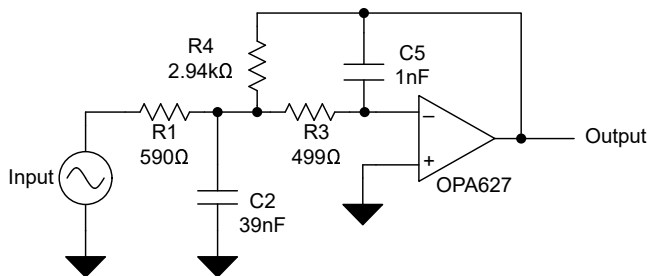
OPA6x7 高速精密 JFET 运算放大器

1 特性

- 极低的噪声：10kHz 时为 $4.5\text{nV}/\sqrt{\text{Hz}}$
- 快速稳定时间：
 - OPA627：550ns 至 0.01%
 - OPA637：450ns 至 0.01%
- 低 V_{OS} ：100 μV (最大值)
- 低温漂：0.8 $\mu\text{V}/^\circ\text{C}$ (最大值)
- 低 I_B ：5pA (最大值)
- 增益选项：
 - OPA627：单位增益稳定
 - OPA637：增益 ≥ 5 时稳定

2 应用

- 精密仪表
- 快速数据采集
- DAC 输出放大器
- 光电子学
- 声纳、超声波
- 高阻抗传感器放大器
- 高性能音频电路
- 有源滤波器



OPA627 低通滤波器

3 说明

OPA627 和 OPA637 (OPA6x7) 运算放大器将 FET 精密运算放大器的性能提升到了新的水平。与常用的 OPA111 运算放大器相比，OPA6x7 具有更低的噪声、更低的失调电压和更高的速度。OPA6x7 适用于各种高速精密模拟电路。

OPA6x7 采用高速介质隔离互补 NPN/PNP 工艺制成。OPA6x7 可在 $\pm 4.5\text{V}$ 至 $\pm 18\text{V}$ 的宽电源电压范围内运行。激光修整输入电路具有高精度、低噪声性能，可媲美出色的双极输入运算放大器。

高频互补晶体管支持更高的电路带宽，可获得以往 FET 精密运算放大器所不能实现的动态性能。OPA627 具有单位增益稳定性。OPA637 在增益 ≥ 5 时稳定。

先进的精密 FET 晶体管可在不影响输入电压噪声性能的情况下实现极低的输入偏置电流。采用唯一的级联电路可在大范围的输入共模电压下保持低输入偏置电流。

OPA6x7 采用 SOIC-8 和 TO-99 封装，提供工业温度范围型号。

器件信息

| 器件型号 | 增益稳定 | 封装 ⁽¹⁾ |
|--------|-----------------|-------------------|
| OPA627 | 单位增益稳定 | D (SOIC, 8) |
| | | LMC (TO-99, 8) |
| OPA637 | 增益 ≥ 5 时稳定 | D (SOIC, 8) |
| | | LMC (TO-99, 8) |

(1) 有关更多信息，请参阅节 10。



Table of Contents

| | | | |
|--|----|--|----|
| 1 特性 | 1 | 6.3 Feature Description..... | 20 |
| 2 应用 | 1 | 6.4 Device Functional Modes..... | 27 |
| 3 说明 | 1 | 7 Application and Implementation | 28 |
| 4 Pin Configuration and Functions | 3 | 7.1 Application Information..... | 28 |
| 5 Specifications | 5 | 7.2 Typical Application..... | 30 |
| 5.1 Absolute Maximum Ratings..... | 5 | 7.3 Power Supply Recommendations..... | 32 |
| 5.2 ESD Ratings..... | 5 | 7.4 Layout..... | 32 |
| 5.3 Recommended Operating Conditions..... | 5 | 8 Device and Documentation Support | 34 |
| 5.4 Thermal Information: OPA627..... | 6 | 8.1 Device Support..... | 34 |
| 5.5 Thermal Information: OPA637..... | 6 | 8.2 Documentation Support..... | 34 |
| 5.6 Electrical Characteristics: OPA627BU, OPA627AU.... | 7 | 8.3 接收文档更新通知..... | 34 |
| 5.7 Electrical Characteristics: OPA627AM, OPA627BM, OPA627SM..... | 9 | 8.4 支持资源..... | 34 |
| 5.8 Electrical Characteristics: OPA637..... | 11 | 8.5 Trademarks..... | 34 |
| 5.9 Typical Characteristics..... | 14 | 8.6 静电放电警告..... | 35 |
| 6 Detailed Description | 19 | 8.7 术语表..... | 35 |
| 6.1 Overview..... | 19 | 9 Revision History | 35 |
| 6.2 Functional Block Diagram..... | 19 | 10 Mechanical, Packaging, and Orderable Information | 36 |

4 Pin Configuration and Functions

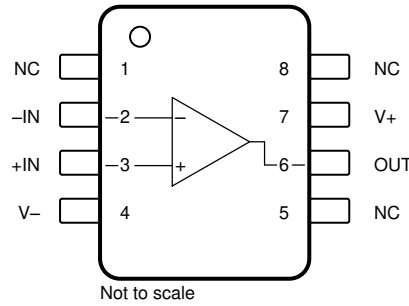


图 4-1. D Package, 8-Pin SOIC (Top View)

表 4-1. Pin Functions: D (SOIC) Package

| PIN | | TYPE | DESCRIPTION |
|---------|------|--------|---|
| NO. | NAME | | |
| 1, 5, 8 | NC | — | No internal connection (can be left floating) |
| 2 | - IN | Input | Inverting input |
| 3 | +IN | Input | Noninverting input |
| 4 | V - | Power | Negative (lowest) power supply |
| 6 | OUT | Output | Output |
| 7 | V+ | Power | Positive (highest) power supply |

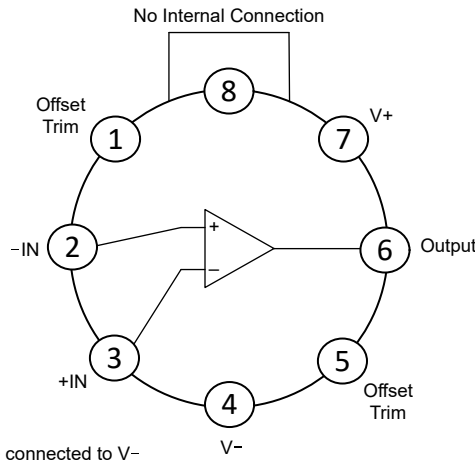


图 4-2. LMC Package, 8-Pin TO-99 (Top View)

表 4-2. Pin Functions: LMC (TO-99) Package

| PIN | | TYPE | DESCRIPTION |
|------|-------------|--------|--|
| NO. | NAME | | |
| 1, 5 | Offset Trim | — | Input offset voltage trim (float this pin if unused) |
| 2 | - IN | Input | Inverting input |
| 3 | +IN | Input | Noninverting input |
| 4 | V - | Power | Negative (lowest) power supply |
| 6 | OUT | Output | Output |
| 7 | V+ | Power | Positive (highest) power supply |

表 4-2. Pin Functions: LMC (TO-99) Package (续)

| PIN | | TYPE | DESCRIPTION |
|-----|------|------|---|
| NO. | NAME | | |
| 8 | NC | — | No internal connection (float this pin) |

5 Specifications

5.1 Absolute Maximum Ratings

over operating free-air temperature range (unless otherwise noted)⁽¹⁾

| | | | MIN | MAX | UNIT |
|------------------|--|---------------|------------|-------------|------|
| V _S | Supply voltage, V _S = (V+) - (V-) | Single supply | | 36 | V |
| | | Dual supply | | ±18 | |
| | Input voltage | Common-mode | (V-) - 0.5 | (V+) + 0.5 | V |
| | | Differential | | (V+) - (V-) | |
| | Input pin current | | | ±10 | mA |
| | Power dissipation | | | 1000 | mW |
| T _A | Operating temperature | AU, BU | - 40 | 125 | °C |
| | | AM, BM, SM | - 55 | 125 | |
| T _J | Junction temperature | AU, BU | | 150 | °C |
| | | AM, BM, SM | | 175 | |
| T _{stg} | Storage temperature | AU, BU | - 40 | 125 | °C |
| | | AM, BM, SM | - 65 | 150 | |

- (1) Operation outside the *Absolute Maximum Ratings* may cause permanent device damage. *Absolute Maximum Ratings* do not imply functional operation of the device at these or any other conditions beyond those listed under *Recommended Operating Conditions*. If used outside the *Recommended Operating Conditions* but within the *Absolute Maximum Ratings*, the device may not be fully functional, and this may affect device reliability, functionality, performance, and shorten the device lifetime.

5.2 ESD Ratings

| | | | VALUE | UNIT |
|-----------------------------------|-------------------------|---|-------|------|
| OPA627AM, OPA627BM, OPA637 | | | | |
| V _(ESD) | Electrostatic discharge | Human-body model (HBM), per ANSI/ESDA/JEDEC JS-001 ⁽¹⁾ | ±2500 | V |
| | | Charged-device model (CDM), per ANSI/ESDA/JEDEC JS-002 ⁽²⁾ | ±1000 | |
| OPA627AU, OPA627BU | | | | |
| V _(ESD) | Electrostatic discharge | Human-body model (HBM), per ANSI/ESDA/JEDEC JS-001 ⁽¹⁾ | ±2000 | V |
| | | Charged-device model (CDM), per ANSI/ESDA/JEDEC JS-002 ⁽²⁾ | ±500 | |

- (1) JEDEC document JEP155 states that 500V HBM allows safe manufacturing with a standard ESD control process.
 (2) JEDEC document JEP157 states that 250V CDM allows safe manufacturing with a standard ESD control process.

5.3 Recommended Operating Conditions

over operating free-air temperature range (unless otherwise noted)

| | | | MIN | NOM | MAX | UNIT |
|----------------|--|----------------|------|-----|-----|------|
| V _S | Supply voltage, V _S = (V+) - (V-) | Single supply | 9 | 30 | 36 | V |
| | | Dual supply | ±4.5 | ±15 | ±18 | |
| T _S | Specified temperature | AM, AU, BM, BU | - 25 | 25 | 85 | °C |
| | | SM | - 55 | 25 | 125 | |

5.4 Thermal Information: OPA627

| THERMAL METRIC ⁽¹⁾ | | OPA627 | | UNIT |
|-------------------------------|--|----------|-------------|------|
| | | D (SOIC) | LMC (TO-99) | |
| | | 8 PINS | 8 PINS | |
| $R_{\theta JA}$ | Junction-to-ambient thermal resistance | 121.5 | 200 | °C/W |
| $R_{\theta JC(top)}$ | Junction-to-case (top) thermal resistance | 64.3 | N/A | °C/W |
| $R_{\theta JB}$ | Junction-to-board thermal resistance | 65.0 | N/A | °C/W |
| ψ_{JT} | Junction-to-top characterization parameter | 18.0 | N/A | °C/W |
| ψ_{JB} | Junction-to-board characterization parameter | 64.3 | N/A | °C/W |
| $R_{\theta JC(bot)}$ | Junction-to-case (bottom) thermal resistance | N/A | N/A | °C/W |

(1) For more information about traditional and new thermal metrics, see the [Semiconductor and IC Package Thermal Metrics](#) application report.

5.5 Thermal Information: OPA637

| THERMAL METRIC ⁽¹⁾ | | OPA637 | | UNIT |
|-------------------------------|--|----------|-------------|------|
| | | D (SOIC) | LMC (TO-99) | |
| | | 8 PINS | 8 PINS | |
| $R_{\theta JA}$ | Junction-to-ambient thermal resistance | 107.9 | 200 | °C/W |
| $R_{\theta JC(top)}$ | Junction-to-case (top) thermal resistance | 57.3 | N/A | °C/W |
| $R_{\theta JB}$ | Junction-to-board thermal resistance | 49.7 | N/A | °C/W |
| ψ_{JT} | Junction-to-top characterization parameter | 11.7 | N/A | °C/W |
| ψ_{JB} | Junction-to-board characterization parameter | 48.9 | N/A | °C/W |
| $R_{\theta JC(bot)}$ | Junction-to-case (bottom) thermal resistance | N/A | N/A | °C/W |

(1) For more information about traditional and new thermal metrics, see the [Semiconductor and IC Package Thermal Metrics](#) application report.

5.6 Electrical Characteristics: OPA627BU, OPA627AU

at $T_A = 25^\circ\text{C}$, $V_S = \pm 15\text{V}$, $V_{CM} = V_{OUT} = \text{mid supply}$, and $R_L = 10\text{k}\Omega$ connected to $V_S / 2$ (unless otherwise noted)

| PARAMETER | | TEST CONDITIONS | | MIN | TYP | MAX | UNIT | |
|---------------------------|---|--|----------|------------|------------------|-----------|--------------------------------------|----|
| OFFSET VOLTAGE | | | | | | | | |
| V_{OS} | Input offset voltage ⁽¹⁾ | OPA627BU | | | ± 25 | ± 125 | μV | |
| | | OPA627AU | | | ± 280 | ± 500 | | |
| dV_{OS}/dT | Input offset voltage drift ⁽¹⁾ | $T_A = -25^\circ\text{C}$ to $+85^\circ\text{C}$ | OPA627BU | | ± 0.3 | ± 1.3 | $\mu\text{V}/^\circ\text{C}$ | |
| | | | OPA627AU | | ± 2.5 | | | |
| PSRR | Power supply rejection ratio ⁽¹⁾ | $V_S = \pm 4.5\text{V}$ to $\pm 18\text{V}$ | OPA627BU | 105 | 117 | | dB | |
| | | | OPA627AU | 100 | 116 | | | |
| INPUT BIAS CURRENT | | | | | | | | |
| I_B | Input bias current ⁽²⁾ | OPA627BU | | | ± 0.2 | ± 5 | pA | |
| | | OPA627AU | | | ± 2 | ± 10 | | |
| | | $T_A = -25^\circ\text{C}$ to $+85^\circ\text{C}$ | | OPA627BU | | | ± 0.4 | nA |
| | | | | OPA627AU | | | ± 2 | |
| | | $-10\text{V} < V_{CM} < +10\text{V}$ | | OPA627BU | | ± 1 | | pA |
| | | OPA627AU | | ± 2 | | | | |
| I_{OS} | Input offset current ⁽²⁾ | OPA627BU | | | ± 0.2 | ± 5 | pA | |
| | | OPA627AU | | | ± 1 | ± 10 | | |
| | | $T_A = -25^\circ\text{C}$ to $+85^\circ\text{C}$ | | OPA627BU | | | ± 0.5 | nA |
| | | | | OPA627AU | | | ± 2 | |
| NOISE | | | | | | | | |
| | Input voltage noise | $f = 0.1\text{Hz}$ to 10Hz | | | 0.34 | | μV_{PP} | |
| e_n | Input voltage noise density | $f = 10\text{Hz}$ | | | 7.5 | | $\text{nV}/\sqrt{\text{Hz}}$ | |
| | | $f = 100\text{Hz}$ | | | 4.8 | | | |
| | | $f = 1\text{kHz}$ | | | 4 | | | |
| | | $f = 10\text{kHz}$ | | | 4 | | | |
| i_n | Input current noise density | $f = 100\text{Hz}$ | | | 2.5 | | $\text{fA}/\sqrt{\text{Hz}}$ | |
| | Input current noise | $f = 0.1\text{Hz}$ to 10Hz | | | 48 | | fA_{PP} | |
| INPUT VOLTAGE | | | | | | | | |
| V_{CM} | Common-mode voltage | | | ± 11 | ± 11.5 | | V | |
| | | $T_A = -25^\circ\text{C}$ to $+85^\circ\text{C}$ | | ± 10.5 | ± 11 | | | |
| CMRR | Common-mode rejection ratio | $-10.5\text{V} \leq V_{CM} \leq +10.5\text{V}$ | OPA627BU | 103 | 110 | | dB | |
| | | | OPA627AU | 100 | 110 | | | |
| INPUT IMPEDANCE | | | | | | | | |
| Z_{ID} | Differential | | | | $10 \parallel 8$ | | $\text{T}\Omega \parallel \text{pF}$ | |
| Z_{ICM} | Common-mode | | | | $10 \parallel 9$ | | $\text{T}\Omega \parallel \text{pF}$ | |

5.6 Electrical Characteristics: OPA627BU, OPA627AU (续)

at $T_A = 25^\circ\text{C}$, $V_S = \pm 15\text{V}$, $V_{CM} = V_{OUT} = \text{mid supply}$, and $R_L = 10\text{k}\Omega$ connected to $V_S / 2$ (unless otherwise noted)

| PARAMETER | | TEST CONDITIONS | | MIN | TYP | MAX | UNIT |
|---------------------------|-----------------------------------|--|--|------------|------------|-----|------------------|
| OPEN-LOOP GAIN | | | | | | | |
| A_{OL} | Open-loop voltage gain | $-10\text{V} < V_O < +10\text{V}$ $R_L = 1\text{k}\Omega$ | OPA627BU | 120 | 130 | | dB |
| | | | OPA627AU | 106 | 116 | | |
| | | $-10\text{V} < V_O < +10\text{V}$ $R_L = 1\text{k}\Omega$, $T_A = -25^\circ\text{C}$ to $+85^\circ\text{C}$ | OPA627BU | 117 | | | |
| | | | OPA627AU | 100 | 110 | | |
| FREQUENCY RESPONSE | | | | | | | |
| GBW | Gain-bandwidth product | Gain = 1V/V , $C_L = 30\text{pF}$ | | | 45 | | MHz |
| SR | Slew rate | 10V step, gain = -1V/V | | | 150 | | V/ μs |
| t_s | Settling time | 10V step, gain = -1V/V , $C_L = 30\text{pF}$ | To 0.01% | | 120 | | ns |
| | | | To 0.1% | | 110 | | |
| THD+N | Total harmonic distortion + noise | Gain = 1V/V , $f = 1\text{kHz}$, $V_O = 3.5\text{V}_{RMS}$ | | | 0.00003 | | % |
| OUTPUT | | | | | | | |
| V_O | Output voltage | $R_L = 1\text{k}\Omega$ | | ± 11.5 | ± 12.3 | | V |
| | | | $T_A = -25^\circ\text{C}$ to $+85^\circ\text{C}$ | ± 11 | ± 11.5 | | |
| I_O | Current output | $-10\text{V} < V_O < +10\text{V}$ | | | ± 30 | | mA |
| I_{SC} | Short-circuit current | | | | ± 45 | | mA |
| R_O | Open-loop output impedance | $f = 1\text{MHz}$ | | | 13.5 | | Ω |
| POWER SUPPLY | | | | | | | |
| I_Q | Quiescent current per amplifier | $I_O = 0\text{mA}$ | | | 7 | 7.5 | mA |

- (1) The offset voltage is measured when the device is fully warmed-up.
- (2) High-speed test at $T_J = 25^\circ\text{C}$. See *Typical Characteristics* for warmed-up performance.

5.7 Electrical Characteristics: OPA627AM, OPA627BM, OPA627SM

at $T_A = 25^\circ\text{C}$, $V_S = \pm 15\text{V}$, $V_{CM} = V_{OUT} = \text{mid supply}$, and $R_L = 10\text{k}\Omega$ connected to $V_S / 2$ (unless otherwise noted)

| PARAMETER | | TEST CONDITIONS | | MIN | TYP | MAX | UNIT | |
|---|---|---|--------------------|---------|-----------|-----------|------------------------------|----|
| OFFSET VOLTAGE | | | | | | | | |
| V_{OS} | Input offset voltage ⁽¹⁾ | OPA627AM | | | ± 130 | ± 250 | μV | |
| | | OPA627BM, OPA627SM | | | ± 40 | ± 100 | | |
| dV_{OS}/dT | Input offset voltage drift ⁽¹⁾ | $T_A = -25^\circ\text{C}$ to $+85^\circ\text{C}$ | OPA627AM | | ± 1.2 | ± 2 | $\mu\text{V}/^\circ\text{C}$ | |
| | | | OPA627BM | | ± 0.4 | ± 0.8 | | |
| PSRR | Power supply rejection ratio ⁽¹⁾ | $V_S = \pm 4.5\text{V}$ to $\pm 18\text{V}$ | OPA627AM | 100 | 116 | | dB | |
| | | | OPA627BM, OPA627SM | 106 | 120 | | | |
| INPUT BIAS CURRENT | | | | | | | | |
| I_B | Input bias current ⁽²⁾ | OPA627AM | | | ± 2 | ± 10 | pA | |
| | | OPA627BM, OPA627SM | | | ± 1 | ± 5 | | |
| | | $T_A = -25^\circ\text{C}$ to $+85^\circ\text{C}$ | OPA627AM | | | | ± 2 | nA |
| | | | OPA627BM | | | | ± 1 | |
| | | $T_A = -55^\circ\text{C}$ to $+125^\circ\text{C}$ | OPA627SM | | | | ± 50 | |
| $-10\text{V} \leq V_{CM} \leq +10\text{V}$ | OPA627AM | | | ± 2 | | pA | | |
| OPA627BM, OPA627SM | | | ± 1 | | | | | |
| I_{OS} | Input offset current ⁽²⁾ | OPA627AM | | | ± 1 | ± 10 | pA | |
| | | OPA627BM, OPA627SM | | | ± 0.5 | ± 5 | | |
| | | $T_A = -25^\circ\text{C}$ to $+85^\circ\text{C}$ | OPA627AM | | | | ± 2 | nA |
| | | | OPA627BM | | | | ± 1 | |
| $T_A = -55^\circ\text{C}$ to $+125^\circ\text{C}$ | OPA627SM | | | | ± 50 | | | |
| NOISE | | | | | | | | |
| | Input voltage noise | $f = 0.1\text{Hz}$ to 10Hz | OPA627AM | | 0.8 | | μV_{PP} | |
| | | | OPA627BM, OPA627SM | | 0.6 | 1.6 | | |
| e_n | Input voltage noise density | $f = 10\text{Hz}$ | OPA627AM | | 20 | | nV/ $\sqrt{\text{Hz}}$ | |
| | | | OPA627BM, OPA627SM | | 15 | 40 | | |
| | | $f = 100\text{Hz}$ | OPA627AM | | 10 | | | |
| | | | OPA627BM, OPA627SM | | 8 | 20 | | |
| | | $f = 1\text{kHz}$ | OPA627AM | | 5.6 | | | |
| | | | OPA627BM, OPA627SM | | 5.2 | 8 | | |
| $f = 10\text{kHz}$ | OPA627AM | | 4.8 | | | | | |
| | OPA627BM, OPA627SM | | 4.5 | 6 | | | | |
| i_n | Input current noise density | $f = 100\text{Hz}$ | OPA627AM | | 2.5 | | fA/ $\sqrt{\text{Hz}}$ | |
| | | | OPA627BM, OPA627SM | | 1.6 | 2.5 | | |
| | Input current noise | $f = 0.1\text{Hz}$ to 10Hz | OPA627AM | | 48 | | fA _{PP} | |
| | | | OPA627BM, OPA627SM | | 30 | 60 | | |

5.7 Electrical Characteristics: OPA627AM, OPA627BM, OPA627SM (续)

at $T_A = 25^\circ\text{C}$, $V_S = \pm 15\text{V}$, $V_{CM} = V_{OUT} = \text{midsupply}$, and $R_L = 10\text{k}\Omega$ connected to $V_S / 2$ (unless otherwise noted)

| PARAMETER | | TEST CONDITIONS | | MIN | TYP | MAX | UNIT |
|---------------------------|-----------------------------------|---|-----------------------|------------|----------------|-----------|--|
| INPUT VOLTAGE | | | | | | | |
| V_{CM} | Common-mode voltage | | | ± 11 | ± 11.5 | | V |
| | | $T_A = -25^\circ\text{C}$ to $+85^\circ\text{C}$ | OPA627AM, OPA627BM | ± 10.5 | ± 11 | | |
| | | $T_A = -55^\circ\text{C}$ to $+125^\circ\text{C}$ | OPA627SM | ± 10.5 | ± 11 | | |
| CMRR | Common-mode rejection ratio | $-10.5\text{V} \leq V_{CM} \leq +10.5\text{V}$ | OPA627AM | 100 | 110 | | dB |
| | | | OPA627BM, OPA627SM | 106 | 116 | | |
| INPUT IMPEDANCE | | | | | | | |
| Z_{ID} | Differential | | | 10 8 | | | $\text{T } \Omega \parallel \text{pF}$ |
| Z_{ICM} | Common-mode | | | 10 7 | | | $\text{T } \Omega \parallel \text{pF}$ |
| OPEN-LOOP GAIN | | | | | | | |
| A_{OL} | Open-loop voltage gain | $-10\text{V} < V_O < +10\text{V}$ $R_L = 1\text{k}\Omega$ | OPA627AM | 106 | 116 | | dB |
| | | | OPA627BM, OPA627SM | 112 | 120 | | |
| | | $-10\text{V} < V_O < +10\text{V}$ $R_L = 1\text{k}\Omega$, $T_A = -25^\circ\text{C}$ to $+85^\circ\text{C}$ | OPA627AM | 100 | 110 | | |
| | | | OPA627BM | 106 | 117 | | |
| | | $-10\text{V} < V_O < +10\text{V}$ $R_L = 1\text{k}\Omega$, $T_A = -55^\circ\text{C}$ to $+125^\circ\text{C}$ | OPA627SM | 100 | 114 | | |
| FREQUENCY RESPONSE | | | | | | | |
| GBW | Gain-bandwidth product | Gain = 1V/V | | 16 | | | MHz |
| SR | Slew rate | 10V step, gain = -1V/V | | 40 | 55 | | V/ μs |
| t_s | Settling time | 10V step, gain = -1V/V | To 0.01% | 550 | | | ns |
| | | | To 0.1% | 450 | | | |
| THD+N | Total harmonic distortion + noise | Gain = 1V/V, f = 1kHz | | 0.00003 | | | % |
| OUTPUT | | | | | | | |
| V_O | Output voltage | $R_L = 1\text{k}\Omega$ | | ± 11.5 | ± 12.3 | | V |
| | | $R_L = 1\text{k}\Omega$, $T_A = -25^\circ\text{C}$ to $+85^\circ\text{C}$ | OPA627AM, OPA627BM | ± 11 | ± 11.5 | | |
| | | $R_L = 1\text{k}\Omega$, $T_A = -55^\circ\text{C}$ to $+125^\circ\text{C}$ | OPA627SM | ± 11 | ± 11.5 | | |
| I_{SC} | Current output | $-10\text{V} < V_O < +10\text{V}$ | | ± 45 | | | mA |
| I_{SC} | Short-circuit current | | | ± 35 | $\pm 70 / -55$ | ± 100 | mA |
| R_O | Open-loop output impedance | f = 1MHz | | 55 | | | Ω |
| POWER SUPPLY | | | | | | | |
| I_Q | Quiescent current per amplifier | $I_O = 0\text{mA}$ | | 7 | 7.5 | | mA |

- (1) The offset voltage is measured when the device is fully warmed-up.
- (2) High-speed test at $T_J = 25^\circ\text{C}$. See *Typical Characteristics* for warmed-up performance.

5.8 Electrical Characteristics: OPA637

at $T_A = 25^\circ\text{C}$, $V_S = \pm 15\text{V}$, $V_{CM} = V_{OUT} = \text{mid supply}$, and $R_L = 10\text{k}\Omega$ connected to $V_S / 2$ (unless otherwise noted)

| PARAMETER | | TEST CONDITIONS | | MIN | TYP | MAX | UNIT | |
|---------------------------|---|---|--------------------|---------|-----------|-----------|------------------------------|----|
| OFFSET VOLTAGE | | | | | | | | |
| V_{OS} | Input offset voltage ⁽¹⁾ | OPA637AU | | | ± 280 | ± 500 | μV | |
| | | OPA637AM | | | ± 130 | ± 250 | | |
| | | OPA637BM, OPA637SM | | | ± 40 | ± 100 | | |
| dV_{OS}/dT | Input offset voltage drift ⁽¹⁾ | $T_A = -25^\circ\text{C}$ to $+85^\circ\text{C}$ | OPA637AU | | ± 2.5 | | $\mu\text{V}/^\circ\text{C}$ | |
| | | | OPA637AM | | ± 1.2 | ± 2 | | |
| | | | OPA637BM | | ± 0.4 | ± 0.8 | | |
| | | $T_A = -55^\circ\text{C}$ to $+125^\circ\text{C}$ | OPA637SM | | ± 0.4 | ± 0.8 | | |
| PSRR | Power supply rejection ratio ⁽¹⁾ | $V_S = \pm 4.5\text{V}$ to $\pm 18\text{V}$ | OPA637AU, OPA637AM | | 100 | 116 | dB | |
| | | | OPA637BM, OPA637SM | | 106 | 120 | | |
| INPUT BIAS CURRENT | | | | | | | | |
| I_B | Input bias current ⁽²⁾ | OPA637AU, OPA637AM | | | ± 2 | ± 10 | pA | |
| | | OPA637BM, OPA637SM | | | ± 1 | ± 5 | | |
| | | $T_A = -25^\circ\text{C}$ to $+85^\circ\text{C}$ | OPA637AU, OPA637AM | | | | ± 2 | nA |
| | | | OPA637BM | | | | ± 1 | |
| | | $T_A = -55^\circ\text{C}$ to $+125^\circ\text{C}$ | OPA637SM | | | | ± 50 | |
| | | $-10\text{V} \leq V_{CM} \leq +10\text{V}$ | OPA637AU, OPA637AM | | | ± 2 | | pA |
| OPA637BM, OPA637SM | | | | ± 1 | | | | |
| I_{OS} | Input offset current ⁽²⁾ | OPA637AU, OPA637AM | | | ± 1 | ± 10 | pA | |
| | | OPA637BM, OPA637SM | | | ± 0.5 | ± 5 | | |
| | | $T_A = -25^\circ\text{C}$ to $+85^\circ\text{C}$ | OPA637AU, OPA637AM | | | | ± 2 | nA |
| | | | OPA637BM | | | | ± 1 | |
| | | $T_A = -55^\circ\text{C}$ to $+125^\circ\text{C}$ | OPA637SM | | | | ± 50 | |

5.8 Electrical Characteristics: OPA637 (续)

at $T_A = 25^\circ\text{C}$, $V_S = \pm 15\text{V}$, $V_{CM} = V_{OUT} = \text{midsupply}$, and $R_L = 10\text{k}\Omega$ connected to $V_S / 2$ (unless otherwise noted)

| PARAMETER | | TEST CONDITIONS | | MIN | TYP | MAX | UNIT |
|------------------------|-----------------------------|---|------------------------------------|------------|------------------|-----|--------------------------------|
| NOISE | | | | | | | |
| | Input voltage noise | $f = 0.1\text{Hz to } 10\text{Hz}$ | OPA637AU, OPA637AM | | 0.8 | | μV_{PP} |
| | | | OPA637BM, OPA637SM | | 0.6 | 1.6 | |
| e_n | Input voltage noise density | $f = 10\text{Hz}$ | OPA637AU, OPA637AM | | 20 | | $\text{nV}/\sqrt{\text{Hz}}$ |
| | | | OPA637BM, OPA637SM | | 15 | 40 | |
| | | $f = 100\text{Hz}$ | OPA637AU, OPA637AM | | 10 | | |
| | | | OPA637BM, OPA637SM | | 8 | 20 | |
| | | $f = 1\text{kHz}$ | OPA637AU, OPA637AM | | 5.6 | | |
| | | | OPA637BM, OPA637SM | | 5.2 | 8 | |
| $f = 10\text{kHz}$ | OPA637AU, OPA637AM | | 4.8 | | | | |
| | OPA637BM, OPA637SM | | 4.5 | 6 | | | |
| i_n | Input current noise density | $f = 100\text{Hz}$ | OPA637AU, OPA637AM | | 2.5 | | $\text{fA}/\sqrt{\text{Hz}}$ |
| | | | OPA637BM, OPA637SM | | 1.6 | 2.5 | |
| | Input current noise | $f = 0.1\text{Hz to } 10\text{Hz}$ | OPA637AU, OPA637AM | | 48 | | fA_{PP} |
| | | | OPA637BM, OPA637SM | | 30 | 60 | |
| INPUT VOLTAGE | | | | | | | |
| V_{CM} | Common-mode voltage | $T_A = -25^\circ\text{C to } +85^\circ\text{C}$ | OPA637AU, OPA637AM, OPA637BM | ± 11 | ± 11.5 | | V |
| | | | | ± 10.5 | ± 11 | | |
| | | | | ± 10.5 | ± 11 | | |
| CMRR | Common-mode rejection ratio | $-10.5\text{V} \leq V_{CM} \leq +10.5\text{V}$ | OPA637AU, OPA637AM | 100 | 110 | | dB |
| | | | OPA637BM, OPA637SM | 106 | 116 | | |
| INPUT IMPEDANCE | | | | | | | |
| Z_{ID} | Differential | | | | $10 \parallel 8$ | | $T \Omega \parallel \text{pF}$ |
| Z_{ICM} | Common-mode | | | | $10 \parallel 7$ | | $T \Omega \parallel \text{pF}$ |

5.8 Electrical Characteristics: OPA637 (续)

at $T_A = 25^\circ\text{C}$, $V_S = \pm 15\text{V}$, $V_{CM} = V_{OUT} = \text{midsupply}$, and $R_L = 10\text{k}\Omega$ connected to $V_S / 2$ (unless otherwise noted)

| PARAMETER | | TEST CONDITIONS | | MIN | TYP | MAX | UNIT |
|--|---------------------------------|---|------------------------------------|------------|----------------|-----------|------------------|
| OPEN-LOOP GAIN | | | | | | | |
| A_{OL} | Open-loop voltage gain | $-10\text{V} < V_O < +10\text{V}$ $R_L = 1\text{k}\Omega$ | OPA637AU, OPA637AM | 106 | 116 | | dB |
| | | | OPA637BM, OPA637SM | 112 | 120 | | |
| | | $-10\text{V} < V_O < +10\text{V}$ $R_L = 1\text{k}\Omega$, $T_A = -25^\circ\text{C}$ to $+85^\circ\text{C}$ | OPA637AU, OPA637AM | 100 | 110 | | |
| | | | OPA637BM | 106 | 117 | | |
| $-10\text{V} < V_O < +10\text{V}$ $R_L = 1\text{k}\Omega$, $T_A = -55^\circ\text{C}$ to $+125^\circ\text{C}$ | OPA637SM | 100 | 114 | | | | |
| FREQUENCY RESPONSE | | | | | | | |
| GBW | Gain-bandwidth product | Gain = 10V/V | | | 80 | | MHz |
| SR | Slew rate | 10V step, gain = -4V/V | | 100 | 135 | | V/ μs |
| t_s | Settling time | 10V step, gain = -4V/V, | To 0.01% | | 450 | | ns |
| | | | To 0.1% | | 300 | | |
| OUTPUT | | | | | | | |
| V_O | Output voltage | $R_L = 1\text{k}\Omega$ | | ± 11.5 | ± 12.3 | | V |
| | | $R_L = 1\text{k}\Omega$, $T_A = -25^\circ\text{C}$ to $+85^\circ\text{C}$ | OPA637AU, OPA637AM, OPA637BM | ± 11 | ± 11.5 | | |
| | | $R_L = 1\text{k}\Omega$, $T_A = -55^\circ\text{C}$ to $+125^\circ\text{C}$ | OPA637SM | ± 11 | ± 11.5 | | |
| I_{SC} | Current output | $-10\text{V} < V_O < +10\text{V}$ | | | ± 45 | | mA |
| I_{SC} | Short-circuit current | | | ± 35 | $\pm 70 / -55$ | ± 100 | mA |
| R_O | Open-loop output impedance | $f = 1\text{MHz}$ | | | 55 | | Ω |
| POWER SUPPLY | | | | | | | |
| I_Q | Quiescent current per amplifier | $I_O = 0\text{mA}$ | | | 7 | 7.5 | mA |

- (1) The offset voltage is measured when the device is fully warmed-up.
- (2) High-speed test at $T_J = 25^\circ\text{C}$. See *Typical Characteristics* for warmed-up performance.

5.9 Typical Characteristics

at $T_A = 25^\circ\text{C}$ and $V_S = \pm 15\text{V}$ (unless otherwise noted)

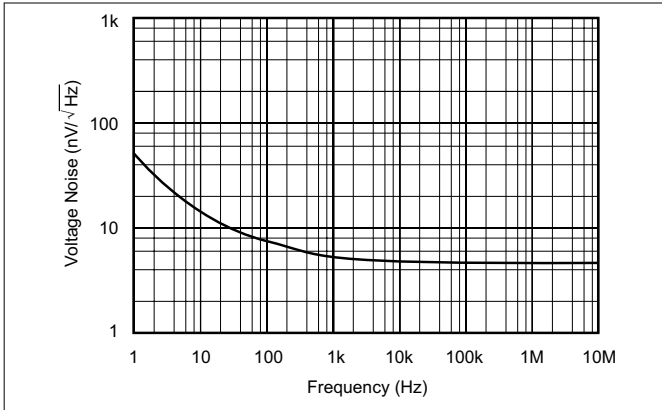


图 5-1. Input Voltage Noise Spectral Density vs Frequency

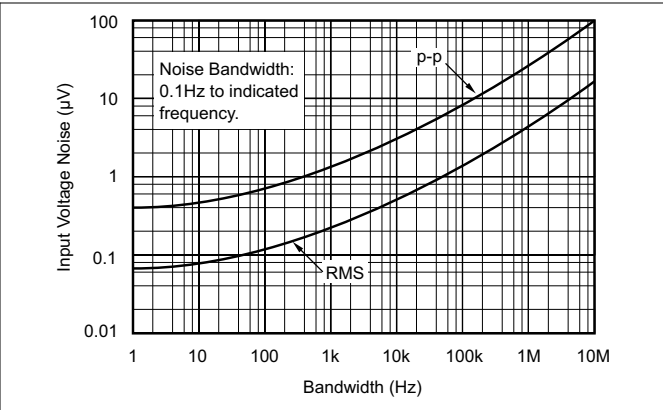


图 5-2. Total Input Voltage Noise vs Bandwidth

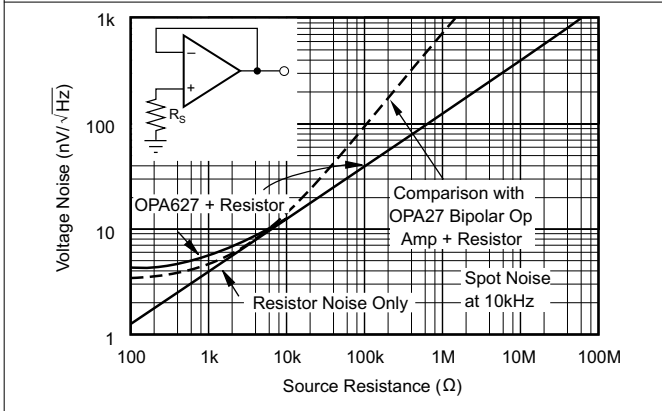


图 5-3. Voltage Noise vs Source Resistance

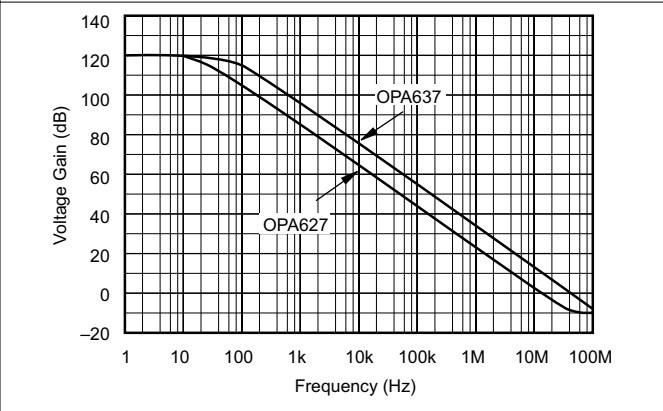


图 5-4. Open-Loop Gain vs Frequency

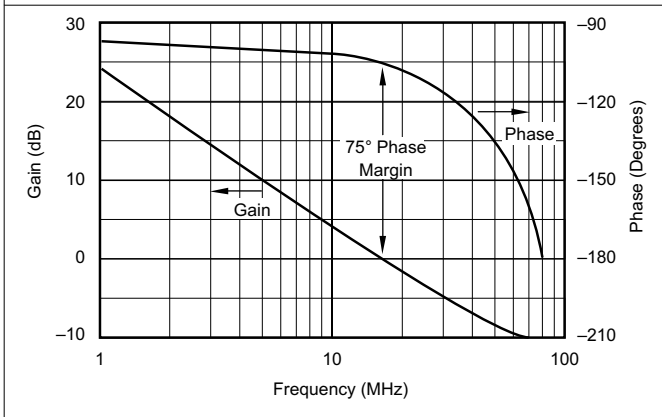


图 5-5. OPA627 Gain and Phase vs Frequency

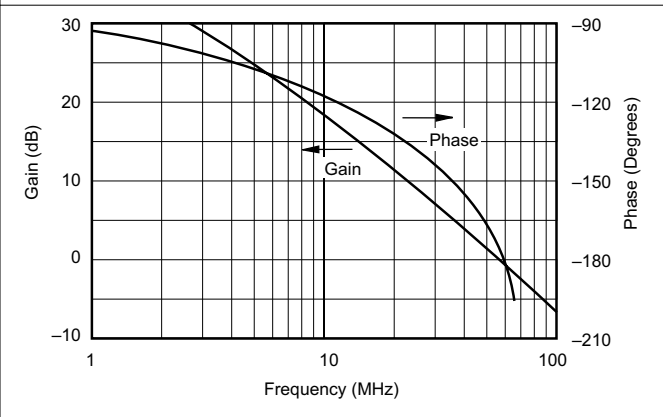


图 5-6. OPA637 Gain and Phase vs Frequency

5.9 Typical Characteristics (continued)

at $T_A = 25^\circ\text{C}$ and $V_S = \pm 15\text{V}$ (unless otherwise noted)

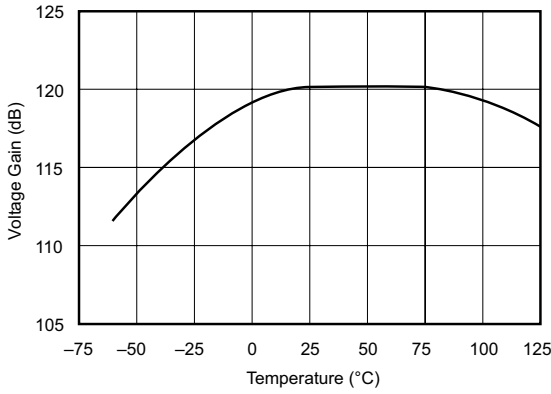


图 5-7. Open-Loop Gain vs Temperature

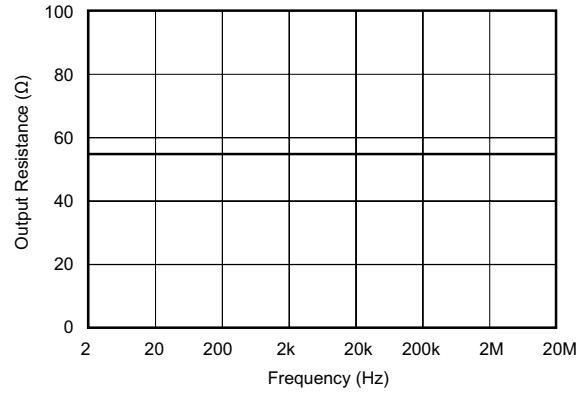


图 5-8. Open-Loop Output Impedance vs Frequency

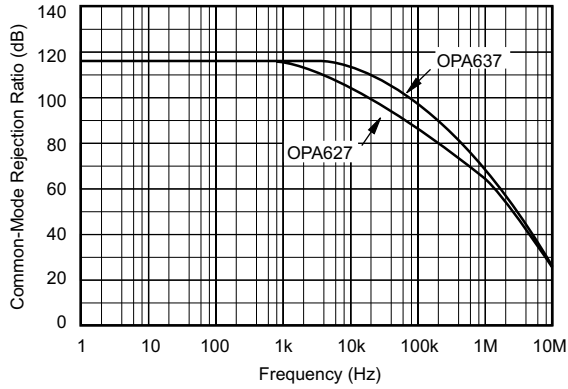


图 5-9. Common-Mode Rejection vs Frequency

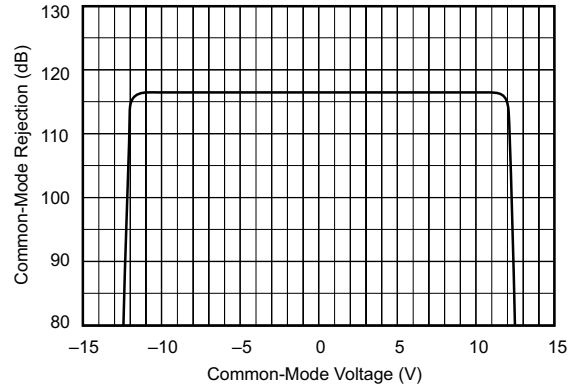


图 5-10. Common-Mode Rejection vs Input Common-Mode Voltage

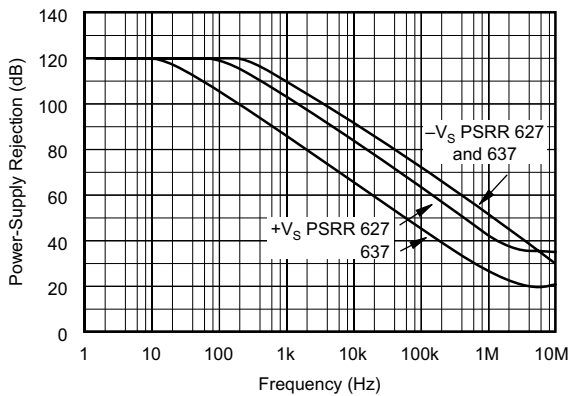


图 5-11. Power-Supply Rejection vs Frequency

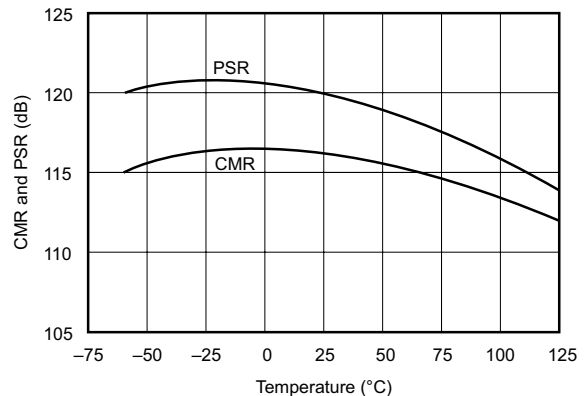


图 5-12. Power-Supply Rejection and Common-Mode Rejection vs Temperature

5.9 Typical Characteristics (continued)

at $T_A = 25^\circ\text{C}$ and $V_S = \pm 15\text{V}$ (unless otherwise noted)

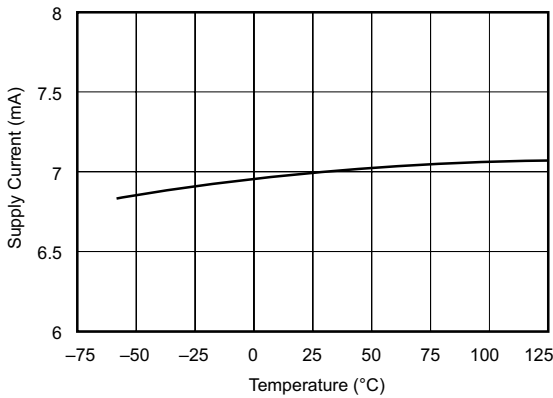


图 5-13. Supply Current vs Temperature

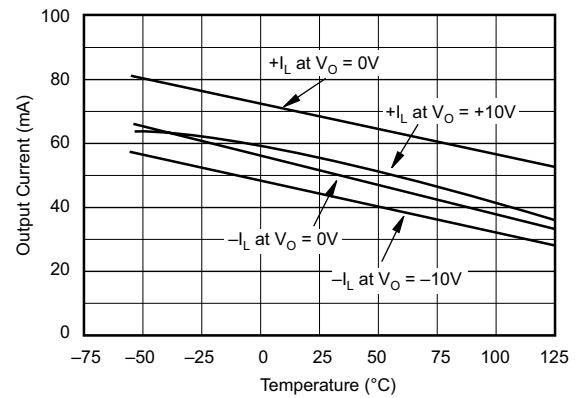


图 5-14. Output Current Limit vs Temperature

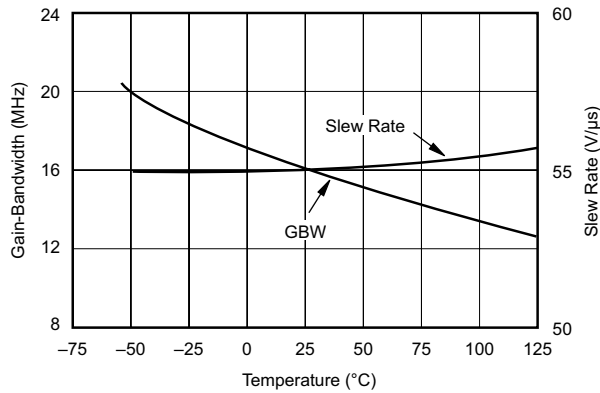


图 5-15. OPA627 Gain-Bandwidth and Slew Rate vs Temperature

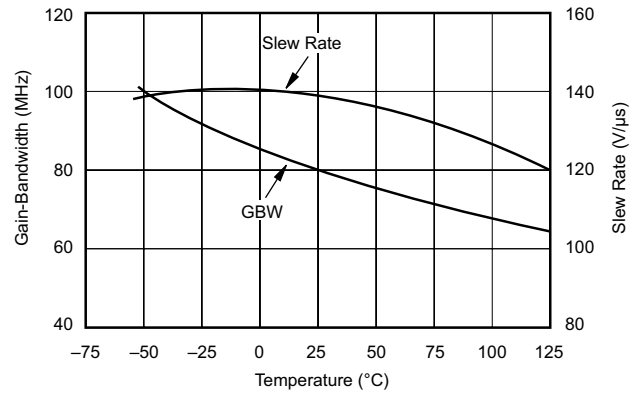


图 5-16. OPA637 Gain-Bandwidth and Slew Rate vs Temperature

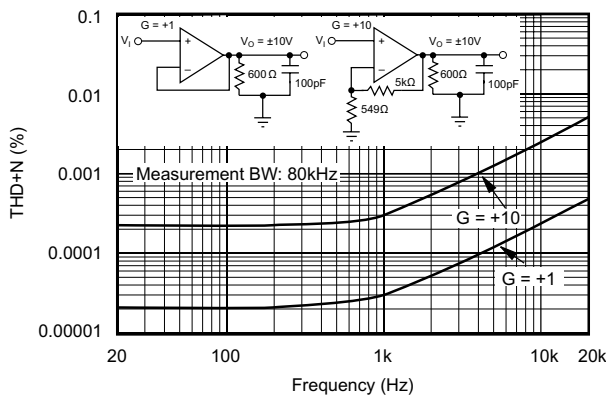


图 5-17. OPA627 Total Harmonic Distortion + Noise vs Frequency

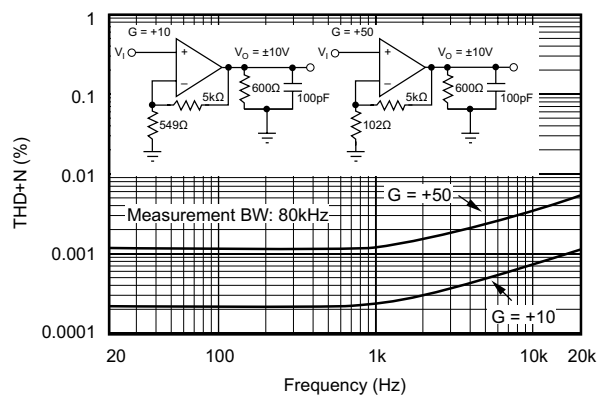


图 5-18. OPA637 Total Harmonic Distortion + Noise vs Frequency

5.9 Typical Characteristics (continued)

at $T_A = 25^\circ\text{C}$ and $V_S = \pm 15\text{V}$ (unless otherwise noted)

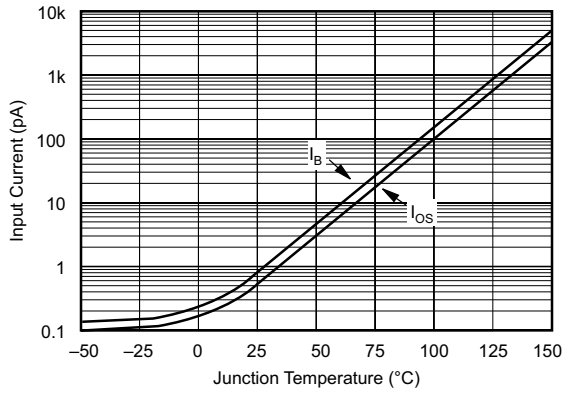


图 5-19. Input Bias and Offset Current vs Junction Temperature

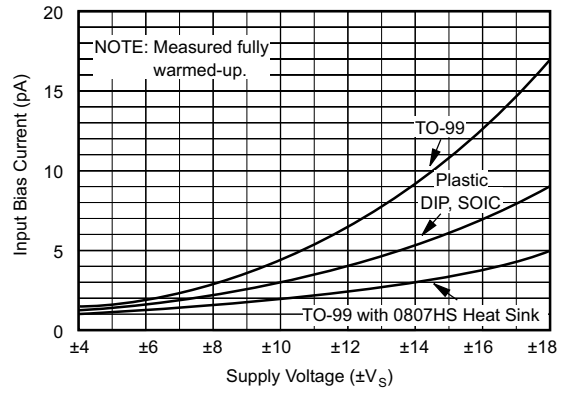


图 5-20. Input Bias Current vs Power Supply Voltage

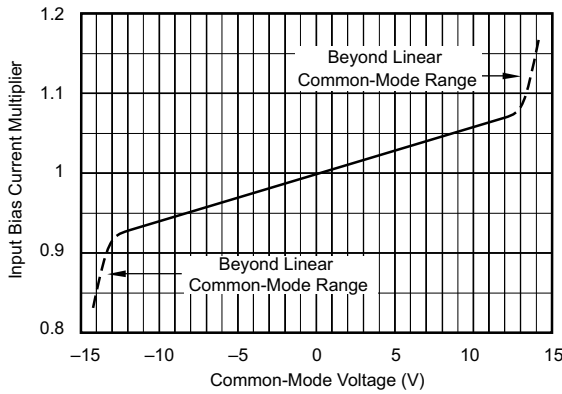


图 5-21. Input Bias Current vs Common-Mode Voltage

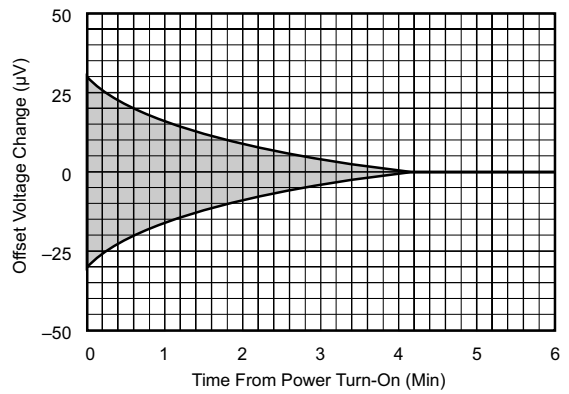


图 5-22. Input Offset Voltage Warm-up vs Time

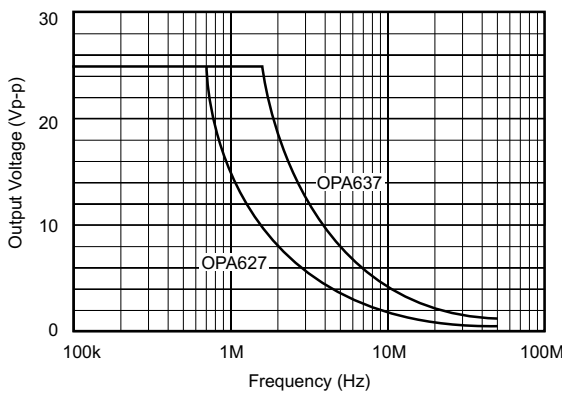


图 5-23. Maximum Output Voltage vs Frequency

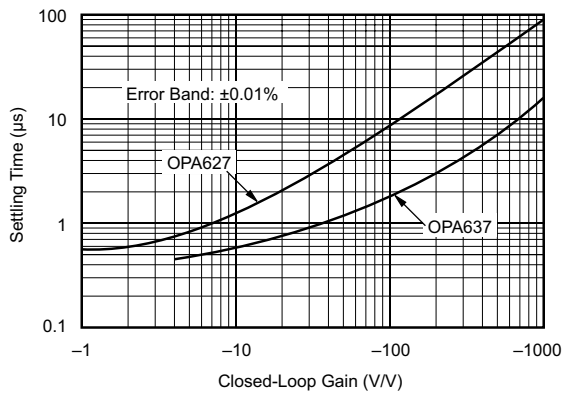
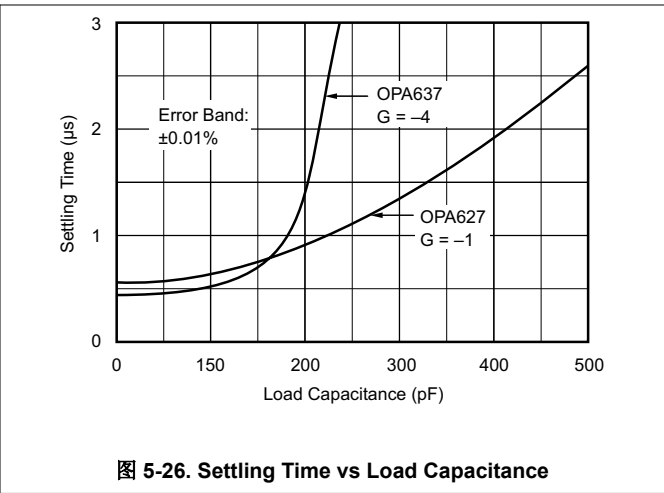
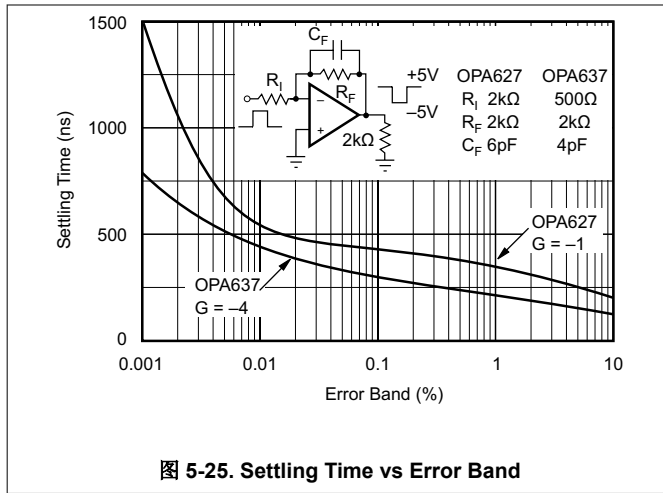


图 5-24. Settling Time vs Closed-Loop Gain

5.9 Typical Characteristics (continued)

at $T_A = 25^\circ\text{C}$ and $V_S = \pm 15\text{V}$ (unless otherwise noted)



6 Detailed Description

6.1 Overview

The OPA6x7 op amps provide a new level of performance in a precision FET operational amplifier. When compared to the popular OPA111 operational amplifier, the OPA6x7 have lower noise, lower offset voltage, and higher speed. The OPA6x7 are useful in a broad range of precision and high-speed analog circuitry.

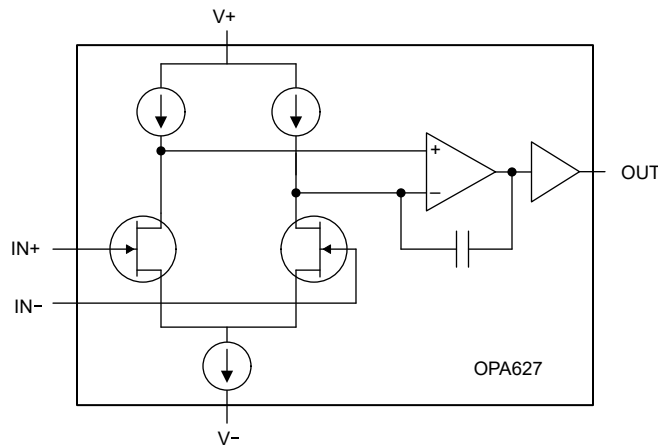
The OPA6x7 operate over the wide power-supply voltage range of $\pm 4.5\text{V}$ to $\pm 18\text{V}$. Laser-trimmed input circuitry provides high accuracy and low-noise performance comparable with the best bipolar-input operational amplifiers.

High-frequency transistors allow increased circuit bandwidth, attaining dynamic performance not possible with previous precision FET operational amplifiers. The OPA627 is unity-gain stable. The OPA637 is stable in gains equal to or greater than 5.

The OPA6x7 achieve extremely low input bias currents without compromising input voltage noise performance. Low input bias current is maintained over a wide input common-mode voltage range with unique cascode circuitry.

The OPA6x7 are available in SOIC-8 and metal TO-99 packages. Industrial temperature-range models are available.

6.2 Functional Block Diagram



6.3 Feature Description

The OPA627 is unity-gain stable. The OPA637 achieves higher speed and bandwidth in circuits with noise gain greater than 5. Noise gain refers to the closed-loop gain of a circuit, as if the noninverting operational amplifier (op amp) input were being driven. For example, the OPA637 can be used in a noninverting amplifier with gain greater than 5, or an inverting amplifier of gain greater than 4.

When choosing between the OPA627 or OPA637, consider the high frequency noise gain of the circuit configuration. Circuits with a feedback capacitor (see [图 6-1](#)) place the operational amplifier in unity noise-gain at high frequency. These applications must use the OPA627 for proper stability. An exception is the circuit in [图 6-2](#), where a small feedback capacitance is used to compensate for the input capacitance at the inverting input of the operational amplifier. In this case, the closed-loop noise gain remains constant with frequency, so if the closed-loop gain is equal to 5 or greater, the OPA637 can be used.

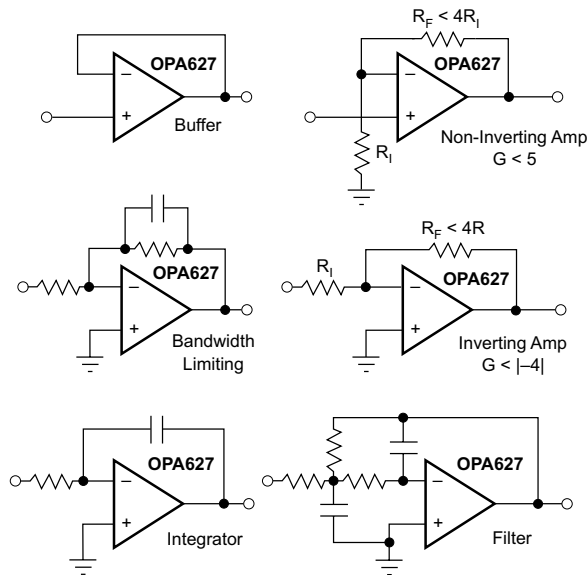


图 6-1. Circuits With Noise Gain Less Than 5 Require the OPA627 for Proper Stability

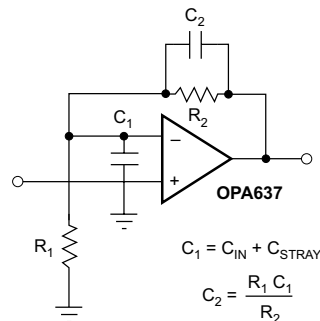


图 6-2. Circuits With Noise Gain Equal to or Greater Than 5 Can Use the OPA637

6.3.1 Offset Voltage Adjustment

The OPA6x7 are laser-trimmed for low offset voltage and drift, so many circuits do not require external adjustment. The OPA6x7 offer input offset voltage as low as $\pm 125 \mu\text{V}$ and drift as low as $\pm 0.3 \mu\text{V}/^\circ\text{C}$, enabling applications operating over the entire industrial temperature range.

图 6-3 shows the optional connection of an external potentiometer to adjust offset voltage. This circuit is applicable to TO-99 packages only. Do not use this adjustment to compensate for offsets created elsewhere in a system, such as in later amplification stages or in an analog-to-digital converter (ADC).

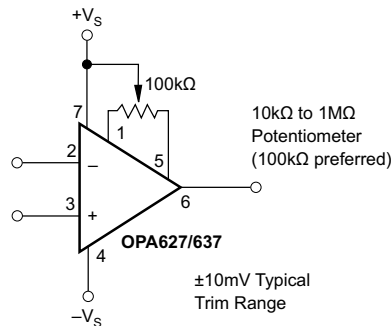


图 6-3. Optional Offset Voltage Trim Circuit

6.3.2 Noise Performance

Some bipolar op amps provide lower voltage noise performance, but both voltage noise and bias current noise contribute to the total noise of a system. The OPA6x7 provide both low voltage noise and low current noise. These features provide excellent noise performance over a wide range of sources, including a reactive-source impedance. The excellent noise performance can be seen in the performance curve showing the noise of a source resistor combined with the noise of an OPA627. Greater than a $2\text{k}\Omega$ source resistance, the op amp contributes little additional noise. Less than $1\text{k}\Omega$, op-amp noise dominates over the resistor noise, but compares favorably with precision bipolar op amps.

6.3.3 Input Bias Current

The OPA6x7 provide low input bias current. Because the gate current of a FET doubles approximately every 10°C, to achieve lowest input bias current, keep the die temperature as low as possible. The high speed, and therefore higher quiescent current, of the OPA6x7 can lead to higher chip temperature. Proper layout techniques help dissipate heat and reduce chip temperature, thereby lowering I_B .

A simple press-on heat sink such as the Burr-Brown model 807HS (TO-99 metal package) can reduce chip temperature by approximately 15°C, lowering the I_B to one-third of the warmed-up value. The 807HS heat sink can also reduce low-frequency voltage noise caused by air currents and thermoelectric effects.

Temperature rise in the SOIC packages can be minimized by soldering the device to the circuit board. Wide copper traces also help dissipate heat.

The OPA6x7 can also operate at reduced power supply voltage, to minimize power dissipation and temperature rise. Using $\pm 5V$ power supplies reduces power dissipation to one-third of that at $\pm 15V$.

Leakage currents between printed circuit board (PCB) traces can easily exceed the input bias current of the OPA6x7. A circuit board *guard* pattern reduces leakage effects. By surrounding critical high impedance input circuitry with a low impedance circuit connection at the same potential, leakage current can flow harmlessly to the low-impedance node (see 图 6-4). The case (TO-99 metal package only) is internally connected to $-V_S$.

Input bias current can also be degraded by improper handling or cleaning. Contamination from handling parts and circuit boards can be removed with cleaning solvents and deionized water. Follow each rinsing operation by a 30-minute bake at 85°C.

Many FET input operational amplifiers exhibit large changes in input bias current with changes in input voltage. Input stage cascode circuitry makes the input bias current of the OPA6x7 virtually constant with wide common-mode voltage changes. The OPA6x7 are a great choice for accurate, high input-impedance buffer applications.

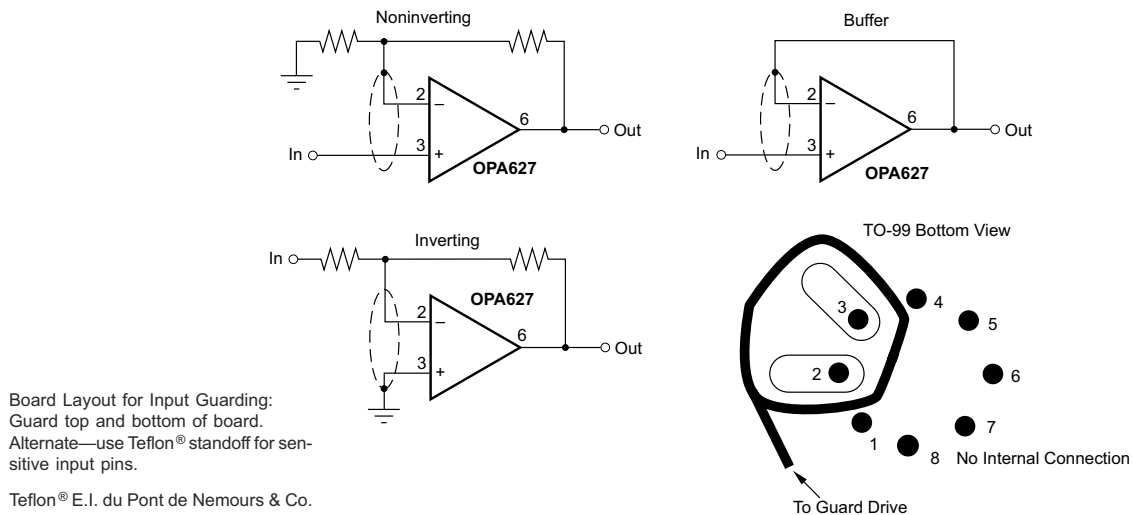


图 6-4. Connection of Input Guard for Lowest I_B

6.3.4 Phase-Reversal Protection

The OPA6x7 have internal phase-reversal protection. Many FET-input op amps exhibit a phase reversal when the input is driven beyond the linear common-mode range. This issue is most often encountered in noninverting circuits when the input is driven below -12V , causing the output to reverse into the positive rail. The input circuitry of the OPA6x7 does not induce phase reversal with excessive common-mode voltage, so the output limits into the appropriate rail.

6.3.5 Output Overload

When the inputs to the OPA6x7 are overdriven, the output voltage of the OPA6x7 smoothly limits at approximately 2.5V from the positive and negative power supplies. If driven to the negative swing limit, recovery takes approximately 500ns . When the output is driven into the positive limit, recovery takes approximately $6\mu\text{s}$. Output recovery of the OPA627 can be improved using the output clamp circuit shown in 图 6-5. Placing diodes at the inverting input prevent degradation of input bias current.

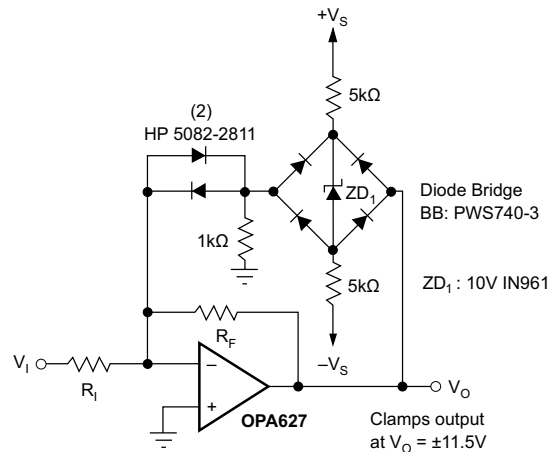


图 6-5. Clamp Circuit for Improved Overload Recovery

6.3.6 Capacitive Loads

As with any high-speed operational amplifier, best dynamic performance can be achieved by minimizing the capacitive load. Because a load capacitance presents a decreasing impedance at higher frequency, a load capacitance which is easily driven by a slow op amp can cause a high-speed op amp to perform poorly. See the typical curves showing settling times as a function of capacitive load. The lower bandwidth makes the OPA627 a better choice for driving large capacitive loads. 图 6-6 shows a circuit for driving very large load capacitance. The two-pole response of this circuit can also be used to sharply limit system bandwidth, often useful in reducing the noise of systems which do not require the full bandwidth of the OPA627.

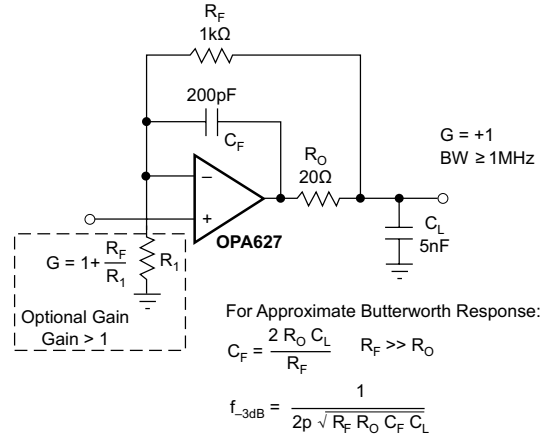


图 6-6. Driving Large Capacitive Loads

6.3.7 Input Protection

The inputs of the OPA6x7 are protected for voltages from $+V_S + 0.5V$ to $-V_S - 0.5V$. If the input voltage can exceed these limits, protect the amplifier by limiting the current into the input pins. The diode clamps shown in (a) in 图 6-7 prevent the input voltage from exceeding one forward diode voltage drop beyond the power supplies, which is well within the safe limits. If the input source can deliver current in excess of the maximum forward current of the protection diodes, use a series resistor, R_S , to limit the current. Be aware that adding resistance to the input increases noise. The $4nV/\sqrt{Hz}$ theoretical thermal noise of a $1k\Omega$ resistor adds to the $4.5nV/\sqrt{Hz}$ noise of the OPA6x7 (by the square-root of the sum of the squares), producing a total noise of $6nV/\sqrt{Hz}$. Resistors less than 100Ω add negligible noise.

Leakage current in the protection diodes can increase the total input bias current of the circuit. The specified maximum leakage current for commonly used diodes such as the 1N4148 is approximately $25nA$, more than a thousand times larger than the input bias current of the OPA6x7. Leakage current of these diodes is typically much lower and can be adequate in many applications. Light falling on the junction of the protection diodes can dramatically increase leakage current, so shield common glass-packaged diodes from ambient light. Very low leakage can be achieved by using a diode-connected FET as shown. The 2N4117A is specified at $1pA$ and the metal case shields the junction from light.

Sometimes input protection is required on I/V converters of inverting amplifiers; see (b) in 图 6-7. Although in normal operation, the voltage at the summing junction is near zero (equal to the offset voltage of the amplifier), large input transients can cause this node to exceed $0.5V$ beyond the power supplies. In this case, protect the summing junction with diode clamps connected to ground. Even with the low voltage present at the summing junction, common signal diodes can have excessive leakage current. Because the reverse voltage on these diodes is clamped, a diode-connected signal transistor can act as an inexpensive low leakage diode; see (b) in 图 6-7.

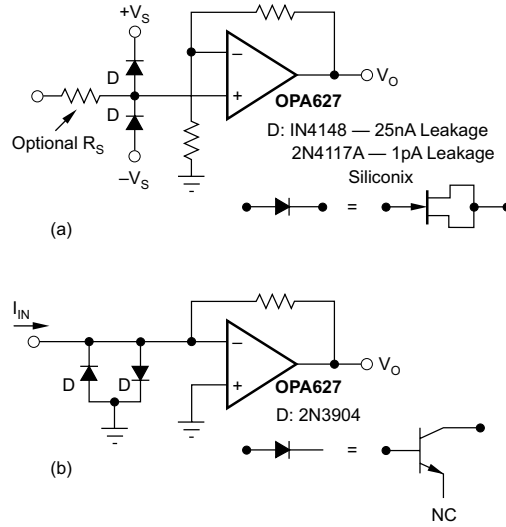


图 6-7. Input Protection Circuits

6.3.8 EMI Rejection Ratio (EMIRR)

The electromagnetic interference (EMI) rejection ratio, or EMIRR, describes the EMI immunity of operational amplifiers. An adverse effect that is common to many operational amplifiers is a change in the offset voltage as a result of RF signal rectification. An operational amplifier that is more efficient at rejecting this change in offset as a result of EMI has a higher EMIRR and is quantified by a decibel value. Measuring EMIRR can be performed in many ways, but this report provides the EMIRR IN+, which specifically describes the EMIRR performance when the RF signal is applied to the noninverting input pin of the operational amplifier. In general, only the noninverting input is tested for EMIRR for the following three reasons:

- Operational amplifier input pins are known to be the most sensitive to EMI, and typically rectify RF signals better than the supply or output pins.
- The noninverting and inverting operational amplifier inputs have symmetrical physical layouts and exhibit nearly matching EMIRR performance.
- EMIRR is easier to measure on noninverting pins than on other pins because the noninverting input terminal can be isolated on a printed-circuit-board (PCB). This isolation allows the RF signal to be applied directly to the noninverting input terminal with no complex interactions from other components or connecting PCB traces.

A more formal discussion of the EMIRR IN+ definition and test method is provided in the [EMI Rejection Ratio of Operational Amplifiers application note](#), available for download at www.ti.com.

The EMIRR IN+ of the OPA627 is plotted versus frequency (see [图 6-8](#)). If available, any dual and quad op amp device versions have nearly similar EMIRR IN+ performance. The OPA627 (SOIC package) unity-gain bandwidth is 45MHz. EMIRR performance below this frequency denotes interfering signals that fall within the operational amplifier bandwidth.

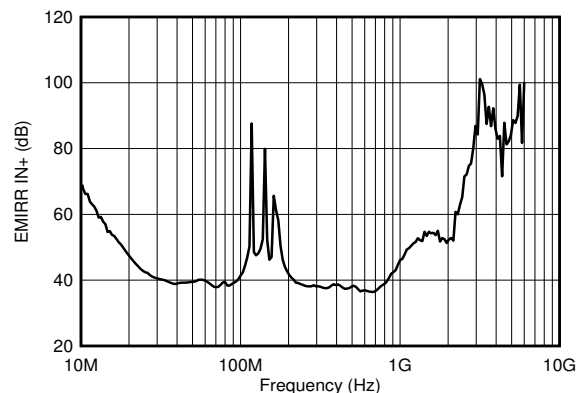


图 6-8. OPA627 (SOIC packages) EMIRR IN+ vs Frequency

表 6-1 shows the EMIRR IN+ values for the OPA627 (SOIC package) at particular frequencies commonly encountered in real-world applications. Applications listed in 表 6-1 can be centered on or operated near the particular frequency shown. This information can be of special interest to designers working with these types of applications, or working in other fields likely to encounter RF interference from broad sources, such as the industrial, scientific, and medical (ISM) radio band.

表 6-1. OPA627 (SOIC packages) EMIRR IN+ for Frequencies of Interest

| FREQUENCY | APPLICATION OR ALLOCATION | EMIRR IN+ |
|-----------|--|-----------|
| 400MHz | Mobile radio, mobile satellite and space operation, weather, radar, UHF | 39dB |
| 900MHz | GSM, radio communication/navigation/GPS (to 1.6GHz), ISM, aeronautical mobile, UHF | 40dB |
| 1.8GHz | GSM, mobile personal communication, broadband, satellite, L-band | 50dB |
| 2.4GHz | 802.11b/g/n, Bluetooth™, mobile comm, ISM, amateur radio and satellite, S-band | 70dB |
| 3.6GHz | Radiolocation, aero communication and navigation, satellite, mobile, S-band | 85dB |

表 6-1. OPA627 (SOIC packages) EMIRR IN+ for Frequencies of Interest (续)

| FREQUENCY | APPLICATION OR ALLOCATION | EMIRR IN+ |
|-----------|--|-----------|
| 5GHz | 802.11a/n, aero comm and nav, mobile comm, space and satellite operation, C-band | 85dB |

6.3.8.1 EMIRR IN+ Test Configuration

图 6-9 显示了用于测试 EMIRR IN+ 的电路配置。RF 源连接到运放的非反相输入端，使用传输线。运放配置为单位增益缓冲器拓扑，输出连接到低通滤波器 (LPF) 和数字万用表 (DMM)。运放输入端的大阻抗失配导致电压反射；然而，这种效应被表征并计入，在确定 EMIRR IN+ 时。产生的 DC 偏移电压由万用表采样和测量。LPF 将万用表与残留 RF 信号隔离，防止干扰万用表的精度。请参见应用笔记 [EMI Rejection Ratio of Operational Amplifiers](#)。

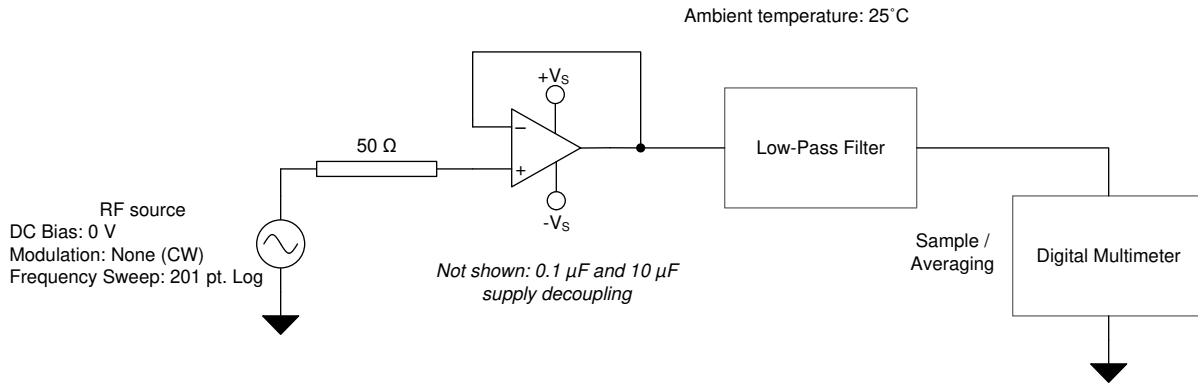
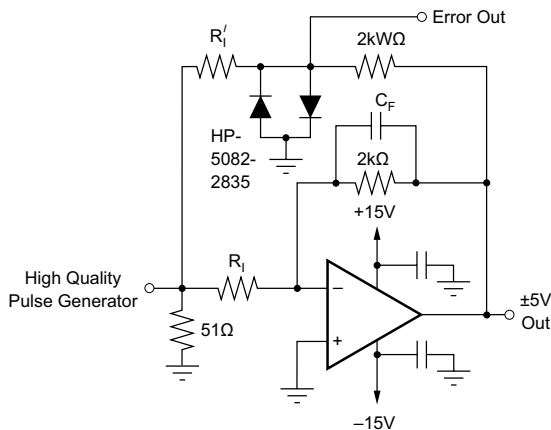


图 6-9. EMIRR IN+ Test Configuration Schematic

6.3.9 Settling Time

OPA627 和 OPA637 具有快速建立时间，低至 110ns。图 6-10 说明了用于测量 OPA627 和 OPA637 建立时间的电路。



| | OPA627 | OPA637 |
|--------------------|--------------------|--------------------|
| R_i, R'_i | 2k Ω | 500 Ω |
| C_F | 6pF | 4pF |
| Error Band (0.01%) | $\pm 0.5\text{mV}$ | $\pm 0.2\text{mV}$ |

NOTE: C_F is selected for best settling time performance depending on test fixture layout. Once optimum value is determined, a fixed capacitor may be used.

图 6-10. Settling Time and Slew Rate Test Circuit

6.4 Device Functional Modes

OPA627 和 OPA637 具有单一功能模式，并在电源电压大于 9V ($\pm 4.5\text{V}$) 时工作。OPA627 和 OPA637 的最大电源电压为 36V ($\pm 18\text{V}$)。

7 Application and Implementation

备注

以下应用部分中的信息不属于 TI 器件规格的范围，TI 不担保其准确性和完整性。TI 的客户应负责确定器件是否适用于其应用。客户应验证并测试其设计，以确保系统功能。

7.1 Application Information

The OPA627 and OPA637 are an excellent choice to use as input amplifiers in instrumentation amplifier configurations requiring high speed, fast settling and high input impedance.

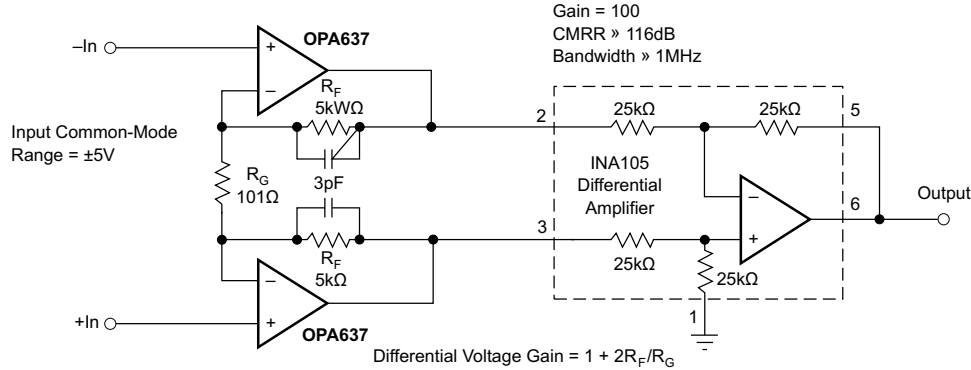


图 7-1. High Speed Instrumentation Amplifier, Gain = 100

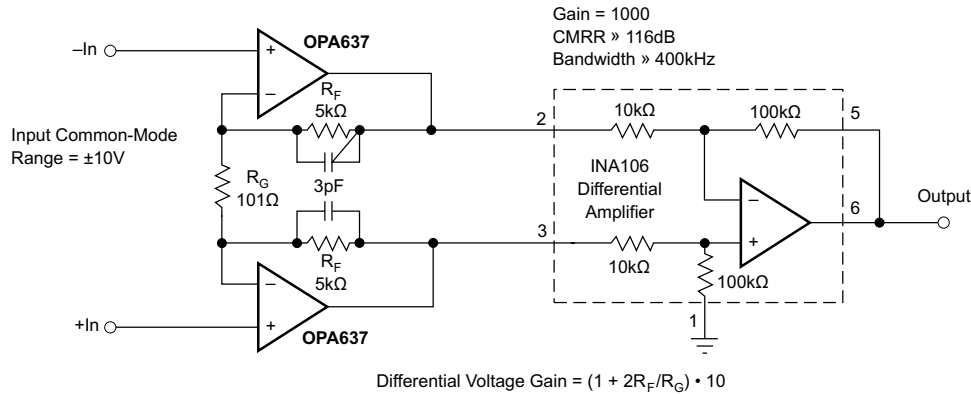
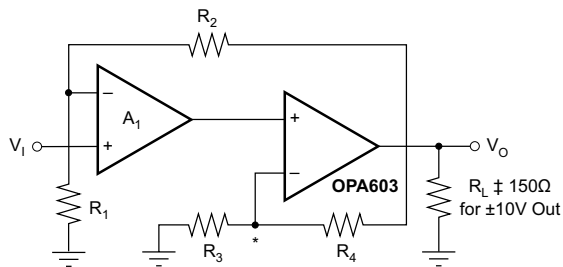


图 7-2. High Speed Instrumentation Amplifier, Gain = 1000



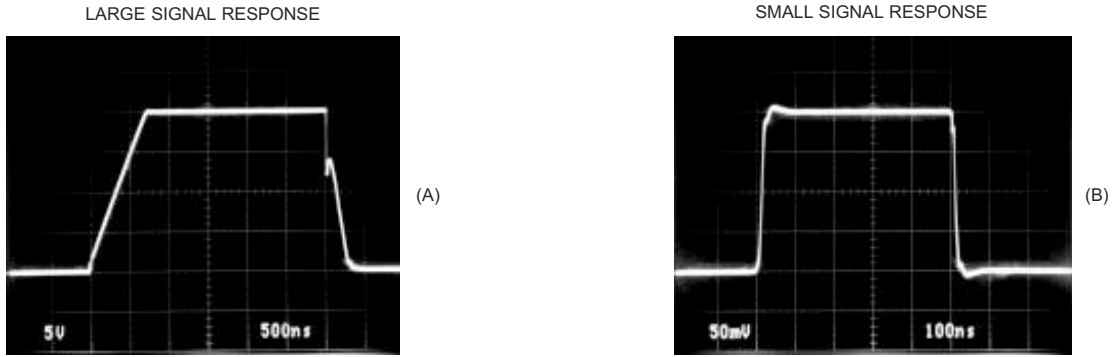
This composite amplifier uses the OPA603 current-feedback op amp to provide extended bandwidth and slew rate at high closed-loop gain. The feedback loop is closed around the composite amp, preserving the precision input characteristics of the OPA627/637. Use separate power supply bypass capacitors for each op amp.

*Minimize capacitance at this node.

| GAIN (V/V) | A ₁ OP AMP | R ₁ (Ω) | R ₂ (k Ω) | R ₃ (Ω) | R ₄ (k Ω) | -3dB (MHz) | SLEW RATE (V/ μ s) |
|------------|-----------------------|-----------------------------|------------------------------|-----------------------------|------------------------------|------------|------------------------|
| 100 | OPA627 | 50.5 ⁽¹⁾ | 4.99 | 20 | 1 | 15 | 700 |
| 1000 | OPA637 | 49.9 | 4.99 | 12 | 1 | 11 | 500 |

NOTE: (1) Closest 1/2% value.

图 7-3. Composite Amplifier for Wide Bandwidth



When used as a unity-gain buffer, large common-mode input voltage steps produce transient variations in input-stage currents. This causes the rising edge to be slower and falling edges to be faster than nominal slew rates observed in higher-gain circuits.

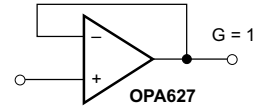
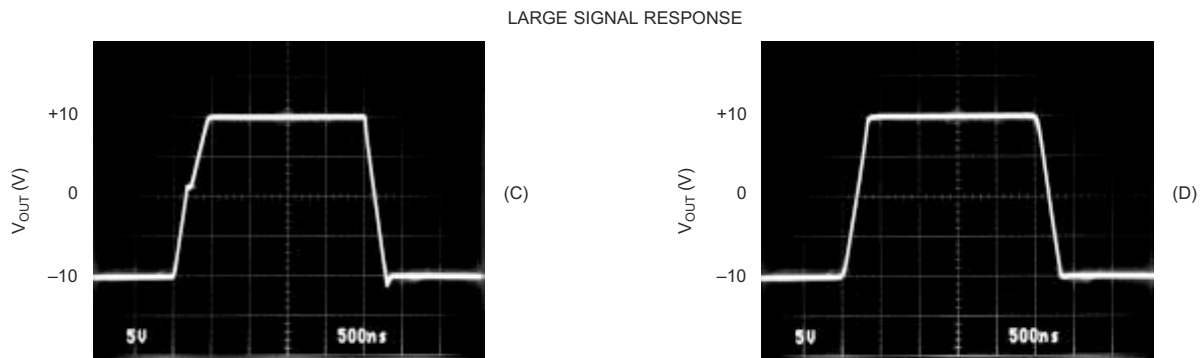


图 7-4. OPA627 Dynamic Performance, G = 1



When driven with a very fast input step (left), common-mode transients cause a slight variation in input stage currents which will reduce output slew rate. If the input step slew rate is reduced (right), output slew rate will increase slightly.

NOTE: (1) Optimum value will depend on circuit board layout and stray capacitance at the inverting input.

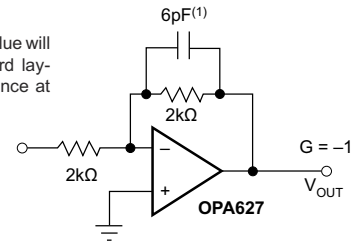


图 7-5. OPA627 Dynamic Performance, G = -1

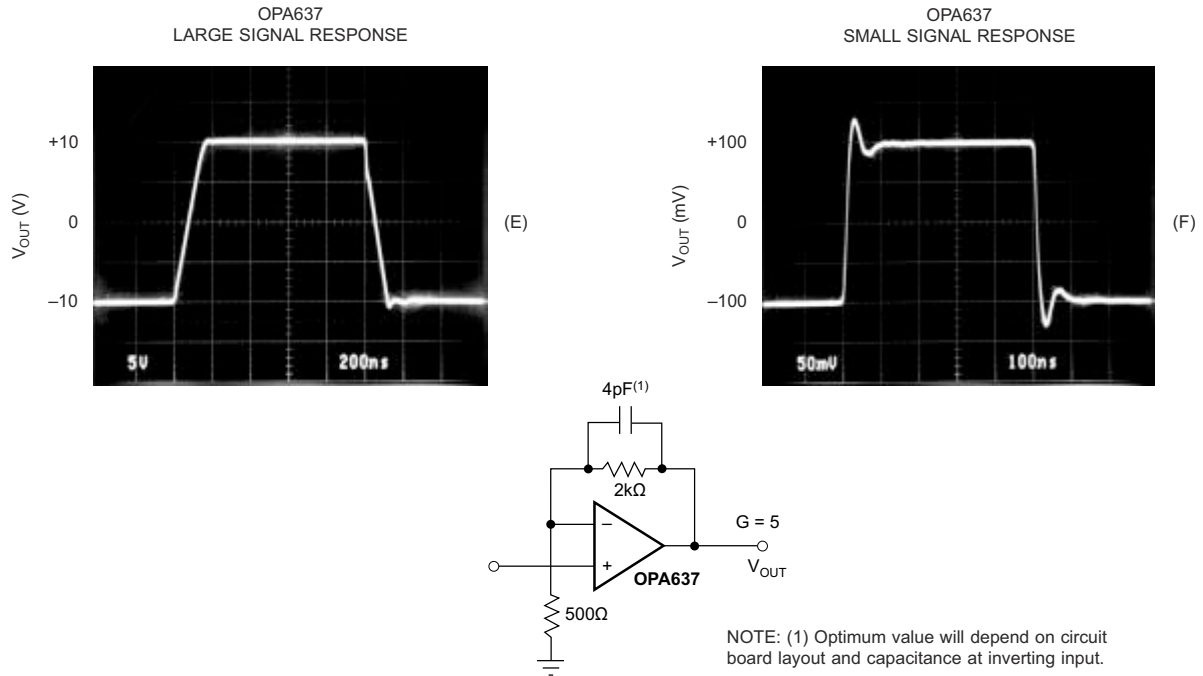


图 7-6. OPA637 Dynamic Response, G = 5

7.2 Typical Application

Low-pass filters are commonly employed in signal processing applications to reduce noise and prevent aliasing. The OPA627 and OPA637 are an excellent choice to construct high speed, high precision active filters. 图 7-7 illustrates a second order low pass filter commonly encountered in signal processing applications.

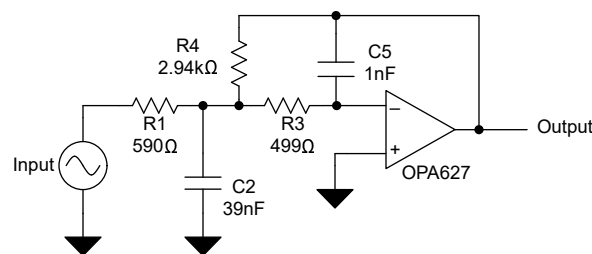


图 7-7. Second Order Low Pass Filter

7.2.1 Design Requirements

Use the following parameters for this design example:

- Gain = 5V/V (inverting gain)
- Low pass cutoff frequency = 25kHz
- Second order Chebyshev filter response with 3dB gain peaking in the pass band

7.2.2 Detailed Design Procedure

The infinite-gain multiple-feedback circuit for a low-pass network function is shown in 图 7-7. Use 方程式 1 to calculate the voltage transfer function.

$$\frac{\text{Output}}{\text{Input}}(s) = \frac{-1/R_1 R_3 C_2 C_5}{s^2 + (s/C_2)(1/R_1 + 1/R_3 + 1/R_4) + 1/R_3 R_4 C_2 C_5} \quad (1)$$

This circuit produces a signal inversion. For this circuit the gain at DC and the low pass cutoff frequency can be calculated using 方程式 2.

$$\text{Gain} = \frac{R_4}{R_1}$$

$$f_C = \frac{1}{2\pi} \sqrt{(1/R_3 R_4 C_2 C_5)} \quad (2)$$

Software tools are readily available to simplify filter design. Available as a web-based tool from the [Design tools and simulation](#) web page, the [Analog Filter Designer](#) allows the user to design, optimize, and simulate complete multistage active filter solutions within minutes.

7.2.3 Application Curve

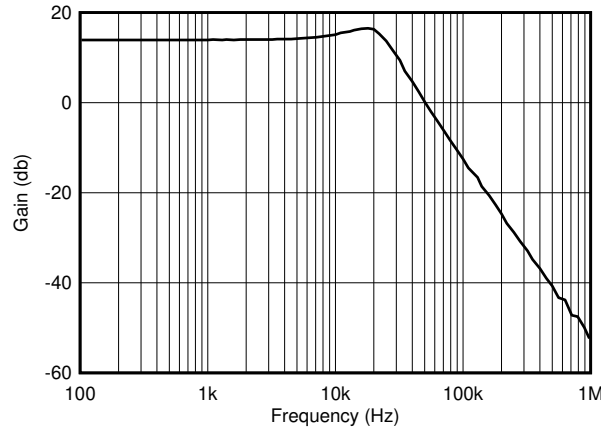


图 7-8. OPA627 2nd Order 25kHz, Chebyshev, Low-Pass Filter

7.3 Power Supply Recommendations

The OPA6x7 are specified for operation from 9V to 36V ($\pm 4.5\text{V}$ to $\pm 18\text{V}$); many specifications apply from -25°C to $+85^\circ\text{C}$ (OPA6x7AU, OPA627BU, OPA6x7AM, and OPA6x7BM) and -55°C to $+125^\circ\text{C}$ (OPA6x7SM). Parameters that can exhibit significant variance with regard to operating voltage or temperature are presented in the [§ 5.9](#).

7.4 Layout

7.4.1 Layout Guidelines

For best operational performance of the device, use good PCB layout practices, including:

- Noise can propagate into analog circuitry through the power pins of the circuit and directly through the operational amplifier. Bypass capacitors help to reduce the coupled noise by providing low-impedance power sources local to the analog circuitry.
 - Connect low-ESR, $0.1\mu\text{F}$ ceramic bypass capacitors between each supply pin and ground, placed as close to the device as possible. A single bypass capacitor from $V+$ to ground is applicable for single-supply applications.
 - The OPA6x7 is capable of high-output current (in excess of 45mA). Applications with low impedance loads or capacitive loads with fast transient signals demand large currents from the power supplies. Larger bypass capacitors such as $1\mu\text{F}$ solid tantalum capacitors can improve dynamic performance in these applications.
- Separate grounding for analog and digital portions of circuitry is one of the simplest and most-effective methods of noise suppression. One or more layers on multilayer PCBs are usually devoted to ground planes. A ground plane helps distribute heat and reduces EMI noise pickup. Make sure to physically separate digital and analog grounds paying attention to the flow of the ground current.
- To reduce parasitic coupling, run the input traces as far away from the supply or output traces as possible. If these traces cannot be kept separate, crossing the sensitive trace perpendicular is much better as opposed to in parallel with the noisy trace.
- Place the external components as close to the device as possible. As shown in [图 7-10](#), keeping RF and RG close to the inverting input minimizes parasitic capacitance.
- Keep the length of input traces as short as possible. Always remember that the input traces are the most sensitive part of the circuit.
- Consider a driven, low-impedance guard ring around the critical traces. A guard ring can significantly reduce leakage currents from nearby traces that are at different potentials.
- The case (TO-99 metal package only) is internally connected to the negative power supply, as with most common operational amplifiers.
- Pin 1, 5, and 8 of the SOIC packages have no internal connection. Pin 8 of the TO-99 packages has no internal connection.
- Cleaning the PCB following board assembly is recommended for best performance.
- Any precision integrated circuit can experience performance shifts due to moisture ingress into the plastic package. Following any aqueous PCB cleaning process, baking the PCB assembly is recommended to remove moisture introduced into the device packaging during the cleaning process. A low temperature, post cleaning bake at 85°C for 30 minutes is sufficient for most circumstances.

7.4.2 Layout Example

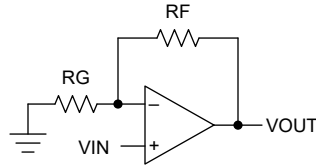


图 7-9. OPA627 Layout Example for the Noninverting Configuration (Schematic Representation)

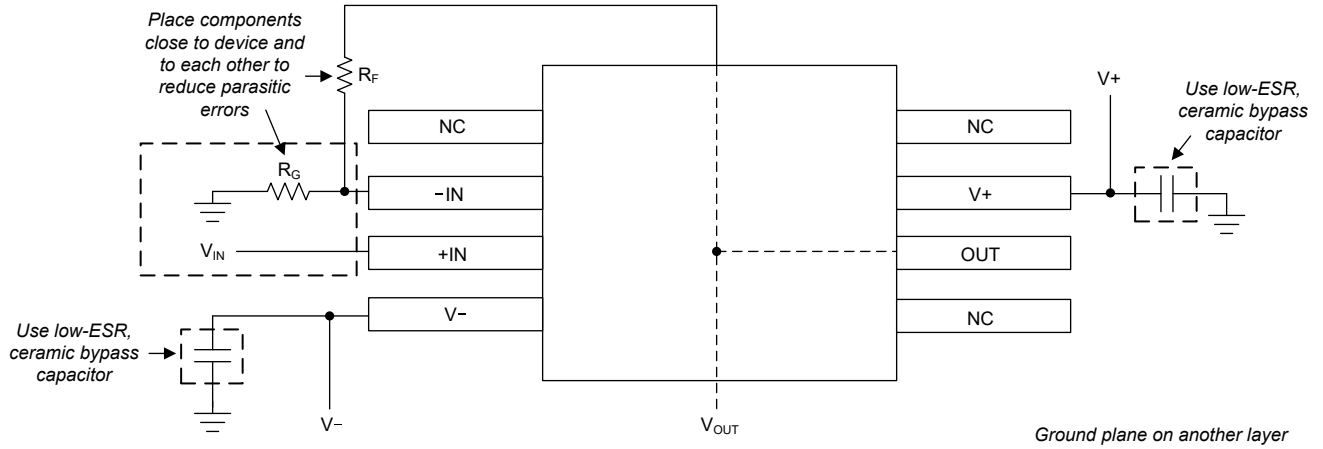


图 7-10. OPA627 Layout Example for the Noninverting Configuration

8 Device and Documentation Support

8.1 Device Support

8.1.1 Development Support

8.1.1.1 TINA-TI™ 仿真软件 (免费下载)

TINA-TI™ 仿真软件是一款简单易用、功能强大且基于 SPICE 引擎的电路仿真程序。TINA-TI 仿真软件是 TINA™ 软件的一款免费全功能版本，除了一系列无源和有源模型外，此版本软件还预先载入了一个宏模型库。TINA-TI 仿真软件提供所有传统的 SPICE 直流、瞬态和频域分析，以及其他设计功能。

TINA-TI 仿真软件提供全面的后处理能力，便于用户以多种方式获得结果，用户可从 [设计和仿真工具网页](#) 免费下载。虚拟仪器提供选择输入波形和探测电路节点、电压以及波形的能力，从而构建一个动态的快速启动工具。

备注

必须安装 TINA 软件或者 TINA-TI 软件后才能使用这些文件。请从 [TINA-TI™ 软件文件夹](#) 中下载免费的 TINA-TI 仿真软件。

8.1.1.2 模拟滤波器设计器

[设计和仿真工具网页](#) 以基于网络的工具形式提供 [模拟滤波器设计器](#)，用户可以利用该设计器在短时间内完成多级有源滤波器解决方案的设计、优化和仿真。

8.1.1.3 TI 参考设计

TI 参考设计是由 TI 的精密模拟应用专家创建的模拟解决方案。TI 参考设计提供了许多实用电路的工作原理、组件选择、仿真、完整印刷电路板 (PCB) 电路原理图和布局布线、物料清单以及性能测量结果。TI 参考设计可在线获取，网址为 <https://www.ti.com/reference-designs>。

8.2 Documentation Support

8.2.1 Related Documentation

For related documentation see the following:

- Texas Instruments, [Compensate Transimpedance Amplifiers Intuitively](#)
- Texas Instruments, [Noise Analysis for High Speed op Amps](#)

8.3 接收文档更新通知

要接收文档更新通知，请导航至 [ti.com](#) 上的器件产品文件夹。点击 [通知](#) 进行注册，即可每周接收产品信息更改摘要。有关更改的详细信息，请查看任何已修订文档中包含的修订历史记录。

8.4 支持资源

[TI E2E™ 中文支持论坛](#) 是工程师的重要参考资料，可直接从专家处获得快速、经过验证的解答和设计帮助。搜索现有解答或提出自己的问题，获得所需的快速设计帮助。

链接的内容由各个贡献者“按原样”提供。这些内容并不构成 TI 技术规范，并且不一定反映 TI 的观点；请参阅 TI 的 [使用条款](#)。

8.5 Trademarks

Bluetooth™ is a trademark of Bluetooth SIG, Inc.

TINA-TI™ and TI E2E™ are trademarks of Texas Instruments.

TINA™ is a trademark of DesignSoft, Inc.

所有商标均为其各自所有者的财产。

8.6 静电放电警告



静电放电 (ESD) 会损坏这个集成电路。德州仪器 (TI) 建议通过适当的预防措施处理所有集成电路。如果不遵守正确的处理和安装程序，可能会损坏集成电路。

ESD 的损坏小至导致微小的性能降级，大至整个器件故障。精密的集成电路可能更容易受到损坏，这是因为非常细微的参数更改都可能会导致器件与其发布的规格不相符。

8.7 术语表

TI 术语表 本术语表列出并解释了术语、首字母缩略词和定义。

9 Revision History

注：以前版本的页码可能与当前版本的页码不同

| Changes from Revision B (April 2024) to Revision C (January 2025) | Page |
|---|------|
| • 将 OPA627BU 状态从“预发布”更改为“量产数据 (正在供货)” | 1 |

| Changes from Revision A (April 2015) to Revision B (April 2024) | Page |
|--|------|
| • 向数据表添加了 OPA627BU 预发布器件和相关信息 | 1 |
| • 删除了整个数据表中的 Difet 引用 | 1 |
| • 将 OPA627 简化原理图更改为 OPA627 低通滤波器 | 1 |
| • 删除了数据表中的 P 封装 (PDIP, 8) | 1 |
| • 更新了说明中的文本 | 1 |
| • Updated pin configuration diagrams and functions tables in <i>Pin Configuration and Functions</i> | 3 |
| • Changed signal input pin voltage common-mode from "(V-) - 2V to (V+) + 2V" to "(V-) - 0.5V to (V+) + 0.5V" and differential from total $V_S + 4$ to $(V+) - (V-)$ in <i>Absolute Maximum Ratings</i> | 5 |
| • Added input pin current range row to <i>Absolute Maximum Ratings</i> | 5 |
| • Updated OPA627AU <i>ESD Ratings</i> | 5 |
| • Updated specified temperature range to fix typo in <i>Recommended Operating Conditions</i> | 5 |
| • Updated OPA627AU <i>Thermal Information</i> | 6 |
| • Updated <i>Electrical Characteristics</i> to individual tables | 7 |
| • Updated parameter abbreviations and names in all <i>Electrical Characteristics</i> | 7 |
| • Added nominal conditions to the header of all <i>Electrical Characteristics</i> | 7 |
| • Added \pm to input offset voltage, input offset voltage drift, input bias current, and input offset current values to all <i>Electrical Characteristics</i> | 7 |
| • Changed OPA627AU input voltage noise from $0.8V_{PP}$ to $0.34V_{PP}$ | 7 |
| • Updated OPA627AU input voltage noise density values | 7 |
| • Changed OPA627AU common-mode input impedance from 7pF to 9pF | 7 |
| • Changed OPA627AU gain-bandwidth product from 16MHz to 45MHz | 7 |
| • Added OPA627AU capacitive load test condition to gain-bandwidth product and settling time | 7 |
| • Changed OPA627AU slew rate TYP value from $55V/\mu s$ to $150V/\mu s$ and deleted MIN value | 7 |
| • Changed OPA627AU settling time from 550ns to 120ns for 0.01%, and from 450ns to 110ns for 0.1% | 7 |
| • Added OPA627AU THD+N V_O test condition | 7 |
| • Changed OPA627AU current output from ± 45 to $\pm 30mA$ | 7 |
| • Changed OPA627AU short-circuit current TYP value from $\pm 70mA$ - 50mA to $\pm 45mA$ and deleted MIN and MAX values | 7 |
| • Changed OPA627AU open-loop output impedance from 55Ω to 13.5Ω | 7 |
| • Updated <i>Functional Block Diagram</i> | 19 |
| • Updated text in <i>Offset Voltage Adjustment</i> | 21 |

- Changed protection range from "+V_S + 2V to -V_S - 2V" to "+V_S + 0.5V to -V_S - 0.5V" in *Input Protection* 24
- Updated Figure 6-8, *OPA627 EMIRR IN+ vs Frequency*, Table 6-1, *OPA627 EMIRR IN+ Frequencies of Interest*, and related description in *EMI Rejection Ratio (EMIRR)* 26
- Deleted duplicate Figure 46; see Figure 6-4, *Connection of Input Guard for Lower I_B* 33
- Updated Figure 45, and moved to Figure 7-9 and Figure 7-10..... 33

Changes from Revision * (September 2000) to Revision A (April 2015)
Page

- 添加了 *ESD* 等级、特性说明、器件功能模式、应用和实施、电源相关建议、布局、器件和文档支持以及机械、封装和可订购信息 部分..... 1

10 Mechanical, Packaging, and Orderable Information

The following pages include mechanical, packaging, and orderable information. This information is the most current data available for the designated devices. This data is subject to change without notice and revision of this document. For browser-based versions of this data sheet, refer to the left-hand navigation.

PACKAGING INFORMATION

| Orderable Device | Status (1) | Package Type | Package Drawing | Pins | Package Qty | Eco Plan (2) | Lead finish/ Ball material (6) | MSL Peak Temp (3) | Op Temp (°C) | Device Marking (4/5) | Samples |
|------------------|---------------|--------------|-----------------|------|-------------|-----------------|--------------------------------------|----------------------|--------------|-------------------------|---------|
| OPA627AM | NRND | TO-99 | LMC | 8 | 20 | RoHS & Green | Call TI | N / A for Pkg Type | | OPA627AM | |
| OPA627AU | ACTIVE | SOIC | D | 8 | 75 | RoHS & Green | NIPDAU | Level-3-260C-168 HR | -25 to 85 | OPA 627AU | Samples |
| OPA627AU/2K5 | ACTIVE | SOIC | D | 8 | 2500 | RoHS & Green | NIPDAU | Level-3-260C-168 HR | -25 to 85 | OPA 627AU | Samples |
| OPA627AU/2K5E4 | ACTIVE | SOIC | D | 8 | 2500 | RoHS & Green | NIPDAU | Level-3-260C-168 HR | -25 to 85 | OPA 627AU | Samples |
| OPA627AUE4 | ACTIVE | SOIC | D | 8 | 75 | RoHS & Green | NIPDAU | Level-3-260C-168 HR | -25 to 85 | OPA 627AU | Samples |
| OPA627AUG4 | ACTIVE | SOIC | D | 8 | 75 | RoHS & Green | NIPDAU | Level-3-260C-168 HR | -25 to 85 | OPA 627AU | Samples |
| OPA627BM | NRND | TO-99 | LMC | 8 | 20 | RoHS & Green | Call TI | N / A for Pkg Type | | OPA627BM | |
| OPA627SM | NRND | TO-99 | LMC | 8 | 20 | RoHS & Green | AU | N / A for Pkg Type | | OPA627SM | |
| OPA637AM | NRND | TO-99 | LMC | 8 | 20 | RoHS & Green | Call TI | N / A for Pkg Type | | OPA637AM | |
| OPA637AU | ACTIVE | SOIC | D | 8 | 75 | RoHS & Green | NIPDAU | Level-3-260C-168 HR | -25 to 85 | OPA 637AU | Samples |
| OPA637AU/2K5 | ACTIVE | SOIC | D | 8 | 2500 | RoHS & Green | NIPDAU | Level-3-260C-168 HR | -25 to 85 | OPA 637AU | Samples |
| OPA637BM | NRND | TO-99 | LMC | 8 | 20 | RoHS & Green | Call TI | N / A for Pkg Type | | OPA637BM | |
| OPA637SM | NRND | TO-99 | LMC | 8 | 20 | RoHS & Green | AU | N / A for Pkg Type | | OPA637SM | |

(1) The marketing status values are defined as follows:

ACTIVE: Product device recommended for new designs.

LIFEBUY: TI has announced that the device will be discontinued, and a lifetime-buy period is in effect.

NRND: Not recommended for new designs. Device is in production to support existing customers, but TI does not recommend using this part in a new design.

PREVIEW: Device has been announced but is not in production. Samples may or may not be available.

OBSOLETE: TI has discontinued the production of the device.

(2) **RoHS:** TI defines "RoHS" to mean semiconductor products that are compliant with the current EU RoHS requirements for all 10 RoHS substances, including the requirement that RoHS substance do not exceed 0.1% by weight in homogeneous materials. Where designed to be soldered at high temperatures, "RoHS" products are suitable for use in specified lead-free processes. TI may reference these types of products as "Pb-Free".

RoHS Exempt: TI defines "RoHS Exempt" to mean products that contain lead but are compliant with EU RoHS pursuant to a specific EU RoHS exemption.

Green: TI defines "Green" to mean the content of Chlorine (Cl) and Bromine (Br) based flame retardants meet JS709B low halogen requirements of <=1000ppm threshold. Antimony trioxide based flame retardants must also meet the <=1000ppm threshold requirement.

- (3) MSL, Peak Temp. - The Moisture Sensitivity Level rating according to the JEDEC industry standard classifications, and peak solder temperature.
- (4) There may be additional marking, which relates to the logo, the lot trace code information, or the environmental category on the device.
- (5) Multiple Device Markings will be inside parentheses. Only one Device Marking contained in parentheses and separated by a "~" will appear on a device. If a line is indented then it is a continuation of the previous line and the two combined represent the entire Device Marking for that device.
- (6) Lead finish/Ball material - Orderable Devices may have multiple material finish options. Finish options are separated by a vertical ruled line. Lead finish/Ball material values may wrap to two lines if the finish value exceeds the maximum column width.

Important Information and Disclaimer:The information provided on this page represents TI's knowledge and belief as of the date that it is provided. TI bases its knowledge and belief on information provided by third parties, and makes no representation or warranty as to the accuracy of such information. Efforts are underway to better integrate information from third parties. TI has taken and continues to take reasonable steps to provide representative and accurate information but may not have conducted destructive testing or chemical analysis on incoming materials and chemicals. TI and TI suppliers consider certain information to be proprietary, and thus CAS numbers and other limited information may not be available for release.

In no event shall TI's liability arising out of such information exceed the total purchase price of the TI part(s) at issue in this document sold by TI to Customer on an annual basis.

TAPE AND REEL INFORMATION

QUADRANT ASSIGNMENTS FOR PIN 1 ORIENTATION IN TAPE


*All dimensions are nominal

| Device | Package Type | Package Drawing | Pins | SPQ | Reel Diameter (mm) | Reel Width W1 (mm) | A0 (mm) | B0 (mm) | K0 (mm) | P1 (mm) | W (mm) | Pin1 Quadrant |
|--------------|--------------|-----------------|------|------|--------------------|--------------------|---------|---------|---------|---------|--------|---------------|
| OPA627AU/2K5 | SOIC | D | 8 | 2500 | 330.0 | 12.4 | 6.4 | 5.2 | 2.1 | 8.0 | 12.0 | Q1 |
| OPA627AU/2K5 | SOIC | D | 8 | 2500 | 330.0 | 12.4 | 6.4 | 5.2 | 2.1 | 8.0 | 12.0 | Q1 |
| OPA637AU/2K5 | SOIC | D | 8 | 2500 | 330.0 | 12.4 | 6.4 | 5.2 | 2.1 | 8.0 | 12.0 | Q1 |

TAPE AND REEL BOX DIMENSIONS



*All dimensions are nominal

| Device | Package Type | Package Drawing | Pins | SPQ | Length (mm) | Width (mm) | Height (mm) |
|--------------|--------------|-----------------|------|------|-------------|------------|-------------|
| OPA627AU/2K5 | SOIC | D | 8 | 2500 | 353.0 | 353.0 | 32.0 |
| OPA627AU/2K5 | SOIC | D | 8 | 2500 | 356.0 | 356.0 | 35.0 |
| OPA637AU/2K5 | SOIC | D | 8 | 2500 | 356.0 | 356.0 | 35.0 |

TUBE


*All dimensions are nominal

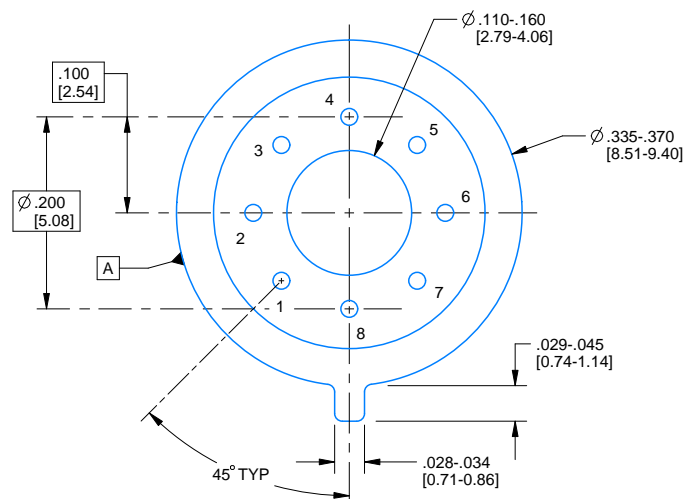
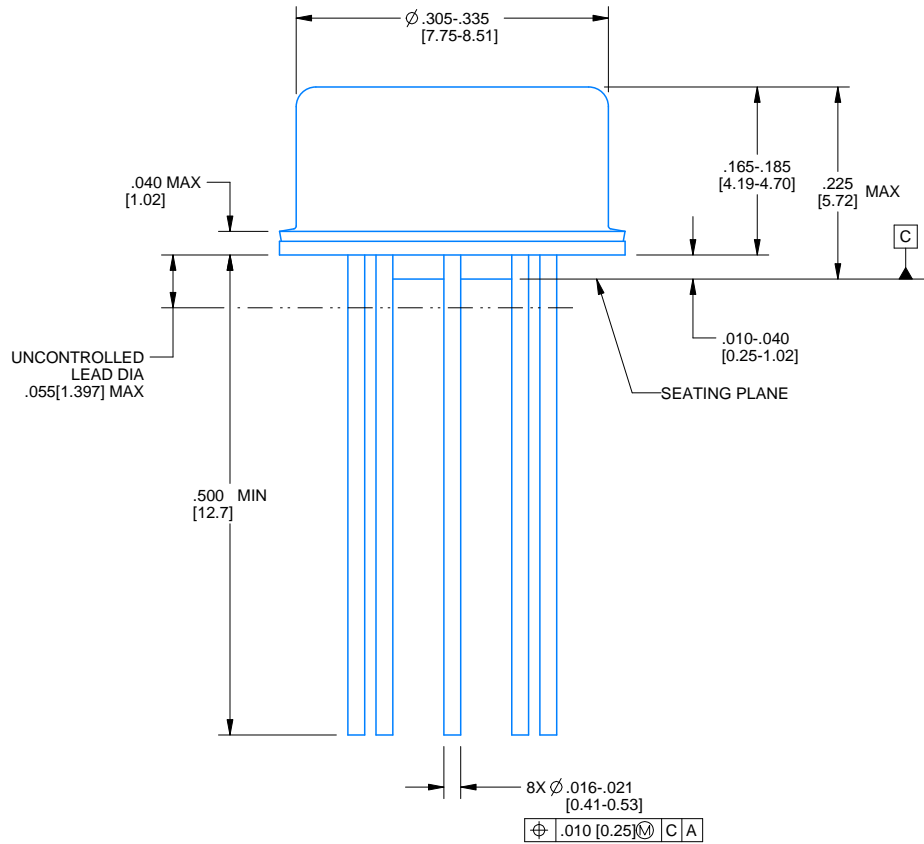
| Device | Package Name | Package Type | Pins | SPQ | L (mm) | W (mm) | T (μm) | B (mm) |
|------------|--------------|--------------|------|-----|--------|--------|--------|--------|
| OPA627AM | LMC | TO-CAN | 8 | 20 | 532.13 | 21.59 | 889 | NA |
| OPA627AU | D | SOIC | 8 | 75 | 506.6 | 8 | 3940 | 4.32 |
| OPA627AUE4 | D | SOIC | 8 | 75 | 506.6 | 8 | 3940 | 4.32 |
| OPA627AUG4 | D | SOIC | 8 | 75 | 506.6 | 8 | 3940 | 4.32 |
| OPA627BM | LMC | TO-CAN | 8 | 20 | 532.13 | 21.59 | 889 | NA |
| OPA627SM | LMC | TO-CAN | 8 | 20 | 532.13 | 21.59 | 889 | NA |
| OPA637AM | LMC | TO-CAN | 8 | 20 | 532.13 | 21.59 | 889 | NA |
| OPA637AU | D | SOIC | 8 | 75 | 506.6 | 8 | 3940 | 4.32 |
| OPA637BM | LMC | TO-CAN | 8 | 20 | 532.13 | 21.59 | 889 | NA |
| OPA637SM | LMC | TO-CAN | 8 | 20 | 532.13 | 21.59 | 889 | NA |

PACKAGE OUTLINE

LMC0008A

TO-CAN - 5.72 mm max height

TRANSISTOR OUTLINE



4220610/B 09/2024

NOTES:

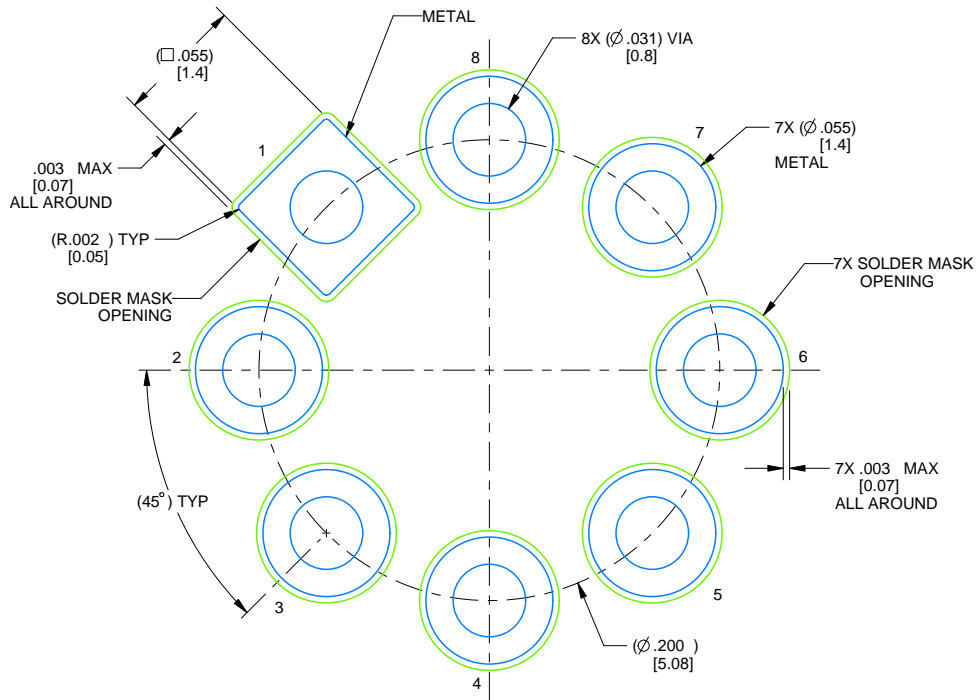
1. All linear dimensions are in inches [millimeters]. Any dimensions in parenthesis are for reference only. Dimensioning and tolerancing per ASME Y14.5M.
2. This drawing is subject to change without notice.
3. Pin numbers shown for reference only. Numbers may not be marked on package.
4. Reference JEDEC registration MO-002/TO-99.

EXAMPLE BOARD LAYOUT

LMC0008A

TO-CAN - 5.72 mm max height

TRANSISTOR OUTLINE



LAND PATTERN EXAMPLE
NON-SOLDER MASK DEFINED
SCALE: 12X

4220610/B 09/2024



D0008A

PACKAGE OUTLINE

SOIC - 1.75 mm max height

SMALL OUTLINE INTEGRATED CIRCUIT



4214825/C 02/2019

NOTES:

- Linear dimensions are in inches [millimeters]. Dimensions in parenthesis are for reference only. Controlling dimensions are in inches. Dimensioning and tolerancing per ASME Y14.5M.
- This drawing is subject to change without notice.
- This dimension does not include mold flash, protrusions, or gate burrs. Mold flash, protrusions, or gate burrs shall not exceed $.006$ [0.15] per side.
- This dimension does not include interlead flash.
- Reference JEDEC registration MS-012, variation AA.

EXAMPLE BOARD LAYOUT

D0008A

SOIC - 1.75 mm max height

SMALL OUTLINE INTEGRATED CIRCUIT



LAND PATTERN EXAMPLE
EXPOSED METAL SHOWN
SCALE:8X



SOLDER MASK DETAILS

4214825/C 02/2019

NOTES: (continued)

6. Publication IPC-7351 may have alternate designs.

7. Solder mask tolerances between and around signal pads can vary based on board fabrication site.

EXAMPLE STENCIL DESIGN

D0008A

SOIC - 1.75 mm max height

SMALL OUTLINE INTEGRATED CIRCUIT



SOLDER PASTE EXAMPLE
BASED ON .005 INCH [0.125 MM] THICK STENCIL
SCALE:8X

4214825/C 02/2019

NOTES: (continued)

8. Laser cutting apertures with trapezoidal walls and rounded corners may offer better paste release. IPC-7525 may have alternate design recommendations.
9. Board assembly site may have different recommendations for stencil design.

重要通知和免责声明

TI“按原样”提供技术和可靠性数据（包括数据表）、设计资源（包括参考设计）、应用或其他设计建议、网络工具、安全信息和其他资源，不保证没有瑕疵且不做任何明示或暗示的担保，包括但不限于对适销性、某特定用途方面的适用性或不侵犯任何第三方知识产权的暗示担保。

这些资源可供使用 TI 产品进行设计的熟练开发人员使用。您将自行承担以下全部责任：(1) 针对您的应用选择合适的 TI 产品，(2) 设计、验证并测试您的应用，(3) 确保您的应用满足相应标准以及任何其他功能安全、信息安全、监管或其他要求。

这些资源如有变更，恕不另行通知。TI 授权您仅可将这些资源用于研发本资源所述的 TI 产品的相关应用。严禁以其他方式对这些资源进行复制或展示。您无权使用任何其他 TI 知识产权或任何第三方知识产权。您应全额赔偿因在这些资源的使用中对 TI 及其代表造成的任何索赔、损害、成本、损失和债务，TI 对此概不负责。

TI 提供的产品受 [TI 的销售条款](#) 或 [ti.com](#) 上其他适用条款/TI 产品随附的其他适用条款的约束。TI 提供这些资源并不会扩展或以其他方式更改 TI 针对 TI 产品发布的适用的担保或担保免责声明。

TI 反对并拒绝您可能提出的任何其他或不同的条款。

邮寄地址：Texas Instruments, Post Office Box 655303, Dallas, Texas 75265
版权所有 © 2025，德州仪器 (TI) 公司