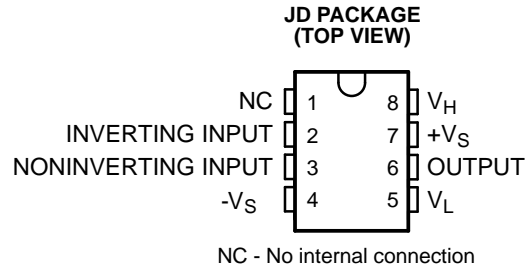


UNITY-GAIN STABLE WIDEBAND VOLTAGE LIMITING AMPLIFIER

FEATURES

- High Linearity Near Limiting
- Fast Recovery from Overdrive: 1 ns
- Limiting Voltage Accuracy: ± 15 mV
- -3-dB Bandwidth ($G = +1$): 450 MHz
- Slew Rate: 1100 V/ms
- ± 5 -V and 5-V Supply Operation
- Unity Gain Version of the OPA699



P0013-01

APPLICATIONS

- Fast Limiting ADC Input Buffers
- CCD Pixel Clock Stripping
- Video Sync Stripping
- HF Mixers
- IF Limiting Amplifiers
- AM Signal Generation
- Non-Linear Analog Signal Processing
- OPA688M Replacement

DESCRIPTION

The OPA698 is a wideband, unity gain stable voltage-feedback op amp that offers bipolar output voltage limiting. Two buffered limiting voltages take control of the output when it attempts to drive beyond these limits. This new output limiting architecture holds the limiter offset error to ± 15 mV. The op amp operates linearly to within 30 mV of the output limit voltages.

The combination of narrow nonlinear range and low limiting offset allows the limiting voltages to be set within 100 mV of the desired linear output range. A fast 1-ns recovery from limiting ensures that overdrive signals will be transparent to the signal channel. Implementing the limiting function at the output, as opposed to the input, gives the specified limiting accuracy for any gain and allows the OPA698 to be used in all standard op amp applications.

Non-linear analog signal processing benefits from the ability of the OPA698 to sharply transition from linear operation to output limiting. The quick recovery time supports high-speed applications.

The OPA698M is available in an industry standard pinout CDIP-8 package. For higher gain or transimpedance applications requiring output limiting with fast recovery, consider the OPA699M.

ORDERING INFORMATION⁽¹⁾

T_A	PACKAGE		ORDERABLE PART NUMBER	TOP-SIDE MARKING
-55°C to 125°C	CDIP – JD	Tube	OPA698MJD	OPA698MJD

(1) Package drawings, standard packing quantities, thermal data, symbolization, and PCB design guidelines are available at www.ti.com/sc/package.



Please be aware that an important notice concerning availability, standard warranty, and use in critical applications of Texas Instruments semiconductor products and disclaimers thereto appears at the end of this data sheet.



These devices have limited built-in ESD protection. The leads should be shorted together or the device placed in conductive foam during storage or handling to prevent electrostatic damage to the MOS gates.

ABSOLUTE MAXIMUM RATINGS

over operating free-air temperature range (unless otherwise noted)⁽¹⁾

	UNIT
Power supply	±6.5 V
V _{ICM} Common-mode input voltage	±V _S
V _{ID} Differential input voltage	±V _S
Limiter voltage range	±(V _S - 0.7 V)
T _A Operating free-air temperature range	-55°C to 125°C
T _{stg} Storage temperature range	-65°C to 150°C
Lead temperature 1,6 mm (1/16 inch) from case for 10 seconds	300°C
T _J Junction temperature	150°C
θ _{JC} Package thermal impedance ⁽²⁾ (JD Package)	14.5°C/W

- (1) Stresses beyond those listed under *absolute maximum ratings* may cause permanent damage to the device. These are stress ratings only, and functional operation of the device at these or any other conditions beyond those indicated under *recommended operating conditions* is not implied. Exposure to absolute-maximum-rated conditions for extended periods may affect device reliability.
- (2) The package thermal impedance is measured per MIL-STD-883, Method 1012.1.

RECOMMENDED OPERATING CONDITIONS

	MIN	NOM	MAX	UNIT
Operating voltage	Split-rail operation		±5	V
	Single-supply operation		5	
Operating free-air temperature	-55		125	°C

ELECTRICAL CHARACTERISTICS

V_S = ±5 V, V_{ICM} = 0 V, R_L = 500 Ω, limiter pins open (unless otherwise noted)⁽¹⁾

PARAMETER	TEST CONDITIONS	MIN	TYP	MAX	UNIT
AC PERFORMANCE (see Figure 47)					
Small signal bandwidth	V _O < 0.2 V _{p-p} , G = +1, R _F = 25 Ω		450		MHz
	V _O < 0.2 V _{p-p} , G = +2		215		
	V _O < 0.2 V _{p-p} , G = -1		215		
Gain-bandwidth product (G ≥ 5)	V _O < 0.2 V _{p-p}		250		MHz
Bandwidth for 0.1-dB gain flatness	V _O = 0.2 V		30		MHz
Gain peaking	V _O < 0.2 V _{p-p} , G = +1, R _F = 25 Ω		5		dB
Large signal bandwidth	V _O = 4 V _{p-p} , V _H = -V _L = 2.5 V		160		MHz
Slew rate	4 V step, V _H = -V _L = 2.5 V		1100		V/μs
Rise and fall time	0.2 V step		1.6		ns
Settling time to 0.05%	2 V step		8		ns
Second harmonic distortion	V _O = 2 V _{p-p} , f = 5 MHz		-74		dB
Third harmonic distortion	V _O = 2 V _{p-p} , f = 5 MHz		-87		dB
Differential gain	R _L = 500 Ω, NTSC, PAL		0.012%		
Differential phase	R _L = 500 Ω, NTSC, PAL		0.008		°
Input noise, voltage noise density	f ≥ 1 MHz		5.6		nV/√Hz
Input noise, current noise density	f ≥ 1 MHz		2.2		pA/√Hz

(1) All typical limits are at T_A = 25°C unless otherwise specified.

ELECTRICAL CHARACTERISTICS (continued)

$V_S = \pm 5\text{ V}$, $V_{ICM} = 0\text{ V}$, $R_L = 500\ \Omega$, limiter pins open (unless otherwise noted)

PARAMETER	TEST CONDITIONS	MIN	TYP	MAX	UNIT	
DC PERFORMANCE						
Open-loop voltage gain (AVOL)	$V_O = \pm 0.5\text{ V}$	$T_A = 25^\circ\text{C}$	52	58	dB	
		$T_A = \text{Full range}$	43			
Input offset voltage (V_{IO})		$T_A = 25^\circ\text{C}$		± 2	± 8	mV
		$T_A = \text{Full range}$			± 12	
Input bias current (I_{IB}) ⁽²⁾		$T_A = 25^\circ\text{C}$		± 3	± 10	μA
		$T_A = \text{Full range}$			± 18	
Input offset current (I_{IO})		$T_A = 25^\circ\text{C}$		± 0.3	± 3	μA
		$T_A = \text{Full range}$			± 4	
INPUT						
Common-mode rejection ratio (CMRR)	$V_{ICM} = \pm 0.5\text{ V}$, Input referred	$T_A = 25^\circ\text{C}$	52	58	dB	
		$T_A = \text{Full range}$	47			
Common-mode input voltage range (V_{ICR}) ⁽³⁾		$T_A = 25^\circ\text{C}$	± 3.2	± 3.3	M Ω pF	
		$T_A = \text{Full range}$	± 3.1			
Input impedance, differential mode			0.32 1		M Ω pF	
Input impedance, common mode			3.5 1		M Ω pF	
OUTPUT						
Output voltage range (V_{OH} , V_{OL})	$V_H = 4.3\text{ V}$, $V_L = -4.3\text{ V}$, $R_L \geq 500\ \Omega$	$T_A = 25^\circ\text{C}$	± 3.9	± 4	V	
		$T_A = \text{Full range}$	± 3.7			
Current output, sourcing (I_{OH})	$V_H = 4.3\text{ V}$, $V_L = -4.3\text{ V}$, $R_L = 20\ \Omega$	$T_A = 25^\circ\text{C}$	110	165	mA	
		$T_A = \text{Full range}$	100			
Current output, sinking (I_{OL})	$V_H = 4.3\text{ V}$, $V_L = -4.3\text{ V}$, $R_L = 20\ \Omega$	$T_A = 25^\circ\text{C}$	-90	-130	mA	
		$T_A = \text{Full range}$	-80			
Closed-loop output impedance	$G = +1$, $R_F = 25\ \Omega$, $f < 100\text{ kHz}$		0.2		Ω	
POWER SUPPLY						
Operating voltage (V_S)			± 5	± 6	V	
Quiescent current (I_S)		$T_A = 25^\circ\text{C}$	15	15.5	16	mA
		$T_A = \text{Full range}$	13.5		18	
Power supply rejection ratio (PSRR)	Input referred, $V_S = \pm 4.5\text{ V}$ to $\pm 5.5\text{ V}$	$T_A = 25^\circ\text{C}$	65	76	dB	
		$T_A = \text{Full range}$	60			
OUTPUT VOLTAGE LIMITERS (pins 5 and 8)						
Default output limited voltage	Limiter pins open	$T_A = 25^\circ\text{C}$	± 3.3	± 3.6	V	
		$T_A = \text{Full range}$	± 3			
Limiter output offset voltage	$(V_O - V_H)$ or $(V_O - V_L)$	$T_A = \text{Full range}$		± 15	± 50	mV
Limiter input bias current magnitude ⁽⁴⁾	$V_O = 0\text{ V}$	$T_A = 25^\circ\text{C}$	40	55	65	μA
		$T_A = \text{Full range}$	35		70	
Limiter input impedance			3.4 1		M Ω pF	
Limiter feedthrough ⁽⁵⁾	$f = 5\text{ MHz}$		-68		dB	
Maximum limiter voltage				± 4.3	V	
Minimum limiter voltage separation			400		mV	
Op amp bias current shift ⁽²⁾				3	μA	

(2) Current is considered positive out of node.

(3) CMIR tested as $< 3\text{-dB}$ degradation from minimum CMRR at specified limits.

(4) I_{VH} (V_H bias current) is positive and I_{VL} (V_L bias current) is negative under these conditions. See Note 2, [Figure 47](#) and [Figure 66](#).

(5) Limiter feedthrough is the ratio of the output magnitude to the sine wave added to V_H (or V_L) when $V_{IN} = 0$.

ELECTRICAL CHARACTERISTICS (continued)
 $V_S = \pm 5\text{ V}$, $V_{ICM} = 0\text{ V}$, $R_L = 500\ \Omega$, limiter pins open (unless otherwise noted)

PARAMETER	TEST CONDITIONS	MIN	TYP	MAX	UNIT
Limiter small signal bandwidth	$V_I = \pm 2\text{ V}$, $V_O < 0.02\text{ V}_{p-p}$		600		MHz
Limiter slew rate ⁽⁶⁾			125		V/ μ s
Limiter step response, overshoot	$V_I = \pm 2\text{ V}$		250		mV
Limiter step response, recovery time	$V_I = \pm 2\text{ V}$		1		ns
Linearity guardband ⁽⁷⁾	$V_O = 2\text{ V}_{p-p}$, $f = 5\text{ MHz}$		30		mV

(6) V_H slew rate conditions are: $V_{IN} = +2\text{ V}$, $G = +2$, $V_L = -2\text{ V}$, $V_H = \text{step between } 2\text{ V and } 0\text{ V}$. V_L slew rate conditions are similar.

(7) Linearity Guardband is defined for an output sinusoid ($f = 5\text{ MHz}$, $V_O = 0\text{ V}_{DC} \pm 1\text{ VP-P}$) centered between the limiter levels (V_H and V_L). It is the difference between the limiter level and the peak output voltage where SFDR decreases by 3 dB (see Figure 67).

ELECTRICAL CHARACTERISTICS
 $V_S = 5\text{ V}$, $V_{ICM} = 2.5\text{ V}$, $R_L = 500\ \Omega$, limiter pins open (unless otherwise noted)⁽¹⁾

PARAMETER	TEST CONDITIONS	MIN	TYP	MAX	UNIT
AC PERFORMANCE (see Figure 48)					
Small signal bandwidth	$V_O < 0.2\text{ V}_{p-p}$, $G = +1$, $R_F = 25\ \Omega$		375		MHz
	$V_O < 0.2\text{ V}_{p-p}$, $G = +2$		200		
	$V_O < 0.2\text{ V}_{p-p}$, $G = -1$		200		
Gain-bandwidth product ($G \geq +5$)	$V_O < 0.2\text{ V}_{p-p}$		230		MHz
Gain peaking	$V_O < 0.2\text{ V}_{p-p}$, $G = +1$, $R_F = 25\ \Omega$		7		dB
Bandwidth for 0.1-dB gain flatness	$V_O < 0.2\text{ V}_{p-p}$		30		MHz
Large signal bandwidth	$V_O = 2\text{ V}_{p-p}$		200		MHz
Slew rate	2 V step		820		V/ μ s
Rise and fall time	0.2 V step		1.9		ns
Settling time to 0.05%	1 V step		12		ns
Spurious free dynamic range	$V_O = 2\text{ V}_{p-p}$, $f = 5\text{ MHz}$		64		dB
Input noise, voltage noise density	$f > 1\text{ MHz}$		5.7		nV/ $\sqrt{\text{Hz}}$
Input noise, current noise density	$f > 1\text{ MHz}$		2.3		pA/ $\sqrt{\text{Hz}}$
DC PERFORMANCE					
Open-loop voltage gain (AVOL)	$V_O = \pm 0.4\text{ V}$	$T_A = 25^\circ\text{C}$	52	57	dB
		$T_A = \text{Full range}$	43		
Input offset voltage (V_{IO})		$T_A = 25^\circ\text{C}$	± 4	± 8	mV
		$T_A = \text{Full range}$		± 12	
Input bias current (I_{IB}) ⁽²⁾		$T_A = 25^\circ\text{C}$	± 3	± 10	μ A
		$T_A = \text{Full range}$		± 15	
Input offset current (I_{IO})		$T_A = 25^\circ\text{C}$	± 0.4	± 3	μ A
		$T_A = \text{Full range}$		± 4	
INPUT					
Common-mode rejection ratio (CMRR)	$V_{ICM} = \pm 0.5\text{ V}$, Input referred	$T_A = 25^\circ\text{C}$	50	57	dB
		$T_A = \text{Full range}$	45		
Common-mode input voltage range (V_{ICR}) ⁽³⁾		$T_A = 25^\circ\text{C}$	$V_{ICM} \pm 0.7$	$V_{ICM} \pm 0.8$	V
		$T_A = \text{Full range}$	$V_{ICM} \pm 0.6$		
Input impedance, differential mode			0.32 1		M Ω pF

(1) All typical limits are at $T_A = 25^\circ\text{C}$ unless otherwise specified.

(2) Current is considered positive out of node.

(3) CMIR tested as $< 3\text{-dB}$ degradation from minimum CMRR at specified limits.

ELECTRICAL CHARACTERISTICS (continued)

$V_S = 5\text{ V}$, $V_{ICM} = 2.5\text{ V}$, $R_L = 500\ \Omega$, limiter pins open (unless otherwise noted)

PARAMETER	TEST CONDITIONS	MIN	TYP	MAX	UNIT	
Input impedance, common mode			3.5 1		M Ω pF	
OUTPUT						
Output voltage range (V_{OH} , V_{OL})	$V_H = V_{ICM} + 1.8\text{ V}$, $V_L = V_{ICM} - 1.8\text{ V}$, $R_L \geq 500\ \Omega$	$T_A = 25^\circ\text{C}$	$V_{ICM} \pm 1.4$	$V_{ICM} \pm 1.6$	V	
		$T_A = \text{Full range}$	$V_{ICM} \pm 1.3$			
Current output, sourcing (I_{OH})	$V_S = \pm 2.5\text{ V}$, $R_L = 20\ \Omega$	$T_A = 25^\circ\text{C}$	70	105	mA	
		$T_A = \text{Full range}$	60			
Current output, sinking (I_{OL})	$V_S = \pm 2.5\text{ V}$, $R_L = 20\ \Omega$	$T_A = 25^\circ\text{C}$	-60	-90	mA	
		$T_A = \text{Full range}$	-50			
Closed-loop output impedance	$G = +1$, $R_F = 25\ \Omega$, $f < 100\text{ kHz}$		0.2		Ω	
POWER SUPPLY						
Operating voltage (V_S)			5	12	V	
Quiescent current (I_S)		$T_A = 25^\circ\text{C}$	13.5	14.3	15	mA
		$T_A = \text{Full range}$	12		16.5	
Power supply rejection ratio (PSRR)	Input referred, $V_S = 4\text{ V}$ to 6 V	$T_A = \text{Full range}$	58	72	dB	
OUTPUT VOLTAGE LIMITERS (pins 5 and 8)						
Default output limited voltage	Limiter pins open	$T_A = 25^\circ\text{C}$	$V_{ICM} \pm 0.8$	$V_{ICM} \pm 1.1$	V	
		$T_A = \text{Full range}$	$V_{ICM} \pm 0.6$		V	
Limiter output offset voltage	$(V_O - V_H)$ or $(V_O - V_L)$	$T_A = \text{Full range}$		± 15	± 50	mV
Limiter input bias current magnitude ⁽⁴⁾	$V_O = 2.5\text{ V}$	$T_A = 25^\circ\text{C}$	40	50	65	μA
		$T_A = \text{Full range}$	35		70	
Limiter input bias current drift			30		nA/ $^\circ\text{C}$	
Limiter input impedance			3.4		M Ω	
			1		pF	
Limiter feedthrough ⁽⁵⁾	$f = 5\text{ MHz}$		-60		dB	
Maximum limiter voltage				$V_{ICM} \pm 1.8$	V	
Minimum limiter voltage separation		400			mV	
Op amp bias current shift ⁽²⁾			5		μA	
Limiter small signal bandwidth	$V_I = V_{ICM} \pm 1.2\text{ V}$, $V_O < 0.02\text{ Vp-p}$		450		MHz	
Limiter slew rate ⁽⁶⁾			100		V/ μA	
Limiter step response, overshoot	$V_I = V_{ICM} \pm 1.2\text{ V}$		55		mV	
Limiter step response, recovery time	$V_I = V_{ICM} \pm 1.2\text{ V}$		3		ns	
Linearity guardband ⁽⁷⁾	$V_O = 2\text{ Vp-p}$, $f = 5\text{ MHz}$		30		mV	

(4) I_{VH} (V_H bias current) is positive and I_{VL} (V_L bias current) is negative under these conditions. See Note 2, Figure 47 and Figure 66.

(5) Limiter feedthrough is the ratio of the output magnitude to the sine wave added to V_H (or V_L) when $V_{IN} = 0$.

(6) V_H slew rate conditions are: $V_{IN} = V_{ICM} + 4\text{ V}$, $G = +2$, $V_L = V_{ICM} - 2\text{ V}$, $V_H = \text{stepped between } V_{ICM} + 1.2\text{ V} \text{ and } V_{ICM}$. V_L slew rate conditions are similar.

(7) Linearity Guardband is defined for an output sinusoid ($f = 5\text{ MHz}$, $V_O = 0\text{ V}_{DC} \pm 1\text{ VP-P}$) centered between the limiter levels (V_H and V_L). It is the difference between the limiter level and the peak output voltage where SFDR decreases by 3 dB (see Figure 67).

TYPICAL CHARACTERISTICS — $V_S = \pm 5\text{ V}$

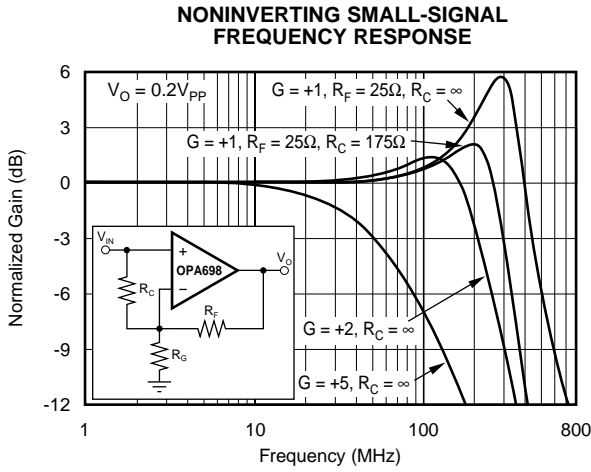


Figure 1.

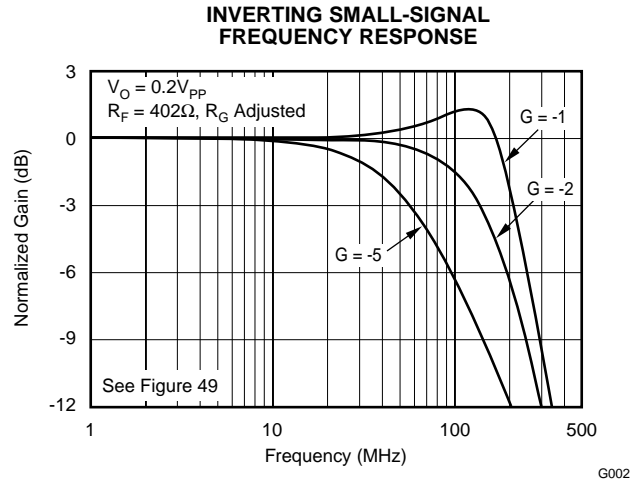


Figure 2.

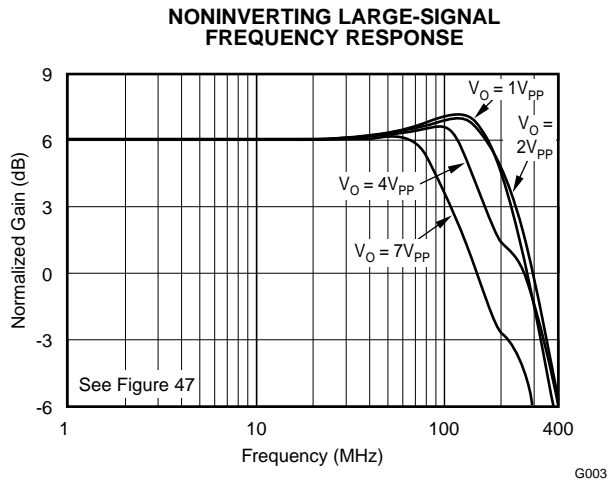


Figure 3.

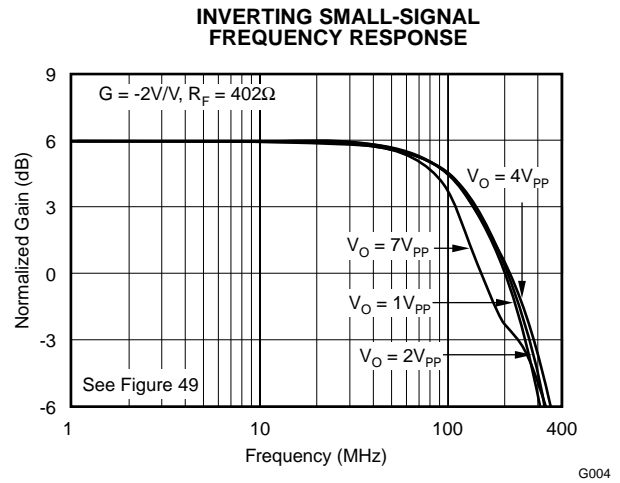


Figure 4.

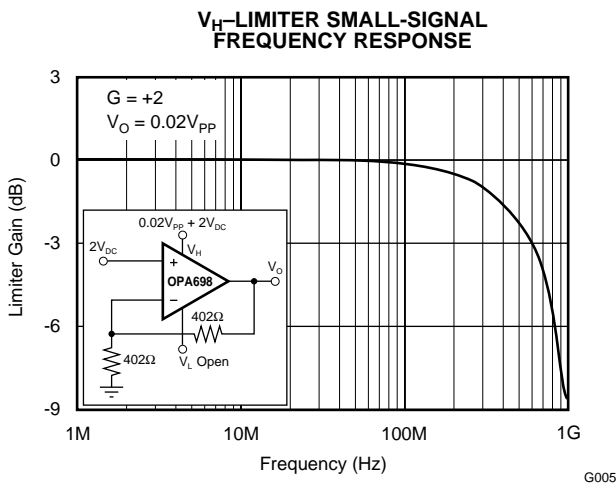


Figure 5.

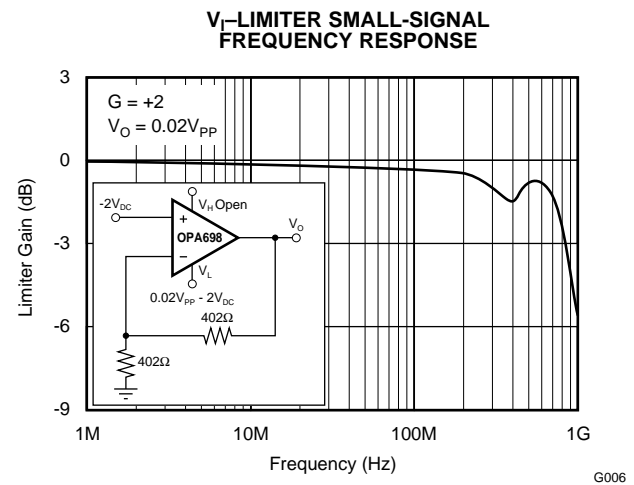
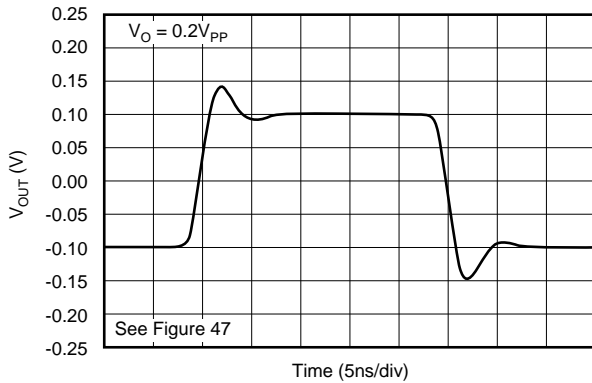


Figure 6.

TYPICAL CHARACTERISTICS — $V_S = \pm 5\text{ V}$ (continued)

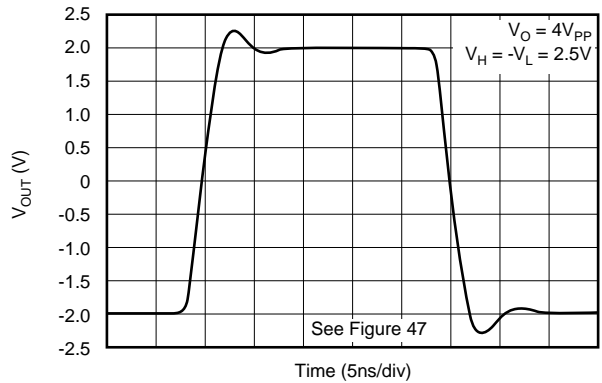
SMALL-SIGNAL PULSE RESPONSE



G007

Figure 7.

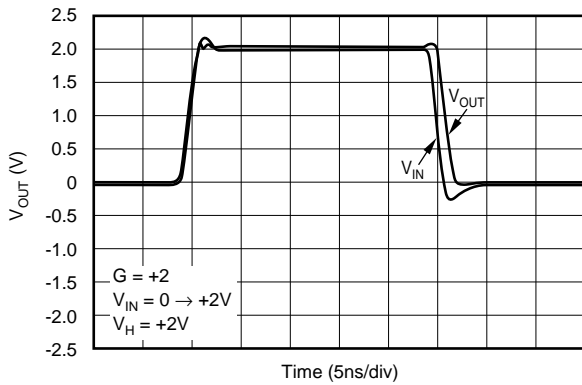
LARGE-SIGNAL PULSE RESPONSE



G008

Figure 8.

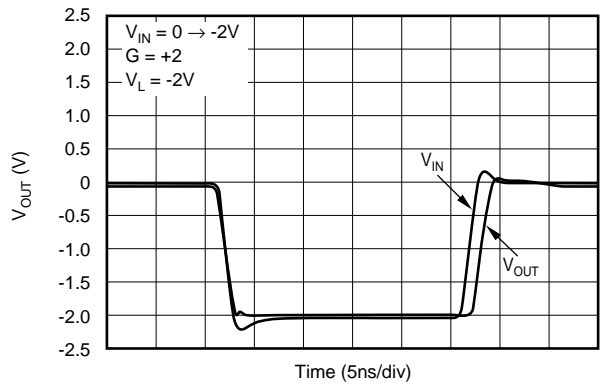
V_H -LIMITER PULSE RESPONSE



G009

Figure 9.

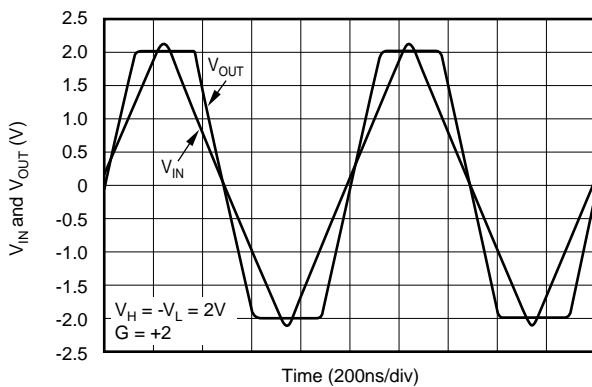
V_L -LIMITER PULSE RESPONSE (20 MHz)



G010

Figure 10.

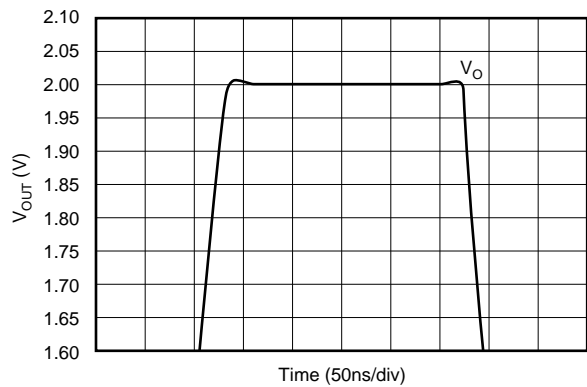
LIMITED OUTPUT RESPONSE



G011

Figure 11.

DETAIL OF LIMITED OUTPUT VOLTAGE



G012

Figure 12.

TYPICAL CHARACTERISTICS — $V_S = \pm 5\text{ V}$ (continued)

5 MHz HARMONIC DISTORTION vs LOAD RESISTANCE

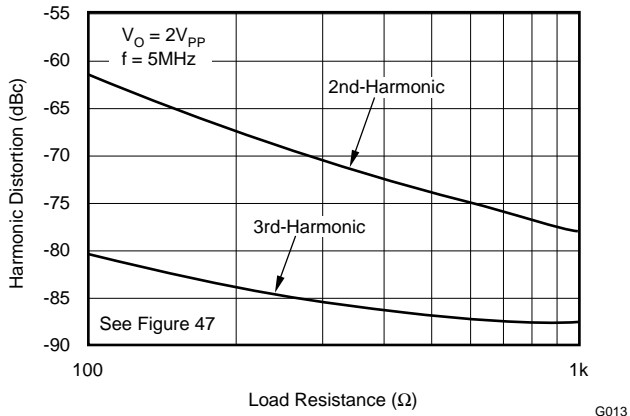


Figure 13.

5 MHz HARMONIC DISTORTION vs SUPPLY VOLTAGE

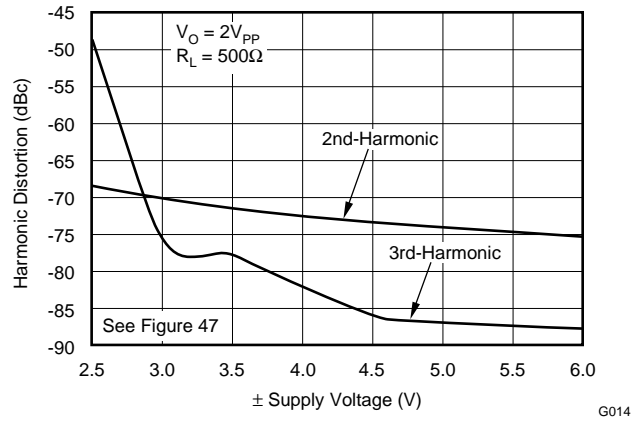


Figure 14.

HARMONIC DISTORTION vs FREQUENCY

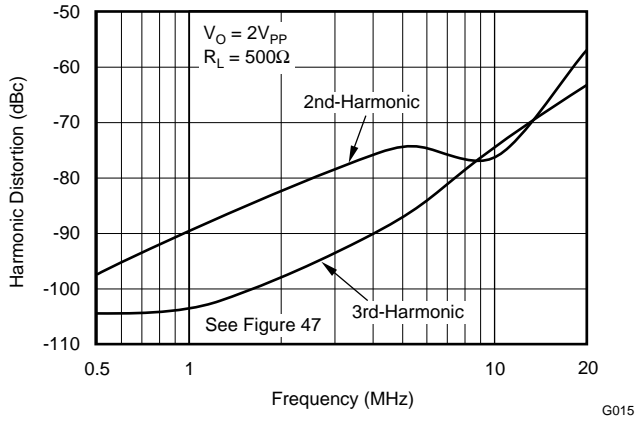


Figure 15.

5 MHz HARMONIC DISTORTION vs OUTPUT VOLTAGE

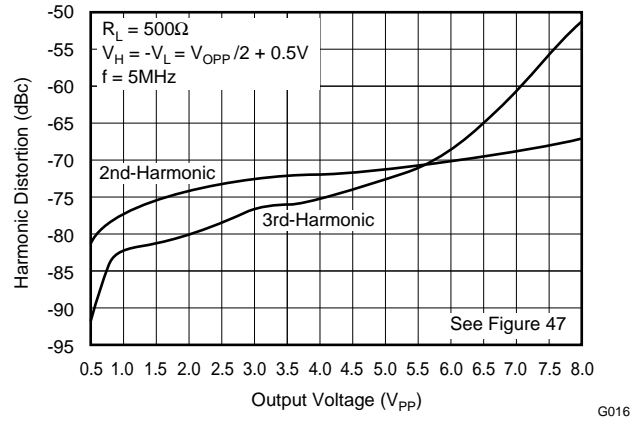


Figure 16.

HARMONIC DISTORTION vs NONINVERTING GAIN

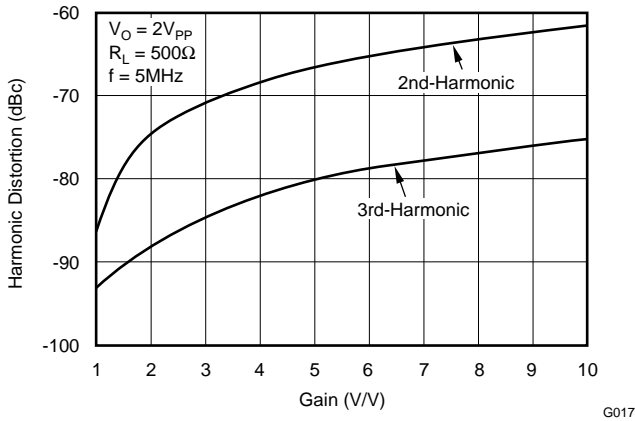


Figure 17.

HARMONIC DISTORTION vs INVERTING GAIN

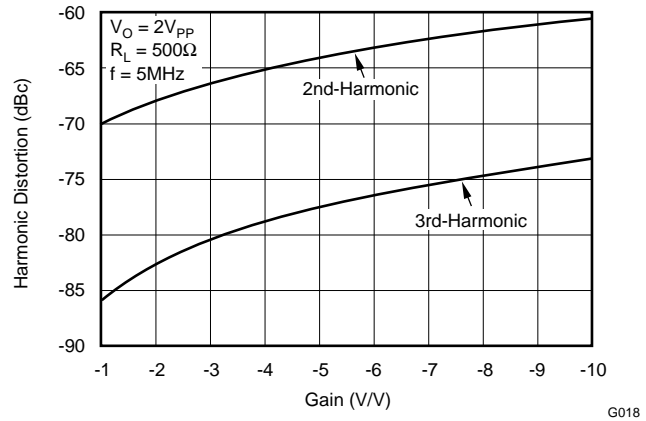


Figure 18.

TYPICAL CHARACTERISTICS — $V_S = \pm 5\text{ V}$ (continued)

HARMONIC DISTORTION NEAR LIMITING VOLTAGES

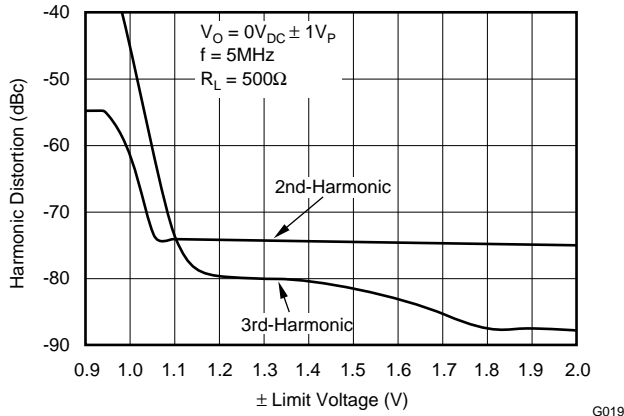


Figure 19.

2-TONE, 3RD-ORDER INTERMODULATION INTERCEPT $\pm 5\text{ V } 500\Omega$

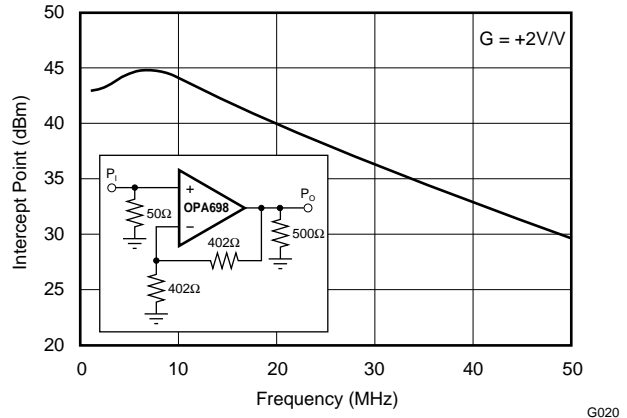


Figure 20.

RECOMMENDED R_S vs CAPACITIVE LOAD

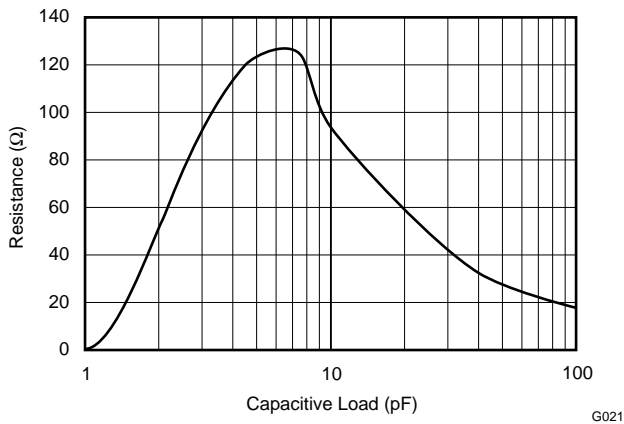


Figure 21.

FREQUENCY RESPONSE vs CAPACITIVE LOAD

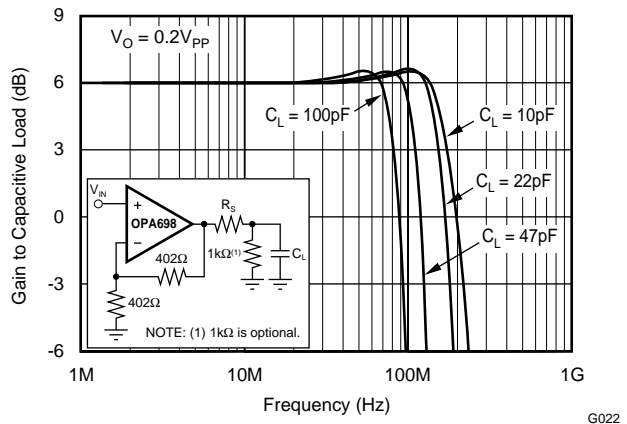


Figure 22.

INPUT VOLTAGE AND CURRENT NOISE DENSITY

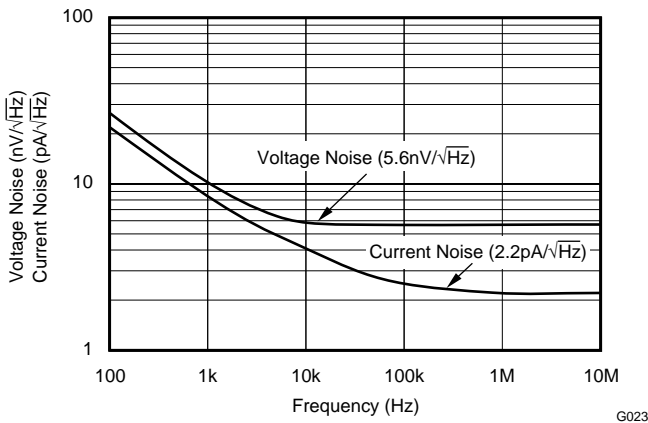


Figure 23.

OPEN-LOOP FREQUENCY RESPONSE

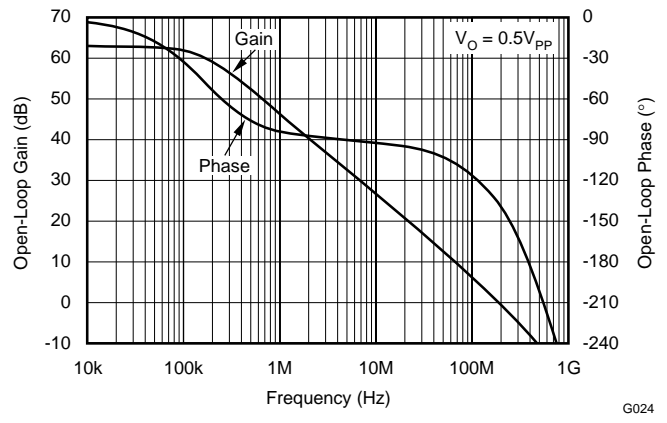


Figure 24.

TYPICAL CHARACTERISTICS — $V_S = \pm 5\text{ V}$ (continued)

VOLTAGE RANGE vs TEMPERATURE

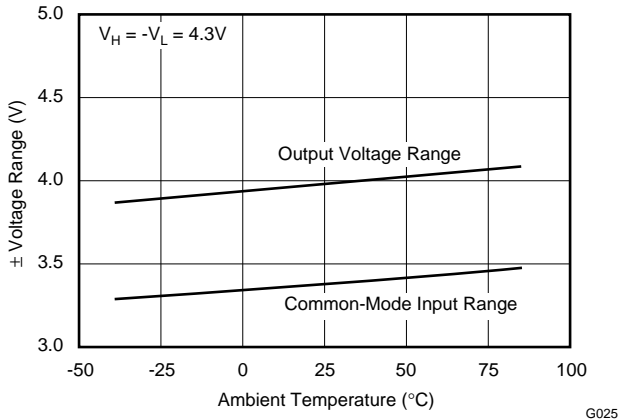


Figure 25.

LIMITED VOLTAGE RANGE vs TEMPERATURE

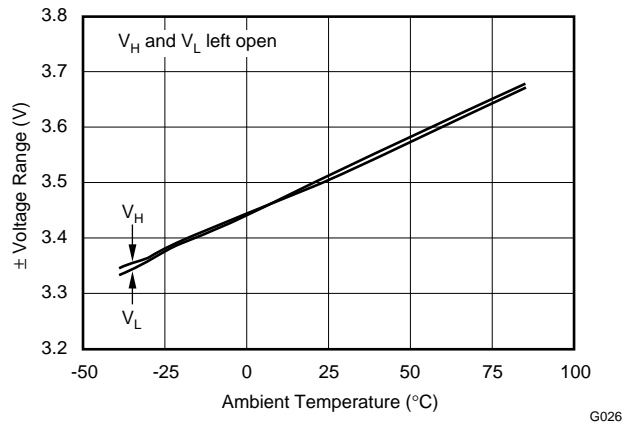


Figure 26.

LIMITED INPUT BIAS CURRENT vs BIAS VOLTAGE

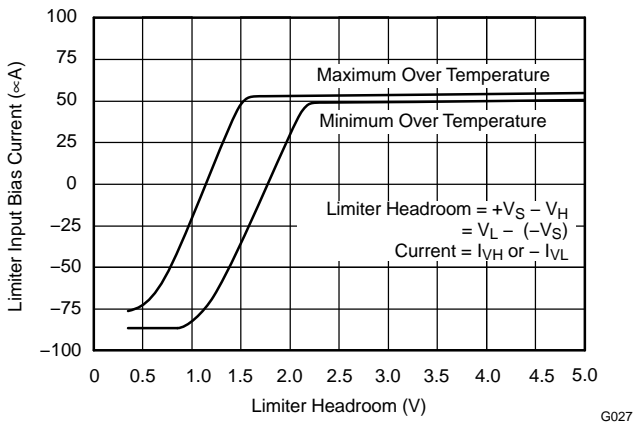


Figure 27.

SUPPLY AND OUTPUT CURRENTS vs TEMPERATURE

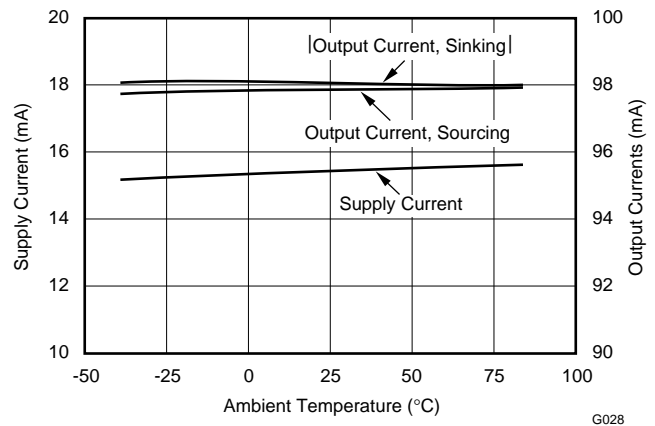


Figure 28.

CMMR AND POWER-SUPPLY REJECTION vs FREQUENCY

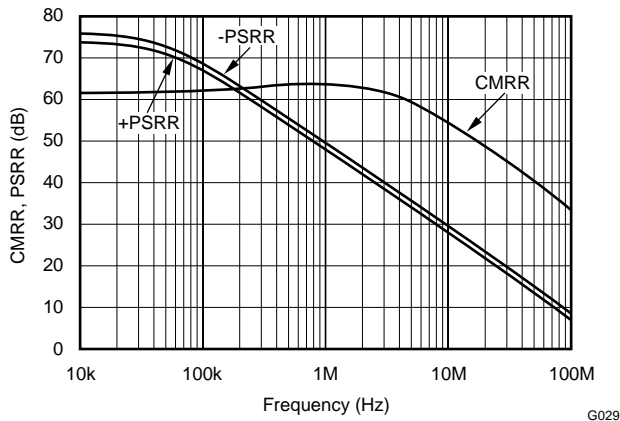


Figure 29.

TYPICAL DC DRIFT OVER TEMPERATURE

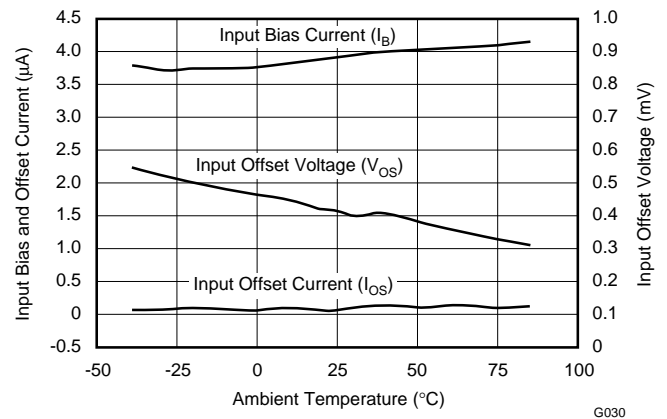
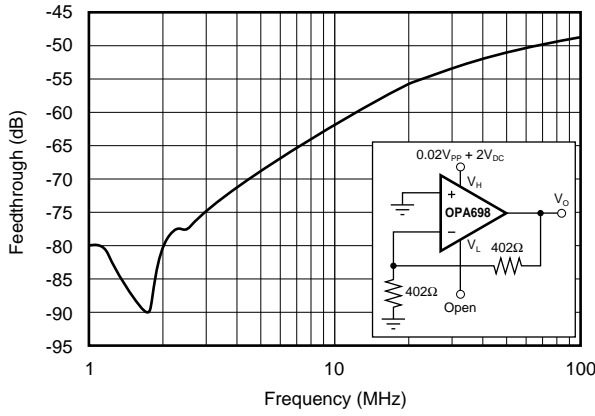


Figure 30.

TYPICAL CHARACTERISTICS — $V_S = \pm 5\text{ V}$ (continued)

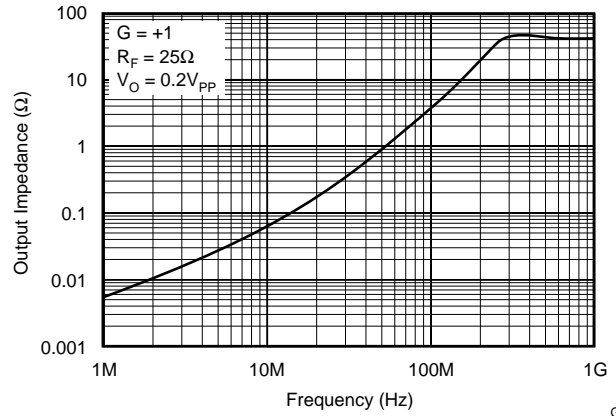
LIMITER FEEDTHROUGH



G031

Figure 31.

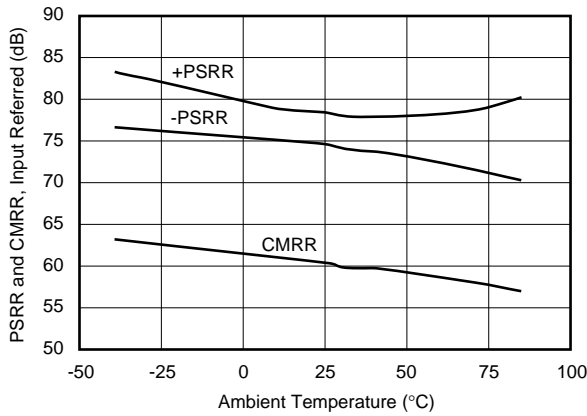
CLOSED-LOOP OUTPUT IMPEDANCE



G032

Figure 32.

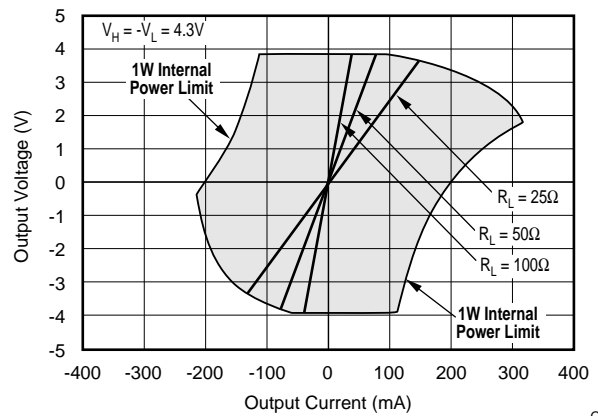
±PSRR AND CMRR vs TEMPERATURE



G033

Figure 33.

OUTPUT VOLTAGE AND CURRENT LIMITATIONS

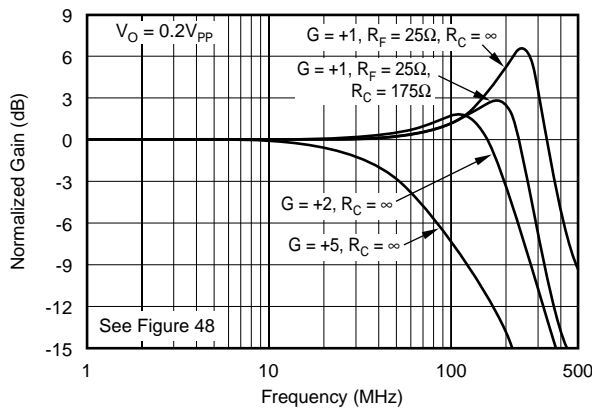


G034

Figure 34.

TYPICAL CHARACTERISTICS — $V_S = +5\text{ V}$

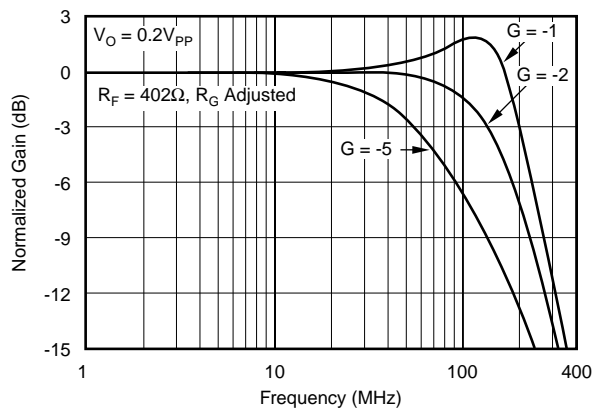
NONINVERTING SMALL-SIGNAL
FREQUENCY RESPONSE



G035

Figure 35.

INVERTING SMALL-SIGNAL
FREQUENCY RESPONSE



G036

Figure 36.

TYPICAL CHARACTERISTICS — $V_S = +5\text{ V}$ (continued)

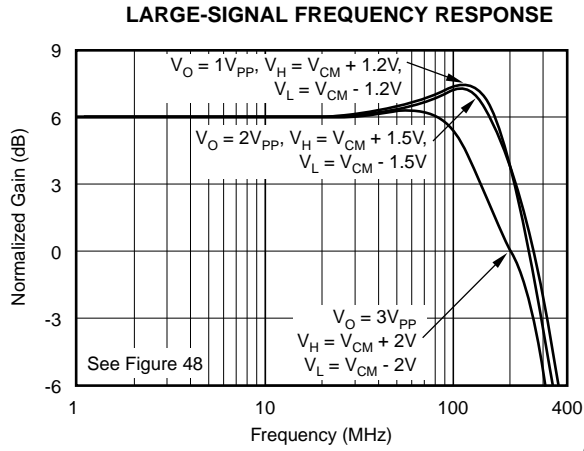


Figure 37.

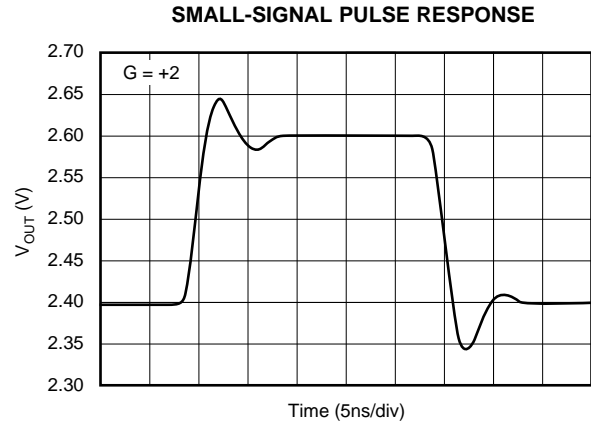


Figure 38.

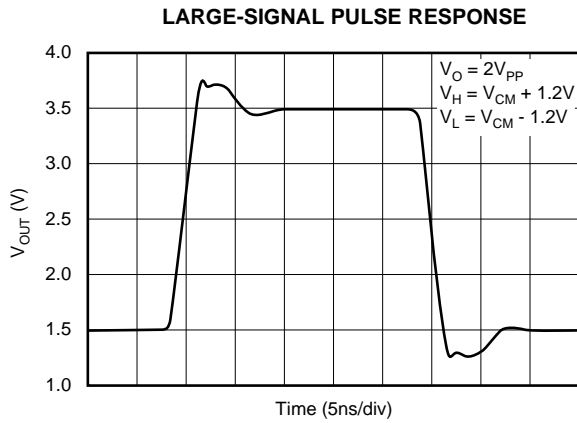


Figure 39.

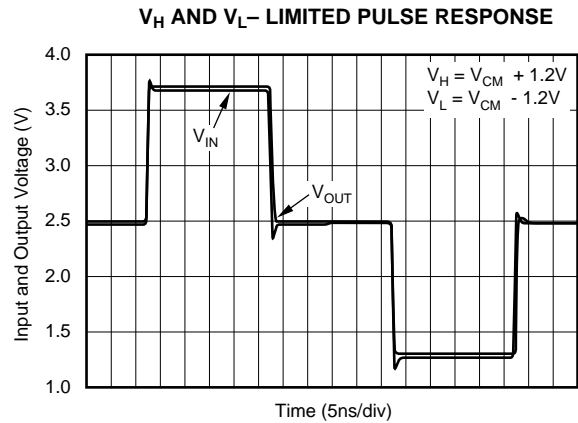


Figure 40.

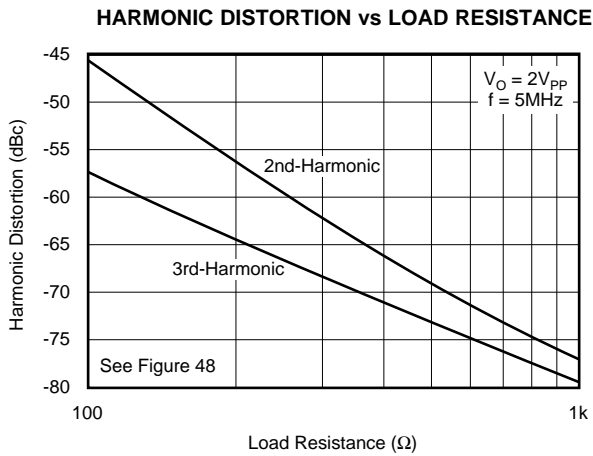


Figure 41.

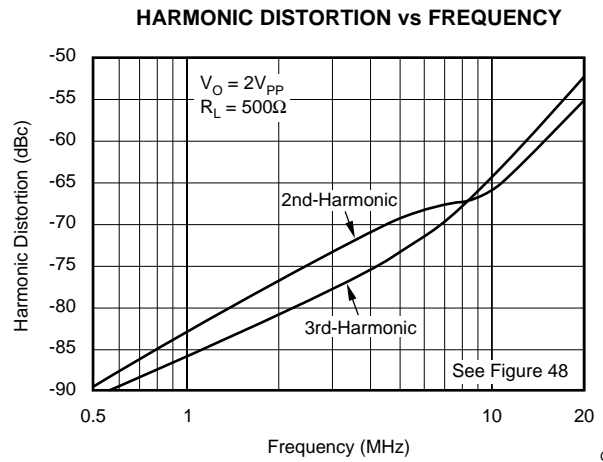


Figure 42.

TYPICAL CHARACTERISTICS — $V_S = +5\text{ V}$ (continued)

HARMONIC DISTORTION vs OUTPUT VOLTAGE

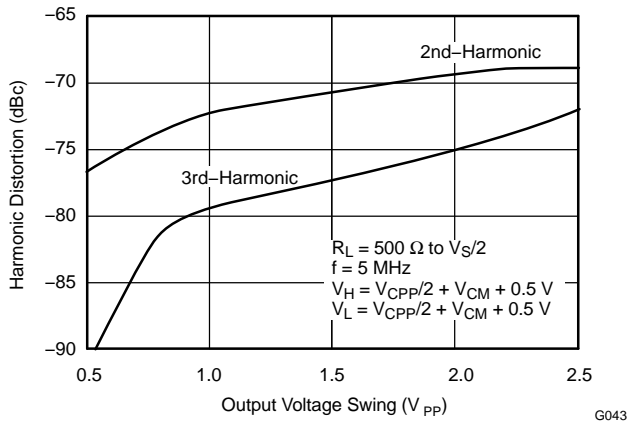


Figure 43.

2-TONE, 3RD ORDER INTERMODULATION INTERCEPT

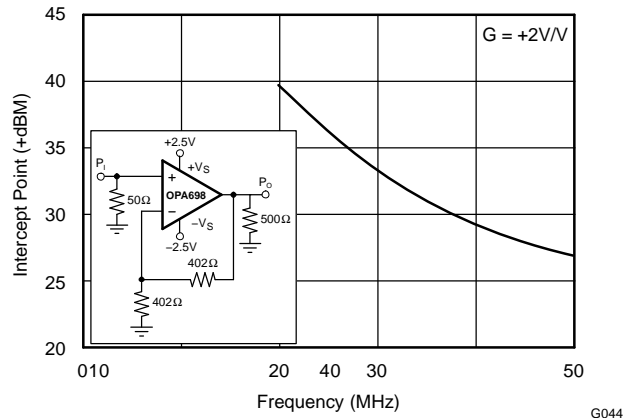


Figure 44.

HARMONIC DISTORTION NEAR LIMITING VOLTAGES

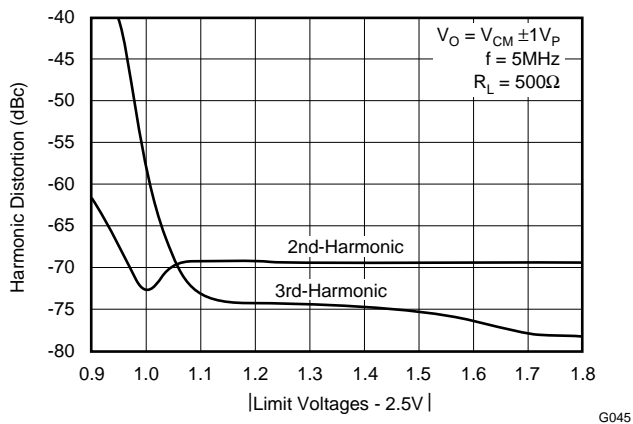


Figure 45.

LIMITER INPUT BIAS CURRENT vs BIAS VOLTAGE

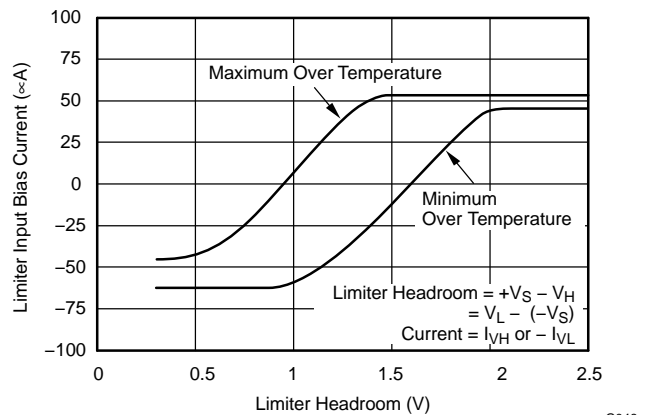


Figure 46.

TYPICAL APPLICATIONS

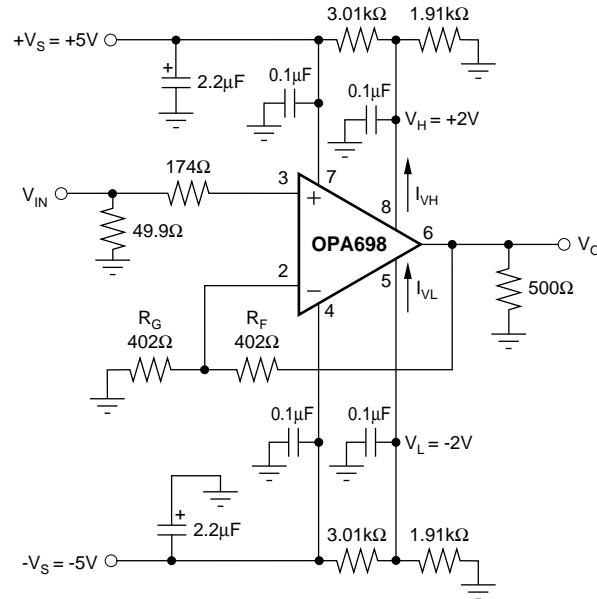
Wideband Voltage Limiting Operation

The OPA698 is a voltage feedback amplifier that combines features of a wideband, high slew rate amplifier with output voltage limiters. Its output can swing up to 1 V from each rail and can deliver up to 120 mA. These capabilities make it an ideal interface to drive ADC, while adding overdrive protection for the ADC inputs.

Figure 47 shows the dc-coupled, gain of +2, dual power-supply circuit configuration used as the basis of the $\pm 5\text{-V}$ Electrical Characteristics and Typical Characteristics. For test purposes, the input impedance is set to $50\ \Omega$ with a resistor to ground and the output impedance is set to $500\ \Omega$. Voltage swings reported in the specifications are taken directly at the input and output pins. For the circuit of Figure 47, the total output load is $500\ \Omega \parallel 804\ \Omega = 308\ \Omega$. The voltage limiting pins are set to $\pm 2\text{ V}$ through a voltage divider network between the $+V_S$ and ground for V_H and between $-V_S$ and ground for V_L . These limiter voltages are adequately bypassed with a $0.1\text{-}\mu\text{F}$ ceramic capacitor to ground. The limiter voltages (V_H and V_L) and the respective bias currents (I_{VH} and I_{VL}) have the polarities shown. One additional component is included in Figure 47. An additional resistor ($174\ \Omega$) is included in series with the noninverting input. Combined with the $25\text{-}\Omega$ dc-source resistance looking back towards the signal generator, this gives an input bias current-cancelling resistance that matches the $200\text{-}\Omega$ source resistance seen at the inverting input (see the dc accuracy and offset control section). The power-supply bypass

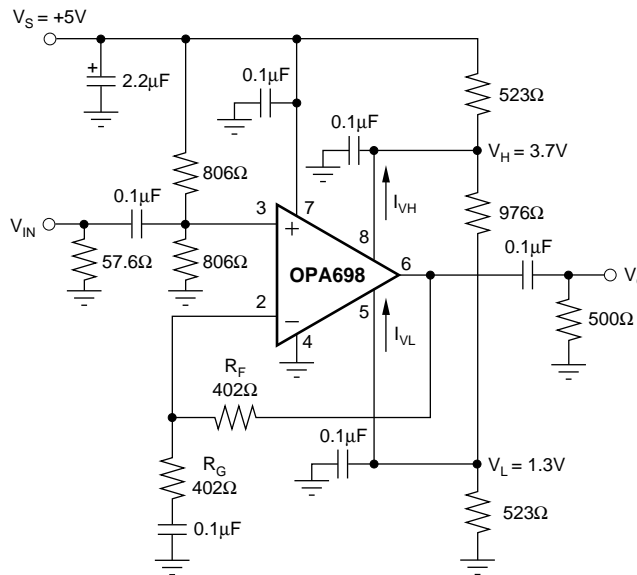
TYPICAL APPLICATIONS (continued)

for each supply consists of two capacitors: one electrolytic 2.2 μF and one ceramic 0.1 μF . The supply bypass capacitors are shown explicitly in Figure 47 and Figure 48, but is assumed in the other figures. An additional 0.01- μF power-supply decoupling capacitor (not shown here) can be included between the two power-supply pins. In practical PC board layouts; this optional-added capacitor typically improves the 2nd harmonic distortion performance by 3 dB to 6 dB.



S0035-01

Figure 47. DC-Coupled, Dual-Supply Amplifier



S0036-01

Figure 48. AC-Coupled, Single-Supply Amplifier

Single Supply, Noninverting Amplifier

Figure 48 shows an ac-coupled, noninverting gain amplifier for single +5-V supply operation. This circuit was used for ac characterization of the OPA698, with a 50- Ω source (which it matches) and a 500- Ω load. The

TYPICAL APPLICATIONS (continued)

mid-point reference on the noninverting input is set by two 806- Ω resistors. This gives an input bias current-canceling resistance that matches the 402- Ω dc-source resistance seen at the inverting input (see the dc accuracy and offset control section). The power-supply bypass for the supply consists of two capacitors: one electrolytic 2.2 μ F and one ceramic 0.1 μ F. The power-supply bypass capacitors are shown explicitly in [Figure 47](#) and [Figure 48](#), but is assumed in the other figures. The limiter voltages (V_H and V_L) and the respective bias currents (I_{VH} and I_{VL}) have the polarities shown. These limiter voltages are adequately bypassed with a 0.1 μ F ceramic capacitor to ground. Notice that the single-supply circuit can use three resistors to set V_H and V_L , where the dual-supply circuit usually uses four to reference the limit voltages to ground. While this circuit shows +5-V operation, the same circuit may be used for single supplies up to +12 V.

Wideband Inverting Operation

Operating the OPA698 as an inverting amplifier has several benefits and is particularly useful when a matched 50- Ω source and input impedance are required. [Figure 49](#) shows the inverting gain of -2 circuit used as the basis of the inverting mode typical characteristics.

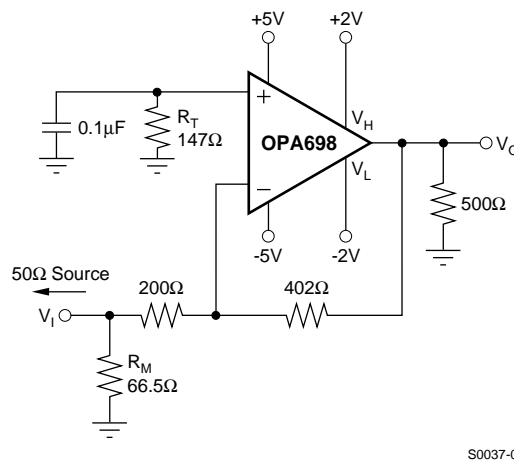


Figure 49. Inverting $G = -2$ Specifications and Test Circuit

In the inverting case, only the feedback resistor appears as part of the total output load in parallel with the actual load. For a 500- Ω load used in the typical characteristics, this gives a total load of 222 Ω in this inverting configuration. The gain resistor is set to get the desired gain (in this case, 200 Ω for a gain of -2); while an additional input resistor (R_M) can be used to set the total input impedance equal to the source, if desired. In this case, $R_M = 66.5 \Omega$ in parallel with the 200- Ω gain setting resistor gives a matched input impedance of 50 Ω . This matching is only needed when the input needs to be matched to a source impedance, as in the characterization testing done using the circuit of [Figure 49](#).

For bias current-cancellation matching, the noninverting input requires a 147- Ω resistor to ground. The calculation for this resistor includes a dc-coupled 50- Ω source impedance along with R_G and R_M . Although this resistor provides cancellation for the bias current, it must be well decoupled (0.1 μ F in [Figure 49](#)) to filter the noise contribution of the resistor and the input current noise.

As the required R_G resistor approaches 50 Ω at higher gains, the bandwidth for the circuit in [Figure 49](#) far exceeds the bandwidth at that same gain magnitude for the noninverting circuit of [Figure 47](#). This occurs due to the lower noise gain for the circuit of [Figure 49](#) when the 50- Ω source impedance is included in the analysis. For instance, at a signal gain of -8 ($R_G = 50 \Omega$, $R_M = \text{open}$, $R_F = 402 \Omega$) the noise gain for the circuit of [Figure 49](#) will be $1 + 402 \Omega / (50 \Omega + 50 \Omega) = 5$ due to the addition of the 50- Ω source in the noise gain equation. This approach gives considerably higher bandwidth than the noninverting gain of $+8$. Using the 250-MHz gain bandwidth product for the OPA698, an inverting gain of -8 from a 50- Ω source to a 50 Ω R_G gives 52-MHz bandwidth, whereas the noninverting gain of $+8$ gives 28 MHz, as shown in [Figure 50](#).

TYPICAL APPLICATIONS (continued)

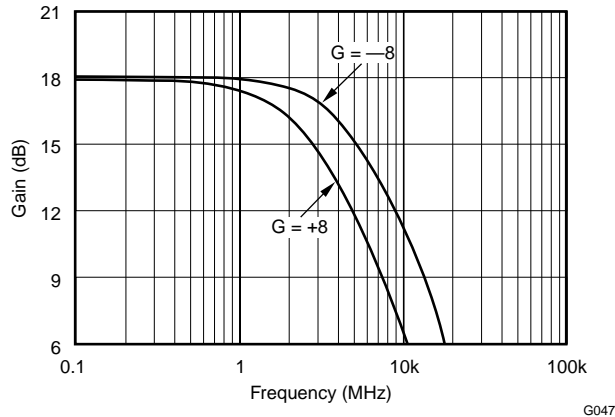


Figure 50. G = +8 and -8 Frequency Response

Limited Output, ADC Input Driver

Figure 51 shows a simple ADC driver that operates on a single supply, and gives excellent distortion performance. The limit voltages track the input range of the converter, completely protecting against input overdrive. Note that the limiting voltages have been set 100 mV above/below the corresponding reference voltage from the converter.

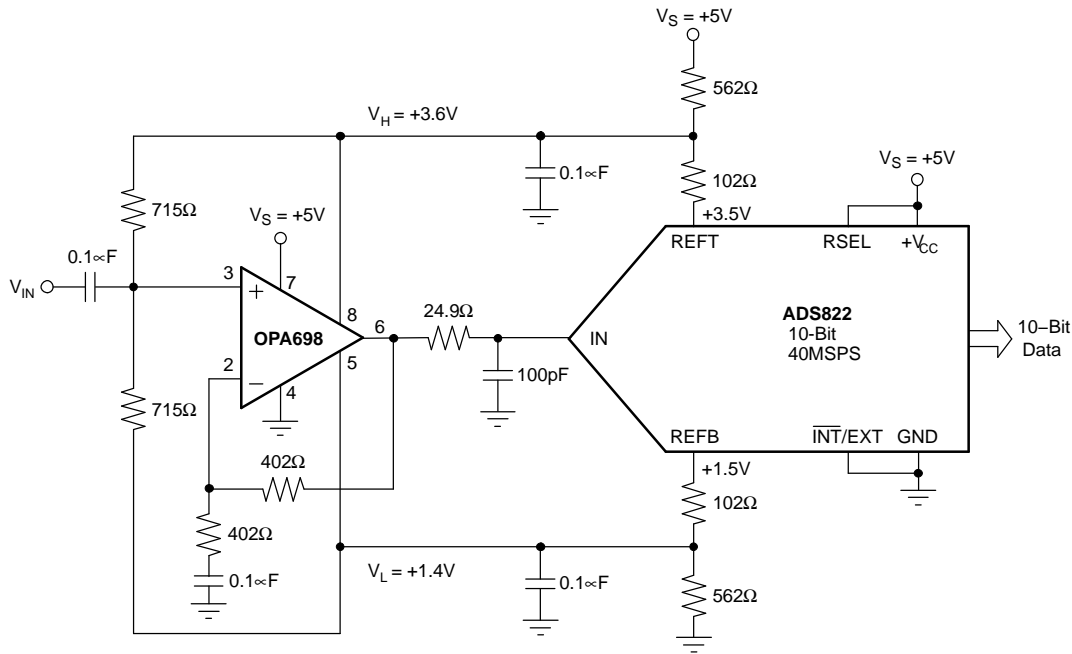


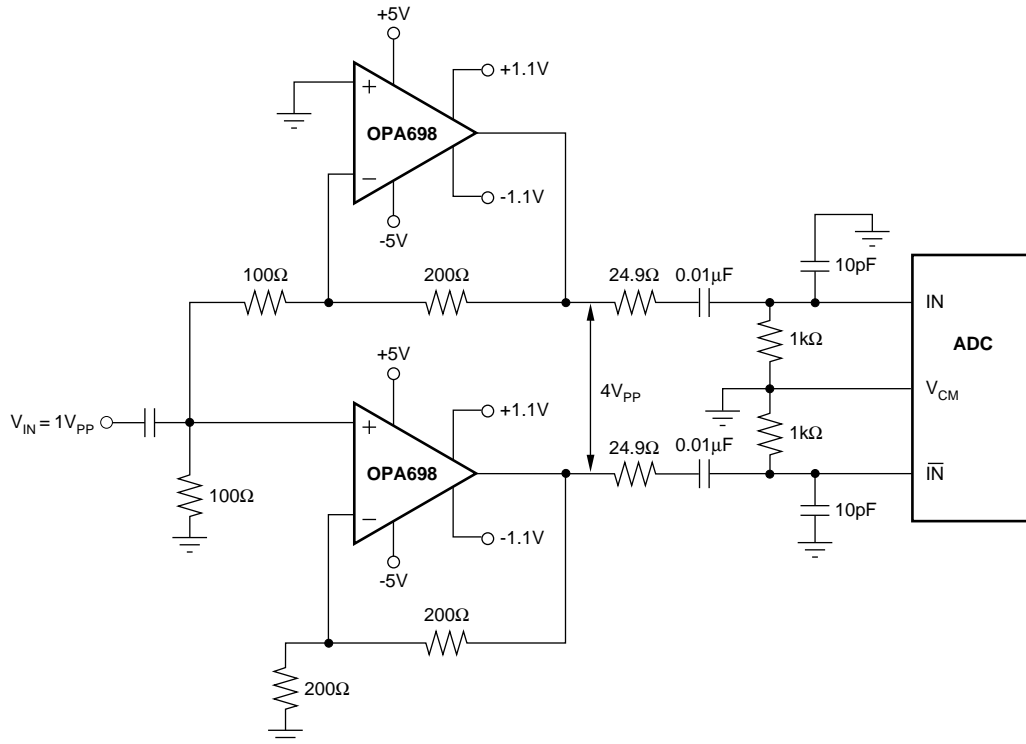
Figure 51. Single Supply, Limiting ADC Input Driver

Limited Output, Differential ADC Input Driver

Figure 52 shows a differential ADC driver that takes advantage of the OPA698 limiters to protect the input of the ADC.

TYPICAL APPLICATIONS (continued)

Two OPA698s are used. The first one is an inverting configuration at a gain of -2 . The second one is in a noninverting configuration at a gain of $+2$. Each amplifier is swinging $2 V_{PP}$ providing a $4-V_{PP}$ differential signal to drive the input of the ADC. Limiters have been set 100 mV away from the magnitude of each amplifier's maximum signal to provide input protection for the ADC, while maintaining an acceptable distortion level.

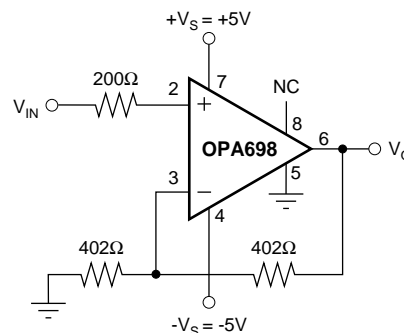


S0040-01

Figure 52. Single-to-Differential AC-Coupled, Output Limited ADC Driver

Precision Half-Wave Rectifier

Figure 53 shows a half-wave rectifier with outstanding precision and speed. V_H (pin 8) defaults to a voltage between 3.1 V and 3.8 V if left open, while the negative limit is set to ground.

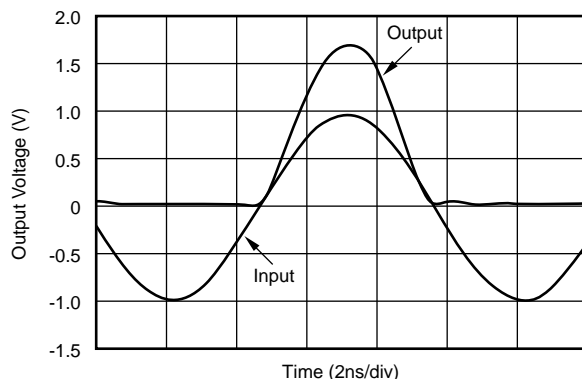


S0039-01

Figure 53. Precision Half-Wave Rectifier

The gain for the circuit in Figure 53 is set at $+2$. Figure 54 shows a 100-MHz sine-wave amplifier, with a gain of $+2$ and rectified.

TYPICAL APPLICATIONS (continued)



G048

Figure 54. 100-MHz Sine Wave Rectified

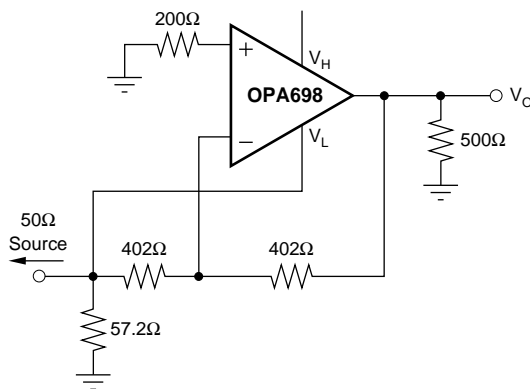
High-Speed Full-Wave Rectifier

There are two methods shown here to build a high-speed full-wave rectifier with a limiting amplifier: use the half-wave rectifier described previously with another amplifier to obtain the full-wave rectified, or use the input to set the limiting voltage.

High-Speed Full-Wave Rectifier #1

The circuit shown in [Figure 55](#) uses only one amplifier, in an inverting gain of -1 configuration. The upper limiting voltage is left open, resulting in an upper limiting voltage of $+3.5$ V. The lower limiting voltage is connected to the input signal, resulting in the following behavior. When the input voltage is negative, the amplifier is not limiting, resulting in the inversion of the input sine wave to the output. During the positive excursion of the input signal, the output signal is being driven by the limiting input pin. Since the output is driven from the limiter input pin from positive inputs, the lower slew rate in the input path restricts the application of this approach to lower amplitude and/or frequencies. A 2-MHz fully rectified sine wave is shown in [Figure 56](#).

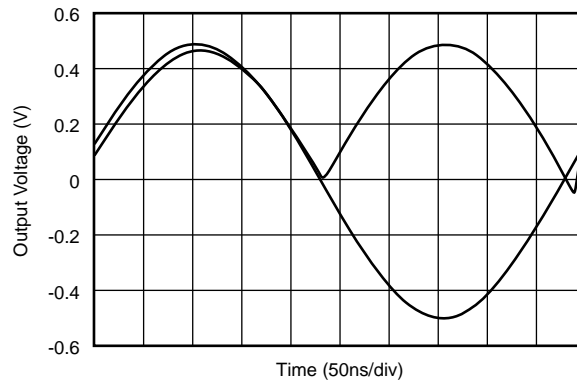
In order to reach higher frequencies, a second method is recommended.



S0041-01

Figure 55. High-Speed Full-Wave Rectifier #1

TYPICAL APPLICATIONS (continued)

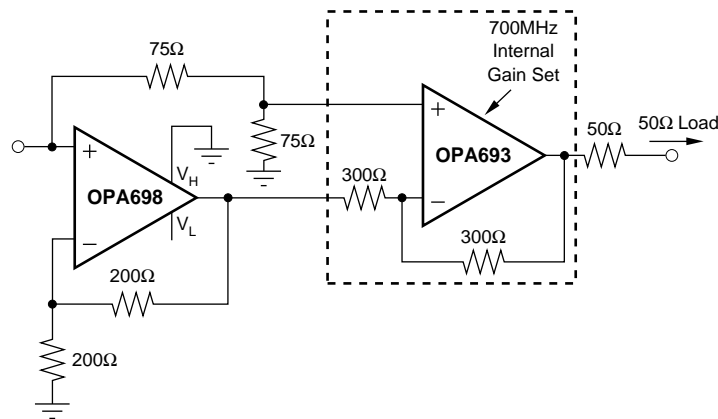


G049

Figure 56. 2-MHz Sinewave Rectified

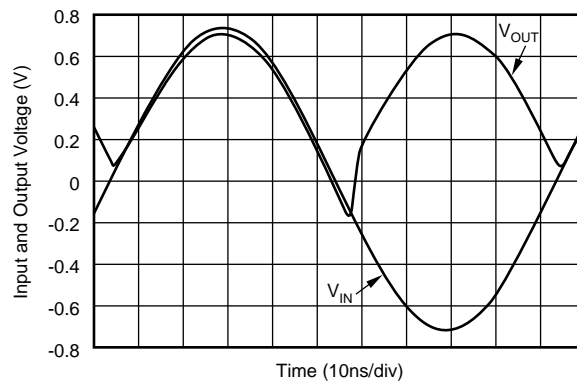
High-Speed Full-Wave Rectifier #2

The circuit shown in Figure 57 combines a half-wave rectifier driving the OPA693 in an inverting configuration, while the input signal drives the noninverting input of the fixed gain amplifier OPA693, resulting in a full-wave rectifier function. Results are shown in Figure 58.



S0042-01

Figure 57. High-Speed Full-Wave Rectifier #2



G050

Figure 58. 10-MHz Sinewave Rectified

TYPICAL APPLICATIONS (continued)

If the negative excursion of the rectified signal is not desired, it can easily be removed by replacing the OPA693 with the OPA698 configured as a difference amplifier with V_L connected to ground and V_H left floating.

Soft-Clipping (Compression) Circuit

Figure 59 shows a soft-clipping circuit. As soon as the input voltage exceeds either V_{CH} or V_{CL} , the limiting voltages are driven by Equation 1 and Equation 2.

$$V_H = \frac{R_2 \times V_{CH} + R_1 \times V_{IN}}{R_1 + R_2} \tag{1}$$

$$V_L = \frac{R_4 \times V_{CL} + R_3 \times V_{IN}}{R_3 + R_4} \tag{2}$$

As the amplifier is operating in the limiting mode, the output voltage is compressed with a gain of R_1+R_2/R_1 for the positive excursion above V_{CH} and by a gain of R_3+R_4/R_3 for the negative excursion below V_{CL} . Figure 60 shows a 5 V_{PP} on the input being compressed above ± 1 V with a compression gain of one third.

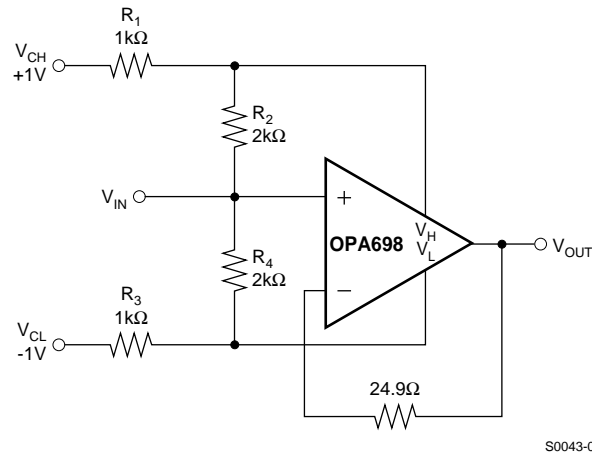


Figure 59. Soft-Clipping Circuit

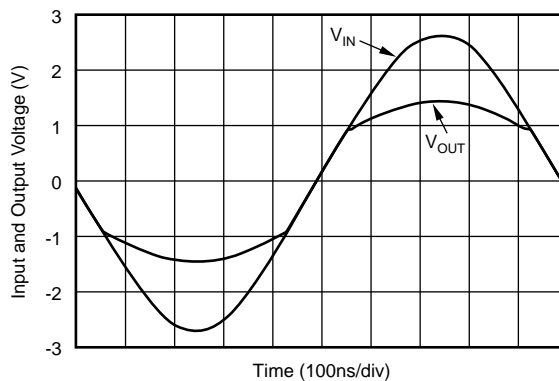


Figure 60. Soft-Clipping With A Gain of 1/3 Above the Clamp Level (± 1 V)

High-Speed Schmitt Trigger

Figure 61 shows a high-speed Schmitt Trigger. The output levels are precisely defined and the switching time is exceptional. The output voltage swings between V_H and V_L .

TYPICAL APPLICATIONS (continued)

The circuit operates as follow. When the input voltage is less than V_{HL} then the output is limiting at V_H . When the input is greater than V_{HH} then the output is limiting at V_L , with V_{HL} and V_{HH} defined as the following:

$$V_{HL,HH} = \frac{R_1 \parallel R_2 \parallel R_3}{R_1} \times V_{REF} + \frac{R_1 \parallel R_2 \parallel R_3}{R_2} \times V_{OUT} \quad (3)$$

Due to the inverting function realized by the Schmitt Trigger, V_{HL} corresponds to $V_{OUT} = V_H$ and V_{HH} corresponds to $V_{OUT} = V_L$.

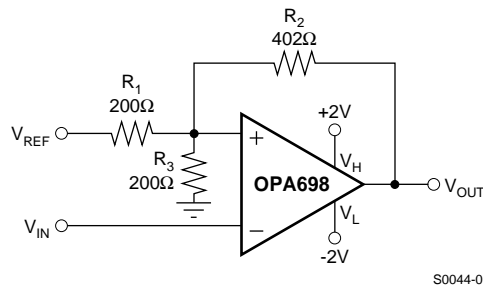


Figure 61. High-Speed Schmitt Trigger

Figure 62 shows the Schmitt Trigger operating with $V_{REF} = +5$ V. This gives us $V_{HH} = 2.4$ V and $V_{HL} = 1.6$ V. The propagation delay for the OPA698 in a Schmitt Trigger configuration is 6 ns from high-to-low and 5 ns from low-to-high.

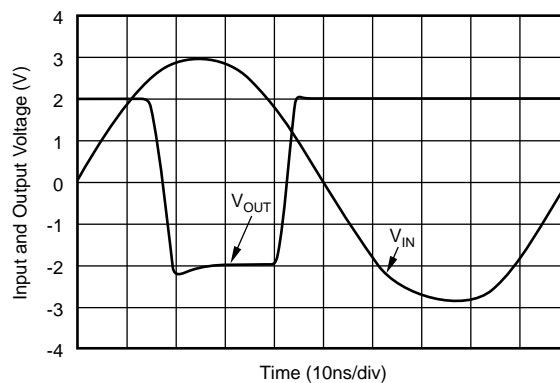


Figure 62. Schmitt Trigger Time Domain Response for a 10-MHz Sinewave

Unity-Gain Buffer

Figure 63 shows a unity-gain voltage buffer using the OPA698. The feedback resistor (R_F) isolates the output from the input capacitance at the inverting input. $R_F = 24.9 \Omega$ is recommended for unity-gain buffer applications. R_C is an optional compensation resistor that reduces the peaking typically seen at $G = +1$. Choosing $R_C = R_S + R_F$ gives a unity-gain buffer with approximately the $G = +2$ frequency response. The frequency response for this circuit is shown in the electrical characteristics curves.

TYPICAL APPLICATIONS (continued)

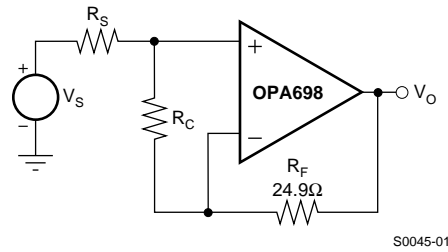


Figure 63. Unity-Gain Buffer

DC Restorer

Figure 64 shows a dc-restore circuit using the OPA698 and OPA660. The buffer element of the OPA660 is used to buffer the input signal, while the transconductance element is used to restore the dc level after the decoupling capacitor C1. The dc level is set using R1 and R2. The OPA698 is configured at a gain of two to compensate for the 75-Ω series into a 75-Ω load. The OPA698 also limits the output to ground.

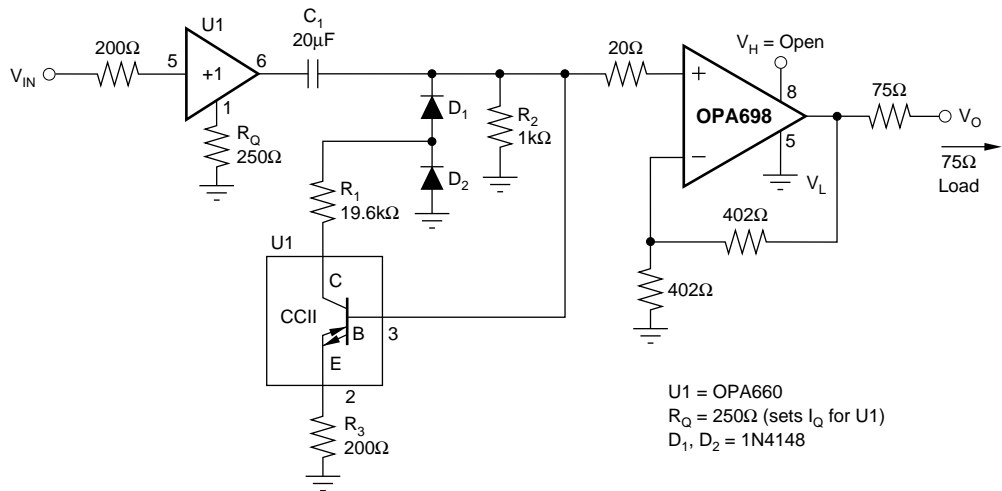
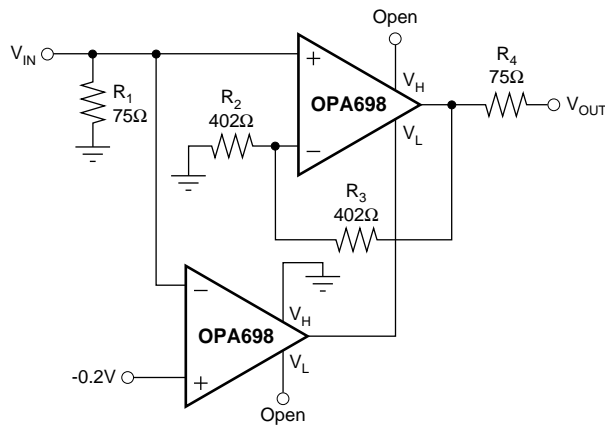


Figure 64. DC Restore to Ground

Video Sync Stripper

Figure 65 shows a sync stripper using two OPA698 output-limiting op amps. One OPA698 is configured as a limiting inverting comparator. Referring to the input, the negative excursions lower than -0.2 V are clipped to ground and all excursions greater than -0.2 V generate an output voltage set by the default limiting value (-3.5 V). The second OPA698 is using this waveform to effectively remove the sync pulse from the video signal.

TYPICAL APPLICATIONS (continued)



S0046-01

Figure 65. Sync Stripper Circuit

DESIGN-IN TOOLS

Applications Support

The Texas Instruments Applications Department is available for design assistance at 1-972-644-5580. The Texas Instruments web site (www.ti.com) has the latest product data sheets and other design aids.

Demonstrations Boards

A PC board is available to assist in the initial evaluation of circuit performance of the OPA698ID. It is available as an unpopulated PCB with descriptive documentation. See the demonstration board literature for more information. The summary information for this board is shown in [Table 1](#).

Table 1. Demo Board Summary Information

PRODUCT	PACKAGE	BOARD PART NO.	LITERATURE REQUEST NO.
OPA698ID	SO-8	DEM-OPA-SO-1A	SBOU009

This board can be requested through the Texas Instruments web site.

OPERATING SUGGESTIONS

Theory of Operation

The OPA698 is a voltage-feedback op amp that is unity-gain stable. The output voltage is limited to a range set by the voltage on the limiter pins (5 and 8). When the input tries to overdrive the output, the limiters take control of the output buffer. This action from the limiters avoids saturating any part of the signal path, giving quick overdrive recovery and excellent limiter accuracy at any signal gain. The limiters have a sharp transition from the linear region of operation to output limiting. This transition allows the limiter voltages to be set near (<100 mV) the desired signal range. The distortion performance is also good near the limiter voltages.

Output Limiters

The output voltage is linearly dependent on the input(s) when it is between the limiter voltages V_H (pin 8) and V_L (pin 5). When the output tries to exceed V_H or V_L , the corresponding limiter buffer takes control of the output voltage and holds it at V_H or V_L . Because the limiters act on the output, their accuracy does not change with gain. The transition from the linear region of operation to output limiting is sharp—the desired output signal can safely come to within 30 mV of V_H or V_L with no onset of non-linearity. The limiter voltages can be set to within 0.7 V of the supplies ($V_L \geq -V_S + 0.7$ V, $V_H \leq +V_S - 0.7$ V). They must also be at least 400 mV apart ($V_H - V_L \geq 0.4$ V). When pins 5 and 8 are left open, V_H and V_L go to the default voltage limit; the minimum values are given in the electrical specifications. Looking at [Figure 66](#) for the zero bias current case shows the expected range of (V_S –default limit voltages) = headroom.

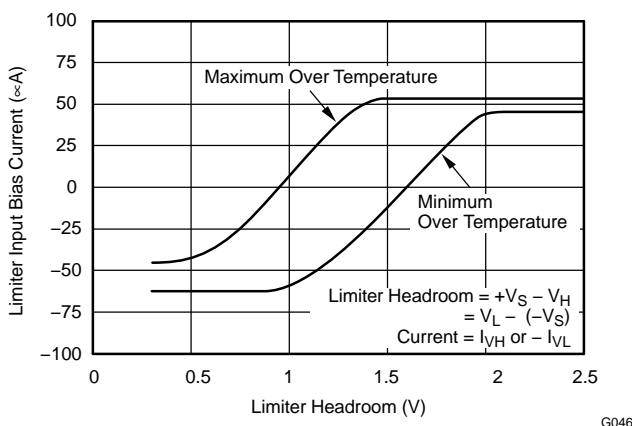


Figure 66. Limiter Bias Current vs Bias Voltage

When the limiter voltages are more than 2.1 V from the supplies ($V_L \geq -V_S + 2.1$ V or $V_H \leq +V_S - 2.1$ V), you can use simple resistor dividers to set V_H and V_L (see [Figure 47](#)). Make sure to include the limiter input bias currents (see [Figure 54](#)) in the calculations (that is, $I_{V_L} = -50$ μ A out of pin 5 and $I_{V_H} = +50$ μ A out of pin 8). For good limiter voltage accuracy, run at least 1-mA quiescent bias current through these resistors. When the limiter voltages need to be within 2.1 V of the supplies ($V_L \leq -V_S + 2.1$ V or $V_H \geq +V_S - 2.1$ V), consider using low impedance buffers to set V_H and V_L to minimize errors due to bias current uncertainty. This condition is typically the case for single-supply operation ($V_S = +5$ V). [Figure 48](#) runs 2.5 mA through the resistive divider that sets V_H and V_L . This limits errors due to I_{V_H} and $I_{V_L} < \pm 1\%$ of the target limit voltages. The limiters' dc accuracy depends on attention to detail. The two dominant error sources can be improved as follows:

- Power supplies, when used to drive resistive dividers that set V_H and V_L , can contribute large errors (for example, $\pm 5\%$). Using a more accurate source and bypassing pins 5 and 8 with good capacitors improves limiter PSRR.
- The resistor tolerances in the resistive divider can also dominate. Use 1% resistors.
- Other error sources also contribute, but should have little impact on the limiters' dc accuracy:
- Reduce offsets caused by the limiter input bias currents. Select the resistors in the resistive divider(s) as described above.
- Consider the signal path dc errors as contributing to uncertainty in the usable output swing.
- The limiter offset voltage only slightly degrades limiter accuracy. [Figure 67](#) shows how the limiters affect distortion performance. Virtually no degradation in linearity is observed for output voltage swinging right up to the limiter voltages.

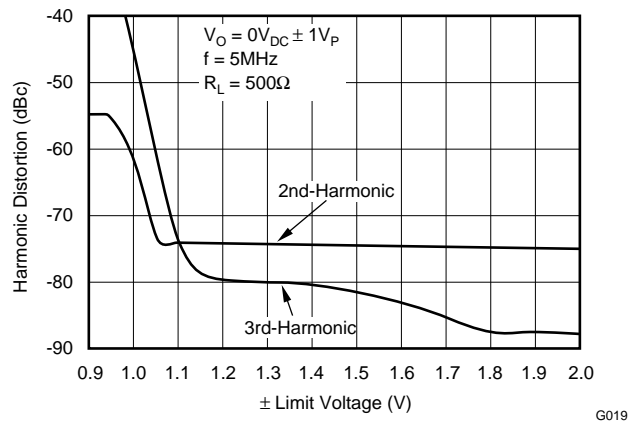


Figure 67. Harmonic Distortion Near Limit Voltages

Output Drive

The OPA698 has been optimized to drive 500- Ω loads, such as ADCs. It still performs well driving 100- Ω loads; the specifications are shown for the 500- Ω load. This makes the OPA698 an ideal choice for a wide range of high-frequency applications.

Many high-speed applications, such as driving ADCs, require op amps with low output impedance. As shown in the typical performance curve Output Impedance vs Frequency, the OPA698 maintains low closed-loop output impedance over frequency. Closed-loop output impedance increases with frequency, since loop gain decreases with frequency.

Thermal Considerations

The OPA698 does not require heat sinking under most operating conditions. Maximum desired junction temperature sets a maximum allowed internal power dissipation as described below. In no case should the maximum junction temperature be allowed to exceed 150°C.

The total internal power dissipation (P_D) is the sum of quiescent power (P_{DQ}) and the additional power dissipated in the output stage (P_{DL}), while delivering load power. P_{DQ} is simply the specified no-load supply current times the total supply voltage across the part. P_{DL} depends on the required output signals and loads. For a grounded resistive load, and equal bipolar supplies, it is at maximum when the output is at 1/2 either supply voltage. In this condition, $P_{DL} = V_S^2/(4R_L)$ where R_L includes the feedback network loading. Note that it is the power in the output stage and not in the load, that determines internal power dissipation.

The operating junction temperature is: $T_J = T_A + P_D \times \theta_{JA}$, where T_A is the ambient temperature. For example, the maximum T_J for a OPA698ID with $G = +2$, $R_F = 402 \Omega$, $R_L = 100 \Omega$, and $\pm V_S = \pm 5 \text{ V}$ at $T_A = +85^\circ\text{C}$ is calculated as:

$$P_{DQ} = (10 \text{ V} \times 15.5 \text{ mA}) = 155 \text{ mW}$$

$$P_{DL} = \frac{(5\text{V})^2}{4 \times (100 \Omega \parallel 804 \Omega)} = 70 \text{ mW}$$

$$P_D = 155 \text{ mW} + 70 \text{ mW} = 225 \text{ mW}$$

$$T_J = 85^\circ\text{C} + 225 \text{ mW} \times 125^\circ\text{C}/\text{W} = 113^\circ\text{C}$$

(4)

This would be the maximum T_J from $V_O = \pm 2.5 V_{DC}$. Most applications will be at a lower output stage power and have a lower T_J . Care must be taken when operating at higher ambient temperatures.

Capacitive Loads

Capacitive loads, such as the input to ADCs, decreases the amplifier phase margin, which may cause high-frequency peaking or oscillations. Capacitive loads ≥ 2 pF should be isolated by connecting a small resistor in series with the output, as shown in Figure 68. Increasing the gain from +2 improves the capacitive drive capabilities due to increased phase margin.

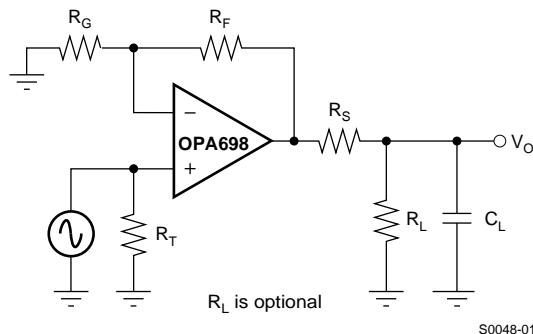


Figure 68. Driving Capacitive Loads

In general, capacitive loads should be minimized for optimum high-frequency performance. The capacitance of coax cable (29 pF/ft for RG-58) will not load the amplifier when the coaxial cable, or transmission line, is terminated in its characteristic impedance.

Frequency Response Compensation

The OPA698 is internally compensated to be unity-gain stable, and has a nominal phase margin of 60° at a gain of +2. Phase margin and peaking improve at higher gains. Recall that an inverting gain of -1 is equivalent to a gain of +2 for bandwidth purposes (that is, noise gain = 2). Standard external compensation techniques work with this device. For example, in the inverting configuration, the bandwidth may be limited without modifying the inverting gain by placing a series RC network to ground on the inverting node. This has the effect of increasing the noise gain at high frequencies, which limits the bandwidth.

To maintain a wide bandwidth at high gains, cascade several op amps, or use the high-gain optimized OPA699.

In applications where a large feedback resistor is required, such as photodiode transimpedance amplifier, the parasitic capacitance from the inverting input to ground causes peaking or oscillations. To compensate for this effect, connect a small capacitor in parallel with the feedback resistor. The bandwidth will be limited by the pole that the feedback resistor and this capacitor create. In other high-gain applications, use a three resistor Tee network to reduce the RC time constants set by the parasitic capacitances. Be careful not to increase the noise generated by this feedback network too much.

Pulse Settling Time

The OPA698 is capable of an extremely fast settling time in response to a pulse input. Frequency response flatness and phase linearity are needed to obtain the best settling times. For capacitive loads, such as an ADC, use the recommended R_S in the typical performance curve RS vs Capacitive Load. Extremely fine-scale settling (0.01%) requires close attention to ground return current in the supply decoupling capacitors.

The pulse settling characteristics, when recovering from overdrive, are good.

Distortion

The OPA698 distortion performance is specified for a 500- Ω load, such as an ADC. Driving loads with smaller resistance increases the distortion, as illustrated in Figure 69. Remember to include the feedback network in the load resistance calculations.

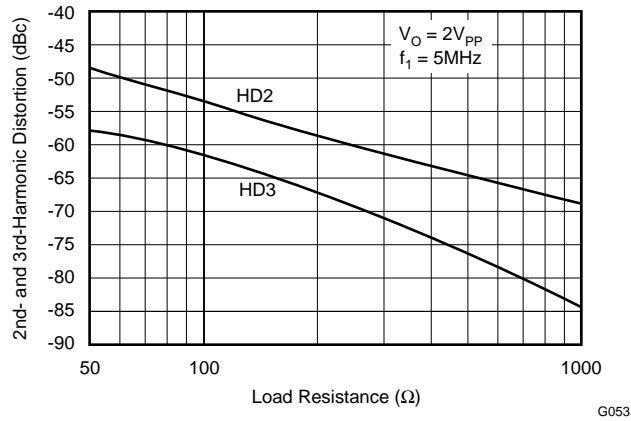


Figure 69. 5-MHz Harmonic Distortion vs Load Resistance

Noise Performance

High slew rate, unity-gain stable, voltage feedback op amps usually achieve their slew rate at the expense of a higher input noise voltage. The 5.6-nV/√Hz input voltage noise for the OPA698, however, is much lower than comparable amplifiers. The input-referred voltage noise and the two input-referred current noise terms combine to give low output noise under a wide variety of operating conditions. Figure 70 shows the op amp noise analysis model with all the noise terms included. In this model, all noise terms are taken to be noise voltage or current density terms in either nV/√Hz or pA/√Hz.

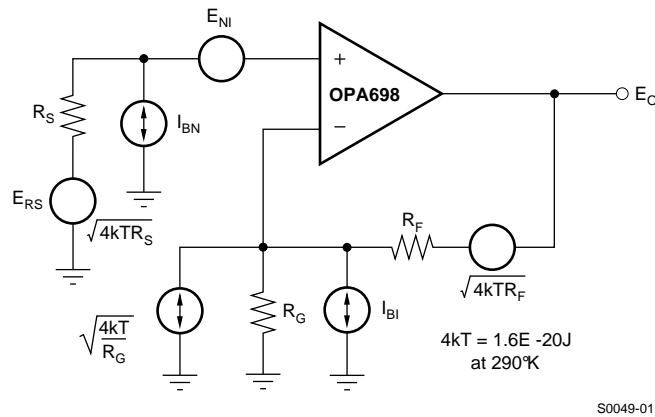


Figure 70. 5-MHz Harmonic Distortion vs Load Resistance

The total output spot noise voltage can be computed as the square root of the sum of all squared output noise voltage contributors. Equation 5 shows the general form for the output noise voltage using the terms shown in Figure 70.

$$E_O = \sqrt{\left(E_{NI}^2 + (I_{BN}R_S)^2 + 4kTR_S\right)NG^2 + (I_{BI}R_F)^2 + 4kTR_F}NG \quad (5)$$

Dividing this expression by the noise gain $[NG = (1+R_F/R_G)]$ gives the equivalent input-referred spot noise voltage at the noninverting input, as shown in Equation 6.

$$E_N = \sqrt{E_{NI}^2 + (I_{BN}R_S)^2 + 4kTR_S + \left(\frac{I_{BI}R_F}{NG}\right)^2 + \frac{4kTR_F}{NG}} \quad (6)$$

Evaluating these two equations for the OPA698 circuit and component values (see [Figure 47](#)) gives a total output spot noise voltage of 11.9 nV/√Hz and a total equivalent input spot noise voltage of 6 nV/√Hz. This total input-referred spot noise voltage is only slightly higher than the 5.6 nV/√Hz specification for the op amp voltage noise alone. This is the case as long as the impedances appearing at each op amp input is limited to a maximum value of 300 Ω. Keeping both (R_F || R_G) and the noninverting input source impedance less than 300 Ω satisfies both noise and frequency response flatness considerations. Since the resistor-induced noise is relatively negligible, additional capacitive decoupling across the bias current cancellation resistor (R_T) for the inverting op amp configuration of [Figure 49](#) is not required, but is still desirable.

DC Accuracy and Offset Control

The balanced input stage of a wideband voltage feedback op amp allows good output dc accuracy in a large variety of applications. The power-supply current trim for the OPA698 gives even tighter control than comparable products. Although the high-speed input stage does require relatively high input bias current (typically ±8 μA at each input terminal), the close matching between them may be used to reduce the output dc error caused by this current. The total output offset voltage may be considerably reduced by matching the dc source resistances appearing at the two inputs. This reduces the output dc error due to the input bias currents to the offset current times the feedback resistor. Evaluating the configuration of [Figure 47](#), using a worst-case +25°C input offset voltage and current specifications, gives a worst-case output offset voltage equal to:

$$\begin{aligned} & - (NG = \text{noninverting signal gain}) \\ & \pm (NG \times V_{IO(\text{MAX})}) \pm [R_F \times I_{IO(\text{MAX})}] \\ & = \pm(2 \times 8 \text{ mV}) \pm (402 \Omega \times 3 \mu\text{A}) \\ & = \pm 17.2 \text{ mV} \end{aligned}$$

A fine-scale output offset null or dc operating point adjustment is often required. Numerous techniques are available for introducing dc offset control into an op amp circuit. Most of these techniques eventually reduce to adding a dc current through the feedback resistor. In selecting an offset trim method, one key consideration is the impact on the desired signal path frequency response. If the signal path is intended to be noninverting, the offset control is best applied as an inverting summing signal to avoid interaction with the signal source. If the signal path is intended to be inverting, applying the offset control to the noninverting input may be considered. However, the dc offset voltage on the summing junction sets up a dc current back into the source which must be considered. Applying an offset adjustment to the inverting op amp input can change the noise gain and frequency response flatness. For a dc-coupled inverting amplifier, [Figure 71](#) shows one example of an offset adjustment technique that has minimal impact on the signal frequency response. In this case, the dc offsetting current is brought into the inverting input node through resistor values that are much larger than the signal path resistors. This insures that the adjustment circuit has minimal effect on the loop gain as well as the frequency response.

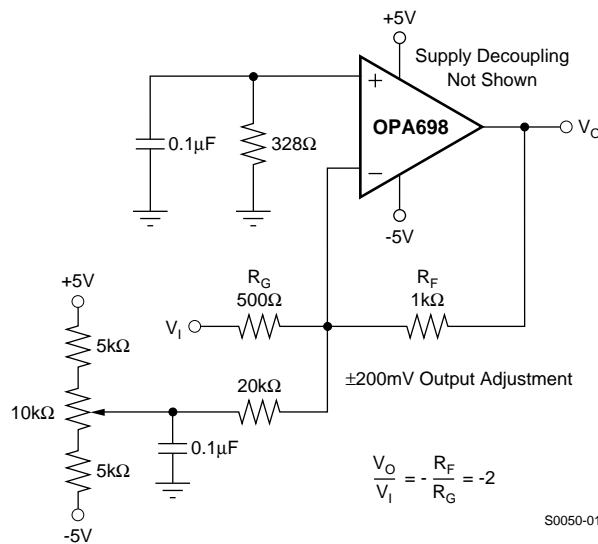


Figure 71. DC-Coupled, Inverting Gain of -2, With Offset Adjustment

Board Layout Guidelines

Achieving optimum performance with the high-frequency OPA698 requires careful attention to layout design and component selection. Recommended PCB layout techniques and component selection criteria are:

1. **Minimize parasitic capacitance to any ac ground** for all of the signal I/O pins. Open a window in the ground and power planes around the signal I/O pins and leave the ground and power planes unbroken elsewhere.
2. **Provide a high quality power supply.** Use linear regulators, ground plane and power planes to provide power. Place high frequency 0.1-µF decoupling capacitors < 0.2" away from each power-supply pin. Use wide, short traces to connect to these capacitors to the ground and power planes. Also use larger (2.2 µF to 6.8 µF) high-frequency decoupling capacitors to bypass lower frequencies. They may be somewhat further from the device, and be shared among several adjacent devices.
3. **Place external components close** to the OPA698. This minimizes inductance, ground loops, transmission line effects and propagation delay problems. Be extra careful with the feedback (R_F), input and output resistors.
4. **Use high-frequency components** to minimize parasitic elements. Resistors should be a low reactance type. Surface-mount resistors work best and allow a tighter layout. Metal film or carbon composition axially-leaded resistors can also provide good performance when their leads are as short as possible. Never use wire-wound resistors for high-frequency applications. Remember that most potentiometers have large parasitic capacitances and inductances. Multilayer ceramic chip capacitors work best and take up little space. Monolithic ceramic capacitors also work well. Use R_F type capacitors with low ESR and ESL. The large power pin bypass capacitors (2.2 µF to 6.8 µF) should be tantalum for better high frequency and pulse performance.
5. **Choose low resistor values** to minimize the time constant set by the resistor and its parasitic parallel capacitance. Good metal film or surface mount resistors have approximately 0.2-pF parasitic parallel capacitance. For resistors > 1.5 kΩ, this adds a pole and/or zero below 500 MHz. Make sure that the output loading is not too heavy. The recommended 402-Ω feedback resistor is a good starting point in most designs.
6. **Use short direct traces to other wideband devices** on the board. Short traces act as a lumped capacitive load. Wide traces (50 to 100 mils) should be used. Estimate the total capacitive load at the output, and use the series isolation resistor recommended in the typical performance curve, R_S vs *Capacitive Load*. Parasitic loads < 2 pF may not need the isolation resistor.
7. **When long traces are necessary**, use transmission line design techniques (consult an ECL design handbook for microstrip and stripline layout techniques). A 50-Ω transmission line is not required on board—higher characteristic impedance helps reduce output loading. Use a matching series resistor at the output of the op amp to drive a transmission line and a matched load resistor at the other end to make the line appear as a resistor. If the 6 dB of attenuation that the matched load produces is not acceptable and the line is not too long, use the series resistor at the source only. This isolates the source from the reactive load presented by the line, but the frequency response is degraded. Multiple destination devices are best handled as separate transmission lines, each with its own series source and shunt load terminations. Any parasitic impedances acting on the terminating resistors alters the transmission line match and can cause unwanted signal reflections and reactive loading.
8. **Do not use sockets** for high-speed parts like the OPA698. The additional lead length and pin-to-pin capacitance introduced by the socket creates an extremely troublesome parasitic network. Best results are obtained by soldering the part onto the board.

Power Supplies

The OPA698 is nominally specified for operation using either ± 5 -V supplies or a single +5-V supply. The maximum specified total supply voltage of 12 V allows reasonable tolerances on the supplies. Higher supply voltages can break down internal junctions, possibly leading to catastrophic failure. Single-supply operation is possible as long as common-mode voltage constraints are observed. The common-mode input and output voltage specifications can be interpreted as required headroom to the supply voltage. Observing this input and output headroom requirement allows design of non-standard or single-supply operation circuits. [Figure 48](#) shows one approach to single-supply operation.

Input and ESD Protection

ESD damage has been known to damage MOSFET devices, but any semiconductor device is vulnerable to ESD damage. This is particularly true for high-speed, fine geometry processes. ESD damage can cause subtle changes in amplifier input characteristics without necessarily destroying the device. In precision operational amplifiers, this may cause a noticeable degradation of offset voltage and drift. Therefore, ESD handling precautions are required when handling the OPA698.

PACKAGING INFORMATION

Orderable Device	Status (1)	Package Type	Package Drawing	Pins	Package Qty	Eco Plan (2)	Lead finish/ Ball material (6)	MSL Peak Temp (3)	Op Temp (°C)	Device Marking (4/5)	Samples
OPA698MJD	ACTIVE	CDIP SB	JD	8	45	Non-RoHS & Green	SNPB	N / A for Pkg Type	-55 to 125	OPA698MJD	Samples

(1) The marketing status values are defined as follows:

ACTIVE: Product device recommended for new designs.

LIFEBUY: TI has announced that the device will be discontinued, and a lifetime-buy period is in effect.

NRND: Not recommended for new designs. Device is in production to support existing customers, but TI does not recommend using this part in a new design.

PREVIEW: Device has been announced but is not in production. Samples may or may not be available.

OBSOLETE: TI has discontinued the production of the device.

(2) **RoHS:** TI defines "RoHS" to mean semiconductor products that are compliant with the current EU RoHS requirements for all 10 RoHS substances, including the requirement that RoHS substance do not exceed 0.1% by weight in homogeneous materials. Where designed to be soldered at high temperatures, "RoHS" products are suitable for use in specified lead-free processes. TI may reference these types of products as "Pb-Free".

RoHS Exempt: TI defines "RoHS Exempt" to mean products that contain lead but are compliant with EU RoHS pursuant to a specific EU RoHS exemption.

Green: TI defines "Green" to mean the content of Chlorine (Cl) and Bromine (Br) based flame retardants meet JS709B low halogen requirements of <=1000ppm threshold. Antimony trioxide based flame retardants must also meet the <=1000ppm threshold requirement.

(3) MSL, Peak Temp. - The Moisture Sensitivity Level rating according to the JEDEC industry standard classifications, and peak solder temperature.

(4) There may be additional marking, which relates to the logo, the lot trace code information, or the environmental category on the device.

(5) Multiple Device Markings will be inside parentheses. Only one Device Marking contained in parentheses and separated by a "~" will appear on a device. If a line is indented then it is a continuation of the previous line and the two combined represent the entire Device Marking for that device.

(6) Lead finish/Ball material - Orderable Devices may have multiple material finish options. Finish options are separated by a vertical ruled line. Lead finish/Ball material values may wrap to two lines if the finish value exceeds the maximum column width.

Important Information and Disclaimer:The information provided on this page represents TI's knowledge and belief as of the date that it is provided. TI bases its knowledge and belief on information provided by third parties, and makes no representation or warranty as to the accuracy of such information. Efforts are underway to better integrate information from third parties. TI has taken and continues to take reasonable steps to provide representative and accurate information but may not have conducted destructive testing or chemical analysis on incoming materials and chemicals. TI and TI suppliers consider certain information to be proprietary, and thus CAS numbers and other limited information may not be available for release.

In no event shall TI's liability arising out of such information exceed the total purchase price of the TI part(s) at issue in this document sold by TI to Customer on an annual basis.

OTHER QUALIFIED VERSIONS OF OPA698M :

- Catalog : [OPA698](#)

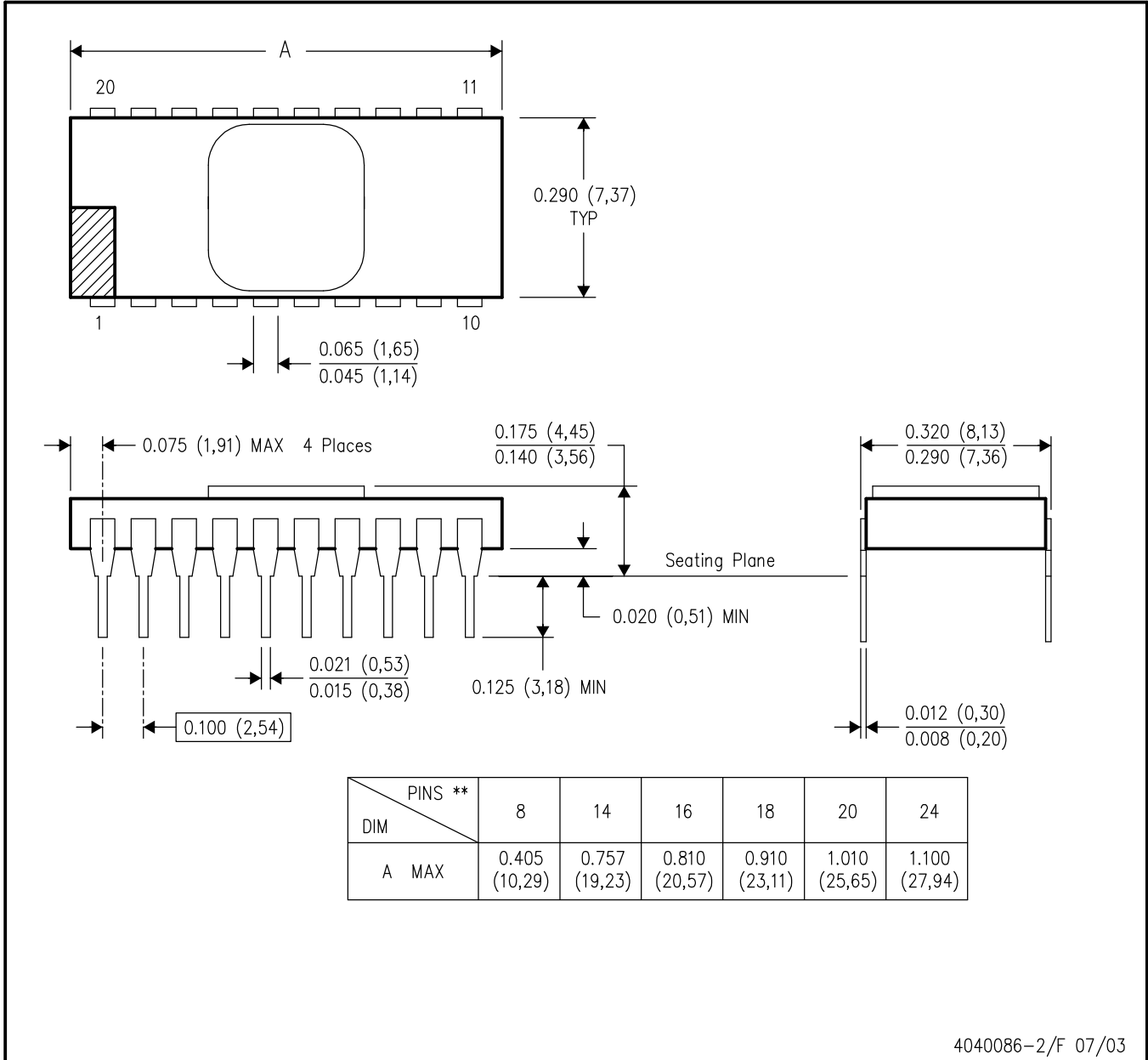
NOTE: Qualified Version Definitions:

- Catalog - TI's standard catalog product

JD (R-CDIP-T**)

CERAMIC SIDE-BRAZE DUAL-IN-LINE PACKAGE

20 PINS SHOWN



4040086-2/F 07/03

- NOTES:
- A. All linear dimensions are in inches (millimeters).
 - B. This drawing is subject to change without notice.
 - C. This package is hermetically sealed with a metal lid.
 - D. The terminals are gold plated.
 - E. Falls within MIL STD 1835 CDIP2 - T8, T14, T16, T18, T20 and T24 respectively.

IMPORTANT NOTICE AND DISCLAIMER

TI PROVIDES TECHNICAL AND RELIABILITY DATA (INCLUDING DATA SHEETS), DESIGN RESOURCES (INCLUDING REFERENCE DESIGNS), APPLICATION OR OTHER DESIGN ADVICE, WEB TOOLS, SAFETY INFORMATION, AND OTHER RESOURCES "AS IS" AND WITH ALL FAULTS, AND DISCLAIMS ALL WARRANTIES, EXPRESS AND IMPLIED, INCLUDING WITHOUT LIMITATION ANY IMPLIED WARRANTIES OF MERCHANTABILITY, FITNESS FOR A PARTICULAR PURPOSE OR NON-INFRINGEMENT OF THIRD PARTY INTELLECTUAL PROPERTY RIGHTS.

These resources are intended for skilled developers designing with TI products. You are solely responsible for (1) selecting the appropriate TI products for your application, (2) designing, validating and testing your application, and (3) ensuring your application meets applicable standards, and any other safety, security, regulatory or other requirements.

These resources are subject to change without notice. TI grants you permission to use these resources only for development of an application that uses the TI products described in the resource. Other reproduction and display of these resources is prohibited. No license is granted to any other TI intellectual property right or to any third party intellectual property right. TI disclaims responsibility for, and you will fully indemnify TI and its representatives against, any claims, damages, costs, losses, and liabilities arising out of your use of these resources.

TI's products are provided subject to [TI's Terms of Sale](#) or other applicable terms available either on [ti.com](https://www.ti.com) or provided in conjunction with such TI products. TI's provision of these resources does not expand or otherwise alter TI's applicable warranties or warranty disclaimers for TI products.

TI objects to and rejects any additional or different terms you may have proposed.

Mailing Address: Texas Instruments, Post Office Box 655303, Dallas, Texas 75265
Copyright © 2024, Texas Instruments Incorporated