

## SN55LVCP22 QML Q 类 2x2 1Gbps LVDS 交叉点开关

### 1 特性

- QML Q 类、SMD 5962-11242
- 高速 ( 高达 1000Mbps )
- 低抖动完全差分数据路径
- 50ps ( 典型值 ) 的峰峰值抖动, PRBS = 2<sup>23</sup>-1 模式
- 总功率耗散少于 227mW ( 典型值 ), 313mW ( 最大值 )
- 输出 ( 通道间 ) 延迟为 80ps ( 典型值 )
- 可配置为 2:1 多路复用器, 1:2 多路信号分离器, 中继器或者 1:2 信号分配器
- 输入可接受 LVDS、LVPECL 和 CML 信号
- 1.7ns ( 典型值 ) 的快速交换时间
- 0.65ns ( 典型值 ) 的快速传播延迟
- 与 TIA/EIA-644-A LVDS 标准互操作
- 支持国防、航空航天和医疗应用:
  - 受控基线
  - 一个组装/测试厂和一个制造厂
  - 延长产品生命周期和延长产品变更通知
  - 产品可追溯性

### 2 应用

- [全球定位系统接收器](#)
- [国防无线电](#)
- [声纳](#)

- [导引头前端](#)
- [雷达](#)

### 3 说明

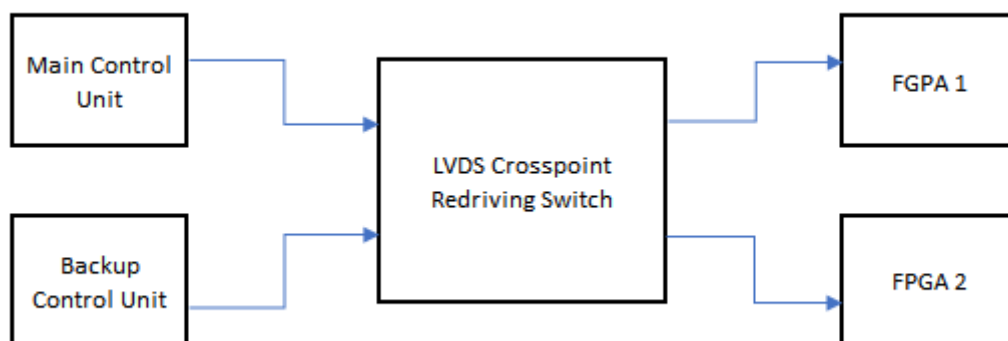
SN55LVCP22 是一款 2x2 交叉点开关, 使每个路径实现大于 1000Mbps 的运行速度。两个通道组装有宽共模 ( 0V 至 4V ) 接收器, 从而实现对 LVDS、LVPECL 和 CML 信号的接收。两路输出为 LVDS 驱动器, 用于实现低功耗、低 EMI、高速运转。SN55LVCP22 器件支持 2:2 缓冲 ( 重复 )、1:2 分配、2:1 复用、2x2 交换, 以及每个通道上的 LVPECL/CML 到 LVDS 电平转换。SN55LVCP22 的灵活运行可满足光网络、无线基础设施和数据通信系统中容错交换系统对于冗余串行总线传输的需求 ( 运转和保护交换卡 )。

SN55LVCP22 使用一个完全差分数据路径来确保低噪声生成、快速交换时间、低脉宽失真和低抖动。80ps ( 典型值 ) 的输出通道间延迟确保所有应用中输出的准确一致。

#### 器件信息

器件型号	等级	封装 <sup>(1)</sup>	封装尺寸 ( 标称值 )
5962-112420 1QFA	QMLQ	CFP (16)	6.73mm x 10.3mm

(1) 如需了解所有可用封装, 请参阅数据表末尾的可订购产品附录。



简化版应用



## Table of Contents

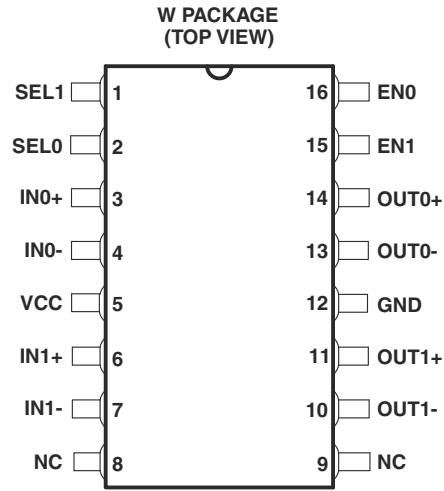
<b>1 特性</b> .....	1	8.2 Functional Block Diagram.....	14
<b>2 应用</b> .....	1	8.3 Feature Description.....	14
<b>3 说明</b> .....	1	8.4 Device Functional Modes.....	14
<b>4 Revision History</b> .....	2	<b>9 Application and Implementation</b> .....	16
<b>5 Pin Configuration and Functions</b> .....	3	9.1 Application Information.....	16
Pin Functions.....	3	9.2 Typical Application.....	16
<b>6 Specifications</b> .....	4	<b>10 Power Supply Recommendations</b> .....	19
6.1 Absolute Maximum Ratings.....	4	<b>11 Layout</b> .....	20
6.2 Handling Ratings.....	4	11.1 Layout Guidelines.....	20
6.3 Recommended Operating Conditions.....	4	11.2 Layout Example.....	20
6.4 Thermal Information.....	4	<b>12 Device and Documentation Support</b> .....	21
6.5 Electrical Characteristics.....	4	12.1 Trademarks.....	21
6.6 Switching Characteristics.....	6	12.2 静电放电警告.....	21
6.7 Typical Characteristics.....	7	12.3 术语表.....	21
<b>7 Parameter Measurement Information</b> .....	10	<b>13 Mechanical, Packaging, and Orderable Information</b> .....	21
<b>8 Detailed Description</b> .....	14		
8.1 Overview.....	14		

## 4 Revision History

注：以前版本的页码可能与当前版本的页码不同

DATE	REVISION	NOTES
September 2020	*	Initial Release

## 5 Pin Configuration and Functions



NC - No internal connection

## Pin Functions

TERMINAL		I/O	DESCRIPTION
NAME	NO.		
SEL1	1	Input	Switch Selection Control 1
SEL0	2	Input	Switch Selection Control 2
IN0+	3	Input	LVDS Receiver Positive Input 0
IN0-	4	Input	LVDS Receiver Negative Input 0
VCC	5	Power	3.3V Supply Voltage
IN1+	6	Input	LVDS Receiver Positive Input 1
IN1-	7	Input	LVDS Receiver Negative Input 1
NC	8	N/A	No Internal Connection
NC	9	N/A	No Internal Connection
OUT1-	10	Output	LVDS Driver Negative Output 1
OUT1+	11	Output	LVDS Driver Positive Output 1
GND	12	Ground	Ground
OUT0-	13	Output	LVDS Driver Negative Output 0
OUT0+	14	Output	LVDS Driver Positive Output 0
EN1	15	Input	Output Enable for Driver 1
EN0	16	Input	Output Enable for Driver 0

## 6 Specifications

### 6.1 Absolute Maximum Ratings

over operating free-air temperature range unless otherwise noted<sup>(1)</sup>

	UNIT
Supply voltage <sup>(2)</sup> , $V_{CC}$	- 0.5 V to 4 V
CMOS/TTL input voltage (ENO, EN1, SEL0, SEL1)	- 0.5 V to 4 V
LVDS receiver input voltage (IN+, IN -)	- 0.7 V to 4.3 V
LVDS driver output voltage (OUT+, OUT -)	- 0.5 V to 4 V
LVDS output short circuit current	Continuous
Maximum Junction temperature	150°C

- (1) Stresses beyond those listed under *absolute maximum ratings* may cause permanent damage to the device. These are stress ratings only, and functional operation of the device at these or any other conditions beyond those indicated under *recommended operating conditions* is not implied. Exposure to absolute-maximum-rated conditions for extended periods may affect device reliability.
- (2) All voltage values, except differential I/O bus voltages, are with respect to network ground terminals.

### 6.2 Handling Ratings

		MIN	MAX	UNIT	
$T_{stg}$	Storage temperature range	-65	125	°C	
$V_{(ESD)}$	Electrostatic discharge	Human body model (HBM), per ANSI/ESDA/JEDEC JS-001, all pins <sup>(1)</sup>	-5000	5000	V
		Charged device model (CDM), per JEDEC specification JESD22-C101, all pins <sup>(2)</sup>	-500	500	

- (1) JEDEC document JEP155 states that 500-V HBM allows safe manufacturing with a standard ESD control process.
- (2) JEDEC document JEP157 states that 250-V CDM allows safe manufacturing with a standard ESD control process.

### 6.3 Recommended Operating Conditions

		MIN	NOM	MAX	UNIT
Supply voltage, $V_{CC}$		3	3.3	3.6	V
Receiver input voltage		0		4	V
Operating case (top) temperature, $T_C$ <sup>(1)</sup>		- 55		125	°C
Magnitude of differential input voltage, $ V_{ID} $		0.1		3	V

- (1) Maximum case temperature operation is allowed as long as the device maximum junction temperature is not exceeded.

### 6.4 Thermal Information

THERMAL METRIC <sup>(1)</sup>		SN55LVCP22A-SP	UNIT
		W (CFP)	
		16 PINS	
$R_{\theta JA}$	Junction-to-ambient thermal resistance	118.1	°C/W
$R_{\theta JC(top)}$	Junction-to-case (top) thermal resistance	51.2	°C/W
$R_{\theta JB}$	Junction-to-board thermal resistance	107.2	°C/W
$\psi_{JT}$	Junction-to-top characterization parameter	28.4	°C/W
$\psi_{JB}$	Junction-to-board characterization parameter	95.1	°C/W

- (1) For more information about traditional and new thermal metrics, see the [Semiconductor and IC Package Thermal Metrics](#) application report.

### 6.5 Electrical Characteristics

over recommended operating conditions unless otherwise noted

PARAMETER		TEST CONDITIONS			MIN	TYP <sup>(1)</sup>	MAX	UNIT
<b>CMOS/TTL DC SPECIFICATIONS (EN0, EN1, SEL0, SEL1)</b>								
$V_{IH}$	High-level input voltage				2	1.5	$V_{CC}$	V

over recommended operating conditions unless otherwise noted

PARAMETER		TEST CONDITIONS	MIN	TYP <sup>(1)</sup>	MAX	UNIT
V <sub>IL</sub>	Low-level input voltage		GND	1.5	0.8	V
I <sub>IH</sub>	High-level input current	V <sub>IN</sub> = 3.6 V or 2.0 V, V <sub>CC</sub> = 3.6 V	-25	±3	25	μA
I <sub>IL</sub>	Low-level input current	V <sub>IN</sub> = 0.0 V or 0.8 V, V <sub>CC</sub> = 3.6 V	-15	±1	15	μA
V <sub>CL</sub>	Input clamp voltage	I <sub>CL</sub> = -18 mA		-0.8	-1.5	V

#### LVDS OUTPUT SPECIFICATIONS (OUT0, OUT1)

V <sub>OD</sub>	Differential output voltage	R <sub>L</sub> = 75 Ω, See <a href="#">图 7-3</a>	255	390	475	mV
		R <sub>L</sub> = 75 Ω, V <sub>CC</sub> = 3.3 V, T <sub>A</sub> = 25°C, See <a href="#">图 7-3</a>	320	390	430	
Δ V <sub>OD</sub>	Change in differential output voltage magnitude between logic states	V <sub>ID</sub> = ±100 mV, See <a href="#">图 7-3</a>	-25		25	mV
V <sub>OS</sub>	Steady-state offset voltage	See <a href="#">图 7-4</a>	1	1.2	1.45	V
ΔV <sub>OS</sub>	Change in steady-state offset voltage between logic states	See <a href="#">图 7-4</a>	-25		25	mV
V <sub>OC(PP)</sub>	Peak-to-peak common-mode output voltage	See <a href="#">图 7-4</a>		50		mV
I <sub>OZ</sub>	High-impedance output current	V <sub>OUT</sub> = GND or V <sub>CC</sub>	-15		15	μA
I <sub>OFF</sub>	Power-off leakage current	V <sub>CC</sub> = 0 V, 1.5 V; V <sub>OUT</sub> = 3.6 V or GND	-15		15	μA
I <sub>OS</sub>	Output short-circuit current	V <sub>OUT+</sub> or V <sub>OUT-</sub> = 0 V			-8	mA
I <sub>OSB</sub>	Both outputs short-circuit current	V <sub>OUT+</sub> and V <sub>OUT-</sub> = 0 V	-8		8	mA
C <sub>O</sub>	Differential output capacitance	V <sub>I</sub> = 0.4 sin(4E6 π t) + 0.5 V		3		pF

#### LVDS RECEIVER DC SPECIFICATIONS (IN0, IN1)

V <sub>TH</sub>	Positive-going differential input voltage threshold	See <a href="#">图 7-2</a> and <a href="#">表 7-1</a>			100	mV
V <sub>TL</sub>	Negative-going differential input voltage threshold	See <a href="#">图 7-2</a> and <a href="#">表 7-1</a>	-100			mV
V <sub>ID(HYS)</sub>	Differential input voltage hysteresis			20	150	mV
V <sub>CMR</sub>	Common-mode voltage range	V <sub>ID</sub> = 100 mV, V <sub>CC</sub> = 3.0 V to 3.6 V	0.05		3.95	V
I <sub>IN</sub>	Input current	V <sub>IN</sub> = 4 V, V <sub>CC</sub> = 3.6 V or 0.0	-18	±1	18	μA
		V <sub>IN</sub> = 0 V, V <sub>CC</sub> = 3.6V or 0.0	-18	±1	18	
C <sub>IN</sub>	Differential input capacitance	V <sub>I</sub> = 0.4 sin(4E6 π t) + 0.5 V		3		pF

#### SUPPLY CURRENT

I <sub>CCQ</sub>	Quiescent supply current	R <sub>L</sub> = 75 Ω, EN0=EN1=High		60	87	mA
I <sub>CCD</sub>	Total supply current	R <sub>L</sub> = 75 Ω, C <sub>L</sub> = 5 pF, 500 MHz (1000 Mbps), EN0=EN1=High		63	87	mA
I <sub>CCZ</sub>	3-state supply current	EN0 = EN1 = Low		25	35	mA

(1) All typical values are at 25°C and with a 3.3-V supply.

## 6.6 Switching Characteristics

over recommended operating conditions unless otherwise noted

parameter		TEST CONDITIONS	MIN	TYP	MAX	UNIT
$t_{SET}$	Input to SEL setup time	See <a href="#">图 7-7</a>		0.8	2.2	ns
$t_{HOLD}$	Input to SEL hold time	See <a href="#">图 7-7</a>		1.0	2.2	ns
$t_{SWITCH}$	SEL to switched output	See <a href="#">图 7-7</a>		1.7	2.6	ns
$t_{PHZ}$	Disable time, high-level-to-high-impedance	See <a href="#">图 7-6</a>		2	8	ns
$t_{PLZ}$	Disable time, low-level-to-high-impedance	See <a href="#">图 7-6</a>		2	8	ns
$t_{PZH}$	Enable time, high-impedance -to-high-level output	See <a href="#">图 7-6</a>		2	8	ns
$t_{PZL}$	Enable time, high-impedance-to-low-level output	See <a href="#">图 7-6</a>		2	8	ns
$t_{LHT}$	Differential output signal rise time (20%-80%) <sup>(1)</sup>	$C_L = 5$ pF, See <a href="#">图 7-5</a>		280	620	ps
$t_{HLT}$	Differential output signal fall time (20%-80%) <sup>(1)</sup>	$C_L = 5$ pF, See <a href="#">图 7-5</a>		280	620	ps
$t_{JIT}$	Added peak-to-peak jitter <sup>(3)</sup>	$V_{ID} = 200$ mV, 50% duty cycle, $V_{CM} = 1.2$ V, 50 MHz, $C_L = 5$ pF		13.7	22.2	ps
		$V_{ID} = 200$ mV, 50% duty cycle, $V_{CM} = 1.2$ V, 240 MHz, $C_L = 5$ pF		13.4	24.5	
		$V_{ID} = 200$ mV, 50% duty cycle, $V_{CM} = 1.2$ V, 500 MHz, $C_L = 5$ pF		14.4	35.7	
		$V_{ID} = 200$ mV, PRBS = 2 <sup>15</sup> -1 data pattern, $V_{CM} = 1.2$ V, 240 Mbps, $C_L = 5$ pF		68.3	204	ps
		$V_{ID} = 200$ mV, PRBS = 2 <sup>15</sup> -1 data pattern, $V_{CM} = 1.2$ V, 1000 Mbps, $C_L = 5$ pF		73.2	282	
$t_{Jrms}$	Added random jitter (rms) <sup>(3)</sup>	$V_{ID} = 200$ mV, 50% duty cycle, $V_{CM} = 1.2$ V, 50 MHz, $C_L = 5$ pF		0.97	1.5	pSRMS
		$V_{ID} = 200$ mV, 50% duty cycle, $V_{CM} = 1.2$ V, 240 MHz, $C_L = 5$ pF		0.85	1.53	
		$V_{ID} = 200$ mV, 50% duty cycle, $V_{CM} = 1.2$ V, 500 MHz, $C_L = 5$ pF		0.86	1.79	
$t_{PLHD}$	Propagation delay time, low-to-high-level output <sup>(1)</sup>		200	650	2350	ps
$t_{PHLD}$	Propagation delay time, high-to-low-level output <sup>(1)</sup>		200	650	2350	ps
$t_{skew}$ <sup>(5)</sup>	Pulse skew ( $ t_{PLHD} - t_{PHLD} $ ) <sup>(2)</sup>	$C_L = 5$ pF, See <a href="#">图 7-5</a>		45	160	ps
$t_{CCS}$	Output channel-to-channel skew, splitter mode	$C_L = 5$ pF, See <a href="#">图 7-5</a>		80		ps
$f_{MAX}$ <sup>(5)</sup>	Maximum operating frequency <sup>(4)</sup>		1			GHz

(1) Input:  $V_{IC} = 1.2$  V,  $V_{ID} = 200$  mV, 50% duty cycle, 1 MHz,  $t_r/t_f = 500$  ps

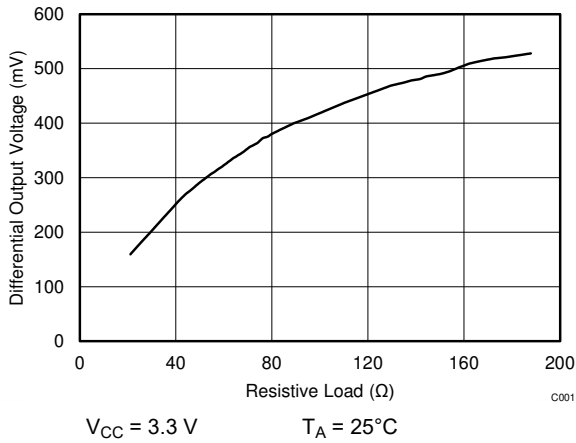
(2)  $t_{skew}$  is the magnitude of the time difference between the  $t_{PLHD}$  and  $t_{PHLD}$  of any output of a single device.

(3) Not production tested.

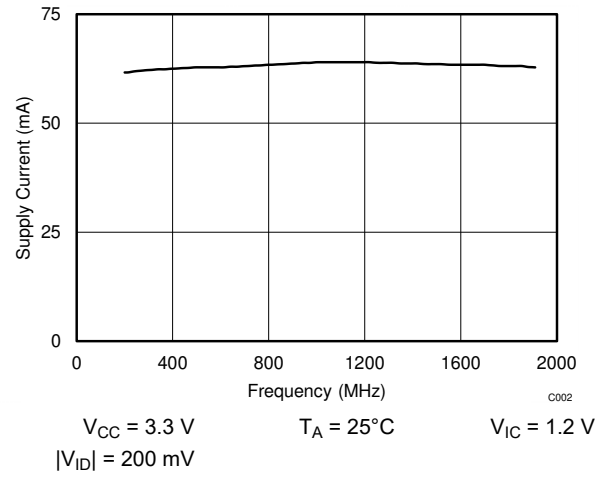
(4) Signal generator conditions: 50% duty cycle,  $t_r$  or  $t_f \leq 100$  ps (10% to 90%), transmitter output criteria: duty cycle = 45% to 55%  $V_{OD} \geq 300$  mV.

(5)  $t_{skew}$  and  $f_{MAX}$  parameters are guaranteed by characterization, but not production tested.

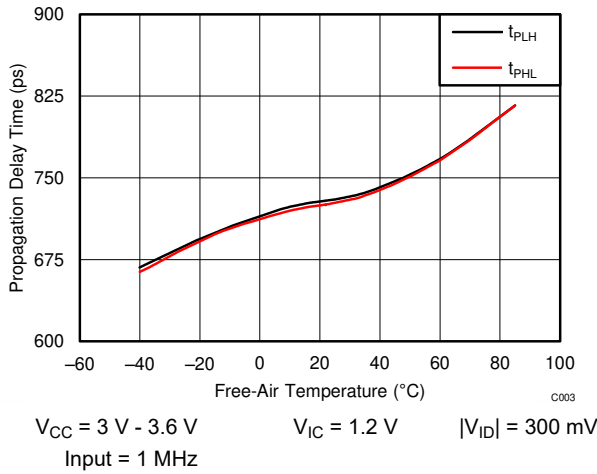
## 6.7 Typical Characteristics



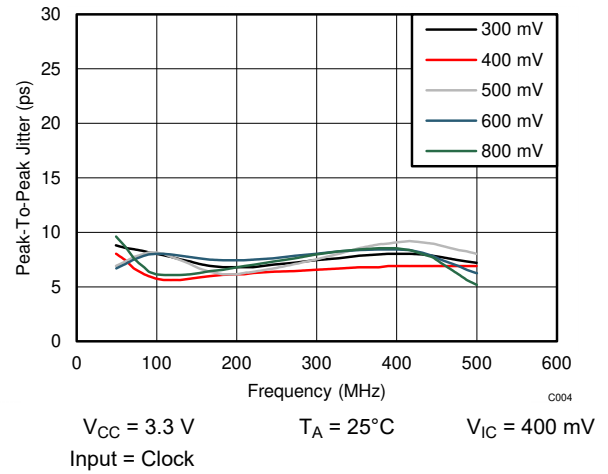
**图 6-1. Differential Output Voltage vs Resistive Load**



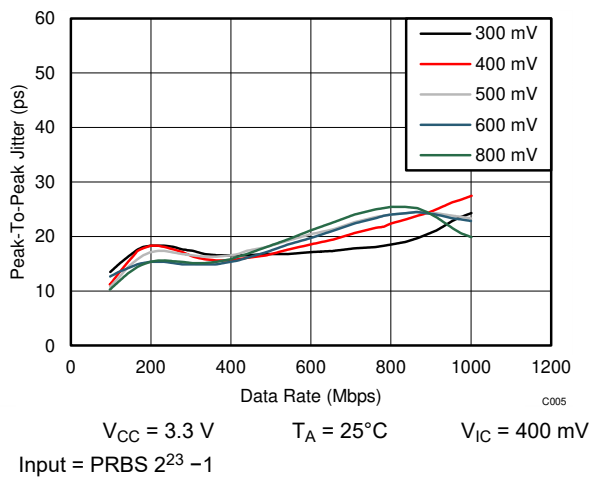
**图 6-2. Supply Current vs Frequency**



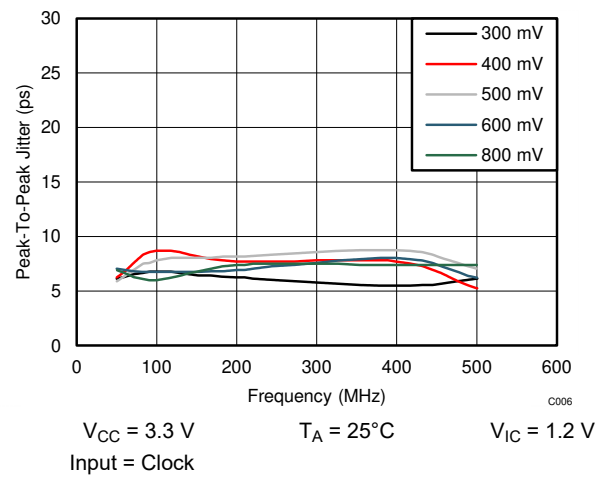
**图 6-3. Propagation Delay Time vs Free-Air Temperature**



**图 6-4. Peak-To-Peak Jitter vs Frequency**



**图 6-5. Peak-To-Peak Jitter vs Data Rate**



**图 6-6. Peak-To-Peak Jitter vs Frequency**

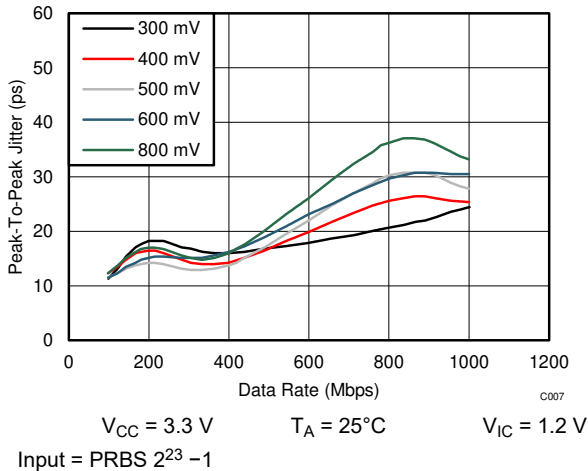


图 6-7. Peak-To-Peak Jitter vs Data Rate

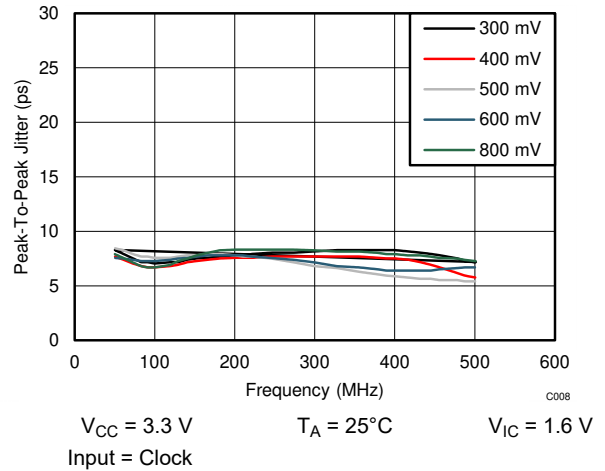


图 6-8. Peak-To-Peak Jitter vs Frequency

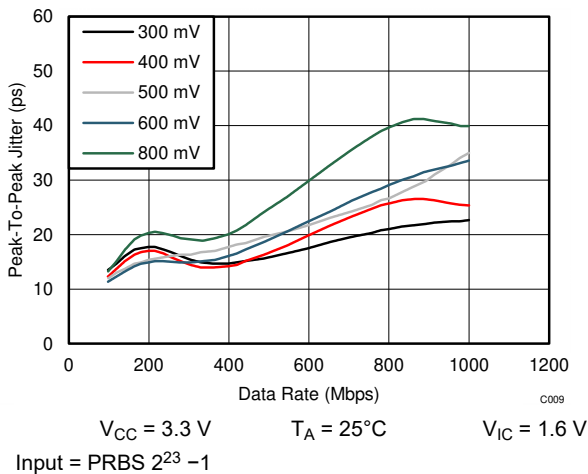


图 6-9. Peak-To-Peak Jitter vs Data Rate

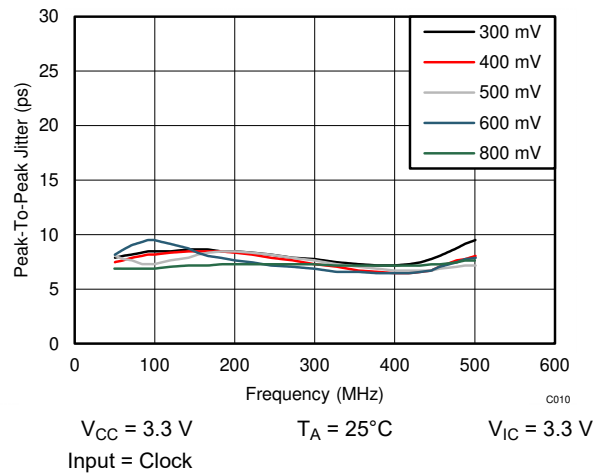


图 6-10. Peak-To-Peak Jitter vs Frequency

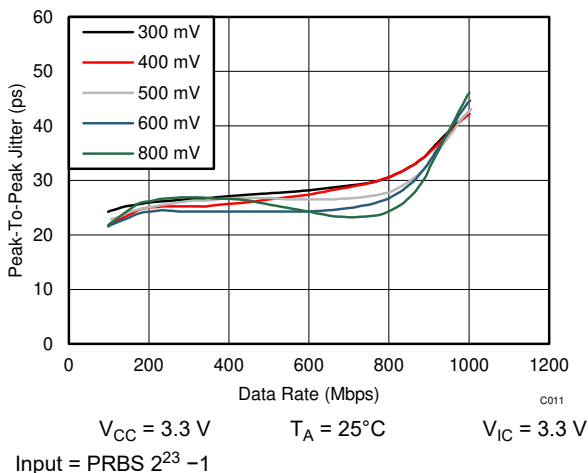


图 6-11. Peak-To-Peak Jitter vs Data Rate

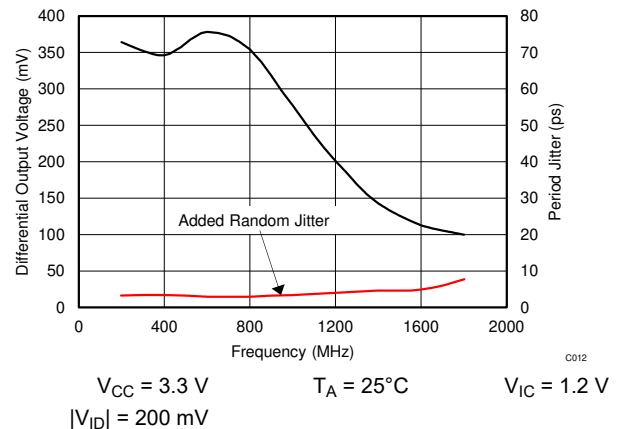
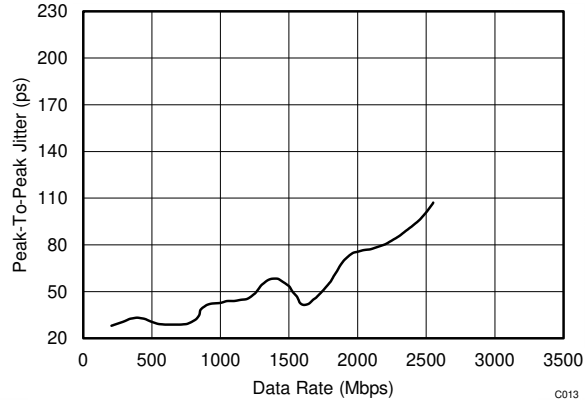


图 6-12. Differential Output Voltage vs Frequency





$V_{CC} = 3.3\text{ V}$   
 $|V_{ID}| = 200\text{ mV}$

$T_A = 25^\circ\text{C}$   
Input = PRBS  $2^{23} - 1$

$V_{IC} = 1.2\text{ V}$

图 6-13. Peak-To-Peak Jitter vs Data Rate

## 7 Parameter Measurement Information

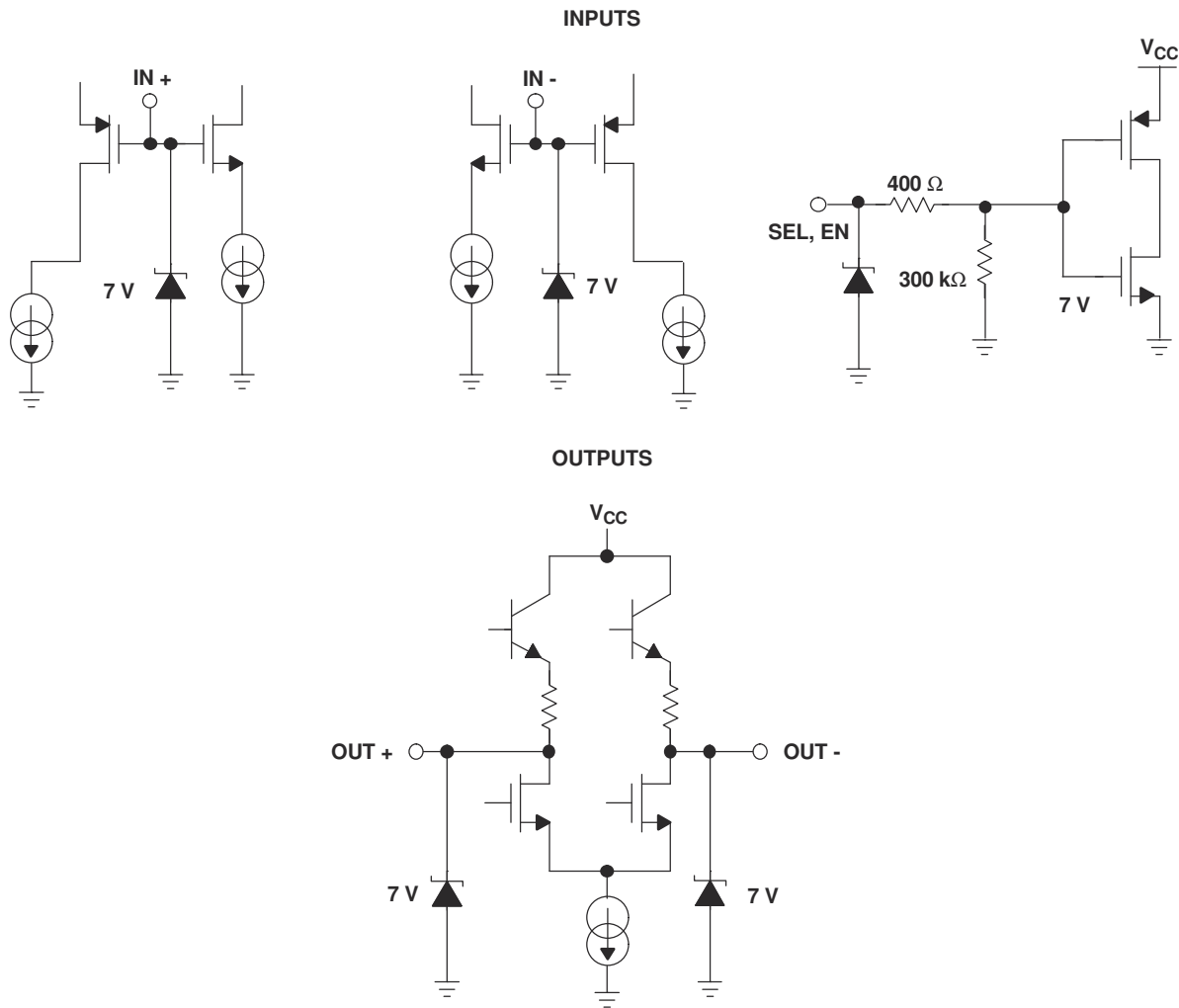


图 7-1. Equivalent Input and Output Schematic Diagrams

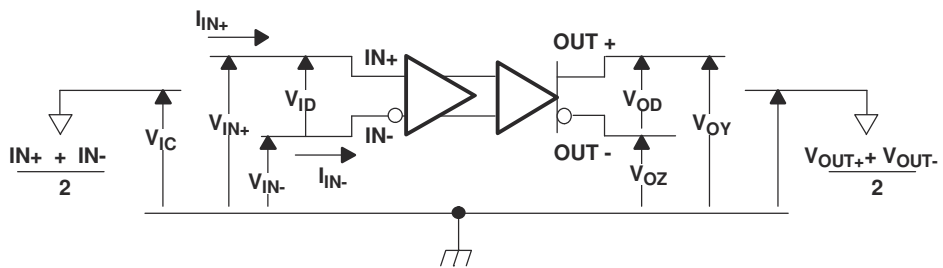


图 7-2. Voltage And Current Definitions

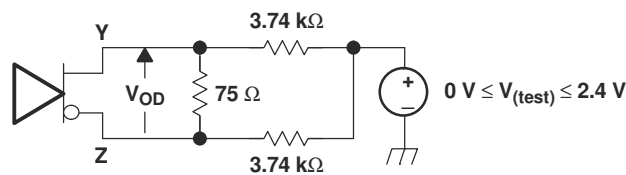
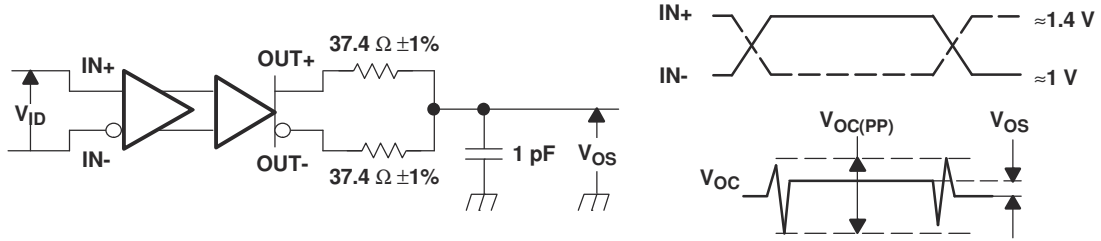
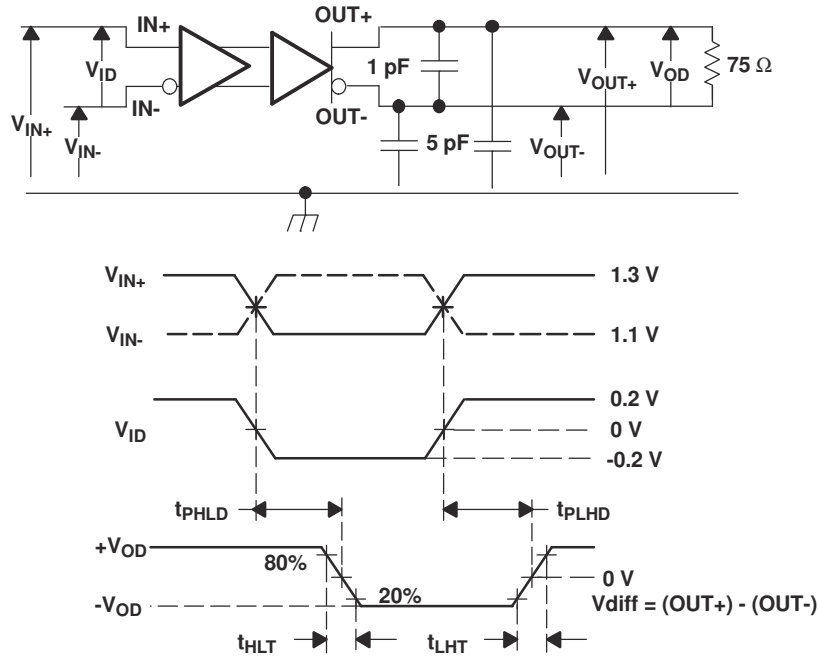


图 7-3. Differential Output Voltage ( $V_{OD}$ ) Test Circuit



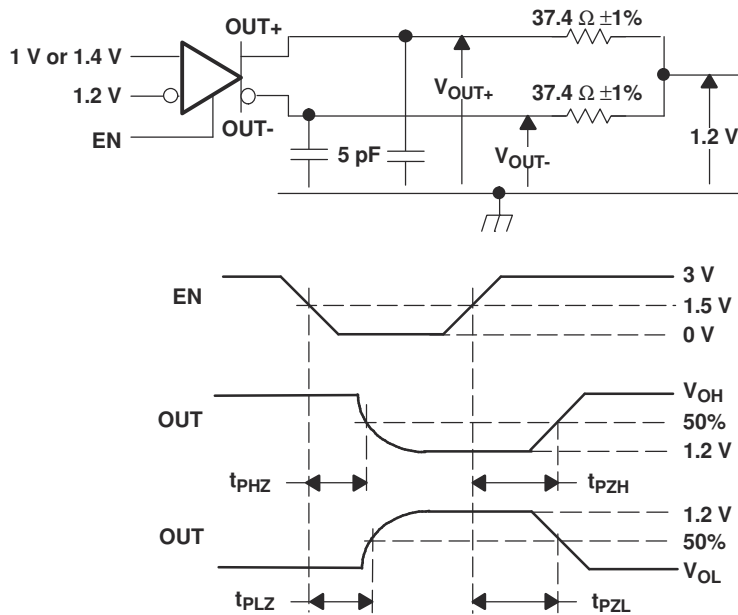
All input pulses are supplied by a generator having the following characteristics:  $t_r$  or  $t_f \leq 1$  ns, pulse-repetition rate (PRR) = 0.5 Mpps, pulse width =  $500 \pm 10$  ns;  $R_L = 100 \Omega$ ;  $C_L$  includes instrumentation and fixture capacitance within 0,06 mm of the D.U.T.; the measurement of  $V_{OC(PP)}$  is made on test equipment with a -3 dB bandwidth of at least 300 MHz.

图 7-4. Test Circuit And Definitions For The Driver Common-Mode Output Voltage



All input pulses are supplied by a generator having the following characteristics:  $t_r$  or  $t_f \leq .25$  ns, pulse-repetition rate (PRR) = 0.5 Mpps, pulse width =  $500 \pm 10$  ns.  $C_L$  includes instrumentation and fixture capacitance within 0,06 mm of the D.U.T.

图 7-5. Timing Test Circuit And Waveforms



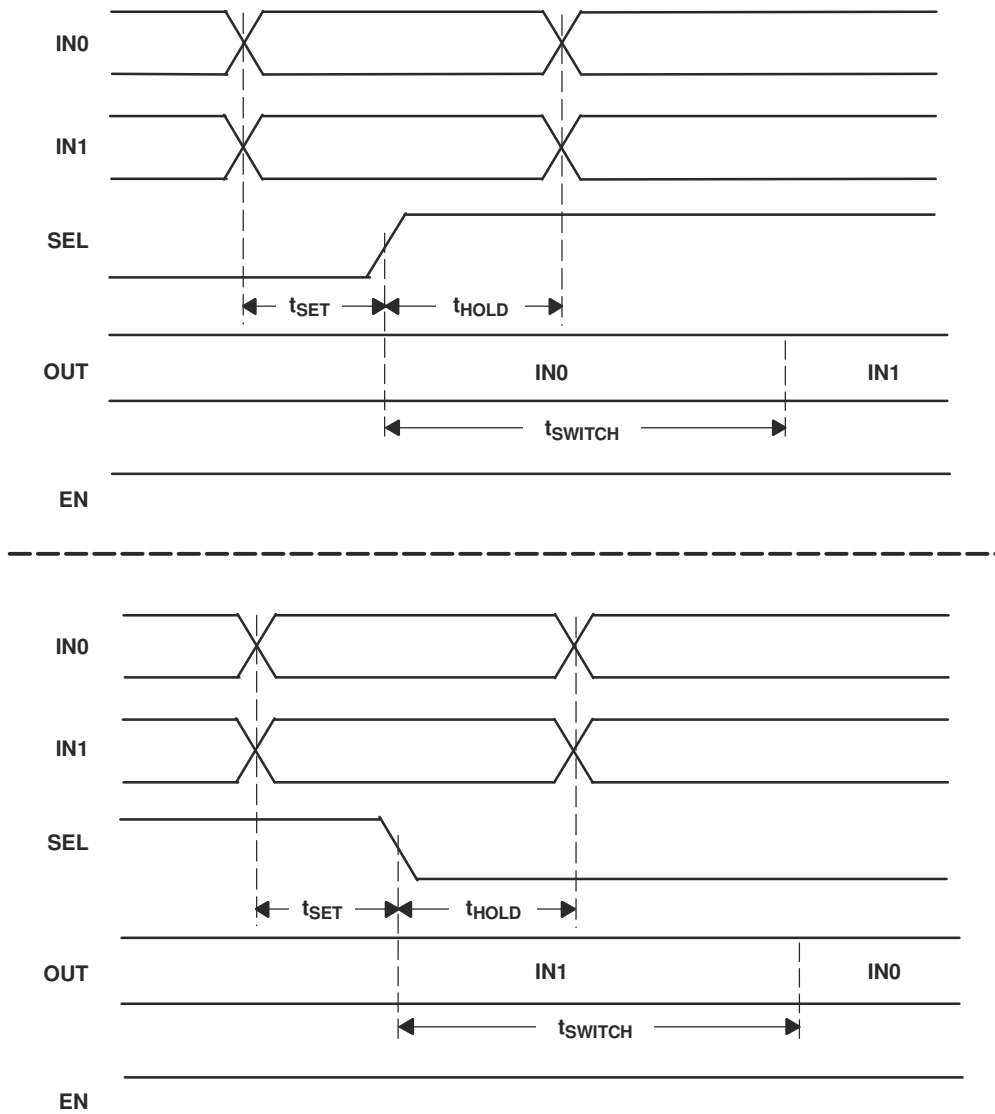
All input pulses are supplied by a generator having the following characteristics:  $t_r$  or  $t_f \leq 1$  ns, pulse-repetition rate (PRR) = 0.5 Mpps, pulse width =  $500 \pm 10$  ns.  $C_L$  includes instrumentation and fixture capacitance within 0,06 mm of the D.U.T.

图 7-6. Enable And Disable Time Circuit And Definitions

表 7-1. Receiver Input Voltage Threshold Test

APPLIED VOLTAGES		RESULTING DIFFERENTIAL INPUT VOLTAGE	RESULTING COMMON-MODE INPUT VOLTAGE	OUTPUT <sup>(1)</sup>
V <sub>IA</sub>	V <sub>IB</sub>			
1.25 V	1.15 V	100 mV	1.2 V	H
1.15 V	1.25 V	- 100 mV	1.2 V	L
4.0 V	3.9 V	100 mV	3.95 V	H
3.9 V	4.0 V	- 100 mV	3.95 V	L
0.1 V	0.0 V	100 mV	0.05 V	H
0.0 V	0.1 V	- 100 mV	0.05 V	L
1.7 V	0.7 V	1000 mV	1.2 V	H
0.7 V	1.7 V	- 1000 mV	1.2 V	L
4.0 V	3.0 V	1000 mV	3.5 V	H
3.0 V	4.0 V	- 1000 mV	3.5 V	L
1.0 V	0.0 V	1000 mV	0.5 V	H
0.0 V	1.0 V	- 1000 mV	0.5 V	L

(1) H = high level, L = low level



$t_{SET}$  and  $t_{HOLD}$  times specify that data must be in a stable state before and after mux control switches.

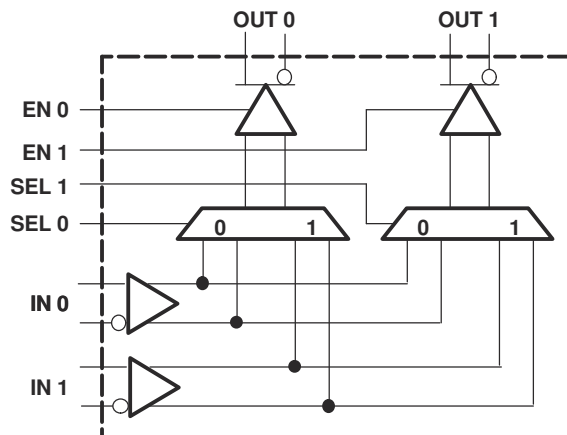
**图 7-7. Input To Select For Both Rising And Falling Edge Setup And Hold Times**

## 8 Detailed Description

### 8.1 Overview

The SN55LVCP22 is a high-speed 1-Gbps 2x2 LVDS redriving cross-point switch that can be used in mux or demux or splitter configurations. The SN55LVCP22 provides multiple signal switching options that allow system implementation flexibility as described in 表 8-1. The SN55LVCP22 incorporates wide common-mode (0 V to 4 V) receivers, allowing for the receipt of LVDS, LVPECL, and CML signals and low-power LVDS drivers to provide high-speed operations. The SN55LVCP22 uses a fully differential data path to ensure low-noise generation, fast switching times, low pulse width distortion, and low jitter.

### 8.2 Functional Block Diagram



### 8.3 Feature Description

#### 8.3.1 Input Select Pins

SEL0 pin selects which differential input lane will be routed to Lane 0 driver differential output OUT0 and SEL1 pin selects which differential input lane will be routed to Lane 1 driver differential output OUT1

#### 8.3.2 Output Enable Pins

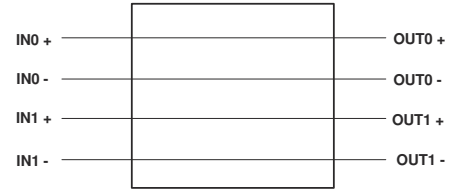
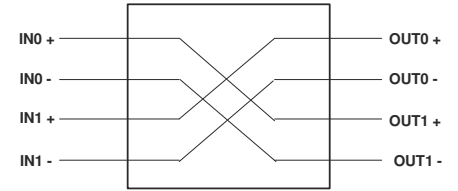
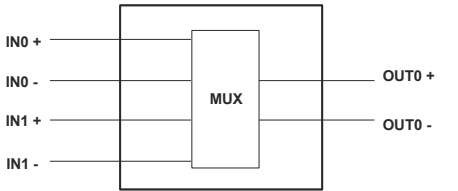
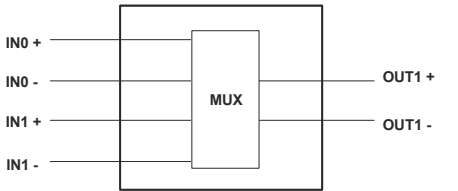
EN0 pin is an active high enable for OUT0 driver differential output and EN1 pin is an active high enable for OUT1 driver differential output.

### 8.4 Device Functional Modes

表 8-1. Function Table

SEL0	SEL1	EN0	EN1	OUT0	OUT1	FUNCTION	SIGNAL FLOW
0	0	1	1	IN0	IN0	1:2 Splitter Input IN0	
1	1	1	1	IN1	IN1	1:2 Splitter Input IN1	

表 8-1. Function Table (continued)

SEL0	SEL1	EN0	EN1	OUT0	OUT1	FUNCTION	SIGNAL FLOW
0	1	1	1	IN0	IN1	2-lane Repeater	<p>Dual Repeater</p> 
1	0	1	1	IN1	IN0	Cross-switch	<p>2 X 2 Crosspoint</p> 
0	X	1	0	IN0	High-Z	2:1 Mux Output OUT0	<p>2:1 Mux</p> 
1				IN1			
X	0	0	1	High-Z	IN0	2:1 Mux Output OUT1	<p>2:1 Mux</p> 
	1				IN1		

## 9 Application and Implementation

### 9.1 Application Information

The SN55LVCP22 can support different kind of signaling at the receiver with proper termination network. The output drivers will output LVDS differential signals.

### 9.2 Typical Application

#### 9.2.1 Low-Voltage Positive Emitter-Coupled Logic (LVPECL)

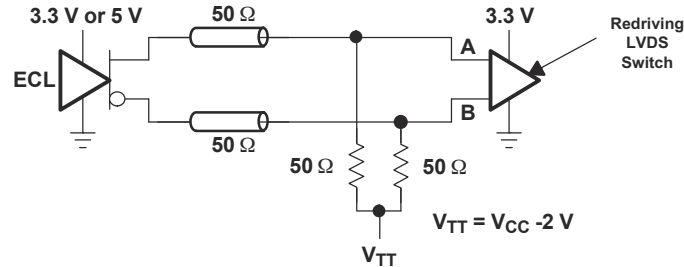


图 9-1. Low-Voltage Positive Emitter-Coupled Logic (LVPECL)

##### 9.2.1.1 Design Requirements

表 9-1. Design Parameters

DESIGN PARAMETER	EXAMPLE VALUE
Single-ended termination	50 $\Omega$
$V_{TT}$ termination voltage	$V_{CC} - 2V$

##### 9.2.1.2 Detailed Design Procedure

Use two 50  $\Omega$  termination resistors (as close to the input pins as possible) with termination voltage of  $V_{TT}$  as described in 图 9-1 to receive LVPECL input signals.

#### 9.2.2 Current-Mode Logic (CML)

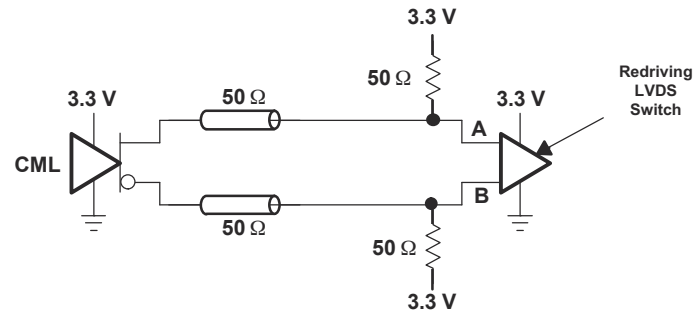


图 9-2. Current-Mode Logic (CML)

##### 9.2.2.1 Design Requirements

表 9-2. Design Parameters

DESIGN PARAMETER	EXAMPLE VALUE
Single-ended termination	50 $\Omega$
Termination Voltage	$V_{CC} = 3.3V$



### 9.2.2.2 Detailed Design Procedure

Use two 50  $\Omega$  termination resistors (as close to the input pin as possible) with termination voltage of  $V_{CC}$  as described in 图 9-2 to receive CML input signals.

### 9.2.3 Single-Ended (LVPECL)

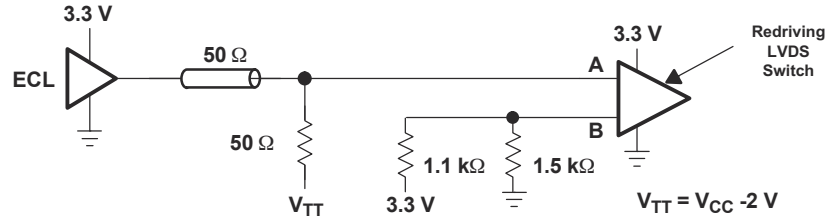


图 9-3. Single-Ended (LVPECL)

#### 9.2.3.1 Design Requirements

表 9-3. Design Parameters

DESIGN PARAMETER	EXAMPLE VALUE
Single-ended termination for input used	50 $\Omega$
$V_{TT}$ termination voltage	$V_{CC} - 2 V$
Unused input pull-up termination to $V_{CC}$	1.1 k $\Omega$
Unused input pull-down termination to Ground	1.5 k $\Omega$

#### 9.2.3.2 Detailed Design Procedure

Use a 50  $\Omega$  termination resistor (as close to the input pin as possible) with termination voltage of  $V_{TT}$  as described in 图 9-3 to receive Single-ended LVPECL input signals. Terminate Unused input pin with 1.1 k $\Omega$  pull-up to  $V_{CC}$  and 1.5 k $\Omega$  pull-down to ground.

### 9.2.4 Low-Voltage Differential Signaling (LVDS)

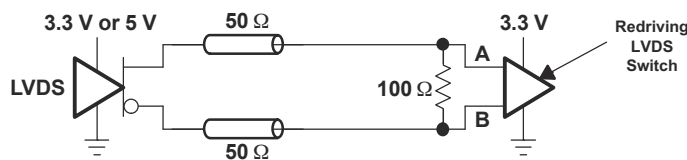


图 9-4. Low-Voltage Differential Signaling (LVDS)

#### 9.2.4.1 Design Requirements

表 9-4. Design Parameters

DESIGN PARAMETER	EXAMPLE VALUE
Differential Termination	100 $\Omega$

#### 9.2.4.2 Detailed Design Procedure

Use a 100  $\Omega$  differential termination resistor (as close to the input pins as possible) as described in 图 9-4 to receive LVDS input signals.

### 9.2.5 Application Curves

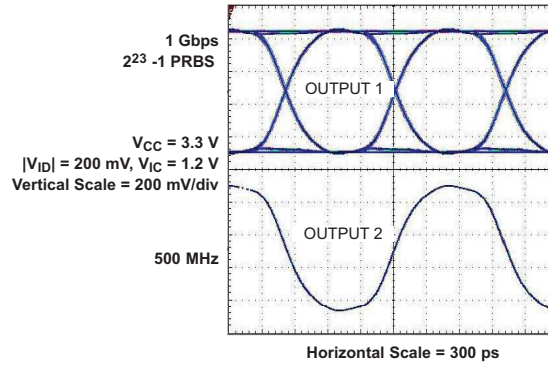


图 9-5. LVDS Output

## 10 Power Supply Recommendations

There is no power supply sequence required for SN55LVCP22. It is recommended that at least a 0.1 $\mu$ F decoupling capacitor is placed at the device VCC near the pin.

## 11 Layout

### 11.1 Layout Guidelines

High performance layout practices are paramount for board layout for high speed signals to ensure good signal integrity. Even minor imperfection can cause impedance mismatch resulting reflection. Special care is warranted for traces, connections to device, and connectors.

### 11.2 Layout Example

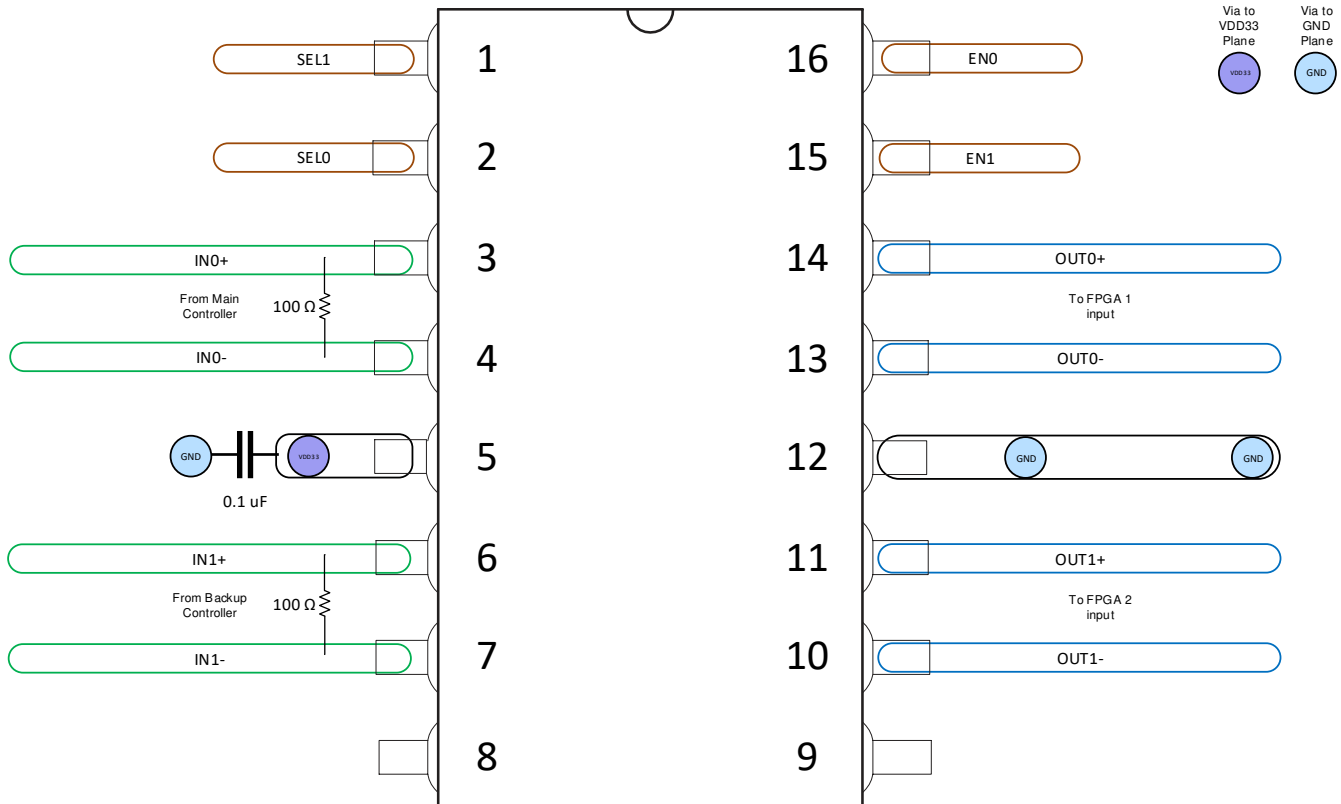


图 11-1. Layout Example with LVDS input signals

## 12 Device and Documentation Support

### 12.1 Trademarks

所有商标均为其各自所有者的财产。

### 12.2 静电放电警告



静电放电 (ESD) 会损坏这个集成电路。德州仪器 (TI) 建议通过适当的预防措施处理所有集成电路。如果不遵守正确的处理和安装程序，可能会损坏集成电路。

ESD 的损坏小至导致微小的性能降级，大至整个器件故障。精密的集成电路可能更容易受到损坏，这是因为非常细微的参数更改都可能会导致器件与其发布的规格不相符。

### 12.3 术语表

[TI 术语表](#) 本术语表列出并解释了术语、首字母缩略词和定义。

## 13 Mechanical, Packaging, and Orderable Information

The following pages include mechanical, packaging, and orderable information. This information is the most current data available for the designated devices. This data is subject to change without notice and revision of this document. For browser-based versions of this data sheet, refer to the left-hand navigation.

**PACKAGING INFORMATION**

Orderable Device	Status (1)	Package Type	Package Drawing	Pins	Package Qty	Eco Plan (2)	Lead finish/ Ball material (6)	MSL Peak Temp (3)	Op Temp (°C)	Device Marking (4/5)	Samples
5962-1124201QFA	ACTIVE	CFP	W	16	25	Non-RoHS & Green	SNPB	N / A for Pkg Type	-55 to 125	5962-1124201QF A LVCP22W-SP	Samples

(1) The marketing status values are defined as follows:

**ACTIVE:** Product device recommended for new designs.

**LIFEBUY:** TI has announced that the device will be discontinued, and a lifetime-buy period is in effect.

**NRND:** Not recommended for new designs. Device is in production to support existing customers, but TI does not recommend using this part in a new design.

**PREVIEW:** Device has been announced but is not in production. Samples may or may not be available.

**OBSOLETE:** TI has discontinued the production of the device.

(2) **RoHS:** TI defines "RoHS" to mean semiconductor products that are compliant with the current EU RoHS requirements for all 10 RoHS substances, including the requirement that RoHS substance do not exceed 0.1% by weight in homogeneous materials. Where designed to be soldered at high temperatures, "RoHS" products are suitable for use in specified lead-free processes. TI may reference these types of products as "Pb-Free".

**RoHS Exempt:** TI defines "RoHS Exempt" to mean products that contain lead but are compliant with EU RoHS pursuant to a specific EU RoHS exemption.

**Green:** TI defines "Green" to mean the content of Chlorine (Cl) and Bromine (Br) based flame retardants meet JS709B low halogen requirements of <=1000ppm threshold. Antimony trioxide based flame retardants must also meet the <=1000ppm threshold requirement.

(3) MSL, Peak Temp. - The Moisture Sensitivity Level rating according to the JEDEC industry standard classifications, and peak solder temperature.

(4) There may be additional marking, which relates to the logo, the lot trace code information, or the environmental category on the device.

(5) Multiple Device Markings will be inside parentheses. Only one Device Marking contained in parentheses and separated by a "~" will appear on a device. If a line is indented then it is a continuation of the previous line and the two combined represent the entire Device Marking for that device.

(6) Lead finish/Ball material - Orderable Devices may have multiple material finish options. Finish options are separated by a vertical ruled line. Lead finish/Ball material values may wrap to two lines if the finish value exceeds the maximum column width.

**Important Information and Disclaimer:**The information provided on this page represents TI's knowledge and belief as of the date that it is provided. TI bases its knowledge and belief on information provided by third parties, and makes no representation or warranty as to the accuracy of such information. Efforts are underway to better integrate information from third parties. TI has taken and continues to take reasonable steps to provide representative and accurate information but may not have conducted destructive testing or chemical analysis on incoming materials and chemicals. TI and TI suppliers consider certain information to be proprietary, and thus CAS numbers and other limited information may not be available for release.

In no event shall TI's liability arising out of such information exceed the total purchase price of the TI part(s) at issue in this document sold by TI to Customer on an annual basis.

**OTHER QUALIFIED VERSIONS OF SN55LVCP22 :**

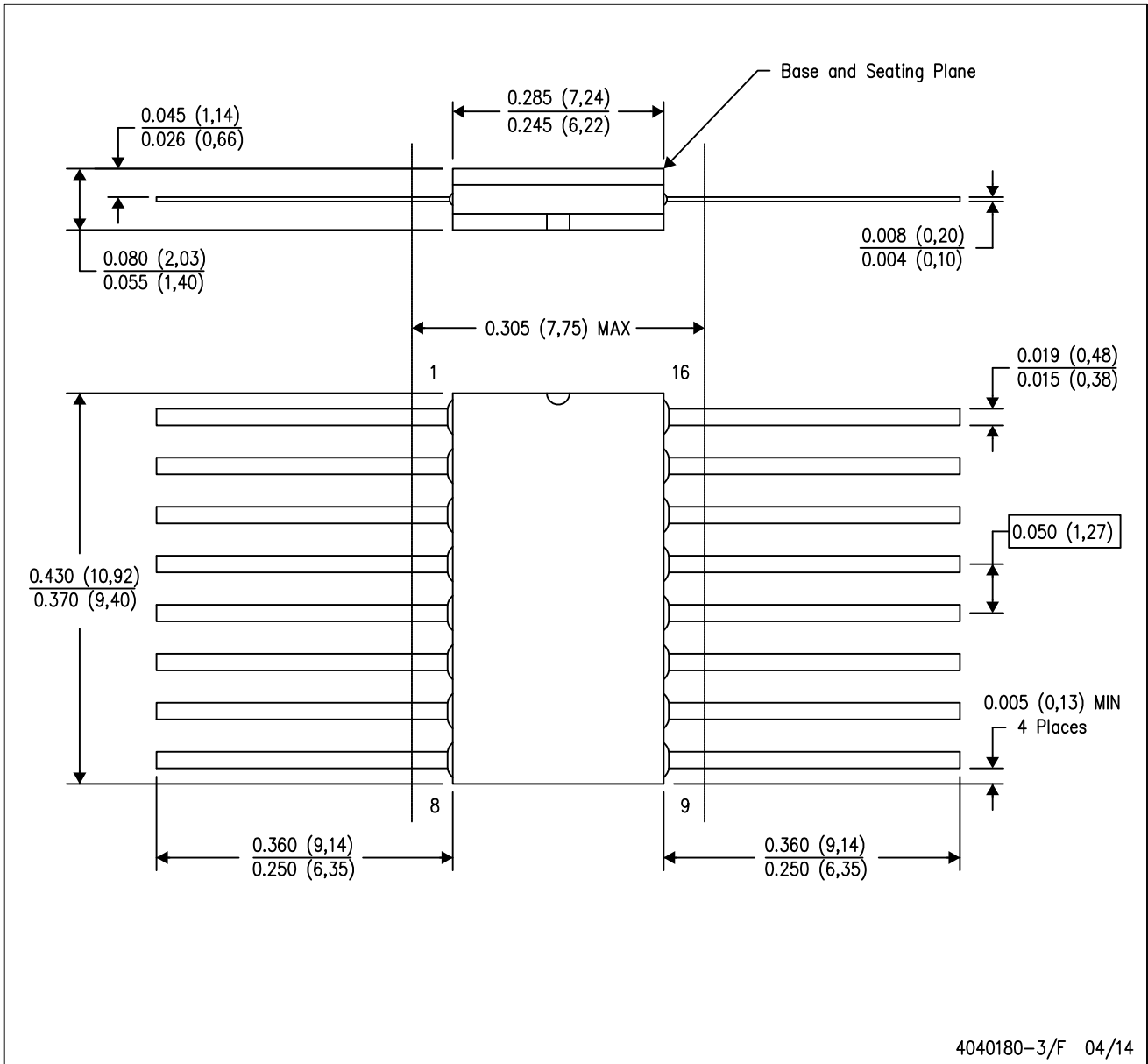
- Space : [SN55LVCP22-SP](#)

NOTE: Qualified Version Definitions:

- Space - Radiation tolerant, ceramic packaging and qualified for use in Space-based application

W (R-GDFP-F16)

CERAMIC DUAL FLATPACK



- NOTES:
- A. All linear dimensions are in inches (millimeters).
  - B. This drawing is subject to change without notice.
  - C. This package can be hermetically sealed with a ceramic lid using glass frit.
  - D. Index point is provided on cap for terminal identification only.
  - E. Falls within MIL STD 1835 GDFP2-F16



## 重要声明和免责声明

TI“按原样”提供技术和可靠性数据（包括数据表）、设计资源（包括参考设计）、应用或其他设计建议、网络工具、安全信息和其他资源，不保证没有瑕疵且不做任何明示或暗示的担保，包括但不限于对适销性、某特定用途方面的适用性或不侵犯任何第三方知识产权的暗示担保。

这些资源可供使用 TI 产品进行设计的熟练开发人员使用。您将自行承担以下全部责任：(1) 针对您的应用选择合适的 TI 产品，(2) 设计、验证并测试您的应用，(3) 确保您的应用满足相应标准以及任何其他功能安全、信息安全、监管或其他要求。

这些资源如有变更，恕不另行通知。TI 授权您仅可将这些资源用于研发本资源所述的 TI 产品的应用。严禁对这些资源进行其他复制或展示。您无权使用任何其他 TI 知识产权或任何第三方知识产权。您应全额赔偿因在这些资源的使用中对 TI 及其代表造成的任何索赔、损害、成本、损失和债务，TI 对此概不负责。

TI 提供的产品受 [TI 的销售条款](#) 或 [ti.com](#) 上其他适用条款/TI 产品随附的其他适用条款的约束。TI 提供这些资源并不会扩展或以其他方式更改 TI 针对 TI 产品发布的适用的担保或担保免责声明。

TI 反对并拒绝您可能提出的任何其他或不同的条款。

邮寄地址：Texas Instruments, Post Office Box 655303, Dallas, Texas 75265

Copyright © 2023，德州仪器 (TI) 公司