

SNx52x0 USB 端口瞬态抑制器

1 特性

- 旨在保护亚微米 3V 或 5V 电路免受瞬态噪声的影响
- 端口 ESD 保护功能超越了：
 - 15kV 人体放电模型
 - 2kV 机器模型
- 采用 WCSP 芯片级封装
- 关断电压：6V (最小值)
- 低电流泄漏：6V 时的最大值为 1 μ A
- 低电容：35pF (典型值)

2 应用

- USB 全速主机、HUB 或外设
- 端口

3 说明

SN65220 器件为双路单向瞬态电压抑制器，SN65240 和 SN75240 器件为四路单向瞬态电压抑制器 (TVS)。这些器件为通用串行总线 (USB) 低速和全速端口提供电瞬态噪声保护。35pF 的输入电容使其不适合用于高速 USB 2.0 应用。

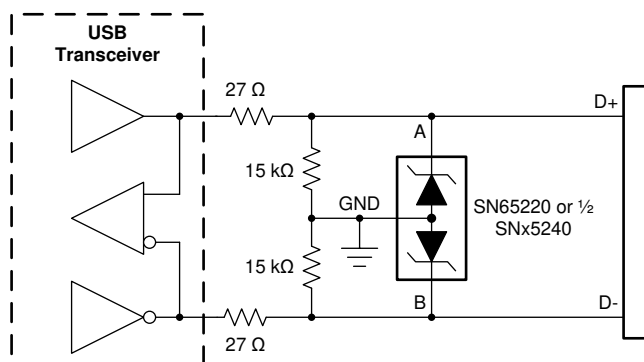
所有带线缆的 I/O 都容易遭受来自各种信号源的电瞬态噪声影响。这些瞬态噪声如果具有足够的幅度和持续时间，就有可能导致 USB 收发器或 USB ASIC 受到损坏。

SN65220、SN65240 和 SN75240 器件的 ESD 性能是在系统级别上根据 IEC61000-4-2 进行测量的；但是，系统设计会影响这些测试的结果。为了达到高符合性标准，需要周密的电路板设计和布局布线技术。

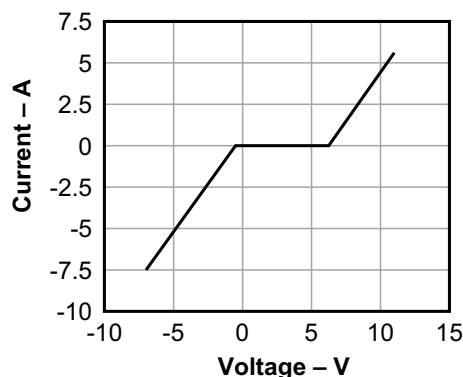
器件信息⁽¹⁾

器件型号	封装	封装尺寸 (标称值)
SN65220	SOT-23 (6)	2.90mm × 1.60mm
	DSBGA (4)	0.925mm × 0.925mm
SN65240 SN75240	PDIP (8)	9.09mm × 6.35mm
	TSSOP (8)	3.00mm × 4.40mm

(1) 如需了解所有可用封装，请参阅数据表末尾的可订购产品附录。



简化版原理图



TVS 电流与电压间的关系



Table of Contents

1 特性	1	9.3 Feature Description.....	7
2 应用	1	9.4 Device Functional Modes.....	7
3 说明	1	10 Application and Implementation	8
4 Revision History	2	10.1 Application Information.....	8
5 Device Comparison Table	3	10.2 Typical Application.....	8
6 Pin Configuration and Functions	3	11 Power Supply Recommendations	10
7 Specifications	4	12 Layout	10
7.1 Absolute Maximum Ratings.....	4	12.1 Layout Guidelines.....	10
7.2 ESD Ratings.....	4	12.2 Layout Example.....	10
7.3 Recommended Operating Conditions.....	4	13 Device and Documentation Support	11
7.4 Thermal Information.....	4	13.1 接收文档更新通知.....	11
7.5 Electrical Characteristics.....	4	13.2 支持资源.....	11
7.6 Typical Characteristics.....	5	13.3 Trademarks.....	11
8 Parameter Measurement Information	5	13.4 Electrostatic Discharge Caution.....	11
9 Detailed Description	6	13.5 术语表.....	11
9.1 Overview.....	6	14 Mechanical, Packaging, and Orderable Information	11
9.2 Functional Block Diagram.....	6		

4 Revision History

注：以前版本的页码可能与当前版本的页码不同

Changes from Revision I (April 2021) to Revision J (August 2022)	Page
• Updated the SN65220, SN65240, and SN75240 suppressors in the <i>Device Comparison</i> table.....	3
Changes from Revision H (May 2015) to Revision I (April 2021)	Page
• 更新了整个文档中的表格、图和交叉参考的编号格式.....	1
• 将简化版原理图 图中的电阻单位从 O 更改为 Ω	1
• Updated the units from O to Ω in the <i>Typical Application Schematic for ESD Protection of USB Transceivers</i> figure	8
• Updated the units from O to Ω in the <i>Layout Example of a 4-Layer Board With SN65220</i> figure.....	10
Changes from Revision G (August 2008) to Revision H (May 2015)	Page
• 添加了引脚配置和功能部分、ESD 表、热性能信息表、特性说明部分、器件功能模式、应用和实施部分、电源相关建议部分、布局部分、器件和文档支持部分以及机械、封装和可订购信息部分.....	1

5 Device Comparison Table

PRODUCT	SUPPRESSORS	T _A - RANGE	PACKAGE
SN65220	2	- 40°C to 85°C	WCSP-4
			SOT23-6
SN65240	4	- 40°C to 85°C	DIP-8
			TSSOP-8
SN75240	4	0°C to 70°C	DIP-8
			TSSOP-8

6 Pin Configuration and Functions

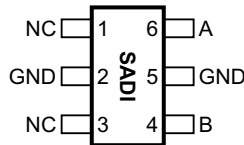


图 6-1. DBV Package, 6-Pin SOT-23 (Top View)

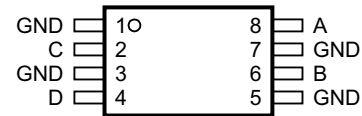


图 6-2. P, PW Package, 8-Pin PDIP, TSSOP (Top View)

表 6-1. Pin Functions

PIN			TYPE	DESCRIPTION
NAME	DBV	P, PW		
A	6	8	Analog input	Transient suppressor input - Line 1
B	4	6	Analog input	Transient suppressor input - Line 2
C	—	2	Analog input	Transient suppressor input - Line 3
D	—	4	Analog input	Transient suppressor input - Line 4
GND	2, 5	1, 3, 5, 7	Power	Local device ground
NC	1, 3	—	—	Internally not connected

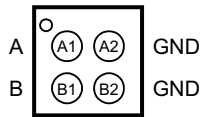


图 6-3. YZB Package, 4-Pin DSBGA (Top View)

表 6-2. Pin Functions

PIN		TYPE	DESCRIPTION
NO.	NAME		
A1	A	Analog input	Transient suppressor input - Line 1
B1	B	Analog input	Transient suppressor input - Line 2
A2, B2	GND	Power	Local device ground

7 Specifications

7.1 Absolute Maximum Ratings

over operating free-air temperature range (unless otherwise noted)⁽¹⁾

		MIN	MAX	UNIT
$P_{D(\text{peak})}$	Peak power dissipation		60	W
I_{FSM}	Peak forward surge current		3	A
I_{RSM}	Peak reverse surge current		-9	A
T_{stg}	Storage temperature	-65	150	°C

- (1) Stresses beyond those listed under *Absolute Maximum Ratings* may cause permanent damage to the device. These are stress ratings only, and functional operation of the device at these or any other conditions beyond those indicated under [# 7.3](#) is not implied. Exposure to absolute-maximum-rated conditions for extended periods may affect device reliability.

7.2 ESD Ratings

		VALUE	UNIT
$V_{\text{(ESD)}}$	Electrostatic discharge	Human body model (HBM), per ANSI/ESDA/JEDEC JS-001, all pins ⁽¹⁾	±15000
		Charged device model (CDM), per JEDEC specification JESD22-C101, all pins ⁽²⁾	±2000

- (1) JEDEC document JEP155 states that 500-V HBM allows safe manufacturing with a standard ESD control process.
 (2) JEDEC document JEP157 states that 250-V CDM allows safe manufacturing with a standard ESD control process.

7.3 Recommended Operating Conditions

		MIN	MAX	UNIT
T_A	Ambient temperature	SN75240	0	70
		SN65220, SN65240	-40	85

7.4 Thermal Information

THERMAL METRIC ⁽¹⁾	SN65220		SN65240, SN75240		UNIT	
	DBV (SOT-23)	YZB (DSBGA)	P (PDIP)	PW (TSSOP)		
	6 PINS	4 BALLS	8 PINS			
$R_{\theta \text{ JA}}$	Junction-to-ambient thermal resistance	199.5	170	67.5	185.3	°C/W
$R_{\theta \text{ JC(top)}}$	Junction-to-case (top) thermal resistance	159.7	1.8	57.9	68.8	°C/W
$R_{\theta \text{ JB}}$	Junction-to-board thermal resistance	51.1	43.5	44.5	114.0	°C/W
ψ_{JT}	Junction-to-top characterization parameter	41	9.2	36.2	9.9	°C/W
ψ_{JB}	Junction-to-board characterization parameter	50.5	43.5	44.5	112.3	°C/W

- (1) For more information about traditional and new thermal metrics, see the *Semiconductor and IC Package Thermal Metrics* application report, [SPRA953](#).

7.5 Electrical Characteristics

over recommended operating conditions (unless otherwise noted)

PARAMETER	TEST CONDITIONS	MIN	TYP	MAX	UNIT			
I_{kg}	Leakage current	$V_i = 6 \text{ V}$ at A, B, C, or D terminals			1	μA		
$V_{\text{(BR)}}$	Breakdown voltage	$V_i = 1 \text{ mA}$ at A, B, C, or D terminals			6.5	7	8	V
C_{IN}	Input capacitance to ground	$V_i = 0.4 \sin(4E6 \pi t) + 0.5 \text{ V}$			35		pF	

7.6 Typical Characteristics

$T_A = 25^\circ\text{C}$ unless otherwise noted.

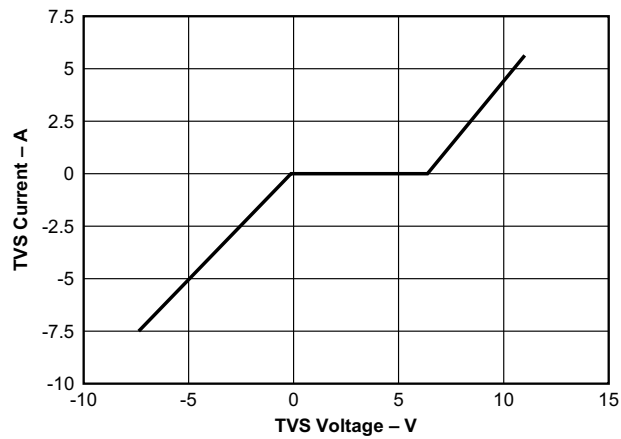


图 7-1. Transient-Voltage-Suppressor Current vs Voltage

8 Parameter Measurement Information

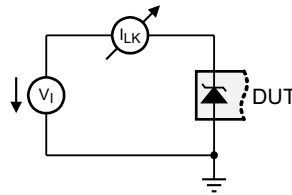


图 8-1. Measurement of Leakage Current

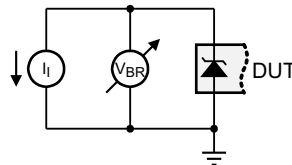


图 8-2. Measurement of Breakdown Voltage

9 Detailed Description

9.1 Overview

The SN65220, SN65240, and SN75240 devices integrate multiple unidirectional transient voltage suppressors (TVS). [图 9-1](#) shows the equivalent circuit diagram of a single TVS diode.

For positive transient voltages, only the Q1 transistor determines the switching characteristic. When the input voltage reaches the Zener voltage, V_Z , Zener diode D1 conducts; therefore, allowing for the base-emitter voltage, V_{BE} , to increase. At $V_{IN} = V_Z + V_{BE}$, the transistor starts conducting. From then on, its on-resistance decreases linearly with increasing input voltage.

For negative transient voltages, only diode D2 determines the switching characteristic. Here, switching occurs when the input voltage exceeds the diode forward voltage, V_{FW} .

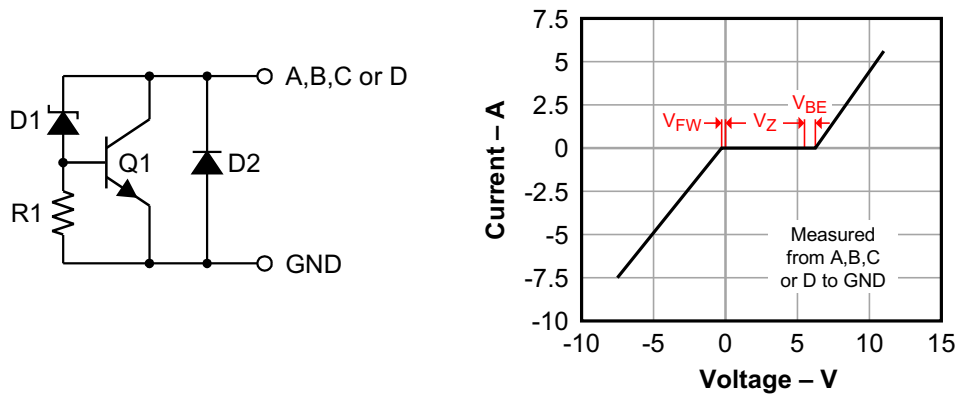
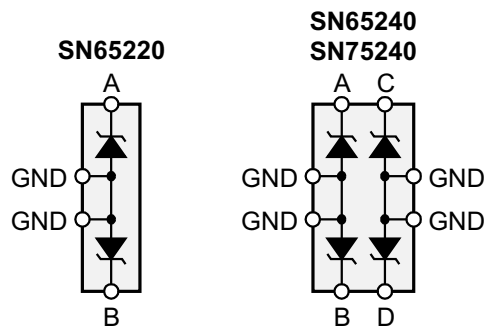


图 9-1. TVS Structure and Current — Voltage Characteristic

9.2 Functional Block Diagram



9.3 Feature Description

The SN65220, SN65240, and SN75240 family of unidirectional transient voltage suppressors provide transient protection to Universal Serial Bus low and full-speed ports. These TVS diodes provide a minimum breakdown voltage of 6.5-V to protect USB transceivers and USB ASICs typically implemented in 3-V or 5-V digital CMOS technology.

9.4 Device Functional Modes

TVS diodes possess two functional modes, a high-impedance and a conducting mode.

During normal operating conditions, that is in the absence of high voltage transients, the breakdown voltage of TVS diodes is not exceeded and the devices remain high-impedance.

In the presence of high-voltage transients the breakdown voltage is exceeded. The TVS diodes then conduct and become low-impedance. In this mode excessive transient energy is shunted directly to local circuit ground, preventing USB transceivers from electrical damage.

10 Application and Implementation

备注

以下应用部分中的信息不属于 TI 器件规格的范围，TI 不担保其准确性和完整性。TI 的客户应负责确定器件是否适用于其应用。客户应验证并测试其设计，以确保系统功能。

10.1 Application Information

The USB has become a popular solution to connect PC peripherals. The USB allows devices to be hot-plugged in and out of the existing PC system without rebooting or turning off the PC. Because frequent human interaction with the USB system occurs as a result of its attractive hot-plugging ability, there is the possibility for large ESD strikes and damage to crucial system elements. The ESD protection included on the existing hardware is typically in the 2-kV to 4-kV range for the human body model (HBD) and 200-V to 300-V for the machine model (MM). The ESD voltage levels found in a normal USB operating environment can exceed these levels. The SN75240, SN65240, and SN65220 devices will increase the robustness of the existing USB hardware to ESD strikes common to the environment in which USB is likely to be used.

10.2 Typical Application

图 10-1 显示了一个典型的 USB 系统以及 SN75240、SN65240 和 SN65220 器件的应用。连接到引脚 A 来自 D+ 数据线，引脚 B 来自 D- 数据线，以及器件接地来自 GND 线已经存在是必要的，以增加提供给 USB 端口的 ESD 保护量。

The design of the suppressor gives it very low maximum current leakage of 1 μ A, a very low typical capacitance of 35 pF, and a standoff voltage minimum of 6 V. Because of these levels, the SN75240, SN65240, and SN65220 devices will provide added protection to the USB system hardware during ESD events without introducing the high capacitance and current leakage levels typical of external transient voltage suppressors. The addition of an SN75240, SN65240, or SN65220 device is beneficial to both full-speed and low-speed USB 1.1 bandwidth standards.

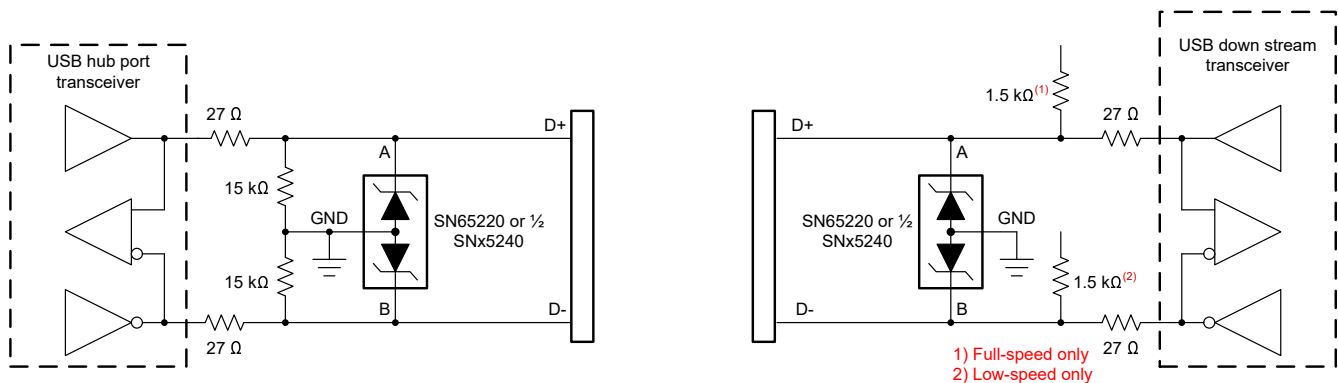


图 10-1. Typical Application Schematic for ESD Protection of USB Transceivers

10.2.1 Design Requirements

For this design example, use the parameters listed in 表 10-1 as design parameters.

表 10-1. Design Parameters

DESIGN PARAMETER	EXAMPLE VALUE
Minimum breakdown voltage (TVS)	6.5 V
Maximum supply voltage (USB transceiver)	5.5 V
Typical junction capacitance (TVS)	35 pF
Maximum data rate (USB transceiver)	12 Mbps

10.2.2 Detailed Design Procedure

To effectively protect USB transceivers, use TVS diodes with breakdown voltages close to 6 V, such as the SN65220, SN65240, or SN75220 devices.

Because of the TVS junction capacitance of 35 pF, apply these TVS diodes only to USB transceivers with full-speed capability that is 12 Mbps maximum.

Place the TVS diodes as close to the board connector as possible to prevent transient energies from entering further board space.

Connect the TVS diode between the data lines (D+, D -) and local circuit ground (GND).

Because noise transient represents high-speed frequencies, ensure low-inductance return paths for the transient currents by providing a solid ground plane and using two VIAs connecting the TVS terminals to ground.

10.2.3 Application Curve

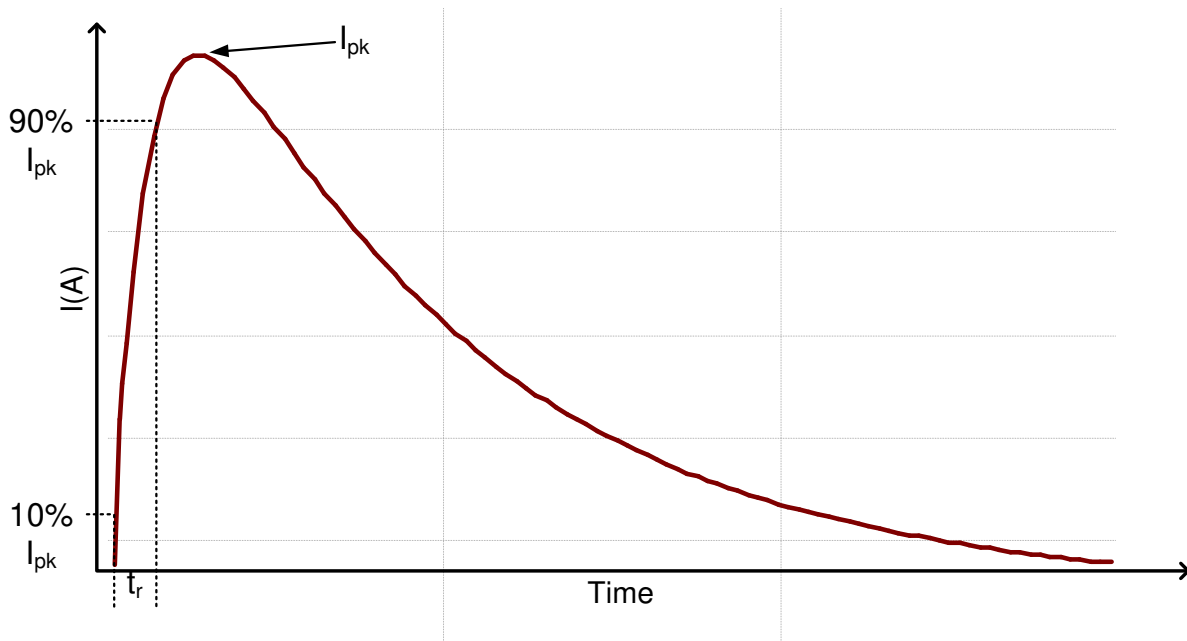


图 10-2. HBM Curve

11 Power Supply Recommendations

Unlike other semiconductor components that require a supply voltage to operate, the SN65220, SN65240, and SN75240 transient suppressors are combinations of multiple p-n diodes, activated by transient voltages. Therefore, these transient suppressors do not require external voltage supplies.

12 Layout

12.1 Layout Guidelines

The multiple ground pins provided lower the connection resistance to ground. In order to improve circuit operation, a connection to all ground pins must be provided on the system printed circuit board. Without proper device connection to ground, the speed and protection capability of the device will be degraded.

- The ground termination pads should be connected directly to a ground plane on the board for optimum performance. A single trace ground conductor will not provide an effective path for fast rise-time transient events including ESD due to parasitic inductance.
- Nominal inductive values of a PCB trace are approximately 20 nH/cm. This value may seem small, but an apparent *short length* of trace may be sufficient to produce significant $L(di/dt)$ effects with fast rise-time ESD spikes.
- Mount the TVS as close as possible to the I/O socket to reduce radiation originating from the transient as it is routed to ground.

备注

Direct connective paths of the traces are taken to the suppressor mounting pads to minimize parasitic inductance in the surge-current conductive path, thus minimizing $L(di/dt)$ effects.

12.2 Layout Example

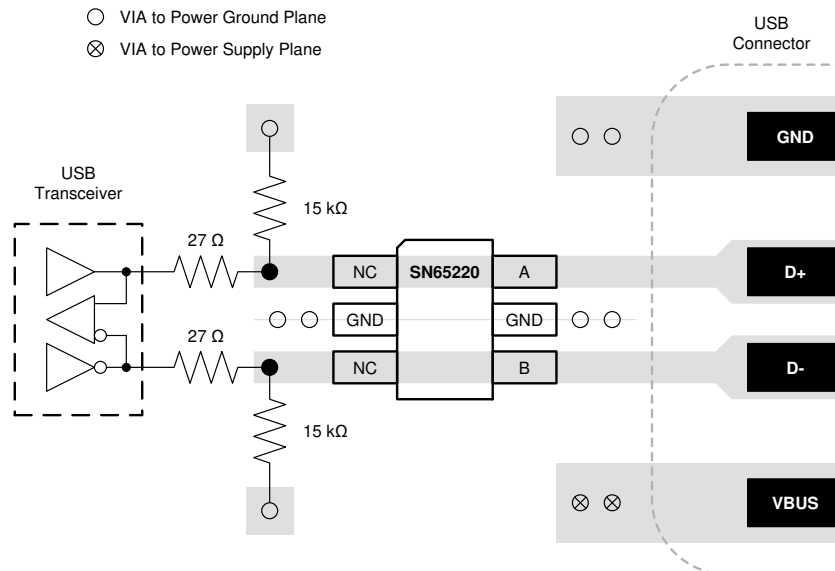


图 12-1. Layout Example of a 4-Layer Board With SN65220

13 Device and Documentation Support

13.1 接收文档更新通知

要接收文档更新通知，请导航至 [ti.com](https://www.ti.com) 上的器件产品文件夹。点击 [订阅更新](#) 进行注册，即可每周接收产品信息更改摘要。有关更改的详细信息，请查看任何已修订文档中包含的修订历史记录。

13.2 支持资源

[TI E2E™ 支持论坛](#) 是工程师的重要参考资料，可直接从专家获得快速、经过验证的解答和设计帮助。搜索现有解答或提出自己的问题可获得所需的快速设计帮助。

链接的内容由各个贡献者“按原样”提供。这些内容并不构成 TI 技术规范，并且不一定反映 TI 的观点；请参阅 TI 的《[使用条款](#)》。

13.3 Trademarks

TI E2E™ is a trademark of Texas Instruments.
所有商标均为其各自所有者的财产。

13.4 Electrostatic Discharge Caution



This integrated circuit can be damaged by ESD. Texas Instruments recommends that all integrated circuits be handled with appropriate precautions. Failure to observe proper handling and installation procedures can cause damage.

ESD damage can range from subtle performance degradation to complete device failure. Precision integrated circuits may be more susceptible to damage because very small parametric changes could cause the device not to meet its published specifications.

13.5 术语表

[TI 术语表](#) 本术语表列出并解释了术语、首字母缩略词和定义。

14 Mechanical, Packaging, and Orderable Information

The following pages include mechanical, packaging, and orderable information. This information is the most current data available for the designated devices. This data is subject to change without notice and revision of this document. For browser-based versions of this data sheet, refer to the left-hand navigation.

PACKAGING INFORMATION

Orderable Device	Status (1)	Package Type	Package Drawing	Pins	Package Qty	Eco Plan (2)	Lead finish/ Ball material (6)	MSL Peak Temp (3)	Op Temp (°C)	Device Marking (4/5)	Samples
SN65220DBVR	ACTIVE	SOT-23	DBV	6	3000	RoHS & Green	NIPDAU	Level-1-260C-UNLIM	-40 to 85	SADI	Samples
SN65220DBVRG4	ACTIVE	SOT-23	DBV	6	3000	TBD	Call TI	Call TI	-40 to 85		Samples
SN65220DBVT	OBSOLETE	SOT-23	DBV	6		TBD	Call TI	Call TI	-40 to 85	SADI	
SN65240P	ACTIVE	PDIP	P	8	50	RoHS & Green	NIPDAU	N / A for Pkg Type	-40 to 85	SN65240P	Samples
SN65240PW	OBSOLETE	TSSOP	PW	8		TBD	Call TI	Call TI	-40 to 85	A65240	
SN65240PWR	ACTIVE	TSSOP	PW	8	2000	RoHS & Green	NIPDAU	Level-1-260C-UNLIM	-40 to 85	A65240	Samples
SN75240P	ACTIVE	PDIP	P	8	50	RoHS & Green	NIPDAU	N / A for Pkg Type	0 to 70	SN75240P	Samples
SN75240PW	OBSOLETE	TSSOP	PW	8		TBD	Call TI	Call TI	0 to 70	A75240	
SN75240PWR	OBSOLETE	TSSOP	PW	8		TBD	Call TI	Call TI	0 to 70	A75240	

(1) The marketing status values are defined as follows:

ACTIVE: Product device recommended for new designs.

LIFEBUY: TI has announced that the device will be discontinued, and a lifetime-buy period is in effect.

NRND: Not recommended for new designs. Device is in production to support existing customers, but TI does not recommend using this part in a new design.

PREVIEW: Device has been announced but is not in production. Samples may or may not be available.

OBSOLETE: TI has discontinued the production of the device.

(2) **RoHS:** TI defines "RoHS" to mean semiconductor products that are compliant with the current EU RoHS requirements for all 10 RoHS substances, including the requirement that RoHS substance do not exceed 0.1% by weight in homogeneous materials. Where designed to be soldered at high temperatures, "RoHS" products are suitable for use in specified lead-free processes. TI may reference these types of products as "Pb-Free".

RoHS Exempt: TI defines "RoHS Exempt" to mean products that contain lead but are compliant with EU RoHS pursuant to a specific EU RoHS exemption.

Green: TI defines "Green" to mean the content of Chlorine (Cl) and Bromine (Br) based flame retardants meet JS709B low halogen requirements of <=1000ppm threshold. Antimony trioxide based flame retardants must also meet the <=1000ppm threshold requirement.

(3) MSL, Peak Temp. - The Moisture Sensitivity Level rating according to the JEDEC industry standard classifications, and peak solder temperature.

(4) There may be additional marking, which relates to the logo, the lot trace code information, or the environmental category on the device.

(5) Multiple Device Markings will be inside parentheses. Only one Device Marking contained in parentheses and separated by a "~" will appear on a device. If a line is indented then it is a continuation of the previous line and the two combined represent the entire Device Marking for that device.

⁽⁶⁾ Lead finish/Ball material - Orderable Devices may have multiple material finish options. Finish options are separated by a vertical ruled line. Lead finish/Ball material values may wrap to two lines if the finish value exceeds the maximum column width.

Important Information and Disclaimer:The information provided on this page represents TI's knowledge and belief as of the date that it is provided. TI bases its knowledge and belief on information provided by third parties, and makes no representation or warranty as to the accuracy of such information. Efforts are underway to better integrate information from third parties. TI has taken and continues to take reasonable steps to provide representative and accurate information but may not have conducted destructive testing or chemical analysis on incoming materials and chemicals. TI and TI suppliers consider certain information to be proprietary, and thus CAS numbers and other limited information may not be available for release.

In no event shall TI's liability arising out of such information exceed the total purchase price of the TI part(s) at issue in this document sold by TI to Customer on an annual basis.

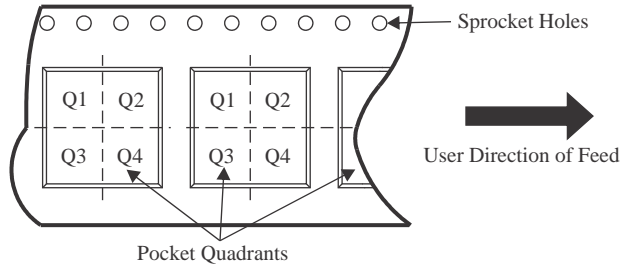
OTHER QUALIFIED VERSIONS OF SN65220 :

- Automotive : [SN65220-Q1](#)

NOTE: Qualified Version Definitions:

- Automotive - Q100 devices qualified for high-reliability automotive applications targeting zero defects

TAPE AND REEL INFORMATION

QUADRANT ASSIGNMENTS FOR PIN 1 ORIENTATION IN TAPE


*All dimensions are nominal

Device	Package Type	Package Drawing	Pins	SPQ	Reel Diameter (mm)	Reel Width W1 (mm)	A0 (mm)	B0 (mm)	K0 (mm)	P1 (mm)	W (mm)	Pin1 Quadrant
SN65220DBVR	SOT-23	DBV	6	3000	178.0	9.0	3.23	3.17	1.37	4.0	8.0	Q3
SN65240PWR	TSSOP	PW	8	2000	330.0	12.4	7.0	3.6	1.6	8.0	12.0	Q1

TAPE AND REEL BOX DIMENSIONS


*All dimensions are nominal

Device	Package Type	Package Drawing	Pins	SPQ	Length (mm)	Width (mm)	Height (mm)
SN65220DBVR	SOT-23	DBV	6	3000	180.0	180.0	18.0
SN65240PWR	TSSOP	PW	8	2000	356.0	356.0	35.0

TUBE


*All dimensions are nominal

Device	Package Name	Package Type	Pins	SPQ	L (mm)	W (mm)	T (μm)	B (mm)
SN65240P	P	PDIP	8	50	506	13.97	11230	4.32
SN75240P	P	PDIP	8	50	506	13.97	11230	4.32

P (R-PDIP-T8)

PLASTIC DUAL-IN-LINE PACKAGE



4040082/E 04/2010

- NOTES:
- A. All linear dimensions are in inches (millimeters).
 - B. This drawing is subject to change without notice.
 - C. Falls within JEDEC MS-001 variation BA.

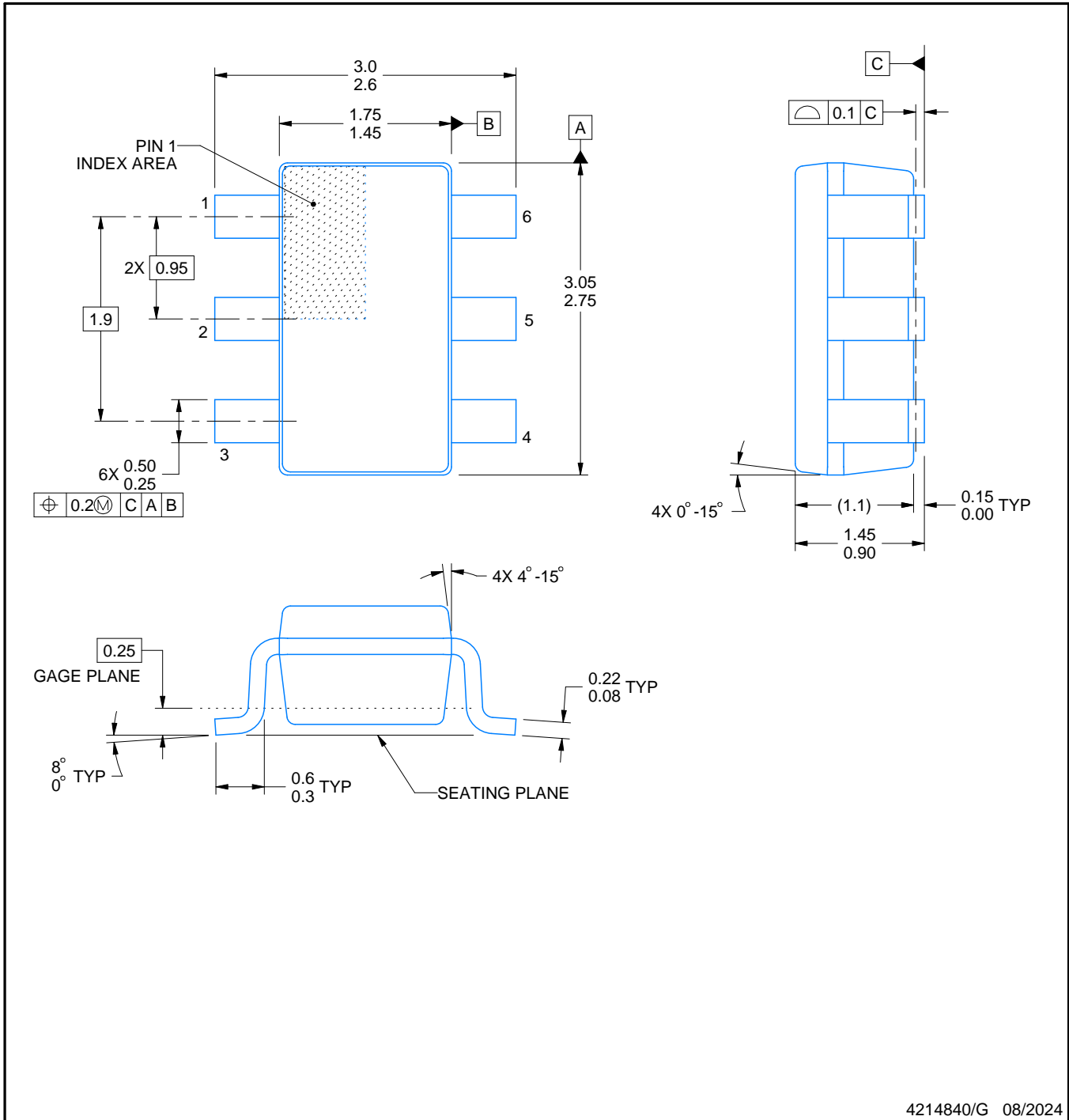
DBV0006A



PACKAGE OUTLINE

SOT-23 - 1.45 mm max height

SMALL OUTLINE TRANSISTOR



4214840/G 08/2024

NOTES:

1. All linear dimensions are in millimeters. Any dimensions in parenthesis are for reference only. Dimensioning and tolerancing per ASME Y14.5M.
2. This drawing is subject to change without notice.
3. Body dimensions do not include mold flash or protrusion. Mold flash and protrusion shall not exceed 0.25 per side.
4. Leads 1,2,3 may be wider than leads 4,5,6 for package orientation.
5. Reference JEDEC MO-178.

EXAMPLE BOARD LAYOUT

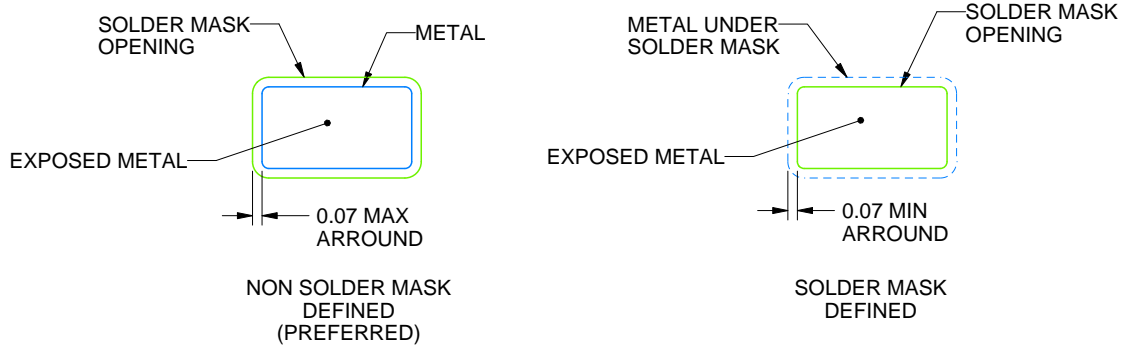
DBV0006A

SOT-23 - 1.45 mm max height

SMALL OUTLINE TRANSISTOR



LAND PATTERN EXAMPLE
EXPOSED METAL SHOWN
SCALE:15X



SOLDER MASK DETAILS

4214840/G 08/2024

NOTES: (continued)

6. Publication IPC-7351 may have alternate designs.
7. Solder mask tolerances between and around signal pads can vary based on board fabrication site.

EXAMPLE STENCIL DESIGN

DBV0006A

SOT-23 - 1.45 mm max height

SMALL OUTLINE TRANSISTOR



SOLDER PASTE EXAMPLE
BASED ON 0.125 mm THICK STENCIL
SCALE:15X

4214840/G 08/2024

NOTES: (continued)

8. Laser cutting apertures with trapezoidal walls and rounded corners may offer better paste release. IPC-7525 may have alternate design recommendations.
9. Board assembly site may have different recommendations for stencil design.

PW0008A



PACKAGE OUTLINE

TSSOP - 1.2 mm max height

SMALL OUTLINE PACKAGE



4221848/A 02/2015

NOTES:

1. All linear dimensions are in millimeters. Any dimensions in parenthesis are for reference only. Dimensioning and tolerancing per ASME Y14.5M.
2. This drawing is subject to change without notice.
3. This dimension does not include mold flash, protrusions, or gate burrs. Mold flash, protrusions, or gate burrs shall not exceed 0.15 mm per side.
4. This dimension does not include interlead flash. Interlead flash shall not exceed 0.25 mm per side.
5. Reference JEDEC registration MO-153, variation AA.

EXAMPLE BOARD LAYOUT

PW0008A

TSSOP - 1.2 mm max height

SMALL OUTLINE PACKAGE



LAND PATTERN EXAMPLE
SCALE:10X



SOLDER MASK DETAILS
NOT TO SCALE

4221848/A 02/2015

NOTES: (continued)

- 6. Publication IPC-7351 may have alternate designs.
- 7. Solder mask tolerances between and around signal pads can vary based on board fabrication site.

EXAMPLE STENCIL DESIGN

PW0008A

TSSOP - 1.2 mm max height

SMALL OUTLINE PACKAGE



SOLDER PASTE EXAMPLE
BASED ON 0.125 mm THICK STENCIL
SCALE:10X

4221848/A 02/2015

NOTES: (continued)

8. Laser cutting apertures with trapezoidal walls and rounded corners may offer better paste release. IPC-7525 may have alternate design recommendations.
9. Board assembly site may have different recommendations for stencil design.

重要通知和免责声明

TI“按原样”提供技术和可靠性数据（包括数据表）、设计资源（包括参考设计）、应用或其他设计建议、网络工具、安全信息和其他资源，不保证没有瑕疵且不做任何明示或暗示的担保，包括但不限于对适销性、某特定用途方面的适用性或不侵犯任何第三方知识产权的暗示担保。

这些资源可供使用 TI 产品进行设计的熟练开发人员使用。您将自行承担以下全部责任：(1) 针对您的应用选择合适的 TI 产品，(2) 设计、验证并测试您的应用，(3) 确保您的应用满足相应标准以及任何其他功能安全、信息安全、监管或其他要求。

这些资源如有变更，恕不另行通知。TI 授权您仅可将这些资源用于研发本资源所述的 TI 产品的相关应用。严禁以其他方式对这些资源进行复制或展示。您无权使用任何其他 TI 知识产权或任何第三方知识产权。您应全额赔偿因在这些资源的使用中对 TI 及其代表造成的任何索赔、损害、成本、损失和债务，TI 对此概不负责。

TI 提供的产品受 [TI 的销售条款](#) 或 [ti.com](#) 上其他适用条款/TI 产品随附的其他适用条款的约束。TI 提供这些资源并不会扩展或以其他方式更改 TI 针对 TI 产品发布的适用的担保或担保免责声明。

TI 反对并拒绝您可能提出的任何其他或不同的条款。

邮寄地址：Texas Instruments, Post Office Box 655303, Dallas, Texas 75265
版权所有 © 2025，德州仪器 (TI) 公司