

# 具有关断功能的 TLV1805-Q1 40V、轨至轨输入、推挽输出、高电压汽车比较器

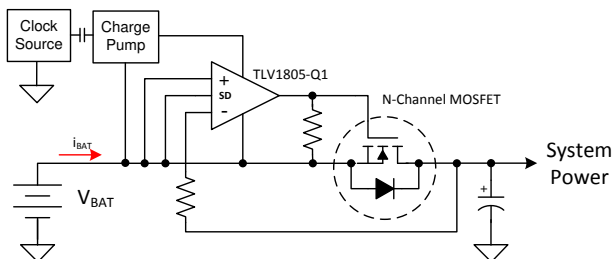
## 1 特性

- 具有符合 AEC-Q100 标准的下列特性：
  - 器件温度等级 1:  $-40^{\circ}\text{C}$  至  $+125^{\circ}\text{C}$  的环境工作温度范围
  - 器件 HBM ESD 分类等级 2
  - 器件 CDM ESD 分类等级 C6
- 电源电压范围: 3.3V 至 40V
- 低静态电流: 135 $\mu\text{A}$
- 高峰值电流推挽输出
- 具有相位反转保护功能的轨至轨输入
- 内置迟滞: 14mV
- 250ns 传播延迟
- 低输入失调电压: 500 $\mu\text{V}$
- 关断后具有高阻态输出
- 上电复位 (POR)
- SOT-23-6 封装

## 2 应用

- 反向电流保护智能二极管控制器
- 过压、欠压和过流检测
- OR-ing MOSFET 控制器
- MOSFET 栅极驱动器
- 高电压振荡器
- 针对以下应用的系统监控：
  - 汽车信息娱乐系统和仪表组
  - HEV/EV 和动力总成

### 采用 N 沟道 MOSFET 的反向电流保护



## 3 说明

TLV1805-Q1 高电压比较器集独特的宽电源范围、推挽输出、轨至轨输入、低静态电流、关断功能和快速响应组合特性于一体。所有这些特性使该比较器非常适合需要在正电压轨或负电压轨上进行检测的应用，例如智能二极管控制器的反向电流保护、过流检测和过压保护电路，其中推挽输出级用于驱动 P 沟道或 N 沟道 MOSFET 开关的栅极。

高峰值电流推挽输出级是高电压比较器的一个特色，它具有允许输出以较快的边沿速率主动将负载驱动至任一电源轨的优势。对于需要快速将 MOSFET 栅极驱动至高电平或低电平以将主机连接至电压高于预期的电源或与其断开的应用而言，这特别有用。其他特性（如低输入失调电压、低输入偏置电流和高阻态关断）使 TLV1805-Q1 能够灵活地处理各种应用的要求。上电复位可防止加电时产生错误输出。

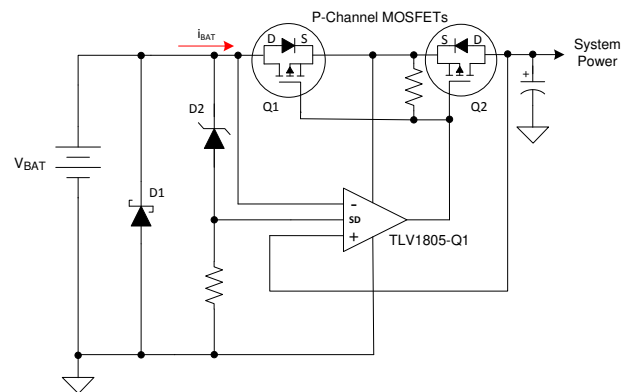
TLV1805-Q1 采用 6 引脚 SOT-23 封装并符合 AEC-Q100 标准，具有  $-40^{\circ}\text{C}$  至  $+125^{\circ}\text{C}$  的汽车 1 级温度范围。

### 器件信息(1)

器件型号	封装	封装尺寸 (标称值)
TLV1805-Q1	SOT-23 (6)	1.60mm × 2.90mm

(1) 如需了解所有可用封装，请参阅数据表末尾的封装选项附录。

### 采用 P 沟道 MOSFET 的反向电流和过压保护



## 目录

1	特性 .....	1	7.4	Device Functional Modes.....	18
2	应用 .....	1	<b>8</b>	<b>Application and Implementation .....</b>	<b>21</b>
3	说明 .....	1	8.1	Application Information.....	21
4	修订历史记录 .....	2	8.2	Typical Applications .....	21
<b>5</b>	<b>Pin Configuration and Functions .....</b>	<b>3</b>	<b>9</b>	<b>Power Supply Recommendations .....</b>	<b>28</b>
<b>6</b>	<b>Specifications.....</b>	<b>4</b>	<b>10</b>	<b>Layout.....</b>	<b>28</b>
6.1	Absolute Maximum Ratings .....	4	10.1	Layout Guidelines .....	28
6.2	ESD Ratings.....	4	10.2	Layout Example .....	28
6.3	Recommended Operating Conditions.....	4	<b>11</b>	<b>器件和文档支持 .....</b>	<b>29</b>
6.4	Thermal Information .....	4	11.1	文档支持 .....	29
6.5	Electrical Characteristics.....	5	11.2	接收文档更新通知 .....	29
6.6	Switching Characteristics .....	5	11.3	支持资源.....	29
6.7	Typical Characteristics .....	7	11.4	商标.....	29
<b>7</b>	<b>Detailed Description .....</b>	<b>17</b>	11.5	静电放电警告.....	29
7.1	Overview .....	17	11.6	Glossary .....	29
7.2	Functional Block Diagram .....	17	<b>12</b>	<b>机械、封装和可订购信息 .....</b>	<b>29</b>
7.3	Feature Description.....	17			

## 4 修订历史记录

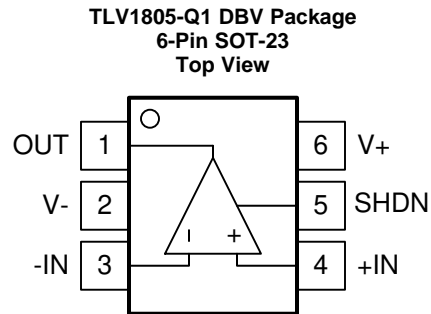
注：之前版本的页码可能与当前版本有所不同。

Changes from Revision A (May 2019) to Revision B	Page
• 已添加 向“应用”列表添加了链接 .....	1
• 已更改 Output High and Low vs Supply Graphs .....	10

Changes from Original (August 2018) to Revision A	Page
• 已更改 将“预告信息”更改为“生产数据” .....	1

Changes from Revision A (May 2019) to Revision B	Page
• 已添加 向“应用”列表添加了链接 .....	1
• 已更改 Output High and Low vs Supply Graphs .....	10

## 5 Pin Configuration and Functions



Note the reversed positions of the input pins. This differs from a similar popular pinout.

### Pin Functions

PIN		TYPE	DESCRIPTION
NAME	NO.		
IN+	4	I	Noninverting input
IN-	3	I	Inverting input
OUT	1	O	Output
SHDN	5	I	Shutdown (active high)
V+	6	P	Positive (highest) power supply
V-	2	P	Negative (lowest) power supply

## 6 Specifications

### 6.1 Absolute Maximum Ratings

 over operating free-air temperature range (unless otherwise noted)<sup>(1)</sup>

	MIN	MAX	UNIT
Supply voltage: $V_S = (V+) - (V-)$	-0.3	42	V
Input pins (IN+, IN-) <sup>(2)</sup>	$(V-) - 0.3$	$(V+) + 0.3$	V
Shutdown pin (SHDN) <sup>(3)</sup>	$(V-) - 0.3$	$(V-) + 5.5$	V
Current into Input pins (IN+, IN-, SHDN) <sup>(2)</sup>		±10	mA
Output (OUT)	$(V-) - 0.3$	$(V+) + 0.3$	V
Junction temperature, $T_J$		150	°C
Storage temperature, $T_{stg}$	-65	150	°C

- (1) Stresses beyond those listed under *Absolute Maximum Ratings* may cause permanent damage to the device. These are stress ratings only, which do not imply functional operation of the device at these or any other conditions beyond those indicated under *Recommended Operating Conditions*. Exposure to absolute-maximum-rated conditions for extended periods may affect device reliability.
- (2) Input terminals are diode-clamped to the power-supply rails. Input signals that can swing more than 0.3 V beyond the supply rails must be current-limited to 10 mA or less.
- (3) Shutdown pin is diode-clamped to (V-). Input to SHDN that can swing more than 0.3 V below (V-) must be current-limited to 10 mA or less.

### 6.2 ESD Ratings

			VALUE	UNIT
$V_{(ESD)}$	Electrostatic discharge	Human-body model (HBM), per AEC Q100-002 <sup>(1)</sup>	±2000	V
		Charged-device model (CDM), per AEC Q100-011	±1500	

- (1) AEC Q100-002 indicates that HBM stressing shall be in accordance with the ANSI/ESDA/JEDEC JS-001 specification.

### 6.3 Recommended Operating Conditions

over operating free-air temperature range (unless otherwise noted)

	MIN	MAX	UNIT
Supply voltage: $V_S = (V+) - (V-)$	3.3	40	V
Ambient temperature, $T_A$	-40	125	°C

### 6.4 Thermal Information

THERMAL METRIC <sup>(1)</sup>		TLV1805-Q1	UNIT
		DBV (SOT23)	
		6 PINS	
$R_{\theta JA}$	Junction-to-ambient thermal resistance	166.9	°C/W
$R_{\theta JC(top)}$	Junction-to-case (top) thermal resistance	104.2	°C/W
$R_{\theta JB}$	Junction-to-board thermal resistance	46.8	°C/W
$\Psi_{JT}$	Junction-to-top characterization parameter	31.3	°C/W
$\Psi_{JB}$	Junction-to-board characterization parameter	46.6	°C/W

- (1) For more information about traditional and new thermal metrics, see the [Semiconductor and IC Package Thermal Metrics](#) application report.

## 6.5 Electrical Characteristics

$V_S = 3.3\text{ V to }40\text{ V}$ ,  $V_{CM} = V_S / 2$ ;  $T_A = 25^\circ\text{C}$  (unless otherwise noted). Typical values are at  $V_S = 12\text{ V}$  and  $T_A = 25^\circ\text{C}$ ,  $V_{CM} = V_S / 2$

PARAMETER		TEST CONDITIONS	MIN	TYP	MAX	UNIT
V <sub>IO</sub>	Input offset voltage	$V_S = 3.3\text{V, }12\text{V and }40\text{V}$	-4.5	±0.5	4.5	mV
		$V_S = 3.3\text{V, }12\text{V and }40\text{V, }T_A = -40^\circ\text{C to }+125^\circ\text{C}$	-6.5		6.5	
dV <sub>IO</sub> /dT	Input offset voltage drift	$T_A = -40^\circ\text{C to }+125^\circ\text{C}$		±2.5		µV/°C
V <sub>HYS</sub>	Input hysteresis voltage			14		mV
V <sub>CM</sub>	Common-mode voltage range	$T_A = -40^\circ\text{C to }+125^\circ\text{C}$	(V-) - 0.2		(V+) + 0.2	V
I <sub>B</sub>	Input bias current			0.05		pA
I <sub>OS</sub>	Input offset current			0.05		pA
PSRR	Power-supply rejection ratio	$V_{CM} = V_-$		95		dB
CMRR	Common-mode rejection ratio	$(V_-) < V_{CM} < (V_+)$		80		dB
V <sub>OL</sub>	Voltage output swing from (V-)	$I_{SINK} \leq 5\text{mA}$ , input overdrive = -100 mV, $V_S = 5\text{V, }T_A = -40^\circ\text{C to }+125^\circ\text{C}$			300	mV
V <sub>OH</sub>	Voltage output swing from (V+)	$I_{SOURCE} \leq 5\text{mA}$ , input overdrive = +100 mV, $V_S = 5\text{V, }T_A = -40^\circ\text{C to }+125^\circ\text{C}$			300	mV
I <sub>sc_source</sub>	Peak charging current (sourcing) with output shorted to V- <sup>(1)</sup>	$V_S = 5\text{ V to }40\text{ V}$		100		mA
I <sub>sc_sink</sub>	Peak dis-charging current (sinking) with output shorted to V+ <sup>(1)</sup>	$V_S = 5\text{ V to }40\text{ V}$		100		mA
I <sub>Q</sub>	Quiescent current	$V_S = 12\text{ V}$ , no load, $V_{ID} = -0.1\text{ V}$ (output low), $T_A = 25^\circ\text{C}$		135	200	µA
		$V_S = 12\text{V to }40\text{V}$ no load, $V_{ID} = -0.1\text{ V}$ (output low), $T_A = -40^\circ\text{C to }+125^\circ\text{C}$			400	µA
t <sub>OFF</sub>	Time to enter shutdown	$C_L = 15\text{ pF}$		1.0		µs
t <sub>ON</sub>	Time to exit shutdown	$C_L = 15\text{ pF}$		2.3		µs
V <sub>SD</sub>	Shutdown input: voltage range <sup>(2)</sup>	$V_S = 3.3\text{ to }40\text{V, }T_A = -40\text{ to }125^\circ\text{C}$	0		5.5	V
V <sub>SD_VIH</sub>	SHDN pin input high level	$V_S = 3.3\text{ V and }40\text{V, }T_A = -40\text{ to }125^\circ\text{C}$	2	1.35		V
V <sub>SD_VIL</sub>	SHDN pin input low level	$V_S = 3.3\text{ V and }40\text{V, }T_A = -40\text{ to }125^\circ\text{C}$		0.65	0.4	V
I <sub>B-SDH</sub>	SHDN bias current	$V_S = V_{SD} = 5.5\text{ V}$		0.015		nA
		$V_S = 5\text{ V, }V_{SD} = 0\text{ V}$		0.001		nA
I <sub>Q-SD</sub>	Quiescent current (Shutdown)	$V_S = 12\text{V; }T_S = 25^\circ\text{C; }V_{SD} > V_{SD\_VIH\ Min}$		9.5	13	µA

(1) Continuous short circuit can result in excessive heating and exceeding the maximum allowed junction temperature of 150°C. Please refer to the Maximum Output Current Derating curve in the Typical Operation Plots.

(2) The recommended voltage range if V<sub>SD</sub> is independent of V<sub>S</sub>.

## 6.6 Switching Characteristics

Typical values are at  $T_A = 25^\circ\text{C}$ ,  $V_S = 12\text{ V}$ ,  $V_{CM} = V_S / 2$ ; Input overdrive = 100 mV (unless otherwise noted).

PARAMETER		TEST CONDITIONS	MIN	TYP	MAX	UNIT
t <sub>PHL</sub>	Propagation delay time, high-to-low <sup>(1)</sup>	$C_L = 15\text{ pF}$		250		ns
		$C_L = 4\text{ nF}$		450		ns
t <sub>PLH</sub>	Propagation delay time, low-to-high <sup>(1)</sup>	$C_L = 15\text{ pF}$		250		ns
		$C_L = 4\text{ nF}$		500		ns
t <sub>R</sub>	Rise time	20% to 80%, $C_L = 15\text{ pF}$		18		ns
		20% to 80%, $C_L = 4\text{ nF}$		0.3		µs
t <sub>F</sub>	Fall time	20% to 80%, $C_L = 15\text{ pF}$		10		ns
		20% to 80%, $C_L = 4\text{ nF}$		0.26		µs
t <sub>START</sub>	Power-up time <sup>(2)</sup>			45		µs

(1) High-to-low and low-to-high refers to the transition at the input.

(2) During power on, V<sub>S</sub> must exceed 3.3 V for t<sub>ON</sub> before the output is in a correct state.

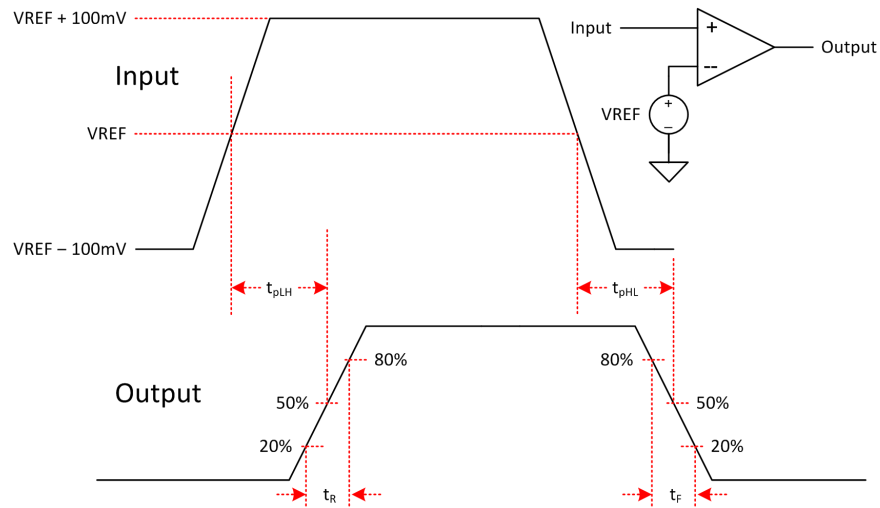


图 1. Propagation Delay

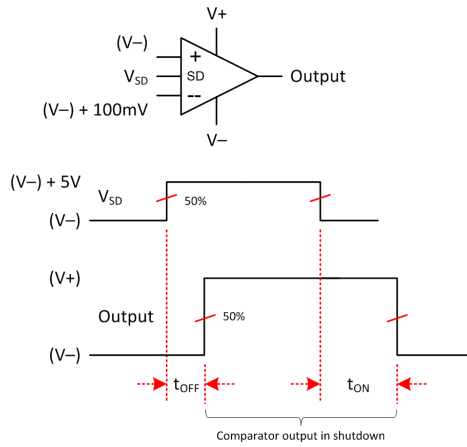
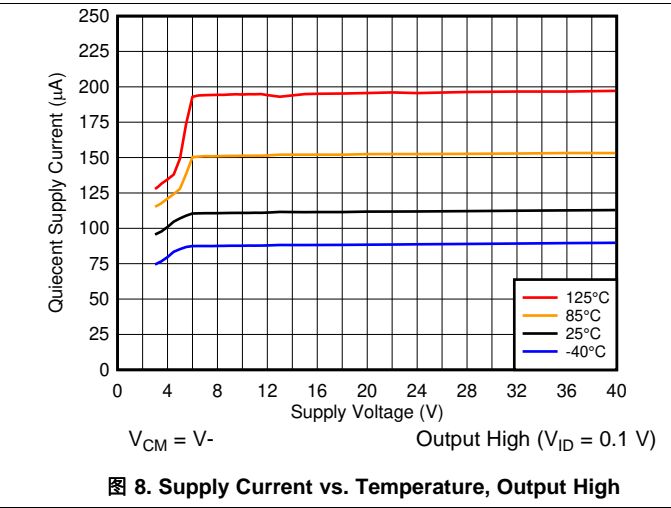
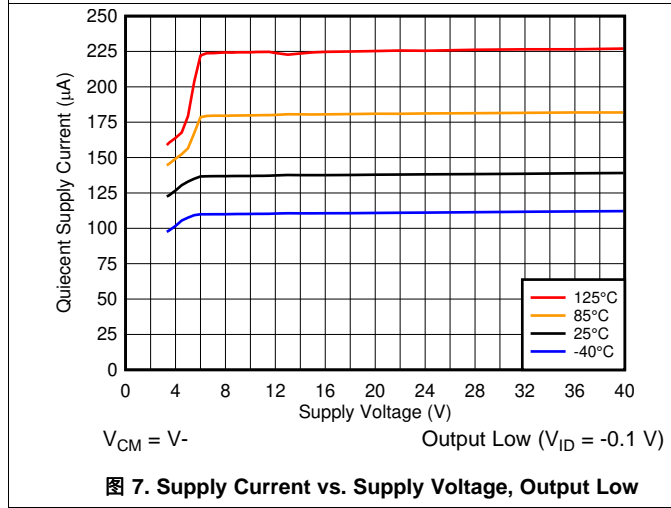
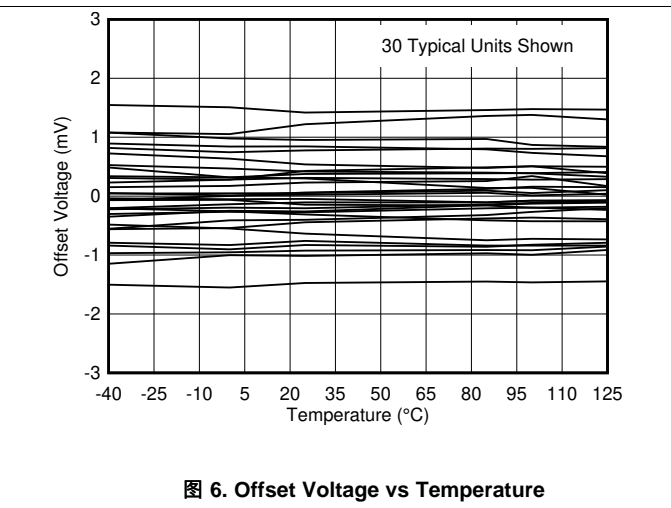
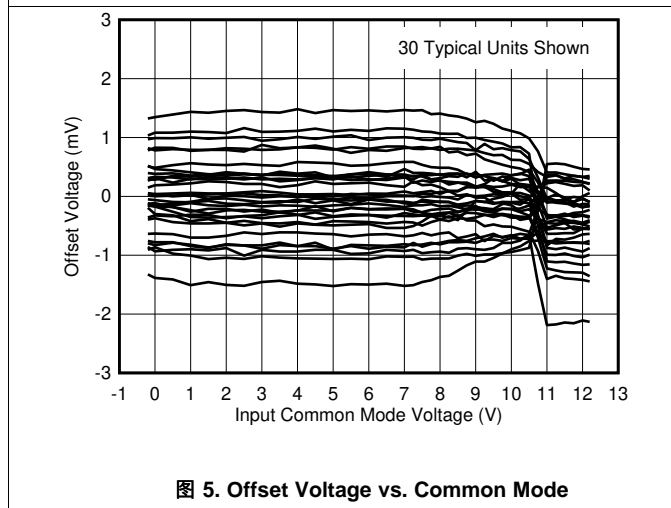
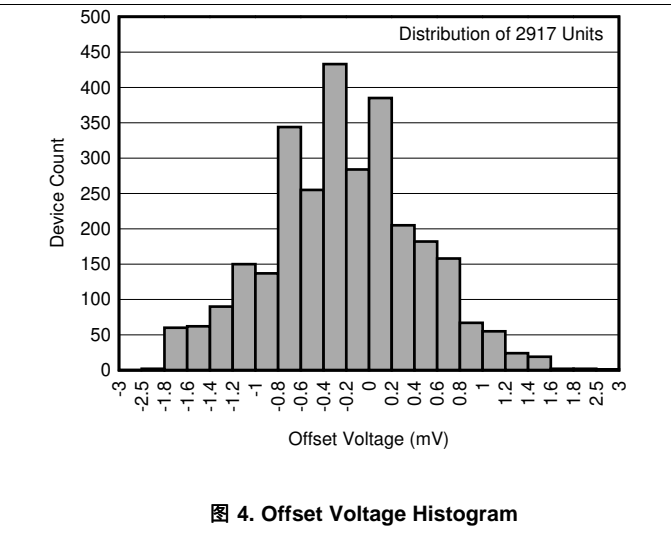
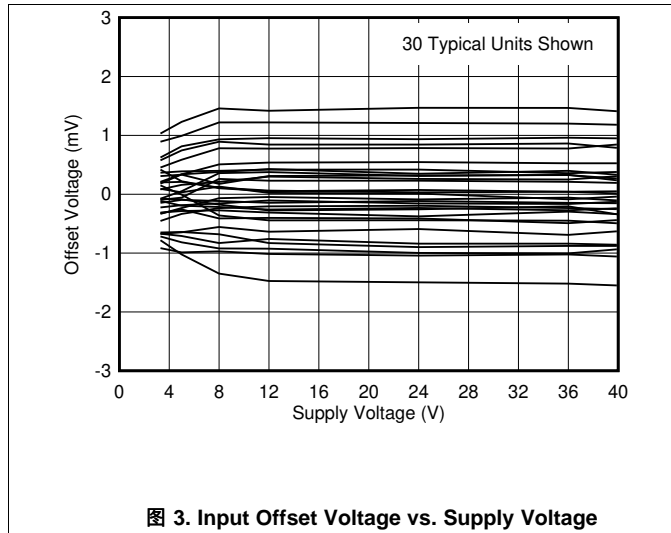


图 2. Shutdown Timing

### 6.7 Typical Characteristics

at  $T_A = 25^\circ\text{C}$ ,  $V_S = 12\text{ V}$ ,  $V_{CM} = V_S/2$ , and input overdrive = 100 mV (unless otherwise noted)



Typical Characteristics (接下页)

at  $T_A = 25^\circ\text{C}$ ,  $V_S = 12\text{ V}$ ,  $V_{CM} = V_S/2$ , and input overdrive = 100 mV (unless otherwise noted)

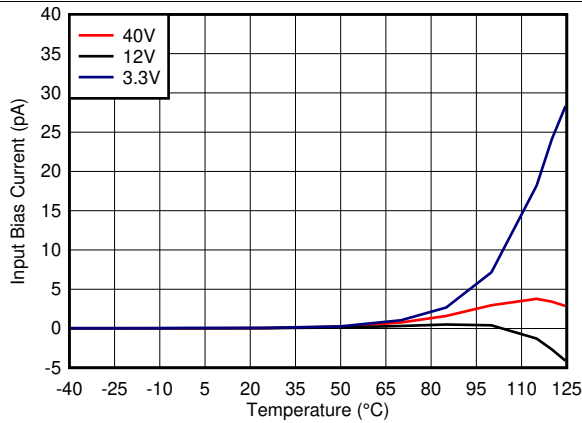


图 9. Input Bias Current vs. Temperature

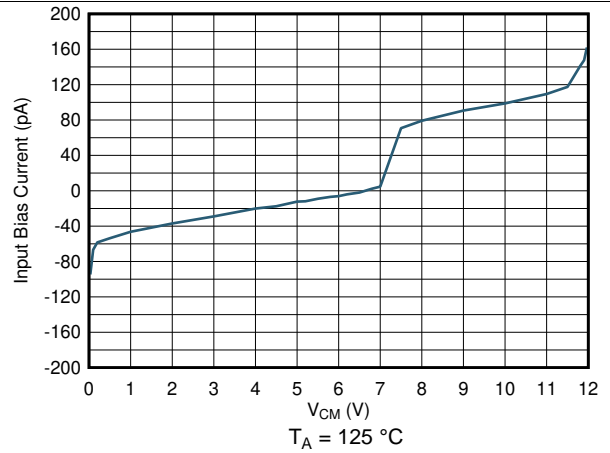


图 10. Input Bias Current vs. Common Mode, 125°C

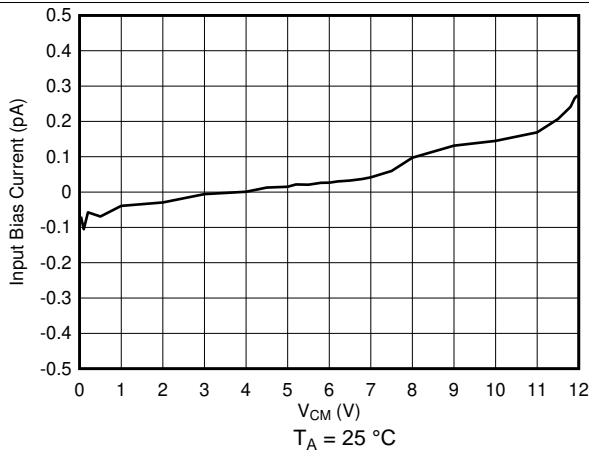


图 11. Input Bias Current vs. Common Mode, 25°C

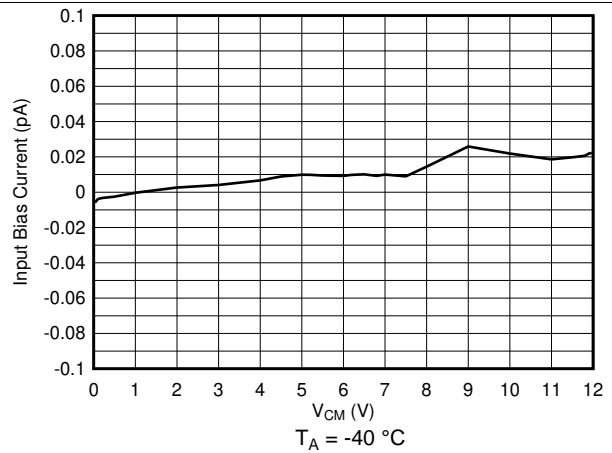


图 12. Input Bias Current vs. Common Mode, -40°C

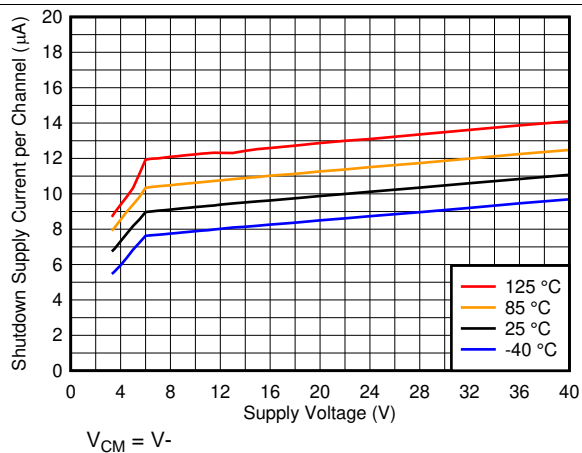


图 13. Shutdown Supply Current vs. Supply Voltage

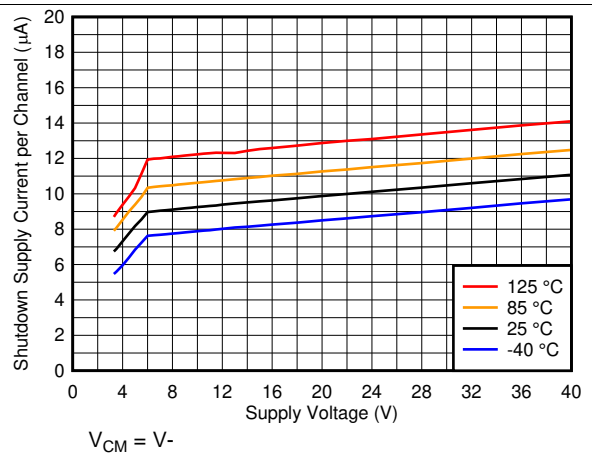
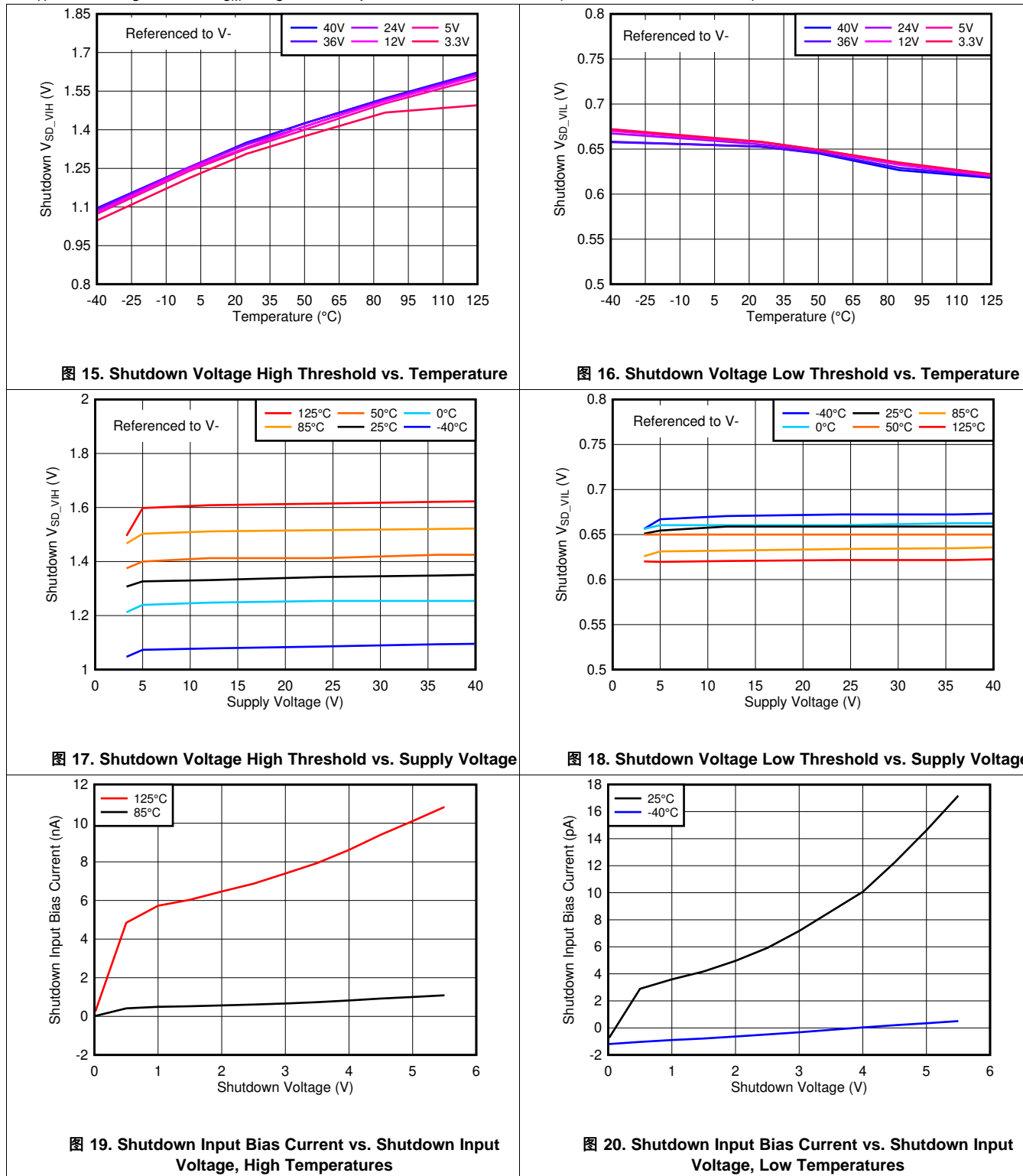


图 14. Shutdown Supply Current vs. Supply Voltage



Typical Characteristics (接下页)

at  $T_A = 25^\circ\text{C}$ ,  $V_S = 12\text{ V}$ ,  $V_{CM} = V_S/2$ , and input overdrive = 100 mV (unless otherwise noted)



### Typical Characteristics (接下页)

at  $T_A = 25^\circ\text{C}$ ,  $V_S = 12\text{ V}$ ,  $V_{CM} = V_S/2$ , and input overdrive = 100 mV (unless otherwise noted)

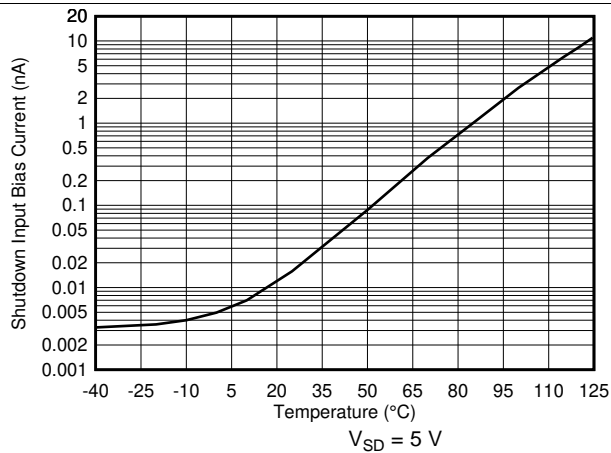


图 21. Shutdown Input Bias Current vs. Temperature

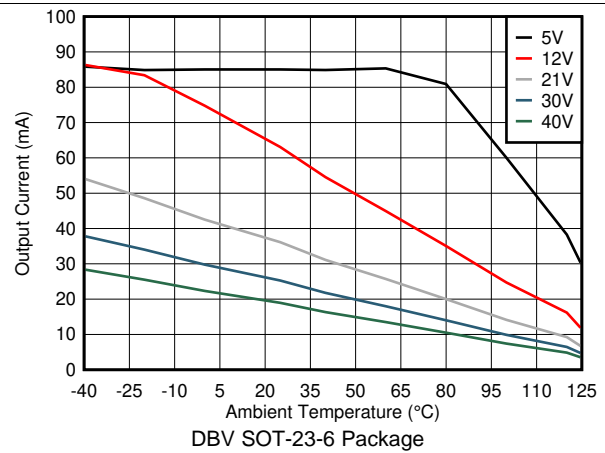


图 22. Maximum Continuous Output Current vs. Ambient Temperature  
DBV SOT-23-6 Package

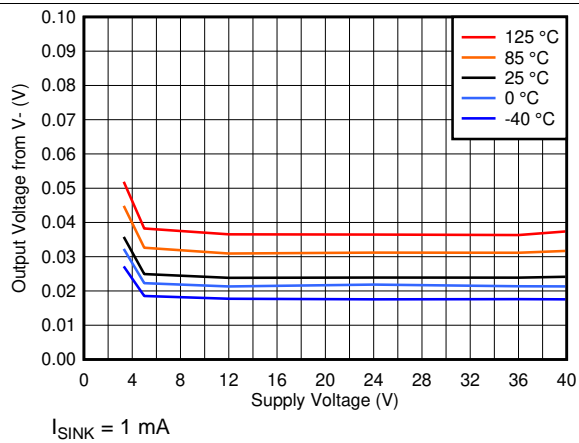


图 23. Output Low Voltage vs. Supply Voltage  
 $I_{SINK} = 1\text{ mA}$

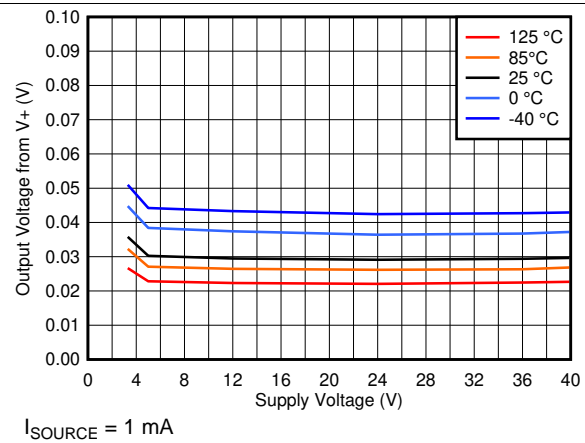


图 24. Output High Voltage vs. Supply Voltage  
 $I_{SOURCE} = 1\text{ mA}$

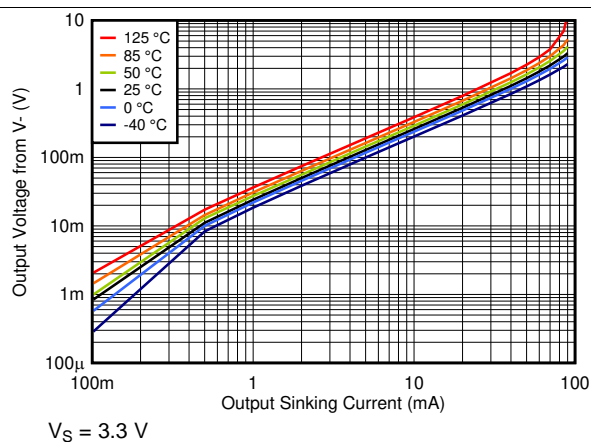


图 25. Output Voltage vs. Output Sinking Current at 3.3V  
 $V_S = 3.3\text{ V}$

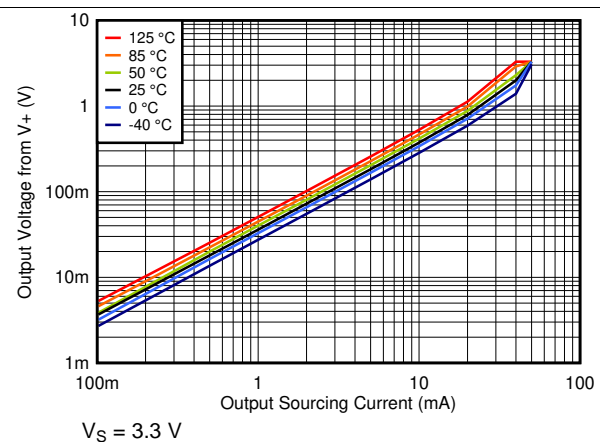
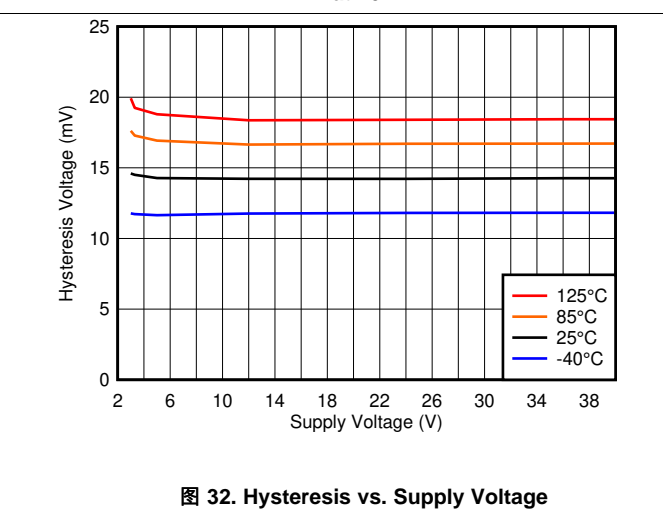
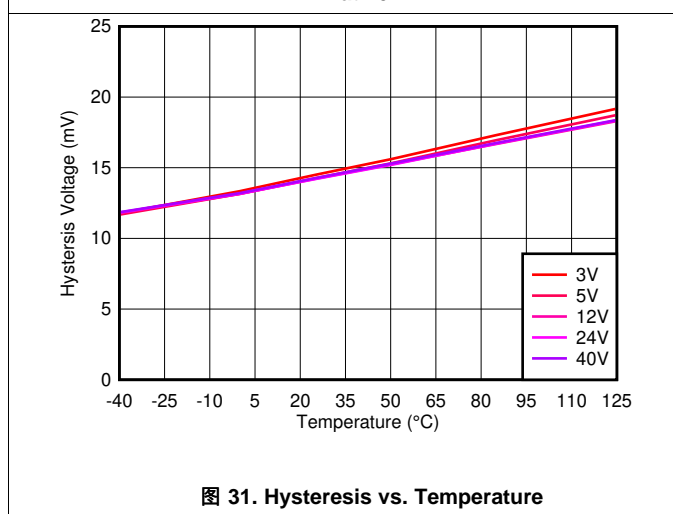
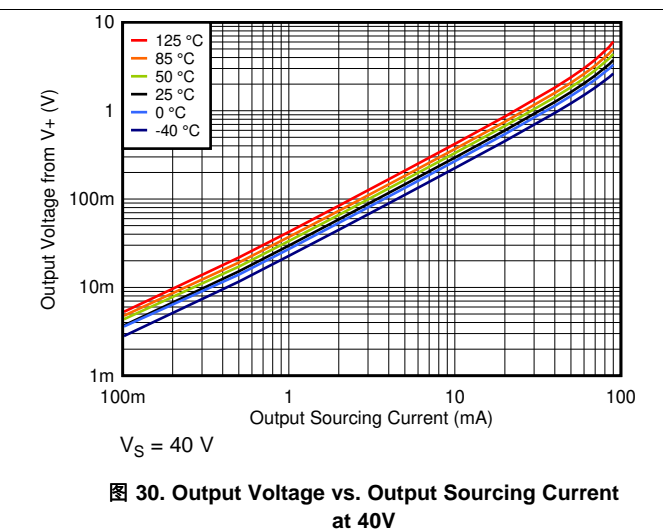
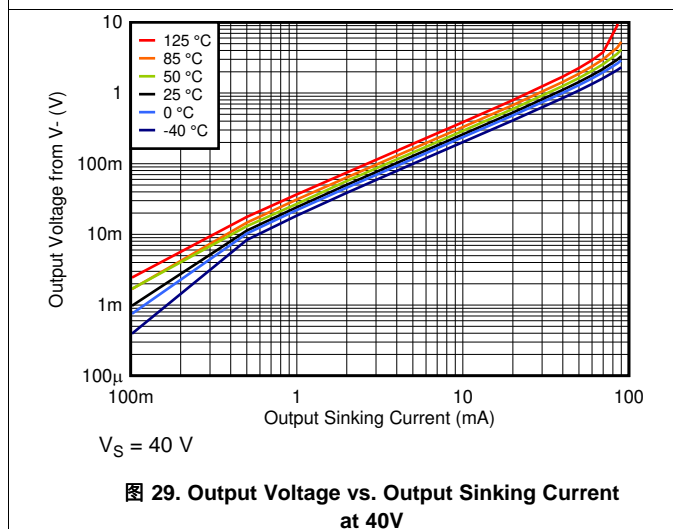
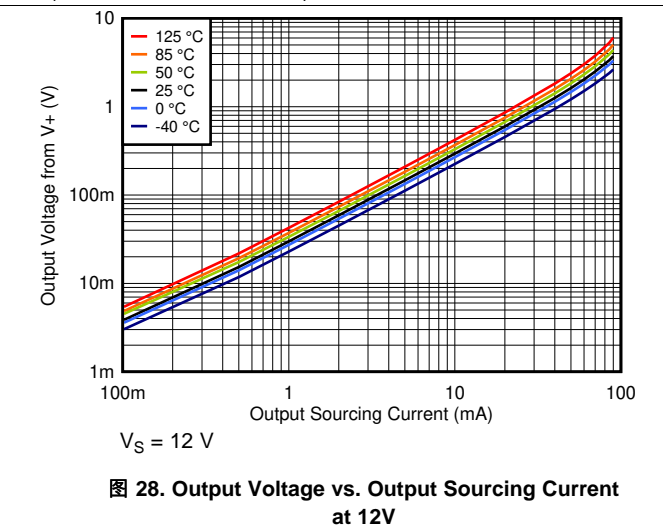
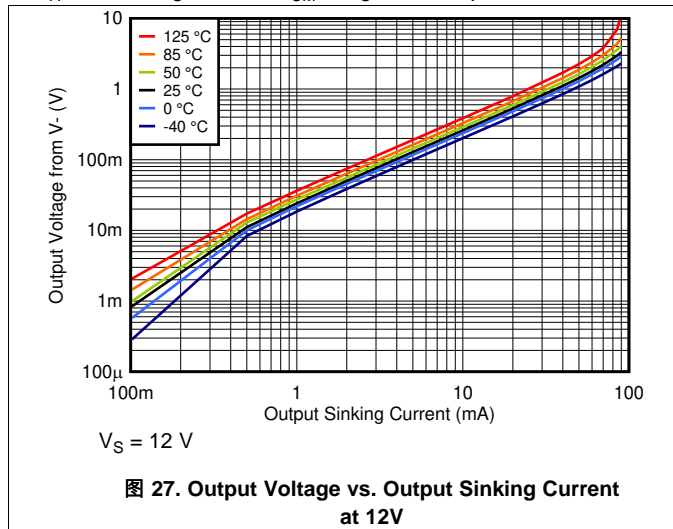


图 26. Output Voltage vs. Output Sourcing Current at 3.3V  
 $V_S = 3.3\text{ V}$

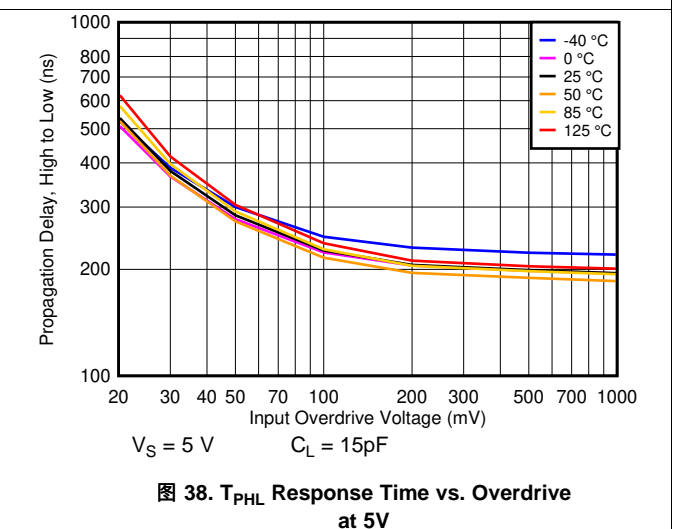
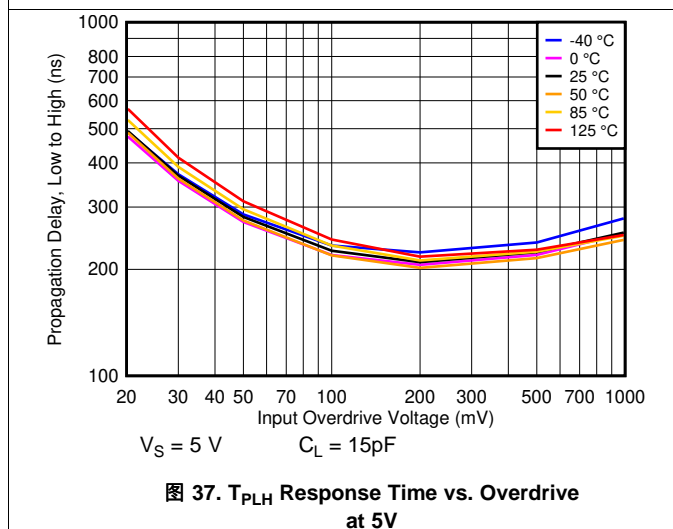
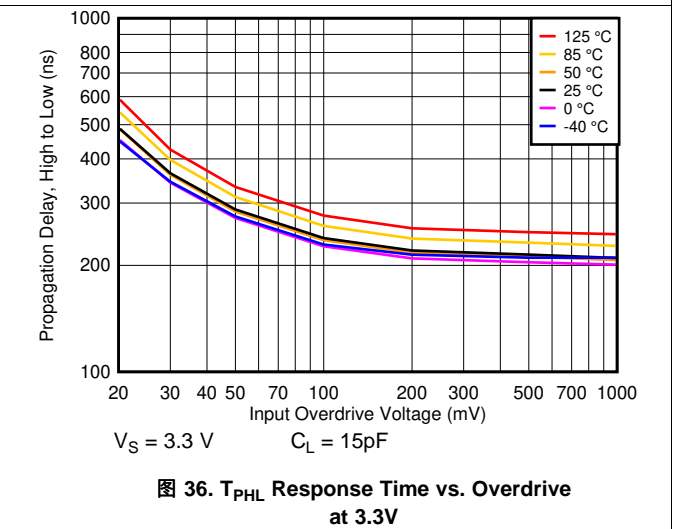
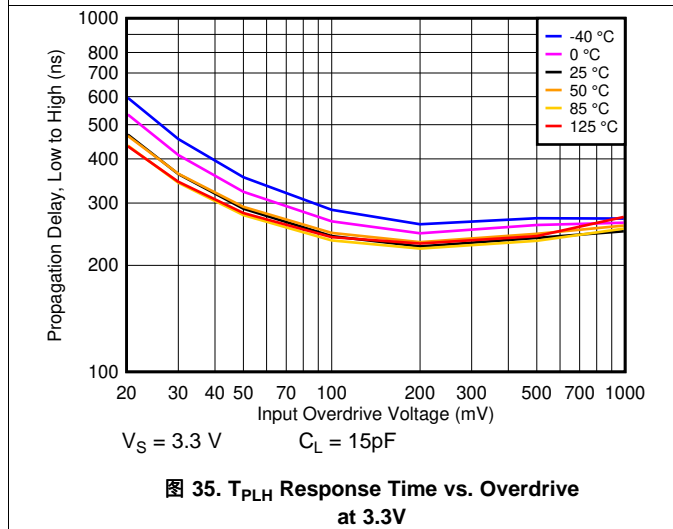
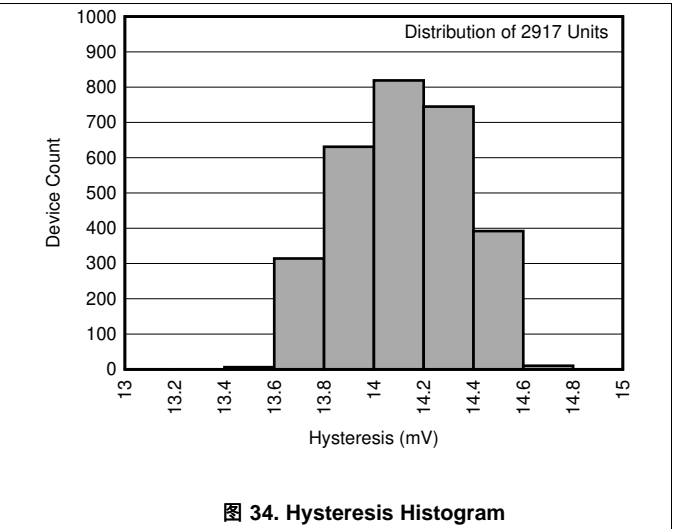
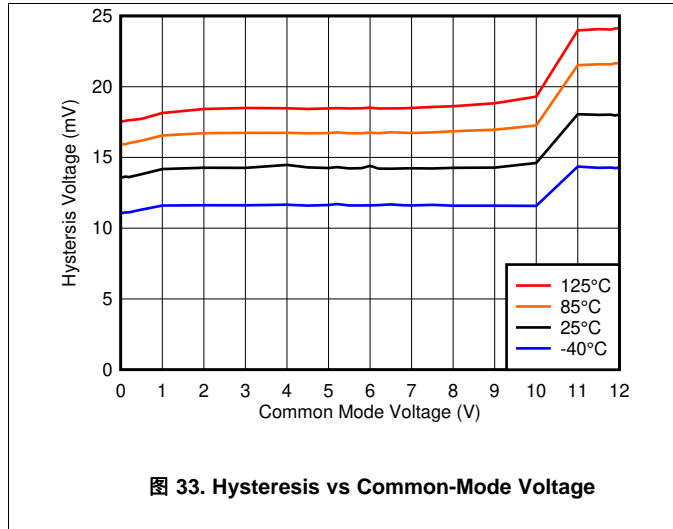
Typical Characteristics (接下页)

at  $T_A = 25^\circ\text{C}$ ,  $V_S = 12\text{ V}$ ,  $V_{CM} = V_S/2$ , and input overdrive = 100 mV (unless otherwise noted)



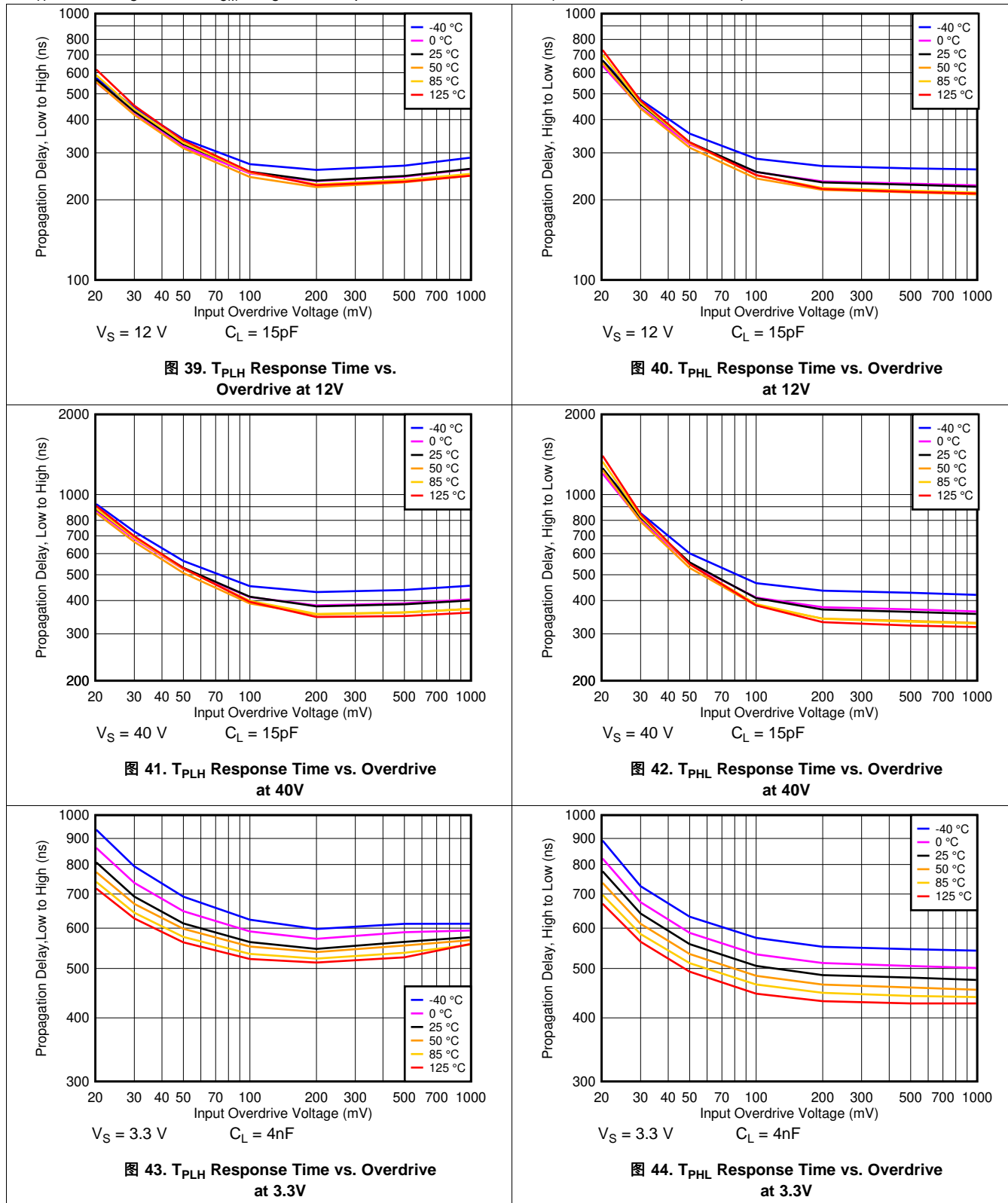
Typical Characteristics (接下页)

at  $T_A = 25^\circ\text{C}$ ,  $V_S = 12\text{ V}$ ,  $V_{CM} = V_S/2$ , and input overdrive = 100 mV (unless otherwise noted)



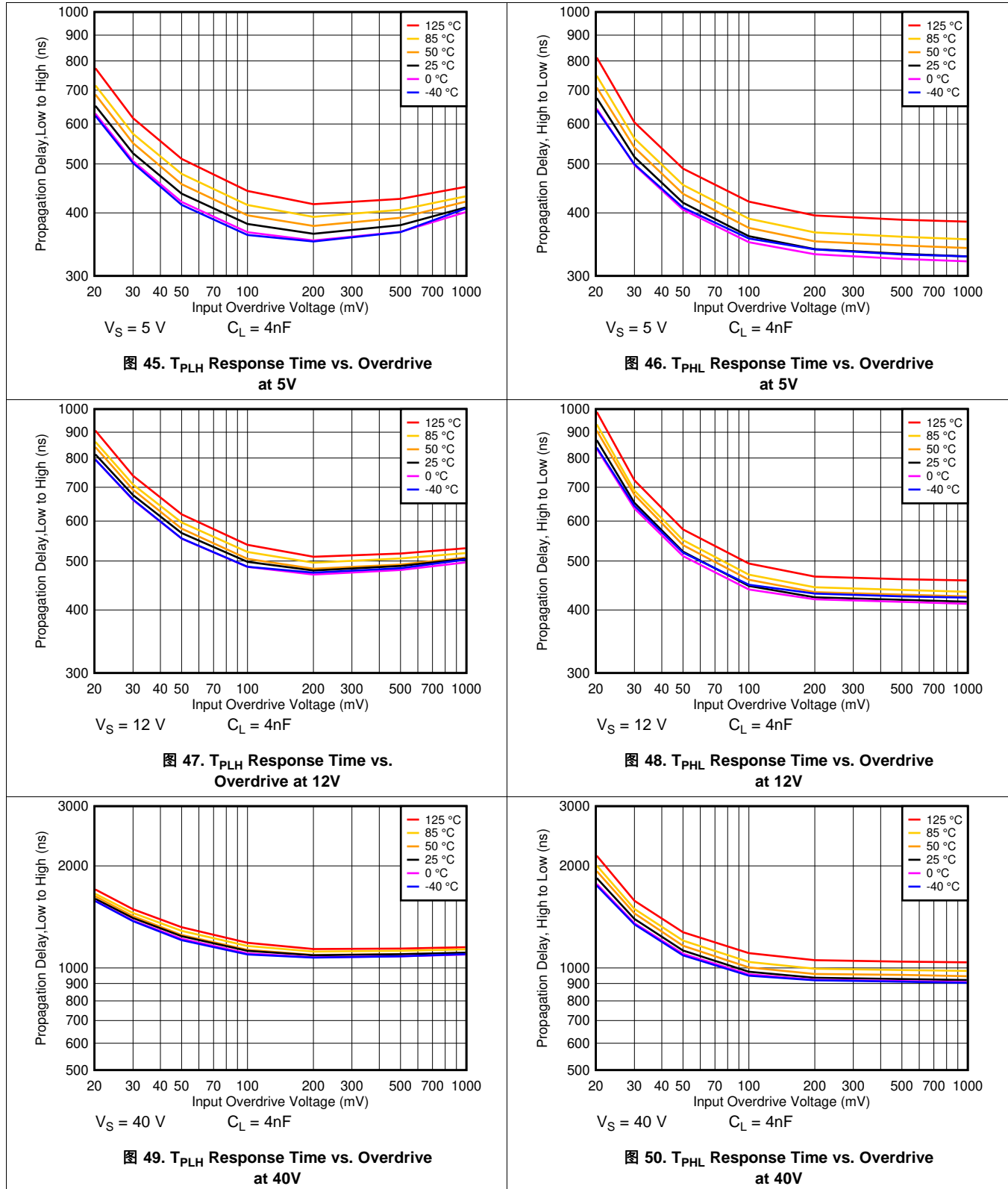
Typical Characteristics (接下页)

at  $T_A = 25^\circ\text{C}$ ,  $V_S = 12\text{ V}$ ,  $V_{CM} = V_S/2$ , and input overdrive = 100 mV (unless otherwise noted)



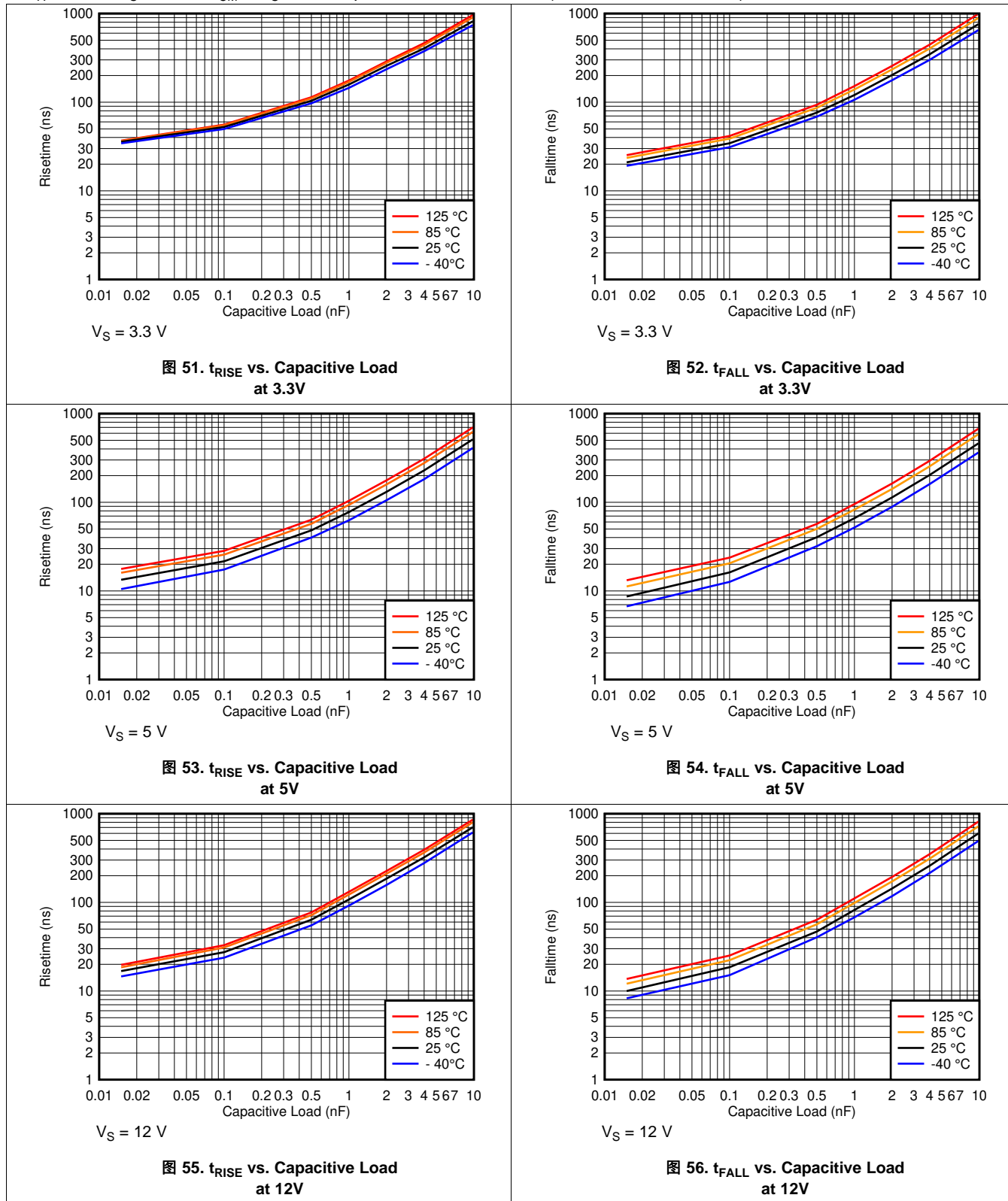
Typical Characteristics (接下页)

at  $T_A = 25^\circ\text{C}$ ,  $V_S = 12\text{ V}$ ,  $V_{CM} = V_S/2$ , and input overdrive = 100 mV (unless otherwise noted)



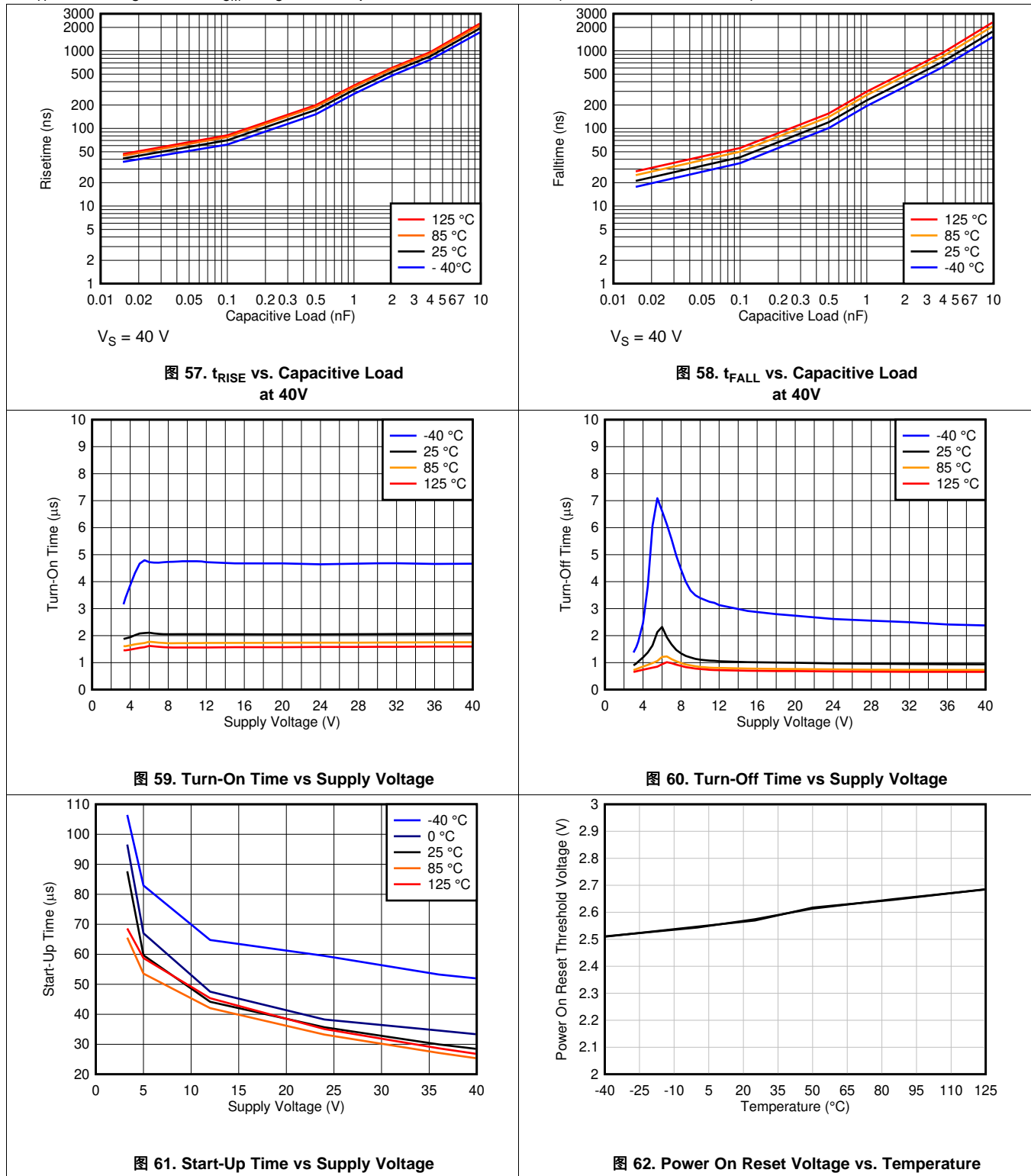
Typical Characteristics (接下页)

at  $T_A = 25^\circ\text{C}$ ,  $V_S = 12\text{ V}$ ,  $V_{CM} = V_S/2$ , and input overdrive = 100 mV (unless otherwise noted)



Typical Characteristics (接下页)

at  $T_A = 25^\circ\text{C}$ ,  $V_S = 12\text{ V}$ ,  $V_{CM} = V_S/2$ , and input overdrive = 100 mV (unless otherwise noted)



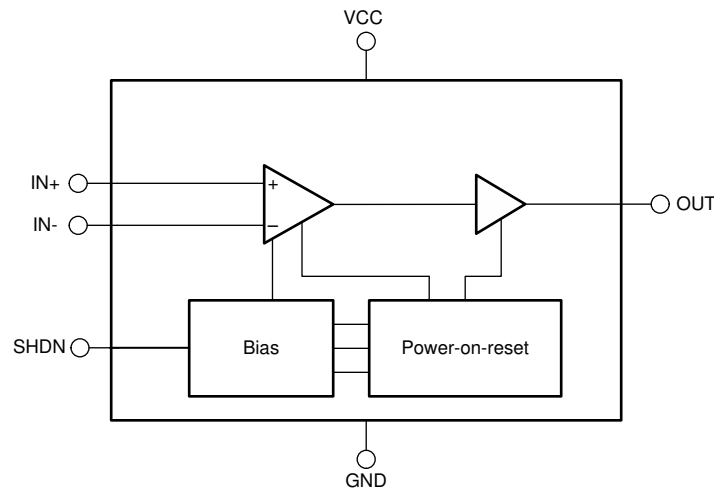


## 7 Detailed Description

### 7.1 Overview

The TLV1805-Q1 comparator features a rail-to-rail inputs with a push-pull output stage that operates at supply voltages as high as 40 V or  $\pm 20$  V. The rail-to-rail input stage enables detection of signals close to the supply and ground while the push-pull output stage creates fast transition edges to either supply rail. A low supply current of 135  $\mu$ A per channel with small, space-saving packages, makes these comparators versatile for use in a wide range of applications, from portable to industrial.

### 7.2 Functional Block Diagram



### 7.3 Feature Description

#### 7.3.1 Rail to Rail Inputs

The TLV1805-Q1 comparator features a CMOS input with a common-mode range that includes both supply rails. The TLV1805-Q1 is designed to prevent phase inversion when the input pins exceed the supply voltage.

#### 7.3.2 Power On Reset

The TLV1805-Q1 incorporates a power-on reset that holds the output in a High-Z state until the minimum operating supply voltage has been reached for at least 20 $\mu$ s. After this time the output will start responding to the inputs. This feature prevents false outputs during power-up and power-down.

#### 7.3.3 High Power Push-Pull Output

The push-pull output stage, which is unique for high-voltage comparators, offers the advantage of allowing the output to actively drive the load to either supply rail with a fast edge rate. A high output sink and source peak current of over 100mA allows quickly charging and discharging capacitive loads such as cables and power MOSFET gates. Caution must be taken to ensure that the package power dissipation is not exceeded when switching at these high supply voltages. See [Figure 22](#) for the output current derating curve.

#### 7.3.4 Shutdown Function

The TLV1805-Q1 has a logic level SHDN input. When the shutdown SHDN input is 1.4V above V-, the TLV1805-Q1 is disabled. When disabled, the output becomes high impedance (Hi-Z), and the supply current drops to below 10 $\mu$ A. The input bias current remains unchanged. Voltages may still be applied to the comparator inputs as long as V+ power is still applied and the applied input voltages are still within the specified input voltage range.

**Feature Description (接下页)**
**CAUTION**

The maximum voltage on the shutdown pin is +5.5V referred to V-, regardless of supply voltage. Connect the SHDN pin to V- if shutdown is not used. Do not float the SHDN pin.

A high value pull-up or pull-down resistor on the output may be required if a specific logic level is required during shutdown (when the output is High-Z). This prevents logic inputs from floating to illegal states when the comparator output is in High-Z mode.

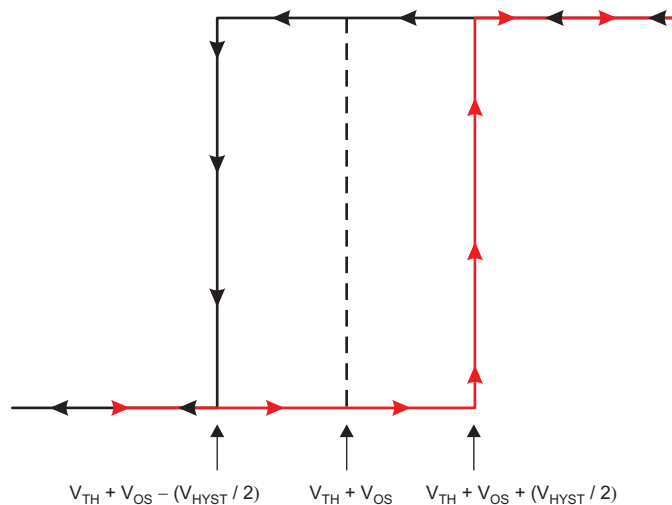
Since the Shutdown threshold voltage is a tested parameter, the shutdown pin can also be used as a second comparison input to provide a secondary measurement, such as overvoltage monitoring, as shown in the [P-Channel Reverse Current Protection With Overvoltage Protection](#) circuit.

**7.3.5 Internal Hysteresis**

The TLV1805-Q1 contains 14mV of internal hysteresis.

The hysteresis transfer curve is shown in [图 63](#). This curve is a function of three components:  $V_{TH}$ ,  $V_{OS}$ , and  $V_{HYST}$ :

- $V_{TH}$  is the actual set voltage or threshold trip voltage.
- $V_{OS}$  is the internal offset voltage between  $V_{IN+}$  and  $V_{IN-}$ . This voltage is added to  $V_{TH}$  to form the actual trip point at which the comparator must respond to change output states.
- $V_{HYST}$  is the internal hysteresis (or trip window) that is designed to reduce comparator sensitivity to noise (14 mV for the TLV1805-Q1).



**图 63. Hysteresis Transfer Curve**

**7.4 Device Functional Modes**
**7.4.1 External Hysteresis**

External Hysteresis may be added to further improve response to noisy or slow-moving input signals.

## Device Functional Modes (接下页)

### 7.4.1.1 Inverting Comparator With Hysteresis

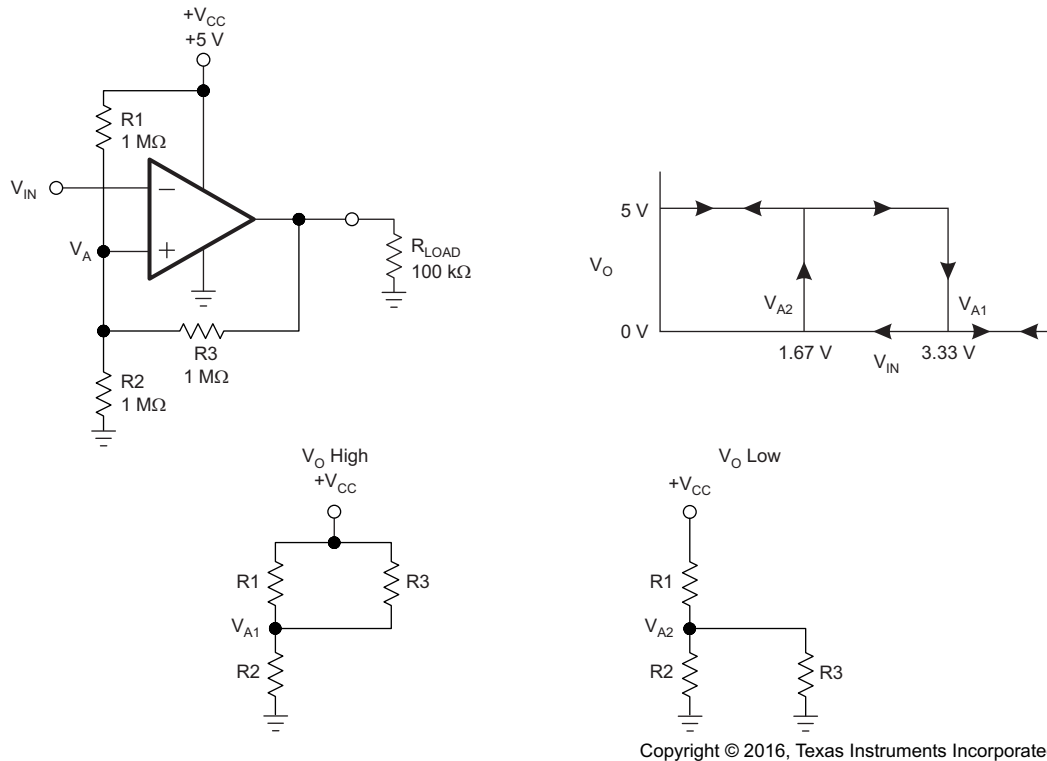


图 64. TLV1805-Q1 in an Inverting Configuration With Hysteresis

The inverting comparator with hysteresis requires a three-resistor network that is referenced to the comparator supply voltage ( $V_{CC}$ ), as shown in 图 64. When  $V_{IN}$  at the inverting input is less than  $V_A$ , the output voltage is high (for simplicity, assume  $V_O$  switches as high as  $V_{CC}$ ). The three network resistors can be represented as  $R1 \parallel R3$  in series with  $R2$ . 公式 1 defines the high-to-low trip voltage ( $V_{A1}$ ).

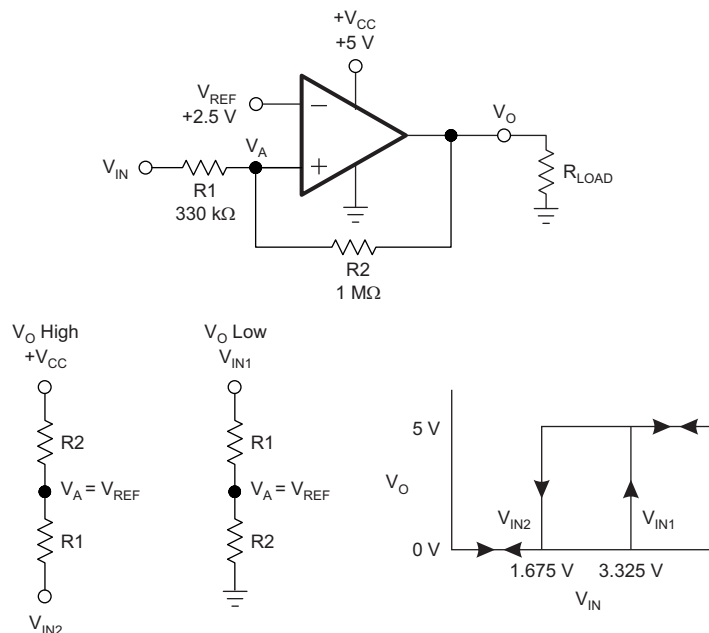
$$V_{A1} = V_{CC} \times \frac{R2}{(R1 \parallel R3) + R2} \quad (1)$$

When  $V_{IN}$  is greater than  $V_A$ , the output voltage is low, very close to ground. In this case, the three network resistors can be presented as  $R2 \parallel R3$  in series with  $R1$ . Use 公式 2 to define the low to high trip voltage ( $V_{A2}$ ).

$$V_{A2} = V_{CC} \times \frac{R2 \parallel R3}{R1 + (R2 \parallel R3)} \quad (2)$$

公式 3 defines the total hysteresis provided by the network.

$$\Delta V_A = V_{A1} - V_{A2} \quad (3)$$

**Device Functional Modes (接下页)**
**7.4.1.2 Noninverting Comparator With Hysteresis**


Copyright © 2016, Texas Instruments Incorporated

**图 65. TLV1805-Q1 in a Noninverting Configuration With Hysteresis**

A noninverting comparator with hysteresis requires a two-resistor network, as shown in 图 65, and a voltage reference ( $V_{REF}$ ) at the inverting input. When  $V_{IN}$  is low, the output is also low. For the output to switch from low to high,  $V_{IN}$  must rise to  $V_{IN1}$ . Use 公式 4 to calculate  $V_{IN1}$ .

$$V_{IN1} = R1 \times \frac{V_{REF}}{R2} + V_{REF} \quad (4)$$

When  $V_{IN}$  is high, the output is also high. For the comparator to switch back to a low state,  $V_{IN}$  must drop to  $V_{IN2}$  such that  $V_A$  is equal to  $V_{REF}$ . Use 公式 5 to calculate  $V_{IN2}$ .

$$V_{IN2} = \frac{V_{REF} (R1 + R2) - V_{CC} \times R1}{R2} \quad (5)$$

The hysteresis of this circuit is the difference between  $V_{IN1}$  and  $V_{IN2}$ , as shown in 公式 6.

$$\Delta V_{IN} = V_{CC} \times \frac{R1}{R2} \quad (6)$$

## 8 Application and Implementation

### 注

Information in the following applications sections is not part of the TI component specification, and TI does not warrant its accuracy or completeness. TI's customers are responsible for determining suitability of components for their purposes. Customers should validate and test their design implementation to confirm system functionality.

### 8.1 Application Information

The TLV1805-Q1 family of devices can be used in a wide variety of applications, such as MOSFET gate drivers, zero crossing detectors, window comparators, over and undervoltage detectors, and high-side voltage sense circuits.

### 8.2 Typical Applications

Comparators are used to differentiate between two different signal levels. For example, a comparator differentiates between an over-temperature and normal-temperature condition. However, noise or signal variation at the comparison threshold causes multiple transitions. This application example sets upper and lower hysteresis thresholds to eliminate the multiple transitions caused by noise.

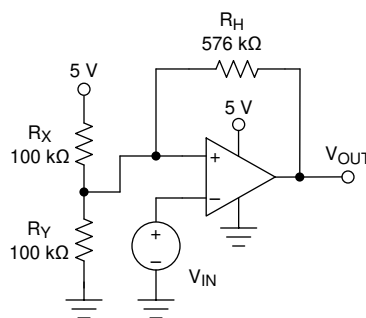


图 66. Comparator with Hysteresis

#### 8.2.1 Design Requirements

The design requirements are as follows:

- Supply voltage: 5 V
- Input: 0 V to 5 V
- Lower threshold ( $V_L$ ) = 2.3 V  $\pm$ 0.1 V
- Upper threshold ( $V_H$ ) = 2.7 V  $\pm$ 0.1 V
- $V_H - V_L = 2.4$  V  $\pm$ 0.1 V
- Low-power consumption

#### 8.2.2 Detailed Design Procedure

A small change to the comparator circuit can be made to add hysteresis. Hysteresis uses two different threshold voltages to avoid the multiple transitions introduced in the previous circuit. The input signal must exceed the upper threshold ( $V_H$ ) to transition low, or below the lower threshold ( $V_L$ ) to transition high.

图 66 illustrates hysteresis on a comparator. Resistor  $R_H$  sets the hysteresis level.

When the output is at a logic high (5 V),  $R_H$  is in parallel with  $R_X$ . This configuration drives more current into  $R_Y$ , and raises the threshold voltage ( $V_H$ ) to 2.7 V. The input signal must drive above  $V_H = 2.7$  V to cause the output to transition to logic low (0 V).

## Typical Applications (接下页)

When the output is at logic low (0 V),  $R_h$  is in parallel with  $R_y$ . This configuration reduces the current into  $R_y$ , and reduces the threshold voltage to 2.3 V. The input signal must drive below  $V_L = 2.3$  V to cause the output to transition to logic high (5 V).

For more details on this design, refer to Precision Design [TIPD144](#), *Comparator with Hysteresis Reference Design*.

### 8.2.3 Application Curve

图 67 shows the upper and lower thresholds for hysteresis. The upper threshold is 2.76 V and the lower threshold is 2.34 V, both of which are close to the design target.

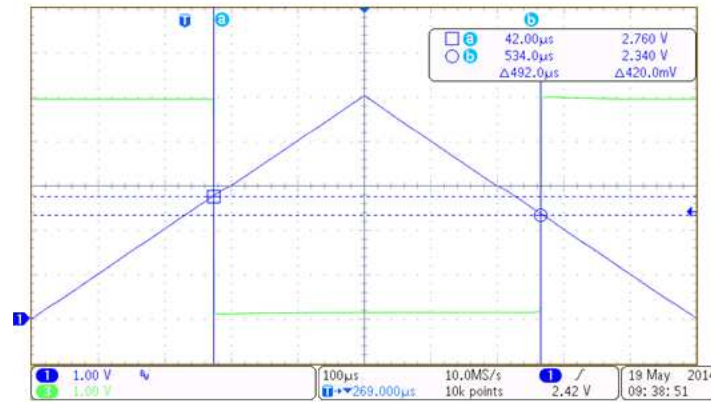


图 67. TLV1805-Q1 Upper and Lower Threshold with Hysteresis

## Typical Applications (接下页)

### 8.2.4 Reverse Current Protection Using MOSFET and TLV1805-Q1

An N-Channel or P-Channel MOSFET may be used to protect against reverse current. Reverse current is defined as current flowing from the load ( $V_{LOAD}$ ) to the source ( $V_{BATT}$ ). Both the P-Channel and N-Channel circuits work on the same basic principle, where a comparator monitors the voltage across the MOSFET's Source and Drain terminals (monitoring  $V_{DS}$ ). The described circuits also protect against reverse voltage.

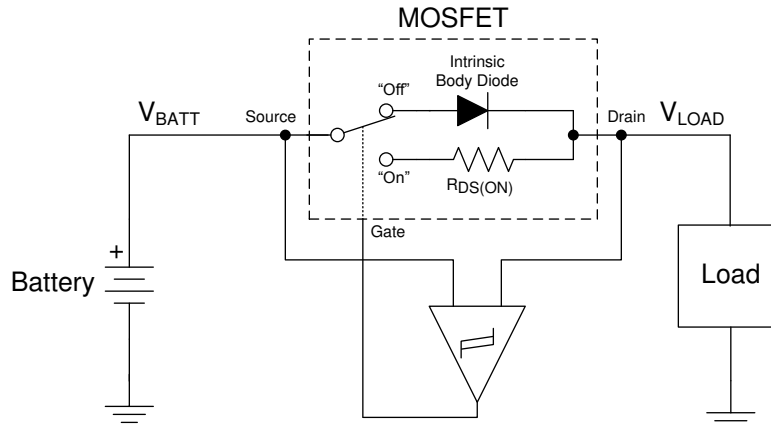


图 68. Simplified Operational Theory

When the current is flowing from the battery ( $V_{BATT}$ ) to the load ( $V_{LOAD}$ ), the battery voltage will be higher than the load voltage due to voltage drop across the MOSFET caused by the  $R_{DS(ON)}$  or the intrinsic body diode forward voltage drop. The comparator will detect this and turn "on" the MOSFET so that the load current is now flowing through the low loss  $R_{DS(ON)}$  path.

In a reverse current condition,  $V_{LOAD}$  will be higher than  $V_{BATT}$ . The comparator will detect this and drive the gate to set  $V_{GS} = 0$  to turn "off" the MOSFET (non-conducting). The body diode is reverse biased and will block current flow.

For a P-Channel MOSFET, the gate must be driven at least 4V or more *below* the battery voltage to turn "on" the MOSFET.

For a N-Channel MOSFET, the gate must be driven 4V or more *above* the battery voltage to turn "on" the MOSFET. If a higher voltage is not available in the system, a charge pump is usually required to generate a voltage higher than the battery voltage to provide the necessary positive gate drive voltage.

#### 8.2.4.1 Minimum Reverse Current

There is a minimum amount of reverse current that is needed to trip the comparator. To detect this reverse current, a voltage must be dropped across the MOSFET ( $V_{MEAS}$ ).

When the MOSFET is off,  $V_{GS}$  will be in the -600mV to -1V range due to the forward voltage drop ( $V_F$ ) of the MOSFET body diode. Response to this large voltage will be immediate.

However, with the MOSFET "on" (conducting), the current required to create the trip voltage will be much greater. The trip voltage drop required across the MOSFET  $R_{DS(ON)}$  will be the comparator offset voltage plus half of the hysteresis.

The maximum offset voltage of the TLV1805-Q1 is 5mV with a typical hysteresis of 14mV. The trip voltage can be calculated from:

$$V_{TRIP} = V_{OS(max)} + (V_{HYST} / 2) = 5 \text{ mV} + 7 \text{ mV} = 12 \text{ mV} \quad (7)$$

The actual current trip point will depend on the MOSFET  $R_{DS(ON)}$  and  $V_{GS}$  drive level. Assuming the MOSFET has a 22 m $\Omega$  on resistance, the trip current is found from:

$$I_{TRIP} = V_{TRIP} / R_{DS(ON)} = 12 \text{ mV} / 22 \text{ m}\Omega = 546\text{mA} \quad (8)$$

## Typical Applications (接下页)

### 8.2.4.2 N-Channel Reverse Current Protection Circuit

In order to turn "on" the N-Channel MOSFET, the MOSFET gate must be brought "High" above  $V_{BATT}$ . If a higher voltage is not available, a charge pump circuit is required to provide the comparator with a supply voltage above  $V_{BATT}$ .

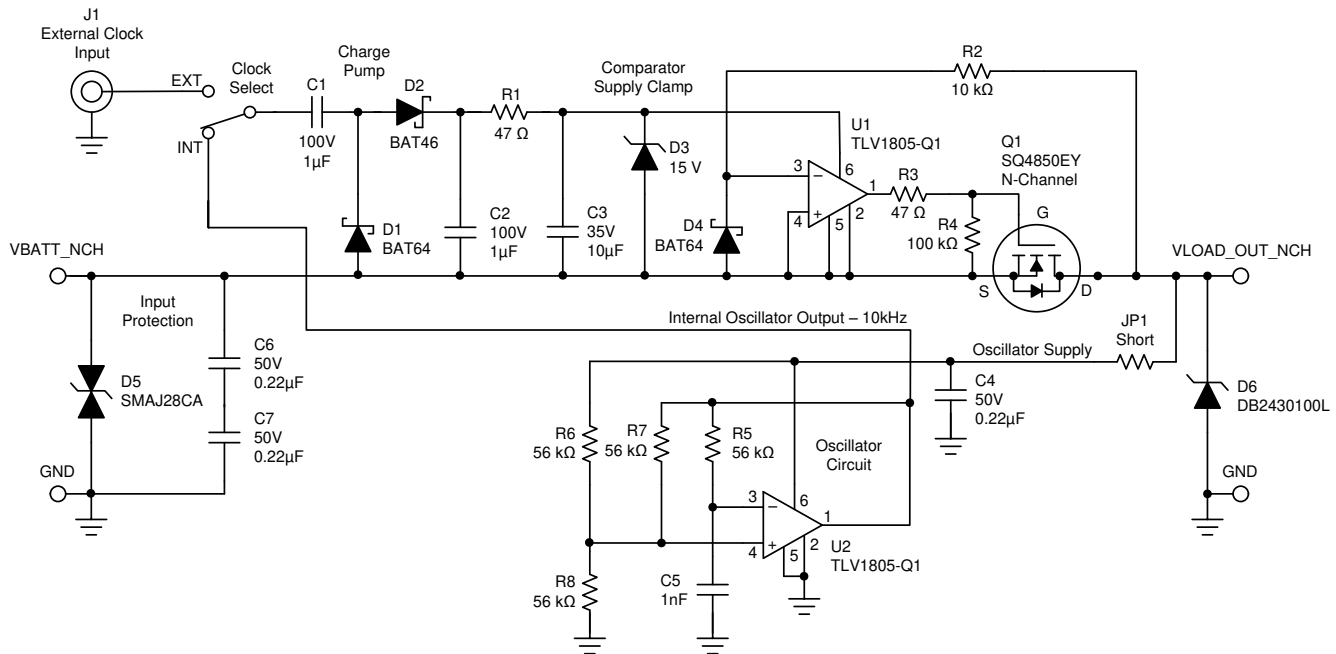


图 69. N-Channel Reverse Current Schematic with Oscillator

C1, D1, D2 & C2 form the charge pump. The AC drive signal is applied through C1 into the charge pump. The result is a voltage across C2 that is approximately equal to the peak-to-peak amplitude of the AC waveform, minus 700mV. If a 12Vpp waveform is applied to the C1 input, 11.3V will be generated across C2. This voltage is on top of the  $V_{BATT}$  voltage, so the voltage seen from the D2-C2 junction ground is 23.3V. This provides the needed higher voltage to drive the MOSFET and power the comparator.

An external oscillator source may be used, such as the gate drive output of a switcher, system clock or any available clock source in the 1kHz to 10MHz range. The charge pump should be fed by a 50 percent duty cycle square wave source of 5Vpp or more. Since the input capacitor of the charge-pump effectively AC-couples the input, the oscillator may be ground referenced.

R1 and D3 form the comparator supply clamp to limit the gate drive to prevent exceeding the  $V_{GS(MAX)}$  of the MOSFET during an overvoltage event. R1 must be sized to dissipate any expected overvoltage.

D4 and R2 clamp the input should  $V_{BATT}$  drop below  $V_{LOAD}$  (as in a supply reversal).

The output diode D6 is used to anchor the output during light or floating loads. At light or no loads, there is a possibility the MOSFET could turn on due to the comparator offset voltage. The diode provides enough of a negative leakage to turn the MOSFET off.

#### 8.2.4.2.1 N-Channel Oscillator Circuit

The oscillation frequency is determined by R5 and C5. The default configuration oscillates around 10kHz (depending on RC component tolerances). For further information on selecting these RC values, please see the Engineers Cookbook Circuit entitled [Oscillator Circuit \(SNOA990\)](#). Do note that R5 does present an AC load to the oscillator output, and should be sized appropriately to minimize the peak charging currents of C5 (use large resistors and small capacitors).



## Typical Applications (接下页)

The output amplitude is roughly equivalent to the  $V_{LOAD}$  voltage minus the TLV1805-Q1 output saturation (approximately 300mV). With a maximum supply voltage of 40V for the TLV1805-Q1, the oscillator circuit is capable of generating up to 39Vpp!

The TLV1805-Q1 oscillator typically starts oscillating when  $V_{LOAD}$  reaches 2.8V, though full specified operation does not occur until 3.3V.

For more information, please see the TLV1805-Q1 Evaluation Module Users Guide [TLV1805-Q1 Evaluation Module Users Guide \(SNOU158\)](#).

### 8.2.5 P-Channel Reverse Current Protection Circuit

图 70 shows the P-Channel circuit. In order to turn "on" the P-Channel MOSFET, the gate must be brought "Low" below  $V_{BATT}$ . To accomplish this, the comparators inverting input is tied to the battery side of the MOSFET to set the output low during forward current.

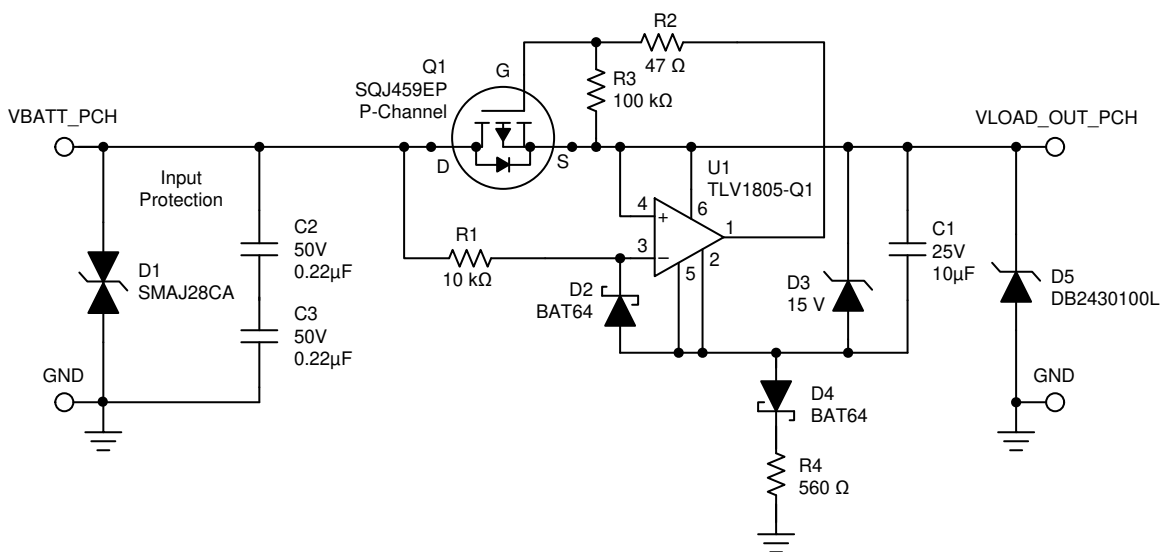


图 70. P-Channel Reverse Current Schematic

This design implements a "floating ground" topology, using D3, D4 and R12, to allow for clamping the comparator supply voltage as to not exceed the  $V_{GS(MAX)}$  of the MOSFET. During a reverse voltage or supply drop, D4 also prevents C1 from discharging to allow some standby time to keep the comparator powered during the event.

During "normal" forward current operation, the quiescent current of the comparator circuit flows through D4 and R4. D3 provides the clamping during an overvoltage event.

R4 is sized to allow for minimum voltage drop during "normal" operation, but also to allow for dissipation during overvoltage events. R4 will see the battery voltage minus the D3 Zener voltage during an overvoltage event. Since the comparator supply voltage is clamped by D3, the maximum battery voltage is determined by the power dissipated by R4 and the  $V_{DS(MAX)}$  of the MOSFET.

R2 limits the gate current should there be any transients and should be a low value to allow the peak currents needed to drive the MOSFET gate capacitance. R3 provides the pull-down needed when the comparator output goes high-Z during power-off to ensure the gate is pulled to zero volts to turn off the MOSFET.

R1 and D2 clamp the input voltage should the  $V_{BATT}$  input go below the floating ground Voltage (such as in a battery reversal). A bonus feature is that during a reverse battery voltage condition, D2 and R1 pull the floating ground down towards the negative potential, providing power to the comparator during reverse voltage.

The output clamp diode D5 is used to anchor the output during light or floating loads. At light or no loads, there is a possibility the MOSFET could turn on due to the comparator offset voltage. The diode provides enough of a negative leakage to turn the MOSFET off.

## Typical Applications (接下页)

If shutdown of the comparator circuit is desired, a transistor or MOSFET switch can be placed between the ground end of R4 and ground. The MOSFET will be in body diode mode when the comparator is disabled.

### 8.2.6 P-Channel Reverse Current Protection With Overvoltage Protection

The SHDN pin can be utilized to add Overvoltage Protection (OVP) by adding a second MOSFET, zener diode and resistor, as shown in 图 71.

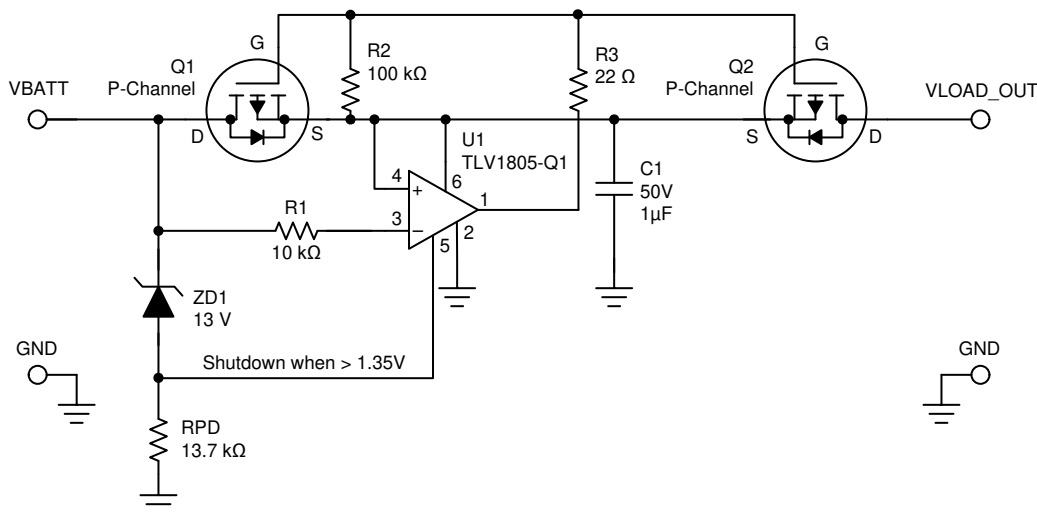


图 71. Adding Overvoltage Protection Using SHDN Pin

When the SHDN pin is pulled 1.35 V above V-, the comparator is placed in shutdown. During shutdown, the comparator output goes Hi-Z and R2 pulls the gate and source together to turn off the MOSFET ( $V_{GS} = 0$  V).

RPD pulls the SHDN pin low while the Zener diode is not conducting ( $< V_Z$ ). When ZD1 reaches its breakdown voltage and starts conducting, it will pull RPD up to a voltage calculated to place  $> 1.35$  V on the shutdown pin.

The Zener diode ZD1 should be chosen so that the breakdown voltage ( $V_B$ ) is 1.35 V below the desired overvoltage point. The Zener should have low sub-threshold leakage and a sharp knee, such as the low power 1N47xx or BZD series.

The pull-down resistor RPD should be chosen to create 1.35 V at the desired Zener diode current (usually 100uA to 1mA) at the Zener breakdown voltage. Actual resistor value should be verified on the bench due to differences in actual Zener diode threshold voltages.

If a 14.3 V overvoltage trip point (OVP) is desired, the Zener Diode voltage should be 12.95 V. We will choose a 100uA Zener current. The required Zener diode breakdown voltage is determined from:

$$V_B = V_{OV} - 1.35 \text{ V} = 14.3 \text{ V} - 1.35 \text{ V} = 12.95 \text{ V} \quad (9)$$

$$RPD = 1.35 \text{ V} / 100 \mu\text{A} = 13.5 \text{ k}\Omega \text{ (13.7k}\Omega \text{ nearest value)} \quad (10)$$

Resistor RPD may be split into two resistors to create a voltage divider if more precise trip points are needed, or a more convenient zener voltage is desired. Series voltage references can also be used if more accuracy is desired. A second resistor in series with the Zener or reference can extend the breakdown voltage.

The maximum voltage allowed on the Shutdown pin is 5.5V, so make sure the highest  $V_{BATT}$  voltage does not exceed 5.5 V.

Note that the above circuit, as shown for simplicity, does not protect against reverse voltage. Reverse clamping diodes would be needed on the -IN, SHDN and Load Output. Also make sure  $V_{BATT}$  does not exceed the  $V_{GS(MAX)}$  of the MOSFET.

## Typical Applications (接下页)

### 8.2.7 ORing MOSFET Controller

The previous reverse current circuits may be combined to create an OR'ing supply controller, utilizing either the P-Channel or N-Channel topologies.

For the previous P-Channel circuit, if no negative input voltages are possible, and the input voltage is below the MOSFET's  $V_{GS(MAX)}$ , then D3, D4 and R4 may be eliminated (the D2 anode, U1 pins 2 and 5, and C1 can be directly grounded).

For the N-Channel circuit, the oscillator drive can be shared between the channels, or eliminated if a higher system voltage is available to provide the higher voltage.

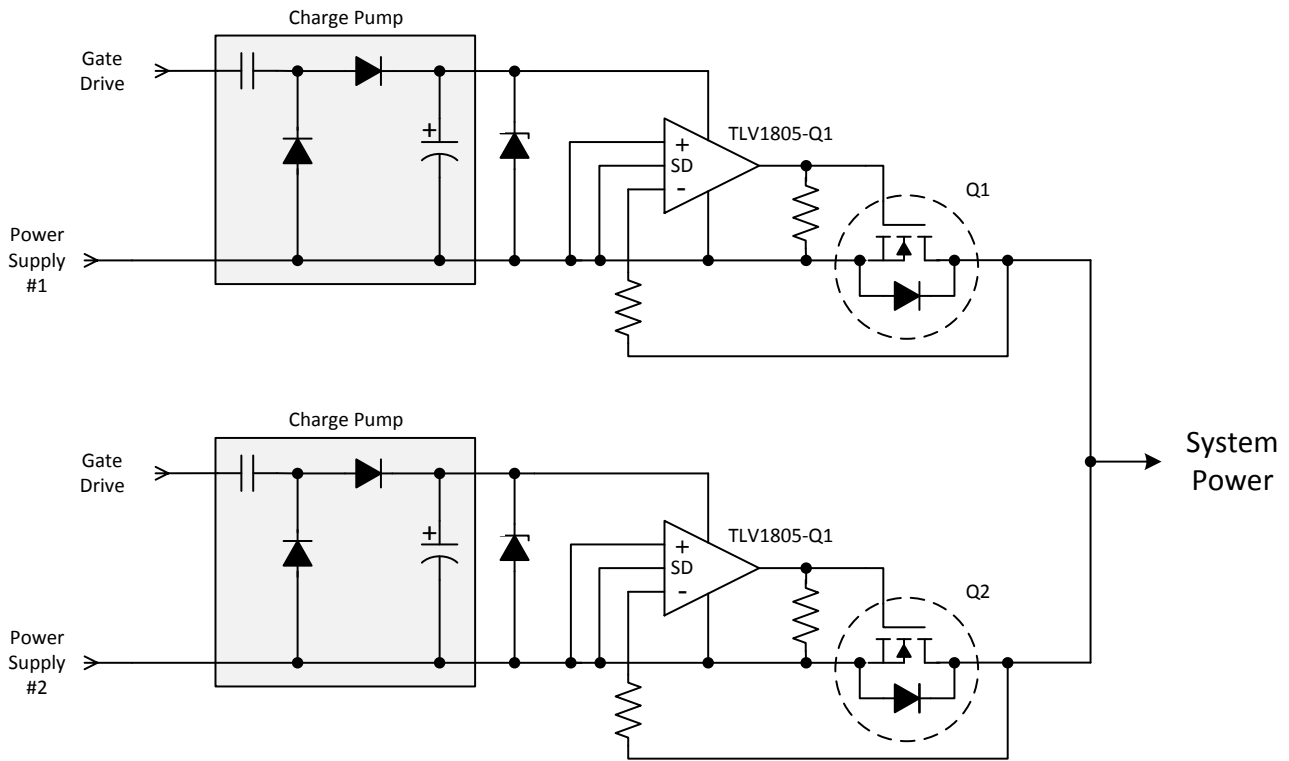


图 72. N-Channel OR'ing MOSFET Controller

## 9 Power Supply Recommendations

The TLV1805-Q1 family of devices is specified for operation from 3.3 V to 40 V ( $\pm 1.65$  to  $\pm 20$  V); many specifications apply from  $-40^{\circ}\text{C}$  to  $+125^{\circ}\text{C}$ . Parameters that can exhibit significant variance with regard to operating voltage or temperature are presented in the *Typical Characteristics* section.

### CAUTION

Supply voltages larger than 40 V can permanently damage the device; see the *Recommended Operating Conditions* section.

Place 0.1- $\mu\text{F}$  bypass capacitors close to the power-supply pins to reduce errors coupling in from noisy or high-impedance power supplies. For more detailed information on bypass capacitor placement; see the [Layout Guidelines](#) section.

The TLV1805-Q1 does not contain reverse battery protection, so applying negative voltage to the supply pins must be avoided. The TLV1805-Q1 cannot withstand ISO 16750 type waveforms alone and requires external protection circuitry.

## 10 Layout

### 10.1 Layout Guidelines

Comparators are very sensitive to input noise. For best results, maintain the following layout guidelines:

- Use a printed circuit board (PCB) with a good, unbroken low-inductance ground plane. Proper grounding (use of ground plane) helps maintain specified performance of the TLV1805-Q1 family of devices.
- To minimize supply noise, place a decoupling capacitor (0.1- $\mu\text{F}$  ceramic, surface-mount capacitor) as close as possible to  $V_S$  as shown in [图 73](#).
- On the inputs and the output, keep lead lengths as short as possible to avoid unwanted parasitic feedback around the comparator. Keep inputs away from the output.
- Solder the device directly to the PCB rather than using a socket.
- Run the ground pin ground trace under the device up to the bypass capacitor, shielding the inputs from the outputs.

### 10.2 Layout Example

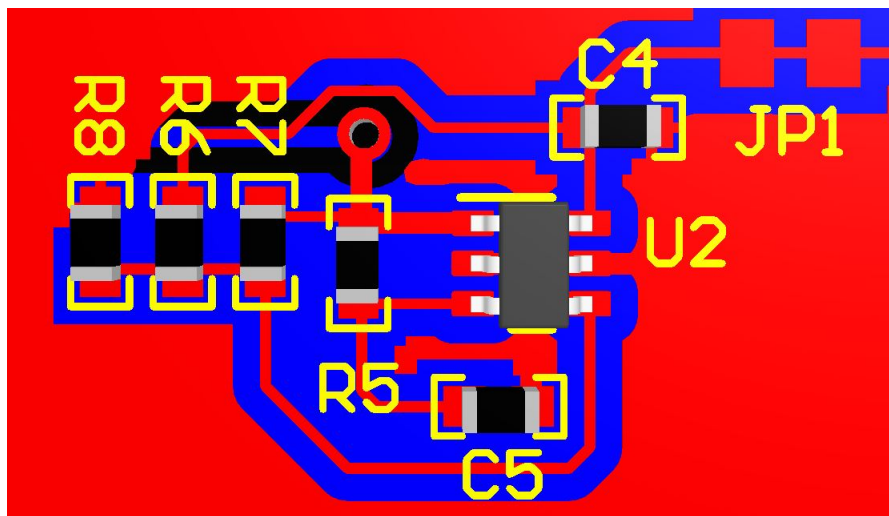


图 73. Oscillator Circuit Layout Example

## 11 器件和文档支持

### 11.1 文档支持

#### 11.1.1 相关文档

精密设计, 《具有迟滞功能的比较器参考设计》 - TIDU020

参考设计, 《窗口比较器参考设计》 - TIPD178

应用报告, 《在反向电流 应用中 使用比较器》 - SNOAA23

应用报告, 《TLV1805-Q1 EVM ISO 测试结果》 - SNOAA13

EVM 用户指南, 《TLV1805-Q1 反向电流评估模块用户指南》 - SNOU158

### 11.2 接收文档更新通知

要接收文档更新通知, 请导航至 [ti.com.cn](http://ti.com.cn) 上的器件产品文件夹。单击右上角的通知我进行注册, 即可每周接收产品信息更改摘要。有关更改的详细信息, 请查看任何已修订文档中包含的修订历史记录。

### 11.3 支持资源

TI E2E™ support forums are an engineer's go-to source for fast, verified answers and design help — straight from the experts. Search existing answers or ask your own question to get the quick design help you need.

Linked content is provided "AS IS" by the respective contributors. They do not constitute TI specifications and do not necessarily reflect TI's views; see TI's [Terms of Use](#).

### 11.4 商标

E2E is a trademark of Texas Instruments.

### 11.5 静电放电警告



ESD 可能会损坏该集成电路。德州仪器 (TI) 建议通过适当的预防措施处理所有集成电路。如果不遵守正确的处理措施和安装程序, 可能会损坏集成电路。

ESD 的损坏小至导致微小的性能降级, 大至整个器件故障。精密的集成电路可能更容易受到损坏, 这是因为非常细微的参数更改都可能会导致器件与其发布的规格不相符。

### 11.6 Glossary

[SLYZ022](#) — *TI Glossary*.

This glossary lists and explains terms, acronyms, and definitions.

## 12 机械、封装和可订购信息

以下页面包含机械、封装和可订购信息。这些信息是指定器件的最新可用数据。数据如有变更, 恕不另行通知, 且不会对此文档进行修订。如需获取此数据表的浏览器版本, 请查阅左侧的导航栏。

**PACKAGING INFORMATION**

Orderable Device	Status (1)	Package Type	Package Drawing	Pins	Package Qty	Eco Plan (2)	Lead finish/ Ball material (6)	MSL Peak Temp (3)	Op Temp (°C)	Device Marking (4/5)	Samples
TLV1805QDBVRQ1	ACTIVE	SOT-23	DBV	6	3000	RoHS & Green	NIPDAU	Level-1-260C-UNLIM	-40 to 125	1ULF	<b>Samples</b>

(1) The marketing status values are defined as follows:

**ACTIVE:** Product device recommended for new designs.

**LIFEBUY:** TI has announced that the device will be discontinued, and a lifetime-buy period is in effect.

**NRND:** Not recommended for new designs. Device is in production to support existing customers, but TI does not recommend using this part in a new design.

**PREVIEW:** Device has been announced but is not in production. Samples may or may not be available.

**OBSOLETE:** TI has discontinued the production of the device.

(2) **RoHS:** TI defines "RoHS" to mean semiconductor products that are compliant with the current EU RoHS requirements for all 10 RoHS substances, including the requirement that RoHS substance do not exceed 0.1% by weight in homogeneous materials. Where designed to be soldered at high temperatures, "RoHS" products are suitable for use in specified lead-free processes. TI may reference these types of products as "Pb-Free".

**RoHS Exempt:** TI defines "RoHS Exempt" to mean products that contain lead but are compliant with EU RoHS pursuant to a specific EU RoHS exemption.

**Green:** TI defines "Green" to mean the content of Chlorine (Cl) and Bromine (Br) based flame retardants meet JS709B low halogen requirements of <=1000ppm threshold. Antimony trioxide based flame retardants must also meet the <=1000ppm threshold requirement.

(3) MSL, Peak Temp. - The Moisture Sensitivity Level rating according to the JEDEC industry standard classifications, and peak solder temperature.

(4) There may be additional marking, which relates to the logo, the lot trace code information, or the environmental category on the device.

(5) Multiple Device Markings will be inside parentheses. Only one Device Marking contained in parentheses and separated by a "-" will appear on a device. If a line is indented then it is a continuation of the previous line and the two combined represent the entire Device Marking for that device.

(6) Lead finish/Ball material - Orderable Devices may have multiple material finish options. Finish options are separated by a vertical ruled line. Lead finish/Ball material values may wrap to two lines if the finish value exceeds the maximum column width.

**Important Information and Disclaimer:** The information provided on this page represents TI's knowledge and belief as of the date that it is provided. TI bases its knowledge and belief on information provided by third parties, and makes no representation or warranty as to the accuracy of such information. Efforts are underway to better integrate information from third parties. TI has taken and continues to take reasonable steps to provide representative and accurate information but may not have conducted destructive testing or chemical analysis on incoming materials and chemicals. TI and TI suppliers consider certain information to be proprietary, and thus CAS numbers and other limited information may not be available for release.

In no event shall TI's liability arising out of such information exceed the total purchase price of the TI part(s) at issue in this document sold by TI to Customer on an annual basis.

**TAPE AND REEL INFORMATION**

**QUADRANT ASSIGNMENTS FOR PIN 1 ORIENTATION IN TAPE**


\*All dimensions are nominal

Device	Package Type	Package Drawing	Pins	SPQ	Reel Diameter (mm)	Reel Width W1 (mm)	A0 (mm)	B0 (mm)	K0 (mm)	P1 (mm)	W (mm)	Pin1 Quadrant
TLV1805QDBVRQ1	SOT-23	DBV	6	3000	180.0	8.4	3.2	3.2	1.4	4.0	8.0	Q3

**TAPE AND REEL BOX DIMENSIONS**


\*All dimensions are nominal

Device	Package Type	Package Drawing	Pins	SPQ	Length (mm)	Width (mm)	Height (mm)
TLV1805QDBVRQ1	SOT-23	DBV	6	3000	210.0	185.0	35.0



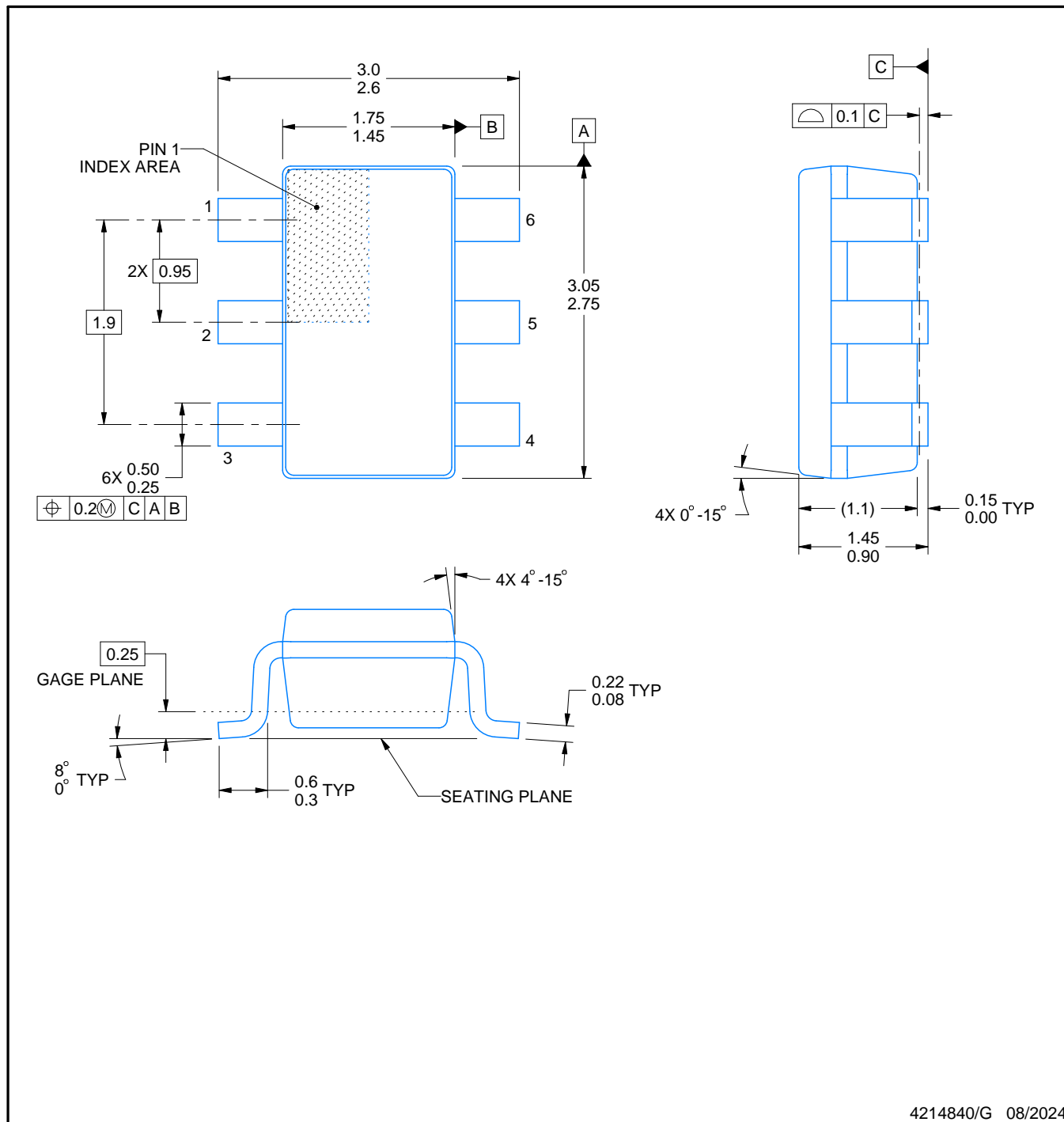


# DBV0006A

# PACKAGE OUTLINE

## SOT-23 - 1.45 mm max height

SMALL OUTLINE TRANSISTOR



4214840/G 08/2024

### NOTES:

1. All linear dimensions are in millimeters. Any dimensions in parenthesis are for reference only. Dimensioning and tolerancing per ASME Y14.5M.
2. This drawing is subject to change without notice.
3. Body dimensions do not include mold flash or protrusion. Mold flash and protrusion shall not exceed 0.25 per side.
4. Leads 1,2,3 may be wider than leads 4,5,6 for package orientation.
5. Reference JEDEC MO-178.

# EXAMPLE BOARD LAYOUT

DBV0006A

SOT-23 - 1.45 mm max height

SMALL OUTLINE TRANSISTOR



LAND PATTERN EXAMPLE  
EXPOSED METAL SHOWN  
SCALE:15X



SOLDER MASK DETAILS

4214840/G 08/2024

NOTES: (continued)

- 6. Publication IPC-7351 may have alternate designs.
- 7. Solder mask tolerances between and around signal pads can vary based on board fabrication site.

# EXAMPLE STENCIL DESIGN

DBV0006A

SOT-23 - 1.45 mm max height

SMALL OUTLINE TRANSISTOR



SOLDER PASTE EXAMPLE  
BASED ON 0.125 mm THICK STENCIL  
SCALE:15X

4214840/G 08/2024

NOTES: (continued)

8. Laser cutting apertures with trapezoidal walls and rounded corners may offer better paste release. IPC-7525 may have alternate design recommendations.
9. Board assembly site may have different recommendations for stencil design.

## 重要声明和免责声明

TI“按原样”提供技术和可靠性数据（包括数据表）、设计资源（包括参考设计）、应用或其他设计建议、网络工具、安全信息和其他资源，不保证没有瑕疵且不做任何明示或暗示的担保，包括但不限于对适销性、某特定用途方面的适用性或不侵犯任何第三方知识产权的暗示担保。

这些资源可供使用 TI 产品进行设计的熟练开发人员使用。您将自行承担以下全部责任：(1) 针对您的应用选择合适的 TI 产品，(2) 设计、验证并测试您的应用，(3) 确保您的应用满足相应标准以及任何其他功能安全、信息安全、监管或其他要求。

这些资源如有变更，恕不另行通知。TI 授权您仅可将这些资源用于研发本资源所述的 TI 产品的应用。严禁对这些资源进行其他复制或展示。您无权使用任何其他 TI 知识产权或任何第三方知识产权。您应全额赔偿因在这些资源的使用中对 TI 及其代表造成的任何索赔、损害、成本、损失和债务，TI 对此概不负责。

TI 提供的产品受 [TI 的销售条款](#) 或 [ti.com](#) 上其他适用条款/TI 产品随附的其他适用条款的约束。TI 提供这些资源并不会扩展或以其他方式更改 TI 针对 TI 产品发布的适用的担保或担保免责声明。

TI 反对并拒绝您可能提出的任何其他或不同的条款。

邮寄地址：Texas Instruments, Post Office Box 655303, Dallas, Texas 75265

Copyright © 2024，德州仪器 (TI) 公司