

# TMP461 具有引脚可编程的总线地址的高精度远程和本地温度传感器

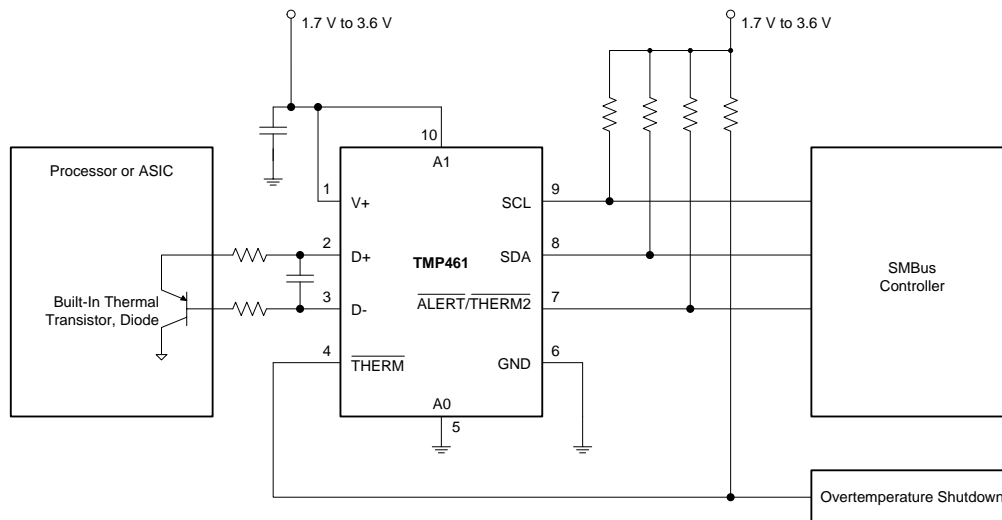
## 1 特性

- 远程二极管温度传感器精度:  $\pm 0.75^{\circ}\text{C}$
- 本地温度传感器精度:  $\pm 1^{\circ}\text{C}$
- 本地和远程通道的分辨率:  $0.0625^{\circ}\text{C}$
- 电源和逻辑电压范围: 1.7V 至 3.6V
- 35 $\mu\text{A}$  工作电流 (1SPS),  
3 $\mu\text{A}$  关断电流
- 串联电阻抵消
- $\eta$  因子和偏移校正
- 可编程数字滤波器
- 二极管故障检测
- 两线制和 SMBus™ 串行接口与引脚可编程的地址兼容
- 10 引脚超薄型四方扁平无引线 (WQFN) 封装

## 2 应用

- 处理器温度监控
- 电信设备
- 服务器和个人计算机
- 精密仪器
- 测试设备
- 智能电池
- 嵌入式应用
- 发光二极管 (LED) 照明温度控制

## 4 简化框图



## 3 说明

TMP461 器件是一款高精度、低功耗远程温度传感器监控器，内置有一个本地温度传感器。这类远程温度传感器通常采用低成本分立式 NPN 或 PNP 晶体管，或者基板热晶体管或二极管，这些器件都是微处理器、微控制器或现场可编程门阵列 (FPGA) 的组成部件。本地和远程传感器均用 12 位数字编码表示温度，分辨率为  $0.0625^{\circ}\text{C}$ 。此两线制串口接受 SMBus 通信协议，以及多达 9 个不同的引脚可编程地址。

该器件将诸如串联电阻抵消、可编程非理想性因子 ( $\eta$  因子)、可编程偏移、可编程温度限制和可编程数字滤波器等高级特性完美结合，提供了一套准确度和抗扰度更高且稳健耐用的温度监控解决方案。

TMP461 非常适合各类通信、计算、仪器仪表和工业应用中的多位置、高精度温度测量。该器件的额定电源电压范围为 1.7V 至 3.6V，额定工作温度范围为  $-40^{\circ}\text{C}$  至  $125^{\circ}\text{C}$ 。

### 器件信息<sup>(1)</sup>

器件型号	封装	封装尺寸 (标称值)
TMP461	WQFN (10)	2.00mm x 2.00mm

(1) 如需了解所有可用封装，请见数据表末尾的可订购产品附录。



## 目录

<b>1</b>	特性 .....	<b>1</b>	8.4	Device Functional Modes .....	<b>13</b>
<b>2</b>	应用 .....	<b>1</b>	8.5	Programming .....	<b>14</b>
<b>3</b>	说明 .....	<b>1</b>	8.6	Register Map .....	<b>17</b>
<b>4</b>	简化框图 .....	<b>1</b>	<b>9</b>	<b>Application and Implementation</b> .....	<b>23</b>
<b>5</b>	修订历史记录 .....	<b>2</b>	9.1	Application Information .....	<b>23</b>
<b>6</b>	<b>Pin Configuration and Functions</b> .....	<b>3</b>	9.2	Typical Application .....	<b>23</b>
<b>7</b>	<b>Specifications</b> .....	<b>4</b>	<b>10</b>	<b>Power Supply Recommendations</b> .....	<b>26</b>
7.1	Absolute Maximum Ratings .....	<b>4</b>	<b>11</b>	<b>Layout</b> .....	<b>27</b>
7.2	ESD Ratings .....	<b>4</b>	11.1	Layout Guidelines .....	<b>27</b>
7.3	Recommended Operating Conditions .....	<b>4</b>	11.2	Layout Example .....	<b>28</b>
7.4	Thermal Information .....	<b>4</b>	<b>12</b>	器件和文档支持 .....	<b>29</b>
7.5	Electrical Characteristics .....	<b>5</b>	12.1	接收文档更新通知 .....	<b>29</b>
7.6	Two-Wire Timing Requirements .....	<b>6</b>	12.2	社区资源 .....	<b>29</b>
7.7	Typical Characteristics .....	<b>7</b>	12.3	商标 .....	<b>29</b>
<b>8</b>	<b>Detailed Description</b> .....	<b>9</b>	12.4	静电放电警告 .....	<b>29</b>
8.1	Overview .....	<b>9</b>	12.5	Glossary .....	<b>29</b>
8.2	Functional Block Diagram .....	<b>9</b>	<b>13</b>	机械、封装和可订购信息 .....	<b>29</b>
8.3	Feature Description .....	<b>10</b>			

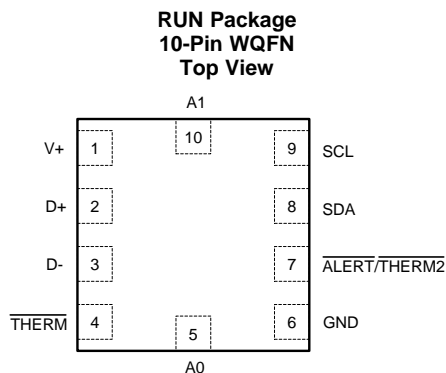
## 5 修订历史记录

注：之前版本的页码可能与当前版本有所不同。

<b>Changes from Revision A (July 2015) to Revision B</b>	<b>Page</b>
• Added formatting of limits - moved negative limits from max column to min column for all temperature accuracy limits. ....	<b>5</b>
• Added minimum and maximum over temperature limits for all Remote sensor source current specifications. ....	<b>5</b>

<b>Changes from Original (June 2015) to Revision A</b>	<b>Page</b>
• 已发布为量产数据 .....	<b>1</b>

## 6 Pin Configuration and Functions



### Pin Functions

PIN		TYPE	DESCRIPTION
NAME	NO.		
A0	5	Digital input	Address select. Connect to GND, V+, or leave floating.
A1	10	Digital input	Address select. Connect to GND, V+, or leave floating.
$\overline{\text{ALERT/THERM2}}$	7	Digital output	Interrupt or SMBus alert output. Can be configured as a second $\overline{\text{THERM}}$ output. Open-drain; requires a pullup resistor to a voltage between 1.7 V and 3.6 V.
D–	3	Analog input	Negative connection to remote temperature sensor
D+	2	Analog input	Positive connection to remote temperature sensor
GND	6	Ground	Supply ground connection
SCL	9	Digital input	Serial clock line for SMBus. Input; requires a pullup resistor to a voltage between 1.7 V and 3.6 V if driven by an open-drain output.
SDA	8	Bidirectional digital input-output	Serial data line for SMBus. Open-drain; requires a pullup resistor to a voltage between 1.7 V and 3.6 V.
$\overline{\text{THERM}}$	4	Digital output	Thermal shutdown or fan-control pin. Open-drain; requires a pullup resistor to a voltage between 1.7 V and 3.6 V.
V+	1	Power supply	Positive supply voltage, 1.7 V to 3.6 V

## 7 Specifications

### 7.1 Absolute Maximum Ratings

 over operating free-air temperature range (unless otherwise noted)<sup>(1)</sup>

		MIN	MAX	UNIT
Power supply	V+	-0.3	6	V
Input voltage	THERM, ALERT/THERM2, SDA and SCL only	-0.3	6	V
	D+, A0, A1	-0.3	(V+) + 0.3	
	D- only	-0.3	0.3	
Input current			10	mA
Operating temperature		-55	150	°C
Junction temperature (T <sub>J</sub> max)			150	°C
Storage temperature, T <sub>stg</sub>		-60	150	°C

- (1) Stresses above these ratings may cause permanent damage. Exposure to absolute maximum conditions for extended periods may degrade device reliability. These are stress ratings only, and functional operation of the device at these or any other conditions beyond those specified is not implied.

### 7.2 ESD Ratings

		VALUE	UNIT
V <sub>(ESD)</sub>	Electrostatic discharge	Human body model (HBM), per ANSI/ESDA/JEDEC JS-001 <sup>(1)</sup>	±2000
		Charged device model (CDM), JEDEC specification JESD22-C101 <sup>(2)</sup>	±1000

- (1) JEDEC document JEP155 states that 500-V HBM allows safe manufacturing with a standard ESD control process.  
 (2) JEDEC document JEP157 states that 250-V CDM allows safe manufacturing with a standard ESD control process.

### 7.3 Recommended Operating Conditions

over operating free-air temperature range (unless otherwise noted)

		MIN	NOM	MAX	UNIT
V+	Supply voltage	1.7	3.3	3.6	V
T <sub>A</sub>	Operating free-air temperature	-40		125	°C

### 7.4 Thermal Information

THERMAL METRIC <sup>(1)</sup>		TMP461	UNIT
		RUN (WQFN)	
		10 PINS	
R <sub>θJA</sub>	Junction-to-ambient thermal resistance	123.1	°C/W
R <sub>θJC(top)</sub>	Junction-to-case (top) thermal resistance	60.1	°C/W
R <sub>θJB</sub>	Junction-to-board thermal resistance	78.1	°C/W
ψ <sub>JT</sub>	Junction-to-top characterization parameter	4.6	°C/W
ψ <sub>JB</sub>	Junction-to-board characterization parameter	78.1	°C/W

- (1) For more information about traditional and new thermal metrics, see the *Semiconductor and IC Package Thermal Metrics* application report, [SPRA953](#).

## 7.5 Electrical Characteristics

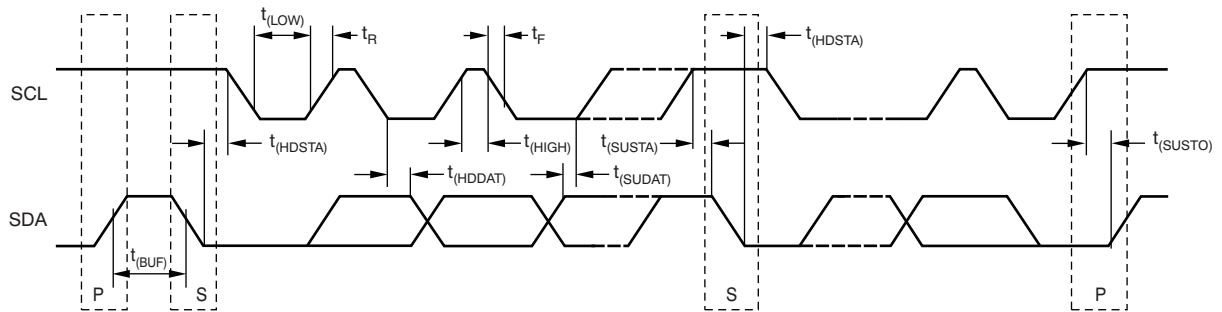
At  $T_A = -40^\circ\text{C}$  to  $125^\circ\text{C}$  and  $V_+ = 1.7\text{ V}$  to  $3.6\text{ V}$ , unless otherwise noted.

PARAMETER		CONDITIONS	MIN	TYP	MAX	UNIT
<b>TEMPERATURE MEASUREMENT</b>						
T <sub>A</sub> LOCAL	Local temperature sensor accuracy	T <sub>A</sub> = $-10^\circ\text{C}$ to $100^\circ\text{C}$ , V <sub>+</sub> = $1.7\text{ V}$ to $3.6\text{ V}$	-1	±0.125	+1	°C
		T <sub>A</sub> = $-40^\circ\text{C}$ to $125^\circ\text{C}$ , V <sub>+</sub> = $1.7\text{ V}$ to $3.6\text{ V}$	-1.25	±0.5	+1.25	
T <sub>A</sub> REMOTE	Remote temperature sensor accuracy	T <sub>A</sub> = $0^\circ\text{C}$ to $100^\circ\text{C}$ , T <sub>D</sub> = $-55^\circ\text{C}$ to $150^\circ\text{C}$ , V <sub>+</sub> = $1.7\text{ V}$ to $3.6\text{ V}$	-0.75	±0.125	+0.75	°C
		T <sub>A</sub> = $-40^\circ\text{C}$ to $125^\circ\text{C}$ , T <sub>D</sub> = $-55^\circ\text{C}$ to $150^\circ\text{C}$ , V <sub>+</sub> = $1.7\text{ V}$ to $3.6\text{ V}$	-1.5	±0.5	+1.5	
	Temperature sensor error versus supply (local or remote)	V <sub>+</sub> = $1.7\text{ V}$ to $3.6\text{ V}$	-0.25	±0.1	+0.25	°C/V
	Temperature resolution (local and remote)			0.0625		°C
	ADC conversion time	One-shot mode, per channel (local or remote)		15	17	ms
	ADC resolution			12		Bits
Remote sensor source current	High	Series resistance 1 kΩ (max)	88	120	152	μA
	Medium		33	45	57	
	Low		5.5	7.5	9.5	
η	Remote transistor ideality factor	TMP461 optimized ideality factor		1.008		
<b>SERIAL INTERFACE</b>						
V <sub>IH</sub>	High-level input voltage		1.4			V
V <sub>IL</sub>	Low-level input voltage				0.45	V
	Hysteresis			200		mV
	SDA output-low sink current		6			mA
V <sub>OL</sub>	Low-level output voltage	I <sub>O</sub> = $-6\text{ mA}$		0.15	0.4	V
	Serial bus input leakage current	0 V ≤ V <sub>IN</sub> ≤ 3.6 V	-1		1	μA
	Serial bus input capacitance	SCL		3	6	pF
		SDA		4.6	9	pF
	Serial bus clock frequency		0.001		2.17	MHz
	Serial bus timeout		20	25	30	ms
<b>DIGITAL INPUTS (A0, A1)</b>						
V <sub>IH</sub>	High-level input voltage		0.9(V <sub>+</sub> )		(V <sub>+</sub> ) + 0.3	V
V <sub>IL</sub>	Low-level input voltage		-0.3		0.1(V <sub>+</sub> )	V
	Input leakage current	0 V ≤ V <sub>IN</sub> ≤ 3.6 V	-1		1	μA
	Input capacitance			2.5	5	pF
<b>DIGITAL OUTPUTS (THERM, ALERT/THERM2)</b>						
	Output-low sink current		6			mA
V <sub>OL</sub>	Low-level output voltage	I <sub>O</sub> = $-6\text{ mA}$		0.15	0.4	V
I <sub>OH</sub>	High-level output leakage current	V <sub>O</sub> = V <sub>+</sub>			1	μA
<b>POWER SUPPLY</b>						
V <sub>+</sub>	Specified supply voltage range		1.7		3.6	V
I <sub>Q</sub>	Quiescent current	Active conversion, local sensor		240	375	μA
		Active conversion, remote sensor		400	600	
		Standby mode (between conversions)		15	35	
		Shutdown mode, serial bus inactive		3	8	
		Shutdown mode, serial bus active, f <sub>S</sub> = 400 kHz		90		
		Shutdown mode, serial bus active, f <sub>S</sub> = 2.17 MHz		350		
POR	Power-on reset threshold	Rising edge		1.2	1.55	V

## 7.6 Two-Wire Timing Requirements

At  $-40^{\circ}\text{C}$  to  $125^{\circ}\text{C}$  and  $V_+ = 1.7\text{ V}$  to  $3.6\text{ V}$ , unless otherwise noted.

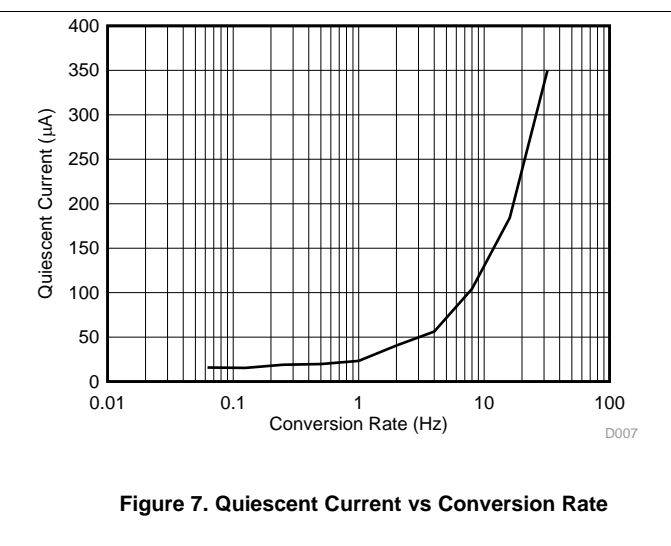
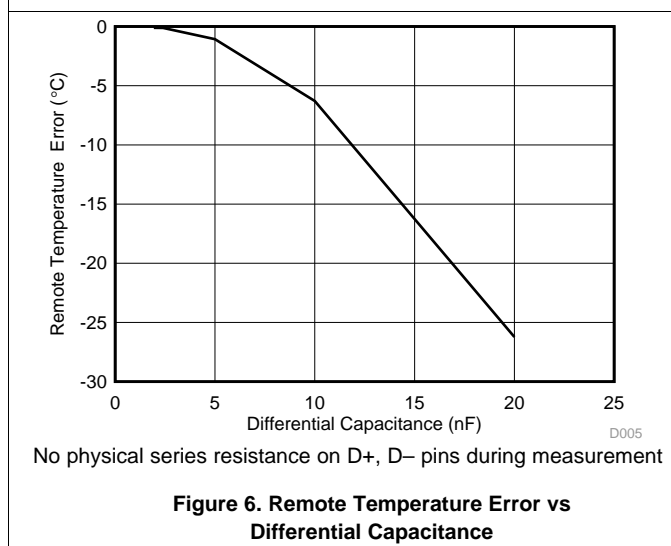
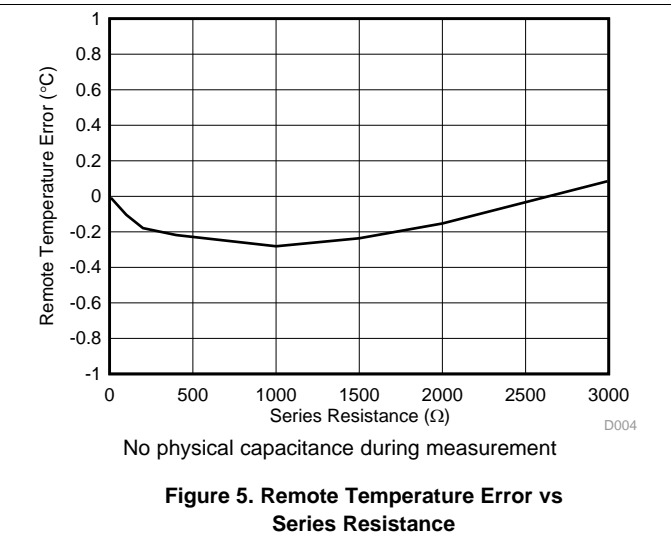
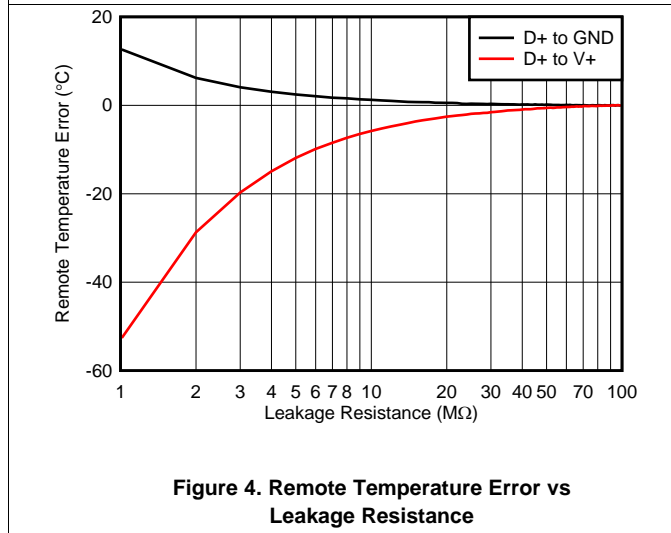
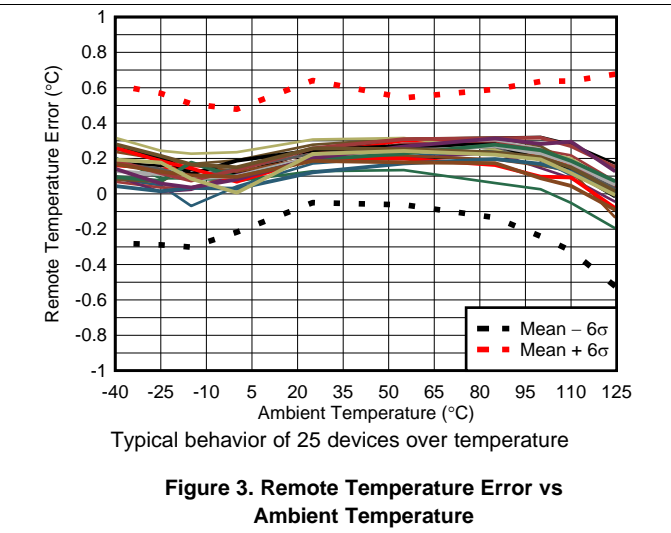
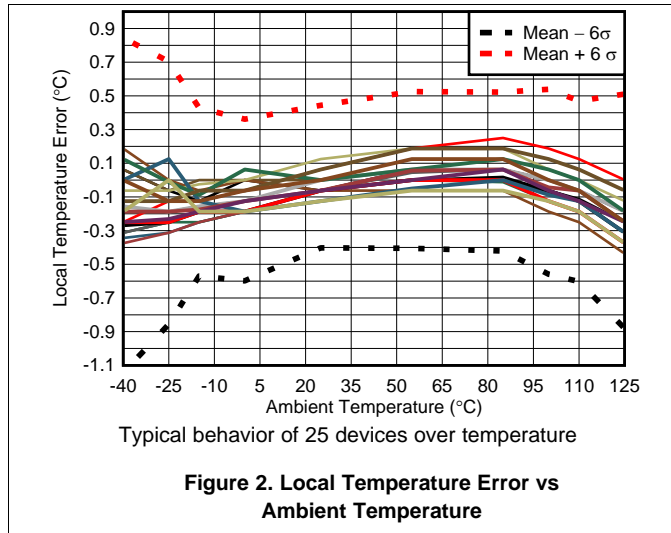
		FAST MODE		HIGH-SPEED MODE		UNIT
		MIN	MAX	MIN	MAX	
$f_{(\text{SCL})}$	SCL operating frequency	0.001	0.4	0.001	2.17	MHz
$t_{(\text{BUF})}$	Bus free time between stop and start condition	1300		160		ns
$t_{(\text{HDSTA})}$	Hold time after repeated start condition. After this period, the first clock is generated.	600		160		ns
$t_{(\text{SUSTA})}$	Repeated start condition setup time	600		160		ns
$t_{(\text{SUSTO})}$	Stop condition setup time	600		160		ns
$t_{(\text{HDDAT})}$	Data hold time	0	900	0	150	ns
$t_{(\text{SUDAT})}$	Data setup time	100		40		ns
$t_{(\text{LOW})}$	SCL clock low period	1300		320		ns
$t_{(\text{HIGH})}$	SCL clock high period	600		60		ns
$t_f - \text{SDA}$	Data fall time		300		130	ns
$t_f, t_r - \text{SCL}$	Clock fall and rise time		300		40	ns
$t_r$	Rise time for $\text{SCL} \leq 100\text{ kHz}$		1000			ns



**Figure 1. Two-Wire Timing Diagram**

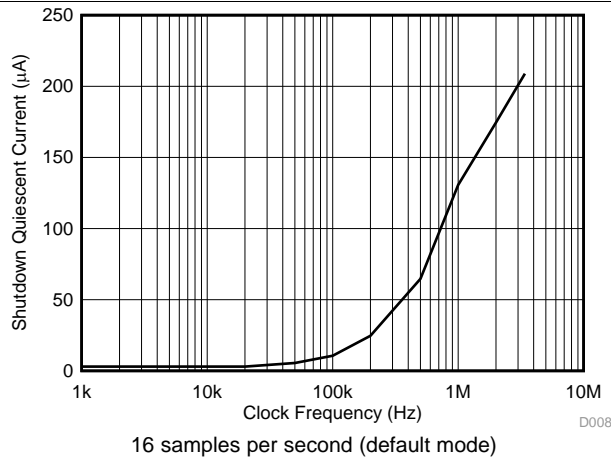
## 7.7 Typical Characteristics

At  $T_A = 25^\circ\text{C}$  and  $V_+ = 3.6\text{ V}$ , unless otherwise noted.

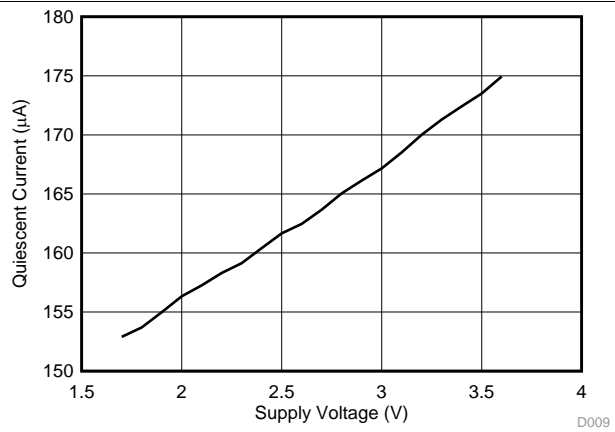


**Typical Characteristics (continued)**

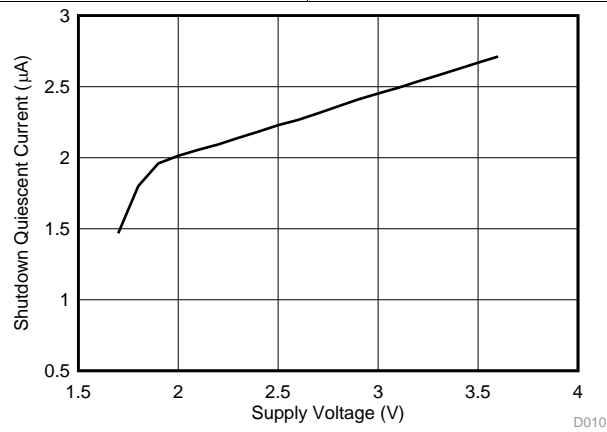
At  $T_A = 25^\circ\text{C}$  and  $V_+ = 3.6\text{ V}$ , unless otherwise noted.



**Figure 8. Shutdown Quiescent Current vs SCL Clock Frequency**



**Figure 9. Quiescent Current vs Supply Voltage (At Default Conversion Rate of 16 Conversions per Second)**



**Figure 10. Shutdown Quiescent Current vs Supply Voltage**

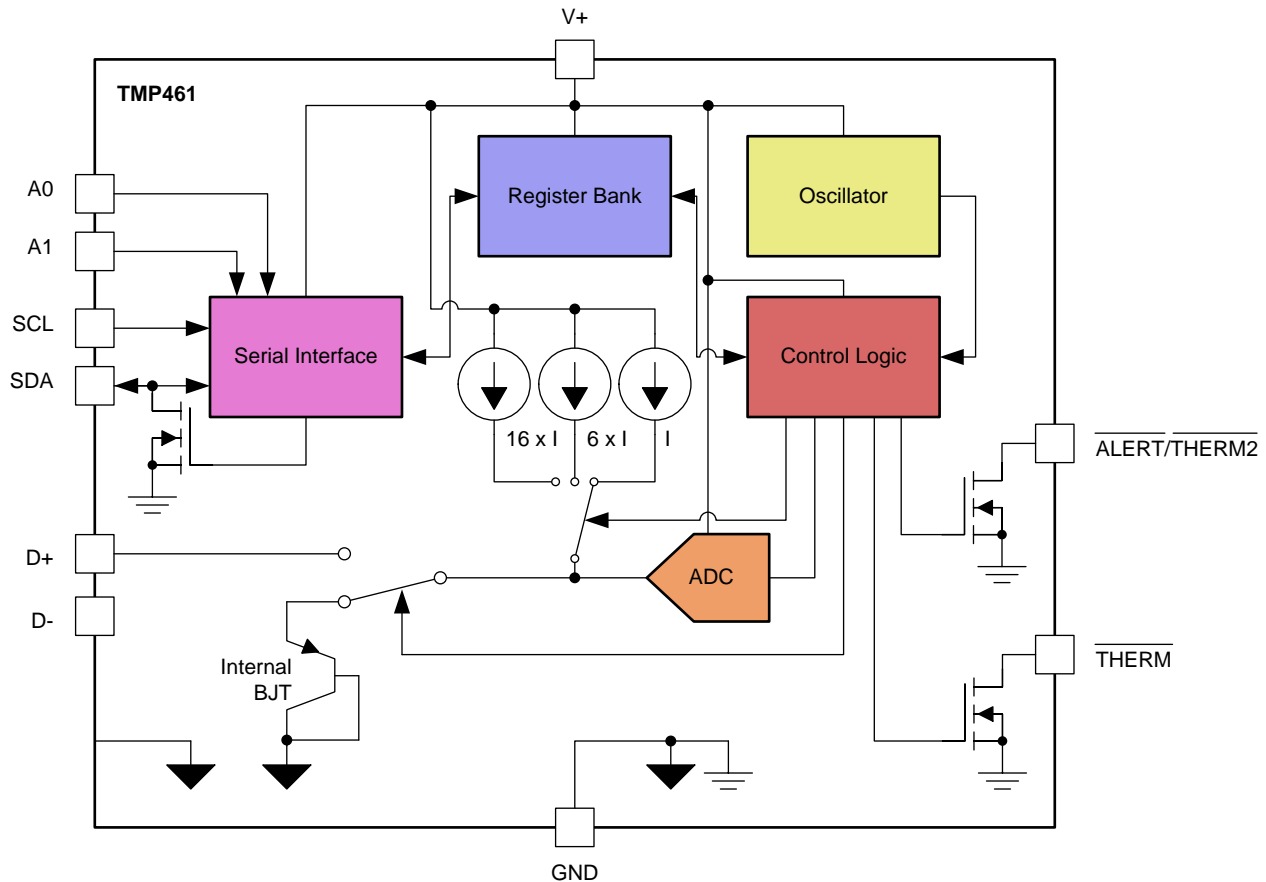


## 8 Detailed Description

### 8.1 Overview

The TMP461 device is a digital temperature sensor that combines a local temperature measurement channel and a remote-junction temperature measurement channel in a single WQFN-10 package. The device is two-wire- and SMBus-interface-compatible with nine pin-programmable bus address options, and is specified over a temperature range of  $-40^{\circ}\text{C}$  to  $125^{\circ}\text{C}$ . The TMP461 device also contains multiple registers for programming and holding configuration settings, temperature limits, and temperature measurement results.

### 8.2 Functional Block Diagram



## 8.3 Feature Description

### 8.3.1 Temperature Measurement Data

The local and remote temperature sensors have a resolution of 12 bits (0.0625°C). Temperature data that result from conversions within the default measurement range are represented in binary form, as shown in the *Standard Binary* column of [Table 1](#). Any temperatures above 127°C result in a value that rails to 127.9375 (7FFh). The device can be set to measure over an extended temperature range by changing bit 2 (RANGE) of the configuration register from low to high. The change in measurement range and data format from standard binary to extended binary occurs at the next temperature conversion. For data captured in the extended temperature range configuration, an offset of 64 (40h) is added to the standard binary value, as shown in the *Extended Binary* column of [Table 1](#). This configuration allows measurement of temperatures as low as –64°C, and as high as 191°C; however, most temperature-sensing diodes only operate within the range of –55°C to 150°C. Additionally, the TMP461 is specified only for ambient temperatures ranging from –40°C to 125°C; parameters in the [Absolute Maximum Ratings](#) table must be observed.

**Table 1. Temperature Data Format (Local and Remote Temperature High Bytes)**

TEMPERATURE (°C)	LOCAL AND REMOTE TEMPERATURE REGISTER HIGH BYTE VALUE (1°C Resolution)			
	STANDARD BINARY <sup>(1)</sup>		EXTENDED BINARY <sup>(2)</sup>	
	BINARY	HEX	BINARY	HEX
–64	1100 0000	C0	0000 0000	00
–50	1100 1110	CE	0000 1110	0E
–25	1110 0111	E7	0010 0111	27
0	0000 0000	00	0100 0000	40
1	0000 0001	01	0100 0001	41
5	0000 0101	05	0100 0101	45
10	0000 1010	0A	0100 1010	4A
25	0001 1001	19	0101 1001	59
50	0011 0010	32	0111 0010	72
75	0100 1011	4B	1000 1011	8B
100	0110 0100	64	1010 0100	A4
125	0111 1101	7D	1011 1101	BD
127	0111 1111	7F	1011 1111	BF
150	0111 1111	7F	1101 0110	D6
175	0111 1111	7F	1110 1111	EF
191	0111 1111	7F	1111 1111	FF

(1) Resolution is 1°C per count. Negative numbers are represented in two's complement format.

(2) Resolution is 1°C per count. All values are unsigned with a –64°C offset.

Both local and remote temperature data use two bytes for data storage. The high byte stores the temperature with 1°C resolution. The second or low byte stores the decimal fraction value of the temperature and allows a higher measurement resolution, as shown in Table 2. The measurement resolution for both the local and the remote channels is 0.0625°C.

**Table 2. Decimal Fraction Temperature Data Format (Local and Remote Temperature Low Bytes)**

TEMPERATURE (°C)	TEMPERATURE REGISTER LOW BYTE VALUE (0.0625°C Resolution) <sup>(1)</sup>	
	STANDARD AND EXTENDED BINARY	HEX
0	0000 0000	00
0.0625	0001 0000	10
0.1250	0010 0000	20
0.1875	0011 0000	30
0.2500	0100 0000	40
0.3125	0101 0000	50
0.3750	0110 0000	60
0.4375	0111 0000	70
0.5000	1000 0000	80
0.5625	1001 0000	90
0.6250	1010 0000	A0
0.6875	1011 0000	B0
0.7500	1100 0000	C0
0.8125	1101 0000	D0
0.8750	1110 0000	E0
0.9375	1111 0000	F0

(1) Resolution is 0.0625°C per count. All possible values are shown.

### 8.3.1.1 Standard Binary to Decimal Temperature Data Calculation Example

High-byte conversion (for example, 0111 0011):

Convert the right-justified binary high byte to hexadecimal.

From hexadecimal, multiply the first number by  $16^0 = 1$  and the second number by  $16^1 = 16$ .

The sum equals the decimal equivalent.

$$0111\ 0011b \rightarrow 73h \rightarrow (3 \times 16^0) + (7 \times 16^1) = 115.$$

Low-byte conversion (for example, 0111 0000):

To convert the left-justified binary low-byte to decimal, use bits 7 through 4 and ignore bits 3 through 0 because they do not affect the value of the number.

$$0111b \rightarrow (0 \times 1 / 2)^1 + (1 \times 1 / 2)^2 + (1 \times 1 / 2)^3 + (1 \times 1 / 2)^4 = 0.4375.$$

### 8.3.1.2 Standard Decimal to Binary Temperature Data Calculation Example

For positive temperatures (for example, 20°C):

$$(20^\circ\text{C}) / (1^\circ\text{C per count}) = 20 \rightarrow 14h \rightarrow 0001\ 0100.$$

Convert the number to binary code with 8-bit, right-justified format, and MSB = 0 to denote a positive sign.

20°C is stored as 0001 0100 → 14h.

For negative temperatures (for example, -20°C):

$$(|-20|) / (1^\circ\text{C per count}) = 20 \rightarrow 14h \rightarrow 0001\ 0100.$$

Generate the twos complement of a negative number by complementing the absolute value binary number and adding 1.

-20°C is stored as 1110 1100 → ECh.

### 8.3.2 Series Resistance Cancellation

Series resistance cancellation automatically eliminates the temperature error caused by the resistance of the routing to the remote transistor or by the resistors of the optional external low-pass filter. A total of up to 1 kΩ of series resistance can be cancelled by the TMP461 device, thus eliminating the need for additional characterization and temperature offset correction. See [Figure 5 \(Remote Temperature Error vs Series Resistance\)](#) for details on the effects of series resistance on sensed remote temperature error.

### 8.3.3 Differential Input Capacitance

The TMP461 device tolerates differential input capacitance of up to 1000 pF with minimal change in temperature error. The effect of capacitance on the sensed remote temperature error is illustrated in [Figure 6 \(Remote Temperature Error vs Differential Capacitance\)](#).

### 8.3.4 Filtering

Remote junction temperature sensors are usually implemented in a noisy environment. Noise is most often created by fast digital signals that can corrupt measurements. The TMP461 device has a built-in, 65-kHz filter on the D+ and D– inputs to minimize the effects of noise. However, a bypass capacitor placed differentially across the inputs of the remote temperature sensor is recommended to make the application more robust against unwanted coupled signals. For this capacitor, select a value between 100 pF differential and 1 nF. Some applications attain better overall accuracy with additional series resistance. However, this increased accuracy is application-specific. When series resistance is added, the total value must not be greater than 1 kΩ. If filtering is required, suggested component values are 100 pF differential and 50 Ω on each input; exact values are application-specific.

Additionally, a digital filter is available for the remote temperature measurements to further reduce the effect of noise. This filter is programmable and has two levels when enabled. Level 1 performs a moving average of four consecutive samples. Level 1 filtering can be achieved by setting the digital filter control register (read address 24h, write address 24h) to 01h. Level 2 performs a moving average of eight consecutive samples. Level 2 filtering can be achieved by setting the digital filter control register (read address 24h, write address 24h) to 02h. The value stored in the remote temperature result register is the output of the digital filter, and is the value that the  $\overline{\text{ALERT}}$  and  $\overline{\text{THERM}}$  limits are compared to. The digital filter provides additional immunity to noise and spikes on the  $\overline{\text{ALERT}}$  and  $\overline{\text{THERM}}$  outputs. The filter responses to impulse and step inputs are shown in [Figure 11](#) and [Figure 12](#), respectively. The filter can be enabled or disabled by programming the desired levels in the digital filter register; see [Table 4](#). The digital filter is disabled by default and on POR.

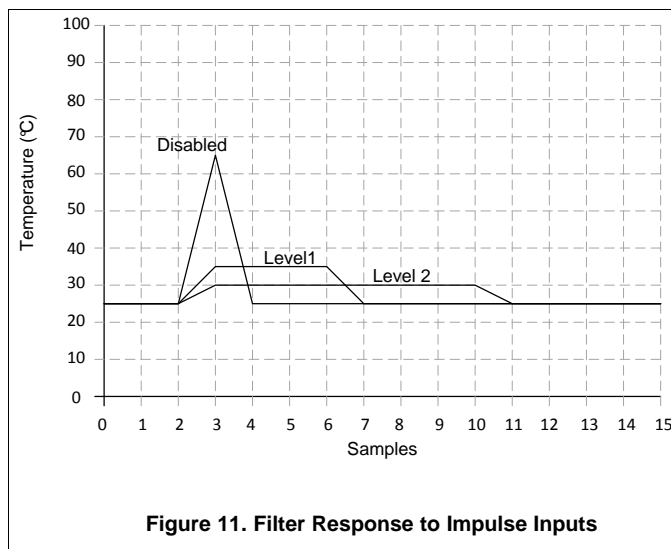


Figure 11. Filter Response to Impulse Inputs

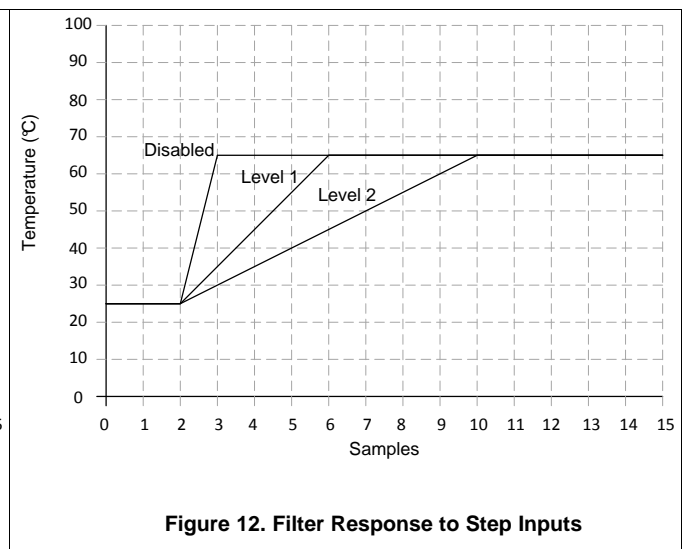


Figure 12. Filter Response to Step Inputs

### 8.3.5 Sensor Fault

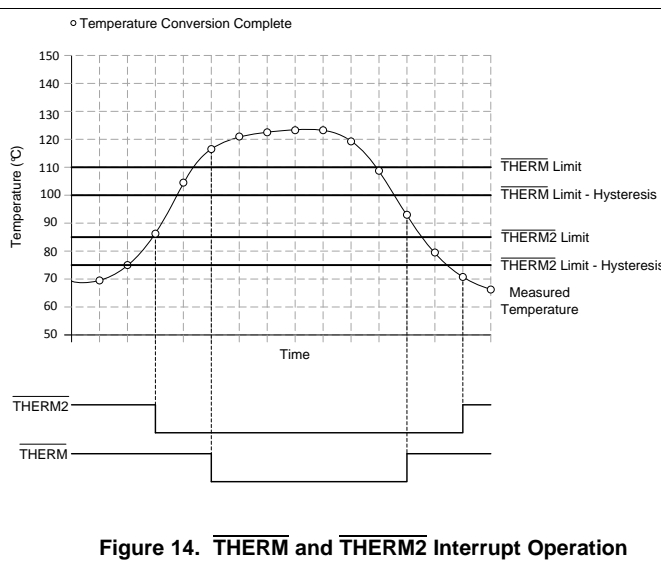
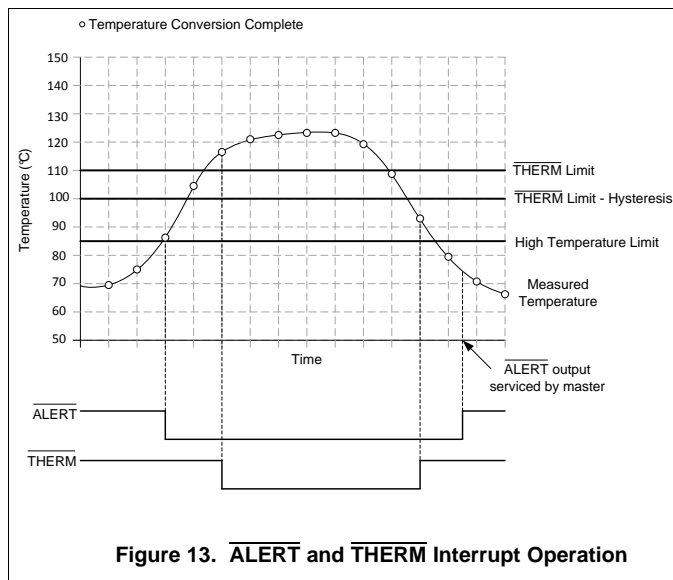
The TMP461 device can sense a fault at the D+ input resulting from an incorrect diode connection. The TMP461 device can also sense an open circuit. Short-circuit conditions return a value of  $-64^{\circ}\text{C}$ . The detection circuitry consists of a voltage comparator that trips when the voltage at D+ exceeds  $(V+) - 0.3\text{ V}$  (typical). The comparator output is continuously checked during a conversion. If a fault is detected, then OPEN (bit 2) in the status register is set to 1.

When not using the remote sensor with the TMP461 device, the D+ and D- inputs must be connected together to prevent meaningless fault warnings.

### 8.3.6 ALERT and THERM Functions

Operation of the  $\overline{\text{ALERT}}$  (pin 7) and  $\overline{\text{THERM}}$  (pin 4) interrupts is shown in Figure 13. Operation of the  $\overline{\text{THERM}}$  (pin 4) and  $\overline{\text{THERM2}}$  (pin 7) interrupts is shown in Figure 14. The  $\overline{\text{ALERT}}$  and  $\overline{\text{THERM}}$  pin setting is determined by bit 5 of the configuration register.

The hysteresis value is stored in the  $\overline{\text{THERM}}$  hysteresis register and applies to both the  $\overline{\text{THERM}}$  and  $\overline{\text{THERM2}}$  interrupts. The value of the CONAL[2:0] bits in the consecutive ALERT register (see Table 4) determines the number of limit violations before the  $\overline{\text{ALERT}}$  pin is tripped. The default value is 000b and corresponds to one violation, 001b programs two consecutive violations, 011b programs three consecutive violations, and 111b programs four consecutive violations. The CONAL[2:0] bits provide additional filtering for the  $\overline{\text{ALERT}}$  pin state.



## 8.4 Device Functional Modes

### 8.4.1 Shutdown Mode (SD)

The TMP461 shutdown mode enables the user to save maximum power by shutting down all device circuitry other than the serial interface, and reducing current consumption to typically less than  $3\ \mu\text{A}$ ; see Figure 10 (*Shutdown Quiescent Current vs Supply Voltage*). Shutdown mode is enabled when the SD bit (bit 6) of the configuration register is high; the device shuts down after the current conversion is finished. When the SD bit is low, the device maintains a continuous-conversion state.

## 8.5 Programming

### 8.5.1 Serial Interface

The TMP461 device operates only as a slave device on either the two-wire bus or the SMBus. Connections to either bus are made using the open-drain I/O lines, SDA and SCL. The SDA and SCL pins feature integrated spike suppression filters and Schmitt triggers to minimize the effects of input spikes and bus noise. The TMP461 device supports the transmission protocol for fast (1 kHz to 400 kHz) and high-speed (1 kHz to 2.17 MHz) modes. All data bytes are transmitted MSB first.

#### 8.5.1.1 Bus Overview

The TMP461 device is SMBus-interface-compatible. In SMBus protocol, the device that initiates the transfer is called a *master*, and the devices controlled by the master are *slaves*. The bus must be controlled by a master device that generates the serial clock (SCL), controls the bus access, and generates the start and stop conditions.

To address a specific device, a start condition is initiated. A start condition is indicated by pulling the data line (SDA) from a high-to-low logic level when SCL is high. All slaves on the bus shift in the slave address byte, with the last bit indicating whether a read or write operation is intended. During the ninth clock pulse, the slave being addressed responds to the master by generating an *acknowledge* bit and pulling SDA low.

Data transfer is then initiated and sent over eight clock pulses followed by an acknowledge bit. During data transfer, SDA must remain stable when SCL is high. A change in SDA when SCL is high is interpreted as a control signal.

After all data are transferred, the master generates a stop condition. A stop condition is indicated by pulling SDA from low to high when SCL is high.

#### 8.5.1.2 Bus Definitions

The TMP461 device is two-wire- and SMBus-compatible. [Figure 15](#) and [Figure 16](#) illustrate the timing for various operations on the TMP461 device. The bus definitions are as follows:

**Bus Idle:** Both SDA and SCL lines remain high.

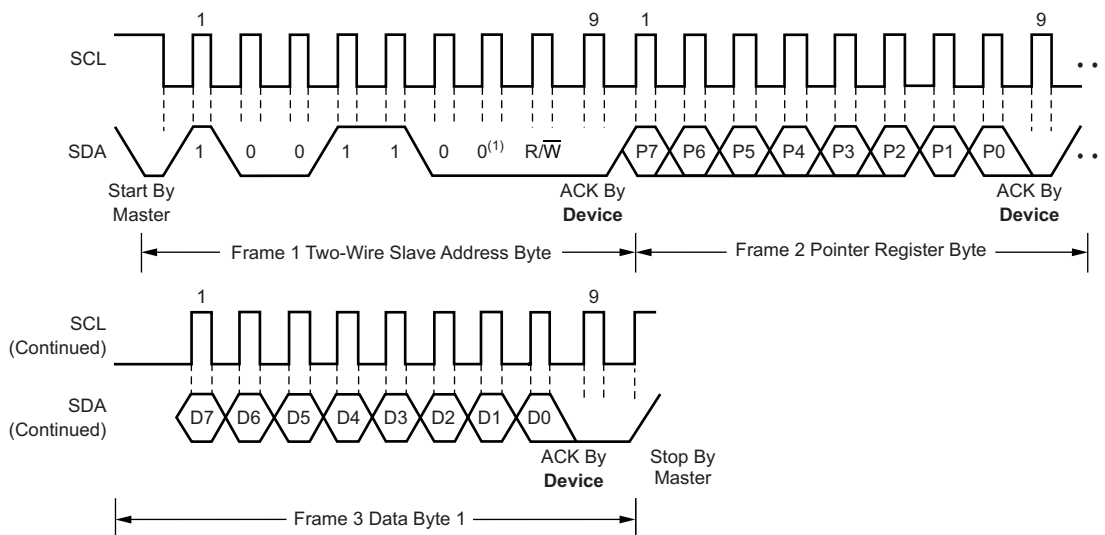
**Start Data Transfer:** A change in the state of the SDA line (from high to low) when the SCL line is high defines a start condition. Each data transfer initiates with a start condition.

**Stop Data Transfer:** A change in the state of the SDA line (from low to high) when the SCL line is high defines a stop condition. Each data transfer terminates with a repeated start or stop condition.

**Data Transfer:** The number of data bytes transferred between a start and stop condition is not limited and is determined by the master device. The receiver acknowledges the data transfer.

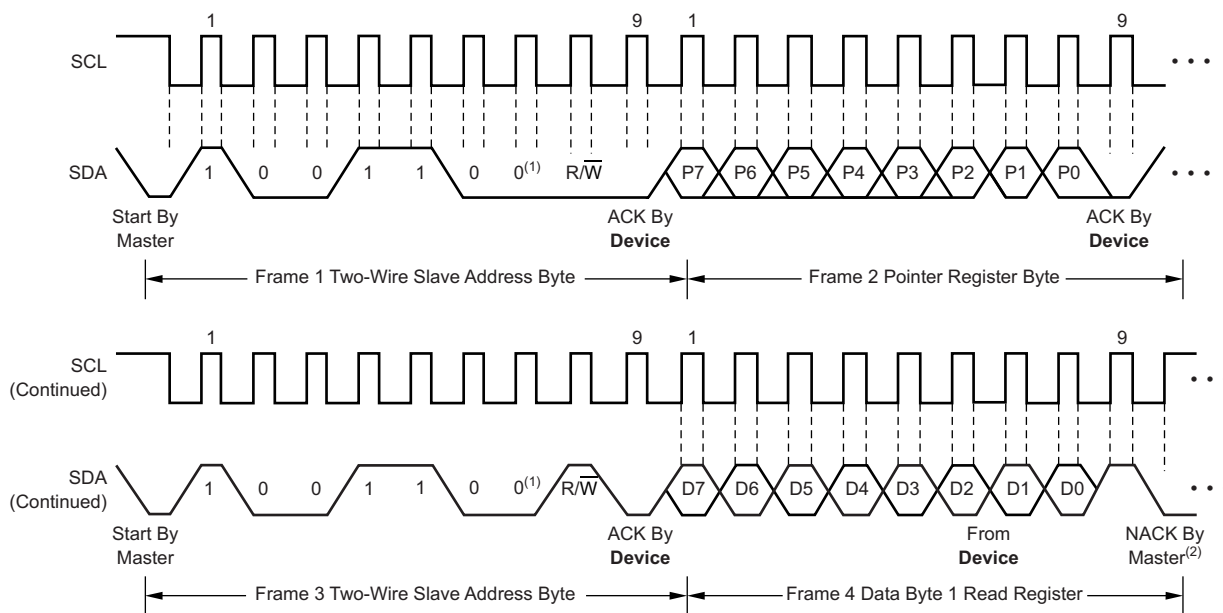
**Acknowledge:** Each receiving device, when addressed, is obliged to generate an acknowledge bit. A device that acknowledges must pull down the SDA line during the acknowledge clock pulse in such a way that the SDA line is stable low during the high period of the acknowledge clock pulse. Take setup and hold times into account. On a master receive, data transfer termination can be signaled by the master generating a not-acknowledge on the last byte that is transmitted by the slave.

Programming (continued)



(1) Slave address 1001100 is shown.

Figure 15. Two-Wire Timing Diagram for Write Word Format



(1) Slave address 1001100 is shown.

(2) The master must leave SDA high to terminate a single-byte read operation.

Figure 16. Two-Wire Timing Diagram for Single-Byte Read Format

8.5.1.3 Serial Bus Address

To communicate with the TMP461 device, the master must first address slave devices using a slave address byte. The slave address byte consists of seven address bits and a direction bit indicating the intent of executing a read or write operation. The TMP461 allows up to nine devices to be connected to the SMBus, depending on the A0, A1 pin connections as described in Table 3. The A0 and A1 address pins must be isolated from noisy or high-frequency signals traces in order to avoid false address settings when these pins are set to a float state.

**Programming (continued)**
**Table 3. TMP461 Slave Address Options**

A1 CONNECTION	A0 CONNECTION	SLAVE ADDRESS	
		BINARY	HEX
GND	GND	1001 000	48
GND	Float	1001 001	49
GND	V+	1001 010	4A
Float	GND	1001 011	4B
Float	Float	1001 100	4C
Float	V+	1001 101	4D
V+	GND	1001 110	4E
V+	Float	1001 111	4F
V+	V+	1010 000	50

**8.5.1.4 Read and Write Operations**

Accessing a particular register on the TMP461 device is accomplished by writing the appropriate value to the pointer register. The value for the pointer register is the first byte transferred after the slave address byte with the R/W bit low. Every write operation to the TMP461 device requires a value for the pointer register (see Figure 15).

When reading from the TMP461 device, the last value stored in the pointer register by a write operation is used to determine which register is read by a read operation. To change which register is read for a read operation, a new value must be written to the pointer register. This transaction is accomplished by issuing a slave address byte with the R/W bit low, followed by the pointer register byte; no additional data are required. The master can then generate a start condition and send the slave address byte with the R/W bit high to initiate the read command; see Figure 16 for details of this sequence.

If repeated reads from the same register are desired, continually sending the pointer register bytes is not necessary because the TMP461 retains the pointer register value until it is changed by the next write operation. The register bytes are sent MSB first, followed by the LSB.

Terminate read operations by issuing a *not-acknowledge* command at the end of the last byte to be read. For a single-byte operation, the master must leave the SDA line high during the acknowledge time of the first byte that is read from the slave.

**8.5.1.5 Timeout Function**

The TMP461 device resets the serial interface if either SCL or SDA are held low for 25 ms (typical) between a start and stop condition. If the TMP461 device is holding the bus low, the device releases the bus and waits for a start condition. To avoid activating the timeout function, maintaining a communication speed of at least 1 kHz for the SCL operating frequency is necessary.

**8.5.1.6 High-Speed Mode**

For the two-wire bus to operate at frequencies above 1 MHz, the master device must issue a high-speed mode (HS-mode) master code (0000 1xxx) as the first byte after a start condition to switch the bus to high-speed operation. The TMP461 device does not acknowledge this byte, but switches the input filters on SDA and SCL and the output filter on SDA to operate in HS-mode, thus allowing transfers at up to 2.17 MHz. After the HS-mode master code is issued, the master transmits a two-wire slave address to initiate a data transfer operation. The bus continues to operate in HS-mode until a stop condition occurs on the bus. Upon receiving the stop condition, the TMP461 device switches the input and output filters back to fast mode operation.

**8.5.2 General-Call Reset**

The TMP461 device supports reset using the two-wire general-call address 00h (0000 0000b). The TMP461 device acknowledges the general-call address and responds to the second byte. If the second byte is 06h (0000 0110b), the TMP461 device executes a software reset. This software reset restores the power-on reset state to all TMP461 registers and aborts any conversion in progress. The TMP461 device takes no action in response to other values in the second byte.



## 8.6 Register Map

**Table 4. Register Map**

POINTER READ (HEX)	POINTER WRITE (HEX)	POR (HEX)	BIT DESCRIPTION								REGISTER DESCRIPTION
			7	6	5	4	3	2	1	0	
00	N/A	00	LT11	LT10	LT9	LT8	LT7	LT6	LT5	LT4	Local Temperature Register (high byte)
01	N/A	00	RT11	RT10	RT9	RT8	RT7	RT6	RT5	RT4	Remote Temperature Register (high byte)
02	N/A	N/A	BUSY	LHIGH	LLOW	RHIGH	RLOW	OPEN	RTHRM	LTHRM	Status Register
03	09	00	MASK1	SD	ALERT/THERM2	0	0	RANGE	0	0	Configuration Register
04	0A	08	0	0	0	0	CR3	CR2	CR1	CR0	Conversion Rate Register
05	0B	7F	LTHL11	LTHL10	LTHL9	LTHL8	LTHL7	LTHL6	LTHL5	LTHL4	Local Temperature High Limit Register
06	0C	80	LTLL11	LTLL10	LTLL9	LTLL8	LTLL7	LTLL6	LTLL5	LTLL4	Local Temperature Low Limit Register
07	0D	7F	RTHL11	RTHL10	RTHL9	RTHL8	RTHL7	RTHL6	RTHL5	RTHL4	Remote Temperature High Limit Register (high byte)
08	0E	80	RTLL11	RTLL10	RTLL9	RTLL8	RTLL7	RTLL6	RTLL5	RTLL4	Remote Temperature Low Limit Register (high byte)
N/A	0F	N/A	X	X	X	X	X	X	X	X	One-Shot Start Register <sup>(1)</sup>
10	N/A	00	RT3	RT2	RT1	RT0	0	0	0	0	Remote Temperature Register (low byte)
11	11	00	RTOS11	RTOS10	RTOS9	RTOS8	RTOS7	RTOS6	RTOS5	RTOS4	Remote Temperature Offset Register (high byte)
12	12	00	RTOS3	RTOS2	RTOS1	RTOS0	0	0	0	0	Remote Temperature Offset Register (low byte)
13	13	F0	RTHL3	RTHL2	RTHL1	RTHL0	0	0	0	0	Remote Temperature High Limit Register (low byte)
14	14	00	RTLL3	RTLL2	RTLL1	RTLL0	0	0	0	0	Remote Temperature Low Limit Register (low byte)
15	N/A	00	LT3	LT2	LT1	LT0	0	0	0	0	Local Temperature Register (low byte)
16	16	03	0	0	0	0	0	0	REN	LEN	Channel Enable Register
19	19	7F	RTH11	RTH10	RTH9	RTH8	RTH7	RTH6	RTH5	RTH4	Remote Temperature $\overline{\text{THERM}}$ Limit Register
20	20	7F	LTH11	LTH10	LTH9	LTH8	LTH7	LTH6	LTH5	LTH4	Local Temperature $\overline{\text{THERM}}$ Limit Register
21	21	0A	HYS11	HYS10	HYS9	HYS8	HYS7	HYS6	HYS5	HYS4	$\overline{\text{THERM}}$ Hysteresis Register
22	22	01	0	0	0	0	CONAL2	CONAL1	CONAL0	1	Consecutive ALERT Register
23	23	00	NC7	NC6	NC5	NC4	NC3	NC2	NC1	NC0	$\eta$ -Factor Correction Register
24	24	00	0	0	0	0	0	0	DF1	DF0	Digital Filter Control Register
FE	N/A	55	0	1	0	1	0	1	0	1	Manufacturer Identification Register

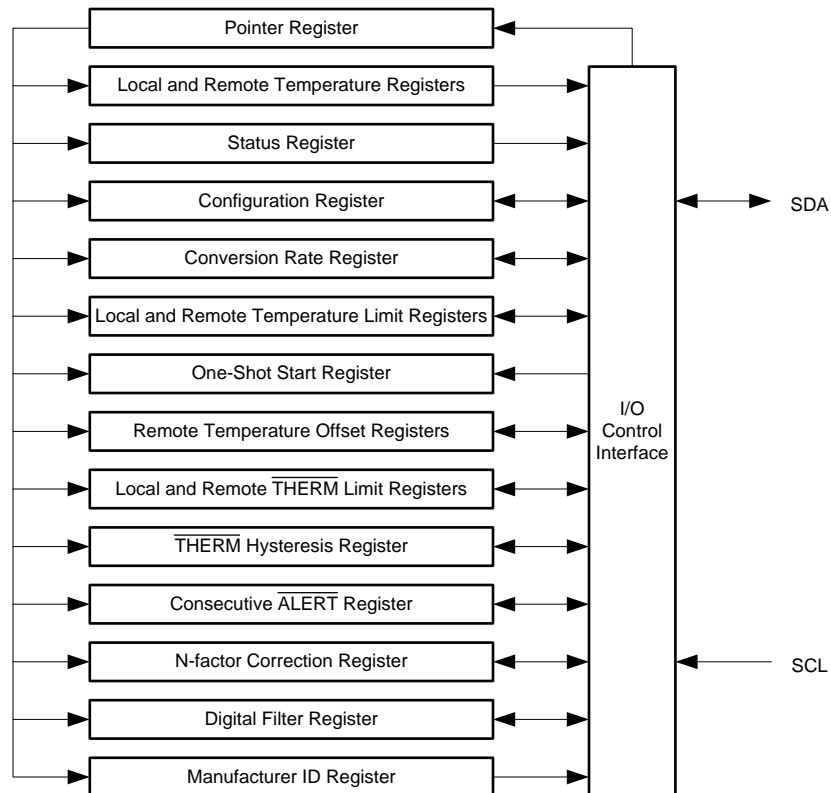
(1) X = undefined. Writing any value to this register initiates a one-shot start; see the [One-Shot Conversion](#) section.

## 8.6.1 Register Information

The TMP461 device contains multiple registers for holding configuration information, temperature measurement results, and status information. These registers are described in [Figure 17](#) and [Table 4](#).

### 8.6.1.1 Pointer Register

[Figure 17](#) shows the internal register structure of the TMP461 device. The 8-bit pointer register is used to address a given data register. The pointer register identifies which of the data registers must respond to a read or write command on the two-wire bus. This register is set with every write command. A write command must be issued to set the proper value in the pointer register before executing a read command. [Table 4](#) describes the pointer register and the internal structure of the TMP461 registers. The power-on reset (POR) value of the pointer register is 00h (0000 0000b).



**Figure 17. Internal Register Structure**

### 8.6.1.2 Local and Remote Temperature Registers

The TMP461 device has multiple 8-bit registers that hold temperature measurement results. The eight most significant bits (MSBs) of the local temperature sensor result are stored in register 00h, and the four least significant bits (LSBs) are stored in register 15h (the four MSBs of register 15h). The eight MSBs of the remote temperature sensor result are stored in register 01h, and the four LSBs are stored in register 10h (the four MSBs of register 10h). The four LSBs of both the local and remote sensor indicate the temperature value after the decimal point (for example, if the temperature result is 10.0625°C, then the high byte is 0000 1010 and the low byte is 0001 0000). These registers are read-only and are updated by the ADC each time a temperature measurement is completed.

When the full temperature value is needed, reading the MSB value first causes the LSB value to be locked (the ADC does not write to it) until the LSB value is read. The same thing happens upon reading the LSB value first (the MSB value is locked until it is read). This mechanism assures that both bytes of the read operation are from the same ADC conversion. This assurance remains valid only until another register is read. For proper operation, read the high byte of the temperature result first. Read the low byte register in the next read command; if the LSBs are not needed, the register can be left unread. The power-on reset value of all temperature registers is 00h.

### 8.6.1.3 Status Register

The status register reports the state of the temperature ADC, the temperature limit comparators, and the connection to the remote sensor. Table 5 lists the status register bits. The status register is read-only and is read by accessing pointer address 02h.

**Table 5. Status Register Format**

STATUS REGISTER (Read = 02h, Write = N/A)		
BIT NUMBER	BIT NAME	FUNCTION
7	BUSY	= 1 when the ADC is converting
6	LHIGH <sup>(1)</sup>	= 1 when the local high temperature limit is tripped
5	LLOW <sup>(1)</sup>	= 1 when the local low temperature limit is tripped
4	RHIGH <sup>(1)</sup>	= 1 when the remote high temperature limit is tripped
3	RLOW <sup>(1)</sup>	= 1 when the remote low temperature limit is tripped
2	OPEN <sup>(1)</sup>	= 1 when the remote sensor is an open circuit
1	RTHRM	= 1 when the remote $\overline{\text{THERM}}$ limit is tripped
0	LTHRM	= 1 when the local $\overline{\text{THERM}}$ limit is tripped

(1) These flags stay high until the status register is read or are reset by a POR when pin 7 is configured as  $\overline{\text{ALERT}}$ . Only bit 2 (OPEN) stays high until the status register is read or is reset by a POR when pin 7 is configured as  $\overline{\text{THERM2}}$ .

The BUSY bit = 1 if the ADC is making a conversion. This bit is set to 0 if the ADC is not converting.

The LHIGH and LLOW bits indicate a local sensor overtemperature or undertemperature event, respectively. The RHIGH and RLOW bits indicate a remote sensor overtemperature or undertemperature event, respectively. The HIGH bit is set when the temperature exceeds the high limit in alert mode and therm mode and the low bit is set when the temperature goes below the low limit in alert mode. The OPEN bit indicates an open-circuit condition on the remote sensor. When pin 7 is configured as the  $\overline{\text{ALERT}}$  output, the five flags are NORed together. If any of the five flags are high, the  $\overline{\text{ALERT}}$  interrupt latch is set and the  $\overline{\text{ALERT}}$  output goes low. Reading the status register clears the five flags, provided that the condition that caused the setting of the flags is not present anymore (that is, the value of the corresponding result register is within the limits, or the remote sensor is connected properly and functional). The  $\overline{\text{ALERT}}$  interrupt latch (and the  $\overline{\text{ALERT}}$  pin correspondingly) is not reset by reading the status register. The reset is done by the master reading the temperature sensor device address to service the interrupt, and only if the flags are reset and the condition that caused them to be set is no longer present.

The RTHRM and LTHRM flags are set when the corresponding temperature exceeds the programmed  $\overline{\text{THERM}}$  limit. These flags are reset automatically when the temperature returns to within the limits. The  $\overline{\text{THERM}}$  output goes low in the case of overtemperature on either the local or remote channel, and goes high as soon as the measurements are within the limits again. The  $\overline{\text{THERM}}$  hysteresis register (21h) allows hysteresis to be added so that the flag resets and the output goes high when the temperature returns to or goes below the limit value minus the hysteresis value.

When pin 7 is configured as  $\overline{\text{THERM2}}$ , only the high limits matter. The LHIGH and RHIGH flags are set if the respective temperatures exceed the limit values, and the pin goes low to indicate the event. The LLOW and RLOW flags have no effect on  $\overline{\text{THERM2}}$  and the output behaves the same way when configured as  $\overline{\text{THERM}}$ .

### 8.6.1.4 Configuration Register

The configuration register sets the temperature range, the  $\overline{\text{ALERT}}/\overline{\text{THERM}}$  modes, and controls the shutdown mode. The configuration register is set by writing to pointer address 09h, and is read by reading from pointer address 03h. [Table 6](#) summarizes the bits of the configuration register.

**Table 6. Configuration Register Bit Descriptions**

CONFIGURATION REGISTER (Read = 03h, Write = 09h, POR = 00h)			
BIT NUMBER	NAME	FUNCTION	POWER-ON RESET VALUE
7	MASK1	0 = $\overline{\text{ALERT}}$ enabled 1 = $\overline{\text{ALERT}}$ masked	0
6	SD	0 = Run 1 = Shut down	0
5	$\overline{\text{ALERT}}/\overline{\text{THERM2}}$	0 = $\overline{\text{ALERT}}$ 1 = $\overline{\text{THERM2}}$	0
4:3	Reserved	—	0
2	RANGE	0 = $-40^{\circ}\text{C}$ to $+127^{\circ}\text{C}$ 1 = $-64^{\circ}\text{C}$ to $+191^{\circ}\text{C}$	0
1:0	Reserved	—	0

MASK1 (bit 7) of the configuration register masks the  $\overline{\text{ALERT}}$  output. If MASK1 is 0 (default), the  $\overline{\text{ALERT}}$  output is enabled. If MASK1 is set to 1, the  $\overline{\text{ALERT}}$  output is disabled. This configuration applies only if the value of  $\overline{\text{ALERT}}/\overline{\text{THERM2}}$  (bit 5) is 0 (that is, pin 7 is configured as the  $\overline{\text{ALERT}}$  output). If pin 7 is configured as the  $\overline{\text{THERM2}}$  output, the value of the MASK1 bit has no effect.

The shutdown bit (SD, bit 6) enables or disables the temperature-measurement circuitry. If SD = 0 (default), the TMP461 device converts continuously at the rate set in the conversion rate register. When SD is set to 1, the TMP461 device stops converting when the current conversion sequence is complete and enters a shutdown mode. When SD is set to 0 again, the TMP461 resumes continuous conversions. When SD = 1, a single conversion can be started by writing to the one-shot start register; see the [One-Shot Start Register](#) section for more information.

$\overline{\text{ALERT}}/\overline{\text{THERM2}}$  (bit 5) sets the configuration of pin 7. If the  $\overline{\text{ALERT}}/\overline{\text{THERM2}}$  bit is 0 (default), then pin 7 is configured as the  $\overline{\text{ALERT}}$  output; if this bit is set to 1, then pin 7 is configured as the  $\overline{\text{THERM2}}$  output.

The temperature range is set by configuring RANGE (bit 2) of the configuration register. Setting this bit low (default) configures the TMP461 device for the standard measurement range ( $-40^{\circ}\text{C}$  to  $+127^{\circ}\text{C}$ ); temperature conversions are stored in the standard binary format. Setting bit 2 high configures the TMP461 device for the extended measurement range ( $-64^{\circ}\text{C}$  to  $+191^{\circ}\text{C}$ ); temperature conversions are stored in the extended binary format (see [Table 1](#)).

The remaining bits of the configuration register are reserved and must always be set to 0. The power-on reset value for this register is 00h.

### 8.6.1.5 Conversion Rate Register

The conversion rate register (read address 04h, write address 0Ah) controls the rate at which temperature conversions are performed. This register adjusts the idle time between conversions but not the conversion time itself, thereby allowing the TMP461 power dissipation to be balanced with the temperature register update rate. [Table 7](#) lists the conversion rate options and corresponding time between conversions. The default value of the register is 08h, which gives a default rate of 16 conversions per second.

**Table 7. Conversion Rate**

VALUE	CONVERSIONS PER SECOND	TIME (Seconds)
00h	0.0625	16
01h	0.125	8
02h	0.25	4
03h	0.5	2
04h	1	1
05h	2	0.5
06h	4	0.25
07h	8	0.125
08h	16 (default)	0.0625 (default)
09h	32	0.03125

### 8.6.1.6 One-Shot Start Register

When the TMP461 device is in shutdown mode (SD = 1 in the configuration register), a single conversion is started by writing any value to the one-shot start register, pointer address 0Fh. This write operation starts one conversion and comparison cycle on either both the local and remote sensors or on only one or the other sensor, depending on the LEN and REN values configured in the channel enable register (read address 16h, write address 16h). The TMP461 device returns to shutdown mode when the cycle completes. The value of the data sent in the write command is irrelevant and is not stored by the TMP461 device.

### 8.6.1.7 Channel Enable Register

The channel enable register (read address 16h, write address 16h) enables or disables the temperature conversion of remote and local temperature sensors. LEN (bit 0) of the channel enable register enables/disables the conversion of local temperature. REN (bit 1) of the channel enable register enables/disables the conversion of remote temperature. Both LEN and REN are set to 1 (default), this enables the ADC to convert both local and remote temperatures. If LEN is set to 0, the local temperature conversion is disabled and similarly if REN is set to 0, the remote temperature conversion is disabled.

Both local and remote temperatures are converted by the internal ADC as a default mode. Channel Enable register can be configured to achieve power savings by reducing the total ADC conversion time to half for applications that do not require both remote and local temperature information.

### 8.6.1.8 Consecutive $\overline{\text{ALERT}}$ Register

The Consecutive  $\overline{\text{ALERT}}$  register (read address 22h, write address 22h) controls the number of out-of-limit temperature measurements required for  $\overline{\text{ALERT}}$  to be asserted. [Table 8](#) summarizes the values of the consecutive  $\overline{\text{ALERT}}$  register. The number programmed in the consecutive  $\overline{\text{ALERT}}$  applies to both the remote and local temperature results. When the number of times that the temperature result consecutively exceeds the high limit register value is equal to the value programmed in the consecutive  $\overline{\text{ALERT}}$  register,  $\overline{\text{ALERT}}$  is asserted. Similarly, the consecutive  $\overline{\text{ALERT}}$  register setting is also applicable to the low-limit register.

**Table 8. Consecutive  $\overline{\text{ALERT}}$**

REGISTER VALUE	NUMBER OF OUT-OF-LIMIT MEASUREMENTS REQUIRED TO ASSERT $\overline{\text{ALERT}}$
01h	1 (default)
03h	2
07h	3
0Fh	4

### 8.6.1.9 $\eta$ -Factor Correction Register

The TMP461 device allows for a different  $\eta$ -factor value to be used for converting remote channel measurements to temperature. The remote channel uses sequential current excitation to extract a differential  $V_{BE}$  voltage measurement to determine the temperature of the remote transistor. Equation 1 shows this voltage and temperature.

$$V_{BE2} - V_{BE1} = \frac{\eta kT}{q} \ln \left( \frac{I_2}{I_1} \right) \quad (1)$$

The value  $\eta$  in Equation 1 is a characteristic of the particular transistor used for the remote channel. The power-on reset value for the TMP461 device is  $\eta = 1.008$ . The value in the  $\eta$ -factor correction register can be used to adjust the effective  $\eta$ -factor according to Equation 2 and Equation 3.

$$\eta_{\text{eff}} = \left( \frac{1.008 \times 2088}{2088 + N_{\text{ADJUST}}} \right) \quad (2)$$

$$N_{\text{ADJUST}} = \left( \frac{1.008 \times 2088}{\eta_{\text{eff}}} \right) - 2088 \quad (3)$$

The  $\eta$ -factor correction value must be stored in twos complement format, yielding an effective data range from –128 to 127. The  $\eta$ -factor correction value is written to and read from pointer address 23h. The register power-on reset value is 00h, thus having no effect unless a different value is written to it. The resolution of the  $\eta$ -factor register is 0.000483.

**Table 9.  $\eta$ -Factor Range**

BINARY	N <sub>ADJUST</sub>		$\eta$
	HEX	DECIMAL	
0111 1111	7F	127	0.950205
0000 1010	0A	10	1.003195
0000 1000	08	8	1.004153
0000 0110	06	6	1.005112
0000 0100	04	4	1.006073
0000 0010	02	2	1.007035
0000 0001	01	1	1.007517
0000 0000	00	0	1.008
1111 1111	FF	–1	1.008483
1111 1110	FE	–2	1.008966
1111 1100	FC	–4	1.009935
1111 1010	FA	–6	1.010905
1111 1000	F8	–8	1.011877
1111 0110	F6	–10	1.012851
1000 0000	80	–128	1.073829

### 8.6.1.10 Remote Temperature Offset Register

The offset register allows the TMP461 device to store any system offset compensation value that may result from precision calibration. The value in the register is stored in the same format as the temperature result, and is added to the remote temperature result upon every conversion. Combined with the  $\eta$ -factor correction, this function allows for very accurate system calibration over the entire temperature range.

### 8.6.1.11 Manufacturer Identification Register

The TMP461 device allows for the two-wire bus controller to query the device for manufacturer and device IDs to enable software identification of the device at the particular two-wire bus address. The manufacturer ID is obtained by reading from pointer address FEh. The TMP461 device reads 55h for the manufacturer code.

## 9 Application and Implementation

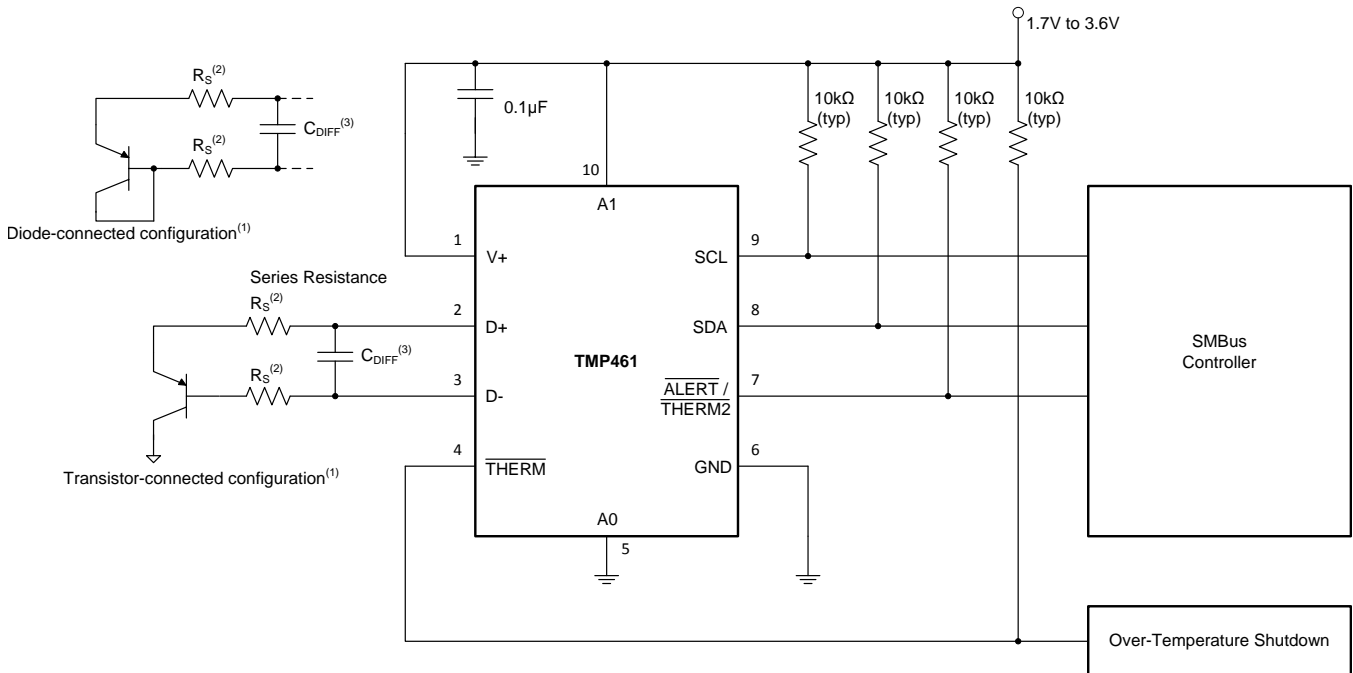
### NOTE

Information in the following applications sections is not part of the TI component specification, and TI does not warrant its accuracy or completeness. TI's customers are responsible for determining suitability of components for their purposes. Customers should validate and test their design implementation to confirm system functionality.

### 9.1 Application Information

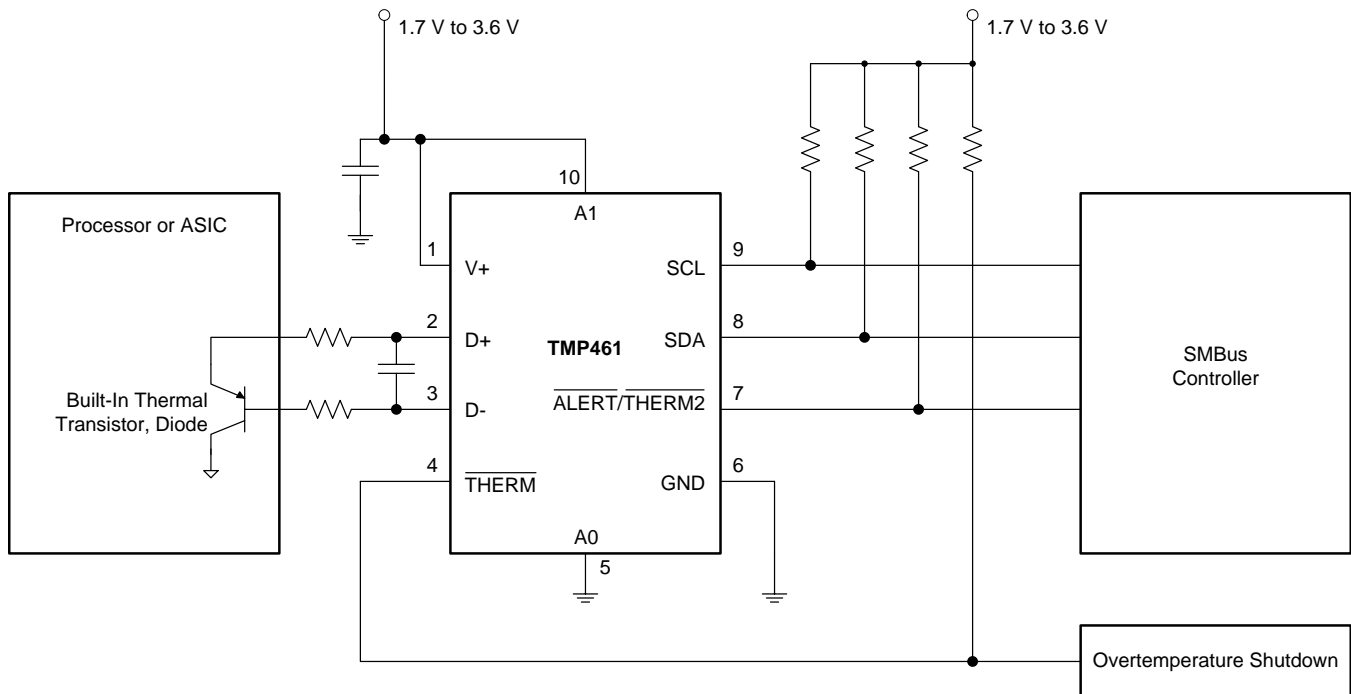
The TMP461 device requires only a transistor connected between the D+ and D– pins for remote temperature measurement. Tie the D+ pin to GND if the remote channel is not used and only the local temperature is measured. The SDA, ALERT, and THERM pins (and SCL, if driven by an open-drain output) require pullup resistors as part of the communication bus. A 0.1- $\mu$ F power-supply decoupling capacitor is recommended for local bypassing. Figure 18 and Figure 19 illustrate the typical configurations for the TMP461 device.

### 9.2 Typical Application



- (1) The diode-connected configuration provides better settling time. The transistor-connected configuration provides better series resistance cancellation.
- (2)  $R_S$  (optional) is < 1 k $\Omega$  in most applications.  $R_S$  is the combined series resistance connected externally to the D+, D– pins.  $R_S$  selection depends on the application; see the [Filtering](#) section.
- (3)  $C_{DIFF}$  (optional) is < 1000 pF in most applications.  $C_{DIFF}$  selection depends on the application; see the [Filtering](#) section and [Figure 6](#) (*Remote Temperature Error vs Differential Capacitance*).

**Figure 18. TMP461 Basic Connections Using a Discrete Remote Transistor**

**Typical Application (continued)**

**Figure 19. TMP461 Basic Connections Using a Processor Built-In Remote Transistor**
**9.2.1 Design Requirements**

The TMP461 device is designed to be used with either discrete transistors or substrate transistors built into processor chips and application-specific integrated circuits (ASICs). Either NPN or PNP transistors can be used, as long as the base-emitter junction is used as the remote temperature sense. NPN transistors must be diode-connected. PNP transistors can either be transistor- or diode-connected (see [Figure 18](#)).

Errors in remote temperature sensor readings are typically the consequence of the ideality factor and current excitation used by the TMP461 device versus the manufacturer-specified operating current for a given transistor. Some manufacturers specify a high-level and low-level current for the temperature-sensing substrate transistors. The TMP461 device uses 7.5  $\mu\text{A}$  for  $I_{\text{LOW}}$  and 120  $\mu\text{A}$  for  $I_{\text{HIGH}}$ .

The ideality factor ( $\eta$ ) is a measured characteristic of a remote temperature sensor diode as compared to an ideal diode. The TMP461 allows for different  $\eta$ -factor values; see the  [\$\eta\$ -Factor Correction Register](#) section.

The ideality factor for the TMP461 device is trimmed to be 1.008. For transistors that have an ideality factor that does not match the TMP461, [Equation 4](#) can be used to calculate the temperature error.

**NOTE**

For [Equation 4](#) to be used correctly, the actual temperature ( $^{\circ}\text{C}$ ) must be converted to Kelvin (K).

$$T_{\text{ERR}} = \left( \frac{\eta - 1.008}{1.008} \right) \times (273.15 + T(^{\circ}\text{C}))$$

where

- $T_{\text{ERR}}$  = error in the TMP461 device because  $\eta \neq 1.008$ ,
- $\eta$  = ideality factor of the remote temperature sensor,
- $T(^{\circ}\text{C})$  = actual temperature, and

(4)

In [Equation 4](#), the degree of delta is the same for  $^{\circ}\text{C}$  and K.



## Typical Application (continued)

For  $\eta = 1.004$  and  $T(^{\circ}\text{C}) = 100^{\circ}\text{C}$ :

$$T_{\text{ERR}} = \left( \frac{1.004 - 1.008}{1.008} \right) \times (273.15 + 100^{\circ}\text{C})$$

$$T_{\text{ERR}} = -1.48^{\circ}\text{C} \quad (5)$$

If a discrete transistor is used as the remote temperature sensor with the TMP461, the best accuracy can be achieved by selecting the transistor according to the following criteria:

1. Base-emitter voltage is  $> 0.25 \text{ V}$  at  $7.5 \mu\text{A}$ , at the highest-sensed temperature.
2. Base-emitter voltage is  $< 0.95 \text{ V}$  at  $120 \mu\text{A}$ , at the lowest-sensed temperature.
3. Base resistance is  $< 100 \Omega$ .
4. Tight control of  $V_{\text{BE}}$  characteristics indicated by small variations in  $h_{\text{FE}}$  (that is, 50 to 150).

Based on this criteria, two recommended small-signal transistors are the 2N3904 (NPN) or 2N3906 (PNP).

### 9.2.2 Detailed Design Procedure

The local temperature sensor inside the TMP461 device monitors the ambient air around the device. The thermal time constant for the TMP461 device is approximately two seconds. This constant implies that if the ambient air changes quickly by  $100^{\circ}\text{C}$ , then the TMP461 device takes approximately 10 seconds (that is, five thermal time constants) to settle to within  $1^{\circ}\text{C}$  of the final value. In most applications, the TMP461 package is in electrical, and therefore thermal, contact with the printed circuit board (PCB), as well as subjected to forced airflow. The accuracy of the measured temperature directly depends on how accurately the PCB and forced airflow temperatures represent the temperature that the TMP461 is measuring. Additionally, the internal power dissipation of the TMP461 can cause the temperature to rise above the ambient or PCB temperature. The internal power dissipated as a result of exciting the remote temperature sensor is negligible because of the small currents used. Equation 6 can be used to calculate the average conversion current for power dissipation and self-heating based on the number of conversions per second and temperature sensor channel enabled. Equation 7 shows an example with local and remote sensor channels enabled and 16 conversions per second; see the *Electrical Characteristics* table for typical values required for these calculations. For a 3.3-V supply and a conversion rate of 16 conversions per second, the TMP461 device dissipates 0.531 mW ( $\text{PD}_{\text{IQ}} = 3.3 \text{ V} \times 161 \mu\text{A}$ ) when both the remote and local channels are enabled.

$$\begin{aligned} \text{Average Conversion Current} = & (\text{Local ADC Conversion Time}) \cdot (\text{Conversions per Second}) \cdot (\text{Local Active } I_{\text{Q}}) \\ & + (\text{Remote ADC Conversion Time}) \cdot (\text{Conversions per Second}) \cdot (\text{Remote Active } I_{\text{Q}}) \\ & + (\text{Standby Mode } I_{\text{Q}}) \cdot \left[ 1 - (\text{Local ADC Conversion Time} + \text{Remote ADC Conversion Time}) \cdot (\text{Conversions per Second}) \right] \end{aligned} \quad (6)$$

$$\begin{aligned} \text{Average Conversion Current} = & (15 \text{ ms}) \left( \frac{16}{\text{s}} \right) \cdot (240 \mu\text{A}) \\ & + (15 \text{ ms}) \cdot \left( \frac{16}{\text{s}} \right) \cdot (400 \mu\text{A}) \\ & + (15 \mu\text{A}) \cdot \left[ 1 - (15 \text{ ms} + 15 \text{ ms}) \cdot \left( \frac{16}{\text{s}} \right) \right] \\ = & 161 \mu\text{A} \end{aligned} \quad (7)$$

The temperature measurement accuracy of the TMP461 device depends on the remote and local temperature sensor being at the same temperature as the system point being monitored. If the temperature sensor is not in good thermal contact with the part of the system being monitored, then there is a delay between the sensor response and the system changing temperature. This delay is usually not a concern for remote temperature-sensing applications that use a substrate transistor (or a small, SOT23 transistor) placed close to the device being monitored.

## Typical Application (continued)

### 9.2.3 Application Curve

Figure 20 shows the typical step response to submerging a sensor in an oil bath with a temperature of 100°C.

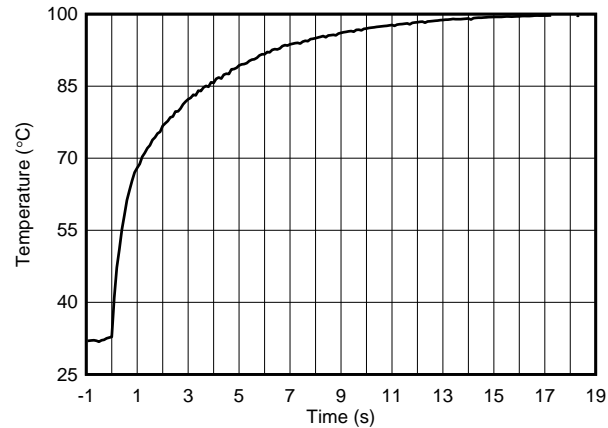


Figure 20. Temperature Step Response

## 10 Power Supply Recommendations

The TMP461 device operates with a power-supply range of 1.7 V to 3.6 V. The device is optimized for operation at a 3.3-V supply but can measure temperature accurately in the full supply range.

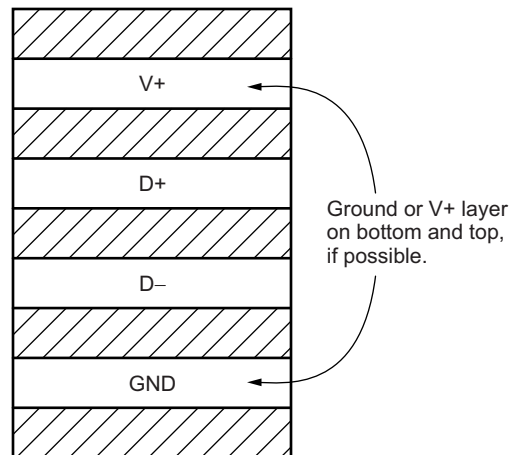
A power-supply bypass capacitor is recommended. Place this capacitor as close as possible to the supply and ground pins of the device. A typical value for this supply bypass capacitor is 0.1  $\mu$ F. Applications with noisy or high-impedance power supplies may require additional decoupling capacitors to reject power-supply noise.

## 11 Layout

### 11.1 Layout Guidelines

Remote temperature sensing on the TMP461 device measures very small voltages using very low currents; therefore, noise at the device inputs must be minimized. Most applications using the TMP461 have high digital content, with several clocks and logic-level transitions that create a noisy environment. Layout must adhere to the following guidelines:

1. Place the TMP461 device as close to the remote junction sensor as possible.
2. Route the D+ and D– traces next to each other and shield them from adjacent signals through the use of ground guard traces, as shown in [Figure 21](#). If a multilayer PCB is used, bury these traces between the ground or V+ planes to shield them from extrinsic noise sources. 5-mil (0.127 mm) PCB traces are recommended.
3. Minimize additional thermocouple junctions caused by copper-to-solder connections. If these junctions are used, make the same number and approximate locations of copper-to-solder connections in both the D+ and D– connections to cancel any thermocouple effects.
4. Use a 0.1- $\mu$ F local bypass capacitor directly between the V+ and GND of the TMP461 device. For optimum measurement performance, minimize filter capacitance between D+ and D– to 1000 pF or less. This capacitance includes any cable capacitance between the remote temperature sensor and the TMP461 device.
5. If the connection between the remote temperature sensor and the TMP461 device is less than 8-in (20.32 cm) long, use a twisted-wire pair connection. For lengths greater than 8 in, use a twisted, shielded pair with the shield grounded as close to the TMP461 device as possible. Leave the remote sensor connection end of the shield wire open to avoid ground loops and 60-Hz pickup.
6. Thoroughly clean and remove all flux residue in and around the pins of the TMP461 device to avoid temperature offset readings as a result of leakage paths between D+ and GND, or between D+ and V+.



NOTE: Use a minimum of 5-mil (0.127 mm) traces with 5-mil spacing.

**Figure 21. Suggested PCB Layer Cross-Section**

## 11.2 Layout Example

- VIA to Power or Ground Plane
- ⊙ VIA to Internal Layer

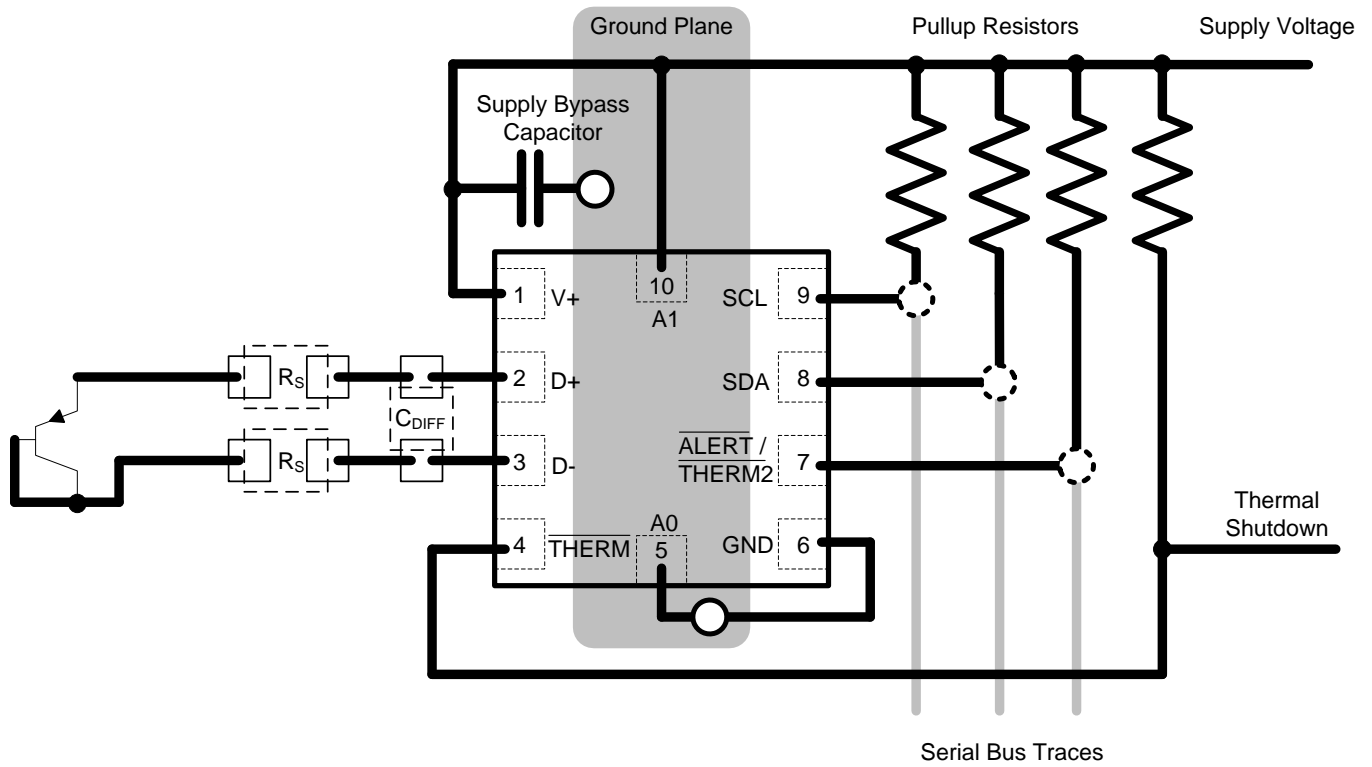


Figure 22. TMP461 Layout Example

## 12 器件和文档支持

### 12.1 接收文档更新通知

如需接收文档更新通知，请访问 [www.ti.com.cn](http://www.ti.com.cn) 网站上的器件产品文件夹。点击右上角的提醒我 (Alert me) 注册后，即可每周定期收到已更改的产品信息。有关更改的详细信息，请查阅已修订文档中包含的修订历史记录。

### 12.2 社区资源

The following links connect to TI community resources. Linked contents are provided "AS IS" by the respective contributors. They do not constitute TI specifications and do not necessarily reflect TI's views; see TI's [Terms of Use](#).

**TI E2E™ Online Community** *TI's Engineer-to-Engineer (E2E) Community*. Created to foster collaboration among engineers. At [e2e.ti.com](http://e2e.ti.com), you can ask questions, share knowledge, explore ideas and help solve problems with fellow engineers.

**Design Support** *TI's Design Support* Quickly find helpful E2E forums along with design support tools and contact information for technical support.

### 12.3 商标

E2E is a trademark of Texas Instruments.

SMBus is a trademark of Intel Corporation.

All other trademarks are the property of their respective owners.

### 12.4 静电放电警告



ESD 可能会损坏该集成电路。德州仪器 (TI) 建议通过适当的预防措施处理所有集成电路。如果不遵守正确的处理措施和安装程序，可能会损坏集成电路。

ESD 的损坏小至导致微小的性能降级，大至整个器件故障。精密的集成电路可能更容易受到损坏，这是因为非常细微的参数更改都可能会导致器件与其发布的规格不相符。

### 12.5 Glossary

[SLYZ022](#) — *TI Glossary*.

This glossary lists and explains terms, acronyms, and definitions.

## 13 机械、封装和可订购信息

以下页中包括机械、封装和可订购信息。这些信息是针对指定器件可提供的最新数据。这些数据会在无通知且不对本文档进行修订的情况下发生改变。欲获得该数据表的浏览器版本，请查阅左侧的导航栏

**PACKAGING INFORMATION**

Orderable Device	Status (1)	Package Type	Package Drawing	Pins	Package Qty	Eco Plan (2)	Lead finish/ Ball material (6)	MSL Peak Temp (3)	Op Temp (°C)	Device Marking (4/5)	Samples
TMP461AIRUNR-S	ACTIVE	QFN	RUN	10	3000	RoHS & Green	NIPDAU	Level-2-260C-1 YEAR	-40 to 125	ZDW1	Samples
TMP461AIRUNT-S	OBSOLETE	QFN	RUN	10		TBD	Call TI	Call TI	-40 to 125	ZDW1	

(1) The marketing status values are defined as follows:

**ACTIVE:** Product device recommended for new designs.

**LIFEBUY:** TI has announced that the device will be discontinued, and a lifetime-buy period is in effect.

**NRND:** Not recommended for new designs. Device is in production to support existing customers, but TI does not recommend using this part in a new design.

**PREVIEW:** Device has been announced but is not in production. Samples may or may not be available.

**OBSOLETE:** TI has discontinued the production of the device.

(2) **RoHS:** TI defines "RoHS" to mean semiconductor products that are compliant with the current EU RoHS requirements for all 10 RoHS substances, including the requirement that RoHS substance do not exceed 0.1% by weight in homogeneous materials. Where designed to be soldered at high temperatures, "RoHS" products are suitable for use in specified lead-free processes. TI may reference these types of products as "Pb-Free".

**RoHS Exempt:** TI defines "RoHS Exempt" to mean products that contain lead but are compliant with EU RoHS pursuant to a specific EU RoHS exemption.

**Green:** TI defines "Green" to mean the content of Chlorine (Cl) and Bromine (Br) based flame retardants meet JS709B low halogen requirements of <=1000ppm threshold. Antimony trioxide based flame retardants must also meet the <=1000ppm threshold requirement.

(3) MSL, Peak Temp. - The Moisture Sensitivity Level rating according to the JEDEC industry standard classifications, and peak solder temperature.

(4) There may be additional marking, which relates to the logo, the lot trace code information, or the environmental category on the device.

(5) Multiple Device Markings will be inside parentheses. Only one Device Marking contained in parentheses and separated by a "~" will appear on a device. If a line is indented then it is a continuation of the previous line and the two combined represent the entire Device Marking for that device.

(6) Lead finish/Ball material - Orderable Devices may have multiple material finish options. Finish options are separated by a vertical ruled line. Lead finish/Ball material values may wrap to two lines if the finish value exceeds the maximum column width.

**Important Information and Disclaimer:**The information provided on this page represents TI's knowledge and belief as of the date that it is provided. TI bases its knowledge and belief on information provided by third parties, and makes no representation or warranty as to the accuracy of such information. Efforts are underway to better integrate information from third parties. TI has taken and continues to take reasonable steps to provide representative and accurate information but may not have conducted destructive testing or chemical analysis on incoming materials and chemicals. TI and TI suppliers consider certain information to be proprietary, and thus CAS numbers and other limited information may not be available for release.

In no event shall TI's liability arising out of such information exceed the total purchase price of the TI part(s) at issue in this document sold by TI to Customer on an annual basis.

**OTHER QUALIFIED VERSIONS OF TMP461 :**

- Space : [TMP461-SP](#)

NOTE: Qualified Version Definitions:

- Space - Radiation tolerant, ceramic packaging and qualified for use in Space-based application

**TAPE AND REEL INFORMATION**

**QUADRANT ASSIGNMENTS FOR PIN 1 ORIENTATION IN TAPE**


\*All dimensions are nominal

Device	Package Type	Package Drawing	Pins	SPQ	Reel Diameter (mm)	Reel Width W1 (mm)	A0 (mm)	B0 (mm)	K0 (mm)	P1 (mm)	W (mm)	Pin1 Quadrant
TMP461AIRUNR-S	QFN	RUN	10	3000	178.0	8.4	2.25	2.25	1.0	4.0	8.0	Q2



**TAPE AND REEL BOX DIMENSIONS**


\*All dimensions are nominal

Device	Package Type	Package Drawing	Pins	SPQ	Length (mm)	Width (mm)	Height (mm)
TMP461AIRUNR-S	QFN	RUN	10	3000	205.0	200.0	33.0

## GENERIC PACKAGE VIEW

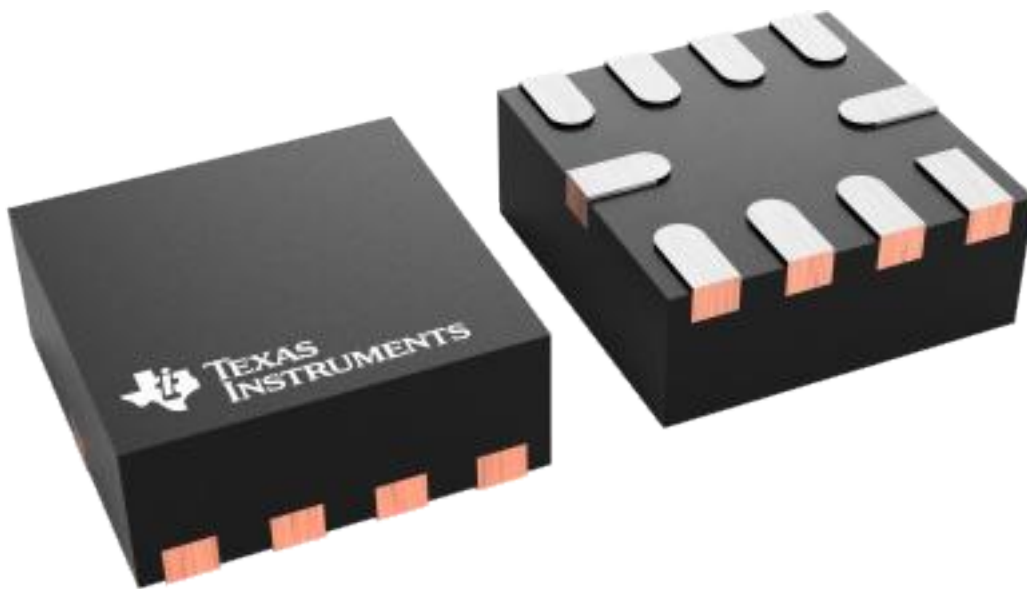
**RUN 10**

**WQFN - 0.8 mm max height**

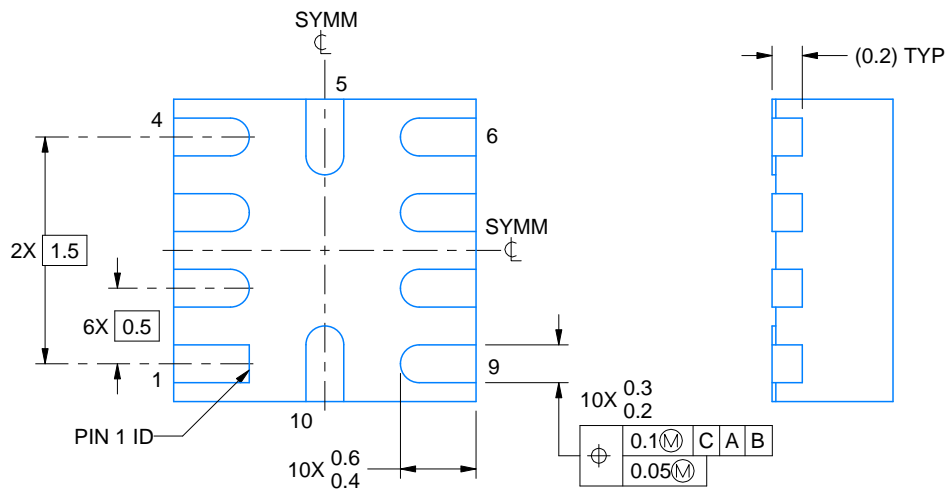
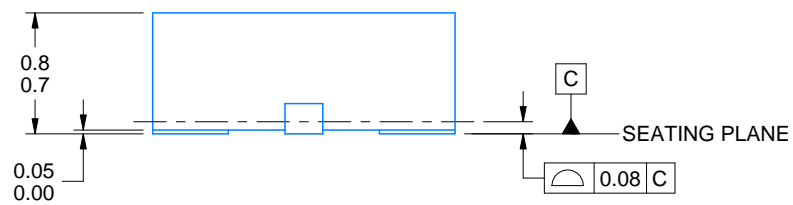
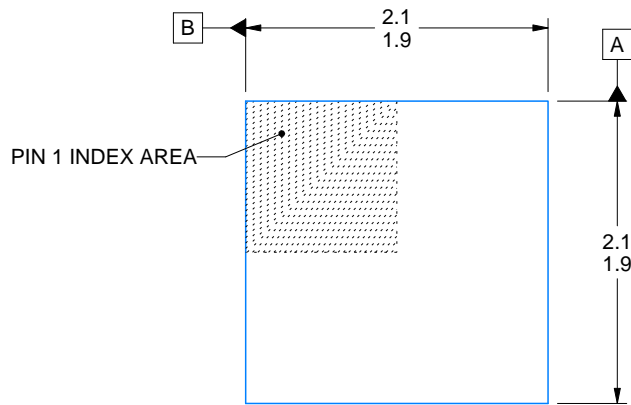
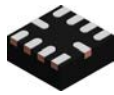
2 X 2, 0.5 mm pitch

PLASTIC QUAD FLATPACK - NO LEAD

This image is a representation of the package family, actual package may vary.  
Refer to the product data sheet for package details.



4228249/A



4220470/A 05/2020

NOTES:

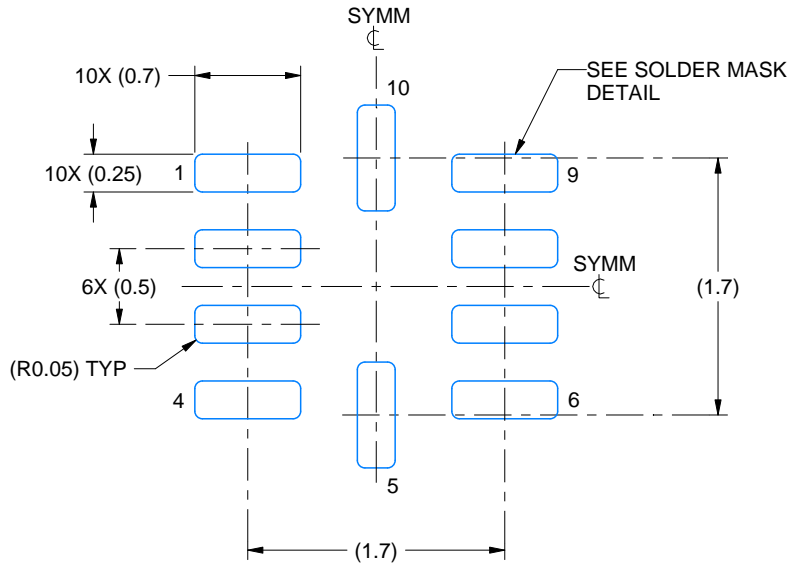
1. All linear dimensions are in millimeters. Any dimensions in parenthesis are for reference only. Dimensioning and tolerancing per ASME Y14.5M.
2. This drawing is subject to change without notice.

# EXAMPLE BOARD LAYOUT

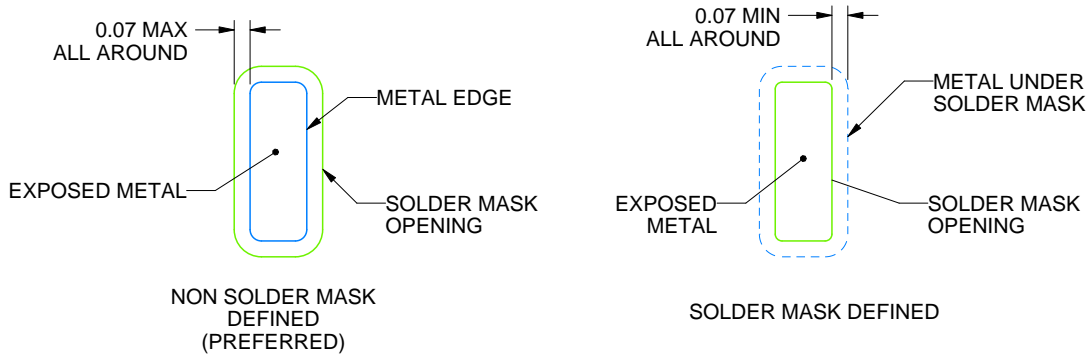
RUN0010A

WQFN - 0.8 mm max height

PLASTIC QUAD FLATPACK - NO LEAD



LAND PATTERN EXAMPLE  
EXPOSED METAL SHOWN  
SCALE: 20X



SOLDER MASK DETAILS

4220470/A 05/2020

NOTES: (continued)

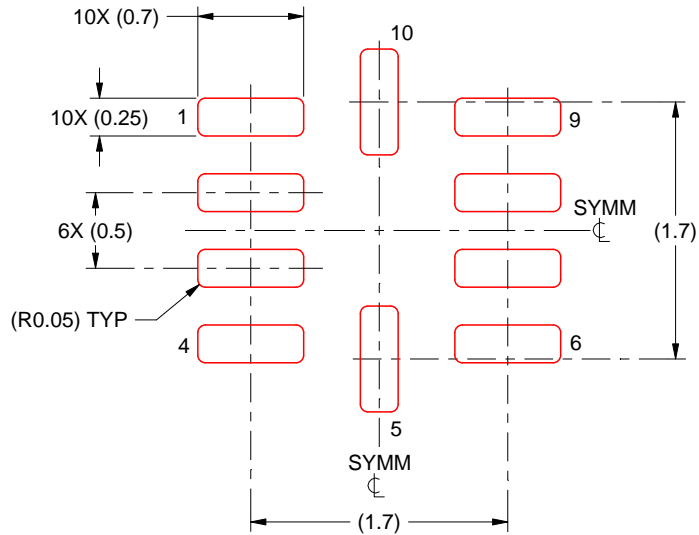
- This package is designed to be soldered to a thermal pad on the board. For more information, see Texas Instruments literature number SLUA271 ([www.ti.com/lit/slua271](http://www.ti.com/lit/slua271)).

# EXAMPLE STENCIL DESIGN

RUN0010A

WQFN - 0.8 mm max height

PLASTIC QUAD FLATPACK - NO LEAD



SOLDER PASTE EXAMPLE  
BASED ON 0.125 MM THICK STENCIL  
SCALE: 20X

4220470/A 05/2020

NOTES: (continued)

4. Laser cutting apertures with trapezoidal walls and rounded corners may offer better paste release. IPC-7525 may have alternate design recommendations.

## 重要声明和免责声明

TI“按原样”提供技术和可靠性数据（包括数据表）、设计资源（包括参考设计）、应用或其他设计建议、网络工具、安全信息和其他资源，不保证没有瑕疵且不做任何明示或暗示的担保，包括但不限于对适销性、某特定用途方面的适用性或不侵犯任何第三方知识产权的暗示担保。

这些资源可供使用 TI 产品进行设计的熟练开发人员使用。您将自行承担以下全部责任：(1) 针对您的应用选择合适的 TI 产品，(2) 设计、验证并测试您的应用，(3) 确保您的应用满足相应标准以及任何其他功能安全、信息安全、监管或其他要求。

这些资源如有变更，恕不另行通知。TI 授权您仅可将这些资源用于研发本资源所述的 TI 产品的应用。严禁对这些资源进行其他复制或展示。您无权使用任何其他 TI 知识产权或任何第三方知识产权。您应全额赔偿因在这些资源的使用中对 TI 及其代表造成的任何索赔、损害、成本、损失和债务，TI 对此概不负责。

TI 提供的产品受 [TI 的销售条款](#) 或 [ti.com](#) 上其他适用条款/TI 产品随附的其他适用条款的约束。TI 提供这些资源并不会扩展或以其他方式更改 TI 针对 TI 产品发布的适用的担保或担保免责声明。

TI 反对并拒绝您可能提出的任何其他或不同的条款。

邮寄地址：Texas Instruments, Post Office Box 655303, Dallas, Texas 75265

Copyright © 2024，德州仪器 (TI) 公司