

# TMUX741xF 具有闩锁效应抑制和 1.8V 逻辑电平的 ±60V 故障保护、1:1 (SPST)、4 通道开关

## 1 特性

- 宽电源电压范围：
  - 单电源：8V 至 44V
  - 双电源：±5V 至 ±22V
- 集成故障保护：
  - 过压保护（从源极到电源或到漏极）：±85V
  - 过压保护：±60V
  - 断电保护：±60V
  - 指示故障状态的中断标志
  - 故障期间的输出开路
- 器件构造可实现闩锁效应抑制
- 人体放电模型 (HBM) ESD 等级：6kV
- 低导通电阻：8.3 Ω 典型值
- 平缓的导通电阻：10m Ω 典型值
- 支持的逻辑电平：1.8V
- 失效防护逻辑：高达 44V（与电源无关）
- 业界通用的 TSSOP 封装和较小的 WQFN 封装

## 2 应用

- 工厂自动化和控制
- 可编程逻辑控制器 (PLC)
- 模拟输入模块
- 半导体测试设备
- 电池测试设备
- 伺服驱动器控制模块
- 数据采集系统 (DAQ)

## 3 说明

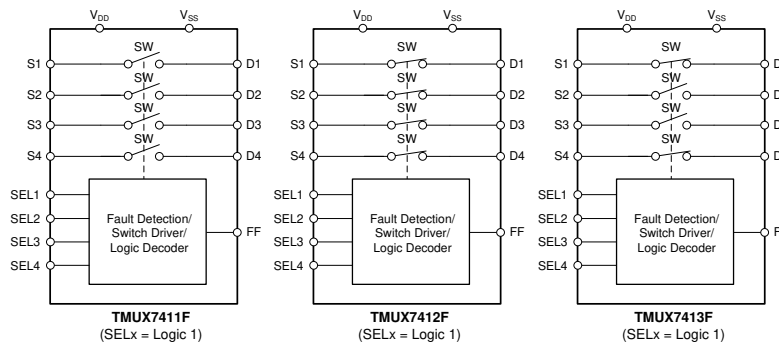
TMUX7411F、TMUX7412F 和 TMUX7413F 是互补金属氧化物半导体 (CMOS) 模拟开关，可提供 4 通道 1:1 (SPST) 配置。这些器件在双电源 (±5V 至 ±22V)、单电源 (8V 至 44V) 或非对称电源 (例如  $V_{DD} = 12V$ ,  $V_{SS} = -5V$ ) 供电情况下运行良好。TMUX741xF 器件在通电和断电情况下均提供过压保护，适用于无法精确控制电源时序的应用。

在通电和断电条件下，该器件可阻断最高 +60V 或 -60V 的对地故障电压。在没有电源的情况下，无论开关输入条件如何，开关通道都将保持关断状态，并且逻辑引脚上的任何控制信号都会被忽略。如果任何  $S_x$  引脚上的信号路径输入电压超过电源电压 ( $V_{DD}$  或  $V_{SS}$ ) 一个阈值电压 ( $V_T$ )，那么通道将会关闭，并且  $S_x$  引脚将变为高阻态。在故障情况下，所选通道的漏极引脚 ( $D_x$ ) 为悬空状态。TMUX741xF 器件提供低电平有效中断标志 (FF)，以指示是否有任何源输入出现故障，从而帮助系统诊断。

### 封装信息(1)(3)

器件型号	封装	封装尺寸 (标称值)
TMUX7411F TMUX7412F TMUX7413F	PW (TSSOP, 16) (2)	5.00mm × 4.40mm
	RRP (WQFN, 16)	4.00mm × 4.00mm

- 如需了解所有可用封装，请参阅数据表末尾的可订购产品附录。
- 预发布封装。
- 请参阅 [器件比较表](#)。



功能方框图



## Table of Contents

<b>1 特性</b> .....	1	8.9 Fault Flag Recovery Time.....	28
<b>2 应用</b> .....	1	8.10 Charge Injection.....	29
<b>3 说明</b> .....	1	8.11 Off Isolation.....	29
<b>4 Revision History</b> .....	2	8.12 Inter-Channel Crosstalk.....	30
<b>5 Device Comparison Table</b> .....	3	8.13 Bandwidth.....	30
<b>6 Pin Configuration and Functions</b> .....	3	8.14 THD + Noise.....	31
<b>7 Specifications</b> .....	4	<b>9 Detailed Description</b> .....	32
7.1 Absolute Maximum Ratings.....	4	9.1 Overview.....	32
7.2 ESD Ratings.....	4	9.2 Functional Block Diagram.....	32
7.3 Thermal Information.....	5	9.3 Feature Description.....	32
7.4 Recommended Operating Conditions.....	5	9.4 Device Functional Modes.....	35
7.5 Electrical Characteristics: Global.....	6	<b>10 Application and Implementation</b> .....	37
7.6 ±15 V Dual Supply: Electrical Characteristics.....	7	10.1 Application Information.....	37
7.7 ±20 V Dual Supply: Electrical Characteristics.....	10	10.2 Typical Application.....	37
7.8 12 V Single Supply: Electrical Characteristics.....	13	<b>11 Power Supply Recommendations</b> .....	39
7.9 36 V Single Supply: Electrical Characteristics.....	15	<b>12 Layout</b> .....	39
7.10 Typical Characteristics.....	17	12.1 Layout Guidelines.....	39
<b>8 Parameter Measurement Information</b> .....	24	12.2 Layout Example.....	39
8.1 On-Resistance.....	24	<b>13 Device and Documentation Support</b> .....	40
8.2 Turn-On and Turn-Off Time.....	24	13.1 Documentation Support.....	40
8.3 Off-Leakage Current.....	25	13.2 接收文档更新通知.....	40
8.4 On-Leakage Current.....	25	13.3 支持资源.....	40
8.5 Input and Output Leakage Current Under Overvoltage Fault.....	26	13.4 Trademarks.....	40
8.6 Fault Response Time.....	27	13.5 Electrostatic Discharge Caution.....	40
8.7 Fault Recovery Time.....	27	13.6 术语表.....	40
8.8 Fault Flag Response Time.....	28	<b>14 Mechanical, Packaging, and Orderable   Information</b> .....	40

## 4 Revision History

注：以前版本的页码可能与当前版本的页码不同

Changes from Revision A (November 2021) to Revision B (November 2022)	Page
• 将 TMUX7411F 和 TMUX7413F 器件的 WQFN (20) 封装状态从预发布更改为正在供货.....	1

Changes from Revision * (March 2021) to Revision A (November 2021)	Page
• 将数据表的状态从预告信息更改为量产数据.....	1

## 5 Device Comparison Table

PRODUCT	DESCRIPTION
TMUX7411F	±60 V fault-protected, latch-up immune, quad SPST switch (logic low)
TMUX7412F	±60 V fault-protected, latch-up immune, quad SPST switch (logic high)
TMUX7413F	±60 V fault-protected, latch-up immune, quad SPST switch (logic low + logic high)

## 6 Pin Configuration and Functions

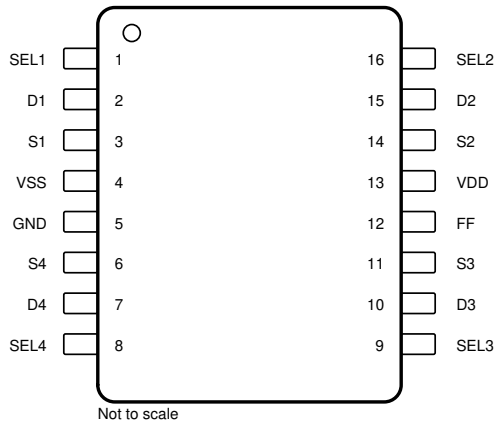


图 6-1. (Preview) PW Package, 16-Pin TSSOP (Top View)

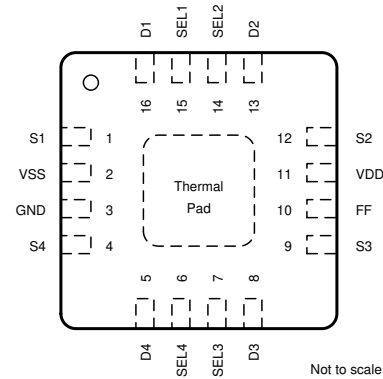


图 6-2. RRP Package, 16-Pin WQFN (Top View)

表 6-1. Pin Functions

NAME	PIN		TYPE <sup>(1)</sup>	DESCRIPTION
	TSSOP <sup>(2)</sup>	WQFN		
D1	2	16	I/O	Drain pin 1. Can be an input or output. The drain pin is not overvoltage protected.
D2	15	13	I/O	Drain pin 2. Can be an input or output. The drain pin is not overvoltage protected.
D3	10	8	I/O	Drain pin 3. Can be an input or output. The drain pin is not overvoltage protected.
D4	7	5	I/O	Drain pin 4. Can be an input or output. The drain pin is not overvoltage protected.
FF	12	10	O	General fault flag. This pin is an open drain output and is asserted low when overvoltage condition is detected on any of the source (Sx) input pins. Connect this pin to an external supply (1.8 V to 5.5 V) through a 1 k $\Omega$ pull-up resistor.
GND	5	3	P	Ground (0 V) reference
S1	3	1	I/O	Overvoltage protected source pin 1. Can be an input or output.
S2	14	12	I/O	Overvoltage protected source pin 2. Can be an input or output.
S3	11	9	I/O	Overvoltage protected source pin 3. Can be an input or output.
S4	6	4	I/O	Overvoltage protected source pin 4. Can be an input or output.
SEL1	1	15	I	Logic control input 1.
SEL2	16	14	I	Logic control input 2.
SEL3	9	7	I	Logic control input 3.
SEL4	8	6	I	Logic control input 4.
V <sub>DD</sub>	13	11	P	Positive power supply. This pin is the most positive power-supply potential. Connect a decoupling capacitor ranging from 0.1 $\mu$ F to 10 $\mu$ F between V <sub>DD</sub> and GND for reliable operation.
V <sub>SS</sub>	4	2	P	Negative power supply. This pin is the most negative power-supply potential. This pin can be connected to ground in single-supply applications. Connect a decoupling capacitor ranging from 0.1 $\mu$ F to 10 $\mu$ F between V <sub>SS</sub> and GND for reliable operation.
Thermal Pad			—	The thermal pad is not connected internally. It is recommended that the pad be tied to GND or VSS for best performance.

(1) I = input, O = output, I/O = input and output, P = power.

(2) Preview package.

## 7 Specifications

### 7.1 Absolute Maximum Ratings

over operating free-air temperature range (unless otherwise noted)<sup>(1)</sup>

		MIN	MAX	UNIT
V <sub>DD</sub> to V <sub>SS</sub>	Supply voltage		48	V
V <sub>DD</sub> to GND		- 0.3	48	V
V <sub>SS</sub> to GND		- 48	0.3	V
V <sub>S</sub> to GND	Source input pin (Sx) voltage to GND	- 65	65	V
V <sub>S</sub> to V <sub>DD</sub>	Source input pin (Sx) voltage to V <sub>DD</sub>	- 90		V
V <sub>S</sub> to V <sub>SS</sub>	Source input pin (Sx) voltage to V <sub>SS</sub>		90	V
V <sub>D</sub>	Drain pin (Dx) voltage	V <sub>SS</sub> - 0.7	V <sub>DD</sub> +0.7	V
V <sub>SEL</sub>	Logic control input pin voltage (SELx) <sup>(2)</sup>	GND - 0.7	48	V
V <sub>FF</sub>	Logic output pin voltage (FF) <sup>(2)</sup>	GND - 0.7	6	V
I <sub>SEL</sub>	Logic control input pin current (SELx) <sup>(2)</sup>	- 30	30	mA
I <sub>FF</sub>	Logic output pin current (FF) <sup>(2)</sup>	- 10	10	mA
I <sub>S</sub> or I <sub>D</sub> (CONT)	Source or drain continuous current (Sx or Dx)	I <sub>DC</sub> ± 10 % <sup>(3)</sup>	I <sub>DC</sub> ± 10 % <sup>(3)</sup>	mA
T <sub>stg</sub>	Storage temperature	- 65	150	°C
T <sub>A</sub>	Ambient temperature	- 55	150	°C
T <sub>J</sub>	Junction temperature		150	°C
P <sub>tot</sub> <sup>(4)</sup>	Total power dissipation (QFN)		1600	mW

- (1) Operation outside the *Absolute Maximum Ratings* may cause permanent device damage. Absolute maximum ratings do not imply functional operation of the device at these or any other conditions beyond those listed under *Recommended Operating Conditions*. If briefly operating outside the *Recommended Operating Conditions* but within the *Absolute Maximum Ratings*, the device may not sustain damage, but it may not be fully functional. Operating the device in this manner may affect device reliability, functionality, performance, and shorten the device lifetime.
- (2) Stresses have to be kept at or below both voltage and current ratings at all time.
- (3) Refer to Recommended Operating Conditions for I<sub>DC</sub> ratings.
- (4) For QFN package: P<sub>tot</sub> derates linearly above T<sub>A</sub> = 70°C by 23.5 mW/°C

### 7.2 ESD Ratings

			VALUE	UNIT
V <sub>(ESD)</sub>	Electrostatic discharge	Human body model (HBM), per ANSI/ESDA/JEDEC JS-001, all pins <sup>(1)</sup>	±6000	V
		Charged device model (CDM), per ANSI/ESDA/JEDEC JS-002, all pins <sup>(2)</sup>	±750	

- (1) JEDEC document JEP155 states that 500-V HBM allows safe manufacturing with a standard ESD control process.
- (2) JEDEC document JEP157 states that 250-V CDM allows safe manufacturing with a standard ESD control process.

### 7.3 Thermal Information

THERMAL METRIC <sup>(1)</sup>		TMUX7411F/ TMUX7412F/ TMUX7413F		UNIT
		PW (TSSOP)	RRP (WQFN)	
		16 PINS	16 PINS	
$R_{\theta JA}$	Junction-to-ambient thermal resistance	TBD	42.8	°C/W
$R_{\theta JC(top)}$	Junction-to-case (top) thermal resistance	TBD	28.5	°C/W
$R_{\theta JB}$	Junction-to-board thermal resistance	TBD	17.9	°C/W
$\Psi_{JT}$	Junction-to-top characterization parameter	TBD	0.3	°C/W
$\Psi_{JB}$	Junction-to-board characterization parameter	TBD	17.9	°C/W
$R_{\theta JC(bot)}$	Junction-to-case (bottom) thermal resistance	N/A	4.0	°C/W

(1) For more information about traditional and new thermal metrics, see the [Semiconductor and IC Package Thermal Metrics](#) application report.

### 7.4 Recommended Operating Conditions

over operating free-air temperature range (unless otherwise noted)

		MIN	NOM	MAX	UNIT
$V_{DD} - V_{SS}$ <sup>(1)</sup>	Power supply voltage differential	8		44	V
$V_{DD}$	Positive power supply voltage	5		44	
$V_S$	Source pin (Sx) voltage (non-fault condition)	$V_{SS}$		$V_{DD}$	V
$V_S$ to GND	Source pin (Sx) voltage to GND (fault condition)	- 60		60	
$V_S$ to $V_{DD}$ <sup>(2)</sup>	Source pin (Sx) voltage to $V_{DD}$ or $V_D$ (fault condition)	- 85			
$V_S$ to $V_{SS}$ <sup>(2)</sup>	Source pin (Sx) voltage to $V_{SS}$ or $V_D$ (fault condition)			85	
$V_D$	Drain pin (Dx) voltage	$V_{SS}$		$V_{DD}$	V
$V_{SEL}$	Logic control input pin voltage (SELx)	GND		44	
$V_{FF}$ <sup>(3)</sup>	Logic output pin voltage (FF)	GND		5.5	
$T_A$	Ambient temperature	- 40		125	°C
$I_{DC}$	Continuous current through switch, WQFN package	$T_A = 25^\circ\text{C}$		150	mA
		$T_A = 85^\circ\text{C}$		100	
		$T_A = 125^\circ\text{C}$		60	

(1)  $V_{DD}$  and  $V_{SS}$  can be any value as long as  $8\text{ V} \leq (V_{DD} - V_{SS}) \leq 44\text{ V}$ , and the minimum  $V_{DD}$  is met.

(2) Source pin voltage (Sx) under a fault condition may not exceed 85 V from supply pins ( $V_{DD}$  and  $V_{SS}$ .) or drain pins (D, Dx).

(3) Logic output pin (FF) is an open drain output and should be pulled up to a voltage within the max ratings

## 7.5 Electrical Characteristics: Global

at  $T_A = 25^\circ\text{C}$  (unless otherwise noted)

PARAMETER		TEST CONDITIONS		MIN	TYP	MAX	UNIT
<b>ANALOG SWITCH</b>							
$V_T$	Threshold voltage for fault detector		25°C		0.7		V
<b>LOGIC INPUT/ OUTPUT</b>							
$V_{IH}$	High-level input voltage	SELx pins	- 40°C to +125°C	1.3		44	V
$V_{IL}$	Low-level input voltage	SELx pins	- 40°C to +125°C	0		0.8	V
$I_{IH}$	High-level input current	$V_{SELx} = V_{DD}$	- 40°C to +125°C		0.4	3	μA
$I_{IL}$	Low-level input current	$V_{SELx} = 0\text{ V}$	- 40°C to +125°C	- 1	- 0.65		μA
$V_{OL(FLAG)}$	Low-level output voltage	FF pin, $I_O = 5\text{ mA}$	- 40°C to +125°C			0.35	V
<b>POWER SUPPLY</b>							
$V_{UVLO}$	Undervoltage lockout (UVLO) threshold voltage ( $V_{DD} - V_{SS}$ )	Rising edge, single supply	- 40°C to +125°C	5.1	5.8	6.4	V
		Falling edge, single supply	- 40°C to +125°C	5	5.7	6.3	V
$V_{HYS}$	$V_{DD}$ Undervoltage lockout (UVLO) hysteresis	Single supply	- 40°C to +125°C		0.2		V

## 7.6 ±15 V Dual Supply: Electrical Characteristics

$V_{DD} = +15\text{ V} \pm 10\%$ ,  $V_{SS} = -15\text{ V} \pm 10\%$ ,  $GND = 0\text{ V}$  (unless otherwise noted)

Typical at  $V_{DD} = +15\text{ V}$ ,  $V_{SS} = -15\text{ V}$ ,  $T_A = 25^\circ\text{C}$  (unless otherwise noted)

PARAMETER		TEST CONDITIONS	$T_A$	MIN	TYP	MAX	UNIT
<b>ANALOG SWITCH</b>							
$R_{ON}$	On-resistance	$V_S = -10\text{ V to }+10\text{ V}$ $I_D = -10\text{ mA}$	25°C	8.3	11		$\Omega$
			-40°C to +85°C			14	
			-40°C to +125°C			16.5	
$\Delta R_{ON}$	On-resistance mismatch between channels	$V_S = -10\text{ V to }+10\text{ V}$ $I_D = -10\text{ mA}$	25°C	0.06	0.45		$\Omega$
			-40°C to +85°C			0.5	
			-40°C to +125°C			0.6	
$R_{FLAT}$	On-resistance flatness	$V_S = -10\text{ V to }+10\text{ V}$ $I_D = -10\text{ mA}$	25°C	0.01	0.4		$\Omega$
			-40°C to +85°C			0.4	
			-40°C to +125°C			0.4	
$R_{ON\_DRIFT}$	On-resistance drift	$V_S = 0\text{ V}$ , $I_S = -10\text{ mA}$	-40°C to +125°C		0.04		$\Omega/^\circ\text{C}$
$I_{S(OFF)}$	Input leakage current <sup>(1)</sup>	$V_{DD} = 16.5\text{ V}$ , $V_{SS} = -16.5\text{ V}$ Switch state is off $V_S = +10\text{ V} / -10\text{ V}$ $V_D = -10\text{ V} / +10\text{ V}$	25°C	-0.7	0.03	0.7	nA
			-40°C to +85°C			2	
			-40°C to +125°C			10	
$I_{D(OFF)}$	Output off leakage current <sup>(1)</sup>	$V_{DD} = 16.5\text{ V}$ , $V_{SS} = -16.5\text{ V}$ Switch state is off $V_S = +10\text{ V} / -10\text{ V}$ $V_D = -10\text{ V} / +10\text{ V}$	25°C	-0.7	0.03	0.7	nA
			-40°C to +85°C			2	
			-40°C to +125°C			12	
$I_{S(ON)}$ $I_{D(ON)}$	Output on leakage current <sup>(2)</sup>	$V_{DD} = 16.5\text{ V}$ , $V_{SS} = -16.5\text{ V}$ Switch state is on $V_S = V_D = \pm 10\text{ V}$	25°C	-0.7	0.05	0.7	nA
			-40°C to +85°C			2	
			-40°C to +125°C			15	
<b>FAULT CONDITION</b>							
$I_{S(FA)}$	Input leakage current during overvoltage	$V_S = \pm 60\text{ V}$ , $GND = 0\text{ V}$ , $V_{DD} = 16.5\text{ V}$ , $V_{SS} = -16.5\text{ V}$	-40°C to +125°C		±100		$\mu\text{A}$
$I_{S(FA)\text{ Grounded}}$	Input leakage current during overvoltage with grounded supply voltages	$V_S = \pm 60\text{ V}$ , $GND = 0\text{ V}$ $V_{DD} = V_{SS} = 0\text{ V}$	-40°C to +125°C		±125		$\mu\text{A}$
$I_{S(FA)\text{ Floating}}$	Input leakage current during overvoltage with floating supply voltages	$V_S = \pm 60\text{ V}$ , $GND = 0\text{ V}$ , $V_{DD} = V_{SS} = \text{floating}$	-40°C to +125°C		±125		$\mu\text{A}$
$I_{D(FA)}$	Output leakage current during overvoltage	$V_S = \pm 60\text{ V}$ , $GND = 0\text{ V}$ , $V_{DD} = 16.5\text{ V}$ , $V_{SS} = -16.5\text{ V}$ $-15.5\text{ V} \leq V_D \leq 16.5\text{ V}$	25°C	-20	±0.1	20	nA
			-40°C to +85°C			30	
			-40°C to +125°C			60	
$I_{D(FA)\text{ Grounded}}$	Output leakage current during overvoltage with grounded supply voltages	$V_S = \pm 60\text{ V}$ , $GND = 0\text{ V}$ , $V_{DD} = V_{SS} = 0\text{ V}$	25°C	-30	±0.01	30	nA
			-40°C to +85°C			50	
			-40°C to +125°C			90	
$I_{D(FA)\text{ Floating}}$	Output leakage current during overvoltage with floating supply voltages	$V_S = \pm 60\text{ V}$ , $GND = 0\text{ V}$ , $V_{DD} = V_{SS} = \text{floating}$	25°C		±2		$\mu\text{A}$
			-40°C to +85°C			±3	
			-40°C to +125°C			±4	

## 7.6 ±15 V Dual Supply: Electrical Characteristics (continued)

 $V_{DD} = +15\text{ V} \pm 10\%$ ,  $V_{SS} = -15\text{ V} \pm 10\%$ ,  $GND = 0\text{ V}$  (unless otherwise noted)

 Typical at  $V_{DD} = +15\text{ V}$ ,  $V_{SS} = -15\text{ V}$ ,  $T_A = 25^\circ\text{C}$  (unless otherwise noted)

PARAMETER		TEST CONDITIONS	$T_A$	MIN	TYP	MAX	UNIT
<b>SWITCHING CHARACTERISTICS</b>							
$t_{ON}$	Turn-on time	$V_S = 10\text{ V}$ , $R_L = 300\ \Omega$ , $C_L = 12\text{ pF}$	25°C	480	680		ns
			-40°C to +85°C		710		
			-40°C to +125°C		710		
$t_{OFF}$	Turn-off time	$V_S = 10\text{ V}$ , $R_L = 300\ \Omega$ , $C_L = 12\text{ pF}$	25°C	50	100		ns
			-40°C to +85°C		120		
			-40°C to +125°C		150		
$t_{RESPONSE}$	Fault response time	$R_L = 300\ \Omega$ , $C_L = 12\text{ pF}$	25°C	100	350		ns
			-40°C to +85°C		380		
			-40°C to +125°C		400		
$t_{RECOVERY}$	Fault recovery time	$R_L = 300\ \Omega$ , $C_L = 12\text{ pF}$	25°C	1600	4500		ns
			-40°C to +85°C		4800		
			-40°C to +125°C		4800		
$t_{RESPONSE(FLAG)}$	Fault flag response time	$R_L = 300\ \Omega$ , $C_L = 12\text{ pF}$ , $R_{PU} = 1\text{ k}\Omega$ , $C_{L\_FF} = 12\text{ pF}$	25°C	180			ns
$t_{RECOVERY(FLAG)}$	Fault flag recovery time	$R_L = 300\ \Omega$ , $C_L = 12\text{ pF}$ , $R_{PU} = 1\text{ k}\Omega$ , $C_{L\_FF} = 12\text{ pF}$	25°C		1.2		$\mu\text{s}$
$t_{BBM}$	Break-before-make time delay (TMUX7413F only)	$V_S = 10\text{ V}$ , $R_L = 300\ \Omega$ , $C_L = 12\text{ pF}$	-40°C to +125°C	80	120		ns
$Q_J$	Charge injection	$V_S = 0\text{ V}$ , $C_L = 1\text{ nF}$	25°C	-300			pC
$O_{ISO}$	Off-isolation	$R_S = 50\ \Omega$ , $R_L = 50\ \Omega$ , $C_L = 5\text{ pF}$ , $V_S = 200\text{ mV}_{RMS}$ , $V_{BIAS} = 0\text{ V}$ , $f = 1\text{ MHz}$	25°C	-60			dB
$X_{TALK}$	Crosstalk	$R_S = 50\ \Omega$ , $R_L = 50\ \Omega$ , $C_L = 5\text{ pF}$ , $V_S = 200\text{ mV}_{RMS}$ , $V_{BIAS} = 0\text{ V}$ , $f = 1\text{ MHz}$	25°C	-100			dB
BW	-3 dB bandwidth	$R_S = 50\ \Omega$ , $R_L = 50\ \Omega$ , $C_L = 5\text{ pF}$ , $V_S = 200\text{ mV}_{RMS}$ , $V_{BIAS} = 0\text{ V}$	25°C		650		MHz
$I_{LOSS}$	Insertion loss	$R_S = 50\ \Omega$ , $R_L = 50\ \Omega$ , $C_L = 5\text{ pF}$ , $V_S = 200\text{ mV}_{RMS}$ , $V_{BIAS} = 0\text{ V}$ , $f = 1\text{ MHz}$	25°C	-0.7			dB
THD+N	Total harmonic distortion plus noise	$R_S = 50\ \Omega$ , $R_L = 10\text{ k}\Omega$ , $V_S = 15\text{ V}_{PP}$ , $V_{BIAS} = 0\text{ V}$ , $f = 20\text{ Hz to } 20\text{ kHz}$	25°C		0.0006		%
$C_{S(OFF)}$	Input off-capacitance	$f = 1\text{ MHz}$ , $V_S = 0\text{ V}$	25°C		10		pF
$C_{D(OFF)}$	Output off-capacitance	$f = 1\text{ MHz}$ , $V_S = 0\text{ V}$	25°C		12		pF
$C_{S(ON)}$ $C_{D(ON)}$	Input/Output on-capacitance	$f = 1\text{ MHz}$ , $V_S = 0\text{ V}$	25°C		14		pF
<b>POWER SUPPLY</b>							
$I_{DD}$	$V_{DD}$ supply current	$V_{DD} = 16.5\text{ V}$ , $V_{SS} = -16.5\text{ V}$ , $V_{SELx} = 0\text{ V}, 5\text{ V}, \text{ or } V_{DD}$	25°C	0.32	0.5		mA
			-40°C to +85°C		0.5		
			-40°C to +125°C		0.6		
$I_{SS}$	$V_{SS}$ supply current	$V_{DD} = 16.5\text{ V}$ , $V_{SS} = -16.5\text{ V}$ , $V_{SELx} = 0\text{ V}, 5\text{ V}, \text{ or } V_{DD}$	25°C	0.26	0.4		mA
			-40°C to +85°C		0.4		
			-40°C to +125°C		0.5		
$I_{GND}$	GND current		25°C	0.06			mA
$I_{DD(FA)}$	$V_{DD}$ supply current under fault	$V_S = \pm 60\text{ V}$ , $V_{DD} = 16.5\text{ V}$ , $V_{SS} = -16.5\text{ V}$ , $V_{SELx} = 0\text{ V}, 5\text{ V}, \text{ or } V_{DD}$	25°C	0.27	0.5		mA
			-40°C to +85°C		0.5		
			-40°C to +125°C		0.6		



## 7.6 ±15 V Dual Supply: Electrical Characteristics (continued)

$V_{DD} = +15\text{ V} \pm 10\%$ ,  $V_{SS} = -15\text{ V} \pm 10\%$ , GND = 0 V (unless otherwise noted)

Typical at  $V_{DD} = +15\text{ V}$ ,  $V_{SS} = -15\text{ V}$ ,  $T_A = 25^\circ\text{C}$  (unless otherwise noted)

PARAMETER		TEST CONDITIONS	$T_A$	MIN	TYP	MAX	UNIT
$I_{SS(FA)}$	V <sub>SS</sub> supply current under fault	V <sub>S</sub> = ± 60 V, V <sub>DD</sub> = 16.5 V, V <sub>SS</sub> = - 16.5 V, V <sub>SELx</sub> = 0 V, 5 V, or V <sub>DD</sub>	25°C		0.2	0.3	mA
			- 40°C to +85°C			0.3	
			- 40°C to +125°C			0.4	
$I_{GND(FA)}$	GND current under fault		25°C		0.15		mA

- (1) When V<sub>S</sub> is positive, V<sub>D</sub> is negative. And when V<sub>S</sub> is negative, V<sub>D</sub> is positive.
- (2) When V<sub>S</sub> is at a voltage potential, V<sub>D</sub> is floating. And when V<sub>D</sub> is at a voltage potential, V<sub>S</sub> is floating.

## 7.7 ±20 V Dual Supply: Electrical Characteristics

$V_{DD} = +20\text{ V} \pm 10\%$ ,  $V_{SS} = -20\text{ V} \pm 10\%$ ,  $GND = 0\text{ V}$  (unless otherwise noted)

Typical at  $V_{DD} = +20\text{ V}$ ,  $V_{SS} = -20\text{ V}$ ,  $T_A = 25^\circ\text{C}$  (unless otherwise noted)

PARAMETER		TEST CONDITIONS	$T_A$	MIN	TYP	MAX	UNIT
<b>ANALOG SWITCH</b>							
$R_{ON}$	On-resistance	$V_S = -15\text{ V to }+15\text{ V}$ $I_D = -10\text{ mA}$	25°C	8.3	11		$\Omega$
			-40°C to +85°C			14	
			-40°C to +125°C			17	
$\Delta R_{ON}$	On-resistance mismatch between channels	$V_S = -15\text{ V to }+15\text{ V}$ $I_D = -10\text{ mA}$	25°C	0.06	0.35		$\Omega$
			-40°C to +85°C			0.5	
			-40°C to +125°C			0.5	
$R_{FLAT}$	On-resistance flatness	$V_S = -15\text{ V to }+15\text{ V}$ $I_D = -10\text{ mA}$	25°C	0.015	0.4		$\Omega$
			-40°C to +85°C			0.5	
			-40°C to +125°C			0.5	
$R_{ON\_DRIFT}$	On-resistance drift	$V_S = 0\text{ V}$ , $I_S = -10\text{ mA}$	-40°C to +125°C		0.04		$\Omega/^\circ\text{C}$
$I_{S(OFF)}$	Input leakage current <sup>(1)</sup>	$V_{DD} = 22\text{ V}$ , $V_{SS} = -22\text{ V}$ Switch state is off $V_S = +15\text{ V} / -15\text{ V}$ $V_D = -15\text{ V} / +15\text{ V}$	25°C	-0.7	0.03	0.7	nA
			-40°C to +85°C	-2		2	
			-40°C to +125°C	-10		10	
$I_{D(OFF)}$	Output off leakage current <sup>(1)</sup>	$V_{DD} = 22\text{ V}$ , $V_{SS} = -22\text{ V}$ Switch state is off $V_S = +15\text{ V} / -15\text{ V}$ $V_D = -15\text{ V} / +15\text{ V}$	25°C	-0.7	0.03	0.7	nA
			-40°C to +85°C	-2		2	
			-40°C to +125°C	-12		12	
$I_{S(ON)}$ $I_{D(ON)}$	Output on leakage current <sup>(2)</sup>	$V_{DD} = 22\text{ V}$ , $V_{SS} = -22\text{ V}$ Switch state is on $V_S = V_D = \pm 15\text{ V}$	25°C	-0.7	0.05	0.7	nA
			-40°C to +85°C	-2		2	
			-40°C to +125°C	-15		15	
<b>FAULT CONDITION</b>							
$I_{S(FA)}$	Input leakage current during overvoltage	$V_S = \pm 60\text{ V}$ , $GND = 0\text{ V}$ , $V_{DD} = 22\text{ V}$ , $V_{SS} = -22\text{ V}$	-40°C to +125°C		±85		$\mu\text{A}$
$I_{S(FA)} \text{ Grounded}$	Input leakage current during overvoltage with grounded supply voltages	$V_S = \pm 60\text{ V}$ , $GND = 0\text{ V}$ , $V_{DD} = V_{SS} = 0\text{ V}$	-40°C to +125°C		±125		$\mu\text{A}$
$I_{S(FA)} \text{ Floating}$	Input leakage current during overvoltage with floating supply voltages	$V_S = \pm 60\text{ V}$ , $GND = 0\text{ V}$ , $V_{DD} = V_{SS} = \text{floating}$	-40°C to +125°C		±125		$\mu\text{A}$
$I_{D(FA)}$	Output leakage current during overvoltage	$V_S = \pm 60\text{ V}$ , $GND = 0\text{ V}$ , $V_{DD} = 22\text{ V}$ , $V_{SS} = -22\text{ V}$ , $-21\text{ V} \leq V_D \leq 22\text{ V}$	25°C	-50	±5	50	nA
			-40°C to +85°C	-70		70	
			-40°C to +125°C	-90		90	
$I_{D(FA)} \text{ Grounded}$	Output leakage current during overvoltage with grounded supply voltages	$V_S = \pm 60\text{ V}$ , $GND = 0\text{ V}$ , $V_{DD} = V_{SS} = 0\text{ V}$	25°C	-30	±10	30	nA
			-40°C to +85°C	-50		50	
			-40°C to +125°C	-90		90	
$I_{D(FA)} \text{ Floating}$	Output leakage current during overvoltage with floating supply voltages	$V_S = \pm 60\text{ V}$ , $GND = 0\text{ V}$ , $V_{DD} = V_{SS} = \text{floating}$	25°C		±2		$\mu\text{A}$
			-40°C to +85°C		±3		
			-40°C to +125°C		±4		

## 7.7 ±20 V Dual Supply: Electrical Characteristics (continued)

$V_{DD} = +20\text{ V} \pm 10\%$ ,  $V_{SS} = -20\text{ V} \pm 10\%$ ,  $GND = 0\text{ V}$  (unless otherwise noted)

Typical at  $V_{DD} = +20\text{ V}$ ,  $V_{SS} = -20\text{ V}$ ,  $T_A = 25^\circ\text{C}$  (unless otherwise noted)

PARAMETER		TEST CONDITIONS	$T_A$	MIN	TYP	MAX	UNIT
<b>SWITCHING CHARACTERISTICS</b>							
$t_{ON}$	Turn-on time	$V_S = 10\text{ V}$ , $R_L = 300\ \Omega$ , $C_L = 12\text{ pF}$	25°C	510	740	ns	
			-40°C to +85°C	780			
			-40°C to +125°C	780			
$t_{OFF}$	Turn-off time	$V_S = 10\text{ V}$ , $R_L = 300\ \Omega$ , $C_L = 12\text{ pF}$	25°C	50	100	ns	
			-40°C to +85°C	120			
			-40°C to +125°C	150			
$t_{RESPONSE}$	Fault response time	$R_L = 300\ \Omega$ , $C_L = 12\text{ pF}$	25°C	150	400	ns	
			-40°C to +85°C	430			
			-40°C to +125°C	450			
$t_{RECOVERY}$	Fault recovery time	$R_L = 300\ \Omega$ , $C_L = 12\text{ pF}$	25°C	1100	4500	ns	
			-40°C to +85°C	4900			
			-40°C to +125°C	4900			
$t_{RESPONSE(FLAG)}$	Fault flag response time	$R_L = 300\ \Omega$ , $C_L = 12\text{ pF}$ , $R_{PU} = 1\text{ k}\Omega$ , $C_{L\_FF} = 12\text{ pF}$	25°C	200		ns	
$t_{RECOVERY(FLAG)}$	Fault flag recovery time	$R_L = 300\ \Omega$ , $C_L = 12\text{ pF}$ , $R_{PU} = 1\text{ k}\Omega$ , $C_{L\_FF} = 12\text{ pF}$	25°C	0.9		$\mu\text{s}$	
$t_{BBM}$	Break-before-make time delay (TMUX7413F only)	$V_S = 10\text{ V}$ , $R_L = 300\ \Omega$ , $C_L = 12\text{ pF}$	-40°C to +125°C	80	120	ns	
$Q_J$	Charge injection	$V_S = 0\text{ V}$ , $C_L = 1\text{ nF}$	25°C	-330		pC	
$O_{ISO}$	Off-isolation	$R_S = 50\ \Omega$ , $R_L = 50\ \Omega$ , $C_L = 5\text{ pF}$ , $V_S = 200\text{ mV}_{RMS}$ , $V_{BIAS} = 0\text{ V}$ , $f = 1\text{ MHz}$	25°C	-60		dB	
$X_{TALK}$	Inter-channel crosstalk	$R_S = 50\ \Omega$ , $R_L = 50\ \Omega$ , $C_L = 5\text{ pF}$ , $V_S = 200\text{ mV}_{RMS}$ , $V_{BIAS} = 0\text{ V}$ , $f = 1\text{ MHz}$	25°C	-100		dB	
BW	-3 dB bandwidth	$R_S = 50\ \Omega$ , $R_L = 50\ \Omega$ , $C_L = 5\text{ pF}$ , $V_S = 200\text{ mV}_{RMS}$ , $V_{BIAS} = 0\text{ V}$	25°C	650		MHz	
$I_{LOSS}$	Insertion loss	$R_S = 50\ \Omega$ , $R_L = 50\ \Omega$ , $C_L = 5\text{ pF}$ , $V_S = 200\text{ mV}_{RMS}$ , $V_{BIAS} = 0\text{ V}$ , $f = 1\text{ MHz}$	25°C	-0.7		dB	
THD+N	Total harmonic distortion plus noise	$R_S = 50\ \Omega$ , $R_L = 10\text{ k}\Omega$ , $V_S = 20\text{ V}_{PP}$ , $V_{BIAS} = 0\text{ V}$ , $f = 20\text{ Hz}$ to $20\text{ kHz}$	25°C	0.0006		%	
$C_{S(OFF)}$	Input off-capacitance	$f = 1\text{ MHz}$ , $V_S = 0\text{ V}$	25°C	10		pF	
$C_{D(OFF)}$	Output off-capacitance	$f = 1\text{ MHz}$ , $V_S = 0\text{ V}$	25°C	12		pF	
$C_{S(ON)}$ $C_{D(ON)}$	Input/Output on-capacitance	$f = 1\text{ MHz}$ , $V_S = 0\text{ V}$	25°C	14		pF	
<b>POWER SUPPLY</b>							
$I_{DD}$	$V_{DD}$ supply current	$V_{DD} = 22\text{ V}$ , $V_{SS} = -22\text{ V}$ , $V_{SELx} = 0\text{ V}$ , $5\text{ V}$ , or $V_{DD}$	25°C	0.32	0.5	mA	
			-40°C to +85°C	0.5			
			-40°C to +125°C	0.6			
$I_{SS}$	$V_{SS}$ supply current	$V_{DD} = 22\text{ V}$ , $V_{SS} = -22\text{ V}$ , $V_{SELx} = 0\text{ V}$ , $5\text{ V}$ , or $V_{DD}$	25°C	0.26	0.4	mA	
			-40°C to +85°C	0.4			
			-40°C to +125°C	0.5			
$I_{GND}$	GND current		25°C	0.06		mA	
$I_{DD(FA)}$	$V_{DD}$ supply current under fault	$V_S = \pm 60\text{ V}$ , $V_{DD} = 22\text{ V}$ , $V_{SS} = -22\text{ V}$ , $V_{SELx} = 0\text{ V}$ , $5\text{ V}$ , or $V_{DD}$	25°C	0.27	0.5	mA	
			-40°C to +85°C	0.5			
			-40°C to +125°C	0.6			

### 7.7 ±20 V Dual Supply: Electrical Characteristics (continued)

$V_{DD} = +20\text{ V} \pm 10\%$ ,  $V_{SS} = -20\text{ V} \pm 10\%$ , GND = 0 V (unless otherwise noted)

Typical at  $V_{DD} = +20\text{ V}$ ,  $V_{SS} = -20\text{ V}$ ,  $T_A = 25^\circ\text{C}$  (unless otherwise noted)

PARAMETER		TEST CONDITIONS	$T_A$	MIN	TYP	MAX	UNIT
$I_{SS(FA)}$	$V_{SS}$ supply current under fault	$V_S = \pm 60\text{ V}$ , $V_{DD} = 22\text{ V}$ , $V_{SS} = -22\text{ V}$ , $V_{SELX} = 0\text{ V}, 5\text{ V}, \text{ or } V_{DD}$	25°C		0.2	0.3	mA
			-40°C to +85°C			0.3	
			-40°C to +125°C			0.4	
$I_{GND(FA)}$	GND current under fault		25°C		0.15		mA

- (1) When  $V_S$  is positive,  $V_D$  is negative. And when  $V_S$  is negative,  $V_D$  is positive.
- (2) When  $V_S$  is at a voltage potential,  $V_D$  is floating. And when  $V_D$  is at a voltage potential,  $V_S$  is floating.

## 7.8 12 V Single Supply: Electrical Characteristics

 $V_{DD} = +12\text{ V} \pm 10\%$ ,  $V_{SS} = 0\text{ V}$ ,  $GND = 0\text{ V}$  (unless otherwise noted)

 Typical at  $V_{DD} = +12\text{ V}$ ,  $V_{SS} = 0\text{ V}$ ,  $T_A = 25^\circ\text{C}$  (unless otherwise noted)

PARAMETER		TEST CONDITIONS	$T_A$	MIN	TYP	MAX	UNIT
<b>ANALOG SWITCH</b>							
$R_{ON}$	On-resistance	$V_S = 0\text{ V to } 7.8\text{ V}$ , $I_S = -10\text{ mA}$	25°C	8.3	11		$\Omega$
			-40°C to +85°C			15	
			-40°C to +125°C			18	
$\Delta R_{ON}$	On-resistance mismatch between channels	$V_S = 0\text{ V to } 7.8\text{ V}$ , $I_S = -10\text{ mA}$	25°C	0.06	0.5		$\Omega$
			-40°C to +85°C			0.6	
			-40°C to +125°C			0.7	
$R_{FLAT}$	On-resistance flatness	$V_S = 0\text{ V to } 7.8\text{ V}$ , $I_S = -10\text{ mA}$	25°C	0.06	0.4		$\Omega$
			-40°C to +85°C			0.5	
			-40°C to +125°C			0.5	
$R_{ON\_DRIFT}$	On-resistance drift	$V_S = 6\text{ V}$ , $I_S = -10\text{ mA}$	-40°C to +125°C	0.04			$\Omega/^\circ\text{C}$
$I_{S(OFF)}$	Input leakage current <sup>(1)</sup>	$V_{DD} = 13.2\text{ V}$ , $V_{SS} = 0\text{ V}$ Switch state is off $V_S = 10\text{ V} / 1\text{ V}$ $V_D = 1\text{ V} / 10\text{ V}$	25°C	-0.7	0.03	0.7	nA
			-40°C to +85°C	-2		2	
			-40°C to +125°C	-10		10	
$I_{D(OFF)}$	Output off leakage current <sup>(1)</sup>	$V_{DD} = 13.2\text{ V}$ , $V_{SS} = 0\text{ V}$ Switch state is off $V_S = 10\text{ V} / 1\text{ V}$ $V_D = 1\text{ V} / 10\text{ V}$	25°C	-0.7	0.03	0.7	nA
			-40°C to +85°C	-2		2	
			-40°C to +125°C	-12		12	
$I_{S(ON)}$ $I_{D(ON)}$	Output on leakage current <sup>(2)</sup>	$V_{DD} = 13.2\text{ V}$ , $V_{SS} = 0\text{ V}$ Switch state is on $V_S = V_D = 10\text{ V or } 1\text{ V}$	25°C	-0.7	0.05	0.7	nA
			-40°C to +85°C	-2		2	
			-40°C to +125°C	-14		14	
<b>FAULT CONDITION</b>							
$I_{S(FA)}$	Input leakage current during overvoltage	$V_S = \pm 60\text{ V}$ , $GND = 0\text{ V}$ , $V_{DD} = 13.2\text{ V}$ , $V_{SS} = 0\text{ V}$	-40°C to +125°C	$\pm 130$			$\mu\text{A}$
$I_{S(FA)} \text{ Grounded}$	Input leakage current during overvoltage with grounded supply voltages	$V_S = \pm 60\text{ V}$ , $GND = 0\text{ V}$ , $V_{DD} = V_{SS} = 0\text{ V}$	-40°C to +125°C	$\pm 125$			$\mu\text{A}$
$I_{S(FA)} \text{ Floating}$	Input leakage current during overvoltage with floating supply voltages	$V_S = \pm 60\text{ V}$ , $GND = 0\text{ V}$ , $V_{DD} = V_{SS} = \text{floating}$	-40°C to +125°C	$\pm 125$			$\mu\text{A}$
$I_{D(FA)}$	Output leakage current during overvoltage	$V_S = \pm 60\text{ V}$ , $GND = 0\text{ V}$ , $V_{DD} = 13.2\text{ V}$ , $V_{SS} = 0\text{ V}$ $1\text{ V} \leq V_D \leq 13.2\text{ V}$	25°C	-20	$\pm 2$	20	nA
			-40°C to +85°C	-30		30	
			-40°C to +125°C	-50		50	
$I_{D(FA)} \text{ Grounded}$	Output leakage current during overvoltage with grounded supply voltages	$V_S = \pm 60\text{ V}$ , $GND = 0\text{ V}$ , $V_{DD} = V_{SS} = 0\text{ V}$	25°C	-30	$\pm 10$	30	nA
			-40°C to +85°C	-50		50	
			-40°C to +125°C	-90		90	
$I_{D(FA)} \text{ Floating}$	Output leakage current during overvoltage with floating supply voltages	$V_S = \pm 60\text{ V}$ , $GND = 0\text{ V}$ , $V_{DD} = V_{SS} = \text{floating}$	25°C	$\pm 2$			$\mu\text{A}$
			-40°C to +85°C	$\pm 3$			
			-40°C to +125°C	$\pm 4$			

## 7.8 12 V Single Supply: Electrical Characteristics (continued)

$V_{DD} = +12\text{ V} \pm 10\%$ ,  $V_{SS} = 0\text{ V}$ ,  $GND = 0\text{ V}$  (unless otherwise noted)

Typical at  $V_{DD} = +12\text{ V}$ ,  $V_{SS} = 0\text{ V}$ ,  $T_A = 25^\circ\text{C}$  (unless otherwise noted)

PARAMETER		TEST CONDITIONS	$T_A$	MIN	TYP	MAX	UNIT
<b>SWITCHING CHARACTERISTICS</b>							
$t_{ON}$	Turn-on time	$V_S = 8\text{ V}$ , $R_L = 300\ \Omega$ , $C_L = 12\text{ pF}$	25°C	410	660		ns
			-40°C to +85°C		750		
			-40°C to +125°C		750		
$t_{OFF}$	Turn-off time	$V_S = 8\text{ V}$ , $R_L = 300\ \Omega$ , $C_L = 12\text{ pF}$	25°C	85	200		ns
			-40°C to +85°C		210		
			-40°C to +125°C		210		
$t_{RESPONSE}$	Fault response time	$R_L = 300\ \Omega$ , $C_L = 12\text{ pF}$	25°C	500	600		ns
			-40°C to +85°C		650		
			-40°C to +125°C		700		
$t_{RECOVERY}$	Fault recovery time	$R_L = 300\ \Omega$ , $C_L = 12\text{ pF}$	25°C	850	2400		ns
			-40°C to +85°C		2900		
			-40°C to +125°C		2900		
$t_{RESPONSE(FLAG)}$	Fault flag response time	$R_L = 300\ \Omega$ , $C_L = 12\text{ pF}$ , $R_{PU} = 1\text{ k}\Omega$ , $C_{L\_FF} = 12\text{ pF}$	25°C		105		ns
$t_{RECOVERY(FLAG)}$	Fault flag recovery time	$R_L = 300\ \Omega$ , $C_L = 12\text{ pF}$ , $R_{PU} = 1\text{ k}\Omega$ , $C_{L\_FF} = 12\text{ pF}$	25°C		0.8		$\mu\text{s}$
$t_{BBM}$	Break-before-make time delay (TMUX7413F only)	$V_S = 8\text{ V}$ , $R_L = 300\ \Omega$ , $C_L = 12\text{ pF}$	25°C	80	120		ns
$Q_J$	Charge injection	$V_S = 6\text{ V}$ , $C_L = 1\text{ nF}$	25°C		-230		pC
$O_{ISO}$	Off-isolation	$R_S = 50\ \Omega$ , $R_L = 50\ \Omega$ , $C_L = 5\text{ pF}$ , $V_S = 200\text{ mV}_{RMS}$ , $V_{BIAS} = 0\text{ V}$ , $f = 1\text{ MHz}$	25°C		-53		dB
$X_{TALK}$	Crosstalk	$R_S = 50\ \Omega$ , $R_L = 50\ \Omega$ , $C_L = 5\text{ pF}$ , $V_S = 200\text{ mV}_{RMS}$ , $V_{BIAS} = 0\text{ V}$ , $f = 1\text{ MHz}$	25°C		-100		dB
BW	-3 dB bandwidth	$R_S = 50\ \Omega$ , $R_L = 50\ \Omega$ , $C_L = 5\text{ pF}$ , $V_S = 200\text{ mV}_{RMS}$ , $V_{BIAS} = 0\text{ V}$	25°C		620		MHz
$I_{LOSS}$	Insertion loss	$R_S = 50\ \Omega$ , $R_L = 50\ \Omega$ , $C_L = 5\text{ pF}$ , $V_S = 200\text{ mV}_{RMS}$ , $V_{BIAS} = 0\text{ V}$ , $f = 1\text{ MHz}$	25°C		-0.7		dB
THD+N	Total harmonic distortion plus noise	$R_S = 50\ \Omega$ , $R_L = 10\text{ k}\Omega$ , $V_S = 6\text{ V}_{PP}$ , $V_{BIAS} = 6\text{ V}$ , $f = 20\text{ Hz to }20\text{ kHz}$	25°C		0.0007		%
$C_{S(OFF)}$	Input off-capacitance	$f = 1\text{ MHz}$ , $V_S = 6\text{ V}$	25°C		11		pF
$C_{D(OFF)}$	Output off-capacitance	$f = 1\text{ MHz}$ , $V_S = 6\text{ V}$	25°C		13		pF
$C_{S(ON)}$ $C_{D(ON)}$	Input/Output on-capacitance	$f = 1\text{ MHz}$ , $V_S = 6\text{ V}$	25°C		16		pF
<b>POWER SUPPLY</b>							
$I_{DD}$	$V_{DD}$ supply current	$V_{DD} = 13.2\text{ V}$ , $V_{SS} = 0\text{ V}$ , $V_{SELx} = 0\text{ V}$ , $5\text{ V}$ , or $V_{DD}$	25°C	0.3	0.5		mA
			-40°C to +85°C		0.5		
			-40°C to +125°C		0.6		
$I_{GND}$	GND current	$V_{DD} = 13.2\text{ V}$ , $V_{SS} = 0\text{ V}$ , $V_{SELx} = 0\text{ V}$ , $5\text{ V}$ , or $V_{DD}$	25°C		0.06		mA
$I_{DD(FA)}$	$V_{DD}$ supply current under fault	$V_S = \pm 60\text{ V}$ , $V_{DD} = 13.2\text{ V}$ , $V_{SS} = 0\text{ V}$ , $V_{SELx} = 0\text{ V}$ , $5\text{ V}$ , or $V_{DD}$	25°C	0.25	0.5		mA
			-40°C to +85°C		0.5		
			-40°C to +125°C		0.6		
$I_{GND(FA)}$	GND current under fault		25°C		0.15		mA

(1) When  $V_S$  is 10 V,  $V_D$  is 1 V. Or when  $V_S$  is 1 V,  $V_D$  is 10 V.

(2) When  $V_S$  is at a voltage potential,  $V_D$  is floating. Or when  $V_D$  is at a voltage potential,  $V_S$  is floating.

## 7.9 36 V Single Supply: Electrical Characteristics

$V_{DD} = +36\text{ V} \pm 10\%$ ,  $V_{SS} = 0\text{ V}$ ,  $GND = 0\text{ V}$  (unless otherwise noted)

Typical at  $V_{DD} = +36\text{ V}$ ,  $V_{SS} = 0\text{ V}$ ,  $T_A = 25^\circ\text{C}$  (unless otherwise noted)

PARAMETER		TEST CONDITIONS	$T_A$	MIN	TYP	MAX	UNIT
<b>ANALOG SWITCH</b>							
$R_{ON}$	On-resistance	$V_S = 0\text{ V to }30\text{ V}$ , $I_S = -10\text{ mA}$	25°C	8.3	11		$\Omega$
			-40°C to +85°C			14	
			-40°C to +125°C			17	
$\Delta R_{ON}$	On-resistance mismatch between channels	$V_S = 0\text{ V to }30\text{ V}$ , $I_S = -10\text{ mA}$	25°C	0.06	0.5		$\Omega$
			-40°C to +85°C			0.6	
			-40°C to +125°C			0.7	
$R_{FLAT}$	On-resistance flatness	$V_S = 0\text{ V to }30\text{ V}$ , $I_S = -10\text{ mA}$	25°C	0.07	0.4		$\Omega$
			-40°C to +85°C			0.5	
			-40°C to +125°C			0.5	
$R_{ON\_DRIFT}$	On-resistance drift	$V_S = 18\text{ V}$ , $I_S = -1\text{ mA}$	-40°C to +125°C	0.04			$\Omega/^\circ\text{C}$
$I_{S(OFF)}$	Input leakage current <sup>(1)</sup>	$V_{DD} = 39.6\text{ V}$ , $V_{SS} = 0\text{ V}$ Switch state is off $V_S = 30\text{ V} / 1\text{ V}$ $V_D = 1\text{ V} / 30\text{ V}$	25°C	-0.7	0.05	0.7	nA
			-40°C to +85°C	-2		2	
			-40°C to +125°C	-10		10	
$I_{D(OFF)}$	Output off leakage current <sup>(1)</sup>	$V_{DD} = 39.6\text{ V}$ , $V_{SS} = 0\text{ V}$ Switch state is off $V_S = 30\text{ V} / 1\text{ V}$ $V_D = 1\text{ V} / 30\text{ V}$	25°C	-0.7	0.05	0.7	nA
			-40°C to +85°C	-2		2	
			-40°C to +125°C	-12		12	
$I_{S(ON)}$ $I_{D(ON)}$	Output on leakage current <sup>(2)</sup>	$V_{DD} = 39.6\text{ V}$ , $V_{SS} = 0\text{ V}$ Switch state is on $V_S = V_D = 30\text{ V or }1\text{ V}$	25°C	-0.7	0.1	0.7	nA
			-40°C to +85°C	-2		2	
			-40°C to +125°C	-15		15	
<b>FAULT CONDITION</b>							
$I_{S(FA)}$	Input leakage current during overvoltage	$V_S = 60 / -40\text{ V}$ , $V_{DD} = 39.6\text{ V}$ , $V_{SS} = 0\text{ V}$ , $GND = 0\text{ V}$	-40°C to +125°C	±90			μA
$I_{S(FA)} \text{ Grounded}$	Input leakage current during overvoltage with grounded supply voltages	$V_S = \pm 60\text{ V}$ , $V_{DD} = V_{SS} = 0\text{ V}$ , $GND = 0\text{ V}$	-40°C to +125°C	±125			μA
$I_{S(FA)} \text{ Floating}$	Input leakage current during overvoltage with floating supply voltages	$V_S = \pm 60\text{ V}$ , $V_{DD} = V_{SS} = \text{floating}$ , $GND = 0\text{ V}$ ,	-40°C to +125°C	±125			μA
$I_{D(FA)}$	Output leakage current during overvoltage	$V_S = 60 / -40\text{ V}$ , $V_{DD} = 39.6\text{ V}$ , $V_{SS} = 0$ , $GND = 0\text{ V}$ $1\text{ V} \leq V_D \leq 39.6\text{ V}$	25°C	-20	±2	20	nA
			-40°C to +85°C	-30		30	
			-40°C to +125°C	-60		60	
$I_{D(FA)} \text{ Grounded}$	Output leakage current during overvoltage with grounded supply voltages	$V_S = \pm 60\text{ V}$ , $GND = 0\text{ V}$ , $V_{DD} = V_{SS} = 0\text{ V}$	25°C	-30	±10	30	nA
			-40°C to +85°C	-50		50	
			-40°C to +125°C	-90		90	
$I_{D(FA)} \text{ Floating}$	Output leakage current during overvoltage with floating supply voltages	$V_S = \pm 60\text{ V}$ , $GND = 0\text{ V}$ , $V_{DD} = V_{SS} = \text{floating}$	25°C	±2			μA
			-40°C to +85°C	±3			
			-40°C to +125°C	±4			

## 7.9 36 V Single Supply: Electrical Characteristics (continued)

 $V_{DD} = +36\text{ V} \pm 10\%$ ,  $V_{SS} = 0\text{ V}$ ,  $GND = 0\text{ V}$  (unless otherwise noted)

 Typical at  $V_{DD} = +36\text{ V}$ ,  $V_{SS} = 0\text{ V}$ ,  $T_A = 25^\circ\text{C}$  (unless otherwise noted)

PARAMETER		TEST CONDITIONS	$T_A$	MIN	TYP	MAX	UNIT
<b>SWITCHING CHARACTERISTICS</b>							
$t_{ON}$	Turn-on time	$V_S = 18\text{ V}$ , $R_L = 300\ \Omega$ , $C_L = 12\text{ pF}$	25°C	450	750		ns
			-40°C to +85°C		830		
			-40°C to +125°C		930		
$t_{OFF}$	Turn-off time	$V_S = 18\text{ V}$ , $R_L = 300\ \Omega$ , $C_L = 12\text{ pF}$	25°C	100	210		ns
			-40°C to +85°C		230		
			-40°C to +125°C		230		
$t_{RESPONSE}$	Fault response time	$R_L = 300\ \Omega$ , $C_L = 12\text{ pF}$	25°C	150	310		ns
			-40°C to +85°C		330		
			-40°C to +125°C		350		
$t_{RECOVERY}$	Fault recovery time	$R_L = 300\ \Omega$ , $C_L = 12\text{ pF}$	25°C	1100	2200		ns
			-40°C to +85°C		2700		
			-40°C to +125°C		2700		
$t_{RESPONSE(FLAG)}$	Fault flag response time	$R_L = 300\ \Omega$ , $C_L = 12\text{ pF}$ , $R_{PU} = 1\text{ k}\Omega$ , $C_{L\_FF} = 12\text{ pF}$	25°C		120		ns
$t_{RECOVERY(FLAG)}$	Fault flag recovery time	$R_L = 300\ \Omega$ , $C_L = 12\text{ pF}$ , $R_{PU} = 1\text{ k}\Omega$ , $C_{L\_FF} = 12\text{ pF}$	25°C		0.6		$\mu\text{s}$
$t_{BBM}$	Break-before-make time delay (TMUX7413F only)	$V_S = 18\text{ V}$ , $R_L = 300\ \Omega$ , $C_L = 12\text{ pF}$	25°C	80	120		ns
$Q_J$	Charge injection	$V_S = 18\text{ V}$ , $C_L = 1\text{ nF}$	25°C		-330		pC
$O_{ISO}$	Off-isolation	$R_S = 50\ \Omega$ , $R_L = 50\ \Omega$ , $C_L = 5\text{ pF}$ , $V_S = 200\text{ mV}_{RMS}$ , $V_{BIAS} = 6\text{ V}$ , $f = 1\text{ MHz}$	25°C		-53		dB
$X_{TALK}$	Crosstalk	$R_S = 50\ \Omega$ , $R_L = 50\ \Omega$ , $C_L = 5\text{ pF}$ , $V_S = 200\text{ mV}_{RMS}$ , $V_{BIAS} = 6\text{ V}$ , $f = 1\text{ MHz}$	25°C		-100		dB
BW	-3 dB bandwidth	$R_S = 50\ \Omega$ , $R_L = 50\ \Omega$ , $C_L = 5\text{ pF}$ , $V_S = 200\text{ mV}_{RMS}$ , $V_{BIAS} = 6\text{ V}$	25°C		650		MHz
$I_{LOSS}$	Insertion loss	$R_S = 50\ \Omega$ , $R_L = 50\ \Omega$ , $C_L = 5\text{ pF}$ , $V_S = 200\text{ mV}_{RMS}$ , $V_{BIAS} = 6\text{ V}$ , $f = 1\text{ MHz}$	25°C		-0.7		dB
THD+N	Total harmonic distortion plus noise	$R_S = 50\ \Omega$ , $R_L = 10\text{ k}\Omega$ , $V_S = 18\text{ V}_{PP}$ , $V_{BIAS} = 18\text{ V}$ , $f = 20\text{ Hz to } 20\text{ kHz}$	25°C		0.0006		%
$C_{S(OFF)}$	Input off-capacitance	$f = 1\text{ MHz}$ , $V_S = 18\text{ V}$	25°C		12		pF
$C_{D(OFF)}$	Output off-capacitance	$f = 1\text{ MHz}$ , $V_S = 18\text{ V}$	25°C		14		pF
$C_{S(ON)}$ $C_{D(ON)}$	Input/Output on-capacitance	$f = 1\text{ MHz}$ , $V_S = 18\text{ V}$	25°C		16		pF
<b>POWER SUPPLY</b>							
$I_{DD}$	$V_{DD}$ supply current	$V_{DD} = 39.6\text{ V}$ , $V_{SS} = 0\text{ V}$ , $V_{SELx} = 0\text{ V}, 5\text{ V}, \text{ or } V_{DD}$	25°C	0.3	0.5		mA
			-40°C to +85°C		0.5		
			-40°C to +125°C		0.6		
$I_{GND}$	GND current		25°C	0.06			mA
$I_{DD(FA)}$	$V_{DD}$ supply current under fault	$V_S = 60 / -40\text{ V}$ , $V_{DD} = 39.6\text{ V}$ , $V_{SS} = 0\text{ V}$ , $V_{SELx} = 0\text{ V}, 5\text{ V}, \text{ or } V_{DD}$	25°C	0.25	0.5		mA
			-40°C to +85°C		0.5		
			-40°C to +125°C		0.6		
$I_{GND(FA)}$	GND current under fault		25°C	0.1			mA

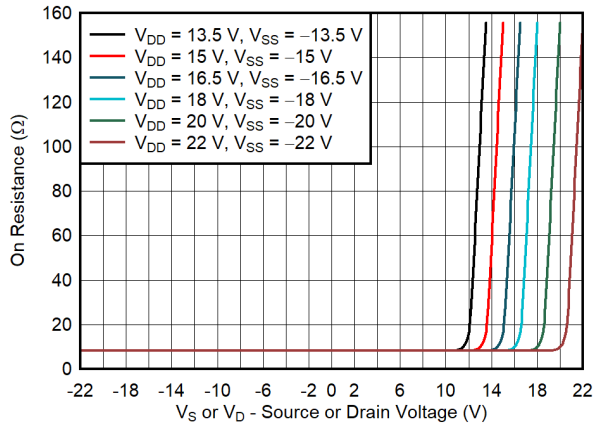
 (1) When  $V_S$  is 30 V,  $V_D$  is 1 V. Or when  $V_S$  is 1 V,  $V_D$  is 30 V.

 (2) When  $V_S$  is at a voltage potential,  $V_D$  is floating. Or when  $V_D$  is at a voltage potential,  $V_S$  is floating.



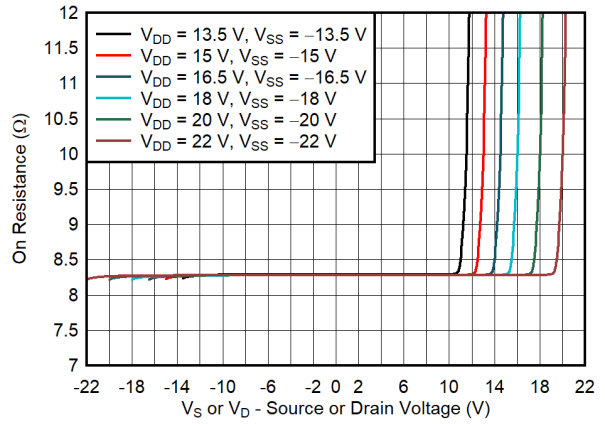
## 7.10 Typical Characteristics

at  $T_A = 25^\circ\text{C}$ ,  $V_{DD} = 15\text{ V}$ , and  $V_{SS} = -15\text{ V}$  (unless otherwise noted)



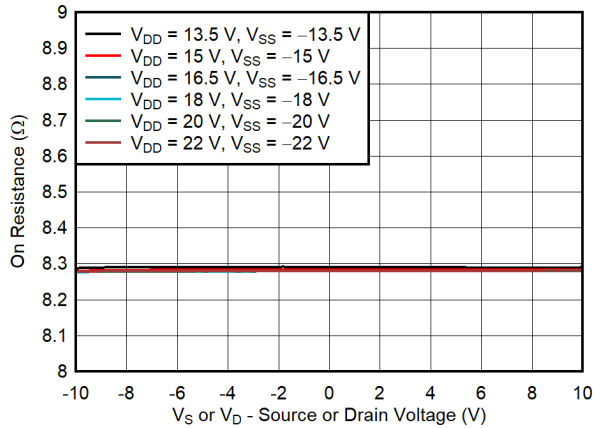
Dual Supply Voltages

图 7-1. On-Resistance vs Source or Drain Voltage



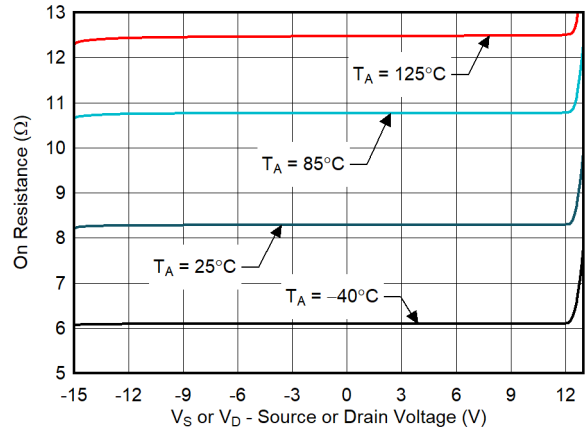
Dual Supply Flat Ron Region

图 7-2. On-Resistance vs Source or Drain Voltage



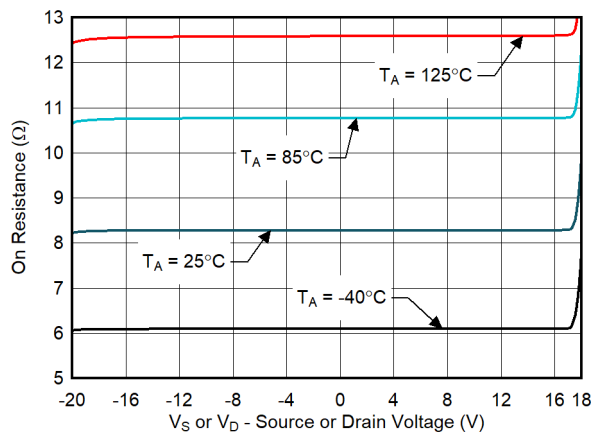
Flattest  $R_{ON}$  region for all supply voltages shown

图 7-3. On-Resistance vs Source or Drain Voltage



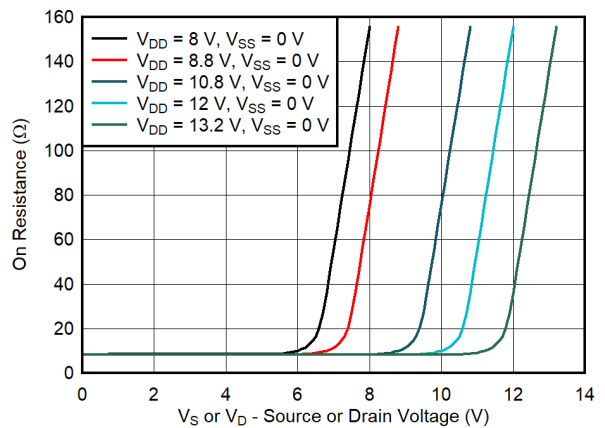
$\pm 15\text{ V}$  Supply Flattest Ron Region

图 7-4. On-Resistance vs Source or Drain Voltage



$\pm 20\text{ V}$  Supply Flattest Ron Region

图 7-5. On-Resistance vs Source or Drain Voltage

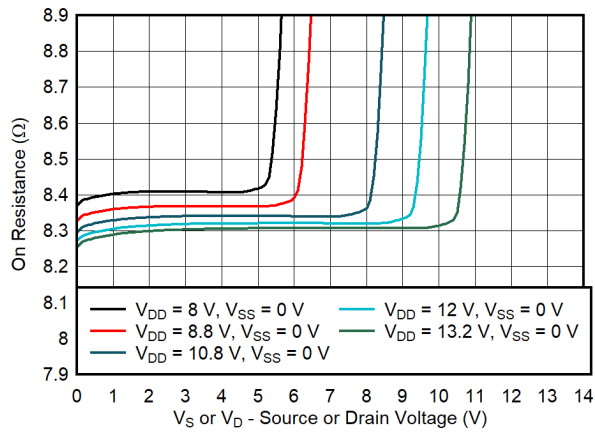


Single Supply Voltages

图 7-6. On-Resistance vs Source or Drain Voltage

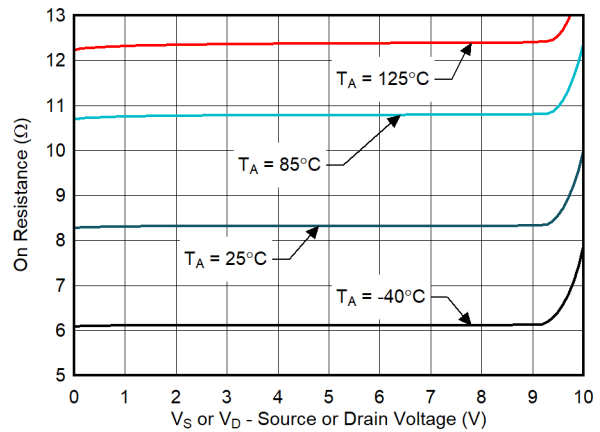
### 7.10 Typical Characteristics (continued)

at  $T_A = 25^\circ\text{C}$ ,  $V_{DD} = 15\text{ V}$ , and  $V_{SS} = -15\text{ V}$  (unless otherwise noted)



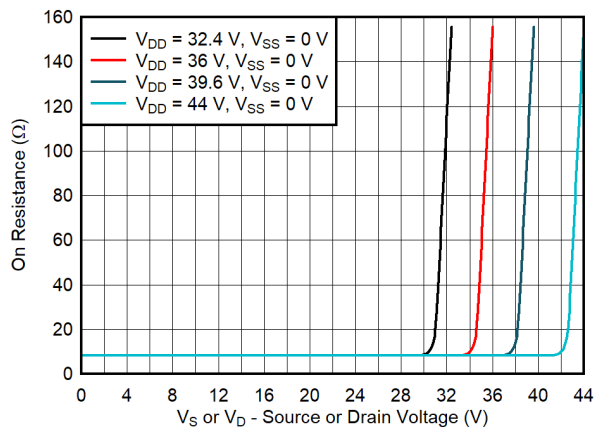
Single Supply Flat Ron Region

图 7-7. On-Resistance vs Source or Drain Voltage



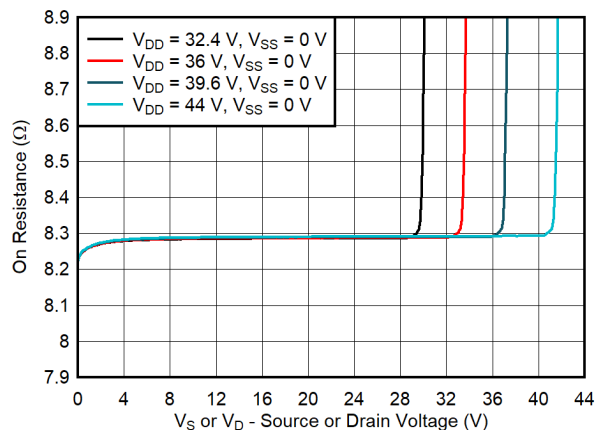
12 V  $V_{DD}$  Flat Ron Region

图 7-8. On-Resistance vs Source or Drain Voltage



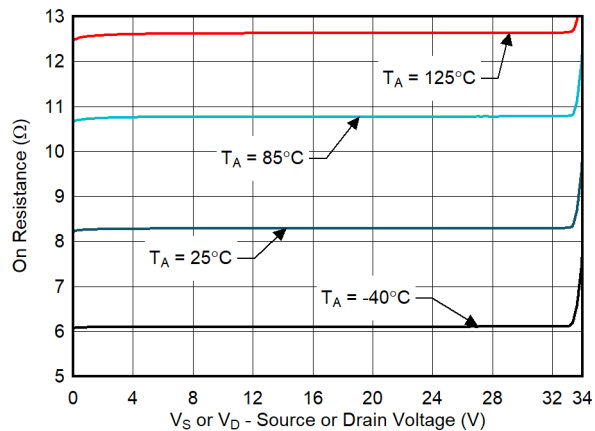
Single Supply Voltages

图 7-9. On-Resistance vs Source or Drain Voltage



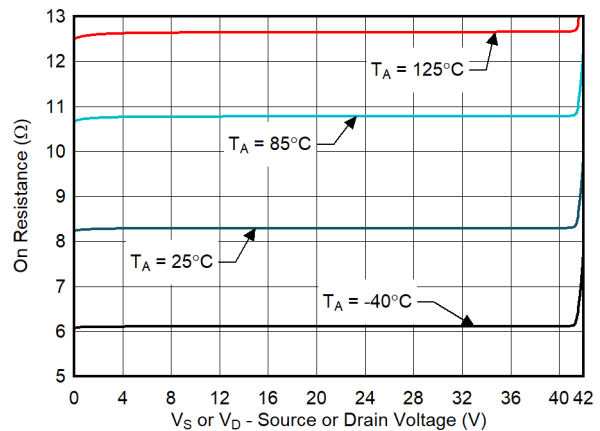
Single Supply Flat Ron Region

图 7-10. On-Resistance vs Source or Drain Voltage



36 V  $V_{DD}$  Flat Ron Region

图 7-11. On-Resistance vs Source or Drain Voltage

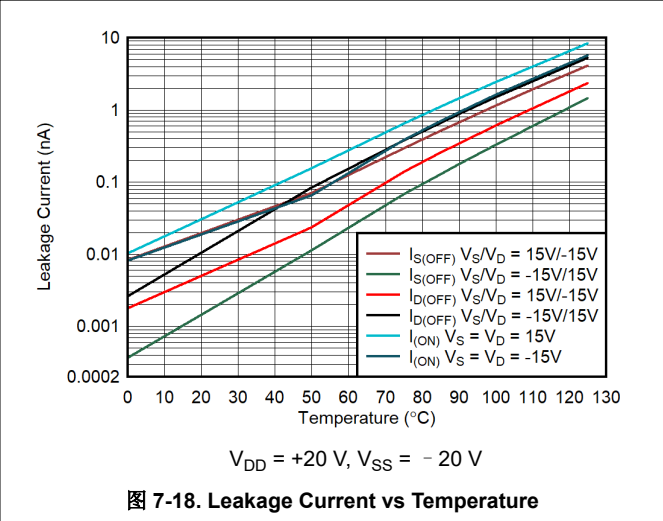
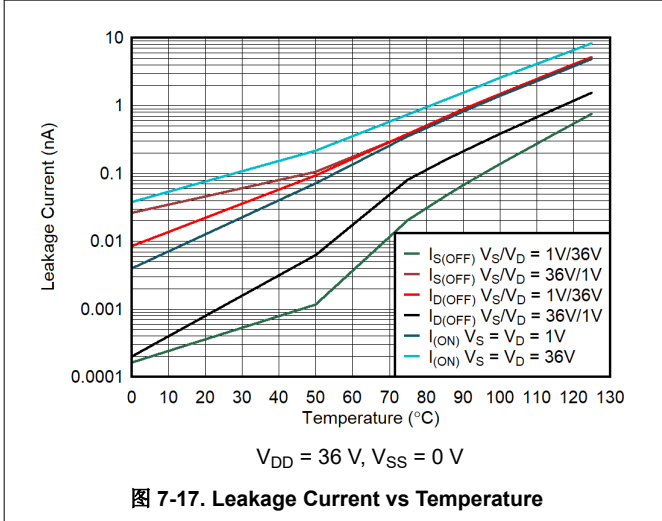
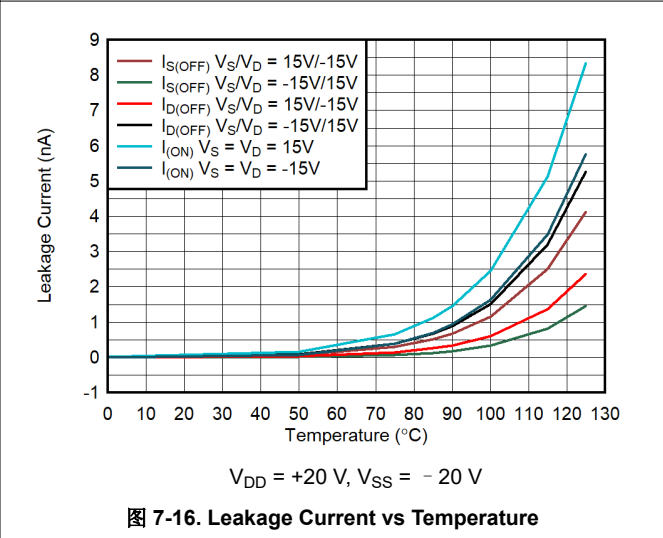
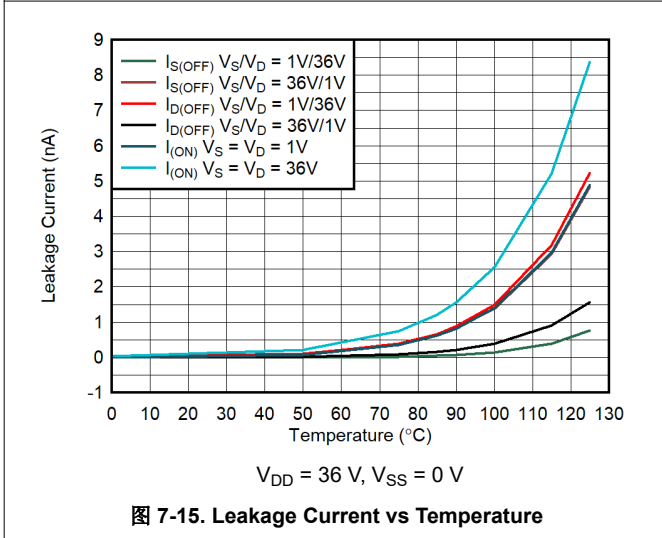
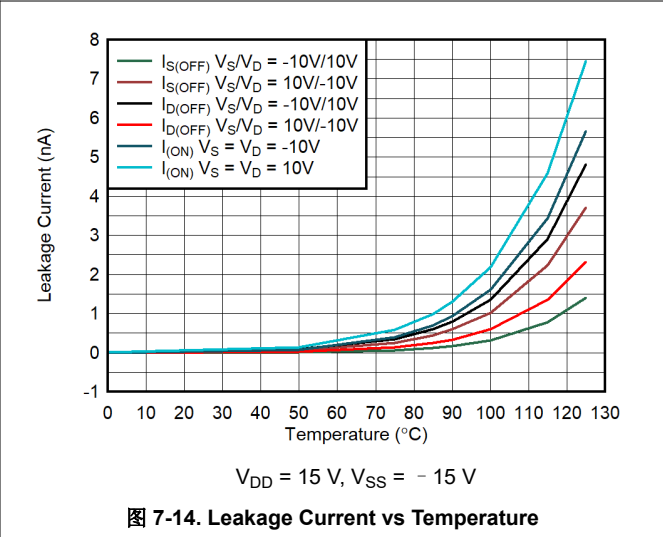
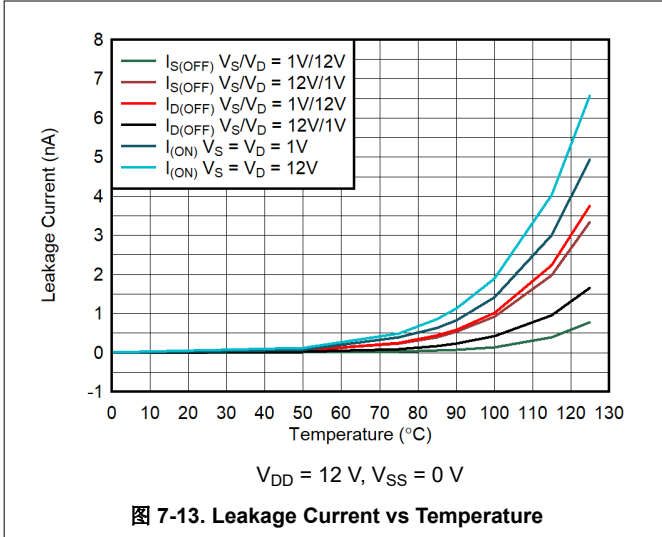


44 V  $V_{DD}$  Flat Ron Region

图 7-12. On-Resistance vs Source or Drain Voltage

### 7.10 Typical Characteristics (continued)

at  $T_A = 25^\circ\text{C}$ ,  $V_{DD} = 15\text{ V}$ , and  $V_{SS} = -15\text{ V}$  (unless otherwise noted)



### 7.10 Typical Characteristics (continued)

at  $T_A = 25^\circ\text{C}$ ,  $V_{DD} = 15\text{ V}$ , and  $V_{SS} = -15\text{ V}$  (unless otherwise noted)

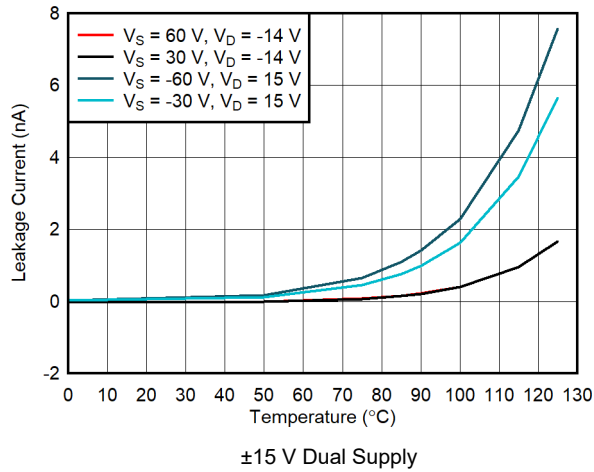


图 7-19.  $I_{D(FA)}$  Overvoltage Leakage Current vs Temperature

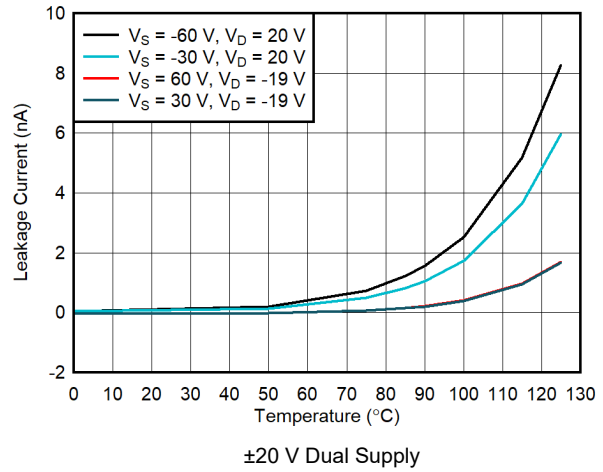


图 7-20.  $I_{D(FA)}$  Overvoltage Leakage Current vs Temperature

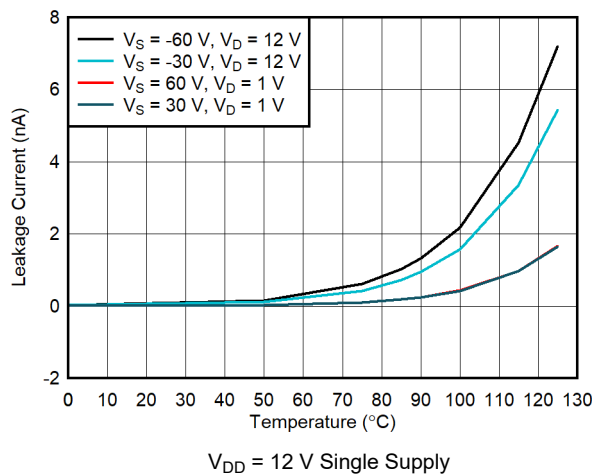


图 7-21.  $I_{D(FA)}$  Overvoltage Leakage Current vs Temperature

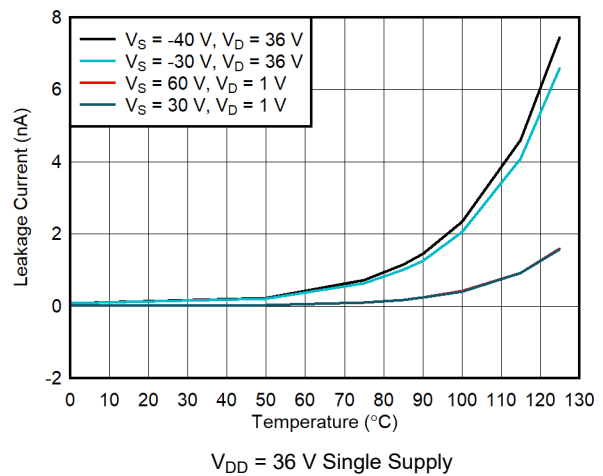


图 7-22.  $I_{D(FA)}$  Overvoltage Leakage Current vs Temperature

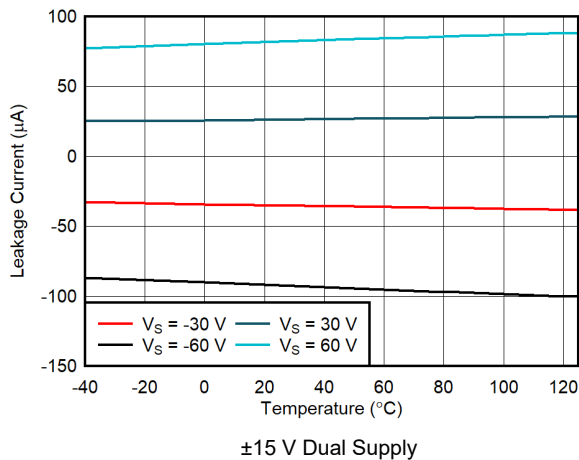


图 7-23.  $I_{S(FA)}$  Overvoltage Leakage Current vs Temperature

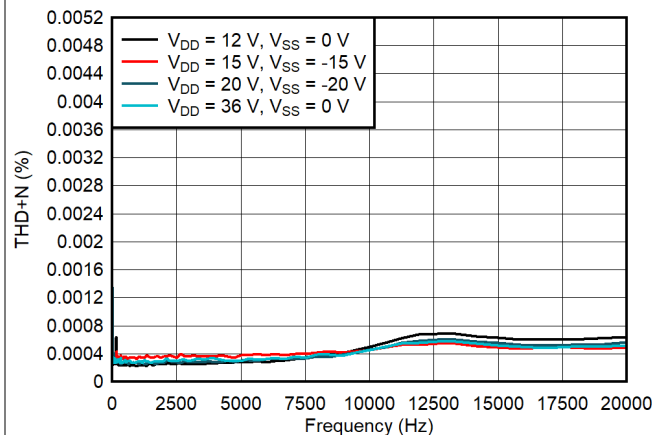


图 7-24. THD+N vs Frequency

## 7.10 Typical Characteristics (continued)

at  $T_A = 25^\circ\text{C}$ ,  $V_{DD} = 15\text{ V}$ , and  $V_{SS} = -15\text{ V}$  (unless otherwise noted)

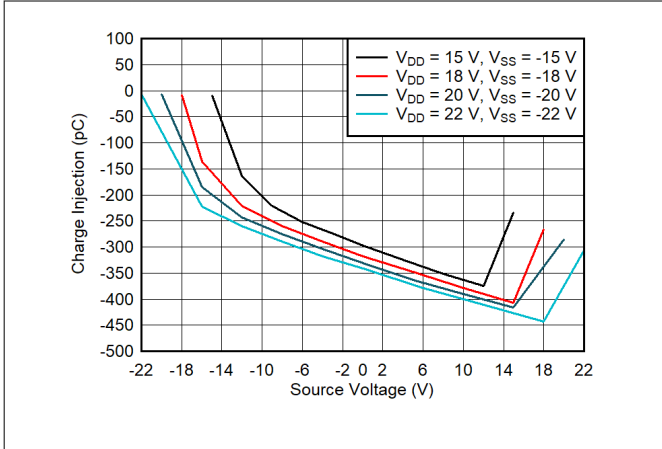


图 7-25. Charge Injection vs Source Voltage - Dual Supply

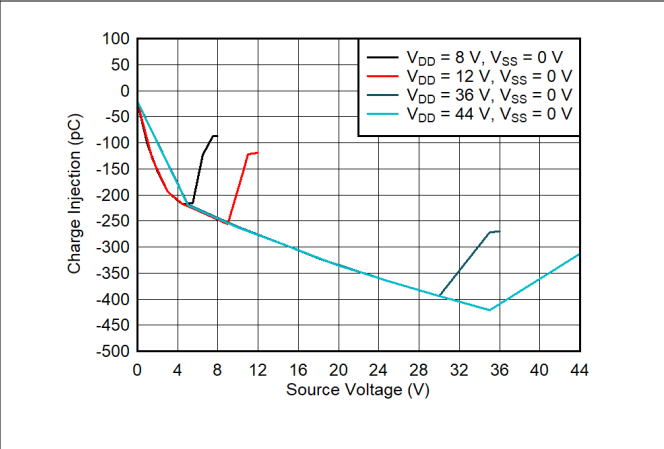


图 7-26. Charge Injection vs Source Voltage - Single Supply

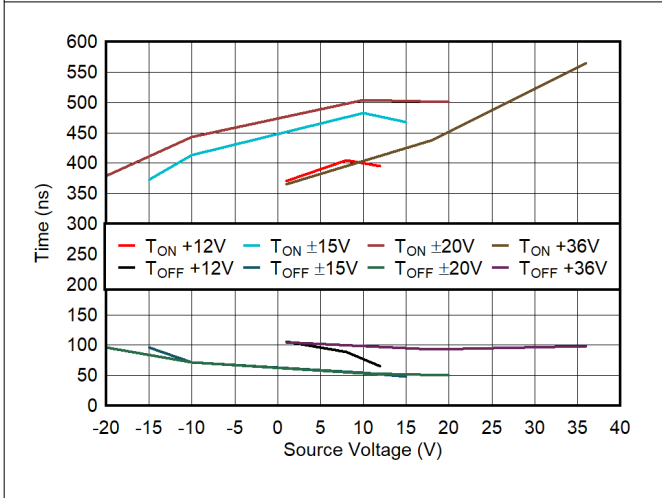


图 7-27.  $t_{ON}$  and  $t_{OFF}$  vs Source Voltage

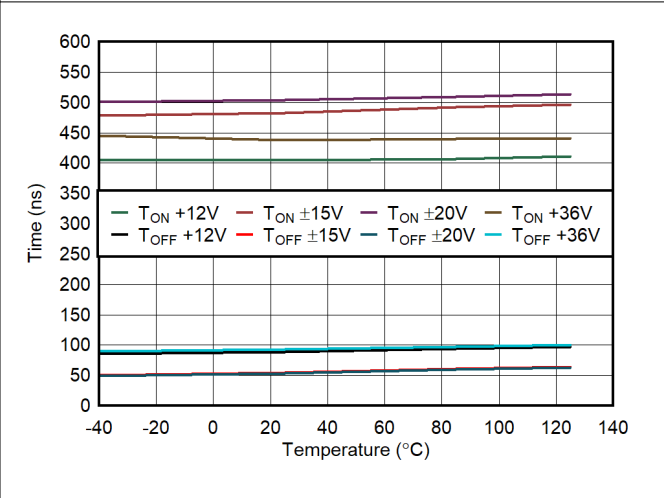


图 7-28.  $t_{ON}$  and  $t_{OFF}$  vs Temperature

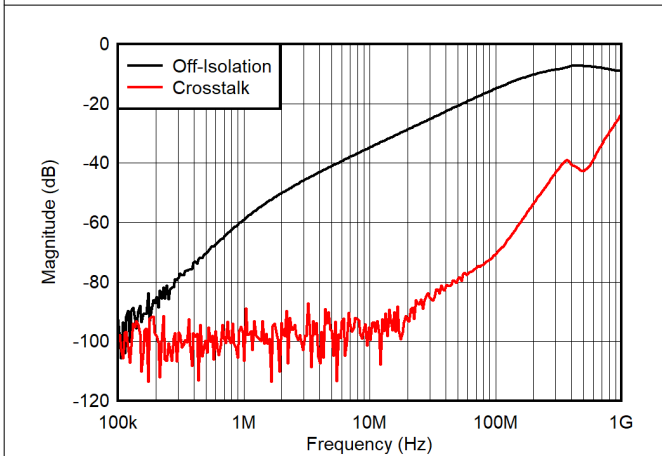


图 7-29. Crosstalk and Off Isolation vs Frequency

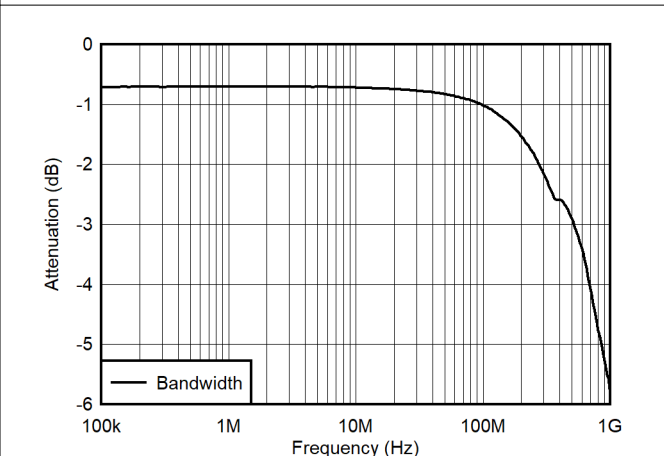
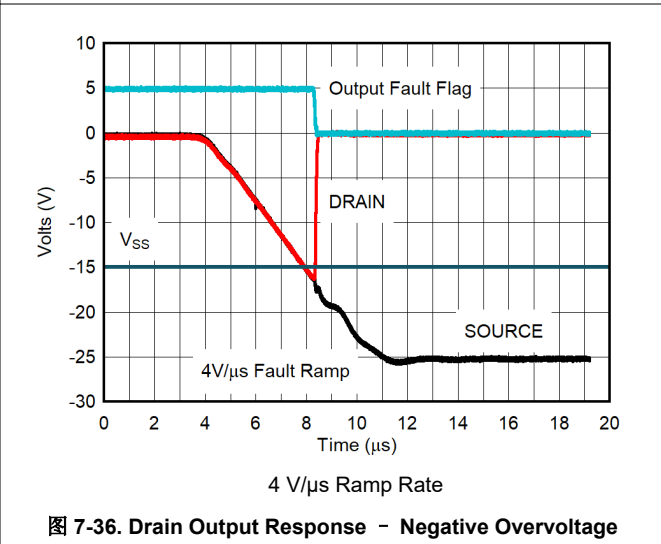
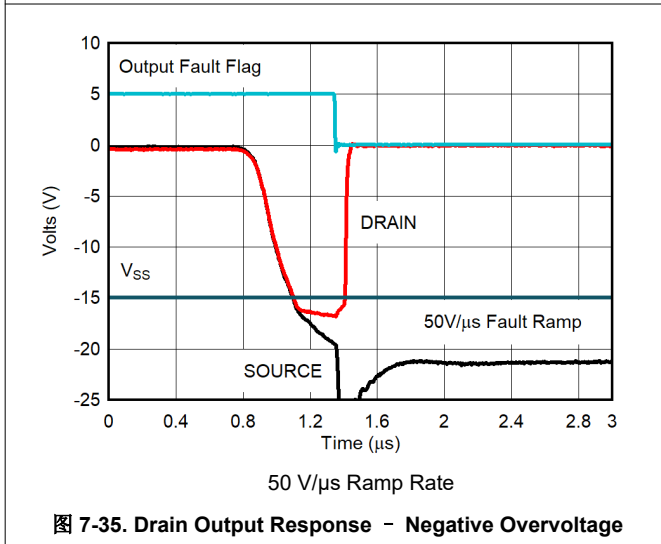
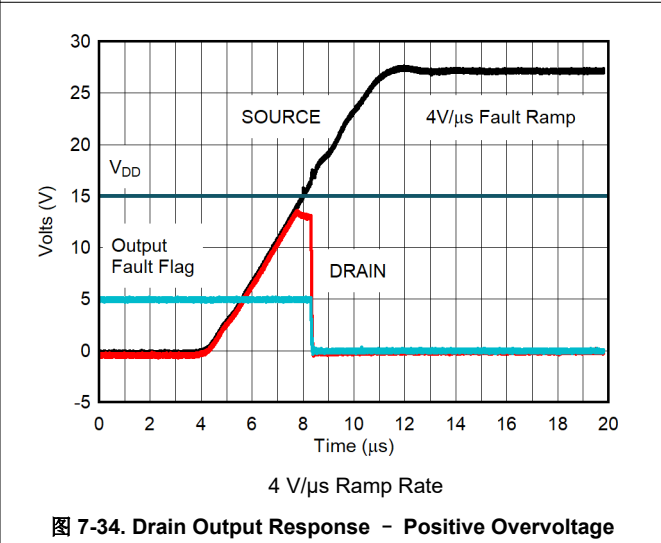
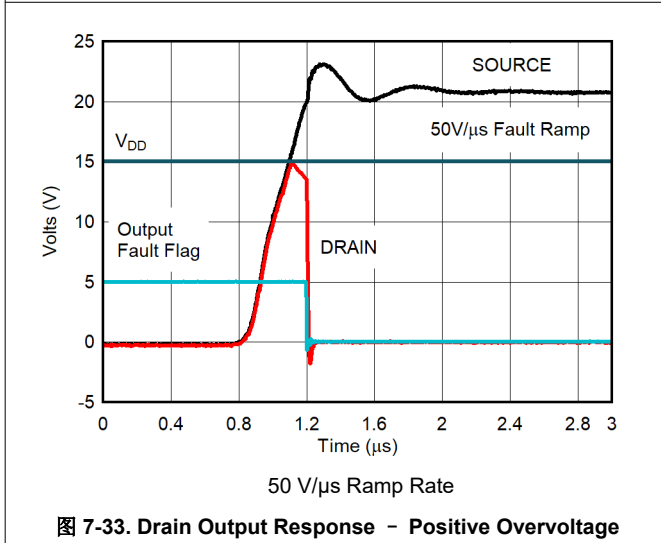
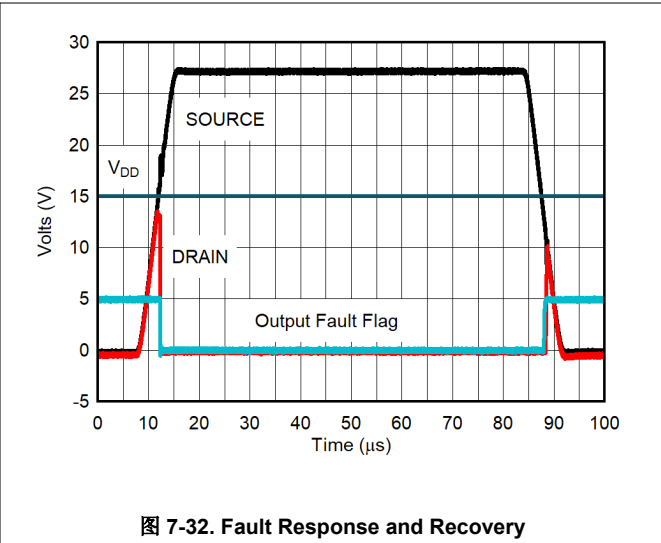
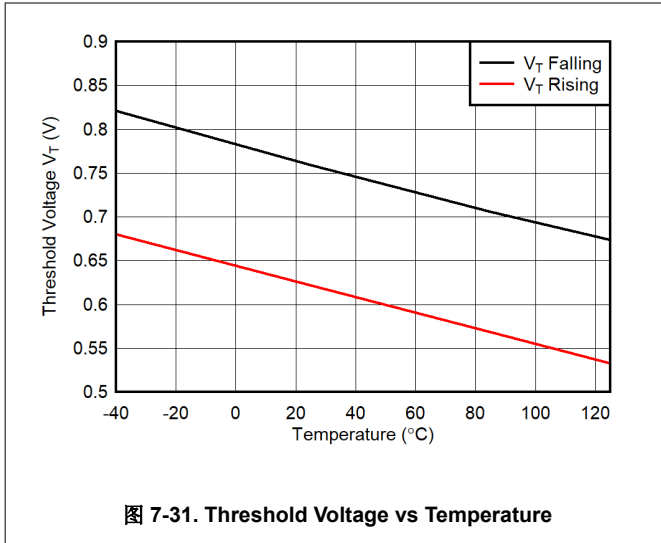


图 7-30. Insertion Loss vs Frequency

## 7.10 Typical Characteristics (continued)

at  $T_A = 25^\circ\text{C}$ ,  $V_{DD} = 15\text{ V}$ , and  $V_{SS} = -15\text{ V}$  (unless otherwise noted)



## 7.10 Typical Characteristics (continued)

at  $T_A = 25^\circ\text{C}$ ,  $V_{DD} = 15\text{ V}$ , and  $V_{SS} = -15\text{ V}$  (unless otherwise noted)

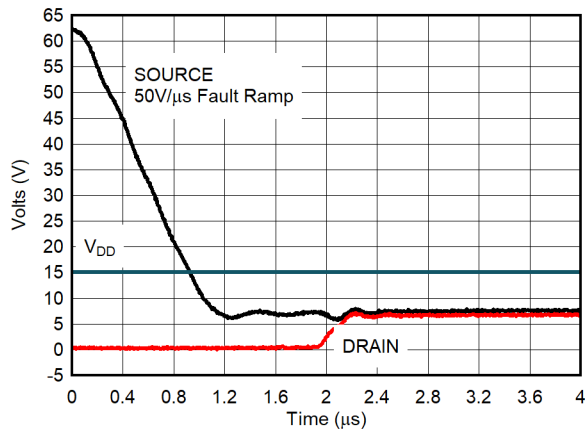


图 7-37. Drain Output Recovery - Positive Overtolerance

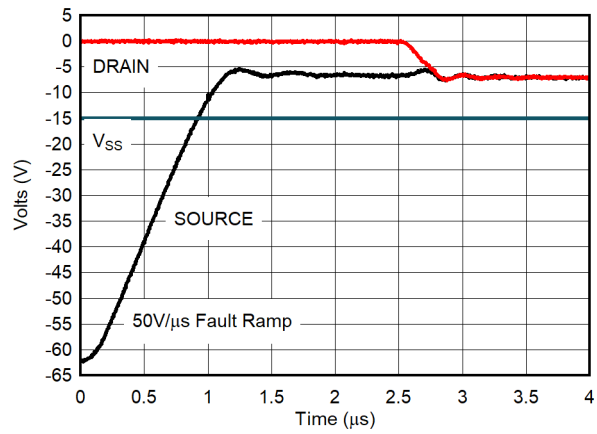


图 7-38. Drain Output Recovery - Negative Overtolerance

## 8 Parameter Measurement Information

### 8.1 On-Resistance

The on-resistance of the TMUX7411F, TMUX7412F, and TMUX7413F is the ohmic resistance across the source (Sx) and drain (Dx) pins of the device. The on-resistance varies with input voltage and supply voltage. The symbol  $R_{ON}$  is used to denote on-resistance. 图 8-1 shows the measurement setup used to measure  $R_{ON}$ .  $\Delta R_{ON}$  represents the difference between the  $R_{ON}$  of any two channels, while  $R_{ON\_FLAT}$  denotes the flatness that is defined as the difference between the maximum and minimum value of on-resistance measured over the specified analog signal range.

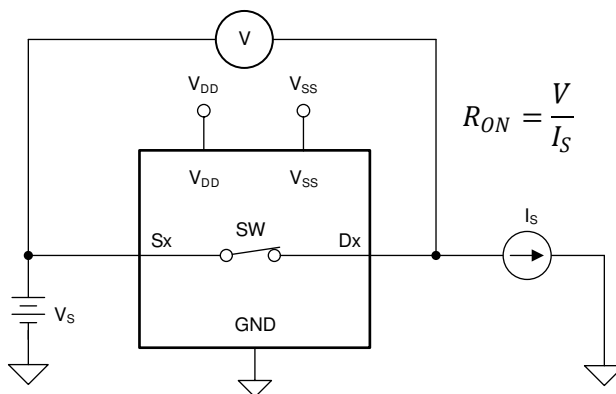


图 8-1. On-Resistance Measurement Setup

### 8.2 Turn-On and Turn-Off Time

Turn-on time ( $t_{ON}$ ) is defined as the time taken by the output of the TMUX7411F, TMUX7412F, and TMUX7413F to rise to a 90% final value after the SELx signal has past the 50% threshold. Turn off time ( $t_{OFF}$ ) is defined as the time taken by the output of the TMUX7411F, TMUX7412F, and TMUX7413F to fall to a 10% initial value after the SELx signal has past the 50% threshold. 图 8-2 shows the setup used to measure  $t_{ON}$  and  $t_{OFF}$ .

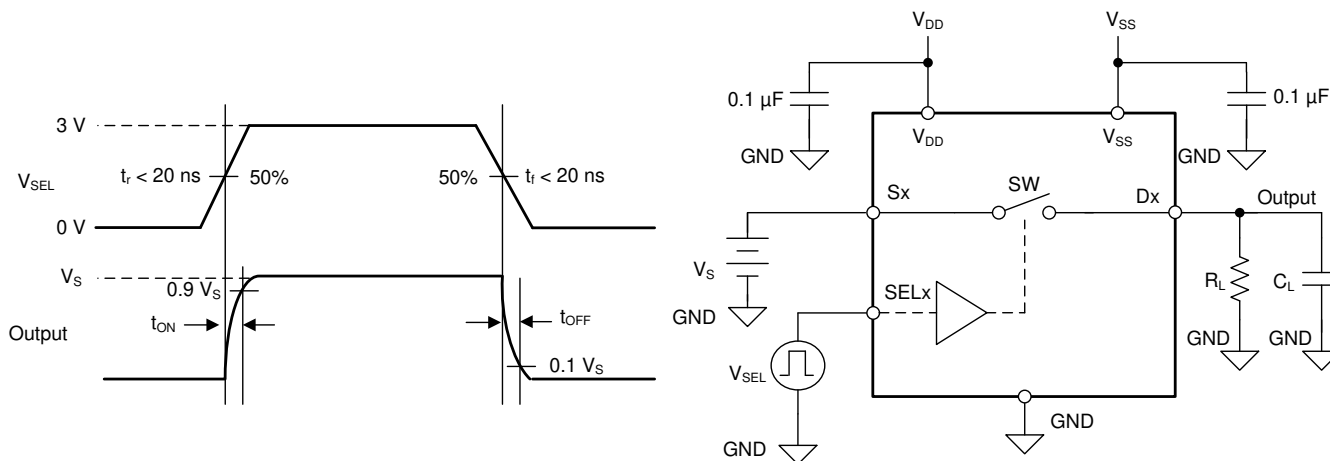


图 8-2.  $t_{ON}$  and  $t_{OFF}$  Measurement Setup



### 8.3 Off-Leakage Current

There are two types of leakage currents associated with a switch during the off state:

1. Source off-leakage current  $I_{S(OFF)}$ : the leakage current flowing into or out of the source pin when the switch is off.
2. Drain off-leakage current  $I_{D(OFF)}$ : the leakage current flowing into or out of the drain pin when the switch is off.

图 8-3 shows the setup used to measure both off-leakage currents.

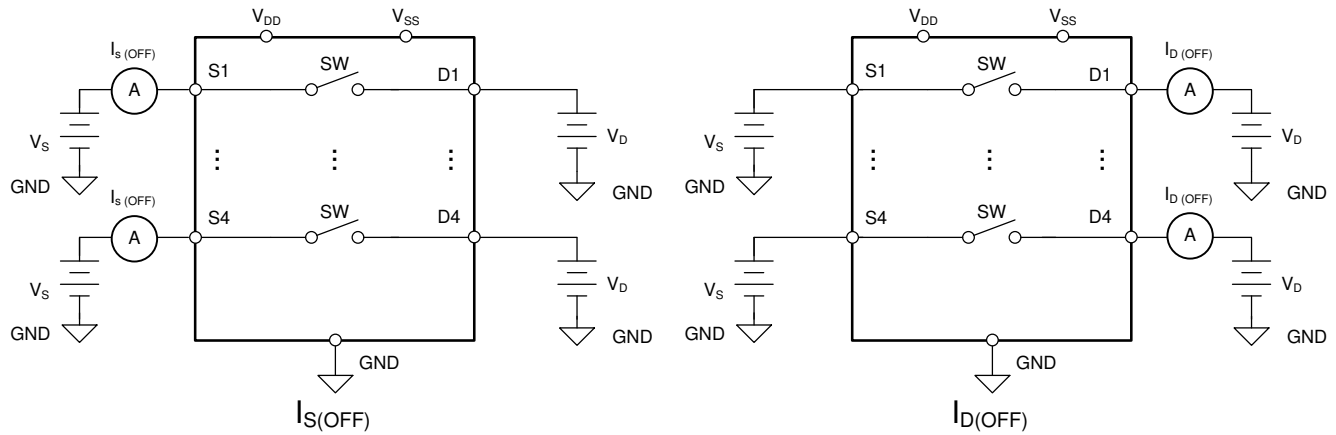


图 8-3. Off-Leakage Measurement Setup

### 8.4 On-Leakage Current

Source on-leakage current ( $I_{S(ON)}$ ) and drain on-leakage current ( $I_{D(ON)}$ ) denote the channel leakage currents when the switch is in the on state.  $I_{S(ON)}$  is measured with the drain floating, while  $I_{D(ON)}$  is measured with the source floating. 图 8-4 shows the circuit used for measuring the on-leakage currents.

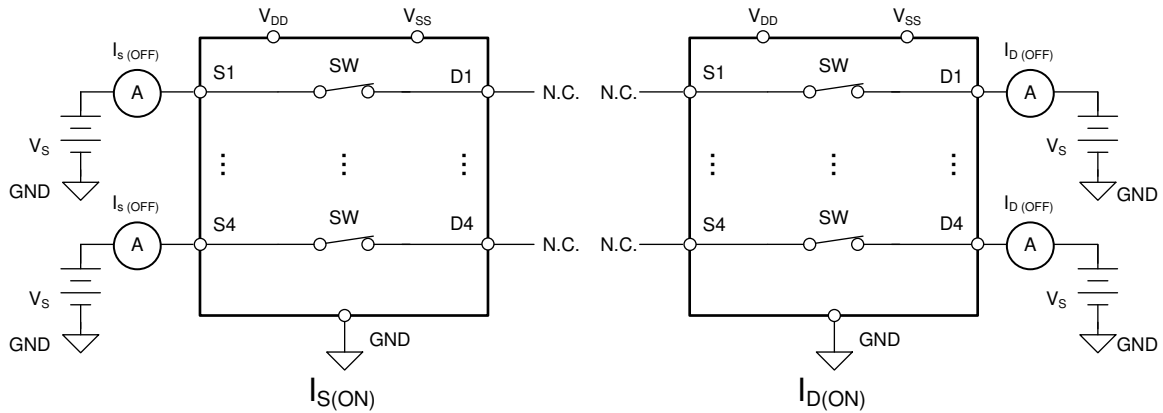


图 8-4. On-Leakage Measurement Setup

### 8.5 Input and Output Leakage Current Under Overvoltage Fault

If any of the source pin voltage goes above the supplies ( $V_{DD}$  or  $V_{SS}$ ) by one threshold voltage ( $V_T$ ), then the overvoltage protection feature of the TMUX7411F, TMUX7412F, and TMUX7413F is triggered to turn off the switch under fault, keeping the fault channel in a high-impedance state.  $I_{S(FA)}$  and  $I_{D(FA)}$  denotes the input and output leakage current under overvoltage fault conditions, respectively. When the overvoltage fault occurs, the supply (or supplies) can either be in normal operating condition (图 8-5) or abnormal operating condition (图 8-6). During abnormal operating condition, the supply (or supplies) can either be unpowered ( $V_{DD} = V_{SS} = 0\text{ V}$ ) or floating ( $V_{DD} = V_{SS} = \text{no connection}$ ), and remains within the leakage performance specifications.

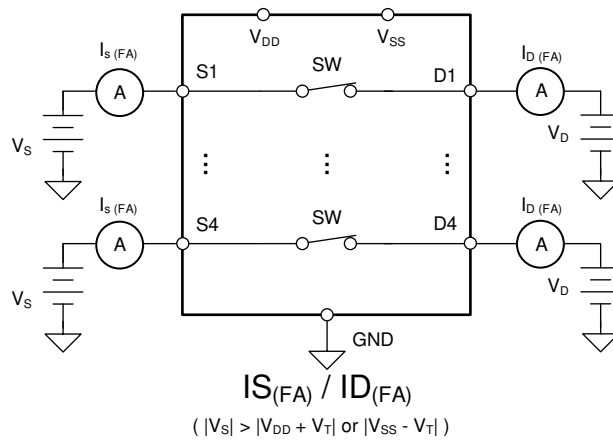


图 8-5. Measurement Setup for Input and Output Leakage Current under Overvoltage Fault with Normal Supplies

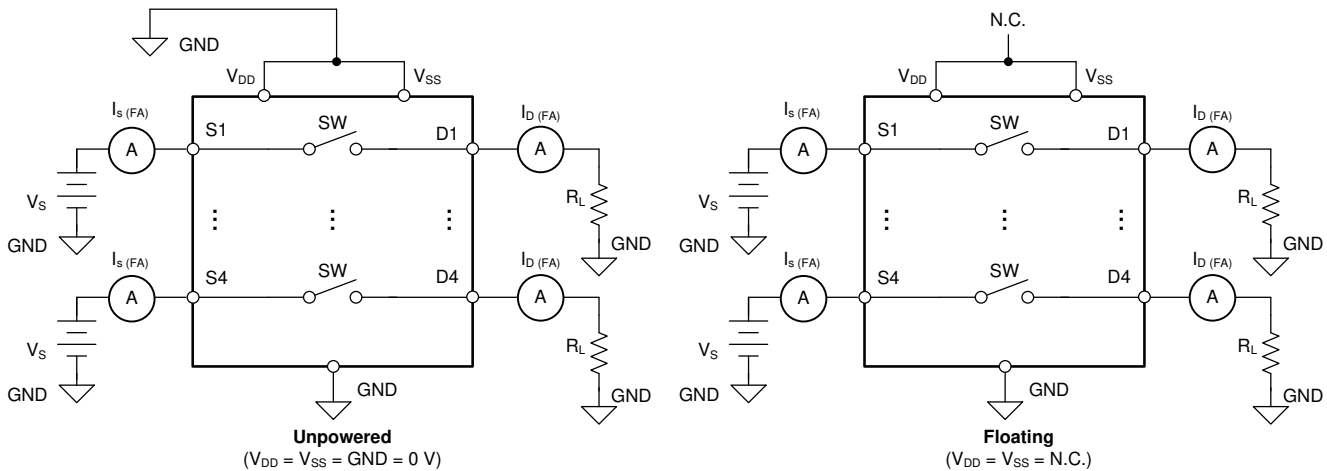


图 8-6. Measurement Setup for Input and Output Leakage Current under Overvoltage Fault with Unpowered or Floating Supplies

## 8.6 Fault Response Time

Fault response time ( $t_{\text{RESPONSE}}$ ) measures the delay between the source voltage exceeding the supply voltage ( $V_{\text{DD}}$  or  $V_{\text{SS}}$ ) by 0.5 V and the drain voltage failing to 90% of the fault supply voltage exceeded. 图 8-7 shows the setup used to measure  $t_{\text{RESPONSE}}$ .

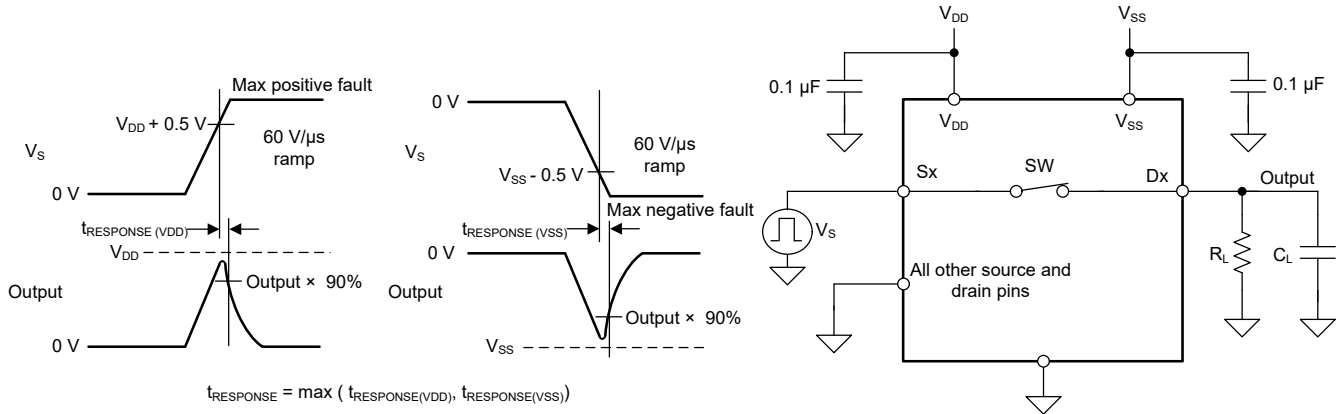


图 8-7. Fault Response Time Measurement Setup

## 8.7 Fault Recovery Time

Fault recovery time ( $t_{\text{RECOVERY}}$ ) measures the delay between the source voltage falling from overvoltage condition to below supply voltage ( $V_{\text{DD}}$  or  $V_{\text{SS}}$ ) plus 0.5 V and the drain voltage rising from 0 V to 50% of the fault supply voltage exceeded. 图 8-8 shows the setup used to measure  $t_{\text{RECOVERY}}$ .

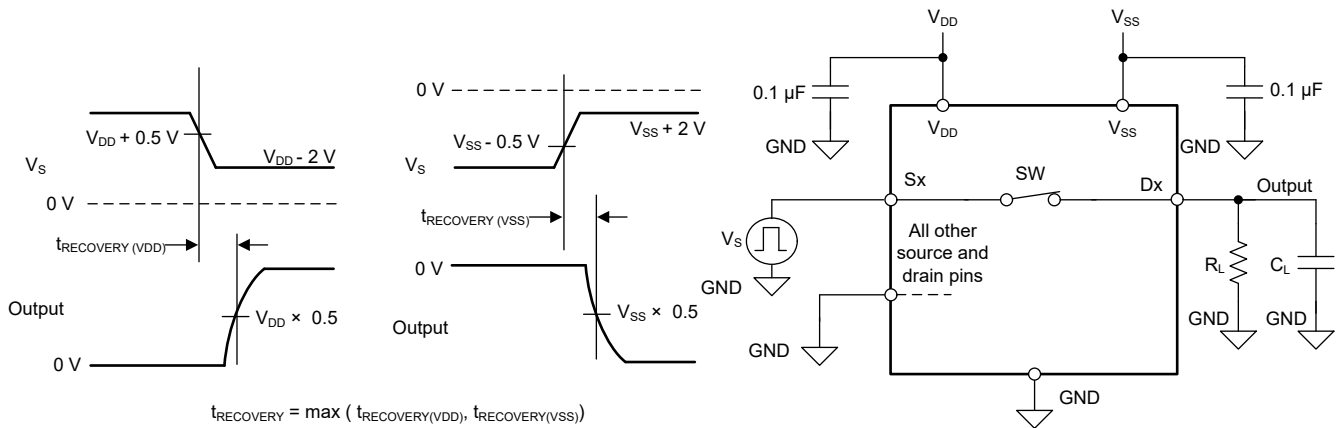
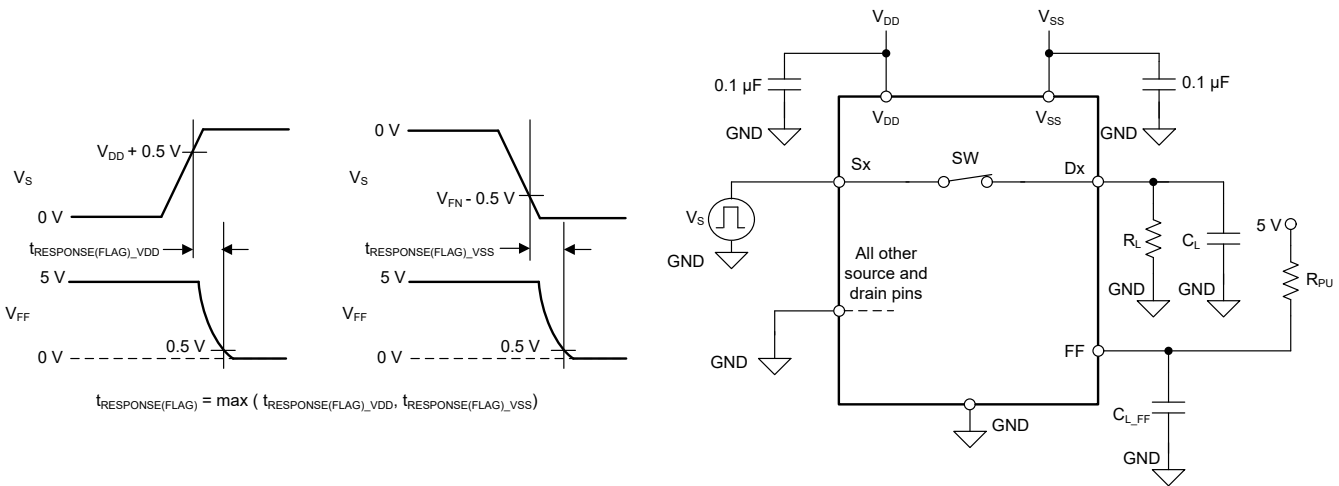


图 8-8. Fault Recovery Time Measurement Setup

### 8.8 Fault Flag Response Time

Fault flag response time ( $t_{\text{RESPONSE(FLAG)}}$ ) measures the delay between the source voltage exceeding the fault supply voltage ( $V_{\text{DD}}$  or  $V_{\text{SS}}$ ) by 0.5 V and the general fault flag (FF) pin to go below 10% of its original value.  8-9 shows the setup used to measure  $t_{\text{RESPONSE(FLAG)}}$ .

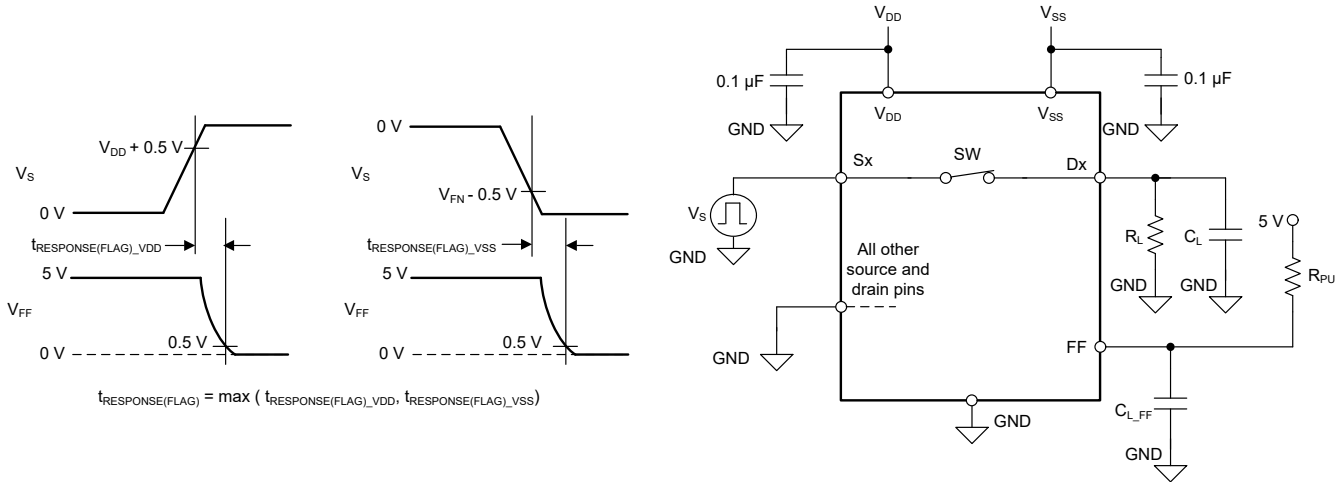
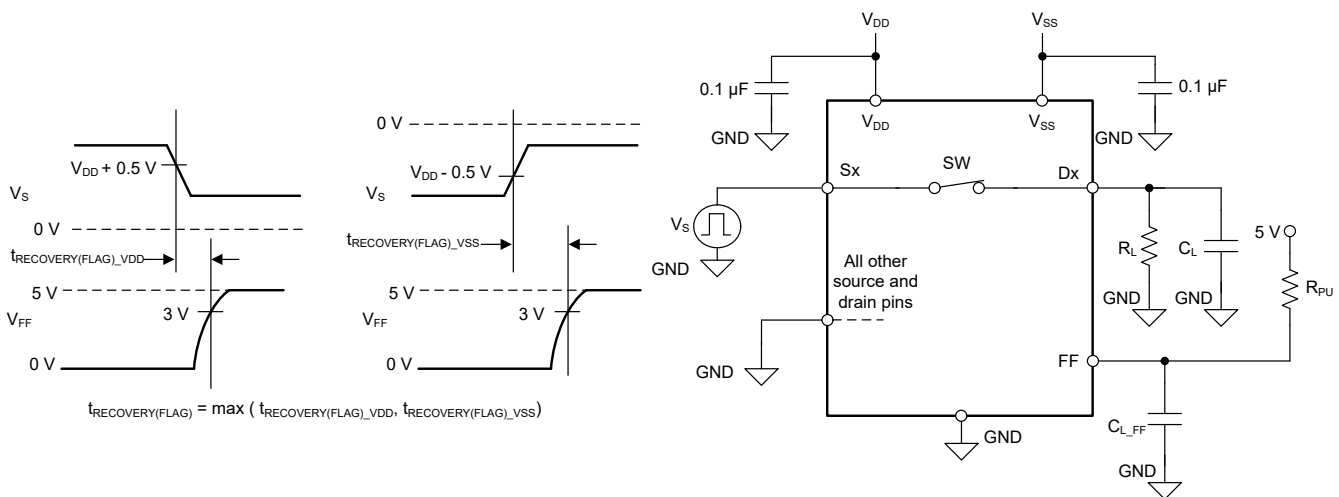


图 8-9. Fault Flag Response Time Measurement Setup

### 8.9 Fault Flag Recovery Time

Fault flag recovery time ( $t_{\text{RECOVERY(FLAG)}}$ ) measures the delay between the source voltage falling from overvoltage condition to below fault supply voltage ( $V_{\text{DD}}$  or  $V_{\text{SS}}$ ) plus 0.5 V and the general fault flag (FF) pin to rise above 3 V with 5 V external pull-up.  8-10 shows the setup used to measure  $t_{\text{RECOVERY(FLAG)}}$ .

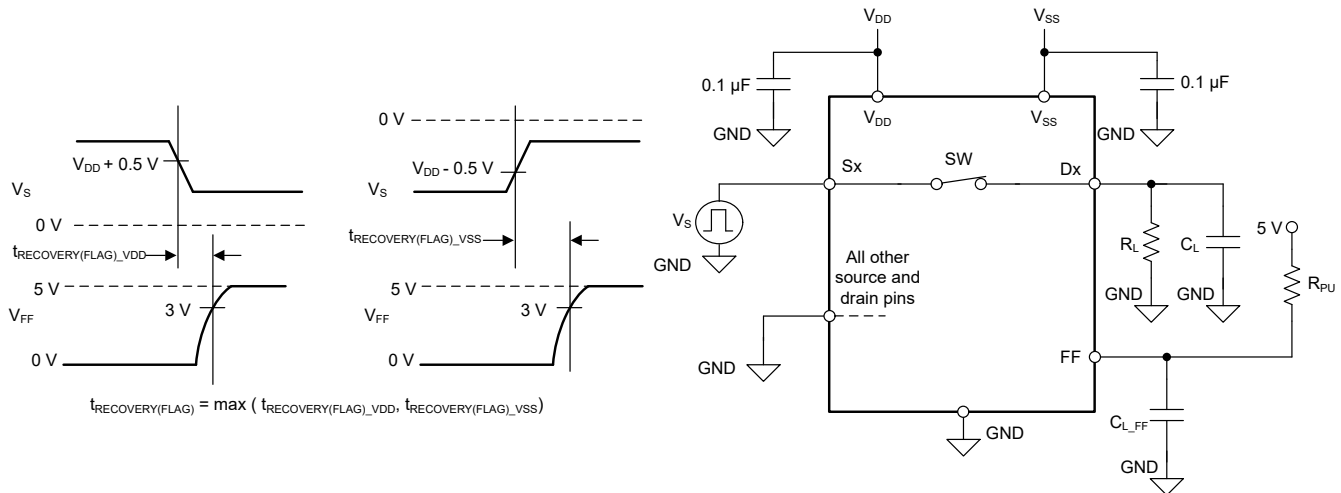


图 8-10. Fault Flag Recovery Time Measurement Setup

### 8.10 Charge Injection

Charge injection is a measure of the glitch impulse transferred from the logic input to the signal path during logic pin switching, and is denoted by the symbol  $Q_{INJ}$ . 图 8-11 shows the setup used to measure charge injection from the source to drain.

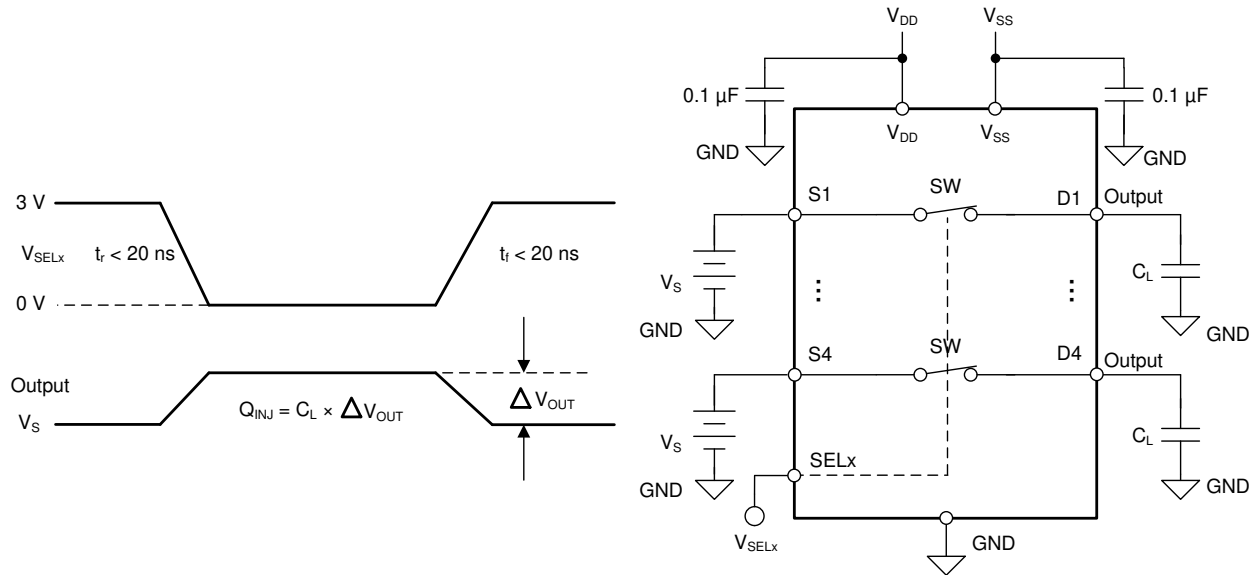


图 8-11. Charge-Injection Measurement Setup

### 8.11 Off Isolation

Off isolation is defined as the ratio of the signal at the drain pin (Dx) of the device when a signal is applied to the source pin (Sx) of an off-channel. 图 8-12 shows the setup used to measure off isolation.

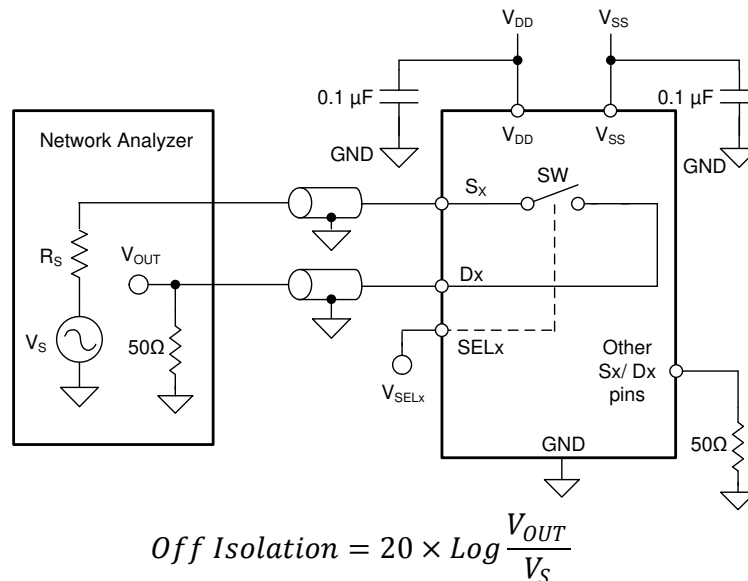
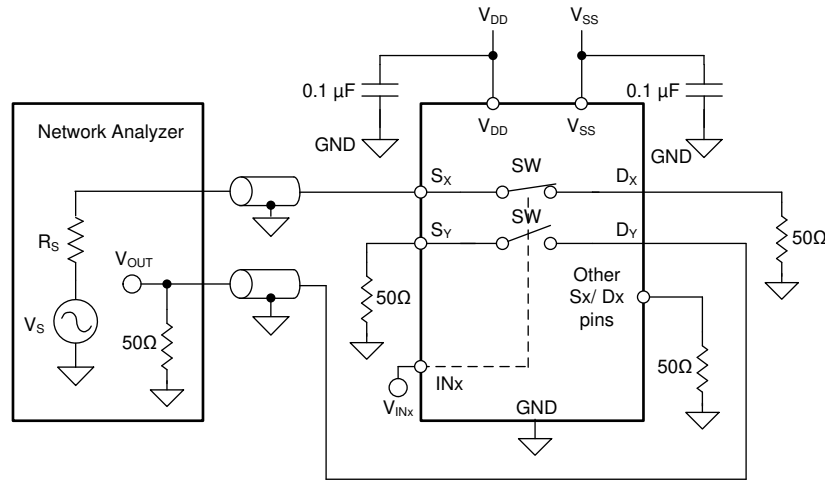


图 8-12. Off Isolation Measurement Setup

## 8.12 Inter-Channel Crosstalk

图 8-13 shows how the inter-channel crosstalk ( $X_{TALK(INTER)}$ ) measures the voltage at the source pin ( $S_x$ ) of a switch channel when a signal is applied at the source pin of an different switch channel.

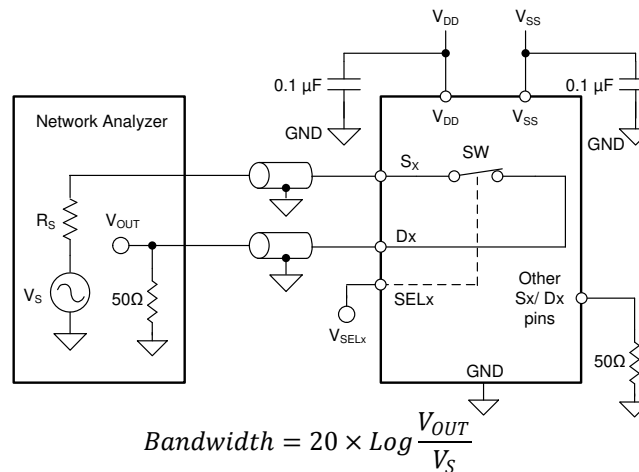


$$Inter - channel \text{ Crosstalk} = 20 \times \text{Log} \frac{V_{OUT}}{V_S}$$

图 8-13. Inter-Channel Crosstalk Measurement Setup

## 8.13 Bandwidth

Bandwidth (BW) is defined as the range of frequencies that are attenuated by < 3 dB when the input is applied to the source pin ( $S_x$ ) of an on-channel, and the output is measured at the drain pin ( $D_x$ ) of the device. 图 8-14 shows the setup used to measure bandwidth of the switch.

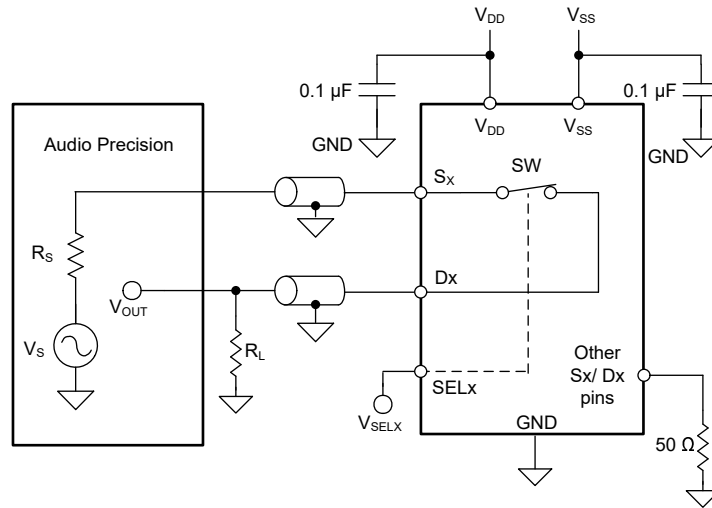


$$Bandwidth = 20 \times \text{Log} \frac{V_{OUT}}{V_S}$$

图 8-14. Bandwidth Measurement Setup

### 8.14 THD + Noise

The total harmonic distortion (THD) of a signal is a measurement of the harmonic distortion, and is defined as the ratio of the sum of the powers of all harmonic components to the power of the fundamental frequency at the switch output. The on-resistance of the device varies with the amplitude of the input signal and results in distortion when the drain pin is connected to a low-impedance load. Total harmonic distortion plus noise is denoted as THD+N. [图 8-15](#) shows the setup used to measure THD+N of the devices.



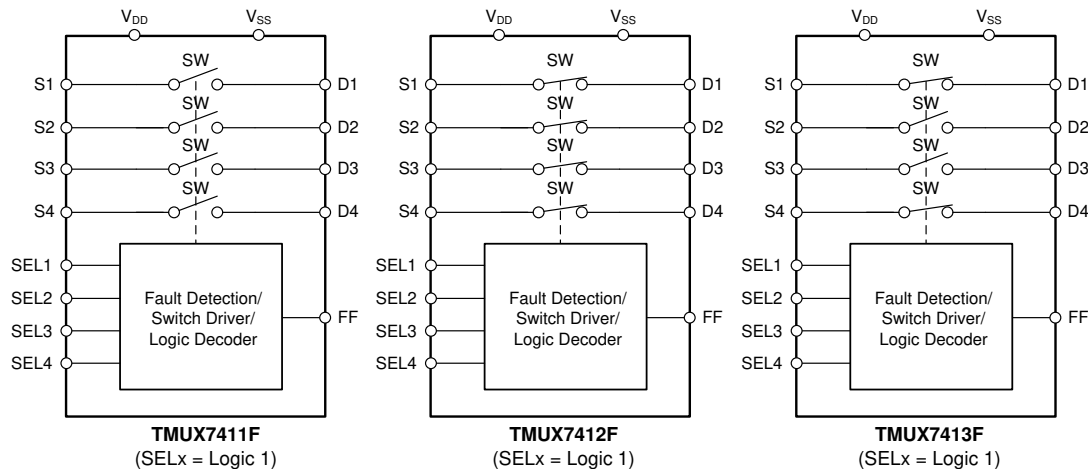
**图 8-15. THD+N Measurement Setup**

## 9 Detailed Description

### 9.1 Overview

The TMUX741xF devices are 44-V fault protected switches in a 1:1, 4 channel configuration. The devices work well with dual supplies ( $\pm 5$  V to  $\pm 22$  V), a single supply (8 V to 44 V), or asymmetric supplies (such as  $V_{DD} = 15$  V,  $V_{SS} = -5$  V). The overvoltage protection feature on the source pins works under powered and powered-off conditions, allowing for use in harsh industrial environments. The powered-off condition includes floating power supplies, grounded power supplies, or power supplies at any level that are below the undervoltage (UV) threshold.

### 9.2 Functional Block Diagram



### 9.3 Feature Description

#### 9.3.1 Flat ON-Resistance

The TMUX7411F, TMUX7412F, and TMUX7413F are designed with a special switch architecture to produce ultra-flat on-resistance ( $R_{ON}$ ) across most of the switch input operation region. The flat  $R_{ON}$  response allows the device to be used in precision sensor applications since the  $R_{ON}$  is controlled regardless of the signals sampled. The architecture is implemented without a charge pump so no unwanted noise is produced from the device to affect sampling accuracy.

#### 9.3.2 Protection Features

The TMUX7411F, TMUX7412F, and TMUX7413F offer a number of protection features to enable robust system implementations.

##### 9.3.2.1 Input Voltage Tolerance

The maximum voltage that can be applied to any source input pin is +60 V or -60 V, allowing the device to handle typical voltage fault condition in industrial applications. Caution: the device has different maximum stress ratings across different pin combinations and are defined as the following:

##### 1. Between source pins and supply rails: 85 V

For example, if the device is powered by  $V_{DD}$  supply of 25 V, then the maximum negative signal level on any source pin is -60 V. If the device is powered by  $V_{DD}$  supply of 40 V, then the maximum negative signal level on any source pin is reduced to -45 V to maintain the 85 V maximum rating across the source pin and the supply.

##### 2. Between source pins and the same drain pins: 85 V

For example, if channel S1 is ON and an overvoltage voltage fault of -60 V occurs on the source pin, then the maximum positive voltage signal level driven on the drain pin channel D1 is 25 V to maintain the 85 V maximum rating across the source pin and the drain pin.



### 9.3.2.2 Powered-Off Protection

When the supplies of TMUX7411F, TMUX7412F, and TMUX7413F are removed ( $V_{DD}/V_{SS} = 0$  V or floating), the source (Sx) pins of the device remain in high impedance (Hi-Z) state, and the device performance remains within the leakage performance. Powered-off protection minimizes system complexity by removing the need to control power supply sequencing of the system. The feature prevents errant voltages on the input source pins from reaching the rest of the system and maintains isolation when the system is powering up. Without powered-off protection, signals on the input source pins can back-power the supply rails through internal ESD diodes and cause potential damage to the system.

A GND reference must always be present to ensure proper operation. Source and drain voltage levels of up to  $\pm 60$  V are blocked in the powered-off condition.

### 9.3.2.3 Fail-Safe Logic

Fail-safe logic circuitry allows voltages on the logic control pins to be applied before the supply pins, protecting the device from potential damage. The switch is specified to be in the OFF state, regardless of the state of the logic signals. The logic inputs are protected against positive faults of up to +44 V in powered-off condition, but do not offer protection against negative overvoltage condition.

Fail-safe logic also allows the TMUX741xF devices to interface with a voltage greater than  $V_{DD}$  during normal operation to add maximum flexibility in system design. For example, with a  $V_{DD}$  of = 15 V, the logic control pins could be connected to +24 V for a logic high signal which allows different types of signals, such as analog feedback voltages, to be used when controlling the logic inputs. Regardless of the supply voltage, the logic inputs can be interfaced as high as 44 V.

### 9.3.2.4 Overvoltage Protection and Detection

The TMUX7411F, TMUX7412F, and TMUX7413F detect overvoltage inputs by comparing the voltage on a source pin (Sx) with the supplies ( $V_{DD}$  and  $V_{SS}$ ). A signal is considered overvoltage if it exceeds the supply voltages by the threshold voltage ( $V_T$ ).

The switch automatically turns OFF regardless of the logic controls when an overvoltage is detected. The source pin becomes high impedance and ensures only small leakage current flows through the switch. The drain pin (Dx) is left floating when the fault channel is selected by the logic control. For example, if the source voltage exceeds  $V_{DD}$  or  $V_{SS}$ , then the drain output is left floating and the circuit connected to the drain pin, such as  $R_L$  and  $C_L$ , determines the final voltage.

### 9.3.2.5 ESD Protection

All pins on the TMUX7411F, TMUX7412F, and TMUX7413F support HBM ESD protection level up to  $\pm 6$  kV, which helps prevent the device from being damaged by ESD events during manufacturing process.

The drain pins (Dx) have internal ESD protection diodes to the supplies  $V_{DD}$  and  $V_{SS}$ , therefore the voltage at the drain pins must not exceed the supply voltages to prevent excessive diode current. The source pins have specialized ESD protection that allows the signal voltage to reach  $\pm 60$  V regardless of the supply voltage level. Exceeding  $\pm 60$  V on any source input may damage the ESD protection circuitry on the device and cause the device to malfunction if the damage is excessive.

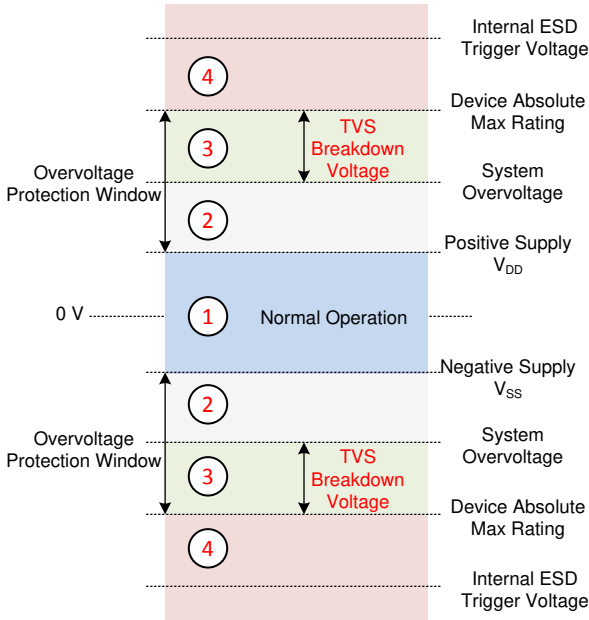
### 9.3.2.6 Latch-Up Immunity

Latch-up is a condition where a low impedance path is created between a supply pin and ground. This condition is caused by a trigger (current injection or overvoltage), but once activated, the low impedance path remains even after the trigger is no longer present. This low impedance path may cause system upset or catastrophic damage due to excessive current levels. The latch-up condition typically requires a power cycle to eliminate the low impedance path.

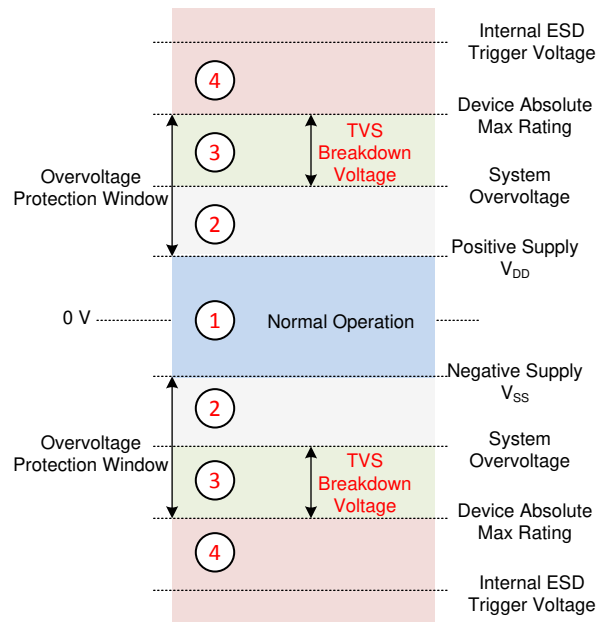
In the TMUX7411F, TMUX7412F, and TMUX7413F devices, an insulating oxide layer is placed on top of the silicon substrate to prevent any parasitic junctions from forming. As a result, the devices are latch-up immune under all circumstances by device construction.

### 9.3.2.7 EMC Protection

The TMUX7411F, TMUX7412F, and TMUX7413F are not intended for standalone electromagnetic compatibility (EMC) protection in industrial applications. There are three common high voltage transient specifications that govern industrial high voltage transient specification: IEC61000-4-2 (ESD), IEC61000-4-4 (EFT), and IEC61000-4-5 (surge immunity). A transient voltage suppressor (TVS), along with some low-value series current limiting resistor, are required to prevent source input voltages from going above the rated  $\pm 60$  V limits.

When selecting a TVS protection device, it is critical to ensure that the maximum working voltage is greater than both the normal operating range of the input source pins to be protected and any known system common-mode overvoltage that may be present due to miswiring, loss of power, or short circuit.  shows an example of the proper design window when selecting a TVS device.

Region 1 denotes normal operation region of TMUX7411F, TMUX7412F, and TMUX7413F, where the input source voltages stay below the supplies  $V_{DD}$  and  $V_{SS}$ . Region 2 represents the range of possible persistent DC (or long duration AC overvoltage fault) presented on the source input pins. Region 3 represents the margin between any known DC overvoltage level and the absolute maximum rating of the TMUX741xF. The TVS breakdown voltage must be selected to be less than the absolute maximum rating of the TMUX7411F, TMUX7412F, and TMUX7413F, but greater than any known possible persistent DC or long duration AC overvoltage fault to avoid triggering the TVS inadvertently. Region 4 represents the margin system designers must impose when selecting the TVS protection device to prevent accidental triggering of ESD cells of the TMUX7411F, TMUX7412F, and TMUX7413F devices.



**图 9-1. System Operation Regions and Proper Region of Selecting a TVS Protection Device**

### 9.3.3 Overvoltage Fault Flags

The voltages on the source input pins of the TMUX7411F, TMUX7412F, and TMUX7413F are continuously monitored, and the status of whether an overvoltage condition occurs is indicated by an active low general fault flag (FF). The voltage on the FF pin indicates if any of the source input pins are experiencing an overvoltage condition. If any source pin voltage exceeds the fault supply voltages by a  $V_T$ , the FF output is pulled-down to below  $V_{OL}$ .

The FF pin is an open-drain output and an external pull-up resistor of 1 k $\Omega$  is recommended. The pull-up voltage can be in the range of 1.8 V to 5.5 V, depending on the controller voltage the device interfaces with.

### 9.3.4 Bidirectional Operation

The TMUX7411F, TMUX7412F, and TMUX7413F conduct equally well from source (Sx) to drain (Dx) or from drain (Dx) to source (Sx). However, it is noted that the overvoltage protection is implemented only on the source (Sx) side. The voltage on the drain is only allowed to swing between  $V_{DD}$  and  $V_{SS}$  and no overvoltage protection is available on the drain side.

The flatest on-resistance region extends from  $V_{SS}$  to roughly 3 V below  $V_{DD}$ . Once the signal is within 3 V of  $V_{DD}$  the on-resistance will exponentially increase and may impact desired signal transmission.

## 9.4 Device Functional Modes

The TMUX7411F, TMUX7412F, and TMUX7413F offer two modes of operation (normal mode and fault mode) depending on whether any of the input pins experience an overvoltage condition.

### 9.4.1 Normal Mode

Signals of up to  $V_{DD}$  and  $V_{SS}$  can be passed through the switch from source (Sx) to drain (Dx) or from drain (Dx) to source (Sx) in normal mode operation. As provided in [表 9-1](#), [表 9-2](#), and [表 9-3](#), the select pins (SELx) determine which switch path to turn on. The following conditions must be satisfied for the switch to stay in the ON condition:

- The difference between the supplies ( $V_{DD} - V_{SS}$ ) must be greater than or equal to 8 V.
- The input signals on the source (Sx) or the drain (Dx) must be between  $V_{DD} + V_T$  and  $V_{SS} - V_T$ .
- The select control logic (SELx) must have selected the switch.

### 9.4.2 Fault Mode

The TMUX7411F, TMUX7412F, and TMUX7413F enter into fault mode when any of the input signals on the source (Sx) pins exceed  $V_{DD}$  or  $V_{SS}$  by a threshold voltage  $V_T$ . Under the overvoltage condition, the switch input experiencing the fault automatically turns off regardless of the logic status, and the source pin becomes high impedance with negligible amount of leakage current flowing through the switch. When the fault channel is turned-on by the select control logic (SELx), the drain pin (Dx) left floating and the final voltage is determined by the circuitry connected to the drain pin.

In the fault mode, the general fault flag (FF) is asserted low.

The overvoltage protection is provided only for the source (Sx) input pins. The drain (Dx) pin, if used as signal input, must stay in between  $V_{DD}$  and  $V_{SS}$  at all time since no overvoltage protection is implemented on the drain pin.

### 9.4.3 Truth Tables

表 9-1, 表 9-2, and 表 9-3 show the truth tables for the TMUX7411F, TMUX7412F, and TMUX7413F, respectively. Each switch is independently controlled by its own select pin.

表 9-1. TMUX7411F Truth Table

SELx	Switch x (S1 to S4)
0	Channel x ON
1	Channel x OFF

表 9-2. TMUX7412F Truth Table

SELx	Switch x (S1 to S4)
0	Channel x OFF
1	Channel x ON

表 9-3. TUMUX7413F Truth Table

SELx	STATE
0	Switch 1, 4 OFF Switch 2, 3 ON
1	Switch 1, 4 ON Switch 2, 3 OFF

If unused, SELx pins must be tied to GND to ensure the device does not consume additional current as highlighted in [Implications of Slow or Floating CMOS Inputs](#). Unused signal path inputs (Sx or Dx) should be connected to GND.

## 10 Application and Implementation

### 备注

以下应用部分中的信息不属于 TI 器件规格的范围，TI 不担保其准确性和完整性。TI 的客户应负责确定器件是否适用于其应用。客户应验证并测试其设计，以确保系统功能。

### 10.1 Application Information

The TMUX7411F, TMUX7412F, and TMUX7413F are part of the fault protected switches and multiplexers family of devices. The ability to protect downstream components from overvoltage events up to  $\pm 60\text{ V}$  and latch-up immunity features makes these switches and multiplexers suitable for harsh environments.

### 10.2 Typical Application

The need to monitor remote sensors is common among factory automation control systems. For example, an analog input module or mixed module (AI, AO, DI, and DO) of a programmable logic controller (PLC) will interface to a field transmitter to monitor various process sensors at remote locations around the factory. A switch or multiplexer is often used to connect multiple inputs from the system and reduce the number of downstream channels.

There are a number of fault cases that may occur that can be damaging to many of the integrated circuits. Such fault conditions may include, but are not limited to, human error from wiring the connections incorrectly, component failure, wire shorts, electromagnetic interference (EMI), transient disturbances, and more.

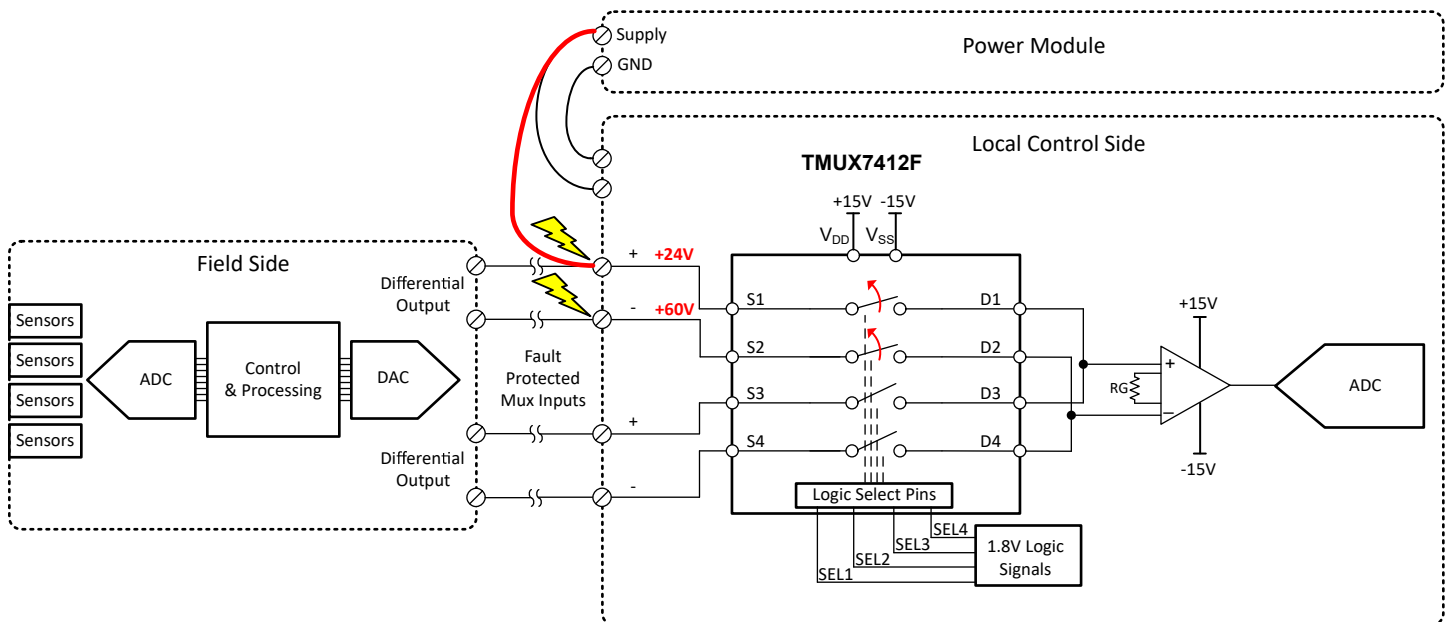


图 10-1. Typical Application

### 10.2.1 Design Requirements

表 10-1. Design Parameters

PARAMETER	VALUE
Positive supply ( $V_{DD}$ ) mux	+15 V
Negative supply ( $V_{SS}$ ) mux	-15 V
Power board supply voltage	24 V
Input or output signal range non-faulted	-15 V to 15 V
Overvoltage protection levels	-60 V to 60 V
Control logic thresholds	1.8 V compatible, up to 44 V
Temperature range	-40°C to +125°C

### 10.2.2 Detailed Design Procedure

The normal operation of the application is to take multiple differential inputs and use a multi-channel switch to pass the signal to the downstream instrumentation amplifier. A fault protected switch can add extra robustness to the system against fault conditions while also reducing the number of components required to interface with the systems physical input channels.

The previous image shows the case where a human wired the condition incorrectly and one of the input connectors shorted to the power board supply voltage. If the board supply voltage is higher than the power supply of the multiplexer, then the TMUX741xF device will disconnect the source input from passing the signal to protect the downstream components. The drain pin of the mux channels under fault will be left floating.

### 10.2.3 Application Curves

The previous example shows how the fault protection of the TMUX741xF is utilized to protect downstream components from damage due to incorrect wiring connections from the power module. 图 10-2 shows an example of positive overvoltage fault response with a fast fault ramp rate of 50 V/μs. 图 10-3 shows the extremely flat on-resistance across source voltage while operating within a common signal range of ±10 V. These features make the TMUX741xF an ideal solution for factory automation applications that may face various fault conditions but also require excellent linearity and low distortion.

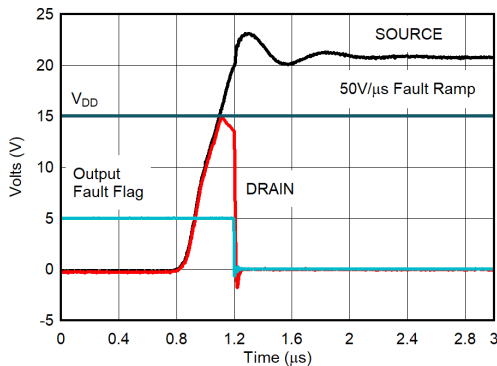


图 10-2. Positive Overvoltage Response

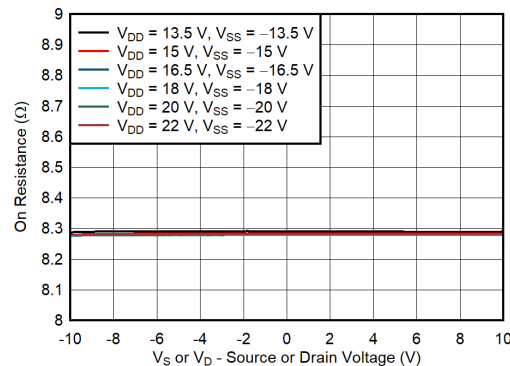




图 10-3.  $R_{ON}$  Flatness in Non-Fault Region

## 11 Power Supply Recommendations

The TMUX7411F, TMUX7412F, and TMUX7413F operates across a wide supply range of  $\pm 5$  V to  $\pm 22$  V (8 V to 44 V in single-supply mode). They also perform well with asymmetrical supplies such as  $V_{DD} = 12$  V and  $V_{SS} = -5$  V. Use a supply decoupling capacitor ranging from 1  $\mu$ F to 10  $\mu$ F at the  $V_{DD}$  and  $V_{SS}$  pins to ground for improved supply noise immunity. Always ensure the ground (GND) connection is established before supplies are ramped.

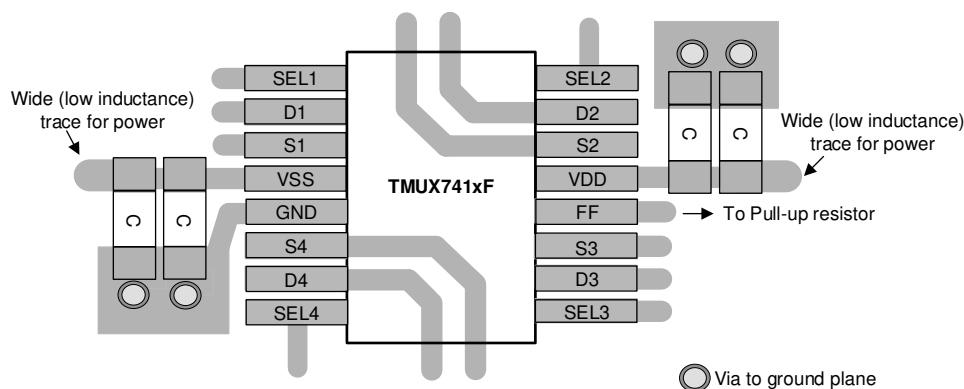
## 12 Layout

### 12.1 Layout Guidelines

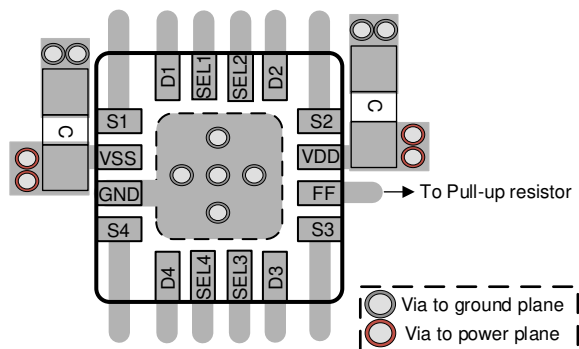
 12-1 and  12-2 shows an example of a PCB layout with the TMUX741xF. The following are some key considerations:

- Decouple the  $V_{DD}$  and  $V_{SS}$  pins with a 1- $\mu$ F capacitor, placed as close to the pin as possible. Make sure that the capacitor voltage rating is sufficient for the  $V_{DD}$  and  $V_{SS}$  supplies.
- Multiple decoupling capacitors can be used if there is a lot of noise in the system. For example, a 0.1- $\mu$ F and 1- $\mu$ F can be placed on the supply pins. If multiple capacitors are used, placing the lowest value capacitor closest to the supply pin is recommended.
- Keep the input lines as short as possible.
- Use a solid ground plane to help distribute heat and reduce electromagnetic interference (EMI) noise pickup.
- Do not run sensitive analog traces in parallel with digital traces. Avoid crossing digital and analog traces if possible, and only make perpendicular crossings when necessary.

### 12.2 Layout Example



 12-1. TSSOP Layout Example



 12-2. WQFN Layout Example

## 13 Device and Documentation Support

### 13.1 Documentation Support

#### 13.1.1 Related Documentation

- Texas Instruments, [Implications of Slow or Floating CMOS Inputs application note](#)
- Texas Instruments, [Improving Analog Input Modules Reliability Using Fault Protected Multiplexers application report](#)
- Texas Instruments, [Multiplexers and Signal Switches Glossary application report](#)
- Texas Instruments, [Protection Against Overvoltage Events, Miswiring, and Common Mode Voltages application report](#)
- Texas Instruments, [Using Latch-Up Immune Multiplexers to Help Improve System Reliability application report](#)

#### 13.2 接收文档更新通知

要接收文档更新通知，请导航至 [ti.com](http://ti.com) 上的器件产品文件夹。点击 [订阅更新](#) 进行注册，即可每周接收产品信息更改摘要。有关更改的详细信息，请查看任何已修订文档中包含的修订历史记录。

#### 13.3 支持资源

TI E2E™ 支持论坛是工程师的重要参考资料，可直接从专家获得快速、经过验证的解答和设计帮助。搜索现有解答或提出自己的问题可获得所需的快速设计帮助。

链接的内容由各个贡献者“按原样”提供。这些内容并不构成 TI 技术规范，并且不一定反映 TI 的观点；请参阅 TI 的《使用条款》。

#### 13.4 Trademarks

TI E2E™ is a trademark of Texas Instruments.

所有商标均为其各自所有者的财产。

#### 13.5 Electrostatic Discharge Caution



This integrated circuit can be damaged by ESD. Texas Instruments recommends that all integrated circuits be handled with appropriate precautions. Failure to observe proper handling and installation procedures can cause damage.

ESD damage can range from subtle performance degradation to complete device failure. Precision integrated circuits may be more susceptible to damage because very small parametric changes could cause the device not to meet its published specifications.

#### 13.6 术语表

TI 术语表 本术语表列出并解释了术语、首字母缩略词和定义。

## 14 Mechanical, Packaging, and Orderable Information

The following pages include mechanical, packaging, and orderable information. This information is the most current data available for the designated devices. This data is subject to change without notice and revision of this document. For browser-based versions of this data sheet, refer to the left-hand navigation.



**PACKAGING INFORMATION**

Orderable part number	Status (1)	Material type (2)	Package   Pins	Package qty   Carrier	RoHS (3)	Lead finish/ Ball material (4)	MSL rating/ Peak reflow (5)	Op temp (°C)	Part marking (6)
<a href="#">TMUX7411FRRPR</a>	Active	Production	WQFN (RRP)   16	3000   LARGE T&R	Yes	NIPDAU	Level-1-260C-UNLIM	-40 to 125	TMUX 7411F
TMUX7411FRRPR.B	Active	Production	WQFN (RRP)   16	3000   LARGE T&R	Yes	NIPDAU	Level-1-260C-UNLIM	-40 to 125	TMUX 7411F
<a href="#">TMUX7412FRRPR</a>	Active	Production	WQFN (RRP)   16	3000   LARGE T&R	Yes	NIPDAU	Level-2-260C-1 YEAR	-40 to 125	TMUX 7412F
TMUX7412FRRPR.B	Active	Production	WQFN (RRP)   16	3000   LARGE T&R	Yes	NIPDAU	Level-2-260C-1 YEAR	-40 to 125	TMUX 7412F
TMUX7412FRRPRG4	Active	Production	WQFN (RRP)   16	3000   LARGE T&R	Yes	NIPDAU	Level-2-260C-1 YEAR	-40 to 125	TMUX 7412F
TMUX7412FRRPRG4.B	Active	Production	WQFN (RRP)   16	3000   LARGE T&R	Yes	NIPDAU	Level-2-260C-1 YEAR	-40 to 125	TMUX 7412F
<a href="#">TMUX7413FRRPR</a>	Active	Production	WQFN (RRP)   16	3000   LARGE T&R	Yes	NIPDAU	Level-1-260C-UNLIM	-40 to 125	TMUX 7413F
TMUX7413FRRPR.B	Active	Production	WQFN (RRP)   16	3000   LARGE T&R	Yes	NIPDAU	Level-1-260C-UNLIM	-40 to 125	TMUX 7413F

(1) **Status:** For more details on status, see our [product life cycle](#).

(2) **Material type:** When designated, preproduction parts are prototypes/experimental devices, and are not yet approved or released for full production. Testing and final process, including without limitation quality assurance, reliability performance testing, and/or process qualification, may not yet be complete, and this item is subject to further changes or possible discontinuation. If available for ordering, purchases will be subject to an additional waiver at checkout, and are intended for early internal evaluation purposes only. These items are sold without warranties of any kind.

(3) **RoHS values:** Yes, No, RoHS Exempt. See the [TI RoHS Statement](#) for additional information and value definition.

(4) **Lead finish/Ball material:** Parts may have multiple material finish options. Finish options are separated by a vertical ruled line. Lead finish/Ball material values may wrap to two lines if the finish value exceeds the maximum column width.

(5) **MSL rating/Peak reflow:** The moisture sensitivity level ratings and peak solder (reflow) temperatures. In the event that a part has multiple moisture sensitivity ratings, only the lowest level per JEDEC standards is shown. Refer to the shipping label for the actual reflow temperature that will be used to mount the part to the printed circuit board.

(6) **Part marking:** There may be an additional marking, which relates to the logo, the lot trace code information, or the environmental category of the part.

Multiple part markings will be inside parentheses. Only one part marking contained in parentheses and separated by a "~" will appear on a part. If a line is indented then it is a continuation of the previous line and the two combined represent the entire part marking for that device.

**Important Information and Disclaimer:** The information provided on this page represents TI's knowledge and belief as of the date that it is provided. TI bases its knowledge and belief on information provided by third parties, and makes no representation or warranty as to the accuracy of such information. Efforts are underway to better integrate information from third parties. TI has taken and continues to take reasonable steps to provide representative and accurate information but may not have conducted destructive testing or chemical analysis on incoming materials and chemicals. TI and TI suppliers consider certain information to be proprietary, and thus CAS numbers and other limited information may not be available for release.

In no event shall TI's liability arising out of such information exceed the total purchase price of the TI part(s) at issue in this document sold by TI to Customer on an annual basis.

**TAPE AND REEL INFORMATION**

**QUADRANT ASSIGNMENTS FOR PIN 1 ORIENTATION IN TAPE**

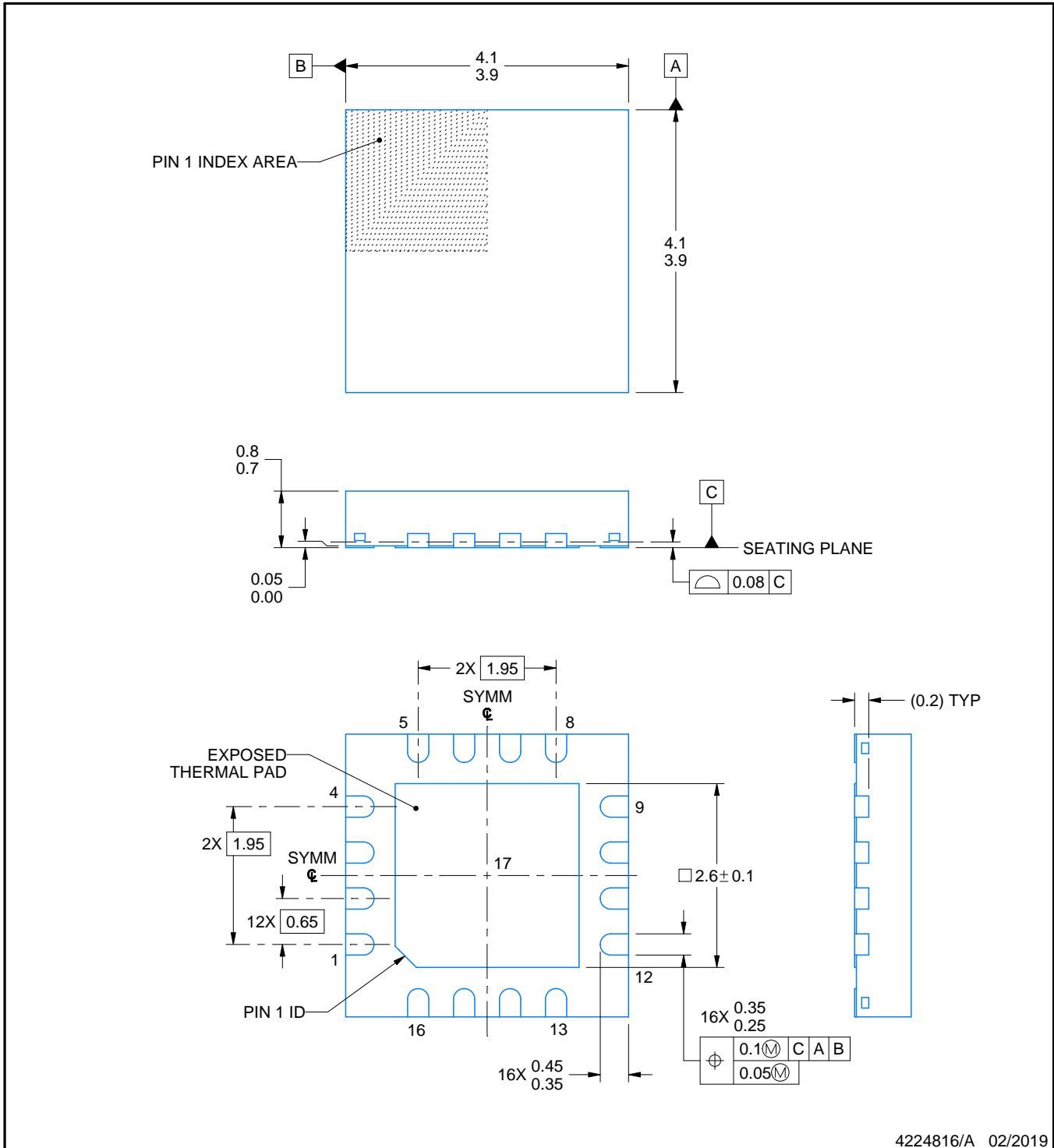
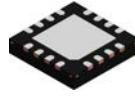

\*All dimensions are nominal

Device	Package Type	Package Drawing	Pins	SPQ	Reel Diameter (mm)	Reel Width W1 (mm)	A0 (mm)	B0 (mm)	K0 (mm)	P1 (mm)	W (mm)	Pin1 Quadrant
TMUX7411FRRPR	WQFN	RRP	16	3000	330.0	12.4	4.25	4.25	1.15	8.0	12.0	Q2
TMUX7412FRRPR	WQFN	RRP	16	3000	330.0	12.4	4.25	4.25	1.15	8.0	12.0	Q2
TMUX7412FRRPRG4	WQFN	RRP	16	3000	330.0	12.4	4.25	4.25	1.15	8.0	12.0	Q2
TMUX7413FRRPR	WQFN	RRP	16	3000	330.0	12.4	4.25	4.25	1.15	8.0	12.0	Q2

**TAPE AND REEL BOX DIMENSIONS**


\*All dimensions are nominal

Device	Package Type	Package Drawing	Pins	SPQ	Length (mm)	Width (mm)	Height (mm)
TMUX7411FRRPR	WQFN	RRP	16	3000	367.0	367.0	35.0
TMUX7412FRRPR	WQFN	RRP	16	3000	367.0	367.0	35.0
TMUX7412FRRPRG4	WQFN	RRP	16	3000	367.0	367.0	35.0
TMUX7413FRRPR	WQFN	RRP	16	3000	367.0	367.0	35.0



4224816/A 02/2019

NOTES:

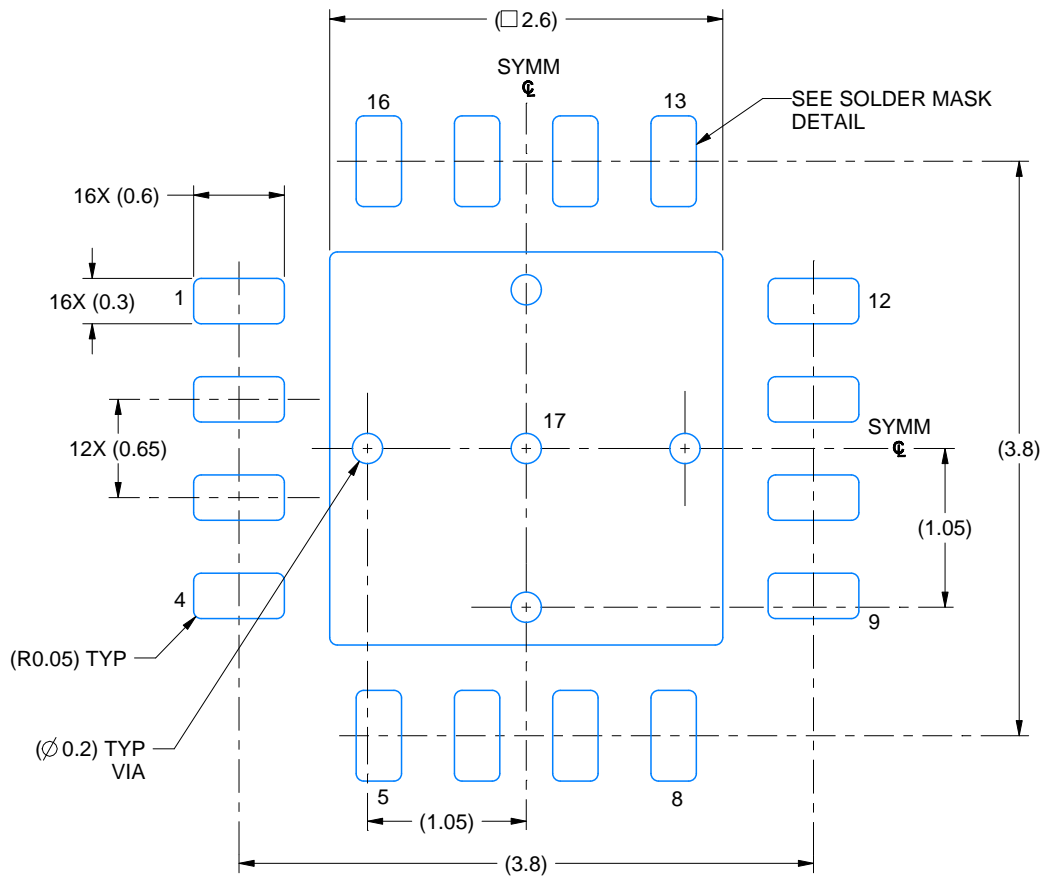
1. All linear dimensions are in millimeters. Any dimensions in parenthesis are for reference only. Dimensioning and tolerancing per ASME Y14.5M.
2. This drawing is subject to change without notice.
3. The package thermal pad must be soldered to the printed circuit board for thermal and mechanical performance.

# EXAMPLE BOARD LAYOUT

RRP0016A

WQFN - 0.8 mm max height

PLASTIC QUAD FLATPACK - NO LEAD



LAND PATTERN EXAMPLE  
EXPOSED METAL SHOWN  
SCALE: 20X



4224816/A 02/2019

NOTES: (continued)

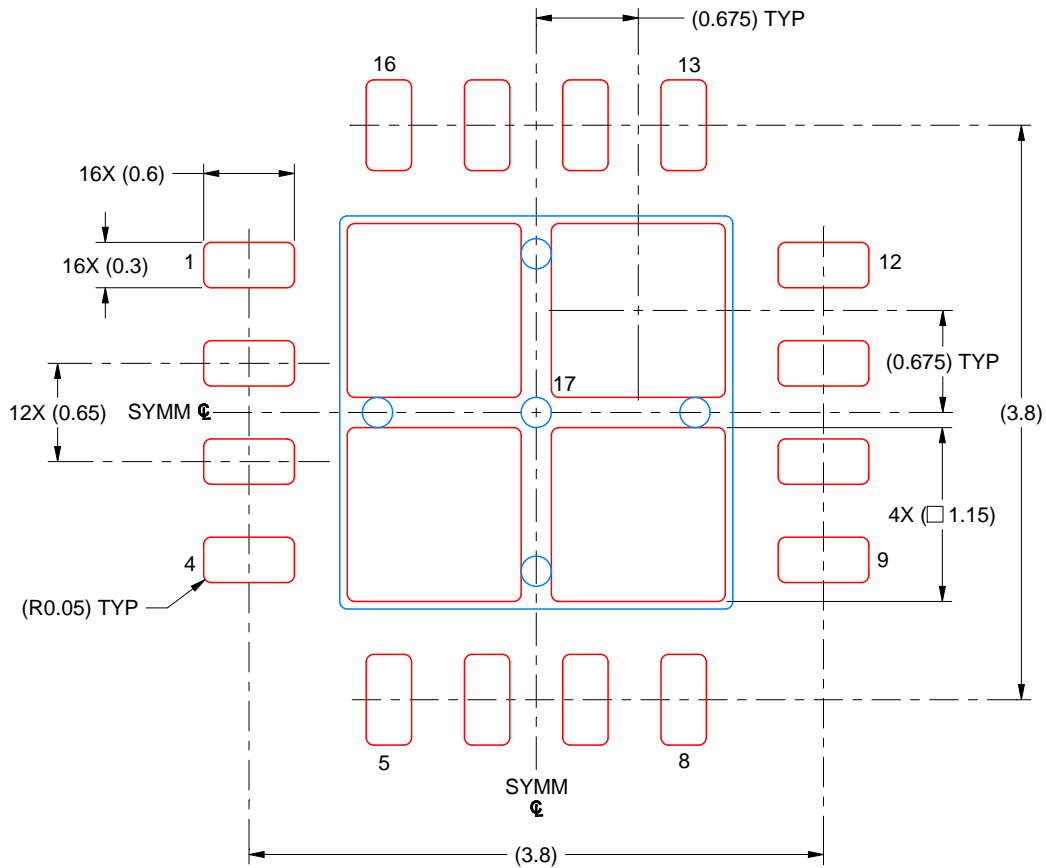
4. This package is designed to be soldered to a thermal pad on the board. For more information, see Texas Instruments literature number SLUA271 ([www.ti.com/lit/sluea271](http://www.ti.com/lit/sluea271)).
5. Vias are optional depending on application, refer to device data sheet. If any vias are implemented, refer to their locations shown on this view. It is recommended that vias under paste be filled, plugged or tented.

# EXAMPLE STENCIL DESIGN

RRP0016A

WQFN - 0.8 mm max height

PLASTIC QUAD FLATPACK - NO LEAD



SOLDER PASTE EXAMPLE  
BASED ON 0.125 MM THICK STENCIL  
SCALE: 20X

EXPOSED PAD 17  
78% PRINTED SOLDER COVERAGE BY AREA UNDER PACKAGE

4224816/A 02/2019

NOTES: (continued)

6. Laser cutting apertures with trapezoidal walls and rounded corners may offer better paste release. IPC-7525 may have alternate design recommendations.

## 重要通知和免责声明

TI“按原样”提供技术和可靠性数据（包括数据表）、设计资源（包括参考设计）、应用或其他设计建议、网络工具、安全信息和其他资源，不保证没有瑕疵且不做任何明示或暗示的担保，包括但不限于对适销性、与某特定用途的适用性或不侵犯任何第三方知识产权的暗示担保。

这些资源可供使用 TI 产品进行设计的熟练开发人员使用。您将自行承担以下全部责任：(1) 针对您的应用选择合适的 TI 产品，(2) 设计、验证并测试您的应用，(3) 确保您的应用满足相应标准以及任何其他安全、安保法规或其他要求。

这些资源如有变更，恕不另行通知。TI 授权您仅可将这些资源用于研发本资源所述的 TI 产品的相关应用。严禁以其他方式对这些资源进行复制或展示。您无权使用任何其他 TI 知识产权或任何第三方知识产权。对于因您对这些资源的使用而对 TI 及其代表造成的任何索赔、损害、成本、损失和债务，您将全额赔偿，TI 对此概不负责。

TI 提供的产品受 [TI 销售条款](#)、[TI 通用质量指南](#) 或 [ti.com](#) 上其他适用条款或 TI 产品随附的其他适用条款的约束。TI 提供这些资源并不会扩展或以其他方式更改 TI 针对 TI 产品发布的适用的担保或担保免责声明。除非德州仪器 (TI) 明确将某产品指定为定制产品或客户特定产品，否则其产品均为按确定价格收入目录的标准通用器件。

TI 反对并拒绝您可能提出的任何其他或不同的条款。

版权所有 © 2025，德州仪器 (TI) 公司

最后更新日期：2025 年 10 月