

TPS27SA08 36V、10A 单通道智能高侧开关

1 特性

- 具有典型 $9\text{m}\Omega$ R_{ON} ($T_J = 25^\circ\text{C}$) 的单通道智能高侧开关
- 通过过流保护提高可靠性：
 - 电流限制阈值标称值为 20A
 - 在达到阈值时进行电流限制（钳位）
- 强大的集成输出保护：
 - 集成热保护
 - 接地短路和电源短路保护
 - 在电源反向期间 FET 自动导通
 - 发生失电和接地失效时自动关闭
 - 集成输出钳位对电感负载进行消磁
 - 可配置故障处理
- 可对模拟检测输出进行配置，以精确测量：
 - 负载电流
 - 电源电压
 - 器件温度
- 将 FLT 指示返回到 MCU
 - 在关断状态下和发生 GND 短路时进行开路负载检测

2 应用

- 工业电机驱动器
- 加热元件：
 - 传感器元件加热器
 - 油箱加热器
- 高电流数字输出
- 电感性负载

3 说明

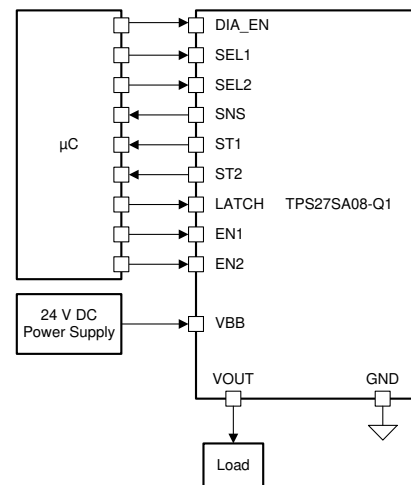
TPS27SA08 器件是一款适用于 24V 电源系统的单通道智能高侧开关。该器件集成了强大的保护和诊断功能，可确保即使在发生短路等不利事件时也能提供输出端口保护。该器件通过可靠的电流限制来防止故障，其中电流限制取决于器件型号，也可配置为通过立即关断开关或将输出电流调节为设置点（标称值为 20A）来应对过流事件。TPS27SA08 器件还可提供高精度模拟电流检测，可在驱动不同负载分布的同时改进诊断。通过向系统 MCU 报告负载电流、器件温度和电源电压，该器件可实现预测性维护和负载诊断，从而延长系统寿命。

TPS27SA08 器件采用小型的 16 引脚 HTSSOP 封装，以减小 PCB 尺寸。

器件信息

器件型号	封装 ⁽¹⁾	封装尺寸 (标称值)
TPS27SA08	HTSSOP (16)	5.00mm x 4.40mm

(1) 如需了解所有可用封装，请参阅数据表末尾的可订购产品附录。



简化原理图



Table of Contents

1 特性	1	9.1 Overview.....	19
2 应用	1	9.2 Functional Block Diagram.....	19
3 说明	1	9.3 Feature Description.....	20
4 Revision History	2	9.4 Device Functional Modes.....	31
5 Device Summary Table	3	10 Application and Implementation	33
6 Pin Configuration and Functions	4	10.1 Application Information.....	33
6.1 Recommended Connections for Unused Pins.....	5	10.2 Typical Application.....	35
7 Specifications	6	11 Power Supply Recommendations	39
7.1 Absolute Maximum Ratings	6	12 Layout	40
7.2 ESD Ratings	6	12.1 Layout Guidelines.....	40
7.3 Recommended Operating Conditions	6	12.2 Layout Example.....	40
7.4 Thermal Information	7	13 Device and Documentation Support	41
7.5 Electrical Characteristics	7	13.1 Device Support.....	41
7.6 Switching Characteristics	10	13.2 Trademarks.....	41
7.7 SNS Timing Characteristics	10	13.3 静电放电警告.....	41
7.8 Typical Characteristics.....	11	13.4 术语表.....	41
8 Parameter Measurement Information	18	14 Mechanical, Packaging, and Orderable Information	42
9 Detailed Description	19		

4 Revision History

注：以前版本的页码可能与当前版本的页码不同

DATE	REVISION	NOTES
November 2020	*	Initial release.

5 Device Summary Table

Full Device Number	Current Limit (I_{CL})	Overcurrent Behavior	Device Qualification
TPS27SA08C	20 A	Clamp Current at I_{CL} until Thermal Shutdown	Industrial (- 40°C to 125°C) Temperature Range

6 Pin Configuration and Functions

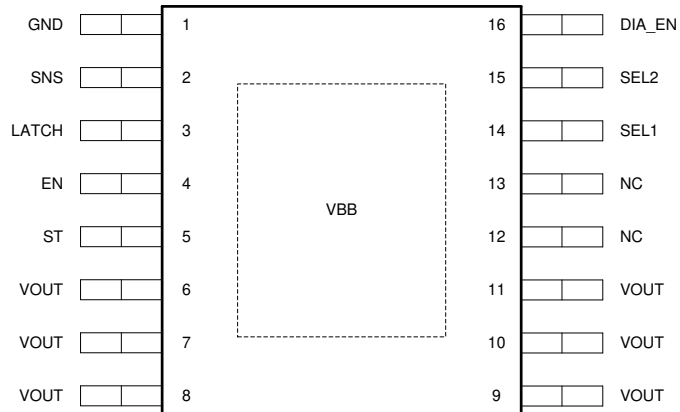


图 6-1. PWP Package 16-Pin HTSSOP Top View

表 6-1. Pin Functions

PIN		I/O	DESCRIPTION
NO.	NAME		
1	GND	—	Device ground
2	SNS	O	Sense output
3	LATCH	I	Sets fault handling behavior (latched or auto-retry)
4	EN	I	Switch control input, active high
5	ST	O	Switch diagnostic feedback, active low
6, 7, 8, 9, 10, 11	VOUT	O	Switch output
12	NC	--	No Connect
13	NC	--	No Connect
14	SEL1	I	Diagnostics Select 1
15	SEL2	I	Diagnostics Select 2
16	DIA_EN	I	Diagnostic enable, active high
Exposed pad	VBB	I	Power supply input

6.1 Recommended Connections for Unused Pins

The TPS27SA08 device is designed to provide an enhanced set of diagnostic and protection features. However, if the system design only allows for a limited number of I/O connections, some pins may be considered as optional.

表 6-2. Connections for Optional Pins

PIN NAME	CONNECTION IF NOT USED	IMPACT IF NOT USED
SNS	Ground through 1-k Ω resistor	Analog sense is not available.
LATCH	Float or ground through R_{PROT} resistor	With LATCH unused, the device will auto-retry after a fault. If latched behavior is desired it is possible to use one microcontroller output to control the latch function of several high-side channels.
ST	Float	All faults are indicated by the analog SNS pin. The ST pin provides the additional benefits: <ul style="list-style-type: none"> • Provide fault indication when DIA_EN = 0 • Provide fault indication regardless of SELx pin conditions • Provide fault indication to a simple digital I/O (rather than ADC or comparator used with the SNS signal)
SEL1	Float or ground through R_{PROT} resistor	SEL1 selects between the V_{BB} and T_J sensing features. With SEL1 unused, only load diagnostics are available.
SEL2	Ground through R_{PROT} resistor	With SEL2 = 0 V, V_{BB} measurement diagnostics are not available.
DIA_EN	Float or ground through R_{PROT} resistor	With DIA_EN unused, analog sense, open-load and short-to-supply diagnostics are not available.

R_{PROT} is used to protect the pins from excess current flow during reverse supply conditions, for more information please see the section on [Reverse Supply](#) protection.

7 Specifications

7.1 Absolute Maximum Ratings

over operating free-air temperature range (unless otherwise noted)⁽¹⁾

		MIN	MAX	UNIT
V _{BB}	Maximum continuous supply voltage		36	V
V _{TR1}	Maximum supply voltage - long transient		40	V
V _{TR2}	Maximum transient voltage at the supply input		54	V
				V _{BB} to IC GND
V _{Rev}	Reverse supply voltage, V _{REV} ≤ 3 minutes, with GND network.	- 36		V
V _{EN}	Enable pin voltage	- 1	7	V
V _{LATCH}	LATCH pin voltage	- 1	7	V
V _{ST}	Status pin voltage	- 1	7 ⁽²⁾	V
V _{DIA_EN}	Diagnostic Enable pin voltage	- 1	7	V
V _{SNS}	Sense pin voltage	- 1	7	V
V _{SEL1} , V _{SEL2}	Select pin voltage	- 1	7	V
I _{GND}	Reverse ground current		- 50	mA
				V _{BB} < 0 V
T _J	Maximum junction temperature		150	°C
T _{stg}	Storage temperature	- 65	150	°C

- (1) Stresses beyond those listed under *Absolute Maximum Ratings* may cause permanent damage to the device. These are stress ratings only, which do not imply functional operation of the device at these or any other conditions beyond those indicated under *Recommended Operating Conditions*. Exposure to absolute-maximum-rated conditions for extended periods may affect device reliability.
- (2) These pins are adjacent to pins that will handle high-voltages. In the event of a pin-to-pin short, there will not be device damage.

7.2 ESD Ratings

			VALUE	UNIT
V _(ESD)	Electrostatic discharge	Human-body model (HBM), per AEC Q100-002 ⁽¹⁾	±2000	V
		Exposed pad and pins 6 to 11	±4000	
		Charged-device model (CDM), per AEC Q100-011	±750	
V _(ESD1)	Electrostatic discharge	Contact/Air discharge, per IEC 61000-4-2 ⁽²⁾	±8/±15	kV
V _(surge)	Transient surge	Surge protection with 42 Ω, per IEC 61000-4-5; 1.2/50 μs ⁽²⁾	±1000	V
				V _{BB} (exposed pad) and V _{OUT} pins

- (1) AEC Q100-002 indicates that HBM stressing shall be in accordance with the ANSI/ESDA/JEDEC JS-001 specification.
- (2) Tested with the application circuit and supply voltage of 24-V DC input.

7.3 Recommended Operating Conditions

over operating free-air temperature range (unless otherwise noted)

		MIN	MAX	UNIT
V _{BB}	Nominal supply voltage	8	36	V
V _{EN}	Enable voltage	- 1	5.5	V
V _{LATCH}	LATCH voltage	- 1	5.5	V
V _{DIA_EN}	Diagnostic enable voltage	- 1	5.5	V
V _{SEL1} , V _{SEL2}	Select voltage	- 1	5.5	V
V _{ST}	Status voltage	0	5.5	V
V _{SNS}	Sense voltage	- 1	V _{SNSclamp}	V

7.3 Recommended Operating Conditions (continued)

over operating free-air temperature range (unless otherwise noted)

			MIN	MAX	UNIT
I_{MAX}	Continuous load current	$T_A = 70^\circ\text{C}$	0	10	A

7.4 Thermal Information

THERMAL METRIC ^{(1) (2)}		TPS27SA08		UNIT
		PWP (HTSSOP)		
		16 PINS		
$R_{\theta JA}$	Junction-to-ambient thermal resistance	32.8		$^\circ\text{C}/\text{W}$
$R_{\theta JC(top)}$	Junction-to-case (top) thermal resistance	30.7		$^\circ\text{C}/\text{W}$
$R_{\theta JB}$	Junction-to-board thermal resistance	9.3		$^\circ\text{C}/\text{W}$
ψ_{JT}	Junction-to-top characterization parameter	2.6		$^\circ\text{C}/\text{W}$
ψ_{JB}	Junction-to-board characterization parameter	9.4		$^\circ\text{C}/\text{W}$
$R_{\theta JC(bot)}$	Junction-to-case (bottom) thermal resistance	1.0		$^\circ\text{C}/\text{W}$

- (1) For more information about traditional and new thermal metrics, see the [Semiconductor and IC Package Thermal Metrics](#) application report.
- (2) The thermal parameters are based on a 4-layer PCB according to the JESD51-5 and JESD51-7 standards.

7.5 Electrical Characteristics

$V_{BB} = 8\text{ V to }36\text{ V}$, $T_J = -40^\circ\text{C to }125^\circ\text{C}$ (unless otherwise noted)

PARAMETER		TEST CONDITIONS	MIN	TYP	MAX	UNIT
INPUT VOLTAGE AND CURRENT						
V_{Clamp}	V_{DS} clamp voltage		40		58	V
V_{UVLOF}	V_{BB} undervoltage lockout falling			2.5	3	V
V_{UVLOR}	V_{BB} undervoltage lockout rising			2.5	3	V
I_{SB}	Standby current (includes MOSFET leakage)	$V_{BB} = 24\text{ V}$, $T_J = 25^\circ\text{C}$ $V_{EN} = V_{DIA_EN} = 0\text{ V}$, $V_{OUT} = 0\text{ V}$			0.8	μA
		$V_{BB} = 24\text{ V}$, $T_J = 85^\circ\text{C}$ $V_{EN} = V_{DIA_EN} = 0\text{ V}$, $V_{OUT} = 0\text{ V}$			1	μA
		$V_{BB} = 24\text{ V}$, $T_J = 125^\circ\text{C}$, $V_{EN} = V_{DIA_EN} = 0\text{ V}$, $V_{OUT} = 0\text{ V}$			6	μA
I_{OUT_OFF}	Output leakage current	$V_{BB} = 24\text{ V}$, $T_J = 25^\circ\text{C}$ $V_{EN} = V_{DIA_EN} = 0\text{ V}$, $V_{OUT} = 0\text{ V}$		0.01	0.5	μA
		$V_{BB} = 24\text{ V}$, $T_J = 125^\circ\text{C}$ $V_{EN} = V_{DIA_EN} = 0\text{ V}$, $V_{OUT} = 0\text{ V}$			6	μA
I_{DIA}	Current consumption in diagnostic mode	$V_{BB} = 24\text{ V}$, $I_{SNS} = 0\text{ mA}$ $V_{EN} = 0\text{ V}$, $V_{DIA_EN} = 5\text{ V}$, $V_{OUT} = 0\text{ V}$		3	6	mA
I_Q	Quiescent current	$V_{BB} = 24\text{ V}$ $V_{EN} = 5\text{ V}$, $V_{DIA_EN} = 0\text{ V}$, $I_{OUT} = 0\text{ A}$, $V_{SELX} = 0\text{ V}$		2.4	5.2	mA
t_{STBY}	Standby mode delay time	$V_{EN} = V_{DIA_EN} = 0\text{ V}$ to Standby		20		ms
R_{ON} CHARACTERISTICS						
R_{ON}	On-resistance Includes MOSFET and package	$T_J = 25^\circ\text{C}$, $6\text{ V} \leq V_{BB} \leq 36\text{ V}$		9		$\text{m}\Omega$
		$T_J = 150^\circ\text{C}$, $6\text{ V} \leq V_{BB} \leq 36\text{ V}$			20	$\text{m}\Omega$
		$T_J = 25^\circ\text{C}$, $3\text{ V} \leq V_{BB} \leq 6\text{ V}$			15	$\text{m}\Omega$
$R_{ON(REV)}$	On-resistance during reverse polarity	$T_J = 25^\circ\text{C}$, $-18\text{ V} \leq V_{BB} \leq -8\text{ V}$		9		$\text{m}\Omega$
		$T_J = 105^\circ\text{C}$, $-18\text{ V} \leq V_{BB} \leq -8\text{ V}$			20	$\text{m}\Omega$

7.5 Electrical Characteristics (continued)

$V_{BB} = 8\text{ V to }36\text{ V}$, $T_J = -40^\circ\text{C to }125^\circ\text{C}$ (unless otherwise noted)

PARAMETER		TEST CONDITIONS		MIN	TYP	MAX	UNIT
CURRENT SENSE CHARACTERISTICS							
K_{SNS}	Current sense ratio I_{OUT} / I_{SNS}			4600			
I_{SNSI}	Current sense current and current sense accuracy	$V_{EN} = V_{DIA_EN} = 5\text{ V}$, $V_{SEL1} = V_{SEL2} = 0\text{ V}$	$I_{OUT} = 8\text{ A}$	1.74			mA
I_{SNSI}	Current sense current and current sense accuracy	$V_{EN} = V_{DIA_EN} = 5\text{ V}$, $V_{SEL1} = V_{SEL2} = 0\text{ V}$	$I_{OUT} = 8\text{ A}$	-5	5		%
I_{SNSI}	Current sense current and current sense accuracy	$V_{EN} = V_{DIA_EN} = 5\text{ V}$, $V_{SEL1} = V_{SEL2} = 0\text{ V}$	$I_{OUT} = 3\text{ A}$	0.65			mA
I_{SNSI}	Current sense current and current sense accuracy	$V_{EN} = V_{DIA_EN} = 5\text{ V}$, $V_{SEL1} = V_{SEL2} = 0\text{ V}$	$I_{OUT} = 3\text{ A}$	-5	5		%
I_{SNSI}	Current sense current and current sense accuracy	$V_{EN} = V_{DIA_EN} = 5\text{ V}$, $V_{SEL1} = V_{SEL2} = 0\text{ V}$	$I_{OUT} = 780\text{ mA}$	0.217			mA
I_{SNSI}	Current sense current and current sense accuracy	$V_{EN} = V_{DIA_EN} = 5\text{ V}$, $V_{SEL1} = V_{SEL2} = 0\text{ V}$	$I_{OUT} = 780\text{ mA}$	-5	5		%
I_{SNSI}	Current sense current and current sense accuracy	$V_{EN} = V_{DIA_EN} = 5\text{ V}$, $V_{SEL1} = V_{SEL2} = 0\text{ V}$	$I_{OUT} = 300\text{ mA}$	0.065			mA
I_{SNSI}	Current sense current and current sense accuracy	$V_{EN} = V_{DIA_EN} = 5\text{ V}$, $V_{SEL1} = V_{SEL2} = 0\text{ V}$	$I_{OUT} = 300\text{ mA}$	-12	12		%
I_{SNSI}	Current sense current and current sense accuracy	$V_{EN} = V_{DIA_EN} = 5\text{ V}$, $V_{SEL1} = V_{SEL2} = 0\text{ V}$	$I_{OUT} = 100\text{ mA}$	0.022			mA
I_{SNSI}	Current sense current and current sense accuracy	$V_{EN} = V_{DIA_EN} = 5\text{ V}$, $V_{SEL1} = V_{SEL2} = 0\text{ V}$	$I_{OUT} = 100\text{ mA}$	-42	42		%
T_J SENSE CHARACTERISTICS							
I_{SNSST}	Temperature sense current	$V_{DIA_EN} = 5\text{ V}$, $V_{SEL1} = 5\text{ V}$, $V_{SEL2} = 0\text{ V}$	$T_J = -40^\circ\text{C}$	0.12			mA
			$T_J = 25^\circ\text{C}$	0.85			mA
			$T_J = 85^\circ\text{C}$	1.52			mA
			$T_J = 150^\circ\text{C}$	2.25			mA
dI_{SNSST}/dT	Coefficient			0.0112			mA/°C
V_{BB} SENSE CHARACTERISTICS							
I_{SNSV}	Voltage sense current	$V_{DIA_EN} = 5\text{ V}$, $V_{SEL1} = 5\text{ V}$, $V_{SEL2} = 5\text{ V}$	$V_{BB} = 3\text{ V}$	0.26			mA
			$V_{BB} = 8\text{ V}$	0.69			mA
			$V_{BB} = 13.5\text{ V}$	1.17			mA
			$V_{BB} = 18\text{ V}$	1.56			mA
			$V_{BB} = 28\text{ V}$	2.43			mA
dI_{SNSV}/dV	Coefficient			0.0867			mA/V
SNS CHARACTERISTICS							
I_{SNSFH}	I_{SNS} fault high level	$V_{DIA_EN} = 5\text{ V}$, $V_{SEL1} = 0\text{ V}$, $V_{SEL2} = 0$		6	6.9	7.6	mA
$I_{SNSleak}$	I_{SNS} leakage	$V_{DIA_EN} = 0\text{ V}$		0	1		μA
$V_{SNSclamp}$	V_{SNS} clamp			5.9			V
I_{CL}	Current threshold at which current limit loop engages	$T_J = -40^\circ\text{C}$		17	22.2	27.8	A
I_{CL}	Current threshold at which current limit loop engages	$T_J = 25^\circ\text{C}$		15	20	25	A
I_{CL_REG}	Current limit regulation level	$T_J = 25^\circ\text{C}$		24			A
I_{CL}	Current threshold at which current limit loop engages	$T_J = 125^\circ\text{C}$		12.8	16	20	A
CURRENT LIMIT CHARACTERISTICS							

7.5 Electrical Characteristics (continued)

 $V_{BB} = 8\text{ V to }36\text{ V}$, $T_J = -40^\circ\text{C to }125^\circ\text{C}$ (unless otherwise noted)

PARAMETER		TEST CONDITIONS	MIN	TYP	MAX	UNIT
FAULT CHARACTERISTICS						
V_{OL}	Open-load detection voltage	$V_{EN} = 0\text{ V}$, $V_{DIA_EN} = 5\text{ V}$	2	2.5	4	V
t_{OL1}	OL and STB indication time - switch disabled	From falling edge of EN $V_{EN} = 5\text{ V to }0\text{ V}$, $V_{DIA_EN} = 5\text{ V}$, $V_{SELx} = 00$ $I_{OUT} = 0\text{ mA}$, $V_{OUT} = 4\text{ V}$	300	500	700	μs
t_{OL2}	OL and STB indication time - switch disabled	From rising edge of DIA_EN $V_{EN} = 0\text{ V}$, $V_{DIA_EN} = 0\text{ V to }5\text{ V}$, $V_{SELx} = 00$ $I_{OUT} = 0\text{ mA}$, $V_{OUT} = 4\text{ V}$			50	μs
t_{OL3}	OL and STB indication time - switch disabled	From rising edge of VOUT $V_{EN} = 0\text{ V}$, $V_{DIA_EN} = 5\text{ V}$, $V_{SELx} = 00$ $I_{OUT} = 0\text{ mA}$, $V_{OUT} = 0\text{ V to }4\text{ V}$			50	μs
T_{ABS}	Thermal shutdown		160			$^\circ\text{C}$
T_{HYS}	Thermal shutdown hysteresis			20		$^\circ\text{C}$
t_{RETRY}	Retry time	Minimum time from fault shutdown to switch re-enable (for thermal shutdown, current limit, and energy limit)	1	2	3	ms
EN PIN CHARACTERISTICS⁽¹⁾						
V_{IL_EN}	Input voltage low level				0.8	V
V_{IH_EN}	Input voltage high level	No GND network Diode	2			V
V_{IHYS_EN}	Input voltage hysteresis	No GND network Diode		250		mV
I_{IL_EN}	Input current low level	$V_{EN} = 0.8\text{ V}$		0.8		μA
I_{IH_EN}	Input current high level	$V_{EN} = 2.0\text{ V}$		2		μA
R_{EN}	Internal pulldown resistor			1		$\text{M}\Omega$
DIA_EN PIN CHARACTERISTICS⁽¹⁾						
$V_{IL_DIA_EN}$	Input voltage low level	No GND network Diode			0.8	V
$V_{IH_DIA_EN}$	Input voltage high level	No GND network Diode	2			V
$V_{IHYS_DIA_EN}$	Input voltage hysteresis			250		mV
$I_{IL_DIA_EN}$	Input current low level	$V_{DIA_EN} = 0.8\text{ V}$		0.8		μA
$I_{IH_DIA_EN}$	Input current high level	$V_{DIA_EN} = 2.0\text{ V}$		2		μA
R_{DIA_EN}	Internal pulldown resistor			1		$\text{M}\Omega$
SEL1 AND SEL2 PIN CHARACTERISTICS⁽¹⁾						
V_{IL_SELx}	Input voltage low level	No GND network Diode			0.8	V
V_{IH_SELx}	Input voltage high level		2			V
V_{IHYS_SELx}	Input voltage hysteresis			250		mV
I_{IL_SELx}	Input current low level	$V_{SELx} = 0.8\text{ V}$		0.8		μA
I_{IH_SELx}	Input current high level	$V_{SELx} = 2.0\text{ V}$		2		μA
R_{SELx}	Internal pulldown resistor			1		$\text{M}\Omega$
LATCH PIN CHARACTERISTICS⁽¹⁾						
V_{IL_LATCH}	Input voltage low level	No GND network Diode			0.8	V
V_{IH_LATCH}	Input voltage high level	No GND network Diode	2			V
V_{IHYS_LATCH}	Input voltage hysteresis			250		mV
I_{IL_LATCH}	Input current low level	$V_{LATCH} = 0.8\text{ V}$		0.8		μA
I_{IH_LATCH}	Input current high level	$V_{LATCH} = 2.0\text{ V}$		2		μA
R_{LATCH}	Internal pulldown resistor			1		$\text{M}\Omega$
ST PIN CHARACTERISTICS⁽¹⁾						
V_{OL_ST}	Output voltage low level	$I_{ST} = 1\text{ mA}$			0.4	V

7.5 Electrical Characteristics (continued)

$V_{BB} = 8\text{ V to }36\text{ V}$, $T_J = -40^\circ\text{C to }125^\circ\text{C}$ (unless otherwise noted)

PARAMETER		TEST CONDITIONS	MIN	TYP	MAX	UNIT
I_{STLeak}	Leakage current	$V_{ST} = 5\text{ V}$			2	μA

(1) $V_{BB} = 3\text{ to }28\text{ V}$

7.6 Switching Characteristics

$V_{BB} = 36\text{ V}$, $T_J = -40^\circ\text{C to }150^\circ\text{C}$ (unless otherwise noted)

PARAMETER		TEST CONDITIONS	MIN	TYP	MAX	UNIT
t_{DR}	Turn-on delay time	$V_{BB} = 24\text{ V}$, $R_L = 8\ \Omega$	20	70	100	μs
t_{DF}	Turn-off delay time	$V_{BB} = 24\text{ V}$, $R_L = 8\ \Omega$	20	50	125	μs
SR_R	VOUT rising slew rate	$V_{BB} = 24\text{ V}$, 20% to 80% of V_{OUT} , $R_L = 8\ \Omega$	0.1	0.35	0.8	$\text{V}/\mu\text{s}$
SR_F	VOUT falling slew rate	$V_{BB} = 24\text{ V}$, 80% to 20% of V_{OUT} , $R_L = 8\ \Omega$	0.2	0.5	0.9	$\text{V}/\mu\text{s}$
t_{ON}	Turn-on time	$V_{BB} = 24\text{ V}$, $R_L = 8\ \Omega$	39	100	180	μs
t_{OFF}	Turn-off time	$V_{BB} = 24\text{ V}$, $R_L = 8\ \Omega$	39	90	180	μs
$t_{ON} - t_{OFF}$	Turn-on and off matching	200- μs enable pulse	-80	0	80	μs
E_{ON}	Switching energy losses during turn-on	$V_{BB} = 24\text{ V}$, $R_L = 8\ \Omega$		0.4		mJ
E_{OFF}	Switching energy losses during turn-off	$V_{BB} = 24\text{ V}$, $R_L = 8\ \Omega$		0.4		mJ

7.7 SNS Timing Characteristics

$V_{BB} = 8\text{ to }36\text{ V}$, $T_J = -40^\circ\text{C to }150^\circ\text{C}$ (unless otherwise noted)

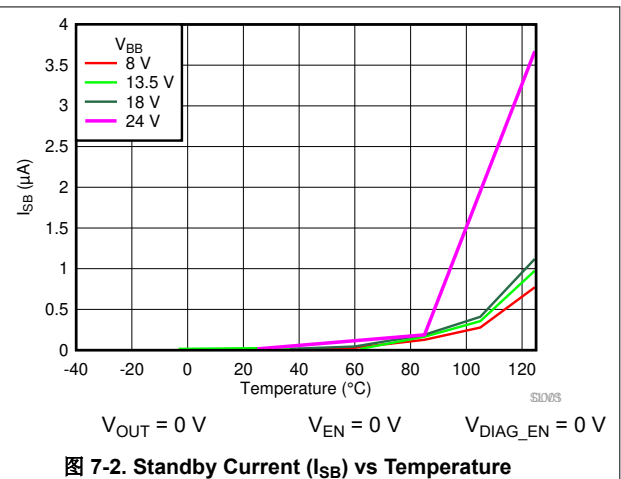
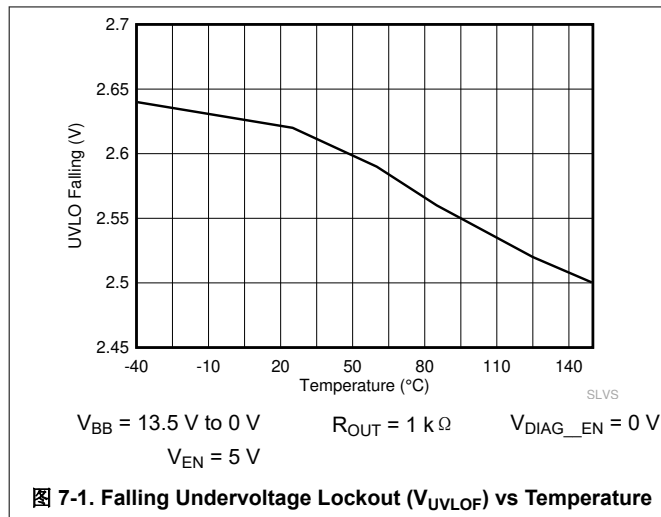
PARAMETER		TEST CONDITIONS	MIN	TYP	MAX	UNIT
SNS TIMING - CURRENT SENSE						
$t_{SNSION1}$	Settling time from rising edge of DIA_EN	$V_{EN} = 5\text{ V}$, $V_{DIA_EN} = 0\text{ V to }5\text{ V}$ $R_{SNS} = 1\text{ k}\Omega$, $R_L = 2.6\ \Omega$			40	μs
$t_{SNSION2}$	Settling time from rising edge of EN	$V_{EN} = V_{DIA_EN} = 0\text{ V to }5\text{ V}$ $R_{SNS} = 1\text{ k}\Omega$, $R_L = 2.6\ \Omega$			180	μs
$t_{SNSION3}$	Settling time from rising edge of EN	$V_{EN} = 0\text{ V to }5\text{ V}$, $V_{DIA_EN} = 5\text{ V}$ $R_{SNS} = 1\text{ k}\Omega$, $R_L = 2.6\ \Omega$			180	μs
$t_{SNSIOFF1}$	Settling time from falling edge of DIA_EN	$V_{EN} = 5\text{ V}$, $V_{DIA_EN} = 5\text{ V to }0\text{ V}$ $R_{SNS} = 1\text{ k}\Omega$, $R_L = 2.6\ \Omega$			20	μs
$t_{SETTLEH}$	Settling time from rising edge of load step	$V_{EN} = 5\text{ V}$, $V_{DIA_EN} = 5\text{ V}$ $R_{SNS} = 1\text{ k}\Omega$, $I_{OUT} = 1\text{ A to }5\text{ A}$			20	μs
$t_{SETTLEL}$	Settling time from falling edge of load step	$V_{EN} = 5\text{ V}$, $V_{DIA_EN} = 5\text{ V}$ $R_{SNS} = 1\text{ k}\Omega$, $I_{OUT} = 5\text{ A to }1\text{ A}$			20	μs
SNS TIMING - TEMPERATURE SENSE						
$t_{SNSTON1}$	Settling time from rising edge of DIA_EN	$V_{EN} = 5\text{ V}$, $V_{DIA_EN} = 0\text{ V to }5\text{ V}$ $R_{SNS} = 1\text{ k}\Omega$			40	μs
$t_{SNSTON2}$	Settling time from rising edge of DIA_EN	$V_{EN} = 0\text{ V}$, $V_{DIA_EN} = 0\text{ V to }5\text{ V}$ $R_{SNS} = 1\text{ k}\Omega$			70	μs
$t_{SNSTOFF}$	Settling time from falling edge of DIA_EN	$V_{EN} = X$, $V_{DIA_EN} = 5\text{ V to }0\text{ V}$ $R_{SNS} = 1\text{ k}\Omega$			20	μs
SNS TIMING - VOLTAGE SENSE						
$t_{SNSVON1}$	Settling time from rising edge of DIA_EN	$V_{EN} = 5\text{ V}$, $V_{DIA_EN} = 0\text{ V to }5\text{ V}$ $R_{SNS} = 1\text{ k}\Omega$			40	μs

7.7 SNS Timing Characteristics (continued)

$V_{BB} = 8$ to 36 V, $T_J = -40^\circ\text{C}$ to 150°C (unless otherwise noted)

PARAMETER		TEST CONDITIONS	MIN	TYP	MAX	UNIT
$t_{SNSVON2}$	Settling time from rising edge of DIA_EN	$V_{EN} = 0$ V, $V_{DIA_EN} = 0$ V to 5 V $R_{SNS} = 1$ k Ω			70	μs
$t_{SNSVOFF}$	Settling time from falling edge of DIA_EN	$V_{EN} = X$, $V_{DIA_EN} = 5$ V to 0 V $R_{SNS} = 1$ k Ω			20	μs
SNS TIMING - MULTIPLEXER						
t_{MUX}	Settling time from temperature sense to current sense	$V_{EN} = X$, $V_{DIA_EN} = 5$ V $V_{SEL1} = 5$ V to 0 V, $V_{SEL2} = 0$ V $R_{SNS} = 1$ k Ω , $R_L = 2.6$ Ω			60	μs
	Settling time from temperature sense to voltage sense	$V_{EN} = X$, $V_{DIA_EN} = 5$ V $V_{SEL1} = 5$ V, $V_{SEL2} = 0$ V to 5 V $R_{SNS} = 1$ k Ω			60	μs
	Settling time from voltage sense to temperature sense	$V_{EN} = X$, $V_{DIA_EN} = 5$ V $V_{SEL1} = 5$ V, $V_{SEL2} = 5$ V to 0 V $R_{SNS} = 1$ k Ω			60	μs
	Settling time from voltage sense to current sense	$V_{EN} = X$, $V_{DIA_EN} = 5$ V $V_{SEL1} = V_{SEL2} = 5$ V to 0 V, $R_{SNS} = 1$ k Ω , $R_L = 2.6$ Ω			60	μs
	Settling time from current sense to temperature sense	$V_{EN} = X$, $V_{DIA_EN} = 5$ V $V_{SEL1} = 0$ V to 5 V, $V_{SEL2} = 0$ V $R_{SNS} = 1$ k Ω , $R_L = 2.6$ Ω			60	μs
	Settling time from current sense to voltage sense	$V_{EN} = X$, $V_{DIA_EN} = 5$ V $V_{SEL1} = V_{SEL2} = 0$ V to 5 V $R_{SNS} = 1$ k Ω , $R_L = 2.6$ Ω			60	μs

7.8 Typical Characteristics



7.8 Typical Characteristics (continued)

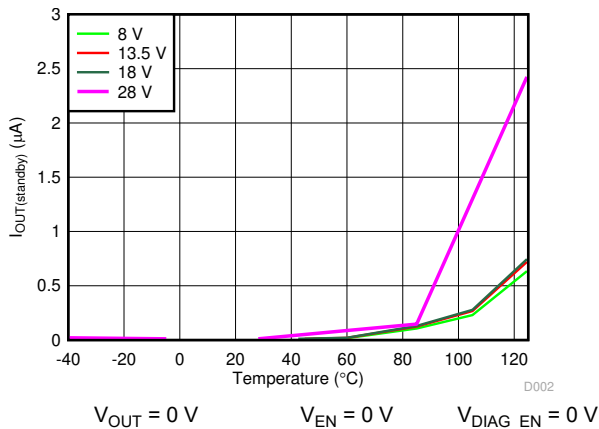


图 7-3. Output Leakage Current ($I_{OUT(standby)}$) vs Temperature

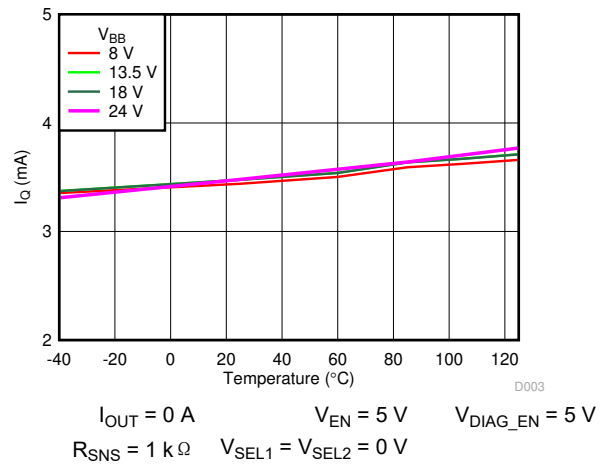


图 7-4. Quiescent Current (I_Q) vs Temperature

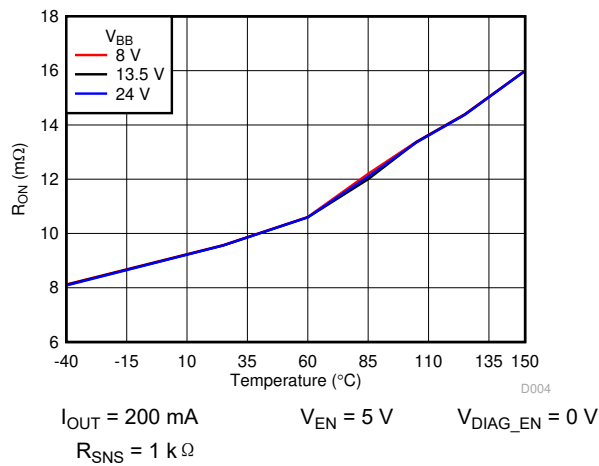


图 7-5. On Resistance (R_{ON}) vs Temperature

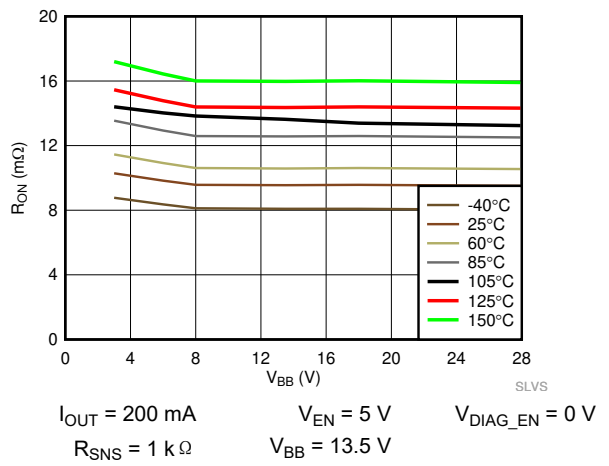


图 7-6. On Resistance (R_{ON}) vs V_{BB}

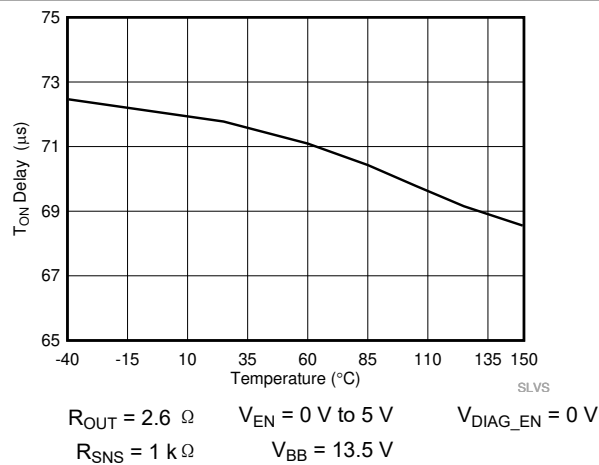


图 7-7. Turn-on Delay Time (t_{DR}) vs Temperature

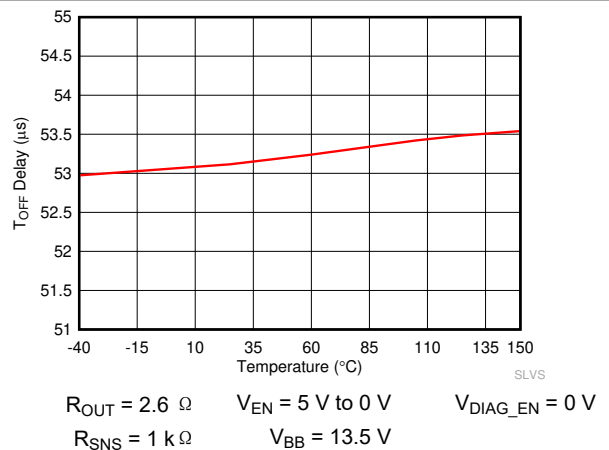
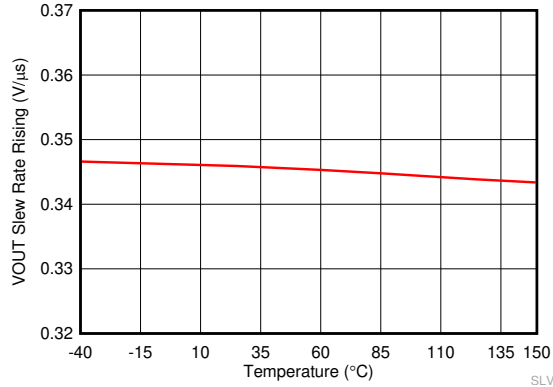


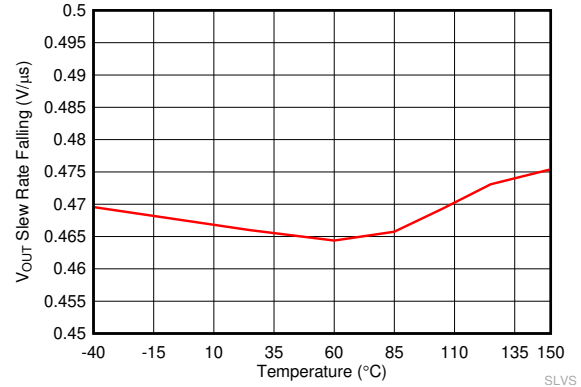
图 7-8. Turn-off Delay Time (t_{DF}) vs Temperature

7.8 Typical Characteristics (continued)



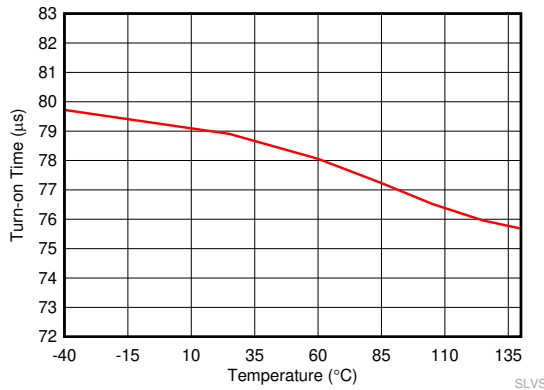
$R_{OUT} = 2.6 \Omega$ $V_{EN} = 0 \text{ V to } 5 \text{ V}$ $V_{DIAG_EN} = 0 \text{ V}$
 $R_{SNS} = 1 \text{ k}\Omega$ $V_{BB} = 13.5 \text{ V}$

图 7-9. V_{OUT} Slew Rate Rising (SR_R) vs Temperature



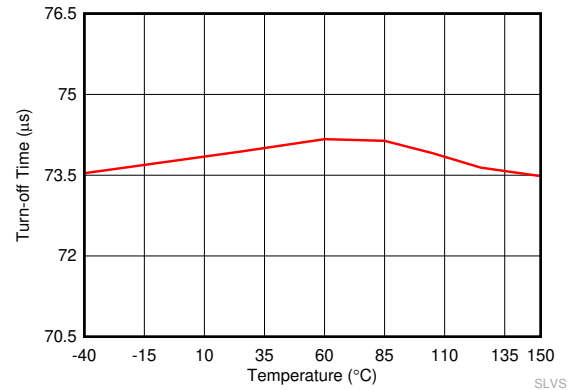
$R_{OUT} = 2.6 \Omega$ $V_{EN} = 5 \text{ V to } 0 \text{ V}$ $V_{DIAG_EN} = 0 \text{ V}$
 $R_{SNS} = 1 \text{ k}\Omega$ $V_{BB} = 13.5 \text{ V}$

图 7-10. V_{OUT} Slew Rate Falling (SR_F) vs Temperature



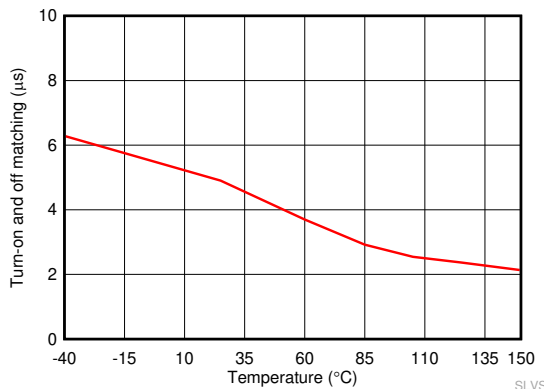
$R_{OUT} = 2.6 \Omega$ $V_{EN} = 0 \text{ V to } 5 \text{ V}$ $V_{DIAG_EN} = 0 \text{ V}$
 $R_{SNS} = 1 \text{ k}\Omega$ $V_{BB} = 13.5 \text{ V}$

图 7-11. Turn-on Time (t_{ON}) vs Temperature



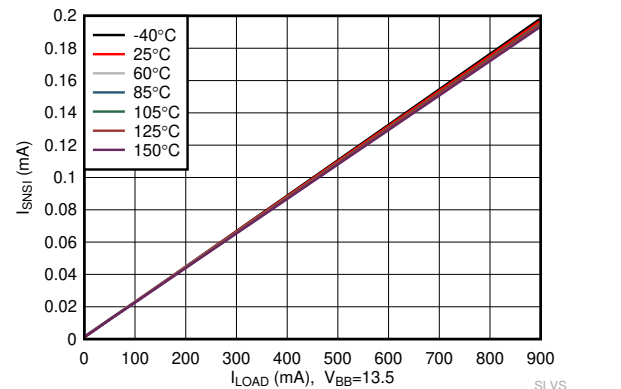
$R_{OUT} = 2.6 \Omega$ $V_{EN} = 5 \text{ V to } 0 \text{ V}$ $V_{DIAG_EN} = 0 \text{ V}$
 $R_{SNS} = 1 \text{ k}\Omega$ $V_{BB} = 13.5 \text{ V}$

图 7-12. Turn-off Time (t_{OFF}) vs Temperature



$R_{OUT} = 2.6 \Omega$ $V_{EN} = 0 \text{ V to } 5 \text{ V}$ $V_{DIAG_EN} = 0 \text{ V}$
and $5 \text{ V to } 0 \text{ V}$
 $R_{SNS} = 1 \text{ k}\Omega$ $V_{BB} = 13.5 \text{ V}$

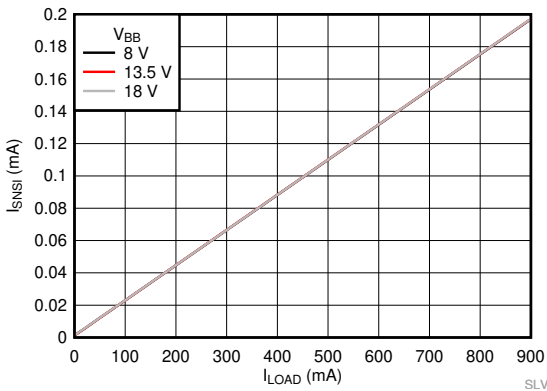
图 7-13. Turn-on and Turn-off Matching ($t_{ON} - t_{OFF}$) vs Temperature



$V_{SEL1} = V_{SEL2} = 0 \text{ V}$ $V_{EN} = 5 \text{ V}$ $V_{DIAG_EN} = 5 \text{ V}$
 $R_{SNS} = 1 \text{ k}\Omega$ $V_{BB} = 13.5 \text{ V}$

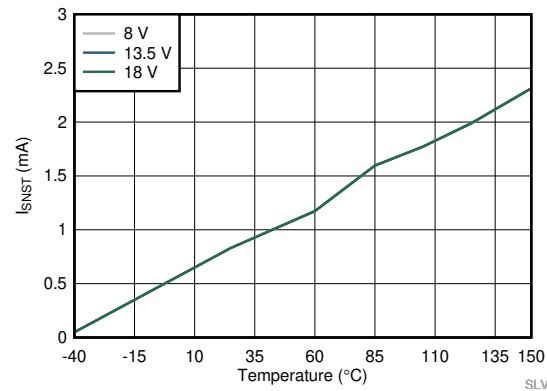
图 7-14. Current Sense Output Current (I_{SNS1}) vs Load Current (I_{OUT}) across Temperature

7.8 Typical Characteristics (continued)



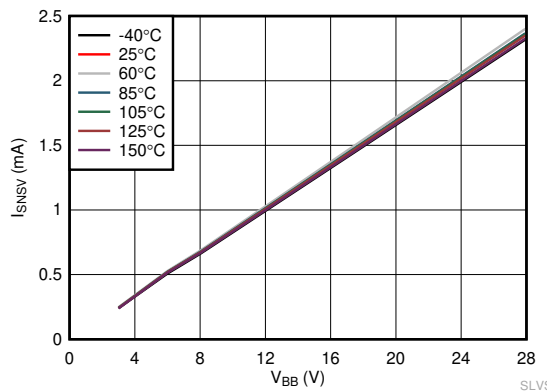
$V_{SEL1} = V_{SEL2} = 0\text{ V}$ $V_{EN} = 5\text{ V}$ $V_{DIAG_EN} = 5\text{ V}$
 $R_{SNS} = 1\text{ k}\Omega$ $T_A = 25^\circ\text{C}$

图 7-15. Current Sense Output Current (I_{SNSI}) vs Load Current (I_{OUT}) across V_{BB}



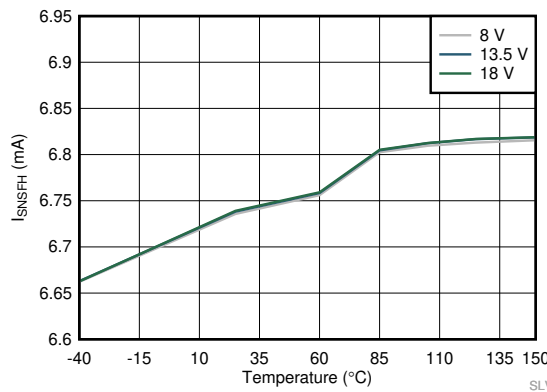
$V_{SEL1} = 5\text{ V}$ $V_{SEL2} = 0\text{ V}$ $V_{DIAG_EN} = 5\text{ V}$
 $R_{SNS} = 1\text{ k}\Omega$ $V_{EN} = 0\text{ V}$

图 7-16. Temperature Sense Output Current (I_{SNST}) vs Temperature



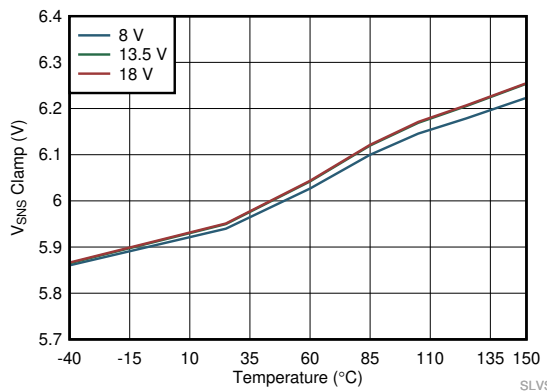
$V_{SEL1} = V_{SEL2} = 5\text{ V}$ $V_{EN} = 0\text{ V}$ $V_{DIAG_EN} = 5\text{ V}$
 $R_{SNS} = 1\text{ k}\Omega$ $I_{OUT} = 0\text{ A}$

图 7-17. Voltage Sense Output Current (I_{SNSV}) vs V_{BB}



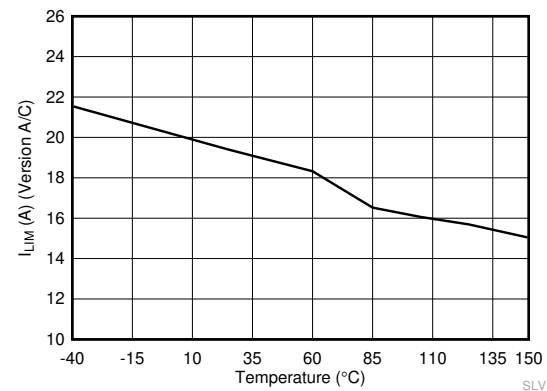
$V_{SEL1} = V_{SEL2} = 0\text{ V}$ $V_{EN} = 0\text{ V}$ $V_{DIAG_EN} = 5\text{ V}$
 $R_{SNS} = 500\ \Omega$ V_{OUT} Floating

图 7-18. Fault High Output Current (I_{SNSFH}) vs Temperature



$V_{SEL1} = V_{SEL2} = 0\text{ V}$ $V_{EN} = 5\text{ V}$ $V_{DIAG_EN} = 5\text{ V}$
 $R_{SNS} = 10\text{ k}\Omega$ $I_{OUT} = 4\text{ A}$

图 7-19. Sense Pin Clamp Voltage ($V_{SNSCLAMP}$) vs Temperature



$V_{BB} = 13.5\text{ V}$ $V_{OUT} = 0\text{ V}$ $V_{DIAG_EN} = 0\text{ V}$
 Device Version C $V_{EN} = 5\text{ V}$ $V_{LATCH} = 5\text{ V}$

图 7-20. Current Limit (I_{CL}) vs Temperature

7.8 Typical Characteristics (continued)

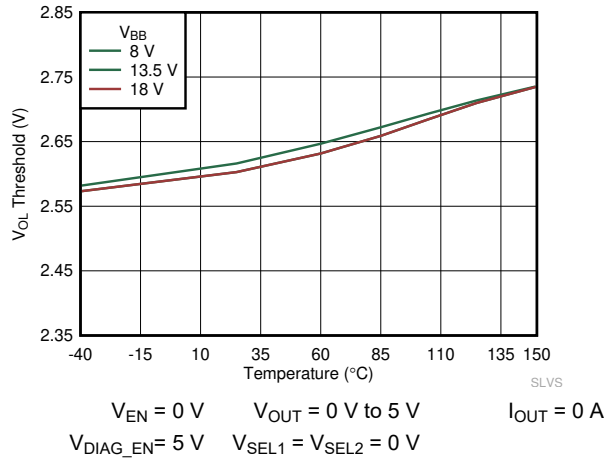


图 7-21. Open Load Detection Voltage (V_{OL}) vs Temperature

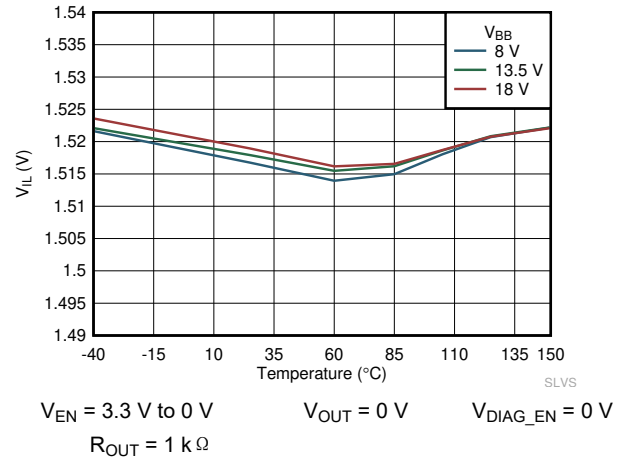


图 7-22. V_{IL} vs Temperature

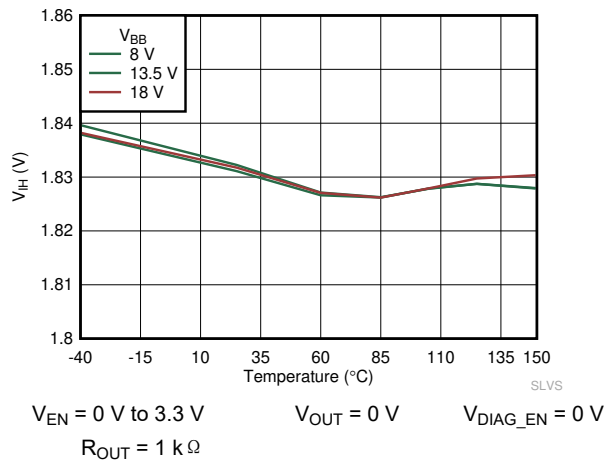


图 7-23. V_{IH} vs Temperature

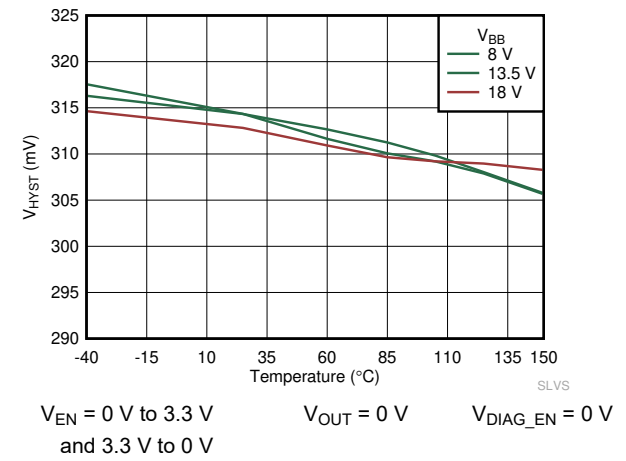


图 7-24. V_{IHYS} vs Temperature

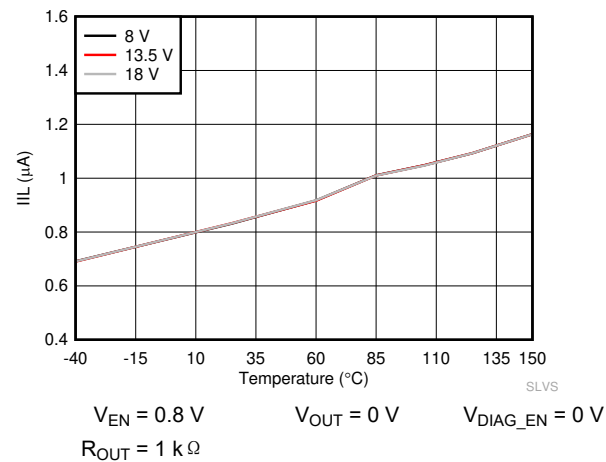


图 7-25. I_{IL} vs Temperature

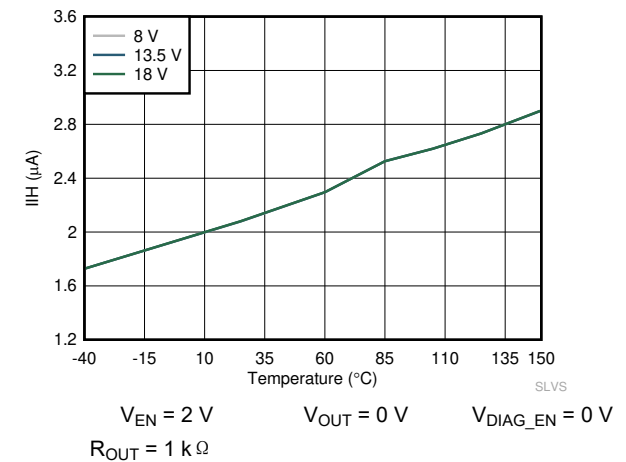


图 7-26. I_{IH} vs Temperature

7.8 Typical Characteristics (continued)

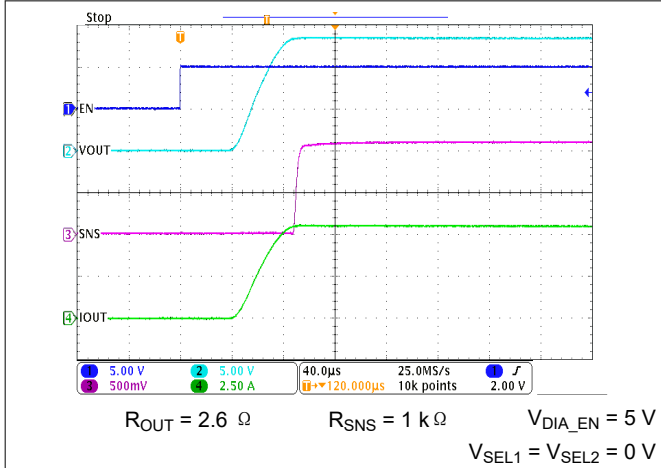


图 7-27. Turn-on Time (t_{ON})

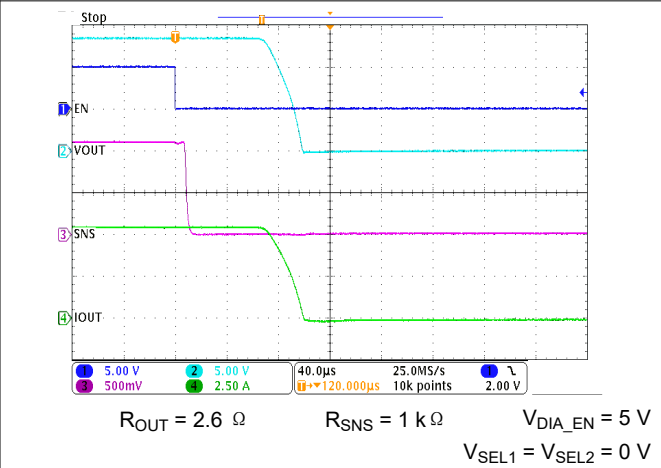


图 7-28. Turn-off Time (t_{OFF}) and Sense Settle Time ($t_{SNSION2}$)

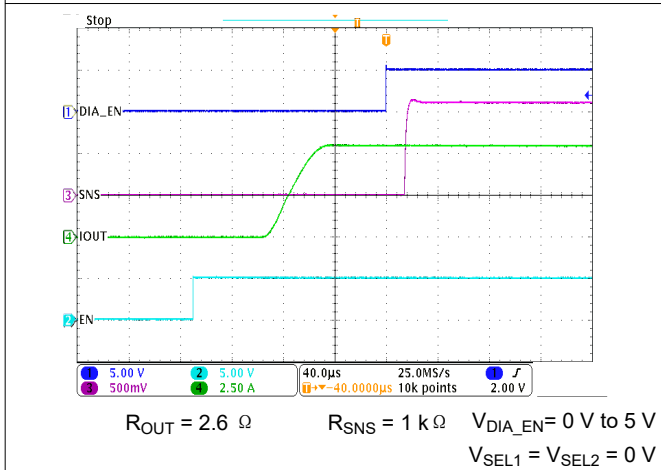


图 7-29. I_{SNS} Settling Time ($t_{SNSION1}$) on DIA_EN Transition

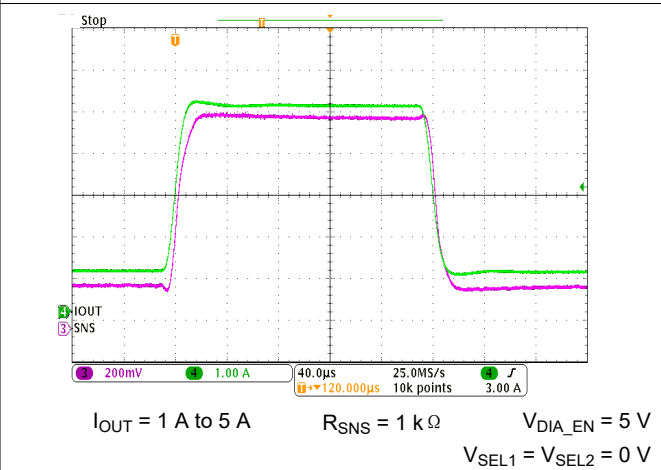


图 7-30. I_{SNS} Settling Time ($t_{SETTLEH}$) on Rising Load Step

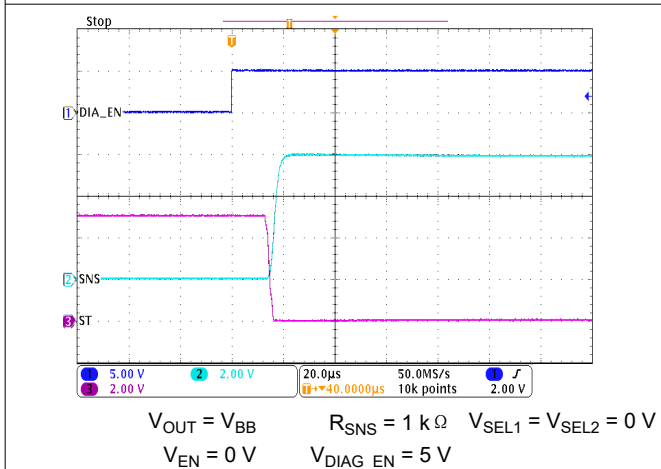


图 7-31. Open Load Detection Time (t_{OL2}) on Rising DIAG_EN

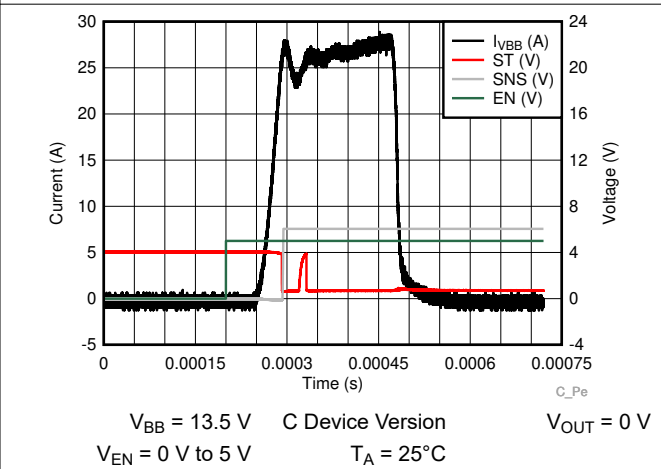
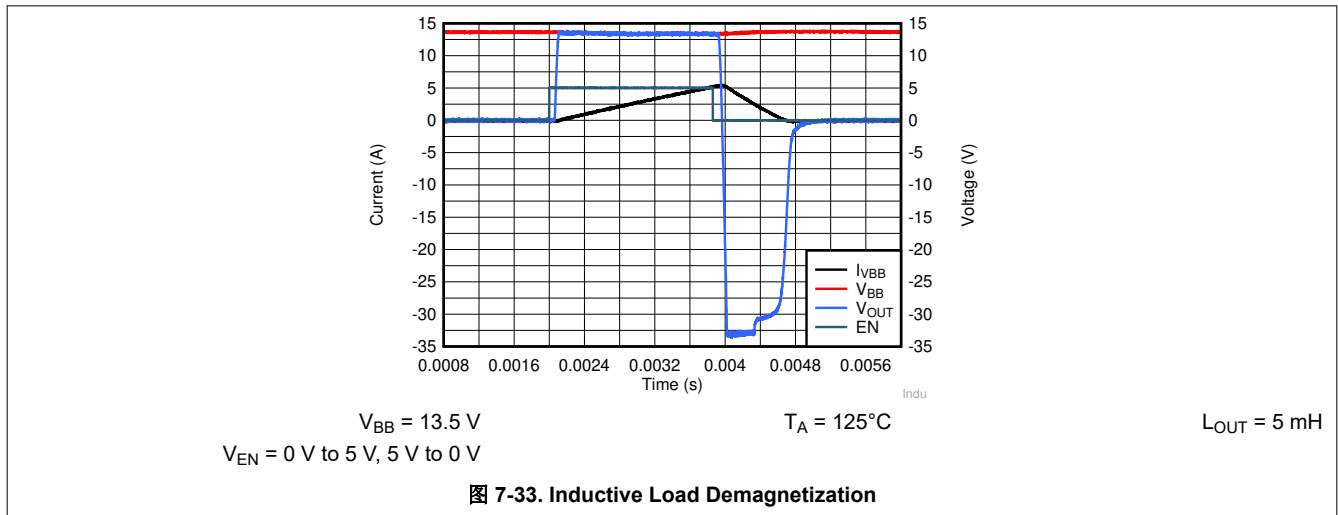


图 7-32. Short Circuit Behavior

7.8 Typical Characteristics (continued)



8 Parameter Measurement Information

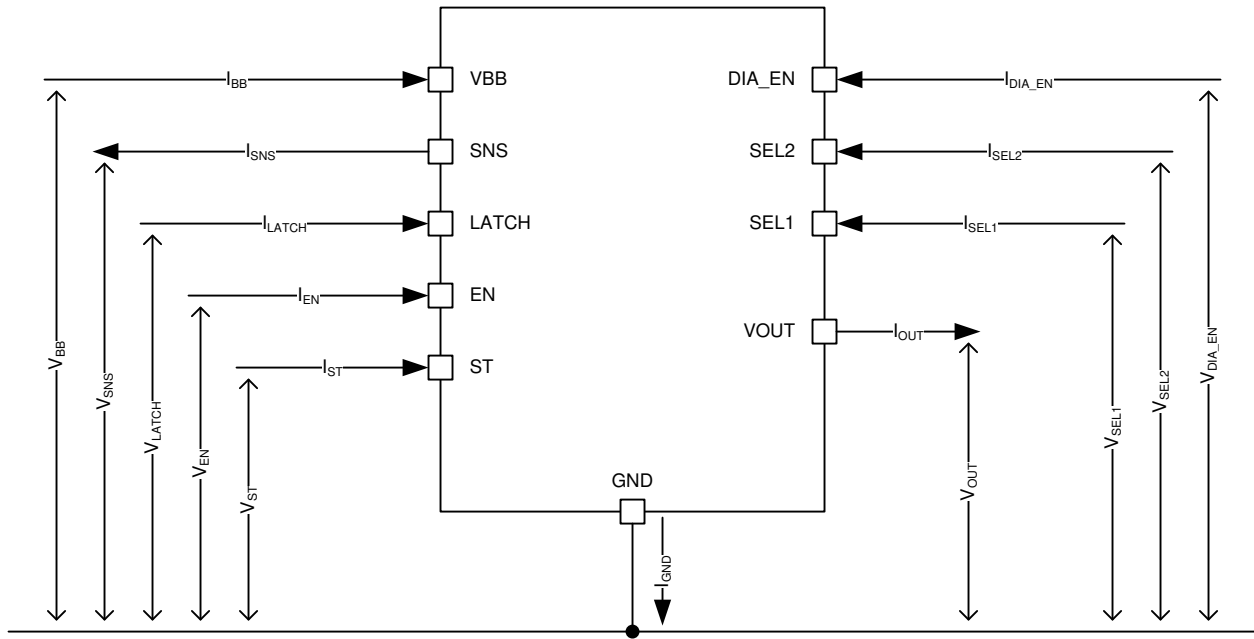


图 8-1. Parameter Definitions

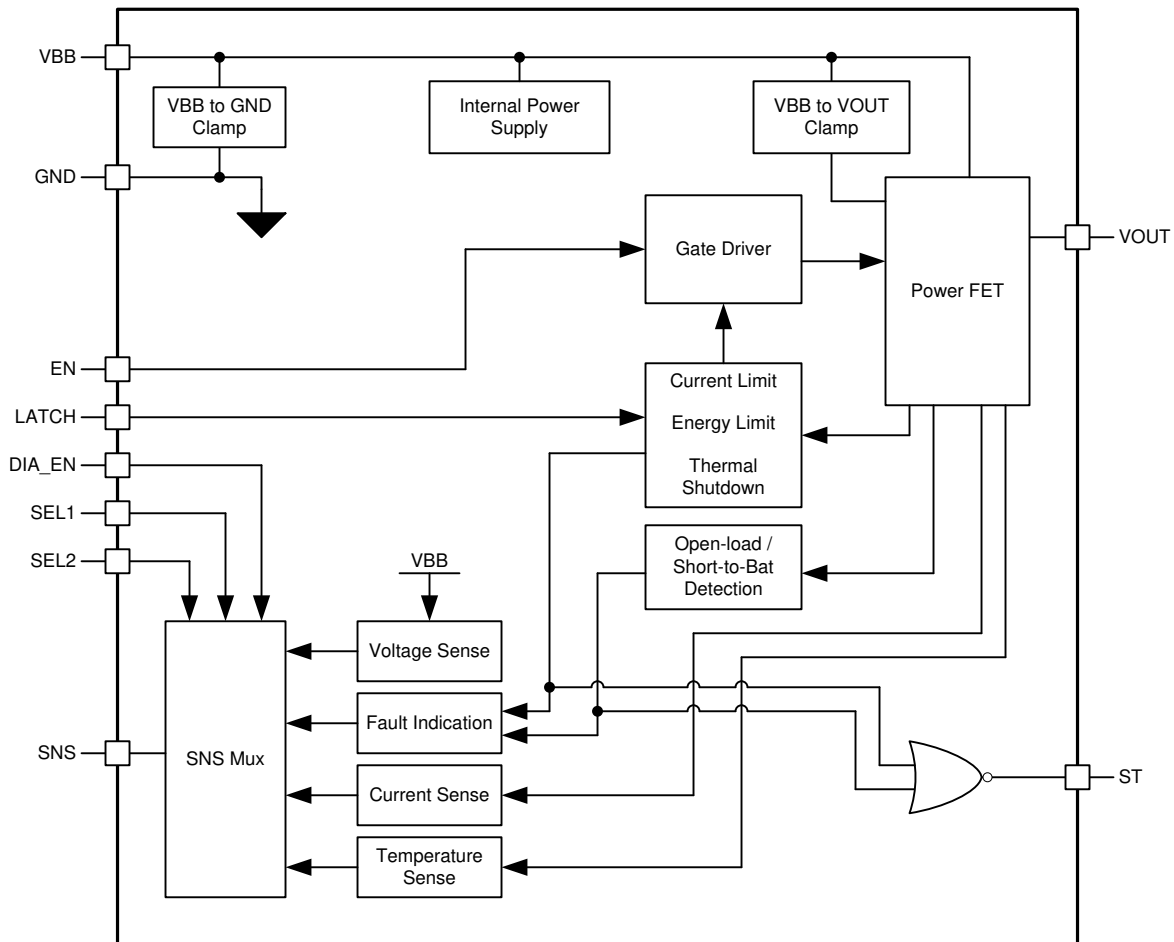
9 Detailed Description

9.1 Overview

The TPS27SA08 device is a single-channel smart high-side power switch intended for use with 24-V supply industrial systems. Many protection and diagnostic features are integrated in the device. Diagnostics features include the analog SNS output and the open-drain fault indication (\overline{ST}). The analog SNS output is capable of providing a signal that is proportional to device temperature, supply voltage, or load current. The high-accuracy load current sense allows for diagnostics of complex loads.

This device includes protection through thermal shutdown, current limit, transient withstand, and reverse supply operation. For more details on the protection features, refer to the [Feature Description](#) and [Application Information](#) sections of the document.

9.2 Functional Block Diagram



9.3 Feature Description

9.3.1 Protection Mechanisms

The TPS27SA08 device is designed to operate in a rugged industrial environment. The protection mechanisms allow the device to be robust against many system-level events such as reverse supply, short-to-ground and more.

There are additional protection features which, if triggered, will cause the switch to automatically disable:

- Thermal Shutdown
- Energy Limit

When any of these protections are triggered, the device will enter the FAULT state. In the FAULT state, the fault indication will be available on both the SNS pin and the \overline{ST} pin (see the diagnostic section of the data sheet for more details).

The switch is no longer held off and the fault indication is reset when all of the below conditions are met:

- LATCH pin is low
- t_{RETRY} has expired
- All faults are cleared (thermal shutdown, current limit, energy limit)

9.3.1.1 Thermal Shutdown

The TPS27SA08 device includes temperature sensors on the FET and inside of the device controller. When $T_{J,FET} > T_{ABS}$, the device will see a thermal shutdown fault. After the fault is detected, the switch will turn off. The fault is cleared when the switch temperature decreases by the hysteresis value, T_{HYS} .

9.3.1.2 Current Limit

When I_{OUT} reaches the current limit threshold, I_{CL} , the device remains enabled and limits the current I_{OUT} to close to the threshold, I_{CL} . In the case that the device remains enabled and limits I_{OUT} , the thermal shutdown and/or energy limit protection feature may be triggered due to the high amount of power dissipation in the device.

During a short circuit event, the device will hit the I_{CL} threshold that is listed in the [Specifications](#) and then regulate the output current close to the threshold value to protect the device. The device will detect a short circuit event when the output current exceeds I_{CL} , however the measured maximum current may exceed the I_{CL} threshold due to the finite response time of the TPS27SA08 device current limit regulation loop. The device is guaranteed to protect itself during a short circuit event over the nominal supply voltage range (as defined in the [Specifications](#) section) at 125°C.

9.3.1.2.1 Current Limit Foldback

The TPS27SA08 device implements a current limit foldback feature that is designed to protect the device in the case of a long-term fault condition. If the device undergoes three consecutive fault shutdown events (any of thermal shutdown, current limit, or energy limit), the current limit will be reduced to half of the original value. The device will revert back to the original current limit threshold if either of the following occurs:

- The device goes to [Standby Delay](#).
- The switch turns-on and turns-off without any fault occurring.

9.3.1.2.2 Undervoltage Lockout (UVLO)

The device monitors the supply voltage V_{BB} to prevent unpredicted behaviors in the event that the supply voltage is too low. When the supply voltage falls down to V_{UVLOF} , the output stage is shut down automatically. When the supply rises up to V_{UVLOR} , the device turns back on.

During an initial ramp of V_{BB} from 0 V at a ramp rate slower than 1 V/ms, V_{EN} pin will have to be held low until V_{BB} is above UVLO threshold (with respect to board ground) and the supply voltage to the device has reliably reached above the UVLO condition. For best operation, ensure that V_{BB} has risen above UVLO before setting the V_{EN} pin to high.

9.3.1.2.3 V_{BB} during Short-to-Ground

When V_{OUT} is shorted to ground, the module power supply (V_{BB}) can have a transient decrease. This is caused by the sudden increase in current flowing through the wiring harness cables. To achieve ideal system behavior, it is recommended that the module maintain $V_{BB} > 3\text{ V}$ during V_{OUT} short-to-ground. This is typically accomplished by placing bulk capacitance on the power supply node.

9.3.1.3 Energy Limit

The energy limiting feature is implemented to protect the switch from excessive stress. The device will continuously monitor the amount of energy dissipated in the FET. If the energy limit threshold is reached, the switch will automatically disable. In practice, the energy limit will only be reached during a fault event such as short-to-ground.

Energy limit events have the same system-level behavior as thermal shutdown events.

9.3.1.4 Voltage Transients

The TPS27SA08 device contains two voltage clamps which protect the device against system-level voltage transients.

The clamp from V_{BB} to GND is primarily used to protect the controller from positive transients on the supply line. The clamp from V_{BB} to V_{OUT} is primarily used to limit the voltage across the FET when switching off an inductive load. Both clamp levels are set to protect the device during these fault conditions. If the voltage potential from V_{BB} to GND exceeds the V_{BB} clamp level, the clamp will allow current to flow through the device from V_{BB} to GND (Path 2). If the voltage potential from V_{BB} to V_{OUT} exceeds V_{CLAMP} , the power FET will allow current to flow from V_{BB} to V_{OUT} (Path 3).

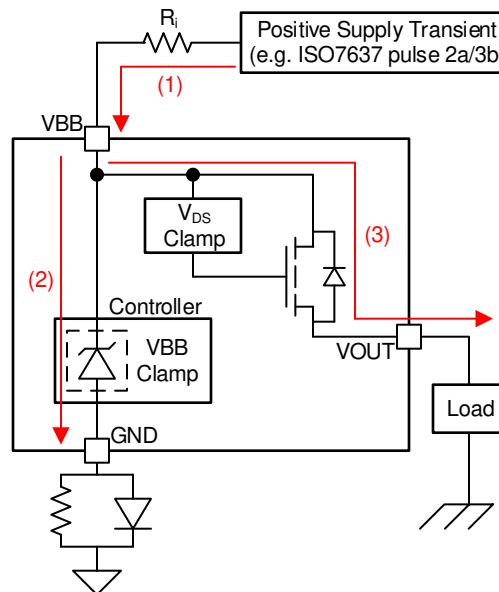


图 9-1. Current Path During Supply Voltage Transient

9.3.1.4.1 Driving Inductive and Capacitive Loads

When switching off an inductive load, the inductor may impose a negative voltage on the output of the switch. The TPS27SA08 device includes a voltage clamp to limit voltage across the FET. The maximum acceptable load inductance is a function of the device robustness. With a 5-mH load, the TPS27SA08 device can withstand a single pulse of 95 mJ inductive dissipation at 125°C and can withstand 56 mJ of inductive dissipation with a 10-Hz repetitive pulse. If the application parameters exceed this device limit, it is necessary to use a protection device like a freewheeling diode to dissipate the energy stored in the inductor. 图 9-2 shows the TPS27SA08 device discharging a 5-mH load that is driven at 5 A.

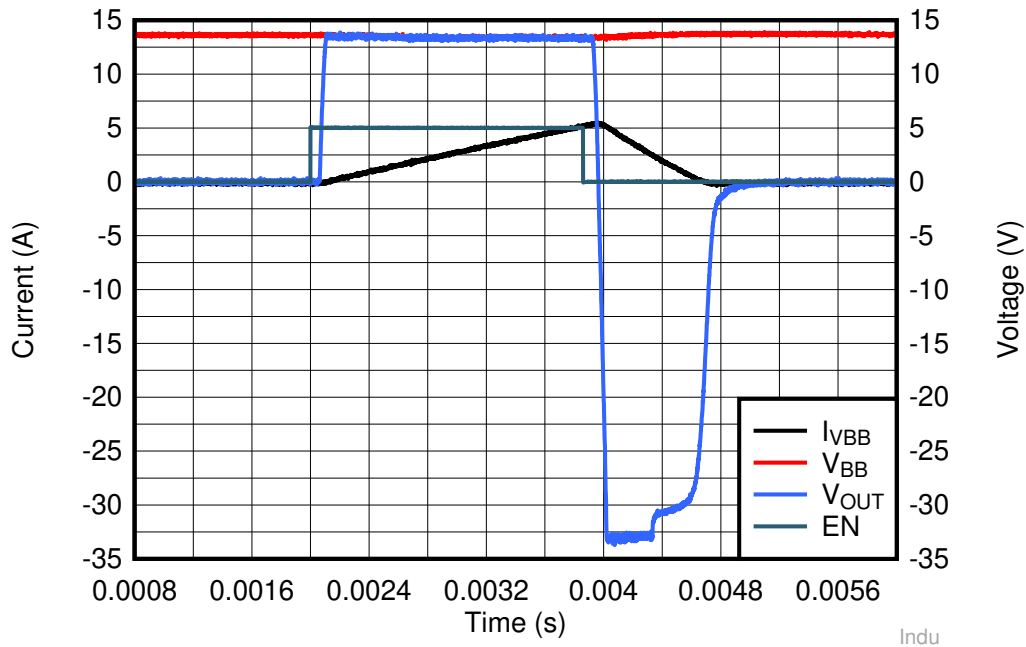


图 9-2. Inductive Discharge (5 mH, 5 A)

In addition, the TPS27SA08 device current limit provides an ideal way to charge a capacitive load safely with limited inrush current. With no protection, charging a large capacitive load can lead to high inrush currents that pull a supply down, however by using a relatively low current limit value (regulation around 24 A), the capacitive load can be charged without impact to the power supply.

For more information on driving inductive or capacitive loads, reference TI's ["How To Drive Inductive, Capacitive, and Lighting Loads with Smart High Side Switch"](#) application report.

9.3.1.5 Reverse supply

In the reverse supply condition, the switch will automatically be enabled (regardless of EN status) to prevent power dissipation inside the MOSFET body diode. In many applications (for example, resistive load), the full load current may be present during reverse supply. In order to activate the automatic switch on feature, the SEL2 pin must have a path to module ground. This may be path 1 as shown below, or, if the SEL2 pin is unused, the path may be through R_{PROT} to module ground.

Protection features (for example, thermal shutdown) are not available during reverse supply. Care must be taken to ensure that excessive power is not dissipated in the switch during the reverse supply condition.

There are two options for blocking reverse current in the system. Option 1 is to place a blocking device (FET or diode) in series with the supply. This will block all current paths. Option 2 is to place a blocking diode in series with the GND node of the high-side switch. This method will protect the controller portion of the switch (path 2), but it will not prevent current from flowing through the load (path 3). The diode used for Option 2 may be shared amongst multiple high-side switches.

Path 1 shown in 图 9-3 is blocked inside of the device.

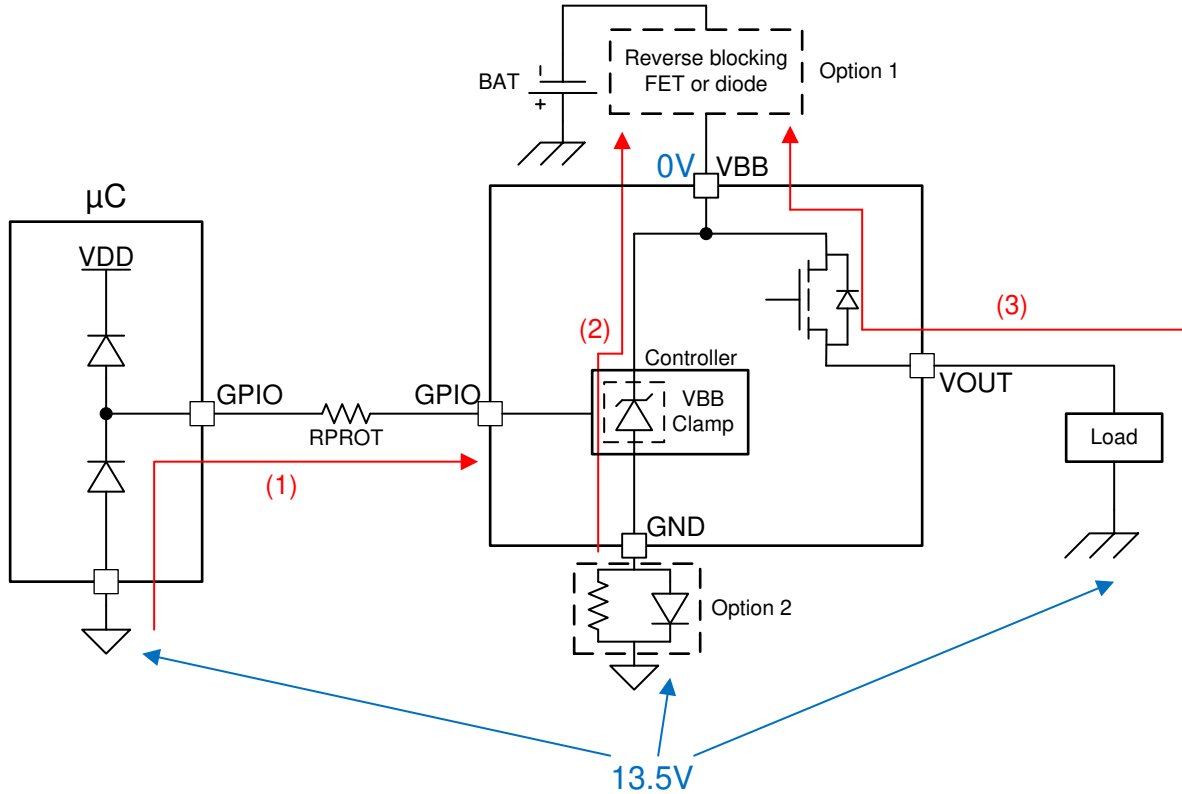


图 9-3. Current Path During Reverse supply

9.3.1.6 Fault Event - Timing Diagrams

备注

All timing diagrams assume that the SELx pins are set to 00.

The LATCH, DIA_EN, and EN pins are controlled by the user. The timing diagrams represent a possible use-case.

图 9-4 shows the active current limiting behavior of TPS27SA08 device and the LATCH pin functionality. The switch will not shutdown until either the energy limit or the thermal shutdown is reached.

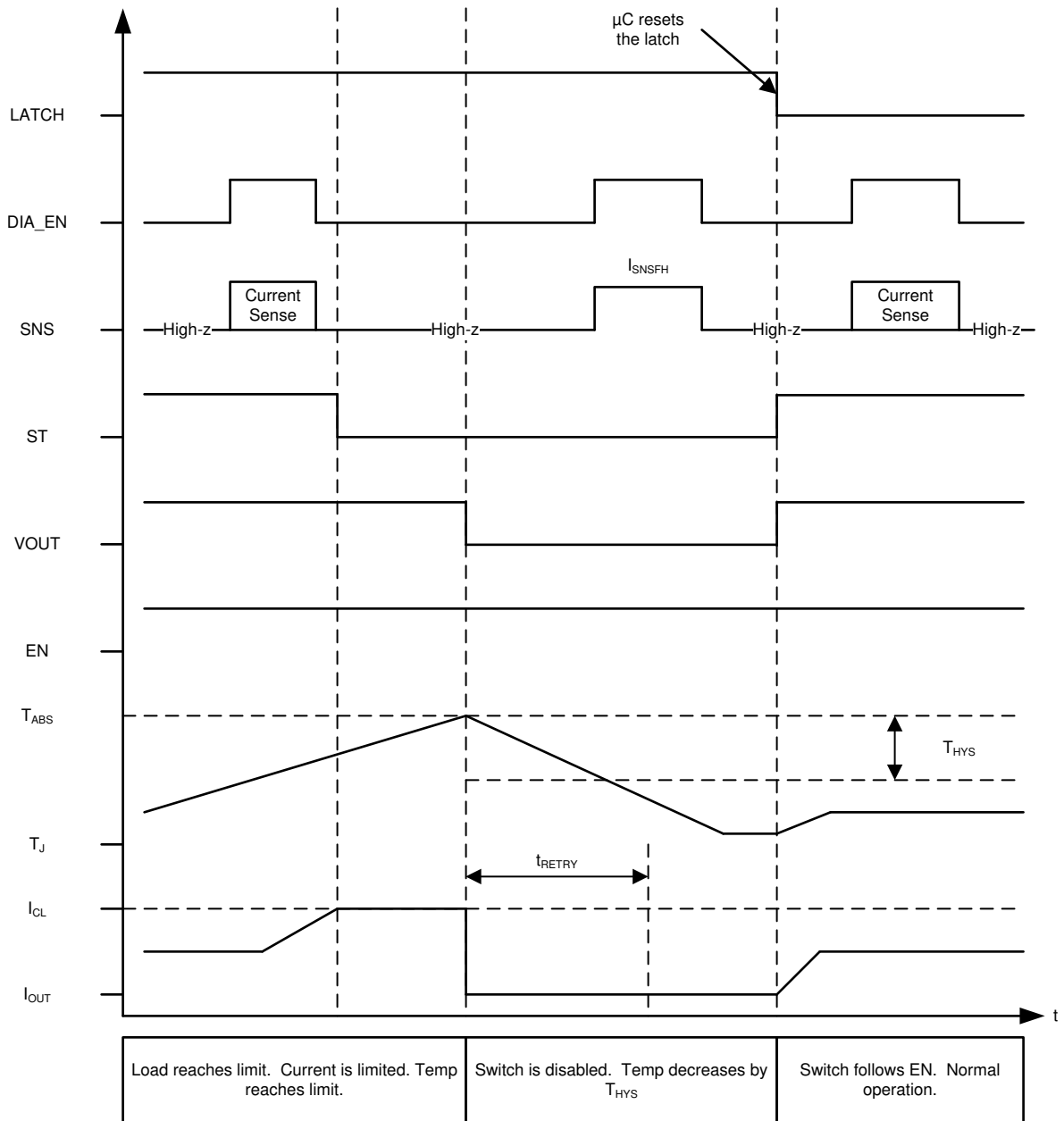


图 9-4. Current Limit - Latched Behavior

图 9-5 shows the active current limiting behavior of TPS27SA08 device. The switch will not shutdown until either thermal shutdown or energy limit is tripped. In this example, LATCH is tied to GND and the switch is turned ON when the FET temperature is low enough.

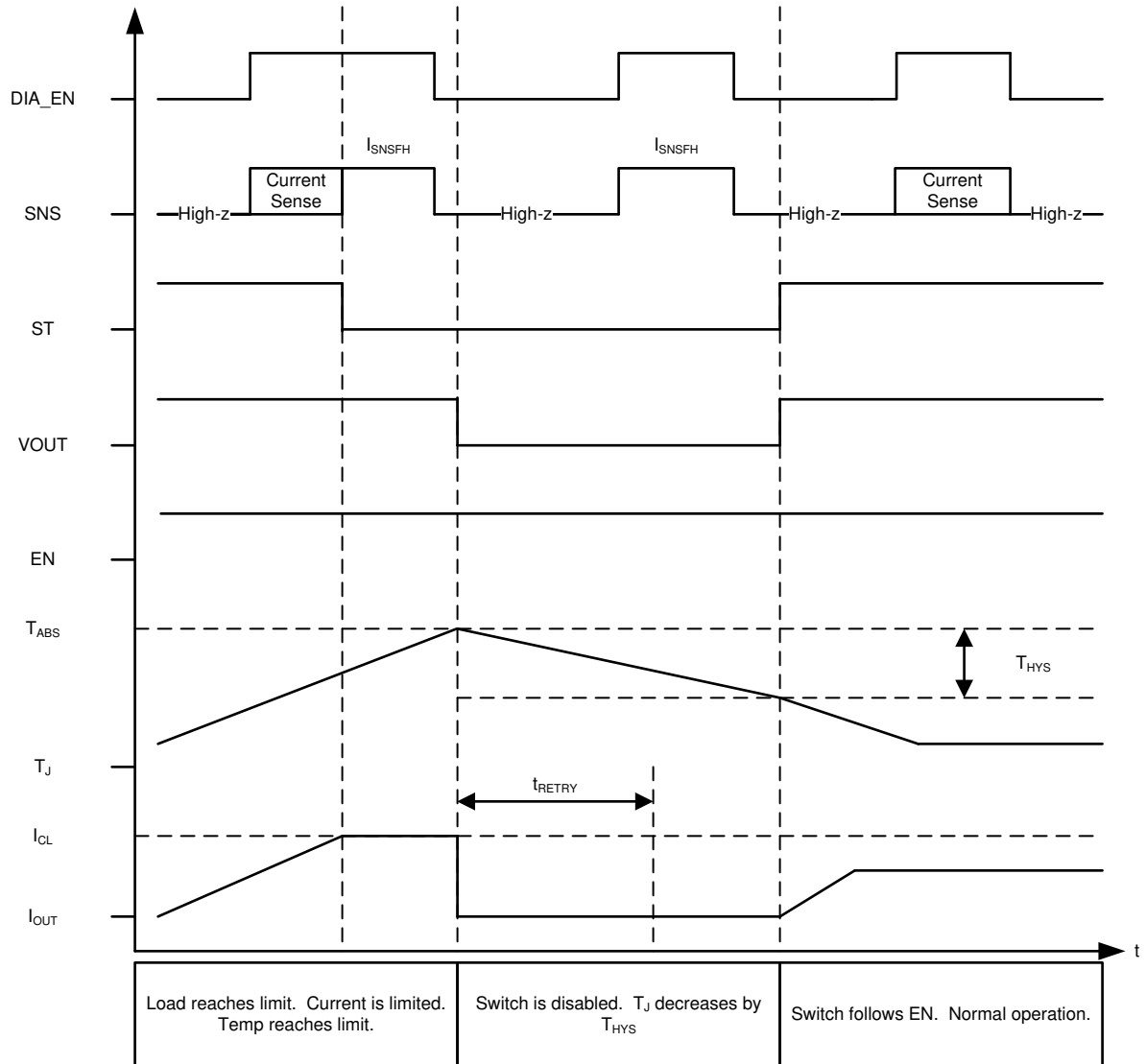


图 9-5. Current Limit - LATCH Pin Permanently Low

deWhen the switch retries after a shutdown event, the SNS fault indication will remain until V_{OUT} has risen to $V_{BB} - 1.8$ V. Once V_{OUT} has risen, the SNS fault indication is reset and current sensing is available. \overline{ST} fault indication is reset as soon as the switch is re-enabled (does not wait for V_{OUT} to rise). If there is a short-to-ground and V_{OUT} is not able to rise, the SNS fault indication will remain indefinitely. The following diagram illustrates auto-retry behavior and provides a zoomed-in view of the fault indication during retry.

备注

图 9-6 assumes that t_{RETRY} has expired by the time that T_J reaches the hysteresis threshold.

LATCH = 0 V and DIA_EN = 5 V

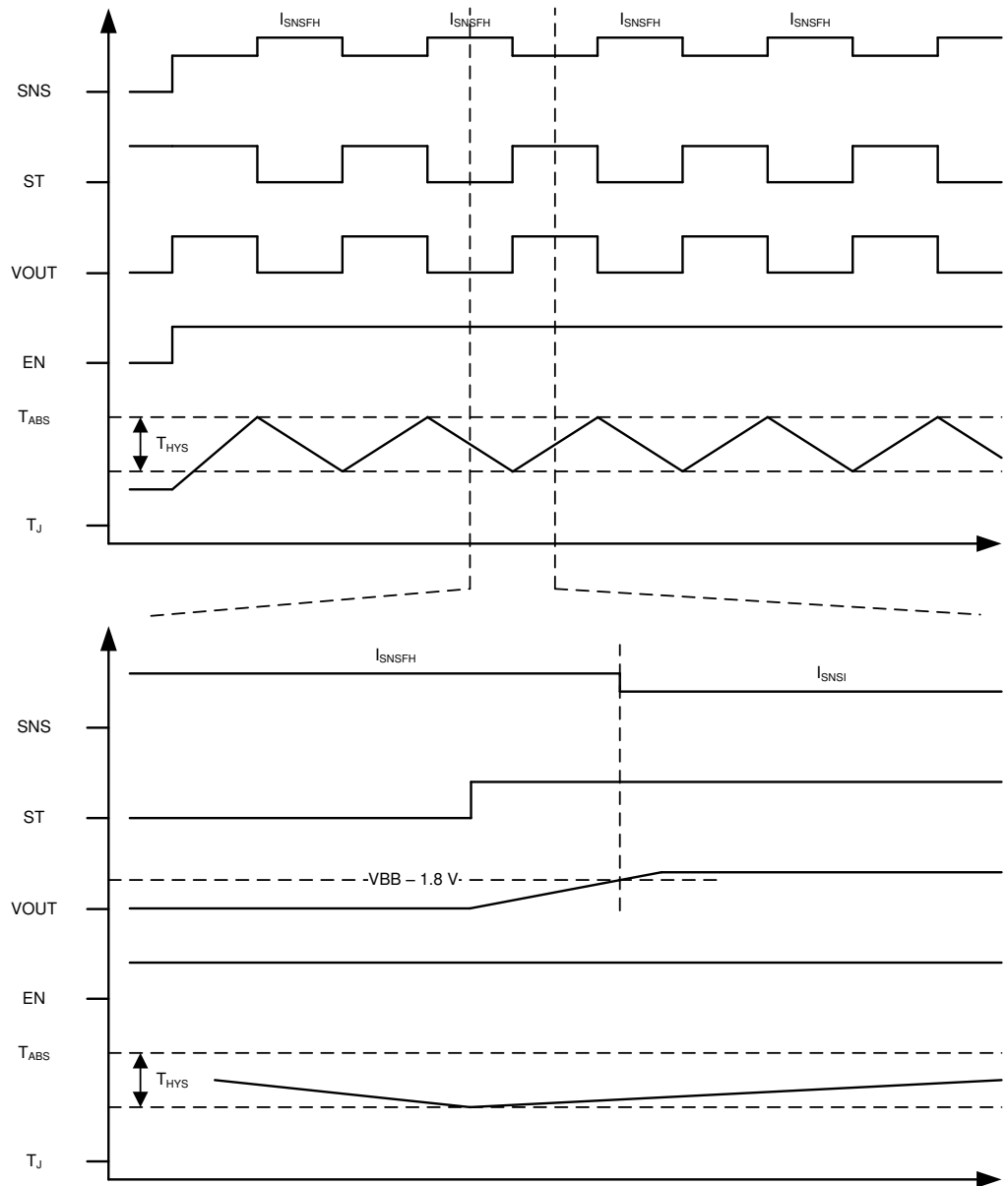


图 9-6. Fault Indication During Retry

9.3.2 Diagnostic Mechanisms

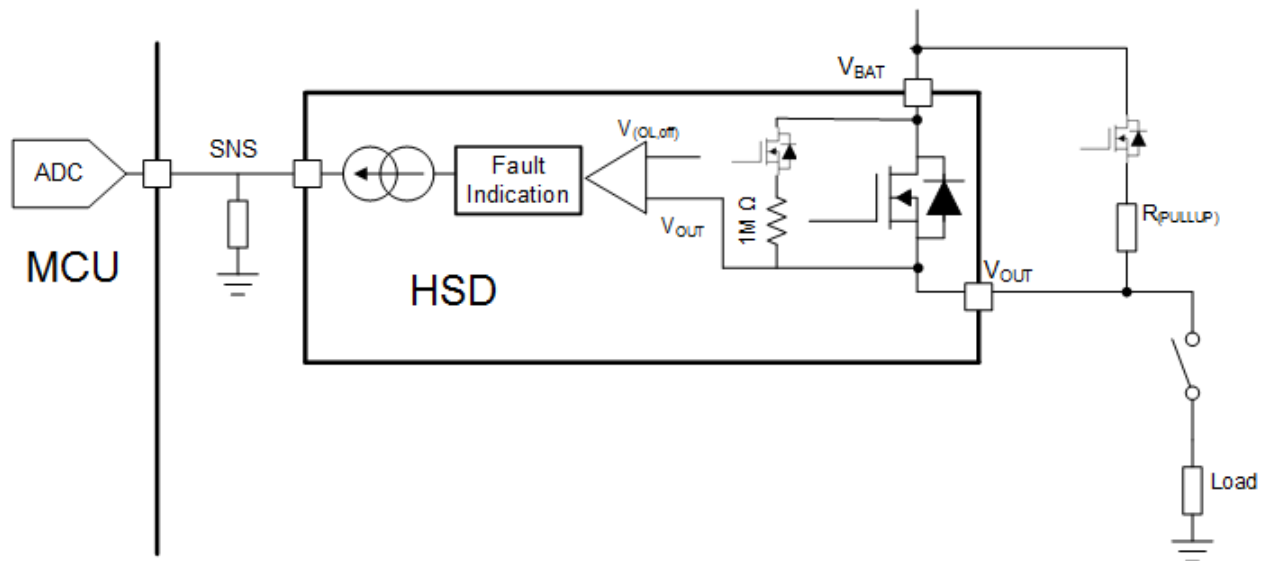
9.3.2.1 V_{OUT} Short-to-supply and Open-Load

9.3.2.1.1 Detection With Switch Enabled

When the switch is enabled, the V_{OUT} short-to-supply and open-load conditions can be detected with the current sense feature. In both cases, the load current will be measured through the SNS pin and will be below the expected value.

9.3.2.1.2 Detection With Switch Disabled

While the switch is disabled, if DIA_EN is high, an internal comparator will detect the condition of V_{OUT} . If the load is disconnected (open load condition) or there is a short to supply the V_{OUT} voltage will be higher than the open load threshold ($V_{OL,off}$) and a fault is indicated on the SNS pin. An internal pull-up of $1\text{ M}\Omega$ is in series with an internal MOSFET switch, so no external component is required if only a completely open load needs to be detected. However, if there is significant leakage or other current draw even when the load is disconnected, a lower value pull-up resistor and switch can be added externally to set the V_{OUT} voltage above the $V_{OL,off}$ during open load conditions.



A. This figure assumes that the device ground and the load ground are at the same potential. In application, there may be a ground shift voltage of 1 V to 2 V.

图 9-7. Short to supply and Open Load Detection

The detection circuitry is only enabled when DIA_EN = HIGH and EN = LOW.

If $V_{OUT} > V_{OL}$, the SNS pin will go to the fault level.

If $V_{OUT} < V_{OL}$, then there is no fault indication.

The fault indication will only occur if the SEL1 pin is set to diagnose the channel.

While the switch is disabled and DIA_EN is high, the fault indication mechanisms will continuously represent the present status. For example, if V_{OUT} decreases from $>V_{OL}$ to $<V_{OL}$, the fault indication is reset. Additionally, the fault indication is reset upon the falling edge of DIA_EN or the rising edge of EN.

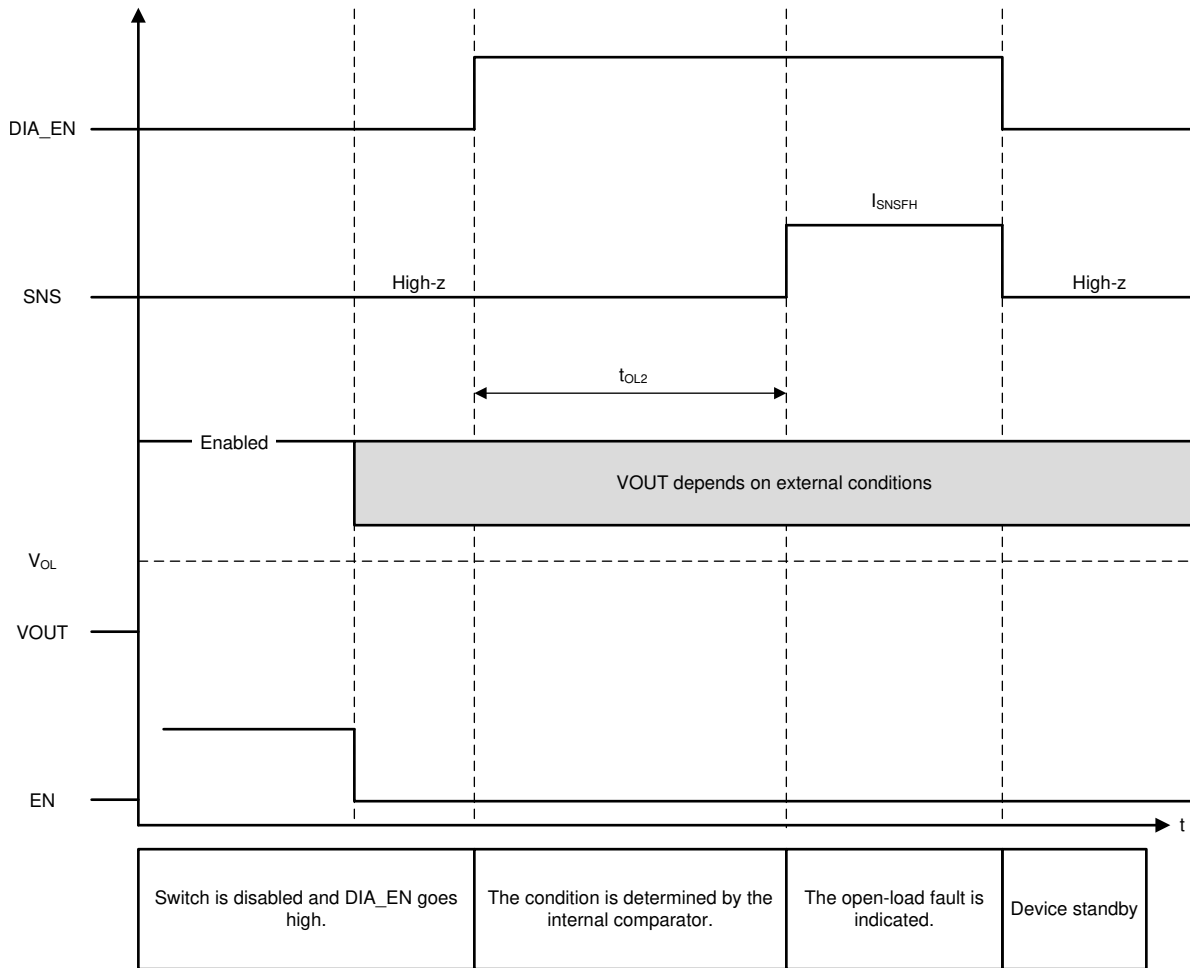


图 9-8. Open Load

9.3.2.2 SNS Output

The SNS output may be used to sense the load current, supply voltage, or device temperature. The SELx pins will select the desired sense signal. The sense circuit will provide a current that is proportional to the selected parameter. This current will be sourced into an external resistor to create a voltage that is proportional to the selected parameter. This voltage may be measured by an ADC or comparator.

To ensure accurate sensing measurement, the sensing resistor should be connected to the same ground potential as the μ C ADC.

The SNS Output includes an internal clamp, $V_{SNSclamp}$. This clamp is designed to prevent a high voltage at the SNS output and the ADC input.

表 9-1. Analog Sense Transfer Function

PARAMETER	TRANSFER FUNCTION
Load current	$I_{SNSI} = I_{OUT} / 4600$
Supply voltage ⁽¹⁾	$I_{SNSV} = (V_{BB}) \times dI_{SNSV} / dV$
Device temperature	$I_{SNSST} = (T_J - 25^\circ\text{C}) \times dI_{SNSST} / dT + 0.85$

(1) Voltage potential between the V_{BB} pin and the GND pin.

The SNS output will also be used to indicate system faults. I_{SNS} will go to the predefined level, I_{SNSFH} , when there is a fault. This level is defined in the electrical specifications.

9.3.2.2.1 R_{SNS} Value

The following factors should be considered when selecting the R_{SNS} value:

- Current sense ratio
- Largest and smallest diagnosable load current
- Full-scale voltage of the ADC
- Resolution of the ADC

For an example of selecting R_{SNS} value, reference in the applications section of this data sheet.

9.3.2.2.1.1 High Accuracy Load Current Sense

In many systems, it is required that the high-side switch provide diagnostic information about the downstream load. With more complex loads, high accuracy sensing is required. A few examples follow:

- **Solenoid Protection:** Often solenoids are precisely controlled by low-side switches. However, in a fault event, the low-side switch cannot disconnect the solenoid from the power supply. A high-side switch can be used to continuously monitor several solenoids. If the system current becomes higher than expected, the high-side switch can disable the module.

9.3.2.2.1.2 SNS Output Filter

To achieve the most accurate current sense value, it is recommended to apply filtering to the SNS output. There are two methods of filtering:

- Low-Pass RC filter between the SNS pin and the ADC input. This filter is illustrated in [Figure 10-1](#) and typical values for the resistor and capacitor are given. The designer should select a C_{SNS} capacitor value based on system requirements. A larger value will provide improved filtering. A smaller value will allow for faster transient response.
- The ADC and microcontroller can also be used for filtering. It is recommended that the ADC collects several measurements of the SNS output. The median value of this data set should be considered as the most accurate result. By performing this median calculation, the microcontroller is able to filter out any noise or outlier data.

9.3.2.3 \overline{ST} Pin

The \overline{ST} pin is an open-drain output. The pin indicates the status of the switch channel. The output is high-z when there is no fault condition. The output is pulled low when there is a fault condition.

9.3.2.4 Fault Indication and SNS Mux

The following faults will be communicated via the SNS and \overline{ST} outputs:

- Switch shutdown, due to:
 - Thermal Shutdown
 - Current limit
 - Energy limit
- Active current limiting
- Open-Load / V_{OUT} shorted-to-supply

Open-load / Short-to-supply are not indicated while the switch is enabled (though these conditions can be detected via the sense current). Hence, if there is a fault indication corresponding to an enabled channel, then it must be either switch shutdown or active current limiting.

The SNS pin will only indicate the fault if the $SELx = 00$. Switch shutdown fault indication will occur on the \overline{ST} pin regardless of the $SELx$ pins; however, OL/STB fault indication is only available when the $SELx = 00$.

表 9-2. SNS Mux

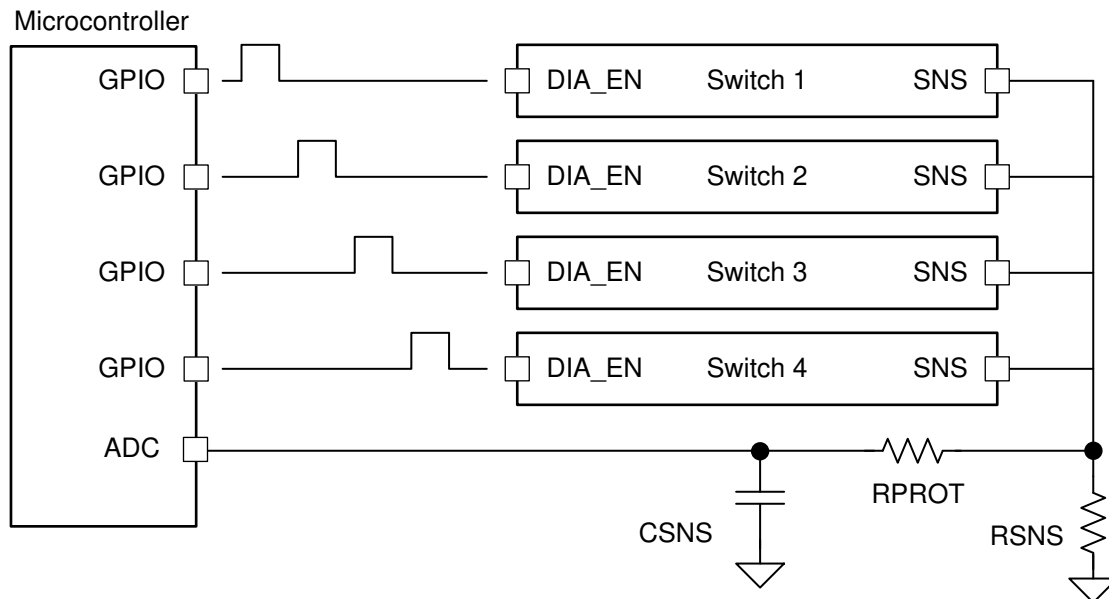
INPUTS				OUTPUTS	
DIA_EN	SEL1	SEL2	FAULT DETECT ⁽¹⁾	SNS	ST
0	X	X	0	High-z	High-z
0	X	X	1	High-z	Pull low
1	0	0	0	Load current	High-z
1	0	1	0	Not Used	Not Used
1	1	0	0	Device temperature	High-z
1	1	1	0	Supply voltage	High-z
1	0	0	1	I _{SNSFH}	Pull low
1	0	1	1	Not Used	Not Used
1	1	0	1	Device temperature	Pull low
1	1	1	1	Supply voltage	Pull low

(1) Fault Detect encompasses the below conditions:

- Switch shutdown and waiting for retry
- Active current limiting
- OL / STB

9.3.2.5 Resistor Sharing

Multiple high-side switch channels may use the same SNS resistor as shown in 图 9-9 below. This reduces the total number of passive components in the system and the number of ADC terminals that are required of the microcontroller.

图 9-9. Sharing R_{SNS} Among Multiple Devices

9.3.2.6 High-Frequency, Low Duty-Cycle Current Sensing

Some applications will operate with a high-frequency, low duty-cycle PWM. Such applications require fast settling of the SNS output. For example, a 250-Hz, 5% duty cycle PWM will have an on-time of only 200 μ s. The microcontroller ADC may sample the SNS signal after the defined settling time, $t_{SNSION3}$.

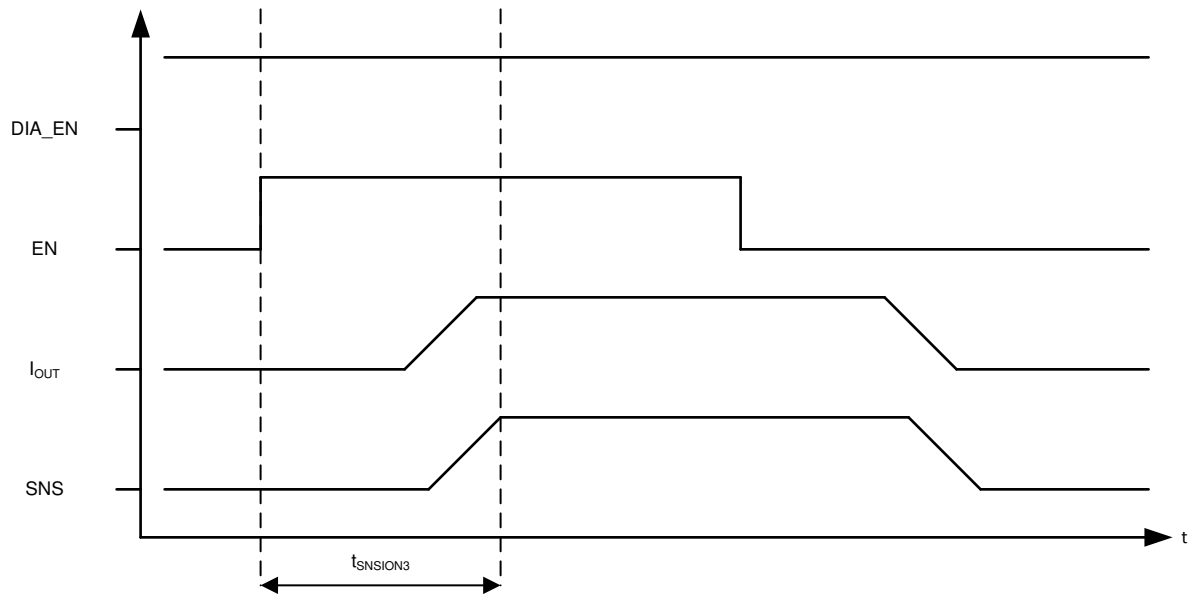


图 9-10. Current Sensing in Low-Duty Cycle Applications

9.4 Device Functional Modes

9.4.1 Off

Off state occurs when the device is not powered.

9.4.2 Standby

Standby state is a low-power mode used to reduce power consumption to the lowest level. Diagnostic capabilities are not available in Standby mode.

9.4.3 Diagnostic

Diagnostic state may be used to perform diagnostics while the switch is disabled.

9.4.4 Standby Delay

The Standby Delay state is entered when EN and DIA_EN are low. After t_{STBY} , if the EN and DIA_EN pins are still low, the device will go to Standby State.

9.4.5 Active

In Active state, the switch is enabled. The diagnostic functions may be turned on or off during Active state.

9.4.6 Fault

The Fault state is entered if a fault shutdown occurs (thermal shutdown, current limit, energy limit). After all faults are cleared, the LATCH pin is low, and the retry timer has expired, the device will transition out of Fault state. If the Enable pin is high, the switch will re-enable. If the Enable pin is low, the switch will remain off.

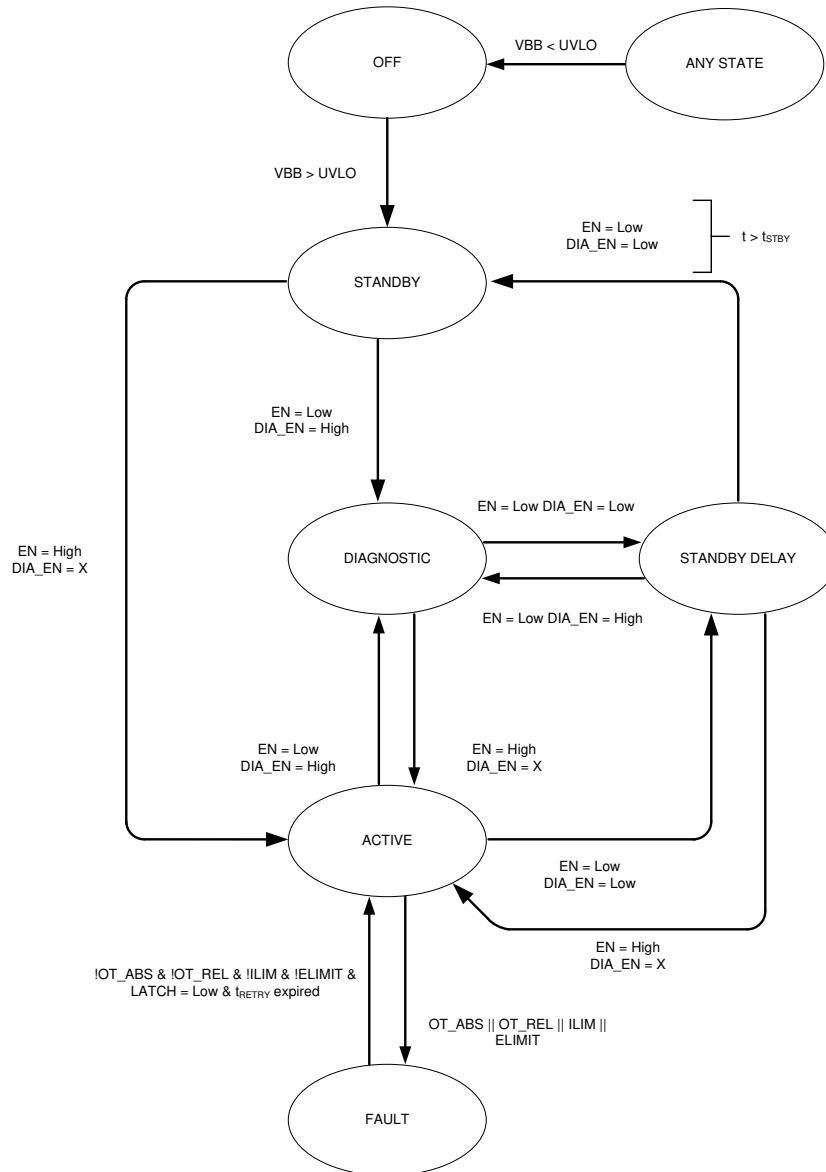


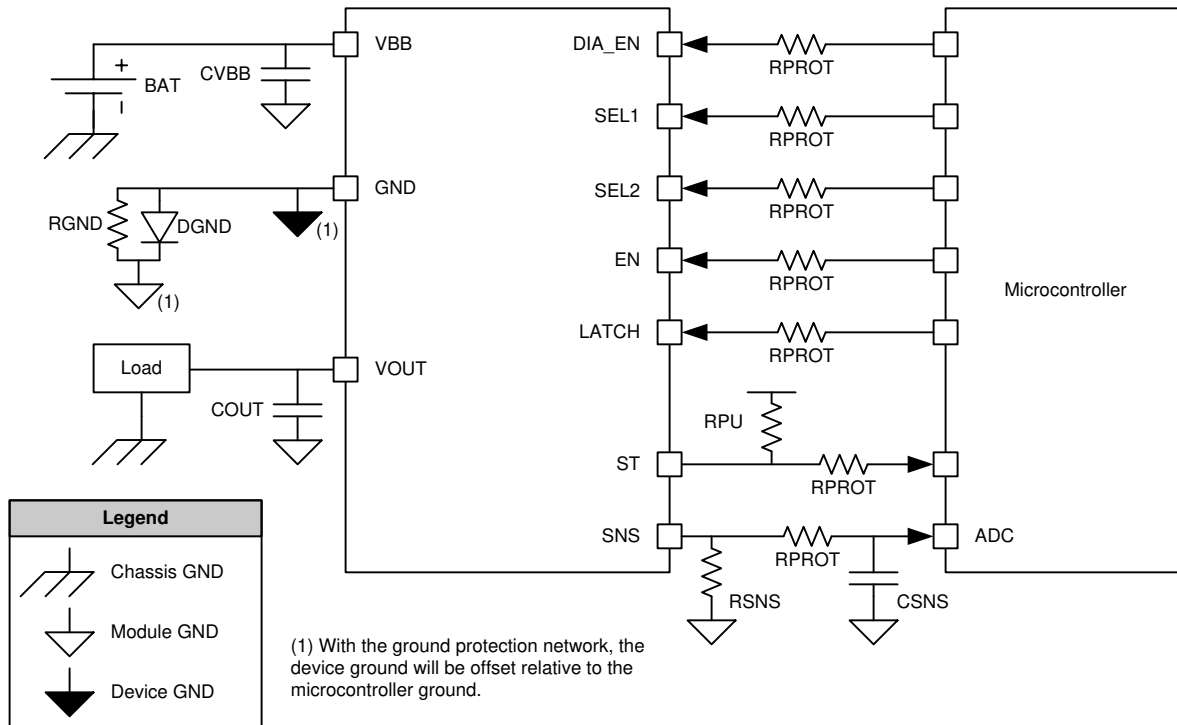
图 9-11. State Diagram

10 Application and Implementation

备注

以下应用部分中的信息不属于 TI 器件规格的范围，TI 不担保其准确性和完整性。TI 的客户应负责确定器件是否适用于其应用。客户应验证并测试其设计，以确保系统功能。

10.1 Application Information



With the ground protection network, the device ground will be offset relative to the microcontroller ground.

图 10-1. System Diagram

表 10-1. Recommended External Components

COMPONENT	TYPICAL VALUE	PURPOSE
R_{PROT}	15 k Ω	Protect microcontroller and device I/O pins
R_{SNS}	1 k Ω	Translate the sense current into sense voltage
R_{PU}	10 k Ω	Provide pull-up source for open-drain output
C_{SNS}	100 pF - 10 nF	Low-pass filter for the ADC input
R_{GND}	4.7 k Ω	Stabilize GND potential during turn-off of inductive load
D_{GND}	BAS21 Diode	Protects device during reverse supply
C_{VBB}	220 nF to Device GND	Filtering of voltage transients (for example, ESD, ISO7637-2) and improved emissions
	100 nF to Module GND	Stabilize the input supply and filter out low frequency noise.
C_{OUT}	22 nF	Filtering of voltage transients (for example, ESD, ISO7637-2)

10.1.1 Ground Protection Network

As discussed in the section regarding Reverse supply, D_{GND} may be used to prevent excessive reverse current from flowing into the device during a reverse supply event. Additionally, R_{GND} is placed in parallel with D_{GND} if the switch is used to drive an inductive load. The ground protection network (D_{GND} and R_{GND}) may be shared amongst multiple high-side switches.

A minimum value for R_{GND} may be calculated by using the absolute maximum rating for I_{GND} . During the reverse supply condition, $I_{GND} = V_{BB} / R_{GND}$:

$$R_{GND} \geq V_{BB} / I_{GND} \quad (1)$$

- Set $V_{BB} = -13.5 \text{ V}$
- Set $I_{GND} = -50 \text{ mA}$ (absolute maximum rating)

$$R_{GND} \geq -13.5 \text{ V} / -50 \text{ mA} = 270 \Omega$$

In this example, it is found that R_{GND} must be at least 270Ω . It is also necessary to consider the power dissipation in R_{GND} during the reverse supply event:

$$P_{RGND} = V_{BB}^2 / R_{GND} \quad (2)$$

$$P_{RGND} = (13.5 \text{ V})^2 / 270 \Omega = 0.675 \text{ W}$$

In practice, R_{GND} may not be rated for such a high power. In this case, a larger resistor value should be selected.

10.1.2 Interface With Microcontroller

The ground protection network will cause the device ground to be at a higher potential than the module ground (and microcontroller ground). This offset will impact the interface between the device and the microcontroller.

Logic pin voltage will be offset by the forward voltage of the diode. For input pins (for example, EN), the designer must consider the V_{IH} specification of the switch and the V_{OH} specification of the microcontroller. For a system that *does not* include D_{GND} , it is required that $V_{OH} > V_{IH}$. For a system that *does* include D_{GND} , it is required that $V_{OH} > (V_{IH} + V_F)$. V_F is the forward voltage of D_{GND} .

For use of the status pin, ST, a similar consideration is necessary. The designer must consider the $V_{OL, ST}$ specification and the V_{IL} specification of the microcontroller. For a system that includes D_{GND} , it is required that $V_{OL, ST} + V_F < V_{IL, \mu C}$.

The sense resistor, R_{SNS} , should be terminated to the microcontroller ground. In this case, the ADC can accurately measure the SNS signal even if there is an offset between the microcontroller ground and the device ground.

10.1.3 I/O Protection

R_{PROT} is used to protect the microcontroller I/O pins during system-level voltage transients such as ISO pulses or reverse supply. A large resistance value ensures that current through the pin is limited to a safe level.

10.1.4 Inverse Current

Inverse current occurs when $0 \text{ V} < V_{BB} < V_{OUT}$. In this case, current may flow from V_{OUT} to V_{BB} . Inverse current cannot be caused by a purely resistive load. However, a capacitive or inductive load can cause inverse current. For example, if there is a significant amount of load capacitance and the V_{BB} node has a transient droop, V_{OUT} may be greater than V_{BB} .

TPS27SA08 device will not detect inverse current. When the switch is enabled, inverse current will pass through the switch. When the switch is disabled, inverse current may pass through the MOSFET body diode. The device will continue operating in the normal manner during an inverse current event.

10.1.5 Loss of GND

The ground connection may be lost either on the device level or on the module level. If the ground connection is lost, both switches will be disabled. If the switch was already disabled when the ground connection was lost, the switch will remain disabled. When the ground is reconnected, normal operation will resume.

10.1.6 Thermal Information

When outputting current, the TPS27SA08 device will heat up due to the power dissipation. 图 10-2 shows the transient thermal impedance curve that can be used to determine the device temperature during 1-W pulse of a given length.

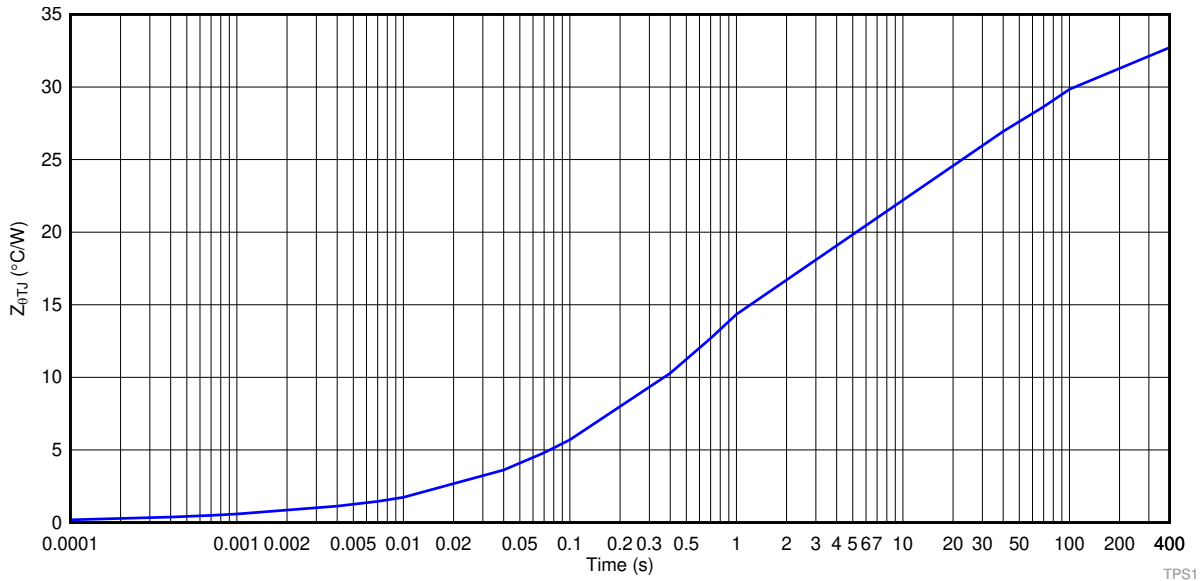


图 10-2. Transient Thermal Impedance

10.2 Typical Application

This application example demonstrates how the TPS27SA08 device can be used to power resistive heater loads as in seat heaters. 图 10-3 shows a typical application where the load is a resistive seat heater. This document highlights the basics of this type of application, however for a more detailed discussion reference [TI's Smart Power Switch Seat Heater Reference Design](#).

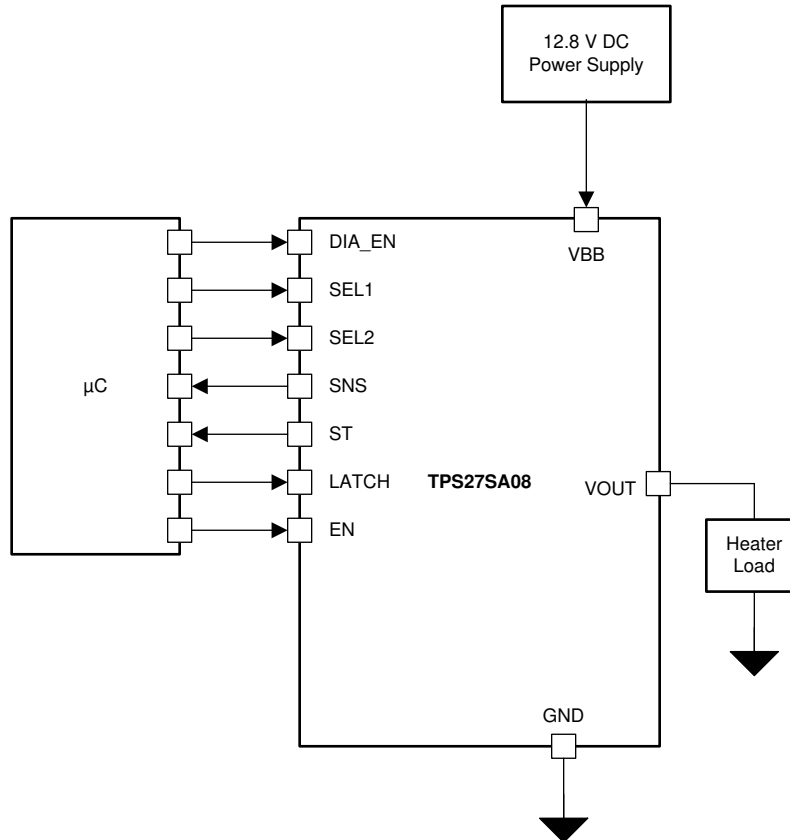


图 10-3. Block Diagram for Powering Heater Loads

10.2.1 Design Requirements

For this design example, use the input parameters shown in 表 10-2.

表 10-2. Design Parameters

DESIGN PARAMETER	EXAMPLE VALUE
V_{BB}	12.8 V
Heater Load	90-W max
Load Current Sense	100 mA to 20 A
Ambient temperature	85°C
$R_{\theta JA}$	32.8°C/W (depending on PCB)

10.2.2 Detailed Design Procedure

10.2.2.1 Thermal Considerations

The DC current under maximum load power condition will be around 7.03 A. Power dissipation in the switch is calculated in 方程式 3. R_{ON} is assumed to be 20 m Ω because this is the maximum specification. In practice, R_{ON} will be lower.

$$P_{FET} = I^2 \times R_{ON} \quad (3)$$

$$P_{FET} = (7.03 \text{ A})^2 \times 20 \text{ m}\Omega = 0.988 \text{ W} \quad (4)$$

The junction temperature of the device can be calculated using 方程式 5 and the $R_{\theta JA}$ value from the [Specifications](#) section.

$$T_J = T_A + R_{\theta JA} \times P_{FET} \quad (5)$$

$$T_J = 85^\circ\text{C} + 32.8^\circ\text{C/W} \times 0.988 \text{ W} = 117.4^\circ\text{C}$$

The maximum junction temperature rating for TPS27SA08 device is $T_J = 150^\circ\text{C}$. Based on the above example calculation, the device temperature will stay below the maximum rating.

10.2.2.2 Diagnostics

If the resistive heating load is disconnected (heater malfunction), an alert is desired. Open-load detection can be performed in the switch-enabled state via the current sense feature of the TPS27SA08 device. Alternatively, under open load condition in off-state with diagnostics enabled, the current in the SNS pin will be the fault current and the can be detected from the sense voltage measurement.

10.2.2.2.1 Selecting the R_{SNS} Value

表 10-3 shows the requirements for the load current sense in this application. The K_{SNS} value is specified for the device and can be found in the [Specifications](#) section.

表 10-3. R_{SNS} Calculation Parameters

PARAMETER	EXAMPLE VALUE
Current Sense Ratio (K_{SNS})	4600
Largest diagnosable load current	20 A
Smallest diagnosable load current	50 mA
Full-scale ADC voltage	5 V
ADC resolution	10 bit

The load current measurement requirements of 20 A ensures that current can be sensed up to the 20-A current limit, while the low level of 100 mA allows for accurate measurement of low load currents.

The R_{SNS} resistor value should be selected such that the largest diagnosable load current puts V_{SNS} at about 90% of the ADC full-scale. With this design, any ADC value above 90% can be considered a fault. Additionally, the R_{SNS} resistor value should ensure that the smallest diagnosable load current does not cause V_{SNS} to fall below 1 LSB of the ADC. With the given example values, a 1-k Ω sense resistor satisfies both requirements shown in 表 10-4.

表 10-4. V_{SNS} Calculation

LOAD (A)	SENSE RATIO	I_{SNS} (mA)	R_{SNS} (Ω)	V_{SNS} (V)	% OF 5-V ADC
0.050	4600	0.011	1000	0.011	0.22%
20.000	4600	4.348	1000	4.348	87%

10.2.3 Application Curves

图 10-4 shows the behavior of the TPS27SA08 device in this application when the MCU provides an enable pulse to beginning heating the resistive element. Shortly after the EN pin goes high, the load current begins to flow and the SNS pin measures the output current.

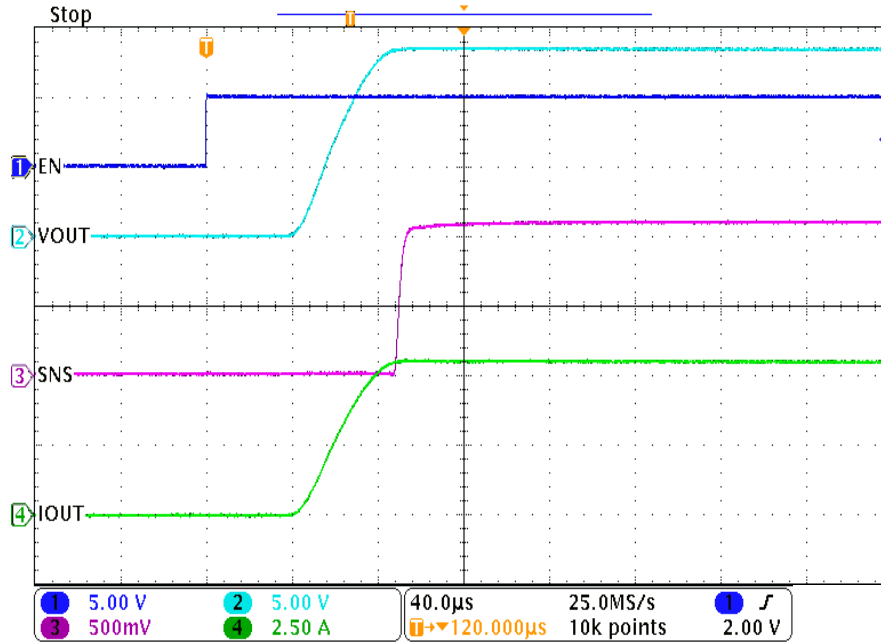


图 10-4. Heater Turn-on Time

By measuring the voltage on the SNS pin, the TPS27SA08 device can communicate back to the system MCU what the load current is. 图 10-5 shows that when the seat heater approaches full load and I_{OUT} jumps from a low load current of 1 A up to a 5-A load current, the load step is mirrored on the SNS pin.

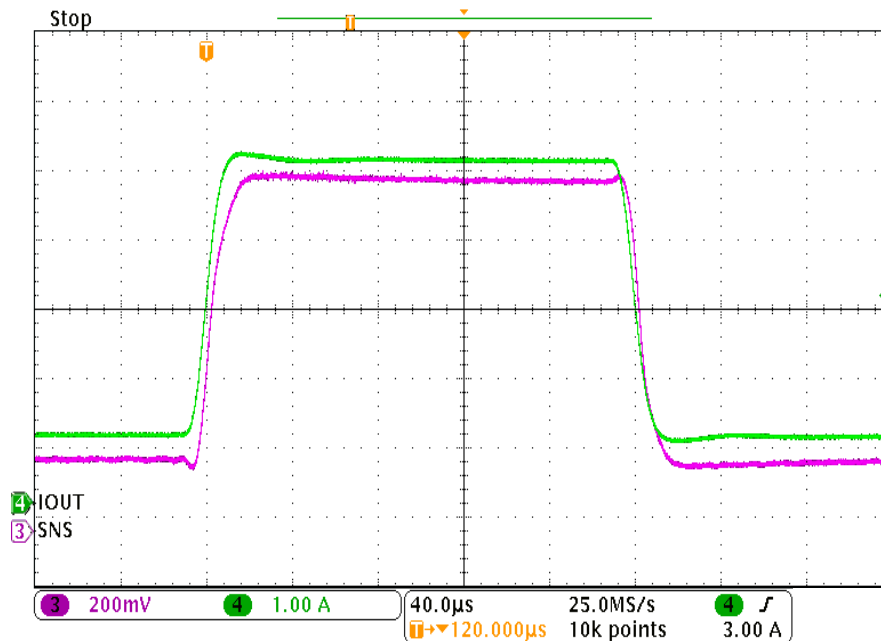


图 10-5. SNS Response During Heater Load Step

One common concern in these type of applications is that the heating element can accidentally lose connection, creating an open load situation. In this case, it is ideal for the TPS27SA08 device to recognize that the load has been removed and report a FLT to the MCU. 图 10-6 shows the behavior of the TPS27SA08 device when there is no load attached. As soon as the DIAG_EN pin is engaged, the SNS output goes high and the ST output engages low. By monitoring these pins, the MCU can recognize there is a fault and notify the user that maintenance is required.

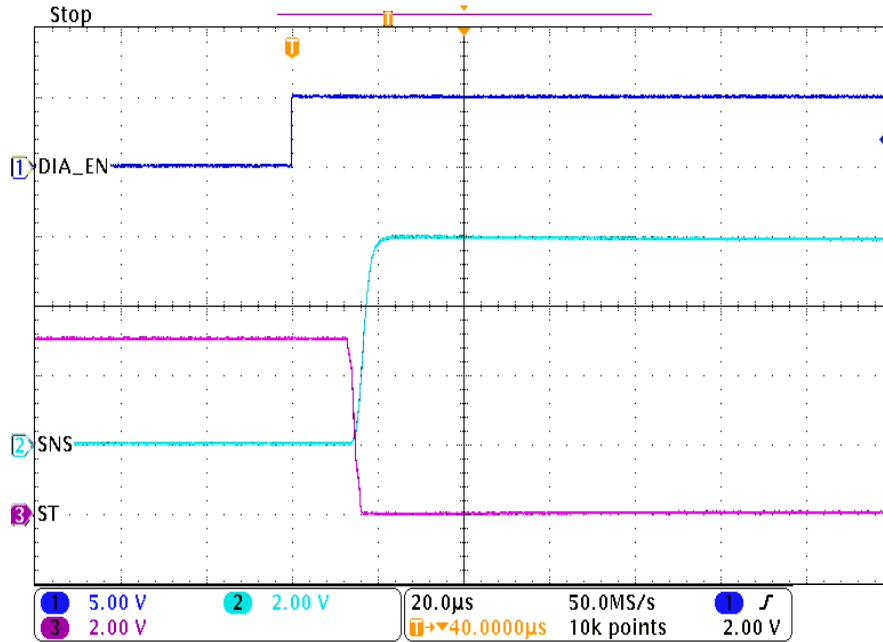


图 10-6. Open Load Detection If Heating Element is Missing

Importantly, the TPS27SA08 device will also protect the system in the event of a short-circuit. 图 10-7 shows the behavior of the device if it is enabled into a short circuit condition. The current will be clamped to near the current limit threshold (I_{CL}) until it hits an over temperature event, at which point the FET will be turned off. In this way, the system is protected from unchecked overcurrent in the event of a short circuit.

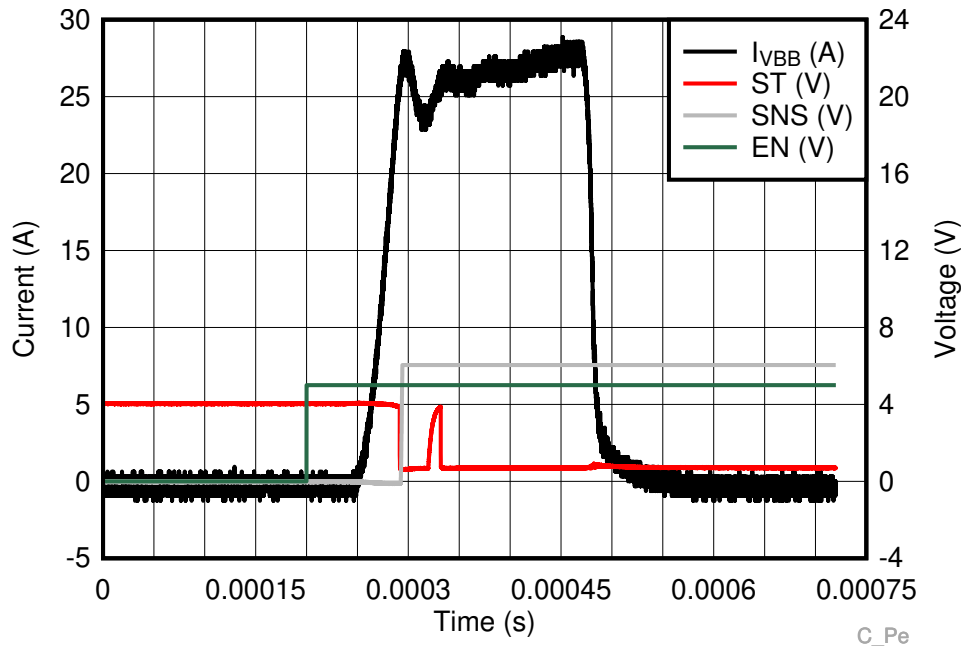


图 10-7. Overcurrent Behavior During Short Circuit Event

11 Power Supply Recommendations

The TPS27SA08 device is designed to operate in a 24-V system. The nominal supply voltage range is 8 V to 36 V. The device is also designed to withstand voltage transients beyond this range. When operating outside of the nominal voltage range, the device will exhibit normal functional behavior. However, parametric specifications may not be guaranteed.

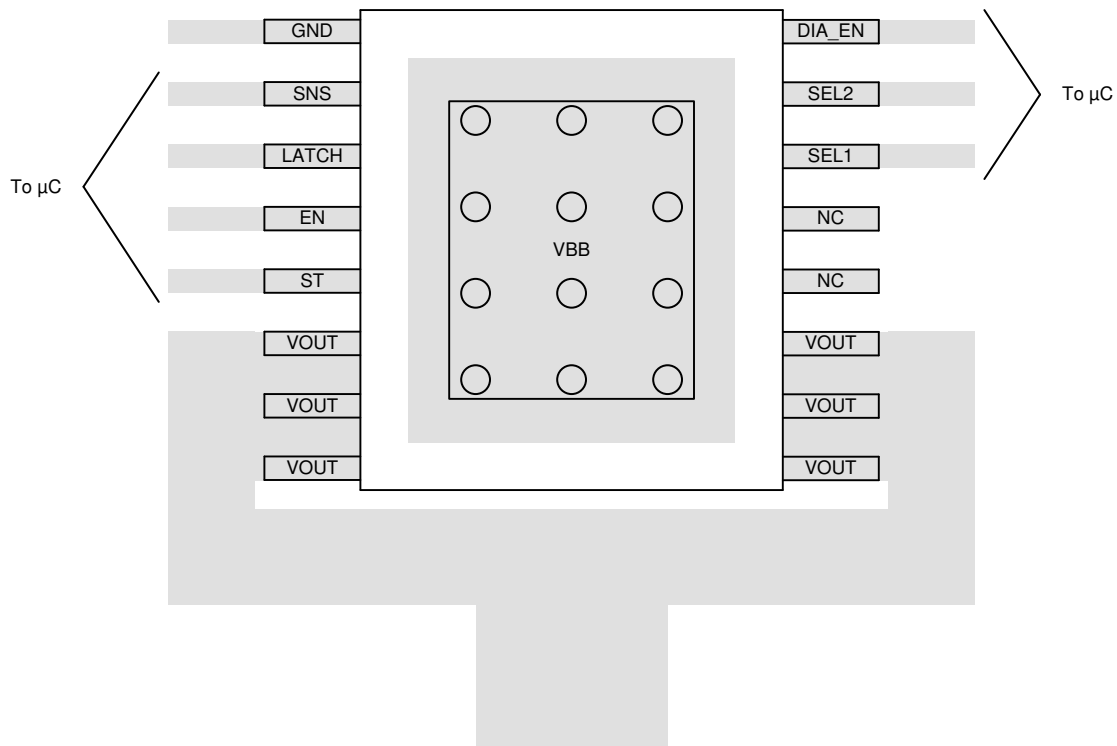
12 Layout

12.1 Layout Guidelines

To achieve optimal thermal performance, connect the exposed pad to a large copper pour. On the top PCB layer, the pour may extend beyond the pad dimensions as shown in the example below. In addition to this, it is recommended to also have a V_{BB} plane either on one of the internal PCB layers or on the bottom layer. Vias should connect this plane to the top V_{BB} pour.

TPS27SA08 device has 6 V_{OUT} pins. All V_{OUT} pins must be shorted together on the PCB. Additionally, the layout should ensure that the current path is symmetrical for both sides of the device. If the path is not symmetrical, there will be some imbalance in current spreading across the power FET. This can impact accuracy of the current sense measurement.

12.2 Layout Example



 12-1. PWP Layout Example

13 Device and Documentation Support

13.1 Device Support

13.1.1 Related Documentation

For related documentation see the following:

- [TI's "How To Drive Inductive, Capacitive, and Lighting Loads with Smart High Side Switch"](#)
- [Short Circuit Reliability Test for Smart Power Switches](#)
- [TI's Smart Power Switch Seat Heater Reference Design](#)
- [Reverse Battery Protection for High Side Switches](#)

13.2 Trademarks

所有商标均为其各自所有者的财产。

13.3 静电放电警告



静电放电 (ESD) 会损坏这个集成电路。德州仪器 (TI) 建议通过适当的预防措施处理所有集成电路。如果不遵守正确的处理和安装程序，可能会损坏集成电路。

ESD 的损坏小至导致微小的性能降级，大至整个器件故障。精密的集成电路可能更容易受到损坏，这是因为非常细微的参数更改都可能会导致器件与其发布的规格不相符。


13.4 术语表

TI 术语表 本术语表列出并解释了术语、首字母缩略词和定义。

14 Mechanical, Packaging, and Orderable Information

The following pages include mechanical, packaging, and orderable information. This information is the most current data available for the designated devices. This data is subject to change without notice and revision of this document. For browser-based versions of this data sheet, refer to the left-hand navigation.

PACKAGING INFORMATION

Orderable Device	Status (1)	Package Type	Package Drawing	Pins	Package Qty	Eco Plan (2)	Lead finish/ Ball material (6)	MSL Peak Temp (3)	Op Temp (°C)	Device Marking (4/5)	Samples
TPS27SA08CPWPR	ACTIVE	HTSSOP	PWP	16	3000	RoHS-Exempt & Green	NIPDAU	Level-3-260C-168HRS	-40 to 125	27SA08C	

(1) The marketing status values are defined as follows:

ACTIVE: Product device recommended for new designs.

LIFEBUY: TI has announced that the device will be discontinued, and a lifetime-buy period is in effect.

NRND: Not recommended for new designs. Device is in production to support existing customers, but TI does not recommend using this part in a new design.

PREVIEW: Device has been announced but is not in production. Samples may or may not be available.

OBSOLETE: TI has discontinued the production of the device.

(2) **RoHS:** TI defines "RoHS" to mean semiconductor products that are compliant with the current EU RoHS requirements for all 10 RoHS substances, including the requirement that RoHS substance do not exceed 0.1% by weight in homogeneous materials. Where designed to be soldered at high temperatures, "RoHS" products are suitable for use in specified lead-free processes. TI may reference these types of products as "Pb-Free".

RoHS Exempt: TI defines "RoHS Exempt" to mean products that contain lead but are compliant with EU RoHS pursuant to a specific EU RoHS exemption.

Green: TI defines "Green" to mean the content of Chlorine (Cl) and Bromine (Br) based flame retardants meet JS709B low halogen requirements of <=1000ppm threshold. Antimony trioxide based flame retardants must also meet the <=1000ppm threshold requirement.

(3) MSL, Peak Temp. - The Moisture Sensitivity Level rating according to the JEDEC industry standard classifications, and peak solder temperature.

(4) There may be additional marking, which relates to the logo, the lot trace code information, or the environmental category on the device.

(5) Multiple Device Markings will be inside parentheses. Only one Device Marking contained in parentheses and separated by a "~" will appear on a device. If a line is indented then it is a continuation of the previous line and the two combined represent the entire Device Marking for that device.

(6) Lead finish/Ball material - Orderable Devices may have multiple material finish options. Finish options are separated by a vertical ruled line. Lead finish/Ball material values may wrap to two lines if the finish value exceeds the maximum column width.

Important Information and Disclaimer:The information provided on this page represents TI's knowledge and belief as of the date that it is provided. TI bases its knowledge and belief on information provided by third parties, and makes no representation or warranty as to the accuracy of such information. Efforts are underway to better integrate information from third parties. TI has taken and continues to take reasonable steps to provide representative and accurate information but may not have conducted destructive testing or chemical analysis on incoming materials and chemicals. TI and TI suppliers consider certain information to be proprietary, and thus CAS numbers and other limited information may not be available for release.

In no event shall TI's liability arising out of such information exceed the total purchase price of the TI part(s) at issue in this document sold by TI to Customer on an annual basis.

TAPE AND REEL INFORMATION

QUADRANT ASSIGNMENTS FOR PIN 1 ORIENTATION IN TAPE

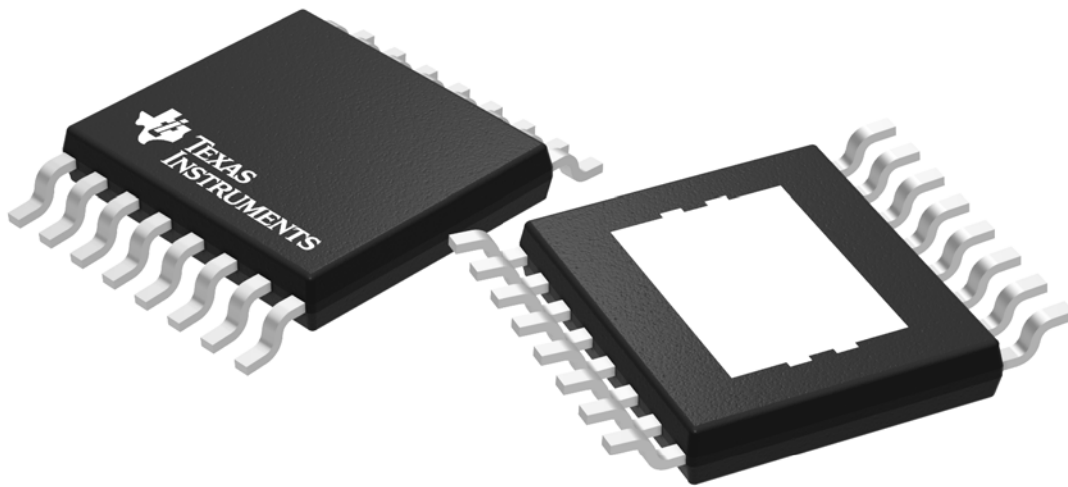

*All dimensions are nominal

Device	Package Type	Package Drawing	Pins	SPQ	Reel Diameter (mm)	Reel Width W1 (mm)	A0 (mm)	B0 (mm)	K0 (mm)	P1 (mm)	W (mm)	Pin1 Quadrant
TPS27SA08CPWPR	HTSSOP	PWP	16	3000	330.0	12.4	6.9	5.6	1.6	8.0	12.0	Q1

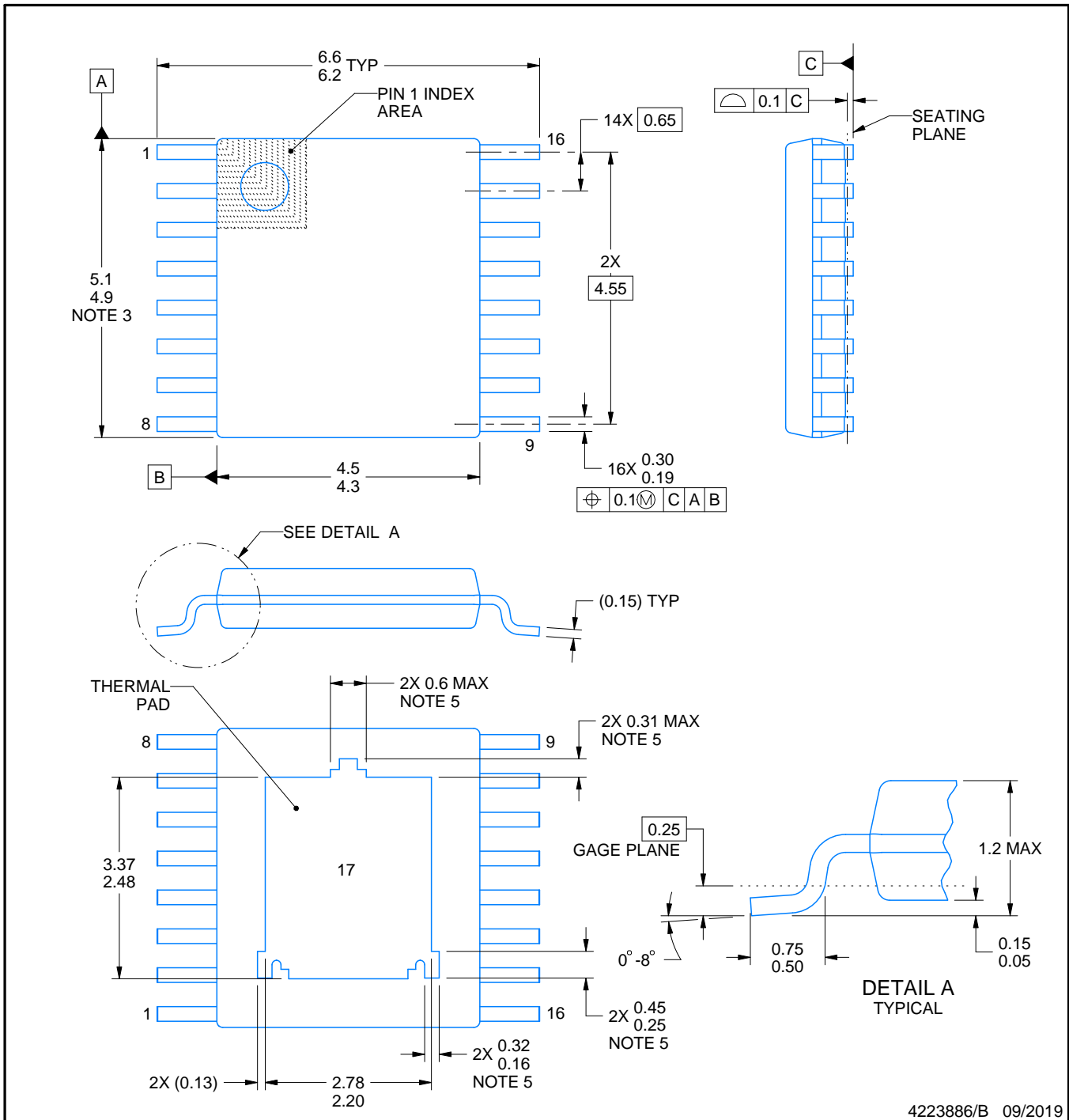
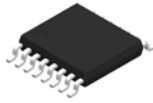
TAPE AND REEL BOX DIMENSIONS


*All dimensions are nominal

Device	Package Type	Package Drawing	Pins	SPQ	Length (mm)	Width (mm)	Height (mm)
TPS27SA08CPWPR	HTSSOP	PWP	16	3000	350.0	350.0	43.0



Images above are just a representation of the package family, actual package may vary.
Refer to the product data sheet for package details.



4223886/B 09/2019

NOTES:

PowerPAD is a trademark of Texas Instruments.

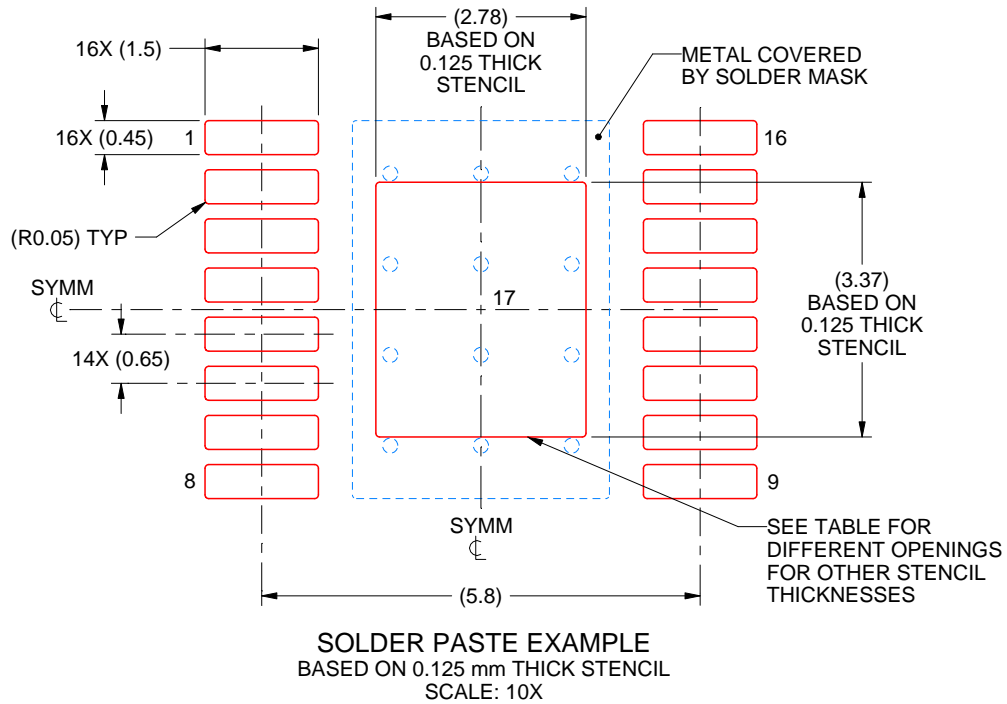
1. All linear dimensions are in millimeters. Any dimensions in parenthesis are for reference only. Dimensioning and tolerancing per ASME Y14.5M.
2. This drawing is subject to change without notice.
3. This dimension does not include mold flash, protrusions, or gate burrs. Mold flash, protrusions, or gate burrs shall not exceed 0.15 mm per side.
4. Reference JEDEC registration MO-153.
5. Features may differ or may not be present.

EXAMPLE STENCIL DESIGN

PWP0016M

PowerPAD™ TSSOP - 1.2 mm max height

SMALL OUTLINE PACKAGE



STENCIL THICKNESS	SOLDER STENCIL OPENING
0.1	3.11 X 3.77
0.125	2.78 X 3.37 (SHOWN)
0.15	2.54 X 3.08
0.175	2.35 X 2.85

4223886/B 09/2019

NOTES: (continued)

11. Laser cutting apertures with trapezoidal walls and rounded corners may offer better paste release. IPC-7525 may have alternate design recommendations.
12. Board assembly site may have different recommendations for stencil design.

重要声明和免责声明

TI“按原样”提供技术和可靠性数据（包括数据表）、设计资源（包括参考设计）、应用或其他设计建议、网络工具、安全信息和其他资源，不保证没有瑕疵且不做任何明示或暗示的担保，包括但不限于对适销性、某特定用途方面的适用性或不侵犯任何第三方知识产权的暗示担保。

这些资源可供使用 TI 产品进行设计的熟练开发人员使用。您将自行承担以下全部责任：(1) 针对您的应用选择合适的 TI 产品，(2) 设计、验证并测试您的应用，(3) 确保您的应用满足相应标准以及任何其他功能安全、信息安全、监管或其他要求。

这些资源如有变更，恕不另行通知。TI 授权您仅可将这些资源用于研发本资源所述的 TI 产品的应用。严禁对这些资源进行其他复制或展示。您无权使用任何其他 TI 知识产权或任何第三方知识产权。您应全额赔偿因在这些资源的使用中对 TI 及其代表造成的任何索赔、损害、成本、损失和债务，TI 对此概不负责。

TI 提供的产品受 [TI 的销售条款](#) 或 [ti.com](#) 上其他适用条款/TI 产品随附的其他适用条款的约束。TI 提供这些资源并不会扩展或以其他方式更改 TI 针对 TI 产品发布的适用的担保或担保免责声明。

TI 反对并拒绝您可能提出的任何其他或不同的条款。

邮寄地址：Texas Instruments, Post Office Box 655303, Dallas, Texas 75265

Copyright © 2023，德州仪器 (TI) 公司