

具备负载断开控制功能的 TPS61178x 20V、10A 全集成同步升压器件

1 特性

- 输入电压范围：2.7V 至 20V
- 输出电压范围：4.5V 至 20V
- 可编程开关峰值电流：高达 10A
- 集成了两个 16mΩ FET
- 效率高达 96%： $V_{IN} = 7.2V$ ， $V_{OUT} = 16V$ ， $I_{OUT} = 2A$
- 可调节开关频率：高达 2.2MHz
- 外部时钟同步：
200kHz 至 2.2MHz
- 可提供负载断开功能的栅极驱动器
- 自动切断短路保护功能
- 过压保护
- 自动 PFM 操作 - TPS61178
- 强制 PWM 模式 - TPS611781
- 3mm x 3.5mm 13 引脚 VQFN Hotrod 封装
- 使用 TPS61178 并借助 [WEBENCH® 电源设计器](#) 创建定制设计方案

2 应用

- 便携式扬声器
- LCD 显示屏的电源驱动器
- 功率放大器的电源
- 电机驱动器的电源
- USB Type-C 电力输送

3 说明

TPS61178x 系列是内置了栅极驱动器（以实现负载断开功能）的 20V 同步升压转换器。TPS61178x 集成了两个低导通电阻的功率 FET：一个 16mΩ 开关 FET 和一个 16mΩ 整流器 FET。

TPS61178x 使用具有集成斜坡补偿功能的固定频率峰值电流模式控制。在轻负载时，TPS61178 进入自动 PFM 模式，而 TPS611781 处于强制 PWM 模式。

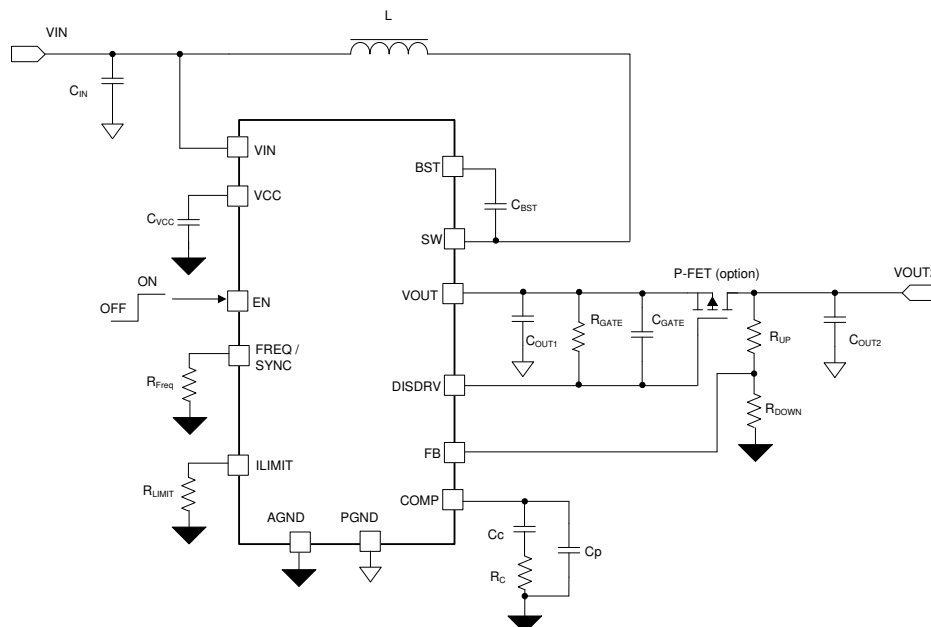
TPS61178x 可以在关断时将输出与输入侧隔离。输出短接后，它将进入间断模式以减小热应力，并可在短接结束后自动恢复。此外，TPS61178x 还具有 OVP 和过热保护以避免故障运行。TPS61178x 采用 3.0mm x 3.5mm 13 引脚 VQFN 封装，具有增强的热耗散性能。

器件信息(1)

器件号	封装	封装尺寸（标称值）
TPS61178	QFN (13)	3.00mm × 3.5mm
TPS611781		

(1) 如需了解所有可用封装，请参阅数据表末尾的可订购产品附录。

典型应用



Copyright © 2017, Texas Instruments Incorporated



目录

1	特性	1	8.4	Device Functional Modes.....	15
2	应用	1	9	Application and Implementation	16
3	说明	1	9.1	Application Information.....	16
4	修订历史记录	2	9.2	Typical Application	16
5	Device Comparison Table	3	9.3	System Examples	28
6	Pin Configuration and Functions	3	10	Power Supply Recommendations	29
7	Specifications	4	11	Layout	30
7.1	Absolute Maximum Ratings	4	11.1	Layout Guidelines	30
7.2	ESD Ratings	4	11.2	Layout Example	30
7.3	Recommended Operating Conditions.....	4	12	器件和文档支持	31
7.4	Thermal Information	4	12.1	器件支持	31
7.5	Electrical Characteristics.....	5	12.2	文档支持	31
7.6	Timing Requirements	6	12.3	相关链接	31
7.7	Switching Characteristics	6	12.4	接收文档更新通知	31
7.8	Typical Characteristics	7	12.5	社区资源	32
8	Detailed Description	10	12.6	商标	32
8.1	Overview	10	12.7	静电放电警告	32
8.2	Functional Block Diagram	10	12.8	Glossary	32
8.3	Feature Description.....	11	13	机械、封装和可订购信息	32

4 修订历史记录

注：之前版本的页码可能与当前版本有所不同。

Changes from Revision D (July 2019) to Revision E	Page
• Restored hyperlink cross reference at the Thermal Information table footnote.	4
• Deleted right-hand column (A/B/S) in the Electrical Characteristics table.	5

Changes from Revision C (March 2018) to Revision D	Page
• Corrected term 1–DR to 1–D in 公式 21	23

Changes from Revision B (September 2017) to Revision C	Page
• Changed 公式 21	23

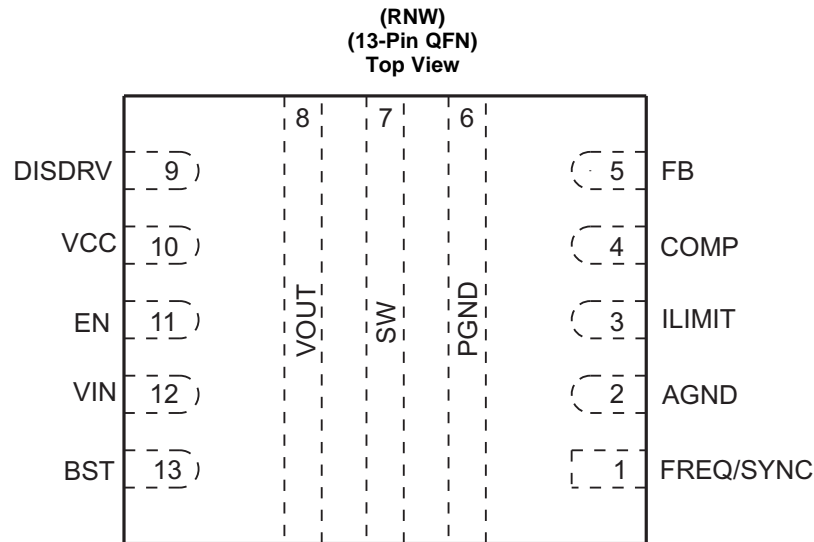
Changes from Revision A (April 2017) to Revision B	Page
• 已更改 graphs for 图 1 through 图 6 to include 3-A load	7

Changes from Original (February 2017) to Revision A	Page
--	-------------

5 Device Comparison Table

Part Number	Operation Mode at Light Load
TPS61178	Auto PFM
TPS611781	Forced PWM

6 Pin Configuration and Functions



Pin Functions

PIN		I/O	DESCRIPTION
NAME	NUMBER		
FREQ / SYNC	1	I	The switching frequency is programmed by a resistor between this pin and the AGND. The internal oscillator can be synchronized by an external clock connecting into this pin. This pin can not be float in application.
AGND	2	-	Analog signal ground of the IC. Connect the AGND to PGND via a single point on the printed circuit board.
ILIMIT	3	I	Programming the switching peak current limit by a resistor between this pin and AGND.
COMP	4	O	Output of the internal error amplifier. The loop compensation network should be connected between this pin and AGND.
FB	5	I	Output voltage feedback, a resistor divider connecting to this pin sets the output voltage.
PGND	6	PWR	Power ground
SW	7	PWR	The switching node pin of the converter. It is connected to the drain of the internal low-side power FET and the source of the internal high-side power FET.
VOUT	8	PWR	Boost converter output
DISDRV	9	O	A gate drive output for the external disconnect FET. Connect the DISDRV pin to the gate of the external FET. Leave it floating if not using the load disconnect function.
VCC	10	O	Output of the internal regulator. A ceramic capacitor of more than 1.0 μ F is required between this pin and ground
EN	11	I	Enable logic input. Logic high level enables the device and low level shutdown the device.
VIN	12	I	IC power supply input.
BST	13	O	Power supply for high-side FET gate driver. A capacitor must be connected between this pin and the SW pin

7 Specifications

7.1 Absolute Maximum Ratings

over operating free-air temperature range (unless otherwise noted)⁽¹⁾

		MIN	MAX	UNIT
Voltage range at terminals ⁽²⁾	BST	-0.3	SW + 7	V
	VIN, SW, VOUT, DISCRG, EN	-0.3	23	V
	VCC, FB, COMP, FREQ / SYNC, ILIMIT	-0.3	7	V
T _J	Operating junction temperature	-40	150	°C
T _{stg}	Storage temperature	-65	150	°C

- (1) Stresses beyond those listed under *Absolute Maximum Ratings* may cause permanent damage to the device. These are stress ratings only, which do not imply functional operation of the device at these or any other conditions beyond those indicated under *Recommended Operating Conditions*. Exposure to absolute-maximum-rated conditions for extended periods may affect device reliability.
- (2) All voltage values are with respect to network ground terminal.

7.2 ESD Ratings

		VALUE	UNIT
V ₍₁₎ (ESD) Electrostatic discharge	Human-body model (HBM), per ANSI/ESDA/JEDEC JS-001 ⁽²⁾	±2000	V
	Charged-device model (CDM), per JEDEC specification JESD22-C101 ⁽³⁾	±750	

- (1) Electrostatic discharge (ESD) to measure device sensitivity and immunity to damage caused by assembly line electrostatic discharges in to the device.
- (2) Level listed above is the passing level per ANSI, ESDA, and JEDEC JS-001. JEDEC document JEP155 states that 500-V HBM allows safe manufacturing with a standard ESD control process. Manufacturing with less than 500-V HBM is possible with the necessary precautions.
- (3) Level listed above is the passing level per EIA-JEDEC JESD22-C101. JEDEC document JEP157 states that 250-V CDM allows safe manufacturing with a standard ESD control process. Manufacturing with less than 250-V CDM is possible with the necessary precautions.

7.3 Recommended Operating Conditions

over operating free-air temperature range (unless otherwise noted)

		MIN	NOM	MAX	UNIT
V _{IN}	Input voltage	2.7		20	V
V _{OUT}	Output voltage	4.5		20	V
L	Effective inductance range	0.47	3.3		μH
R _{FB}	Feedback resistance (low side)			200	kΩ
T _J	Operating junction temperature	-40		125	°C

7.4 Thermal Information

THERMAL METRIC ⁽¹⁾		TPS61178	UNIT
		RNR (QFN Package)	
		12 PINS	
R _{θJA}	Junction-to-ambient thermal resistance	60.2	°C/W
R _{θJC(top)}	Junction-to-case (top) thermal resistance	28.6	°C/W
R _{θJB}	Junction-to-board thermal resistance	14.5	°C/W
ψ _{JT}	Junction-to-top characterization parameter	0.4	°C/W
ψ _{JB}	Junction-to-board characterization parameter	14.5	°C/W
R _{θJC(bot)}	Junction-to-case (bottom) thermal resistance	0.9	°C/W

- (1) For more information about traditional and new thermal metrics, see the [Semiconductor and IC package thermal metrics application report](#).

7.5 Electrical Characteristics

over operating free-air temperature range, $V_{IN} = 2.7\text{ V}$ to 14 V and $V_{OUT} = 16\text{ V}$, $V_{CC} = 6\text{ V}$, $R_{LIMIT} = 80.6\text{ k}\Omega$. Typical values are at $T_J = 25^\circ\text{C}$, (unless otherwise noted)

			MIN	TYP	MAX	UNIT	
POWER SUPPLY							
V_{IN}	Input voltage range		2.7		20	V	
V_{IN_UVLO}	Input voltage under voltage lockout (UVLO) threshold	V_{IN} rising		2.6	2.7	V	
		V_{IN} falling		2.2	2.3		
V_{IN_HYS}	VIN UVLO hysteresis			400		mV	
V_{CC}	VCC regulation voltage	ICC = 5mA, VIN = 8V		6		V	
V_{CC_UVLO}	VCC UVLO threshold	VCC falling		2.1		V	
I_Q (TPS61178)	Quiescent current into V_{IN} pin	IC enabled, no load, no ext. FET $V_{IN} = 6\text{ V}$, $V_{OUT} = 20\text{ V}$, $V_{FB} = 1.3\text{ V}$, T_J up to 85°C		1.5	3	μA	
	Quiescent current into V_{IN} pin	IC enabled, no load, no ext. FET $V_{IN} = 20\text{ V}$, $V_{OUT} = 20\text{ V}$, $V_{FB} = 1.3\text{ V}$, T_J up to 85°C		270	320	μA	
	Quiescent current into V_{OUT} pin	IC enabled, no load, no ext. FET $V_{IN} = 6\text{ V}$, $V_{FB} = 1.3\text{ V}$, $V_{OUT} = 20\text{ V}$, T_J up to 85°C		250	300	μA	
	Quiescent current into V_{OUT} pin	IC enabled, no load, no ext. FET $V_{IN} = 20\text{ V}$, $V_{OUT} = 20\text{ V}$, $V_{FB} = 1.3\text{ V}$, T_J up to 85°C		5	12	μA	
I_{SD}	Shutdown current into V_{IN} pin	IC disabled, $V_{IN} = 6\text{ V}$, $-40^\circ\text{C} \leq T_J \leq 85^\circ\text{C}$		1	3.5	μA	
		IC disabled, $V_{IN} = 20\text{ V}$, $-40^\circ\text{C} \leq T_J \leq 85^\circ\text{C}$		3	6	μA	
I_{LS_LKG}	Reverse leakage current into SW	IC disabled, $V_{IN} = V_{OUT} = SW = 20\text{ V}$ $-40^\circ\text{C} \leq T_J \leq 85^\circ\text{C}$		0.1	6.5	μA	
OUTPUT VOLTAGE							
V_{OUT}	Output voltage range	Freq = 500kHz		4.5	20	V	
V_{OVP}	Output over-voltage protection threshold	$V_{IN} = 8\text{ V}$, V_{OUT} rising		20.5	21	21.5	V
POWER SWITCHES							
$R_{DS(on)}$	High-side MOSFET on resistance	$V_{CC} = 6\text{ V}$		16	25	$\text{m}\Omega$	
	Low-side MOSFET on resistance	$V_{CC} = 6\text{ V}$		16	25	$\text{m}\Omega$	
G_m	Power stage trans-conductance (peak current ratio with comp voltage)	$V_{CC} = 6\text{ V}$		12		A/V	
CURRENT LIMIT							
I_{LIM_SW}	TPS61178	$R_{LIMIT} = 80.6\text{ k}\Omega$		6.4	8	9.4	A
I_{LIM_SW}	TPS611781	$R_{LIMIT} = 80.6\text{ k}\Omega$		5.7	7.4	8.7	A
I_{LIM_SHORT}	TPS61178 short current limit				20		A
VOLTAGE REFERENCE							
V_{REF}	Reference Voltage at FB pin	PWM mode		1.180	1.198	1.210	V
		PFM mode			101%		V_{REF}
I_{FB_LKG}	Leakage current into FB pin			10	60	nA	
EN / SYNC LOGIC							
V_{EN_H}	EN Logic high threshold				1.2	V	
V_{EN_L}	EN Logic Low threshold			0.4		V	

Electrical Characteristics (continued)

over operating free-air temperature range, $V_{IN} = 2.7\text{ V}$ to 14 V and $V_{OUT} = 16\text{ V}$, $V_{CC} = 6\text{ V}$, $R_{LIMIT} = 80.6\text{ k}\Omega$. Typical values are at $T_J = 25^\circ\text{C}$, (unless otherwise noted)

		MIN	TYP	MAX	UNIT
R_{EN}	EN pulldown resistor		800		k Ω
V_{SYNC_H}	SYNC clock high threshold			1.2	V
V_{SYNC_L}	SYNC clock low threshold	0.4			V
ERROR AMPLIFIER					
V_{COMPH}	COMP output high voltage	High threshold, $V_{FB} = V_{REF} - 200\text{ mV}$	1.9		V
V_{COMPL}	COMP output low voltage	Low threshold, $V_{FB} = V_{REF} + 200\text{ mV}$	1.25		V
G_{mEA}	Error amplifier trans conductance	$V_{COMP} = 1.5\text{ V}$	195		μS
I_{SINK}	Comp pin sink current	$V_{FB} = V_{REF} + 200\text{ mV}$, $V_{COMP} = 1.5\text{ V}$	20		μA
I_{SOURCE}	Comp pin source current	$V_{FB} = V_{REF} - 200\text{ mV}$, $V_{COMP} = 1.5\text{ V}$	20		μA

7.6 Timing Requirements

over operating free-air temperature range, $V_{IN} = 2.7\text{ V}$ to 14 V and $V_{OUT} = 16\text{ V}$, $V_{CC} = 6\text{ V}$, $R_{LIMIT} = 80.6\text{ k}\Omega$. Typical values are at $T_J = 25^\circ\text{C}$, (unless otherwise noted)

		MIN	TYP	MAX	UNIT	
CURRENT LIMIT						
t_{SHORT_ON}	Short active time		4		ms	
t_{SHORT_OFF}	Time for Auto retry protection off time		90		ms	
SOFT START						
$t_{STARTUP}$	Startup time	$V_{IN} = 8\text{ V}$, $V_{OUT} = 16\text{ V}$	3.2		ms	
t_{PRE_CHARG}	Pre charge time	Pre charge time	1.8	2.6	3.4	ms
PROTECTION						
t_{SD_R}	Thermal shutdown rising threshold	T_J rising	150		$^\circ\text{C}$	
t_{SD_F}	Thermal shutdown falling threshold	T_J falling	130		$^\circ\text{C}$	

7.7 Switching Characteristics

over operating free-air temperature range, $V_{IN} = 2.7\text{ V}$ to 14 V and $V_{OUT} = 16\text{ V}$, $V_{CC} = 6\text{ V}$, $R_{LIMIT} = 80.6\text{ k}\Omega$. Typical values are at $T_J = 25^\circ\text{C}$, (unless otherwise noted)

		MIN	TYP	MAX	Unit	
SWITCHING FREQUENCY / SYNC						
f_{SW}	Switching frequency	$R_{FREQ} = 342\text{ k}\Omega$	400	500	600	kHz
		$R_{FREQ} = 842\text{ k}\Omega$	160	200	240	kHz
		$R_{FREQ} = 75\text{ k}\Omega$	1900	2200	2500	kHz
t_{ON_min}	Minimum on time		105	135	ns	
t_{OFF_min}	Minimum off time		140	180	ns	
f_{SYNC_MIN}	Min Frequency using external clock	190	200	210	kHz	
f_{SYNC_MAX}	Max Frequency using external clock	2090	2200	2310	kHz	
GATE DRIVER FOR LOAD DISCONNECT						
I_{GH_SINK}	External PFET drive current		55		μA	

7.8 Typical Characteristics

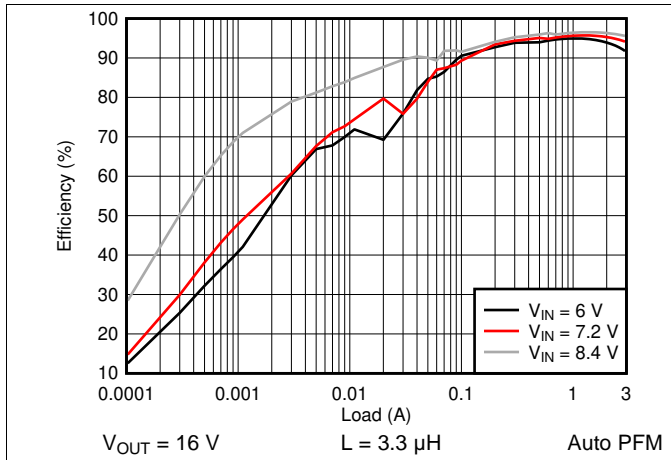


图 1. Efficiency vs. Output Current

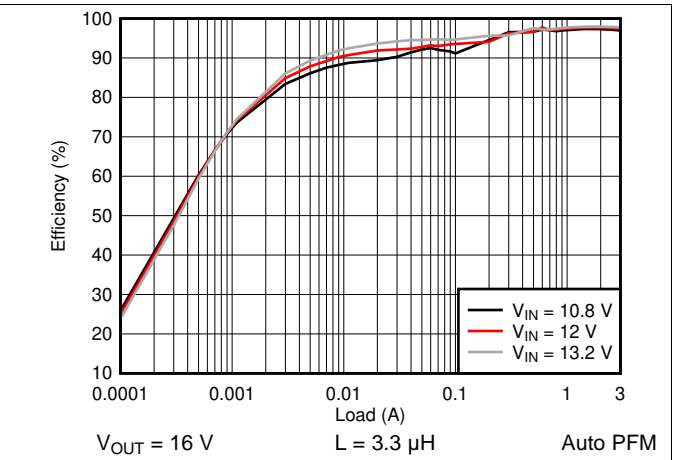


图 2. Efficiency vs. Output Current

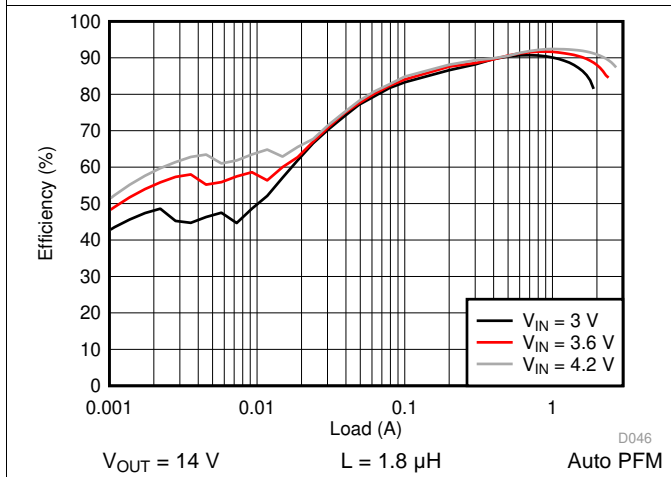


图 3. Efficiency vs. Output Current

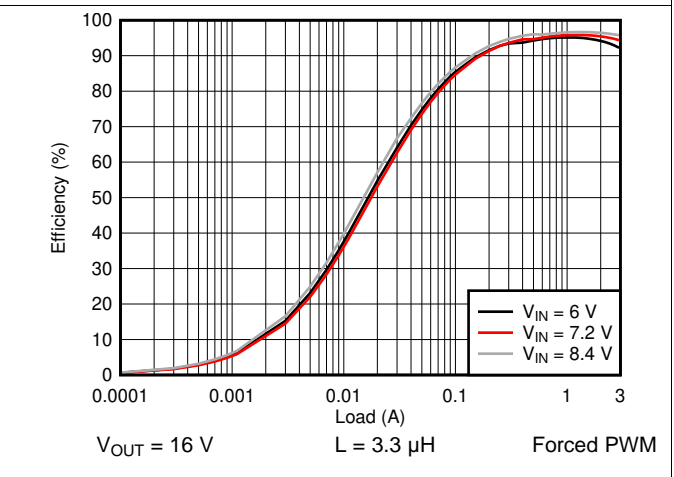


图 4. Efficiency vs. Output Current

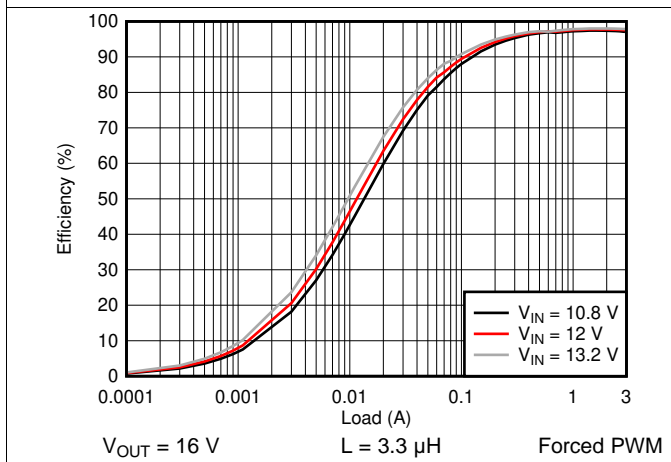


图 5. Efficiency vs. Output Current

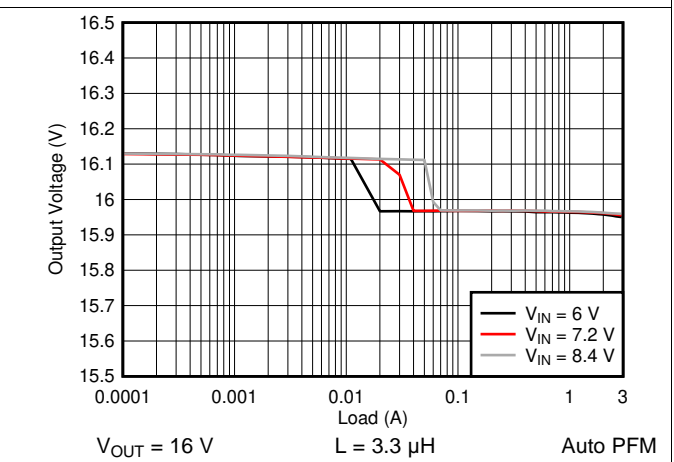
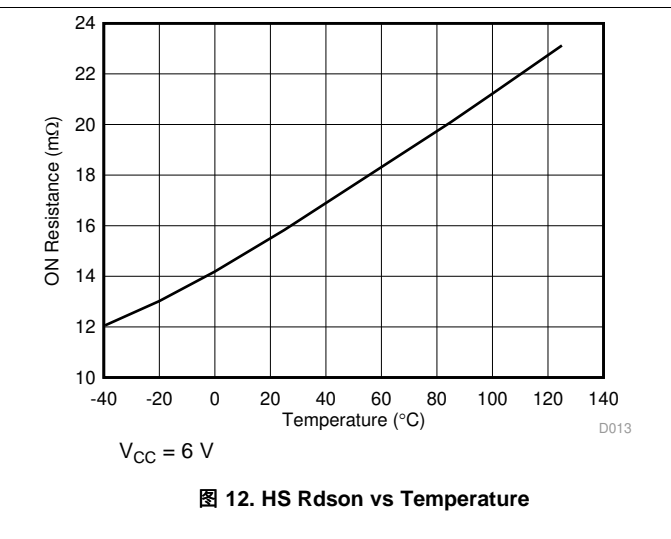
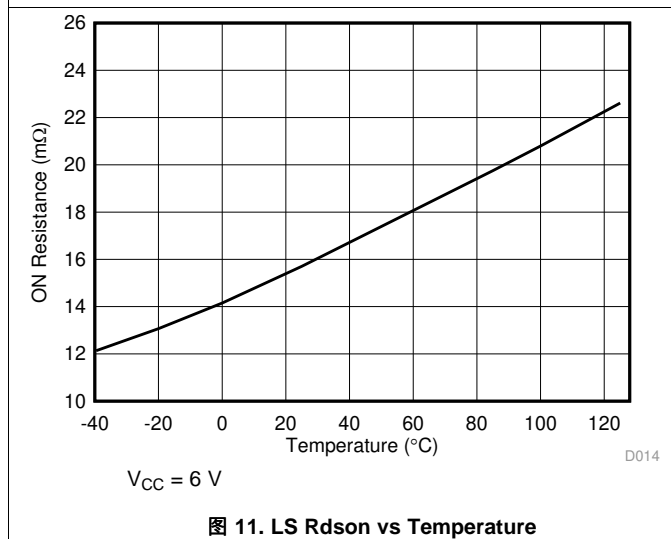
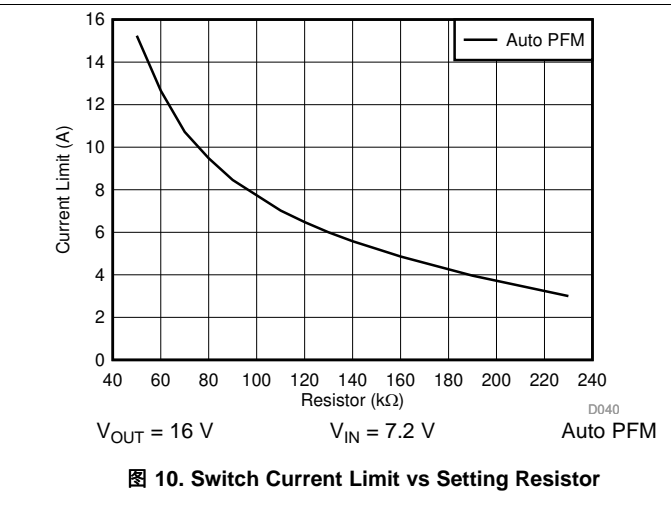
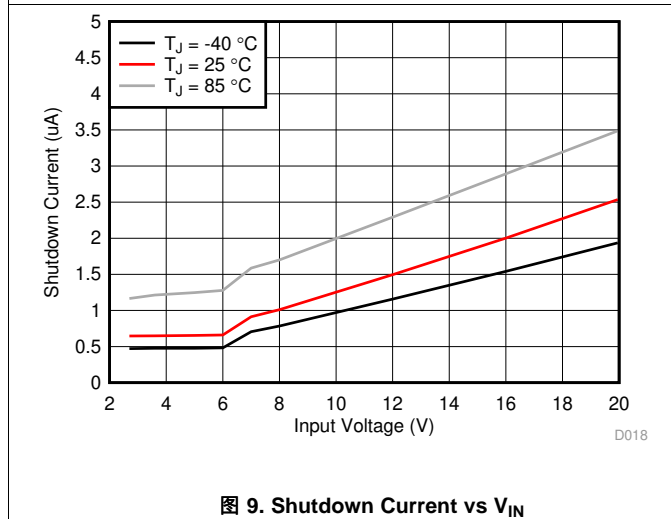
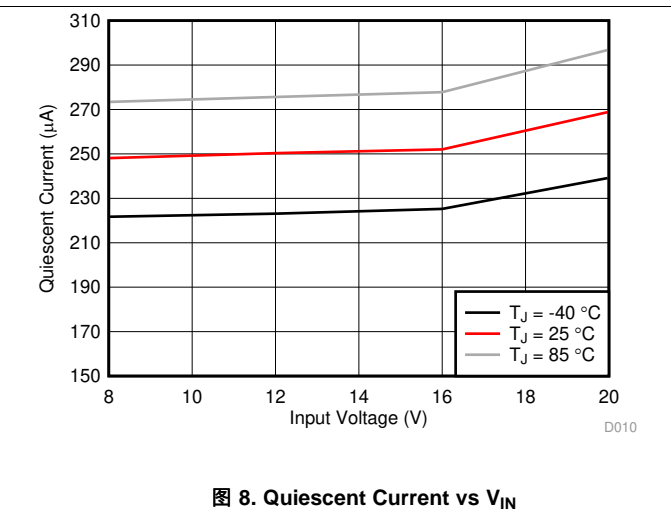
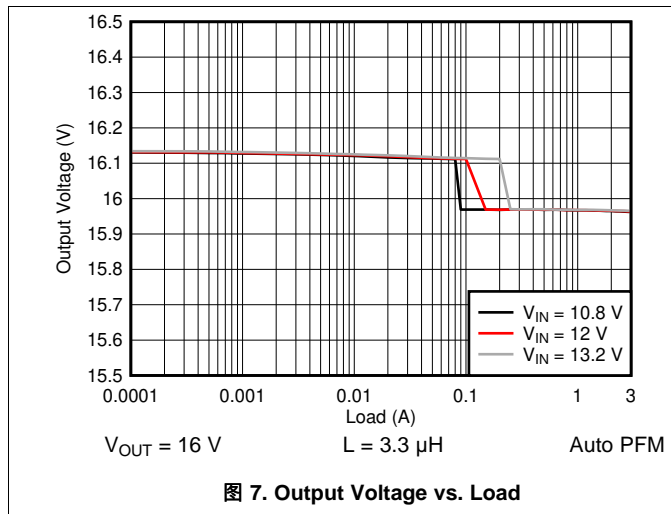


图 6. Output Voltage vs. Load

Typical Characteristics (接下页)



Typical Characteristics (接下页)

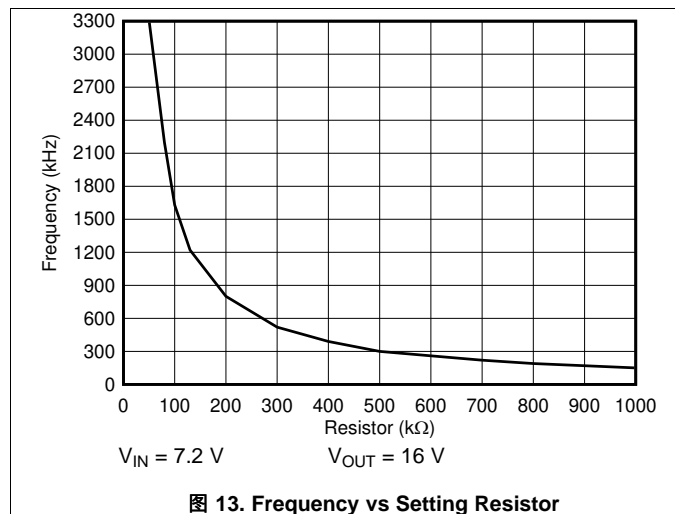


图 13. Frequency vs Setting Resistor

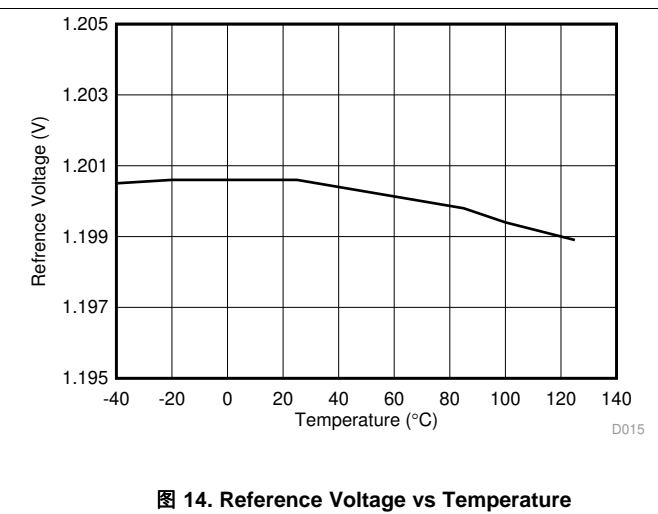


图 14. Reference Voltage vs Temperature

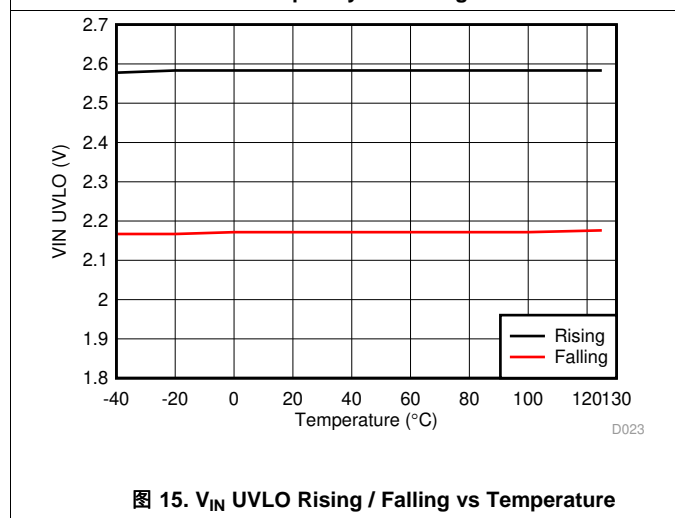


图 15. VIN UVLO Rising / Falling vs Temperature

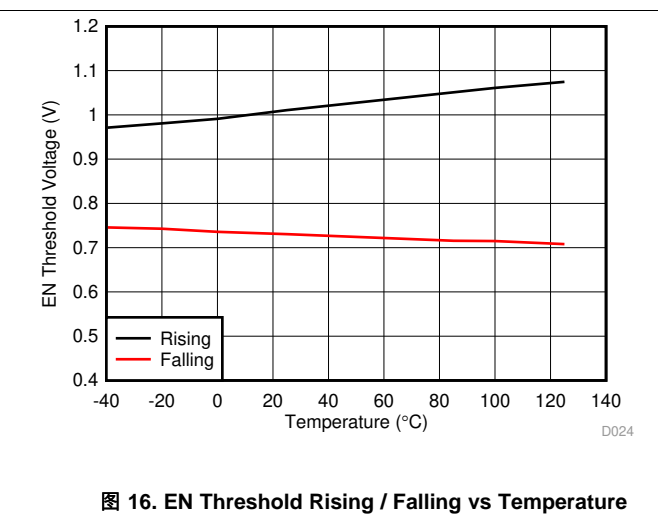


图 16. EN Threshold Rising / Falling vs Temperature

8 Detailed Description

8.1 Overview

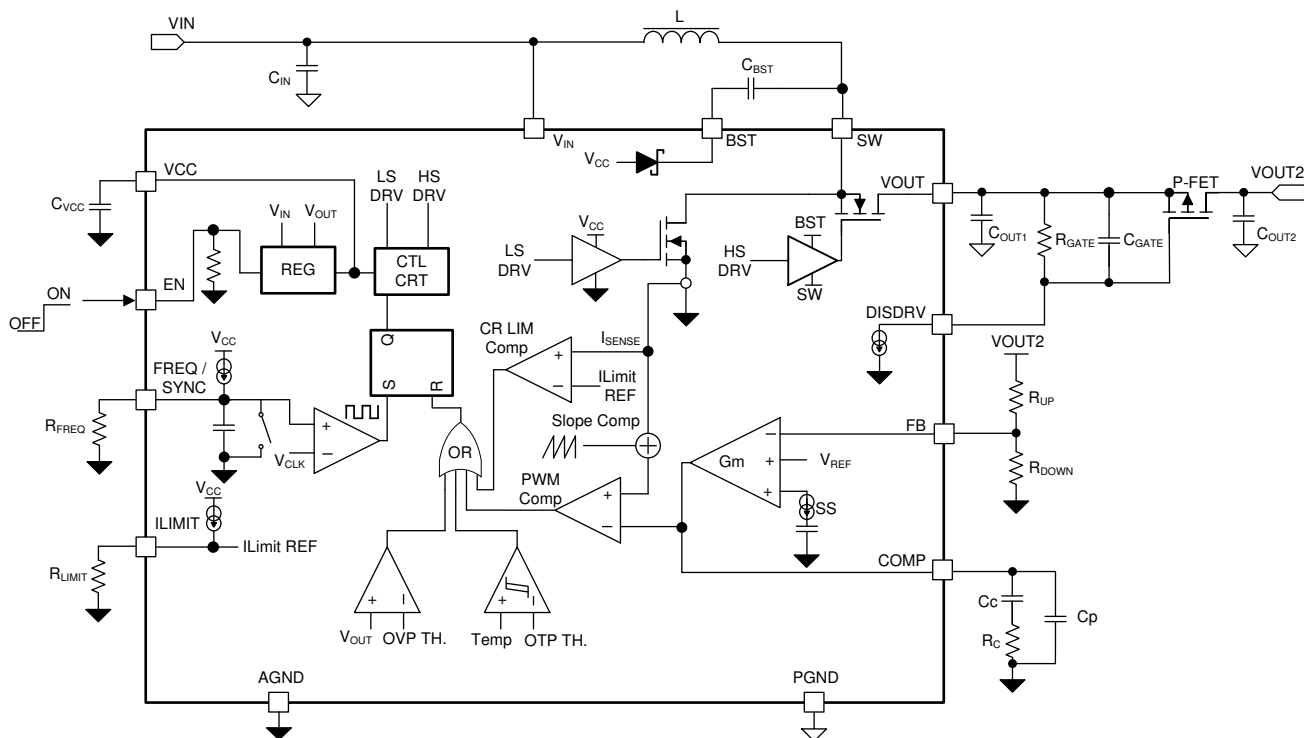
The TPS61178x family is a synchronous boost converter designed for delivering the switch peak current up to 10 A and output voltage reaching to 20 V. The TPS61178x family operates at a fixed frequency pulse-width modulation (PWM) at the moderate to heavy load currents. At the light load current, the TPS61178 operates in the PFM mode while the TPS611781 operates in the Forced PWM mode. The PFM mode brings the high efficiency crossing the entire load range while the Forced PWM mode can avoid the noise interference at the light load.

With the peak current mode control scheme, the TPS61178x provides the excellent line and load transient response with the minimal output capacitance. The external loop compensation brings the flexibility to use a wider range of the inductor and output capacitor combinations.

The TPS61178x supports the adjustable switching frequency up to 2.2 MHz. The device implements a cycle-by-cycle current limit to protect the device from overload during the boost operation phase. Additionally, if the output current further increases and exceeds the short current threshold or the output voltage drops below the short threshold. The TPS61178x triggers the hiccup short protection and recovers automatically once the short condition releases.

Additionally, the TPS61178x provides the gate driver for the external FET to isolate the output from input end during shutdown.

8.2 Functional Block Diagram



Copyright © 2017, Texas Instruments Incorporated

8.3 Feature Description

8.3.1 Under-voltage Lockout

An under-voltage lockout (UVLO) circuit stops the operation of the converter when the input voltage drops below the UVLO threshold of 2.3 V. A hysteresis of 400 mV is added so that the device cannot be enabled again until the input voltage exceeds 2.7 V. This function is implemented in order to prevent malfunctioning of the device when the input voltage is between 2.3 V and 2.7 V.

8.3.2 Enable and Disable

When the input voltage is above UVLO rising threshold of 2.7 V and the EN pin is pulled high above 1.2 V, the TPS61178X is enabled. When the EN pin is pulled below 0.4 V, the TPS61178x goes into the shutdown mode and stops switching.

8.3.3 Startup

When the input voltage to the device exceeds the UVLO threshold and EN pin pulled to high as well, the TPS61178x starts to ramp up the output voltage. There is a switching pre-charge phase and the output voltage is charged up to 10% higher than the input voltage ($1.1 \times V_{IN}$). The switching frequency is a fixed 500 kHz at the pre-charge phase.

After the pre-charge phase ends (typical 2.6 ms), The TPS61178x regulates the FB pin to the internal soft start voltage and results in a gradual rise of the output voltage starting from the input voltage level to the target output voltage. The soft start time is typical 3.2 ms, which helps the regulator to gradually reach the steady state setting point, thus reducing the startup stresses and surges. The switching frequency follows the oscillator setting by the resistor connecting with the **FREQ / SYNC** pin.

If the device is synchronized by the external clock, the switching frequency is fixed 500 kHz at the soft start phase and changes to the external clock when the soft start phase ends.

8.3.4 Load Disconnect Gate Driver

The TPS61178 device provides a **DISDRV** pin to drive the external FET at the output side, which completely disconnects the output from the input end during shutdown or output short happens. During the device's start-up phase, the disconnect FET is controlled by the gate driver voltage of the external disconnect FET, there is an internal 55 μ A (typical) sink current. The load disconnect FET connection is shown as [图 17](#)

The driver voltage and turn on / off timing can be set via the resistor and capacitor connecting between with the **DISDRV** pin and the source of the external FET. See the [Application and Implementation](#) section for the details of how to select the gate resistor and capacitor

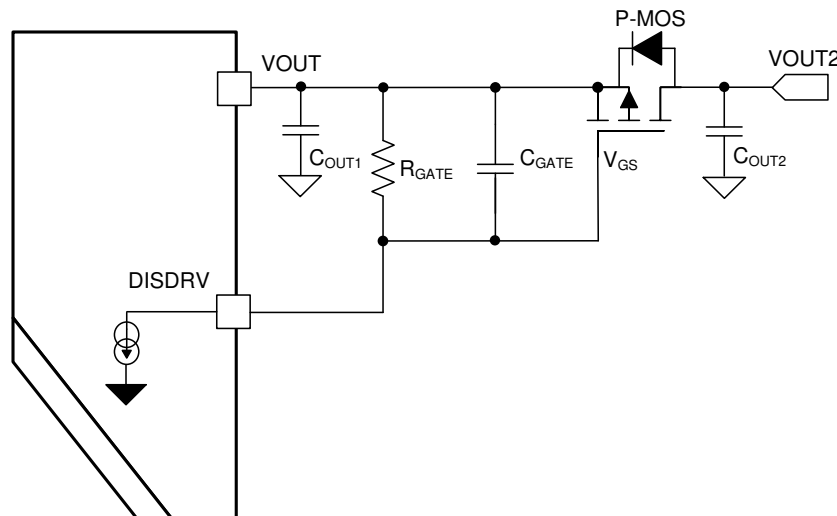


图 17. The Load Disconnect FET Connected

Feature Description (接下页)

8.3.5 Adjustable Peak Current Limit

When the TPS61178x is in the normal boost switching phase, the device is prevented from the over current condition via the cycle by cycle current limit by sensing the current through the internal low-side FET. When the peak switch current triggers the current limit threshold, the low-side switch turns off to prevent the switching current further increasing.

The peak switch current limit can be set by a resistor connecting with the I_{LIMIT} pin. The relationship between the current limit and the resistor is determined by [公式 1](#)

$$R_{LIMIT} = \frac{745}{I_{LIMIT}} \tag{1}$$

Where R_{LIMIT} is the resistor for setting the current limit, with the unit of kΩ, I_{LIMIT} is switching peak current limit, the unit is A. For instance, when the resistor value is 50 kΩ, the switch peak current limit is 15 A.

[图 18](#) shows the current limit versus the setting resistor for both TPS61178 (Auto PFM) and TPS611781 (Forced PWM) with 7.2-V input to 16-V output.

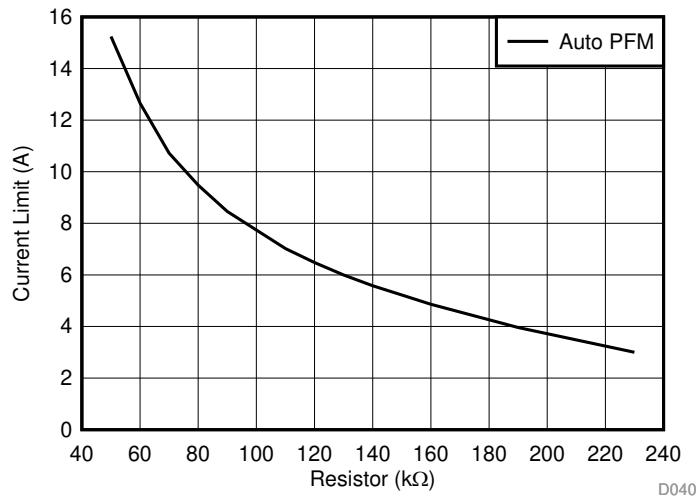


图 18. Switch Current Limit vs. Setting Resistor

The current limit value varies with the duty cycle, [图 30](#) shows the bench measurement current limit at different duty cycles at R_{LIMIT} = 80.6 kΩ.

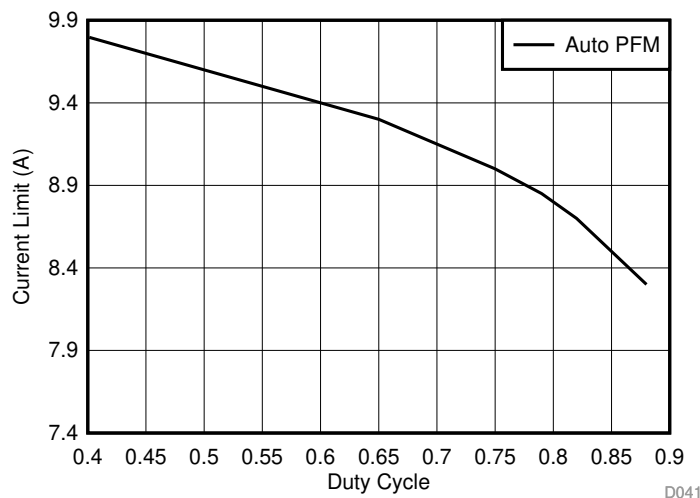


图 19. Switch Current Limit vs. Duty Cycle

Feature Description (接下页)

For the TPS611781, which works in the Forced PWM mode at the light load, the current limit is typically 0.8 A lower than TPS61178 (Auto PFM) with the same setting resistor.

8.3.6 Output Short Protection (with load disconnected FET)

In addition to the cycle-by-cycle current limiting, the TPS61178x also has the output short protection. If the inductor current reaches the short protection limit threshold (typical 20A) or the output voltage drops below 30% (typical) of the normal output voltage, the device enters into the hiccup protection mode. In the hiccup mode, the device shuts down itself and restarts after 90ms (typical) waiting time which helps to reduce the total thermal dissipation. After the short condition releases, the device can recover automatically and restart the start-up phase. The hiccup protection scheme is illustrated in 图 20.

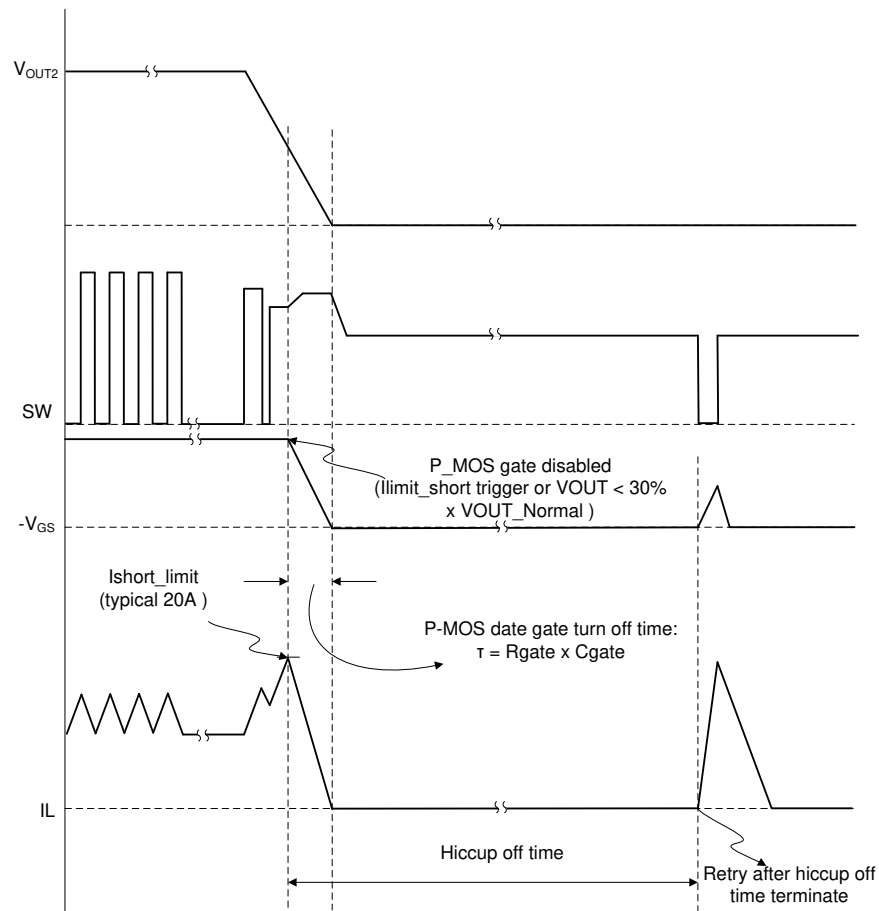


图 20. Output Short Protection

8.3.7 Adjustable Switching Frequency

The TPS61178x features of a wide adjustable switching frequency ranging up to 2.2 MHz. The switching frequency is set by a resistor connecting with the FREQ / SYNC pin. This pin cannot be left floating in the application. Use 公式 2 和 公式 3 to calculate the resistor value for a desired frequency.

$$T = \frac{1}{\text{Freq}} = k \times C_{\text{FREQ}} \times R_{\text{FREQ}} + T_{\text{DELAY}} \quad (2)$$

$$R_{\text{FREQ}} = \frac{\frac{1}{\text{Freq}} - T_{\text{DELAY}}}{k \times C_{\text{FREQ}}}$$

where

Feature Description (接下页)

- $T_{\text{DELAY}} = 50 \text{ nS}$, $k = 3$, $C_{\text{FREQ}} = 1.8 \text{ pF}$ (3)

For instance, if the R_{FREQ} is $342 \text{ k}\Omega$, the frequency is 500 kHz .

图 21 shows the switching frequency versus the setting resistor, which is measured with $V_{\text{OUT}} = 16 \text{ V}$ from $V_{\text{IN}} = 7.2 \text{ V}$.

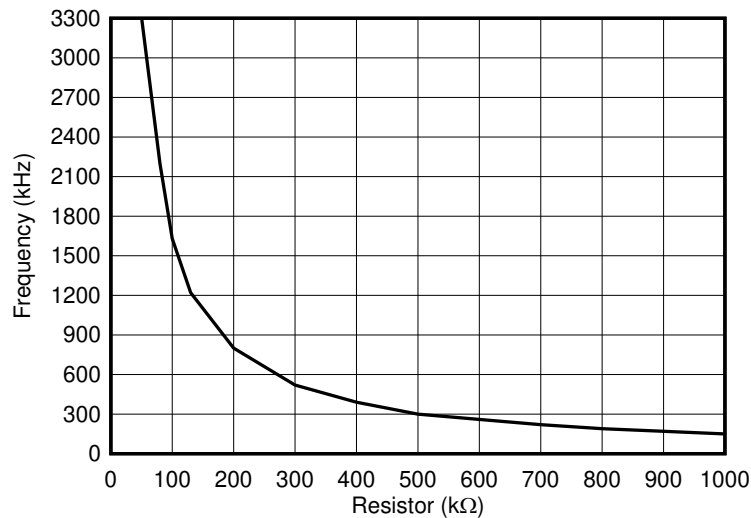


图 21. Switching Frequency vs Setting Resistor

8.3.8 External Clock Synchronization (TPS611781)

The FREQ/ SYNC pin can be used to synchronize the internal oscillator by an external clock. A positive voltage at the FREQ / SYNC pin must exceed the rising threshold (1.2 V) while must be lower than the falling threshold (0.4 V) to trip the internal synchronization pulse detector. The recommended frequency for the external clock is between 200 kHz and 2.2 MHz .

8.3.9 Error Amplifier

The TPS61178x has a trans-conductance amplifier and compares the feedback voltage with the internal voltage reference (or the internal soft start voltage during startup phase). The trans-conductance of the error amplifier is $195 \mu\text{A} / \text{V}$ typically. The loop compensation components are required to be placed between the COMP terminal and ground to balance the loop stability and the transient response time.

8.3.10 Slope Compensation

The TPS61178x adopts the peak current mode control and adds a compensating ramp to the switch current signal. This slope compensation prevents the sub-harmonic oscillations when the duty cycle is larger than 50%. The available peak inductor current varies a little bit with operating duty cycles shown in 图 19.

8.3.11 Start-up with the Output Pre-Biased

The TPS61178x has been designed to prevent the low-side FET from discharging a pre-biased output. During the pre-biased startup, both high-side and low-side FETs are not allowed to be turned on until the internal soft start voltage is higher than the sensed output voltage at FB pin.

8.3.12 Bootstrap Voltage (BST)

The TPS61178x has an integrated bootstrap regulator, and requires a small ceramic capacitor between the BST pin and SW pin to provide the gate drive voltage for the high-side FET. The bootstrap capacitor is charged when the BST-SW voltage is below regulation. The value of this ceramic capacitor should be above $0.1 \mu\text{F}$. A ceramic capacitor with an X7R or X5R grade dielectric with a voltage rating of 10 V or higher is recommended because of the stable characteristics over temperature and DC biased voltage.

Feature Description (接下页)

8.3.13 Over-voltage Protection

If the output voltage at the V_{OUT} pin is detected above over-voltage protection threshold, typically 21 V, the TPS61178x stops switching immediately until the voltage at the V_{OUT} pin drops lower than the output over-voltage protection threshold (with 500mV hysteresis). This function prevents the devices against the over-voltage and secures the circuits connected to the output from excessive over voltage.

8.3.14 Thermal Shutdown

A thermal shutdown is implemented to prevent the damage due to the excessive heat and power dissipation. Typically, the thermal shutdown occurs at the junction temperature exceeding 150°C. When the thermal shutdown is triggered, the device stops switching and recover when the junction temperature falls below 130°C (typical).

8.4 Device Functional Modes

8.4.1 Operation

TPS61178x operates at the peak current-mode pulse-width-modulation (PWM). At the beginning of each switching cycle, the low-side FET switch turns on, and the inductor current ramps up to a peak current that is determined by the output of the internal error amplifier. The PWM controller turns off the low-side FET when the peak inductor current reaches a threshold level set by the error amplifier output. After the low-side FET turns off, the high-side synchronous FET is turned on after a short dead time until the beginning of the next oscillator clock cycle or until the inductor current reaches the reverse current sense threshold.

During the portion of the switching cycle when the low-side FET is on, the input voltage is applied across the inductor and stores the energy as the inductor current ramps up. Meanwhile only the output capacitor supplies the load current. When it turns off the low-side FET, the inductor transfers the stored energy via the high-side synchronous FET to replenish the output capacitor and also supply the load current. This operation repeats every switching cycle.

The device features the internal slope compensation to avoid sub-harmonic oscillation that is intrinsic to peak-current mode control at duty cycle larger than 50%. The internal slope compensation may not be adequate to maintain stability for a very low inductance in application.

At the light load condition, the TPS61178x implements two options: Auto PFM mode (TPS61178) and Forced PWM mode (TPS611781) to meet different application requirements.

8.4.2 Auto PFM Mode (TPS61178)

The TPS61178 integrates a Power Save Mode with pulse frequency modulation (PFM) at the light load. When a light load condition occurs, the COMP pin voltage naturally decreases and reduces the peak current. When the COMP pin voltage further goes down with the load lowered and reaches the pre-set low threshold, the output of the error amplifier is clamped at this threshold and does not go down any more. If the load is further lowered, the output voltage of TPS61178 exceeds the nominal voltage and the device skips the switching cycles and regulate the output voltage at a higher threshold (typical $101\% \cdot V_{OUT_NORMAL}$).

The Auto PFM mode reduces the switching losses and improves efficiency at the light load condition by reducing the average switching frequency.

8.4.3 Forced PWM Mode (TPS611781)

In the Forced PWM mode, the TPS611781 keeps the switching frequency being constant for the whole load range. When the load current decreases, the output of the internal error amplifier decreases as well to lower the inductor peak current and delivers less power from input to output. The high-side FET is not turned off even if the current through the FET goes negative to keep the switching frequency being the same as that of the heavy load.

9 Application and Implementation

注

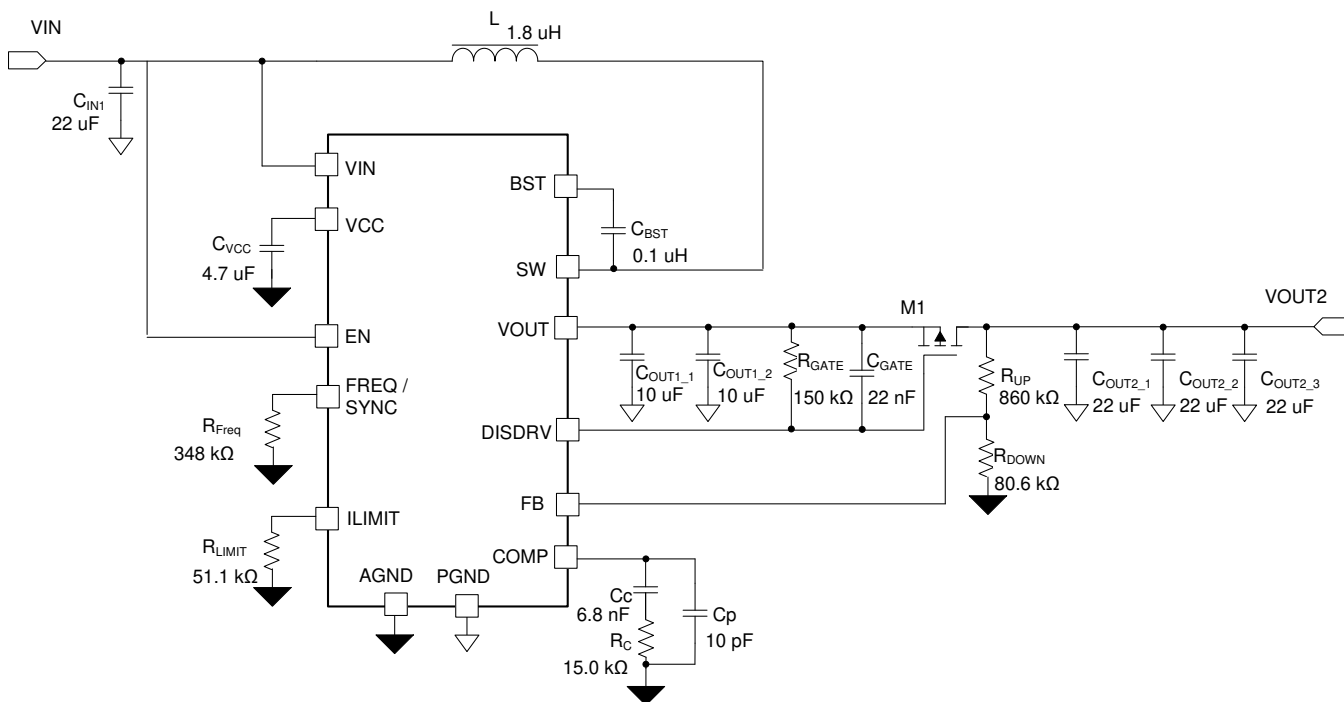
Information in the following applications sections is not part of the TI component specification, and TI does not warrant its accuracy or completeness. TI's customers are responsible for determining suitability of components for their purposes. Customers should validate and test their design implementation to confirm system functionality.

9.1 Application Information

The TPS61178x family is the step up DC / DC converter. The following design procedure can be used to select component values for the TPS61178x. Alternately, the WEBENCH® software may be used to generate a complete design. The WEBENCH® software uses an interactive design procedure and accesses a comprehensive database of components when generating a design. This section presents a simplified discussion of the design process.

9.2 Typical Application

The application described is for 6-V to 14-V input, 16-V output converter.



Copyright © 2017, Texas Instruments Incorporated

图 22. TPS61178 16-V Output with Load Disconnect Schematic

Typical Application (接下页)

9.2.1 Design Requirements

For this design example, use 表 1 as the design parameters.

表 1. Design Parameters

PARAMETER	VALUE
Input voltage range	6 V to 14 V
Output voltage	16 V
Output ripple voltage	±3%
Output current rating	3 A
Operating frequency	500 kHz

9.2.2 Detailed Design Procedure

9.2.2.1 Custom Design With WEBENCH® Tools

[Click here](#) to create a custom design using the TPS61178 device with the WEBENCH® Power Designer.

1. Start by entering the input voltage (V_{IN}), output voltage (V_{OUT}), and output current (I_{OUT}) requirements.
2. Optimize the design for key parameters such as efficiency, footprint, and cost using the optimizer dial.
3. Compare the generated design with other possible solutions from Texas Instruments.

The WEBENCH Power Designer provides a customized schematic along with a list of materials with real-time pricing and component availability.

In most cases, these actions are available:

- Run electrical simulations to see important waveforms and circuit performance
- Run thermal simulations to understand board thermal performance
- Export customized schematic and layout into popular CAD formats
- Print PDF reports for the design, and share the design with colleagues

Get more information about WEBENCH tools at www.ti.com/WEBENCH.

To begin the design process a few parameters must be decided upon. The designer needs to know the following:

- Input voltage range
- Output voltage
- Output ripple voltage
- Output current rating
- Operating frequency
- Load disconnect needed or not

9.2.2.2 Setting the Switching Frequency

The switching frequency of the TPS61178 is set at 500 kHz. Use 公式 2 to calculate the required resistor value. The calculated value is 342 kΩ. Use the next higher standard value of 348 kΩ.

9.2.3 Setting the Current Limit

The current limit of the TPS61178 could be programmed by an external resistor. For a target current limit of 13 A, the calculated resistor value is 57 kΩ. However, the minimum current limit is around 1.6 A lower than the typical one. Here, selecting the 51.1 kΩ resistor to deliver 13-A peak current at the worst case.

9.2.4 Setting the Output Voltage

The output voltage of the TPS61178 is externally adjustable using a resistor divider network. The relationship between the output voltage and the resistor divider is given by 公式 4.

$$V_{OUT} = V_{FB} \times \left(1 + \frac{R_{UP}}{R_{DOWN}}\right)$$

where

- V_{OUT} is the output voltage
 - R_{UP} the top divider resistor
 - R_{DOWN} is the bottom divider resistor
- (4)

Choose R_{DOWN} to be approximately 80.6 k Ω . Slightly increasing or decreasing R_{DOWN} can result in closer output voltage matching when using standard value resistors. In this design, $R_{DOWN} = 80.6$ k Ω and $R_{UP} = 1000$ k Ω , resulting in an output voltage of 16 V.

For the best accuracy, R_{DOWN} is recommended to be smaller than 100 k Ω to ensure that the current following through R_{DOWN} is at least 100 times larger than FB pin leakage current. Changing R_{DOWN} towards the lower value increases the robustness against noise injection. Changing the R_{DOWN} towards the higher values reduces the quiescent current for achieving higher efficiency at the light load currents.

9.2.4.1 Selecting the Inductor

A boost converter normally requires two main passive components for storing the energy during the power conversion: an inductor and an output capacitor. The inductor affects the steady state efficiency (including the ripple and efficiency) as well as the transient behavior and loop stability, which makes the inductor to be the most critical component in application.

When selecting the inductor, as well as the inductance, the other parameters of importance are:

- The maximum current rating (RMS and peak current should be considered),
- The series resistance,
- Operating temperature

Choosing the inductor ripple current with the low ripple percentage of the average inductor current results in a larger inductance value, maximizes the converter's potential output current and minimizes EMI. The larger ripple results in a smaller inductance value, and a physically smaller inductor, improves transient response but results in potentially higher EMI.

The rule of thumb to choose the inductor is that to make the inductor ripple current (ΔI_L) is a certain percentage (Ripple % = 20 – 30 %) of the average current. The inductance can be calculated by [公式 5](#), [公式 6](#), and [公式 7](#):

$$\Delta I_L = \frac{V_{IN} \times D}{L \times f_{SW}} \quad (5)$$

$$\Delta I_{L_R} = \text{Ripple\%} \times \frac{V_{OUT} \times I_{OUT}}{\eta \times V_{IN}} \quad (6)$$

$$L = \frac{1}{\text{Ripple \%}} \times \frac{\eta \times V_{IN}}{V_{OUT} \times I_{OUT}} \times \frac{V_{IN} \times D}{f_{SW}}$$

where

- ΔI_L is the peak-peak inductor current ripple
 - V_{IN} is the input voltage
 - D is the duty cycle
 - L is the inductor
 - f_{SW} is the switching frequency
 - Ripple % is the ripple ration versus the DC current
 - V_{OUT} is the output voltage
 - I_{OUT} is the output current
 - η is the efficiency
- (7)

The current flowing through the inductor is the inductor ripple current plus the average input current. During power-up, load faults, or transient load conditions, the inductor current can increase above the peak inductor current calculated.

The TPS61178x has built-in slope compensation to avoid sub-harmonic oscillation associated with the current mode control. If the inductor value is too low and makes the inductor peak-to-peak ripple higher than 4 A, the slope compensation may not be adequate, and the loop can be unstable. Therefore, it is recommended to make the peak-to-peak current ripple below 4 A when selecting the inductor.

Inductor values can have $\pm 20\%$ or even $\pm 30\%$ tolerance with no current bias. When the inductor current approaches the saturation level, its inductance can decrease 20% to 35% from the value at 0-A bias current depending on how the inductor vendor defines saturation. When selecting an inductor, make sure its rated current, especially the saturation current, is larger than its peak current during the operation.

The inductor peak current varies as a function of the load, the switching frequency, the input and output voltages and it can be calculated by [公式 8](#) and [公式 9](#).

$$I_{PEAK} = I_{IN} + \frac{1}{2} \times \Delta I_L$$

where

- I_{PEAK} is the peak current of the inductor
 - I_{IN} is the input average current
 - ΔI_L is the ripple current of the inductor
- (8)

The input DC current is determined by the output voltage, the output current and efficiency can be calculated by :

$$I_{IN} = \frac{V_{OUT} \times I_{OUT}}{V_{IN} \times \eta}$$

where

- I_{IN} is the input current of the inductor
 - V_{OUT} is the output voltage
 - V_{IN} is the input voltage
 - η is the efficiency
- (9)

While the inductor ripple current depends on the inductance, the frequency, the input voltage and duty cycle calculated by [公式 5](#), replace [公式 5](#), [公式 9](#) into [公式 8](#) and get the inductor peak current:

$$I_{PEAK} = \frac{I_{OUT}}{(1-D) \times \eta} + \frac{1}{2} \times \frac{V_{IN} \times D}{L \times f_{SW}}$$

where

- I_{PEAK} is the peak current of the inductor
 - I_{OUT} is the output current
 - D is the duty cycle
 - η is the efficiency
 - V_{IN} is the input voltage
 - L is the inductor
 - f_{SW} is the switching frequency
- (10)

The heat rating current (RMS) is as below:

$$I_{L_RMS} = \sqrt{I_{IN}^2 + \frac{1}{12} (\Delta I_L)^2}$$

where

- I_{L_RMS} is the RMS current of the inductor
 - I_{IN} is the input current of the inductor
 - ΔI_L is the ripple current of the inductor
- (11)

It is important that the peak current does not exceed the inductor saturation current and the RMS current is not over the temperature related rating current of the inductors.

For a given physical inductor size, increasing inductance usually results in an inductor with lower saturation current. The total losses of the coil consists of the DC resistance (DCR) loss and the following frequency dependent loss:

- The losses in the core material (magnetic hysteresis loss, especially at high switching frequencies)
- Additional losses in the conductor from the skin effect (current displacement at high frequencies)
- Magnetic field losses of the neighboring windings (proximity effect)

For a certain inductor, the larger current ripple (smaller inductor) generates the higher DC and also the frequency-dependent loss. An inductor with lower DCR is basically recommended for higher efficiency. However, it is usually a tradeoff between the loss and foot print.

The following inductor series in [表 2](#) from the different suppliers are recommended. 74437368033 from Würth is used for this application case with balancing the size and power loss.

表 2. Recommended Inductors for TPS61178x⁽¹⁾

PART NUMBER	L (μH)	DCR Typ (mΩ) Max	SATURATION CURRENT / Heat Rating Current (A)	SIZE (L × W × H mm)	VENDOR ⁽¹⁾
744325180	1.8	3.5	18	5 × 10 × 4	Würth
74437368033	3.3	11.8	23 / 8	10 × 10 × 3.8	Würth
DFEH10040D-3R3M#	3.3	12	10 / 10	10.9 × 10 × 4	Murata / TOKO
PIMB104T-4R7MS	4.7	20.0	15 / 8.5	10.9 × 10 × 3.8	Cyntec
74437368068	6.8	17.5	14	11 × 10 × 3.8	Würth
74437368100	10	27	12.5	11 × 10 × 3.8	Würth

(1) See [Third-party Products Disclaimer](#)

9.2.4.2 Selecting the Output Capacitors

The output capacitor is mainly selected to meet the requirements at load transient or steady state. Then the loop is compensated for the output capacitor selected. The output ripple voltage is related to the equivalent series resistance (ESR) of the capacitor and its capacitance. Assuming a capacitor with zero ESR, the minimum capacitance needed for a given ripple can be calculated by [公式 12](#):

$$C_{OUT} = \frac{I_{OUT} \times (V_{OUT} - V_{IN})}{f_{SW} \times \Delta V \times V_{OUT}}$$

where

- C_{OUT} is the output capacitor
- I_{OUT} is the output current
- V_{OUT} is the output voltage
- V_{IN} is the input voltage
- ΔV is the output voltage ripple required
- f_{SW} is the switching frequency

(12)

The additional output ripple component caused by ESR is calculated by [公式 13](#):

$$\Delta V_{ESR} = I_{OUT} \times R_{ESR}$$

where

- ΔV_{ESR} is the output voltage ripple caused by ESR
- R_{ESR} is the resistor in series with the output capacitor

(13)

For the ceramic capacitor, the ESR ripple can be neglected. However, for the tantalum or electrolytic capacitors, it must be considered if used.

The minimum ceramic output capacitance needed to meet a load transient requirement can be estimated using [公式 14](#):

$$C_{OUT} = \frac{\Delta I_{STEP}}{2\pi \times f_{BW} \times \Delta V_{TRAN}}$$

where

- ΔI_{STEP} is the transient load current step
- ΔV_{TRAN} is the allowed voltage dip for the load current step
- f_{BW} is the control loop bandwidth (i.e., the frequency where the control loop gain crosses zero)

(14)

Care must be taken when evaluating a ceramic capacitor's derating under the DC bias. Ceramic capacitors can derate by as much as 70% of its capacitance at its rated voltage. Therefore, enough margins on the voltage rating should be considered to ensure adequate capacitance at the required output voltage.

In applications of TPS61178x, it is recommended to run the converter with a reasonable amount of effective output capacitance, for instance 3 x 22- μ F X5R or X7R MLCC capacitors connected in parallel.

If the load disconnect FET is connected, the output capacitor should be split shown in 图 23. C_{OUT2} should be no larger than 10 x C_{OUT1} to avoid the inrush current when turning on the disconnect FET.

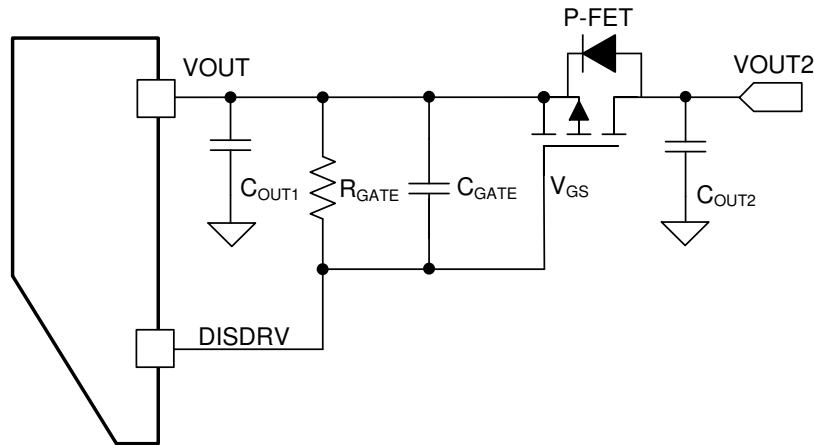


图 23. Output Capacitor Configuration with the Load Disconnect FET

9.2.4.3 Selecting the Input Capacitors

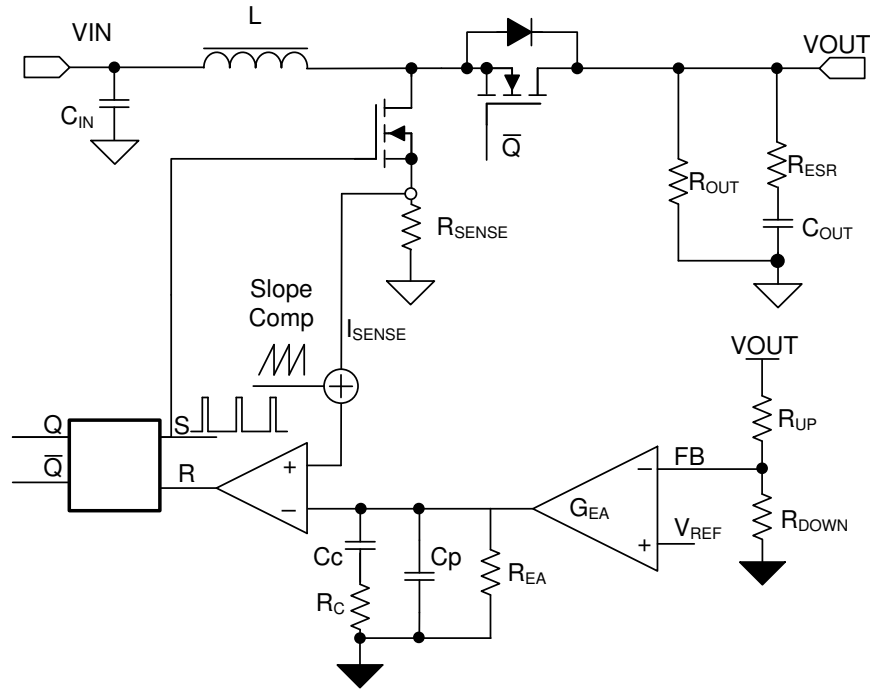
Multilayer ceramic capacitors are an excellent choice for the input decoupling of the step-up converter as they have extremely low ESR and are available in small footprints. Input capacitors should be located as close as possible to the device. While a 22- μ F input capacitor is sufficient for the most applications, larger values may be used to reduce input current ripple.

Take care when using only ceramic input capacitors. When a ceramic capacitor is used at the input and the power is being supplied through long wires, such as from a wall adapter, a load step at the output can induce ringing at the V_{IN} pin. This ringing can couple to the output and be mistaken as loop instability or could even damage the part. Additional "bulk" capacitance (electrolytic or tantalum) in this circumstance, should be placed between C_{IN} and the power source lead to reduce ringing that can occur between the inductance of the power source leads and C_{IN} .

9.2.4.4 Loop Stability and Compensation

9.2.4.4.1 Small Signal Model

The TPS61178x uses the fixed frequency peak current mode control; there is an internal adaptive slope compensation to avoid the sub-harmonic oscillation. With the inductor current information sensed, the small-signal model of the power stage reduces from a two-pole system, created by L and C_{OUT} , to a single-pole system, created by R_{OUT} and C_{OUT} . The single-pole system is easily used with the loop compensation. 图 24 shows the equivalent small signal elements of a boost converter.



Copyright © 2017, Texas Instruments Incorporated

图 24. TPS61178x Control Equivalent Circuitry Model

The small signal of power stage including the slope compensation is:

$$G_{PS}(S) = \frac{R_{OUT} \times (1-D)}{2 \times R_{SENSE}} \times \frac{\left(1 + \frac{S}{2\pi \times f_{ESR}}\right) \left(1 - \frac{S}{2\pi \times f_{RHP}}\right)}{1 + \frac{S}{2\pi \times f_p}} \times He(S)$$

where

- D is the duty cycle
- R_{OUT} is the output load resistor
- R_{SENSE} is the equivalent internal current sense resistor, which is typically 0.083 Ω of TPS61178x (15)

The single pole of the power stage is:

$$f_p = \frac{2}{2\pi \times R_{OUT} \times C_{OUT}}$$

where

- C_{OUT} is the output capacitance, for a boost converter having multiple, identical output capacitors in parallel, simply combine the capacitors with the equivalent capacitance (16)

The zero created by the ESR of the output capacitor is:

$$f_{ESR} = \frac{1}{2\pi \times R_{ESR} \times C_{OUT}}$$

where

- R_{ESR} is the equivalent resistance in series of the output capacitor. (17)

The right-hand plane zero is:

$$f_{RHP} = \frac{R_{OUT} \times (1-D)^2}{2\pi \times L}$$

where

- D is the duty cycle
 - R_{OUT} is the output load resistor
 - L is the inductance
- (18)

Using $He(s)$ to model the inductor current sampling effect as well as the slope compensation effect on the small signal response, is shown in [公式 19](#)

$$He(S) = \frac{1}{1 + \frac{S \times \left[\left(1 + \frac{Se}{Sn}\right) \times (1-D) - 0.5 \right]}{f_{SW}} + \frac{S^2}{(\pi \times f_{SW})^2}}$$
(19)

$$Sn = \frac{V_{IN}}{L} \times R_{SENSE}$$

where

- Sn is the slew rate of the inductor current ramping up
- (20)

$$Se = 0.06 \times \frac{f_{SW}}{1-D} \times R_{dson_LS}$$

where

- Se is the slope compensation slew rate
 - R_{dson_LS} is the on resistance of Low-side FET
- (21)

The slope compensation adaptively changes with the switching frequency and duty cycle.

$He(s)$ models the inductor current sampling effect as well as the slope compensation effect on the small signal response. Note that if $Sn > Se$, e.g., when L is too small, the converter operates as a voltage mode converter and the above model no longer holds.

The TPS61178x COMP pin is the output of the internal trans-conductance amplifier.

[公式 22](#) shows the equation for feedback resistor network and the error amplifier.

$$H_{EA}(S) = G_{EA} \times R_{EA} \times \frac{R_{DOWN}}{R_{UP} + R_{DOWN}} \times \frac{1 + \frac{S}{2 \times \pi \times f_Z}}{\left(1 + \frac{S}{2 \times \pi \times f_{P1}}\right) \times \left(1 + \frac{S}{2 \times \pi \times f_{P2}}\right)}$$

where

- k_{COMP} and R_{EA} are the ratio of peak current / comp voltage, for TPS61178x, the typical value is $k_{COMP} = 12 \text{ A / V}$ and $R_{EA} = 20 \text{ M}\Omega$.
 - f_{P1} , f_{P2} is the pole's frequency of the compensation, f_Z is the zero's frequency of the compensation network.
- (22)

$$f_{P1} = \frac{1}{2\pi \times R_{EA} \times C_C}$$

where

- C_C is the zero capacitor compensation
- (23)

$$f_{P2} = \frac{1}{2\pi \times R_C \times C_P}$$

where

- C_P is the pole capacitor compensation
 - R_C is the resistor of the compensation network
- (24)

$$f_Z = \frac{1}{2\pi \times R_C \times C_C}$$
(25)

9.2.4.4.2 Loop Compensation Design Steps

With the small signal models coming out, the next step is to calculate the compensation network parameters with the given inductor and output capacitance.

1. Set the Cross Over Frequency, f_c

- The first step is to set the loop crossover frequency, f_c . The higher crossover frequency, the faster the loop response is. It is generally accepted that the loop gain cross over no higher than the lower of either 1/10 of the switching frequency, f_{SW} , or 1/5 of the RHPZ frequency, f_{RHPZ} . Then calculate the loop compensation network values of R_C , C_C , and C_P by following below equations.

2. Set the Compensation Resistor, R_C

- By placing f_z below f_c , for frequencies above f_c , $R_C \parallel R_{EA} \approx R_C$ and so $R_C \times G_{EA}$ sets the compensation gain. Setting the compensation gain, $K_{COMP-dB}$, at f_z , results in the total loop gain, $T(s) = G_{PS(s)} \times H_{EA(s)} \times He(s)$ being zero at f_c .
- Therefore, to approximate a single-pole roll-off up to f_{P2} , rearrange 公式 22 to solve for RC so that the compensation gain, K_{EA} , at f_c is the negative of the gain, K_{PS} , read at frequency f_c for the power stage bode plot or more simply:

$$K_{EA}(f_c) = 20 \times \log(G_{EA} \times R_C \times \frac{R_{DOWN}}{R_{UP} + R_{DOWN}}) = -K_{PS}(f_c)$$

where

- K_{EA} is gain of the error amplifier network
- K_{PS} is the gain of the power stage
- G_{EA} is the amplifier's trans-conductance, the typical value of $G_{EA} = 195 \mu A / V$

(26)

3. Set the compensation zero capacitor, C_C

- Place the compensation zero at the power stage R_{OUT} , C_{OUT} pole's position, so to get:

$$f_z = \frac{1}{2\pi \times R_C \times C_C}$$

(27)

- Set $f_z = f_P$, and get the

$$C_C = \frac{R_{OUT} \times C_{OUT}}{2R_C}$$

(28)

4. Set the compensation pole capacitor, C_P

- Place the compensation pole at the zero produced by the R_{ESR} and the C_{OUT} , it is useful for canceling unhelpful effects of the ESR zero.

$$f_{P2} = \frac{1}{2\pi \times R_C \times C_P}$$

(29)

$$f_{ESR} = \frac{1}{2\pi \times R_{ESR} \times C_{OUT}}$$

(30)

- Set $f_{P2} = f_{ESR}$, and get the

$$C_P = \frac{R_{ESR} \times C_{OUT}}{R_C}$$

(31)

- If the calculated value of C_P is less than 10 pF, it can be neglected.

Designing the loop for greater than 45° of phase margin and greater than 6-dB gain margin eliminates output voltage ringing during the line and load transient. The $R_C = 15 \text{ k}\Omega$, $C_C = 6.8 \text{ nF}$, $C_P = 10 \text{ pF}$ for this design example.

9.2.4.4.3 Selecting the Disconnect FET

The TPS61178x provides a gate driver to control an external FET to disconnect the output from the input at shutdown or output short conditions, shown in 图 25.

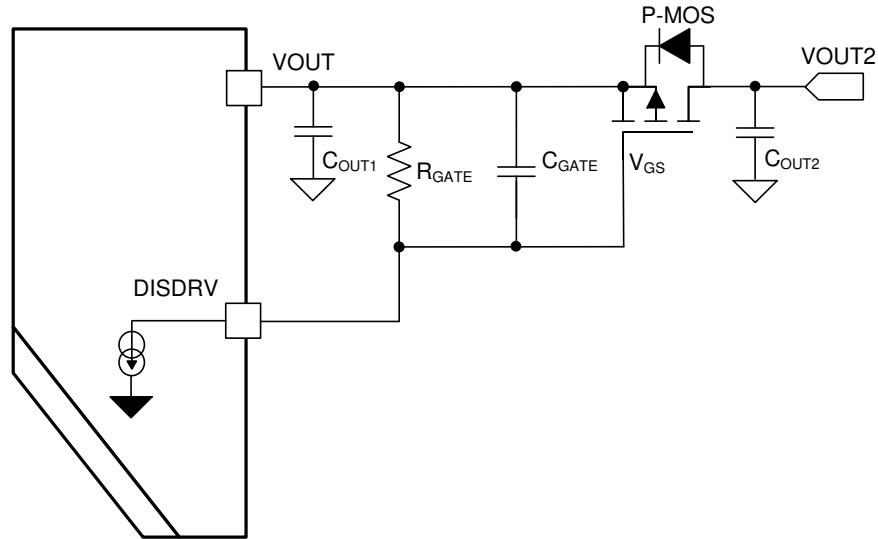


图 25. Load Disconnect FET Connection

The V_{DS} , I_{DS} and safe operation area (SOA) should be taken into consideration when selecting the FET:

- The drain-to-source voltage rating should be higher than the output max. voltage, $V_{DS_DIS_MAX} = V_{OUT}$,
- The drain-to-source RMS current rating is the maximum output current. $I_{DS_DIS_RMS} = I_{OUT}$,
- The SOA should be considered when the output short occurs, and there is heat caused by the short protection response time and surge current, $SOA > Q_{SHORT}$.

$$Q_{SHORT} = \frac{1}{2} \times V_{OUT} \times I_{SHORT} \times T_{SHORT}$$

where

- $V_{DS_DIS_MAX}$ is the maximum drain-source voltage
- I_{DS_DIS} is the drain-source RMS current
- I_{SHORT} is the short current
- T_{SHORT} is the response time before the short protection triggered
- Q_{SHORT} is the heat produced for the output short

(32)

For instance: $V_{OUT} = 16 \text{ V}$, $I_{SHORT} = 20 \text{ A}$, $T_{SHORT} = 30 \mu\text{s}$.

$SOA \geq 4.8 \text{ mJ}$, $V_{DS_DIS_MAX} \geq 16 \text{ V}$.

The CSD2540Q3 –20 V P-Channel NexFET™ Power FET is used for this design example.

An additional capacitor between the gate and source of the external FET is required to slow the turn-on speed.

$$T_{ON_PFET} = \frac{V_{TH_PFET} \times C_{GS_PFET}}{I_{DIS_PFET}}$$

where

- T_{ON_PFET} is the on time of external FET
- V_{TH_PFET} is the gate threshold of external FET
- C_{GS_PFET} is the total gate capacitance of connected between gate and source external FET. (including the self-gate-source capacitance of the FET)
- I_{DIS_PFET} is the discharge current inside of TPS61178x, it is $55 \mu\text{A}$ typically

(33)

Given 1.5 V threshold, C_{GS_PFET} is 10 nF , the T_{ON_PFET} is around $300 \mu\text{s}$. Please be aware that the maximum turn-on time should not exceed 3 ms , and the maximum capacitance C_{GS_PFET} should be $< 100 \text{ nF}$. Otherwise, the TPS61178x could not startup normally if the disconnect FET could not be turn on within the 3 ms .

The gate resistor depends on the gate-source voltage of the external FET,

$$V_{GATE} = R_{GATE} \times I_{DIS_PFET}$$

(34)

$$R_{GATE} = \frac{V_{GATE}}{I_{DIS_PFET}} \tag{35}$$

Given the 5-V V_{GATE} , the $R_{GATE} = 100\text{ k}\Omega$

9.2.4.4.4 Selecting the Bootstrap Capacitor

The bootstrap capacitor between the BST and SW pin supplies the gate current to charge the high-side FET device gate during each cycle's turn-on and also supplies charge for the bootstrap capacitor. The recommended value of the bootstrap capacitor is 0.1 μF to 1 μF . C_{BST} should be a good quality, low ESR, ceramic capacitor located at the pins of the device to minimize potentially damaging voltage transients caused by trace inductance. A value of 0.1 μF was selected for this design example.

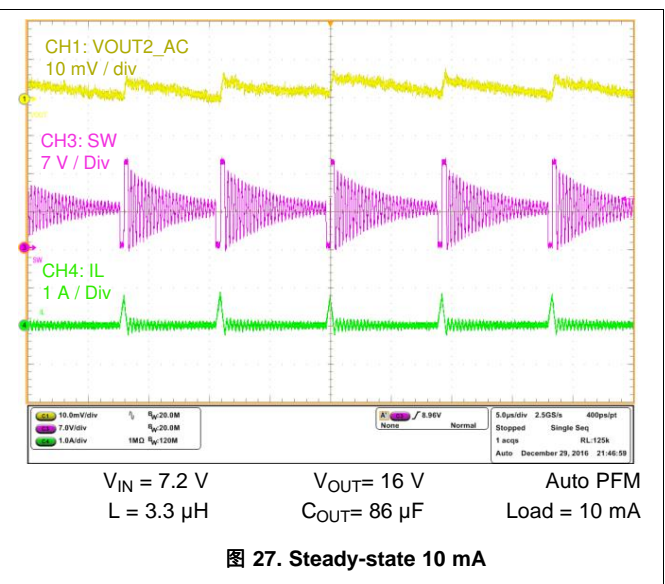
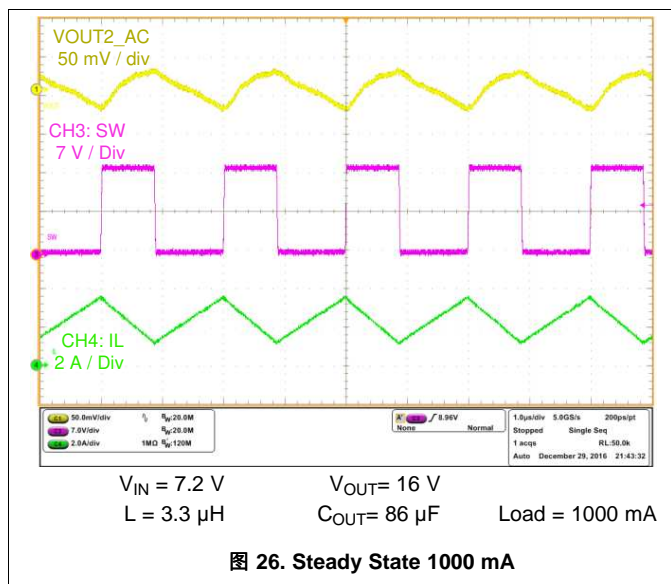
9.2.4.4.5 V_{CC} Capacitor

The primary purpose of the V_{CC} capacitor is to supply the peak transient currents of the driver and bootstrap capacitor as well as provide stability for the V_{CC} regulator. The value of C_{VCC} should be at least 10 times greater than the value of C_{BST} , and should be a good quality, low ESR, ceramic capacitor. C_{VCC} should be placed close to the pins of the IC to minimize potentially damaging voltage transients caused by the trace inductance. A value of 4.7 μF was selected for this design example.

9.2.5 TPS61178 Application Waveform

Typical condition $V_{IN} = 6\text{ V to }14\text{ V}$, $V_{OUT} = 16\text{ V}$, $R_{LIMIT} = 51.1\text{ k}\Omega$, $R_{FREQ} = 348\text{ k}\Omega$

Application waveforms are measured with the inductor 3.3 μH , Würth 74437368033, and the output capacitance: 3 x 22 μF , GRM32ER61E226KE15L plus 2 x 10 μF , GRM188R61E106MA73D.



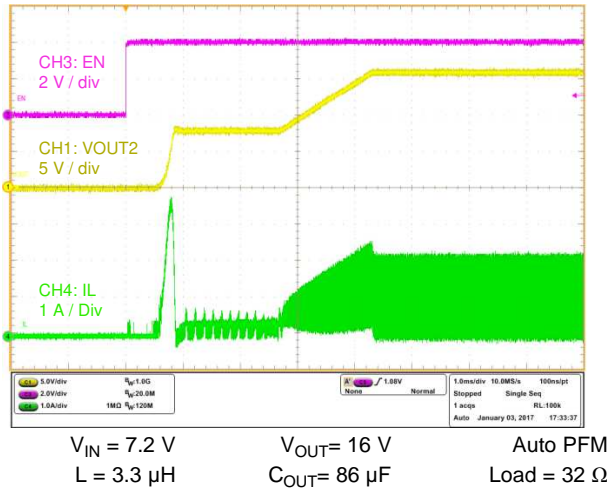


图 28. Startup by EN

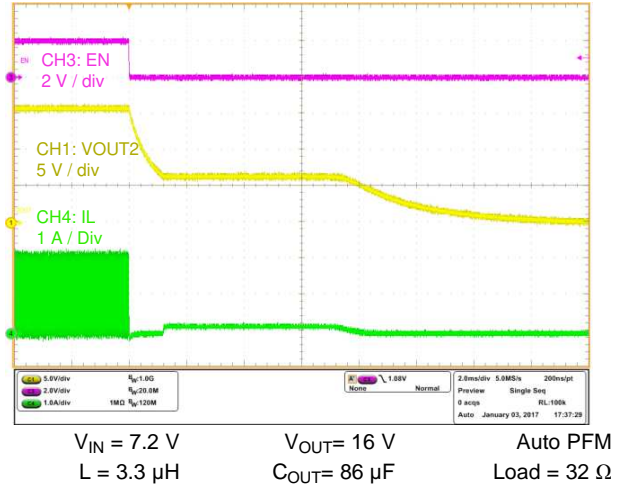


图 29. Shutdown by EN

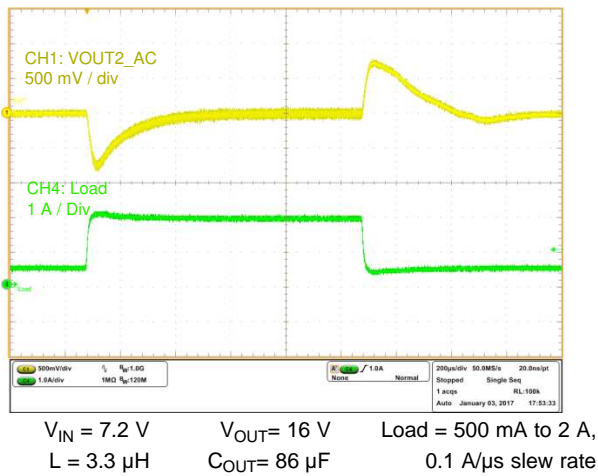


图 30. Load Transient

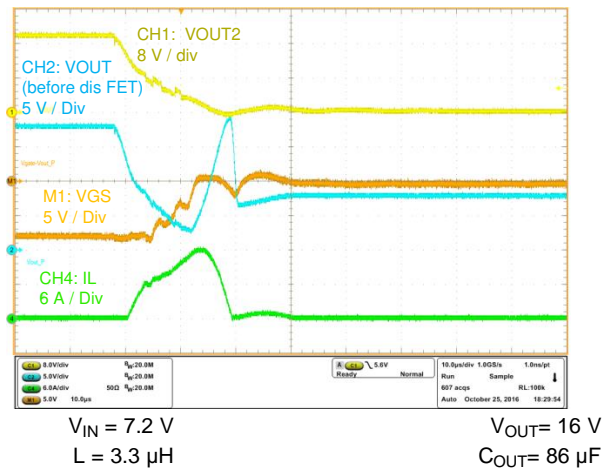


图 31. Output Short (with Disconnect FET)

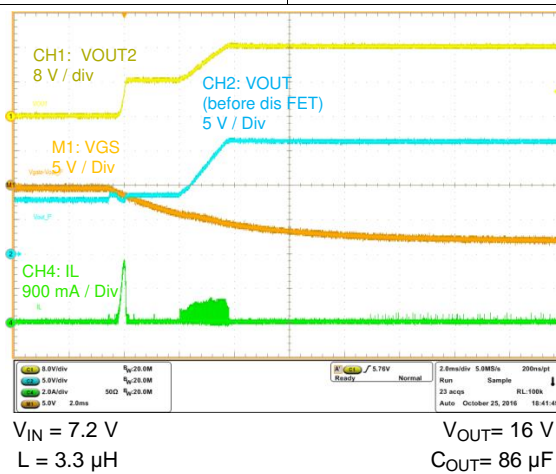
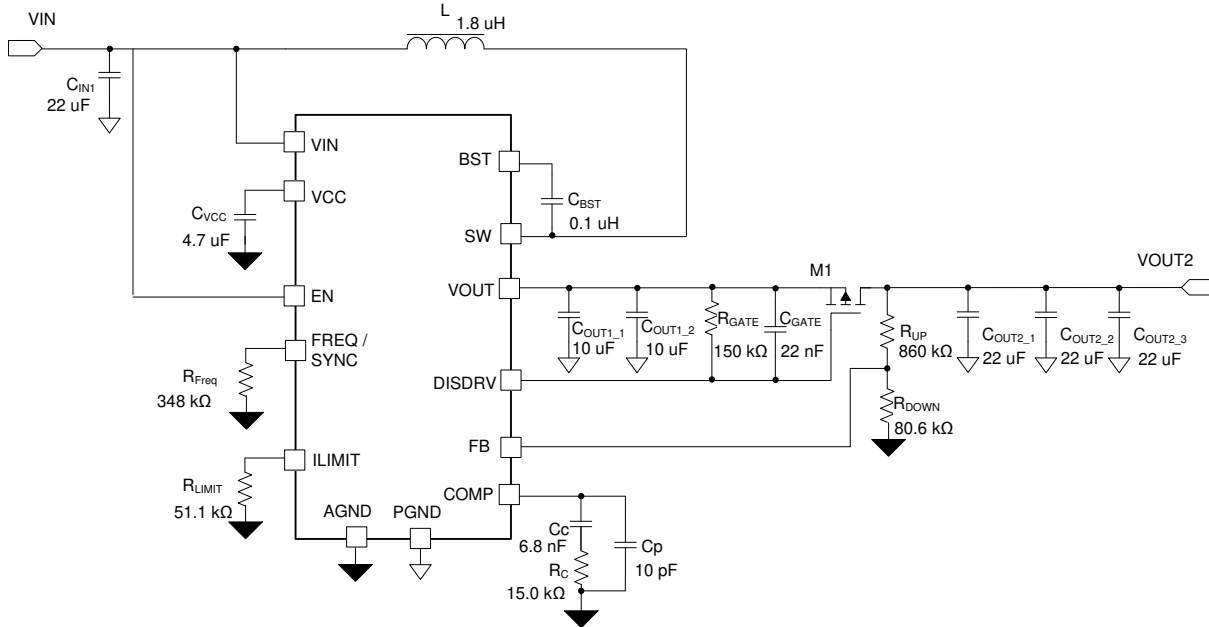


图 32. Output Short Release (with Disconnect FET)

9.3 System Examples

9.3.1 TPS61178 with 14-V Output from 2.7-V to 4.4-V Input Voltage

The is the typical application schematic for 2.7-V to 4.4-V input (single cell Li+ battery) to output 14-V output converter. The inductor can be lower to 1.8 μ H for the 14-V output.

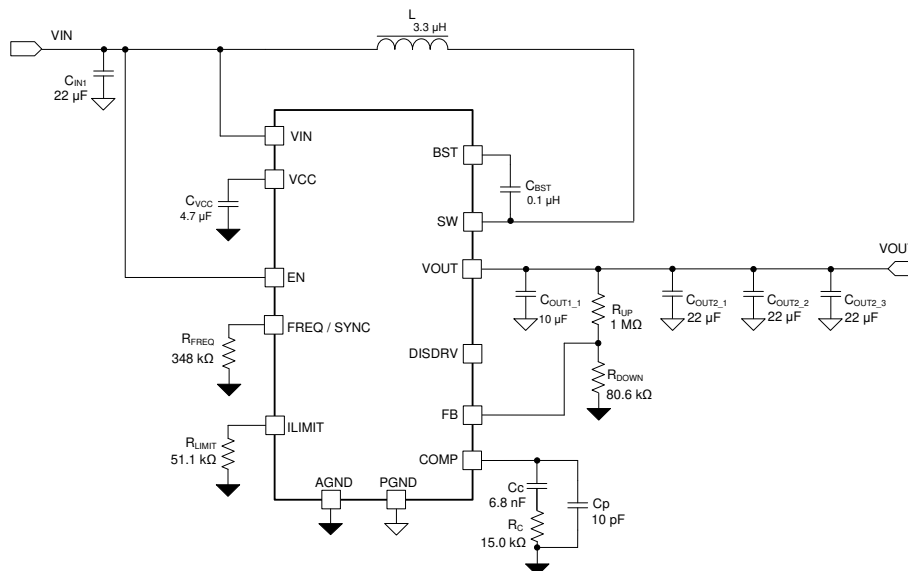


Copyright © 2017, Texas Instruments Incorporated

图 33. 14-V Output Voltage from 2.7-V to 4.4-V Input Voltage

9.3.2 TPS61178 Without Load Disconnect Function

The is the typical application schematic is for 6-V to 14-V input (2 / 3 cells Li+ battery or 12-V bus) to output 14-V output converter without load disconnect. With removing the load disconnect FET, it simplifies the design and minimizes the external components.



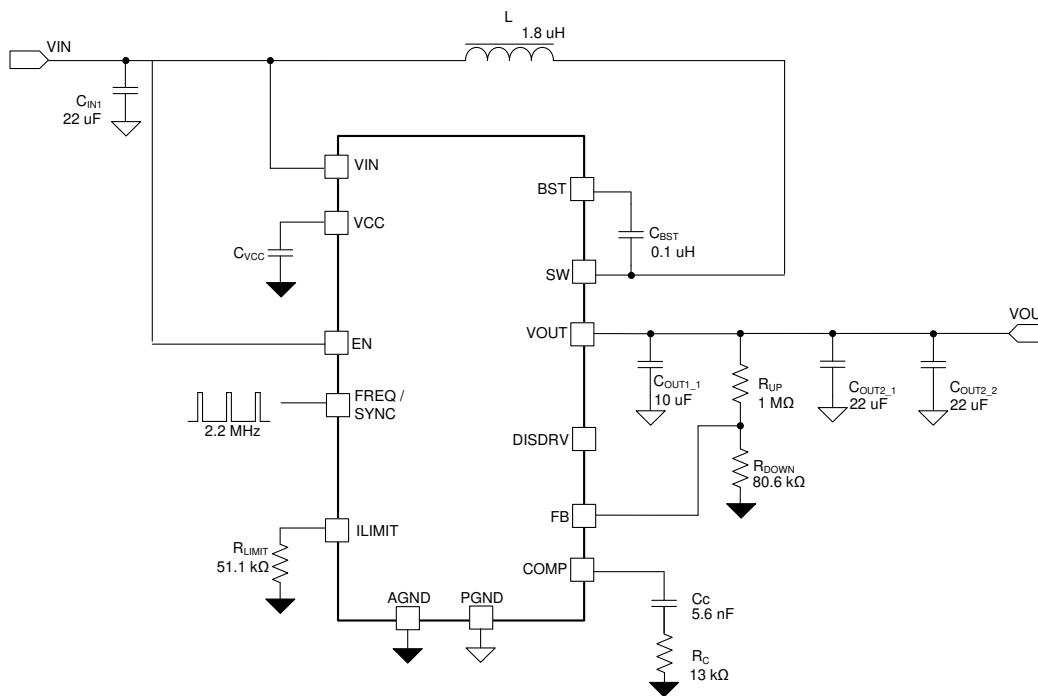
Copyright © 2017, Texas Instruments Incorporated

图 34. 16-V Output Voltage Without Load Disconnect Function

System Examples (接下页)

9.3.3 TPS611781 External Clock Synchronization

The 图 35 is the typical application schematic for synchronized by an external clock of 2.2 MHz. It is for the Forced PWM mode operation to avoid the noise-sensitive frequency range, for instance the audible noise and AM band.



Copyright © 2017, Texas Instruments Incorporated

图 35. 16-V Output Voltage Synchronized by 2.2 MHz External Clock

10 Power Supply Recommendations

The devices are designed to operate from an input voltage supply ranging from 2.7 V to 20 V. This input supply should be well regulated. If the input supply is located more than a few inches from the TPS61178x, the bulk capacitance may be required in addition to the ceramic bypass capacitors. An electrolytic capacitor with a value of 47 μ F is a typical choice.

11 Layout

11.1 Layout Guidelines

The basic PCB board layout requires a separation of sensitive signal and power paths. If the layout is not carefully done, the regulator could suffer from the instability or noise problems.

The checklist below is suggested that be followed to get good performance for a well-designed board:

1. Minimize the high current path including the switch FET, rectifier FET, and the output capacitor. This loop contains high di/dt switching currents (nano seconds per ampere) and easy to transduce the high frequency noise;
2. Minimize the length and area of all traces connected to the SW pin, and always use a ground plane under the switching regulator to minimize inter plane coupling;
3. Use a combination of bulk capacitors and smaller ceramic capacitors with low series resistance for the input and output capacitors. Place the smaller capacitors closer to the IC to provide a low impedance path for decoupling the noise;
4. The ground area near the IC must provide adequate heat dissipating area. Connect the wide power bus (e.g., V_{OUT} , SW, GND) to the large area of copper, or to the bottom or internal layer ground plane, using vias for enhanced thermal dissipation;
5. Place the input capacitor being close to the V_{IN} pin and the PGND pin in order to reduce the input supply ripple;
6. Place the noise sensitive network like the feedback and compensation being far away from the SW trace;
7. Use a separate ground trace to connect the feedback, compensation, frequency set, and the current limit set circuitry. Connect this ground trace to the main power ground at a single point to minimize circulating currents.

11.2 Layout Example

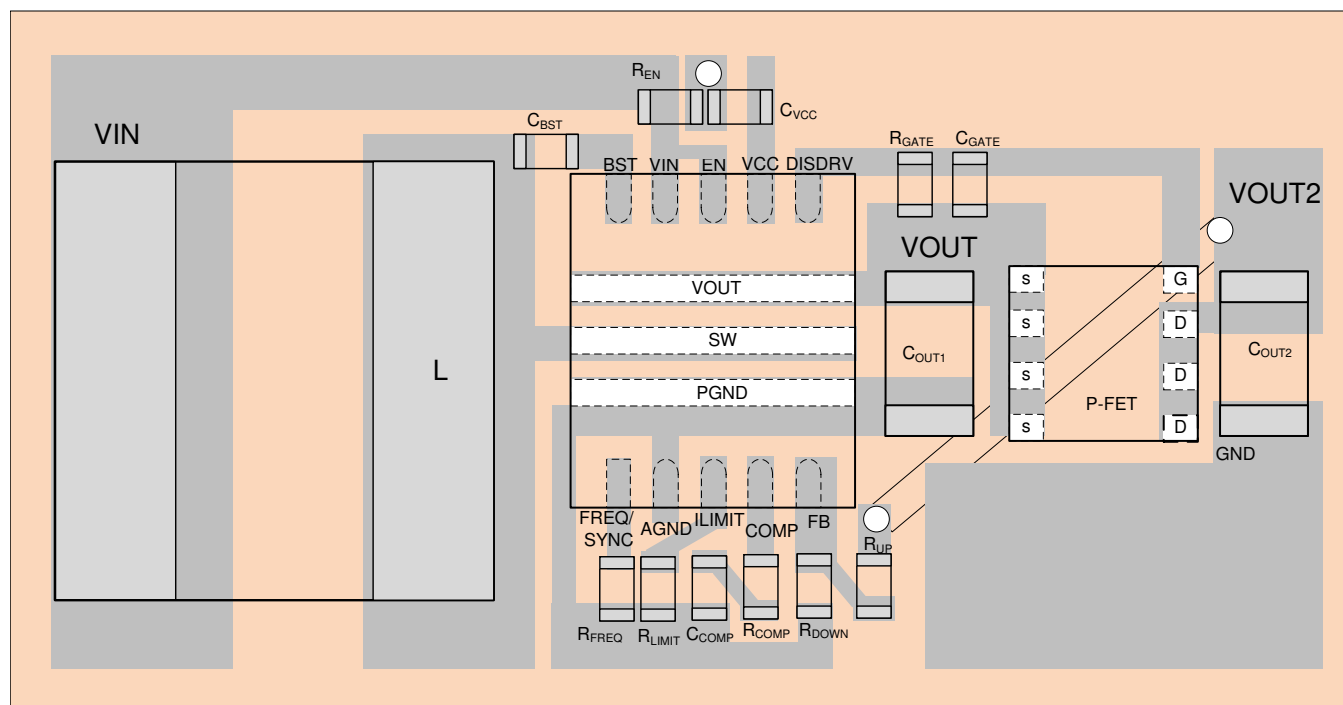


图 36. Recommended Layout

12 器件和文档支持

12.1 器件支持

12.1.1 第三方产品免责声明

TI 发布的与第三方产品或服务有关的信息，不能构成与此类产品或服务或保修的适用性有关的认可，不能构成此类产品或服务单独或与任何 TI 产品或服务一起的表示或认可。

12.1.2 开发支持

12.1.2.1 使用 **WEBENCH®** 工具创建定制设计

请单击[此处](#)，使用 TPS61178 器件并借助 WEBENCH® 电源设计器创建定制设计方案。

1. 首先输入输入电压 (V_{IN})、输出电压 (V_{OUT}) 和输出电流 (I_{OUT}) 要求。
2. 使用优化器拨盘优化该设计的关键参数，如效率、尺寸和成本。
3. 将生成的设计与德州仪器 (TI) 的其他可行的解决方案进行比较。

WEBENCH 电源设计器可提供定制原理图以及罗列实时价格和组件供货情况的物料清单。

在多数情况下，可执行以下操作：

- 运行电气仿真，观察重要波形以及电路性能
- 运行热性能仿真，了解电路板热性能
- 将定制原理图和布局方案以常用 CAD 格式导出
- 打印设计方案的 PDF 报告并与同事共享

有关 WEBENCH 工具的详细信息，请访问 www.ti.com.cn/WEBENCH。

12.2 文档支持

12.2.1 相关文档

请参阅如下相关文档：

- 《TPS61178EVM 评估板用户指南》，SLVUB05
-

12.3 相关链接

下表列出了快速访问链接。类别包括技术文档、支持和社区资源、工具和软件，以及立即订购快速访问。

表 3. 相关链接

器件	产品文件夹	立即订购	技术文档	工具与软件	支持和社区
TPS61178	请单击此处	请单击此处	请单击此处	请单击此处	请单击此处
TPS611781	请单击此处	请单击此处	请单击此处	请单击此处	请单击此处

12.4 接收文档更新通知

要接收文档更新通知，请导航至 ti.com 上的器件产品文件夹。单击右上角的通知我进行注册，即可每周接收产品信息更改摘要。有关更改的详细信息，请查看任何已修订文档中包含的修订历史记录。

12.5 社区资源

The following links connect to TI community resources. Linked contents are provided "AS IS" by the respective contributors. They do not constitute TI specifications and do not necessarily reflect TI's views; see TI's [Terms of Use](#).

TI E2E™ Online Community *TI's Engineer-to-Engineer (E2E) Community*. Created to foster collaboration among engineers. At e2e.ti.com, you can ask questions, share knowledge, explore ideas and help solve problems with fellow engineers.

Design Support *TI's Design Support* Quickly find helpful E2E forums along with design support tools and contact information for technical support.

12.6 商标

NexFET, E2E are trademarks of Texas Instruments.
 WEBENCH is a registered trademark of Texas Instruments.
 All other trademarks are the property of their respective owners.

12.7 静电放电警告



ESD 可能会损坏该集成电路。德州仪器 (TI) 建议通过适当的预防措施处理所有集成电路。如果不遵守正确的处理措施和安装程序，可能会损坏集成电路。

ESD 的损坏小至导致微小的性能降级，大至整个器件故障。精密的集成电路可能更容易受到损坏，这是因为非常细微的参数更改都可能会导致器件与其发布的规格不相符。

12.8 Glossary

SLYZ022 — *TI Glossary*.

This glossary lists and explains terms, acronyms, and definitions.

13 机械、封装和可订购信息

以下页面包含机械、封装和可订购信息。这些信息是指定器件的最新可用数据。数据如有变更，恕不另行通知，且不会对此文档进行修订。如需获取此数据表的浏览器版本，请查阅左侧的导航栏。

PACKAGING INFORMATION

Orderable Device	Status (1)	Package Type	Package Drawing	Pins	Package Qty	Eco Plan (2)	Lead finish/ Ball material (6)	MSL Peak Temp (3)	Op Temp (°C)	Device Marking (4/5)	Samples
TPS611781RNWR	ACTIVE	VQFN-HR	RNW	13	3000	RoHS & Green	Call TI NIPDAU	Level-2-260C-1 YEAR	-40 to 125	1CDI	Samples
TPS611781RNWT	ACTIVE	VQFN-HR	RNW	13	250	RoHS & Green	Call TI NIPDAU	Level-2-260C-1 YEAR	-40 to 125	1CDI	Samples
TPS61178RNWR	ACTIVE	VQFN-HR	RNW	13	3000	RoHS & Green	Call TI NIPDAU	Level-2-260C-1 YEAR	-40 to 125	15RI	Samples
TPS61178RNWT	ACTIVE	VQFN-HR	RNW	13	250	RoHS & Green	Call TI NIPDAU	Level-2-260C-1 YEAR	-40 to 125	15RI	Samples

(1) The marketing status values are defined as follows:

ACTIVE: Product device recommended for new designs.

LIFEBUY: TI has announced that the device will be discontinued, and a lifetime-buy period is in effect.

NRND: Not recommended for new designs. Device is in production to support existing customers, but TI does not recommend using this part in a new design.

PREVIEW: Device has been announced but is not in production. Samples may or may not be available.

OBSOLETE: TI has discontinued the production of the device.

(2) **RoHS:** TI defines "RoHS" to mean semiconductor products that are compliant with the current EU RoHS requirements for all 10 RoHS substances, including the requirement that RoHS substance do not exceed 0.1% by weight in homogeneous materials. Where designed to be soldered at high temperatures, "RoHS" products are suitable for use in specified lead-free processes. TI may reference these types of products as "Pb-Free".

RoHS Exempt: TI defines "RoHS Exempt" to mean products that contain lead but are compliant with EU RoHS pursuant to a specific EU RoHS exemption.

Green: TI defines "Green" to mean the content of Chlorine (Cl) and Bromine (Br) based flame retardants meet JS709B low halogen requirements of <=1000ppm threshold. Antimony trioxide based flame retardants must also meet the <=1000ppm threshold requirement.

(3) MSL, Peak Temp. - The Moisture Sensitivity Level rating according to the JEDEC industry standard classifications, and peak solder temperature.

(4) There may be additional marking, which relates to the logo, the lot trace code information, or the environmental category on the device.

(5) Multiple Device Markings will be inside parentheses. Only one Device Marking contained in parentheses and separated by a "-" will appear on a device. If a line is indented then it is a continuation of the previous line and the two combined represent the entire Device Marking for that device.

(6) Lead finish/Ball material - Orderable Devices may have multiple material finish options. Finish options are separated by a vertical ruled line. Lead finish/Ball material values may wrap to two lines if the finish value exceeds the maximum column width.

Important Information and Disclaimer:The information provided on this page represents TI's knowledge and belief as of the date that it is provided. TI bases its knowledge and belief on information provided by third parties, and makes no representation or warranty as to the accuracy of such information. Efforts are underway to better integrate information from third parties. TI has taken and

continues to take reasonable steps to provide representative and accurate information but may not have conducted destructive testing or chemical analysis on incoming materials and chemicals. TI and TI suppliers consider certain information to be proprietary, and thus CAS numbers and other limited information may not be available for release.

In no event shall TI's liability arising out of such information exceed the total purchase price of the TI part(s) at issue in this document sold by TI to Customer on an annual basis.

TAPE AND REEL INFORMATION

QUADRANT ASSIGNMENTS FOR PIN 1 ORIENTATION IN TAPE


*All dimensions are nominal

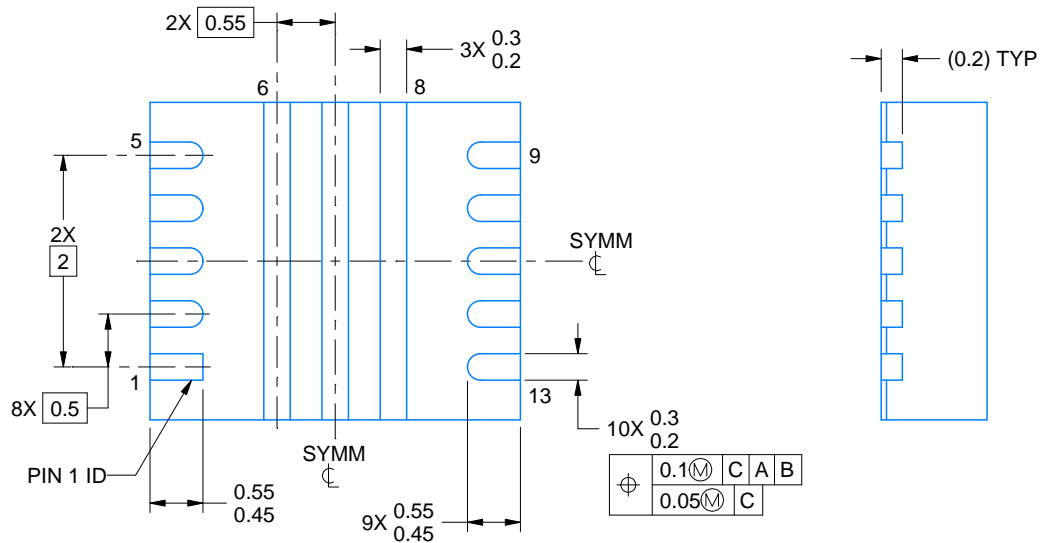
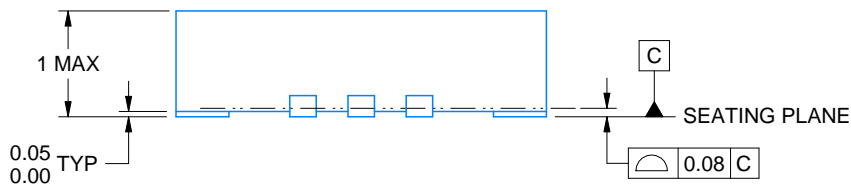
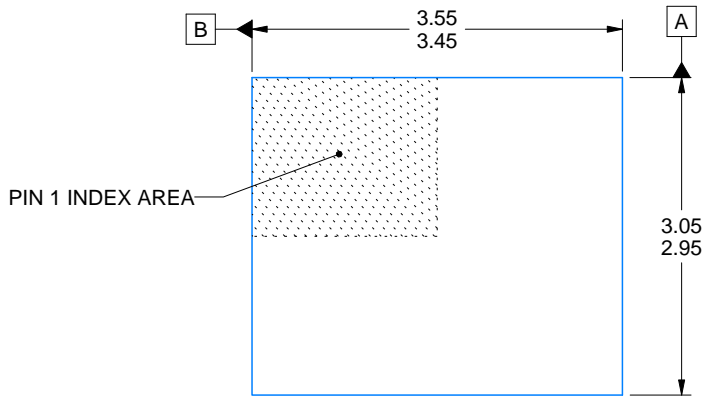
Device	Package Type	Package Drawing	Pins	SPQ	Reel Diameter (mm)	Reel Width W1 (mm)	A0 (mm)	B0 (mm)	K0 (mm)	P1 (mm)	W (mm)	Pin1 Quadrant
TPS611781RNWR	VQFN-HR	RNW	13	3000	330.0	12.4	3.3	3.8	1.2	8.0	12.0	Q2
TPS611781RNWT	VQFN-HR	RNW	13	250	180.0	12.4	3.3	3.8	1.2	8.0	12.0	Q2
TPS61178RNWT	VQFN-HR	RNW	13	250	180.0	12.4	3.3	3.8	1.2	8.0	12.0	Q2

TAPE AND REEL BOX DIMENSIONS



*All dimensions are nominal

Device	Package Type	Package Drawing	Pins	SPQ	Length (mm)	Width (mm)	Height (mm)
TPS611781RNWR	VQFN-HR	RNW	13	3000	346.0	346.0	33.0
TPS611781RNWT	VQFN-HR	RNW	13	250	210.0	185.0	35.0
TPS61178RNWT	VQFN-HR	RNW	13	250	210.0	185.0	35.0



4222804/C 11/2019

NOTES:

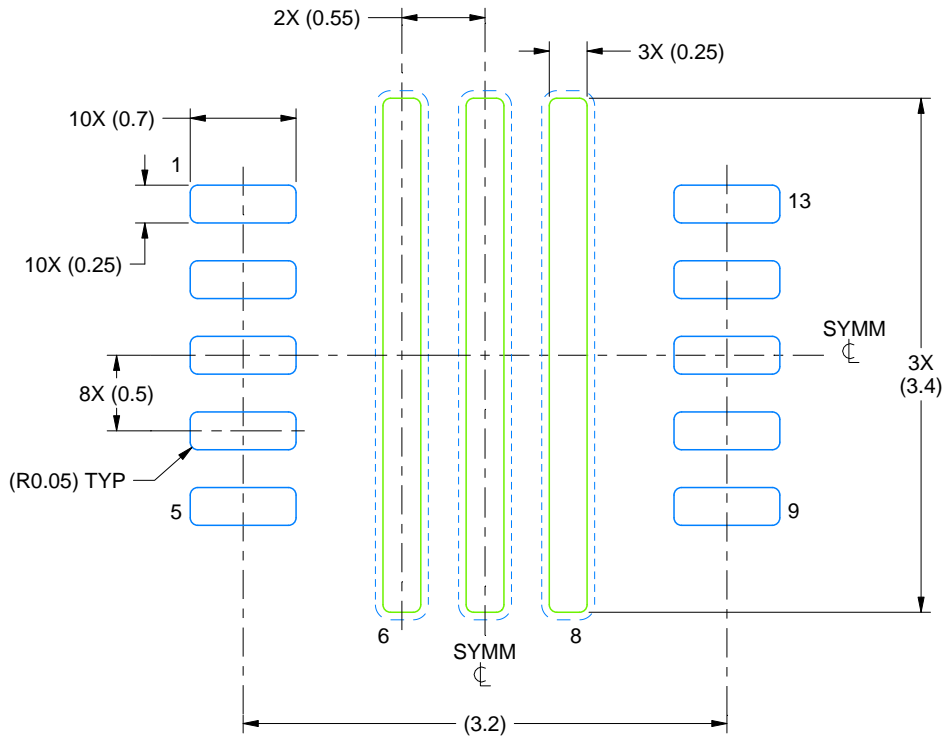
1. All linear dimensions are in millimeters. Any dimensions in parenthesis are for reference only. Dimensioning and tolerancing per ASME Y14.5M.
2. This drawing is subject to change without notice.

EXAMPLE BOARD LAYOUT

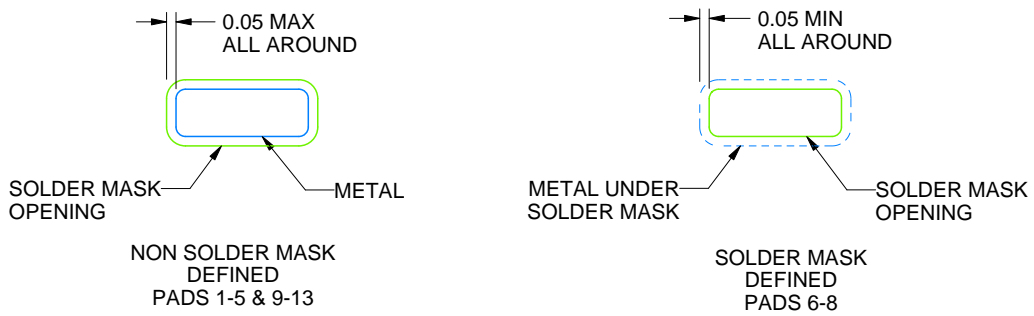
RNW0013A

VSON - 1 mm max height

PLASTIC SMALL OUTLINE - NO LEAD



LAND PATTERN EXAMPLE
SCALE:20X



SOLDER MASK DETAILS

4222804/C 11/2019

NOTES: (continued)

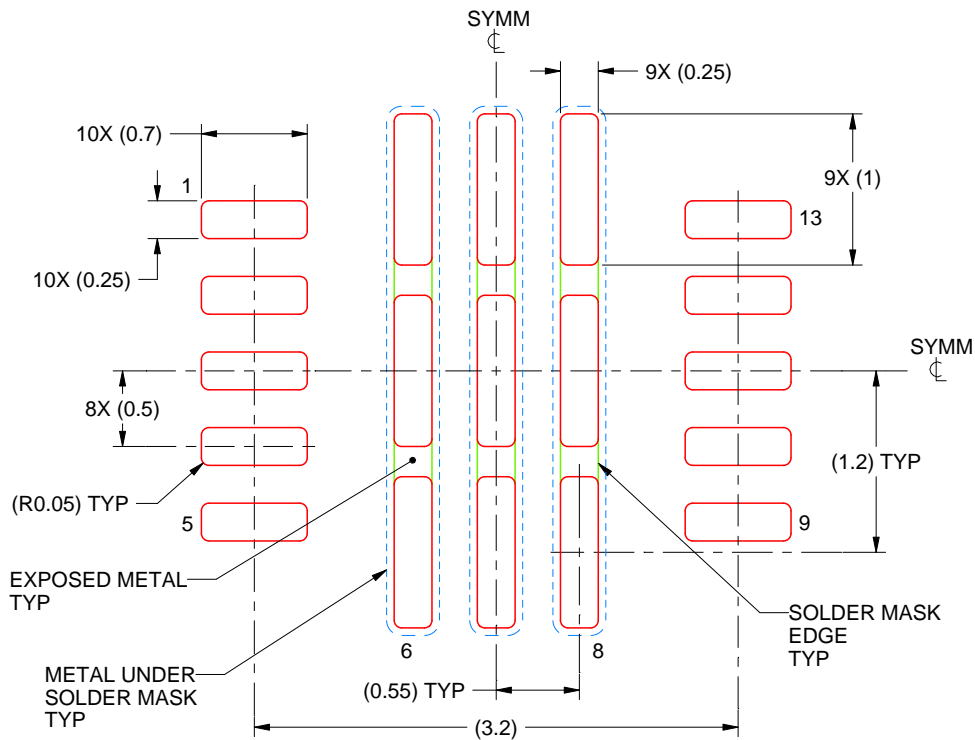
- This package is designed to be soldered to a thermal pad on the board. For more information, see Texas Instruments literature number SLUA271 (www.ti.com/lit/slua271).
- If any vias are implemented, it is recommended that vias under paste be filled, plugged or tented.

EXAMPLE STENCIL DESIGN

RNW0013A

VSON - 1 mm max height

PLASTIC SMALL OUTLINE - NO LEAD



SOLDER PASTE EXAMPLE
BASED ON 0.125 mm THICK STENCIL

PADS 6-8
87% PRINTED SOLDER COVERAGE BY AREA
SCALE:20X

4222804/C 11/2019

NOTES: (continued)

5. Laser cutting apertures with trapezoidal walls and rounded corners may offer better paste release. IPC-7525 may have alternate design recommendations.

重要通知和免责声明

TI“按原样”提供技术和可靠性数据（包括数据表）、设计资源（包括参考设计）、应用或其他设计建议、网络工具、安全信息和其他资源，不保证没有瑕疵且不做任何明示或暗示的担保，包括但不限于对适销性、某特定用途方面的适用性或不侵犯任何第三方知识产权的暗示担保。

这些资源可供使用 TI 产品进行设计的熟练开发人员使用。您将自行承担以下全部责任：(1) 针对您的应用选择合适的 TI 产品，(2) 设计、验证并测试您的应用，(3) 确保您的应用满足相应标准以及任何其他功能安全、信息安全、监管或其他要求。

这些资源如有变更，恕不另行通知。TI 授权您仅可将这些资源用于研发本资源所述的 TI 产品的相关应用。严禁以其他方式对这些资源进行复制或展示。您无权使用任何其他 TI 知识产权或任何第三方知识产权。您应全额赔偿因在这些资源的使用中对 TI 及其代表造成的任何索赔、损害、成本、损失和债务，TI 对此概不负责。

TI 提供的产品受 [TI 的销售条款](#) 或 [ti.com](#) 上其他适用条款/TI 产品随附的其他适用条款的约束。TI 提供这些资源并不会扩展或以其他方式更改 TI 针对 TI 产品发布的适用的担保或担保免责声明。

TI 反对并拒绝您可能提出的任何其他或不同的条款。

邮寄地址：Texas Instruments, Post Office Box 655303, Dallas, Texas 75265
版权所有 © 2025，德州仪器 (TI) 公司