

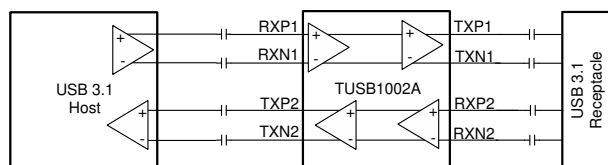
TUSB1002A USB3.2 10Gbps 双通道线性转接驱动器

1 特性

- 支持 USB3.2 x1 SuperSpeed (5Gbps) 和 SuperSpeedPlus (10Gbps)
- 支持 PCI Express Gen3、SATA Express 和 SATA Gen3
- 超低功耗架构：
 - 断开 U2、U3： $< 1.9\text{mW}$
 - 关断： $< 700\mu\text{W}$
- 可调节电压输出摆幅线性范围高达 1200mVpp
- 无主机或器件端要求
- 16 种线性均衡设置，高达 16dB (10Gbps 时)
- 可调节直流均衡增益
- 支持热插拔
- 与 LVPE502A 和 LVPE512 USB 3.0 转接驱动器引脚对引脚兼容
- 与 TUSB1002 转接驱动器引脚对引脚兼容
- 温度范围： 0°C 至 70°C (商业级) 和 -40°C 至 85°C (工业级)
- $\pm 5\text{kV}$ HBM ESD
- 由 3.3V 单电源供电。
- 采用 $4\text{mm} \times 4\text{mm}$ VQFN 封装

2 应用

- 笔记本和台式机
- 电视
- 平板电脑
- 手机
- 有源电缆
- 扩展坞



简化原理图

3 说明

TUSB1002A 是业内先进的双通道 USB 3.2 x1 SuperSpeedPlus (SSP) 转接驱动器和信号调节器。该器件采用超低功耗架构，在由 3.3V 电源供电运行时功耗非常低。该器件支持 USB3.2 低功耗模式，可进一步降低空闲状态下的功耗。

TUSB1002A 实现了一款线性均衡器，最高可容许码间串扰 (ISI) 引入 16dB 的损耗。当 USB 信号在印刷电路板 (PCB) 或电缆上传输时，其完整性会在通道损耗和码间串扰的影响下有所降低。线性均衡器可对通道损失进行补偿，进而延长通道传输距离，从而使系统符合 USB 规范。凭借双通道和小型封装，TUSB1002A 可在 USB3.2 路径中灵活放置。

TUSB1002A 采用 24 引脚 $4\text{mm} \times 4\text{mm}$ VQFN 封装。它还具有商业级 (TUSB1002A) 和工业级 (TUSB1002AI) 两个版本。

器件信息

器件型号 ⁽¹⁾	温度	封装	封装尺寸 ⁽²⁾
TUSB1002A	$T_A = 0^{\circ}\text{C}$ 至 70°C	RGE (VQFN, 24)	4mm × 4mm
TUSB1002AI	$T_A = -40^{\circ}\text{C}$ 至 85°C		

(1) 有关所有可用封装，请参阅节 10。

(2) 封装尺寸 (长 × 宽) 为标称值，并包括引脚 (如适用)。



Table of Contents

1 特性	1	6.6 U1 Mode.....	18
2 应用	1	6.7 U2/U3 Mode.....	18
3 说明	1	7 Application and Implementation	19
4 Pin Configuration and Functions	3	7.1 Application Information.....	19
5 Specifications	5	7.2 Typical USB3.2 Application.....	19
5.1 Absolute Maximum Ratings.....	5	7.3 Typical SATA, PCIe and SATA Express Application.....	23
5.2 ESD Ratings.....	5	7.4 Power Supply Recommendations.....	26
5.3 Recommended Operating Conditions.....	5	7.5 Layout.....	26
5.4 Thermal Information.....	5	8 Device and Documentation Support	28
5.5 Electrical Characteristics.....	6	8.1 接收文档更新通知.....	28
5.6 Timing Requirements.....	8	8.2 支持资源.....	28
5.7 Switching Characteristics.....	8	8.3 Trademarks.....	28
5.8 Typical Characteristics.....	11	8.4 静电放电警告.....	28
6 Detailed Description	14	8.5 术语表.....	28
6.1 Overview.....	14	9 Revision History	28
6.2 Functional Block Diagram.....	14	10 Mechanical, Packaging, and Orderable Information	29
6.3 Feature Description.....	15		
6.4 Device Functional Modes.....	18		
6.5 U0 Mode.....	18		

4 Pin Configuration and Functions

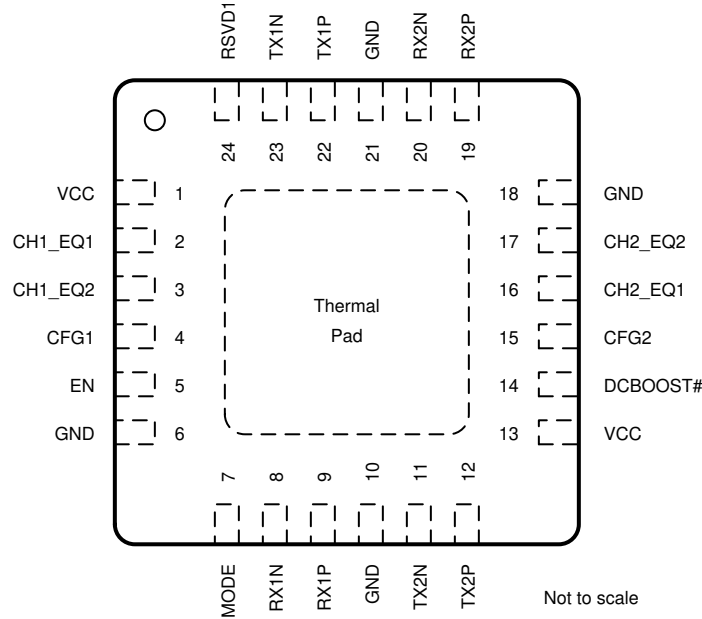


图 4-1. RGE Package, 24-Pin VQFN (Top View)

表 4-1. Pin Functions

PIN		TYPE	INTERNAL PULLUP PULLDOWN	DESCRIPTION
NAME	NO.			
RX1P	9	90Ω Differential Input	—	Differential input for SuperSpeed (SS) and SuperSpeedPlus (SSP) positive signals for Channel 1
RX1N	8			Differential input for SuperSpeed (SS) and SuperSpeedPlus (SSP) negative signals for Channel 1
RX2P	19	90Ω Differential Input	—	Differential input for SuperSpeed (SS) and SuperSpeedPlus (SSP) positive signals for Channel 2
RX2N	20			Differential input for SuperSpeed (SS) and SuperSpeedPlus (SSP) negative signals for Channel 2.
TX1P	22	90Ω Differential Output	—	Differential output for SuperSpeed (SS) and SuperSpeedPlus (SSP) positive signals for Channel 1.
TX1N	23			Differential output for SuperSpeed (SS) and SuperSpeedPlus (SSP) negative signals for Channel 1.
TX2P	12	90Ω Differential Output	—	Differential output for SuperSpeed (SS) and SuperSpeedPlus (SSP) positive signals for Channel 2.
TX2N	11			Differential output for SuperSpeed (SS) and SuperSpeedPlus (SSP) negative signals for Channel 2.
CH1_EQ1	2	I (4-level)	PU (approx 45K) PD (approx 95K)	CH1_EQ1. Configuration pin used to control Rx EQ level for RX1P/N. The state of this pin is sampled after the rising edge of EN. Refer to 图 5-2 for details of timing. This pin along with CH1_EQ2 allows for up to 16 equalization settings.
CH1_EQ2	3	I (4-level)		CH1_EQ2. Configuration pin used to control Rx EQ level for RX1P/N. The state of this pin is sampled after the rising edge of EN. Refer to 图 5-2 for details of timing. This pin along with CH1_EQ1 allows for up to 16 equalization settings.
CH2_EQ1	16	I (4-level)		CH2_EQ1. Configuration pin used to control Rx EQ level for RX2P/N. The state of this pin is sampled after the rising edge of EN. Refer to 图 5-2 for details of timing. This pin along with CH2_EQ2 allows for up to 16 equalization settings.
CH2_EQ2	17	I (4-level)		CH2_EQ2. Configuration pin used to control Rx EQ level for RX2P/N. The state of this pin is sampled after the rising edge of EN. Refer to 图 5-2 for details of timing. This pin along with CH2_EQ1 allows for up to 16 equalization settings.
EN	5	I (2-level)	PU (approx 400 K)	EN. Places TUSB1002A into shutdown mode when asserted low. Normal operation when pin is asserted high. When in shutdown, TUSB1002A's receiver terminations are high impedance and tx/rx channels are disabled.

表 4-1. Pin Functions (续)

PIN		TYPE	INTERNAL PULLUP PULLDOWN	DESCRIPTION
NAME	NO.			
CFG1	4	I (4-level)	PU (approx 45K) PD (approx 95K)	CFG1. This pin along with CFG2 selects the VOD linearity range and DC gain for both channels 1 and 2. The state of this pin is sampled after the rising edge of EN. Refer to 图 5-2 for details of timing. Refer to 表 6-3 for VOD linearity range and DC gain options.
CFG2	15	I (4-level)	PU (approx 45K) PD (approx 95K)	CFG2. This pin along with CFG1 sets the VOD linearity range and DC gain for both channels 1 and 2. The state of this pin is sampled after the rising edge of EN. Refer to 图 5-2 for details of timing. Refer to 表 6-3 for VOD linearity range and DC gain options.
MODE	7	I (4-level)	PU (approx 45 K) PD (approx 95K)	MODE. This pin is for selecting different modes of operation. The state of this pin is sampled after the rising edge of EN. Refer to 图 5-2 for details of timing. 0 = Basic Redriver Mode. R = PCIe / Test Mode. PCIe Mode and TI Internal use only F = USB3.2 x1 Dual Channel Operation enabled (TUSB1002A normal mode). 1 = USB3.2 x1 Single-channel operation.
RSVD1	24	O	—	RSVD1. Under normal operation, this pin is driven low by TUSB1002A. Recommend leaving this pin unconnected on PCB.
DCBOOST #	14	I (2-level)	PU (approx 400 K)	DCBOOST#. This pin when asserted low increases the DC Gain level defined in 表 6-3 by +1dB unless already at +2dB. If DC Gain level defined in 表 6-3 is already at +2dB, then asserting this pin low will not change the DC Gain level. This pin can be left unconnected if this function is not needed. 1 = DC Gain defined by 表 6-3. 0 = DC Gain defined by 表 6-3 is increased by +1dB.
VCC	1, 13	Power	—	3.3V (±10%) Supply.
GND	6, 10, 18, 21	GND	—	Ground
Thermal pad			—	Thermal pad. Recommend connecting to a solid ground plane.

5 Specifications

5.1 Absolute Maximum Ratings

over operating free-air temperature range (unless otherwise noted)⁽¹⁾

		MIN	MAX	UNIT
Supply Voltage Range	V _{CC}	-0.3	4	V
Voltage Range on I/O pins	Differential voltage for RX1P/N and RX2P/N	-2.5	2.5	V
	Voltage at RX pins	-0.5	4	V
	Voltage on Control pins	-0.5	4	V
T _{stg}	Storage temperature	-65	150	°C

- (1) Stresses beyond those listed under *Absolute Maximum Rating* may cause permanent damage to the device. These are stress ratings only, which do not imply functional operation of the device at these or any other conditions beyond those indicated under *Recommended Operating Condition*. Exposure to absolute-maximum-rated conditions for extended periods may affect device reliability.

5.2 ESD Ratings

			VALUE	UNIT
V _(ESD)	Electrostatic discharge	Human body model (HBM), per ANSI/ESDA/ JEDEC JS-001, all pins ⁽¹⁾	±5000	V
		Charged device model (CDM), per JEDEC specification JESD22-C101, all pins ⁽²⁾	±1500	

- (1) JEDEC document JEP155 states that 500V HBM allows safe manufacturing with a standard ESD control process.
(2) JEDEC document JEP157 states that 250V CDM allows safe manufacturing with a standard ESD control process.

5.3 Recommended Operating Conditions

over operating free-air temperature range (unless otherwise noted)

		MIN	NOM	MAX	UNIT
V _{CC}	Supply voltage	3	3.3	3.6	V
V _{PSN}	Supply noise on V _{CC} pins			100	mV
T _A	TUSB1002A Ambient temperature	0		70	°C
	TUSB1002AI Ambient temperature	-40		85	°C
T _J	TUSB1002A Junction temperature	0		105	°C
	TUSB1002AI Junction temperature	-40		105	°C

5.4 Thermal Information

THERMAL METRIC ⁽¹⁾		TUSB1002A	UNIT
		RGE (VQFN)	
		24 PINS	
R _{θJA}	Junction-to-ambient thermal resistance	38.5	°C/W
R _{θJC(top)}	Junction-to-case (top) thermal resistance	41.6	°C/W
R _{θJB}	Junction-to-board thermal resistance	16.3	°C/W
Ψ _{JT}	Junction-to-top characterization parameter	1.0	°C/W
Ψ _{JB}	Junction-to-board characterization parameter	16.4	°C/W
R _{θJC(bot)}	Junction-to-case (bottom) thermal resistance	6.9	°C/W

- (1) For more information about traditional and new thermal metrics, see the [Semiconductor and IC Package Thermal Metrics](#) application note.

5.5 Electrical Characteristics

over operating free-air temperature and voltage range (unless otherwise noted)

PARAMETER		TEST CONDITIONS	MIN	TYP	MAX	UNIT
POWER						
$P_{U0_SSP_1200mV}$	Power under USB3.1 operation in U0 operating at SuperSpeedPlug datarate with linear range set to 1200mV.	At 10Gbps; $V_{CC} = 3.3V$; EN = 1; Pattern = CP9; $V_{OD} = 1200mVpp$		330		mW
$P_{U0_SSP_1000mV}$	Power under USB3.1 operation in U0 operating at SuperSpeedPlug datarate with linear range set to 1000mV.	At 10Gbps; $V_{CC} = 3.3V$; EN = 1; Pattern = CP9; $V_{OD} = 1000mVpp$		310		mW
$P_{U0_SSP_900mV}$	Power under USB3.1 operation in U0 operating at SuperSpeedPlug datarate with linear range set to 900mV.	At 10Gbps; $V_{CC} = 3.3V$; EN = 1; Pattern = CP9; $V_{OD} = 900mVpp$		295		mW
P_{U1}	Power in U1 with linear range set to 1200mV.	In U1; $V_{CC} = 3.3V$; EN = 1; $V_{OD} = 1200mVpp$		330		mW
P_{U2U3}	Power when in U2/U3 state.	$V_{CC} = 3.3V$; EN = 1; Both channels in U2/U3;		1.5		mW
$P_{DISCONNECT_NONE}$	Power when no USB device detected on both TX1P/N and TX2P/N.	$V_{CC} = 3.3V$; EN = 1; RX1 and RX2 termination disabled;		1.9		mW
$P_{DISCONNECT_ONE}$	Power when a single USB device detected on either TX1P/N or TX2P/N.	$V_{CC} = 3.3V$; EN = 1; Either RX1 or RX2 termination enabled but not both enabled;		1.9		mW
$P_{SHUTDOWN}$	Shutdown power when EN = 0.	$V_{CC} = 3.3V$; EN = 0;		0.7		mW
4-level Inputs (CFG[2:1], MODE, CH1_EQ[2:1], CH2_EQ[2:1])						
V_{TH}	Threshold "0" / "R"	$V_{CC} = 3.3V$		0.55		V
	Threshold "R" / "F"	$V_{CC} = 3.3V$		1.65		V
	Threshold "F" / "1"	$V_{CC} = 3.3V$		2.8		V
I_{IH}	High-level input current	$V_{CC} = 3.6V$; $V_{IN} = 3.6V$	20		80	μA
I_{IL}	Low-level input current	$V_{CC} = 3.6V$; $V_{IN} = 0V$	-160		-40	μA
R_{PU}	Internal pullup resistance			45		k Ω
R_{PD}	Internal pulldown resistance			95		k Ω
EN, DCBOOST#						
V_{IH}	High-level input voltage	$V_{CC} = 3.3V$	1.7		3.6	V
V_{IL}	Low-level input voltage	$V_{CC} = 3.3V$	0		0.7	V
I_{IH}	High-level input current	$V_{CC} = 3.6V$; $V_{IN} = 3.6V$	-10		10	μA
I_{IL}	Low-level input current	$V_{CC} = 3.6V$; $V_{IN} = 0V$	-15		15	μA
R_{PU_EN}	Internal pullup resistance for EN and DCBOOST#			400		k Ω
USB3.1 Receiver Interface (RX1P/N and RX2P/N)						
R_{L_100MHz}	Rx Differential return loss at 100MHz to 2.5GHz	SDD11 100MHz to 2.5GHz at 90 Ω		-18		dB
R_{L_5GHz}	Rx Differential return loss at 5GHz	SDD11 5GHz at 90 Ω		-14		dB
R_{L_10GHz}	Rx Differential return loss from 5 to 10GHz	SDD11 5GHz to 10 GHz at 90 Ω		-6		dB
R_{L_CM}	Rx common mode return loss	SCC11 0.5 to 5 GHz at 90 Ω		-12		dB
X-Talk	Differential crosstalk between TX and RX signal pairs			-50		dB

5.5 Electrical Characteristics (续)

over operating free-air temperature and voltage range (unless otherwise noted)

PARAMETER		TEST CONDITIONS	MIN	TYP	MAX	UNIT
E _{ACGAIN_5GHz}	Max AC Equalization Gain	50mVpp CP10 at 5GHz; VCC = 3.3V;		16		dB
E _{DC_GAIN0}	DC Gain at 0dB setting	200mVpp VID at 100MHz; 1200mV Linear Range Setting;		.7		dB
E _{DC_GAIN1}	DC Gain at 1dB setting	200mVpp VID at 100MHz; 1200mV Linear Range Setting;		1.6		dB
E _{DC_GAIN2}	DC Gain at 2dB setting	200mVpp VID at 100MHz; 1000mV Linear Range Setting;		2.3		dB
E _{DC_GAIN-1}	DC Gain at -1dB setting	200mVpp VID at 100MHz; 1200mV Linear Range Setting;		-0.25		dB
V _{DIFF_IN}	Input differential peak-peak voltage swing range			1200		mV
V _{RX-DC-CM}	RX DC common mode voltage			0		V
R _{RX-DC-CM}	RX DC common mode impedance	Measured at connector; Present when USB Device detected on TXP/N;	18		30	Ω
R _{RX-DC-DIFF}	RX DC differential impedance	Measured at connector; Present when USB Device detected on TXP/N;	72		120	Ω
Z _{RX-DC-DIFF}	DC Input CM Input Impedance V > 0 during RESET or power down.	1. Rx DC CM Impedance with Rx terminations not powered. 2. Measured over the range 0 - 500mV with respect to GND. 3. Only DC input CM Input impedance V > 0 is specified.	35			kΩ
V _{RX-SIGNAL-DET}	Input differential peak-to-peak signal detect assert level	At 10Gbps; No loss input channel and PRBS7 pattern.		85		mV
V _{RX-IDLE-DET}	Input differential peak-to-peak signal detect deassert level	At 10Gbps; No loss input channel and PRBS7 pattern.		60		mV
V _{RX-LFPS-DET}	LFPS detect threshold.	Below min is squelched	100		310	mV
V _{RX-CM-AC-P}	Peak RX AC common mode voltage	Measured at package pin.			150	mV
USB3.1 Transmitter Interface (TX1P/N and TX2P/N)						
R _{L_TX_100MHz}	Tx Differential return loss at 100MHz	SDD22 100MHz - 2.5GHz at 90Ω		-20		dB
R _{L_TX_2.5GHz}	Tx Differential return loss at 5GHz	SDD22 5GHz at 90Ω		-16		dB
R _{L_TX_10GHz}	Tx Differential return loss from 5 to 10GHz	SDD22 5GHz to 10 GHz at 90Ω		-8.5		dB
R _{L_TX_CM}	Tx common mode return loss	SCC22 0.5 to 5 GHz at 90Ω		-6.7		dB
V _{TX-DIFFPP-1200}	Differential peak-to-peak TX voltage swing linear dynamic range at 100MHz	1200mVpp setting; 100MHz; Measured at -1dB compression point = 20 log(VOD/VOD_linear)		1000		mV
	Differential peak-to-peak TX voltage swing linear dynamic range at 5GHz	1200mVpp setting; 5GHz; Measured at -1dB compression point = 20 log(VOD/VOD_linear)		1300		mV
V _{TX-DIFFPP-1000}	Differential peak-to-peak TX voltage swing linear dynamic range at 100MHz	1000mVpp setting; 100MHz; Measured at -1dB compression point = 20 log(VOD/VOD_linear)		900		mV
	Differential peak-to-peak TX voltage swing linear dynamic range at 5GHz	1000mVpp setting; 5GHz; Measured at -1dB compression point = 20 log(VOD/VOD_linear)		1150		mV

5.5 Electrical Characteristics (续)

over operating free-air temperature and voltage range (unless otherwise noted)

PARAMETER		TEST CONDITIONS	MIN	TYP	MAX	UNIT
V _{TX-DIFFPP-900}	Differential peak-to-peak TX voltage swing linear dynamic range at 100MHz	900mVpp setting; 100MHz; Measured at -1dB compression point = 20 log(VOD/VOD_linear)		800		mV
	Differential peak-to-peak TX voltage swing linear dynamic range at 5GHz	900mVpp setting; 5GHz; Measured at -1dB compression point = 20 log(VOD/VOD_linear)		1000		mV
V _{TX-RCV-DETECT}	Amount of voltage change allowed during Rx Detection.	Measured at package pins.			600	mV
V _{TX-CM-IDLE-DELTA}	Transmitter idle common mode voltage change U2/U3 state.	Max allowed instantaneous common-mode voltage at connector side of AC coupling capacitor. This is an absolute voltage spec referenced to the receive side termination ground.	-600		600	mV
V _{TX-DC-CM}	TX DC common mode voltage	1200mVpp linear range setting;	0	1.85	2.05	V
V _{TX-CM-AC-PP-ACTIVE}	Transmitter AC common mode peak-peak voltage in U0. Maximum mismatch from TXP+TXN for both time and amplitude.	1200mVpp linear setting; CHx_EQ setting matches input channel insertion loss;			116	mV
V _{TX-IDLE-DIFF-AC-PP}	AC electrical idle differential peak-to-peak output voltage		0		10	mV
V _{TX-CM-DC-ACTIVE-IDLE-DELTA}	Absolute DC common mode voltage between U1 and U0				200	mV
R _{TX-DC-CM}	TX DC common mode impedance		18		30	Ω
R _{TX-DC-DIFF}	TX DC differential impedance		72		120	Ω
I _{TX-SHORT}	Transmitter short-circuit current limit.				107	mA
C _{AC-COUPLING}	External AC coupling capacitor on differential pairs.		75		265	nF

5.6 Timing Requirements

over operating free-air temperature and voltage range (unless otherwise noted)

		MIN	NOM	MAX	UNIT
t _{d_pg}	Internal power good asserted high when V _{CC} is at 2.5V			5	μs
t _{CFG_SU}	CFG ⁽¹⁾ pins setup before internal Reset ⁽²⁾ high	0			μs
t _{CFG_HD}	CFG ⁽¹⁾ pins hold after internal Reset ⁽²⁾ high	500			μs
t _{VCC_RAMP}	V _{CC} supply ramp requirement	0.1		50	ms

(1) Following pins comprise CFG pins: MODE, CFG[2:1], CH1_EQ[2:1], CH2_EQ[2:1]

(2) Internal reset is the logical AND of EN pin and internal power good.

5.7 Switching Characteristics

over operating free-air temperature and voltage range (unless otherwise noted)

PARAMETER		TEST CONDITIONS	MIN	TYP	MAX	UNIT
t _{IDLEEntry}	Delay from U0 to electrical idle	V _{CC} = 3.0V; EN = 1; See 图 5-1			150	ps
t _{IDLEEntry_U1}	U1 exit time. Break in electrical idle to transmission of LFPS.	V _{CC} = 3.0V; EN = 1; See 图 5-1			150	ps
t _{IDLEEntry_U2U3}	U2/U3 exit time; Break in electrical idle to transmission of LFPS	V _{CC} = 3.0V; EN = 1; See 图 5-1			6	μs
t _{DIFF_DLY}	Differential propagation delay	V _{CC} = 3.0V; EN = 1;			150	ps

5.7 Switching Characteristics (续)

over operating free-air temperature and voltage range (unless otherwise noted)

PARAMETER		TEST CONDITIONS	MIN	TYP	MAX	UNIT
$t_{PWRUP_ACTIV E}$	Time from assertion of EN to device active and performing Rx.Detect on both ports	$V_{CC} = 3.0V$; EN = 1;			8	ms
$t_{TX_RISE_FALL}$	Transmitter rise/fall time	$V_{CC} = 3.3V$; EN = 1; 10Gbps; 20% to 80% of differential output; 1200mVpp linear range setting; Fast Input rise/fall time;		27		ps
$t_{RF_MISMATCH}$	Transmitter rise/fall mismatch	$V_{CC} = 3.3V$; EN = 1; 10Gbps; 20% to 80% of differential output; 1200mVpp linear range setting; 1000mVpp VID		.6		ps
t_{TX_DJ}	Transmitter residual deterministic jitter	$V_{CC} = 3.3V$; EN = 1; 10Gbps; 1200mVpp linear range setting; Input channel loss of 12dB; Output channel loss of 1.5dB; Optimized EQ;		0.05		UI

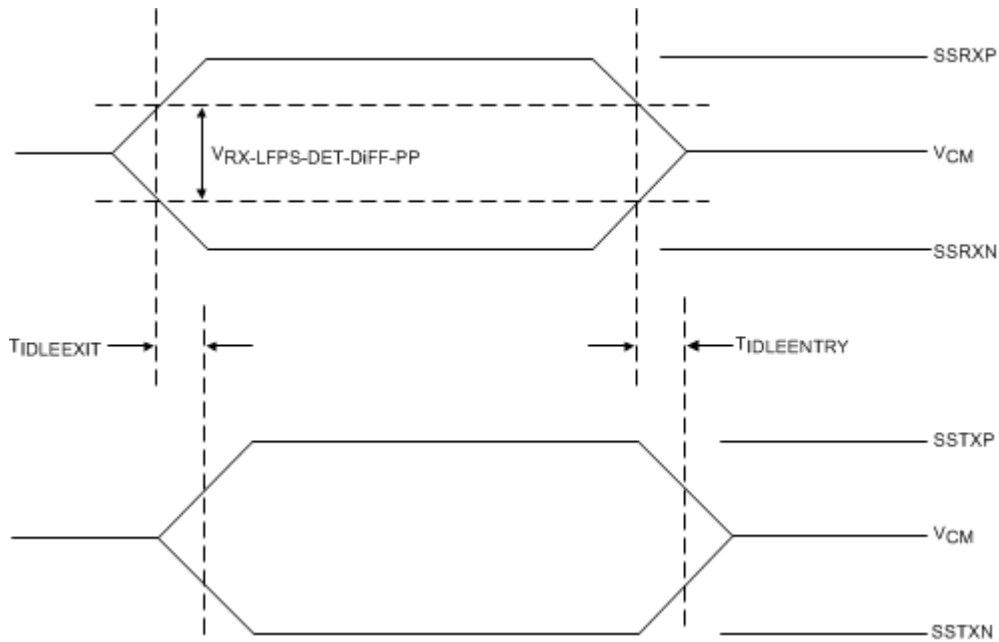


图 5-1. Idle Entry and Exit Latency

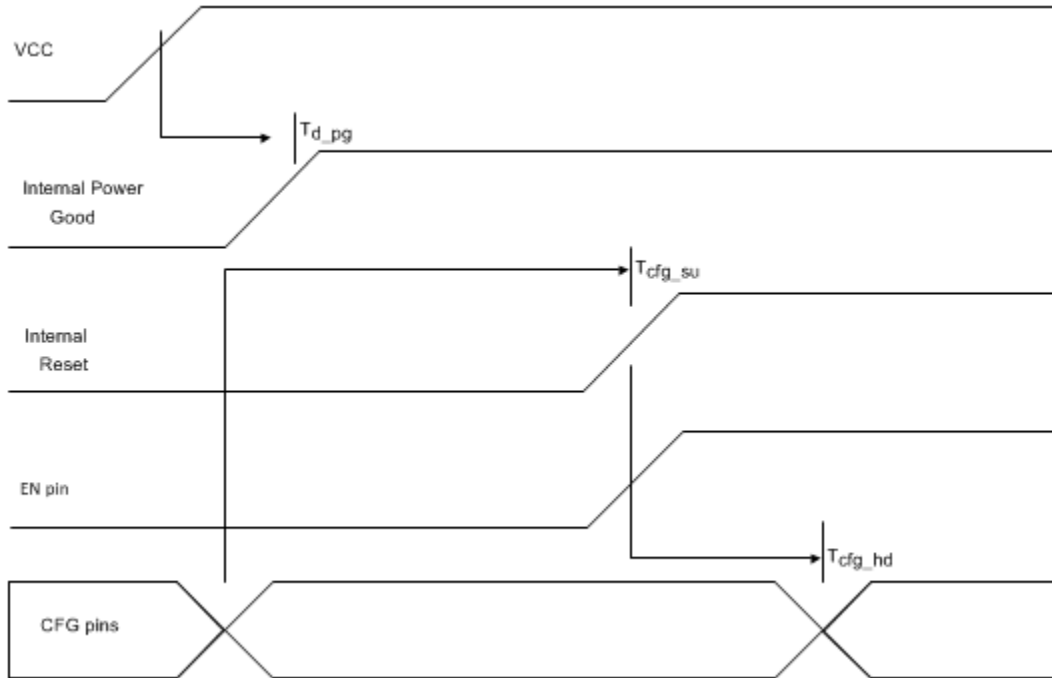


图 5-2. Power-Up Diagram

5.8 Typical Characteristics

$V_{CC} = 3.3V$, $25^{\circ}C$, $200mV_{pp}$ V_{ID} sine wave, $Z_O = 100\Omega$, RGE package

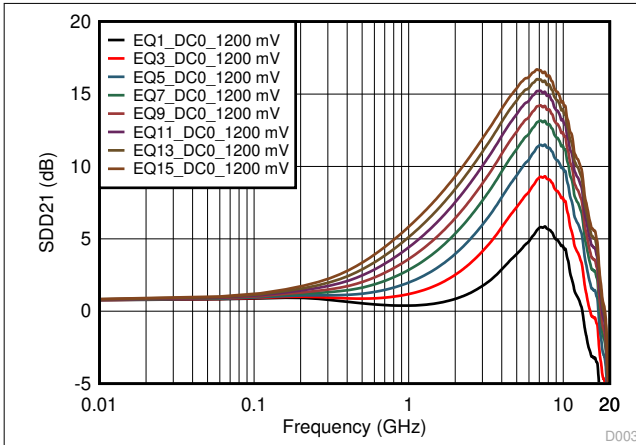


图 5-3. 1200mV DC0 Gain Odd EQ Settings Curves

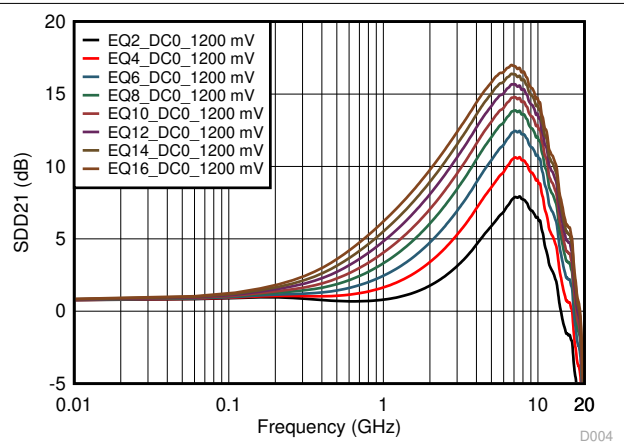


图 5-4. 1200mV DC0 Even EQ Settings Curves

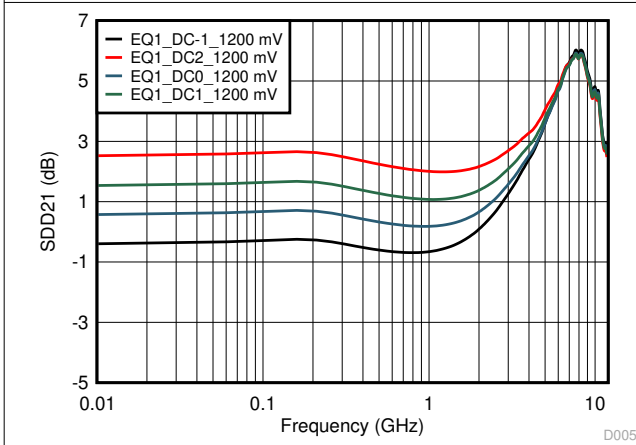


图 5-5. 1200mV DC Gain Adjustments Curves

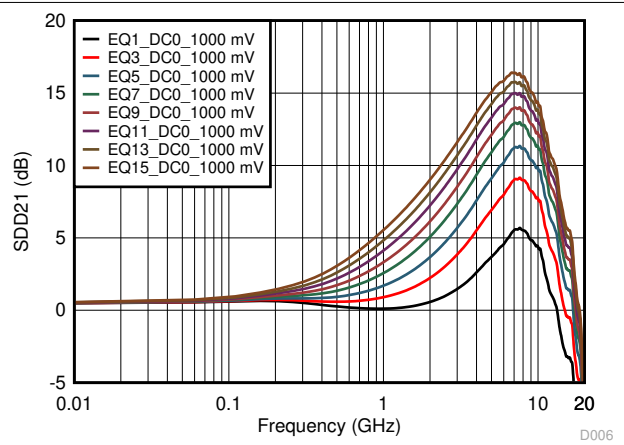


图 5-6. 1000mV DC0 Gain Odd EQ Settings Curves

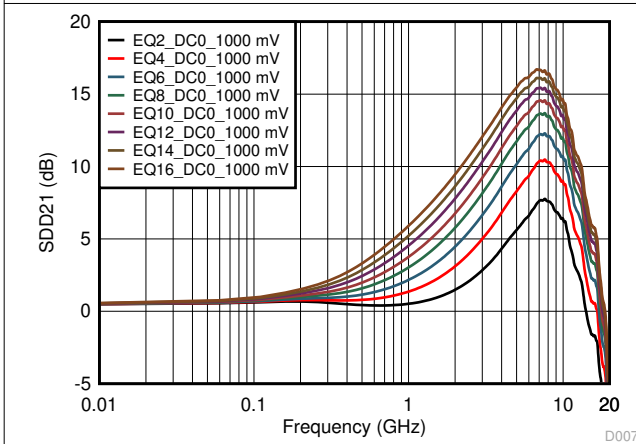


图 5-7. 1000mV DC0 Gain Even EQ Settings Curves

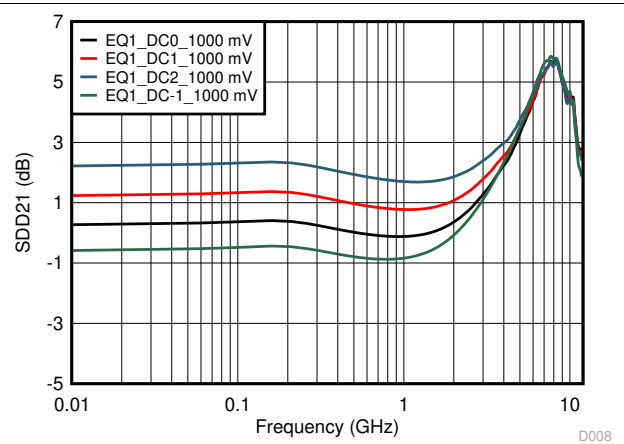


图 5-8. 1000mV DC Gain Adjustments Curves

5.8 Typical Characteristics (continued)

$V_{CC} = 3.3V$, $25^{\circ}C$, $200mV_{pp}$ V_{ID} sine wave, $Z_O = 100\ \Omega$, RGE package

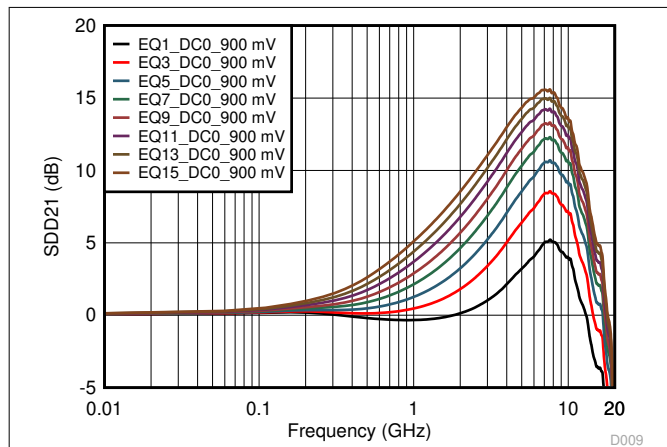


图 5-9. 900mV DC0 Gain Odd EQ Settings Curves

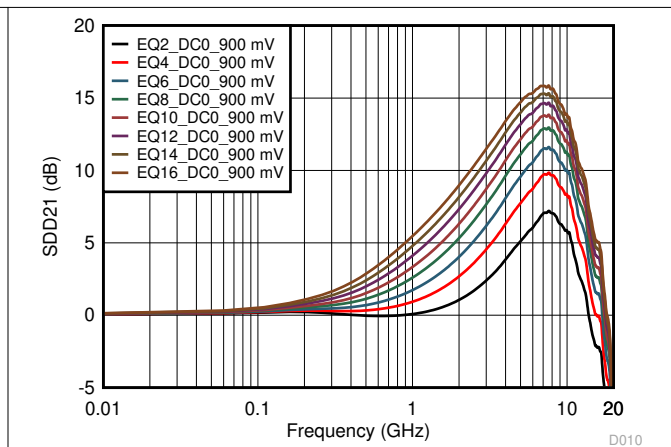


图 5-10. 900mV DC0 Gain Even EQ Settings Curves

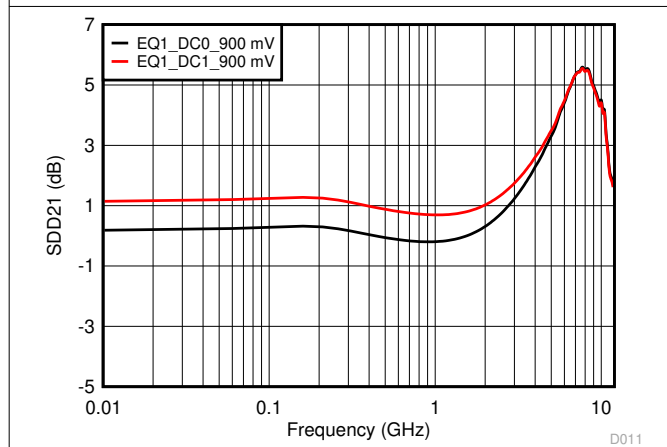


图 5-11. 900mV DC Gain Adjustment Curves

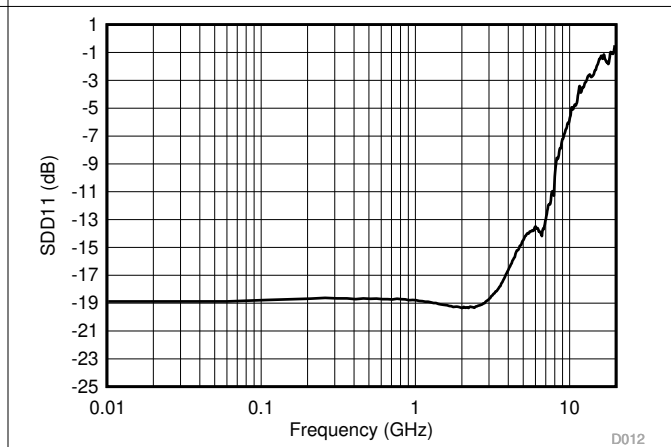


图 5-12. SDD11 Return Loss

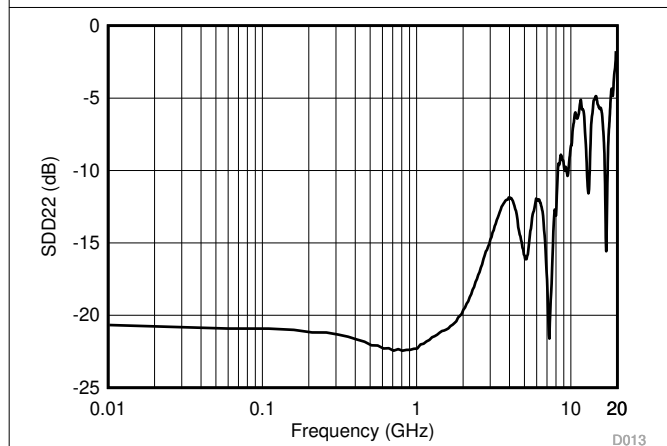


图 5-13. SDD22 Return Loss

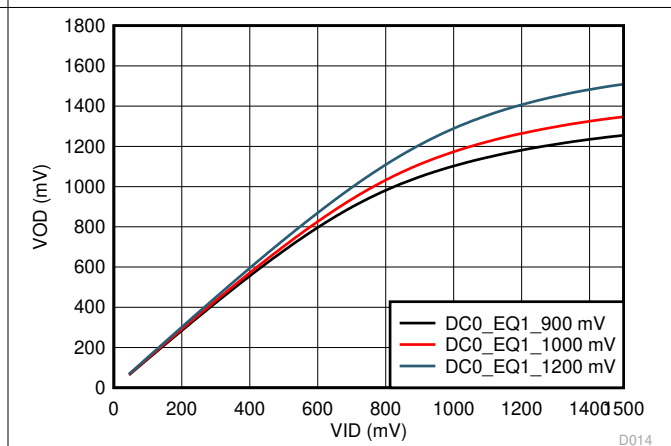


图 5-14. 5GHz Sine Wave VID vs VOD Linearity Range Setting

5.8 Typical Characteristics (continued)

$V_{CC} = 3.3V$, $25^{\circ}C$, $200mV_{pp}$ V_{ID} sine wave, $Z_O = 100\Omega$, RGE package

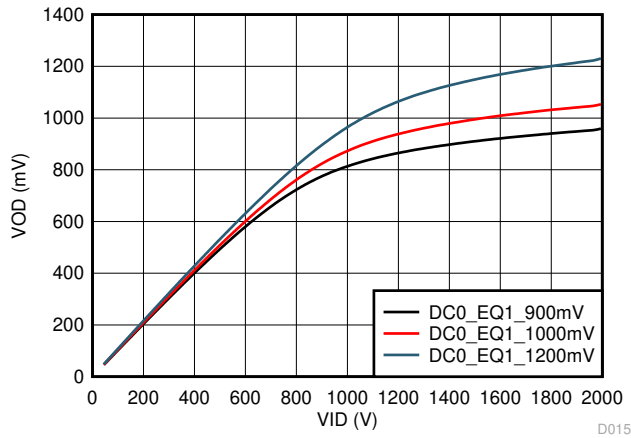


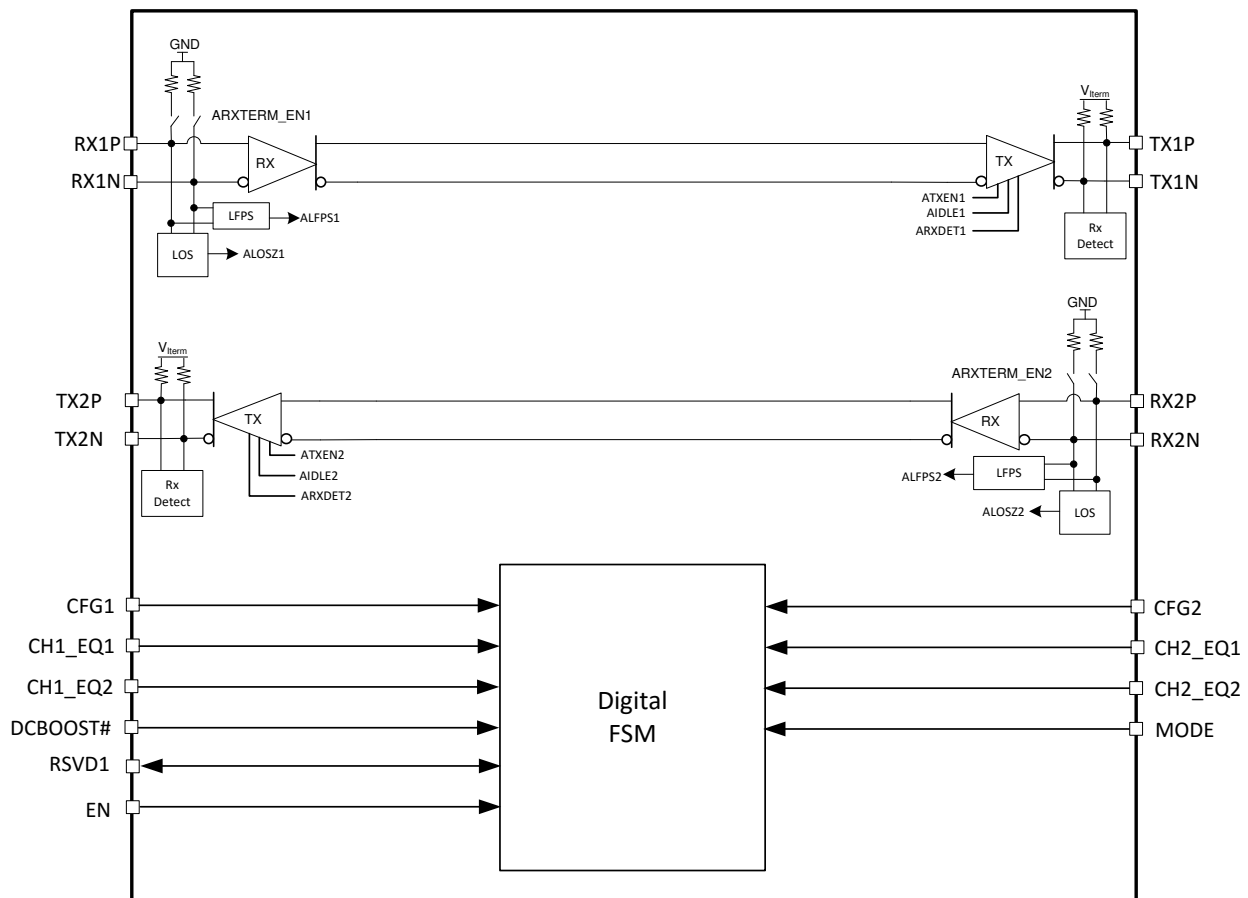
图 5-15. 100MHz Sine Wave VID vs VOD Linearity Range Setting

6 Detailed Description

6.1 Overview

The TUSB1002A is the industry’s first, dual lane USB 3.2 x1 SuperSpeedPlus redriver. As signals traverse through a channel (like FR4 trace) the amplitude of the signal is attenuated. The attenuation varies depending on the frequency content of the signal. Depending the length of the channel this attenuation can be large enough resulting in signal integrity issues at a USB 3.2 receiver. By placing a TUSB1002A between USB3.2 host and device the attenuation effect of the channel can be eliminated or minimized. The result is a USB3.2 compatible eye at the devices receiver. With up to 16 receiver equalization settings, the TUSB1002A can support many different channel loss combinations. The TUSB1002A offers low power consumption on a single 3.3V supply and a ultra-low power architecture. The device supports the USB3.2 low power modes which further reduces idle power consumption. The TUSB1002A settings are configurable through pins. In addition to equalization adjustment, the TUSB1002A provides knobs for adjusting DC gain and voltage output linearity range.

6.2 Functional Block Diagram



6.3 Feature Description

6.3.1 4-Level Control Inputs

The TUSB1002A has (MODE, CFG1, CFG2, CH1_EQ1, CH1_EQ2, CH2_EQ1, and CH2_EQ2) 4-level inputs pins that are used to control the equalization gain and the output voltage swing dynamic range. These 4-level inputs use a resistor divider to help set the four valid levels and provide a wider range of control settings. These resistors together with the external resistor connection combine to achieve the desired voltage level.

表 6-1. 4-Level Control Pin Settings

LEVEL	SETTINGS
0	Option 1: Tie 1kΩ 5% to GND. Option 2: Tie directly to GND.
R	Tie 20kΩ 5% to GND.
F	Float (leave pin open)
1	Option 1: Tie 1kΩ 5% to V _{CC} . Option 2: Tie directly to V _{CC} .

备注

To conserve power, the TUSB1002A disables 4-level input's internal pullup/pulldown resistors after the state of 4-level pins have been sampled on rising edge of EN. A change of state for any four level input pin is not applied to TUSB1002A until after EN pin transitions from low to high.

6.3.2 Linear Equalization

With a linear equalizer, the TUSB1002A can electrically shorten a particular channel allowing for longer run lengths.

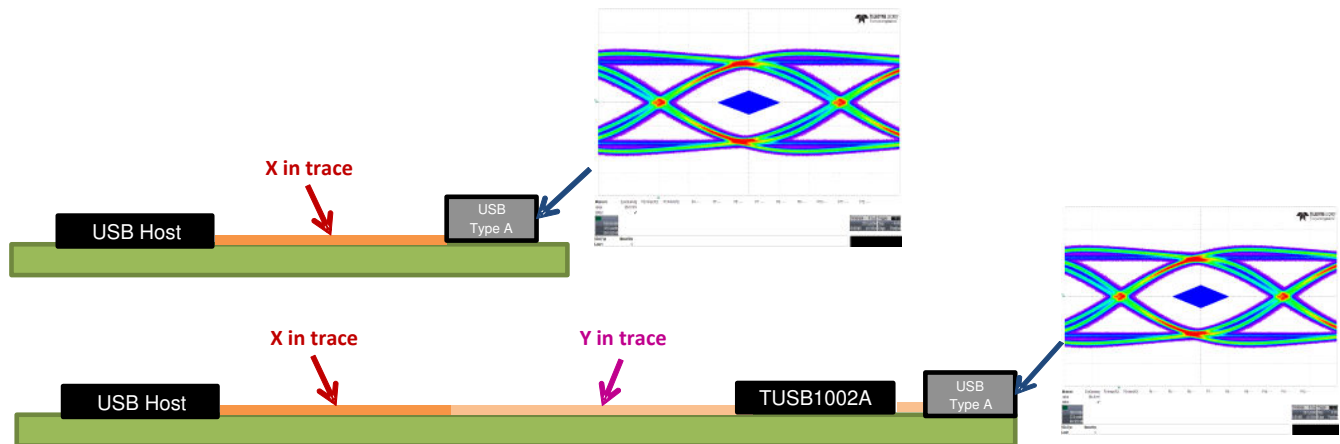


图 6-1. Linear Equalizer

With a TUSB1002A, a longer trace can be made to have similar insertion loss as a shorter trace. For example, a long trace of X + Y inches can be made to have similar loss characteristics of a shorter trace of X inches.

The receiver equalization level for each channel is determined by the state of the CH_x_EQ1 and CH_x_EQ2 pins, where x = 1 or 2.

表 6-2. EQ Configuration Options for 1200mV Linearity 0dB DC Gain Setting

EQ SETTING #	CHx_EQ2 PIN LEVEL	CHx_EQ1 PIN LEVEL	EQ GAIN at 2.5GHz / 5GHz (dB)
1	0	0	1.0 / 3.6
2	0	R	2.1 / 5.5
3	0	F	3.0 / 6.8
4	0	1	4.0 / 8.1
5	R	0	4.6 / 9.0
6	R	R	5.5 / 10.0
7	R	F	6.2 / 10.8
8	R	1	6.9 / 11.6
9	F	0	7.3 / 11.9
10	F	R	7.9 / 12.6
11	F	F	8.4 / 13.1
12	F	1	9.0 / 13.7
13	1	0	9.4 / 14.1
14	1	R	9.9 / 14.6
15	1	F	10.3 / 14.9
16	1	1	10.7 / 15.3

6.3.3 Adjustable VOD Linear Range and DC Gain

The CFG1 and CFG2 pins can be used to adjust the TUSB1002A output voltage swing linear range and receiver equalization DC gain. 表 6-3 details the available options.

For best performance, make sure to operate the TUSB1002A within the defined VOD linearity range. Keep the gain of the incoming VID to less than or equal to the TUSB1002A VOD linear range setting. The can be determined by 方程式 1:

$$\text{VID at 5GHz} = \text{VOD} \times (10^{-(G_v/20)}) \quad (1)$$

where

- G_v = TUSB1002A Gain and VOD = TUSB1002A VOD linearity setting.

For example, for a VOD linearity range setting of 1200mV, the maximum incoming VID signal at 5GHz with a CHx_EQ[1:0] setting of 2 (5.5dB) is $1200 \times (10^{-(5.5/20)}) = 637\text{mVpp}$. The TUSB1002A can operate outside VOD linear range, but the jitter will be higher.

表 6-3. VOD Linear Range and DC Gain

SETTING #	CFG1 PIN LEVEL	CFG2 PIN LEVEL	CH1 DC GAIN (dB)	CH2 DC GAIN (dB)	CH1 V _{OD} LINEAR RANGE (mVpp)	CH2 V _{OD} LINEAR RANGE (mVpp)
1	0	0	+1	0	900	900
2	0	R	0	+1	900	900
3	0	F	0	0	900	900
4	0	1	+1	+1	900	900
5	R	0	0	0	1000	1000
6	R	R	+1	0	1000	1000
7	R	F	0	-1	1000	1000
8	R	1	+2	+2	1000	1000
9	F	0	-1	-1	1200	1200
10	F	R	+2	+2	1200	1200
11	F	F	0	0	1200	1200
12	F	1	+1	+1	1200	1200
13	1	0	+2	0	1200	1200
14	1	R	0	+2	1200	1200

表 6-3. VOD Linear Range and DC Gain (续)

SETTING #	CFG1 PIN LEVEL	CFG2 PIN LEVEL	CH1 DC GAIN (dB)	CH2 DC GAIN (dB)	CH1 V _{OD} LINEAR RANGE (mVpp)	CH2 V _{OD} LINEAR RANGE (mVpp)
15	1	F	0	+1	1200	1200
16	1	1	+1	0	1200	1200

6.3.4 USB3.2 Dual Channel Operation (MODE = “F”)

The TUSB1002A in dual-channel operation waits for far-end terminations on both channels 1 and 2 before transitioning to fully active state (U0 mode). This mode of operation, defined as MODE pin = ‘F’, is the most common configurable for USB3.2 Source (DFP) and Sink (UFP) applications.

In a USB3.2 x2 application, two TUSB1002A redrivers are used: One on the configuration lane and the other on the non-configuration lane. The TUSB1002A on the non-configuration lane must be placed in basic redriver mode (MODE pin = “0”). Place the TUSB1002A on the configuration lane in USB3.2 dual channel operation (MODE pin = “F”). The expectation is the USB power delivery (PD) controller will hold both TUSB1002A in shutdown mode until a connection can be established. After a connection is established, the USB PD controller places each TUSB1002A into the appropriate mode.

6.3.5 USB3.2 Single Channel Operation (MODE = “1”)

In some applications, like Type-C USB3.2 active cables, only one of the two channels may be active. For this application, setting MODE pin = ‘1’, enables single-channel operation. In this mode of operation, the TUSB1002A attempts far-end termination on both channels 1 and 2. The channel which has a far-end termination detected is enabled while the remaining channel is disabled. If far-end termination is detected on both channels, then TUSB1002A behaves in dual channel operation (both channels enabled).

6.3.6 PCIe/SATA/SATA Express Redriver Operation (MODE = “R”; CFG1 = “0”; CFG2 = “0”)

The TUSB1002A can be used as a PCI Express (PCIe) Gen3, SATA Gen3, or SATA Express redriver. When the MODE pin = “R”, CFG1 pin = “0”, and CFG2 pin = “0”, the TUSB1002A enables both channels (upstream and downstream) receiver and transmitter paths after the device detects far-end termination on both TX1 and TX2. Both upstream and downstream paths remain enabled until EN pin is deasserted low. All USB3.2 power management functionality is disabled in this mode. In this mode, the TUSB1002A is transparent to PCIe link power management (L0s, L1) and SATA interface power states. After far-end termination is detected on both TX1 and TX2, the TUSB1002A power is at P_(U0_SSP_1200mV) regardless of the PCIe or SATA power state. To save power during system S3/S4/S5 states it is suggested to deassert the EN pin to conserve power.

备注

In this mode the linearity range is fixed at 1200mVpp and DC gain to 0dB.

6.3.7 Basic Redriver Operation (MODE = “0”)

The TUSB1002A can be used as a basic redriver for non-USB3.2 x1 applications. When the TUSB1002A MODE pin = “0”, the TUSB1002A enables both channels receiver and transmitter paths. The channel receiver and transmitter termination are both enabled. All USB3.2 power management functionality is disabled.

6.4 Device Functional Modes

6.4.1 Shutdown Mode

The Shutdown mode is entered when EN pin is low and VCC is active and stable. This mode is the lowest power state of the TUSB1002A. While in this mode, the TUSB1002A receiver terminations is disabled.

6.4.2 Disconnect Mode

Next to Shutdown Mode, the Disconnect mode is the lowest power state of the TUSB1002A. The TUSB1002A enters this mode when exiting Shutdown mode. In this state, the TUSB1002A periodically checks for far-end receiver termination on both SSTX1 and SSTX2. After detection of the far-end receiver's termination on both ports, the TUSB1002A transitions to a fully active mode called U0 mode.

6.5 U0 Mode

The U0 mode is the highest power state of the TUSB1002A. Anytime high-speed traffic (SuperSpeed or SuperSpeedPlus) is being received, the TUSB1002A remains in this mode. The TUSB1002A only exits this mode if electrical idle is detected on both SSRX1 and SSRX2. While in this mode, the TUSB1002A hs speed receivers and transmitters are powered and active.

6.6 U1 Mode

The U1 mode is the intermediate mode between U0 mode and U2/U3 mode. In U1 mode, the TUSB1002A receiver termination remains enabled and the TXP/N DC common mode is maintained.

6.7 U2/U3 Mode

Next to the disconnect mode, the U2/U3 mode is next lowest power state. While in this mode, the TUSB1002A periodically performs far-end receiver detection. Anytime the far-end receiver termination is not detected on either CH1 or CH2, the TUSB1002A leaves the U2/U3 mode and transition to the Disconnect mode. The device also monitors the SSRX1 and SSRX2 for a valid LFPS. After a valid LFPS is detected, the TUSB1002A immediately transitions to the U0 mode.

7 Application and Implementation

备注

以下应用部分中的信息不属于 TI 器件规格的范围，TI 不担保其准确性和完整性。TI 的客户应负责确定器件是否适用于其应用。客户应验证并测试其设计，以确保系统功能。

7.1 Application Information

The TUSB1002A is a linear redriver designed specifically to compensation for ISI jitter caused by attenuation through a passive medium like traces and cables. Because the TUSB1002A has two independent channels, it can be optimized to correct ISI in both the upstream and downstream direction through 16 different equalization choices. Placing the TUSB1002A between a USB3.2 Host/device controller and a USB3.2 receptacle can correct signal integrity issues resulting in a more robust system.

7.2 Typical USB3.2 Application

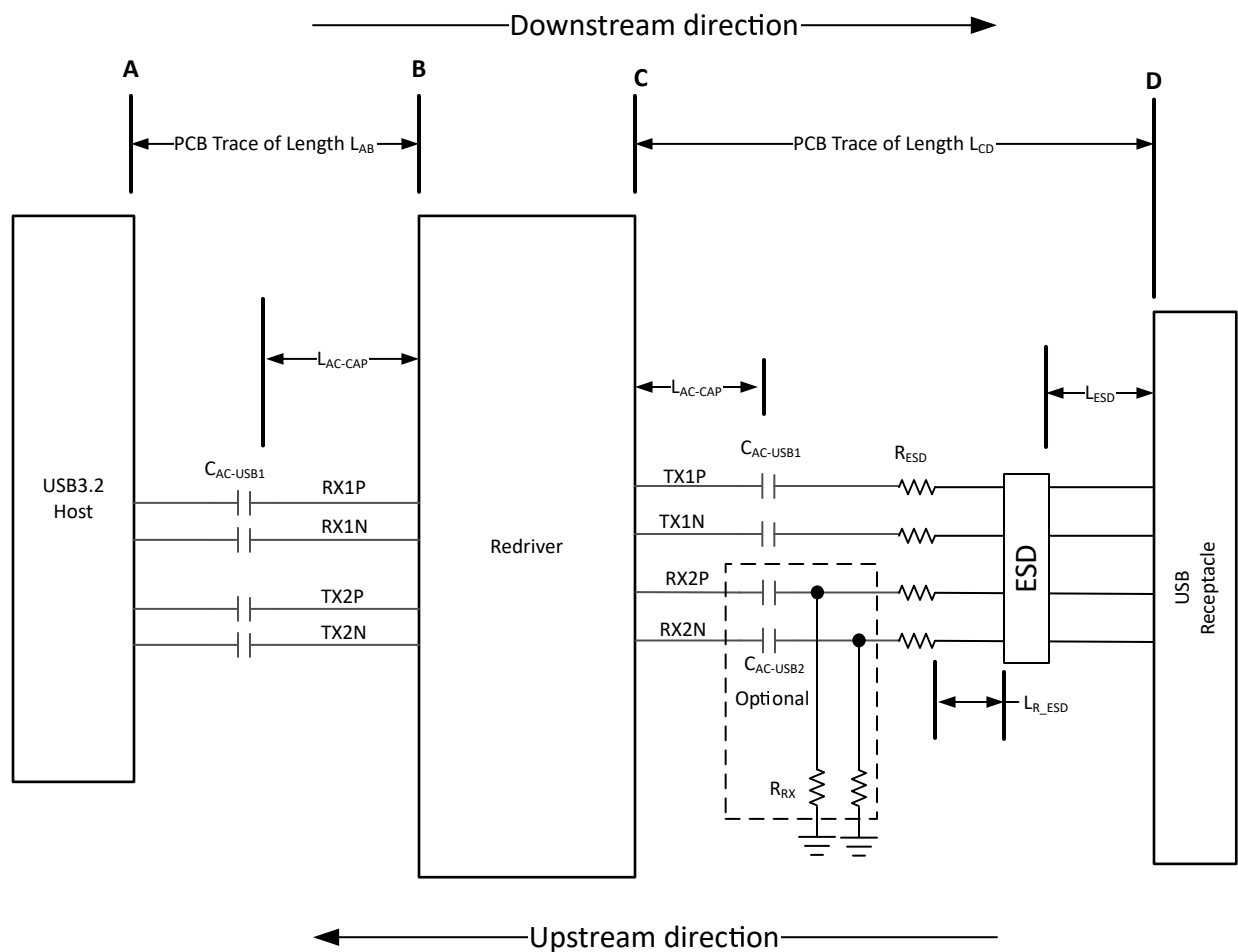


图 7-1. TUSB1002A in USB3.2 x1 Host Application

7.2.1 Design Requirements

For this design example, use the parameters shown in 表 7-1.

表 7-1. Design Parameters

PARAMETER	VALUE
Pre-channel A to B PCB trace length ⁽¹⁾ , L_{AB} .	1 inches $\leq L_{AB} \leq$ 12 inches - L_{CD}
Post-channel C to D PCB trace length ⁽¹⁾ , L_{CD} .	\leq 4 inches
Minimum distance of the AC capacitors from TUSB1002A, L_{AC-CAP}	0.25 inches
Maximum distance of ESD component from the USB receptacle, L_{ESD}	0.6 inches
Maximum distance of series resistor (R_{ESD}) from ESD component, L_{R_ESD} .	0.25 inches
$C_{AC-USB1}$ AC-coupling capacitor (75nF to 265nF)	220nF
$C_{AC-USB2}$ AC-coupling capacitor (297nF to 363nF)	Options: <ul style="list-style-type: none"> • RX1 and RX2 are DC-coupled to USB receptacle • 330nF AC-couple with R_{RX} resistor
Optional R_{RX} resistor (220k Ω \pm 5%)	No used
Optional R_{ESD} (0 Ω to 2.2 Ω)	1 Ω
V_{CC} supply (3V to 3.6-V)	3.3V
Mode of Operation (Dual or Half Channel)	MODE = F (Floating) for USB3.2 Dual Channel
Linear Range (900mV, 1000mV, or 1200 mV)	1200mV (CFG[2:1] pins floating)
DC Gain (-2, -1, 0, +1, +2)	0dB (CFG[2:1] pins floating)

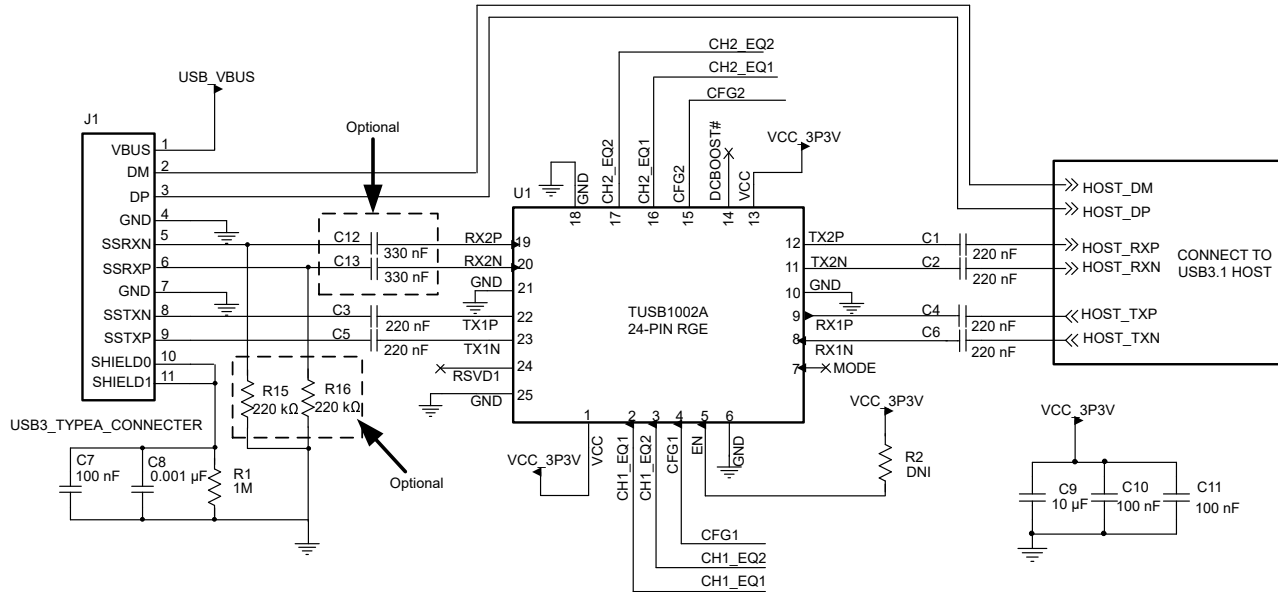
(1) Maximum trace length assumes an insertion loss of 0.2dB/inch/GHz. If insertion loss is more than 0.2 dB/inch/GHz, then maximum trace length must be reduced accordingly.

7.2.2 Detailed Design Procedure

The TUSB1002A differential receivers and transmitters have internal BIAS and termination. For this reason, the TUSB1002A must be connected to the USB3.2 host and receptacle through external A/C coupling capacitors. In this example 220nF capacitors are placed on TX2P and TX2N, RX1P and RX1N, and TX1P and TX1N. 330nF A/C coupling capacitors along with 220k Ω resistors to ground are placed on the RX2P and RX2N. Inclusion of the 330nF capacitors and 220k resistors is optional. The ordered list below details the three implementation options for the RX2p/n path.

There are three implementation options for USB connector to the TUSB1002A RX pins:

1. DC couple the TUSB1002A RX pins to USB connector. No 330nF capacitors and no 220k Ω pull-down resistors.
2. 330nF capacitors with 220k Ω resistors as shown in 图 7-2. The purpose of 220k Ω resistors is to discharge the capacitor within 250ms after a USB device is removed from the USB connector.
3. The stub from the 220k Ω resistor pad may create impedance discontinuities causing negative impact to performance. Assuming leakage current from external components is enough to discharge capacitor, 330nF capacitor without the 220k Ω resistor is a valid option.



Copyright © 2018, Texas Instruments Incorporated

图 7-2. Host Implementation Schematic

The USB3.2 Dual channel operation is used in this example. Leave the mode pin floating (unconnected) when using this mode.

The TUSB1002A compensates for channel loss in both the upstream (D to C) and downstream direction (A to B). This is done by configuring the CH1_EQ[2:1] and CH2_EQ[2:1] pins to the equalization setting that matches as close possible to the channel insertion loss. In this particular example, CH1_EQ[2:1] is for path A to B which is the channel between USB3.2 host and the TUSB1002A, and CH2_EQ[2:1] is for path C to D which is the channel between TUSB1002A and the USB3.2 receptacle.

The TUSB1002A supports five levels of DC gain that are selected by the CFG[2:1] pins. Typically, the DC gain is set to 0dB but may need to be adjusted to correct any one of the following conditions:

1. Input V_{ID} too high resulting in V_{OD} being greater than USB 3.2 defined swing. For this case, use a negative DC gain.
2. Input V_{ID} too low resulting in V_{OD} being less than USB 3.2 defined swing. For this case, use a positive DC gain.
3. Low frequency discontinuities in the channel resulting in DC component of the signal clipping the vertical eye mask. For this case, use a positive DC gain.

Assume in this example that the incoming V_{ID} is at the nominal defined USB3.2 range and the channel is linear across frequency. The CFG1 and CFG2 pins can both be left floating if these assumptions are true.

In this particular example, the channel A-B has a trace length of 8 inches with a 4mil trace width. This particular channel has about 0.83dB per inch of insertion loss at 5GHz. This equates to approximately 6.7dB of loss for the entire 8 inches of trace. An additional 1.5dB of loss is added due to package of the USB3.2 Host, TUSB1002A, and the A/C coupling capacitor. This brings the entire channel loss at 5GHz to 6.7dB + 1.5dB = 8.2dB. A typical USB 3.1 host/device has around 3dB of transmitter de-emphasis. Transmitter de-emphasis pre-compensates for the loss of the output channel. With 3dB of de-emphasis, the total equalization required by the TUSB1002A is in the 5.2dB (8.2dB - 3dB) range. The channel A-B for this example is connected to the RX1P/N input of the device, therefore the CH1_EQ[2:1] pins are used to adjust the TUSB1002A RX1P/N equalization settings. Set the CH1_EQ[2:1] pins such that the TUSB1002A equalization is between 5dB and 8dB.

The channel C-D has a trace length of 2 inches with a 4mil trace width. Assuming 0.83dB per inch of insertion loss, the 2 inch trace equates to about 1.66dB of loss at 5GHz. An additional 2dB of loss needs to be added due to package, A/C coupling capacitor, and the USB 3.1 receptacle. The total loss is around 3.66dB. Because channel C-D includes a USB 3.1 receptacle, the actual total loss can be much greater than 3.66dB due to the fact that devices plugged into the receptacle will also have loss. The device plugged into receptacle will have either a short or long channel. USB3.2 standard defines total loss limit of 23dB that is distributed as 8.5dB for Host, 8.5dB for device, and 6.0dB for cable. With variable channel of devices plugged into the USB3.2 receptacle, the configurable TUSB1002A RX2P/N equalization settings is not as straight forward as Channel A-B.

Engineer can not set TUSB1002A CH2_EQ[2:1] pins to the largest equalization setting to accommodate the largest allowed USB3.2 device/cable loss of 14.5dB, because doing so will cause the TUSB1002A to operate outside its linear range when a device with short channel is plugged into the receptacle. For this reason, TI recommends configure the TUSB1002A CH2_EQ[2:1] pins to equalize a shorter device channel, which will require the USB3.2 host to compensate for remaining channel loss for the worse case USB3.2 channel of 14.5dB. The definition of a short device channel is not specified in USB 3.2 specification. Therefore, an engineer must make their own loss estimate of what constitutes a short device channel. For particular example, assume the short channel is around 2 to 3dB. The channel loss of the device must be added to the estimated Channel C-D loss minus the typical 3dB of de-emphasis. This means CH2_EQ[2:1] pins can be configured to handle a loss of 3dB to 5dB.

7.2.3 ESD Protection

It may be necessary to incorporate an ESD component to protect the TUSB1002A from electrostatic discharge (ESD). TI recommends following the ESD protection recommendations listed in 表 7-2. A clamp voltage greater than value specified in 表 7-2 may require a R_{ESD} on each differential pin. Place the ESD component near the USB connector.

表 7-2. ESD Diodes Recommended Characteristics

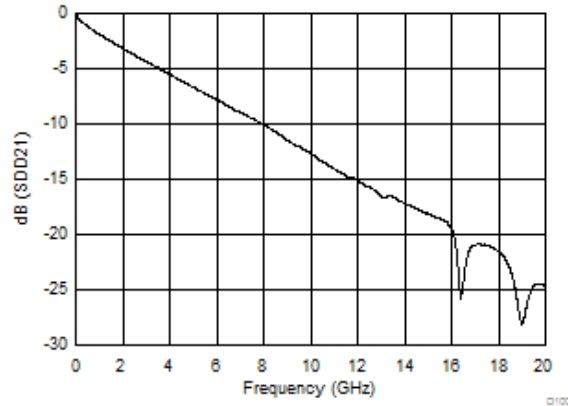
Parameter	Recommendation
Breakdown voltage	$\geq 3.5V$
I/O line capacitance	Data rates $\leq 5Gbps$: $\leq 0.50pF$
	Data rates $> 5Gbps$: $\leq 0.35pF$
Delta capacitance between any P and N I/O pins	$\leq 0.07pF$
Clamping voltage at 8A I_{PP} IO to GND ⁽¹⁾	$\leq 4.5V$
Typical dynamic resistance	$\leq 30m\Omega$

(1) According to IEC 61000-4-5 (8/20 μs current waveform)

表 7-3. Recommended ESD Protection Component

Manufacturer	Part Number	R_{ESD} to pass IEC 61000-4-2 Contact $\pm 8kV$
Nexperia	PUSB3FR4	2Ω
Nexperia	PESD2V8Y1BSF	2Ω
Texas Instruments	TPD1E04U04DPLR	2Ω
Texas Instruments	TPD4E02B04DQAR	2Ω

7.2.4 Application Curves



Freq = 5GHz

dB(SDD21) = - 6.666

图 7-3. Insertion Loss for 8-inch 4mil FR4 Trace

7.3 Typical SATA, PCIe and SATA Express Application

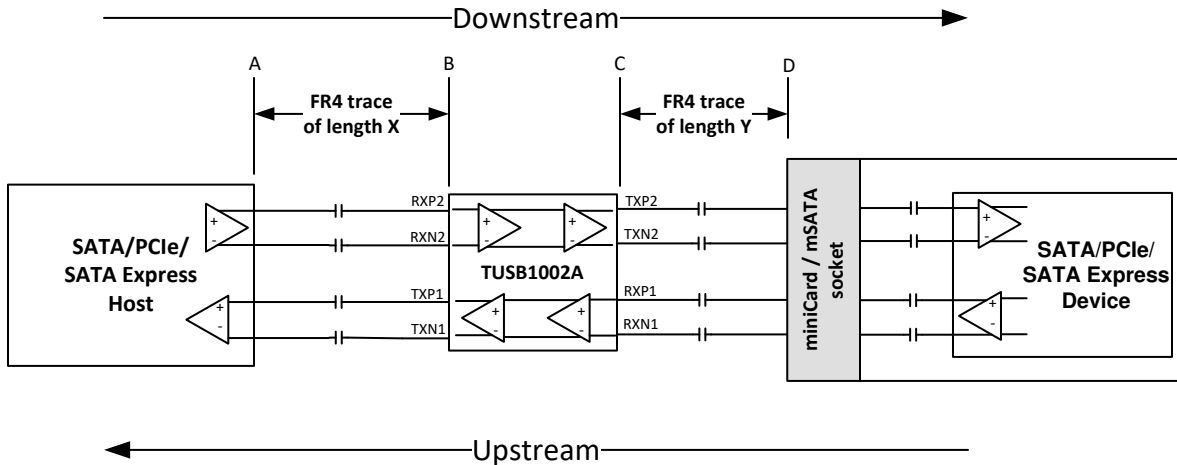


图 7-4. SATA/PCIe/SATA Express Typical Application

7.3.1 Design Requirements

表 7-4. Design Parameters

PARAMETER	VALUE
VCC supply (3V to 3.6V)	3.3V
PCIe Support Required (Yes/No)	Yes
SATA Express Support Required (Yes/No)	Yes
SATA Support Required (Yes/No)	Yes, then ferrite beads (FB1 and FB2) and 49.9Ω required. No, then ferrite bead (FB1 and FB2) and 49.9Ω not required.
TX1, TX2, RX2 A/C coupling Capacitor (176nF to 265nF)	220nF ±10%
RX1 A/C coupling Capacitor (297nF to 363nF)	Optional. But if implemented suggest 330nF ±10%
A to B FR4 Length (inches)	8
A to B FR4 Trace Width (mils)	4

表 7-4. Design Parameters (续)

PARAMETER	VALUE
C to D FR4 length (inches)	2
C to D FR4 Trace Width (mils)	4
DC Gain (-2, -1, 0, +1, +2)	Not configurable when MODE = "R", CFG1 = "0", and CFG2 = "0". Will always default to 0dB
Linear Range (900mV, 1000mV, or 1200mV)	Not configurable when MODE = "R", CFG1 = "0", and CFG2 = "0". Will always default to 1200mV

7.3.2 Detailed Design Procedure

The MODE pin = "R", CFG1 = "0", and CFG2 = "0" places the TUSB1002A into PCIe mode. In this mode, the TUSB1002A DC gain is fixed at 0dB and its linearity range is fixed at 1200mV. The TUSB1002A performs far-end receiver termination detection and enables both upstream and downstream paths when far-end termination is detected on both TX1 and TX2.

The AC coupling capacitor range defined for a SATA device is a lot smaller than the AC-coupling capacitor range defined for SATA Express and PCI Express (PCIe) as indicated by 图 7-5. The AC-coupling capacitor range defined for SATA Express and PCI Express is within the same range as the AC-coupling capacitor range defined by USB 3.1. The TUSB1002A is able to detect PCIe and SATA Express device's receiver termination. The SATA 12nF (maximum) AC-coupling capacitor prevents TUSB1002A from detecting the SATA device receiver termination. To correct this problem, a ferrite bead along with 49.9Ω resistor must be placed between C_{TX2} and miniCard/mSATA socket. These components can be isolated from the high-speed channel when PCIe or SATA Express is active by using an NFET as shown in 图 7-6. The NFET is enabled whenever a SATA device is present. The ferrite bead chosen must present at least 600Ω impedance at 100MHz so as to not impact high-speed signaling. TI recommends to use Murata BLM03AG601SN1 or BLM03HD601SN1D or a ferrite bead with similar characteristics from a different vendor. For applications which only require support for PCIe and SATA Express and do not need to support SATA, the ferrite beads and 49.9Ω resistors are not needed.

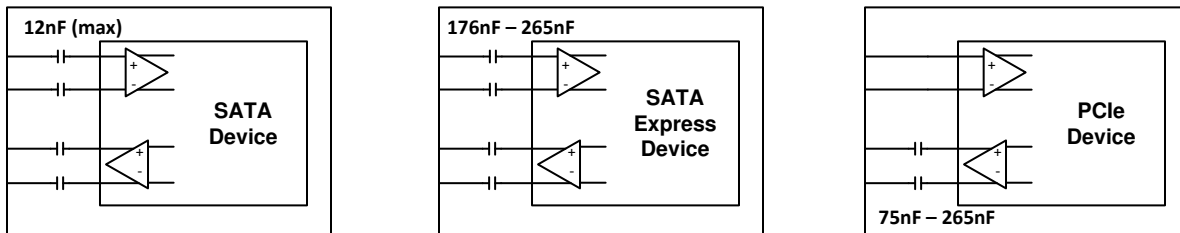


图 7-5. AC-Coupling Capacitor Implementation for SATA, SATA Express, and PCIe Devices

The TUSB1002A power is at $P_{(U0_SSP_1200mV)}$ when both its upstream and downstream paths are enabled. In order to save system power in system S3/S4/S5 states, it is suggested to control the TUSB1002A EN pin. Anytime the system enters a low power state (S3, S4, or S5), it is suggested to deassert the EN pin. While EN pin is deasserted, the TUSB1002A consumes $P_{(SHUTDOWN)}$. Assertion of this pin is necessary anytime the system exits a lower power state.

The TUSB1002A compensates for channel loss in both the upstream (C to D) and downstream direction (A to B). This is done by configurable the CH1_EQ[2:1] and CH2_EQ[2:1] pins to the equalization setting that matches as close possible to the channel insertion loss. In this particular example, CH2_EQ[2:1] is for path A to B which is the channel between PCIe/SATA/SATA Express host and the TUSB1002A, and CH1_EQ[2:1] is for path C to D which is the channel between TUSB1002A and the miniCard/mSATA socket.

In this particular example, the channel A-B has a trace length of 8 inches with a 4mil trace width. This particular channel has about 0.83dB per inch of insertion loss at 5GHz. This equates to approximately 6.7dB of loss for the entire 8 inches of trace as depicted in 图 7-3. An additional 1.5dB of loss is added due to package of the PCIe/SATA/SATA Express Host, TUSB1002A, and the A/C coupling capacitor. This brings the entire channel loss at

5GHz to 6.7dB + 1.5dB = 8.2dB. The channel A-B for this example is connected to the TUSB1002A RX2P/N input, therefore the CH2_EQ[2:1] pins are used to adjust the TUSB1002A RX2P/N equalization settings. Set the CH2_EQ[2:1] pins such that the TUSB1002A equalization is between 5dB and 8dB. A value closer to 5dB may be best if Host has transmitter de-emphasis.

A similar method can be used for the upstream path (C to D). In this particular example, C to D has a trace length of 2 inches with a 4mil trace width. This equates to approximately 1.5dB at 5GHz. The SATA/SATA Express/PCIe device will also have channel loss. This loss can be added to the C to D channel loss. For this example, assume a value of 5dB is acceptable to compensate for C to D channel loss as well as loss associated with the SATA/SATA Express/PCIe device. Set the CH1_EQ[2:1] pins such that the TUSB1002A equalization is 5dB.

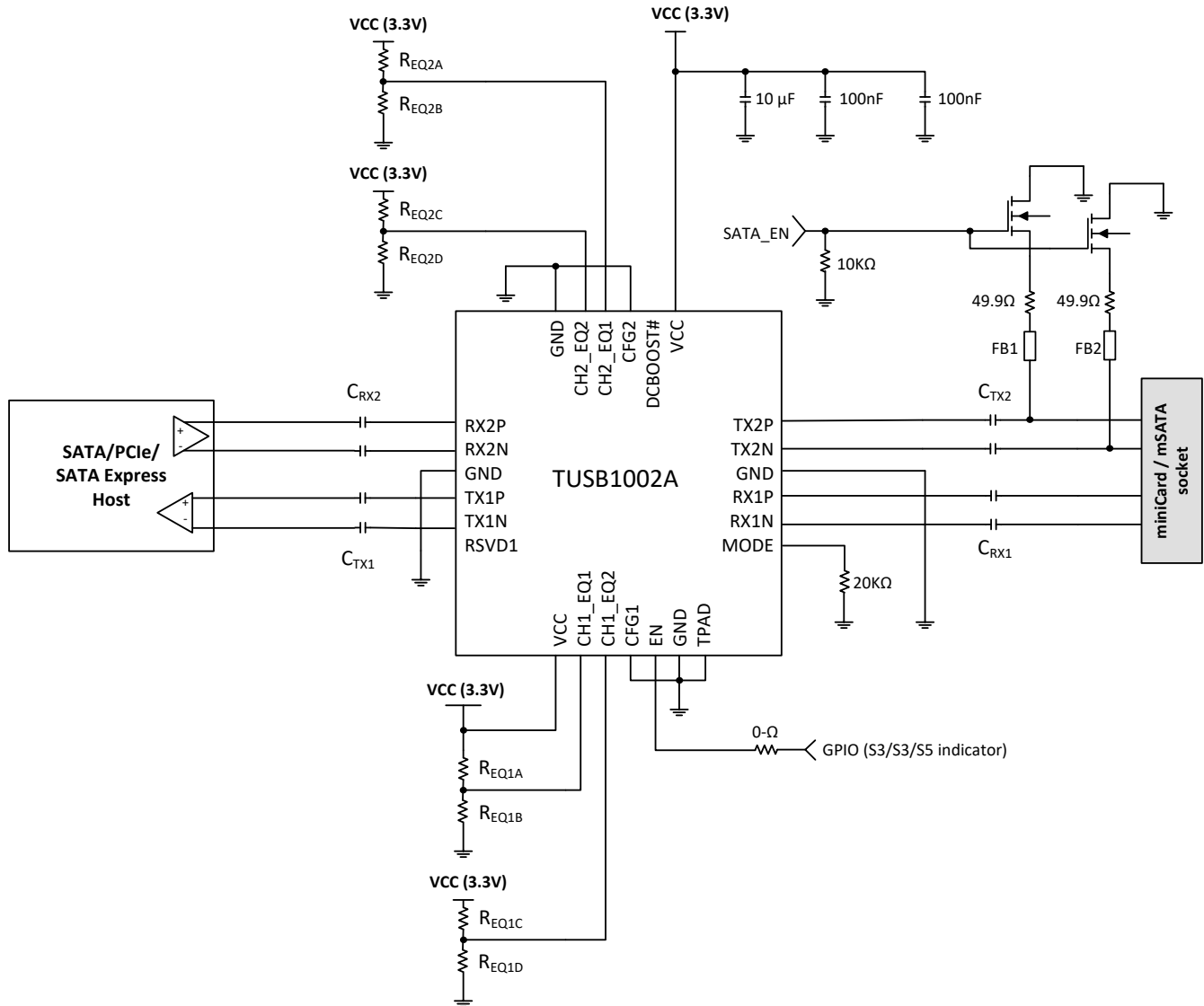


图 7-6. Example SATA/PCIe/SATA Express Schematic

7.3.3 Application Curves

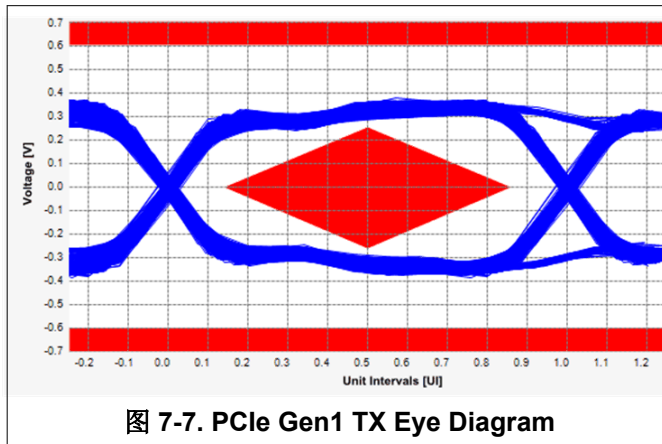


图 7-7. PCIe Gen1 TX Eye Diagram

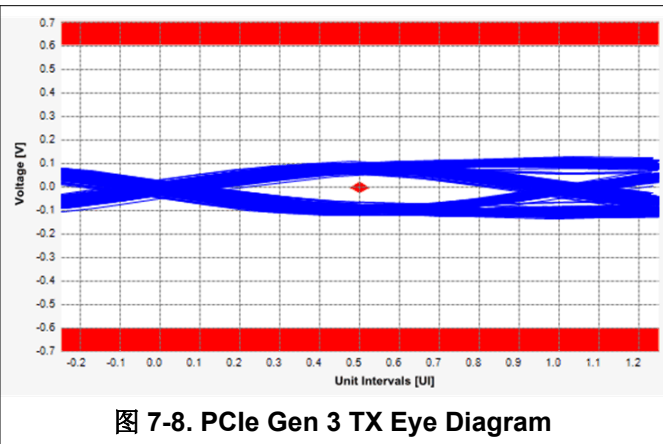


图 7-8. PCIe Gen3 TX Eye Diagram

7.4 Power Supply Recommendations

The TUSB1002A has two V_{CC} supply pins. TI recommends to place a 100nF de-coupling capacitor near each of the V_{CC} pins. TI also recommends to have at least one bulk capacitor of at least 10 μ F on the V_{CC} plane near the TUSB1002A.

7.5 Layout

7.5.1 Layout Guidelines

- Route RXP/N and TXP/N pairs with controlled 90 Ω differential impedance ($\pm 15\%$).
- Keep away from other high speed signals.
- In USB3 applications maintaining polarity through the TUSB1002A is not necessary. Therefore, TI recommends connecting polarity in such a way that produces the best routing.
- Keep intra-pair routing to within 2mils.
- Intra-pair length matching must be near the location of mismatch.
- Inter-pair length matching is not necessary.
- Separate each pair at least by 3 times the signal trace width.
- Keep the use of bends in differential traces to a minimum. When bends are used, keep the number of left and right bends equal as possible and the angle of the bend should be ≥ 135 degrees. This minimizes any length mismatch causes by the bends; and therefore, minimize the impact bends have on EMI.
- Route all differential pairs on the same of layer.
- The number of VIAS must be kept to a minimum. TI recommends keeping the VIAS count to 2 or less.
- Keep traces on layers adjacent to ground plane.
- Do NOT route differential pairs over any plane split.
- When using thru-hole USB connectors, it is recommend to route differential pairs on bottom layer in order to minimize the stub created by the thru-hole connector.
- Adding Test points causes impedance discontinuity; and therefore, negatively impact signal performance. If test points are used, place the test points in series and symmetrically. They must not be placed in a manner that causes a stub on the differential pair.

7.5.2 Layout Example

Example 4 layer PCB Stackup

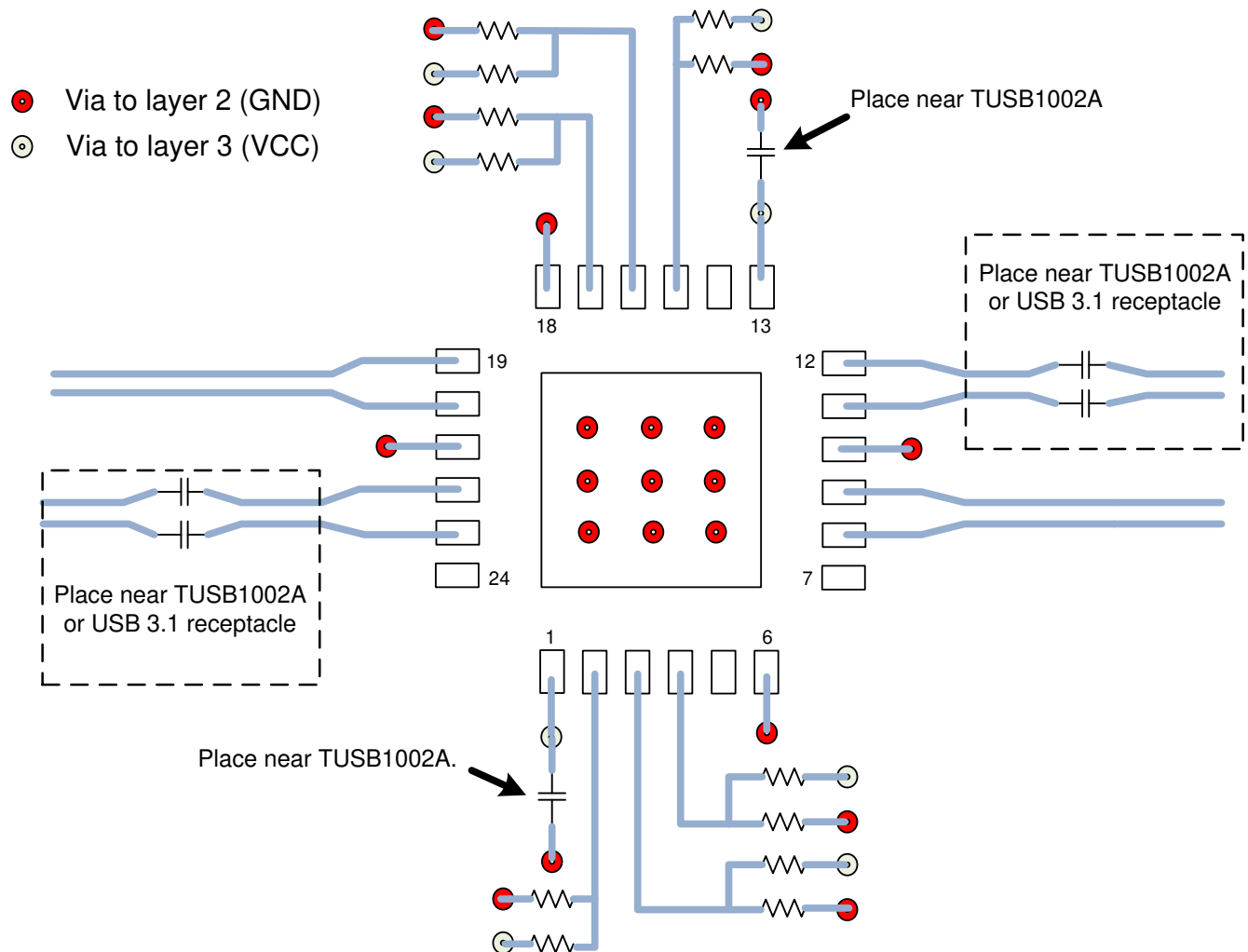
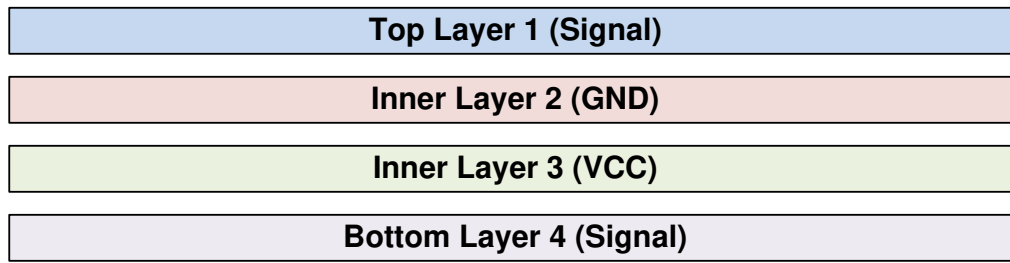


图 7-9. Example Layout

8 Device and Documentation Support

8.1 接收文档更新通知

要接收文档更新通知，请导航至 ti.com 上的器件产品文件夹。点击 [通知](#) 进行注册，即可每周接收产品信息更改摘要。有关更改的详细信息，请查看任何已修订文档中包含的修订历史记录。

8.2 支持资源

[TI E2E™ 中文支持论坛](#) 是工程师的重要参考资料，可直接从专家处获得快速、经过验证的解答和设计帮助。搜索现有解答或提出自己的问题，获得所需的快速设计帮助。

链接的内容由各个贡献者“按原样”提供。这些内容并不构成 TI 技术规范，并且不一定反映 TI 的观点；请参阅 TI 的 [使用条款](#)。

8.3 Trademarks

TI E2E™ is a trademark of Texas Instruments.

所有商标均为其各自所有者的财产。

8.4 静电放电警告



静电放电 (ESD) 会损坏这个集成电路。德州仪器 (TI) 建议通过适当的预防措施处理所有集成电路。如果不遵守正确的处理和安装程序，可能会损坏集成电路。

ESD 的损坏小至导致微小的性能降级，大至整个器件故障。精密的集成电路可能更容易受到损坏，这是因为非常细微的参数更改都可能会导致器件与其发布的规格不相符。

8.5 术语表

[TI 术语表](#) 本术语表列出并解释了术语、首字母缩略词和定义。

9 Revision History

注：以前版本的页码可能与当前版本的页码不同

Changes from Revision B (October 2023) to Revision C (July 2024)	Page
• Added the <i>ESD Diodes Recommendations Characteristics</i> table.....	22
• Changed recommended R_{ESD} for Nexperia from none to $2\ \Omega$	22
<hr/>	
Changes from Revision A (November 2018) to Revision B (October 2023)	Page
• 更新了整个文档中的表格、图和交叉参考的编号格式.....	1
• 更新了 <i>器件信息</i> 表以包含环境温度.....	1
• Updated the <i>TUSB1002A in ESB3.2 x1 Host Application</i> figure to include ESD and optional $220k\ \Omega$ pulldown on RX pins.....	19
• Updated the <i>Design Parameters</i> table to include pre-channel and post-channel min/max limits.....	20
• Changed 100nF recommendation to 220nF for ac-coupling capacitors	20
• Added the <i>ESD Protection</i> section.....	22
<hr/>	
Changes from Revision * (March 2018) to Revision A (November 2018)	Page
• Changed text from: "Inclusion of these 330nF capacitors and 220k Ω resistors is optional but highly recommended." to: "Inclusion of the 330nF capacitors and 220k Ω resistors is optional." in the <i>Detailed Design Procedure</i>	20
• Added ordered list of implementation options for USB connector to TUSB1002A RX pins	20

10 Mechanical, Packaging, and Orderable Information

The following pages include mechanical, packaging, and orderable information. This information is the most current data available for the designated devices. This data is subject to change without notice and revision of this document. For browser-based versions of this data sheet, refer to the left-hand navigation.

PACKAGING INFORMATION

Orderable Device	Status (1)	Package Type	Package Drawing	Pins	Package Qty	Eco Plan (2)	Lead finish/ Ball material (6)	MSL Peak Temp (3)	Op Temp (°C)	Device Marking (4/5)	Samples
TUSB1002AIRGER	ACTIVE	VQFN	RGE	24	3000	RoHS & Green	NIPDAU	Level-1-260C-UNLIM	-40 to 85	TUSB 1002A	Samples
TUSB1002AIRGET	ACTIVE	VQFN	RGE	24	250	RoHS & Green	NIPDAU	Level-1-260C-UNLIM	-40 to 85	TUSB 1002A	Samples
TUSB1002ARGER	ACTIVE	VQFN	RGE	24	3000	RoHS & Green	NIPDAU	Level-1-260C-UNLIM	0 to 70	TUSB 1002A	Samples
TUSB1002ARGET	ACTIVE	VQFN	RGE	24	250	RoHS & Green	NIPDAU	Level-1-260C-UNLIM	0 to 70	TUSB 1002A	Samples

(1) The marketing status values are defined as follows:

ACTIVE: Product device recommended for new designs.

LIFEBUY: TI has announced that the device will be discontinued, and a lifetime-buy period is in effect.

NRND: Not recommended for new designs. Device is in production to support existing customers, but TI does not recommend using this part in a new design.

PREVIEW: Device has been announced but is not in production. Samples may or may not be available.

OBSELETE: TI has discontinued the production of the device.

(2) **RoHS:** TI defines "RoHS" to mean semiconductor products that are compliant with the current EU RoHS requirements for all 10 RoHS substances, including the requirement that RoHS substance do not exceed 0.1% by weight in homogeneous materials. Where designed to be soldered at high temperatures, "RoHS" products are suitable for use in specified lead-free processes. TI may reference these types of products as "Pb-Free".

RoHS Exempt: TI defines "RoHS Exempt" to mean products that contain lead but are compliant with EU RoHS pursuant to a specific EU RoHS exemption.

Green: TI defines "Green" to mean the content of Chlorine (Cl) and Bromine (Br) based flame retardants meet JS709B low halogen requirements of <=1000ppm threshold. Antimony trioxide based flame retardants must also meet the <=1000ppm threshold requirement.

(3) MSL, Peak Temp. - The Moisture Sensitivity Level rating according to the JEDEC industry standard classifications, and peak solder temperature.

(4) There may be additional marking, which relates to the logo, the lot trace code information, or the environmental category on the device.

(5) Multiple Device Markings will be inside parentheses. Only one Device Marking contained in parentheses and separated by a "~" will appear on a device. If a line is indented then it is a continuation of the previous line and the two combined represent the entire Device Marking for that device.

(6) Lead finish/Ball material - Orderable Devices may have multiple material finish options. Finish options are separated by a vertical ruled line. Lead finish/Ball material values may wrap to two lines if the finish value exceeds the maximum column width.

Important Information and Disclaimer:The information provided on this page represents TI's knowledge and belief as of the date that it is provided. TI bases its knowledge and belief on information provided by third parties, and makes no representation or warranty as to the accuracy of such information. Efforts are underway to better integrate information from third parties. TI has taken and

continues to take reasonable steps to provide representative and accurate information but may not have conducted destructive testing or chemical analysis on incoming materials and chemicals. TI and TI suppliers consider certain information to be proprietary, and thus CAS numbers and other limited information may not be available for release.

In no event shall TI's liability arising out of such information exceed the total purchase price of the TI part(s) at issue in this document sold by TI to Customer on an annual basis.

TAPE AND REEL INFORMATION

QUADRANT ASSIGNMENTS FOR PIN 1 ORIENTATION IN TAPE


*All dimensions are nominal

Device	Package Type	Package Drawing	Pins	SPQ	Reel Diameter (mm)	Reel Width W1 (mm)	A0 (mm)	B0 (mm)	K0 (mm)	P1 (mm)	W (mm)	Pin1 Quadrant
TUSB1002AIRGER	VQFN	RGE	24	3000	330.0	12.4	4.25	4.25	1.15	8.0	12.0	Q2
TUSB1002AIRGET	VQFN	RGE	24	250	180.0	12.4	4.25	4.25	1.15	8.0	12.0	Q2
TUSB1002ARGER	VQFN	RGE	24	3000	330.0	12.4	4.25	4.25	1.15	8.0	12.0	Q2
TUSB1002ARGET	VQFN	RGE	24	250	180.0	12.4	4.25	4.25	1.15	8.0	12.0	Q2

TAPE AND REEL BOX DIMENSIONS



*All dimensions are nominal

Device	Package Type	Package Drawing	Pins	SPQ	Length (mm)	Width (mm)	Height (mm)
TUSB1002AIRGER	VQFN	RGE	24	3000	367.0	367.0	35.0
TUSB1002AIRGET	VQFN	RGE	24	250	210.0	185.0	35.0
TUSB1002ARGER	VQFN	RGE	24	3000	367.0	367.0	35.0
TUSB1002ARGET	VQFN	RGE	24	250	210.0	185.0	35.0

RGE 24

GENERIC PACKAGE VIEW

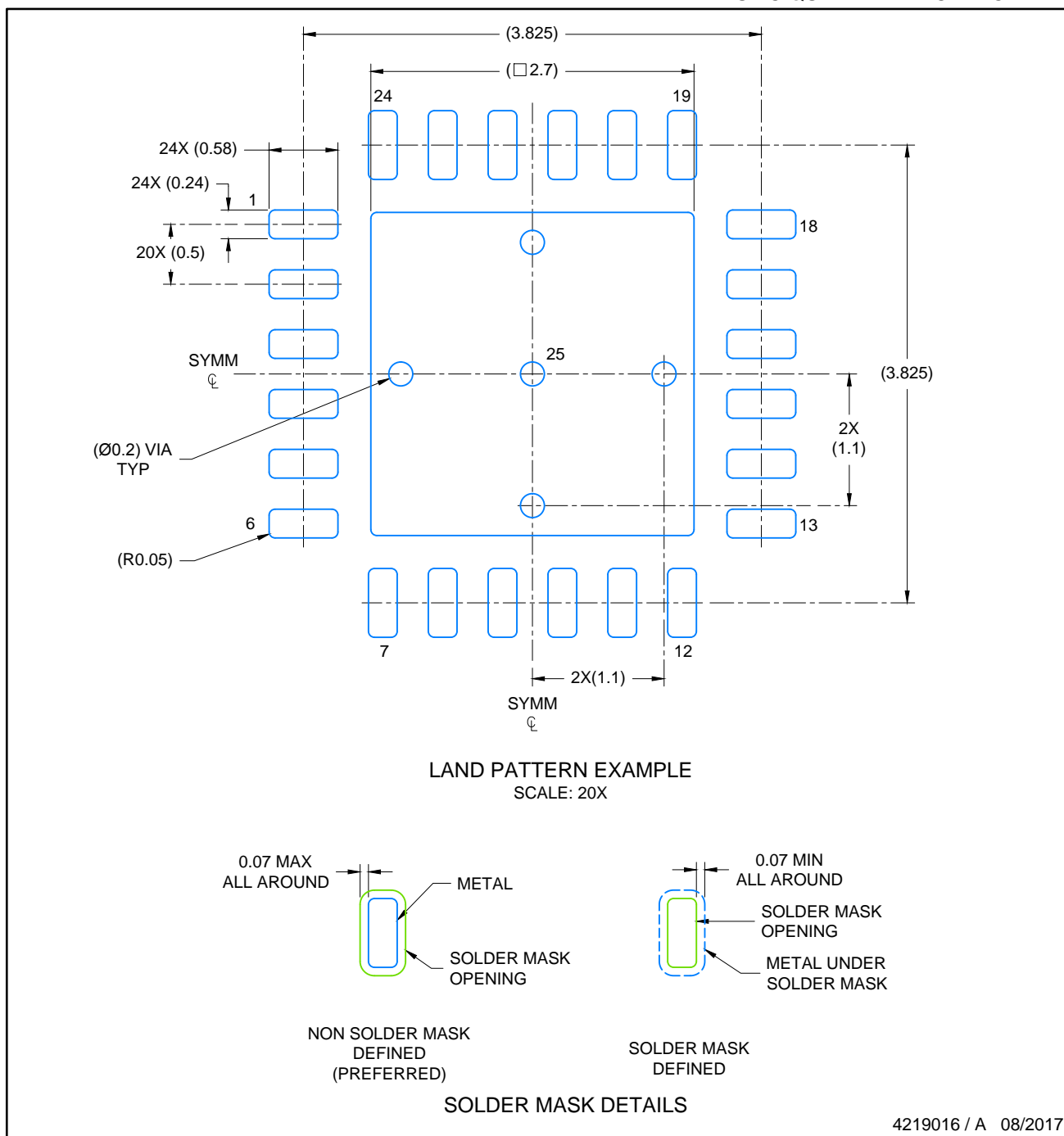
VQFN - 1 mm max height

PLASTIC QUAD FLATPACK - NO LEAD



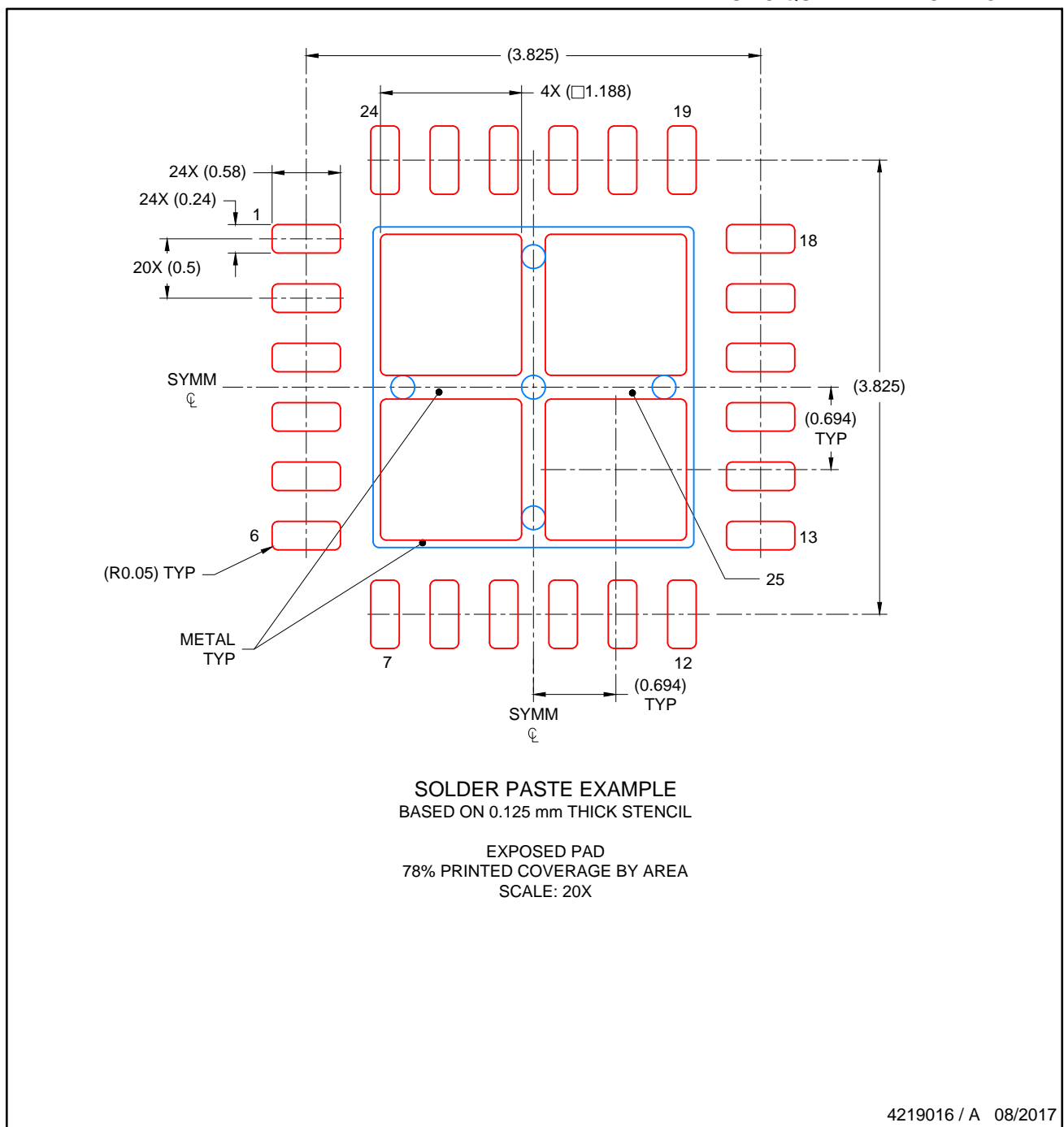
Images above are just a representation of the package family, actual package may vary.
Refer to the product data sheet for package details.

4204104/H



NOTES: (continued)

4. This package is designed to be soldered to a thermal pad on the board. For more information, see Texas Instruments literature number SLUA271 (www.ti.com/lit/slua271).
5. Solder mask tolerances between and around signal pads can vary based on board fabrication site.



NOTES: (continued)

- 6. Laser cutting apertures with trapezoidal walls and rounded corners may offer better paste release. IPC-7525 may have alternate design recommendations..

重要声明和免责声明

TI“按原样”提供技术和可靠性数据（包括数据表）、设计资源（包括参考设计）、应用或其他设计建议、网络工具、安全信息和其他资源，不保证没有瑕疵且不做任何明示或暗示的担保，包括但不限于对适销性、某特定用途方面的适用性或不侵犯任何第三方知识产权的暗示担保。

这些资源可供使用 TI 产品进行设计的熟练开发人员使用。您将自行承担以下全部责任：(1) 针对您的应用选择合适的 TI 产品，(2) 设计、验证并测试您的应用，(3) 确保您的应用满足相应标准以及任何其他功能安全、信息安全、监管或其他要求。

这些资源如有变更，恕不另行通知。TI 授权您仅可将这些资源用于研发本资源所述的 TI 产品的应用。严禁对这些资源进行其他复制或展示。您无权使用任何其他 TI 知识产权或任何第三方知识产权。您应全额赔偿因在这些资源的使用中对 TI 及其代表造成的任何索赔、损害、成本、损失和债务，TI 对此概不负责。

TI 提供的产品受 [TI 的销售条款](#) 或 [ti.com](#) 上其他适用条款/TI 产品随附的其他适用条款的约束。TI 提供这些资源并不会扩展或以其他方式更改 TI 针对 TI 产品发布的适用的担保或担保免责声明。

TI 反对并拒绝您可能提出的任何其他或不同的条款。

邮寄地址：Texas Instruments, Post Office Box 655303, Dallas, Texas 75265
Copyright © 2024，德州仪器 (TI) 公司