

# 具有 VCONN 的 TUSB321 USB Type-C™ 配置通道逻辑和端口控件

## 1 特性

- USB Type-C™ 规范 1.1
- 向后兼容 USB Type-C 规范 1.0
- 通过专用电流模式引脚支持高达 3A 的电流通告
- 模式配置
  - 仅主机 - 下行端口 (DFP) (供电设备)
  - 仅设备 - 上行端口 (UFP) (受电设备)
  - 双角色端口 - DRP
- 通道配置 (CC)
  - USB 端口连接检测
  - 电缆方向检测
  - 角色检测
  - Type-C 电流模式通告和检测 (默认、中等和高)
- $V_{BUS}$  检测
- 针对有源电缆提供 VCONN 支持
- 外部开关电缆检测与方向控制
- 电源电压: 4.5V 至 5.5V
- 低电流消耗

## 2 应用

- 主机、设备、双角色端口 应用
- 移动电话
- 平板电脑和笔记本电脑
- USB 外设

## 3 说明

TUSB321 器件可在 USB Type-C 端口上实现 Type-C 生态系统所需的配置通道 (CC) 逻辑。TUSB321 器件使用 CC 引脚来确定端口连接和分离、电缆方向、角色检测以及对 Type-C 电流模式的端口控制。

TUSB321 器件可配置为下行端口 (DFP)、上行端口 (UFP) 或双角色端口 (DRP)，是各种应用的理想之选。

根据 Type-C 规范，TUSB321 器件在配置为 DRP 时，会交替配置为 DFP 或 UFP。CC 逻辑块通过监视 CC1 和 CC2 引脚上的上拉或下拉电阻，以确定何时连接了 USB 端口、电缆的方向以及检测到的角色。CC 逻辑根据检测到的角色来确定 Type-C 电流模式为默认、中等还是高。该逻辑通过实施  $V_{BUS}$  检测来确定端口在 UFP 和 DRP 模式下是否连接成功。

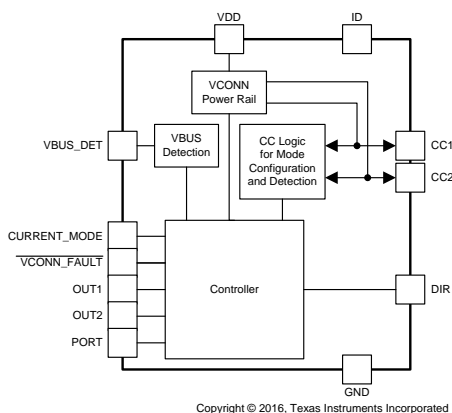
该器件能够在宽电源范围内工作，并且具有较低功耗。

器件信息<sup>(1)</sup>

器件型号	封装	封装尺寸 (标称值)
TUSB321	X2QFN (12)	1.60mm x 1.60mm

(1) 如需了解所有可用封装，请参阅数据表末尾的可订购产品附录。

简化原理图



示例应用



## 目录

1 特性 .....	1	7.4 Device Functional Modes .....	11
2 应用 .....	1	<b>8 Application and Implementation</b> .....	<b>13</b>
3 说明 .....	1	8.1 Application Information .....	13
4 修订历史记录 .....	2	8.2 Typical Application .....	13
<b>5 Pin Configuration and Functions</b> .....	<b>3</b>	8.3 Initialization Set Up .....	17
<b>6 Specifications</b> .....	<b>4</b>	<b>9 Power Supply Recommendations</b> .....	<b>17</b>
6.1 Absolute Maximum Ratings .....	4	<b>10 Layout</b> .....	<b>17</b>
6.2 ESD Ratings .....	4	10.1 Layout Guidelines .....	17
6.3 Recommended Operating Conditions .....	4	10.2 Layout Example .....	17
6.4 Thermal Information .....	4	<b>11 器件和文档支持</b> .....	<b>18</b>
6.5 Electrical Characteristics .....	5	11.1 接收文档更新通知 .....	18
6.6 Switching Characteristics .....	6	11.2 社区资源 .....	18
<b>7 Detailed Description</b> .....	<b>8</b>	11.3 商标 .....	18
7.1 Overview .....	8	11.4 静电放电警告 .....	18
7.2 Functional Block Diagram .....	9	11.5 术语表 .....	18
7.3 Feature Description .....	9	<b>12 机械、封装和可订购信息</b> .....	<b>18</b>

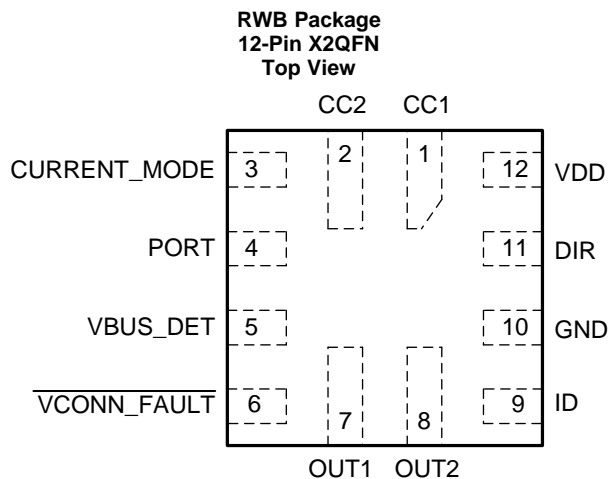
## 4 修订历史记录

Changes from Revision B (September 2016) to Revision C	Page
• 删除了特性“-40°C 至 85°C 的工业温度范围” .....	1
• 删除了说明中的“TUSB321 器件适用于工业和商业级温度范围。”文本 .....	1
• Changed pin VBUS_DET description From: 900-kΩ To: $R_{VBUS}$ in <i>Pin Functions</i> table. ....	3
• Changed $R_{VBUS}$ values From: MIN = 891, TYP = 900, MAX = 909 KΩ To: MIN = 855, TYP = 887, MAX = 920 KΩ .....	6
• Changed resistor value From: 900 kΩ To: $R_{VBUS}$ in <a href="#">Figure 3</a> .....	8
• Changed resistor value From: 900 kΩ To: $R_{VBUS}$ in <i>Functional Block Diagram</i> .....	9
• Changed From: The system $V_{BUS}$ voltage must be routed through a 900-kΩ resistor to the VBUS_DET pin .. To: The system $V_{BUS}$ voltage must be routed through a $R_{VBUS}$ resistor to the VBUS_DET pin .. in the <i><math>V_{BUS}</math> Detection</i> .....	11
• Added resistor $R_{VBUS}$ in <a href="#">Figure 4</a> .....	14
• Added row for $R_{VBUS}$ to <a href="#">Table 4</a> .....	15
• Changed From: must be connected through a 900-kΩ resistor to $V_{BUS}$ on the Type-C... To: must be connected through a $R_{VBUS}$ resistor to $V_{BUS}$ on the Type-C .. in the <i>Detailed Design Procedure</i> .....	15

Changes from Revision A (June 2015) to Revision B	Page
• Changed pins CC1 and CC2 values From: MIN = -0.3 MAX = $V_{DD} + 0.3$ To: MIN -0.3 MAX = 6 in the <a href="#">Absolute Maximum Ratings</a> .....	4

Changes from Original (June 2015) to Revision A	Page
• 已更改 器件状态从 <a href="#">产品预览</a> 更改为 <a href="#">量产数据</a> .....	1

## 5 Pin Configuration and Functions



**Pin Functions**

PIN		TYPE	DESCRIPTION
NAME	NO.		
CC1	1	I/O	Type-C configuration channel signal 1
CC2	2	I/O	Type-C configuration channel signal 2
CURRENT_MODE	3	I	Advertise VBUS current. This 3-level input is used to control current advertisement in DFP mode or DRP mode connected as source. (See <a href="#">Table 2</a> .) L - Default Current. Pull-down to GND or leave unconnected. M - Medium (1.5A) current. Pull-up to V <sub>DD</sub> with 500-kΩ resistor. H - High (3.0A) current. Pull-up to V <sub>DD</sub> with 10-kΩ resistor.
PORT	4	I	Tri-level input pin to indicate port mode. The state of this pin is sampled when VDD is active. H - DFP (Pull-up to V <sub>DD</sub> if DFP mode is desired) NC - DRP (Leave unconnected if DRP mode is desired) L - UFP (Pull-down or tie to GND if UFP mode is desired)
VBUS_DET	5	I	5- to 28-V V <sub>BUS</sub> input voltage. V <sub>BUS</sub> detection determines UFP attachment. One R <sub>VBUS</sub> external resistor required between system V <sub>BUS</sub> and VBUS_DET pin.
VCONN_FAULT	6	O	Open-drain output and is asserted low for t <sub>FAULT</sub> when VCONN over-current fault is detected. (See <a href="#">Figure 2</a> .)
OUT1	7	I/O	This pin is an open drain output for communicating Type-C current mode detect when the device is in UFP mode. Default current mode detected (H); medium or high current mode detected (L). (See <a href="#">Table 2</a> .)
OUT2	8	I/O	This pin is an open drain output for communicating Type-C current mode detect when the device is in UFP mode: default or medium current mode detected (H); high current mode detected (L). (See <a href="#">Table 2</a> .)
ID	9	O	Open drain output; asserted low when the CC pins detect device attachment when port is a source (DFP), or dual-role (DRP) acting as source (DFP).
GND	10	G	Ground
DIR	11	O	DIR of plug. This open drain output indicates the detected plug orientation: Type-C plug position 2 (H); Type-C plug position 1 (L).
VDD	12	P	Positive supply voltage

## 6 Specifications

### 6.1 Absolute Maximum Ratings

 over operating free-air temperature range (unless otherwise noted)<sup>(1)</sup>

		MIN	MAX	UNIT
Supply voltage	V <sub>DD</sub>	-0.3	6	V
Control pins	PORT, CURRENT_MODE, ID, DIR, VCONN_FAULT	-0.3	V <sub>DD</sub> + 0.3	V
	CC1, CC2	-0.3	6	
	OUT1, OUT2	-0.3	V <sub>DD</sub> + 0.3	
	VBUS_DET	-0.3	4	
Storage temperature, T <sub>stg</sub>		-65	150	°C

- (1) Stresses beyond those listed under *Absolute Maximum Ratings* may cause permanent damage to the device. These are stress ratings only, which do not imply functional operation of the device at these or any other conditions beyond those indicated under *Recommended Operating Conditions*. Exposure to absolute-maximum-rated conditions for extended periods may affect device reliability.

### 6.2 ESD Ratings

		VALUE	UNIT
V <sub>(ESD)</sub> Electrostatic discharge	Human-body model (HBM), per ANSI/ESDA/JEDEC JS-001 <sup>(1)</sup>	±7000	V
	Charged-device model (CDM), per JEDEC specification JESD22-C101 <sup>(2)</sup>	±1500	

- (1) JEDEC document JEP155 states that 500-V HBM allows safe manufacturing with a standard ESD control process.  
 (2) JEDEC document JEP157 states that 250-V CDM allows safe manufacturing with a standard ESD control process.

### 6.3 Recommended Operating Conditions

over operating free-air temperature range (unless otherwise noted)

		MIN	NOM	MAX	UNIT
V <sub>DD</sub>	Supply voltage range	4.5		5.5	V
V <sub>BUS</sub>	System V <sub>BUS</sub> voltage	4	5	28	V
VBUS_DET	VBUS_DET threshold voltage on the pin			4	V
VCONN	Supply for active cable (With V <sub>DD</sub> at 5 V)	4.75		5.5	V
T <sub>A</sub>	Operating free air temperature range	0	25	70	°C

### 6.4 Thermal Information

THERMAL METRIC <sup>(1)</sup>		RWB (X2QFN)	UNIT
		12 PINS	
R <sub>θJA</sub>	Junction-to-ambient thermal resistance	169.3	°C/W
R <sub>θJC(top)</sub>	Junction-to-case (top) thermal resistance	68.1	°C/W
R <sub>θJB</sub>	Junction-to-board thermal resistance	83.4	°C/W
ψ <sub>JT</sub>	Junction-to-top characterization parameter	2.2	°C/W
ψ <sub>JB</sub>	Junction-to-board characterization parameter	83.4	°C/W
R <sub>θJC(bot)</sub>	Junction-to-case (bottom) thermal resistance	N/A	—

- (1) For more information about traditional and new thermal metrics, see the [Semiconductor and C Package Thermal Metrics](#) application report.

## 6.5 Electrical Characteristics

over operating free-air temperature range (unless otherwise noted)

PARAMETER		TEST CONDITIONS	MIN	TYP	MAX	UNIT
<b>Power Consumption</b>						
$I_{UNATTACHED\_UFP}$	Current consumption in unattached mode when port is unconnected and waiting for connection. ( $V_{DD} = 5\text{ V}$ , PORT = L)			100		$\mu\text{A}$
$I_{ACTIVE\_UFP}$	Current consumption in active mode. ( $V_{DD} = 5\text{ V}$ , PORT = L)			100		$\mu\text{A}$
<b>CC1 and CC2 Pins</b>						
$R_{CC\_D}$	Pulldown resistor when in UFP or DRP mode.		4.6	5.1	5.6	$\text{k}\Omega$
$V_{TH\_UFP\_CC\_USB}$	Voltage threshold for detecting a DFP attach when configured as a UFP and DFP is advertising default current source capability.		0.15	0.2	0.25	V
$V_{TH\_UFP\_CC\_MED}$	Voltage threshold for detecting a DFP attach when configured as a UFP and DFP is advertising medium (1.5 A) current source capability.		0.61	0.66	0.7	V
$V_{TH\_UFP\_CC\_HIGH}$	Voltage threshold for detecting a DFP attach when configured as a UFP and DFP is advertising high (3 A) current source capability.		1.169	1.23	1.29	V
$V_{TH\_DFP\_CC\_USB}$	Voltage threshold for detecting a UFP attach when configured as a DFP and advertising default current source capability.		1.51	1.6	1.64	V
$V_{TH\_DFP\_CC\_MED}$	Voltage threshold for detecting a UFP attach when configured as a DFP and advertising medium current (1.5 A) source capability.		1.51	1.6	1.64	V
$V_{TH\_DFP\_CC\_HIGH}$	Voltage threshold for detecting a UFP attach when configured as a DFP and advertising high current (3.0 A) source capability.		2.46	2.6	2.74	V
$V_{TH\_AC\_CC\_USB}$	Voltage threshold for detecting a active cable attach when configured as a DFP and advertising default current source.		0.15	0.20	0.25	V
$V_{TH\_AC\_CC\_MED}$	Voltage threshold for detecting a active cable attach when configured as a DFP and advertising medium current (1.5 A) source.		0.35	0.40	0.45	V
$V_{TH\_AC\_CC\_HIGH}$	Voltage threshold for detecting a active cable attach when configured as a DFP and advertising high current (3.0 A) source.		0.76	0.80	0.84	V
$I_{CC\_DEFAULT\_P}$	Default mode pullup current source when operating in DFP or DRP mode.		64	80	96	$\mu\text{A}$
$I_{CC\_MED\_P}$	Medium (1.5 A) mode pullup current source when operating in DFP or DRP mode.		166	180	194	$\mu\text{A}$
$I_{CC\_HIGH\_P}$	High (3 A) mode pullup current source when operating in DFP or DRP mode. <sup>(1)</sup>		304	330	356	$\mu\text{A}$
<b>Control Pins: PORT, CURRENT_MODE, VCONN_FAULT, DIR, ID, OUT1, OUT2</b>						
$V_{IL}$	Low-level control signal input voltage, (PORT, CURRENT_MODE)				0.4	V
$V_{IM}$	Mid-level control signal input voltage (PORT, CURRENT_MODE)		$0.28 \times V_{DD}$		$0.56 \times V_{DD}$	V
$V_{IH}$	High-level control signal input voltage (PORT, CURRENT_MODE)		$V_{DD} - 0.3$			V
$I_{IH}$	High-level input current		-20		20	$\mu\text{A}$
$I_{IL}$	Low-level input current		-10		10	$\mu\text{A}$
$R_{pu}$	Internal pullup resistance (PORT)			588		$\text{k}\Omega$
$R_{pd}$	Internal pulldown resistance (PORT)			1.1		$\text{M}\Omega$
$R_{PD\_CUR}$	Internal pulldown resistance for CURRENT_MODE pin			275		$\text{k}\Omega$
$V_{OL}$	Low-level signal output voltage (open-drain) (VCONN_FAULT, ID, OUT1, OUT2)	$I_{OL} = -1.6\text{ mA}$			0.4	V
$R_{p\_ODext}$	External pullup resistor on open drain IOs (VCONN_FAULT, ID, OUT1, OUT2)			200		$\text{k}\Omega$
$R_{p\_TLeXt}$	Tri-level input external pull-up resistor (PORT)			4.7		$\text{k}\Omega$

(1)  $V_{DD}$  must be 3.5 V or greater to advertise 3 A current.

## Electrical Characteristics (continued)

over operating free-air temperature range (unless otherwise noted)

PARAMETER		TEST CONDITIONS	MIN	TYP	MAX	UNIT
R <sub>p_cm_med</sub>	External pull-up resistor on CURRENT_MODE pin to advertise 1.5-A current			500		kΩ
R <sub>p_cm_high</sub>	External pull-up resistor on CURRENT_MODE pin to advertise 3.0-A current			10		kΩ
<b>VBUS_DET IO Pins (Connected to System V<sub>BUS</sub> signal through external resistor)</b>						
V <sub>BUS_THR</sub>	V <sub>BUS</sub> threshold range		2.95	3.30	3.80	V
R <sub>VBUS</sub>	External resistor between V <sub>BUS</sub> and VBUS_DET pin		855	887	920	KΩ
R <sub>VBUS_PD</sub>	Internal pulldown resistance for VBUS_DET			95		KΩ
<b>DIR pin (Open Drain IO)</b>						
V <sub>OL</sub>	Low-level signal output voltage	I <sub>OL</sub> = -1.6 mA			0.4	V
<b>VCONN</b>						
R <sub>ON</sub>	On resistance of the VCONN power FET				1.25	Ω
V <sub>TOL</sub>	Voltage tolerance on VCONN power FET				5.5	V
V <sub>PASS</sub>	Voltage to pass through VCONN power FET				5.5	V
I <sub>VCONN</sub>	VCONN current limit; VCONN is disconnected above this value		200			mA
C <sub>BULK</sub>	Bulk capacitance on VCONN; placed on V <sub>DD</sub> supply		10		200	μF

## 6.6 Switching Characteristics

over operating free-air temperature range (unless otherwise noted)

PARAMETER		MIN	TYP	MAX	UNIT
t <sub>CCCB_DEFAULT</sub>	Power on default of CC1 and CC2 voltage debounce time		133		ms
t <sub>VBUS_DB</sub>	Debounce of VBUS_DET pin after valid V <sub>BUS_THR</sub> (See <a href="#">Figure 1.</a> )		2		ms
t <sub>DRP_DUTY_CYCLE</sub>	Power-on default of percentage of time DRP advertises DFP during a T <sub>DRP</sub>		30%		
t <sub>DRP</sub>	The period TUSB321 in DFP mode completes a DFP to UFP and back advertisement.	50	75	100	ms
t <sub>FAULT</sub>	V <sub>CONN_FAULT</sub> asserted low time after VCONN over-current condition is detected. (See <a href="#">Figure 2.</a> )	7	10	13	μs

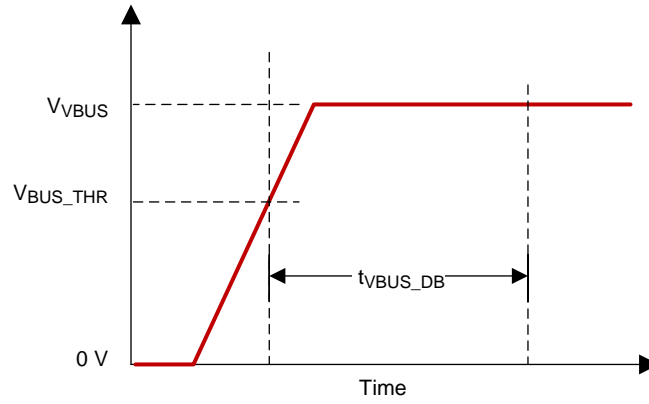


Figure 1. VBUS Detect and Debounce

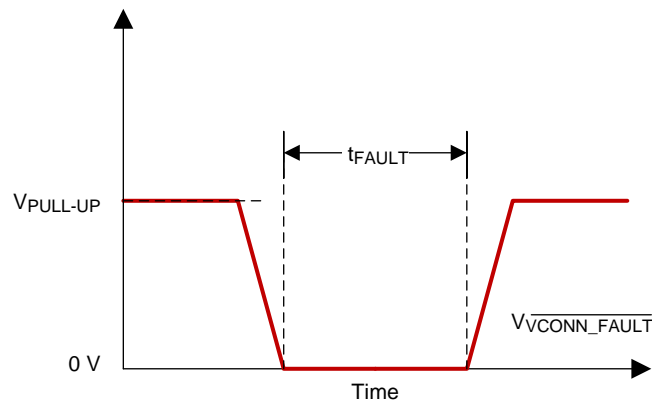


Figure 2.  $\overline{VCONN\_FAULT}$  Assertion Pulse Timing

## 7 Detailed Description

### 7.1 Overview

The USB Type-C ecosystem operates around a small form factor connector and cable that is flippable and reversible. Because of the nature of the connector, a scheme is needed to determine the connector orientation. Additional schemes are needed to determine when a USB port is attached and the acting role of the USB port (DFP, UFP, DRP), as well as to communicate Type-C current capabilities. These schemes are implemented over the CC pins according to the USB Type-C specifications. The TUSB321 device provides Configuration Channel (CC) logic for determining USB port attach and detach, role detection, cable orientation, and Type-C current mode. The TUSB321 device also contains several features such as VCONN sourcing, USB3.1 MUX direction control, mode configuration and low standby current which make this device ideal for source or sinks in USB2.0 or USB3.1 applications.

#### 7.1.1 Cables, Adapters, and Direct Connect Devices

*Type-C Specification 1.1* defines several cables, plugs and receptacles to be used to attach ports. The TUSB321 device supports all cables, receptacles, and plugs. The TUSB321 device does not support e-marking.

##### 7.1.1.1 USB Type-C Receptacles and Plugs

Below is list of Type-C receptacles and plugs supported by the TUSB321 device:

- USB Type-C receptacle for USB2.0 and USB3.1 and full-featured platforms and devices
- USB full-featured Type-C plug
- USB2.0 Type-C plug

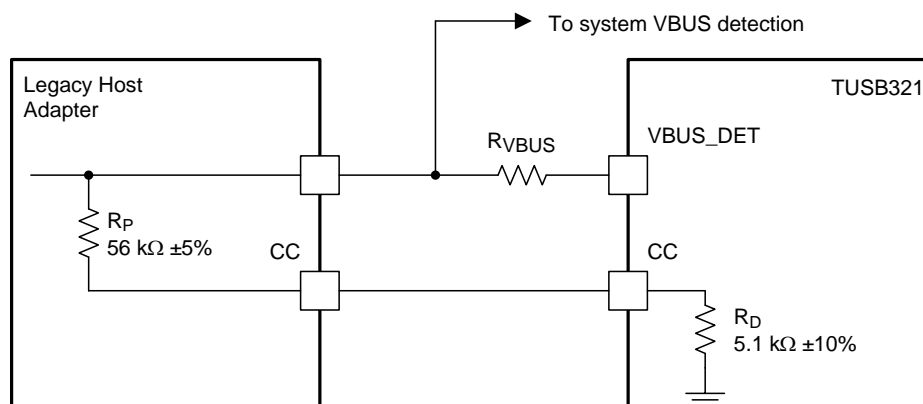
##### 7.1.1.2 USB Type-C Cables

Below is a list of Type-C cables types supported by the TUSB321 device:

- USB full-featured Type-C cable with USB3.1 full-featured plug
- USB2.0 Type-C cable with USB2.0 plug
- Captive cable with either a USB full-featured plug or USB2.0 plug

##### 7.1.1.3 Legacy Cables and Adapters

The TUSB321 device supports legacy cable adapters as defined by the Type-C Specification. The cable adapter must correspond to the mode configuration of the TUSB321 device.



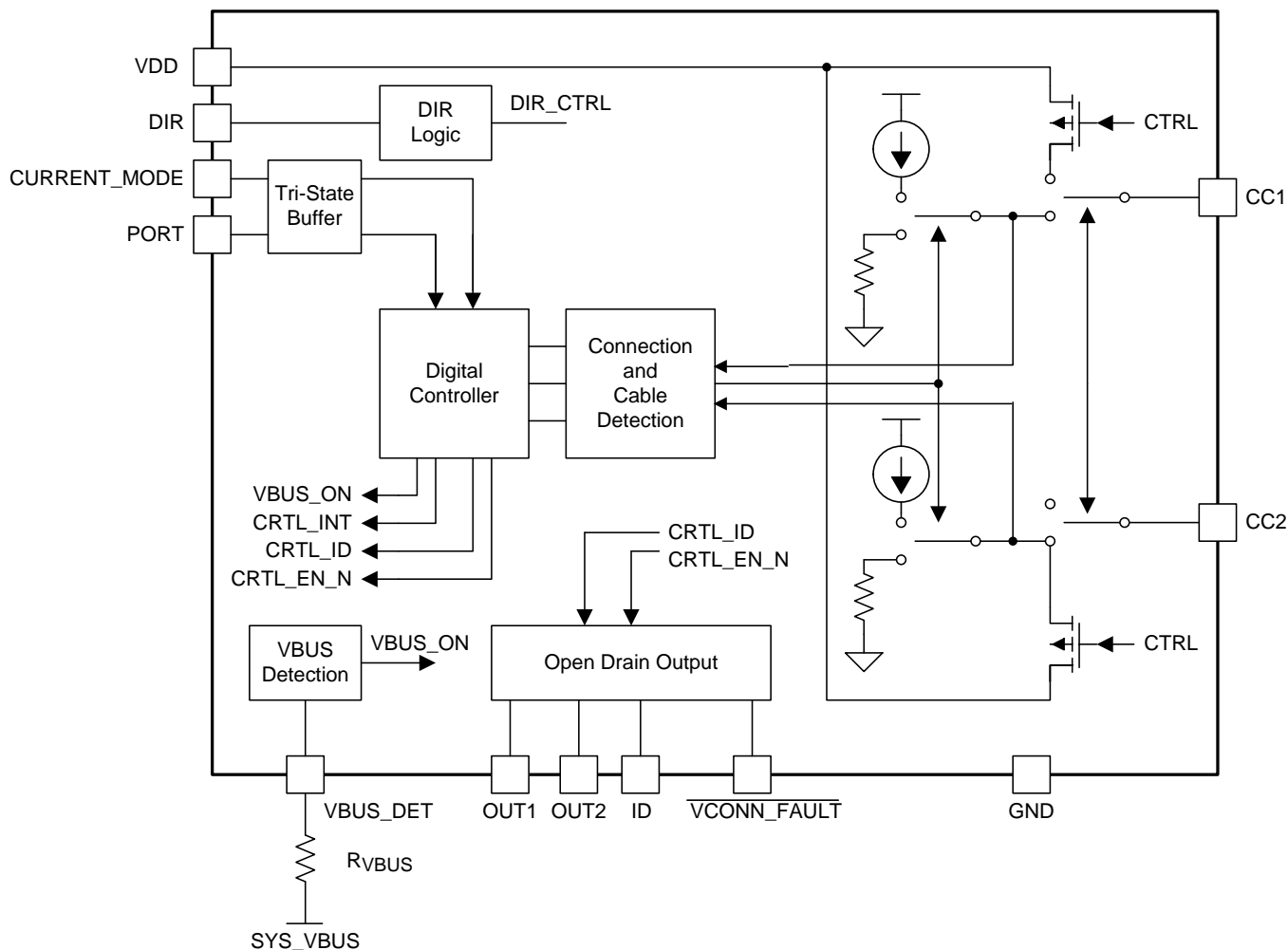
**Figure 3. Legacy Adapter Implementation Circuit**

##### 7.1.1.4 Direct Connect Devices

The TUSB321 device supports the attaching and detaching of a direct-connect device.



## 7.2 Functional Block Diagram



## 7.3 Feature Description

### 7.3.1 Port Role Configuration

The TUSB321 device can be configured as a downstream facing port (DFP), upstream facing port (UFP), or dualrole port (DRP) using the tri-level PORT pin. The PORT pin should be pulled high to  $V_{DD}$  using a pullup resistance, low to GND or left as floated on the PCB to achieve the desired mode. This flexibility allows the TUSB321 device to be used in a variety of applications. The TUSB321 device samples the PORT pin after reset and maintains the desired mode until the TUSB321 device is reset again. [Table 1](#) lists the supported features in each mode:

**Feature Description (continued)**
**Table 1. Supported Features for the v Device by Mode**

PORT PIN	HIGH (DFP ONLY)	LOW (UFP ONLY)	NC (DRP)
<b>SUPPORTED FEATURES</b>			
Port attach and detach	Yes	Yes	Yes
Cable orientation	Yes	Yes	Yes
Current advertisement	Yes	-	Yes (DFP)
Current detection	-	Yes	Yes (UFP)
Active cable detection	Yes	-	Yes (DFP)
VCONN	Yes	-	Yes (DFP)
Legacy cables	Yes	Yes	Yes
V <sub>BUS</sub> detection	-	Yes	Yes (UFP)

**7.3.1.1 Downstream Facing Port (DFP) - Source**

The TUSB321 device can be configured as a DFP only by pulling the PORT pin high through a resistance to V<sub>DD</sub>. In DFP mode, the TUSB321 device constantly presents R<sub>ps</sub> on both CC. In DFP mode, the TUSB321 device advertises USB Type-C current based on the state of the CURRENT\_MODE pin.

When configured as a DFP, the TUSB321 can operate with older USB Type-C 1.0 devices except for a USB Type-C 1.0 DRP device. The TUSB321 can not operate with a USB Type-C 1.0 DRP device. This limitation is a result of backwards compatibility problem between USB Type-C 1.1 DFP and a USB Type-C 1.0 DRP.

**7.3.1.2 Upstream Facing Port (UFP) - Sink**

The TUSB321 device can be configured as a UFP only by pulling the PORT pin low to GND. In UFP mode, the TUSB321 device constantly presents pulldown resistors (R<sub>d</sub>) on both CC pins. The TUSB321 device monitors the CC pins for the voltage level corresponding to the Type-C mode current advertisement by the connected DFP. The TUSB321 device debounces the CC pins and wait for V<sub>BUS</sub> detection before successfully attaching. As a UFP, the TUSB321 device detects and communicates the advertised current level of the DFP to the system through the OUT1 and OUT2 pins.

**7.3.1.3 Dual Role Port (DRP)**

The TUSB321 device can be configured to operate as a DRP when the PORT pin is left floated on the PCB. In DRP mode, the TUSB321 device toggles between operating as a DFP and a UFP. When functioning as a DFP in DRP mode, the TUSB321 device complies with all operations as defined for a DFP according to the Type-C Specification. When presenting as a UFP in DRP mode, the TUSB321 device operates as defined for a UFP according to the Type-C Specification.

**7.3.2 Type-C Current Mode**

The TUSB321 device supports both advertising and detection of Type-C current. When TUSB321 is a UFP or a DRP connected as a sink, the OUT1 and OUT2 pins are used to inform the system the detected USB Type-C current being broadcasted by the attached DFP. When TUSB321 device is a DFP or a DRP connected as a source, the CURRENT\_MODE pin is used to advertise the USB Type-C current. The current advertisement for the TUSB321 device is 500 mA (for USB2.0) or 900 mA (for USB3.1) if CURRENT\_MODE pin is left unconnected or pulled to GND. If a higher level of current is required, the CURRENT\_MODE can be pulled up to VDD through a 500-kΩ resistor to advertise medium current at 1.5 A or pulled up to VDD through a 10-kΩ resistor to advertise high current at 3 A. [Table 2](#) lists the Type-C current advertisements and detection.

**Table 2. Type-C Current Advertisement and Detection**

TYPE-C CURRENT		UFP or DRP acting as UFP Current Detection	DFP or DRP acting as DFP Current Advertisement
Default	500 mA (USB2.0) 900 mA (USB3.1)	OUT1 = High OUT2 = High (unattached) or Low (attached)	CURRENT_MODE = L
Medium - 1.5 A		OUT1 = Low OUT2 = High	CURRENT_MODE = M
High - 3 A		OUT1 = Low OUT2 = Low	CURRENT_MODE = H

### 7.3.3 V<sub>BUS</sub> Detection

The TUSB321 device supports V<sub>BUS</sub> detection according to the Type-C Specification. V<sub>BUS</sub> detection is used to determine the attachment and detachment of a UFP. V<sub>BUS</sub> detection is also used to successfully resolve the role in DRP mode.

The system V<sub>BUS</sub> voltage must be routed through a R<sub>VBUS</sub> resistor to the VBUS\_DET pin on the TUSB321 device if the PORT pin is configured as a DRP or a UFP. If the TUSB321 device is configured as a DFP and only ever used in DFP mode, the VBUS\_DET pin can be left unconnected.

### 7.3.4 Cable Orientation and External MUX Control

The TUSB321 device has the ability to control an external/discrete MUX using the DIR pin. The TUSB321 detects the cable orientation by monitoring the voltage on the CC pins. When a voltage level within the proper threshold is detected on CC1, the DIR pin is pulled low. When a voltage level within the proper threshold is detected on CC2, the DIR is pulled high. If the direction polarity of the external MUX is opposite of the TUSB321, the TUSB321 CC1/CC2 connection to USB Type-C receptacle can be reversed. The DIR pin is an open drain output.

### 7.3.5 VCONN Support for Active Cables

The TUSB321 device supplies VCONN to active cables when configured in DFP mode or in DRP acting as a DFP mode. VCONN is provided only when the unconnected CC pin is terminated to a resistance, R<sub>a</sub>, and after a UFP is detected and the Attached.SRC state is entered. When in DFP mode or in DRP acting as a DFP mode, a 5-V source must be connected to the VDD pin of the TUSB321 device after Attached.SRC. VCONN is supplied from VDD through a low resistance power FET out to the unconnected CC pin. VCONN is removed when a detach event is detected and the active cable is removed.

## 7.4 Device Functional Modes

The TUSB321 device has two functional modes. [Table 3](#) lists these modes:

**Table 3. USB Type-C States According to TUSB321 Functional Modes**

MODES	GENERAL BEHAVIOR	PORT PIN	STATES <sup>(1)</sup>
Unattached	USB port unattached. ID, PORT operational. CC pins configure according to PORT pin.	UFP	Unattached.SNK
			AttachWait.SNK
		DRP	Toggle Unattached.SNK → Unattached.SRC
			AttachedWait.SRC or AttachedWait.SNK
		DFP	Unattached.SRC
			AttachWait.SRC
Active	USB port attached. All GPIOs operational.	UFP	Attached.SNK
			Attached.SNK
		DRP	Attached.SRC
			Attached.SRC

(1) Required; not in sequential order.

### 7.4.1 Unattached Mode

Unattached mode is the primary mode of operation for the TUSB321 device, because a USB port can be unattached for a lengthy period of time. In unattached mode,  $V_{DD}$  is available, and all IOs are operational. After the TUSB321 device is powered up, the part enters unattached mode until a successful attach has been determined. Initially, right after power up, the TUSB321 device comes up as an Unattached.SNK. The TUSB321 device checks the PORT pin and operates according to the mode configuration. The TUSB321 device toggles between the UFP and the DFP if configured as a DRP. The PORT pin is only sampled at reset or power up.

### 7.4.2 Active Mode

Active mode is defined as the port being attached. In active mode, all GPIOs are operational. When in active mode, the TUSB321 device communicates to the AP that the USB port is attached. This happens through the ID pin if TUSB321 is configured as a DFP or DRP connect as source. If TUSB321 is configured as a UFP or a DRP connected as a sink, the OUT1 and OUT2 pins are used. The TUSB321 device exits active mode under the following conditions:

- Cable unplug
- $V_{BUS}$  removal if attached as a UFP

## 8 Application and Implementation

---

### NOTE

Information in the following applications sections is not part of the TI component specification, and TI does not warrant its accuracy or completeness. TI's customers are responsible for determining suitability of components for their purposes. Customers should validate and test their design implementation to confirm system functionality.

---

### 8.1 Application Information

The TUSB321 device is a Type-C configuration channel logic and port controller. The TUSB321 device can detect when a Type-C device is attached, what type of device is attached, the orientation of the cable, and power capabilities (both detection and broadcast). The TUSB321 device can be used in a source application (DFP) or in a sink application (UFP).

### 8.2 Typical Application

#### 8.2.1 DFP Mode

[Figure 4](#) shows the TUSB321 device configured as a DFP.

Typical Application (continued)

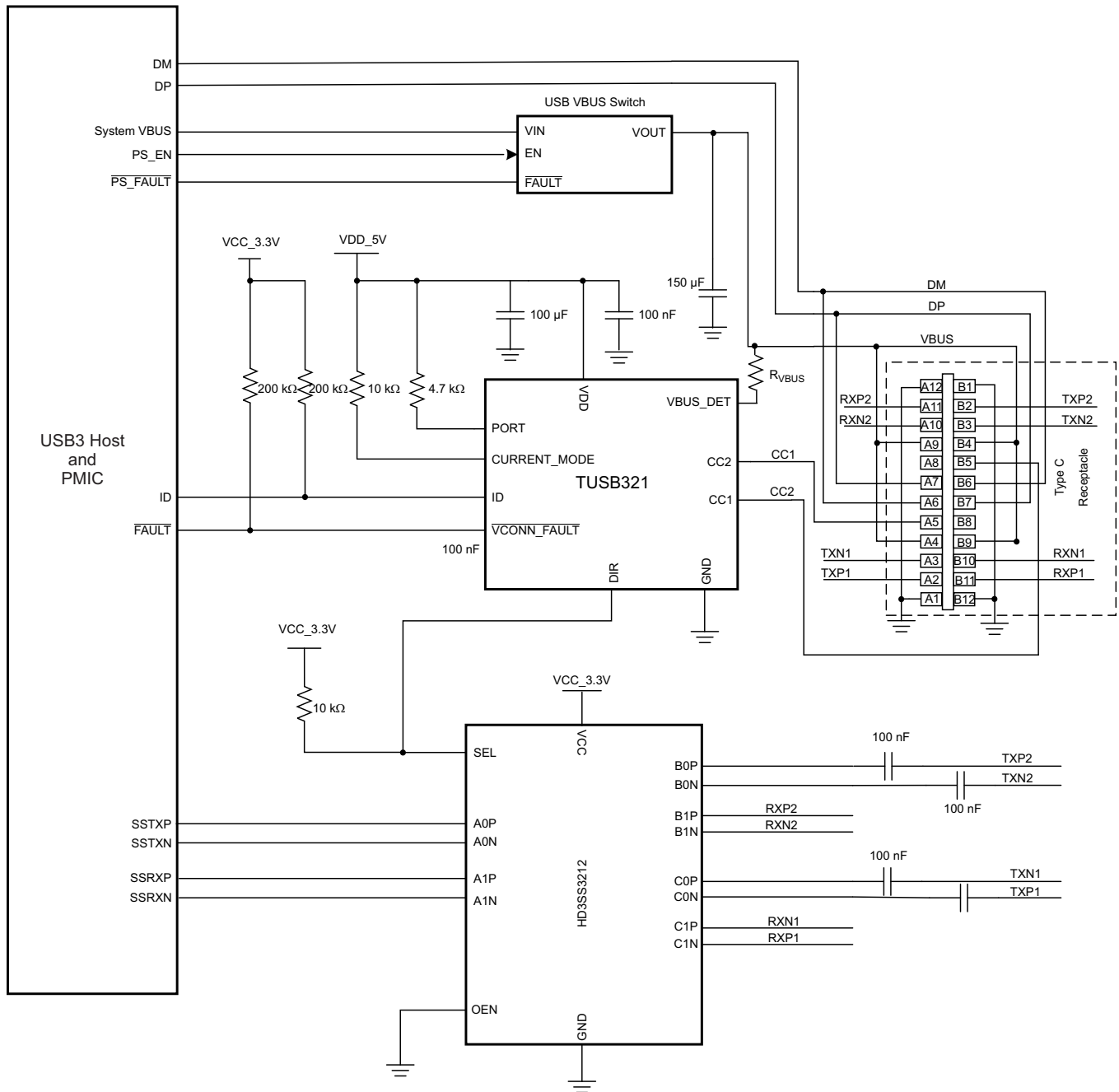


Figure 4. DFP Mode Schematic

## Typical Application (continued)

### 8.2.1.1 Design Requirements

For this design example, use the parameters listed in [Table 4](#):

**Table 4. Design Requirements for DFP Mode**

DESIGN PARAMETER	VALUE
$V_{DD}$ (4.5 V to 5.5 V)	5 V
Type-C port type (UFP, DFP, or DRP)	DFP PORT pin is pulled up
Advertised Type-C Current (Default, 1.5 A, 3.0 A)	3.0 A
$R_{VBUS}$ (855-k $\Omega$ to 920-k $\Omega$ )	900-k $\Omega$
VCONN Support	Yes

### 8.2.1.2 Detailed Design Procedure

The TUSB321 device supports a  $V_{DD}$  in the range of 4.5 to 5.5 V. In this particular case,  $V_{DD}$  is set to 5 V. A 100-nF capacitor is placed near  $V_{DD}$ . Also, a 100  $\mu$ F is used to meet the USB Type-C bulk capacitance requirement of 10  $\mu$ F to 220  $\mu$ F.

The TUSB321 current advertisement is determined by the state of the CURRENT\_MODE pin. In this particular example, 3.0 A advertisement is desired so the CURRENT\_MODE pin is pulled high to  $V_{DD}$  through 10-k $\Omega$  resistor.

The DIR pin is used to control the MUX for connecting the USB3 SS signals to the appropriate pins on the USB Type-C receptacle. In this particular case, a HD3SS3212 is used as the MUX. In order to minimize crossing in routing the USB3 SS signals to the USB Type C connector, the connection of CC1 and CC2 to the TUSB321 is swapped.

The Type-C port mode is determined by the state of the PORT pin. When the PORT pin is pulled high, the TUSB321 device is in DFP mode.

The VBUS\_DET pin must be connected through a  $R_{VBUS}$  resistor to  $V_{BUS}$  on the Type-C that is connected. This large resistor is required to protect the TUSB321 device from large  $V_{BUS}$  voltage that is possible in present day systems. This resistor along with internal pulldown keeps the voltage observed by the TUSB321 device in the recommended range.

The USB2 specification requires the bulk capacitance on  $V_{BUS}$  based on UFP or DFP. When operating the TUSB321 device in a DFP mode, a bulk capacitance of at least 120  $\mu$ F is required. In this particular case, a 150- $\mu$ F capacitor was chosen.

8.2.1.3 Application Curve

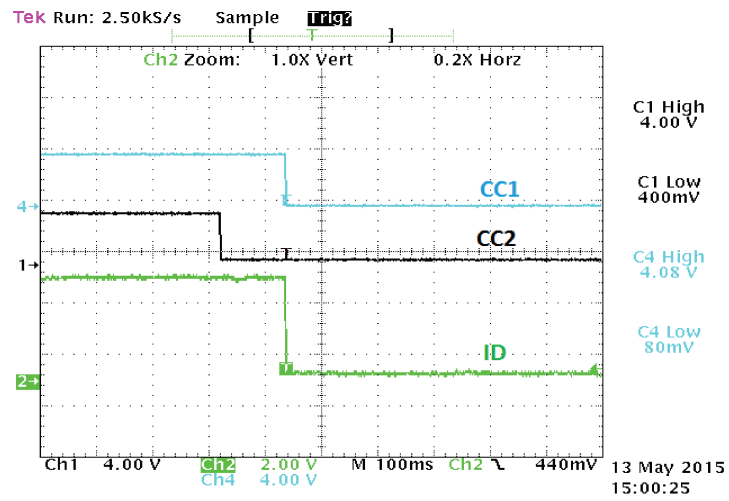


Figure 5. Application Curve for DFP Mode



### 8.3 Initialization Set Up

The general power-up sequence for the TUSB321 device is as follows:

1. System is powered off (device has no  $V_{DD}$ ). The TUSB321 device is configured internally in UFP mode with Rds on CC pins.
2.  $V_{DD}$  ramps – POR circuit.
3. The TUSB321 device enters unattached mode and determines the voltage level from the PORT pin. This determines the mode in which the TUSB321 device operates (DFP, UFP, DRP).
4. The TUSB321 device monitors the CC pins as a DFP and  $V_{BUS}$  for attach as a UFP.
5. The TUSB321 device enters active mode when attach has been successfully detected.

## 9 Power Supply Recommendations

The TUSB321 device has a wide power supply range from 4.5 to 5.5 V. The TUSB321 device can be run off of a system power such as a battery.

## 10 Layout

### 10.1 Layout Guidelines

1. An extra trace (or stub) is created when connecting between more than two points. A trace connecting pin A6 to pin B6 will create a stub because the trace also has to go to the USB Host. Ensure that:
  - A stub created by short on pin A6 (DP) and pin B6 (DP) at Type-C receptacle does not exceed 3.5 mm.
  - A stub created by short on pin A7 (DM) and pin B7 (DM) at Type-C receptacle does not exceed 3.5 mm.
2. A 100-nF capacitor should be placed as close as possible to the TUSB321  $V_{DD}$  pin.

### 10.2 Layout Example

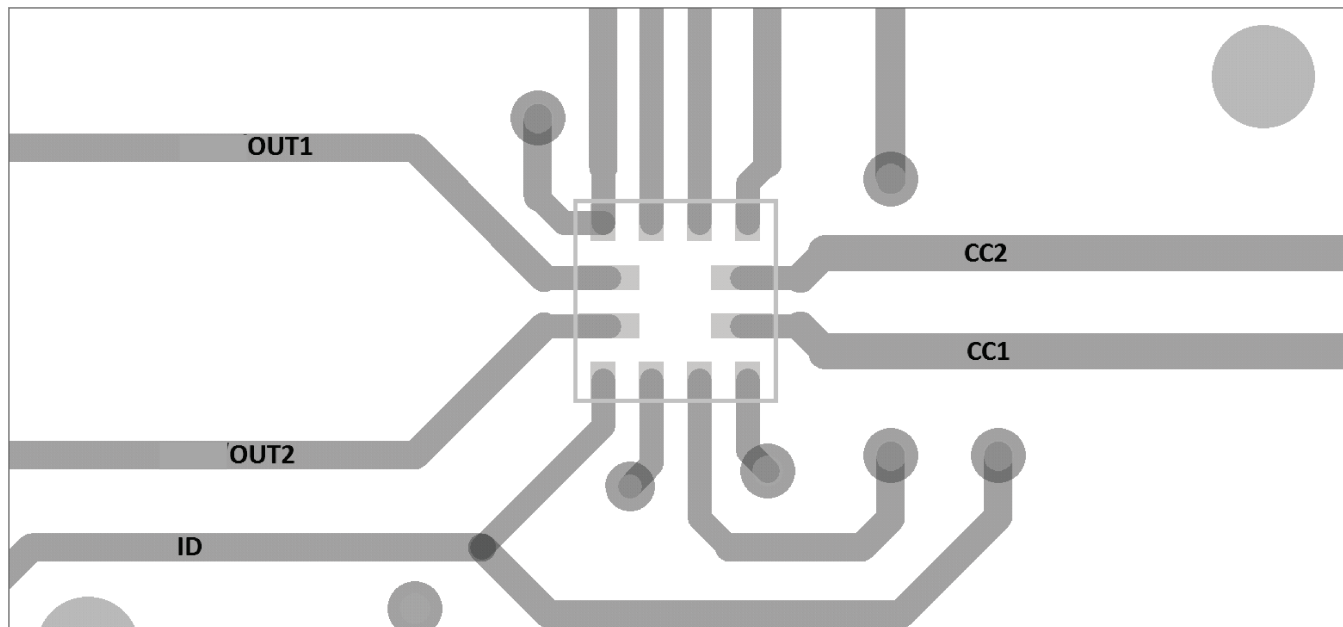


Figure 6. TUSB321 Layout

## 11 器件和文档支持

### 11.1 接收文档更新通知

要接收文档更新通知，请导航至 [TI.com.cn](http://TI.com.cn) 上的器件产品文件夹。单击右上角的 [通知我](#) 进行注册，即可每周接收产品信息更改摘要。有关更改的详细信息，请查看任何已修订文档中包含的修订历史记录。

### 11.2 社区资源

下列链接提供到 TI 社区资源的连接。链接的内容由各个分销商“按照原样”提供。这些内容并不构成 TI 技术规范，并且不一定反映 TI 的观点；请参阅 TI 的 [《使用条款》](#)。

**TI E2E™ 在线社区** [TI 的工程师对工程师 \(E2E\) 社区](#)。此社区的创建目的在于促进工程师之间的协作。在 [e2e.ti.com](http://e2e.ti.com) 中，您可以咨询问题、分享知识、拓展思路并与同行工程师一道帮助解决问题。

**设计支持** [TI 参考设计支持](#) 可帮助您快速查找有帮助的 E2E 论坛、设计支持工具以及技术支持的联系信息。

### 11.3 商标

E2E is a trademark of Texas Instruments.

USB Type-C is a trademark of USB Implementers Forum.

All other trademarks are the property of their respective owners.

### 11.4 静电放电警告



这些装置包含有限的内置 ESD 保护。存储或装卸时，应将导线一起截短或将装置放置于导电泡棉中，以防止 MOS 门极遭受静电损伤。

### 11.5 术语表

**SLYZ022** — *TI 术语表*。

这份术语表列出并解释术语、缩写和定义。

## 12 机械、封装和可订购信息

以下页面包含机械、封装和可订购信息。这些信息是指定器件的最新可用数据。数据如有变更，恕不另行通知，且不会对此文档进行修订。如需获取此数据表的浏览器版本，请查阅左侧的导航栏。

**PACKAGING INFORMATION**

Orderable Device	Status (1)	Package Type	Package Drawing	Pins	Package Qty	Eco Plan (2)	Lead finish/ Ball material (6)	MSL Peak Temp (3)	Op Temp (°C)	Device Marking (4/5)	Samples
TUSB321RWBR	ACTIVE	X2QFN	RWB	12	3000	RoHS & Green	NIPDAU	Level-2-260C-1 YEAR	0 to 70	21	<b>Samples</b>

(1) The marketing status values are defined as follows:

**ACTIVE:** Product device recommended for new designs.

**LIFEBUY:** TI has announced that the device will be discontinued, and a lifetime-buy period is in effect.

**NRND:** Not recommended for new designs. Device is in production to support existing customers, but TI does not recommend using this part in a new design.

**PREVIEW:** Device has been announced but is not in production. Samples may or may not be available.

**OBSOLETE:** TI has discontinued the production of the device.

(2) **RoHS:** TI defines "RoHS" to mean semiconductor products that are compliant with the current EU RoHS requirements for all 10 RoHS substances, including the requirement that RoHS substance do not exceed 0.1% by weight in homogeneous materials. Where designed to be soldered at high temperatures, "RoHS" products are suitable for use in specified lead-free processes. TI may reference these types of products as "Pb-Free".

**RoHS Exempt:** TI defines "RoHS Exempt" to mean products that contain lead but are compliant with EU RoHS pursuant to a specific EU RoHS exemption.

**Green:** TI defines "Green" to mean the content of Chlorine (Cl) and Bromine (Br) based flame retardants meet JS709B low halogen requirements of <=1000ppm threshold. Antimony trioxide based flame retardants must also meet the <=1000ppm threshold requirement.

(3) MSL, Peak Temp. - The Moisture Sensitivity Level rating according to the JEDEC industry standard classifications, and peak solder temperature.

(4) There may be additional marking, which relates to the logo, the lot trace code information, or the environmental category on the device.

(5) Multiple Device Markings will be inside parentheses. Only one Device Marking contained in parentheses and separated by a "-" will appear on a device. If a line is indented then it is a continuation of the previous line and the two combined represent the entire Device Marking for that device.

(6) Lead finish/Ball material - Orderable Devices may have multiple material finish options. Finish options are separated by a vertical ruled line. Lead finish/Ball material values may wrap to two lines if the finish value exceeds the maximum column width.

**Important Information and Disclaimer:**The information provided on this page represents TI's knowledge and belief as of the date that it is provided. TI bases its knowledge and belief on information provided by third parties, and makes no representation or warranty as to the accuracy of such information. Efforts are underway to better integrate information from third parties. TI has taken and continues to take reasonable steps to provide representative and accurate information but may not have conducted destructive testing or chemical analysis on incoming materials and chemicals. TI and TI suppliers consider certain information to be proprietary, and thus CAS numbers and other limited information may not be available for release.

In no event shall TI's liability arising out of such information exceed the total purchase price of the TI part(s) at issue in this document sold by TI to Customer on an annual basis.

**TAPE AND REEL INFORMATION**

**QUADRANT ASSIGNMENTS FOR PIN 1 ORIENTATION IN TAPE**

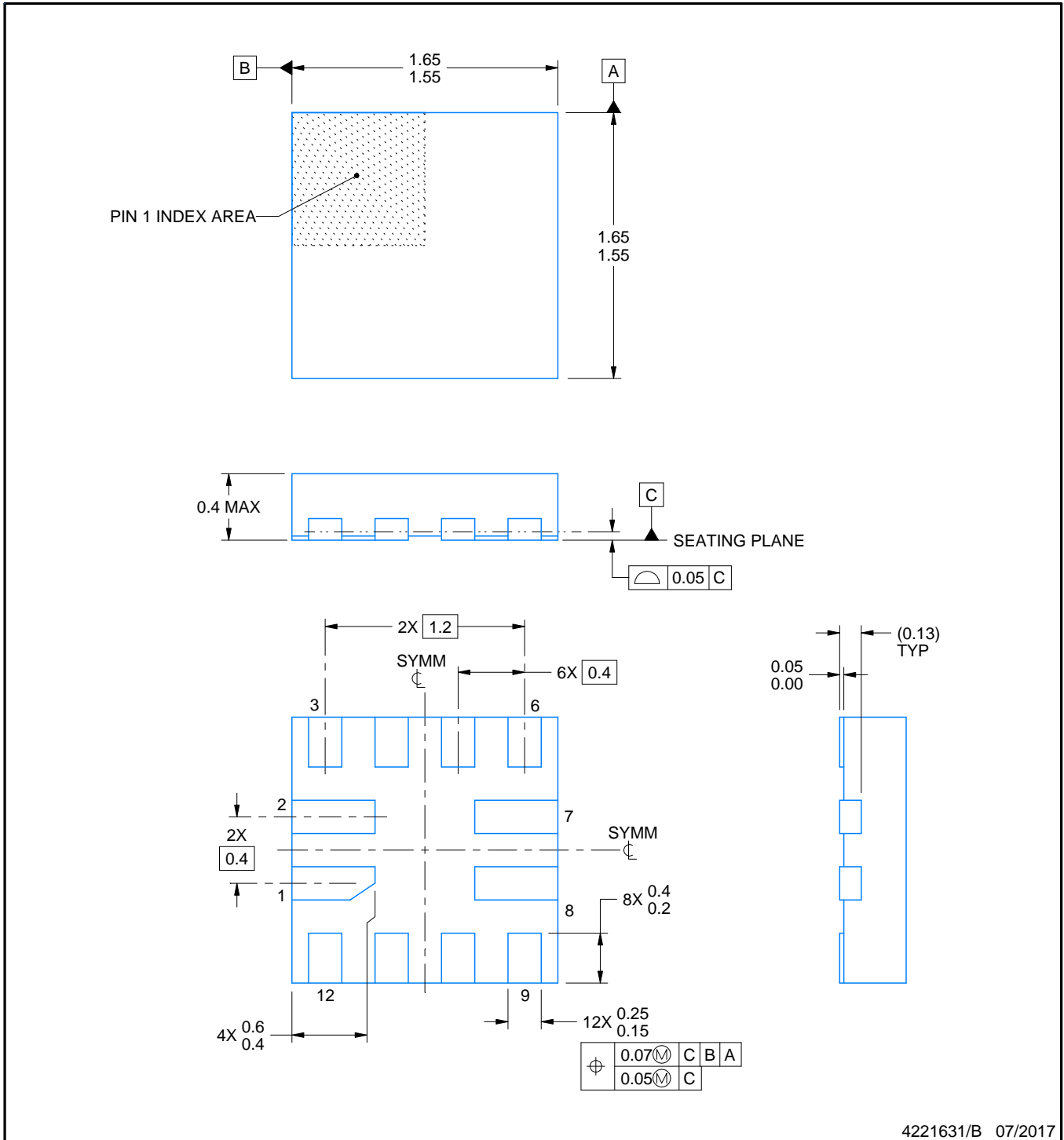
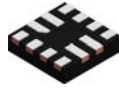

\*All dimensions are nominal

Device	Package Type	Package Drawing	Pins	SPQ	Reel Diameter (mm)	Reel Width W1 (mm)	A0 (mm)	B0 (mm)	K0 (mm)	P1 (mm)	W (mm)	Pin1 Quadrant
TUSB321RWBR	X2QFN	RWB	12	3000	180.0	8.4	1.8	1.8	0.48	4.0	8.0	Q2

**TAPE AND REEL BOX DIMENSIONS**


\*All dimensions are nominal

Device	Package Type	Package Drawing	Pins	SPQ	Length (mm)	Width (mm)	Height (mm)
TUSB321RWBR	X2QFN	RWB	12	3000	210.0	185.0	35.0



NOTES:

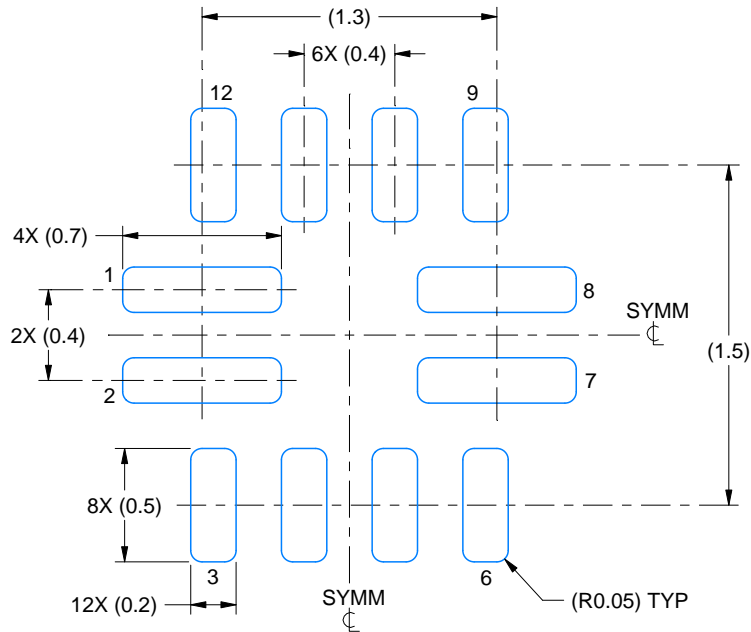
1. All linear dimensions are in millimeters. Any dimensions in parenthesis are for reference only. Dimensioning and tolerancing per ASME Y14.5M.
2. This drawing is subject to change without notice.

# EXAMPLE BOARD LAYOUT

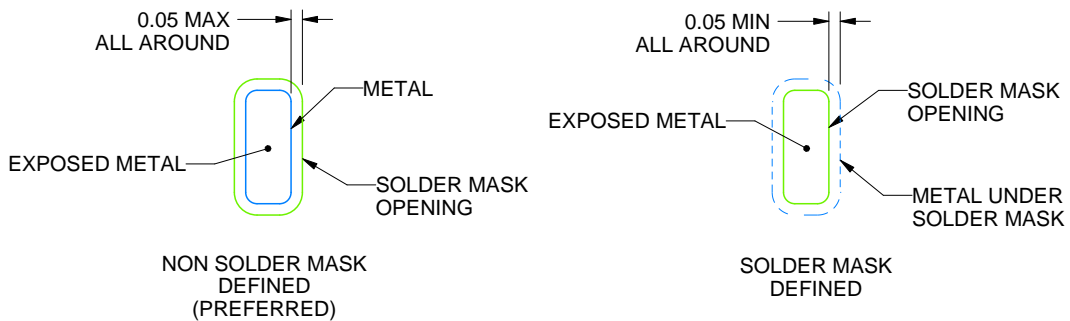
RWB0012A

X2QFN - 0.4 mm max height

PLASTIC QUAD FLATPACK - NO LEAD



LAND PATTERN EXAMPLE  
EXPOSED METAL SHOWN  
SCALE:30X



SOLDER MASK DETAILS

4221631/B 07/2017

NOTES: (continued)

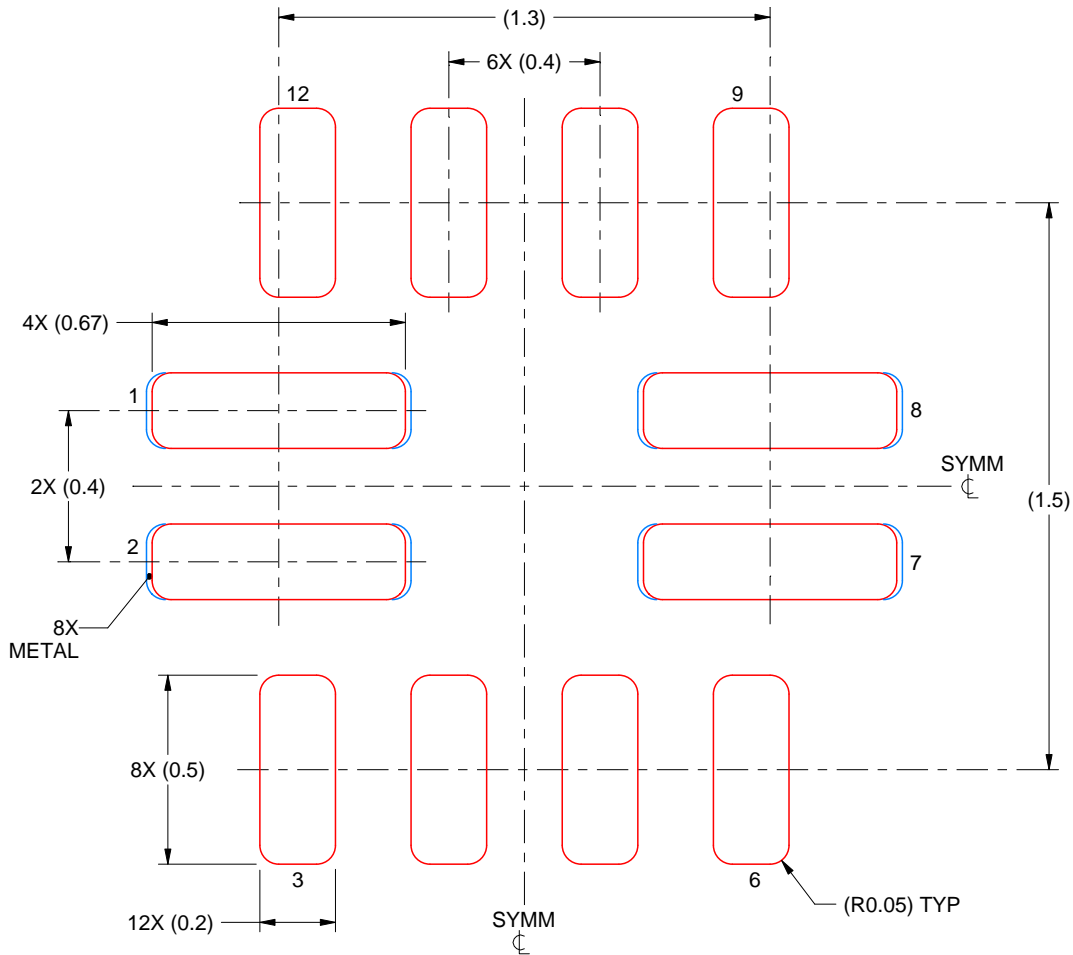
3. For more information, see Texas Instruments literature number SLUA271 ([www.ti.com/lit/slua271](http://www.ti.com/lit/slua271)).

# EXAMPLE STENCIL DESIGN

RWB0012A

X2QFN - 0.4 mm max height

PLASTIC QUAD FLATPACK - NO LEAD



**SOLDER PASTE EXAMPLE**  
 BASED ON 0.1 mm THICK STENCIL  
 PADS 1,2,7 & 8  
 96% PRINTED SOLDER COVERAGE BY AREA  
 SCALE:50X

4221631/B 07/2017

NOTES: (continued)

4. Laser cutting apertures with trapezoidal walls and rounded corners may offer better paste release. IPC-7525 may have alternate design recommendations.



## 重要声明和免责声明

TI“按原样”提供技术和可靠性数据（包括数据表）、设计资源（包括参考设计）、应用或其他设计建议、网络工具、安全信息和其他资源，不保证没有瑕疵且不做任何明示或暗示的担保，包括但不限于对适销性、某特定用途方面的适用性或不侵犯任何第三方知识产权的暗示担保。

这些资源可供使用 TI 产品进行设计的熟练开发人员使用。您将自行承担以下全部责任：(1) 针对您的应用选择合适的 TI 产品，(2) 设计、验证并测试您的应用，(3) 确保您的应用满足相应标准以及任何其他功能安全、信息安全、监管或其他要求。

这些资源如有变更，恕不另行通知。TI 授权您仅可将这些资源用于研发本资源所述的 TI 产品的应用。严禁对这些资源进行其他复制或展示。您无权使用任何其他 TI 知识产权或任何第三方知识产权。您应全额赔偿因在这些资源的使用中对 TI 及其代表造成的任何索赔、损害、成本、损失和债务，TI 对此概不负责。

TI 提供的产品受 [TI 的销售条款](#) 或 [ti.com](#) 上其他适用条款/TI 产品随附的其他适用条款的约束。TI 提供这些资源并不会扩展或以其他方式更改 TI 针对 TI 产品发布的适用的担保或担保免责声明。

TI 反对并拒绝您可能提出的任何其他或不同的条款。

邮寄地址：Texas Instruments, Post Office Box 655303, Dallas, Texas 75265

Copyright © 2024，德州仪器 (TI) 公司