

适用于漏极开路 and 推挽应用的 TXS0102-Q1 2 位双向电压电平转换器

1 特性

- 符合汽车应用 要求
- 具有符合 AEC-Q100 标准的下列结果:
 - 器件温度 1 级: -40°C 至 $+125^{\circ}\text{C}$ 的环境运行温度范围
 - 器件人体模型 (HBM) 静电放电 (ESD) 分类等级 2
 - 充电器件模型 (CDM) ESD 分类等级 C5
- ESD 保护符合 JESD 22 规范的要求
 - A 端口
 - 2500V 人体放电模式 (A114-B)
 - 750V 组件充电模式 (C101)
 - B 端口
 - 8kV 人体放电模式 (A114-B)
 - 750V 组件充电模式 (C101)
- 无需方向控制信号
- 最大数据速率
 - 最大值 24Mbps (推挽)
 - 2Mbps (开漏)
- 采用德州仪器的 NanoFree™ 封装
- A 端口上 1.65V 至 3.6V, B 端口上 2.3V 至 5.5V ($V_{\text{CCA}} \leq V_{\text{CCB}}$)
- 无需电源排序 — V_{CCA} 或 V_{CCB} 可首先斜升

2 应用

- 车用信息娱乐
- 高级驾驶员辅助系统 (ADAS)
- 主处理器和外设模块间的隔离和电平转换
- I²C 或 1 线制电压电平转换

3 说明

由于电压不匹配, TXS0102-Q1 器件连接芯片与芯片间的非兼容逻辑通信。这款自动导向转换器可方便地用来在无需主机方向控制的情况下缩小电压之间的差距。在无需主机干预的情况下, 每个通道可混合使用, 并且可以与不同的输出类型 (开漏或推挽) 和混合数据流 (发送或接收) 相匹配。这个 4 位非反向转换器使用两个独立的可配置电源轨。A 和 B 端口被设计用来分别跟踪 V_{CCA} 和 V_{CCB} 。 V_{CCB} 引脚在 V_{CCA} 引脚接受 1.65V 至 3.6V 之间的任一电源电压的同时, 接受 2.3V 至 5.5V 之间的任何电源电压, 这样的话, V_{CCA} 小于或等于 V_{CCB} 。这个跟踪功能可实现 1.8V, 2.5V, 3.3V 和 5V 电压节点之间的低电压双向转换。

当输出使能端 (OE) 输入为低电平时, 所有输出都被置于高阻抗状态。

TXS0102-Q1 器件被设计成 OE 输入电路由 V_{CCA} 供电。

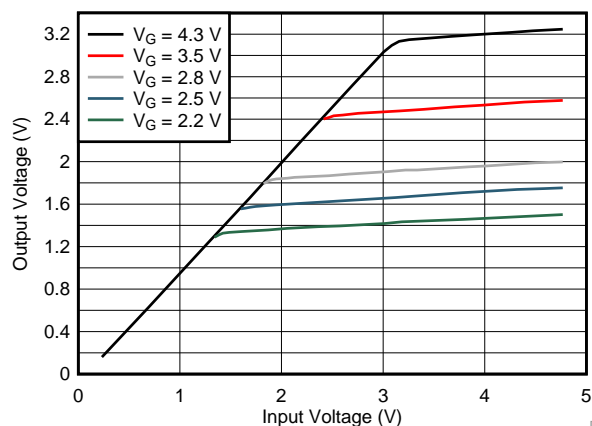
为了确保加电或断电期间的高阻抗状态, OE 引脚必须通过一个下拉电阻器接到 GND 引脚; 此电阻器的最小值由驱动器的拉电流能力决定。

器件信息⁽¹⁾

器件型号	封装	封装尺寸 (标称值)
TXS0102-Q1	超薄小外形尺寸封装 (VSSOP)(8)	2.30mm x 2.00mm

(1) 如需了解所有可用封装, 请见数据表末尾的可订购产品附录。

N 通道晶体管的传输特征



D004



目录

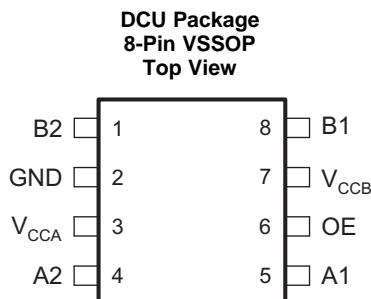
1	特性	1	7.2	Voltage Waveforms	13
2	应用	1	8	Detailed Description	14
3	说明	1	8.1	Overview	14
4	修订历史记录	2	8.2	Functional Block Diagram	14
5	Pin Configuration and Functions	3	8.3	Feature Description	15
6	Specifications	3	8.4	Device Functional Modes	15
6.1	Absolute Maximum Ratings	3	9	Application and Implementation	16
6.2	ESD Ratings	4	9.1	Application Information	16
6.3	Recommended Operating Conditions	4	9.2	Typical Application	16
6.4	Thermal Information	4	10	Power Supply Recommendations	17
6.5	Electrical Characteristics	5	11	Layout	18
6.6	Timing Requirements — $V_{CCA} = 1.8\text{ V} \pm 0.15\text{ V}$	5	11.1	Layout Guidelines	18
6.7	Timing Requirements — $V_{CCA} = 2.5\text{ V} \pm 0.2\text{ V}$	6	11.2	Layout Example	18
6.8	Timing Requirements — $V_{CCA} = 3.3\text{ V} \pm 0.3\text{ V}$	6	12	器件和文档支持	19
6.9	Switching Characteristics — $V_{CCA} = 1.8\text{ V} \pm 0.15\text{ V}$	6	12.1	文档支持	19
6.10	Switching Characteristics — $V_{CCA} = 2.5\text{ V} \pm 0.2\text{ V}$	8	12.2	接收文档更新通知	19
6.11	Switching Characteristics — $V_{CCA} = 3.3\text{ V} \pm 0.3\text{ V}$	10	12.3	社区资源	19
6.12	Typical Characteristics	11	12.4	商标	19
7	Parameter Measurement Information	12	12.5	静电放电警告	19
7.1	Load Circuits	12	12.6	Glossary	19
			13	机械、封装和可订购信息	19

4 修订历史记录

注：之前版本的页码可能与当前版本有所不同。

Changes from Original (May 2014) to Revision A	Page
• Changed <i>Handling Ratings</i> table to <i>ESD Ratings</i> table	4
• 已更改 <i>Functional Block Diagram</i> with new figure	14
• 已更改 <i>TXS0102-Q1 Layout Example</i> with new figure	18
• 已添加 文档支持、接收文档更新通知以及社区资源	19

5 Pin Configuration and Functions



Pin Functions

PIN		I/O	DESCRIPTION
NAME	NO.		
A1	5	I/O	Input-output 1 for the A port. This pin is referenced to V_{CCA} .
A2	4	I/O	Input-output 2 for the A port. This pin is referenced to V_{CCA} .
B1	8	I/O	Input-output 1 for the B port. This pin is referenced to V_{CCB} .
B2	1	I/O	Input-output 2 for the B port. This pin is referenced to V_{CCB} .
GND	2	—	Ground
OE	6	I	Tri-state output-mode enable. Pull the OE pin low to place all outputs in tri-state mode. This pin is referenced to V_{CCA} .
V_{CCA}	3	—	A-port supply voltage. $1.65\text{ V} \leq V_{CCA} \leq 3.6\text{ V}$ and $V_{CCA} \leq V_{CCB}$.
V_{CCB}	7	—	B-port supply voltage. $2.3\text{ V} \leq V_{CCB} \leq 5.5\text{ V}$.

6 Specifications

6.1 Absolute Maximum Ratings

over operating free-air temperature range (unless otherwise noted) ⁽¹⁾

		MIN	MAX	UNIT	
Supply voltage	V_{CCA}	−0.5	4.6	V	
	V_{CCB}	−0.5	6.5		
Input-output pin voltage, V_{IO} ⁽²⁾	A1, A2	−0.5	4.6	V	
	B1, B2	−0.5	6.5		
Output voltage, V_O	Voltage range applied to any output in the high-impedance or power-off state ⁽²⁾	A port	−0.5	4.6	V
		B port	−0.5	6.5	
	Voltage range applied to any output in the high or low state ⁽²⁾⁽³⁾	A port	−0.5	$V_{CCA} + 0.5$	V
		B port	−0.5	$V_{CCB} + 0.5$	
Input clamp current, I_{IK}	$V_I < 0$		−50	mA	
Output clamp current, I_{OK}	$V_O < 0$		−50	mA	
Continuous output current, I_O			±50	mA	
Continuous current through each V_{CCA} , V_{CCB} , or GND			±100	mA	
T_{stg}	Storage temperature	−65	150	°C	
T_J	Junction temperature		150	°C	

(1) Stresses beyond those listed under *Absolute Maximum Ratings* may cause permanent damage to the device. These are stress ratings only, and functional operation of the device at these or any other conditions beyond those indicated under *Recommended Operating Conditions* is not implied. Exposure to absolute-maximum-rated conditions for extended periods may affect device reliability.

(2) The input and output negative-voltage ratings may be exceeded if the input and output current ratings are observed.

(3) The value of V_{CCA} and V_{CCB} are provided in the recommended operating conditions table.

6.2 ESD Ratings

			VALUE	UNIT	
$V_{(ESD)}$	Electrostatic discharge	Human body model (HBM), per AEC Q100-002 ⁽¹⁾	A Port	±2500	V
			B Port	8000	
		Charged device model (CDM), per AEC Q100-011	A Port	±750	V
			B Port		

(1) AEC Q100-002 indicates HBM stressing is done in accordance with the ANSI/ESDA/JEDEC JS-001 specification.

6.3 Recommended Operating Conditions

over operating free-air temperature range (unless otherwise noted)

			V_{CCA}	V_{CCB}	MIN	MAX	UNIT
V_{CCA}	Supply voltage ⁽¹⁾				1.65	3.6	V
V_{CCB}	Supply voltage ⁽¹⁾				2.3	5.5	
$V_{IH(Ax)}$	High-level input voltage	A-port I/Os	1.65 to 1.95 V	2.3 to 5.5 V	$V_{CCA} - 0.2$	V_{CCA}	V
			2.3 to 3.6 V		$V_{CCA} - 0.4$	V_{CCA}	
$V_{IH(Bx)}$	High-level input voltage	B-port I/Os	1.65 to 3.6 V	2.3 to 5.5 V	$V_{CCB} - 0.4$	V_{CCB}	
$V_{IH(OE)}$	High-level input voltage	OE input			$V_{CCA} \times 0.65$	5.5	
$V_{IL(Ax)}$	Low-level input voltage	A-port I/Os	1.65 to 3.6 V	2.3 to 5.5 V	0	0.15	V
$V_{IL(Bx)}$	Low-level input voltage	B-port I/Os			0	0.15	
$V_{IL(OE)}$	Low-level input voltage	OE input			0	$V_{CCA} \times 0.35$	
$\Delta t/\Delta V_{(Ax)}$	Input transition rise or fall rate	A-port I/Os, push-pull driving			1.65 to 3.6 V	2.3 to 5.5 V	
$\Delta t/\Delta V_{(Bx)}$	Input transition rise or fall rate	B-port I/Os, push-pull driving		10			
$\Delta t/\Delta V_{(OE)}$	Input transition rise or fall rate	OE input		10			
T_A	Operating free-air temperature				-40	125	°C

(1) V_{CCA} must be less than or equal to V_{CCB} , and V_{CCA} must not exceed 3.6 V.

6.4 Thermal Information

over operating free-air temperature range (unless otherwise noted)

THERMAL METRIC ⁽¹⁾		TXS0102-Q1	UNIT
		DCU (VSSOP)	
		8 PINS	
$R_{\theta JA}$	Junction-to-ambient thermal resistance	199.1	°C/W
$R_{\theta JC(top)}$	Junction-to-case (top) thermal resistance	72.4	°C/W
$R_{\theta JB}$	Junction-to-board thermal resistance	77.8	°C/W
Ψ_{JT}	Junction-to-top characterization parameter	6.2	°C/W
Ψ_{JB}	Junction-to-board characterization parameter	77.4	°C/W
$R_{\theta JC(bot)}$	Junction-to-case (bottom) thermal resistance	—	°C/W

(1) For more information about traditional and new thermal metrics, see the [Semiconductor and IC Package Thermal Metrics](#) application report.

6.5 Electrical Characteristics

 over recommended operating free-air temperature range (unless otherwise noted) ⁽¹⁾

PARAMETER		TEST CONDITIONS		V _{CCA}	V _{CCB}	MIN	TYP	MAX	UNIT
V _{OH(Ax)}	High-level output voltage, A port	I _{OH} = -20 μA, V _{I(Bx)} ≥ V _{CCB} - 0.4 V	T _A = -40°C to +125°C	1.65 to 3.6 V	2.3 to 5.5 V	V _{CCA} × 0.67			V
V _{OL(Ax)}	Low-level output voltage, A port	I _{OL} = 1 mA, V _{I(Bx)} ≤ 0.15 V	T _A = -40°C to +125°C	1.65 to 3.6 V	2.3 to 5.5 V			0.4	V
V _{OH(Bx)}	High-level output voltage, B port	I _{OH} = -20 μA, V _{I(Ax)} ≥ V _{CCA} - 0.2 V	T _A = -40°C to +125°C	1.65 to 3.6 V	2.3 to 5.5 V	V _{CCB} × 0.67			V
V _{OL(Bx)}	Low-level output voltage, B port	I _{OL} = 1 mA, V _{I(Ax)} ≤ 0.15 V	T _A = -40°C to +125°C	1.65 to 3.6 V	2.3 to 5.5 V			0.4	V
I _{I(OE)}	Input current	OE	V _I = V _{CCi} or GND	T _A = 25°C	1.65 to 3.6 V	2.3 to 5.5 V		±1	μA
				T _A = -40°C to +125°C			±2		
I _{OFF}	Power-off leakage current	A port	T _A = 25°C	0 V	0 to 5.5 V			±1	μA
			T _A = -40°C to +125°C			±2			
		B port	T _A = 25°C	0 to 3.6 V	0 V			±1	μA
			T _A = -40°C to +125°C			±2			
I _{OZ}	Off-state output current	A or B port	OE = V _{IL}	T _A = 25°C	1.65 to 3.6 V	2.3 to 5.5 V		±1	μA
				T _A = -40°C to +125°C			±2		
I _{CCA}	Supply current, A port	V _I = V _O = Open, I _O = 0	T _A = -40°C to +125°C	1.65 to V _{CCB}	2.3 to 5.5 V			4	μA
				3.6 V		0	2.2		
				0		5.5 V	-1		
I _{CCB}	Supply current, B port	V _I = V _O = Open, I _O = 0	T _A = -40°C to +125°C	1.65 to V _{CCB}	2.3 to 5.5 V			21	μA
				3.6 V		0	-1		
				0		5.5 V	1		
I _{CCA} +I _{CCB}	Supply current, A port plus B port supply current	V _I = V _O = Open, I _O = 0	T _A = -40°C to +125°C	1.65 to V _{CCB}	2.3 to 5.5 V			25	μA
C _{I(OE)}	Input capacitance	OE	T _A = 25°C	3.3 V	3.3 V			2.5	pF
			T _A = -40°C to +125°C			3.5			
C _{IO(Ax)}	Input-output capacitance	A port	T _A = 25°C	3.3 V	3.3 V			5	pF
			T _A = -40°C to +125°C			6.5			
B port		T _A = 25°C					12		
		T _A = -40°C to +125°C					7.5		

 (1) V_{CCA} must be less than or equal to V_{CCB}, and V_{CCA} must not exceed 3.6 V.

6.6 Timing Requirements — V_{CCA} = 1.8 V ± 0.15 V

over recommended operating free-air temperature range (unless otherwise noted)

				MIN	MAX	UNIT
Data rate	Push-pull driving		V _{CCB} = 2.5 V ± 0.2 V		18	Mbps
			V _{CCB} = 3.3 V ± 0.3 V		21	
			V _{CCB} = 5 V ± 0.5 V		23	
	Open-drain driving		V _{CCB} = 2.5 V ± 0.2 V		2	
			V _{CCB} = 3.3 V ± 0.3 V		2	
			V _{CCB} = 5 V ± 0.5 V		2	
t _w	Push-pull driving	Data inputs	V _{CCB} = 2.5 V ± 0.2 V	55	ns	
			V _{CCB} = 3.3 V ± 0.3 V	47		
			V _{CCB} = 5 V ± 0.5 V	43		
	Open-drain driving		V _{CCB} = 2.5 V ± 0.2 V	500		
			V _{CCB} = 3.3 V ± 0.3 V	500		
			V _{CCB} = 5 V ± 0.5 V	500		

6.7 Timing Requirements — $V_{CCA} = 2.5\text{ V} \pm 0.2\text{ V}$

over recommended operating free-air temperature range (unless otherwise noted)

				MIN	MAX	UNIT
Data rate	Push-pull driving		$V_{CCB} = 2.5\text{ V} \pm 0.2\text{ V}$		20	Mbps
			$V_{CCB} = 3.3\text{ V} \pm 0.3\text{ V}$		22	
			$V_{CCB} = 5\text{ V} \pm 0.5\text{ V}$		24	
	Open-drain driving		$V_{CCB} = 2.5\text{ V} \pm 0.2\text{ V}$		2	
			$V_{CCB} = 3.3\text{ V} \pm 0.3\text{ V}$		2	
			$V_{CCB} = 5\text{ V} \pm 0.5\text{ V}$		2	
t_w Pulse duration See 图 7	Push-pull driving	Data inputs	$V_{CCB} = 2.5\text{ V} \pm 0.2\text{ V}$	50		ns
			$V_{CCB} = 3.3\text{ V} \pm 0.3\text{ V}$	45		
			$V_{CCB} = 5\text{ V} \pm 0.5\text{ V}$	41		
	Open-drain driving		$V_{CCB} = 2.5\text{ V} \pm 0.2\text{ V}$	500		
			$V_{CCB} = 3.3\text{ V} \pm 0.3\text{ V}$	500		
			$V_{CCB} = 5\text{ V} \pm 0.5\text{ V}$	500		

6.8 Timing Requirements — $V_{CCA} = 3.3\text{ V} \pm 0.3\text{ V}$

over recommended operating free-air temperature range (unless otherwise noted)

				MIN	MAX	UNIT
Data rate	Push-pull driving		$V_{CCB} = 3.3\text{ V} \pm 0.3\text{ V}$		22	Mbps
			$V_{CCB} = 5\text{ V} \pm 0.5\text{ V}$		24	
	Open-drain driving		$V_{CCB} = 3.3\text{ V} \pm 0.3\text{ V}$		2	
			$V_{CCB} = 5\text{ V} \pm 0.5\text{ V}$		2	
t_w Pulse duration See 图 7	Push-pull driving	Data inputs	$V_{CCB} = 3.3\text{ V} \pm 0.3\text{ V}$	45		ns
			$V_{CCB} = 5\text{ V} \pm 0.5\text{ V}$	41		
	Open-drain driving		$V_{CCB} = 3.3\text{ V} \pm 0.3\text{ V}$	500		
			$V_{CCB} = 5\text{ V} \pm 0.5\text{ V}$	500		

6.9 Switching Characteristics — $V_{CCA} = 1.8\text{ V} \pm 0.15\text{ V}$

over recommended operating free-air temperature range (unless otherwise noted)

PARAMETER		TEST CONDITIONS		MIN	MAX	UNIT
$t_{PHL(A-B)}$ Propagation delay time (high to low) See 图 8	From A (input) to B (output)	Push-pull driving	$V_{CCB} = 2.5\text{ V} \pm 0.2\text{ V}$		5.3	ns
			$V_{CCB} = 3.3\text{ V} \pm 0.3\text{ V}$		5.4	
			$V_{CCB} = 5\text{ V} \pm 0.5\text{ V}$		6.8	
		Open-drain driving	$V_{CCB} = 2.5\text{ V} \pm 0.2\text{ V}$		8.8	
			$V_{CCB} = 3.3\text{ V} \pm 0.3\text{ V}$		9.6	
			$V_{CCB} = 5\text{ V} \pm 0.5\text{ V}$		10	
$t_{PHL(B-A)}$ Propagation delay time (high to low) See 图 8	From B (input) to A (output)	Push-pull driving	$V_{CCB} = 2.5\text{ V} \pm 0.2\text{ V}$		4.4	
			$V_{CCB} = 3.3\text{ V} \pm 0.3\text{ V}$		4.5	
			$V_{CCB} = 5\text{ V} \pm 0.5\text{ V}$		4.7	
		Open-drain driving	$V_{CCB} = 2.5\text{ V} \pm 0.2\text{ V}$		5.3	
			$V_{CCB} = 3.3\text{ V} \pm 0.3\text{ V}$		4.4	
			$V_{CCB} = 5\text{ V} \pm 0.5\text{ V}$		4	

Switching Characteristics — $V_{CCA} = 1.8\text{ V} \pm 0.15\text{ V}$ (continued)

over recommended operating free-air temperature range (unless otherwise noted)

PARAMETER		TEST CONDITIONS		MIN	MAX	UNIT	
$t_{PLH(A-B)}$	Propagation delay time (low to high) See Figure 8	From A (input) to B (output)	Push-pull driving	$V_{CCB} = 2.5\text{ V} \pm 0.2\text{ V}$	6.8	ns	
				$V_{CCB} = 3.3\text{ V} \pm 0.3\text{ V}$	7.1		
				$V_{CCB} = 5\text{ V} \pm 0.5\text{ V}$	7.5		
			Open-drain driving	$V_{CCB} = 2.5\text{ V} \pm 0.2\text{ V}$	50		
				$V_{CCB} = 3.3\text{ V} \pm 0.3\text{ V}$	40		
				$V_{CCB} = 5\text{ V} \pm 0.5\text{ V}$	33		
$t_{PLH(B-A)}$	Propagation delay time (low to high) See Figure 8	From B (input) to A (output)	Push-pull driving	$V_{CCB} = 2.5\text{ V} \pm 0.2\text{ V}$	5.3	ns	
				$V_{CCB} = 3.3\text{ V} \pm 0.3\text{ V}$	4.5		
				$V_{CCB} = 5\text{ V} \pm 0.5\text{ V}$	0.5		
			Open-drain driving	$V_{CCB} = 2.5\text{ V} \pm 0.2\text{ V}$	36		
				$V_{CCB} = 3.3\text{ V} \pm 0.3\text{ V}$	26		
				$V_{CCB} = 5\text{ V} \pm 0.5\text{ V}$	20		
$t_{en(OE-A)}$ $t_{en(OE-B)}$	Enable time	From OE (input) to A or B (output)	$V_{CCB} = 2.5\text{ V} \pm 0.2\text{ V}$	200	ns		
			$V_{CCB} = 3.3\text{ V} \pm 0.3\text{ V}$	250			
			$V_{CCB} = 5\text{ V} \pm 0.5\text{ V}$	275			
$t_{dis(OE-A)}$ $t_{dis(OE-B)}$	Disable time	From OE (input) to A or B (output)	$V_{CCB} = 2.5\text{ V} \pm 0.2\text{ V}$	200	ns		
			$V_{CCB} = 3.3\text{ V} \pm 0.3\text{ V}$	200			
			$V_{CCB} = 5\text{ V} \pm 0.5\text{ V}$	200			
$t_{r(Ax)}$	Rise time, A port		Push-pull driving	$V_{CCB} = 2.5\text{ V} \pm 0.2\text{ V}$	9.5	ns	
				$V_{CCB} = 3.3\text{ V} \pm 0.3\text{ V}$	9.3		
				$V_{CCB} = 5\text{ V} \pm 0.5\text{ V}$	7.6		
			Open-drain driving	$V_{CCB} = 2.5\text{ V} \pm 0.2\text{ V}$	38		165
				$V_{CCB} = 3.3\text{ V} \pm 0.3\text{ V}$	30		132
				$V_{CCB} = 5\text{ V} \pm 0.5\text{ V}$	22		95
$t_{r(Bx)}$	Rise time, B port		Push-pull driving	$V_{CCB} = 2.5\text{ V} \pm 0.2\text{ V}$	10.8	ns	
				$V_{CCB} = 3.3\text{ V} \pm 0.3\text{ V}$	9.1		
				$V_{CCB} = 5\text{ V} \pm 0.5\text{ V}$	7.6		
			Open-drain driving	$V_{CCB} = 2.5\text{ V} \pm 0.2\text{ V}$	34		145
				$V_{CCB} = 3.3\text{ V} \pm 0.3\text{ V}$	23		106
				$V_{CCB} = 5\text{ V} \pm 0.5\text{ V}$	10		58
$t_{f(Ax)}$	Fall time, A port		Push-pull driving	$V_{CCB} = 2.5\text{ V} \pm 0.2\text{ V}$	5.9	ns	
				$V_{CCB} = 3.3\text{ V} \pm 0.3\text{ V}$	6		
				$V_{CCB} = 5\text{ V} \pm 0.5\text{ V}$	13.3		
			Open-drain driving	$V_{CCB} = 2.5\text{ V} \pm 0.2\text{ V}$	6.9		
				$V_{CCB} = 3.3\text{ V} \pm 0.3\text{ V}$	6.4		
				$V_{CCB} = 5\text{ V} \pm 0.5\text{ V}$	6.1		
$t_{f(Bx)}$	Fall time, B port		Push-pull driving	$V_{CCB} = 2.5\text{ V} \pm 0.2\text{ V}$	13.8	ns	
				$V_{CCB} = 3.3\text{ V} \pm 0.3\text{ V}$	16.2		
				$V_{CCB} = 5\text{ V} \pm 0.5\text{ V}$	16.2		
			Open-drain driving	$V_{CCB} = 2.5\text{ V} \pm 0.2\text{ V}$	13.8		
				$V_{CCB} = 3.3\text{ V} \pm 0.3\text{ V}$	16.2		
				$V_{CCB} = 5\text{ V} \pm 0.5\text{ V}$	16.2		
t_{sk}	Channel-to-channel skew		$V_{CCB} = 2.5\text{ V} \pm 0.2\text{ V}$	1	ns		
			$V_{CCB} = 3.3\text{ V} \pm 0.3\text{ V}$	1			
			$V_{CCB} = 5\text{ V} \pm 0.5\text{ V}$	1			

Switching Characteristics — $V_{CCA} = 1.8\text{ V} \pm 0.15\text{ V}$ (continued)

over recommended operating free-air temperature range (unless otherwise noted)

PARAMETER		TEST CONDITIONS		MIN	MAX	UNIT
Maximum data rate	Push-pull driving	$V_{CCB} = 2.5\text{ V} \pm 0.2\text{ V}$		18		Mbps
		$V_{CCB} = 3.3\text{ V} \pm 0.3\text{ V}$		21		
		$V_{CCB} = 5\text{ V} \pm 0.5\text{ V}$		23		
	Open-drain driving	$V_{CCB} = 2.5\text{ V} \pm 0.2\text{ V}$		2		
		$V_{CCB} = 3.3\text{ V} \pm 0.3\text{ V}$		2		
		$V_{CCB} = 5\text{ V} \pm 0.5\text{ V}$		2		

6.10 Switching Characteristics — $V_{CCA} = 2.5\text{ V} \pm 0.2\text{ V}$

over recommended operating free-air temperature range (unless otherwise noted)

PARAMETER		TEST CONDITIONS		MIN	MAX	UNIT
$t_{PHL(A-B)}$ Propagation delay time (high to low) See Figure 8	From A (input) to B (output)	Push-pull driving	$V_{CCB} = 2.5\text{ V} \pm 0.2\text{ V}$		3.2	ns
			$V_{CCB} = 3.3\text{ V} \pm 0.3\text{ V}$		3.7	
			$V_{CCB} = 5\text{ V} \pm 0.5\text{ V}$		3.8	
		Open-drain driving	$V_{CCB} = 2.5\text{ V} \pm 0.2\text{ V}$		6.3	
			$V_{CCB} = 3.3\text{ V} \pm 0.3\text{ V}$		6	
			$V_{CCB} = 5\text{ V} \pm 0.5\text{ V}$		5.8	
$t_{PHL(B-A)}$ Propagation delay time (high to low) See Figure 8	From B (input) to A (output)	Push-pull driving	$V_{CCB} = 2.5\text{ V} \pm 0.2\text{ V}$		3	ns
			$V_{CCB} = 3.3\text{ V} \pm 0.3\text{ V}$		3.6	
			$V_{CCB} = 5\text{ V} \pm 0.5\text{ V}$		4.3	
		Open-drain driving	$V_{CCB} = 2.5\text{ V} \pm 0.2\text{ V}$		4.7	
			$V_{CCB} = 3.3\text{ V} \pm 0.3\text{ V}$		4.2	
			$V_{CCB} = 5\text{ V} \pm 0.5\text{ V}$		4	
$t_{PLH(A-B)}$ Propagation delay time (low to high) See Figure 8	From A (input) to B (output)	Push-pull driving	$V_{CCB} = 2.5\text{ V} \pm 0.2\text{ V}$		3.5	ns
			$V_{CCB} = 3.3\text{ V} \pm 0.3\text{ V}$		4.1	
			$V_{CCB} = 5\text{ V} \pm 0.5\text{ V}$		4.4	
		Open-drain driving	$V_{CCB} = 2.5\text{ V} \pm 0.2\text{ V}$		3.5	
			$V_{CCB} = 3.3\text{ V} \pm 0.3\text{ V}$		4.1	
			$V_{CCB} = 5\text{ V} \pm 0.5\text{ V}$		4.4	
$t_{PLH(B-A)}$ Propagation delay time (low to high) See Figure 8	From B (input) to A (output)	Push-pull driving	$V_{CCB} = 2.5\text{ V} \pm 0.2\text{ V}$		2.5	ns
			$V_{CCB} = 3.3\text{ V} \pm 0.3\text{ V}$		1.6	
			$V_{CCB} = 5\text{ V} \pm 0.5\text{ V}$		1	
		Open-drain driving	$V_{CCB} = 2.5\text{ V} \pm 0.2\text{ V}$		2.5	
			$V_{CCB} = 3.3\text{ V} \pm 0.3\text{ V}$		1.6	
			$V_{CCB} = 5\text{ V} \pm 0.5\text{ V}$		1	
$t_{en(OE-A)}$ $t_{en(OE-B)}$ Enable time	From OE (input) to A or B (output)	$V_{CCB} = 2.5\text{ V} \pm 0.2\text{ V}$		200	ns	
		$V_{CCB} = 3.3\text{ V} \pm 0.3\text{ V}$		200		
		$V_{CCB} = 5\text{ V} \pm 0.5\text{ V}$		250		
$t_{dis(OE-A)}$ $t_{dis(OE-B)}$ Disable time	From OE (input) to A or B (output)	$V_{CCB} = 2.5\text{ V} \pm 0.2\text{ V}$		200	ns	
		$V_{CCB} = 3.3\text{ V} \pm 0.3\text{ V}$		200		
		$V_{CCB} = 5\text{ V} \pm 0.5\text{ V}$		200		
$t_{r(Ax)}$ Rise time, A port		Push-pull driving	$V_{CCB} = 2.5\text{ V} \pm 0.2\text{ V}$		7.4	ns
			$V_{CCB} = 3.3\text{ V} \pm 0.3\text{ V}$		6.6	
			$V_{CCB} = 5\text{ V} \pm 0.5\text{ V}$		5.6	
		Open-drain driving	$V_{CCB} = 2.5\text{ V} \pm 0.2\text{ V}$	34	149	
			$V_{CCB} = 3.3\text{ V} \pm 0.3\text{ V}$	28	121	
			$V_{CCB} = 5\text{ V} \pm 0.5\text{ V}$	24	89	

Switching Characteristics — $V_{CCA} = 2.5\text{ V} \pm 0.2\text{ V}$ (continued)

over recommended operating free-air temperature range (unless otherwise noted)

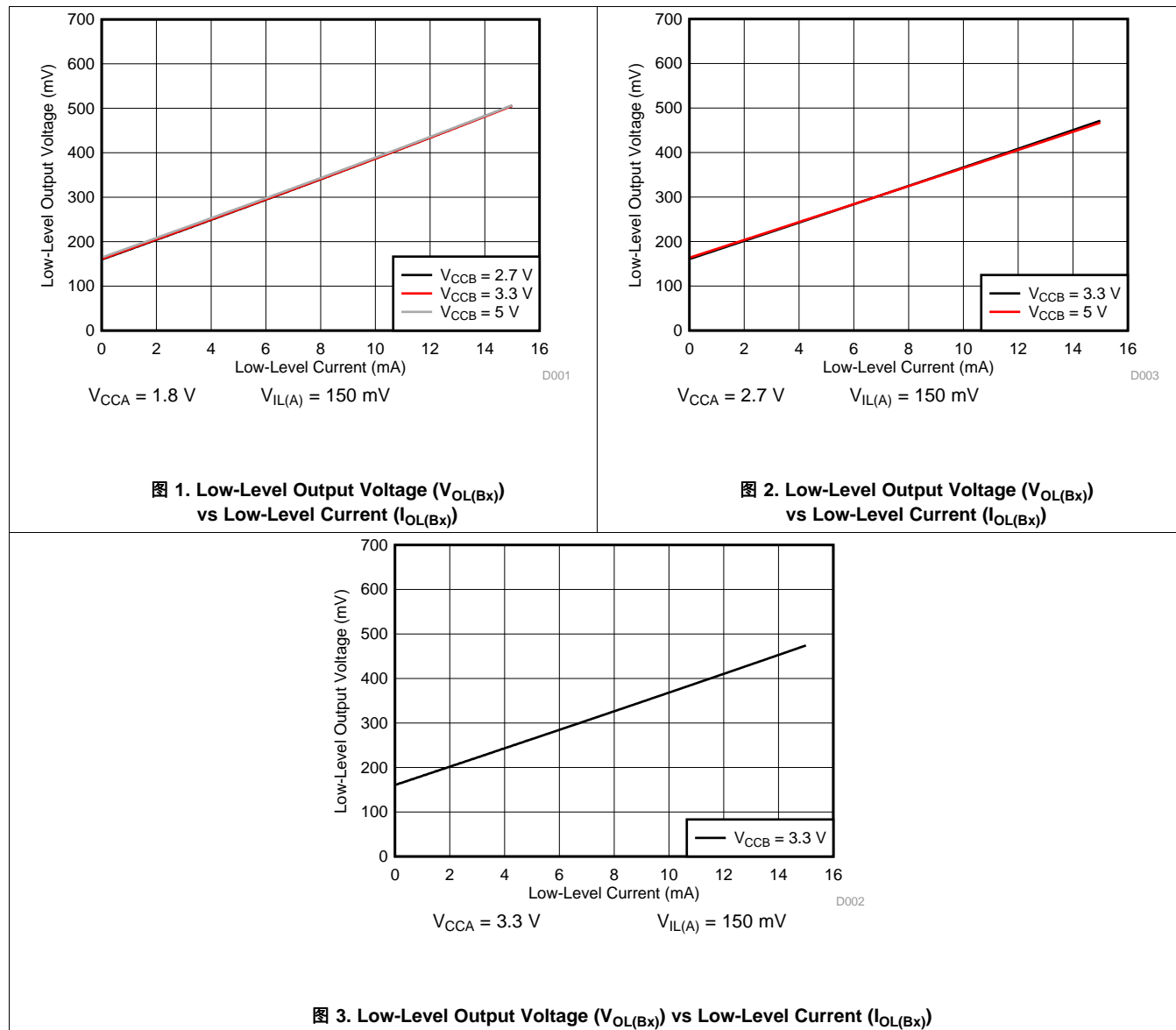
PARAMETER		TEST CONDITIONS	MIN	MAX	UNIT	
$t_{r(Bx)}$	Rise time, B port	Push-pull driving	$V_{CCB} = 2.5\text{ V} \pm 0.2\text{ V}$	8.3	ns	
			$V_{CCB} = 3.3\text{ V} \pm 0.3\text{ V}$	7.2		
			$V_{CCB} = 5\text{ V} \pm 0.5\text{ V}$	6.1		
		Open-drain driving	$V_{CCB} = 2.5\text{ V} \pm 0.2\text{ V}$	35		151
			$V_{CCB} = 3.3\text{ V} \pm 0.3\text{ V}$	24		112
			$V_{CCB} = 5\text{ V} \pm 0.5\text{ V}$	12		64
$t_{f(Ax)}$	Fall time, A port	Push-pull driving	$V_{CCB} = 2.5\text{ V} \pm 0.2\text{ V}$	5.7	ns	
			$V_{CCB} = 3.3\text{ V} \pm 0.3\text{ V}$	5.5		
			$V_{CCB} = 5\text{ V} \pm 0.5\text{ V}$	5.3		
		Open-drain driving	$V_{CCB} = 2.5\text{ V} \pm 0.2\text{ V}$	6.9		6.2
			$V_{CCB} = 3.3\text{ V} \pm 0.3\text{ V}$	6.2		5.8
			$V_{CCB} = 5\text{ V} \pm 0.5\text{ V}$	5.8		
$t_{f(Bx)}$	Fall time, B port	Push-pull driving	$V_{CCB} = 2.5\text{ V} \pm 0.2\text{ V}$	7.8	ns	
			$V_{CCB} = 3.3\text{ V} \pm 0.3\text{ V}$	6.7		
			$V_{CCB} = 5\text{ V} \pm 0.5\text{ V}$	6.6		
		Open-drain driving	$V_{CCB} = 2.5\text{ V} \pm 0.2\text{ V}$	8.8		9.4
			$V_{CCB} = 3.3\text{ V} \pm 0.3\text{ V}$	9.4		10.4
			$V_{CCB} = 5\text{ V} \pm 0.5\text{ V}$	10.4		
t_{sk}	Channel-to-channel skew	$V_{CCB} = 2.5\text{ V} \pm 0.2\text{ V}$		1	ns	
		$V_{CCB} = 3.3\text{ V} \pm 0.3\text{ V}$		1		
		$V_{CCB} = 5\text{ V} \pm 0.5\text{ V}$		1		
	Maximum data rate	Push-pull driving	$V_{CCB} = 2.5\text{ V} \pm 0.2\text{ V}$	20	Mbps	
			$V_{CCB} = 3.3\text{ V} \pm 0.3\text{ V}$	22		
			$V_{CCB} = 5\text{ V} \pm 0.5\text{ V}$	24		
		Open-drain driving	$V_{CCB} = 2.5\text{ V} \pm 0.2\text{ V}$	2		2
			$V_{CCB} = 3.3\text{ V} \pm 0.3\text{ V}$	2		2
			$V_{CCB} = 5\text{ V} \pm 0.5\text{ V}$	2		2

6.11 Switching Characteristics — $V_{CCA} = 3.3\text{ V} \pm 0.3\text{ V}$

over recommended operating free-air temperature range (unless otherwise noted)

PARAMETER		TEST CONDITIONS		MIN	MAX	UNIT	
$t_{PHL(A-B)}$	Propagation delay time (high to low) See Fig 8	From A (input) to B (output)	Push-pull driving	$V_{CCB} = 3.3\text{ V} \pm 0.3\text{ V}$	2.4	ns	
				$V_{CCB} = 5\text{ V} \pm 0.5\text{ V}$	3.1		
			Open-drain driving	$V_{CCB} = 3.3\text{ V} \pm 0.3\text{ V}$	4.2		
				$V_{CCB} = 5\text{ V} \pm 0.5\text{ V}$	4.6		
$t_{PHL(B-A)}$	Propagation delay time (high to low) See Fig 8	From B (input) to A (output)	Push-pull driving	$V_{CCB} = 3.3\text{ V} \pm 0.3\text{ V}$	2.5	ns	
				$V_{CCB} = 5\text{ V} \pm 0.5\text{ V}$	3.3		
			Open-drain driving	$V_{CCB} = 3.3\text{ V} \pm 0.3\text{ V}$	2.5		
				$V_{CCB} = 5\text{ V} \pm 0.5\text{ V}$	3.3		
$t_{PLH(A-B)}$	Propagation delay time (low to high) See Fig 8	From A (input) to B (output)	Push-pull driving	$V_{CCB} = 3.3\text{ V} \pm 0.3\text{ V}$	4.2	ns	
				$V_{CCB} = 5\text{ V} \pm 0.5\text{ V}$	4.4		
			Open-drain driving	$V_{CCB} = 3.3\text{ V} \pm 0.3\text{ V}$	4.2		
				$V_{CCB} = 5\text{ V} \pm 0.5\text{ V}$	4.4		
$t_{PLH(B-A)}$	Propagation delay time (low to high) See Fig 8	From B (input) to A (output)	Push-pull driving	$V_{CCB} = 3.3\text{ V} \pm 0.3\text{ V}$	2.5	ns	
				$V_{CCB} = 5\text{ V} \pm 0.5\text{ V}$	2.6		
			Open-drain driving	$V_{CCB} = 3.3\text{ V} \pm 0.3\text{ V}$	2.5		
				$V_{CCB} = 5\text{ V} \pm 0.5\text{ V}$	2.6		
$t_{en(OE-A)}$ $t_{en(OE-B)}$	Enable time	From OE (input) to A or B (output)	$V_{CCB} = 3.3\text{ V} \pm 0.3\text{ V}$		200	ns	
			$V_{CCB} = 5\text{ V} \pm 0.5\text{ V}$		250		
$t_{dis(OE-A)}$ $t_{dis(OE-B)}$	Disable time	From OE (input) to A or B (output)	$V_{CCB} = 3.3\text{ V} \pm 0.3\text{ V}$		200	ns	
			$V_{CCB} = 5\text{ V} \pm 0.5\text{ V}$		200		
$t_{r(Ax)}$	Rise time, A port		Push-pull driving	$V_{CCB} = 3.3\text{ V} \pm 0.3\text{ V}$	5.6	ns	
				$V_{CCB} = 5\text{ V} \pm 0.5\text{ V}$	4.8		
			Open-drain driving	$V_{CCB} = 3.3\text{ V} \pm 0.3\text{ V}$	25		116
				$V_{CCB} = 5\text{ V} \pm 0.5\text{ V}$	19		85
$t_{r(Bx)}$	Rise time, B port		Push-pull driving	$V_{CCB} = 3.3\text{ V} \pm 0.3\text{ V}$	6.4	ns	
				$V_{CCB} = 5\text{ V} \pm 0.5\text{ V}$	7.4		
			Open-drain driving	$V_{CCB} = 3.3\text{ V} \pm 0.3\text{ V}$	26		116
				$V_{CCB} = 5\text{ V} \pm 0.5\text{ V}$	14		72
$t_{f(Ax)}$	Fall time, A port		Push-pull driving	$V_{CCB} = 3.3\text{ V} \pm 0.3\text{ V}$	5.4	ns	
				$V_{CCB} = 5\text{ V} \pm 0.5\text{ V}$	5		
			Open-drain driving	$V_{CCB} = 3.3\text{ V} \pm 0.3\text{ V}$	6.1		
				$V_{CCB} = 5\text{ V} \pm 0.5\text{ V}$	5.7		
$t_{f(Bx)}$	Fall time, B port		Push-pull driving	$V_{CCB} = 3.3\text{ V} \pm 0.3\text{ V}$	7.4	ns	
				$V_{CCB} = 5\text{ V} \pm 0.5\text{ V}$	7.6		
			Open-drain driving	$V_{CCB} = 3.3\text{ V} \pm 0.3\text{ V}$	7.6		
				$V_{CCB} = 5\text{ V} \pm 0.5\text{ V}$	8.3		
t_{sk}	Channel-to-channel skew		$V_{CCB} = 3.3\text{ V} \pm 0.3\text{ V}$		1	ns	
			$V_{CCB} = 5\text{ V} \pm 0.5\text{ V}$		1		
	Maximum data rate		Push-pull driving	$V_{CCB} = 3.3\text{ V} \pm 0.3\text{ V}$	22	Mbps	
				$V_{CCB} = 5\text{ V} \pm 0.5\text{ V}$	24		
			Open-drain driving	$V_{CCB} = 3.3\text{ V} \pm 0.3\text{ V}$	2		
				$V_{CCB} = 5\text{ V} \pm 0.5\text{ V}$	2		

6.12 Typical Characteristics



7 Parameter Measurement Information

7.1 Load Circuits

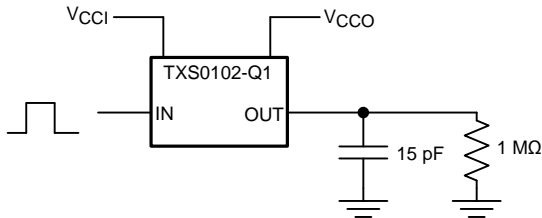


图 4. Data Rate, Pulse Duration, Propagation Delay, Output Rise-Time and Fall-Time Measurement Using a Push-Pull Driver

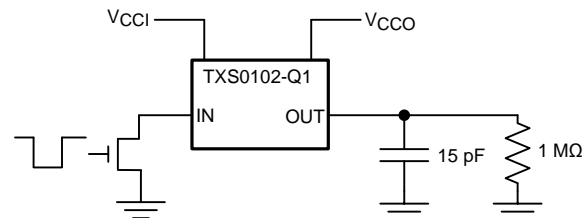
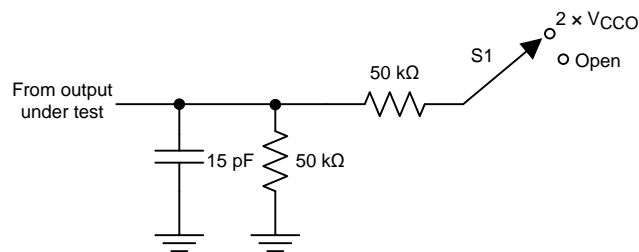


图 5. Data Rate, Pulse Duration, Propagation Delay, Output Rise-Time and Fall-Time Measurement Using an Open-Drain Driver



TEST	S1
t_{PZL} / t_{PLZ} (t_{dis})	$2 \times V_{CCO}$
t_{PHZ} / t_{PZH} (t_{en})	Open

图 6. Load Circuit for Enable-Time and Disable-Time Measurement

1. t_{PLZ} and t_{PHZ} are the same as t_{dis} .
2. t_{PZL} and t_{PZH} are the same as t_{en} .
3. V_{CCI} is the V_{CC} associated with the input port.
4. V_{CCO} is the V_{CC} associated with the output port.

7.2 Voltage Waveforms

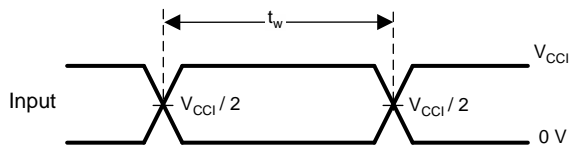


图 7. Pulse Duration

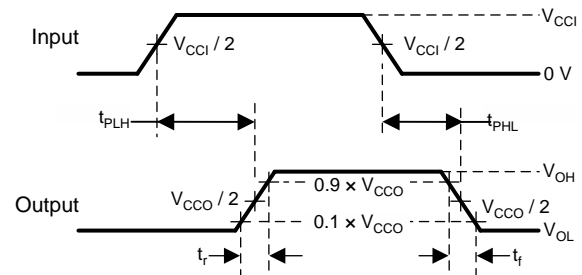


图 8. Propagation Delay Times

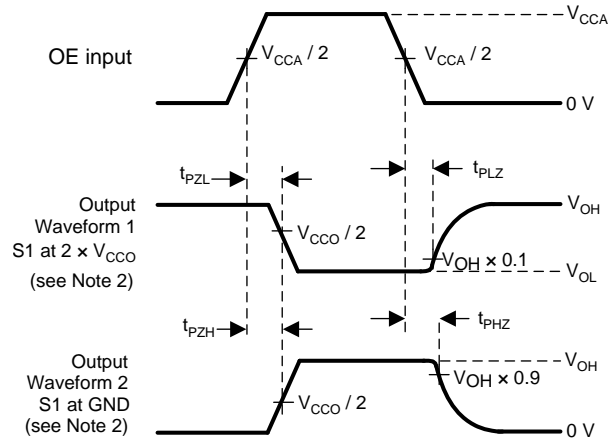


图 9. Enable and Disable Times

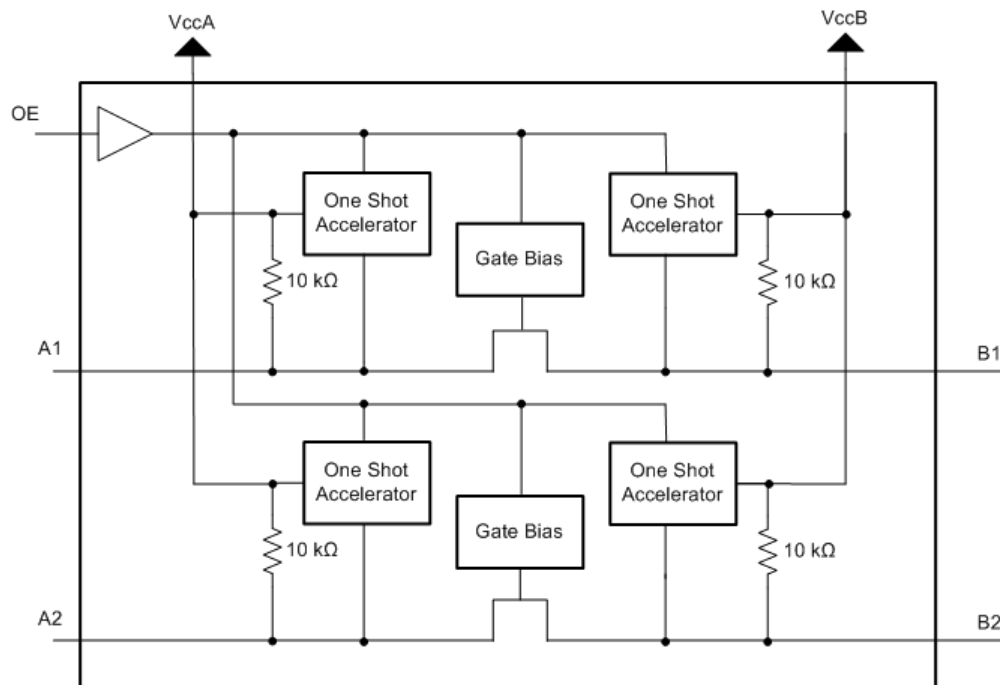
1. C_L includes probe and jig capacitance.
2. Waveform 1 in 图 9 is for an output with internal such that the output is high, except when OE is high (see 图 6). Waveform 2 in 图 9 is for an output with conditions such that the output is low, except when OE is high.
3. All input pulses are supplied by generators having the following characteristics: $PRR \leq 10$ MHz, $Z_O = 50 \Omega$, $dv/dt \geq 1$ V/ns.
4. The outputs are measured one at a time, with one transition per measurement.
5. t_{PLZ} and t_{PHZ} are the same as t_{dis} .
6. t_{PZL} and t_{PZH} are the same as t_{en} .
7. t_{PLH} and t_{PHL} are the same as t_{pd} .
8. V_{CCI} is the V_{CC} associated with the input port.
9. V_{CCO} is the V_{CC} associated with the output port.

8 Detailed Description

8.1 Overview

The TXS0102-Q1 device is a directionless voltage-level translator specifically designed for translating logic voltage levels. The A port is able to accept I/O voltages ranging from 1.65 V to 3.6 V, while the B port can accept I/O voltages from 2.3 V to 5.5 V. The device is a pass gate architecture with edge rate accelerators (one shots) to improve the overall data rate. 10-k Ω pullup resistors, commonly used in open drain applications, have been conveniently integrated so that an external resistor is not needed. While this device is designed for open drain applications, the device can also translate push-pull CMOS logic outputs.

8.2 Functional Block Diagram



8.3 Feature Description

8.3.1 Architecture

The TXS0102-Q1 architecture (see [图 10](#)) does not require a direction-control signal in order to control the direction of data flow from A to B or from B to A.

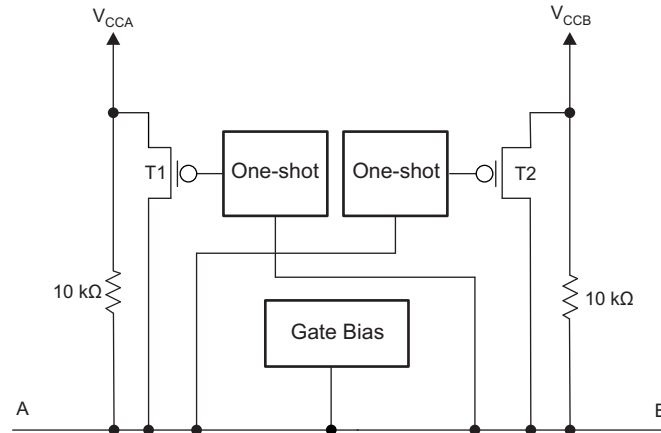


图 10. Architecture of a TXS01xx Cell

Each A-port I/O has an internal 10-kΩ pullup resistor to V_{CCA}, and each B-port I/O has an internal 10-kΩ pullup resistor to V_{CCB}. The output one-shots detect rising edges on the A or B ports. During a rising edge, the one-shot turns on the PMOS transistors (T1, T2) for a short duration which speeds up the low-to-high transition.

8.3.2 Input Driver Requirements

The fall time (t_{fA} , t_{fB}) of a signal depends on the output impedance of the external device driving the data I/Os of the TXS0102-Q1 device. Similarly, the t_{pHL} and maximum data rates also depend on the output impedance of the external driver. The values for t_{fA} , t_{fB} , t_{pHL} , and maximum data rates in the data sheet assume that the output impedance of the external driver is less than 50 Ω.

8.3.3 Power Up

During operation, assure that $V_{CCA} \leq V_{CCB}$ at all times. During power-up sequencing, $V_{CCA} \geq V_{CCB}$ does not damage the device, so any power supply can be ramped up first.

8.3.4 Enable and Disable

The TXS0102-Q1 device has an OE input that disables the device by setting OE low, which places all I/Os in the high-impedance state. The disable time (t_{dis}) indicates the delay between the time when the OE pin goes low and when the outputs actually enter the high-impedance state. The enable time (t_{en}) indicates the amount of time the user must allow for the one-shot circuitry to become operational after the OE pin is taken high.

8.3.5 Pullup and Pulldown Resistors on I/O Lines

Each A-port I/O has an internal 10-kΩ pullup resistor to V_{CCA}, and each B-port I/O has an internal 10-kΩ pullup resistor to V_{CCB}. If a smaller value of pullup resistor is required, an external resistor must be added from the I/O to V_{CCA} or V_{CCB} (in parallel with the internal 10-kΩ resistors).

8.4 Device Functional Modes

The TXS0102-Q1 device has two functional modes, enabled and disabled. To disable the device set the OE input low, which places all I/Os in a high impedance state. Setting the OE input high will enable the device.

9 Application and Implementation

注

Information in the following applications sections is not part of the TI component specification, and TI does not warrant its accuracy or completeness. TI's customers are responsible for determining suitability of components for their purposes. Customers should validate and test their design implementation to confirm system functionality.

9.1 Application Information

The TXS0102-Q1 device can be used in level-translation applications for interfacing devices or systems operating at different interface voltages with one another. The TXS0102-Q1 device is ideal for use in applications where an open-drain driver is connected to the data I/Os.

9.2 Typical Application

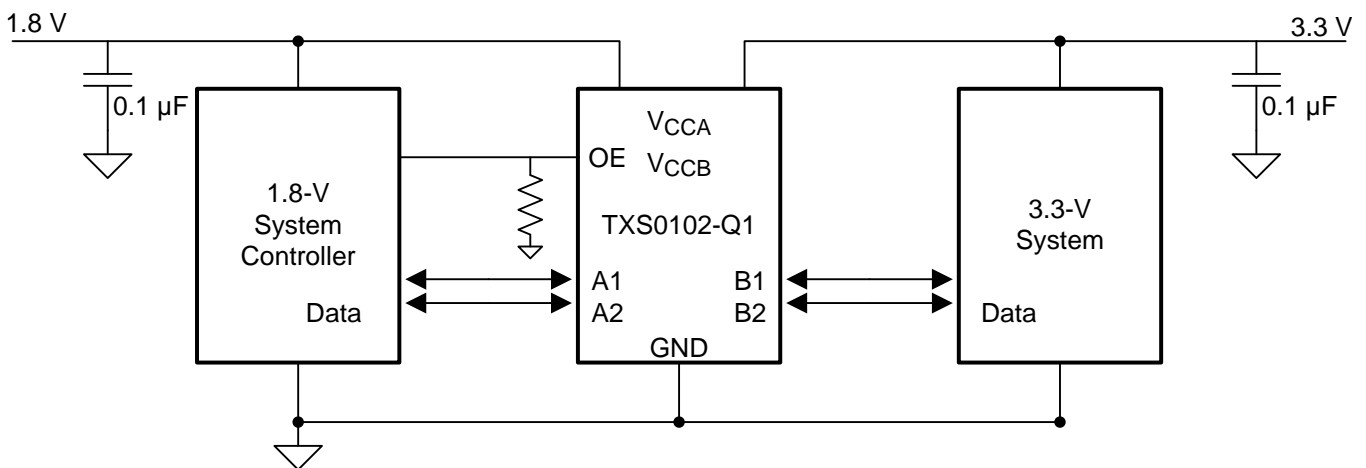


图 11. Application Schematic

9.2.1 Design Requirements

For this design example, use the parameters listed in 表 1.

表 1. Design Parameters

DESIGN PARAMETER	EXAMPLE VALUE
Input voltage range	1.65 to 3.6 V
Output voltage range	2.3 to 5.5 V

9.2.2 Detailed Design Procedure

To begin the design process, determine the following:

- Input voltage range
 - Use the supply voltage of the device that is driving the TXS0102-Q1 device to determine the input voltage range. For a valid logic high the value must exceed the V_{IH} of the input port. For a valid logic low the value must be less than the V_{IL} of the input port.
- Output voltage range
 - Use the supply voltage of the device that the TXS0102-Q1 device is driving to determine the output voltage range.
 - The TXS0102-Q1 device has 10-k Ω internal pullup resistors. External pullup resistors can be added to reduce the total RC of a signal trace if necessary.

- An external pull down resistor decreases the output V_{OH} and V_{OL} . Use 公式 1 to calculate the V_{OH} as a result of an external pull down resistor.

$$V_{OH} = V_{CCx} \times R_{PD} / (R_{PD} + 10 \text{ k}\Omega)$$

where

- V_{CCx} is the supply voltage on either V_{CCA} or V_{CCB}
- R_{PD} is the value of the external pull down resistor

(1)

9.2.3 Application Curve

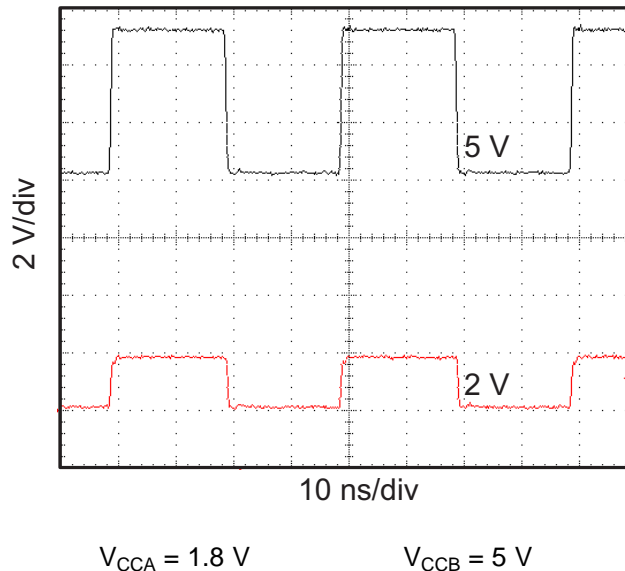


图 12. Level-Translation of a 2.5-MHz Signal

10 Power Supply Recommendations

The TXS0102-Q1 device uses two separate configurable power-supply rails, V_{CCA} and V_{CCB} . V_{CCB} accepts any supply voltage from 2.3 V to 5.5 V and V_{CCA} accepts any supply voltage from 1.65 V to 3.6 V as long as V_{CCA} is less than or equal to V_{CCB} . The A port and B port are designed to track V_{CCA} and V_{CCB} respectively allowing for low-voltage bidirectional translation between any of the 1.8-V, 2.5-V, 3.3-V, and 5-V voltage nodes.

The TXS0102-Q1 device does not require power sequencing between V_{CCA} and V_{CCB} during power-up so the power-supply rails can be ramped in any order. A V_{CCA} value greater than or equal to V_{CCB} ($V_{CCA} \geq V_{CCB}$) does not damage the device, but during operation, V_{CCA} must be less than or equal to V_{CCB} ($V_{CCA} \leq V_{CCB}$) at all times.

The output-enable (OE) input circuit is designed so that it is supplied by V_{CCA} and when the (OE) input is low, all outputs are placed in the high-impedance state. To assure the high-impedance state of the outputs during power up or power down, the OE input pin must be tied to GND through a pulldown resistor and must not be enabled until V_{CCA} and V_{CCB} are fully ramped and stable. The minimum value of the pulldown resistor to ground is determined by the current-sourcing capability of the driver.

11 Layout

11.1 Layout Guidelines

To assure reliability of the device, following common printed-circuit board layout guidelines is recommended.

- Bypass capacitors should be used on power supplies.
- Short trace lengths should be used to avoid excessive loading.
- PCB signal trace-lengths must be kept short enough so that the round-trip delay of any reflection is less than the one shot duration, approximately 30 ns, assuring that any reflection encounters low impedance at the source driver.
- To help adjust rise and fall times of signals depending on system requirements, place pads on the signal paths for loading capacitors or pullup resistors.

11.2 Layout Example

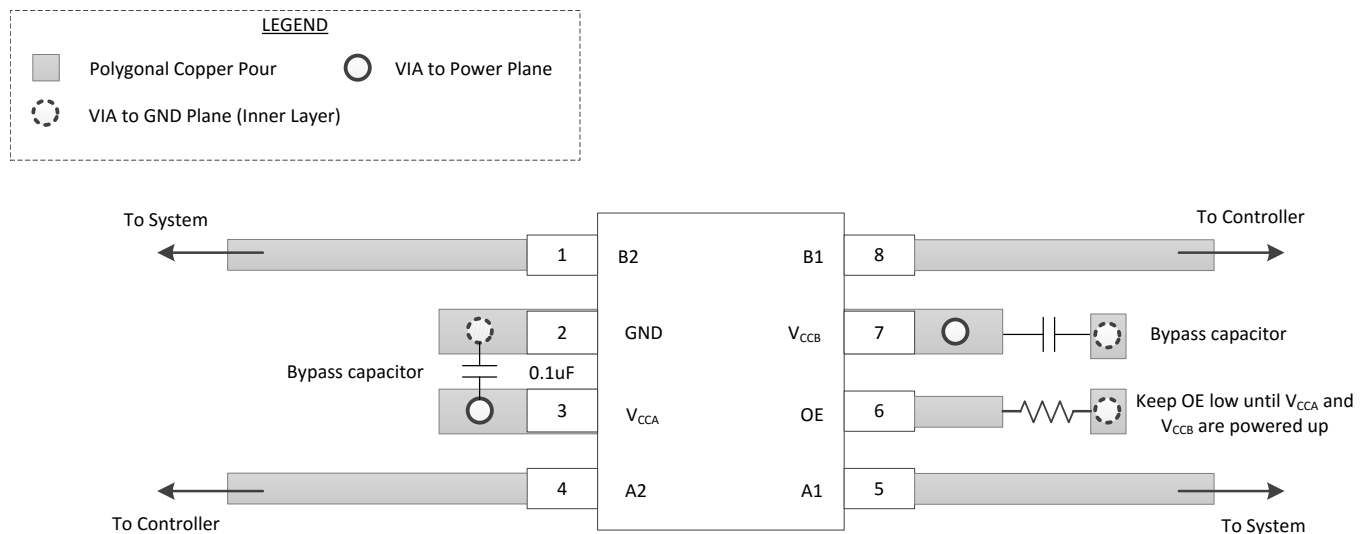


图 13. TXS0102-Q1 Layout Example

12 器件和文档支持

12.1 文档支持

12.1.1 相关文档

请参阅如下相关文档:

[《逻辑器件简介》](#)

12.2 接收文档更新通知

要接收文档更新通知, 请导航至 [TI.com](#) 上的器件产品文件夹。单击右上角的 [通知我](#) 进行注册, 即可每周接收产品信息更改摘要。有关更改的详细信息, 请查看任何已修订文档中包含的修订历史记录。

12.3 社区资源

下列链接提供到 TI 社区资源的连接。链接的内容由各个分销商“按照原样”提供。这些内容并不构成 TI 技术规范, 并且不一定反映 TI 的观点; 请参阅 TI 的 [《使用条款》](#)。

TI E2E™ 在线社区 [TI 的工程师对工程师 \(E2E\) 社区](#)。此社区的创建目的在于促进工程师之间的协作。在 [e2e.ti.com](#) 中, 您可以咨询问题、分享知识、拓展思路并与同行工程师一道帮助解决问题。

设计支持 [TI 参考设计支持](#) 可帮助您快速查找有帮助的 E2E 论坛、设计支持工具以及技术支持的联系信息。

12.4 商标

NanoFree, E2E are trademarks of Texas Instruments.

All other trademarks are the property of their respective owners.

12.5 静电放电警告



ESD 可能会损坏该集成电路。德州仪器 (TI) 建议通过适当的预防措施处理所有集成电路。如果不遵守正确的处理措施和安装程序, 可能会损坏集成电路。

ESD 的损坏小至导致微小的性能降级, 大至整个器件故障。精密的集成电路可能更容易受到损坏, 这是因为非常细微的参数更改都可能会导致器件与其发布的规格不相符。

12.6 Glossary

[SLYZ022](#) — *TI Glossary*.

This glossary lists and explains terms, acronyms, and definitions.

13 机械、封装和可订购信息

以下页中包括机械封装、封装和可订购信息。这些信息是针对指定器件可提供的最新数据。这些数据如有变更, 恕不另行通知和修订此文档。如欲获取此数据表的浏览器版本, 请参阅左侧的导航。

PACKAGING INFORMATION

Orderable Device	Status (1)	Package Type	Package Drawing	Pins	Package Qty	Eco Plan (2)	Lead finish/ Ball material (6)	MSL Peak Temp (3)	Op Temp (°C)	Device Marking (4/5)	Samples
TXS0102QDCURQ1	ACTIVE	VSSOP	DCU	8	3000	RoHS & Green	NIPDAU NIPDAUAG	Level-2-260C-1 YEAR	-40 to 125	(35TT, NG3R)	Samples

(1) The marketing status values are defined as follows:

ACTIVE: Product device recommended for new designs.

LIFEBUY: TI has announced that the device will be discontinued, and a lifetime-buy period is in effect.

NRND: Not recommended for new designs. Device is in production to support existing customers, but TI does not recommend using this part in a new design.

PREVIEW: Device has been announced but is not in production. Samples may or may not be available.

OBSELETE: TI has discontinued the production of the device.

(2) **RoHS:** TI defines "RoHS" to mean semiconductor products that are compliant with the current EU RoHS requirements for all 10 RoHS substances, including the requirement that RoHS substance do not exceed 0.1% by weight in homogeneous materials. Where designed to be soldered at high temperatures, "RoHS" products are suitable for use in specified lead-free processes. TI may reference these types of products as "Pb-Free".

RoHS Exempt: TI defines "RoHS Exempt" to mean products that contain lead but are compliant with EU RoHS pursuant to a specific EU RoHS exemption.

Green: TI defines "Green" to mean the content of Chlorine (Cl) and Bromine (Br) based flame retardants meet JS709B low halogen requirements of <=1000ppm threshold. Antimony trioxide based flame retardants must also meet the <=1000ppm threshold requirement.

(3) MSL, Peak Temp. - The Moisture Sensitivity Level rating according to the JEDEC industry standard classifications, and peak solder temperature.

(4) There may be additional marking, which relates to the logo, the lot trace code information, or the environmental category on the device.

(5) Multiple Device Markings will be inside parentheses. Only one Device Marking contained in parentheses and separated by a "-" will appear on a device. If a line is indented then it is a continuation of the previous line and the two combined represent the entire Device Marking for that device.

(6) Lead finish/Ball material - Orderable Devices may have multiple material finish options. Finish options are separated by a vertical ruled line. Lead finish/Ball material values may wrap to two lines if the finish value exceeds the maximum column width.

Important Information and Disclaimer:The information provided on this page represents TI's knowledge and belief as of the date that it is provided. TI bases its knowledge and belief on information provided by third parties, and makes no representation or warranty as to the accuracy of such information. Efforts are underway to better integrate information from third parties. TI has taken and continues to take reasonable steps to provide representative and accurate information but may not have conducted destructive testing or chemical analysis on incoming materials and chemicals. TI and TI suppliers consider certain information to be proprietary, and thus CAS numbers and other limited information may not be available for release.

In no event shall TI's liability arising out of such information exceed the total purchase price of the TI part(s) at issue in this document sold by TI to Customer on an annual basis.

OTHER QUALIFIED VERSIONS OF TXS0102-Q1 :

- Catalog : [TXS0102](#)

NOTE: Qualified Version Definitions:

- Catalog - TI's standard catalog product

TAPE AND REEL INFORMATION



QUADRANT ASSIGNMENTS FOR PIN 1 ORIENTATION IN TAPE



*All dimensions are nominal

Device	Package Type	Package Drawing	Pins	SPQ	Reel Diameter (mm)	Reel Width W1 (mm)	A0 (mm)	B0 (mm)	K0 (mm)	P1 (mm)	W (mm)	Pin1 Quadrant
TXS0102QDCURQ1	VSSOP	DCU	8	3000	180.0	8.4	2.25	3.35	1.05	4.0	8.0	Q3

TAPE AND REEL BOX DIMENSIONS



*All dimensions are nominal

Device	Package Type	Package Drawing	Pins	SPQ	Length (mm)	Width (mm)	Height (mm)
TXS0102QDCURQ1	VSSOP	DCU	8	3000	213.0	191.0	35.0



4225266/A 09/2014

NOTES:

1. All linear dimensions are in millimeters. Any dimensions in parenthesis are for reference only. Dimensioning and tolerancing per ASME Y14.5M.
2. This drawing is subject to change without notice.
3. This dimension does not include mold flash, protrusions, or gate burrs. Mold flash, protrusions, or gate burrs shall not exceed 0.15 mm per side.
4. Reference JEDEC registration MO-187 variation CA.

EXAMPLE BOARD LAYOUT

DCU0008A

VSSOP - 0.9 mm max height

SMALL OUTLINE PACKAGE



LAND PATTERN EXAMPLE
EXPOSED METAL SHOWN
SCALE: 25X



4225266/A 09/2014

NOTES: (continued)

- 5. Publication IPC-7351 may have alternate designs.
- 6. Solder mask tolerances between and around signal pads can vary based on board fabrication site.

EXAMPLE STENCIL DESIGN

DCU0008A

VSSOP - 0.9 mm max height

SMALL OUTLINE PACKAGE



SOLDER PASTE EXAMPLE
BASED ON 0.125 mm THICK STENCIL
SCALE: 25X

4225266/A 09/2014

NOTES: (continued)

7. Laser cutting apertures with trapezoidal walls and rounded corners may offer better paste release. IPC-7525 may have alternate design recommendations.
8. Board assembly site may have different recommendations for stencil design.

重要声明和免责声明

TI“按原样”提供技术和可靠性数据（包括数据表）、设计资源（包括参考设计）、应用或其他设计建议、网络工具、安全信息和其他资源，不保证没有瑕疵且不做任何明示或暗示的担保，包括但不限于对适销性、某特定用途方面的适用性或不侵犯任何第三方知识产权的暗示担保。

这些资源可供使用 TI 产品进行设计的熟练开发人员使用。您将自行承担以下全部责任：(1) 针对您的应用选择合适的 TI 产品，(2) 设计、验证并测试您的应用，(3) 确保您的应用满足相应标准以及任何其他功能安全、信息安全、监管或其他要求。

这些资源如有变更，恕不另行通知。TI 授权您仅可将这些资源用于研发本资源所述的 TI 产品的应用。严禁对这些资源进行其他复制或展示。您无权使用任何其他 TI 知识产权或任何第三方知识产权。您应全额赔偿因在这些资源的使用中对 TI 及其代表造成的任何索赔、损害、成本、损失和债务，TI 对此概不负责。

TI 提供的产品受 [TI 的销售条款](#) 或 [ti.com](#) 上其他适用条款/TI 产品随附的其他适用条款的约束。TI 提供这些资源并不会扩展或以其他方式更改 TI 针对 TI 产品发布的适用的担保或担保免责声明。

TI 反对并拒绝您可能提出的任何其他或不同的条款。

邮寄地址：Texas Instruments, Post Office Box 655303, Dallas, Texas 75265

Copyright © 2024，德州仪器 (TI) 公司