

7 通道中继和电感负载下沉式驱动器

 查询样品: [ULN2003V12](#)

特性

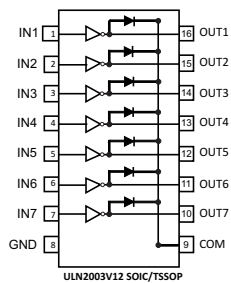
- 7 通道高电流下沉式驱动器
- 支持高达 **20V** 的输出上拉电压
- 支持宽范围的低电压和高电压中继和电感线圈
- **0.6V** 低输出电压 (**VOL**) (典型值), 并且
 - 在 **3.3V** 的逻辑输入上, 每通道具有 **100mA** (典型值) 的电流吸收能力⁽¹⁾
 - 在 **5.0V** 的逻辑输入上, 每通道具有 **140mA** (典型值) 的电流吸收能力⁽¹⁾
- 与 **3.3V** 和 **5.0V** 微控制器和逻辑接口兼容
- 用于电感反冲保护的内部自振荡二极管
- 输入下拉电阻器可实现三态输入驱动器
- 用来消除嘈杂环境中寄生运行的输入电阻电容 (**RC**) 缓冲器
- 低输入和输出泄漏电流
- 易于使用的并行接口
- 静电放电 (**ESD**) 保护性能超过 **JESD 22** 规范要求
 - **2kV** 人体模型 (**HBM**), **500V** 充电器件模型 (**CDM**)
- 采用 **16** 引脚小外形尺寸集成电路 (**SOIC**) 和薄型小外形尺寸 (**TSSOP**) 封装

⁽¹⁾ 总电流吸收有可能受到内部结温、绝对最大电流水平等的限制-详细情况请参考电气规范部分。

应用范围

- 在多种电信、消费类、和工业应用中的中继和电感负载驱动器
- 照明灯和 **LED** 显示
- 逻辑电平转换器

功能方框图



说明

ULN2003V12 是一款针对 TI 生产的广受欢迎的 ULN2003 系列 7 通道达灵顿 (Darlington) 晶体管阵列的低功耗升级产品。ULN2003V12 下沉式驱动器特有 7 个低输出阻抗驱动器, 此驱动器能够大大降低片上功率耗散。当驱动一个典型值为 12V 中继线圈时, 一个 ULN2003V12 的功率耗散比一个等效的 ULN2003A 低 12 倍。ULN2003V12 驱动器与 ULN2003 系列器件具有相似封装, 并且引脚对引脚兼容。

ULN2003V12 支持 3.3V 至 5V CMOS 逻辑输入接口, 从而使得此器件与大范围的微控制器和其它逻辑接口兼容。ULN2003V12 特有一个改进的输入接口, 此接口可以大大降低取自外部驱动器的输入 DC 电流。ULN2003V12 特有一个输入 RC 缓冲器, 此缓冲器能够极大地改进此器件在嘈杂运行条件下的性能。ULN2003V12 通道输入特有一个内部输入下拉电阻器从而可实现三态输入逻辑。ULN2003V12 还支持其它逻辑输入电平, 例如 TTL 和 1.8V; 详细信息请见典型特性部分。

如功能图中所示, 在共阴极配置中, ULN2003V12 的每一个输出都特有一个连接在 COM 引脚上的内部自振荡二极管。

ULN2003V12 通过将几条相邻的并联通道相组合来提供不断增加的电流吸收能力的灵活性。在通常情况下, 当所有 7 个通道并联时, ULN2003V12 能够支持高达 1.0A 的负载电流。

ULN2003V12 还可以被用于需要一个下沉式驱动器的多种其它应用。ULN2003V12 采用 16 引脚 SOIC 和 16 引脚 TSSOP 封装。

表 1. ULN2003V12 功能表⁽¹⁾

输入 (IN1-IN7)	输出 (OUT1-OUT7)
L	H ⁽²⁾
H	L
Z	H ⁽²⁾

⁽¹⁾ L = 低电平 (接地); H = 高电平; Z = 高阻抗;
⁽²⁾ H⁺ = 上拉电平



Please be aware that an important notice concerning availability, standard warranty, and use in critical applications of Texas Instruments semiconductor products and disclaimers thereto appears at the end of this data sheet.



This integrated circuit can be damaged by ESD. Texas Instruments recommends that all integrated circuits be handled with appropriate precautions. Failure to observe proper handling and installation procedures can cause damage.

ESD damage can range from subtle performance degradation to complete device failure. Precision integrated circuits may be more susceptible to damage because very small parametric changes could cause the device not to meet its published specifications.

ORDERING INFORMATION⁽¹⁾

T _J	PART NUMBER	PACKAGE		TOP-SIDE MARKING
–40°C to 125°C	ULN2003V12DR	16-Pin SOIC	Reel of 2500	U2003V12
	ULN2003V12PWR	16-Pin TSSOP	Reel of 2000	U2003V12

(1) For the most current package and ordering information, see the Package Option Addendum at the end of this document, or see the TI website at www.ti.com.

ABSOLUTE MAXIMUM RATINGS⁽¹⁾

Specified at T_J = –40°C to 125°C unless otherwise noted.

		VALUE		UNIT
		MIN	MAX	
V _{IN}	Pins IN1- IN7 to GND voltage	–0.3	5.5	V
V _{OUT}	Pins OUT1 – OUT7 to GND voltage		20	V
V _{COM}	Pin COM to GND voltage		20	V
I _{GND}	Max GND-pin continuous current (100°C < T _J < +125°C)		700	mA
	Max GND-pin continuous current (T _J < +100°C)		1.0	A
P _D	Total device power dissipation at T _A = 85°C	16 Pin - SOIC	0.86	W
		16 Pin - TSSOP	0.68	W
ESD	ESD Rating – HBM		2	kV
	ESD Rating – CDM		500	V
T _J	Operating virtual junction temperature	–55	150	°C
T _{stg}	Storage temperature range	–55	150	°C

(1) Stresses beyond those listed under "Absolute Maximum Ratings" may cause permanent damage to the device. These are stress ratings only and functional operation of the device at these conditions is not implied. Exposure to absolute-maximum-rated conditions for extended periods may affect device reliability.

DISSIPATION RATINGS⁽¹⁾⁽²⁾

BOARD	PACKAGE	θ _{JC}	θ _{JA} ⁽³⁾	DERATING FACTOR ABOVE T _A = 25°C	T _A < 25°C	T _A = 70°C	T _A = 85°C	T _A = 105°C
High-K	16-Pin SOIC	46°C/W	75°C/W	13.33 mW/°C	1.66 W	1.06 W	0.86 W	0.59 W
High-K	16-Pin TSSOP	49°C/W	95°C/W	10.44 mW/°C	1.31 W	0.84 W	0.68 W	0.47 W

(1) Maximum dissipation values for retaining device junction temperature of 150°C

(2) Refer to TI's design support web page at www.ti.com/thermal for improving device thermal performance

(3) Operating at the absolute T_{J,max} of 150°C can affect reliability– for higher reliability it is recommended to ensure T_J < 125°C

RECOMMENDED OPERATING CONDITIONS

over operating free-air temperature range (unless otherwise noted)

PARAMETER		MIN	TYP	MAX	UNIT
V _{OUT}	Channel off-state output pull-up voltage			16	V
V _{COM}	COM pin voltage			16	V
I _{OUT(ON)}	Per channel continuous sink current	VINx = 3.3V		100 ⁽¹⁾	mA
		VINx = 5.0V		140 ⁽¹⁾	
T _J	Operating junction temperature	–40		125	°C

(1) 1) Refer to [ABSOLUTE MAXIMUM RATINGS](#) for T_J dependent absolute maximum GND-pin current

ELECTRICAL CHARACTERISTICS

Specified over the recommended junction temperature range $T_J = -40^{\circ}\text{C}$ to 125°C and over recommended operating conditions unless otherwise noted. Typical values are at $T_J = 25^{\circ}\text{C}$.

PARAMETER	TEST CONDITIONS	MIN	TYP	MAX	UNIT			
INPUTS IN1 THROUGH IN7 PARAMETERS								
$V_{I(ON)}$	IN1–IN7 logic high input voltage	$V_{pull-up} = 3.3\text{ V}, R_{pull-up} = 1\text{ k}\Omega, I_{OUTX} = 3.2\text{ mA}$			1.65	V		
$V_{I(OFF)}$	IN1–IN7 logic low input voltage	$V_{pull-up} = 3.3\text{ V}, R_{pull-up} = 1\text{ k}\Omega,$ $(I_{OUTX} < 20\text{ }\mu\text{A})$			0.6			
$I_{I(ON)}$	IN1–IN7 ON state input current	$V_{pull-up} = 12\text{ V}, V_{INx} = 3.3\text{ V}$			12	25	μA	
$I_{I(OFF)}$	IN1–IN7 OFF state input leakage	$V_{pull-up} = 12\text{ V}, V_{INx} = 0\text{ V}$			250		nA	
OUTPUTS OUT1 THROUGH OUT7 PARAMETERS								
$V_{OL(VCE-SAT)}$	OUT1–OUT7 low-level output voltage	$V_{INX} = 3.3\text{ V}, I_{OUTX} = 20\text{ mA}$			0.12	0.15	V	
		$V_{INX} = 3.3\text{ V}, I_{OUTX} = 100\text{ mA}$			0.60	0.75		
		$V_{INX} = 5.0\text{ V}, I_{OUTX} = 20\text{ mA}$			0.09	0.11		
		$V_{INX} = 5.0\text{ V}, I_{OUTX} = 140\text{ mA}$			0.60	0.75		
$I_{OUT(ON)}$	OUT1–OUT7 ON-state continuous current ⁽¹⁾ ⁽²⁾ at $V_{OUTX} = 0.6\text{ V}$	$V_{INX} = 3.3\text{ V}, V_{OUTX} = 0.6\text{ V}$			80	100	mA	
		$V_{INX} = 5.0\text{ V}, V_{OUTX} = 0.6\text{ V}$			95	140		
$I_{OUT(OFF)(ICEX)}$	OUT1–OUT7 OFF-state leakage current	$V_{INX} = 0\text{ V}, V_{OUTX} = V_{COM} = 16\text{ V}$			0.5		μA	
SWITCHING PARAMETERS⁽³⁾⁽⁴⁾								
t_{PHL}	OUT1–OUT7 logic high propagation delay	$V_{INX} = 3.3\text{ V}, V_{pull-up} = 12\text{ V}, R_{pull-up} = 1\text{ k}\Omega$			50	70	ns	
t_{PLH}	OUT1–OUT7 logic low propagation delay	$V_{INX} = 3.3\text{ V}, V_{pull-up} = 12\text{ V}, R_{pull-up} = 1\text{ k}\Omega$			121	140	ns	
$t_{CHANNEL}$	Channel to Channel delay	Over recommended operating conditions and with same test conditions on channels.			15	50	ns	
R_{PD}	IN1–IN7 input pull-down Resistance				210k	300k	390k	Ω
ζ	IN1–IN7 Input filter time constant				9			ns
C_{OUT}	OUT1–OUT7 output capacitance	$V_{INX} = 3.3\text{ V}, V_{OUTX} = 0.4\text{ V}$			15			pF
FREE-WHEELING DIODE PARAMETERS⁽⁵⁾⁽⁴⁾								
VF	Forward voltage drop	$I_{F-peak} = 140\text{ mA}, VF = V_{OUTX} - V_{COM}$			1.2			V
I_{F-peak}	Diode peak forward current				140			mA

- (1) The typical continuous current rating is limited by $V_{OL} = 0.6\text{ V}$. Whereas, absolute maximum operating continuous current may be limited by the Thermal Performance parameters listed in the Dissipation Rating Table and other Reliability parameters listed in the Recommended Operating Conditions Table.
- (2) Refer to the Absolute Maximum Ratings Table for T_J dependent absolute maximum GND-pin current.
- (3) Rise and Fall propagation delays, t_{PHL} and t_{PLH} , are measured between 50% values of the input and the corresponding output signal amplitude transition.
- (4) Guaranteed by design only. Validated during qualification. Not measured in production testing.
- (5) Not rated for continuous current operation – for higher reliability use an external freewheeling diode for inductive loads resulting in more than specified maximum free-wheeling, diode peak current across various temperature conditions

DEVICE INFORMATION

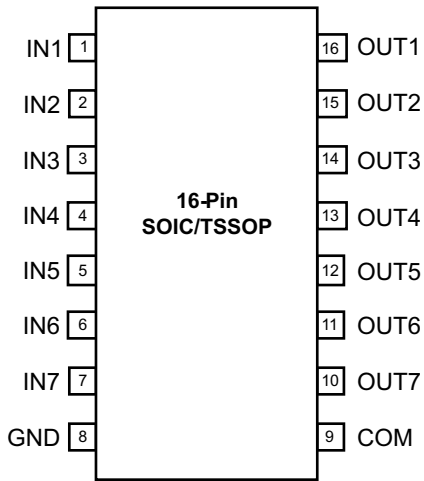


Figure 1. ULN2003V12 PINOUT

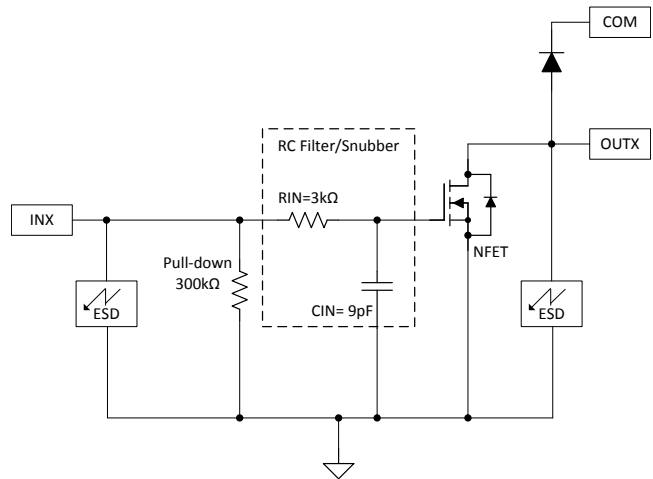


Figure 2. Channel Block Diagram

ULN2003V12 PIN DESCRIPTION

NAME	PIN NUMBER		DESCRIPTION
	16-SOIC	16-TSSOP	
IN1 – IN7	1–7	1–7	Logic Input Pins IN1 through IN7
GND	8	8	Ground Reference Pin
COM	9	9	Internal Free-Wheeling Diode Common Cathode Pin
OUT7 – OUT1	10–16	10–16	Channel Output Pins OUT7 through OUT1

APPLICATION INFORMATION

TTL and other Logic Inputs

ULN2003V12 input interface is specified for standard 3V and 5V CMOS logic interface. However, ULN2003V12 input interface may support other logic input levels as well. Refer to [Figure 10](#) and [Figure 11](#) to establish VOL and the corresponding typical load current levels for various input voltage ranges. Application Information section shows an implementation to drive 1.8V relays using ULN2003V12.

Input RC Snubber

ULN2003V12 features an input RC snubber that helps prevent spurious switching in noisy environment. Connect an external 1kΩ to 5kΩ resistor in series with the input to further enhance ULN2003V12's noise tolerance.

High-impedance Input Drivers

ULN2003V12 features a 300kΩ input pull-down resistor. The presence of this resistor allows the input drivers to be tri-stated. When a high-impedance driver is connected to a channel input the ULN2003V12 detects the channel input as a low level input and remains in the OFF position. The input RC snubber helps improve noise tolerance when input drivers are in the high-impedance state.

On-chip Power Dissipation

Use the below equation to calculate ULN2003V12 on-chip power dissipation P_D :

$$P_D = \sum_{i=1}^N V_{OLi} \times I_{Li}$$

Where:

N is the number of channels active together.

V_{OLi} is the OUT_i pin voltage for the load current I_{Li} .

(1)

Thermal Reliability

It is recommended to limit ULN2003V12 IC's die junction temperature to less than 125°C. The IC junction temperature is directly proportional to the on-chip power dissipation. Use the following equation to calculate the maximum allowable on-chip power dissipation for a target IC junction temperature:

$$PD_{(MAX)} = \frac{(T_{J(MAX)} - T_A)}{\theta_{JA}}$$

Where:

$T_{J(MAX)}$ is the target maximum junction temperature.

T_A is the operating ambient temperature.

θ_{JA} is the package junction to ambient thermal resistance.

(2)

Improving Package Thermal Performance

The package θ_{JA} value under standard conditions on a High-K board is listed in the [DISSIPATION RATINGS](#). θ_{JA} value depends on the PC board layout. An external heat sink and/or a cooling mechanism, like a cold air fan, can help reduce θ_{JA} and thus improve device thermal capabilities. Refer to TI's design support web page at www.ti.com/thermal for a general guidance on improving device thermal performance.

Application Examples

Inverting Logic Level Shifter

To use ULN2003V12 as an open-collector or an open-drain inverting logic level shifter configure the device as shown in Figure 3. The ULN2003V12's each channel input and output logic levels can also be set independently. When using different channel input and output logic voltages connect the ULN2003V12 COM pin to the maximum voltage.

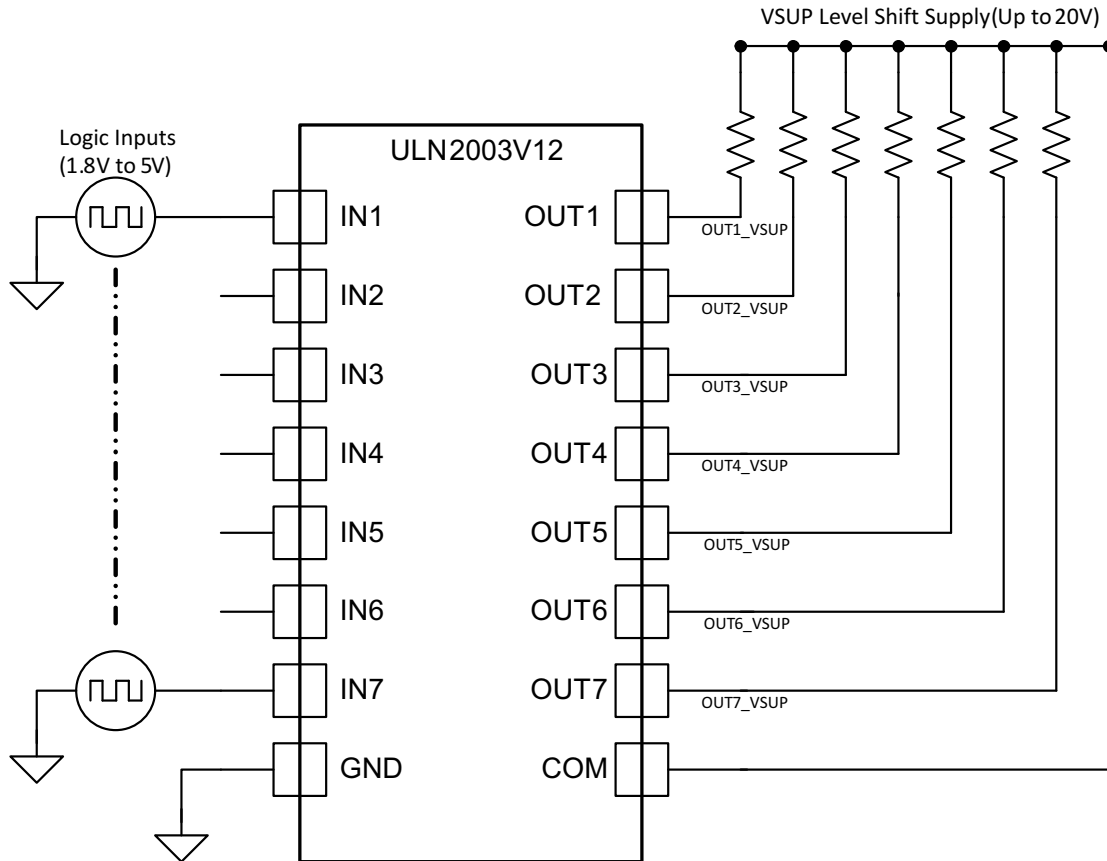


Figure 3. ULN2003V12 as Inverting Logic Level Shifter

Max Supply Selector

Figure 4 implements a max supply selector along with a 4-channel logic level shifter using a single ULN2003V12. This setup configures ULN2003V12’s channel clamp diodes OUT5 – OUT7 in a diode-OR configuration and thus the maximum supply among VSUP1, VSUP2 and VSUP3 becomes available at the COM pin. The maximum supply is then used as a pull-up voltage for level shifters. Limit the net GND pin current to less than 100mA DC to ensure reliability of the conducting diode. The unconnected inputs IN5-IN7 are pulled to GND potential through 300kΩ internal pull-down resistor.

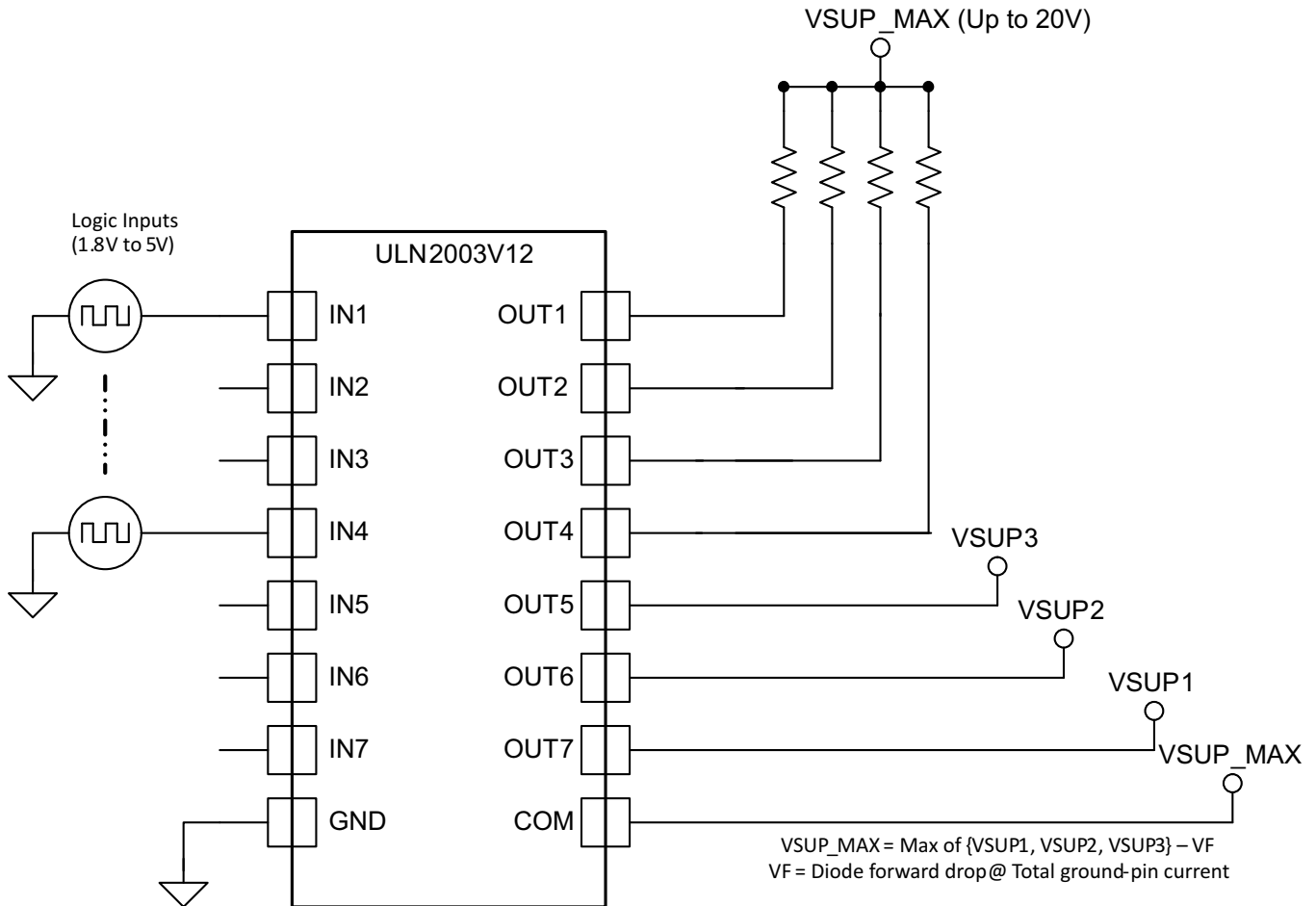


Figure 4. ULN2003V12 as Max Supply Selector

Constant Current Generation

When configured as per [Figure 5](#) the ULN2003V12 outputs OUT1-OUT6 act as independent constant current sources. The current flowing through the resistor R1 is copied on all other channels. To increase the current sourcing connect several output channels in parallel. To ensure best current copying set voltage drop across connected load such that VOUTx matches to VOUT7.

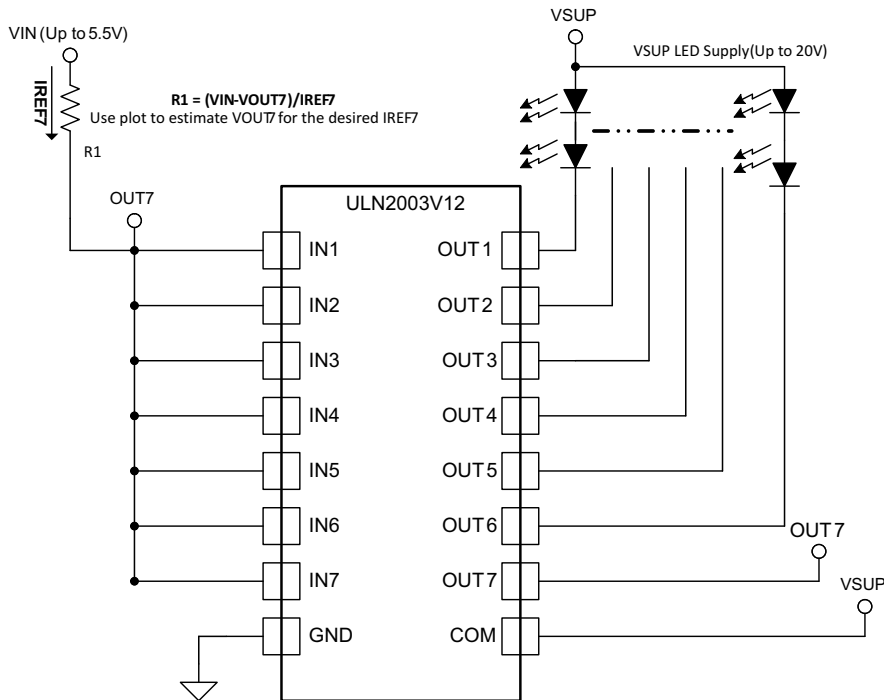


Figure 5. ULN2003V12 as a Constant Current Driver

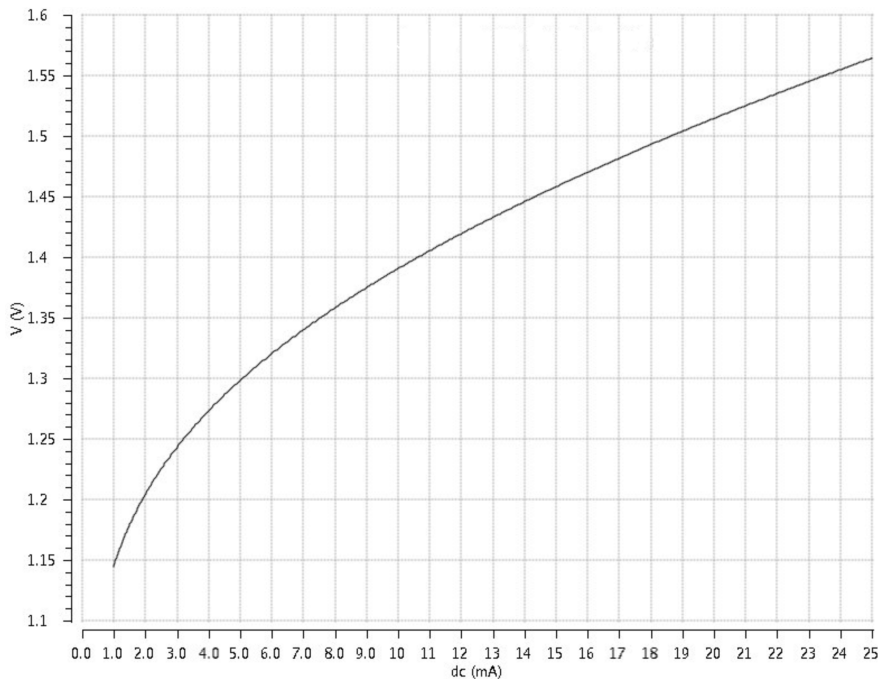


Figure 6. ULN2003V12 VOUT vs IREF

Unipolar Stepper Motor Driver

Figure 7 shows an implementation of ULN2003V12 for driving a unipolar stepper motor. The unconnected input channels can be used for other functions. When an input pin is left open the internal 300kΩ pull down resistor pulls the respective input pin to GND potential. For higher noise immunity use an external short across an unconnected input and GND pins.

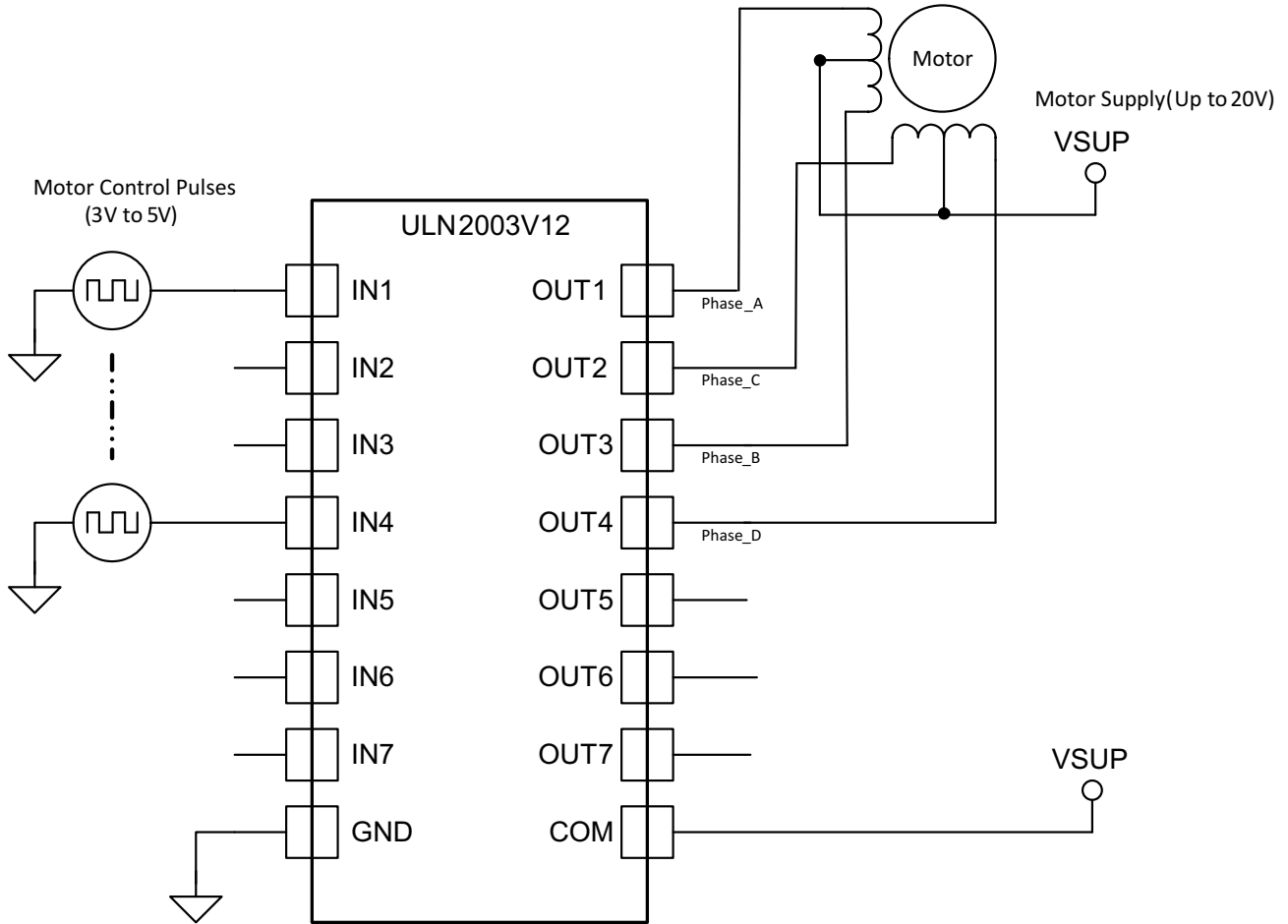


Figure 7. ULN2003V12 as a Stepper Motor Driver

NOR Logic Driver

Figure 8 shows a NOR Logic driver implementation using ULN2003V12. The output channels sharing a common pull-up resistor implement a logic NOR of the respective channel inputs. The LEDs connected to outputs OUT5-OUT7 light up when any of the inputs IN5-IN7 is logic-high ($> V_{IH}$).

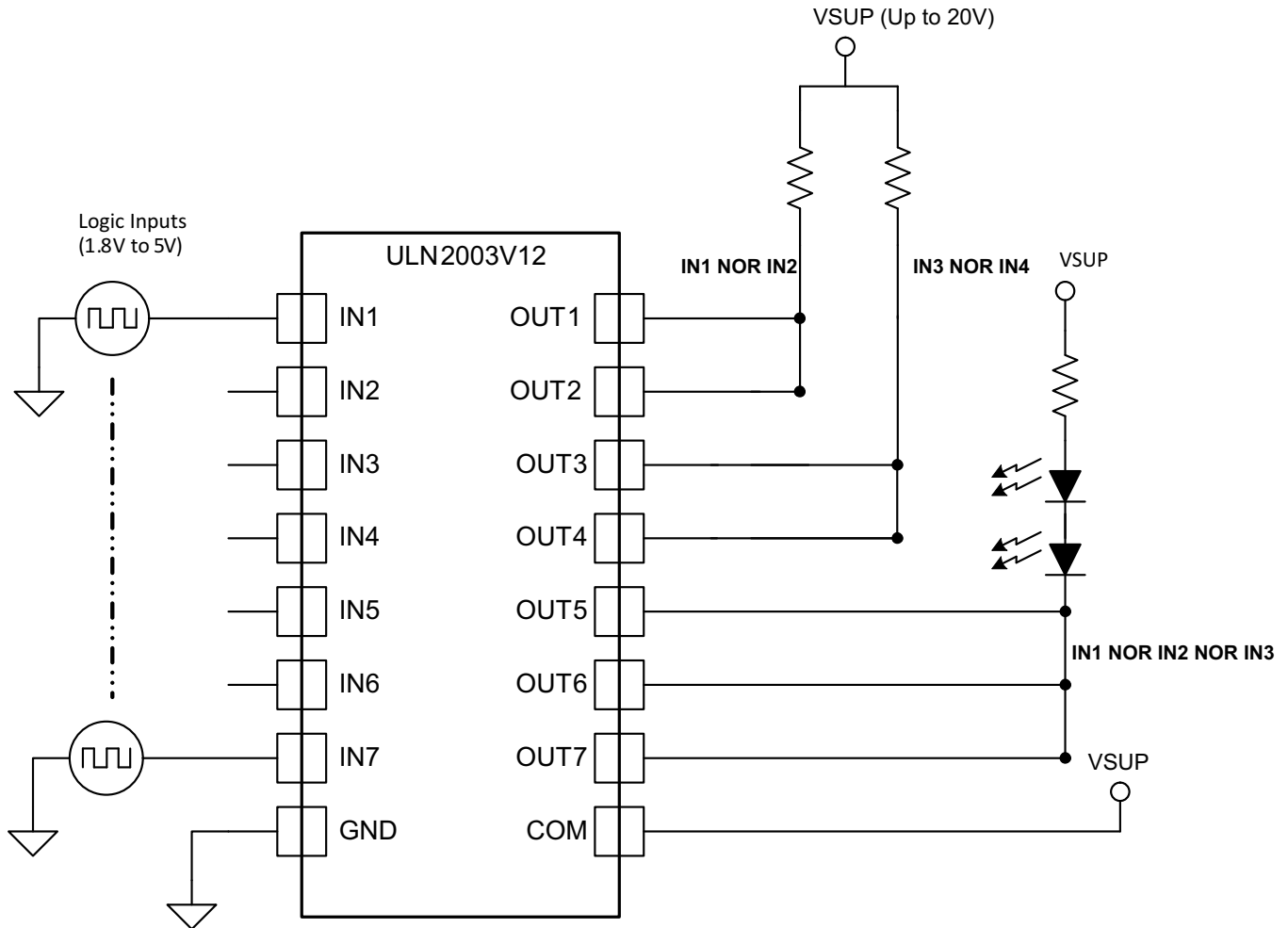


Figure 8. ULN2003V12 as a NOR driver

TYPICAL CHARACTERISTICS

$T_A = +25^\circ\text{C}$

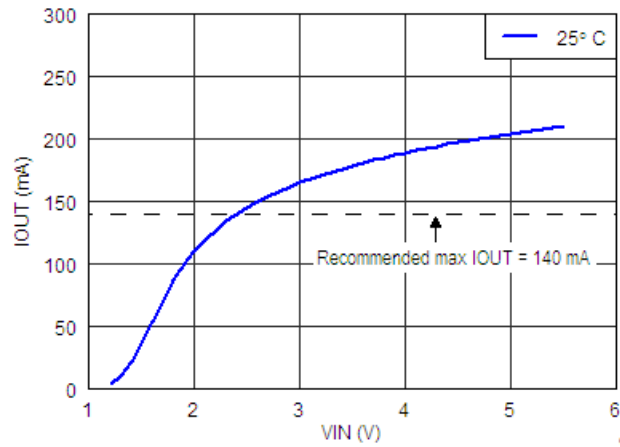


Figure 9. Load Current 1-Channel; VOL=0.6V

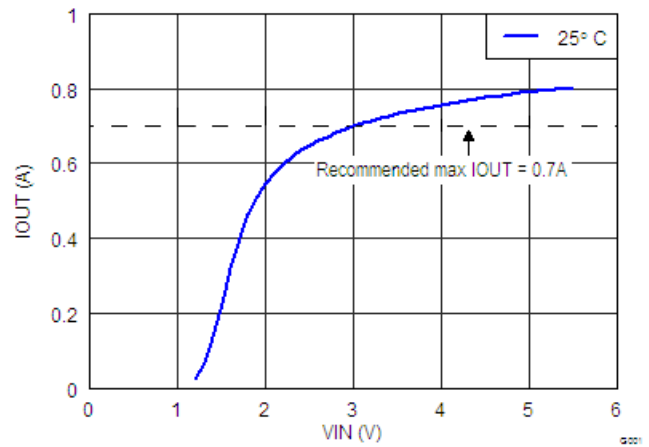


Figure 10. Load Current 7-Channels in parallel; VOL=0.6V

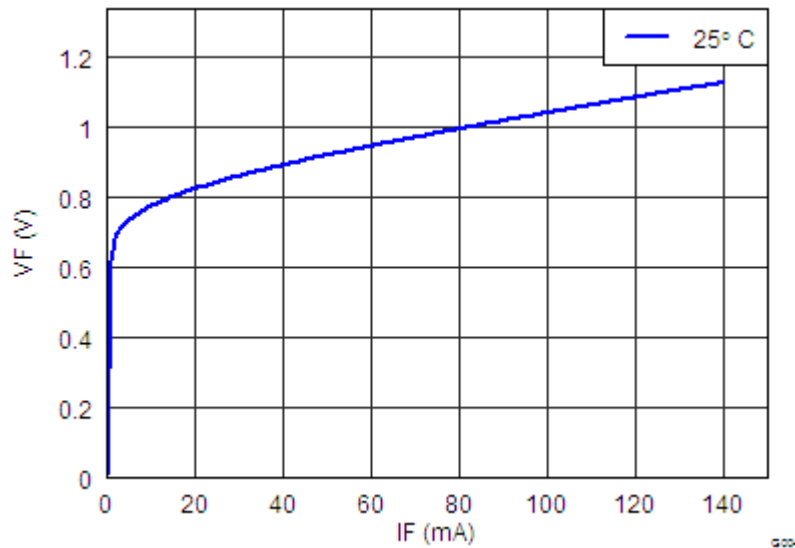


Figure 11. Freewheeling Diode VF versus IF

REVISION HISTORY

Changes from Revision A (July 2012) to Revision B	Page
• Changed Operating Temperature Range	2
• Added Details to Dissipation Data	2
• Added Details to Switching Parameters	3
• Changed Detailed Block Diagram	4

PACKAGING INFORMATION

Orderable Device	Status (1)	Package Type	Package Drawing	Pins	Package Qty	Eco Plan (2)	Lead finish/ Ball material (6)	MSL Peak Temp (3)	Op Temp (°C)	Device Marking (4/5)	Samples
ULN2003V12DR	ACTIVE	SOIC	D	16	2500	RoHS & Green	SN	Level-1-260C-UNLIM	-40 to 125	U2003V12	Samples
ULN2003V12PWR	ACTIVE	TSSOP	PW	16	2000	RoHS & Green	SN	Level-1-260C-UNLIM	-40 to 125	U2003V12	Samples

(1) The marketing status values are defined as follows:

ACTIVE: Product device recommended for new designs.

LIFEBUY: TI has announced that the device will be discontinued, and a lifetime-buy period is in effect.

NRND: Not recommended for new designs. Device is in production to support existing customers, but TI does not recommend using this part in a new design.

PREVIEW: Device has been announced but is not in production. Samples may or may not be available.

OBsolete: TI has discontinued the production of the device.

(2) **RoHS:** TI defines "RoHS" to mean semiconductor products that are compliant with the current EU RoHS requirements for all 10 RoHS substances, including the requirement that RoHS substance do not exceed 0.1% by weight in homogeneous materials. Where designed to be soldered at high temperatures, "RoHS" products are suitable for use in specified lead-free processes. TI may reference these types of products as "Pb-Free".

RoHS Exempt: TI defines "RoHS Exempt" to mean products that contain lead but are compliant with EU RoHS pursuant to a specific EU RoHS exemption.

Green: TI defines "Green" to mean the content of Chlorine (Cl) and Bromine (Br) based flame retardants meet JS709B low halogen requirements of <=1000ppm threshold. Antimony trioxide based flame retardants must also meet the <=1000ppm threshold requirement.

(3) MSL, Peak Temp. - The Moisture Sensitivity Level rating according to the JEDEC industry standard classifications, and peak solder temperature.

(4) There may be additional marking, which relates to the logo, the lot trace code information, or the environmental category on the device.

(5) Multiple Device Markings will be inside parentheses. Only one Device Marking contained in parentheses and separated by a "~" will appear on a device. If a line is indented then it is a continuation of the previous line and the two combined represent the entire Device Marking for that device.

(6) Lead finish/Ball material - Orderable Devices may have multiple material finish options. Finish options are separated by a vertical ruled line. Lead finish/Ball material values may wrap to two lines if the finish value exceeds the maximum column width.

Important Information and Disclaimer:The information provided on this page represents TI's knowledge and belief as of the date that it is provided. TI bases its knowledge and belief on information provided by third parties, and makes no representation or warranty as to the accuracy of such information. Efforts are underway to better integrate information from third parties. TI has taken and continues to take reasonable steps to provide representative and accurate information but may not have conducted destructive testing or chemical analysis on incoming materials and chemicals. TI and TI suppliers consider certain information to be proprietary, and thus CAS numbers and other limited information may not be available for release.

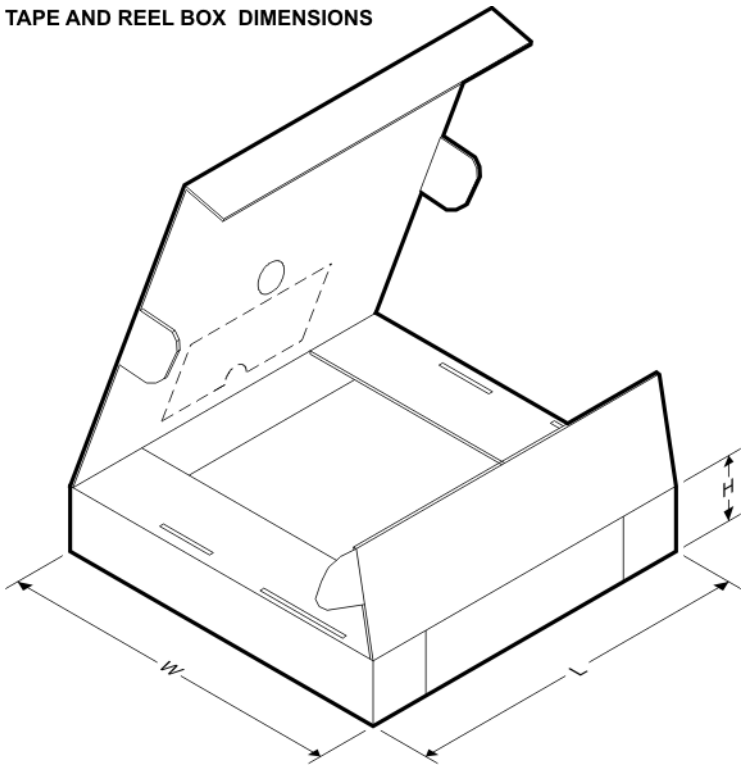
In no event shall TI's liability arising out of such information exceed the total purchase price of the TI part(s) at issue in this document sold by TI to Customer on an annual basis.

TAPE AND REEL INFORMATION

QUADRANT ASSIGNMENTS FOR PIN 1 ORIENTATION IN TAPE


*All dimensions are nominal

Device	Package Type	Package Drawing	Pins	SPQ	Reel Diameter (mm)	Reel Width W1 (mm)	A0 (mm)	B0 (mm)	K0 (mm)	P1 (mm)	W (mm)	Pin1 Quadrant
ULN2003V12DR	SOIC	D	16	2500	330.0	16.8	6.5	10.3	2.1	8.0	16.0	Q1
ULN2003V12PWR	TSSOP	PW	16	2000	330.0	12.4	6.9	5.6	1.6	8.0	12.0	Q1

TAPE AND REEL BOX DIMENSIONS


*All dimensions are nominal



Device	Package Type	Package Drawing	Pins	SPQ	Length (mm)	Width (mm)	Height (mm)
ULN2003V12DR	SOIC	D	16	2500	364.0	364.0	27.0
ULN2003V12PWR	TSSOP	PW	16	2000	364.0	364.0	27.0

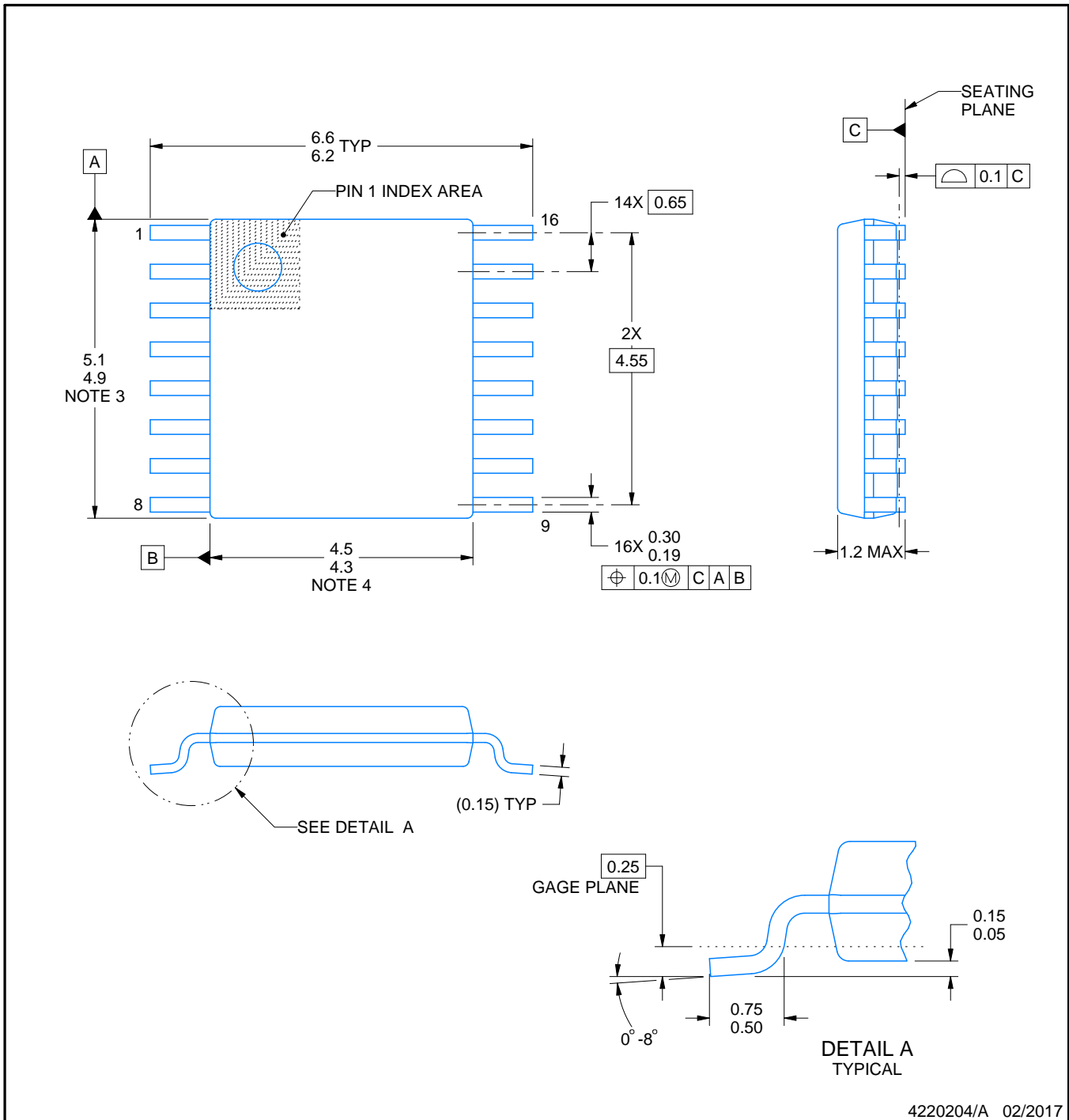
D (R-PDSO-G16)

PLASTIC SMALL OUTLINE



4040047-6/M 06/11

- NOTES:
- A. All linear dimensions are in inches (millimeters).
 - B. This drawing is subject to change without notice.
 -  C. Body length does not include mold flash, protrusions, or gate burrs. Mold flash, protrusions, or gate burrs shall not exceed 0.006 (0,15) each side.
 -  D. Body width does not include interlead flash. Interlead flash shall not exceed 0.017 (0,43) each side.
 - E. Reference JEDEC MS-012 variation AC.



4220204/A 02/2017

NOTES:

1. All linear dimensions are in millimeters. Any dimensions in parenthesis are for reference only. Dimensioning and tolerancing per ASME Y14.5M.
2. This drawing is subject to change without notice.
3. This dimension does not include mold flash, protrusions, or gate burrs. Mold flash, protrusions, or gate burrs shall not exceed 0.15 mm per side.
4. This dimension does not include interlead flash. Interlead flash shall not exceed 0.25 mm per side.
5. Reference JEDEC registration MO-153.

EXAMPLE BOARD LAYOUT

PW0016A

TSSOP - 1.2 mm max height

SMALL OUTLINE PACKAGE



LAND PATTERN EXAMPLE
EXPOSED METAL SHOWN
SCALE: 10X



4220204/A 02/2017

NOTES: (continued)

- 6. Publication IPC-7351 may have alternate designs.
- 7. Solder mask tolerances between and around signal pads can vary based on board fabrication site.

EXAMPLE STENCIL DESIGN

PW0016A

TSSOP - 1.2 mm max height

SMALL OUTLINE PACKAGE



SOLDER PASTE EXAMPLE
BASED ON 0.125 mm THICK STENCIL
SCALE: 10X

4220204/A 02/2017

NOTES: (continued)

8. Laser cutting apertures with trapezoidal walls and rounded corners may offer better paste release. IPC-7525 may have alternate design recommendations.
9. Board assembly site may have different recommendations for stencil design.

重要声明和免责声明

TI“按原样”提供技术和可靠性数据（包括数据表）、设计资源（包括参考设计）、应用或其他设计建议、网络工具、安全信息和其他资源，不保证没有瑕疵且不做任何明示或暗示的担保，包括但不限于对适销性、某特定用途方面的适用性或不侵犯任何第三方知识产权的暗示担保。

这些资源可供使用 TI 产品进行设计的熟练开发人员使用。您将自行承担以下全部责任：(1) 针对您的应用选择合适的 TI 产品，(2) 设计、验证并测试您的应用，(3) 确保您的应用满足相应标准以及任何其他功能安全、信息安全、监管或其他要求。

这些资源如有变更，恕不另行通知。TI 授权您仅可将这些资源用于研发本资源所述的 TI 产品的应用。严禁对这些资源进行其他复制或展示。您无权使用任何其他 TI 知识产权或任何第三方知识产权。您应全额赔偿因在这些资源的使用中对 TI 及其代表造成的任何索赔、损害、成本、损失和债务，TI 对此概不负责。

TI 提供的产品受 [TI 的销售条款](#) 或 [ti.com](#) 上其他适用条款/TI 产品随附的其他适用条款的约束。TI 提供这些资源并不会扩展或以其他方式更改 TI 针对 TI 产品发布的适用的担保或担保免责声明。

TI 反对并拒绝您可能提出的任何其他或不同的条款。

邮寄地址：Texas Instruments, Post Office Box 655303, Dallas, Texas 75265

Copyright © 2024，德州仪器 (TI) 公司