

Ultra-Low-Power Motion Detection Using the MSP430F2013

*Zack Albus**MSP430 Applications*

ABSTRACT

Motion detection using pyroelectric passive infrared (PIR) sensor elements is a common method used for such applications. An implementation of such a system using the 16-bit Sigma-Delta ADC integrated into the MSP430F2013 to detect motion is presented in this application report.

Design information and related software can be downloaded from <http://www.ti.com/lit/zip/slaa283>.

Contents

1	Hardware Design	2
2	Software Design	4
3	Summary	5
4	References	5

List of Figures

1	MSP430F2013 Motion Detection System	2
2	PIR Sensor Output and Signal Conditioning	3
3	Motion Detection Software Flowchart	4

List of Tables

1	Typical System Power Budget (Over 1 second)	5
---	---	---

1 Hardware Design

A system capable of detecting motion using a dual element PIR sensor is shown in [Figure 1](#) using the MSP430F2013 microcontroller. Using the integrated 16-bit Sigma-Delta analog-to-digital converter (ADC) and built-in front-end PGA (SD16_A), the MSP430F2013 provides all the required elements for interfacing to the PIR sensor in a small footprint. With integrated analog and a 16-MHz 16-bit RISC CPU, the MSP430F2013 offers a great deal of processing performance in a small package and at a low cost.

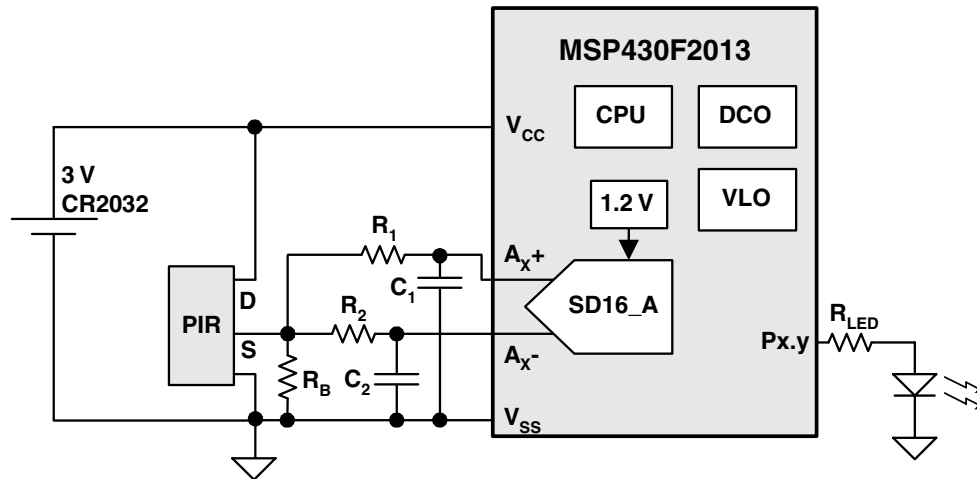


Figure 1. MSP430F2013 Motion Detection System

[Figure 1](#) shows a simplified circuit that is used to process the PIR sensor output signal. The external components consist of the bias resistor, R_B , required for the sensor and two RC filters formed by R_1/C_1 and R_2/C_2 .

The two filters serve two different purposes. Because the input to the SD16_A is differential, both a positive and negative input must be provided. R_1/C_1 serves as an antialiasing filter on the A_{X+} input.

The second RC filter made up of R_2/C_2 serves to create a DC bias for the A_{X-} input of the SD16_A. This is required due to the large offset of the PIR source output with respect to VSS with relation to the input range specification for the SD16_A. [Figure 2](#) shows the respective signals in the circuit during detection of a motion event.

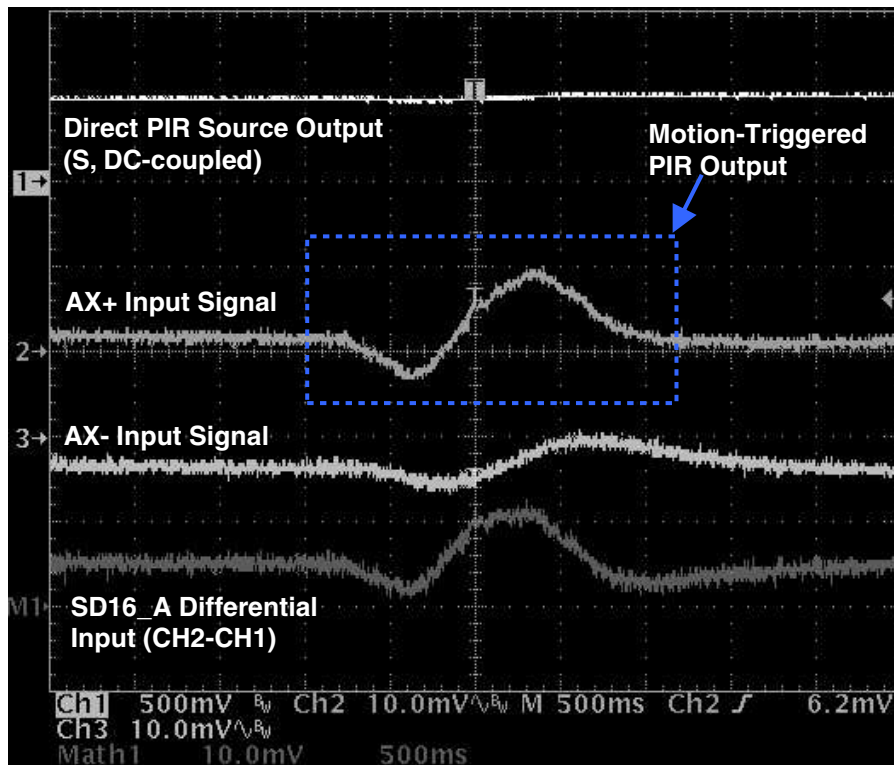


Figure 2. PIR Sensor Output and Signal Conditioning

In [Figure 2](#), channel 1 is the direct output of the sensor. With a sensor drain voltage of 3 V, the output offset is approximately 500 mV. Connecting A_{X-} directly to V_{SS} and the sensor source output to A_{X+} would be valid only if the internal SD16_A PGA gain setting is 1. With such a small peak-to-peak sensor output, as seen on channel 2, a higher gain setting is required, which eliminates the possibility that A_{X-} can be tied directly to V_{SS} .

Alternatively, a DC bias voltage can be generated to drive the A_{X-} input. This is created from the R_2/C_2 low-pass filter. This signal is shown on channel 3. The sensor output signal after the antialiasing filter connected to A_{X+} is shown on channel 2. By heavily low-pass filtering the sensor output before connecting to A_{X-} as well, a simple DC bias is established, maintaining the input range requirements of the SD16_A. The mathematical difference, CH2-CH3, is shown on M1. This is the differential voltage seen at the differential input pair, A_{X} , of the SD16_A.

A PGA gain of 4x with an oversampling rate (OSR) of 256 has been used in this implementation. Additional gains and OSRs up to 32 and 1024, respectively, are possible for systems requiring additional sensitivity. See the MSP430F2013 data sheet ([SLAS491](#)) for possible SD16_A PGA settings and appropriate analog input ranges.

In addition to the PIR sensor and the analog signal conditioning, a port pin is used to drive an LED. The LED is illuminated to indicate to the user that motion has been detected. This signal could also be used to drive an analog switch or relay to turn on a lamp or otherwise indicate motion in a real-world system.

As a final aspect of the hardware design, use of a Fresnel lens is critical to establishing good directionality of the sensor detection field. The internal architecture of the dual element sensor provides good noise immunity and false trigger rejection but also creates a limited directionality of the sensor's sensitivity. Use of the lens widens this field, making the final solution more robust.

2 Software Design

With low power as an essential goal in this application, analog sampling and data processing is kept to a minimum required to reliably detect motion. Figure 3 shows the software flow of the software implementation described.

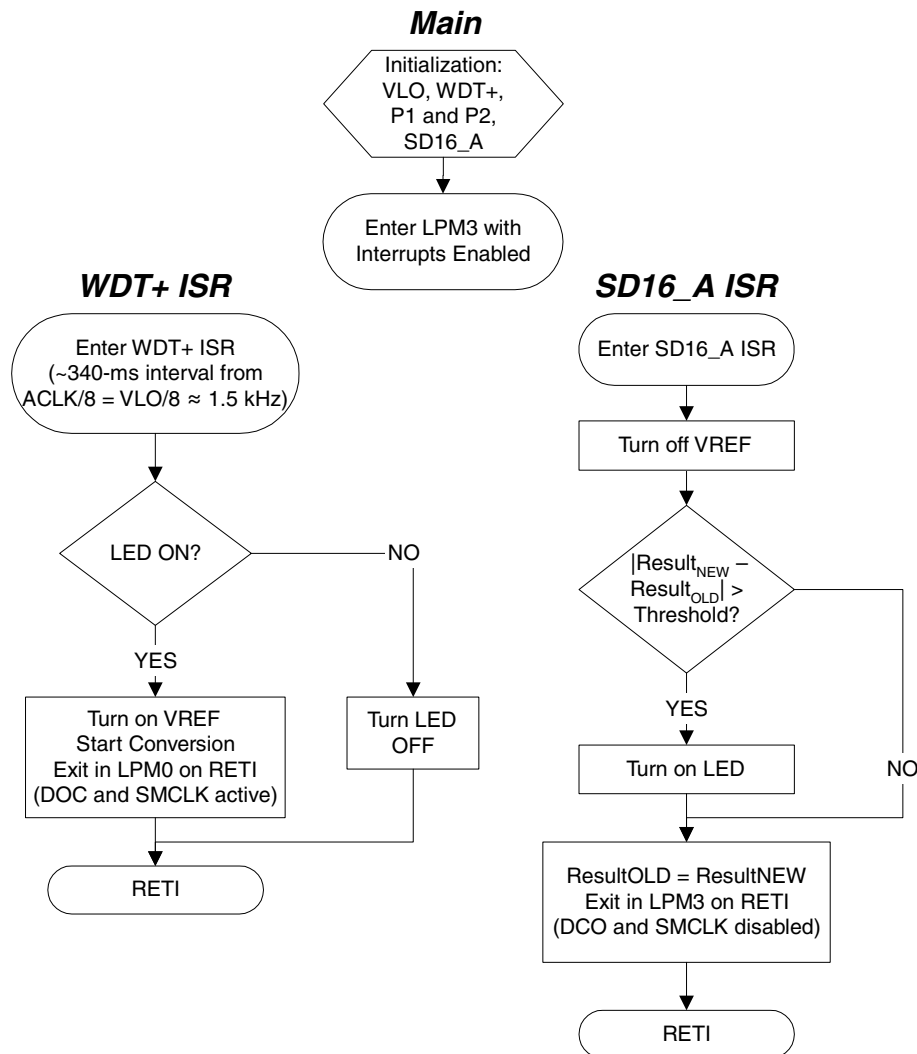


Figure 3. Motion Detection Software Flowchart

The software consists of three main elements: main routine, watchdog timer interrupt service routine and analog-to-digital converter interrupt service routine. The entire flow is interrupt driven using the internal very low frequency, very low power VLO oscillator. The VLO is approximately 12 kHz and provided internally on the ACLK clock line. This signal is then divided by 8 and drives the WDT+ to give the CPU an interval wakeup. With an interval divider of 512, this equates to a wake-up time of $512 \text{ clocks} / (12 \text{ kHz} / 8) = 341 \text{ ms}$. After initialization of all peripherals, the CPU enters into LPM3 via the VLO waiting for a WDT+ interrupt trigger.

After 341 ms, the WDT+ ISR is entered and serves two basic functions: first, to start a new SD16_A conversion and, second, to control the LED indicating motion. If no motion was detected in the last measurement (meaning the LED is off), the SD16_A internal reference is enabled and a new conversion is started. Before exiting the WDT+ ISR, the status register value to be popped upon RETI is modified so that the DCO and SMCLK used to clock the SD16_A will remain active. This causes the CPU to switch from LPM3 to LPM0 after RETI.

During this time, the SD16_A is completing the conversion process. This takes 256 clocks / 1 MHz DCO × 4 = 1.024 ms. The factor of 4 comes from the INTDLYx setting of the SD16_A. This setting allows the SD16_A to take up to four conversions before interrupting the CPU to allow for any potential analog input changes that might impact the SD16_A decimation filter, causing an invalid result. This is important, because the SD16_A is used in a single conversion mode in this application. See the *MSP430x2xx Family User's Guide (SLAU144)* for more information concerning this setting.

After the conversion is complete, the SD16_A ISR is entered and the internal reference is disabled. The absolute difference between the new result and the prior result is calculated, and compared against a preset threshold. When this threshold is exceeded, motion has been detected and the LED is enabled. The CPU exits the ISR back into LPM3 (DCO and SMCLK are disabled) and the next WDT+ interrupt is awaited.

3 Summary

Using this flow, the average current consumption is maintained at a low level, low enough that the entire system can be powered from a standard CR2032 3-V battery at approximately 9.4 μA average I_{CC}. [Table 1](#) shows the breakdown of operation versus current consumption.

Table 1. Typical System Power Budget (Over 1 second)

Function	Duration	Active Current	Average Current
PIR325 sensor	1 s	6 μA	6 μA
SD16_A and VREF + DCO	1.024 ms, ~2.94 times per second	810 μA + 85 μA	2.69 μA
CPU Active (1 MHz at 3 V)	262 MCLKs per second: 262 μs	300 μA	0.08 μA
MSP430 Standby (LPM3 with VLO)	996.7 ms	0.6 μA	0.598 μA
Total			9.37 μA

The method shown here is quite simple in terms of the measurement and algorithm applied to detect motion. With up to 2KB flash and up to 16 MIPs of processing power, the MSP430F2013 can be used to implement a much higher level of signal processing to add sensitivity as well as selectivity to a given PIR profile. The integrated analog and processing power of the MSP430F2013 family provides a low cost yet powerful MCU solution which can be used to differentiate custom motion detection applications.

4 References

1. *MSP430x2xx Family User's Guide (SLAU144)*
2. *MSP430F20x1, MSP430F20x2, MSP430F20x3 Mixed-Signal Microcontrollers data sheet (SLAS491)*
3. "Infrared Parts Manual: PIR325 & FL65", GLOLAB Corporation, www.globlab.com, 2003

Revision History

NOTE: Page numbers for previous revisions may differ from page numbers in the current version.

Changes from March 5, 2009 to May 21, 2015

Page

-
- Added link to download related zip file 1
-

IMPORTANT NOTICE FOR TI DESIGN INFORMATION AND RESOURCES

Texas Instruments Incorporated ("TI") technical, application or other design advice, services or information, including, but not limited to, reference designs and materials relating to evaluation modules, (collectively, "TI Resources") are intended to assist designers who are developing applications that incorporate TI products; by downloading, accessing or using any particular TI Resource in any way, you (individually or, if you are acting on behalf of a company, your company) agree to use it solely for this purpose and subject to the terms of this Notice.

TI's provision of TI Resources does not expand or otherwise alter TI's applicable published warranties or warranty disclaimers for TI products, and no additional obligations or liabilities arise from TI providing such TI Resources. TI reserves the right to make corrections, enhancements, improvements and other changes to its TI Resources.

You understand and agree that you remain responsible for using your independent analysis, evaluation and judgment in designing your applications and that you have full and exclusive responsibility to assure the safety of your applications and compliance of your applications (and of all TI products used in or for your applications) with all applicable regulations, laws and other applicable requirements. You represent that, with respect to your applications, you have all the necessary expertise to create and implement safeguards that (1) anticipate dangerous consequences of failures, (2) monitor failures and their consequences, and (3) lessen the likelihood of failures that might cause harm and take appropriate actions. You agree that prior to using or distributing any applications that include TI products, you will thoroughly test such applications and the functionality of such TI products as used in such applications. TI has not conducted any testing other than that specifically described in the published documentation for a particular TI Resource.

You are authorized to use, copy and modify any individual TI Resource only in connection with the development of applications that include the TI product(s) identified in such TI Resource. NO OTHER LICENSE, EXPRESS OR IMPLIED, BY ESTOPPEL OR OTHERWISE TO ANY OTHER TI INTELLECTUAL PROPERTY RIGHT, AND NO LICENSE TO ANY TECHNOLOGY OR INTELLECTUAL PROPERTY RIGHT OF TI OR ANY THIRD PARTY IS GRANTED HEREIN, including but not limited to any patent right, copyright, mask work right, or other intellectual property right relating to any combination, machine, or process in which TI products or services are used. Information regarding or referencing third-party products or services does not constitute a license to use such products or services, or a warranty or endorsement thereof. Use of TI Resources may require a license from a third party under the patents or other intellectual property of the third party, or a license from TI under the patents or other intellectual property of TI.

TI RESOURCES ARE PROVIDED "AS IS" AND WITH ALL FAULTS. TI DISCLAIMS ALL OTHER WARRANTIES OR REPRESENTATIONS, EXPRESS OR IMPLIED, REGARDING TI RESOURCES OR USE THEREOF, INCLUDING BUT NOT LIMITED TO ACCURACY OR COMPLETENESS, TITLE, ANY EPIDEMIC FAILURE WARRANTY AND ANY IMPLIED WARRANTIES OF MERCHANTABILITY, FITNESS FOR A PARTICULAR PURPOSE, AND NON-INFRINGEMENT OF ANY THIRD PARTY INTELLECTUAL PROPERTY RIGHTS.

TI SHALL NOT BE LIABLE FOR AND SHALL NOT DEFEND OR INDEMNIFY YOU AGAINST ANY CLAIM, INCLUDING BUT NOT LIMITED TO ANY INFRINGEMENT CLAIM THAT RELATES TO OR IS BASED ON ANY COMBINATION OF PRODUCTS EVEN IF DESCRIBED IN TI RESOURCES OR OTHERWISE. IN NO EVENT SHALL TI BE LIABLE FOR ANY ACTUAL, DIRECT, SPECIAL, COLLATERAL, INDIRECT, PUNITIVE, INCIDENTAL, CONSEQUENTIAL OR EXEMPLARY DAMAGES IN CONNECTION WITH OR ARISING OUT OF TI RESOURCES OR USE THEREOF, AND REGARDLESS OF WHETHER TI HAS BEEN ADVISED OF THE POSSIBILITY OF SUCH DAMAGES.

You agree to fully indemnify TI and its representatives against any damages, costs, losses, and/or liabilities arising out of your non-compliance with the terms and provisions of this Notice.

This Notice applies to TI Resources. Additional terms apply to the use and purchase of certain types of materials, TI products and services. These include; without limitation, TI's standard terms for semiconductor products (<http://www.ti.com/sc/docs/stdterms.htm>), [evaluation modules](#), and [samples](http://www.ti.com/sc/docs/sampterm.htm) (<http://www.ti.com/sc/docs/sampterm.htm>).

Mailing Address: Texas Instruments, Post Office Box 655303, Dallas, Texas 75265
Copyright © 2017, Texas Instruments Incorporated