



## ABSTRACT

This document describes the known exceptions to the functional specifications (advisories).

---

## Table of Contents

<b>1 Functional Advisories</b> .....	2
<b>2 Preprogrammed Software Advisories</b> .....	2
<b>3 Debug Only Advisories</b> .....	3
<b>4 Fixed by Compiler Advisories</b> .....	3
<b>5 Nomenclature, Package Symbolization, and Revision Identification</b> .....	4
5.1 Device Nomenclature.....	4
5.2 Package Markings.....	4
5.3 Memory-Mapped Hardware Revision (TLV Structure).....	5
<b>6 Advisory Descriptions</b> .....	6
<b>7 Revision History</b> .....	29

## 1 Functional Advisories

Advisories that affect the device's operation, function, or parametrics.

✓ The check mark indicates that the issue is present in the specified revision.

Errata Number	Rev E	Rev D
<a href="#">ADC25</a>		✓
<a href="#">ADC42</a>	✓	✓
<a href="#">ADC69</a>	✓	✓
<a href="#">COMP10</a>	✓	✓
<a href="#">CPU37</a>	✓	✓
<a href="#">CPU46</a>	✓	✓
<a href="#">CPU47</a>	✓	✓
<a href="#">DAC5</a>	✓	✓
<a href="#">DMA4</a>	✓	✓
<a href="#">DMA7</a>	✓	✓
<a href="#">DMA10</a>	✓	✓
<a href="#">LCDB5</a>	✓	✓
<a href="#">LCDB6</a>	✓	✓
<a href="#">LDO1</a>	✓	✓
<a href="#">MPY1</a>	✓	✓
<a href="#">PMAP1</a>	✓	✓
<a href="#">PMM11</a>	✓	✓
<a href="#">PMM12</a>	✓	✓
<a href="#">PMM14</a>	✓	✓
<a href="#">PMM15</a>	✓	✓
<a href="#">PMM18</a>	✓	✓
<a href="#">PMM20</a>	✓	✓
<a href="#">PMM26</a>	✓	✓
<a href="#">PORT15</a>	✓	✓
<a href="#">PORT17</a>	✓	✓
<a href="#">PORT19</a>	✓	✓
<a href="#">RTC16</a>	✓	✓
<a href="#">SYS16</a>	✓	✓
<a href="#">TAB23</a>	✓	✓
<a href="#">TB25</a>	✓	✓
<a href="#">UCS9</a>	✓	✓
<a href="#">UCS11</a>	✓	✓
<a href="#">USCI26</a>	✓	✓
<a href="#">USCI31</a>	✓	✓
<a href="#">USCI34</a>	✓	✓
<a href="#">USCI35</a>	✓	✓
<a href="#">USCI39</a>	✓	✓
<a href="#">USCI40</a>	✓	✓

## 2 Preprogrammed Software Advisories

Advisories that affect factory-programmed software.

✓ The check mark indicates that the issue is present in the specified revision.

Errata Number	Rev E	Rev D
<a href="#">BSL6</a>		✓
<a href="#">BSL7</a>		✓
<a href="#">JTAG20</a>	✓	✓

### 3 Debug Only Advisories

Advisories that affect only debug operation.

✓ The check mark indicates that the issue is present in the specified revision.

Errata Number	Rev E	Rev D
<a href="#">EEM11</a>	✓	✓
<a href="#">EEM16</a>	✓	✓
<a href="#">EEM17</a>	✓	✓
<a href="#">EEM19</a>	✓	✓
<a href="#">EEM21</a>	✓	✓
<a href="#">EEM23</a>	✓	✓
<a href="#">JTAG26</a>	✓	✓
<a href="#">JTAG27</a>	✓	✓

### 4 Fixed by Compiler Advisories

Advisories that are resolved by compiler workaround. Refer to each advisory for the IDE and compiler versions with a workaround.

✓ The check mark indicates that the issue is present in the specified revision.

Errata Number	Rev E	Rev D
<a href="#">CPU21</a>	✓	✓
<a href="#">CPU22</a>	✓	✓
<a href="#">CPU40</a>	✓	✓

Refer to the following MSP430 compiler documentation for more details about the CPU bugs workarounds.

#### TI MSP430 Compiler Tools (Code Composer Studio IDE)

- [MSP430 Optimizing C/C++ Compiler](#): Check the --silicon\_errata option
- [MSP430 Assembly Language Tools](#)

#### MSP430 GNU Compiler (MSP430-GCC)

- [MSP430 GCC Options](#): Check -msilicon-errata= and -msilicon-errata-warn= options
- [MSP430 GCC User's Guide](#)

#### IAR Embedded Workbench

- [IAR workarounds for msp430 hardware issues](#)

## 5 Nomenclature, Package Symbolization, and Revision Identification

The revision of the device can be identified by the revision letter on the [Package Markings](#) or by the [HW\\_ID](#) located inside the TLV structure of the device.

### 5.1 Device Nomenclature

To designate the stages in the product development cycle, TI assigns prefixes to the part numbers of all MSP MCU devices. Each MSP MCU commercial family member has one of two prefixes: MSP or XMS. These prefixes represent evolutionary stages of product development from engineering prototypes (XMS) through fully qualified production devices (MSP).

**XMS** – Experimental device that is not necessarily representative of the final device's electrical specifications

**MSP** – Fully qualified production device

Support tool naming prefixes:

**X**: Development-support product that has not yet completed Texas Instruments internal qualification testing.

**null**: Fully-qualified development-support product.

XMS devices and X development-support tools are shipped against the following disclaimer:

"Developmental product is intended for internal evaluation purposes."

MSP devices have been characterized fully, and the quality and reliability of the device have been demonstrated fully. TI's standard warranty applies.

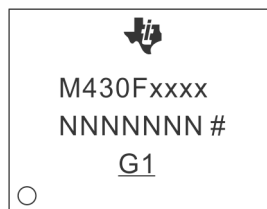
Predictions show that prototype devices (XMS) have a greater failure rate than the standard production devices. TI recommends that these devices not be used in any production system because their expected end-use failure rate still is undefined. Only qualified production devices are to be used.

TI device nomenclature also includes a suffix with the device family name. This suffix indicates the temperature range, package type, and distribution format.

### 5.2 Package Markings

**ZQW113**

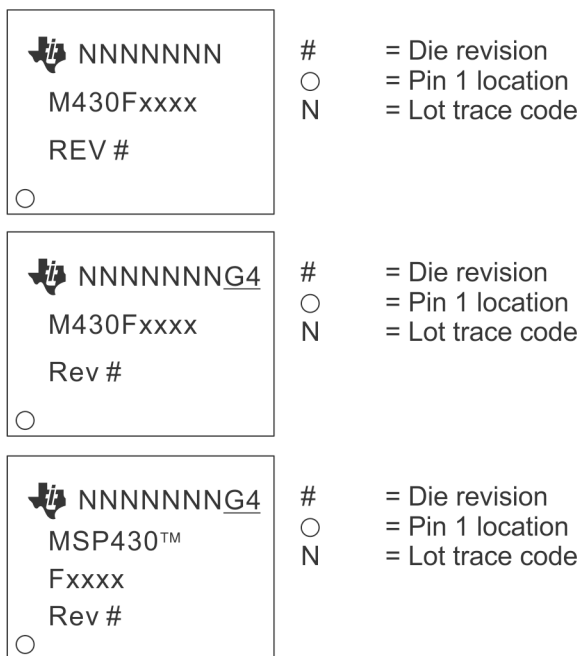
**BGA (ZQW), 113 Pin**



# = Die revision  
○ = Pin 1 location  
N = Lot trace code

**PZ100**

**LQFP (PZ) 100 Pin**



NOTE: Package marking with "TM" applies only to devices released after 2011.

### 5.3 Memory-Mapped Hardware Revision (TLV Structure)

Die Revision	TLV Hardware Revision
Rev E	23h
Rev D	22h

Further guidance on how to locate the TLV structure and read out the HW\_ID can be found in the device User's Guide.

## 6 Advisory Descriptions

### ADC25 *ADC Module*

---

**Category** Functional

**Function** Write to ADC12CTL0 triggers ADC12 when CONSEQ = 00

**Description** If ADC conversions are triggered by the Timer\_B module and the ADC12 is in single-channel single-conversion mode (CONSEQ = 00), ADC sampling is enabled by write access to any bit(s) in the ADC12CTL0 register. This is contrary to the expected behavior that only the ADC12 enable conversion bit (ADC12ENC) triggers a new ADC12 sample.

**Workaround** When operating the ADC12 in CONSEQ=00 and a Timer\_B output is selected as the sample and hold source, temporarily clear the ADC12ENC bit before writing to other bits in the ADC12CTL0 register. The following capture trigger can then be re-enabled by setting ADC12ENC = 1.

### ADC42 *ADC Module*

---

**Category** Functional

**Function** ADC stops converting when successive ADC is triggered before the previous conversion ends

**Description** Subsequent ADC conversions are halted if a new ADC conversion is triggered while ADC is busy. ADC conversions are triggered manually or by a timer. The affected ADC modes are:

- sequence-of-channels
- repeat-single-channel
- repeat-sequence-of-channels (ADC12CTL1.ADC12CONSEQx)

In addition, the timer overflow flag cannot be used to detect an overflow (ADC12IFGR2.ADC12TOVIFG).

**Workaround** 1. For manual trigger mode (ADC12CTL0.ADC12SC), ensure each ADC conversion is completed by first checking ADC12CTL1.ADC12BUSY bit before starting a new conversion.

2. For timer trigger mode (ADC12CTL1.ADC12SHP), ensure the timer period is greater than the ADC sample and conversion time.

To recover the conversion halt:

1. Disable ADC module (ADC12CTL0.ADC12ENC = 0 and ADC12CTL0.ADC12ON = 0)
2. Re-enable ADC module (ADC12CTL0.ADC12ON = 1 and ADC12CTL0.ADC12ENC = 1)
3. Re-enable conversion

### ADC69 *ADC Module*

---

<b>Category</b>	Functional
<b>Function</b>	ADC stops operating if ADC clock source is changed from SMCLK to another source while SMCLKOFF = 1.
<b>Description</b>	When SMCLK is used as the clock source for the ADC (ADC12CTL1.ADC12SSELx = 11) and CSCTL4.SMCLKOFF = 1, the ADC will stop operating if the ADC clock source is changed by user software (e.g. in the ISR) from SMCLK to a different clock source. This issue appears only for the ADC12CTL1.ADC12DIVx settings /3/5/7. The hang state can be recovered by PUC/POR/BOR/Power cycle.
<b>Workaround</b>	1. Set CSCTL4.SMCLKOFF = 0 before switch ADC clock source.  OR  2. Only use ADC12CTL1.ADC12DIVx as /1, /2, /4, /6, /8
<b>BSL6</b>	<b><i>BSL Module</i></b>
<b>Category</b>	Software in ROM
<b>Function</b>	USB BSL does not respond properly to suspend/reset events from the USB host
<b>Description</b>	The USB BSL in affected revisions contains an improper configuration of the USB module. As a result, errors might occur in response to suspend/reset events from the USB host. (Since enumeration of the USB device often involves suspend and/or reset events, an enumeration might trigger the failure.) If the failure occurs, the device becomes unresponsive to the USB host.  If the failure occurs, and if application code exists in main flash, a reset (BOR/POR/PUC) can be issued to switch execution away from the BSL, to the application. Given the same USB host/setup circumstances, the problem is likely to occur again on subsequent attempts.  Applications that do not use the USB BSL are unaffected.
<b>Workaround</b>	1. The BSL can be updated via JTAG with a version that does not contain this bug. Use the code published in <a href="#">BSL documentation</a> starting with version 00.07.85.36.
<b>BSL7</b>	<b><i>BSL Module</i></b>
<b>Category</b>	Software in ROM
<b>Function</b>	BSL does not start after waking up from LPMx.5
<b>Description</b>	When waking up from LPMx.5 mode, the BSL does not start as it does not clear the Lock I/O bit (LOCKLPM5 bit in PM5CTL0 register) on start-up.
<b>Workaround</b>	1. Upgrade the device BSL to the latest version (see Creating a Custom Flash-Based Bootstrap Loader (BSL) Application Note - SLAA450 for more details) OR 2. Do not use LOCKLPM5 bit (LPMx.5) if the BSL is used but cannot be upgraded.
<b>COMP10</b>	<b><i>COMP Module</i></b>
<b>Category</b>	Functional
<b>Function</b>	Comparator port output toggles when entering or leaving LPM3/LPM4

**Description** The comparator port pin output (CECTL1.CEOUT) erroneously toggles when device enters or leaves LPM3/LPM4 modes under the following conditions:

1) Comparator is disabled (CECTL1.CEON = 0)

AND

2) Output polarity is enabled (CECTL1.CEOUTPOL = 1)

AND

3) The port pin is configured to have CEOUT functionality.

For example, if the CEOUT pin is high when the device is in Active Mode, CEOUT pin becomes low when the device enters LPM3/LPM4 modes.

**Workaround** When the comparator is disabled, ensure at least one of the following:

1) Output inversion is disabled (CECTL.CEOUTPOL = 0)

OR

2) Change pin configuration from CEOUT to GPIO with output low.

## CPU21

### **CPU Module**

---

**Category** Compiler-Fixed

**Function** Using POPM instruction on Status register may result in device hang up

**Description** When an active interrupt service request is pending and the POPM instruction is used to set the Status Register (SR) and initiate entry into a low power mode, the device may hang up.

**Workaround** None. It is recommended not to use POPM instruction on the Status Register.

Refer to the table below for compiler-specific fix implementation information.

IDE/Compiler	Version Number	Notes
IAR Embedded Workbench	Not affected	
TI MSP430 Compiler Tools (Code Composer Studio)	v4.0.x or later	User is required to add the compiler or assembler flag option below. --silicon_errata=CPU21
MSP430 GNU Compiler (MSP430-GCC)	MSP430-GCC 4.9 build 167 or later	

## CPU22

### **CPU Module**

---

**Category** Compiler-Fixed

**Function** Indirect addressing mode with the Program Counter as the source register may produce unexpected results



**Description** When using the indirect addressing mode in an instruction with the Program Counter (PC) as the source operand, the instruction that follows immediately does not get executed. For example in the code below, the ADD instruction does not get executed.

```
mov @PC, R7
add #1h, R4
```

**Workaround** Refer to the table below for compiler-specific fix implementation information.

IDE/Compiler	Version Number	Notes
IAR Embedded Workbench	Not affected	
TI MSP430 Compiler Tools (Code Composer Studio)	v4.0.x or later	User is required to add the compiler or assembler flag option below. --silicon_errata=CPU22
MSP430 GNU Compiler (MSP430-GCC)	MSP430-GCC 4.9 build 167 or later	

## CPU37

### *CPU Module*

#### Category

Functional

#### Function

Wrong program trace display in the debugger while using conditional jump instructions

#### Description

The state storage window displays an incorrect sequence of instructions when:

1. Conditional jump instructions are used to form a software loop

AND

2. A false condition on the jump breaks out of the loop

In such cases the trace buffer incorrectly displays the first instruction of the loop as the instruction that is executed immediately after exiting the loop.

Example:

Actual Code:

```
mov #4,R4
LABEL mov #1,R5
dec R4
jnz LABEL
mov #2,R6
nop
```

State Storage Window Displays:

```
LABEL mov #1,R5
dec R4
jnz LABEL
mov #1,R5
nop
```

#### Workaround

None

Note: This erratum affects the trace buffer display only. It does not affect code execution in debugger or free run mode

## CPU40

### CPU Module

#### Category

Compiler-Fixed

#### Function

PC is corrupted when executing jump/conditional jump instruction that is followed by instruction with PC as destination register or a data section

#### Description

If the value at the memory location immediately following a jump/conditional jump instruction is 0X40h or 0X50h (where X = don't care), which could either be an instruction opcode (for instructions like RRCM, RRAM, RLAM, RRUM) with PC as destination register or a data section (const data in flash memory or data variable in RAM), then the PC value is auto-incremented by 2 after the jump instruction is executed; therefore, branching to a wrong address location in code and leading to wrong program execution.

For example, a conditional jump instruction followed by data section (0140h).

```
@0x8012 Loop DEC.W R6
@0x8014 DEC.W R7
@0x8016 JNZ Loop
@0x8018 Value1 DW 0140h
```

#### Workaround

In assembly, insert a NOP between the jump/conditional jump instruction and program code with instruction that contains PC as destination register or the data section.

Refer to the table below for compiler-specific fix implementation information.

IDE/Compiler	Version Number	Notes
IAR Embedded Workbench	IAR EW430 v5.51 or later	For the command line version add the following information Compiler: --hw_workaround=CPU40 Assembler:-v1
TI MSP430 Compiler Tools (Code Composer Studio)	v4.0.x or later	User is required to add the compiler or assembler flag option below. --silicon_errata=CPU40
MSP430 GNU Compiler (MSP430-GCC)	Not affected	

## CPU46

### CPU Module

#### Category

Functional

#### Function

POPM performs unexpected memory access and can cause VMAIFG to be set

#### Description

When the POPM assembly instruction is executed, the last Stack Pointer increment is followed by an unintended read access to the memory. If this read access is performed on vacant memory, the VMAIFG will be set and can trigger the corresponding interrupt (SFRIE1.VMAIE) if it is enabled. This issue occurs if the POPM assembly instruction is performed up to the top of the STACK.

#### Workaround

If the user is utilizing C, they will not be impacted by this issue. All TI/IAR/GCC pre-built libraries are not impacted by this bug. To ensure that POPM is never executed up to the

memory border of the STACK when using assembly it is recommended to either

1. Initialize the SP to
  - a. TOP of STACK - 4 bytes if POPM.A is used
  - b. TOP of STACK - 2 bytes if POPM.W is used

OR

2. Use the POPM instruction for all but the last restore operation. For the the last restore operation use the POP assembly instruction instead.

For instance, instead of using:

```
POPM.W #5, R13
```

Use:

```
POPM.W #4, R12
POP.W R13
```

Refer to the table below for compiler-specific fix implementation information.

IDE/Compiler	Version Number	Notes
IAR Embedded Workbench	Not affected	C code is not impacted by this bug. User using POPM instruction in assembler is required to implement the above workaround manually.
TI MSP430 Compiler Tools (Code Composer Studio)	Not affected	C code is not impacted by this bug. User using POPM instruction in assembler is required to implement the above workaround manually.
MSP430 GNU Compiler (MSP430-GCC)	Not affected	C code is not impacted by this bug. User using POPM instruction in assembler is required to implement the above workaround manually.

## CPU47

### **CPU Module**

#### **Category**

Functional

#### **Function**

An unexpected Vacant Memory Access Flag (VMAIFG) can be triggered

#### **Description**

An unexpected Vacant Memory Access Flag (VMAIFG) can be triggered, if a PC-modifying instruction (e.g. - ret, push, call, pop, jmp, br) is fetched from the last addresses (last 4 or 8 byte) of a memory (e.g.- FLASH, RAM, FRAM) that is not contiguous to a higher, valid section on the memory map.

In debug mode using breakpoints the last 8 bytes are affected.

In free running mode the last 4 bytes are affected.

<b>Workaround</b>	Edit the linker command file to make the last 4 or 8 bytes of affected memory sections unavailable, to avoid PC-modifying instructions on these locations. Remaining instructions or data can still be stored on these locations.
<b>DAC5</b>	<b><i>DAC Module</i></b>
<hr/>	
<b>Category</b>	Functional
<b>Function</b>	Switching events on alternative DAC output pins can change output level of active DAC output pin.
<b>Description</b>	When the DAC output has multiple pin output options, switching events on unused alternate pin output options, such as GPIO output voltage level transitions and pulses or input signals that pass GPIO high or low thresholds, dynamically affect the output voltage level of the DAC output in use. This effect only lasts for a short period after the switching event.
<b>Workaround</b>	<p>If the dynamic voltage level effect on the chosen DAC output cannot be tolerated, see the workarounds below:</p> <p>A. Avoid high to low or low to high transitions on the alternate DAC output pin when selected DAC output pin is active. Keep alternate pin pulled high or low when DAC is in use.</p> <p>B. Do not use pin featuring alternative DAC output, and keep in an output low state.</p>
<b>DMA4</b>	<b><i>DMA Module</i></b>
<hr/>	
<b>Category</b>	Functional
<b>Function</b>	Corrupted write access to 20-bit DMA registers
<b>Description</b>	When a 20-bit wide write to a DMA address register (DMAxSA or DMAxDA) is interrupted by a DMA transfer, the register contents may be unpredictable.
<b>Workaround</b>	<p>1. Design the application to guarantee that no DMA access interrupts 20-bit wide accesses to the DMA address registers.</p> <p>OR</p> <p>2. When accessing the DMA address registers, enable the Read Modify Write disable bit (DMARMWDIS = 1) or temporarily disable all active DMA channels (DMAEN = 0).</p> <p>OR</p> <p>3. Use word access for accessing the DMA address registers. Note that this limits the values that can be written to the address registers to 16-bit values (lower 64K of Flash).</p>
<b>DMA7</b>	<b><i>DMA Module</i></b>
<hr/>	
<b>Category</b>	Functional
<b>Function</b>	DMA request may cause the loss of interrupts
<b>Description</b>	If a DMA request starts executing during the time when a module register containing an interrupt flags is accessed with a read-modify-write instruction, a newly arriving interrupt from the same module can get lost. An interrupt flag set prior to DMA execution would not be affected and remain set.

- Workaround**
1. Use a read of Interrupt Vector registers to clear interrupt flags and do not use read-modify-write instruction.
- OR
2. Disable all DMA channels during read-modify-write instruction of specific module registers containing interrupts flags while these interrupts are activated.

**DMA10**

***DMA Module***

---

**Category**

Functional

**Function**

DMA access may cause invalid module operation

**Description**

The peripheral modules MPY, CRC, USB, RF1A and FRAM controller in manual mode can stall the CPU by issuing wait states while in operation. If a DMA access to the module occurs while that module is issuing a wait state, the module may exhibit undefined behavior.

**Workaround**

Ensure that DMA accesses to the affected modules occur only when the modules are not in operation. For example with the MPY module, ensure that the MPY operation is completed before triggering a DMA access to the MPY module.

**EEM11**

***EEM Module***

---

**Category**

Debug

**Function**

Conditional register write trigger fails while executing rotate instructions

**Description**

A conditional register write trigger will fail to generate the expected breakpoint if the trigger condition is a result of executing one of the following rotate instructions: RRUM, RRCM, RRAM and RLAM.

**Workaround**

None

---

**Note**

This erratum applies to debug mode only.

---

**EEM16**

***EEM Module***

---

**Category**

Debug

**Function**

The state storage display does not work reliably when used on instructions with CPU Wait cycles.

**Description**

When executing instructions that require wait states; the state storage window updates incorrectly. For example a flash erase instruction causes the CPU to be held until the erase is completed i.e. the flash puts the CPU in a wait state. During this time if the state storage window is enabled it may incorrectly display any previously executed instruction multiple times.

**Workaround**

Do not enable the state storage display when executing instructions that require wait states. Instead set a breakpoint after the instruction is completed to view the state storage display.

**Note**


---

This erratum affects debug mode only.

---

**EEM17*****EEM Module*****Category**

Debug

**Function**

Wrong Breakpoint halt after executing Flash Erase/Write instructions

**Description**

Hardware breakpoints or Conditional Address triggered breakpoints on instructions that follow Flash Erase/Write instructions, stops the debugger at the actual Flash Erase/Write instruction even though the flash erase/write operation has already been executed. The hardware/conditional address triggered breakpoints that are placed on either the next two single opcode instructions OR the next double opcode instruction that follows the Flash Erase/Write instruction are affected by this erratum.

**Workaround**

None. Use other conditional/advanced triggered breakpoints to halt the debugger right after Flash erase/write instructions.

**Note**


---

This erratum affects debug mode only.

---

**EEM19*****EEM Module*****Category**

Debug

**Function**

DMA may corrupt data in debug mode

**Description**

When the DMA is enabled and the device is in debug mode, the data written by the DMA may be corrupted when a breakpoint is hit or when the debug session is halted.

**Workaround**

This erratum has been addressed in MSPDebugStack version 3.5.0.1. It is also available in released IDE EW430 IAR version 6.30.3 and CCS version 6.1.1 or newer. If using an earlier version of either IDE or MSPDebugStack, do not halt or use breakpoints during a DMA transfer.

**Note**


---

This erratum applies to debug mode only.

---

**EEM21*****EEM Module*****Category**

Debug

**Function**

LPMx.5 debug limitations

**Description**

Debugging the device in LPMx.5 mode might wake the device up from LPMx.5 mode inadvertently, and it is possible that the device enters a lock-up condition; that is, the device cannot be accessed by the debugger any more.

**Workaround**

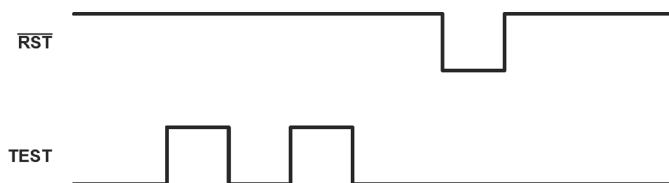
Follow the debugging steps in Debugging MSP430 LPM4.5 [SLAA424](#) .

<b>EEM23</b>	<b><i>EEM Module</i></b>
<b>Category</b>	Debug
<b>Function</b>	EEM triggers incorrectly when modules using wait states are enabled
<b>Description</b>	When modules using wait states (USB, MPY, CRC and FRAM controller in manual mode) are enabled, the EEM may trigger incorrectly. This can lead to an incorrect profile counter value or cause issues with the EEMs data watch point, state storage, and breakpoint functionality.
<b>Workaround</b>	None.

**Note**

This erratum affects debug mode only.

<b>JTAG20</b>	<b><i>JTAG Module</i></b>
<b>Category</b>	Software in ROM
<b>Function</b>	BSL does not exit to application code
<b>Description</b>	The methods used to exit the BSL per MSP430 Programming Via the Bootstrap Loader ( <a href="#">SLAU319</a> ) are invalid.
<b>Workaround</b>	To exit the BSL one of the following methods must be used. <ul style="list-style-type: none"> <li>- A Power cycle</li> </ul> or <ul style="list-style-type: none"> <li>- Toggle the TEST pin twice when nRST is high and after 50us pull nRST low.</li> </ul>



Note: This toggling of TEST pins is not subject to timing constraints. The appropriate level transitions on TEST pin, followed by a RST pulse after 50us, are sufficient to trigger an exit from BSL mode.

<b>JTAG26</b>	<b><i>JTAG Module</i></b>
<b>Category</b>	Debug
<b>Function</b>	LPMx.5 Debug Support Limitations
<b>Description</b>	The JTAG connection to the device might fail at device-dependent low or high supply voltage levels if the LPMx.5 debug support feature is enabled. To avoid a potentially unreliable debug session or general issues with JTAG device connectivity and the resulting bad customer experience Texas Instruments has chosen to remove the LPMx.5 debug support feature from common MSP430 IDEs including TIs Code Composer Studio

6.1.0 with msp430.emu updated to version 6.1.0.7 and IARs Embedded Workbench 6.30.2, which are based on the MSP430 debug stack MSP430.DLL 3.5.0.1 <http://www.ti.com/tool/MSPDS>

TI plans to re-introduce this feature in limited capacity in a future release of the debug stack by providing an IDE override option for customers to selectively re-activate LPMx.5 debug support if needed. Note that the limitations and supply voltage dependencies outlined in this erratum will continue to apply.

For additional information on how the LPMx.5 debug support is handled within the MSP430 IDEs including possible workarounds on how to debug applications using LPMx.5 without toolchain support refer to [Code Composer Studio User's Guide for MSP430 chapter F.4](#) and [IAR Embedded Workbench User's Guide for MSP430 chapter 2.2.5](#).

## Workaround

1. If LPMx.5 debug support is deemed functional and required in a given scenario:

a) Do not update the IDE to continue using a previous version of the debug stack such as MSP430.DLL v3.4.3.4.

OR

b) Roll back the debug stack by either performing a clean re-installation of a previous version of the IDE or by manually replacing the debug stack with a prior version such as MSP430.DLL v3.4.3.4 that can be obtained from <http://www.ti.com/tool/MSPDS>.

2. In case JTAG connectivity fails during the LPMx.5 debug mode, the device supply voltage level needs to be raised or lowered until the connection is working.

Do not enable the LPMx.5 debug support feature during production programming.

## JTAG27

### **JTAG Module**

---

#### Category

Debug

#### Function

Unintentional code execution after programming via JTAG/SBW

#### Description

The device can unintentionally start executing code from uninitialized RAM addresses 0x0006 or 0x0008 after being programming via the JTAG or SBW interface. This can result in unpredictable behavior depending on the contents of the address location.

#### Workaround

1. If using programming tools purchased from TI (MSP-FET, LaunchPad), update to CCS version 6.1.3 later or IAR version 6.30 or later to resolve the issue.

2. If using the MSP-GANG Production Programmer, use v1.2.3.0 or later.

3. For custom programming solutions refer to the specification on MSP430 Programming Via the JTAG Interface User's Guide (SLAU320) revision V or newer and use MSPDebugStack v3.7.0.12 or later.

For MSPDebugStack (MSP430.DLL) in CCS or IAR, download the latest version of the development environment or the latest version of the [MSPDebugStack](#)

NOTE: This only affects debug mode.'

## LCDB5

### **LCDB Module**

---



<b>Category</b>	Functional
<b>Function</b>	Static DC charge can built up on dedicated COMx pins.
<b>Description</b>	If the device is set into LPMx.5, its dedicated COMx pins (not shared with GPIO function) are floating. External leakage paths to these pins can result in dedicated COMx pins being charged. This can lead to static DC voltages being applied to the external LCD display. This might cause long term over-stress to the LCD display and/or cause certain LCD segments to flare up when device wakes up from LPMx.5 mode.
<b>Workaround</b>	Connect a high-resistance resistor between the dedicated COM pins and Vss to permanently discharge the affected pins.

## **LCDB6** *LCDB Module*

---

<b>Category</b>	Functional
<b>Function</b>	LCD outputs may be corrupted by modifying register fields VLCDx and/or LCDCPEN of LCDCVCTL register while LCDON (LCDCCTL0) is set
<b>Description</b>	Writing to VLCDx and/or LCDCPEN register bits in LCDCVCTL register while LCDON is enabled (LCDON = '1' in LCDCCTL0 register) may corrupt the LCD output due to incorrect start-up of LCD-controller and internal voltage generation.
<b>Workaround</b>	Do not modify VLCDx and/or LCDCPEN bits in LCDCVCTL register while LCDON = '1'

## **LDO1** *noUSB Module*

---

<b>Category</b>	Functional
<b>Function</b>	LDOI detection may fail after power-up
<b>Description</b>	In rare cases, internal 3.3V LDO enabled MSP430 devices may experience a failure in the bandgap that aids in detecting the presence of sufficient LDO input voltage on the LDOI pin. Two primary effects of this are: <ol style="list-style-type: none"> <li>1. The LDOBGVBV bit fails to show the presence of a valid voltage on the LDOI pin.</li> <li>2. The integrated 3.3V LDO fails to start.</li> </ol>
<b>Workaround</b>	This error state can be "reset" by clearing all the bits in the LDOPWRCTL register, which (among other actions) disables the internal 3.3V LDO regulator. They can then be set again normally, and the device will function properly.

However, if the integrated 3.3V LDO (the output of the LDOO pin) is used to power the device DVCC pin, and if the rare bandgap error occurs, the CPU will fail to power up because the internal 3.3-V LDO fails to start. The problem might be resolved by cycling power to the LDOI pin. The bandgap failure is also known to occur more often with slow DVCC ramps (>200ms); for example, when there is excessive capacitance on the DVCC pin, in excess of what the LDO specification allows. However, the only sure way to prevent the problem from occurring is to avoid making DVCC power reliant on LDOO.

## **MPY1** *MPY Module*

---

<b>Category</b>	Functional
<b>Function</b>	Save and Restore feature on MPY32 not functional
<b>Description</b>	The MPY32 module uses the Save and Restore method which involves saving the multiplier state by pushing the MPY configuration/operand values to the stack before

using the multiplier inside an Interrupt Service Routine (ISR) and then restoring the state by popping the configuration/operand values back to the MPY registers at the end of the ISR. However due to the erratum the Save and Restore operation fails causing the write operation to the OP2H register right after the restore operation to be ignored as it is not preceded by a write to OP2L register resulting in an invalid multiply operation.

**Workaround** None. Disable interrupts when writing to OP2L and OP2H registers.

Note: When using the C-compiler, the interrupts are automatically disabled while using the MPY32

## **PMP11** *PMP Module*

---

**Category** Functional

**Function** Port Mapping Controller does not clear unselected inputs to mapped module.

**Description** The Port Mapping Controller provides the logical OR of all port mapped inputs to a module (Timer, USCI, etc). If the PSEL bit (PxSEL.y) of a port mapped input is cleared, then the logic level of that port mapped input is latched to the current logic level of the input. If the input is in a logical high state, then this high state is latched into the input of the logical OR. In this case, the input to the module is always a logical 1 regardless of the state of the selected input.

**Workaround** 1. Drive input to the low state before clearing the PSEL bit of that input and switching to another input source.

or

2. Use the Port Mapping Controller reconfiguration feature, PMPRECFG, to select inputs to a module and map only one input at a time.

## **PMP12** *PMP Module*

---

**Category** Functional

**Function** MCLK comes up fast on exit from LPM3 and LPM4

**Description** The DCO exceeds the programmed frequency of operation on exit from LPM3 and LPM4 for up to 6 us. This behavior is masked from affecting code execution by default: SVSL and SVML run in normal-performance mode and mask CPU execution for 150 us on wakeup from LPM3 and LPM4. However, when the low-side SVS and the SVM are disabled or are operating in full-performance mode (SVMLE= 0 and SVSLE= 0, or SVMLFP= 1 and SVSLFP= 1) AND MCLK is sourced from the internal DCO running over 5 MHz, 7.5 MHz, 10 MHz, or 12.5 MHz at core voltage levels 0, 1, 2, and 3, respectively, the mask lasts only 2 us. MCLK is, therefore, susceptible to run out of spec for 4 us.

**Workaround** Set the MCLK divide bits in the Unified Clock System Control 5 Register (UCSCTL5) to divide MCLK by two prior to entering LPM3 or LPM4 (set DIVMx= 001). This prevents MCLK from running out of spec when the CPU wakes from the low-power mode. Following the wakeup from the low-power mode, wait 32, 48, 80, or 100 cycles for core voltage levels 0, 1, 2, and 3, respectively, before resetting DIVMx to zero and running MCLK at full speed [for example, `__delay_cycles(100)`]

## **PMP11** *PMP Module*

---

**Category** Functional

<b>Function</b>	SMCLK comes up fast on exit from LPM3 and LPM4
<b>Description</b>	The DCO exceeds the programmed frequency of operation on exit from LPM3 and LPM4 for up to 6 us. When SMCLK is sourced by the DCO, it is not masked on exit from LPM3 or LPM4. Therefore, SMCLK exceeds the programmed frequency of operation on exit from LPM3 and LPM4 for up to 6 us. The increased frequency has the potential to change the expected timing behavior of peripherals that select SMCLK as the clock source.
<b>Workaround</b>	- Use XT2 as the SMCLK oscillator source instead of the DCO  or  - Do not disable the clock request bit for SMCLKREQEN in the Unified Clock System Control 8 Register (UCSCTL8). This means that all modules that depend on SMCLK to operate successfully should be halted or disabled before entering LPM3 or LPM4. If the increased frequency prevents the proper function of an affected module, wait 32, 48, 64 or 80 cycles for core voltage levels 0, 1, 2, or 3, respectively, before re-enabling the module. (for example, <code>__delay_cycles(32)</code> )

<b>PMM14</b>	<b><i>PMM Module</i></b>
<hr/>	
<b>Category</b>	Functional
<b>Function</b>	Increasing the core level when SVS/SVM low side is configured in full-performance mode causes device reset
<b>Description</b>	When the SVS/SVM low side is configured in full performance mode (SVSMLCTL.SVSLFP = 1), the setting time delay for the SVS comparators is ~2us. When increasing the core level in full-performance mode; the core voltage does not settle to the new level before the settling time delay of the SVS/SVM comparator expires. This results in a device reset.
<b>Workaround</b>	When increasing the core level; enable the SVS/SVM low side in normal mode (SVSMLCTL.SVSLFP=0). This provides a settling time delay of approximately 150us allowing the core sufficient time to increase to the expected voltage before the delay expires.

<b>PMM15</b>	<b><i>PMM Module</i></b>
<hr/>	
<b>Category</b>	Functional
<b>Function</b>	Device may not wake up from LPM2, LPM3, or LPM4
<b>Description</b>	Device may not wake up from LPM2, LPM3 or LPM4 if an interrupt occurs within 1 us after the entry to the specified LPMx; entry can be caused either by user code or automatically (for example, after a previous ISR is completed). Device can be recovered with an external reset or a power cycle. Additionally, a PUC can also be used to reset the failing condition and bring the device back to normal operation (for example, a PUC caused by the WDT).  This effect is seen when: - A write to the SVSMHCTL and SVSMLCTL registers is immediately followed by an LPM2, LPM3, LPM4 entry without waiting the requisite settling time ((PMMIFG.SVSMHDLYIFG = 0 and PMMIFG.SVSMHDLYIFG = 0)).  or  The following two conditions are met:

- The SVSL module is configured for a fast wake-up or when the SVSL/SVML module is turned off. The affected SVSMLCTL register settings are shaded in the following table.

SVSL	SVSLE	SVSLMD	SVSLFP	AM, LPM0/1 SVSL state	Manual SVSMLACE = 0	Automatic SVSMLACE = 1	Wakeup Time LPM2/3/4			
					LPM2/3/4 SVSL State	LPM2/3/4 SVSL State				
SVSL	0	x	x	OFF	OFF	OFF	$t_{WAKE-UP\ FAST}$			
	1	0	0	Normal	OFF	OFF	$t_{WAKE-UP\ SLOW}$			
	1	0	1	Full Performance	OFF	OFF	$t_{WAKE-UP\ FAST}$			
	1	1	0	Normal	Normal	OFF	$t_{WAKE-UP\ SLOW}$			
	1	1	1	Full Performance	Full Performance	Normal	$t_{WAKE-UP\ FAST}$			
SVML	SVMLE	SVMLFP		AM, LPM0/1 SVML state	Manual SVSMLACE = 0	Automatic SVSMLACE = 1	Wakeup Time LPM2/3/4			
					LPM2/3/4 SVML State	LPM2/3/4 SVML State				
					0	x		OFF	OFF	$t_{WAKE-UP\ FAST}$
					1	0		Normal	Normal	OFF
1	1	Full Performance	Full Performance	Normal	$t_{WAKE-UP\ FAST}$					

and

-The SVSH/SVMH module is configured to transition from Normal mode to an OFF state when moving from Active/LPM0/LPM1 into LPM2/LPM3/LPM4 modes. The affected SVSMHCTL register settings are shaded in the following table.

SVSH	SVSHE	SVSHMD	SVSHFP	AM, LPM0/1 SVSH state	Manual SVSMHACE = 0	Automatic SVSMHACE = 1			
					LPM2/3/4 SVSH State	LPM2/3/4 SVSH State			
SVSH	0	x	x	OFF	OFF	OFF			
	1	0	0	Normal	OFF	OFF			
	1	0	1	Full Performance	OFF	OFF			
	1	1	0	Normal	Normal	OFF			
	1	1	1	Full Performance	Full Performance	Normal			
SVMH	SVMHE	SVMHFP		AM, LPM0/1 SVMH state	Manual SVSMHACE = 0	Automatic SVSMHACE = 1			
					LPM2/3/4 SVMH State	LPM2/3/4 SVMH State			
					0	x	OFF	OFF	OFF
					1	0	Normal	Normal	OFF
1	1	Full Performance	Full Performance	Normal					

## Workaround

Any write to the SVSMxCTL register must be followed by a settling delay (PMMIFG.SVSMLDLYIFG = 0 and PMMIFG.SVSMHDLYIFG = 0) before entering LPM2, LPM3, LPM4.

and

1. Ensure the SVSx, SVMx are configured to prevent the issue from occurring by the following:

- Configure the SVSL module for slow wake up (SVSLFP = 0). Note that this will increase the wakeup time from LPM2/3/4 to twakeupslow (~150 us).

or

- Do not configure the SVSH/SVMH such that the modules transition from Normal mode to an OFF state on LPM entry and ensure SVSH/SVMH is in manual mode. Instead force the modules to remain ON even in LPMx. Note that this will cause increased power consumption when in LPMx.

Refer to the MSP430 Driver Library([MSPDRIVERLIB](#)) for proper PMM configuration functions.

Use the following function, PMM15Check (void), to determine whether or not the existing PMM configuration is affected by the erratum. The return value of the function is 1 if the configuration is affected, and 0 if the configuration is not affected.

```

unsigned char PMM15Check (void)
{
// First check if SVSL/SVML is configured for fast wake-up
if ( (!(SVSMLCTL & SVSLE)) || ((SVSMLCTL & SVSLE) && (SVSMLCTL & SVSLFP)) ||
(!(SVSMLCTL & SVMLE)) || ((SVSMLCTL & SVMLE) && (SVSMLCTL & SVMLEFP)) )
{ // Next Check SVSH/SVMH settings to see if settings are affected by PMM15
if ((SVSMHCTL & SVSHE) && !(SVSMHCTL & SVSHFP))
{
if ( (!(SVSMHCTL & SVSHMD)) || ((SVSMHCTL & SVSHMD) &&
(SVSMHCTL & SVSMHACE)) )
return 1; // SVSH affected configurations
}
if ((SVSMHCTL & SVMHE) && !(SVSMHCTL & SVMHFP) && (SVSMHCTL &
SVSMHACE))
return 1; // SVMH affected configurations
}
return 0; // SVS/M settings not affected by PMM15
}
}

```

2. If fast servicing of interrupts is required, add a 150us delay either in the interrupt service routine or before entry into LPM3/LPM4.

## **PMM18**

### ***PMM Module***

#### **Category**

Functional

#### **Function**

PMM supply overvoltage protection falsely triggers POR

#### **Description**

The PMM Supply Voltage Monitor (SVM) high side can be configured as overvoltage protection (OVP) using the SVMHOVPE bit of SVSMHCTL register. In this mode a POR should typically be triggered when DVCC reaches ~3.75V. If the OVP feature of SVM high side is enabled going into LPM234, the SVM might trigger at DVCC voltages below 3.6V (~3.5V) within a few ns after wake-up. This can falsely cause an OVP-triggered POR. The OVP level is temperature sensitive during fail scenario and decreases with higher temperature (85 degC ~3.2V).

#### **Workaround**

Use automatic control mode for high-side SVS & SVM (SVSMHCTL.SVSMHACE=1). The SVM high side is inactive in LPM2, LPM3, and LPM4.

## **PMM20**

### ***PMM Module***

#### **Category**

Functional

#### **Function**

Unexpected SVSL/SVML event during wakeup from LPM2/3/4 in fast wakeup mode

#### **Description**

If PMM low side is configured to operate in fast wakeup mode, during wakeup from LPM2/3/4 the internal V<sub>CORE</sub> voltage can experience voltage drop below the corresponding SVSL and SVML threshold (recommendation according to User's Guide) leading to an unexpected SVSL/SVML event. Depending on PMM configuration, this

event triggers a POR or an interrupt.

---

**Note**

As soon the SVSL or the SVML is enabled in Normal performance mode the device is in slow wakeup mode and this erratum does not apply. In addition, this erratum has sporadic characteristic due to an internal asynchronous circuit. The drop of Vcore does not have an impact on specified device performance.

---

**Workaround** If SVSL or SVML is required for application (to observe external disruptive events at Vcore pin) the slow wakeup mode has to be used to avoid unexpected SVSL/SVML events. This is achieved if the SVSL or the SVML is configured in "Normal" performance mode (not disabled and not in "Full" Performance Mode).

**PMM26**

***PMM Module***

---

**Category**

Functional

**Function**

Device lock-up if RST pin pulled low during write to SVSMHCTL or SVSMLCTL

**Description**

Device results in lock-up condition under one of the two scenarios below:

1) If RST pin is pulled low during write access to SVSMHCTL, with the RST/NMI pin is configured to reset function and is pulled low (reset event) the device will stop code execution and is continuously held in reset state. RST pin is no longer functional. The only way to come out of the lock-up situation is a power cycle.

OR

2) If RST pin is pulled low during write access to SVSMLCTL and only if the code that checks for SVSMLDLYIFG==1 is implemented without a timeout. The device will be stuck in the polling loop polling since SVSMLDLYIFG will never be cleared.

**Workaround**

Follow the sequence below to prevent the lock-up for both use cases:

1) Disable RST pin reset function and switch to NMI before access SVSMHCTL or SVSMLCTL.

then

2) Activate NMI interrupt and handle reset events in this time by SW (optional if reset functionality required during access SVSMHCTL or SVSMLCTL)

then

3) Enable RST pin reset function after access to SVSMHCTL or SVSMLCTL

To prevent lock-up caused by use case #2 a timeout for the SVSMLDLYIFG flag check should be implemented to 300us.

**PORT15**

***PORT Module***

---

**Category**

Functional

**Function**

In-system debugging causes the PMALOCKED bit to be always set

**Description**

The port mapping controller registers cannot be modified when single-stepping or halting at break points between a valid password write to the PMAPWD register and the expected lock of the port mapping (PMAP) registers. This causes the PMAPLOCKED bit to remain set and not clear as expected.

Note: This erratum only applies to in-system debugging and is not applicable when operating in free-running mode.

**Workaround** Do not single step through or place break points in the port mapping configuration section of code.

**PORT17** ***PORT Module***

---

**Category** Functional

**Function** Certain pins when subject to negative high current pulses may cause latch-up in adjacent pins.

**Description** Pins subject to negative high current pulses may cause latch-up in adjacent pins. The latch-up condition exists only if the adjacent pin configurations also referred to as 'affected-pin' configuration are one of the following:

- (1) GPIO input driven high by an external source
- (2) GPIO output driven high with Full Drive strength OR Reduced Drive strength settings
- (3) Peripheral configuration where the peripheral drives pin high or causes pin to be driven high externally

The following affected-pin configurations will not sustain latch-up:

- (1) GPIO input driven low
- (2) GPIO output driven low
- (3) Peripheral configuration where the peripheral drives pin low or causes pin to be driven low externally
- (4) Peripheral configuration as LCD pin

Note that for affected-pin configurations with LCD functionality, the window of latch-up when the pin is driven being high still exists but is of extremely short duration and hence there is a low probability of latch-up occurrence.

**Workaround** All affected pins must be driven low when not in use. If the affected pins are not driven low, then connecting a series resistor of 330 ohms to limit the latch-up current is recommended.  
For more details on trigger currents, affected pin configurations and workarounds refer to the document [PORT17 Guidance SLAA562](#)

**PORT19** ***PORT Module***

---

**Category** Functional

**Function** Port interrupt may be missed on entry to LPMx.5

**Description** If a port interrupt occurs within a small timing window (~1MCLK cycle) of the device entry into LPM3.5 or LPM4.5, it is possible that the interrupt is lost. Hence this interrupt will not trigger a wakeup from LPMx.5.

**Workaround** None

**RTC16** ***RTC Module***

---

**Category** Functional

**Function** RTC\_B module can seem stuck or function abnormally (jumping RTC)

**Description** If VBAT and DVCC (VPRIM) power up slowly and cross around the VBAK switching threshold, internal functions may not reset properly. This can lead to a stuck RTC\_B module or to unexpected functionality e.g. RTC\_B is running faster which causes the observed time value to jump or skip forward.

**Workaround** Prevent DVCC (VPRIM) and VBAT from crossing each other below 2V during power up. It does not matter which signal comes up first.

## SYS16

### **SYS Module**

---

**Category** Functional

**Function** Fast Vcc ramp after device power up may cause a reset

**Description** At initial power-up, after Vcc crosses the brownout threshold and reaches a constant level, an abrupt ramp of Vcc at a rate  $dV/dT > 1V/100\mu s$  can cause a brownout condition to be incorrectly detected even though Vcc does not fall below the brownout threshold. This causes the device to undergo a reset.

**Workaround** Use a controlled Vcc ramp to power up the device.

## TAB23

### **TAB Module**

---

**Category** Functional

**Function** TAxR/TBxR read can be corrupted when TAxR/TBxR = TAxCCR0/TBxCCR0

**Description** When a timer in Up mode is stopped and the counter register (TAxR/TBxR) is equal to the TAxCCR0/TBxCCR0 value, a read of the TAR/TBR register may return an unexpected result.

**Workaround** 1. Use 'Up/Down' mode instead of 'Up' mode

OR

2. In 'Up' mode, use the timer interrupt instead of halting the counter and reading out the value in TAxR/TBxR

OR

3. When halting the timer counter in 'Up' mode, reinitialize the timer before starting to run again.

## TB25

### **TB Module**

---

**Category** Functional

**Function** In up mode, TBxCCRn value is immediately transferred to TBxCLn when TBxCCTLn.CLLD bits are set to 0x01 or 0x10

**Description** IF Timer B is configured for Up mode,  
AND  
the compare latch load event (TBxCCTLn.CLLD bits) setting is configured to update TBxCCRn when TBxR reaches 0,  
THEN  
TBxCCRn will update immediately instead of the described condition.

This is contrary to the user guide description of TBxCCTLn.CLLD = 0x01 or 0x10 modes.

**Workaround** If user needs to update TBxCCRn value when TBxR counts to 0 in Timer B up mode:

1. Set TBxCCTLn.CLLD = 0x00
2. Enable the Timer B interrupt (TBIE) in TBxCTL



3. Update TBxCCRn value within interrupt routine.

Timer B Interrupt would need to be serviced in a timely manner to mitigate disruption or unintended timer output if an output mode is used.

## UCS9

### **UCS Module**

---

#### **Category**

Functional

#### **Function**

Digital Bypass mode prevents entry into LPM4

#### **Description**

When entering LPM4, if an external digital input applied to XT1 in HF mode or XT2 is not turned off, the PMM does not switch to low-current mode causing higher than expected power consumption.

#### **Workaround**

Before entering LPM4:  
(1) Switch to a clock source other than external bypass digital input.  
OR  
(2) Turn off external bypass mode (UCSCTL6.XT1BYPASS = 0).

## UCS11

### **UCS Module**

---

#### **Category**

Functional

#### **Function**

Modifying UCSCTL4 clock control register triggers an additional erroneous clock request

#### **Description**

Changing the SELM/SELS/SELA bits in the UCSCTL4 register will correctly configure the respective clock to use the intended clock source but might also erroneously set XT1/XT2 fault flag if the crystals are not present at XT1/XT2 or not configured in the application firmware. If the NMI interrupt for the OFIFG is enabled, an unintentional NMI interrupt will be triggered and needs to be handled.

---

#### **Note**

The XT1/XT2 fault flag can be set regardless of which SELM/SELS/SELA bit combinations are being changed.

---

#### **Workaround**

Clear all the fault flags in UCSCTL7 register once after changing any of the SELM/SELS/SELA bits in the UCSCTL4 register.  
If OFIFG-NMI is enabled during clock switching, disable OFIFG-NMI interrupt during changing the SELM/SELS/SELA bits in the UCSCTL4 register to prevent unintended NMI. Alternatively it can be handled accordingly (clear falsely set fault flags) in the Interrupt Service Routine to ensure proper OFIFG clearing.

## USCI26

### **USCI Module**

---

#### **Category**

Functional

#### **Function**

Tbuf parameter violation in I2C multi-master mode

#### **Description**

In multi-master I2C systems the timing parameter Tbuf (bus free time between a stop condition and the following start) is not guaranteed to match the I2C specification of 4.7us in standard mode and 1.3us in fast mode. If the UCTXSTT bit is set during a running I2C transaction, the USCI module waits and issues the start condition on bus release causing the violation to occur.

Note: It is recommended to check if UCBBUSY bit is cleared before setting UCTXSTT=1.

#### **Workaround**

None

<b>USCI31</b>	<b><i>USCI Module</i></b>
<b>Category</b>	Functional
<b>Function</b>	Framing Error after USCI SW Reset (UCSWRST)
<b>Description</b>	While receiving a byte over USCI-UART (with UCBSY bit set), if the application resets the USCI module (software reset via UCSWRST), then a framing error is reported for the next receiving byte.
<b>Workaround</b>	<ol style="list-style-type: none"> <li>1. If possible, do not reset USCI-UART during an ongoing receive operation; that is, when UCBSY bit is set.</li> <li>2. If the application software resets the USCI module (via the UCSWRST bit) during an ongoing receive operation, then set and reset the UCSYNC bit before releasing the software USCI reset.</li> </ol> <p>Workaround code sequence:</p> <pre> bis #UCSWRST, &amp;UCAxCTL1 ; USCI SW reset ;Workaround begins bis #UCSYNC, &amp;UCAxCTL0 ; set synchronous mode bic #UCSYNC, &amp;UCAxCTL0 ; reset synchronous mode ;Workaround ends  bic #UCSWRST, &amp;UCAxCTL1 ; release USCI reset           </pre>
<b>USCI34</b>	<b><i>USCI Module</i></b>
<b>Category</b>	Functional
<b>Function</b>	I2C multi-master transmit may lose first few bytes.
<b>Description</b>	<p>In an I2C multi-master system (UCMM =1), under the following conditions:</p> <p>(1)the master is configured as a transmitter (UCTR =1)</p> <p>AND</p> <p>(2)the start bit is set (UCTXSTT =1);</p> <p>if the I2C bus is unavailable, then the USCI module enters an idle state where it waits and checks for bus release. While in the idle state it is possible that the USCI master updates its TXIFG based on clock line activity due to other master/slave communication on the bus. The data byte(s) loaded in TXBUF while in idle state are lost and transmit pointers initialized by the user in the transmit ISR are updated incorrectly.</p>
<b>Workaround</b>	<p>Verify that the START condition has been sent (UCTXSTT =0) before loading TXBUF with data.</p> <p>Example:</p> <pre> #pragma vector = USCIAB0TX_VECTOR __interrupt void USCIAB0TX_ISR(void) { // Workaround for USCI34 if(UCB0CTL1&amp;UCTXSTT) { // TXData = pointer to the transmit buffer start           </pre>

```
// PTxData = pointer to transmit in the ISR
PTxData = TXData; // restore the transmit buffer pointer if the Start bit is set
}
//
if(IFG2&UCB0TXIFG)
{
if (PTxData <= PTxDataEnd) // Check TX byte counter
{
UCB0TXBUF = *PTxData++; // Load TX buffer
}
else
{
UCB0CTL1 |= UCTXSTP; // I2C stop condition
IFG2 &= ~UCB0TXIFG; // Clear USCI_B0 TX int flag
__bic_SR_register_on_exit(CPUOFF); // Exit LPM0
}
}
}
```

## USCI35

### *USCI Module*

#### Category

Functional

#### Function

Violation of setup and hold times for (repeated) start in I2C master mode

#### Description

In I2C master mode, the setup and hold times for a (repeated) START,  $t_{SU,STA}$  and  $t_{HD,STA}$  respectively, can be violated if SCL clock frequency is greater than 50kHz in standard mode (100kbps). As a result, a slave can receive incorrect data or the I2C bus can be stalled due to clock stretching by the slave.

#### Workaround

If using repeated start, ensure SCL clock frequencies is < 50kHz in I2C standard mode (100 kbps).

## USCI39

### *USCI Module*

#### Category

Functional

#### Function

USCI I2C IFGs UCSTTIFG, UCSTPIFG, UCNACKIFG

#### Description

Unpredictable code execution can occur if one of the hardware-clear-able IFGs UCSTTIFG, UCSTPIFG or UCNACKIFG is set while the global interrupt enable is set by software (GIE=1). This erratum is triggered if ALL of the following events occur in following order:

1. Pending Interrupt: One of the UCxIFG=1 AND UCxIE=1 while GIE=0
2. The GIE is set by software (e.g. EINT)
3. The pending interrupt is cleared by hardware (external I2C event) in a time window of 1 MCLK clock cycle after the "EINT" instruction is executed.

#### Workaround

Disable the UCSTTIE, UCSTPIE and UCNACKIE before the GIE is set. After GIE is set, the local interrupt enable flags can be set again.

Assembly example:

```
bic #UCNACKIE+UCSTPIE+UCSTTIE, UCxBIE ; disable all self-clearing interrupts
NOP
```

EINT  
bis #UCNACKIE+UCSTPIE+UCSTTIE, UCBxIE ; enable all self-clearing interrupts

**USCI40*****USCI Module***

---

**Category**

Functional

**Function**

SPI Slave Transmit with clock phase select = 1

**Description**

In SPI slave mode with clock phase select set to 1 (UCAxCTLW0.UCCKPH=1), after the first TX byte, all following bytes are shifted by one bit with shift direction dependent on UCMSB. This is due to the internal shift register getting pre-loaded asynchronously when writing to the USCIA TXBUF register. TX data in the internal buffer is shifted by one bit after the RX data is received.

**Workaround**

Reinitialize TXBUF before using SPI and after each transmission.  
If transmit data needs to be repeated with the next transmission, then write back previously read value:

```
UCAxTXBUF = UCAxTXBUF;
```

## 7 Revision History

NOTE: Page numbers for previous revisions may differ from page numbers in the current version.

### Changes from August 27, 2021 to September 2, 2021

**Page**

- 
- TB25 was added to the errata documentation.....6
-

## IMPORTANT NOTICE AND DISCLAIMER

TI PROVIDES TECHNICAL AND RELIABILITY DATA (INCLUDING DATASHEETS), DESIGN RESOURCES (INCLUDING REFERENCE DESIGNS), APPLICATION OR OTHER DESIGN ADVICE, WEB TOOLS, SAFETY INFORMATION, AND OTHER RESOURCES "AS IS" AND WITH ALL FAULTS, AND DISCLAIMS ALL WARRANTIES, EXPRESS AND IMPLIED, INCLUDING WITHOUT LIMITATION ANY IMPLIED WARRANTIES OF MERCHANTABILITY, FITNESS FOR A PARTICULAR PURPOSE OR NON-INFRINGEMENT OF THIRD PARTY INTELLECTUAL PROPERTY RIGHTS.

These resources are intended for skilled developers designing with TI products. You are solely responsible for (1) selecting the appropriate TI products for your application, (2) designing, validating and testing your application, and (3) ensuring your application meets applicable standards, and any other safety, security, or other requirements. These resources are subject to change without notice. TI grants you permission to use these resources only for development of an application that uses the TI products described in the resource. Other reproduction and display of these resources is prohibited. No license is granted to any other TI intellectual property right or to any third party intellectual property right. TI disclaims responsibility for, and you will fully indemnify TI and its representatives against, any claims, damages, costs, losses, and liabilities arising out of your use of these resources.

TI's products are provided subject to TI's Terms of Sale (<https://www.ti.com/legal/termsofsale.html>) or other applicable terms available either on [ti.com](https://www.ti.com) or provided in conjunction with such TI products. TI's provision of these resources does not expand or otherwise alter TI's applicable warranties or warranty disclaimers for TI products.

Mailing Address: Texas Instruments, Post Office Box 655303, Dallas, Texas 75265  
Copyright © 2021, Texas Instruments Incorporated