

How to Design Isolated Comparators for ±48V, 110V and 240V DC and AC Detection

Suvadip Banerjee, Design Engineer, Isolation Products, Interface Group and Anant Kamath, Systems Engineer, Isolation Products, Interface Group



Isolated Voltage Monitoring in Industrial Applications

Many industrial applications need to monitor DC and AC voltages in the range of 48V to 300V. Examples include power supply and battery monitors, and receivers of status signals from sensors, switches and relays. Isolation is needed to handle ground potential differences and to protect against high voltage. The traditional solution for AC detection is to use a bridge rectifier followed by a Zener diode and an optocoupler as shown in Figure 1. For DC detection, the same circuit is used without the bridge rectifier.

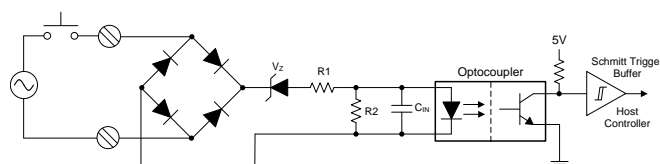


Figure 1. Traditional AC Voltage Detection

ISO121x for 48V to 300V DC Detection

Texas Instruments' ISO1211 and ISO1212 devices provide a reliable and low-power alternative to optocouplers for 48-V to 300-V DC and AC detection. ISO121x devices integrate a 60-V hysteresis comparator, current limit and galvanic isolation. The ISO1211 is ideal for channel-to-channel isolation and the ISO1212 is ideal for multichannel designs.

ISO121x devices offer many performance benefits vs. optocouplers: precise voltage thresholds, low input current draw, higher speed, lower Failures In Time (FIT), higher reliability and operation up to 125°C. ISO121x devices draw current from the signals they are monitoring and do not need a separate field side power supply.

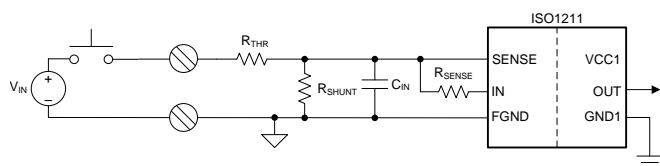


Figure 2. DC Voltage Detection with ISO1211

Figure 2 shows an implementation of DC voltage detection with ISO1211. The resistor R_{SENSE} controls the input current into the ISO1211. The typical voltage threshold at the SENSE pin is 8.25V. The transition threshold at the module input is 8.25V plus the voltage drop across R_{THR} . The ISO121x devices are rated for 60-V operation. For use with voltages greater than 60-V an additional resistor R_{SHUNT} is used. The current through R_{SHUNT} increases with input voltage, increasing the voltage drop across R_{THR} , and preventing the voltage on the ISO121x pins from exceeding 60V. A capacitor $C_{IN} > 1$ nF is used to prevent overshoot on the SENSE pin beyond 60V during transitions.

The following equations describe the input current through the ISO1211, the voltage transition threshold at the module input (V_{IT}), and the maximum allowed voltage at the module input (V_{IN_MAX}).

$$I_{ISO121x} = 2.25 \text{ mA} \times \left(\frac{562 \Omega}{R_{SENSE}} \right)$$

$$V_{IT} = 8.25 \text{ V} + R_{THR} \times \left(\frac{8.25 \text{ V}}{R_{SHUNT}} + 2.25 \text{ mA} \times \left[\frac{562 \Omega}{R_{SENSE}} \right] \right)$$

$$V_{IN_MAX} = 60 \text{ V} + R_{THR} \times \left(\frac{60 \text{ V}}{R_{SHUNT}} + 2.25 \text{ mA} \times \left[\frac{562 \Omega}{R_{SENSE}} \right] \right)$$

Voltage Threshold Calculator

Texas Instruments offers an xls based calculator that solves the equations described in the previous section: [ISO121x Threshold Calculator for 9V to 300V DC and AC Voltage Detection](#). The calculator also provides the peak current drawn for a given module input voltage. The calculator has separate sheets for DC and AC operation.

AC Voltage Detection Using ISO121x

Figure 3 shows the application circuit for AC voltage detection. Low cost diodes such as the BAT54CLT1G can be used for the bridge rectifier. The equations for determining the values of the different resistors are same as for DC detection, except that the equations will yield peak voltages. The results must be divided by $\sqrt{2}$ to obtain the r.m.s. values.

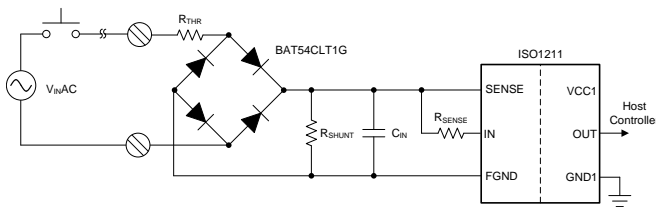


Figure 3. AC Voltage Detection with ISO1211

For AC inputs, a suitable value for C_{IN} should be chosen to ensure low ripple on the SENSE pin.

Power Reduction and Multi-Level, Multi-Channel Implementation

Figure 4 shows how ISO1212 can be used for a multi-channel application, while reducing average current draw from the high voltage input pins. The phototransistor (ex. TLP388, 350V) can be turned on by the microcontroller for only a short duration when the measurement is needed, avoiding continuous power dissipation. Also, in this example, IN_1 is sampled by two ISO1212 channels. This enables multi-level detection with different thresholds.

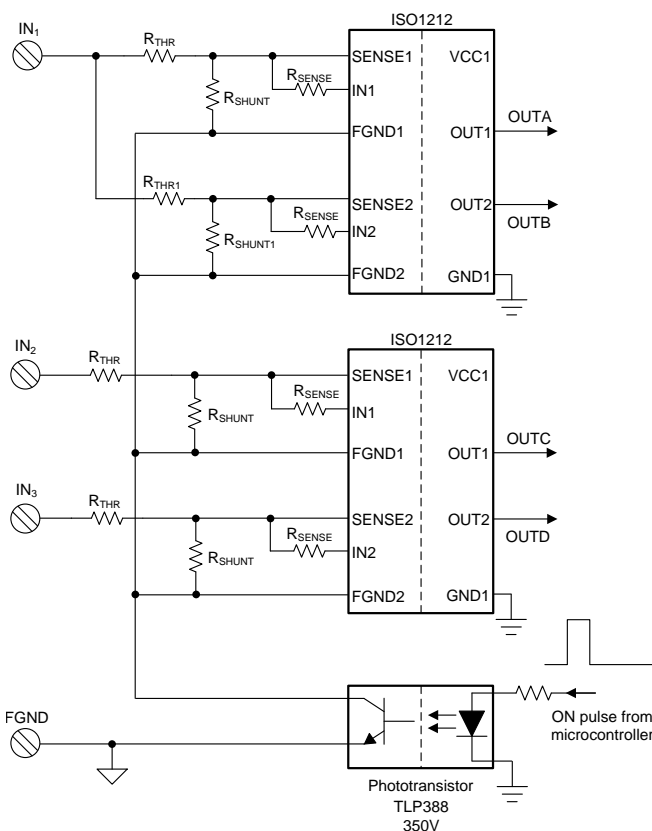


Figure 4. Reducing Power Consumption in High Voltage Detection

Table 1. Suggested Values for DC Applications

VDC System (V)	$V_{IN, MAX}$ (V)	R_{THR} (k Ω)	R_{SHUNT} (k Ω)	R_{SENSE} (Ω)	Transition Threshold (V)			I_{IN} (mA)
					Min	Typ	Max	
48	77	8.5	—	560	24	27	30	2.3
110	137	22	40	560	54	62	70	3.3
240	250	38	22	560	100	113	126	4.7

Table 2. Suggested Values for AC Applications

VAC System (V_{RMS})	$V_{IN, MAX}$ (V_{RMS})	R_{THR} (k Ω)	R_{SHUNT} (k Ω)	R_{SENSE} (Ω)	Transition Threshold (V_{RMS})		
					Min	Typ	Max
110	148	33	24	560	58	66	73
240	300	60	15	560	109	124	138

Test Results

Table 1 and Table 2 provide suggested component values for different values of DC and AC detection. Figure 5 shows test results from an implementation for 240V DC. A transition threshold of 110V is obtained, and V_{SENSE} remains below 60V (limit for ISO121x) for V_{IN} up to 250V. The module input current is less than 5 mA at 250V.

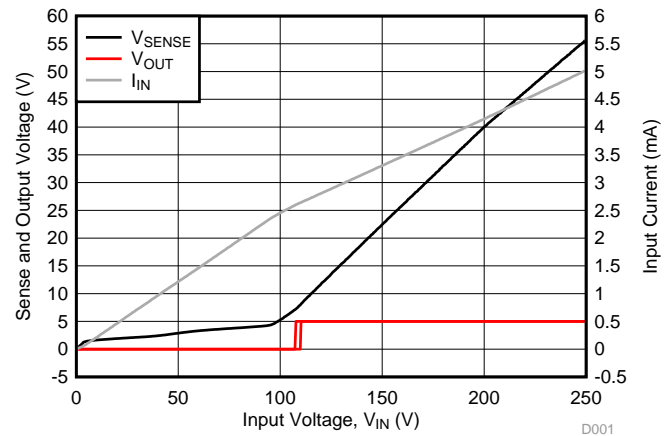


Figure 5. Test Results for 240V DC Detection

Table 3. Alternative Device Recommendations

Device	Optimized Parameters	Performance Trade-Off
ISO1211	Single-channel isolated digital input receiver	For channel to channel isolation
ISO1212	Dual-channel isolated digital input receiver	For group isolated inputs. Lower cost per channel

Table 4. Adjacent Tech Notes

SLLA370	How To Simplify Isolated 24-V PLC Digital Input Module Designs
SLLA379	How To Improve Speed and Reliability of Isolated Digital Inputs in Motor Drives

IMPORTANT NOTICE FOR TI DESIGN INFORMATION AND RESOURCES

Texas Instruments Incorporated ("TI") technical, application or other design advice, services or information, including, but not limited to, reference designs and materials relating to evaluation modules, (collectively, "TI Resources") are intended to assist designers who are developing applications that incorporate TI products; by downloading, accessing or using any particular TI Resource in any way, you (individually or, if you are acting on behalf of a company, your company) agree to use it solely for this purpose and subject to the terms of this Notice.

TI's provision of TI Resources does not expand or otherwise alter TI's applicable published warranties or warranty disclaimers for TI products, and no additional obligations or liabilities arise from TI providing such TI Resources. TI reserves the right to make corrections, enhancements, improvements and other changes to its TI Resources.

You understand and agree that you remain responsible for using your independent analysis, evaluation and judgment in designing your applications and that you have full and exclusive responsibility to assure the safety of your applications and compliance of your applications (and of all TI products used in or for your applications) with all applicable regulations, laws and other applicable requirements. You represent that, with respect to your applications, you have all the necessary expertise to create and implement safeguards that (1) anticipate dangerous consequences of failures, (2) monitor failures and their consequences, and (3) lessen the likelihood of failures that might cause harm and take appropriate actions. You agree that prior to using or distributing any applications that include TI products, you will thoroughly test such applications and the functionality of such TI products as used in such applications. TI has not conducted any testing other than that specifically described in the published documentation for a particular TI Resource.

You are authorized to use, copy and modify any individual TI Resource only in connection with the development of applications that include the TI product(s) identified in such TI Resource. NO OTHER LICENSE, EXPRESS OR IMPLIED, BY ESTOPPEL OR OTHERWISE TO ANY OTHER TI INTELLECTUAL PROPERTY RIGHT, AND NO LICENSE TO ANY TECHNOLOGY OR INTELLECTUAL PROPERTY RIGHT OF TI OR ANY THIRD PARTY IS GRANTED HEREIN, including but not limited to any patent right, copyright, mask work right, or other intellectual property right relating to any combination, machine, or process in which TI products or services are used. Information regarding or referencing third-party products or services does not constitute a license to use such products or services, or a warranty or endorsement thereof. Use of TI Resources may require a license from a third party under the patents or other intellectual property of the third party, or a license from TI under the patents or other intellectual property of TI.

TI RESOURCES ARE PROVIDED "AS IS" AND WITH ALL FAULTS. TI DISCLAIMS ALL OTHER WARRANTIES OR REPRESENTATIONS, EXPRESS OR IMPLIED, REGARDING TI RESOURCES OR USE THEREOF, INCLUDING BUT NOT LIMITED TO ACCURACY OR COMPLETENESS, TITLE, ANY EPIDEMIC FAILURE WARRANTY AND ANY IMPLIED WARRANTIES OF MERCHANTABILITY, FITNESS FOR A PARTICULAR PURPOSE, AND NON-INFRINGEMENT OF ANY THIRD PARTY INTELLECTUAL PROPERTY RIGHTS.

TI SHALL NOT BE LIABLE FOR AND SHALL NOT DEFEND OR INDEMNIFY YOU AGAINST ANY CLAIM, INCLUDING BUT NOT LIMITED TO ANY INFRINGEMENT CLAIM THAT RELATES TO OR IS BASED ON ANY COMBINATION OF PRODUCTS EVEN IF DESCRIBED IN TI RESOURCES OR OTHERWISE. IN NO EVENT SHALL TI BE LIABLE FOR ANY ACTUAL, DIRECT, SPECIAL, COLLATERAL, INDIRECT, PUNITIVE, INCIDENTAL, CONSEQUENTIAL OR EXEMPLARY DAMAGES IN CONNECTION WITH OR ARISING OUT OF TI RESOURCES OR USE THEREOF, AND REGARDLESS OF WHETHER TI HAS BEEN ADVISED OF THE POSSIBILITY OF SUCH DAMAGES.

You agree to fully indemnify TI and its representatives against any damages, costs, losses, and/or liabilities arising out of your non-compliance with the terms and provisions of this Notice.

This Notice applies to TI Resources. Additional terms apply to the use and purchase of certain types of materials, TI products and services. These include; without limitation, TI's standard terms for semiconductor products (<http://www.ti.com/sc/docs/stdterms.htm>), [evaluation modules](#), and [samples](http://www.ti.com/sc/docs/sampterm.htm) (<http://www.ti.com/sc/docs/sampterm.htm>).

Mailing Address: Texas Instruments, Post Office Box 655303, Dallas, Texas 75265
Copyright © 2018, Texas Instruments Incorporated