

# Overvoltage protection for isolated DC/DC converter

Koteshwar Rao, Applications Lead, Isolation, Interface Products



## Isolated power supply feedback operation

A typical isolated DC/DC converter has two sets of circuits as part of the power supply which are isolated from each other, the input side (primary) circuit and the converter output side (secondary) circuit as shown in Figure 1. The input circuit's primary function is to control turn ON & turn OFF times of power components like the transformer. The turn ON & OFF time values are decided by the converter based on various inputs to the primary circuit. The most critical input to the primary circuit is the feedback signal coming from the secondary side. The feedback signal always represents the current state of the isolated output voltage and is generated on the secondary side before it is passed onto the primary.

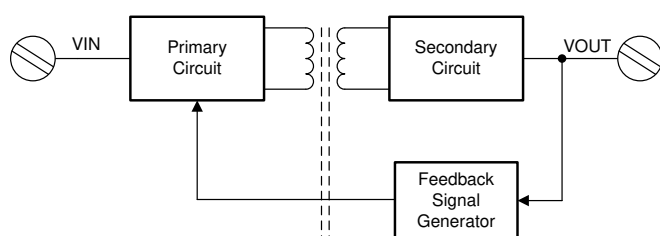


Figure 1. A typical isolated DC/DC converter block diagram

The feedback signal generator circuit on the secondary side is powered by the output voltage at the secondary as the secondary circuit is completely isolated from the primary side circuit. Under some fault conditions, there can be a situation when the output voltage goes outside the regulation range causing over-voltage or under-voltage. Under such situations, the feedback signal generator circuit might fail to operate normal and to represent the output state correctly. Hence, it becomes necessary to protect external loads and components powered by the isolated output from such fault conditions especially for overvoltage fault condition. There are many ways to protect loads and components from power supply overvoltage conditions and this document discusses one of the most effective methods.

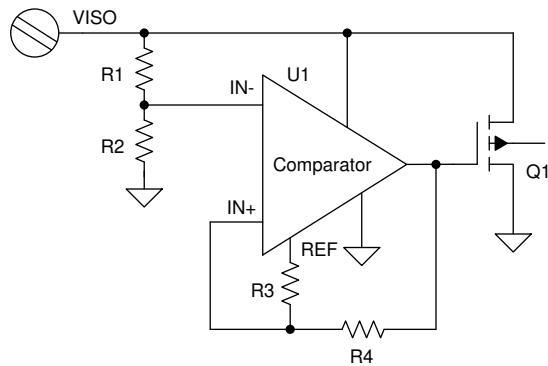
## Overvoltage protection and reset circulation

Zener diode is one of the most commonly used voltage clamping components to protect devices from overvoltage conditions. Though a Zener diode successfully clamps voltage to its clamping voltage, it doesn't eliminate or reset the overvoltage fault condition. Hence clamping the power supply output voltage alone may not be sufficient to restore the power supply to a normal operating state. Thus, it is important to employ a circuit to reset the power supply and bring it back to its normal operating state.

## Operation

Figure 2 shows the schematic of overvoltage protection and reset circuit. It consists of two major components, a comparator with inbuilt voltage reference and a P-channel power MOSFET. The comparator continuously monitors the isolated DC/DC converter's scaled down output voltage and compares it with the preset reference thresholds. There are two reference threshold points, overvoltage threshold point (OVTP) and under-voltage threshold point (UVTP), created by connecting reference voltage and scaled down comparator output feedback to the positive input. When the isolated power supply voltage goes above OVTP, the comparator output goes LOW. This turns ON the PMOS shunting the power supply output voltage to GND and starts discharging the output bulk capacitor. The comparator keeps the PMOS ON till the power supply output voltage goes below UVTP. When power supply output voltage goes below UVTP, the comparator releases the PMOS so that the power supply is reset and has a fresh power-up cycle to come out of the fault condition.

While choosing the comparator, it is important to choose a comparator with wide operating power supply range spanning over both UVTP and OVTP. TLV3012 is one of the comparators that supports wide operating power supply range and has inbuilt voltage reference. Similarly, it is also important to make sure the gate-source threshold voltage of the P-channel MOSFET is much lower than UVTP threshold point. PMV30XPEA is one of the P-channel MOSFETs that supports very low gate-source threshold voltage (1 V typical).



**Figure 2. Schematic of overvoltage protection and reset circuit**

Equation 1 and Equation 2 can be used to calculate OVTP and UVTP points for given resistor network.

$$UVTP = VREF * \frac{R4}{R3 + R4} * \frac{R1 + R2}{R2} \quad (1)$$

$$OVTP = VREF * R4 * \frac{R1 + R2}{R2R4 - R1R3} \quad (2)$$

Table 1 and Table 2 gives examples with resistor values and their corresponding UVTP & OVTP values calculated for a 5 V and 3.3 V output power supply overvoltage protection.

**Table 1. Calculated UVTP and OVTP values for example resistor & VREF values for VISO = 5 V**

Parameter	Value
R1	1800 Ω
R2	1500 Ω
R3	1200 Ω
R4	2700 Ω
VREF	1.25 V
VISO	5 V
OVTP	5.89 V
UVTP	1.90 V

**Table 2. Calculated UVTP and OVTP values for example resistor & VREF values for VISO = 3.3 V**

Parameter	Value
R1	1800 Ω
R2	1800 Ω
R3	2200 Ω
R4	6800 Ω
VREF	1.25 V
VISO	3.3 V
OVTP	3.70 V
UVTP	1.89 V

**Table 3. Alternative Device Recommendations**

Device	Optimized Parameters	Performance Trade-Off
ISOW7841	Reinforced digital isolator with integrated high-efficiency power converter	650 mW power output, fixed output ripple voltage, two output voltage options
SN6505A, SN6505B	Low-noise, low-EMI, push-pull transformer driver for small form-factor isolated power supplies	External transformer, 2.25 V to 5.5 V input supply range

## IMPORTANT NOTICE AND DISCLAIMER

TI PROVIDES TECHNICAL AND RELIABILITY DATA (INCLUDING DATA SHEETS), DESIGN RESOURCES (INCLUDING REFERENCE DESIGNS), APPLICATION OR OTHER DESIGN ADVICE, WEB TOOLS, SAFETY INFORMATION, AND OTHER RESOURCES "AS IS" AND WITH ALL FAULTS, AND DISCLAIMS ALL WARRANTIES, EXPRESS AND IMPLIED, INCLUDING WITHOUT LIMITATION ANY IMPLIED WARRANTIES OF MERCHANTABILITY, FITNESS FOR A PARTICULAR PURPOSE OR NON-INFRINGEMENT OF THIRD PARTY INTELLECTUAL PROPERTY RIGHTS.

These resources are intended for skilled developers designing with TI products. You are solely responsible for (1) selecting the appropriate TI products for your application, (2) designing, validating and testing your application, and (3) ensuring your application meets applicable standards, and any other safety, security, regulatory or other requirements.

These resources are subject to change without notice. TI grants you permission to use these resources only for development of an application that uses the TI products described in the resource. Other reproduction and display of these resources is prohibited. No license is granted to any other TI intellectual property right or to any third party intellectual property right. TI disclaims responsibility for, and you will fully indemnify TI and its representatives against, any claims, damages, costs, losses, and liabilities arising out of your use of these resources.

TI's products are provided subject to [TI's Terms of Sale](#) or other applicable terms available either on [ti.com](http://ti.com) or provided in conjunction with such TI products. TI's provision of these resources does not expand or otherwise alter TI's applicable warranties or warranty disclaimers for TI products.

TI objects to and rejects any additional or different terms you may have proposed.

Mailing Address: Texas Instruments, Post Office Box 655303, Dallas, Texas 75265  
Copyright © 2022, Texas Instruments Incorporated