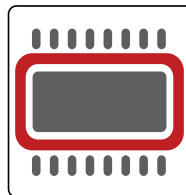
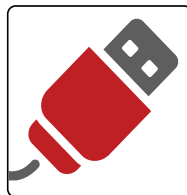
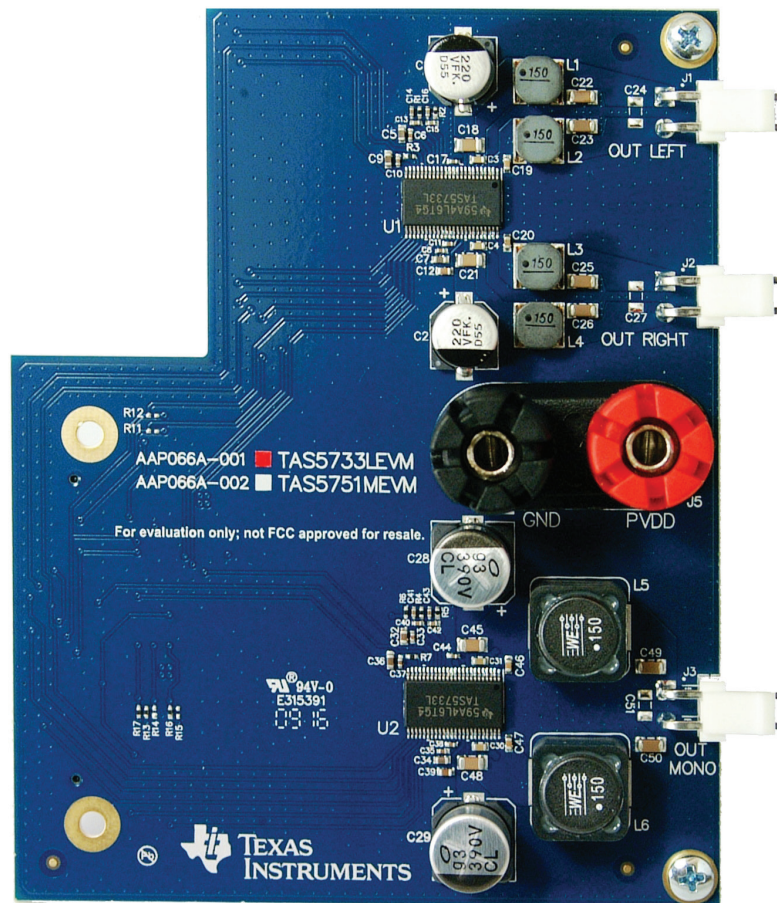


TAS5733LEVM

Quick-Start Guide

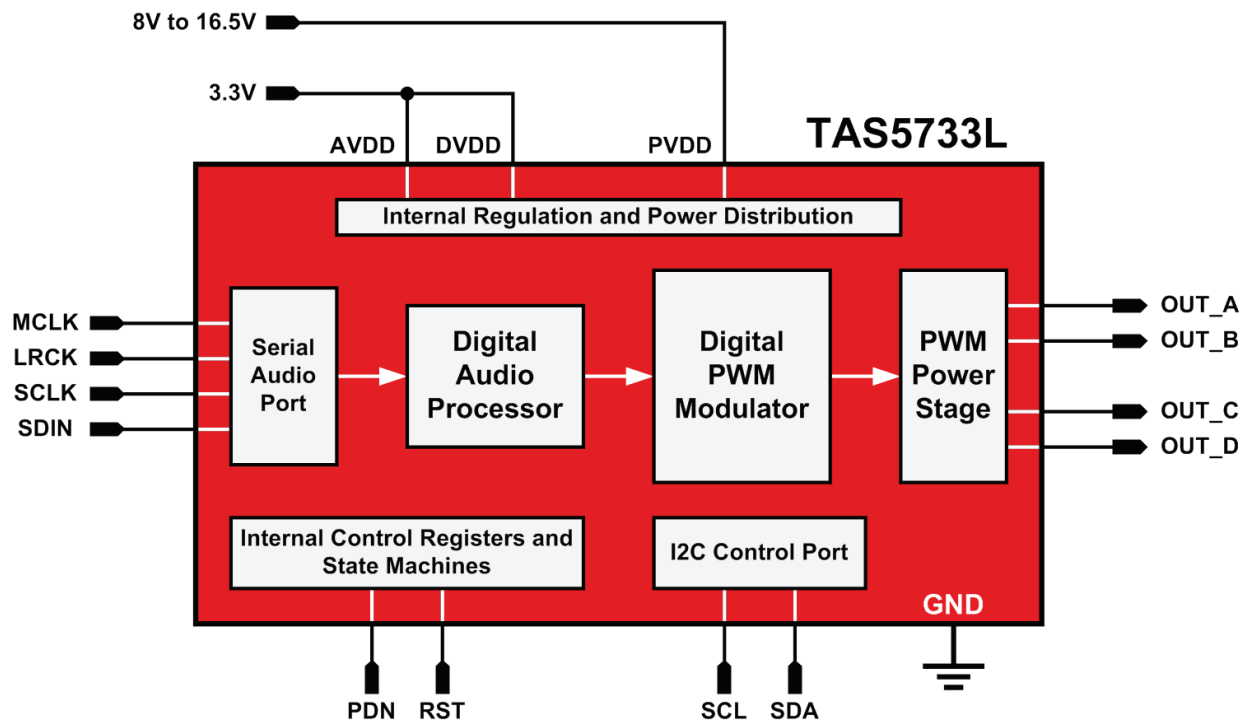
 Start Here



ti.com/tool/tas5733LEVM

Evaluation Kit Features

- Two TAS5733LEVM digital input Class-D audio amplifiers - one in stereo and one in mono configuration
- Robust design with outstanding thermal performance
- Wide supply voltage capabilities, from 8V to 16.5V
- Versatile input selection via PurePath™ Console Mother Board
- Easy configuration and evaluation using PurePath Console Graphical User Interface



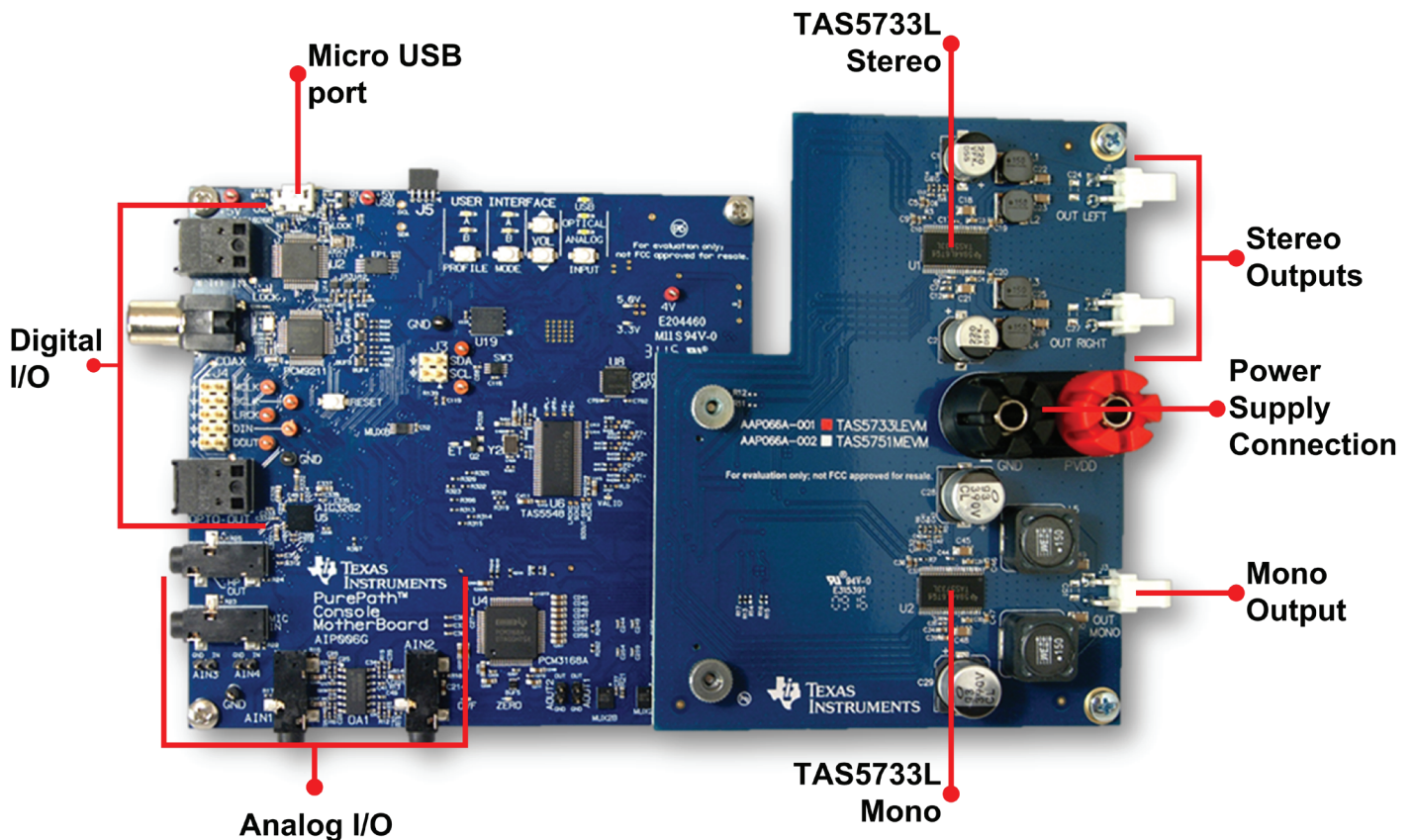
Getting Started

1. Request access to the TAS5733LEVM app from ti.com/tool/TAS5733LEVM. Allow 1-2 days for approval.
2. PurePath™ Console Software is required to evaluate the TAS5733LEVM. Order here: ti.com/tool/purepathconsole

PurePath Console Motherboard is the primary interface between the PurePath Console and TAS5733LEVM.

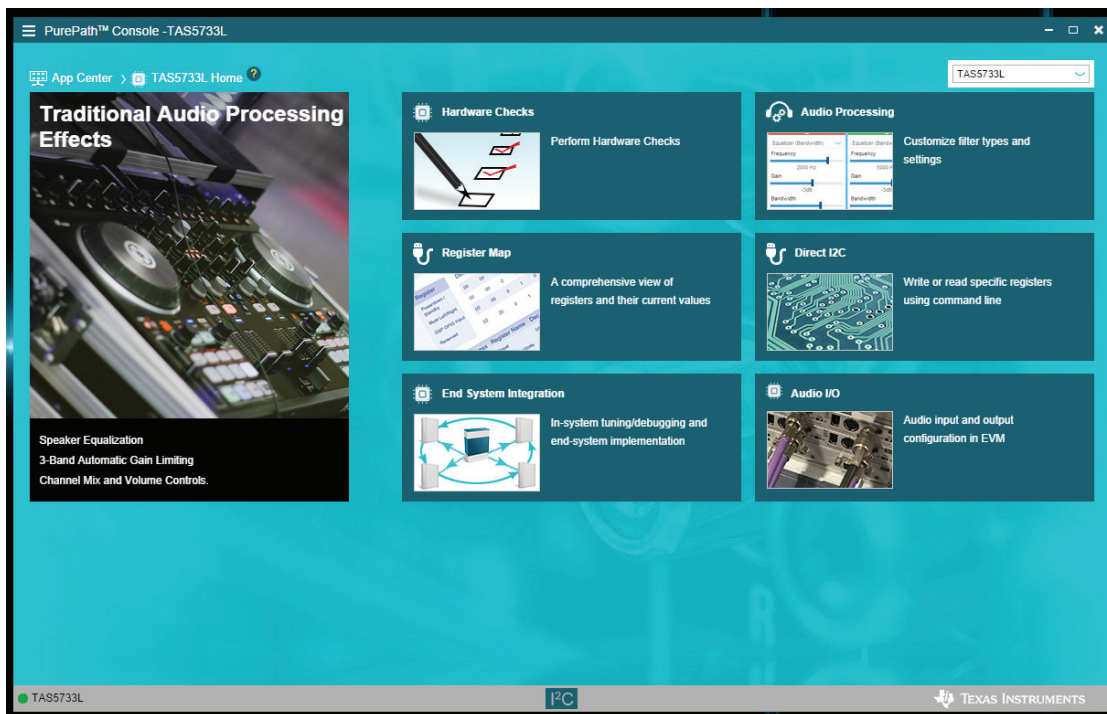
Order here: ti.com/tool/purepath-cmbevm

3. Connect the evaluation module with PurePath Console Motherboard as indicated.
4. Connect the power supply to the binding posts of the evaluation module. A regulator on the motherboard provides the required 3.3V for the amplifiers.



Getting Started cont.

5. A micro USB cable is required to connect the evaluation module with the PC.
6. Download and install PurePath™ Console Software from: ti.com/mysecuresoftware
7. Sign into PurePath Console. Install the app for the TAS5733L.

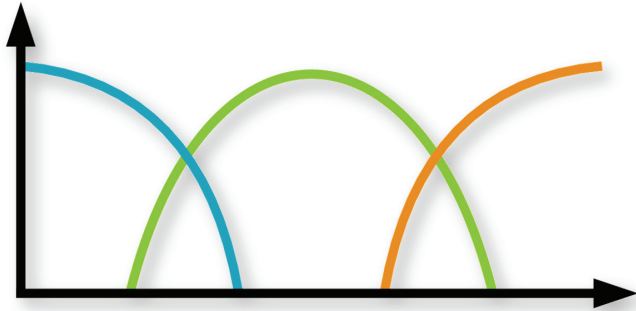


8. Open the app, then select Hardware Checks window to perform system diagnosis.
9. Select the desired audio source on the audio I/O window.
10. Open Audio Processing window and wait for the devices to get configured.
11. Start playing audio and enjoy the evaluation of the TAS5733LEVM!
12. For more information, refer to the TAS5733LEVM User's Guide: ti.com/lit/slou439

Features and Benefits

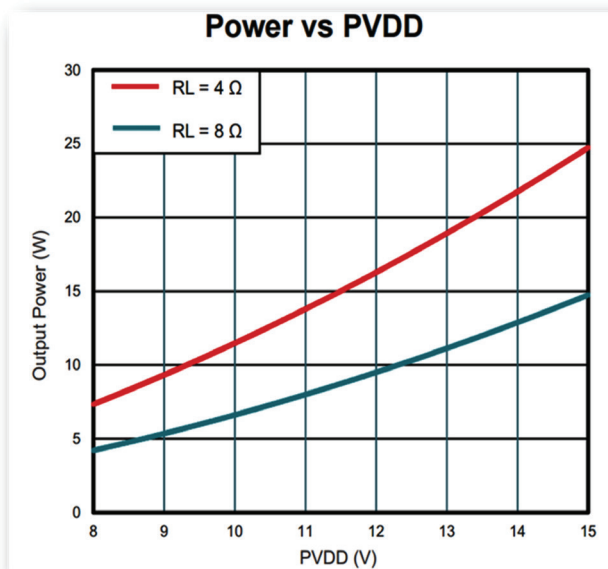
3-Band AGL

The multiband AGL is used as a three-band crossover, having an independent custom configuration available for low, high, and mid frequency bands.



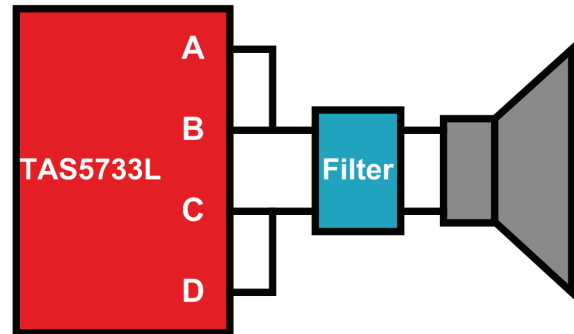
Good thermal performance

The robust design of the evaluation module allows the amplifier to deliver up to 25W output power in stereo mode without thermal issues.



Single-filter PBTL support

The device supports the use of only one output filter for mono applications by tying OUT_A with OUT_B, and tying OUT_C with OUT_D.



Low cost

The reduced BOM and smaller PCB footprint for the device and supporting components reduces the system cost.

Easy to use

The configuration via PPC allows easy integration with any system. The TAS5733L can operate after configuring three basic registers:

```
#Enable internal oscillator  
Reg 0x1B, 0x00  
  
#Exit shutdown  
Reg 0x05, 0x00  
  
#Unmute and set volume to 0dB  
Reg 0x07, 0x00 C0
```

Design Resources and References



**Engage in the
Audio Amplifiers Support Forum**
**Search for solutions, get help and share
knowledge with fellow engineers**

Available on: ti.com/product/TAS5733L

- TAS5733L datasheet
- Complete TAS5733LEVM User's Guide
- Schematics and layout
- EVM Source code and binaries

Get more information on TI's solutions for audio applications at ti.com/audio

- New Products
- Technical Documents
- Support and Training
- Product Selection Tool

Important Notice: The products and services of Texas Instruments Incorporated and its subsidiaries described herein are sold subject to TI's standard terms and conditions of sale. Customers are advised to obtain the most current and complete information about TI products and services before placing orders. TI assumes no liability for applications assistance, customer's applications or product designs, software performance, or infringement of patents. The publication of information regarding any other company's products or services does not constitute TI's approval, warranty or endorsement thereof.

The platform bar, E2E, and PurePath are trademarks of Texas Instruments.
All other trademarks are the property of their respective owners.

IMPORTANT NOTICE FOR TI DESIGN INFORMATION AND RESOURCES

Texas Instruments Incorporated ("TI") technical, application or other design advice, services or information, including, but not limited to, reference designs and materials relating to evaluation modules, (collectively, "TI Resources") are intended to assist designers who are developing applications that incorporate TI products; by downloading, accessing or using any particular TI Resource in any way, you (individually or, if you are acting on behalf of a company, your company) agree to use it solely for this purpose and subject to the terms of this Notice.

TI's provision of TI Resources does not expand or otherwise alter TI's applicable published warranties or warranty disclaimers for TI products, and no additional obligations or liabilities arise from TI providing such TI Resources. TI reserves the right to make corrections, enhancements, improvements and other changes to its TI Resources.

You understand and agree that you remain responsible for using your independent analysis, evaluation and judgment in designing your applications and that you have full and exclusive responsibility to assure the safety of your applications and compliance of your applications (and of all TI products used in or for your applications) with all applicable regulations, laws and other applicable requirements. You represent that, with respect to your applications, you have all the necessary expertise to create and implement safeguards that (1) anticipate dangerous consequences of failures, (2) monitor failures and their consequences, and (3) lessen the likelihood of failures that might cause harm and take appropriate actions. You agree that prior to using or distributing any applications that include TI products, you will thoroughly test such applications and the functionality of such TI products as used in such applications. TI has not conducted any testing other than that specifically described in the published documentation for a particular TI Resource.

You are authorized to use, copy and modify any individual TI Resource only in connection with the development of applications that include the TI product(s) identified in such TI Resource. NO OTHER LICENSE, EXPRESS OR IMPLIED, BY ESTOPPEL OR OTHERWISE TO ANY OTHER TI INTELLECTUAL PROPERTY RIGHT, AND NO LICENSE TO ANY TECHNOLOGY OR INTELLECTUAL PROPERTY RIGHT OF TI OR ANY THIRD PARTY IS GRANTED HEREIN, including but not limited to any patent right, copyright, mask work right, or other intellectual property right relating to any combination, machine, or process in which TI products or services are used. Information regarding or referencing third-party products or services does not constitute a license to use such products or services, or a warranty or endorsement thereof. Use of TI Resources may require a license from a third party under the patents or other intellectual property of the third party, or a license from TI under the patents or other intellectual property of TI.

TI RESOURCES ARE PROVIDED "AS IS" AND WITH ALL FAULTS. TI DISCLAIMS ALL OTHER WARRANTIES OR REPRESENTATIONS, EXPRESS OR IMPLIED, REGARDING TI RESOURCES OR USE THEREOF, INCLUDING BUT NOT LIMITED TO ACCURACY OR COMPLETENESS, TITLE, ANY EPIDEMIC FAILURE WARRANTY AND ANY IMPLIED WARRANTIES OF MERCHANTABILITY, FITNESS FOR A PARTICULAR PURPOSE, AND NON-INFRINGEMENT OF ANY THIRD PARTY INTELLECTUAL PROPERTY RIGHTS.

TI SHALL NOT BE LIABLE FOR AND SHALL NOT DEFEND OR INDEMNIFY YOU AGAINST ANY CLAIM, INCLUDING BUT NOT LIMITED TO ANY INFRINGEMENT CLAIM THAT RELATES TO OR IS BASED ON ANY COMBINATION OF PRODUCTS EVEN IF DESCRIBED IN TI RESOURCES OR OTHERWISE. IN NO EVENT SHALL TI BE LIABLE FOR ANY ACTUAL, DIRECT, SPECIAL, COLLATERAL, INDIRECT, PUNITIVE, INCIDENTAL, CONSEQUENTIAL OR EXEMPLARY DAMAGES IN CONNECTION WITH OR ARISING OUT OF TI RESOURCES OR USE THEREOF, AND REGARDLESS OF WHETHER TI HAS BEEN ADVISED OF THE POSSIBILITY OF SUCH DAMAGES.

You agree to fully indemnify TI and its representatives against any damages, costs, losses, and/or liabilities arising out of your non-compliance with the terms and provisions of this Notice.

This Notice applies to TI Resources. Additional terms apply to the use and purchase of certain types of materials, TI products and services. These include; without limitation, TI's standard terms for semiconductor products (<http://www.ti.com/sc/docs/stdterms.htm>), [evaluation modules](#), and [samples](http://www.ti.com/sc/docs/sampterm.htm) (<http://www.ti.com/sc/docs/sampterm.htm>).

Mailing Address: Texas Instruments, Post Office Box 655303, Dallas, Texas 75265
Copyright © 2017, Texas Instruments Incorporated