

Versatile Low Power SEPIC Converter Accepts Wide Input Voltage Range

by Jack Palczynski

Much attention has been given to the Single Ended Primary Inductor Converter (SEPIC) topology recently because output voltage may be either higher or lower than input voltage. The output is also not inverted as is the case in a flyback or Cuk topology. Voltage conversion is accomplished without transformers, instead using low cost inductors to transfer energy. The input and output voltages are DC isolated by a coupling capacitor. This design note illustrates an application for a 5V, 100mA output converter for battery powered and Automotive applications. It makes use of a UCC3803 BiCMOS current mode controller to provide a 5V output at full load of 100mA from an input of 2.5V to 13.5V after an initial start-up at 5 volts.

This SEPIC converter uses current mode control to simplify stabilization of the control loop. Peak cur-

rent in the FET is limited by the pulse by pulse current limiting of the UCC3803. Switching frequency is 500kHz, allowing low output current handling and low output ripple with small inductors and capacitors while remaining in the continuous inductor current mode (CCM). Once started, the low voltage operation of the UCC3803 is extended by bootstrapping from the output through a UC3612 Schottky diode. By including slope compensation (Q2, R3), the duty cycle may exceed 50% without experiencing subharmonic oscillations.

This topology places higher stresses on both the switch and the diode than with other PWM topologies. Peak switch and diode stresses are both $V_{IN} + V_{OUT}$ and $I_{IN} + I_{OUT}$. Peak to peak ripple current in the coupling capacitor is $I_{IN} + I_{OUT}$.

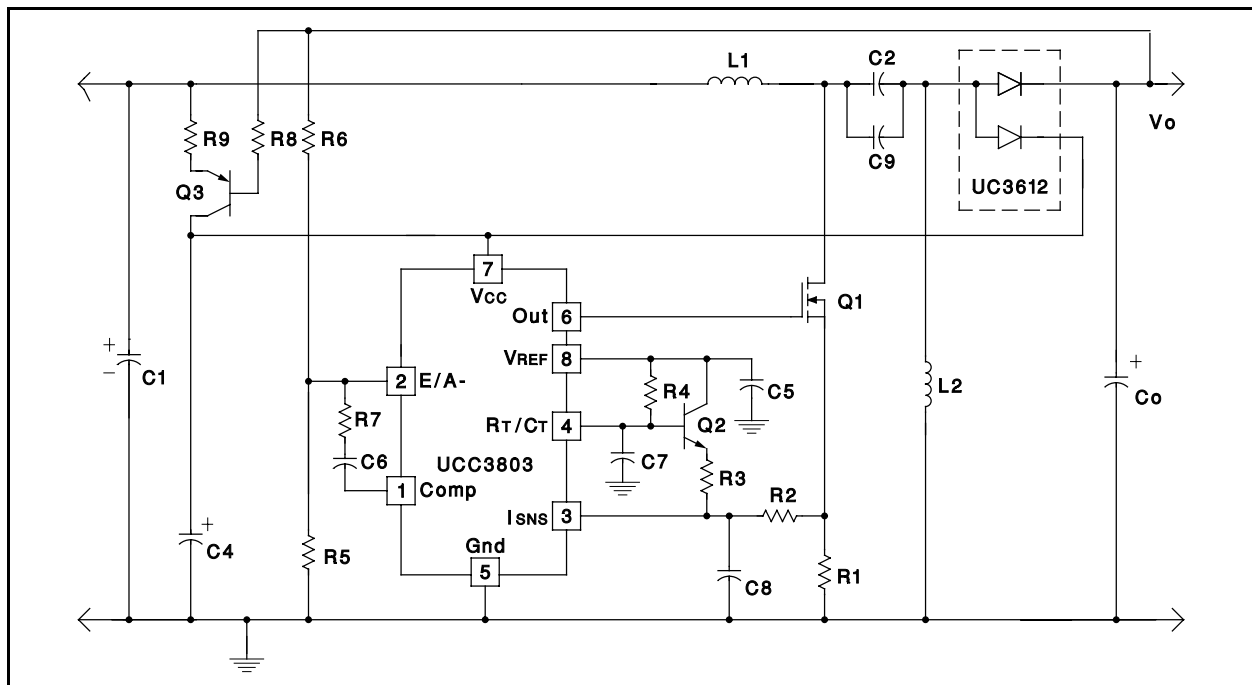


Figure 1. UCC3803 Controlled SEPIC Converter

Specifications :

VIN (initial start-up)	5V
VIN	2.5V to 13.5V
IOUT	45mA to 100mA
Switching Frequency	500kHz
Output Regulation	±3%
Output Ripple	150mV (max)

SEPIC Converter Design Guide:

1. Choose a switching frequency, fs.

$$f_s = 500kHz$$

2. Calculate minimum duty cycle (DMIN):

$$D_{MIN} = \frac{V_o}{V_o + V_{IN(max)}}$$

$$D_{MIN} = \frac{5V}{(5V + 13.5V)} = 0.27$$

3. Calculate maximum duty cycle (DMAX):

$$D_{MAX} = \frac{V_o}{V_o + V_{IN(min)}}$$

$$D_{MAX} = \frac{5V}{(5V + 2.5V)} = 0.67$$

4. Find an appropriate inductor so that IDIODE is not less than zero (note that this value should be used for both inductors):

$$L > \frac{V_{IN(max)} \cdot D_{MIN}}{f_s \cdot I_o(min) \left(\frac{V_o}{V_{IN(max)}} + 1 \right)}$$

$$L_1 = L_2 > \frac{13.5V \cdot 0.27}{500kHz \cdot 45mA \left(\frac{5}{13.5} + 1 \right)} = 118\mu H$$

Note that the COILCRAFT inductor selected is specified at twice this value of inductance at light load, and decreases at high loads.

5. Calculate IIN(max) at maximum output current:

$$I_{IN(max)} = \frac{I_o(max) \cdot D_{(max)}}{1 - D_{(max)}}$$

$$I_{IN(max)} = \frac{0.1 \cdot 0.67}{1 - 0.67} = 202mA$$

6. Find RMS current ripple and choose an appropriate Ccc:

$$\sqrt{I_o(max)^2 \cdot D_{(max)} + I_{IN(max)}^2 \cdot (1 - D_{(max)})}$$

$$\sqrt{0.1^2 \cdot 0.67 + 0.2^2 \cdot (1 - 0.67)} = 141mA$$

Select a capacitor to handle this ripple current.

7. Choose an output capacitor for ripple voltage:

$$dI_o(max) = I_{IN(max)} + \frac{V_{IN(max)} \cdot D_{(max)}}{2Lfs}$$

$$dI_o(max) = 202mA + \frac{2.5V \cdot 0.67}{2 \cdot 220\mu H \cdot 500kHz} = 209mA$$

then, ripple voltage

$$dV > dI_o(max) \left(\frac{1}{2\pi fs \cdot C} + ESR \right)$$

$$150mV > 209mA \left(\frac{1}{2\pi \cdot 500kHz \cdot 33\mu F} + 0.7 \right) = 148mV$$

Some iterations with different capacitors will yield an acceptable voltage ripple.

It may become necessary to run the converter in discontinuous inductor current mode (DCM) when minimum load is a very small percentage of the maximum load. D will become dependent on output load and output voltage regulation will vary more than in CCM. The CCM system double pole occurs at

$$f_{dp} = \frac{1}{\sqrt{2} \cdot \pi (L_1 + L_2) C_{cc}}$$

and the ESR zero occurs at

$$f_z = \frac{1}{2 \cdot \pi \cdot ESR \cdot C_o}$$

A plot of efficiency is shown below for the range of input voltage. Efficiency may be increased by using lower switching frequencies at a cost of larger components. This might be desirable in equipment with small batteries that demand lower power consumption for extended life.

The SEPIC converter may be used for a wide range of output voltages over a range of input voltages.

Other outputs tested were 3V and 12V with circuits similar to that of this design note. As output current increases, conduction losses in the switch and output diode begin to degrade efficiency and ripple current in the coupling capacitor may be excessive. In high power applications, a transformer isolated con-

R8,R9 50 ohm 1/8W
U1 Unitrode UCC3803D BiCMOS PWM IC

REFERENCES:

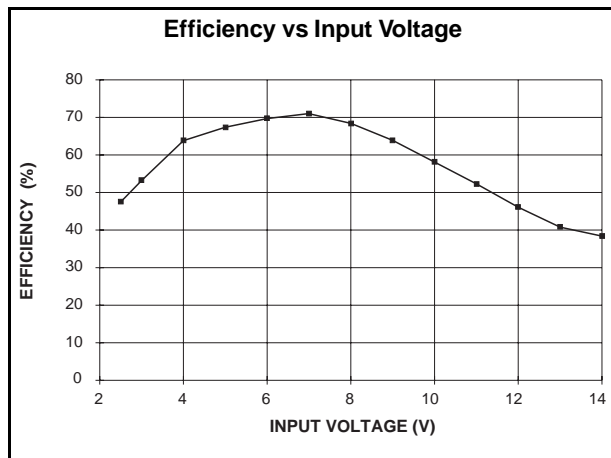
[1] W. Andreyca U-133 "UCC3800/1/2/3/4/5 BiCMOS Current Mode Control ICs" Unitrode Application Note

[2] L. Dixon "High Power Factor Preregulator Using the SEPIC Converter" Unitrode Seminar SEM-900 pp. 6.1-6.12

[3] L. Dixon "Control Loop Design SEPIC Preregulator Example" Unitrode Seminar SEM-900 pp. 7.1-7-6

[4] U-97 "Modeling, Analysis and Compensation of the Current-Mode Converter" Unitrode Applications Handbook A-100 pp. 260-266

[5] U-100 "UC3842 Provides Low-Cost Current-Mode Control" Unitrode Applications Handbook A-100 pp.278-291



verter or cascaded stages may be more practical.

Parts List:

D1, D2 Unitrode UC3612D Dual Schottky
phone # (603) 429-8610
C1-3, C9 33 μ F 25V Sprague 293D336X0025E2T
phone # (207) 324-4140
C4,C5,C6 0.1 μ F Ceramic
C8 150pF Ceramic
L1, L2 220 μ H COILCRAFT DT3316-102-224
phone # (708) 639-1469
Q1 Siliconix Si9410DY
phone # (800) 554-5565
Q2 2N2222S
Q3 2N2907AS
R1 1 ohm 1/4W
R2 1k 1/8W
R3, R6 10k 1/8W
R4 30k 1/8W
R5, R7 6.2k 1/8W

IMPORTANT NOTICE

Texas Instruments and its subsidiaries (TI) reserve the right to make changes to their products or to discontinue any product or service without notice, and advise customers to obtain the latest version of relevant information to verify, before placing orders, that information being relied on is current and complete. All products are sold subject to the terms and conditions of sale supplied at the time of order acknowledgement, including those pertaining to warranty, patent infringement, and limitation of liability.

TI warrants performance of its semiconductor products to the specifications applicable at the time of sale in accordance with TI's standard warranty. Testing and other quality control techniques are utilized to the extent TI deems necessary to support this warranty. Specific testing of all parameters of each device is not necessarily performed, except those mandated by government requirements.

CERTAIN APPLICATIONS USING SEMICONDUCTOR PRODUCTS MAY INVOLVE POTENTIAL RISKS OF DEATH, PERSONAL INJURY, OR SEVERE PROPERTY OR ENVIRONMENTAL DAMAGE ("CRITICAL APPLICATIONS"). TI SEMICONDUCTOR PRODUCTS ARE NOT DESIGNED, AUTHORIZED, OR WARRANTED TO BE SUITABLE FOR USE IN LIFE-SUPPORT DEVICES OR SYSTEMS OR OTHER CRITICAL APPLICATIONS. INCLUSION OF TI PRODUCTS IN SUCH APPLICATIONS IS UNDERSTOOD TO BE FULLY AT THE CUSTOMER'S RISK.

In order to minimize risks associated with the customer's applications, adequate design and operating safeguards must be provided by the customer to minimize inherent or procedural hazards.

TI assumes no liability for applications assistance or customer product design. TI does not warrant or represent that any license, either express or implied, is granted under any patent right, copyright, mask work right, or other intellectual property right of TI covering or relating to any combination, machine, or process in which such semiconductor products or services might be or are used. TI's publication of information regarding any third party's products or services does not constitute TI's approval, warranty or endorsement thereof.