



ABSTRACT

The TPS62866EVM-051 facilitates the evaluation of the TPS62866 6-A, step-down converter with DCS-Control™ in a tiny 1.05-mm by 1.78-mm WCSP package with 0.35-mm pitch. The EVM outputs a 0.9-V output voltage with 1% accuracy from input voltages between 2.4 V and 5.5 V. The TPS62866 is a highly efficient and tiny solution for point-of-load (POL) converters for space-constrained applications, such as artificial intelligence chips, camera modules, solid state drives (SSDs), and optical modules.

Table of Contents

1 Introduction	2
2 Setup	2
3 TPS62866EVM-051 Test Results	3
4 Board Layout	3
5 Schematic and List of Materials	5
6 Software User Interface	6
7 Revision History	9

List of Figures

Figure 4-1. Top Assembly.....	3
Figure 4-2. Top Layer.....	3
Figure 4-3. Signal Layer 1.....	3
Figure 4-4. Signal Layer 2.....	3
Figure 4-5. Signal Layer 3.....	4
Figure 4-6. Signal Layer 4.....	4
Figure 4-7. Bottom Layer.....	4
Figure 4-8. TPS62866EVM-051 Angled View.....	4
Figure 4-9. TPS62866EVM-051 Overhead View.....	4
Figure 5-1. TPS62866EVM-051 Schematic.....	5
Figure 6-1. Quick Connection Overview.....	6
Figure 6-2. GUI Home Screen.....	7
Figure 6-3. GUI Settings Screen.....	8
Figure 6-4. GUI Register Map Screen.....	9

List of Tables

Table 1-1. Performance Specification Summary.....	2
Table 5-1. TPS62866EVM-051 List of Materials.....	5

1 Introduction

The TPS62866 is a synchronous, step-down converter in a 1.05- x 1.78- x 0.5-mm wafer chip-scale package (WCSP).

1.1 Performance Specification

Table 1-1 provides a summary of the TPS62866EVM-051 performance specifications.

Table 1-1. Performance Specification Summary

SPECIFICATION	TEST CONDITIONS	MIN	TYP	MAX	UNIT
Input voltage		2.4	5	5.5	V
Output voltage setpoint			0.9		V
Output current		0		6000	mA

1.2 Modifications

The EVM can support variance of the whole IC family. Additional input and output capacitors can be added.

2 Setup

This section describes how to properly use the TPS62866EVM-051.

2.1 Input/Output Connector Descriptions

- J1, Pin 1 and 2 – VIN** Positive input connection from the input supply for the EVM
- J1, Pin 3 and 4 – S+/S-** Input voltage sense connections. Measure the input voltage at this point.
- J1, Pin 5 and 6 – GND** Input return connection from the input supply for the EVM
- J2, Pin 1 and 2 – VOUT** Output voltage connection
- J2, Pin 3 and 4 – S+/S-** Output voltage sense connections. Measure the output voltage at this point.
- J2, Pin 5 and 6 – GND** Output return connection
- J3, Pin 5 – VBUS** The VBUS pin of this header is used to bias the SCL and SDA nodes of I²C interface via a resistor.
- J3, Pin 6 – GND** The GND pin of this header is used to connect the grounds of the IC and the I²C interface.
- J3, Pin 9 – SCL** The pin of this header should be connected to the SCL of the I²C interface.
- J3, Pin 10 – SDA** The pin of this header should be connected to the SDA of the I²C interface.
- JP1 – VID/PG** VID/ \overline{PG} pin jumper. Always place the jumper across VID/ \overline{PG} and LOW pins before start-up. This sets the output voltage and device address. After startup, V_{OUT} reflects the value set on V_{OUT} Register 1 if the jumper is placed across VID/ \overline{PG} and LOW pins. V_{OUT} follows the value set on V_{OUT} Register 2 if the jumper is placed across VID/ \overline{PG} and HIGH pins.
- JP2 – EN** EN pin input jumper. Place the jumper across ON and EN to turn on the IC. Place the jumper across OFF and EN to turn off the IC.

2.2 Setup

To operate the EVM, set jumpers JP1 and JP2 to the desired position per [Section 2.1](#). Connect the input supply to J1 and connect the load to J2.

3 TPS62866EVM-051 Test Results

The TPS62866EVM-051 was used to take all the data in the TPS62866 data sheet ([SLVSE11](#)). See the device data sheet for the performance of this EVM.

4 Board Layout

This section provides the TPS62866EVM-051 board layout and illustrations in [Figure 4-1](#) through [Figure 4-7](#). The Gerbers are available on the EVM product page: [TPS62866EVM-051](#)

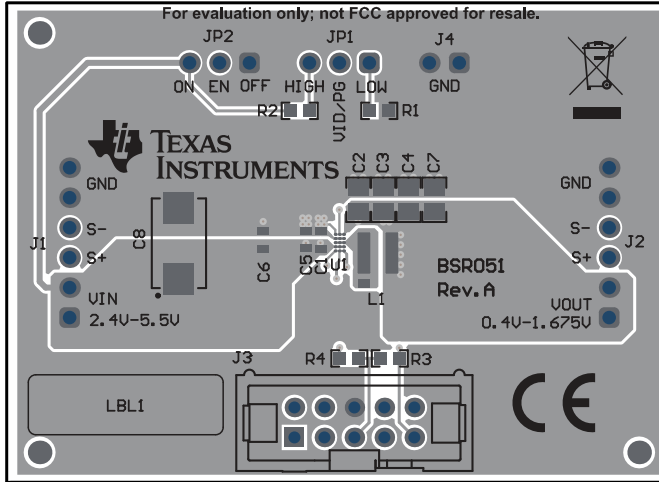


Figure 4-1. Top Assembly

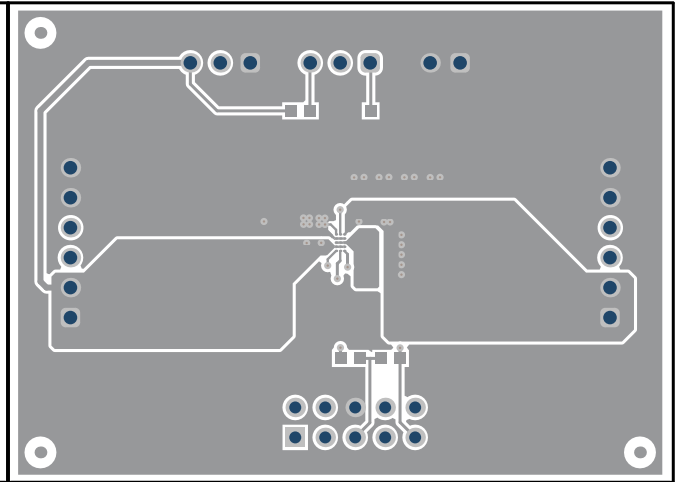


Figure 4-2. Top Layer

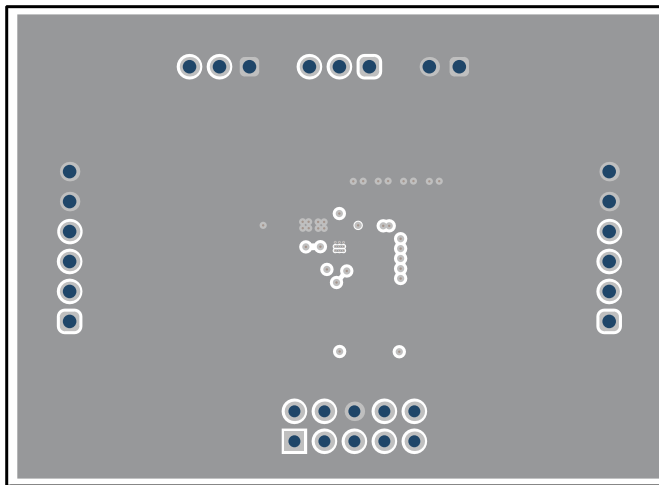


Figure 4-3. Signal Layer 1

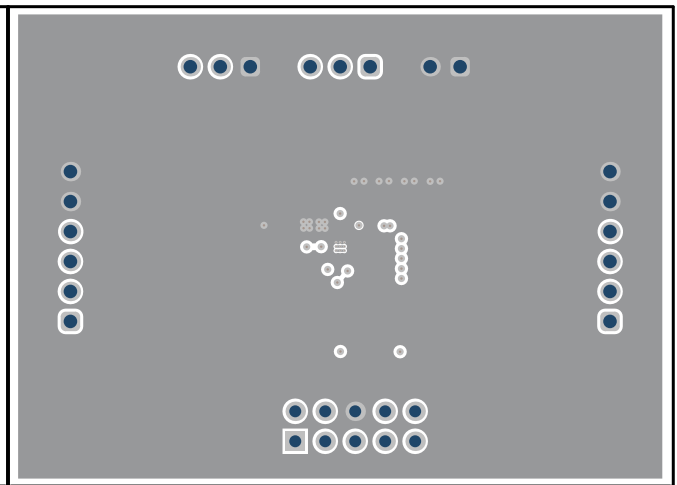


Figure 4-4. Signal Layer 2

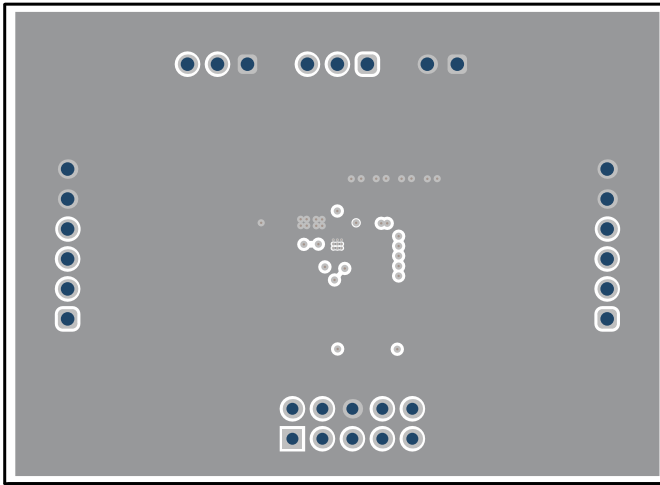


Figure 4-5. Signal Layer 3

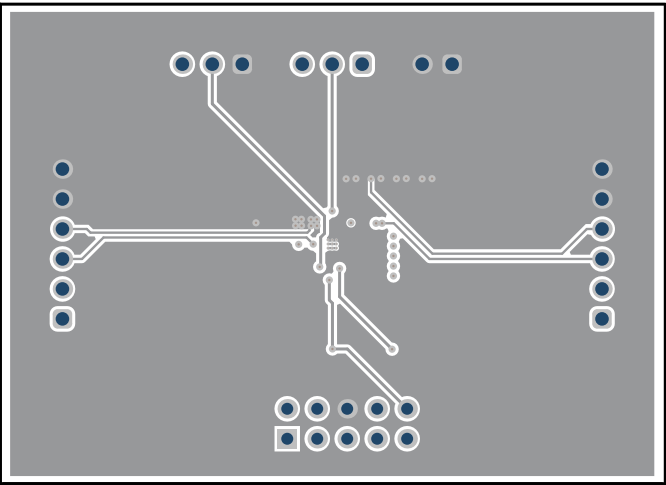


Figure 4-6. Signal Layer 4

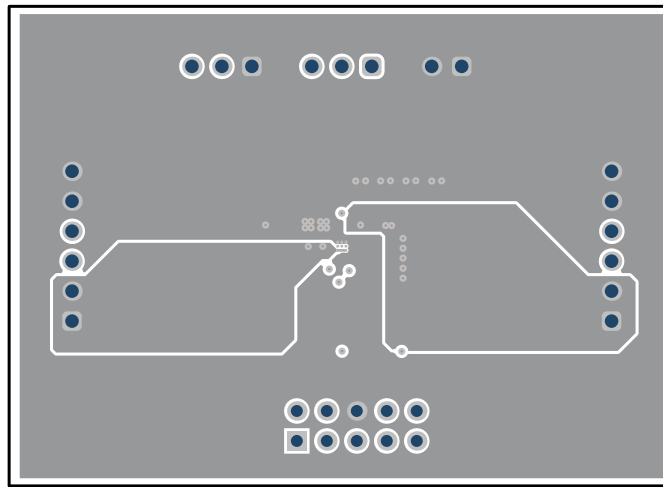


Figure 4-7. Bottom Layer

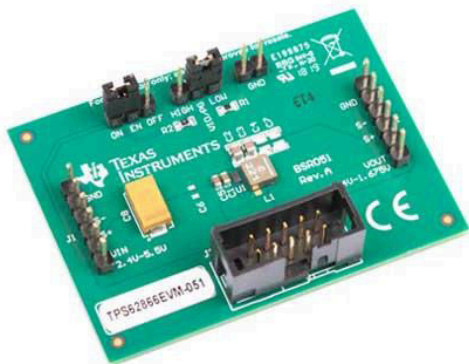


Figure 4-8. TPS62866EVM-051 Angled View



Figure 4-9. TPS62866EVM-051 Overhead View

5 Schematic and List of Materials

This section provides the TPS62866EVM-051 schematic and list of materials.

5.1 Schematic

Figure 5-1 illustrates the EVM schematic.

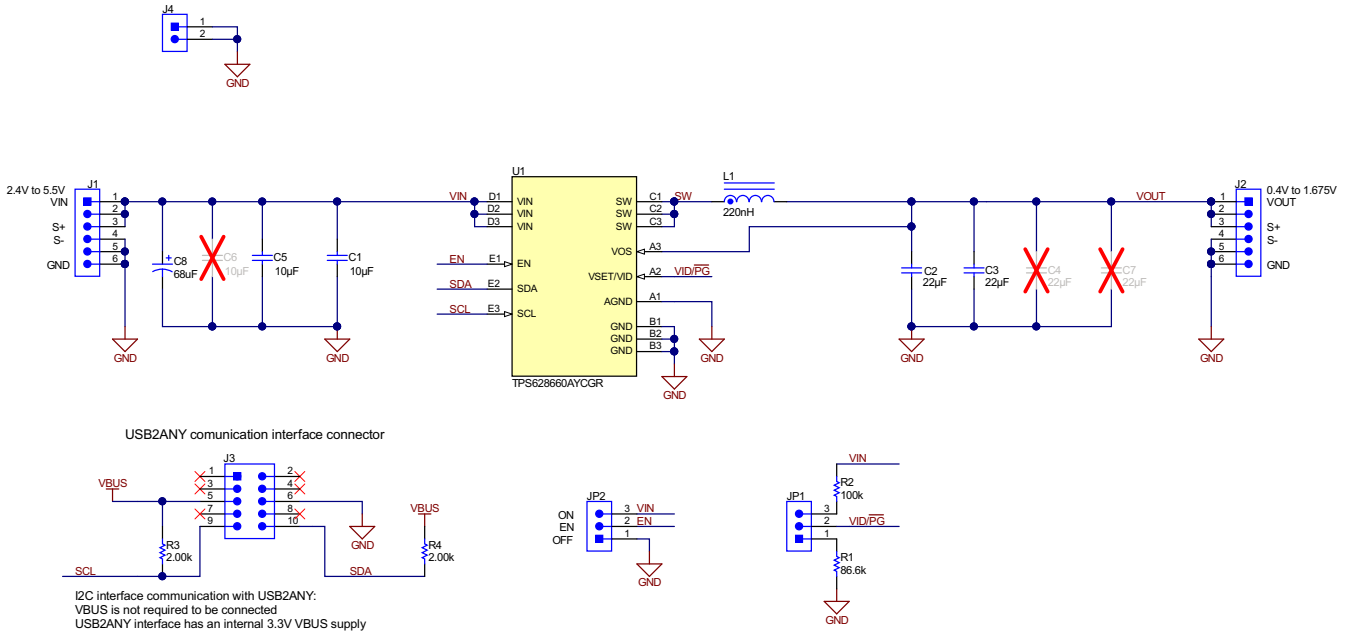


Figure 5-1. TPS62866EVM-051 Schematic

5.2 List of Materials

Table 5-1 lists a list of materials for this EVM.

Table 5-1. TPS62866EVM-051 List of Materials

DESIGNATOR	QTY	DESCRIPTION	PART NUMBER	MANUFACTURER
C1, C5	2	Capacitor, ceramic, 10 µF, 6.3 V, ±20%, X7R, 0603	CL10B106MQ8NRNC	Samsung Electro-Mechanics
C2, C3	2	Capacitor, ceramic, 22 µF, 6.3 V, ±20%, X7R, 0805	GRM21BZ70J226ME44L	Murata
C8	1	Capacitor, tantalum, 68 µF, 20 V, ±10%, 7343	T495D686K020ATE150	Kemet
L1	1	Inductor, 220 nH, 16.8 A, 5.8 mΩ, SMD, 4040	XAL4020-221MEB	Coilcraft
R1	1	Resistor, 86.6 kΩ, 1%, 0.1 W, 0603	Std	Std
R2	1	Resistor, 100 kΩ, 1%, 0.1 W, 0603	Std	Std
R3, R4	2	Resistor, 2.0 kΩ, 1%, 0.1 W, 0603	Std	Std
U1	1	6-A Step-Down Converter with I ² C Interface and Wide Output Voltage Range, YCG0015ACAC (DSBGA-15)	TPS628660AYCGT	Texas Instruments

6 Software User Interface

6.1 Software Setup

A graphical user interface (GUI) is available from the [TPS62866 design and development page](#), which allows simple and convenient programming of the device through the TI USB2ANY (<https://www.ti.com/tool/USB2ANY>) interface board. Alternatively, you can use any I²C-standardized programming tool or I²C host to configure the device. Mind the I²C pins specification, such as timing parameters and proper pullup resistors, specified in the [TPS62864/6 2.4-V to 5.5-V Input, 4-A and 6-A Synchronous Step-Down Converter with I2C Interface in WCSP Package Data Sheet](#).

6.2 Interface Hardware Setup

Connect the USB2ANY adapter to the PC using the supplied USB cable. Attach the EVM connector, J3 to the USB2ANY adapter using the supplied 10-pin ribbon cable. The ribbon cable connector is keyed to prevent incorrect installation.

Figure 6-1 shows a quick adapter connection overview.

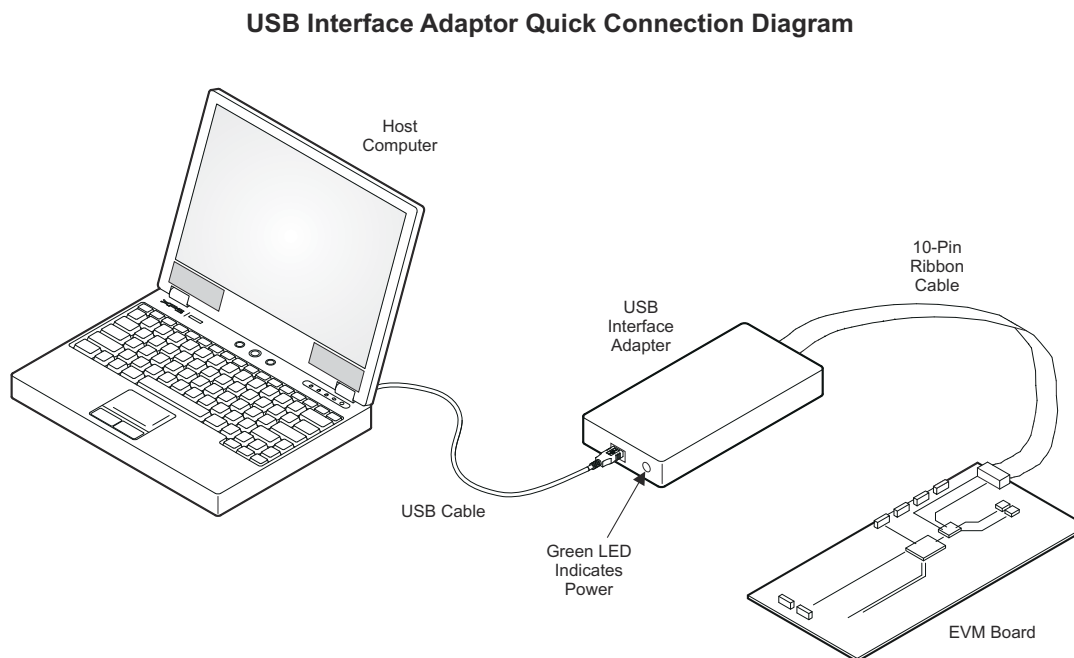


Figure 6-1. Quick Connection Overview

6.3 User Interface Operation

Upon start-up, the GUI automatically connects to the EVM. If not, then click on the "Connect" button in the lower-left corner of the GUI window. Ensure the I2C Slave Address is correct. The following sections give a short overview of the three main GUI screens.

6.3.1 Home Screen

The Home screen provides a short overview of the TPS6286x devices. To start evaluating the device, click the **Start** button. Click the **I2C Slave Address** button to change the address, and the default I2C address is 0x40. All the links related to the device are all indicated on the bottom portion of the window.

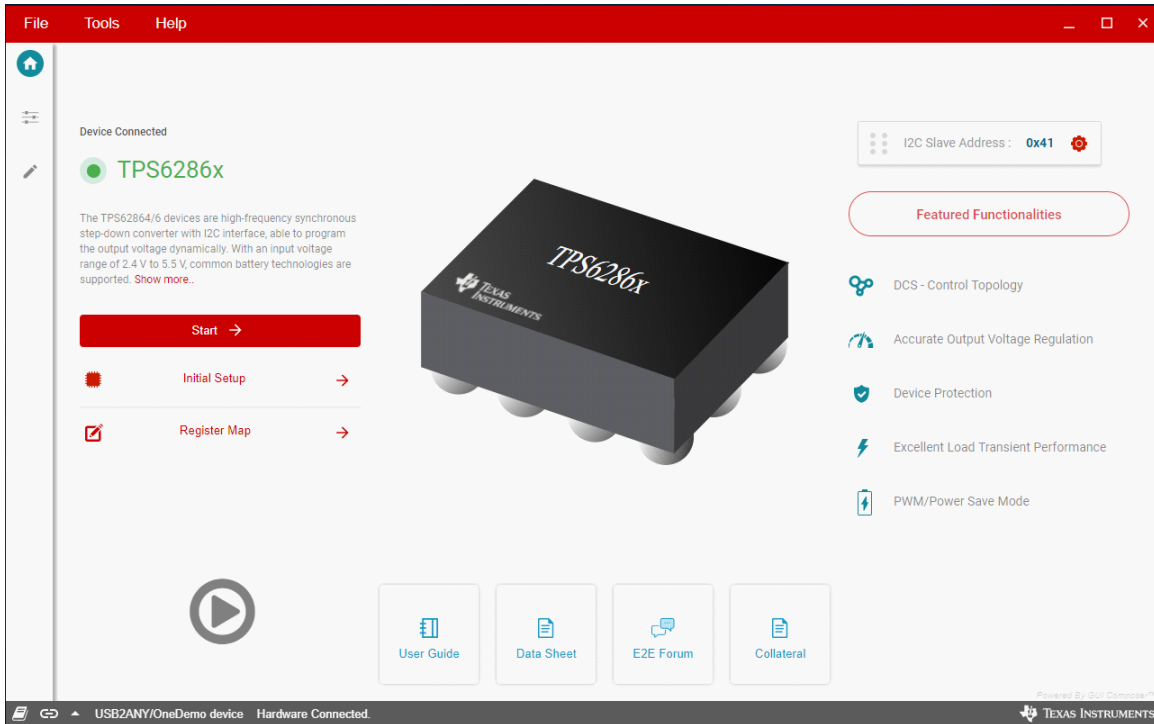


Figure 6-2. GUI Home Screen

6.3.2 Settings Screen

The Settings screen provides control over the VOUT and CONTROL Registers. The Status Register is available in this window as well. Real-time updates are possible if the Auto Read function is set to *As fast as possible* in the Register Map page.

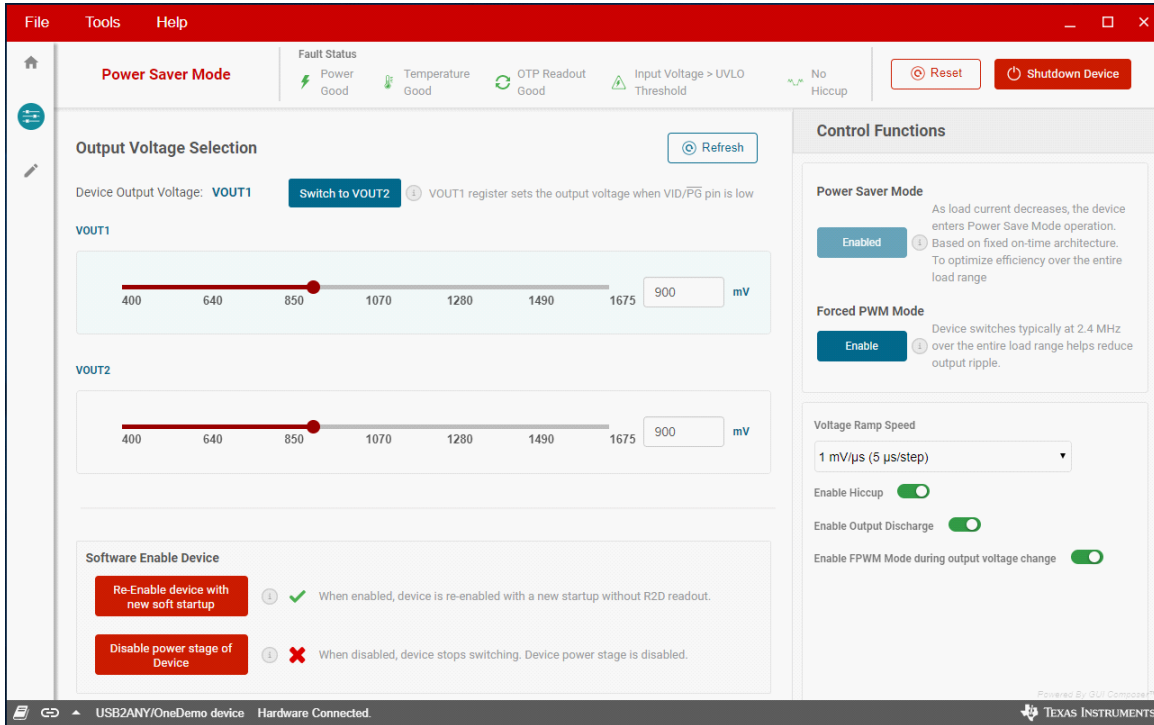


Figure 6-3. GUI Settings Screen

6.3.3 Register Map Screen

The Register Map screen shows bit values of all parameters. In this section, single registers can be read or written to the device (if applicable). Refer to the register map in the [TPS62864/6 2.4-V to 5.5-V Input, 4-A and 6-A Synchronous Step-Down Converter with I2C Interface in WCSP Package Data Sheet](#) for a detailed description of the TPS62866 registers.

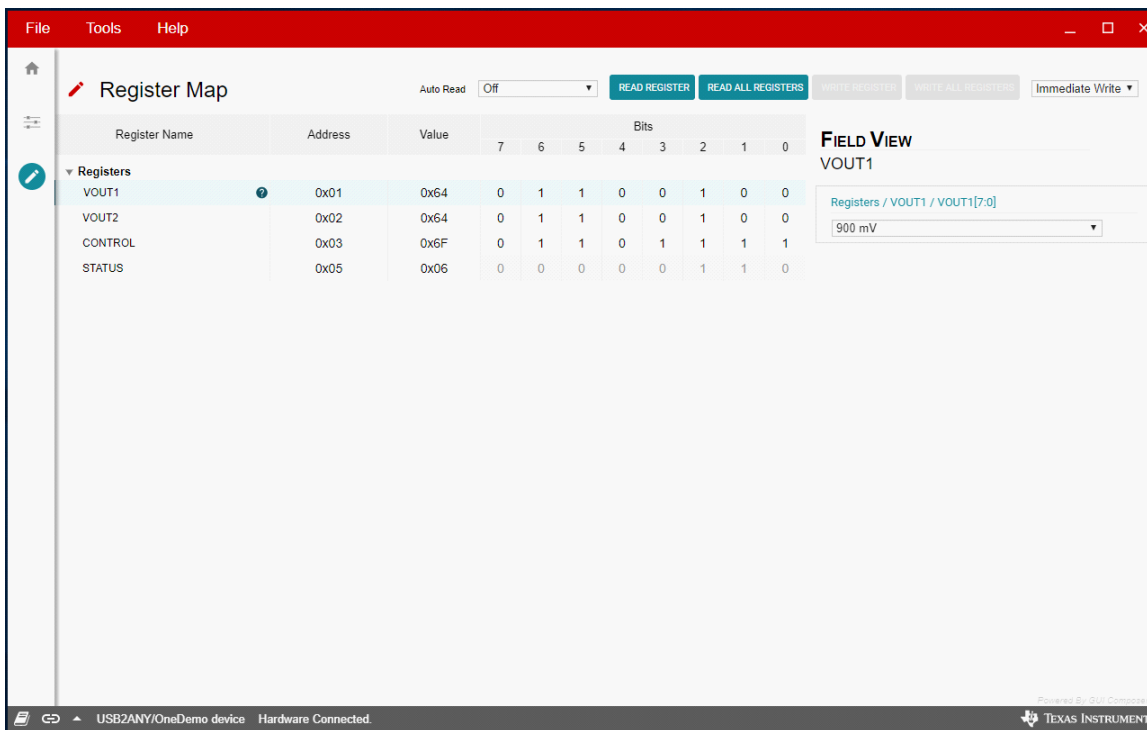


Figure 6-4. GUI Register Map Screen

7 Revision History

NOTE: Page numbers for previous revisions may differ from page numbers in the current version.

Changes from Revision * (July 2019) to Revision A (July 2021)	Page
• Updated the numbering format for tables, figures, and cross-references throughout the document.....	1
• Added <i>Software User Interface</i> section.....	6

IMPORTANT NOTICE AND DISCLAIMER

TI PROVIDES TECHNICAL AND RELIABILITY DATA (INCLUDING DATA SHEETS), DESIGN RESOURCES (INCLUDING REFERENCE DESIGNS), APPLICATION OR OTHER DESIGN ADVICE, WEB TOOLS, SAFETY INFORMATION, AND OTHER RESOURCES "AS IS" AND WITH ALL FAULTS, AND DISCLAIMS ALL WARRANTIES, EXPRESS AND IMPLIED, INCLUDING WITHOUT LIMITATION ANY IMPLIED WARRANTIES OF MERCHANTABILITY, FITNESS FOR A PARTICULAR PURPOSE OR NON-INFRINGEMENT OF THIRD PARTY INTELLECTUAL PROPERTY RIGHTS.

These resources are intended for skilled developers designing with TI products. You are solely responsible for (1) selecting the appropriate TI products for your application, (2) designing, validating and testing your application, and (3) ensuring your application meets applicable standards, and any other safety, security, regulatory or other requirements.

These resources are subject to change without notice. TI grants you permission to use these resources only for development of an application that uses the TI products described in the resource. Other reproduction and display of these resources is prohibited. No license is granted to any other TI intellectual property right or to any third party intellectual property right. TI disclaims responsibility for, and you will fully indemnify TI and its representatives against, any claims, damages, costs, losses, and liabilities arising out of your use of these resources.

TI's products are provided subject to [TI's Terms of Sale](#) or other applicable terms available either on ti.com or provided in conjunction with such TI products. TI's provision of these resources does not expand or otherwise alter TI's applicable warranties or warranty disclaimers for TI products.

TI objects to and rejects any additional or different terms you may have proposed.

Mailing Address: Texas Instruments, Post Office Box 655303, Dallas, Texas 75265
Copyright © 2022, Texas Instruments Incorporated