

# **How to Generate a Regulated VGL Supply Using the TPS65642A**

Sokhna Diaara Diop

## **ABSTRACT**

LCD panels require a single or bipolar supply for the source driver and two supply voltages for the gate driver. The TPS65642A device integrates two boost converters to supply the source driver and the positive supply voltage for the gate driver. The negative supply voltage for the gate driver is not integrated but is easily generated with an external negative charge pump which requires only a few additional components. This application note describes the design steps of a regulated negative charge pump and presents the load transient and load regulation measurement results.

## **Contents**

1	Application Circuit Description .....	1
1.1	Regulated VGL Supply .....	3
2	Application Example .....	5
2.1	Component Selection .....	5
2.2	Performance Evaluation .....	5

## **Trademarks**

All trademarks are the property of their respective owners.

## **1 Application Circuit Description**

[Figure 1](#) shows the TPS65642A in a typical application circuit including the regulated negative charge pump with the following design parameters:

- Input Voltage  $V_I = 3.3\text{ V}$
- Output voltage for source driver AVDD = 10 V at 400 mA
- Positive output voltage for gate driver VGH = 24 V at 10 mA
- Negative output voltage for gate driver VGL =  $-2.2\text{ V}$  at 10 mA

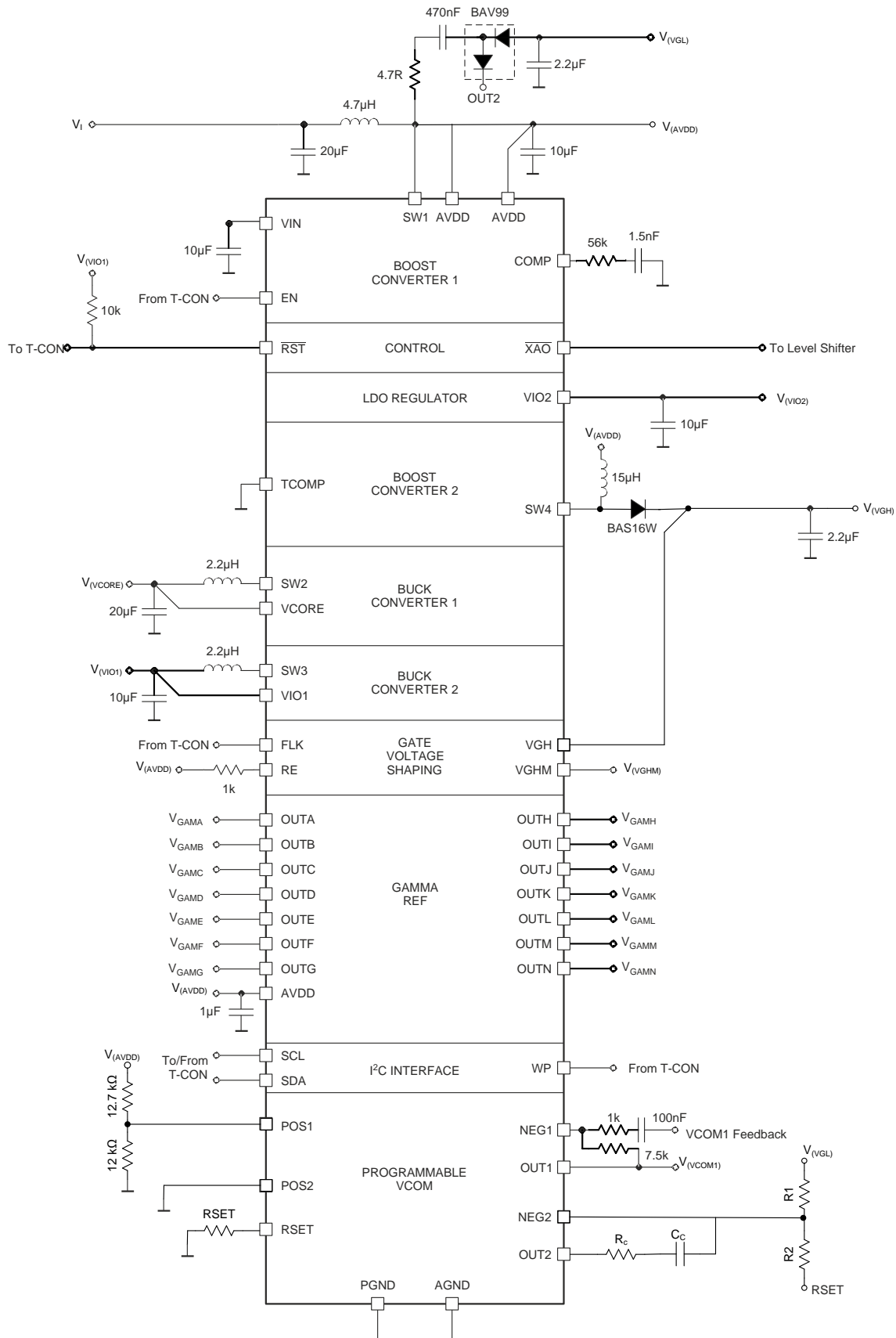


Figure 1. TPS65642A Application Circuit With Regulated VGL

### 1.1 Regulated VGL Supply

The negative rail for the gate driver VGL is not integrated in the TPS65642A but the requirements for this rail in terms of output current are limited. Therefore, the switch node of the AVDD Boost converter (SW1) is used to drive a negative charge pump in order to generate this rail. For the output regulation, one of the two VCOM amplifiers included in the TPS65642A is used (see Figure 2).

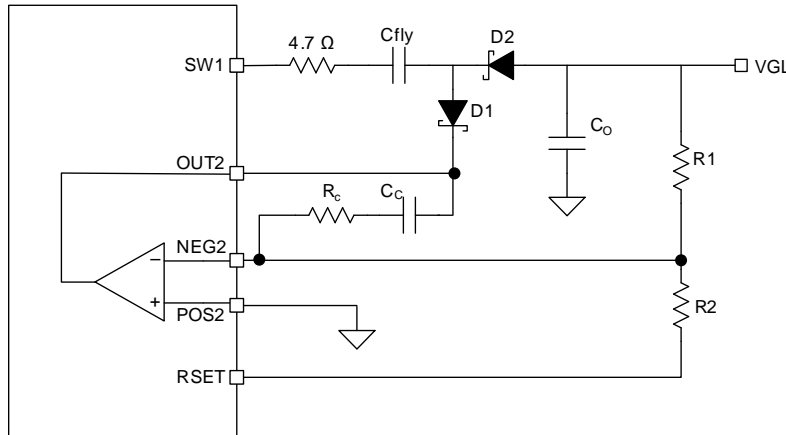


Figure 2. Regulated VGL

Figure 3 shows the basic configuration of a negative charge pump which operates as follows:

- First, the switch node is high and the flying capacitor Cfly charges up to a voltage of  $V_I - V_F$  through the diode D1
- Then in the second phase, the switch node which is the positive terminal of the flying capacitor is low and the negative terminal of the flying capacitor becomes  $-V_I + V_F$ . This causes D1 to block and D2 to open, allowing the flying capacitor to discharge through the output capacitor. This gives an output voltage

$$V_{(VGL)} = -V_I + 2V_F \quad (1)$$

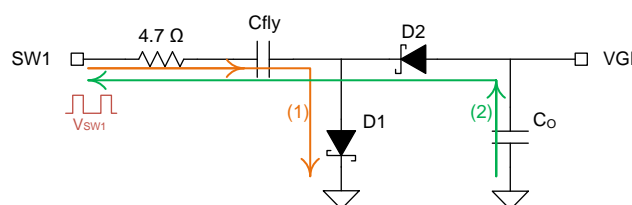


Figure 3. Negative Charge Pump Basic Operation

To regulate the output of the negative charge pump, one of the VCOM amplifiers is used as an error amplifier. The output voltage is fed back through R1 and R2 to the error amplifier that controls the current flowing in the flying capacitor so that the output voltage is regulated at the desired value.

$V_{GL}$  is set with the resistors R1 and R2 and is given by Equation 2,

$$V_{(VGL)} = -\left(\frac{R1}{R2}\right)V_{(RSET)}$$

where

- $V_{(RSET)} = 1.25$  V is the voltage on the RSET pin. (2)

A series R-C network connected between the VCOM negative input pin and its output pin is added as shown in Figure 2 for the feedback loop compensation.

### 1.1.1 Component Requirements

The main elements of this circuit are: the flying capacitor, the output capacitor, and the diodes. The size of the flying capacitor determines how much output current the charge pump can deliver without drop of the output voltage. If the flying capacitor is too small, the output voltage will drop under heavy load.

Equation 3 permits to estimate the size of the effective capacitance. A 2.2  $\Omega$  to 10  $\Omega$  resistor is added in series with the flying capacitor to reduce current spikes on the switch node.

$$V_{Cfly(PP)} = \frac{I_o}{2f(Cfly)}$$

where

- $I_o$  is the negative charge pump output current.
- Cfly is the negative charge pump flying capacitance.
- $f = 1.2$  MHz or 750 kHz is the switching frequency of Boost1 and the negative charge pump. (3)

The diodes D1 and D2 need to fulfill the following requirements:

- Average forward current  $I_F \geq I_o$
- Peak forward current  $I_{FRM} \geq 2I_o$
- And reverse voltage  $V_R \geq |V_{GL}|$ .

The output capacitor helps reduce and smooth out the output voltage and also defines the startup time for the negative charge pump. The effective capacitance is determined as follows:

$$V_{(VGL)(PP)} = \frac{I_o}{2fC_o}$$

where

- $I_o$  is the negative charge pump output current.
- $C_o$  is the negative charge pump output capacitance.
- $f = 1.2$  MHz or 750 kHz is the switching frequency of Boost1 and the negative charge pump. (4)

## 2 Application Example

### 2.1 Component Selection

Using Equation 1 through Equation 4, the components values are determined as shown in Figure 4. From Equation 3 and Equation 4 a minimum capacitance of 42 nF is estimated for  $C_O$  and  $C_{fly}$  assuming a ripple of 100 mV. 330-nF capacitors were used instead to account for the dc bias effect and allow higher output currents. Rearranging Equation 2 to Equation 5 permits to select  $R1 = 82\text{ k}\Omega$  and  $R2 = 45\text{ k}\Omega$  which gives a nominal output voltage of  $V_{GL} = -2.21\text{ V}$ .

$$R1 = -\left(\frac{V_{(VGL)}}{V_{(RSET)}}\right) R2 = -\left(\frac{-2.2}{1.213}\right) R2 = (1.814) R2 \tag{5}$$

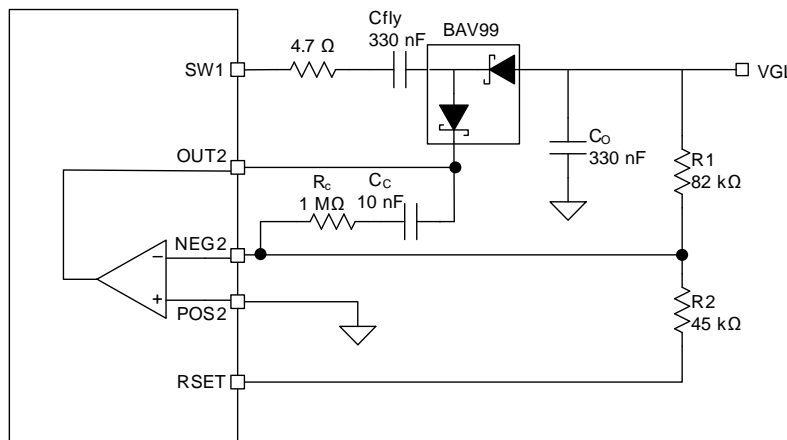


Figure 4. Regulated VGL

### 2.2 Performance Evaluation

The results of the performance evaluation from the regulated VGL circuit of Figure 4 are presented in this section. Figure 5 shows that the VGL charge pump is stable under a load transient from <1 mA to 20 mA. Figure 6 shows the load regulation curve which indicates less than 0.5% variation of the VGL voltage at 50 mA load.

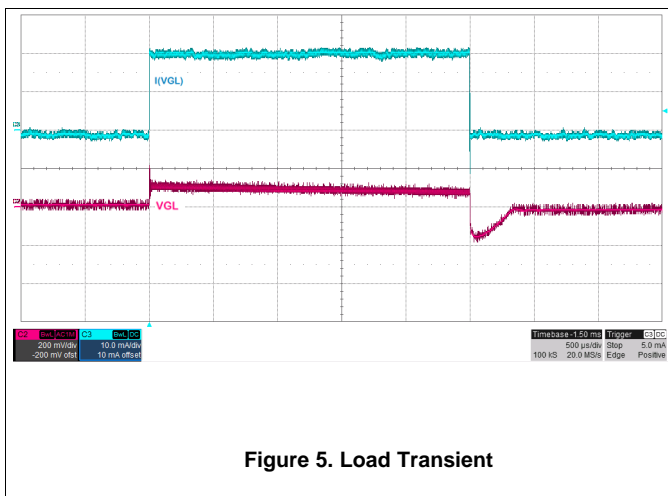


Figure 5. Load Transient

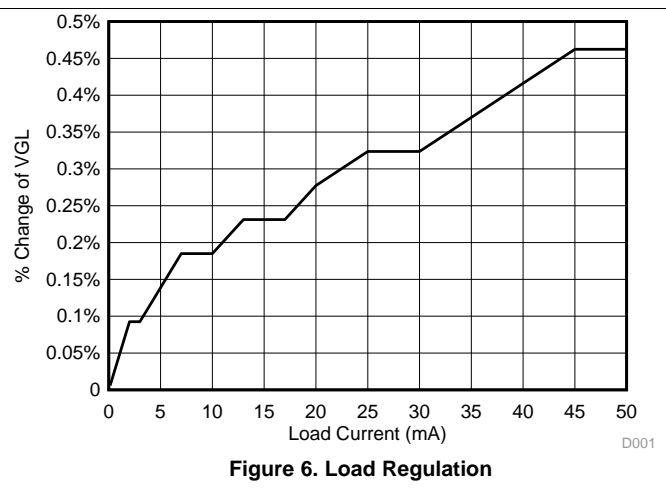


Figure 6. Load Regulation

## IMPORTANT NOTICE

Texas Instruments Incorporated and its subsidiaries (TI) reserve the right to make corrections, enhancements, improvements and other changes to its semiconductor products and services per JESD46, latest issue, and to discontinue any product or service per JESD48, latest issue. Buyers should obtain the latest relevant information before placing orders and should verify that such information is current and complete. All semiconductor products (also referred to herein as "components") are sold subject to TI's terms and conditions of sale supplied at the time of order acknowledgment.

TI warrants performance of its components to the specifications applicable at the time of sale, in accordance with the warranty in TI's terms and conditions of sale of semiconductor products. Testing and other quality control techniques are used to the extent TI deems necessary to support this warranty. Except where mandated by applicable law, testing of all parameters of each component is not necessarily performed.

TI assumes no liability for applications assistance or the design of Buyers' products. Buyers are responsible for their products and applications using TI components. To minimize the risks associated with Buyers' products and applications, Buyers should provide adequate design and operating safeguards.

TI does not warrant or represent that any license, either express or implied, is granted under any patent right, copyright, mask work right, or other intellectual property right relating to any combination, machine, or process in which TI components or services are used. Information published by TI regarding third-party products or services does not constitute a license to use such products or services or a warranty or endorsement thereof. Use of such information may require a license from a third party under the patents or other intellectual property of the third party, or a license from TI under the patents or other intellectual property of TI.

Reproduction of significant portions of TI information in TI data books or data sheets is permissible only if reproduction is without alteration and is accompanied by all associated warranties, conditions, limitations, and notices. TI is not responsible or liable for such altered documentation. Information of third parties may be subject to additional restrictions.

Resale of TI components or services with statements different from or beyond the parameters stated by TI for that component or service voids all express and any implied warranties for the associated TI component or service and is an unfair and deceptive business practice. TI is not responsible or liable for any such statements.

Buyer acknowledges and agrees that it is solely responsible for compliance with all legal, regulatory and safety-related requirements concerning its products, and any use of TI components in its applications, notwithstanding any applications-related information or support that may be provided by TI. Buyer represents and agrees that it has all the necessary expertise to create and implement safeguards which anticipate dangerous consequences of failures, monitor failures and their consequences, lessen the likelihood of failures that might cause harm and take appropriate remedial actions. Buyer will fully indemnify TI and its representatives against any damages arising out of the use of any TI components in safety-critical applications.

In some cases, TI components may be promoted specifically to facilitate safety-related applications. With such components, TI's goal is to help enable customers to design and create their own end-product solutions that meet applicable functional safety standards and requirements. Nonetheless, such components are subject to these terms.

No TI components are authorized for use in FDA Class III (or similar life-critical medical equipment) unless authorized officers of the parties have executed a special agreement specifically governing such use.

Only those TI components which TI has specifically designated as military grade or "enhanced plastic" are designed and intended for use in military/aerospace applications or environments. Buyer acknowledges and agrees that any military or aerospace use of TI components which have **not** been so designated is solely at the Buyer's risk, and that Buyer is solely responsible for compliance with all legal and regulatory requirements in connection with such use.

TI has specifically designated certain components as meeting ISO/TS16949 requirements, mainly for automotive use. In any case of use of non-designated products, TI will not be responsible for any failure to meet ISO/TS16949.

### Products

Audio	<a href="http://www.ti.com/audio">www.ti.com/audio</a>
Amplifiers	<a href="http://amplifier.ti.com">amplifier.ti.com</a>
Data Converters	<a href="http://dataconverter.ti.com">dataconverter.ti.com</a>
DLP® Products	<a href="http://www.dlp.com">www.dlp.com</a>
DSP	<a href="http://dsp.ti.com">dsp.ti.com</a>
Clocks and Timers	<a href="http://www.ti.com/clocks">www.ti.com/clocks</a>
Interface	<a href="http://interface.ti.com">interface.ti.com</a>
Logic	<a href="http://logic.ti.com">logic.ti.com</a>
Power Mgmt	<a href="http://power.ti.com">power.ti.com</a>
Microcontrollers	<a href="http://microcontroller.ti.com">microcontroller.ti.com</a>
RFID	<a href="http://www.ti-rfid.com">www.ti-rfid.com</a>
OMAP Applications Processors	<a href="http://www.ti.com/omap">www.ti.com/omap</a>
Wireless Connectivity	<a href="http://www.ti.com/wirelessconnectivity">www.ti.com/wirelessconnectivity</a>

### Applications

Automotive and Transportation	<a href="http://www.ti.com/automotive">www.ti.com/automotive</a>
Communications and Telecom	<a href="http://www.ti.com/communications">www.ti.com/communications</a>
Computers and Peripherals	<a href="http://www.ti.com/computers">www.ti.com/computers</a>
Consumer Electronics	<a href="http://www.ti.com/consumer-apps">www.ti.com/consumer-apps</a>
Energy and Lighting	<a href="http://www.ti.com/energy">www.ti.com/energy</a>
Industrial	<a href="http://www.ti.com/industrial">www.ti.com/industrial</a>
Medical	<a href="http://www.ti.com/medical">www.ti.com/medical</a>
Security	<a href="http://www.ti.com/security">www.ti.com/security</a>
Space, Avionics and Defense	<a href="http://www.ti.com/space-avionics-defense">www.ti.com/space-avionics-defense</a>
Video and Imaging	<a href="http://www.ti.com/video">www.ti.com/video</a>

### TI E2E Community

[e2e.ti.com](http://e2e.ti.com)