

Design an EMC-compliant Interface to Motor Position Encoders – Part 4



Vincenzo Pizzolante

Recently, my colleagues have discussed [various digital interface options](#) for motor position encoders, including the EnDat and BiSS interfaces. The High-Performance Interface Digital Servo Link (HIPERFACE DSL) digital protocol completes the panorama of possible digital interfaces to motor position encoders.

The robustness of this protocol enables connections to a motor-feedback system through a motor connection cable and simplifies the installation of an encoder system in a motor drive. SICK, a German company that sells sensors, owns and specifies the HIPERFACE DSL® digital protocol.

Some of the main advantages of HIPERFACE DSL are based on the opportunity for connection of the encoder:

- A digital interface on the frequency inverter for all communication with the motor feedback system. The interface complies with the RS-485 standard with a transfer rate of 9.375 MBaud.
- Communication with the encoder via a twisted pair cable.
- Power supply and communication with the encoder can be carried out using the same twisted pair cable. This is possible by the enhancement of the frequency inverter with a transformer.
- The connection cables to the encoder can be routed as a shielded, twisted-pair cable in the power supply cable to the motor. This means that no encoder plug connector to the motor and to the frequency inverter is necessary.
- The cable length between the frequency inverter and the motor feedback system can be up to 100 m, without degradation of the operating performance.

Encoder Interface Circuit

You can use the HIPERFACE DSL protocol in two different interface circuit configurations, each with a different kind of connection cable:

- A **four-wire** interface/separate encoder cable (i.e., power separated from data). See [Figure 1](#).

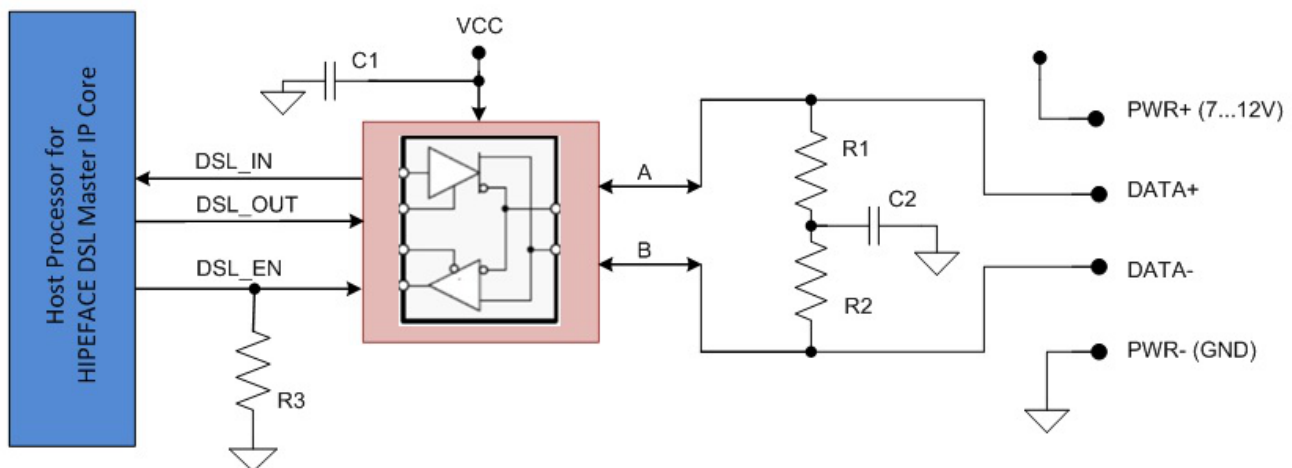


Figure 1. Four-wire Interface Circuit with Separate Encoder Cable

The HIPERFACE DSL specification provides the corresponding values of the passive components for line termination: $R1 = R2 = 56\Omega$, $R3 = 10k\Omega$, $C1 = 100nF$ and $C2 = 2.2\mu F$.

- A **two-wire** interface/integrated motor cable (see [Figure 2](#)). When using a two-wire cable integrated in the motor cable (where communication occurs over the supply lines), you will need a transformer to increase the common-mode rejection ratio. The supply voltage and GND are coupled onto the RS-485 differential signals through inductors L1 and L2, and DC-decoupled to the transformer through capacitors C3 and C4. The differential RS-485 signals after the transformer are AC-coupled to the supply lines through properly designed LC filters.

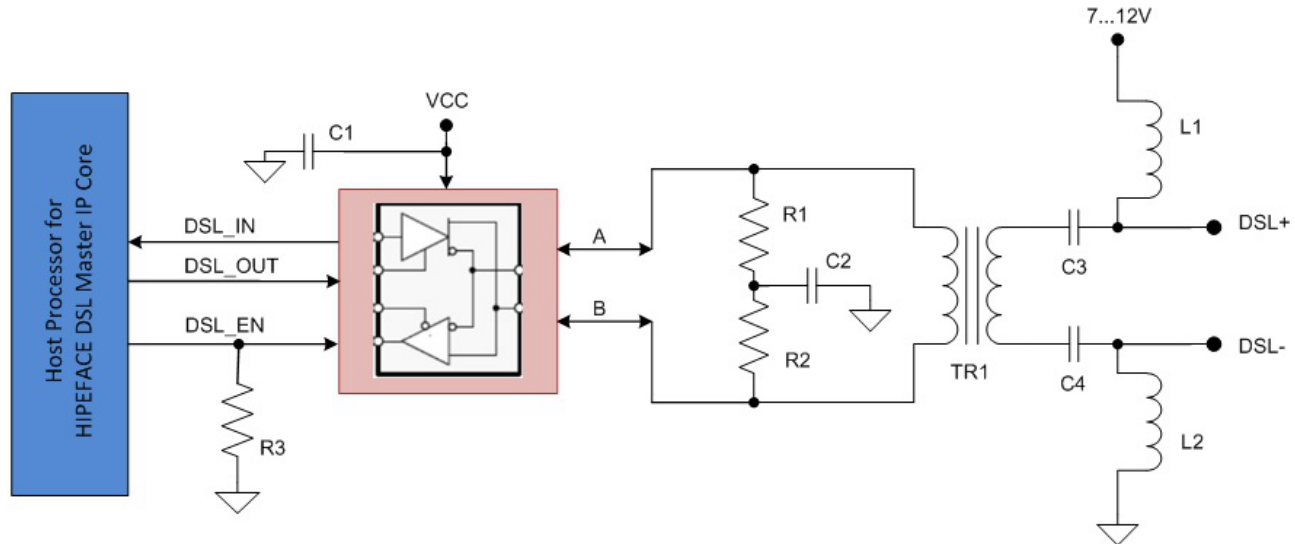


Figure 2. Two-wire Interface Circuit with Integrated Motor Cable

The HIPERFACE DSL specification provides the corresponding values of the passive components for line termination: $R1 = R2 = 56\Omega$, $R3 = 10k\Omega$, $C1=100nF$, $C2 = 2.2\mu F/16V$, $C3 = C4 = 470nF/50V$ and $L1 = L2 = 100\mu H$.

A Solution for the HIPERFACE DSL Encoder Interface

The [Two-Wire Interface to a HIPERFACE DSL Encoder TI Designs reference design](#) implements an industrial temperature and EMC-compliant two-wire interface to a HIPERFACE DSL position encoder. Like EnDat and BiSS interfaces, HIPERFACE DSL is used in most major industrial/motor drive applications, since it interfaces to motor position encoders.

The major building blocks of this reference design are a two-wire bidirectional RS-485 physical interface with power over RS-485 and a HIPERFACE DSL-compliant encoder power supply with overvoltage, over-current and short-circuit protection.

[Figure 3](#) is a simplified system block of a servo drive with a master interface to a HIPERFACE DSL encoder.

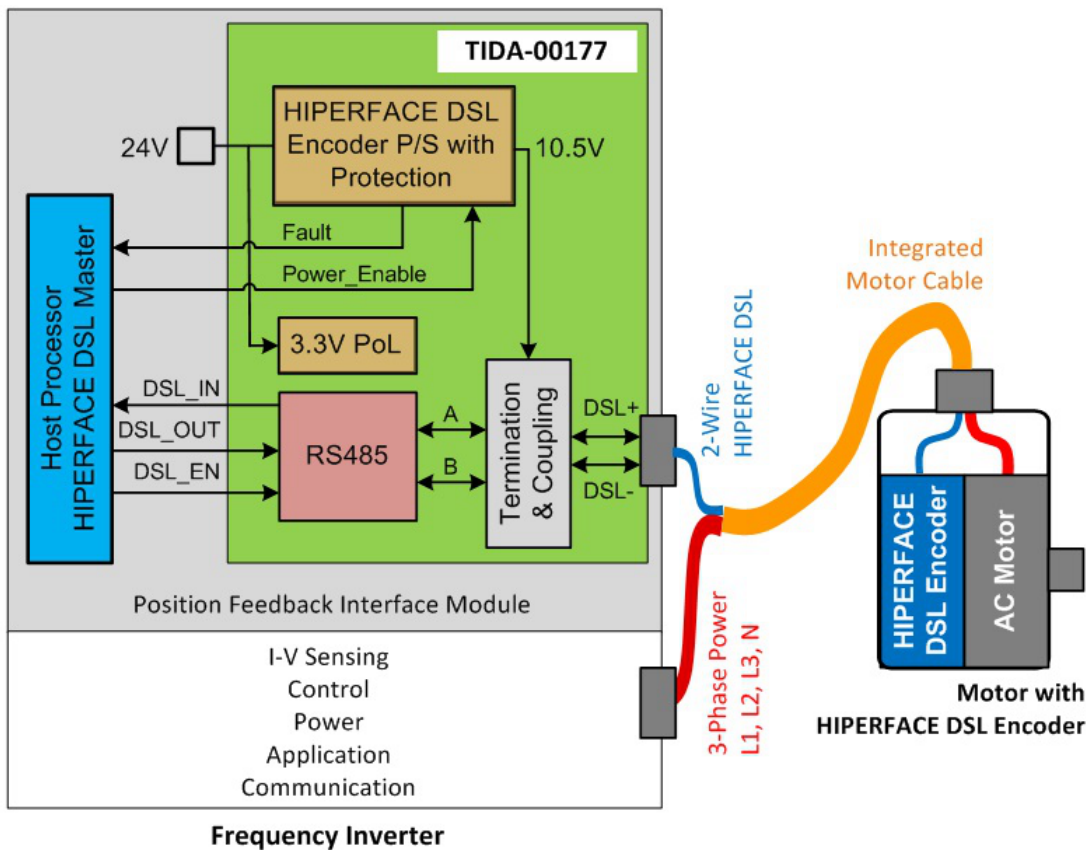


Figure 3. TIDA-00177 TI Designs Reference Design System Overview

Table 1 and 2 summarize HIPERFACE DSL specifications versus the TI Designs reference design. Table 1 describes the Physical Layer of the RS-485 interface, while Table 2 describes the power supply requirements.

HIPERFACE DSL Physical Layer

As a physical layer, HIPERFACE DSL uses a transfer in accordance with EIA-485 (RS-485). Valid RS-485 interface transceiver must comply with the constraints listed in Table 1.

Table 1. RS-485 Transceiver Specifications versus TIDA-00177 Performance

Characteristic	Value	TIDA-00177
Transfer rate	>20MBaud	≤ 50MBaud
Permitted common-mode voltage	-7 to +12V	-7 to +12V
Minimum differential input voltage detected	< 200mV	80mV typical
Minimum load resistance	< 55Ω	54Ω
Receiver propagation delay	< 60ns	< 35ns
Transmitter propagation delay	< 60ns	< 15ns
Transmitter power-up delay	< 80ns	< 30ns
Transmitter power-down delay	< 80ns	< 30ns
Transmitter rise time	< 10ns	< 6ns
Transmitter fall time	< 10ns	< 6ns

HIPERFACE DSL Encoder Supply Voltage

Table 2 lists the specifications for the HIPERFACE DSL power supply.

Parameter	Value	TIDA-00177
Operating supply voltage	7 to 12V	7 to 12V
Supply voltage power-up ramp time (0-7V)	< 180ms	≤ 30ms
In-rush current (0-100μs)	≤ 3.5A	≤ 6A (in short circuit)
In-rush current (100-400μs)	≤ 1A	≤ 2A
Operating current (>400μs)	≤ 250mA at 7V	≤ 300mA

The HIPERFACE DSL interface completes and closes the overview of the digital interfaces to motor position encoders.

In the next installment of this series, my colleagues and I will take a closer look at the interface to sin/cos encoders for high-resolution position interpolation.

If you would like to see this series touch on specific topics related to position encoder interface design, please post a comment below.

Additional Resources:

- For details on this protocol, see the HIPERFACE DSL protocol specifications.
- Visit SICK's website for more about the [HIPERFACE DSL master IP core](#).
- Learn more about [TIDA-00177 reference design](#) or watch [this informational video](#).
- Read other blogs on designing industrial, [EMC-compliant interfaces to motor position encoders](#).

IMPORTANT NOTICE AND DISCLAIMER

TI PROVIDES TECHNICAL AND RELIABILITY DATA (INCLUDING DATA SHEETS), DESIGN RESOURCES (INCLUDING REFERENCE DESIGNS), APPLICATION OR OTHER DESIGN ADVICE, WEB TOOLS, SAFETY INFORMATION, AND OTHER RESOURCES "AS IS" AND WITH ALL FAULTS, AND DISCLAIMS ALL WARRANTIES, EXPRESS AND IMPLIED, INCLUDING WITHOUT LIMITATION ANY IMPLIED WARRANTIES OF MERCHANTABILITY, FITNESS FOR A PARTICULAR PURPOSE OR NON-INFRINGEMENT OF THIRD PARTY INTELLECTUAL PROPERTY RIGHTS.

These resources are intended for skilled developers designing with TI products. You are solely responsible for (1) selecting the appropriate TI products for your application, (2) designing, validating and testing your application, and (3) ensuring your application meets applicable standards, and any other safety, security, regulatory or other requirements.

These resources are subject to change without notice. TI grants you permission to use these resources only for development of an application that uses the TI products described in the resource. Other reproduction and display of these resources is prohibited. No license is granted to any other TI intellectual property right or to any third party intellectual property right. TI disclaims responsibility for, and you will fully indemnify TI and its representatives against, any claims, damages, costs, losses, and liabilities arising out of your use of these resources.

TI's products are provided subject to [TI's Terms of Sale](#) or other applicable terms available either on [ti.com](https://www.ti.com) or provided in conjunction with such TI products. TI's provision of these resources does not expand or otherwise alter TI's applicable warranties or warranty disclaimers for TI products.

TI objects to and rejects any additional or different terms you may have proposed.

Mailing Address: Texas Instruments, Post Office Box 655303, Dallas, Texas 75265
Copyright © 2023, Texas Instruments Incorporated