

CC13x1x3, CC26x1x3 SimpleLink™ Wireless MCU

Technical Reference Manual



Literature Number: SWCU191
FEBRUARY 2022

Read This First	47
About This Manual.....	47
Devices.....	47
Register, Field, and Bit Calls.....	47
Related Documentation.....	48
1.1 Trademarks.....	49
1 Architectural Overview	51
1.1 Target Applications.....	52
1.2 Overview.....	52
1.3 Functional Overview.....	55
2 Arm® Cortex®-M4 Processor	67
2.1 Arm® Cortex®-M4 Processor Introduction.....	68
2.2 Block Diagram.....	68
2.3 Overview.....	69
2.4 Programming Model.....	71
2.5 Arm® Cortex®-M4 Core Registers.....	72
2.6 Instruction Set Summary.....	87
2.7 Arm® Cortex®-M4 Processor Registers.....	96
3 Memory Map	283
3.1 Memory Map.....	283
4 Arm® Cortex®-M4 Peripherals	285
4.1 Arm® Cortex®-M4 Peripherals Introduction.....	286
4.2 Functional Description.....	286
5 Interrupts and Events	291
5.1 Exception Model.....	292
5.2 Fault Handling.....	299
5.3 Event Fabric.....	301
5.4 AON Event Fabric.....	303
5.5 MCU Event Fabric.....	304
5.6 AON Events.....	309
5.7 Interrupts and Events Registers.....	310
6 JTAG Interface	449
6.1 Top-Level Debug System.....	450
6.2 cJTAG.....	452
6.3 ICEPick.....	458
6.4 ICEMelter.....	468
6.5 Serial Wire Viewer (SWV).....	469
6.6 Halt In Boot (HIB).....	469
6.7 Debug and Shutdown.....	469
6.8 Debug Features Supported Through WUC TAP.....	470
6.9 Profiler Register.....	470
6.10 Boundary Scan.....	472
7 Power, Reset and Clock Management (PRCM)	475
7.1 Introduction.....	476
7.2 System CPU Mode.....	477
7.3 Supply System.....	477
7.4 Digital Power Partitioning.....	478
7.5 Clock Management.....	480
7.6 Power Modes.....	486
7.7 Reset.....	489

7.8 PRCM Registers.....	490
8 Versatile Instruction Memory System (VIMS).....	603
8.1 Introduction.....	604
8.2 VIMS Configurations.....	605
8.3 VIMS Software Remarks.....	609
8.4 ROM.....	611
8.5 FLASH.....	611
8.6 ROM Functions.....	614
8.7 VIMS Registers.....	614
9 SRAM.....	747
9.1 Introduction.....	748
9.2 Main Features.....	748
9.3 Data Retention.....	748
9.4 Parity and SRAM Error Support.....	748
9.5 SRAM Auto-Initialization.....	748
9.6 Parity Debug Behavior.....	748
9.7 SRAM Registers.....	748
10 Bootloader.....	751
10.1 Bootloader Functionality.....	752
10.2 Bootloader Interfaces.....	752
11 Device Configuration.....	769
11.1 Customer Configuration (CCFG).....	770
11.2 CCFG Registers.....	770
11.3 Factory Configuration (FCFG).....	800
11.4 FCFG Registers.....	800
12 Cryptography.....	887
12.1 AES Cryptoprocessor Introduction.....	888
12.2 Functional Description.....	888
12.3 Power Management and Sleep Modes.....	889
12.4 Hardware Description.....	890
12.5 Module Description.....	891
12.6 AES Module Performance.....	901
12.7 Programming Guidelines.....	903
12.8 Conventions and Compliances.....	914
12.9 Cryptography Registers.....	916
13 I/O Controller (IOC).....	963
13.1 Introduction.....	964
13.2 IOC Overview.....	964
13.3 I/O Mapping and Configuration.....	965
13.4 Edge Detection on DIO Pins.....	966
13.5 Unused I/O Pins.....	967
13.6 GPIO.....	967
13.7 I/O Pin Capability.....	968
13.8 Peripheral PORTIDs.....	969
13.9 I/O Pins.....	970
13.10 IOC Registers.....	971
14 Micro Direct Memory Access (μDMA).....	1163
14.1 μDMA Introduction.....	1164
14.2 Block Diagram.....	1165
14.3 Functional Description.....	1165
14.4 Initialization and Configuration.....	1180
14.5 μDMA Registers.....	1181
15 Timers.....	1203
15.1 General-Purpose Timers.....	1204
15.2 Block Diagram.....	1205
15.3 Functional Description.....	1205
15.4 Initialization and Configuration.....	1215
15.5 GPTM Registers.....	1218
16 Real-Time Clock (RTC).....	1255
16.1 Introduction.....	1256
16.2 Functional Specifications.....	1256

16.3 RTC Register Information.....	1258
16.4 RTC Registers.....	1259
17 Watchdog Timer (WDT).....	1277
17.1 Introduction.....	1278
17.2 Functional Description.....	1278
17.3 Initialization and Configuration.....	1279
17.4 WDT Registers.....	1279
18 True Random Number Generator (TRNG).....	1291
18.1 Introduction.....	1292
18.2 Block Diagram.....	1292
18.3 TRNG Software Reset.....	1293
18.4 Interrupt Requests.....	1293
18.5 TRNG Operation Description.....	1294
18.6 TRNG Low-Level Programing Guide.....	1296
18.7 TRNG Registers.....	1298
19 AUX Domain Peripherals.....	1323
19.1 Introduction.....	1324
19.2 Power and Clock Management.....	1325
19.3 Digital Peripheral Modules.....	1330
19.4 Analog Peripheral Modules.....	1346
19.5 Event Routing and Usage.....	1362
19.6 AUX Domain Peripheral Registers.....	1367
20 Battery Monitor and Temperature Sensor (BATMON).....	1495
20.1 Introduction.....	1496
20.2 Functional Description.....	1496
20.3 BATMON Registers.....	1496
21 Universal Asynchronous Receiver/Transmitter (UART).....	1517
21.1 Introduction.....	1518
21.2 Block Diagram.....	1519
21.3 Signal Description.....	1519
21.4 Functional Description.....	1519
21.5 Interface to DMA.....	1524
21.6 Initialization and Configuration.....	1525
21.7 UART Registers.....	1526
22 Synchronous Serial Interface (SSI).....	1551
22.1 Introduction.....	1552
22.2 Block Diagram.....	1553
22.3 Signal Description.....	1554
22.4 Functional Description.....	1554
22.5 DMA Operation.....	1563
22.6 Initialization and Configuration.....	1563
22.7 SSI Registers.....	1564
23 Inter-Integrated Circuit (I²C).....	1577
23.1 Introduction.....	1578
23.2 Block Diagram.....	1578
23.3 Functional Description.....	1579
23.4 Initialization and Configuration.....	1590
23.5 I ² C Registers.....	1590
24 Inter-IC Sound (I²S).....	1611
24.1 Introduction.....	1612
24.2 Block Diagram.....	1613
24.3 Signal Description.....	1614
24.4 Functional Description.....	1614
24.5 Memory Interface.....	1620
24.6 Samplestamp Generator.....	1623
24.7 Error Detection.....	1626
24.8 Usage.....	1626
24.9 I ² S Registers.....	1626
25 Radio.....	1659
25.1 RF Core.....	1660
25.2 Radio Doorbell.....	1662

25.3 RF Core HAL.....	1666
25.4 Data Queue Usage.....	1705
25.5 IEEE 802.15.4.....	1709
25.6 Bluetooth® low energy.....	1734
25.7 Data Handling.....	1756
25.8 Radio Operation Command Descriptions.....	1757
25.9 Immediate Commands.....	1796
25.10 Proprietary Radio.....	1797
25.11 Radio Registers.....	1817
Revision History	1847

List of Figures

Figure 1-1. CC13x1x3 and CC26x1x3 Block Diagram.....	53
Figure 1-2. CC13x1x3 and CC26x1x3 Supply System.....	64
Figure 2-1. CPU Block Diagram.....	69
Figure 2-2. TPIU Block Diagram.....	70
Figure 2-3. Arm® Cortex®-M4 Register Set.....	72
Figure 2-4. CTRL Register.....	98
Figure 2-5. CYCCNT Register.....	100
Figure 2-6. CPICNT Register.....	101
Figure 2-7. EXCCNT Register.....	102
Figure 2-8. SLEEPCNT Register.....	103
Figure 2-9. LSUCNT Register.....	104
Figure 2-10. FOLDCNT Register.....	105
Figure 2-11. PCSR Register.....	106
Figure 2-12. COMP0 Register.....	107
Figure 2-13. MASK0 Register.....	108
Figure 2-14. FUNCTION0 Register.....	109
Figure 2-15. COMP1 Register.....	111
Figure 2-16. MASK1 Register.....	112
Figure 2-17. FUNCTION1 Register.....	113
Figure 2-18. COMP2 Register.....	115
Figure 2-19. MASK2 Register.....	116
Figure 2-20. FUNCTION2 Register.....	117
Figure 2-21. COMP3 Register.....	119
Figure 2-22. MASK3 Register.....	120
Figure 2-23. FUNCTION3 Register.....	121
Figure 2-24. CTRL Register.....	124
Figure 2-25. REMAP Register.....	125
Figure 2-26. COMP0 Register.....	126
Figure 2-27. COMP1 Register.....	127
Figure 2-28. COMP2 Register.....	128
Figure 2-29. COMP3 Register.....	129
Figure 2-30. COMP4 Register.....	130
Figure 2-31. COMP5 Register.....	131
Figure 2-32. COMP6 Register.....	132
Figure 2-33. COMP7 Register.....	133
Figure 2-34. STIM0 Register.....	136
Figure 2-35. STIM1 Register.....	137
Figure 2-36. STIM2 Register.....	138
Figure 2-37. STIM3 Register.....	139
Figure 2-38. STIM4 Register.....	140
Figure 2-39. STIM5 Register.....	141
Figure 2-40. STIM6 Register.....	142
Figure 2-41. STIM7 Register.....	143
Figure 2-42. STIM8 Register.....	144
Figure 2-43. STIM9 Register.....	145
Figure 2-44. STIM10 Register.....	146
Figure 2-45. STIM11 Register.....	147
Figure 2-46. STIM12 Register.....	148
Figure 2-47. STIM13 Register.....	149

Figure 2-48. STIM14 Register.....	150
Figure 2-49. STIM15 Register.....	151
Figure 2-50. STIM16 Register.....	152
Figure 2-51. STIM17 Register.....	153
Figure 2-52. STIM18 Register.....	154
Figure 2-53. STIM19 Register.....	155
Figure 2-54. STIM20 Register.....	156
Figure 2-55. STIM21 Register.....	157
Figure 2-56. STIM22 Register.....	158
Figure 2-57. STIM23 Register.....	159
Figure 2-58. STIM24 Register.....	160
Figure 2-59. STIM25 Register.....	161
Figure 2-60. STIM26 Register.....	162
Figure 2-61. STIM27 Register.....	163
Figure 2-62. STIM28 Register.....	164
Figure 2-63. STIM29 Register.....	165
Figure 2-64. STIM30 Register.....	166
Figure 2-65. STIM31 Register.....	167
Figure 2-66. TER Register.....	168
Figure 2-67. TPR Register.....	170
Figure 2-68. TCR Register.....	171
Figure 2-69. LAR Register.....	173
Figure 2-70. LSR Register.....	174
Figure 2-71. ICTR Register.....	177
Figure 2-72. ACTLR Register.....	178
Figure 2-73. STCSR Register.....	179
Figure 2-74. STRVR Register.....	180
Figure 2-75. STCVR Register.....	181
Figure 2-76. STCR Register.....	182
Figure 2-77. NVIC_IUSER0 Register.....	183
Figure 2-78. NVIC_IUSER1 Register.....	186
Figure 2-79. NVIC_ICER0 Register.....	187
Figure 2-80. NVIC_ICER1 Register.....	190
Figure 2-81. NVIC_ISPR0 Register.....	191
Figure 2-82. NVIC_ISPR1 Register.....	194
Figure 2-83. NVIC_ICPR0 Register.....	195
Figure 2-84. NVIC_ICPR1 Register.....	198
Figure 2-85. NVIC_IABR0 Register.....	199
Figure 2-86. NVIC_IABR1 Register.....	202
Figure 2-87. NVIC_IPR0 Register.....	203
Figure 2-88. NVIC_IPR1 Register.....	204
Figure 2-89. NVIC_IPR2 Register.....	205
Figure 2-90. NVIC_IPR3 Register.....	206
Figure 2-91. NVIC_IPR4 Register.....	207
Figure 2-92. NVIC_IPR5 Register.....	208
Figure 2-93. NVIC_IPR6 Register.....	209
Figure 2-94. NVIC_IPR7 Register.....	210
Figure 2-95. NVIC_IPR8 Register.....	211
Figure 2-96. NVIC_IPR9 Register.....	212
Figure 2-97. CPUID Register.....	213
Figure 2-98. ICSR Register.....	214
Figure 2-99. VTOR Register.....	216
Figure 2-100. AIRCR Register.....	217
Figure 2-101. SCR Register.....	219
Figure 2-102. CCR Register.....	220
Figure 2-103. SHPR1 Register.....	222
Figure 2-104. SHPR2 Register.....	223
Figure 2-105. SHPR3 Register.....	224
Figure 2-106. SHCSR Register.....	225
Figure 2-107. CFSR Register.....	227
Figure 2-108. HFSR Register.....	230

Figure 2-109. DFSR Register.....	231
Figure 2-110. MMFAR Register.....	232
Figure 2-111. BFAR Register.....	233
Figure 2-112. AFSR Register.....	234
Figure 2-113. ID_PFR0 Register.....	235
Figure 2-114. ID_PFR1 Register.....	236
Figure 2-115. ID_DFR0 Register.....	237
Figure 2-116. ID_AFR0 Register.....	238
Figure 2-117. ID_MMFR0 Register.....	239
Figure 2-118. ID_MMFR1 Register.....	240
Figure 2-119. ID_MMFR2 Register.....	241
Figure 2-120. ID_MMFR3 Register.....	242
Figure 2-121. ID_ISAR0 Register.....	243
Figure 2-122. ID_ISAR1 Register.....	244
Figure 2-123. ID_ISAR2 Register.....	245
Figure 2-124. ID_ISAR3 Register.....	246
Figure 2-125. ID_ISAR4 Register.....	247
Figure 2-126. CPACR Register.....	248
Figure 2-127. MPU_TYPE Register.....	249
Figure 2-128. MPU_CTRL Register.....	250
Figure 2-129. MPU_RNR Register.....	251
Figure 2-130. MPU_RBAR Register.....	252
Figure 2-131. MPU_RASR Register.....	253
Figure 2-132. MPU_RBAR_A1 Register.....	255
Figure 2-133. MPU_RASR_A1 Register.....	256
Figure 2-134. MPU_RBAR_A2 Register.....	257
Figure 2-135. MPU_RASR_A2 Register.....	258
Figure 2-136. MPU_RBAR_A3 Register.....	259
Figure 2-137. MPU_RASR_A3 Register.....	260
Figure 2-138. DHCSR Register.....	261
Figure 2-139. DCRSR Register.....	264
Figure 2-140. DCRDR Register.....	265
Figure 2-141. DEMCR Register.....	266
Figure 2-142. STIR Register.....	268
Figure 2-143. SSPSR Register.....	270
Figure 2-144. CSPSR Register.....	271
Figure 2-145. ACPR Register.....	272
Figure 2-146. SPPR Register.....	273
Figure 2-147. FFSR Register.....	274
Figure 2-148. FFCR Register.....	275
Figure 2-149. FSCR Register.....	276
Figure 2-150. CLAIMMASK Register.....	277
Figure 2-151. CLAIMSET Register.....	278
Figure 2-152. CLAIMTAG Register.....	279
Figure 2-153. CLAIMCLR Register.....	280
Figure 2-154. DEVID Register.....	281
Figure 5-1. Vector Table.....	295
Figure 5-2. Exception Stack Frame.....	297
Figure 5-3. Event Fabric Concept.....	301
Figure 5-4. Event Fabric Overview (Simplified).....	302
Figure 5-5. WUC Subscriber in AON Event Fabric.....	303
Figure 5-6. MCUWUSEL Register.....	312
Figure 5-7. MCUWUSEL1 Register.....	317
Figure 5-8. EVTOMCUSEL Register.....	322
Figure 5-9. RTCSEL Register.....	326
Figure 5-10. CPUIRQSEL0 Register.....	330
Figure 5-11. CPUIRQSEL1 Register.....	331
Figure 5-12. CPUIRQSEL2 Register.....	332
Figure 5-13. CPUIRQSEL3 Register.....	333
Figure 5-14. CPUIRQSEL4 Register.....	334
Figure 5-15. CPUIRQSEL5 Register.....	335

Figure 5-16. CPUIRQSEL6 Register.....	336
Figure 5-17. CPUIRQSEL7 Register.....	337
Figure 5-18. CPUIRQSEL8 Register.....	338
Figure 5-19. CPUIRQSEL9 Register.....	339
Figure 5-20. CPUIRQSEL10 Register.....	340
Figure 5-21. CPUIRQSEL11 Register.....	341
Figure 5-22. CPUIRQSEL12 Register.....	342
Figure 5-23. CPUIRQSEL13 Register.....	343
Figure 5-24. CPUIRQSEL14 Register.....	344
Figure 5-25. CPUIRQSEL15 Register.....	345
Figure 5-26. CPUIRQSEL16 Register.....	346
Figure 5-27. CPUIRQSEL17 Register.....	347
Figure 5-28. CPUIRQSEL18 Register.....	348
Figure 5-29. CPUIRQSEL19 Register.....	349
Figure 5-30. CPUIRQSEL20 Register.....	350
Figure 5-31. CPUIRQSEL21 Register.....	351
Figure 5-32. CPUIRQSEL22 Register.....	352
Figure 5-33. CPUIRQSEL23 Register.....	353
Figure 5-34. CPUIRQSEL24 Register.....	354
Figure 5-35. CPUIRQSEL25 Register.....	355
Figure 5-36. CPUIRQSEL26 Register.....	356
Figure 5-37. CPUIRQSEL27 Register.....	357
Figure 5-38. CPUIRQSEL28 Register.....	358
Figure 5-39. CPUIRQSEL29 Register.....	359
Figure 5-40. CPUIRQSEL30 Register.....	360
Figure 5-41. CPUIRQSEL31 Register.....	361
Figure 5-42. CPUIRQSEL32 Register.....	362
Figure 5-43. CPUIRQSEL33 Register.....	363
Figure 5-44. CPUIRQSEL34 Register.....	364
Figure 5-45. CPUIRQSEL35 Register.....	365
Figure 5-46. CPUIRQSEL36 Register.....	366
Figure 5-47. CPUIRQSEL37 Register.....	367
Figure 5-48. RFCSEL0 Register.....	368
Figure 5-49. RFCSEL1 Register.....	369
Figure 5-50. RFCSEL2 Register.....	370
Figure 5-51. RFCSEL3 Register.....	371
Figure 5-52. RFCSEL4 Register.....	372
Figure 5-53. RFCSEL5 Register.....	373
Figure 5-54. RFCSEL6 Register.....	374
Figure 5-55. RFCSEL7 Register.....	375
Figure 5-56. RFCSEL8 Register.....	376
Figure 5-57. RFCSEL9 Register.....	377
Figure 5-58. GPT0ACAPTSEL Register.....	378
Figure 5-59. GPT0BCAPTSEL Register.....	381
Figure 5-60. GPT1ACAPTSEL Register.....	384
Figure 5-61. GPT1BCAPTSEL Register.....	387
Figure 5-62. GPT2ACAPTSEL Register.....	390
Figure 5-63. GPT2BCAPTSEL Register.....	393
Figure 5-64. UDMACH1SSEL Register.....	396
Figure 5-65. UDMACH1BSEL Register.....	397
Figure 5-66. UDMACH2SSEL Register.....	398
Figure 5-67. UDMACH2BSEL Register.....	399
Figure 5-68. UDMACH3SSEL Register.....	400
Figure 5-69. UDMACH3BSEL Register.....	401
Figure 5-70. UDMACH4SSEL Register.....	402
Figure 5-71. UDMACH4BSEL Register.....	403
Figure 5-72. UDMACH5SSEL Register.....	404
Figure 5-73. UDMACH5BSEL Register.....	405
Figure 5-74. UDMACH6SSEL Register.....	406
Figure 5-75. UDMACH6BSEL Register.....	407
Figure 5-76. UDMACH7SSEL Register.....	408

Figure 5-77. UDMACH7BSEL Register.....	409
Figure 5-78. UDMACH8SSEL Register.....	410
Figure 5-79. UDMACH8BSEL Register.....	411
Figure 5-80. UDMACH9SSEL Register.....	412
Figure 5-81. UDMACH9BSEL Register.....	413
Figure 5-82. UDMACH10SSEL Register.....	414
Figure 5-83. UDMACH10BSEL Register.....	415
Figure 5-84. UDMACH11SSEL Register.....	416
Figure 5-85. UDMACH11BSEL Register.....	417
Figure 5-86. UDMACH12SSEL Register.....	418
Figure 5-87. UDMACH12BSEL Register.....	419
Figure 5-88. UDMACH13BSEL Register.....	420
Figure 5-89. UDMACH14BSEL Register.....	421
Figure 5-90. UDMACH15BSEL Register.....	425
Figure 5-91. UDMACH16SSEL Register.....	426
Figure 5-92. UDMACH16BSEL Register.....	427
Figure 5-93. UDMACH17SSEL Register.....	428
Figure 5-94. UDMACH17BSEL Register.....	429
Figure 5-95. UDMACH21SSEL Register.....	430
Figure 5-96. UDMACH21BSEL Register.....	431
Figure 5-97. UDMACH22SSEL Register.....	432
Figure 5-98. UDMACH22BSEL Register.....	433
Figure 5-99. UDMACH23SSEL Register.....	434
Figure 5-100. UDMACH23BSEL Register.....	435
Figure 5-101. UDMACH24SSEL Register.....	436
Figure 5-102. UDMACH24BSEL Register.....	437
Figure 5-103. GPT3ACAPTSEL Register.....	438
Figure 5-104. GPT3BCAPTSEL Register.....	441
Figure 5-105. AUXSEL0 Register.....	444
Figure 5-106. CM3NMISEL0 Register.....	445
Figure 5-107. I2SSTMPSEL0 Register.....	446
Figure 5-108. FRZSEL0 Register.....	447
Figure 5-109. SWEV Register.....	448
Figure 6-1. Top-Level Debug System.....	450
Figure 6-2. JTAG State Machine.....	451
Figure 6-3. cJTAG Conceptual Diagram.....	452
Figure 6-4. Data Shift Register.....	461
Figure 6-5. Instruction Register.....	461
Figure 6-6. Bypass Register.....	461
Figure 6-7. Device Identification Register.....	461
Figure 6-8. User Code Register.....	462
Figure 6-9. ICEPick Identification Register.....	462
Figure 6-10. Connect Register.....	463
Figure 6-11. ROUTER DR Scan Chain.....	463
Figure 6-12. Profiler Register.....	470
Figure 6-13. Boundary Scan Cell.....	472
Figure 7-1. Hierarchy of Power Saving Features.....	476
Figure 7-2. CC13x1x3 and CC26x1x3 Supply System.....	478
Figure 7-3. Digital Power Partitioning in CC13x1x3 and CC26x1x3.....	479
Figure 7-4. Clock Sources.....	480
Figure 7-5. System Clock Muxing.....	482
Figure 7-6. Clocks in MCU_VD.....	485
Figure 7-7. CTL0 Register.....	492
Figure 7-8. CTL1 Register.....	494
Figure 7-9. RADCEXTCFG Register.....	495
Figure 7-10. AMPCOMPCTL Register.....	496
Figure 7-11. AMPCOMPPTH1 Register.....	497
Figure 7-12. AMPCOMPPTH2 Register.....	498
Figure 7-13. ANABYPASSVAL1 Register.....	499
Figure 7-14. ANABYPASSVAL2 Register.....	500
Figure 7-15. ATESTCTL Register.....	501

Figure 7-16. ADCDOUBLERNANOAMPCTL Register.....	502
Figure 7-17. XOSCHFCTL Register.....	503
Figure 7-18. LFOSCCTL Register.....	504
Figure 7-19. RCOSCHFCTL Register.....	505
Figure 7-20. RCOSCMFCTL Register.....	506
Figure 7-21. STAT0 Register.....	507
Figure 7-22. STAT1 Register.....	509
Figure 7-23. STAT2 Register.....	511
Figure 7-24. INFRCLKDIVR Register.....	515
Figure 7-25. INFRCLKDIVS Register.....	516
Figure 7-26. INFRCLKDIVDS Register.....	517
Figure 7-27. VDCTL Register.....	518
Figure 7-28. CLKLOADCTL Register.....	519
Figure 7-29. RFCCLKG Register.....	521
Figure 7-30. VIMSCLKG Register.....	522
Figure 7-31. SECDMACLKGR Register.....	523
Figure 7-32. SECDMACLKGS Register.....	525
Figure 7-33. SECDMACLKGDS Register.....	526
Figure 7-34. GPIOCLKGR Register.....	527
Figure 7-35. GPIOCLKGS Register.....	528
Figure 7-36. GPIOCLKGDS Register.....	529
Figure 7-37. GPTCLKGR Register.....	530
Figure 7-38. GPTCLKGS Register.....	531
Figure 7-39. GPTCLKGDS Register.....	532
Figure 7-40. I2CCLKGR Register.....	533
Figure 7-41. I2CCLKGS Register.....	534
Figure 7-42. I2CCLKGDS Register.....	535
Figure 7-43. UARTCLKGR Register.....	536
Figure 7-44. UARTCLKGS Register.....	537
Figure 7-45. UARTCLKGDS Register.....	538
Figure 7-46. SSICLKGR Register.....	539
Figure 7-47. SSICLKGS Register.....	540
Figure 7-48. SSICLKGDS Register.....	541
Figure 7-49. I2SCLKGR Register.....	542
Figure 7-50. I2SCLKGS Register.....	543
Figure 7-51. I2SCLKGDS Register.....	544
Figure 7-52. SYSBUSCLKDIV Register.....	545
Figure 7-53. CPUCLKDIV Register.....	546
Figure 7-54. PERBUSCPUCLKDIV Register.....	547
Figure 7-55. PERDMACLKDIV Register.....	548
Figure 7-56. I2SBCLKSEL Register.....	549
Figure 7-57. GPTCLKDIV Register.....	550
Figure 7-58. I2SCLKCTL Register.....	551
Figure 7-59. I2SMCLKDIV Register.....	552
Figure 7-60. I2SBCLKDIV Register.....	553
Figure 7-61. I2SWCLKDIV Register.....	554
Figure 7-62. RESETSECDMA Register.....	555
Figure 7-63. RESETGPIO Register.....	556
Figure 7-64. RESETGPT Register.....	557
Figure 7-65. RESETI2C Register.....	558
Figure 7-66. RESETUART Register.....	559
Figure 7-67. RESETSSI Register.....	560
Figure 7-68. RESETI2S Register.....	561
Figure 7-69. PDCTL0 Register.....	562
Figure 7-70. PDCTL0RFC Register.....	563
Figure 7-71. PDCTL0SERIAL Register.....	564
Figure 7-72. PDCTL0PERIPH Register.....	565
Figure 7-73. PDSTAT0 Register.....	566
Figure 7-74. PDSTAT0RFC Register.....	567
Figure 7-75. PDSTAT0SERIAL Register.....	568
Figure 7-76. PDSTAT0PERIPH Register.....	569

Figure 7-77. PDCTL1 Register.....	570
Figure 7-78. PDCTL1CPU Register.....	571
Figure 7-79. PDCTL1RFC Register.....	572
Figure 7-80. PDCTL1VIMS Register.....	573
Figure 7-81. PDSTAT1 Register.....	574
Figure 7-82. PDSTAT1BUS Register.....	575
Figure 7-83. PDSTAT1RFC Register.....	576
Figure 7-84. PDSTAT1CPU Register.....	577
Figure 7-85. PDSTAT1VIMS Register.....	578
Figure 7-86. RFCBITS Register.....	579
Figure 7-87. RFCMODESEL Register.....	580
Figure 7-88. RFCMODEHWOPT Register.....	581
Figure 7-89. PWRPROFSTAT Register.....	582
Figure 7-90. RAMRETEN Register.....	583
Figure 7-91. OSCIMSC Register.....	584
Figure 7-92. OSCRIS Register.....	585
Figure 7-93. OSCICR Register.....	588
Figure 7-94. AUXSCECLK Register.....	590
Figure 7-95. RAMCFG Register.....	591
Figure 7-96. PWRCTL Register.....	592
Figure 7-97. PWRSTAT Register.....	593
Figure 7-98. SHUTDOWN Register.....	594
Figure 7-99. RECHARGECFG Register.....	595
Figure 7-100. RECHARGESTAT Register.....	596
Figure 7-101. OSCCFG Register.....	597
Figure 7-102. RESETCTL Register.....	598
Figure 7-103. SLEEPCTL Register.....	600
Figure 7-104. JTAGCFG Register.....	601
Figure 7-105. JTAGUSERCODE Register.....	602
Figure 8-1. VIMS Overview.....	604
Figure 8-2. VIMS Mode Switching Flowchart.....	605
Figure 8-3. VIMS Module in GPRAM Mode.....	606
Figure 8-4. VIMS Module in Off Mode.....	607
Figure 8-5. VIMS Module in Cache Mode.....	608
Figure 8-6. Software Precautions With No RAM Retention.....	610
Figure 8-7. GPRAM Retention.....	611
Figure 8-8. FLASH Power States.....	613
Figure 8-9. STAT Register.....	619
Figure 8-10. CFG Register.....	620
Figure 8-11. SYSCODE_START Register.....	621
Figure 8-12. FLASH_SIZE Register.....	622
Figure 8-13. FWLOCK Register.....	623
Figure 8-14. FWFLAG Register.....	624
Figure 8-15. EFUSE Register.....	625
Figure 8-16. EFUSEADDR Register.....	626
Figure 8-17. DATAUPPER Register.....	627
Figure 8-18. DATALOWER Register.....	628
Figure 8-19. EFUSECFG Register.....	629
Figure 8-20. EFUSESTAT Register.....	630
Figure 8-21. ACC Register.....	631
Figure 8-22. BOUNDARY Register.....	632
Figure 8-23. EFUSEFLAG Register.....	633
Figure 8-24. EFUSEKEY Register.....	634
Figure 8-25. EFUSERELEASE Register.....	635
Figure 8-26. EFUSEPINS Register.....	636
Figure 8-27. EFUSECRA Register.....	637
Figure 8-28. EFUSEREAD Register.....	638
Figure 8-29. EFUSEPROGRAM Register.....	639
Figure 8-30. EFUSEERROR Register.....	640
Figure 8-31. SINGLEBIT Register.....	641
Figure 8-32. TWOBIT Register.....	642

Figure 8-33. SELFTESTCYC Register.....	643
Figure 8-34. SELFTESTSIGN Register.....	644
Figure 8-35. FRDCTL Register.....	645
Figure 8-36. FSPRD Register.....	646
Figure 8-37. FEDACCTL1 Register.....	647
Figure 8-38. FEDACSTAT Register.....	648
Figure 8-39. FBPROT Register.....	649
Figure 8-40. FBSE Register.....	650
Figure 8-41. FBBUSY Register.....	651
Figure 8-42. FBAC Register.....	652
Figure 8-43. FBFALLBACK Register.....	653
Figure 8-44. FBPRDY Register.....	654
Figure 8-45. FPAC1 Register.....	655
Figure 8-46. FPAC2 Register.....	656
Figure 8-47. FMAC Register.....	657
Figure 8-48. FMSTAT Register.....	658
Figure 8-49. FLOCK Register.....	659
Figure 8-50. FVREADCT Register.....	660
Figure 8-51. FVHVCT1 Register.....	661
Figure 8-52. FVHVCT2 Register.....	662
Figure 8-53. FVHVCT3 Register.....	663
Figure 8-54. FVNVCT Register.....	664
Figure 8-55. FVSLP Register.....	665
Figure 8-56. FVWLCT Register.....	666
Figure 8-57. FEFUSECTL Register.....	667
Figure 8-58. FEFUSESTAT Register.....	668
Figure 8-59. FEFUSEDATA Register.....	669
Figure 8-60. FSEQPMP Register.....	670
Figure 8-61. FBSTROBES Register.....	671
Figure 8-62. FPSTROBES Register.....	672
Figure 8-63. FBMODE Register.....	673
Figure 8-64. FTCR Register.....	674
Figure 8-65. FADDR Register.....	675
Figure 8-66. FTCTL Register.....	676
Figure 8-67. FWPWRITE0 Register.....	677
Figure 8-68. FWPWRITE1 Register.....	678
Figure 8-69. FWPWRITE2 Register.....	679
Figure 8-70. FWPWRITE3 Register.....	680
Figure 8-71. FWPWRITE4 Register.....	681
Figure 8-72. FWPWRITE5 Register.....	682
Figure 8-73. FWPWRITE6 Register.....	683
Figure 8-74. FWPWRITE7 Register.....	684
Figure 8-75. FWPWRITE_ECC Register.....	685
Figure 8-76. FSWSTAT Register.....	686
Figure 8-77. FSM_GLBCTL Register.....	687
Figure 8-78. FSM_STATE Register.....	688
Figure 8-79. FSM_STAT Register.....	689
Figure 8-80. FSM_CMD Register.....	690
Figure 8-81. FSM_PE_OSU Register.....	691
Figure 8-82. FSM_VSTAT Register.....	692
Figure 8-83. FSM_PE_VSU Register.....	693
Figure 8-84. FSM_CMP_VSU Register.....	694
Figure 8-85. FSM_EX_VAL Register.....	695
Figure 8-86. FSM_RD_H Register.....	696
Figure 8-87. FSM_P_OH Register.....	697
Figure 8-88. FSM_ERA_OH Register.....	698
Figure 8-89. FSM_SAV_PPUL Register.....	699
Figure 8-90. FSM_PE_VH Register.....	700
Figure 8-91. FSM_PRG_PW Register.....	701
Figure 8-92. FSM_ERA_PW Register.....	702
Figure 8-93. FSM_SAV_ERA_PUL Register.....	703

Figure 8-94. FSM_TIMER Register.....	704
Figure 8-95. FSM_MODE Register.....	705
Figure 8-96. FSM_PGM Register.....	706
Figure 8-97. FSM_ERA Register.....	707
Figure 8-98. FSM_PRG_PUL Register.....	708
Figure 8-99. FSM_ERA_PUL Register.....	709
Figure 8-100. FSM_STEP_SIZE Register.....	710
Figure 8-101. FSM_PUL_CNTR Register.....	711
Figure 8-102. FSM_EC_STEP_HEIGHT Register.....	712
Figure 8-103. FSM_ST_MACHINE Register.....	713
Figure 8-104. FSM_FLÉS Register.....	714
Figure 8-105. FSM_WR_ENA Register.....	715
Figure 8-106. FSM_ACC_PP Register.....	716
Figure 8-107. FSM_ACC_EP Register.....	717
Figure 8-108. FSM_ADDR Register.....	718
Figure 8-109. FSM_SECTOR Register.....	719
Figure 8-110. FMC_REV_ID Register.....	720
Figure 8-111. FSM_ERR_ADDR Register.....	721
Figure 8-112. FSM_PGM_MAXPUL Register.....	722
Figure 8-113. FSM_EXECUTE Register.....	723
Figure 8-114. FSM_SECTOR1 Register.....	724
Figure 8-115. FSM_SECTOR2 Register.....	725
Figure 8-116. FSM_BSLE0 Register.....	726
Figure 8-117. FSM_BSLE1 Register.....	727
Figure 8-118. FSM_BSLP0 Register.....	728
Figure 8-119. FSM_BSLP1 Register.....	729
Figure 8-120. FSM_PGM128 Register.....	730
Figure 8-121. FCFG_BANK Register.....	731
Figure 8-122. FCFG_WRAPPER Register.....	732
Figure 8-123. FCFG_BNK_TYPE Register.....	733
Figure 8-124. FCFG_B0_START Register.....	734
Figure 8-125. FCFG_B1_START Register.....	735
Figure 8-126. FCFG_B2_START Register.....	736
Figure 8-127. FCFG_B3_START Register.....	737
Figure 8-128. FCFG_B4_START Register.....	738
Figure 8-129. FCFG_B5_START Register.....	739
Figure 8-130. FCFG_B6_START Register.....	740
Figure 8-131. FCFG_B7_START Register.....	741
Figure 8-132. FCFG_B0_SSIZE0 Register.....	742
Figure 8-133. STAT Register.....	744
Figure 8-134. CTL Register.....	745
Figure 9-1. BANK0_y Register.....	750
Figure 10-1. Sequence Diagram for Send and Receive Protocol.....	753
Figure 10-2. Serial Bus Packet Format.....	754
Figure 11-1. EXT_LF_CLK Register.....	773
Figure 11-2. MODE_CONF_1 Register.....	774
Figure 11-3. SIZE_AND_DIS_FLAGS Register.....	776
Figure 11-4. MODE_CONF Register.....	777
Figure 11-5. VOLT_LOAD_0 Register.....	779
Figure 11-6. VOLT_LOAD_1 Register.....	780
Figure 11-7. RTC_OFFSET Register.....	781
Figure 11-8. FREQ_OFFSET Register.....	782
Figure 11-9. IEEE_MAC_0 Register.....	783
Figure 11-10. IEEE_MAC_1 Register.....	784
Figure 11-11. IEEE_BLE_0 Register.....	785
Figure 11-12. IEEE_BLE_1 Register.....	786
Figure 11-13. BL_CONFIG Register.....	787
Figure 11-14. ERASE_CONF Register.....	788
Figure 11-15. CCFG_TI_OPTIONS Register.....	789
Figure 11-16. CCFG_TAP_DAP_0 Register.....	790
Figure 11-17. CCFG_TAP_DAP_1 Register.....	791

Figure 11-18. IMAGE_VALID_CONF Register.....	792
Figure 11-19. CCFG_PROT_31_0 Register.....	793
Figure 11-20. CCFG_PROT_63_32 Register.....	795
Figure 11-21. CCFG_PROT_95_64 Register.....	797
Figure 11-22. CCFG_PROT_127_96 Register.....	799
Figure 11-23. MISC_CONF_1 Register.....	804
Figure 11-24. MISC_CONF_2 Register.....	805
Figure 11-25. HPOSC_MEAS_5 Register.....	806
Figure 11-26. HPOSC_MEAS_4 Register.....	807
Figure 11-27. HPOSC_MEAS_3 Register.....	808
Figure 11-28. HPOSC_MEAS_2 Register.....	809
Figure 11-29. HPOSC_MEAS_1 Register.....	810
Figure 11-30. CONFIG_CC26_FE Register.....	811
Figure 11-31. CONFIG_CC13_FE Register.....	812
Figure 11-32. CONFIG_RF_COMMON Register.....	813
Figure 11-33. CONFIG_SYNTH_DIV2_CC26_2G4 Register.....	814
Figure 11-34. CONFIG_SYNTH_DIV2_CC13_2G4 Register.....	815
Figure 11-35. CONFIG_SYNTH_DIV2_CC26_1G Register.....	816
Figure 11-36. CONFIG_SYNTH_DIV2_CC13_1G Register.....	817
Figure 11-37. CONFIG_SYNTH_DIV4_CC26 Register.....	818
Figure 11-38. CONFIG_SYNTH_DIV4_CC13 Register.....	819
Figure 11-39. CONFIG_SYNTH_DIV5 Register.....	820
Figure 11-40. CONFIG_SYNTH_DIV6_CC26 Register.....	821
Figure 11-41. CONFIG_SYNTH_DIV6_CC13 Register.....	822
Figure 11-42. CONFIG_SYNTH_DIV10 Register.....	823
Figure 11-43. CONFIG_SYNTH_DIV12_CC26 Register.....	824
Figure 11-44. CONFIG_SYNTH_DIV12_CC13 Register.....	825
Figure 11-45. CONFIG_SYNTH_DIV15 Register.....	826
Figure 11-46. CONFIG_SYNTH_DIV30 Register.....	827
Figure 11-47. FLASH_NUMBER Register.....	828
Figure 11-48. FLASH_COORDINATE Register.....	829
Figure 11-49. FLASH_E_P Register.....	830
Figure 11-50. FLASH_C_E_P_R Register.....	831
Figure 11-51. FLASH_P_R_PV Register.....	832
Figure 11-52. FLASH_EH_SEQ Register.....	833
Figure 11-53. FLASH_VHV_E Register.....	834
Figure 11-54. FLASH_PP Register.....	835
Figure 11-55. FLASH_PROG_EP Register.....	836
Figure 11-56. FLASH_ERA_PW Register.....	837
Figure 11-57. FLASH_VHV Register.....	838
Figure 11-58. FLASH_VHV_PV Register.....	839
Figure 11-59. FLASH_V Register.....	840
Figure 11-60. USER_ID Register.....	841
Figure 11-61. FLASH_OTP_DATA3 Register.....	843
Figure 11-62. ANA2_TRIM Register.....	844
Figure 11-63. LDO_TRIM Register.....	845
Figure 11-64. MAC_BLE_0 Register.....	846
Figure 11-65. MAC_BLE_1 Register.....	847
Figure 11-66. MAC_15_4_0 Register.....	848
Figure 11-67. MAC_15_4_1 Register.....	849
Figure 11-68. FLASH_OTP_DATA4 Register.....	850
Figure 11-69. MISC_TRIM Register.....	852
Figure 11-70. RCOSC_HF_TEMPComp Register.....	853
Figure 11-71. ICEPICK_DEVICE_ID Register.....	854
Figure 11-72. FCFG1_REVISION Register.....	855
Figure 11-73. MISC_OTP_DATA Register.....	856
Figure 11-74. IOCONF Register.....	857
Figure 11-75. CONFIG_IF_ADC Register.....	858
Figure 11-76. CONFIG_OSC_TOP Register.....	859
Figure 11-77. SOC_ADC_ABS_GAIN Register.....	860
Figure 11-78. SOC_ADC_REL_GAIN Register.....	861

Figure 11-79. SOC_ADC_OFFSET_INT Register.....	862
Figure 11-80. SOC_ADC_REF_TRIM_AND_OFFSET_EXT Register.....	863
Figure 11-81. AMPCOMP_TH1 Register.....	864
Figure 11-82. AMPCOMP_TH2 Register.....	865
Figure 11-83. AMPCOMP_CTRL1 Register.....	866
Figure 11-84. ANABYPASS_VALUE2 Register.....	867
Figure 11-85. VOLT_TRIM Register.....	868
Figure 11-86. OSC_CONF Register.....	869
Figure 11-87. FREQ_OFFSET Register.....	871
Figure 11-88. MISC_OTP_DATA_1 Register.....	872
Figure 11-89. SHDW_DIE_ID_0 Register.....	873
Figure 11-90. SHDW_DIE_ID_1 Register.....	874
Figure 11-91. SHDW_DIE_ID_2 Register.....	875
Figure 11-92. SHDW_DIE_ID_3 Register.....	876
Figure 11-93. SHDW_OSC_BIAS_LDO_TRIM Register.....	877
Figure 11-94. SHDW_ANA_TRIM Register.....	878
Figure 11-95. DAC_BIAS_CNF Register.....	879
Figure 11-96. TFW_PROBE Register.....	880
Figure 11-97. TFW_FT Register.....	881
Figure 11-98. DAC_CAL0 Register.....	882
Figure 11-99. DAC_CAL1 Register.....	883
Figure 11-100. DAC_CAL2 Register.....	884
Figure 11-101. DAC_CAL3 Register.....	885
Figure 12-1. DMA Controller and Integration.....	893
Figure 12-2. Symmetric Crypto Processing Steps.....	902
Figure 12-3. DMACH0CTL Register.....	919
Figure 12-4. DMACH0EXTADDR Register.....	920
Figure 12-5. DMACH0LEN Register.....	921
Figure 12-6. DMASTAT Register.....	922
Figure 12-7. DMASWRESET Register.....	923
Figure 12-8. DMACH1CTL Register.....	924
Figure 12-9. DMACH1EXTADDR Register.....	925
Figure 12-10. DMACH1LEN Register.....	926
Figure 12-11. DMABUSCFG Register.....	927
Figure 12-12. DMAPORTERR Register.....	928
Figure 12-13. DMAHWVER Register.....	929
Figure 12-14. KEYWRITEAREA Register.....	930
Figure 12-15. KEYWRITTENAREA Register.....	932
Figure 12-16. KEYSIZE Register.....	934
Figure 12-17. KEYREADAREA Register.....	935
Figure 12-18. AESKEY2_y Register.....	936
Figure 12-19. AESKEY3_y Register.....	937
Figure 12-20. AESIV_y Register.....	938
Figure 12-21. AESCTL Register.....	939
Figure 12-22. AESDATALEN0 Register.....	941
Figure 12-23. AESDATALEN1 Register.....	942
Figure 12-24. AESAUTHLEN Register.....	943
Figure 12-25. AESDATAOUT0 Register.....	944
Figure 12-26. AESDATAIN0 Register.....	945
Figure 12-27. AESDATAOUT1 Register.....	946
Figure 12-28. AESDATAIN1 Register.....	947
Figure 12-29. AESDATAOUT2 Register.....	948
Figure 12-30. AESDATAIN2 Register.....	949
Figure 12-31. AESDATAOUT3 Register.....	950
Figure 12-32. AESDATAIN3 Register.....	951
Figure 12-33. AESTAGOUT_y Register.....	952
Figure 12-34. ALGSEL Register.....	953
Figure 12-35. DMAPROTCTL Register.....	954
Figure 12-36. SWRESET Register.....	955
Figure 12-37. IRQTYPE Register.....	956
Figure 12-38. IRQEN Register.....	957

Figure 12-39. IRQCLR Register.....	958
Figure 12-40. IRQSET Register.....	959
Figure 12-41. IRQSTAT Register.....	960
Figure 12-42. HWVER Register.....	961
Figure 13-1. IOC Overview (Simplified).....	964
Figure 13-2. Generic I/O Pin (Simplified).....	970
Figure 13-3. IOSTRMIN Register.....	973
Figure 13-4. IOSTRMED Register.....	974
Figure 13-5. IOSTRMAX Register.....	975
Figure 13-6. CLK32KCTL Register.....	976
Figure 13-7. TCKCTL Register.....	977
Figure 13-8. DOUT3_0 Register.....	979
Figure 13-9. DOUT7_4 Register.....	980
Figure 13-10. DOUT11_8 Register.....	981
Figure 13-11. DOUT15_12 Register.....	982
Figure 13-12. DOUT19_16 Register.....	983
Figure 13-13. DOUT23_20 Register.....	984
Figure 13-14. DOUT27_24 Register.....	985
Figure 13-15. DOUT31_28 Register.....	986
Figure 13-16. DOUT31_0 Register.....	987
Figure 13-17. DOUTSET31_0 Register.....	989
Figure 13-18. DOUTCLR31_0 Register.....	991
Figure 13-19. DOUTTGL31_0 Register.....	993
Figure 13-20. DIN31_0 Register.....	995
Figure 13-21. DOE31_0 Register.....	997
Figure 13-22. EVFLAGS31_0 Register.....	999
Figure 13-23. IOCFG0 Register.....	1003
Figure 13-24. IOCFG1 Register.....	1008
Figure 13-25. IOCFG2 Register.....	1013
Figure 13-26. IOCFG3 Register.....	1018
Figure 13-27. IOCFG4 Register.....	1023
Figure 13-28. IOCFG5 Register.....	1028
Figure 13-29. IOCFG6 Register.....	1033
Figure 13-30. IOCFG7 Register.....	1038
Figure 13-31. IOCFG8 Register.....	1043
Figure 13-32. IOCFG9 Register.....	1048
Figure 13-33. IOCFG10 Register.....	1053
Figure 13-34. IOCFG11 Register.....	1058
Figure 13-35. IOCFG12 Register.....	1063
Figure 13-36. IOCFG13 Register.....	1068
Figure 13-37. IOCFG14 Register.....	1073
Figure 13-38. IOCFG15 Register.....	1078
Figure 13-39. IOCFG16 Register.....	1083
Figure 13-40. IOCFG17 Register.....	1088
Figure 13-41. IOCFG18 Register.....	1093
Figure 13-42. IOCFG19 Register.....	1098
Figure 13-43. IOCFG20 Register.....	1103
Figure 13-44. IOCFG21 Register.....	1108
Figure 13-45. IOCFG22 Register.....	1113
Figure 13-46. IOCFG23 Register.....	1118
Figure 13-47. IOCFG24 Register.....	1123
Figure 13-48. IOCFG25 Register.....	1128
Figure 13-49. IOCFG26 Register.....	1133
Figure 13-50. IOCFG27 Register.....	1138
Figure 13-51. IOCFG28 Register.....	1143
Figure 13-52. IOCFG29 Register.....	1148
Figure 13-53. IOCFG30 Register.....	1153
Figure 13-54. IOCFG31 Register.....	1158
Figure 14-1. μ DMA Block Diagram.....	1165
Figure 14-2. Example of Ping-Pong μ DMA Transaction.....	1171
Figure 14-3. Memory Scatter-Gather, Setup, and Configuration.....	1173

Figure 14-4. Memory Scatter-Gather, μ DMA Copy Sequence.....	1175
Figure 14-5. Peripheral Scatter-Gather, Setup, and Configuration.....	1176
Figure 14-6. Peripheral Scatter-Gather, μ DMA Copy Sequence.....	1177
Figure 14-7. STATUS Register.....	1183
Figure 14-8. CFG Register.....	1185
Figure 14-9. CTRL Register.....	1186
Figure 14-10. ALTCTRL Register.....	1187
Figure 14-11. WAITONREQ Register.....	1188
Figure 14-12. SOFTREQ Register.....	1189
Figure 14-13. SETBURST Register.....	1190
Figure 14-14. CLEARBURST Register.....	1191
Figure 14-15. SETREQMASK Register.....	1192
Figure 14-16. CLEARREQMASK Register.....	1193
Figure 14-17. SETCHANNELEN Register.....	1194
Figure 14-18. CLEARCHANNELEN Register.....	1195
Figure 14-19. SETCHNLPRIALT Register.....	1196
Figure 14-20. CLEARCHNLPRIALT Register.....	1197
Figure 14-21. SETCHNLPRRIORITY Register.....	1198
Figure 14-22. CLEARCHNLPRRIORITY Register.....	1199
Figure 14-23. ERROR Register.....	1200
Figure 14-24. REQDONE Register.....	1201
Figure 14-25. DONEMASK Register.....	1202
Figure 15-1. GPTM Module Block Diagram.....	1205
Figure 15-2. Input Edge-Count Mode Example, Counting Down.....	1209
Figure 15-3. Input Edge-Time Mode Example.....	1210
Figure 15-4. 16-Bit PWM Mode Example.....	1212
Figure 15-5. CCP Output, GPT:TnMATCHR > GPT:TnILR.....	1212
Figure 15-6. CCP Output, GPT:TnMATCHR = GPT:TnILR.....	1213
Figure 15-7. CCP Output, GPT:TnILR > GPT:TnMATCHR.....	1213
Figure 15-8. Timer Daisy-Chain.....	1214
Figure 15-9. CFG Register.....	1221
Figure 15-10. TAMR Register.....	1222
Figure 15-11. TBMR Register.....	1224
Figure 15-12. CTL Register.....	1226
Figure 15-13. SYNC Register.....	1228
Figure 15-14. IMR Register.....	1229
Figure 15-15. RIS Register.....	1231
Figure 15-16. MIS Register.....	1233
Figure 15-17. ICLR Register.....	1234
Figure 15-18. TAILR Register.....	1235
Figure 15-19. TBILR Register.....	1236
Figure 15-20. TAMATCHR Register.....	1237
Figure 15-21. TBMATCHR Register.....	1238
Figure 15-22. TAPR Register.....	1239
Figure 15-23. TBPR Register.....	1240
Figure 15-24. TAPMR Register.....	1241
Figure 15-25. TBPMR Register.....	1242
Figure 15-26. TAR Register.....	1243
Figure 15-27. TBR Register.....	1244
Figure 15-28. TAV Register.....	1245
Figure 15-29. TBV Register.....	1246
Figure 15-30. TAPS Register.....	1247
Figure 15-31. TBPS Register.....	1248
Figure 15-32. TAPV Register.....	1249
Figure 15-33. TBPV Register.....	1250
Figure 15-34. DMAEV Register.....	1251
Figure 15-35. VERSION Register.....	1252
Figure 15-36. ANDCCP Register.....	1253
Figure 16-1. AON_RTC Channels.....	1257
Figure 16-2. CTL Register.....	1261
Figure 16-3. EVFLAGS Register.....	1263

Figure 16-4. SEC Register.....	1264
Figure 16-5. SUBSEC Register.....	1265
Figure 16-6. SUBSECINC Register.....	1266
Figure 16-7. CHCTL Register.....	1267
Figure 16-8. CH0CMP Register.....	1268
Figure 16-9. CH1CMP Register.....	1269
Figure 16-10. CH2CMP Register.....	1270
Figure 16-11. CH2CMPINC Register.....	1271
Figure 16-12. CH1CAPT Register.....	1272
Figure 16-13. SYNC Register.....	1273
Figure 16-14. TIME Register.....	1274
Figure 16-15. SYNCLF Register.....	1275
Figure 17-1. WDT Block Diagram.....	1279
Figure 17-2. LOAD Register.....	1281
Figure 17-3. VALUE Register.....	1282
Figure 17-4. CTL Register.....	1283
Figure 17-5. ICR Register.....	1284
Figure 17-6. RIS Register.....	1285
Figure 17-7. MIS Register.....	1286
Figure 17-8. TEST Register.....	1287
Figure 17-9. INT_CAUS Register.....	1288
Figure 17-10. LOCK Register.....	1289
Figure 18-1. Random Number Generator Block Diagram.....	1292
Figure 18-2. TRNG Polling Mode.....	1297
Figure 18-3. Interrupt Service Routine.....	1298
Figure 18-4. OUT0 Register.....	1300
Figure 18-5. OUT1 Register.....	1301
Figure 18-6. IRQFLAGSTAT Register.....	1302
Figure 18-7. IRQFLAGMASK Register.....	1303
Figure 18-8. IRQFLAGCLR Register.....	1304
Figure 18-9. CTL Register.....	1305
Figure 18-10. CFG0 Register.....	1306
Figure 18-11. ALARMCNT Register.....	1307
Figure 18-12. FROEN Register.....	1308
Figure 18-13. FRODETUNE Register.....	1309
Figure 18-14. ALARMMASK Register.....	1310
Figure 18-15. ALARMSTOP Register.....	1311
Figure 18-16. LFSR0 Register.....	1312
Figure 18-17. LFSR1 Register.....	1313
Figure 18-18. LFSR2 Register.....	1314
Figure 18-19. HWOPT Register.....	1315
Figure 18-20. HWVER0 Register.....	1316
Figure 18-21. IRQSTATMASK Register.....	1317
Figure 18-22. HWVER1 Register.....	1318
Figure 18-23. IRQSET Register.....	1319
Figure 18-24. SWRESET Register.....	1320
Figure 18-25. IRQSTAT Register.....	1321
Figure 19-1. AUX Domain Block Diagram.....	1325
Figure 19-2. AUX State Diagram.....	1326
Figure 19-3. AUX I/O Block Diagram.....	1331
Figure 19-4. AUX_TDC Block Diagram.....	1334
Figure 19-5. Phase Width Timing Requirements.....	1339
Figure 19-6. Frequency Measurement Waveform.....	1339
Figure 19-7. Arbitrary Time Measurement 1.....	1340
Figure 19-8. Arbitrary Time Measurement 2.....	1341
Figure 19-9. Arbitrary Time Measurement 3.....	1342
Figure 19-10. Arbitrary Time Measurement 4.....	1343
Figure 19-11. Pulse Counting.....	1344
Figure 19-12. AUX_TIMER01 Block Diagram.....	1345
Figure 19-13. AUX Analog Block Diagram.....	1347
Figure 19-14. ADC Block Diagram.....	1348

Figure 19-15. COMPA Block Diagram.....	1352
Figure 19-16. COMPB Block Diagram.....	1354
Figure 19-17. Reference DAC Block Diagram.....	1356
Figure 19-18. DAC Sample Clock Phases.....	1357
Figure 19-19. Sample Clock Period Configuration.....	1357
Figure 19-20. ISRC Block Diagram.....	1361
Figure 19-21. MUX0 Register.....	1370
Figure 19-22. MUX1 Register.....	1371
Figure 19-23. MUX2 Register.....	1372
Figure 19-24. MUX3 Register.....	1373
Figure 19-25. ISRC Register.....	1374
Figure 19-26. COMP Register.....	1375
Figure 19-27. MUX4 Register.....	1376
Figure 19-28. ADC0 Register.....	1377
Figure 19-29. ADC1 Register.....	1378
Figure 19-30. ADCREF0 Register.....	1379
Figure 19-31. ADCREF1 Register.....	1380
Figure 19-32. LPMBIAS Register.....	1381
Figure 19-33. IOMODE Register.....	1383
Figure 19-34. GPIODIE Register.....	1388
Figure 19-35. IOPOE Register.....	1389
Figure 19-36. GPIODOUT Register.....	1390
Figure 19-37. GPIODIN Register.....	1391
Figure 19-38. GPIODOUTSET Register.....	1392
Figure 19-39. GPIODOUTCLR Register.....	1393
Figure 19-40. GPIODOUTTGL Register.....	1394
Figure 19-41. IO0PSEL Register.....	1395
Figure 19-42. IO1PSEL Register.....	1396
Figure 19-43. IO2PSEL Register.....	1397
Figure 19-44. IO3PSEL Register.....	1398
Figure 19-45. IO4PSEL Register.....	1399
Figure 19-46. IO5PSEL Register.....	1400
Figure 19-47. IO6PSEL Register.....	1401
Figure 19-48. IO7PSEL Register.....	1402
Figure 19-49. EVSTAT0 Register.....	1404
Figure 19-50. EVSTAT1 Register.....	1406
Figure 19-51. EVSTAT2 Register.....	1408
Figure 19-52. EVSTAT3 Register.....	1410
Figure 19-53. DMACTL Register.....	1412
Figure 19-54. SWEVSET Register.....	1413
Figure 19-55. EVTOAONFLAGS Register.....	1414
Figure 19-56. EVTOAONPOL Register.....	1415
Figure 19-57. EVTOAONFLAGSCLR Register.....	1416
Figure 19-58. EVTOMCUFLAGS Register.....	1417
Figure 19-59. EVTOMCUPOL Register.....	1419
Figure 19-60. EVTOMCUFLAGSCLR Register.....	1421
Figure 19-61. COMBEVTOMCUMASK Register.....	1422
Figure 19-62. EVOBSCFG Register.....	1424
Figure 19-63. MANUAL Register.....	1426
Figure 19-64. SMPH0 Register.....	1428
Figure 19-65. SMPH1 Register.....	1429
Figure 19-66. SMPH2 Register.....	1430
Figure 19-67. SMPH3 Register.....	1431
Figure 19-68. SMPH4 Register.....	1432
Figure 19-69. SMPH5 Register.....	1433
Figure 19-70. SMPH6 Register.....	1434
Figure 19-71. SMPH7 Register.....	1435
Figure 19-72. AUTOTAKE Register.....	1436
Figure 19-73. CTL Register.....	1438
Figure 19-74. STAT Register.....	1439
Figure 19-75. RESULT Register.....	1441

Figure 19-76. SATCFG Register.....	1442
Figure 19-77. TRIGSRC Register.....	1443
Figure 19-78. TRIGCNT Register.....	1446
Figure 19-79. TRIGCNTLOAD Register.....	1447
Figure 19-80. TRIGCNTCFG Register.....	1448
Figure 19-81. PRECTL Register.....	1449
Figure 19-82. PRECNTR Register.....	1451
Figure 19-83. TOCFG Register.....	1453
Figure 19-84. TOCTL Register.....	1456
Figure 19-85. TOTARGET Register.....	1457
Figure 19-86. TOCNTR Register.....	1458
Figure 19-87. T1CFG Register.....	1459
Figure 19-88. T1CTL Register.....	1462
Figure 19-89. T1TARGET Register.....	1463
Figure 19-90. T1CNTR Register.....	1464
Figure 19-91. ADCCTL Register.....	1466
Figure 19-92. ADCFIFOSTAT Register.....	1469
Figure 19-93. ADCFIFO Register.....	1470
Figure 19-94. ADCTRIG Register.....	1471
Figure 19-95. ISRCCTL Register.....	1472
Figure 19-96. DACCTL Register.....	1473
Figure 19-97. LPMBIASCTL Register.....	1475
Figure 19-98. DACSMPLCTL Register.....	1476
Figure 19-99. DACSMPLCFG0 Register.....	1477
Figure 19-100. DACSMPLCFG1 Register.....	1478
Figure 19-101. DACVALUE Register.....	1479
Figure 19-102. DACSTAT Register.....	1480
Figure 19-103. OPMODEREQ Register.....	1482
Figure 19-104. OPMODEACK Register.....	1483
Figure 19-105. EVSYNCRATE Register.....	1484
Figure 19-106. PEROPRATE Register.....	1485
Figure 19-107. ADCCLKCTL Register.....	1486
Figure 19-108. TDCCLKCTL Register.....	1487
Figure 19-109. TDCREFCLKCTL Register.....	1488
Figure 19-110. RTCSUBSECINC0 Register.....	1489
Figure 19-111. RTCSUBSECINC1 Register.....	1490
Figure 19-112. RTCSUBSECINCCTL Register.....	1491
Figure 19-113. RTCEVCLR Register.....	1492
Figure 19-114. TIMERHALT Register.....	1493
Figure 19-115. SWPWRPROF Register.....	1494
Figure 20-1. CTL Register.....	1498
Figure 20-2. MEASCFG Register.....	1499
Figure 20-3. TEMPP0 Register.....	1500
Figure 20-4. TEMPP1 Register.....	1501
Figure 20-5. TEMPP2 Register.....	1502
Figure 20-6. BATMONP0 Register.....	1503
Figure 20-7. BATMONP1 Register.....	1504
Figure 20-8. IOSTRP0 Register.....	1505
Figure 20-9. FLASHPUMPP0 Register.....	1506
Figure 20-10. BAT Register.....	1507
Figure 20-11. BATUPD Register.....	1508
Figure 20-12. TEMP Register.....	1509
Figure 20-13. TEMPUPD Register.....	1510
Figure 20-14. EVENTMASK Register.....	1511
Figure 20-15. EVENT Register.....	1512
Figure 20-16. BATTUL Register.....	1513
Figure 20-17. BATTLL Register.....	1514
Figure 20-18. TEMPUL Register.....	1515
Figure 20-19. TEMPLL Register.....	1516
Figure 21-1. UART Module Block Diagram.....	1519
Figure 21-2. UART Character Frame.....	1520

Figure 21-3. μ DMA Example.....	1524
Figure 21-4. DR Register.....	1528
Figure 21-5. RSR Register.....	1530
Figure 21-6. ECR Register.....	1531
Figure 21-7. FR Register.....	1532
Figure 21-8. IBRD Register.....	1534
Figure 21-9. FBRD Register.....	1535
Figure 21-10. LCRH Register.....	1536
Figure 21-11. CTL Register.....	1538
Figure 21-12. IFLS Register.....	1540
Figure 21-13. IMSC Register.....	1541
Figure 21-14. RIS Register.....	1543
Figure 21-15. MIS Register.....	1545
Figure 21-16. ICR Register.....	1547
Figure 21-17. DMACTL Register.....	1549
Figure 22-1. SSI Module Block Diagram.....	1553
Figure 22-2. TI Synchronous Serial Frame Format (Single Transfer).....	1557
Figure 22-3. TI Synchronous Serial Frame Format (Continuous Transfer).....	1557
Figure 22-4. Motorola SPI Format (Single Transfer) With SPO = 0 and SPH = 0.....	1558
Figure 22-5. Motorola SPI Format (Continuous Transfer) With SPO = 0 and SPH = 0.....	1558
Figure 22-6. Motorola SPI Frame Format With SPO = 0 and SPH = 1.....	1559
Figure 22-7. Motorola SPI Frame Format (Single Transfer) With SPO = 1 and SPH = 0.....	1560
Figure 22-8. Motorola SPI Frame Format (Continuous Transfer) With SPO = 1 and SPH = 0.....	1560
Figure 22-9. Motorola SPI Frame Format With SPO = 1 and SPH = 1.....	1561
Figure 22-10. MICROWIRE Frame Format (Single Frame).....	1561
Figure 22-11. MICROWIRE Frame Format (Continuous Transfer).....	1562
Figure 22-12. MICROWIRE Frame Format, SSIFss Input Setup, and Hold Requirements.....	1562
Figure 22-13. CR0 Register.....	1566
Figure 22-14. CR1 Register.....	1567
Figure 22-15. DR Register.....	1568
Figure 22-16. SR Register.....	1569
Figure 22-17. CPSR Register.....	1570
Figure 22-18. IMSC Register.....	1571
Figure 22-19. RIS Register.....	1572
Figure 22-20. MIS Register.....	1573
Figure 22-21. ICR Register.....	1574
Figure 22-22. DMACR Register.....	1575
Figure 23-1. I ² C Block Diagram.....	1578
Figure 23-2. I ² C Bus Configuration.....	1579
Figure 23-3. Start and Stop Conditions.....	1579
Figure 23-4. Complete Data Transfer With a 7-Bit Address.....	1580
Figure 23-5. R/S Bit in First Byte.....	1580
Figure 23-6. Data Validity During Bit Transfer on the I ² C Bus.....	1580
Figure 23-7. Master Single TRANSMIT.....	1583
Figure 23-8. Master Single RECEIVE.....	1584
Figure 23-9. Master TRANSMIT With Repeated Start Condition.....	1585
Figure 23-10. Master RECEIVE With Repeated Start Condition.....	1586
Figure 23-11. Master RECEIVE With Repeated Start After TRANSMIT With Repeated Start Condition.....	1587
Figure 23-12. Master TRANSMIT With Repeated Start After RECEIVE With Repeated Start Condition.....	1588
Figure 23-13. Slave Command Sequence.....	1589
Figure 23-14. SOAR Register.....	1592
Figure 23-15. SSTAT Register.....	1593
Figure 23-16. SCTL Register.....	1594
Figure 23-17. SDR Register.....	1595
Figure 23-18. SIMR Register.....	1596
Figure 23-19. SRIS Register.....	1597
Figure 23-20. SMIS Register.....	1598
Figure 23-21. SICR Register.....	1599
Figure 23-22. MSA Register.....	1600
Figure 23-23. MSTAT Register.....	1601
Figure 23-24. MCTRL Register.....	1602

Figure 23-25. MDR Register.....	1603
Figure 23-26. MTPR Register.....	1604
Figure 23-27. MIMR Register.....	1605
Figure 23-28. MRIS Register.....	1606
Figure 23-29. MMIS Register.....	1607
Figure 23-30. MICR Register.....	1608
Figure 23-31. MCR Register.....	1609
Figure 24-1. Simplified I ² S Module Block Diagram.....	1613
Figure 24-2. I ² S Serial Format.....	1615
Figure 24-3. LJF Serial Format.....	1616
Figure 24-4. RJF Serial Format.....	1617
Figure 24-5. DSP Serial Format (Zero Data Delay).....	1618
Figure 24-6. 16-Bit Mono I ² S, LJF, and RJF Formats on One ADx Pin, Showing Six Frames in Memory.....	1621
Figure 24-7. 16-Bit Stereo I ² S, LJF, and RJF Formats on One ADx Pin, Showing Three Frames in Memory.....	1621
Figure 24-8. 24-Bit Stereo I ² S, LJF, and RJF Formats on One ADx Pin, Showing Two Frames in Memory.....	1621
Figure 24-9. 16-Bit I ² S Format on AD0 and AD1 Pins, Showing Two Frames in Memory.....	1622
Figure 24-10. 16-Bit DSP Format on AD0 and AD1 Pins, Showing Two Frames in Memory.....	1622
Figure 24-11. Samplestamp Generator.....	1624
Figure 24-12. AIFWCLKSRC Register.....	1629
Figure 24-13. AIFDMACFG Register.....	1630
Figure 24-14. AIFDIRCFG Register.....	1631
Figure 24-15. AIFFMTCFG Register.....	1632
Figure 24-16. AIFWMASK0 Register.....	1633
Figure 24-17. AIFWMASK1 Register.....	1634
Figure 24-18. AIFPWMVALUE Register.....	1635
Figure 24-19. AIFINPTRNEXT Register.....	1636
Figure 24-20. AIFINPTR Register.....	1637
Figure 24-21. AIFOUTPTRNEXT Register.....	1638
Figure 24-22. AIFOUTPTR Register.....	1639
Figure 24-23. STMPCTL Register.....	1640
Figure 24-24. STMPXCNTCAPT0 Register.....	1641
Figure 24-25. STMPXPER Register.....	1642
Figure 24-26. STMPWCNTCAPT0 Register.....	1643
Figure 24-27. STMPWPER Register.....	1644
Figure 24-28. STMPINTRIG Register.....	1645
Figure 24-29. STMPOUTTRIG Register.....	1646
Figure 24-30. STMPWSET Register.....	1647
Figure 24-31. STMPWADD Register.....	1648
Figure 24-32. STMPXPERMIN Register.....	1649
Figure 24-33. STMPWCNT Register.....	1650
Figure 24-34. STMPXCNT Register.....	1651
Figure 24-35. STMPXCNTCAPT1 Register.....	1652
Figure 24-36. STMPWCNTCAPT1 Register.....	1653
Figure 24-37. IRQMASK Register.....	1654
Figure 24-38. IRQFLAGS Register.....	1655
Figure 24-39. IRQSET Register.....	1657
Figure 24-40. IRQCLR Register.....	1658
Figure 25-1. Limited RF Core Overview With External Dependencies.....	1661
Figure 25-2. Hardware Support for the HAL.....	1662
Figure 25-3. CMDR Register for Radio Operation Commands and Immediate Commands.....	1666
Figure 25-4. CMDR Register for Direct Commands.....	1666
Figure 25-5. Format of CMDSTA Register.....	1668
Figure 25-6. RX Queue Entry Element (Stapled Fields are Optional).....	1720
Figure 25-7. CSMA-CA Operation.....	1729
Figure 25-8. Receive Buffer Entry Element.....	1756
Figure 25-9. Standard Packet Format.....	1797
Figure 25-10. Advanced Packet Format.....	1797
Figure 25-11. Receive Buffer Entry Element.....	1805
Figure 25-12. RATCHNT Register.....	1819
Figure 25-13. RATCH0VAL Register.....	1820
Figure 25-14. RATCH1VAL Register.....	1821

Figure 25-15. RATCH2VAL Register.....	1822
Figure 25-16. RATCH3VAL Register.....	1823
Figure 25-17. RATCH4VAL Register.....	1824
Figure 25-18. RATCH5VAL Register.....	1825
Figure 25-19. RATCH6VAL Register.....	1826
Figure 25-20. RATCH7VAL Register.....	1827
Figure 25-21. CMDR Register.....	1829
Figure 25-22. CMDSTA Register.....	1830
Figure 25-23. RFHWIFG Register.....	1831
Figure 25-24. RFHWIEN Register.....	1833
Figure 25-25. RFCPEIFG Register.....	1834
Figure 25-26. RFCPEIEN Register.....	1837
Figure 25-27. RFCPEISL Register.....	1839
Figure 25-28. RFACKIFG Register.....	1842
Figure 25-29. SYSGPOCTL Register.....	1843
Figure 25-30. PWMCLKEN Register.....	1846

List of Tables

Table 2-1. Summary of Processor Mode, Privilege Level, and Stack Use.....	71
Table 2-2. Processor Register Map.....	73
Table 2-3. Cortex® General-Purpose Register 0 (R0).....	73
Table 2-4. Cortex® General-Purpose Register 1 (R1).....	74
Table 2-5. Cortex® General-Purpose Register 2 (R2).....	74
Table 2-6. Cortex® General-Purpose Register 3 (R3).....	74
Table 2-7. Cortex® General-Purpose Register 4 (R4).....	75
Table 2-8. Cortex® General-Purpose Register 5 (R5).....	75
Table 2-9. Cortex® General-Purpose Register 6 (R6).....	75
Table 2-10. Cortex® General-Purpose Register 7 (R7).....	76
Table 2-11. Cortex® General-Purpose Register 8 (R8).....	76
Table 2-12. Cortex® General-Purpose Register 9 (R9).....	76
Table 2-13. Cortex® General-Purpose Register 10 (R10).....	77
Table 2-14. Cortex® General-Purpose Register 11 (R11).....	77
Table 2-15. Cortex® General-Purpose Register 12 (R12).....	77
Table 2-16. Stack Pointer (SP).....	78
Table 2-17. Link Register (LR).....	78
Table 2-18. Program Counter (PC).....	79
Table 2-19. PSR Combinations.....	79
Table 2-20. Program Status Register (PSR) or (xPSR).....	79
Table 2-21. Priority Mask Register (PRIMASK).....	83
Table 2-22. Fault Mask Register (FAULTMASK).....	84
Table 2-23. Base Priority Mask Register (BASEPRI).....	85
Table 2-24. Control Register (CONTROL).....	86
Table 2-25. Arm® Cortex®-M4 Instruction Set Summary.....	87
Table 2-26. Arm® Cortex®-M4 DSP Instruction Set Summary.....	91
Table 2-27. Arm® Cortex®-M4 Processor Registers.....	96
Table 2-28. CPU_DWT Registers.....	97
Table 2-29. CPU_DWT Access Type Codes.....	97
Table 2-30. CTRL Register Field Descriptions.....	98
Table 2-31. CYCCNT Register Field Descriptions.....	100
Table 2-32. CPICNT Register Field Descriptions.....	101
Table 2-33. EXCCNT Register Field Descriptions.....	102
Table 2-34. SLEEPCNT Register Field Descriptions.....	103
Table 2-35. LSUCNT Register Field Descriptions.....	104
Table 2-36. FOLDCNT Register Field Descriptions.....	105
Table 2-37. PCSR Register Field Descriptions.....	106
Table 2-38. COMP0 Register Field Descriptions.....	107
Table 2-39. MASK0 Register Field Descriptions.....	108
Table 2-40. FUNCTION0 Register Field Descriptions.....	109
Table 2-41. COMP1 Register Field Descriptions.....	111
Table 2-42. MASK1 Register Field Descriptions.....	112
Table 2-43. FUNCTION1 Register Field Descriptions.....	113

Table 2-44. COMP2 Register Field Descriptions.....	115
Table 2-45. MASK2 Register Field Descriptions.....	116
Table 2-46. FUNCTION2 Register Field Descriptions.....	117
Table 2-47. COMP3 Register Field Descriptions.....	119
Table 2-48. MASK3 Register Field Descriptions.....	120
Table 2-49. FUNCTION3 Register Field Descriptions.....	121
Table 2-50. CPU_FPB Registers.....	123
Table 2-51. CPU_FPB Access Type Codes.....	123
Table 2-52. CTRL Register Field Descriptions.....	124
Table 2-53. REMAP Register Field Descriptions.....	125
Table 2-54. COMP0 Register Field Descriptions.....	126
Table 2-55. COMP1 Register Field Descriptions.....	127
Table 2-56. COMP2 Register Field Descriptions.....	128
Table 2-57. COMP3 Register Field Descriptions.....	129
Table 2-58. COMP4 Register Field Descriptions.....	130
Table 2-59. COMP5 Register Field Descriptions.....	131
Table 2-60. COMP6 Register Field Descriptions.....	132
Table 2-61. COMP7 Register Field Descriptions.....	133
Table 2-62. CPU_ITM Registers.....	134
Table 2-63. CPU_ITM Access Type Codes.....	135
Table 2-64. STIM0 Register Field Descriptions.....	136
Table 2-65. STIM1 Register Field Descriptions.....	137
Table 2-66. STIM2 Register Field Descriptions.....	138
Table 2-67. STIM3 Register Field Descriptions.....	139
Table 2-68. STIM4 Register Field Descriptions.....	140
Table 2-69. STIM5 Register Field Descriptions.....	141
Table 2-70. STIM6 Register Field Descriptions.....	142
Table 2-71. STIM7 Register Field Descriptions.....	143
Table 2-72. STIM8 Register Field Descriptions.....	144
Table 2-73. STIM9 Register Field Descriptions.....	145
Table 2-74. STIM10 Register Field Descriptions.....	146
Table 2-75. STIM11 Register Field Descriptions.....	147
Table 2-76. STIM12 Register Field Descriptions.....	148
Table 2-77. STIM13 Register Field Descriptions.....	149
Table 2-78. STIM14 Register Field Descriptions.....	150
Table 2-79. STIM15 Register Field Descriptions.....	151
Table 2-80. STIM16 Register Field Descriptions.....	152
Table 2-81. STIM17 Register Field Descriptions.....	153
Table 2-82. STIM18 Register Field Descriptions.....	154
Table 2-83. STIM19 Register Field Descriptions.....	155
Table 2-84. STIM20 Register Field Descriptions.....	156
Table 2-85. STIM21 Register Field Descriptions.....	157
Table 2-86. STIM22 Register Field Descriptions.....	158
Table 2-87. STIM23 Register Field Descriptions.....	159
Table 2-88. STIM24 Register Field Descriptions.....	160
Table 2-89. STIM25 Register Field Descriptions.....	161
Table 2-90. STIM26 Register Field Descriptions.....	162
Table 2-91. STIM27 Register Field Descriptions.....	163
Table 2-92. STIM28 Register Field Descriptions.....	164
Table 2-93. STIM29 Register Field Descriptions.....	165
Table 2-94. STIM30 Register Field Descriptions.....	166
Table 2-95. STIM31 Register Field Descriptions.....	167
Table 2-96. TER Register Field Descriptions.....	168
Table 2-97. TPR Register Field Descriptions.....	170
Table 2-98. TCR Register Field Descriptions.....	171
Table 2-99. LAR Register Field Descriptions.....	173
Table 2-100. LSR Register Field Descriptions.....	174
Table 2-101. CPU_SCS Registers.....	175
Table 2-102. CPU_SCS Access Type Codes.....	176
Table 2-103. ICTR Register Field Descriptions.....	177
Table 2-104. ACTLR Register Field Descriptions.....	178

Table 2-105. STCSR Register Field Descriptions.....	179
Table 2-106. STRVR Register Field Descriptions.....	180
Table 2-107. STCVR Register Field Descriptions.....	181
Table 2-108. STCR Register Field Descriptions.....	182
Table 2-109. NVIC_ISER0 Register Field Descriptions.....	183
Table 2-110. NVIC_ISER1 Register Field Descriptions.....	186
Table 2-111. NVIC_ICER0 Register Field Descriptions.....	187
Table 2-112. NVIC_ICER1 Register Field Descriptions.....	190
Table 2-113. NVIC_ISPR0 Register Field Descriptions.....	191
Table 2-114. NVIC_ISPR1 Register Field Descriptions.....	194
Table 2-115. NVIC_ICPR0 Register Field Descriptions.....	195
Table 2-116. NVIC_ICPR1 Register Field Descriptions.....	198
Table 2-117. NVIC_IABR0 Register Field Descriptions.....	199
Table 2-118. NVIC_IABR1 Register Field Descriptions.....	202
Table 2-119. NVIC_IPR0 Register Field Descriptions.....	203
Table 2-120. NVIC_IPR1 Register Field Descriptions.....	204
Table 2-121. NVIC_IPR2 Register Field Descriptions.....	205
Table 2-122. NVIC_IPR3 Register Field Descriptions.....	206
Table 2-123. NVIC_IPR4 Register Field Descriptions.....	207
Table 2-124. NVIC_IPR5 Register Field Descriptions.....	208
Table 2-125. NVIC_IPR6 Register Field Descriptions.....	209
Table 2-126. NVIC_IPR7 Register Field Descriptions.....	210
Table 2-127. NVIC_IPR8 Register Field Descriptions.....	211
Table 2-128. NVIC_IPR9 Register Field Descriptions.....	212
Table 2-129. CPUID Register Field Descriptions.....	213
Table 2-130. ICSR Register Field Descriptions.....	214
Table 2-131. VTOR Register Field Descriptions.....	216
Table 2-132. AIRCR Register Field Descriptions.....	217
Table 2-133. SCR Register Field Descriptions.....	219
Table 2-134. CCR Register Field Descriptions.....	220
Table 2-135. SHPR1 Register Field Descriptions.....	222
Table 2-136. SHPR2 Register Field Descriptions.....	223
Table 2-137. SHPR3 Register Field Descriptions.....	224
Table 2-138. SHCSR Register Field Descriptions.....	225
Table 2-139. CFSR Register Field Descriptions.....	227
Table 2-140. HFSR Register Field Descriptions.....	230
Table 2-141. DFSR Register Field Descriptions.....	231
Table 2-142. MMFAR Register Field Descriptions.....	232
Table 2-143. BFAR Register Field Descriptions.....	233
Table 2-144. AFSR Register Field Descriptions.....	234
Table 2-145. ID_PFR0 Register Field Descriptions.....	235
Table 2-146. ID_PFR1 Register Field Descriptions.....	236
Table 2-147. ID_DFR0 Register Field Descriptions.....	237
Table 2-148. ID_AFR0 Register Field Descriptions.....	238
Table 2-149. ID_MMFR0 Register Field Descriptions.....	239
Table 2-150. ID_MMFR1 Register Field Descriptions.....	240
Table 2-151. ID_MMFR2 Register Field Descriptions.....	241
Table 2-152. ID_MMFR3 Register Field Descriptions.....	242
Table 2-153. ID_ISAR0 Register Field Descriptions.....	243
Table 2-154. ID_ISAR1 Register Field Descriptions.....	244
Table 2-155. ID_ISAR2 Register Field Descriptions.....	245
Table 2-156. ID_ISAR3 Register Field Descriptions.....	246
Table 2-157. ID_ISAR4 Register Field Descriptions.....	247
Table 2-158. CPACR Register Field Descriptions.....	248
Table 2-159. MPU_TYPE Register Field Descriptions.....	249
Table 2-160. MPU_CTRL Register Field Descriptions.....	250
Table 2-161. MPU_RNR Register Field Descriptions.....	251
Table 2-162. MPU_RBAR Register Field Descriptions.....	252
Table 2-163. MPU_RASR Register Field Descriptions.....	253
Table 2-164. MPU_RBAR_A1 Register Field Descriptions.....	255
Table 2-165. MPU_RASR_A1 Register Field Descriptions.....	256

Table 2-166. MPU_RBAR_A2 Register Field Descriptions.....	257
Table 2-167. MPU_RASR_A2 Register Field Descriptions.....	258
Table 2-168. MPU_RBAR_A3 Register Field Descriptions.....	259
Table 2-169. MPU_RASR_A3 Register Field Descriptions.....	260
Table 2-170. DHCSR Register Field Descriptions.....	261
Table 2-171. DCRSR Register Field Descriptions.....	264
Table 2-172. DCRDR Register Field Descriptions.....	265
Table 2-173. DEMCR Register Field Descriptions.....	266
Table 2-174. STIR Register Field Descriptions.....	268
Table 2-175. CPU_TPIU Registers.....	269
Table 2-176. CPU_TPIU Access Type Codes.....	269
Table 2-177. SSPSR Register Field Descriptions.....	270
Table 2-178. CSPSR Register Field Descriptions.....	271
Table 2-179. ACPR Register Field Descriptions.....	272
Table 2-180. SPPR Register Field Descriptions.....	273
Table 2-181. FFSR Register Field Descriptions.....	274
Table 2-182. FFCR Register Field Descriptions.....	275
Table 2-183. FSCR Register Field Descriptions.....	276
Table 2-184. CLAIMMASK Register Field Descriptions.....	277
Table 2-185. CLAIMSET Register Field Descriptions.....	278
Table 2-186. CLAIMTAG Register Field Descriptions.....	279
Table 2-187. CLAIMCLR Register Field Descriptions.....	280
Table 2-188. DEVID Register Field Descriptions.....	281
Table 3-1. Memory Map.....	283
Table 4-1. Core Peripheral Register Regions.....	286
Table 5-1. Exception Types.....	294
Table 5-2. Exception Return Behavior.....	298
Table 5-3. Faults.....	299
Table 5-4. Fault Status and Fault Address Registers.....	300
Table 5-5. MCU Event Fabric Input Events.....	304
Table 5-6. Freeze Subscriber Event Selection.....	308
Table 5-7. AON Events.....	309
Table 5-8. AON_EVENT Registers.....	311
Table 5-9. AON_EVENT Access Type Codes.....	311
Table 5-10. MCUWUSEL Register Field Descriptions.....	312
Table 5-11. MCUWUSEL1 Register Field Descriptions.....	317
Table 5-12. EVTOMCUSEL Register Field Descriptions.....	322
Table 5-13. RTCSEL Register Field Descriptions.....	326
Table 5-14. EVENT Registers.....	327
Table 5-15. EVENT Access Type Codes.....	329
Table 5-16. CPUIRQSEL0 Register Field Descriptions.....	330
Table 5-17. CPUIRQSEL1 Register Field Descriptions.....	331
Table 5-18. CPUIRQSEL2 Register Field Descriptions.....	332
Table 5-19. CPUIRQSEL3 Register Field Descriptions.....	333
Table 5-20. CPUIRQSEL4 Register Field Descriptions.....	334
Table 5-21. CPUIRQSEL5 Register Field Descriptions.....	335
Table 5-22. CPUIRQSEL6 Register Field Descriptions.....	336
Table 5-23. CPUIRQSEL7 Register Field Descriptions.....	337
Table 5-24. CPUIRQSEL8 Register Field Descriptions.....	338
Table 5-25. CPUIRQSEL9 Register Field Descriptions.....	339
Table 5-26. CPUIRQSEL10 Register Field Descriptions.....	340
Table 5-27. CPUIRQSEL11 Register Field Descriptions.....	341
Table 5-28. CPUIRQSEL12 Register Field Descriptions.....	342
Table 5-29. CPUIRQSEL13 Register Field Descriptions.....	343
Table 5-30. CPUIRQSEL14 Register Field Descriptions.....	344
Table 5-31. CPUIRQSEL15 Register Field Descriptions.....	345
Table 5-32. CPUIRQSEL16 Register Field Descriptions.....	346
Table 5-33. CPUIRQSEL17 Register Field Descriptions.....	347
Table 5-34. CPUIRQSEL18 Register Field Descriptions.....	348
Table 5-35. CPUIRQSEL19 Register Field Descriptions.....	349
Table 5-36. CPUIRQSEL20 Register Field Descriptions.....	350

Table 5-37. CPUIRQSEL21 Register Field Descriptions.....	351
Table 5-38. CPUIRQSEL22 Register Field Descriptions.....	352
Table 5-39. CPUIRQSEL23 Register Field Descriptions.....	353
Table 5-40. CPUIRQSEL24 Register Field Descriptions.....	354
Table 5-41. CPUIRQSEL25 Register Field Descriptions.....	355
Table 5-42. CPUIRQSEL26 Register Field Descriptions.....	356
Table 5-43. CPUIRQSEL27 Register Field Descriptions.....	357
Table 5-44. CPUIRQSEL28 Register Field Descriptions.....	358
Table 5-45. CPUIRQSEL29 Register Field Descriptions.....	359
Table 5-46. CPUIRQSEL30 Register Field Descriptions.....	360
Table 5-47. CPUIRQSEL31 Register Field Descriptions.....	361
Table 5-48. CPUIRQSEL32 Register Field Descriptions.....	362
Table 5-49. CPUIRQSEL33 Register Field Descriptions.....	363
Table 5-50. CPUIRQSEL34 Register Field Descriptions.....	364
Table 5-51. CPUIRQSEL35 Register Field Descriptions.....	365
Table 5-52. CPUIRQSEL36 Register Field Descriptions.....	366
Table 5-53. CPUIRQSEL37 Register Field Descriptions.....	367
Table 5-54. RFCSEL0 Register Field Descriptions.....	368
Table 5-55. RFCSEL1 Register Field Descriptions.....	369
Table 5-56. RFCSEL2 Register Field Descriptions.....	370
Table 5-57. RFCSEL3 Register Field Descriptions.....	371
Table 5-58. RFCSEL4 Register Field Descriptions.....	372
Table 5-59. RFCSEL5 Register Field Descriptions.....	373
Table 5-60. RFCSEL6 Register Field Descriptions.....	374
Table 5-61. RFCSEL7 Register Field Descriptions.....	375
Table 5-62. RFCSEL8 Register Field Descriptions.....	376
Table 5-63. RFCSEL9 Register Field Descriptions.....	377
Table 5-64. GPT0ACAPTSEL Register Field Descriptions.....	378
Table 5-65. GPT0BCAPTSEL Register Field Descriptions.....	381
Table 5-66. GPT1ACAPTSEL Register Field Descriptions.....	384
Table 5-67. GPT1BCAPTSEL Register Field Descriptions.....	387
Table 5-68. GPT2ACAPTSEL Register Field Descriptions.....	390
Table 5-69. GPT2BCAPTSEL Register Field Descriptions.....	393
Table 5-70. UDMACH1SSEL Register Field Descriptions.....	396
Table 5-71. UDMACH1BSEL Register Field Descriptions.....	397
Table 5-72. UDMACH2SSEL Register Field Descriptions.....	398
Table 5-73. UDMACH2BSEL Register Field Descriptions.....	399
Table 5-74. UDMACH3SSEL Register Field Descriptions.....	400
Table 5-75. UDMACH3BSEL Register Field Descriptions.....	401
Table 5-76. UDMACH4SSEL Register Field Descriptions.....	402
Table 5-77. UDMACH4BSEL Register Field Descriptions.....	403
Table 5-78. UDMACH5SSEL Register Field Descriptions.....	404
Table 5-79. UDMACH5BSEL Register Field Descriptions.....	405
Table 5-80. UDMACH6SSEL Register Field Descriptions.....	406
Table 5-81. UDMACH6BSEL Register Field Descriptions.....	407
Table 5-82. UDMACH7SSEL Register Field Descriptions.....	408
Table 5-83. UDMACH7BSEL Register Field Descriptions.....	409
Table 5-84. UDMACH8SSEL Register Field Descriptions.....	410
Table 5-85. UDMACH8BSEL Register Field Descriptions.....	411
Table 5-86. UDMACH9SSEL Register Field Descriptions.....	412
Table 5-87. UDMACH9BSEL Register Field Descriptions.....	413
Table 5-88. UDMACH10SSEL Register Field Descriptions.....	414
Table 5-89. UDMACH10BSEL Register Field Descriptions.....	415
Table 5-90. UDMACH11SSEL Register Field Descriptions.....	416
Table 5-91. UDMACH11BSEL Register Field Descriptions.....	417
Table 5-92. UDMACH12SSEL Register Field Descriptions.....	418
Table 5-93. UDMACH12BSEL Register Field Descriptions.....	419
Table 5-94. UDMACH13BSEL Register Field Descriptions.....	420
Table 5-95. UDMACH14BSEL Register Field Descriptions.....	421
Table 5-96. UDMACH15BSEL Register Field Descriptions.....	425
Table 5-97. UDMACH16SSEL Register Field Descriptions.....	426

Table 5-98. UDMACH16BSEL Register Field Descriptions.....	427
Table 5-99. UDMACH17SSEL Register Field Descriptions.....	428
Table 5-100. UDMACH17BSEL Register Field Descriptions.....	429
Table 5-101. UDMACH21SSEL Register Field Descriptions.....	430
Table 5-102. UDMACH21BSEL Register Field Descriptions.....	431
Table 5-103. UDMACH22SSEL Register Field Descriptions.....	432
Table 5-104. UDMACH22BSEL Register Field Descriptions.....	433
Table 5-105. UDMACH23SSEL Register Field Descriptions.....	434
Table 5-106. UDMACH23BSEL Register Field Descriptions.....	435
Table 5-107. UDMACH24SSEL Register Field Descriptions.....	436
Table 5-108. UDMACH24BSEL Register Field Descriptions.....	437
Table 5-109. GPT3ACAPTSSEL Register Field Descriptions.....	438
Table 5-110. GPT3BCAPTSSEL Register Field Descriptions.....	441
Table 5-111. AUXSEL0 Register Field Descriptions.....	444
Table 5-112. CM3NMISEL0 Register Field Descriptions.....	445
Table 5-113. I2SSTMPSEL0 Register Field Descriptions.....	446
Table 5-114. FRZSEL0 Register Field Descriptions.....	447
Table 5-115. SWEV Register Field Descriptions.....	448
Table 6-1. IEEE 1149.7 Feature Subset.....	452
Table 6-2. OScan Scan Packet Contents.....	453
Table 6-3. cJTAG Commands.....	455
Table 6-4. Slave TAP Order.....	459
Table 6-5. Register Summary.....	460
Table 6-6. Instruction Register Opcodes.....	460
Table 6-7. Device Identification Register Description.....	462
Table 6-8. User Code Register Description.....	462
Table 6-9. ICEPick Identification Register Description.....	462
Table 6-10. Connect Register Description.....	463
Table 6-11. ROUTER DR Scan Chain Description.....	463
Table 6-12. Control Block Registers.....	464
Table 6-13. All0s Register.....	465
Table 6-14. ICEPick Control Register.....	465
Table 6-15. ICEPick Linking Mode Register.....	465
Table 6-16. ICEPick TAP Link Mode.....	465
Table 6-17. Test TAP Linking Registers.....	466
Table 6-18. Secondary Test TAP Register (STTR).....	466
Table 6-19. Debug TAP Linking Registers.....	466
Table 6-20. Secondary Debug TAP Register (SDTR).....	467
Table 6-21. Reset Control.....	468
Table 6-22. Debug Features Supported Through WUC TAP.....	470
Table 6-23. Profiler Register Fields.....	470
Table 6-24. Boundary Scan I/O for Different Devices.....	473
Table 7-1. Power Saving Features.....	476
Table 7-2. Power Modes in TI-RTOS.....	476
Table 7-3. System CPU Modes.....	477
Table 7-4. System Clocks.....	481
Table 7-5. Power Modes as Defined in TI-RTOS.....	486
Table 7-6. Example Sequence for Setting CC13x1x3 and CC26x1x3 in Standby Mode.....	488
Table 7-7. Example Sequence for Going to Shutdown.....	489
Table 7-8. OSC_DIG Registers.....	491
Table 7-9. OSC_DIG Access Type Codes.....	491
Table 7-10. CTL0 Register Field Descriptions.....	492
Table 7-11. CTL1 Register Field Descriptions.....	494
Table 7-12. RADCEXTCFG Register Field Descriptions.....	495
Table 7-13. AMPCOMPCTL Register Field Descriptions.....	496
Table 7-14. AMPCOMPPTH1 Register Field Descriptions.....	497
Table 7-15. AMPCOMPPTH2 Register Field Descriptions.....	498
Table 7-16. ANABYPASSVAL1 Register Field Descriptions.....	499
Table 7-17. ANABYPASSVAL2 Register Field Descriptions.....	500
Table 7-18. ATESTCTL Register Field Descriptions.....	501
Table 7-19. ADCDOUBLERNANOAMPCTL Register Field Descriptions.....	502

Table 7-20. XOSCHFCTL Register Field Descriptions.....	503
Table 7-21. LFOSCCTL Register Field Descriptions.....	504
Table 7-22. RCOSCHFCTL Register Field Descriptions.....	505
Table 7-23. RCOSCMFCTL Register Field Descriptions.....	506
Table 7-24. STAT0 Register Field Descriptions.....	507
Table 7-25. STAT1 Register Field Descriptions.....	509
Table 7-26. STAT2 Register Field Descriptions.....	511
Table 7-27. PRCM Registers.....	512
Table 7-28. PRCM Access Type Codes.....	513
Table 7-29. INFRCLKDIVR Register Field Descriptions.....	515
Table 7-30. INFRCLKDIVS Register Field Descriptions.....	516
Table 7-31. INFRCLKDIVDS Register Field Descriptions.....	517
Table 7-32. VDCTL Register Field Descriptions.....	518
Table 7-33. CLKLOADCTL Register Field Descriptions.....	519
Table 7-34. RFCCLKG Register Field Descriptions.....	521
Table 7-35. VIMSCLKG Register Field Descriptions.....	522
Table 7-36. SECDMACLKGR Register Field Descriptions.....	523
Table 7-37. SECDMACLKGS Register Field Descriptions.....	525
Table 7-38. SECDMACLKGDS Register Field Descriptions.....	526
Table 7-39. GPIOCLKGR Register Field Descriptions.....	527
Table 7-40. GPIOCLKGS Register Field Descriptions.....	528
Table 7-41. GPIOCLKGDS Register Field Descriptions.....	529
Table 7-42. GPTCLKGR Register Field Descriptions.....	530
Table 7-43. GPTCLKGS Register Field Descriptions.....	531
Table 7-44. GPTCLKGDS Register Field Descriptions.....	532
Table 7-45. I2CCLKGR Register Field Descriptions.....	533
Table 7-46. I2CCLKGS Register Field Descriptions.....	534
Table 7-47. I2CCLKGDS Register Field Descriptions.....	535
Table 7-48. UARTCLKGR Register Field Descriptions.....	536
Table 7-49. UARTCLKGS Register Field Descriptions.....	537
Table 7-50. UARTCLKGDS Register Field Descriptions.....	538
Table 7-51. SSICLKGR Register Field Descriptions.....	539
Table 7-52. SSICLKGS Register Field Descriptions.....	540
Table 7-53. SSICLKGDS Register Field Descriptions.....	541
Table 7-54. I2SCLKGR Register Field Descriptions.....	542
Table 7-55. I2SCLKGS Register Field Descriptions.....	543
Table 7-56. I2SCLKGDS Register Field Descriptions.....	544
Table 7-57. SYSBUSCLKDIV Register Field Descriptions.....	545
Table 7-58. CPUCLKDIV Register Field Descriptions.....	546
Table 7-59. PERBUSCPUCLKDIV Register Field Descriptions.....	547
Table 7-60. PERDMACLKDIV Register Field Descriptions.....	548
Table 7-61. I2SBCLKSEL Register Field Descriptions.....	549
Table 7-62. GPTCLKDIV Register Field Descriptions.....	550
Table 7-63. I2SCLKCTL Register Field Descriptions.....	551
Table 7-64. I2SMCLKDIV Register Field Descriptions.....	552
Table 7-65. I2SBCLKDIV Register Field Descriptions.....	553
Table 7-66. I2SWCLKDIV Register Field Descriptions.....	554
Table 7-67. RESETSECDMA Register Field Descriptions.....	555
Table 7-68. RESETGPIO Register Field Descriptions.....	556
Table 7-69. RESETGPT Register Field Descriptions.....	557
Table 7-70. RESETI2C Register Field Descriptions.....	558
Table 7-71. RESETUART Register Field Descriptions.....	559
Table 7-72. RESETSSI Register Field Descriptions.....	560
Table 7-73. RESETI2S Register Field Descriptions.....	561
Table 7-74. PDCTL0 Register Field Descriptions.....	562
Table 7-75. PDCTL0RFC Register Field Descriptions.....	563
Table 7-76. PDCTL0SERIAL Register Field Descriptions.....	564
Table 7-77. PDCTL0PERIPH Register Field Descriptions.....	565
Table 7-78. PDSTAT0 Register Field Descriptions.....	566
Table 7-79. PDSTAT0RFC Register Field Descriptions.....	567
Table 7-80. PDSTAT0SERIAL Register Field Descriptions.....	568

Table 7-81. PDSTAT0PERIPH Register Field Descriptions.....	569
Table 7-82. PDCTL1 Register Field Descriptions.....	570
Table 7-83. PDCTL1CPU Register Field Descriptions.....	571
Table 7-84. PDCTL1RFC Register Field Descriptions.....	572
Table 7-85. PDCTL1VIMS Register Field Descriptions.....	573
Table 7-86. PDSTAT1 Register Field Descriptions.....	574
Table 7-87. PDSTAT1BUS Register Field Descriptions.....	575
Table 7-88. PDSTAT1RFC Register Field Descriptions.....	576
Table 7-89. PDSTAT1CPU Register Field Descriptions.....	577
Table 7-90. PDSTAT1VIMS Register Field Descriptions.....	578
Table 7-91. RFCBITS Register Field Descriptions.....	579
Table 7-92. RFCMODESEL Register Field Descriptions.....	580
Table 7-93. RFCMODEHWOPT Register Field Descriptions.....	581
Table 7-94. PWRPROFSTAT Register Field Descriptions.....	582
Table 7-95. RAMRETEN Register Field Descriptions.....	583
Table 7-96. OSCIMSC Register Field Descriptions.....	584
Table 7-97. OSCRIS Register Field Descriptions.....	585
Table 7-98. OSCICR Register Field Descriptions.....	588
Table 7-99. AON_PMCTL Registers.....	589
Table 7-100. AON_PMCTL Access Type Codes.....	589
Table 7-101. AUXSCECLK Register Field Descriptions.....	590
Table 7-102. RAMCFG Register Field Descriptions.....	591
Table 7-103. PWRCTL Register Field Descriptions.....	592
Table 7-104. PWRSTAT Register Field Descriptions.....	593
Table 7-105. SHUTDOWN Register Field Descriptions.....	594
Table 7-106. RECHARGECFG Register Field Descriptions.....	595
Table 7-107. RECHARGESTAT Register Field Descriptions.....	596
Table 7-108. OSCCFG Register Field Descriptions.....	597
Table 7-109. RESETCTL Register Field Descriptions.....	598
Table 7-110. SLEEPCTL Register Field Descriptions.....	600
Table 7-111. JTAGCFG Register Field Descriptions.....	601
Table 7-112. JTAGUSERCODE Register Field Descriptions.....	602
Table 8-1. Valid Retention Combination for VIMS Memory.....	610
Table 8-2. CC13x1x3 and CC26x1x3 Memory Write/Erase Protection ^{(1) (2) (3)}	612
Table 8-3. FLASH Registers.....	615
Table 8-4. FLASH Access Type Codes.....	617
Table 8-5. STAT Register Field Descriptions.....	619
Table 8-6. CFG Register Field Descriptions.....	620
Table 8-7. SYSCODE_START Register Field Descriptions.....	621
Table 8-8. FLASH_SIZE Register Field Descriptions.....	622
Table 8-9. FWLOCK Register Field Descriptions.....	623
Table 8-10. FWFLAG Register Field Descriptions.....	624
Table 8-11. EFUSE Register Field Descriptions.....	625
Table 8-12. EFUSEADDR Register Field Descriptions.....	626
Table 8-13. DATAUPPER Register Field Descriptions.....	627
Table 8-14. DATALOWER Register Field Descriptions.....	628
Table 8-15. EFUSECFG Register Field Descriptions.....	629
Table 8-16. EFUSESTAT Register Field Descriptions.....	630
Table 8-17. ACC Register Field Descriptions.....	631
Table 8-18. BOUNDARY Register Field Descriptions.....	632
Table 8-19. EFUSEFLAG Register Field Descriptions.....	633
Table 8-20. EFUSEKEY Register Field Descriptions.....	634
Table 8-21. EFUSERELEASE Register Field Descriptions.....	635
Table 8-22. EFUSEPINS Register Field Descriptions.....	636
Table 8-23. EFUSECRA Register Field Descriptions.....	637
Table 8-24. EFUSEREAD Register Field Descriptions.....	638
Table 8-25. EFUSEPROGRAM Register Field Descriptions.....	639
Table 8-26. EFUSEERROR Register Field Descriptions.....	640
Table 8-27. SINGLEBIT Register Field Descriptions.....	641
Table 8-28. TWOBIT Register Field Descriptions.....	642
Table 8-29. SELFTESTCYC Register Field Descriptions.....	643

Table 8-30. SELFTESTSIGN Register Field Descriptions.....	644
Table 8-31. FRDCTL Register Field Descriptions.....	645
Table 8-32. FSPRD Register Field Descriptions.....	646
Table 8-33. FEDACCTL1 Register Field Descriptions.....	647
Table 8-34. FEDACSTAT Register Field Descriptions.....	648
Table 8-35. FBPROT Register Field Descriptions.....	649
Table 8-36. FBSE Register Field Descriptions.....	650
Table 8-37. FBBUSY Register Field Descriptions.....	651
Table 8-38. FBAC Register Field Descriptions.....	652
Table 8-39. FBFALLBACK Register Field Descriptions.....	653
Table 8-40. FBPRDY Register Field Descriptions.....	654
Table 8-41. FPAC1 Register Field Descriptions.....	655
Table 8-42. FPAC2 Register Field Descriptions.....	656
Table 8-43. FMAC Register Field Descriptions.....	657
Table 8-44. FMSTAT Register Field Descriptions.....	658
Table 8-45. FLOCK Register Field Descriptions.....	659
Table 8-46. FVREADCT Register Field Descriptions.....	660
Table 8-47. FVHVCT1 Register Field Descriptions.....	661
Table 8-48. FVHVCT2 Register Field Descriptions.....	662
Table 8-49. FVHVCT3 Register Field Descriptions.....	663
Table 8-50. FVNVCT Register Field Descriptions.....	664
Table 8-51. FVSLP Register Field Descriptions.....	665
Table 8-52. FVWLCT Register Field Descriptions.....	666
Table 8-53. FEFUSECTL Register Field Descriptions.....	667
Table 8-54. FEFUSESTAT Register Field Descriptions.....	668
Table 8-55. FEFUSEDATA Register Field Descriptions.....	669
Table 8-56. FSEQPMP Register Field Descriptions.....	670
Table 8-57. FBSTROBES Register Field Descriptions.....	671
Table 8-58. FPSTROBES Register Field Descriptions.....	672
Table 8-59. FBMODE Register Field Descriptions.....	673
Table 8-60. FTCR Register Field Descriptions.....	674
Table 8-61. FADDR Register Field Descriptions.....	675
Table 8-62. FTCTL Register Field Descriptions.....	676
Table 8-63. FWPWRITE0 Register Field Descriptions.....	677
Table 8-64. FWPWRITE1 Register Field Descriptions.....	678
Table 8-65. FWPWRITE2 Register Field Descriptions.....	679
Table 8-66. FWPWRITE3 Register Field Descriptions.....	680
Table 8-67. FWPWRITE4 Register Field Descriptions.....	681
Table 8-68. FWPWRITE5 Register Field Descriptions.....	682
Table 8-69. FWPWRITE6 Register Field Descriptions.....	683
Table 8-70. FWPWRITE7 Register Field Descriptions.....	684
Table 8-71. FWPWRITE_ECC Register Field Descriptions.....	685
Table 8-72. FSWSTAT Register Field Descriptions.....	686
Table 8-73. FSM_GLBCTL Register Field Descriptions.....	687
Table 8-74. FSM_STATE Register Field Descriptions.....	688
Table 8-75. FSM_STAT Register Field Descriptions.....	689
Table 8-76. FSM_CMD Register Field Descriptions.....	690
Table 8-77. FSM_PE_OSU Register Field Descriptions.....	691
Table 8-78. FSM_VSTAT Register Field Descriptions.....	692
Table 8-79. FSM_PE_VSU Register Field Descriptions.....	693
Table 8-80. FSM_CMP_VSU Register Field Descriptions.....	694
Table 8-81. FSM_EX_VAL Register Field Descriptions.....	695
Table 8-82. FSM_RD_H Register Field Descriptions.....	696
Table 8-83. FSM_P_OH Register Field Descriptions.....	697
Table 8-84. FSM_ERA_OH Register Field Descriptions.....	698
Table 8-85. FSM_SAV_PPUL Register Field Descriptions.....	699
Table 8-86. FSM_PE_VH Register Field Descriptions.....	700
Table 8-87. FSM_PRG_PW Register Field Descriptions.....	701
Table 8-88. FSM_ERA_PW Register Field Descriptions.....	702
Table 8-89. FSM_SAV_ERA_PUL Register Field Descriptions.....	703
Table 8-90. FSM_TIMER Register Field Descriptions.....	704

Table 8-91. FSM_MODE Register Field Descriptions.....	705
Table 8-92. FSM_PGM Register Field Descriptions.....	706
Table 8-93. FSM_ERA Register Field Descriptions.....	707
Table 8-94. FSM_PRG_PUL Register Field Descriptions.....	708
Table 8-95. FSM_ERA_PUL Register Field Descriptions.....	709
Table 8-96. FSM_STEP_SIZE Register Field Descriptions.....	710
Table 8-97. FSM_PUL_CNTR Register Field Descriptions.....	711
Table 8-98. FSM_EC_STEP_HEIGHT Register Field Descriptions.....	712
Table 8-99. FSM_ST_MACHINE Register Field Descriptions.....	713
Table 8-100. FSM_FLES Register Field Descriptions.....	714
Table 8-101. FSM_WR_ENA Register Field Descriptions.....	715
Table 8-102. FSM_ACC_PP Register Field Descriptions.....	716
Table 8-103. FSM_ACC_EP Register Field Descriptions.....	717
Table 8-104. FSM_ADDR Register Field Descriptions.....	718
Table 8-105. FSM_SECTOR Register Field Descriptions.....	719
Table 8-106. FMC_REV_ID Register Field Descriptions.....	720
Table 8-107. FSM_ERR_ADDR Register Field Descriptions.....	721
Table 8-108. FSM_PGM_MAXPUL Register Field Descriptions.....	722
Table 8-109. FSM_EXECUTE Register Field Descriptions.....	723
Table 8-110. FSM_SECTOR1 Register Field Descriptions.....	724
Table 8-111. FSM_SECTOR2 Register Field Descriptions.....	725
Table 8-112. FSM_BSLE0 Register Field Descriptions.....	726
Table 8-113. FSM_BSLE1 Register Field Descriptions.....	727
Table 8-114. FSM_BSLP0 Register Field Descriptions.....	728
Table 8-115. FSM_BSLP1 Register Field Descriptions.....	729
Table 8-116. FSM_PGM128 Register Field Descriptions.....	730
Table 8-117. FCFG_BANK Register Field Descriptions.....	731
Table 8-118. FCFG_WRAPPER Register Field Descriptions.....	732
Table 8-119. FCFG_BNK_TYPE Register Field Descriptions.....	733
Table 8-120. FCFG_B0_START Register Field Descriptions.....	734
Table 8-121. FCFG_B1_START Register Field Descriptions.....	735
Table 8-122. FCFG_B2_START Register Field Descriptions.....	736
Table 8-123. FCFG_B3_START Register Field Descriptions.....	737
Table 8-124. FCFG_B4_START Register Field Descriptions.....	738
Table 8-125. FCFG_B5_START Register Field Descriptions.....	739
Table 8-126. FCFG_B6_START Register Field Descriptions.....	740
Table 8-127. FCFG_B7_START Register Field Descriptions.....	741
Table 8-128. FCFG_B0_SSIZE0 Register Field Descriptions.....	742
Table 8-129. VIMS Registers.....	743
Table 8-130. VIMS Access Type Codes.....	743
Table 8-131. STAT Register Field Descriptions.....	744
Table 8-132. CTL Register Field Descriptions.....	745
Table 9-1. SRAM Registers.....	749
Table 9-2. SRAM Access Type Codes.....	749
Table 9-3. BANK0_y Register Field Descriptions.....	750
Table 10-1. Protocol Acknowledge and Not-Acknowledge Bytes.....	754
Table 10-2. Configuration of Serial Interfaces.....	755
Table 10-3. Supported Bootloader Commands.....	757
Table 10-4. Defined Status Values.....	761
Table 10-5. Defined CCFG Field IDs and Field Values.....	766
Table 11-1. CCFG Registers.....	772
Table 11-2. CCFG Access Type Codes.....	772
Table 11-3. EXT_LF_CLK Register Field Descriptions.....	773
Table 11-4. MODE_CONF_1 Register Field Descriptions.....	774
Table 11-5. SIZE_AND_DIS_FLAGS Register Field Descriptions.....	776
Table 11-6. MODE_CONF Register Field Descriptions.....	777
Table 11-7. VOLT_LOAD_0 Register Field Descriptions.....	779
Table 11-8. VOLT_LOAD_1 Register Field Descriptions.....	780
Table 11-9. RTC_OFFSET Register Field Descriptions.....	781
Table 11-10. FREQ_OFFSET Register Field Descriptions.....	782

Table 11-11. IEEE_MAC_0 Register Field Descriptions.....	783
Table 11-12. IEEE_MAC_1 Register Field Descriptions.....	784
Table 11-13. IEEE_BLE_0 Register Field Descriptions.....	785
Table 11-14. IEEE_BLE_1 Register Field Descriptions.....	786
Table 11-15. BL_CONFIG Register Field Descriptions.....	787
Table 11-16. ERASE_CONF Register Field Descriptions.....	788
Table 11-17. CCFG_TI_OPTIONS Register Field Descriptions.....	789
Table 11-18. CCFG_TAP_DAP_0 Register Field Descriptions.....	790
Table 11-19. CCFG_TAP_DAP_1 Register Field Descriptions.....	791
Table 11-20. IMAGE_VALID_CONF Register Field Descriptions.....	792
Table 11-21. CCFG_PROT_31_0 Register Field Descriptions.....	793
Table 11-22. CCFG_PROT_63_32 Register Field Descriptions.....	795
Table 11-23. CCFG_PROT_95_64 Register Field Descriptions.....	797
Table 11-24. CCFG_PROT_127_96 Register Field Descriptions.....	799
Table 11-25. FCFG1 Registers.....	801
Table 11-26. FCFG1 Access Type Codes.....	803
Table 11-27. MISC_CONF_1 Register Field Descriptions.....	804
Table 11-28. MISC_CONF_2 Register Field Descriptions.....	805
Table 11-29. HPOSC_MEAS_5 Register Field Descriptions.....	806
Table 11-30. HPOSC_MEAS_4 Register Field Descriptions.....	807
Table 11-31. HPOSC_MEAS_3 Register Field Descriptions.....	808
Table 11-32. HPOSC_MEAS_2 Register Field Descriptions.....	809
Table 11-33. HPOSC_MEAS_1 Register Field Descriptions.....	810
Table 11-34. CONFIG_CC26_FE Register Field Descriptions.....	811
Table 11-35. CONFIG_CC13_FE Register Field Descriptions.....	812
Table 11-36. CONFIG_RF_COMMON Register Field Descriptions.....	813
Table 11-37. CONFIG_SYNTH_DIV2_CC26_2G4 Register Field Descriptions.....	814
Table 11-38. CONFIG_SYNTH_DIV2_CC13_2G4 Register Field Descriptions.....	815
Table 11-39. CONFIG_SYNTH_DIV2_CC26_1G Register Field Descriptions.....	816
Table 11-40. CONFIG_SYNTH_DIV2_CC13_1G Register Field Descriptions.....	817
Table 11-41. CONFIG_SYNTH_DIV4_CC26 Register Field Descriptions.....	818
Table 11-42. CONFIG_SYNTH_DIV4_CC13 Register Field Descriptions.....	819
Table 11-43. CONFIG_SYNTH_DIV5 Register Field Descriptions.....	820
Table 11-44. CONFIG_SYNTH_DIV6_CC26 Register Field Descriptions.....	821
Table 11-45. CONFIG_SYNTH_DIV6_CC13 Register Field Descriptions.....	822
Table 11-46. CONFIG_SYNTH_DIV10 Register Field Descriptions.....	823
Table 11-47. CONFIG_SYNTH_DIV12_CC26 Register Field Descriptions.....	824
Table 11-48. CONFIG_SYNTH_DIV12_CC13 Register Field Descriptions.....	825
Table 11-49. CONFIG_SYNTH_DIV15 Register Field Descriptions.....	826
Table 11-50. CONFIG_SYNTH_DIV30 Register Field Descriptions.....	827
Table 11-51. FLASH_NUMBER Register Field Descriptions.....	828
Table 11-52. FLASH_COORDINATE Register Field Descriptions.....	829
Table 11-53. FLASH_E_P Register Field Descriptions.....	830
Table 11-54. FLASH_C_E_P_R Register Field Descriptions.....	831
Table 11-55. FLASH_P_R_PV Register Field Descriptions.....	832
Table 11-56. FLASH_EH_SEQ Register Field Descriptions.....	833
Table 11-57. FLASH_VHV_E Register Field Descriptions.....	834
Table 11-58. FLASH_PP Register Field Descriptions.....	835
Table 11-59. FLASH_PROG_EP Register Field Descriptions.....	836
Table 11-60. FLASH_ERA_PW Register Field Descriptions.....	837
Table 11-61. FLASH_VHV Register Field Descriptions.....	838
Table 11-62. FLASH_VHV_PV Register Field Descriptions.....	839
Table 11-63. FLASH_V Register Field Descriptions.....	840
Table 11-64. USER_ID Register Field Descriptions.....	841
Table 11-65. FLASH_OTP_DATA3 Register Field Descriptions.....	843
Table 11-66. ANA2_TRIM Register Field Descriptions.....	844
Table 11-67. LDO_TRIM Register Field Descriptions.....	845
Table 11-68. MAC_BLE_0 Register Field Descriptions.....	846
Table 11-69. MAC_BLE_1 Register Field Descriptions.....	847
Table 11-70. MAC_15_4_0 Register Field Descriptions.....	848
Table 11-71. MAC_15_4_1 Register Field Descriptions.....	849

Table 11-72. FLASH_OTP_DATA4 Register Field Descriptions.....	850
Table 11-73. MISC_TRIM Register Field Descriptions.....	852
Table 11-74. RCOSC_HF_TEMPComp Register Field Descriptions.....	853
Table 11-75. ICEPICK_DEVICE_ID Register Field Descriptions.....	854
Table 11-76. FCFG1_REVISION Register Field Descriptions.....	855
Table 11-77. MISC_OTP_DATA Register Field Descriptions.....	856
Table 11-78. IOCONF Register Field Descriptions.....	857
Table 11-79. CONFIG_IF_ADC Register Field Descriptions.....	858
Table 11-80. CONFIG_OSC_TOP Register Field Descriptions.....	859
Table 11-81. SOC_ADC_ABS_GAIN Register Field Descriptions.....	860
Table 11-82. SOC_ADC_REL_GAIN Register Field Descriptions.....	861
Table 11-83. SOC_ADC_OFFSET_INT Register Field Descriptions.....	862
Table 11-84. SOC_ADC_REF_TRIM_AND_OFFSET_EXT Register Field Descriptions.....	863
Table 11-85. AMPCOMP_TH1 Register Field Descriptions.....	864
Table 11-86. AMPCOMP_TH2 Register Field Descriptions.....	865
Table 11-87. AMPCOMP_CTRL1 Register Field Descriptions.....	866
Table 11-88. ANABYPASS_VALUE2 Register Field Descriptions.....	867
Table 11-89. VOLT_TRIM Register Field Descriptions.....	868
Table 11-90. OSC_CONF Register Field Descriptions.....	869
Table 11-91. FREQ_OFFSET Register Field Descriptions.....	871
Table 11-92. MISC_OTP_DATA_1 Register Field Descriptions.....	872
Table 11-93. SHDW_DIE_ID_0 Register Field Descriptions.....	873
Table 11-94. SHDW_DIE_ID_1 Register Field Descriptions.....	874
Table 11-95. SHDW_DIE_ID_2 Register Field Descriptions.....	875
Table 11-96. SHDW_DIE_ID_3 Register Field Descriptions.....	876
Table 11-97. SHDW_OSC_BIAS_LDO_TRIM Register Field Descriptions.....	877
Table 11-98. SHDW_ANA_TRIM Register Field Descriptions.....	878
Table 11-99. DAC_BIAS_CNF Register Field Descriptions.....	879
Table 11-100. TFW_PROBE Register Field Descriptions.....	880
Table 11-101. TFW_FT Register Field Descriptions.....	881
Table 11-102. DAC_CAL0 Register Field Descriptions.....	882
Table 11-103. DAC_CAL1 Register Field Descriptions.....	883
Table 11-104. DAC_CAL2 Register Field Descriptions.....	884
Table 11-105. DAC_CAL3 Register Field Descriptions.....	885
Table 12-1. Detailed Memory Map ⁽¹⁾	891
Table 12-2. Supported DMAC Operations.....	895
Table 12-3. Valid Combinations for ALGSEL Flags.....	896
Table 12-4. AES_KEY.....	897
Table 12-5. AES_KEY.....	897
Table 12-6. For CCM.....	898
Table 12-7. For CBC-MAC.....	898
Table 12-8. AES Initialization Vector Registers.....	898
Table 12-9. Initialization Vector, Used for Regular Non-ECB Modes (CBC/CTR).....	898
Table 12-10. Initialization Vector, Used for CCM.....	898
Table 12-11. Initialization Vector, Used for CBC-MAC.....	898
Table 12-12. Input/Output Block Format Per Operating Mode.....	900
Table 12-13. AES Tag Output Register.....	900
Table 12-14. For CCM and CBC-MAC.....	900
Table 12-15. Performance Table for DMA-Based Operations.....	903
Table 12-16. Acronyms.....	914
Table 12-17. Formulas and Nomenclature.....	915
Table 12-18. CRYPTO Registers.....	917
Table 12-19. CRYPTO Access Type Codes.....	918
Table 12-20. DMACH0CTL Register Field Descriptions.....	919
Table 12-21. DMACH0EXTADDR Register Field Descriptions.....	920
Table 12-22. DMACH0LEN Register Field Descriptions.....	921
Table 12-23. DMASTAT Register Field Descriptions.....	922
Table 12-24. DMASWRESET Register Field Descriptions.....	923
Table 12-25. DMACH1CTL Register Field Descriptions.....	924
Table 12-26. DMACH1EXTADDR Register Field Descriptions.....	925
Table 12-27. DMACH1LEN Register Field Descriptions.....	926

Table 12-28. DMABUSCFG Register Field Descriptions.....	927
Table 12-29. DMAPORTERR Register Field Descriptions.....	928
Table 12-30. DMAHWVER Register Field Descriptions.....	929
Table 12-31. KEYWRITEAREA Register Field Descriptions.....	930
Table 12-32. KEYWRITTENAREA Register Field Descriptions.....	932
Table 12-33. KEYSIZE Register Field Descriptions.....	934
Table 12-34. KEYREADAREA Register Field Descriptions.....	935
Table 12-35. AESKEY2_y Register Field Descriptions.....	936
Table 12-36. AESKEY3_y Register Field Descriptions.....	937
Table 12-37. AESIV_y Register Field Descriptions.....	938
Table 12-38. AESCTL Register Field Descriptions.....	939
Table 12-39. AESDATALEN0 Register Field Descriptions.....	941
Table 12-40. AESDATALEN1 Register Field Descriptions.....	942
Table 12-41. AESAUTHLEN Register Field Descriptions.....	943
Table 12-42. AESDATAOUT0 Register Field Descriptions.....	944
Table 12-43. AESDATAIN0 Register Field Descriptions.....	945
Table 12-44. AESDATAOUT1 Register Field Descriptions.....	946
Table 12-45. AESDATAIN1 Register Field Descriptions.....	947
Table 12-46. AESDATAOUT2 Register Field Descriptions.....	948
Table 12-47. AESDATAIN2 Register Field Descriptions.....	949
Table 12-48. AESDATAOUT3 Register Field Descriptions.....	950
Table 12-49. AESDATAIN3 Register Field Descriptions.....	951
Table 12-50. AESTAGOUT_y Register Field Descriptions.....	952
Table 12-51. ALGSEL Register Field Descriptions.....	953
Table 12-52. DMAPROTCTL Register Field Descriptions.....	954
Table 12-53. SWRESET Register Field Descriptions.....	955
Table 12-54. IRQTYPE Register Field Descriptions.....	956
Table 12-55. IRQEN Register Field Descriptions.....	957
Table 12-56. IRQCLR Register Field Descriptions.....	958
Table 12-57. IRQSET Register Field Descriptions.....	959
Table 12-58. IRQSTAT Register Field Descriptions.....	960
Table 12-59. HWVER Register Field Descriptions.....	961
Table 13-1. RF Core Data Signals for PA and LNA.....	965
Table 13-2. CC13x1x3 and CC26x1x3 Pin Mapping.....	968
Table 13-3. CC13x1x3 and CC26x1x3 PORTIDs.....	969
Table 13-4. AON_IOC Registers.....	972
Table 13-5. AON_IOC Access Type Codes.....	972
Table 13-6. IOSTRMIN Register Field Descriptions.....	973
Table 13-7. IOSTRMED Register Field Descriptions.....	974
Table 13-8. IOSTRMAX Register Field Descriptions.....	975
Table 13-9. CLK32KCTL Register Field Descriptions.....	976
Table 13-10. TCKCTL Register Field Descriptions.....	977
Table 13-11. GPIO Registers.....	978
Table 13-12. GPIO Access Type Codes.....	978
Table 13-13. DOUT3_0 Register Field Descriptions.....	979
Table 13-14. DOUT7_4 Register Field Descriptions.....	980
Table 13-15. DOUT11_8 Register Field Descriptions.....	981
Table 13-16. DOUT15_12 Register Field Descriptions.....	982
Table 13-17. DOUT19_16 Register Field Descriptions.....	983
Table 13-18. DOUT23_20 Register Field Descriptions.....	984
Table 13-19. DOUT27_24 Register Field Descriptions.....	985
Table 13-20. DOUT31_28 Register Field Descriptions.....	986
Table 13-21. DOUT31_0 Register Field Descriptions.....	987
Table 13-22. DOUTSET31_0 Register Field Descriptions.....	989
Table 13-23. DOUTCLR31_0 Register Field Descriptions.....	991
Table 13-24. DOUTTGL31_0 Register Field Descriptions.....	993
Table 13-25. DIN31_0 Register Field Descriptions.....	995
Table 13-26. DOE31_0 Register Field Descriptions.....	997
Table 13-27. EVFLAGS31_0 Register Field Descriptions.....	999
Table 13-28. IOC Registers.....	1001
Table 13-29. IOC Access Type Codes.....	1001

Table 13-30. IOCFG0 Register Field Descriptions.....	1003
Table 13-31. IOCFG1 Register Field Descriptions.....	1008
Table 13-32. IOCFG2 Register Field Descriptions.....	1013
Table 13-33. IOCFG3 Register Field Descriptions.....	1018
Table 13-34. IOCFG4 Register Field Descriptions.....	1023
Table 13-35. IOCFG5 Register Field Descriptions.....	1028
Table 13-36. IOCFG6 Register Field Descriptions.....	1033
Table 13-37. IOCFG7 Register Field Descriptions.....	1038
Table 13-38. IOCFG8 Register Field Descriptions.....	1043
Table 13-39. IOCFG9 Register Field Descriptions.....	1048
Table 13-40. IOCFG10 Register Field Descriptions.....	1053
Table 13-41. IOCFG11 Register Field Descriptions.....	1058
Table 13-42. IOCFG12 Register Field Descriptions.....	1063
Table 13-43. IOCFG13 Register Field Descriptions.....	1068
Table 13-44. IOCFG14 Register Field Descriptions.....	1073
Table 13-45. IOCFG15 Register Field Descriptions.....	1078
Table 13-46. IOCFG16 Register Field Descriptions.....	1083
Table 13-47. IOCFG17 Register Field Descriptions.....	1088
Table 13-48. IOCFG18 Register Field Descriptions.....	1093
Table 13-49. IOCFG19 Register Field Descriptions.....	1098
Table 13-50. IOCFG20 Register Field Descriptions.....	1103
Table 13-51. IOCFG21 Register Field Descriptions.....	1108
Table 13-52. IOCFG22 Register Field Descriptions.....	1113
Table 13-53. IOCFG23 Register Field Descriptions.....	1118
Table 13-54. IOCFG24 Register Field Descriptions.....	1123
Table 13-55. IOCFG25 Register Field Descriptions.....	1128
Table 13-56. IOCFG26 Register Field Descriptions.....	1133
Table 13-57. IOCFG27 Register Field Descriptions.....	1138
Table 13-58. IOCFG28 Register Field Descriptions.....	1143
Table 13-59. IOCFG29 Register Field Descriptions.....	1148
Table 13-60. IOCFG30 Register Field Descriptions.....	1153
Table 13-61. IOCFG31 Register Field Descriptions.....	1158
Table 14-1. Channel Assignments.....	1166
Table 14-2. Request Type Support.....	1167
Table 14-3. Control Structure Memory Map.....	1168
Table 14-4. Channel Control Structure.....	1169
Table 14-5. μ DMA Read Example: 8-Bit Peripheral.....	1178
Table 14-6. μ DMA Interrupt Assignments.....	1179
Table 14-7. MDMA Registers.....	1182
Table 14-8. μ DMA Access Type Codes.....	1182
Table 14-9. STATUS Register Field Descriptions.....	1183
Table 14-10. CFG Register Field Descriptions.....	1185
Table 14-11. CTRL Register Field Descriptions.....	1186
Table 14-12. ALTCTRL Register Field Descriptions.....	1187
Table 14-13. WAITONREQ Register Field Descriptions.....	1188
Table 14-14. SOFTREQ Register Field Descriptions.....	1189
Table 14-15. SETBURST Register Field Descriptions.....	1190
Table 14-16. CLEARBURST Register Field Descriptions.....	1191
Table 14-17. SETREQMASK Register Field Descriptions.....	1192
Table 14-18. CLEARREQMASK Register Field Descriptions.....	1193
Table 14-19. SETCHANNELEN Register Field Descriptions.....	1194
Table 14-20. CLEARCHANNELEN Register Field Descriptions.....	1195
Table 14-21. SETCHNLPRIALT Register Field Descriptions.....	1196
Table 14-22. CLEARCHNLPRIALT Register Field Descriptions.....	1197
Table 14-23. SETCHNLPRRIORITY Register Field Descriptions.....	1198
Table 14-24. CLEARCHNLPRRIORITY Register Field Descriptions.....	1199
Table 14-25. ERROR Register Field Descriptions.....	1200
Table 14-26. REQDONE Register Field Descriptions.....	1201
Table 14-27. DONEMASK Register Field Descriptions.....	1202
Table 15-1. General-Purpose Timer Capabilities.....	1206
Table 15-2. 16-Bit Timer With Prescaler Configurations.....	1208

Table 15-3. Counter Values When the Timer is Enabled in Input Edge-Count Mode.....	1208
Table 15-4. Counter Values When the Timer is Enabled in Input Event-Count Mode.....	1209
Table 15-5. Counter Values When the Timer is Enabled in PWM Mode.....	1211
Table 15-6. Time-Out Actions for GPTM Modes.....	1214
Table 15-7. GPT Registers.....	1219
Table 15-8. GPT Access Type Codes.....	1219
Table 15-9. CFG Register Field Descriptions.....	1221
Table 15-10. TAMR Register Field Descriptions.....	1222
Table 15-11. TBMR Register Field Descriptions.....	1224
Table 15-12. CTL Register Field Descriptions.....	1226
Table 15-13. SYNC Register Field Descriptions.....	1228
Table 15-14. IMR Register Field Descriptions.....	1229
Table 15-15. RIS Register Field Descriptions.....	1231
Table 15-16. MIS Register Field Descriptions.....	1233
Table 15-17. ICLR Register Field Descriptions.....	1234
Table 15-18. TAILR Register Field Descriptions.....	1235
Table 15-19. TBILR Register Field Descriptions.....	1236
Table 15-20. TAMATCHR Register Field Descriptions.....	1237
Table 15-21. TBMATCHR Register Field Descriptions.....	1238
Table 15-22. TAPR Register Field Descriptions.....	1239
Table 15-23. TBPR Register Field Descriptions.....	1240
Table 15-24. TAPMR Register Field Descriptions.....	1241
Table 15-25. TBPMPR Register Field Descriptions.....	1242
Table 15-26. TAR Register Field Descriptions.....	1243
Table 15-27. TBR Register Field Descriptions.....	1244
Table 15-28. TAV Register Field Descriptions.....	1245
Table 15-29. TBV Register Field Descriptions.....	1246
Table 15-30. TAPS Register Field Descriptions.....	1247
Table 15-31. TBPS Register Field Descriptions.....	1248
Table 15-32. TAPV Register Field Descriptions.....	1249
Table 15-33. TBPV Register Field Descriptions.....	1250
Table 15-34. DMAEV Register Field Descriptions.....	1251
Table 15-35. VERSION Register Field Descriptions.....	1252
Table 15-36. ANDCCP Register Field Descriptions.....	1253
Table 16-1. AON_RTC Registers.....	1260
Table 16-2. AON_RTC Access Type Codes.....	1260
Table 16-3. CTL Register Field Descriptions.....	1261
Table 16-4. EVFLAGS Register Field Descriptions.....	1263
Table 16-5. SEC Register Field Descriptions.....	1264
Table 16-6. SUBSEC Register Field Descriptions.....	1265
Table 16-7. SUBSECINC Register Field Descriptions.....	1266
Table 16-8. CHCTL Register Field Descriptions.....	1267
Table 16-9. CH0CMP Register Field Descriptions.....	1268
Table 16-10. CH1CMP Register Field Descriptions.....	1269
Table 16-11. CH2CMP Register Field Descriptions.....	1270
Table 16-12. CH2CMPINC Register Field Descriptions.....	1271
Table 16-13. CH1CAPT Register Field Descriptions.....	1272
Table 16-14. SYNC Register Field Descriptions.....	1273
Table 16-15. TIME Register Field Descriptions.....	1274
Table 16-16. SYNCLF Register Field Descriptions.....	1275
Table 17-1. WDT Registers.....	1280
Table 17-2. WDT Access Type Codes.....	1280
Table 17-3. LOAD Register Field Descriptions.....	1281
Table 17-4. VALUE Register Field Descriptions.....	1282
Table 17-5. CTL Register Field Descriptions.....	1283
Table 17-6. ICR Register Field Descriptions.....	1284
Table 17-7. RIS Register Field Descriptions.....	1285
Table 17-8. MIS Register Field Descriptions.....	1286
Table 17-9. TEST Register Field Descriptions.....	1287
Table 17-10. INT_CAUS Register Field Descriptions.....	1288
Table 17-11. LOCK Register Field Descriptions.....	1289

Table 18-1. Events.....	1293
Table 18-2. Initialization of Surrounding Modules.....	1296
Table 18-3. TRNG Initialization Sequence.....	1296
Table 18-4. TRNG Interrupt Mode.....	1298
Table 18-5. TRNG Registers.....	1299
Table 18-6. TRNG Access Type Codes.....	1299
Table 18-7. OUT0 Register Field Descriptions.....	1300
Table 18-8. OUT1 Register Field Descriptions.....	1301
Table 18-9. IRQFLAGSTAT Register Field Descriptions.....	1302
Table 18-10. IRQFLAGMASK Register Field Descriptions.....	1303
Table 18-11. IRQFLAGCLR Register Field Descriptions.....	1304
Table 18-12. CTL Register Field Descriptions.....	1305
Table 18-13. CFG0 Register Field Descriptions.....	1306
Table 18-14. ALARMCNT Register Field Descriptions.....	1307
Table 18-15. FROEN Register Field Descriptions.....	1308
Table 18-16. FRODETUNE Register Field Descriptions.....	1309
Table 18-17. ALARMMASK Register Field Descriptions.....	1310
Table 18-18. ALARMSTOP Register Field Descriptions.....	1311
Table 18-19. LFSR0 Register Field Descriptions.....	1312
Table 18-20. LFSR1 Register Field Descriptions.....	1313
Table 18-21. LFSR2 Register Field Descriptions.....	1314
Table 18-22. HWOPT Register Field Descriptions.....	1315
Table 18-23. HWVER0 Register Field Descriptions.....	1316
Table 18-24. IRQSTATMASK Register Field Descriptions.....	1317
Table 18-25. HWVER1 Register Field Descriptions.....	1318
Table 18-26. IRQSET Register Field Descriptions.....	1319
Table 18-27. SWRESET Register Field Descriptions.....	1320
Table 18-28. IRQSTAT Register Field Descriptions.....	1321
Table 19-1. AUX Operational Modes.....	1327
Table 19-2. AUX Operational Clock Rates.....	1327
Table 19-3. Digital Peripherals.....	1330
Table 19-4. AUX I/O Control.....	1330
Table 19-5. Semaphore Resource Allocation.....	1333
Table 19-6. TDC Counter Clock Source.....	1337
Table 19-7. TDC Reference Clock Source.....	1337
Table 19-8. Phase Width Timing Requirements.....	1339
Table 19-9. Timing Requirements for Frequency Measurements.....	1339
Table 19-10. Arbitrary Time Measurement 1.....	1340
Table 19-11. Arbitrary Time Measurement 2.....	1341
Table 19-12. Arbitrary Time Measurement 3.....	1342
Table 19-13. Arbitrary Time Measurement 4.....	1343
Table 19-14. Analog Peripherals.....	1346
Table 19-15. ADC Clock Source.....	1350
Table 19-16. AUX Event Bus.....	1363
Table 19-17. AUX Event Subscribers.....	1364
Table 19-18. Asynchronous Event Detection.....	1364
Table 19-19. Events to MCU.....	1366
Table 19-20. Events to AON.....	1367
Table 19-21. AUX Domain Peripheral Registers.....	1367
Table 19-22. ADI_4_AUX Registers.....	1369
Table 19-23. ADI_4_AUX Access Type Codes.....	1369
Table 19-24. MUX0 Register Field Descriptions.....	1370
Table 19-25. MUX1 Register Field Descriptions.....	1371
Table 19-26. MUX2 Register Field Descriptions.....	1372
Table 19-27. MUX3 Register Field Descriptions.....	1373
Table 19-28. ISRC Register Field Descriptions.....	1374
Table 19-29. COMP Register Field Descriptions.....	1375
Table 19-30. MUX4 Register Field Descriptions.....	1376
Table 19-31. ADC0 Register Field Descriptions.....	1377
Table 19-32. ADC1 Register Field Descriptions.....	1378
Table 19-33. ADCREF0 Register Field Descriptions.....	1379

Table 19-34. ADCREF1 Register Field Descriptions.....	1380
Table 19-35. LPMBIAS Register Field Descriptions.....	1381
Table 19-36. AUX_AIODIO Registers.....	1382
Table 19-37. AUX_AIODIO Access Type Codes.....	1382
Table 19-38. IOMODE Register Field Descriptions.....	1383
Table 19-39. GPIODIE Register Field Descriptions.....	1388
Table 19-40. IOPOE Register Field Descriptions.....	1389
Table 19-41. GPIODOUT Register Field Descriptions.....	1390
Table 19-42. GPIODIN Register Field Descriptions.....	1391
Table 19-43. GPIODOUTSET Register Field Descriptions.....	1392
Table 19-44. GPIODOUTCLR Register Field Descriptions.....	1393
Table 19-45. GPIODOUTTGL Register Field Descriptions.....	1394
Table 19-46. IO0PSEL Register Field Descriptions.....	1395
Table 19-47. IO1PSEL Register Field Descriptions.....	1396
Table 19-48. IO2PSEL Register Field Descriptions.....	1397
Table 19-49. IO3PSEL Register Field Descriptions.....	1398
Table 19-50. IO4PSEL Register Field Descriptions.....	1399
Table 19-51. IO5PSEL Register Field Descriptions.....	1400
Table 19-52. IO6PSEL Register Field Descriptions.....	1401
Table 19-53. IO7PSEL Register Field Descriptions.....	1402
Table 19-54. AUX_EVCTL Registers.....	1403
Table 19-55. AUX_EVCTL Access Type Codes.....	1403
Table 19-56. EVSTAT0 Register Field Descriptions.....	1404
Table 19-57. EVSTAT1 Register Field Descriptions.....	1406
Table 19-58. EVSTAT2 Register Field Descriptions.....	1408
Table 19-59. EVSTAT3 Register Field Descriptions.....	1410
Table 19-60. DMACTL Register Field Descriptions.....	1412
Table 19-61. SWEVSET Register Field Descriptions.....	1413
Table 19-62. EVTOAONFLAGS Register Field Descriptions.....	1414
Table 19-63. EVTOAONPOL Register Field Descriptions.....	1415
Table 19-64. EVTOAONFLAGSCLR Register Field Descriptions.....	1416
Table 19-65. EVTOMCUFLAGS Register Field Descriptions.....	1417
Table 19-66. EVTOMCUPOL Register Field Descriptions.....	1419
Table 19-67. EVTOMCUFLAGSCLR Register Field Descriptions.....	1421
Table 19-68. COMBEVTOMCUMASK Register Field Descriptions.....	1422
Table 19-69. EVOBSCFG Register Field Descriptions.....	1424
Table 19-70. MANUAL Register Field Descriptions.....	1426
Table 19-71. AUX_SMPH Registers.....	1427
Table 19-72. AUX_SMPH Access Type Codes.....	1427
Table 19-73. SMPH0 Register Field Descriptions.....	1428
Table 19-74. SMPH1 Register Field Descriptions.....	1429
Table 19-75. SMPH2 Register Field Descriptions.....	1430
Table 19-76. SMPH3 Register Field Descriptions.....	1431
Table 19-77. SMPH4 Register Field Descriptions.....	1432
Table 19-78. SMPH5 Register Field Descriptions.....	1433
Table 19-79. SMPH6 Register Field Descriptions.....	1434
Table 19-80. SMPH7 Register Field Descriptions.....	1435
Table 19-81. AUTOTAKE Register Field Descriptions.....	1436
Table 19-82. AUX_TDC Registers.....	1437
Table 19-83. AUX_TDC Access Type Codes.....	1437
Table 19-84. CTL Register Field Descriptions.....	1438
Table 19-85. STAT Register Field Descriptions.....	1439
Table 19-86. RESULT Register Field Descriptions.....	1441
Table 19-87. SATCFG Register Field Descriptions.....	1442
Table 19-88. TRIGSRC Register Field Descriptions.....	1443
Table 19-89. TRIGCNT Register Field Descriptions.....	1446
Table 19-90. TRIGCNTLOAD Register Field Descriptions.....	1447
Table 19-91. TRIGCNTCFG Register Field Descriptions.....	1448
Table 19-92. PRECTL Register Field Descriptions.....	1449
Table 19-93. PRECNTR Register Field Descriptions.....	1451
Table 19-94. AUX_TIMER01 Registers.....	1452

Table 19-95. AUX_TIMER01 Access Type Codes.....	1452
Table 19-96. T0CFG Register Field Descriptions.....	1453
Table 19-97. T0CTL Register Field Descriptions.....	1456
Table 19-98. T0TARGET Register Field Descriptions.....	1457
Table 19-99. T0CNTR Register Field Descriptions.....	1458
Table 19-100. T1CFG Register Field Descriptions.....	1459
Table 19-101. T1CTL Register Field Descriptions.....	1462
Table 19-102. T1TARGET Register Field Descriptions.....	1463
Table 19-103. T1CNTR Register Field Descriptions.....	1464
Table 19-104. AUX_ANAIF Registers.....	1465
Table 19-105. AUX_ANAIF Access Type Codes.....	1465
Table 19-106. ADCCTL Register Field Descriptions.....	1466
Table 19-107. ADCFIFOSTAT Register Field Descriptions.....	1469
Table 19-108. ADCFIFO Register Field Descriptions.....	1470
Table 19-109. ADCTRIG Register Field Descriptions.....	1471
Table 19-110. ISRCCTL Register Field Descriptions.....	1472
Table 19-111. DACCTL Register Field Descriptions.....	1473
Table 19-112. LPMBIASCTL Register Field Descriptions.....	1475
Table 19-113. DACSMPLCTL Register Field Descriptions.....	1476
Table 19-114. DACSMPLCFG0 Register Field Descriptions.....	1477
Table 19-115. DACSMPLCFG1 Register Field Descriptions.....	1478
Table 19-116. DACVALUE Register Field Descriptions.....	1479
Table 19-117. DACSTAT Register Field Descriptions.....	1480
Table 19-118. AUX_SYSIF Registers.....	1481
Table 19-119. AUX_SYSIF Access Type Codes.....	1481
Table 19-120. OPMODEREQ Register Field Descriptions.....	1482
Table 19-121. OPMODEACK Register Field Descriptions.....	1483
Table 19-122. EVSYNCRATE Register Field Descriptions.....	1484
Table 19-123. PEROPRATE Register Field Descriptions.....	1485
Table 19-124. ADCCLKCTL Register Field Descriptions.....	1486
Table 19-125. TDCCLKCTL Register Field Descriptions.....	1487
Table 19-126. TDCREFCLKCTL Register Field Descriptions.....	1488
Table 19-127. RTCSUBSECINC0 Register Field Descriptions.....	1489
Table 19-128. RTCSUBSECINC1 Register Field Descriptions.....	1490
Table 19-129. RTCSUBSECINCCTL Register Field Descriptions.....	1491
Table 19-130. RTCEVCLR Register Field Descriptions.....	1492
Table 19-131. TIMERHALT Register Field Descriptions.....	1493
Table 19-132. SWPWRPROF Register Field Descriptions.....	1494
Table 20-1. AON_BATMON Registers.....	1497
Table 20-2. AON_BATMON Access Type Codes.....	1497
Table 20-3. CTL Register Field Descriptions.....	1498
Table 20-4. MEASCFG Register Field Descriptions.....	1499
Table 20-5. TEMPP0 Register Field Descriptions.....	1500
Table 20-6. TEMPP1 Register Field Descriptions.....	1501
Table 20-7. TEMPP2 Register Field Descriptions.....	1502
Table 20-8. BATMONP0 Register Field Descriptions.....	1503
Table 20-9. BATMONP1 Register Field Descriptions.....	1504
Table 20-10. IOSTRP0 Register Field Descriptions.....	1505
Table 20-11. FLASHPUMPP0 Register Field Descriptions.....	1506
Table 20-12. BAT Register Field Descriptions.....	1507
Table 20-13. BATUPD Register Field Descriptions.....	1508
Table 20-14. TEMP Register Field Descriptions.....	1509
Table 20-15. TEMPUPD Register Field Descriptions.....	1510
Table 20-16. EVENTMASK Register Field Descriptions.....	1511
Table 20-17. EVENT Register Field Descriptions.....	1512
Table 20-18. BATTUL Register Field Descriptions.....	1513
Table 20-19. BATTLL Register Field Descriptions.....	1514
Table 20-20. TEMPUL Register Field Descriptions.....	1515
Table 20-21. TEMPLL Register Field Descriptions.....	1516
Table 21-1. Signals for UART.....	1519
Table 21-2. Flow Control Mode.....	1521

Table 21-3. UART Registers.....	1527
Table 21-4. UART Access Type Codes.....	1527
Table 21-5. DR Register Field Descriptions.....	1528
Table 21-6. RSR Register Field Descriptions.....	1530
Table 21-7. ECR Register Field Descriptions.....	1531
Table 21-8. FR Register Field Descriptions.....	1532
Table 21-9. IBRD Register Field Descriptions.....	1534
Table 21-10. FBRD Register Field Descriptions.....	1535
Table 21-11. LCRH Register Field Descriptions.....	1536
Table 21-12. CTL Register Field Descriptions.....	1538
Table 21-13. IFLS Register Field Descriptions.....	1540
Table 21-14. IMSC Register Field Descriptions.....	1541
Table 21-15. RIS Register Field Descriptions.....	1543
Table 21-16. MIS Register Field Descriptions.....	1545
Table 21-17. ICR Register Field Descriptions.....	1547
Table 21-18. DMACTL Register Field Descriptions.....	1549
Table 22-1. SSI Signals.....	1554
Table 22-2. SSI Registers.....	1565
Table 22-3. SSI Access Type Codes.....	1565
Table 22-4. CR0 Register Field Descriptions.....	1566
Table 22-5. CR1 Register Field Descriptions.....	1567
Table 22-6. DR Register Field Descriptions.....	1568
Table 22-7. SR Register Field Descriptions.....	1569
Table 22-8. CPSR Register Field Descriptions.....	1570
Table 22-9. IMSC Register Field Descriptions.....	1571
Table 22-10. RIS Register Field Descriptions.....	1572
Table 22-11. MIS Register Field Descriptions.....	1573
Table 22-12. ICR Register Field Descriptions.....	1574
Table 22-13. DMACR Register Field Descriptions.....	1575
Table 23-1. Examples of I ² C Master Timer Period versus Speed Mode.....	1581
Table 23-2. I2C Registers.....	1591
Table 23-3. I2C Access Type Codes.....	1591
Table 23-4. SOAR Register Field Descriptions.....	1592
Table 23-5. SSTAT Register Field Descriptions.....	1593
Table 23-6. SCTL Register Field Descriptions.....	1594
Table 23-7. SDR Register Field Descriptions.....	1595
Table 23-8. SIMR Register Field Descriptions.....	1596
Table 23-9. SRIS Register Field Descriptions.....	1597
Table 23-10. SMIS Register Field Descriptions.....	1598
Table 23-11. SICR Register Field Descriptions.....	1599
Table 23-12. MSA Register Field Descriptions.....	1600
Table 23-13. MSTAT Register Field Descriptions.....	1601
Table 23-14. MCTRL Register Field Descriptions.....	1602
Table 23-15. MDR Register Field Descriptions.....	1603
Table 23-16. MTPR Register Field Descriptions.....	1604
Table 23-17. MIMR Register Field Descriptions.....	1605
Table 23-18. MRIS Register Field Descriptions.....	1606
Table 23-19. MMIS Register Field Descriptions.....	1607
Table 23-20. MICR Register Field Descriptions.....	1608
Table 23-21. MCR Register Field Descriptions.....	1609
Table 24-1. Serial Audio Pin Interface.....	1614
Table 24-2. I2S Registers.....	1627
Table 24-3. I2S Access Type Codes.....	1627
Table 24-4. AIFWCLKSRC Register Field Descriptions.....	1629
Table 24-5. AIFDMACFG Register Field Descriptions.....	1630
Table 24-6. AIFDIRCFG Register Field Descriptions.....	1631
Table 24-7. AIFMTCFG Register Field Descriptions.....	1632
Table 24-8. AIFWMASK0 Register Field Descriptions.....	1633
Table 24-9. AIFWMASK1 Register Field Descriptions.....	1634
Table 24-10. AIFPWMVALUE Register Field Descriptions.....	1635
Table 24-11. AIFINPTRNEXT Register Field Descriptions.....	1636

Table 24-12. AIFINPTR Register Field Descriptions.....	1637
Table 24-13. AIFOUTPTRNEXT Register Field Descriptions.....	1638
Table 24-14. AIFOUTPTR Register Field Descriptions.....	1639
Table 24-15. STMPCTL Register Field Descriptions.....	1640
Table 24-16. STMPXCNTCAPT0 Register Field Descriptions.....	1641
Table 24-17. STMPXPER Register Field Descriptions.....	1642
Table 24-18. STMPWCNTCAPT0 Register Field Descriptions.....	1643
Table 24-19. STMPWPER Register Field Descriptions.....	1644
Table 24-20. STMPINTRIG Register Field Descriptions.....	1645
Table 24-21. STMPOUTTRIG Register Field Descriptions.....	1646
Table 24-22. STMPWSET Register Field Descriptions.....	1647
Table 24-23. STMPWADD Register Field Descriptions.....	1648
Table 24-24. STMPXPERMIN Register Field Descriptions.....	1649
Table 24-25. STMPWCNT Register Field Descriptions.....	1650
Table 24-26. STMPXCNT Register Field Descriptions.....	1651
Table 24-27. STMPXCNTCAPT1 Register Field Descriptions.....	1652
Table 24-28. STMPWCNTCAPT1 Register Field Descriptions.....	1653
Table 24-29. IRQMASK Register Field Descriptions.....	1654
Table 24-30. IRQFLAGS Register Field Descriptions.....	1655
Table 24-31. IRQSET Register Field Descriptions.....	1657
Table 24-32. IRQCLR Register Field Descriptions.....	1658
Table 25-1. Format of RFCBITS for Enabling Selected Features as Part of Boot Process.....	1662
Table 25-2. Values of the Result Byte in the CMDSTA Register.....	1668
Table 25-3. Common Radio Operation Status Codes.....	1669
Table 25-4. Format of Trigger Definition Byte.....	1672
Table 25-5. Supported Trigger Types.....	1672
Table 25-6. Fields of Time Parameter for External Event Trigger.....	1672
Table 25-7. Format of Condition Byte.....	1673
Table 25-8. Condition Rules.....	1674
Table 25-9. Radio Operation Command Format.....	1675
Table 25-10. Data Entry Queue Structure.....	1675
Table 25-11. General Data Entry Structure.....	1676
Table 25-12. Pointer Field in Pointer Entry Structure.....	1677
Table 25-13. Fields in a Partial Read RX Entry.....	1677
Table 25-14. End of Radio Operation Commands.....	1679
Table 25-15. CMD_RADIO_SETUP Command Format.....	1680
Table 25-16. Format of a Hardware Register Override Entry.....	1681
Table 25-17. Format of Array Initiator.....	1681
Table 25-18. Format of an ADI Register Override Entry.....	1682
Table 25-19. Format of a Firmware-Defined Parameter Override Entry.....	1682
Table 25-20. Format of an MCE/RFE Override Mode Entry.....	1682
Table 25-21. Format of a Center Frequency Entry.....	1683
Table 25-22. 20 dBm PA TX Power Entry.....	1683
Table 25-23. Format of an End of List Entry.....	1683
Table 25-24. CMD_FS_POWERUP Command Format.....	1685
Table 25-25. CMD_FS Command Format.....	1686
Table 25-26. CMD_RX_TEST Command Format.....	1687
Table 25-27. CMD_TX_TEST Command Format.....	1688
Table 25-28. CMD_SYNC_STOP_RAT Command Format.....	1689
Table 25-29. CMD_SYNC_START_RAT Command Format.....	1689
Table 25-30. CMD_COUNT Command Format.....	1690
Table 25-31. Additional End Causes for CMD_COUNT.....	1690
Table 25-32. CMD_SCH_IMM Command Format.....	1690
Table 25-33. End Statuses for CMD_SCH_IMM.....	1691
Table 25-34. CMD_COUNT_BRANCH Command Format.....	1691
Table 25-35. Additional End Causes for CMD_COUNT_BRANCH.....	1691
Table 25-36. CMD_PATTERN_CHECK Command Format.....	1692
Table 25-37. Additional End Causes for CMD_PATTERN_CHECK.....	1693
Table 25-38. CMD_UPDATE_RADIO_SETUP Command Format.....	1694
Table 25-39. CMD_TRIGGER Command Format.....	1694
Table 25-40. CMD_GET_FW_INFO Command Format.....	1695

Table 25-41. CMD_READ_RFREG Command Format.....	1696
Table 25-42. CMD_SET_RAT_CMP Command Format.....	1696
Table 25-43. CMD_SET_RAT_CPT Command Format.....	1697
Table 25-44. CMD_DISABLE_RAT_CH Command Format.....	1697
Table 25-45. CMD_SET_RAT_OUTPUT Command Format.....	1698
Table 25-46. CMD_ARM_RAT_CH Command Format.....	1698
Table 25-47. CMD_DISARM_RAT_CH Command Format.....	1699
Table 25-48. CMD_SET_TX_POWER Command Format.....	1699
Table 25-49. CMD_SET_TX20_POWER Command Format.....	1700
Table 25-50. CMD_UPDATE_FS Command Format.....	1700
Table 25-51. CMD_MODIFY_FS Command Format.....	1701
Table 25-52. CMD_BUS_REQUEST Command Format.....	1701
Table 25-53. CMD_ADD_DATA_ENTRY Command Format.....	1702
Table 25-54. CMD_REMOVE_DATA_ENTRY Command Format.....	1702
Table 25-55. CMD_FLUSH_QUEUE Command Format.....	1703
Table 25-56. CMD_CLEAR_RX Command Format.....	1703
Table 25-57. CMD_REMOVE_PENDING_ENTRIES Command Format.....	1704
Table 25-58. IEEE 802.15.4 Radio Operation Commands on Background Level.....	1709
Table 25-59. IEEE 802.15.4 Radio Operation Commands on Foreground Level.....	1709
Table 25-60. Common Radio Operation Commands on Foreground Level.....	1709
Table 25-61. IEEE 802.15.4 Immediate Commands.....	1709
Table 25-62. IEEE 802.15.4 RX Command Structure.....	1710
Table 25-63. IEEE 802.15.4 Energy Detect Scan Command Structure.....	1710
Table 25-64. IEEE 802.15.4 CSMA-CA Command Structure.....	1711
Table 25-65. IEEE 802.15.4 TX Command Structure.....	1711
Table 25-66. IEEE 802.15.4 Receive ACK Command Structure.....	1711
Table 25-67. IEEE 802.15.4 Modify CCA Immediate Command Structure.....	1712
Table 25-68. IEEE 802.15.4 Modify Frame Filtering Immediate Command Structure.....	1712
Table 25-69. IEEE 802.15.4 Enable or Disable Source Matching Entry Immediate Command Structure.....	1712
Table 25-70. IEEE 802.15.4 Request CCA State Immediate Command Structure.....	1713
Table 25-71. RX Command.....	1713
Table 25-72. Receive Queue Entry Configuration Bit Field.....	1714
Table 25-73. CCA Configuration Bit Field.....	1714
Table 25-74. Frame Filtering Configuration Bit Field.....	1715
Table 25-75. Frame Type Filtering Bit Field.....	1715
Table 25-76. Short Address Entry Structure.....	1717
Table 25-77. Extended Address List Structure.....	1717
Table 25-78. Short Address List Structure.....	1717
Table 25-79. Receive Correlation/CRC Result Bit Field.....	1717
Table 25-80. Interrupt Definitions Applicable to IEEE 802.15.4.....	1718
Table 25-81. Allowed Combinations of Foreground and Background Level Operations.....	1720
Table 25-82. IEEE 802.15.4 Radio Operation Status Codes.....	1721
Table 25-83. Conditions for Incrementing Counters and Raising Interrupts for RX Operation.....	1723
Table 25-84. End of Receive Operation.....	1725
Table 25-85. End of CSMA-CA Operation.....	1730
Table 25-86. End of Transmit Operation.....	1731
Table 25-87. End of Receive ACK Operation.....	1731
Table 25-88. End of ABORT Background-Level Operation.....	1732
Table 25-89. Legacy Bluetooth® low energy Radio Operation Commands.....	1734
Table 25-90. Bluetooth® low energy 5 Radio Operation Commands.....	1735
Table 25-91. Bluetooth® low energy Immediate Command.....	1735
Table 25-92. Legacy Bluetooth® low energy Radio Operation Command Structure ⁽¹⁾	1735
Table 25-93. Bluetooth® low energy 5 Radio Operation Command Structure ⁽¹⁾	1736
Table 25-94. Bluetooth® low energy 5 Radio Setup Command Structure ⁽¹⁾	1737
Table 25-95. Update Advertising Payload Command ⁽¹⁾	1738
Table 25-96. Legacy Slave Command ⁽¹⁾	1738
Table 25-97. Legacy Master Command ⁽¹⁾	1738
Table 25-98. Legacy Advertiser Commands ⁽¹⁾	1739
Table 25-99. Legacy Scanner Command ⁽¹⁾	1741
Table 25-100. Legacy Initiator Command ⁽¹⁾	1742

Table 25-101. Generic RX Command ⁽¹⁾	1743
Table 25-102. TX Test Command ⁽¹⁾	1743
Table 25-103. Bluetooth® 5 Slave Command ⁽¹⁾	1745
Table 25-104. Bluetooth® 5 Master Command ⁽¹⁾	1745
Table 25-105. Extended Advertiser Command ⁽¹⁾	1746
Table 25-106. Secondary Channel Advertiser Command ⁽¹⁾	1746
Table 25-107. Bluetooth® 5 Scanner Command ⁽¹⁾	1747
Table 25-108. Bluetooth® 5 Initiator Command ⁽¹⁾	1749
Table 25-109. Master and Slave Commands.....	1750
Table 25-110. Advertiser Commands.....	1751
Table 25-111. Legacy Scanner Command.....	1751
Table 25-112. Legacy Initiator Command.....	1751
Table 25-113. Bluetooth® low energy 5 Scanner and Initiator Command.....	1751
Table 25-114. Generic RX Command.....	1752
Table 25-115. Test TX Command.....	1752
Table 25-116. Receive Queue Entry Configuration Bit Field ⁽¹⁾	1753
Table 25-117. Sequence Number Status Bit Field ⁽¹⁾	1753
Table 25-118. Whitelist Structure.....	1753
Table 25-119. Advertising Data ID Entry Structure.....	1754
Table 25-120. Receive Status Byte Bit Field for Legacy Commands ⁽¹⁾	1754
Table 25-121. Receive Status Word Bit Field for Bluetooth® low energy 5 Commands ⁽¹⁾	1754
Table 25-122. Master and Slave Packet Status Byte.....	1754
Table 25-123. Common Extended Packet Entry Format ⁽¹⁾	1755
Table 25-124. Interrupt Definitions Applicable to Bluetooth® low energy.....	1755
Table 25-125. Bluetooth® low energy Radio Operation Status Codes.....	1759
Table 25-126. Coding Selection for Master and Slave Commands.....	1760
Table 25-127. Coding Selection for Advertiser, Scanner, and Initiator Commands.....	1760
Table 25-128. Actions on Received Packets.....	1761
Table 25-129. Conditions for Incrementing Counters and Raising Interrupts for Master and Slave Commands.....	1762
Table 25-130. End of Slave Operation.....	1765
Table 25-131. End of Master Operation.....	1766
Table 25-132. PDU Types for Different Advertiser Commands.....	1767
Table 25-133. Actions to Take Based on Received Packets for Advertisers.....	1768
Table 25-134. Descriptions of the Actions to Take on Received Packets.....	1768
Table 25-135. End of Connectable Undirected Advertiser Operation.....	1770
Table 25-136. End of Directed Advertiser Operation.....	1771
Table 25-137. End of Nonconnectable Advertiser Operation.....	1771
Table 25-138. End of Scannable Undirected Advertiser Operation.....	1771
Table 25-139. End of Extended Advertiser Operation.....	1774
Table 25-140. Actions to Take Based on Received Packets for Scannable Advertiser (extHdrInfo.advMode = 2) ⁽¹⁾	1775
Table 25-141. Actions to Take Based on Received Packets for Connectable Advertiser (extHdrInfo.advMode = 1) ⁽¹⁾	1775
Table 25-142. Descriptions of the Actions to Take on Received Packets.....	1775
Table 25-143. End of Secondary Channel Advertiser Operation.....	1776
Table 25-144. Filtering on Received Advertiser Address.....	1777
Table 25-145. Filtering on Received Initiator Address of ADV_DIRECT_IND Packets.....	1777
Table 25-146. Actions on Received Packets by Scanner.....	1778
Table 25-147. Descriptions of the Actions to Take on Packets Received by Scanner.....	1778
Table 25-148. Actions on Packets Received by Scanner After Transmission of SCAN_REQ.....	1779
Table 25-149. Actions on Received Extended Advertiser Packets by Scanner.....	1780
Table 25-150. Descriptions of the Actions to Take on Extended Advertiser Packets Received by Scanner.....	1780
Table 25-151. Actions on Received Secondary Channel Packets by Scanner.....	1781
Table 25-152. Descriptions of the Actions to Take on Secondary Channel Packets Received by Scanner.....	1781
Table 25-153. End of Scanner Operation.....	1784
Table 25-154. Filtering on Received Advertiser Address.....	1785
Table 25-155. Actions on Received Packets by Initiator.....	1785
Table 25-156. Descriptions of the Actions to Take on Packets Received by Initiator.....	1785
Table 25-157. Actions on Received Extended Advertiser Packets by Initiator.....	1786
Table 25-158. Descriptions of the Actions to Take on Extended Advertiser Packets Received by Initiator.....	1787

Table 25-159. Actions on Received Secondary Channel Packets by Initiator.....	1788
Table 25-160. Descriptions of the Actions to Take on Secondary Channel Packets Received by Initiator.....	1788
Table 25-161. Actions on Received AUX_CONNECT_RSP Packets by Initiator.....	1788
Table 25-162. Descriptions of the Actions to Take on Secondary Channel Packets Received by Initiator.....	1789
Table 25-163. End of Initiator Operation.....	1790
Table 25-164. End of Generic RX Operation.....	1792
Table 25-165. Supported PHY Test Packet Types.....	1793
Table 25-166. End of PHY Test TX Operation.....	1793
Table 25-167. Update of Backoff Parameters.....	1794
Table 25-168. Proprietary Radio Operation Commands.....	1797
Table 25-169. Proprietary Immediate Commands.....	1797
Table 25-170. CMD_PROP_TX Command Structure.....	1798
Table 25-171. CMD_PROP_TX_ADV Command Structure.....	1798
Table 25-172. CMD_PROP_RX and CMD_PROP_RX_SNIFF Command Structure.....	1799
Table 25-173. CMD_PROP_RX_ADV and CMD_PROP_RX_ADV_SNIFF Command Structure.....	1800
Table 25-174. CMD_PROP_CS Command Structure.....	1800
Table 25-175. CMD_PROP_RADIO_SETUP and CMD_PROP_RADIO_DIV_SETUP Command Structure.....	1801
Table 25-176. CMD_PROP_SET_LEN Command Structure.....	1802
Table 25-177. Receive Commands.....	1802
Table 25-178. Carrier Sense Fields for CMD_PROP_RX_SNIFF, CMD_PROP_RX_ADV_SNIFF, and CMD_PROP_CS.....	1803
Table 25-179. Receive Queue Entry Configuration Bit Field ⁽¹⁾	1803
Table 25-180. Receive Status Byte Bit Field ⁽¹⁾	1803
Table 25-181. Interrupt Definitions.....	1804
Table 25-182. Proprietary Radio Operation Status Codes.....	1806
Table 25-183. Receiver Bandwidth Settings.....	1807
Table 25-184. End of Radio CMD_PROP_TX and CMD_PROP_TX_ADV Commands.....	1810
Table 25-185. Interrupt, Counter, and Result Field for Received Packets ⁽¹⁾	1811
Table 25-186. End of Radio CMD_PROP_RX and CMD_PROP_RX_ADV Commands.....	1812
Table 25-187. Channel State When Both Sources are Enabled.....	1815
Table 25-188. End of CMD_PROP_CS Command.....	1816
Table 25-189. Additional End Statuses for CMD_PROP_RX_SNIFF and CMD_PROP_RX_ADV_SNIFF.....	1817
Table 25-190. RFC_RAT Registers.....	1818
Table 25-191. RFC_RAT Access Type Codes.....	1818
Table 25-192. RATCH Register Field Descriptions.....	1819
Table 25-193. RATCH0VAL Register Field Descriptions.....	1820
Table 25-194. RATCH1VAL Register Field Descriptions.....	1821
Table 25-195. RATCH2VAL Register Field Descriptions.....	1822
Table 25-196. RATCH3VAL Register Field Descriptions.....	1823
Table 25-197. RATCH4VAL Register Field Descriptions.....	1824
Table 25-198. RATCH5VAL Register Field Descriptions.....	1825
Table 25-199. RATCH6VAL Register Field Descriptions.....	1826
Table 25-200. RATCH7VAL Register Field Descriptions.....	1827
Table 25-201. RFC_DBELL Registers.....	1828
Table 25-202. RFC_DBELL Access Type Codes.....	1828
Table 25-203. CMDR Register Field Descriptions.....	1829
Table 25-204. CMDSTA Register Field Descriptions.....	1830
Table 25-205. RFHWIFG Register Field Descriptions.....	1831
Table 25-206. RFHWIEN Register Field Descriptions.....	1833
Table 25-207. RFCPEIFG Register Field Descriptions.....	1834
Table 25-208. RFCPEIEN Register Field Descriptions.....	1837
Table 25-209. RFCPEISL Register Field Descriptions.....	1839
Table 25-210. RFACKIFG Register Field Descriptions.....	1842
Table 25-211. SYSGPOCTL Register Field Descriptions.....	1843
Table 25-212. RFC_PWR Registers.....	1845
Table 25-213. RFC_PWR Access Type Codes.....	1845
Table 25-214. PWMCLKEN Register Field Descriptions.....	1846

This technical reference manual provides information about how to use the CC13x1x3 and CC26x1x3 SimpleLink™ ultra-low power wireless microcontroller (MCU). The CC26x1x3 and the CC13x1x3 device platforms share the same MCU architecture and most of the peripherals. The radio in the CC26x1x3 device operates in the 2.4 GHz ISM frequency band while the radio in the CC13x1x3 device is designed for use in the Sub-1 GHz frequency bands. This document covers the whole platform of devices, so refer to the individual device data sheets for supported modules and features.

About This Manual

This document is organized into sections that correspond to each major feature; it explains the features and functionality of each module and how to use them. For each feature, references are provided for the driver documentation of the corresponding operating systems. This document does not contain performance characteristics of the device or modules, which are gathered in the corresponding device data sheets. This manual is intended for system software developers, hardware designers, and application developers.

Devices

The CC13x1x3 and CC26x1x3 device platform includes both 2.4 GHz (CC26x1x3) and Sub-1 GHz (CC13x1x3) radios along with a variety of different memory sizes, peripherals, and package options. All devices are centered around an Arm® Cortex®-M4 series processor that handles the application layer and protocol stack, as well as an autonomous radio core centered around an Arm® Cortex®-M0 processor that handles all the low-level radio control and processing. Network processor options are available.

The availability of a wide range of different radio and MCU system combinations makes these device families well suited for almost any low-power RF node implementation.

Register, Field, and Bit Calls

The naming convention applied for a call consists of:

- For a register call: *<Module name>.<Register name>*; for example: UART.UASR
- For a bit field call:
 - *<Module name>.<Register name>[End:Start] <Field name> field*; for example, UART.UASR[4:0] SPEED bit field
 - *<Field name> field <Module name>.<Register name>[End:Start]*; for example, SPEED bit field UART.UASR[4:0]
- For a bit call:
 - *<Module name>.<Register name>[pos] <Bit name> bit*; for example, UART.UASR[5] BIT_BY_CHAR bit
 - *<Bit name> bit <Module name>.<Register name>[pos]*; for example, BIT_BY_CHAR bit UART.UASR[5]

Related Documentation

The following related documents are available on the CC13x1x3 and CC26x1x3 device product pages at www.ti.com:

1. CC1311:
 - CC1311R3 data sheet and errata ([Technical Documents](#))
 - CC1311P3 data sheet and errata ([Technical Documents](#))
2. CC2651:
 - CC2651R3 data sheet and errata ([Technical Documents](#))
 - CC2651P3 datasheet and errata ([Technical Documents](#))
3. [Cortex-M3/M4F Instruction Set Technical User's Manual](#)

Note

This list of documents was current as of publication date. Check the website for additional documentation, application notes, and white papers.

Additional, related documentation follows:

4. The Institute of Electrical and Electronic Engineers, Inc., *IEEE Standard Test Access Port and Boundary Scan Architecture, IEEE Std 1149.1a 1993 and Supplement Std. 1149.1b 1994* (see IEEEExplore.ieee.org)
5. The Institute of Electrical and Electronic Engineers, Inc., *IEEE 1149.7 Standard for Reduced-Pin and Enhanced-Functionality Test Access Port and Boundary-Scan Architecture* (see IEEEExplore.ieee.org)
6. National Institute of Standards and Technology, *NIST Special Publication 800-38A, Recommendation for Block Cipher Modes of Operation Methods and Techniques* (see NIST.gov)
7. National Institute of Standards and Technology, *NIST Special Publication 800-38D, Recommendation for Block Cipher Modes of Operation: Galois/Counter Mode (GCM) and GMAC* (see NIST.gov)
8. National Institute of Standards and Technology, *FIPS 197, Advanced Encryption Standard (AES)* (see NIST.gov)
9. Bluetooth SIG, Inc., *Bluetooth Specification versions 4.0, 4.1, 4.2, and 5.0* (see Bluetooth.com)
10. Cortex -M4 Devices Generic User Guide (see documentation at Arm.com)
11. *Arm®v7-M Architecture Reference Manual* (see documentation at Arm.com)
12. *Arm® Debug Interface V5 Architecture Specification* (see documentation at Arm.com)

1.1 Trademarks

SimpleLink™ and EnergyTrace™ are trademarks of Texas Instruments.

CoreSight™ is a trademark of Arm Limited (or its subsidiaries).

Motorola™ is a trademark of Motorola Trademark Holdings, LLC.

Arm® and Cortex® are registered trademarks of Arm Limited (or its subsidiaries) in the US and/or elsewhere.

Thumb®, Arm7®, AMBA®, and PrimeCell® are registered trademarks of Arm Limited (or its subsidiaries).

Zigbee® is a registered trademark of Zigbee Alliance.

All trademarks are the property of their respective owners.

This page intentionally left blank.

The CC13x1x3 and CC26x1x3 device platform of the SimpleLink™ ultra-low-power wireless MCUs provides solutions for a wide range of applications. To help the user develop these applications, this user's guide focuses on the use of the different building blocks of the devices. For detailed device descriptions, complete feature lists, and performance numbers, see the data sheet for the specific device. The following subsections provide easy access to relevant information and guide the reader to the different chapters in this document.

The device platform system-on-chips (SoCs) are optimized for ultra-low power, while providing fast and capable MCU systems to enable short processing times and high integration. The combination of an Arm® Cortex®-M4 processing core up to 48 MHz, flash memory, and a wide selection of peripherals makes the CC13x1x3 and CC26x1x3 device platform specifically designed for single-chip implementation or network processor implementations of lower-power RF nodes.

1.1 Target Applications	52
1.2 Overview	52
1.3 Functional Overview	55

1.1 Target Applications

The CC13x1x3 and CC26x1x3 SimpleLink™ ultra-low-power wireless MCU platform is positioned for low-power wireless applications, such as:

- Consumer electronics
- Mobile phone accessories
- Sports and fitness equipment
- HID applications
- Home and building automation
- Lighting control
- Alarm and security
- Electronic shelf labeling
- Proximity tags
- Medical
- Remote controls
- Smart metering
- Asset tracking
- Wireless sensor networks

1.2 Overview

[Figure 1-1](#) shows the building blocks of the CC13x1x3 and CC26x1x3 device platform.

The CC13x1x3 and CC26x1x3 device platform has the following features:

- Arm® Cortex®-M4 processor core
 - 48 MHz RC oscillator and 48 MHz crystal oscillator
 - 32 kHz crystal oscillator, 32 kHz RC oscillator, or low-power 48 MHz crystal derive clock for timing maintenance while in low-power modes
 - Arm® Cortex® SysTick timer
 - Nested vectored interrupt controller (NVIC)
- On-chip memory
 - 352 kB of Flash with 8 kB of 4-way set-associative cache RAM for speed and low power
 - 32 kB of System RAM with configurable retention in 16 kB blocks
- Power management
 - Wide supply voltage range
 - Efficient on-chip DC/DC converter for reduced power consumption
 - High granularity clock gating and power gating of device parts
 - Flexible frequency of operation
 - Flexible low-power modes allowing low energy consumption in duty cycled applications

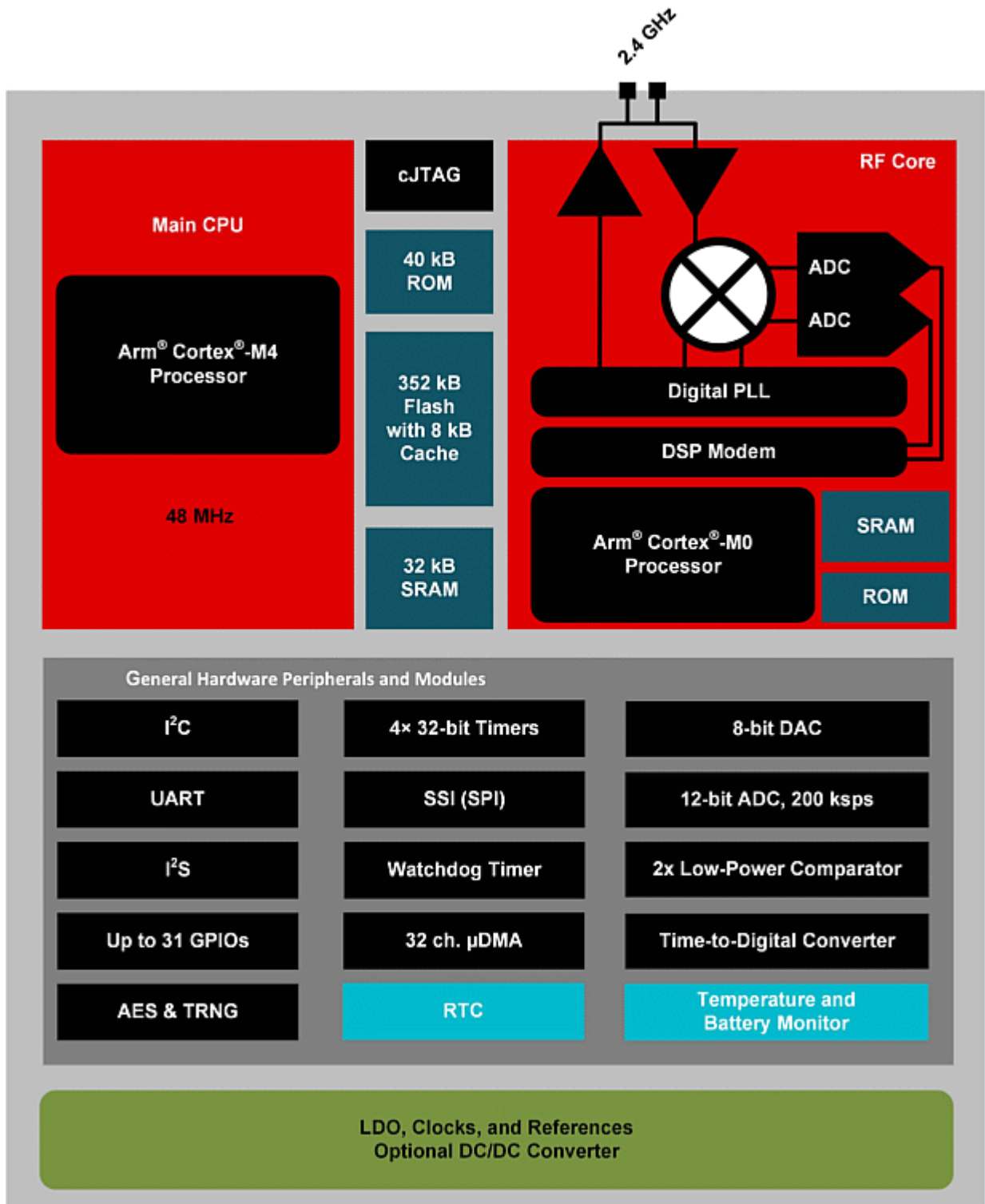


Figure 1-1. CC13x1x3 and CC26x1x3 Block Diagram

- Advanced serial integration
 - Universal asynchronous receiver/transmitter (UART)
 - Inter-integrated circuit (I²C) module
 - Synchronous serial interface module (SSI)
- System integration
 - Direct memory access (DMA) controller
 - Four 32-bit timers (up to eight 16-bit) with pulse width modulation (PWM) capability and synchronization
 - 12-bit analog-to-digital converter (ADC) with eight analog input channels
 - Low-power analog comparator
 - 32 kHz real-time clock (RTC)
 - Watchdog timer
 - On-chip temperature and supply voltage sensing
 - GPIO with normal or high-drive capabilities
 - GPIOs with analog capability for ADC and comparator
 - Fully flexible digital pin muxing allows use as GPIO or any peripheral function
- IEEE 1149.7 compliant 2-pin cJTAG with legacy 1149.1 JTAG support
- 7 mm × 7 mm and 5 mm × 5 mm VQFN package

For applications requiring extreme conservation of power, the CC13x1x3 and CC26x1x3 device platform features a power-management system to efficiently power down the devices to a low-power state during extended periods of inactivity. A power-up and power-down sequencer, a 32-bit sleep timer (an RTC), with interrupt and 32 kB of ultra-low-leakage (ULL) RAM with retention in all power modes positions the MCU perfectly for battery applications.

In addition, the CC13x1x3 and CC26x1x3 device platform offers the advantages of the widely available development tools of Arm[®], SoC infrastructure IP applications, and a large user community. Additionally, the microcontroller uses Arm Thumb[®]-compatible Thumb-2 instruction set to reduce memory requirements and, thereby, cost.

TI offers a complete solution to get to market quickly, with evaluation and development boards, white papers and application notes, an easy-to-use peripheral driver library, and a strong support, sales, and distributor network.

1.3 Functional Overview

The following subsections provide an overview of the features of the CC13x1x3 and CC26x1x3 device platform.

1.3.1 Arm® Cortex®-M4

The following subsections provide an overview of the Arm® Cortex®-M4 processor core and instruction set, the integrated system timer (SysTick), and the NVIC.

1.3.1.1 Processor Core

The CC13x1x3 and CC26x1x3 device platform is designed around an Arm® Cortex®-M4 processor core. The Arm® Cortex®-M4 processor provides the core for a high-performance, low-cost platform that meets the needs of minimal memory implementation, reduced pin count, and low power consumption, while delivering outstanding computational performance and exceptional system response to interrupts.

Features of the processor core are as follows:

- 32-bit Arm® Cortex®-M4 architecture optimized for small-footprint embedded applications
- Outstanding processing performance combined with fast interrupt handling
- Thumb-2 mixed 16- and 32-bit instruction set delivers the high performance expected of a 32-bit Arm® core in a compact memory size, usually associated with 8- and 16-bit devices, typically in the range of a few kilobytes of memory for microcontroller-class applications.
 - Single-cycle multiply instruction and hardware divide
 - Atomic bit manipulation (bit-banding), delivering maximum memory use and streamlined peripheral control
 - Unaligned data access, enabling efficient packing of data into memory
- Fast code execution permits slower processor clock or increases sleep mode time
- Harvard architecture characterized by separate buses for instruction and data
- Efficient processor core, system, and memories
- Hardware division and fast multiplier
- Deterministic, high-performance interrupt handling for time-critical applications
- Enhanced system debug with extensive breakpoint capabilities and debugging through power modes
- Compact JTAG interface reduces the number of pins required for debugging
- Ultra-low power consumption with integrated sleep modes
- Up to 48 MHz operation

1.3.1.2 System Timer (SysTick)

The Arm® Cortex®-M4 processor includes an integrated system timer (SysTick). SysTick provides a simple, 24-bit, clear-on-write, decrementing, wrap-on-zero counter with a flexible control mechanism. The counter can be used in several different ways; for example:

- An RTOS tick timer that fires at a programmable rate (for example, 100 Hz) and invokes a SysTick routine
- A high-speed alarm timer using system clock 11
- A variable rate alarm or signal timer—the duration is range-dependent on the reference clock used and the dynamic range of the counter
- A simple counter used to measure time to completion and time used
- An internal clock-source control based on missing or meeting durations

1.3.1.3 Nested Vector Interrupt Controller (NVIC)

The CC13x1x3 and CC26x1x3 device controller includes the Arm® NVIC. The NVIC and Arm® Cortex®-M4 prioritize and handle all exceptions in handler mode. The processor state is automatically stored to the stack on an exception and automatically restored from the stack at the end of the interrupt service routine (ISR). The interrupt vector is fetched in parallel to state saving, thus enabling efficient interrupt entry. The processor supports tail-chaining, that is, back-to-back interrupts can be performed without the overhead of state saving and restoration. Software can set eight priority levels on seven exceptions (system handlers) and can set device interrupts.

Features of the NVIC are as follows:

- Deterministic, fast interrupt processing
 - Always 12 cycles, or just 6 cycles with tail-chaining
- External nonmaskable interrupt (NMI) signal available for immediate execution of NMI handler for safety-critical applications
- Dynamically reprioritizable interrupts
- Exceptional interrupt handling through hardware implementation of required register manipulations

1.3.1.4 System Control Block

The system control block (SCB) provides system implementation information and system control (configuration, control, and reporting of system exceptions).

1.3.2 On-Chip Memory

The following subsections describe the on-chip memory modules.

1.3.2.1 SRAM

The CC13x1x3 and CC26x1x3 device platform provides 32 kB of low-leakage, on-chip SRAM with optional retention in all power modes. Retention can be configured per 16 kB block. Additionally, the 8 kB flash cache RAM can be reconfigured to operate as normal system RAM. Because read-modify-write (RMW) operations are very time consuming, Arm® has introduced bit-banding technology in the Arm® Cortex®-M4 processor. With a bit-band-enabled processor, certain regions in the memory map (SRAM and peripheral space) can use address aliases to access individual bits in a single, atomic operation.

Data can be transferred to and from the SRAM using the micro DMA (μ DMA) controller.

1.3.2.2 Flash Memory

The flash block provides an in-circuit, programmable, nonvolatile program memory for the device. The 352 kB of flash memory is organized as a set of 8 kB pages that can be individually erased. Erasing a block causes the entire contents of the block to be reset to all 1s. These pages can be individually protected. Read-only blocks cannot be erased or programmed, protecting the contents of those blocks from being modified. In addition to holding program code and constants, the nonvolatile memory allows the application to save data that must be preserved so that it is available after restarting the device. Using this feature lets the user use saved network-specific data to avoid the need for a full start-up and network find-and-join process.

1.3.2.3 ROM

The ROM is preprogrammed with a boot sequence, device driver functions, low-level protocol stack components, and a serial bootloader (SPI or UART).

1.3.3 Radio

The CC26x1x3 device provides a highly integrated low-power 2.4 GHz radio transceiver with support for multiple modulations and packet formats. The CC13x1x3 device provides similar functionality optimized for the Sub-1 GHz bands. The radio subsystem provides an interface between the MCU and the radio, which makes it possible to issue commands, read status, also automate and sequence radio events.

1.3.4 Security Core

The security core of the CC13x1x3 and CC26x1x3 device platform features an Advanced Encryption Standard (AES) module with 128-bit key support, local key storage and DMA capability.

Features of the AES engine are as follows:

- ECB, CBC, CBC-MAC, CTR and CCM modes of operation
- 118 Mbps throughput
- Secure key storage memory
- Low latency

1.3.5 General-Purpose Timers

General-purpose timers can be used to count or time external events that drive the timer-input pins. Each 16- or 32-bit GPTM block provides two 16-bit timers or counters that can be configured to operate independently as timers or event counters, or configured to operate as one 32-bit timer.

The general-purpose timer module (GPTM) contains four 16- or 32-bit GPTM blocks with the following functional options:

- 16- or 32-bit operating modes:
 - 16- or 32-bit programmable one-shot timer
 - 16- or 32-bit programmable periodic timer
 - 16-bit general-purpose timer with an 8-bit prescaler
 - 16-bit input-edge count- or time-capture modes with an 8-bit prescaler
 - 16-bit PWM mode with an 8-bit prescaler and software-programmable output inversion of the PWM signal
- Count up or down
- Four 32-bit counters or up to eight 16-bit counters
- Up to eight capture/compare pins
- Up to four PWM pins (one PWM pin per 32-bit timer)
- Daisy-chaining of timer modules allows a single timer to initiate multiple timing events
- Timer synchronization allows selected timers to start counting on the same clock cycle
- User-enabled stalling when the microcontroller asserts CPU halt flag during debug
- Ability to determine the elapsed time between the assertion of the timer interrupt and entry into the ISR
- Efficient transfers using the μ DMA controller

1.3.5.1 Watchdog Timer

The watchdog timer is used to regain control when the system fails because of a software error or an external device fails to respond properly. The watchdog timer can generate an interrupt or a reset when a predefined time-out value is reached.

1.3.5.2 Always-On Domain

The AON domain contains circuitry that is always enabled, except for the shutdown mode (where the digital supply is off). This domain includes the following:

- The RTC can be used to wake the CC13x1x3 and CC26x1x3 device platform from any state where it is active. The RTC contains three match registers and one compare register. With software support, the RTC can be used for clock and calendar operation. The RTC is clocked from the 32 kHz RC oscillator or the 32 kHz crystal oscillator.
- The battery monitor and temperature sensors are accessible by software. The battery monitor and temperature sensors provide continuous monitoring of battery state as well as coarse temperature.

1.3.6 Direct Memory Access

The CC13x1x3 and CC26x1x3 device platform includes a DMA controller, known as μ DMA. The μ DMA controller provides a way to offload data transfer tasks from the Arm[®] Cortex[®]-M4 processor, allowing more efficient use of the processor and the available bus bandwidth. The μ DMA controller can perform transfers between memory and peripherals. Channels in the μ DMA are dedicated for each supported on-chip module and can be programmed to automatically perform transfers between peripherals and memory, because the peripheral is ready to transfer more data.

1.3.7 System Control and Clock

System control determines the overall operation of the CC13x1x3 and CC26x1x3 device platform. System control provides information about the devices, controls power-saving features, controls the clocking of the devices and individual peripherals, and handles reset detection and reporting.

- Power control:
 - On-chip fixed DC/DC converter and low drop-out (LDO) voltage regulators
 - Handles the power-up sequencing, power-down sequencing, and control for the core digital-logic and analog circuits
 - Low-power options for the microcontroller
 - Low-power options for on-chip modules:
 - Software controls shutdown of individual peripherals and memory
 - RAM and configuration registers are retained in all power modes
 - Control-pin option for control of external DC/DC regulator
 - Configurable wake up from sleep timer or any GPIO interrupt
 - Voltage supervision circuitry
- Multiple clock sources for microcontroller system clock:
 - High Frequency Clock:
 - RC oscillator (RCOSC_HF): on-chip 48 MHz RC oscillator.
 - External oscillator (XOSC_HF): external 48 MHz crystal oscillator connected across the X48M_P input and X48M_N output pins.
 - Radio operation requires the external oscillator.
 - Low Frequency Clock:
 - RC oscillator (RCOSC_LF): on-chip 32 kHz RC oscillator.
 - External oscillator (XOSC_LF): external 32.768 kHz crystal oscillator connected across the X32K_Q1 input and X32K_Q2 output pins.
 - External signal: an external 32.768 kHz clock signal can be supplied by using one of the digital input/output (DIO) pins as clock input.
 - Ideal for accurate RTC operation or synchronous network timing.
 - Used during power-saving modes and for RTC.
 - CPU and periphery clock division options

1.3.8 Serial Communication Peripherals

The CC13x1x3 and CC26x1x3 device platform supports both asynchronous and synchronous serial communication including:

- UART module
- I²C module
- I²S module
- SSI (SPI) module

The following subsections provide more detail on each of the communication functions.

1.3.8.1 UART

A UART is an integrated circuit used for RS-232C serial communications. A UART contains a transmitter (parallel-to-serial converter) and a receiver (serial-to-parallel converter); each is clocked separately.

The CC13x1x3 and CC26x1x3 device platform includes one fully programmable UART. The UART can generate individually masked interrupts from the receive (RX), transmit (TX), modem flow control, and error conditions. The module generates one combined interrupt when any of the interrupts are asserted and are unmasked.

The UART has the following features:

- Programmable baud-rate generator allows speeds up to 3 Mbps
- Separate 32 × 8 TX FIFOs and 32 × 16 RX FIFOs reduce CPU interrupt service loading
- Programmable FIFO length, including 1-byte deep operation that provides conventional double-buffered interface
- FIFO trigger levels of 1/8, 1/4, 1/2, 3/4, and 7/8
- Standard asynchronous communication bits for start, stop, and parity
- Line-break generation and detection
- Fully programmable serial interface characteristics:
 - 5, 6, 7, or 8 data bits
 - Even, odd, stick, or no-parity bit generation and detection
 - One or two stop-bit generation
- Full modem-handshake support
- Programmable hardware flow control
- Standard FIFO-level interrupts
- Efficient transfers using the μ DMA controller:
 - Separate channels for TX and RX
 - Receive single request asserted when data is in the FIFO; burst request asserted at programmed FIFO level
 - Transmit single request asserted when there is space in the FIFO; burst request asserted at programmed FIFO level

1.3.8.2 I²C

The I²C bus provides bidirectional data transfer through a 2-wire design (a serial data line SDA and a serial clock line SCL). The I²C bus interfaces to external I²C devices such as serial memory (RAM and ROM), networking devices, LCDs, tone generators, and so on. The I²C bus may also be used for system testing and diagnostic purposes in product development and manufacturing.

Each device on the I²C bus can be designated as a master or a slave. Each I²C module supports both sending and receiving data (as either a master or a slave) and can operate simultaneously (as both a master and a slave). Both the I²C master and slave can generate interrupts.

The CC13x1x3 and CC26x1x3 device platform includes an I²C module with the following features:

- Devices on the I²C bus can be designated as either a master or a slave:
 - Supports both transmitting and receiving data as either a master or a slave
 - Supports simultaneous master and slave operation
- Four I²C modes:
 - Master transmit
 - Master receive
 - Slave transmit
 - Slave receive

- Two transmission speeds:
 - Standard (100 kbps)
 - Fast (400 kbps)
- Clock low time-out interrupt
- Master and slave interrupt generation:
 - Master generates interrupts when a TX or RX operation completes (or aborts due to an error)
 - Slave generates interrupts when data is transferred or requested by a master or when a START or STOP condition is detected
 - Master with arbitration and clock synchronization, multimaster support, and 7-bit addressing mode

1.3.8.3 I²S

An I²S module enables the CC13x1x3 and CC26x1x3 device platform to communicate with external devices like codecs, DAC, ADCs, or DSPs. The devices only support audio streaming formats like I²S, RJF, LJF, and DSP; the devices do not support configuration of external devices. The CC13x1x3 and CC26x1x3 device platform supports both external and internally generated bit clock and word clock (BCLK and WCLK).

1.3.8.4 SSI

An SSI module is a 4-wire bidirectional communications interface that converts data between parallel and serial. The SSI performs serial-to-parallel conversion on data received from a peripheral device and performs parallel-to-serial conversion on data transmitted to a peripheral device. The SSI can be configured as either a master or slave device. As a slave device, the SSI can be configured to disable its output, which allows coupling of a master device with multiple slave devices. The TX and RX paths are buffered with separate internal FIFOs.

The SSI also includes a programmable bit rate clock divider and prescaler to generate the output serial clock derived from the input clock of the SSI. Bit rates are generated based on the input clock, and the maximum bit rate is determined by the connected peripheral.

The CC13x1x3 and CC26x1x3 device platform includes one SSI module with the following features:

- Programmable interface operation for Freescale SPI, MICROWIRE, or TI synchronous serial interfaces
- Master or slave operation
- Programmable clock bit rate and prescaler
- Separate TX and RX FIFOs, each 16 bits wide and 8 locations deep
- Programmable data-frame size from 4 bits to 16 bits
- Internal loopback test mode for diagnostic and debug testing
- Standard FIFO-based interrupts and EoT interrupt
- Efficient transfers using the μ DMA controller:
 - Separate channels for TX and RX
 - Receive single request asserted when data is in the FIFO; burst request is asserted when FIFO contains four entries
 - Transmit single request asserted when there is space in the FIFO; burst request is asserted when FIFO contains four entries

1.3.9 Programmable I/Os

I/O pins offer flexibility for a variety of connections. The CC13x1x3 and CC26x1x3 device platform supports highly configurable I/O pins that can be multiplexed to any digital peripheral through the I/O Controller.

Note

Analog functionality and high-drive strength is limited to certain pins. See [Chapter 13](#) for details.

- Up to 31 GPIOs, depending on configuration
- Up to five 8 mA drive strength pins
- Fully flexible digital pin muxing allows use as GPIO or any of several peripheral functions
- Programmable control for GPIO interrupts:
 - Interrupt generation masking per pin
 - Edge-triggered on rising or falling
- Bit masking in read and write operations through address lines
- Can initiate a μ DMA transfer
- Pin state can be retained during all sleep modes
- Pins configured as digital inputs are Schmitt-triggered
- Programmable control for DIO configuration:
 - Weak pullup or pulldown resistors
 - Digital input enables

1.3.10 Analog Peripherals

The analog peripherals allow the CC13x1x3 and CC26x1x3 to read and monitor sensors or perform other tasks and are directly controlled by the System CPU.

Some typical use cases may be (but not limited to) the following:

- Analog sensors using integrated ADC
- Waveform generation
- Keyboard scan
- Quadrature decoder for polling rotation sensors
- Oscillator calibration

The Analog Peripherals include the following:

- Analog comparator

The ultra-low-power analog comparator can wake the CC13x1x3 and CC26x1x3 device platform from any active state. A configurable internal reference can be used with the comparator. The output of the comparator can also trigger an interrupt or trigger the ADC.

- Capacitive sensing

Capacitive sensing is not a stand-alone module in the CC13x1x3 and CC26x1x3 device platform; rather, the functionality is achieved through the use of a constant current source, a time to digital converter, and a comparator. The analog comparator in this block can also be used as a higher-accuracy alternative to the ultra-low-power comparator.

- ADC

The ADC is a 12-bit, 200 ksps ADC with 8 inputs and a built-in voltage reference. The ADC can be triggered by many different sources including timers, I/O pins, software, the analog comparator, and the RTC.

An ADC is a peripheral that converts a continuous analog voltage to a discrete digital number. The ADC module features 12-bit conversion resolution and supports eight input channels plus an internal division of the battery voltage and a temperature sensor.

- Low-power UART, SPI, and I²C digital sensor interface

1.3.11 Random Number Generator

The random number generator generates true random numbers for backoff calculations or security keys.

1.3.12 cJTAG and JTAG

The Joint Test Action Group (JTAG) port is an IEEE standard that defines a test access port (TAP) and boundary scan architecture for digital integrated circuits. The JTAG port also provides a standardized serial interface for controlling the associated test logic. The TAP, Instruction Register (IR), and Data Registers (DR) can be used to test the interconnections of assembled printed circuit boards (PCBs) and obtain manufacturing information on the components. The JTAG port also provides a means of accessing and controlling design-for-test features such as I/O pin observation and control, scan testing, and debugging. The compact JTAG (cJTAG) interface has the following features:

- IEEE 1149.1-1990 compliant TAP controller
- IEEE 1149.7 cJTAG interface
- ICEPick JTAG router
- A 4-bit IR chain for storing JTAG instructions
- IEEE standard instructions: BYPASS, IDCODE, SAMPLE and PRELOAD, EXTEST and INTEST
- Arm[®] additional instructions: APACC, DPACC, and ABORT

1.3.13 Power Supply System

1.3.13.1 Supply System

There are several voltage levels in use on the CC13x1x3 and CC26x1x3 device platform. [Figure 1-2](#) shows an overview of the supply system.

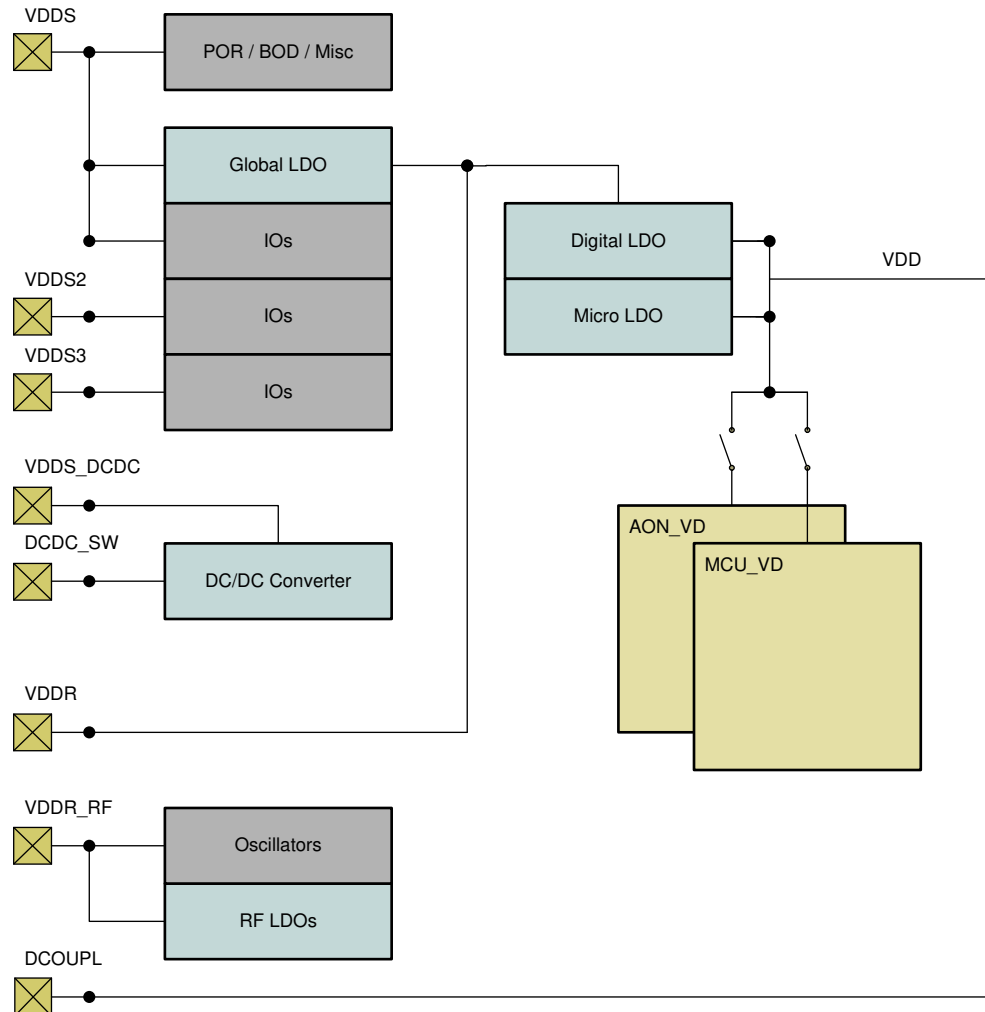


Figure 1-2. CC13x1x3 and CC26x1x3 Supply System

1.3.13.1.1 VDDS

The battery voltage on the CC13x1x3 and CC26x1x3 device platform is called VDDS (supply). This supply has the highest potential in the system and typically is the only one provided by the user.

Note

VDDS2 and VDDS3 must always be at the same potential as VDDS.

1.3.13.1.2 VDDR

The two VDDR (regulated) pins are normally powered from one of the internal regulators. For lowest power, TI recommends using the internal DC/DC regulator (see [Section 1.3.13.2](#) for further details on this configuration).

Using the Global LDO is also an option. In this case the two VDDR pins must be tied together. In this case, VDDR should have a 22 μ F decoupling capacitor, whereas VDDR_RF should have the decoupling recommended in the various reference designs. In this setup, VDDS_DCDC should be tied to VDDS and DCDC_SW should be left floating.

1.3.13.1.3 Digital Core Supply

The digital core of the CC13x1x3 and CC26x1x3 device platform is supplied by a 1.28 V regulator connected to VDDR. The output of this regulator requires an external decoupling capacitor for proper operation; this capacitor must be connected to the DCOUPL pin.

Note

The DCOUPL pin cannot be used to supply external circuitry.

When the system is in power down, a small low-power regulator (micro LDO) with limited current capacity supplies the digital domain to ensure enabled modules still have power.

1.3.13.1.4 Other Internal Supplies

Several other modules in the device (such as the frequency synthesizer, RF power amplifier, and so forth) have separate internal regulators running at either 1.4 V (analog modules) or 1.28 V (digital modules). These regulators are powered up or down automatically by firmware when needed.

1.3.13.2 DC/DC Converter

The on-chip buck-mode DC/DC converter provides a simple way to reduce the power consumption of the device. The DC/DC converter is integrated into the supply system and handles bias and clocks automatically through the system controller.

The DC/DC converter is controlled through the AON_PMCTL:PWRCTL register.

To enable the DC/DC converter when the system is active, the AON_PMCTL:PWRCTL.DCDC_ACTIVE bit must be set. The DC/DC converter is also used periodically when the device is in Standby mode to maintain voltage on the VDDR domain.

The output voltage of the DC/DC regulator is typically trimmed to 1.68 V, but there are use cases where other voltage levels are used. The voltage levels are controlled automatically by the device and cannot be changed by the user.

Note

The DC/DC regulator output cannot be used to supply external circuitry.

This page intentionally left blank.

The CC13x1x3 and CC26x1x3 device platform builds on the Arm® Cortex®-M4 core to bring high-performance 32-bit computing to cost-sensitive embedded microcontroller applications, such as factory automation and control, industrial control power devices, building and home automation, and stepper motor control.

This chapter provides information on the CC13x1x3 and CC26x1x3 device platform implementation of the Arm® Cortex®-M4 processor.

For technical details on the instruction set, see [Cortex-M3/M4F Instruction Set Technical User's Manual](#).

2.1 Arm® Cortex®-M4 Processor Introduction	68
2.2 Block Diagram	68
2.3 Overview	69
2.4 Programming Model	71
2.5 Arm® Cortex®-M4 Core Registers	72
2.6 Instruction Set Summary	87
2.7 Arm® Cortex®-M4 Processor Registers	96

2.1 Arm® Cortex®-M4 Processor Introduction

The Arm® Cortex®-M4 processor provides a high-performance, low-cost platform that meets the system requirements of minimal memory implementation, reduced pin count, and low-power consumption. The following features are included:

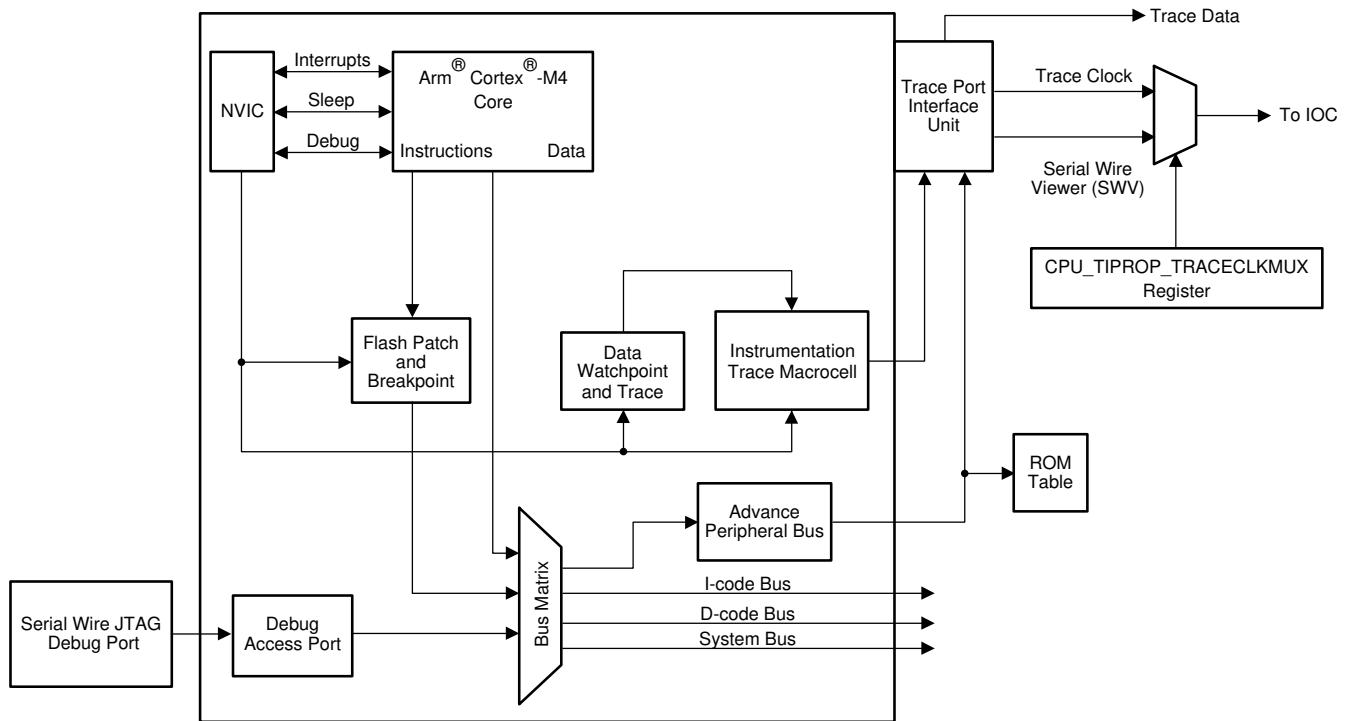
- 32-bit Arm® Cortex®-M4 architecture optimized for small-footprint, embedded applications
- Outstanding processing performance combined with fast interrupt handling
- Arm Thumb®-2 technology with mixed 16- and 32-bit instruction set delivers the high performance expected of a 32-bit Arm® core in a compact memory size usually associated with 8- and 16-bit devices, typically in the range of a few kilobytes of memory for microcontroller-class applications:
 - Single-cycle multiply instruction and hardware divide
 - Atomic bit manipulation (bit-banding), delivering maximum memory use and streamlined peripheral control
 - Unaligned data access, enabling efficient packing of data into memory
- Fast code execution permits slower processor clock or increases sleep mode time
- Harvard architecture characterized by separate buses for instruction and data
- Efficient processor core, system, and memories
- Hardware division and fast digital signal processing oriented multiply accumulate
- Saturating arithmetic for signal processing
- Deterministic, high-performance interrupt handling for time-critical applications
- Enhanced system debug with extensive breakpoint and trace capabilities
- Full debug with data matching for watchpoint generation
 - DWT
 - JTAG debug port
 - FPB
- Migration from the Arm7® processor family for better performance and power efficiency
- Standard trace support
 - ITM
 - TPIU with asynchronous serial wire output (SWO)
- Optimized for single-cycle flash memory use
- Ultra-low power consumption with integrated sleep modes
- 48 MHz operation

2.2 Block Diagram

Figure 2-1 shows the core processor unit (CPU) block diagram. The Arm® Cortex®-M4 processor is built on a high-performance processor core with a 3-stage pipeline Harvard architecture, thus it is ideal for demanding embedded applications. The processor delivers exceptional power efficiency through an efficient instruction set and extensively optimized design, which provides high-end processing hardware. The instruction set includes a range of single-cycle and SIMD multiplication and multiply-with-accumulate capabilities, saturating arithmetic, and dedicated hardware division.

To facilitate the design of cost-sensitive devices, the Arm® Cortex®-M4 processor implements tightly coupled system components that reduce processor area while significantly improving interrupt handling and system-debug capabilities. The Arm® Cortex®-M4 processor implements a version of the Thumb instruction set based on Thumb-2 technology; thus ensuring high code density and reduced program-memory requirements. The Arm® Cortex®-M4 instruction set provides the exceptional performance expected of a modern 32-bit architecture, with the high code density of 8-bit and 16-bit microcontrollers.

The Arm® Cortex®-M4 processor closely integrates a nested vector interrupt controller (NVIC) to deliver fast execution of interrupt service routines (ISRs) thereby dramatically reducing interrupt latency. The hardware stacking of registers and the ability to suspend load-multiple and store-multiple operations further reduces interrupt latency. Interrupt handlers do not require any assembler stubs, thus removing code overhead from the ISRs. Tail-chaining optimization also significantly reduces the overhead when switching from one ISR to another. To optimize low-power designs, the NVIC integrates with the sleep modes, including deep-sleep mode, which enables the entire device to be rapidly powered down.



Copyright © 2017, Texas Instruments Incorporated

Figure 2-1. CPU Block Diagram

2.3 Overview

2.3.1 System-Level Interface

The Arm® Cortex®-M4 processor provides multiple interfaces using AMBA® technology to provide high-speed, low-latency memory accesses. The core supports unaligned data accesses and implements atomic bit manipulation that enables faster peripheral controls, system spinlocks, and thread-safe Boolean data handling.

2.3.2 Integrated Configurable Debug

The Arm® Cortex®-M4 processor implements a complete hardware-debug solution through a Serial Wire or JTAG Debug Port (SWJ-DP) module. SWJ-DP provides a high system visibility of the processor and memory through a traditional JTAG port. See [Chapter 6](#) and the *Arm Debug Interface V5 Architecture Specification* for details on SWJ-DP.

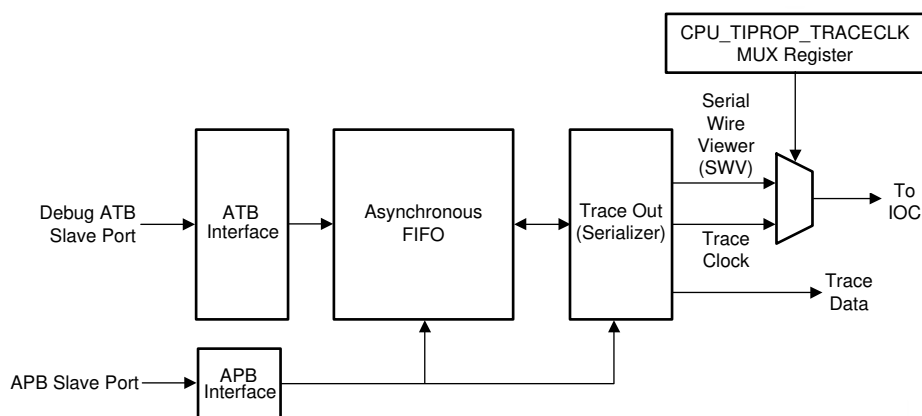
For system trace, the processor integrates an instrumentation trace macrocell (ITM) alongside data watchpoints and a profiling unit. To enable simple and cost-effective profiling of the system trace events, a serial wire viewer (SWV) can export a stream of software-generated messages, data trace, and profiling information through one pin.

The flash patch and breakpoint unit (FPB) provides up to eight hardware-breakpoint comparators that debuggers can use. The comparators in the FPB also provide remap functions of up to eight words in the program code in the CODE memory region. Remap functions enable patching of applications stored in a read-only area of flash memory into another area of on-chip SRAM or flash memory. If a patch is required, the application programs the FPB to remap a number of addresses. When those addresses are accessed, the accesses are redirected to a remap table specified in the FPB configuration.

For more information on the Arm® Cortex®-M4 debug capabilities, see the *Arm Debug Interface V5 Architecture Specification*.

2.3.3 Trace Port Interface Unit

Figure 2-2 shows the trace port interface unit (TPIU) block diagram. The TPIU acts as a bridge between the Arm® Cortex®-M4 trace data from the ITM, and an off-chip trace port analyzer.



Copyright © 2017, Texas Instruments Incorporated

Figure 2-2. TPIU Block Diagram

2.3.4 Arm® Cortex®-M4 System Component Details

The Arm® Cortex®-M4 includes the following system components:

- **SysTick:** A 24-bit count-down timer that can be used as a real-time operating system (RTOS) tick timer or as a simple counter (see [Section 4.2.1](#))
- **Nested Vectored Interrupt Controller:** An embedded interrupt controller (INTC) that supports low-latency interrupt processing (see [Section 4.2.2](#))
- **System Control Block:** The programming model interface to the processor, which provides system implementation information and system control, including configuration, control, and reporting of system exceptions (see [Section 4.2.3](#)). Key control and status features of the processor are managed centrally in SCB within the system control space (SCS).

2.4 Programming Model

This section describes the Arm® Cortex®-M4 programming model. For more information about the processor modes and privilege levels for software execution and stacks and for descriptions of the individual core registers, see [Section 2.5](#).

2.4.1 Processor Mode and Privilege Levels for Software Execution

The Arm® Cortex®-M4 processor has two modes of operation:

- Thread mode executes application software. The processor enters thread mode when it comes out of reset.
- Handler mode handles exceptions. When the processor completes exception processing, it returns to thread mode.

In addition, the Arm® Cortex®-M4 processor has two privilege levels, unprivileged and privileged.

- In unprivileged mode, software has the following restrictions:
 - Limited access to the MSR and MRS instructions and no use of the CPS instruction
 - No access to the system timer, NVIC, or SCB
- In privileged mode, software can use all the instructions and has access to all resources in the processor.

In thread mode, the CONTROL register (see [Table 2-24](#)) controls whether software execution is privileged or unprivileged. In handler mode, software execution is always privileged.

Only privileged software can write to the CONTROL register to change the privilege level for software execution in thread mode. Unprivileged software can use the SVC instruction to make a supervisor call to transfer control to privileged software.

2.4.2 Stacks

The Arm® Cortex®-M4 processor uses a full descending stack, meaning that the stack pointer indicates the last stacked item on the memory. When the processor pushes a new item onto the stack, it decrements the stack pointer and then writes the item to the new memory location. The processor implements two stacks, the main stack and the process stack, with a pointer for each held in independent registers (see the SP register in [Table 2-16](#)).

In thread mode, the CONTROL register (see [Table 2-24](#)) controls whether the processor uses the main stack or the process stack. In handler mode, the processor always uses the main stack. [Table 2-1](#) lists the options for processor operations.

Table 2-1. Summary of Processor Mode, Privilege Level, and Stack Use

Processor Mode	Use	Privilege Level	Stack Used
Thread	Applications	Privileged or unprivileged ⁽¹⁾	Main stack or process stack
Handler	Exception handlers	Always privileged	Main stack

(1) See the CONTROL register in [Table 2-24](#).

2.4.3 Exceptions and Interrupts

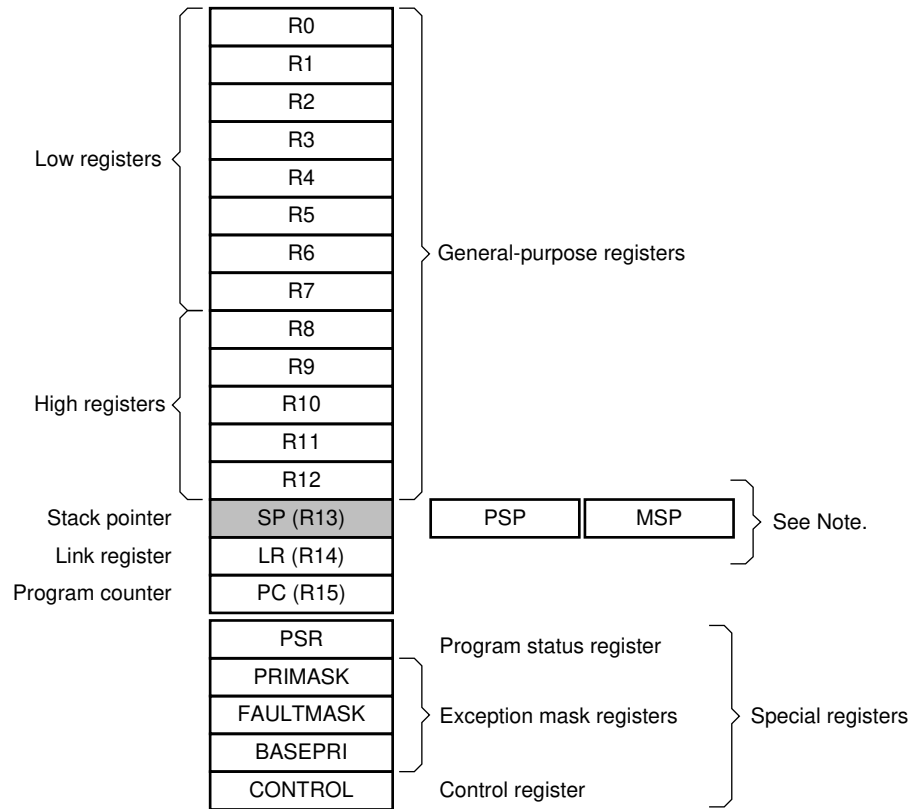
An exception changes the normal flow of software control. The support for interrupts and system exceptions is implemented by using the built-in NVIC, which supports up to 240 external interrupt inputs. Besides the external interrupts, the Arm® Cortex®-M4 also services 16 predefined exception sources including Reset, NMI, and so on. The processor and the NVIC prioritize and handle all exceptions. The processor uses handler mode to handle all exceptions, except for reset. Software configures the actual priorities assigned to NVIC external interrupt inputs through registers.

2.4.4 Data Types

The Arm® Cortex®-M4 processor supports 32-bit words, 16-bit halfwords, and 8-bit bytes. The processor also supports 64-bit data transfer instructions. All instruction and data memory accesses are little endian. For more information, see [Cortex-M3/M4F Instruction Set Technical User's Manual](#).

2.5 Arm® Cortex®-M4 Core Registers

Figure 2-3 shows the Arm® Cortex®-M4 register set. Table 2-2 lists the core registers. The core registers are not memory mapped and are accessed by register name, so the base address is N/A (not applicable) and there is no offset.



Note: Banked version of SP

Figure 2-3. Arm® Cortex®-M4 Register Set

2.5.1 Core Register Map

Table 2-2. Processor Register Map

Name	Type	Reset	Description	Link
R0	R/W	—	Cortex general-purpose register 0	See Section 2.5.2.1 .
R1	R/W	—	Cortex general-purpose register 1	See Section 2.5.2.2 .
R2	R/W	—	Cortex general-purpose register 2	See Section 2.5.2.3 .
R3	R/W	—	Cortex general-purpose register 3	See Section 2.5.2.4 .
R4	R/W	—	Cortex general-purpose register 4	See Section 2.5.2.5 .
R5	R/W	—	Cortex general-purpose register 5	See Section 2.5.2.6 .
R6	R/W	—	Cortex general-purpose register 6	See Section 2.5.2.7 .
R7	R/W	—	Cortex general-purpose register 7	See Section 2.5.2.8 .
R8	R/W	—	Cortex general-purpose register 8	See Section 2.5.2.9 .
R9	R/W	—	Cortex general-purpose register 9	See Section 2.5.2.10 .
R10	R/W	—	Cortex general-purpose register 10	See Section 2.5.2.11 .
R11	R/W	—	Cortex general-purpose register 11	See Section 2.5.2.12 .
R12	R/W	—	Cortex general-purpose register 12	See Section 2.5.2.13 .
SP	R/W	—	Stack pointer	See Section 2.5.2.14 .
LR	R/W	0xFFFF FFFF	Link register	See Section 2.5.2.15 .
PC	R/W	—	Program counter	See Section 2.5.2.16 .
PSR	R/W	0x0100 0000	Program status register	See Section 2.5.2.17 .
PRIMASK	R/W	0x0000 0000	Priority mask register	See Section 2.5.2.18 .
FAULTMASK	R/W	0x0000 0000	Fault mask register	See Section 2.5.2.19 .
BASEPRI	R/W	0x0000 0000	Base priority mask register	See Section 2.5.2.20 .
CONTROL	R/W	0x0000 0000	Control register	See Section 2.5.2.21 .

2.5.2 Core Register Descriptions

This section lists and describes the Arm® Cortex®-M4 registers, in the order listed in [Figure 2-3](#). The core registers are not memory mapped and are accessed by register name rather than offset.

Note

The register type shown in the register descriptions refers to type during program execution in thread mode and handler mode. Debug access can differ.

2.5.2.1 Cortex® General-Purpose Register 0 (R0)

Table 2-3. Cortex® General-Purpose Register 0 (R0)

Address Offset	Reset			
Physical Address	Instance			
Description	The R0 registers are 32-bit general-purpose registers for data operations and can be accessed from either privileged or unprivileged mode.			
Type	R/W			
31 30 29 28 27 26 25 24 23 22 21 20 19 18 17 16 15 14 13 12 11 10 9 8 7 6 5 4 3 2 1 0	DATA			
Bits	Field Name	Description	Type	Reset
31-0	DATA	Register data	R/W	—

2.5.2.2 Cortex® General-Purpose Register 1 (R1)

Table 2-4. Cortex® General-Purpose Register 1 (R1)

Address Offset		Reset	–
Physical Address		Instance	
Description	The R1 registers are 32-bit general-purpose registers for data operations and can be accessed from either privileged or unprivileged mode.		
Type	R/W		

31	30	29	28	27	26	25	24	23	22	21	20	19	18	17	16	15	14	13	12	11	10	9	8	7	6	5	4	3	2	1	0
DATA																															

Bits	Field Name	Description	Type	Reset
31–0	DATA	Register data	R/W	—

2.5.2.3 Cortex® General-Purpose Register 2 (R2)

Table 2-5. Cortex® General-Purpose Register 2 (R2)

Address Offset		Reset	–
Physical Address		Instance	
Description	The R2 registers are 32-bit general-purpose registers for data operations and can be accessed from either privileged or unprivileged mode.		
Type	R/W		

31	30	29	28	27	26	25	24	23	22	21	20	19	18	17	16	15	14	13	12	11	10	9	8	7	6	5	4	3	2	1	0
DATA																															

Bits	Field Name	Description	Type	Reset
31–0	DATA	Register data	R/W	—

2.5.2.4 Cortex® General-Purpose Register 3 (R3)

Table 2-6. Cortex® General-Purpose Register 3 (R3)

Address Offset		Reset	–
Physical Address		Instance	
Description	The R3 registers are 32-bit general-purpose registers for data operations and can be accessed from either privileged or unprivileged mode.		
Type	R/W		

31	30	29	28	27	26	25	24	23	22	21	20	19	18	17	16	15	14	13	12	11	10	9	8	7	6	5	4	3	2	1	0
DATA																															

Bits	Field Name	Description	Type	Reset
31–0	DATA	Register data	R/W	—

2.5.2.5 Cortex® General-Purpose Register 4 (R4)

Table 2-7. Cortex® General-Purpose Register 4 (R4)

Address Offset		Reset	–
Physical Address		Instance	
Description	The R4 registers are 32-bit general-purpose registers for data operations and can be accessed from either privileged or unprivileged mode.		
Type	R/W		

31	30	29	28	27	26	25	24	23	22	21	20	19	18	17	16	15	14	13	12	11	10	9	8	7	6	5	4	3	2	1	0
DATA																															

Bits	Field Name	Description	Type	Reset
31–0	DATA	Register data	R/W	—

2.5.2.6 Cortex® General-Purpose Register 5 (R5)

Table 2-8. Cortex® General-Purpose Register 5 (R5)

Address Offset		Reset	–
Physical Address		Instance	
Description	The R5 registers are 32-bit general-purpose registers for data operations and can be accessed from either privileged or unprivileged mode.		
Type	R/W		

31	30	29	28	27	26	25	24	23	22	21	20	19	18	17	16	15	14	13	12	11	10	9	8	7	6	5	4	3	2	1	0
DATA																															

Bits	Field Name	Description	Type	Reset
31–0	DATA	Register data	R/W	—

2.5.2.7 Cortex® General-Purpose Register 6 (R6)

Table 2-9. Cortex® General-Purpose Register 6 (R6)

Address Offset		Reset	–
Physical Address		Instance	
Description	The R6 registers are 32-bit general-purpose registers for data operations and can be accessed from either privileged or unprivileged mode.		
Type	R/W		

31	30	29	28	27	26	25	24	23	22	21	20	19	18	17	16	15	14	13	12	11	10	9	8	7	6	5	4	3	2	1	0
DATA																															

Bits	Field Name	Description	Type	Reset
31–0	DATA	Register data	R/W	—

2.5.2.8 Cortex® General-Purpose Register 7 (R7)

Table 2-10. Cortex® General-Purpose Register 7 (R7)

Address Offset		Reset	–
Physical Address		Instance	
Description	The R7 registers are 32-bit general-purpose registers for data operations and can be accessed from either privileged or unprivileged mode.		
Type	R/W		

31	30	29	28	27	26	25	24	23	22	21	20	19	18	17	16	15	14	13	12	11	10	9	8	7	6	5	4	3	2	1	0
DATA																															

Bits	Field Name	Description	Type	Reset
31–0	DATA	Register data	R/W	—

2.5.2.9 Cortex® General-Purpose Register 8 (R8)

Table 2-11. Cortex® General-Purpose Register 8 (R8)

Address Offset		Reset	–
Physical Address		Instance	
Description	The R8 registers are 32-bit general-purpose registers for data operations and can be accessed from either privileged or unprivileged mode.		
Type	R/W		

31	30	29	28	27	26	25	24	23	22	21	20	19	18	17	16	15	14	13	12	11	10	9	8	7	6	5	4	3	2	1	0
DATA																															

Bits	Field Name	Description	Type	Reset
31–0	DATA	Register data	R/W	—

2.5.2.10 Cortex® General-Purpose Register 9 (R9)

Table 2-12. Cortex® General-Purpose Register 9 (R9)

Address Offset		Reset	–
Physical Address		Instance	
Description	The R9 registers are 32-bit general-purpose registers for data operations and can be accessed from either privileged or unprivileged mode.		
Type	R/W		

31	30	29	28	27	26	25	24	23	22	21	20	19	18	17	16	15	14	13	12	11	10	9	8	7	6	5	4	3	2	1	0
DATA																															

Bits	Field Name	Description	Type	Reset
31–0	DATA	Register data	R/W	—

2.5.2.11 Cortex® General-Purpose Register 10 (R10)

Table 2-13. Cortex® General-Purpose Register 10 (R10)

Address Offset		Reset	–
Physical Address		Instance	
Description	The R10 registers are 32-bit general-purpose registers for data operations and can be accessed from either privileged or unprivileged mode.		
Type	R/W		

31	30	29	28	27	26	25	24	23	22	21	20	19	18	17	16	15	14	13	12	11	10	9	8	7	6	5	4	3	2	1	0
DATA																															

Bits	Field Name	Description	Type	Reset
31–0	DATA	Register data	R/W	—

2.5.2.12 Cortex® General-Purpose Register 11 (R11)

Table 2-14. Cortex® General-Purpose Register 11 (R11)

Address Offset		Reset	–
Physical Address		Instance	
Description	The R11 registers are 32-bit general-purpose registers for data operations and can be accessed from either privileged or unprivileged mode.		
Type	R/W		

31	30	29	28	27	26	25	24	23	22	21	20	19	18	17	16	15	14	13	12	11	10	9	8	7	6	5	4	3	2	1	0
DATA																															

Bits	Field Name	Description	Type	Reset
31–0	DATA	Register data	R/W	—

2.5.2.13 Cortex® General-Purpose Register 12 (R12)

Table 2-15. Cortex® General-Purpose Register 12 (R12)

Address Offset		Reset	–
Physical Address		Instance	
Description	The R12 registers are 32-bit general-purpose registers for data operations and can be accessed from either privileged or unprivileged mode.		
Type	R/W		

31	30	29	28	27	26	25	24	23	22	21	20	19	18	17	16	15	14	13	12	11	10	9	8	7	6	5	4	3	2	1	0
DATA																															

Bits	Field Name	Description	Type	Reset
31–0	DATA	Register data	R/W	—

2.5.2.14 Stack Pointer (SP)

Table 2-16. Stack Pointer (SP)

Address Offset		Reset	–	
Physical Address		Instance		
Description				
The Stack Pointer (SP) is register R13. In thread mode, the function of this register changes depending on the ASP bit in the Control Register (CONTROL) register. When the ASP bit is clear, this register is the Main Stack Pointer (MSP). When the ASP bit is set, this register is the Process Stack Pointer (PSP). On reset, the ASP bit is clear, and the processor loads the MSP with the value from address 0x0000 0000. The MSP can only be accessed in privileged mode; the PSP can be accessed in either privileged or unprivileged mode.				
Type	R/W			
31 30 29 28 27 26 25 24	23 22 21 20 19 18 17 16	15 14 13 12 11 10 9 8	7 6 5 4 3 2 1 0	
SP				
Bits	Field Name	Description	Type	Reset
31–0	SP	This field is the address of the stack pointer.	R/W	—

2.5.2.15 Link Register (LR)

Table 2-17. Link Register (LR)

Address Offset		Reset	0xFFFF FFFF	
Physical Address		Instance		
Description				
The Link Register (LR) is register R14, and it stores the return information for subroutines, function calls, and exceptions. LR can be accessed from either privileged or unprivileged mode.				
EXC_RETURN is loaded into LR on exception entry. See Table 5-2 for the values and description.				
Type	R/W			
31 30 29 28 27 26 25 24	23 22 21 20 19 18 17 16	15 14 13 12 11 10 9 8	7 6 5 4 3 2 1 0	
LINK				
Bits	Field Name	Description	Type	Reset
31–0	LINK	This field is the return address.	R/W	0xFFFF FFFF

2.5.2.16 Program Counter (PC)

Table 2-18. Program Counter (PC)

Address Offset		Reset	–
Physical Address		Instance	
Description			
The Program Counter (PC) is register R15, and it contains the current program address. On reset, the processor loads the PC with the value of the reset vector, which is at address 0x0000 0004. Bit 0 of the reset vector is loaded into the THUMB bit of the EPSR register at reset and must be 1. The PC register can be accessed in either privileged or unprivileged mode			
Type	R/W		

31	30	29	28	27	26	25	24	23	22	21	20	19	18	17	16	15	14	13	12	11	10	9	8	7	6	5	4	3	2	1	0
PC																															

Bits	Field Name	Description	Type	Reset
31–0	PC	This field is the current program address.	R/W	—

2.5.2.17 Program Status Register (PSR)

Table 2-19. PSR Combinations

Register	Type	Combination
PSR	R/W ⁽²⁾ ⁽¹⁾	APSR, EPSR, and IPSR
IEPSR	RO	EPSR and IPSR
IAPSR	R/W	APSR and IPSR
EAPSR	R/W	APSR and EPSR

(1) The processor ignores writes to the IPSR bits.

(2) Reads of the EPSR bits directly using the MSR instruction return 0, and the processor ignores writes to these bits.

Table 2-20. Program Status Register (PSR) or (xPSR)

Address Offset		Reset	0x0100 0000
Physical Address		Instance	
Description			
Also referred to as xPSR			
The Program Status Register (PSR) has three functions, and the register bits are assigned to the different functions:			
<ul style="list-style-type: none"> Application Program Status Register (APSR), bits 31–27 Execution Program Status Register (EPSR), bits 26–24, 15–10 Interrupt Program Status Register (IPSR), bits 6–0 			
The PSR, IPSR, and EPSR registers can be accessed only in privileged mode; the APSR register can be accessed in privileged or unprivileged mode.			
APSR contains the current state of the condition flags from previous instruction executions.			
EPSR contains the Thumb state bit and the execution state bits for the if-then (IT) instruction or the interruptible-continuable instruction (ICI) field for an interrupted load multiple or store multiple instruction. Attempts to read the EPSR directly through application software using the MSR instruction always return 0. Attempts to write the EPSR using the MSR instruction in application software are always ignored. Fault handlers can examine the EPSR value in the stacked PSR to determine the operation that faulted (see Section 5.1.7).			
IPSR contains the exception type number of the current ISR.			
These registers can be accessed individually or as a combination of any two or all three registers, using the register name as an argument to the MSR or MRS instructions. For example, all of the registers can be read using PSR with the MRS instruction, or APSR only can be written to using APSR with the MSR instruction. Table 2-20 shows the possible register combinations for the PSR. See the MRS and MSR instruction descriptions in Cortex-M3/M4F Instruction Set Technical User's Manual for more information about how to access the program status registers.			
Type	R/W		

31	30	29	28	27	26	25	24	23	22	21	20	19	18	17	16	15	14	13	12	11	10	9	8	7	6	5	4	3	2	1	0
N	Z	C	V	Q	ICI / IT	TH U M B	RESERVED								ICI / IT					RESERVE D			ISRNUM								

Bits	Field Name	Description	Type	Reset	
31	N	APSR Negative or Less Flag	R/W	0	
		Value			Description
		1			The previous operation result was negative or less than.
		0			The previous operation result was positive, zero, greater than, or equal
		The value of this bit is meaningful only when accessing PSR or APSR.			
30	Z	APSR Zero Flag	R/W	0	
		Value			Description
		1			The previous operation result was zero.
		0			The previous operation result was nonzero.
		The value of this bit is meaningful only when accessing PSR or APSR.			
29	C	APSR Carry or Borrow Flag	R/W	0	
		Value			Description
		1			The previous add operation resulted in a carry bit or the previous subtract operation did not result in a borrow bit.
		0			The previous add operation did not result in a carry bit or the previous subtract operation resulted in a borrow bit.
		The value of this bit is meaningful only when accessing PSR or APSR.			
28	V	APSR Overflow Flag	R/W	0	
		Value			Description
		1			The previous operation resulted in an overflow.
		0			The previous operation did not result in an overflow.
		The value of this bit is meaningful only when accessing PSR or APSR.			
27	Q	APSR Sticky Overflow and Saturation Flag	R/W	0	
		Value			Description
		1			Overflow or saturation has occurred. (set by SSAT or USAT instructions).
		0			Overflow or saturation has not occurred since reset or since the bit was last cleared.
		The value of this bit is meaningful only when accessing PSR or APSR. This flag is sticky, in that, when set by an instruction it remains set until explicitly cleared using an MSR instruction.			

Bits	Field Name	Description	Type	Reset
26–25	ICI / IT	<p>EPSR ICI / IT status</p> <p>These bits, along with bits 15:10, contain the ICI field for an interrupted load multiple or store multiple instruction or the execution state bits of the IT instruction. When EPSR holds the ICI execution state, bits 26:25 are 0. The If-Then block contains up to four instructions following an IT instruction. Each instruction in the block is conditional. The conditions for the instructions are either all the same, or some can be the inverse of others. See the Cortex-M3/M4F Instruction Set Technical User's Manual for more information. The value of this field is meaningful only when accessing PSR or EPSR.</p>	R/O	0x0
24	THUMB	<p>EPSR Thumb state</p> <p>This bit indicates the Thumb state and must always be set. The following can clear the THUMB bit:</p> <ul style="list-style-type: none"> • The BLX, BX and POP{PC} instructions • Restoration from the stacked xPSR value on an exception return • Bit 0 of the vector value on an exception entry or reset <p>Attempting to execute instructions when this bit is clear results in a fault or lockup. For more information, see Section 5.2.4. The value of this bit is meaningful only when accessing PSR or EPSR.</p>	R/O	1
23–16	RESERVED	Reserved	R/O	0x00
15–10	ICI / IT	<p>EPSR ICI / IT status</p> <p>These bits, along with bits 26:25, contain the ICI field for an interrupted load multiple or store multiple instruction or the execution state bits of the IT instruction. When an interrupt occurs during the execution of an LDM, STM, PUSH, or POP instruction, the processor stops the load multiple or store multiple instruction operation temporarily and stores the next register operand in the multiple operation to bits 15:12. After servicing the interrupt, the processor returns to the register pointed to by bits 15:12 and resumes execution of the multiple load or store instruction. When EPSR holds the ICI execution state, bits 11:10 are 0. The If-Then block contains up to four instructions following a 16-bit IT instruction. Each instruction in the block is conditional. The conditions for the instructions are either all the same, or some can be the inverse of others. See Cortex-M3/M4F Instruction Set Technical User's Manual for more information. The value of this field is meaningful only when accessing PSR or EPSR.</p>	R/O	0x0
9–7	RESERVED	Software must not rely on the value of a reserved bit. To provide compatibility with future products, the value of a reserved bit must be preserved across a read-modify-write operation.	R/O	0x0

Bits	Field Name	Description	Type	Reset	
6–0	ISRNUM	IPSR ISR Number This field contains the exception type number of the current ISR.	R/O	0x00	
		Value			Description
		0x00			Thread mode
		0x01			Reserved
		0x02			NMI
		0x03			Hard fault
		0x04			Memory management fault
		0x05			Bus fault
		0x06			Usage fault
		0x07–0x0A			Reserved
		0x0B			SVCcall
		0x0C			Reserved for debug
		0x0D			Reserved
		0x0E			PendSV
		0x0F			SysTick
		0x10			Interrupt vector 0
		0x11			Interrupt vector 1
...	...				
0x31	Interrupt vector 33				
0x32–0x7F	Reserved				
		For more information, see Section 5.1.2 . The value of this field is meaningful only when accessing PSR or IPSR.			

2.5.2.18 Priority Mask Register (PRIMASK)

Table 2-21. Priority Mask Register (PRIMASK)

Address Offset		Reset	0x0000 0000
Physical Address		Instance	
Description			
<p>The Priority Mask (PRIMASK) register prevents activation of all exceptions with programmable priority. Reset, nonmaskable interrupt (NMI), and hard fault are the only exceptions with fixed priority. Exceptions must be disabled when they might impact the timing of critical tasks. This register is accessible only in privileged mode. The MSR and MRS instructions are used to access the PRIMASK register, and the CPS instruction may be used to change the value of the PRIMASK register. For more information on these instructions, see Cortex-M3/M4F Instruction Set Technical User's Manual. For more information on exception priority levels, see Section 5.1.2.</p>			
Type	R/W		

31	30	29	28	27	26	25	24	23	22	21	20	19	18	17	16	15	14	13	12	11	10	9	8	7	6	5	4	3	2	1	0
RESERVED																											PR IM AS K				

Bits	Field Name	Description	Type	Reset
31–1	RESERVED	Software must not rely on the value of a reserved bit. To provide compatibility with future products, the value of a reserved bit must be preserved across a read-modify-write operation.	R/O	0x0000 0000
0	PRIMASK	Priority Mask Value Description 1 Prevents the activation of all exceptions with configurable priority 0 No effect	R/W	0

2.5.2.19 Fault Mask Register (FAULTMASK)

Table 2-22. Fault Mask Register (FAULTMASK)

Address Offset		Reset	0x0000 0000
Physical Address		Instance	
Description			
The Fault Mask FAULTMASK register prevents activation of all exceptions except for the NMI. Exceptions must be disabled when they might impact the timing of critical tasks. This register is accessible only in privileged mode. The MSR and MRS instructions are used to access the FAULTMASK register, and the CPS instruction may be used to change the value of the FAULTMASK register. See Cortex-M3/M4F Instruction Set Technical User's Manual for more information on these instructions. For more information on exception priority levels, see Section 5.1.2 .			
Type	R/W		

31	30	29	28	27	26	25	24	23	22	21	20	19	18	17	16	15	14	13	12	11	10	9	8	7	6	5	4	3	2	1	0
RESERVED																	FA UL T M AS K														

Bits	Field Name	Description	Type	Reset
31–1	RESERVED	Reserved	R/O	0x0000 000
0	FAULTMASK	Fault Mask Value Description 1 Prevents the activation of all exceptions except for NMI 0 No effect The processor clears the FAULTMASK bit on exit from any exception handler except the NMI handler.	R/W	0

2.5.2.20 Base Priority Mask Register (BASEPRI)

Table 2-23. Base Priority Mask Register (BASEPRI)

Address Offset		Reset	0x0000 0000
Physical Address		Instance	
Description			
The Base Priority Mask BASEPRI register defines the minimum priority for exception processing. When BASEPRI is set to a nonzero value, it prevents the activation of all exceptions with the same or lower priority level as the BASEPRI value. Exceptions must be disabled when they might impact the timing of critical tasks. This register is accessible only in privileged mode. For more information on exception priority levels, see Section 5.1.2 .			
Type	R/W		

31	30	29	28	27	26	25	24	23	22	21	20	19	18	17	16	15	14	13	12	11	10	9	8	7	6	5	4	3	2	1	0
RESERVED																							BASEPRI			RESERVED					

Bits	Field Name	Description	Type	Reset																		
31–8	RESERVED	Reserved	R/O	0x0000 00																		
7–5	BASEPRI	<p>Base Priority</p> <p>Any exception that has a programmable priority level with the same or lower priority as the value of this field is masked. The PRIMASK register can be used to mask all exceptions with programmable priority levels. Higher priority exceptions have lower priority levels.</p> <table border="1"> <thead> <tr> <th>Value</th> <th>Description</th> </tr> </thead> <tbody> <tr> <td>0x0</td> <td>All exceptions are unmasked.</td> </tr> <tr> <td>0x1</td> <td>All exceptions with priority levels 1–7 are masked.</td> </tr> <tr> <td>0x2</td> <td>All exceptions with priority levels 2–7 are masked.</td> </tr> <tr> <td>0x3</td> <td>All exceptions with priority levels 3–7 are masked.</td> </tr> <tr> <td>0x4</td> <td>All exceptions with priority levels 4–7 are masked.</td> </tr> <tr> <td>0x5</td> <td>All exceptions with priority levels 5–7 are masked.</td> </tr> <tr> <td>0x6</td> <td>All exceptions with priority levels 6 and 7 are masked.</td> </tr> <tr> <td>0x7</td> <td>All exceptions with priority level 7 are masked.</td> </tr> </tbody> </table>	Value	Description	0x0	All exceptions are unmasked.	0x1	All exceptions with priority levels 1–7 are masked.	0x2	All exceptions with priority levels 2–7 are masked.	0x3	All exceptions with priority levels 3–7 are masked.	0x4	All exceptions with priority levels 4–7 are masked.	0x5	All exceptions with priority levels 5–7 are masked.	0x6	All exceptions with priority levels 6 and 7 are masked.	0x7	All exceptions with priority level 7 are masked.	R/W	0x0
Value	Description																					
0x0	All exceptions are unmasked.																					
0x1	All exceptions with priority levels 1–7 are masked.																					
0x2	All exceptions with priority levels 2–7 are masked.																					
0x3	All exceptions with priority levels 3–7 are masked.																					
0x4	All exceptions with priority levels 4–7 are masked.																					
0x5	All exceptions with priority levels 5–7 are masked.																					
0x6	All exceptions with priority levels 6 and 7 are masked.																					
0x7	All exceptions with priority level 7 are masked.																					
4–0	RESERVED	Reserved	R/O	0x0																		

2.5.2.21 Control Register (CONTROL)

Table 2-24. Control Register (CONTROL)

Address Offset		Reset	0x0000 0000
Physical Address		Instance	
Description			
<p>The CONTROL register controls the stack used and the privilege level for software execution when the processor is in thread mode. This register is accessible only in privileged mode.</p> <p>Handler mode always uses MSP, so the processor ignores explicit writes to the ASP bit of the CONTROL register when in handler mode. The exception entry and return mechanisms automatically update the CONTROL register based on the EXC_RETURN value (see Table 5-2). In an OS environment, threads running in thread mode must use the process stack and the kernel and exception handlers must use the main stack. By default, thread mode uses MSP. To switch the stack pointer used in thread mode to PSP, either use the MSR instruction to set the ASP bit, as detailed in the Cortex-M3/M4F Instruction Set Technical User's Manual, or perform an exception return to thread mode with the appropriate EXC_RETURN value, as shown in Table 5-2.</p> <p>When changing the stack pointer, software must use an ISB instruction immediately after the MSR instruction, ensuring that instructions after the ISB instruction executes use the new stack pointer. See the Cortex-M3/M4F Instruction Set Technical User's Manual.</p>			
Type	R/W		

31	30	29	28	27	26	25	24	23	22	21	20	19	18	17	16	15	14	13	12	11	10	9	8	7	6	5	4	3	2	1	0
RESERVED																AS	T														
																P	M														
																	PL														

Bits	Field Name	Description	Type	Reset
31–2	RESERVED	Reserved	R/O	0x0000 000
1	ASP	Active Stack Pointer Value Description 1 PSP is the current stack pointer. 0 MSP is the current stack pointer. In handler mode, this bit reads as zero and ignores writes. The Arm Cortex-M4 updates this bit automatically on exception return.	R/W	0
0	TMPL	Thread Mode Privilege Level Value Description 1 Unprivileged software can be executed in thread mode. 0 Only privileged software can be executed in thread mode.	R/W	0

2.6 Instruction Set Summary

This section provides the following information:

- Arm® Cortex®-M4 instructions (see [Section 2.6.1](#))
- Load and store timings (see [Section 2.6.2](#))
- Binary compatibility with other Cortex® processors (see [Section 2.6.3](#))

2.6.1 Arm® Cortex®-M4 Instructions

The processor implements the ARMv7-M Thumb instruction set. [Table 2-25](#) lists the Arm® Cortex®-M4 instructions and their cycle counts. The cycle counts are based on a system with zero wait states.

Within the assembler syntax, depending on the operation, the <op2> field can be replaced with one of the following options:

- A simple register specifier, for example

```
Rm
```

- An immediate shifted register, for example

```
Rm, LSL #4
```

- A register shifted register, for example

```
Rm, LSL Rs
```

- An immediate value, for example

```
#0xE000E000
```

For brevity, not all load and store addressing modes are shown. See the *ARMv7-M Architecture Reference Manual* for more information.

[Table 2-25](#) uses the following abbreviations in the *Cycles* column:

- P** The number of cycles required for a pipeline refill. This ranges from 1 to 3 depending on the alignment and width of the target instruction, and whether the processor manages to speculate the address early.
- B** The number of cycles required to perform the barrier operation. For DSB and DMB, the minimum number of cycles is zero. For ISB, the minimum number of cycles is equivalent to the number required for a pipeline refill.
- N** The number of registers in the register list to be loaded or stored, including PC or LR.
- W** The number of cycles spent waiting for an appropriate event.

Table 2-25. Arm® Cortex®-M4 Instruction Set Summary

Operation	Description	Assembler	Cycles
Move	Register	MOV Rd, <op2>	1
	16-bit immediate	MOVW Rd, #<imm>	1
	Immediate into top	MOVT Rd, #<imm>	1
	To PC	MOV PC, Rm	1 + P
Add	Add	ADD Rd, Rn, <op2>	1
	Add to PC	ADD PC, PC, Rn	1 + P
	Add with carry	ADC Rd, Rn, <op2>	1
	Form address	ADR Rd, <label>	1

Table 2-25. Arm® Cortex®-M4 Instruction Set Summary (continued)

Operation	Description	Assembler	Cycles
Subtract	Subtract	SUB Rd, Rn, <op2>	1
	Subtract with borrow	SBC Rd, Rn, <op2>	1
	Reverse	RSB Rd, Rn, <op2>	1
Multiply	Multiply	MUL Rd, Rn, Rm	1
	Multiply accumulate	MLA Rd, Rn, Rm	1
	Multiply subtract	MLS Rd, Rn, Rm	1
	Long signed	SMULL RdLo, RdHi, Rn, Rm	1
	Long unsigned	UMULL RdLo, RdHi, Rn, Rm	1
	Long signed accumulate	SMLAL RdLo, RdHi, Rn, Rm	1
	Long unsigned accumulate	UMLAL RdLo, RdHi, Rn, Rm	1
Divide	Signed	SDIV Rd, Rn, Rm	2 to 12 ⁽¹⁾
	Unsigned	UDIV Rd, Rn, Rm	2 to 12 ⁽¹⁾
Saturate	Signed	SSAT Rd, #<imm>, <op2>	1
	Unsigned	USAT Rd, #<imm>, <op2>	1
Compare	Compare	CMP Rn, <op2>	1
	Negative	CMN Rn, <op2>	1
Logical	AND	AND Rd, Rn, <op2>	1
	Exclusive OR	EOR Rd, Rn, <op2>	1
	OR	ORR Rd, Rn, <op2>	1
	OR NOT	ORN Rd, Rn, <op2>	1
	Bit clear	BIC Rd, Rn, <op2>	1
	Move NOT	MVN Rd, <op2>	1
	AND test	TST Rn, <op2>	1
	Exclusive OR test	TEQ Rn, <op1>	1
Shift	Logical shift left	LSL Rd, Rn, #<imm>	1
	Logical shift left	LSL Rd, Rn, Rs	1
	Logical shift right	LSR Rd, Rn, #<imm>	1
	Logical shift right	LSR Rd, Rn, Rs	1
	Arithmetic shift right	ASR Rd, Rn, #<imm>	1
	Arithmetic shift right	ASR Rd, Rn, Rs	1
Rotate	Rotate right	ROR Rd, Rn, #<imm>	1
	Rotate right	ROR Rd, Rn, Rs	1
	With extension	RRX Rd, Rn	1
Count	Leading zeroes	CLZ Rd, Rn	1

Table 2-25. Arm® Cortex®-M4 Instruction Set Summary (continued)

Operation	Description	Assembler	Cycles
Load	Word	LDR Rd, [Rn, <op2>]	2 ⁽²⁾
	To PC	LDR PC, [Rn, <op2>]	2 ⁽²⁾ + P
	Halfword	LDRH Rd, [Rn, <op2>]	2 ⁽²⁾
	Byte	LDRB Rd, [Rn, <op2>]	2 ⁽²⁾
	Signed halfword	LDRSH Rd, [Rn, <op2>]	2 ⁽²⁾
	Signed byte	LDRSB Rd, [Rn, <op2>]	2 ⁽²⁾
	User word	LDRT Rd, [Rn, #<imm>]	2 ⁽²⁾
	User halfword	LDRHT Rd, [Rn, #<imm>]	2 ⁽²⁾
	User byte	LDRBT Rd, [Rn, #<imm>]	2 ⁽²⁾
	User signed halfword	LDRSHT Rd, [Rn, #<imm>]	2 ⁽²⁾
	User signed byte	LDRSBT Rd, [Rn, #<imm>]	2 ⁽²⁾
	PC relative	LDR Rd, [PC, #<imm>]	2 ⁽²⁾
	Doubleword	LDRD Rd, Rd, [Rn, #<imm>]	1 + N
	Multiple	LDM Rn, {<reglist>}	1 + N
	Multiple including PC	LDM Rn, {<reglist>, PC}	1 + N + P
Store	Word	STR Rd, [Rn, <op2>]	2 ⁽²⁾
	Halfword	STRH Rd, [Rn, <op2>]	2 ⁽²⁾
	Byte	STRB Rd, [Rn, <op2>]	2 ⁽²⁾
	Signed halfword	STRSH Rd, [Rn, <op2>]	2 ⁽²⁾
	Signed byte	STRSB Rd, [Rn, <op2>]	2 ⁽²⁾
	User word	STRT Rd, [Rn, #<imm>]	2 ⁽²⁾
	User halfword	STRHT Rd, [Rn, #<imm>]	2 ⁽²⁾
	User byte	STRBT Rd, [Rn, #<imm>]	2 ⁽²⁾
	User signed halfword	STRSHT Rd, [Rn, #<imm>]	2 ⁽²⁾
	User signed byte	STRSBT Rd, [Rn, #<imm>]	2 ⁽²⁾
	Doubleword	STRD Rd, Rd, [Rn, #<imm>]	1 + N
	Multiple	STM Rn, {<reglist>}	1 + N
Push	Push	PUSH {<reglist>}	1 + N
	Push with link register	PUSH {<reglist>, LR}	1 + N
Pop	Pop	POP {<reglist>}	1 + N
	Pop and return	POP {<reglist>, PC}	1 + N + P

Table 2-25. Arm® Cortex®-M4 Instruction Set Summary (continued)

Operation	Description	Assembler	Cycles
Semaphore	Load exclusive	LDREX Rd, [Rn, #<imm>]	2
	Load exclusive half	LDREXH Rd, [Rn]	2
	Load exclusive byte	LDREXB Rd, [Rn]	2
	Store exclusive	STREX Rd, Rt, [Rn, #<imm>]	2
	Store exclusive half	STREXH Rd, Rt, [Rn]	2
	Store exclusive byte	STREXB Rd, Rt, [Rn]	2
	Clear exclusive monitor	CLREX	1
Branch	Conditional	B<cc> <label>	1 or 1 + P ⁽³⁾
	Unconditional	B <label>	1 + P
	With link	BL <label>	1 + P
	With exchange	BX Rm	1 + P
	With link and exchange	BLX Rm	1 + P
	Branch if zero	CBZ Rn, <label>	1 or 1 + P ⁽³⁾
	Branch if nonzero	CBNZ Rn, <label>	1 or 1 + P ⁽³⁾
	Byte table branch	TBB [Rn, Rm]	2 + P
	Halfword table branch	TBH [Rn, Rm, LSL#1]	2 + P
State change	Supervisor call	SVC #<imm>	–
	If-then-else	IT... <cond>	1 ⁽⁴⁾
	Disable interrupts	CPSID <flags>	1 or 2
	Enable interrupts	CPSIE <flags>	1 or 2
	Read special register	MRS Rd, <specreg>	1 or 2
	Write special register	MSR <specreg>, Rn	1 or 2
	Breakpoint	BKPT #<imm>	–
Extend	Signed halfword to word	SXTH Rd, <op2>	1
	Signed byte to word	SXTB Rd, <op2>	1
	Unsigned halfword	UXTH Rd, <op2>	1
	Unsigned byte	UXTB Rd, <op2>	1
Bit field	Extract unsigned	UBFX Rd, Rn, #<imm>, #<imm>	1
	Extract signed	SBFX Rd, Rn, #<imm>, #<imm>	1
	Clear	BFC Rd, Rn, #<imm>, #<imm>	1
	Insert	BFI Rd, Rn, #<imm>, #<imm>	1
Reverse	Bytes in word	REV Rd, Rm	1
	Bytes in both halfwords	REV16 Rd, Rm	1
	Signed bottom halfword	REVSH Rd, Rm	1
	Bits in word	RBIT Rd, Rm	1

Table 2-25. Arm® Cortex®-M4 Instruction Set Summary (continued)

Operation	Description	Assembler	Cycles
Hint	Send event	SEV	1
	Wait for event	WFE	1 + W
	Wait for interrupt	WFI	1 + W
	No operation	NOP	1
Barriers	Instruction synchronization	ISB	1 + B
	Data memory	DMB	1 + B
	Data synchronization	DSB <flags>	1 + B

- (1) Division operations terminate when the divide calculation completes, with the number of cycles required dependent on the values of the input operands. Division operations are interruptible, meaning that an operation can be abandoned when an interrupt occurs, with worst case latency of one cycle, and restarted when the interrupt completes.
- (2) Neighboring load and store single instructions can pipeline their address and data phases but in some cases such as 32-bit opcodes aligned on odd halfword boundaries they might not pipeline optimally.
- (3) Conditional branch completes in a single cycle if the branch is not taken.
- (4) An IT instruction can be folded onto a preceding 16-bit Thumb instruction, enabling execution in zero cycles.

Table 2-26 lists the DSP instructions that the Arm® Cortex®-M4 processor implements.

Table 2-26. Arm® Cortex®-M4 DSP Instruction Set Summary

Operation	Description	Assembler	Cycles
Multiply	32 bit multiply with 32 most significant bit accumulate	SMMLA	1
	32 bit multiply with 32 most significant bit subtract	SMMLS	1
	32 bit multiply returning 32 most significant bits	SMMUL	1
	32 bit multiply with rounded 32 most significant bit accumulate	SMMLAR	1
	32 bit multiply with rounded 32 most significant bit subtract	SMMLSR	1
	32 bit multiply returning rounded 32 most significant bits	SMMULR	1

Table 2-26. Arm® Cortex®-M4 DSP Instruction Set Summary (continued)

Operation	Description	Assembler	Cycles
Signed multiply	Q setting 16 bit signed multiply with 32 bit accumulate, bottom by bottom	SMLABB	1
	Q setting 16 bit signed multiply with 32 bit accumulate, bottom by top	SMLABT	1
	16 bit signed multiply with 64 bit accumulate, bottom by bottom	SMLALBB	1
	16 bit signed multiply with 64 bit accumulate, bottom by top	SMLALBT	1
	Dual 16 bit signed multiply with single 64 bit accumulator	SMLALD{X}	1
	16 bit signed multiply with 64 bit accumulate, top by bottom	SMLALTB	1
	16 bit signed multiply with 64 bit accumulate, top by top	SMLALTT	1
	16 bit signed multiply yielding 32 bit result, bottom by bottom	SMULBB	1
	16 bit signed multiply yielding 32 bit result, bottom by top	SMULBT	1
	16 bit signed multiply yielding 32 bit result, top by bottom	SMULTB	1
	16 bit signed multiply yielding 32 bit result, top by top	SMULTT	1
	16 bit by 32 bit signed multiply returning 32 most significant bits, bottom	SMULWB	1
	16 bit by 32 bit signed multiply returning 32 most significant bits, top	SMULWT	1
	Dual 16 bit signed multiply returning difference	SMUSD{X}	1
	Q setting 16 bit signed multiply with 32 bit accumulate, top by bottom	SMLATB	1
	Q setting 16 bit signed multiply with 32 bit accumulate, top by top	SMLATT	1
	Q setting dual 16 bit signed multiply with single 32 bit accumulator	SMLAD{X}	1
	Q setting 16 bit by 32 bit signed multiply with 32 bit accumulate, bottom	SMLAWB	1
	Q setting 16 bit by 32 bit signed multiply with 32 bit accumulate, top	SMLAWT	1
	Q setting dual 16 bit signed multiply subtract with 32 bit accumulate	SMLS{D}{X}	1
Q setting dual 16 bit signed multiply subtract with 64 bit accumulate	SMLS{D}{X}	1	
Q setting sum of dual 16 bit signed multiply	SMUAD{X}	1	
Unsigned multiply	32 bit unsigned multiply with double 32 bit accumulation yielding 64 bit result	UMAAL	1
Saturate	Q setting dual 16 bit saturate	SSAT16	1
	Q setting dual 16 bit unsigned saturate	USAT16	1

Table 2-26. Arm® Cortex®-M4 DSP Instruction Set Summary (continued)

Operation	Description	Assembler	Cycles
Packing and unpacking	Pack halfword top with shifted bottom	PKHTB	
	Pack half word bottom with shifted top	PKHBT	1
	Extract 8 bits and sign extend to 32 bits	SXTB	1
	Dual extract 8 bits and sign extend each to 16 bits	SXTB16	1
	Extract 16 bits and sign extend to 32 bits	SXTH	1
	Extract 8 bits and zero-extend to 32 bits	UXTB	1
	Dual extract 8 bits and zero-extend to 16 bits	UXTB16	1
	Extract 16 bits and zero-extend to 32 bits	UXTH	1
	Extract 8 bit to 32 bit unsigned addition	UXTAB	1
	Dual extracted 8 bit to 16 bit unsigned addition	UXTAB16	1
	Extracted 16 bit to 32 bit unsigned addition	UXTAH	1
	Extracted 8 bit to 32 bit signed addition	SXTAB	1
	Dual extracted 8 bit to 16 bit signed addition	SXTAB16	1
	Extracted 16 bit to 32 bit signed addition	SXTAH	1
	Miscellaneous data processing	Select bytes based on GE bits	SEL
Unsigned sum of quad 8 bit unsigned absolute difference		USAD8	1
Unsigned sum of quad 8 bit unsigned absolute difference with 32 bit accumulate		USADA8	1
Addition	Dual 16 bit unsigned saturating addition	UQADD16	1
	Quad 8 bit unsigned saturating addition	UQADD8	1
	Q setting saturating add	QADD	1
	Q setting dual 16 bit saturating add	QADD16	1
	Q setting quad 8 bit saturating add	QADD8	1
	Q setting saturating double and add	QDADD	1
	GE setting quad 8 bit signed addition	SADD8	1
	GE setting dual 16 bit signed addition	SADD16	1
	Dual 16 bit signed addition with halved results	SHADD16	1
	Quad 8 bit signed addition with halved results	SHADD8	1
	GE setting dual 16 bit unsigned addition	UADD16	1
	GE setting quad 8 bit unsigned addition	UADD8	1
	Dual 16 bit unsigned addition with halved results	UHADD16	1
	Quad 8 bit unsigned addition with halved results	UHADD8	1

Table 2-26. Arm® Cortex®-M4 DSP Instruction Set Summary (continued)

Operation	Description	Assembler	Cycles
Subtraction	Q setting saturating double and subtract	QDSUB	1
	Dual 16 bit unsigned saturating subtraction	UQSUB16	1
	Quad 8 bit unsigned saturating subtraction	UQSUB8	1
	Q setting saturating subtract	QSUB	1
	Q setting dual 16 bit saturating subtract	QSUB16	1
	Q setting quad 8 bit saturating subtract	QSUB8	1
	Dual 16 bit signed subtraction with halved results	SHSUB16	1
	Quad 8 bit signed subtraction with halved results	SHSUB8	1
	GE setting dual 16 bit signed subtraction	SSUB16	1
	GE setting quad 8 bit signed subtraction	SSUB8	1
	Dual 16 bit unsigned subtraction with halved results	UHSUB16	1
	Quad 8 bit unsigned subtraction with halved results	UHSUB8	1
	GE setting dual 16 bit unsigned subtract	USUB16	1
	GE setting quad 8 bit unsigned subtract	USUB8	1
Parallel addition and subtraction	Dual 16 bit unsigned saturating addition and subtraction with exchange	UQASX	1
	Dual 16 bit unsigned saturating subtraction and addition with exchange	UQSAX	1
	GE setting dual 16 bit addition and subtraction with exchange	SASX	1
	Q setting dual 16 bit add and subtract with exchange	QASX	1
	Q setting dual 16 bit subtract and add with exchange	QSAX	1
	Dual 16 bit signed addition and subtraction with halved results	SHASX	1
	Dual 16 bit signed subtraction and addition with halved results	SHSAX	1
	GE setting dual 16 bit signed subtraction and addition with exchange	SSAX	1
	GE setting dual 16 bit unsigned addition and subtraction with exchange	UASX	1
	Dual 16 bit unsigned addition and subtraction with halved results and exchange	UHASX	1
	Dual 16 bit unsigned subtraction and addition with halved results and exchange	UHSAX	1
	GE setting dual 16 bit unsigned subtract and add with exchange	USAX	1

2.6.2 Load and Store Timings

This section describes how best to pair instructions to achieve more reductions in timing.

- STR Rx,[Ry,#imm] is always one cycle. This is because the address generation is performed in the initial cycle, and the data store is performed at the same time as the next instruction is executing. If the store is to the write buffer, and the write buffer is full or not enabled, the next instruction is delayed until the store can complete. If the store is not to the write buffer, for example to the Code segment, and that transaction stalls, the impact on timing is only felt if another load or store operation is executed before completion.
- LDR PC,[any] is always a blocking operation. This means at least two cycles for the load, and three cycles for the pipeline reload. So this operation takes at least five cycles, or more if stalled on the load or the fetch.

- Any load or store that generates an address dependent on the result of a preceding data processing operation stalls the pipeline for an additional cycle while the register bank is updated. There is no forwarding path for this scenario.
- LDR Rx,[PC,#imm] might add a cycle because of contention with the fetch unit.
- TBB and TBH are also blocking operations. These are at least two cycles for the load, one cycle for the add, and three cycles for the pipeline reload. This means at least six cycles, or more if stalled on the load or the fetch.
- LDR [any] are pipelined when possible. This means that if the next instruction is an LDR or STR, and the destination of the first LDR is not used to compute the address for the next instruction, then one cycle is removed from the cost of the next instruction. So, an LDR might be followed by an STR, so that the STR writes out what the LDR loaded. More multiple LDRs can be pipelined together. Some optimized examples are:
 - LDR R0,[R1]; LDR R1,[R2]: normally three cycles total
 - LDR R0,[R1,R2]; STR R0,[R3,#20]: normally three cycles total
 - LDR R0,[R1,R2]; STR R1,[R3,R2]: normally three cycles total
 - LDR R0,[R1,R5]; LDR R1,[R2]; LDR R2,[R3,#4]: normally four cycles total
- Other instructions cannot be pipelined after STR with register offset. STR can only be pipelined when it follows an LDR, but nothing can be pipelined after the store. Even a stalled STR normally only takes two cycles, because of the write buffer.
- LDREX and STREX can be pipelined exactly as LDR. Because STREX is treated more like an LDR, it can be pipelined as explained for LDR. Equally LDREX is treated exactly as an LDR and so can be pipelined.
- LDRD and STRD cannot be pipelined with preceding or following instructions. However, the two words are pipelined together. So, this operation requires three cycles when not stalled.
- LDM and STM cannot be pipelined with preceding or following instructions. However, all elements after the first are pipelined together. So, a three element LDM takes 2 + 1 + 1 or 5 cycles when not stalled. Similarly, an eight element store takes nine cycles when not stalled. When interrupted, LDM and STM instructions continue from where they left off when returned to. The continue operation adds one or two cycles to the first element when started.
- Unaligned word or halfword loads or stores add penalty cycles. A byte-aligned halfword load or store adds one extra cycle to perform the operation as two bytes. A halfword-aligned word load or store adds one extra cycle to perform the operation as two halfwords. A byte-aligned word load or store adds two extra cycles to perform the operation as a byte, a halfword, and a byte. These numbers increase if the memory stalls. An STR or an STRH cannot delay the processor because of the write buffer.

2.6.3 Binary Compatibility With Other Cortex® Processors

The processor implements a subset of the instruction set and features provided by the ARMv7-M architecture profile, and is binary compatible with the instruction sets and features implemented in other Cortex®-M profile processors. You can move software, including system level software, from the Arm® Cortex®-M4 processor to other Cortex®-M profile processors.

To ensure a smooth transition, Arm® recommends that code designed to operate on other Cortex®-M profile processor architectures obey the following rules and configure the Configuration and Control Register (CCR) appropriately:

- Use word transfers only to access registers in the NVIC and System Control Space (SCS).
- Treat all unused SCS registers and register fields on the processor as Do-Not-Modify.
- Configure the following fields in the CCR:
 - STKALIGN bit to 1
 - UNALIGN_TRP bit to 1
 - Leave all other bits in the CCR register as their original value.

2.7 Arm® Cortex®-M4 Processor Registers

Table 2-27 lists the registers in the Arm® Cortex®-M4 Processor.

Table 2-27. Arm® Cortex®-M4 Processor Registers

Module	Name	Section
CPU_DWT	Core Data Watchpoint and Trace	Section 2.7.1
CPU_FPB	Core Flash Patch and Breakpoint	Section 2.7.2
CPU_ITM	Core Instrumentation Trace Macrocell	Section 2.7.3
CPU_SCS	Core System Control Space	Section 2.7.4
CPU_TPIU	Core Trace Port Interface Unit	Section 2.7.5

2.7.1 CPU_DWT Registers

[CPU_DWT Registers](#) lists the memory-mapped registers for the CPU_DWT registers. All register offset addresses not listed in [CPU_DWT Registers](#) should be considered as reserved locations and the register contents should not be modified.

Table 2-28. CPU_DWT Registers

Offset	Acronym	Register Name	Section
0h	CTRL	Control	Section 2.7.1.1
4h	CYCCNT	Current PC Sampler Cycle Count	Section 2.7.1.2
8h	CPICNT	CPI Count	Section 2.7.1.3
Ch	EXCCNT	Exception Overhead Count	Section 2.7.1.4
10h	SLEEP CNT	Sleep Count	Section 2.7.1.5
14h	LSUCNT	LSU Count	Section 2.7.1.6
18h	FOLDCNT	Fold Count	Section 2.7.1.7
1Ch	PCSR	Program Counter Sample	Section 2.7.1.8
20h	COMP0	Comparator 0	Section 2.7.1.9
24h	MASK0	Mask 0	Section 2.7.1.10
28h	FUNCTION0	Function 0	Section 2.7.1.11
30h	COMP1	Comparator 1	Section 2.7.1.12
34h	MASK1	Mask 1	Section 2.7.1.13
38h	FUNCTION1	Function 1	Section 2.7.1.14
40h	COMP2	Comparator 2	Section 2.7.1.15
44h	MASK2	Mask 2	Section 2.7.1.16
48h	FUNCTION2	Function 2	Section 2.7.1.17
50h	COMP3	Comparator 3	Section 2.7.1.18
54h	MASK3	Mask 3	Section 2.7.1.19
58h	FUNCTION3	Function 3	Section 2.7.1.20

Complex bit access types are encoded to fit into small table cells. [CPU_DWT Access Type Codes](#) shows the codes that are used for access types in this section.

Table 2-29. CPU_DWT Access Type Codes

Access Type	Code	Description
Read Type		
R	R	Read
Write Type		
W	W	Write
Reset or Default Value		
-n		Value after reset or the default value

2.7.1.1 CTRL Register (Offset = 0h) [Reset = 4000000h]

CTRL is shown in [CTRL Register](#) and described in [CTRL Register Field Descriptions](#).

Return to the [CPU_DWT Registers](#).

Control

Use the DWT Control Register to enable the DWT unit.

Figure 2-3. CTRL Register

31	30	29	28	27	26	25	24
RESERVED						NOCYCCNT	NOPRFCNT
R/W-10h						R/W-0h	R/W-0h
23	22	21	20	19	18	17	16
RESERVED	CYCEVTENA	FOLDEVTENA	LSUEVTENA	SLEEPEVTENA	EXCEVTENA	CPIEVTENA	EXCTRCENA
R/W-0h	R/W-0h	R/W-0h	R/W-0h	R/W-0h	R/W-0h	R/W-0h	R/W-0h
15	14	13	12	11	10	9	8
RESERVED			PCSAMPLEEN A	SYNCTAP		CYCTAP	POSTCNT
R/W-0h			R/W-0h	R/W-0h		R/W-0h	R/W-0h
7	6	5	4	3	2	1	0
POSTCNT			POSTPRESET				CYCCNTENA
R/W-0h			R/W-0h				R/W-0h

Table 2-30. CTRL Register Field Descriptions

Bit	Field	Type	Reset	Description
31-26	RESERVED	R/W	10h	Software should not rely on the value of a reserved. Writing any other value than the reset value may result in undefined behavior.
25	NOCYCCNT	R/W	0h	When set, CYCCNT is not supported.
24	NOPRFCNT	R/W	0h	When set, FOLDCNT, LSUCNT, SLEEPcnt, EXCCNT, and CPICNT are not supported.
23	RESERVED	R/W	0h	Software should not rely on the value of a reserved. Writing any other value than the reset value may result in undefined behavior.
22	CYCEVTENA	R/W	0h	Enables Cycle count event. Emits an event when the POSTCNT counter triggers it. See CYCTAP and POSTPRESET for details. This event is only emitted if PCSAMPLEENA is disabled. PCSAMPLEENA overrides the setting of this bit. 0: Cycle count events disabled 1: Cycle count events enabled
21	FOLDEVTENA	R/W	0h	Enables Folded instruction count event. Emits an event when FOLDCNT overflows (every 256 cycles of folded instructions). A folded instruction is one that does not incur even one cycle to execute. For example, an IT instruction is folded away and so does not use up one cycle. 0: Folded instruction count events disabled. 1: Folded instruction count events enabled.
20	LSUEVTENA	R/W	0h	Enables LSU count event. Emits an event when LSUCNT overflows (every 256 cycles of LSU operation). LSU counts include all LSU costs after the initial cycle for the instruction. 0: LSU count events disabled. 1: LSU count events enabled.
19	SLEEPEVTENA	R/W	0h	Enables Sleep count event. Emits an event when SLEEPcnt overflows (every 256 cycles that the processor is sleeping). 0: Sleep count events disabled. 1: Sleep count events enabled.

Table 2-30. CTRL Register Field Descriptions (continued)

Bit	Field	Type	Reset	Description
18	EXCEVTENA	R/W	0h	Enables Interrupt overhead event. Emits an event when EXCCNT overflows (every 256 cycles of interrupt overhead). 0x0: Interrupt overhead event disabled. 0x1: Interrupt overhead event enabled.
17	CPIEVTENA	R/W	0h	Enables CPI count event. Emits an event when CPICNT overflows (every 256 cycles of multi-cycle instructions). 0: CPI counter events disabled. 1: CPI counter events enabled.
16	EXTRCENA	R/W	0h	Enables Interrupt event tracing. 0: Interrupt event trace disabled. 1: Interrupt event trace enabled.
15-13	RESERVED	R/W	0h	Software should not rely on the value of a reserved. Writing any other value than the reset value may result in undefined behavior.
12	PCSAMPLEENA	R/W	0h	Enables PC Sampling event. A PC sample event is emitted when the POSTCNT counter triggers it. See CYCTAP and POSTPRESET for details. Enabling this bit overrides CYCEVTENA. 0: PC Sampling event disabled. 1: Sampling event enabled.
11-10	SYNCTAP	R/W	0h	Selects a synchronization packet rate. CYCCNTENA and CPU_ITM:TCR.SYNCENA must also be enabled for this feature. Synchronization packets (if enabled) are generated on tap transitions (0 to 1 or 1 to 0). 0h = Disabled. No synchronization packets 1h = Tap at bit 24 of CYCCNT 2h = Tap at bit 26 of CYCCNT 3h = Tap at bit 28 of CYCCNT
9	CYCTAP	R/W	0h	Selects a tap on CYCCNT. These are spaced at bits [6] and [10]. When the selected bit in CYCCNT changes from 0 to 1 or 1 to 0, it emits into the POSTCNT, post-scalar counter. That counter then counts down. On a bit change when post-scalar is 0, it triggers an event for PC sampling or cycle count event (see details in CYCEVTENA). 0h = Selects bit [6] to tap 1h = Selects bit [10] to tap
8-5	POSTCNT	R/W	0h	Post-scalar counter for CYCTAP. When the selected tapped bit changes from 0 to 1 or 1 to 0, the post scalar counter is down-counted when not 0. If 0, it triggers an event for PCSAMPLEENA or CYCEVTENA use. It also reloads with the value from POSTPRESET.
4-1	POSTPRESET	R/W	0h	Reload value for post-scalar counter POSTCNT. When 0, events are triggered on each tap change (a power of 2). If this field has a non-0 value, it forms a count-down value, to be reloaded into POSTCNT each time it reaches 0. For example, a value 1 in this register means an event is formed every other tap change.
0	CYCCNTENA	R/W	0h	Enable CYCCNT, allowing it to increment and generate synchronization and count events. If NOCYCCNT = 1, this bit reads zero and ignore writes.

2.7.1.2 CYCCNT Register (Offset = 4h) [Reset = 0000000h]

CYCCNT is shown in [CYCCNT Register](#) and described in [CYCCNT Register Field Descriptions](#).

Return to the [CPU_DWT Registers](#).

Current PC Sampler Cycle Count

This register is used to count the number of core cycles. This counter can measure elapsed execution time. This is a free-running counter (this counter will not advance in power modes where free-running clock to CPU stops). The counter has three functions:

- 1: When CTRL.PCSAMPLEENA = 1, the PC is sampled and emitted when the selected tapped bit changes value (0 to 1 or 1 to 0) and any post-scalar value counts to 0.
- 2: When CTRL.CYCEVTENA = 1, (and CTRL.PCSAMPLEENA = 0), an event is emitted when the selected tapped bit changes value (0 to 1 or 1 to 0) and any post-scalar value counts to 0.
- 3: Applications and debuggers can use the counter to measure elapsed execution time. By subtracting a start and an end time, an application can measure time between in-core clocks (other than when Halted in debug). This is valid to 2^{32} core clock cycles (for example, almost 89.5 seconds at 48MHz).

Figure 2-4. CYCCNT Register

31	30	29	28	27	26	25	24	23	22	21	20	19	18	17	16	15	14	13	12	11	10	9	8	7	6	5	4	3	2	1	0
CYCCNT																															
R/W-0h																															

Table 2-31. CYCCNT Register Field Descriptions

Bit	Field	Type	Reset	Description
31-0	CYCCNT	R/W	0h	Current PC Sampler Cycle Counter count value. When enabled, this counter counts the number of core cycles, except when the core is halted. The cycle counter is a free running counter, counting upwards (this counter will not advance in power modes where free-running clock to CPU stops). It wraps around to 0 on overflow. The debugger must initialize this to 0 when first enabling.

2.7.1.3 CPICNT Register (Offset = 8h) [Reset = X]

CPICNT is shown in [CPICNT Register](#) and described in [CPICNT Register Field Descriptions](#).

Return to the [CPU_DWT Registers](#).

CPI Count

This register is used to count the total number of instruction cycles beyond the first cycle.

Figure 2-5. CPICNT Register

31	30	29	28	27	26	25	24	23	22	21	20	19	18	17	16	15	14	13	12	11	10	9	8	7	6	5	4	3	2	1	0
RESERVED														CPICNT																	
R/W-0h														R/W-X																	

Table 2-32. CPICNT Register Field Descriptions

Bit	Field	Type	Reset	Description
31-8	RESERVED	R/W	0h	Software should not rely on the value of a reserved. Writing any other value than the reset value may result in undefined behavior.
7-0	CPICNT	R/W	X	Current CPI counter value. Increments on the additional cycles (the first cycle is not counted) required to execute all instructions except those recorded by LSUCNT. This counter also increments on all instruction fetch stalls. If CTRL.CPIEVTENA is set, an event is emitted when the counter overflows. This counter initializes to 0 when it is enabled using CTRL.CPIEVTENA.

2.7.1.4 EXCCNT Register (Offset = Ch) [Reset = X]

EXCCNT is shown in [EXCCNT Register](#) and described in [EXCCNT Register Field Descriptions](#).

Return to the [CPU_DWT Registers](#).

Exception Overhead Count

This register is used to count the total cycles spent in interrupt processing.

Figure 2-6. EXCCNT Register

31	30	29	28	27	26	25	24	23	22	21	20	19	18	17	16	15	14	13	12	11	10	9	8	7	6	5	4	3	2	1	0
RESERVED														EXCCNT																	
R/W-0h														R/W-X																	

Table 2-33. EXCCNT Register Field Descriptions

Bit	Field	Type	Reset	Description
31-8	RESERVED	R/W	0h	Software should not rely on the value of a reserved. Writing any other value than the reset value may result in undefined behavior.
7-0	EXCCNT	R/W	X	Current interrupt overhead counter value. Counts the total cycles spent in interrupt processing (for example entry stacking, return unstacking, pre-emption). An event is emitted on counter overflow (every 256 cycles). This counter initializes to 0 when it is enabled using CTRL.EXCEVTENA.

2.7.1.5 SLEEPCNT Register (Offset = 10h) [Reset = X]

SLEEPCNT is shown in [SLEEPCNT Register](#) and described in [SLEEPCNT Register Field Descriptions](#).

Return to the [CPU_DWT Registers](#).

Sleep Count

This register is used to count the total number of cycles during which the processor is sleeping.

Figure 2-7. SLEEPCNT Register

31	30	29	28	27	26	25	24	23	22	21	20	19	18	17	16	15	14	13	12	11	10	9	8	7	6	5	4	3	2	1	0
RESERVED														SLEEPCNT																	
R/W-0h														R/W-X																	

Table 2-34. SLEEPCNT Register Field Descriptions

Bit	Field	Type	Reset	Description
31-8	RESERVED	R/W	0h	Software should not rely on the value of a reserved. Writing any other value than the reset value may result in undefined behavior.
7-0	SLEEPCNT	R/W	X	Sleep counter. Counts the number of cycles during which the processor is sleeping. An event is emitted on counter overflow (every 256 cycles). This counter initializes to 0 when it is enabled using CTRL.SLEEPEVTENA. Note that the sleep counter is clocked using CPU's free-running clock. In some power modes the free-running clock to CPU is gated to minimize power consumption. This means that the sleep counter will be invalid in these power modes.

2.7.1.6 LSUCNT Register (Offset = 14h) [Reset = X]

LSUCNT is shown in [LSUCNT Register](#) and described in [LSUCNT Register Field Descriptions](#).

Return to the [CPU_DWT Registers](#).

LSU Count

This register is used to count the total number of cycles during which the processor is processing an LSU operation beyond the first cycle.

Figure 2-8. LSUCNT Register

31	30	29	28	27	26	25	24	23	22	21	20	19	18	17	16	15	14	13	12	11	10	9	8	7	6	5	4	3	2	1	0
RESERVED														LSUCNT																	
R/W-0h														R/W-X																	

Table 2-35. LSUCNT Register Field Descriptions

Bit	Field	Type	Reset	Description
31-8	RESERVED	R/W	0h	Software should not rely on the value of a reserved. Writing any other value than the reset value may result in undefined behavior.
7-0	LSUCNT	R/W	X	LSU counter. This counts the total number of cycles that the processor is processing an LSU operation. The initial execution cost of the instruction is not counted. For example, an LDR that takes two cycles to complete increments this counter one cycle. Equivalently, an LDR that stalls for two cycles (i.e. takes four cycles to execute), increments this counter three times. An event is emitted on counter overflow (every 256 cycles). This counter initializes to 0 when it is enabled using CTRL.LSUEVTENA.

2.7.1.7 FOLDCNT Register (Offset = 18h) [Reset = X]

FOLDCNT is shown in [FOLDCNT Register](#) and described in [FOLDCNT Register Field Descriptions](#).

Return to the [CPU_DWT Registers](#).

Fold Count

This register is used to count the total number of folded instructions. The counter increments on each instruction which takes 0 cycles.

Figure 2-9. FOLDCNT Register

31	30	29	28	27	26	25	24	23	22	21	20	19	18	17	16	15	14	13	12	11	10	9	8	7	6	5	4	3	2	1	0
RESERVED														FOLDCNT																	
R/W-0h														R/W-X																	

Table 2-36. FOLDCNT Register Field Descriptions

Bit	Field	Type	Reset	Description
31-8	RESERVED	R/W	0h	Software should not rely on the value of a reserved. Writing any other value than the reset value may result in undefined behavior.
7-0	FOLDCNT	R/W	X	This counts the total number folded instructions. This counter initializes to 0 when it is enabled using CTRL.FOLDEVTENA.

2.7.1.8 PCSR Register (Offset = 1Ch) [Reset = X]

PCSR is shown in [PCSR Register](#) and described in [PCSR Register Field Descriptions](#).

Return to the [CPU_DWT Registers](#).

Program Counter Sample

This register is used to enable coarse-grained software profiling using a debug agent, without changing the currently executing code. If the core is not in debug state, the value returned is the instruction address of a recently executed instruction. If the core is in debug state, the value returned is 0xFFFFFFFF.

Figure 2-10. PCSR Register

31	30	29	28	27	26	25	24	23	22	21	20	19	18	17	16	15	14	13	12	11	10	9	8	7	6	5	4	3	2	1	0
EIASAMPLE																															
R-X																															

Table 2-37. PCSR Register Field Descriptions

Bit	Field	Type	Reset	Description
31-0	EIASAMPLE	R	X	Execution instruction address sample, or 0xFFFFFFFF if the core is halted.

2.7.1.9 COMP0 Register (Offset = 20h) [Reset = X]

COMP0 is shown in [COMP0 Register](#) and described in [COMP0 Register Field Descriptions](#).

Return to the [CPU_DWT Registers](#).

Comparator 0

This register is used to write the reference value for comparator 0.

Figure 2-11. COMP0 Register

31	30	29	28	27	26	25	24	23	22	21	20	19	18	17	16	15	14	13	12	11	10	9	8	7	6	5	4	3	2	1	0
																	COMP														
																	R/W-X														

Table 2-38. COMP0 Register Field Descriptions

Bit	Field	Type	Reset	Description
31-0	COMP	R/W	X	Reference value to compare against PC or the data address as given by FUNCTION0. Comparator 0 can also compare against the value of the PC Sampler Counter (CYCCNT).

2.7.1.10 MASK0 Register (Offset = 24h) [Reset = X]

MASK0 is shown in [MASK0 Register](#) and described in [MASK0 Register Field Descriptions](#).

Return to the [CPU_DWT Registers](#).

Mask 0

Use the DWT Mask Registers 0 to apply a mask to data addresses when matching against COMP0.

Figure 2-12. MASK0 Register

31	30	29	28	27	26	25	24	23	22	21	20	19	18	17	16	15	14	13	12	11	10	9	8	7	6	5	4	3	2	1	0
RESERVED																MASK															
R/W-0h																R/W-X															

Table 2-39. MASK0 Register Field Descriptions

Bit	Field	Type	Reset	Description
31-4	RESERVED	R/W	0h	Software should not rely on the value of a reserved. Writing any other value than the reset value may result in undefined behavior.
3-0	MASK	R/W	X	Mask on data address when matching against COMP0. This is the size of the ignore mask. That is, DWT matching is performed as: (ADDR ANDed with (0xFFFF left bit-shifted by MASK)) == COMP0. However, the actual comparison is slightly more complex to enable matching an address wherever it appears on a bus. So, if COMP0 is 3, this matches a word access of 0, because 3 would be within the word.

2.7.1.11 FUNCTION0 Register (Offset = 28h) [Reset = 0000000h]

FUNCTION0 is shown in [FUNCTION0 Register](#) and described in [FUNCTION0 Register Field Descriptions](#).

Return to the [CPU_DWT Registers](#).

Function 0

Use the DWT Function Registers 0 to control the operation of the comparator 0. This comparator can:

1. Match against either the PC or the data address. This is controlled by CYCMATCH. This function is only available for comparator 0 (COMP0).
2. Emit data or PC couples, trigger the ETM, or generate a watchpoint depending on the operation defined by FUNCTION.

Figure 2-13. FUNCTION0 Register

31	30	29	28	27	26	25	24
RESERVED							MATCHED
R-0h							R/W-0h
23	22	21	20	19	18	17	16
RESERVED							
R-0h							
15	14	13	12	11	10	9	8
RESERVED							
R-0h							
7	6	5	4	3	2	1	0
CYCMATCH	RESERVED	EMITRANGE	RESERVED	FUNCTION			
R/W-0h	R-0h	R/W-0h	R-0h	R/W-0h			

Table 2-40. FUNCTION0 Register Field Descriptions

Bit	Field	Type	Reset	Description
31-25	RESERVED	R	0h	Software should not rely on the value of a reserved. Writing any other value than the reset value may result in undefined behavior.
24	MATCHED	R/W	0h	This bit is set when the comparator matches, and indicates that the operation defined by FUNCTION has occurred since this bit was last read. This bit is cleared on read.
23-8	RESERVED	R	0h	Software should not rely on the value of a reserved. Writing any other value than the reset value may result in undefined behavior.
7	CYCMATCH	R/W	0h	This bit is only available in comparator 0. When set, COMP0 will compare against the cycle counter (CYCCNT).
6	RESERVED	R	0h	Software should not rely on the value of a reserved. Writing any other value than the reset value may result in undefined behavior.
5	EMITRANGE	R/W	0h	Emit range field. This bit permits emitting offset when range match occurs. PC sampling is not supported when emit range is enabled. This field only applies for: FUNCTION = 1, 2, 3, 12, 13, 14, and 15.
4	RESERVED	R	0h	Software should not rely on the value of a reserved. Writing any other value than the reset value may result in undefined behavior.

Table 2-40. FUNCTION0 Register Field Descriptions (continued)

Bit	Field	Type	Reset	Description
3-0	FUNCTION	R/W	0h	Function settings. 0x0: Disabled 0x1: EMITRANGE = 0, sample and emit PC through ITM. EMITRANGE = 1, emit address offset through ITM 0x2: EMITRANGE = 0, emit data through ITM on read and write. EMITRANGE = 1, emit data and address offset through ITM on read or write. 0x3: EMITRANGE = 0, sample PC and data value through ITM on read or write. EMITRANGE = 1, emit address offset and data value through ITM on read or write. 0x4: Watchpoint on PC match. 0x5: Watchpoint on read. 0x6: Watchpoint on write. 0x7: Watchpoint on read or write. 0x8: ETM trigger on PC match 0x9: ETM trigger on read 0xA: ETM trigger on write 0xB: ETM trigger on read or write 0xC: EMITRANGE = 0, sample data for read transfers. EMITRANGE = 1, sample Daddr (lower 16 bits) for read transfers 0xD: EMITRANGE = 0, sample data for write transfers. EMITRANGE = 1, sample Daddr (lower 16 bits) for write transfers 0xE: EMITRANGE = 0, sample PC + data for read transfers. EMITRANGE = 1, sample Daddr (lower 16 bits) + data for read transfers 0xF: EMITRANGE = 0, sample PC + data for write transfers. EMITRANGE = 1, sample Daddr (lower 16 bits) + data for write transfers Note 1: If the ETM is not fitted, then ETM trigger is not possible. Note 2: Data value is only sampled for accesses that do not fault (MPU or bus fault). The PC is sampled irrespective of any faults. The PC is only sampled for the first address of a burst. Note 3: PC match is not recommended for watchpoints because it stops after the instruction. It mainly guards and triggers the ETM.

2.7.1.12 COMP1 Register (Offset = 30h) [Reset = X]

COMP1 is shown in [COMP1 Register](#) and described in [COMP1 Register Field Descriptions](#).

Return to the [CPU_DWT Registers](#).

Comparator 1

This register is used to write the reference value for comparator 1.

Figure 2-14. COMP1 Register

31	30	29	28	27	26	25	24	23	22	21	20	19	18	17	16	15	14	13	12	11	10	9	8	7	6	5	4	3	2	1	0
COMP																															
R/W-X																															

Table 2-41. COMP1 Register Field Descriptions

Bit	Field	Type	Reset	Description
31-0	COMP	R/W	X	Reference value to compare against PC or the data address as given by FUNCTION1. Comparator 1 can also compare data values. So this register can contain reference values for data matching.

2.7.1.13 MASK1 Register (Offset = 34h) [Reset = X]

MASK1 is shown in [MASK1 Register](#) and described in [MASK1 Register Field Descriptions](#).

Return to the [CPU_DWT Registers](#).

Mask 1

Use the DWT Mask Registers 1 to apply a mask to data addresses when matching against COMP1.

Figure 2-15. MASK1 Register

31	30	29	28	27	26	25	24	23	22	21	20	19	18	17	16	15	14	13	12	11	10	9	8	7	6	5	4	3	2	1	0
RESERVED																MASK															
R/W-0h																R/W-X															

Table 2-42. MASK1 Register Field Descriptions

Bit	Field	Type	Reset	Description
31-4	RESERVED	R/W	0h	Software should not rely on the value of a reserved. Writing any other value than the reset value may result in undefined behavior.
3-0	MASK	R/W	X	Mask on data address when matching against COMP1. This is the size of the ignore mask. That is, DWT matching is performed as: (ADDR ANDed with (0xFFFF left bit-shifted by MASK)) == COMP1. However, the actual comparison is slightly more complex to enable matching an address wherever it appears on a bus. So, if COMP1 is 3, this matches a word access of 0, because 3 would be within the word.

2.7.1.14 FUNCTION1 Register (Offset = 38h) [Reset = 0000200h]

FUNCTION1 is shown in [FUNCTION1 Register](#) and described in [FUNCTION1 Register Field Descriptions](#).

Return to the [CPU_DWT Registers](#).

Function 1

Use the DWT Function Registers 1 to control the operation of the comparator 1. This comparator can:

1. Perform data value comparisons if associated address comparators have performed an address match. This function is only available for comparator 1 (COMP1).
2. Emit data or PC couples, trigger the ETM, or generate a watchpoint depending on the operation defined by FUNCTION.

Figure 2-16. FUNCTION1 Register

31	30	29	28	27	26	25	24
RESERVED							MATCHED
R-0h							R/W-0h
23	22	21	20	19	18	17	16
RESERVED				DATAVADDR1			
R-0h				R/W-0h			
15	14	13	12	11	10	9	8
DATAVADDR0				DATAVSIZE		LNK1ENA	DATAVMATCH
R/W-0h				R/W-0h		R-1h	R/W-0h
7	6	5	4	3	2	1	0
RESERVED		EMITRANGE	RESERVED	FUNCTION			
R-0h		R/W-0h	R-0h	R/W-0h			

Table 2-43. FUNCTION1 Register Field Descriptions

Bit	Field	Type	Reset	Description
31-25	RESERVED	R	0h	Software should not rely on the value of a reserved. Writing any other value than the reset value may result in undefined behavior.
24	MATCHED	R/W	0h	This bit is set when the comparator matches, and indicates that the operation defined by FUNCTION has occurred since this bit was last read. This bit is cleared on read.
23-20	RESERVED	R	0h	Software should not rely on the value of a reserved. Writing any other value than the reset value may result in undefined behavior.
19-16	DATAVADDR1	R/W	0h	Identity of a second linked address comparator for data value matching when DATAVMATCH == 1 and LNK1ENA == 1.
15-12	DATAVADDR0	R/W	0h	Identity of a linked address comparator for data value matching when DATAVMATCH == 1.
11-10	DATAVSIZE	R/W	0h	Defines the size of the data in the COMP1 register that is to be matched: 0x0: Byte 0x1: Halfword 0x2: Word 0x3: Unpredictable.
9	LNK1ENA	R	1h	Read only bit-field only supported in comparator 1. 0: DATAVADDR1 not supported 1: DATAVADDR1 supported (enabled)

Table 2-43. FUNCTION1 Register Field Descriptions (continued)

Bit	Field	Type	Reset	Description
8	DATAVMATCH	R/W	0h	Data match feature: 0: Perform address comparison 1: Perform data value compare. The comparators given by DATAVADDR0 and DATAVADDR1 provide the address for the data comparison. The FUNCTION setting for the comparators given by DATAVADDR0 and DATAVADDR1 are overridden and those comparators only provide the address match for the data comparison. This bit is only available in comparator 1.
7-6	RESERVED	R	0h	Software should not rely on the value of a reserved. Writing any other value than the reset value may result in undefined behavior.
5	EMITRANGE	R/W	0h	Emit range field. This bit permits emitting offset when range match occurs. PC sampling is not supported when emit range is enabled. This field only applies for: FUNCTION = 1, 2, 3, 12, 13, 14, and 15.
4	RESERVED	R	0h	Software should not rely on the value of a reserved. Writing any other value than the reset value may result in undefined behavior.
3-0	FUNCTION	R/W	0h	Function settings: 0x0: Disabled 0x1: EMITRANGE = 0, sample and emit PC through ITM. EMITRANGE = 1, emit address offset through ITM 0x2: EMITRANGE = 0, emit data through ITM on read and write. EMITRANGE = 1, emit data and address offset through ITM on read or write. 0x3: EMITRANGE = 0, sample PC and data value through ITM on read or write. EMITRANGE = 1, emit address offset and data value through ITM on read or write. 0x4: Watchpoint on PC match. 0x5: Watchpoint on read. 0x6: Watchpoint on write. 0x7: Watchpoint on read or write. 0x8: ETM trigger on PC match 0x9: ETM trigger on read 0xA: ETM trigger on write 0xB: ETM trigger on read or write 0xC: EMITRANGE = 0, sample data for read transfers. EMITRANGE = 1, sample Daddr (lower 16 bits) for read transfers 0xD: EMITRANGE = 0, sample data for write transfers. EMITRANGE = 1, sample Daddr (lower 16 bits) for write transfers 0xE: EMITRANGE = 0, sample PC + data for read transfers. EMITRANGE = 1, sample Daddr (lower 16 bits) + data for read transfers 0xF: EMITRANGE = 0, sample PC + data for write transfers. EMITRANGE = 1, sample Daddr (lower 16 bits) + data for write transfers Note 1: If the ETM is not fitted, then ETM trigger is not possible. Note 2: Data value is only sampled for accesses that do not fault (MPU or bus fault). The PC is sampled irrespective of any faults. The PC is only sampled for the first address of a burst. Note 3: FUNCTION is overridden for comparators given by DATAVADDR0 and DATAVADDR1 if DATAVMATCH is also set. The comparators given by DATAVADDR0 and DATAVADDR1 can then only perform address comparator matches for comparator 1 data matches. Note 4: If the data matching functionality is not included during implementation it is not possible to set DATAVADDR0, DATAVADDR1, or DATAVMATCH. This means that the data matching functionality is not available in the implementation. Test the availability of data matching by writing and reading DATAVMATCH. If it is not settable then data matching is unavailable. Note 5: PC match is not recommended for watchpoints because it stops after the instruction. It mainly guards and triggers the ETM.

2.7.1.15 COMP2 Register (Offset = 40h) [Reset = X]

COMP2 is shown in [COMP2 Register](#) and described in [COMP2 Register Field Descriptions](#).

Return to the [CPU_DWT Registers](#).

Comparator 2

This register is used to write the reference value for comparator 2.

Figure 2-17. COMP2 Register

31	30	29	28	27	26	25	24	23	22	21	20	19	18	17	16	15	14	13	12	11	10	9	8	7	6	5	4	3	2	1	0
																	COMP														
																	R/W-X														

Table 2-44. COMP2 Register Field Descriptions

Bit	Field	Type	Reset	Description
31-0	COMP	R/W	X	Reference value to compare against PC or the data address as given by FUNCTION2.

2.7.1.16 MASK2 Register (Offset = 44h) [Reset = X]

MASK2 is shown in [MASK2 Register](#) and described in [MASK2 Register Field Descriptions](#).

Return to the [CPU_DWT Registers](#).

Mask 2

Use the DWT Mask Registers 2 to apply a mask to data addresses when matching against COMP2.

Figure 2-18. MASK2 Register

31	30	29	28	27	26	25	24	23	22	21	20	19	18	17	16	15	14	13	12	11	10	9	8	7	6	5	4	3	2	1	0
RESERVED																															
R/W-0h																															
MASK																															
R/W-X																															

Table 2-45. MASK2 Register Field Descriptions

Bit	Field	Type	Reset	Description
31-4	RESERVED	R/W	0h	Software should not rely on the value of a reserved. Writing any other value than the reset value may result in undefined behavior.
3-0	MASK	R/W	X	Mask on data address when matching against COMP2. This is the size of the ignore mask. That is, DWT matching is performed as: (ADDR ANDed with (0xFFFF left bit-shifted by MASK)) == COMP2. However, the actual comparison is slightly more complex to enable matching an address wherever it appears on a bus. So, if COMP2 is 3, this matches a word access of 0, because 3 would be within the word.

2.7.1.17 FUNCTION2 Register (Offset = 48h) [Reset = 0000000h]

FUNCTION2 is shown in [FUNCTION2 Register](#) and described in [FUNCTION2 Register Field Descriptions](#).

Return to the [CPU_DWT Registers](#).

Function 2

Use the DWT Function Registers 2 to control the operation of the comparator 2. This comparator can emit data or PC couples, trigger the ETM, or generate a watchpoint depending on the operation defined by FUNCTION.

Figure 2-19. FUNCTION2 Register

31	30	29	28	27	26	25	24
RESERVED							MATCHED
R/W-0h							R/W-0h
23	22	21	20	19	18	17	16
RESERVED							
R-0h							
15	14	13	12	11	10	9	8
RESERVED							
R-0h							
7	6	5	4	3	2	1	0
RESERVED		EMITRANGE	RESERVED	FUNCTION			
R-0h		R/W-0h	R-0h	R/W-0h			

Table 2-46. FUNCTION2 Register Field Descriptions

Bit	Field	Type	Reset	Description
31-25	RESERVED	R/W	0h	Software should not rely on the value of a reserved. Writing any other value than the reset value may result in undefined behavior.
24	MATCHED	R/W	0h	This bit is set when the comparator matches, and indicates that the operation defined by FUNCTION has occurred since this bit was last read. This bit is cleared on read.
23-6	RESERVED	R	0h	Software should not rely on the value of a reserved. Writing any other value than the reset value may result in undefined behavior.
5	EMITRANGE	R/W	0h	Emit range field. This bit permits emitting offset when range match occurs. PC sampling is not supported when emit range is enabled. This field only applies for: FUNCTION = 1, 2, 3, 12, 13, 14, and 15.
4	RESERVED	R	0h	Software should not rely on the value of a reserved. Writing any other value than the reset value may result in undefined behavior.

Table 2-46. FUNCTION2 Register Field Descriptions (continued)

Bit	Field	Type	Reset	Description
3-0	FUNCTION	R/W	0h	Function settings. 0x0: Disabled 0x1: EMITRANGE = 0, sample and emit PC through ITM. EMITRANGE = 1, emit address offset through ITM 0x2: EMITRANGE = 0, emit data through ITM on read and write. EMITRANGE = 1, emit data and address offset through ITM on read or write. 0x3: EMITRANGE = 0, sample PC and data value through ITM on read or write. EMITRANGE = 1, emit address offset and data value through ITM on read or write. 0x4: Watchpoint on PC match. 0x5: Watchpoint on read. 0x6: Watchpoint on write. 0x7: Watchpoint on read or write. 0x8: ETM trigger on PC match 0x9: ETM trigger on read 0xA: ETM trigger on write 0xB: ETM trigger on read or write 0xC: EMITRANGE = 0, sample data for read transfers. EMITRANGE = 1, sample Daddr (lower 16 bits) for read transfers 0xD: EMITRANGE = 0, sample data for write transfers. EMITRANGE = 1, sample Daddr (lower 16 bits) for write transfers 0xE: EMITRANGE = 0, sample PC + data for read transfers. EMITRANGE = 1, sample Daddr (lower 16 bits) + data for read transfers 0xF: EMITRANGE = 0, sample PC + data for write transfers. EMITRANGE = 1, sample Daddr (lower 16 bits) + data for write transfers Note 1: If the ETM is not fitted, then ETM trigger is not possible. Note 2: Data value is only sampled for accesses that do not fault (MPU or bus fault). The PC is sampled irrespective of any faults. The PC is only sampled for the first address of a burst. Note 3: PC match is not recommended for watchpoints because it stops after the instruction. It mainly guards and triggers the ETM.

2.7.1.18 COMP3 Register (Offset = 50h) [Reset = X]

COMP3 is shown in [COMP3 Register](#) and described in [COMP3 Register Field Descriptions](#).

Return to the [CPU_DWT Registers](#).

Comparator 3

This register is used to write the reference value for comparator 3.

Figure 2-20. COMP3 Register

31	30	29	28	27	26	25	24	23	22	21	20	19	18	17	16	15	14	13	12	11	10	9	8	7	6	5	4	3	2	1	0
																	COMP														
																	R/W-X														

Table 2-47. COMP3 Register Field Descriptions

Bit	Field	Type	Reset	Description
31-0	COMP	R/W	X	Reference value to compare against PC or the data address as given by FUNCTION3.

2.7.1.19 MASK3 Register (Offset = 54h) [Reset = X]

MASK3 is shown in [MASK3 Register](#) and described in [MASK3 Register Field Descriptions](#).

Return to the [CPU_DWT Registers](#).

Mask 3

Use the DWT Mask Registers 3 to apply a mask to data addresses when matching against COMP3.

Figure 2-21. MASK3 Register

31	30	29	28	27	26	25	24	23	22	21	20	19	18	17	16	15	14	13	12	11	10	9	8	7	6	5	4	3	2	1	0
RESERVED																												MASK			
R/W-0h																												R/W-X			

Table 2-48. MASK3 Register Field Descriptions

Bit	Field	Type	Reset	Description
31-4	RESERVED	R/W	0h	Software should not rely on the value of a reserved. Writing any other value than the reset value may result in undefined behavior.
3-0	MASK	R/W	X	Mask on data address when matching against COMP3. This is the size of the ignore mask. That is, DWT matching is performed as: (ADDR ANDed with (0xFFFF left bit-shifted by MASK)) == COMP3. However, the actual comparison is slightly more complex to enable matching an address wherever it appears on a bus. So, if COMP3 is 3, this matches a word access of 0, because 3 would be within the word.

2.7.1.20 FUNCTION3 Register (Offset = 58h) [Reset = 0000000h]

FUNCTION3 is shown in [FUNCTION3 Register](#) and described in [FUNCTION3 Register Field Descriptions](#).

Return to the [CPU_DWT Registers](#).

Function 3

Use the DWT Function Registers 3 to control the operation of the comparator 3. This comparator can emit data or PC couples, trigger the ETM, or generate a watchpoint depending on the operation defined by FUNCTION.

Figure 2-22. FUNCTION3 Register

31	30	29	28	27	26	25	24
RESERVED							MATCHED
R/W-0h							R/W-0h
23	22	21	20	19	18	17	16
RESERVED							
R/W-0h							
15	14	13	12	11	10	9	8
RESERVED							
R/W-0h							
7	6	5	4	3	2	1	0
RESERVED		EMITRANGE	RESERVED	FUNCTION			
R/W-0h		R/W-0h	R/W-0h	R/W-0h			

Table 2-49. FUNCTION3 Register Field Descriptions

Bit	Field	Type	Reset	Description
31-25	RESERVED	R/W	0h	Software should not rely on the value of a reserved. Writing any other value than the reset value may result in undefined behavior.
24	MATCHED	R/W	0h	This bit is set when the comparator matches, and indicates that the operation defined by FUNCTION has occurred since this bit was last read. This bit is cleared on read.
23-6	RESERVED	R/W	0h	Software should not rely on the value of a reserved. Writing any other value than the reset value may result in undefined behavior.
5	EMITRANGE	R/W	0h	Emit range field. This bit permits emitting offset when range match occurs. PC sampling is not supported when emit range is enabled. This field only applies for: FUNCTION = 1, 2, 3, 12, 13, 14, and 15.
4	RESERVED	R/W	0h	Software should not rely on the value of a reserved. Writing any other value than the reset value may result in undefined behavior.

Table 2-49. FUNCTION3 Register Field Descriptions (continued)

Bit	Field	Type	Reset	Description
3-0	FUNCTION	R/W	0h	Function settings. 0x0: Disabled 0x1: EMITRANGE = 0, sample and emit PC through ITM. EMITRANGE = 1, emit address offset through ITM 0x2: EMITRANGE = 0, emit data through ITM on read and write. EMITRANGE = 1, emit data and address offset through ITM on read or write. 0x3: EMITRANGE = 0, sample PC and data value through ITM on read or write. EMITRANGE = 1, emit address offset and data value through ITM on read or write. 0x4: Watchpoint on PC match. 0x5: Watchpoint on read. 0x6: Watchpoint on write. 0x7: Watchpoint on read or write. 0x8: ETM trigger on PC match 0x9: ETM trigger on read 0xA: ETM trigger on write 0xB: ETM trigger on read or write 0xC: EMITRANGE = 0, sample data for read transfers. EMITRANGE = 1, sample Daddr (lower 16 bits) for read transfers 0xD: EMITRANGE = 0, sample data for write transfers. EMITRANGE = 1, sample Daddr (lower 16 bits) for write transfers 0xE: EMITRANGE = 0, sample PC + data for read transfers. EMITRANGE = 1, sample Daddr (lower 16 bits) + data for read transfers 0xF: EMITRANGE = 0, sample PC + data for write transfers. EMITRANGE = 1, sample Daddr (lower 16 bits) + data for write transfers Note 1: If the ETM is not fitted, then ETM trigger is not possible. Note 2: Data value is only sampled for accesses that do not fault (MPU or bus fault). The PC is sampled irrespective of any faults. The PC is only sampled for the first address of a burst. Note 3: PC match is not recommended for watchpoints because it stops after the instruction. It mainly guards and triggers the ETM.

2.7.2 CPU_FPB Registers

[CPU_FPB Registers](#) lists the memory-mapped registers for the CPU_FPB registers. All register offset addresses not listed in [CPU_FPB Registers](#) should be considered as reserved locations and the register contents should not be modified.

Table 2-50. CPU_FPB Registers

Offset	Acronym	Register Name	Section
0h	CTRL	Control	Section 2.7.2.1
4h	REMAP	Remap	Section 2.7.2.2
8h	COMP0	Comparator 0	Section 2.7.2.3
Ch	COMP1	Comparator 1	Section 2.7.2.4
10h	COMP2	Comparator 2	Section 2.7.2.5
14h	COMP3	Comparator 3	Section 2.7.2.6
18h	COMP4	Comparator 4	Section 2.7.2.7
1Ch	COMP5	Comparator 5	Section 2.7.2.8
20h	COMP6	Comparator 6	Section 2.7.2.9
24h	COMP7	Comparator 7	Section 2.7.2.10

Complex bit access types are encoded to fit into small table cells. [CPU_FPB Access Type Codes](#) shows the codes that are used for access types in this section.

Table 2-51. CPU_FPB Access Type Codes

Access Type	Code	Description
Read Type		
R	R	Read
Write Type		
W	W	Write
Reset or Default Value		
-n		Value after reset or the default value

2.7.2.1 CTRL Register (Offset = 0h) [Reset = 0000260h]

CTRL is shown in [CTRL Register](#) and described in [CTRL Register Field Descriptions](#).

Return to the [CPU_FPB Registers](#).

Control

This register is used to enable the flash patch block.

Figure 2-23. CTRL Register

31	30	29	28	27	26	25	24
RESERVED							
R-0h							
23	22	21	20	19	18	17	16
RESERVED							
R-0h							
15	14	13	12	11	10	9	8
RESERVED		NUM_CODE2		NUM_LIT			
R-0h		R-0h		R-2h			
7	6	5	4	3	2	1	0
NUM_CODE1				RESERVED		KEY	ENABLE
R-6h				R-0h		W-0h	R/W-0h

Table 2-52. CTRL Register Field Descriptions

Bit	Field	Type	Reset	Description
31-14	RESERVED	R	0h	Software should not rely on the value of a reserved. Writing any other value than the reset value may result in undefined behavior.
13-12	NUM_CODE2	R	0h	Number of full banks of code comparators, sixteen comparators per bank. Where less than sixteen code comparators are provided, the bank count is zero, and the number present indicated by NUM_CODE1. This read only field contains 3'b000 to indicate 0 banks for Cortex-M processor.
11-8	NUM_LIT	R	2h	Number of literal slots field. 0x0: No literal slots 0x2: Two literal slots
7-4	NUM_CODE1	R	6h	Number of code slots field. 0x0: No code slots 0x2: Two code slots 0x6: Six code slots
3-2	RESERVED	R	0h	Software should not rely on the value of a reserved. Writing any other value than the reset value may result in undefined behavior.
1	KEY	W	0h	Key field. In order to write to this register, this bit-field must be written to '1'. This bit always reads 0.
0	ENABLE	R/W	0h	Flash patch unit enable bit 0x0: Flash patch unit disabled 0x1: Flash patch unit enabled

2.7.2.2 REMAP Register (Offset = 4h) [Reset = X]

REMAP is shown in [REMAP Register](#) and described in [REMAP Register Field Descriptions](#).

Return to the [CPU_FPB Registers](#).

Remap

This register provides the remap base address location where a matched addresses are remapped. The three most significant bits and the five least significant bits of the remap base address are hard-coded to 3'b001 and 5'b00000 respectively. The remap base address must be in system space and is it required to be 8-word aligned, with one word allocated to each of the eight FPB comparators.

Figure 2-24. REMAP Register

31	30	29	28	27	26	25	24	23	22	21	20	19	18	17	16
RESERVED					REMAP										
R-1h					R/W-X										
15	14	13	12	11	10	9	8	7	6	5	4	3	2	1	0
REMAP										RESERVED					
R/W-X										R-0h					

Table 2-53. REMAP Register Field Descriptions

Bit	Field	Type	Reset	Description
31-29	RESERVED	R	1h	This field always reads 3'b001. Writing to this field is ignored.
28-5	REMAP	R/W	X	Remap base address field.
4-0	RESERVED	R	0h	This field always reads 0. Writing to this field is ignored.

2.7.2.3 COMP0 Register (Offset = 8h) [Reset = 0000000h]

COMP0 is shown in [COMP0 Register](#) and described in [COMP0 Register Field Descriptions](#).

Return to the [CPU_FPB Registers](#).

Comparator 0

Figure 2-25. COMP0 Register

31	30	29	28	27	26	25	24
REPLACE		RESERVED	COMP				
R/W-0h		R/W-0h			R/W-0h		
23	22	21	20	19	18	17	16
COMP							
R/W-0h							
15	14	13	12	11	10	9	8
COMP							
R/W-0h							
7	6	5	4	3	2	1	0
COMP						RESERVED	ENABLE
R/W-0h						R/W-0h	R/W-0h

Table 2-54. COMP0 Register Field Descriptions

Bit	Field	Type	Reset	Description
31-30	REPLACE	R/W	0h	This selects what happens when the COMP address is matched. Address remapping only takes place for the 0x0 setting. 0x0: Remap to remap address. See REMAP.REMAP 0x1: Set BKPT on lower halfword, upper is unaffected 0x2: Set BKPT on upper halfword, lower is unaffected 0x3: Set BKPT on both lower and upper halfwords.
29	RESERVED	R/W	0h	Software should not rely on the value of a reserved. Writing any other value than the reset value may result in undefined behavior.
28-2	COMP	R/W	0h	Comparison address.
1	RESERVED	R/W	0h	Software should not rely on the value of a reserved. Writing any other value than the reset value may result in undefined behavior.
0	ENABLE	R/W	0h	Compare and remap enable comparator 0. CTRL.ENABLE must also be set to enable comparisons. 0x0: Compare and remap for comparator 0 disabled 0x1: Compare and remap for comparator 0 enabled

2.7.2.4 COMP1 Register (Offset = Ch) [Reset = 0000000h]

COMP1 is shown in [COMP1 Register](#) and described in [COMP1 Register Field Descriptions](#).

Return to the [CPU_FPB Registers](#).

Comparator 1

Figure 2-26. COMP1 Register

31	30	29	28	27	26	25	24
REPLACE		RESERVED	COMP				
R/W-0h		R/W-0h			R/W-0h		
23	22	21	20	19	18	17	16
COMP							
R/W-0h							
15	14	13	12	11	10	9	8
COMP							
R/W-0h							
7	6	5	4	3	2	1	0
COMP						RESERVED	ENABLE
R/W-0h						R/W-0h	R/W-0h

Table 2-55. COMP1 Register Field Descriptions

Bit	Field	Type	Reset	Description
31-30	REPLACE	R/W	0h	This selects what happens when the COMP address is matched. Address remapping only takes place for the 0x0 setting. 0x0: Remap to remap address. See REMAP.REMAP 0x1: Set BKPT on lower halfword, upper is unaffected 0x2: Set BKPT on upper halfword, lower is unaffected 0x3: Set BKPT on both lower and upper halfwords.
29	RESERVED	R/W	0h	Software should not rely on the value of a reserved. Writing any other value than the reset value may result in undefined behavior.
28-2	COMP	R/W	0h	Comparison address.
1	RESERVED	R/W	0h	Software should not rely on the value of a reserved. Writing any other value than the reset value may result in undefined behavior.
0	ENABLE	R/W	0h	Compare and remap enable comparator 1. CTRL.ENABLE must also be set to enable comparisons. 0x0: Compare and remap for comparator 1 disabled 0x1: Compare and remap for comparator 1 enabled

2.7.2.5 COMP2 Register (Offset = 10h) [Reset = 0000000h]

COMP2 is shown in [COMP2 Register](#) and described in [COMP2 Register Field Descriptions](#).

Return to the [CPU_FPB Registers](#).

Comparator 2

Figure 2-27. COMP2 Register

31	30	29	28	27	26	25	24
REPLACE		RESERVED	COMP				
R/W-0h		R/W-0h			R/W-0h		
23	22	21	20	19	18	17	16
COMP							
R/W-0h							
15	14	13	12	11	10	9	8
COMP							
R/W-0h							
7	6	5	4	3	2	1	0
COMP						RESERVED	ENABLE
R/W-0h						R/W-0h	R/W-0h

Table 2-56. COMP2 Register Field Descriptions

Bit	Field	Type	Reset	Description
31-30	REPLACE	R/W	0h	This selects what happens when the COMP address is matched. Address remapping only takes place for the 0x0 setting. 0x0: Remap to remap address. See REMAP.REMAP 0x1: Set BKPT on lower halfword, upper is unaffected 0x2: Set BKPT on upper halfword, lower is unaffected 0x3: Set BKPT on both lower and upper halfwords.
29	RESERVED	R/W	0h	Software should not rely on the value of a reserved. Writing any other value than the reset value may result in undefined behavior.
28-2	COMP	R/W	0h	Comparison address.
1	RESERVED	R/W	0h	Software should not rely on the value of a reserved. Writing any other value than the reset value may result in undefined behavior.
0	ENABLE	R/W	0h	Compare and remap enable comparator 2. CTRL.ENABLE must also be set to enable comparisons. 0x0: Compare and remap for comparator 2 disabled 0x1: Compare and remap for comparator 2 enabled

2.7.2.6 COMP3 Register (Offset = 14h) [Reset = 0000000h]

COMP3 is shown in [COMP3 Register](#) and described in [COMP3 Register Field Descriptions](#).

Return to the [CPU_FPB Registers](#).

Comparator 3

Figure 2-28. COMP3 Register

31	30	29	28	27	26	25	24
REPLACE		RESERVED	COMP				
R/W-0h		R/W-0h			R/W-0h		
23	22	21	20	19	18	17	16
COMP							
R/W-0h							
15	14	13	12	11	10	9	8
COMP							
R/W-0h							
7	6	5	4	3	2	1	0
COMP						RESERVED	ENABLE
R/W-0h						R/W-0h	R/W-0h

Table 2-57. COMP3 Register Field Descriptions

Bit	Field	Type	Reset	Description
31-30	REPLACE	R/W	0h	This selects what happens when the COMP address is matched. Address remapping only takes place for the 0x0 setting. 0x0: Remap to remap address. See REMAP.REMAP 0x1: Set BKPT on lower halfword, upper is unaffected 0x2: Set BKPT on upper halfword, lower is unaffected 0x3: Set BKPT on both lower and upper halfwords.
29	RESERVED	R/W	0h	Software should not rely on the value of a reserved. Writing any other value than the reset value may result in undefined behavior.
28-2	COMP	R/W	0h	Comparison address.
1	RESERVED	R/W	0h	Software should not rely on the value of a reserved. Writing any other value than the reset value may result in undefined behavior.
0	ENABLE	R/W	0h	Compare and remap enable comparator 3. CTRL.ENABLE must also be set to enable comparisons. 0x0: Compare and remap for comparator 3 disabled 0x1: Compare and remap for comparator 3 enabled

2.7.2.7 COMP4 Register (Offset = 18h) [Reset = 0000000h]

COMP4 is shown in [COMP4 Register](#) and described in [COMP4 Register Field Descriptions](#).

Return to the [CPU_FPB Registers](#).

Comparator 4

Figure 2-29. COMP4 Register

31	30	29	28	27	26	25	24
REPLACE		RESERVED	COMP				
R/W-0h		R/W-0h			R/W-0h		
23	22	21	20	19	18	17	16
COMP							
R/W-0h							
15	14	13	12	11	10	9	8
COMP							
R/W-0h							
7	6	5	4	3	2	1	0
COMP						RESERVED	ENABLE
R/W-0h						R/W-0h	R/W-0h

Table 2-58. COMP4 Register Field Descriptions

Bit	Field	Type	Reset	Description
31-30	REPLACE	R/W	0h	This selects what happens when the COMP address is matched. Address remapping only takes place for the 0x0 setting. 0x0: Remap to remap address. See REMAP.REMAP 0x1: Set BKPT on lower halfword, upper is unaffected 0x2: Set BKPT on upper halfword, lower is unaffected 0x3: Set BKPT on both lower and upper halfwords.
29	RESERVED	R/W	0h	Software should not rely on the value of a reserved. Writing any other value than the reset value may result in undefined behavior.
28-2	COMP	R/W	0h	Comparison address.
1	RESERVED	R/W	0h	Software should not rely on the value of a reserved. Writing any other value than the reset value may result in undefined behavior.
0	ENABLE	R/W	0h	Compare and remap enable comparator 4. CTRL.ENABLE must also be set to enable comparisons. 0x0: Compare and remap for comparator 4 disabled 0x1: Compare and remap for comparator 4 enabled

2.7.2.8 COMP5 Register (Offset = 1Ch) [Reset = 0000000h]

COMP5 is shown in [COMP5 Register](#) and described in [COMP5 Register Field Descriptions](#).

Return to the [CPU_FPB Registers](#).

Comparator 5

Figure 2-30. COMP5 Register

31	30	29	28	27	26	25	24
REPLACE		RESERVED	COMP				
R/W-0h		R/W-0h			R/W-0h		
23	22	21	20	19	18	17	16
COMP							
R/W-0h							
15	14	13	12	11	10	9	8
COMP							
R/W-0h							
7	6	5	4	3	2	1	0
COMP						RESERVED	ENABLE
R/W-0h						R/W-0h	R/W-0h

Table 2-59. COMP5 Register Field Descriptions

Bit	Field	Type	Reset	Description
31-30	REPLACE	R/W	0h	This selects what happens when the COMP address is matched. Address remapping only takes place for the 0x0 setting. 0x0: Remap to remap address. See REMAP.REMAP 0x1: Set BKPT on lower halfword, upper is unaffected 0x2: Set BKPT on upper halfword, lower is unaffected 0x3: Set BKPT on both lower and upper halfwords.
29	RESERVED	R/W	0h	Software should not rely on the value of a reserved. Writing any other value than the reset value may result in undefined behavior.
28-2	COMP	R/W	0h	Comparison address.
1	RESERVED	R/W	0h	Software should not rely on the value of a reserved. Writing any other value than the reset value may result in undefined behavior.
0	ENABLE	R/W	0h	Compare and remap enable comparator 5. CTRL.ENABLE must also be set to enable comparisons. 0x0: Compare and remap for comparator 5 disabled 0x1: Compare and remap for comparator 5 enabled

2.7.2.9 COMP6 Register (Offset = 20h) [Reset = 0000000h]

COMP6 is shown in [COMP6 Register](#) and described in [COMP6 Register Field Descriptions](#).

Return to the [CPU_FPB Registers](#).

Comparator 6

Figure 2-31. COMP6 Register

31	30	29	28	27	26	25	24
REPLACE		RESERVED	COMP				
R/W-0h		R/W-0h			R/W-0h		
23	22	21	20	19	18	17	16
COMP							
R/W-0h							
15	14	13	12	11	10	9	8
COMP							
R/W-0h							
7	6	5	4	3	2	1	0
COMP						RESERVED	ENABLE
R/W-0h						R/W-0h	R/W-0h

Table 2-60. COMP6 Register Field Descriptions

Bit	Field	Type	Reset	Description
31-30	REPLACE	R/W	0h	This selects what happens when the COMP address is matched. Comparator 6 is a literal comparator and the only supported setting is 0x0. Other settings will be ignored. 0x0: Remap to remap address. See REMAP.REMAP 0x1: Set BKPT on lower halfword, upper is unaffected 0x2: Set BKPT on upper halfword, lower is unaffected 0x3: Set BKPT on both lower and upper halfwords.
29	RESERVED	R/W	0h	Software should not rely on the value of a reserved. Writing any other value than the reset value may result in undefined behavior.
28-2	COMP	R/W	0h	Comparison address.
1	RESERVED	R/W	0h	Software should not rely on the value of a reserved. Writing any other value than the reset value may result in undefined behavior.
0	ENABLE	R/W	0h	Compare and remap enable comparator 6. CTRL.ENABLE must also be set to enable comparisons. 0x0: Compare and remap for comparator 6 disabled 0x1: Compare and remap for comparator 6 enabled

2.7.2.10 COMP7 Register (Offset = 24h) [Reset = 0000000h]

COMP7 is shown in [COMP7 Register](#) and described in [COMP7 Register Field Descriptions](#).

Return to the [CPU_FPB Registers](#).

Comparator 7

Figure 2-32. COMP7 Register

31	30	29	28	27	26	25	24
REPLACE		RESERVED	COMP				
R/W-0h		R/W-0h			R/W-0h		
23	22	21	20	19	18	17	16
COMP							
R/W-0h							
15	14	13	12	11	10	9	8
COMP							
R/W-0h							
7	6	5	4	3	2	1	0
COMP						RESERVED	ENABLE
R/W-0h						R/W-0h	R/W-0h

Table 2-61. COMP7 Register Field Descriptions

Bit	Field	Type	Reset	Description
31-30	REPLACE	R/W	0h	This selects what happens when the COMP address is matched. Comparator 7 is a literal comparator and the only supported setting is 0x0. Other settings will be ignored. 0x0: Remap to remap address. See REMAP.REMAP 0x1: Set BKPT on lower halfword, upper is unaffected 0x2: Set BKPT on upper halfword, lower is unaffected 0x3: Set BKPT on both lower and upper halfwords.
29	RESERVED	R/W	0h	Software should not rely on the value of a reserved. Writing any other value than the reset value may result in undefined behavior.
28-2	COMP	R/W	0h	Comparison address.
1	RESERVED	R/W	0h	Software should not rely on the value of a reserved. Writing any other value than the reset value may result in undefined behavior.
0	ENABLE	R/W	0h	Compare and remap enable comparator 7. CTRL.ENABLE must also be set to enable comparisons. 0x0: Compare and remap for comparator 7 disabled 0x1: Compare and remap for comparator 7 enabled

2.7.3 CPU_ITM Registers

[CPU_ITM Registers](#) lists the memory-mapped registers for the CPU_ITM registers. All register offset addresses not listed in [CPU_ITM Registers](#) should be considered as reserved locations and the register contents should not be modified.

Table 2-62. CPU_ITM Registers

Offset	Acronym	Register Name	Section
0h	STIM0	Stimulus Port 0	Section 2.7.3.1
4h	STIM1	Stimulus Port 1	Section 2.7.3.2
8h	STIM2	Stimulus Port 2	Section 2.7.3.3
Ch	STIM3	Stimulus Port 3	Section 2.7.3.4
10h	STIM4	Stimulus Port 4	Section 2.7.3.5
14h	STIM5	Stimulus Port 5	Section 2.7.3.6
18h	STIM6	Stimulus Port 6	Section 2.7.3.7
1Ch	STIM7	Stimulus Port 7	Section 2.7.3.8
20h	STIM8	Stimulus Port 8	Section 2.7.3.9
24h	STIM9	Stimulus Port 9	Section 2.7.3.10
28h	STIM10	Stimulus Port 10	Section 2.7.3.11
2Ch	STIM11	Stimulus Port 11	Section 2.7.3.12
30h	STIM12	Stimulus Port 12	Section 2.7.3.13
34h	STIM13	Stimulus Port 13	Section 2.7.3.14
38h	STIM14	Stimulus Port 14	Section 2.7.3.15
3Ch	STIM15	Stimulus Port 15	Section 2.7.3.16
40h	STIM16	Stimulus Port 16	Section 2.7.3.17
44h	STIM17	Stimulus Port 17	Section 2.7.3.18
48h	STIM18	Stimulus Port 18	Section 2.7.3.19
4Ch	STIM19	Stimulus Port 19	Section 2.7.3.20
50h	STIM20	Stimulus Port 20	Section 2.7.3.21
54h	STIM21	Stimulus Port 21	Section 2.7.3.22
58h	STIM22	Stimulus Port 22	Section 2.7.3.23
5Ch	STIM23	Stimulus Port 23	Section 2.7.3.24
60h	STIM24	Stimulus Port 24	Section 2.7.3.25
64h	STIM25	Stimulus Port 25	Section 2.7.3.26
68h	STIM26	Stimulus Port 26	Section 2.7.3.27
6Ch	STIM27	Stimulus Port 27	Section 2.7.3.28
70h	STIM28	Stimulus Port 28	Section 2.7.3.29
74h	STIM29	Stimulus Port 29	Section 2.7.3.30
78h	STIM30	Stimulus Port 30	Section 2.7.3.31
7Ch	STIM31	Stimulus Port 31	Section 2.7.3.32
E00h	TER	Trace Enable	Section 2.7.3.33
E40h	TPR	Trace Privilege	Section 2.7.3.34
E80h	TCR	Trace Control	Section 2.7.3.35
FB0h	LAR	Lock Access	Section 2.7.3.36
FB4h	LSR	Lock Status	Section 2.7.3.37

Complex bit access types are encoded to fit into small table cells. [CPU_ITM Access Type Codes](#) shows the codes that are used for access types in this section.

Table 2-63. CPU_ITM Access Type Codes

Access Type	Code	Description
Read Type		
R	R	Read
Write Type		
W	W	Write
Reset or Default Value		
-n		Value after reset or the default value

2.7.3.1 STIM0 Register (Offset = 0h) [Reset = X]

STIM0 is shown in [STIM0 Register](#) and described in [STIM0 Register Field Descriptions](#).

Return to the [CPU_ITM Registers](#).

Stimulus Port 0

Figure 2-33. STIM0 Register

31	30	29	28	27	26	25	24	23	22	21	20	19	18	17	16	15	14	13	12	11	10	9	8	7	6	5	4	3	2	1	0
STIM0																															
R/W-X																															

Table 2-64. STIM0 Register Field Descriptions

Bit	Field	Type	Reset	Description
31-0	STIM0	R/W	X	A write to this location causes data to be written into the FIFO if TER.STIMENA0 is set. Reading from the stimulus port returns the FIFO status in bit [0]: 0 = full, 1 = not full. The polled FIFO interface does not provide an atomic read-modify-write, so it's users responsibility to ensure exclusive read-modify-write if this ITM port is used concurrently by interrupts or other threads.

2.7.3.2 STIM1 Register (Offset = 4h) [Reset = X]

STIM1 is shown in [STIM1 Register](#) and described in [STIM1 Register Field Descriptions](#).

Return to the [CPU_ITM Registers](#).

Stimulus Port 1

Figure 2-34. STIM1 Register

31	30	29	28	27	26	25	24	23	22	21	20	19	18	17	16	15	14	13	12	11	10	9	8	7	6	5	4	3	2	1	0
STIM1																															
R/W-X																															

Table 2-65. STIM1 Register Field Descriptions

Bit	Field	Type	Reset	Description
31-0	STIM1	R/W	X	A write to this location causes data to be written into the FIFO if TER.STIMENA1 is set. Reading from the stimulus port returns the FIFO status in bit [0]: 0 = full, 1 = not full. The polled FIFO interface does not provide an atomic read-modify-write, so it's users responsibility to ensure exclusive read-modify-write if this ITM port is used concurrently by interrupts or other threads.

2.7.3.3 STIM2 Register (Offset = 8h) [Reset = X]

STIM2 is shown in [STIM2 Register](#) and described in [STIM2 Register Field Descriptions](#).

Return to the [CPU_ITM Registers](#).

Stimulus Port 2

Figure 2-35. STIM2 Register

31	30	29	28	27	26	25	24	23	22	21	20	19	18	17	16	15	14	13	12	11	10	9	8	7	6	5	4	3	2	1	0
STIM2																															
R/W-X																															

Table 2-66. STIM2 Register Field Descriptions

Bit	Field	Type	Reset	Description
31-0	STIM2	R/W	X	A write to this location causes data to be written into the FIFO if TER.STIMENA2 is set. Reading from the stimulus port returns the FIFO status in bit [0]: 0 = full, 1 = not full. The polled FIFO interface does not provide an atomic read-modify-write, so it's users responsibility to ensure exclusive read-modify-write if this ITM port is used concurrently by interrupts or other threads.

2.7.3.4 STIM3 Register (Offset = Ch) [Reset = X]

STIM3 is shown in [STIM3 Register](#) and described in [STIM3 Register Field Descriptions](#).

Return to the [CPU_ITM Registers](#).

Stimulus Port 3

Figure 2-36. STIM3 Register

31	30	29	28	27	26	25	24	23	22	21	20	19	18	17	16	15	14	13	12	11	10	9	8	7	6	5	4	3	2	1	0
STIM3																															
R/W-X																															

Table 2-67. STIM3 Register Field Descriptions

Bit	Field	Type	Reset	Description
31-0	STIM3	R/W	X	A write to this location causes data to be written into the FIFO if TER.STIMENA3 is set. Reading from the stimulus port returns the FIFO status in bit [0]: 0 = full, 1 = not full. The polled FIFO interface does not provide an atomic read-modify-write, so it's users responsibility to ensure exclusive read-modify-write if this ITM port is used concurrently by interrupts or other threads.

2.7.3.5 STIM4 Register (Offset = 10h) [Reset = X]

STIM4 is shown in [STIM4 Register](#) and described in [STIM4 Register Field Descriptions](#).

Return to the [CPU_ITM Registers](#).

Stimulus Port 4

Figure 2-37. STIM4 Register

31	30	29	28	27	26	25	24	23	22	21	20	19	18	17	16	15	14	13	12	11	10	9	8	7	6	5	4	3	2	1	0
STIM4																															
R/W-X																															

Table 2-68. STIM4 Register Field Descriptions

Bit	Field	Type	Reset	Description
31-0	STIM4	R/W	X	A write to this location causes data to be written into the FIFO if TER.STIMENA4 is set. Reading from the stimulus port returns the FIFO status in bit [0]: 0 = full, 1 = not full. The polled FIFO interface does not provide an atomic read-modify-write, so it's users responsibility to ensure exclusive read-modify-write if this ITM port is used concurrently by interrupts or other threads.

2.7.3.6 STIM5 Register (Offset = 14h) [Reset = X]

STIM5 is shown in [STIM5 Register](#) and described in [STIM5 Register Field Descriptions](#).

Return to the [CPU_ITM Registers](#).

Stimulus Port 5

Figure 2-38. STIM5 Register

31	30	29	28	27	26	25	24	23	22	21	20	19	18	17	16	15	14	13	12	11	10	9	8	7	6	5	4	3	2	1	0
STIM5																															
R/W-X																															

Table 2-69. STIM5 Register Field Descriptions

Bit	Field	Type	Reset	Description
31-0	STIM5	R/W	X	A write to this location causes data to be written into the FIFO if TER.STIMENA5 is set. Reading from the stimulus port returns the FIFO status in bit [0]: 0 = full, 1 = not full. The polled FIFO interface does not provide an atomic read-modify-write, so it's users responsibility to ensure exclusive read-modify-write if this ITM port is used concurrently by interrupts or other threads.

2.7.3.7 STIM6 Register (Offset = 18h) [Reset = X]

STIM6 is shown in [STIM6 Register](#) and described in [STIM6 Register Field Descriptions](#).

Return to the [CPU_ITM Registers](#).

Stimulus Port 6

Figure 2-39. STIM6 Register

31	30	29	28	27	26	25	24	23	22	21	20	19	18	17	16	15	14	13	12	11	10	9	8	7	6	5	4	3	2	1	0
STIM6																															
R/W-X																															

Table 2-70. STIM6 Register Field Descriptions

Bit	Field	Type	Reset	Description
31-0	STIM6	R/W	X	A write to this location causes data to be written into the FIFO if TER.STIMENA6 is set. Reading from the stimulus port returns the FIFO status in bit [0]: 0 = full, 1 = not full. The polled FIFO interface does not provide an atomic read-modify-write, so it's users responsibility to ensure exclusive read-modify-write if this ITM port is used concurrently by interrupts or other threads.

2.7.3.8 STIM7 Register (Offset = 1Ch) [Reset = X]

STIM7 is shown in [STIM7 Register](#) and described in [STIM7 Register Field Descriptions](#).

Return to the [CPU_ITM Registers](#).

Stimulus Port 7

Figure 2-40. STIM7 Register

31	30	29	28	27	26	25	24	23	22	21	20	19	18	17	16	15	14	13	12	11	10	9	8	7	6	5	4	3	2	1	0
STIM7																															
R/W-X																															

Table 2-71. STIM7 Register Field Descriptions

Bit	Field	Type	Reset	Description
31-0	STIM7	R/W	X	A write to this location causes data to be written into the FIFO if TER.STIMENA7 is set. Reading from the stimulus port returns the FIFO status in bit [0]: 0 = full, 1 = not full. The polled FIFO interface does not provide an atomic read-modify-write, so it's users responsibility to ensure exclusive read-modify-write if this ITM port is used concurrently by interrupts or other threads.

2.7.3.9 STIM8 Register (Offset = 20h) [Reset = X]

STIM8 is shown in [STIM8 Register](#) and described in [STIM8 Register Field Descriptions](#).

Return to the [CPU_ITM Registers](#).

Stimulus Port 8

Figure 2-41. STIM8 Register

31	30	29	28	27	26	25	24	23	22	21	20	19	18	17	16	15	14	13	12	11	10	9	8	7	6	5	4	3	2	1	0
STIM8																															
R/W-X																															

Table 2-72. STIM8 Register Field Descriptions

Bit	Field	Type	Reset	Description
31-0	STIM8	R/W	X	A write to this location causes data to be written into the FIFO if TER.STIMENA8 is set. Reading from the stimulus port returns the FIFO status in bit [0]: 0 = full, 1 = not full. The polled FIFO interface does not provide an atomic read-modify-write, so it's users responsibility to ensure exclusive read-modify-write if this ITM port is used concurrently by interrupts or other threads.

2.7.3.10 STIM9 Register (Offset = 24h) [Reset = X]

STIM9 is shown in [STIM9 Register](#) and described in [STIM9 Register Field Descriptions](#).

Return to the [CPU_ITM Registers](#).

Stimulus Port 9

Figure 2-42. STIM9 Register

31	30	29	28	27	26	25	24	23	22	21	20	19	18	17	16	15	14	13	12	11	10	9	8	7	6	5	4	3	2	1	0
STIM9																															
R/W-X																															

Table 2-73. STIM9 Register Field Descriptions

Bit	Field	Type	Reset	Description
31-0	STIM9	R/W	X	A write to this location causes data to be written into the FIFO if TER.STIMENA9 is set. Reading from the stimulus port returns the FIFO status in bit [0]: 0 = full, 1 = not full. The polled FIFO interface does not provide an atomic read-modify-write, so it's users responsibility to ensure exclusive read-modify-write if this ITM port is used concurrently by interrupts or other threads.

2.7.3.11 STIM10 Register (Offset = 28h) [Reset = X]

STIM10 is shown in [STIM10 Register](#) and described in [STIM10 Register Field Descriptions](#).

Return to the [CPU_ITM Registers](#).

Stimulus Port 10

Figure 2-43. STIM10 Register

31	30	29	28	27	26	25	24	23	22	21	20	19	18	17	16	15	14	13	12	11	10	9	8	7	6	5	4	3	2	1	0
STIM10																															
R/W-X																															

Table 2-74. STIM10 Register Field Descriptions

Bit	Field	Type	Reset	Description
31-0	STIM10	R/W	X	A write to this location causes data to be written into the FIFO if TER.STIMENA10 is set. Reading from the stimulus port returns the FIFO status in bit [0]: 0 = full, 1 = not full. The polled FIFO interface does not provide an atomic read-modify-write, so it's users responsibility to ensure exclusive read-modify-write if this ITM port is used concurrently by interrupts or other threads.

2.7.3.12 STIM11 Register (Offset = 2Ch) [Reset = X]

STIM11 is shown in [STIM11 Register](#) and described in [STIM11 Register Field Descriptions](#).

Return to the [CPU_ITM Registers](#).

Stimulus Port 11

Figure 2-44. STIM11 Register

31	30	29	28	27	26	25	24	23	22	21	20	19	18	17	16	15	14	13	12	11	10	9	8	7	6	5	4	3	2	1	0
STIM11																															
R/W-X																															

Table 2-75. STIM11 Register Field Descriptions

Bit	Field	Type	Reset	Description
31-0	STIM11	R/W	X	A write to this location causes data to be written into the FIFO if TER.STIMENA11 is set. Reading from the stimulus port returns the FIFO status in bit [0]: 0 = full, 1 = not full. The polled FIFO interface does not provide an atomic read-modify-write, so it's users responsibility to ensure exclusive read-modify-write if this ITM port is used concurrently by interrupts or other threads.

2.7.3.13 STIM12 Register (Offset = 30h) [Reset = X]

STIM12 is shown in [STIM12 Register](#) and described in [STIM12 Register Field Descriptions](#).

Return to the [CPU_ITM Registers](#).

Stimulus Port 12

Figure 2-45. STIM12 Register

31	30	29	28	27	26	25	24	23	22	21	20	19	18	17	16	15	14	13	12	11	10	9	8	7	6	5	4	3	2	1	0
STIM12																															
R/W-X																															

Table 2-76. STIM12 Register Field Descriptions

Bit	Field	Type	Reset	Description
31-0	STIM12	R/W	X	A write to this location causes data to be written into the FIFO if TER.STIMENA12 is set. Reading from the stimulus port returns the FIFO status in bit [0]: 0 = full, 1 = not full. The polled FIFO interface does not provide an atomic read-modify-write, so it's users responsibility to ensure exclusive read-modify-write if this ITM port is used concurrently by interrupts or other threads.

2.7.3.14 STIM13 Register (Offset = 34h) [Reset = X]

STIM13 is shown in [STIM13 Register](#) and described in [STIM13 Register Field Descriptions](#).

Return to the [CPU_ITM Registers](#).

Stimulus Port 13

Figure 2-46. STIM13 Register

31	30	29	28	27	26	25	24	23	22	21	20	19	18	17	16	15	14	13	12	11	10	9	8	7	6	5	4	3	2	1	0
STIM13																															
R/W-X																															

Table 2-77. STIM13 Register Field Descriptions

Bit	Field	Type	Reset	Description
31-0	STIM13	R/W	X	A write to this location causes data to be written into the FIFO if TER.STIMENA13 is set. Reading from the stimulus port returns the FIFO status in bit [0]: 0 = full, 1 = not full. The polled FIFO interface does not provide an atomic read-modify-write, so it's users responsibility to ensure exclusive read-modify-write if this ITM port is used concurrently by interrupts or other threads.

2.7.3.15 STIM14 Register (Offset = 38h) [Reset = X]

STIM14 is shown in [STIM14 Register](#) and described in [STIM14 Register Field Descriptions](#).

Return to the [CPU_ITM Registers](#).

Stimulus Port 14

Figure 2-47. STIM14 Register

31	30	29	28	27	26	25	24	23	22	21	20	19	18	17	16	15	14	13	12	11	10	9	8	7	6	5	4	3	2	1	0
STIM14																															
R/W-X																															

Table 2-78. STIM14 Register Field Descriptions

Bit	Field	Type	Reset	Description
31-0	STIM14	R/W	X	A write to this location causes data to be written into the FIFO if TER.STIMENA14 is set. Reading from the stimulus port returns the FIFO status in bit [0]: 0 = full, 1 = not full. The polled FIFO interface does not provide an atomic read-modify-write, so it's users responsibility to ensure exclusive read-modify-write if this ITM port is used concurrently by interrupts or other threads.

2.7.3.16 STIM15 Register (Offset = 3Ch) [Reset = X]

STIM15 is shown in [STIM15 Register](#) and described in [STIM15 Register Field Descriptions](#).

Return to the [CPU_ITM Registers](#).

Stimulus Port 15

Figure 2-48. STIM15 Register

31	30	29	28	27	26	25	24	23	22	21	20	19	18	17	16	15	14	13	12	11	10	9	8	7	6	5	4	3	2	1	0
STIM15																															
R/W-X																															

Table 2-79. STIM15 Register Field Descriptions

Bit	Field	Type	Reset	Description
31-0	STIM15	R/W	X	A write to this location causes data to be written into the FIFO if TER.STIMENA15 is set. Reading from the stimulus port returns the FIFO status in bit [0]: 0 = full, 1 = not full. The polled FIFO interface does not provide an atomic read-modify-write, so it's users responsibility to ensure exclusive read-modify-write if this ITM port is used concurrently by interrupts or other threads.

2.7.3.17 STIM16 Register (Offset = 40h) [Reset = X]

STIM16 is shown in [STIM16 Register](#) and described in [STIM16 Register Field Descriptions](#).

Return to the [CPU_ITM Registers](#).

Stimulus Port 16

Figure 2-49. STIM16 Register

31	30	29	28	27	26	25	24	23	22	21	20	19	18	17	16	15	14	13	12	11	10	9	8	7	6	5	4	3	2	1	0
STIM16																															
R/W-X																															

Table 2-80. STIM16 Register Field Descriptions

Bit	Field	Type	Reset	Description
31-0	STIM16	R/W	X	A write to this location causes data to be written into the FIFO if TER.STIMENA16 is set. Reading from the stimulus port returns the FIFO status in bit [0]: 0 = full, 1 = not full. The polled FIFO interface does not provide an atomic read-modify-write, so it's users responsibility to ensure exclusive read-modify-write if this ITM port is used concurrently by interrupts or other threads.

2.7.3.18 STIM17 Register (Offset = 44h) [Reset = X]

STIM17 is shown in [STIM17 Register](#) and described in [STIM17 Register Field Descriptions](#).

Return to the [CPU_ITM Registers](#).

Stimulus Port 17

Figure 2-50. STIM17 Register

31	30	29	28	27	26	25	24	23	22	21	20	19	18	17	16	15	14	13	12	11	10	9	8	7	6	5	4	3	2	1	0
STIM17																															
R/W-X																															

Table 2-81. STIM17 Register Field Descriptions

Bit	Field	Type	Reset	Description
31-0	STIM17	R/W	X	A write to this location causes data to be written into the FIFO if TER.STIMENA17 is set. Reading from the stimulus port returns the FIFO status in bit [0]: 0 = full, 1 = not full. The polled FIFO interface does not provide an atomic read-modify-write, so it's users responsibility to ensure exclusive read-modify-write if this ITM port is used concurrently by interrupts or other threads.

2.7.3.19 STIM18 Register (Offset = 48h) [Reset = X]

STIM18 is shown in [STIM18 Register](#) and described in [STIM18 Register Field Descriptions](#).

Return to the [CPU_ITM Registers](#).

Stimulus Port 18

Figure 2-51. STIM18 Register

31	30	29	28	27	26	25	24	23	22	21	20	19	18	17	16	15	14	13	12	11	10	9	8	7	6	5	4	3	2	1	0
STIM18																															
R/W-X																															

Table 2-82. STIM18 Register Field Descriptions

Bit	Field	Type	Reset	Description
31-0	STIM18	R/W	X	A write to this location causes data to be written into the FIFO if TER.STIMENA18 is set. Reading from the stimulus port returns the FIFO status in bit [0]: 0 = full, 1 = not full. The polled FIFO interface does not provide an atomic read-modify-write, so it's users responsibility to ensure exclusive read-modify-write if this ITM port is used concurrently by interrupts or other threads.

2.7.3.20 STIM19 Register (Offset = 4Ch) [Reset = X]

STIM19 is shown in [STIM19 Register](#) and described in [STIM19 Register Field Descriptions](#).

Return to the [CPU_ITM Registers](#).

Stimulus Port 19

Figure 2-52. STIM19 Register

31	30	29	28	27	26	25	24	23	22	21	20	19	18	17	16	15	14	13	12	11	10	9	8	7	6	5	4	3	2	1	0
STIM19																															
R/W-X																															

Table 2-83. STIM19 Register Field Descriptions

Bit	Field	Type	Reset	Description
31-0	STIM19	R/W	X	A write to this location causes data to be written into the FIFO if TER.STIMENA19 is set. Reading from the stimulus port returns the FIFO status in bit [0]: 0 = full, 1 = not full. The polled FIFO interface does not provide an atomic read-modify-write, so it's users responsibility to ensure exclusive read-modify-write if this ITM port is used concurrently by interrupts or other threads.

2.7.3.21 STIM20 Register (Offset = 50h) [Reset = X]

STIM20 is shown in [STIM20 Register](#) and described in [STIM20 Register Field Descriptions](#).

Return to the [CPU_ITM Registers](#).

Stimulus Port 20

Figure 2-53. STIM20 Register

31	30	29	28	27	26	25	24	23	22	21	20	19	18	17	16	15	14	13	12	11	10	9	8	7	6	5	4	3	2	1	0
STIM20																															
R/W-X																															

Table 2-84. STIM20 Register Field Descriptions

Bit	Field	Type	Reset	Description
31-0	STIM20	R/W	X	A write to this location causes data to be written into the FIFO if TER.STIMENA20 is set. Reading from the stimulus port returns the FIFO status in bit [0]: 0 = full, 1 = not full. The polled FIFO interface does not provide an atomic read-modify-write, so it's users responsibility to ensure exclusive read-modify-write if this ITM port is used concurrently by interrupts or other threads.

2.7.3.22 STIM21 Register (Offset = 54h) [Reset = X]

STIM21 is shown in [STIM21 Register](#) and described in [STIM21 Register Field Descriptions](#).

Return to the [CPU_ITM Registers](#).

Stimulus Port 21

Figure 2-54. STIM21 Register

31	30	29	28	27	26	25	24	23	22	21	20	19	18	17	16	15	14	13	12	11	10	9	8	7	6	5	4	3	2	1	0
STIM21																															
R/W-X																															

Table 2-85. STIM21 Register Field Descriptions

Bit	Field	Type	Reset	Description
31-0	STIM21	R/W	X	A write to this location causes data to be written into the FIFO if TER.STIMENA21 is set. Reading from the stimulus port returns the FIFO status in bit [0]: 0 = full, 1 = not full. The polled FIFO interface does not provide an atomic read-modify-write, so it's users responsibility to ensure exclusive read-modify-write if this ITM port is used concurrently by interrupts or other threads.

2.7.3.23 STIM22 Register (Offset = 58h) [Reset = X]

STIM22 is shown in [STIM22 Register](#) and described in [STIM22 Register Field Descriptions](#).

Return to the [CPU_ITM Registers](#).

Stimulus Port 22

Figure 2-55. STIM22 Register

31	30	29	28	27	26	25	24	23	22	21	20	19	18	17	16	15	14	13	12	11	10	9	8	7	6	5	4	3	2	1	0
STIM22																															
R/W-X																															

Table 2-86. STIM22 Register Field Descriptions

Bit	Field	Type	Reset	Description
31-0	STIM22	R/W	X	A write to this location causes data to be written into the FIFO if TER.STIMENA22 is set. Reading from the stimulus port returns the FIFO status in bit [0]: 0 = full, 1 = not full. The polled FIFO interface does not provide an atomic read-modify-write, so it's users responsibility to ensure exclusive read-modify-write if this ITM port is used concurrently by interrupts or other threads.

2.7.3.24 STIM23 Register (Offset = 5Ch) [Reset = X]

STIM23 is shown in [STIM23 Register](#) and described in [STIM23 Register Field Descriptions](#).

Return to the [CPU_ITM Registers](#).

Stimulus Port 23

Figure 2-56. STIM23 Register

31	30	29	28	27	26	25	24	23	22	21	20	19	18	17	16	15	14	13	12	11	10	9	8	7	6	5	4	3	2	1	0
STIM23																															
R/W-X																															

Table 2-87. STIM23 Register Field Descriptions

Bit	Field	Type	Reset	Description
31-0	STIM23	R/W	X	A write to this location causes data to be written into the FIFO if TER.STIMENA23 is set. Reading from the stimulus port returns the FIFO status in bit [0]: 0 = full, 1 = not full. The polled FIFO interface does not provide an atomic read-modify-write, so it's users responsibility to ensure exclusive read-modify-write if this ITM port is used concurrently by interrupts or other threads.

2.7.3.25 STIM24 Register (Offset = 60h) [Reset = X]

STIM24 is shown in [STIM24 Register](#) and described in [STIM24 Register Field Descriptions](#).

Return to the [CPU_ITM Registers](#).

Stimulus Port 24

Figure 2-57. STIM24 Register

31	30	29	28	27	26	25	24	23	22	21	20	19	18	17	16	15	14	13	12	11	10	9	8	7	6	5	4	3	2	1	0
STIM24																															
R/W-X																															

Table 2-88. STIM24 Register Field Descriptions

Bit	Field	Type	Reset	Description
31-0	STIM24	R/W	X	A write to this location causes data to be written into the FIFO if TER.STIMENA24 is set. Reading from the stimulus port returns the FIFO status in bit [0]: 0 = full, 1 = not full. The polled FIFO interface does not provide an atomic read-modify-write, so it's users responsibility to ensure exclusive read-modify-write if this ITM port is used concurrently by interrupts or other threads.

2.7.3.26 STIM25 Register (Offset = 64h) [Reset = X]

STIM25 is shown in [STIM25 Register](#) and described in [STIM25 Register Field Descriptions](#).

Return to the [CPU_ITM Registers](#).

Stimulus Port 25

Figure 2-58. STIM25 Register

31	30	29	28	27	26	25	24	23	22	21	20	19	18	17	16	15	14	13	12	11	10	9	8	7	6	5	4	3	2	1	0
STIM25																															
R/W-X																															

Table 2-89. STIM25 Register Field Descriptions

Bit	Field	Type	Reset	Description
31-0	STIM25	R/W	X	A write to this location causes data to be written into the FIFO if TER.STIMENA25 is set. Reading from the stimulus port returns the FIFO status in bit [0]: 0 = full, 1 = not full. The polled FIFO interface does not provide an atomic read-modify-write, so it's users responsibility to ensure exclusive read-modify-write if this ITM port is used concurrently by interrupts or other threads.

2.7.3.27 STIM26 Register (Offset = 68h) [Reset = X]

STIM26 is shown in [STIM26 Register](#) and described in [STIM26 Register Field Descriptions](#).

Return to the [CPU_ITM Registers](#).

Stimulus Port 26

Figure 2-59. STIM26 Register

31	30	29	28	27	26	25	24	23	22	21	20	19	18	17	16	15	14	13	12	11	10	9	8	7	6	5	4	3	2	1	0
STIM26																															
R/W-X																															

Table 2-90. STIM26 Register Field Descriptions

Bit	Field	Type	Reset	Description
31-0	STIM26	R/W	X	A write to this location causes data to be written into the FIFO if TER.STIMENA26 is set. Reading from the stimulus port returns the FIFO status in bit [0]: 0 = full, 1 = not full. The polled FIFO interface does not provide an atomic read-modify-write, so it's users responsibility to ensure exclusive read-modify-write if this ITM port is used concurrently by interrupts or other threads.

2.7.3.28 STIM27 Register (Offset = 6Ch) [Reset = X]

STIM27 is shown in [STIM27 Register](#) and described in [STIM27 Register Field Descriptions](#).

Return to the [CPU_ITM Registers](#).

Stimulus Port 27

Figure 2-60. STIM27 Register

31	30	29	28	27	26	25	24	23	22	21	20	19	18	17	16	15	14	13	12	11	10	9	8	7	6	5	4	3	2	1	0
STIM27																															
R/W-X																															

Table 2-91. STIM27 Register Field Descriptions

Bit	Field	Type	Reset	Description
31-0	STIM27	R/W	X	A write to this location causes data to be written into the FIFO if TER.STIMENA27 is set. Reading from the stimulus port returns the FIFO status in bit [0]: 0 = full, 1 = not full. The polled FIFO interface does not provide an atomic read-modify-write, so it's users responsibility to ensure exclusive read-modify-write if this ITM port is used concurrently by interrupts or other threads.

2.7.3.29 STIM28 Register (Offset = 70h) [Reset = X]

STIM28 is shown in [STIM28 Register](#) and described in [STIM28 Register Field Descriptions](#).

Return to the [CPU_ITM Registers](#).

Stimulus Port 28

Figure 2-61. STIM28 Register

31	30	29	28	27	26	25	24	23	22	21	20	19	18	17	16	15	14	13	12	11	10	9	8	7	6	5	4	3	2	1	0
STIM28																															
R/W-X																															

Table 2-92. STIM28 Register Field Descriptions

Bit	Field	Type	Reset	Description
31-0	STIM28	R/W	X	A write to this location causes data to be written into the FIFO if TER.STIMENA28 is set. Reading from the stimulus port returns the FIFO status in bit [0]: 0 = full, 1 = not full. The polled FIFO interface does not provide an atomic read-modify-write, so it's users responsibility to ensure exclusive read-modify-write if this ITM port is used concurrently by interrupts or other threads.

2.7.3.30 STIM29 Register (Offset = 74h) [Reset = X]

STIM29 is shown in [STIM29 Register](#) and described in [STIM29 Register Field Descriptions](#).

Return to the [CPU_ITM Registers](#).

Stimulus Port 29

Figure 2-62. STIM29 Register

31	30	29	28	27	26	25	24	23	22	21	20	19	18	17	16	15	14	13	12	11	10	9	8	7	6	5	4	3	2	1	0
STIM29																															
R/W-X																															

Table 2-93. STIM29 Register Field Descriptions

Bit	Field	Type	Reset	Description
31-0	STIM29	R/W	X	A write to this location causes data to be written into the FIFO if TER.STIMENA29 is set. Reading from the stimulus port returns the FIFO status in bit [0]: 0 = full, 1 = not full. The polled FIFO interface does not provide an atomic read-modify-write, so it's users responsibility to ensure exclusive read-modify-write if this ITM port is used concurrently by interrupts or other threads.

2.7.3.31 STIM30 Register (Offset = 78h) [Reset = X]

STIM30 is shown in [STIM30 Register](#) and described in [STIM30 Register Field Descriptions](#).

Return to the [CPU_ITM Registers](#).

Stimulus Port 30

Figure 2-63. STIM30 Register

31	30	29	28	27	26	25	24	23	22	21	20	19	18	17	16	15	14	13	12	11	10	9	8	7	6	5	4	3	2	1	0
STIM30																															
R/W-X																															

Table 2-94. STIM30 Register Field Descriptions

Bit	Field	Type	Reset	Description
31-0	STIM30	R/W	X	A write to this location causes data to be written into the FIFO if TER.STIMENA30 is set. Reading from the stimulus port returns the FIFO status in bit [0]: 0 = full, 1 = not full. The polled FIFO interface does not provide an atomic read-modify-write, so it's users responsibility to ensure exclusive read-modify-write if this ITM port is used concurrently by interrupts or other threads.

2.7.3.32 STIM31 Register (Offset = 7Ch) [Reset = X]

STIM31 is shown in [STIM31 Register](#) and described in [STIM31 Register Field Descriptions](#).

Return to the [CPU_ITM Registers](#).

Stimulus Port 31

Figure 2-64. STIM31 Register

31	30	29	28	27	26	25	24	23	22	21	20	19	18	17	16	15	14	13	12	11	10	9	8	7	6	5	4	3	2	1	0
STIM31																															
R/W-X																															

Table 2-95. STIM31 Register Field Descriptions

Bit	Field	Type	Reset	Description
31-0	STIM31	R/W	X	A write to this location causes data to be written into the FIFO if TER.STIMENA31 is set. Reading from the stimulus port returns the FIFO status in bit [0]: 0 = full, 1 = not full. The polled FIFO interface does not provide an atomic read-modify-write, so it's users responsibility to ensure exclusive read-modify-write if this ITM port is used concurrently by interrupts or other threads.

2.7.3.33 TER Register (Offset = E00h) [Reset = 0000000h]

TER is shown in [TER Register](#) and described in [TER Register Field Descriptions](#).

Return to the [CPU_ITM Registers](#).

Trace Enable

Use the Trace Enable Register to generate trace data by writing to the corresponding stimulus port. Note: Privileged writes are accepted to this register if TCR.ITMENA is set. User writes are accepted to this register if TCR.ITMENA is set and the appropriate privilege mask is cleared. Privileged access to the stimulus ports enables an RTOS kernel to guarantee instrumentation slots or bandwidth as required.

Figure 2-65. TER Register

31	30	29	28	27	26	25	24
STIMENA31	STIMENA30	STIMENA29	STIMENA28	STIMENA27	STIMENA26	STIMENA25	STIMENA24
R/W-0h	R/W-0h	R/W-0h	R/W-0h	R/W-0h	R/W-0h	R/W-0h	R/W-0h
23	22	21	20	19	18	17	16
STIMENA23	STIMENA22	STIMENA21	STIMENA20	STIMENA19	STIMENA18	STIMENA17	STIMENA16
R/W-0h	R/W-0h	R/W-0h	R/W-0h	R/W-0h	R/W-0h	R/W-0h	R/W-0h
15	14	13	12	11	10	9	8
STIMENA15	STIMENA14	STIMENA13	STIMENA12	STIMENA11	STIMENA10	STIMENA9	STIMENA8
R/W-0h	R/W-0h	R/W-0h	R/W-0h	R/W-0h	R/W-0h	R/W-0h	R/W-0h
7	6	5	4	3	2	1	0
STIMENA7	STIMENA6	STIMENA5	STIMENA4	STIMENA3	STIMENA2	STIMENA1	STIMENA0
R/W-0h	R/W-0h	R/W-0h	R/W-0h	R/W-0h	R/W-0h	R/W-0h	R/W-0h

Table 2-96. TER Register Field Descriptions

Bit	Field	Type	Reset	Description
31	STIMENA31	R/W	0h	Bit mask to enable tracing on ITM stimulus port 31.
30	STIMENA30	R/W	0h	Bit mask to enable tracing on ITM stimulus port 30.
29	STIMENA29	R/W	0h	Bit mask to enable tracing on ITM stimulus port 29.
28	STIMENA28	R/W	0h	Bit mask to enable tracing on ITM stimulus port 28.
27	STIMENA27	R/W	0h	Bit mask to enable tracing on ITM stimulus port 27.
26	STIMENA26	R/W	0h	Bit mask to enable tracing on ITM stimulus port 26.
25	STIMENA25	R/W	0h	Bit mask to enable tracing on ITM stimulus port 25.
24	STIMENA24	R/W	0h	Bit mask to enable tracing on ITM stimulus port 24.
23	STIMENA23	R/W	0h	Bit mask to enable tracing on ITM stimulus port 23.
22	STIMENA22	R/W	0h	Bit mask to enable tracing on ITM stimulus port 22.
21	STIMENA21	R/W	0h	Bit mask to enable tracing on ITM stimulus port 21.
20	STIMENA20	R/W	0h	Bit mask to enable tracing on ITM stimulus port 20.
19	STIMENA19	R/W	0h	Bit mask to enable tracing on ITM stimulus port 19.
18	STIMENA18	R/W	0h	Bit mask to enable tracing on ITM stimulus port 18.
17	STIMENA17	R/W	0h	Bit mask to enable tracing on ITM stimulus port 17.
16	STIMENA16	R/W	0h	Bit mask to enable tracing on ITM stimulus port 16.
15	STIMENA15	R/W	0h	Bit mask to enable tracing on ITM stimulus port 15.
14	STIMENA14	R/W	0h	Bit mask to enable tracing on ITM stimulus port 14.
13	STIMENA13	R/W	0h	Bit mask to enable tracing on ITM stimulus port 13.
12	STIMENA12	R/W	0h	Bit mask to enable tracing on ITM stimulus port 12.
11	STIMENA11	R/W	0h	Bit mask to enable tracing on ITM stimulus port 11.
10	STIMENA10	R/W	0h	Bit mask to enable tracing on ITM stimulus port 10.

Table 2-96. TER Register Field Descriptions (continued)

Bit	Field	Type	Reset	Description
9	STIMENA9	R/W	0h	Bit mask to enable tracing on ITM stimulus port 9.
8	STIMENA8	R/W	0h	Bit mask to enable tracing on ITM stimulus port 8.
7	STIMENA7	R/W	0h	Bit mask to enable tracing on ITM stimulus port 7.
6	STIMENA6	R/W	0h	Bit mask to enable tracing on ITM stimulus port 6.
5	STIMENA5	R/W	0h	Bit mask to enable tracing on ITM stimulus port 5.
4	STIMENA4	R/W	0h	Bit mask to enable tracing on ITM stimulus port 4.
3	STIMENA3	R/W	0h	Bit mask to enable tracing on ITM stimulus port 3.
2	STIMENA2	R/W	0h	Bit mask to enable tracing on ITM stimulus port 2.
1	STIMENA1	R/W	0h	Bit mask to enable tracing on ITM stimulus port 1.
0	STIMENA0	R/W	0h	Bit mask to enable tracing on ITM stimulus port 0.

2.7.3.34 TPR Register (Offset = E40h) [Reset = 0000000h]

TPR is shown in [TPR Register](#) and described in [TPR Register Field Descriptions](#).

Return to the [CPU_ITM Registers](#).

Trace Privilege

This register is used to enable an operating system to control which stimulus ports are accessible by user code. This register can only be used in privileged mode.

Figure 2-66. TPR Register

31	30	29	28	27	26	25	24	23	22	21	20	19	18	17	16
RESERVED															
R/W-0h															
15	14	13	12	11	10	9	8	7	6	5	4	3	2	1	0
RESERVED												PRIVMASK			
R/W-0h												R/W-0h			

Table 2-97. TPR Register Field Descriptions

Bit	Field	Type	Reset	Description
31-4	RESERVED	R/W	0h	Software should not rely on the value of a reserved. Writing any other value than the reset value may result in undefined behavior.
3-0	PRIVMASK	R/W	0h	Bit mask to enable unprivileged (User) access to ITM stimulus ports: Bit [0] enables stimulus ports 0, 1, ..., and 7. Bit [1] enables stimulus ports 8, 9, ..., and 15. Bit [2] enables stimulus ports 16, 17, ..., and 23. Bit [3] enables stimulus ports 24, 25, ..., and 31. 0: User access allowed to stimulus ports 1: Privileged access only to stimulus ports

2.7.3.35 TCR Register (Offset = E80h) [Reset = 0000000h]

TCR is shown in [TCR Register](#) and described in [TCR Register Field Descriptions](#).

Return to the [CPU_ITM Registers](#).

Trace Control

Use this register to configure and control ITM transfers. This register can only be written in privilege mode. DWT is not enabled in the ITM block. However, DWT stimulus entry into the FIFO is controlled by DWTENA. If DWT requires timestamping, the TSENA bit must be set.

Figure 2-67. TCR Register

31	30	29	28	27	26	25	24
RESERVED							
R/W-0h							
23	22	21	20	19	18	17	16
BUSY				ATBID			
R/W-0h				R/W-0h			
15	14	13	12	11	10	9	8
RESERVED						TSPRESCALE	
R/W-0h						R/W-0h	
7	6	5	4	3	2	1	0
RESERVED			SWOENA	DWTENA	SYNCENA	TSENA	ITMENA
R/W-0h			R/W-0h	R/W-0h	R/W-0h	R/W-0h	R/W-0h

Table 2-98. TCR Register Field Descriptions

Bit	Field	Type	Reset	Description
31-24	RESERVED	R/W	0h	Software should not rely on the value of a reserved. Writing any other value than the reset value may result in undefined behavior.
23	BUSY	R/W	0h	Set when ITM events present and being drained.
22-16	ATBID	R/W	0h	Trace Bus ID for CoreSight system. Optional identifier for multi-source trace stream formatting. If multi-source trace is in use, this field must be written with a non-zero value.
15-10	RESERVED	R/W	0h	Software should not rely on the value of a reserved. Writing any other value than the reset value may result in undefined behavior.
9-8	TSPRESCALE	R/W	0h	Timestamp prescaler 0h = No prescaling 1h = Divide by 4 2h = Divide by 16 3h = Divide by 64
7-5	RESERVED	R/W	0h	Software should not rely on the value of a reserved. Writing any other value than the reset value may result in undefined behavior.
4	SWOENA	R/W	0h	Enables asynchronous clocking of the timestamp counter (when TSENA = 1). If TSENA = 0, writing this bit to 1 does not enable asynchronous clocking of the timestamp counter. 0x0: Mode disabled. Timestamp counter uses system clock from the core and counts continuously. 0x1: Timestamp counter uses lineout (data related) clock from TPIU interface. The timestamp counter is held in reset while the output line is idle.
3	DWTENA	R/W	0h	Enables the DWT stimulus (hardware event packet emission to the TPIU from the DWT)
2	SYNCENA	R/W	0h	Enables synchronization packet transmission for a synchronous TPIU. CPU_DWT:CTRL.SYNCTAP must be configured for the correct synchronization speed.

Table 2-98. TCR Register Field Descriptions (continued)

Bit	Field	Type	Reset	Description
1	TSENA	R/W	0h	Enables differential timestamps. Differential timestamps are emitted when a packet is written to the FIFO with a non-zero timestamp counter, and when the timestamp counter overflows. Timestamps are emitted during idle times after a fixed number of two million cycles. This provides a time reference for packets and inter-packet gaps. If SWOENA (bit [4]) is set, timestamps are triggered by activity on the internal trace bus only. In this case there is no regular timestamp output when the ITM is idle.
0	ITMENA	R/W	0h	Enables ITM. This is the master enable, and must be set before ITM Stimulus and Trace Enable registers can be written.

2.7.3.36 LAR Register (Offset = FB0h) [Reset = 0000000h]

LAR is shown in [LAR Register](#) and described in [LAR Register Field Descriptions](#).

Return to the [CPU_ITM Registers](#).

Lock Access

This register is used to prevent write accesses to the Control Registers: TER, TPR and TCR.

Figure 2-68. LAR Register

31	30	29	28	27	26	25	24	23	22	21	20	19	18	17	16	15	14	13	12	11	10	9	8	7	6	5	4	3	2	1	0
LOCK_ACCESS																															
W-0h																															

Table 2-99. LAR Register Field Descriptions

Bit	Field	Type	Reset	Description
31-0	LOCK_ACCESS	W	0h	A privileged write of 0xC5ACCE55 enables more write access to Control Registers TER, TPR and TCR. An invalid write removes write access.

2.7.3.37 LSR Register (Offset = FB4h) [Reset = 0000003h]

LSR is shown in [LSR Register](#) and described in [LSR Register Field Descriptions](#).

Return to the [CPU_ITM Registers](#).

Lock Status

Use this register to enable write accesses to the Control Register.

Figure 2-69. LSR Register

31	30	29	28	27	26	25	24
RESERVED							
R-0h							
23	22	21	20	19	18	17	16
RESERVED							
R-0h							
15	14	13	12	11	10	9	8
RESERVED							
R-0h							
7	6	5	4	3	2	1	0
RESERVED					BYTEACC	ACCESS	PRESENT
R-0h					R-0h	R-1h	R-1h

Table 2-100. LSR Register Field Descriptions

Bit	Field	Type	Reset	Description
31-3	RESERVED	R	0h	Software should not rely on the value of a reserved. Writing any other value than the reset value may result in undefined behavior.
2	BYTEACC	R	0h	Reads 0 which means 8-bit lock access is not be implemented.
1	ACCESS	R	1h	Write access to component is blocked. All writes are ignored, reads are permitted.
0	PRESENT	R	1h	Indicates that a lock mechanism exists for this component.

2.7.4 CPU_SCS Registers

Table 2-101 lists the memory-mapped registers for the CPU_SCS registers. All register offset addresses not listed in Table 2-101 should be considered as reserved locations and the register contents should not be modified.

Table 2-101. CPU_SCS Registers

Offset	Acronym	Register Name	Section
4h	ICTR	Interrupt Control Type	Section 2.7.4.1
8h	ACTLR	Auxiliary Control	Section 2.7.4.2
10h	STCSR	SysTick Control and Status	Section 2.7.4.3
14h	STRVR	SysTick Reload Value	Section 2.7.4.4
18h	STCVR	SysTick Current Value	Section 2.7.4.5
1Ch	STCR	SysTick Calibration Value	Section 2.7.4.6
100h	NVIC_ISER0	Irq 0 to 31 Set Enable	Section 2.7.4.7
104h	NVIC_ISER1	Irq 32 to 63 Set Enable	Section 2.7.4.8
180h	NVIC_ICER0	Irq 0 to 31 Clear Enable	Section 2.7.4.9
184h	NVIC_ICER1	Irq 32 to 63 Clear Enable	Section 2.7.4.10
200h	NVIC_ISPR0	Irq 0 to 31 Set Pending	Section 2.7.4.11
204h	NVIC_ISPR1	Irq 32 to 63 Set Pending	Section 2.7.4.12
280h	NVIC_ICPR0	Irq 0 to 31 Clear Pending	Section 2.7.4.13
284h	NVIC_ICPR1	Irq 32 to 63 Clear Pending	Section 2.7.4.14
300h	NVIC_IABR0	Irq 0 to 31 Active Bit	Section 2.7.4.15
304h	NVIC_IABR1	Irq 32 to 63 Active Bit	Section 2.7.4.16
400h	NVIC_IPR0	Irq 0 to 3 Priority	Section 2.7.4.17
404h	NVIC_IPR1	Irq 4 to 7 Priority	Section 2.7.4.18
408h	NVIC_IPR2	Irq 8 to 11 Priority	Section 2.7.4.19
40Ch	NVIC_IPR3	Irq 12 to 15 Priority	Section 2.7.4.20
410h	NVIC_IPR4	Irq 16 to 19 Priority	Section 2.7.4.21
414h	NVIC_IPR5	Irq 20 to 23 Priority	Section 2.7.4.22
418h	NVIC_IPR6	Irq 24 to 27 Priority	Section 2.7.4.23
41Ch	NVIC_IPR7	Irq 28 to 31 Priority	Section 2.7.4.24
420h	NVIC_IPR8	Irq 32 to 35 Priority	Section 2.7.4.25
424h	NVIC_IPR9	Irq 32 to 35 Priority	Section 2.7.4.26
D00h	CPUID	CPUID Base	Section 2.7.4.27
D04h	ICSR	Interrupt Control State	Section 2.7.4.28
D08h	VTOR	Vector Table Offset	Section 2.7.4.29
D0Ch	AIRCR	Application Interrupt/Reset Control	Section 2.7.4.30
D10h	SCR	System Control	Section 2.7.4.31
D14h	CCR	Configuration Control	Section 2.7.4.32
D18h	SHPR1	System Handlers 4-7 Priority	Section 2.7.4.33
D1Ch	SHPR2	System Handlers 8-11 Priority	Section 2.7.4.34
D20h	SHPR3	System Handlers 12-15 Priority	Section 2.7.4.35
D24h	SHCSR	System Handler Control and State	Section 2.7.4.36
D28h	CFSR	Configurable Fault Status	Section 2.7.4.37
D2Ch	HFSR	Hard Fault Status	Section 2.7.4.38
D30h	DFSR	Debug Fault Status	Section 2.7.4.39
D34h	MMFAR	Mem Manage Fault Address	Section 2.7.4.40
D38h	BFAR	Bus Fault Address	Section 2.7.4.41

Table 2-101. CPU_SCS Registers (continued)

Offset	Acronym	Register Name	Section
D3Ch	AFSR	Auxiliary Fault Status	Section 2.7.4.42
D40h	ID_PFR0	Processor Feature 0	Section 2.7.4.43
D44h	ID_PFR1	Processor Feature 1	Section 2.7.4.44
D48h	ID_DFR0	Debug Feature 0	Section 2.7.4.45
D4Ch	ID_AFR0	Auxiliary Feature 0	Section 2.7.4.46
D50h	ID_MMFR0	Memory Model Feature 0	Section 2.7.4.47
D54h	ID_MMFR1	Memory Model Feature 1	Section 2.7.4.48
D58h	ID_MMFR2	Memory Model Feature 2	Section 2.7.4.49
D5Ch	ID_MMFR3	Memory Model Feature 3	Section 2.7.4.50
D60h	ID_ISAR0	ISA Feature 0	Section 2.7.4.51
D64h	ID_ISAR1	ISA Feature 1	Section 2.7.4.52
D68h	ID_ISAR2	ISA Feature 2	Section 2.7.4.53
D6Ch	ID_ISAR3	ISA Feature 3	Section 2.7.4.54
D70h	ID_ISAR4	ISA Feature 4	Section 2.7.4.55
D88h	CPACR	Coprocessor Access Control	Section 2.7.4.56
D90h	MPU_TYPE	MPU Type	Section 2.7.4.57
D94h	MPU_CTRL	MPU Control	Section 2.7.4.58
D98h	MPU_RNR	MPU Region Number	Section 2.7.4.59
D9Ch	MPU_RBAR	MPU Region Base Address	Section 2.7.4.60
DA0h	MPU_RASR	MPU Region Attribute and Size	Section 2.7.4.61
DA4h	MPU_RBAR_A1	MPU Alias 1 Region Base Address	Section 2.7.4.62
DA8h	MPU_RASR_A1	MPU Alias 1 Region Attribute and Size	Section 2.7.4.63
DACH	MPU_RBAR_A2	MPU Alias 2 Region Base Address	Section 2.7.4.64
DB0h	MPU_RASR_A2	MPU Alias 2 Region Attribute and Size	Section 2.7.4.65
DB4h	MPU_RBAR_A3	MPU Alias 3 Region Base Address	Section 2.7.4.66
DB8h	MPU_RASR_A3	MPU Alias 3 Region Attribute and Size	Section 2.7.4.67
DF0h	DHCSR	Debug Halting Control and Status	Section 2.7.4.68
DF4h	DCRSR	Debug Core Register Selector	Section 2.7.4.69
DF8h	DCRDR	Debug Core Register Data	Section 2.7.4.70
DFCh	DEMCR	Debug Exception and Monitor Control	Section 2.7.4.71
F00h	STIR	Software Trigger Interrupt	Section 2.7.4.72

Complex bit access types are encoded to fit into small table cells. [Table 2-102](#) shows the codes that are used for access types in this section.

Table 2-102. CPU_SCS Access Type Codes

Access Type	Code	Description
Read Type		
R	R	Read
Write Type		
W	W	Write
W1C	W 1C	Write 1 to clear
Reset or Default Value		
-n		Value after reset or the default value

2.7.4.1 ICTR Register (Offset = 4h) [Reset = 0000001h]

ICTR is shown in [Figure 2-70](#) and described in [Table 2-103](#).

Return to the [Table 2-101](#).

Interrupt Control Type

Read this register to see the number of interrupt lines that the NVIC supports.

Figure 2-70. ICTR Register

31	30	29	28	27	26	25	24
RESERVED							
R-0h							
23	22	21	20	19	18	17	16
RESERVED							
R-0h							
15	14	13	12	11	10	9	8
RESERVED							
R-0h							
7	6	5	4	3	2	1	0
RESERVED					INTLINESNUM		
R-0h					R-1h		

Table 2-103. ICTR Register Field Descriptions

Bit	Field	Type	Reset	Description
31-3	RESERVED	R	0h	Software should not rely on the value of a reserved. Writing any other value than the reset value may result in undefined behavior.
2-0	INTLINESNUM	R	1h	Total number of interrupt lines in groups of 32. 0: 0...32 1: 33...64 2: 65...96 3: 97...128 4: 129...160 5: 161...192 6: 193...224 7: 225...256

2.7.4.2 ACTLR Register (Offset = 8h) [Reset = 0000000h]

ACTLR is shown in [Figure 2-71](#) and described in [Table 2-104](#).

Return to the [Table 2-101](#).

Auxiliary Control

This register is used to disable certain aspects of functionality within the processor

Figure 2-71. ACTLR Register

31	30	29	28	27	26	25	24
RESERVED							
R/W-0h							
23	22	21	20	19	18	17	16
RESERVED							
R/W-0h							
15	14	13	12	11	10	9	8
RESERVED						RESERVED	DISFPCA
R/W-0h						R/W-0h	R/W-0h
7	6	5	4	3	2	1	0
RESERVED					DISFOLD	DISDEFWBUF	DISMCYCINT
R/W-0h					R/W-0h	R/W-0h	R/W-0h

Table 2-104. ACTLR Register Field Descriptions

Bit	Field	Type	Reset	Description
31-10	RESERVED	R/W	0h	Software should not rely on the value of a reserved. Writing any other value than the reset value may result in undefined behavior.
9	RESERVED	R/W	0h	Software should not rely on the value of a reserved. Writing any other value than the reset value may result in undefined behavior.
8	DISFPCA	R/W	0h	Disable automatic update of CONTROL.FPCA
7-3	RESERVED	R/W	0h	Software should not rely on the value of a reserved. Writing any other value than the reset value may result in undefined behavior.
2	DISFOLD	R/W	0h	Disables folding of IT instruction.
1	DISDEFWBUF	R/W	0h	Disables write buffer use during default memory map accesses. This causes all bus faults to be precise bus faults but decreases the performance of the processor because the stores to memory have to complete before the next instruction can be executed.
0	DISMCYCINT	R/W	0h	Disables interruption of multi-cycle instructions. This increases the interrupt latency of the processor because LDM/STM completes before interrupt stacking occurs.

2.7.4.3 STCSR Register (Offset = 10h) [Reset = 0000004h]

STCSR is shown in [Figure 2-72](#) and described in [Table 2-105](#).

Return to the [Table 2-101](#).

SysTick Control and Status

This register enables the SysTick features and returns status flags related to SysTick.

Figure 2-72. STCSR Register

31	30	29	28	27	26	25	24
RESERVED							
R-0h							
23	22	21	20	19	18	17	16
RESERVED							COUNTFLAG
R-0h							R-0h
15	14	13	12	11	10	9	8
RESERVED							
R-0h							
7	6	5	4	3	2	1	0
RESERVED					CLKSOURCE	TICKINT	ENABLE
R-0h					R-1h	R/W-0h	R/W-0h

Table 2-105. STCSR Register Field Descriptions

Bit	Field	Type	Reset	Description
31-17	RESERVED	R	0h	Software should not rely on the value of a reserved. Writing any other value than the reset value may result in undefined behavior.
16	COUNTFLAG	R	0h	Returns 1 if timer counted to 0 since last time this was read. Clears on read by application of any part of the SysTick Control and Status Register. If read by the debugger using the DAP, this bit is cleared on read-only if the MasterType bit in the **AHB-AP** Control Register is set to 0. Otherwise, COUNTFLAG is not changed by the debugger read.
15-3	RESERVED	R	0h	Software should not rely on the value of a reserved. Writing any other value than the reset value may result in undefined behavior.
2	CLKSOURCE	R	1h	Clock source: 0: External reference clock. 1: Core clock External clock is not available in this device. Writes to this field will be ignored.
1	TICKINT	R/W	0h	0: Counting down to zero does not pend the SysTick handler. Software can use COUNTFLAG to determine if the SysTick handler has ever counted to zero. 1: Counting down to zero pends the SysTick handler.
0	ENABLE	R/W	0h	Enable SysTick counter 0: Counter disabled 1: Counter operates in a multi-shot way. That is, counter loads with the Reload value STRVR.RELOAD and then begins counting down. On reaching 0, it sets COUNTFLAG to 1 and optionally pends the SysTick handler, based on TICKINT. It then loads STRVR.RELOAD again, and begins counting.

2.7.4.4 STRVR Register (Offset = 14h) [Reset = 0000000h]

STRVR is shown in [Figure 2-73](#) and described in [Table 2-106](#).

Return to the [Table 2-101](#).

SysTick Reload Value

This register is used to specify the start value to load into the current value register STCVR.CURRENT when the counter reaches 0. It can be any value between 1 and 0x00FFFFFF. A start value of 0 is possible, but has no effect because the SysTick interrupt and STCSR.COUNTFLAG are activated when counting from 1 to 0.

Figure 2-73. STRVR Register

31	30	29	28	27	26	25	24	23	22	21	20	19	18	17	16	15	14	13	12	11	10	9	8	7	6	5	4	3	2	1	0
RESERVED								RELOAD																							
R/W-0h								R/W-X																							

Table 2-106. STRVR Register Field Descriptions

Bit	Field	Type	Reset	Description
31-24	RESERVED	R/W	0h	Software should not rely on the value of a reserved. Writing any other value than the reset value may result in undefined behavior.
23-0	RELOAD	R/W	X	Value to load into the SysTick Current Value Register STCVR.CURRENT when the counter reaches 0.

2.7.4.5 STCVR Register (Offset = 18h) [Reset = 0000000h]

STCVR is shown in [Figure 2-74](#) and described in [Table 2-107](#).

Return to the [Table 2-101](#).

SysTick Current Value

Read from this register returns the current value of SysTick counter. Writing to this register resets the SysTick counter (as well as STCSR.COUNTFLAG).

Figure 2-74. STCVR Register

31	30	29	28	27	26	25	24	23	22	21	20	19	18	17	16	15	14	13	12	11	10	9	8	7	6	5	4	3	2	1	0
RESERVED								CURRENT																							
R/W-0h								R/W-X																							

Table 2-107. STCVR Register Field Descriptions

Bit	Field	Type	Reset	Description
31-24	RESERVED	R/W	0h	Software should not rely on the value of a reserved. Writing any other value than the reset value may result in undefined behavior.
23-0	CURRENT	R/W	X	Current value at the time the register is accessed. No read-modify-write protection is provided, so change with care. Writing to it with any value clears the register to 0. Clearing this register also clears STCSR.COUNTFLAG.

2.7.4.6 STCR Register (Offset = 1Ch) [Reset = C0075300h]

STCR is shown in [Figure 2-75](#) and described in [Table 2-108](#).

Return to the [Table 2-101](#).

SysTick Calibration Value

Used to enable software to scale to any required speed using divide and multiply.

Figure 2-75. STCR Register

31	30	29	28	27	26	25	24
NOREF	SKEW	RESERVED					
R-1h	R-1h	R-0h					
23	22	21	20	19	18	17	16
TENMS							
R-00075300h							
15	14	13	12	11	10	9	8
TENMS							
R-00075300h							
7	6	5	4	3	2	1	0
TENMS							
R-00075300h							

Table 2-108. STCR Register Field Descriptions

Bit	Field	Type	Reset	Description
31	NOREF	R	1h	Reads as one. Indicates that no separate reference clock is provided.
30	SKEW	R	1h	Reads as one. The calibration value is not exactly 10ms because of clock frequency. This could affect its suitability as a software real time clock.
29-24	RESERVED	R	0h	Software should not rely on the value of a reserved. Writing any other value than the reset value may result in undefined behavior.
23-0	TENMS	R	00075300h	An optional Reload value to be used for 10ms (100Hz) timing, subject to system clock skew errors. The value read is valid only when core clock is at 48MHz.

2.7.4.7 NVIC_ISER0 Register (Offset = 100h) [Reset = 0000000h]

NVIC_ISER0 is shown in [Figure 2-76](#) and described in [Table 2-109](#).

Return to the [Table 2-101](#).

Irq 0 to 31 Set Enable

This register is used to enable interrupts and determine which interrupts are currently enabled.

Figure 2-76. NVIC_ISER0 Register

31		30		29		28		27		26		25		24	
SETENA31	SETENA30	SETENA29	SETENA28	SETENA27	SETENA26	SETENA25	SETENA24								
R/W-0h	R/W-0h	R/W-0h	R/W-0h	R/W-0h	R/W-0h	R/W-0h	R/W-0h								
23		22		21		20		19		18		17		16	
SETENA23	SETENA22	SETENA21	SETENA20	SETENA19	SETENA18	SETENA17	SETENA16								
R/W-0h	R/W-0h	R/W-0h	R/W-0h	R/W-0h	R/W-0h	R/W-0h	R/W-0h								
15		14		13		12		11		10		9		8	
SETENA15	SETENA14	SETENA13	SETENA12	SETENA11	SETENA10	SETENA9	SETENA8								
R/W-0h	R/W-0h	R/W-0h	R/W-0h	R/W-0h	R/W-0h	R/W-0h	R/W-0h								
7		6		5		4		3		2		1		0	
SETENA7	SETENA6	SETENA5	SETENA4	SETENA3	SETENA2	SETENA1	SETENA0								
R/W-0h	R/W-0h	R/W-0h	R/W-0h	R/W-0h	R/W-0h	R/W-0h	R/W-0h								

Table 2-109. NVIC_ISER0 Register Field Descriptions

Bit	Field	Type	Reset	Description
31	SETENA31	R/W	0h	Writing 0 to this bit has no effect, writing 1 to this bit enables the interrupt number 31 (See EVENT:CPUIRQSEL31.EV for details). Reading the bit returns its current enable state.
30	SETENA30	R/W	0h	Writing 0 to this bit has no effect, writing 1 to this bit enables the interrupt number 30 (See EVENT:CPUIRQSEL30.EV for details). Reading the bit returns its current enable state.
29	SETENA29	R/W	0h	Writing 0 to this bit has no effect, writing 1 to this bit enables the interrupt number 29 (See EVENT:CPUIRQSEL29.EV for details). Reading the bit returns its current enable state.
28	SETENA28	R/W	0h	Writing 0 to this bit has no effect, writing 1 to this bit enables the interrupt number 28 (See EVENT:CPUIRQSEL28.EV for details). Reading the bit returns its current enable state.
27	SETENA27	R/W	0h	Writing 0 to this bit has no effect, writing 1 to this bit enables the interrupt number 27 (See EVENT:CPUIRQSEL27.EV for details). Reading the bit returns its current enable state.
26	SETENA26	R/W	0h	Writing 0 to this bit has no effect, writing 1 to this bit enables the interrupt number 26 (See EVENT:CPUIRQSEL26.EV for details). Reading the bit returns its current enable state.
25	SETENA25	R/W	0h	Writing 0 to this bit has no effect, writing 1 to this bit enables the interrupt number 25 (See EVENT:CPUIRQSEL25.EV for details). Reading the bit returns its current enable state.
24	SETENA24	R/W	0h	Writing 0 to this bit has no effect, writing 1 to this bit enables the interrupt number 24 (See EVENT:CPUIRQSEL24.EV for details). Reading the bit returns its current enable state.
23	SETENA23	R/W	0h	Writing 0 to this bit has no effect, writing 1 to this bit enables the interrupt number 23 (See EVENT:CPUIRQSEL23.EV for details). Reading the bit returns its current enable state.
22	SETENA22	R/W	0h	Writing 0 to this bit has no effect, writing 1 to this bit enables the interrupt number 22 (See EVENT:CPUIRQSEL22.EV for details). Reading the bit returns its current enable state.

Table 2-109. NVIC_ISER0 Register Field Descriptions (continued)

Bit	Field	Type	Reset	Description
21	SETENA21	R/W	0h	Writing 0 to this bit has no effect, writing 1 to this bit enables the interrupt number 21 (See EVENT:CPUIRQSEL21.EV for details). Reading the bit returns its current enable state.
20	SETENA20	R/W	0h	Writing 0 to this bit has no effect, writing 1 to this bit enables the interrupt number 20 (See EVENT:CPUIRQSEL20.EV for details). Reading the bit returns its current enable state.
19	SETENA19	R/W	0h	Writing 0 to this bit has no effect, writing 1 to this bit enables the interrupt number 19 (See EVENT:CPUIRQSEL19.EV for details). Reading the bit returns its current enable state.
18	SETENA18	R/W	0h	Writing 0 to this bit has no effect, writing 1 to this bit enables the interrupt number 18 (See EVENT:CPUIRQSEL18.EV for details). Reading the bit returns its current enable state.
17	SETENA17	R/W	0h	Writing 0 to this bit has no effect, writing 1 to this bit enables the interrupt number 17 (See EVENT:CPUIRQSEL17.EV for details). Reading the bit returns its current enable state.
16	SETENA16	R/W	0h	Writing 0 to this bit has no effect, writing 1 to this bit enables the interrupt number 16 (See EVENT:CPUIRQSEL16.EV for details). Reading the bit returns its current enable state.
15	SETENA15	R/W	0h	Writing 0 to this bit has no effect, writing 1 to this bit enables the interrupt number 15 (See EVENT:CPUIRQSEL15.EV for details). Reading the bit returns its current enable state.
14	SETENA14	R/W	0h	Writing 0 to this bit has no effect, writing 1 to this bit enables the interrupt number 14 (See EVENT:CPUIRQSEL14.EV for details). Reading the bit returns its current enable state.
13	SETENA13	R/W	0h	Writing 0 to this bit has no effect, writing 1 to this bit enables the interrupt number 13 (See EVENT:CPUIRQSEL13.EV for details). Reading the bit returns its current enable state.
12	SETENA12	R/W	0h	Writing 0 to this bit has no effect, writing 1 to this bit enables the interrupt number 12 (See EVENT:CPUIRQSEL12.EV for details). Reading the bit returns its current enable state.
11	SETENA11	R/W	0h	Writing 0 to this bit has no effect, writing 1 to this bit enables the interrupt number 11 (See EVENT:CPUIRQSEL11.EV for details). Reading the bit returns its current enable state.
10	SETENA10	R/W	0h	Writing 0 to this bit has no effect, writing 1 to this bit enables the interrupt number 10 (See EVENT:CPUIRQSEL10.EV for details). Reading the bit returns its current enable state.
9	SETENA9	R/W	0h	Writing 0 to this bit has no effect, writing 1 to this bit enables the interrupt number 9 (See EVENT:CPUIRQSEL9.EV for details). Reading the bit returns its current enable state.
8	SETENA8	R/W	0h	Writing 0 to this bit has no effect, writing 1 to this bit enables the interrupt number 8 (See EVENT:CPUIRQSEL8.EV for details). Reading the bit returns its current enable state.
7	SETENA7	R/W	0h	Writing 0 to this bit has no effect, writing 1 to this bit enables the interrupt number 7 (See EVENT:CPUIRQSEL7.EV for details). Reading the bit returns its current enable state.
6	SETENA6	R/W	0h	Writing 0 to this bit has no effect, writing 1 to this bit enables the interrupt number 6 (See EVENT:CPUIRQSEL6.EV for details). Reading the bit returns its current enable state.
5	SETENA5	R/W	0h	Writing 0 to this bit has no effect, writing 1 to this bit enables the interrupt number 5 (See EVENT:CPUIRQSEL5.EV for details). Reading the bit returns its current enable state.
4	SETENA4	R/W	0h	Writing 0 to this bit has no effect, writing 1 to this bit enables the interrupt number 4 (See EVENT:CPUIRQSEL4.EV for details). Reading the bit returns its current enable state.
3	SETENA3	R/W	0h	Writing 0 to this bit has no effect, writing 1 to this bit enables the interrupt number 3 (See EVENT:CPUIRQSEL3.EV for details). Reading the bit returns its current enable state.

Table 2-109. NVIC_ISER0 Register Field Descriptions (continued)

Bit	Field	Type	Reset	Description
2	SETENA2	R/W	0h	Writing 0 to this bit has no effect, writing 1 to this bit enables the interrupt number 2 (See EVENT:CPUIRQSEL2.EV for details). Reading the bit returns its current enable state.
1	SETENA1	R/W	0h	Writing 0 to this bit has no effect, writing 1 to this bit enables the interrupt number 1 (See EVENT:CPUIRQSEL1.EV for details). Reading the bit returns its current enable state.
0	SETENA0	R/W	0h	Writing 0 to this bit has no effect, writing 1 to this bit enables the interrupt number 0 (See EVENT:CPUIRQSEL0.EV for details). Reading the bit returns its current enable state.

2.7.4.8 NVIC_ISER1 Register (Offset = 104h) [Reset = 0000000h]

NVIC_ISER1 is shown in [Figure 2-77](#) and described in [Table 2-110](#).

Return to the [Table 2-101](#).

Irq 32 to 63 Set Enable

This register is used to enable interrupts and determine which interrupts are currently enabled.

Figure 2-77. NVIC_ISER1 Register

31	30	29	28	27	26	25	24
RESERVED							
R/W-0h							
23	22	21	20	19	18	17	16
RESERVED							
R/W-0h							
15	14	13	12	11	10	9	8
RESERVED							
R/W-0h							
7	6	5	4	3	2	1	0
RESERVED		SETENA37	SETENA36	SETENA35	SETENA34	SETENA33	SETENA32
R/W-0h		R/W-0h	R/W-0h	R/W-0h	R/W-0h	R/W-0h	R/W-0h

Table 2-110. NVIC_ISER1 Register Field Descriptions

Bit	Field	Type	Reset	Description
31-6	RESERVED	R/W	0h	Software should not rely on the value of a reserved. Writing any other value than the reset value may result in undefined behavior.
5	SETENA37	R/W	0h	Writing 0 to this bit has no effect, writing 1 to this bit enables the interrupt number 37 (See EVENT:CPUIRQSEL37.EV for details). Reading the bit returns its current enable state.
4	SETENA36	R/W	0h	Writing 0 to this bit has no effect, writing 1 to this bit enables the interrupt number 36 (See EVENT:CPUIRQSEL36.EV for details). Reading the bit returns its current enable state.
3	SETENA35	R/W	0h	Writing 0 to this bit has no effect, writing 1 to this bit enables the interrupt number 35 (See EVENT:CPUIRQSEL35.EV for details). Reading the bit returns its current enable state.
2	SETENA34	R/W	0h	Writing 0 to this bit has no effect, writing 1 to this bit enables the interrupt number 34 (See EVENT:CPUIRQSEL34.EV for details). Reading the bit returns its current enable state.
1	SETENA33	R/W	0h	Writing 0 to this bit has no effect, writing 1 to this bit enables the interrupt number 33 (See EVENT:CPUIRQSEL33.EV for details). Reading the bit returns its current enable state.
0	SETENA32	R/W	0h	Writing 0 to this bit has no effect, writing 1 to this bit enables the interrupt number 32 (See EVENT:CPUIRQSEL32.EV for details). Reading the bit returns its current enable state.

2.7.4.9 NVIC_ICER0 Register (Offset = 180h) [Reset = 0000000h]

NVIC_ICER0 is shown in [Figure 2-78](#) and described in [Table 2-111](#).

Return to the [Table 2-101](#).

Irq 0 to 31 Clear Enable

This register is used to disable interrupts and determine which interrupts are currently enabled.

Figure 2-78. NVIC_ICER0 Register

31	30	29	28	27	26	25	24
CLRENA31	CLRENA30	CLRENA29	CLRENA28	CLRENA27	CLRENA26	CLRENA25	CLRENA24
R/W-0h	R/W-0h	R/W-0h	R/W-0h	R/W-0h	R/W-0h	R/W-0h	R/W-0h
23	22	21	20	19	18	17	16
CLRENA23	CLRENA22	CLRENA21	CLRENA20	CLRENA19	CLRENA18	CLRENA17	CLRENA16
R/W-0h	R/W-0h	R/W-0h	R/W-0h	R/W-0h	R/W-0h	R/W-0h	R/W-0h
15	14	13	12	11	10	9	8
CLRENA15	CLRENA14	CLRENA13	CLRENA12	CLRENA11	CLRENA10	CLRENA9	CLRENA8
R/W-0h	R/W-0h	R/W-0h	R/W-0h	R/W-0h	R/W-0h	R/W-0h	R/W-0h
7	6	5	4	3	2	1	0
CLRENA7	CLRENA6	CLRENA5	CLRENA4	CLRENA3	CLRENA2	CLRENA1	CLRENA0
R/W-0h	R/W-0h	R/W-0h	R/W-0h	R/W-0h	R/W-0h	R/W-0h	R/W-0h

Table 2-111. NVIC_ICER0 Register Field Descriptions

Bit	Field	Type	Reset	Description
31	CLRENA31	R/W	0h	Writing 0 to this bit has no effect, writing 1 to this bit disables the interrupt number 31 (See EVENT:CPUIRQSEL31.EV for details). Reading the bit returns its current enable state.
30	CLRENA30	R/W	0h	Writing 0 to this bit has no effect, writing 1 to this bit disables the interrupt number 30 (See EVENT:CPUIRQSEL30.EV for details). Reading the bit returns its current enable state.
29	CLRENA29	R/W	0h	Writing 0 to this bit has no effect, writing 1 to this bit disables the interrupt number 29 (See EVENT:CPUIRQSEL29.EV for details). Reading the bit returns its current enable state.
28	CLRENA28	R/W	0h	Writing 0 to this bit has no effect, writing 1 to this bit disables the interrupt number 28 (See EVENT:CPUIRQSEL28.EV for details). Reading the bit returns its current enable state.
27	CLRENA27	R/W	0h	Writing 0 to this bit has no effect, writing 1 to this bit disables the interrupt number 27 (See EVENT:CPUIRQSEL27.EV for details). Reading the bit returns its current enable state.
26	CLRENA26	R/W	0h	Writing 0 to this bit has no effect, writing 1 to this bit disables the interrupt number 26 (See EVENT:CPUIRQSEL26.EV for details). Reading the bit returns its current enable state.
25	CLRENA25	R/W	0h	Writing 0 to this bit has no effect, writing 1 to this bit disables the interrupt number 25 (See EVENT:CPUIRQSEL25.EV for details). Reading the bit returns its current enable state.
24	CLRENA24	R/W	0h	Writing 0 to this bit has no effect, writing 1 to this bit disables the interrupt number 24 (See EVENT:CPUIRQSEL24.EV for details). Reading the bit returns its current enable state.
23	CLRENA23	R/W	0h	Writing 0 to this bit has no effect, writing 1 to this bit disables the interrupt number 23 (See EVENT:CPUIRQSEL23.EV for details). Reading the bit returns its current enable state.
22	CLRENA22	R/W	0h	Writing 0 to this bit has no effect, writing 1 to this bit disables the interrupt number 22 (See EVENT:CPUIRQSEL22.EV for details). Reading the bit returns its current enable state.

Table 2-111. NVIC_ICER0 Register Field Descriptions (continued)

Bit	Field	Type	Reset	Description
21	CLRENA21	R/W	0h	Writing 0 to this bit has no effect, writing 1 to this bit disables the interrupt number 21 (See EVENT:CPUIRQSEL21.EV for details). Reading the bit returns its current enable state.
20	CLRENA20	R/W	0h	Writing 0 to this bit has no effect, writing 1 to this bit disables the interrupt number 20 (See EVENT:CPUIRQSEL20.EV for details). Reading the bit returns its current enable state.
19	CLRENA19	R/W	0h	Writing 0 to this bit has no effect, writing 1 to this bit disables the interrupt number 19 (See EVENT:CPUIRQSEL19.EV for details). Reading the bit returns its current enable state.
18	CLRENA18	R/W	0h	Writing 0 to this bit has no effect, writing 1 to this bit disables the interrupt number 18 (See EVENT:CPUIRQSEL18.EV for details). Reading the bit returns its current enable state.
17	CLRENA17	R/W	0h	Writing 0 to this bit has no effect, writing 1 to this bit disables the interrupt number 17 (See EVENT:CPUIRQSEL17.EV for details). Reading the bit returns its current enable state.
16	CLRENA16	R/W	0h	Writing 0 to this bit has no effect, writing 1 to this bit disables the interrupt number 16 (See EVENT:CPUIRQSEL16.EV for details). Reading the bit returns its current enable state.
15	CLRENA15	R/W	0h	Writing 0 to this bit has no effect, writing 1 to this bit disables the interrupt number 15 (See EVENT:CPUIRQSEL15.EV for details). Reading the bit returns its current enable state.
14	CLRENA14	R/W	0h	Writing 0 to this bit has no effect, writing 1 to this bit disables the interrupt number 14 (See EVENT:CPUIRQSEL14.EV for details). Reading the bit returns its current enable state.
13	CLRENA13	R/W	0h	Writing 0 to this bit has no effect, writing 1 to this bit disables the interrupt number 13 (See EVENT:CPUIRQSEL13.EV for details). Reading the bit returns its current enable state.
12	CLRENA12	R/W	0h	Writing 0 to this bit has no effect, writing 1 to this bit disables the interrupt number 12 (See EVENT:CPUIRQSEL12.EV for details). Reading the bit returns its current enable state.
11	CLRENA11	R/W	0h	Writing 0 to this bit has no effect, writing 1 to this bit disables the interrupt number 11 (See EVENT:CPUIRQSEL11.EV for details). Reading the bit returns its current enable state.
10	CLRENA10	R/W	0h	Writing 0 to this bit has no effect, writing 1 to this bit disables the interrupt number 10 (See EVENT:CPUIRQSEL10.EV for details). Reading the bit returns its current enable state.
9	CLRENA9	R/W	0h	Writing 0 to this bit has no effect, writing 1 to this bit disables the interrupt number 9 (See EVENT:CPUIRQSEL9.EV for details). Reading the bit returns its current enable state.
8	CLRENA8	R/W	0h	Writing 0 to this bit has no effect, writing 1 to this bit disables the interrupt number 8 (See EVENT:CPUIRQSEL8.EV for details). Reading the bit returns its current enable state.
7	CLRENA7	R/W	0h	Writing 0 to this bit has no effect, writing 1 to this bit disables the interrupt number 7 (See EVENT:CPUIRQSEL7.EV for details). Reading the bit returns its current enable state.
6	CLRENA6	R/W	0h	Writing 0 to this bit has no effect, writing 1 to this bit disables the interrupt number 6 (See EVENT:CPUIRQSEL6.EV for details). Reading the bit returns its current enable state.
5	CLRENA5	R/W	0h	Writing 0 to this bit has no effect, writing 1 to this bit disables the interrupt number 5 (See EVENT:CPUIRQSEL5.EV for details). Reading the bit returns its current enable state.
4	CLRENA4	R/W	0h	Writing 0 to this bit has no effect, writing 1 to this bit disables the interrupt number 4 (See EVENT:CPUIRQSEL4.EV for details). Reading the bit returns its current enable state.
3	CLRENA3	R/W	0h	Writing 0 to this bit has no effect, writing 1 to this bit disables the interrupt number 3 (See EVENT:CPUIRQSEL3.EV for details). Reading the bit returns its current enable state.

Table 2-111. NVIC_ICER0 Register Field Descriptions (continued)

Bit	Field	Type	Reset	Description
2	CLRENA2	R/W	0h	Writing 0 to this bit has no effect, writing 1 to this bit disables the interrupt number 2 (See EVENT:CPUIRQSEL2.EV for details). Reading the bit returns its current enable state.
1	CLRENA1	R/W	0h	Writing 0 to this bit has no effect, writing 1 to this bit disables the interrupt number 1 (See EVENT:CPUIRQSEL1.EV for details). Reading the bit returns its current enable state.
0	CLRENA0	R/W	0h	Writing 0 to this bit has no effect, writing 1 to this bit disables the interrupt number 0 (See EVENT:CPUIRQSEL0.EV for details). Reading the bit returns its current enable state.

2.7.4.10 NVIC_ICER1 Register (Offset = 184h) [Reset = 0000000h]

NVIC_ICER1 is shown in [Figure 2-79](#) and described in [Table 2-112](#).

Return to the [Table 2-101](#).

Irq 32 to 63 Clear Enable

This register is used to disable interrupts and determine which interrupts are currently enabled.

Figure 2-79. NVIC_ICER1 Register

31	30	29	28	27	26	25	24
RESERVED							
R/W-0h							
23	22	21	20	19	18	17	16
RESERVED							
R/W-0h							
15	14	13	12	11	10	9	8
RESERVED							
R/W-0h							
7	6	5	4	3	2	1	0
RESERVED		CLRENA37	CLRENA36	CLRENA35	CLRENA34	CLRENA33	CLRENA32
R/W-0h		R/W-0h	R/W-0h	R/W-0h	R/W-0h	R/W-0h	R/W-0h

Table 2-112. NVIC_ICER1 Register Field Descriptions

Bit	Field	Type	Reset	Description
31-6	RESERVED	R/W	0h	Software should not rely on the value of a reserved. Writing any other value than the reset value may result in undefined behavior.
5	CLRENA37	R/W	0h	Writing 0 to this bit has no effect, writing 1 to this bit disables the interrupt number 37 (See EVENT:CPUIRQSEL37.EV for details). Reading the bit returns its current enable state.
4	CLRENA36	R/W	0h	Writing 0 to this bit has no effect, writing 1 to this bit disables the interrupt number 36 (See EVENT:CPUIRQSEL36.EV for details). Reading the bit returns its current enable state.
3	CLRENA35	R/W	0h	Writing 0 to this bit has no effect, writing 1 to this bit disables the interrupt number 35 (See EVENT:CPUIRQSEL35.EV for details). Reading the bit returns its current enable state.
2	CLRENA34	R/W	0h	Writing 0 to this bit has no effect, writing 1 to this bit disables the interrupt number 34 (See EVENT:CPUIRQSEL34.EV for details). Reading the bit returns its current enable state.
1	CLRENA33	R/W	0h	Writing 0 to this bit has no effect, writing 1 to this bit disables the interrupt number 33 (See EVENT:CPUIRQSEL33.EV for details). Reading the bit returns its current enable state.
0	CLRENA32	R/W	0h	Writing 0 to this bit has no effect, writing 1 to this bit disables the interrupt number 32 (See EVENT:CPUIRQSEL32.EV for details). Reading the bit returns its current enable state.

2.7.4.11 NVIC_ISPR0 Register (Offset = 200h) [Reset = 0000000h]

NVIC_ISPR0 is shown in [Figure 2-80](#) and described in [Table 2-113](#).

Return to the [Table 2-101](#).

Irq 0 to 31 Set Pending

This register is used to force interrupts into the pending state and determine which interrupts are currently pending.

Figure 2-80. NVIC_ISPR0 Register

31	30	29	28	27	26	25	24
SETPEND31	SETPEND30	SETPEND29	SETPEND28	SETPEND27	SETPEND26	SETPEND25	SETPEND24
R/W-0h	R/W-0h	R/W-0h	R/W-0h	R/W-0h	R/W-0h	R/W-0h	R/W-0h
23	22	21	20	19	18	17	16
SETPEND23	SETPEND22	SETPEND21	SETPEND20	SETPEND19	SETPEND18	SETPEND17	SETPEND16
R/W-0h	R/W-0h	R/W-0h	R/W-0h	R/W-0h	R/W-0h	R/W-0h	R/W-0h
15	14	13	12	11	10	9	8
SETPEND15	SETPEND14	SETPEND13	SETPEND12	SETPEND11	SETPEND10	SETPEND9	SETPEND8
R/W-0h	R/W-0h	R/W-0h	R/W-0h	R/W-0h	R/W-0h	R/W-0h	R/W-0h
7	6	5	4	3	2	1	0
SETPEND7	SETPEND6	SETPEND5	SETPEND4	SETPEND3	SETPEND2	SETPEND1	SETPEND0
R/W-0h	R/W-0h	R/W-0h	R/W-0h	R/W-0h	R/W-0h	R/W-0h	R/W-0h

Table 2-113. NVIC_ISPR0 Register Field Descriptions

Bit	Field	Type	Reset	Description
31	SETPEND31	R/W	0h	Writing 0 to this bit has no effect, writing 1 to this bit pends the interrupt number 31 (See EVENT:CPUIRQSEL31.EV for details). Reading the bit returns its current state.
30	SETPEND30	R/W	0h	Writing 0 to this bit has no effect, writing 1 to this bit pends the interrupt number 30 (See EVENT:CPUIRQSEL30.EV for details). Reading the bit returns its current state.
29	SETPEND29	R/W	0h	Writing 0 to this bit has no effect, writing 1 to this bit pends the interrupt number 29 (See EVENT:CPUIRQSEL29.EV for details). Reading the bit returns its current state.
28	SETPEND28	R/W	0h	Writing 0 to this bit has no effect, writing 1 to this bit pends the interrupt number 28 (See EVENT:CPUIRQSEL28.EV for details). Reading the bit returns its current state.
27	SETPEND27	R/W	0h	Writing 0 to this bit has no effect, writing 1 to this bit pends the interrupt number 27 (See EVENT:CPUIRQSEL27.EV for details). Reading the bit returns its current state.
26	SETPEND26	R/W	0h	Writing 0 to this bit has no effect, writing 1 to this bit pends the interrupt number 26 (See EVENT:CPUIRQSEL26.EV for details). Reading the bit returns its current state.
25	SETPEND25	R/W	0h	Writing 0 to this bit has no effect, writing 1 to this bit pends the interrupt number 25 (See EVENT:CPUIRQSEL25.EV for details). Reading the bit returns its current state.
24	SETPEND24	R/W	0h	Writing 0 to this bit has no effect, writing 1 to this bit pends the interrupt number 24 (See EVENT:CPUIRQSEL24.EV for details). Reading the bit returns its current state.
23	SETPEND23	R/W	0h	Writing 0 to this bit has no effect, writing 1 to this bit pends the interrupt number 23 (See EVENT:CPUIRQSEL23.EV for details). Reading the bit returns its current state.
22	SETPEND22	R/W	0h	Writing 0 to this bit has no effect, writing 1 to this bit pends the interrupt number 22 (See EVENT:CPUIRQSEL22.EV for details). Reading the bit returns its current state.

Table 2-113. NVIC_ISPR0 Register Field Descriptions (continued)

Bit	Field	Type	Reset	Description
21	SETPEND21	R/W	0h	Writing 0 to this bit has no effect, writing 1 to this bit pendes the interrupt number 21 (See EVENT:CPUIRQSEL21.EV for details). Reading the bit returns its current state.
20	SETPEND20	R/W	0h	Writing 0 to this bit has no effect, writing 1 to this bit pendes the interrupt number 20 (See EVENT:CPUIRQSEL20.EV for details). Reading the bit returns its current state.
19	SETPEND19	R/W	0h	Writing 0 to this bit has no effect, writing 1 to this bit pendes the interrupt number 19 (See EVENT:CPUIRQSEL19.EV for details). Reading the bit returns its current state.
18	SETPEND18	R/W	0h	Writing 0 to this bit has no effect, writing 1 to this bit pendes the interrupt number 18 (See EVENT:CPUIRQSEL18.EV for details). Reading the bit returns its current state.
17	SETPEND17	R/W	0h	Writing 0 to this bit has no effect, writing 1 to this bit pendes the interrupt number 17 (See EVENT:CPUIRQSEL17.EV for details). Reading the bit returns its current state.
16	SETPEND16	R/W	0h	Writing 0 to this bit has no effect, writing 1 to this bit pendes the interrupt number 16 (See EVENT:CPUIRQSEL16.EV for details). Reading the bit returns its current state.
15	SETPEND15	R/W	0h	Writing 0 to this bit has no effect, writing 1 to this bit pendes the interrupt number 15 (See EVENT:CPUIRQSEL15.EV for details). Reading the bit returns its current state.
14	SETPEND14	R/W	0h	Writing 0 to this bit has no effect, writing 1 to this bit pendes the interrupt number 14 (See EVENT:CPUIRQSEL14.EV for details). Reading the bit returns its current state.
13	SETPEND13	R/W	0h	Writing 0 to this bit has no effect, writing 1 to this bit pendes the interrupt number 13 (See EVENT:CPUIRQSEL13.EV for details). Reading the bit returns its current state.
12	SETPEND12	R/W	0h	Writing 0 to this bit has no effect, writing 1 to this bit pendes the interrupt number 12 (See EVENT:CPUIRQSEL12.EV for details). Reading the bit returns its current state.
11	SETPEND11	R/W	0h	Writing 0 to this bit has no effect, writing 1 to this bit pendes the interrupt number 11 (See EVENT:CPUIRQSEL11.EV for details). Reading the bit returns its current state.
10	SETPEND10	R/W	0h	Writing 0 to this bit has no effect, writing 1 to this bit pendes the interrupt number 10 (See EVENT:CPUIRQSEL10.EV for details). Reading the bit returns its current state.
9	SETPEND9	R/W	0h	Writing 0 to this bit has no effect, writing 1 to this bit pendes the interrupt number 9 (See EVENT:CPUIRQSEL9.EV for details). Reading the bit returns its current state.
8	SETPEND8	R/W	0h	Writing 0 to this bit has no effect, writing 1 to this bit pendes the interrupt number 8 (See EVENT:CPUIRQSEL8.EV for details). Reading the bit returns its current state.
7	SETPEND7	R/W	0h	Writing 0 to this bit has no effect, writing 1 to this bit pendes the interrupt number 7 (See EVENT:CPUIRQSEL7.EV for details). Reading the bit returns its current state.
6	SETPEND6	R/W	0h	Writing 0 to this bit has no effect, writing 1 to this bit pendes the interrupt number 6 (See EVENT:CPUIRQSEL6.EV for details). Reading the bit returns its current state.
5	SETPEND5	R/W	0h	Writing 0 to this bit has no effect, writing 1 to this bit pendes the interrupt number 5 (See EVENT:CPUIRQSEL5.EV for details). Reading the bit returns its current state.
4	SETPEND4	R/W	0h	Writing 0 to this bit has no effect, writing 1 to this bit pendes the interrupt number 4 (See EVENT:CPUIRQSEL4.EV for details). Reading the bit returns its current state.
3	SETPEND3	R/W	0h	Writing 0 to this bit has no effect, writing 1 to this bit pendes the interrupt number 3 (See EVENT:CPUIRQSEL3.EV for details). Reading the bit returns its current state.

Table 2-113. NVIC_ISPR0 Register Field Descriptions (continued)

Bit	Field	Type	Reset	Description
2	SETPEND2	R/W	0h	Writing 0 to this bit has no effect, writing 1 to this bit pends the interrupt number 2 (See EVENT:CPUIRQSEL2.EV for details). Reading the bit returns its current state.
1	SETPEND1	R/W	0h	Writing 0 to this bit has no effect, writing 1 to this bit pends the interrupt number 1 (See EVENT:CPUIRQSEL1.EV for details). Reading the bit returns its current state.
0	SETPEND0	R/W	0h	Writing 0 to this bit has no effect, writing 1 to this bit pends the interrupt number 0 (See EVENT:CPUIRQSEL0.EV for details). Reading the bit returns its current state.

2.7.4.12 NVIC_ISPR1 Register (Offset = 204h) [Reset = 0000000h]

NVIC_ISPR1 is shown in [Figure 2-81](#) and described in [Table 2-114](#).

Return to the [Table 2-101](#).

Irq 32 to 63 Set Pending

This register is used to force interrupts into the pending state and determine which interrupts are currently pending.

Figure 2-81. NVIC_ISPR1 Register

31	30	29	28	27	26	25	24
RESERVED							
R/W-0h							
23	22	21	20	19	18	17	16
RESERVED							
R/W-0h							
15	14	13	12	11	10	9	8
RESERVED							
R/W-0h							
7	6	5	4	3	2	1	0
RESERVED		SETPEND37	SETPEND36	SETPEND35	SETPEND34	SETPEND33	SETPEND32
R/W-0h		R/W-0h	R/W-0h	R/W-0h	R/W-0h	R/W-0h	R/W-0h

Table 2-114. NVIC_ISPR1 Register Field Descriptions

Bit	Field	Type	Reset	Description
31-6	RESERVED	R/W	0h	Software should not rely on the value of a reserved. Writing any other value than the reset value may result in undefined behavior.
5	SETPEND37	R/W	0h	Writing 0 to this bit has no effect, writing 1 to this bit pendes the interrupt number 37 (See EVENT:CPUIRQSEL37.EV for details). Reading the bit returns its current state.
4	SETPEND36	R/W	0h	Writing 0 to this bit has no effect, writing 1 to this bit pendes the interrupt number 36 (See EVENT:CPUIRQSEL36.EV for details). Reading the bit returns its current state.
3	SETPEND35	R/W	0h	Writing 0 to this bit has no effect, writing 1 to this bit pendes the interrupt number 35 (See EVENT:CPUIRQSEL35.EV for details). Reading the bit returns its current state.
2	SETPEND34	R/W	0h	Writing 0 to this bit has no effect, writing 1 to this bit pendes the interrupt number 34 (See EVENT:CPUIRQSEL34.EV for details). Reading the bit returns its current state.
1	SETPEND33	R/W	0h	Writing 0 to this bit has no effect, writing 1 to this bit pendes the interrupt number 33 (See EVENT:CPUIRQSEL33.EV for details). Reading the bit returns its current state.
0	SETPEND32	R/W	0h	Writing 0 to this bit has no effect, writing 1 to this bit pendes the interrupt number 32 (See EVENT:CPUIRQSEL32.EV for details). Reading the bit returns its current state.

2.7.4.13 NVIC_ICPR0 Register (Offset = 280h) [Reset = 0000000h]

NVIC_ICPR0 is shown in [Figure 2-82](#) and described in [Table 2-115](#).

Return to the [Table 2-101](#).

Irq 0 to 31 Clear Pending

This register is used to clear pending interrupts and determine which interrupts are currently pending.

Figure 2-82. NVIC_ICPR0 Register

31	30	29	28	27	26	25	24
CLRPEND31	CLRPEND30	CLRPEND29	CLRPEND28	CLRPEND27	CLRPEND26	CLRPEND25	CLRPEND24
R/W-0h	R/W-0h	R/W-0h	R/W-0h	R/W-0h	R/W-0h	R/W-0h	R/W-0h
23	22	21	20	19	18	17	16
CLRPEND23	CLRPEND22	CLRPEND21	CLRPEND20	CLRPEND19	CLRPEND18	CLRPEND17	CLRPEND16
R/W-0h	R/W-0h	R/W-0h	R/W-0h	R/W-0h	R/W-0h	R/W-0h	R/W-0h
15	14	13	12	11	10	9	8
CLRPEND15	CLRPEND14	CLRPEND13	CLRPEND12	CLRPEND11	CLRPEND10	CLRPEND9	CLRPEND8
R/W-0h	R/W-0h	R/W-0h	R/W-0h	R/W-0h	R/W-0h	R/W-0h	R/W-0h
7	6	5	4	3	2	1	0
CLRPEND7	CLRPEND6	CLRPEND5	CLRPEND4	CLRPEND3	CLRPEND2	CLRPEND1	CLRPEND0
R/W-0h	R/W-0h	R/W-0h	R/W-0h	R/W-0h	R/W-0h	R/W-0h	R/W-0h

Table 2-115. NVIC_ICPR0 Register Field Descriptions

Bit	Field	Type	Reset	Description
31	CLRPEND31	R/W	0h	Writing 0 to this bit has no effect, writing 1 to this bit clears the corresponding pending interrupt 31 (See EVENT:CPUIRQSEL31.EV for details). Reading the bit returns its current state.
30	CLRPEND30	R/W	0h	Writing 0 to this bit has no effect, writing 1 to this bit clears the corresponding pending interrupt 30 (See EVENT:CPUIRQSEL30.EV for details). Reading the bit returns its current state.
29	CLRPEND29	R/W	0h	Writing 0 to this bit has no effect, writing 1 to this bit clears the corresponding pending interrupt 29 (See EVENT:CPUIRQSEL29.EV for details). Reading the bit returns its current state.
28	CLRPEND28	R/W	0h	Writing 0 to this bit has no effect, writing 1 to this bit clears the corresponding pending interrupt 28 (See EVENT:CPUIRQSEL28.EV for details). Reading the bit returns its current state.
27	CLRPEND27	R/W	0h	Writing 0 to this bit has no effect, writing 1 to this bit clears the corresponding pending interrupt 27 (See EVENT:CPUIRQSEL27.EV for details). Reading the bit returns its current state.
26	CLRPEND26	R/W	0h	Writing 0 to this bit has no effect, writing 1 to this bit clears the corresponding pending interrupt 26 (See EVENT:CPUIRQSEL26.EV for details). Reading the bit returns its current state.
25	CLRPEND25	R/W	0h	Writing 0 to this bit has no effect, writing 1 to this bit clears the corresponding pending interrupt 25 (See EVENT:CPUIRQSEL25.EV for details). Reading the bit returns its current state.
24	CLRPEND24	R/W	0h	Writing 0 to this bit has no effect, writing 1 to this bit clears the corresponding pending interrupt 24 (See EVENT:CPUIRQSEL24.EV for details). Reading the bit returns its current state.
23	CLRPEND23	R/W	0h	Writing 0 to this bit has no effect, writing 1 to this bit clears the corresponding pending interrupt 23 (See EVENT:CPUIRQSEL23.EV for details). Reading the bit returns its current state.
22	CLRPEND22	R/W	0h	Writing 0 to this bit has no effect, writing 1 to this bit clears the corresponding pending interrupt 22 (See EVENT:CPUIRQSEL22.EV for details). Reading the bit returns its current state.

Table 2-115. NVIC_ICPR0 Register Field Descriptions (continued)

Bit	Field	Type	Reset	Description
21	CLRPEND21	R/W	0h	Writing 0 to this bit has no effect, writing 1 to this bit clears the corresponding pending interrupt 21 (See EVENT:CPUIRQSEL21.EV for details). Reading the bit returns its current state.
20	CLRPEND20	R/W	0h	Writing 0 to this bit has no effect, writing 1 to this bit clears the corresponding pending interrupt 20 (See EVENT:CPUIRQSEL20.EV for details). Reading the bit returns its current state.
19	CLRPEND19	R/W	0h	Writing 0 to this bit has no effect, writing 1 to this bit clears the corresponding pending interrupt 19 (See EVENT:CPUIRQSEL19.EV for details). Reading the bit returns its current state.
18	CLRPEND18	R/W	0h	Writing 0 to this bit has no effect, writing 1 to this bit clears the corresponding pending interrupt 18 (See EVENT:CPUIRQSEL18.EV for details). Reading the bit returns its current state.
17	CLRPEND17	R/W	0h	Writing 0 to this bit has no effect, writing 1 to this bit clears the corresponding pending interrupt 17 (See EVENT:CPUIRQSEL17.EV for details). Reading the bit returns its current state.
16	CLRPEND16	R/W	0h	Writing 0 to this bit has no effect, writing 1 to this bit clears the corresponding pending interrupt 16 (See EVENT:CPUIRQSEL16.EV for details). Reading the bit returns its current state.
15	CLRPEND15	R/W	0h	Writing 0 to this bit has no effect, writing 1 to this bit clears the corresponding pending interrupt 15 (See EVENT:CPUIRQSEL15.EV for details). Reading the bit returns its current state.
14	CLRPEND14	R/W	0h	Writing 0 to this bit has no effect, writing 1 to this bit clears the corresponding pending interrupt 14 (See EVENT:CPUIRQSEL14.EV for details). Reading the bit returns its current state.
13	CLRPEND13	R/W	0h	Writing 0 to this bit has no effect, writing 1 to this bit clears the corresponding pending interrupt 13 (See EVENT:CPUIRQSEL13.EV for details). Reading the bit returns its current state.
12	CLRPEND12	R/W	0h	Writing 0 to this bit has no effect, writing 1 to this bit clears the corresponding pending interrupt 12 (See EVENT:CPUIRQSEL12.EV for details). Reading the bit returns its current state.
11	CLRPEND11	R/W	0h	Writing 0 to this bit has no effect, writing 1 to this bit clears the corresponding pending interrupt 11 (See EVENT:CPUIRQSEL11.EV for details). Reading the bit returns its current state.
10	CLRPEND10	R/W	0h	Writing 0 to this bit has no effect, writing 1 to this bit clears the corresponding pending interrupt 10 (See EVENT:CPUIRQSEL10.EV for details). Reading the bit returns its current state.
9	CLRPEND9	R/W	0h	Writing 0 to this bit has no effect, writing 1 to this bit clears the corresponding pending interrupt 9 (See EVENT:CPUIRQSEL9.EV for details). Reading the bit returns its current state.
8	CLRPEND8	R/W	0h	Writing 0 to this bit has no effect, writing 1 to this bit clears the corresponding pending interrupt 8 (See EVENT:CPUIRQSEL8.EV for details). Reading the bit returns its current state.
7	CLRPEND7	R/W	0h	Writing 0 to this bit has no effect, writing 1 to this bit clears the corresponding pending interrupt 7 (See EVENT:CPUIRQSEL7.EV for details). Reading the bit returns its current state.
6	CLRPEND6	R/W	0h	Writing 0 to this bit has no effect, writing 1 to this bit clears the corresponding pending interrupt 6 (See EVENT:CPUIRQSEL6.EV for details). Reading the bit returns its current state.
5	CLRPEND5	R/W	0h	Writing 0 to this bit has no effect, writing 1 to this bit clears the corresponding pending interrupt 5 (See EVENT:CPUIRQSEL5.EV for details). Reading the bit returns its current state.
4	CLRPEND4	R/W	0h	Writing 0 to this bit has no effect, writing 1 to this bit clears the corresponding pending interrupt 4 (See EVENT:CPUIRQSEL4.EV for details). Reading the bit returns its current state.
3	CLRPEND3	R/W	0h	Writing 0 to this bit has no effect, writing 1 to this bit clears the corresponding pending interrupt 3 (See EVENT:CPUIRQSEL3.EV for details). Reading the bit returns its current state.

Table 2-115. NVIC_ICPR0 Register Field Descriptions (continued)

Bit	Field	Type	Reset	Description
2	CLRPEND2	R/W	0h	Writing 0 to this bit has no effect, writing 1 to this bit clears the corresponding pending interrupt 2 (See EVENT:CPUIRQSEL2.EV for details). Reading the bit returns its current state.
1	CLRPEND1	R/W	0h	Writing 0 to this bit has no effect, writing 1 to this bit clears the corresponding pending interrupt 1 (See EVENT:CPUIRQSEL1.EV for details). Reading the bit returns its current state.
0	CLRPEND0	R/W	0h	Writing 0 to this bit has no effect, writing 1 to this bit clears the corresponding pending interrupt 0 (See EVENT:CPUIRQSEL0.EV for details). Reading the bit returns its current state.

2.7.4.14 NVIC_ICPR1 Register (Offset = 284h) [Reset = 0000000h]

NVIC_ICPR1 is shown in [Figure 2-83](#) and described in [Table 2-116](#).

Return to the [Table 2-101](#).

Irq 32 to 63 Clear Pending

This register is used to clear pending interrupts and determine which interrupts are currently pending.

Figure 2-83. NVIC_ICPR1 Register

31	30	29	28	27	26	25	24
RESERVED							
R/W-0h							
23	22	21	20	19	18	17	16
RESERVED							
R/W-0h							
15	14	13	12	11	10	9	8
RESERVED							
R/W-0h							
7	6	5	4	3	2	1	0
RESERVED		CLRPEND37	CLRPEND36	CLRPEND35	CLRPEND34	CLRPEND33	CLRPEND32
R/W-0h		R/W-0h	R/W-0h	R/W-0h	R/W-0h	R/W-0h	R/W-0h

Table 2-116. NVIC_ICPR1 Register Field Descriptions

Bit	Field	Type	Reset	Description
31-6	RESERVED	R/W	0h	Software should not rely on the value of a reserved. Writing any other value than the reset value may result in undefined behavior.
5	CLRPEND37	R/W	0h	Writing 0 to this bit has no effect, writing 1 to this bit clears the corresponding pending interrupt 37 (See EVENT:CPUIRQSEL37.EV for details). Reading the bit returns its current state.
4	CLRPEND36	R/W	0h	Writing 0 to this bit has no effect, writing 1 to this bit clears the corresponding pending interrupt 36 (See EVENT:CPUIRQSEL36.EV for details). Reading the bit returns its current state.
3	CLRPEND35	R/W	0h	Writing 0 to this bit has no effect, writing 1 to this bit clears the corresponding pending interrupt 35 (See EVENT:CPUIRQSEL35.EV for details). Reading the bit returns its current state.
2	CLRPEND34	R/W	0h	Writing 0 to this bit has no effect, writing 1 to this bit clears the corresponding pending interrupt 34 (See EVENT:CPUIRQSEL34.EV for details). Reading the bit returns its current state.
1	CLRPEND33	R/W	0h	Writing 0 to this bit has no effect, writing 1 to this bit clears the corresponding pending interrupt 33 (See EVENT:CPUIRQSEL33.EV for details). Reading the bit returns its current state.
0	CLRPEND32	R/W	0h	Writing 0 to this bit has no effect, writing 1 to this bit clears the corresponding pending interrupt 32 (See EVENT:CPUIRQSEL32.EV for details). Reading the bit returns its current state.

2.7.4.15 NVIC_IABR0 Register (Offset = 300h) [Reset = 0000000h]

NVIC_IABR0 is shown in [Figure 2-84](#) and described in [Table 2-117](#).

Return to the [Table 2-101](#).

Irq 0 to 31 Active Bit

This register is used to determine which interrupts are active. Each flag in the register corresponds to one interrupt.

Figure 2-84. NVIC_IABR0 Register

31	30	29	28	27	26	25	24
ACTIVE31	ACTIVE30	ACTIVE29	ACTIVE28	ACTIVE27	ACTIVE26	ACTIVE25	ACTIVE24
R-0h	R-0h	R-0h	R-0h	R-0h	R-0h	R-0h	R-0h
23	22	21	20	19	18	17	16
ACTIVE23	ACTIVE22	ACTIVE21	ACTIVE20	ACTIVE19	ACTIVE18	ACTIVE17	ACTIVE16
R-0h	R-0h	R-0h	R-0h	R-0h	R-0h	R-0h	R-0h
15	14	13	12	11	10	9	8
ACTIVE15	ACTIVE14	ACTIVE13	ACTIVE12	ACTIVE11	ACTIVE10	ACTIVE9	ACTIVE8
R-0h	R-0h	R-0h	R-0h	R-0h	R-0h	R-0h	R-0h
7	6	5	4	3	2	1	0
ACTIVE7	ACTIVE6	ACTIVE5	ACTIVE4	ACTIVE3	ACTIVE2	ACTIVE1	ACTIVE0
R-0h	R-0h	R-0h	R-0h	R-0h	R-0h	R-0h	R-0h

Table 2-117. NVIC_IABR0 Register Field Descriptions

Bit	Field	Type	Reset	Description
31	ACTIVE31	R	0h	Reading 0 from this bit implies that interrupt line 31 is not active. Reading 1 from this bit implies that the interrupt line 31 is active (See EVENT:CPUIRQSEL31.EV for details).
30	ACTIVE30	R	0h	Reading 0 from this bit implies that interrupt line 30 is not active. Reading 1 from this bit implies that the interrupt line 30 is active (See EVENT:CPUIRQSEL30.EV for details).
29	ACTIVE29	R	0h	Reading 0 from this bit implies that interrupt line 29 is not active. Reading 1 from this bit implies that the interrupt line 29 is active (See EVENT:CPUIRQSEL29.EV for details).
28	ACTIVE28	R	0h	Reading 0 from this bit implies that interrupt line 28 is not active. Reading 1 from this bit implies that the interrupt line 28 is active (See EVENT:CPUIRQSEL28.EV for details).
27	ACTIVE27	R	0h	Reading 0 from this bit implies that interrupt line 27 is not active. Reading 1 from this bit implies that the interrupt line 27 is active (See EVENT:CPUIRQSEL27.EV for details).
26	ACTIVE26	R	0h	Reading 0 from this bit implies that interrupt line 26 is not active. Reading 1 from this bit implies that the interrupt line 26 is active (See EVENT:CPUIRQSEL26.EV for details).
25	ACTIVE25	R	0h	Reading 0 from this bit implies that interrupt line 25 is not active. Reading 1 from this bit implies that the interrupt line 25 is active (See EVENT:CPUIRQSEL25.EV for details).
24	ACTIVE24	R	0h	Reading 0 from this bit implies that interrupt line 24 is not active. Reading 1 from this bit implies that the interrupt line 24 is active (See EVENT:CPUIRQSEL24.EV for details).
23	ACTIVE23	R	0h	Reading 0 from this bit implies that interrupt line 23 is not active. Reading 1 from this bit implies that the interrupt line 23 is active (See EVENT:CPUIRQSEL23.EV for details).
22	ACTIVE22	R	0h	Reading 0 from this bit implies that interrupt line 22 is not active. Reading 1 from this bit implies that the interrupt line 22 is active (See EVENT:CPUIRQSEL22.EV for details).

Table 2-117. NVIC_IABR0 Register Field Descriptions (continued)

Bit	Field	Type	Reset	Description
21	ACTIVE21	R	0h	Reading 0 from this bit implies that interrupt line 21 is not active. Reading 1 from this bit implies that the interrupt line 21 is active (See EVENT:CPUIRQSEL21.EV for details).
20	ACTIVE20	R	0h	Reading 0 from this bit implies that interrupt line 20 is not active. Reading 1 from this bit implies that the interrupt line 20 is active (See EVENT:CPUIRQSEL20.EV for details).
19	ACTIVE19	R	0h	Reading 0 from this bit implies that interrupt line 19 is not active. Reading 1 from this bit implies that the interrupt line 19 is active (See EVENT:CPUIRQSEL19.EV for details).
18	ACTIVE18	R	0h	Reading 0 from this bit implies that interrupt line 18 is not active. Reading 1 from this bit implies that the interrupt line 18 is active (See EVENT:CPUIRQSEL18.EV for details).
17	ACTIVE17	R	0h	Reading 0 from this bit implies that interrupt line 17 is not active. Reading 1 from this bit implies that the interrupt line 17 is active (See EVENT:CPUIRQSEL17.EV for details).
16	ACTIVE16	R	0h	Reading 0 from this bit implies that interrupt line 16 is not active. Reading 1 from this bit implies that the interrupt line 16 is active (See EVENT:CPUIRQSEL16.EV for details).
15	ACTIVE15	R	0h	Reading 0 from this bit implies that interrupt line 15 is not active. Reading 1 from this bit implies that the interrupt line 15 is active (See EVENT:CPUIRQSEL15.EV for details).
14	ACTIVE14	R	0h	Reading 0 from this bit implies that interrupt line 14 is not active. Reading 1 from this bit implies that the interrupt line 14 is active (See EVENT:CPUIRQSEL14.EV for details).
13	ACTIVE13	R	0h	Reading 0 from this bit implies that interrupt line 13 is not active. Reading 1 from this bit implies that the interrupt line 13 is active (See EVENT:CPUIRQSEL13.EV for details).
12	ACTIVE12	R	0h	Reading 0 from this bit implies that interrupt line 12 is not active. Reading 1 from this bit implies that the interrupt line 12 is active (See EVENT:CPUIRQSEL12.EV for details).
11	ACTIVE11	R	0h	Reading 0 from this bit implies that interrupt line 11 is not active. Reading 1 from this bit implies that the interrupt line 11 is active (See EVENT:CPUIRQSEL11.EV for details).
10	ACTIVE10	R	0h	Reading 0 from this bit implies that interrupt line 10 is not active. Reading 1 from this bit implies that the interrupt line 10 is active (See EVENT:CPUIRQSEL10.EV for details).
9	ACTIVE9	R	0h	Reading 0 from this bit implies that interrupt line 9 is not active. Reading 1 from this bit implies that the interrupt line 9 is active (See EVENT:CPUIRQSEL9.EV for details).
8	ACTIVE8	R	0h	Reading 0 from this bit implies that interrupt line 8 is not active. Reading 1 from this bit implies that the interrupt line 8 is active (See EVENT:CPUIRQSEL8.EV for details).
7	ACTIVE7	R	0h	Reading 0 from this bit implies that interrupt line 7 is not active. Reading 1 from this bit implies that the interrupt line 7 is active (See EVENT:CPUIRQSEL7.EV for details).
6	ACTIVE6	R	0h	Reading 0 from this bit implies that interrupt line 6 is not active. Reading 1 from this bit implies that the interrupt line 6 is active (See EVENT:CPUIRQSEL6.EV for details).
5	ACTIVE5	R	0h	Reading 0 from this bit implies that interrupt line 5 is not active. Reading 1 from this bit implies that the interrupt line 5 is active (See EVENT:CPUIRQSEL5.EV for details).
4	ACTIVE4	R	0h	Reading 0 from this bit implies that interrupt line 4 is not active. Reading 1 from this bit implies that the interrupt line 4 is active (See EVENT:CPUIRQSEL4.EV for details).
3	ACTIVE3	R	0h	Reading 0 from this bit implies that interrupt line 3 is not active. Reading 1 from this bit implies that the interrupt line 3 is active (See EVENT:CPUIRQSEL3.EV for details).

Table 2-117. NVIC_IABR0 Register Field Descriptions (continued)

Bit	Field	Type	Reset	Description
2	ACTIVE2	R	0h	Reading 0 from this bit implies that interrupt line 2 is not active. Reading 1 from this bit implies that the interrupt line 2 is active (See EVENT:CPUIRQSEL2.EV for details).
1	ACTIVE1	R	0h	Reading 0 from this bit implies that interrupt line 1 is not active. Reading 1 from this bit implies that the interrupt line 1 is active (See EVENT:CPUIRQSEL1.EV for details).
0	ACTIVE0	R	0h	Reading 0 from this bit implies that interrupt line 0 is not active. Reading 1 from this bit implies that the interrupt line 0 is active (See EVENT:CPUIRQSEL0.EV for details).

2.7.4.16 NVIC_IABR1 Register (Offset = 304h) [Reset = 0000000h]

NVIC_IABR1 is shown in [Figure 2-85](#) and described in [Table 2-118](#).

Return to the [Table 2-101](#).

Irq 32 to 63 Active Bit

This register is used to determine which interrupts are active. Each flag in the register corresponds to one interrupt.

Figure 2-85. NVIC_IABR1 Register

31	30	29	28	27	26	25	24
RESERVED							
R-0h							
23	22	21	20	19	18	17	16
RESERVED							
R-0h							
15	14	13	12	11	10	9	8
RESERVED							
R-0h							
7	6	5	4	3	2	1	0
RESERVED		ACTIVE37	ACTIVE36	ACTIVE35	ACTIVE34	ACTIVE33	ACTIVE32
R-0h		R-0h	R-0h	R-0h	R-0h	R-0h	R-0h

Table 2-118. NVIC_IABR1 Register Field Descriptions

Bit	Field	Type	Reset	Description
31-6	RESERVED	R	0h	Software should not rely on the value of a reserved. Writing any other value than the reset value may result in undefined behavior.
5	ACTIVE37	R	0h	Reading 0 from this bit implies that interrupt line 37 is not active. Reading 1 from this bit implies that the interrupt line 37 is active (See EVENT:CPUIRQSEL37.EV for details).
4	ACTIVE36	R	0h	Reading 0 from this bit implies that interrupt line 36 is not active. Reading 1 from this bit implies that the interrupt line 36 is active (See EVENT:CPUIRQSEL36.EV for details).
3	ACTIVE35	R	0h	Reading 0 from this bit implies that interrupt line 35 is not active. Reading 1 from this bit implies that the interrupt line 35 is active (See EVENT:CPUIRQSEL35.EV for details).
2	ACTIVE34	R	0h	Reading 0 from this bit implies that interrupt line 34 is not active. Reading 1 from this bit implies that the interrupt line 34 is active (See EVENT:CPUIRQSEL34.EV for details).
1	ACTIVE33	R	0h	Reading 0 from this bit implies that interrupt line 33 is not active. Reading 1 from this bit implies that the interrupt line 33 is active (See EVENT:CPUIRQSEL33.EV for details).
0	ACTIVE32	R	0h	Reading 0 from this bit implies that interrupt line 32 is not active. Reading 1 from this bit implies that the interrupt line 32 is active (See EVENT:CPUIRQSEL32.EV for details).

2.7.4.17 NVIC_IPR0 Register (Offset = 400h) [Reset = 0000000h]

NVIC_IPR0 is shown in [Figure 2-86](#) and described in [Table 2-119](#).

Return to the [Table 2-101](#).

Irq 0 to 3 Priority

This register is used to assign a priority from 0 to 255 to each of the available interrupts. 0 is the highest priority, and 255 is the lowest. The interpretation of the Interrupt Priority Registers changes based on the setting in AIRCR.PRIGROUP.

Figure 2-86. NVIC_IPR0 Register

31	30	29	28	27	26	25	24	23	22	21	20	19	18	17	16	15	14	13	12	11	10	9	8	7	6	5	4	3	2	1	0
PRI_3								PRI_2								PRI_1								PRI_0							
R/W-0h								R/W-0h								R/W-0h								R/W-0h							

Table 2-119. NVIC_IPR0 Register Field Descriptions

Bit	Field	Type	Reset	Description
31-24	PRI_3	R/W	0h	Priority of interrupt 3 (See EVENT:CPUIRQSEL3.EV for details).
23-16	PRI_2	R/W	0h	Priority of interrupt 2 (See EVENT:CPUIRQSEL2.EV for details).
15-8	PRI_1	R/W	0h	Priority of interrupt 1 (See EVENT:CPUIRQSEL1.EV for details).
7-0	PRI_0	R/W	0h	Priority of interrupt 0 (See EVENT:CPUIRQSEL0.EV for details).

2.7.4.18 NVIC_IPR1 Register (Offset = 404h) [Reset = 0000000h]

NVIC_IPR1 is shown in [Figure 2-87](#) and described in [Table 2-120](#).

Return to the [Table 2-101](#).

Irq 4 to 7 Priority

This register is used to assign a priority from 0 to 255 to each of the available interrupts. 0 is the highest priority, and 255 is the lowest. The interpretation of the Interrupt Priority Registers changes based on the setting in AIRCR.PRIGROUP.

Figure 2-87. NVIC_IPR1 Register

31	30	29	28	27	26	25	24	23	22	21	20	19	18	17	16	15	14	13	12	11	10	9	8	7	6	5	4	3	2	1	0
PRI_7								PRI_6								PRI_5								PRI_4							
R/W-0h								R/W-0h								R/W-0h								R/W-0h							

Table 2-120. NVIC_IPR1 Register Field Descriptions

Bit	Field	Type	Reset	Description
31-24	PRI_7	R/W	0h	Priority of interrupt 7 (See EVENT:CPUIRQSEL7.EV for details).
23-16	PRI_6	R/W	0h	Priority of interrupt 6 (See EVENT:CPUIRQSEL6.EV for details).
15-8	PRI_5	R/W	0h	Priority of interrupt 5 (See EVENT:CPUIRQSEL5.EV for details).
7-0	PRI_4	R/W	0h	Priority of interrupt 4 (See EVENT:CPUIRQSEL4.EV for details).

2.7.4.19 NVIC_IPR2 Register (Offset = 408h) [Reset = 0000000h]

NVIC_IPR2 is shown in [Figure 2-88](#) and described in [Table 2-121](#).

Return to the [Table 2-101](#).

Irq 8 to 11 Priority

This register is used to assign a priority from 0 to 255 to each of the available interrupts. 0 is the highest priority, and 255 is the lowest. The interpretation of the Interrupt Priority Registers changes based on the setting in AIRCR.PRIGROUP.

Figure 2-88. NVIC_IPR2 Register

31	30	29	28	27	26	25	24	23	22	21	20	19	18	17	16	15	14	13	12	11	10	9	8	7	6	5	4	3	2	1	0
PRI_11								PRI_10								PRI_9								PRI_8							
R/W-0h								R/W-0h								R/W-0h								R/W-0h							

Table 2-121. NVIC_IPR2 Register Field Descriptions

Bit	Field	Type	Reset	Description
31-24	PRI_11	R/W	0h	Priority of interrupt 11 (See EVENT:CPUIRQSEL11.EV for details).
23-16	PRI_10	R/W	0h	Priority of interrupt 10 (See EVENT:CPUIRQSEL10.EV for details).
15-8	PRI_9	R/W	0h	Priority of interrupt 9 (See EVENT:CPUIRQSEL9.EV for details).
7-0	PRI_8	R/W	0h	Priority of interrupt 8 (See EVENT:CPUIRQSEL8.EV for details).

2.7.4.20 NVIC_IPR3 Register (Offset = 40Ch) [Reset = 0000000h]

NVIC_IPR3 is shown in [Figure 2-89](#) and described in [Table 2-122](#).

Return to the [Table 2-101](#).

Irq 12 to 15 Priority

This register is used to assign a priority from 0 to 255 to each of the available interrupts. 0 is the highest priority, and 255 is the lowest. The interpretation of the Interrupt Priority Registers changes based on the setting in AIRCR.PRIGROUP.

Figure 2-89. NVIC_IPR3 Register

31	30	29	28	27	26	25	24	23	22	21	20	19	18	17	16	15	14	13	12	11	10	9	8	7	6	5	4	3	2	1	0
PRI_15								PRI_14								PRI_13								PRI_12							
R/W-0h								R/W-0h								R/W-0h								R/W-0h							

Table 2-122. NVIC_IPR3 Register Field Descriptions

Bit	Field	Type	Reset	Description
31-24	PRI_15	R/W	0h	Priority of interrupt 15 (See EVENT:CPUIRQSEL15.EV for details).
23-16	PRI_14	R/W	0h	Priority of interrupt 14 (See EVENT:CPUIRQSEL14.EV for details).
15-8	PRI_13	R/W	0h	Priority of interrupt 13 (See EVENT:CPUIRQSEL13.EV for details).
7-0	PRI_12	R/W	0h	Priority of interrupt 12 (See EVENT:CPUIRQSEL12.EV for details).

2.7.4.21 NVIC_IPR4 Register (Offset = 410h) [Reset = 0000000h]

NVIC_IPR4 is shown in [Figure 2-90](#) and described in [Table 2-123](#).

Return to the [Table 2-101](#).

Irq 16 to 19 Priority

This register is used to assign a priority from 0 to 255 to each of the available interrupts. 0 is the highest priority, and 255 is the lowest. The interpretation of the Interrupt Priority Registers changes based on the setting in AIRCR.PRIGROUP.

Figure 2-90. NVIC_IPR4 Register

31	30	29	28	27	26	25	24	23	22	21	20	19	18	17	16	15	14	13	12	11	10	9	8	7	6	5	4	3	2	1	0
PRI_19								PRI_18								PRI_17								PRI_16							
R/W-0h								R/W-0h								R/W-0h								R/W-0h							

Table 2-123. NVIC_IPR4 Register Field Descriptions

Bit	Field	Type	Reset	Description
31-24	PRI_19	R/W	0h	Priority of interrupt 19 (See EVENT:CPUIRQSEL19.EV for details).
23-16	PRI_18	R/W	0h	Priority of interrupt 18 (See EVENT:CPUIRQSEL18.EV for details).
15-8	PRI_17	R/W	0h	Priority of interrupt 17 (See EVENT:CPUIRQSEL17.EV for details).
7-0	PRI_16	R/W	0h	Priority of interrupt 16 (See EVENT:CPUIRQSEL16.EV for details).

2.7.4.22 NVIC_IPR5 Register (Offset = 414h) [Reset = 0000000h]

NVIC_IPR5 is shown in [Figure 2-91](#) and described in [Table 2-124](#).

Return to the [Table 2-101](#).

Irq 20 to 23 Priority

This register is used to assign a priority from 0 to 255 to each of the available interrupts. 0 is the highest priority, and 255 is the lowest. The interpretation of the Interrupt Priority Registers changes based on the setting in AIRCR.PRIGROUP.

Figure 2-91. NVIC_IPR5 Register

31	30	29	28	27	26	25	24	23	22	21	20	19	18	17	16	15	14	13	12	11	10	9	8	7	6	5	4	3	2	1	0
PRI_23								PRI_22								PRI_21								PRI_20							
R/W-0h								R/W-0h								R/W-0h								R/W-0h							

Table 2-124. NVIC_IPR5 Register Field Descriptions

Bit	Field	Type	Reset	Description
31-24	PRI_23	R/W	0h	Priority of interrupt 23 (See EVENT:CPUIRQSEL23.EV for details).
23-16	PRI_22	R/W	0h	Priority of interrupt 22 (See EVENT:CPUIRQSEL22.EV for details).
15-8	PRI_21	R/W	0h	Priority of interrupt 21 (See EVENT:CPUIRQSEL21.EV for details).
7-0	PRI_20	R/W	0h	Priority of interrupt 20 (See EVENT:CPUIRQSEL20.EV for details).

2.7.4.23 NVIC_IPR6 Register (Offset = 418h) [Reset = 0000000h]

NVIC_IPR6 is shown in [Figure 2-92](#) and described in [Table 2-125](#).

Return to the [Table 2-101](#).

Irq 24 to 27 Priority

This register is used to assign a priority from 0 to 255 to each of the available interrupts. 0 is the highest priority, and 255 is the lowest. The interpretation of the Interrupt Priority Registers changes based on the setting in AIRCR.PRIGROUP.

Figure 2-92. NVIC_IPR6 Register

31	30	29	28	27	26	25	24	23	22	21	20	19	18	17	16	15	14	13	12	11	10	9	8	7	6	5	4	3	2	1	0
PRI_27								PRI_26								PRI_25								PRI_24							
R/W-0h								R/W-0h								R/W-0h								R/W-0h							

Table 2-125. NVIC_IPR6 Register Field Descriptions

Bit	Field	Type	Reset	Description
31-24	PRI_27	R/W	0h	Priority of interrupt 27 (See EVENT:CPUIRQSEL27.EV for details).
23-16	PRI_26	R/W	0h	Priority of interrupt 26 (See EVENT:CPUIRQSEL26.EV for details).
15-8	PRI_25	R/W	0h	Priority of interrupt 25 (See EVENT:CPUIRQSEL25.EV for details).
7-0	PRI_24	R/W	0h	Priority of interrupt 24 (See EVENT:CPUIRQSEL24.EV for details).

2.7.4.24 NVIC_IPR7 Register (Offset = 41Ch) [Reset = 0000000h]

NVIC_IPR7 is shown in [Figure 2-93](#) and described in [Table 2-126](#).

Return to the [Table 2-101](#).

Irq 28 to 31 Priority

This register is used to assign a priority from 0 to 255 to each of the available interrupts. 0 is the highest priority, and 255 is the lowest. The interpretation of the Interrupt Priority Registers changes based on the setting in AIRCR.PRIGROUP.

Figure 2-93. NVIC_IPR7 Register

31	30	29	28	27	26	25	24	23	22	21	20	19	18	17	16	15	14	13	12	11	10	9	8	7	6	5	4	3	2	1	0
PRI_31								PRI_30								PRI_29								PRI_28							
R/W-0h								R/W-0h								R/W-0h								R/W-0h							

Table 2-126. NVIC_IPR7 Register Field Descriptions

Bit	Field	Type	Reset	Description
31-24	PRI_31	R/W	0h	Priority of interrupt 31 (See EVENT:CPUIRQSEL31.EV for details).
23-16	PRI_30	R/W	0h	Priority of interrupt 30 (See EVENT:CPUIRQSEL30.EV for details).
15-8	PRI_29	R/W	0h	Priority of interrupt 29 (See EVENT:CPUIRQSEL29.EV for details).
7-0	PRI_28	R/W	0h	Priority of interrupt 28 (See EVENT:CPUIRQSEL28.EV for details).

2.7.4.25 NVIC_IPR8 Register (Offset = 420h) [Reset = 0000000h]

NVIC_IPR8 is shown in [Figure 2-94](#) and described in [Table 2-127](#).

Return to the [Table 2-101](#).

Irq 32 to 35 Priority

This register is used to assign a priority from 0 to 255 to each of the available interrupts. 0 is the highest priority, and 255 is the lowest. The interpretation of the Interrupt Priority Registers changes based on the setting in AIRCR.PRIGROUP.

Figure 2-94. NVIC_IPR8 Register

31	30	29	28	27	26	25	24	23	22	21	20	19	18	17	16	15	14	13	12	11	10	9	8	7	6	5	4	3	2	1	0
PRI_35								PRI_34								PRI_33								PRI_32							
R/W-0h								R/W-0h								R/W-0h								R/W-0h							

Table 2-127. NVIC_IPR8 Register Field Descriptions

Bit	Field	Type	Reset	Description
31-24	PRI_35	R/W	0h	Priority of interrupt 35 (See EVENT:CPUIRQSEL35.EV for details).
23-16	PRI_34	R/W	0h	Priority of interrupt 34 (See EVENT:CPUIRQSEL34.EV for details).
15-8	PRI_33	R/W	0h	Priority of interrupt 33 (See EVENT:CPUIRQSEL33.EV for details).
7-0	PRI_32	R/W	0h	Priority of interrupt 32 (See EVENT:CPUIRQSEL32.EV for details).

2.7.4.26 NVIC_IPR9 Register (Offset = 424h) [Reset = 0000000h]

NVIC_IPR9 is shown in [Figure 2-95](#) and described in [Table 2-128](#).

Return to the [Table 2-101](#).

Irq 32 to 35 Priority

This register is used to assign a priority from 0 to 255 to each of the available interrupts. 0 is the highest priority, and 255 is the lowest. The interpretation of the Interrupt Priority Registers changes based on the setting in AIRCR.PRIGROUP.

Figure 2-95. NVIC_IPR9 Register

31	30	29	28	27	26	25	24	23	22	21	20	19	18	17	16	15	14	13	12	11	10	9	8	7	6	5	4	3	2	1	0
RESERVED																PRI_37						PRI_36									
R/W-0h																R/W-0h						R/W-0h									

Table 2-128. NVIC_IPR9 Register Field Descriptions

Bit	Field	Type	Reset	Description
31-16	RESERVED	R/W	0h	Software should not rely on the value of a reserved. Writing any other value than the reset value may result in undefined behavior.
15-8	PRI_37	R/W	0h	Priority of interrupt 37 (See EVENT:CPUIRQSEL37.EV for details).
7-0	PRI_36	R/W	0h	Priority of interrupt 36 (See EVENT:CPUIRQSEL36.EV for details).

2.7.4.27 CPUID Register (Offset = D00h) [Reset = 410FC241h]

CPUID is shown in [Figure 2-96](#) and described in [Table 2-129](#).

Return to the [Table 2-101](#).

CPUID Base

This register determines the ID number of the processor core, the version number of the processor core and the implementation details of the processor core.

Figure 2-96. CPUID Register

31	30	29	28	27	26	25	24	23	22	21	20	19	18	17	16
IMPLEMENTER								VARIANT				CONSTANT			
R-41h								R-0h				R-Fh			
15	14	13	12	11	10	9	8	7	6	5	4	3	2	1	0
PARTNO												REVISION			
R-C24h												R-1h			

Table 2-129. CPUID Register Field Descriptions

Bit	Field	Type	Reset	Description
31-24	IMPLEMENTER	R	41h	Implementor code.
23-20	VARIANT	R	0h	Implementation defined variant number.
19-16	CONSTANT	R	Fh	Reads as 0xF
15-4	PARTNO	R	C24h	Number of processor within family.
3-0	REVISION	R	1h	Implementation defined revision number.

2.7.4.28 ICSR Register (Offset = D04h) [Reset = 0000000h]

ICSR is shown in [Figure 2-97](#) and described in [Table 2-130](#).

Return to the [Table 2-101](#).

Interrupt Control State

This register is used to set a pending Non-Maskable Interrupt (NMI), set or clear a pending SVC, set or clear a pending SysTick, check for pending exceptions, check the vector number of the highest priority pended exception, and check the vector number of the active exception.

Figure 2-97. ICSR Register

31	30	29	28	27	26	25	24
NMIPENDSET	RESERVED		PENDSVSET	PENDSVCLR	PENDSTSET	PENDSTCLR	RESERVED
R/W-0h	R/W-0h		R/W-0h	W-X	R/W-0h	W-X	R-0h
23	22	21	20	19	18	17	16
ISRPREEMPT	ISRPENDING	RESERVED				VECTPENDING	
R-0h	R-0h	R-0h				R-0h	
15	14	13	12	11	10	9	8
VECTPENDING				RETTOBASE	RESERVED		VECTACTIVE
R-0h				R-0h	R-0h		R-0h
7	6	5	4	3	2	1	0
VECTACTIVE							
R-0h							

Table 2-130. ICSR Register Field Descriptions

Bit	Field	Type	Reset	Description
31	NMIPENDSET	R/W	0h	Set pending NMI bit. Setting this bit pends and activates an NMI. Because NMI is the highest-priority interrupt, it takes effect as soon as it registers. 0: No action 1: Set pending NMI
30-29	RESERVED	R/W	0h	Software should not rely on the value of a reserved. Writing any other value than the reset value may result in undefined behavior.
28	PENDSVSET	R/W	0h	Set pending pendSV bit. 0: No action 1: Set pending PendSV
27	PENDSVCLR	W	X	Clear pending pendSV bit 0: No action 1: Clear pending pendSV
26	PENDSTSET	R/W	0h	Set a pending SysTick bit. 0: No action 1: Set pending SysTick
25	PENDSTCLR	W	X	Clear pending SysTick bit 0: No action 1: Clear pending SysTick
24	RESERVED	R	0h	Software should not rely on the value of a reserved. Writing any other value than the reset value may result in undefined behavior.
23	ISRPREEMPT	R	0h	This field can only be used at debug time. It indicates that a pending interrupt is to be taken in the next running cycle. If DHCSR.C_MASKINTS= 0, the interrupt is serviced. 0: A pending exception is not serviced. 1: A pending exception is serviced on exit from the debug halt state
22	ISRPENDING	R	0h	Interrupt pending flag. Excludes NMI and faults. 0x0: Interrupt not pending 0x1: Interrupt pending

Table 2-130. ICSR Register Field Descriptions (continued)

Bit	Field	Type	Reset	Description
21-18	RESERVED	R	0h	Software should not rely on the value of a reserved. Writing any other value than the reset value may result in undefined behavior.
17-12	VECTPENDING	R	0h	Pending ISR number field. This field contains the interrupt number of the highest priority pending ISR.
11	RETTOBASE	R	0h	Indicates whether there are preempted active exceptions: 0: There are preempted active exceptions to execute 1: There are no active exceptions, or the currently-executing exception is the only active exception.
10-9	RESERVED	R	0h	Software should not rely on the value of a reserved. Writing any other value than the reset value may result in undefined behavior.
8-0	VECTACTIVE	R	0h	Active ISR number field. Reset clears this field.

2.7.4.29 VTOR Register (Offset = D08h) [Reset = 0000000h]

VTOR is shown in [Figure 2-98](#) and described in [Table 2-131](#).

Return to the [Table 2-101](#).

Vector Table Offset

This register is used to relocate the vector table base address. The vector table base offset determines the offset from the bottom of the memory map. The two most significant bits and the seven least significant bits of the vector table base offset must be 0. The portion of vector table base offset that is allowed to change is TBLOFF.

Figure 2-98. VTOR Register

31	30	29	28	27	26	25	24
RESERVED				TBLOFF			
R/W-0h				R/W-0h			
23	22	21	20	19	18	17	16
TBLOFF				R/W-0h			
15	14	13	12	11	10	9	8
TBLOFF				R/W-0h			
7	6	5	4	3	2	1	0
TBLOFF		RESERVED					
R/W-0h		R/W-0h					

Table 2-131. VTOR Register Field Descriptions

Bit	Field	Type	Reset	Description
31-30	RESERVED	R/W	0h	Software should not rely on the value of a reserved. Writing any other value than the reset value may result in undefined behavior.
29-7	TBLOFF	R/W	0h	Bits 29 down to 7 of the vector table base offset.
6-0	RESERVED	R/W	0h	Software should not rely on the value of a reserved. Writing any other value than the reset value may result in undefined behavior.

2.7.4.30 AIRCR Register (Offset = D0Ch) [Reset = FA05000h]

AIRCR is shown in [Figure 2-99](#) and described in [Table 2-132](#).

Return to the [Table 2-101](#).

Application Interrupt/Reset Control

This register is used to determine data endianness, clear all active state information for debug or to recover from a hard failure, execute a system reset, alter the priority grouping position (binary point).

Figure 2-99. AIRCR Register

31	30	29	28	27	26	25	24
VECTKEY							
R/W-FA05h							
23	22	21	20	19	18	17	16
VECTKEY							
R/W-FA05h							
15	14	13	12	11	10	9	8
ENDIANESS	RESERVED				PRIGROUP		
R-0h	R-0h				R/W-0h		
7	6	5	4	3	2	1	0
RESERVED					SYSRESETRE Q	VECTCLRACTI VE	VECTRESET
R/W-0h					W-0h	W-0h	W-0h

Table 2-132. AIRCR Register Field Descriptions

Bit	Field	Type	Reset	Description
31-16	VECTKEY	R/W	FA05h	Register key. Writing to this register (AIRCR) requires 0x05FA in VECTKEY. Otherwise the write value is ignored. Read always returns 0xFA05.
15	ENDIANESS	R	0h	Data endianness bit 0h = Little endian 1h = Big endian
14-11	RESERVED	R	0h	Software should not rely on the value of a reserved. Writing any other value than the reset value may result in undefined behavior.
10-8	PRIGROUP	R/W	0h	Interrupt priority grouping field. This field is a binary point position indicator for creating subpriorities for exceptions that share the same pre-emption level. It divides the PRI_n field in the Interrupt Priority Registers (NVIC_IPR0, NVIC_IPR1,..., and NVIC_IPR8) into a pre-emption level and a subpriority level. The binary point is a left-of value. This means that the PRIGROUP value represents a point starting at the left of the Least Significant Bit (LSB). The lowest value might not be 0 depending on the number of bits allocated for priorities, and implementation choices.
7-3	RESERVED	R/W	0h	Software should not rely on the value of a reserved. Writing any other value than the reset value may result in undefined behavior.
2	SYSRESETREQ	W	0h	Requests a warm reset. Setting this bit does not prevent Halting Debug from running.
1	VECTCLRACTIVE	W	0h	Clears all active state information for active NMI, fault, and interrupts. It is the responsibility of the application to reinitialize the stack. This bit is for returning to a known state during debug. The bit self-clears. IPSR is not cleared by this operation. So, if used by an application, it must only be used at the base level of activation, or within a system handler whose active bit can be set.

Table 2-132. AIRCR Register Field Descriptions (continued)

Bit	Field	Type	Reset	Description
0	VECTRESET	W	0h	System Reset bit. Resets the system, with the exception of debug components. This bit is reserved for debug use and can be written to 1 only when the core is halted. The bit self-clears. Writing this bit to 1 while core is not halted may result in unpredictable behavior.

2.7.4.31 SCR Register (Offset = D10h) [Reset = 0000000h]

SCR is shown in [Figure 2-100](#) and described in [Table 2-133](#).

Return to the [Table 2-101](#).

System Control

This register is used for power-management functions, i.e., signaling to the system when the processor can enter a low power state, controlling how the processor enters and exits low power states.

Figure 2-100. SCR Register

31	30	29	28	27	26	25	24
RESERVED							
R/W-0h							
23	22	21	20	19	18	17	16
RESERVED							
R/W-0h							
15	14	13	12	11	10	9	8
RESERVED							
R/W-0h							
7	6	5	4	3	2	1	0
RESERVED			SEVONPEND	RESERVED	SLEEPDEEP	SLEEPONEXIT	RESERVED
R/W-0h			R/W-0h	R/W-0h	R/W-0h	R/W-0h	R/W-0h

Table 2-133. SCR Register Field Descriptions

Bit	Field	Type	Reset	Description
31-5	RESERVED	R/W	0h	Software should not rely on the value of a reserved. Writing any other value than the reset value may result in undefined behavior.
4	SEVONPEND	R/W	0h	Send Event on Pending bit: 0: Only enabled interrupts or events can wakeup the processor, disabled interrupts are excluded 1: Enabled events and all interrupts, including disabled interrupts, can wakeup the processor. When an event or interrupt enters pending state, the event signal wakes up the processor from WFE. If the processor is not waiting for an event, the event is registered and affects the next WFE. The processor also wakes up on execution of an SEV instruction.
3	RESERVED	R/W	0h	Software should not rely on the value of a reserved. Writing any other value than the reset value may result in undefined behavior.
2	SLEEPDEEP	R/W	0h	Controls whether the processor uses sleep or deep sleep as its low power mode 0h = Sleep 1h = Deep sleep
1	SLEEPONEXIT	R/W	0h	Sleep on exit when returning from Handler mode to Thread mode. Enables interrupt driven applications to avoid returning to empty main application. 0: Do not sleep when returning to thread mode 1: Sleep on ISR exit
0	RESERVED	R/W	0h	Software should not rely on the value of a reserved. Writing any other value than the reset value may result in undefined behavior.

2.7.4.32 CCR Register (Offset = D14h) [Reset = 0000200h]

CCR is shown in [Figure 2-101](#) and described in [Table 2-134](#).

Return to the [Table 2-101](#).

Configuration Control

This register is used to enable NMI, HardFault and FAULTMASK to ignore bus fault, trap divide by zero and unaligned accesses, enable user access to the Software Trigger Interrupt Register (STIR), control entry to Thread Mode.

Figure 2-101. CCR Register

31	30	29	28	27	26	25	24
RESERVED							
R/W-0h							
23	22	21	20	19	18	17	16
RESERVED							
R/W-0h							
15	14	13	12	11	10	9	8
RESERVED						STKALIGN	BFHFNMIGN
R/W-0h						R/W-1h	R/W-0h
7	6	5	4	3	2	1	0
RESERVED			DIV_0_TRP	UNALIGN_TRP	RESERVED	USERSETMPE ND	NONBASETHR EDENA
R/W-0h			R/W-0h	R/W-0h	R/W-0h	R/W-0h	R/W-0h

Table 2-134. CCR Register Field Descriptions

Bit	Field	Type	Reset	Description
31-10	RESERVED	R/W	0h	Software should not rely on the value of a reserved. Writing any other value than the reset value may result in undefined behavior.
9	STKALIGN	R/W	1h	Stack alignment bit. 0: Only 4-byte alignment is guaranteed for the SP used prior to the exception on exception entry. 1: On exception entry, the SP used prior to the exception is adjusted to be 8-byte aligned and the context to restore it is saved. The SP is restored on the associated exception return.
8	BFHFNMIGN	R/W	0h	Enables handlers with priority -1 or -2 to ignore data BusFaults caused by load and store instructions. This applies to the HardFault, NMI, and FAULTMASK escalated handlers: 0: Data BusFaults caused by load and store instructions cause a lock-up 1: Data BusFaults caused by load and store instructions are ignored. Set this bit to 1 only when the handler and its data are in absolutely safe memory. The normal use of this bit is to probe system devices and bridges to detect problems.
7-5	RESERVED	R/W	0h	Software should not rely on the value of a reserved. Writing any other value than the reset value may result in undefined behavior.
4	DIV_0_TRP	R/W	0h	Enables faulting or halting when the processor executes an SDIV or UDIV instruction with a divisor of 0: 0: Do not trap divide by 0. In this mode, a divide by zero returns a quotient of 0. 1: Trap divide by 0. The relevant Usage Fault Status Register bit is CFSR.DIVBYZERO.

Table 2-134. CCR Register Field Descriptions (continued)

Bit	Field	Type	Reset	Description
3	UNALIGN_TRP	R/W	0h	Enables unaligned access traps: 0: Do not trap unaligned halfword and word accesses 1: Trap unaligned halfword and word accesses. The relevant Usage Fault Status Register bit is CFSR.UNALIGNED. If this bit is set to 1, an unaligned access generates a UsageFault. Unaligned LDM, STM, LDRD, and STRD instructions always fault regardless of the value in UNALIGN_TRP.
2	RESERVED	R/W	0h	Software should not rely on the value of a reserved. Writing any other value than the reset value may result in undefined behavior.
1	USERSETMPEND	R/W	0h	Enables unprivileged software access to STIR: 0: User code is not allowed to write to the Software Trigger Interrupt register (STIR). 1: User code can write the Software Trigger Interrupt register (STIR) to trigger (pend) a Main exception, which is associated with the Main stack pointer.
0	NONBASETHREDENA	R/W	0h	Indicates how the processor enters Thread mode: 0: Processor can enter Thread mode only when no exception is active. 1: Processor can enter Thread mode from any level using the appropriate return value (EXC_RETURN). Exception returns occur when one of the following instructions loads a value of 0xFXXXXXXX into the PC while in Handler mode: - POP/LDM which includes loading the PC. - LDR with PC as a destination. - BX with any register. The value written to the PC is intercepted and is referred to as the EXC_RETURN value.

2.7.4.33 SHPR1 Register (Offset = D18h) [Reset = 0000000h]

SHPR1 is shown in [Figure 2-102](#) and described in [Table 2-135](#).

Return to the [Table 2-101](#).

System Handlers 4-7 Priority

This register is used to prioritize the following system handlers: Memory manage, Bus fault, and Usage fault. System Handlers are a special class of exception handler that can have their priority set to any of the priority levels. Most can be masked on (enabled) or off (disabled). When disabled, the fault is always treated as a Hard Fault.

Figure 2-102. SHPR1 Register

31	30	29	28	27	26	25	24	23	22	21	20	19	18	17	16	15	14	13	12	11	10	9	8	7	6	5	4	3	2	1	0
RESERVED								PRI_6								PRI_5								PRI_4							
R-0h								R/W-0h								R/W-0h								R/W-0h							

Table 2-135. SHPR1 Register Field Descriptions

Bit	Field	Type	Reset	Description
31-24	RESERVED	R	0h	Reserved
23-16	PRI_6	R/W	0h	Priority of system handler 6: UsageFault
15-8	PRI_5	R/W	0h	Priority of system handler 5: BusFault
7-0	PRI_4	R/W	0h	Priority of system handler 4: MemManage

2.7.4.34 SHPR2 Register (Offset = D1Ch) [Reset = 0000000h]

SHPR2 is shown in [Figure 2-103](#) and described in [Table 2-136](#).

Return to the [Table 2-101](#).

System Handlers 8-11 Priority

This register is used to prioritize the SVC handler. System Handlers are a special class of exception handler that can have their priority set to any of the priority levels. Most can be masked on (enabled) or off (disabled). When disabled, the fault is always treated as a Hard Fault.

Figure 2-103. SHPR2 Register

31	30	29	28	27	26	25	24	23	22	21	20	19	18	17	16	15	14	13	12	11	10	9	8	7	6	5	4	3	2	1	0
PRI_11								RESERVED																							
R/W-0h								R-0h																							

Table 2-136. SHPR2 Register Field Descriptions

Bit	Field	Type	Reset	Description
31-24	PRI_11	R/W	0h	Priority of system handler 11. SVCcall
23-0	RESERVED	R	0h	Reserved

2.7.4.35 SHPR3 Register (Offset = D20h) [Reset = 0000000h]

SHPR3 is shown in [Figure 2-104](#) and described in [Table 2-137](#).

Return to the [Table 2-101](#).

System Handlers 12-15 Priority

This register is used to prioritize the following system handlers: SysTick, PendSV and Debug Monitor. System Handlers are a special class of exception handler that can have their priority set to any of the priority levels. Most can be masked on (enabled) or off (disabled). When disabled, the fault is always treated as a Hard Fault.

Figure 2-104. SHPR3 Register

31	30	29	28	27	26	25	24	23	22	21	20	19	18	17	16	15	14	13	12	11	10	9	8	7	6	5	4	3	2	1	0
PRI_15								PRI_14								RESERVED								PRI_12							
R/W-0h								R/W-0h								R-0h								R/W-0h							

Table 2-137. SHPR3 Register Field Descriptions

Bit	Field	Type	Reset	Description
31-24	PRI_15	R/W	0h	Priority of system handler 15. SysTick exception
23-16	PRI_14	R/W	0h	Priority of system handler 14. Pend SV
15-8	RESERVED	R	0h	Reserved
7-0	PRI_12	R/W	0h	Priority of system handler 12. Debug Monitor

2.7.4.36 SHCSR Register (Offset = D24h) [Reset = 0000000h]

SHCSR is shown in [Figure 2-105](#) and described in [Table 2-138](#).

Return to the [Table 2-101](#).

System Handler Control and State

This register is used to enable or disable the system handlers, determine the pending status of bus fault, mem manage fault, and SVC, determine the active status of the system handlers. If a fault condition occurs while its fault handler is disabled, the fault escalates to a Hard Fault.

Figure 2-105. SHCSR Register

31	30	29	28	27	26	25	24
RESERVED							
R/W-0h							
23	22	21	20	19	18	17	16
RESERVED					USGFAULTENA	BUSFAULTENA	MEMFAULTENA
R/W-0h					R/W-0h	R/W-0h	R/W-0h
15	14	13	12	11	10	9	8
SVCALLPENDED	BUSFAULTPEN DED	MEMFAULTPE NDED	USGFAULTPE NDED	SYSTICKACT	PENDSVACT	RESERVED	MONITORACT
R-0h	R-0h	R-0h	R-0h	R-0h	R-0h	R-0h	R-0h
7	6	5	4	3	2	1	0
SVCALLACT	RESERVED			USGFAULTACT	RESERVED	BUSFAULTACT	MEMFAULTACT
R-0h	R-0h			R-0h	R-0h	R-0h	R-0h

Table 2-138. SHCSR Register Field Descriptions

Bit	Field	Type	Reset	Description
31-19	RESERVED	R/W	0h	Software should not rely on the value of a reserved. Writing any other value than the reset value may result in undefined behavior.
18	USGFAULTENA	R/W	0h	Usage fault system handler enable 0h = Exception disabled 1h = Exception enabled
17	BUSFAULTENA	R/W	0h	Bus fault system handler enable 0h = Exception disabled 1h = Exception enabled
16	MEMFAULTENA	R/W	0h	MemManage fault system handler enable 0h = Exception disabled 1h = Exception enabled
15	SVCALLPEN DED	R	0h	SVCAll pending 0h = Exception is not active 1h = Exception is pending.
14	BUSFAULTPEN DED	R	0h	BusFault pending 0h = Exception is not active 1h = Exception is pending.
13	MEMFAULTPEN DED	R	0h	MemManage exception pending 0h = Exception is not active 1h = Exception is pending.
12	USGFAULTPEN DED	R	0h	Usage fault pending 0h = Exception is not active 1h = Exception is pending.

Table 2-138. SHCSR Register Field Descriptions (continued)

Bit	Field	Type	Reset	Description
11	SYSTICKACT	R	0h	SysTick active flag. 0x0: Not active 0x1: Active 0h = Exception is not active 1h = Exception is active
10	PENDSVACT	R	0h	PendSV active 0x0: Not active 0x1: Active
9	RESERVED	R	0h	Software should not rely on the value of a reserved. Writing any other value than the reset value may result in undefined behavior.
8	MONITORACT	R	0h	Debug monitor active 0h = Exception is not active 1h = Exception is active
7	SVCALLACT	R	0h	SVCAll active 0h = Exception is not active 1h = Exception is active
6-4	RESERVED	R	0h	Software should not rely on the value of a reserved. Writing any other value than the reset value may result in undefined behavior.
3	USGFAULTACT	R	0h	UsageFault exception active 0h = Exception is not active 1h = Exception is active
2	RESERVED	R	0h	Software should not rely on the value of a reserved. Writing any other value than the reset value may result in undefined behavior.
1	BUSFAULTACT	R	0h	BusFault exception active 0h = Exception is not active 1h = Exception is active
0	MEMFAULTACT	R	0h	MemManage exception active 0h = Exception is not active 1h = Exception is active

2.7.4.37 CFSR Register (Offset = D28h) [Reset = 0000000h]

CFSR is shown in [Figure 2-106](#) and described in [Table 2-139](#).

Return to the [Table 2-101](#).

Configurable Fault Status

This register is used to obtain information about local faults. These registers include three subsections: The first byte is Memory Manage Fault Status Register (MMFSR). The second byte is Bus Fault Status Register (BFSR). The higher half-word is Usage Fault Status Register (UFSR). The flags in these registers indicate the causes of local faults. Multiple flags can be set if more than one fault occurs. These registers are read/write-clear. This means that they can be read normally, but writing a 1 to any bit clears that bit.

The CFSR is byte accessible. CFSR or its subregisters can be accessed as follows:

The following accesses are possible to the CFSR register:

- access the complete register with a word access to 0xE00ED28.
- access the MMFSR with a byte access to 0xE00ED28
- access the MMFSR and BFSR with a halfword access to 0xE00ED28
- access the BFSR with a byte access to 0xE00ED29
- access the UFSR with a halfword access to 0xE00ED2A.

Figure 2-106. CFSR Register

31	30	29	28	27	26	25	24
RESERVED						DIVBYZERO	UNALIGNED
R/W-0h						R/W-0h	R/W-0h
23	22	21	20	19	18	17	16
RESERVED				NOCP	INVPC	INVSTATE	UNDEFINSTR
R/W-0h				R/W-0h	R/W-0h	R/W-0h	R/W-0h
15	14	13	12	11	10	9	8
BFARVALID	RESERVED		STKERR	UNSTKERR	IMPRECISERR	PRECISERR	IBUSERR
R/W-0h	R/W-0h		R/W-0h	R/W-0h	R/W-0h	R/W-0h	R/W-0h
7	6	5	4	3	2	1	0
MMARVALID	RESERVED		MSTKERR	MUNSTKERR	RESERVED	DACCVIOL	IACCVIOL
R/W-0h	R/W-0h		R/W-0h	R/W-0h	R/W-0h	R/W-0h	R/W-0h

Table 2-139. CFSR Register Field Descriptions

Bit	Field	Type	Reset	Description
31-26	RESERVED	R/W	0h	Software should not rely on the value of a reserved. Writing any other value than the reset value may result in undefined behavior.
25	DIVBYZERO	R/W	0h	When CCR.DIV_0_TRP (see Configuration Control Register on page 8-26) is enabled and an SDIV or UDIV instruction is used with a divisor of 0, this fault occurs. The instruction is executed and the return PC points to it. If CCR.DIV_0_TRP is not set, then the divide returns a quotient of 0.
24	UNALIGNED	R/W	0h	When CCR.UNALIGN_TRP is enabled, and there is an attempt to make an unaligned memory access, then this fault occurs. Unaligned LDM/STM/LDRD/STRD instructions always fault irrespective of the setting of CCR.UNALIGN_TRP.
23-20	RESERVED	R/W	0h	Software should not rely on the value of a reserved. Writing any other value than the reset value may result in undefined behavior.
19	NOCP	R/W	0h	Attempt to use a coprocessor instruction. The processor does not support coprocessor instructions.
18	INVPC	R/W	0h	Attempt to load EXC_RETURN into PC illegally. Invalid instruction, invalid context, invalid value. The return PC points to the instruction that tried to set the PC.

Table 2-139. CFSR Register Field Descriptions (continued)

Bit	Field	Type	Reset	Description
17	INVSTATE	R/W	0h	Indicates an attempt to execute in an invalid EPSR state (e.g. after a BX type instruction has changed state). This includes state change after entry to or return from exception, as well as from inter-working instructions. Return PC points to faulting instruction, with the invalid state.
16	UNDEFINSTR	R/W	0h	This bit is set when the processor attempts to execute an undefined instruction. This is an instruction that the processor cannot decode. The return PC points to the undefined instruction.
15	BFARVALID	R/W	0h	This bit is set if the Bus Fault Address Register (BFAR) contains a valid address. This is true after a bus fault where the address is known. Other faults can clear this bit, such as a Mem Manage fault occurring later. If a Bus fault occurs that is escalated to a Hard Fault because of priority, the Hard Fault handler must clear this bit. This prevents problems if returning to a stacked active Bus fault handler whose BFAR value has been overwritten.
14-13	RESERVED	R/W	0h	Software should not rely on the value of a reserved. Writing any other value than the reset value may result in undefined behavior.
12	STKERR	R/W	0h	Stacking from exception has caused one or more bus faults. The SP is still adjusted and the values in the context area on the stack might be incorrect. BFAR is not written.
11	UNSTKERR	R/W	0h	Unstack from exception return has caused one or more bus faults. This is chained to the handler, so that the original return stack is still present. SP is not adjusted from failing return and new save is not performed. BFAR is not written.
10	IMPRECISERR	R/W	0h	Imprecise data bus error. It is a BusFault, but the Return PC is not related to the causing instruction. This is not a synchronous fault. So, if detected when the priority of the current activation is higher than the Bus Fault, it only pends. Bus fault activates when returning to a lower priority activation. If a precise fault occurs before returning to a lower priority exception, the handler detects both IMPRECISERR set and one of the precise fault status bits set at the same time. BFAR is not written.
9	PRECISERR	R/W	0h	Precise data bus error return.
8	IBUSERR	R/W	0h	Instruction bus error flag. This flag is set by a prefetch error. The fault stops on the instruction, so if the error occurs under a branch shadow, no fault occurs. BFAR is not written.
7	MMARVALID	R/W	0h	Memory Manage Address Register (MMFAR) address valid flag. A later-arriving fault, such as a bus fault, can clear a memory manage fault. If a MemManage fault occurs that is escalated to a Hard Fault because of priority, the Hard Fault handler must clear this bit. This prevents problems on return to a stacked active MemManage handler whose MMFAR value has been overwritten.
6-5	RESERVED	R/W	0h	Software should not rely on the value of a reserved. Writing any other value than the reset value may result in undefined behavior.
4	MSTKERR	R/W	0h	Stacking from exception has caused one or more access violations. The SP is still adjusted and the values in the context area on the stack might be incorrect. MMFAR is not written.
3	MUNSTKERR	R/W	0h	Unstack from exception return has caused one or more access violations. This is chained to the handler, so that the original return stack is still present. SP is not adjusted from failing return and new save is not performed. MMFAR is not written.
2	RESERVED	R/W	0h	Software should not rely on the value of a reserved. Writing any other value than the reset value may result in undefined behavior.
1	DACCVIOL	R/W	0h	Data access violation flag. Attempting to load or store at a location that does not permit the operation sets this flag. The return PC points to the faulting instruction. This error loads MMFAR with the address of the attempted access.

Table 2-139. CFSR Register Field Descriptions (continued)

Bit	Field	Type	Reset	Description
0	IACCVIOL	R/W	0h	Instruction access violation flag. Attempting to fetch an instruction from a location that does not permit execution sets this flag. This occurs on any access to an XN region, even when the MPU is disabled or not present. The return PC points to the faulting instruction. MMFAR is not written.

2.7.4.38 HFSR Register (Offset = D2Ch) [Reset = 0000000h]

HFSR is shown in [Figure 2-107](#) and described in [Table 2-140](#).

Return to the [Table 2-101](#).

Hard Fault Status

This register is used to obtain information about events that activate the Hard Fault handler. This register is a write-clear register. This means that writing a 1 to a bit clears that bit.

Figure 2-107. HFSR Register

31	30	29	28	27	26	25	24
DEBUGEVT	FORCED	RESERVED					
R/W1C-0h	R/W1C-0h	R/W-0h					
23	22	21	20	19	18	17	16
RESERVED							
R/W-0h							
15	14	13	12	11	10	9	8
RESERVED							
R/W-0h							
7	6	5	4	3	2	1	0
RESERVED						VECTTBL	RESERVED
R/W-0h						R/W1C-0h	R/W-0h

Table 2-140. HFSR Register Field Descriptions

Bit	Field	Type	Reset	Description
31	DEBUGEVT	R/W1C	0h	This bit is set if there is a fault related to debug. This is only possible when halting debug is not enabled. For monitor enabled debug, it only happens for BKPT when the current priority is higher than the monitor. When both halting and monitor debug are disabled, it only happens for debug events that are not ignored (minimally, BKPT). The Debug Fault Status Register is updated.
30	FORCED	R/W1C	0h	Hard Fault activated because a Configurable Fault was received and cannot activate because of priority or because the Configurable Fault is disabled. The Hard Fault handler then has to read the other fault status registers to determine cause.
29-2	RESERVED	R/W	0h	Software should not rely on the value of a reserved. Writing any other value than the reset value may result in undefined behavior.
1	VECTTBL	R/W1C	0h	This bit is set if there is a fault because of vector table read on exception processing (Bus Fault). This case is always a Hard Fault. The return PC points to the pre-empted instruction.
0	RESERVED	R/W	0h	Software should not rely on the value of a reserved. Writing any other value than the reset value may result in undefined behavior.

2.7.4.39 DFSR Register (Offset = D30h) [Reset = 0000000h]

DFSR is shown in [Figure 2-108](#) and described in [Table 2-141](#).

Return to the [Table 2-101](#).

Debug Fault Status

This register is used to monitor external debug requests, vector catches, data watchpoint match, BKPT instruction execution, halt requests. Multiple flags in the Debug Fault Status Register can be set when multiple fault conditions occur. The register is read/write clear. This means that it can be read normally. Writing a 1 to a bit clears that bit. Note that these bits are not set unless the event is caught. This means that it causes a stop of some sort. If halting debug is enabled, these events stop the processor into debug. If debug is disabled and the debug monitor is enabled, then this becomes a debug monitor handler call, if priority permits. If debug and the monitor are both disabled, some of these events are Hard Faults, and some are ignored.

Figure 2-108. DFSR Register

31	30	29	28	27	26	25	24
RESERVED							
R/W-0h							
23	22	21	20	19	18	17	16
RESERVED							
R/W-0h							
15	14	13	12	11	10	9	8
RESERVED							
R/W-0h							
7	6	5	4	3	2	1	0
RESERVED			EXTERNAL	VCATCH	DWTTTRAP	BKPT	HALTED
R/W-0h			R/W-0h	R/W-0h	R/W-0h	R/W-0h	R/W-0h

Table 2-141. DFSR Register Field Descriptions

Bit	Field	Type	Reset	Description
31-5	RESERVED	R/W	0h	Software should not rely on the value of a reserved. Writing any other value than the reset value may result in undefined behavior.
4	EXTERNAL	R/W	0h	External debug request flag. The processor stops on next instruction boundary. 0x0: External debug request signal not asserted 0x1: External debug request signal asserted
3	VCATCH	R/W	0h	Vector catch flag. When this flag is set, a flag in one of the local fault status registers is also set to indicate the type of fault. 0x0: No vector catch occurred 0x1: Vector catch occurred
2	DWTTTRAP	R/W	0h	Data Watchpoint and Trace (DWT) flag. The processor stops at the current instruction or at the next instruction. 0x0: No DWT match 0x1: DWT match
1	BKPT	R/W	0h	BKPT flag. The BKPT flag is set by a BKPT instruction in flash patch code, and also by normal code. Return PC points to breakpoint containing instruction. 0x0: No BKPT instruction execution 0x1: BKPT instruction execution
0	HALTED	R/W	0h	Halt request flag. The processor is halted on the next instruction. 0x0: No halt request 0x1: Halt requested by NVIC, including step

2.7.4.40 MMFAR Register (Offset = D34h) [Reset = 0000000h]

MMFAR is shown in [Figure 2-109](#) and described in [Table 2-142](#).

Return to the [Table 2-101](#).

Mem Manage Fault Address

This register is used to read the address of the location that caused a Memory Manage Fault.

Figure 2-109. MMFAR Register

31	30	29	28	27	26	25	24	23	22	21	20	19	18	17	16	15	14	13	12	11	10	9	8	7	6	5	4	3	2	1	0
ADDRESS																															
R/W-X																															

Table 2-142. MMFAR Register Field Descriptions

Bit	Field	Type	Reset	Description
31-0	ADDRESS	R/W	X	Mem Manage fault address field. This field is the data address of a faulted load or store attempt. When an unaligned access faults, the address is the actual address that faulted. Because an access can be split into multiple parts, each aligned, this address can be any offset in the range of the requested size. Flags CFSR.IACCVIOL, CFSR.DACCVIOL, CFSR.MUNSTKERR and CFSR.MSTKERR in combination with CFSR.MMARVALID indicate the cause of the fault.

2.7.4.41 BFAR Register (Offset = D38h) [Reset = 0000000h]

BFAR is shown in [Figure 2-110](#) and described in [Table 2-143](#).

Return to the [Table 2-101](#).

Bus Fault Address

This register is used to read the address of the location that generated a Bus Fault.

Figure 2-110. BFAR Register

31	30	29	28	27	26	25	24	23	22	21	20	19	18	17	16	15	14	13	12	11	10	9	8	7	6	5	4	3	2	1	0
ADDRESS																															
R/W-X																															

Table 2-143. BFAR Register Field Descriptions

Bit	Field	Type	Reset	Description
31-0	ADDRESS	R/W	X	Bus fault address field. This field is the data address of a faulted load or store attempt. When an unaligned access faults, the address is the address requested by the instruction, even if that is not the address that faulted. Flags CFSR.IBUSERR, CFSR.PREISERR, CFSR.IMPREISERR, CFSR.UNSTKERR and CFSR.STKERR in combination with CFSR.BFARVALID indicate the cause of the fault.

2.7.4.42 AFSR Register (Offset = D3Ch) [Reset = 0000000h]

AFSR is shown in [Figure 2-111](#) and described in [Table 2-144](#).

Return to the [Table 2-101](#).

Auxiliary Fault Status

This register is used to determine additional system fault information to software. Single-cycle high level on an auxiliary faults is latched as one. The bit can only be cleared by writing a one to the corresponding bit. Auxiliary fault inputs to the CPU are tied to 0.

Figure 2-111. AFSR Register

31	30	29	28	27	26	25	24	23	22	21	20	19	18	17	16	15	14	13	12	11	10	9	8	7	6	5	4	3	2	1	0
IMPDEF																															
R/W-0h																															

Table 2-144. AFSR Register Field Descriptions

Bit	Field	Type	Reset	Description
31-0	IMPDEF	R/W	0h	Implementation defined. The bits map directly onto the signal assignment to the auxiliary fault inputs. Tied to 0

2.7.4.43 ID_PFR0 Register (Offset = D40h) [Reset = 0000030h]

ID_PFR0 is shown in [Figure 2-112](#) and described in [Table 2-145](#).

Return to the [Table 2-101](#).

Processor Feature 0

Figure 2-112. ID_PFR0 Register

31	30	29	28	27	26	25	24	23	22	21	20	19	18	17	16
RESERVED															
R-0h															
15	14	13	12	11	10	9	8	7	6	5	4	3	2	1	0
RESERVED								STATE1				STATE0			
R-0h								R-3h				R-0h			

Table 2-145. ID_PFR0 Register Field Descriptions

Bit	Field	Type	Reset	Description
31-8	RESERVED	R	0h	Software should not rely on the value of a reserved. Writing any other value than the reset value may result in undefined behavior.
7-4	STATE1	R	3h	State1 (T-bit == 1) 0x0: N/A 0x1: N/A 0x2: Thumb-2 encoding with the 16-bit basic instructions plus 32-bit Buncond/BL but no other 32-bit basic instructions (Note non-basic 32-bit instructions can be added using the appropriate instruction attribute, but other 32-bit basic instructions cannot.) 0x3: Thumb-2 encoding with all Thumb-2 basic instructions
3-0	STATE0	R	0h	State0 (T-bit == 0) 0x0: No ARM encoding 0x1: N/A

2.7.4.44 ID_PFR1 Register (Offset = D44h) [Reset = 00000200h]

ID_PFR1 is shown in [Figure 2-113](#) and described in [Table 2-146](#).

Return to the [Table 2-101](#).

Processor Feature 1

Figure 2-113. ID_PFR1 Register

31	30	29	28	27	26	25	24
RESERVED							
R-0h							
23	22	21	20	19	18	17	16
RESERVED							
R-0h							
15	14	13	12	11	10	9	8
RESERVED				MICROCONTROLLER_PROGRAMMERS_MODEL			
R-0h				R-2h			
7	6	5	4	3	2	1	0
RESERVED							
R-0h							

Table 2-146. ID_PFR1 Register Field Descriptions

Bit	Field	Type	Reset	Description
31-12	RESERVED	R	0h	Software should not rely on the value of a reserved. Writing any other value than the reset value may result in undefined behavior.
11-8	MICROCONTROLLER_P ROGRAMMERS_MODEL	R	2h	Microcontroller programmer's model 0x0: Not supported 0x2: Two-stack support
7-0	RESERVED	R	0h	Software should not rely on the value of a reserved. Writing any other value than the reset value may result in undefined behavior.

2.7.4.45 ID_DFR0 Register (Offset = D48h) [Reset = 00100000h]

ID_DFR0 is shown in [Figure 2-114](#) and described in [Table 2-147](#).

Return to the [Table 2-101](#).

Debug Feature 0

This register provides a high level view of the debug system. Further details are provided in the debug infrastructure itself.

Figure 2-114. ID_DFR0 Register

31	30	29	28	27	26	25	24
RESERVED							
R-0h							
23	22	21	20	19	18	17	16
MICROCONTROLLER_DEBUG_MODEL				RESERVED			
R-1h				R-0h			
15	14	13	12	11	10	9	8
RESERVED							
R-0h							
7	6	5	4	3	2	1	0
RESERVED							
R-0h							

Table 2-147. ID_DFR0 Register Field Descriptions

Bit	Field	Type	Reset	Description
31-24	RESERVED	R	0h	Software should not rely on the value of a reserved. Writing any other value than the reset value may result in undefined behavior.
23-20	MICROCONTROLLER_DEBUG_MODEL	R	1h	Microcontroller Debug Model - memory mapped 0x0: Not supported 0x1: Microcontroller debug v1 (ITMv1 and DWTv1)
19-0	RESERVED	R	0h	Software should not rely on the value of a reserved. Writing any other value than the reset value may result in undefined behavior.

2.7.4.46 ID_AFR0 Register (Offset = D4Ch) [Reset = 0000000h]

ID_AFR0 is shown in [Figure 2-115](#) and described in [Table 2-148](#).

Return to the [Table 2-101](#).

Auxiliary Feature 0

This register provides some freedom for implementation defined features to be registered. Not used in Cortex-M.

Figure 2-115. ID_AFR0 Register

31	30	29	28	27	26	25	24	23	22	21	20	19	18	17	16	15	14	13	12	11	10	9	8	7	6	5	4	3	2	1	0
RESERVED																															
R-0h																															

Table 2-148. ID_AFR0 Register Field Descriptions

Bit	Field	Type	Reset	Description
31-0	RESERVED	R	0h	Software should not rely on the value of a reserved. Writing any other value than the reset value may result in undefined behavior.

2.7.4.47 ID_MMFR0 Register (Offset = D50h) [Reset = 00100030h]

ID_MMFR0 is shown in [Figure 2-116](#) and described in [Table 2-149](#).

Return to the [Table 2-101](#).

Memory Model Feature 0

General information on the memory model and memory management support.

Figure 2-116. ID_MMFR0 Register

31	30	29	28	27	26	25	24	23	22	21	20	19	18	17	16	15	14	13	12	11	10	9	8	7	6	5	4	3	2	1	0
RESERVED																															
R-00100030h																															

Table 2-149. ID_MMFR0 Register Field Descriptions

Bit	Field	Type	Reset	Description
31-0	RESERVED	R	00100030h	Software should not rely on the value of a reserved. Writing any other value than the reset value may result in undefined behavior.

2.7.4.48 ID_MMFR1 Register (Offset = D54h) [Reset = 0000000h]

ID_MMFR1 is shown in [Figure 2-117](#) and described in [Table 2-150](#).

Return to the [Table 2-101](#).

Memory Model Feature 1

General information on the memory model and memory management support.

Figure 2-117. ID_MMFR1 Register

31	30	29	28	27	26	25	24	23	22	21	20	19	18	17	16	15	14	13	12	11	10	9	8	7	6	5	4	3	2	1	0
RESERVED																															
R-0h																															

Table 2-150. ID_MMFR1 Register Field Descriptions

Bit	Field	Type	Reset	Description
31-0	RESERVED	R	0h	Software should not rely on the value of a reserved. Writing any other value than the reset value may result in undefined behavior.

2.7.4.49 ID_MMFR2 Register (Offset = D58h) [Reset = 0100000h]

ID_MMFR2 is shown in [Figure 2-118](#) and described in [Table 2-151](#).

Return to the [Table 2-101](#).

Memory Model Feature 2

General information on the memory model and memory management support.

Figure 2-118. ID_MMFR2 Register

31	30	29	28	27	26	25	24
RESERVED							WAIT_FOR_INTERRUPT_STALLING
R-0h							R-1h
23	22	21	20	19	18	17	16
RESERVED							
R-0h							
15	14	13	12	11	10	9	8
RESERVED							
R-0h							
7	6	5	4	3	2	1	0
RESERVED							
R-0h							

Table 2-151. ID_MMFR2 Register Field Descriptions

Bit	Field	Type	Reset	Description
31-25	RESERVED	R	0h	Software should not rely on the value of a reserved. Writing any other value than the reset value may result in undefined behavior.
24	WAIT_FOR_INTERRUPT_STALLING	R	1h	wait for interrupt stalling 0x0: Not supported 0x1: Wait for interrupt supported
23-0	RESERVED	R	0h	Software should not rely on the value of a reserved. Writing any other value than the reset value may result in undefined behavior.

2.7.4.50 ID_MMFR3 Register (Offset = D5Ch) [Reset = 0000000h]

ID_MMFR3 is shown in [Figure 2-119](#) and described in [Table 2-152](#).

Return to the [Table 2-101](#).

Memory Model Feature 3

General information on the memory model and memory management support.

Figure 2-119. ID_MMFR3 Register

31	30	29	28	27	26	25	24	23	22	21	20	19	18	17	16	15	14	13	12	11	10	9	8	7	6	5	4	3	2	1	0
RESERVED																															
R-0h																															

Table 2-152. ID_MMFR3 Register Field Descriptions

Bit	Field	Type	Reset	Description
31-0	RESERVED	R	0h	Software should not rely on the value of a reserved. Writing any other value than the reset value may result in undefined behavior.

2.7.4.51 ID_ISAR0 Register (Offset = D60h) [Reset = 01101110h]

ID_ISAR0 is shown in [Figure 2-120](#) and described in [Table 2-153](#).

Return to the [Table 2-101](#).

ISA Feature 0

Information on the instruction set attributes register

Figure 2-120. ID_ISAR0 Register

31	30	29	28	27	26	25	24	23	22	21	20	19	18	17	16	15	14	13	12	11	10	9	8	7	6	5	4	3	2	1	0
RESERVED																															
R-01101110h																															

Table 2-153. ID_ISAR0 Register Field Descriptions

Bit	Field	Type	Reset	Description
31-0	RESERVED	R	01101110h	Software should not rely on the value of a reserved. Writing any other value than the reset value may result in undefined behavior.

2.7.4.52 ID_ISAR1 Register (Offset = D64h) [Reset = 02112000h]

ID_ISAR1 is shown in [Figure 2-121](#) and described in [Table 2-154](#).

Return to the [Table 2-101](#).

ISA Feature 1

Information on the instruction set attributes register

Figure 2-121. ID_ISAR1 Register

31	30	29	28	27	26	25	24	23	22	21	20	19	18	17	16	15	14	13	12	11	10	9	8	7	6	5	4	3	2	1	0
RESERVED																															
R-02112000h																															

Table 2-154. ID_ISAR1 Register Field Descriptions

Bit	Field	Type	Reset	Description
31-0	RESERVED	R	02112000h	Software should not rely on the value of a reserved. Writing any other value than the reset value may result in undefined behavior.

2.7.4.53 ID_ISAR2 Register (Offset = D68h) [Reset = 21232231h]

ID_ISAR2 is shown in [Figure 2-122](#) and described in [Table 2-155](#).

Return to the [Table 2-101](#).

ISA Feature 2

Information on the instruction set attributes register

Figure 2-122. ID_ISAR2 Register

31	30	29	28	27	26	25	24	23	22	21	20	19	18	17	16	15	14	13	12	11	10	9	8	7	6	5	4	3	2	1	0
RESERVED																															
R-21232231h																															

Table 2-155. ID_ISAR2 Register Field Descriptions

Bit	Field	Type	Reset	Description
31-0	RESERVED	R	21232231h	Software should not rely on the value of a reserved. Writing any other value than the reset value may result in undefined behavior.

2.7.4.54 ID_ISAR3 Register (Offset = D6Ch) [Reset = 01111131h]

ID_ISAR3 is shown in [Figure 2-123](#) and described in [Table 2-156](#).

Return to the [Table 2-101](#).

ISA Feature 3

Information on the instruction set attributes register

Figure 2-123. ID_ISAR3 Register

31	30	29	28	27	26	25	24	23	22	21	20	19	18	17	16	15	14	13	12	11	10	9	8	7	6	5	4	3	2	1	0
RESERVED																															
R-01111131h																															

Table 2-156. ID_ISAR3 Register Field Descriptions

Bit	Field	Type	Reset	Description
31-0	RESERVED	R	01111131h	Software should not rely on the value of a reserved. Writing any other value than the reset value may result in undefined behavior.

2.7.4.55 ID_ISAR4 Register (Offset = D70h) [Reset = 01310132h]

ID_ISAR4 is shown in [Figure 2-124](#) and described in [Table 2-157](#).

Return to the [Table 2-101](#).

ISA Feature 4

Information on the instruction set attributes register

Figure 2-124. ID_ISAR4 Register

31	30	29	28	27	26	25	24	23	22	21	20	19	18	17	16	15	14	13	12	11	10	9	8	7	6	5	4	3	2	1	0
RESERVED																															
R-01310132h																															

Table 2-157. ID_ISAR4 Register Field Descriptions

Bit	Field	Type	Reset	Description
31-0	RESERVED	R	01310132h	Software should not rely on the value of a reserved. Writing any other value than the reset value may result in undefined behavior.

2.7.4.56 CPACR Register (Offset = D88h) [Reset = 0000000h]

CPACR is shown in [Figure 2-125](#) and described in [Table 2-158](#).

Return to the [Table 2-101](#).

Coprocessor Access Control

This register specifies the access privileges for coprocessors.

Figure 2-125. CPACR Register

31	30	29	28	27	26	25	24	23	22	21	20	19	18	17	16	15	14	13	12	11	10	9	8	7	6	5	4	3	2	1	0
RESERVED																															
R/W-0h																															

Table 2-158. CPACR Register Field Descriptions

Bit	Field	Type	Reset	Description
31-0	RESERVED	R/W	0h	Software should not rely on the value of a reserved. Writing any other value than the reset value may result in undefined behavior.

2.7.4.57 MPU_TYPE Register (Offset = D90h) [Reset = 0000800h]

MPU_TYPE is shown in [Figure 2-126](#) and described in [Table 2-159](#).

Return to the [Table 2-101](#).

MPU Type

This register indicates many regions the MPU supports.

Figure 2-126. MPU_TYPE Register

31	30	29	28	27	26	25	24
RESERVED							
R-0h							
23	22	21	20	19	18	17	16
IREGION							
R-0h							
15	14	13	12	11	10	9	8
DREGION							
R-8h							
7	6	5	4	3	2	1	0
RESERVED							SEPARATE
R-0h							R-0h

Table 2-159. MPU_TYPE Register Field Descriptions

Bit	Field	Type	Reset	Description
31-24	RESERVED	R	0h	Reads 0.
23-16	IREGION	R	0h	The processor core uses only a unified MPU, this field always reads 0x0.
15-8	DREGION	R	8h	Number of supported MPU regions field. This field reads 0x08 indicating eight MPU regions.
7-1	RESERVED	R	0h	Reads 0.
0	SEPARATE	R	0h	The processor core uses only a unified MPU, thus this field is always 0.

2.7.4.58 MPU_CTRL Register (Offset = D94h) [Reset = 0000000h]

MPU_CTRL is shown in [Figure 2-127](#) and described in [Table 2-160](#).

Return to the [Table 2-101](#).

MPU Control

This register is used to enable the MPU, enable the default memory map (background region), and enable the MPU when in Hard Fault, Non-maskable Interrupt (NMI), and FAULTMASK escalated handlers. When the MPU is enabled, at least one region of the memory map must be enabled for the MPU to function unless the PRIVDEFENA bit is set. If the PRIVDEFENA bit is set and no regions are enabled, then only privileged code can operate. When the MPU is disabled, the default address map is used, as if no MPU is present. When the MPU is enabled, only the system partition and vector table loads are always accessible. Other areas are accessible based on regions and whether PRIVDEFENA is enabled. Unless HFNMIENA is set, the MPU is not enabled when the exception priority is -1 or -2. These priorities are only possible when in Hard fault, NMI, or when FAULTMASK is enabled. The HFNMIENA bit enables the MPU when operating with these two priorities.

Figure 2-127. MPU_CTRL Register

31	30	29	28	27	26	25	24
RESERVED							
R/W-0h							
23	22	21	20	19	18	17	16
RESERVED							
R/W-0h							
15	14	13	12	11	10	9	8
RESERVED							
R/W-0h							
7	6	5	4	3	2	1	0
RESERVED					PRIVDEFENA	HFNMIENA	ENABLE
R/W-0h					R/W-0h	R/W-0h	R/W-0h

Table 2-160. MPU_CTRL Register Field Descriptions

Bit	Field	Type	Reset	Description
31-3	RESERVED	R/W	0h	Software should not rely on the value of a reserved. Writing any other value than the reset value may result in undefined behavior.
2	PRIVDEFENA	R/W	0h	This bit enables the default memory map for privileged access, as a background region, when the MPU is enabled. The background region acts as if it was region number 1 before any settable regions. Any region that is set up overlays this default map, and overrides it. If this bit is not set, the default memory map is disabled, and memory not covered by a region faults. This applies to memory type, Execute Never (XN), cache and shareable rules. However, this only applies to privileged mode (fetch and data access). User mode code faults unless a region has been set up for its code and data. When the MPU is disabled, the default map acts on both privileged and user mode code. XN and SO rules always apply to the system partition whether this enable is set or not. If the MPU is disabled, this bit is ignored.
1	HFNMIENA	R/W	0h	This bit enables the MPU when in Hard Fault, NMI, and FAULTMASK escalated handlers. If this bit and ENABLE are set, the MPU is enabled when in these handlers. If this bit is not set, the MPU is disabled when in these handlers, regardless of the value of ENABLE bit. If this bit is set and ENABLE is not set, behavior is unpredictable.
0	ENABLE	R/W	0h	Enable MPU 0: MPU disabled 1: MPU enabled

2.7.4.59 MPU_RNR Register (Offset = D98h) [Reset = 0000000h]

MPU_RNR is shown in [Figure 2-128](#) and described in [Table 2-161](#).

Return to the [Table 2-101](#).

MPU Region Number

This register is used to select which protection region is accessed. The following write to MPU_RASR or MPU_RBAR configures the characteristics of the protection region that is selected by this register.

Figure 2-128. MPU_RNR Register

31	30	29	28	27	26	25	24	23	22	21	20	19	18	17	16	15	14	13	12	11	10	9	8	7	6	5	4	3	2	1	0
RESERVED														REGION																	
R/W-0h														R/W-0h																	

Table 2-161. MPU_RNR Register Field Descriptions

Bit	Field	Type	Reset	Description
31-8	RESERVED	R/W	0h	Software should not rely on the value of a reserved. Writing any other value than the reset value may result in undefined behavior.
7-0	REGION	R/W	0h	Region select field. This field selects the region to operate on when using the MPU_RASR and MPU_RBAR. It must be written first except when the address MPU_RBAR.VALID and MPU_RBAR.REGION fields are written, which overwrites this.

2.7.4.60 MPU_RBAR Register (Offset = D9Ch) [Reset = 0000000h]

MPU_RBAR is shown in [Figure 2-129](#) and described in [Table 2-162](#).

Return to the [Table 2-101](#).

MPU Region Base Address

This register writes the base address of a region. It also contains a REGION field that can be used to override MPU_RNR.REGION, if the VALID bit is set. This register sets the base for the region. It is aligned by the size. So, a 64-KB sized region must be aligned on a multiple of 64KB, for example, 0x00010000 or 0x00020000. The region always reads back as the current MPU region number. VALID always reads back as 0. Writing VALID = 1 and REGION = n changes the region number to n. This is a short-hand way to write the MPU_RNR. This register is unpredictable if accessed other than as a word.

Figure 2-129. MPU_RBAR Register

31	30	29	28	27	26	25	24
ADDR							
R/W-0h							
23	22	21	20	19	18	17	16
ADDR							
R/W-0h							
15	14	13	12	11	10	9	8
ADDR							
R/W-0h							
7	6	5	4	3	2	1	0
ADDR			VALID	REGION			
R/W-0h			R/W-0h	R/W-0h			

Table 2-162. MPU_RBAR Register Field Descriptions

Bit	Field	Type	Reset	Description
31-5	ADDR	R/W	0h	Region base address field. The position of the LSB depends on the region size, so that the base address is aligned according to an even multiple of size. The power of 2 size specified by the SZENABLE field of the MPU Region Attribute and Size Register defines how many bits of base address are used.
4	VALID	R/W	0h	MPU region number valid: 0: MPU_RNR remains unchanged and is interpreted. 1: MPU_RNR is overwritten by REGION.
3-0	REGION	R/W	0h	MPU region override field

2.7.4.61 MPU_RASR Register (Offset = DA0h) [Reset = 0000000h]

MPU_RASR is shown in [Figure 2-130](#) and described in [Table 2-163](#).

Return to the [Table 2-101](#).

MPU Region Attribute and Size

This register controls the MPU access permissions. The register is made up of two part registers, each of halfword size. These can be accessed using the halfword size, or they can both be simultaneously accessed using a word operation. The sub-region disable bits are not supported for region sizes of 32 bytes, 64 bytes, and 128 bytes. When these region sizes are used, the subregion disable bits must be programmed as 0.

Figure 2-130. MPU_RASR Register

31	30	29	28	27	26	25	24
RESERVED			XN	RESERVED	AP		
R/W-0h			R/W-0h	R/W-0h	R/W-0h		
23	22	21	20	19	18	17	16
RESERVED		TEX		S	C	B	
R/W-0h		R/W-0h		R/W-0h	R/W-0h	R/W-0h	
15	14	13	12	11	10	9	8
SRD							
R/W-0h							
7	6	5	4	3	2	1	0
RESERVED		SIZE				ENABLE	
R/W-0h		R/W-0h				R/W-0h	

Table 2-163. MPU_RASR Register Field Descriptions

Bit	Field	Type	Reset	Description
31-29	RESERVED	R/W	0h	Software should not rely on the value of a reserved. Writing any other value than the reset value may result in undefined behavior.
28	XN	R/W	0h	Instruction access disable: 0: Enable instruction fetches 1: Disable instruction fetches
27	RESERVED	R/W	0h	Software should not rely on the value of a reserved. Writing any other value than the reset value may result in undefined behavior.
26-24	AP	R/W	0h	Data access permission: 0x0: Privileged permissions: No access. User permissions: No access. 0x1: Privileged permissions: Read-write. User permissions: No access. 0x2: Privileged permissions: Read-write. User permissions: Read-only. 0x3: Privileged permissions: Read-write. User permissions: Read-write. 0x4: Reserved 0x5: Privileged permissions: Read-only. User permissions: No access. 0x6: Privileged permissions: Read-only. User permissions: Read-only. 0x7: Privileged permissions: Read-only. User permissions: Read-only.
23-22	RESERVED	R/W	0h	Software should not rely on the value of a reserved. Writing any other value than the reset value may result in undefined behavior.
21-19	TEX	R/W	0h	Type extension
18	S	R/W	0h	Shareable bit: 0: Not shareable 1: Shareable

Table 2-163. MPU_RASR Register Field Descriptions (continued)

Bit	Field	Type	Reset	Description
17	C	R/W	0h	Cacheable bit: 0: Not cacheable 1: Cacheable
16	B	R/W	0h	Bufferable bit: 0: Not bufferable 1: Bufferable
15-8	SRD	R/W	0h	Sub-Region Disable field: Setting a bit in this field disables the corresponding sub-region. Regions are split into eight equal-sized sub-regions. Sub-regions are not supported for region sizes of 128 bytes and less.
7-6	RESERVED	R/W	0h	Software should not rely on the value of a reserved. Writing any other value than the reset value may result in undefined behavior.
5-1	SIZE	R/W	0h	MPU Protection Region Size Field: 0x04: 32B 0x05: 64B 0x06: 128B 0x07: 256B 0x08: 512B 0x09: 1KB 0x0A: 2KB 0x0B: 4KB 0x0C: 8KB 0x0D: 16KB 0x0E: 32KB 0x0F: 64KB 0x10: 128KB 0x11: 256KB 0x12: 512KB 0x13: 1MB 0x14: 2MB 0x15: 4MB 0x16: 8MB 0x17: 16MB 0x18: 32MB 0x19: 64MB 0x1A: 128MB 0x1B: 256MB 0x1C: 512MB 0x1D: 1GB 0x1E: 2GB 0x1F: 4GB
0	ENABLE	R/W	0h	Region enable bit: 0: Disable region 1: Enable region

2.7.4.62 MPU_RBAR_A1 Register (Offset = DA4h) [Reset = 0000000h]

MPU_RBAR_A1 is shown in [Figure 2-131](#) and described in [Table 2-164](#).

Return to the [Table 2-101](#).

MPU Alias 1 Region Base Address

Alias for MPU_RBAR

Figure 2-131. MPU_RBAR_A1 Register

31	30	29	28	27	26	25	24	23	22	21	20	19	18	17	16	15	14	13	12	11	10	9	8	7	6	5	4	3	2	1	0
MPU_RBAR_A1																															
R/W-0h																															

Table 2-164. MPU_RBAR_A1 Register Field Descriptions

Bit	Field	Type	Reset	Description
31-0	MPU_RBAR_A1	R/W	0h	Alias for MPU_RBAR

2.7.4.63 MPU_RASR_A1 Register (Offset = DA8h) [Reset = 0000000h]

MPU_RASR_A1 is shown in [Figure 2-132](#) and described in [Table 2-165](#).

Return to the [Table 2-101](#).

MPU Alias 1 Region Attribute and Size

Alias for MPU_RASR

Figure 2-132. MPU_RASR_A1 Register

31	30	29	28	27	26	25	24	23	22	21	20	19	18	17	16	15	14	13	12	11	10	9	8	7	6	5	4	3	2	1	0
MPU_RASR_A1																															
R/W-0h																															

Table 2-165. MPU_RASR_A1 Register Field Descriptions

Bit	Field	Type	Reset	Description
31-0	MPU_RASR_A1	R/W	0h	Alias for MPU_RASR

2.7.4.64 MPU_RBAR_A2 Register (Offset = DACH) [Reset = 0000000h]

MPU_RBAR_A2 is shown in [Figure 2-133](#) and described in [Table 2-166](#).

Return to the [Table 2-101](#).

MPU Alias 2 Region Base Address

Alias for MPU_RBAR

Figure 2-133. MPU_RBAR_A2 Register

31	30	29	28	27	26	25	24	23	22	21	20	19	18	17	16	15	14	13	12	11	10	9	8	7	6	5	4	3	2	1	0
MPU_RBAR_A2																															
R/W-0h																															

Table 2-166. MPU_RBAR_A2 Register Field Descriptions

Bit	Field	Type	Reset	Description
31-0	MPU_RBAR_A2	R/W	0h	Alias for MPU_RBAR

2.7.4.65 MPU_RASR_A2 Register (Offset = DB0h) [Reset = 0000000h]

MPU_RASR_A2 is shown in [Figure 2-134](#) and described in [Table 2-167](#).

Return to the [Table 2-101](#).

MPU Alias 2 Region Attribute and Size

Alias for MPU_RASR

Figure 2-134. MPU_RASR_A2 Register

31	30	29	28	27	26	25	24	23	22	21	20	19	18	17	16	15	14	13	12	11	10	9	8	7	6	5	4	3	2	1	0
MPU_RASR_A2																															
R/W-0h																															

Table 2-167. MPU_RASR_A2 Register Field Descriptions

Bit	Field	Type	Reset	Description
31-0	MPU_RASR_A2	R/W	0h	Alias for MPU_RASR

2.7.4.66 MPU_RBAR_A3 Register (Offset = DB4h) [Reset = 0000000h]

MPU_RBAR_A3 is shown in [Figure 2-135](#) and described in [Table 2-168](#).

Return to the [Table 2-101](#).

MPU Alias 3 Region Base Address

Alias for MPU_RBAR

Figure 2-135. MPU_RBAR_A3 Register

31	30	29	28	27	26	25	24	23	22	21	20	19	18	17	16	15	14	13	12	11	10	9	8	7	6	5	4	3	2	1	0
MPU_RBAR_A3																															
R/W-0h																															

Table 2-168. MPU_RBAR_A3 Register Field Descriptions

Bit	Field	Type	Reset	Description
31-0	MPU_RBAR_A3	R/W	0h	Alias for MPU_RBAR

2.7.4.67 MPU_RASR_A3 Register (Offset = DB8h) [Reset = 0000000h]

MPU_RASR_A3 is shown in [Figure 2-136](#) and described in [Table 2-169](#).

Return to the [Table 2-101](#).

MPU Alias 3 Region Attribute and Size

Alias for MPU_RASR

Figure 2-136. MPU_RASR_A3 Register

31	30	29	28	27	26	25	24	23	22	21	20	19	18	17	16	15	14	13	12	11	10	9	8	7	6	5	4	3	2	1	0
MPU_RASR_A3																															
R/W-0h																															

Table 2-169. MPU_RASR_A3 Register Field Descriptions

Bit	Field	Type	Reset	Description
31-0	MPU_RASR_A3	R/W	0h	Alias for MPU_RASR

2.7.4.68 DHCSR Register (Offset = DF0h) [Reset = 0000000h]

DHCSR is shown in [Figure 2-137](#) and described in [Table 2-170](#).

Return to the [Table 2-101](#).

Debug Halting Control and Status

The purpose of this register is to provide status information about the state of the processor, enable core debug, halt and step the processor. For writes, 0xA05F must be written to higher half-word of this register, otherwise the write operation is ignored and no bits are written into the register. If not enabled for Halting mode, C_DEBUGEN = 1, all other fields are disabled. This register is not reset on a core reset. It is reset by a power-on reset. However, C_HALT always clears on a core reset. To halt on a reset, the following bits must be enabled: DEMCR.VC_CORERESET and C_DEBUGEN. Note that writes to this register in any size other than word are unpredictable. It is acceptable to read in any size, and it can be used to avoid or intentionally change a sticky bit. Behavior of the system when writing to this register while CPU is halted (i.e. C_DEBUGEN = 1 and S_HALT= 1):

C_HALT=0, C_STEP=0, C_MASKINTS=0 Exit Debug state and start instruction execution. Exceptions activate according to the exception configuration rules.

C_HALT=0, C_STEP=0, C_MASKINTS=1 Exit Debug state and start instruction execution. PendSV, SysTick and external configurable interrupts are disabled, otherwise exceptions activate according to standard configuration rules.

C_HALT=0, C_STEP=1, C_MASKINTS=0 Exit Debug state, step an instruction and halt. Exceptions activate according to the exception configuration rules.

C_HALT=1, C_STEP=x, C_MASKINTS=x Remain in Debug state

Figure 2-137. DHCSR Register

31	30	29	28	27	26	25	24
RESERVED						S_RESET_ST	S_RETIRE_ST
R/W-0h						R/W-0h	R/W-0h
23	22	21	20	19	18	17	16
RESERVED				S_LOCKUP	S_SLEEP	S_HALT	S_REGRDY
R/W-0h				R/W-0h	R/W-0h	R/W-0h	R/W-X
15	14	13	12	11	10	9	8
RESERVED							
R-0h							
7	6	5	4	3	2	1	0
RESERVED		C_SNAPSTALL	RESERVED	C_MASKINTS	C_STEP	C_HALT	C_DEBUGEN
R-0h		R/W-0h	R/W-0h	R/W-0h	R/W-0h	R/W-0h	R/W-0h

Table 2-170. DHCSR Register Field Descriptions

Bit	Field	Type	Reset	Description
31-26	RESERVED	R/W	0h	Software should not rely on the value of a reserved. When writing to this register, 0x28 must be written this bit-field, otherwise the write operation is ignored and no bits are written into the register.
25	S_RESET_ST	R/W	0h	Indicates that the core has been reset, or is now being reset, since the last time this bit was read. This a sticky bit that clears on read. So, reading twice and getting 1 then 0 means it was reset in the past. Reading twice and getting 1 both times means that it is being reset now (held in reset still). When writing to this register, 0 must be written this bit-field, otherwise the write operation is ignored and no bits are written into the register.

Table 2-170. DHCSR Register Field Descriptions (continued)

Bit	Field	Type	Reset	Description
24	S_RETIRE_ST	R/W	0h	Indicates that an instruction has completed since last read. This is a sticky bit that clears on read. This determines if the core is stalled on a load/store or fetch. When writing to this register, 0 must be written this bit-field, otherwise the write operation is ignored and no bits are written into the register.
23-20	RESERVED	R/W	0h	Software should not rely on the value of a reserved. When writing to this register, 0x5 must be written this bit-field, otherwise the write operation is ignored and no bits are written into the register.
19	S_LOCKUP	R/W	0h	Reads as one if the core is running (not halted) and a lockup condition is present. When writing to this register, 1 must be written this bit-field, otherwise the write operation is ignored and no bits are written into the register.
18	S_SLEEP	R/W	0h	Indicates that the core is sleeping (WFI, WFE, or **SLEEP-ON-EXIT**). Must use C_HALT to gain control or wait for interrupt to wake-up. When writing to this register, 1 must be written this bit-field, otherwise the write operation is ignored and no bits are written into the register.
17	S_HALT	R/W	0h	The core is in debug state when this bit is set. When writing to this register, 1 must be written this bit-field, otherwise the write operation is ignored and no bits are written into the register.
16	S_REGRDY	R/W	X	Register Read/Write on the Debug Core Register Selector register is available. Last transfer is complete. When writing to this register, 1 must be written this bit-field, otherwise the write operation is ignored and no bits are written into the register.
15-6	RESERVED	R	0h	Software should not rely on the value of a reserved. Writing any other value than the reset value may result in undefined behavior.
5	C_SNAPSTALL	R/W	0h	If the core is stalled on a load/store operation the stall ceases and the instruction is forced to complete. This enables Halting debug to gain control of the core. It can only be set if: C_DEBUGEN = 1 and C_HALT = 1. The core reads S_RETIRE_ST as 0. This indicates that no instruction has advanced. This prevents misuse. The bus state is Unpredictable when this is used. S_RETIRE_ST can detect core stalls on load/store operations.
4	RESERVED	R/W	0h	Software should not rely on the value of a reserved. Writing any other value than the reset value may result in undefined behavior.
3	C_MASKINTS	R/W	0h	Mask interrupts when stepping or running in halted debug. This masking does not affect NMI, fault exceptions and SVC caused by execution of the instructions. This bit must only be modified when the processor is halted (S_HALT == 1). C_MASKINTS must be set or cleared before halt is released (i.e., the writes to set or clear C_MASKINTS and to set or clear C_HALT must be separate). Modifying C_MASKINTS while the system is running with halting debug support enabled (C_DEBUGEN = 1, S_HALT = 0) may cause unpredictable behavior.
2	C_STEP	R/W	0h	Steps the core in halted debug. When C_DEBUGEN = 0, this bit has no effect. Must only be modified when the processor is halted (S_HALT == 1). Modifying C_STEP while the system is running with halting debug support enabled (C_DEBUGEN = 1, S_HALT = 0) may cause unpredictable behavior.
1	C_HALT	R/W	0h	Halts the core. This bit is set automatically when the core Halts. For example Breakpoint. This bit clears on core reset.

Table 2-170. DHCSR Register Field Descriptions (continued)

Bit	Field	Type	Reset	Description
0	C_DEBUGEN	R/W	0h	Enables debug. This can only be written by AHB-AP and not by the core. It is ignored when written by the core, which cannot set or clear it. The core must write a 1 to it when writing C_HALT to halt itself. The values of C_HALT, C_STEP and C_MASKINTS are ignored by hardware when C_DEBUGEN = 0. The read values for C_HALT, C_STEP and C_MASKINTS fields will be unknown to software when C_DEBUGEN = 0.

2.7.4.69 DCRSR Register (Offset = DF4h) [Reset = 0000000h]

DCRSR is shown in [Figure 2-138](#) and described in [Table 2-171](#).

Return to the [Table 2-101](#).

Debug Core Register Selector

The purpose of this register is to select the processor register to transfer data to or from. This write-only register generates a handshake to the core to transfer data to or from Debug Core Register Data Register and the selected register. Until this core transaction is complete, DHCSR.S_REGRDY is 0. Note that writes to this register in any size but word are Unpredictable.

Note that PSR registers are fully accessible this way, whereas some read as 0 when using MRS instructions. Note that all bits can be written, but some combinations cause a fault when execution is resumed.

Figure 2-138. DCRSR Register

31	30	29	28	27	26	25	24
RESERVED							
W-X							
23	22	21	20	19	18	17	16
RESERVED							REGWNR
W-X							W-X
15	14	13	12	11	10	9	8
RESERVED							
W-X							
7	6	5	4	3	2	1	0
RESERVED				REGSEL			
W-X				W-X			

Table 2-171. DCRSR Register Field Descriptions

Bit	Field	Type	Reset	Description
31-17	RESERVED	W	X	Software should not rely on the value of a reserved. Write 0.
16	REGWNR	W	X	1: Write 0: Read
15-5	RESERVED	W	X	Software should not rely on the value of a reserved. Write 0.
4-0	REGSEL	W	X	Register select 0x00: R0 0x01: R1 0x02: R2 0x03: R3 0x04: R4 0x05: R5 0x06: R6 0x07: R7 0x08: R8 0x09: R9 0x0A: R10 0x0B: R11 0x0C: R12 0x0D: Current SP 0x0E: LR 0x0F: DebugReturnAddress 0x10: XPSR/flags, execution state information, and exception number 0x11: MSP (Main SP) 0x12: PSP (Process SP) 0x14: CONTROL<<24 FAULTMASK<<16 BASEPRI<<8 PRIMASK

2.7.4.70 DCRDR Register (Offset = DF8h) [Reset = 0000000h]

DCRDR is shown in [Figure 2-139](#) and described in [Table 2-172](#).

Return to the [Table 2-101](#).

Debug Core Register Data

Figure 2-139. DCRDR Register

31	30	29	28	27	26	25	24	23	22	21	20	19	18	17	16	15	14	13	12	11	10	9	8	7	6	5	4	3	2	1	0
DCRDR																															
R/W-X																															

Table 2-172. DCRDR Register Field Descriptions

Bit	Field	Type	Reset	Description
31-0	DCRDR	R/W	X	This register holds data for reading and writing registers to and from the processor. This is the data value written to the register selected by DCRSR. When the processor receives a request from DCRSR, this register is read or written by the processor using a normal load-store unit operation. If core register transfers are not being performed, software-based debug monitors can use this register for communication in non-halting debug. This enables flags and bits to acknowledge state and indicate if commands have been accepted to, replied to, or accepted and replied to.

2.7.4.71 DEMCR Register (Offset = DFCh) [Reset = 0000000h]

DEMCR is shown in [Figure 2-140](#) and described in [Table 2-173](#).

Return to the [Table 2-101](#).

Debug Exception and Monitor Control

The purpose of this register is vector catching and debug monitor control. This register manages exception behavior under debug. Vector catching is only available to halting debug. The upper halfword is for monitor controls and the lower halfword is for halting exception support. This register is not reset on a system reset. This register is reset by a power-on reset. The fields MON_EN, MON_PEND, MON_STEP and MON_REQ are always cleared on a core reset. The debug monitor is enabled by software in the reset handler or later, or by the **AHB-AP** port. Vector catching is semi-synchronous. When a matching event is seen, a Halt is requested. Because the processor can only halt on an instruction boundary, it must wait until the next instruction boundary. As a result, it stops on the first instruction of the exception handler. However, two special cases exist when a vector catch has triggered: 1. If a fault is taken during a vector read or stack push error the halt occurs on the corresponding fault handler for the vector error or stack push. 2. If a late arriving interrupt detected during a vector read or stack push error it is not taken. That is, an implementation that supports the late arrival optimization must suppress it in this case.

Figure 2-140. DEMCR Register

31	30	29	28	27	26	25	24
RESERVED							TRCENA
R/W-0h							R/W-0h
23	22	21	20	19	18	17	16
RESERVED				MON_REQ	MON_STEP	MON_PEND	MON_EN
R/W-0h				R/W-0h	R/W-0h	R/W-0h	R/W-0h
15	14	13	12	11	10	9	8
RESERVED					VC_HARDERR	VC_INTERR	VC_BUSERR
R/W-0h					R/W-0h	R/W-0h	R/W-0h
7	6	5	4	3	2	1	0
VC_STATERR	VC_CHKERR	VC_NOCPERR	VC_MMERR	RESERVED			VC_CORERES ET
R/W-0h	R/W-0h	R/W-0h	R/W-0h	R/W-0h			R/W-0h

Table 2-173. DEMCR Register Field Descriptions

Bit	Field	Type	Reset	Description
31-25	RESERVED	R/W	0h	Software should not rely on the value of a reserved. Writing any other value than the reset value may result in undefined behavior.
24	TRCENA	R/W	0h	This bit must be set to 1 to enable use of the trace and debug blocks: DWT, ITM, ETM and TPIU. This enables control of power usage unless tracing is required. The application can enable this, for ITM use, or use by a debugger.
23-20	RESERVED	R/W	0h	Software should not rely on the value of a reserved. Writing any other value than the reset value may result in undefined behavior.
19	MON_REQ	R/W	0h	This enables the monitor to identify how it wakes up. This bit clears on a Core Reset. 0x0: Woken up by debug exception. 0x1: Woken up by MON_PEND
18	MON_STEP	R/W	0h	When MON_EN = 1, this steps the core. When MON_EN = 0, this bit is ignored. This is the equivalent to DHCSR.C_STEP. Interrupts are only stepped according to the priority of the monitor and settings of PRIMASK, FAULTMASK, or BASEPRI.

Table 2-173. DEMCR Register Field Descriptions (continued)

Bit	Field	Type	Reset	Description
17	MON_PEND	R/W	0h	Pend the monitor to activate when priority permits. This can wake up the monitor through the AHB-AP port. It is the equivalent to DHCSR.C_HALT for Monitor debug. This register does not reset on a system reset. It is only reset by a power-on reset. Software in the reset handler or later, or by the DAP must enable the debug monitor.
16	MON_EN	R/W	0h	Enable the debug monitor. When enabled, the System handler priority register controls its priority level. If disabled, then all debug events go to Hard fault. DHCSR.C_DEBUGEN overrides this bit. Vector catching is semi-synchronous. When a matching event is seen, a Halt is requested. Because the processor can only halt on an instruction boundary, it must wait until the next instruction boundary. As a result, it stops on the first instruction of the exception handler. However, two special cases exist when a vector catch has triggered: 1. If a fault is taken during vectoring, vector read or stack push error, the halt occurs on the corresponding fault handler, for the vector error or stack push. 2. If a late arriving interrupt comes in during vectoring, it is not taken. That is, an implementation that supports the late arrival optimization must suppress it in this case.
15-11	RESERVED	R/W	0h	Software should not rely on the value of a reserved. Writing any other value than the reset value may result in undefined behavior.
10	VC_HARDERR	R/W	0h	Debug trap on Hard Fault. Ignored when DHCSR.C_DEBUGEN is cleared.
9	VC_INTERR	R/W	0h	Debug trap on a fault occurring during an exception entry or return sequence. Ignored when DHCSR.C_DEBUGEN is cleared.
8	VC_BUSERR	R/W	0h	Debug Trap on normal Bus error. Ignored when DHCSR.C_DEBUGEN is cleared.
7	VC_STATERR	R/W	0h	Debug trap on Usage Fault state errors. Ignored when DHCSR.C_DEBUGEN is cleared.
6	VC_CHKERR	R/W	0h	Debug trap on Usage Fault enabled checking errors. Ignored when DHCSR.C_DEBUGEN is cleared.
5	VC_NOCPERR	R/W	0h	Debug trap on a UsageFault access to a Coprocessor. Ignored when DHCSR.C_DEBUGEN is cleared.
4	VC_MMERR	R/W	0h	Debug trap on Memory Management faults. Ignored when DHCSR.C_DEBUGEN is cleared.
3-1	RESERVED	R/W	0h	Software should not rely on the value of a reserved. Writing any other value than the reset value may result in undefined behavior.
0	VC_CORERESET	R/W	0h	Reset Vector Catch. Halt running system if Core reset occurs. Ignored when DHCSR.C_DEBUGEN is cleared.

2.7.4.72 STIR Register (Offset = F00h) [Reset = 0000000h]

STIR is shown in [Figure 2-141](#) and described in [Table 2-174](#).

Return to the [Table 2-101](#).

Software Trigger Interrupt

Figure 2-141. STIR Register

31	30	29	28	27	26	25	24	23	22	21	20	19	18	17	16	15	14	13	12	11	10	9	8	7	6	5	4	3	2	1	0
RESERVED																INTID															
W-0h																W-X															

Table 2-174. STIR Register Field Descriptions

Bit	Field	Type	Reset	Description
31-9	RESERVED	W	0h	Software should not rely on the value of a reserved. Write 0.
8-0	INTID	W	X	Interrupt ID field. Writing a value to this bit-field is the same as manually pending an interrupt by setting the corresponding interrupt bit in an Interrupt Set Pending Register in NVIC_ISPR0 or NVIC_ISPR1.

2.7.5 CPU_TPIU Registers

[CPU_TPIU Registers](#) lists the memory-mapped registers for the CPU_TPIU registers. All register offset addresses not listed in [CPU_TPIU Registers](#) should be considered as reserved locations and the register contents should not be modified.

Table 2-175. CPU_TPIU Registers

Offset	Acronym	Register Name	Section
0h	SSPSR	Supported Sync Port Sizes	Section 2.7.5.1
4h	CSPSR	Current Sync Port Size	Section 2.7.5.2
10h	ACPR	Async Clock Prescaler	Section 2.7.5.3
F0h	SPPR	Selected Pin Protocol	Section 2.7.5.4
300h	FFSR	Formatter and Flush Status	Section 2.7.5.5
304h	FFCR	Formatter and Flush Control	Section 2.7.5.6
308h	FSCR	Formatter Synchronization Counter	Section 2.7.5.7
FA0h	CLAIMMASK	Claim Tag Mask	Section 2.7.5.8
FA0h	CLAIMSET	Claim Tag Set	Section 2.7.5.9
FA4h	CLAIMTAG	Current Claim Tag	Section 2.7.5.10
FA4h	CLAIMCLR	Claim Tag Clear	Section 2.7.5.11
FC8h	DEVID	Device ID	Section 2.7.5.12

Complex bit access types are encoded to fit into small table cells. [CPU_TPIU Access Type Codes](#) shows the codes that are used for access types in this section.

Table 2-176. CPU_TPIU Access Type Codes

Access Type	Code	Description
Read Type		
R	R	Read
Write Type		
W	W	Write
Reset or Default Value		
-n		Value after reset or the default value

2.7.5.1 SSPSR Register (Offset = 0h) [Reset = 000000Bh]

SSPSR is shown in [SSPSR Register](#) and described in [SSPSR Register Field Descriptions](#).

Return to the [CPU_TPIU Registers](#).

Supported Sync Port Sizes

This register represents a single port size that is supported on the device, that is, 4, 2 or 1. This is to ensure that tools do not attempt to select a port width that an attached TPA cannot capture.

Figure 2-142. SSPSR Register

31	30	29	28	27	26	25	24
RESERVED							
R-0h							
23	22	21	20	19	18	17	16
RESERVED							
R-0h							
15	14	13	12	11	10	9	8
RESERVED							
R-0h							
7	6	5	4	3	2	1	0
RESERVED				FOUR	THREE	TWO	ONE
R-0h				R-1h	R-0h	R-1h	R-1h

Table 2-177. SSPSR Register Field Descriptions

Bit	Field	Type	Reset	Description
31-4	RESERVED	R	0h	Software should not rely on the value of a reserved. Writing any other value than the reset value may result in undefined behavior.
3	FOUR	R	1h	4-bit port size support 0x0: Not supported 0x1: Supported
2	THREE	R	0h	3-bit port size support 0x0: Not supported 0x1: Supported
1	TWO	R	1h	2-bit port size support 0x0: Not supported 0x1: Supported
0	ONE	R	1h	1-bit port size support 0x0: Not supported 0x1: Supported

2.7.5.2 CSPSR Register (Offset = 4h) [Reset = 0000001h]

CSPSR is shown in [CSPSR Register](#) and described in [CSPSR Register Field Descriptions](#).

Return to the [CPU_TPIU Registers](#).

Current Sync Port Size

This register has the same format as SSPSR but only one bit can be set, and all others must be zero. Writing values with more than one bit set, or setting a bit that is not indicated as supported can cause Unpredictable behavior. On reset this defaults to the smallest possible port size, 1 bit.

Figure 2-143. CSPSR Register

31	30	29	28	27	26	25	24
RESERVED							
R/W-0h							
23	22	21	20	19	18	17	16
RESERVED							
R/W-0h							
15	14	13	12	11	10	9	8
RESERVED							
R/W-0h							
7	6	5	4	3	2	1	0
RESERVED				FOUR	THREE	TWO	ONE
R/W-0h				R/W-0h	R/W-0h	R/W-0h	R/W-1h

Table 2-178. CSPSR Register Field Descriptions

Bit	Field	Type	Reset	Description
31-4	RESERVED	R/W	0h	Software should not rely on the value of a reserved. Writing any other value than the reset value may result in undefined behavior.
3	FOUR	R/W	0h	4-bit port enable Writing values with more than one bit set in CSPSR, or setting a bit that is not indicated as supported in SSPSR can cause Unpredictable behavior.
2	THREE	R/W	0h	3-bit port enable Writing values with more than one bit set in CSPSR, or setting a bit that is not indicated as supported in SSPSR can cause Unpredictable behavior.
1	TWO	R/W	0h	2-bit port enable Writing values with more than one bit set in CSPSR, or setting a bit that is not indicated as supported in SSPSR can cause Unpredictable behavior.
0	ONE	R/W	1h	1-bit port enable Writing values with more than one bit set in CSPSR, or setting a bit that is not indicated as supported in SSPSR can cause Unpredictable behavior.

2.7.5.3 ACPR Register (Offset = 10h) [Reset = 0000000h]

ACPR is shown in [ACPR Register](#) and described in [ACPR Register Field Descriptions](#).

Return to the [CPU_TPIU Registers](#).

Async Clock Prescaler

This register scales the baud rate of the asynchronous output.

Figure 2-144. ACPR Register

31	30	29	28	27	26	25	24	23	22	21	20	19	18	17	16	15	14	13	12	11	10	9	8	7	6	5	4	3	2	1	0
RESERVED														PRESCALER																	
R/W-0h														R/W-0h																	

Table 2-179. ACPR Register Field Descriptions

Bit	Field	Type	Reset	Description
31-13	RESERVED	R/W	0h	Software should not rely on the value of a reserved. Writing any other value than the reset value may result in undefined behavior.
12-0	PRESCALER	R/W	0h	Divisor for input trace clock is (PRESCALER + 1).

2.7.5.4 SPPR Register (Offset = F0h) [Reset = 0000001h]

SPPR is shown in [SPPR Register](#) and described in [SPPR Register Field Descriptions](#).

Return to the [CPU_TPIU Registers](#).

Selected Pin Protocol

This register selects the protocol to be used for trace output.

Note: If this register is changed while trace data is being output, data corruption occurs.

Figure 2-145. SPPR Register

31	30	29	28	27	26	25	24
RESERVED							
R/W-0h							
23	22	21	20	19	18	17	16
RESERVED							
R/W-0h							
15	14	13	12	11	10	9	8
RESERVED							
R/W-0h							
7	6	5	4	3	2	1	0
RESERVED						PROTOCOL	
R/W-0h						R/W-1h	

Table 2-180. SPPR Register Field Descriptions

Bit	Field	Type	Reset	Description
31-2	RESERVED	R/W	0h	Software should not rely on the value of a reserved. Writing any other value than the reset value may result in undefined behavior.
1-0	PROTOCOL	R/W	1h	Trace output protocol 0h = TracePort mode 1h = SerialWire Output (Manchester). This is the reset value. 2h = SerialWire Output (NRZ)

2.7.5.5 FFSR Register (Offset = 300h) [Reset = 00000008h]

FFSR is shown in [FFSR Register](#) and described in [FFSR Register Field Descriptions](#).

Return to the [CPU_TPIU Registers](#).

Formatter and Flush Status

Figure 2-146. FFSR Register

31	30	29	28	27	26	25	24
RESERVED							
R-0h							
23	22	21	20	19	18	17	16
RESERVED							
R-0h							
15	14	13	12	11	10	9	8
RESERVED							
R-0h							
7	6	5	4	3	2	1	0
RESERVED				FTNONSTOP	RESERVED		
R-0h				R-1h	R-0h		

Table 2-181. FFSR Register Field Descriptions

Bit	Field	Type	Reset	Description
31-4	RESERVED	R	0h	Software should not rely on the value of a reserved. Writing any other value than the reset value may result in undefined behavior.
3	FTNONSTOP	R	1h	0: Formatter can be stopped 1: Formatter cannot be stopped
2-0	RESERVED	R	0h	This field always reads as zero

2.7.5.6 FFCR Register (Offset = 304h) [Reset = 0000102h]

FFCR is shown in [FFCR Register](#) and described in [FFCR Register Field Descriptions](#).

Return to the [CPU_TPIU Registers](#).

Formatter and Flush Control

When one of the two single wire output (SWO) modes is selected, ENFCONT enables the formatter to be bypassed. If the formatter is bypassed, only the ITM/DWT trace source (ATDATA2) passes through. The TPIU accepts and discards data that is presented on the ETM port (ATDATA1). This function is intended to be used when it is necessary to connect a device containing an ETM to a trace capture device that is only able to capture Serial Wire Output (SWO) data. Enabling or disabling the formatter causes momentary data corruption.

Note: If the selected pin protocol register (SPPR.PROTOCOL) is set to 0x00 (TracePort mode), this register always reads 0x102, because the formatter is automatically enabled. If one of the serial wire modes is then selected, the register reverts to its previously programmed value.

Figure 2-147. FFCR Register

31	30	29	28	27	26	25	24
RESERVED							
R/W-0h							
23	22	21	20	19	18	17	16
RESERVED							
R/W-0h							
15	14	13	12	11	10	9	8
RESERVED							TRIGIN
R/W-0h							R/W-1h
7	6	5	4	3	2	1	0
RESERVED						ENFCONT	RESERVED
R/W-0h						R/W-1h	R/W-0h

Table 2-182. FFCR Register Field Descriptions

Bit	Field	Type	Reset	Description
31-9	RESERVED	R/W	0h	Software should not rely on the value of a reserved. Writing any other value than the reset value may result in undefined behavior.
8	TRIGIN	R/W	1h	Indicates that triggers are inserted when a trigger pin is asserted.
7-2	RESERVED	R/W	0h	Software should not rely on the value of a reserved. Writing any other value than the reset value may result in undefined behavior.
1	ENFCONT	R/W	1h	Enable continuous formatting: 0: Continuous formatting disabled 1: Continuous formatting enabled
0	RESERVED	R/W	0h	Software should not rely on the value of a reserved. Writing any other value than the reset value may result in undefined behavior.

2.7.5.7 FSCR Register (Offset = 308h) [Reset = 0000000h]

FSCR is shown in [FSCR Register](#) and described in [FSCR Register Field Descriptions](#).

Return to the [CPU_TPIU Registers](#).

Formatter Synchronization Counter

Figure 2-148. FSCR Register

31	30	29	28	27	26	25	24	23	22	21	20	19	18	17	16	15	14	13	12	11	10	9	8	7	6	5	4	3	2	1	0
FSCR																															
R-0h																															

Table 2-183. FSCR Register Field Descriptions

Bit	Field	Type	Reset	Description
31-0	FSCR	R	0h	The global synchronization trigger is generated by the Program Counter (PC) Sampler block. This means that there is no synchronization counter in the TPIU.

2.7.5.8 CLAIMMASK Register (Offset = FA0h) [Reset = 000000Fh]

CLAIMMASK is shown in [CLAIMMASK Register](#) and described in [CLAIMMASK Register Field Descriptions](#).

Return to the [CPU_TPIU Registers](#).

Claim Tag Mask

Figure 2-149. CLAIMMASK Register

31	30	29	28	27	26	25	24	23	22	21	20	19	18	17	16	15	14	13	12	11	10	9	8	7	6	5	4	3	2	1	0
CLAIMMASK																															
R-Fh																															

Table 2-184. CLAIMMASK Register Field Descriptions

Bit	Field	Type	Reset	Description
31-0	CLAIMMASK	R	Fh	This register forms one half of the Claim Tag value. When reading this register returns the number of bits that can be set (each bit is considered separately): 0: This claim tag bit is not implemented 1: This claim tag bit is not implemented The behavior when writing to this register is described in CLAIMSET.

2.7.5.9 CLAIMSET Register (Offset = FA0h) [Reset = 000000Fh]

CLAIMSET is shown in [CLAIMSET Register](#) and described in [CLAIMSET Register Field Descriptions](#).

Return to the [CPU_TPIU Registers](#).

Claim Tag Set

Figure 2-150. CLAIMSET Register

31	30	29	28	27	26	25	24	23	22	21	20	19	18	17	16	15	14	13	12	11	10	9	8	7	6	5	4	3	2	1	0
CLAIMSET																															
W-Fh																															

Table 2-185. CLAIMSET Register Field Descriptions

Bit	Field	Type	Reset	Description
31-0	CLAIMSET	W	Fh	This register forms one half of the Claim Tag value. Writing to this location allows individual bits to be set (each bit is considered separately): 0: No effect 1: Set this bit in the claim tag The behavior when reading from this location is described in CLAIMMASK.

2.7.5.10 CLAIMTAG Register (Offset = FA4h) [Reset = 0000000h]

CLAIMTAG is shown in [CLAIMTAG Register](#) and described in [CLAIMTAG Register Field Descriptions](#).

Return to the [CPU_TPIU Registers](#).

Current Claim Tag

Figure 2-151. CLAIMTAG Register

31	30	29	28	27	26	25	24	23	22	21	20	19	18	17	16	15	14	13	12	11	10	9	8	7	6	5	4	3	2	1	0
CLAIMTAG																															
R-0h																															

Table 2-186. CLAIMTAG Register Field Descriptions

Bit	Field	Type	Reset	Description
31-0	CLAIMTAG	R	0h	This register forms one half of the Claim Tag value. Reading this register returns the current Claim Tag value. Reading CLAIMMASK determines how many bits from this register must be used. The behavior when writing to this register is described in CLAIMCLR.

2.7.5.11 CLAIMCLR Register (Offset = FA4h) [Reset = 0000000h]

CLAIMCLR is shown in [CLAIMCLR Register](#) and described in [CLAIMCLR Register Field Descriptions](#).

Return to the [CPU_TPIU Registers](#).

Claim Tag Clear

Figure 2-152. CLAIMCLR Register

31	30	29	28	27	26	25	24	23	22	21	20	19	18	17	16	15	14	13	12	11	10	9	8	7	6	5	4	3	2	1	0
CLAIMCLR																															
W-0h																															

Table 2-187. CLAIMCLR Register Field Descriptions

Bit	Field	Type	Reset	Description
31-0	CLAIMCLR	W	0h	This register forms one half of the Claim Tag value. Writing to this location enables individual bits to be cleared (each bit is considered separately): 0: No effect 1: Clear this bit in the claim tag. The behavior when reading from this location is described in CLAIMTAG.

2.7.5.12 DEVID Register (Offset = FC8h) [Reset = 0000CA0h]

DEVID is shown in [DEVID Register](#) and described in [DEVID Register Field Descriptions](#).

Return to the [CPU_TPIU Registers](#).

Device ID

Figure 2-153. DEVID Register

31	30	29	28	27	26	25	24	23	22	21	20	19	18	17	16	15	14	13	12	11	10	9	8	7	6	5	4	3	2	1	0
DEVID																															
R-CA0h																															

Table 2-188. DEVID Register Field Descriptions

Bit	Field	Type	Reset	Description
31-0	DEVID	R	CA0h	This field returns: 0xCA1 if there is an ETM present. 0xCA0 if there is no ETM present.

This page intentionally left blank.

3.1 Memory Map

Table 3-1. Memory Map

Module	Module Name	Base Address
FLASHMEM	Program Flash Memory	0x0000 0000
SRAM	Static RAM	0x2000 0000
RFC_RAM	RF Core Radio RAM	0x2100 0000
SSI0	Synchronous Serial Interface (SSI) 0	0x4000 0000
UART0	Universal Asynchronous Receiver Transmitter (UART) 0	0x4000 1000
I2C0	Inter-Integrated Circuit (I ² C) 0	0x4000 2000
GPT0	General Purpose Timer 0	0x4001 0000
GPT1	General Purpose Timer 1	0x4001 1000
GPT2	General Purpose Timer 2	0x4001 2000
GPT3	General Purpose Timer 3	0x4001 3000
UDMA0	Micro Direct Memory Access (μDMA)	0x4002 0000
I2S0	Inter-IC Sound (I ² S) 0	0x4002 1000
GPIO	General Purpose I/O	0x4002 2000
CRYPTO	Cryptography Engine	0x4002 4000
TRNG	True Random Number Generator	0x4002 8000
FLASH	Flash Subsystem Controller	0x4003 0000
VIMS	Versatile Instruction Memory System	0x4003 4000
SRAM_MMR	SRAM Registers	0x4003 5000
RFC_PWR	RF Core Radio Power Controller	0x4004 0000
RFC_DBELL	RF Core Radio Doorbell	0x4004 1000
RFC_RAT	RF Core Radio Timer	0x4004 3000
WDT	Watchdog Timer	0x4008 0000
IOC	I/O Controller	0x4008 1000
PRCM	Power, Clocks, and Reset Management	0x4008 2000
EVENT	Event fabric	0x4008 3000
SMPH	System CPU Semaphores	0x4008 4000
AON_PMCTL	AON Power Management Controller	0x4009 0000
AON_RTC	AON Real-time clock	0x4009 2000
AON_EVENT	AON Event Fabric	0x4009 3000
AON_IOC	AON I/O Controller	0x4009 4000
AON_BATMON	AON Battery Monitor and Temperature Sensor	0x4009 5000
AUX_TDC	AUX Domain Time-to-Digital Converter	0x400C 4000
AUX_EVCTL	AUX Domain Event Controller	0x400C 5000
AUX_SYSIF	AUX Domain System Interface	0x400C 6000
AUX_TIMER01	AUX Domain Timer 1	0x400C 7000

Table 3-1. Memory Map (continued)

Module	Module Name	Base Address
AUX_SMPH	AUX Domain Semaphore	0x400C 8000
AUX_ANAIF	AUX Domain Analog Interface	0x400C 9000
AUX_DDI0_OSC	AUX Domain Clock Control	0x400C A000
ADI_4_AUX	AUX Domain Analog Digital Interface Master	0x400C B000
AUX_AIODIO0	AUX Domain Analog Digital I/O 0	0x400C C000
AUX_AIODIO1	AUX Domain Analog Digital I/O 1	0x400C D000
AUX_AIODIO2	AUX Domain Analog Digital I/O 2	0x400C E000
AUX_AIODIO3	AUX Domain Analog Digital I/O 3	0x400C F000
FCFG1	Factory Configuration	0x5000 1000
CCFG	Customer Configuration	0x5000 3000
CPU_ITM	Core Instrumentation Trace Macrocell	0xE000 0000
CPU_DWT	Core Data Watchpoint and Trace	0xE000 1000
CPU_FPB	Core Flash Patch and Breakpoint	0xE000 2000
CPU_SCS	Core System Control Space	0xE000 E000
CPU_TPIU	Core Trace Port Interface Unit	0xE004 0000

This chapter describes the Arm® Cortex®-M4 peripherals.

4.1 Arm® Cortex®-M4 Peripherals Introduction.....	286
4.2 Functional Description.....	286

4.1 Arm® Cortex®-M4 Peripherals Introduction

This chapter provides information on the CC13x1x3 and CC26x1x3 device platform implementation of the Arm® Cortex®-M4 processor peripherals, including:

- System timer (SysTick) (see [Section 4.2.1](#)): Provides a simple, 24-bit clear-on-write, decrementing, wrap-on-zero counter with a flexible control mechanism.
- Nested vectored interrupt controller (NVIC) (see [Section 4.2.2](#)):
 - Facilitates low-latency exception and interrupt handling
 - Works with system controller (see [Chapter 7](#)) to control power management
 - Implements system control registers
- Arm® Cortex®-M4 system control block (SCB) (see [Section 4.2.3](#)): Provides system implementation information and system control, including configuration, control, and reporting of system exceptions.

[Table 4-1](#) lists the address map of the private peripheral bus (PPB). Some peripheral register regions are split into two address regions, as indicated by two addresses listed.

Table 4-1. Core Peripheral Register Regions

Address	Core Peripheral	Link
0xE000 E010 to 0xE000 E01C	System timer (SysTick)	See Section 4.2.1
0xE000 E100 to 0xE000 E420 0xE000 EF00 to 0xE000 EF00	Nested vectored interrupt controller (NVIC)	See Section 4.2.2
0xE000 E008 to 0xE000 E00F 0xE000 ED00 to 0xE000 ED3F	System control block (SCB)	See Section 4.2.3
0xE000 1000 to 0xE000 1FFC	Data watchpoint and trace (DWT)	See Section 4.2.7
0xE000 2000 to 0xE000 2FFC	Flash patch and breakpoint (FPB)	See Section 4.2.5
0xE000 0000 to 0xE000 0FFC	Instrumentation trace macrocell (ITM)	See Section 4.2.4
0xE00F F000 to 0xE00F FFFC	ROM table	
0xE004 0000 to 0xE004 0FFC	Trace port interface unit (TPIU)	See Section 4.2.6
0xE00F EFF8 to 0xE00F EFFC	TIPROP	

4.2 Functional Description

This chapter provides information on the CC13x1x3 and CC26x1x3 device platform implementation of the Arm® Cortex®-M4 processor peripherals:

- System timer (SysTick)
- Nested vectored interrupt controller (NVIC)
- System control block (SCB)
- Data watchpoint and trace (DWT)
- Flash patch and breakpoint (FPB)
- Instrumentation trace macrocell (ITM)
- Trace port interface unit (TPIU)

4.2.1 SysTick

The Arm® Cortex®-M4 processor includes an integrated system timer, SysTick, which provides a simple, 24-bit, clear-on-write, decrementing, wrap-on-zero counter with a flexible control mechanism. The counter can be used in several different ways. For example, the counter can be:

- An RTOS tick timer that fires at a programmable rate (for example, 100 Hz) and invokes a SysTick routine
- A high-speed alarm timer using the system clock
- A variable-rate alarm or signal timer—the duration is range-dependent on the reference clock used and the dynamic range of the counter
- A simple counter used to measure the time to completion and the time used
- An internal clock-source control based on missing and/or meeting durations—the Control and Status Register (STCSR) COUNTFLAG bit can be used to determine if an action completed within a set duration as part of a dynamic clock-management control loop

The timer consists of three registers:

- SysTick Control and Status Register (STCSR): A control and status counter to configure its clock, enable the counter, enable the SysTick interrupt, and determine counter status (see [Section 2.7.4](#))
- SysTick Reload Value Register (STRVR): The reload value for the counter, used to provide the wrap value of the counter (see [Section 2.7.4](#))
- SysTick Current Value Register (STCVR): The current value of the counter (see [Section 2.7.4](#))

When enabled, the timer counts down on each clock from the reload value to 0, reloads (wraps) to the value in the STRVR register on the next clock edge, then decrements on subsequent clocks. Clearing the STRVR register disables the counter on the next wrap. When the counter reaches 0, the COUNTFLAG status bit is set. The COUNTFLAG bit clears on reads.

Writing to the STCVR register clears the register and the COUNTFLAG status bit. The write does not trigger the SysTick exception logic. On a read, the current value is the value of the register at the time the register is accessed.

The SysTick counter runs on the system clock. If this clock signal is stopped for low-power mode, the SysTick counter stops. Ensure that software uses aligned word accesses to access the SysTick registers.

Note

When the processor is halted for debugging, the counter does not decrement.

4.2.2 NVIC

This section describes the NVIC and the registers it uses. The NVIC supports:

- 34 interrupt lines
- A programmable priority level of 0 to 7 for each interrupt. A higher level corresponds to a lower priority, so level 0 is the highest interrupt priority.
- Low-latency exception and interrupt handling
- Level and pulse detection of interrupt signals
- Dynamic reprioritization of interrupts
- Grouping of priority values into group priority and sub-priority fields
- Interrupt tail chaining
- An external nonmaskable interrupt (NMI)

The processor automatically stacks its state on exception entry and unstacks this state on exception exit, with no instruction overhead, providing low-latency exception handling.

4.2.2.1 Level-Sensitive and Pulse Interrupts

The processor supports both level-sensitive and pulse interrupts. Pulse interrupts are also described as edge-triggered interrupts. A level-sensitive interrupt is held asserted until the peripheral deasserts the interrupt signal. The interrupt sources in the CC13x1x3 and CC26x1x3 device platform devices are normally level. That is, they

stay active until the interrupt source is cleared in the peripheral. Typically this happens because the interrupt service routine (ISR) accesses the peripheral, causing it to clear the interrupt request. To ensure the NVIC detects the interrupt, the peripheral must assert the interrupt signal for at least one clock cycle.

When the processor enters the ISR, it automatically removes the pending state from the interrupt (see [Section 4.2.2.2](#)). For a level-sensitive interrupt, if the signal is not deasserted before the processor returns from the ISR, the interrupt becomes pending again, and the processor must execute its ISR again. As a result, the peripheral can hold the interrupt signal asserted until it no longer needs servicing.

4.2.2.2 Hardware and Software Control of Interrupts

The Arm® Cortex®-M4 processor latches all interrupts. A peripheral interrupt becomes pending for one of the following reasons:

- The NVIC detects that the interrupt signal is asserted and the interrupt is not active.
- The NVIC detects a rising edge on the interrupt signal.
- Software writes to the corresponding interrupt set-pending register bit, or to the Software Trigger Interrupt Register (STIR) to make a software-generated interrupt pending (see the NVIC_ISPR0 SETPENDn register bit or the STIR INTID register field in [Section 2.7.4](#)).

A pending interrupt remains pending until one of the following occurs:

- The processor enters the ISR for the interrupt, changing the state of the interrupt from pending to active. Then:
 - For a level-sensitive interrupt, when the processor returns from the ISR, the NVIC samples the interrupt signal. If the signal is asserted, the state of the interrupt changes to pending, which can cause the processor to immediately re-enter the ISR. Otherwise, the state of the interrupt changes to inactive.
 - For a pulse interrupt, the NVIC continues to monitor the interrupt signal, and if this is pulsed the state of the interrupt changes to pending and active. In this case, when the processor returns from the ISR the state of the interrupt changes to pending, which can cause the processor to immediately re-enter the ISR. If the interrupt signal is not pulsed while the processor is in the ISR, when the processor returns from the ISR the state of the interrupt changes to inactive.
- Software writes to the corresponding interrupt clear-pending register bit:
 - For a level-sensitive interrupt, if the interrupt signal is still asserted, the state of the interrupt does not change. Otherwise, the state of the interrupt changes to inactive.
 - For a pulse interrupt, the state of the interrupt changes to inactive if the state was pending, or to active if the state was active and pending.

4.2.3 SCB

The SCB provides system implementation information and system control, including configuration, control, and reporting of the system exceptions.

4.2.4 ITM

The ITM is an application-driven trace source that supports printf() style debugging to trace operating system and application events, and generates diagnostic system information. The ITM generates trace information as packets. If multiple sources generate packets at the same time, the ITM arbitrates the order in which packets are output. These sources in decreasing order of priority are the following:

- **Software trace:** Software can write directly to ITM stimulus registers to generate packets.
- **Hardware trace:** The DWT generates these packets, and the ITM outputs the packets.
- **Time stamping:** Timestamps are generated relative to packets. The ITM contains a 21-bit counter to generate the timestamp. The Arm® Cortex®-M4 clock or the bit-clock rate of the serial wire viewer (SWV) output clocks the counter.

Note

ITM registers are fully accessible in privileged mode. In user mode, all registers can be read, but only the Stimulus Registers and Trace Enable Registers can be written, and only when the corresponding Trace Privilege Register bit is set. Invalid user mode writes to the ITM registers are discarded.

4.2.5 FPB

The FPB implements hardware breakpoints and patches code and data from the Code space to the System space.

A full FPB unit contains:

- Two literal comparators match against literal loads from the Code space, and remap to a corresponding area in the System space.
- Six instruction comparators for matching against instruction fetches from the Code space, and remaps to a corresponding area in the System space. Alternatively, the comparators can be individually configured to return a Breakpoint (BKPT) instruction to the processor core on a match for hardware breakpoint capability.

A reduced FPB unit contains:

- Two instruction comparators that can be configured individually to return a BKPT instruction to the processor on a match, and to provide hardware breakpoint capability

The FPB contains a global enable and individual enables for the eight comparators. If the comparison for an entry matches, the address is either:

- Remapped to the address set in the remap register plus an offset corresponding to the matched comparator
- or
- Remapped to a BKPT instruction if that feature is enabled

The comparison happens dynamically, but the result of the comparison occurs too late to stop the original instruction fetch or literal load taking place from the Code space. The processor ignores this transaction, however, and only the remapped transaction is used.

If the FPB supports only two breakpoints, then only comparators 0 and 1 are used, and the FPB does not support flash patching.

4.2.6 TPIU

The Arm® Cortex®-M4 TPIU acts as a bridge between the on-chip trace data from the embedded trace macrocell (ETM) and the instrumentation trace macrocell (ITM), with separate IDs, to a data stream. The TPIU encapsulates IDs where required, and the data stream is then captured by a trace port analyzer (TPA).

There are two configurations of the TPIU:

- A configuration that supports ITM debug trace
- A configuration that supports both ITM and ETM debug trace

4.2.7 DWT

The DWT provides watchpoints, data tracing, and system profiling for the processor. A full DWT contains four comparators that can be configured as any of the following:

- A hardware watchpoint
- An ETM trigger
- A PC sampler event trigger
- A data address sampler event trigger

The first comparator, DWT_COMP0, can also compare against the clock cycle counter, CYCCNT. The second comparator, DWT_COMP1, can be used as a data comparator.

A reduced DWT contains one comparator that can be used as a watchpoint or as a trigger. A reduced DWT does not support data matching.

The DWT contains counters for the following:

- Clock cycles (CYCCNT)
- Folded instructions
- Load store unit (LSU) operations
- Sleep cycles
- CPI (that is, all instruction cycles except for the first cycle)
- Interrupt overhead

The DWT generates PC samples at defined intervals and interrupt event information. The DWT can also provide periodic requests for protocol synchronization to the ITM and the TPIU.

This chapter describes interrupts and events for the CC13x1x3 and CC26x1x3 device platform.

5.1 Exception Model	292
5.2 Fault Handling	299
5.3 Event Fabric	301
5.4 AON Event Fabric	303
5.5 MCU Event Fabric	304
5.6 AON Events	309
5.7 Interrupts and Events Registers	310

5.1 Exception Model

The Arm® Cortex®-M4 processor and the nested vectored interrupt controller (NVIC) prioritize and handle all exceptions in handler mode. The state of the processor is automatically stored to the stack on an exception and automatically restored from the stack at the end of the interrupt service routine (ISR). The vector is fetched in parallel to state saving, thus enabling efficient interrupt entry. The processor supports tail-chaining, which enables performance of back-to-back interrupts without the overhead of state saving and restoration.

[Table 5-1](#) lists all exception types. Software can set eight priority levels on seven of these exceptions (system handlers) as well as on the interrupts of the CC13x1x3 and CC26x1x3 device platform (listed in [Table 5-7](#)).

Priorities on the system handlers are set with the NVIC System Handler Priority n registers (CPU_SCS:SHPRn in [Section 2.7.4](#)). Interrupts are enabled through the NVIC Interrupt Set Enable n register (CPU_SCS:NVIC_ISERn in [Section 2.7.4](#)) and prioritized with the NVIC Interrupt Priority n registers (CPU_SCS:NVIC_IPRn in [Section 2.7.4](#)). Priorities can be grouped by splitting priority levels into preemption priorities and subpriorities. All the interrupt registers are described in [Section 4.2.2](#).

Internally, the highest user-programmable priority (0) is treated as third priority, after a reset, and a hard fault, in that order.

Note

The default priority is 0 for all the programmable priorities.

CAUTION

After a write to clear an interrupt source, it may take several processor cycles for the NVIC to detect the interrupt source deassertion due to the write buffer. Thus, if the interrupt clear is done as the last action in an interrupt handler, it is possible for the interrupt handler to complete while the NVIC detects the interrupt as still asserted, causing the interrupt handler to be re-entered errantly. This situation can be avoided by either clearing the interrupt source at the beginning of the interrupt handler or by performing a read from the same address after the write to clear the interrupt source (and flush the write buffer).

For more information on exceptions and interrupts, see [Section 4.2.2](#).

5.1.1 Exception States

Each exception is in one of the following states:

- **Inactive:** The exception is not active and not pending.
- **Pending:** The exception is waiting to be serviced by the processor. An interrupt request from a peripheral or from software can change the state of the corresponding interrupt to pending.
- **Active:** An exception is being serviced by the processor but has not completed. An exception handler can interrupt the execution of another exception handler. In this case, both exceptions are in the active state.
- **Active and Pending:** The exception is being serviced by the processor, and there is a pending exception from the same source.

5.1.2 Exception Types

The exception types are:

- **Reset:** Reset is invoked on power up or a warm reset. The exception model treats reset as a special form of exception. When reset is asserted, the operation of the processor stops (potentially at any point in an instruction). When reset is deasserted, execution restarts from the address provided by the reset entry in the vector table. Execution restarts as privileged execution in thread mode.
- **Hard Fault:** A hard fault is an exception that occurs because of an error during exception processing, or because an exception cannot be managed by any other exception mechanism. Hard faults have a fixed priority of -1 , meaning they have higher priority than any exception with configurable priority.
- **Bus Fault:** A bus fault is an exception that occurs because of a memory-related fault for an instruction or data memory transaction such as a prefetch fault or a memory access fault. This fault can be enabled or disabled.
- **Usage Fault:** A usage fault is an exception that occurs because of a fault related to instruction execution, such as the following:
 - An undefined instruction
 - An illegal unaligned access
 - Invalid state on instruction execution
 - An error on exception return

An unaligned address on a word or halfword memory access or division by 0 can cause a usage fault when the core is properly configured.

- **SVCcall:** A supervisor call (SVC) is an exception that is triggered by the SVC instruction. In an OS environment, applications can use SVC instructions to access OS kernel functions and device drivers.
- **Debug Monitor:** This exception is caused by the debug monitor (when not halting). This exception is active only when enabled. This exception does not activate if it is a lower priority than the current activation.
- **PendSV:** PendSV is a pendable, interrupt-driven request for system-level service. In an OS environment, use PendSV for context switching when no other exception is active. PendSV is triggered using the Interrupt Control and State CPU_SCS:ICSR register.
- **SysTick:** A SysTick exception is generated by the system timer when it reaches 0 and is enabled to generate an interrupt. Software can also generate a SysTick exception using the Interrupt Control and State register, CPU_SCS:ICSR. In an OS environment, the processor can use this exception as system tick.
- **Interrupt (IRQ):** An interrupt, or IRQ, is an exception signaled by a peripheral or generated by a software request and fed through the NVIC (prioritized). All interrupts are asynchronous to instruction execution. In the system, peripherals use interrupts to communicate with the processor. [Table 5-7](#) lists the interrupts on the controller of the CC13x1x3 and CC26x1x3 device platform.

For an asynchronous exception, other than reset, the processor can execute another instruction between when the exception is triggered and when the processor enters the exception handler.

Privileged software can disable the exceptions that [Table 5-1](#) shows as having configurable priority (see the CPU_SCS:SHCSR register and the CPU_SCS:NVIC_ICER0 register in [Section 2.7.4](#)).

See [Section 5.2](#) for more information about hard faults, bus faults, and usage faults.

Table 5-1. Exception Types

Exception Type	Vector Number	Priority ⁽¹⁾	Vector Address or Offset ⁽²⁾	Activation
—	0	—	0x0000 0000	Stack top is loaded from the first entry of the vector table on reset.
Reset	1	-3 (highest)	0x0000 0004	Asynchronous
—	—	—	—	—
Hard fault	3	-1	0x0000 000C	—
Bus fault	5	Programmable ⁽³⁾	0x0000 0014	Synchronous when precise and asynchronous when imprecise
Usage fault	6	Programmable	0x0000 0018	Synchronous
—	7 to 10	—	—	Reserved
SVCall	11	Programmable	0x0000 002C	Synchronous
Debug monitor	12	Programmable	0x0000 0030	Synchronous
—	13	—	—	Reserved
PendSV	14	Programmable	0x0000 0038	Asynchronous
SysTick	15	Programmable	0x0000 003C	Asynchronous
Interrupts	16 and above	Programmable ⁽⁴⁾	0x0000 0040 and above	Asynchronous

(1) 0 is the default priority for all the programmable priorities.

(2) See [Section 5.1.4](#).

(3) See CPU_SCS:SHPR 1 in [Section 2.7.4](#).

(4) See the IPRn registers in [Section 2.7.4](#).

5.1.3 Exception Handlers

The processor handles exceptions using:

- **Interrupt Service Routines (ISRs):** Interrupts (IRQx) are the exceptions handled by ISRs.
- **Fault Handlers:** Hard fault, usage fault, and bus fault are fault exceptions handled by the fault handlers.
- **System Handlers:** PendSV, SVCcall, SysTick, and the fault exceptions are all system exceptions that are handled by system handlers.

5.1.4 Vector Table

Figure 5-1 contains the reset value of the stack pointer and the start addresses, also called exception vectors, for all exception handlers. The vector table is constructed using the vector address or offset listed in Table 5-1. Figure 5-1 shows the order of the exception vectors in the vector table. The least significant bit (LSB) of each vector must be 1, indicating that the exception handler is Thumb code.

Exception number	IRQ number	Offset	Vector
49	33	0x00C4	IRQ33
.	.	.	.
.	.	.	.
.	.	.	.
18	2	0x004C	IRQ2
17	1	0x0048	IRQ1
16	0	0x0044	IRQ0
15	-1	0x0040	Systick
14	-2	0x003C	PendSV
13		0x0038	Reserved
12			Reserved for debug
11	-5	0x002C	SVCcall
10			Reserved
9			
8			
7			
6	-10	0x0018	Usage fault
5	-11	0x0014	Bus fault
4	-12	0x0010	Reserved
3	-13	0x000C	Hard fault
2	-14	0x0008	NMI
1		0x0004	Reset
		0x0000	Initial SP value

Figure 5-1. Vector Table

On system reset, the vector table is fixed at address 0x0000 0000. Privileged software can write to the Vector Table Offset register (CPU_SCS:VTOR) to relocate the vector table start address to a different memory location, in the range 0x0000 0200 to 0x3FFF FE00. When configuring the CPU_SCS:VTOR register, the offset must be aligned on a 512-byte boundary.

5.1.5 Exception Priorities

As [Table 5-1](#) shows, all exceptions have an associated priority, with a lower priority value indicating a higher priority and configurable priorities for all exceptions except reset, and hard fault. If software does not configure any priorities, then all exceptions with a configurable priority have a priority of 0. For information about configuring exception priorities, see the System Handlers Priority register (CPU_SCS:SHPRn) and the Interrupt Priority register (CPU_SCS:NVIC_IPRn) in [Section 2.7.4](#).

Note

Configurable priority values for the CC13x1x3 and CC26x1x3 device platform implementation are in the range from 0 to 7. This means that the Reset and Hard fault exceptions, with fixed negative priority values, always have a higher priority than any other exception.

Assigning a higher priority value to IRQ[0] and a lower-priority value to IRQ[1], for example, means that IRQ[1] has higher priority than IRQ[0]. If IRQ[1] and IRQ[0] are asserted, IRQ[1] is processed before IRQ[0].

If multiple pending exceptions have the same priority, the pending exception with the lowest exception number takes precedence. For example, if IRQ[0] and IRQ[1] are pending and have the same priority, then IRQ[0] is processed before IRQ[1].

When the processor is executing an exception handler, the exception handler is preempted if a higher priority exception occurs. If an exception occurs with the same priority as the exception being handled, the handler is not preempted, irrespective of the exception number. However, the status of the new interrupt changes to pending.

5.1.6 Interrupt Priority Grouping

To increase priority control in systems with interrupts, the NVIC supports priority grouping. This grouping divides each interrupt priority register entry into two fields:

- An upper field that defines the group priority
- A lower field that defines a subpriority within the group

Only the group priority determines preemption of interrupt exceptions. When the processor is executing an interrupt exception handler, another interrupt with the same group priority as the interrupt being handled does not preempt the handler.

If multiple pending interrupts have the same group priority, the sub-priority field determines the order in which they are processed. If multiple pending interrupts have the same group priority and subpriority, the interrupt with the lowest IRQ number is processed first.

For information about splitting the interrupt priority fields into group priority and subpriority, see the Application Interrupt/Reset Control register (CPU_SCS:AIRCR) in [Section 2.7.4](#).

5.1.7 Exception Entry and Return

Descriptions of exception handling use the following terms:

- **Preemption:** When the processor is executing an exception handler, an exception can preempt the exception handler if its priority is higher than the priority of the exception being handled. For more information about preemption by an interrupt, see [Section 5.1.6](#). When one exception preempts another, the exceptions are called nested exceptions. For more information, see [Section 5.1.7.1](#).
- **Return:** Return occurs when the exception handler is completed, and there is no pending exception with sufficient priority to be serviced and the completed exception handler was not handling a late-arriving exception. The processor pops the stack and restores the processor state to the state it had before the interrupt occurred. For more information, see [Section 5.1.7.2](#).
- **Tail Chaining:** This mechanism speeds up exception servicing. When an exception handler completes, if a pending exception meets the requirements for exception entry, the stack pop is skipped and control transfers to the new exception handler.
- **Late Arriving:** This mechanism speeds up preemption. If a higher-priority exception occurs during state saving for a previous exception, the processor switches to handle the higher-priority exception and initiates the vector fetch for that exception. State saving is not affected by late arrival because the state saved is the same for both exceptions. Therefore, the state saving continues uninterrupted. The processor can accept a late-arriving exception until the first instruction of the exception handler of the original exception enters the execute stage of the processor. When the late-arriving exception returns from the exception handler, the normal tail-chaining rules apply.

5.1.7.1 Exception Entry

Exception entry occurs when there is a pending exception with sufficient priority and either the processor is in thread mode or the new exception is of a higher priority than the exception being handled, in which case the new exception preempts the original exception.

When one exception preempts another, the exceptions are nested.

Sufficient priority means the exception has more priority than any limits set by the mask registers (see PRIMASK on Priority Mask register, FAULTMASK on Fault Mask register, and BASEPRI on Base Priority register). An exception with less priority than this is pending but is not handled by the processor.

When the processor takes an exception, unless the exception is a tail-chained or a late-arriving exception, the processor pushes information onto the current stack (see [Figure 5-2](#)). This operation is referred to as stacking and the structure of eight data words is referred to as stack frame.

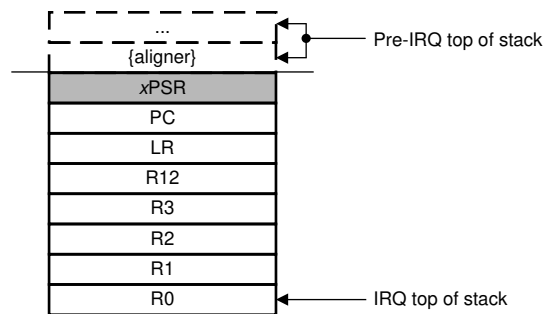


Figure 5-2. Exception Stack Frame

Immediately after stacking, the stack pointer indicates the lowest address in the stack frame.

The stack frame includes the return address, which is the address of the next instruction in the interrupted program. This value is restored to the PC at exception return so that the interrupted program resumes.

In parallel to the stacking operation, the processor performs a vector fetch that reads the exception handler start address from the vector table. When stacking completes, the processor starts executing the exception

handler. At the same time, the processor writes an EXC_RETURN value to the LR, indicating which stack pointer corresponds to the stack frame and what operation mode the processor was in before the entry occurred.

If no higher priority exception occurs during exception entry, the processor starts executing the exception handler and automatically changes the status of the corresponding pending interrupt to active.

If another higher priority exception occurs during exception entry, known as late arrival, the processor starts executing the exception handler for this exception and does not change the pending status of the earlier exception.

5.1.7.2 Exception Return

Exception return occurs when the processor is in handler mode and executes one of the following instructions to load the EXC_RETURN value into the PC:

- An LDM or POP instruction that loads the PC
- A BX instruction using any register
- An LDR instruction with the PC as the destination

EXC_RETURN is the value loaded into the LR on exception entry. The exception mechanism relies on this value to detect when the processor completes an exception handler. The lowest 4 bits of this value provide information on the return stack and processor mode. [Table 5-2](#) lists the EXC_RETURN values with a description of the exception return behavior.

EXC_RETURN bits 31–4 are all set. When this value is loaded into the PC, it indicates to the processor that the exception is complete, and the processor initiates the appropriate exception return sequence.

Table 5-2. Exception Return Behavior

EXC_RETURN[31:0]	Description
0xFFFF FFF0	Reserved
0xFFFF FFF1	Return to handler mode Exception return uses state from MSP Execution uses MSP after return.
0xFFFF FFF2 to 0xFFFF FFF8	Reserved
0xFFFF FFF9	Return to thread mode: VTOR Exception return uses state from MSP Execution uses MSP after return.
0xFFFF FFFA to 0xFFFF FFFC	Reserved
0xFFFF FFFD	Return to thread mode Exception return uses state from PSP Execution uses PSP after return
0xFFFF FFFE to 0xFFFF FFFF	Reserved

5.2 Fault Handling

Faults are a subset of the exceptions (see [Section 5.1](#)). The following conditions generate a fault:

- A bus error on an instruction fetch or vector table load or a data access
- An internally detected error such as an undefined instruction or an attempt to change state with a BX instruction

5.2.1 Fault Types

[Table 5-3](#) lists the types of fault, the handler used for the fault, the corresponding fault status register, and the register bit that indicates the fault has occurred. For more information about the fault status registers, see CPU_SCS:CFSR in [Section 2.7](#).

Table 5-3. Faults

Fault	Handler	Fault Status Register	Bit Name
Bus error on a vector read	Hard fault	Hard Fault Status (HFSR)	VECTTBL
Fault escalated to a hard fault	Hard fault	Hard Fault Status (HFSR)	FORCED
Bus error during exception stacking	Bus fault	Bus Fault Status (BFSR)	STKERR
Bus error during exception unstacking	Bus fault	Bus Fault Status (BFSR)	UNSTEKRR
Bus error during instruction prefetch	Bus fault	Bus Fault Status (BFSR)	IBUSERR
Precise data bus error	Bus fault	Bus Fault Status (BFSR)	PRECISERR
Imprecise data bus error	Bus fault	Bus Fault Status (BFSR)	IMPRECISERR
Attempt to access a coprocessor	Usage fault	Usage Fault Status (UFSR)	NOCP
Undefined instruction	Usage fault	Usage Fault Status (UFSR)	UNDEFINSTR
Attempt to enter an invalid instruction set state ⁽¹⁾	Usage fault	Usage Fault Status (UFSR)	INVSTATE
Invalid EXC_RETURN value	Usage fault	Usage Fault Status (UFSR)	INVPC
Illegal unaligned load or store	Usage fault	Usage Fault Status (UFSR)	UNALIGNED
Divide by 0	Usage fault	Usage Fault Status (UFSR)	DIVBYZERO

- (1) Trying to use an instruction set other than the Thumb instruction set, or returning to a non load-store-multiple instruction with ICI continuation.

5.2.2 Fault Escalation and Hard Faults

All fault exceptions except for hard fault have configurable exception priority (see CPU_SCS:SHPR1 in [Section 2.7.4](#)). Software can disable execution of the handlers for these faults (see CPU_SCS:SHCSR in [Section 2.7.4](#)).

Usually, the exception priority, together with the values of the exception mask registers, determines whether the processor enters the fault handler, and whether a fault handler can preempt another fault handler as described in [Section 5.1](#).

In some situations, a fault with configurable priority is treated as a hard fault. This process is called priority escalation, and the fault is described as escalated to hard fault. Escalation to hard fault occurs when:

- A fault handler causes the same kind of fault as the one it is servicing. This escalation to hard fault occurs because a fault handler cannot preempt itself because it must have the same priority as the current priority level.
- A fault handler causes a fault with the same or lower priority as the fault it is servicing. This situation happens because the handler for the new fault cannot preempt the fault handler that is currently executing.
- An exception handler causes a fault for which the priority is the same as or lower than the exception that is currently executing.
- A fault occurs and the handler for that fault is not enabled.

Note

If a bus fault occurs during a stack push when entering a bus fault handler, the bus fault does not escalate to a hard fault. Thus, if a corrupted stack causes a fault, the fault handler executes even though the stack push for the handler failed. The fault handler operates but the stack contents are corrupted.

5.2.3 Fault Status Registers and Fault Address Registers

The fault status registers indicate the cause of a fault. For bus faults, the fault address register indicates the address accessed by the operation that caused the fault, as shown in [Table 5-4](#).

Table 5-4. Fault Status and Fault Address Registers

Handler	Status Register Name	Address Register Name	Register Description
Hard fault	Hard Fault Status (HFSR)	—	See Section 2.7.4
Bus fault	Bus Fault Status (BFSR)	Bus Fault Address (BFAR)	See Section 2.7.4
Usage fault	Usage Fault Status (UFSR)	—	—

5.2.4 Lockup

The processor enters a lockup state if a hard fault occurs when executing the hard fault handlers. A lockup state resets the system in the CC13x1x3 and CC26x1x3 device platform.

5.3 Event Fabric

5.3.1 Introduction

The event fabric is a combinational router between event sources and event subscribers. The event inputs are routed to a central event-bus where a subscriber can select the appropriate events and output those as inputs to peripherals. Figure 5-3 shows the general concept of the event fabric. The event fabric is strictly combinational logic. Because this chapter provides only a general overview of the event fabric and the system CPU, NMI, and Freeze subscriber, refer to the specific peripheral chapters in this user's guide to understand how to use and configure the events for the different subscribers and peripherals.

Most of the events (signals) are statically routed, meaning that only a small number of configurable output lines go to the event subscribers. A configurable output line from a subscriber can choose from a list of several input events available to the specific subscriber in question. Subscribers output event signaling identical to input signaling. That is, events are simply passed through the event fabric as presented to the input ports. Possible event types include system hardware interrupts, software programmable interrupts, and DMA triggers. All event inputs are considered level-triggered events active high. Events like DMA triggers may or may not be level-type signals.

Figure 5-3 shows a simple illustration of the event fabric concept. Clearly the event fabric is not a peripheral in itself, but rather a block of routing between the peripherals and more. The lines that have configurable inputs are controlled by selection registers that are connected to a MUX, which forwards the selected input in the subscriber to the peripherals.

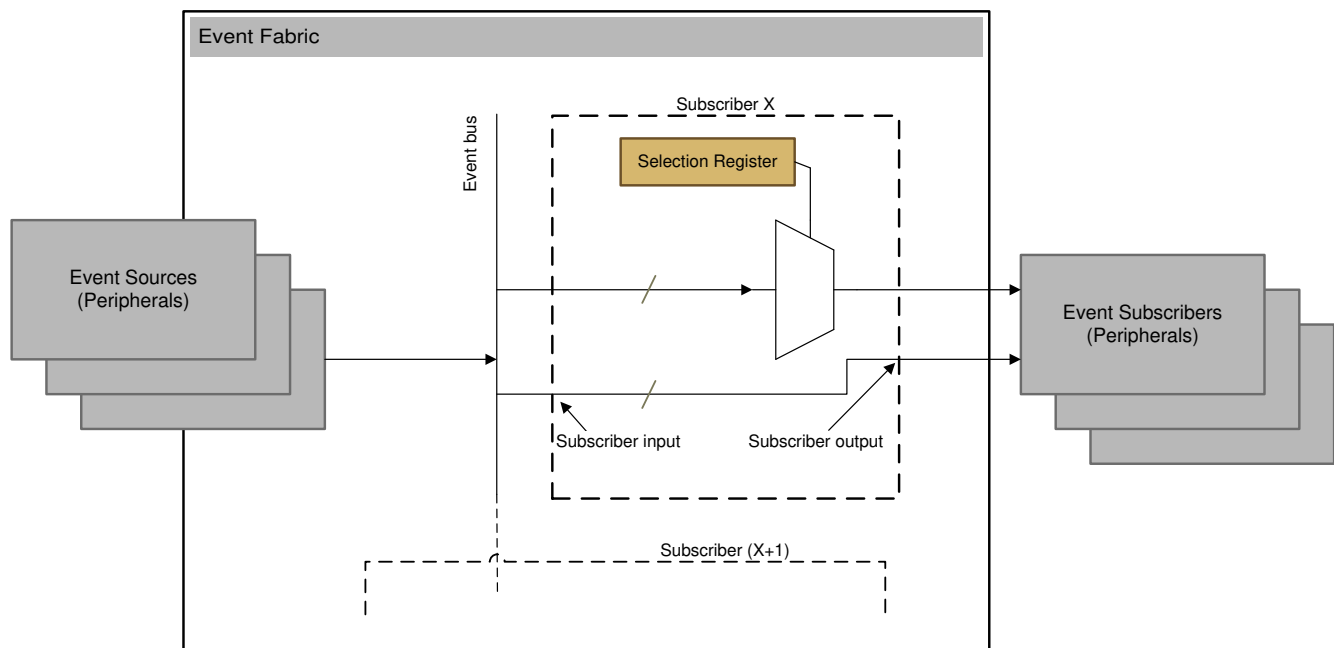
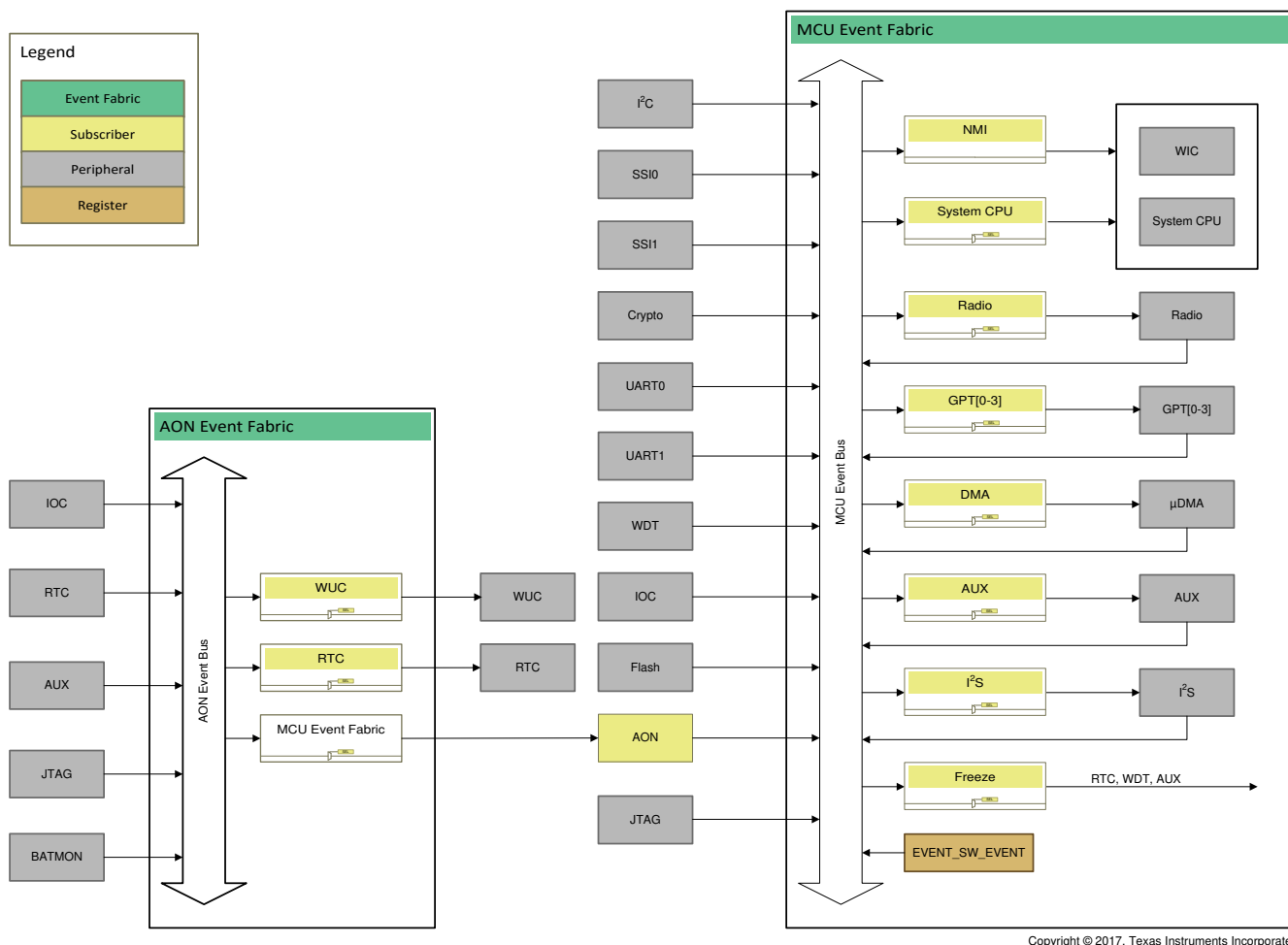


Figure 5-3. Event Fabric Concept

5.3.2 Event Fabric Overview

There are two main event fabric blocks in the CC13x1x3 and CC26x1x3 devices. One in the MCU power domain (MCU event fabric) and the other in the AON power domain (AON event fabric). Figure 5-4 shows a simplified overview of the two modules together. The MCU event fabric is one of the subscribers to the AON event fabric.



Copyright © 2017, Texas Instruments Incorporated

Figure 5-4. Event Fabric Overview (Simplified)

5.3.2.1 Registers

The event fabric has two types of registers. The first type, a configuration register, is used to control and report the selection settings for a subscriber output. For each subscriber output, an address is mapped for a read register that contains a value representing the selection of the input event currently set for that subscriber output. For nonconfigurable outputs, only a read-only register is implemented. A read to that address returns the static, predefined value. The second type of register in the event fabric, of which there is only one, is an operational register named SWEV. This register sets and clears any of the four software events.

The AON event fabric is controlled through a series of registers residing in the MCU power domain. An AON-MCU interface block in the AON domain shadows these registers, thereby providing them for the AON block when the MCU is in power-down states.

5.4 AON Event Fabric

The AON event fabric resides in the AON power domain where the wake-up controller, the debug subsystem, the AUX domain, and the real-time clock (RTC) reside.

5.4.1 Common Input Event List

Section 5.5.1 lists the input events for the AON event fabric. The sources for these events are considered level-triggered active high.

5.4.2 Event Subscribers

There are three subscribers in the AON event fabric as can be seen in Figure 5-4. The first subscriber is the MCU event fabric, which resides in the MCU power domain. The other two subscribers, the WUC and RTC, both reside in the AON power domain and are presented in the following subsections.

5.4.2.1 Wake-Up Controller (WUC)

The WUC receives output signals from the WUC subscriber in the AON event fabric where power-on sequences can be triggered by configured input events from JTAG, AUX, or the MCU. JTAG has one wake-up event going to the WUC, while the AUX domain has three programmable input events and the MCU domain has four programmable input events. These specific input events are ORed together to form a single input to the WUC, one from the MCU and one from the AUX. Figure 5-5 shows this configuration. The inputs can be configured in the two selection registers, AON_EVENT:AUXWUSEL and AON_EVENT:MCUWUSEL. Any of the events listed in Table 5-5 can be chosen as input by selecting the appropriate event ID. By default, these IDs are set to 63 (NULL, no event), where the lines always stay logic low.

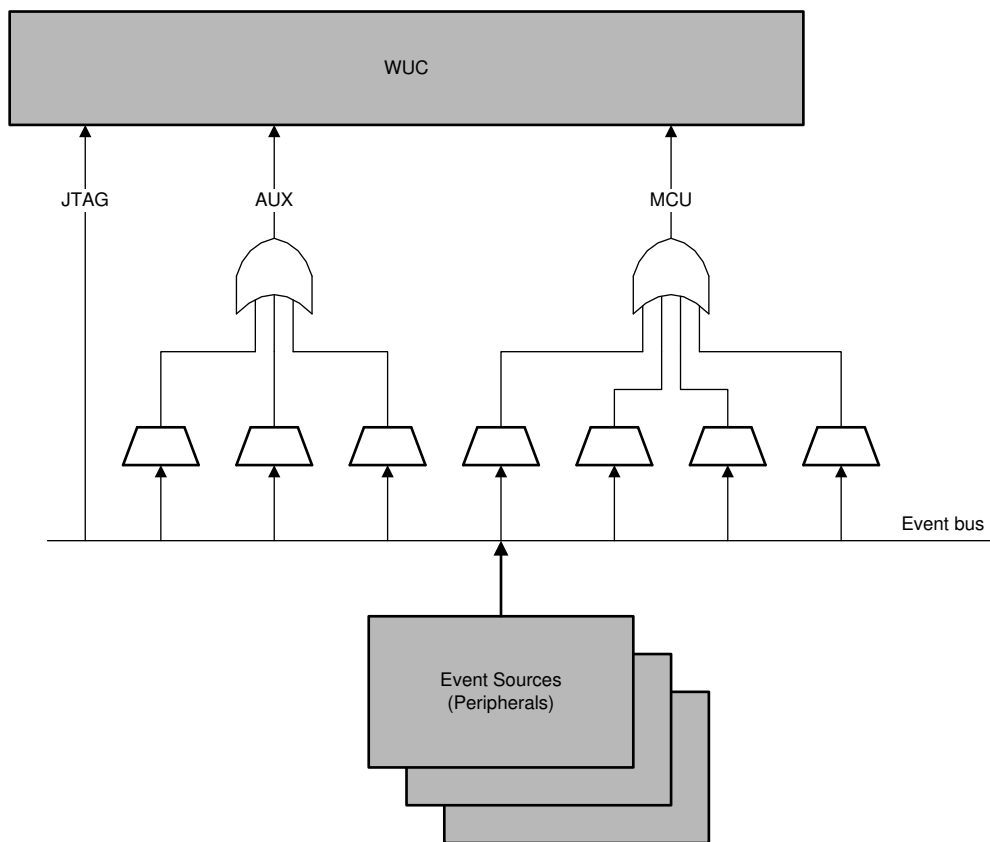


Figure 5-5. WUC Subscriber in AON Event Fabric

5.4.2.2 Real-Time Clock

The RTC has a programmable event, which can be configured in the RTCSEL register, and a fixed event with ID 46 (Channel 2 clear – from AUX).

5.4.2.3 MCU Event Fabric

Seven output events from the AON event fabric are routed as inputs to the MCU event fabric. These events are:

- AON programmable 0
- AON programmable 1
- AON programmable 2
- AON edge detect
- AON RTC

There are three programmable lines from which any of the input events from [Table 5-5](#) can be chosen. This can be set in the CTRL_EVENT:MCU register.

5.5 MCU Event Fabric

The MCU event fabric resides in the MCU power domain and routes signals between most of the peripherals and different internal blocks. Only a few of the subscribers in the MCU event fabric are described in this section. For more information on the remaining subscribers, refer to the specific peripheral chapters for the appropriate consumer (peripheral) for that specific subscriber.

5.5.1 Common Input Event List

[Table 5-5](#) lists the input events for the MCU event fabric. The sources for these events are considered level-triggered active high.

Table 5-5. MCU Event Fabric Input Events

Event Number	Event Enumeration	Description
0x0	NONE	Always inactive (LOW)
0x1	AON_PROG0	Event selected by AON_EVENT MCU event selector, AON_EVENT:EVTOMCUSEL.AON_PROG0_EV
0x2	AON_PROG1	Event selected by AON_EVENT MCU event selector, AON_EVENT:EVTOMCUSEL.AON_PROG1_EV
0x3	AON_PROG2	Event selected by AON_EVENT MCU event selector, AON_EVENT:EVTOMCUSEL.AON_PROG2_EV
0x4	AON_GPIO_EDGE	Edge detect event from IOC. Configured by the IOC:IOCFGn.EDGE_IRQ_EN and IOC:IOCFGn.EDGE_DET settings
0x5	RESERVED	
0x6	RESERVED	
0x7	AON_RTC_COMB	Event from AON_RTC controlled by the AON_RTC:CTL.COMB_EV_MASK setting
0x8	I2S_IRQ	Interrupt event from I ² S
0x9	I2C_IRQ	Interrupt event from I ² C
0xA	AON_AUX_SWEV0	AUX software event 0, AUX_EVCTL:SWEVSET.SWEV0
0xB	AUX_COMB	AUX combined event, the corresponding flag register is here AUX_EVCTL:EVTOMCUFLAGS.*
0xC	GPT2A	GPT2A interrupt event, controlled by GPT2:TAMR.*
0xD	GPT2B	GPT2B interrupt event, controlled by GPT2:TBMR.*
0xE	GPT3A	GPT3A interrupt event, controlled by GPT3:TAMR.*
0xF	GPT3B	GPT3B interrupt event, controlled by GPT3:TBMR.*
0x10	GPT0A	GPT0A interrupt event, controlled by GPT0:TAMR.*
0x11	GPT0B	GPT0B interrupt event, controlled by GPT0:TBMR.*
0x12	GPT1A	GPT1A interrupt event, controlled by GPT1:TAMR.*
0x13	GPT1B	GPT1B interrupt event, controlled by GPT1:TBMR.*

Table 5-5. MCU Event Fabric Input Events (continued)

Event Number	Event Enumeration	Description
0x14	DMA_CH0_DONE	DMA done for software-triggered UDMA channel 0, see UDMA0:SOFTREQ.* in Section 14.5.1
0x15	FLASH	FLASH controller error event, the status flags are FLASH:FEDACSTAT.FSM_DONE and FLASH:FEDACSTAT.RVF_INT
0x16	DMA_CH18_DONE	DMA done for software-triggered UDMA channel 18, see UDMA0:SOFTREQ.* in Section 14.5.1
0x17	RESERVED	
0x18	WDT_IRQ	Watchdog interrupt event, controlled by WDT:CTL.INTEN
0x19	RFC_CMD_ACK	RFC Doorbell Command Acknowledgment interrupt, equivalent to RFC_DBELL:RFACKIFG.ACKFLAG.
0x1A	RFC_HW_COMB	Combined RCF hardware interrupt, corresponding flag is here RFC_DBELL:RFHWIFG.*
0x1B	RFC_CPE_0	Combined interrupt for CPE-generated events. Corresponding flags are here RFC_DBELL:RFCPEIFG.*. Only interrupts selected with CPE0 in RFC_DBELL:RFCPEIFG.* can trigger a RFC_CPE_0 event.
0x1C	AUX_SWEV0	AUX software event 0, triggered by AUX_EVCTL:SWEVSET.SWEV0, also available as AUX_EVENT0 AON wake-up event. MCU domain wake-up control AON_EVENT:MCUWUSEL.* AUX domain wake-up control AON_EVENT:AUXWUSEL.*
0x1D	AUX_SWEV1	AUX software event 1, triggered by AUX_EVCTL:SWEVSET.SWEV1, also available as AUX_EVENT2 AON wake-up event. MCU domain wake-up control AON_EVENT:MCUWUSEL.* AUX domain wake-up control AON_EVENT:AUXWUSEL.*
0x1E	RFC_CPE_1	Combined interrupt for CPE-generated events. Corresponding flags are here RFC_DBELL:RFCPEIFG.*. Only interrupts selected with CPE1 in RFC_DBELL:RFCPEIFG.* can trigger a RFC_CPE_1 event.
0x1F to 0x21	RESERVED	
0x22	SSI0_COMB	SSI0 combined interrupt, interrupt flags are found here SSI0:MIS.*.
0x23	SSI1_COMB	SSI0 combined interrupt, interrupt flags are found here SSI1:MIS.*.
0x24	UART0_COMB	UART0 combined interrupt, interrupt flags are found here UART0:MIS.*.
0x25	RESERVED	Always 0 (LOW)
0x26	DMA_ERR	DMA bus error, corresponds to UDMA0:ERROR.STATUS
0x27	DMA_DONE_COMB	Combined DMA done corresponding flags are here UDMA0:REQDONE.*
0x28	SSI0_RX_DMABREQ	SSI0 RX DMA burst request, controlled by SSI0:DMACR.RXDMAE
0x29	SSI0_RX_DMASREQ	SSI0 RX DMA single request, controlled by SSI0:DMACR.RXDMAE
0x2A	SSI0_TX_DMABREQ	SSI0 TX DMA burst request, controlled by SSI0:DMACR.TXDMAE
0x2B	SSI0_TX_DMASREQ	SSI0 TX DMA single request, controlled by SSI0:DMACR.TXDMAE
0x2C	SSI1_RX_DMABREQ	SSI1 RX DMA burst request, controlled by SSI0:DMACR.RXDMAE
0x2D	SSI1_RX_DMASREQ	SSI1 RX DMA single request, controlled by SSI0:DMACR.RXDMAE
0x2E	SSI1_TX_DMABREQ	SSI1 TX DMA burst request, controlled by SSI0:DMACR.TXDMAE
0x2F	SSI1_TX_DMASREQ	SSI1 TX DMA single request, controlled by SSI0:DMACR.TXDMAE
0x30	UART0_RX_DMABREQ	UART0 RX DMA burst request, controlled by UART0:DMACTL.RXDMAE
0x31	UART0_RX_DMASREQ	UART0 RX DMA single request, controlled by UART0:DMACTL.RXDMAE
0x32	UART0_TX_DMABREQ	UART0 TX DMA burst request, controlled by UART0:DMACTL.TXDMAE
0x33	UART0_TX_DMASREQ	UART0 TX DMA single request, controlled by UART0:DMACTL.TXDMAE
0x34 to 0x37	RESERVED	Always 0
0x38	RESERVED	
0x39	RESERVED	
0x3A	RESERVED	
0x3B	RESERVED	

Table 5-5. MCU Event Fabric Input Events (continued)

Event Number	Event Enumeration	Description
0x3C	RESERVED	
0x3D	GPT0A_CMP	GPT0A compare event. Configured by GPT0:TAMR.TCACT.
0x3E	GPT0B_CMP	GPT0B compare event. Configured by GPT0:TBMR.TCACT.
0x3F	GPT1A_CMP	GPT1A compare event. Configured by GPT1:TAMR.TCACT.
0x40	GPT1B_CMP	GPT1B compare event. Configured by GPT1:TBMR.TCACT.
0x41	GPT2A_CMP	GPT2A compare event. Configured by GPT2:TAMR.TCACT.
0x42	GPT2B_CMP	GPT2B compare event. Configured by GPT2:TBMR.TCACT.
0x43	GPT3A_CMP	GPT3A compare event. Configured by GPT3:TAMR.TCACT.
0x44	GPT3B_CMP	GPT3B compare event. Configured by GPT3:TBMR.TCACT.
0x45 to 0x4C	TIE_LOW	Not used; tied to 0 (LOW)
0x4D	GPT0A_DMABREQ	GPT 0A DMA trigger event. Configured by GPT0:DMAEV.*.
0x4E	GPT0B_DMABREQ	GPT 0B DMA trigger event. Configured by GPT0:DMAEV.*.
0x4F	GPT1A_DMABREQ	GPT 1A DMA trigger event. Configured by GPT1:DMAEV.*.
0x50	GPT1B_DMABREQ	GPT 1B DMA trigger event. Configured by GPT1:DMAEV.*.
0x51	GPT2A_DMABREQ	GPT 2A DMA trigger event. Configured by GPT2:DMAEV.*.
0x52	GPT2B_DMABREQ	GPT 2B DMA trigger event. Configured by GPT2:DMAEV.*.
0x53	GPT3A_DMABREQ	GPT 3A DMA trigger event. Configured by GPT3:DMAEV.*.
0x54	GPT3B_DMABREQ	GPT 3B DMA trigger event. Configured by GPT3:DMAEV.*.
0x55	PORT_EVENT0	Port capture event from IOC, configured by IOC:IOCFGn.PORT_ID. Events on ports configured with **ENUM** PORT_EVENT0** are routed here.
0x56	PORT_EVENT1	Port capture event from IOC, configured by IOC:IOCFGn.PORT_ID. Events on ports configured with PORT_EVENT1 are routed here.
0x57	PORT_EVENT2	Port capture event from IOC, configured by IOC:IOCFGn.PORT_ID. Events on ports configured with PORT_EVENT2 are routed here.
0x58	PORT_EVENT3	Port capture event from IOC, configured by IOC:IOCFGn.PORT_ID. Events on ports configured with PORT_EVENT3 are routed here.
0x59	PORT_EVENT4	Port capture event from IOC, configured by IOC:IOCFGn.PORT_ID. Events on ports configured with ENUM PORT_EVENT4 are routed here.
0x5A	PORT_EVENT5	Port capture event from IOC, configured by IOC:IOCFGn.PORT_ID. Events on ports configured with PORT_EVENT4 are routed here.
0x5B	PORT_EVENT6	Port capture event from IOC, configured by IOC:IOCFGn.PORT_ID. Events on ports configured with PORT_EVENT6 are routed here.
0x5C	PORT_EVENT7	Port capture event from IOC, configured by IOC:IOCFGn.PORT_ID. Events on ports configured with PORT_EVENT7 are routed here.
0x5D	CRYPTO_RESULT_AVAIL_IRQ	CRYPTO result available interrupt event, the corresponding flag is found here CRYPTO:IRQSTAT.RESULT_AVAIL. Controlled by CRYPTO:IRQSTAT.RESULT_AVAIL
0x5E	CRYPTO_DMA_DONE_IRQ	CRYPTO DMA input done event, the corresponding flag is CRYPTO:IRQSTAT.DMA_IN_DONE. Controlled by CRYPTO:IRQEN.DMA_IN_DONE
0x5F	RFC_IN_EV4	RFC RAT event 4, configured by RFC_RAT:RATEV.OEVT4
0x60	RFC_IN_EV5	RFC RAT event 5, configured by RFC_RAT:RATEV.OEVT5
0x61	RFC_IN_EV6	RFC RAT event 6, configured by RFC_RAT:RATEV.OEVT6
0x62	RFC_IN_EV7	RFC RAT event 7, configured by RFC_RAT:RATEV.OEVT7
0x63	WDT_NMI	WATCHDOG non-maskable interrupt event, controlled by WDT:CTL.INTTYPE
0x64	SWEV0	Software event 0, triggered by SWEV.SWEV0
0x65	SWEV1	Software event 1, triggered by SWEV.SWEV1
0x66	SWEV2	Software event 2, triggered by SWEV.SWEV2

Table 5-5. MCU Event Fabric Input Events (continued)

Event Number	Event Enumeration	Description
0x67	SWEV3	Software event 3, triggered by SWEV.SWEV3
0x68	TRNG_IRQ	TRNG Interrupt event, controlled by TRNG:IRQEN.EN
0x69	AUX_AON_WU_EV	AON wake-up event, corresponds flags are here AUX_EVCTL:EVTOMCUFLAGS.AON_WU_EV.
0x6A	AUX_COMP A	AUX COMP A event, corresponds to AUX_EVCTL:EVTOMCUFLAGS.AUX_COMP A.
0x6B	AUX_COMP B*	AUX COMP B event, corresponds to AUX_EVCTL:EVTOMCUFLAGS.AUX_COMP B.
0x6C	AUX_TDC_DONE	AUX TDC measurement done event, corresponds to the flag AUX_EVCTL:EVTOMCUFLAGS.TDC_DONE and the AUX_TDC status AUX_TDC:STAT.DONE.
0x6D	AUX_TIMER0_EV	AUX TIMER 0 event, corresponds to AUX_EVCTL:EVTOMCUFLAGS.TIMER0_EV.
0x6E	AUX_TIMER1_EV	AUX TIMER 1 event, corresponds to AUX_EVCTL:EVTOMCUFLAGS.TIMER1_EV.
0x6F	AUX_SMPH_AUTOTAKE_DONE	Auto-take event from AUX semaphore, configured by AUX_SMPH:AUTOTAKE.*.
0x70	AUX_ADC_DONE	AUX ADC done, corresponds to AUX_EVCTL:EVTOMCUFLAGS.ADC_DONE
0x71	AUX_ADC_FIFO_ALMOST_FULL	AUX ADC FIFO watermark event, corresponds to AUX_EVCTL:EVTOMCUFLAGS.ADC_FIFO_ALMOST_FULL
0x72	AUX_OBSMUX0	Loopback of OBSMUX0 through AUX, corresponds to AUX_EVCTL:EVTOMCUFLAGS.OBSMUX0
0x73	AUX_ADC_IRQ	AUX ADC interrupt event, corresponds to AUX_EVCTL:EVTOMCUFLAGS.ADC_IRQ. Status flags are found here AUX_EVCTL:EVTOMCUFLAGS.ADC*
0x74	AUX_SW_DMABREQ	AUX observation loopback
0x75	AUX_DMASREQ	DMA single request event from AUX, configured by AUX_EVCTL:DMACTL.*
0x76	AUX_DMABREQ	DMA burst request event from AUX, configured by AUX_EVCTL:DMACTL.*
0x77	AON_RTC_UPD	RTC periodic event controlled by AON_RTC:CTL.RTC_UPD_EN
0x78	CPU_HALTED	CPU halted
0x79	ALWAYS_ACTIVE	Always asserted (HIGH)

*COMP B is not supported in all devices. Please consult the device data sheet.

5.5.2 Event Subscribers

There are eleven subscribers for the MCU event fabric. Most of these subscribers are different peripherals that must be configured differently according to the purpose of those specific peripherals. The following five subscribers are not described in this chapter, but rather in each of the corresponding peripheral chapters:

- Micro Direct Memory Access (μ DMA) (see [Chapter 14](#))
- General-Purpose Timers (see [Chapter 15](#))
- Digital and Analog Peripherals (AUX) (see [Chapter 19](#))
- Inter-IC Sound (I²S) (see [Chapter 24](#))
- Radio (see [Chapter 25](#))

The following three subscribers are described as they are related to the CPU and the CPU interrupts:

- System CPU
- Nonmaskable Interrupt (NMI) to System CPU
- Freeze

5.5.2.1 System CPU

[Table 5-7](#) shows that the interrupts with vector number from 16 to 49 are sourced by the events routed in the MCU event fabric to the system CPU. The event fabric routes all level interrupt events to the system CPU. The event/interrupt called *AON programmable 0* can be configured in the AON event fabric. EVENT:CPUIRQSEL29 is a read-only register for routing within the MCU event fabric and cannot be configured, but the input event within the AON event fabric going to this line can be configured. One dynamic event/interrupt called *Dynamic Programmable Event* has the valid selections that are shown in [Table 5-7](#). The EVENT:CPUIRQSEL29 register is used to configure the input (see [Section 5.7.2](#)).

See the EVENT:CPUIRQSEL30 register in [Section 5.7.2](#).

5.5.2.2 NMI

The NMI subscriber has one nonconfigurable input that comes from the WDT. The read-only register (CM3NMISEL0) shows the only valid input event.

5.5.2.3 Freeze

In the CC13x1x3 and CC26x1x3 device platform, the freeze subscriber passes the halted debug signal to peripherals such as the General-Purpose Timer, the digital and analog peripherals (AUX), the Radio and the RTC. When the system CPU halts, the connected peripherals that have freeze enabled also halt. The programmable output can be set to static values of 0 or 1, and can also be set to pass the halted signal. The possible events listed in [Table 5-6](#) can be selected in the FRZSEL0 register.

Table 5-6. Freeze Subscriber Event Selection

Event Number	Event Enumeration
0x0	NONE
0x78	CPU_HALTED
0x79	ALWAYS_ACTIVE

Note

When freeze is asserted, RTC stops incrementing the main counter, but the update event from RTC (goes to RF core and AON event fabric) does not stop. The update event is a down division of SCLK_LF and has no dependency on the main counter. So in practice, when you are halting the CPU for debugging, there is no way to stop these update events to RFC.

5.6 AON Events

Table 5-7. AON Events

Event Number	Name	Description
0x0 to 0x1F	DIO0 to DIO31	Edge detect on DIO _n , n = 0..31
0x20	DIO	Edge detect on any DIO
0x23 to 0x25	RTC_CH0 to RTC_CH2	RTC channel n event, n = 0..2
0x26 to 0x28	RTC_CH0_DLY to RTC_CH2_DLY	RTC channel n – delayed event, n = 0..2
0x29	RTC_COMB_DLY	RTC combined delayed event
0x2A	RTC_UPD	RTC Update Tick
0x2B	JTAG	JTAG generated event
0x2C to 0x2E	AUX_SWEV0 to AUX_SWEV2	AUX Software triggered event #n, n = 0..2
0x2F	AUX_COMPA	Comparator A triggered
0x30	AUX_COMPB*	Comparator B triggered
0x31	AUX_ADC_DONE	ADC conversion completed
0x32	AUX_TDC_DONE	TDC completed or timed out
0x33 to 0x34	AUX_TIMER0_EV to AUX_TIMER1_EV	AUX Timer n Event, n = 0..1
0x35	BATMON_TEMP	BATMON temperature update event
0x36	BATMON_VOLT	BATMON voltage update event
0x37	AUX_COMPB_ASYNC*	Comparator B triggered
0x38	AUX_COMPB_ASYNC_N*	Comparator B not triggered
0x3F	NONE	No event

* COMPB is not supported in all devices. Please consult the device datasheet.

5.7 Interrupts and Events Registers

The next sections show the register banks for Interrupts and Events

Note

COMPB and ISRC are not supported in all devices. Please consult the device datasheet.

5.7.1 AON_EVENT Registers

[AON_EVENT Registers](#) lists the memory-mapped registers for the AON_EVENT registers. All register offset addresses not listed in [AON_EVENT Registers](#) should be considered as reserved locations and the register contents should not be modified.

Table 5-8. AON_EVENT Registers

Offset	Acronym	Register Name	Section
0h	MCUWUSEL	Wake-up Selector For MCU	Section 5.7.1.1
4h	MCUWUSEL1	Wake-up Selector For MCU	Section 5.7.1.2
8h	EVTOMCUSEL	Event Selector For MCU Event Fabric	Section 5.7.1.3
Ch	RTCSEL	RTC Capture Event Selector For AON_RTC	Section 5.7.1.4

Complex bit access types are encoded to fit into small table cells. [AON_EVENT Access Type Codes](#) shows the codes that are used for access types in this section.

Table 5-9. AON_EVENT Access Type Codes

Access Type	Code	Description
Read Type		
R	R	Read
Write Type		
W	W	Write
Reset or Default Value		
-n		Value after reset or the default value

5.7.1.1 MCUWUSEL Register (Offset = 0h) [Reset = 3F3F3F3Fh]

MCUWUSEL is shown in [MCUWUSEL Register](#) and described in [MCUWUSEL Register Field Descriptions](#).

Return to the [AON_EVENT Registers](#).

Wake-up Selector For MCU

This register contains pointers to 4 of 8 events (events 0 to 3) which are routed to AON_PMCTRL as wakeup sources for MCU. AON_PMCTRL will start a wakeup sequence for the MCU domain when either of the 8 selected events are asserted. A wakeup sequence will guarantee that the MCU power switches are turned on, LDO resources are available and SCLK_HF is available and selected as clock source for MCU.

Note: It is required to setup a wakeup event in AON_EVENT before MCU is requesting powerdown (PRCM requests uLDO, see conditions in PRCM:VDCTL.ULDO).

Figure 5-6. MCUWUSEL Register

31	30	29	28	27	26	25	24
RESERVED				WU3_EV			
R-0h				R/W-3Fh			
23	22	21	20	19	18	17	16
RESERVED				WU2_EV			
R-0h				R/W-3Fh			
15	14	13	12	11	10	9	8
RESERVED				WU1_EV			
R-0h				R/W-3Fh			
7	6	5	4	3	2	1	0
RESERVED				WU0_EV			
R-0h				R/W-3Fh			

Table 5-10. MCUWUSEL Register Field Descriptions

Bit	Field	Type	Reset	Description
31-30	RESERVED	R	0h	Reserved

Table 5-10. MCUWUSEL Register Field Descriptions (continued)

Bit	Field	Type	Reset	Description
29-24	WU3_EV	R/W	3Fh	<p>MCU Wakeup Source #3 AON Event Source selecting 1 of 8 events routed to AON_PMCTRL for waking up the MCU domain from Power Off or Power Down. Note: 0h = Edge detect IO event from the DIO(s) which have enabled contribution to IOEV_MCU_WU in [MCU_IOC:IOCFGx.IOEV_MCU_WU_EN] 1h = Event 0 from AUX Tlmer2 2h = Event 1 from AUX Tlmer2 3h = Event 2 from AUX Tlmer2 4h = Event 3 from AUX Tlmer2 5h = BATMON event: Battery level above upper limit 6h = BATMON event: Battery level below lower limit 7h = BATMON event: Temperature level above upper limit 8h = BATMON event: Temperature level below lower limit 9h = Combined event from BATMON 20h = Edge detect on any PAD 23h = RTC channel 0 event 24h = RTC channel 1 event 25h = RTC channel 2 event 26h = RTC channel 0 - delayed event 27h = RTC channel 1 - delayed event 28h = RTC channel 2 - delayed event 29h = RTC combined delayed event 2Ah = RTC Update Tick (16 kHz signal, i.e. event line toggles value every 32 kHz clock period) 2Bh = JTAG generated event 2Ch = AUX Software triggered event #0. Triggered by AUX_EVCTL:SWEVSET.SWEV0 2Dh = AUX Software triggered event #1. Triggered by AUX_EVCTL:SWEVSET.SWEV1 2Eh = AUX Software triggered event #2. Triggered by AUX_EVCTL:SWEVSET.SWEV2 2Fh = Comparator A triggered 30h = Comparator B triggered 31h = ADC conversion completed 32h = TDC completed or timed out 33h = AUX Timer 0 Event 34h = AUX Timer 1 Event 35h = BATMON temperature update event 36h = BATMON voltage update event 37h = Comparator B triggered. Asynchronous signal directly from the AUX Comparator B as opposed to AUX_COMPB which is synchronized in AUX 38h = Comparator B not triggered. Asynchronous signal directly from AUX Comparator B (inverted) as opposed to AUX_COMPB which is synchronized in AUX 3Fh = No event, always low</p>
23-22	RESERVED	R	0h	Reserved

Table 5-10. MCUWUSEL Register Field Descriptions (continued)

Bit	Field	Type	Reset	Description
21-16	WU2_EV	R/W	3Fh	MCU Wakeup Source #2 AON Event Source selecting 1 of 8 events routed to AON_PMCTRL for waking up the MCU domain from Power Off or Power Down. Note: 0h = Edge detect IO event from the DIO(s) which have enabled contribution to IOEV_MCU_WU in [MCU_IOC:IOCFGx.IOEV_MCU_WU_EN] 1h = Event 0 from AUX Tlmer2 2h = Event 1 from AUX Tlmer2 3h = Event 2 from AUX Tlmer2 4h = Event 3 from AUX Tlmer2 5h = BATMON event: Battery level above upper limit 6h = BATMON event: Battery level below lower limit 7h = BATMON event: Temperature level above upper limit 8h = BATMON event: Temperature level below lower limit 9h = Combined event from BATMON 20h = Edge detect on any PAD 23h = RTC channel 0 event 24h = RTC channel 1 event 25h = RTC channel 2 event 26h = RTC channel 0 - delayed event 27h = RTC channel 1 - delayed event 28h = RTC channel 2 - delayed event 29h = RTC combined delayed event 2Ah = RTC Update Tick (16 kHz signal, i.e. event line toggles value every 32 kHz clock period) 2Bh = JTAG generated event 2Ch = AUX Software triggered event #0. Triggered by AUX_EVCTL:SWEVSET.SWEV0 2Dh = AUX Software triggered event #1. Triggered by AUX_EVCTL:SWEVSET.SWEV1 2Eh = AUX Software triggered event #2. Triggered by AUX_EVCTL:SWEVSET.SWEV2 2Fh = Comparator A triggered 30h = Comparator B triggered 31h = ADC conversion completed 32h = TDC completed or timed out 33h = AUX Timer 0 Event 34h = AUX Timer 1 Event 35h = BATMON temperature update event 36h = BATMON voltage update event 37h = Comparator B triggered. Asynchronous signal directly from the AUX Comparator B as opposed to AUX_COMPB which is synchronized in AUX 38h = Comparator B not triggered. Asynchronous signal directly from AUX Comparator B (inverted) as opposed to AUX_COMPB which is synchronized in AUX 3Fh = No event, always low
15-14	RESERVED	R	0h	Reserved

Table 5-10. MCUWUSEL Register Field Descriptions (continued)

Bit	Field	Type	Reset	Description
13-8	WU1_EV	R/W	3Fh	<p>MCU Wakeup Source #1 AON Event Source selecting 1 of 8 events routed to AON_PMCTRL for waking up the MCU domain from Power Off or Power Down. Note: 0h = Edge detect IO event from the DIO(s) which have enabled contribution to IOEV_MCU_WU in [MCU_IOC:IOCFGx.IOEV_MCU_WU_EN] 1h = Event 0 from AUX Tlmer2 2h = Event 1 from AUX Tlmer2 3h = Event 2 from AUX Tlmer2 4h = Event 3 from AUX Tlmer2 5h = BATMON event: Battery level above upper limit 6h = BATMON event: Battery level below lower limit 7h = BATMON event: Temperature level above upper limit 8h = BATMON event: Temperature level below lower limit 9h = Combined event from BATMON 20h = Edge detect on any PAD 23h = RTC channel 0 event 24h = RTC channel 1 event 25h = RTC channel 2 event 26h = RTC channel 0 - delayed event 27h = RTC channel 1 - delayed event 28h = RTC channel 2 - delayed event 29h = RTC combined delayed event 2Ah = RTC Update Tick (16 kHz signal, i.e. event line toggles value every 32 kHz clock period) 2Bh = JTAG generated event 2Ch = AUX Software triggered event #0. Triggered by AUX_EVCTL:SWEVSET.SWEV0 2Dh = AUX Software triggered event #1. Triggered by AUX_EVCTL:SWEVSET.SWEV1 2Eh = AUX Software triggered event #2. Triggered by AUX_EVCTL:SWEVSET.SWEV2 2Fh = Comparator A triggered 30h = Comparator B triggered 31h = ADC conversion completed 32h = TDC completed or timed out 33h = AUX Timer 0 Event 34h = AUX Timer 1 Event 35h = BATMON temperature update event 36h = BATMON voltage update event 37h = Comparator B triggered. Asynchronous signal directly from the AUX Comparator B as opposed to AUX_COMPB which is synchronized in AUX 38h = Comparator B not triggered. Asynchronous signal directly from AUX Comparator B (inverted) as opposed to AUX_COMPB which is synchronized in AUX 3Fh = No event, always low</p>
7-6	RESERVED	R	0h	Reserved

Table 5-10. MCUWUSEL Register Field Descriptions (continued)

Bit	Field	Type	Reset	Description
5-0	WU0_EV	R/W	3Fh	MCU Wakeup Source #0 AON Event Source selecting 1 of 8 events routed to AON_PMCTRL for waking up the MCU domain from Power Off or Power Down. Note: 0h = Edge detect IO event from the DIO(s) which have enabled contribution to IOEV_MCU_WU in [MCU_IOC:IOCFGx.IOEV_MCU_WU_EN] 1h = Event 0 from AUX Tlmer2 2h = Event 1 from AUX Tlmer2 3h = Event 2 from AUX Tlmer2 4h = Event 3 from AUX Tlmer2 5h = BATMON event: Battery level above upper limit 6h = BATMON event: Battery level below lower limit 7h = BATMON event: Temperature level above upper limit 8h = BATMON event: Temperature level below lower limit 9h = Combined event from BATMON 20h = Edge detect on any PAD 23h = RTC channel 0 event 24h = RTC channel 1 event 25h = RTC channel 2 event 26h = RTC channel 0 - delayed event 27h = RTC channel 1 - delayed event 28h = RTC channel 2 - delayed event 29h = RTC combined delayed event 2Ah = RTC Update Tick (16 kHz signal, i.e. event line toggles value every 32 kHz clock period) 2Bh = JTAG generated event 2Ch = AUX Software triggered event #0. Triggered by AUX_EVCTL:SWEVSET.SWEV0 2Dh = AUX Software triggered event #1. Triggered by AUX_EVCTL:SWEVSET.SWEV1 2Eh = AUX Software triggered event #2. Triggered by AUX_EVCTL:SWEVSET.SWEV2 2Fh = Comparator A triggered 30h = Comparator B triggered 31h = ADC conversion completed 32h = TDC completed or timed out 33h = AUX Timer 0 Event 34h = AUX Timer 1 Event 35h = BATMON temperature update event 36h = BATMON voltage update event 37h = Comparator B triggered. Asynchronous signal directly from the AUX Comparator B as opposed to AUX_COMPB which is synchronized in AUX 38h = Comparator B not triggered. Asynchronous signal directly from AUX Comparator B (inverted) as opposed to AUX_COMPB which is synchronized in AUX 3Fh = No event, always low

5.7.1.2 MCUWUSEL1 Register (Offset = 4h) [Reset = 3F3F3F3Fh]

MCUWUSEL1 is shown in [MCUWUSEL1 Register](#) and described in [MCUWUSEL1 Register Field Descriptions](#).

Return to the [AON_EVENT Registers](#).

Wake-up Selector For MCU

This register contains pointers to 4 of 8 events (events 4 to 7) which are routed to AON_PMCTRL as wakeup sources for MCU. AON_PMCTRL will start a wakeup sequence for the MCU domain when either of the 8 selected events are asserted. A wakeup sequence will guarantee that the MCU power switches are turned on, LDO resources are available and SCLK_HF is available and selected as clock source for MCU.

Note: It is required to setup a wakeup event in AON_EVENT before MCU is requesting powerdown (PRCM requests uLDO, see conditions in PRCM:VDCTL.ULDO).

Figure 5-7. MCUWUSEL1 Register

31	30	29	28	27	26	25	24
RESERVED				WU7_EV			
R-0h				R/W-3Fh			
23	22	21	20	19	18	17	16
RESERVED				WU6_EV			
R-0h				R/W-3Fh			
15	14	13	12	11	10	9	8
RESERVED				WU5_EV			
R-0h				R/W-3Fh			
7	6	5	4	3	2	1	0
RESERVED				WU4_EV			
R-0h				R/W-3Fh			

Table 5-11. MCUWUSEL1 Register Field Descriptions

Bit	Field	Type	Reset	Description
31-30	RESERVED	R	0h	Reserved

Table 5-11. MCUWUSEL1 Register Field Descriptions (continued)

Bit	Field	Type	Reset	Description
29-24	WU7_EV	R/W	3Fh	MCU Wakeup Source #7 AON Event Source selecting 1 of 8 events routed to AON_PMCTRL for waking up the MCU domain from Power Off or Power Down. Note: 0h = Edge detect IO event from the DIO(s) which have enabled contribution to IOEV_MCU_WU in [MCU_IOC:IOCFGx.IOEV_MCU_WU_EN] 1h = Event 0 from AUX Tlmer2 2h = Event 1 from AUX Tlmer2 3h = Event 2 from AUX Tlmer2 4h = Event 3 from AUX Tlmer2 5h = BATMON event: Battery level above upper limit 6h = BATMON event: Battery level below lower limit 7h = BATMON event: Temperature level above upper limit 8h = BATMON event: Temperature level below lower limit 9h = Combined event from BATMON 20h = Edge detect on any PAD 23h = RTC channel 0 event 24h = RTC channel 1 event 25h = RTC channel 2 event 26h = RTC channel 0 - delayed event 27h = RTC channel 1 - delayed event 28h = RTC channel 2 - delayed event 29h = RTC combined delayed event 2Ah = RTC Update Tick (16 kHz signal, i.e. event line toggles value every 32 kHz clock period) 2Bh = JTAG generated event 2Ch = AUX Software triggered event #0. Triggered by AUX_EVCTL:SWEVSET.SWEV0 2Dh = AUX Software triggered event #1. Triggered by AUX_EVCTL:SWEVSET.SWEV1 2Eh = AUX Software triggered event #2. Triggered by AUX_EVCTL:SWEVSET.SWEV2 2Fh = Comparator A triggered 30h = Comparator B triggered 31h = ADC conversion completed 32h = TDC completed or timed out 33h = AUX Timer 0 Event 34h = AUX Timer 1 Event 35h = BATMON temperature update event 36h = BATMON voltage update event 37h = Comparator B triggered. Asynchronous signal directly from the AUX Comparator B as opposed to AUX_COMPB which is synchronized in AUX 38h = Comparator B not triggered. Asynchronous signal directly from AUX Comparator B (inverted) as opposed to AUX_COMPB which is synchronized in AUX 3Fh = No event, always low
23-22	RESERVED	R	0h	Reserved

Table 5-11. MCUWUSEL1 Register Field Descriptions (continued)

Bit	Field	Type	Reset	Description
21-16	WU6_EV	R/W	3Fh	<p>MCU Wakeup Source #6 AON Event Source selecting 1 of 8 events routed to AON_PMCTRL for waking up the MCU domain from Power Off or Power Down. Note: 0h = Edge detect IO event from the DIO(s) which have enabled contribution to IOEV_MCU_WU in [MCU_IOC:IOCFGx.IOEV_MCU_WU_EN] 1h = Event 0 from AUX Tlmer2 2h = Event 1 from AUX Tlmer2 3h = Event 2 from AUX Tlmer2 4h = Event 3 from AUX Tlmer2 5h = BATMON event: Battery level above upper limit 6h = BATMON event: Battery level below lower limit 7h = BATMON event: Temperature level above upper limit 8h = BATMON event: Temperature level below lower limit 9h = Combined event from BATMON 20h = Edge detect on any PAD 23h = RTC channel 0 event 24h = RTC channel 1 event 25h = RTC channel 2 event 26h = RTC channel 0 - delayed event 27h = RTC channel 1 - delayed event 28h = RTC channel 2 - delayed event 29h = RTC combined delayed event 2Ah = RTC Update Tick (16 kHz signal, i.e. event line toggles value every 32 kHz clock period) 2Bh = JTAG generated event 2Ch = AUX Software triggered event #0. Triggered by AUX_EVCTL:SWEVSET.SWEV0 2Dh = AUX Software triggered event #1. Triggered by AUX_EVCTL:SWEVSET.SWEV1 2Eh = AUX Software triggered event #2. Triggered by AUX_EVCTL:SWEVSET.SWEV2 2Fh = Comparator A triggered 30h = Comparator B triggered 31h = ADC conversion completed 32h = TDC completed or timed out 33h = AUX Timer 0 Event 34h = AUX Timer 1 Event 35h = BATMON temperature update event 36h = BATMON voltage update event 37h = Comparator B triggered. Asynchronous signal directly from the AUX Comparator B as opposed to AUX_COMPB which is synchronized in AUX 38h = Comparator B not triggered. Asynchronous signal directly from AUX Comparator B (inverted) as opposed to AUX_COMPB which is synchronized in AUX 3Fh = No event, always low</p>
15-14	RESERVED	R	0h	Reserved

Table 5-11. MCUWUSEL1 Register Field Descriptions (continued)

Bit	Field	Type	Reset	Description
13-8	WU5_EV	R/W	3Fh	MCU Wakeup Source #5 AON Event Source selecting 1 of 8 events routed to AON_PMCTRL for waking up the MCU domain from Power Off or Power Down. Note: 0h = Edge detect IO event from the DIO(s) which have enabled contribution to IOEV_MCU_WU in [MCU_IOC:IOCFGx.IOEV_MCU_WU_EN] 1h = Event 0 from AUX Tlmer2 2h = Event 1 from AUX Tlmer2 3h = Event 2 from AUX Tlmer2 4h = Event 3 from AUX Tlmer2 5h = BATMON event: Battery level above upper limit 6h = BATMON event: Battery level below lower limit 7h = BATMON event: Temperature level above upper limit 8h = BATMON event: Temperature level below lower limit 9h = Combined event from BATMON 20h = Edge detect on any PAD 23h = RTC channel 0 event 24h = RTC channel 1 event 25h = RTC channel 2 event 26h = RTC channel 0 - delayed event 27h = RTC channel 1 - delayed event 28h = RTC channel 2 - delayed event 29h = RTC combined delayed event 2Ah = RTC Update Tick (16 kHz signal, i.e. event line toggles value every 32 kHz clock period) 2Bh = JTAG generated event 2Ch = AUX Software triggered event #0. Triggered by AUX_EVCTL:SWEVSET.SWEV0 2Dh = AUX Software triggered event #1. Triggered by AUX_EVCTL:SWEVSET.SWEV1 2Eh = AUX Software triggered event #2. Triggered by AUX_EVCTL:SWEVSET.SWEV2 2Fh = Comparator A triggered 30h = Comparator B triggered 31h = ADC conversion completed 32h = TDC completed or timed out 33h = AUX Timer 0 Event 34h = AUX Timer 1 Event 35h = BATMON temperature update event 36h = BATMON voltage update event 37h = Comparator B triggered. Asynchronous signal directly from the AUX Comparator B as opposed to AUX_COMPB which is synchronized in AUX 38h = Comparator B not triggered. Asynchronous signal directly from AUX Comparator B (inverted) as opposed to AUX_COMPB which is synchronized in AUX 3Fh = No event, always low
7-6	RESERVED	R	0h	Reserved

Table 5-11. MCUWUSEL1 Register Field Descriptions (continued)

Bit	Field	Type	Reset	Description
5-0	WU4_EV	R/W	3Fh	<p>MCU Wakeup Source #4 AON Event Source selecting 1 of 8 events routed to AON_PMCTRL for waking up the MCU domain from Power Off or Power Down. Note: 0h = Edge detect IO event from the DIO(s) which have enabled contribution to IOEV_MCU_WU in [MCU_IOC:IOCFGx.IOEV_MCU_WU_EN] 1h = Event 0 from AUX Tlmer2 2h = Event 1 from AUX Tlmer2 3h = Event 2 from AUX Tlmer2 4h = Event 3 from AUX Tlmer2 5h = BATMON event: Battery level above upper limit 6h = BATMON event: Battery level below lower limit 7h = BATMON event: Temperature level above upper limit 8h = BATMON event: Temperature level below lower limit 9h = Combined event from BATMON 20h = Edge detect on any PAD 23h = RTC channel 0 event 24h = RTC channel 1 event 25h = RTC channel 2 event 26h = RTC channel 0 - delayed event 27h = RTC channel 1 - delayed event 28h = RTC channel 2 - delayed event 29h = RTC combined delayed event 2Ah = RTC Update Tick (16 kHz signal, i.e. event line toggles value every 32 kHz clock period) 2Bh = JTAG generated event 2Ch = AUX Software triggered event #0. Triggered by AUX_EVCTL:SWEVSET.SWEV0 2Dh = AUX Software triggered event #1. Triggered by AUX_EVCTL:SWEVSET.SWEV1 2Eh = AUX Software triggered event #2. Triggered by AUX_EVCTL:SWEVSET.SWEV2 2Fh = Comparator A triggered 30h = Comparator B triggered 31h = ADC conversion completed 32h = TDC completed or timed out 33h = AUX Timer 0 Event 34h = AUX Timer 1 Event 35h = BATMON temperature update event 36h = BATMON voltage update event 37h = Comparator B triggered. Asynchronous signal directly from the AUX Comparator B as opposed to AUX_COMPB which is synchronized in AUX 38h = Comparator B not triggered. Asynchronous signal directly from AUX Comparator B (inverted) as opposed to AUX_COMPB which is synchronized in AUX 3Fh = No event, always low</p>

5.7.1.3 EVTOMCUSEL Register (Offset = 8h) [Reset = 002B2B2Bh]

EVTOMCUSEL is shown in [EVTOMCUSEL Register](#) and described in [EVTOMCUSEL Register Field Descriptions](#).

Return to the [AON_EVENT Registers](#).

Event Selector For MCU Event Fabric

This register contains pointers for 3 AON events that are routed to the MCU Event Fabric EVENT

Figure 5-8. EVTOMCUSEL Register

31	30	29	28	27	26	25	24
RESERVED							
R-0h							
23	22	21	20	19	18	17	16
RESERVED				AON_PROG2_EV			
R-0h				R/W-2Bh			
15	14	13	12	11	10	9	8
RESERVED				AON_PROG1_EV			
R-0h				R/W-2Bh			
7	6	5	4	3	2	1	0
RESERVED				AON_PROG0_EV			
R-0h				R/W-2Bh			

Table 5-12. EVTOMCUSEL Register Field Descriptions

Bit	Field	Type	Reset	Description
31-22	RESERVED	R	0h	Reserved

Table 5-12. EVTOMCUSEL Register Field Descriptions (continued)

Bit	Field	Type	Reset	Description
21-16	AON_PROG2_EV	R/W	2Bh	<p>Event selector for AON_PROG2 event.</p> <p>AON Event Source id# selecting event routed to EVENT as AON_PROG2 event.</p> <p>0h = Edge detect IO event from the DIO(s) which have enabled contribution to IOEV_AON_PROG2 in [MCU_IOC:IOCFGx.IOEV_AON_PROG2_EN]</p> <p>1h = Event 0 from AUX Timer2</p> <p>2h = Event 1 from AUX Timer2</p> <p>3h = Event 2 from AUX Timer2</p> <p>4h = Event 3 from AUX Timer2</p> <p>5h = BATMON event: Battery level above upper limit</p> <p>6h = BATMON event: Battery level below lower limit</p> <p>7h = BATMON event: Temperature level above upper limit</p> <p>8h = BATMON event: Temperature level below lower limit</p> <p>9h = Combined event from BATMON</p> <p>20h = Edge detect on any PAD</p> <p>23h = RTC channel 0 event</p> <p>24h = RTC channel 1 event</p> <p>25h = RTC channel 2 event</p> <p>26h = RTC channel 0 - delayed event</p> <p>27h = RTC channel 1 - delayed event</p> <p>28h = RTC channel 2 - delayed event</p> <p>29h = RTC combined delayed event</p> <p>2Ah = RTC Update Tick (16 kHz signal, i.e. event line toggles value every 32 kHz clock period)</p> <p>2Bh = JTAG generated event</p> <p>2Ch = AUX Software triggered event #0. Triggered by AUX_EVCTL:SWEVSET.SWEV0</p> <p>2Dh = AUX Software triggered event #1. Triggered by AUX_EVCTL:SWEVSET.SWEV1</p> <p>2Eh = AUX Software triggered event #2. Triggered by AUX_EVCTL:SWEVSET.SWEV2</p> <p>2Fh = Comparator A triggered</p> <p>30h = Comparator B triggered</p> <p>31h = ADC conversion completed</p> <p>32h = TDC completed or timed out</p> <p>33h = AUX Timer 0 Event</p> <p>34h = AUX Timer 1 Event</p> <p>35h = BATMON temperature update event</p> <p>36h = BATMON voltage update event</p> <p>37h = Comparator B triggered. Asynchronous signal directly from the AUX Comparator B as opposed to AUX_COMPB which is synchronized in AUX</p> <p>38h = Comparator B not triggered. Asynchronous signal directly from AUX Comparator B (inverted) as opposed to AUX_COMPB which is synchronized in AUX</p> <p>3Fh = No event, always low</p>
15-14	RESERVED	R	0h	Reserved

Table 5-12. EVTOMCUSEL Register Field Descriptions (continued)

Bit	Field	Type	Reset	Description
13-8	AON_PROG1_EV	R/W	2Bh	<p>Event selector for AON_PROG1 event. AON Event Source id# selecting event routed to EVENT as AON_PROG1 event.</p> <p>0h = Edge detect IO event from the DIO(s) which have enabled contribution to IOEV_AON_PROG1 in [MCU_IOC:IOCFGx.IOEV_AON_PROG1_EN]</p> <p>1h = Event 0 from AUX Timer2 2h = Event 1 from AUX Timer2 3h = Event 2 from AUX Timer2 4h = Event 3 from AUX Timer2 5h = BATMON event: Battery level above upper limit 6h = BATMON event: Battery level below lower limit 7h = BATMON event: Temperature level above upper limit 8h = BATMON event: Temperature level below lower limit 9h = Combined event from BATMON 20h = Edge detect on any PAD 23h = RTC channel 0 event 24h = RTC channel 1 event 25h = RTC channel 2 event 26h = RTC channel 0 - delayed event 27h = 0 28h = 0 29h = 0 2Ah = 0 2Bh = 0 2Ch = 0 2Dh = 0 2Eh = 0 2Fh = 0 30h = 0 31h = 0 32h = 0 33h = 0 34h = 0 35h = 0 36h = 0 37h = 0 38h = 0 3Fh = 0</p>
7-6	RESERVED	R	0h	Reserved

Table 5-12. EVTOMCUSEL Register Field Descriptions (continued)

Bit	Field	Type	Reset	Description
5-0	AON_PROG0_EV	R/W	2Bh	<p>Event selector for AON_PROG0 event.</p> <p>AON Event Source id# selecting event routed to EVENT as AON_PROG0 event.</p> <p>0h = Edge detect IO event from the DIO(s) which have enabled contribution to IOEV_AON_PROG0 in [MCU_IOC:IOCFGx.IOEV_AON_PROG0_EN]</p> <p>1h = 0</p> <p>2h = 0</p> <p>3h = 0</p> <p>4h = 0</p> <p>5h = 0</p> <p>6h = 0</p> <p>7h = 0</p> <p>8h = 0</p> <p>9h = 0</p> <p>20h = 0</p> <p>23h = 0</p> <p>24h = 0</p> <p>25h = 0</p> <p>26h = 0</p> <p>27h = 0</p> <p>28h = 0</p> <p>29h = 0</p> <p>2Ah = 0</p> <p>2Bh = 0</p> <p>2Ch = 0</p> <p>2Dh = 0</p> <p>2Eh = 0</p> <p>2Fh = 0</p> <p>30h = 0</p> <p>31h = 0</p> <p>32h = 0</p> <p>33h = 0</p> <p>34h = 0</p> <p>35h = 0</p> <p>36h = 0</p> <p>37h = 0</p> <p>38h = 0</p> <p>3Fh = 0</p>

5.7.1.4 RTCSEL Register (Offset = Ch) [Reset = 000003Fh]

RTCSEL is shown in [RTCSEL Register](#) and described in [RTCSEL Register Field Descriptions](#).

Return to the [AON_EVENT Registers](#).

RTC Capture Event Selector For AON_RTC

This register contains a pointer to select an AON event for RTC capture. Please refer to AON_RTC:CH1CAPT

Figure 5-9. RTCSEL Register

31	30	29	28	27	26	25	24	23	22	21	20	19	18	17	16
RESERVED															
R-0h															
15	14	13	12	11	10	9	8	7	6	5	4	3	2	1	0
RESERVED										RTC_CH1_CAPT_EV					
R-0h										R/W-3Fh					

Table 5-13. RTCSEL Register Field Descriptions

Bit	Field	Type	Reset	Description
31-6	RESERVED	R	0h	Reserved
5-0	RTC_CH1_CAPT_EV	R/W	3Fh	AON Event Source id# for RTCSEL event which is fed to AON_RTC. Please refer to AON_RTC:CH1CAPT 0h = Edge detect IO event from the DIO(s) which have enabled contribution to IOEV_RTC in [MCU_IOC:IOCFGx.IOEV_RTC_EN] 1h = 0 2h = 0 3h = 0 4h = 0 5h = 0 6h = 0 7h = 0 8h = 0 9h = 0 20h = 0 23h = 0 24h = 0 25h = 0 26h = 0 27h = 0 28h = 0 29h = 0 2Ah = 0 2Bh = 0 2Ch = 0 2Dh = 0 2Eh = 0 2Fh = 0 30h = 0 31h = 0 32h = 0 33h = 0 34h = 0 35h = 0 36h = 0 37h = 0 38h = 0 3Fh = 0

5.7.2 EVENT Registers

Table 5-14 lists the memory-mapped registers for the EVENT registers. All register offset addresses not listed in Table 5-14 should be considered as reserved locations and the register contents should not be modified.

Table 5-14. EVENT Registers

Offset	Acronym	Register Name	Section
0h	CPUIRQSEL0	Output Selection for CPU Interrupt 0	Section 5.7.2.1
4h	CPUIRQSEL1	Output Selection for CPU Interrupt 1	Section 5.7.2.2
8h	CPUIRQSEL2	Output Selection for CPU Interrupt 2	Section 5.7.2.3
Ch	CPUIRQSEL3	Output Selection for CPU Interrupt 3	Section 5.7.2.4
10h	CPUIRQSEL4	Output Selection for CPU Interrupt 4	Section 5.7.2.5
14h	CPUIRQSEL5	Output Selection for CPU Interrupt 5	Section 5.7.2.6
18h	CPUIRQSEL6	Output Selection for CPU Interrupt 6	Section 5.7.2.7
1Ch	CPUIRQSEL7	Output Selection for CPU Interrupt 7	Section 5.7.2.8
20h	CPUIRQSEL8	Output Selection for CPU Interrupt 8	Section 5.7.2.9
24h	CPUIRQSEL9	Output Selection for CPU Interrupt 9	Section 5.7.2.10
28h	CPUIRQSEL10	Output Selection for CPU Interrupt 10	Section 5.7.2.11
2Ch	CPUIRQSEL11	Output Selection for CPU Interrupt 11	Section 5.7.2.12
30h	CPUIRQSEL12	Output Selection for CPU Interrupt 12	Section 5.7.2.13
34h	CPUIRQSEL13	Output Selection for CPU Interrupt 13	Section 5.7.2.14
38h	CPUIRQSEL14	Output Selection for CPU Interrupt 14	Section 5.7.2.15
3Ch	CPUIRQSEL15	Output Selection for CPU Interrupt 15	Section 5.7.2.16
40h	CPUIRQSEL16	Output Selection for CPU Interrupt 16	Section 5.7.2.17
44h	CPUIRQSEL17	Output Selection for CPU Interrupt 17	Section 5.7.2.18
48h	CPUIRQSEL18	Output Selection for CPU Interrupt 18	Section 5.7.2.19
4Ch	CPUIRQSEL19	Output Selection for CPU Interrupt 19	Section 5.7.2.20
50h	CPUIRQSEL20	Output Selection for CPU Interrupt 20	Section 5.7.2.21
54h	CPUIRQSEL21	Output Selection for CPU Interrupt 21	Section 5.7.2.22
58h	CPUIRQSEL22	Output Selection for CPU Interrupt 22	Section 5.7.2.23
5Ch	CPUIRQSEL23	Output Selection for CPU Interrupt 23	Section 5.7.2.24
60h	CPUIRQSEL24	Output Selection for CPU Interrupt 24	Section 5.7.2.25
64h	CPUIRQSEL25	Output Selection for CPU Interrupt 25	Section 5.7.2.26
68h	CPUIRQSEL26	Output Selection for CPU Interrupt 26	Section 5.7.2.27
6Ch	CPUIRQSEL27	Output Selection for CPU Interrupt 27	Section 5.7.2.28
70h	CPUIRQSEL28	Output Selection for CPU Interrupt 28	Section 5.7.2.29
74h	CPUIRQSEL29	Output Selection for CPU Interrupt 29	Section 5.7.2.30
78h	CPUIRQSEL30	Output Selection for CPU Interrupt 30	Section 5.7.2.31
7Ch	CPUIRQSEL31	Output Selection for CPU Interrupt 31	Section 5.7.2.32
80h	CPUIRQSEL32	Output Selection for CPU Interrupt 32	Section 5.7.2.33
84h	CPUIRQSEL33	Output Selection for CPU Interrupt 33	Section 5.7.2.34
88h	CPUIRQSEL34	Output Selection for CPU Interrupt 34	Section 5.7.2.35
8Ch	CPUIRQSEL35	Output Selection for CPU Interrupt 35	Section 5.7.2.36
90h	CPUIRQSEL36	Output Selection for CPU Interrupt 36	Section 5.7.2.37
94h	CPUIRQSEL37	Output Selection for CPU Interrupt 37	Section 5.7.2.38
100h	RFCSEL0	Output Selection for RFC Event 0	Section 5.7.2.39
104h	RFCSEL1	Output Selection for RFC Event 1	Section 5.7.2.40
108h	RFCSEL2	Output Selection for RFC Event 2	Section 5.7.2.41
10Ch	RFCSEL3	Output Selection for RFC Event 3	Section 5.7.2.42

Table 5-14. EVENT Registers (continued)

Offset	Acronym	Register Name	Section
110h	RFCSEL4	Output Selection for RFC Event 4	Section 5.7.2.43
114h	RFCSEL5	Output Selection for RFC Event 5	Section 5.7.2.44
118h	RFCSEL6	Output Selection for RFC Event 6	Section 5.7.2.45
11Ch	RFCSEL7	Output Selection for RFC Event 7	Section 5.7.2.46
120h	RFCSEL8	Output Selection for RFC Event 8	Section 5.7.2.47
124h	RFCSEL9	Output Selection for RFC Event 9	Section 5.7.2.48
200h	GPT0ACAPTSEL	Output Selection for GPT0 0	Section 5.7.2.49
204h	GPT0BCAPTSEL	Output Selection for GPT0 1	Section 5.7.2.50
300h	GPT1ACAPTSEL	Output Selection for GPT1 0	Section 5.7.2.51
304h	GPT1BCAPTSEL	Output Selection for GPT1 1	Section 5.7.2.52
400h	GPT2ACAPTSEL	Output Selection for GPT2 0	Section 5.7.2.53
404h	GPT2BCAPTSEL	Output Selection for GPT2 1	Section 5.7.2.54
508h	UDMACH1SSEL	Output Selection for DMA Channel 1 SREQ	Section 5.7.2.55
50Ch	UDMACH1BSEL	Output Selection for DMA Channel 1 REQ	Section 5.7.2.56
510h	UDMACH2SSEL	Output Selection for DMA Channel 2 SREQ	Section 5.7.2.57
514h	UDMACH2BSEL	Output Selection for DMA Channel 2 REQ	Section 5.7.2.58
518h	UDMACH3SSEL	Output Selection for DMA Channel 3 SREQ	Section 5.7.2.59
51Ch	UDMACH3BSEL	Output Selection for DMA Channel 3 REQ	Section 5.7.2.60
520h	UDMACH4SSEL	Output Selection for DMA Channel 4 SREQ	Section 5.7.2.61
524h	UDMACH4BSEL	Output Selection for DMA Channel 4 REQ	Section 5.7.2.62
528h	UDMACH5SSEL	Output Selection for DMA Channel 5 SREQ	Section 5.7.2.63
52Ch	UDMACH5BSEL	Output Selection for DMA Channel 5 REQ	Section 5.7.2.64
530h	UDMACH6SSEL	Output Selection for DMA Channel 6 SREQ	Section 5.7.2.65
534h	UDMACH6BSEL	Output Selection for DMA Channel 6 REQ	Section 5.7.2.66
538h	UDMACH7SSEL	Output Selection for DMA Channel 7 SREQ	Section 5.7.2.67
53Ch	UDMACH7BSEL	Output Selection for DMA Channel 7 REQ	Section 5.7.2.68
540h	UDMACH8SSEL	Output Selection for DMA Channel 8 SREQ	Section 5.7.2.69
544h	UDMACH8BSEL	Output Selection for DMA Channel 8 REQ	Section 5.7.2.70
548h	UDMACH9SSEL	Output Selection for DMA Channel 9 SREQ	Section 5.7.2.71
54Ch	UDMACH9BSEL	Output Selection for DMA Channel 9 REQ	Section 5.7.2.72
550h	UDMACH10SSEL	Output Selection for DMA Channel 10 SREQ	Section 5.7.2.73
554h	UDMACH10BSEL	Output Selection for DMA Channel 10 REQ	Section 5.7.2.74
558h	UDMACH11SSEL	Output Selection for DMA Channel 11 SREQ	Section 5.7.2.75
55Ch	UDMACH11BSEL	Output Selection for DMA Channel 11 REQ	Section 5.7.2.76
560h	UDMACH12SSEL	Output Selection for DMA Channel 12 SREQ	Section 5.7.2.77
564h	UDMACH12BSEL	Output Selection for DMA Channel 12 REQ	Section 5.7.2.78
56Ch	UDMACH13BSEL	Output Selection for DMA Channel 13 REQ	Section 5.7.2.79
574h	UDMACH14BSEL	Output Selection for DMA Channel 14 REQ	Section 5.7.2.80
57Ch	UDMACH15BSEL	Output Selection for DMA Channel 15 REQ	Section 5.7.2.81
580h	UDMACH16SSEL	Output Selection for DMA Channel 16 SREQ	Section 5.7.2.82
584h	UDMACH16BSEL	Output Selection for DMA Channel 16 REQ	Section 5.7.2.83
588h	UDMACH17SSEL	Output Selection for DMA Channel 17 SREQ	Section 5.7.2.84
58Ch	UDMACH17BSEL	Output Selection for DMA Channel 17 REQ	Section 5.7.2.85
5A8h	UDMACH21SSEL	Output Selection for DMA Channel 21 SREQ	Section 5.7.2.86
5ACh	UDMACH21BSEL	Output Selection for DMA Channel 21 REQ	Section 5.7.2.87

Table 5-14. EVENT Registers (continued)

Offset	Acronym	Register Name	Section
5B0h	UDMACH22SSEL	Output Selection for DMA Channel 22 SREQ	Section 5.7.2.88
5B4h	UDMACH22BSEL	Output Selection for DMA Channel 22 REQ	Section 5.7.2.89
5B8h	UDMACH23SSEL	Output Selection for DMA Channel 23 SREQ	Section 5.7.2.90
5BCh	UDMACH23BSEL	Output Selection for DMA Channel 23 REQ	Section 5.7.2.91
5C0h	UDMACH24SSEL	Output Selection for DMA Channel 24 SREQ	Section 5.7.2.92
5C4h	UDMACH24BSEL	Output Selection for DMA Channel 24 REQ	Section 5.7.2.93
600h	GPT3ACAPTSEL	Output Selection for GPT3 0	Section 5.7.2.94
604h	GPT3BCAPTSEL	Output Selection for GPT3 1	Section 5.7.2.95
700h	AUXSEL0	Output Selection for AUX Subscriber 0	Section 5.7.2.96
800h	CM3NMISEL0	Output Selection for NMI Subscriber 0	Section 5.7.2.97
900h	I2SSTMPSEL0	Output Selection for I2S Subscriber 0	Section 5.7.2.98
A00h	FRZSEL0	Output Selection for FRZ Subscriber	Section 5.7.2.99
F00h	SWEV	Set or Clear Software Events	Section 5.7.2.100

Complex bit access types are encoded to fit into small table cells. [Table 5-15](#) shows the codes that are used for access types in this section.

Table 5-15. EVENT Access Type Codes

Access Type	Code	Description
Read Type		
R	R	Read
Write Type		
W	W	Write
Reset or Default Value		
-n		Value after reset or the default value

5.7.2.1 CPUIRQSEL0 Register (Offset = 0h) [Reset = 0000004h]

CPUIRQSEL0 is shown in [Figure 5-10](#) and described in [Table 5-16](#).

Return to the [Table 5-14](#).

Output Selection for CPU Interrupt 0

Figure 5-10. CPUIRQSEL0 Register

31	30	29	28	27	26	25	24	23	22	21	20	19	18	17	16	15	14	13	12	11	10	9	8	7	6	5	4	3	2	1	0
RESERVED														EV																	
R-0h														R-4h																	

Table 5-16. CPUIRQSEL0 Register Field Descriptions

Bit	Field	Type	Reset	Description
31-7	RESERVED	R	0h	Reserved
6-0	EV	R	4h	Read only selection value 4h = Edge detect event from IOC. Configured by the IOC:IOCFGn.EDGE_IRQ_EN and IOC:IOCFGn.EDGE_DET settings

5.7.2.2 CPUIRQSEL1 Register (Offset = 4h) [Reset = 0000009h]

CPUIRQSEL1 is shown in [Figure 5-11](#) and described in [Table 5-17](#).

Return to the [Table 5-14](#).

Output Selection for CPU Interrupt 1

Figure 5-11. CPUIRQSEL1 Register

31	30	29	28	27	26	25	24	23	22	21	20	19	18	17	16	15	14	13	12	11	10	9	8	7	6	5	4	3	2	1	0
RESERVED														EV																	
R-0h														R-9h																	

Table 5-17. CPUIRQSEL1 Register Field Descriptions

Bit	Field	Type	Reset	Description
31-7	RESERVED	R	0h	Reserved
6-0	EV	R	9h	Read only selection value 9h = Interrupt event from I2C

5.7.2.3 CPUIRQSEL2 Register (Offset = 8h) [Reset = 000001Eh]

CPUIRQSEL2 is shown in [Figure 5-12](#) and described in [Table 5-18](#).

Return to the [Table 5-14](#).

Output Selection for CPU Interrupt 2

Figure 5-12. CPUIRQSEL2 Register

31	30	29	28	27	26	25	24	23	22	21	20	19	18	17	16	15	14	13	12	11	10	9	8	7	6	5	4	3	2	1	0
RESERVED														EV																	
R-0h														R-1Eh																	

Table 5-18. CPUIRQSEL2 Register Field Descriptions

Bit	Field	Type	Reset	Description
31-7	RESERVED	R	0h	Reserved
6-0	EV	R	1Eh	Read only selection value 1Eh = Combined Interrupt for CPE Generated events. Corresponding flags are here RFC_DBELL:RFCPEIFG. Only interrupts selected with CPE1 in RFC_DBELL:RFCPEIFG can trigger a RFC_CPE_1 event

5.7.2.4 CPUIRQSEL3 Register (Offset = Ch) [Reset = 000001Fh]

CPUIRQSEL3 is shown in [Figure 5-13](#) and described in [Table 5-19](#).

Return to the [Table 5-14](#).

Output Selection for CPU Interrupt 3

Figure 5-13. CPUIRQSEL3 Register

31	30	29	28	27	26	25	24	23	22	21	20	19	18	17	16	15	14	13	12	11	10	9	8	7	6	5	4	3	2	1	0
RESERVED														EV																	
R-0h														R-1Fh																	

Table 5-19. CPUIRQSEL3 Register Field Descriptions

Bit	Field	Type	Reset	Description
31-7	RESERVED	R	0h	Reserved
6-0	EV	R	1Fh	Read only selection value 1Fh = Not used tied to 0

5.7.2.5 CPUIRQSEL4 Register (Offset = 10h) [Reset = 0000007h]

CPUIRQSEL4 is shown in [Figure 5-14](#) and described in [Table 5-20](#).

Return to the [Table 5-14](#).

Output Selection for CPU Interrupt 4

Figure 5-14. CPUIRQSEL4 Register

31	30	29	28	27	26	25	24	23	22	21	20	19	18	17	16	15	14	13	12	11	10	9	8	7	6	5	4	3	2	1	0
RESERVED														EV																	
R-0h														R-7h																	

Table 5-20. CPUIRQSEL4 Register Field Descriptions

Bit	Field	Type	Reset	Description
31-7	RESERVED	R	0h	Reserved
6-0	EV	R	7h	Read only selection value 7h = Event from AON_RTC, controlled by the AON_RTC:CTL.COMB_EV_MASK setting

5.7.2.6 CPUIRQSEL5 Register (Offset = 14h) [Reset = 0000024h]

CPUIRQSEL5 is shown in [Figure 5-15](#) and described in [Table 5-21](#).

Return to the [Table 5-14](#).

Output Selection for CPU Interrupt 5

Figure 5-15. CPUIRQSEL5 Register

31	30	29	28	27	26	25	24	23	22	21	20	19	18	17	16	15	14	13	12	11	10	9	8	7	6	5	4	3	2	1	0
RESERVED														EV																	
R-0h														R-24h																	

Table 5-21. CPUIRQSEL5 Register Field Descriptions

Bit	Field	Type	Reset	Description
31-7	RESERVED	R	0h	Reserved
6-0	EV	R	24h	Read only selection value 24h = UART0 combined interrupt, interrupt flags are found here UART0:MIS

5.7.2.7 CPUIRQSEL6 Register (Offset = 18h) [Reset = 000001Ch]

CPUIRQSEL6 is shown in [Figure 5-16](#) and described in [Table 5-22](#).

Return to the [Table 5-14](#).

Output Selection for CPU Interrupt 6

Figure 5-16. CPUIRQSEL6 Register

31	30	29	28	27	26	25	24	23	22	21	20	19	18	17	16	15	14	13	12	11	10	9	8	7	6	5	4	3	2	1	0
RESERVED														EV																	
R-0h														R-1Ch																	

Table 5-22. CPUIRQSEL6 Register Field Descriptions

Bit	Field	Type	Reset	Description
31-7	RESERVED	R	0h	Reserved
6-0	EV	R	1Ch	Read only selection value 1Ch = AUX software event 0, triggered by AUX_EVCTL:SWEVSET.SWEV0, also available as AUX_EVENT0 AON wake up event. MCU domain wakeup control AON_EVENT:MCUWUSEL

5.7.2.8 CPUIRQSEL7 Register (Offset = 1Ch) [Reset = 0000022h]

CPUIRQSEL7 is shown in [Figure 5-17](#) and described in [Table 5-23](#).

Return to the [Table 5-14](#).

Output Selection for CPU Interrupt 7

Figure 5-17. CPUIRQSEL7 Register

31	30	29	28	27	26	25	24	23	22	21	20	19	18	17	16	15	14	13	12	11	10	9	8	7	6	5	4	3	2	1	0
RESERVED														EV																	
R-0h														R-22h																	

Table 5-23. CPUIRQSEL7 Register Field Descriptions

Bit	Field	Type	Reset	Description
31-7	RESERVED	R	0h	Reserved
6-0	EV	R	22h	Read only selection value 22h = SSI0 combined interrupt, interrupt flags are found here SSI0:MIS

5.7.2.9 CPUIRQSEL8 Register (Offset = 20h) [Reset = 0000023h]

CPUIRQSEL8 is shown in [Figure 5-18](#) and described in [Table 5-24](#).

Return to the [Table 5-14](#).

Output Selection for CPU Interrupt 8

Figure 5-18. CPUIRQSEL8 Register

31	30	29	28	27	26	25	24	23	22	21	20	19	18	17	16	15	14	13	12	11	10	9	8	7	6	5	4	3	2	1	0
RESERVED														EV																	
R-0h														R-23h																	

Table 5-24. CPUIRQSEL8 Register Field Descriptions

Bit	Field	Type	Reset	Description
31-7	RESERVED	R	0h	Reserved
6-0	EV	R	23h	Read only selection value 23h = Not used tied to 0

5.7.2.10 CPUIRQSEL9 Register (Offset = 24h) [Reset = 000001Bh]

CPUIRQSEL9 is shown in [Figure 5-19](#) and described in [Table 5-25](#).

Return to the [Table 5-14](#).

Output Selection for CPU Interrupt 9

Figure 5-19. CPUIRQSEL9 Register

31	30	29	28	27	26	25	24	23	22	21	20	19	18	17	16	15	14	13	12	11	10	9	8	7	6	5	4	3	2	1	0
RESERVED															EV																
R-0h															R-1Bh																

Table 5-25. CPUIRQSEL9 Register Field Descriptions

Bit	Field	Type	Reset	Description
31-7	RESERVED	R	0h	Reserved
6-0	EV	R	1Bh	Read only selection value 1Bh = Combined Interrupt for CPE Generated events. Corresponding flags are here RFC_DBELL:RFCPEIFG. Only interrupts selected with CPE0 in RFC_DBELL:RFCPEIFG can trigger a RFC_CPE_0 event

5.7.2.11 CPUIRQSEL10 Register (Offset = 28h) [Reset = 000001Ah]

CPUIRQSEL10 is shown in [Figure 5-20](#) and described in [Table 5-26](#).

Return to the [Table 5-14](#).

Output Selection for CPU Interrupt 10

Figure 5-20. CPUIRQSEL10 Register

31	30	29	28	27	26	25	24	23	22	21	20	19	18	17	16	15	14	13	12	11	10	9	8	7	6	5	4	3	2	1	0
RESERVED														EV																	
R-0h														R-1Ah																	

Table 5-26. CPUIRQSEL10 Register Field Descriptions

Bit	Field	Type	Reset	Description
31-7	RESERVED	R	0h	Reserved
6-0	EV	R	1Ah	Read only selection value 1Ah = Combined RFC hardware interrupt, corresponding flag is here RFC_DBELL:RFHWIFG

5.7.2.12 CPUIRQSEL11 Register (Offset = 2Ch) [Reset = 0000019h]

CPUIRQSEL11 is shown in [Figure 5-21](#) and described in [Table 5-27](#).

Return to the [Table 5-14](#).

Output Selection for CPU Interrupt 11

Figure 5-21. CPUIRQSEL11 Register

31	30	29	28	27	26	25	24	23	22	21	20	19	18	17	16	15	14	13	12	11	10	9	8	7	6	5	4	3	2	1	0
RESERVED														EV																	
R-0h														R-19h																	

Table 5-27. CPUIRQSEL11 Register Field Descriptions

Bit	Field	Type	Reset	Description
31-7	RESERVED	R	0h	Reserved
6-0	EV	R	19h	Read only selection value 19h = RFC Doorbell Command Acknowledgement Interrupt, equivalent to RFC_DBELL:RFACKIFG.ACKFLAG

5.7.2.13 CPUIRQSEL12 Register (Offset = 30h) [Reset = 00000008h]

CPUIRQSEL12 is shown in [Figure 5-22](#) and described in [Table 5-28](#).

Return to the [Table 5-14](#).

Output Selection for CPU Interrupt 12

Figure 5-22. CPUIRQSEL12 Register

31	30	29	28	27	26	25	24	23	22	21	20	19	18	17	16	15	14	13	12	11	10	9	8	7	6	5	4	3	2	1	0
RESERVED														EV																	
R-0h														R-8h																	

Table 5-28. CPUIRQSEL12 Register Field Descriptions

Bit	Field	Type	Reset	Description
31-7	RESERVED	R	0h	Reserved
6-0	EV	R	8h	Read only selection value 8h = Interrupt event from I2S

5.7.2.14 CPUIRQSEL13 Register (Offset = 34h) [Reset = 000001Dh]

CPUIRQSEL13 is shown in [Figure 5-23](#) and described in [Table 5-29](#).

Return to the [Table 5-14](#).

Output Selection for CPU Interrupt 13

Figure 5-23. CPUIRQSEL13 Register

31	30	29	28	27	26	25	24	23	22	21	20	19	18	17	16	15	14	13	12	11	10	9	8	7	6	5	4	3	2	1	0
RESERVED																EV															
R-0h																R-1Dh															

Table 5-29. CPUIRQSEL13 Register Field Descriptions

Bit	Field	Type	Reset	Description
31-7	RESERVED	R	0h	Reserved
6-0	EV	R	1Dh	Read only selection value 1Dh = AUX software event 1, triggered by AUX_EVCTL:SWEVSET.SWEV1, also available as AUX_EVENT2 AON wake up event. MCU domain wakeup control AON_EVENT:MCUWUSEL

5.7.2.15 CPUIRQSEL14 Register (Offset = 38h) [Reset = 0000018h]

CPUIRQSEL14 is shown in [Figure 5-24](#) and described in [Table 5-30](#).

Return to the [Table 5-14](#).

Output Selection for CPU Interrupt 14

Figure 5-24. CPUIRQSEL14 Register

31	30	29	28	27	26	25	24	23	22	21	20	19	18	17	16	15	14	13	12	11	10	9	8	7	6	5	4	3	2	1	0
RESERVED														EV																	
R-0h														R-18h																	

Table 5-30. CPUIRQSEL14 Register Field Descriptions

Bit	Field	Type	Reset	Description
31-7	RESERVED	R	0h	Reserved
6-0	EV	R	18h	Read only selection value 18h = Watchdog interrupt event, controlled by WDT:CTL.INTEN

5.7.2.16 CPUIRQSEL15 Register (Offset = 3Ch) [Reset = 0000010h]

CPUIRQSEL15 is shown in [Figure 5-25](#) and described in [Table 5-31](#).

Return to the [Table 5-14](#).

Output Selection for CPU Interrupt 15

Figure 5-25. CPUIRQSEL15 Register

31	30	29	28	27	26	25	24	23	22	21	20	19	18	17	16	15	14	13	12	11	10	9	8	7	6	5	4	3	2	1	0
RESERVED														EV																	
R-0h														R-10h																	

Table 5-31. CPUIRQSEL15 Register Field Descriptions

Bit	Field	Type	Reset	Description
31-7	RESERVED	R	0h	Reserved
6-0	EV	R	10h	Read only selection value 10h = GPT0A interrupt event, controlled by GPT0:TAMR

5.7.2.17 CPUIRQSEL16 Register (Offset = 40h) [Reset = 0000011h]

CPUIRQSEL16 is shown in [Figure 5-26](#) and described in [Table 5-32](#).

Return to the [Table 5-14](#).

Output Selection for CPU Interrupt 16

Figure 5-26. CPUIRQSEL16 Register

31	30	29	28	27	26	25	24	23	22	21	20	19	18	17	16	15	14	13	12	11	10	9	8	7	6	5	4	3	2	1	0
RESERVED														EV																	
R-0h														R-11h																	

Table 5-32. CPUIRQSEL16 Register Field Descriptions

Bit	Field	Type	Reset	Description
31-7	RESERVED	R	0h	Reserved
6-0	EV	R	11h	Read only selection value 11h = GPT0B interrupt event, controlled by GPT0:TBMR

5.7.2.18 CPUIRQSEL17 Register (Offset = 44h) [Reset = 0000012h]

CPUIRQSEL17 is shown in [Figure 5-27](#) and described in [Table 5-33](#).

Return to the [Table 5-14](#).

Output Selection for CPU Interrupt 17

Figure 5-27. CPUIRQSEL17 Register

31	30	29	28	27	26	25	24	23	22	21	20	19	18	17	16	15	14	13	12	11	10	9	8	7	6	5	4	3	2	1	0
RESERVED														EV																	
R-0h														R-12h																	

Table 5-33. CPUIRQSEL17 Register Field Descriptions

Bit	Field	Type	Reset	Description
31-7	RESERVED	R	0h	Reserved
6-0	EV	R	12h	Read only selection value 12h = GPT1A interrupt event, controlled by GPT1:TAMR

5.7.2.19 CPUIRQSEL18 Register (Offset = 48h) [Reset = 0000013h]

CPUIRQSEL18 is shown in [Figure 5-28](#) and described in [Table 5-34](#).

Return to the [Table 5-14](#).

Output Selection for CPU Interrupt 18

Figure 5-28. CPUIRQSEL18 Register

31	30	29	28	27	26	25	24	23	22	21	20	19	18	17	16	15	14	13	12	11	10	9	8	7	6	5	4	3	2	1	0
RESERVED														EV																	
R-0h														R-13h																	

Table 5-34. CPUIRQSEL18 Register Field Descriptions

Bit	Field	Type	Reset	Description
31-7	RESERVED	R	0h	Reserved
6-0	EV	R	13h	Read only selection value 13h = GPT1B interrupt event, controlled by GPT1:TBMR

5.7.2.20 CPUIRQSEL19 Register (Offset = 4Ch) [Reset = 000000Ch]

CPUIRQSEL19 is shown in [Figure 5-29](#) and described in [Table 5-35](#).

Return to the [Table 5-14](#).

Output Selection for CPU Interrupt 19

Figure 5-29. CPUIRQSEL19 Register

31	30	29	28	27	26	25	24	23	22	21	20	19	18	17	16	15	14	13	12	11	10	9	8	7	6	5	4	3	2	1	0
RESERVED														EV																	
R-0h														R-Ch																	

Table 5-35. CPUIRQSEL19 Register Field Descriptions

Bit	Field	Type	Reset	Description
31-7	RESERVED	R	0h	Reserved
6-0	EV	R	Ch	Read only selection value Ch = GPT2A interrupt event, controlled by GPT2:TAMR

5.7.2.21 CPUIRQSEL20 Register (Offset = 50h) [Reset = 000000Dh]

CPUIRQSEL20 is shown in [Figure 5-30](#) and described in [Table 5-36](#).

Return to the [Table 5-14](#).

Output Selection for CPU Interrupt 20

Figure 5-30. CPUIRQSEL20 Register

31	30	29	28	27	26	25	24	23	22	21	20	19	18	17	16	15	14	13	12	11	10	9	8	7	6	5	4	3	2	1	0
RESERVED														EV																	
R-0h														R-Dh																	

Table 5-36. CPUIRQSEL20 Register Field Descriptions

Bit	Field	Type	Reset	Description
31-7	RESERVED	R	0h	Reserved
6-0	EV	R	Dh	Read only selection value Dh = GPT2B interrupt event, controlled by GPT2:TBMR

5.7.2.22 CPUIRQSEL21 Register (Offset = 54h) [Reset = 000000Eh]

CPUIRQSEL21 is shown in [Figure 5-31](#) and described in [Table 5-37](#).

Return to the [Table 5-14](#).

Output Selection for CPU Interrupt 21

Figure 5-31. CPUIRQSEL21 Register

31	30	29	28	27	26	25	24	23	22	21	20	19	18	17	16	15	14	13	12	11	10	9	8	7	6	5	4	3	2	1	0
RESERVED														EV																	
R-0h														R-Eh																	

Table 5-37. CPUIRQSEL21 Register Field Descriptions

Bit	Field	Type	Reset	Description
31-7	RESERVED	R	0h	Reserved
6-0	EV	R	Eh	Read only selection value Eh = GPT3A interrupt event, controlled by GPT3:TAMR

5.7.2.23 CPUIRQSEL22 Register (Offset = 58h) [Reset = 000000Fh]

CPUIRQSEL22 is shown in [Figure 5-32](#) and described in [Table 5-38](#).

Return to the [Table 5-14](#).

Output Selection for CPU Interrupt 22

Figure 5-32. CPUIRQSEL22 Register

31	30	29	28	27	26	25	24	23	22	21	20	19	18	17	16	15	14	13	12	11	10	9	8	7	6	5	4	3	2	1	0
RESERVED														EV																	
R-0h														R-Fh																	

Table 5-38. CPUIRQSEL22 Register Field Descriptions

Bit	Field	Type	Reset	Description
31-7	RESERVED	R	0h	Reserved
6-0	EV	R	Fh	Read only selection value Fh = GPT3B interrupt event, controlled by GPT3:TBMR

5.7.2.24 CPUIRQSEL23 Register (Offset = 5Ch) [Reset = 000005Dh]

CPUIRQSEL23 is shown in [Figure 5-33](#) and described in [Table 5-39](#).

Return to the [Table 5-14](#).

Output Selection for CPU Interrupt 23

Figure 5-33. CPUIRQSEL23 Register

31	30	29	28	27	26	25	24	23	22	21	20	19	18	17	16	15	14	13	12	11	10	9	8	7	6	5	4	3	2	1	0
RESERVED																EV															
R-0h																R-5Dh															

Table 5-39. CPUIRQSEL23 Register Field Descriptions

Bit	Field	Type	Reset	Description
31-7	RESERVED	R	0h	Reserved
6-0	EV	R	5Dh	Read only selection value 5Dh = CRYPTO result available interrupt event, the corresponding flag is found here CRYPTO:IRQSTAT.RESULT_AVAIL. Controlled by CRYPTO:IRQSTAT.RESULT_AVAIL

5.7.2.25 CPUIRQSEL24 Register (Offset = 60h) [Reset = 0000027h]

CPUIRQSEL24 is shown in [Figure 5-34](#) and described in [Table 5-40](#).

Return to the [Table 5-14](#).

Output Selection for CPU Interrupt 24

Figure 5-34. CPUIRQSEL24 Register

31	30	29	28	27	26	25	24	23	22	21	20	19	18	17	16	15	14	13	12	11	10	9	8	7	6	5	4	3	2	1	0
RESERVED														EV																	
R-0h														R-27h																	

Table 5-40. CPUIRQSEL24 Register Field Descriptions

Bit	Field	Type	Reset	Description
31-7	RESERVED	R	0h	Reserved
6-0	EV	R	27h	Read only selection value 27h = Combined DMA done, corresponding flags are here UDMA0:REQDONE

5.7.2.26 CPUIRQSEL25 Register (Offset = 64h) [Reset = 0000026h]

CPUIRQSEL25 is shown in [Figure 5-35](#) and described in [Table 5-41](#).

Return to the [Table 5-14](#).

Output Selection for CPU Interrupt 25

Figure 5-35. CPUIRQSEL25 Register

31	30	29	28	27	26	25	24	23	22	21	20	19	18	17	16	15	14	13	12	11	10	9	8	7	6	5	4	3	2	1	0
RESERVED														EV																	
R-0h														R-26h																	

Table 5-41. CPUIRQSEL25 Register Field Descriptions

Bit	Field	Type	Reset	Description
31-7	RESERVED	R	0h	Reserved
6-0	EV	R	26h	Read only selection value 26h = DMA bus error, corresponds to UDMA0:ERROR.STATUS

5.7.2.27 CPUIRQSEL26 Register (Offset = 68h) [Reset = 00000015h]

CPUIRQSEL26 is shown in [Figure 5-36](#) and described in [Table 5-42](#).

Return to the [Table 5-14](#).

Output Selection for CPU Interrupt 26

Figure 5-36. CPUIRQSEL26 Register

31	30	29	28	27	26	25	24	23	22	21	20	19	18	17	16	15	14	13	12	11	10	9	8	7	6	5	4	3	2	1	0
RESERVED																EV															
R-0h																R-15h															

Table 5-42. CPUIRQSEL26 Register Field Descriptions

Bit	Field	Type	Reset	Description
31-7	RESERVED	R	0h	Reserved
6-0	EV	R	15h	Read only selection value 15h = FLASH controller error event, the status flags are FLASH:FEDACSTAT.FSM_DONE and FLASH:FEDACSTAT.RVF_INT

5.7.2.28 CPUIRQSEL27 Register (Offset = 6Ch) [Reset = 0000064h]

CPUIRQSEL27 is shown in [Figure 5-37](#) and described in [Table 5-43](#).

Return to the [Table 5-14](#).

Output Selection for CPU Interrupt 27

Figure 5-37. CPUIRQSEL27 Register

31	30	29	28	27	26	25	24	23	22	21	20	19	18	17	16	15	14	13	12	11	10	9	8	7	6	5	4	3	2	1	0
RESERVED																EV															
R-0h																R-64h															

Table 5-43. CPUIRQSEL27 Register Field Descriptions

Bit	Field	Type	Reset	Description
31-7	RESERVED	R	0h	Reserved
6-0	EV	R	64h	Read only selection value 64h = Software event 0, triggered by SWEV.SWEV0

5.7.2.29 CPUIRQSEL28 Register (Offset = 70h) [Reset = 000000Bh]

CPUIRQSEL28 is shown in [Figure 5-38](#) and described in [Table 5-44](#).

Return to the [Table 5-14](#).

Output Selection for CPU Interrupt 28

Figure 5-38. CPUIRQSEL28 Register

31	30	29	28	27	26	25	24	23	22	21	20	19	18	17	16	15	14	13	12	11	10	9	8	7	6	5	4	3	2	1	0
RESERVED														EV																	
R-0h														R-Bh																	

Table 5-44. CPUIRQSEL28 Register Field Descriptions

Bit	Field	Type	Reset	Description
31-7	RESERVED	R	0h	Reserved
6-0	EV	R	Bh	Read only selection value Bh = AUX combined event, the corresponding flag register is here AUX_EVCTL:EVTOMCUFLAGS

5.7.2.30 CPUIRQSEL29 Register (Offset = 74h) [Reset = 0000001h]

CPUIRQSEL29 is shown in [Figure 5-39](#) and described in [Table 5-45](#).

Return to the [Table 5-14](#).

Output Selection for CPU Interrupt 29

Figure 5-39. CPUIRQSEL29 Register

31	30	29	28	27	26	25	24	23	22	21	20	19	18	17	16	15	14	13	12	11	10	9	8	7	6	5	4	3	2	1	0
RESERVED														EV																	
R-0h														R-1h																	

Table 5-45. CPUIRQSEL29 Register Field Descriptions

Bit	Field	Type	Reset	Description
31-7	RESERVED	R	0h	Reserved
6-0	EV	R	1h	Read only selection value 1h = AON programmable event 0. Event selected by AON_EVENT MCU event selector, AON_EVENT:EVTOMCUSEL.AON_PROG0_EV

5.7.2.31 CPUIRQSEL30 Register (Offset = 78h) [Reset = 0000000h]

CPUIRQSEL30 is shown in [Figure 5-40](#) and described in [Table 5-46](#).

Return to the [Table 5-14](#).

Output Selection for CPU Interrupt 30

Figure 5-40. CPUIRQSEL30 Register

31	30	29	28	27	26	25	24	23	22	21	20	19	18	17	16	15	14	13	12	11	10	9	8	7	6	5	4	3	2	1	0
RESERVED																EV															
R-0h																R/W-0h															

Table 5-46. CPUIRQSEL30 Register Field Descriptions

Bit	Field	Type	Reset	Description
31-7	RESERVED	R	0h	Reserved
6-0	EV	R/W	0h	<p>Read/write selection value</p> <p>Writing any other value than values defined by a ENUM may result in undefined behavior.</p> <p>0h = Always inactive</p> <p>2h = AON programmable event 1. Event selected by AON_EVENT MCU event selector, AON_EVENT:EVTOMCUSEL.AON_PROG1_EV</p> <p>3h = AON programmable event 2. Event selected by AON_EVENT MCU event selector, AON_EVENT:EVTOMCUSEL.AON_PROG2_EV</p> <p>8h = Interrupt event from I2S</p> <p>Ah = AUX Software event 0, AUX_EVCTL:SWEVSET.SWEV0</p> <p>14h = DMA done for software triggered UDMA channel 0, see UDMA0:SOFTREQ</p> <p>16h = DMA done for software triggered UDMA channel 18, see UDMA0:SOFTREQ</p> <p>1Fh = Not used tied to 0</p> <p>5Eh = CRYPTO DMA input done event, the corresponding flag is CRYPTO:IRQSTAT.DMA_IN_DONE. Controlled by CRYPTO:IRQEN.DMA_IN_DONE</p> <p>6Bh = AUX Compare B event, corresponds to AUX_EVCTL:EVTOMCUFLAGS.AUX_COMPB</p> <p>6Ch = AUX TDC measurement done event, corresponds to the flag AUX_EVCTL:EVTOMCUFLAGS.AUX_TDC_DONE and the AUX_TDC status AUX_TDC:STAT.DONE</p> <p>6Dh = AUX timer 0 event, corresponds to AUX_EVCTL:EVTOMCUFLAGS.AUX_TIMER0_EV</p> <p>6Eh = AUX timer 1 event, corresponds to AUX_EVCTL:EVTOMCUFLAGS.AUX_TIMER1_EV</p> <p>6Fh = Autotake event from AUX semaphore, configured by AUX_SMPH:AUTOTAKE</p> <p>70h = AUX ADC done, corresponds to AUX_EVCTL:EVTOMCUFLAGS.AUX_ADC_DONE</p> <p>71h = AUX ADC FIFO watermark event, corresponds to AUX_EVCTL:EVTOMCUFLAGS.AUX_ADC_FIFO_ALMOST_FULL</p> <p>72h = Loopback of OBSMUX0 through AUX, corresponds to AUX_EVCTL:EVTOMCUFLAGS.MCU_OBSMUX0</p> <p>77h = RTC periodic event controlled by AON_RTC:CTL.RTC_UPD_EN</p> <p>79h = Always asserted</p>

5.7.2.32 CPUIRQSEL31 Register (Offset = 7Ch) [Reset = 000006Ah]

CPUIRQSEL31 is shown in [Figure 5-41](#) and described in [Table 5-47](#).

Return to the [Table 5-14](#).

Output Selection for CPU Interrupt 31

Figure 5-41. CPUIRQSEL31 Register

31	30	29	28	27	26	25	24	23	22	21	20	19	18	17	16	15	14	13	12	11	10	9	8	7	6	5	4	3	2	1	0
RESERVED														EV																	
R-0h														R-6Ah																	

Table 5-47. CPUIRQSEL31 Register Field Descriptions

Bit	Field	Type	Reset	Description
31-7	RESERVED	R	0h	Reserved
6-0	EV	R	6Ah	Read only selection value 6Ah = AUX Compare A event, corresponds to AUX_EVCTL:EVTOMCUFLAGS.AUX_COMPA

5.7.2.33 CPUIRQSEL32 Register (Offset = 80h) [Reset = 00000073h]

CPUIRQSEL32 is shown in [Figure 5-42](#) and described in [Table 5-48](#).

Return to the [Table 5-14](#).

Output Selection for CPU Interrupt 32

Figure 5-42. CPUIRQSEL32 Register

31	30	29	28	27	26	25	24	23	22	21	20	19	18	17	16	15	14	13	12	11	10	9	8	7	6	5	4	3	2	1	0
RESERVED														EV																	
R-0h														R-73h																	

Table 5-48. CPUIRQSEL32 Register Field Descriptions

Bit	Field	Type	Reset	Description
31-7	RESERVED	R	0h	Reserved
6-0	EV	R	73h	Read only selection value 73h = AUX ADC interrupt event, corresponds to AUX_EVCTL:EVTOMCUFLAGS.AUX_ADC_IRQ. Status flags are found here AUX_EVCTL:EVTOMCUFLAGS

5.7.2.34 CPUIRQSEL33 Register (Offset = 84h) [Reset = 0000068h]

CPUIRQSEL33 is shown in [Figure 5-43](#) and described in [Table 5-49](#).

Return to the [Table 5-14](#).

Output Selection for CPU Interrupt 33

Figure 5-43. CPUIRQSEL33 Register

31	30	29	28	27	26	25	24	23	22	21	20	19	18	17	16	15	14	13	12	11	10	9	8	7	6	5	4	3	2	1	0
RESERVED														EV																	
R-0h														R-68h																	

Table 5-49. CPUIRQSEL33 Register Field Descriptions

Bit	Field	Type	Reset	Description
31-7	RESERVED	R	0h	Reserved
6-0	EV	R	68h	Read only selection value 68h = TRNG Interrupt event, controlled by TRNG:IRQEN.EN

5.7.2.35 CPUIRQSEL34 Register (Offset = 88h) [Reset = 0000006h]

CPUIRQSEL34 is shown in [Figure 5-44](#) and described in [Table 5-50](#).

Return to the [Table 5-14](#).

Output Selection for CPU Interrupt 34

Figure 5-44. CPUIRQSEL34 Register

31	30	29	28	27	26	25	24	23	22	21	20	19	18	17	16	15	14	13	12	11	10	9	8	7	6	5	4	3	2	1	0
RESERVED														EV																	
R-0h														R-6h																	

Table 5-50. CPUIRQSEL34 Register Field Descriptions

Bit	Field	Type	Reset	Description
31-7	RESERVED	R	0h	Reserved
6-0	EV	R	6h	Read only selection value 6h = Combined event from Oscillator control

5.7.2.36 CPUIRQSEL35 Register (Offset = 8Ch) [Reset = 0000038h]

CPUIRQSEL35 is shown in [Figure 5-45](#) and described in [Table 5-51](#).

Return to the [Table 5-14](#).

Output Selection for CPU Interrupt 35

Figure 5-45. CPUIRQSEL35 Register

31	30	29	28	27	26	25	24	23	22	21	20	19	18	17	16	15	14	13	12	11	10	9	8	7	6	5	4	3	2	1	0
RESERVED														EV																	
R-0h														R-38h																	

Table 5-51. CPUIRQSEL35 Register Field Descriptions

Bit	Field	Type	Reset	Description
31-7	RESERVED	R	0h	Reserved
6-0	EV	R	38h	Read only selection value 38h = Not used tied to 0

5.7.2.37 CPUIRQSEL36 Register (Offset = 90h) [Reset = 0000025h]

CPUIRQSEL36 is shown in [Figure 5-46](#) and described in [Table 5-52](#).

Return to the [Table 5-14](#).

Output Selection for CPU Interrupt 36

Figure 5-46. CPUIRQSEL36 Register

31	30	29	28	27	26	25	24	23	22	21	20	19	18	17	16	15	14	13	12	11	10	9	8	7	6	5	4	3	2	1	0
RESERVED														EV																	
R-0h														R-25h																	

Table 5-52. CPUIRQSEL36 Register Field Descriptions

Bit	Field	Type	Reset	Description
31-7	RESERVED	R	0h	Reserved
6-0	EV	R	25h	Read only selection value 25h = Not used tied to 0

5.7.2.38 CPUIRQSEL37 Register (Offset = 94h) [Reset = 0000005h]

CPUIRQSEL37 is shown in [Figure 5-47](#) and described in [Table 5-53](#).

Return to the [Table 5-14](#).

Output Selection for CPU Interrupt 37

Figure 5-47. CPUIRQSEL37 Register

31	30	29	28	27	26	25	24	23	22	21	20	19	18	17	16	15	14	13	12	11	10	9	8	7	6	5	4	3	2	1	0
RESERVED																EV															
R-0h																R-5h															

Table 5-53. CPUIRQSEL37 Register Field Descriptions

Bit	Field	Type	Reset	Description
31-7	RESERVED	R	0h	Reserved
6-0	EV	R	5h	Read only selection value 5h = Combined event from battery monitor

5.7.2.39 RFCSEL0 Register (Offset = 100h) [Reset = 0000003Dh]

RFCSEL0 is shown in [Figure 5-48](#) and described in [Table 5-54](#).

Return to the [Table 5-14](#).

Output Selection for RFC Event 0

Figure 5-48. RFCSEL0 Register

31	30	29	28	27	26	25	24	23	22	21	20	19	18	17	16	15	14	13	12	11	10	9	8	7	6	5	4	3	2	1	0
RESERVED														EV																	
R-0h														R-3Dh																	

Table 5-54. RFCSEL0 Register Field Descriptions

Bit	Field	Type	Reset	Description
31-7	RESERVED	R	0h	Reserved
6-0	EV	R	3Dh	Read only selection value 3Dh = GPT0A compare event. Configured by GPT0:TAMR.TCACT

5.7.2.40 RFCSEL1 Register (Offset = 104h) [Reset = 0000003Eh]

RFCSEL1 is shown in [Figure 5-49](#) and described in [Table 5-55](#).

Return to the [Table 5-14](#).

Output Selection for RFC Event 1

Figure 5-49. RFCSEL1 Register

31	30	29	28	27	26	25	24	23	22	21	20	19	18	17	16	15	14	13	12	11	10	9	8	7	6	5	4	3	2	1	0
RESERVED														EV																	
R-0h														R-3Eh																	

Table 5-55. RFCSEL1 Register Field Descriptions

Bit	Field	Type	Reset	Description
31-7	RESERVED	R	0h	Reserved
6-0	EV	R	3Eh	Read only selection value 3Eh = GPT0B compare event. Configured by GPT0:TBMR.TCACT

5.7.2.41 RFCSEL2 Register (Offset = 108h) [Reset = 0000003Fh]

RFCSEL2 is shown in [Figure 5-50](#) and described in [Table 5-56](#).

Return to the [Table 5-14](#).

Output Selection for RFC Event 2

Figure 5-50. RFCSEL2 Register

31	30	29	28	27	26	25	24	23	22	21	20	19	18	17	16	15	14	13	12	11	10	9	8	7	6	5	4	3	2	1	0
RESERVED														EV																	
R-0h														R-3Fh																	

Table 5-56. RFCSEL2 Register Field Descriptions

Bit	Field	Type	Reset	Description
31-7	RESERVED	R	0h	Reserved
6-0	EV	R	3Fh	Read only selection value 3Fh = GPT1A compare event. Configured by GPT1:TAMR.TCACT

5.7.2.42 RFCSEL3 Register (Offset = 10Ch) [Reset = 00000040h]

RFCSEL3 is shown in [Figure 5-51](#) and described in [Table 5-57](#).

Return to the [Table 5-14](#).

Output Selection for RFC Event 3

Figure 5-51. RFCSEL3 Register

31	30	29	28	27	26	25	24	23	22	21	20	19	18	17	16	15	14	13	12	11	10	9	8	7	6	5	4	3	2	1	0
RESERVED														EV																	
R-0h														R-40h																	

Table 5-57. RFCSEL3 Register Field Descriptions

Bit	Field	Type	Reset	Description
31-7	RESERVED	R	0h	Reserved
6-0	EV	R	40h	Read only selection value 40h = GPT1B compare event. Configured by GPT1:TBMR.TCACT

5.7.2.43 RFCSEL4 Register (Offset = 110h) [Reset = 00000041h]

RFCSEL4 is shown in [Figure 5-52](#) and described in [Table 5-58](#).

Return to the [Table 5-14](#).

Output Selection for RFC Event 4

Figure 5-52. RFCSEL4 Register

31	30	29	28	27	26	25	24	23	22	21	20	19	18	17	16	15	14	13	12	11	10	9	8	7	6	5	4	3	2	1	0
RESERVED														EV																	
R-0h														R-41h																	

Table 5-58. RFCSEL4 Register Field Descriptions

Bit	Field	Type	Reset	Description
31-7	RESERVED	R	0h	Reserved
6-0	EV	R	41h	Read only selection value 41h = GPT2A compare event. Configured by GPT2:TAMR.TCACT

5.7.2.44 RFCSEL5 Register (Offset = 114h) [Reset = 00000042h]

RFCSEL5 is shown in [Figure 5-53](#) and described in [Table 5-59](#).

Return to the [Table 5-14](#).

Output Selection for RFC Event 5

Figure 5-53. RFCSEL5 Register

31	30	29	28	27	26	25	24	23	22	21	20	19	18	17	16	15	14	13	12	11	10	9	8	7	6	5	4	3	2	1	0
RESERVED														EV																	
R-0h														R-42h																	

Table 5-59. RFCSEL5 Register Field Descriptions

Bit	Field	Type	Reset	Description
31-7	RESERVED	R	0h	Reserved
6-0	EV	R	42h	Read only selection value 42h = GPT2B compare event. Configured by GPT2:TBMR.TCACT

5.7.2.45 RFCSEL6 Register (Offset = 118h) [Reset = 00000043h]

RFCSEL6 is shown in [Figure 5-54](#) and described in [Table 5-60](#).

Return to the [Table 5-14](#).

Output Selection for RFC Event 6

Figure 5-54. RFCSEL6 Register

31	30	29	28	27	26	25	24	23	22	21	20	19	18	17	16	15	14	13	12	11	10	9	8	7	6	5	4	3	2	1	0
RESERVED														EV																	
R-0h														R-43h																	

Table 5-60. RFCSEL6 Register Field Descriptions

Bit	Field	Type	Reset	Description
31-7	RESERVED	R	0h	Reserved
6-0	EV	R	43h	Read only selection value 43h = GPT3A compare event. Configured by GPT3:TAMR.TCACT

5.7.2.46 RFCSEL7 Register (Offset = 11Ch) [Reset = 0000044h]

RFCSEL7 is shown in [Figure 5-55](#) and described in [Table 5-61](#).

Return to the [Table 5-14](#).

Output Selection for RFC Event 7

Figure 5-55. RFCSEL7 Register

31	30	29	28	27	26	25	24	23	22	21	20	19	18	17	16	15	14	13	12	11	10	9	8	7	6	5	4	3	2	1	0
RESERVED														EV																	
R-0h														R-44h																	

Table 5-61. RFCSEL7 Register Field Descriptions

Bit	Field	Type	Reset	Description
31-7	RESERVED	R	0h	Reserved
6-0	EV	R	44h	Read only selection value 44h = GPT3B compare event. Configured by GPT3:TBMR.TCACT

5.7.2.47 RFCSEL8 Register (Offset = 120h) [Reset = 0000077h]

RFCSEL8 is shown in [Figure 5-56](#) and described in [Table 5-62](#).

Return to the [Table 5-14](#).

Output Selection for RFC Event 8

Figure 5-56. RFCSEL8 Register

31	30	29	28	27	26	25	24	23	22	21	20	19	18	17	16	15	14	13	12	11	10	9	8	7	6	5	4	3	2	1	0
RESERVED														EV																	
R-0h														R-77h																	

Table 5-62. RFCSEL8 Register Field Descriptions

Bit	Field	Type	Reset	Description
31-7	RESERVED	R	0h	Reserved
6-0	EV	R	77h	Read only selection value 77h = RTC periodic event controlled by AON_RTC:CTL.RTC_UPD_EN

5.7.2.48 RFCSEL9 Register (Offset = 124h) [Reset = 0000002h]

RFCSEL9 is shown in [Figure 5-57](#) and described in [Table 5-63](#).

Return to the [Table 5-14](#).

Output Selection for RFC Event 9

Figure 5-57. RFCSEL9 Register

31	30	29	28	27	26	25	24	23	22	21	20	19	18	17	16	15	14	13	12	11	10	9	8	7	6	5	4	3	2	1	0
RESERVED																								EV							
R-0h																								R/W-2h							

Table 5-63. RFCSEL9 Register Field Descriptions

Bit	Field	Type	Reset	Description
31-7	RESERVED	R	0h	Reserved
6-0	EV	R/W	2h	<p>Read/write selection value</p> <p>Writing any other value than values defined by a ENUM may result in undefined behavior.</p> <p>0h = Always inactive</p> <p>1h = AON programmable event 0. Event selected by AON_EVENT MCU event selector, AON_EVENT:EVTOMCUSEL.AON_PROG0_EV</p> <p>2h = AON programmable event 1. Event selected by AON_EVENT MCU event selector, AON_EVENT:EVTOMCUSEL.AON_PROG1_EV</p> <p>8h = Interrupt event from I2S</p> <p>Ah = AUX Software event 0, AUX_EVCTL:SWEVSET.SWEV0</p> <p>18h = Watchdog interrupt event, controlled by WDT:CTL.INTEN</p> <p>22h = SSI0 combined interrupt, interrupt flags are found here SSI0:MIS</p> <p>24h = UART0 combined interrupt, interrupt flags are found here UART0:MIS</p> <p>27h = Combined DMA done, corresponding flags are here UDMA0:REQDONE</p> <p>5Dh = CRYPTO result available interrupt event, the corresponding flag is found here CRYPTO:IRQSTAT.RESULT_AVAIL. Controlled by CRYPTO:IRQSTAT.RESULT_AVAIL</p> <p>64h = Software event 0, triggered by SWEV.SWEV0</p> <p>65h = Software event 1, triggered by SWEV.SWEV1</p> <p>6Ah = AUX Compare A event, corresponds to AUX_EVCTL:EVTOMCUFLAGS.AUX_COMPA</p> <p>6Bh = AUX Compare B event, corresponds to AUX_EVCTL:EVTOMCUFLAGS.AUX_COMPB</p> <p>6Ch = AUX TDC measurement done event, corresponds to the flag AUX_EVCTL:EVTOMCUFLAGS.AUX_TDC_DONE and the AUX_TDC status AUX_TDC:STAT.DONE</p> <p>6Dh = AUX timer 0 event, corresponds to AUX_EVCTL:EVTOMCUFLAGS.AUX_TIMER0_EV</p> <p>6Eh = AUX timer 1 event, corresponds to AUX_EVCTL:EVTOMCUFLAGS.AUX_TIMER1_EV</p> <p>6Fh = Autotake event from AUX semaphore, configured by AUX_SMPH:AUTOTAKE</p> <p>70h = AUX ADC done, corresponds to AUX_EVCTL:EVTOMCUFLAGS.AUX_ADC_DONE</p> <p>71h = AUX ADC FIFO watermark event, corresponds to AUX_EVCTL:EVTOMCUFLAGS.AUX_ADC_FIFO_ALMOST_FULL</p> <p>72h = Loopback of OBSMUX0 through AUX, corresponds to AUX_EVCTL:EVTOMCUFLAGS.MCU_OBSMUX0</p> <p>73h = AUX ADC interrupt event, corresponds to AUX_EVCTL:EVTOMCUFLAGS.AUX_ADC_IRQ. Status flags are found here AUX_EVCTL:EVTOMCUFLAGS</p> <p>79h = Always asserted</p>

5.7.2.49 GPT0ACAPTSEL Register (Offset = 200h) [Reset = 0000055h]

GPT0ACAPTSEL is shown in [Figure 5-58](#) and described in [Table 5-64](#).

Return to the [Table 5-14](#).

Output Selection for GPT0 0

Figure 5-58. GPT0ACAPTSEL Register

31	30	29	28	27	26	25	24	23	22	21	20	19	18	17	16	15	14	13	12	11	10	9	8	7	6	5	4	3	2	1	0
RESERVED														EV																	
R-0h														R/W-55h																	

Table 5-64. GPT0ACAPTSEL Register Field Descriptions

Bit	Field	Type	Reset	Description
31-7	RESERVED	R	0h	Reserved

Table 5-64. GPT0ACAPTSEL Register Field Descriptions (continued)

Bit	Field	Type	Reset	Description
6-0	EV	R/W	55h	<p>Read/write selection value</p> <p>Writing any other value than values defined by a ENUM may result in undefined behavior.</p> <p>0h = Always inactive</p> <p>4h = Edge detect event from IOC. Configured by the IOC:IOCFGn.EDGE_IRQ_EN and IOC:IOCFGn.EDGE_DET settings</p> <p>5h = Combined event from battery monitor</p> <p>6h = Combined event from Oscillator control</p> <p>7h = Event from AON_RTC, controlled by the AON_RTC:CTL.COMB_EV_MASK setting</p> <p>9h = Interrupt event from I2C</p> <p>Bh = AUX combined event, the corresponding flag register is here AUX_EVCTL:EVTOMCUFLAGS</p> <p>15h = FLASH controller error event, the status flags are FLASH:FEDACSTAT.FSM_DONE and FLASH:FEDACSTAT.RVF_INT</p> <p>19h = RFC Doorbell Command Acknowledgement Interrupt, equivalent to RFC_DBELL:RFACKIFG.ACKFLAG</p> <p>1Ah = Combined RFC hardware interrupt, corresponding flag is here RFC_DBELL:RFHWIFG</p> <p>1Bh = Combined Interrupt for CPE Generated events. Corresponding flags are here RFC_DBELL:RFCPEIFG. Only interrupts selected with CPE0 in RFC_DBELL:RFCPEIFG can trigger a RFC_CPE_0 event</p> <p>1Eh = Combined Interrupt for CPE Generated events. Corresponding flags are here RFC_DBELL:RFCPEIFG. Only interrupts selected with CPE1 in RFC_DBELL:RFCPEIFG can trigger a RFC_CPE_1 event</p> <p>22h = SSI0 combined interrupt, interrupt flags are found here SSI0:MIS</p> <p>24h = UART0 combined interrupt, interrupt flags are found here UART0:MIS</p> <p>3Dh = GPT0A compare event. Configured by GPT0:TAMR.TCACT</p> <p>3Eh = GPT0B compare event. Configured by GPT0:TBMR.TCACT</p> <p>3Fh = GPT1A compare event. Configured by GPT1:TAMR.TCACT</p> <p>40h = GPT1B compare event. Configured by GPT1:TBMR.TCACT</p> <p>41h = GPT2A compare event. Configured by GPT2:TAMR.TCACT</p> <p>42h = GPT2B compare event. Configured by GPT2:TBMR.TCACT</p> <p>43h = GPT3A compare event. Configured by GPT3:TAMR.TCACT</p> <p>44h = GPT3B compare event. Configured by GPT3:TBMR.TCACT</p> <p>55h = Port capture event from IOC, configured by IOC:IOCFGn.PORT_ID. Events on ports configured with ENUM PORT_EVENT0 will be routed here.</p> <p>56h = Port capture event from IOC, configured by IOC:IOCFGn.PORT_ID. Events on ports configured with ENUM PORT_EVENT1 will be routed here.</p> <p>6Ah = AUX Compare A event, corresponds to AUX_EVCTL:EVTOMCUFLAGS.AUX_COMPA</p> <p>6Bh = AUX Compare B event, corresponds to AUX_EVCTL:EVTOMCUFLAGS.AUX_COMPB</p> <p>6Ch = AUX TDC measurement done event, corresponds to the flag AUX_EVCTL:EVTOMCUFLAGS.AUX_TDC_DONE and the AUX_TDC status AUX_TDC:STAT.DONE</p> <p>6Dh = AUX timer 0 event, corresponds to AUX_EVCTL:EVTOMCUFLAGS.AUX_TIMER0_EV</p> <p>6Eh = AUX timer 1 event, corresponds to AUX_EVCTL:EVTOMCUFLAGS.AUX_TIMER1_EV</p> <p>6Fh = Autotake event from AUX semaphore, configured by AUX_SMPH:AUTOTAKE</p> <p>70h = AUX ADC done, corresponds to AUX_EVCTL:EVTOMCUFLAGS.AUX_ADC_DONE</p> <p>71h = AUX ADC FIFO watermark event, corresponds to AUX_EVCTL:EVTOMCUFLAGS.AUX_ADC_FIFO_ALMOST_FULL</p> <p>72h = Loopback of OBSMUX0 through AUX, corresponds to AUX_EVCTL:EVTOMCUFLAGS.MCU_OBSMUX0</p>

Table 5-64. GPT0ACAPTSEL Register Field Descriptions (continued)

Bit	Field	Type	Reset	Description
				73h = AUX ADC interrupt event, corresponds to AUX_EVCTL:EVTOMCUFLAGS.AUX_ADC_IRQ. Status flags are found here AUX_EVCTL:EVTOMCUFLAGS 77h = RTC periodic event controlled by AON_RTC:CTL.RTC_UPD_EN 79h = Always asserted

5.7.2.50 GPT0BCAPTSEL Register (Offset = 204h) [Reset = 0000056h]

GPT0BCAPTSEL is shown in [Figure 5-59](#) and described in [Table 5-65](#).

Return to the [Table 5-14](#).

Output Selection for GPT0 1

Figure 5-59. GPT0BCAPTSEL Register

31	30	29	28	27	26	25	24	23	22	21	20	19	18	17	16	15	14	13	12	11	10	9	8	7	6	5	4	3	2	1	0
RESERVED														EV																	
R-0h														R/W-56h																	

Table 5-65. GPT0BCAPTSEL Register Field Descriptions

Bit	Field	Type	Reset	Description
31-7	RESERVED	R	0h	Reserved

Table 5-65. GPT0BCAPTSEL Register Field Descriptions (continued)

Bit	Field	Type	Reset	Description
6-0	EV	R/W	56h	<p>Read/write selection value</p> <p>Writing any other value than values defined by a ENUM may result in undefined behavior.</p> <p>0h = Always inactive</p> <p>4h = Edge detect event from IOC. Configured by the IOC:IOCFGn.EDGE_IRQ_EN and IOC:IOCFGn.EDGE_DET settings</p> <p>5h = Combined event from battery monitor</p> <p>6h = Combined event from Oscillator control</p> <p>7h = Event from AON_RTC, controlled by the AON_RTC:CTL.COMB_EV_MASK setting</p> <p>9h = Interrupt event from I2C</p> <p>Bh = AUX combined event, the corresponding flag register is here AUX_EVCTL:EVTOMCUFLAGS</p> <p>15h = FLASH controller error event, the status flags are FLASH:FEDACSTAT.FSM_DONE and FLASH:FEDACSTAT.RVF_INT</p> <p>19h = RFC Doorbell Command Acknowledgement Interrupt, equivalent to RFC_DBELL:RFACKIFG.ACKFLAG</p> <p>1Ah = Combined RFC hardware interrupt, corresponding flag is here RFC_DBELL:RFHWIFG</p> <p>1Bh = Combined Interrupt for CPE Generated events. Corresponding flags are here RFC_DBELL:RFCPEIFG. Only interrupts selected with CPE0 in RFC_DBELL:RFCPEIFG can trigger a RFC_CPE_0 event</p> <p>1Eh = Combined Interrupt for CPE Generated events. Corresponding flags are here RFC_DBELL:RFCPEIFG. Only interrupts selected with CPE1 in RFC_DBELL:RFCPEIFG can trigger a RFC_CPE_1 event</p> <p>22h = SSI0 combined interrupt, interrupt flags are found here SSI0:MIS</p> <p>24h = UART0 combined interrupt, interrupt flags are found here UART0:MIS</p> <p>3Dh = GPT0A compare event. Configured by GPT0:TAMR.TCACT</p> <p>3Eh = GPT0B compare event. Configured by GPT0:TBMR.TCACT</p> <p>3Fh = GPT1A compare event. Configured by GPT1:TAMR.TCACT</p> <p>40h = GPT1B compare event. Configured by GPT1:TBMR.TCACT</p> <p>41h = GPT2A compare event. Configured by GPT2:TAMR.TCACT</p> <p>42h = GPT2B compare event. Configured by GPT2:TBMR.TCACT</p> <p>43h = GPT3A compare event. Configured by GPT3:TAMR.TCACT</p> <p>44h = GPT3B compare event. Configured by GPT3:TBMR.TCACT</p> <p>55h = Port capture event from IOC, configured by IOC:IOCFGn.PORT_ID. Events on ports configured with ENUM PORT_EVENT0 will be routed here.</p> <p>56h = Port capture event from IOC, configured by IOC:IOCFGn.PORT_ID. Events on ports configured with ENUM PORT_EVENT1 will be routed here.</p> <p>6Ah = AUX Compare A event, corresponds to AUX_EVCTL:EVTOMCUFLAGS.AUX_COMPA</p> <p>6Bh = AUX Compare B event, corresponds to AUX_EVCTL:EVTOMCUFLAGS.AUX_COMPB</p> <p>6Ch = AUX TDC measurement done event, corresponds to the flag AUX_EVCTL:EVTOMCUFLAGS.AUX_TDC_DONE and the AUX_TDC status AUX_TDC:STAT.DONE</p> <p>6Dh = AUX timer 0 event, corresponds to AUX_EVCTL:EVTOMCUFLAGS.AUX_TIMER0_EV</p> <p>6Eh = AUX timer 1 event, corresponds to AUX_EVCTL:EVTOMCUFLAGS.AUX_TIMER1_EV</p> <p>6Fh = Autotake event from AUX semaphore, configured by AUX_SMPH:AUTOTAKE</p> <p>70h = AUX ADC done, corresponds to AUX_EVCTL:EVTOMCUFLAGS.AUX_ADC_DONE</p> <p>71h = AUX ADC FIFO watermark event, corresponds to AUX_EVCTL:EVTOMCUFLAGS.AUX_ADC_FIFO_ALMOST_FULL</p> <p>72h = Loopback of OBSMUX0 through AUX, corresponds to AUX_EVCTL:EVTOMCUFLAGS.MCU_OBSMUX0</p>

Table 5-65. GPT0BCAPTSEL Register Field Descriptions (continued)

Bit	Field	Type	Reset	Description
				73h = AUX ADC interrupt event, corresponds to AUX_EVCTL:EVTOMCUFLAGS.AUX_ADC_IRQ. Status flags are found here AUX_EVCTL:EVTOMCUFLAGS 77h = RTC periodic event controlled by AON_RTC:CTL.RTC_UPD_EN 79h = Always asserted

5.7.2.51 GPT1ACAPTSEL Register (Offset = 300h) [Reset = 0000057h]

GPT1ACAPTSEL is shown in [Figure 5-60](#) and described in [Table 5-66](#).

Return to the [Table 5-14](#).

Output Selection for GPT1 0

Figure 5-60. GPT1ACAPTSEL Register

31	30	29	28	27	26	25	24	23	22	21	20	19	18	17	16	15	14	13	12	11	10	9	8	7	6	5	4	3	2	1	0
RESERVED														EV																	
R-0h														R/W-57h																	

Table 5-66. GPT1ACAPTSEL Register Field Descriptions

Bit	Field	Type	Reset	Description
31-7	RESERVED	R	0h	Reserved

Table 5-66. GPT1ACAPTSEL Register Field Descriptions (continued)

Bit	Field	Type	Reset	Description
6-0	EV	R/W	57h	<p>Read/write selection value</p> <p>Writing any other value than values defined by a ENUM may result in undefined behavior.</p> <p>0h = Always inactive</p> <p>4h = Edge detect event from IOC. Configured by the IOC:IOCFGn.EDGE_IRQ_EN and IOC:IOCFGn.EDGE_DET settings</p> <p>5h = Combined event from battery monitor</p> <p>6h = Combined event from Oscillator control</p> <p>7h = Event from AON_RTC, controlled by the AON_RTC:CTL.COMB_EV_MASK setting</p> <p>9h = Interrupt event from I2C</p> <p>Bh = AUX combined event, the corresponding flag register is here AUX_EVCTL:EVTOMCUFLAGS</p> <p>15h = FLASH controller error event, the status flags are FLASH:FEDACSTAT.FSM_DONE and FLASH:FEDACSTAT.RVF_INT</p> <p>19h = RFC Doorbell Command Acknowledgement Interrupt, equivalent to RFC_DBELL:RFACKIFG.ACKFLAG</p> <p>1Ah = Combined RFC hardware interrupt, corresponding flag is here RFC_DBELL:RFHWIFG</p> <p>1Bh = Combined Interrupt for CPE Generated events. Corresponding flags are here RFC_DBELL:RFCPEIFG. Only interrupts selected with CPE0 in RFC_DBELL:RFCPEIFG can trigger a RFC_CPE_0 event</p> <p>1Eh = Combined Interrupt for CPE Generated events. Corresponding flags are here RFC_DBELL:RFCPEIFG. Only interrupts selected with CPE1 in RFC_DBELL:RFCPEIFG can trigger a RFC_CPE_1 event</p> <p>22h = SSI0 combined interrupt, interrupt flags are found here SSI0:MIS</p> <p>24h = UART0 combined interrupt, interrupt flags are found here UART0:MIS</p> <p>3Dh = GPT0A compare event. Configured by GPT0:TAMR.TCACT</p> <p>3Eh = GPT0B compare event. Configured by GPT0:TBMR.TCACT</p> <p>3Fh = GPT1A compare event. Configured by GPT1:TAMR.TCACT</p> <p>40h = GPT1B compare event. Configured by GPT1:TBMR.TCACT</p> <p>41h = GPT2A compare event. Configured by GPT2:TAMR.TCACT</p> <p>42h = GPT2B compare event. Configured by GPT2:TBMR.TCACT</p> <p>43h = GPT3A compare event. Configured by GPT3:TAMR.TCACT</p> <p>44h = GPT3B compare event. Configured by GPT3:TBMR.TCACT</p> <p>57h = Port capture event from IOC, configured by IOC:IOCFGn.PORT_ID. Events on ports configured with ENUM PORT_EVENT2 will be routed here.</p> <p>58h = Port capture event from IOC, configured by IOC:IOCFGn.PORT_ID. Events on ports configured with ENUM PORT_EVENT3 will be routed here.</p> <p>6Ah = AUX Compare A event, corresponds to AUX_EVCTL:EVTOMCUFLAGS.AUX_COMPA</p> <p>6Bh = AUX Compare B event, corresponds to AUX_EVCTL:EVTOMCUFLAGS.AUX_COMPB</p> <p>6Ch = AUX TDC measurement done event, corresponds to the flag AUX_EVCTL:EVTOMCUFLAGS.AUX_TDC_DONE and the AUX_TDC status AUX_TDC:STAT.DONE</p> <p>6Dh = AUX timer 0 event, corresponds to AUX_EVCTL:EVTOMCUFLAGS.AUX_TIMER0_EV</p> <p>6Eh = AUX timer 1 event, corresponds to AUX_EVCTL:EVTOMCUFLAGS.AUX_TIMER1_EV</p> <p>6Fh = Autotake event from AUX semaphore, configured by AUX_SMPH:AUTOTAKE</p> <p>70h = AUX ADC done, corresponds to AUX_EVCTL:EVTOMCUFLAGS.AUX_ADC_DONE</p> <p>71h = AUX ADC FIFO watermark event, corresponds to AUX_EVCTL:EVTOMCUFLAGS.AUX_ADC_FIFO_ALMOST_FULL</p> <p>72h = Loopback of OBSMUX0 through AUX, corresponds to AUX_EVCTL:EVTOMCUFLAGS.MCU_OBSMUX0</p>

Table 5-66. GPT1ACAPTSEL Register Field Descriptions (continued)

Bit	Field	Type	Reset	Description
				73h = AUX ADC interrupt event, corresponds to AUX_EVCTL:EVTOMCUFLAGS.AUX_ADC_IRQ. Status flags are found here AUX_EVCTL:EVTOMCUFLAGS 77h = RTC periodic event controlled by AON_RTC:CTL.RTC_UPD_EN 79h = Always asserted

5.7.2.52 GPT1BCAPTSEL Register (Offset = 304h) [Reset = 0000058h]

GPT1BCAPTSEL is shown in [Figure 5-61](#) and described in [Table 5-67](#).

Return to the [Table 5-14](#).

Output Selection for GPT1 1

Figure 5-61. GPT1BCAPTSEL Register

31	30	29	28	27	26	25	24	23	22	21	20	19	18	17	16	15	14	13	12	11	10	9	8	7	6	5	4	3	2	1	0
RESERVED														EV																	
R-0h														R/W-58h																	

Table 5-67. GPT1BCAPTSEL Register Field Descriptions

Bit	Field	Type	Reset	Description
31-7	RESERVED	R	0h	Reserved

Table 5-67. GPT1BCAPTSEL Register Field Descriptions (continued)

Bit	Field	Type	Reset	Description
6-0	EV	R/W	58h	<p>Read/write selection value</p> <p>Writing any other value than values defined by a ENUM may result in undefined behavior.</p> <p>0h = Always inactive</p> <p>4h = Edge detect event from IOC. Configured by the IOC:IOCFGn.EDGE_IRQ_EN and IOC:IOCFGn.EDGE_DET settings</p> <p>5h = Combined event from battery monitor</p> <p>6h = Combined event from Oscillator control</p> <p>7h = Event from AON_RTC, controlled by the AON_RTC:CTL.COMB_EV_MASK setting</p> <p>9h = Interrupt event from I2C</p> <p>Bh = AUX combined event, the corresponding flag register is here AUX_EVCTL:EVTOMCUFLAGS</p> <p>15h = FLASH controller error event, the status flags are FLASH:FEDACSTAT.FSM_DONE and FLASH:FEDACSTAT.RVF_INT</p> <p>19h = RFC Doorbell Command Acknowledgement Interrupt, equivalent to RFC_DBELL:RFACKIFG.ACKFLAG</p> <p>1Ah = Combined RFC hardware interrupt, corresponding flag is here RFC_DBELL:RFHWIFG</p> <p>1Bh = Combined Interrupt for CPE Generated events. Corresponding flags are here RFC_DBELL:RFCPEIFG. Only interrupts selected with CPE0 in RFC_DBELL:RFCPEIFG can trigger a RFC_CPE_0 event</p> <p>1Eh = Combined Interrupt for CPE Generated events. Corresponding flags are here RFC_DBELL:RFCPEIFG. Only interrupts selected with CPE1 in RFC_DBELL:RFCPEIFG can trigger a RFC_CPE_1 event</p> <p>22h = SSI0 combined interrupt, interrupt flags are found here SSI0:MIS</p> <p>24h = UART0 combined interrupt, interrupt flags are found here UART0:MIS</p> <p>3Dh = GPT0A compare event. Configured by GPT0:TAMR.TCACT</p> <p>3Eh = GPT0B compare event. Configured by GPT0:TBMR.TCACT</p> <p>3Fh = GPT1A compare event. Configured by GPT1:TAMR.TCACT</p> <p>40h = GPT1B compare event. Configured by GPT1:TBMR.TCACT</p> <p>41h = GPT2A compare event. Configured by GPT2:TAMR.TCACT</p> <p>42h = GPT2B compare event. Configured by GPT2:TBMR.TCACT</p> <p>43h = GPT3A compare event. Configured by GPT3:TAMR.TCACT</p> <p>44h = GPT3B compare event. Configured by GPT3:TBMR.TCACT</p> <p>57h = Port capture event from IOC, configured by IOC:IOCFGn.PORT_ID. Events on ports configured with ENUM PORT_EVENT2 will be routed here.</p> <p>58h = Port capture event from IOC, configured by IOC:IOCFGn.PORT_ID. Events on ports configured with ENUM PORT_EVENT3 will be routed here.</p> <p>6Ah = AUX Compare A event, corresponds to AUX_EVCTL:EVTOMCUFLAGS.AUX_COMPA</p> <p>6Bh = AUX Compare B event, corresponds to AUX_EVCTL:EVTOMCUFLAGS.AUX_COMPB</p> <p>6Ch = AUX TDC measurement done event, corresponds to the flag AUX_EVCTL:EVTOMCUFLAGS.AUX_TDC_DONE and the AUX_TDC status AUX_TDC:STAT.DONE</p> <p>6Dh = AUX timer 0 event, corresponds to AUX_EVCTL:EVTOMCUFLAGS.AUX_TIMER0_EV</p> <p>6Eh = AUX timer 1 event, corresponds to AUX_EVCTL:EVTOMCUFLAGS.AUX_TIMER1_EV</p> <p>6Fh = Autotake event from AUX semaphore, configured by AUX_SMPH:AUTOTAKE</p> <p>70h = AUX ADC done, corresponds to AUX_EVCTL:EVTOMCUFLAGS.AUX_ADC_DONE</p> <p>71h = AUX ADC FIFO watermark event, corresponds to AUX_EVCTL:EVTOMCUFLAGS.AUX_ADC_FIFO_ALMOST_FULL</p> <p>72h = Loopback of OBSMUX0 through AUX, corresponds to AUX_EVCTL:EVTOMCUFLAGS.MCU_OBSMUX0</p>

Table 5-67. GPT1BCAPTSEL Register Field Descriptions (continued)

Bit	Field	Type	Reset	Description
				73h = AUX ADC interrupt event, corresponds to AUX_EVCTL:EVTOMCUFLAGS.AUX_ADC_IRQ. Status flags are found here AUX_EVCTL:EVTOMCUFLAGS 77h = RTC periodic event controlled by AON_RTC:CTL.RTC_UPD_EN 79h = Always asserted

5.7.2.53 GPT2ACAPTSEL Register (Offset = 400h) [Reset = 0000059h]

GPT2ACAPTSEL is shown in [Figure 5-62](#) and described in [Table 5-68](#).

Return to the [Table 5-14](#).

Output Selection for GPT2 0

Figure 5-62. GPT2ACAPTSEL Register

31	30	29	28	27	26	25	24	23	22	21	20	19	18	17	16	15	14	13	12	11	10	9	8	7	6	5	4	3	2	1	0
RESERVED														EV																	
R-0h														R/W-59h																	

Table 5-68. GPT2ACAPTSEL Register Field Descriptions

Bit	Field	Type	Reset	Description
31-7	RESERVED	R	0h	Reserved

Table 5-68. GPT2ACAPTSEL Register Field Descriptions (continued)

Bit	Field	Type	Reset	Description
6-0	EV	R/W	59h	<p>Read/write selection value</p> <p>Writing any other value than values defined by a ENUM may result in undefined behavior.</p> <p>0h = Always inactive</p> <p>4h = Edge detect event from IOC. Configured by the IOC:IOCFGn.EDGE_IRQ_EN and IOC:IOCFGn.EDGE_DET settings</p> <p>5h = Combined event from battery monitor</p> <p>6h = Combined event from Oscillator control</p> <p>7h = Event from AON_RTC, controlled by the AON_RTC:CTL.COMB_EV_MASK setting</p> <p>9h = Interrupt event from I2C</p> <p>Bh = AUX combined event, the corresponding flag register is here AUX_EVCTL:EVTOMCUFLAGS</p> <p>15h = FLASH controller error event, the status flags are FLASH:FEDACSTAT.FSM_DONE and FLASH:FEDACSTAT.RVF_INT</p> <p>19h = RFC Doorbell Command Acknowledgement Interrupt, equivalent to RFC_DBELL:RFACKIFG.ACKFLAG</p> <p>1Ah = Combined RFC hardware interrupt, corresponding flag is here RFC_DBELL:RFHWIFG</p> <p>1Bh = Combined Interrupt for CPE Generated events. Corresponding flags are here RFC_DBELL:RFCPEIFG. Only interrupts selected with CPE0 in RFC_DBELL:RFCPEIFG can trigger a RFC_CPE_0 event</p> <p>1Eh = Combined Interrupt for CPE Generated events. Corresponding flags are here RFC_DBELL:RFCPEIFG. Only interrupts selected with CPE1 in RFC_DBELL:RFCPEIFG can trigger a RFC_CPE_1 event</p> <p>22h = SSI0 combined interrupt, interrupt flags are found here SSI0:MIS</p> <p>24h = UART0 combined interrupt, interrupt flags are found here UART0:MIS</p> <p>3Dh = GPT0A compare event. Configured by GPT0:TAMR.TCACT</p> <p>3Eh = GPT0B compare event. Configured by GPT0:TBMR.TCACT</p> <p>3Fh = GPT1A compare event. Configured by GPT1:TAMR.TCACT</p> <p>40h = GPT1B compare event. Configured by GPT1:TBMR.TCACT</p> <p>41h = GPT2A compare event. Configured by GPT2:TAMR.TCACT</p> <p>42h = GPT2B compare event. Configured by GPT2:TBMR.TCACT</p> <p>43h = GPT3A compare event. Configured by GPT3:TAMR.TCACT</p> <p>44h = GPT3B compare event. Configured by GPT3:TBMR.TCACT</p> <p>59h = Port capture event from IOC, configured by IOC:IOCFGn.PORT_ID. Events on ports configured with ENUM PORT_EVENT4 will be routed here.</p> <p>5Ah = Port capture event from IOC, configured by IOC:IOCFGn.PORT_ID. Events on ports configured with ENUM PORT_EVENT4 will be routed here.</p> <p>6Ah = AUX Compare A event, corresponds to AUX_EVCTL:EVTOMCUFLAGS.AUX_COMPA</p> <p>6Bh = AUX Compare B event, corresponds to AUX_EVCTL:EVTOMCUFLAGS.AUX_COMPB</p> <p>6Ch = AUX TDC measurement done event, corresponds to the flag AUX_EVCTL:EVTOMCUFLAGS.AUX_TDC_DONE and the AUX_TDC status AUX_TDC:STAT.DONE</p> <p>6Dh = AUX timer 0 event, corresponds to AUX_EVCTL:EVTOMCUFLAGS.AUX_TIMER0_EV</p> <p>6Eh = AUX timer 1 event, corresponds to AUX_EVCTL:EVTOMCUFLAGS.AUX_TIMER1_EV</p> <p>6Fh = Autotake event from AUX semaphore, configured by AUX_SMPH:AUTOTAKE</p> <p>70h = AUX ADC done, corresponds to AUX_EVCTL:EVTOMCUFLAGS.AUX_ADC_DONE</p> <p>71h = AUX ADC FIFO watermark event, corresponds to AUX_EVCTL:EVTOMCUFLAGS.AUX_ADC_FIFO_ALMOST_FULL</p> <p>72h = Loopback of OBSMUX0 through AUX, corresponds to AUX_EVCTL:EVTOMCUFLAGS.MCU_OBSMUX0</p>

Table 5-68. GPT2ACAPTSEL Register Field Descriptions (continued)

Bit	Field	Type	Reset	Description
				73h = AUX ADC interrupt event, corresponds to AUX_EVCTL:EVTOMCUFLAGS.AUX_ADC_IRQ. Status flags are found here AUX_EVCTL:EVTOMCUFLAGS 77h = RTC periodic event controlled by AON_RTC:CTL.RTC_UPD_EN 79h = Always asserted

5.7.2.54 GPT2BCAPTSEL Register (Offset = 404h) [Reset = 000005Ah]

GPT2BCAPTSEL is shown in [Figure 5-63](#) and described in [Table 5-69](#).

Return to the [Table 5-14](#).

Output Selection for GPT2 1

Figure 5-63. GPT2BCAPTSEL Register

31	30	29	28	27	26	25	24	23	22	21	20	19	18	17	16	15	14	13	12	11	10	9	8	7	6	5	4	3	2	1	0
RESERVED														EV																	
R-0h														R/W-5Ah																	

Table 5-69. GPT2BCAPTSEL Register Field Descriptions

Bit	Field	Type	Reset	Description
31-7	RESERVED	R	0h	Reserved

Table 5-69. GPT2BCAPTSEL Register Field Descriptions (continued)

Bit	Field	Type	Reset	Description
6-0	EV	R/W	5Ah	<p>Read/write selection value</p> <p>Writing any other value than values defined by a ENUM may result in undefined behavior.</p> <p>0h = Always inactive</p> <p>4h = Edge detect event from IOC. Configured by the IOC:IOCFGn.EDGE_IRQ_EN and IOC:IOCFGn.EDGE_DET settings</p> <p>5h = Combined event from battery monitor</p> <p>6h = Combined event from Oscillator control</p> <p>7h = Event from AON_RTC, controlled by the AON_RTC:CTL.COMB_EV_MASK setting</p> <p>9h = Interrupt event from I2C</p> <p>Bh = AUX combined event, the corresponding flag register is here AUX_EVCTL:EVTOMCUFLAGS</p> <p>15h = FLASH controller error event, the status flags are FLASH:FEDACSTAT.FSM_DONE and FLASH:FEDACSTAT.RVF_INT</p> <p>19h = RFC Doorbell Command Acknowledgement Interrupt, equivalent to RFC_DBELL:RFACKIFG.ACKFLAG</p> <p>1Ah = Combined RFC hardware interrupt, corresponding flag is here RFC_DBELL:RFHWIFG</p> <p>1Bh = Combined Interrupt for CPE Generated events. Corresponding flags are here RFC_DBELL:RFCPEIFG. Only interrupts selected with CPE0 in RFC_DBELL:RFCPEIFG can trigger a RFC_CPE_0 event</p> <p>1Eh = Combined Interrupt for CPE Generated events. Corresponding flags are here RFC_DBELL:RFCPEIFG. Only interrupts selected with CPE1 in RFC_DBELL:RFCPEIFG can trigger a RFC_CPE_1 event</p> <p>22h = SSI0 combined interrupt, interrupt flags are found here SSI0:MIS</p> <p>24h = UART0 combined interrupt, interrupt flags are found here UART0:MIS</p> <p>3Dh = GPT0A compare event. Configured by GPT0:TAMR.TCACT</p> <p>3Eh = GPT0B compare event. Configured by GPT0:TBMR.TCACT</p> <p>3Fh = GPT1A compare event. Configured by GPT1:TAMR.TCACT</p> <p>40h = GPT1B compare event. Configured by GPT1:TBMR.TCACT</p> <p>41h = GPT2A compare event. Configured by GPT2:TAMR.TCACT</p> <p>42h = GPT2B compare event. Configured by GPT2:TBMR.TCACT</p> <p>43h = GPT3A compare event. Configured by GPT3:TAMR.TCACT</p> <p>44h = GPT3B compare event. Configured by GPT3:TBMR.TCACT</p> <p>59h = Port capture event from IOC, configured by IOC:IOCFGn.PORT_ID. Events on ports configured with ENUM PORT_EVENT4 will be routed here.</p> <p>5Ah = Port capture event from IOC, configured by IOC:IOCFGn.PORT_ID. Events on ports configured with ENUM PORT_EVENT4 will be routed here.</p> <p>6Ah = AUX Compare A event, corresponds to AUX_EVCTL:EVTOMCUFLAGS.AUX_COMPA</p> <p>6Bh = AUX Compare B event, corresponds to AUX_EVCTL:EVTOMCUFLAGS.AUX_COMPB</p> <p>6Ch = AUX TDC measurement done event, corresponds to the flag AUX_EVCTL:EVTOMCUFLAGS.AUX_TDC_DONE and the AUX_TDC status AUX_TDC:STAT.DONE</p> <p>6Dh = AUX timer 0 event, corresponds to AUX_EVCTL:EVTOMCUFLAGS.AUX_TIMER0_EV</p> <p>6Eh = AUX timer 1 event, corresponds to AUX_EVCTL:EVTOMCUFLAGS.AUX_TIMER1_EV</p> <p>6Fh = Autotake event from AUX semaphore, configured by AUX_SMPH:AUTOTAKE</p> <p>70h = AUX ADC done, corresponds to AUX_EVCTL:EVTOMCUFLAGS.AUX_ADC_DONE</p> <p>71h = AUX ADC FIFO watermark event, corresponds to AUX_EVCTL:EVTOMCUFLAGS.AUX_ADC_FIFO_ALMOST_FULL</p> <p>72h = Loopback of OBSMUX0 through AUX, corresponds to AUX_EVCTL:EVTOMCUFLAGS.MCU_OBSMUX0</p>

Table 5-69. GPT2BCAPTSEL Register Field Descriptions (continued)

Bit	Field	Type	Reset	Description
				73h = AUX ADC interrupt event, corresponds to AUX_EVCTL:EVTOMCUFLAGS.AUX_ADC_IRQ. Status flags are found here AUX_EVCTL:EVTOMCUFLAGS 77h = RTC periodic event controlled by AON_RTC:CTL.RTC_UPD_EN 79h = Always asserted

5.7.2.55 UDMACH1SSEL Register (Offset = 508h) [Reset = 0000031h]

UDMACH1SSEL is shown in [Figure 5-64](#) and described in [Table 5-70](#).

Return to the [Table 5-14](#).

Output Selection for DMA Channel 1 SREQ

Figure 5-64. UDMACH1SSEL Register

31	30	29	28	27	26	25	24	23	22	21	20	19	18	17	16	15	14	13	12	11	10	9	8	7	6	5	4	3	2	1	0
RESERVED														EV																	
R-0h														R-31h																	

Table 5-70. UDMACH1SSEL Register Field Descriptions

Bit	Field	Type	Reset	Description
31-7	RESERVED	R	0h	Reserved
6-0	EV	R	31h	Read only selection value 31h = UART0 RX DMA single request, controlled by UART0:DMACTL.RXDMAE

5.7.2.56 UDMACH1BSEL Register (Offset = 50Ch) [Reset = 0000030h]

UDMACH1BSEL is shown in [Figure 5-65](#) and described in [Table 5-71](#).

Return to the [Table 5-14](#).

Output Selection for DMA Channel 1 REQ

Figure 5-65. UDMACH1BSEL Register

31	30	29	28	27	26	25	24	23	22	21	20	19	18	17	16	15	14	13	12	11	10	9	8	7	6	5	4	3	2	1	0
RESERVED														EV																	
R-0h														R-30h																	

Table 5-71. UDMACH1BSEL Register Field Descriptions

Bit	Field	Type	Reset	Description
31-7	RESERVED	R	0h	Reserved
6-0	EV	R	30h	Read only selection value 30h = UART0 RX DMA burst request, controlled by UART0:DMACTL.RXDMAE

5.7.2.57 UDMACH2SSEL Register (Offset = 510h) [Reset = 0000033h]

UDMACH2SSEL is shown in [Figure 5-66](#) and described in [Table 5-72](#).

Return to the [Table 5-14](#).

Output Selection for DMA Channel 2 SREQ

Figure 5-66. UDMACH2SSEL Register

31	30	29	28	27	26	25	24	23	22	21	20	19	18	17	16	15	14	13	12	11	10	9	8	7	6	5	4	3	2	1	0
RESERVED														EV																	
R-0h														R-33h																	

Table 5-72. UDMACH2SSEL Register Field Descriptions

Bit	Field	Type	Reset	Description
31-7	RESERVED	R	0h	Reserved
6-0	EV	R	33h	Read only selection value 33h = UART0 TX DMA single request, controlled by UART0:DMACTL.TXDMAE

5.7.2.58 UDMACH2BSEL Register (Offset = 514h) [Reset = 0000032h]

UDMACH2BSEL is shown in [Figure 5-67](#) and described in [Table 5-73](#).

Return to the [Table 5-14](#).

Output Selection for DMA Channel 2 REQ

Figure 5-67. UDMACH2BSEL Register

31	30	29	28	27	26	25	24	23	22	21	20	19	18	17	16	15	14	13	12	11	10	9	8	7	6	5	4	3	2	1	0
RESERVED																								EV							
R-0h																								R-32h							

Table 5-73. UDMACH2BSEL Register Field Descriptions

Bit	Field	Type	Reset	Description
31-7	RESERVED	R	0h	Reserved
6-0	EV	R	32h	Read only selection value 32h = UART0 TX DMA burst request, controlled by UART0:DMACTL.TXDMAE

5.7.2.59 UDMACH3SSEL Register (Offset = 518h) [Reset = 0000029h]

UDMACH3SSEL is shown in [Figure 5-68](#) and described in [Table 5-74](#).

Return to the [Table 5-14](#).

Output Selection for DMA Channel 3 SREQ

Figure 5-68. UDMACH3SSEL Register

31	30	29	28	27	26	25	24	23	22	21	20	19	18	17	16	15	14	13	12	11	10	9	8	7	6	5	4	3	2	1	0
RESERVED																								EV							
R-0h																								R-29h							

Table 5-74. UDMACH3SSEL Register Field Descriptions

Bit	Field	Type	Reset	Description
31-7	RESERVED	R	0h	Reserved
6-0	EV	R	29h	Read only selection value 29h = SSI0 RX DMA single request, controlled by SSI0:DMACR.RXDMAE

5.7.2.60 UDMACH3BSEL Register (Offset = 51Ch) [Reset = 0000028h]

UDMACH3BSEL is shown in [Figure 5-69](#) and described in [Table 5-75](#).

Return to the [Table 5-14](#).

Output Selection for DMA Channel 3 REQ

Figure 5-69. UDMACH3BSEL Register

31	30	29	28	27	26	25	24	23	22	21	20	19	18	17	16	15	14	13	12	11	10	9	8	7	6	5	4	3	2	1	0
RESERVED														EV																	
R-0h														R-28h																	

Table 5-75. UDMACH3BSEL Register Field Descriptions

Bit	Field	Type	Reset	Description
31-7	RESERVED	R	0h	Reserved
6-0	EV	R	28h	Read only selection value 28h = SSI0 RX DMA burst request , controlled by SSI0:DMACR.RXDMAE

5.7.2.61 UDMACH4SSEL Register (Offset = 520h) [Reset = 000002Bh]

UDMACH4SSEL is shown in [Figure 5-70](#) and described in [Table 5-76](#).

Return to the [Table 5-14](#).

Output Selection for DMA Channel 4 SREQ

Figure 5-70. UDMACH4SSEL Register

31	30	29	28	27	26	25	24	23	22	21	20	19	18	17	16	15	14	13	12	11	10	9	8	7	6	5	4	3	2	1	0
RESERVED														EV																	
R-0h														R-2Bh																	

Table 5-76. UDMACH4SSEL Register Field Descriptions

Bit	Field	Type	Reset	Description
31-7	RESERVED	R	0h	Reserved
6-0	EV	R	2Bh	Read only selection value 2Bh = SSI0 TX DMA single request, controlled by SSI0:DMACR.TXDMAE

5.7.2.62 UDMACH4BSEL Register (Offset = 524h) [Reset = 000002Ah]

UDMACH4BSEL is shown in [Figure 5-71](#) and described in [Table 5-77](#).

Return to the [Table 5-14](#).

Output Selection for DMA Channel 4 REQ

Figure 5-71. UDMACH4BSEL Register

31	30	29	28	27	26	25	24	23	22	21	20	19	18	17	16	15	14	13	12	11	10	9	8	7	6	5	4	3	2	1	0
RESERVED														EV																	
R-0h														R-2Ah																	

Table 5-77. UDMACH4BSEL Register Field Descriptions

Bit	Field	Type	Reset	Description
31-7	RESERVED	R	0h	Reserved
6-0	EV	R	2Ah	Read only selection value 2Ah = SSI0 TX DMA burst request , controlled by SSI0:DMACR.TXDMAE

5.7.2.63 UDMACH5SSEL Register (Offset = 528h) [Reset = 0000035h]

UDMACH5SSEL is shown in [Figure 5-72](#) and described in [Table 5-78](#).

Return to the [Table 5-14](#).

Output Selection for DMA Channel 5 SREQ

Figure 5-72. UDMACH5SSEL Register

31	30	29	28	27	26	25	24	23	22	21	20	19	18	17	16	15	14	13	12	11	10	9	8	7	6	5	4	3	2	1	0
RESERVED																								EV							
R-0h																								R-35h							

Table 5-78. UDMACH5SSEL Register Field Descriptions

Bit	Field	Type	Reset	Description
31-7	RESERVED	R	0h	Reserved
6-0	EV	R	35h	Read only selection value 35h = Not used tied to 0

5.7.2.64 UDMACH5BSEL Register (Offset = 52Ch) [Reset = 00000034h]

UDMACH5BSEL is shown in [Figure 5-73](#) and described in [Table 5-79](#).

Return to the [Table 5-14](#).

Output Selection for DMA Channel 5 REQ

Figure 5-73. UDMACH5BSEL Register

31	30	29	28	27	26	25	24	23	22	21	20	19	18	17	16	15	14	13	12	11	10	9	8	7	6	5	4	3	2	1	0
RESERVED																								EV							
R-0h																								R-34h							

Table 5-79. UDMACH5BSEL Register Field Descriptions

Bit	Field	Type	Reset	Description
31-7	RESERVED	R	0h	Reserved
6-0	EV	R	34h	Read only selection value 34h = Not used tied to 0

5.7.2.65 UDMACH6SSEL Register (Offset = 530h) [Reset = 0000037h]

UDMACH6SSEL is shown in [Figure 5-74](#) and described in [Table 5-80](#).

Return to the [Table 5-14](#).

Output Selection for DMA Channel 6 SREQ

Figure 5-74. UDMACH6SSEL Register

31	30	29	28	27	26	25	24	23	22	21	20	19	18	17	16	15	14	13	12	11	10	9	8	7	6	5	4	3	2	1	0
RESERVED																								EV							
R-0h																								R-37h							

Table 5-80. UDMACH6SSEL Register Field Descriptions

Bit	Field	Type	Reset	Description
31-7	RESERVED	R	0h	Reserved
6-0	EV	R	37h	Read only selection value 37h = Not used tied to 0

5.7.2.66 UDMACH6BSEL Register (Offset = 534h) [Reset = 0000036h]

UDMACH6BSEL is shown in [Figure 5-75](#) and described in [Table 5-81](#).

Return to the [Table 5-14](#).

Output Selection for DMA Channel 6 REQ

Figure 5-75. UDMACH6BSEL Register

31	30	29	28	27	26	25	24	23	22	21	20	19	18	17	16	15	14	13	12	11	10	9	8	7	6	5	4	3	2	1	0
RESERVED														EV																	
R-0h														R-36h																	

Table 5-81. UDMACH6BSEL Register Field Descriptions

Bit	Field	Type	Reset	Description
31-7	RESERVED	R	0h	Reserved
6-0	EV	R	36h	Read only selection value 36h = Not used tied to 0

5.7.2.67 UDMACH7SSEL Register (Offset = 538h) [Reset = 0000075h]

UDMACH7SSEL is shown in [Figure 5-76](#) and described in [Table 5-82](#).

Return to the [Table 5-14](#).

Output Selection for DMA Channel 7 SREQ

Figure 5-76. UDMACH7SSEL Register

31	30	29	28	27	26	25	24	23	22	21	20	19	18	17	16	15	14	13	12	11	10	9	8	7	6	5	4	3	2	1	0
RESERVED														EV																	
R-0h														R-75h																	

Table 5-82. UDMACH7SSEL Register Field Descriptions

Bit	Field	Type	Reset	Description
31-7	RESERVED	R	0h	Reserved
6-0	EV	R	75h	Read only selection value 75h = DMA single request event from AUX, configured by AUX_EVCTL:DMACTL

5.7.2.68 UDMACH7BSEL Register (Offset = 53Ch) [Reset = 0000076h]

UDMACH7BSEL is shown in [Figure 5-77](#) and described in [Table 5-83](#).

Return to the [Table 5-14](#).

Output Selection for DMA Channel 7 REQ

Figure 5-77. UDMACH7BSEL Register

31	30	29	28	27	26	25	24	23	22	21	20	19	18	17	16	15	14	13	12	11	10	9	8	7	6	5	4	3	2	1	0
RESERVED														EV																	
R-0h														R-76h																	

Table 5-83. UDMACH7BSEL Register Field Descriptions

Bit	Field	Type	Reset	Description
31-7	RESERVED	R	0h	Reserved
6-0	EV	R	76h	Read only selection value 76h = DMA burst request event from AUX, configured by AUX_EVCTL:DMACTL

5.7.2.69 UDMACH8SSEL Register (Offset = 540h) [Reset = 0000074h]

UDMACH8SSEL is shown in [Figure 5-78](#) and described in [Table 5-84](#).

Return to the [Table 5-14](#).

Output Selection for DMA Channel 8 SREQ

Single request is ignored for this channel

Figure 5-78. UDMACH8SSEL Register

31	30	29	28	27	26	25	24	23	22	21	20	19	18	17	16	15	14	13	12	11	10	9	8	7	6	5	4	3	2	1	0
RESERVED														EV																	
R-0h														R-74h																	

Table 5-84. UDMACH8SSEL Register Field Descriptions

Bit	Field	Type	Reset	Description
31-7	RESERVED	R	0h	Reserved
6-0	EV	R	74h	Read only selection value 74h = DMA software trigger from AUX, triggered by AUX_EVCTL:DMASWREQ.START

5.7.2.70 UDMACH8BSEL Register (Offset = 544h) [Reset = 0000074h]

UDMACH8BSEL is shown in [Figure 5-79](#) and described in [Table 5-85](#).

Return to the [Table 5-14](#).

Output Selection for DMA Channel 8 REQ

Figure 5-79. UDMACH8BSEL Register

31	30	29	28	27	26	25	24	23	22	21	20	19	18	17	16	15	14	13	12	11	10	9	8	7	6	5	4	3	2	1	0
RESERVED														EV																	
R-0h														R-74h																	

Table 5-85. UDMACH8BSEL Register Field Descriptions

Bit	Field	Type	Reset	Description
31-7	RESERVED	R	0h	Reserved
6-0	EV	R	74h	Read only selection value 74h = DMA software trigger from AUX, triggered by AUX_EVCTL:DMASWREQ.START

5.7.2.71 UDMACH9SSEL Register (Offset = 548h) [Reset = 00000045h]

UDMACH9SSEL is shown in [Figure 5-80](#) and described in [Table 5-86](#).

Return to the [Table 5-14](#).

Output Selection for DMA Channel 9 SREQ

DMA_DONE for the corresponding DMA channel is available as interrupt on GPT0 as GPT0:RIS.DMAARIS

Figure 5-80. UDMACH9SSEL Register

31	30	29	28	27	26	25	24	23	22	21	20	19	18	17	16	15	14	13	12	11	10	9	8	7	6	5	4	3	2	1	0
RESERVED																EV															
R-0h																R/W-45h															

Table 5-86. UDMACH9SSEL Register Field Descriptions

Bit	Field	Type	Reset	Description
31-7	RESERVED	R	0h	Reserved
6-0	EV	R/W	45h	Read/write selection value Writing any other value than values defined by a ENUM may result in undefined behavior. 0h = Always inactive 45h = Not used tied to 0 4Dh = GPT0A DMA trigger event. Configured by GPT0:DMAEV 4Eh = GPT0B DMA trigger event. Configured by GPT0:DMAEV 4Fh = GPT1A DMA trigger event. Configured by GPT1:DMAEV 50h = GPT1B DMA trigger event. Configured by GPT1:DMAEV 51h = GPT2A DMA trigger event. Configured by GPT2:DMAEV 52h = GPT2B DMA trigger event. Configured by GPT2:DMAEV 53h = GPT3A DMA trigger event. Configured by GPT3:DMAEV 54h = GPT3B DMA trigger event. Configured by GPT3:DMAEV 79h = Always asserted

5.7.2.72 UDMACH9BSEL Register (Offset = 54Ch) [Reset = 0000004Dh]

UDMACH9BSEL is shown in [Figure 5-81](#) and described in [Table 5-87](#).

Return to the [Table 5-14](#).

Output Selection for DMA Channel 9 REQ

DMA_DONE for the corresponding DMA channel is available as interrupt on GPT0 as GPT0:RIS.DMAARIS

Figure 5-81. UDMACH9BSEL Register

31	30	29	28	27	26	25	24	23	22	21	20	19	18	17	16	15	14	13	12	11	10	9	8	7	6	5	4	3	2	1	0
RESERVED														EV																	
R-0h														R/W-4Dh																	

Table 5-87. UDMACH9BSEL Register Field Descriptions

Bit	Field	Type	Reset	Description
31-7	RESERVED	R	0h	Reserved
6-0	EV	R/W	4Dh	Read/write selection value Writing any other value than values defined by a ENUM may result in undefined behavior. 0h = Always inactive 4Dh = GPT0A DMA trigger event. Configured by GPT0:DMAEV 4Eh = GPT0B DMA trigger event. Configured by GPT0:DMAEV 4Fh = GPT1A DMA trigger event. Configured by GPT1:DMAEV 50h = GPT1B DMA trigger event. Configured by GPT1:DMAEV 51h = GPT2A DMA trigger event. Configured by GPT2:DMAEV 52h = GPT2B DMA trigger event. Configured by GPT2:DMAEV 53h = GPT3A DMA trigger event. Configured by GPT3:DMAEV 54h = GPT3B DMA trigger event. Configured by GPT3:DMAEV 79h = Always asserted

5.7.2.73 UDMACH10SSEL Register (Offset = 550h) [Reset = 00000046h]

UDMACH10SSEL is shown in [Figure 5-82](#) and described in [Table 5-88](#).

Return to the [Table 5-14](#).

Output Selection for DMA Channel 10 SREQ

DMA_DONE for the corresponding DMA channel is available as interrupt on GPT0 as GPT0:RIS.DMABRIS

Figure 5-82. UDMACH10SSEL Register

31	30	29	28	27	26	25	24	23	22	21	20	19	18	17	16	15	14	13	12	11	10	9	8	7	6	5	4	3	2	1	0
RESERVED																								EV							
R-0h																								R/W-46h							

Table 5-88. UDMACH10SSEL Register Field Descriptions

Bit	Field	Type	Reset	Description
31-7	RESERVED	R	0h	Reserved
6-0	EV	R/W	46h	Read/write selection value Writing any other value than values defined by a ENUM may result in undefined behavior. 0h = Always inactive 46h = Not used tied to 0 4Dh = GPT0A DMA trigger event. Configured by GPT0:DMAEV 4Eh = GPT0B DMA trigger event. Configured by GPT0:DMAEV 4Fh = GPT1A DMA trigger event. Configured by GPT1:DMAEV 50h = GPT1B DMA trigger event. Configured by GPT1:DMAEV 51h = GPT2A DMA trigger event. Configured by GPT2:DMAEV 52h = GPT2B DMA trigger event. Configured by GPT2:DMAEV 53h = GPT3A DMA trigger event. Configured by GPT3:DMAEV 54h = GPT3B DMA trigger event. Configured by GPT3:DMAEV 79h = Always asserted

5.7.2.74 UDMACH10BSEL Register (Offset = 554h) [Reset = 0000004Eh]

UDMACH10BSEL is shown in [Figure 5-83](#) and described in [Table 5-89](#).

Return to the [Table 5-14](#).

Output Selection for DMA Channel 10 REQ

DMA_DONE for the corresponding DMA channel is available as interrupt on GPT0 as GPT0:RIS.DMABRIS

Figure 5-83. UDMACH10BSEL Register

31	30	29	28	27	26	25	24	23	22	21	20	19	18	17	16	15	14	13	12	11	10	9	8	7	6	5	4	3	2	1	0
RESERVED																EV															
R-0h																R/W-4Eh															

Table 5-89. UDMACH10BSEL Register Field Descriptions

Bit	Field	Type	Reset	Description
31-7	RESERVED	R	0h	Reserved
6-0	EV	R/W	4Eh	Read/write selection value Writing any other value than values defined by a ENUM may result in undefined behavior. 0h = Always inactive 4Dh = GPT0A DMA trigger event. Configured by GPT0:DMAEV 4Eh = GPT0B DMA trigger event. Configured by GPT0:DMAEV 4Fh = GPT1A DMA trigger event. Configured by GPT1:DMAEV 50h = GPT1B DMA trigger event. Configured by GPT1:DMAEV 51h = GPT2A DMA trigger event. Configured by GPT2:DMAEV 52h = GPT2B DMA trigger event. Configured by GPT2:DMAEV 53h = GPT3A DMA trigger event. Configured by GPT3:DMAEV 54h = GPT3B DMA trigger event. Configured by GPT3:DMAEV 79h = Always asserted

5.7.2.75 UDMACH11SSEL Register (Offset = 558h) [Reset = 00000047h]

UDMACH11SSEL is shown in [Figure 5-84](#) and described in [Table 5-90](#).

Return to the [Table 5-14](#).

Output Selection for DMA Channel 11 SREQ

DMA_DONE for the corresponding DMA channel is available as interrupt on GPT1 as GPT1:RIS.DMAARIS

Figure 5-84. UDMACH11SSEL Register

31	30	29	28	27	26	25	24	23	22	21	20	19	18	17	16	15	14	13	12	11	10	9	8	7	6	5	4	3	2	1	0
RESERVED																								EV							
R-0h																								R/W-47h							

Table 5-90. UDMACH11SSEL Register Field Descriptions

Bit	Field	Type	Reset	Description
31-7	RESERVED	R	0h	Reserved
6-0	EV	R/W	47h	Read/write selection value Writing any other value than values defined by a ENUM may result in undefined behavior. 0h = Always inactive 47h = Not used tied to 0 4Dh = GPT0A DMA trigger event. Configured by GPT0:DMAEV 4Eh = GPT0B DMA trigger event. Configured by GPT0:DMAEV 4Fh = GPT1A DMA trigger event. Configured by GPT1:DMAEV 50h = GPT1B DMA trigger event. Configured by GPT1:DMAEV 51h = GPT2A DMA trigger event. Configured by GPT2:DMAEV 52h = GPT2B DMA trigger event. Configured by GPT2:DMAEV 53h = GPT3A DMA trigger event. Configured by GPT3:DMAEV 54h = GPT3B DMA trigger event. Configured by GPT3:DMAEV 79h = Always asserted

5.7.2.76 UDMACH11BSEL Register (Offset = 55Ch) [Reset = 000004Fh]

UDMACH11BSEL is shown in [Figure 5-85](#) and described in [Table 5-91](#).

Return to the [Table 5-14](#).

Output Selection for DMA Channel 11 REQ

DMA_DONE for the corresponding DMA channel is available as interrupt on GPT1 as GPT1:RIS.DMAARIS

Figure 5-85. UDMACH11BSEL Register

31	30	29	28	27	26	25	24	23	22	21	20	19	18	17	16	15	14	13	12	11	10	9	8	7	6	5	4	3	2	1	0
RESERVED																EV															
R-0h																R/W-4Fh															

Table 5-91. UDMACH11BSEL Register Field Descriptions

Bit	Field	Type	Reset	Description
31-7	RESERVED	R	0h	Reserved
6-0	EV	R/W	4Fh	Read/write selection value Writing any other value than values defined by a ENUM may result in undefined behavior. 0h = Always inactive 4Dh = GPT0A DMA trigger event. Configured by GPT0:DMAEV 4Eh = GPT0B DMA trigger event. Configured by GPT0:DMAEV 4Fh = GPT1A DMA trigger event. Configured by GPT1:DMAEV 50h = GPT1B DMA trigger event. Configured by GPT1:DMAEV 51h = GPT2A DMA trigger event. Configured by GPT2:DMAEV 52h = GPT2B DMA trigger event. Configured by GPT2:DMAEV 53h = GPT3A DMA trigger event. Configured by GPT3:DMAEV 54h = GPT3B DMA trigger event. Configured by GPT3:DMAEV 79h = Always asserted

5.7.2.77 UDMACH12SSEL Register (Offset = 560h) [Reset = 00000048h]

UDMACH12SSEL is shown in [Figure 5-86](#) and described in [Table 5-92](#).

Return to the [Table 5-14](#).

Output Selection for DMA Channel 12 SREQ

DMA_DONE for the corresponding DMA channel is available as interrupt on GPT1 as GPT1:RIS.DMABRIS

Figure 5-86. UDMACH12SSEL Register

31	30	29	28	27	26	25	24	23	22	21	20	19	18	17	16	15	14	13	12	11	10	9	8	7	6	5	4	3	2	1	0
RESERVED																EV															
R-0h																R/W-48h															

Table 5-92. UDMACH12SSEL Register Field Descriptions

Bit	Field	Type	Reset	Description
31-7	RESERVED	R	0h	Reserved
6-0	EV	R/W	48h	Read/write selection value Writing any other value than values defined by a ENUM may result in undefined behavior. 0h = Always inactive 48h = Not used tied to 0 4Dh = GPT0A DMA trigger event. Configured by GPT0:DMAEV 4Eh = GPT0B DMA trigger event. Configured by GPT0:DMAEV 4Fh = GPT1A DMA trigger event. Configured by GPT1:DMAEV 50h = GPT1B DMA trigger event. Configured by GPT1:DMAEV 51h = GPT2A DMA trigger event. Configured by GPT2:DMAEV 52h = GPT2B DMA trigger event. Configured by GPT2:DMAEV 53h = GPT3A DMA trigger event. Configured by GPT3:DMAEV 54h = GPT3B DMA trigger event. Configured by GPT3:DMAEV 79h = Always asserted

5.7.2.78 UDMACH12BSEL Register (Offset = 564h) [Reset = 0000050h]

UDMACH12BSEL is shown in [Figure 5-87](#) and described in [Table 5-93](#).

Return to the [Table 5-14](#).

Output Selection for DMA Channel 12 REQ

DMA_DONE for the corresponding DMA channel is available as interrupt on GPT1 as GPT1:RIS.DMABRIS

Figure 5-87. UDMACH12BSEL Register

31	30	29	28	27	26	25	24	23	22	21	20	19	18	17	16	15	14	13	12	11	10	9	8	7	6	5	4	3	2	1	0
RESERVED																EV															
R-0h																R/W-50h															

Table 5-93. UDMACH12BSEL Register Field Descriptions

Bit	Field	Type	Reset	Description
31-7	RESERVED	R	0h	Reserved
6-0	EV	R/W	50h	Read/write selection value Writing any other value than values defined by a ENUM may result in undefined behavior. 0h = Always inactive 4Dh = GPT0A DMA trigger event. Configured by GPT0:DMAEV 4Eh = GPT0B DMA trigger event. Configured by GPT0:DMAEV 4Fh = GPT1A DMA trigger event. Configured by GPT1:DMAEV 50h = GPT1B DMA trigger event. Configured by GPT1:DMAEV 51h = GPT2A DMA trigger event. Configured by GPT2:DMAEV 52h = GPT2B DMA trigger event. Configured by GPT2:DMAEV 53h = GPT3A DMA trigger event. Configured by GPT3:DMAEV 54h = GPT3B DMA trigger event. Configured by GPT3:DMAEV 79h = Always asserted

5.7.2.79 UDMACH13BSEL Register (Offset = 56Ch) [Reset = 0000003h]

UDMACH13BSEL is shown in [Figure 5-88](#) and described in [Table 5-94](#).

Return to the [Table 5-14](#).

Output Selection for DMA Channel 13 REQ

Figure 5-88. UDMACH13BSEL Register

31	30	29	28	27	26	25	24	23	22	21	20	19	18	17	16	15	14	13	12	11	10	9	8	7	6	5	4	3	2	1	0
RESERVED														EV																	
R-0h														R-3h																	

Table 5-94. UDMACH13BSEL Register Field Descriptions

Bit	Field	Type	Reset	Description
31-7	RESERVED	R	0h	Reserved
6-0	EV	R	3h	Read only selection value 3h = AON programmable event 2. Event selected by AON_EVENT MCU event selector, AON_EVENT:EVTOMCUSEL.AON_PROG2_EV

5.7.2.80 UDMACH14BSEL Register (Offset = 574h) [Reset = 0000001h]

UDMACH14BSEL is shown in [Figure 5-89](#) and described in [Table 5-95](#).

Return to the [Table 5-14](#).

Output Selection for DMA Channel 14 REQ

Figure 5-89. UDMACH14BSEL Register

31	30	29	28	27	26	25	24	23	22	21	20	19	18	17	16	15	14	13	12	11	10	9	8	7	6	5	4	3	2	1	0
RESERVED																EV															
R-0h																R/W-1h															

Table 5-95. UDMACH14BSEL Register Field Descriptions

Bit	Field	Type	Reset	Description
31-7	RESERVED	R	0h	Reserved

Table 5-95. UDMACH14BSEL Register Field Descriptions (continued)

Bit	Field	Type	Reset	Description
6-0	EV	R/W	1h	<p>Read/write selection value</p> <p>Writing any other value than values defined by a ENUM may result in undefined behavior.</p> <p>0h = Always inactive</p> <p>1h = AON programmable event 0. Event selected by AON_EVENT MCU event selector, AON_EVENT:EVTOMCUSEL.AON_PROG0_EV</p> <p>2h = AON programmable event 1. Event selected by AON_EVENT MCU event selector, AON_EVENT:EVTOMCUSEL.AON_PROG1_EV</p> <p>3h = AON programmable event 2. Event selected by AON_EVENT MCU event selector, AON_EVENT:EVTOMCUSEL.AON_PROG2_EV</p> <p>4h = Edge detect event from IOC. Configured by the IOC:IOCFGn.EDGE_IRQ_EN and IOC:IOCFGn.EDGE_DET settings</p> <p>5h = Combined event from battery monitor</p> <p>6h = Combined event from Oscillator control</p> <p>7h = Event from AON_RTC, controlled by the AON_RTC:CTL.COMB_EV_MASK setting</p> <p>8h = Interrupt event from I2S</p> <p>9h = Interrupt event from I2C</p> <p>Ah = AUX Software event 0, AUX_EVCTL:SWEVSET.SWEV0</p> <p>Bh = AUX combined event, the corresponding flag register is here AUX_EVCTL:EVTOMCUFLAGS</p> <p>Ch = GPT2A interrupt event, controlled by GPT2:TAMR</p> <p>Dh = GPT2B interrupt event, controlled by GPT2:TBMR</p> <p>Eh = GPT3A interrupt event, controlled by GPT3:TAMR</p> <p>Fh = GPT3B interrupt event, controlled by GPT3:TBMR</p> <p>10h = GPT0A interrupt event, controlled by GPT0:TAMR</p> <p>11h = GPT0B interrupt event, controlled by GPT0:TBMR</p> <p>12h = GPT1A interrupt event, controlled by GPT1:TAMR</p> <p>13h = GPT1B interrupt event, controlled by GPT1:TBMR</p> <p>14h = DMA done for software triggered UDMA channel 0, see UDMA0:SOFTREQ</p> <p>15h = FLASH controller error event, the status flags are FLASH:FEDACSTAT.FSM_DONE and FLASH:FEDACSTAT.RVF_INT</p> <p>16h = DMA done for software triggered UDMA channel 18, see UDMA0:SOFTREQ</p> <p>18h = Watchdog interrupt event, controlled by WDT:CTL.INTEN</p> <p>19h = RFC Doorbell Command Acknowledgement Interrupt, equivalent to RFC_DBELL:RFACKIFG.ACKFLAG</p> <p>1Ah = Combined RFC hardware interrupt, corresponding flag is here RFC_DBELL:RFHWIFG</p> <p>1Bh = Combined Interrupt for CPE Generated events. Corresponding flags are here RFC_DBELL:RFCPEIFG. Only interrupts selected with CPE0 in RFC_DBELL:RFCPEIFG can trigger a RFC_CPE_0 event</p> <p>1Dh = AUX software event 1, triggered by AUX_EVCTL:SWEVSET.SWEV'1, also available as AUX_EVENT2 AON wake up event.</p> <p>MCU domain wakeup control AON_EVENT:MCUWUSEL</p> <p>1Eh = Combined Interrupt for CPE Generated events. Corresponding flags are here RFC_DBELL:RFCPEIFG. Only interrupts selected with CPE1 in RFC_DBELL:RFCPEIFG can trigger a RFC_CPE_1 event</p> <p>22h = SSI0 combined interrupt, interrupt flags are found here SSI0:MIS</p> <p>24h = UART0 combined interrupt, interrupt flags are found here UART0:MIS</p> <p>26h = DMA bus error, corresponds to UDMA0:ERROR.STATUS</p> <p>27h = Combined DMA done, corresponding flags are here UDMA0:REQDONE</p> <p>28h = SSI0 RX DMA burst request , controlled by SSI0:DMACR.RXDMAE</p> <p>29h = SSI0 RX DMA single request, controlled by SSI0:DMACR.RXDMAE</p>

Table 5-95. UDMACH14BSEL Register Field Descriptions (continued)

Bit	Field	Type	Reset	Description
				2Ah = SSI0 TX DMA burst request , controlled by SSI0:DMACR.TXDMAE 2Bh = SSI0 TX DMA single request, controlled by SSI0:DMACR.TXDMAE 30h = UART0 RX DMA burst request, controlled by UART0:DMACTL.RXDMAE 31h = UART0 RX DMA single request, controlled by UART0:DMACTL.RXDMAE 32h = UART0 TX DMA burst request, controlled by UART0:DMACTL.TXDMAE 33h = UART0 TX DMA single request, controlled by UART0:DMACTL.TXDMAE 3Dh = GPT0A compare event. Configured by GPT0:TAMR.TCACT 3Eh = GPT0B compare event. Configured by GPT0:TBMR.TCACT 3Fh = GPT1A compare event. Configured by GPT1:TAMR.TCACT 40h = GPT1B compare event. Configured by GPT1:TBMR.TCACT 41h = GPT2A compare event. Configured by GPT2:TAMR.TCACT 42h = GPT2B compare event. Configured by GPT2:TBMR.TCACT 43h = GPT3A compare event. Configured by GPT3:TAMR.TCACT 44h = GPT3B compare event. Configured by GPT3:TBMR.TCACT 4Dh = GPT0A DMA trigger event. Configured by GPT0:DMAEV 4Eh = GPT0B DMA trigger event. Configured by GPT0:DMAEV 4Fh = GPT1A DMA trigger event. Configured by GPT1:DMAEV 50h = GPT1B DMA trigger event. Configured by GPT1:DMAEV 51h = GPT2A DMA trigger event. Configured by GPT2:DMAEV 52h = GPT2B DMA trigger event. Configured by GPT2:DMAEV 53h = GPT3A DMA trigger event. Configured by GPT3:DMAEV 54h = GPT3B DMA trigger event. Configured by GPT3:DMAEV 55h = Port capture event from IOC, configured by IOC:IOCFGn.PORT_ID. Events on ports configured with ENUM PORT_EVENT0 will be routed here. 56h = Port capture event from IOC, configured by IOC:IOCFGn.PORT_ID. Events on ports configured with ENUM PORT_EVENT1 will be routed here. 57h = Port capture event from IOC, configured by IOC:IOCFGn.PORT_ID. Events on ports configured with ENUM PORT_EVENT2 will be routed here. 58h = Port capture event from IOC, configured by IOC:IOCFGn.PORT_ID. Events on ports configured with ENUM PORT_EVENT3 will be routed here. 59h = Port capture event from IOC, configured by IOC:IOCFGn.PORT_ID. Events on ports configured with ENUM PORT_EVENT4 will be routed here. 5Ah = Port capture event from IOC, configured by IOC:IOCFGn.PORT_ID. Events on ports configured with ENUM PORT_EVENT4 will be routed here. 5Bh = Port capture event from IOC, configured by IOC:IOCFGn.PORT_ID. Events on ports configured with ENUM PORT_EVENT6 will be routed here. 5Ch = Port capture event from IOC, configured by IOC:IOCFGn.PORT_ID. Events on ports configured with ENUM PORT_EVENT7 will be routed here. 5Dh = CRYPTO result available interrupt event, the corresponding flag is found here CRYPTO:IRQSTAT.RESULT_AVAIL. Controlled by CRYPTO:IRQSTAT.RESULT_AVAIL 5Eh = CRYPTO DMA input done event, the corresponding flag is CRYPTO:IRQSTAT.DMA_IN_DONE. Controlled by CRYPTO:IRQEN.DMA_IN_DONE 63h = Watchdog non maskable interrupt event, controlled by WDT:CTL.INTTYPE 64h = Software event 0, triggered by SWEV.SWEV0 65h = Software event 1, triggered by SWEV.SWEV1 66h = Software event 2, triggered by SWEV.SWEV2 67h = Software event 3, triggered by SWEV.SWEV3 68h = TRNG Interrupt event, controlled by TRNG:IRQEN.EN

Table 5-95. UDMACH14BSEL Register Field Descriptions (continued)

Bit	Field	Type	Reset	Description
				6Ah = AUX Compare A event, corresponds to AUX_EVCTL:EVTOMCUFLAGS.AUX_COMPA 6Bh = AUX Compare B event, corresponds to AUX_EVCTL:EVTOMCUFLAGS.AUX_COMPB 6Ch = AUX TDC measurement done event, corresponds to the flag AUX_EVCTL:EVTOMCUFLAGS.AUX_TDC_DONE and the AUX_TDC status AUX_TDC:STAT.DONE 6Dh = AUX timer 0 event, corresponds to AUX_EVCTL:EVTOMCUFLAGS.AUX_TIMER0_EV 6Eh = AUX timer 1 event, corresponds to AUX_EVCTL:EVTOMCUFLAGS.AUX_TIMER1_EV 6Fh = Autotake event from AUX semaphore, configured by AUX_SMPH:AUTOTAKE 70h = AUX ADC done, corresponds to AUX_EVCTL:EVTOMCUFLAGS.AUX_ADC_DONE 71h = AUX ADC FIFO watermark event, corresponds to AUX_EVCTL:EVTOMCUFLAGS.AUX_ADC_FIFO_ALMOST_FULL 72h = Loopback of OBSMUX0 through AUX, corresponds to AUX_EVCTL:EVTOMCUFLAGS.MCU_OBSMUX0 73h = AUX ADC interrupt event, corresponds to AUX_EVCTL:EVTOMCUFLAGS.AUX_ADC_IRQ. Status flags are found here AUX_EVCTL:EVTOMCUFLAGS 74h = DMA software trigger from AUX, triggered by AUX_EVCTL:DMASWREQ.START 75h = DMA single request event from AUX, configured by AUX_EVCTL:DMACTL 76h = DMA burst request event from AUX, configured by AUX_EVCTL:DMACTL 77h = RTC periodic event controlled by AON_RTC:CTL.RTC_UPD_EN 78h = CPU halted 79h = Always asserted

5.7.2.81 UDMACH15BSEL Register (Offset = 57Ch) [Reset = 0000007h]

UDMACH15BSEL is shown in [Figure 5-90](#) and described in [Table 5-96](#).

Return to the [Table 5-14](#).

Output Selection for DMA Channel 15 REQ

Figure 5-90. UDMACH15BSEL Register

31	30	29	28	27	26	25	24	23	22	21	20	19	18	17	16	15	14	13	12	11	10	9	8	7	6	5	4	3	2	1	0
RESERVED														EV																	
R-0h														R-7h																	

Table 5-96. UDMACH15BSEL Register Field Descriptions

Bit	Field	Type	Reset	Description
31-7	RESERVED	R	0h	Reserved
6-0	EV	R	7h	Read only selection value 7h = Event from AON_RTC, controlled by the AON_RTC:CTL.COMB_EV_MASK setting

5.7.2.82 UDMACH16SSEL Register (Offset = 580h) [Reset = 000002Dh]

UDMACH16SSEL is shown in [Figure 5-91](#) and described in [Table 5-97](#).

Return to the [Table 5-14](#).

Output Selection for DMA Channel 16 SREQ

Figure 5-91. UDMACH16SSEL Register

31	30	29	28	27	26	25	24	23	22	21	20	19	18	17	16	15	14	13	12	11	10	9	8	7	6	5	4	3	2	1	0
RESERVED														EV																	
R-0h														R-2Dh																	

Table 5-97. UDMACH16SSEL Register Field Descriptions

Bit	Field	Type	Reset	Description
31-7	RESERVED	R	0h	Reserved
6-0	EV	R	2Dh	Read only selection value 2Dh = Not used tied to 0

5.7.2.83 UDMACH16BSEL Register (Offset = 584h) [Reset = 0000002Ch]

UDMACH16BSEL is shown in [Figure 5-92](#) and described in [Table 5-98](#).

Return to the [Table 5-14](#).

Output Selection for DMA Channel 16 REQ

Figure 5-92. UDMACH16BSEL Register

31	30	29	28	27	26	25	24	23	22	21	20	19	18	17	16	15	14	13	12	11	10	9	8	7	6	5	4	3	2	1	0
RESERVED														EV																	
R-0h														R-2Ch																	

Table 5-98. UDMACH16BSEL Register Field Descriptions

Bit	Field	Type	Reset	Description
31-7	RESERVED	R	0h	Reserved
6-0	EV	R	2Ch	Read only selection value 2Ch = Not used tied to 0

5.7.2.84 UDMACH17SSEL Register (Offset = 588h) [Reset = 000002Fh]

UDMACH17SSEL is shown in [Figure 5-93](#) and described in [Table 5-99](#).

Return to the [Table 5-14](#).

Output Selection for DMA Channel 17 SREQ

Figure 5-93. UDMACH17SSEL Register

31	30	29	28	27	26	25	24	23	22	21	20	19	18	17	16	15	14	13	12	11	10	9	8	7	6	5	4	3	2	1	0
RESERVED																								EV							
R-0h																								R-2Fh							

Table 5-99. UDMACH17SSEL Register Field Descriptions

Bit	Field	Type	Reset	Description
31-7	RESERVED	R	0h	Reserved
6-0	EV	R	2Fh	Read only selection value 2Fh = Not used tied to 0

5.7.2.85 UDMACH17BSEL Register (Offset = 58Ch) [Reset = 000002Eh]

UDMACH17BSEL is shown in [Figure 5-94](#) and described in [Table 5-100](#).

Return to the [Table 5-14](#).

Output Selection for DMA Channel 17 REQ

Figure 5-94. UDMACH17BSEL Register

31	30	29	28	27	26	25	24	23	22	21	20	19	18	17	16	15	14	13	12	11	10	9	8	7	6	5	4	3	2	1	0
RESERVED																EV															
R-0h																R-2Eh															

Table 5-100. UDMACH17BSEL Register Field Descriptions

Bit	Field	Type	Reset	Description
31-7	RESERVED	R	0h	Reserved
6-0	EV	R	2Eh	Read only selection value 2Eh = Not used tied to 0

5.7.2.86 UDMACH21SSEL Register (Offset = 5A8h) [Reset = 0000064h]

UDMACH21SSEL is shown in [Figure 5-95](#) and described in [Table 5-101](#).

Return to the [Table 5-14](#).

Output Selection for DMA Channel 21 SREQ

Figure 5-95. UDMACH21SSEL Register

31	30	29	28	27	26	25	24	23	22	21	20	19	18	17	16	15	14	13	12	11	10	9	8	7	6	5	4	3	2	1	0
RESERVED														EV																	
R-0h														R-64h																	

Table 5-101. UDMACH21SSEL Register Field Descriptions

Bit	Field	Type	Reset	Description
31-7	RESERVED	R	0h	Reserved
6-0	EV	R	64h	Read only selection value 64h = Software event 0, triggered by SWEV.SWEV0

5.7.2.87 UDMACH21BSEL Register (Offset = 5ACh) [Reset = 0000064h]

UDMACH21BSEL is shown in [Figure 5-96](#) and described in [Table 5-102](#).

Return to the [Table 5-14](#).

Output Selection for DMA Channel 21 REQ

Figure 5-96. UDMACH21BSEL Register

31	30	29	28	27	26	25	24	23	22	21	20	19	18	17	16	15	14	13	12	11	10	9	8	7	6	5	4	3	2	1	0
RESERVED																EV															
R-0h																R-64h															

Table 5-102. UDMACH21BSEL Register Field Descriptions

Bit	Field	Type	Reset	Description
31-7	RESERVED	R	0h	Reserved
6-0	EV	R	64h	Read only selection value 64h = Software event 0, triggered by SWEV.SWEV0

5.7.2.88 UDMACH22SSEL Register (Offset = 5B0h) [Reset = 0000065h]

UDMACH22SSEL is shown in [Figure 5-97](#) and described in [Table 5-103](#).

Return to the [Table 5-14](#).

Output Selection for DMA Channel 22 SREQ

Figure 5-97. UDMACH22SSEL Register

31	30	29	28	27	26	25	24	23	22	21	20	19	18	17	16	15	14	13	12	11	10	9	8	7	6	5	4	3	2	1	0
RESERVED														EV																	
R-0h														R-65h																	

Table 5-103. UDMACH22SSEL Register Field Descriptions

Bit	Field	Type	Reset	Description
31-7	RESERVED	R	0h	Reserved
6-0	EV	R	65h	Read only selection value 65h = Software event 1, triggered by SWEV.SWEV1

5.7.2.89 UDMACH22BSEL Register (Offset = 5B4h) [Reset = 0000065h]

UDMACH22BSEL is shown in [Figure 5-98](#) and described in [Table 5-104](#).

Return to the [Table 5-14](#).

Output Selection for DMA Channel 22 REQ

Figure 5-98. UDMACH22BSEL Register

31	30	29	28	27	26	25	24	23	22	21	20	19	18	17	16	15	14	13	12	11	10	9	8	7	6	5	4	3	2	1	0
RESERVED														EV																	
R-0h														R-65h																	

Table 5-104. UDMACH22BSEL Register Field Descriptions

Bit	Field	Type	Reset	Description
31-7	RESERVED	R	0h	Reserved
6-0	EV	R	65h	Read only selection value 65h = Software event 1, triggered by SWEV.SWEV1

5.7.2.90 UDMACH23SSEL Register (Offset = 5B8h) [Reset = 0000066h]

UDMACH23SSEL is shown in [Figure 5-99](#) and described in [Table 5-105](#).

Return to the [Table 5-14](#).

Output Selection for DMA Channel 23 SREQ

Figure 5-99. UDMACH23SSEL Register

31	30	29	28	27	26	25	24	23	22	21	20	19	18	17	16	15	14	13	12	11	10	9	8	7	6	5	4	3	2	1	0
RESERVED														EV																	
R-0h														R-66h																	

Table 5-105. UDMACH23SSEL Register Field Descriptions

Bit	Field	Type	Reset	Description
31-7	RESERVED	R	0h	Reserved
6-0	EV	R	66h	Read only selection value 66h = Software event 2, triggered by SWEV.SWEV2

5.7.2.91 UDMACH23BSEL Register (Offset = 5BCh) [Reset = 0000066h]

UDMACH23BSEL is shown in [Figure 5-100](#) and described in [Table 5-106](#).

Return to the [Table 5-14](#).

Output Selection for DMA Channel 23 REQ

Figure 5-100. UDMACH23BSEL Register

31	30	29	28	27	26	25	24	23	22	21	20	19	18	17	16	15	14	13	12	11	10	9	8	7	6	5	4	3	2	1	0
RESERVED														EV																	
R-0h														R-66h																	

Table 5-106. UDMACH23BSEL Register Field Descriptions

Bit	Field	Type	Reset	Description
31-7	RESERVED	R	0h	Reserved
6-0	EV	R	66h	Read only selection value 66h = Software event 2, triggered by SWEV.SWEV2

5.7.2.92 UDMACH24SSEL Register (Offset = 5C0h) [Reset = 0000067h]

UDMACH24SSEL is shown in [Figure 5-101](#) and described in [Table 5-107](#).

Return to the [Table 5-14](#).

Output Selection for DMA Channel 24 SREQ

Figure 5-101. UDMACH24SSEL Register

31	30	29	28	27	26	25	24	23	22	21	20	19	18	17	16	15	14	13	12	11	10	9	8	7	6	5	4	3	2	1	0
RESERVED														EV																	
R-0h														R-67h																	

Table 5-107. UDMACH24SSEL Register Field Descriptions

Bit	Field	Type	Reset	Description
31-7	RESERVED	R	0h	Reserved
6-0	EV	R	67h	Read only selection value 67h = Software event 3, triggered by SWEV.SWEV3

5.7.2.93 UDMACH24BSEL Register (Offset = 5C4h) [Reset = 00000067h]

UDMACH24BSEL is shown in [Figure 5-102](#) and described in [Table 5-108](#).

Return to the [Table 5-14](#).

Output Selection for DMA Channel 24 REQ

Figure 5-102. UDMACH24BSEL Register

31	30	29	28	27	26	25	24	23	22	21	20	19	18	17	16	15	14	13	12	11	10	9	8	7	6	5	4	3	2	1	0
RESERVED																								EV							
R-0h																								R-67h							

Table 5-108. UDMACH24BSEL Register Field Descriptions

Bit	Field	Type	Reset	Description
31-7	RESERVED	R	0h	Reserved
6-0	EV	R	67h	Read only selection value 67h = Software event 3, triggered by SWEV.SWEV3

5.7.2.94 GPT3ACAPTSEL Register (Offset = 600h) [Reset = 000005Bh]

GPT3ACAPTSEL is shown in [Figure 5-103](#) and described in [Table 5-109](#).

Return to the [Table 5-14](#).

Output Selection for GPT3 0

Figure 5-103. GPT3ACAPTSEL Register

31	30	29	28	27	26	25	24	23	22	21	20	19	18	17	16	15	14	13	12	11	10	9	8	7	6	5	4	3	2	1	0
RESERVED														EV																	
R-0h														R/W-5Bh																	

Table 5-109. GPT3ACAPTSEL Register Field Descriptions

Bit	Field	Type	Reset	Description
31-7	RESERVED	R	0h	Reserved

Table 5-109. GPT3ACAPTSEL Register Field Descriptions (continued)

Bit	Field	Type	Reset	Description
6-0	EV	R/W	5Bh	<p>Read/write selection value</p> <p>Writing any other value than values defined by a ENUM may result in undefined behavior.</p> <p>0h = Always inactive</p> <p>4h = Edge detect event from IOC. Configured by the IOC:IOCFGn.EDGE_IRQ_EN and IOC:IOCFGn.EDGE_DET settings</p> <p>5h = Combined event from battery monitor</p> <p>6h = Combined event from Oscillator control</p> <p>7h = Event from AON_RTC, controlled by the AON_RTC:CTL.COMB_EV_MASK setting</p> <p>9h = Interrupt event from I2C</p> <p>Bh = AUX combined event, the corresponding flag register is here AUX_EVCTL:EVTOMCUFLAGS</p> <p>15h = FLASH controller error event, the status flags are FLASH:FEDACSTAT.FSM_DONE and FLASH:FEDACSTAT.RVF_INT</p> <p>19h = RFC Doorbell Command Acknowledgement Interrupt, equivalent to RFC_DBELL:RFACKIFG.ACKFLAG</p> <p>1Ah = Combined RFC hardware interrupt, corresponding flag is here RFC_DBELL:RFHWIFG</p> <p>1Bh = Combined Interrupt for CPE Generated events. Corresponding flags are here RFC_DBELL:RFCPEIFG. Only interrupts selected with CPE0 in RFC_DBELL:RFCPEIFG can trigger a RFC_CPE_0 event</p> <p>1Eh = Combined Interrupt for CPE Generated events. Corresponding flags are here RFC_DBELL:RFCPEIFG. Only interrupts selected with CPE1 in RFC_DBELL:RFCPEIFG can trigger a RFC_CPE_1 event</p> <p>22h = SSI0 combined interrupt, interrupt flags are found here SSI0:MIS</p> <p>24h = UART0 combined interrupt, interrupt flags are found here UART0:MIS</p> <p>3Dh = GPT0A compare event. Configured by GPT0:TAMR.TCACT</p> <p>3Eh = GPT0B compare event. Configured by GPT0:TBMR.TCACT</p> <p>3Fh = GPT1A compare event. Configured by GPT1:TAMR.TCACT</p> <p>40h = GPT1B compare event. Configured by GPT1:TBMR.TCACT</p> <p>41h = GPT2A compare event. Configured by GPT2:TAMR.TCACT</p> <p>42h = GPT2B compare event. Configured by GPT2:TBMR.TCACT</p> <p>43h = GPT3A compare event. Configured by GPT3:TAMR.TCACT</p> <p>44h = GPT3B compare event. Configured by GPT3:TBMR.TCACT</p> <p>5Bh = Port capture event from IOC, configured by IOC:IOCFGn.PORT_ID. Events on ports configured with ENUM PORT_EVENT6 will be routed here.</p> <p>5Ch = Port capture event from IOC, configured by IOC:IOCFGn.PORT_ID. Events on ports configured with ENUM PORT_EVENT7 will be routed here.</p> <p>6Ah = AUX Compare A event, corresponds to AUX_EVCTL:EVTOMCUFLAGS.AUX_COMPA</p> <p>6Bh = AUX Compare B event, corresponds to AUX_EVCTL:EVTOMCUFLAGS.AUX_COMPB</p> <p>6Ch = AUX TDC measurement done event, corresponds to the flag AUX_EVCTL:EVTOMCUFLAGS.AUX_TDC_DONE and the AUX_TDC status AUX_TDC:STAT.DONE</p> <p>6Dh = AUX timer 0 event, corresponds to AUX_EVCTL:EVTOMCUFLAGS.AUX_TIMER0_EV</p> <p>6Eh = AUX timer 1 event, corresponds to AUX_EVCTL:EVTOMCUFLAGS.AUX_TIMER1_EV</p> <p>6Fh = Autotake event from AUX semaphore, configured by AUX_SMPH:AUTOTAKE</p> <p>70h = AUX ADC done, corresponds to AUX_EVCTL:EVTOMCUFLAGS.AUX_ADC_DONE</p> <p>71h = AUX ADC FIFO watermark event, corresponds to AUX_EVCTL:EVTOMCUFLAGS.AUX_ADC_FIFO_ALMOST_FULL</p> <p>72h = Loopback of OBSMUX0 through AUX, corresponds to AUX_EVCTL:EVTOMCUFLAGS.MCU_OBSMUX0</p>

Table 5-109. GPT3ACAPTSEL Register Field Descriptions (continued)

Bit	Field	Type	Reset	Description
				73h = AUX ADC interrupt event, corresponds to AUX_EVCTL:EVTOMCUFLAGS.AUX_ADC_IRQ. Status flags are found here AUX_EVCTL:EVTOMCUFLAGS 77h = RTC periodic event controlled by AON_RTC:CTL.RTC_UPD_EN 79h = Always asserted

5.7.2.95 GPT3BCAPTSEL Register (Offset = 604h) [Reset = 0000005Ch]

GPT3BCAPTSEL is shown in [Figure 5-104](#) and described in [Table 5-110](#).

Return to the [Table 5-14](#).

Output Selection for GPT3 1

Figure 5-104. GPT3BCAPTSEL Register

31	30	29	28	27	26	25	24	23	22	21	20	19	18	17	16	15	14	13	12	11	10	9	8	7	6	5	4	3	2	1	0
RESERVED														EV																	
R-0h														R/W-5Ch																	

Table 5-110. GPT3BCAPTSEL Register Field Descriptions

Bit	Field	Type	Reset	Description
31-7	RESERVED	R	0h	Reserved

Table 5-110. GPT3BCAPTSEL Register Field Descriptions (continued)

Bit	Field	Type	Reset	Description
6-0	EV	R/W	5Ch	<p>Read/write selection value</p> <p>Writing any other value than values defined by a ENUM may result in undefined behavior.</p> <p>0h = Always inactive</p> <p>4h = Edge detect event from IOC. Configured by the IOC:IOCFGn.EDGE_IRQ_EN and IOC:IOCFGn.EDGE_DET settings</p> <p>5h = Combined event from battery monitor</p> <p>6h = Combined event from Oscillator control</p> <p>7h = Event from AON_RTC, controlled by the AON_RTC:CTL.COMB_EV_MASK setting</p> <p>9h = Interrupt event from I2C</p> <p>Bh = AUX combined event, the corresponding flag register is here AUX_EVCTL:EVTOMCUFLAGS</p> <p>15h = FLASH controller error event, the status flags are FLASH:FEDACSTAT.FSM_DONE and FLASH:FEDACSTAT.RVF_INT</p> <p>19h = RFC Doorbell Command Acknowledgement Interrupt, equivalent to RFC_DBELL:RFACKIFG.ACKFLAG</p> <p>1Ah = Combined RFC hardware interrupt, corresponding flag is here RFC_DBELL:RFHWIFG</p> <p>1Bh = Combined Interrupt for CPE Generated events. Corresponding flags are here RFC_DBELL:RFCPEIFG. Only interrupts selected with CPE0 in RFC_DBELL:RFCPEIFG can trigger a RFC_CPE_0 event</p> <p>1Eh = Combined Interrupt for CPE Generated events. Corresponding flags are here RFC_DBELL:RFCPEIFG. Only interrupts selected with CPE1 in RFC_DBELL:RFCPEIFG can trigger a RFC_CPE_1 event</p> <p>22h = SSI0 combined interrupt, interrupt flags are found here SSI0:MIS</p> <p>24h = UART0 combined interrupt, interrupt flags are found here UART0:MIS</p> <p>3Dh = GPT0A compare event. Configured by GPT0:TAMR.TCACT</p> <p>3Eh = GPT0B compare event. Configured by GPT0:TBMR.TCACT</p> <p>3Fh = GPT1A compare event. Configured by GPT1:TAMR.TCACT</p> <p>40h = GPT1B compare event. Configured by GPT1:TBMR.TCACT</p> <p>41h = GPT2A compare event. Configured by GPT2:TAMR.TCACT</p> <p>42h = GPT2B compare event. Configured by GPT2:TBMR.TCACT</p> <p>43h = GPT3A compare event. Configured by GPT3:TAMR.TCACT</p> <p>44h = GPT3B compare event. Configured by GPT3:TBMR.TCACT</p> <p>5Bh = Port capture event from IOC, configured by IOC:IOCFGn.PORT_ID. Events on ports configured with ENUM PORT_EVENT6 will be routed here.</p> <p>5Ch = Port capture event from IOC, configured by IOC:IOCFGn.PORT_ID. Events on ports configured with ENUM PORT_EVENT7 will be routed here.</p> <p>6Ah = AUX Compare A event, corresponds to AUX_EVCTL:EVTOMCUFLAGS.AUX_COMPA</p> <p>6Bh = AUX Compare B event, corresponds to AUX_EVCTL:EVTOMCUFLAGS.AUX_COMPB</p> <p>6Ch = AUX TDC measurement done event, corresponds to the flag AUX_EVCTL:EVTOMCUFLAGS.AUX_TDC_DONE and the AUX_TDC status AUX_TDC:STAT.DONE</p> <p>6Dh = AUX timer 0 event, corresponds to AUX_EVCTL:EVTOMCUFLAGS.AUX_TIMER0_EV</p> <p>6Eh = AUX timer 1 event, corresponds to AUX_EVCTL:EVTOMCUFLAGS.AUX_TIMER1_EV</p> <p>6Fh = Autotake event from AUX semaphore, configured by AUX_SMPH:AUTOTAKE</p> <p>70h = AUX ADC done, corresponds to AUX_EVCTL:EVTOMCUFLAGS.AUX_ADC_DONE</p> <p>71h = AUX ADC FIFO watermark event, corresponds to AUX_EVCTL:EVTOMCUFLAGS.AUX_ADC_FIFO_ALMOST_FULL</p> <p>72h = Loopback of OBSMUX0 through AUX, corresponds to AUX_EVCTL:EVTOMCUFLAGS.MCU_OBSMUX0</p>

Table 5-110. GPT3BCAPTSEL Register Field Descriptions (continued)

Bit	Field	Type	Reset	Description
				73h = AUX ADC interrupt event, corresponds to AUX_EVCTL:EVTOMCUFLAGS.AUX_ADC_IRQ. Status flags are found here AUX_EVCTL:EVTOMCUFLAGS 77h = RTC periodic event controlled by AON_RTC:CTL.RTC_UPD_EN 79h = Always asserted

5.7.2.96 AUXSEL0 Register (Offset = 700h) [Reset = 00000010h]

AUXSEL0 is shown in [Figure 5-105](#) and described in [Table 5-111](#).

Return to the [Table 5-14](#).

Output Selection for AUX Subscriber 0

Figure 5-105. AUXSEL0 Register

31	30	29	28	27	26	25	24	23	22	21	20	19	18	17	16	15	14	13	12	11	10	9	8	7	6	5	4	3	2	1	0
RESERVED																								EV							
R-0h																								R/W-10h							

Table 5-111. AUXSEL0 Register Field Descriptions

Bit	Field	Type	Reset	Description
31-7	RESERVED	R	0h	Reserved
6-0	EV	R/W	10h	Read/write selection value Writing any other value than values defined by a ENUM may result in undefined behavior. 0h = Always inactive Ch = GPT2A interrupt event, controlled by GPT2:TAMR Dh = GPT2B interrupt event, controlled by GPT2:TBMR Eh = GPT3A interrupt event, controlled by GPT3:TAMR Fh = GPT3B interrupt event, controlled by GPT3:TBMR 10h = GPT0A interrupt event, controlled by GPT0:TAMR 11h = GPT0B interrupt event, controlled by GPT0:TBMR 12h = GPT1A interrupt event, controlled by GPT1:TAMR 13h = GPT1B interrupt event, controlled by GPT1:TBMR 3Dh = GPT0A compare event. Configured by GPT0:TAMR.TCACT 3Eh = GPT0B compare event. Configured by GPT0:TBMR.TCACT 3Fh = GPT1A compare event. Configured by GPT1:TAMR.TCACT 40h = GPT1B compare event. Configured by GPT1:TBMR.TCACT 41h = GPT2A compare event. Configured by GPT2:TAMR.TCACT 42h = GPT2B compare event. Configured by GPT2:TBMR.TCACT 43h = GPT3A compare event. Configured by GPT3:TAMR.TCACT 44h = GPT3B compare event. Configured by GPT3:TBMR.TCACT 79h = Always asserted

5.7.2.97 CM3NMISEL0 Register (Offset = 800h) [Reset = 0000063h]

CM3NMISEL0 is shown in [Figure 5-106](#) and described in [Table 5-112](#).

Return to the [Table 5-14](#).

Output Selection for NMI Subscriber 0

Figure 5-106. CM3NMISEL0 Register

31	30	29	28	27	26	25	24	23	22	21	20	19	18	17	16	15	14	13	12	11	10	9	8	7	6	5	4	3	2	1	0
RESERVED																EV															
R-0h																R-63h															

Table 5-112. CM3NMISEL0 Register Field Descriptions

Bit	Field	Type	Reset	Description
31-7	RESERVED	R	0h	Reserved
6-0	EV	R	63h	Read only selection value 63h = Watchdog non maskable interrupt event, controlled by WDT:CTL.INTTYPE

5.7.2.98 I2SSTMPSEL0 Register (Offset = 900h) [Reset = 000005Fh]

I2SSTMPSEL0 is shown in [Figure 5-107](#) and described in [Table 5-113](#).

Return to the [Table 5-14](#).

Output Selection for I2S Subscriber 0

Figure 5-107. I2SSTMPSEL0 Register

31	30	29	28	27	26	25	24	23	22	21	20	19	18	17	16	15	14	13	12	11	10	9	8	7	6	5	4	3	2	1	0
RESERVED														EV																	
R-0h														R/W-5Fh																	

Table 5-113. I2SSTMPSEL0 Register Field Descriptions

Bit	Field	Type	Reset	Description
31-7	RESERVED	R	0h	Reserved
6-0	EV	R/W	5Fh	Read/write selection value Writing any other value than values defined by a ENUM may result in undefined behavior. 0h = Always inactive 79h = Always asserted

5.7.2.99 FRZSEL0 Register (Offset = A00h) [Reset = 00000078h]

FRZSEL0 is shown in [Figure 5-108](#) and described in [Table 5-114](#).

Return to the [Table 5-14](#).

Output Selection for FRZ Subscriber

The halted debug signal is passed to peripherals such as the General Purpose Timer, Radio, and RTC. When the system CPU halts, the connected peripherals that have freeze enabled also halt. The programmable output can be set to static values of 0 or 1, and can also be set to pass the halted signal.

Figure 5-108. FRZSEL0 Register

31	30	29	28	27	26	25	24	23	22	21	20	19	18	17	16	15	14	13	12	11	10	9	8	7	6	5	4	3	2	1	0
RESERVED														EV																	
R-0h														R/W-78h																	

Table 5-114. FRZSEL0 Register Field Descriptions

Bit	Field	Type	Reset	Description
31-7	RESERVED	R	0h	Reserved
6-0	EV	R/W	78h	Read/write selection value Writing any other value than values defined by a ENUM may result in undefined behavior. 0h = Always inactive 78h = CPU halted 79h = Always asserted

5.7.2.100 SWEV Register (Offset = F00h) [Reset = 0000000h]

SWEV is shown in [Figure 5-109](#) and described in [Table 5-115](#).

Return to the [Table 5-14](#).

Set or Clear Software Events

Figure 5-109. SWEV Register

31	30	29	28	27	26	25	24
RESERVED							SWEV3
R-0h							R/W-0h
23	22	21	20	19	18	17	16
RESERVED							SWEV2
R-0h							R/W-0h
15	14	13	12	11	10	9	8
RESERVED							SWEV1
R-0h							R/W-0h
7	6	5	4	3	2	1	0
RESERVED							SWEV0
R-0h							R/W-0h

Table 5-115. SWEV Register Field Descriptions

Bit	Field	Type	Reset	Description
31-25	RESERVED	R	0h	Reserved
24	SWEV3	R/W	0h	Writing "1" to this bit when the value is "0" triggers the Software 3 event.
23-17	RESERVED	R	0h	Reserved
16	SWEV2	R/W	0h	Writing "1" to this bit when the value is "0" triggers the Software 2 event.
15-9	RESERVED	R	0h	Reserved
8	SWEV1	R/W	0h	Writing "1" to this bit when the value is "0" triggers the Software 1 event.
7-1	RESERVED	R	0h	Reserved
0	SWEV0	R/W	0h	Writing "1" to this bit when the value is "0" triggers the Software 0 event.

This chapter describes the cJTAG and JTAG interface for on-chip debug support.

6.1 Top-Level Debug System	450
6.2 cJTAG	452
6.3 ICEPick	458
6.4 ICEMelter	468
6.5 Serial Wire Viewer (SWV)	469
6.6 Halt In Boot (HIB)	469
6.7 Debug and Shutdown	469
6.8 Debug Features Supported Through WUC TAP	470
6.9 Profiler Register	470
6.10 Boundary Scan	472

6.1 Top-Level Debug System

In the CC13x1x3 and CC26x1x3 device platform, the debug subsystem implements two IEEE standards for debug and test purposes:

- IEEE standard 1149.1: Standard Test Access Port and Boundary Scan Architecture Test Access Port (TAP) . This standard is known by the acronym JTAG.
- Class 4 IEEE 1149.7: Standard for Reduced-pin and Enhanced-functionality Test Access Port and Boundary-scan Architecture. This is known by acronym cJTAG (compact JTAG). This standard serializes the IEEE 1149.1 transactions using a variety of compression formats to reduce the number of pins needed to implement a JTAG debug port.

The debug subsystem also implements a firewall for unauthorized access to debug/test ports. Figure 6-1 shows a block diagram of debug subsystem.

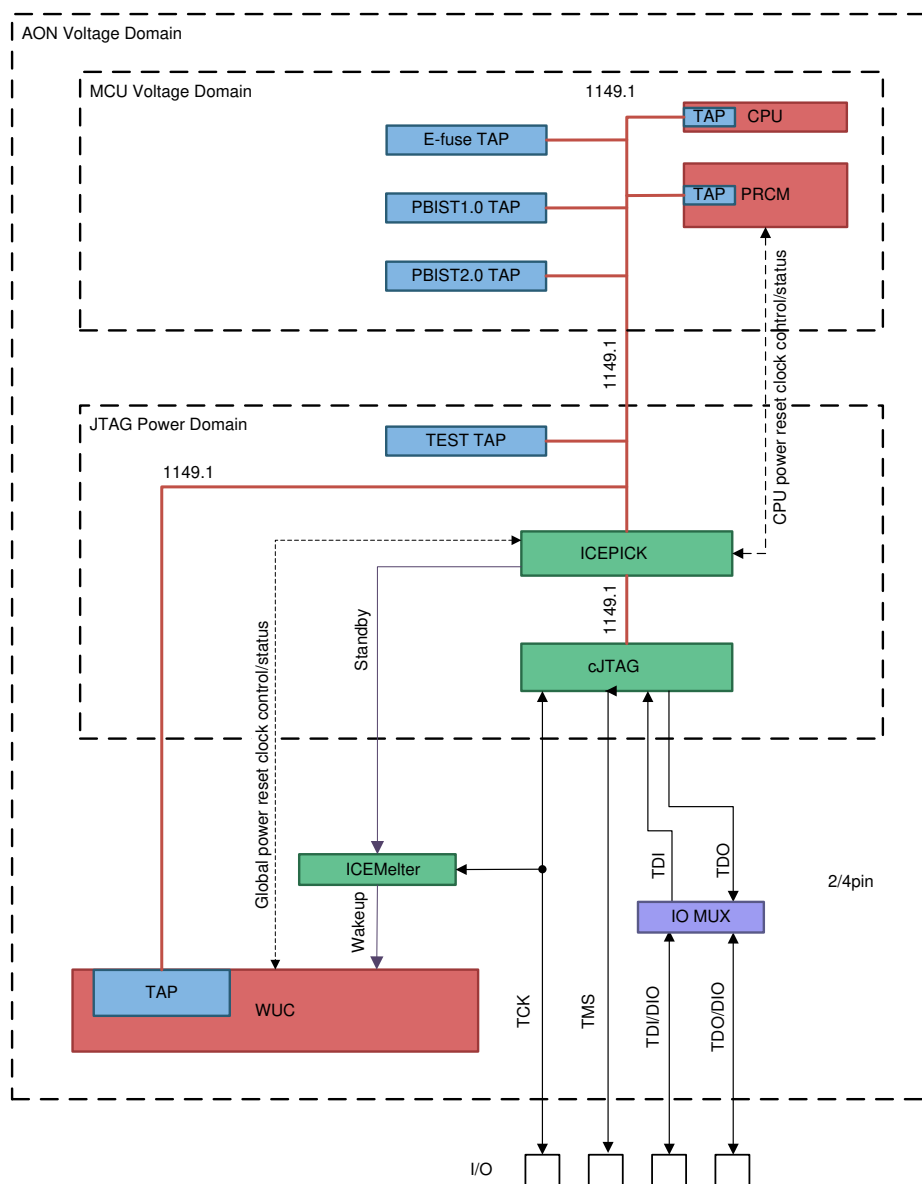


Figure 6-1. Top-Level Debug System

The IEEE 1149.1 TAP uses the following signals to support the operation:

- **TCK (Test Clock):** This signal synchronizes the internal state machine operations.
- **TMS (Test Mode Select):** This signal is sampled at the rising edge of TCK to determine the next state.
- **TDI (Test Data In):** This signal represents the data shifted into the test or programming logic of the device. TDI is sampled at the rising edge of TCK when the internal state machine is in the correct state.
- **TDO (Test Data Out):** This signal represents the data shifted out of the test or programming logic of the device and is valid on the falling edge of TCK when the internal state machine is in the correct state.

There is no dedicated I/O pin for TRST. The debug subsystem is reset with system-wide resets and power-on reset.

The TAP controller, a state machine whose transitions are controlled by the TMS signal, controls the behavior of the JTAG system. Figure 6-2 shows the state-transition diagram for JTAG.

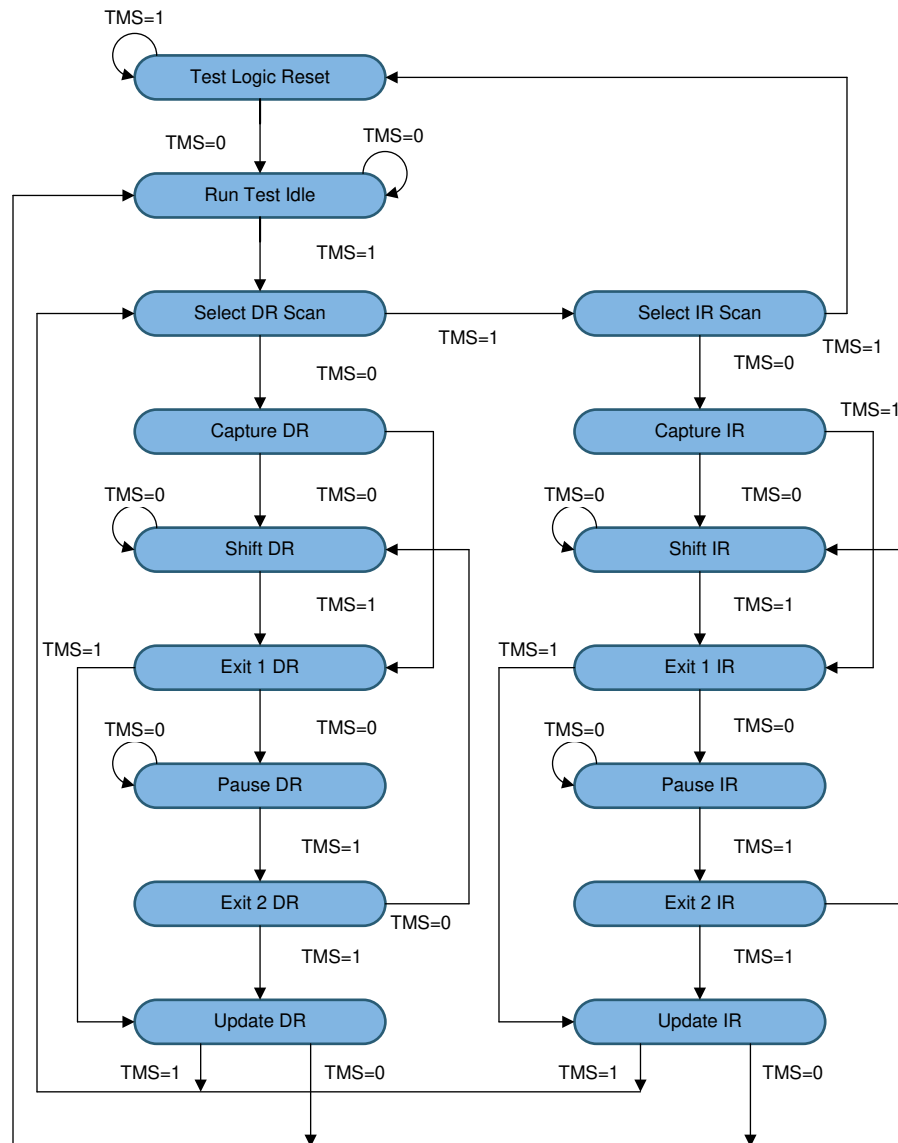


Figure 6-2. JTAG State Machine

Every state has two exits, so all transitions can be controlled by the single TMS signal sampled on TCK. The two main paths allow for setting or retrieving information from either a data register (DR) or the instruction register (IR) of the device. The data register depends on the value loaded into the instruction register.

6.2 cJTAG

This module implements IEEE 1149.7 compliant compact JTAG (cJTAG) adapter, which runs a 2-pin communication protocol on top of a IEEE 1149.1 JTAG test access port (TAP). The 2-pin JTAG mode using only TCK and TMS is the default configuration after power up. The cJTAG configuration in the CC13x1x3 and CC26x1x3 device platform implements a subset of class 4 feature scan modes. Class 4 inherits features from classes 0, 1, 2, and 3 (except the features mentioned in Table 6-1). Figure 6-3 shows a conceptual diagram of the cJTAG module.

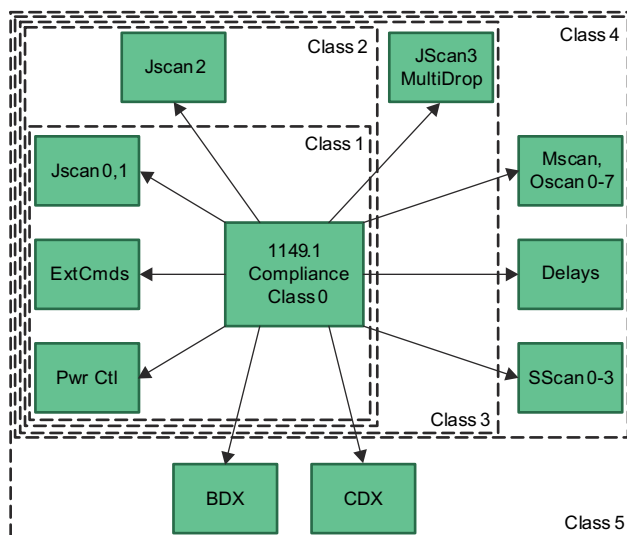


Figure 6-3. cJTAG Conceptual Diagram

- **Class 0:** Strict compliance to IEEE 1149.1 specification with internal TAP selection
- **Class 1:** Adds cJTAG command protocol, some optional discrete commands
- **Class 2:** Adds serial select capability
- **Class 3:** Adds JTAG star configuration, controller IDs and scan selection directives
- **Class 4:** Adds advanced scan protocols

Table 6-1 lists the features in IEEE 1149.7 that are supported in the CC13x1x3 and CC26x1x3 device platform. The cJTAG module in the CC13x1x3 and CC26x1x3 device platform supports 12 scan formats. The scan formats use a variety of compression protocols ranging from 1 to 4 clocks per bit to serialize each packet.

Table 6-1. IEEE 1149.7 Feature Subset

	IEEE 1149.7 Feature	Device Support Through cJTAG	Comment
Configuration	Class 4 TAP	Yes	Supports 2-pin operation
	Class 5 TAP	No	Data and custom channels for background data transfer
Optional components	FRST	No	Functional reset
	TRST	No	Test reset
	RDBK capability	No	Readback of register data
	Aux pin functions	Yes	Reuse of TDI and TDO pins
	TCKWID	No	Programmable TCK width
Power control	Power down logic	No	Power down logic capability for cJTAG module

Table 6-1. IEEE 1149.7 Feature Subset (continued)

	IEEE 1149.7 Feature	Device Support Through cJTAG	Comment
Scan formats	JScan0	Yes	Parallel mode
	JScan1	Yes	Parallel with firewall
	JScan2	Yes	Parallel with super bypass select
	JScan3	Yes	Parallel with register select
	MScan	No	Multidevice mode, supports stalls
	OScan0	Yes	Supports stalls
	OScan1	Yes	Non-stall mode
	OScan2	Yes	Bidirectional transfers, pipelined
	OScan3	Yes	Host to target only, pipelined
	OScan4	Yes	Supports stalls
	OScan5	Yes	Pipelined
	OScan6	Yes	Bidirectional transfers, pipelined
	OScan7	Yes	Host to target only, pipelined
	SScan0	No	Segmented scan
	SScan1	No	Segmented scan, supports stalls
	SScan2	No	Segmented scan
SScan3	No	Segmented scan, supports stalls	

Table 6-2. OScan Scan Packet Contents

Scan Format	Nonshift States				Shift States			
	OScan0	nTDI	TMS	RDY	TDO	nTDI	TMS	RDY
OScan1	nTDI	TMS		TDO	nTDI	TMS		TDO
OScan2		TMS			nTDI	TMS		TDO
OScan3		TMS			nTDI	TMS		
OScan4	nTDI	TMS	RDY	TDO	nTDI		RDY	TDO
OScan5	nTDI	TMS		TDO	nTDI			TDO
OScan6		TMS			nTDI	TMS ⁽¹⁾		TDO
OScan7		TMS			nTDI			

(1) TMS is present for the first packet of the shift.

6.2.1 cJTAG Commands

cJTAG commands are conveyed through benign JTAG scan activity.

The following are three basic steps:

1. Loading an inert opcode
2. Setting control level 2
3. Issue commands

Before cJTAG commands are issued, the controller must ensure the scan activity will not initiate any unexpected actions in the device. To accomplish this, an inert opcode such as BYPASS or IDCODE must be loaded into the instruction register. Normally bypass is used, because its value (all ones) is dictated by the IEEE 1149.1 specification.

Command detection is enabled by performing two zero bit scans (ZBS), then a 1-bit shift. A ZBS is defined as a scan sequence that traverses through the Capture DR state and eventually the Update DR state without ever touching the Shift DR state. The scan sequence can enter Pause DR state for any number of clocks, or skip the Pause DR state altogether. Each successive ZBS increments the control level. The control level is locked when the first Shift DR state occurs.

When the control level is locked, commands are issued by pairs of DR scans, and sometimes a third DR scan. The number of clocks spent in the Shift DR state is counted for each scan (from 0 to 31 clocks). The first DR scan, command part 0 (CP0) forms the opcode of the command. The second DR scan, command part 1 (CP1), provides additional information about the command. This may be more opcode bits or a data field, depending upon the opcode.

There are three commands (SCNB, SCNS, and CIDA) that require a third DR scan, command part 2 (CP2), to transport data in or out of the device. [Table 6-3](#) lists the commands.

Table 6-3. cJTAG Commands

OPCODE	Instruction		
00000	STMC Store Miscellaneous Control Operand: bbbxy		
	bbb		
	0	State control	
		xy	
		0	NOP
		1	ExitCmdLev (ECL)
		2	Exit/suspend (SUSPEND = 1)
	3	ZBS Inhibit (ZBSINH = 1)	
	1	Scan control	
		x	
		0	Scan Group Candidate (SGC) SGC = y
	1	Conditional Group Member (CGM) CGM = y	
	2	Ready Control RDYC = xy With a scan format other than the MScan Scan Format, the number of logic 1 RDY bits preceding the last bit of the SP payload is xy + 1	
	3	Delay Control (DLYC) DLYC = xy	
		xy	
0		No DTS delay is added.	
1		Add one TCKC signal period.	
2		Add two TCKC signal periods.	
3	Add a variable number of TCKC signal periods.		
4–7	Reserved		
00001	STC1 Store Conditional 1 bit Operand: cbbbv		
	bbb		
	0	Sampling Edge (SEDGE) Defines the TCKC signal edge used to sample the TMSC signal input SEDGE==0: Sample the TMSC signal with the TCKC signal falling edge SEDGE==1: Sample the TMSC signal with the TCKC signal rising edge	
		c	
		0	SEDGE = v
		1	SEDGE = v if CGM == 1
1–7	Reserved		

Table 6-3. cJTAG Commands (continued)

OPCODE	Instruction		
00010	STC2 Store Conditional 2 bit Operand: cbbvv		
	bb		
	0–1	Reserved	
	2	Auxiliary Pin Function Control (APFC)	
		APFC==00:	No change in the default pin function.
		APFC==01:	The pin function becomes the standard pin function.
	C		
0		APFC = vv	
1	APFC = vv if CGM == 1		
3	Reserved		
00011	STFMT Store Scan Format Operand: nnnnn		
	nnnnn		
	0	JSCAN0	
	1	JSCAN1	
	2	JSCAN2	
	3	JSCAN3	
	4–7	Reserved	
	8	OSCAN0	
	9	OSCAN1	
	10	OSCAN2	
	11	OSCAN3	
	12	OSCAN4	
	13	OSCAN5	
	14	OSCAN6	
	15	OSCAN7	
16	Reserved		
00100	MSS Make Scan Selection Operand: miii		
	m		
	0	SGC bit of the targeted controller is set SGC bit of a non-targeted controller is cleared	
1	SGC bit of the targeted controller is set SGC bit of a non-targeted controller is not affected		
00101–00110	Reserved		
00111	CCE Conditional Command Enable Operand: miii		
	m		
	0	CGM bit of the targeted controller is set CGM bit of a non-targeted controller is cleared	
1	CGM bit of the targeted controller is set CGM bit of a non-targeted controller is not affected		

Table 6-3. cJTAG Commands (continued)

OPCODE	Instruction	
01000	SCNB Scan Bit Operand: yyyyy + CR Scan	
	yyyyy	
	00	SGC, Scan Group Candidate, write
	01	CGM, Conditional Group Member, write
	02–05	CNFG0-3, TAP.7 Controller class, read
	06–31	Reserved
01001–11111	Reserved	

6.2.1.1 Mandatory Commands

Three mandatory commands are used to manage command processing. These commands are subcommands of STMC and are Exit Command Level, Suspend, and ZBSINH. The last two commands can be used if the device uses ZBSs for its own purposes.

- Exit Command Level terminates command processing.
- Suspend inhibits command detection until a special sequence is detected.
- ZBSINH inhibits command detection until a reset occurs.

There are three mandatory commands used to manage the command processing.

6.2.2 Programming Sequences

6.2.2.1 Opening Command Window

Before the cJTAG module accepts any commands, the control level must be set to 2 and locked.

1. Scan IR (bypass, end in Pause DR): Load benign opcode into the instruction register.
2. Goto Scan (through Update DR, end in Pause DR): This is the first ZBS.
3. Goto Scan (through Update DR, end in Pause DR): This is the second ZBS.
4. Scan DR (1 bit, end in Pause DR): This locks the control level at 2.

Opening the command window decouples the device TAP; the decoupling occurs when the second ZBS occurs.

6.2.2.2 Changing to 4-Pin Mode

When the command window is open, commands can be issued. To change to 4-pin mode, APFC must be written to 1 (using STC2 command), which assumes the TAP state is starting from Pause DR.

1. Scan DR (2 bits of 1, end in Pause DR): Load CP0 with 2.
2. Goto Scan (Through Update DR to Pause DR): Complete CP0 by going through update.
3. Scan DR (9 bits of 1, end in Pause DR): Load CP1 with 9.
4. Goto Scan (Through Update DR to Pause DR): Complete CP1 by going through update.

6.2.2.3 Close Command Window

The command window can be closed by doing an IR scan, going to test logic reset, or by an ECL command. The ECL command is a subcommand of the STMC (opcode 0) command. The ECL command assumes the TAP state is starting from Pause DR.

1. Goto Scan (Through Update DR to Pause DR): Does a Zero Bit scan to load CP0 with 0.
2. Scan DR (1 bit, end in Pause DR): Load CP1 with 1.
3. Goto Scan (Through Update DR to Pause DR): Complete CP1 by going through update.

Note

When the command window is closed, the device TAP couples so any subsequent scans (IR or DR) are issued to the device TAP.

6.3 ICEPick

ICEPick is the primary TAP in the chip. It acts as the IEEE 1149.1 JTAG-compliant top-level router for the chip. Conceptually, ICEPick can be viewed as a bank of switches that can connect or isolate a module-level TAPs to and from the higher level chip TAP. The module-level TAPs are called secondary TAPs, while the primary TAP and external JTAG signals are called the master scan path. The ICEPick TAP appears as the first TAP and only TAP in the scan path following a power on. None of the secondary TAPs are selected or visible in the master scan path. From the perspective of the external JTAG interface, secondary TAPs that are not selected appear to not exist. The ICEPick TAP has several scan paths of its own to support secondary TAP selection, control, and status. ICEPick enables dynamic scan chain management and can select one or several slave TAPs and link them in the scan chain.

A number of control bits are associated with each secondary TAP within ICEPick. Some of these bits apply strictly to the TAP being managed by ICEPick, while others apply to the whole subsystem or power domain in which the secondary TAP resides. These control bits deal with the TAP selection for inclusion in the scan path, secondary TAP test reset management, and debug attention needed.

A number of status bits are associated with each secondary TAP within ICEPick. These status bits report the accessibility, visibility, power, and clock states.

The communication protocol can be changed to 4-pin configuration after establishing connection between debug application and on chip cJTAG TAP using 2-pin mode. When cJTAG switches to 4-pin mode, TDI and TDO are mapped automatically to pins through IOC and this has precedence over any other function that was mapped to corresponding DIOs before switching occurs. Switching from 4-pin to 2-pin mode is also supported.

6.3.1 Secondary TAPs

Each secondary TAP is assigned a number. The TAP numbering is linear and starts with 0. The number assigned to a secondary TAP corresponds to its location within the secondary control and status registers in ICEPick. The first selected TAP is the TAP with the lowest number, while the last selected TAP is the TAP with the highest number. The ICEPick module has a firewall for unauthorized access of slave TAPs. [Table 6-4](#) lists the available TAPs, their corresponding order, and the availability of these TAPs for end user. The open TAPs can be locked by writing to the corresponding field in the customer configuration area.

Table 6-4. Slave TAP Order

Number	Test TAP Name	Description	Availability for End User
Test Banks			
0	TEST	DFT functionalities and profiler	See (1)
1	PBIST1.0	RAM BIST controller interface	Locked
2	PBIST2.0	ROM BIST controller interface	Locked
3	eFuse	eFuse interface for SRAM repair	Locked
4	Reserved	Reserved	Reserved
5	AON WUC	VD override control/status	See (2)
Debug Banks			
0	CM4F	DAP for Cortex-M4 debug	See (2) (3)

- (1) All features in the TEST TAP are locked for end user except the power profiler register. The access to the power profiler register can be blocked by writing to the corresponding field in the customer configuration area (see [Section 6.9](#)).
- (2) Some of the features in AON WUC TAP are open for end user. This includes registers for requesting chip erase, system reset, and MCU reset.
- (3) The access to debug port of the CPU can be blocked by writing to corresponding field in customer configuration area (see [Section 6.9](#)).

6.3.1.1 Slave DAP (CPU DAP)

The debug subsystem has only one slave DAP (CPU DAP). This debug port implements Serial Wire JTAG Debug Port (SWJ-DP) interface, which allows external access to an Advanced High-performance Bus Access Port (AHB-AP) interface for debug accesses in the CPU.

The SWJ-DP is a standard Arm CoreSight™ debug port that combines JTAG-DP and Serial Wire Debug Port (SW-DP). Even though the SW-DP interface is supported by SWJ-DP, the CC13x1x3 and CC26x1x3 device platform does not use this mode. The key reason is that SW-DP becomes redundant for the design in the presence of the 2-pin JTAG (1149.7) mode.

6.3.1.2 Ordering Slave TAPs and DAPs

- When a single secondary TAP is selected, it is effectively connected to the TDO of the ICEPick TAP.
- When one or more secondary TAPs are selected, they are linked from the lowest numbered TAP to the highest numbered TAP.
- The lowest-numbered TAP selected is connected closest to the device-level TDI (except for ICEPick), while the highest numbered TAP is connected closest to the device TDO.
- Any selected TAPs within the test bank are linked before any TAPs within the debug bank (for example, DAP).

6.3.2 ICEPick Registers

Table 6-5 lists the control and status registers in ICEPick.

Table 6-5. Register Summary

Register	Abbreviation	Width	Number	Description
Data Shift register	DSR	32	1	TAP Data register
Instruction register	IR	6	1	TAP Instruction register
Bypass register	Bypass	1	1	Used by the BYPASS instruction
Device Identification register	TAPID	32	1	Device ID used with IDCODE
User Code register	UC	32	1	User Code used with USERCODE
ICEPick Identification	IPID	32	1	Version of ICEPick
Connect	Connect	7	1	Connect code
Secondary Debug TAP register (SDTR)	SDTR	24	1	One register exists for each debug TAP instantiated. It is used to control selection, power, reset, and the clock associated with each TAP.
Secondary Test TAP register (STTR)	STTR	24	6	One register exists for each test TAP instantiated. It is used to control selection of each TAP.
Reserved	SUTR	24	1	Reserved
Linking Mode	LMR	24	1	Specifies how ICEPick manages the TAP selection.
ICEPick Control	IPCR	24	1	General ICEPick control

6.3.2.1 IR Instructions

The ICEPick TAP supports the instructions listed in Table 6-6. All unused TAP controller instructions default to the bypass register. Several instructions are reserved for extensions to the ICEPick opcodes. See Section 6.3.2.5 for device identification register descriptions.

Table 6-6. Instruction Register Opcodes

IR	ICEPick Instruction	Access
000000, 111111	BYPASS	Always-open
10	ROUTER	Connected
100	IDCODE	Always-open
101	ICEPICKCODE	Always-open
111	CONNECT	Always-open
1000	USERCODE	Always-open
000001, 000011, 000110, 001001–111110	Reserved	Reserved

6.3.2.2 Data Shift Register

Figure 6-4 is the register used to shift bits between the ICEPick TDI and TDO. This register is 32 bits wide. The data shift register has multiple shift in points to facilitate shifts on the instruction path and several of the data paths.

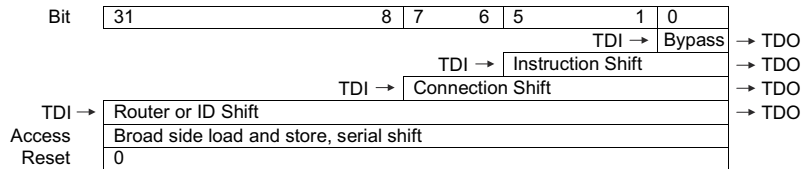


Figure 6-4. Data Shift Register

When asked to shift, 1 bit is shifted from each bit into the next lower bit. A new value is shifted in from TDI while the least significant bit is shifted out to TDO. The shift register has several insertion points based on the current TAP state or value in the instruction register.

6.3.2.3 Instruction Register

This register contains the current TAP instruction. The ICEPick IR is 6 bits wide (see Figure 6-5).

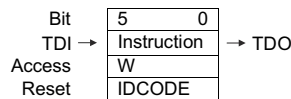


Figure 6-5. Instruction Register

For valid IR opcodes, see Table 6-6.

6.3.2.4 Bypass Register

This register is a 1-bit register (see Figure 6-6). The value that is scanned in TDI is preserved and scanned out of TDO one TCK cycle later.

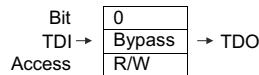


Figure 6-6. Bypass Register

6.3.2.5 Device Identification Register

This register allows the manufacturer, part number, and version of the device to be determined through the TAP (see Figure 6-7). The device identification register is scanned in response to the IDCODE instruction.

IDCODE has three fields: version, part number, and manufacturer.

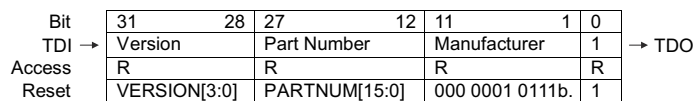


Figure 6-7. Device Identification Register

The contents of this register are replicated to a device configuration area that is memory mapped. For details of this register, see FCFG1:ICEPICK_DEVICE_ID in Section 11.4.1.

Table 6-7. Device Identification Register Description

Field	Width	Description
Version	4	Revision of the device
Part Number	16	Part number of the device
Manufacturer	11	TI's JEDEC bank and company code: 00000010111b
0	1	This bit is always 1.

6.3.2.6 User Code Register

The User Code register helps to distinguish between the devices built from the same chip. The User Code register value is set through eFuse. Each variant is uniquely identified by feature set or pinned out interface.

The User Code register is a 32-bit register that specifies the version and part number of the component. The contents of this register is replicated to device configuration area that is memory mapped. For details of this register, see [Figure 6-8](#) and [Table 6-8](#).

Bit	31	28	27	12	11	1	0		
TDI →	Version		Variant Number				Reserved	1	→ TDO
Access	R		R				R	R	
Reset	VERSION[3:0]		VARIANT[15:0]				0	1	

Figure 6-8. User Code Register**Table 6-8. User Code Register Description**

Field	Width	Description
Version	4	Revision of the device. This field must change each time that the logic or mask set of the device is revised. The initial value is 0.
Variant Number	16	Variant of chip. The decoding of this field is shown in FCFG1:USER_ID (see Section 11.4.1).
Reserved	11	0
0	1	Bit 0 is always 1

6.3.2.7 ICEPick Identification Register

This register indicates the features and version of the ICEPick module (do not confuse the ICEPick IR with the device IR).

The ID register is a 32-bit register that specifies the version and features of the ICEPick module. For a description of the ICEPick IR, see [Figure 6-9](#) and [Table 6-9](#).

Bit	31	24	23	20	19	16	15	4	3	0	
TDI →	Version		Test TAPs		EMU TAPs		ICEPick Type		Capabilities		→ TDO
Access	R		R		R		R		R		
Reset	0x41		6		1		0x1CC		*		

Figure 6-9. ICEPick Identification Register**Table 6-9. ICEPick Identification Register Description**

Field	Width	Description
Version	8	Revision of ICEPick
Test TAPs	4	Number of Test TAPs
EMU TAPs	4	Number of EMU TAPs
ICEpick Type	12	An identifier of the ICEpick Type This field is set to 0x1CC, which corresponds to Type C.
Capabilities	4	Reserved

6.3.2.8 Connect Register

This register guards the device from noise, hot connection of an emulator cable, or accidental scan by a misconfigured scan controller. This register reduces the chances of accidentally engaging debug functions due to noise or accidental scans. For more details, see [Figure 6-10](#) and [Table 6-10](#).

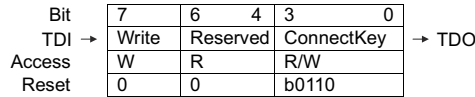


Figure 6-10. Connect Register

Table 6-10. Connect Register Description

Bit	Field	Width	Type	Reset	Description
7	Write Enable	1	W	0	Must be 1 to write the Connect Key. A value of 0 is a read. When read, a value of 0 is returned.
6–4	Reserved	3	R	0	Reserved
3–0	ConnectKey	4	R/W	0110	When this field holds the key code of 1001, the scan controller is considered to be connected. All other values are in the not-connected state. In this state, only a limited number of IR instructions are valid.

6.3.3 Router Scan Chain

This register accesses all TAP linking and control registers. The scan chain is 32 bits long. For more information, see [Figure 6-11](#) and [Table 6-11](#).

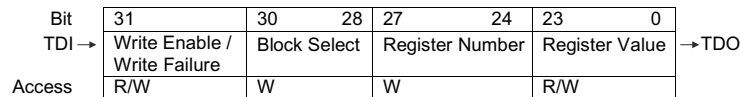


Figure 6-11. ROUTER DR Scan Chain

Table 6-11. ROUTER DR Scan Chain Description

Bit	Field	Width	Type	Reset	Description
31	Write Enable	1	W	0	<p>On scan-in:</p> <p>0: Only a read is performed.</p> <p>1: A write to the specified register is performed.</p> <p>On scan-out:</p> <p>If the previous scan resulted in a write to a ROUTER addressed register, then when bit 31 is scanned out during the next trip through the Shift DR state, it indicates whether the previous write succeeded. If 1, the previous write failed. If 0, the previous write was successful.</p> <p>A write to a debug or test secondary TAP control and status register may fail for a number of reasons including:</p> <ul style="list-style-type: none"> • ICEPick is in the disconnected state. • The TapPresent bit is 0, which indicates that a TAP does not exist at this location. • The TapEnable bit is 0, which indicates that security or other reasons are currently preventing access to this TAP. • A previous programming of the ResetControl or ReleaseFromWIR bits has not been processed yet.
30–28	Block Select	3	R/W	000	<p>Block select:</p> <p>000: ICEPick Control (see Section 6.3.4.1)</p> <p>001: Test TAP Linking Control Block (see Section 6.3.4.2)</p> <p>010: Debug TAP Linking Control Block (see Section 6.3.4.3)</p> <p>011–111: Reserved</p>

Table 6-11. ROUTER DR Scan Chain Description (continued)

Bit	Field	Width	Type	Reset	Description
27–24	Register Number	4	R/W	0000	This field specifies the register within the selected block (see Table 6-12 , Table 6-14 , and Table 6-19).
23–0	Selected Register Contents	24	–	–	Based on the values in Block Select and Register Number fields; the corresponding register is mapped to this field.

During the Capture DR state, the Data Shift register is inspected. The register specified by the Block and Register fields is read and the value is placed in the lower 24 bits of the Data Shift register.

Note

The current contents of the Data Shift register were those loaded by the previous scan.

The register specified in DR scan n 1 is read during scan n. Of course, if an intervening IR scan occurs, the contents of the Data Shift register are unpredictable, so a read of the register indicated in DR scan n 1 does not occur.

Sometimes an action on the destination register is still pending when the Update DR state is reached. Some of the bits of the destination register may not be changed while the action is pending, such as the reset controls signals have been written but not acted upon yet. Therefore, the new value indicated by this write may not be applied to the register. If this happens, the write to the ICEPick register is suppressed and the write-failure flag is set to 1. The write-failure bit is captured into the Data Shift register at bit 31. When the value is captured, the WF flag is cleared.

If bit 31 indicates that a read must be performed, the ICEPick register specified is not touched at this point. The ICEPick register contents remain undisturbed.

If the contents of the Data Shift register remain constant until the next Capture DR state, then the specified register is read at that point. An intervening IR scan disturbs the Data Shift register contents and as a consequence, it cannot be assured that the register specified will be read.

There is no address buffering within the ICEPick for the read block and register other than the Data Shift register. No extra storage is needed when the proper scan sequence is followed. For the sequence, see [Section 6.5](#).

6.3.4 TAP Routing Registers

This section describes the TAP routing registers that can be accessed using router scan.

6.3.4.1 ICEPick Control Block

The ICEPick Control Block implements the [Table 6-12](#). Reads of unused registers return all 0s.

Table 6-12. Control Block Registers

Register	Register Name
0x0	All0s
0x1	Control
0x2	Linking Mode
0x3 to 0xF	Reserved

6.3.4.1.1 All0s Register

This register is a dummy register that returns 0 when read. Writes are ignored. There are not any side effects to writing or reading this register.

Table 6-13. All0s Register

Bit	Field	Width	Type	Reset	Description
23–0	Zero	24	R	0	Read zero

6.3.4.1.2 ICEPick Control Register

Table 6-14. ICEPick Control Register

Bit	Field	Width	Type	Reset	Description
23–8	Reserved	16	R/W	0	Reserved
7	KeepPoweredinTLR	1	R/W	0	When 1, the JTAG power domain stays on even in the Test Logic Reset (TLR) state. When 0, the JTAG power domain will be powered down in the Test Logic Reset (TLR) state if ICEPick is visible and TMS is 1.
6	BlockSysReset	1	R/W	0	When 1, the device system reset signal is blocked.
5–1	Reserved	5	R/W	0	Reserved
0	SystemReset	1	R/W	0	Emulator controlled System Reset This signal provides the scan controller with the ability to assert the system warm reset. When a 1 is written, this behaves as if the external chip warm reset signal had been momentarily asserted. This signal does not reset any emulation logic. This is a self-clearing bit. This is cleared by the assertion of the reset requested. Writing a 0 has no effect.

6.3.4.1.3 Linking Mode Register

Table 6-15. ICEPick Linking Mode Register

Bit	Field	Width	Type	Reset	Description
23–4	Reserved	20	R/W	0x0	Reserved
3–1	TAPLinkMode	3	R/W	000	See Table 6-16
0	ActivateMode	1	R/W	0	When a 1 is written to this bit, the currently selected TAPLinkMode is activated. ICEPick links the TAPs according to these settings when the ICEPick TAP is advanced to Run-Test/Idle with any opcode in the IR.

Table 6-16. ICEPick TAP Link Mode

Value	Mode	Behavior
000	Always-first	ICEPick TAP always exists and is linked as the TAP closest to TDI.
011	Disappear-forever	When activated, the ICEPick TAP is no longer visible between the device TDI and TDO. Only a power-on reset makes the TAP visible again.
001–010, 100–111	Reserved	Reserved

6.3.4.2 Test TAP Linking Block

The Test TAP Linking block contains the control and status registers shown in [Table 6-17](#). These registers are used in to select of secondary TAPs into the master scan path. Each TAP has its own Test TAP Control and Status register.

Table 6-17. Test TAP Linking Registers

Register	Register Name
0x0	Secondary Test TAP 0 register
0x1	Secondary Test TAP 1 register
0x2	Secondary Test TAP 2 register
0x3	Secondary Test TAP 3 register
0x4	Secondary Test TAP 4 register
0x5	Secondary Test TAP 5 register
0x6–0xF	Reserved

6.3.4.2.1 Secondary Test TAP Register

Table 6-18. Secondary Test TAP Register (STTR)

Bit	Field	Width	Type	Reset	Description
23–10	Reserved	14	R/W	0	Reserved
9	VisibleTAP	1	R	—	See Table 6-20 .
8	SelectTAP	1	R/W	0	See Table 6-20 .
7–2	Reserved	6	R	0	
1	TapAccessible	1	R	—	See Table 6-20 .
0	TapPresent	1	R	—	See Table 6-20 .

6.3.4.3 Debug TAP Linking Block

The Debug TAP Linking block contains the control and status registers used in the selection of secondary TAPs into the master scan path. The secondary debug tap has its own Debug TAP Control and Status register. For more details, see [Table 6-19](#).

Table 6-19. Debug TAP Linking Registers

Register	Register Name
0x0	Secondary Debug TAP 0 register
0x1–0xF	Reserved

6.3.4.3.1 Secondary Debug TAP Register

Table 6-20 lists the secondary debug TAP register (SDTR). Table 6-21 lists the reset control.

Table 6-20. Secondary Debug TAP Register (SDTR)

Bit	Field	Width	Type	Reset	Description
23–21	Reserved	3	R/W	0	Reserved
20	InhibitSleep	1	W	0	When 0, this bit does not influence the clock and the power settings to the module. While this bit is 1, power or clock for the module of the TAP is not allowed to be turned off once it is turned on. If the target does not have power or clock when setting this bit, InhibitSleep does not change the power/clock state until the target is powered and clocked again.
			R	—	The value read does not reflect the value written until the power and clock controller has acted upon a change in the written value.
19–18	Reserved	2	R	—	Reserved
17	InReset	1	R	—	The InReset status and the ReleaseFromWIR control share the same bit. When 1, the module or modules controlled by the secondary TAP is in the reset state. When 0, the module or modules is not in reset.
	ReleaseFromWIR		W	0	The InReset status and the ReleaseFromWIR control share the same bit. When a 1 is written to this bit and the module is held in reset due to the WaitInReset bit, the module reset is released. This only occurs if WaitInReset is 1 and it is the only cause for holding the module in reset. This is a self-clearing bit. Writing a 0 has no effect.
16–14	ResetControl	3	R/W	0	Override the application controls of the functional warm reset to a module. See Table 6-21.
13–10	Reserved	4	R/W	0	Reserved
9	VisibleTAP	1	R	—	When 1, the TAP is currently selected and visible in the active scan chain. The VisibleTap bit indicates that the TAP, which was previously selected with the SelectTap bit, is now part of the device master scan path. The VisibleTap bit is set by ICEPick when the Run-Test-Idle state is reached.
8	SelectTAP	1	R/W	0	The SelectTap bit allows scan controller software to change which secondary TAPs are included in the device level master scan path. When this bit is set to 1, the TAP is selected for inclusion in the master scan path when the TAP state advances to the Run-Test-Idle state. When this bit is changed to 0, the TAP is deselected from the master scan path when the TAP state advances to the Run-Test-Idle state. Selection or deselection occurs in the Run-Test-Idle state regardless of the current IR instruction. Writes to the SelectTap bit are blocked, and the bit is held at 0, if TapPresent is 0.
7–4	Reserved	4	R/W	0	Reserved
3	ForceActive (ForcePowerAndClock)	1	W	—	When ForceActive is 0, the module's clock and power settings follow the normal application settings unless one of the other emulation controls is affecting the state. Setting the ForceActive bit causes the power and clock held on and to be turned on if necessary. In this sense, the ForceActive bit could be named ForcePowerAndClock. Clearing the ForceActive bit returns control of the power and clock settings to the application. If the application controls indicate that the power and clock must be off, the power and clock to the module is turned off.
			R	—	The value read does not reflect the value written until the power and clock controller has acted upon a change in the written value.

Table 6-20. Secondary Debug TAP Register (SDTR) (continued)

Bit	Field	Width	Type	Reset	Description
2	Reserved	1	R	—	Reserved
1	TapAccessible	1	R	—	When 0, the TAP cannot be accessed due to security. When 1, the TAP can be accessed.
0	TapPresent	1	R	—	When 0, there is not a TAP assigned to this spot. When 1, this TAP exists in the device. If a TAP does not exist, the rest of the controls and status bits in this register are considered to be nonoperational.

Table 6-21. Reset Control

Value	Command	Description
000	Normal Operation	Reset operates under the normal control of the application or device controls.
001	Wait in reset (Extend reset)	The module or modules controlled by this secondary TAP remain in the reset state when the reset is asserted. This bit alone does not reset the processor.
010	Reserved	Reserved
011	Reserved	Reserved
1xx	Cancel	Cancels reset command lockout

6.4 ICEMelter

ICEMelter wakes up the JTAG power domain, that contains ICEPick and cJTAG modules and monitors the activities on the TCK-pin. When ICEMelter detects traffic on the TCK-pin (8 rising edges and 8 falling edges on TCK), it sends a power-up request to the AON WUC that powers up the JTAG power domain. There is a time-out built in the device that will reset the ICEMelter if the window from the third rising edge to the eighth rising edge exceeds 4 ms. The emulator must allow power-up time of at least 200 μ s for JTAG power domain before sending remaining commands to JTAG interface.

TI recommends that care is taken to avoid unintentional traffic on the TCK-pin. This can for example happen if the TCK-pin is made accessible through a connector which is frequently connected and disconnected, or is located on a pin row that is touched during regular use. Unintentional traffic on the TCK-pin can cause the ICEMelter to power up the JTAG domain, which will add approximately 400 μ A to any device mode (including Standby), and also set the Halt In Boot (HIB) flag. The HIB flag will halt the device on the subsequent boot (such as after any system reset other than pin reset or POR, or when entering Shutdown). Exiting Halt In Boot, clearing the HIB flag, and disabling the JTAG domain can only be done by a pin reset, a POR, or by using the JTAG interface itself.

The TCK pin has an internal pullup designed to avoid unintentional traffic due to noise, but it will not be sufficient if there is risk of external activity on the TCK-pin caused by unintentional touching or shorting of the pin. If it is not possible to guarantee that such activity does not happen, it is recommended that a strong external pullup is used, or even shorting the pin to the supply voltage through a zero-ohm resistor. The size of the pullup or whether the pin is shorted to the supply voltage, will be a tradeoff between robustness against unintentional external activity and the need for an accessible debug port. If the TCK pin is disabled by shorting it to the supply voltage, flash programming must be done using the bootloader.

It is possible to disable the input driver of the TCK pin by using [AON_IOC:TCKCTL]. Disabling the TCK pin impairs the debug sessions, so special care is required when disabling the TCK pin if the support for debugging the code is desired. TI strongly recommends to condition disabling of the TCK pin to when [FLASH:FWFLAG][2] is 1. [FLASH:FWFLAG][2] indicates whether or not HIB has taken place in the previous boot (0: HIB has taken place, 1: HIB has not taken place). Debugging a running target will not be possible if the TCK pin is disabled. However, debugging the device will be still possible if disabling the TCK pin is conditioned to when [FLASH:FWFLAG][2] is 1.

6.5 Serial Wire Viewer (SWV)

The CPU uses the TPIU macro inside the processor to support the serial wire viewer (SWV) interface (a single-line interface). Use the following sequence to enable SWV output on the CPU:

1. Enable the trace system by setting CPU_SCS:DEMCR.TRCENA (see [Section 2.7.4](#)).
2. Unlock ITM configuration by writing to the Lock Access Register CPU_ITM:LAR (see [Section 2.7.3](#)).
3. Enable ITM by setting CPU_ITM:TCR.ITMENA (see [Section 2.7.3](#)).
4. Enable the desired stimulus port (0 to 31) in CPU_ITM:TER (see [Section 2.7.3](#)).
5. Change formatter configuration if needed CPU_TPIU:FFCR (see [Section 2.7.5](#)).
6. Change the pin protocol if needed CPU_TPIU:SPPR (see [Section 2.7.5](#)).
7. Set the baud rate in CPU_TPIU:ACPR (see [Section 2.7.5](#)).
8. The SWV can be mapped to DIO_n by writing the corresponding port ID in the IOC:IOCFG_n (see [Section 13.10.3](#)). For more details, see [Chapter 13](#).

Writes to the CPU_ITM:STIM_n registers (assuming that they are enabled) trigger a transmit on SWV output if the FIFO is not full.

6.6 Halt In Boot (HIB)

The CC13x1x3 and CC26x1x3 device platform implements a mechanism to ensure that the external emulator can take control of the device before it executes any application code. This mechanism is called halt in boot (HIB). When HIB detects debug activity, the boot code stops in a wait for interrupt instruction (WFI) at the end of its execution before jumping to the application code in Flash.

Detection of activities on the TCK pin (which powers up the JTAG power domain) is the condition for HIB when next boot occurs. If JTAG power domain is turned off by entering the test logic reset (TLR) state before a system reset occurs, the HIB conditions can be cleared. The HIB conditions are not cleared if JTAG power domain turns off after AON_PMCTL:SHUTDOWN.EN is written to 1.

To exit HIB, the external emulator must connect to the device and first HALT, then RESUME the CPU through DAP. Halting the CPU is a debug event that wakes the CPU from the WFI instruction. After resuming, the program execution continues from the application code.

6.7 Debug and Shutdown

The debugger cannot stay connected in shutdown mode because the power source for debug subsystem turns off in this mode. This means that entering shutdown causes abrupt disconnection from the emulator. To facilitate debugging of the shutdown scenarios, the CC13x1x3 and CC26x1x3 device platform has the following considerations:

- If a device is in shutdown mode, activity on TCK causes immediate wake up.
- If conditions for HIB are met while entering shutdown mode, the device wakes up as soon as it reaches the shutdown state. If the conditions for HIB are met during the boot which happens after wakeup, the boot code enters a loop until an I/O wakeup event occurs.

6.8 Debug Features Supported Through WUC TAP

Table 6-22. Debug Features Supported Through WUC TAP

Command	Control Bits	Function
CHIP_ERASE_REQ	IR 0x01, Bit 1 in DR[7:0]	Setting this bit (if it is followed by MCU VD Reset request through WUC TAP) initiates chip erase.
MCU_VD_RESET_REQ	IR 0x01, Bit 5 in DR[7:0]	Setting this bit requests reset of the entire MCU VD.
SHUTDOWN_W_JTAG	IR 0x01, Bit 6 in DR[7:0]	1: Entering shutdown is postponed until JTAG is disconnected. 0: Allows the device to enter shutdown without waiting for disconnection from JTAG. Entering shutdown causes abrupt disconnection from the emulator.
SYS_RESET_REQ	IR 0x01, Bit 7 in DR[7:0]	Setting this bit requests reset of the entire chip. The DEBUGEN bit remains asserted after this reset, which ensures HIB after next boot.
TMS_PAD_CFG	IR 0x0C, Bits [5:0] in DR[6:0]	Strength and slew control setting for TMS pin.
MCU_VD_FORCE_ACTIVE	IR 0x0C, Bit 6 in DR[6:0]	1: If MCU VD is off, Force Active powers up the MCU VD. 0: The application controls the MCU VD.
JTAG_DO_NOT_PU	IR 0x04, Bit 0 in DR[6:0]	1: Prevent JTAG power domain from being powered up from the ICEMelter. 0: ICEMelter powers up the JTAG power domain when wake-up conditions are met.
JTAG_DO_NOT_RESET	IR 0x04 Bit 4 in DR[6:0]	1: Do not reset WUC tap when the JTAG power domain is powered down. 0: WUC is reset when the JTAG power domain is powered down.

6.9 Profiler Register

This register can be used to extract runtime information from the chip with no intrusion to the code execution. This register resides in the TEST TAP (the profiler register IR number is 0x06). For more details, see [Table 6-23](#).

Figure 6-12. Profiler Register

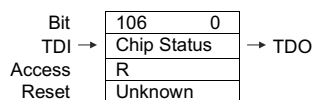


Table 6-23. Profiler Register Fields

Bits	Width	Description
81–80	2	AON_PMCTL:PWRSTAT.SW
79	1	AUX_SYSIF:ADCCLKCTL.REQ
78	1	AUX_SYSIF:TDCCLKCTL.REQ
77	1	AUX_ANAIF:DACSMPLCTL.EN
76–74	3	AUX_SYSIF:SWPWRPROF.STAT
73–72	2	AUX_SYSIF:OPMODESTAT.STATE
71	1	AUX_SCE:CTL.RUN and not AUX_SCE:CPUSTAT.SLEEP
70	1	Clock state for SYSBUS ⁽¹⁾ : 0: Clock is not running. 1: Clock is running.
69	1	Clock state for FLASH ⁽¹⁾ : 0: Clock is not running. 1: Clock is running.
68	1	Clock state for RFCORE ⁽¹⁾ : 0: Clock is not running. 1: Clock is running.

Table 6-23. Profiler Register Fields (continued)

Bits	Width	Description
67	1	Clock state for GPIO ⁽¹⁾ : 0: Clock is not running. 1: Clock is running.
66	1	Clock state for GPTM0 ⁽¹⁾ : 0: Clock is not running. 1: Clock is running.
65	1	Clock state for GPTM1 ⁽¹⁾ : 0: Clock is not running. 1: Clock is running.
64	1	Clock state for GPTM2 ⁽¹⁾ : 0: Clock is not running. 1: Clock is running.
63	1	Clock state for GPTM3 ⁽¹⁾ : 0: Clock is not running. 1: Clock is running.
62	1	Clock state for I ² C ⁽¹⁾ : 0: Clock is not running. 1: Clock is running.
61	1	Clock state for I ² S ⁽¹⁾ : 0: Clock is not running. 1: Clock is running.
60	1	Clock state for UDMA ⁽¹⁾ : 0: Clock is not running. 1: Clock is running.
59	1	Clock state for TRNG ⁽¹⁾ : 0: Clock is not running. 1: Clock is running.
58	1	Clock state for CRYPTO ⁽¹⁾ : 0: Clock is not running. 1: Clock is running.
57	1	Reserved
56	1	Clock state for SSI0 ⁽¹⁾ : 0: Clock is not running. 1: Clock is running.
55	1	Reserved
54	1	Clock state for UART0 ⁽¹⁾ : 0: Clock is not running. 1: Clock is running.
53	1	Reserved
52	1	Sleep request from CPU
51	1	Deep sleep request from CPU qualified by WIC
50	1	Reserved
49	1	CPU PD status: 0: Power domain is off. 1: Power domain is on.
48	1	SERIAL PD status: 0: Power domain is off. 1: Power domain is on.
47	1	PERIPH PD status: 0: Power domain is off. 1: Power domain is on.
46	1	RFCORE PD status: 0: Power domain is off. 1: Power domain is on.

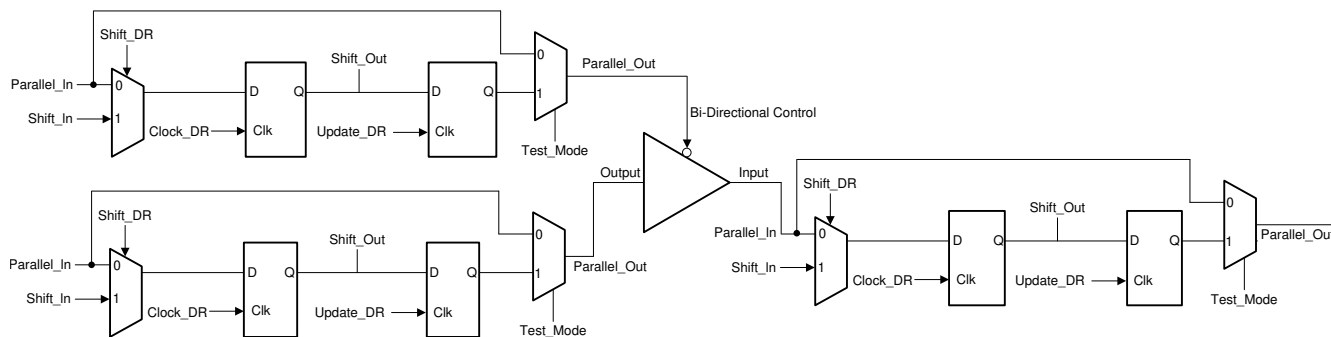
Table 6-23. Profiler Register Fields (continued)

Bits	Width	Description
45	1	VIMS PD status: 0: Power domain is off. 1: Power domain is on.
44	1	MCU power state: 0: STANDBY 1: ACTIVE
43	1	DDI_0_OSC:STAT0.XOSC_HF_EN
42	1	DDI_0_OSC:STAT0.SCLK_HF_SRC
41–40	2	DDI_0_OSC:STAT0.SCLK_LF_SRC
39–36	4	RF_CORE_STATE: b0000 NA No Information yet available or RF Core powered off. b0001 IDLE The RF Core is powered but idle; no RF. b0010 RFACTIVE The RF Synthesizer is active. b0110 RXWAIT The RF Core is waiting for sync. b1110 RXPACKET The RF Core is receiving a packet. b1010 TX The RF Core is transmitting a packet Others Reserved
35–28	8	PRCM:PWRPROFSTAT
27	1	Error in values of compressed program counter: 1: The value returned in bits 26–6 cannot be trusted. 0: The value returned in bits 26–6 can be trusted.
26–6	21	Compressed program counter (removing 11 of the 32-bit program counter which are expected to be 0) Active bits of the program counter {PC[29:28],PC[24], PC[18:1]}
5–0	6	Indicates the interrupt number of the current execution context in the CPU

(1) This field may be invalid if the MCU power state is in STANDBY.

6.10 Boundary Scan

The CC13x1x3 and CC26x1x3 devices use standard boundary scan as defined under the IEEE 1149.1 JTAG standard. Each DIO has a dedicated boundary scan cell that contains six registers (two each for output pins, bidirectional control pins, and input pins), as shown in Figure 6-13.


Figure 6-13. Boundary Scan Cell

Of the six registers, three are shift registers and the other three are update registers. The shift registers are in a scan chain and connect across all the DIOs. There are few muxes inside each Boundary Scan Register cell that select between the test data and the functional data. The boundary scan implementation is intended to cover both DC parametric tests as well as IODFT testing. The 32 DIOs available in the CC13x1x3 and CC26x1x3 devices are categorized under different groups that are based on test pin muxing and tester-contacted and non-contacted I/Os. For further information regarding boundary scan I/O across different packages, see Table 6-24.

Table 6-24. Boundary Scan I/O for Different Devices

Pin Name	Tap Interface	Group
TCK	TAP_SCAN_CLOCK	
TMS	TAP_SCAN_MODE	
DIO0		grp1
DIO1		grp1
DIO2		grp1
DIO3		grp1
DIO4		grp1
DIO5		grp1
DIO6		grp1
DIO7		grp1
DIO8		grp1
DIO9		grp1
DIO10		grp1
DIO11		grp1
DIO12		grp1
DIO13		grp1
DIO14		grp1
DIO15		grp1
DIO16	TAP_SCAN_OUT	grp3
DIO17	TAP_SCAN_IN	grp3
DIO18		grp1
DIO19		grp1
DIO20		grp1
DIO21		grp1
DIO22		grp1
DIO23		grp2
DIO24		grp2
DIO25		grp1
DIO26		grp1
DIO27		grp1
DIO28		grp1
DIO29		grp1
DIO30		grp1

DC Parametric is tested using boundary scan access to each DIO.

1. For input-type DC parametric tests:

- Configure all I/Os (except DIO2) into input mode by driving the bidirectional control pin to 1.
- Test for V_{IL} by applying low voltage to all BIDs other than the status output pin (DIO2).
- Capture the response on input BSR registers and shift out the captured data on DIO2 using INTEST instruction.
- Any pin that did not meet V_{IL} specifications will cause the status output to go to 1.
- Repeat the same for V_{IH} by applying high voltage to all BIDs other than the status output pin (DIO2).

To test I_{IH} and I_{IL} , the previously discussed steps are required. Instead of voltage, however, current must be measured. To test the V_{IL} and V_{IH} of the status output, select the other DIO as the status output, mask out all other pins, and repeat the test. This feature is not comprehended in the boundary scan implementation, but can be achieved using memory map control of DIOs.

2. For output DC parametric tests:

- Configure all I/Os (except DIO1) into output mode by driving the bidirectional control pin to 0.
- Shift-in 0s to all the I/Os through DIO1.
- Measure V_{OL} on all pins using EXTEST instruction.
- Repeat the same by shifting 1s to all the I/Os through DIO1.
- Measure V_{OH} on all pins.

To test I_{OH} and I_{OL} , the same steps as previously discussed are required. However instead of voltage, current must be measured. To test V_{OL} and V_{OH} , test the status output, select the other DIO and repeat the test. This feature is not comprehended in the boundary scan implementation, but can be achieved using memory map control of DIOs.

This chapter details the flexible power management and clock control (PRCM) of the CC13x1x3 and CC26x1x3 device platform.

7.1 Introduction	476
7.2 System CPU Mode	477
7.3 Supply System	477
7.4 Digital Power Partitioning	478
7.5 Clock Management	480
7.6 Power Modes	486
7.7 Reset	489
7.8 PRCM Registers	490

7.1 Introduction

Power and clock management (PRCM) in the CC13x1x3 and CC26x1x3 device platform is highly flexible to facilitate low-power applications. The following sections describe details for clock and power control in addition to covering reset features.

The features in this chapter are embedded and optimized in TI-RTOS. TI-RTOS users may regard this chapter as informative only.

Figure 7-1 shows the hierarchy of power-saving features in the CC13x1x3 and CC26x1x3 device platform. Low-power consumption and cycling time for a power-saving mode is inversely proportional. The power-saving mode with the lowest power consumption requires the longest time from initiation to power-saving mode, as well as wake-up time back to active mode. Table 7-1 summarizes the power-saving features.

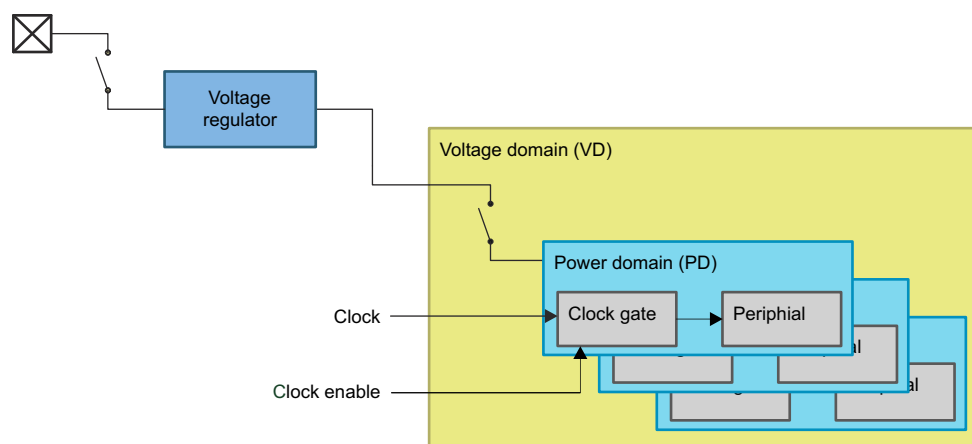


Figure 7-1. Hierarchy of Power Saving Features

Table 7-1. Power Saving Features

Power-Saving Feature	Description
Clock gating	Immediate response—no latency. This feature offers the least amount of power saved
Power domain off (overrides clock gating)	Power cycling down and up takes longer time than clock gating. Modules in power domains without retention must be reinitialized before functionality can be resumed.
Voltage regulator off	Power cycling down and up takes a longer time than power domain cycling. The CC13x1x3 and CC26x1x3 device platform loses all configurations and will boot at wake up. This feature offers the least possible current consumption.

Table 7-2 lists the four defined power modes for the power-saving features in TI-RTOS listed in Table 7-1. Section 7.6 discusses the power modes in detail.

Table 7-2. Power Modes in TI-RTOS

Power Mode	Description
Active mode	The system CPU is running.
Idle mode	The CPU power domain is powered off.
Standby mode	All power domains are powered off, and the AUX domain is in low-power or power-down mode. The voltage domains are supplied by the micro LDO.
Shutdown mode	Only I/Os maintain their operation. All voltage regulators, voltage domains, and power domains are off.

7.2 System CPU Mode

[Section 7.3](#) refers to the system CPU mode, so it is important to understand what this means.

The system CPU has three different operation modes: run, sleep, and deep sleep (see [Table 7-3](#)). Each mode is used to gate internal clocks in the system CPU, in addition to peripheral clocks that may be gated in accordance to the current system CPU mode. Deep sleep mode is, in some cases, one of several requirements for powering down voltage and power domains.

Table 7-3. System CPU Modes

System CPU Mode	Description
Run mode	WFI and WFE both inactive, CPU_SCS:SCR.SLEEPDEEP is don't care
Sleep mode	WFI or WFE active and CPU_SCS:SCR.SLEEPDEEP = 0
Deep sleep mode	WFI or WFE active and CPU_SCS:SCR.SLEEPDEEP = 1

7.3 Supply System

The supply system of the CC13x1x3 and CC26x1x3 device platform is complex and controlled by hardware. [Figure 7-2](#) shows a simplified scheme with focus on parts that can be controlled by software. Registers that affect the different power domains are highlighted in [Figure 7-2](#).

See [Figure 7-3](#) for details about voltage and power domains.

7.3.1 Internal DC/DC Converter and Global LDO

Normally, the VDDS supply pins of the CC13x1x3 and CC26x1x3 device platform are powered from a 1.8 V to 3.8 V supply (for example, batteries), and the VDDR supply pins are powered from the internal DC/DC regulator.

Alternatively, the internal global LDO can be used instead of the DC/DC regulator, but this increases the current consumption of the device. In this mode, disconnect DCDC_SW and connect VDDS_DCDC to the VDDS supply. The Global LDO is connected internally to the VDDR pin, which must be connected externally to the VDDR_RF pin. The Global LDO must be decoupled by a μF -sized capacitor on the VDDR net.

7.4 Digital Power Partitioning

The CC13x1x3 and CC26x1x3 device platform has two voltage domains, MCU_VD and AON_VD. Both voltage domains contain multiple power domains, *_PD. Each power domain contains digital modules. Figure 7-3 shows details of the power partitioning in the CC13x1x3 and CC26x1x3 device platform.

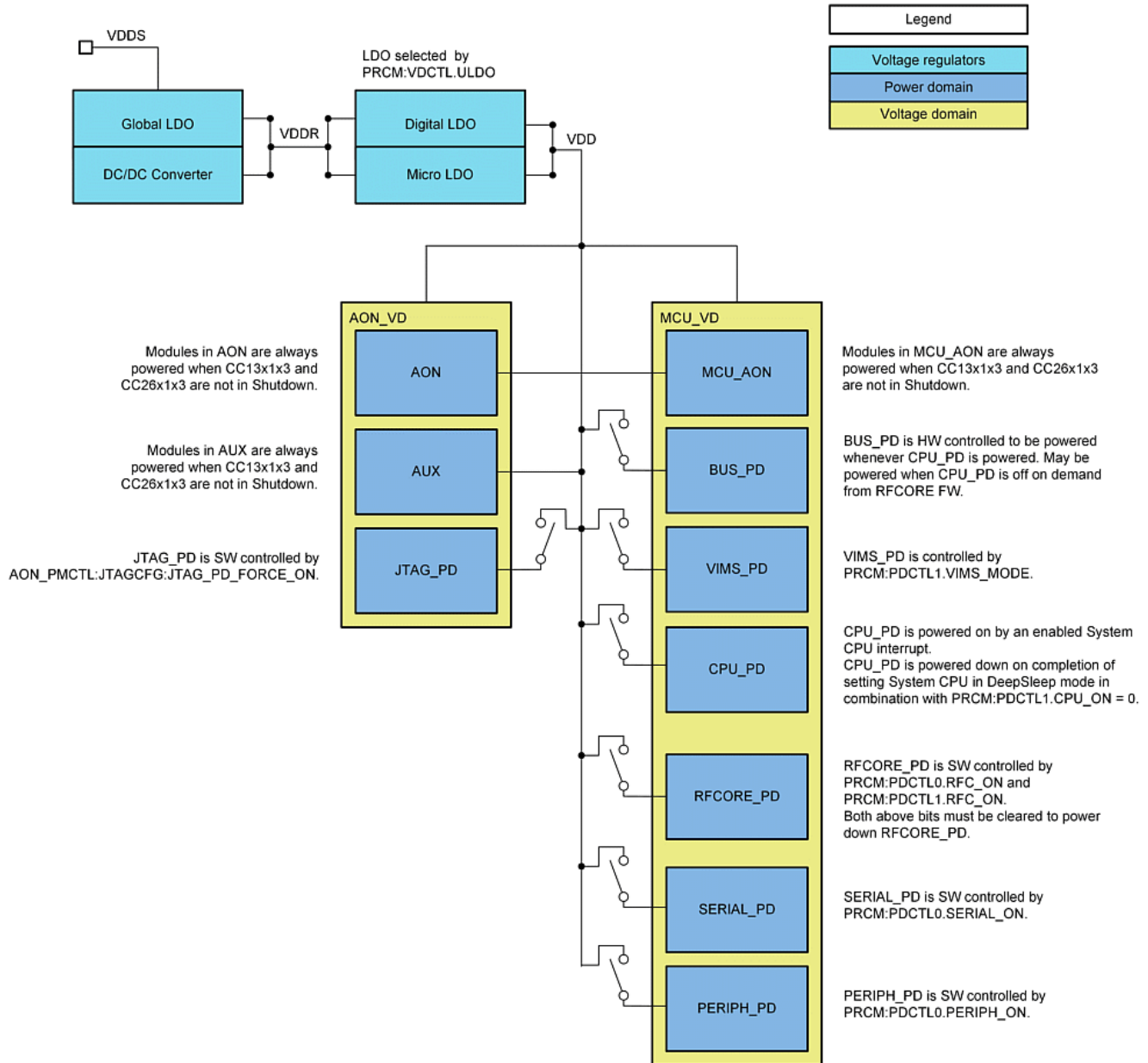
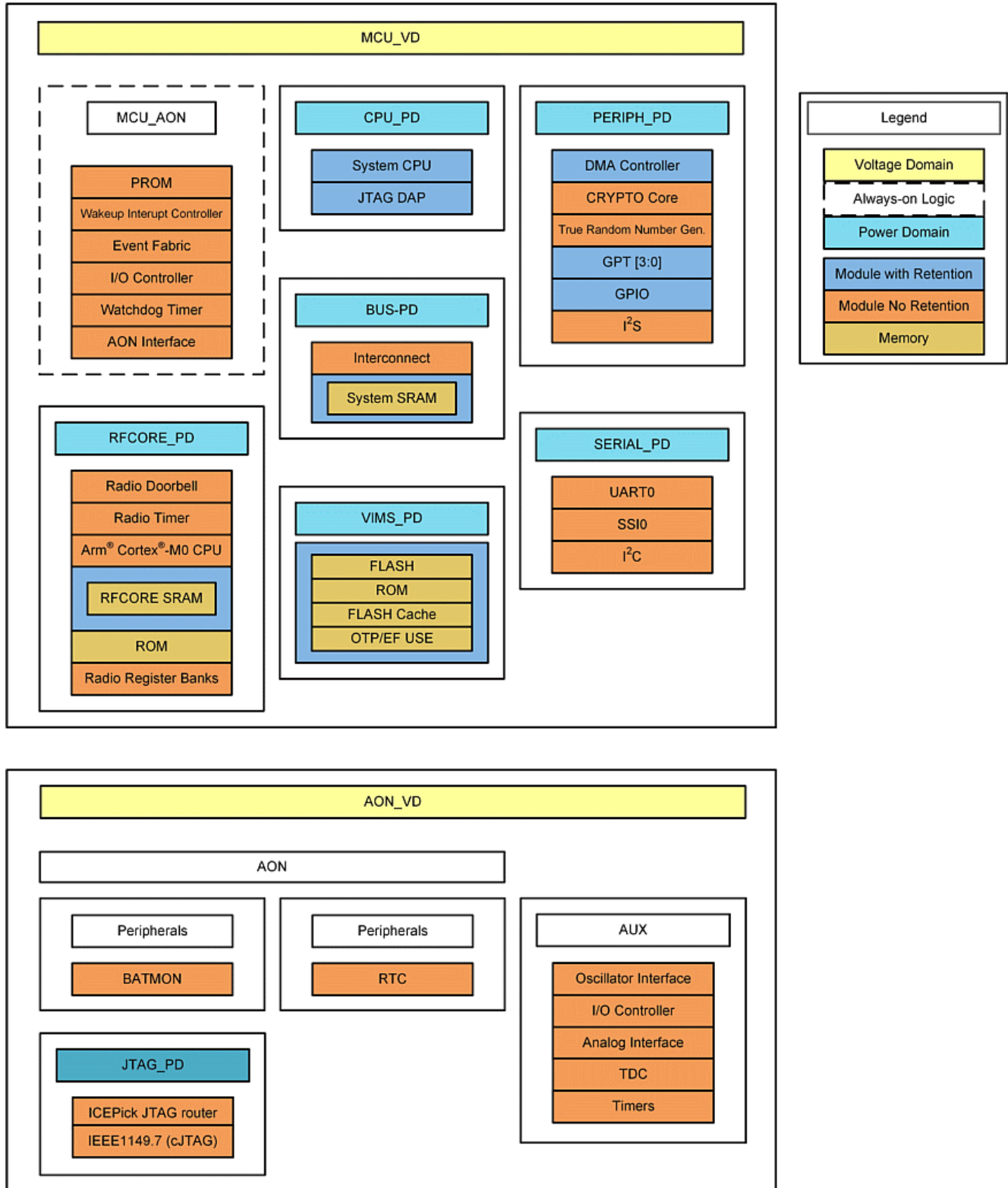


Figure 7-2. CC13x1x3 and CC26x1x3 Supply System



Copyright © 2021, Texas Instruments Incorporated

Figure 7-3. Digital Power Partitioning in CC13x1x3 and CC26x1x3

7.4.1 MCU_VD

Figure 7-3 shows that the MCU voltage domain contains the CPU system divided into multiple power domains. MCU_VD also includes always-on logic not encapsulated in a power domain, which is powered whenever the MCU_VD voltage regulator is on. The voltage regulator will be on and MCU_AON will be powered when the CC13x1x3 and CC26x1x3 device platform is not in shutdown or reset mode. Figure 7-3 shows this logic as MCU_AON.

MCU_VD is powered up by any enabled wake-up source.

Requirements to power off MCU_VD are found in the register description of PRCM:VDCTL.MCU_VD (see Section 7.8.2).

7.4.1.1 MCU_VD Power Domains

Figure 7-2 shows control of MCU_VD power domains and provides descriptions of the registers.

7.4.2 AON_VD

AON_VD contains one power domain and always-on logic marked AON in Figure 7-3.

Logic in AON is always powered when the CC13x1x3 and CC26x1x3 device platform is not in shutdown mode.

7.4.2.1 AON_VD Power Domains

Figure 7-2 shows control of AON_VD power domains and provides descriptions of the registers.

7.5 Clock Management

7.5.1 System Clocks

Figure 7-4 and Table 7-4 show that the CC13x1x3 and CC26x1x3 device platform has a flexible clock mux where system clocks can be derived from several sources.

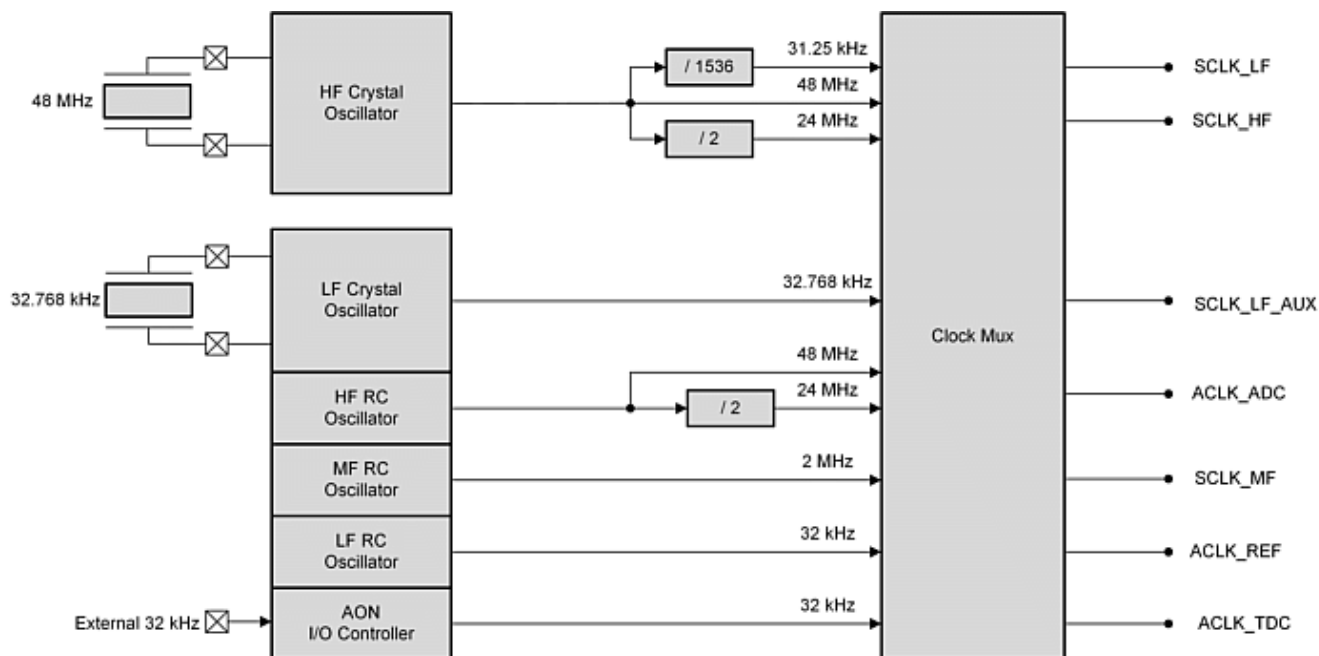


Figure 7-4. Clock Sources

7.5.1.1 Controlling the Oscillators

Table 7-4 lists the system clock descriptions and possible sources.

Table 7-4. System Clocks

Clock	Description	Possible sources
SCLK_LF	Low frequency clock <ul style="list-style-type: none"> Always used by AON Available for AUX in active and standby modes 	<ul style="list-style-type: none"> 31.25 kHz derived from 48 MHz RC oscillator 31.25 kHz derived from 48 MHz crystal oscillator 32 kHz RC oscillator 32.768 kHz crystal oscillator Selectable in [DDI_0_OSC:CTL0.SCLK_LF_SRC_SEL]
SCLK_MF	Medium frequency clock <ul style="list-style-type: none"> Always used by PMCTL in active and idle modes Available for AUX in active, idle, and standby modes 	2 MHz RC oscillator
SCLK_HF	High frequency clock <ul style="list-style-type: none"> Used by MCU_VD in active and idle modes Available for AUX in active and idle mode 	<ul style="list-style-type: none"> 48 MHz derived from 48 MHz RC oscillator 48 MHz derived from 48 MHz crystal oscillator Selectable in [DDI_0_OSC:CTL0.SCLK_HF_SRC_SEL]
SCLK_LF_AUX	Used for low-power comparator in AUX_PD (COMP_B) and as clock to the recharge comparator in REFSYS	Same as SCLK_LF
ACLK_ADC	Used as clock source for ADC	Same as SCLK_HF
ACLK_REF	Used as start and stop source for time-to-digital converter (TDC)	<ul style="list-style-type: none"> 31.25 kHz derived from 48 MHz RC oscillator 31.25 kHz derived from 48 MHz crystal oscillator 32 kHz RC oscillator 32.768 kHz crystal oscillator 2 MHz RC oscillator Selectable in [DDI_0_OSC:CTL0.ACLK_REF_SRC_SEL]
ACLK_TDC	Used as clock for TDC	<ul style="list-style-type: none"> 48 MHz from RC oscillator 24 MHz from RC oscillator 24 MHz from crystal oscillator Selectable in [DDI_0_OSC:CTL0.ACLK_TDC_SRC_SEL]

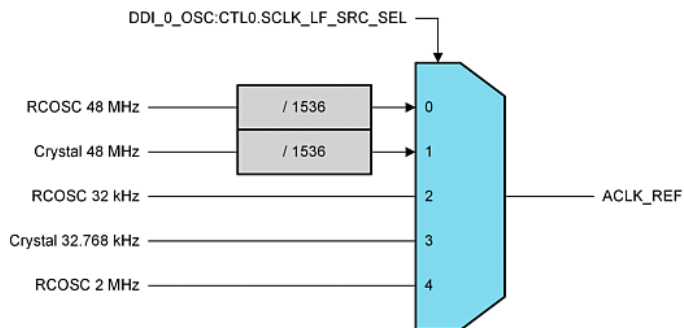
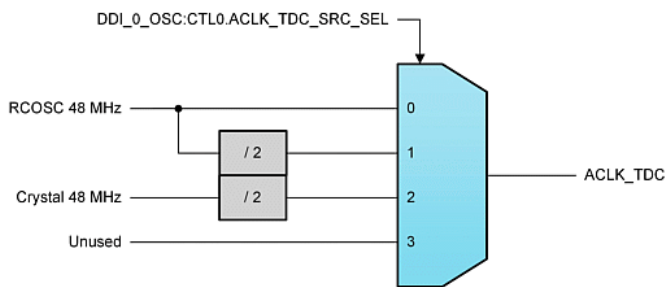
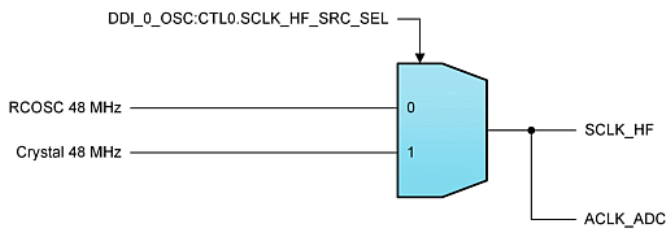
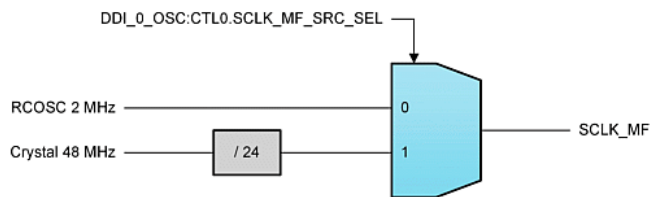
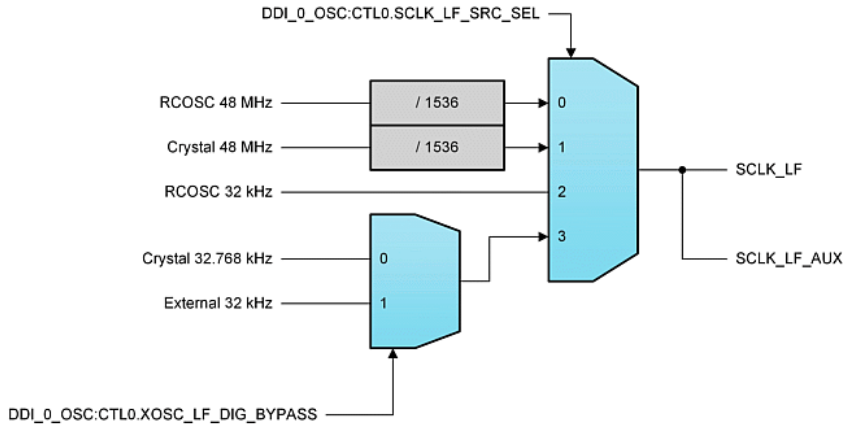
Note

When the 48 MHz crystal oscillator is enabled (by selecting XOSCHF as source for SCLK_HF), the XOSCHF must not be turned off, or SCLK_HF source must not be changed to another source, before the XOSCHF is reported as stable and switched to. The XOSCHF is stable when the DDI_0_OSC:STAT0.PENDINGSCCLKHFSWITCHING is asserted after starting the crystal. DriverLib API should be used to switch SCLK_HF source, and interrupts must be disabled while doing so.

CAUTION

If 31.25 kHz derived from the 48 MHz crystal oscillator is selected as the SCLK_LF source, the device must not be allowed to enter Standby mode. If the device goes to Standby with the 48 MHz crystal oscillator running, the oscillator may stop, putting the device in an unresponsive state. If the DC/DC regulator is also used, stopping the 48 MHz regulator may lead to permanent damage of the device.

Figure 7-5. System Clock Muxing



7.5.2 Clocks in MCU_VD

AON_PMCTL supports MCU_VD with a clock that is divided and gated by PRCM before being distributed to all modules in MCU_VD. [Figure 7-6](#) shows the registers in PRCM that define division and gate control for all module clocks. When no BUS transactions can occur, hardware automatically gates the SYSBUS clock.

The following conditions must be true to gate the SYSBUS:

- System CPU in deep sleep mode
- PRCM:SECDMACLKGDS.DMA_CLK_EN = 0
- PRCM:SECDMACLKGR.DMA_AM_CLK_EN = 0
- PRCM:SECDMACLKGDS.SEC_CLK_EN = 0
- PRCM:SECDMACLKGR.SEC_AM_CLK_EN = 0
- PRCM:I2SCLKGDS.CLK_EN = 0
- PRCM:I2SCLKGR.AM_CLK_EN = 0
- RFCORE FW does not require bus access

The SYSBUS clock may run even when the system CPU is in deep sleep mode when either DMA, SEC, I²S, or RFCORE requires an active interconnect.

MCU_AON has two clocks, an INFRASTRUCTURE clock that always runs and a PERBUSULL clock that is identical to the INFRASTRUCTURE clock whenever the SYSBUS clock is running. When the SYSBUS clock is gated, the PERBUSULL clock is automatically gated. INFRASTRUCTURE and PERBUSULL clocks are automatically controlled to run at a maximum of half the clock frequency of SCLK_HF, regardless of the settings in PRCM:INFCLKDIVR.RATIO, PRCM:INFCLKDIVS.RATIO, or PRCM:INFCLKDIVDS.RATIO.

7.5.2.1 Clock Gating

As seen in [Figure 7-6](#), the peripheral modules have conditional clock gates that depend on the system CPU mode. The clock of a module may be enabled or disabled when the system CPU mode changes.

Example:

- PRCM:I2CCLKGR.CLK_EN = 1
- PRCM:I2CCLKGS.CLK_EN = 0
- PRCM:I2CCLKGDS.CLK_EN = 1

These settings result in the I²C clock running when the system CPU is in run mode and deep sleep mode, while the I²C clock is disabled, and when system CPU is in sleep mode.

Note

When set in deep sleep mode, the system CPU remains in sleep mode for a few clock cycles during the transition. An application that requires a continuous module clock enables all clock-gate registers for the module during the transition while the system CPU changes modes.

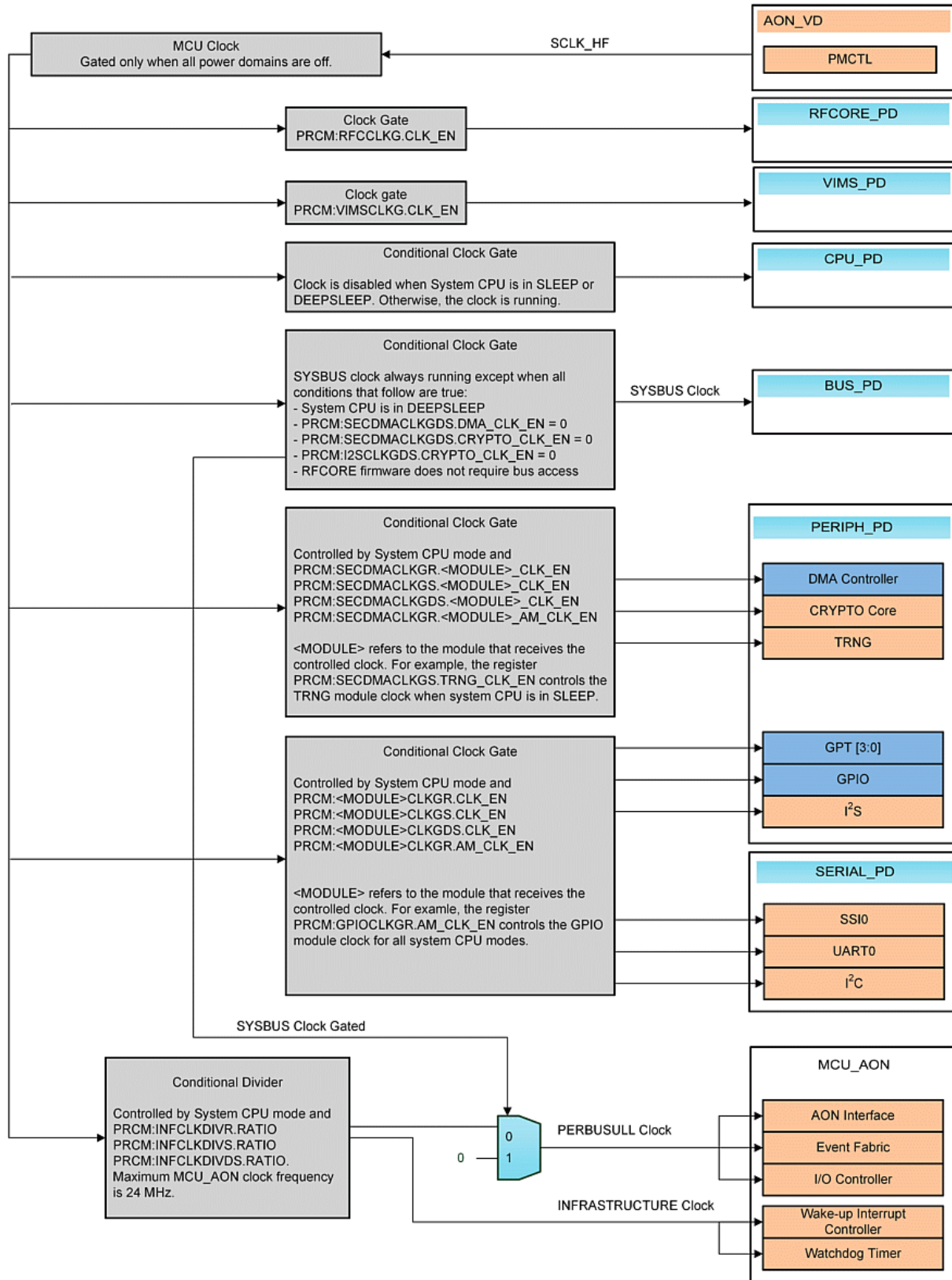
Clock control can be controlled independently of system CPU mode by use of the modules clock control for all modes, AM_CLK_EN.

Example:

PRCM:I2CCLKGR.AM_CLK_EN = 1

This setting results in the I²C clock running independently of system CPU mode.

Clocks in MCU_VD are hardware controlled during power cycling, so it is not required to control the module clocks when power domains are powered up or down.



Copyright © 2021, Texas Instruments Incorporated

Figure 7-6. Clocks in MCU_VD

7.5.2.2 Scaler to GPTs

A scaler to GPTs is available to enable GPTs to count at a slower frequency than SYSBUS clock. The setting in the PRCM:GPTCLKDIV register is valid for all GPTs in the system.

7.5.2.3 Scaler to WDT

There is a scaler with a fixed-division ratio of 32 of the MCU clock that is present. Regardless of the settings in the PRCM:INFCLKDIVR, the PRCM:INFCLKDIVS, and the PRCM:INFCLKDIVDS registers, the watchdog counts at a constant speed.

7.5.3 Clocks in AON_VD

All modules in AON_VD run on SCLK_LF and SCLK_MF except AUX. Clocks to AUX are user-configurable.

7.6 Power Modes

The flexibility of the power management of the CC13x1x3 and CC26x1x3 device platform allows many different configurations to achieve a low-power application. This section describes the power modes, as defined by TI-RTOS, which cover a range of power-saving modes (from low-power savings with fast-cycling time to high-power savings with long-cycling time).

Table 7-5 provides an overview of the power modes defined in TI-RTOS.

Table 7-5. Power Modes as Defined in TI-RTOS

Mode	Software Configurable Power Modes				Reset Pin Held
	Active	Idle	Standby	Shutdown	
System CPU	Active	Off	Off	Off	Off
System SRAM	On	On	Retained	Off	Off
Register retention ⁽¹⁾	Full	Full	Partial	No	No
VIMS_PD (flash)	On	Available	Off	Off	Off
RFCORE_PD (radio)	Available	Available	Off	Off	Off
SERIAL_PD	Available	Available	Off	Off	Off
PERIPH_PD	Available	Available	Off	Off	Off
Supply system	On	On	Duty-cycled	Off	Off
High-speed clock	XOSC_HF or RCOSC_HF	XOSC_HF or RCOSC_HF	Off	Off	Off
Medium-speed clock	RCOSC_MF	RCOSC_MF	RCOSC_MF available	Off	Off
Low-speed clock	XOSC_LF or RCOSC_LF	XOSC_LF or RCOSC_LF	XOSC_LF or RCOSC_LF	Off	Off
Wakeup on RTC	Available	Available	Available	Off	Off
Wakeup on pin edge	Available	Available	Available	Available	Off
Wakeup on reset pin	Available	Available	Available	Available	Available
Brown Out Detect (BOD)	Active	Active	Partial ⁽²⁾	Off	N/A
Power On Reset (POR)	Active	Active	Active	Active	N/A

(1) See Figure 7-3 for modules with retention.

(2) Brown Out Detector is disabled between recharge periods in Standby.

7.6.1 Start-Up State

The state of the CC13x1x3 and CC26x1x3 device platform after a system reset, power on, or wake up from shutdown is as follows:

- Global LDO is active.
- Digital LDO is active.
- AON_VD is powered.
 - AON is powered.
 - JTAG_PD is powered off (default is on, but it is turned off by BOOT if no debugger is connected).
- MCU_VD is powered.
 - MCU_AON is powered.
 - CPU_PD is powered.
 - System CPU is in run mode.
 - BUS_PD is powered.
 - SYSBUS is clock running.
 - VIMS_PD is powered.
 - VIMS is clock running.
 - All other power domains are off.
 - All digital module clocks are disabled.

7.6.2 Active Mode

Active mode is defined as any possible chip state where CPU_PD is powered, including BUS_PD and VIMS_PD (see [Figure 7-2](#)).

In active mode, all modules are available and power consumption is highly application dependent. Power saving features are:

- Enable the DC/DC converter
- Power only the necessary power domains
- Enable only the necessary module clocks

Note

Wake-up time for a power domain in the CC13x1x3 and CC26x1x3 device platform requires approximately 11 μ s. Because clock gating in the CC13x1x3 and CC26x1x3 device platform is efficient, it can be more power efficient to disable all the clocks in a power domain and leave the domain powered than to power cycle it frequently.

7.6.3 Idle Mode

Idle mode is defined as any possible chip state where CPU_PD is powered off while any other module can be powered. In idle mode, all modules are available and power consumption is highly application dependent.

The CC13x1x3 and CC26x1x3 device platform is put in idle mode with the following requirements:

- PRCM:PDCTL1.CPU_ON = 0
- CPU_SCS:SCR.SLEEPDEEP = 1
- WFI or WFE active

The CC13x1x3 and CC26x1x3 device platform may wake up from any enabled wakeup source.

7.6.4 Standby Mode

Standby mode is defined as all power domains in the MCU_VD being powered off and the micro LDO supplying AON_VD and MCU_AON (see [Figure 7-2](#)). Standby is the lowest power mode where the CC13x1x3 and CC26x1x3 device platform still has functionality other than maintaining I/O output pins (see [Table 7-6](#))

All parts in MCU_AON are retained in standby mode. All modules in MCU_VD with retention, as shown in [Figure 7-3](#), are retained in standby mode. All other logic in MCU_VD must be reconfigured after wake up from standby mode.

Possible wake-up sources are events from I/O, JTAG, RTC, and the sensor processor.

The following are prerequisites for the CC13x1x3 and CC26x1x3 device platform to enter standby mode:

- AUX is in low power or power down mode.
- JTAG_PD is powered off.
- The SCLK_HF clock is derived from the 48 MHz RC oscillator.
- The SCLK_LF clock is derived from one of the following clock sources:
 - 32 kHz RC oscillator
 - 32.768 kHz crystal oscillator
- Request micro LDO to supply digital parts (see [Figure 7-2](#)).

Table 7-6. Example Sequence for Setting CC13x1x3 and CC26x1x3 in Standby Mode

Description	Register	Required Step
Enable the DC/DC converter for lower power	AON_PMCTL:PWRCTL.DCDC_ACTIVE and AON_PMCTL:PWRCTL.DCDC_EN	No (Default: Global LDO)
Set the HF clocks to correct source	DDI_0_OSC:CTL0.SCLK_HF_SRC_SEL	Yes
Set the LF clocks to correct source	DDI_0_OSC:CTL0.SCLK_LF_SRC_SEL	Yes
Configure recharge configuration	AON_PMCTL:RECHARGECFG	Yes
Configure one or more wake-up sources for MCU	AON_EVENT:MCUWUSEL	Yes
Configure system SRAM retention	AON_PMCTL:MCUCFG.SRAM_RET_EN	No (Default: Retention enabled)
Turn off JTAG	AON_PMCTL:JTAGCFG:JTAG_PD_FORCE_ON	Yes
Configure the wake-up source to generate an event	IOC:IOCFG / AON_RTC / AUX	Yes
Request AUX_PD power down or low-power mode	AUX_WUC:AUX_SYSIF.OPMODEREQ.REQ	Yes
Latch I/O state	AON_IOC:IOCLATCH.EN	Yes
Turn off power domains and verify they are turned off	PRCM.PDCTL0 PRCM.PDCTL1 PRCM.PDSTAT0 PRCM.PDSTAT1	Yes
Request digital supply to be micro LDO	PRCM:VDCTL.ULDO	Yes
Synchronize transactions to AON domain	AON_RTC.SYNC.WBUSY	Yes (Read register)
Set the system CPU SLEEPDEEP bit	CPU_SCS:SCR.SLEEPDEEP	Yes
Stop the system CPU to start the power-down sequence	WFI or WFE	Yes

7.6.5 Shutdown Mode

Shutdown mode is defined as having no active power regulator in the CC13x1x3 and CC26x1x3 device platform. It is not recommended to use shutdown as a power mode to conserve power during normal operation of the device.

Before putting the CC13x1x3 and CC26x1x3 device platform in shutdown mode, I/O pins are latched to keep their output values in shutdown—this is the only difference between holding the devices in reset with the reset pin and shutdown mode.

Only an enabled pin interrupt or reset pin can wake up the CC13x1x3 and CC26x1x3 device platform from shutdown mode.

Note

A wake-up event to wake up from shutdown is not detected until the device reaches shutdown. Wake-up events happening after a shutdown is initiated but before actual shutdown are not captured and thus will not cause the device to wake up.

Table 7-7. Example Sequence for Going to Shutdown

Description	Register	Required Step
Configure the wake-up pin	IOC:IOCFGxx.WU_CFG	Yes
Synchronize transactions to AON domain	AON_RTC.SYNC	Yes (Read register)
Enable shutdown and latch I/Os	AON_PMCTL:SHUTDOWN.EN	Yes
Stop the system CPU to start the power-down sequence	WFI or WFE	Yes

7.7 Reset

The CC13x1x3 and CC26x1x3 device platform has several sources of reset; some are triggered due to errors or unexpected behavior, while others are user initiated.

Resets may result in reset of the following:

- The entire chip
- A power domain
- One digital module for debug purposes

7.7.1 System Resets

A reset resulting in a complete power-up sequence and system CPU boot sequence is defined as a *system reset*. The AON_PMCTL:RESETCTL.RESET_SRC register is readable and always shows the last source of a reset resulting in a system reset.

The following resets cannot be disabled and, when triggered, always result in a system reset:

- Power-on reset
- Pin reset
- VDDS failure
- VDDR failure

7.7.1.1 Clock Loss Detection

When the clock loss feature is enabled with the `DDI_0_OSC:CTL0.CLK_LOSS_EN` and the `AON_PMCTL:RESETCTL.CLK_LOSS_EN` registers, a detected loss of `SCLK_LF` results in a system reset. After recovery, the `AON_PMCTL:RESETCTL.RESET_SRC` register shows clock loss as the source of reset.

Note

The application must set both `DDI_0_OSC:CTL0.CLK_LOSS_EN` and the `AON_PMCTL:RESETCTL.CLK_LOSS_EN` in order to enable Clock Loss Detection, it is not enabled after boot.

7.7.1.2 Software-Initiated System Reset

Writing to the `AON_PMCTL:RESETCTL.SYSRESET` register results in a system reset. After recovery, the `AON_PMCTL:RESETCTL.RESET_SRC` register shows `SYSRESET` as the source of reset.

7.7.1.3 Warm Reset Converted to System Reset

Reset requests from the MCU system is by default set to result in a system reset when any warm reset source is triggered. After recovery, the `AON_PMCTL:RESETCTL.RESET_SRC` register shows `WARMRESET` as the source of reset.

7.7.2 Reset of the MCU_VD Power Domains and Modules

Reset of logic in power domains are hardware controlled. A module without retention is reset when the encapsulating power domain is power cycled. A module with retention resets when `MCU_VD` is power cycled or reset.

7.7.3 Reset of AON_VD

`AON_VD` is reset by a system reset. For details, see [Section 7.7.1](#).

7.8 PRCM Registers

The next sections show the register banks for Power, Reset and Clock Management

Note

Any references to `HPOSC` are only valid for devices that feature the `BAW` oscillator. Consult the device's datasheet for details.

`COMPB` and `ISRC` are not supported in all devices. Please consult the device datasheet.

7.8.1 OSC_DIG Registers

[OSC_DIG Registers](#) lists the memory-mapped registers for the OSC_DIG registers. All register offset addresses not listed in [OSC_DIG Registers](#) should be considered as reserved locations and the register contents should not be modified.

Table 7-8. OSC_DIG Registers

Offset	Acronym	Register Name	Section
0h	CTL0	Control 0	Section 7.8.1.1
4h	CTL1	Control 1	Section 7.8.1.2
8h	RADCEXTCFG	RADC External Configuration	Section 7.8.1.3
Ch	AMPCOMPCTL	Amplitude Compensation Control	Section 7.8.1.4
10h	AMPCOMPTH1	Amplitude Compensation Threshold 1	Section 7.8.1.5
14h	AMPCOMPTH2	Amplitude Compensation Threshold 2	Section 7.8.1.6
18h	ANABYPASSVAL1	Analog Bypass Values 1	Section 7.8.1.7
1Ch	ANABYPASSVAL2	Internal	Section 7.8.1.8
20h	ATESTCTL	Analog Test Control	Section 7.8.1.9
24h	ADCDOUBLERNANOAMPCTL	ADC Doubler Nanoamp Control	Section 7.8.1.10
28h	XOSCHFCTL	XOSCHF Control	Section 7.8.1.11
2Ch	LFOSCCTL	Low Frequency Oscillator Control	Section 7.8.1.12
30h	RCOSCHFCTL	RCOSCHF Control	Section 7.8.1.13
34h	RCOSCMFCTL	RCOSC_MF Control	Section 7.8.1.14
3Ch	STAT0	Status 0	Section 7.8.1.15
40h	STAT1	Status 1	Section 7.8.1.16
44h	STAT2	Status 2	Section 7.8.1.17

Complex bit access types are encoded to fit into small table cells. [OSC_DIG Access Type Codes](#) shows the codes that are used for access types in this section.

Table 7-9. OSC_DIG Access Type Codes

Access Type	Code	Description
Read Type		
R	R	Read
Write Type		
W	W	Write
Reset or Default Value		
-n		Value after reset or the default value

7.8.1.1 CTL0 Register (Offset = 0h) [Reset = 0000000h]

CTL0 is shown in [CTL0 Register](#) and described in [CTL0 Register Field Descriptions](#).

Return to the [OSC_DIG Registers](#).

Control 0

Controls clock source selects

Figure 7-7. CTL0 Register

31	30	29	28	27	26	25	24
XTAL_IS_24M	RESERVED	BYPASS_XOSC_LF_CLK_QUAL	BYPASS_RCOSC_LF_CLK_QUAL	DOUBLER_START_DURATION		DOUBLER_RESET_DURATION	CLK_DCDC_SRC_SEL
R/W-0h	R-0h	R/W-0h	R/W-0h	R/W-0h		R/W-0h	R/W-0h
23	22	21	20	19	18	17	16
RESERVED							
R-0h							
15	14	13	12	11	10	9	8
RESERVED	HPOSC_MODE_EN	RESERVED	RCOSC_LF_TRIMMED	XOSC_HF_POWER_MODE	XOSC_LF_DIG_BYPASS	CLK_LOSS_EN	ACLK_TDC_SRC_SEL
R-0h	R/W-0h	R-0h	R/W-0h	R/W-0h	R/W-0h	R/W-0h	R/W-0h
7	6	5	4	3	2	1	0
ACLK_TDC_SRC_SEL	ACLK_REF_SRC_SEL		SCLK_LF_SRC_SEL			RESERVED	SCLK_HF_SRC_SEL
R/W-0h	R/W-0h		R/W-0h			R-0h	R/W-0h

Table 7-10. CTL0 Register Field Descriptions

Bit	Field	Type	Reset	Description
31	XTAL_IS_24M	R/W	0h	Set based on the accurate high frequency XTAL.
30	RESERVED	R	0h	Reserved
29	BYPASS_XOSC_LF_CLK_QUAL	R/W	0h	Internal. Only to be used through TI provided API.
28	BYPASS_RCOSC_LF_CLK_QUAL	R/W	0h	Internal. Only to be used through TI provided API.
27-26	DOUBLER_START_DURATION	R/W	0h	Internal. Only to be used through TI provided API.
25	DOUBLER_RESET_DURATION	R/W	0h	Internal. Only to be used through TI provided API.
24	CLK_DCDC_SRC_SEL	R/W	0h	Select DCDC clock source. 0: CLK_DCDC is 48 MHz clock from RCOSC or XOSC / HPOSC 1: CLK_DCDC is always 48 MHz clock from RCOSC
23-15	RESERVED	R	0h	Reserved
14	HPOSC_MODE_EN	R/W	0h	0: HPOSC mode is not enabled. The 48 MHz crystal is required for radio operation. 1: Enables HPOSC mode. The internal HPOSC can be used as HF system clock and for radio operation.
13	RESERVED	R	0h	Reserved
12	RCOSC_LF_TRIMMED	R/W	0h	Internal. Only to be used through TI provided API.
11	XOSC_HF_POWER_MODE	R/W	0h	Internal. Only to be used through TI provided API.

Table 7-10. CTL0 Register Field Descriptions (continued)

Bit	Field	Type	Reset	Description
10	XOSC_LF_DIG_BYPASS	R/W	0h	<p>Bypass XOSC_LF and use the digital input clock from AON for the xosc_lf clock.</p> <p>0: Use 32kHz XOSC as xosc_lf clock source 1: Use digital input (from AON) as xosc_lf clock source.</p> <p>This bit will only have effect when SCLK_LF_SRC_SEL is selecting the xosc_lf as the sclk_lf source. The muxing performed by this bit is not glitch free. The following procedure must be followed when changing this field to avoid glitches on sclk_lf.</p> <p>1) Set SCLK_LF_SRC_SEL to select any source other than the xosc_lf clock source. 2) Set or clear this bit to bypass or not bypass the xosc_lf. 3) Set SCLK_LF_SRC_SEL to use xosc_lf.</p> <p>It is recommended that either the rcosc_hf or xosc_hf (whichever is currently active) be selected as the source in step 1 above. This provides a faster clock change.</p>
9	CLK_LOSS_EN	R/W	0h	<p>Enable clock loss detection and hence the indicators to the system controller. Checks both SCLK_HF, SCLK_MF and SCLK_LF clock loss indicators.</p> <p>0: Disable 1: Enable</p> <p>Clock loss detection must be disabled when changing the sclk_lf source. STAT0.SCLK_LF_SRC can be polled to determine when a change to a new sclk_lf source has completed.</p>
8-7	ACLK_TDC_SRC_SEL	R/W	0h	<p>Source select for aclk_tdc.</p> <p>00: RCOSC_HF (48MHz) 01: RCOSC_HF (24MHz) 10: XOSC_HF (24MHz) 11: Not used</p>
6-4	ACLK_REF_SRC_SEL	R/W	0h	<p>Source select for aclk_ref</p> <p>000: RCOSC_HF derived (31.25kHz) 001: XOSC_HF derived (31.25kHz) 010: RCOSC_LF (32kHz) 011: XOSC_LF (32.768kHz) 100: RCOSC_MF (2MHz) 101-111: Not used</p>
3-2	SCLK_LF_SRC_SEL	R/W	0h	<p>Source select for sclk_lf</p> <p>0h = Low frequency clock derived from High Frequency RCOSC 1h = Low frequency clock derived from High Frequency XOSC or HPOSC clk (use HPOSC when HPOSC_MODE_EN = 1) 2h = Low frequency RCOSC 3h = Low frequency XOSC</p>
1	RESERVED	R	0h	Reserved
0	SCLK_HF_SRC_SEL	R/W	0h	<p>Source select for sclk_hf.</p> <p>0h = High frequency RCOSC clock 1h = High frequency XOSC or HPOSC clk (use HPOSC when HPOSC_MODE_EN = 1)</p>

7.8.1.2 CTL1 Register (Offset = 4h) [Reset = 0000000h]

CTL1 is shown in [CTL1 Register](#) and described in [CTL1 Register Field Descriptions](#).

Return to the [OSC_DIG Registers](#).

Control 1

This register contains OSC_DIG configuration

Figure 7-8. CTL1 Register

31	30	29	28	27	26	25	24
RESERVED							
R-0h							
23	22	21	20	19	18	17	16
RESERVED	RCOSCHFCTRIMFRACT					RCOSCHFCTR IMFRACT_EN	RESERVED
R-0h	R/W-0h			R/W-0h		R-0h	
15	14	13	12	11	10	9	8
RESERVED							
R-0h							
7	6	5	4	3	2	1	0
RESERVED						XOSC_HF_FAST_START	
R-0h						R/W-0h	

Table 7-11. CTL1 Register Field Descriptions

Bit	Field	Type	Reset	Description
31-23	RESERVED	R	0h	Reserved
22-18	RCOSCHFCTRIMFRACT	R/W	0h	Internal. Only to be used through TI provided API.
17	RCOSCHFCTRIMFRACT _EN	R/W	0h	Internal. Only to be used through TI provided API.
16-2	RESERVED	R	0h	Reserved
1-0	XOSC_HF_FAST_START	R/W	0h	Internal. Only to be used through TI provided API.

7.8.1.3 RADCEXTCFG Register (Offset = 8h) [Reset = 0000000h]

RADCEXTCFG is shown in [RADCEXTCFG Register](#) and described in [RADCEXTCFG Register Field Descriptions](#).

Return to the [OSC_DIG Registers](#).

RADC External Configuration

Figure 7-9. RADCEXTCFG Register

31	30	29	28	27	26	25	24
HPM_IBIAS_WAIT_CNT							
R/W-0h							
23	22	21	20	19	18	17	16
HPM_IBIAS_WAIT_CNT				LPM_IBIAS_WAIT_CNT			
R/W-0h				R/W-0h			
15	14	13	12	11	10	9	8
IDAC_STEP				RADC_DAC_TH			
R/W-0h				R/W-0h			
7	6	5	4	3	2	1	0
RADC_DAC_TH		RADC_MODE_I S_SAR	RESERVED				
R/W-0h		R/W-0h	R-0h				

Table 7-12. RADCEXTCFG Register Field Descriptions

Bit	Field	Type	Reset	Description
31-22	HPM_IBIAS_WAIT_CNT	R/W	0h	Internal. Only to be used through TI provided API.
21-16	LPM_IBIAS_WAIT_CNT	R/W	0h	Internal. Only to be used through TI provided API.
15-12	IDAC_STEP	R/W	0h	Internal. Only to be used through TI provided API.
11-6	RADC_DAC_TH	R/W	0h	Internal. Only to be used through TI provided API.
5	RADC_MODE_IS_SAR	R/W	0h	Internal. Only to be used through TI provided API.
4-0	RESERVED	R	0h	Reserved

7.8.1.4 AMPCOMPCTL Register (Offset = Ch) [Reset = 0000000h]

AMPCOMPCTL is shown in [AMPCOMPCTL Register](#) and described in [AMPCOMPCTL Register Field Descriptions](#).

Return to the [OSC_DIG Registers](#).

Amplitude Compensation Control

Figure 7-10. AMPCOMPCTL Register

31	30	29	28	27	26	25	24
RESERVED	AMPCOMP_REQ_MODE	AMPCOMP_FSM_UPDATE_RATE	AMPCOMP_SW_CTRL	AMPCOMP_SW_EN	RESERVED		
R-0h	R/W-0h	R/W-0h	R/W-0h	R/W-0h	R/W-0h	R-0h	
23	22	21	20	19	18	17	16
IBIAS_OFFSET				IBIAS_INIT			
R/W-0h				R/W-0h			
15	14	13	12	11	10	9	8
LPM_IBIAS_WAIT_CNT_FINAL							
R/W-0h							
7	6	5	4	3	2	1	0
CAP_STEP				IBIASCAP_HPTOLP_OL_CNT			
R/W-0h				R/W-0h			

Table 7-13. AMPCOMPCTL Register Field Descriptions

Bit	Field	Type	Reset	Description
31	RESERVED	R	0h	Reserved
30	AMPCOMP_REQ_MODE	R/W	0h	Internal. Only to be used through TI provided API.
29-28	AMPCOMP_FSM_UPDATE_RATE	R/W	0h	Internal. Only to be used through TI provided API.
27	AMPCOMP_SW_CTRL	R/W	0h	Internal. Only to be used through TI provided API.
26	AMPCOMP_SW_EN	R/W	0h	Internal. Only to be used through TI provided API.
25-24	RESERVED	R	0h	Reserved
23-20	IBIAS_OFFSET	R/W	0h	Internal. Only to be used through TI provided API.
19-16	IBIAS_INIT	R/W	0h	Internal. Only to be used through TI provided API.
15-8	LPM_IBIAS_WAIT_CNT_FINAL	R/W	0h	Internal. Only to be used through TI provided API.
7-4	CAP_STEP	R/W	0h	Internal. Only to be used through TI provided API.
3-0	IBIASCAP_HPTOLP_OL_CNT	R/W	0h	Internal. Only to be used through TI provided API.

7.8.1.5 AMPCOMPTH1 Register (Offset = 10h) [Reset = 0000000h]

AMPCOMPTH1 is shown in [AMPCOMPTH1 Register](#) and described in [AMPCOMPTH1 Register Field Descriptions](#).

Return to the [OSC_DIG Registers](#).

Amplitude Compensation Threshold 1

This register contains threshold values for amplitude compensation algorithm

Figure 7-11. AMPCOMPTH1 Register

31	30	29	28	27	26	25	24
RESERVED							
R-0h							
23	22	21	20	19	18	17	16
HPMRAMP3_LTH						RESERVED	
R/W-0h						R-0h	
15	14	13	12	11	10	9	8
HPMRAMP3_HTH						IBIASCAP_LPTOHP_OL_CNT	
R/W-0h						R/W-0h	
7	6	5	4	3	2	1	0
IBIASCAP_LPTOHP_OL_CNT			HPMRAMP1_TH				
R/W-0h			R/W-0h				

Table 7-14. AMPCOMPTH1 Register Field Descriptions

Bit	Field	Type	Reset	Description
31-24	RESERVED	R	0h	Reserved
23-18	HPMRAMP3_LTH	R/W	0h	Internal. Only to be used through TI provided API.
17-16	RESERVED	R	0h	Reserved
15-10	HPMRAMP3_HTH	R/W	0h	Internal. Only to be used through TI provided API.
9-6	IBIASCAP_LPTOHP_OL_CNT	R/W	0h	Internal. Only to be used through TI provided API.
5-0	HPMRAMP1_TH	R/W	0h	Internal. Only to be used through TI provided API.

7.8.1.6 AMPCOMP2 Register (Offset = 14h) [Reset = 0000000h]

AMPCOMP2 is shown in [AMPCOMP2 Register](#) and described in [AMPCOMP2 Register Field Descriptions](#).

Return to the [OSC_DIG Registers](#).

Amplitude Compensation Threshold 2

This register contains threshold values for amplitude compensation algorithm.

Figure 7-12. AMPCOMP2 Register

31	30	29	28	27	26	25	24
LPMUPDATE_LTH						RESERVED	
R/W-0h						R-0h	
23	22	21	20	19	18	17	16
LPMUPDATE_HTH						RESERVED	
R/W-0h						R-0h	
15	14	13	12	11	10	9	8
ADC_COMP_AMPTH_LPM						RESERVED	
R/W-0h						R-0h	
7	6	5	4	3	2	1	0
ADC_COMP_AMPTH_HPM						RESERVED	
R/W-0h						R-0h	

Table 7-15. AMPCOMP2 Register Field Descriptions

Bit	Field	Type	Reset	Description
31-26	LPMUPDATE_LTH	R/W	0h	Internal. Only to be used through TI provided API.
25-24	RESERVED	R	0h	Reserved
23-18	LPMUPDATE_HTH	R/W	0h	Internal. Only to be used through TI provided API.
17-16	RESERVED	R	0h	Reserved
15-10	ADC_COMP_AMPTH_LPM	R/W	0h	Internal. Only to be used through TI provided API.
9-8	RESERVED	R	0h	Reserved
7-2	ADC_COMP_AMPTH_HPM	R/W	0h	Internal. Only to be used through TI provided API.
1-0	RESERVED	R	0h	Reserved

7.8.1.7 ANABYPASSVAL1 Register (Offset = 18h) [Reset = 0000000h]

ANABYPASSVAL1 is shown in [ANABYPASSVAL1 Register](#) and described in [ANABYPASSVAL1 Register Field Descriptions](#).

Return to the [OSC_DIG Registers](#).

Analog Bypass Values 1

Figure 7-13. ANABYPASSVAL1 Register

31	30	29	28	27	26	25	24
RESERVED							
R-0h							
23	22	21	20	19	18	17	16
RESERVED				XOSC_HF_ROW_Q12			
R-0h				R/W-0h			
15	14	13	12	11	10	9	8
XOSC_HF_COLUMN_Q12							
R/W-0h							
7	6	5	4	3	2	1	0
XOSC_HF_COLUMN_Q12							
R/W-0h							

Table 7-16. ANABYPASSVAL1 Register Field Descriptions

Bit	Field	Type	Reset	Description
31-20	RESERVED	R	0h	Reserved
19-16	XOSC_HF_ROW_Q12	R/W	0h	Internal. Only to be used through TI provided API.
15-0	XOSC_HF_COLUMN_Q12	R/W	0h	Internal. Only to be used through TI provided API.

7.8.1.8 ANABYPASSVAL2 Register (Offset = 1Ch) [Reset = 0000000h]

ANABYPASSVAL2 is shown in [ANABYPASSVAL2 Register](#) and described in [ANABYPASSVAL2 Register Field Descriptions](#).

Return to the [OSC_DIG Registers](#).

Internal. Only to be used through TI provided API.

Figure 7-14. ANABYPASSVAL2 Register

31	30	29	28	27	26	25	24	23	22	21	20	19	18	17	16
RESERVED															
R-0h															
15	14	13	12	11	10	9	8	7	6	5	4	3	2	1	0
RESERVED		XOSC_HF_IBIASTHERM													
R-0h		R/W-0h													

Table 7-17. ANABYPASSVAL2 Register Field Descriptions

Bit	Field	Type	Reset	Description
31-14	RESERVED	R	0h	Reserved
13-0	XOSC_HF_IBIASTHERM	R/W	0h	Internal. Only to be used through TI provided API.

7.8.1.9 ATESTCTL Register (Offset = 20h) [Reset = 0000000h]

ATESTCTL is shown in [ATESTCTL Register](#) and described in [ATESTCTL Register Field Descriptions](#).

Return to the [OSC_DIG Registers](#).

Analog Test Control

Figure 7-15. ATESTCTL Register

31	30	29	28	27	26	25	24
SCLK_LF_AUX_EN		RESERVED					
R/W-0h		R-0h					
23	22	21	20	19	18	17	16
RESERVED							
R-0h							
15	14	13	12	11	10	9	8
TEST_RCOSCMF		ATEST_RCOSCMF		RESERVED			
R/W-0h		R/W-0h		R-0h			
7	6	5	4	3	2	1	0
RESERVED							
R-0h							

Table 7-18. ATESTCTL Register Field Descriptions

Bit	Field	Type	Reset	Description
31	SCLK_LF_AUX_EN	R/W	0h	Enable 32 kHz clock to AUX_COMPB.
30-16	RESERVED	R	0h	Reserved
15-14	TEST_RCOSCMF	R/W	0h	Test mode control for RCOSC_MF 0x0: test modes disabled 0x1: boosted bias current into self biased inverter 0x2: clock qualification disabled 0x3: boosted bias current into self biased inverter + clock qualification disabled
13-12	ATEST_RCOSCMF	R/W	0h	ATEST control for RCOSC_MF 0x0: ATEST disabled 0x1: ATEST enabled, VDD_LOCAL connected, ATEST internal to **RCOSC_MF* enabled to send out 2MHz clock. 0x2: ATEST disabled 0x3: ATEST enabled, bias current connected, ATEST internal to **RCOSC_MF* enabled to send out 2MHz clock.
11-0	RESERVED	R	0h	Reserved

7.8.1.10 ADCDOUBLERNANOAMPCTL Register (Offset = 24h) [Reset = 0000000h]

ADCDOUBLERNANOAMPCTL is shown in [ADCDOUBLERNANOAMPCTL Register](#) and described in [ADCDOUBLERNANOAMPCTL Register Field Descriptions](#).

Return to the [OSC_DIG Registers](#).

ADC Doubler Nanoamp Control

Figure 7-16. ADCDOUBLERNANOAMPCTL Register

31	30	29	28	27	26	25	24
RESERVED							NANOAMP_BIAS_ENABLE
R-0h							R/W-0h
23	22	21	20	19	18	17	16
SPARE23	RESERVED						
R/W-0h	R-0h						
15	14	13	12	11	10	9	8
RESERVED							
R-0h							
7	6	5	4	3	2	1	0
RESERVED		ADC_SH_MODE_EN	ADC_SH_VBUF_EN	RESERVED		ADC_IREF_CTRL	
R-0h		R/W-0h	R/W-0h	R-0h		R/W-0h	

Table 7-19. ADCDOUBLERNANOAMPCTL Register Field Descriptions

Bit	Field	Type	Reset	Description
31-25	RESERVED	R	0h	Reserved
24	NANOAMP_BIAS_ENABLE	R/W	0h	Internal. Only to be used through TI provided API.
23	SPARE23	R/W	0h	Software should not rely on the value of a reserved. Writing any other value than the reset value may result in undefined behavior
22-6	RESERVED	R	0h	Reserved
5	ADC_SH_MODE_EN	R/W	0h	Internal. Only to be used through TI provided API.
4	ADC_SH_VBUF_EN	R/W	0h	Internal. Only to be used through TI provided API.
3-2	RESERVED	R	0h	Reserved
1-0	ADC_IREF_CTRL	R/W	0h	Internal. Only to be used through TI provided API.

7.8.1.11 XOSCHFCTL Register (Offset = 28h) [Reset = 0000000h]

XOSCHFCTL is shown in [XOSCHFCTL Register](#) and described in [XOSCHFCTL Register Field Descriptions](#).

Return to the [OSC_DIG Registers](#).

XOSCHF Control

Figure 7-17. XOSCHFCTL Register

31	30	29	28	27	26	25	24
RESERVED							
R-0h							
23	22	21	20	19	18	17	16
RESERVED							
R-0h							
15	14	13	12	11	10	9	8
RESERVED		TCXO_MODE_XOSC_HF_EN	TCXO_MODE	RESERVED		PEAK_DET_ITRIM	
R-0h		R/W-0h	R/W-0h	R-0h		R/W-0h	
7	6	5	4	3	2	1	0
RESERVED	BYPASS	RESERVED	HP_BUF_ITRIM		LP_BUF_ITRIM		
R-0h	R/W-0h	R-0h	R/W-0h		R/W-0h		

Table 7-20. XOSCHFCTL Register Field Descriptions

Bit	Field	Type	Reset	Description
31-14	RESERVED	R	0h	Reserved
13	TCXO_MODE_XOSC_HF_EN	R/W	0h	If this register is 1 when TCXO_MODE is 1, then the XOSC_HF is enabled, turning on the XOSC_HF bias current allowing a DC bias point to be provided to the clipped-sine wave clock signal on external input.
12	TCXO_MODE	R/W	0h	If this register is 1 when BYPASS is 1, this will enable clock qualification on the TCXO clock on external input. This register has no effect when BYPASS is 0.
11-10	RESERVED	R	0h	Reserved
9-8	PEAK_DET_ITRIM	R/W	0h	Internal. Only to be used through TI provided API.
7	RESERVED	R	0h	Reserved
6	BYPASS	R/W	0h	Internal. Only to be used through TI provided API.
5	RESERVED	R	0h	Reserved
4-2	HP_BUF_ITRIM	R/W	0h	Internal. Only to be used through TI provided API.
1-0	LP_BUF_ITRIM	R/W	0h	Internal. Only to be used through TI provided API.

7.8.1.12 LFOSCCTL Register (Offset = 2Ch) [Reset = 0000000h]

LFOSCCTL is shown in [LFOSCCTL Register](#) and described in [LFOSCCTL Register Field Descriptions](#).

Return to the [OSC_DIG Registers](#).

Low Frequency Oscillator Control

Figure 7-18. LFOSCCTL Register

31	30	29	28	27	26	25	24
RESERVED							
R-0h							
23	22	21	20	19	18	17	16
XOSCLF_REGULATOR_TRIM		XOSCLF_CMIRRWR_RATIO				RESERVED	
R/W-0h		R/W-0h				R-0h	
15	14	13	12	11	10	9	8
RESERVED						RCOSCLF_RTUNE_TRIM	
R-0h						R/W-0h	
7	6	5	4	3	2	1	0
RCOSCLF_CTUNE_TRIM							
R/W-0h							

Table 7-21. LFOSCCTL Register Field Descriptions

Bit	Field	Type	Reset	Description
31-24	RESERVED	R	0h	Reserved
23-22	XOSCLF_REGULATOR_TRIM	R/W	0h	Internal. Only to be used through TI provided API.
21-18	XOSCLF_CMIRRWR_RATIO	R/W	0h	Internal. Only to be used through TI provided API.
17-10	RESERVED	R	0h	Reserved
9-8	RCOSCLF_RTUNE_TRIM	R/W	0h	Internal. Only to be used through TI provided API.
7-0	RCOSCLF_CTUNE_TRIM	R/W	0h	Internal. Only to be used through TI provided API.

7.8.1.13 RCOSCHFCTL Register (Offset = 30h) [Reset = 0000000h]

RCOSCHFCTL is shown in [RCOSCHFCTL Register](#) and described in [RCOSCHFCTL Register Field Descriptions](#).

Return to the [OSC_DIG Registers](#).

RCOSCHF Control

Figure 7-19. RCOSCHFCTL Register

31	30	29	28	27	26	25	24	23	22	21	20	19	18	17	16
RESERVED															
R-0h															
15	14	13	12	11	10	9	8	7	6	5	4	3	2	1	0
RCOSCHF_CTRLIM								RESERVED							
R/W-0h								R-0h							

Table 7-22. RCOSCHFCTL Register Field Descriptions

Bit	Field	Type	Reset	Description
31-16	RESERVED	R	0h	Reserved
15-8	RCOSCHF_CTRLIM	R/W	0h	Internal. Only to be used through TI provided API.
7-0	RESERVED	R	0h	Reserved

7.8.1.14 RCOSCMFCTL Register (Offset = 34h) [Reset = 0000000h]

RCOSCMFCTL is shown in [RCOSCMFCTL Register](#) and described in [RCOSCMFCTL Register Field Descriptions](#).

Return to the [OSC_DIG Registers](#).

RCOSC_MF Control

Figure 7-20. RCOSCMFCTL Register

31	30	29	28	27	26	25	24
RESERVED							
R-0h							
23	22	21	20	19	18	17	16
RESERVED							
R-0h							
15	14	13	12	11	10	9	8
RCOSC_MF_CAP_ARRAY							RCOSC_MF_REG_SEL
R/W-0h							R/W-0h
7	6	5	4	3	2	1	0
RCOSC_MF_RES_COARSE		RCOSC_MF_RES_FINE		RCOSC_MF_BIAS_ADJ			
R/W-0h		R/W-0h		R/W-0h			

Table 7-23. RCOSCMFCTL Register Field Descriptions

Bit	Field	Type	Reset	Description
31-16	RESERVED	R	0h	Reserved
15-9	RCOSC_MF_CAP_ARRAY	R/W	0h	Adjust RCOSC_MF capacitor array. 0x0: nominal frequency, 0.625pF 0x40: highest frequency, 0.125pF 0x3F: lowest frequency, 1.125pF
8	RCOSC_MF_REG_SEL	R/W	0h	Choose regulator type. 0: default 1: alternate
7-6	RCOSC_MF_RES_COARSE	R/W	0h	Select coarse resistor for frequency adjustment. 0x0: 400kΩs, default 0x1: 300kΩs, min 0x2: 600kΩs, max 0x3: 500kΩs
5-4	RCOSC_MF_RES_FINE	R/W	0h	Select fine resistor for frequency adjustment. 0x0: 11kΩs, minimum resistance, max freq 0x1: 13kΩs 0x2: 16kΩs 0x3: 20kΩs, max resistance, min freq
3-0	RCOSC_MF_BIAS_ADJ	R/W	0h	Adjusts bias current to RCOSC_MF. 0x8 minimum current 0x0 default current 0x7 maximum current

7.8.1.15 STAT0 Register (Offset = 3Ch) [Reset = 0000000h]

STAT0 is shown in [STAT0 Register](#) and described in [STAT0 Register Field Descriptions](#).

Return to the [OSC_DIG Registers](#).

Status 0

This register contains status signals from OSC_DIG

Figure 7-21. STAT0 Register

31	30	29	28	27	26	25	24	
RESERVED	SCLK_LF_SRC		SCLK_HF_SRC	RESERVED				
R-0h	R-0h		R-0h	R-0h				
23	22	21	20	19	18	17	16	
RESERVED	RCOSC_HF_EN	RCOSC_LF_EN	XOSC_LF_EN	CLK_DCDC_RDY	CLK_DCDC_RDY_ACK	SCLK_HF_LOSS	SCLK_LF_LOSS	
R-0h	R-0h	R-0h	R-0h	R-0h	R-0h	R-0h	R-0h	
15	14	13	12	11	10	9	8	
XOSC_HF_EN	RESERVED	XB_48M_CLK_EN	RESERVED	XOSC_HF_LP_BUF_EN	XOSC_HF_HP_BUF_EN	RESERVED	ADC_THMET	
R-0h	R-0h	R-0h	R-0h	R-0h	R-0h	R-0h	R-0h	
7	6	5	4	3	2	1	0	
ADC_DATA_READY	ADC_DATA						PENDINGCLK_HFSWITCHING	
R-0h	R-0h						R-0h	

Table 7-24. STAT0 Register Field Descriptions

Bit	Field	Type	Reset	Description
31	RESERVED	R	0h	Reserved
30-29	SCLK_LF_SRC	R	0h	Indicates source for the sclk_lf 0h = Low frequency clock derived from High Frequency RCOSC 1h = Low frequency clock derived from High Frequency XOSC 2h = Low frequency RCOSC 3h = Low frequency XOSC
28	SCLK_HF_SRC	R	0h	Indicates source for the sclk_hf 0h = High frequency RCOSC clock 1h = High frequency XOSC
27-23	RESERVED	R	0h	Reserved
22	RCOSC_HF_EN	R	0h	RCOSC_HF_EN
21	RCOSC_LF_EN	R	0h	RCOSC_LF_EN
20	XOSC_LF_EN	R	0h	XOSC_LF_EN
19	CLK_DCDC_RDY	R	0h	CLK_DCDC_RDY
18	CLK_DCDC_RDY_ACK	R	0h	CLK_DCDC_RDY_ACK
17	SCLK_HF_LOSS	R	0h	Indicates sclk_hf is lost
16	SCLK_LF_LOSS	R	0h	Indicates sclk_lf is lost
15	XOSC_HF_EN	R	0h	Indicates that XOSC_HF is enabled.
14	RESERVED	R	0h	Reserved
13	XB_48M_CLK_EN	R	0h	Indicates that the 48MHz clock from the DOUBLER is enabled. It will be enabled if 24 or 48 MHz crystal is used (enabled in doubler bypass for the 48MHz crystal).
12	RESERVED	R	0h	Reserved
11	XOSC_HF_LP_BUF_EN	R	0h	XOSC_HF_LP_BUF_EN

Table 7-24. STAT0 Register Field Descriptions (continued)

Bit	Field	Type	Reset	Description
10	XOSC_HF_HP_BUF_EN	R	0h	XOSC_HF_HP_BUF_EN
9	RESERVED	R	0h	Reserved
8	ADC_THMET	R	0h	ADC_THMET
7	ADC_DATA_READY	R	0h	indicates when adc_data is ready.
6-1	ADC_DATA	R	0h	adc_data
0	PENDINGSCCLKHFSWITCHING	R	0h	Indicates when SCLK_HF clock source is ready to be switched

7.8.1.16 STAT1 Register (Offset = 40h) [Reset = 0000000h]

STAT1 is shown in [STAT1 Register](#) and described in [STAT1 Register Field Descriptions](#).

Return to the [OSC_DIG Registers](#).

Status 1

This register contains status signals from OSC_DIG

Figure 7-22. STAT1 Register

31	30	29	28	27	26	25	24
RAMPSTATE				HPM_UPDATE_AMP			
R-0h				R-0h			
23	22	21	20	19	18	17	16
HPM_UPDATE_AMP		LPM_UPDATE_AMP					
R-0h		R-0h					
15	14	13	12	11	10	9	8
FORCE_RCOS C_HF	SCLK_HF_EN	SCLK_MF_EN	ACLK_ADC_EN	ACLK_TDC_EN	ACLK_REF_EN	CLK_CHP_EN	CLK_DCDC_E N
R-0h	R-0h	R-0h	R-0h	R-0h	R-0h	R-0h	R-0h
7	6	5	4	3	2	1	0
SCLK_HF_GO OD	SCLK_MF_GO OD	SCLK_LF_GOO D	ACLK_ADC_G OOD	ACLK_TDC_G OOD	ACLK_REF_G OOD	CLK_CHP_GO OD	CLK_DCDC_G OOD
R-0h	R-0h	R-0h	R-0h	R-0h	R-0h	R-0h	R-0h

Table 7-25. STAT1 Register Field Descriptions

Bit	Field	Type	Reset	Description
31-28	RAMPSTATE	R	0h	AMPCOMP FSM State 0h = RESET 1h = INITIALIZATION 2h = HPM_RAMP1 3h = HPM_RAMP2 4h = HPM_RAMP3 5h = HPM_UPDATE 6h = IDAC_INCREMENT 7h = IBIAS_CAP_UPDATE 8h = IBIAS_DECREMENT_WITH_MEASURE 9h = LPM_UPDATE Ah = IBIAS_INCREMENT Bh = IDAC_DECREMENT_WITH_MEASURE Ch = DUMMY_TO_INIT_1 Dh = FAST_START Eh = FAST_START_SETTLE
27-22	HPM_UPDATE_AMP	R	0h	XOSC_HF amplitude during HPM_UPDATE state. When amplitude compensation of XOSC_HF is enabled in high performance mode, this value is the amplitude of the crystal oscillations measured by the on-chip oscillator ADC, divided by 15 mV. For example, a value of 0x20 would indicate that the amplitude of the crystal is approximately 480 mV. To enable amplitude compensation, AON_WUC OSCCFG must be set to a non-zero value.

Table 7-25. STAT1 Register Field Descriptions (continued)

Bit	Field	Type	Reset	Description
21-16	LPM_UPDATE_AMP	R	0h	XOSC_HF amplitude during LPM_UPDATE state When amplitude compensation of XOSC_HF is enabled in low power mode, this value is the amplitude of the crystal oscillations measured by the on-chip oscillator ADC, divided by 15 mV. For example, a value of 0x20 would indicate that the amplitude of the crystal is approximately 480 mV. To enable amplitude compensation, AON_WUC OSCCFG must be set to a non-zero value.
15	FORCE_RCOSC_HF	R	0h	force_rcosc_hf
14	SCLK_HF_EN	R	0h	SCLK_HF_EN
13	SCLK_MF_EN	R	0h	SCLK_MF_EN
12	ACLK_ADC_EN	R	0h	ACLK_ADC_EN
11	ACLK_TDC_EN	R	0h	ACLK_TDC_EN
10	ACLK_REF_EN	R	0h	ACLK_REF_EN
9	CLK_CHP_EN	R	0h	CLK_CHP_EN
8	CLK_DCDC_EN	R	0h	CLK_DCDC_EN
7	SCLK_HF_GOOD	R	0h	SCLK_HF_GOOD
6	SCLK_MF_GOOD	R	0h	SCLK_MF_GOOD
5	SCLK_LF_GOOD	R	0h	SCLK_LF_GOOD
4	ACLK_ADC_GOOD	R	0h	ACLK_ADC_GOOD
3	ACLK_TDC_GOOD	R	0h	ACLK_TDC_GOOD
2	ACLK_REF_GOOD	R	0h	ACLK_REF_GOOD.
1	CLK_CHP_GOOD	R	0h	CLK_CHP_GOOD
0	CLK_DCDC_GOOD	R	0h	CLK_DCDC_GOOD

7.8.1.17 STAT2 Register (Offset = 44h) [Reset = 0000000h]

STAT2 is shown in [STAT2 Register](#) and described in [STAT2 Register Field Descriptions](#).

Return to the [OSC_DIG Registers](#).

Status 2

This register contains status signals from AMPCOMP FSM

Figure 7-23. STAT2 Register

31	30	29	28	27	26	25	24
ADC_DCBIAS						HPM_RAMP1_THMET	HPM_RAMP2_THMET
R-0h						R-0h	R-0h
23	22	21	20	19	18	17	16
HPM_RAMP3_THMET	RESERVED						
R-0h	R-0h						
15	14	13	12	11	10	9	8
RAMPSTATE				RESERVED			
R-0h				R-0h			
7	6	5	4	3	2	1	0
RESERVED				AMPCOMP_REQ	XOSC_HF_AMPGOOD	XOSC_HF_FR_EQGOOD	XOSC_HF_RF_FREQGOOD
R-0h				R-0h	R-0h	R-0h	R-0h

Table 7-26. STAT2 Register Field Descriptions

Bit	Field	Type	Reset	Description
31-26	ADC_DCBIAS	R	0h	DC Bias read by RADC during SAR mode The value is an unsigned integer. It is used for debug only.
25	HPM_RAMP1_THMET	R	0h	Indication of threshold is met for hpm_ramp1
24	HPM_RAMP2_THMET	R	0h	Indication of threshold is met for hpm_ramp2
23	HPM_RAMP3_THMET	R	0h	Indication of threshold is met for hpm_ramp3
22-16	RESERVED	R	0h	Reserved
15-12	RAMPSTATE	R	0h	xosc_hf amplitude compensation FSM This is identical to STAT1.RAMPSTATE. See that description for encoding.
11-4	RESERVED	R	0h	Reserved
3	AMPCOMP_REQ	R	0h	ampcomp_req
2	XOSC_HF_AMPGOOD	R	0h	amplitude of xosc_hf is within the required threshold (set by DDI). Not used for anything just for debug/status
1	XOSC_HF_FREQGOOD	R	0h	frequency of xosc_hf is good to use for the digital clocks
0	XOSC_HF_RF_FREQGOOD	R	0h	frequency of xosc_hf is within +/- 20 ppm and xosc_hf is good for radio operations. Used for SW to start synthesizer.

7.8.2 PRCM Registers

Table 7-27 lists the memory-mapped registers for the PRCM registers. All register offset addresses not listed in Table 7-27 should be considered as reserved locations and the register contents should not be modified.

Table 7-27. PRCM Registers

Offset	Acronym	Register Name	Section
0h	INFRCLKDIVR	Infrastructure Clock Division Factor For Run Mode	Section 7.8.2.1
4h	INFRCLKDIVS	Infrastructure Clock Division Factor For Sleep Mode	Section 7.8.2.2
8h	INFRCLKDIVDS	Infrastructure Clock Division Factor For DeepSleep Mode	Section 7.8.2.3
Ch	VDCTL	MCU Voltage Domain Control	Section 7.8.2.4
28h	CLKLOADCTL	Load PRCM Settings To CLKCTRL Power Domain	Section 7.8.2.5
2Ch	RFCCLKG	RFC Clock Gate	Section 7.8.2.6
30h	VIMSCLKG	VIMS Clock Gate	Section 7.8.2.7
3Ch	SECDMACLKGR	SEC (TRNG And CRYPTO) And UDMA Clock Gate For Run And All Modes	Section 7.8.2.8
40h	SECDMACLKGS	SEC (TRNG And CRYPTO) And UDMA Clock Gate For Sleep Mode	Section 7.8.2.9
44h	SECDMACLKGDS	SEC (TRNG and CRYPTO) And UDMA Clock Gate For Deep Sleep Mode	Section 7.8.2.10
48h	GPIOCLKGR	GPIO Clock Gate For Run And All Modes	Section 7.8.2.11
4Ch	GPIOCLKGS	GPIO Clock Gate For Sleep Mode	Section 7.8.2.12
50h	GPIOCLKGDS	GPIO Clock Gate For Deep Sleep Mode	Section 7.8.2.13
54h	GPTCLKGR	GPT Clock Gate For Run And All Modes	Section 7.8.2.14
58h	GPTCLKGS	GPT Clock Gate For Sleep Mode	Section 7.8.2.15
5Ch	GPTCLKGDS	GPT Clock Gate For Deep Sleep Mode	Section 7.8.2.16
60h	I2CCLKGR	I2C Clock Gate For Run And All Modes	Section 7.8.2.17
64h	I2CCLKGS	I2C Clock Gate For Sleep Mode	Section 7.8.2.18
68h	I2CCLKGDS	I2C Clock Gate For Deep Sleep Mode	Section 7.8.2.19
6Ch	UARTCLKGR	UART Clock Gate For Run And All Modes	Section 7.8.2.20
70h	UARTCLKGS	UART Clock Gate For Sleep Mode	Section 7.8.2.21
74h	UARTCLKGDS	UART Clock Gate For Deep Sleep Mode	Section 7.8.2.22
78h	SSICLKGR	SSI Clock Gate For Run And All Modes	Section 7.8.2.23
7Ch	SSICLKGS	SSI Clock Gate For Sleep Mode	Section 7.8.2.24
80h	SSICLKGDS	SSI Clock Gate For Deep Sleep Mode	Section 7.8.2.25
84h	I2SCLKGR	I2S Clock Gate For Run And All Modes	Section 7.8.2.26
88h	I2SCLKGS	I2S Clock Gate For Sleep Mode	Section 7.8.2.27
8Ch	I2SCLKGDS	I2S Clock Gate For Deep Sleep Mode	Section 7.8.2.28
B4h	SYSBUSCLKDIV	Internal	Section 7.8.2.29
B8h	CPUCLKDIV	Internal	Section 7.8.2.30
BCh	PERBUSCPUCLKDIV	Internal	Section 7.8.2.31
C4h	PERDMACLKDIV	Internal	Section 7.8.2.32
C8h	I2SBCLKSEL	I2S Clock Control	Section 7.8.2.33
CCh	GPTCLKDIV	GPT Scalar	Section 7.8.2.34
D0h	I2SCLKCTL	I2S Clock Control	Section 7.8.2.35
D4h	I2SMCLKDIV	MCLK Division Ratio	Section 7.8.2.36
D8h	I2SBCLKDIV	BCLK Division Ratio	Section 7.8.2.37

Table 7-27. PRCM Registers (continued)

Offset	Acronym	Register Name	Section
DCh	I2SWCLKDIV	WCLK Division Ratio	Section 7.8.2.38
F0h	RESETSECDMA	RESET For SEC (TRNG And CRYPTO) And UDMA	Section 7.8.2.39
F4h	RESETGPIO	RESET For GPIO IPs	Section 7.8.2.40
F8h	RESETGPT	RESET For GPT Ips	Section 7.8.2.41
FCh	RESETI2C	RESET For I2C IPs	Section 7.8.2.42
100h	RESETUART	RESET For UART IPs	Section 7.8.2.43
104h	RESETSSI	RESET For SSI IPs	Section 7.8.2.44
108h	RESETI2S	RESET For I2S IP	Section 7.8.2.45
12Ch	PDCTL0	Power Domain Control	Section 7.8.2.46
130h	PDCTL0RFC	RFC Power Domain Control	Section 7.8.2.47
134h	PDCTL0SERIAL	SERIAL Power Domain Control	Section 7.8.2.48
138h	PDCTL0PERIPH	PERIPH Power Domain Control	Section 7.8.2.49
140h	PDSTAT0	Power Domain Status	Section 7.8.2.50
144h	PDSTAT0RFC	RFC Power Domain Status	Section 7.8.2.51
148h	PDSTAT0SERIAL	SERIAL Power Domain Status	Section 7.8.2.52
14Ch	PDSTAT0PERIPH	PERIPH Power Domain Status	Section 7.8.2.53
17Ch	PDCTL1	Power Domain Control	Section 7.8.2.54
184h	PDCTL1CPU	CPU Power Domain Direct Control	Section 7.8.2.55
188h	PDCTL1RFC	RFC Power Domain Direct Control	Section 7.8.2.56
18Ch	PDCTL1VIMS	VIMS Mode Direct Control	Section 7.8.2.57
194h	PDSTAT1	Power Manager Status	Section 7.8.2.58
198h	PDSTAT1BUS	BUS Power Domain Direct Read Status	Section 7.8.2.59
19Ch	PDSTAT1RFC	RFC Power Domain Direct Read Status	Section 7.8.2.60
1A0h	PDSTAT1CPU	CPU Power Domain Direct Read Status	Section 7.8.2.61
1A4h	PDSTAT1VIMS	VIMS Mode Direct Read Status	Section 7.8.2.62
1CCh	RFCBITS	Control To RFC	Section 7.8.2.63
1D0h	RFCMODESEL	Selected RFC Mode	Section 7.8.2.64
1D4h	RFCMODEHWOPT	Allowed RFC Modes	Section 7.8.2.65
1E0h	PWRPROFSTAT	Power Profiler Register	Section 7.8.2.66
224h	RAMRETEN	Memory Retention Control	Section 7.8.2.67
290h	OSCIMSC	Oscillator Interrupt Mask Control	Section 7.8.2.68
294h	OSCRIS	Oscillator Raw Interrupt Status	Section 7.8.2.69
298h	OSCICR	Oscillator Raw Interrupt Clear	Section 7.8.2.70

Complex bit access types are encoded to fit into small table cells. [Table 7-28](#) shows the codes that are used for access types in this section.

Table 7-28. PRCM Access Type Codes

Access Type	Code	Description
Read Type		
R	R	Read
Write Type		
W	W	Write
Reset or Default Value		

Table 7-28. PRCM Access Type Codes (continued)

Access Type	Code	Description
<i>-n</i>		Value after reset or the default value

7.8.2.1 INFRCLKDIVR Register (Offset = 0h) [Reset = 0000000h]

INFRCLKDIVR is shown in [Figure 7-24](#) and described in [Table 7-29](#).

Return to the [Table 7-27](#).

Infrastructure Clock Division Factor For Run Mode

Figure 7-24. INFRCLKDIVR Register

31	30	29	28	27	26	25	24	23	22	21	20	19	18	17	16
RESERVED															
R-0h															
15	14	13	12	11	10	9	8	7	6	5	4	3	2	1	0
RESERVED													RATIO		
R-0h													R/W-0h		

Table 7-29. INFRCLKDIVR Register Field Descriptions

Bit	Field	Type	Reset	Description
31-2	RESERVED	R	0h	Reserved
1-0	RATIO	R/W	0h	Division rate for clocks driving modules in the MCU_AON domain when system CPU is in run mode. Division ratio affects both infrastructure clock and perbusull clock. 0h = Divide by 1 1h = Divide by 2 2h = Divide by 8 3h = Divide by 32

7.8.2.2 INFRCLKDIVS Register (Offset = 4h) [Reset = 0000000h]

INFRCLKDIVS is shown in [Figure 7-25](#) and described in [Table 7-30](#).

Return to the [Table 7-27](#).

Infrastructure Clock Division Factor For Sleep Mode

Figure 7-25. INFRCLKDIVS Register

31	30	29	28	27	26	25	24	23	22	21	20	19	18	17	16
RESERVED															
R-0h															
15	14	13	12	11	10	9	8	7	6	5	4	3	2	1	0
RESERVED													RATIO		
R-0h													R/W-0h		

Table 7-30. INFRCLKDIVS Register Field Descriptions

Bit	Field	Type	Reset	Description
31-2	RESERVED	R	0h	Reserved
1-0	RATIO	R/W	0h	Division rate for clocks driving modules in the MCU_AON domain when system CPU is in sleep mode. Division ratio affects both infrastructure clock and perbusull clock. 0h = Divide by 1 1h = Divide by 2 2h = Divide by 8 3h = Divide by 32

7.8.2.3 INFRCLKDIVDS Register (Offset = 8h) [Reset = 0000000h]

INFRCLKDIVDS is shown in [Figure 7-26](#) and described in [Table 7-31](#).

Return to the [Table 7-27](#).

Infrastructure Clock Division Factor For DeepSleep Mode

Figure 7-26. INFRCLKDIVDS Register

31	30	29	28	27	26	25	24	23	22	21	20	19	18	17	16
RESERVED															
R-0h															
15	14	13	12	11	10	9	8	7	6	5	4	3	2	1	0
RESERVED													RATIO		
R-0h													R/W-0h		

Table 7-31. INFRCLKDIVDS Register Field Descriptions

Bit	Field	Type	Reset	Description
31-2	RESERVED	R	0h	Reserved
1-0	RATIO	R/W	0h	Division rate for clocks driving modules in the MCU_AON domain when system CPU is in seepsleep mode. Division ratio affects both infrastructure clock and perbusull clock. 0h = Divide by 1 1h = Divide by 2 2h = Divide by 8 3h = Divide by 32

7.8.2.4 VDCTL Register (Offset = Ch) [Reset = 0000000h]

VDCTL is shown in [Figure 7-27](#) and described in [Table 7-32](#).

Return to the [Table 7-27](#).

MCU Voltage Domain Control

Figure 7-27. VDCTL Register

31	30	29	28	27	26	25	24
RESERVED							
R-0h							
23	22	21	20	19	18	17	16
RESERVED							
R-0h							
15	14	13	12	11	10	9	8
RESERVED							
R-0h							
7	6	5	4	3	2	1	0
RESERVED							ULDO
R-0h							R/W-0h

Table 7-32. VDCTL Register Field Descriptions

Bit	Field	Type	Reset	Description
31-1	RESERVED	R	0h	Reserved
0	ULDO	R/W	0h	Request PMCTL to switch to uLDO. 0: No request 1: Assert request when possible The bit will have no effect before the following requirements are met: 1. PDCTL1.CPU_ON = 0 2. PDCTL1.VIMS_MODE = x0 3. SECDMACLKGDS.DMA_CLK_EN = 0 and S.CRYPTO_CLK_EN] = 0 and SECDMACLKGR.DMA_AM_CLK_EN = 0 (Note: Settings must be loaded with CLKLOADCTL.LOAD) 4. SECDMACLKGDS.CRYPTO_CLK_EN = 0 and SECDMACLKGR.CRYPTO_AM_CLK_EN = 0 (Note: Settings must be loaded with CLKLOADCTL.LOAD) 5. I2SCLKGDS.CLK_EN = 0 and I2SCLKGR.AM_CLK_EN = 0 (Note: Settings must be loaded with CLKLOADCTL.LOAD) 6. RFC do no request access to BUS 7. System CPU in deepsleep

7.8.2.5 CLKLOADCTL Register (Offset = 28h) [Reset = 0000002h]

CLKLOADCTL is shown in [Figure 7-28](#) and described in [Table 7-33](#).

Return to the [Table 7-27](#).

Load PRCM Settings To CLKCTRL Power Domain

Figure 7-28. CLKLOADCTL Register

31	30	29	28	27	26	25	24
RESERVED							
R-0h							
23	22	21	20	19	18	17	16
RESERVED							
R-0h							
15	14	13	12	11	10	9	8
RESERVED							
R-0h							
7	6	5	4	3	2	1	0
RESERVED						LOAD_DONE	LOAD
R-0h						R-1h	W-0h

Table 7-33. CLKLOADCTL Register Field Descriptions

Bit	Field	Type	Reset	Description
31-2	RESERVED	R	0h	Reserved
1	LOAD_DONE	R	1h	Status of LOAD. Will be cleared to 0 when any of the registers requiring a LOAD is written to, and be set to 1 when a LOAD is done. Note that writing no change to a register will result in the LOAD_DONE being cleared. 0 : One or more registers have been write accessed after last LOAD 1 : No registers are write accessed after last LOAD

Table 7-33. CLKLOADCTL Register Field Descriptions (continued)

Bit	Field	Type	Reset	Description
0	LOAD	W	0h	0: No action 1: Load settings to CLKCTRL. Bit is HW cleared. Multiple changes to settings may be done before LOAD is written once so all changes takes place at the same time. LOAD can also be done after single setting updates. Registers that needs to be followed by LOAD before settings being applied are: - SYSBUSCLKDIV - CPUCLKDIV - PERBUSCPUCLKDIV - PERDMACLKDIV - PERBUSCPUCLKG - RFCCLKG - VIMCLKG - SECDMACLKGR - SECDMACLKGS - SECDMACLKGDS - GPIOCLKGR - GPIOCLKGS - GPIOCLKGDS - GPTCLKGR - GPTCLKGS - GPTCLKGDS - GPTCLKDIV - I2CCLKGR - I2CCLKGS - I2CCLKGDS - SSCLKGR - SSCLKGS - SSCLKGDS - UARTCLKGR - UARTCLKGS - UARTCLKGDS - I2SCLKGR - I2SCLKGS - I2SCLKGDS - I2SBCLKSEL - I2SCLKCTL - I2SMCLKDIV - I2SBCLKDIV - I2SWCLKDIV

7.8.2.6 RFCCLKG Register (Offset = 2Ch) [Reset = 0000001h]

RFCCLKG is shown in [Figure 7-29](#) and described in [Table 7-34](#).

Return to the [Table 7-27](#).

RFC Clock Gate

Figure 7-29. RFCCLKG Register

31	30	29	28	27	26	25	24
RESERVED							
R-0h							
23	22	21	20	19	18	17	16
RESERVED							
R-0h							
15	14	13	12	11	10	9	8
RESERVED							
R-0h							
7	6	5	4	3	2	1	0
RESERVED							CLK_EN
R-0h							R/W-1h

Table 7-34. RFCCLKG Register Field Descriptions

Bit	Field	Type	Reset	Description
31-1	RESERVED	R	0h	Reserved
0	CLK_EN	R/W	1h	0: Disable Clock 1: Enable clock if RFC power domain is on For changes to take effect, CLKLOADCTL.LOAD needs to be written

7.8.2.7 VIMSCLKG Register (Offset = 30h) [Reset = 0000003h]

VIMSCLKG is shown in [Figure 7-30](#) and described in [Table 7-35](#).

Return to the [Table 7-27](#).

VIMS Clock Gate

Figure 7-30. VIMSCLKG Register

31	30	29	28	27	26	25	24	23	22	21	20	19	18	17	16
RESERVED															
R-0h															
15	14	13	12	11	10	9	8	7	6	5	4	3	2	1	0
RESERVED													CLK_EN		
R-0h													R/W-3h		

Table 7-35. VIMSCLKG Register Field Descriptions

Bit	Field	Type	Reset	Description
31-2	RESERVED	R	0h	Reserved
1-0	CLK_EN	R/W	3h	00: Disable clock 01: Disable clock when SYSBUS clock is disabled 11: Enable clock For changes to take effect, CLKLOADCTL.LOAD needs to be written

7.8.2.8 SECDMACLKGR Register (Offset = 3Ch) [Reset = 0000000h]

SECDMACLKGR is shown in [Figure 7-31](#) and described in [Table 7-36](#).

Return to the [Table 7-27](#).

SEC (TRNG And CRYPTO) And UDMA Clock Gate For Run And All Modes

Figure 7-31. SECDMACLKGR Register

31	30	29	28	27	26	25	24
RESERVED							DMA_AM_CLK_EN
R-0h							R/W-0h
23	22	21	20	19	18	17	16
RESERVED						TRNG_AM_CLK_EN	CRYPTO_AM_CLK_EN
R-0h						R/W-0h	R/W-0h
15	14	13	12	11	10	9	8
RESERVED							DMA_CLK_EN
R-0h							R/W-0h
7	6	5	4	3	2	1	0
RESERVED						TRNG_CLK_EN	CRYPTO_CLK_EN
R-0h						R/W-0h	R/W-0h

Table 7-36. SECDMACLKGR Register Field Descriptions

Bit	Field	Type	Reset	Description
31-25	RESERVED	R	0h	Reserved
24	DMA_AM_CLK_EN	R/W	0h	0: No force 1: Force clock on for all modes (Run, Sleep and Deep Sleep) Overrides DMA_CLK_EN, SECDMACLKGS.DMA_CLK_EN and SECDMACLKGDS.DMA_CLK_EN when enabled. SYSBUS clock will always run when enabled For changes to take effect, CLKLOADCTL.LOAD needs to be written
23-18	RESERVED	R	0h	Reserved
17	TRNG_AM_CLK_EN	R/W	0h	0: No force 1: Force clock on for all modes (Run, Sleep and Deep Sleep) Overrides TRNG_CLK_EN, SECDMACLKGS.TRNG_CLK_EN and SECDMACLKGDS.TRNG_CLK_EN when enabled. For changes to take effect, CLKLOADCTL.LOAD needs to be written
16	CRYPTO_AM_CLK_EN	R/W	0h	0: No force 1: Force clock on for all modes (Run, Sleep and Deep Sleep) Overrides CRYPTO_CLK_EN, SECDMACLKGS.CRYPTO_CLK_EN and SECDMACLKGDS.CRYPTO_CLK_EN when enabled. SYSBUS clock will always run when enabled For changes to take effect, CLKLOADCTL.LOAD needs to be written
15-9	RESERVED	R	0h	Reserved
8	DMA_CLK_EN	R/W	0h	0: Disable clock 1: Enable clock Can be forced on by DMA_AM_CLK_EN For changes to take effect, CLKLOADCTL.LOAD needs to be written
7-2	RESERVED	R	0h	Reserved
1	TRNG_CLK_EN	R/W	0h	0: Disable clock 1: Enable clock Can be forced on by TRNG_AM_CLK_EN For changes to take effect, CLKLOADCTL.LOAD needs to be written

Table 7-36. SECDMACLKGR Register Field Descriptions (continued)

Bit	Field	Type	Reset	Description
0	CRYPTO_CLK_EN	R/W	0h	0: Disable clock 1: Enable clock Can be forced on by CRYPTO_AM_CLK_EN For changes to take effect, CLKLOADCTL.LOAD needs to be written

7.8.2.9 SECDMACLKGS Register (Offset = 40h) [Reset = 0000000h]

SECDMACLKGS is shown in [Figure 7-32](#) and described in [Table 7-37](#).

Return to the [Table 7-27](#).

SEC (TRNG And CRYPTO) And UDMA Clock Gate For Sleep Mode

Figure 7-32. SECDMACLKGS Register

31	30	29	28	27	26	25	24
RESERVED							
R-0h							
23	22	21	20	19	18	17	16
RESERVED							
R-0h							
15	14	13	12	11	10	9	8
RESERVED							DMA_CLK_EN
R-0h							R/W-0h
7	6	5	4	3	2	1	0
RESERVED						TRNG_CLK_EN	CRYPTO_CLK_EN
R-0h						R/W-0h	R/W-0h

Table 7-37. SECDMACLKGS Register Field Descriptions

Bit	Field	Type	Reset	Description
31-9	RESERVED	R	0h	Reserved
8	DMA_CLK_EN	R/W	0h	0: Disable clock 1: Enable clock Can be forced on by SECDMACLKGR.DMA_AM_CLK_EN For changes to take effect, CLKLOADCTL.LOAD needs to be written
7-2	RESERVED	R	0h	Reserved
1	TRNG_CLK_EN	R/W	0h	0: Disable clock 1: Enable clock Can be forced on by SECDMACLKGR.TRNG_AM_CLK_EN For changes to take effect, CLKLOADCTL.LOAD needs to be written
0	CRYPTO_CLK_EN	R/W	0h	0: Disable clock 1: Enable clock Can be forced on by SECDMACLKGR.CRYPTO_AM_CLK_EN For changes to take effect, CLKLOADCTL.LOAD needs to be written

7.8.2.10 SECDMACLKGDS Register (Offset = 44h) [Reset = 0000000h]

SECDMACLKGDS is shown in [Figure 7-33](#) and described in [Table 7-38](#).

Return to the [Table 7-27](#).

SEC (TRNG and CRYPTO) And UDMA Clock Gate For Deep Sleep Mode

Figure 7-33. SECDMACLKGDS Register

31	30	29	28	27	26	25	24
RESERVED							
R-0h							
23	22	21	20	19	18	17	16
RESERVED							
R-0h							
15	14	13	12	11	10	9	8
RESERVED							DMA_CLK_EN
R-0h							R/W-0h
7	6	5	4	3	2	1	0
RESERVED						TRNG_CLK_EN	CRYPTO_CLK_EN
R-0h						R/W-0h	R/W-0h

Table 7-38. SECDMACLKGDS Register Field Descriptions

Bit	Field	Type	Reset	Description
31-9	RESERVED	R	0h	Reserved
8	DMA_CLK_EN	R/W	0h	0: Disable clock 1: Enable clock Can be forced on by SECDMACLKGR.DMA_AM_CLK_EN For changes to take effect, CLKLOADCTL.LOAD needs to be written
7-2	RESERVED	R	0h	Reserved
1	TRNG_CLK_EN	R/W	0h	0: Disable clock 1: Enable clock SYSBUS clock will always run when enabled Can be forced on by SECDMACLKGR.TRNG_AM_CLK_EN For changes to take effect, CLKLOADCTL.LOAD needs to be written
0	CRYPTO_CLK_EN	R/W	0h	0: Disable clock 1: Enable clock SYSBUS clock will always run when enabled Can be forced on by SECDMACLKGR.CRYPTO_AM_CLK_EN For changes to take effect, CLKLOADCTL.LOAD needs to be written

7.8.2.11 GPIOCLKGR Register (Offset = 48h) [Reset = 0000000h]

GPIOCLKGR is shown in [Figure 7-34](#) and described in [Table 7-39](#).

Return to the [Table 7-27](#).

GPIO Clock Gate For Run And All Modes

Figure 7-34. GPIOCLKGR Register

31	30	29	28	27	26	25	24
RESERVED							
R-0h							
23	22	21	20	19	18	17	16
RESERVED							
R-0h							
15	14	13	12	11	10	9	8
RESERVED							AM_CLK_EN
R-0h							R/W-0h
7	6	5	4	3	2	1	0
RESERVED							CLK_EN
R-0h							R/W-0h

Table 7-39. GPIOCLKGR Register Field Descriptions

Bit	Field	Type	Reset	Description
31-9	RESERVED	R	0h	Reserved
8	AM_CLK_EN	R/W	0h	0: No force 1: Force clock on for all modes (Run, Sleep and Deep Sleep) Overrides CLK_EN, GPIOCLKGS.CLK_EN and GPIOCLKGDS.CLK_EN when enabled. For changes to take effect, CLKLOADCTL.LOAD needs to be written
7-1	RESERVED	R	0h	Reserved
0	CLK_EN	R/W	0h	0: Disable clock 1: Enable clock Can be forced on by AM_CLK_EN For changes to take effect, CLKLOADCTL.LOAD needs to be written

7.8.2.12 GPIOCLKGS Register (Offset = 4Ch) [Reset = 0000000h]

GPIOCLKGS is shown in [Figure 7-35](#) and described in [Table 7-40](#).

Return to the [Table 7-27](#).

GPIO Clock Gate For Sleep Mode

Figure 7-35. GPIOCLKGS Register

31	30	29	28	27	26	25	24
RESERVED							
R-0h							
23	22	21	20	19	18	17	16
RESERVED							
R-0h							
15	14	13	12	11	10	9	8
RESERVED							
R-0h							
7	6	5	4	3	2	1	0
RESERVED							CLK_EN
R-0h							R/W-0h

Table 7-40. GPIOCLKGS Register Field Descriptions

Bit	Field	Type	Reset	Description
31-1	RESERVED	R	0h	Reserved
0	CLK_EN	R/W	0h	0: Disable clock 1: Enable clock Can be forced on by GPIOCLKGR.AM_CLK_EN For changes to take effect, CLKLOADCTL.LOAD needs to be written

7.8.2.13 GPIOCLKGDS Register (Offset = 50h) [Reset = 0000000h]

GPIOCLKGDS is shown in [Figure 7-36](#) and described in [Table 7-41](#).

Return to the [Table 7-27](#).

GPIO Clock Gate For Deep Sleep Mode

Figure 7-36. GPIOCLKGDS Register

31	30	29	28	27	26	25	24
RESERVED							
R-0h							
23	22	21	20	19	18	17	16
RESERVED							
R-0h							
15	14	13	12	11	10	9	8
RESERVED							
R-0h							
7	6	5	4	3	2	1	0
RESERVED							CLK_EN
R-0h							R/W-0h

Table 7-41. GPIOCLKGDS Register Field Descriptions

Bit	Field	Type	Reset	Description
31-1	RESERVED	R	0h	Reserved
0	CLK_EN	R/W	0h	0: Disable clock 1: Enable clock Can be forced on by GPIOCLKGR.AM_CLK_EN For changes to take effect, CLKLOADCTL.LOAD needs to be written

7.8.2.14 GPTCLKGR Register (Offset = 54h) [Reset = 0000000h]

GPTCLKGR is shown in [Figure 7-37](#) and described in [Table 7-42](#).

Return to the [Table 7-27](#).

GPT Clock Gate For Run And All Modes

Figure 7-37. GPTCLKGR Register

31	30	29	28	27	26	25	24	23	22	21	20	19	18	17	16
RESERVED															
R-0h															
15	14	13	12	11	10	9	8	7	6	5	4	3	2	1	0
RESERVED				AM_CLK_EN				RESERVED				CLK_EN			
R-0h				R/W-0h				R-0h				R/W-0h			

Table 7-42. GPTCLKGR Register Field Descriptions

Bit	Field	Type	Reset	Description
31-12	RESERVED	R	0h	Reserved
11-8	AM_CLK_EN	R/W	0h	Each bit below has the following meaning: 0: No force 1: Force clock on for all modes (Run, Sleep and Deep Sleep) Overrides CLK_EN, GPTCLKGS.CLK_EN and GPTCLKGDS.CLK_EN when enabled. ENUMs can be combined For changes to take effect, CLKLOADCTL.LOAD needs to be written 1h = Enable clock for GPT0 in all modes 2h = Enable clock for GPT1 in all modes 4h = Enable clock for GPT2 in all modes 8h = Enable clock for GPT3 in all modes
7-4	RESERVED	R	0h	Reserved
3-0	CLK_EN	R/W	0h	Each bit below has the following meaning: 0: Disable clock 1: Enable clock Can be forced on by AM_CLK_EN ENUMs can be combined For changes to take effect, CLKLOADCTL.LOAD needs to be written 1h = Enable clock for GPT0 2h = Enable clock for GPT1 4h = Enable clock for GPT2 8h = Enable clock for GPT3

7.8.2.15 GPTCLKGS Register (Offset = 58h) [Reset = 0000000h]

GPTCLKGS is shown in [Figure 7-38](#) and described in [Table 7-43](#).

Return to the [Table 7-27](#).

GPT Clock Gate For Sleep Mode

Figure 7-38. GPTCLKGS Register

31	30	29	28	27	26	25	24	23	22	21	20	19	18	17	16
RESERVED															
R-0h															
15	14	13	12	11	10	9	8	7	6	5	4	3	2	1	0
RESERVED												CLK_EN			
R-0h												R/W-0h			

Table 7-43. GPTCLKGS Register Field Descriptions

Bit	Field	Type	Reset	Description
31-4	RESERVED	R	0h	Reserved
3-0	CLK_EN	R/W	0h	Each bit below has the following meaning: 0: Disable clock 1: Enable clock Can be forced on by GPTCLKGR.AM_CLK_EN ENUMs can be combined For changes to take effect, CLKLOADCTL.LOAD needs to be written 1h = Enable clock for GPT0 2h = Enable clock for GPT1 4h = Enable clock for GPT2 8h = Enable clock for GPT3

7.8.2.16 GPTCLKGDS Register (Offset = 5Ch) [Reset = 0000000h]

GPTCLKGDS is shown in [Figure 7-39](#) and described in [Table 7-44](#).

Return to the [Table 7-27](#).

GPT Clock Gate For Deep Sleep Mode

Figure 7-39. GPTCLKGDS Register

31	30	29	28	27	26	25	24	23	22	21	20	19	18	17	16
RESERVED															
R-0h															
15	14	13	12	11	10	9	8	7	6	5	4	3	2	1	0
RESERVED												CLK_EN			
R-0h												R/W-0h			

Table 7-44. GPTCLKGDS Register Field Descriptions

Bit	Field	Type	Reset	Description
31-4	RESERVED	R	0h	Reserved
3-0	CLK_EN	R/W	0h	Each bit below has the following meaning: 0: Disable clock 1: Enable clock Can be forced on by GPTCLKGR.AM_CLK_EN ENUMs can be combined For changes to take effect, CLKLOADCTL.LOAD needs to be written 1h = Enable clock for GPT0 2h = Enable clock for GPT1 4h = Enable clock for GPT2 8h = Enable clock for GPT3

7.8.2.17 I2CCLKGR Register (Offset = 60h) [Reset = 0000000h]

I2CCLKGR is shown in [Figure 7-40](#) and described in [Table 7-45](#).

Return to the [Table 7-27](#).

I2C Clock Gate For Run And All Modes

Figure 7-40. I2CCLKGR Register

31	30	29	28	27	26	25	24
RESERVED							
R-0h							
23	22	21	20	19	18	17	16
RESERVED							
R-0h							
15	14	13	12	11	10	9	8
RESERVED							AM_CLK_EN
R-0h							R/W-0h
7	6	5	4	3	2	1	0
RESERVED							LRA
R-0h							R/W-0h

Table 7-45. I2CCLKGR Register Field Descriptions

Bit	Field	Type	Reset	Description
31-9	RESERVED	R	0h	Reserved
8	AM_CLK_EN	R/W	0h	0: No force 1: Force clock on for all modes (Run, Sleep and Deep Sleep) Overrides CLK_EN, I2CCLKGS.CLK_EN and I2CCLKGDS.CLK_EN when enabled. For changes to take effect, CLKLOADCTL.LOAD needs to be written
7-1	RESERVED	R	0h	Reserved
0	LRA	R/W	0h	0: Disable clock 1: Enable clock Can be forced on by AM_CLK_EN For changes to take effect, CLKLOADCTL.LOAD needs to be written

7.8.2.18 I2CCLKGS Register (Offset = 64h) [Reset = 0000000h]

I2CCLKGS is shown in [Figure 7-41](#) and described in [Table 7-46](#).

Return to the [Table 7-27](#).

I2C Clock Gate For Sleep Mode

Figure 7-41. I2CCLKGS Register

31	30	29	28	27	26	25	24
RESERVED							
R-0h							
23	22	21	20	19	18	17	16
RESERVED							
R-0h							
15	14	13	12	11	10	9	8
RESERVED							
R-0h							
7	6	5	4	3	2	1	0
RESERVED							CLK_EN
R-0h							R/W-0h

Table 7-46. I2CCLKGS Register Field Descriptions

Bit	Field	Type	Reset	Description
31-1	RESERVED	R	0h	Reserved
0	CLK_EN	R/W	0h	0: Disable clock 1: Enable clock Can be forced on by I2CCLKGR.AM_CLK_EN For changes to take effect, CLKLOADCTL.LOAD needs to be written

7.8.2.19 I2CCLKGDS Register (Offset = 68h) [Reset = 0000000h]

I2CCLKGDS is shown in [Figure 7-42](#) and described in [Table 7-47](#).

Return to the [Table 7-27](#).

I2C Clock Gate For Deep Sleep Mode

Figure 7-42. I2CCLKGDS Register

31	30	29	28	27	26	25	24
RESERVED							
R-0h							
23	22	21	20	19	18	17	16
RESERVED							
R-0h							
15	14	13	12	11	10	9	8
RESERVED							
R-0h							
7	6	5	4	3	2	1	0
RESERVED							CLK_EN
R-0h							R/W-0h

Table 7-47. I2CCLKGDS Register Field Descriptions

Bit	Field	Type	Reset	Description
31-1	RESERVED	R	0h	Reserved
0	CLK_EN	R/W	0h	0: Disable clock 1: Enable clock Can be forced on by I2CCLKGR.AM_CLK_EN For changes to take effect, CLKLOADCTL.LOAD needs to be written

7.8.2.20 UARTCLKGR Register (Offset = 6Ch) [Reset = 0000000h]

UARTCLKGR is shown in [Figure 7-43](#) and described in [Table 7-48](#).

Return to the [Table 7-27](#).

UART Clock Gate For Run And All Modes

Figure 7-43. UARTCLKGR Register

31	30	29	28	27	26	25	24
RESERVED							
R-0h							
23	22	21	20	19	18	17	16
RESERVED							
R-0h							
15	14	13	12	11	10	9	8
RESERVED						AM_CLK_EN	
R-0h						R/W-0h	
7	6	5	4	3	2	1	0
RESERVED						CLK_EN	
R-0h						R/W-0h	

Table 7-48. UARTCLKGR Register Field Descriptions

Bit	Field	Type	Reset	Description
31-10	RESERVED	R	0h	Reserved
9-8	AM_CLK_EN	R/W	0h	0: No force 1: Force clock on for all modes (Run, Sleep and Deep Sleep) Overrides CLK_EN, UARTCLKGS.CLK_EN and UARTCLKGDS.CLK_EN when enabled. For changes to take effect, CLKLOADCTL.LOAD needs to be written NOTE: MSB is reserved Writing any other value than the reset value may result in undefined behavior. 1h = Enable clock for UART0
7-2	RESERVED	R	0h	Reserved
1-0	CLK_EN	R/W	0h	0: Disable clock 1: Enable clock Can be forced on by AM_CLK_EN For changes to take effect, CLKLOADCTL.LOAD needs to be written NOTE: MSB is reserved Writing any other value than the reset value may result in undefined behavior. 1h = Enable clock for UART0

7.8.2.21 UARTCLKGS Register (Offset = 70h) [Reset = 0000000h]

UARTCLKGS is shown in [Figure 7-44](#) and described in [Table 7-49](#).

Return to the [Table 7-27](#).

UART Clock Gate For Sleep Mode

Figure 7-44. UARTCLKGS Register

31	30	29	28	27	26	25	24	23	22	21	20	19	18	17	16
RESERVED															
R-0h															
15	14	13	12	11	10	9	8	7	6	5	4	3	2	1	0
RESERVED														CLK_EN	
R-0h														R/W-0h	

Table 7-49. UARTCLKGS Register Field Descriptions

Bit	Field	Type	Reset	Description
31-2	RESERVED	R	0h	Reserved
1-0	CLK_EN	R/W	0h	0: Disable clock 1: Enable clock Can be forced on by UARTCLKGR.AM_CLK_EN For changes to take effect, CLKLOADCTL.LOAD needs to be written NOTE: MSB is reserved Writing any other value than the reset value may result in undefined behavior. 1h = Enable clock for UART0

7.8.2.22 UARTCLKGDS Register (Offset = 74h) [Reset = 00000000h]

UARTCLKGDS is shown in [Figure 7-45](#) and described in [Table 7-50](#).

Return to the [Table 7-27](#).

UART Clock Gate For Deep Sleep Mode

Figure 7-45. UARTCLKGDS Register

31	30	29	28	27	26	25	24	23	22	21	20	19	18	17	16
RESERVED															
R-0h															
15	14	13	12	11	10	9	8	7	6	5	4	3	2	1	0
RESERVED														CLK_EN	
R-0h														R/W-0h	

Table 7-50. UARTCLKGDS Register Field Descriptions

Bit	Field	Type	Reset	Description
31-2	RESERVED	R	0h	Reserved
1-0	CLK_EN	R/W	0h	0: Disable clock 1: Enable clock Can be forced on by UARTCLKGR.AM_CLK_EN For changes to take effect, CLKLOADCTL.LOAD needs to be written NOTE: MSB is reserved Writing any other value than the reset value may result in undefined behavior. 1h = Enable clock for UART0

7.8.2.23 SSICLKGR Register (Offset = 78h) [Reset = 0000000h]

SSICLKGR is shown in [Figure 7-46](#) and described in [Table 7-51](#).

Return to the [Table 7-27](#).

SSI Clock Gate For Run And All Modes

Figure 7-46. SSICLKGR Register

31	30	29	28	27	26	25	24
RESERVED							
R-0h							
23	22	21	20	19	18	17	16
RESERVED							
R-0h							
15	14	13	12	11	10	9	8
RESERVED						AM_CLK_EN	
R-0h						R/W-0h	
7	6	5	4	3	2	1	0
RESERVED						CLK_EN	
R-0h						R/W-0h	

Table 7-51. SSICLKGR Register Field Descriptions

Bit	Field	Type	Reset	Description
31-10	RESERVED	R	0h	Reserved
9-8	AM_CLK_EN	R/W	0h	0: No force 1: Force clock on for all modes (Run, Sleep and Deep Sleep) Overrides CLK_EN, SSICLKGS.CLK_EN and SSICLKGDS.CLK_EN when enabled. For changes to take effect, CLKLOADCTL.LOAD needs to be written NOTE: MSB is reserved Writing any other value than the reset value may result in undefined behavior. 1h = Enable clock for SSI0
7-2	RESERVED	R	0h	Reserved
1-0	CLK_EN	R/W	0h	0: Disable clock 1: Enable clock Can be forced on by AM_CLK_EN For changes to take effect, CLKLOADCTL.LOAD needs to be written NOTE: MSB is reserved Writing any other value than the reset value may result in undefined behavior. 1h = Enable clock for SSI0

7.8.2.24 SSICLKGS Register (Offset = 7Ch) [Reset = 0000000h]

SSICLKGS is shown in [Figure 7-47](#) and described in [Table 7-52](#).

Return to the [Table 7-27](#).

SSI Clock Gate For Sleep Mode

Figure 7-47. SSICLKGS Register

31	30	29	28	27	26	25	24	23	22	21	20	19	18	17	16
RESERVED															
R-0h															
15	14	13	12	11	10	9	8	7	6	5	4	3	2	1	0
RESERVED														CLK_EN	
R-0h														R/W-0h	

Table 7-52. SSICLKGS Register Field Descriptions

Bit	Field	Type	Reset	Description
31-2	RESERVED	R	0h	Reserved
1-0	CLK_EN	R/W	0h	0: Disable clock 1: Enable clock Can be forced on by SSICLKGR.AM_CLK_EN For changes to take effect, CLKLOADCTL.LOAD needs to be written NOTE: MSB is reserved Writing any other value than the reset value may result in undefined behavior. 1h = Enable clock for SSI0

7.8.2.25 SSICLKGD5 Register (Offset = 80h) [Reset = 0000000h]

SSICLKGD5 is shown in [Figure 7-48](#) and described in [Table 7-53](#).

Return to the [Table 7-27](#).

SSI Clock Gate For Deep Sleep Mode

Figure 7-48. SSICLKGD5 Register

31	30	29	28	27	26	25	24	23	22	21	20	19	18	17	16
RESERVED															
R-0h															
15	14	13	12	11	10	9	8	7	6	5	4	3	2	1	0
RESERVED														CLK_EN	
R-0h														R/W-0h	

Table 7-53. SSICLKGD5 Register Field Descriptions

Bit	Field	Type	Reset	Description
31-2	RESERVED	R	0h	Reserved
1-0	CLK_EN	R/W	0h	0: Disable clock 1: Enable clock Can be forced on by SSICLKGR.AM_CLK_EN For changes to take effect, CLKLOADCTL.LOAD needs to be written NOTE: MSB is reserved Writing any other value than the reset value may result in undefined behavior. 1h = Enable clock for SSI0

7.8.2.26 I2SCLKGR Register (Offset = 84h) [Reset = 0000000h]

I2SCLKGR is shown in [Figure 7-49](#) and described in [Table 7-54](#).

Return to the [Table 7-27](#).

I2S Clock Gate For Run And All Modes

Figure 7-49. I2SCLKGR Register

31	30	29	28	27	26	25	24
RESERVED							
R-0h							
23	22	21	20	19	18	17	16
RESERVED							
R-0h							
15	14	13	12	11	10	9	8
RESERVED							AM_CLK_EN
R-0h							R/W-0h
7	6	5	4	3	2	1	0
RESERVED							CLK_EN
R-0h							R/W-0h

Table 7-54. I2SCLKGR Register Field Descriptions

Bit	Field	Type	Reset	Description
31-9	RESERVED	R	0h	Reserved
8	AM_CLK_EN	R/W	0h	0: No force 1: Force clock on for all modes (Run, Sleep and Deep Sleep) Overrides CLK_EN, I2SCLKGS.CLK_EN and I2SCLKGDS.CLK_EN when enabled. SYSBUS clock will always run when enabled For changes to take effect, CLKLOADCTL.LOAD needs to be written
7-1	RESERVED	R	0h	Reserved
0	CLK_EN	R/W	0h	0: Disable clock 1: Enable clock Can be forced on by AM_CLK_EN For changes to take effect, CLKLOADCTL.LOAD needs to be written

7.8.2.27 I2SCLKGS Register (Offset = 88h) [Reset = 0000000h]

 I2SCLKGS is shown in [Figure 7-50](#) and described in [Table 7-55](#).

 Return to the [Table 7-27](#).

I2S Clock Gate For Sleep Mode

Figure 7-50. I2SCLKGS Register

31	30	29	28	27	26	25	24
RESERVED							
R-0h							
23	22	21	20	19	18	17	16
RESERVED							
R-0h							
15	14	13	12	11	10	9	8
RESERVED							
R-0h							
7	6	5	4	3	2	1	0
RESERVED							CLK_EN
R-0h							R/W-0h

Table 7-55. I2SCLKGS Register Field Descriptions

Bit	Field	Type	Reset	Description
31-1	RESERVED	R	0h	Reserved
0	CLK_EN	R/W	0h	0: Disable clock 1: Enable clock Can be forced on by I2SCLKGR.AM_CLK_EN For changes to take effect, CLKLOADCTL.LOAD needs to be written

7.8.2.28 I2SCLKGDS Register (Offset = 8Ch) [Reset = 0000000h]

I2SCLKGDS is shown in [Figure 7-51](#) and described in [Table 7-56](#).

Return to the [Table 7-27](#).

I2S Clock Gate For Deep Sleep Mode

Figure 7-51. I2SCLKGDS Register

31	30	29	28	27	26	25	24
RESERVED							
R-0h							
23	22	21	20	19	18	17	16
RESERVED							
R-0h							
15	14	13	12	11	10	9	8
RESERVED							
R-0h							
7	6	5	4	3	2	1	0
RESERVED							CLK_EN
R-0h							R/W-0h

Table 7-56. I2SCLKGDS Register Field Descriptions

Bit	Field	Type	Reset	Description
31-1	RESERVED	R	0h	Reserved
0	CLK_EN	R/W	0h	0: Disable clock 1: Enable clock SYSBUS clock will always run when enabled Can be forced on by I2SCLKGR.AM_CLK_EN For changes to take effect, CLKLOADCTL.LOAD needs to be written

7.8.2.29 SYSBUSCLKDIV Register (Offset = B4h) [Reset = 0000000h]

SYSBUSCLKDIV is shown in [Figure 7-52](#) and described in [Table 7-57](#).

Return to the [Table 7-27](#).

Internal. Only to be used through TI provided API.

Figure 7-52. SYSBUSCLKDIV Register

31	30	29	28	27	26	25	24	23	22	21	20	19	18	17	16
RESERVED															
R-0h															
15	14	13	12	11	10	9	8	7	6	5	4	3	2	1	0
RESERVED													RATIO		
R-0h													R/W-0h		

Table 7-57. SYSBUSCLKDIV Register Field Descriptions

Bit	Field	Type	Reset	Description
31-3	RESERVED	R	0h	Reserved
2-0	RATIO	R/W	0h	Internal. Only to be used through TI provided API.

7.8.2.30 CPUCLKDIV Register (Offset = B8h) [Reset = 0000000h]

CPUCLKDIV is shown in [Figure 7-53](#) and described in [Table 7-58](#).

Return to the [Table 7-27](#).

Internal. Only to be used through TI provided API.

Figure 7-53. CPUCLKDIV Register

31	30	29	28	27	26	25	24
RESERVED							
R-0h							
23	22	21	20	19	18	17	16
RESERVED							
R-0h							
15	14	13	12	11	10	9	8
RESERVED							
R-0h							
7	6	5	4	3	2	1	0
RESERVED							RATIO
R-0h							R/W-0h

Table 7-58. CPUCLKDIV Register Field Descriptions

Bit	Field	Type	Reset	Description
31-1	RESERVED	R	0h	Reserved
0	RATIO	R/W	0h	Internal. Only to be used through TI provided API.

7.8.2.31 PERBUSCPUCLKDIV Register (Offset = BCh) [Reset = 0000000h]

PERBUSCPUCLKDIV is shown in [Figure 7-54](#) and described in [Table 7-59](#).

Return to the [Table 7-27](#).

Internal. Only to be used through TI provided API.

Figure 7-54. PERBUSCPUCLKDIV Register

31	30	29	28	27	26	25	24	23	22	21	20	19	18	17	16
RESERVED															
R-0h															
15	14	13	12	11	10	9	8	7	6	5	4	3	2	1	0
RESERVED												RATIO			
R-0h												R/W-0h			

Table 7-59. PERBUSCPUCLKDIV Register Field Descriptions

Bit	Field	Type	Reset	Description
31-4	RESERVED	R	0h	Reserved
3-0	RATIO	R/W	0h	Internal. Only to be used through TI provided API.

7.8.2.32 PERDMACLKDIV Register (Offset = C4h) [Reset = 0000000h]

PERDMACLKDIV is shown in [Figure 7-55](#) and described in [Table 7-60](#).

Return to the [Table 7-27](#).

Internal. Only to be used through TI provided API.

Figure 7-55. PERDMACLKDIV Register

31	30	29	28	27	26	25	24	23	22	21	20	19	18	17	16
RESERVED															
R-0h															
15	14	13	12	11	10	9	8	7	6	5	4	3	2	1	0
RESERVED												RATIO			
R-0h												R/W-0h			

Table 7-60. PERDMACLKDIV Register Field Descriptions

Bit	Field	Type	Reset	Description
31-4	RESERVED	R	0h	Reserved
3-0	RATIO	R/W	0h	Internal. Only to be used through TI provided API.

7.8.2.33 I2SBCLKSEL Register (Offset = C8h) [Reset = 0000000h]

I2SBCLKSEL is shown in [Figure 7-56](#) and described in [Table 7-61](#).

Return to the [Table 7-27](#).

I2S Clock Control

Figure 7-56. I2SBCLKSEL Register

31	30	29	28	27	26	25	24	23	22	21	20	19	18	17	16
RESERVED															
R-0h															
15	14	13	12	11	10	9	8	7	6	5	4	3	2	1	0
RESERVED															SRC
R-0h															R/W-0h

Table 7-61. I2SBCLKSEL Register Field Descriptions

Bit	Field	Type	Reset	Description
31-1	RESERVED	R	0h	Reserved
0	SRC	R/W	0h	BCLK source selector 0: Use external BCLK 1: Use internally generated clock For changes to take effect, CLKLOADCTL.LOAD needs to be written

7.8.2.34 GPTCLKDIV Register (Offset = CCh) [Reset = 0000000h]

GPTCLKDIV is shown in [Figure 7-57](#) and described in [Table 7-62](#).

Return to the [Table 7-27](#).

GPT Scalar

Figure 7-57. GPTCLKDIV Register

31	30	29	28	27	26	25	24	23	22	21	20	19	18	17	16
RESERVED															
R-0h															
15	14	13	12	11	10	9	8	7	6	5	4	3	2	1	0
RESERVED												RATIO			
R-0h												R/W-0h			

Table 7-62. GPTCLKDIV Register Field Descriptions

Bit	Field	Type	Reset	Description
31-4	RESERVED	R	0h	Reserved
3-0	RATIO	R/W	0h	Scalar used for GPTs. The division rate will be constant and ungated for Run / Sleep / DeepSleep mode. For changes to take effect, CLKLOADCTL.LOAD needs to be written Other values are not supported. 0h = Divide by 1 1h = Divide by 2 2h = Divide by 4 3h = Divide by 8 4h = Divide by 16 5h = Divide by 32 6h = Divide by 64 7h = Divide by 128 8h = Divide by 256

7.8.2.35 I2SCLKCTL Register (Offset = D0h) [Reset = 0000000h]

I2SCLKCTL is shown in [Figure 7-58](#) and described in [Table 7-63](#).

Return to the [Table 7-27](#).

I2S Clock Control

Figure 7-58. I2SCLKCTL Register

31	30	29	28	27	26	25	24
RESERVED							
R-0h							
23	22	21	20	19	18	17	16
RESERVED							
R-0h							
15	14	13	12	11	10	9	8
RESERVED							
R-0h							
7	6	5	4	3	2	1	0
RESERVED				SMPL_ON_PO SEGE	WCLK_PHASE		EN
R-0h				R/W-0h	R/W-0h		R/W-0h

Table 7-63. I2SCLKCTL Register Field Descriptions

Bit	Field	Type	Reset	Description
31-4	RESERVED	R	0h	Reserved
3	SMPL_ON_POSEGE	R/W	0h	On the I2S serial interface, data and WCLK is sampled and clocked out on opposite edges of BCLK. 0 - data and WCLK are sampled on the negative edge and clocked out on the positive edge. 1 - data and WCLK are sampled on the positive edge and clocked out on the negative edge. For changes to take effect, CLKLOADCTL.LOAD needs to be written
2-1	WCLK_PHASE	R/W	0h	Decides how the WCLK division ratio is calculated and used to generate different duty cycles (See I2SWCLKDIV.WDIV). 0: Single phase 1: Dual phase 2: User Defined 3: Reserved/Undefined For changes to take effect, CLKLOADCTL.LOAD needs to be written
0	EN	R/W	0h	0: MCLK, BCLK and WCLK will be static low 1: Enables the generation of MCLK, BCLK and WCLK For changes to take effect, CLKLOADCTL.LOAD needs to be written

7.8.2.36 I2SMCLKDIV Register (Offset = D4h) [Reset = 0000000h]

I2SMCLKDIV is shown in [Figure 7-59](#) and described in [Table 7-64](#).

Return to the [Table 7-27](#).

MCLK Division Ratio

Figure 7-59. I2SMCLKDIV Register

31	30	29	28	27	26	25	24	23	22	21	20	19	18	17	16	15	14	13	12	11	10	9	8	7	6	5	4	3	2	1	0
RESERVED												MDIV																			
R-0h												R/W-0h																			

Table 7-64. I2SMCLKDIV Register Field Descriptions

Bit	Field	Type	Reset	Description
31-10	RESERVED	R	0h	Reserved
9-0	MDIV	R/W	0h	An unsigned factor of the division ratio used to generate MCLK [2-1024]: $MCLK = MCUCCLK / MDIV [Hz]$ MCUCCLK is 48MHz. A value of 0 is interpreted as 1024. A value of 1 is invalid. If MDIV is odd the low phase of the clock is one MCUCCLK period longer than the high phase. For changes to take effect, CLKLOADCTL.LOAD needs to be written

7.8.2.37 I2SBCLKDIV Register (Offset = D8h) [Reset = 0000000h]

I2SBCLKDIV is shown in [Figure 7-60](#) and described in [Table 7-65](#).

Return to the [Table 7-27](#).

BCLK Division Ratio

Figure 7-60. I2SBCLKDIV Register

31	30	29	28	27	26	25	24	23	22	21	20	19	18	17	16	15	14	13	12	11	10	9	8	7	6	5	4	3	2	1	0
RESERVED														BDIV																	
R-0h														R/W-0h																	

Table 7-65. I2SBCLKDIV Register Field Descriptions

Bit	Field	Type	Reset	Description
31-10	RESERVED	R	0h	Reserved
9-0	BDIV	R/W	0h	<p>An unsigned factor of the division ratio used to generate I2S BCLK [2-1024]:</p> $BCLK = MCUCLK / BDIV [Hz]$ <p>MCUCLK is 48MHz. A value of 0 is interpreted as 1024. A value of 1 is invalid. If BDIV is odd and I2SCLKCTL.SMPL_ON_POSEDGE = 0, the low phase of the clock is one MCUCLK period longer than the high phase. If BDIV is odd and I2SCLKCTL.SMPL_ON_POSEDGE = 1, the high phase of the clock is one MCUCLK period longer than the low phase. For changes to take effect, CLKLOADCTL.LOAD needs to be written</p>

7.8.2.38 I2SWCLKDIV Register (Offset = DCh) [Reset = 0000000h]

I2SWCLKDIV is shown in [Figure 7-61](#) and described in [Table 7-66](#).

Return to the [Table 7-27](#).

WCLK Division Ratio

Figure 7-61. I2SWCLKDIV Register

31	30	29	28	27	26	25	24	23	22	21	20	19	18	17	16	15	14	13	12	11	10	9	8	7	6	5	4	3	2	1	0
RESERVED																WDIV															
R-0h																R/W-0h															

Table 7-66. I2SWCLKDIV Register Field Descriptions

Bit	Field	Type	Reset	Description
31-16	RESERVED	R	0h	Reserved
15-0	WDIV	R/W	0h	If I2SCLKCTL.WCLK_PHASE = 0, Single phase. WCLK is high one BCLK period and low WDIV[9:0] (unsigned, [1-1023]) BCLK periods. $WCLK = MCUCLK / BDIV * (WDIV[9:0] + 1)$ [Hz] MCUCLK is 48MHz. If I2SCLKCTL.WCLK_PHASE = 1, Dual phase. Each phase on WCLK (50% duty cycle) is WDIV[9:0] (unsigned, [1-1023]) BCLK periods. $WCLK = MCUCLK / BDIV * (2 * WDIV[9:0])$ [Hz] If I2SCLKCTL.WCLK_PHASE = 2, User defined. WCLK is high WDIV[7:0] (unsigned, [1-255]) BCLK periods and low WDIV[15:8] (unsigned, [1-255]) BCLK periods. $WCLK = MCUCLK / (BDIV * (WDIV[7:0] + WDIV[15:8]))$ [Hz] For changes to take effect, CLKLOADCTL.LOAD needs to be written

7.8.2.39 RESETSECDMA Register (Offset = F0h) [Reset = 0000000h]

RESETSECDMA is shown in [Figure 7-62](#) and described in [Table 7-67](#).

Return to the [Table 7-27](#).

RESET For SEC (TRNG And CRYPTO) And UDMA

Figure 7-62. RESETSECDMA Register

31	30	29	28	27	26	25	24
RESERVED							
R-0h							
23	22	21	20	19	18	17	16
RESERVED							
R-0h							
15	14	13	12	11	10	9	8
RESERVED							DMA
R-0h							W-0h
7	6	5	4	3	2	1	0
RESERVED						TRNG	CRYPTO
R-0h						W-0h	W-0h

Table 7-67. RESETSECDMA Register Field Descriptions

Bit	Field	Type	Reset	Description
31-9	RESERVED	R	0h	Reserved
8	DMA	W	0h	Write 1 to reset. HW cleared. Access will only have effect when PERIPH power domain is on, PDSTAT0.PERIPH_ON = 1 Before writing set FLASH:CFG.DIS_READACCESS = 1 to ensure the reset is not activated while executing from flash. This means one cannot execute from flash when using the SW reset.
7-2	RESERVED	R	0h	Reserved
1	TRNG	W	0h	Write 1 to reset. HW cleared. Access will only have effect when PERIPH power domain is on, PDSTAT0.PERIPH_ON = 1 Before writing set FLASH:CFG.DIS_READACCESS = 1 to ensure the reset is not activated while executing from flash. This means one cannot execute from flash when using the SW reset.
0	CRYPTO	W	0h	Write 1 to reset. HW cleared. Access will only have effect when PERIPH power domain is on, PDSTAT0.PERIPH_ON = 1 Before writing set FLASH:CFG.DIS_READACCESS = 1 to ensure the reset is not activated while executing from flash. This means one cannot execute from flash when using the SW reset.

7.8.2.40 RESETPGPIO Register (Offset = F4h) [Reset = 0000000h]

RESETPGPIO is shown in [Figure 7-63](#) and described in [Table 7-68](#).

Return to the [Table 7-27](#).

RESET For GPIO IPs

Figure 7-63. RESETPGPIO Register

31	30	29	28	27	26	25	24
RESERVED							
R-0h							
23	22	21	20	19	18	17	16
RESERVED							
R-0h							
15	14	13	12	11	10	9	8
RESERVED							
R-0h							
7	6	5	4	3	2	1	0
RESERVED							GPIO
R-0h							W-0h

Table 7-68. RESETPGPIO Register Field Descriptions

Bit	Field	Type	Reset	Description
31-1	RESERVED	R	0h	Reserved
0	GPIO	W	0h	0: No action 1: Reset GPIO. HW cleared. Access will only have effect when PERIPH power domain is on, PDSTAT0.PERIPH_ON = 1 Before writing set FLASH:CFG.DIS_READACCESS = 1 to ensure the reset is not activated while executing from flash. This means one cannot execute from flash when using the SW reset.

7.8.2.41 RESETPGT Register (Offset = F8h) [Reset = 0000000h]

RESETPGT is shown in [Figure 7-64](#) and described in [Table 7-69](#).

Return to the [Table 7-27](#).

RESET For GPT Ips

Figure 7-64. RESETPGT Register

31	30	29	28	27	26	25	24	23	22	21	20	19	18	17	16
RESERVED															
R-0h															
15	14	13	12	11	10	9	8	7	6	5	4	3	2	1	0
RESERVED															GPT
R-0h															W-0h

Table 7-69. RESETPGT Register Field Descriptions

Bit	Field	Type	Reset	Description
31-1	RESERVED	R	0h	Reserved
0	GPT	W	0h	0: No action 1: Reset all GPTs. HW cleared. Access will only have effect when PERIPH power domain is on, PDSTAT0.PERIPH_ON = 1 Before writing set FLASH:CFG.DIS_READACCESS = 1 to ensure the reset is not activated while executing from flash. This means one cannot execute from flash when using the SW reset.

7.8.2.42 RESETI2C Register (Offset = FCh) [Reset = 0000000h]

RESETI2C is shown in [Figure 7-65](#) and described in [Table 7-70](#).

Return to the [Table 7-27](#).

RESET For I2C IPs

Figure 7-65. RESETI2C Register

31	30	29	28	27	26	25	24	23	22	21	20	19	18	17	16
RESERVED															
R-0h															
15	14	13	12	11	10	9	8	7	6	5	4	3	2	1	0
RESERVED															I2C
R-0h															W-0h

Table 7-70. RESETI2C Register Field Descriptions

Bit	Field	Type	Reset	Description
31-1	RESERVED	R	0h	Reserved
0	I2C	W	0h	0: No action 1: Reset I2C. HW cleared. Access will only have effect when SERIAL power domain is on, PDSTAT0.SERIAL_ON = 1 Before writing set FLASH:CFG.DIS_READACCESS = 1 to ensure the reset is not activated while executing from flash. This means one cannot execute from flash when using the SW reset.

7.8.2.43 RESEUART Register (Offset = 100h) [Reset = 0000000h]

RESEUART is shown in [Figure 7-66](#) and described in [Table 7-71](#).

Return to the [Table 7-27](#).

RESET For UART IPs

Figure 7-66. RESEUART Register

31	30	29	28	27	26	25	24
RESERVED							
R-0h							
23	22	21	20	19	18	17	16
RESERVED							
R-0h							
15	14	13	12	11	10	9	8
RESERVED							
R-0h							
7	6	5	4	3	2	1	0
RESERVED							UART0
R-0h							W-0h

Table 7-71. RESEUART Register Field Descriptions

Bit	Field	Type	Reset	Description
31-1	RESERVED	R	0h	Reserved
0	UART0	W	0h	0: No action 1: Reset UART0. HW cleared. Access will only have effect when SERIAL power domain is on, PDSTAT0.SERIAL_ON = 1 Before writing set FLASH:CFG.DIS_READACCESS = 1 to ensure the reset is not activated while executing from flash. This means one cannot execute from flash when using the SW reset.

7.8.2.44 RESETSSI Register (Offset = 104h) [Reset = 0000000h]

RESETSSI is shown in [Figure 7-67](#) and described in [Table 7-72](#).

Return to the [Table 7-27](#).

RESET For SSI IPs

Figure 7-67. RESETSSI Register

31	30	29	28	27	26	25	24	23	22	21	20	19	18	17	16
RESERVED															
R-0h															
15	14	13	12	11	10	9	8	7	6	5	4	3	2	1	0
RESERVED														SSI	
R-0h														W-0h	

Table 7-72. RESETSSI Register Field Descriptions

Bit	Field	Type	Reset	Description
31-2	RESERVED	R	0h	Reserved
1-0	SSI	W	0h	SSI 0: 0: No action 1: Reset SSI. HW cleared. Access will only have effect when SERIAL power domain is on, PDSTAT0.SERIAL_ON = 1 Before writing set FLASH:CFG.DIS_READACCESS = 1 to ensure the reset is not activated while executing from flash. This means one cannot execute from flash when using the SW reset. NOTE: MSB is reserved Writing any other value than the reset value may result in undefined behavior.

7.8.2.45 RESETI2S Register (Offset = 108h) [Reset = 00000000h]

RESETI2S is shown in [Figure 7-68](#) and described in [Table 7-73](#).

Return to the [Table 7-27](#).

RESET For I2S IP

Figure 7-68. RESETI2S Register

31	30	29	28	27	26	25	24	23	22	21	20	19	18	17	16
RESERVED															
R-0h															
15	14	13	12	11	10	9	8	7	6	5	4	3	2	1	0
RESERVED															I2S
R-0h															W-0h

Table 7-73. RESETI2S Register Field Descriptions

Bit	Field	Type	Reset	Description
31-1	RESERVED	R	0h	Reserved
0	I2S	W	0h	0: No action 1: Reset module. HW cleared. Access will only have effect when PERIPH power domain is on, PDSTAT0.PERIPH_ON = 1 Before writing set FLASH:CFG.DIS_READACCESS = 1 to ensure the reset is not activated while executing from flash. This means one cannot execute from flash when using the SW reset.

7.8.2.46 PDCTL0 Register (Offset = 12Ch) [Reset = 0000000h]

PDCTL0 is shown in [Figure 7-69](#) and described in [Table 7-74](#).

Return to the [Table 7-27](#).

Power Domain Control

Figure 7-69. PDCTL0 Register

31	30	29	28	27	26	25	24
RESERVED							
R-0h							
23	22	21	20	19	18	17	16
RESERVED							
R-0h							
15	14	13	12	11	10	9	8
RESERVED							
R-0h							
7	6	5	4	3	2	1	0
RESERVED					PERIPH_ON	SERIAL_ON	RFC_ON
R-0h					R/W-0h	R/W-0h	R/W-0h

Table 7-74. PDCTL0 Register Field Descriptions

Bit	Field	Type	Reset	Description
31-3	RESERVED	R	0h	Reserved
2	PERIPH_ON	R/W	0h	PERIPH Power domain. 0: PERIPH power domain is powered down 1: PERIPH power domain is powered up
1	SERIAL_ON	R/W	0h	SERIAL Power domain. 0: SERIAL power domain is powered down 1: SERIAL power domain is powered up
0	RFC_ON	R/W	0h	0: RFC power domain powered off if also PDCTL1.RFC_ON = 0 1: RFC power domain powered on

7.8.2.47 PDCTL0RFC Register (Offset = 130h) [Reset = 0000000h]

PDCTL0RFC is shown in [Figure 7-70](#) and described in [Table 7-75](#).

Return to the [Table 7-27](#).

RFC Power Domain Control

Figure 7-70. PDCTL0RFC Register

31	30	29	28	27	26	25	24	23	22	21	20	19	18	17	16
RESERVED															
R-0h															
15	14	13	12	11	10	9	8	7	6	5	4	3	2	1	0
RESERVED															ON
R-0h															R/W-0h

Table 7-75. PDCTL0RFC Register Field Descriptions

Bit	Field	Type	Reset	Description
31-1	RESERVED	R	0h	Reserved
0	ON	R/W	0h	Alias for PDCTL0.RFC_ON

7.8.2.48 PDCTL0SERIAL Register (Offset = 134h) [Reset = 0000000h]

PDCTL0SERIAL is shown in [Figure 7-71](#) and described in [Table 7-76](#).

Return to the [Table 7-27](#).

SERIAL Power Domain Control

Figure 7-71. PDCTL0SERIAL Register

31	30	29	28	27	26	25	24	23	22	21	20	19	18	17	16
RESERVED															
R-0h															
15	14	13	12	11	10	9	8	7	6	5	4	3	2	1	0
RESERVED															ON
R-0h															R/W-0h

Table 7-76. PDCTL0SERIAL Register Field Descriptions

Bit	Field	Type	Reset	Description
31-1	RESERVED	R	0h	Reserved
0	ON	R/W	0h	Alias for PDCTL0.SERIAL_ON

7.8.2.49 PDCTL0PERIPH Register (Offset = 138h) [Reset = 0000000h]

PDCTL0PERIPH is shown in [Figure 7-72](#) and described in [Table 7-77](#).

Return to the [Table 7-27](#).

PERIPH Power Domain Control

Figure 7-72. PDCTL0PERIPH Register

31	30	29	28	27	26	25	24	23	22	21	20	19	18	17	16
RESERVED															
R-0h															
15	14	13	12	11	10	9	8	7	6	5	4	3	2	1	0
RESERVED															ON
R-0h															R/W-0h

Table 7-77. PDCTL0PERIPH Register Field Descriptions

Bit	Field	Type	Reset	Description
31-1	RESERVED	R	0h	Reserved
0	ON	R/W	0h	Alias for PDCTL0.PERIPH_ON

7.8.2.50 PDSTAT0 Register (Offset = 140h) [Reset = 0000000h]

PDSTAT0 is shown in [Figure 7-73](#) and described in [Table 7-78](#).

Return to the [Table 7-27](#).

Power Domain Status

Figure 7-73. PDSTAT0 Register

31	30	29	28	27	26	25	24
RESERVED							
R-0h							
23	22	21	20	19	18	17	16
RESERVED							
R-0h							
15	14	13	12	11	10	9	8
RESERVED							
R-0h							
7	6	5	4	3	2	1	0
RESERVED					PERIPH_ON	SERIAL_ON	RFC_ON
R-0h					R-0h	R-0h	R-0h

Table 7-78. PDSTAT0 Register Field Descriptions

Bit	Field	Type	Reset	Description
31-3	RESERVED	R	0h	Reserved
2	PERIPH_ON	R	0h	PERIPH Power domain. 0: Domain may be powered down 1: Domain powered up (guaranteed)
1	SERIAL_ON	R	0h	SERIAL Power domain. 0: Domain may be powered down 1: Domain powered up (guaranteed)
0	RFC_ON	R	0h	RFC Power domain 0: Domain may be powered down 1: Domain powered up (guaranteed)

7.8.2.51 PDSTAT0RFC Register (Offset = 144h) [Reset = 0000000h]

PDSTAT0RFC is shown in [Figure 7-74](#) and described in [Table 7-79](#).

Return to the [Table 7-27](#).

RFC Power Domain Status

Figure 7-74. PDSTAT0RFC Register

31	30	29	28	27	26	25	24	23	22	21	20	19	18	17	16
RESERVED															
R-0h															
15	14	13	12	11	10	9	8	7	6	5	4	3	2	1	0
RESERVED															ON
R-0h															R-0h

Table 7-79. PDSTAT0RFC Register Field Descriptions

Bit	Field	Type	Reset	Description
31-1	RESERVED	R	0h	Reserved
0	ON	R	0h	Alias for PDSTAT0.RFC_ON

7.8.2.52 PDSTAT0SERIAL Register (Offset = 148h) [Reset = 00000000h]

PDSTAT0SERIAL is shown in [Figure 7-75](#) and described in [Table 7-80](#).

Return to the [Table 7-27](#).

SERIAL Power Domain Status

Figure 7-75. PDSTAT0SERIAL Register

31	30	29	28	27	26	25	24	23	22	21	20	19	18	17	16
RESERVED															
R-0h															
15	14	13	12	11	10	9	8	7	6	5	4	3	2	1	0
RESERVED															ON
R-0h															R-0h

Table 7-80. PDSTAT0SERIAL Register Field Descriptions

Bit	Field	Type	Reset	Description
31-1	RESERVED	R	0h	Reserved
0	ON	R	0h	Alias for PDSTAT0.SERIAL_ON

7.8.2.53 PDSTAT0PERIPH Register (Offset = 14Ch) [Reset = 0000000h]

PDSTAT0PERIPH is shown in [Figure 7-76](#) and described in [Table 7-81](#).

Return to the [Table 7-27](#).

PERIPH Power Domain Status

Figure 7-76. PDSTAT0PERIPH Register

31	30	29	28	27	26	25	24	23	22	21	20	19	18	17	16
RESERVED															
R-0h															
15	14	13	12	11	10	9	8	7	6	5	4	3	2	1	0
RESERVED															ON
R-0h															R-0h

Table 7-81. PDSTAT0PERIPH Register Field Descriptions

Bit	Field	Type	Reset	Description
31-1	RESERVED	R	0h	Reserved
0	ON	R	0h	Alias for PDSTAT0.PERIPH_ON

7.8.2.54 PDCTL1 Register (Offset = 17Ch) [Reset = 000000Ah]

PDCTL1 is shown in [Figure 7-77](#) and described in [Table 7-82](#).

Return to the [Table 7-27](#).

Power Domain Control

Figure 7-77. PDCTL1 Register

31	30	29	28	27	26	25	24
RESERVED							
R-0h							
23	22	21	20	19	18	17	16
RESERVED							
R-0h							
15	14	13	12	11	10	9	8
RESERVED							
R-0h							
7	6	5	4	3	2	1	0
RESERVED			VIMS_MODE		RFC_ON	CPU_ON	RESERVED
R-0h			R/W-1h		R/W-0h	R/W-1h	R-0h

Table 7-82. PDCTL1 Register Field Descriptions

Bit	Field	Type	Reset	Description
31-5	RESERVED	R	0h	Reserved
4-3	VIMS_MODE	R/W	1h	00: VIMS power domain is only powered when CPU power domain is powered. 01: VIMS power domain is powered whenever the BUS power domain is powered. 1X: Block power up of VIMS power domain at next wake up. This mode only has effect when VIMS power domain is not powered. Used for Autonomous RF Core.
2	RFC_ON	R/W	0h	0: RFC power domain powered off if also PDCTL0.RFC_ON = 0 1: RFC power domain powered on Bit shall be used by RFC in autonomous mode but there is no HW restrictions fom system CPU to access the bit.
1	CPU_ON	R/W	1h	0: Causes a power down of the CPU power domain when system CPU indicates it is idle. 1: Initiates power-on of the CPU power domain. This bit is automatically set by a WIC power-on event.
0	RESERVED	R	0h	Reserved

7.8.2.55 PDCTL1CPU Register (Offset = 184h) [Reset = 0000001h]

PDCTL1CPU is shown in [Figure 7-78](#) and described in [Table 7-83](#).

Return to the [Table 7-27](#).

CPU Power Domain Direct Control

Figure 7-78. PDCTL1CPU Register

31	30	29	28	27	26	25	24	23	22	21	20	19	18	17	16
RESERVED															
R-0h															
15	14	13	12	11	10	9	8	7	6	5	4	3	2	1	0
RESERVED															ON
R-0h															R/W-1h

Table 7-83. PDCTL1CPU Register Field Descriptions

Bit	Field	Type	Reset	Description
31-1	RESERVED	R	0h	Reserved
0	ON	R/W	1h	This is an alias for PDCTL1.CPU_ON

7.8.2.56 PDCTL1RFC Register (Offset = 188h) [Reset = 0000000h]

PDCTL1RFC is shown in [Figure 7-79](#) and described in [Table 7-84](#).

Return to the [Table 7-27](#).

RFC Power Domain Direct Control

Figure 7-79. PDCTL1RFC Register

31	30	29	28	27	26	25	24	23	22	21	20	19	18	17	16
RESERVED															
R-0h															
15	14	13	12	11	10	9	8	7	6	5	4	3	2	1	0
RESERVED															ON
R-0h															R/W-0h

Table 7-84. PDCTL1RFC Register Field Descriptions

Bit	Field	Type	Reset	Description
31-1	RESERVED	R	0h	Reserved
0	ON	R/W	0h	This is an alias for PDCTL1.RFC_ON

7.8.2.57 PDCTL1VIMS Register (Offset = 18Ch) [Reset = 0000001h]

PDCTL1VIMS is shown in [Figure 7-80](#) and described in [Table 7-85](#).

Return to the [Table 7-27](#).

VIMS Mode Direct Control

Figure 7-80. PDCTL1VIMS Register

31	30	29	28	27	26	25	24	23	22	21	20	19	18	17	16
RESERVED															
R-0h															
15	14	13	12	11	10	9	8	7	6	5	4	3	2	1	0
RESERVED													MODE		
R-0h													R/W-1h		

Table 7-85. PDCTL1VIMS Register Field Descriptions

Bit	Field	Type	Reset	Description
31-2	RESERVED	R	0h	Reserved
1-0	MODE	R/W	1h	This is an alias for PDCTL1.VIMS_MODE

7.8.2.58 PDSTAT1 Register (Offset = 194h) [Reset = 0000001Ah]

 PDSTAT1 is shown in [Figure 7-81](#) and described in [Table 7-86](#).

 Return to the [Table 7-27](#).

Power Manager Status

Figure 7-81. PDSTAT1 Register

31	30	29	28	27	26	25	24
RESERVED							
R-0h							
23	22	21	20	19	18	17	16
RESERVED							
R-0h							
15	14	13	12	11	10	9	8
RESERVED							
R-0h							
7	6	5	4	3	2	1	0
RESERVED			BUS_ON	VIMS_ON	RFC_ON	CPU_ON	RESERVED
R-0h			R-1h	R-1h	R-0h	R-1h	R-0h

Table 7-86. PDSTAT1 Register Field Descriptions

Bit	Field	Type	Reset	Description
31-5	RESERVED	R	0h	Reserved
4	BUS_ON	R	1h	0: BUS domain not accessible 1: BUS domain is currently accessible
3	VIMS_ON	R	1h	0: VIMS domain not accessible 1: VIMS domain is currently accessible
2	RFC_ON	R	0h	0: RFC domain not accessible 1: RFC domain is currently accessible
1	CPU_ON	R	1h	0: CPU and BUS domain not accessible 1: CPU and BUS domains are both currently accessible
0	RESERVED	R	0h	Reserved

7.8.2.59 PDSTAT1BUS Register (Offset = 198h) [Reset = 0000001h]

PDSTAT1BUS is shown in [Figure 7-82](#) and described in [Table 7-87](#).

Return to the [Table 7-27](#).

BUS Power Domain Direct Read Status

Figure 7-82. PDSTAT1BUS Register

31	30	29	28	27	26	25	24	23	22	21	20	19	18	17	16
RESERVED															
R-0h															
15	14	13	12	11	10	9	8	7	6	5	4	3	2	1	0
RESERVED															ON
R-0h															R-1h

Table 7-87. PDSTAT1BUS Register Field Descriptions

Bit	Field	Type	Reset	Description
31-1	RESERVED	R	0h	Reserved
0	ON	R	1h	This is an alias for PDSTAT1.BUS_ON

7.8.2.60 PDSTAT1RFC Register (Offset = 19Ch) [Reset = 0000000h]

PDSTAT1RFC is shown in [Figure 7-83](#) and described in [Table 7-88](#).

Return to the [Table 7-27](#).

RFC Power Domain Direct Read Status

Figure 7-83. PDSTAT1RFC Register

31	30	29	28	27	26	25	24	23	22	21	20	19	18	17	16
RESERVED															
R-0h															
15	14	13	12	11	10	9	8	7	6	5	4	3	2	1	0
RESERVED															ON
R-0h															R-0h

Table 7-88. PDSTAT1RFC Register Field Descriptions

Bit	Field	Type	Reset	Description
31-1	RESERVED	R	0h	Reserved
0	ON	R	0h	This is an alias for PDSTAT1.RFC_ON

7.8.2.61 PDSTAT1CPU Register (Offset = 1A0h) [Reset = 0000001h]

PDSTAT1CPU is shown in [Figure 7-84](#) and described in [Table 7-89](#).

Return to the [Table 7-27](#).

CPU Power Domain Direct Read Status

Figure 7-84. PDSTAT1CPU Register

31	30	29	28	27	26	25	24	23	22	21	20	19	18	17	16
RESERVED															
R-0h															
15	14	13	12	11	10	9	8	7	6	5	4	3	2	1	0
RESERVED															ON
R-0h															R-1h

Table 7-89. PDSTAT1CPU Register Field Descriptions

Bit	Field	Type	Reset	Description
31-1	RESERVED	R	0h	Reserved
0	ON	R	1h	This is an alias for PDSTAT1.CPU_ON

7.8.2.62 PDSTAT1VIMS Register (Offset = 1A4h) [Reset = 0000001h]

PDSTAT1VIMS is shown in [Figure 7-85](#) and described in [Table 7-90](#).

Return to the [Table 7-27](#).

VIMS Mode Direct Read Status

Figure 7-85. PDSTAT1VIMS Register

31	30	29	28	27	26	25	24	23	22	21	20	19	18	17	16
RESERVED															
R-0h															
15	14	13	12	11	10	9	8	7	6	5	4	3	2	1	0
RESERVED															ON
R-0h															R-1h

Table 7-90. PDSTAT1VIMS Register Field Descriptions

Bit	Field	Type	Reset	Description
31-1	RESERVED	R	0h	Reserved
0	ON	R	1h	This is an alias for PDSTAT1.VIMS_ON

7.8.2.63 RFCBITS Register (Offset = 1CCh) [Reset = 0000000h]

RFCBITS is shown in [Figure 7-86](#) and described in [Table 7-91](#).

Return to the [Table 7-27](#).

Control To RFC

Figure 7-86. RFCBITS Register

31	30	29	28	27	26	25	24	23	22	21	20	19	18	17	16	15	14	13	12	11	10	9	8	7	6	5	4	3	2	1	0
READ																															
R/W-0h																															

Table 7-91. RFCBITS Register Field Descriptions

Bit	Field	Type	Reset	Description
31-0	READ	R/W	0h	Control bits for RFC. The RF core CPE processor will automatically check this register when it boots, and it can be used to immediately instruct CPE to perform some tasks at its start-up. The supported functionality is ROM-defined and may vary. See the technical reference manual for more details.

7.8.2.64 RFCMODESEL Register (Offset = 1D0h) [Reset = 0000000h]

RFCMODESEL is shown in [Figure 7-87](#) and described in [Table 7-92](#).

Return to the [Table 7-27](#).

Selected RFC Mode

Figure 7-87. RFCMODESEL Register

31	30	29	28	27	26	25	24	23	22	21	20	19	18	17	16
RESERVED															
R-0h															
15	14	13	12	11	10	9	8	7	6	5	4	3	2	1	0
RESERVED													CURR		
R-0h													R/W-0h		

Table 7-92. RFCMODESEL Register Field Descriptions

Bit	Field	Type	Reset	Description
31-3	RESERVED	R	0h	Reserved
2-0	CURR	R/W	0h	Selects the set of commands that the RFC will accept. Only modes permitted by RFCMODEHWOPT.AVAIL are writeable. See the technical reference manual for details. 0h = Select Mode 0 1h = Select Mode 1 2h = Select Mode 2 3h = Select Mode 3 4h = Select Mode 4 5h = Select Mode 5 6h = Select Mode 6 7h = Select Mode 7

7.8.2.65 RFCMODEHWOPT Register (Offset = 1D4h) [Reset = 0000000h]

RFCMODEHWOPT is shown in [Figure 7-88](#) and described in [Table 7-93](#).

Return to the [Table 7-27](#).

Allowed RFC Modes

Figure 7-88. RFCMODEHWOPT Register

31	30	29	28	27	26	25	24	23	22	21	20	19	18	17	16	15	14	13	12	11	10	9	8	7	6	5	4	3	2	1	0
RESERVED														AVAIL																	
R-0h														R-0h																	

Table 7-93. RFCMODEHWOPT Register Field Descriptions

Bit	Field	Type	Reset	Description
31-8	RESERVED	R	0h	Reserved
7-0	AVAIL	R	0h	Permitted RFC modes. More than one mode can be permitted. 1h = Mode 0 permitted 2h = Mode 1 permitted 4h = Mode 2 permitted 8h = Mode 3 permitted 10h = Mode 4 permitted 20h = Mode 5 permitted 40h = Mode 6 permitted 80h = Mode 7 permitted

7.8.2.66 PWRPROFSTAT Register (Offset = 1E0h) [Reset = 0000001h]

PWRPROFSTAT is shown in [Figure 7-89](#) and described in [Table 7-94](#).

Return to the [Table 7-27](#).

Power Profiler Register

Figure 7-89. PWRPROFSTAT Register

31	30	29	28	27	26	25	24	23	22	21	20	19	18	17	16	15	14	13	12	11	10	9	8	7	6	5	4	3	2	1	0
RESERVED														VALUE																	
R-0h														R/W-1h																	

Table 7-94. PWRPROFSTAT Register Field Descriptions

Bit	Field	Type	Reset	Description
31-8	RESERVED	R	0h	Reserved
7-0	VALUE	R/W	1h	SW can use these bits to timestamp the application. These bits are also available through the testtap and can thus be used by the emulator to profile in real time.

7.8.2.67 RAMRETEN Register (Offset = 224h) [Reset = 000000Bh]

RAMRETEN is shown in [Figure 7-90](#) and described in [Table 7-95](#).

Return to the [Table 7-27](#).

Memory Retention Control

Figure 7-90. RAMRETEN Register

31	30	29	28	27	26	25	24
RESERVED							
R-0h							
23	22	21	20	19	18	17	16
RESERVED							
R-0h							
15	14	13	12	11	10	9	8
RESERVED							
R-0h							
7	6	5	4	3	2	1	0
RESERVED				RFCULL	RFC	VIMS	
R-0h				R/W-1h	R/W-0h	R/W-3h	

Table 7-95. RAMRETEN Register Field Descriptions

Bit	Field	Type	Reset	Description
31-4	RESERVED	R	0h	Reserved
3	RFCULL	R/W	1h	RFC ULL is not implemented. Writing any other value than the reset value may result in undefined behavior
2	RFC	R/W	0h	0: Retention for RFC SRAM disabled 1: Retention for RFC SRAM enabled Memories controlled: CPERAM MCERAM RFERAM DSBRAM
1-0	VIMS	R/W	3h	0: Memory retention disabled 1: Memory retention enabled Bit 0: VIMS_TRAM Bit 1: VIMS_CRAM Legal modes depend on settings in VIMS:CTL.MODE 00: VIMS:CTL.MODE must be OFF before DEEPSLEEP is asserted - must be set to CACHE or SPLIT mode after waking up again 01: VIMS:CTL.MODE must be GPRAM before DEEPSLEEP is asserted. Must remain in GPRAM mode after wake up, alternatively select OFF mode first and then CACHE or SPILT mode. 10: Illegal mode 11: No restrictions

7.8.2.68 OSCIMSC Register (Offset = 290h) [Reset = 0000036h]

 OSCIMSC is shown in [Figure 7-91](#) and described in [Table 7-96](#).

 Return to the [Table 7-27](#).

Oscillator Interrupt Mask Control

Figure 7-91. OSCIMSC Register

31	30	29	28	27	26	25	24
RESERVED							
R-0h							
23	22	21	20	19	18	17	16
RESERVED							
R-0h							
15	14	13	12	11	10	9	8
RESERVED							
R-0h							
7	6	5	4	3	2	1	0
HFSRCPENDIM	LFSRCDONEIM	XOSCDLFIM	XOSCLFIM	RCOSCDLFIM	RCOSCLFIM	XOSCHFIM	RCOSCHFIM
R/W-0h	R/W-0h	R/W-1h	R/W-1h	R/W-0h	R/W-1h	R/W-1h	R/W-0h

Table 7-96. OSCIMSC Register Field Descriptions

Bit	Field	Type	Reset	Description
31-8	RESERVED	R	0h	Reserved
7	HFSRCPENDIM	R/W	0h	0: Disable interrupt generation when HFSRCPEND is qualified 1: Enable interrupt generation when HFSRCPEND is qualified
6	LFSRCDONEIM	R/W	0h	0: Disable interrupt generation when LFSRCDONE is qualified 1: Enable interrupt generation when LFSRCDONE is qualified
5	XOSCDLFIM	R/W	1h	0: Disable interrupt generation when XOSCDLF is qualified 1: Enable interrupt generation when XOSCDLF is qualified
4	XOSCLFIM	R/W	1h	0: Disable interrupt generation when XOSCLF is qualified 1: Enable interrupt generation when XOSCLF is qualified
3	RCOSCDLFIM	R/W	0h	0: Disable interrupt generation when RCOSCDLF is qualified 1: Enable interrupt generation when RCOSCDLF is qualified
2	RCOSCLFIM	R/W	1h	0: Disable interrupt generation when RCOSCLF is qualified 1: Enable interrupt generation when RCOSCLF is qualified
1	XOSCHFIM	R/W	1h	0: Disable interrupt generation when XOSCHF is qualified 1: Enable interrupt generation when XOSCHF is qualified
0	RCOSCHFIM	R/W	0h	0: Disable interrupt generation when RCOSCHF is qualified 1: Enable interrupt generation when RCOSCHF is qualified

7.8.2.69 OSCRIS Register (Offset = 294h) [Reset = 0000000h]

OSCRIS is shown in [Figure 7-92](#) and described in [Table 7-97](#).

Return to the [Table 7-27](#).

Oscillator Raw Interrupt Status

Figure 7-92. OSCRIS Register

31	30	29	28	27	26	25	24
RESERVED							
R-0h							
23	22	21	20	19	18	17	16
RESERVED							
R-0h							
15	14	13	12	11	10	9	8
RESERVED							
R-0h							
7	6	5	4	3	2	1	0
HFSRCPENDRI S	LFSRCDONERI S	XOSCDLFRIS	XOSCLFRIS	RCOSCDLFRIS	RCOSCLFRIS	XOSCHFRIS	RCOSCHFRIS
R-0h	R-0h	R-0h	R-0h	R-0h	R-0h	R-0h	R-0h

Table 7-97. OSCRIS Register Field Descriptions

Bit	Field	Type	Reset	Description
31-8	RESERVED	R	0h	Reserved
7	HFSRCPENDRI S	R	0h	SCLK_HF source switch pending interrupt. After a write to DDI_0_OSC:CTL0.SCLK_HF_SRC_SEL leads to a SCLK_HF source change request, then the requested SCLK_HF source will be enabled and qualified. When the new source is ready to be used as a clock source, then the interrupt HFSRCPENDRI will go high. When the Flash allows SCLK_HF source switching to take place after flash memory read access is disabled. At this time the actual SCLK_HF clock source switch will be performed, and the interrupt status HFSRCPENDRI will go low. 0: Indicates SCLK_HF source is not ready to be switched 1: Indicates SCLK_HF source is ready to be switched Interrupt is qualified regardless of OSCIMSC.HFSRCPENDIM setting. The order of qualifying raw interrupt and enable of interrupt mask is indifferent for generating an OSC Interrupt. Set by HW. Cleared by writing to OSCICR.HFSRCPENDC
6	LFSRCDONERI S	R	0h	SCLK_LF source switch done. The DDI_0_OSC:CTL0.SCLK_LF_SRC_SEL register field is used to request that the SCLK_LF source shall be changed. After an SCLK_LF clock source change is requested, the new source may need to be enabled and qualified before switching of clock source can be done. The interrupt LFSRCDONERI goes high to indicate that the SCLK_LF clock source switching has been performed. LFSRCDONERI will go low again when the next clock source change is requested by writing to DDI_0_OSC:CTL0.SCLK_LF_SRC_SEL . 0: Indicates SCLK_LF source switch has not completed 1: Indicates SCLK_LF source switch has completed Interrupt is qualified regardless of OSCIMSC.LFSRCDONEIM setting. The order of qualifying raw interrupt and enable of interrupt mask is indifferent for generating an OSC Interrupt. Set by HW. Cleared by writing to OSCICR.LFSRCDONEC

Table 7-97. OSCRIS Register Field Descriptions (continued)

Bit	Field	Type	Reset	Description
5	XOSCDLFRIS	R	0h	<p>The XOSCDLFRIS interrupt indicates when the XOSC_HF oscillator is ready to be used as a derived low-frequency clock source for SCLK_LF or ACLK_REF. When XOSCDLFRIS is high, XOSC_HF will be used as source for SCLK_LF when selected. When none of the system clocks have XOSC_HF selected as clock source, the XOSC_HF source is automatically disabled and the XOSCDLFRIS interrupt status will go low.</p> <p>0: XOSCDLF has not been qualified 1: XOSCDLF has been qualified</p> <p>Interrupt is qualified regardless of OSCIMSC.XOSCDLFIM setting. The order of qualifying raw interrupt and enable of interrupt mask is indifferent for generating an OSC Interrupt.</p> <p>Set by HW. Cleared by writing to OSCICR.XOSCDLFC</p>
4	XOSCLFRIS	R	0h	<p>The XOSCLFRIS interrupt indicates when the output of the XOSC_LF oscillator has been qualified with respect to frequency. The XOSCLFRIS interrupt status goes high when the XOSC_LF oscillator is ready to be used as a clock source.</p> <p>After the clock qualification is successful, XOSCLFRIS interrupt status remains high, and further qualification is turned off until the XOSC_LF oscillator is disabled. XOSCLFRIS interrupt status will go low only at initial power-on, or after the XOSC_LF oscillator has been disabled when being deselected as a clock source.</p> <p>0: XOSCLF has not been qualified 1: XOSCLF has been qualified</p> <p>Interrupt is qualified regardless of OSCIMSC.XOSCLFIM setting. The order of qualifying raw interrupt and enable of interrupt mask is indifferent for generating an OSC Interrupt.</p> <p>Set by HW. Cleared by writing to OSCICR.XOSCLFC</p>
3	RCOSCDLFRIS	R	0h	<p>The RCOSCDLFRIS interrupt indicates when the RCOSC_HF oscillator is ready to be used as a derived low-frequency clock source for SCLK_LF or ACLK_REF. When RCOSCDLFRIS is high, RCOSC_HF will be used as source for SCLK_LF when selected. When none of the system clocks have RCOSC_HF selected as clock source, the RCOSC_HF source is automatically disabled and the RCOSCDLFRIS interrupt status will go low.</p> <p>If the SCLK_LF or ACLK_REF source is changed from RCOSC_HF derived to XOSC_HF derived low-frequency clock and the new source has not been qualified, then the clock will remain running on the original source. The RCOSCDLFRIS interrupt will then remain high.</p> <p>0: RCOSCDLF has not been qualified 1: RCOSCDLF has been qualified</p> <p>Interrupt is qualified regardless of OSCIMSC.RCOSCDLFIM setting. The order of qualifying raw interrupt and enable of interrupt mask is indifferent for generating an OSC Interrupt.</p> <p>Set by HW. Cleared by writing to OSCICR.RCOSCDLFC</p>
2	RCOSCLFRIS	R	0h	<p>The RCOSCLFRIS interrupt indicates when the output of the RCOSC_LF oscillator has been qualified with respect to frequency. The RCOSCLFRIS interrupt status goes high when the RCOSC_LF oscillator is ready to be used as a clock source.</p> <p>After the clock qualification is successful, RCOSCLFRIS interrupt status remains high, and further qualification is turned off until the RCOSC_LF oscillator is disabled. RCOSCLFRIS interrupt status will go low only at initial power-on, or after the RCOSC_LF oscillator has been disabled when being deselected as a clock source.</p> <p>0: RCOSCLF has not been qualified 1: RCOSCLF has been qualified</p> <p>Interrupt is qualified regardless of OSCIMSC.RCOSCLFIM setting. The order of qualifying raw interrupt and enable of interrupt mask is indifferent for generating an OSC Interrupt.</p> <p>Set by HW. Cleared by writing to OSCICR.RCOSCLFC</p>

Table 7-97. OSCRIS Register Field Descriptions (continued)

Bit	Field	Type	Reset	Description
1	XOSCHFRIS	R	0h	<p>The XOSCHFRIS interrupt indicates when the XOSC_HF oscillator has been qualified for use as a clock source. XOSCHFRIS is also used in TCXO mode (when DDI_0_OSC:XOSCHFCTL.TCXO_MODE is 1).</p> <p>When the XOSCHFRIS interrupt is high, the oscillator is qualified and will be used as a clock source when selected. The XOSCHFRIS interrupt goes low when the oscillator is disabled after being deselected as a clock source.</p> <p>0: XOSC_HF has not been qualified 1: XOSC_HF has been qualified</p> <p>Interrupt is qualified regardless of OSCIMSC.XOSCHFIM setting. The order of qualifying raw interrupt and enable of interrupt mask is indifferent for generating an OSC Interrupt.</p> <p>Set by HW. Cleared by writing to OSCICR.XOSCHFC</p>
0	RCOSCHFRIS	R	0h	<p>The RCOSCHFRIS interrupt indicates when the RCOSC_HF oscillator has been qualified for use as a clock source. When the RCOSCHFRIS interrupt is high, the oscillator is qualified and will be used as a clock source when selected. The RCOSCHFRIS interrupt goes low when the oscillator is disabled after being deselected as a clock source.</p> <p>0: RCOSC_HF has not been qualified 1: RCOSC_HF has been qualified</p> <p>Interrupt is qualified regardless of OSCIMSC.RCOSCHFIM setting. The order of qualifying raw interrupt and enable of interrupt mask is indifferent for generating an OSC Interrupt.</p> <p>Set by HW. Cleared by writing to OSCICR.RCOSCHFC</p>

7.8.2.70 OSCICR Register (Offset = 298h) [Reset = 0000000h]

OSCICR is shown in [Figure 7-93](#) and described in [Table 7-98](#).

Return to the [Table 7-27](#).

Oscillator Raw Interrupt Clear

Figure 7-93. OSCICR Register

31	30	29	28	27	26	25	24
RESERVED							
R-0h							
23	22	21	20	19	18	17	16
RESERVED							
R-0h							
15	14	13	12	11	10	9	8
RESERVED							
R-0h							
7	6	5	4	3	2	1	0
HFSRCPENDC	LFSRCDONEC	XOSCDLFC	XOSCLFC	RCOSCDLFC	RCOSCLFC	XOSCHFC	RCOSCHFC
W-0h	W-0h	W-0h	W-0h	W-0h	W-0h	W-0h	W-0h

Table 7-98. OSCICR Register Field Descriptions

Bit	Field	Type	Reset	Description
31-8	RESERVED	R	0h	Reserved
7	HFSRCPENDC	W	0h	Writing 1 to this field clears the HFSRCPEND raw interrupt status. Writing 0 has no effect.
6	LFSRCDONEC	W	0h	Writing 1 to this field clears the LFSRCDONE raw interrupt status. Writing 0 has no effect.
5	XOSCDLFC	W	0h	Writing 1 to this field clears the XOSCDLF raw interrupt status. Writing 0 has no effect.
4	XOSCLFC	W	0h	Writing 1 to this field clears the XOSCLF raw interrupt status. Writing 0 has no effect.
3	RCOSCDLFC	W	0h	Writing 1 to this field clears the RCOSCDLF raw interrupt status. Writing 0 has no effect.
2	RCOSCLFC	W	0h	Writing 1 to this field clears the RCOSCLF raw interrupt status. Writing 0 has no effect.
1	XOSCHFC	W	0h	Writing 1 to this field clears the XOSCHF raw interrupt status. Writing 0 has no effect.
0	RCOSCHFC	W	0h	Writing 1 to this field clears the RCOSCHF raw interrupt status. Writing 0 has no effect.

7.8.3 AON_PMCTL Registers

[AON_PMCTL Registers](#) lists the memory-mapped registers for the AON_PMCTL registers. All register offset addresses not listed in [AON_PMCTL Registers](#) should be considered as reserved locations and the register contents should not be modified.

Table 7-99. AON_PMCTL Registers

Offset	Acronym	Register Name	Section
4h	AUXSCECLK	AUX SCE Clock Management	Section 7.8.3.1
8h	RAMCFG	RAM Configuration	Section 7.8.3.2
10h	PWRCTL	Power Management Control	Section 7.8.3.3
14h	PWRSTAT	AON Power and Reset Status	Section 7.8.3.4
18h	SHUTDOWN	Shutdown Control	Section 7.8.3.5
1Ch	RECHARGECFG	Recharge Controller Configuration	Section 7.8.3.6
20h	RECHARGESTAT	Recharge Controller Status	Section 7.8.3.7
24h	OSCCFG	Oscillator Configuration	Section 7.8.3.8
28h	RESETCTL	Reset Management	Section 7.8.3.9
2Ch	SLEEPCTL	Sleep Control	Section 7.8.3.10
34h	JTAGCFG	JTAG Configuration	Section 7.8.3.11
3Ch	JTAGUSERCODE	JTAG USERCODE	Section 7.8.3.12

Complex bit access types are encoded to fit into small table cells. [AON_PMCTL Access Type Codes](#) shows the codes that are used for access types in this section.

Table 7-100. AON_PMCTL Access Type Codes

Access Type	Code	Description
Read Type		
R	R	Read
Write Type		
W	W	Write
W1C	W 1C	Write 1 to clear
Reset or Default Value		
-n		Value after reset or the default value

7.8.3.1 AUXSCECLK Register (Offset = 4h) [Reset = 0000000h]

AUXSCECLK is shown in [AUXSCECLK Register](#) and described in [AUXSCECLK Register Field Descriptions](#).

Return to the [AON_PMCTL Registers](#).

AUX SCE Clock Management

This register contains bitfields that are relevant for setting up the clock to the AUX domain.

Figure 7-94. AUXSCECLK Register

31	30	29	28	27	26	25	24
RESERVED							
R-0h							
23	22	21	20	19	18	17	16
RESERVED							
R-0h							
15	14	13	12	11	10	9	8
RESERVED							PD_SRC
R-0h							R/W-0h
7	6	5	4	3	2	1	0
RESERVED							SRC
R-0h							R/W-0h

Table 7-101. AUXSCECLK Register Field Descriptions

Bit	Field	Type	Reset	Description
31-9	RESERVED	R	0h	Reserved
8	PD_SRC	R/W	0h	Selects the clock source for the AUX domain when AUX is in powerdown mode. Note: Switching the clock source is guaranteed to be glitch-free 0h = No clock 1h = LF clock (SCLK_LF)
7-1	RESERVED	R	0h	Reserved
0	SRC	R/W	0h	Selects the clock source for the AUX domain when AUX is in active mode. Note: Switching the clock source is guaranteed to be glitch-free 0h = HF Clock divided by 2 (SCLK_HFDIV2) 1h = MF Clock (SCLK_MF)

7.8.3.2 RAMCFG Register (Offset = 8h) [Reset = 000100Fh]

RAMCFG is shown in [RAMCFG Register](#) and described in [RAMCFG Register Field Descriptions](#).

Return to the [AON_PMCTL Registers](#).

RAM Configuration

This register contains power management related configuration for the SRAM in the MCU and AUX domain.

Figure 7-95. RAMCFG Register

31	30	29	28	27	26	25	24
RESERVED							
R-0h							
23	22	21	20	19	18	17	16
RESERVED						AUX_SRAM_P WR_OFF	AUX_SRAM_R ET_EN
R-0h						R/W-0h	R/W-1h
15	14	13	12	11	10	9	8
RESERVED							
R-0h							
7	6	5	4	3	2	1	0
RESERVED				BUS_SRAM_RET_EN			
R-0h				R/W-Fh			

Table 7-102. RAMCFG Register Field Descriptions

Bit	Field	Type	Reset	Description
31-18	RESERVED	R	0h	Reserved
17	AUX_SRAM_PWR_OFF	R/W	0h	Internal. Only to be used through TI provided API.
16	AUX_SRAM_RET_EN	R/W	1h	Internal. Only to be used through TI provided API.
15-4	RESERVED	R	0h	Reserved
3-0	BUS_SRAM_RET_EN	R/W	Fh	MCU SRAM is partitioned into 1 bank . This register controls whether the bank that has retention during MCU Bus domain power off. 0h = Retention is disabled Fh = Retention is enabled

7.8.3.3 PWRCTL Register (Offset = 10h) [Reset = 0000000h]

PWRCTL is shown in [PWRCTL Register](#) and described in [PWRCTL Register Field Descriptions](#).

Return to the [AON_PMCTL Registers](#).

Power Management Control

This register controls bitfields for setting low level power management features such as selection of regulator for VDDR supply and control of IO ring where certain segments can be enabled / disabled.

Figure 7-96. PWRCTL Register

31	30	29	28	27	26	25	24
RESERVED							
R-0h							
23	22	21	20	19	18	17	16
RESERVED							
R-0h							
15	14	13	12	11	10	9	8
RESERVED							
R-0h							
7	6	5	4	3	2	1	0
RESERVED					DCDC_ACTIVE	EXT_REG_MODE	DCDC_EN
R-0h					R/W-0h	R-0h	R/W-0h

Table 7-103. PWRCTL Register Field Descriptions

Bit	Field	Type	Reset	Description
31-3	RESERVED	R	0h	Reserved
2	DCDC_ACTIVE	R/W	0h	Select to use DCDC regulator for VDDR in active mode 0: Use GLDO for regulation of VDDR in active mode. 1: Use DCDC for regulation of VDDR in active mode. DCDC_EN must also be set for DCDC to be used as regulator for VDDR in active mode
1	EXT_REG_MODE	R	0h	Status of source for VDDRsupply: 0: DCDC or GLDO are generating VDDR 1: DCDC and GLDO are bypassed and an external regulator supplies VDDR
0	DCDC_EN	R/W	0h	Select to use DCDC regulator during recharge of VDDR 0: Use GLDO for recharge of VDDR 1: Use DCDC for recharge of VDDR Note: This bitfield should be set to the same as DCDC_ACTIVE

7.8.3.4 PWRSTAT Register (Offset = 14h) [Reset = 03C00003h]

PWRSTAT is shown in [PWRSTAT Register](#) and described in [PWRSTAT Register Field Descriptions](#).

Return to the [AON_PMCTL Registers](#).

AON Power and Reset Status

This register is used to monitor various power management related signals in AON. All other signals than JTAG_PD_ON, AUX_BUS_RESET_DONE, and AUX_RESET_DONE are for test, calibration and debug purpose only.

Figure 7-97. PWRSTAT Register

31	30	29	28	27	26	25	24
RESERVED							
R-0h							
23	22	21	20	19	18	17	16
RESERVED							
R-0h							
15	14	13	12	11	10	9	8
RESERVED							
R-0h							
7	6	5	4	3	2	1	0
RESERVED					JTAG_PD_ON	AUX_BUS_RESET_DONE	AUX_RESET_DONE
R-0h					R-0h	R-1h	R-1h

Table 7-104. PWRSTAT Register Field Descriptions

Bit	Field	Type	Reset	Description
31-3	RESERVED	R	0h	Reserved
2	JTAG_PD_ON	R	0h	Indicates JTAG power state: 0: JTAG is powered off 1: JTAG is powered on
1	AUX_BUS_RESET_DONE	R	1h	Indicates Reset Done from AUX Bus: 0: AUX Bus is being reset 1: AUX Bus reset is released
0	AUX_RESET_DONE	R	1h	Indicates Reset Done from AUX: 0: AUX is being reset 1: AUX reset is released

7.8.3.5 SHUTDOWN Register (Offset = 18h) [Reset = 0000000h]

SHUTDOWN is shown in [SHUTDOWN Register](#) and described in [SHUTDOWN Register Field Descriptions](#).

Return to the [AON_PMCTL Registers](#).

Shutdown Control

This register contains bitfields required for entering shutdown mode

Figure 7-98. SHUTDOWN Register

31	30	29	28	27	26	25	24	23	22	21	20	19	18	17	16
RESERVED															
R-0h															
15	14	13	12	11	10	9	8	7	6	5	4	3	2	1	0
RESERVED															EN
R-0h															R/W-0h

Table 7-105. SHUTDOWN Register Field Descriptions

Bit	Field	Type	Reset	Description
31-1	RESERVED	R	0h	Reserved
0	EN	R/W	0h	Shutdown control. 0: Do not write 0 to this bit. 1: Immediately start the process to enter shutdown mode

7.8.3.6 RECHARGECFG Register (Offset = 1Ch) [Reset = C000000h]

RECHARGECFG is shown in [RECHARGECFG Register](#) and described in [RECHARGECFG Register Field Descriptions](#).

Return to the [AON_PMCTL Registers](#).

Recharge Controller Configuration

This register sets all relevant parameters for controlling the recharge algorithm.

Figure 7-99. RECHARGECFG Register

31	30	29	28	27	26	25	24	23	22	21	20	19	18	17	16
MODE		RESERVED						C2			C1				
R/W-3h		R-0h						R/W-0h			R/W-0h				
15	14	13	12	11	10	9	8	7	6	5	4	3	2	1	0
MAX_PER_M				MAX_PER_E				PER_M				PER_E			
R/W-0h				R/W-0h				R/W-0h				R/W-0h			

Table 7-106. RECHARGECFG Register Field Descriptions

Bit	Field	Type	Reset	Description
31-30	MODE	R/W	3h	Selects recharge algorithm for VDDR when the system is running on the uLDO 0h = Recharge disabled 1h = Static timer 2h = Adaptive timer 3h = External recharge comparator. Note that the clock to the recharge comparator must be enabled, [ANATOP_MMAP:ADI_3_REFSYS:CTL_RECHARGE_CMP0:COMP_CLK_DISABLE], before selecting this recharge algorithm.
29-24	RESERVED	R	0h	Reserved
23-20	C2	R/W	0h	Internal. Only to be used through TI provided API.
19-16	C1	R/W	0h	Internal. Only to be used through TI provided API.
15-11	MAX_PER_M	R/W	0h	Internal. Only to be used through TI provided API.
10-8	MAX_PER_E	R/W	0h	Internal. Only to be used through TI provided API.
7-3	PER_M	R/W	0h	Internal. Only to be used through TI provided API.
2-0	PER_E	R/W	0h	Internal. Only to be used through TI provided API.

7.8.3.7 RECHARGESTAT Register (Offset = 20h) [Reset = 00000000h]

RECHARGESTAT is shown in [RECHARGESTAT Register](#) and described in [RECHARGESTAT Register Field Descriptions](#).

Return to the [AON_PMCTL Registers](#).

Recharge Controller Status

This register controls various status registers which are updated during recharge. The register is mostly intended for test and debug.

Figure 7-100. RECHARGESTAT Register

31	30	29	28	27	26	25	24	23	22	21	20	19	18	17	16
RESERVED												VDDR_SMPLS			
R-0h												R-0h			
15	14	13	12	11	10	9	8	7	6	5	4	3	2	1	0
MAX_USED_PER															
R/W-0h															

Table 7-107. RECHARGESTAT Register Field Descriptions

Bit	Field	Type	Reset	Description
31-20	RESERVED	R	0h	Reserved
19-16	VDDR_SMPLS	R	0h	The last 4 VDDR samples. For each bit: 0: VDDR was below VDDR_OK threshold when recharge started 1: VDDR was above VDDR_OK threshold when recharge started The register is updated prior to every recharge period with a shift left, and bit 0 is updated with the last VDDR sample.
15-0	MAX_USED_PER	R/W	0h	Shows the maximum number of 32kHz periods that have separated two recharge cycles and VDDR still was above VDDR_OK threshold when the latter recharge started. This register can be used as an indication of the leakage current during standby. This bitfield is cleared to 0 when writing this register.

7.8.3.8 OSCCFG Register (Offset = 24h) [Reset = 0000000h]

OSCCFG is shown in [OSCCFG Register](#) and described in [OSCCFG Register Field Descriptions](#).

Return to the [AON_PMCTL Registers](#).

Oscillator Configuration

This register sets the period for Amplitude compensation requests sent to the oscillator control system. The amplitude compensations is only applicable when XOSC_HF is running in low power mode.

Figure 7-101. OSCCFG Register

31	30	29	28	27	26	25	24	23	22	21	20	19	18	17	16
RESERVED															
R-0h															
15	14	13	12	11	10	9	8	7	6	5	4	3	2	1	0
RESERVED								PER_M				PER_E			
R-0h								R/W-0h				R/W-0h			

Table 7-108. OSCCFG Register Field Descriptions

Bit	Field	Type	Reset	Description
31-8	RESERVED	R	0h	Reserved
7-3	PER_M	R/W	0h	Internal. Only to be used through TI provided API.
2-0	PER_E	R/W	0h	Internal. Only to be used through TI provided API.

7.8.3.9 RESECTL Register (Offset = 28h) [Reset = 00001C0h]

RESECTL is shown in [RESECTL Register](#) and described in [RESECTL Register Field Descriptions](#).

Return to the [AON_PMCTL Registers](#).

Reset Management

This register contains bitfields related to system reset such as reset source and reset request and control of brown out resets.

Figure 7-102. RESECTL Register

31	30	29	28	27	26	25	24
SYSRESET	RESERVED					BOOT_DET_1_CLR	BOOT_DET_0_CLR
W-0h		R-0h			W-0h		W-0h
23	22	21	20	19	18	17	16
RESERVED					BOOT_DET_1_SET	BOOT_DET_0_SET	
R-0h				W-0h		W-0h	
15	14	13	12	11	10	9	8
WU_FROM_SD	GPIO_WU_FR OM_SD	BOOT_DET_1	BOOT_DET_0	RESERVED			VDDS_LOSS_EN
R-0h	R-0h	R-0h	R-0h	R-0h			R/W-1h
7	6	5	4	3	2	1	0
VDDR_LOSS_EN	VDD_LOSS_EN	CLK_LOSS_EN	MCU_WARM_RESET	RESET_SRC			RESERVED
R/W-1h	R/W-1h	R/W-0h	R/W1C-0h	R-0h			R-0h

Table 7-109. RESECTL Register Field Descriptions

Bit	Field	Type	Reset	Description
31	SYSRESET	W	0h	Cold reset register. Writing 1 to this bitfield will reset the entire chip and cause boot code to run again. 0: No effect 1: Generate system reset. Appears as SYSRESET in RESET_SRC
30-26	RESERVED	R	0h	Reserved
25	BOOT_DET_1_CLR	W	0h	Internal. Only to be used through TI provided API.
24	BOOT_DET_0_CLR	W	0h	Internal. Only to be used through TI provided API.
23-18	RESERVED	R	0h	Reserved
17	BOOT_DET_1_SET	W	0h	Internal. Only to be used through TI provided API.
16	BOOT_DET_0_SET	W	0h	Internal. Only to be used through TI provided API.
15	WU_FROM_SD	R	0h	A Wakeup from SHUTDOWN on an IO event has occurred, or a wakeup from SHUTDOWN has occurred as a result of the debugger being attached.. (TCK pin being forced low) Please refer to IOC:IOCFGn.WU_CFG for configuring the IO's as wakeup sources. 0: Wakeup occurred from cold reset or brown out as seen in RESET_SRC 1: A wakeup has occurred from SHUTDOWN Note: This flag will be cleared when SLEEPCTL.IO_PAD_SLEEP_DIS is asserted.

Table 7-109. RESETCTL Register Field Descriptions (continued)

Bit	Field	Type	Reset	Description
14	GPIO_WU_FROM_SD	R	0h	A wakeup from SHUTDOWN on an IO event has occurred Please refer to IOC:IOCFGn.WU_CFG for configuring the IO's as wakeup sources. 0: The wakeup did not occur from SHUTDOWN on an IO event 1: A wakeup from SHUTDOWN occurred from an IO event The case where WU_FROM_SD is asserted but this bitfield is not asserted will only occur in a debug session. The boot code will not proceed with wakeup from SHUTDOWN procedure until this bitfield is asserted as well. Note: This flag will be cleared when SLEEPCTL.IO_PAD_SLEEP_DIS is asserted.
13	BOOT_DET_1	R	0h	Internal. Only to be used through TI provided API.
12	BOOT_DET_0	R	0h	Internal. Only to be used through TI provided API.
11-9	RESERVED	R	0h	Reserved
8	VDDS_LOSS_EN	R/W	1h	Controls reset generation in case VDDS is lost 0: Brown out detect of VDDS is ignored, unless VDDS_LOSS_EN_OVR=1 1: Brown out detect of VDDS generates system reset
7	VDDR_LOSS_EN	R/W	1h	Controls reset generation in case VDDR is lost 0: Brown out detect of VDDR is ignored, unless VDDR_LOSS_EN_OVR=1 1: Brown out detect of VDDR generates system reset
6	VDD_LOSS_EN	R/W	1h	Controls reset generation in case VDD is lost 0: Brown out detect of VDD is ignored, unless VDD_LOSS_EN_OVR=1 1: Brown out detect of VDD generates system reset
5	CLK_LOSS_EN	R/W	0h	Controls reset generation in case SCLK_LF, SCLK_MF or SCLK_HF is lost when clock loss detection is enabled by [ANATOP_MMAP:DDI_0_OSC:CTL0.CLK_LOSS_EN] 0: Clock loss is ignored 1: Clock loss generates system reset Note: Clock loss reset generation must be disabled when changing clock source for SCLK_LF. Failure to do so may result in a spurious system reset. Clock loss reset generation is controlled by [ANATOP_MMAP:DDI_0_OSC:CTL0.CLK_LOSS_EN]
4	MCU_WARM_RESET	R/W1C	0h	Internal. Only to be used through TI provided API.
3-1	RESET_SRC	R	0h	Shows the root cause of the last system reset. More than the reported reset source can have been active during the last system reset but only the root cause is reported. The capture feature is not rearmmed until all off the possible reset sources have been released and the result has been copied to AON_PMCTL. During the copy and rearm process it is one 2MHz period in which and eventual new system reset will be reported as Power on reset regardless of the root cause. 0h = Power on reset 1h = Reset pin 2h = Brown out detect on VDDS 4h = Brown out detect on VDDR 5h = SCLK_LF, SCLK_MF or SCLK_HF clock loss detect 6h = Software reset via SYSRESET or hardware power management timeout detection. Note: The hardware power management timeout circuit is always enabled. 7h = Software reset via PRCM warm reset request
0	RESERVED	R	0h	Reserved

7.8.3.10 SLEEPCTL Register (Offset = 2Ch) [Reset = 0000000h]

SLEEPCTL is shown in [SLEEPCTL Register](#) and described in [SLEEPCTL Register Field Descriptions](#).

Return to the [AON_PMCTL Registers](#).

Sleep Control

This register is used to unfreeze the IO pad ring after waking up from SHUTDOWN

Figure 7-103. SLEEPCTL Register

31	30	29	28	27	26	25	24
RESERVED							
R-0h							
23	22	21	20	19	18	17	16
RESERVED							
R-0h							
15	14	13	12	11	10	9	8
RESERVED							
R-0h							
7	6	5	4	3	2	1	0
RESERVED							IO_PAD_SLEEP_DIS
R-0h							R/W-0h

Table 7-110. SLEEPCTL Register Field Descriptions

Bit	Field	Type	Reset	Description
31-1	RESERVED	R	0h	Reserved
0	IO_PAD_SLEEP_DIS	R/W	0h	Controls the I/O pad sleep mode. The boot code will set this bitfield automatically unless waking up from a SHUTDOWN (RESETCTL.WU_FROM_SD is set). 0: I/O pad sleep mode is enabled, meaning all outputs and pad configurations are latched. Inputs are transparent if pad is configured as input before IO_PAD_SLEEP_DIS is set to 1 1: I/O pad sleep mode is disabled Application software must reconfigure the state for all IO's before setting this bitfield upon waking up from a SHUTDOWN to avoid glitches on pins.

7.8.3.11 JTAGCFG Register (Offset = 34h) [Reset = 0000100h]

JTAGCFG is shown in [JTAGCFG Register](#) and described in [JTAGCFG Register Field Descriptions](#).

Return to the [AON_PMCTL Registers](#).

JTAG Configuration

This register contains control for configuration of the JTAG domain. This includes permissions for each TAP.

Figure 7-104. JTAGCFG Register

31	30	29	28	27	26	25	24
RESERVED							
R-0h							
23	22	21	20	19	18	17	16
RESERVED							
R-0h							
15	14	13	12	11	10	9	8
RESERVED							JTAG_PD_FOR CE_ON
R-0h							R/W-1h
7	6	5	4	3	2	1	0
RESERVED							
R-0h							

Table 7-111. JTAGCFG Register Field Descriptions

Bit	Field	Type	Reset	Description
31-9	RESERVED	R	0h	Reserved
8	JTAG_PD_FORCE_ON	R/W	1h	Controls JTAG Power domain power state: 0: Controlled exclusively by debug subsystem. (JTAG Power domain will be powered off unless a debugger is attached) 1: JTAG Power Domain is forced on, independent of debug subsystem. Note: The reset value causes JTAG Power domain to be powered on by default. Software must clear this bit to turn off the JTAG Power domain
7-0	RESERVED	R	0h	Reserved

7.8.3.12 JTAGUSERCODE Register (Offset = 3Ch) [Reset = 0B99A02Fh]

JTAGUSERCODE is shown in [JTAGUSERCODE Register](#) and described in [JTAGUSERCODE Register Field Descriptions](#).

Return to the [AON_PMCTL Registers](#).

JTAG USERCODE

Boot code copies the JTAG USERCODE to this register from where it is forwarded to the debug subsystem.

Figure 7-105. JTAGUSERCODE Register

31	30	29	28	27	26	25	24	23	22	21	20	19	18	17	16	15	14	13	12	11	10	9	8	7	6	5	4	3	2	1	0
USER_CODE																															
R/W-0B99A02Fh																															

Table 7-112. JTAGUSERCODE Register Field Descriptions

Bit	Field	Type	Reset	Description
31-0	USER_CODE	R/W	0B99A02Fh	32-bit JTAG USERCODE register feeding main JTAG TAP Note: This field can be locked by LOCKCFG.LOCK

Versatile Instruction Memory System (VIMS)

This chapter discusses the Versatile Instruction Memory System (VIMS) of the CC13x1x3 and CC26x1x3 device platform.

8.1 Introduction	604
8.2 VIMS Configurations	605
8.3 VIMS Software Remarks	609
8.4 ROM	611
8.5 FLASH	611
8.6 ROM Functions	614
8.7 VIMS Registers	614

8.1 Introduction

The main instruction memories are encapsulated in a versatile instruction memory system (VIMS) module, which includes the following memories:

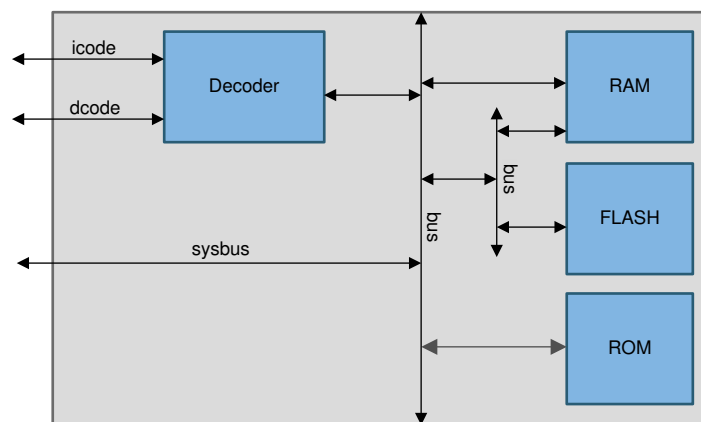
- 352 kB of FLASH
- 8 kB or RAM Cache or general-purpose RAM (GPRAM)
- 40 kB of Boot ROM

Figure 8-1 shows an overview of the VIMS module.

The VIMS module forwards CPU accesses (icode/dcode) and system bus accesses to the addressed memories. The VIMS module also arbitrates access between the CPU and the system bus.

The VIMS module runs on the 48 MHz system clock.

The FLASH memory is programmable from user software, from the debug interface, and from the ROM bootloader. The RAM block can be used as a cache for the FLASH block or as GPRAM.



Copyright © 2017, Texas Instruments Incorporated

Figure 8-1. VIMS Overview

8.2 VIMS Configurations

8.2.1 VIMS Modes

The RAM block operates as follows:

- GPRAM
- CACHE
- OFF

The current mode is shown in the VIMS:STAT.MODE register, and mode switching is controlled through the VIMS:CTL.MODE register. [Figure 8-2](#) shows the mode transitions. All mode changes are software initiated. The *invalidating* state is a transition state controlled by hardware. Invalidation initializes the entire content of the RAM block and takes 1029 clock periods to perform.

Once a mode change is initiated, shown in the VIMS:STATUS.MODE_CHANGING register, the mode change must complete before another mode change can be initiated. The VIMS:CTL.MODE register is blocked for updates during a mode change.

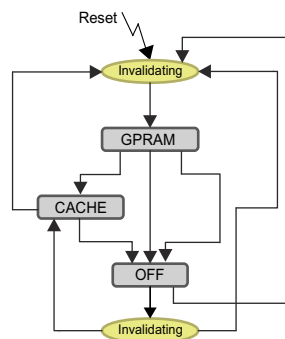


Figure 8-2. VIMS Mode Switching Flowchart

8.2.1.1 GPRAM Mode

In GPRAM mode, the RAM block functions as a general-purpose RAM (see [Figure 8-3](#)). The FLASH block has no cache support, and all accesses to the FLASH are routed directly to the FLASH block.

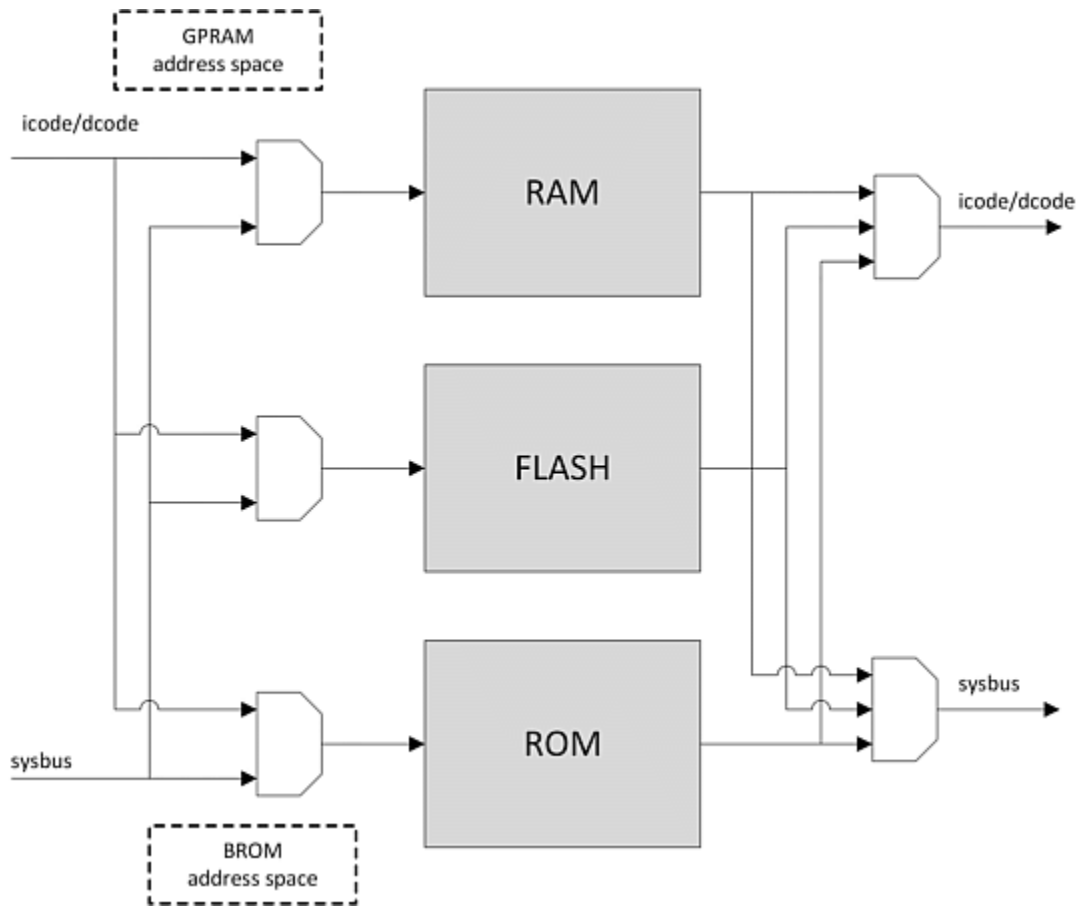


Figure 8-3. VIMS Module in GPRAM Mode

8.2.1.2 Off Mode

In off mode, the RAM block is disabled and cannot be accessed by the CPU or by the system bus (see [Figure 8-4](#)). The GPRAM space is not available in off mode.

The FLASH block has no cache support, and all accesses to the FLASH are routed directly to the FLASH block.

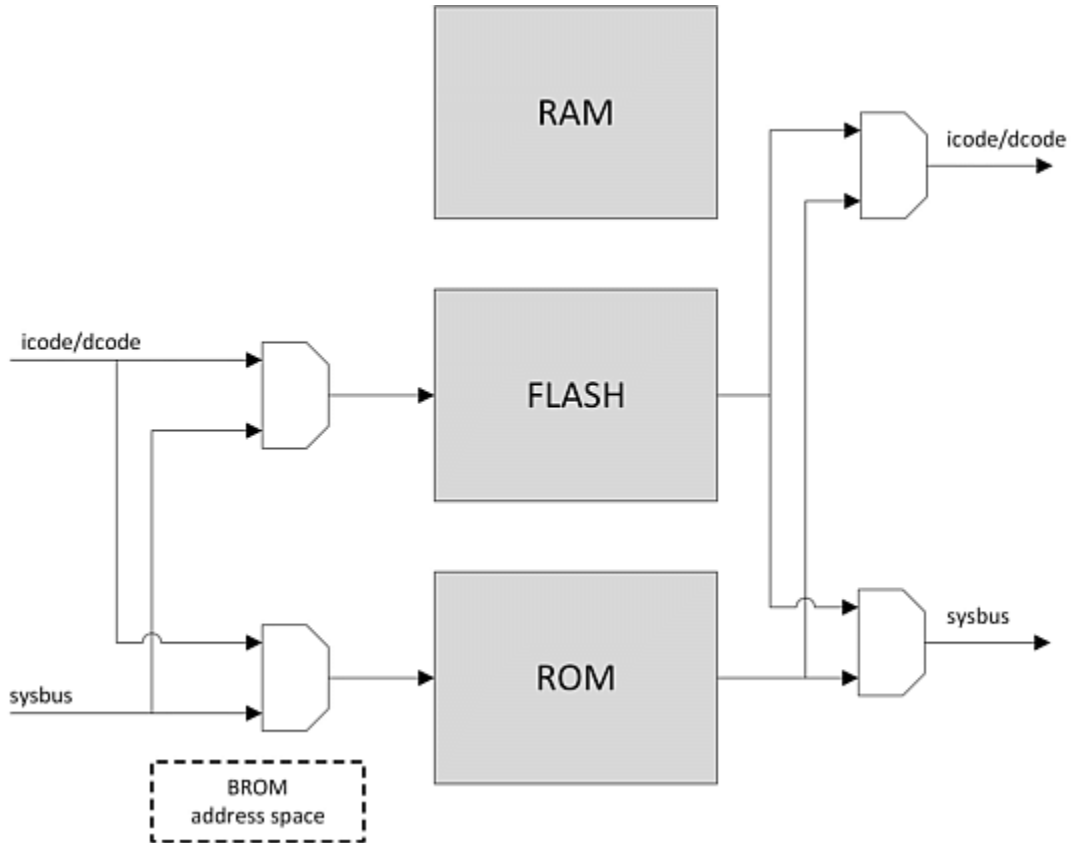


Figure 8-4. VIMS Module in Off Mode

8.2.1.3 Cache Mode

In cache mode, the RAM block functions as an 8K 4-way random replacement cache for the FLASH block (see [Figure 8-5](#)). The GPRAM space is not available in cache mode.

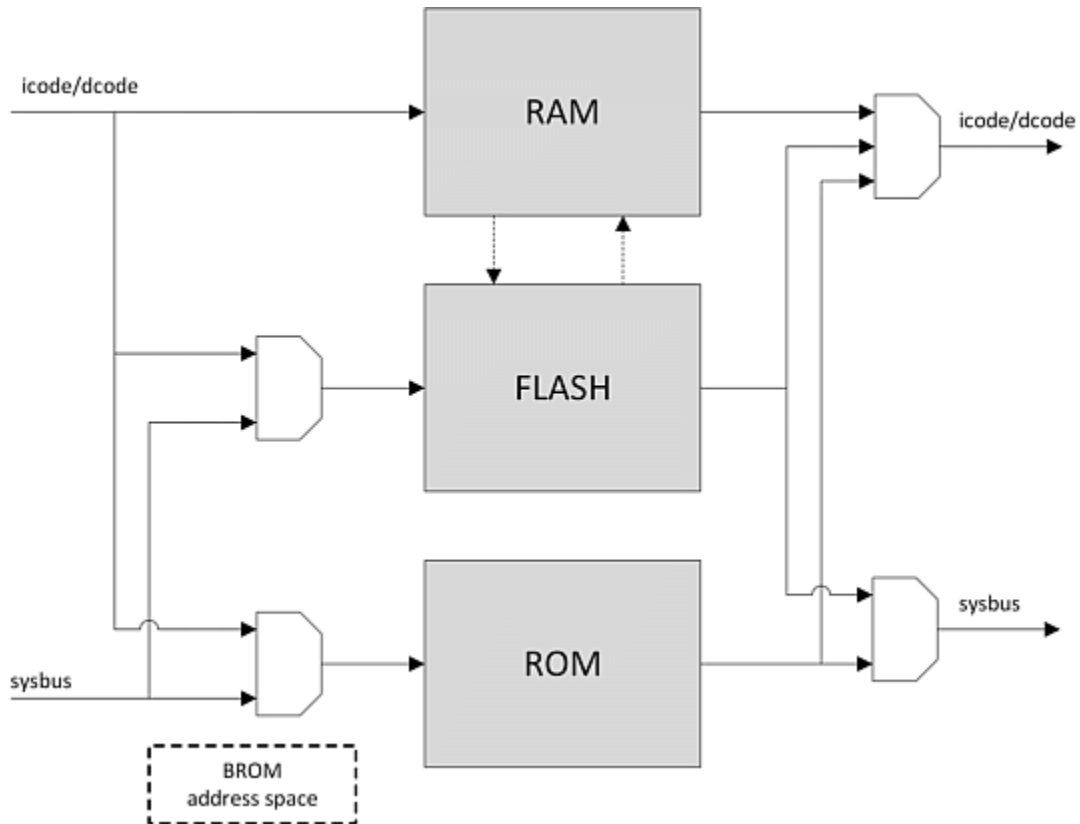


Figure 8-5. VIMS Module in Cache Mode

In cache mode, all CPU accesses to the FLASH address space are directed to the cache first. The cache looks up the input address in the internal tag RAM to determine whether the access is a cache hit or a cache miss.

In the case of a cache miss, the access is forwarded to the FLASH block. The response from the FLASH block is routed back to the cache, then the cache is updated.

In the case of a cache hit, the data is fetched directly from the cache RAM.

The cache also contains a line buffer because the cache RAM word size is 64 bits. The objective of the line buffer is to prevent refetching the 32-bit part of the data that has already been fetched (but not used) in the previous access. The line buffer prevents both TAG and CACHE lookup if the data is already in the line buffer.

The cache line buffer is cleared as a part of the invalidation scheme.

8.2.2 VIMS FLASH Line Buffers

The VIMS module contains two FLASH line buffers because the FLASH word size is 128 bits.

- A line buffer is placed in the FLASH CPU bus path that is controlled by the VIMS:CTL.IDCODE_LB_DIS register.
- A line buffer is placed in the FLASH system bus path that is controlled by the VIMS:CTL.SYSBUS_LB_DIS register.

The objectives of the buffers are to prevent refetching the 32-bit part of the data that has already been fetched (but not used) in a previous cycle. The status of the line buffers can be found in the VIMS:STATUS.IDCODE_LB_DIS register and the VIMS:STATUS.SYSBUS_LB_DIS register.

8.2.3 VIMS Arbitration

The VIMS provides arbitration between the CPU and the system bus. The arbitration is configurable between *round-robin* and *static*, through the VIMS:CTL.ARB_CFG register. The static arbitration is enabled by default and gives the CPU priority over the system bus.

The system arbiter allows accesses to occur simultaneously, provided that the CPU and the system bus have different target memories. If, for example, a CPU access causes a cache hit, a system bus access can access the FLASH simultaneously.

8.2.4 VIMS Cache TAG Prefetch

The cache contains a TAG prefetch system that automatically prefetches the TAG data for the next 64-bit address. This feature is controlled through the VIMS:CTL.PREF_EN register, and is only enabled if the VIMS mode is set to cache mode. Any access using a prefetched TAG saves one CLK cycle in the access because tag lookup can be skipped. A *prefetch hit* is defined as an access using prefetched TAG data and data that is available in the cache.

TAG prefetch is mainly intended for performance optimization when the CPU is running at full speed. If the CPU is not running at full speed, there is no performance optimization; therefore the TAG prefetch system should be disabled to minimize power consumption.

8.3 VIMS Software Remarks

When the FLASH is programmed or updated, or when the VIMS domain is entering power down special care must be taken from the software side.

The following remarks are automatically taken care of when using in-built ROM functions and the standard API functions. However, custom code must take the following remarks into account.

8.3.1 FLASH Program or Update

Do not program or update the FLASH when the VIMS is in cache mode.

Before you program or update the FLASH, complete the following tasks:

- Set VIMS in off mode if the current mode is cache mode.
- Disable both of the VIMS FLASH line buffers.

These actions prevent old data or instructions to be fetched from the cache or the line buffers after a FLASH program or update.

After the FLASH program or update, the VIMS can be set back to cache mode. Hardware will invalidate the cache when VIMS is set back to cache mode.

8.3.2 VIMS Retention

The VIMS domain can be kept in retention, if needed, when the domain is entering power down. The retention control has the option to specify which memories (internal TAG RAM or cache RAM) are kept in retention together with VIMS logic.

Table 8-1 specifies the valid retention combination for VIMS memory.

Table 8-1. Valid Retention Combination for VIMS Memory

Mode	Retention Enabled			Comments
	TAG-RAM	CACHE-RAM	VIMS Logic	
1	No	No	Yes	Software must compensate for loss of data in RAMs
2	No	Yes	Yes	Works in GPRAM mode without software intervention
3	Yes	Yes	Yes	

8.3.2.1 Mode 1

Mode 1 is intended for use when VIMS is in off mode or cache mode.

If VIMS is in cache mode, change the VIMS mode to off mode before powering down the VIMS domain. When the system is taken out of power down, you can set the VIMS mode back to cache mode, which invalidates (initializes) the cache memories (see Figure 8-6).

Mode 1 can also be used when the system is in GPRAM mode, but all data in the GPRAM is lost when the VIMS domain is set in power down.

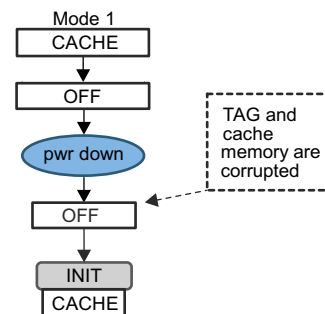


Figure 8-6. Software Precautions With No RAM Retention

8.3.2.2 Mode 2

Mode 2 is intended for systems where cache is in GPRAM mode. VIMS is retained with retention power to the GPRAM.

Note

If software tries to put VIMS into cache mode after retention, the system fails because the TAG memory is corrupted.

The correct procedure is to put VIMS in off mode *before* VIMS is put in cache mode. For more details, see [Figure 8-7](#).

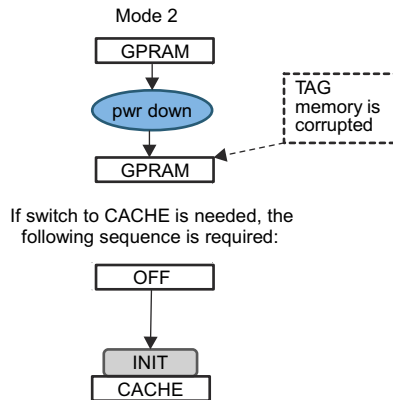


Figure 8-7. GPRAM Retention

8.3.2.3 Mode 3

Mode 3 is intended for use when the VIMS is in cache mode. In mode 3, VIMS can be in cache mode when the VIMS domain is powered off.

8.4 ROM

The ROM contains a serial bootloader with SPI and UART support (see [Chapter 10](#)) as well as a Driver Library. For details, see [Section 5.6](#).

8.5 FLASH

The FLASH memory is organized as a set of 8 kB blocks that can be individually erased. An individual 64-bit word can be programmed to change bits from 1 to 0. Erasing a block causes the entire contents of the block to be reset to all 1s. The 8 kB blocks are paired with sets of 8 kB blocks that can be individually protected by being marked as read-only. Read-only blocks cannot be erased or programmed, which protects the contents of those blocks from being modified. The read-only lock bits are located in CCFG. As such a mass erase or erasing the last flash page (with CCFG) will disable the read-only lock.

There is a restriction on how many write operations are allowed to a FLASH row between erases. A row is comprised of 2048 bits (or 256 bytes). The FLASH memory is divided evenly into physical rows. One may perform a maximum of 83 write operations within a row between erases. If more than 83 write operations are performed before re-erasure, one may see unwritten bits in the row that are erased (in a logic 1 state) become programmed (change to a logic 0 state). User software must take care of this restriction, there is no hardware that checks and informs if this restriction is violated.

The FLASH block is mainly clocked by the 48 MHz system clock.

8.5.1 FLASH Memory Protection

The FLASH memory can be read/write protected in 8 kB sectors by configuring the CCFG.

8.5.2 Memory Programming

Memory programming is done using TI provided API. When calling the API functions, all interrupts should be disabled to prevent any attempts to read the FLASH during the execution of these functions.

Table 8-2. CC13x1x3 and CC26x1x3 Memory Write/Erase Protection^{(1) (2) (3)}

Memory Area CC13x1x3 and CC26x1x3 State	FCFG0 (Efuse)	FCFG1 (ENGR)	CCFG	TI Locked Sector	Customer Locked	Customer Free
Unpacked die	Write 1s (no way back)	Free	Free	None	None	All
Packed die	Locked	Free	Free	None	None	All
Engineering sample	Locked	Free	Free	None	None	All
Customer development	Locked	Locked	Free	Fixed	None	Except TI locked sectors
Customer delivery case 1	Locked	Locked	Writable (Not erasable) ⁽⁴⁾	Fixed	Can add locked sectors ⁽⁴⁾	May be reduced ⁽⁴⁾
Customer delivery case 2	Locked	Locked	Locked ⁽⁴⁾	Fixed	Fixed ⁽⁴⁾	Fixed ⁽⁴⁾

(1) Locked: Not writable and not erasable.

(2) Free: Writable and erasable.

(3) Fixed: The number of this type is fixed.

(4) The Chip Erase function erases all sectors not locked by TI.

8.5.3 FLASH Memory Programming

During a FLASH memory write or erase operation, the FLASH memory must not be read. If instruction execution is required during a FLASH memory operation, the executing code must be placed in SRAM (and executed from SRAM) while the FLASH operation is in progress.

8.5.4 Power Management Requirements

The module implements the following power-reducing functionalities (see [Figure 8-8](#)):

- **Voltage Off:** The module logic VDD is turned off. Pump and bank is kept in deep sleep. This mode requires a reset and software configuration to become active.
- **Power Off:** This is the same state as Voltage Off with the only difference that module logic has retention on all registers. From Power Off mode, the module can become active without any software configurations.
- **Deep Standby:** Internal circuits are partly powered down. No internal configuration is required to become active, but there is some delay due to voltage ramping and so on.
- **Idle Reading:** Use advanced power reduction features in the Pump and Bank to save power when no active reading is going on. In this mode, switching to Active Read is done without any reduced read latency.
- **Reading:** FLASH is actively reading without any power reduction.

Methods for changing power mode:

- Leaving Voltage Off or Power Off can only be done from the system power management. Voltage Off is like initial power on. Power Off requires a restore of retention, and internal sequencers must power up and configure the bank and charge pump.
- Leaving Deep Standby can start from the following:
 - PRCM
 - By writing a register in the MMR
 - By starting a read access to the FLASH
- Switching between Idle Reading and Reading is done automatically when a read has ended. The switching can be disabled by a register setting.
- Switching from Idle Reading to any other mode is done by setting up a register with the target power mode. After some time without read accesses, the module enters or prepares the selected mode. The last step to achieve Power Off or Voltage Off is done by the system power management.

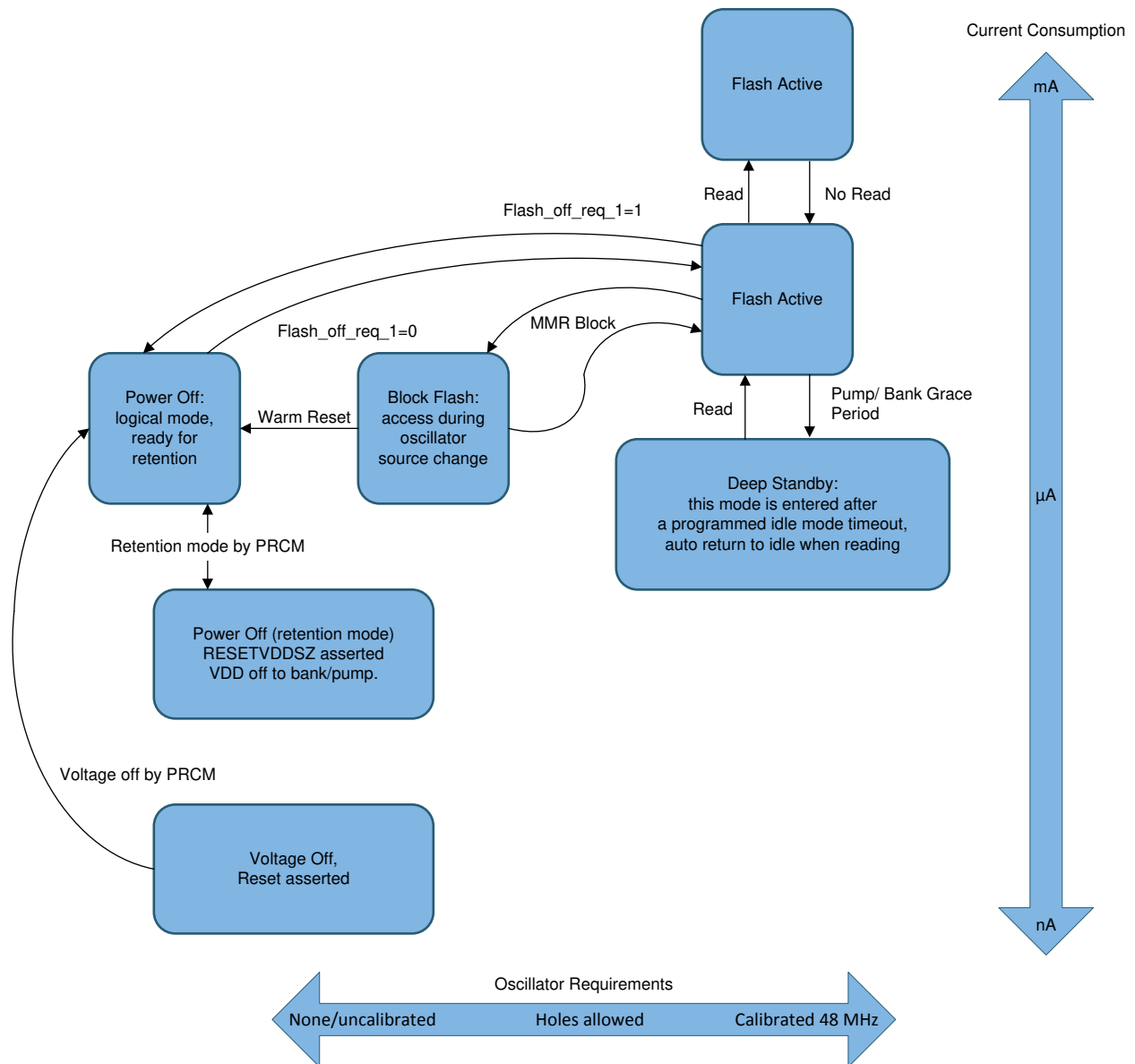


Figure 8-8. FLASH Power States

8.6 ROM Functions

Overview of memory contents:

- eFuse
 - Contains mostly critical chip-trim items needed before bootloader starts
 - Interfaced through the FLASH module in the digital core
 - FLASH trim
 - Ram repair
 - Analog trim (band gap, brownout, selected regulators, internal 48 MHz RC Oscillator)
 - JTAG TAP/DAP lock
 - CRC check (8 bits)
 - The only critical item here is the JTAG TAP/DAP lock that is locked by default (if a fuse is blown).
- FCFG:
 - Currently a separate FLASH block
 - All trims plus entire device configuration
 - FLASH trim to support erase/write
 - Module trim (analog, RF+++)
 - Chip configuration (ID, device type, package size, pinout++, production test data)
 - Bootloader configuration
 - Security
 - TI FA Analysis option
 - JTAG TAP/DAP lock override
 - Bootloader enable
- Customer configuration (last page in FLASH):
 - Bootloader disable
 - JTAG DAP/TAP disable
 - TI FA analysis disable
 - Customer configuration area write or erase protection
 - Other configuration not related to security

Configuration memory:

- RO
 - OTP, 1 kB read interface (write through FMC)
- RO
 - ENGR 1 kB read interface (write through FMC)
- CCFG
 - FLASH sector 4 kB read interface (write through FMC)
- RO
 - EFUSE, only accessible through MMR interface

The ROM is preprogrammed with a serial bootloader (SPI or UART). For applications that require in-field programmability, the royalty-free bootloader acts as an application loader and supports in-field firmware updates. The bootloader either executes automatically if no valid image has been written to the FLASH, or the bootloader may be started through a configurable GPIO backdoor. The bootloader may not be called from application code.

8.7 VIMS Registers

The next sections show the register banks for the Versatile Instruction Memory System.

8.7.1 FLASH Registers

[FLASH Registers](#) lists the memory-mapped registers for the FLASH registers. All register offset addresses not listed in [FLASH Registers](#) should be considered as reserved locations and the register contents should not be modified.

Table 8-3. FLASH Registers

Offset	Acronym	Register Name	Section
1Ch	STAT	FMC and Efuse Status	Section 8.7.1.1
24h	CFG	Internal	Section 8.7.1.2
28h	SYSCODE_START	Internal	Section 8.7.1.3
2Ch	FLASH_SIZE	Internal	Section 8.7.1.4
3Ch	FWLOCK	Internal	Section 8.7.1.5
40h	FWFLAG	Internal	Section 8.7.1.6
1000h	EFUSE	Internal	Section 8.7.1.7
1004h	EFUSEADDR	Internal	Section 8.7.1.8
1008h	DATAUPPER	Internal	Section 8.7.1.9
100Ch	DATALOWER	Internal	Section 8.7.1.10
1010h	EFUSECFG	Internal	Section 8.7.1.11
1014h	EFUSESTAT	Internal	Section 8.7.1.12
1018h	ACC	Internal	Section 8.7.1.13
101Ch	BOUNDARY	Internal	Section 8.7.1.14
1020h	EFUSEFLAG	Internal	Section 8.7.1.15
1024h	EFUSEKEY	Internal	Section 8.7.1.16
1028h	EFUSERELEASE	Internal	Section 8.7.1.17
102Ch	EFUSEPINS	Internal	Section 8.7.1.18
1030h	EFUSECRA	Internal	Section 8.7.1.19
1034h	EFUSEREAD	Internal	Section 8.7.1.20
1038h	EFUSEPROGRAM	Internal	Section 8.7.1.21
103Ch	EFUSEERROR	Internal	Section 8.7.1.22
1040h	SINGLEBIT	Internal	Section 8.7.1.23
1044h	TWOBIT	Internal	Section 8.7.1.24
1048h	SELFTESTCYC	Internal	Section 8.7.1.25
104Ch	SELFTESTSIGN	Internal	Section 8.7.1.26
2000h	FRDCTL	Internal	Section 8.7.1.27
2004h	FSPRD	Internal	Section 8.7.1.28
2008h	FEDACCTL1	Internal	Section 8.7.1.29
201Ch	FEDACSTAT	Internal	Section 8.7.1.30
2030h	FBPROT	Internal	Section 8.7.1.31
2034h	FBSE	Internal	Section 8.7.1.32
2038h	FBBUSY	Internal	Section 8.7.1.33
203Ch	FBAC	Internal	Section 8.7.1.34
2040h	FBFALLBACK	Internal	Section 8.7.1.35
2044h	FBPRDY	Internal	Section 8.7.1.36
2048h	FPAC1	Internal	Section 8.7.1.37
204Ch	FPAC2	Internal	Section 8.7.1.38
2050h	FMAC	Internal	Section 8.7.1.39
2054h	FMSTAT	Internal	Section 8.7.1.40
2064h	FLOCK	Internal	Section 8.7.1.41

Table 8-3. FLASH Registers (continued)

Offset	Acronym	Register Name	Section
2080h	FVREADCT	Internal	Section 8.7.1.42
2084h	FVHVCT1	Internal	Section 8.7.1.43
2088h	FVHVCT2	Internal	Section 8.7.1.44
208Ch	FVHVCT3	Internal	Section 8.7.1.45
2090h	FVNVCT	Internal	Section 8.7.1.46
2094h	FVSLP	Internal	Section 8.7.1.47
2098h	FVWLCT	Internal	Section 8.7.1.48
209Ch	FEFUSECTL	Internal	Section 8.7.1.49
20A0h	FEFUSESTAT	Internal	Section 8.7.1.50
20A4h	FEFUSEDATA	Internal	Section 8.7.1.51
20A8h	FSEQPMP	Internal	Section 8.7.1.52
2100h	FBSTROBES	Internal	Section 8.7.1.53
2104h	FPSTROBES	Internal	Section 8.7.1.54
2108h	FBMODE	Internal	Section 8.7.1.55
210Ch	FTCR	Internal	Section 8.7.1.56
2110h	FADDR	Internal	Section 8.7.1.57
211Ch	FTCTL	Internal	Section 8.7.1.58
2120h	FWPWRITE0	Internal	Section 8.7.1.59
2124h	FWPWRITE1	Internal	Section 8.7.1.60
2128h	FWPWRITE2	Internal	Section 8.7.1.61
212Ch	FWPWRITE3	Internal	Section 8.7.1.62
2130h	FWPWRITE4	Internal	Section 8.7.1.63
2134h	FWPWRITE5	Internal	Section 8.7.1.64
2138h	FWPWRITE6	Internal	Section 8.7.1.65
213Ch	FWPWRITE7	Internal	Section 8.7.1.66
2140h	FWPWRITE_ECC	Internal	Section 8.7.1.67
2144h	FSWSTAT	Internal	Section 8.7.1.68
2200h	FSM_GLBCTL	Internal	Section 8.7.1.69
2204h	FSM_STATE	Internal	Section 8.7.1.70
2208h	FSM_STAT	Internal	Section 8.7.1.71
220Ch	FSM_CMD	Internal	Section 8.7.1.72
2210h	FSM_PE_OSU	Internal	Section 8.7.1.73
2214h	FSM_VSTAT	Internal	Section 8.7.1.74
2218h	FSM_PE_VSU	Internal	Section 8.7.1.75
221Ch	FSM_CMP_VSU	Internal	Section 8.7.1.76
2220h	FSM_EX_VAL	Internal	Section 8.7.1.77
2224h	FSM_RD_H	Internal	Section 8.7.1.78
2228h	FSM_P_OH	Internal	Section 8.7.1.79
222Ch	FSM_ERA_OH	Internal	Section 8.7.1.80
2230h	FSM_SAV_PPUL	Internal	Section 8.7.1.81
2234h	FSM_PE_VH	Internal	Section 8.7.1.82
2240h	FSM_PRG_PW	Internal	Section 8.7.1.83
2244h	FSM_ERA_PW	Internal	Section 8.7.1.84
2254h	FSM_SAV_ERA_PUL	Internal	Section 8.7.1.85
2258h	FSM_TIMER	Internal	Section 8.7.1.86

Table 8-3. FLASH Registers (continued)

Offset	Acronym	Register Name	Section
225Ch	FSM_MODE	Internal	Section 8.7.1.87
2260h	FSM_PGM	Internal	Section 8.7.1.88
2264h	FSM_ERA	Internal	Section 8.7.1.89
2268h	FSM_PRG_PUL	Internal	Section 8.7.1.90
226Ch	FSM_ERA_PUL	Internal	Section 8.7.1.91
2270h	FSM_STEP_SIZE	Internal	Section 8.7.1.92
2274h	FSM_PUL_CNTR	Internal	Section 8.7.1.93
2278h	FSM_EC_STEP_HEIGHT	Internal	Section 8.7.1.94
227Ch	FSM_ST_MACHINE	Internal	Section 8.7.1.95
2280h	FSM_FLES	Internal	Section 8.7.1.96
2288h	FSM_WR_ENA	Internal	Section 8.7.1.97
228Ch	FSM_ACC_PP	Internal	Section 8.7.1.98
2290h	FSM_ACC_EP	Internal	Section 8.7.1.99
22A0h	FSM_ADDR	Internal	Section 8.7.1.100
22A4h	FSM_SECTOR	Internal	Section 8.7.1.101
22A8h	FMC_REV_ID	Internal	Section 8.7.1.102
22ACh	FSM_ERR_ADDR	Internal	Section 8.7.1.103
22B0h	FSM_PGM_MAXPUL	Internal	Section 8.7.1.104
22B4h	FSM_EXECUTE	Internal	Section 8.7.1.105
22C0h	FSM_SECTOR1	Internal	Section 8.7.1.106
22C4h	FSM_SECTOR2	Internal	Section 8.7.1.107
22E0h	FSM_BSLE0	Internal	Section 8.7.1.108
22E4h	FSM_BSLE1	Internal	Section 8.7.1.109
22F0h	FSM_BSLP0	Internal	Section 8.7.1.110
22F4h	FSM_BSLP1	Internal	Section 8.7.1.111
22F8h	FSM_PGM128	FMC FSM Enable 128-bit Wide Programming	Section 8.7.1.112
2400h	FCFG_BANK	Internal	Section 8.7.1.113
2404h	FCFG_WRAPPER	Internal	Section 8.7.1.114
2408h	FCFG_BNK_TYPE	Internal	Section 8.7.1.115
2410h	FCFG_B0_START	Internal	Section 8.7.1.116
2414h	FCFG_B1_START	Internal	Section 8.7.1.117
2418h	FCFG_B2_START	Internal	Section 8.7.1.118
241Ch	FCFG_B3_START	Internal	Section 8.7.1.119
2420h	FCFG_B4_START	Internal	Section 8.7.1.120
2424h	FCFG_B5_START	Internal	Section 8.7.1.121
2428h	FCFG_B6_START	Internal	Section 8.7.1.122
242Ch	FCFG_B7_START	Internal	Section 8.7.1.123
2430h	FCFG_B0_SSIZE0	Internal	Section 8.7.1.124

Complex bit access types are encoded to fit into small table cells. [FLASH Access Type Codes](#) shows the codes that are used for access types in this section.

Table 8-4. FLASH Access Type Codes

Access Type	Code	Description
Read Type		
R	R	Read

Table 8-4. FLASH Access Type Codes (continued)

Access Type	Code	Description
Write Type		
W	W	Write
W1C	W 1C	Write 1 to clear
Reset or Default Value		
-n		Value after reset or the default value

8.7.1.1 STAT Register (Offset = 1Ch) [Reset = 0000000h]

STAT is shown in [STAT Register](#) and described in [STAT Register Field Descriptions](#).

Return to the [FLASH Registers](#).

FMC and Efuse Status

Figure 8-9. STAT Register

31	30	29	28	27	26	25	24
RESERVED							
R-0h							
23	22	21	20	19	18	17	16
RESERVED							
R-0h							
15	14	13	12	11	10	9	8
EFUSE_BLANK	EFUSE_TIMEOUT	SPRS_BYTE_NOT_OK	EFUSE_ERRCODE				
R-0h	R-0h	R-0h	R-0h				
7	6	5	4	3	2	1	0
RESERVED					SAMHOLD_DIS	BUSY	POWER_MODE
R-0h					R-0h	R-0h	R-0h

Table 8-5. STAT Register Field Descriptions

Bit	Field	Type	Reset	Description
31-16	RESERVED	R	0h	Reserved
15	EFUSE_BLANK	R	0h	Efuse scanning detected if fuse ROM is blank: 0 : Not blank 1 : Blank
14	EFUSE_TIMEOUT	R	0h	Efuse scanning resulted in timeout error. 0 : No Timeout error 1 : Timeout Error
13	SPRS_BYTE_NOT_OK	R	0h	Efuse scanning resulted in scan chain Sparse byte error. 0 : No Sparse error 1 : Sparse Error
12-8	EFUSE_ERRCODE	R	0h	Same as EFUSEERROR.CODE
7-3	RESERVED	R	0h	Reserved
2	SAMHOLD_DIS	R	0h	Status indicator of flash sample and hold sequencing logic. This bit will go to 1 some delay after CFG.DIS_IDLE is set to 1. 0: Not disabled 1: Sample and hold disabled and stable
1	BUSY	R	0h	Fast version of the FMC FMSTAT.BUSY bit. This flag is valid immediately after the operation setting it (FMSTAT.BUSY is delayed some cycles) 0 : Not busy 1 : Busy
0	POWER_MODE	R	0h	Power state of the flash sub-system. 0 : Active 1 : Low power

8.7.1.2 CFG Register (Offset = 24h) [Reset = 0000000h]

CFG is shown in [CFG Register](#) and described in [CFG Register Field Descriptions](#).

Return to the [FLASH Registers](#).

Internal. Only to be used through TI provided API.

Figure 8-10. CFG Register

31	30	29	28	27	26	25	24
RESERVED							
R-0h							
23	22	21	20	19	18	17	16
RESERVED							
R-0h							
15	14	13	12	11	10	9	8
RESERVED							STANDBY_MODE_SEL
R-0h							R/W-0h
7	6	5	4	3	2	1	0
STANDBY_PW_SEL		DIS_EFUSECLK	DIS_READACCESS	ENABLE_SWINTF	RESERVED	DIS_STANDBY	DIS_IDLE
R/W-0h		R/W-0h	R/W-0h	R/W-0h	R-0h	R/W-0h	R/W-0h

Table 8-6. CFG Register Field Descriptions

Bit	Field	Type	Reset	Description
31-9	RESERVED	R	0h	Reserved
8	STANDBY_MODE_SEL	R/W	0h	Internal. Only to be used through TI provided API.
7-6	STANDBY_PW_SEL	R/W	0h	Internal. Only to be used through TI provided API.
5	DIS_EFUSECLK	R/W	0h	Internal. Only to be used through TI provided API.
4	DIS_READACCESS	R/W	0h	Internal. Only to be used through TI provided API.
3	ENABLE_SWINTF	R/W	0h	Internal. Only to be used through TI provided API.
2	RESERVED	R	0h	Reserved
1	DIS_STANDBY	R/W	0h	Internal. Only to be used through TI provided API.
0	DIS_IDLE	R/W	0h	Internal. Only to be used through TI provided API.

8.7.1.3 SYSCODE_START Register (Offset = 28h) [Reset = 0000000h]

SYSCODE_START is shown in [SYSCODE_START Register](#) and described in [SYSCODE_START Register Field Descriptions](#).

Return to the [FLASH Registers](#).

Internal. Only to be used through TI provided API.

Figure 8-11. SYSCODE_START Register

31	30	29	28	27	26	25	24	23	22	21	20	19	18	17	16
RESERVED															
R-0h															
15	14	13	12	11	10	9	8	7	6	5	4	3	2	1	0
RESERVED										SYSCODE_START					
R-0h										R/W-0h					

Table 8-7. SYSCODE_START Register Field Descriptions

Bit	Field	Type	Reset	Description
31-6	RESERVED	R	0h	Reserved
5-0	SYSCODE_START	R/W	0h	Internal. Only to be used through TI provided API.

8.7.1.4 FLASH_SIZE Register (Offset = 2Ch) [Reset = 0000000h]

FLASH_SIZE is shown in [FLASH_SIZE Register](#) and described in [FLASH_SIZE Register Field Descriptions](#).

Return to the [FLASH Registers](#).

Internal. Only to be used through TI provided API.

Figure 8-12. FLASH_SIZE Register

31	30	29	28	27	26	25	24	23	22	21	20	19	18	17	16	15	14	13	12	11	10	9	8	7	6	5	4	3	2	1	0
RESERVED														SECTORS																	
R-0h														R/W-0h																	

Table 8-8. FLASH_SIZE Register Field Descriptions

Bit	Field	Type	Reset	Description
31-8	RESERVED	R	0h	Reserved
7-0	SECTORS	R/W	0h	Internal. Only to be used through TI provided API.

8.7.1.5 FWLOCK Register (Offset = 3Ch) [Reset = 0000000h]

FWLOCK is shown in [FWLOCK Register](#) and described in [FWLOCK Register Field Descriptions](#).

Return to the [FLASH Registers](#).

Internal. Only to be used through TI provided API.

Figure 8-13. FWLOCK Register

31	30	29	28	27	26	25	24	23	22	21	20	19	18	17	16
RESERVED															
R-0h															
15	14	13	12	11	10	9	8	7	6	5	4	3	2	1	0
RESERVED													FWLOCK		
R-0h													R/W-0h		

Table 8-9. FWLOCK Register Field Descriptions

Bit	Field	Type	Reset	Description
31-3	RESERVED	R	0h	Reserved
2-0	FWLOCK	R/W	0h	Internal. Only to be used through TI provided API.

8.7.1.6 FWFLAG Register (Offset = 40h) [Reset = 0000000h]

FWFLAG is shown in [FWFLAG Register](#) and described in [FWFLAG Register Field Descriptions](#).

Return to the [FLASH Registers](#).

Internal. Only to be used through TI provided API.

Figure 8-14. FWFLAG Register

31	30	29	28	27	26	25	24	23	22	21	20	19	18	17	16
RESERVED															
R-0h															
15	14	13	12	11	10	9	8	7	6	5	4	3	2	1	0
RESERVED													FWFLAG		
R-0h													R/W-0h		

Table 8-10. FWFLAG Register Field Descriptions

Bit	Field	Type	Reset	Description
31-3	RESERVED	R	0h	Reserved
2-0	FWFLAG	R/W	0h	Internal. Only to be used through TI provided API.

8.7.1.7 EFUSE Register (Offset = 1000h) [Reset = 00000000h]

EFUSE is shown in [EFUSE Register](#) and described in [EFUSE Register Field Descriptions](#).

Return to the [FLASH Registers](#).

Internal. Only to be used through TI provided API.

Figure 8-15. EFUSE Register

31	30	29	28	27	26	25	24	23	22	21	20	19	18	17	16
RESERVED			INSTRUCTION						RESERVED						
R-0h			R/W-0h						R-0h						
15	14	13	12	11	10	9	8	7	6	5	4	3	2	1	0
DUMPWORD															
R/W-0h															

Table 8-11. EFUSE Register Field Descriptions

Bit	Field	Type	Reset	Description
31-29	RESERVED	R	0h	Reserved
28-24	INSTRUCTION	R/W	0h	Internal. Only to be used through TI provided API.
23-16	RESERVED	R	0h	Reserved
15-0	DUMPWORD	R/W	0h	Internal. Only to be used through TI provided API.

8.7.1.8 EFUSEADDR Register (Offset = 1004h) [Reset = 0000000h]

EFUSEADDR is shown in [EFUSEADDR Register](#) and described in [EFUSEADDR Register Field Descriptions](#).

Return to the [FLASH Registers](#).

Internal. Only to be used through TI provided API.

Figure 8-16. EFUSEADDR Register

31	30	29	28	27	26	25	24	23	22	21	20	19	18	17	16	15	14	13	12	11	10	9	8	7	6	5	4	3	2	1	0
RESERVED																BLOCK						ROW									
R-0h																R/W-0h						R/W-0h									

Table 8-12. EFUSEADDR Register Field Descriptions

Bit	Field	Type	Reset	Description
31-16	RESERVED	R	0h	Reserved
15-11	BLOCK	R/W	0h	Internal. Only to be used through TI provided API.
10-0	ROW	R/W	0h	Internal. Only to be used through TI provided API.

8.7.1.9 DATAUPPER Register (Offset = 1008h) [Reset = 0000000h]

DATAUPPER is shown in [DATAUPPER Register](#) and described in [DATAUPPER Register Field Descriptions](#).

Return to the [FLASH Registers](#).

Internal. Only to be used through TI provided API.

Figure 8-17. DATAUPPER Register

31	30	29	28	27	26	25	24	23	22	21	20	19	18	17	16
RESERVED															
R-0h															
15	14	13	12	11	10	9	8	7	6	5	4	3	2	1	0
RESERVED								SPARE				P	R	EEN	
R-0h								R/W-0h				R/W-0h	R/W-0h	R/W-0h	

Table 8-13. DATAUPPER Register Field Descriptions

Bit	Field	Type	Reset	Description
31-8	RESERVED	R	0h	Reserved
7-3	SPARE	R/W	0h	Internal. Only to be used through TI provided API.
2	P	R/W	0h	Internal. Only to be used through TI provided API.
1	R	R/W	0h	Internal. Only to be used through TI provided API.
0	EEN	R/W	0h	Internal. Only to be used through TI provided API.

8.7.1.10 DATALOWER Register (Offset = 100Ch) [Reset = 0000000h]

DATALOWER is shown in [DATALOWER Register](#) and described in [DATALOWER Register Field Descriptions](#).

Return to the [FLASH Registers](#).

Internal. Only to be used through TI provided API.

Figure 8-18. DATALOWER Register

31	30	29	28	27	26	25	24	23	22	21	20	19	18	17	16	15	14	13	12	11	10	9	8	7	6	5	4	3	2	1	0
DATA																															
R/W-0h																															

Table 8-14. DATALOWER Register Field Descriptions

Bit	Field	Type	Reset	Description
31-0	DATA	R/W	0h	Internal. Only to be used through TI provided API.

8.7.1.11 EFUSECFG Register (Offset = 1010h) [Reset = 0000001h]

EFUSECFG is shown in [EFUSECFG Register](#) and described in [EFUSECFG Register Field Descriptions](#).

Return to the [FLASH Registers](#).

Internal. Only to be used through TI provided API.

Figure 8-19. EFUSECFG Register

31	30	29	28	27	26	25	24
RESERVED							
R-0h							
23	22	21	20	19	18	17	16
RESERVED							
R-0h							
15	14	13	12	11	10	9	8
RESERVED							IDLEGATING
R-0h							R/W-0h
7	6	5	4	3	2	1	0
RESERVED			SLAVEPOWER		RESERVED		GATING
R-0h			R/W-0h		R-0h		R/W-1h

Table 8-15. EFUSECFG Register Field Descriptions

Bit	Field	Type	Reset	Description
31-9	RESERVED	R	0h	Reserved
8	IDLEGATING	R/W	0h	Internal. Only to be used through TI provided API.
7-5	RESERVED	R	0h	Reserved
4-3	SLAVEPOWER	R/W	0h	Internal. Only to be used through TI provided API.
2-1	RESERVED	R	0h	Reserved
0	GATING	R/W	1h	Internal. Only to be used through TI provided API.

8.7.1.12 EFUSESTAT Register (Offset = 1014h) [Reset = 0000001h]

EFUSESTAT is shown in [EFUSESTAT Register](#) and described in [EFUSESTAT Register Field Descriptions](#).

Return to the [FLASH Registers](#).

Internal. Only to be used through TI provided API.

Figure 8-20. EFUSESTAT Register

31	30	29	28	27	26	25	24
RESERVED							
R-0h							
23	22	21	20	19	18	17	16
RESERVED							
R-0h							
15	14	13	12	11	10	9	8
RESERVED							
R-0h							
7	6	5	4	3	2	1	0
RESERVED							RESETDONE
R-0h							R-1h

Table 8-16. EFUSESTAT Register Field Descriptions

Bit	Field	Type	Reset	Description
31-1	RESERVED	R	0h	Reserved
0	RESETDONE	R	1h	Internal. Only to be used through TI provided API.

8.7.1.13 ACC Register (Offset = 1018h) [Reset = 0000000h]

ACC is shown in [ACC Register](#) and described in [ACC Register Field Descriptions](#).

Return to the [FLASH Registers](#).

Internal. Only to be used through TI provided API.

Figure 8-21. ACC Register

31	30	29	28	27	26	25	24	23	22	21	20	19	18	17	16	15	14	13	12	11	10	9	8	7	6	5	4	3	2	1	0
RESERVED								ACCUMULATOR																							
R-0h								R-0h																							

Table 8-17. ACC Register Field Descriptions

Bit	Field	Type	Reset	Description
31-24	RESERVED	R	0h	Reserved
23-0	ACCUMULATOR	R	0h	Internal. Only to be used through TI provided API.

8.7.1.14 BOUNDARY Register (Offset = 101Ch) [Reset = 0000000h]

BOUNDARY is shown in [BOUNDARY Register](#) and described in [BOUNDARY Register Field Descriptions](#).

Return to the [FLASH Registers](#).

Internal. Only to be used through TI provided API.

Figure 8-22. BOUNDARY Register

31	30	29	28	27	26	25	24
RESERVED							
R-0h							
23	22	21	20	19	18	17	16
DISROW0	SPARE	EFC_SELF_TEST_ERROR	EFC_INSTRUCTION_INFO	EFC_INSTRUCTION_ERROR	EFC_AUTOLOAD_ERROR	OUTPUTENABLE	
R/W-0h	R/W-0h	R/W-0h	R/W-0h	R/W-0h	R/W-0h	R/W-0h	
15	14	13	12	11	10	9	8
OUTPUTENABLE		SYS_ECC_SELF_TEST_EN	SYS_ECC_OVERRIDE_EN	EFC_FDI	SYS_DIEID_AUTOLOAD_EN	SYS_REPAIR_EN	
R/W-0h		R/W-0h	R/W-0h	R/W-0h	R/W-0h	R/W-0h	
7	6	5	4	3	2	1	0
SYS_WS_READ_STATES				INPUTENABLE			
R/W-0h				R/W-0h			

Table 8-18. BOUNDARY Register Field Descriptions

Bit	Field	Type	Reset	Description
31-24	RESERVED	R	0h	Reserved
23	DISROW0	R/W	0h	Internal. Only to be used through TI provided API.
22	SPARE	R/W	0h	Internal. Only to be used through TI provided API.
21	EFC_SELF_TEST_ERROR	R/W	0h	Internal. Only to be used through TI provided API.
20	EFC_INSTRUCTION_INFO	R/W	0h	Internal. Only to be used through TI provided API.
19	EFC_INSTRUCTION_ERROR	R/W	0h	Internal. Only to be used through TI provided API.
18	EFC_AUTOLOAD_ERROR	R/W	0h	Internal. Only to be used through TI provided API.
17-14	OUTPUTENABLE	R/W	0h	Internal. Only to be used through TI provided API.
13	SYS_ECC_SELF_TEST_EN	R/W	0h	Internal. Only to be used through TI provided API.
12	SYS_ECC_OVERRIDE_EN	R/W	0h	Internal. Only to be used through TI provided API.
11	EFC_FDI	R/W	0h	Internal. Only to be used through TI provided API.
10	SYS_DIEID_AUTOLOAD_EN	R/W	0h	Internal. Only to be used through TI provided API.
9-8	SYS_REPAIR_EN	R/W	0h	Internal. Only to be used through TI provided API.
7-4	SYS_WS_READ_STATES	R/W	0h	Internal. Only to be used through TI provided API.
3-0	INPUTENABLE	R/W	0h	Internal. Only to be used through TI provided API.

8.7.1.15 EFUSEFLAG Register (Offset = 1020h) [Reset = 0000000h]

EFUSEFLAG is shown in [EFUSEFLAG Register](#) and described in [EFUSEFLAG Register Field Descriptions](#).

Return to the [FLASH Registers](#).

Internal. Only to be used through TI provided API.

Figure 8-23. EFUSEFLAG Register

31	30	29	28	27	26	25	24	23	22	21	20	19	18	17	16
RESERVED															
R-0h															
15	14	13	12	11	10	9	8	7	6	5	4	3	2	1	0
RESERVED															KEY
R-0h															R-0h

Table 8-19. EFUSEFLAG Register Field Descriptions

Bit	Field	Type	Reset	Description
31-1	RESERVED	R	0h	Reserved
0	KEY	R	0h	Internal. Only to be used through TI provided API.

8.7.1.16 EFUSEKEY Register (Offset = 1024h) [Reset = 0000000h]

EFUSEKEY is shown in [EFUSEKEY Register](#) and described in [EFUSEKEY Register Field Descriptions](#).

Return to the [FLASH Registers](#).

Internal. Only to be used through TI provided API.

Figure 8-24. EFUSEKEY Register

31	30	29	28	27	26	25	24	23	22	21	20	19	18	17	16	15	14	13	12	11	10	9	8	7	6	5	4	3	2	1	0
CODE																															
R/W-0h																															

Table 8-20. EFUSEKEY Register Field Descriptions

Bit	Field	Type	Reset	Description
31-0	CODE	R/W	0h	Internal. Only to be used through TI provided API.

8.7.1.17 EFUSERELEASE Register (Offset = 1028h) [Reset = X]

EFUSERELEASE is shown in [EFUSERELEASE Register](#) and described in [EFUSERELEASE Register Field Descriptions](#).

Return to the [FLASH Registers](#).

Internal. Only to be used through TI provided API.

Figure 8-25. EFUSERELEASE Register

31	30	29	28	27	26	25	24	23	22	21	20	19	18	17	16
ODPYEAR						ODPMONTH						ODPDAY			
R-X						R-X						R-X			
15	14	13	12	11	10	9	8	7	6	5	4	3	2	1	0
EFUSEYEAR						EFUSEMONTH						EFUSEDAY			
R-X						R-X						R-X			

Table 8-21. EFUSERELEASE Register Field Descriptions

Bit	Field	Type	Reset	Description
31-25	ODPYEAR	R	X	Internal. Only to be used through TI provided API.
24-21	ODPMONTH	R	X	Internal. Only to be used through TI provided API.
20-16	ODPDAY	R	X	Internal. Only to be used through TI provided API.
15-9	EFUSEYEAR	R	X	Internal. Only to be used through TI provided API.
8-5	EFUSEMONTH	R	X	Internal. Only to be used through TI provided API.
4-0	EFUSEDAY	R	X	Internal. Only to be used through TI provided API.

8.7.1.18 EFUSEPINS Register (Offset = 102Ch) [Reset = X]

EFUSEPINS is shown in [EFUSEPINS Register](#) and described in [EFUSEPINS Register Field Descriptions](#).

Return to the [FLASH Registers](#).

Internal. Only to be used through TI provided API.

Figure 8-26. EFUSEPINS Register

31	30	29	28	27	26	25	24
RESERVED							
R-0h							
23	22	21	20	19	18	17	16
RESERVED							
R-0h							
15	14	13	12	11	10	9	8
EFC_SELF_TEST_DONE	EFC_SELF_TEST_ERROR	SYS_ECC_SELF_TEST_EN	EFC_INSTRUCTION_INFO	EFC_INSTRUCTION_ERROR	EFC_AUTOLOAD_ERROR	SYS_ECC_OVERRIDE_EN	EFC_READY
R-X	R-X	R-X	R-X	R-X	R-X	R-X	R-X
7	6	5	4	3	2	1	0
EFC_FCLRZ	SYS_DIEID_AUTOLOAD_EN	SYS_REPAIR_EN		SYS_WS_READ_STATES			
R-X	R-X	R-X		R-X			

Table 8-22. EFUSEPINS Register Field Descriptions

Bit	Field	Type	Reset	Description
31-16	RESERVED	R	0h	Internal. Only to be used through TI provided API.
15	EFC_SELF_TEST_DONE	R	X	Internal. Only to be used through TI provided API.
14	EFC_SELF_TEST_ERROR	R	X	Internal. Only to be used through TI provided API.
13	SYS_ECC_SELF_TEST_EN	R	X	Internal. Only to be used through TI provided API.
12	EFC_INSTRUCTION_INFO	R	X	Internal. Only to be used through TI provided API.
11	EFC_INSTRUCTION_ERROR	R	X	Internal. Only to be used through TI provided API.
10	EFC_AUTOLOAD_ERROR	R	X	Internal. Only to be used through TI provided API.
9	SYS_ECC_OVERRIDE_EN	R	X	Internal. Only to be used through TI provided API.
8	EFC_READY	R	X	Internal. Only to be used through TI provided API.
7	EFC_FCLRZ	R	X	Internal. Only to be used through TI provided API.
6	SYS_DIEID_AUTOLOAD_EN	R	X	Internal. Only to be used through TI provided API.
5-4	SYS_REPAIR_EN	R	X	Internal. Only to be used through TI provided API.
3-0	SYS_WS_READ_STATES	R	X	Internal. Only to be used through TI provided API.

8.7.1.19 EFUSECRA Register (Offset = 1030h) [Reset = 00000000h]

EFUSECRA is shown in [EFUSECRA Register](#) and described in [EFUSECRA Register Field Descriptions](#).

Return to the [FLASH Registers](#).

Internal. Only to be used through TI provided API.

Figure 8-27. EFUSECRA Register

31	30	29	28	27	26	25	24	23	22	21	20	19	18	17	16	15	14	13	12	11	10	9	8	7	6	5	4	3	2	1	0
RESERVED																										DATA					
R-0h																										R/W-0h					

Table 8-23. EFUSECRA Register Field Descriptions

Bit	Field	Type	Reset	Description
31-6	RESERVED	R	0h	Reserved
5-0	DATA	R/W	0h	Internal. Only to be used through TI provided API.

8.7.1.20 EFUSEREAD Register (Offset = 1034h) [Reset = 0000000h]

EFUSEREAD is shown in [EFUSEREAD Register](#) and described in [EFUSEREAD Register Field Descriptions](#).

Return to the [FLASH Registers](#).

Internal. Only to be used through TI provided API.

Figure 8-28. EFUSEREAD Register

31	30	29	28	27	26	25	24
RESERVED							
R-0h							
23	22	21	20	19	18	17	16
RESERVED							
R-0h							
15	14	13	12	11	10	9	8
RESERVED						DATABIT	
R-0h						R/W-0h	
7	6	5	4	3	2	1	0
READCLOCK				DEBUG		SPARE	MARGIN
R/W-0h				R/W-0h		R/W-0h	R/W-0h

Table 8-24. EFUSEREAD Register Field Descriptions

Bit	Field	Type	Reset	Description
31-10	RESERVED	R	0h	Reserved
9-8	DATABIT	R/W	0h	Internal. Only to be used through TI provided API.
7-4	READCLOCK	R/W	0h	Internal. Only to be used through TI provided API.
3	DEBUG	R/W	0h	Internal. Only to be used through TI provided API.
2	SPARE	R/W	0h	Internal. Only to be used through TI provided API.
1-0	MARGIN	R/W	0h	Internal. Only to be used through TI provided API.

8.7.1.21 EFUSEPROGRAM Register (Offset = 1038h) [Reset = 0000000h]

EFUSEPROGRAM is shown in [EFUSEPROGRAM Register](#) and described in [EFUSEPROGRAM Register Field Descriptions](#).

Return to the [FLASH Registers](#).

Internal. Only to be used through TI provided API.

Figure 8-29. EFUSEPROGRAM Register

31	30	29	28	27	26	25	24
RESERVED	COMPAREDISABLE	CLOCKSTALL					
R-0h	R/W-0h	R/W-0h					
23	22	21	20	19	18	17	16
CLOCKSTALL							
R/W-0h							
15	14	13	12	11	10	9	8
CLOCKSTALL		VPPTOVDD	ITERATIONS			WRITECLOCK	
R/W-0h		R/W-0h	R/W-0h			R/W-0h	
7	6	5	4	3	2	1	0
WRITECLOCK							
R/W-0h							

Table 8-25. EFUSEPROGRAM Register Field Descriptions

Bit	Field	Type	Reset	Description
31	RESERVED	R	0h	Reserved
30	COMPAREDISABLE	R/W	0h	Internal. Only to be used through TI provided API.
29-14	CLOCKSTALL	R/W	0h	Internal. Only to be used through TI provided API.
13	VPPTOVDD	R/W	0h	Internal. Only to be used through TI provided API.
12-9	ITERATIONS	R/W	0h	Internal. Only to be used through TI provided API.
8-0	WRITECLOCK	R/W	0h	Internal. Only to be used through TI provided API.

8.7.1.22 EFUSEERROR Register (Offset = 103Ch) [Reset = 0000000h]

EFUSEERROR is shown in [EFUSEERROR Register](#) and described in [EFUSEERROR Register Field Descriptions](#).

Return to the [FLASH Registers](#).

Internal. Only to be used through TI provided API.

Figure 8-30. EFUSEERROR Register

31	30	29	28	27	26	25	24
RESERVED							
R-0h							
23	22	21	20	19	18	17	16
RESERVED							
R-0h							
15	14	13	12	11	10	9	8
RESERVED							
R-0h							
7	6	5	4	3	2	1	0
RESERVED		DONE	CODE				
R-0h		R/W-0h	R/W-0h				

Table 8-26. EFUSEERROR Register Field Descriptions

Bit	Field	Type	Reset	Description
31-6	RESERVED	R	0h	Reserved
5	DONE	R/W	0h	Internal. Only to be used through TI provided API.
4-0	CODE	R/W	0h	Internal. Only to be used through TI provided API.

8.7.1.23 SINGLEBIT Register (Offset = 1040h) [Reset = 0000000h]

SINGLEBIT is shown in [SINGLEBIT Register](#) and described in [SINGLEBIT Register Field Descriptions](#).

Return to the [FLASH Registers](#).

Internal. Only to be used through TI provided API.

Figure 8-31. SINGLEBIT Register

31	30	29	28	27	26	25	24
FROMN							
R-0h							
23	22	21	20	19	18	17	16
FROMN							
R-0h							
15	14	13	12	11	10	9	8
FROMN							
R-0h							
7	6	5	4	3	2	1	0
FROMN							FROM0
R-0h							R-0h

Table 8-27. SINGLEBIT Register Field Descriptions

Bit	Field	Type	Reset	Description
31-1	FROMN	R	0h	Internal. Only to be used through TI provided API.
0	FROM0	R	0h	Internal. Only to be used through TI provided API.

8.7.1.24 TWOBIT Register (Offset = 1044h) [Reset = 0000000h]

TWOBIT is shown in [TWOBIT Register](#) and described in [TWOBIT Register Field Descriptions](#).

Return to the [FLASH Registers](#).

Internal. Only to be used through TI provided API.

Figure 8-32. TWOBIT Register

31	30	29	28	27	26	25	24
FROMN							
R-0h							
23	22	21	20	19	18	17	16
FROMN							
R-0h							
15	14	13	12	11	10	9	8
FROMN							
R-0h							
7	6	5	4	3	2	1	0
FROMN							FROM0
R-0h							R-0h

Table 8-28. TWOBIT Register Field Descriptions

Bit	Field	Type	Reset	Description
31-1	FROMN	R	0h	Internal. Only to be used through TI provided API.
0	FROM0	R	0h	Internal. Only to be used through TI provided API.

8.7.1.25 SELFTESTCYC Register (Offset = 1048h) [Reset = 0000000h]

SELFTESTCYC is shown in [SELFTESTCYC Register](#) and described in [SELFTESTCYC Register Field Descriptions](#).

Return to the [FLASH Registers](#).

Internal. Only to be used through TI provided API.

Figure 8-33. SELFTESTCYC Register

31	30	29	28	27	26	25	24	23	22	21	20	19	18	17	16	15	14	13	12	11	10	9	8	7	6	5	4	3	2	1	0
CYCLES																															
R/W-0h																															

Table 8-29. SELFTESTCYC Register Field Descriptions

Bit	Field	Type	Reset	Description
31-0	CYCLES	R/W	0h	Internal. Only to be used through TI provided API.

8.7.1.26 SELFTESTSIGN Register (Offset = 104Ch) [Reset = 0000000h]

SELFTESTSIGN is shown in [SELFTESTSIGN Register](#) and described in [SELFTESTSIGN Register Field Descriptions](#).

Return to the [FLASH Registers](#).

Internal. Only to be used through TI provided API.

Figure 8-34. SELFTESTSIGN Register

31	30	29	28	27	26	25	24	23	22	21	20	19	18	17	16	15	14	13	12	11	10	9	8	7	6	5	4	3	2	1	0
SIGNATURE																															
R/W-0h																															

Table 8-30. SELFTESTSIGN Register Field Descriptions

Bit	Field	Type	Reset	Description
31-0	SIGNATURE	R/W	0h	Internal. Only to be used through TI provided API.

8.7.1.27 FRDCTL Register (Offset = 2000h) [Reset = 0000200h]

FRDCTL is shown in [FRDCTL Register](#) and described in [FRDCTL Register Field Descriptions](#).

Return to the [FLASH Registers](#).

Internal. Only to be used through TI provided API.

Figure 8-35. FRDCTL Register

31	30	29	28	27	26	25	24	23	22	21	20	19	18	17	16
RESERVED															
R-0h															
15	14	13	12	11	10	9	8	7	6	5	4	3	2	1	0
RESERVED				RWAIT				RESERVED							
R-0h				R/W-2h				R-0h							

Table 8-31. FRDCTL Register Field Descriptions

Bit	Field	Type	Reset	Description
31-12	RESERVED	R	0h	Reserved
11-8	RWAIT	R/W	2h	Internal. Only to be used through TI provided API.
7-0	RESERVED	R	0h	Reserved

8.7.1.28 FSPRD Register (Offset = 2004h) [Reset = 0000000h]

FSPRD is shown in [FSPRD Register](#) and described in [FSPRD Register Field Descriptions](#).

Return to the [FLASH Registers](#).

Internal. Only to be used through TI provided API.

Figure 8-36. FSPRD Register

31	30	29	28	27	26	25	24	23	22	21	20	19	18	17	16
RESERVED															
R-0h															
15	14	13	12	11	10	9	8	7	6	5	4	3	2	1	0
RMBSEM								RESERVED						RM1	RM0
R/W-0h								R-0h						R/W-0h	R/W-0h

Table 8-32. FSPRD Register Field Descriptions

Bit	Field	Type	Reset	Description
31-16	RESERVED	R	0h	Reserved
15-8	RMBSEM	R/W	0h	Internal. Only to be used through TI provided API.
7-2	RESERVED	R	0h	Reserved
1	RM1	R/W	0h	Internal. Only to be used through TI provided API.
0	RM0	R/W	0h	Internal. Only to be used through TI provided API.

8.7.1.29 FEDACCTL1 Register (Offset = 2008h) [Reset = 0000000h]

FEDACCTL1 is shown in [FEDACCTL1 Register](#) and described in [FEDACCTL1 Register Field Descriptions](#).

Return to the [FLASH Registers](#).

Internal. Only to be used through TI provided API.

Figure 8-37. FEDACCTL1 Register

31	30	29	28	27	26	25	24
RESERVED							SUSP_IGNR
R-0h							R/W-0h
23	22	21	20	19	18	17	16
RESERVED							
R-0h							
15	14	13	12	11	10	9	8
RESERVED							
R-0h							
7	6	5	4	3	2	1	0
RESERVED							
R-0h							

Table 8-33. FEDACCTL1 Register Field Descriptions

Bit	Field	Type	Reset	Description
31-25	RESERVED	R	0h	Reserved
24	SUSP_IGNR	R/W	0h	Internal. Only to be used through TI provided API.
23-0	RESERVED	R	0h	Reserved

8.7.1.30 FEDACSTAT Register (Offset = 201Ch) [Reset = 0000000h]

FEDACSTAT is shown in [FEDACSTAT Register](#) and described in [FEDACSTAT Register Field Descriptions](#).

Return to the [FLASH Registers](#).

Internal. Only to be used through TI provided API.

Figure 8-38. FEDACSTAT Register

31	30	29	28	27	26	25	24
RESERVED						RVF_INT	FSM_DONE
R-0h						R/W1C-0h	R/W1C-0h
23	22	21	20	19	18	17	16
RESERVED							
R-0h							
15	14	13	12	11	10	9	8
RESERVED							
R-0h							
7	6	5	4	3	2	1	0
RESERVED							
R-0h							

Table 8-34. FEDACSTAT Register Field Descriptions

Bit	Field	Type	Reset	Description
31-26	RESERVED	R	0h	Reserved
25	RVF_INT	R/W1C	0h	Internal. Only to be used through TI provided API.
24	FSM_DONE	R/W1C	0h	Internal. Only to be used through TI provided API.
23-0	RESERVED	R	0h	Reserved

8.7.1.31 FBPROT Register (Offset = 2030h) [Reset = 0000000h]

FBPROT is shown in [FBPROT Register](#) and described in [FBPROT Register Field Descriptions](#).

Return to the [FLASH Registers](#).

Internal. Only to be used through TI provided API.

Figure 8-39. FBPROT Register

31	30	29	28	27	26	25	24
RESERVED							
R-0h							
23	22	21	20	19	18	17	16
RESERVED							
R-0h							
15	14	13	12	11	10	9	8
RESERVED							
R-0h							
7	6	5	4	3	2	1	0
RESERVED							PROTL1DIS
R-0h							R/W-0h

Table 8-35. FBPROT Register Field Descriptions

Bit	Field	Type	Reset	Description
31-1	RESERVED	R	0h	Reserved
0	PROTL1DIS	R/W	0h	Internal. Only to be used through TI provided API.

8.7.1.32 FBSE Register (Offset = 2034h) [Reset = 0000000h]

FBSE is shown in [FBSE Register](#) and described in [FBSE Register Field Descriptions](#).

Return to the [FLASH Registers](#).

Internal. Only to be used through TI provided API.

Figure 8-40. FBSE Register

31	30	29	28	27	26	25	24	23	22	21	20	19	18	17	16	15	14	13	12	11	10	9	8	7	6	5	4	3	2	1	0
RESERVED																BSE															
R-0h																R/W-0h															

Table 8-36. FBSE Register Field Descriptions

Bit	Field	Type	Reset	Description
31-16	RESERVED	R	0h	Reserved
15-0	BSE	R/W	0h	Internal. Only to be used through TI provided API.

8.7.1.33 FBBUSY Register (Offset = 2038h) [Reset = 00000FEh]

FBBUSY is shown in [FBBUSY Register](#) and described in [FBBUSY Register Field Descriptions](#).

Return to the [FLASH Registers](#).

Internal. Only to be used through TI provided API.

Figure 8-41. FBBUSY Register

31	30	29	28	27	26	25	24	23	22	21	20	19	18	17	16	15	14	13	12	11	10	9	8	7	6	5	4	3	2	1	0
RESERVED																								BUSY							
R-0h																								R-FEh							

Table 8-37. FBBUSY Register Field Descriptions

Bit	Field	Type	Reset	Description
31-8	RESERVED	R	0h	Reserved
7-0	BUSY	R	FEh	Internal. Only to be used through TI provided API.

8.7.1.34 FBAC Register (Offset = 203Ch) [Reset = 000000Fh]

FBAC is shown in [FBAC Register](#) and described in [FBAC Register Field Descriptions](#).

Return to the [FLASH Registers](#).

Internal. Only to be used through TI provided API.

Figure 8-42. FBAC Register

31	30	29	28	27	26	25	24
RESERVED							
R-0h							
23	22	21	20	19	18	17	16
RESERVED							OTPPROTDIS
R-0h							R/W-0h
15	14	13	12	11	10	9	8
BAGP							
R/W-0h							
7	6	5	4	3	2	1	0
VREADS							
R/W-Fh							

Table 8-38. FBAC Register Field Descriptions

Bit	Field	Type	Reset	Description
31-17	RESERVED	R	0h	Reserved
16	OTPPROTDIS	R/W	0h	Internal. Only to be used through TI provided API.
15-8	BAGP	R/W	0h	Internal. Only to be used through TI provided API.
7-0	VREADS	R/W	Fh	Internal. Only to be used through TI provided API.

8.7.1.35 FBFALLBACK Register (Offset = 2040h) [Reset = 0505FFFFh]

FBFALLBACK is shown in [FBFALLBACK Register](#) and described in [FBFALLBACK Register Field Descriptions](#).

Return to the [FLASH Registers](#).

Internal. Only to be used through TI provided API.

Figure 8-43. FBFALLBACK Register

31	30	29	28	27	26	25	24
RESERVED				FSM_PWRSV			
R-0h				R/W-5h			
23	22	21	20	19	18	17	16
RESERVED				REG_PWRSV			
R-0h				R/W-5h			
15	14	13	12	11	10	9	8
BANKPWR7		BANKPWR6		BANKPWR5		BANKPWR4	
R/W-3h		R/W-3h		R/W-3h		R/W-3h	
7	6	5	4	3	2	1	0
BANKPWR3		BANKPWR2		BANKPWR1		BANKPWR0	
R/W-3h		R/W-3h		R/W-3h		R/W-3h	

Table 8-39. FBFALLBACK Register Field Descriptions

Bit	Field	Type	Reset	Description
31-28	RESERVED	R	0h	Reserved
27-24	FSM_PWRSV	R/W	5h	Internal. Only to be used through TI provided API.
23-20	RESERVED	R	0h	Reserved
19-16	REG_PWRSV	R/W	5h	Internal. Only to be used through TI provided API.
15-14	BANKPWR7	R/W	3h	Internal. Only to be used through TI provided API.
13-12	BANKPWR6	R/W	3h	Internal. Only to be used through TI provided API.
11-10	BANKPWR5	R/W	3h	Internal. Only to be used through TI provided API.
9-8	BANKPWR4	R/W	3h	Internal. Only to be used through TI provided API.
7-6	BANKPWR3	R/W	3h	Internal. Only to be used through TI provided API.
5-4	BANKPWR2	R/W	3h	Internal. Only to be used through TI provided API.
3-2	BANKPWR1	R/W	3h	Internal. Only to be used through TI provided API.
1-0	BANKPWR0	R/W	3h	Internal. Only to be used through TI provided API.

8.7.1.36 FBPRDY Register (Offset = 2044h) [Reset = 00FF00FEh]

FBPRDY is shown in [FBPRDY Register](#) and described in [FBPRDY Register Field Descriptions](#).

Return to the [FLASH Registers](#).

Internal. Only to be used through TI provided API.

Figure 8-44. FBPRDY Register

31	30	29	28	27	26	25	24
RESERVED							
R-0h							
23	22	21	20	19	18	17	16
RESERVED							BANKBUSY
R-0h							R-1h
15	14	13	12	11	10	9	8
PUMPRDY	RESERVED						
R-0h	R-0h						
7	6	5	4	3	2	1	0
RESERVED							BANKRDY
R-0h							R-0h

Table 8-40. FBPRDY Register Field Descriptions

Bit	Field	Type	Reset	Description
31-17	RESERVED	R	0h	Reserved
16	BANKBUSY	R	1h	Internal. Only to be used through TI provided API.
15	PUMPRDY	R	0h	Internal. Only to be used through TI provided API.
14-1	RESERVED	R	0h	Reserved
0	BANKRDY	R	0h	Internal. Only to be used through TI provided API.

8.7.1.37 FPAC1 Register (Offset = 2048h) [Reset = 02082081h]

FPAC1 is shown in [FPAC1 Register](#) and described in [FPAC1 Register Field Descriptions](#).

Return to the [FLASH Registers](#).

Internal. Only to be used through TI provided API.

Figure 8-45. FPAC1 Register

31	30	29	28	27	26	25	24
RESERVED				PSLEEPTDIS			
R-0h				R/W-208h			
23	22	21	20	19	18	17	16
PSLEEPTDIS							
R/W-208h							
15	14	13	12	11	10	9	8
PUMPRESET_PW							
R/W-208h							
7	6	5	4	3	2	1	0
PUMPRESET_PW				RESERVED		PUMPPWR	
R/W-208h				R-0h		R/W-1h	

Table 8-41. FPAC1 Register Field Descriptions

Bit	Field	Type	Reset	Description
31-28	RESERVED	R	0h	Reserved
27-16	PSLEEPTDIS	R/W	208h	Internal. Only to be used through TI provided API.
15-4	PUMPRESET_PW	R/W	208h	Internal. Only to be used through TI provided API.
3-2	RESERVED	R	0h	Reserved
1-0	PUMPPWR	R/W	1h	Internal. Only to be used through TI provided API.

8.7.1.38 FPAC2 Register (Offset = 204Ch) [Reset = 0000000h]

FPAC2 is shown in [FPAC2 Register](#) and described in [FPAC2 Register Field Descriptions](#).

Return to the [FLASH Registers](#).

Internal. Only to be used through TI provided API.

Figure 8-46. FPAC2 Register

31	30	29	28	27	26	25	24	23	22	21	20	19	18	17	16	15	14	13	12	11	10	9	8	7	6	5	4	3	2	1	0
RESERVED																PAGP															
R-0h																R/W-0h															

Table 8-42. FPAC2 Register Field Descriptions

Bit	Field	Type	Reset	Description
31-16	RESERVED	R	0h	Reserved
15-0	PAGP	R/W	0h	Internal. Only to be used through TI provided API.

8.7.1.39 FMAC Register (Offset = 2050h) [Reset = 0000000h]

FMAC is shown in [FMAC Register](#) and described in [FMAC Register Field Descriptions](#).

Return to the [FLASH Registers](#).

Internal. Only to be used through TI provided API.

Figure 8-47. FMAC Register

31	30	29	28	27	26	25	24	23	22	21	20	19	18	17	16
RESERVED															
R-0h															
15	14	13	12	11	10	9	8	7	6	5	4	3	2	1	0
RESERVED													BANK		
R-0h													R/W-0h		

Table 8-43. FMAC Register Field Descriptions

Bit	Field	Type	Reset	Description
31-3	RESERVED	R	0h	Reserved
2-0	BANK	R/W	0h	Internal. Only to be used through TI provided API.

8.7.1.40 FMSTAT Register (Offset = 2054h) [Reset = 0000000h]

FMSTAT is shown in [FMSTAT Register](#) and described in [FMSTAT Register Field Descriptions](#).

Return to the [FLASH Registers](#).

Internal. Only to be used through TI provided API.

Figure 8-48. FMSTAT Register

31	30	29	28	27	26	25	24
RESERVED							
R-0h							
23	22	21	20	19	18	17	16
RESERVED						RVSUSP	RDVER
R-0h						R-0h	R-0h
15	14	13	12	11	10	9	8
RVF	ILA	DBF	PGV	PCV	EV	CV	BUSY
R-0h	R-0h	R-0h	R-0h	R-0h	R-0h	R-0h	R-0h
7	6	5	4	3	2	1	0
ERS	PGM	INVDAT	CSTAT	VOLSTAT	ESUSP	PSUSP	SLOCK
R-0h	R-0h	R-0h	R-0h	R-0h	R-0h	R-0h	R-0h

Table 8-44. FMSTAT Register Field Descriptions

Bit	Field	Type	Reset	Description
31-18	RESERVED	R	0h	Reserved
17	RVSUSP	R	0h	Internal. Only to be used through TI provided API.
16	RDVER	R	0h	Internal. Only to be used through TI provided API.
15	RVF	R	0h	Internal. Only to be used through TI provided API.
14	ILA	R	0h	Internal. Only to be used through TI provided API.
13	DBF	R	0h	Internal. Only to be used through TI provided API.
12	PGV	R	0h	Internal. Only to be used through TI provided API.
11	PCV	R	0h	Internal. Only to be used through TI provided API.
10	EV	R	0h	Internal. Only to be used through TI provided API.
9	CV	R	0h	Internal. Only to be used through TI provided API.
8	BUSY	R	0h	Internal. Only to be used through TI provided API.
7	ERS	R	0h	Internal. Only to be used through TI provided API.
6	PGM	R	0h	Internal. Only to be used through TI provided API.
5	INVDAT	R	0h	Internal. Only to be used through TI provided API.
4	CSTAT	R	0h	Internal. Only to be used through TI provided API.
3	VOLSTAT	R	0h	Internal. Only to be used through TI provided API.
2	ESUSP	R	0h	Internal. Only to be used through TI provided API.
1	PSUSP	R	0h	Internal. Only to be used through TI provided API.
0	SLOCK	R	0h	Internal. Only to be used through TI provided API.

8.7.1.41 FLOCK Register (Offset = 2064h) [Reset = 000055AAh]

FLOCK is shown in [FLOCK Register](#) and described in [FLOCK Register Field Descriptions](#).

Return to the [FLASH Registers](#).

Internal. Only to be used through TI provided API.

Figure 8-49. FLOCK Register

31	30	29	28	27	26	25	24	23	22	21	20	19	18	17	16	15	14	13	12	11	10	9	8	7	6	5	4	3	2	1	0
RESERVED																ENCOM															
R-0h																R/W-55AAh															

Table 8-45. FLOCK Register Field Descriptions

Bit	Field	Type	Reset	Description
31-16	RESERVED	R	0h	Reserved
15-0	ENCOM	R/W	55AAh	Internal. Only to be used through TI provided API.

8.7.1.42 FVREADCT Register (Offset = 2080h) [Reset = 00000008h]

FVREADCT is shown in [FVREADCT Register](#) and described in [FVREADCT Register Field Descriptions](#).

Return to the [FLASH Registers](#).

Internal. Only to be used through TI provided API.

Figure 8-50. FVREADCT Register

31	30	29	28	27	26	25	24	23	22	21	20	19	18	17	16
RESERVED															
R-0h															
15	14	13	12	11	10	9	8	7	6	5	4	3	2	1	0
RESERVED												VREADCT			
R-0h												R/W-8h			

Table 8-46. FVREADCT Register Field Descriptions

Bit	Field	Type	Reset	Description
31-4	RESERVED	R	0h	Reserved
3-0	VREADCT	R/W	8h	Internal. Only to be used through TI provided API.

8.7.1.43 FVHVCT1 Register (Offset = 2084h) [Reset = 00840088h]

FVHVCT1 is shown in [FVHVCT1 Register](#) and described in [FVHVCT1 Register Field Descriptions](#).

Return to the [FLASH Registers](#).

Internal. Only to be used through TI provided API.

Figure 8-51. FVHVCT1 Register

31	30	29	28	27	26	25	24	23	22	21	20	19	18	17	16
RESERVED								TRIM13_E				VHVCT_E			
R-0h								R/W-8h				R/W-4h			
15	14	13	12	11	10	9	8	7	6	5	4	3	2	1	0
RESERVED								TRIM13_PV				VHVCT_PV			
R-0h								R/W-8h				R/W-8h			

Table 8-47. FVHVCT1 Register Field Descriptions

Bit	Field	Type	Reset	Description
31-24	RESERVED	R	0h	Reserved
23-20	TRIM13_E	R/W	8h	Internal. Only to be used through TI provided API.
19-16	VHVCT_E	R/W	4h	Internal. Only to be used through TI provided API.
15-8	RESERVED	R	0h	Reserved
7-4	TRIM13_PV	R/W	8h	Internal. Only to be used through TI provided API.
3-0	VHVCT_PV	R/W	8h	Internal. Only to be used through TI provided API.

8.7.1.44 FVHVCT2 Register (Offset = 2088h) [Reset = 00A20000h]

FVHVCT2 is shown in [FVHVCT2 Register](#) and described in [FVHVCT2 Register Field Descriptions](#).

Return to the [FLASH Registers](#).

Internal. Only to be used through TI provided API.

Figure 8-52. FVHVCT2 Register

31	30	29	28	27	26	25	24	23	22	21	20	19	18	17	16
RESERVED								TRIM13_P				VHVCT_P			
R-0h								R/W-Ah				R/W-2h			
15	14	13	12	11	10	9	8	7	6	5	4	3	2	1	0
RESERVED															
R-0h															

Table 8-48. FVHVCT2 Register Field Descriptions

Bit	Field	Type	Reset	Description
31-24	RESERVED	R	0h	Reserved
23-20	TRIM13_P	R/W	Ah	Internal. Only to be used through TI provided API.
19-16	VHVCT_P	R/W	2h	Internal. Only to be used through TI provided API.
15-0	RESERVED	R	0h	Reserved

8.7.1.45 FVHVCT3 Register (Offset = 208Ch) [Reset = 000F0000h]

FVHVCT3 is shown in [FVHVCT3 Register](#) and described in [FVHVCT3 Register Field Descriptions](#).

Return to the [FLASH Registers](#).

Internal. Only to be used through TI provided API.

Figure 8-53. FVHVCT3 Register

31	30	29	28	27	26	25	24	23	22	21	20	19	18	17	16
RESERVED												WCT			
R-0h												R/W-Fh			
15	14	13	12	11	10	9	8	7	6	5	4	3	2	1	0
RESERVED												VHVCT_READ			
R-0h												R/W-0h			

Table 8-49. FVHVCT3 Register Field Descriptions

Bit	Field	Type	Reset	Description
31-20	RESERVED	R	0h	Reserved
19-16	WCT	R/W	Fh	Internal. Only to be used through TI provided API.
15-4	RESERVED	R	0h	Reserved
3-0	VHVCT_READ	R/W	0h	Internal. Only to be used through TI provided API.

8.7.1.46 FVNVCT Register (Offset = 2090h) [Reset = 0000800h]

FVNVCT is shown in [FVNVCT Register](#) and described in [FVNVCT Register Field Descriptions](#).

Return to the [FLASH Registers](#).

Internal. Only to be used through TI provided API.

Figure 8-54. FVNVCT Register

31	30	29	28	27	26	25	24	23	22	21	20	19	18	17	16
RESERVED															
R-0h															
15	14	13	12	11	10	9	8	7	6	5	4	3	2	1	0
RESERVED				VCG2P5CT				RESERVED				VIN_CT			
R-0h				R/W-8h				R-0h				R/W-0h			

Table 8-50. FVNVCT Register Field Descriptions

Bit	Field	Type	Reset	Description
31-13	RESERVED	R	0h	Reserved
12-8	VCG2P5CT	R/W	8h	Internal. Only to be used through TI provided API.
7-5	RESERVED	R	0h	Reserved
4-0	VIN_CT	R/W	0h	Internal. Only to be used through TI provided API.

8.7.1.47 FVSLP Register (Offset = 2094h) [Reset = 00008000h]

FVSLP is shown in [FVSLP Register](#) and described in [FVSLP Register Field Descriptions](#).

Return to the [FLASH Registers](#).

Internal. Only to be used through TI provided API.

Figure 8-55. FVSLP Register

31	30	29	28	27	26	25	24	23	22	21	20	19	18	17	16
RESERVED															
R-0h															
15	14	13	12	11	10	9	8	7	6	5	4	3	2	1	0
VSL_P				RESERVED											
R/W-8h								R-0h							

Table 8-51. FVSLP Register Field Descriptions

Bit	Field	Type	Reset	Description
31-16	RESERVED	R	0h	Reserved
15-12	VSL_P	R/W	8h	Internal. Only to be used through TI provided API.
11-0	RESERVED	R	0h	Reserved

8.7.1.48 FVWLCT Register (Offset = 2098h) [Reset = 0000008h]

FVWLCT is shown in [FVWLCT Register](#) and described in [FVWLCT Register Field Descriptions](#).

Return to the [FLASH Registers](#).

Internal. Only to be used through TI provided API.

Figure 8-56. FVWLCT Register

31	30	29	28	27	26	25	24	23	22	21	20	19	18	17	16
RESERVED															
R-0h															
15	14	13	12	11	10	9	8	7	6	5	4	3	2	1	0
RESERVED											VWLCT_P				
R-0h											R/W-8h				

Table 8-52. FVWLCT Register Field Descriptions

Bit	Field	Type	Reset	Description
31-5	RESERVED	R	0h	Reserved
4-0	VWLCT_P	R/W	8h	Internal. Only to be used through TI provided API.

8.7.1.49 FEFUSECTL Register (Offset = 209Ch) [Reset = 0701010Ah]

FEFUSECTL is shown in [FEFUSECTL Register](#) and described in [FEFUSECTL Register Field Descriptions](#).

Return to the [FLASH Registers](#).

Internal. Only to be used through TI provided API.

Figure 8-57. FEFUSECTL Register

31	30	29	28	27	26	25	24
RESERVED					CHAIN_SEL		
R-0h					R/W-7h		
23	22	21	20	19	18	17	16
RESERVED						WRITE_EN	BP_SEL
R-0h						R/W-0h	R/W-1h
15	14	13	12	11	10	9	8
RESERVED							EF_CLRZ
R-0h							R/W-1h
7	6	5	4	3	2	1	0
RESERVED			EF_TEST	EFUSE_EN			
R-0h			R/W-0h	R/W-Ah			

Table 8-53. FEFUSECTL Register Field Descriptions

Bit	Field	Type	Reset	Description
31-27	RESERVED	R	0h	Reserved
26-24	CHAIN_SEL	R/W	7h	Internal. Only to be used through TI provided API.
23-18	RESERVED	R	0h	Reserved
17	WRITE_EN	R/W	0h	Internal. Only to be used through TI provided API.
16	BP_SEL	R/W	1h	Internal. Only to be used through TI provided API.
15-9	RESERVED	R	0h	Reserved
8	EF_CLRZ	R/W	1h	Internal. Only to be used through TI provided API.
7-5	RESERVED	R	0h	Reserved
4	EF_TEST	R/W	0h	Internal. Only to be used through TI provided API.
3-0	EFUSE_EN	R/W	Ah	Internal. Only to be used through TI provided API.

8.7.1.50 FEFUSESTAT Register (Offset = 20A0h) [Reset = 0000000h]

FEFUSESTAT is shown in [FEFUSESTAT Register](#) and described in [FEFUSESTAT Register Field Descriptions](#).

Return to the [FLASH Registers](#).

Internal. Only to be used through TI provided API.

Figure 8-58. FEFUSESTAT Register

31	30	29	28	27	26	25	24
RESERVED							
R-0h							
23	22	21	20	19	18	17	16
RESERVED							
R-0h							
15	14	13	12	11	10	9	8
RESERVED							
R-0h							
7	6	5	4	3	2	1	0
RESERVED							SHIFT_DONE
R-0h							R/W1C-0h

Table 8-54. FEFUSESTAT Register Field Descriptions

Bit	Field	Type	Reset	Description
31-1	RESERVED	R	0h	Reserved
0	SHIFT_DONE	R/W1C	0h	Internal. Only to be used through TI provided API.

8.7.1.51 FEFUSEDATA Register (Offset = 20A4h) [Reset = 0000000h]

FEFUSEDATA is shown in [FEFUSEDATA Register](#) and described in [FEFUSEDATA Register Field Descriptions](#).

Return to the [FLASH Registers](#).

Internal. Only to be used through TI provided API.

Figure 8-59. FEFUSEDATA Register

31	30	29	28	27	26	25	24	23	22	21	20	19	18	17	16	15	14	13	12	11	10	9	8	7	6	5	4	3	2	1	0
FEFUSEDATA																															
R/W-0h																															

Table 8-55. FEFUSEDATA Register Field Descriptions

Bit	Field	Type	Reset	Description
31-0	FEFUSEDATA	R/W	0h	Internal. Only to be used through TI provided API.

8.7.1.52 FSEQPMP Register (Offset = 20A8h) [Reset = 85080000h]

FSEQPMP is shown in [FSEQPMP Register](#) and described in [FSEQPMP Register Field Descriptions](#).

Return to the [FLASH Registers](#).

Internal. Only to be used through TI provided API.

Figure 8-60. FSEQPMP Register

31	30	29	28	27	26	25	24
RESERVED				TRIM_3P4			
R/W-8h				R/W-5h			
23	22	21	20	19	18	17	16
RESERVED		TRIM_1P7		TRIM_0P8			
R-0h		R/W-0h		R/W-8h			
15	14	13	12	11	10	9	8
RESERVED	VIN_AT_X			RESERVED			VIN_BY_PASS
R-0h		R/W-0h		R-0h		R/W-0h	
7	6	5	4	3	2	1	0
RESERVED							
R-0h							

Table 8-56. FSEQPMP Register Field Descriptions

Bit	Field	Type	Reset	Description
31-28	RESERVED	R/W	8h	Internal. Only to be used through TI provided API.
27-24	TRIM_3P4	R/W	5h	Internal. Only to be used through TI provided API.
23-22	RESERVED	R	0h	Reserved
21-20	TRIM_1P7	R/W	0h	Internal. Only to be used through TI provided API.
19-16	TRIM_0P8	R/W	8h	Internal. Only to be used through TI provided API.
15	RESERVED	R	0h	Reserved
14-12	VIN_AT_X	R/W	0h	Internal. Only to be used through TI provided API.
11-9	RESERVED	R	0h	Reserved
8	VIN_BY_PASS	R/W	0h	Internal. Only to be used through TI provided API.
7-0	RESERVED	R	0h	Reserved

8.7.1.53 FBSTROBES Register (Offset = 2100h) [Reset = 0000104h]

FBSTROBES is shown in [FBSTROBES Register](#) and described in [FBSTROBES Register Field Descriptions](#).

Return to the [FLASH Registers](#).

Internal. Only to be used through TI provided API.

Figure 8-61. FBSTROBES Register

31	30	29	28	27	26	25	24
RESERVED							ECBIT
R-0h							R/W-0h
23	22	21	20	19	18	17	16
RESERVED					RWAIT2_FLCLK	RWAIT_FLCLK	FLCLKEN
R-0h					R/W-0h	R/W-0h	R/W-0h
15	14	13	12	11	10	9	8
RESERVED							CTRLNZ
R-0h							R/W-1h
7	6	5	4	3	2	1	0
RESERVED	NOCOLRED	PRECOL	TI_OTP	OTP	TEZ	RESERVED	
R-0h	R/W-0h	R/W-0h	R/W-0h	R/W-0h	R/W-1h	R-0h	

Table 8-57. FBSTROBES Register Field Descriptions

Bit	Field	Type	Reset	Description
31-25	RESERVED	R	0h	Reserved
24	ECBIT	R/W	0h	Internal. Only to be used through TI provided API.
23-19	RESERVED	R	0h	Reserved
18	RWAIT2_FLCLK	R/W	0h	Internal. Only to be used through TI provided API.
17	RWAIT_FLCLK	R/W	0h	Internal. Only to be used through TI provided API.
16	FLCLKEN	R/W	0h	Internal. Only to be used through TI provided API.
15-9	RESERVED	R	0h	Reserved
8	CTRLNZ	R/W	1h	Internal. Only to be used through TI provided API.
7	RESERVED	R	0h	Reserved
6	NOCOLRED	R/W	0h	Internal. Only to be used through TI provided API.
5	PRECOL	R/W	0h	Internal. Only to be used through TI provided API.
4	TI_OTP	R/W	0h	Internal. Only to be used through TI provided API.
3	OTP	R/W	0h	Internal. Only to be used through TI provided API.
2	TEZ	R/W	1h	Internal. Only to be used through TI provided API.
1-0	RESERVED	R	0h	Reserved

8.7.1.54 FPSTROBES Register (Offset = 2104h) [Reset = 0000103h]

FPSTROBES is shown in [FPSTROBES Register](#) and described in [FPSTROBES Register Field Descriptions](#).

Return to the [FLASH Registers](#).

Internal. Only to be used through TI provided API.

Figure 8-62. FPSTROBES Register

31	30	29	28	27	26	25	24
RESERVED							
R-0h							
23	22	21	20	19	18	17	16
RESERVED							
R-0h							
15	14	13	12	11	10	9	8
RESERVED							EXECUTEZ
R-0h							R/W-1h
7	6	5	4	3	2	1	0
RESERVED						V3PWRDNZ	V5PWRDNZ
R-0h						R/W-1h	R/W-1h

Table 8-58. FPSTROBES Register Field Descriptions

Bit	Field	Type	Reset	Description
31-9	RESERVED	R	0h	Reserved
8	EXECUTEZ	R/W	1h	Internal. Only to be used through TI provided API.
7-2	RESERVED	R	0h	Reserved
1	V3PWRDNZ	R/W	1h	Internal. Only to be used through TI provided API.
0	V5PWRDNZ	R/W	1h	Internal. Only to be used through TI provided API.

8.7.1.55 FBMODE Register (Offset = 2108h) [Reset = 0000000h]

FBMODE is shown in [FBMODE Register](#) and described in [FBMODE Register Field Descriptions](#).

Return to the [FLASH Registers](#).

Internal. Only to be used through TI provided API.

Figure 8-63. FBMODE Register

31	30	29	28	27	26	25	24	23	22	21	20	19	18	17	16
RESERVED															
R-0h															
15	14	13	12	11	10	9	8	7	6	5	4	3	2	1	0
RESERVED													MODE		
R-0h													R/W-0h		

Table 8-59. FBMODE Register Field Descriptions

Bit	Field	Type	Reset	Description
31-3	RESERVED	R	0h	Reserved
2-0	MODE	R/W	0h	Internal. Only to be used through TI provided API.

8.7.1.56 FTCR Register (Offset = 210Ch) [Reset = 0000000h]

FTCR is shown in [FTCR Register](#) and described in [FTCR Register Field Descriptions](#).

Return to the [FLASH Registers](#).

Internal. Only to be used through TI provided API.

Figure 8-64. FTCR Register

31	30	29	28	27	26	25	24	23	22	21	20	19	18	17	16	15	14	13	12	11	10	9	8	7	6	5	4	3	2	1	0
RESERVED														TCR																	
R-0h														R/W-0h																	

Table 8-60. FTCR Register Field Descriptions

Bit	Field	Type	Reset	Description
31-7	RESERVED	R	0h	Reserved
6-0	TCR	R/W	0h	Internal. Only to be used through TI provided API.

8.7.1.57 FADDR Register (Offset = 2110h) [Reset = 0000000h]

FADDR is shown in [FADDR Register](#) and described in [FADDR Register Field Descriptions](#).

Return to the [FLASH Registers](#).

Internal. Only to be used through TI provided API.

Figure 8-65. FADDR Register

31	30	29	28	27	26	25	24	23	22	21	20	19	18	17	16	15	14	13	12	11	10	9	8	7	6	5	4	3	2	1	0
FADDR																															
R/W-0h																															

Table 8-61. FADDR Register Field Descriptions

Bit	Field	Type	Reset	Description
31-0	FADDR	R/W	0h	Internal. Only to be used through TI provided API.

8.7.1.58 FTCTL Register (Offset = 211Ch) [Reset = 0000000h]

FTCTL is shown in [FTCTL Register](#) and described in [FTCTL Register Field Descriptions](#).

Return to the [FLASH Registers](#).

Internal. Only to be used through TI provided API.

Figure 8-66. FTCTL Register

31	30	29	28	27	26	25	24
RESERVED							
R-0h							
23	22	21	20	19	18	17	16
RESERVED							WDATA_BLK_C LR
R-0h							R/W-0h
15	14	13	12	11	10	9	8
RESERVED							
R-0h							
7	6	5	4	3	2	1	0
RESERVED						TEST_EN	RESERVED
R-0h						R/W-0h	R-0h

Table 8-62. FTCTL Register Field Descriptions

Bit	Field	Type	Reset	Description
31-17	RESERVED	R	0h	Reserved
16	WDATA_BLK_CLR	R/W	0h	Internal. Only to be used through TI provided API.
15-2	RESERVED	R	0h	Reserved
1	TEST_EN	R/W	0h	Internal. Only to be used through TI provided API.
0	RESERVED	R	0h	Reserved

8.7.1.59 FWPWRITE0 Register (Offset = 2120h) [Reset = FFFFFFFFh]

FWPWRITE0 is shown in [FWPWRITE0 Register](#) and described in [FWPWRITE0 Register Field Descriptions](#).

Return to the [FLASH Registers](#).

Internal. Only to be used through TI provided API.

Figure 8-67. FWPWRITE0 Register

31	30	29	28	27	26	25	24	23	22	21	20	19	18	17	16	15	14	13	12	11	10	9	8	7	6	5	4	3	2	1	0
FWPWRITE0																															
R/W-FFFFFFFh																															

Table 8-63. FWPWRITE0 Register Field Descriptions

Bit	Field	Type	Reset	Description
31-0	FWPWRITE0	R/W	FFFFFFFh	Internal. Only to be used through TI provided API.

8.7.1.60 FWPWRITE1 Register (Offset = 2124h) [Reset = FFFFFFFFh]

FWPWRITE1 is shown in [FWPWRITE1 Register](#) and described in [FWPWRITE1 Register Field Descriptions](#).

Return to the [FLASH Registers](#).

Internal. Only to be used through TI provided API.

Figure 8-68. FWPWRITE1 Register

31	30	29	28	27	26	25	24	23	22	21	20	19	18	17	16	15	14	13	12	11	10	9	8	7	6	5	4	3	2	1	0
FWPWRITE1																															
R/W-FFFFFFFh																															

Table 8-64. FWPWRITE1 Register Field Descriptions

Bit	Field	Type	Reset	Description
31-0	FWPWRITE1	R/W	FFFFFFFh	Internal. Only to be used through TI provided API.

8.7.1.61 FWPWRITE2 Register (Offset = 2128h) [Reset = FFFFFFFFh]

FWPWRITE2 is shown in [FWPWRITE2 Register](#) and described in [FWPWRITE2 Register Field Descriptions](#).

Return to the [FLASH Registers](#).

Internal. Only to be used through TI provided API.

Figure 8-69. FWPWRITE2 Register

31	30	29	28	27	26	25	24	23	22	21	20	19	18	17	16	15	14	13	12	11	10	9	8	7	6	5	4	3	2	1	0
FWPWRITE2																															
R/W-FFFFFFFh																															

Table 8-65. FWPWRITE2 Register Field Descriptions

Bit	Field	Type	Reset	Description
31-0	FWPWRITE2	R/W	FFFFFFFh	Internal. Only to be used through TI provided API.

8.7.1.62 FWPWRITE3 Register (Offset = 212Ch) [Reset = FFFFFFFFh]

FWPWRITE3 is shown in [FWPWRITE3 Register](#) and described in [FWPWRITE3 Register Field Descriptions](#).

Return to the [FLASH Registers](#).

Internal. Only to be used through TI provided API.

Figure 8-70. FWPWRITE3 Register

31	30	29	28	27	26	25	24	23	22	21	20	19	18	17	16	15	14	13	12	11	10	9	8	7	6	5	4	3	2	1	0
FWPWRITE3																															
R/W-FFFFFFFh																															

Table 8-66. FWPWRITE3 Register Field Descriptions

Bit	Field	Type	Reset	Description
31-0	FWPWRITE3	R/W	FFFFFFFh	Internal. Only to be used through TI provided API.

8.7.1.63 FWPWRITE4 Register (Offset = 2130h) [Reset = FFFFFFFFh]

FWPWRITE4 is shown in [FWPWRITE4 Register](#) and described in [FWPWRITE4 Register Field Descriptions](#).

Return to the [FLASH Registers](#).

Internal. Only to be used through TI provided API.

Figure 8-71. FWPWRITE4 Register

31	30	29	28	27	26	25	24	23	22	21	20	19	18	17	16	15	14	13	12	11	10	9	8	7	6	5	4	3	2	1	0
FWPWRITE4																															
R/W-FFFFFFFh																															

Table 8-67. FWPWRITE4 Register Field Descriptions

Bit	Field	Type	Reset	Description
31-0	FWPWRITE4	R/W	FFFFFFFh	Internal. Only to be used through TI provided API.

8.7.1.64 FWPWRITE5 Register (Offset = 2134h) [Reset = FFFFFFFFh]

FWPWRITE5 is shown in [FWPWRITE5 Register](#) and described in [FWPWRITE5 Register Field Descriptions](#).

Return to the [FLASH Registers](#).

Internal. Only to be used through TI provided API.

Figure 8-72. FWPWRITE5 Register

31	30	29	28	27	26	25	24	23	22	21	20	19	18	17	16	15	14	13	12	11	10	9	8	7	6	5	4	3	2	1	0
FWPWRITE5																															
R/W-FFFFFFFh																															

Table 8-68. FWPWRITE5 Register Field Descriptions

Bit	Field	Type	Reset	Description
31-0	FWPWRITE5	R/W	FFFFFFFh	Internal. Only to be used through TI provided API.

8.7.1.65 FWPWRITE6 Register (Offset = 2138h) [Reset = FFFFFFFFh]

FWPWRITE6 is shown in [FWPWRITE6 Register](#) and described in [FWPWRITE6 Register Field Descriptions](#).

Return to the [FLASH Registers](#).

Internal. Only to be used through TI provided API.

Figure 8-73. FWPWRITE6 Register

31	30	29	28	27	26	25	24	23	22	21	20	19	18	17	16	15	14	13	12	11	10	9	8	7	6	5	4	3	2	1	0
FWPWRITE6																															
R/W-FFFFFFFh																															

Table 8-69. FWPWRITE6 Register Field Descriptions

Bit	Field	Type	Reset	Description
31-0	FWPWRITE6	R/W	FFFFFFFh	Internal. Only to be used through TI provided API.

8.7.1.66 FWPWRITE7 Register (Offset = 213Ch) [Reset = FFFFFFFFh]

FWPWRITE7 is shown in [FWPWRITE7 Register](#) and described in [FWPWRITE7 Register Field Descriptions](#).

Return to the [FLASH Registers](#).

Internal. Only to be used through TI provided API.

Figure 8-74. FWPWRITE7 Register

31	30	29	28	27	26	25	24	23	22	21	20	19	18	17	16	15	14	13	12	11	10	9	8	7	6	5	4	3	2	1	0
FWPWRITE7																															
R/W-FFFFFFFh																															

Table 8-70. FWPWRITE7 Register Field Descriptions

Bit	Field	Type	Reset	Description
31-0	FWPWRITE7	R/W	FFFFFFFh	Internal. Only to be used through TI provided API.

8.7.1.67 FWPWRITE_ECC Register (Offset = 2140h) [Reset = FFFFFFFFh]

FWPWRITE_ECC is shown in [FWPWRITE_ECC Register](#) and described in [FWPWRITE_ECC Register Field Descriptions](#).

Return to the [FLASH Registers](#).

Internal. Only to be used through TI provided API.

Figure 8-75. FWPWRITE_ECC Register

31	30	29	28	27	26	25	24	23	22	21	20	19	18	17	16
ECCBYTES07_00								ECCBYTES15_08							
R/W-FFh								R/W-FFh							
15	14	13	12	11	10	9	8	7	6	5	4	3	2	1	0
ECCBYTES23_16								ECCBYTES31_24							
R/W-FFh								R/W-FFh							

Table 8-71. FWPWRITE_ECC Register Field Descriptions

Bit	Field	Type	Reset	Description
31-24	ECCBYTES07_00	R/W	FFh	Internal. Only to be used through TI provided API.
23-16	ECCBYTES15_08	R/W	FFh	Internal. Only to be used through TI provided API.
15-8	ECCBYTES23_16	R/W	FFh	Internal. Only to be used through TI provided API.
7-0	ECCBYTES31_24	R/W	FFh	Internal. Only to be used through TI provided API.

8.7.1.68 FSWSTAT Register (Offset = 2144h) [Reset = 0000001h]

FSWSTAT is shown in [FSWSTAT Register](#) and described in [FSWSTAT Register Field Descriptions](#).

Return to the [FLASH Registers](#).

Internal. Only to be used through TI provided API.

Figure 8-76. FSWSTAT Register

31	30	29	28	27	26	25	24
RESERVED							
R-0h							
23	22	21	20	19	18	17	16
RESERVED							
R-0h							
15	14	13	12	11	10	9	8
RESERVED							
R-0h							
7	6	5	4	3	2	1	0
RESERVED							SAFELV
R-0h							R-1h

Table 8-72. FSWSTAT Register Field Descriptions

Bit	Field	Type	Reset	Description
31-1	RESERVED	R	0h	Reserved
0	SAFELV	R	1h	Internal. Only to be used through TI provided API.

8.7.1.69 FSM_GLBCTL Register (Offset = 2200h) [Reset = 0000001h]

FSM_GLBCTL is shown in [FSM_GLBCTL Register](#) and described in [FSM_GLBCTL Register Field Descriptions](#).
Return to the [FLASH Registers](#).

Internal. Only to be used through TI provided API.

Figure 8-77. FSM_GLBCTL Register

31	30	29	28	27	26	25	24
RESERVED							
R-0h							
23	22	21	20	19	18	17	16
RESERVED							
R-0h							
15	14	13	12	11	10	9	8
RESERVED							
R-0h							
7	6	5	4	3	2	1	0
RESERVED							CLKSEL
R-0h							R-1h

Table 8-73. FSM_GLBCTL Register Field Descriptions

Bit	Field	Type	Reset	Description
31-1	RESERVED	R	0h	Reserved
0	CLKSEL	R	1h	Internal. Only to be used through TI provided API.

8.7.1.70 FSM_STATE Register (Offset = 2204h) [Reset = 0000C00h]

FSM_STATE is shown in [FSM_STATE Register](#) and described in [FSM_STATE Register Field Descriptions](#).

Return to the [FLASH Registers](#).

Internal. Only to be used through TI provided API.

Figure 8-78. FSM_STATE Register

31	30	29	28	27	26	25	24
RESERVED							
R-0h							
23	22	21	20	19	18	17	16
RESERVED							
R-0h							
15	14	13	12	11	10	9	8
RESERVED				CTRLLENZ	EXECUTEZ	RESERVED	FSM_ACT
R-0h				R-1h	R-1h	R-0h	R-0h
7	6	5	4	3	2	1	0
TIOTP_ACT	OTP_ACT	RESERVED					
R-0h	R-0h	R-0h					

Table 8-74. FSM_STATE Register Field Descriptions

Bit	Field	Type	Reset	Description
31-12	RESERVED	R	0h	Reserved
11	CTRLLENZ	R	1h	Internal. Only to be used through TI provided API.
10	EXECUTEZ	R	1h	Internal. Only to be used through TI provided API.
9	RESERVED	R	0h	Reserved
8	FSM_ACT	R	0h	Internal. Only to be used through TI provided API.
7	TIOTP_ACT	R	0h	Internal. Only to be used through TI provided API.
6	OTP_ACT	R	0h	Internal. Only to be used through TI provided API.
5-0	RESERVED	R	0h	Reserved

8.7.1.71 FSM_STAT Register (Offset = 2208h) [Reset = 0000004h]

FSM_STAT is shown in [FSM_STAT Register](#) and described in [FSM_STAT Register Field Descriptions](#).

Return to the [FLASH Registers](#).

Internal. Only to be used through TI provided API.

Figure 8-79. FSM_STAT Register

31	30	29	28	27	26	25	24
RESERVED							
R-0h							
23	22	21	20	19	18	17	16
RESERVED							
R-0h							
15	14	13	12	11	10	9	8
RESERVED							
R-0h							
7	6	5	4	3	2	1	0
RESERVED					NON_OP	OVR_PUL_CNT	INV_DAT
R-0h					R-1h	R-0h	R-0h

Table 8-75. FSM_STAT Register Field Descriptions

Bit	Field	Type	Reset	Description
31-3	RESERVED	R	0h	Reserved
2	NON_OP	R	1h	Internal. Only to be used through TI provided API.
1	OVR_PUL_CNT	R	0h	Internal. Only to be used through TI provided API.
0	INV_DAT	R	0h	Internal. Only to be used through TI provided API.

8.7.1.72 FSM_CMD Register (Offset = 220Ch) [Reset = 0000000h]

FSM_CMD is shown in [FSM_CMD Register](#) and described in [FSM_CMD Register Field Descriptions](#).

Return to the [FLASH Registers](#).

Internal. Only to be used through TI provided API.

Figure 8-80. FSM_CMD Register

31	30	29	28	27	26	25	24	23	22	21	20	19	18	17	16	15	14	13	12	11	10	9	8	7	6	5	4	3	2	1	0
RESERVED																										FSMCMD					
R-0h																										R/W-0h					

Table 8-76. FSM_CMD Register Field Descriptions

Bit	Field	Type	Reset	Description
31-6	RESERVED	R	0h	Reserved
5-0	FSMCMD	R/W	0h	Internal. Only to be used through TI provided API.

8.7.1.73 FSM_PE_OSU Register (Offset = 2210h) [Reset = 00000000h]

FSM_PE_OSU is shown in [FSM_PE_OSU Register](#) and described in [FSM_PE_OSU Register Field Descriptions](#).

Return to the [FLASH Registers](#).

Internal. Only to be used through TI provided API.

Figure 8-81. FSM_PE_OSU Register

31	30	29	28	27	26	25	24	23	22	21	20	19	18	17	16	15	14	13	12	11	10	9	8	7	6	5	4	3	2	1	0
RESERVED																PGM_OSU						ERA_OSU									
R-0h																R/W-0h						R/W-0h									

Table 8-77. FSM_PE_OSU Register Field Descriptions

Bit	Field	Type	Reset	Description
31-16	RESERVED	R	0h	Reserved
15-8	PGM_OSU	R/W	0h	Internal. Only to be used through TI provided API.
7-0	ERA_OSU	R/W	0h	Internal. Only to be used through TI provided API.

8.7.1.74 FSM_VSTAT Register (Offset = 2214h) [Reset = 00003000h]

FSM_VSTAT is shown in [FSM_VSTAT Register](#) and described in [FSM_VSTAT Register Field Descriptions](#).

Return to the [FLASH Registers](#).

Internal. Only to be used through TI provided API.

Figure 8-82. FSM_VSTAT Register

31	30	29	28	27	26	25	24	23	22	21	20	19	18	17	16
RESERVED															
R-0h															
15	14	13	12	11	10	9	8	7	6	5	4	3	2	1	0
VSTAT_CNT				RESERVED											
R/W-3h				R-0h											

Table 8-78. FSM_VSTAT Register Field Descriptions

Bit	Field	Type	Reset	Description
31-16	RESERVED	R	0h	Reserved
15-12	VSTAT_CNT	R/W	3h	Internal. Only to be used through TI provided API.
11-0	RESERVED	R	0h	Reserved

8.7.1.75 FSM_PE_VSU Register (Offset = 2218h) [Reset = 0000000h]

FSM_PE_VSU is shown in [FSM_PE_VSU Register](#) and described in [FSM_PE_VSU Register Field Descriptions](#).
Return to the [FLASH Registers](#).

Internal. Only to be used through TI provided API.

Figure 8-83. FSM_PE_VSU Register

31	30	29	28	27	26	25	24	23	22	21	20	19	18	17	16	15	14	13	12	11	10	9	8	7	6	5	4	3	2	1	0
RESERVED																PGM_VSU						ERA_VSU									
R-0h																R/W-0h						R/W-0h									

Table 8-79. FSM_PE_VSU Register Field Descriptions

Bit	Field	Type	Reset	Description
31-16	RESERVED	R	0h	Reserved
15-8	PGM_VSU	R/W	0h	Internal. Only to be used through TI provided API.
7-0	ERA_VSU	R/W	0h	Internal. Only to be used through TI provided API.

8.7.1.76 FSM_CMP_VSU Register (Offset = 221Ch) [Reset = 0000000h]

FSM_CMP_VSU is shown in [FSM_CMP_VSU Register](#) and described in [FSM_CMP_VSU Register Field Descriptions](#).

Return to the [FLASH Registers](#).

Internal. Only to be used through TI provided API.

Figure 8-84. FSM_CMP_VSU Register

31	30	29	28	27	26	25	24	23	22	21	20	19	18	17	16
RESERVED															
R-0h															
15	14	13	12	11	10	9	8	7	6	5	4	3	2	1	0
ADD_EXZ				RESERVED											
R/W-0h				R-0h											

Table 8-80. FSM_CMP_VSU Register Field Descriptions

Bit	Field	Type	Reset	Description
31-16	RESERVED	R	0h	Reserved
15-12	ADD_EXZ	R/W	0h	Internal. Only to be used through TI provided API.
11-0	RESERVED	R	0h	Reserved

8.7.1.77 FSM_EX_VAL Register (Offset = 2220h) [Reset = 0000301h]

FSM_EX_VAL is shown in [FSM_EX_VAL Register](#) and described in [FSM_EX_VAL Register Field Descriptions](#).

Return to the [FLASH Registers](#).

Internal. Only to be used through TI provided API.

Figure 8-85. FSM_EX_VAL Register

31	30	29	28	27	26	25	24	23	22	21	20	19	18	17	16	15	14	13	12	11	10	9	8	7	6	5	4	3	2	1	0
RESERVED																REP_VSU						EXE_VALD									
R-0h																R/W-3h						R/W-1h									

Table 8-81. FSM_EX_VAL Register Field Descriptions

Bit	Field	Type	Reset	Description
31-16	RESERVED	R	0h	Reserved
15-8	REP_VSU	R/W	3h	Internal. Only to be used through TI provided API.
7-0	EXE_VALD	R/W	1h	Internal. Only to be used through TI provided API.

8.7.1.78 FSM_RD_H Register (Offset = 2224h) [Reset = 0000005Ah]

FSM_RD_H is shown in [FSM_RD_H Register](#) and described in [FSM_RD_H Register Field Descriptions](#).

Return to the [FLASH Registers](#).

Internal. Only to be used through TI provided API.

Figure 8-86. FSM_RD_H Register

31	30	29	28	27	26	25	24	23	22	21	20	19	18	17	16	15	14	13	12	11	10	9	8	7	6	5	4	3	2	1	0
RESERVED														RD_H																	
R-0h														R/W-5Ah																	

Table 8-82. FSM_RD_H Register Field Descriptions

Bit	Field	Type	Reset	Description
31-8	RESERVED	R	0h	Reserved
7-0	RD_H	R/W	5Ah	Internal. Only to be used through TI provided API.

8.7.1.79 FSM_P_OH Register (Offset = 2228h) [Reset = 0000100h]

FSM_P_OH is shown in [FSM_P_OH Register](#) and described in [FSM_P_OH Register Field Descriptions](#).

Return to the [FLASH Registers](#).

Internal. Only to be used through TI provided API.

Figure 8-87. FSM_P_OH Register

31	30	29	28	27	26	25	24	23	22	21	20	19	18	17	16	15	14	13	12	11	10	9	8	7	6	5	4	3	2	1	0
RESERVED																PGM_OH						RESERVED									
R-0h																R/W-1h						R-0h									

Table 8-83. FSM_P_OH Register Field Descriptions

Bit	Field	Type	Reset	Description
31-16	RESERVED	R	0h	Reserved
15-8	PGM_OH	R/W	1h	Internal. Only to be used through TI provided API.
7-0	RESERVED	R	0h	Reserved

8.7.1.80 FSM_ERA_OH Register (Offset = 222Ch) [Reset = 0000001h]

FSM_ERA_OH is shown in [FSM_ERA_OH Register](#) and described in [FSM_ERA_OH Register Field Descriptions](#).

Return to the [FLASH Registers](#).

Internal. Only to be used through TI provided API.

Figure 8-88. FSM_ERA_OH Register

31	30	29	28	27	26	25	24	23	22	21	20	19	18	17	16	15	14	13	12	11	10	9	8	7	6	5	4	3	2	1	0
RESERVED																ERA_OH															
R-0h																R/W-1h															

Table 8-84. FSM_ERA_OH Register Field Descriptions

Bit	Field	Type	Reset	Description
31-16	RESERVED	R	0h	Reserved
15-0	ERA_OH	R/W	1h	Internal. Only to be used through TI provided API.

8.7.1.81 FSM_SAV_PPUL Register (Offset = 2230h) [Reset = 00000000h]

FSM_SAV_PPUL is shown in [FSM_SAV_PPUL Register](#) and described in [FSM_SAV_PPUL Register Field Descriptions](#).

Return to the [FLASH Registers](#).

Internal. Only to be used through TI provided API.

Figure 8-89. FSM_SAV_PPUL Register

31	30	29	28	27	26	25	24	23	22	21	20	19	18	17	16	15	14	13	12	11	10	9	8	7	6	5	4	3	2	1	0
RESERVED											SAV_P_PUL																				
R-0h											R-0h																				

Table 8-85. FSM_SAV_PPUL Register Field Descriptions

Bit	Field	Type	Reset	Description
31-12	RESERVED	R	0h	Reserved
11-0	SAV_P_PUL	R	0h	Internal. Only to be used through TI provided API.

8.7.1.82 FSM_PE_VH Register (Offset = 2234h) [Reset = 0000100h]

FSM_PE_VH is shown in [FSM_PE_VH Register](#) and described in [FSM_PE_VH Register Field Descriptions](#).

Return to the [FLASH Registers](#).

Internal. Only to be used through TI provided API.

Figure 8-90. FSM_PE_VH Register

31	30	29	28	27	26	25	24	23	22	21	20	19	18	17	16	15	14	13	12	11	10	9	8	7	6	5	4	3	2	1	0
RESERVED																PGM_VH						RESERVED									
R-0h																R/W-1h						R-0h									

Table 8-86. FSM_PE_VH Register Field Descriptions

Bit	Field	Type	Reset	Description
31-16	RESERVED	R	0h	Reserved
15-8	PGM_VH	R/W	1h	Internal. Only to be used through TI provided API.
7-0	RESERVED	R	0h	Reserved

8.7.1.83 FSM_PRG_PW Register (Offset = 2240h) [Reset = 0000000h]

FSM_PRG_PW is shown in [FSM_PRG_PW Register](#) and described in [FSM_PRG_PW Register Field Descriptions](#).

Return to the [FLASH Registers](#).

Internal. Only to be used through TI provided API.

Figure 8-91. FSM_PRG_PW Register

31	30	29	28	27	26	25	24	23	22	21	20	19	18	17	16	15	14	13	12	11	10	9	8	7	6	5	4	3	2	1	0
RESERVED																PROG_PUL_WIDTH															
R-0h																R/W-0h															

Table 8-87. FSM_PRG_PW Register Field Descriptions

Bit	Field	Type	Reset	Description
31-16	RESERVED	R	0h	Reserved
15-0	PROG_PUL_WIDTH	R/W	0h	Internal. Only to be used through TI provided API.

8.7.1.84 FSM_ERA_PW Register (Offset = 2244h) [Reset = 0000000h]

FSM_ERA_PW is shown in [FSM_ERA_PW Register](#) and described in [FSM_ERA_PW Register Field Descriptions](#).

Return to the [FLASH Registers](#).

Internal. Only to be used through TI provided API.

Figure 8-92. FSM_ERA_PW Register

31	30	29	28	27	26	25	24	23	22	21	20	19	18	17	16	15	14	13	12	11	10	9	8	7	6	5	4	3	2	1	0
FSM_ERA_PW																															
R/W-0h																															

Table 8-88. FSM_ERA_PW Register Field Descriptions

Bit	Field	Type	Reset	Description
31-0	FSM_ERA_PW	R/W	0h	Internal. Only to be used through TI provided API.

8.7.1.85 FSM_SAV_ERA_PUL Register (Offset = 2254h) [Reset = 0000000h]

FSM_SAV_ERA_PUL is shown in [FSM_SAV_ERA_PUL Register](#) and described in [FSM_SAV_ERA_PUL Register Field Descriptions](#).

Return to the [FLASH Registers](#).

Internal. Only to be used through TI provided API.

Figure 8-93. FSM_SAV_ERA_PUL Register

31	30	29	28	27	26	25	24	23	22	21	20	19	18	17	16	15	14	13	12	11	10	9	8	7	6	5	4	3	2	1	0
RESERVED											SAV_ERA_PUL																				
R-0h											R-0h																				

Table 8-89. FSM_SAV_ERA_PUL Register Field Descriptions

Bit	Field	Type	Reset	Description
31-12	RESERVED	R	0h	Internal. Only to be used through TI provided API.
11-0	SAV_ERA_PUL	R	0h	Internal. Only to be used through TI provided API.

8.7.1.86 FSM_TIMER Register (Offset = 2258h) [Reset = 0000000h]

FSM_TIMER is shown in [FSM_TIMER Register](#) and described in [FSM_TIMER Register Field Descriptions](#).

Return to the [FLASH Registers](#).

Internal. Only to be used through TI provided API.

Figure 8-94. FSM_TIMER Register

31	30	29	28	27	26	25	24	23	22	21	20	19	18	17	16	15	14	13	12	11	10	9	8	7	6	5	4	3	2	1	0
FSM_TIMER																															
R-0h																															

Table 8-90. FSM_TIMER Register Field Descriptions

Bit	Field	Type	Reset	Description
31-0	FSM_TIMER	R	0h	Internal. Only to be used through TI provided API.

8.7.1.87 FSM_MODE Register (Offset = 225Ch) [Reset = 0000000h]

FSM_MODE is shown in [FSM_MODE Register](#) and described in [FSM_MODE Register Field Descriptions](#).

Return to the [FLASH Registers](#).

Internal. Only to be used through TI provided API.

Figure 8-95. FSM_MODE Register

31	30	29	28	27	26	25	24
RESERVED							
R-0h							
23	22	21	20	19	18	17	16
RESERVED				RDV_SUBMODE		PGM_SUBMODE	
R-0h				R-0h		R-0h	
15	14	13	12	11	10	9	8
ERA_SUBMODE		SUBMODE		SAV_PGM_CMD			SAV_ERA_MODE
R-0h		R-0h		R-0h			R-0h
7	6	5	4	3	2	1	0
SAV_ERA_MODE		MODE			CMD		
R-0h		R-0h			R-0h		

Table 8-91. FSM_MODE Register Field Descriptions

Bit	Field	Type	Reset	Description
31-20	RESERVED	R	0h	Reserved
19-18	RDV_SUBMODE	R	0h	Internal. Only to be used through TI provided API.
17-16	PGM_SUBMODE	R	0h	Internal. Only to be used through TI provided API.
15-14	ERA_SUBMODE	R	0h	Internal. Only to be used through TI provided API.
13-12	SUBMODE	R	0h	Internal. Only to be used through TI provided API.
11-9	SAV_PGM_CMD	R	0h	Internal. Only to be used through TI provided API.
8-6	SAV_ERA_MODE	R	0h	Internal. Only to be used through TI provided API.
5-3	MODE	R	0h	Internal. Only to be used through TI provided API.
2-0	CMD	R	0h	Internal. Only to be used through TI provided API.

8.7.1.88 FSM_PGM Register (Offset = 2260h) [Reset = 0000000h]

FSM_PGM is shown in [FSM_PGM Register](#) and described in [FSM_PGM Register Field Descriptions](#).

Return to the [FLASH Registers](#).

Internal. Only to be used through TI provided API.

Figure 8-96. FSM_PGM Register

31	30	29	28	27	26	25	24	23	22	21	20	19	18	17	16
RESERVED						PGM_BANK			PGM_ADDR						
R-0h						R-0h			R-0h						
15	14	13	12	11	10	9	8	7	6	5	4	3	2	1	0
PGM_ADDR															
R-0h															

Table 8-92. FSM_PGM Register Field Descriptions

Bit	Field	Type	Reset	Description
31-26	RESERVED	R	0h	Reserved
25-23	PGM_BANK	R	0h	Internal. Only to be used through TI provided API.
22-0	PGM_ADDR	R	0h	Internal. Only to be used through TI provided API.

8.7.1.89 FSM_ERA Register (Offset = 2264h) [Reset = 0000000h]

FSM_ERA is shown in [FSM_ERA Register](#) and described in [FSM_ERA Register Field Descriptions](#).

Return to the [FLASH Registers](#).

Internal. Only to be used through TI provided API.

Figure 8-97. FSM_ERA Register

31	30	29	28	27	26	25	24	23	22	21	20	19	18	17	16
RESERVED						ERA_BANK			ERA_ADDR						
R-0h						R-0h			R-0h						
15	14	13	12	11	10	9	8	7	6	5	4	3	2	1	0
ERA_ADDR															
R-0h															

Table 8-93. FSM_ERA Register Field Descriptions

Bit	Field	Type	Reset	Description
31-26	RESERVED	R	0h	Reserved
25-23	ERA_BANK	R	0h	Internal. Only to be used through TI provided API.
22-0	ERA_ADDR	R	0h	Internal. Only to be used through TI provided API.

8.7.1.90 FSM_PRG_PUL Register (Offset = 2268h) [Reset = 00040032h]

FSM_PRG_PUL is shown in [FSM_PRG_PUL Register](#) and described in [FSM_PRG_PUL Register Field Descriptions](#).

Return to the [FLASH Registers](#).

Internal. Only to be used through TI provided API.

Figure 8-98. FSM_PRG_PUL Register

31	30	29	28	27	26	25	24	23	22	21	20	19	18	17	16
RESERVED												BEG_EC_LEVEL			
R-0h												R/W-4h			
15	14	13	12	11	10	9	8	7	6	5	4	3	2	1	0
RESERVED				MAX_PRG_PUL											
R-0h				R/W-32h											

Table 8-94. FSM_PRG_PUL Register Field Descriptions

Bit	Field	Type	Reset	Description
31-20	RESERVED	R	0h	Reserved
19-16	BEG_EC_LEVEL	R/W	4h	Internal. Only to be used through TI provided API.
15-12	RESERVED	R	0h	Reserved
11-0	MAX_PRG_PUL	R/W	32h	Internal. Only to be used through TI provided API.

8.7.1.91 FSM_ERA_PUL Register (Offset = 226Ch) [Reset = 00040BB8h]

FSM_ERA_PUL is shown in [FSM_ERA_PUL Register](#) and described in [FSM_ERA_PUL Register Field Descriptions](#).

Return to the [FLASH Registers](#).

Internal. Only to be used through TI provided API.

Figure 8-99. FSM_ERA_PUL Register

31	30	29	28	27	26	25	24	23	22	21	20	19	18	17	16
RESERVED												MAX_EC_LEVEL			
R-0h												R/W-4h			
15	14	13	12	11	10	9	8	7	6	5	4	3	2	1	0
RESERVED				MAX_ERA_PUL											
R-0h				R/W-BB8h											

Table 8-95. FSM_ERA_PUL Register Field Descriptions

Bit	Field	Type	Reset	Description
31-20	RESERVED	R	0h	Reserved
19-16	MAX_EC_LEVEL	R/W	4h	Internal. Only to be used through TI provided API.
15-12	RESERVED	R	0h	Reserved
11-0	MAX_ERA_PUL	R/W	BB8h	Internal. Only to be used through TI provided API.

8.7.1.92 FSM_STEP_SIZE Register (Offset = 2270h) [Reset = 0000000h]

FSM_STEP_SIZE is shown in [FSM_STEP_SIZE Register](#) and described in [FSM_STEP_SIZE Register Field Descriptions](#).

Return to the [FLASH Registers](#).

Internal. Only to be used through TI provided API.

Figure 8-100. FSM_STEP_SIZE Register

31	30	29	28	27	26	25	24	23	22	21	20	19	18	17	16
RESERVED								EC_STEP_SIZE							
R-0h								R/W-0h							
15	14	13	12	11	10	9	8	7	6	5	4	3	2	1	0
RESERVED															
R-0h															

Table 8-96. FSM_STEP_SIZE Register Field Descriptions

Bit	Field	Type	Reset	Description
31-25	RESERVED	R	0h	Reserved
24-16	EC_STEP_SIZE	R/W	0h	Internal. Only to be used through TI provided API.
15-0	RESERVED	R	0h	Reserved

8.7.1.93 FSM_PUL_CNTR Register (Offset = 2274h) [Reset = 0000000h]

FSM_PUL_CNTR is shown in [FSM_PUL_CNTR Register](#) and described in [FSM_PUL_CNTR Register Field Descriptions](#).

Return to the [FLASH Registers](#).

Internal. Only to be used through TI provided API.

Figure 8-101. FSM_PUL_CNTR Register

31	30	29	28	27	26	25	24	23	22	21	20	19	18	17	16
RESERVED								CUR_EC_LEVEL							
R-0h								R-0h							
15	14	13	12	11	10	9	8	7	6	5	4	3	2	1	0
RESERVED						PUL_CNTR									
R-0h						R-0h									

Table 8-97. FSM_PUL_CNTR Register Field Descriptions

Bit	Field	Type	Reset	Description
31-25	RESERVED	R	0h	Reserved
24-16	CUR_EC_LEVEL	R	0h	Internal. Only to be used through TI provided API.
15-12	RESERVED	R	0h	Reserved
11-0	PUL_CNTR	R	0h	Internal. Only to be used through TI provided API.

8.7.1.94 FSM_EC_STEP_HEIGHT Register (Offset = 2278h) [Reset = 0000000h]

FSM_EC_STEP_HEIGHT is shown in [FSM_EC_STEP_HEIGHT Register](#) and described in [FSM_EC_STEP_HEIGHT Register Field Descriptions](#).

Return to the [FLASH Registers](#).

Internal. Only to be used through TI provided API.

Figure 8-102. FSM_EC_STEP_HEIGHT Register

31	30	29	28	27	26	25	24
RESERVED							
R-0h							
23	22	21	20	19	18	17	16
RESERVED							
R-0h							
15	14	13	12	11	10	9	8
RESERVED							
R-0h							
7	6	5	4	3	2	1	0
RESERVED				EC_STEP_HEIGHT			
R-0h				R/W-0h			

Table 8-98. FSM_EC_STEP_HEIGHT Register Field Descriptions

Bit	Field	Type	Reset	Description
31-4	RESERVED	R	0h	Reserved
3-0	EC_STEP_HEIGHT	R/W	0h	Internal. Only to be used through TI provided API.

8.7.1.95 FSM_ST_MACHINE Register (Offset = 227Ch) [Reset = 00800500h]

FSM_ST_MACHINE is shown in [FSM_ST_MACHINE Register](#) and described in [FSM_ST_MACHINE Register Field Descriptions](#).

Return to the [FLASH Registers](#).

Internal. Only to be used through TI provided API.

Figure 8-103. FSM_ST_MACHINE Register

31	30	29	28	27	26	25	24
RESERVED							
R-0h							
23	22	21	20	19	18	17	16
DO_PRECOND	FSM_INT_EN	ALL_BANKS	CMPV_ALLOW ED	RANDOM	RV_SEC_EN	RV_RES	RV_INT_EN
R/W-1h	R/W-0h	R/W-0h	R/W-0h	R/W-0h	R/W-0h	R/W-0h	R/W-0h
15	14	13	12	11	10	9	8
RESERVED	ONE_TIME_GO OD	RESERVED		DO_REDU_CO L	DBG_SHORT_ROW		
R-0h	R/W-0h	R-0h		R/W-0h	R/W-Ah		
7	6	5	4	3	2	1	0
DBG_SHORT_ ROW	RESERVED	PGM_SEC_CO F_EN	PREC_STOP_ EN	DIS_TST_EN	CMD_EN	INV_DATA	OVERRIDE
R/W-Ah	R-0h	R/W-0h	R/W-0h	R/W-0h	R/W-0h	R/W-0h	R/W-0h

Table 8-99. FSM_ST_MACHINE Register Field Descriptions

Bit	Field	Type	Reset	Description
31-24	RESERVED	R	0h	Reserved
23	DO_PRECOND	R/W	1h	Internal. Only to be used through TI provided API.
22	FSM_INT_EN	R/W	0h	Internal. Only to be used through TI provided API.
21	ALL_BANKS	R/W	0h	Internal. Only to be used through TI provided API.
20	CMPV_ALLOWED	R/W	0h	Internal. Only to be used through TI provided API.
19	RANDOM	R/W	0h	Internal. Only to be used through TI provided API.
18	RV_SEC_EN	R/W	0h	Internal. Only to be used through TI provided API.
17	RV_RES	R/W	0h	Internal. Only to be used through TI provided API.
16	RV_INT_EN	R/W	0h	Internal. Only to be used through TI provided API.
15	RESERVED	R	0h	Reserved
14	ONE_TIME_GOOD	R/W	0h	Internal. Only to be used through TI provided API.
13-12	RESERVED	R	0h	Reserved
11	DO_REDU_COL	R/W	0h	Internal. Only to be used through TI provided API.
10-7	DBG_SHORT_ROW	R/W	Ah	Internal. Only to be used through TI provided API.
6	RESERVED	R	0h	Reserved
5	PGM_SEC_COF_EN	R/W	0h	Internal. Only to be used through TI provided API.
4	PREC_STOP_EN	R/W	0h	Internal. Only to be used through TI provided API.
3	DIS_TST_EN	R/W	0h	Internal. Only to be used through TI provided API.
2	CMD_EN	R/W	0h	Internal. Only to be used through TI provided API.
1	INV_DATA	R/W	0h	Internal. Only to be used through TI provided API.
0	OVERRIDE	R/W	0h	Internal. Only to be used through TI provided API.

8.7.1.96 FSM_FLES Register (Offset = 2280h) [Reset = 00000000h]

FSM_FLES is shown in [FSM_FLES Register](#) and described in [FSM_FLES Register Field Descriptions](#).

Return to the [FLASH Registers](#).

Internal. Only to be used through TI provided API.

Figure 8-104. FSM_FLES Register

31	30	29	28	27	26	25	24	23	22	21	20	19	18	17	16
RESERVED															
R-0h															
15	14	13	12	11	10	9	8	7	6	5	4	3	2	1	0
RESERVED				BLK_TIOTP				BLK_OTP							
R-0h				R/W-0h				R/W-0h							

Table 8-100. FSM_FLES Register Field Descriptions

Bit	Field	Type	Reset	Description
31-12	RESERVED	R	0h	Reserved
11-8	BLK_TIOTP	R/W	0h	Internal. Only to be used through TI provided API.
7-0	BLK_OTP	R/W	0h	Internal. Only to be used through TI provided API.

8.7.1.97 FSM_WR_ENA Register (Offset = 2288h) [Reset = 0000002h]

FSM_WR_ENA is shown in [FSM_WR_ENA Register](#) and described in [FSM_WR_ENA Register Field Descriptions](#).

Return to the [FLASH Registers](#).

Internal. Only to be used through TI provided API.

Figure 8-105. FSM_WR_ENA Register

31	30	29	28	27	26	25	24	23	22	21	20	19	18	17	16
RESERVED															
R-0h															
15	14	13	12	11	10	9	8	7	6	5	4	3	2	1	0
RESERVED													WR_ENA		
R-0h													R/W-2h		

Table 8-101. FSM_WR_ENA Register Field Descriptions

Bit	Field	Type	Reset	Description
31-3	RESERVED	R	0h	Reserved
2-0	WR_ENA	R/W	2h	Internal. Only to be used through TI provided API.

8.7.1.98 FSM_ACC_PP Register (Offset = 228Ch) [Reset = 0000000h]

FSM_ACC_PP is shown in [FSM_ACC_PP Register](#) and described in [FSM_ACC_PP Register Field Descriptions](#).

Return to the [FLASH Registers](#).

Internal. Only to be used through TI provided API.

Figure 8-106. FSM_ACC_PP Register

31	30	29	28	27	26	25	24	23	22	21	20	19	18	17	16	15	14	13	12	11	10	9	8	7	6	5	4	3	2	1	0
FSM_ACC_PP																															
R-0h																															

Table 8-102. FSM_ACC_PP Register Field Descriptions

Bit	Field	Type	Reset	Description
31-0	FSM_ACC_PP	R	0h	Internal. Only to be used through TI provided API.

8.7.1.99 FSM_ACC_EP Register (Offset = 2290h) [Reset = 00000000h]

FSM_ACC_EP is shown in [FSM_ACC_EP Register](#) and described in [FSM_ACC_EP Register Field Descriptions](#).

Return to the [FLASH Registers](#).

Internal. Only to be used through TI provided API.

Figure 8-107. FSM_ACC_EP Register

31	30	29	28	27	26	25	24	23	22	21	20	19	18	17	16	15	14	13	12	11	10	9	8	7	6	5	4	3	2	1	0
RESERVED																ACC_EP															
R-0h																R-0h															

Table 8-103. FSM_ACC_EP Register Field Descriptions

Bit	Field	Type	Reset	Description
31-16	RESERVED	R	0h	Reserved
15-0	ACC_EP	R	0h	Internal. Only to be used through TI provided API.

8.7.1.100 FSM_ADDR Register (Offset = 22A0h) [Reset = 0000000h]

FSM_ADDR is shown in [FSM_ADDR Register](#) and described in [FSM_ADDR Register Field Descriptions](#).

Return to the [FLASH Registers](#).

Internal. Only to be used through TI provided API.

Figure 8-108. FSM_ADDR Register

31	30	29	28	27	26	25	24
RESERVED	BANK			CUR_ADDR			
R-0h	R-0h			R-0h			
23	22	21	20	19	18	17	16
CUR_ADDR							
R-0h							
15	14	13	12	11	10	9	8
CUR_ADDR							
R-0h							
7	6	5	4	3	2	1	0
CUR_ADDR							
R-0h							

Table 8-104. FSM_ADDR Register Field Descriptions

Bit	Field	Type	Reset	Description
31	RESERVED	R	0h	Reserved
30-28	BANK	R	0h	Internal. Only to be used through TI provided API.
27-0	CUR_ADDR	R	0h	Internal. Only to be used through TI provided API.

8.7.1.101 FSM_SECTOR Register (Offset = 22A4h) [Reset = FFFF0000h]

FSM_SECTOR is shown in [FSM_SECTOR Register](#) and described in [FSM_SECTOR Register Field Descriptions](#).

Return to the [FLASH Registers](#).

Internal. Only to be used through TI provided API.

Figure 8-109. FSM_SECTOR Register

31	30	29	28	27	26	25	24	23	22	21	20	19	18	17	16
SECT_ERASED															
R/W-FFFFh															
15	14	13	12	11	10	9	8	7	6	5	4	3	2	1	0
FSM_SECTOR_EXTENSION								SECTOR				SEC_OUT			
R-0h								R-0h				R-0h			

Table 8-105. FSM_SECTOR Register Field Descriptions

Bit	Field	Type	Reset	Description
31-16	SECT_ERASED	R/W	FFFFh	Internal. Only to be used through TI provided API.
15-8	FSM_SECTOR_EXTENSION	R	0h	Internal. Only to be used through TI provided API.
7-4	SECTOR	R	0h	Internal. Only to be used through TI provided API.
3-0	SEC_OUT	R	0h	Internal. Only to be used through TI provided API.

8.7.1.102 FMC_REV_ID Register (Offset = 22A8h) [Reset = X]

FMC_REV_ID is shown in [FMC_REV_ID Register](#) and described in [FMC_REV_ID Register Field Descriptions](#).

Return to the [FLASH Registers](#).

Internal. Only to be used through TI provided API.

Figure 8-110. FMC_REV_ID Register

31	30	29	28	27	26	25	24	23	22	21	20	19	18	17	16	15	14	13	12	11	10	9	8	7	6	5	4	3	2	1	0
MOD_VERSION											CONFIG_CRC																				
R-X											R-X																				

Table 8-106. FMC_REV_ID Register Field Descriptions

Bit	Field	Type	Reset	Description
31-12	MOD_VERSION	R	X	Internal. Only to be used through TI provided API.
11-0	CONFIG_CRC	R	X	Internal. Only to be used through TI provided API.

8.7.1.103 FSM_ERR_ADDR Register (Offset = 22ACh) [Reset = 0000000h]

FSM_ERR_ADDR is shown in [FSM_ERR_ADDR Register](#) and described in [FSM_ERR_ADDR Register Field Descriptions](#).

Return to the [FLASH Registers](#).

Internal. Only to be used through TI provided API.

Figure 8-111. FSM_ERR_ADDR Register

31	30	29	28	27	26	25	24
RESERVED	FSM_ERR_BANK			RESERVED			
R-0h		R-0h			R-0h		
23	22	21	20	19	18	17	16
FSM_ERR_ADDR							
R-0h							
15	14	13	12	11	10	9	8
FSM_ERR_ADDR							
R-0h							
7	6	5	4	3	2	1	0
FSM_ERR_ADDR							
R-0h							

Table 8-107. FSM_ERR_ADDR Register Field Descriptions

Bit	Field	Type	Reset	Description
31	RESERVED	R	0h	Reserved
30-28	FSM_ERR_BANK	R	0h	Internal. Only to be used through TI provided API.
27-24	RESERVED	R	0h	Reserved
23-0	FSM_ERR_ADDR	R	0h	Internal. Only to be used through TI provided API.

8.7.1.104 FSM_PGM_MAXPUL Register (Offset = 22B0h) [Reset = 0000000h]

FSM_PGM_MAXPUL is shown in [FSM_PGM_MAXPUL Register](#) and described in [FSM_PGM_MAXPUL Register Field Descriptions](#).

Return to the [FLASH Registers](#).

Internal. Only to be used through TI provided API.

Figure 8-112. FSM_PGM_MAXPUL Register

31	30	29	28	27	26	25	24	23	22	21	20	19	18	17	16
RESERVED															
R-0h															
15	14	13	12	11	10	9	8	7	6	5	4	3	2	1	0
RESERVED				FSM_PGM_MAXPUL											
R-0h				R-0h											

Table 8-108. FSM_PGM_MAXPUL Register Field Descriptions

Bit	Field	Type	Reset	Description
31-12	RESERVED	R	0h	Reserved
11-0	FSM_PGM_MAXPUL	R	0h	Internal. Only to be used through TI provided API.

8.7.1.105 FSM_EXECUTE Register (Offset = 22B4h) [Reset = 000A00Ah]

FSM_EXECUTE is shown in [FSM_EXECUTE Register](#) and described in [FSM_EXECUTE Register Field Descriptions](#).

Return to the [FLASH Registers](#).

Internal. Only to be used through TI provided API.

Figure 8-113. FSM_EXECUTE Register

31	30	29	28	27	26	25	24	23	22	21	20	19	18	17	16
RESERVED												SUSPEND_NOW			
R-0h												R/W-Ah			
15	14	13	12	11	10	9	8	7	6	5	4	3	2	1	0
RESERVED												FSMEXECUTE			
R-0h												R/W-Ah			

Table 8-109. FSM_EXECUTE Register Field Descriptions

Bit	Field	Type	Reset	Description
31-20	RESERVED	R	0h	Reserved
19-16	SUSPEND_NOW	R/W	Ah	Internal. Only to be used through TI provided API.
15-5	RESERVED	R	0h	Reserved
4-0	FSMEXECUTE	R/W	Ah	Internal. Only to be used through TI provided API.

8.7.1.106 FSM_SECTOR1 Register (Offset = 22C0h) [Reset = FFFFFFFFh]

FSM_SECTOR1 is shown in [FSM_SECTOR1 Register](#) and described in [FSM_SECTOR1 Register Field Descriptions](#).

Return to the [FLASH Registers](#).

Internal. Only to be used through TI provided API.

Figure 8-114. FSM_SECTOR1 Register

31	30	29	28	27	26	25	24	23	22	21	20	19	18	17	16	15	14	13	12	11	10	9	8	7	6	5	4	3	2	1	0
FSM_SECTOR1																															
R/W-FFFFFFFh																															

Table 8-110. FSM_SECTOR1 Register Field Descriptions

Bit	Field	Type	Reset	Description
31-0	FSM_SECTOR1	R/W	FFFFFFFh	Internal. Only to be used through TI provided API.

8.7.1.107 FSM_SECTOR2 Register (Offset = 22C4h) [Reset = 0000FFFh]

FSM_SECTOR2 is shown in [FSM_SECTOR2 Register](#) and described in [FSM_SECTOR2 Register Field Descriptions](#).

Return to the [FLASH Registers](#).

Internal. Only to be used through TI provided API.

Figure 8-115. FSM_SECTOR2 Register

31	30	29	28	27	26	25	24	23	22	21	20	19	18	17	16	15	14	13	12	11	10	9	8	7	6	5	4	3	2	1	0
FSM_SECTOR2																															
R/W-FFFh																															

Table 8-111. FSM_SECTOR2 Register Field Descriptions

Bit	Field	Type	Reset	Description
31-0	FSM_SECTOR2	R/W	FFFh	Internal. Only to be used through TI provided API.

8.7.1.108 FSM_BSLE0 Register (Offset = 22E0h) [Reset = 0000000h]

FSM_BSLE0 is shown in [FSM_BSLE0 Register](#) and described in [FSM_BSLE0 Register Field Descriptions](#).

Return to the [FLASH Registers](#).

Internal. Only to be used through TI provided API.

Figure 8-116. FSM_BSLE0 Register

31	30	29	28	27	26	25	24	23	22	21	20	19	18	17	16	15	14	13	12	11	10	9	8	7	6	5	4	3	2	1	0
FSM_BSLE0																															
R/W-0h																															

Table 8-112. FSM_BSLE0 Register Field Descriptions

Bit	Field	Type	Reset	Description
31-0	FSM_BSLE0	R/W	0h	Internal. Only to be used through TI provided API.

8.7.1.109 FSM_BSLE1 Register (Offset = 22E4h) [Reset = 0000000h]

FSM_BSLE1 is shown in [FSM_BSLE1 Register](#) and described in [FSM_BSLE1 Register Field Descriptions](#).

Return to the [FLASH Registers](#).

Internal. Only to be used through TI provided API.

Figure 8-117. FSM_BSLE1 Register

31	30	29	28	27	26	25	24	23	22	21	20	19	18	17	16	15	14	13	12	11	10	9	8	7	6	5	4	3	2	1	0
FSM_BSL1																															
R/W-0h																															

Table 8-113. FSM_BSLE1 Register Field Descriptions

Bit	Field	Type	Reset	Description
31-0	FSM_BSL1	R/W	0h	Internal. Only to be used through TI provided API.

8.7.1.110 FSM_BSLP0 Register (Offset = 22F0h) [Reset = 00000000h]

FSM_BSLP0 is shown in [FSM_BSLP0 Register](#) and described in [FSM_BSLP0 Register Field Descriptions](#).

Return to the [FLASH Registers](#).

Internal. Only to be used through TI provided API.

Figure 8-118. FSM_BSLP0 Register

31	30	29	28	27	26	25	24	23	22	21	20	19	18	17	16	15	14	13	12	11	10	9	8	7	6	5	4	3	2	1	0
FSM_BSLP0																															
R/W-0h																															

Table 8-114. FSM_BSLP0 Register Field Descriptions

Bit	Field	Type	Reset	Description
31-0	FSM_BSLP0	R/W	0h	Internal. Only to be used through TI provided API.

8.7.1.111 FSM_BSLP1 Register (Offset = 22F4h) [Reset = 0000000h]

FSM_BSLP1 is shown in [FSM_BSLP1 Register](#) and described in [FSM_BSLP1 Register Field Descriptions](#).

Return to the [FLASH Registers](#).

Internal. Only to be used through TI provided API.

Figure 8-119. FSM_BSLP1 Register

31	30	29	28	27	26	25	24	23	22	21	20	19	18	17	16	15	14	13	12	11	10	9	8	7	6	5	4	3	2	1	0
FSM_BSL1																															
R/W-0h																															

Table 8-115. FSM_BSLP1 Register Field Descriptions

Bit	Field	Type	Reset	Description
31-0	FSM_BSL1	R/W	0h	Internal. Only to be used through TI provided API.

8.7.1.112 FSM_PGM128 Register (Offset = 22F8h) [Reset = 0000000h]

FSM_PGM128 is shown in [FSM_PGM128 Register](#) and described in [FSM_PGM128 Register Field Descriptions](#).

Return to the [FLASH Registers](#).

FMC FSM Enable 128-bit Wide Programming

Figure 8-120. FSM_PGM128 Register

31	30	29	28	27	26	25	24
RESERVED							
R-0h							
23	22	21	20	19	18	17	16
RESERVED							
R-0h							
15	14	13	12	11	10	9	8
RESERVED							
R-0h							
7	6	5	4	3	2	1	0
RESERVED							EN_PGM128
R-0h							R/W-0h

Table 8-116. FSM_PGM128 Register Field Descriptions

Bit	Field	Type	Reset	Description
31-1	RESERVED	R	0h	Reserved
0	EN_PGM128	R/W	0h	1: Enables 128-bit wide programming. This mode requires programming supply voltage to be greater than 2.5v at the Flash Pump. The primary use case for this mode is manufacturing test for test time reduction. 0: 64-bit wide programming. Valid at any programming voltage. A 128-bit word is divided into two 64-bit words for programming. [default] This register is write protected with the FSM_WR_ENA register.

8.7.1.113 FCFG_BANK Register (Offset = 2400h) [Reset = 00000801h]

FCFG_BANK is shown in [FCFG_BANK Register](#) and described in [FCFG_BANK Register Field Descriptions](#).

Return to the [FLASH Registers](#).

Internal. Only to be used through TI provided API.

Figure 8-121. FCFG_BANK Register

31	30	29	28	27	26	25	24
EE_BANK_WIDTH							
R-0h							
23	22	21	20	19	18	17	16
EE_BANK_WIDTH				EE_NUM_BANK			
R-0h				R-0h			
15	14	13	12	11	10	9	8
MAIN_BANK_WIDTH							
R-80h							
7	6	5	4	3	2	1	0
MAIN_BANK_WIDTH				MAIN_NUM_BANK			
R-80h				R-1h			

Table 8-117. FCFG_BANK Register Field Descriptions

Bit	Field	Type	Reset	Description
31-20	EE_BANK_WIDTH	R	0h	Internal. Only to be used through TI provided API.
19-16	EE_NUM_BANK	R	0h	Internal. Only to be used through TI provided API.
15-4	MAIN_BANK_WIDTH	R	80h	Internal. Only to be used through TI provided API.
3-0	MAIN_NUM_BANK	R	1h	Internal. Only to be used through TI provided API.

8.7.1.114 FCFG_WRAPPER Register (Offset = 2404h) [Reset = 60009001h]

FCFG_WRAPPER is shown in [FCFG_WRAPPER Register](#) and described in [FCFG_WRAPPER Register Field Descriptions](#).

Return to the [FLASH Registers](#).

Internal. Only to be used through TI provided API.

Figure 8-122. FCFG_WRAPPER Register

31	30	29	28	27	26	25	24
FAMILY_TYPE							
R-60h							
23	22	21	20	19	18	17	16
RESERVED			MEM_MAP	CPU2			
R-0h			R-0h	R-0h			
15	14	13	12	11	10	9	8
EE_IN_MAIN				ROM	IFLUSH	SIL3	ECCA
R-9h				R-0h	R-0h	R-0h	R-0h
7	6	5	4	3	2	1	0
AUTO_SUSP		UERR		CPU_TYPE1			
R-0h		R-0h		R-1h			

Table 8-118. FCFG_WRAPPER Register Field Descriptions

Bit	Field	Type	Reset	Description
31-24	FAMILY_TYPE	R	60h	Internal. Only to be used through TI provided API.
23-21	RESERVED	R	0h	Reserved
20	MEM_MAP	R	0h	Internal. Only to be used through TI provided API.
19-16	CPU2	R	0h	Internal. Only to be used through TI provided API.
15-12	EE_IN_MAIN	R	9h	Internal. Only to be used through TI provided API.
11	ROM	R	0h	Internal. Only to be used through TI provided API.
10	IFLUSH	R	0h	Internal. Only to be used through TI provided API.
9	SIL3	R	0h	Internal. Only to be used through TI provided API.
8	ECCA	R	0h	Internal. Only to be used through TI provided API.
7-6	AUTO_SUSP	R	0h	Internal. Only to be used through TI provided API.
5-4	UERR	R	0h	Internal. Only to be used through TI provided API.
3-0	CPU_TYPE1	R	1h	Internal. Only to be used through TI provided API.

8.7.1.115 FCFG_BNK_TYPE Register (Offset = 2408h) [Reset = 0000004h]

FCFG_BNK_TYPE is shown in [FCFG_BNK_TYPE Register](#) and described in [FCFG_BNK_TYPE Register Field Descriptions](#).

Return to the [FLASH Registers](#).

Internal. Only to be used through TI provided API.

Figure 8-123. FCFG_BNK_TYPE Register

31	30	29	28	27	26	25	24	23	22	21	20	19	18	17	16
B7_TYPE				B6_TYPE				B5_TYPE				B4_TYPE			
R-0h				R-0h				R-0h				R-0h			
15	14	13	12	11	10	9	8	7	6	5	4	3	2	1	0
B3_TYPE				B2_TYPE				B1_TYPE				B0_TYPE			
R-0h				R-0h				R-0h				R-4h			

Table 8-119. FCFG_BNK_TYPE Register Field Descriptions

Bit	Field	Type	Reset	Description
31-28	B7_TYPE	R	0h	Internal. Only to be used through TI provided API.
27-24	B6_TYPE	R	0h	Internal. Only to be used through TI provided API.
23-20	B5_TYPE	R	0h	Internal. Only to be used through TI provided API.
19-16	B4_TYPE	R	0h	Internal. Only to be used through TI provided API.
15-12	B3_TYPE	R	0h	Internal. Only to be used through TI provided API.
11-8	B2_TYPE	R	0h	Internal. Only to be used through TI provided API.
7-4	B1_TYPE	R	0h	Internal. Only to be used through TI provided API.
3-0	B0_TYPE	R	4h	Internal. Only to be used through TI provided API.

8.7.1.116 FCFG_B0_START Register (Offset = 2410h) [Reset = 02000000h]

FCFG_B0_START is shown in [FCFG_B0_START Register](#) and described in [FCFG_B0_START Register Field Descriptions](#).

Return to the [FLASH Registers](#).

Internal. Only to be used through TI provided API.

Figure 8-124. FCFG_B0_START Register

31	30	29	28	27	26	25	24
B0_MAX_SECTOR				B0_MUX_FACTOR			
R-0h				R-2h			
23	22	21	20	19	18	17	16
B0_START_ADDR							
R-0h							
15	14	13	12	11	10	9	8
B0_START_ADDR							
R-0h							
7	6	5	4	3	2	1	0
B0_START_ADDR							
R-0h							

Table 8-120. FCFG_B0_START Register Field Descriptions

Bit	Field	Type	Reset	Description
31-28	B0_MAX_SECTOR	R	0h	Internal. Only to be used through TI provided API.
27-24	B0_MUX_FACTOR	R	2h	Internal. Only to be used through TI provided API.
23-0	B0_START_ADDR	R	0h	Internal. Only to be used through TI provided API.

8.7.1.117 FCFG_B1_START Register (Offset = 2414h) [Reset = 0000000h]

FCFG_B1_START is shown in [FCFG_B1_START Register](#) and described in [FCFG_B1_START Register Field Descriptions](#).

Return to the [FLASH Registers](#).

Internal. Only to be used through TI provided API.

Figure 8-125. FCFG_B1_START Register

31	30	29	28	27	26	25	24
B1_MAX_SECTOR				B1_MUX_FACTOR			
R-0h				R-0h			
23	22	21	20	19	18	17	16
B1_START_ADDR							
R-0h							
15	14	13	12	11	10	9	8
B1_START_ADDR							
R-0h							
7	6	5	4	3	2	1	0
B1_START_ADDR							
R-0h							

Table 8-121. FCFG_B1_START Register Field Descriptions

Bit	Field	Type	Reset	Description
31-28	B1_MAX_SECTOR	R	0h	Internal. Only to be used through TI provided API.
27-24	B1_MUX_FACTOR	R	0h	Internal. Only to be used through TI provided API.
23-0	B1_START_ADDR	R	0h	Internal. Only to be used through TI provided API.

8.7.1.118 FCFG_B2_START Register (Offset = 2418h) [Reset = 0000000h]

FCFG_B2_START is shown in [FCFG_B2_START Register](#) and described in [FCFG_B2_START Register Field Descriptions](#).

Return to the [FLASH Registers](#).

Internal. Only to be used through TI provided API.

Figure 8-126. FCFG_B2_START Register

31	30	29	28	27	26	25	24
B2_MAX_SECTOR				B2_MUX_FACTOR			
R-0h				R-0h			
23	22	21	20	19	18	17	16
B2_START_ADDR							
R-0h							
15	14	13	12	11	10	9	8
B2_START_ADDR							
R-0h							
7	6	5	4	3	2	1	0
B2_START_ADDR							
R-0h							

Table 8-122. FCFG_B2_START Register Field Descriptions

Bit	Field	Type	Reset	Description
31-28	B2_MAX_SECTOR	R	0h	Internal. Only to be used through TI provided API.
27-24	B2_MUX_FACTOR	R	0h	Internal. Only to be used through TI provided API.
23-0	B2_START_ADDR	R	0h	Internal. Only to be used through TI provided API.

8.7.1.119 FCFG_B3_START Register (Offset = 241Ch) [Reset = 0000000h]

FCFG_B3_START is shown in [FCFG_B3_START Register](#) and described in [FCFG_B3_START Register Field Descriptions](#).

Return to the [FLASH Registers](#).

Internal. Only to be used through TI provided API.

Figure 8-127. FCFG_B3_START Register

31	30	29	28	27	26	25	24
B3_MAX_SECTOR				B3_MUX_FACTOR			
R-0h				R-0h			
23	22	21	20	19	18	17	16
B3_START_ADDR							
R-0h							
15	14	13	12	11	10	9	8
B3_START_ADDR							
R-0h							
7	6	5	4	3	2	1	0
B3_START_ADDR							
R-0h							

Table 8-123. FCFG_B3_START Register Field Descriptions

Bit	Field	Type	Reset	Description
31-28	B3_MAX_SECTOR	R	0h	Internal. Only to be used through TI provided API.
27-24	B3_MUX_FACTOR	R	0h	Internal. Only to be used through TI provided API.
23-0	B3_START_ADDR	R	0h	Internal. Only to be used through TI provided API.

8.7.1.120 FCFG_B4_START Register (Offset = 2420h) [Reset = 0000000h]

FCFG_B4_START is shown in [FCFG_B4_START Register](#) and described in [FCFG_B4_START Register Field Descriptions](#).

Return to the [FLASH Registers](#).

Internal. Only to be used through TI provided API.

Figure 8-128. FCFG_B4_START Register

31	30	29	28	27	26	25	24
B4_MAX_SECTOR				B4_MUX_FACTOR			
R-0h				R-0h			
23	22	21	20	19	18	17	16
B4_START_ADDR							
R-0h							
15	14	13	12	11	10	9	8
B4_START_ADDR							
R-0h							
7	6	5	4	3	2	1	0
B4_START_ADDR							
R-0h							

Table 8-124. FCFG_B4_START Register Field Descriptions

Bit	Field	Type	Reset	Description
31-28	B4_MAX_SECTOR	R	0h	Internal. Only to be used through TI provided API.
27-24	B4_MUX_FACTOR	R	0h	Internal. Only to be used through TI provided API.
23-0	B4_START_ADDR	R	0h	Internal. Only to be used through TI provided API.

8.7.1.121 FCFG_B5_START Register (Offset = 2424h) [Reset = 0000000h]

FCFG_B5_START is shown in [FCFG_B5_START Register](#) and described in [FCFG_B5_START Register Field Descriptions](#).

Return to the [FLASH Registers](#).

Internal. Only to be used through TI provided API.

Figure 8-129. FCFG_B5_START Register

31	30	29	28	27	26	25	24
B5_MAX_SECTOR				B5_MUX_FACTOR			
R-0h				R-0h			
23	22	21	20	19	18	17	16
B5_START_ADDR							
R-0h							
15	14	13	12	11	10	9	8
B5_START_ADDR							
R-0h							
7	6	5	4	3	2	1	0
B5_START_ADDR							
R-0h							

Table 8-125. FCFG_B5_START Register Field Descriptions

Bit	Field	Type	Reset	Description
31-28	B5_MAX_SECTOR	R	0h	Internal. Only to be used through TI provided API.
27-24	B5_MUX_FACTOR	R	0h	Internal. Only to be used through TI provided API.
23-0	B5_START_ADDR	R	0h	Internal. Only to be used through TI provided API.

8.7.1.122 FCFG_B6_START Register (Offset = 2428h) [Reset = 0000000h]

FCFG_B6_START is shown in [FCFG_B6_START Register](#) and described in [FCFG_B6_START Register Field Descriptions](#).

Return to the [FLASH Registers](#).

Internal. Only to be used through TI provided API.

Figure 8-130. FCFG_B6_START Register

31	30	29	28	27	26	25	24
B6_MAX_SECTOR				B6_MUX_FACTOR			
R-0h				R-0h			
23	22	21	20	19	18	17	16
B6_START_ADDR							
R-0h							
15	14	13	12	11	10	9	8
B6_START_ADDR							
R-0h							
7	6	5	4	3	2	1	0
B6_START_ADDR							
R-0h							

Table 8-126. FCFG_B6_START Register Field Descriptions

Bit	Field	Type	Reset	Description
31-28	B6_MAX_SECTOR	R	0h	Internal. Only to be used through TI provided API.
27-24	B6_MUX_FACTOR	R	0h	Internal. Only to be used through TI provided API.
23-0	B6_START_ADDR	R	0h	Internal. Only to be used through TI provided API.

8.7.1.123 FCFG_B7_START Register (Offset = 242Ch) [Reset = 0000000h]

FCFG_B7_START is shown in [FCFG_B7_START Register](#) and described in [FCFG_B7_START Register Field Descriptions](#).

Return to the [FLASH Registers](#).

Internal. Only to be used through TI provided API.

Figure 8-131. FCFG_B7_START Register

31	30	29	28	27	26	25	24
B7_MAX_SECTOR				B7_MUX_FACTOR			
R-0h				R-0h			
23	22	21	20	19	18	17	16
B7_START_ADDR							
R-0h							
15	14	13	12	11	10	9	8
B7_START_ADDR							
R-0h							
7	6	5	4	3	2	1	0
B7_START_ADDR							
R-0h							

Table 8-127. FCFG_B7_START Register Field Descriptions

Bit	Field	Type	Reset	Description
31-28	B7_MAX_SECTOR	R	0h	Internal. Only to be used through TI provided API.
27-24	B7_MUX_FACTOR	R	0h	Internal. Only to be used through TI provided API.
23-0	B7_START_ADDR	R	0h	Internal. Only to be used through TI provided API.

8.7.1.124 FCFG_B0_SSIZE0 Register (Offset = 2430h) [Reset = 002C0008h]

FCFG_B0_SSIZE0 is shown in [FCFG_B0_SSIZE0 Register](#) and described in [FCFG_B0_SSIZE0 Register Field Descriptions](#).

Return to the [FLASH Registers](#).

Internal. Only to be used through TI provided API.

Figure 8-132. FCFG_B0_SSIZE0 Register

31	30	29	28	27	26	25	24	23	22	21	20	19	18	17	16
RESERVED				B0_NUM_SECTORS											
R-0h				R-2Ch											
15	14	13	12	11	10	9	8	7	6	5	4	3	2	1	0
RESERVED												B0_SECT_SIZE			
R-0h												R-8h			

Table 8-128. FCFG_B0_SSIZE0 Register Field Descriptions

Bit	Field	Type	Reset	Description
31-28	RESERVED	R	0h	Reserved
27-16	B0_NUM_SECTORS	R	2Ch	Internal. Only to be used through TI provided API.
15-4	RESERVED	R	0h	Reserved
3-0	B0_SECT_SIZE	R	8h	Internal. Only to be used through TI provided API.

8.7.2 VIMS Registers

[VIMS Registers](#) lists the memory-mapped registers for the VIMS registers. All register offset addresses not listed in [VIMS Registers](#) should be considered as reserved locations and the register contents should not be modified.

Table 8-129. VIMS Registers

Offset	Acronym	Register Name	Section
0h	STAT	Status	Section 8.7.2.1
4h	CTL	Control	Section 8.7.2.2

Complex bit access types are encoded to fit into small table cells. [VIMS Access Type Codes](#) shows the codes that are used for access types in this section.

Table 8-130. VIMS Access Type Codes

Access Type	Code	Description
Read Type		
R	R	Read
Write Type		
W	W	Write
Reset or Default Value		
-n		Value after reset or the default value

8.7.2.1 STAT Register (Offset = 0h) [Reset = 0000000h]

STAT is shown in [STAT Register](#) and described in [STAT Register Field Descriptions](#).

Return to the [VIMS Registers](#).

Status

Displays current VIMS mode and line buffer status

Figure 8-133. STAT Register

31	30	29	28	27	26	25	24
RESERVED							
R-0h							
23	22	21	20	19	18	17	16
RESERVED							
R-0h							
15	14	13	12	11	10	9	8
RESERVED							
R-0h							
7	6	5	4	3	2	1	0
RESERVED		IDCODE_LB_D S	SYSBUS_LB_D IS	MODE_CHANG ING	INV	MODE	
R-0h		R-0h	R-0h	R-0h	R-0h	R-0h	

Table 8-131. STAT Register Field Descriptions

Bit	Field	Type	Reset	Description
31-6	RESERVED	R	0h	Reserved
5	IDCODE_LB_DIS	R	0h	Icode/Dcode flash line buffer status 0: Enabled or in transition to disabled 1: Disabled and flushed
4	SYSBUS_LB_DIS	R	0h	Sysbus flash line buffer control 0: Enabled or in transition to disabled 1: Disabled and flushed
3	MODE_CHANGING	R	0h	VIMS mode change status 0: VIMS is in the mode defined by MODE 1: VIMS is in the process of changing to the mode given in CTL.MODE
2	INV	R	0h	This bit is set when invalidation of the cache memory is active / ongoing
1-0	MODE	R	0h	Current VIMS mode 0h = GPRAM : VIMS GPRAM mode 1h = CACHE : VIMS Cache mode 3h = VIMS Off mode

8.7.2.2 CTL Register (Offset = 4h) [Reset = 0000000h]

CTL is shown in [CTL Register](#) and described in [CTL Register Field Descriptions](#).

Return to the [VIMS Registers](#).

Control

Configure VIMS mode and line buffer settings

Figure 8-134. CTL Register

31	30	29	28	27	26	25	24
STATS_CLR	STATS_EN	DYN_CG_EN	RESERVED				
R/W-0h	R/W-0h	R/W-0h	R-0h				
23	22	21	20	19	18	17	16
RESERVED							
R-0h							
15	14	13	12	11	10	9	8
RESERVED							
R-0h							
7	6	5	4	3	2	1	0
RESERVED		IDCODE_LB_D I S	SYSBUS_LB_D I S	ARB_CFG	PREF_EN	MODE	
R-0h		R/W-0h	R/W-0h	R/W-0h	R/W-0h	R/W-0h	

Table 8-132. CTL Register Field Descriptions

Bit	Field	Type	Reset	Description
31	STATS_CLR	R/W	0h	Set this bit to clear statistic counters.
30	STATS_EN	R/W	0h	Set this bit to enable statistic counters.
29	DYN_CG_EN	R/W	0h	0: The in-built clock gate functionality is bypassed. 1: The in-built clock gate functionality is enabled, automatically gating the clock when not needed.
28-6	RESERVED	R	0h	Reserved
5	IDCODE_LB_DIS	R/W	0h	Icode/Dcode flash line buffer control 0: Enable 1: Disable
4	SYSBUS_LB_DIS	R/W	0h	Sysbus flash line buffer control 0: Enable 1: Disable
3	ARB_CFG	R/W	0h	Icode/Dcode and sysbus arbitration scheme 0: Static arbitration (icode/docde > sysbus) 1: Round-robin arbitration
2	PREF_EN	R/W	0h	Tag prefetch control 0: Disabled 1: Enabled
1-0	MODE	R/W	0h	VIMS mode request. Write accesses to this field will be blocked while STAT.MODE_CHANGING is set to 1. 0h = GPRAM : VIMS GPRAM mode 1h = CACHE : VIMS Cache mode 3h = VIMS Off mode

This page intentionally left blank.

This chapter discusses the RAM system of the CC13x1x3 and CC26x1x3 device platform.

9.1 Introduction	748
9.2 Main Features	748
9.3 Data Retention	748
9.4 Parity and SRAM Error Support	748
9.5 SRAM Auto-Initialization	748
9.6 Parity Debug Behavior	748
9.7 SRAM Registers	748

9.1 Introduction

The CC13x1x3 and CC26x1x3 device platform provides 32 kB of system RAM consisting of single-cycle on-chip SRAM. The SRAM supports full data retention in standby power mode.

Bit-banding is supported in order to reduce the execution time for read-modify-write (RMW) operations to memory. With bit-banding, certain regions in the memory map (SRAM and peripheral space) can use address aliases to access individual bits in one atomic operation.

9.2 Main Features

The main features of the SRAM are:

- Configurable data retention in standby power mode
- Parity error detection
- Auto-initialization function

9.3 Data Retention

Data stored in SRAM is retained during standby power mode. SRAM retention can be configured in banks by the AON_PMCTL:RAM_CFG register (see [Chapter 7](#)). All of the memory is retained by default.

9.4 Parity and SRAM Error Support

During an SRAM write, a parity bit is calculated and stored for each byte that is written. Parity error detection is done on a byte-wide basis during an SRAM read operation. This means that a parity error on any byte in a memory read operation causes a memory data error to be detected. A parity error causes a processor bus fault exception (see [Section 5.1.2](#)).

The SRAM address that was read during parity error detection is captured in the SRAM_MMR:PER_CHK register. This parity error address is stored as an offset from the base address of SRAM memory.

9.5 SRAM Auto-Initialization

The SRAM can be initialized by dedicated auto-initialization hardware. All memory locations are initialized to zero and the parity information is initialized as required. The memory initialization ensures that parity errors are not generated due to reads from locations that have not been initialized by software. Auto-initialization is performed using the SRAM_MMR:MEM_CTL register.

Note

The SRAM is auto-initialized during the system CPU boot sequence after a system reset.

9.6 Parity Debug Behavior

The following features are provided to allow debugging and testing of the handling of parity error detection and bus fault exceptions that are due to parity errors.

- An SRAM parity error can be forced by using the SRAM_MMR:PER_CTL register. The generated parity error will be observed after reading from the address offset that has been written to the SRAM_MMR:PER_DBG register.
- Updating of the status in the SRAM_MMR:PER_CHK register can be disabled by setting the SRAM_MMR:PER_CTL.PER_DISABLE bit. This can be used by debugger software in situations where it is known that parity errors will be generated by the debugger software reading from uninitialized memory locations.

9.7 SRAM Registers

The next section shows the register bank for the Static RAM.

9.7.1 SRAM Registers

[SRAM Registers](#) lists the memory-mapped registers for the SRAM registers. All register offset addresses not listed in [SRAM Registers](#) should be considered as reserved locations and the register contents should not be modified.

Table 9-1. SRAM Registers

Offset	Acronym	Register Name	Section
0h + formula	BANK0_y	32k SRAM	Section 9.7.1.1

Complex bit access types are encoded to fit into small table cells. [SRAM Access Type Codes](#) shows the codes that are used for access types in this section.

Table 9-2. SRAM Access Type Codes

Access Type	Code	Description
Read Type		
R	R	Read
Write Type		
W	W	Write
Reset or Default Value		
-n		Value after reset or the default value
Register Array Variables		
i,j,k,l,m,n		When these variables are used in a register name, an offset, or an address, they refer to the value of a register array where the register is part of a group of repeating registers. The register groups form a hierarchical structure and the array is represented with a formula.
y		When this variable is used in a register name, an offset, or an address it refers to the value of a register array.

9.7.1.1 BANK0_y Register (Offset = 0h + formula) [Reset = X]

BANK0_y is shown in [BANK0_y Register](#) and described in [BANK0_y Register Field Descriptions](#).

Return to the [SRAM Registers](#).

32k SRAM

Offset = 0h + (y * 4h); where y = 0h to 1FFFh

Figure 9-1. BANK0_y Register

31	30	29	28	27	26	25	24	23	22	21	20	19	18	17	16	15	14	13	12	11	10	9	8	7	6	5	4	3	2	1	0
DATA																															
R/W-X																															

Table 9-3. BANK0_y Register Field Descriptions

Bit	Field	Type	Reset	Description
31-0	DATA	R/W	X	SRAM data

This section describes the bootloader included in the CC13x1x3 and CC26x1x3 device platform.

10.1 Bootloader Functionality	752
10.2 Bootloader Interfaces	752

10.1 Bootloader Functionality

The CC13x1x3 and CC26x1x3 device platform includes a simple, ROM-based bootloader that can communicate with an external device over the serial interfaces on the UART0 and SSI0 peripherals. The same communication protocol is used on both serial interfaces. These peripherals are IPs from Arm®.

The main purpose of the ROM bootloader is to support functionality for downloading a flash image.

10.1.1 Bootloader Disabling

The ROM bootloader supports commands that can read the flash image. Due to this read capability, a secure measure for disabling the bootloader has been implemented. If the bootloader is disabled using the CCFG `BOOTLOADER_ENABLE` parameter, the bootloader is unable to execute any commands, which prevents attackers from using the bootloader if the program counter (PC) of the Arm® Cortex®-M4 processor is forced to execute from the bootloader code.

In TI distributed software, the CCFG parameters are set at compile time in the `ccfg.c` file. The CCFG `BOOTLOADER_ENABLE` parameter is configured by the value of the `SET_CCFG_BL_CONFIG_BOOTLOADER_ENABLE` define, which is found in `ccfg.c`.

Note

Even if the bootloader is disabled, it can still execute the `CMD_GET_STATUS` command. This makes it possible to verify that a `CMD_DOWNLOAD_CRC` command has executed correctly (even if the downloaded flash image contains CCFG data that disables the bootloader). If any command other than `CMD_GET_STATUS` is sent to the device while the bootloader is disabled, the bootloader will stop responding even to a following `CMD_GET_STATUS` command.

10.1.2 Bootloader Backdoor

To enter the ROM bootloader even when a valid image is in the flash, a bootloader backdoor is implemented. The CCFG parameter `BL_ENABLE` can enable this backdoor. The backdoor functionality uses a configurable I/O pin (CCFG parameter `BL_PIN_NO`) and a configurable I/O pin level (CCFG parameter `BL_LEVEL`).

If backdoor functionality is enabled, externally applying a configurable signal level on a configurable I/O pin can force a ROM bootloader entry upon reset. If the backdoor is enabled and a valid flash image is present, start-up code checks the level of the I/O pin. If the configured I/O-pin level matches the configured signal level, the ROM bootloader does not transfer control to the flash image.

If the backdoor pin configuration matches one of the UART0 or SSI0 pins, the external user must deassert the backdoor signal before transmitting on the UART0 or SSI0 interface.

In TI distributed software, the CCFG parameters called `BL_ENABLE`, `BL_PIN_NO` and `BL_LEVEL` are configured by the values of the following defines in the `ccfg.c` file:

- `SET_CCFG_BL_CONFIG_BL_ENABLE`
- `SET_CCFG_BL_CONFIG_BL_PIN_NO`
- `SET_CCFG_BL_CONFIG_BL_LEVEL`

[Section 11.2.1](#) shows the `BL_BACKDOOR_CONFIG` parameter layout in CCFG.

Note

When using the bootloader backdoor functionality, the pin configured as backdoor (`BL_PIN_NO`) will be configured to enable a pull level opposite of the configured I/O pin level while checking the backdoor level.

10.2 Bootloader Interfaces

The bootloader communicates with an external device over a 2-pin UART or a 4-pin SSI interface. The communication protocol and transport layers are described in the following subsections.

10.2.1 Packet Handling

The bootloader uses well-defined packets to ensure reliable communications with the external communicating program. All communications (with the exception of the UART automatic baud [see [Section 10.2.2.1](#)]) use these well-defined packets. The packets are always acknowledged or not acknowledged by the communicating devices with defined ACK or NACK bytes.

The packets use the same format for receiving and sending packets. This format includes the method to acknowledge successful or unsuccessful reception of a packet.

While the actual signaling on the serial ports is different, the packet format remains the same for supported UART and SSI interfaces.

Packet send and packet receive must adhere to the simple protocol shown in [Figure 10-1](#).

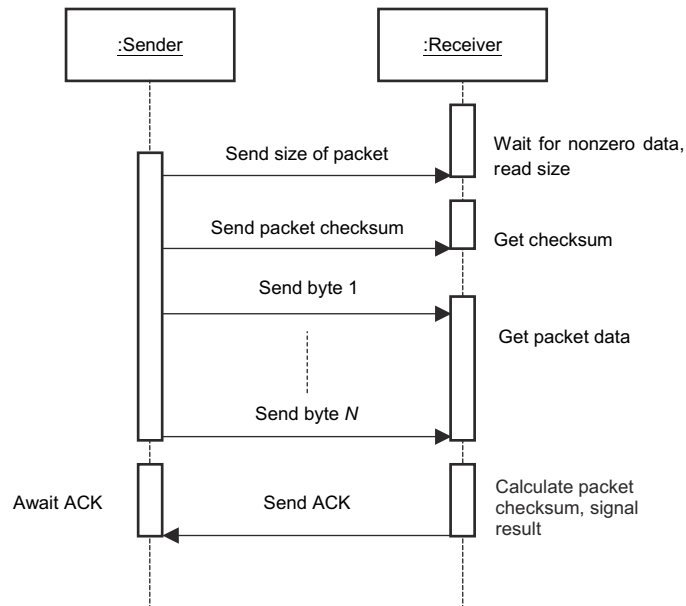


Figure 10-1. Sequence Diagram for Send and Receive Protocol

Perform the following steps to successfully send a packet:

1. Send the size of the packet to be sent to the device. The size is always the size of the data + 2 with truncation to 8 bits.
2. Send the checksum of the data buffer to ensure proper transmission of the command. The checksum algorithm is a sum of the data bytes.
3. Send the actual data bytes.
4. Wait for a single-byte acknowledgment from the device that the data was properly received or that a transmission error was detected.

Perform the following steps to successfully receive a packet:

1. Wait for nonzero data to be returned from the device. This is important as the device may send zero bytes between a sent and a received data packet. The first nonzero byte received is the size of the packet that is being received.
2. Read the next byte, which is the checksum for the packet.
3. Read the data bytes from the device. During the data phase, packet size minus 2 bytes is sent. For example, if the packet size was 3, then there is only 1 byte of data to be received.
4. Calculate the checksum of the data bytes and verify it matches the checksum received in the packet.
5. Send an acknowledge byte or a not-acknowledge byte to the device to indicate the successful or unsuccessful reception of the packet.

Acknowledge (ACK) bytes are sent out whenever a packet is successfully received and verified by the receiver. A not-acknowledge (NAK) byte is sent out whenever a sent packet is detected to have an error, usually as a result of a checksum error or just malformed data in the packet, which allows the sender to retransmit the previous packet.

To illustrate packet handling, the basic packet format is shown in [Figure 10-2](#).

In [Figure 10-2](#), the top line shows the device that is transmitting data; the bottom line is the response from the other device.

In this case, a 6-byte packet is sent with the data shown in [Figure 10-2](#). This data results in a checksum of $0x48+0x6f+0x6c+0x61$ which, when truncated to 8 bits, is $0x84$. The first byte transmitted holds the size of the packet in number of bytes. Then the checksum byte is transmitted. The next bytes to go out are the 4 data bytes in this packet. The transmitter is allowed to send zeros until a nonzero response is received, that is necessary for SSI and is allowed by the UART. The receiver is allowed to return zeros until it is ready to ACK or NAK the packet that is being sent. Neither device transfers a nonzero byte until it has received a response after transmitting a packet.

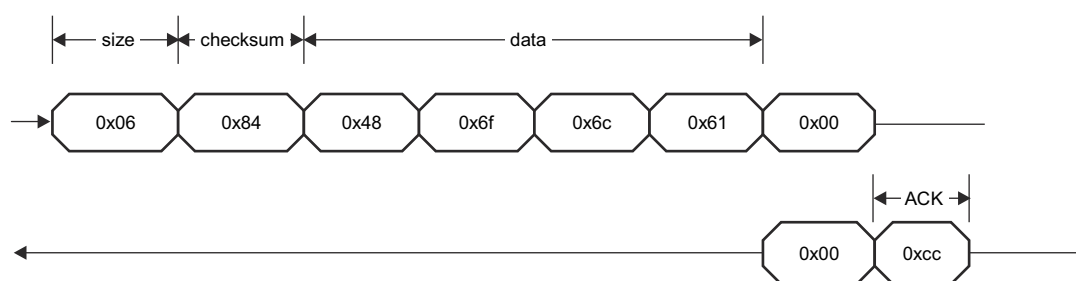


Figure 10-2. Serial Bus Packet Format

10.2.1.1 Packet Acknowledge and Not-Acknowledge Bytes

[Table 10-1](#) shows the defined values for packet acknowledge (ACK) and not-acknowledge (NAK) bytes.

Table 10-1. Protocol Acknowledge and Not-Acknowledge Bytes

Protocol Byte	Value
ACK	0xCC
NACK	0x33

10.2.2 Transport Layer

The bootloader supports updating through the UART0 and SSI0 ports, which are available on the CC13x1x3 and CC26x1x3 device platform. The SSI0 port has the advantage of supporting higher and more flexible data rates, but it also requires more connections to the CC13x1x3 and CC26x1x3 device platform. The UART0 has the disadvantage of having slightly lower and possibly less flexible rates. However, the UART0 requires fewer pins and can be easily implemented with any standard UART connection.

[Table 10-2](#) specifies which serial interface signals are configured to specific DIOs. These pins are fixed and cannot be reconfigured.

Table 10-2. Configuration of Serial Interfaces

Signal	Pin configuration	CC13x1R3, CC26x1R3	CC13x1P3, CC26x1P3
UART0_RX	Input with pull-up	DIO2	DIO12
UART0_TX	No pull (output when selected)	DIO3	DIO13
SSI0_CLK	Input with pull-up	DIO10	DIO10
SSI0_FSS	Input with pull-up	DIO11	DIO11
SSI0_RX	Input with pull-up	DIO9	DIO9
SSI0_TX	No pull (output when selected)	DIO8	DIO8

The bootloader initially configures only the input pins on the two serial interfaces. By default, all I/O pins have their input buffers disabled, so the bootloader configures the required pins to be input pins so that the bootloader interface is not accessible from a host before this point in time. For this initial configuration of input pins, the firmware configures the IOC to route the input signals listed in [Table 10-2](#) to their corresponding peripheral signals.

The bootloader selects the interface that is the first to be accessed by the external device. Once selected, the TX output pin for the selected interface is configured; the module on the inactive interface (UART0 or SSI0) is disabled. To switch to the other interface, the CC13x1x3 and CC26x1x3 device platform must be reset. The delayed configuration of the TX pin imposes special consideration on an SSI0 master device regarding the transfer of the first byte of the first packet (see [Section 10.2.2.2](#)).

10.2.2.1 UART Transport

The connections required to use the UART port are the following two pins: UART0 TX and UART0 RX. The device communicating with the bootloader drives the UART0 RX pin on the CC13x1x3 and CC26x1x3 device platform, while the CC13x1x3 and CC26x1x3 device platform drives the UART0 TX pin.

While the baud rate is flexible, the UART serial format is fixed at 8 data bits, no parity, and 1 stop bit. The bootloader automatically detects the baud rate for communication.

10.2.2.1.1 UART Baud Rate Automatic Detection

The bootloader provides a method to automatically detect the UART baud rate being used to communicate with it.

To synchronize with the host, the bootloader must receive 2 bytes with the value of 0x55. If synchronization succeeds, the bootloader returns an acknowledge consisting of 2 bytes with the values of 0x00 and 0xCC.

If synchronization fails, the bootloader waits for synchronization attempts.

In the automatic-detection function, the UART0 RX pin is monitored for edges using GPIO interrupts. When enough edges are detected, the bootloader determines the ratio of baud rate and frequency needed to program the UART.

The UART module system clock must be at least 16 times the baud rate; thus, the maximum baud rate can be no higher than 3 Mbaud (48 MHz divided by 16). The maximum baud rate is restricted to 1.6 Mbaud because of the firmware function that detects the transfer rate of the host.

10.2.2.2 SSI Transport

The connections required to use the SSI port are the following four pins:

- SSI0_TX
- SSI0_RX
- SSI0_CLK
- SSI0_FSS

The device communicating with the bootloader drives the FSS pins (SSI0_RX, SSI0_CLK, and SSI0), while the CC13x1x3 and CC26x1x3 device platform drives the SSI0_TX pin.

The format used for SSI communications is the Motorola format with SPH set to 1 and SPO set to 1 (see [Figure 22-9](#) for more information on this format). The SSI interface has a hardware requirement that limits the maximum rate of the SSI clock to be at most 1/12 the frequency of the SSI module clock (48 MHz / 12 = 4 MHz).

The master must take special consideration (regarding the use of the SSI0 interface) due to the functionality of not configuring any output pins before the external master device has selected a serial interface.

Note

On the first packet transferred by the master, no data is received from the bootloader while the bootloader clocks out the bits in the first byte of the packet.

When the bootloader detects that 1 byte has been received on SSI0_RX, the bootloader configures the SSI0_TX output pin.

Before transmitting the next byte in the first packet, the master must include a small delay to ensure that the bootloader has completed the configuration of the SSI0_TX output pin.

10.2.3 Serial Bus Commands

[Table 10-3](#) lists the commands supported by the custom protocol on the UART0 and SSI0 bootloader interfaces.

Each command is transferred within a protocol packet. The first 2 bytes within a packet are the size byte followed by the checksum byte. The third byte holds the command value that identifies the command; the values for all the supported commands are listed in the *Command Value* column of [Table 10-3](#). The remaining bytes within the packet are command parameters. See [Section 10.2.3.1](#) through [Section 10.2.3.12](#) for a complete description of the command byte and parameter bytes for each command.

The following subsections specify the individual bytes within the protocol packets for each command.

Table 10-3. Supported Bootloader Commands

Command	Command Value	Bytes in Packet	Description
COMMAND_PING	0x20	3	Receives an acknowledge from the bootloader indicating that communication has been established.
COMMAND_DOWNLOAD	0x21	11	Prepares flash programming. Specifies from where to program data in flash and how many bytes will be sent by the COMMAND_SEND_DATA commands that follow.
COMMAND_GET_STATUS	0x23	3	Returns the status of the last command that was issued. Typically, this command must be received by the bootloader after every command is sent to ensure that the previous command was successful. For defined status values, see Table 10-4 . The status is returned within a protocol packet of 3 bytes.

Table 10-3. Supported Bootloader Commands (continued)

Command	Command Value	Bytes in Packet	Description
COMMAND_SEND_DATA	0x24	4 to 255	Transfers data and programs flash. Transferring data which is programmed into flash following a COMMAND_DOWNLOAD command or another COMMAND_SEND_DATA command. The number of data bytes to be programmed in flash can be 1 to 252 (maximum data load in packet). If more data are downloaded by the COMMAND_SEND_DATA commands than are specified by the COMMAND_DOWNLOAD command, an error status is generated.
COMMAND_RESET	0x25	3	Performs a system reset. For details, see Section 7.7.1.2 .
COMMAND_SECTOR_ERASE	0x26	7	Erases one sector within the flash main bank. The sector to erase is specified by the sector start address. Only flash sectors not protected by write-protect bits in FCFG1 and CCFG are erased. If the top sector is selected (containing CCFG), the content of CCFG will be reset to the same values as when the devices was delivered from TI.
COMMAND_CRC32	0x27	15	Calculates CRC32 over a specified memory area. The number of reads per memory location is specified.
COMMAND_GET_CHIP_ID	0x28	3	Returns the 32-bit USER CODE from the AON_PMCTL JTAGUSERCODE register with MSB first. The ID is returned within a protocol packet.
COMMAND_MEMORY_READ	0x2A	9	Reads a specified number of elements with a specified access width (8 bits or 32 bits) from a specified memory-mapped start address. The requested amount of data must be less than the maximum size of a communication packet.
COMMAND_MEMORY_WRITE	0x2B	9 to 255	Writes the received data in accesses with a specified width (8 or 32 bits) from a specified memory-mapped start address. Data to be written must be contained in same packet as the command.
COMMAND_BANK_ERASE	0x2C	3	Performs an erase of all of the customer-accessible flash sectors not protected by FCFG1 and CCFG write-protect bits. No erase operation is performed if the CCFG parameter BANK_ERASE_DIS is cleared. Because the top sector might be erased (containing CCFG), the content of CCFG will be reset to the same values as when the devices was delivered from TI.
COMMAND_SET_CCFG	0x2D	11	Writes the CC13x1x3- and CC26x1x3-defined CCFG fields to the flash CCFG area with the values received in the data bytes of this command. This command abstracts the user from detailed knowledge concerning which physical addresses within the flash CCFG holding the defined CCFG fields.
COMMAND_DOWNLOAD_CRC	0x2F	15	Prepares flash programming with the specified CRC32 value. Specifies from where to program data in the flash main bank, how many bytes will be sent by the COMMAND_SEND_DATA commands that follow, and the 32-bits CRC value covering the total number of bytes to be programmed.

10.2.3.1 COMMAND_PING

The COMMAND_PING command receives an acknowledge from the bootloader, indicating that communication has been established. This command is a single byte.

The format of the packet including the command is as follows:

```
unsigned char ucCommand[3];
    ucCommand[0] = <size=3>;
    ucCommand[1] = <checksum>;
    ucCommand[2] = COMMAND_PING;
```

10.2.3.2 COMMAND_DOWNLOAD

The COMMAND_DOWNLOAD command is sent to the bootloader to indicate where to store data in flash and how many bytes will be sent by the COMMAND_SEND_DATA commands that follow. The command consists of two 32-bit values that are both transferred MSB first. The first 32-bit value is the address to start programming data into, while the second is the 32-bit size of the data that will be sent. This command must be followed by a COMMAND_GET_STATUS command to ensure that the program address and program size are valid for the device. On the CC13x1x3 and CC26x1x3 devices, the flash starts at address 0x0000 0000. The command does not perform any kind of erase operation; it only prepares for the following flash programming performed by COMMAND_SEND_DATA commands. Required flash erase can be done by the COMMAND_BANK_ERASE and COMMAND_SECTOR_ERASE commands.

The format of the packet including the command is as follows:

```
unsigned char ucCommand[11];
    ucCommand[0] = <size=11>;
    ucCommand[1] = <checksum>;
    ucCommand[2] = COMMAND_DOWNLOAD;
    ucCommand[3] = Program Address [31:24];
    ucCommand[4] = Program Address [23:16];
    ucCommand[5] = Program Address [15:8];
    ucCommand[6] = Program Address [7:0];
    ucCommand[7] = Program Size [31:24];
    ucCommand[8] = Program Size [23:16];
    ucCommand[9] = Program Size [15:8];
    ucCommand[10] = Program Size [7:0];
```

10.2.3.3 COMMAND_SEND_DATA

The COMMAND_SEND_DATA command must only follow a COMMAND_DOWNLOAD command or another COMMAND_SEND_DATA command, if more data is needed. Consecutive COMMAND_SEND_DATA commands automatically increment the address and continue programming from the previous location.

The command terminates programming when the number of bytes indicated by the COMMAND_DOWNLOAD command is received.

The bootloader sends the ACK in response to the command after the actual programming is complete. Each time this function is called, enter a COMMAND_GET_STATUS command to ensure that the data was successfully programmed into the flash. If the bootloader sends a NAK signal to this command, the bootloader does not increment the current address, which allows for retransmission of the previous data.

The format of the packet including the command is as follows:

```
unsigned char ucCommand[4-255];
  ucCommand[0] = <size>;
  ucCommand[1] = <checksum>;
  ucCommand[2] = COMMAND_SEND_DATA;
  ucCommand[3] = Data byte to be programmed[0];
  ucCommand[4] = Data byte to be programmed[1];
  ucCommand[5] = Data byte to be programmed[2];
  ucCommand[6] = Data byte to be programmed[3];
  ucCommand[7] = Data byte to be programmed[4];
  ucCommand[<size-1>] = Data byte to be programmed[<size-4>;
```

10.2.3.4 COMMAND_SECTOR_ERASE

The COMMAND_SECTOR_ERASE command erases a specified flash sector. One flash sector has the size of 8 kB.

The command consists of one 32-bit value that is transferred MSB first. The 32-bit value is the start address of the flash sector to be erased.

The bootloader responds with an ACK signal to the host device after the actual erase operation is performed.

On the CC13x1x3 and CC26x1x3 device platform, the flash starts at address 0x0000 0000 and it has sectors of 8 kB each.

Note

Sectors protected by write-protect bits in FCFG1 and CCFG are not erased.

If the sector address of the top sector (including the CCFG area) is specified, the actual erase is followed by CCFG values being programmed to the same values as the device had when it was delivered from TI.

The format of the packet including the command is as follows:

```
unsigned char ucCommand[7];
  ucCommand[0]= <size=7>;
  ucCommand[1]= <checksum>;
  ucCommand[2]= COMMAND_ERASE;
  ucCommand[3]= Sector Address [31:24];
  ucCommand[4]= Sector Address [23:16];
  ucCommand[5]= Sector Address [15: 8];
  ucCommand[6]= Sector Address [ 7: 0];
```

10.2.3.5 COMMAND_GET_STATUS

The COMMAND_GET_STATUS command returns the status of the last command that was issued. Typically, this command is received after every other command is sent to ensure that the previous command was successful; or, if the command failed, to properly respond to a failure. The bootloader responds by sending a 3-byte packet with the size byte, checksum byte, and 1 byte of the current-status value.

The bootloader then waits for an ACK from the host as a confirmation that the packet was received.

The format of the packet including the command is as follows:

```
unsigned char ucCommand[3];
ucCommand[0] = <size=3>;
ucCommand[1] = <checksum>;
ucCommand[2] = COMMAND_GET_STATUS;
```

Table 10-4 lists the definitions for the possible status values that can be returned from the bootloader when a COMMAND_GET_STATUS command is sent to the bootloader

Table 10-4. Defined Status Values

Status Definition	Value	Description
COMMAND_RET_SUCCESS	0x40	Status for successful command
COMMAND_RET_UNKNOWN_CMD	0x41	Status for unknown command
COMMAND_RET_INVALID_CMD	0x42	Status for invalid command (in other words, incorrect packet size)
COMMAND_RET_INVALID_ADR	0x43	Status for invalid input address
COMMAND_RET_FLASH_FAIL	0x44	Status for failing flash erase or program operation

10.2.3.6 COMMAND_RESET

The COMMAND_RESET command tells the bootloader to perform a system reset. Use this command after downloading a new flash image to the CC13x1x3 and CC26x1x3 devices to cause the new application to start from a reset. The normal boot sequence occurs and the flash image runs as if from a hardware reset. Also, use this command to reset the bootloader if a critical error occurs and the host device wants to restart communication with the bootloader.

The bootloader responds with an ACK signal to the host device before actually executing the system reset. This ACK signal informs the updating application that the command was received successfully, and the CC13x1x3 and CC26x1x3 devices are then reset.

The format of the packet including the command is as follows:

```
unsigned char ucCommand[3];
ucCommand[0] = <size=3>;
ucCommand[1] = <checksum>;
ucCommand[2] = COMMAND_RESET;
```

10.2.3.7 COMMAND_GET_CHIP_ID

The COMMAND_GET_CHIP_ID command makes the bootloader return the value of the 32-bit user ID from the AON_PMCTL JTAGUSERCODE register. The bootloader first responds by sending the ACK signal in response to the command; then the bootloader sends a packet of 6 bytes with the size byte, the checksum byte, and the 4 bytes (MSB first) holding the user ID.

The bootloader then waits for an ACK signal from the host as a confirmation that the packet was received.

The format of the command is as follows:

```
unsigned char ucCommand[3];
    ucCommand[0] = <size=3>;
    ucCommand[1] = <checksum>;
    ucCommand[2] = COMMAND_GET_CHIP_ID;
```

10.2.3.8 COMMAND_CRC32

The COMMAND_CRC32 command checks a flash area using CRC32. The command consists of three 32-bit values that are all transferred MSB first. The first 32-bit value is the address in memory from where the CRC32 calculation starts, the second 32-bit value is the number of bytes comprised by the CRC32 calculation, and the third 32-bit value is the number of read repeats for each data location. A read repeat count of 0x0000 0000 causes the checksum to be generated by a read of all data locations only once. The command sends the ACK signal in response to the command after the actual CRC32 calculation. The result is finally returned as 4 bytes (MSB first) in a 6-byte packet. The bootloader then waits for an ACK signal from the host as a confirmation that the packet was received. The second parameter that holds the number of bytes must be higher than eight. If not, the returned checksum is 0xFFFF FFFF.

The format of the packet including the command is as follows:

```
unsigned char ucCommand[15];
    ucCommand[0] = <size=15>;
    ucCommand[1] = <checksum>;
    ucCommand[2]= COMMAND_CRC32;
    ucCommand[3]= Data Address [31:24];
    ucCommand[4]= Data Address [23:16];
    ucCommand[5]= Data Address [15: 8];
    ucCommand[6]= Data Address [ 7: 0];
    ucCommand[7]= Data Size [31:24];
    ucCommand[8]= Data Size [23:16];
    ucCommand[9]= Data Size [15: 8];
    ucCommand[10]= Data Size [7: 0];
    ucCommand[11]= Read Repeat Count [31:24];
    ucCommand[12]= Read Repeat Count [23:16];
    ucCommand[13]= Read Repeat Count [15: 8];
    ucCommand[14]= Read Repeat Count [7: 0];
```

10.2.3.9 COMMAND_BANK_ERASE

The COMMAND_BANK_ERASE command does not perform any erase operation if the CCFG parameter BANK_ERASE_DIS is cleared. When COMMAND_BANK_ERASE is not cleared, this command erases all main bank flash sectors including CCFG not protected by write-protect bits in FCFG1 and CCFG.

The command sends the ACK in response to the command after the actual erase operation is performed. The actual erase is followed by CCFG values being programmed to the same values as the device had when it was delivered from TI.

The format of the packet including the command is as follows:

```
unsigned char ucCommand[3];
    ucCommand[0] = <size=3>;
    ucCommand[1] = <checksum>;
    ucCommand[2] = COMMAND_BANK_ERASE;
```

10.2.3.10 COMMAND_MEMORY_READ

This command reads a specified number of elements with a specified access type (8 bits or 32 bits) from a specified memory mapped start address and returns the read data in a separate communication packet. The requested amount of data must be less than the maximum size of a communication packet. The specified Access Type must be either 0 or 1. The value of 0 forces 8-bit read accesses. The value of 1 forces 32-bit read accesses. The specified Number of Accesses gives the number of 8- or 32-bit read accesses. Maximum value of Number of Accesses is 253 for Access Type = 0. Maximum value for Number of Accesses is 63 for Access Type = 1. The format of the packet including the command is as follows:

```
unsigned char ucCommand[9];
    ucCommand[0] = <size=9>;
    ucCommand[1] = <checksum>;
    ucCommand[2] = COMMAND_MEMORY_READ;
    ucCommand[3] = Memory Map Address [31:24];
    ucCommand[4] = Memory Map Address [23:16];
    ucCommand[5] = Memory Map Address [15:8];
    ucCommand[6] = Memory Map Address [7:0];
    ucCommand[7] = Access Type [7:0];
    ucCommand[8] = Number of Accesses [7:0];
```

10.2.3.11 COMMAND_MEMORY_WRITE

This command writes the received data in accesses with specified width (8 bits or 32 bits) from a specified memory mapped start address. Data to be written must be contained in same packet as the command. The access width is given by the specified Access Type. The Access Type must be either 0 or 1. The value of 0 forces 8-bit write accesses. The value of 1 forces 32-bit write accesses. The number of data bytes received is given by the packet size byte. Maximum number of data bytes for access width 0 is 247 and 244 for access width 1.

Specific memory mapped areas must not be written to using the COMMAND_MEMORY_WRITE command. Memory writes to the following memory mapped areas can cause the serial bootloader to end up in a nonfunctional state as these areas are used by the bootloader. This is valid for the following memory mapped areas:

- The lower 4 kB of SRAM (0x2000 0000 to 0x2000 0FFF)
- Any hardware register controlling the functionality of the serial interface (UART or SSI) currently being used by the serial bootloader.

Note

The COMMAND_MEMORY_WRITE command cannot be used to write to Flash memory.

The format of the packet including the command is as follows:

```

unsigned char ucCommand[(from 9 to 255)];
    ucCommand[0] = <size=(from 9 to 255)>;
    ucCommand[1] = <checksum>;
    ucCommand[2] = COMMAND_MEMORY_WRITE;
    ucCommand[3] = Memory Map Address [31:24];
    ucCommand[4] = Memory Map Address [23:16];
    ucCommand[5] = Memory Map Address [15:8];
    ucCommand[6] = Memory Map Address [7:0];
    ucCommand[7] = Access Type [7:0];
    ucCommand[8] = Data [7:0];
    ...
    ...
    ucCommand[9 + (packet size - 9)] = Data [7:0] or Data[31:24];
    
```

10.2.3.12 COMMAND_SET_CCFG

The COMMAND_SET_CCFG command is sent to the bootloader to configure the defined fields in the flash CCFG area that are read by the ROM boot firmware. The command sends the ACK signal in response to the command after the actual flash program operation is performed. This command does not execute any erase operation before the write operation.

The command consists of two 32-bit values that are all transferred MSB first. The first 32-bit value is the CCFG Field ID, which identifies the CCFG parameter to be written, and the second 32-bit value is the Field Value to be programmed. The command handler masks out Field Value bits not corresponding to the CCFG parameter size.

Note

The COMMAND_SET_CCFG command can only change CCFG parameter value bits from 1 to 0.

Attempting to change any bit from 0 to 1 results in an error status that can be observed by a following COMMAND_GET_STATUS command.

Only the CCFG fields controlling device configuration during ROM boot, can be written by this command. (fields sequential from BL_CONFIG to until end).

The only way to change CCFG parameter value bits from 0 to 1 is by erasing the complete CCFG flash sector. The command sends the ACK signal in response to the command after the actual flash programming has terminated.

The programming operation fails if the CCFG area (flash top sector) is write-protected by the protect bit in FCFG1 or in CCFG.

The format of the packet including the command is as follows:

```

unsigned char ucCommand[11];
ucCommand[0] = <size=11>;
ucCommand[1] = <checksum>;
ucCommand[2] = COMMAND_SET_CCFG;
ucCommand[3] = Field Id[31:24];
ucCommand[4] = Field Id[23:16];
ucCommand[5] = Field Id[15:8];
ucCommand[6] = Field Id[7:0];
ucCommand[7] = Field Value[31:24];
ucCommand[8] = Field Value[23:16];
ucCommand[9] = Field Value[15:8];
ucCommand[10] = Field Value[7:0];

```

Defined CCFG field IDs with corresponding field values are described in [Table 10-5](#).

Table 10-5. Defined CCFG Field IDs and Field Values

Field ID	Field Value	Description
0: ID_SECTOR_PROT	Bit[31:0] – Flash sector number of sector to protect from program and erase	The sector write-protect bit in CCFG corresponding to the specified sector number is set to 0. This protects the sector from being programmed and erased. First flash sector has sector number 0. This command also sets the sticky sector protect bit in the flash wrapper registers. Be aware if protecting sector 31, which is the CCFG sector. If sector 31 is protected, none of the other CCFG parameters can be set.
1: ID_IMAGE_VALID	Bit[31:0] - 0x0000 0000	For the boot sequence to transfer execution control to a flash image, this Field Value must be set to the start address of the flash image vector table.
2: ID_TEST_TAP_LCK	Bit[31:8] – Don't care Bit[7:0] – 0xC5 = TAP unlocked	Any other value than 0xC5 forces a locked TAP after a following boot sequence
3: ID_PWRPROF_TAP_LCK	Bit[31:8] – Don't care Bit[7:0] – 0xC5 = TAP unlocked	Any other value than 0xC5 forces a locked TAP after a following boot sequence.
4: ID_CPU_DAP_LCK	Bit[31:8] – Don't care Bit[7:0] – 0xC5 = DAP unlocked	Any other value than 0xC5 forces a locked DAP after a following boot sequence.
5: ID_AON_TAP_LCK	Bit[31:8] – Don't care Bit[7:0] – 0xC5 = TAP unlocked	Any other value than 0xC5 forces a locked TAP after a following boot sequence.
6: ID_PBIST1_TAP_LCK	Bit[31:8] – Don't care Bit[7:0] – 0xC5 = TAP unlocked	Any other value than 0xC5 forces a locked TAP after a following boot sequence.
7: ID_PBIST2_TAP_LCK	Bit[31:8] – Don't care Bit[7:0] – 0xC5 = TAP unlocked	Any other value than 0xC5 forces a locked TAP after a following boot sequence.
8: ID_BANK_ERASE_DIS	Bit[31:1] – Don't care Bit[0] – 0 = Bank erase disable	If set to 0, the COMMAND_BANK_ERASE bootloader command does not force any erase operation.
9: ID_CHIP_ERASE_DIS	Bit[31:1] – Don't care Bit[0] – 0 = Chip erase disable	If set to 0, the start-up sequence does not perform any chip erase operation regardless of any chip erase request.
10: ID_TI_FA_ENABLE	Bit[31:8] – Don't care Bit[7:0] – 0xC5 = TI FA enable	Any value other than 0xC5 disables the TI FA enable functionality in a following boot.
11: ID_BL_BACKDOOR_EN	Bit[31:8] – Don't care Bit[7:0] – 0xC5 = Bootloader backdoor enable	Any other value than 0xC5 forces the bootloader backdoor to be disabled in a following boot sequence.
12: ID_BL_BACKDOOR_PIN	Bit[31:8] – Don't care Bit[7:0] – Bootloader backdoor I/O pin number	If the pin number exceeds number of I/O pins on the device, the highest I/O pin number on the device is selected.
13: ID_BL_BACKDOOR_LEVEL	Bit[31:1] – Don't care Bit[0] – Bootloader backdoor pin active level	0 = Active low
14: ID_BL_ENABLE	Bit[31:8] – Don't care Bit[7:0] – Bootloader enable	Any value other than 0xC5 forces the bootloader to ignore any received command.

10.2.3.13 COMMAND_DOWNLOAD_CRC

The COMMAND_DOWNLOAD_CRC command is sent to the bootloader to indicate where to program data in flash, how many bytes will be sent by the COMMAND_SEND_DATA commands that follow, and the expected 32-bit CRC value covering the total number of data bytes to be stored in NVM. The command consists of three 32-bit values that are all transferred MSB first. The first 32-bit value is the address to start programming data into, while the second is the 32-bit size of the data that will be sent, and the third is the 32-bit CRC value covering the total number of bytes to program in flash.

This command should be followed by a COMMAND_GET_STATUS to ensure that the program address and program size were valid for the device.

The flash starts at address 0x0000 0000.

The COMMAND_DOWNLOAD_CRC command does not perform any kind of erase operation; it only prepares for following NVM programming performed by the COMMAND_SEND_DATA commands. Required flash erase can be done by the COMMAND_BANK_ERASE and COMMAND_SECTOR_ERASE commands. The final COMMAND_SEND_DATA command that programs the last bytes of the total number of bytes specified by the COMMAND_DOWNLOAD_CRC command, (after the programming) will calculate the CRC32 value covering the flash area specified by the COMMAND_DOWNLOAD_CRC command and check if the calculated CRC32 value equals the specified 32-bit CRC value. If these values are not equal, the complete flash area that has been programmed will be erased before the COMMAND_SEND_DATA command responds with an ACK. In this scenario, a following COMMAND_GET_STATUS command will report a COMMAND_RET_FLASH_FAIL status.

Note

Due to the CRC calculation and possible flash erase operation during execution of the last COMMAND_SEND_DATA command, the COMMAND_DOWNLOAD_CRC command will have a delayed ACK response.

The format of the packet including the command is as follows:

```

unsigned char ucCommand[15];
  ucCommand[0] = <size=15>;
  ucCommand[1] = <checksum>;
  ucCommand[2] = COMMAND_DOWNLOAD_CRC;
  ucCommand[3] = Program Address [31:24];
  ucCommand[4] = Program Address [23:16];
  ucCommand[5] = Program Address [15:8];
  ucCommand[6] = Program Address [7:0];
  ucCommand[7] = Program Size [31:24];
  ucCommand[8] = Program Size [23:16];
  ucCommand[9] = Program Size [15:8];
  ucCommand[10] = Program Size [7:0];
  ucCommand[11] = Crc [31:24];
  ucCommand[12] = Crc [23:16];
  ucCommand[13] = Crc [15:8];
  ucCommand[14] = Crc [7:0];

```

This page intentionally left blank.

This chapter describes the device configuration areas. The factory configuration (FCFG) and customer configuration (CCFG) areas are located in flash. The FCFG is set by Texas Instruments during device production and contains device-specific trim values and configuration. The CCFG must be set by the application and contains configuration parameters for the ROM boot code, device hardware, and device firmware.

11.1 Customer Configuration (CCFG)	770
11.2 CCFG Registers	770
11.3 Factory Configuration (FCFG)	800
11.4 FCFG Registers	800

11.1 Customer Configuration (CCFG)

- Image valid parameter (normally set by the programming tool)
- Failure analysis access configuration
- Custom MAC address
- Bootloader configuration
- TAP and DAP access configuration
- CC13x1x3 device: Configure the output power up to +14 dBm

(up to 20 dBm for the P devices)

In TI distributed software, the CCFG parameters are set at compile time in the `ccfg.c` file. The CCFG settings are set by default to allow full debugging of the device. The CCFG settings are not recommended for production.

For the CC13x1x3 device only:

To enable output power of +14 dBm without enabling the High (20 dBm) PA, the `CCFG_FORCE_VDDR_HH` define must be set to 1 in `ccfg.c` distributed in the TI Simplelink SDK. If `CCFG_FORCE_VDDR_HH` is set to 0 the maximum possible output power is +12.5 dBm.

TI recommends configuring a device for final production with the steps that follow:

1. The following defines in `ccfg.c` must be set to 0x00 to disallow access to Flash contents through the bootloader interface.
 - `SET_CCFG_BL_CONFIG_BOOTLOADER_ENABLE`
 - `SET_CCFG_BL_CONFIG_BL_ENABLE`
2. The `SET_CCFG_CCFG_TI_OPTIONS_TI_FA_ENABLE` define in `ccfg.c` must be set to 0x00 to disallow failure analysis access by TI.
3. The following defines in `ccfg.c` must be set to 0x00 to individually disallow access to the JTAG access ports:
 - `SET_CCFG_CCFG_TAP_DAP_0_PWRPROF_TAP_ENABLE`
 - `SET_CCFG_CCFG_TAP_DAP_0_TEST_TAP_ENABLE`
 - `SET_CCFG_CCFG_TAP_DAP_0_CPU_DAP_ENABLE`
 - `SET_CCFG_CCFG_TAP_DAP_1_AON_TAP_ENABLE`
 - `SET_CCFG_CCFG_TAP_DAP_1_PBIST1_TAP_ENABLE`
 - `SET_CCFG_CCFG_TAP_DAP_1_PBIST2_TAP_ENABLE`
4. To enable power profiling with EnergyTrace™ software, the `SET_CCFG_CCFG_TAP_DAP_0_PWRPROF_TAP_ENABLE` define in `ccfg.c` must be set to 0xC5.
5. The `SET_CCFG_IMAGE_VALID_CONF_IMAGE_VALID` define in `ccfg.c` must be set to the address of the vector table of the Flash image to pass control to the programmed image in Flash at boot. Most standard Flash images will have the vector table located at address 0x0000 0000.
6. Optionally, the `SET_CCFG_ERASE_CONF_CHIP_ERASE_DIS_N` define in `ccfg.c` can be set to 0x0 to disallow erasing of the Flash when Chip Erase is requested by JTAG.
7. Use the `SET_CCFG_CCFG_PROT_n` defines in `ccfg.c` to program and erase protect the sectors of Flash that are not designed to be updated in-system by the final product. Any bit in the define set to 0 will force that the corresponding Flash sector number is program and erase protected.

Note

Enabling some of the functionalities in the ENABLE fields in CCFG are contingent on the corresponding ENABLE field in FCFG that has been set to enabled by the TI production test. This is the case for the access configuration of the TEST_TAP access port, for example. In the products where the TEST_TAP access is not enabled in FCFG, the value in the corresponding CCFG field set by the `SET_CCFG_CCFG_TAP_DAP_0_TEST_TAP_ENABLE` define in `ccfg.c`, is ignored and the functionality is disabled.

11.2 CCFG Registers

The next section shows the register bank for the Customer Configuration.

Note

Any references to HPOSC are only valid for devices that feature the BAW oscillator. Consult the device's datasheet for details.

11.2.1 CCFG Registers

Table 11-1 lists the memory-mapped registers for the CCFG registers. All register offset addresses not listed in Table 11-1 should be considered as reserved locations and the register contents should not be modified.

Table 11-1. CCFG Registers

Offset	Acronym	Register Name	Section
1FA8h	EXT_LF_CLK	Extern LF clock configuration	Section 11.2.1.1
1FACh	MODE_CONF_1	Mode Configuration 1	Section 11.2.1.2
1FB0h	SIZE_AND_DIS_FLAGS	CCFG Size and Disable Flags	Section 11.2.1.3
1FB4h	MODE_CONF	Mode Configuration 0	Section 11.2.1.4
1FB8h	VOLT_LOAD_0	Voltage Load 0	Section 11.2.1.5
1FBCh	VOLT_LOAD_1	Voltage Load 1	Section 11.2.1.6
1FC0h	RTC_OFFSET	Real Time Clock Offset	Section 11.2.1.7
1FC4h	FREQ_OFFSET	Frequency Offset	Section 11.2.1.8
1FC8h	IEEE_MAC_0	IEEE MAC Address 0	Section 11.2.1.9
1FCCh	IEEE_MAC_1	IEEE MAC Address 1	Section 11.2.1.10
1FD0h	IEEE_BLE_0	IEEE BLE Address 0	Section 11.2.1.11
1FD4h	IEEE_BLE_1	IEEE BLE Address 1	Section 11.2.1.12
1FD8h	BL_CONFIG	Bootloader Configuration	Section 11.2.1.13
1FDCh	ERASE_CONF	Erase Configuration	Section 11.2.1.14
1FE0h	CCFG_TI_OPTIONS	TI Options	Section 11.2.1.15
1FE4h	CCFG_TAP_DAP_0	Test Access Points Enable 0	Section 11.2.1.16
1FE8h	CCFG_TAP_DAP_1	Test Access Points Enable 1	Section 11.2.1.17
1FECh	IMAGE_VALID_CONF	Image Valid	Section 11.2.1.18
1FF0h	CCFG_PROT_31_0	Protect Sectors 0-31	Section 11.2.1.19
1FF4h	CCFG_PROT_63_32	Protect Sectors 32-63	Section 11.2.1.20
1FF8h	CCFG_PROT_95_64	Protect Sectors 64-95	Section 11.2.1.21
1FFCh	CCFG_PROT_127_96	Protect Sectors 96-127	Section 11.2.1.22

Complex bit access types are encoded to fit into small table cells. Table 11-2 shows the codes that are used for access types in this section.

Table 11-2. CCFG Access Type Codes

Access Type	Code	Description
Read Type		
R	R	Read
Reset or Default Value		
-n		Value after reset or the default value

11.2.1.1 EXT_LF_CLK Register (Offset = 1FA8h) [Reset = FFFFFFFFh]

EXT_LF_CLK is shown in [Figure 11-1](#) and described in [Table 11-3](#).

Return to the [Table 11-1](#).

Extern LF clock configuration

Figure 11-1. EXT_LF_CLK Register

31	30	29	28	27	26	25	24	23	22	21	20	19	18	17	16	15	14	13	12	11	10	9	8	7	6	5	4	3	2	1	0
DIO								RTC_INCREMENT																							
R-FFh								R-00FFFFFFh																							

Table 11-3. EXT_LF_CLK Register Field Descriptions

Bit	Field	Type	Reset	Description
31-24	DIO	R	FFh	Unsigned integer, selecting the DIO to supply external 32 kHz clock as SCLK_LF when MODE_CONF.SCLK_LF_OPTION is set to EXTERNAL. The selected DIO will be marked as reserved by the pin driver (TI-RTOS environment) and hence not selectable for other usage.
23-0	RTC_INCREMENT	R	00FFFFFFh	Unsigned integer, defining the input frequency of the external clock and is written to AON_RTC:SUBSECINC.VALUEINC. Defined as follows: $EXT_LF_CLK.RTC_INCREMENT = 2^{38} / InputClockFrequency$ in Hertz (e.g.: $RTC_INCREMENT=0x800000$ for $InputClockFrequency=32768$ Hz)

11.2.1.2 MODE_CONF_1 Register (Offset = 1FACH) [Reset = FFFFFFFFh]

MODE_CONF_1 is shown in [Figure 11-2](#) and described in [Table 11-4](#).

Return to the [Table 11-1](#).

Mode Configuration 1

Figure 11-2. MODE_CONF_1 Register

31	30	29	28	27	26	25	24
TCXO_TYPE		TCXO_MAX_START					
R-1h		R-7Fh					
23	22	21	20	19	18	17	16
ALT_DCDC_VMIN				ALT_DCDC_DI THER_EN	ALT_DCDC_IPEAK		
R-Fh				R-1h	R-7h		
15	14	13	12	11	10	9	8
DELTA_IBIAS_INIT				DELTA_IBIAS_OFFSET			
R-Fh				R-Fh			
7	6	5	4	3	2	1	0
XOSC_MAX_START							
R-FFh							

Table 11-4. MODE_CONF_1 Register Field Descriptions

Bit	Field	Type	Reset	Description
31	TCXO_TYPE	R	1h	Selects the TCXO type. 0: CMOS type. Internal common-mode bias will not be enabled. 1: Clipped-sine type. Internal common-mode bias will be enabled when TCXO is used. Bit field value is only valid if MODE_CONF.XOSC_FREQ=0.
30-24	TCXO_MAX_START	R	7Fh	Maximum TCXO startup time in units of 100us. Bit field value is only valid if MODE_CONF.XOSC_FREQ=0.
23-20	ALT_DCDC_VMIN	R	Fh	Minimum voltage for when DC/DC should be used if alternate DC/DC setting is enabled (SIZE_AND_DIS_FLAGS.DIS_ALT_DCDC_SETTING=0). Voltage = (28 + ALT_DCDC_VMIN) / 16. 0: 1.75V 1: 1.8125V ... 14: 2.625V 15: 2.6875V NOTE! The DriverLib function SysCtrl_DCDC_VoltageConditionalControl() must be called regularly to apply this field (handled automatically if using TI RTOS!).
19	ALT_DCDC_DITHER_EN	R	1h	Enable DC/DC dithering if alternate DC/DC setting is enabled (SIZE_AND_DIS_FLAGS.DIS_ALT_DCDC_SETTING=0). 0: Dither disable 1: Dither enable
18-16	ALT_DCDC_IPEAK	R	7h	Inductor peak current if alternate DC/DC setting is enabled (SIZE_AND_DIS_FLAGS.DIS_ALT_DCDC_SETTING=0). Assuming 10uH external inductor! 0: 46mA (min) ... 4: 70mA ... 7: 87mA (max)

Table 11-4. MODE_CONF_1 Register Field Descriptions (continued)

Bit	Field	Type	Reset	Description
15-12	DELTA_IBIAS_INIT	R	Fh	Signed delta value for IBIAS_INIT. Delta value only applies if SIZE_AND_DIS_FLAGS.DIS_XOSC_OVR=0. See FCFG1:AMPCOMP_CTRL1.IBIAS_INIT
11-8	DELTA_IBIAS_OFFSET	R	Fh	Signed delta value for IBIAS_OFFSET. Delta value only applies if SIZE_AND_DIS_FLAGS.DIS_XOSC_OVR=0. See FCFG1:AMPCOMP_CTRL1.IBIAS_OFFSET
7-0	XOSC_MAX_START	R	FFh	Unsigned value of maximum XOSC startup time (worst case) in units of 100us. Value only applies if SIZE_AND_DIS_FLAGS.DIS_XOSC_OVR=0.

11.2.1.3 SIZE_AND_DIS_FLAGS Register (Offset = 1FB0h) [Reset = FFFFFFFFh]

SIZE_AND_DIS_FLAGS is shown in [Figure 11-3](#) and described in [Table 11-5](#).

Return to the [Table 11-1](#).

CCFG Size and Disable Flags

Figure 11-3. SIZE_AND_DIS_FLAGS Register

31	30	29	28	27	26	25	24
SIZE_OF_CCFG							
R-FFFFh							
23	22	21	20	19	18	17	16
SIZE_OF_CCFG							
R-FFFFh							
15	14	13	12	11	10	9	8
DISABLE_FLAGS							
R-FFFh							
7	6	5	4	3	2	1	0
DISABLE_FLAGS				DIS_TCXO	DIS_GPRAM	DIS_ALT_DCD C_SETTING	DIS_XOSC_OV R
R-FFFh				R-1h	R-1h	R-1h	R-1h

Table 11-5. SIZE_AND_DIS_FLAGS Register Field Descriptions

Bit	Field	Type	Reset	Description
31-16	SIZE_OF_CCFG	R	FFFFh	Total size of CCFG in bytes.
15-4	DISABLE_FLAGS	R	FFFh	Reserved for future use. Software should not rely on the value of a reserved. Writing any other value than the reset/default value may result in undefined behavior.
3	DIS_TCXO	R	1h	Deprecated. Must be set to 1.
2	DIS_GPRAM	R	1h	Disable GPRAM (or use the 8K VIMS RAM as CACHE RAM). 0: GPRAM is enabled and hence CACHE disabled. 1: GPRAM is disabled and instead CACHE is enabled (default). Notes: - Disabling CACHE will reduce CPU execution speed (up to 60%). - GPRAM is 8 K-bytes in size and located at 0x11000000-0x11001FFF if enabled. See: VIMS:CTL.MODE
1	DIS_ALT_DCDC_SETTING	R	1h	Disable alternate DC/DC settings. 0: Enable alternate DC/DC settings. 1: Disable alternate DC/DC settings. See: MODE_CONF_1.ALT_DCDC_VMIN MODE_CONF_1.ALT_DCDC_DITHER_EN MODE_CONF_1.ALT_DCDC_IPEAK NOTE! The DriverLib function SysCtrl_DCDC_VoltageConditionalControl() must be called regularly to apply this field (handled automatically if using TI RTOS!).
0	DIS_XOSC_OVR	R	1h	Disable XOSC override functionality. 0: Enable XOSC override functionality. 1: Disable XOSC override functionality. See: MODE_CONF_1.DELTA_IBIAS_INIT MODE_CONF_1.DELTA_IBIAS_OFFSET MODE_CONF_1.XOSC_MAX_START

11.2.1.4 MODE_CONF Register (Offset = 1FB4h) [Reset = FFFFFFFFh]

MODE_CONF is shown in [Figure 11-4](#) and described in [Table 11-6](#).

Return to the [Table 11-1](#).

Mode Configuration 0

Figure 11-4. MODE_CONF Register

31	30	29	28	27	26	25	24
VDDR_TRIM_SLEEP_DELTA				DCDC_RECHARGE	DCDC_ACTIVE	VDDR_EXT_LOAD	VDDS_BOD_LEVEL
R-Fh				R-1h	R-1h	R-1h	R-1h
23	22	21	20	19	18	17	16
SCLK_LF_OPTION	VDDR_TRIM_SLEEP_TC	RTC_COMP	XOSC_FREQ			XOSC_CAPMOD	HF_COMP
R-3h	R-1h	R-1h	R-3h			R-1h	R-1h
15	14	13	12	11	10	9	8
XOSC_CAPARRAY_DELTA							
R-FFh							
7	6	5	4	3	2	1	0
VDDR_CAP							
R-FFh							

Table 11-6. MODE_CONF Register Field Descriptions

Bit	Field	Type	Reset	Description
31-28	VDDR_TRIM_SLEEP_DELTA	R	Fh	Signed delta value to apply to the VDDR_TRIM_SLEEP target, minus one. See FCFG1:VOLT_TRIM.VDDR_TRIM_SLEEP_H. 0x8 (-8) : Delta = -7 ... 0xF (-1) : Delta = 0 0x0 (0) : Delta = +1 ... 0x7 (7) : Delta = +8
27	DCDC_RECHARGE	R	1h	DC/DC during recharge in powerdown. 0: Use the DC/DC during recharge in powerdown. 1: Do not use the DC/DC during recharge in powerdown (default). NOTE! The DriverLib function SysCtrl_DCDC_VoltageConditionalControl() must be called regularly to apply this field (handled automatically if using TI RTOS!).
26	DCDC_ACTIVE	R	1h	DC/DC in active mode. 0: Use the DC/DC during active mode. 1: Do not use the DC/DC during active mode (default). NOTE! The DriverLib function SysCtrl_DCDC_VoltageConditionalControl() must be called regularly to apply this field (handled automatically if using TI RTOS!).
25	VDDR_EXT_LOAD	R	1h	Reserved for future use. Software should not rely on the value of a reserved. Writing any other value than the reset/default value may result in undefined behavior.
24	VDDS_BOD_LEVEL	R	1h	VDDS BOD level. 0: VDDS BOD level is 2.0V (necessary for external load mode, or for maximum PA output power on CC13xx). 1: VDDS BOD level is 1.8V (or 1.65V for external regulator mode) (default).

Table 11-6. MODE_CONF Register Field Descriptions (continued)

Bit	Field	Type	Reset	Description
23-22	SCLK_LF_OPTION	R	3h	Select source for SCLK_LF. 0h = 31.25 kHz clock derived from 48 MHz XOSC or HPOSC. The RTC tick speed AON_RTC:SUBSECINC is updated to 0x8637BD, corresponding to a 31.25 kHz clock (done in the SetupTrimDevice() driverlib boot function). The device must be blocked from entering Standby mode when using this clock source. 1h = External low frequency clock on DIO defined by EXT_LF_CLK.DIO. The RTC tick speed AON_RTC:SUBSECINC is updated to EXT_LF_CLK.RTC_INCREMENT (done in the SetupTrimDevice() driverlib boot function). External clock must always be running when the chip is in standby for VDDR recharge timing. 2h = 32.768 kHz low frequency XOSC 3h = Low frequency RCOSC (default)
21	VDDR_TRIM_SLEEP_TC	R	1h	0x1: VDDR_TRIM_SLEEP_DELTA is not temperature compensated 0x0: RTOS/driver temperature compensates VDDR_TRIM_SLEEP_DELTA every time standby mode is entered. This improves low-temperature RCOSC_LF frequency stability in standby mode. When temperature compensation is performed, the delta is calculated this way: Delta = max (delta, min(8, floor(62-temp)/8)) Here, delta is given by VDDR_TRIM_SLEEP_DELTA, and temp is the current temperature in degrees C.
20	RTC_COMP	R	1h	Reserved for future use. Software should not rely on the value of a reserved. Writing any other value than the reset/default value may result in undefined behavior.
19-18	XOSC_FREQ	R	3h	Selects which high frequency oscillator is used (required for radio usage). 0h = External 48 Mhz TCXO. Refer to MODE_CONF_1.TCXO_MAX_START and MODE_CONF_1.TCXO_TYPE bit fields for additional configuration of TCXO. 1h = Internal high precision oscillator. 2h = 48M : 48 MHz XOSC_HF 3h = 24M : 24 MHz XOSC_HF. Not supported.
17	XOSC_CAP_MOD	R	1h	Enable modification (delta) to XOSC cap-array. Value specified in XOSC_CAPARRAY_DELTA. 0: Apply cap-array delta 1: Do not apply cap-array delta (default)
16	HF_COMP	R	1h	Reserved for future use. Software should not rely on the value of a reserved. Writing any other value than the reset/default value may result in undefined behavior.
15-8	XOSC_CAPARRAY_DELTA	R	FFh	Signed 8-bit value, directly modifying trimmed XOSC cap-array step value. Enabled by XOSC_CAP_MOD.
7-0	VDDR_CAP	R	FFh	Unsigned 8-bit integer, representing the minimum decoupling capacitance (worst case) on VDDR, in units of 100nF. This should take into account capacitor tolerance and voltage dependent capacitance variation. This bit affects the recharge period calculation when going into powerdown or standby. NOTE! If using the following functions this field must be configured (used by TI RTOS): SysCtrlSetRechargeBeforePowerDown() SysCtrlAdjustRechargeAfterPowerDown()

11.2.1.5 VOLT_LOAD_0 Register (Offset = 1FB8h) [Reset = FFFFFFFFh]

VOLT_LOAD_0 is shown in [Figure 11-5](#) and described in [Table 11-7](#).

Return to the [Table 11-1](#).

Voltage Load 0

Enabled by MODE_CONF.VDDR_EXT_LOAD.

Figure 11-5. VOLT_LOAD_0 Register

31	30	29	28	27	26	25	24	23	22	21	20	19	18	17	16
VDDR_EXT_TP45								VDDR_EXT_TP25							
R-FFh								R-FFh							
15	14	13	12	11	10	9	8	7	6	5	4	3	2	1	0
VDDR_EXT_TP5								VDDR_EXT_TM15							
R-FFh								R-FFh							

Table 11-7. VOLT_LOAD_0 Register Field Descriptions

Bit	Field	Type	Reset	Description
31-24	VDDR_EXT_TP45	R	FFh	Reserved for future use. Software should not rely on the value of a reserved. Writing any other value than the reset/default value may result in undefined behavior.
23-16	VDDR_EXT_TP25	R	FFh	Reserved for future use. Software should not rely on the value of a reserved. Writing any other value than the reset/default value may result in undefined behavior.
15-8	VDDR_EXT_TP5	R	FFh	Reserved for future use. Software should not rely on the value of a reserved. Writing any other value than the reset/default value may result in undefined behavior.
7-0	VDDR_EXT_TM15	R	FFh	Reserved for future use. Software should not rely on the value of a reserved. Writing any other value than the reset/default value may result in undefined behavior.

11.2.1.6 VOLT_LOAD_1 Register (Offset = 1FBCh) [Reset = FFFFFFFh]

VOLT_LOAD_1 is shown in [Figure 11-6](#) and described in [Table 11-8](#).

Return to the [Table 11-1](#).

Voltage Load 1

Enabled by MODE_CONF.VDDR_EXT_LOAD.

Figure 11-6. VOLT_LOAD_1 Register

31	30	29	28	27	26	25	24	23	22	21	20	19	18	17	16
VDDR_EXT_TP125								VDDR_EXT_TP105							
R-FFh								R-FFh							
15	14	13	12	11	10	9	8	7	6	5	4	3	2	1	0
VDDR_EXT_TP85								VDDR_EXT_TP65							
R-FFh								R-FFh							

Table 11-8. VOLT_LOAD_1 Register Field Descriptions

Bit	Field	Type	Reset	Description
31-24	VDDR_EXT_TP125	R	FFh	Reserved for future use. Software should not rely on the value of a reserved. Writing any other value than the reset/default value may result in undefined behavior.
23-16	VDDR_EXT_TP105	R	FFh	Reserved for future use. Software should not rely on the value of a reserved. Writing any other value than the reset/default value may result in undefined behavior.
15-8	VDDR_EXT_TP85	R	FFh	Reserved for future use. Software should not rely on the value of a reserved. Writing any other value than the reset/default value may result in undefined behavior.
7-0	VDDR_EXT_TP65	R	FFh	Reserved for future use. Software should not rely on the value of a reserved. Writing any other value than the reset/default value may result in undefined behavior.

11.2.1.7 RTC_OFFSET Register (Offset = 1FC0h) [Reset = FFFFFFFh]

RTC_OFFSET is shown in [Figure 11-7](#) and described in [Table 11-9](#).

Return to the [Table 11-1](#).

Real Time Clock Offset

Enabled by MODE_CONF.RTC_COMP.

Figure 11-7. RTC_OFFSET Register

31	30	29	28	27	26	25	24	23	22	21	20	19	18	17	16
RTC_COMP_P0															
R-FFFFh															
15	14	13	12	11	10	9	8	7	6	5	4	3	2	1	0
RTC_COMP_P1								RTC_COMP_P2							
R-FFh								R-FFh							

Table 11-9. RTC_OFFSET Register Field Descriptions

Bit	Field	Type	Reset	Description
31-16	RTC_COMP_P0	R	FFFFh	Reserved for future use. Software should not rely on the value of a reserved. Writing any other value than the reset/default value may result in undefined behavior.
15-8	RTC_COMP_P1	R	FFh	Reserved for future use. Software should not rely on the value of a reserved. Writing any other value than the reset/default value may result in undefined behavior.
7-0	RTC_COMP_P2	R	FFh	Reserved for future use. Software should not rely on the value of a reserved. Writing any other value than the reset/default value may result in undefined behavior.

11.2.1.8 FREQ_OFFSET Register (Offset = 1FC4h) [Reset = FFFFFFFh]

FREQ_OFFSET is shown in [Figure 11-8](#) and described in [Table 11-10](#).

Return to the [Table 11-1](#).

Frequency Offset

Figure 11-8. FREQ_OFFSET Register

31	30	29	28	27	26	25	24	23	22	21	20	19	18	17	16
HF_COMP_P0															
R-FFFFh															
15	14	13	12	11	10	9	8	7	6	5	4	3	2	1	0
HF_COMP_P1								HF_COMP_P2							
R-FFh								R-FFh							

Table 11-10. FREQ_OFFSET Register Field Descriptions

Bit	Field	Type	Reset	Description
31-16	HF_COMP_P0	R	FFFFh	Reserved for future use. Software should not rely on the value of a reserved. Writing any other value than the reset/default value may result in undefined behavior.
15-8	HF_COMP_P1	R	FFh	Reserved for future use. Software should not rely on the value of a reserved. Writing any other value than the reset/default value may result in undefined behavior.
7-0	HF_COMP_P2	R	FFh	Reserved for future use. Software should not rely on the value of a reserved. Writing any other value than the reset/default value may result in undefined behavior.

11.2.1.9 IEEE_MAC_0 Register (Offset = 1FC8h) [Reset = FFFFFFFFh]

IEEE_MAC_0 is shown in [Figure 11-9](#) and described in [Table 11-11](#).

Return to the [Table 11-1](#).

IEEE MAC Address 0

Figure 11-9. IEEE_MAC_0 Register

31	30	29	28	27	26	25	24	23	22	21	20	19	18	17	16	15	14	13	12	11	10	9	8	7	6	5	4	3	2	1	0
ADDR																															
R-FFFFFFFh																															

Table 11-11. IEEE_MAC_0 Register Field Descriptions

Bit	Field	Type	Reset	Description
31-0	ADDR	R	FFFFFFFh	Bits[31:0] of the 64-bits custom IEEE MAC address. If different from 0xFFFFFFFF then the value of this field is applied otherwise use value from FCFG.

11.2.1.10 IEEE_MAC_1 Register (Offset = 1FCCh) [Reset = FFFFFFFFh]

IEEE_MAC_1 is shown in [Figure 11-10](#) and described in [Table 11-12](#).

Return to the [Table 11-1](#).

IEEE MAC Address 1

Figure 11-10. IEEE_MAC_1 Register

31	30	29	28	27	26	25	24	23	22	21	20	19	18	17	16	15	14	13	12	11	10	9	8	7	6	5	4	3	2	1	0
ADDR																															
R-FFFFFFFh																															

Table 11-12. IEEE_MAC_1 Register Field Descriptions

Bit	Field	Type	Reset	Description
31-0	ADDR	R	FFFFFFFh	Bits[63:32] of the 64-bits custom IEEE MAC address. If different from 0xFFFFFFFF then the value of this field is applied otherwise use value from FCFG.

11.2.1.11 IEEE_BLE_0 Register (Offset = 1FD0h) [Reset = FFFFFFFFh]

IEEE_BLE_0 is shown in [Figure 11-11](#) and described in [Table 11-13](#).

Return to the [Table 11-1](#).

IEEE BLE Address 0

Figure 11-11. IEEE_BLE_0 Register

31	30	29	28	27	26	25	24	23	22	21	20	19	18	17	16	15	14	13	12	11	10	9	8	7	6	5	4	3	2	1	0
ADDR																															
R-FFFFFFFh																															

Table 11-13. IEEE_BLE_0 Register Field Descriptions

Bit	Field	Type	Reset	Description
31-0	ADDR	R	FFFFFFFh	Bits[31:0] of the 64-bits custom IEEE BLE address. If different from 0xFFFFFFFF then the value of this field is applied otherwise use value from FCFG.

11.2.1.12 IEEE_BLE_1 Register (Offset = 1FD4h) [Reset = FFFFFFFFh]

IEEE_BLE_1 is shown in [Figure 11-12](#) and described in [Table 11-14](#).

Return to the [Table 11-1](#).

IEEE BLE Address 1

Figure 11-12. IEEE_BLE_1 Register

31	30	29	28	27	26	25	24	23	22	21	20	19	18	17	16	15	14	13	12	11	10	9	8	7	6	5	4	3	2	1	0
ADDR																															
R-FFFFFFFh																															

Table 11-14. IEEE_BLE_1 Register Field Descriptions

Bit	Field	Type	Reset	Description
31-0	ADDR	R	FFFFFFFh	Bits[63:32] of the 64-bits custom IEEE BLE address. If different from 0xFFFFFFFF then the value of this field is applied otherwise use value from FCFG.

11.2.1.13 BL_CONFIG Register (Offset = 1FD8h) [Reset = C5FFFFFFh]

BL_CONFIG is shown in [Figure 11-13](#) and described in [Table 11-15](#).

Return to the [Table 11-1](#).

Bootloader Configuration

Configures the functionality of the ROM boot loader.

If both the boot loader is enabled by the BOOTLOADER_ENABLE field and the boot loader backdoor is enabled by the BL_ENABLE field it is possible to force entry of the ROM boot loader even if a valid image is present in flash.

Figure 11-13. BL_CONFIG Register

31	30	29	28	27	26	25	24
BOOTLOADER_ENABLE							
R-C5h							
23	22	21	20	19	18	17	16
RESERVED							BL_LEVEL
R-0h							R-1h
15	14	13	12	11	10	9	8
BL_PIN_NUMBER							
R-FFh							
7	6	5	4	3	2	1	0
BL_ENABLE							
R-FFh							

Table 11-15. BL_CONFIG Register Field Descriptions

Bit	Field	Type	Reset	Description
31-24	BOOTLOADER_ENABLE	R	C5h	Bootloader enable. Boot loader can be accessed if IMAGE_VALID_CONF.IMAGE_VALID is non-zero or BL_ENABLE is enabled (and conditions for boot loader backdoor are met). 0xC5: Boot loader is enabled. Any other value: Boot loader is disabled.
23-17	RESERVED	R	0h	Reserved
16	BL_LEVEL	R	1h	Sets the active level of the selected DIO number BL_PIN_NUMBER if boot loader backdoor is enabled by the BL_ENABLE field. 0: Active low. 1: Active high.
15-8	BL_PIN_NUMBER	R	FFh	DIO number that is level checked if the boot loader backdoor is enabled by the BL_ENABLE field.
7-0	BL_ENABLE	R	FFh	Enables the boot loader backdoor. 0xC5: Boot loader backdoor is enabled. Any other value: Boot loader backdoor is disabled. NOTE! Boot loader must be enabled (see BOOTLOADER_ENABLE) if boot loader backdoor is enabled.

11.2.1.14 ERASE_CONF Register (Offset = 1FDCh) [Reset = FFFFFFFh]

ERASE_CONF is shown in [Figure 11-14](#) and described in [Table 11-16](#).

Return to the [Table 11-1](#).

Erase Configuration

Figure 11-14. ERASE_CONF Register

31	30	29	28	27	26	25	24
RESERVED							
R-0h							
23	22	21	20	19	18	17	16
RESERVED							
R-0h							
15	14	13	12	11	10	9	8
RESERVED							CHIP_ERASE_DIS_N
R-0h							R-1h
7	6	5	4	3	2	1	0
RESERVED							BANK_ERASE_DIS_N
R-0h							R-1h

Table 11-16. ERASE_CONF Register Field Descriptions

Bit	Field	Type	Reset	Description
31-9	RESERVED	R	0h	Reserved
8	CHIP_ERASE_DIS_N	R	1h	Chip erase. This bit controls if a chip erase requested through the JTAG WUC TAP will be ignored in a following boot caused by a reset of the MCU VD. A successful chip erase operation will force the content of the flash main bank back to the state as it was when delivered by TI. 0: Disable. Any chip erase request detected during boot will be ignored. 1: Enable. Any chip erase request detected during boot will be performed by the boot FW.
7-1	RESERVED	R	0h	Reserved
0	BANK_ERASE_DIS_N	R	1h	Bank erase. This bit controls if the ROM serial boot loader will accept a received Bank Erase command (COMMAND_BANK_ERASE). A successful Bank Erase operation will erase all main bank sectors not protected by write protect configuration bits in CCFG. 0: Disable the boot loader bank erase function. 1: Enable the boot loader bank erase function.

11.2.1.15 CCFG_TI_OPTIONS Register (Offset = 1FE0h) [Reset = FFFFFFFC5h]

CCFG_TI_OPTIONS is shown in [Figure 11-15](#) and described in [Table 11-17](#).

Return to the [Table 11-1](#).

TI Options

Figure 11-15. CCFG_TI_OPTIONS Register

31	30	29	28	27	26	25	24	23	22	21	20	19	18	17	16
RESERVED															
R-0h															
15	14	13	12	11	10	9	8	7	6	5	4	3	2	1	0
RESERVED								TI_FA_ENABLE							
R-0h								R-C5h							

Table 11-17. CCFG_TI_OPTIONS Register Field Descriptions

Bit	Field	Type	Reset	Description
31-8	RESERVED	R	0h	Reserved
7-0	TI_FA_ENABLE	R	C5h	TI Failure Analysis. 0xC5: Enable the functionality of unlocking the TI FA (TI Failure Analysis) option with the unlock code. All other values: Disable the functionality of unlocking the TI FA option with the unlock code.

11.2.1.16 CCFG_TAP_DAP_0 Register (Offset = 1FE4h) [Reset = FFC5C5C5h]

CCFG_TAP_DAP_0 is shown in [Figure 11-16](#) and described in [Table 11-18](#).

Return to the [Table 11-1](#).

Test Access Points Enable 0

Figure 11-16. CCFG_TAP_DAP_0 Register

31	30	29	28	27	26	25	24	23	22	21	20	19	18	17	16
RESERVED								CPU_DAP_ENABLE							
R-0h								R-C5h							
15	14	13	12	11	10	9	8	7	6	5	4	3	2	1	0
PWRPROF_TAP_ENABLE								TEST_TAP_ENABLE							
R-C5h								R-C5h							

Table 11-18. CCFG_TAP_DAP_0 Register Field Descriptions

Bit	Field	Type	Reset	Description
31-24	RESERVED	R	0h	Reserved
23-16	CPU_DAP_ENABLE	R	C5h	Enable CPU DAP. 0xC5: Main CPU DAP access is enabled during power-up/system-reset by ROM boot FW. Any other value: Main CPU DAP access will remain disabled out of power-up/system-reset.
15-8	PWRPROF_TAP_ENABLE	R	C5h	Enable PWRPROF TAP. 0xC5: PWRPROF TAP access is enabled during power-up/system-reset by ROM boot FW if enabled by corresponding configuration value in FCFG1 defined by TI. Any other value: PWRPROF TAP access will remain disabled out of power-up/system-reset.
7-0	TEST_TAP_ENABLE	R	C5h	Enable Test TAP. 0xC5: TEST TAP access is enabled during power-up/system-reset by ROM boot FW if enabled by corresponding configuration value in FCFG1 defined by TI. Any other value: TEST TAP access will remain disabled out of power-up/system-reset.

11.2.1.17 CCFG_TAP_DAP_1 Register (Offset = 1FE8h) [Reset = FFC5C5C5h]

CCFG_TAP_DAP_1 is shown in [Figure 11-17](#) and described in [Table 11-19](#).

Return to the [Table 11-1](#).

Test Access Points Enable 1

Figure 11-17. CCFG_TAP_DAP_1 Register

31	30	29	28	27	26	25	24	23	22	21	20	19	18	17	16
RESERVED								PBIST2_TAP_ENABLE							
R-0h								R-C5h							
15	14	13	12	11	10	9	8	7	6	5	4	3	2	1	0
PBIST1_TAP_ENABLE								AON_TAP_ENABLE							
R-C5h								R-C5h							

Table 11-19. CCFG_TAP_DAP_1 Register Field Descriptions

Bit	Field	Type	Reset	Description
31-24	RESERVED	R	0h	Reserved
23-16	PBIST2_TAP_ENABLE	R	C5h	Enable PBIST2 TAP. 0xC5: PBIST2 TAP access is enabled during power-up/system-reset by ROM boot FW if enabled by corresponding configuration value in FCFG1 defined by TI. Any other value: PBIST2 TAP access will remain disabled out of power-up/system-reset.
15-8	PBIST1_TAP_ENABLE	R	C5h	Enable PBIST1 TAP. 0xC5: PBIST1 TAP access is enabled during power-up/system-reset by ROM boot FW if enabled by corresponding configuration value in FCFG1 defined by TI. Any other value: PBIST1 TAP access will remain disabled out of power-up/system-reset.
7-0	AON_TAP_ENABLE	R	C5h	Enable AON TAP 0xC5: AON TAP access is enabled during power-up/system-reset by ROM boot FW if enabled by corresponding configuration value in FCFG1 defined by TI. Any other value: AON TAP access will remain disabled out of power-up/system-reset.

11.2.1.18 IMAGE_VALID_CONF Register (Offset = 1FECh) [Reset = FFFFFFFFh]

IMAGE_VALID_CONF is shown in [Figure 11-18](#) and described in [Table 11-20](#).

Return to the [Table 11-1](#).

Image Valid

Figure 11-18. IMAGE_VALID_CONF Register

31	30	29	28	27	26	25	24	23	22	21	20	19	18	17	16	15	14	13	12	11	10	9	8	7	6	5	4	3	2	1	0
IMAGE_VALID																															
R-FFFFFFFh																															

Table 11-20. IMAGE_VALID_CONF Register Field Descriptions

Bit	Field	Type	Reset	Description
31-0	IMAGE_VALID	R	FFFFFFFh	This field must have the address value of the start of the flash vector table in order to enable the boot FW in ROM to transfer control to a flash image. Any illegal vector table start address value will force the boot FW in ROM to transfer control to the serial boot loader in ROM.

11.2.1.19 CCFG_PROT_31_0 Register (Offset = 1FF0h) [Reset = FFFFFFFFh]

CCFG_PROT_31_0 is shown in [Figure 11-19](#) and described in [Table 11-21](#).

Return to the [Table 11-1](#).

Protect Sectors 0-31

Each bit write protects one 8KB flash sector from being both programmed and erased. Bit must be set to 0 in order to enable sector write protect.

Figure 11-19. CCFG_PROT_31_0 Register

31	30	29	28	27	26	25	24
WRT_PROT_S EC_31	WRT_PROT_S EC_30	WRT_PROT_S EC_29	WRT_PROT_S EC_28	WRT_PROT_S EC_27	WRT_PROT_S EC_26	WRT_PROT_S EC_25	WRT_PROT_S EC_24
R-1h	R-1h	R-1h	R-1h	R-1h	R-1h	R-1h	R-1h
23	22	21	20	19	18	17	16
WRT_PROT_S EC_23	WRT_PROT_S EC_22	WRT_PROT_S EC_21	WRT_PROT_S EC_20	WRT_PROT_S EC_19	WRT_PROT_S EC_18	WRT_PROT_S EC_17	WRT_PROT_S EC_16
R-1h	R-1h	R-1h	R-1h	R-1h	R-1h	R-1h	R-1h
15	14	13	12	11	10	9	8
WRT_PROT_S EC_15	WRT_PROT_S EC_14	WRT_PROT_S EC_13	WRT_PROT_S EC_12	WRT_PROT_S EC_11	WRT_PROT_S EC_10	WRT_PROT_S EC_9	WRT_PROT_S EC_8
R-1h	R-1h	R-1h	R-1h	R-1h	R-1h	R-1h	R-1h
7	6	5	4	3	2	1	0
WRT_PROT_S EC_7	WRT_PROT_S EC_6	WRT_PROT_S EC_5	WRT_PROT_S EC_4	WRT_PROT_S EC_3	WRT_PROT_S EC_2	WRT_PROT_S EC_1	WRT_PROT_S EC_0
R-1h	R-1h	R-1h	R-1h	R-1h	R-1h	R-1h	R-1h

Table 11-21. CCFG_PROT_31_0 Register Field Descriptions

Bit	Field	Type	Reset	Description
31	WRT_PROT_SEC_31	R	1h	0: Sector protected
30	WRT_PROT_SEC_30	R	1h	0: Sector protected
29	WRT_PROT_SEC_29	R	1h	0: Sector protected
28	WRT_PROT_SEC_28	R	1h	0: Sector protected
27	WRT_PROT_SEC_27	R	1h	0: Sector protected
26	WRT_PROT_SEC_26	R	1h	0: Sector protected
25	WRT_PROT_SEC_25	R	1h	0: Sector protected
24	WRT_PROT_SEC_24	R	1h	0: Sector protected
23	WRT_PROT_SEC_23	R	1h	0: Sector protected
22	WRT_PROT_SEC_22	R	1h	0: Sector protected
21	WRT_PROT_SEC_21	R	1h	0: Sector protected
20	WRT_PROT_SEC_20	R	1h	0: Sector protected
19	WRT_PROT_SEC_19	R	1h	0: Sector protected
18	WRT_PROT_SEC_18	R	1h	0: Sector protected
17	WRT_PROT_SEC_17	R	1h	0: Sector protected
16	WRT_PROT_SEC_16	R	1h	0: Sector protected
15	WRT_PROT_SEC_15	R	1h	0: Sector protected
14	WRT_PROT_SEC_14	R	1h	0: Sector protected
13	WRT_PROT_SEC_13	R	1h	0: Sector protected
12	WRT_PROT_SEC_12	R	1h	0: Sector protected
11	WRT_PROT_SEC_11	R	1h	0: Sector protected

Table 11-21. CCFG_PROT_31_0 Register Field Descriptions (continued)

Bit	Field	Type	Reset	Description
10	WRT_PROT_SEC_10	R	1h	0: Sector protected
9	WRT_PROT_SEC_9	R	1h	0: Sector protected
8	WRT_PROT_SEC_8	R	1h	0: Sector protected
7	WRT_PROT_SEC_7	R	1h	0: Sector protected
6	WRT_PROT_SEC_6	R	1h	0: Sector protected
5	WRT_PROT_SEC_5	R	1h	0: Sector protected
4	WRT_PROT_SEC_4	R	1h	0: Sector protected
3	WRT_PROT_SEC_3	R	1h	0: Sector protected
2	WRT_PROT_SEC_2	R	1h	0: Sector protected
1	WRT_PROT_SEC_1	R	1h	0: Sector protected
0	WRT_PROT_SEC_0	R	1h	0: Sector protected

11.2.1.20 CCFG_PROT_63_32 Register (Offset = 1FF4h) [Reset = FFFFFFFFh]

CCFG_PROT_63_32 is shown in [Figure 11-20](#) and described in [Table 11-22](#).

Return to the [Table 11-1](#).

Protect Sectors 32-63

Each bit write protects one 8KB flash sector from being both programmed and erased. Bit must be set to 0 in order to enable sector write protect.

Figure 11-20. CCFG_PROT_63_32 Register

31	30	29	28	27	26	25	24
WRT_PROT_S EC_63	WRT_PROT_S EC_62	WRT_PROT_S EC_61	WRT_PROT_S EC_60	WRT_PROT_S EC_59	WRT_PROT_S EC_58	WRT_PROT_S EC_57	WRT_PROT_S EC_56
R-1h	R-1h	R-1h	R-1h	R-1h	R-1h	R-1h	R-1h
23	22	21	20	19	18	17	16
WRT_PROT_S EC_55	WRT_PROT_S EC_54	WRT_PROT_S EC_53	WRT_PROT_S EC_52	WRT_PROT_S EC_51	WRT_PROT_S EC_50	WRT_PROT_S EC_49	WRT_PROT_S EC_48
R-1h	R-1h	R-1h	R-1h	R-1h	R-1h	R-1h	R-1h
15	14	13	12	11	10	9	8
WRT_PROT_S EC_47	WRT_PROT_S EC_46	WRT_PROT_S EC_45	WRT_PROT_S EC_44	WRT_PROT_S EC_43	WRT_PROT_S EC_42	WRT_PROT_S EC_41	WRT_PROT_S EC_40
R-1h	R-1h	R-1h	R-1h	R-1h	R-1h	R-1h	R-1h
7	6	5	4	3	2	1	0
WRT_PROT_S EC_39	WRT_PROT_S EC_38	WRT_PROT_S EC_37	WRT_PROT_S EC_36	WRT_PROT_S EC_35	WRT_PROT_S EC_34	WRT_PROT_S EC_33	WRT_PROT_S EC_32
R-1h	R-1h	R-1h	R-1h	R-1h	R-1h	R-1h	R-1h

Table 11-22. CCFG_PROT_63_32 Register Field Descriptions

Bit	Field	Type	Reset	Description
31	WRT_PROT_SEC_63	R	1h	0: Sector protected
30	WRT_PROT_SEC_62	R	1h	0: Sector protected
29	WRT_PROT_SEC_61	R	1h	0: Sector protected
28	WRT_PROT_SEC_60	R	1h	0: Sector protected
27	WRT_PROT_SEC_59	R	1h	0: Sector protected
26	WRT_PROT_SEC_58	R	1h	0: Sector protected
25	WRT_PROT_SEC_57	R	1h	0: Sector protected
24	WRT_PROT_SEC_56	R	1h	0: Sector protected
23	WRT_PROT_SEC_55	R	1h	0: Sector protected
22	WRT_PROT_SEC_54	R	1h	0: Sector protected
21	WRT_PROT_SEC_53	R	1h	0: Sector protected
20	WRT_PROT_SEC_52	R	1h	0: Sector protected
19	WRT_PROT_SEC_51	R	1h	0: Sector protected
18	WRT_PROT_SEC_50	R	1h	0: Sector protected
17	WRT_PROT_SEC_49	R	1h	0: Sector protected
16	WRT_PROT_SEC_48	R	1h	0: Sector protected
15	WRT_PROT_SEC_47	R	1h	0: Sector protected
14	WRT_PROT_SEC_46	R	1h	0: Sector protected
13	WRT_PROT_SEC_45	R	1h	0: Sector protected
12	WRT_PROT_SEC_44	R	1h	0: Sector protected
11	WRT_PROT_SEC_43	R	1h	0: Sector protected

Table 11-22. CCFG_PROT_63_32 Register Field Descriptions (continued)

Bit	Field	Type	Reset	Description
10	WRT_PROT_SEC_42	R	1h	0: Sector protected
9	WRT_PROT_SEC_41	R	1h	0: Sector protected
8	WRT_PROT_SEC_40	R	1h	0: Sector protected
7	WRT_PROT_SEC_39	R	1h	0: Sector protected
6	WRT_PROT_SEC_38	R	1h	0: Sector protected
5	WRT_PROT_SEC_37	R	1h	0: Sector protected
4	WRT_PROT_SEC_36	R	1h	0: Sector protected
3	WRT_PROT_SEC_35	R	1h	0: Sector protected
2	WRT_PROT_SEC_34	R	1h	0: Sector protected
1	WRT_PROT_SEC_33	R	1h	0: Sector protected
0	WRT_PROT_SEC_32	R	1h	0: Sector protected

11.2.1.21 CCFG_PROT_95_64 Register (Offset = 1FF8h) [Reset = FFFFFFFFh]

CCFG_PROT_95_64 is shown in [Figure 11-21](#) and described in [Table 11-23](#).

Return to the [Table 11-1](#).

Protect Sectors 64-95

Each bit write protects one flash sector from being both programmed and erased. Bit must be set to 0 in order to enable sector write protect. Not in use.

Figure 11-21. CCFG_PROT_95_64 Register

31	30	29	28	27	26	25	24
WRT_PROT_S EC_95	WRT_PROT_S EC_94	WRT_PROT_S EC_93	WRT_PROT_S EC_92	WRT_PROT_S EC_91	WRT_PROT_S EC_90	WRT_PROT_S EC_89	WRT_PROT_S EC_88
R-1h	R-1h	R-1h	R-1h	R-1h	R-1h	R-1h	R-1h
23	22	21	20	19	18	17	16
WRT_PROT_S EC_87	WRT_PROT_S EC_86	WRT_PROT_S EC_85	WRT_PROT_S EC_84	WRT_PROT_S EC_83	WRT_PROT_S EC_82	WRT_PROT_S EC_81	WRT_PROT_S EC_80
R-1h	R-1h	R-1h	R-1h	R-1h	R-1h	R-1h	R-1h
15	14	13	12	11	10	9	8
WRT_PROT_S EC_79	WRT_PROT_S EC_78	WRT_PROT_S EC_77	WRT_PROT_S EC_76	WRT_PROT_S EC_75	WRT_PROT_S EC_74	WRT_PROT_S EC_73	WRT_PROT_S EC_72
R-1h	R-1h	R-1h	R-1h	R-1h	R-1h	R-1h	R-1h
7	6	5	4	3	2	1	0
WRT_PROT_S EC_71	WRT_PROT_S EC_70	WRT_PROT_S EC_69	WRT_PROT_S EC_68	WRT_PROT_S EC_67	WRT_PROT_S EC_66	WRT_PROT_S EC_65	WRT_PROT_S EC_64
R-1h	R-1h	R-1h	R-1h	R-1h	R-1h	R-1h	R-1h

Table 11-23. CCFG_PROT_95_64 Register Field Descriptions

Bit	Field	Type	Reset	Description
31	WRT_PROT_SEC_95	R	1h	0: Sector protected
30	WRT_PROT_SEC_94	R	1h	0: Sector protected
29	WRT_PROT_SEC_93	R	1h	0: Sector protected
28	WRT_PROT_SEC_92	R	1h	0: Sector protected
27	WRT_PROT_SEC_91	R	1h	0: Sector protected
26	WRT_PROT_SEC_90	R	1h	0: Sector protected
25	WRT_PROT_SEC_89	R	1h	0: Sector protected
24	WRT_PROT_SEC_88	R	1h	0: Sector protected
23	WRT_PROT_SEC_87	R	1h	0: Sector protected
22	WRT_PROT_SEC_86	R	1h	0: Sector protected
21	WRT_PROT_SEC_85	R	1h	0: Sector protected
20	WRT_PROT_SEC_84	R	1h	0: Sector protected
19	WRT_PROT_SEC_83	R	1h	0: Sector protected
18	WRT_PROT_SEC_82	R	1h	0: Sector protected
17	WRT_PROT_SEC_81	R	1h	0: Sector protected
16	WRT_PROT_SEC_80	R	1h	0: Sector protected
15	WRT_PROT_SEC_79	R	1h	0: Sector protected
14	WRT_PROT_SEC_78	R	1h	0: Sector protected
13	WRT_PROT_SEC_77	R	1h	0: Sector protected
12	WRT_PROT_SEC_76	R	1h	0: Sector protected
11	WRT_PROT_SEC_75	R	1h	0: Sector protected

Table 11-23. CCFG_PROT_95_64 Register Field Descriptions (continued)

Bit	Field	Type	Reset	Description
10	WRT_PROT_SEC_74	R	1h	0: Sector protected
9	WRT_PROT_SEC_73	R	1h	0: Sector protected
8	WRT_PROT_SEC_72	R	1h	0: Sector protected
7	WRT_PROT_SEC_71	R	1h	0: Sector protected
6	WRT_PROT_SEC_70	R	1h	0: Sector protected
5	WRT_PROT_SEC_69	R	1h	0: Sector protected
4	WRT_PROT_SEC_68	R	1h	0: Sector protected
3	WRT_PROT_SEC_67	R	1h	0: Sector protected
2	WRT_PROT_SEC_66	R	1h	0: Sector protected
1	WRT_PROT_SEC_65	R	1h	0: Sector protected
0	WRT_PROT_SEC_64	R	1h	0: Sector protected

11.2.1.22 CCFG_PROT_127_96 Register (Offset = 1FFCh) [Reset = FFFFFFFFh]

CCFG_PROT_127_96 is shown in [Figure 11-22](#) and described in [Table 11-24](#).

Return to the [Table 11-1](#).

Protect Sectors 96-127

Each bit write protects one flash sector from being both programmed and erased. Bit must be set to 0 in order to enable sector write protect. Not in use.

Figure 11-22. CCFG_PROT_127_96 Register

31	30	29	28	27	26	25	24
WRT_PROT_S EC_127	WRT_PROT_S EC_126	WRT_PROT_S EC_125	WRT_PROT_S EC_124	WRT_PROT_S EC_123	WRT_PROT_S EC_122	WRT_PROT_S EC_121	WRT_PROT_S EC_120
R-1h	R-1h	R-1h	R-1h	R-1h	R-1h	R-1h	R-1h
23	22	21	20	19	18	17	16
WRT_PROT_S EC_119	WRT_PROT_S EC_118	WRT_PROT_S EC_117	WRT_PROT_S EC_116	WRT_PROT_S EC_115	WRT_PROT_S EC_114	WRT_PROT_S EC_113	WRT_PROT_S EC_112
R-1h	R-1h	R-1h	R-1h	R-1h	R-1h	R-1h	R-1h
15	14	13	12	11	10	9	8
WRT_PROT_S EC_111	WRT_PROT_S EC_110	WRT_PROT_S EC_109	WRT_PROT_S EC_108	WRT_PROT_S EC_107	WRT_PROT_S EC_106	WRT_PROT_S EC_105	WRT_PROT_S EC_104
R-1h	R-1h	R-1h	R-1h	R-1h	R-1h	R-1h	R-1h
7	6	5	4	3	2	1	0
WRT_PROT_S EC_103	WRT_PROT_S EC_102	WRT_PROT_S EC_101	WRT_PROT_S EC_100	WRT_PROT_S EC_99	WRT_PROT_S EC_98	WRT_PROT_S EC_97	WRT_PROT_S EC_96
R-1h	R-1h	R-1h	R-1h	R-1h	R-1h	R-1h	R-1h

Table 11-24. CCFG_PROT_127_96 Register Field Descriptions

Bit	Field	Type	Reset	Description
31	WRT_PROT_SEC_127	R	1h	0: Sector protected
30	WRT_PROT_SEC_126	R	1h	0: Sector protected
29	WRT_PROT_SEC_125	R	1h	0: Sector protected
28	WRT_PROT_SEC_124	R	1h	0: Sector protected
27	WRT_PROT_SEC_123	R	1h	0: Sector protected
26	WRT_PROT_SEC_122	R	1h	0: Sector protected
25	WRT_PROT_SEC_121	R	1h	0: Sector protected
24	WRT_PROT_SEC_120	R	1h	0: Sector protected
23	WRT_PROT_SEC_119	R	1h	0: Sector protected
22	WRT_PROT_SEC_118	R	1h	0: Sector protected
21	WRT_PROT_SEC_117	R	1h	0: Sector protected
20	WRT_PROT_SEC_116	R	1h	0: Sector protected
19	WRT_PROT_SEC_115	R	1h	0: Sector protected
18	WRT_PROT_SEC_114	R	1h	0: Sector protected
17	WRT_PROT_SEC_113	R	1h	0: Sector protected
16	WRT_PROT_SEC_112	R	1h	0: Sector protected
15	WRT_PROT_SEC_111	R	1h	0: Sector protected
14	WRT_PROT_SEC_110	R	1h	0: Sector protected
13	WRT_PROT_SEC_109	R	1h	0: Sector protected
12	WRT_PROT_SEC_108	R	1h	0: Sector protected
11	WRT_PROT_SEC_107	R	1h	0: Sector protected

Table 11-24. CCFG_PROT_127_96 Register Field Descriptions (continued)

Bit	Field	Type	Reset	Description
10	WRT_PROT_SEC_106	R	1h	0: Sector protected
9	WRT_PROT_SEC_105	R	1h	0: Sector protected
8	WRT_PROT_SEC_104	R	1h	0: Sector protected
7	WRT_PROT_SEC_103	R	1h	0: Sector protected
6	WRT_PROT_SEC_102	R	1h	0: Sector protected
5	WRT_PROT_SEC_101	R	1h	0: Sector protected
4	WRT_PROT_SEC_100	R	1h	0: Sector protected
3	WRT_PROT_SEC_99	R	1h	0: Sector protected
2	WRT_PROT_SEC_98	R	1h	0: Sector protected
1	WRT_PROT_SEC_97	R	1h	0: Sector protected
0	WRT_PROT_SEC_96	R	1h	0: Sector protected

11.3 Factory Configuration (FCFG)

The FCFG are programmed for each device by the TI production test. The FCFG contains device-specific trim values and configuration. Most of the trim values are used by TI boot code, RF core, ROM code, or are automatically provided by TI software.

Some of the more useful fields in FCFG are:

- MAC_15_4_n fields, which give the preprogrammed IEEE address of the chipset
- MAC_BLE_n fields, which give the Bluetooth low energy address of the chipset

11.4 FCFG Registers

The next section shows the register bank for the Factory Configuration.

Note

Any references to HPOSC are only valid for devices that feature the BAW oscillator. Consult the device's datasheet for details.

11.4.1 FCFG1 Registers

Table 11-25 lists the memory-mapped registers for the FCFG1 registers. All register offset addresses not listed in Table 11-25 should be considered as reserved locations and the register contents should not be modified.

Table 11-25. FCFG1 Registers

Offset	Acronym	Register Name	Section
A0h	MISC_CONF_1	Misc configurations	Section 11.4.1.1
A4h	MISC_CONF_2	Internal	Section 11.4.1.2
B0h	HPOSC_MEAS_5	Internal	Section 11.4.1.3
B4h	HPOSC_MEAS_4	Internal	Section 11.4.1.4
B8h	HPOSC_MEAS_3	Internal	Section 11.4.1.5
BCh	HPOSC_MEAS_2	Internal	Section 11.4.1.6
C0h	HPOSC_MEAS_1	Internal	Section 11.4.1.7
C4h	CONFIG_CC26_FE	Internal	Section 11.4.1.8
C8h	CONFIG_CC13_FE	Internal	Section 11.4.1.9
CCh	CONFIG_RF_COMMON	Internal	Section 11.4.1.10
D0h	CONFIG_SYNTH_DIV2_CC26_2 G4	Internal	Section 11.4.1.11
D4h	CONFIG_SYNTH_DIV2_CC13_2 G4	Internal	Section 11.4.1.12
D8h	CONFIG_SYNTH_DIV2_CC26_1 G	Internal	Section 11.4.1.13
DCh	CONFIG_SYNTH_DIV2_CC13_1 G	Internal	Section 11.4.1.14
E0h	CONFIG_SYNTH_DIV4_CC26	Internal	Section 11.4.1.15
E4h	CONFIG_SYNTH_DIV4_CC13	Internal	Section 11.4.1.16
E8h	CONFIG_SYNTH_DIV5	Internal	Section 11.4.1.17
ECh	CONFIG_SYNTH_DIV6_CC26	Internal	Section 11.4.1.18
F0h	CONFIG_SYNTH_DIV6_CC13	Internal	Section 11.4.1.19
F4h	CONFIG_SYNTH_DIV10	Internal	Section 11.4.1.20
F8h	CONFIG_SYNTH_DIV12_CC26	Internal	Section 11.4.1.21
FCh	CONFIG_SYNTH_DIV12_CC13	Internal	Section 11.4.1.22
100h	CONFIG_SYNTH_DIV15	Internal	Section 11.4.1.23
104h	CONFIG_SYNTH_DIV30	Internal	Section 11.4.1.24
164h	FLASH_NUMBER	Flash information	Section 11.4.1.25
16Ch	FLASH_COORDINATE	Flash information	Section 11.4.1.26
170h	FLASH_E_P	Internal	Section 11.4.1.27
174h	FLASH_C_E_P_R	Internal	Section 11.4.1.28
178h	FLASH_P_R_PV	Internal	Section 11.4.1.29
17Ch	FLASH_EH_SEQ	Internal	Section 11.4.1.30
180h	FLASH_VHV_E	Internal	Section 11.4.1.31
184h	FLASH_PP	Internal	Section 11.4.1.32
188h	FLASH_PROG_EP	Internal	Section 11.4.1.33
18Ch	FLASH_ERA_PW	Internal	Section 11.4.1.34
190h	FLASH_VHV	Internal	Section 11.4.1.35
194h	FLASH_VHV_PV	Internal	Section 11.4.1.36
198h	FLASH_V	Internal	Section 11.4.1.37
294h	USER_ID	User Identification.	Section 11.4.1.38
2B0h	FLASH_OTP_DATA3	Internal	Section 11.4.1.39

Table 11-25. FCFG1 Registers (continued)

Offset	Acronym	Register Name	Section
2B4h	ANA2_TRIM	Internal	Section 11.4.1.40
2B8h	LDO_TRIM	Internal	Section 11.4.1.41
2E8h	MAC_BLE_0	MAC BLE Address 0	Section 11.4.1.42
2ECh	MAC_BLE_1	MAC BLE Address 1	Section 11.4.1.43
2F0h	MAC_15_4_0	MAC IEEE 802.15.4 Address 0	Section 11.4.1.44
2F4h	MAC_15_4_1	MAC IEEE 802.15.4 Address 1	Section 11.4.1.45
308h	FLASH_OTP_DATA4	Internal	Section 11.4.1.46
30Ch	MISC_TRIM	Miscellaneous Trim Parameters	Section 11.4.1.47
310h	RCOSC_HF_TEMPCOMP	Internal	Section 11.4.1.48
318h	ICEPICK_DEVICE_ID	IcePick Device Identification	Section 11.4.1.49
31Ch	FCFG1_REVISION	Factory Configuration (FCFG1) Revision	Section 11.4.1.50
320h	MISC_OTP_DATA	Misc OTP Data	Section 11.4.1.51
344h	IOCONF	IO Configuration	Section 11.4.1.52
34Ch	CONFIG_IF_ADC	Internal	Section 11.4.1.53
350h	CONFIG_OSC_TOP	Internal	Section 11.4.1.54
35Ch	SOC_ADC_ABS_GAIN	AUX_ADC Gain in Absolute Reference Mode	Section 11.4.1.55
360h	SOC_ADC_REL_GAIN	AUX_ADC Gain in Relative Reference Mode	Section 11.4.1.56
368h	SOC_ADC_OFFSET_INT	AUX_ADC Temperature Offsets in Absolute Reference Mode	Section 11.4.1.57
36Ch	SOC_ADC_REF_TRIM_AND_OF FSET_EXT	Internal	Section 11.4.1.58
370h	AMPCOMP_TH1	Internal	Section 11.4.1.59
374h	AMPCOMP_TH2	Internal	Section 11.4.1.60
378h	AMPCOMP_CTRL1	Internal	Section 11.4.1.61
37Ch	ANABYPASS_VALUE2	Internal	Section 11.4.1.62
388h	VOLT_TRIM	Internal	Section 11.4.1.63
38Ch	OSC_CONF	OSC Configuration	Section 11.4.1.64
390h	FREQ_OFFSET	Internal	Section 11.4.1.65
398h	MISC_OTP_DATA_1	Internal	Section 11.4.1.66
3D0h	SHDW_DIE_ID_0	Shadow of EFUSE:DIE_ID_0 register	Section 11.4.1.67
3D4h	SHDW_DIE_ID_1	Shadow of EFUSE:DIE_ID_1 register	Section 11.4.1.68
3D8h	SHDW_DIE_ID_2	Shadow of EFUSE:DIE_ID_2 register	Section 11.4.1.69
3DCh	SHDW_DIE_ID_3	Shadow of EFUSE:DIE_ID_3 register	Section 11.4.1.70
3F8h	SHDW_OSC_BIAS_LDO_TRIM	Internal	Section 11.4.1.71
3FCh	SHDW_ANA_TRIM	Internal	Section 11.4.1.72
40Ch	DAC_BIAS_CNF	Internal	Section 11.4.1.73
418h	TFW_PROBE	Internal	Section 11.4.1.74
41Ch	TFW_FT	Internal	Section 11.4.1.75
420h	DAC_CAL0	Internal	Section 11.4.1.76
424h	DAC_CAL1	Internal	Section 11.4.1.77
428h	DAC_CAL2	Internal	Section 11.4.1.78
42Ch	DAC_CAL3	Internal	Section 11.4.1.79

Complex bit access types are encoded to fit into small table cells. [Table 11-26](#) shows the codes that are used for access types in this section.

Table 11-26. FCFG1 Access Type Codes

Access Type	Code	Description
Read Type		
R	R	Read
Reset or Default Value		
<i>-n</i>		Value after reset or the default value

11.4.1.1 MISC_CONF_1 Register (Offset = A0h) [Reset = FFFFFFF0h]

MISC_CONF_1 is shown in [Figure 11-23](#) and described in [Table 11-27](#).

Return to the [Table 11-25](#).

Misc configurations

Figure 11-23. MISC_CONF_1 Register

31	30	29	28	27	26	25	24	23	22	21	20	19	18	17	16
RESERVED															
R-0h															
15	14	13	12	11	10	9	8	7	6	5	4	3	2	1	0
RESERVED								DEVICE_MINOR_REV							
R-0h								R-X							

Table 11-27. MISC_CONF_1 Register Field Descriptions

Bit	Field	Type	Reset	Description
31-8	RESERVED	R	0h	Reserved
7-0	DEVICE_MINOR_REV	R	X	HW minor revision number (a value of 0xFF shall be treated equally to 0x00). Any test of this field by SW should be implemented as a 'greater or equal' comparison as signed integer. Value may change without warning. Default value holds log information from production test.

11.4.1.2 MISC_CONF_2 Register (Offset = A4h) [Reset = FFFFFFF00h]

MISC_CONF_2 is shown in [Figure 11-24](#) and described in [Table 11-28](#).

Return to the [Table 11-25](#).

Internal. Only to be used through TI provided API.

Figure 11-24. MISC_CONF_2 Register

31	30	29	28	27	26	25	24	23	22	21	20	19	18	17	16
RESERVED															
R-0h															
15	14	13	12	11	10	9	8	7	6	5	4	3	2	1	0
RESERVED								HPOSC_COMP_P3							
R-0h								R-X							

Table 11-28. MISC_CONF_2 Register Field Descriptions

Bit	Field	Type	Reset	Description
31-8	RESERVED	R	0h	Reserved
7-0	HPOSC_COMP_P3	R	X	Internal. Only to be used through TI provided API. Default value holds trim value from production test.

11.4.1.3 HPOSC_MEAS_5 Register (Offset = B0h) [Reset = 0000000h]

HPOSC_MEAS_5 is shown in [Figure 11-25](#) and described in [Table 11-29](#).

Return to the [Table 11-25](#).

Internal. Only to be used through TI provided API.

Figure 11-25. HPOSC_MEAS_5 Register

31	30	29	28	27	26	25	24	23	22	21	20	19	18	17	16
HPOSC_D5															
R-X															
15	14	13	12	11	10	9	8	7	6	5	4	3	2	1	0
HPOSC_T5								HPOSC_DT5							
R-X								R-X							

Table 11-29. HPOSC_MEAS_5 Register Field Descriptions

Bit	Field	Type	Reset	Description
31-16	HPOSC_D5	R	X	Internal. Only to be used through TI provided API. Default value holds log information from production test.
15-8	HPOSC_T5	R	X	Internal. Only to be used through TI provided API. Default value holds log information from production test.
7-0	HPOSC_DT5	R	X	Internal. Only to be used through TI provided API. Default value holds log information from production test.

11.4.1.4 HPOSC_MEAS_4 Register (Offset = B4h) [Reset = 0000000h]

HPOSC_MEAS_4 is shown in [Figure 11-26](#) and described in [Table 11-30](#).

Return to the [Table 11-25](#).

Internal. Only to be used through TI provided API.

Figure 11-26. HPOSC_MEAS_4 Register

31	30	29	28	27	26	25	24	23	22	21	20	19	18	17	16
HPOSC_D4															
R-X															
15	14	13	12	11	10	9	8	7	6	5	4	3	2	1	0
HPOSC_T4								HPOSC_DT4							
R-X								R-X							

Table 11-30. HPOSC_MEAS_4 Register Field Descriptions

Bit	Field	Type	Reset	Description
31-16	HPOSC_D4	R	X	Internal. Only to be used through TI provided API. Default value holds log information from production test.
15-8	HPOSC_T4	R	X	Internal. Only to be used through TI provided API. Default value holds log information from production test.
7-0	HPOSC_DT4	R	X	Internal. Only to be used through TI provided API. Default value holds log information from production test.

11.4.1.5 HPOSC_MEAS_3 Register (Offset = B8h) [Reset = 0000000h]

HPOSC_MEAS_3 is shown in [Figure 11-27](#) and described in [Table 11-31](#).

Return to the [Table 11-25](#).

Internal. Only to be used through TI provided API.

Figure 11-27. HPOSC_MEAS_3 Register

31	30	29	28	27	26	25	24	23	22	21	20	19	18	17	16
HPOSC_D3															
R-X															
15	14	13	12	11	10	9	8	7	6	5	4	3	2	1	0
HPOSC_T3								HPOSC_DT3							
R-X								R-X							

Table 11-31. HPOSC_MEAS_3 Register Field Descriptions

Bit	Field	Type	Reset	Description
31-16	HPOSC_D3	R	X	Internal. Only to be used through TI provided API. Default value holds log information from production test.
15-8	HPOSC_T3	R	X	Internal. Only to be used through TI provided API. Default value holds log information from production test.
7-0	HPOSC_DT3	R	X	Internal. Only to be used through TI provided API. Default value holds log information from production test.

11.4.1.6 HPOSC_MEAS_2 Register (Offset = BCh) [Reset = 0000000h]

HPOSC_MEAS_2 is shown in [Figure 11-28](#) and described in [Table 11-32](#).

Return to the [Table 11-25](#).

Internal. Only to be used through TI provided API.

Figure 11-28. HPOSC_MEAS_2 Register

31	30	29	28	27	26	25	24	23	22	21	20	19	18	17	16
HPOSC_D2															
R-X															
15	14	13	12	11	10	9	8	7	6	5	4	3	2	1	0
HPOSC_T2								HPOSC_DT2							
R-X								R-X							

Table 11-32. HPOSC_MEAS_2 Register Field Descriptions

Bit	Field	Type	Reset	Description
31-16	HPOSC_D2	R	X	Internal. Only to be used through TI provided API. Default value holds log information from production test.
15-8	HPOSC_T2	R	X	Internal. Only to be used through TI provided API. Default value holds log information from production test.
7-0	HPOSC_DT2	R	X	Internal. Only to be used through TI provided API. Default value holds log information from production test.

11.4.1.7 HPOSC_MEAS_1 Register (Offset = C0h) [Reset = 0000000h]

HPOSC_MEAS_1 is shown in [Figure 11-29](#) and described in [Table 11-33](#).

Return to the [Table 11-25](#).

Internal. Only to be used through TI provided API.

Figure 11-29. HPOSC_MEAS_1 Register

31	30	29	28	27	26	25	24	23	22	21	20	19	18	17	16
HPOSC_D1															
R-X															
15	14	13	12	11	10	9	8	7	6	5	4	3	2	1	0
HPOSC_T1								HPOSC_DT1							
R-X								R-X							

Table 11-33. HPOSC_MEAS_1 Register Field Descriptions

Bit	Field	Type	Reset	Description
31-16	HPOSC_D1	R	X	Internal. Only to be used through TI provided API. Default value holds log information from production test.
15-8	HPOSC_T1	R	X	Internal. Only to be used through TI provided API. Default value holds log information from production test.
7-0	HPOSC_DT1	R	X	Internal. Only to be used through TI provided API. Default value holds log information from production test.

11.4.1.8 CONFIG_CC26_FE Register (Offset = C4h) [Reset = 7000F00h]

CONFIG_CC26_FE is shown in [Figure 11-30](#) and described in [Table 11-34](#).

Return to the [Table 11-25](#).

Internal. Only to be used through TI provided API.

Figure 11-30. CONFIG_CC26_FE Register

31	30	29	28	27	26	25	24
IFAMP_IB				LNA_IB			
R-7h				R-X			
23	22	21	20	19	18	17	16
IFAMP_TRIM				CTL_PA0_TRIM			
R-0h				R-X			
15	14	13	12	11	10	9	8
CTL_PA0_TRIM		PATRIMCOMPL ETE_N	RSSITRIMCOM PLETE_N	RESERVED			
R-X		R-X	R-X	R-0h			
7	6	5	4	3	2	1	0
RSSI_OFFSET							
R-X							

Table 11-34. CONFIG_CC26_FE Register Field Descriptions

Bit	Field	Type	Reset	Description
31-28	IFAMP_IB	R	7h	Internal. Only to be used through TI provided API.
27-24	LNA_IB	R	X	Internal. Only to be used through TI provided API. Default value holds trim value from production test.
23-19	IFAMP_TRIM	R	0h	Internal. Only to be used through TI provided API.
18-14	CTL_PA0_TRIM	R	X	Internal. Only to be used through TI provided API. Default value holds trim value from production test.
13	PATRIMCOMPLETE_N	R	X	Internal. Only to be used through TI provided API. Default value holds trim value from production test.
12	RSSITRIMCOMPLETE_N	R	X	Internal. Only to be used through TI provided API. Default value holds trim value from production test.
11-8	RESERVED	R	0h	Reserved
7-0	RSSI_OFFSET	R	X	Internal. Only to be used through TI provided API. Default value holds trim value from production test.

11.4.1.9 CONFIG_CC13_FE Register (Offset = C8h) [Reset = 7000F00h]

CONFIG_CC13_FE is shown in [Figure 11-31](#) and described in [Table 11-35](#).

Return to the [Table 11-25](#).

Internal. Only to be used through TI provided API.

Figure 11-31. CONFIG_CC13_FE Register

31	30	29	28	27	26	25	24
IFAMP_IB				LNA_IB			
R-7h				R-X			
23	22	21	20	19	18	17	16
IFAMP_TRIM				CTL_PA0_TRIM			
R-0h				R-X			
15	14	13	12	11	10	9	8
CTL_PA0_TRIM		PATRIMCOMPL ETE_N	RSSITRIMCOM PLETE_N	RESERVED			
R-X		R-X	R-X	R-0h			
7	6	5	4	3	2	1	0
RSSI_OFFSET							
R-X							

Table 11-35. CONFIG_CC13_FE Register Field Descriptions

Bit	Field	Type	Reset	Description
31-28	IFAMP_IB	R	7h	Internal. Only to be used through TI provided API.
27-24	LNA_IB	R	X	Internal. Only to be used through TI provided API. Default value holds trim value from production test.
23-19	IFAMP_TRIM	R	0h	Internal. Only to be used through TI provided API.
18-14	CTL_PA0_TRIM	R	X	Internal. Only to be used through TI provided API. Default value holds trim value from production test.
13	PATRIMCOMPLETE_N	R	X	Internal. Only to be used through TI provided API. Default value holds trim value from production test.
12	RSSITRIMCOMPLETE_N	R	X	Internal. Only to be used through TI provided API. Default value holds trim value from production test.
11-8	RESERVED	R	0h	Reserved
7-0	RSSI_OFFSET	R	X	Internal. Only to be used through TI provided API. Default value holds trim value from production test.

11.4.1.10 CONFIG_RF_COMMON Register (Offset = CCh) [Reset = 81C0014Dh]

CONFIG_RF_COMMON is shown in [Figure 11-32](#) and described in [Table 11-36](#).

Return to the [Table 11-25](#).

Internal. Only to be used through TI provided API.

Figure 11-32. CONFIG_RF_COMMON Register

31	30	29	28	27	26	25	24	
DISABLE_CORNER_CAP		SLDO_TRIM_OUTPUT					RESERVED	
R-1h		R-X					R-0h	
23	22	21	20	19	18	17	16	
RESERVED		PA20DBMTRIMCOMPLETE_N	CTL_PA_20DBM_TRIM					
R-0h		R-X	R-X					
15	14	13	12	11	10	9	8	
RFLDO_TRIM_OUTPUT							QUANTCTLTHRES	
R-X							R-5h	
7	6	5	4	3	2	1	0	
QUANTCTLTHRES		DACTRIM						
R-5h		R-Dh						

Table 11-36. CONFIG_RF_COMMON Register Field Descriptions

Bit	Field	Type	Reset	Description
31	DISABLE_CORNER_CAP	R	1h	Internal. Only to be used through TI provided API.
30-25	SLDO_TRIM_OUTPUT	R	X	Internal. Only to be used through TI provided API. Default value holds trim value from production test.
24-22	RESERVED	R	0h	Reserved
21	PA20DBMTRIMCOMPLETE_N	R	X	Internal. Only to be used through TI provided API.
20-16	CTL_PA_20DBM_TRIM	R	X	Internal. Only to be used through TI provided API. Default value holds trim value from production test.
15-9	RFLDO_TRIM_OUTPUT	R	X	Internal. Only to be used through TI provided API.
8-6	QUANTCTLTHRES	R	5h	Internal. Only to be used through TI provided API.
5-0	DACTRIM	R	Dh	Internal. Only to be used through TI provided API.

11.4.1.11 CONFIG_SYNTH_DIV2_CC26_2G4 Register (Offset = D0h) [Reset = 000001Fh]

CONFIG_SYNTH_DIV2_CC26_2G4 is shown in [Figure 11-33](#) and described in [Table 11-37](#).

Return to the [Table 11-25](#).

Internal. Only to be used through TI provided API.

Figure 11-33. CONFIG_SYNTH_DIV2_CC26_2G4 Register

31	30	29	28	27	26	25	24
MIN_ALLOWED_RTRIM				RFC_MDM_DEMIQMC0			
R-X				R-X			
23	22	21	20	19	18	17	16
RFC_MDM_DEMIQMC0							
R-X							
15	14	13	12	11	10	9	8
RFC_MDM_DEMIQMC0				LDOVCO_TRIM_OUTPUT			
R-X				R-X			
7	6	5	4	3	2	1	0
LDOVCO_TRIM_OUTPUT		RFC_MDM_DEMIQMC0_TRIM_COMPLETE_N	RESERVED				
R-X		R-X	R-0h				

Table 11-37. CONFIG_SYNTH_DIV2_CC26_2G4 Register Field Descriptions

Bit	Field	Type	Reset	Description
31-28	MIN_ALLOWED_RTRIM	R	X	Internal. Only to be used through TI provided API. Default value holds trim value from production test.
27-12	RFC_MDM_DEMIQMC0	R	X	Internal. Only to be used through TI provided API. Default value holds trim value from production test.
11-6	LDOVCO_TRIM_OUTPUT	R	X	Internal. Only to be used through TI provided API. Default value holds trim value from production test.
5	RFC_MDM_DEMIQMC0_TRIMCOMPLETE_N	R	X	Internal. Only to be used through TI provided API. Default value holds trim value from production test.
4-0	RESERVED	R	0h	Reserved

11.4.1.12 CONFIG_SYNTH_DIV2_CC13_2G4 Register (Offset = D4h) [Reset = 000001Fh]

CONFIG_SYNTH_DIV2_CC13_2G4 is shown in [Figure 11-34](#) and described in [Table 11-38](#).

Return to the [Table 11-25](#).

Internal. Only to be used through TI provided API.

Figure 11-34. CONFIG_SYNTH_DIV2_CC13_2G4 Register

31	30	29	28	27	26	25	24
MIN_ALLOWED_RTRIM				RFC_MDM_DEMIQMC0			
R-X				R-X			
23	22	21	20	19	18	17	16
RFC_MDM_DEMIQMC0							
R-X							
15	14	13	12	11	10	9	8
RFC_MDM_DEMIQMC0				LDOVCO_TRIM_OUTPUT			
R-X				R-X			
7	6	5	4	3	2	1	0
LDOVCO_TRIM_OUTPUT		RFC_MDM_DEMIQMC0_TRIM_COMPLETE_N	RESERVED				
R-X		R-X	R-0h				

Table 11-38. CONFIG_SYNTH_DIV2_CC13_2G4 Register Field Descriptions

Bit	Field	Type	Reset	Description
31-28	MIN_ALLOWED_RTRIM	R	X	Internal. Only to be used through TI provided API. Default value holds trim value from production test.
27-12	RFC_MDM_DEMIQMC0	R	X	Internal. Only to be used through TI provided API. Default value holds trim value from production test.
11-6	LDOVCO_TRIM_OUTPUT	R	X	Internal. Only to be used through TI provided API. Default value holds trim value from production test.
5	RFC_MDM_DEMIQMC0_TRIMCOMPLETE_N	R	X	Internal. Only to be used through TI provided API. Default value holds trim value from production test.
4-0	RESERVED	R	0h	Reserved

11.4.1.13 CONFIG_SYNTH_DIV2_CC26_1G Register (Offset = D8h) [Reset = 000001Fh]

CONFIG_SYNTH_DIV2_CC26_1G is shown in [Figure 11-35](#) and described in [Table 11-39](#).

Return to the [Table 11-25](#).

Internal. Only to be used through TI provided API.

Figure 11-35. CONFIG_SYNTH_DIV2_CC26_1G Register

31	30	29	28	27	26	25	24
MIN_ALLOWED_RTRIM				RFC_MDM_DEMIQMC0			
R-X				R-X			
23	22	21	20	19	18	17	16
RFC_MDM_DEMIQMC0							
R-X							
15	14	13	12	11	10	9	8
RFC_MDM_DEMIQMC0				LDOVCO_TRIM_OUTPUT			
R-X				R-X			
7	6	5	4	3	2	1	0
LDOVCO_TRIM_OUTPUT		RFC_MDM_DEMIQMC0_TRIM_COMPLETE_N	RESERVED				
R-X		R-X	R-0h				

Table 11-39. CONFIG_SYNTH_DIV2_CC26_1G Register Field Descriptions

Bit	Field	Type	Reset	Description
31-28	MIN_ALLOWED_RTRIM	R	X	Internal. Only to be used through TI provided API. Default value holds trim value from production test.
27-12	RFC_MDM_DEMIQMC0	R	X	Internal. Only to be used through TI provided API. Default value holds trim value from production test.
11-6	LDOVCO_TRIM_OUTPUT	R	X	Internal. Only to be used through TI provided API. Default value holds trim value from production test.
5	RFC_MDM_DEMIQMC0_TRIMCOMPLETE_N	R	X	Internal. Only to be used through TI provided API. Default value holds trim value from production test.
4-0	RESERVED	R	0h	Reserved

11.4.1.14 CONFIG_SYNTH_DIV2_CC13_1G Register (Offset = DCh) [Reset = 000001Fh]

CONFIG_SYNTH_DIV2_CC13_1G is shown in [Figure 11-36](#) and described in [Table 11-40](#).

Return to the [Table 11-25](#).

Internal. Only to be used through TI provided API.

Figure 11-36. CONFIG_SYNTH_DIV2_CC13_1G Register

31	30	29	28	27	26	25	24
MIN_ALLOWED_RTRIM				RFC_MDM_DEMIQMC0			
R-X				R-X			
23	22	21	20	19	18	17	16
RFC_MDM_DEMIQMC0							
R-X							
15	14	13	12	11	10	9	8
RFC_MDM_DEMIQMC0				LDOVCO_TRIM_OUTPUT			
R-X				R-X			
7	6	5	4	3	2	1	0
LDOVCO_TRIM_OUTPUT		RFC_MDM_DEMIQMC0_TRIM_COMPLETE_N	RESERVED				
R-X		R-X	R-0h				

Table 11-40. CONFIG_SYNTH_DIV2_CC13_1G Register Field Descriptions

Bit	Field	Type	Reset	Description
31-28	MIN_ALLOWED_RTRIM	R	X	Internal. Only to be used through TI provided API. Default value holds trim value from production test.
27-12	RFC_MDM_DEMIQMC0	R	X	Internal. Only to be used through TI provided API. Default value holds trim value from production test.
11-6	LDOVCO_TRIM_OUTPUT	R	X	Internal. Only to be used through TI provided API. Default value holds trim value from production test.
5	RFC_MDM_DEMIQMC0_TRIMCOMPLETE_N	R	X	Internal. Only to be used through TI provided API. Default value holds trim value from production test.
4-0	RESERVED	R	0h	Reserved

11.4.1.15 CONFIG_SYNTH_DIV4_CC26 Register (Offset = E0h) [Reset = 000001Fh]

CONFIG_SYNTH_DIV4_CC26 is shown in [Figure 11-37](#) and described in [Table 11-41](#).

Return to the [Table 11-25](#).

Internal. Only to be used through TI provided API.

Figure 11-37. CONFIG_SYNTH_DIV4_CC26 Register

31	30	29	28	27	26	25	24
MIN_ALLOWED_RTRIM				RFC_MDM_DEMIQMC0			
R-X				R-X			
23	22	21	20	19	18	17	16
RFC_MDM_DEMIQMC0							
R-X							
15	14	13	12	11	10	9	8
RFC_MDM_DEMIQMC0				LDOVCO_TRIM_OUTPUT			
R-X				R-X			
7	6	5	4	3	2	1	0
LDOVCO_TRIM_OUTPUT		RFC_MDM_DEMIQMC0_TRIM_COMPLETE_N	RESERVED				
R-X		R-X	R-0h				

Table 11-41. CONFIG_SYNTH_DIV4_CC26 Register Field Descriptions

Bit	Field	Type	Reset	Description
31-28	MIN_ALLOWED_RTRIM	R	X	Internal. Only to be used through TI provided API. Default value holds trim value from production test.
27-12	RFC_MDM_DEMIQMC0	R	X	Internal. Only to be used through TI provided API. Default value holds trim value from production test.
11-6	LDOVCO_TRIM_OUTPUT	R	X	Internal. Only to be used through TI provided API. Default value holds trim value from production test.
5	RFC_MDM_DEMIQMC0_TRIMCOMPLETE_N	R	X	Internal. Only to be used through TI provided API. Default value holds trim value from production test.
4-0	RESERVED	R	0h	Reserved

11.4.1.16 CONFIG_SYNTH_DIV4_CC13 Register (Offset = E4h) [Reset = 000001Fh]

CONFIG_SYNTH_DIV4_CC13 is shown in [Figure 11-38](#) and described in [Table 11-42](#).

Return to the [Table 11-25](#).

Internal. Only to be used through TI provided API.

Figure 11-38. CONFIG_SYNTH_DIV4_CC13 Register

31	30	29	28	27	26	25	24
MIN_ALLOWED_RTRIM				RFC_MDM_DEMIQMC0			
R-X				R-X			
23	22	21	20	19	18	17	16
RFC_MDM_DEMIQMC0							
R-X							
15	14	13	12	11	10	9	8
RFC_MDM_DEMIQMC0				LDOVCO_TRIM_OUTPUT			
R-X				R-X			
7	6	5	4	3	2	1	0
LDOVCO_TRIM_OUTPUT		RFC_MDM_DEMIQMC0_TRIM_COMPLETE_N	RESERVED				
R-X		R-X	R-0h				

Table 11-42. CONFIG_SYNTH_DIV4_CC13 Register Field Descriptions

Bit	Field	Type	Reset	Description
31-28	MIN_ALLOWED_RTRIM	R	X	Internal. Only to be used through TI provided API. Default value holds trim value from production test.
27-12	RFC_MDM_DEMIQMC0	R	X	Internal. Only to be used through TI provided API. Default value holds trim value from production test.
11-6	LDOVCO_TRIM_OUTPUT	R	X	Internal. Only to be used through TI provided API. Default value holds trim value from production test.
5	RFC_MDM_DEMIQMC0_TRIMCOMPLETE_N	R	X	Internal. Only to be used through TI provided API. Default value holds trim value from production test.
4-0	RESERVED	R	0h	Reserved

11.4.1.17 CONFIG_SYNTH_DIV5 Register (Offset = E8h) [Reset = 000001Fh]

CONFIG_SYNTH_DIV5 is shown in [Figure 11-39](#) and described in [Table 11-43](#).

Return to the [Table 11-25](#).

Internal. Only to be used through TI provided API.

Figure 11-39. CONFIG_SYNTH_DIV5 Register

31	30	29	28	27	26	25	24
MIN_ALLOWED_RTRIM				RFC_MDM_DEMIQMC0			
R-X				R-X			
23	22	21	20	19	18	17	16
RFC_MDM_DEMIQMC0							
R-X							
15	14	13	12	11	10	9	8
RFC_MDM_DEMIQMC0				LDOVCO_TRIM_OUTPUT			
R-X				R-X			
7	6	5	4	3	2	1	0
LDOVCO_TRIM_OUTPUT		RFC_MDM_DEMIQMC0_TRIM_COMPLETE_N	RESERVED				
R-X		R-X	R-0h				

Table 11-43. CONFIG_SYNTH_DIV5 Register Field Descriptions

Bit	Field	Type	Reset	Description
31-28	MIN_ALLOWED_RTRIM	R	X	Internal. Only to be used through TI provided API. Default value holds trim value from production test.
27-12	RFC_MDM_DEMIQMC0	R	X	Internal. Only to be used through TI provided API. Default value holds trim value from production test.
11-6	LDOVCO_TRIM_OUTPUT	R	X	Internal. Only to be used through TI provided API. Default value holds trim value from production test.
5	RFC_MDM_DEMIQMC0_TRIMCOMPLETE_N	R	X	Internal. Only to be used through TI provided API. Default value holds trim value from production test.
4-0	RESERVED	R	0h	Reserved

11.4.1.18 CONFIG_SYNTH_DIV6_CC26 Register (Offset = ECh) [Reset = 000001Fh]

CONFIG_SYNTH_DIV6_CC26 is shown in [Figure 11-40](#) and described in [Table 11-44](#).

Return to the [Table 11-25](#).

Internal. Only to be used through TI provided API.

Figure 11-40. CONFIG_SYNTH_DIV6_CC26 Register

31	30	29	28	27	26	25	24
MIN_ALLOWED_RTRIM				RFC_MDM_DEMIQMC0			
R-X				R-X			
23	22	21	20	19	18	17	16
RFC_MDM_DEMIQMC0							
R-X							
15	14	13	12	11	10	9	8
RFC_MDM_DEMIQMC0				LDOVCO_TRIM_OUTPUT			
R-X				R-X			
7	6	5	4	3	2	1	0
LDOVCO_TRIM_OUTPUT		RFC_MDM_DEMIQMC0_TRIM_COMPLETE_N	RESERVED				
R-X		R-X	R-0h				

Table 11-44. CONFIG_SYNTH_DIV6_CC26 Register Field Descriptions

Bit	Field	Type	Reset	Description
31-28	MIN_ALLOWED_RTRIM	R	X	Internal. Only to be used through TI provided API. Default value holds trim value from production test.
27-12	RFC_MDM_DEMIQMC0	R	X	Internal. Only to be used through TI provided API. Default value holds trim value from production test.
11-6	LDOVCO_TRIM_OUTPUT	R	X	Internal. Only to be used through TI provided API. Default value holds trim value from production test.
5	RFC_MDM_DEMIQMC0_TRIMCOMPLETE_N	R	X	Internal. Only to be used through TI provided API. Default value holds trim value from production test.
4-0	RESERVED	R	0h	Reserved

11.4.1.19 CONFIG_SYNTH_DIV6_CC13 Register (Offset = F0h) [Reset = 000001Fh]

CONFIG_SYNTH_DIV6_CC13 is shown in [Figure 11-41](#) and described in [Table 11-45](#).

Return to the [Table 11-25](#).

Internal. Only to be used through TI provided API.

Figure 11-41. CONFIG_SYNTH_DIV6_CC13 Register

31	30	29	28	27	26	25	24
MIN_ALLOWED_RTRIM				RFC_MDM_DEMIQMC0			
R-X				R-X			
23	22	21	20	19	18	17	16
RFC_MDM_DEMIQMC0							
R-X							
15	14	13	12	11	10	9	8
RFC_MDM_DEMIQMC0				LDOVCO_TRIM_OUTPUT			
R-X				R-X			
7	6	5	4	3	2	1	0
LDOVCO_TRIM_OUTPUT		RFC_MDM_DEMIQMC0_TRIM_COMPLETE_N	RESERVED				
R-X		R-X	R-0h				

Table 11-45. CONFIG_SYNTH_DIV6_CC13 Register Field Descriptions

Bit	Field	Type	Reset	Description
31-28	MIN_ALLOWED_RTRIM	R	X	Internal. Only to be used through TI provided API. Default value holds trim value from production test.
27-12	RFC_MDM_DEMIQMC0	R	X	Internal. Only to be used through TI provided API. Default value holds trim value from production test.
11-6	LDOVCO_TRIM_OUTPUT	R	X	Internal. Only to be used through TI provided API. Default value holds trim value from production test.
5	RFC_MDM_DEMIQMC0_TRIMCOMPLETE_N	R	X	Internal. Only to be used through TI provided API. Default value holds trim value from production test.
4-0	RESERVED	R	0h	Reserved

11.4.1.20 CONFIG_SYNTH_DIV10 Register (Offset = F4h) [Reset = 000001Fh]

CONFIG_SYNTH_DIV10 is shown in [Figure 11-42](#) and described in [Table 11-46](#).

Return to the [Table 11-25](#).

Internal. Only to be used through TI provided API.

Figure 11-42. CONFIG_SYNTH_DIV10 Register

31	30	29	28	27	26	25	24
MIN_ALLOWED_RTRIM				RFC_MDM_DEMIQMC0			
R-X				R-X			
23	22	21	20	19	18	17	16
RFC_MDM_DEMIQMC0							
R-X							
15	14	13	12	11	10	9	8
RFC_MDM_DEMIQMC0				LDOVCO_TRIM_OUTPUT			
R-X				R-X			
7	6	5	4	3	2	1	0
LDOVCO_TRIM_OUTPUT		RFC_MDM_DEMIQMC0_TRIM_COMPLETE_N	RESERVED				
R-X		R-X	R-0h				

Table 11-46. CONFIG_SYNTH_DIV10 Register Field Descriptions

Bit	Field	Type	Reset	Description
31-28	MIN_ALLOWED_RTRIM	R	X	Internal. Only to be used through TI provided API. Default value holds trim value from production test.
27-12	RFC_MDM_DEMIQMC0	R	X	Internal. Only to be used through TI provided API. Default value holds trim value from production test.
11-6	LDOVCO_TRIM_OUTPUT	R	X	Internal. Only to be used through TI provided API. Default value holds trim value from production test.
5	RFC_MDM_DEMIQMC0_TRIMCOMPLETE_N	R	X	Internal. Only to be used through TI provided API. Default value holds trim value from production test.
4-0	RESERVED	R	0h	Reserved

11.4.1.21 CONFIG_SYNTH_DIV12_CC26 Register (Offset = F8h) [Reset = 000001Fh]

CONFIG_SYNTH_DIV12_CC26 is shown in [Figure 11-43](#) and described in [Table 11-47](#).

Return to the [Table 11-25](#).

Internal. Only to be used through TI provided API.

Figure 11-43. CONFIG_SYNTH_DIV12_CC26 Register

31	30	29	28	27	26	25	24
MIN_ALLOWED_RTRIM				RFC_MDM_DEMIQMC0			
R-X				R-X			
23	22	21	20	19	18	17	16
RFC_MDM_DEMIQMC0							
R-X							
15	14	13	12	11	10	9	8
RFC_MDM_DEMIQMC0				LDOVCO_TRIM_OUTPUT			
R-X				R-X			
7	6	5	4	3	2	1	0
LDOVCO_TRIM_OUTPUT		RFC_MDM_DEMIQMC0_TRIM_COMPLETE_N	RESERVED				
R-X		R-X	R-0h				

Table 11-47. CONFIG_SYNTH_DIV12_CC26 Register Field Descriptions

Bit	Field	Type	Reset	Description
31-28	MIN_ALLOWED_RTRIM	R	X	Internal. Only to be used through TI provided API. Default value holds trim value from production test.
27-12	RFC_MDM_DEMIQMC0	R	X	Internal. Only to be used through TI provided API. Default value holds trim value from production test.
11-6	LDOVCO_TRIM_OUTPUT	R	X	Internal. Only to be used through TI provided API. Default value holds trim value from production test.
5	RFC_MDM_DEMIQMC0_TRIMCOMPLETE_N	R	X	Internal. Only to be used through TI provided API. Default value holds trim value from production test.
4-0	RESERVED	R	0h	Reserved

11.4.1.22 CONFIG_SYNTH_DIV12_CC13 Register (Offset = FCh) [Reset = 000001Fh]

CONFIG_SYNTH_DIV12_CC13 is shown in [Figure 11-44](#) and described in [Table 11-48](#).

Return to the [Table 11-25](#).

Internal. Only to be used through TI provided API.

Figure 11-44. CONFIG_SYNTH_DIV12_CC13 Register

31	30	29	28	27	26	25	24
MIN_ALLOWED_RTRIM				RFC_MDM_DEMIQMC0			
R-X				R-X			
23	22	21	20	19	18	17	16
RFC_MDM_DEMIQMC0							
R-X							
15	14	13	12	11	10	9	8
RFC_MDM_DEMIQMC0				LDOVCO_TRIM_OUTPUT			
R-X				R-X			
7	6	5	4	3	2	1	0
LDOVCO_TRIM_OUTPUT		RFC_MDM_DEMIQMC0_TRIM_COMPLETE_N	RESERVED				
R-X		R-X	R-0h				

Table 11-48. CONFIG_SYNTH_DIV12_CC13 Register Field Descriptions

Bit	Field	Type	Reset	Description
31-28	MIN_ALLOWED_RTRIM	R	X	Internal. Only to be used through TI provided API. Default value holds trim value from production test.
27-12	RFC_MDM_DEMIQMC0	R	X	Internal. Only to be used through TI provided API. Default value holds trim value from production test.
11-6	LDOVCO_TRIM_OUTPUT	R	X	Internal. Only to be used through TI provided API. Default value holds trim value from production test.
5	RFC_MDM_DEMIQMC0_TRIMCOMPLETE_N	R	X	Internal. Only to be used through TI provided API. Default value holds trim value from production test.
4-0	RESERVED	R	0h	Reserved

11.4.1.23 CONFIG_SYNTH_DIV15 Register (Offset = 100h) [Reset = 000001Fh]

CONFIG_SYNTH_DIV15 is shown in [Figure 11-45](#) and described in [Table 11-49](#).

Return to the [Table 11-25](#).

Internal. Only to be used through TI provided API.

Figure 11-45. CONFIG_SYNTH_DIV15 Register

31	30	29	28	27	26	25	24
MIN_ALLOWED_RTRIM				RFC_MDM_DEMIQMC0			
R-X				R-X			
23	22	21	20	19	18	17	16
RFC_MDM_DEMIQMC0							
R-X							
15	14	13	12	11	10	9	8
RFC_MDM_DEMIQMC0				LDOVCO_TRIM_OUTPUT			
R-X				R-X			
7	6	5	4	3	2	1	0
LDOVCO_TRIM_OUTPUT		RFC_MDM_DEMIQMC0_TRIM_COMPLETE_N	RESERVED				
R-X		R-X	R-0h				

Table 11-49. CONFIG_SYNTH_DIV15 Register Field Descriptions

Bit	Field	Type	Reset	Description
31-28	MIN_ALLOWED_RTRIM	R	X	Internal. Only to be used through TI provided API. Default value holds trim value from production test.
27-12	RFC_MDM_DEMIQMC0	R	X	Internal. Only to be used through TI provided API. Default value holds trim value from production test.
11-6	LDOVCO_TRIM_OUTPUT	R	X	Internal. Only to be used through TI provided API. Default value holds trim value from production test.
5	RFC_MDM_DEMIQMC0_TRIMCOMPLETE_N	R	X	Internal. Only to be used through TI provided API. Default value holds trim value from production test.
4-0	RESERVED	R	0h	Reserved

11.4.1.24 CONFIG_SYNTH_DIV30 Register (Offset = 104h) [Reset = 000001Fh]

CONFIG_SYNTH_DIV30 is shown in [Figure 11-46](#) and described in [Table 11-50](#).

Return to the [Table 11-25](#).

Internal. Only to be used through TI provided API.

Figure 11-46. CONFIG_SYNTH_DIV30 Register

31	30	29	28	27	26	25	24
MIN_ALLOWED_RTRIM				RFC_MDM_DEMIQMC0			
R-X				R-X			
23	22	21	20	19	18	17	16
RFC_MDM_DEMIQMC0							
R-X							
15	14	13	12	11	10	9	8
RFC_MDM_DEMIQMC0				LDOVCO_TRIM_OUTPUT			
R-X				R-X			
7	6	5	4	3	2	1	0
LDOVCO_TRIM_OUTPUT		RFC_MDM_DEMIQMC0_TRIM_COMPLETE_N	RESERVED				
R-X		R-X	R-0h				

Table 11-50. CONFIG_SYNTH_DIV30 Register Field Descriptions

Bit	Field	Type	Reset	Description
31-28	MIN_ALLOWED_RTRIM	R	X	Internal. Only to be used through TI provided API. Default value holds trim value from production test.
27-12	RFC_MDM_DEMIQMC0	R	X	Internal. Only to be used through TI provided API. Default value holds trim value from production test.
11-6	LDOVCO_TRIM_OUTPUT	R	X	Internal. Only to be used through TI provided API. Default value holds trim value from production test.
5	RFC_MDM_DEMIQMC0_TRIMCOMPLETE_N	R	X	Internal. Only to be used through TI provided API. Default value holds trim value from production test.
4-0	RESERVED	R	0h	Reserved

11.4.1.25 FLASH_NUMBER Register (Offset = 164h) [Reset = 0000000h]

FLASH_NUMBER is shown in [Figure 11-47](#) and described in [Table 11-51](#).

Return to the [Table 11-25](#).

Flash information

Figure 11-47. FLASH_NUMBER Register

31	30	29	28	27	26	25	24	23	22	21	20	19	18	17	16	15	14	13	12	11	10	9	8	7	6	5	4	3	2	1	0
LOT_NUMBER																															
R-X																															

Table 11-51. FLASH_NUMBER Register Field Descriptions

Bit	Field	Type	Reset	Description
31-0	LOT_NUMBER	R	X	Number of the manufacturing lot that produced this unit. Default value holds log information from production test.

11.4.1.26 FLASH_COORDINATE Register (Offset = 16Ch) [Reset = 0000000h]

FLASH_COORDINATE is shown in [Figure 11-48](#) and described in [Table 11-52](#).

Return to the [Table 11-25](#).

Flash information

Figure 11-48. FLASH_COORDINATE Register

31	30	29	28	27	26	25	24	23	22	21	20	19	18	17	16	15	14	13	12	11	10	9	8	7	6	5	4	3	2	1	0
XCOORDINATE																YCOORDINATE															
R-X																R-X															

Table 11-52. FLASH_COORDINATE Register Field Descriptions

Bit	Field	Type	Reset	Description
31-16	XCOORDINATE	R	X	X coordinate of this unit on the wafer. Default value holds log information from production test.
15-0	YCOORDINATE	R	X	Y coordinate of this unit on the wafer. Default value holds log information from production test.

11.4.1.27 FLASH_E_P Register (Offset = 170h) [Reset = 4C644C64h]

FLASH_E_P is shown in [Figure 11-49](#) and described in [Table 11-53](#).

Return to the [Table 11-25](#).

Internal. Only to be used through TI provided API.

Figure 11-49. FLASH_E_P Register

31	30	29	28	27	26	25	24	23	22	21	20	19	18	17	16	15	14	13	12	11	10	9	8	7	6	5	4	3	2	1	0
PSU								ESU								PVSU								EVSU							
R-4Ch								R-64h								R-4Ch								R-64h							

Table 11-53. FLASH_E_P Register Field Descriptions

Bit	Field	Type	Reset	Description
31-24	PSU	R	4Ch	Internal. Only to be used through TI provided API.
23-16	ESU	R	64h	Internal. Only to be used through TI provided API.
15-8	PVSU	R	4Ch	Internal. Only to be used through TI provided API.
7-0	EVSU	R	64h	Internal. Only to be used through TI provided API.

11.4.1.28 FLASH_C_E_P_R Register (Offset = 174h) [Reset = 0A0A2000h]

FLASH_C_E_P_R is shown in [Figure 11-50](#) and described in [Table 11-54](#).

Return to the [Table 11-25](#).

Internal. Only to be used through TI provided API.

Figure 11-50. FLASH_C_E_P_R Register

31	30	29	28	27	26	25	24	23	22	21	20	19	18	17	16
RVSU								PV_ACCESS							
R-Ah								R-Ah							
15	14	13	12	11	10	9	8	7	6	5	4	3	2	1	0
A_EXEZ_SETUP				CVSU											
R-2h								R-0h							

Table 11-54. FLASH_C_E_P_R Register Field Descriptions

Bit	Field	Type	Reset	Description
31-24	RVSU	R	Ah	Internal. Only to be used through TI provided API.
23-16	PV_ACCESS	R	Ah	Internal. Only to be used through TI provided API.
15-12	A_EXEZ_SETUP	R	2h	Internal. Only to be used through TI provided API.
11-0	CVSU	R	0h	Internal. Only to be used through TI provided API.

11.4.1.29 FLASH_P_R_PV Register (Offset = 178h) [Reset = 02C10200h]

FLASH_P_R_PV is shown in [Figure 11-51](#) and described in [Table 11-55](#).

Return to the [Table 11-25](#).

Internal. Only to be used through TI provided API.

Figure 11-51. FLASH_P_R_PV Register

31	30	29	28	27	26	25	24	23	22	21	20	19	18	17	16	15	14	13	12	11	10	9	8	7	6	5	4	3	2	1	0
PH								RH								PVH								PVH2							
R-2h								R-C1h								R-2h								R-0h							

Table 11-55. FLASH_P_R_PV Register Field Descriptions

Bit	Field	Type	Reset	Description
31-24	PH	R	2h	Internal. Only to be used through TI provided API.
23-16	RH	R	C1h	Internal. Only to be used through TI provided API.
15-8	PVH	R	2h	Internal. Only to be used through TI provided API.
7-0	PVH2	R	0h	Internal. Only to be used through TI provided API.

11.4.1.30 FLASH_EH_SEQ Register (Offset = 17Ch) [Reset = 0200F000h]

FLASH_EH_SEQ is shown in [Figure 11-52](#) and described in [Table 11-56](#).

Return to the [Table 11-25](#).

Internal. Only to be used through TI provided API.

Figure 11-52. FLASH_EH_SEQ Register

31	30	29	28	27	26	25	24	23	22	21	20	19	18	17	16
EH								SEQ							
R-2h								R-0h							
15	14	13	12	11	10	9	8	7	6	5	4	3	2	1	0
VSTAT				SM_FREQUENCY											
R-Fh				R-0h											

Table 11-56. FLASH_EH_SEQ Register Field Descriptions

Bit	Field	Type	Reset	Description
31-24	EH	R	2h	Internal. Only to be used through TI provided API.
23-16	SEQ	R	0h	Internal. Only to be used through TI provided API.
15-12	VSTAT	R	Fh	Internal. Only to be used through TI provided API.
11-0	SM_FREQUENCY	R	0h	Internal. Only to be used through TI provided API.

11.4.1.31 FLASH_VHV_E Register (Offset = 180h) [Reset = 0000001h]

FLASH_VHV_E is shown in [Figure 11-53](#) and described in [Table 11-57](#).

Return to the [Table 11-25](#).

Internal. Only to be used through TI provided API.

Figure 11-53. FLASH_VHV_E Register

31	30	29	28	27	26	25	24	23	22	21	20	19	18	17	16	15	14	13	12	11	10	9	8	7	6	5	4	3	2	1	0
VHV_E_START																VHV_E_STEP_HIGHT															
R-0h																R-1h															

Table 11-57. FLASH_VHV_E Register Field Descriptions

Bit	Field	Type	Reset	Description
31-16	VHV_E_START	R	0h	Internal. Only to be used through TI provided API.
15-0	VHV_E_STEP_HIGHT	R	1h	Internal. Only to be used through TI provided API.

11.4.1.32 FLASH_PP Register (Offset = 184h) [Reset = 0000014h]

FLASH_PP is shown in [Figure 11-54](#) and described in [Table 11-58](#).

Return to the [Table 11-25](#).

Internal. Only to be used through TI provided API.

Figure 11-54. FLASH_PP Register

31	30	29	28	27	26	25	24	23	22	21	20	19	18	17	16	15	14	13	12	11	10	9	8	7	6	5	4	3	2	1	0
PUMP_SU								TRIM3P4								MAX_PP															
R-0h								R-X								R-14h															

Table 11-58. FLASH_PP Register Field Descriptions

Bit	Field	Type	Reset	Description
31-24	PUMP_SU	R	0h	Internal. Only to be used through TI provided API.
23-16	TRIM3P4	R	X	Internal. Only to be used through TI provided API. Default value holds trim value from production test.
15-0	MAX_PP	R	14h	Internal. Only to be used through TI provided API.

11.4.1.33 FLASH_PROG_EP Register (Offset = 188h) [Reset = 0FA00010h]

FLASH_PROG_EP is shown in [Figure 11-55](#) and described in [Table 11-59](#).

Return to the [Table 11-25](#).

Internal. Only to be used through TI provided API.

Figure 11-55. FLASH_PROG_EP Register

31	30	29	28	27	26	25	24	23	22	21	20	19	18	17	16	15	14	13	12	11	10	9	8	7	6	5	4	3	2	1	0
MAX_EP																PROGRAM_PW															
R-FA0h																R-10h															

Table 11-59. FLASH_PROG_EP Register Field Descriptions

Bit	Field	Type	Reset	Description
31-16	MAX_EP	R	FA0h	Internal. Only to be used through TI provided API.
15-0	PROGRAM_PW	R	10h	Internal. Only to be used through TI provided API.

11.4.1.34 FLASH_ERA_PW Register (Offset = 18Ch) [Reset = 0000FA0h]

FLASH_ERA_PW is shown in [Figure 11-56](#) and described in [Table 11-60](#).

Return to the [Table 11-25](#).

Internal. Only to be used through TI provided API.

Figure 11-56. FLASH_ERA_PW Register

31	30	29	28	27	26	25	24	23	22	21	20	19	18	17	16	15	14	13	12	11	10	9	8	7	6	5	4	3	2	1	0
ERASE_PW																															
R-FA0h																															

Table 11-60. FLASH_ERA_PW Register Field Descriptions

Bit	Field	Type	Reset	Description
31-0	ERASE_PW	R	FA0h	Internal. Only to be used through TI provided API.

11.4.1.35 FLASH_VHV Register (Offset = 190h) [Reset = 0000004h]

FLASH_VHV is shown in [Figure 11-57](#) and described in [Table 11-61](#).

Return to the [Table 11-25](#).

Internal. Only to be used through TI provided API.

Figure 11-57. FLASH_VHV Register

31	30	29	28	27	26	25	24	23	22	21	20	19	18	17	16
RESERVED				TRIM13_P				RESERVED				VHV_P			
R-0h				R-X				R-0h				R-X			
15	14	13	12	11	10	9	8	7	6	5	4	3	2	1	0
RESERVED				TRIM13_E				RESERVED				VHV_E			
R-0h				R-X				R-0h				R-4h			

Table 11-61. FLASH_VHV Register Field Descriptions

Bit	Field	Type	Reset	Description
31-28	RESERVED	R	0h	Reserved
27-24	TRIM13_P	R	X	Internal. Only to be used through TI provided API. Default value holds trim value from production test.
23-20	RESERVED	R	0h	Reserved
19-16	VHV_P	R	X	Internal. Only to be used through TI provided API. Default value holds trim value from production test.
15-12	RESERVED	R	0h	Reserved
11-8	TRIM13_E	R	X	Internal. Only to be used through TI provided API. Default value holds trim value from production test.
7-4	RESERVED	R	0h	Reserved
3-0	VHV_E	R	4h	Internal. Only to be used through TI provided API.

11.4.1.36 FLASH_VHV_PV Register (Offset = 194h) [Reset = 00080001h]

FLASH_VHV_PV is shown in [Figure 11-58](#) and described in [Table 11-62](#).

Return to the [Table 11-25](#).

Internal. Only to be used through TI provided API.

Figure 11-58. FLASH_VHV_PV Register

31	30	29	28	27	26	25	24	23	22	21	20	19	18	17	16
RESERVED				TRIM13_PV				RESERVED				VHV_PV			
R-0h				R-X				R-0h				R-8h			
15	14	13	12	11	10	9	8	7	6	5	4	3	2	1	0
VCG2P5								VINH							
R-X								R-1h							

Table 11-62. FLASH_VHV_PV Register Field Descriptions

Bit	Field	Type	Reset	Description
31-28	RESERVED	R	0h	Reserved
27-24	TRIM13_PV	R	X	Internal. Only to be used through TI provided API. Default value holds trim value from production test.
23-20	RESERVED	R	0h	Reserved
19-16	VHV_PV	R	8h	Internal. Only to be used through TI provided API.
15-8	VCG2P5	R	X	Internal. Only to be used through TI provided API. Default value holds trim value from production test.
7-0	VINH	R	1h	Internal. Only to be used through TI provided API.

11.4.1.37 FLASH_V Register (Offset = 198h) [Reset = 0000000h]

FLASH_V is shown in [Figure 11-59](#) and described in [Table 11-63](#).

Return to the [Table 11-25](#).

Internal. Only to be used through TI provided API.

Figure 11-59. FLASH_V Register

31	30	29	28	27	26	25	24	23	22	21	20	19	18	17	16	15	14	13	12	11	10	9	8	7	6	5	4	3	2	1	0
VSL_P								VWL_P								V_READ								TRIM0P8							
R-X								R-X								R-X								R-X							

Table 11-63. FLASH_V Register Field Descriptions

Bit	Field	Type	Reset	Description
31-24	VSL_P	R	X	Internal. Only to be used through TI provided API. Default value holds trim value from production test.
23-16	VWL_P	R	X	Internal. Only to be used through TI provided API. Default value holds trim value from production test.
15-8	V_READ	R	X	Internal. Only to be used through TI provided API. Default value holds trim value from production test.
7-0	TRIM0P8	R	X	Internal. Only to be used through TI provided API. Default value holds trim value from production test.

11.4.1.38 USER_ID Register (Offset = 294h) [Reset = 10000000h]

USER_ID is shown in [Figure 11-60](#) and described in [Table 11-64](#).

Return to the [Table 11-25](#).

User Identification.

Reading this register and the FCFG1:ICEPICK_DEVICE_ID register is the only supported way of identifying a device.

The value of this register will be written to AON_PMCTL:JTAGUSERCODE by boot FW while in safezone.

Figure 11-60. USER_ID Register

31	30	29	28	27	26	25	24
PG_REV				VER		PA	RESERVED
R-1h				R-X		R-X	R-0h
23	22	21	20	19	18	17	16
CC13	SEQUENCE				PKG		
R-X	R-X				R-X		
15	14	13	12	11	10	9	8
PROTOCOL				RESERVED			
R-X				R-0h			
7	6	5	4	3	2	1	0
RESERVED							
R-0h							

Table 11-64. USER_ID Register Field Descriptions

Bit	Field	Type	Reset	Description
31-28	PG_REV	R	1h	Field used to distinguish revisions of the device
27-26	VER	R	X	Version number. 0x0: Bits [25:12] of this register has the stated meaning. Any other setting indicate a different encoding of these bits. Default value differs depending on partnumber.
25	PA	R	X	0: Does not support 20dBm PA 1: Supports 20dBm PA Default value differs depending on partnumber.
24	RESERVED	R	0h	Reserved
23	CC13	R	X	0: CC26xx device type 1: CC13xx device type Default value differs depending on partnumber.
22-19	SEQUENCE	R	X	Sequence. Used to differentiate between marketing/orderable product where other fields of this register are the same (temp range, flash size, voltage range etc) Default value differs depending on partnumber.
18-16	PKG	R	X	Package type. 0x0: 4x4mm QFN (RHB) package 0x1: 5x5mm QFN (RSM) package 0x2: 7x7mm QFN (RGZ) package 0x3: Wafer sale package (naked die) 0x4: WCSP (YFV) 0x5: 7x7mm QFN package with Wettable Flanks Other values are reserved for future use. Packages available for a specific device are shown in the device datasheet. Default value differs depending on partnumber.

Table 11-64. USER_ID Register Field Descriptions (continued)

Bit	Field	Type	Reset	Description
15-12	PROTOCOL	R	X	Protocols supported. 0x1: BLE 0x2: RF4CE 0x4: Zigbee/6lowpan 0x8: Proprietary More than one protocol can be supported on same device - values above are then combined. Default value differs depending on partnumber.
11-0	RESERVED	R	0h	Reserved

11.4.1.39 FLASH_OTP_DATA3 Register (Offset = 2B0h) [Reset = 00110003h]

FLASH_OTP_DATA3 is shown in [Figure 11-61](#) and described in [Table 11-65](#).

Return to the [Table 11-25](#).

Internal. Only to be used through TI provided API.

Figure 11-61. FLASH_OTP_DATA3 Register

31	30	29	28	27	26	25	24	
EC_STEP_SIZE								
R-0h								
23	22	21	20	19	18	17	16	
EC_STEP_SIZ E	DO_PRECOND	MAX_EC_LEVEL				TRIM_1P7		
R-0h	R-0h	R-4h				R-1h		
15	14	13	12	11	10	9	8	
FLASH_SIZE								
R-X								
7	6	5	4	3	2	1	0	
WAIT_SYSCODE								
R-3h								

Table 11-65. FLASH_OTP_DATA3 Register Field Descriptions

Bit	Field	Type	Reset	Description
31-23	EC_STEP_SIZE	R	0h	Internal. Only to be used through TI provided API.
22	DO_PRECOND	R	0h	Internal. Only to be used through TI provided API.
21-18	MAX_EC_LEVEL	R	4h	Internal. Only to be used through TI provided API.
17-16	TRIM_1P7	R	1h	Internal. Only to be used through TI provided API.
15-8	FLASH_SIZE	R	X	Internal. Only to be used through TI provided API. Default value differs depending on partnumber.
7-0	WAIT_SYSCODE	R	3h	Internal. Only to be used through TI provided API.

11.4.1.40 ANA2_TRIM Register (Offset = 2B4h) [Reset = 8240787Fh]

ANA2_TRIM is shown in [Figure 11-62](#) and described in [Table 11-66](#).

Return to the [Table 11-25](#).

Internal. Only to be used through TI provided API.

Figure 11-62. ANA2_TRIM Register

31	30	29	28	27	26	25	24
RCOSCHFCTR IMFRACT_EN	RCOSCHFCTRIMFRACT					RESERVED	SET_RCOSC_ HF_FINE_RESI STOR
R-1h	R-X					R-0h	R-X
23	22	21	20	19	18	17	16
SET_RCOSC_ HF_FINE_RESI STOR	ATESTLF_UDI GLDO_IBIAS_ TRIM	NANOAMP_RES_TRIM					
R-X	R-1h	R-X					
15	14	13	12	11	10	9	8
NANOAMP_RE S_TRIM	RESERVED			DITHER_EN	DCDC_IPEAK		
R-X	R-0h			R-1h	R-0h		
7	6	5	4	3	2	1	0
DEAD_TIME_TRIM		DCDC_LOW_EN_SEL			DCDC_HIGH_EN_SEL		
R-1h		R-7h			R-7h		

Table 11-66. ANA2_TRIM Register Field Descriptions

Bit	Field	Type	Reset	Description
31	RCOSCHFCTRIMFRACT_EN	R	1h	Internal. Only to be used through TI provided API.
30-26	RCOSCHFCTRIMFRACT	R	X	Internal. Only to be used through TI provided API. Default value holds trim value from production test.
25	RESERVED	R	0h	Reserved
24-23	SET_RCOSC_HF_FINE_RESISTOR	R	X	Internal. Only to be used through TI provided API. Default value holds trim value from production test.
22	ATESTLF_UDIGLDO_IBIAS_TRIM	R	1h	Internal. Only to be used through TI provided API.
21-15	NANOAMP_RES_TRIM	R	X	Internal. Only to be used through TI provided API. Default value holds trim value from production test.
14-12	RESERVED	R	0h	Reserved
11	DITHER_EN	R	1h	Internal. Only to be used through TI provided API.
10-8	DCDC_IPEAK	R	0h	Internal. Only to be used through TI provided API.
7-6	DEAD_TIME_TRIM	R	1h	Internal. Only to be used through TI provided API.
5-3	DCDC_LOW_EN_SEL	R	7h	Internal. Only to be used through TI provided API.
2-0	DCDC_HIGH_EN_SEL	R	7h	Internal. Only to be used through TI provided API.

11.4.1.41 LDO_TRIM Register (Offset = 2B8h) [Reset = E0F8E0FBh]

LDO_TRIM is shown in [Figure 11-63](#) and described in [Table 11-67](#).

Return to the [Table 11-25](#).

Internal. Only to be used through TI provided API.

Figure 11-63. LDO_TRIM Register

31	30	29	28	27	26	25	24
RESERVED				VDDR_TRIM_SLEEP			
R-0h				R-X			
23	22	21	20	19	18	17	16
RESERVED					GLDO_CURSRC		
R-0h					R-0h		
15	14	13	12	11	10	9	8
RESERVED			ITRIM_DIGLDO_LOAD		ITRIM_UDIGLDO		
R-0h			R-0h		R-0h		
7	6	5	4	3	2	1	0
RESERVED					VTRIM_DELTA		
R-0h					R-3h		

Table 11-67. LDO_TRIM Register Field Descriptions

Bit	Field	Type	Reset	Description
31-29	RESERVED	R	0h	Reserved
28-24	VDDR_TRIM_SLEEP	R	X	Internal. Only to be used through TI provided API. Default value holds trim value from production test.
23-19	RESERVED	R	0h	Reserved
18-16	GLDO_CURSRC	R	0h	Internal. Only to be used through TI provided API.
15-13	RESERVED	R	0h	Reserved
12-11	ITRIM_DIGLDO_LOAD	R	0h	Internal. Only to be used through TI provided API.
10-8	ITRIM_UDIGLDO	R	0h	Internal. Only to be used through TI provided API.
7-3	RESERVED	R	0h	Reserved
2-0	VTRIM_DELTA	R	3h	Internal. Only to be used through TI provided API.

11.4.1.42 MAC_BLE_0 Register (Offset = 2E8h) [Reset = 0000000h]

MAC_BLE_0 is shown in [Figure 11-64](#) and described in [Table 11-68](#).

Return to the [Table 11-25](#).

MAC BLE Address 0

Figure 11-64. MAC_BLE_0 Register

31	30	29	28	27	26	25	24	23	22	21	20	19	18	17	16	15	14	13	12	11	10	9	8	7	6	5	4	3	2	1	0
ADDR_0_31																															
R-X																															

Table 11-68. MAC_BLE_0 Register Field Descriptions

Bit	Field	Type	Reset	Description
31-0	ADDR_0_31	R	X	The first 32-bits of the 64-bit MAC BLE address Default value holds trim value from production test.

11.4.1.43 MAC_BLE_1 Register (Offset = 2ECh) [Reset = 0000000h]

MAC_BLE_1 is shown in [Figure 11-65](#) and described in [Table 11-69](#).

Return to the [Table 11-25](#).

MAC BLE Address 1

Figure 11-65. MAC_BLE_1 Register

31	30	29	28	27	26	25	24	23	22	21	20	19	18	17	16	15	14	13	12	11	10	9	8	7	6	5	4	3	2	1	0
ADDR_32_63																															
R-X																															

Table 11-69. MAC_BLE_1 Register Field Descriptions

Bit	Field	Type	Reset	Description
31-0	ADDR_32_63	R	X	The last 32-bits of the 64-bit MAC BLE address Default value holds trim value from production test.

11.4.1.44 MAC_15_4_0 Register (Offset = 2F0h) [Reset = 0000000h]

MAC_15_4_0 is shown in [Figure 11-66](#) and described in [Table 11-70](#).

Return to the [Table 11-25](#).

MAC IEEE 802.15.4 Address 0

Figure 11-66. MAC_15_4_0 Register

31	30	29	28	27	26	25	24	23	22	21	20	19	18	17	16	15	14	13	12	11	10	9	8	7	6	5	4	3	2	1	0
ADDR_0_31																															
R-X																															

Table 11-70. MAC_15_4_0 Register Field Descriptions

Bit	Field	Type	Reset	Description
31-0	ADDR_0_31	R	X	The first 32-bits of the 64-bit MAC 15.4 address Default value holds trim value from production test.

11.4.1.45 MAC_15_4_1 Register (Offset = 2F4h) [Reset = 0000000h]

MAC_15_4_1 is shown in [Figure 11-67](#) and described in [Table 11-71](#).

Return to the [Table 11-25](#).

MAC IEEE 802.15.4 Address 1

Figure 11-67. MAC_15_4_1 Register

31	30	29	28	27	26	25	24	23	22	21	20	19	18	17	16	15	14	13	12	11	10	9	8	7	6	5	4	3	2	1	0
ADDR_32_63																															
R-X																															

Table 11-71. MAC_15_4_1 Register Field Descriptions

Bit	Field	Type	Reset	Description
31-0	ADDR_32_63	R	X	The last 32-bits of the 64-bit MAC 15.4 address Default value holds trim value from production test.

11.4.1.46 FLASH_OTP_DATA4 Register (Offset = 308h) [Reset = 98989F9h]

FLASH_OTP_DATA4 is shown in [Figure 11-68](#) and described in [Table 11-72](#).

Return to the [Table 11-25](#).

Internal. Only to be used through TI provided API.

Figure 11-68. FLASH_OTP_DATA4 Register

31	30	29	28	27	26	25	24
STANDBY_MODE_SEL_INT_WRT	STANDBY_PW_SEL_INT_WRT		DIS_STANDBY_INT_WRT	DIS_IDLE_INT_WRT	VIN_AT_X_INT_WRT		
R-1h	R-0h		R-1h	R-1h	R-0h		
23	22	21	20	19	18	17	16
STANDBY_MODE_SEL_EXT_WRT	STANDBY_PW_SEL_EXT_WRT		DIS_STANDBY_EXT_WRT	DIS_IDLE_EXT_WRT	VIN_AT_X_EXT_WRT		
R-1h	R-0h		R-1h	R-1h	R-0h		
15	14	13	12	11	10	9	8
STANDBY_MODE_SEL_INT_RD	STANDBY_PW_SEL_INT_RD		DIS_STANDBY_INT_RD	DIS_IDLE_INT_RD	VIN_AT_X_INT_RD		
R-1h	R-0h		R-1h	R-1h	R-7h		
7	6	5	4	3	2	1	0
STANDBY_MODE_SEL_EXT_RD	STANDBY_PW_SEL_EXT_RD		DIS_STANDBY_EXT_RD	DIS_IDLE_EXT_RD	VIN_AT_X_EXT_RD		
R-1h	R-0h		R-1h	R-1h	R-7h		

Table 11-72. FLASH_OTP_DATA4 Register Field Descriptions

Bit	Field	Type	Reset	Description
31	STANDBY_MODE_SEL_INT_WRT	R	1h	Internal. Only to be used through TI provided API.
30-29	STANDBY_PW_SEL_INT_WRT	R	0h	Internal. Only to be used through TI provided API.
28	DIS_STANDBY_INT_WRT	R	1h	Internal. Only to be used through TI provided API.
27	DIS_IDLE_INT_WRT	R	1h	Internal. Only to be used through TI provided API.
26-24	VIN_AT_X_INT_WRT	R	0h	Internal. Only to be used through TI provided API.
23	STANDBY_MODE_SEL_EXT_WRT	R	1h	Internal. Only to be used through TI provided API.
22-21	STANDBY_PW_SEL_EXT_WRT	R	0h	Internal. Only to be used through TI provided API.
20	DIS_STANDBY_EXT_WRT	R	1h	Internal. Only to be used through TI provided API.
19	DIS_IDLE_EXT_WRT	R	1h	Internal. Only to be used through TI provided API.
18-16	VIN_AT_X_EXT_WRT	R	0h	Internal. Only to be used through TI provided API.
15	STANDBY_MODE_SEL_INT_RD	R	1h	Internal. Only to be used through TI provided API.
14-13	STANDBY_PW_SEL_INT_RD	R	0h	Internal. Only to be used through TI provided API.
12	DIS_STANDBY_INT_RD	R	1h	Internal. Only to be used through TI provided API.
11	DIS_IDLE_INT_RD	R	1h	Internal. Only to be used through TI provided API.
10-8	VIN_AT_X_INT_RD	R	7h	Internal. Only to be used through TI provided API.

Table 11-72. FLASH_OTP_DATA4 Register Field Descriptions (continued)

Bit	Field	Type	Reset	Description
7	STANDBY_MODE_SEL_EXT_RD	R	1h	Internal. Only to be used through TI provided API.
6-5	STANDBY_PW_SEL_EXT_RD	R	0h	Internal. Only to be used through TI provided API.
4	DIS_STANDBY_EXT_RD	R	1h	Internal. Only to be used through TI provided API.
3	DIS_IDLE_EXT_RD	R	1h	Internal. Only to be used through TI provided API.
2-0	VIN_AT_X_EXT_RD	R	7h	Internal. Only to be used through TI provided API.

11.4.1.47 MISC_TRIM Register (Offset = 30Ch) [Reset = FFFE003Bh]

MISC_TRIM is shown in [Figure 11-69](#) and described in [Table 11-73](#).

Return to the [Table 11-25](#).

Miscellaneous Trim Parameters

Figure 11-69. MISC_TRIM Register

31	30	29	28	27	26	25	24
RCOSCHF_FT_RETRIM_N	RCOSCHF_FT_RETRIM_FINE_R	RESERVED					
R-1h	R-3h	R-0h					
23	22	21	20	19	18	17	16
RESERVED							TRIM_RECHARGE_COMP_OFFSET
R-0h							R-X
15	14	13	12	11	10	9	8
TRIM_RECHARGE_COMP_OFFSET				TRIM_RECHARGE_COMP_REFLEVEL			
R-X				R-X			
7	6	5	4	3	2	1	0
TEMPVSLOPE							
R-3Bh							

Table 11-73. MISC_TRIM Register Field Descriptions

Bit	Field	Type	Reset	Description
31	RCOSCHF_FT_RETRIM_N	R	1h	Internal. Only to be used through TI provided API.
30-29	RCOSCHF_FT_RETRIM_FINE_R	R	3h	Internal. Only to be used through TI provided API.
28-17	RESERVED	R	0h	Reserved
16-12	TRIM_RECHARGE_COMP_OFFSET	R	X	Internal. Only to be used through TI provided API.
11-8	TRIM_RECHARGE_COMP_REFLEVEL	R	X	Internal. Only to be used through TI provided API.
7-0	TEMPVSLOPE	R	3Bh	Signed byte value representing the TEMP slope with battery voltage, in degrees C / V, with four fractional bits.

11.4.1.48 RCOSC_HF_TEMPCOMP Register (Offset = 310h) [Reset = 0000003h]

RCOSC_HF_TEMPCOMP is shown in [Figure 11-70](#) and described in [Table 11-74](#).

Return to the [Table 11-25](#).

Internal. Only to be used through TI provided API.

Figure 11-70. RCOSC_HF_TEMPCOMP Register

31	30	29	28	27	26	25	24	23	22	21	20	19	18	17	16
FINE_RESISTOR								CTRIM							
R-0h								R-0h							
15	14	13	12	11	10	9	8	7	6	5	4	3	2	1	0
CTRIMFRACT_QUAD								CTRIMFRACT_SLOPE							
R-0h								R-3h							

Table 11-74. RCOSC_HF_TEMPCOMP Register Field Descriptions

Bit	Field	Type	Reset	Description
31-24	FINE_RESISTOR	R	0h	Internal. Only to be used through TI provided API.
23-16	CTRIM	R	0h	Internal. Only to be used through TI provided API.
15-8	CTRIMFRACT_QUAD	R	0h	Internal. Only to be used through TI provided API.
7-0	CTRIMFRACT_SLOPE	R	3h	Internal. Only to be used through TI provided API.

11.4.1.49 ICEPICK_DEVICE_ID Register (Offset = 318h) [Reset = 1BB7A02Fh]

ICEPICK_DEVICE_ID is shown in [Figure 11-71](#) and described in [Table 11-75](#).

Return to the [Table 11-25](#).

IcePick Device Identification

Reading this register and the FCFG1:USER_ID register is the only supported way of identifying a device.

Figure 11-71. ICEPICK_DEVICE_ID Register

31	30	29	28	27	26	25	24	23	22	21	20	19	18	17	16
PG_REV				WAFER_ID											
R-1h				R-BB7Ah											
15	14	13	12	11	10	9	8	7	6	5	4	3	2	1	0
WAFER_ID				MANUFACTURER_ID											
R-BB7Ah				R-2Fh											

Table 11-75. ICEPICK_DEVICE_ID Register Field Descriptions

Bit	Field	Type	Reset	Description
31-28	PG_REV	R	1h	Field used to distinguish revisions of the device.
27-12	WAFER_ID	R	BB7Ah	Field used to identify silicon die.
11-0	MANUFACTURER_ID	R	2Fh	Manufacturer code. 0x02F: Texas Instruments

11.4.1.50 FCFG1_REVISION Register (Offset = 31Ch) [Reset = 0000028h]

FCFG1_REVISION is shown in [Figure 11-72](#) and described in [Table 11-76](#).

Return to the [Table 11-25](#).

Factory Configuration (FCFG1) Revision

Figure 11-72. FCFG1_REVISION Register

31	30	29	28	27	26	25	24	23	22	21	20	19	18	17	16	15	14	13	12	11	10	9	8	7	6	5	4	3	2	1	0
																	REV														
																	R-28h														

Table 11-76. FCFG1_REVISION Register Field Descriptions

Bit	Field	Type	Reset	Description
31-0	REV	R	28h	The revision number of the FCFG1 layout. This value will be read by application SW in order to determine which FCFG1 parameters that have valid values. This revision number must be incremented by 1 before any devices are to be produced if the FCFG1 layout has changed since the previous production of devices. Value might change without warning.

11.4.1.51 MISC_OTP_DATA Register (Offset = 320h) [Reset = 0000CFFFh]

MISC_OTP_DATA is shown in [Figure 11-73](#) and described in [Table 11-77](#).

Return to the [Table 11-25](#).

Misc OTP Data

Figure 11-73. MISC_OTP_DATA Register

31	30	29	28	27	26	25	24
RCOSC_HF_ITUNE				RCOSC_HF_CRIM			
R-X				R-X			
23	22	21	20	19	18	17	16
RCOSC_HF_CRIM				PER_M			
R-X				R-1h			
15	14	13	12	11	10	9	8
PER_M	PER_E			RESERVED			
R-1h		R-4h		R-0h			
7	6	5	4	3	2	1	0
RESERVED							
R-0h							

Table 11-77. MISC_OTP_DATA Register Field Descriptions

Bit	Field	Type	Reset	Description
31-28	RCOSC_HF_ITUNE	R	X	Internal. Only to be used through TI provided API. Default value holds trim value from production test.
27-20	RCOSC_HF_CRIM	R	X	Internal. Only to be used through TI provided API. Default value holds trim value from production test.
19-15	PER_M	R	1h	Internal. Only to be used through TI provided API.
14-12	PER_E	R	4h	Internal. Only to be used through TI provided API.
11-0	RESERVED	R	0h	Reserved

11.4.1.52 IOCONF Register (Offset = 344h) [Reset = FFFFFFF00h]

IOCONF is shown in [Figure 11-74](#) and described in [Table 11-78](#).

Return to the [Table 11-25](#).

IO Configuration

Figure 11-74. IOCONF Register

31	30	29	28	27	26	25	24	23	22	21	20	19	18	17	16
RESERVED															
R-0h															
15	14	13	12	11	10	9	8	7	6	5	4	3	2	1	0
RESERVED									GPIO_CNT						
R-0h									R-X						

Table 11-78. IOCONF Register Field Descriptions

Bit	Field	Type	Reset	Description
31-7	RESERVED	R	0h	Reserved
6-0	GPIO_CNT	R	X	Number of available DIOs. Default value differs depending on partnumber.

11.4.1.53 CONFIG_IF_ADC Register (Offset = 34Ch) [Reset = 3460F400h]

CONFIG_IF_ADC is shown in [Figure 11-75](#) and described in [Table 11-79](#).

Return to the [Table 11-25](#).

Internal. Only to be used through TI provided API.

Figure 11-75. CONFIG_IF_ADC Register

31	30	29	28	27	26	25	24
FF2ADJ				FF3ADJ			
R-3h				R-4h			
23	22	21	20	19	18	17	16
INT3ADJ				FF1ADJ			
R-6h				R-0h			
15	14	13	12	11	10	9	8
AAFCAP		INT2ADJ			IFDIGLDO_TRIM_OUTPUT		
R-3h		R-Dh			R-X		
7	6	5	4	3	2	1	0
IFDIGLDO_TRIM_OUTPUT				IFANALDO_TRIM_OUTPUT			
R-X				R-X			

Table 11-79. CONFIG_IF_ADC Register Field Descriptions

Bit	Field	Type	Reset	Description
31-28	FF2ADJ	R	3h	Internal. Only to be used through TI provided API.
27-24	FF3ADJ	R	4h	Internal. Only to be used through TI provided API.
23-20	INT3ADJ	R	6h	Internal. Only to be used through TI provided API.
19-16	FF1ADJ	R	0h	Internal. Only to be used through TI provided API.
15-14	AAFCAP	R	3h	Internal. Only to be used through TI provided API.
13-10	INT2ADJ	R	Dh	Internal. Only to be used through TI provided API.
9-5	IFDIGLDO_TRIM_OUTPUT	R	X	Internal. Only to be used through TI provided API. Default value holds trim value from production test.
4-0	IFANALDO_TRIM_OUTPUT	R	X	Internal. Only to be used through TI provided API. Default value holds trim value from production test.

11.4.1.54 CONFIG_OSC_TOP Register (Offset = 350h) [Reset = DC07FC00h]

CONFIG_OSC_TOP is shown in [Figure 11-76](#) and described in [Table 11-80](#).

Return to the [Table 11-25](#).

Internal. Only to be used through TI provided API.

Figure 11-76. CONFIG_OSC_TOP Register

31	30	29	28	27	26	25	24
RESERVED		XOSC_HF_ROW_Q12				XOSC_HF_COLUMN_Q12	
R-0h		R-7h				R-1FFh	
23	22	21	20	19	18	17	16
XOSC_HF_COLUMN_Q12							
R-1FFh							
15	14	13	12	11	10	9	8
XOSC_HF_COLUMN_Q12					RCOSCLF_CTUNE_TRIM		
R-1FFh					R-X		
7	6	5	4	3	2	1	0
RCOSCLF_CTUNE_TRIM					RCOSCLF_RTUNE_TRIM		
R-X					R-0h		

Table 11-80. CONFIG_OSC_TOP Register Field Descriptions

Bit	Field	Type	Reset	Description
31-30	RESERVED	R	0h	Reserved
29-26	XOSC_HF_ROW_Q12	R	7h	Internal. Only to be used through TI provided API.
25-10	XOSC_HF_COLUMN_Q12	R	1FFh	Internal. Only to be used through TI provided API.
9-2	RCOSCLF_CTUNE_TRIM	R	X	Internal. Only to be used through TI provided API. Default value holds trim value from production test.
1-0	RCOSCLF_RTUNE_TRIM	R	0h	Internal. Only to be used through TI provided API.

11.4.1.55 SOC_ADC_ABS_GAIN Register (Offset = 35Ch) [Reset = 0000000h]

SOC_ADC_ABS_GAIN is shown in [Figure 11-77](#) and described in [Table 11-81](#).

Return to the [Table 11-25](#).

AUX_ADC Gain in Absolute Reference Mode

Figure 11-77. SOC_ADC_ABS_GAIN Register

31	30	29	28	27	26	25	24	23	22	21	20	19	18	17	16
RESERVED															
R-0h															
15	14	13	12	11	10	9	8	7	6	5	4	3	2	1	0
SOC_ADC_ABS_GAIN_TEMP1															
R-X															

Table 11-81. SOC_ADC_ABS_GAIN Register Field Descriptions

Bit	Field	Type	Reset	Description
31-16	RESERVED	R	0h	Reserved
15-0	SOC_ADC_ABS_GAIN_TEMP1	R	X	SOC_ADC gain in absolute reference mode at temperature 1 (30C). Calculated in production test.. Default value holds log information from production test.

11.4.1.56 SOC_ADC_REL_GAIN Register (Offset = 360h) [Reset = 0000000h]

SOC_ADC_REL_GAIN is shown in [Figure 11-78](#) and described in [Table 11-82](#).

Return to the [Table 11-25](#).

AUX_ADC Gain in Relative Reference Mode

Figure 11-78. SOC_ADC_REL_GAIN Register

31	30	29	28	27	26	25	24	23	22	21	20	19	18	17	16
RESERVED															
R-0h															
15	14	13	12	11	10	9	8	7	6	5	4	3	2	1	0
SOC_ADC_REL_GAIN_TEMP1															
R-X															

Table 11-82. SOC_ADC_REL_GAIN Register Field Descriptions

Bit	Field	Type	Reset	Description
31-16	RESERVED	R	0h	Reserved
15-0	SOC_ADC_REL_GAIN_TEMP1	R	X	SOC_ADC gain in relative reference mode at temperature 1 (30C). Calculated in production test.. Default value holds trim value from production test.

11.4.1.57 SOC_ADC_OFFSET_INT Register (Offset = 368h) [Reset = 0000000h]

SOC_ADC_OFFSET_INT is shown in [Figure 11-79](#) and described in [Table 11-83](#).

Return to the [Table 11-25](#).

AUX_ADC Temperature Offsets in Absolute Reference Mode

Figure 11-79. SOC_ADC_OFFSET_INT Register

31	30	29	28	27	26	25	24	23	22	21	20	19	18	17	16
RESERVED								SOC_ADC_REL_OFFSET_TEMP1							
R-0h								R-X							
15	14	13	12	11	10	9	8	7	6	5	4	3	2	1	0
RESERVED								SOC_ADC_ABS_OFFSET_TEMP1							
R-0h								R-X							

Table 11-83. SOC_ADC_OFFSET_INT Register Field Descriptions

Bit	Field	Type	Reset	Description
31-24	RESERVED	R	0h	Reserved
23-16	SOC_ADC_REL_OFFSET_TEMP1	R	X	SOC_ADC offset in relative reference mode at temperature 1 (30C). Signed 8-bit number. Calculated in production test.. Default value holds trim value from production test.
15-8	RESERVED	R	0h	Reserved
7-0	SOC_ADC_ABS_OFFSET_TEMP1	R	X	SOC_ADC offset in absolute reference mode at temperature 1 (30C). Signed 8-bit number. Calculated in production test.. Default value holds trim value from production test.

11.4.1.58 SOC_ADC_REF_TRIM_AND_OFFSET_EXT Register (Offset = 36Ch) [Reset = 000C080h]

SOC_ADC_REF_TRIM_AND_OFFSET_EXT is shown in [Figure 11-80](#) and described in [Table 11-84](#).

Return to the [Table 11-25](#).

Internal. Only to be used through TI provided API.

Figure 11-80. SOC_ADC_REF_TRIM_AND_OFFSET_EXT Register

31	30	29	28	27	26	25	24
RESERVED							
R-0h							
23	22	21	20	19	18	17	16
RESERVED							
R-0h							
15	14	13	12	11	10	9	8
RESERVED							
R-0h							
7	6	5	4	3	2	1	0
RESERVED		SOC_ADC_REF_VOLTAGE_TRIM_TEMP1					
R-0h		R-X					

Table 11-84. SOC_ADC_REF_TRIM_AND_OFFSET_EXT Register Field Descriptions

Bit	Field	Type	Reset	Description
31-6	RESERVED	R	0h	Reserved
5-0	SOC_ADC_REF_VOLTAGE_TRIM_TEMP1	R	X	Internal. Only to be used through TI provided API. Default value holds trim value from production test.

11.4.1.59 AMPCOMP_TH1 Register (Offset = 370h) [Reset = FF7B828Eh]

AMPCOMP_TH1 is shown in [Figure 11-81](#) and described in [Table 11-85](#).

Return to the [Table 11-25](#).

Internal. Only to be used through TI provided API.

Figure 11-81. AMPCOMP_TH1 Register

31	30	29	28	27	26	25	24
RESERVED							
R-0h							
23	22	21	20	19	18	17	16
HPMRAMP3_LTH					RESERVED		
R-1Eh					R-0h		
15	14	13	12	11	10	9	8
HPMRAMP3_HTH					IBIASCAP_LPTOHP_OL_CNT		
R-20h					R-Ah		
7	6	5	4	3	2	1	0
IBIASCAP_LPTOHP_OL_CNT		HPMRAMP1_TH					
R-Ah		R-Eh					

Table 11-85. AMPCOMP_TH1 Register Field Descriptions

Bit	Field	Type	Reset	Description
31-24	RESERVED	R	0h	Reserved
23-18	HPMRAMP3_LTH	R	1Eh	Internal. Only to be used through TI provided API.
17-16	RESERVED	R	0h	Reserved
15-10	HPMRAMP3_HTH	R	20h	Internal. Only to be used through TI provided API.
9-6	IBIASCAP_LPTOHP_OL_CNT	R	Ah	Internal. Only to be used through TI provided API.
5-0	HPMRAMP1_TH	R	Eh	Internal. Only to be used through TI provided API.

11.4.1.60 AMPCOMP_TH2 Register (Offset = 374h) [Reset = 6B8B0303h]

AMPCOMP_TH2 is shown in [Figure 11-82](#) and described in [Table 11-86](#).

Return to the [Table 11-25](#).

Internal. Only to be used through TI provided API.

Figure 11-82. AMPCOMP_TH2 Register

31	30	29	28	27	26	25	24
LPMUPDATE_LTH						RESERVED	
R-1Ah						R-0h	
23	22	21	20	19	18	17	16
LPMUPDATE_HTM						RESERVED	
R-22h						R-0h	
15	14	13	12	11	10	9	8
ADC_COMP_AMPTH_LPM						RESERVED	
R-0h						R-0h	
7	6	5	4	3	2	1	0
ADC_COMP_AMPTH_HPM						RESERVED	
R-0h						R-0h	

Table 11-86. AMPCOMP_TH2 Register Field Descriptions

Bit	Field	Type	Reset	Description
31-26	LPMUPDATE_LTH	R	1Ah	Internal. Only to be used through TI provided API.
25-24	RESERVED	R	0h	Reserved
23-18	LPMUPDATE_HTM	R	22h	Internal. Only to be used through TI provided API.
17-16	RESERVED	R	0h	Reserved
15-10	ADC_COMP_AMPTH_LPM	R	0h	Internal. Only to be used through TI provided API.
9-8	RESERVED	R	0h	Reserved
7-2	ADC_COMP_AMPTH_HPM	R	0h	Internal. Only to be used through TI provided API.
1-0	RESERVED	R	0h	Reserved

11.4.1.61 AMPCOMP_CTRL1 Register (Offset = 378h) [Reset = FF483F47h]

AMPCOMP_CTRL1 is shown in [Figure 11-83](#) and described in [Table 11-87](#).

Return to the [Table 11-25](#).

Internal. Only to be used through TI provided API.

Figure 11-83. AMPCOMP_CTRL1 Register

31	30	29	28	27	26	25	24
RESERVED	AMPCOMP_REQ_MODE	RESERVED					
R-0h	R-1h	R-0h					
23	22	21	20	19	18	17	16
IBIAS_OFFSET				IBIAS_INIT			
R-4h				R-8h			
15	14	13	12	11	10	9	8
LPM_IBIAS_WAIT_CNT_FINAL							
R-3Fh							
7	6	5	4	3	2	1	0
CAP_STEP				IBIASCAP_HPTOLP_OL_CNT			
R-4h				R-7h			

Table 11-87. AMPCOMP_CTRL1 Register Field Descriptions

Bit	Field	Type	Reset	Description
31	RESERVED	R	0h	Reserved
30	AMPCOMP_REQ_MODE	R	1h	Internal. Only to be used through TI provided API.
29-24	RESERVED	R	0h	Reserved
23-20	IBIAS_OFFSET	R	4h	Internal. Only to be used through TI provided API.
19-16	IBIAS_INIT	R	8h	Internal. Only to be used through TI provided API.
15-8	LPM_IBIAS_WAIT_CNT_FINAL	R	3Fh	Internal. Only to be used through TI provided API.
7-4	CAP_STEP	R	4h	Internal. Only to be used through TI provided API.
3-0	IBIASCAP_HPTOLP_OL_CNT	R	7h	Internal. Only to be used through TI provided API.

11.4.1.62 ANABYPASS_VALUE2 Register (Offset = 37Ch) [Reset = FFFFC3FFh]

ANABYPASS_VALUE2 is shown in [Figure 11-84](#) and described in [Table 11-88](#).

Return to the [Table 11-25](#).

Internal. Only to be used through TI provided API.

Figure 11-84. ANABYPASS_VALUE2 Register

31	30	29	28	27	26	25	24	23	22	21	20	19	18	17	16
RESERVED															
R-0h															
15	14	13	12	11	10	9	8	7	6	5	4	3	2	1	0
RESERVED		XOSC_HF_IBIASTHERM													
R-0h		R-3FFh													

Table 11-88. ANABYPASS_VALUE2 Register Field Descriptions

Bit	Field	Type	Reset	Description
31-14	RESERVED	R	0h	Reserved
13-0	XOSC_HF_IBIASTHERM	R	3FFh	Internal. Only to be used through TI provided API.

11.4.1.63 VOLT_TRIM Register (Offset = 388h) [Reset = E0E0E0h]

VOLT_TRIM is shown in [Figure 11-85](#) and described in [Table 11-89](#).

Return to the [Table 11-25](#).

Internal. Only to be used through TI provided API.

Figure 11-85. VOLT_TRIM Register

31	30	29	28	27	26	25	24
RESERVED				VDDR_TRIM_HH			
R-0h				R-X			
23	22	21	20	19	18	17	16
RESERVED				VDDR_TRIM_H			
R-0h				R-X			
15	14	13	12	11	10	9	8
RESERVED				VDDR_TRIM_SLEEP_H			
R-0h				R-X			
7	6	5	4	3	2	1	0
RESERVED				TRIMBOD_H			
R-0h				R-X			

Table 11-89. VOLT_TRIM Register Field Descriptions

Bit	Field	Type	Reset	Description
31-29	RESERVED	R	0h	Reserved
28-24	VDDR_TRIM_HH	R	X	Internal. Only to be used through TI provided API. Default value holds trim value from production test.
23-21	RESERVED	R	0h	Reserved
20-16	VDDR_TRIM_H	R	X	Internal. Only to be used through TI provided API. Default value holds trim value from production test.
15-13	RESERVED	R	0h	Reserved
12-8	VDDR_TRIM_SLEEP_H	R	X	Internal. Only to be used through TI provided API. Default value holds trim value from production test.
7-5	RESERVED	R	0h	Reserved
4-0	TRIMBOD_H	R	X	Internal. Only to be used through TI provided API. Default value holds trim value from production test.

11.4.1.64 OSC_CONF Register (Offset = 38Ch) [Reset = F00900E6h]

OSC_CONF is shown in [Figure 11-86](#) and described in [Table 11-90](#).

Return to the [Table 11-25](#).

OSC Configuration

Figure 11-86. OSC_CONF Register

31	30	29	28	27	26	25	24
RESERVED		ADC_SH_VBU F_EN	ADC_SH_MOD E_EN	AATESTLF_RCO SCLF_IBIAS_T RIM	XOSCLF_REGULATOR_TRIM		XOSCLF_CMIR RWR_RATIO
R-0h		R-1h	R-1h	R-0h	R-0h		R-0h
23	22	21	20	19	18	17	16
XOSCLF_CMIR RWR_RATIO			XOSC_HF_FAST_START		XOSC_OPTION	HPOSC_OPTIO N	HPOSC_BIAS_ HOLD_MODE_ EN
R-0h			R-1h		R-X	R-X	R-1h
15	14	13	12	11	10	9	8
HPOSC_CURRMIR R_RATIO				HPOSC_BIAS_RES_SET			
R-X				R-X			
7	6	5	4	3	2	1	0
HPOSC_FILTE R_EN	HPOSC_BIAS_RECHARGE_DE LAY		RESERVED		HPOSC_SERIES_CAP		HPOSC_DIV3_ BYPASS
R-1h	R-3h		R-0h		R-3h		R-0h

Table 11-90. OSC_CONF Register Field Descriptions

Bit	Field	Type	Reset	Description
31-30	RESERVED	R	0h	Reserved
29	ADC_SH_VBUF_EN	R	1h	Trim value for DDI_0_OSC:ADCDOUBLERNANOAMPCTL.ADC_SH_VBUF_EN.
28	ADC_SH_MODE_EN	R	1h	Trim value for DDI_0_OSC:ADCDOUBLERNANOAMPCTL.ADC_SH_MODE_EN.
27	AATESTLF_RCO SCLF_IBI AS_TRIM	R	0h	Trim value for DDI_0_OSC:AATESTCTL.ATESTLF_RCO SCLF_IBIAS_TRIM.
26-25	XOSCLF_REGULATOR_T RIM	R	0h	Trim value for DDI_0_OSC:LFOSCCTL.XOSCLF_REGULATOR_TRIM.
24-21	XOSCLF_CMIR RWR_RA TIO	R	0h	Trim value for DDI_0_OSC:LFOSCCTL.XOSCLF_CMIR RWR_RATIO.
20-19	XOSC_HF_FAST_START	R	1h	Trim value for DDI_0_OSC:CTL1.XOSC_HF_FAST_START.
18	XOSC_OPTION	R	X	0: XOSC_HF unavailable (may not be bonded out) 1: XOSC_HF available (default) Default value differs depending on partnumber.
17	HPOSC_OPTION	R	X	Internal. Only to be used through TI provided API. Default value differs depending on partnumber.
16	HPOSC_BIAS_HOLD_MO DE_EN	R	1h	Internal. Only to be used through TI provided API.
15-12	HPOSC_CURRMIR R_RA TIO	R	X	Internal. Only to be used through TI provided API. Default value holds trim value from production test.
11-8	HPOSC_BIAS_RES_SET	R	X	Internal. Only to be used through TI provided API. Default value holds trim value from production test.
7	HPOSC_FILTER_EN	R	1h	Internal. Only to be used through TI provided API.

Table 11-90. OSC_CONF Register Field Descriptions (continued)

Bit	Field	Type	Reset	Description
6-5	HPOSC_BIAS_RECHARGE_DELAY	R	3h	Internal. Only to be used through TI provided API.
4-3	RESERVED	R	0h	Reserved
2-1	HPOSC_SERIES_CAP	R	3h	Internal. Only to be used through TI provided API.
0	HPOSC_DIV3_BYPASS	R	0h	Internal. Only to be used through TI provided API.

11.4.1.65 **FREQ_OFFSET** Register (Offset = 390h) [Reset = 0000000h]

FREQ_OFFSET is shown in [Figure 11-87](#) and described in [Table 11-91](#).

Return to the [Table 11-25](#).

Internal. Only to be used through TI provided API.

Figure 11-87. FREQ_OFFSET Register

31	30	29	28	27	26	25	24	23	22	21	20	19	18	17	16
HPOSC_COMP_P0															
R-X															
15	14	13	12	11	10	9	8	7	6	5	4	3	2	1	0
HPOSC_COMP_P1								HPOSC_COMP_P2							
R-X								R-X							

Table 11-91. FREQ_OFFSET Register Field Descriptions

Bit	Field	Type	Reset	Description
31-16	HPOSC_COMP_P0	R	X	Internal. Only to be used through TI provided API. Default value holds trim value from production test.
15-8	HPOSC_COMP_P1	R	X	Internal. Only to be used through TI provided API. Default value holds trim value from production test.
7-0	HPOSC_COMP_P2	R	X	Internal. Only to be used through TI provided API. Default value holds trim value from production test.

11.4.1.66 MISC_OTP_DATA_1 Register (Offset = 398h) [Reset = E08403F8h]

MISC_OTP_DATA_1 is shown in [Figure 11-88](#) and described in [Table 11-92](#).

Return to the [Table 11-25](#).

Internal. Only to be used through TI provided API.

Figure 11-88. MISC_OTP_DATA_1 Register

31	30	29	28	27	26	25	24
RESERVED			PEAK_DET_ITRIM			HP_BUF_ITRIM	
R-0h			R-0h			R-0h	
23	22	21	20	19	18	17	16
LP_BUF_ITRIM		DBLR_LOOP_FILTER_RESET_VOLTAGE		HPM_IBIAS_WAIT_CNT			
R-2h		R-0h		R-100h			
15	14	13	12	11	10	9	8
HPM_IBIAS_WAIT_CNT						LPM_IBIAS_WAIT_CNT	
R-100h						R-3Fh	
7	6	5	4	3	2	1	0
LPM_IBIAS_WAIT_CNT				IDAC_STEP			
R-3Fh				R-8h			

Table 11-92. MISC_OTP_DATA_1 Register Field Descriptions

Bit	Field	Type	Reset	Description
31-29	RESERVED	R	0h	Reserved
28-27	PEAK_DET_ITRIM	R	0h	Internal. Only to be used through TI provided API.
26-24	HP_BUF_ITRIM	R	0h	Internal. Only to be used through TI provided API.
23-22	LP_BUF_ITRIM	R	2h	Internal. Only to be used through TI provided API.
21-20	DBLR_LOOP_FILTER_RESET_VOLTAGE	R	0h	Internal. Only to be used through TI provided API.
19-10	HPM_IBIAS_WAIT_CNT	R	100h	Internal. Only to be used through TI provided API.
9-4	LPM_IBIAS_WAIT_CNT	R	3Fh	Internal. Only to be used through TI provided API.
3-0	IDAC_STEP	R	8h	Internal. Only to be used through TI provided API.

11.4.1.67 SHDW_DIE_ID_0 Register (Offset = 3D0h) [Reset = 0000000h]

SHDW_DIE_ID_0 is shown in [Figure 11-89](#) and described in [Table 11-93](#).

Return to the [Table 11-25](#).

Shadow of DIE_ID_0 register in eFuse

Figure 11-89. SHDW_DIE_ID_0 Register

31	30	29	28	27	26	25	24	23	22	21	20	19	18	17	16	15	14	13	12	11	10	9	8	7	6	5	4	3	2	1	0
																	ID_31_0														
																	R-X														

Table 11-93. SHDW_DIE_ID_0 Register Field Descriptions

Bit	Field	Type	Reset	Description
31-0	ID_31_0	R	X	Shadow of DIE_ID_0 register in eFuse row number 5 Default value depends on eFuse value.

11.4.1.68 SHDW_DIE_ID_1 Register (Offset = 3D4h) [Reset = 0000000h]

SHDW_DIE_ID_1 is shown in [Figure 11-90](#) and described in [Table 11-94](#).

Return to the [Table 11-25](#).

Shadow of DIE_ID_1 register in eFuse

Figure 11-90. SHDW_DIE_ID_1 Register

31	30	29	28	27	26	25	24	23	22	21	20	19	18	17	16	15	14	13	12	11	10	9	8	7	6	5	4	3	2	1	0
																	ID_63_32														
																	R-X														

Table 11-94. SHDW_DIE_ID_1 Register Field Descriptions

Bit	Field	Type	Reset	Description
31-0	ID_63_32	R	X	Shadow of DIE_ID_1 register in eFuse row number 6 Default value depends on eFuse value.

11.4.1.69 SHDW_DIE_ID_2 Register (Offset = 3D8h) [Reset = 0000000h]

SHDW_DIE_ID_2 is shown in [Figure 11-91](#) and described in [Table 11-95](#).

Return to the [Table 11-25](#).

Shadow of DIE_ID_2 register in eFuse

Figure 11-91. SHDW_DIE_ID_2 Register

31	30	29	28	27	26	25	24	23	22	21	20	19	18	17	16	15	14	13	12	11	10	9	8	7	6	5	4	3	2	1	0
ID_95_64																															
R-X																															

Table 11-95. SHDW_DIE_ID_2 Register Field Descriptions

Bit	Field	Type	Reset	Description
31-0	ID_95_64	R	X	Shadow of DIE_ID_2 register in eFuse row number 7 Default value depends on eFuse value.

11.4.1.70 SHDW_DIE_ID_3 Register (Offset = 3DCh) [Reset = 0000000h]

SHDW_DIE_ID_3 is shown in [Figure 11-92](#) and described in [Table 11-96](#).

Return to the [Table 11-25](#).

Shadow of DIE_ID_3 register in eFuse

Figure 11-92. SHDW_DIE_ID_3 Register

31	30	29	28	27	26	25	24	23	22	21	20	19	18	17	16	15	14	13	12	11	10	9	8	7	6	5	4	3	2	1	0
ID_127_96																															
R-X																															

Table 11-96. SHDW_DIE_ID_3 Register Field Descriptions

Bit	Field	Type	Reset	Description
31-0	ID_127_96	R	X	Shadow of DIE_ID_3 register in eFuse row number 8 Default value depends on eFuse value.

11.4.1.71 SHDW_OSC_BIAS_LDO_TRIM Register (Offset = 3F8h) [Reset = 0000000h]

SHDW_OSC_BIAS_LDO_TRIM is shown in [Figure 11-93](#) and described in [Table 11-97](#).

Return to the [Table 11-25](#).

Internal. Only to be used through TI provided API.

Figure 11-93. SHDW_OSC_BIAS_LDO_TRIM Register

31	30	29	28	27	26	25	24
RESERVED					TRIMMAG		
R-0h					R-X		
23	22	21	20	19	18	17	16
TRIMMAG	TRIMIREF				ITRIM_DIG_LDO		
R-X	R-X				R-X		
15	14	13	12	11	10	9	8
VTRIM_DIG				VTRIM_COARSE			
R-X				R-X			
7	6	5	4	3	2	1	0
RCOSCHF_CTRIM							
R-X							

Table 11-97. SHDW_OSC_BIAS_LDO_TRIM Register Field Descriptions

Bit	Field	Type	Reset	Description
31-27	RESERVED	R	0h	Reserved
26-23	TRIMMAG	R	X	Internal. Only to be used through TI provided API. Default value depends on eFuse value.
22-18	TRIMIREF	R	X	Internal. Only to be used through TI provided API. Default value depends on eFuse value.
17-16	ITRIM_DIG_LDO	R	X	Internal. Only to be used through TI provided API. Default value depends on eFuse value.
15-12	VTRIM_DIG	R	X	Internal. Only to be used through TI provided API. Default value depends on eFuse value.
11-8	VTRIM_COARSE	R	X	Internal. Only to be used through TI provided API. Default value depends on eFuse value.
7-0	RCOSCHF_CTRIM	R	X	Internal. Only to be used through TI provided API. Default value depends on eFuse value.

11.4.1.72 SHDW_ANA_TRIM Register (Offset = 3FCh) [Reset = 0000000h]

SHDW_ANA_TRIM is shown in [Figure 11-94](#) and described in [Table 11-98](#).

Return to the [Table 11-25](#).

Internal. Only to be used through TI provided API.

Figure 11-94. SHDW_ANA_TRIM Register

31	30	29	28	27	26	25	24
RESERVED	ALT_VDDR_TRIM	DET_LOGIC_DIS	BOD_BANDGAP_TRIM_CNF_EXT		BOD_BANDGAP_TRIM_CNF		VDDR_ENABLE_PG1
R-0h	R-X	R-X	R-X		R-X		R-X
23	22	21	20	19	18	17	16
VDDR_OK_HYS	IPTAT_TRIM		VDDR_TRIM				
R-X	R-X		R-X				
15	14	13	12	11	10	9	8
TRIMBOD_INTMODE					TRIMBOD_EXTMODE		
R-X					R-X		
7	6	5	4	3	2	1	0
TRIMBOD_EXTMODE		TRIMTEMP					
R-X		R-X					

Table 11-98. SHDW_ANA_TRIM Register Field Descriptions

Bit	Field	Type	Reset	Description
31	RESERVED	R	0h	Reserved
30	ALT_VDDR_TRIM	R	X	Internal. Only to be used through TI provided API. Default value depends on eFuse value.
29	DET_LOGIC_DIS	R	X	Internal. Only to be used through TI provided API. Default value depends on eFuse value.
28-27	BOD_BANDGAP_TRIM_CNF_EXT	R	X	Internal. Only to be used through TI provided API. Default value depends on eFuse value.
26-25	BOD_BANDGAP_TRIM_CNF	R	X	Internal. Only to be used through TI provided API. Default value depends on eFuse value.
24	VDDR_ENABLE_PG1	R	X	Internal. Only to be used through TI provided API. Default value depends on eFuse value.
23	VDDR_OK_HYS	R	X	Internal. Only to be used through TI provided API. Default value depends on eFuse value.
22-21	IPTAT_TRIM	R	X	Internal. Only to be used through TI provided API. Default value depends on eFuse value.
20-16	VDDR_TRIM	R	X	Internal. Only to be used through TI provided API. Default value depends on eFuse value.
15-11	TRIMBOD_INTMODE	R	X	Internal. Only to be used through TI provided API. Default value depends on eFuse value.
10-6	TRIMBOD_EXTMODE	R	X	Internal. Only to be used through TI provided API. Default value depends on eFuse value.
5-0	TRIMTEMP	R	X	Internal. Only to be used through TI provided API. Default value depends on eFuse value.

11.4.1.73 DAC_BIAS_CNF Register (Offset = 40Ch) [Reset = FFFC00FFh]

DAC_BIAS_CNF is shown in [Figure 11-95](#) and described in [Table 11-99](#).

Return to the [Table 11-25](#).

Internal. Only to be used through TI provided API.

Figure 11-95. DAC_BIAS_CNF Register

31	30	29	28	27	26	25	24
RESERVED							
R-0h							
23	22	21	20	19	18	17	16
RESERVED						LPM_TRIM_IOUT	
R-0h						R-X	
15	14	13	12	11	10	9	8
LPM_TRIM_IOUT				LPM_BIAS_WIDTH_TRIM			LPM_BIAS_BACKUP_EN
R-X				R-0h			R-0h
7	6	5	4	3	2	1	0
RESERVED							
R-0h							

Table 11-99. DAC_BIAS_CNF Register Field Descriptions

Bit	Field	Type	Reset	Description
31-18	RESERVED	R	0h	Reserved
17-12	LPM_TRIM_IOUT	R	X	Internal. Only to be used through TI provided API. Default value holds trim value from production test.
11-9	LPM_BIAS_WIDTH_TRIM	R	0h	Internal. Only to be used through TI provided API.
8	LPM_BIAS_BACKUP_EN	R	0h	Internal. Only to be used through TI provided API.
7-0	RESERVED	R	0h	Reserved

11.4.1.74 TFW_PROBE Register (Offset = 418h) [Reset = 0000000h]

TFW_PROBE is shown in [Figure 11-96](#) and described in [Table 11-100](#).

Return to the [Table 11-25](#).

Internal. Only to be used through TI provided API.

Figure 11-96. TFW_PROBE Register

31	30	29	28	27	26	25	24	23	22	21	20	19	18	17	16	15	14	13	12	11	10	9	8	7	6	5	4	3	2	1	0
																REV															
																R-X															

Table 11-100. TFW_PROBE Register Field Descriptions

Bit	Field	Type	Reset	Description
31-0	REV	R	X	Internal. Only to be used through TI provided API. Default value holds trim value from production test.

11.4.1.75 TFW_FT Register (Offset = 41Ch) [Reset = 0000000h]

TFW_FT is shown in [Figure 11-97](#) and described in [Table 11-101](#).

Return to the [Table 11-25](#).

Internal. Only to be used through TI provided API.

Figure 11-97. TFW_FT Register

31	30	29	28	27	26	25	24	23	22	21	20	19	18	17	16	15	14	13	12	11	10	9	8	7	6	5	4	3	2	1	0
																REV															
																R-X															

Table 11-101. TFW_FT Register Field Descriptions

Bit	Field	Type	Reset	Description
31-0	REV	R	X	Internal. Only to be used through TI provided API. Default value holds trim value from production test.

11.4.1.76 DAC_CAL0 Register (Offset = 420h) [Reset = 0000000h]

DAC_CAL0 is shown in [Figure 11-98](#) and described in [Table 11-102](#).

Return to the [Table 11-25](#).

Internal. Only to be used through TI provided API.

Figure 11-98. DAC_CAL0 Register

31	30	29	28	27	26	25	24	23	22	21	20	19	18	17	16
SOC_DAC_VOUT_CAL_DECOUPLE_C2															
R-X															
15	14	13	12	11	10	9	8	7	6	5	4	3	2	1	0
SOC_DAC_VOUT_CAL_DECOUPLE_C1															
R-X															

Table 11-102. DAC_CAL0 Register Field Descriptions

Bit	Field	Type	Reset	Description
31-16	SOC_DAC_VOUT_CAL_DECOUPLE_C2	R	X	Internal. Only to be used through TI provided API. Default value holds trim value from production test.
15-0	SOC_DAC_VOUT_CAL_DECOUPLE_C1	R	X	Internal. Only to be used through TI provided API. Default value holds trim value from production test.

11.4.1.77 DAC_CAL1 Register (Offset = 424h) [Reset = 0000000h]

DAC_CAL1 is shown in [Figure 11-99](#) and described in [Table 11-103](#).

Return to the [Table 11-25](#).

Internal. Only to be used through TI provided API.

Figure 11-99. DAC_CAL1 Register

31	30	29	28	27	26	25	24	23	22	21	20	19	18	17	16
SOC_DAC_VOUT_CAL_PRECH_C2															
R-X															
15	14	13	12	11	10	9	8	7	6	5	4	3	2	1	0
SOC_DAC_VOUT_CAL_PRECH_C1															
R-X															

Table 11-103. DAC_CAL1 Register Field Descriptions

Bit	Field	Type	Reset	Description
31-16	SOC_DAC_VOUT_CAL_P RECH_C2	R	X	Internal. Only to be used through TI provided API. Default value holds trim value from production test.
15-0	SOC_DAC_VOUT_CAL_P RECH_C1	R	X	Internal. Only to be used through TI provided API. Default value holds trim value from production test.

11.4.1.78 DAC_CAL2 Register (Offset = 428h) [Reset = 0000000h]

DAC_CAL2 is shown in [Figure 11-100](#) and described in [Table 11-104](#).

Return to the [Table 11-25](#).

Internal. Only to be used through TI provided API.

Figure 11-100. DAC_CAL2 Register

31	30	29	28	27	26	25	24	23	22	21	20	19	18	17	16
SOC_DAC_VOUT_CAL_ADCREF_C2															
R-X															
15	14	13	12	11	10	9	8	7	6	5	4	3	2	1	0
SOC_DAC_VOUT_CAL_ADCREF_C1															
R-X															

Table 11-104. DAC_CAL2 Register Field Descriptions

Bit	Field	Type	Reset	Description
31-16	SOC_DAC_VOUT_CAL_A DCREF_C2	R	X	Internal. Only to be used through TI provided API. Default value holds trim value from production test.
15-0	SOC_DAC_VOUT_CAL_A DCREF_C1	R	X	Internal. Only to be used through TI provided API. Default value holds trim value from production test.

11.4.1.79 DAC_CAL3 Register (Offset = 42Ch) [Reset = 0000000h]

DAC_CAL3 is shown in [Figure 11-101](#) and described in [Table 11-105](#).

Return to the [Table 11-25](#).

Internal. Only to be used through TI provided API.

Figure 11-101. DAC_CAL3 Register

31	30	29	28	27	26	25	24	23	22	21	20	19	18	17	16
SOC_DAC_VOUT_CAL_VDDS_C2															
R-X															
15	14	13	12	11	10	9	8	7	6	5	4	3	2	1	0
SOC_DAC_VOUT_CAL_VDDS_C1															
R-X															

Table 11-105. DAC_CAL3 Register Field Descriptions

Bit	Field	Type	Reset	Description
31-16	SOC_DAC_VOUT_CAL_VDDS_C2	R	X	Internal. Only to be used through TI provided API. Default value holds trim value from production test.
15-0	SOC_DAC_VOUT_CAL_VDDS_C1	R	X	Internal. Only to be used through TI provided API. Default value holds trim value from production test.

This page intentionally left blank.

The security core of the CC13x1x3 and CC26x1x3 device platform features an advanced encryption standard (AES) module with 128-bit key support, local key storage and DMA capability. This chapter provides information about configuring the AES engine.

12.1 AES Cryptoprocessor Introduction	888
12.2 Functional Description	888
12.3 Power Management and Sleep Modes	889
12.4 Hardware Description	890
12.5 Module Description	891
12.6 AES Module Performance	901
12.7 Programming Guidelines	903
12.8 Conventions and Compliances	914
12.9 Cryptography Registers	916

12.1 AES Cryptoprocessor Introduction

The AES security module provides hardware-accelerated data encryption and decryption operations based on a binary key. The module supports a 128-bit key in hardware for encryption and decryption and uses symmetric algorithm, meaning that the encryption and decryption keys are identical. Encryption converts plain text data to an unintelligible form called *cipher text*. Decrypting cipher text converts previously encrypted data back into its original plain text form. The main features of the AES module are:

- Support and availability of the following operating modes:
 - Electronic code book mode (ECB)
 - Cipher block chaining mode (CBC)
 - Cipher block chaining message authentication code (CBC-MAC)
 - Counter mode (CTR)
 - Counter mode with CBC-MAC (CCM)
- Key size: 128 bits
- Support for CBC-MAC authentication modes
- Key scheduling in hardware
- Support for μ DMA transfers
- Fully synchronous design

ECB, CBC, CTR and CCM modes require reading and writing of data. CBC-MAC requires only reading of the data from an external source. The CCM mode of operation returns an authentication result. This result can either be read with a separate DMA operation, or read through the slave interface. For all modes, an option provides (part of) the data through the slave interface instead of using DMA. The AES engine is forced to use keys from the Key Store module for its operations. A key is provided to the AES engine by triggering the Key Store module to read an AES key from the Key Store memory, and to write it to the AES key registers. The AES engine automatically pads or masks misaligned last data blocks with zeroes for AES CBC-MAC and CCM (including misaligned AAD data). For AES CTR mode, misaligned last data blocks are internally masked to support nonblock size input data.

12.2 Functional Description

The AES engine is directly connected to the context and data registers so that it can immediately start processing when all data is available. The AES engine also interfaces to the I/O-control FSM and μ DMA request interface. AES comprises the following major functional blocks:

- Global control FSM and μ DMA interface
- Register interface module
- The AES engine

The AES engine, which is the major top-level component, comprises the following functional blocks:

- Mode-control FSM: manages the data flow to and from the AES engine and starts each encryption and decryption operation
- Feedback modes: the logic that implements the various feedback modes supported by AES
- AES key scheduler: generates AES encryption and decryption (round) keys
- AES encryption core: the AES encryption algorithm
- AES decryption core: the AES decryption algorithm
- Substitution-boxes (S-boxes): contain AES S-Box $GF(2^8)$ implementations.

For a key length of 128 bits, 10 rounds or 32 clock cycles are required because $\{\text{number of clock cycles}\} = 2 + 3 \times \{\text{number of rounds}\}$. While one data block processes, the next block can be preloaded immediately. When a block is preloaded, the previous block must finish before additional data can be loaded. Therefore, once the pipeline is full, sequential data blocks can be passed every 32 clock cycles.

12.2.1 Debug Capabilities

The AES module provides the following status registers to monitor operations of the engine:

- DMA status and port error status registers
- Interrupt status registers in the master control module
- Key Store module status register

12.2.2 Exception Handling

The AES module can detect AHB master bus errors and abort the DMA operation. The AES Key Store module can detect key load errors and does not store the *bad* key in that case. In both cases, the status register in the master control module indicates the error.

12.3 Power Management and Sleep Modes

There is no retention logic for cryptography registers. The clocks can be enabled or gated by the following PRCM registers:

- SECDMACLKGR.CRYPTO_CLK_EN bit while in run mode
- SECDMASCLKG.CRYPTO_CLK_EN bit while in sleep mode
- SECDMACLKGDS.CRYPTO_CLK_EN bit while in deep sleep mode

The cryptography module is enabled and disabled by the SECDMAHWOPT.CRYPTO_EN bit.

To save power, the application can disable the clock to the AES module when not in use. The AES is clock gated in sleep mode by setting the SECDMACLKGS register CRYPTO_CLK_EN bit. The AES can also be clock gated in run mode by setting the SECDMACLKGR register CRYPTO_CLK_EN bit.

12.4 Hardware Description

12.4.1 AHB Slave Bus

Internal registers of the AES module are accessed by the slave interface. The AHB slave interface accepts 8-, 16-, and 32-bit transfers. However, the AES module accepts only 32-bit single access.

As each transfer is checked for multiple error conditions depending on the address, size and type of the transfer, these checks are performed on registered signals to improve timing on the input signals. Therefore, one wait cycle must be inserted for each transfer. If an ERROR response occurs, h_ready_out must be taken low one cycle after the address is received. This results in the following timing:

- Write transfers take two clock cycles.
- Read transfers take three clock cycles.

The AHB slave handles only the little endian transfers and, for register access, only 32-bit single accesses are allowed.

12.4.2 AHB Master Bus

The module is configured by the DMA configuration DMABUSCFG register (see [Section 12.9.1](#)) and performs single 8-bit or 32-bit nonsequential single transfers by default. Transfer addresses and length parameters of the DMA transfer are byte aligned.

When the AES module requests a DMA transfer, the AHB master asserts and signals to indicate to the arbiter that it requires the bus. This signal stays asserted until the address phase of the last transfer of the DMA and no new DMA transfers are requested.

When no DMA transfers are requested, the AHB master performs IDLE transfers. If the AHB master is already granted and gets the DMA request, the first write transfer is an IDLE transfer. The last transfer is always an IDLE transfer.

If the AHB_MST1_LOCK_EN bit is asserted, the AHB master asserts a lock signal to indicate the AHB is performing a number of indivisible transfers. The arbiter does not grant any other AHB master access to the bus when the first transfer of the sequence of locked transfers has commenced. The AHB master inserts an IDLE transfer after each block sequence.

The AHB master can handle big and little endian transfers. The AES module is little endian oriented internally. However, when connected to a big endian AHB system, a conversion from big to little endian can be done in the AHB master interface. By default, a little endian oriented AHB host system is assumed. When the AHB system is big endian oriented, the AHB_MST1_BIGEND bit must be set to 1.

Note

The CC13x1x3 and CC26x1x3 device platform does not support burst or nonsequential transfers through internal interconnect. The DMABUSCFG register must not be changed for proper operation.

12.4.3 Interrupts

The AES module has two interrupt outputs; both are driven from the master control module and are controlled by the respective registers (see [Section 12.5.4.3](#)).

To enable interrupts for the AES engine, the IRQTYPE.EN bit must be set and the interrupt source must be configured in the IRQEN register.

The IRQCLR register is available to clear an interrupt output and error status bit. The IRQSET register provides the software a way to test the interrupt connections and must be used for debugging only.

The IRQSTAT register provides the status of the two interrupts and error status messages. The error status bits are asserted when they are detected, and typically the value of DMA_BUS_ERR and KEY_ST_WR_ERR signals are valid after the RESULT_AVAIL bit is asserted. The KEY_ST_RD_ERR bit is valid after triggering the Key Store module to read a key from memory and providing it to the AES engine.

An interrupt RESULT_AVAIL is activated when an operation that uses DMA is finished. The signal asserts when both the DMA and internal module are in the IDLE state.

Another interrupt DMA_IN_DONE is activated when only the input DMA is finished and is intended for debugging.

Note

Interrupt outputs are not triggered for operations where the DMA is not used.

12.5 Module Description

12.5.1 Introduction

This section describes some accessible registers, internal interfaces, and module functionality. The registers and functionality are discussed for each submodule. For complete information on the module registers, see [Section 12.9.1](#).

12.5.2 Module Memory Map

[Table 12-1](#) lists the memory map details. See [Section 12.9.1](#) for the descriptions.

Table 12-1. Detailed Memory Map⁽¹⁾

Physical Address	Register Name	Type	Reset Value	Remark
DMA Controller Registers				
0x4002 4000	DMACH0CTL	R/W	0x0000 0000	Channel 0 control register
0x4002 4004	DMACH0EXTADDR	R/W	0x0000 0000	Channel 0 external address
0x4002 400C	DMACH0LEN	R/W	0x0000 0000	Channel 0 DMA length
0x4002 4018	DMASTAT	R	0x0000 0000	DMAC status
0x4002 401C	DMASWRESET	W	0x0000 0000	DMAC software reset
0x4002 4020	DMACH1CTL	R/W	0x0000 0000	Channel 1 control register
0x4002 4024	DMACH1EXTADDR	R/W	0x0000 0000	Channel 1 external address
0x4002 402C	DMACH1LEN	R/W	0x0000 0000	Channel 1 DMA length
0x4002 4078	DMABUSCFG	R/W	0x0000 6000	Master runtime parameters
0x4002 407C	DMAPORTERR	R	0x0000 0000	Port error raw status register
0x4002 40F8	DMAHWOPT	R	0x0000 0202	DMAC options register
0x4002 40FC	DMAHWVER	R	0x0101 2ED1	DMAC version register
Key-Storage Registers				
0x4002 4400	KEYWRITEAREA	R/W	0x0000 0000	Writer area register
0x4002 4404	KEYWRITTENAREA	R/W	0x0000 0000	Written area register
0x4002 4408	KEYSIZE	R/W	0x0000 0001	Key size register
0x4002 440C	KEYREADAREA	R/W	0x0000 0008	Read area register

Table 12-1. Detailed Memory Map⁽¹⁾ (continued)

Physical Address	Register Name	Type	Reset Value	Remark
AES Engine Registers				
0x4002 4500 to 0x4002 450C	AESKEY2_0 to AESKEY2_3	W	0x0000 0000	Clear/wipe AESKEY2__0 to AESKEY2__3 register
0x4002 4510 to 0x4002 451C	AESKEY3_0 to AESKEY3_3	W	0x0000 0000	Clear/wipe AESKEY3__0 to AESKEY3__3 register
0x4002 4540 to 0x4002 454C	AESIV_0 to AESIV_3	R/W	0x0000 0000	AES IV (LSW)
0x4002 4550	AESCTL	R/W	0x8000 0000	I/O and control mode
0x4002 4554	AESDATALEN0	W	0x0000 0000	Crypto data length (LSW)
0x4002 4558	AESDATALEN1	W	0x0000 0000	Crypto data length (MSW)
0x4002 455C	AESAUTHLEN	W	0x0000 0000	AAD data length
0x4002 4560	AESDATAOUT0	R	0x0000 0000	Data output (LSW)
0x4002 4560	AESDATAIN0	W	0x0000 0000	Data input (LSW)
0x4002 4564	AESDATAOUT1	R	0x0000 0000	Data output
0x4002 4564	AESDATAIN1	W	0x0000 0000	Data input
0x4002 4568	AESDATAOUT2	R	0x0000 0000	Data output
0x4002 4568	AESDATAIN2	W	0x0000 0000	Data input
0x4002 456C	AESDATAOUT3	R	0x0000 0000	Data output (MSW)
0x4002 456C	AESDATAIN3	W	0x0000 0000	Data input (MSW)
0x4002 4570 to 0x4002 4057C	AESTAGOUT_0 to AESTAGOUT_3	W	0x0000 0000	Tag output (LSW)
Master-Control Registers				
0x4002 4700	ALGSEL	R/W	0x0000 0000	Algorithm selection
0x4002 4704	DMAPROTCTL	R/W	0x0000 0000	Enable privileged access on master
0x4002 4740	SWRESET	W	0x0000 0000	Master control software reset
0x4002 4780	IRQTYPE	R/W	0x0000 0000	Interrupt configuration register
0x4002 4784	IRQEN	R/W	0x0000 0000	Interrupt enabling register
0x4002 4788	IRQCLR	W	0x0000 0000	Interrupt clear register
0x4002 478C	IRQSET	W	0x0000 0000	Interrupt set register
0x4002 4790	IRQSTAT	R	0x0000 0000	Interrupt status register
0x4002 47F8	HWOPT	R	0x0101 01F7	Type and options register
0x4002 47FC	HWVER	R	0x9200 8778	Version register

(1) Unspecified addresses are reserved and must not be written and ignored on a read.

12.5.3 DMA Controller

Figure 12-1 shows the DMA controller (DMAC) and its integration in the AES module.

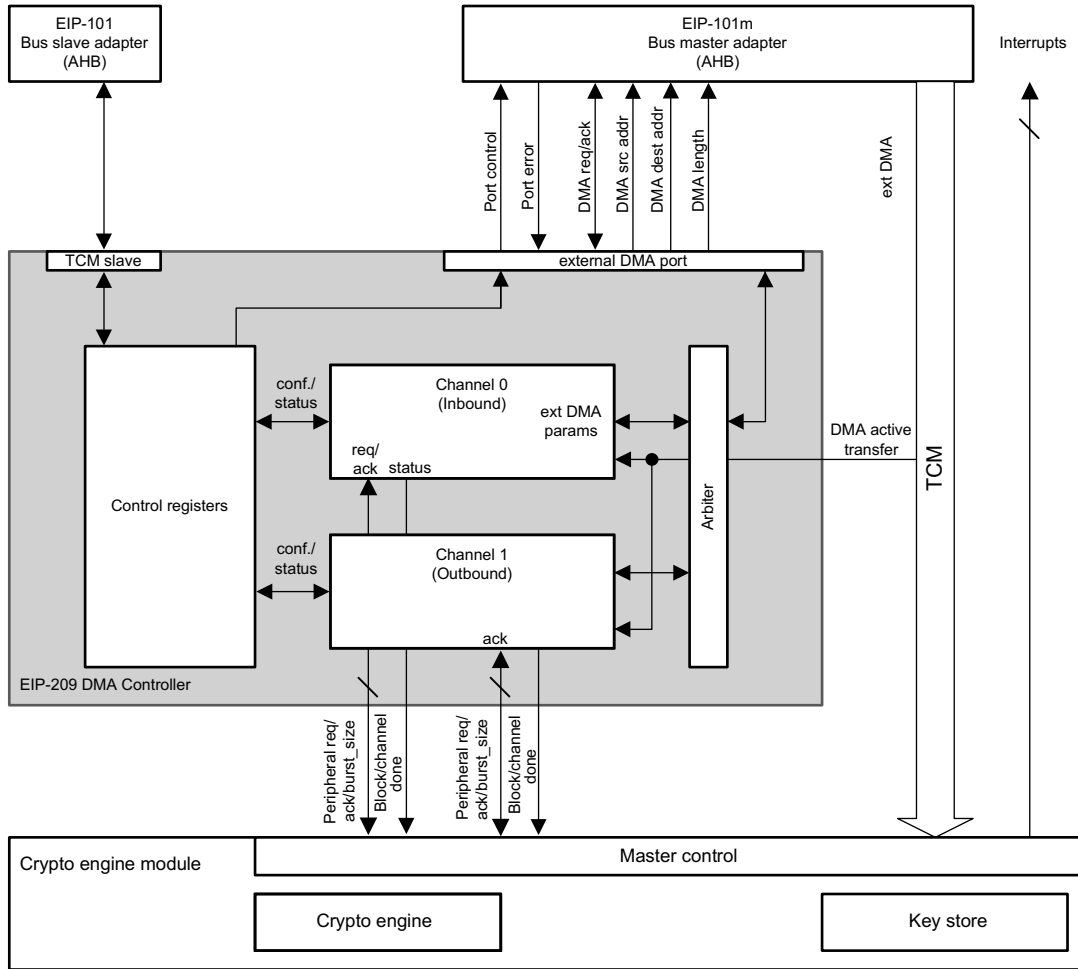


Figure 12-1. DMA Controller and Integration

The DMAC of the AES module controls the data transfer requests to the AHB master adapter, which transfers data to and from the AES engines and Key Store area.

The required parameters for proper functioning of the AHB master interface port are defined in the DMABUSCFG register. The default configuration of this register configures fixed-length transfers and a maximum burst size of 4 bytes. As a result, only nonsequential single transfers are performed on the AHB bus.

The DMASTAT and DMAPORTERR registers provide the actual state of each DMA channel and individual AHB port errors. A port error aborts operations on all serviced channels and prevents further transfers using that port, until the error is cleared by writing to the DMASWRESET register.

If the address and lengths are 32-bit aligned, the master does only NONSEQ-type and SINGLE-type transfers with a size of 4 bytes.

The DMAC splits channel DMA operation into small DMA transfers. The size of small DMA transfers is determined by the target internal module, and equals the block size of the cryptographic operation.

The DMAC has the following features:

- Two channels (one inbound and one outbound) that can be enabled at the same time
- A maximum size of the DMA operation, controlled by a 16-bit-long register
- An arbiter to schedule channel accesses to the external AHB port
- Functionality to capture external bus errors

The DMAC consists of two DMA channels with programmable priority: one is programmable to move input data and keys from the external memory to the AES module, and another is programmable to move result data from the AES module to the external memory. Access to the channels of the AHB master port is handled by the arbiter module.

Channel control registers are used for channel enabling and priority selection. When a channel is disabled, it becomes inactive only when all ongoing requests are finished.

Note

All the channel control registers (DMACHxCTL, DMACHxEXTADDR, and DMACHxLEN) must be programmed by the host to start a new DMA operation.

The DMAC transfers data between a source address and a destination address. Starting at a non word-aligned boundary, byte transfers are generated until a word boundary is reached. Word transfers are then generated as long as data are available. If the transfer does not finish on word-aligned address, the remaining transfers are again byte transfers.

Note

No halfword transfers are generated.

When the AHB_MST1_INCR_EN bit is set to 1, fixed-length bursts and single transfers are generated by default. The maximum size depends on the programmed burst size.

The DMAC registers are mapped to the external register map. To start the operation, the host must program the mode of the DMAC and parameters of the operation. These parameters involve direction (read, write, or read-and-write), length (1 to 65,535 bytes), external source address (for reading), and external destination address (for writing). For details of the registers, see [Section 12.9.1](#).

Note

The internal destination is programmed using a dedicated algorithm selection register in master control module. The burst size is provided to the DMAC based on the setting of that register.

12.5.3.1 Internal Operation

The DMAC operates with the AHB master adapter that has two ports. One port is an external AHB port used to perform read and write operations to the external AHB subsystem. This port can address the complete 32-bit address range. The second port is an internal TCM port (master TCM) used to perform read and write operations to the internal modules of the Crypto core AES engine and Key Store. Assignment of the internal modules for DMA operation must be selected in the master control module (see [Section 12.5.4.1.1](#)); therefore, an internal address is not needed in the DMAC.

The data path from the TCM port of the AHB master module to the internal modules is located outside of the DMAC. The DMAC only observes the number of transferred words to determine when the requested DMA operation is finished for the corresponding channel.

The Key Store is a 32-bit block of memory with a depth of 32 words, surrounded by control logic. When the AES module is configured to write keys to this Key Store module through DMA, the Key Store internally manages access to the Key Store RAM based on its register settings (including generation of the Key Store RAM addresses). The AES module supports only DMA write operations to the Key Store.

The AES engine has a 32-bit write interface for input data to be encrypted or decrypted, and a 32-bit read interface for result data and tag. The write interface of the AES module collects 32-bit data into a 128-bit input block (AES block size). When a full block is received, the AES calculation for the received block is started. When receiving the last word of the last block, both the DMAC and master controller generate a "data done" signal to the Crypto engine. The mode, message length, and optional parameters are programmed using the target interface.

On the TCM side, the Key Store module immediately accepts all data without delay cycles, while the Crypto module operates on a data block boundary. On the TCM side, the Key Store module immediately accepts all data without delay cycles, while the Crypto module operates on a data block boundary (the processing of which takes a number of clock cycles). Special handshake signals are used between the DMAC and the Crypto module:

- A data input request is sent to the DMA inbound channel (channel 0) when the Crypto module can accept the next data block.
- A data output request is sent to the DMA output channel (channel 1) when the Crypto module has the next block of data or tag available, after processing or Hash module has a digest available.
- Both channels send an acknowledge signal when the DMA operation starts, channel transfer completes, when a block has been transmitted and the channel transfer completes, or when all data is transmitted.

12.5.3.2 Supported DMA Operations

With each data request from the crypto engine, the DMAC requests a transfer from the AHB master. The transfer size is at most the block size of the corresponding algorithm. This block size depends on the selected algorithm in the master control module.

[Table 12-2](#) provides a summary of the supported DMAC operations. The module refers to the selected module in the master control module. In [Table 12-2](#), the *TAG enabled* label indicates that the TAG bit is set in the master control configuration register.

Table 12-2. Supported DMAC Operations

Module	Incoming Data Stream (for Channel 0)		Outcoming Data Stream (for Channel 1)	
	Source	Destination	Source	Destination
Key Store	External memory location	Key Store RAM	–	–
Crypto	RAM (Authentication data only)	AES	See (1)	See (1)
	External memory location	AES	AES	External memory location
	See (2)	See (2)	AES (TAG enabled)	External memory location

(1) TAG is transferred through the slave interface or transferred with a separate DMA.

(2) Data is transferred through another DMA, that has been executed before.

12.5.4 Master Control and Select Module

The master control module synchronizes the DMA operations and the cryptographic module handshake signals. In this module, the crypto algorithm is selected and the DMA burst sizes are defined. When the complete encryption operation completes, an interrupt is asserted.

Note

For authentication operations, the interrupt is asserted only if the authentication result is available.

The AES module also provides an interrupt to indicate that the input DMA transfer is complete. This interrupt is primarily used to determine the end of an AAD data DMA transfer (AES-CCM), which is typically set up as separate input data transfer.

12.5.4.1 Algorithm Select Register

The Algorithm Select register configures the internal destination of the DMAC.

12.5.4.1.1 Algorithm Select

Table 12-3 summarizes the allowed bit combinations of the ALGSEL register.

Table 12-3. Valid Combinations for ALGSEL Flags

Operation	Flags		
	KEY STORE	AES	TAG
Key Store is loaded through the DMA.	1	0	0
AES data is loaded through the DMA, and encrypted and decrypted data are read through the DMA (encryption and decryption). or AES data is loaded through the DMA, and the result tag is read through the slave interface (authentication-only operations).	0	1	0
AES data is loaded through the DMA; the result tag is read through the DMA (authentication-only operations).	0	1	1

12.5.4.2 Master Transfer Protection

12.5.4.2.1 Master Transfer Protection Control

The DMAPROTCTL register selects the AHB transfer protection control for DMA transfers between USER or PRIVILEGED access, using the Key Store module as destination.

12.5.4.3 Software Reset

For more details on the soft reset procedure, see [Section 12.7.4.1](#).

To perform a software reset of the AES module, write 1 to the RESET bit in the SWRESET register. When the software reset completes, the RESET bit in the SWRESET register is automatically reset. Software must ensure that the software reset completes before starting any operations.

In the DMA control module, software reset is used to reset the DMAC to stop all transfers and clear the DMAPORTERR register. After the software reset is performed, all channels are disabled and no new requests are performed by the channels. The DMAC waits for the existing (active) requests to finish, then sets the DMAC status registers.

12.5.5 AES Engine

The composition of the AES core follows:

- The main data path operates on the input block, performing the required substitution, shift, and mix operations.
- The key scheduler generates the round keys. A new subkey is generated and XORed with the data each round.

The AES key scheduler generates the round keys. During each round, a new subkey is generated from the input key to be XORed with the data. Round keys are generated on-the-fly and parallel to data processing to minimize register requirements. For encryption operations, the key sequencer transfers the initial key data to the AES core. For decryption operations, the key scheduler must provide the final subkey to the AES core so it can generate the subkeys in reverse order.

The AES core operates on the input block and performs the required substitution, shift, and mix operations. For each round, the encryption core receives the proper round key from the AES key scheduler. A fundamental component of the AES algorithm is the S-box. The S-box provides a unique 8-bit output for each 8-bit input.

The architecture of the AES decryption core is generally the same as the architecture of the encryption core. One difference is that the generation of round keys for decryption requires an initial conversion of the input key (always supplied by the host in the form of an encryption key) to the corresponding decryption key. This conversion is done by performing a dummy encryption operation and storing the final round key as a decryption key. The key scheduler is then reversed to generate the round keys for the decryption operation. Consequently, for each sequence of decryption operations under the same key, a single throughput reduction equal to the time to encrypt a single block occurs. When a decryption key is generated, subsequent decryption operations with the same key use this generated decryption key directly.

12.5.5.1 Second Key Registers (Internal, But Clearable)

The registers listed in [Table 12-4](#) and [Table 12-5](#) are not accessible through the host for reading and writing. These registers are used to store internally calculated key information and intermediate results. However, when the host performs a write to any of the respective AESKEY2__0 to AESKEY2__3 or AESKEY3__0 to AESKEY3__3 addresses, respectively, the whole 128-bit AESKEY2__0 to AESKEY2__3 or AESKEY3__0 to AESKEY3__3 register is cleared to zeroes.

The intermediate authentication result for CCM is stored in the AESKEY3_n register.

Table 12-4. AES_KEY

AESKEY2__0 to AESKEY2__3 (Write Only), 32-bit Address Offset: 0x500 to 0x50C in 0x4-byte increments																															
31	30	29	28	27	26	25	24	23	22	21	20	19	18	17	16	15	14	13	12	11	10	9	8	7	6	5	4	3	2	1	0
AESKEY2__0 to AESKEY2__3[31:0] AESKEY2__0 to AESKEY2__3[63:32] AESKEY2__0 to AESKEY2__3[95:64] AESKEY2__0 to AESKEY2__3[127:96]																															
0	0	0	0	0	0	0	0	0	0	0	0	0	0	0	0	0	0	0	0	0	0	0	0	0	0	0	0	0	0	0	0

Table 12-5. AES_KEY

AESKEY3__0 to AESKEY3__3 (Write Only), 32-bit Address Offset: 0x510 to 0x51C in 0x4-byte increments																															
31	30	29	28	27	26	25	24	23	22	21	20	19	18	17	16	15	14	13	12	11	10	9	8	7	6	5	4	3	2	1	0
AESKEY3__0 to AESKEY3__3[31:0] / AESKEY2__0 to AESKEY2__3[159:128] AESKEY3__0 to AESKEY3__3[63:32] / AESKEY2__0 to AESKEY2__3[191:160] AESKEY3__0 to AESKEY3__3[95:64] / AESKEY2__0 to AESKEY2__3[223:192] AESKEY3__0 to AESKEY3__3[127:96] / AESKEY2__0 to AESKEY2__3[255:224]																															
0	0	0	0	0	0	0	0	0	0	0	0	0	0	0	0	0	0	0	0	0	0	0	0	0	0	0	0	0	0	0	0

Table 12-6. For CCM

Bit	Field Name	Function
255-0	–	This register is used to store intermediate values.

Table 12-7. For CBC-MAC

Bit	Field Name	Function
255-0	Zeroes	This register must remain zero.

Reusing the AES_KEYn registers is allowed for sequential operations; however for CBC-MAC, intermediate values must be cleared when programming the respective mode and length parameters.

If a CBC-MAC operation is started without loading a new key (through the Key Store), and the previous operation was not a CBC-MAC operation, both AESKEY2__0 to AESKEY2__3 and AESKEY3__0 to AESKEY3__3 register locations must be written before starting the CBC-MAC operation, which is required to clear these two key registers.

12.5.5.2 AES Initialization Vector (IV) Registers

Table 12-8 shows the AES Initialization Vector registers that are used to provide and read the IV from the AES engine.

Table 12-8. AES Initialization Vector Registers

AES_IV_0, (Read/Write), 32-bit Address Offset: 0x540 AES_IV_1, (Read/Write), 32-bit Address Offset: 0x544 AES_IV_2, (Read/Write), 32-bit Address Offset: 0x548 AES_IV_3, (Read/Write), 32-bit Address Offset: 0x54C																																
31	30	29	28	27	26	25	24	23	22	21	20	19	18	17	16	15	14	13	12	11	10	9	8	7	6	5	4	3	2	1	0	
																AES_IV[31:0] AES_IV[63:32] AES_IV[95:64] AES_IV[127:96]																
0	0	0	0	0	0	0	0	0	0	0	0	0	0	0	0	0	0	0	0	0	0	0	0	0	0	0	0	0	0	0	0	0

Table 12-9. Initialization Vector, Used for Regular Non-ECB Modes (CBC/CTR)

Bits	Name	Description
127-0	AES_IV	For regular AES operations (CBC and CTR), these registers must be written with a new 128-bit IV. After an operation, these registers contain the latest 128-bit result IV, generated by the EIP-120t. If CTR mode is selected, this value is incremented with 0x1 (after first use) when a new data block is submitted to the engine.

Table 12-10. Initialization Vector, Used for CCM

Bits	Name	Description
127-0	A0	For CCM, this field must be written with value A0. This value is the concatenation of: A0-flags (5 bits of zero and 3 bits L), nonce and counter value. L must be a copy from the L value of the AESCTL register. This L indicates the width of the nonce and counter. The loaded counter must be initialized to zero. The total width of A0 is 128 bits.

Table 12-11. Initialization Vector, Used for CBC-MAC

Bit	Name	Description
127-0	Zeroes	For CBC-MAC this register must be written with zeroes at the start of each operation. After an operation, these registers contain the 128-bit TAG output, generated by the Crypto core.

12.5.5.3 AES I/O Buffer Control, Mode, and Length Registers

The I/O buffer and mode-control register (AESCTL) specifies the mode of operation for the AES engine.

Note

Internal operation of the AES module can be interrupted by setting all mode bits to 0 and writing zeroes to the length registers (AESDATALEN0, AESDATALEN1, and AESAUTHLEN [see [Section 12.9.1](#)]).

The length registers write the length values to the AES module. While processing, the length values decrement to 0. If both lengths are 0, the data stream is finished and a new context is requested. For basic AES modes (ECB, CBC, and CTR), a crypto length of 0 can be written if multiple streams must be processed with the same key. Writing a 0 length results in continued data requests until a new context is written. For the other modes (CBC-MAC and CCM), no new data requests are done if the length decrements to or equals 0.

TI recommends writing a new length per packet. If the length registers decrement to 0, no new data is processed until a new context or length value is written.

When writing a new mode without writing the length registers, the values of the length register from the previous context are reused.

12.5.5.4 Data Input and Output Registers

The AESDATAINn and AESDATAOUTn data registers are typically accessed through DMA and not with host writes and reads. However, for debugging purposes, the Data Input and Output registers can be accessed through host write and read operations. The registers buffer the input and output data blocks to and from the crypto core (see [Table 12-12](#)).

Note

The data input buffer AESDATAINn and data output buffer AESDATAOUTn are mapped to the same address locations.

Writes (both DMA and host) to these addresses load the input buffer, while reads pull from the output buffer. Therefore, for write access, the data input buffer is written; for read access, the data output buffer is read. The data input buffer must be written before starting an operation. The data output buffer contains valid data when an operation completes. Therefore, any 128-bit data block can be split over multiple 32-bit word transfers; these transfers can be mixed with other host transfers over the external interface.

For normal operations, this register is not used, because data input and output is transferred from and to the AES core through DMA. For a host write operation, these registers must be written with the 128-bit input block for the next AES operation. Writing at a word-aligned offset within this address range stores the word (4 bytes) of data into the corresponding position of 4-word-deep (16 bytes = 128-bit AES block) data-input buffer. This buffer is used for the next AES operation. If the last data block is not completely filled with valid data, it can write only the words with valid data. Finally, the AES operation is triggered by writing the AESCTL.INPUT_RDY bit.

For a host read operation, this register contains the 128-bit output block from the latest AES operation. Reading from a word-aligned offset within this address range reads one word (4 bytes) of data out of the 4-word-deep (16 bytes = 128-bits AES block) data output buffer. The words (four words, one full block) must be read before the core moves the next block to the data output buffer. To empty the data output buffer, the AESCTL.OUTPUT_RDY bit must be written.

For the modes with authentication (CBC-MAC and CCM), the invalid (message) bytes or words can be written with any data.

Note

AES typically operates on a 128-bit block with multiple input data. The CTR and CCM modes form an exception. The last block of a CTR-mode message may contain less than 128 bits (see the NIST 800-38A document from [National Institute of Standards and Technology](#)): $0 < n <= 128$ bits. For CCM, the last block of both AAD and message data may contain less than 128 bits (see NIST 800-38D from [National Institute of Standards and Technology](#)). The AES module automatically pads or masks misaligned ending data blocks with zeroes for CCM and CBC-MAC. For CTR mode, the remaining data in an unaligned data block are ignored. The AAD or authentication-only data are not copied to the output buffer but are only used for authentication.

Table 12-12. Input/Output Block Format Per Operating Mode

Operation	Data Input Buffer	Data Output Buffer
ECB/CBC encrypt	128-bit plaintext block	128-bit ciphertext block
ECB/CBC decrypt	128-bit ciphertext block	128-bit plaintext block
CTR encrypt	n-bit plaintext block	n-bit ciphertext block
CTR decrypt	n-bit ciphertext block	n-bit plaintext block
CCM AAD data	n-bit plaintext block	No output data
CCM encrypt data	n-bit plaintext block	n-bit ciphertext block
CCM decrypt data	n-bit ciphertext block	n-bit plaintext block
CBC-MAC data	n-bit plaintext block	No output data

12.5.5.5 TAG Registers

Table 12-13 shows the TAG registers that buffer the TAG from the AES module and can be accessed through DMA or directly with host reads. The TAG registers are shared with the intermediate authentication result registers, but cannot be read until the processing is finished. While processing, a read from these registers returns zeroes. If an operation does not return a TAG, reading from these registers returns an initialization vector (IV). If an operation returns a TAG plus an IV and both must be read by the host, the host must first read the TAG followed by the IV. Reading these in reverse order returns the IV twice.

For a host-read operation, these registers contain the last 128-bit TAG output of the AES core. The TAG is available until the next context is written. This register contains valid data only if the TAG is available, and when the `SAVED_CONTEXT_RDY` bit in the `AESCTL` register is set. During processing or for operations and modes that do not return a TAG, reads from this register return data from the IV register.

Table 12-13. AES Tag Output Register

AESTAGOUT__0 to AESTAGOUT__3, (Read Only), 32-bit Address Offset: 0x570 to 0x57C in 0x4 byte increments																															
31	30	29	28	27	26	25	24	23	22	21	20	19	18	17	16	15	14	13	12	11	10	9	8	7	6	5	4	3	2	1	0
AES_TAG[31:0]																AES_TAG[63:32]															
AES_TAG[95:64]																AES_TAG[127:96]															
0	0	0	0	0	0	0	0	0	0	0	0	0	0	0	0	0	0	0	0	0	0	0	0	0	0	0	0	0	0	0	0

Table 12-14. For CCM and CBC-MAC

Bit	Field Name	Description
127–0	TAG	This register contains the authentication TAG for the combined and authentication-only modes.

12.5.6 Key Area Registers

The local key storage module is directly connected to 1 kB of memory. The module can store up to eight AES keys and has eight 128-bit entries. The key size is programmed in the Key Store module. The key material in the Key Store is not accessible through read operations through the AHB master and slave interfaces.

Keys can only be written to the Key Store through DMA. Once a DMA operation for a key read is started, all received data is written to the Key Store module. Keys that are stored in the Key Store memory can be transferred only to the AES key registers and are not accessible for any other purpose.

12.5.6.1 Key Write Area Register

The Key Write Area register defines where the keys must be written in the Key Store RAM. After writing the Key Write Area register, the Key Store module is ready to receive the keys using a DMA operation. If the key data transfer triggered an error in the Key Store, the error is available in the interrupt status register, IRQSTAT, after the DMA is finished. The Key Store write error, KEY_ST_WR_ERR, is asserted when the programmed or selected area is not completely written. This error is also asserted when the DMA operation writes to RAM areas that are not selected.

For more details, see [Section 12.9.1](#).

12.5.6.2 Key Written Area Register

The Key Written Area register shows which areas of the Key Store RAM contain valid written keys.

When a new key must be written to the Key Store on a location that is already occupied by a valid key, this key area must be cleared first. Clear the key area by writing this register before the new key is written to the Key Store memory.

Trying to write to a key area that already contains a valid key is not allowed and results in an error.

For more details, see [Section 12.9.1](#).

12.5.6.3 Key Size Register

The Key Size register defines the size of the keys that are written with DMA. The Key Size register must be configured before writing to the KEYWRITEAREA register.

For more details, see [Section 12.9.1](#).

12.5.6.4 Key Store Read Area Register

The Key Store Read Area register selects the Key Store RAM area from where the key must be read that is used for an AES operation. The operation starts directly after writing this register. When the operation is finished, the status of the Key Store read operation is available in the IRQSTAT Interrupt Status register. Key Store Read Error asserts when a RAM area is selected that does not contain a valid written key.

For more details, see [Section 12.9.1](#).

12.6 AES Module Performance

12.6.1 Introduction

The processing steps of the AES module are the basis for the performance calculations. The following three major steps are identified for crypto operations using DMA:

1. Initialization (setup and initialization of the engines, DMA, and so forth)
2. Data processing for the complete message
3. Finalization (reading out the result, status checking)

The orange sections (full processing) of [Figure 12-2](#) correspond to Step 1 and Step 3. These steps are under control of the host CPU and therefore dependent on the performance of the host. Step 2 corresponds to the green section (data processing) in [Figure 12-2](#) and is fully handled by the hardware, which is not dependent on the performance of the host CPU.

The full processing part is required once per processing command, and precedes the processing of the first data block. The data processing blocks depend on the amount of data to be processed by the command. The finalization is required when the operation produces a result digest or TAG.

The number of required blocks is determined by the block size requirements of the algorithms selected by the command. The AES block size is 128 bits.

For longer data streams, the data processing time approaches the theoretical maximum throughput. For operations that use the slave interface as alternative for the DMA, the performance depends on the performance of the host CPU.

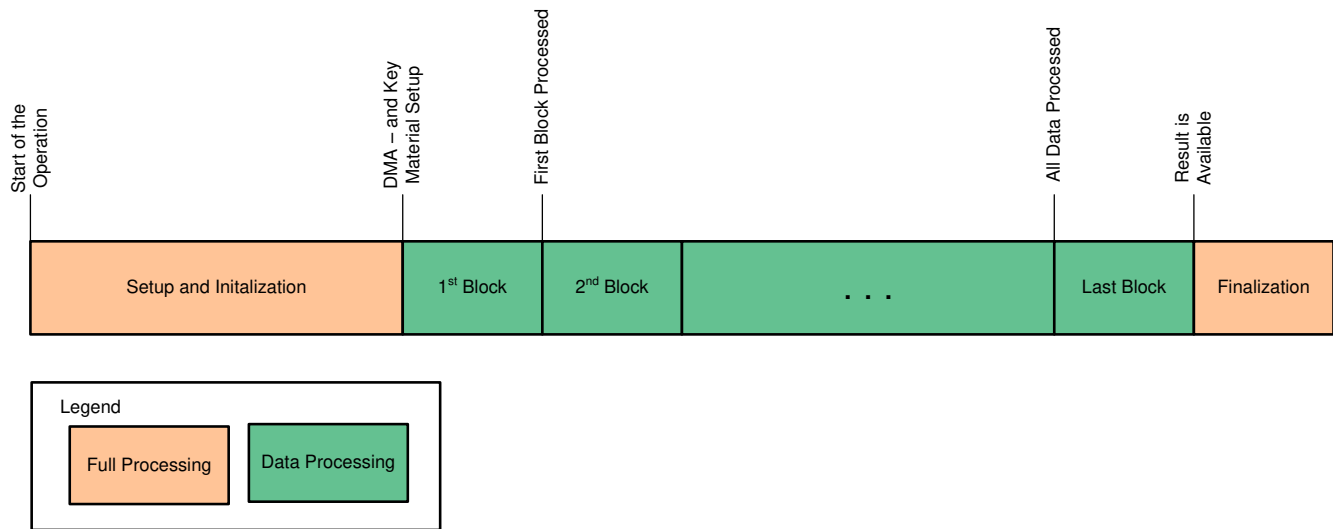


Figure 12-2. Symmetric Crypto Processing Steps

12.6.2 Performance for DMA-Based Operations

Table 12-15 shows the performance of the AES module running at 200 MHz for DMA-based cryptographic operations.

Table 12-15. Performance Table for DMA-Based Operations

Performance in Mbps at 200 MHz				
Crypto Mode	Raw Engine Performance	1-Block Packet Performance ⁽¹⁾	20-Block Performance ⁽¹⁾	100-Block Performance ⁽¹⁾
AES-128 (1 block = 128 bits)				
AES-128-ECB	492	111	420	476
AES-128-CBC	483	104	408	466
AES-128-CTR	492	104	415	474

(1) The performance assumes full programming of the engine, loading keys, and setting up the DMA engine through the DMA slave. If the context is reused (mode or keys), the performance is increased. The maximum number of cycles overhead per packet is from 100 to 150 for the various modes and algorithms.

The engine performance depends heavily on the number of blocks processed per operation. Processing a single block results in the minimum engine performance; in this case, the configuration overhead is the most significant (assuming the engine is fully reconfigured for each operation). Therefore, processing multiple blocks per operation results in a significantly higher performance.

12.7 Programming Guidelines

This section describes the low-level programming sequences for configuring and using the AES module for the supported use cases.

12.7.1 One-Time Initialization After a Reset

The purpose of the initialization is to set the AES module into the initial mode common to all used operations. Perform the following initialization steps after a hardware reset:

1. Read out and check that the AES module version and configuration matches the expected hardware configuration.
2. Program the DMAC run time parameters in the DMABUSCFG register with the desired values common for all DMA operations.
3. Initialize the desired interrupt type (level), and enable the interrupt output signal RESULT_AVAIL in the master control module.

12.7.2 DMAC and Master Control

This section contains general guidelines on how to program the DMAC to perform a specific operation.

12.7.2.1 Regular Use

Program the following registers to configure the DMA channels:

- Clear any outstanding interrupts and error flags if possible (see IRQCLR in [Section 12.9.1](#)).
- The master control module Algorithm Select register must be programmed to allow a DMA operation on the required internal module, which enables the DMA/AHB Master clock, and keeps it enabled until the clock is disabled by the host (see ALGSEL in [Section 12.9.1](#)).
- Channel n Control registers with channel bits enabled (see DMACH0CTL and DMACH1CTL in [Section 12.9.1](#)).
- Channel n External address registers (see DMACH0EXTADDR and DMACH1EXTADDR in [Section 12.9.1](#)).
- Channel DMA n Length registers. Writing this register starts the DMA operation on the corresponding channel (see DMACH0LEN and DMACH1LEN in [Section 12.9.1](#)).
- A complete operation is indicated by the result available interrupt output or the corresponding status register. Clear the interrupt after handling the interrupt (see IRQSTAT and IRQCLR in [Section 12.9.1](#)).
- Master control module algorithm selection register must be cleared to 0 to switch off the DMA/AHB Master clock (see ALGSEL in [Section 12.9.1](#)).

Note

The IRQSTAT register must be checked for possible errors if bus errors can occur (which are typically valid in a debugging phase) in the system or in systems where bus errors can occur during a DMA operation.

12.7.2.2 Interrupting DMA Transfers

To stop a DMA transfer and abort the operation, the host disables a channel using the DMACHnCTL registers. When the EN bit of this register is set to 0, no new DMA transfer is requested by this channel and the current active transfer is finished. Alternatively, all active channels can be stopped by activating the DMAC soft reset with the DMASWRESET register.

Note

When stopping the DMAC, the host must stop all active channels.

The state of the DMAC channel must be checked using the DMASTAT register. When the CHx_ACTIVE bit of this register for the disabled channel is set to 0, the DMAC channel stops.

To stop the DMAC in combination with the AES engine, the AES engine must be set in idle mode first, which is done by writing zeroes to the length registers, followed by disabling all modes in the AESCTL register.

Stopping the DMAC channels might leave the master control module in an unfinished state, due to pending events from the engines that will never occur. Therefore, to correctly recover the engine, the SWRESET register must issue the master control soft reset after all active DMAC channels are stopped.

12.7.2.3 Interrupts, Hardware, and Software Synchronization

This section describes the important relation of the RESULT_AVAIL interrupt activation and the data writing completion of the DMAC inside the Crypto core.

The RESULT_AVAIL interrupt is activated when the AHB master finishes the data write transfer from the Crypto core and the internal operation is completed. However, that does not ensure that data has been written to the external memory, due to latency from the AHB master to the destination (typically a memory). This latency might occur in the AHB bus subsystem outside of the Crypto core, because this system possibly contains bridges.

Note

If this latency can occur, the host must ensure (using a time-out or other synchronization mechanisms) that external memory reads are performed only after all memory write operations are finished.

12.7.3 Encryption and Decryption

The crypto engine (AES) transfers data over the following interfaces:

- AES accepts input data from two sources: AHB slave interface and DMA. Within one operation, it is possible to combine data from these two sources: write data from the slave interface, and write data from the DMA to complete the operation.
- Input IV and length must be supplied using the AHB slave interface. The output IV can be read only using the slave interface.
- Result data must be read using the same interface as the input data: using either the slave interface or DMA.
- The result tag for operations with authentication can be read using the slave interface or DMA.

12.7.3.1 Key Store

Before any encryption or decryption operation starts, the Key Store module must have at least one key loaded and available for crypto operations. Keys can be loaded only from external memory using a DMA operation. DMAC channel 0 (inbound) is used for this purpose.

12.7.3.1.1 Load Keys From External Memory

The following software example in pseudocode describes the actions that are typically executed by the host software to load one or more keys into the Key Store module.

```

// configure master control module
write ALGSEL 0x0000_0001 // enable DMA path to the key store module
write IRQCLR 0x0000_0001 // clear any outstanding events
// configure key store module (area, size)
write KEYSIZE 0x0000_0001 // 128-bit key size
write KEYWRITEAREA 0x0000_0001 // enable keys to write (e.g. Key 0)
// configure DMAC
write DMACHOCTL 0x0000_00001 // enable DMA channel 0
write DMACHOEXTADDR <ext_memory_address> // base address of the key in ext. memory
write DMACHOLEN <length> // total key length in bytes (e.g. 16 for 1 x 128-bit
// key)
// wait for completion
wait IRQSTAT[0]=='1' // wait for operation completed
check IRQSTAT[31:30] == '00' // check for absence of errors in DMA and key store
write IRQCLR 0x0000_0001 // acknowledge the interrupt
write ALGSEL 0x0000_0000 // disable master control/DMA clock
// check status
check KEYWRITTENAREA 0x0000_00001 // check that Key 0 was written
// end of algorithm

```

12.7.3.2 Basic AES Modes

12.7.3.2.1 AES-ECB

For AES-ECB operations, the following configuration parameters are required:

- Key from the Key Store module
- Control register settings (mode, direction, key size)
- Length of the data

The length field can have any value. If a data stream is finished and the next data stream uses the same key and control, only the length field must be written with a new value. The length field may also be 0, for continued processing.

12.7.3.2.2 AES-CBC

For AES-CBC operations, the following configuration parameters are required:

- Key from the Key Store module
- IV from the slave interface
- Control register settings (mode, direction, key size)
- Length of the data

The length field can have any value. If a data stream is finished and the next data stream uses the same key and control, it is allowed to write only the IV and length field with a new value. The length field may also be 0, for continued processing.

If the result IV must be read by the host, the SAVE_CONTEXT bit must be set to 1 after processing the programmed number of bytes.

12.7.3.2.3 AES-CTR

For AES-CTR operations, the following configuration parameters are required:

- Key from the Key Store module
- IV from the slave interface, including initial counter value (usually 0x0000 0001)
- Control register settings (mode, direction, key size)
- Length of the data (may be nonblock-size aligned)

The length field can have any value. If a data stream is finished and the next data stream uses the same key and control, only the IV and length field can be written with a new value. The length field can be 0, resulting in continued processing.

If the result IV must be read by the host, the save_context bit must be set to 1 after processing the programmed number of bytes.

12.7.3.2.4 Programming Sequence With DMA Data

The following software example in pseudocode describes the actions that are typically executed by the host software to encrypt (using a basic AES mode) a message, stored in external memory, and place an encrypted result into a preallocated area in the external memory.

```
// configure the master control module
write ALGSEL 0x0000_0002 // enable the DMA path to the AES engine
write IRQCLR 0x0000_0001 // clear any outstanding events
// configure the key store to provide pre-loaded AES key
write KEYREADAREA 0x0000_0000 // load the key from ram area 0 (NOTE: The key
// must be pre-loaded to this area)
wait KEYREADAREA[31]=='0' // wait until the key is loaded to the AES module
check IRQSTAT[29] = '0' // check that the key is loaded without errors
// Write the IV for non-ECB modes// The IV must be written with the same conventions as the data
(refer to
6.4.1 in IP docs)if ((not ECB mode) and (not IV reuse)) then:// write the initialization vector
when a new IV is required
write AESIV_0 ... write AESIV_3
endif// configure AES engine
writeAESCTL = 0b0010_0000_0000_0000_
0000_0000_0010_1100 // program AES-CBC-128 encryption and save IV
write AESDATALEN0 // write length of the message (lo)
write AESDATALEN1 // write length of the message (hi)
write DMACHOCTL 0x0000_00001 // enable DMA channel 0// configure DMAC
write DMACHOEXTADDR <address> // base address of the input data in ext.memory
write DMACHOLEN <length> // input data length in bytes, equal to the message
// length (may be non-block size aligned)
write DMACH1CTL 0x0000_00001 // enable DMA channel 1
writeDMACH1EXTADDR <address> // base address of the output data buffer
write DMACH1LEN<length> // output data length in bytes, equal to the result
// data length (may be non-blocksize aligned)
// wait for completion
wait IRQSTAT[0]=='1' // waitfor operation completed
check IRQSTAT[31] == '0' // check for absence of errors
write AESALGSEL0x0000_0000 // disable master control/DMA clock
if (not ECB mode) then: //only if the IV needs to be re-used/read
wait AESCTL[30]=='1' // wait forSAVED_CONTEXT_RDY bit [30]
read AESIV_0
...
read AESIV_3 // this read clears the SAVED_CONTEXT_RDYflag
endif// end of algorithm
```

12.7.3.3 CBC-MAC

For CBC-MAC operations, the following configuration parameters are required:

- Key from the Key Store module
- IV must be written with zeroes
- Control register settings (mode, direction, key size)
- Length of the authenticated data (may be nonblock-size aligned)

The input data can end misaligned for CBC-MAC operations. If this is the case, the crypto core internally pads the last input data block.

The length field can have any value. If a data stream is finished and the next data stream uses the same key and control, writing only a part of the next context is not allowed. A new data stream must always write the complete context. The length field must never be written with zeroes.

12.7.3.3.1 Programming Sequence for CBC-MAC

The following software example in pseudocode describes the actions that are typically executed by the host software to authenticate a message, stored in external memory, with AES-CBC-MAC mode. The result TAG is read using the slave interface.

The following sequence processes a packet of at least 1 input data byte.

```

// configure the master control module
write ALGSEL 0x0000_0002 // enable the DMA path to the AES engine
write IRQCLR 0x0000_0001 // clear any outstanding events
// configure the key store to provide a pre-loaded AES key
write KEYREADAREA 0x0000_0000 // load the key from ram area 0 (NOTE: The key
// must be pre-loaded to this area)
wait KEYREADAREA[31]=='0' // wait until the key is loaded to the AES module
check IRQSTAT[29] = '0' // check that the key is loaded without errors
// write the initialization vector
write AESIV_0
...
write AESIV_3
// configure the AES engine
write AESCTL = 0b0010_0000_0000_0000_
1000_0000_0100_1100 // program AES-CBC-MAC-128 authentication
write AESDATALEN0 // write length of the crypto block (lo)
write AESDATALEN1 // write the length of the crypto block (hi)
// (may be non-block size aligned)
//write DMACHOCTL 0x0000_00001 // enable DMA channel 0/ configure DMAC
write DMACHOEXTADDR <address> // base address of the input data in ext. memory
write DMACHOLEN <length> // input data length in bytes, equal to the message
// length len({aad data, pad, crypto_data, pad})
// (may be non-block size aligned)
// wait for completion
wait IRQSTAT[0]=='1' // wait for operation completed
check IRQSTAT[31]=='0' // check for the absence of errors
write ALGSEL 0x0000_0000 // disable master control/DMA clock
// read tag
wait AESCTL[30]=='1' // wait for the SAVED_CONTEXT_RDY bit [30]
read AESTAGOUT__0 - AESTAGOUT__3 // this read clears the SAVED_CONTEXT_RDY flag
// end of algorithm

```

12.7.3.4 AES-CCM

For AES-CCM operations, the following configuration parameters are required:

- Key from the Key Store module
- The IV must be written with the flags for the cryptographic operation and the NONCE bytes, for both authentication and encryption (see [Section 12.5.5.2](#))
- Control register settings (mode, direction, key size)
- Length of the crypto data (may be nonblock size aligned)
- Length of the AAD data; must be less than $2^{16} - 2^8$ bytes (may be nonblock size-aligned)

CCM-L must be 001, 011, or 111, representing a crypto data length field of 2, 4, or 8 bytes, respectively.

CCM-M can be set to any value and has no effect on the processing. The host must select the valid TAG bytes from the 128-bit TAG.

The AAD and cryptographic data may end misaligned. In this case, the crypto core pads both data types to a 128-bit boundary with zeroes. Padding is done as follows: the AAD and crypto data padding satisfy the bit string, $0n$, with $0 \leq n \leq 127$, such that the input data block length, including padding, is 128-bit aligned. The AAD data must be transferred to the AES engine with a separate DMA operation (it may not be combined with the payload data) or using slave transfers.

The context length field can have any value. If a data stream is done and the next data stream uses the same key and control, only the IV and length fields can be written with a new value. The user cannot write both length fields with zeroes.

The result TAG is typically read using the slave interface, but can also be written to an external memory location using a separate DMA operation.

12.7.3.4.1 Programming Sequence for AES-CCM

The following software example in pseudocode describes the actions that are typically executed by the host software to encrypt and authenticate a message (AAD and payload data), stored in external memory, with AES-CCM mode. The encrypted result is placed into a preallocated area in external memory. The result TAG is read using the slave interface.

The following sequence processes a packet of at least 1 byte of AAD data and at least 1 crypto data byte.

```

// configure the master control module
write ALGSEL 0x0000_0002 // enable the DMA path to the AES engine
write IRQCLR 0x0000_0001 // clear any outstanding events
// configure the key store to provide pre-loaded AES key
write KEYREADAREA 0x0000_0000 // load the key from ram area 0 (NOTE: The key
// must be pre-loaded to this area)
wait KEYREADAREA[31]=='0' // wait until the key is loaded to the AES module
check IRQSTAT[29] = '0' // check that the key is loaded without errors
// write the initialization vector
write AESIV_0
...
write AESIV_3
// configure the AES engine
write AESCTL = 0b0010_0000_0101_1100_
0000_0000_0100_1100 // program AES-CCM-128 encryption (M=1, L=3)
write AESDATALEN0 // write the length of the crypto block (lo)
write AESDATALEN1 // write the length of the crypto block (hi)
// (may be non-block size aligned)
write AESAUTHLEN // write the length of the AAD data block
// (may be non-block size aligned)
// configure DMAC to fetch the AAD data
write DMACH0CTL 0x0000_00001 // enable DMA channel 0
write DMACH0EXTADDR <address> // base address of the AAD input data in ext. memory
write DMACH0LEN <length> // AAD data length in bytes, equal to the AAD
// length len({aad data})
// (may be non-block size aligned)
// wait for completion of the AAD data transfer
wait IRQSTAT[1]=='1' // wait for DMA_IN_DONE
check IRQSTAT[31]=='0' // check for the absence of errors

```

```

// configure DMAC
write DMACHOCTL 0x0000_00001 // enable DMA channel 0
write DMACHOEXTADDR <address> // base address of the payload data in ext. memory
write DMACHOLEN <length> // payload data length in bytes, equal to the message
// length len({crypto_data})
write DMACH1CTL 0x0000_00001 // enable DMA channel 1
write DMACH1EXTADDR <address> // base address of the output data buffer
write DMACHILEN <length> // output data length in bytes, equal to the result
// data length len({crypto_data})
// wait for completion
wait IRQSTAT[0]==`1` // wait for operation completed
check IRQSTAT[31]==`0` // check for the absence of errors
write ALGSEL 0x0000_0000 // disable the master control/DMA clock
// read tag
wait AESCTL[30]==`1` // wait for the SAVED_CONTEXT_RDY bit [30]
read AESTAGOUT 0 -
    AESTAGOUT 3 // this read clears the 'saved_context_ready' flag
// end of algorithm

```

12.7.4 Exceptions Handling

12.7.4.1 Soft Reset

If required, the AES module can be forced to abort its current active operation and go into the IDLE state using the soft reset.

The IDLE state means the following:

- The DMAC is not actively performing DMA operations.
- The cryptographic modules are in the IDLE state.
- The Key Store module does not have any keys loaded.
- The master control module is in the IDLE state.
- A soft reset must be executed in the following order:
 - If DMA is used and in operation, it must be stopped.
 - The master control module must be reset through the SWRESET register.
- Write the mode and length registers for the crypto core with zeroes.

The mode and length registers are:

 - AESCTL
 - AESDATALEN0
 - AESDATALEN1
 - AESAUTHLEN

12.7.4.2 External Port Errors

The AHB master interface and the DMAC inside the crypto core can detect AHB port errors received through the AHB_ERR signal.

In this situation, the DMAC disables all channels so that no new transfers are requested, while the error is captured in the status registers. The DMAPORTERR register contains information about the active channel when the AHB port error occurred. The DMAC indicates the channel completion to the master control module. The recovery procedure is as follows:

1. Issue a soft reset to the DMAC using the DMASWRESET register to clear the DMAPORTERR register and initialize the channels to their default state.
2. Issue a soft reset to the master control module to clear its intermediate state.

12.7.4.3 Key Store Errors

Key Store error generation is implemented for debugging purposes. In normal or specified operation, the crypto core Key Store writes and reads must not trigger any errors. A bus error is the only exceptional case that can result in a Key Store write error.

The Key Store module checks that the keys are properly written to the Key Store RAM. When a key write error occurs, the KEY_ST_WR_ERR flag is asserted in the IRQSTAT register. In this case, the key is not stored. The

host must check the status of the KEY_ST_WR_ERR flag and ensure that the corresponding RAM area is not used for AES operations.

If the host tries to use a key from a nonwritten RAM area (due to software malfunction), the Key Store module generates a read error. In this case, the KEY_ST_RD_ERR flag is asserted in the IRQSTAT register. The host must check the status of this flag and ensure that all remaining steps for the AES operation are not performed.

Note

In case of a read error, the Key Store writes a key with all bytes set to 0 to the AES engine.

12.8 Conventions and Compliances

12.8.1 Conventions Used in This Manual

Table 12-16 lists acronyms used in this document.

Table 12-16. Acronyms

Acronym	Full Term
ACT2	Addition Chaining Table with 2 address bits (4 entries)
ACT4	Addition Chaining Table with 4 address bits (16 entries)
AES	Advanced Encryption Standard
AES-CCM	AES Counter with CBC-MAC
AHB	Advanced High-Speed Bus
AMBA	Advanced Microcontroller Bus Architecture
CBC	Cipher Block Chaining
CCM	Counter with CBC-MAC
CM	Crypto Module
CRT	Chinese Remainder Theorem
CTR	Counter Mode
DMAC	DMA Controller
DPRAM	Dual-Port Random Access Memory
ECB	Electronic Code Block
ECC	Elliptic Curve Cryptography
EIP	Embedded Intellectual Property
FIFO	First-In, First-Out
FIPS	Federal Information Processing Standard
GB	Gigabyte
Gbit	Gigabit
Gbps	Gigabits per second
HMAC	Hashed MAC
HW	Hardware
ICM	Integer Counter Mode
IETF	Internet Engineering Task Force
IP	Internet Protocol Intellectual Property
IV	Initialization Vector
LNME	Large Number Multiplier and Exponentiator
MMM	Montgomery Modular Multiplication
PE	Processing Element
PKA	Public Key Accelerator
PKCP	Public Key Coprocessor
RAM	Random Access Memory
ROM	Read Only Memory
TRNG	True Random Number Generator

12.8.1.1 Terminology

This manual makes frequent use of certain terms. These terms refer to structures that the crypto core uses for operations.

External memory: A memory that is externally attached to the crypto core AHB master port, and only accessible using DMAC operations

Slave interface (host processor bus): Interface of the crypto core that the host processor uses to read or write registers of the engine

Tag or digest: Two interchangeable terms that indicate the result of an authentication operation. The *term digest* is used for regular hash operations, while *tag* is used for authenticated encryption operations (AES-CCM).

Crypto context: A collection of parameters that define the crypto operation: mode, key, IV, and so forth

12.8.1.2 Formulas and Nomenclature

This document contains formulas and nomenclature for different data types. [Table 12-17](#) lists the presentation of syntax.

Table 12-17. Formulas and Nomenclature

Form	Definition
0x00 or 0h	Hexadecimal value
0b	Binary value
0d	Decimal value
0	Digital logic 0 or low
1	Digital logic 1 or high
bit	Binary digit
8 bits	1 byte
16 bits	Halfword
32 bits	Word
64 bits	Dual-word
128 bits	Quad-word
MOD	Modulo
REM	Remainder
A & B	A logical AND B
A OR B	A logical OR B
NOR	Logical NOR
NOT A	Logical NOT
A NOR B	A logical NOR B
AB	A logic exclusive OR B or XOR
XNOR	Logic exclusive NOR
NAND	Logical NAND
DIV	Integer division
	Concatenation
[n:m]	Size of a register or signal in bits where $n > m^2$ (1)

- (1) 31:0 indicates a size of 32 bits with most significant bit 31 and LSB 0. 11:3 indicates a size of 9 bits with most significant bit 11 and LSB 3.

12.8.2 Compliance

AES encryption in ECB and CBC modes complies with FIPS-197.

12.9 Cryptography Registers

The next section shows the register bank for the Cryptoprocessor.

12.9.1 CRYPTO Registers

Table 12-18 lists the memory-mapped registers for the CRYPTO registers. All register offset addresses not listed in Table 12-18 should be considered as reserved locations and the register contents should not be modified.

Table 12-18. CRYPTO Registers

Offset	Acronym	Register Name	Section
0h	DMACH0CTL	DMA Channel 0 Control	Section 12.9.1.1
4h	DMACH0EXTADDR	DMA Channel 0 External Address	Section 12.9.1.2
Ch	DMACH0LEN	DMA Channel 0 Length	Section 12.9.1.3
18h	DMASTAT	DMA Controller Status	Section 12.9.1.4
1Ch	DMASWRESET	DMA Controller Software Reset	Section 12.9.1.5
20h	DMACH1CTL	DMA Channel 1 Control	Section 12.9.1.6
24h	DMACH1EXTADDR	DMA Channel 1 External Address	Section 12.9.1.7
2Ch	DMACH1LEN	DMA Channel 1 Length	Section 12.9.1.8
78h	DMABUSCFG	DMA Controller Master Configuration	Section 12.9.1.9
7Ch	DMAPORTERR	DMA Controller Port Error	Section 12.9.1.10
FCh	DMAHWVER	DMA Controller Version	Section 12.9.1.11
400h	KEYWRITEAREA	Key Write Area	Section 12.9.1.12
404h	KEYWRITTENAREA	Key Written Area Status	Section 12.9.1.13
408h	KEYSIZE	Key Size	Section 12.9.1.14
40Ch	KEYREADAREA	Key Read Area	Section 12.9.1.15
500h + formula	AESKEY2_y	Clear AES_KEY2/GHASH Key	Section 12.9.1.16
510h + formula	AESKEY3_y	Clear AES_KEY3	Section 12.9.1.17
540h + formula	AESIV_y	AES Initialization Vector	Section 12.9.1.18
550h	AESCTL	AES Input/Output Buffer Control	Section 12.9.1.19
554h	AESDATALEN0	Crypto Data Length LSW	Section 12.9.1.20
558h	AESDATALEN1	Crypto Data Length MSW	Section 12.9.1.21
55Ch	AESAUTHLEN	AES Authentication Length	Section 12.9.1.22
560h	AESDATAOUT0	Data Input/Output	Section 12.9.1.23
560h	AESDATAIN0	AES Data Input/Output 0	Section 12.9.1.24
564h	AESDATAOUT1	AES Data Input/Output 3	Section 12.9.1.25
564h	AESDATAIN1	AES Data Input/Output 1	Section 12.9.1.26
568h	AESDATAOUT2	AES Data Input/Output 2	Section 12.9.1.27
568h	AESDATAIN2	AES Data Input/Output 2	Section 12.9.1.28
56Ch	AESDATAOUT3	AES Data Input/Output 3	Section 12.9.1.29
56Ch	AESDATAIN3	Data Input/Output	Section 12.9.1.30
570h + formula	AESTAGOUT_y	AES Tag Output	Section 12.9.1.31
700h	ALGSEL	Master Algorithm Select	Section 12.9.1.32
704h	DMAPROTCTL	Master Protection Control	Section 12.9.1.33
740h	SWRESET	Software Reset	Section 12.9.1.34
780h	IRQTYPE	Control Interrupt Configuration	Section 12.9.1.35
784h	IRQEN	Interrupt Enable	Section 12.9.1.36
788h	IRQCLR	Interrupt Clear	Section 12.9.1.37
78Ch	IRQSET	Interrupt Set	Section 12.9.1.38
790h	IRQSTAT	Interrupt Status	Section 12.9.1.39

Table 12-18. CRYPTO Registers (continued)

Offset	Acronym	Register Name	Section
7FCh	HWVER	CTRL Module Version	Section 12.9.1.40

Complex bit access types are encoded to fit into small table cells. [Table 12-19](#) shows the codes that are used for access types in this section.

Table 12-19. CRYPTO Access Type Codes

Access Type	Code	Description
Read Type		
R	R	Read
Write Type		
W	W	Write
W0C	W 0C	Write 0 to clear
W1C	W 1C	Write 1 to clear
Reset or Default Value		
-n		Value after reset or the default value
Register Array Variables		
i,j,k,l,m,n		When these variables are used in a register name, an offset, or an address, they refer to the value of a register array where the register is part of a group of repeating registers. The register groups form a hierarchical structure and the array is represented with a formula.
y		When this variable is used in a register name, an offset, or an address it refers to the value of a register array.

12.9.1.1 DMACH0CTL Register (Offset = 0h) [Reset = 0000000h]

DMACH0CTL is shown in [Figure 12-3](#) and described in [Table 12-20](#).

Return to the [Table 12-18](#).

DMA Channel 0 Control

Figure 12-3. DMACH0CTL Register

31	30	29	28	27	26	25	24
RESERVED							
R-0h							
23	22	21	20	19	18	17	16
RESERVED							
R-0h							
15	14	13	12	11	10	9	8
RESERVED							
R-0h							
7	6	5	4	3	2	1	0
RESERVED						PRI0	EN
R-0h						R/W-0h	R/W-0h

Table 12-20. DMACH0CTL Register Field Descriptions

Bit	Field	Type	Reset	Description
31-2	RESERVED	R	0h	Reserved
1	PRI0	R/W	0h	Channel priority: A channel with high priority will be served before a channel with low priority in cases with simultaneous access requests. If both channels have the same priority access of the channels to the external port is arbitrated using a Round Robin scheme. 0h = Priority low 1h = Priority high
0	EN	R/W	0h	DMA Channel 0 Control 0h = Channel disabled 1h = Channel enabled

12.9.1.2 DMACH0EXTADDR Register (Offset = 4h) [Reset = 0000000h]

DMACH0EXTADDR is shown in [Figure 12-4](#) and described in [Table 12-21](#).

Return to the [Table 12-18](#).

DMA Channel 0 External Address

Figure 12-4. DMACH0EXTADDR Register

31	30	29	28	27	26	25	24	23	22	21	20	19	18	17	16	15	14	13	12	11	10	9	8	7	6	5	4	3	2	1	0
ADDR																															
R/W-0h																															

Table 12-21. DMACH0EXTADDR Register Field Descriptions

Bit	Field	Type	Reset	Description
31-0	ADDR	R/W	0h	Channel external address value. Holds the last updated external address after being sent to the master interface.

12.9.1.3 DMACH0LEN Register (Offset = Ch) [Reset = 0000000h]

DMACH0LEN is shown in [Figure 12-5](#) and described in [Table 12-22](#).

Return to the [Table 12-18](#).

DMA Channel 0 Length

Figure 12-5. DMACH0LEN Register

31	30	29	28	27	26	25	24	23	22	21	20	19	18	17	16	15	14	13	12	11	10	9	8	7	6	5	4	3	2	1	0
RESERVED																LEN															
R-0h																R/W-0h															

Table 12-22. DMACH0LEN Register Field Descriptions

Bit	Field	Type	Reset	Description
31-16	RESERVED	R	0h	Reserved
15-0	LEN	R/W	0h	DMA transfer length in bytes. During configuration, this register contains the DMA transfer length in bytes. During operation, it contains the last updated value of the DMA transfer length after being sent to the master interface. Note: Writing a non-zero value to this register field starts the transfer if the channel is enabled by setting DMACH0CTL.EN.

12.9.1.4 DMASTAT Register (Offset = 18h) [Reset = 0000000h]

DMASTAT is shown in [Figure 12-6](#) and described in [Table 12-23](#).

Return to the [Table 12-18](#).

DMA Controller Status

Figure 12-6. DMASTAT Register

31	30	29	28	27	26	25	24
RESERVED							
R-0h							
23	22	21	20	19	18	17	16
RESERVED						PORT_ERR	RESERVED
R-0h						R-0h	R-0h
15	14	13	12	11	10	9	8
RESERVED							
R-0h							
7	6	5	4	3	2	1	0
RESERVED						CH1_ACTIVE	CH0_ACTIVE
R-0h						R-0h	R-0h

Table 12-23. DMASTAT Register Field Descriptions

Bit	Field	Type	Reset	Description
31-18	RESERVED	R	0h	Reserved
17	PORT_ERR	R	0h	Reflects possible transfer errors on the AHB port.
16-2	RESERVED	R	0h	Reserved
1	CH1_ACTIVE	R	0h	This register field indicates if DMA channel 1 is active or not. 0: Not active 1: Active
0	CH0_ACTIVE	R	0h	This register field indicates if DMA channel 0 is active or not. 0: Not active 1: Active

12.9.1.5 DMASWRESET Register (Offset = 1Ch) [Reset = 0000000h]

DMASWRESET is shown in [Figure 12-7](#) and described in [Table 12-24](#).

Return to the [Table 12-18](#).

DMA Controller Software Reset

Figure 12-7. DMASWRESET Register

31	30	29	28	27	26	25	24
RESERVED							
R-0h							
23	22	21	20	19	18	17	16
RESERVED							
R-0h							
15	14	13	12	11	10	9	8
RESERVED							
R-0h							
7	6	5	4	3	2	1	0
RESERVED							RESET
R-0h							W0C-0h

Table 12-24. DMASWRESET Register Field Descriptions

Bit	Field	Type	Reset	Description
31-1	RESERVED	R	0h	Reserved
0	RESET	W0C	0h	Software reset enable 0: Disable 1: Enable (self-cleared to zero). Note: Completion of the software reset must be checked in DMASWRESET.CH0_ACTIVE and DMASWRESET.CH1_ACTIVE.

12.9.1.6 DMACH1CTL Register (Offset = 20h) [Reset = 0000000h]

DMACH1CTL is shown in [Figure 12-8](#) and described in [Table 12-25](#).

Return to the [Table 12-18](#).

DMA Channel 1 Control

Figure 12-8. DMACH1CTL Register

31	30	29	28	27	26	25	24
RESERVED							
R-0h							
23	22	21	20	19	18	17	16
RESERVED							
R-0h							
15	14	13	12	11	10	9	8
RESERVED							
R-0h							
7	6	5	4	3	2	1	0
RESERVED						PRIO	EN
R-0h						R/W-0h	R/W-0h

Table 12-25. DMACH1CTL Register Field Descriptions

Bit	Field	Type	Reset	Description
31-2	RESERVED	R	0h	Reserved
1	PRIO	R/W	0h	Channel priority: A channel with high priority will be served before a channel with low priority in cases with simultaneous access requests. If both channels have the same priority access of the channels to the external port is arbitrated using a Round Robin scheme. 0h = Priority low 1h = Priority high
0	EN	R/W	0h	Channel enable: Note: Disabling an active channel will interrupt the DMA operation. The ongoing block transfer will be completed, but no new transfers will be requested. 0h = Channel disabled 1h = Channel enabled

12.9.1.7 DMACH1EXTADDR Register (Offset = 24h) [Reset = 0000000h]

DMACH1EXTADDR is shown in [Figure 12-9](#) and described in [Table 12-26](#).

Return to the [Table 12-18](#).

DMA Channel 1 External Address

Figure 12-9. DMACH1EXTADDR Register

31	30	29	28	27	26	25	24	23	22	21	20	19	18	17	16	15	14	13	12	11	10	9	8	7	6	5	4	3	2	1	0
ADDR																															
R/W-0h																															

Table 12-26. DMACH1EXTADDR Register Field Descriptions

Bit	Field	Type	Reset	Description
31-0	ADDR	R/W	0h	Channel external address value. Holds the last updated external address after being sent to the master interface.

12.9.1.8 DMACH1LEN Register (Offset = 2Ch) [Reset = 0000000h]

DMACH1LEN is shown in [Figure 12-10](#) and described in [Table 12-27](#).

Return to the [Table 12-18](#).

DMA Channel 1 Length

Figure 12-10. DMACH1LEN Register

31	30	29	28	27	26	25	24	23	22	21	20	19	18	17	16	15	14	13	12	11	10	9	8	7	6	5	4	3	2	1	0
RESERVED																LEN															
R-0h																R/W-0h															

Table 12-27. DMACH1LEN Register Field Descriptions

Bit	Field	Type	Reset	Description
31-16	RESERVED	R	0h	Reserved
15-0	LEN	R/W	0h	DMA transfer length in bytes. During configuration, this register contains the DMA transfer length in bytes. During operation, it contains the last updated value of the DMA transfer length after being sent to the master interface. Note: Writing a non-zero value to this register field starts the transfer if the channel is enabled by setting DMACH1CTL.EN.

12.9.1.9 DMABUSCFG Register (Offset = 78h) [Reset = 00002400h]

DMABUSCFG is shown in [Figure 12-11](#) and described in [Table 12-28](#).

Return to the [Table 12-18](#).

DMA Controller Master Configuration

Figure 12-11. DMABUSCFG Register

31	30	29	28	27	26	25	24
RESERVED							
R-0h							
23	22	21	20	19	18	17	16
RESERVED							
R-0h							
15	14	13	12	11	10	9	8
AHB_MST1_BURST_SIZE				AHB_MST1_ID LE_EN	AHB_MST1_IN CR_EN	AHB_MST1_LO CK_EN	AHB_MST1_BI GEND
R/W-2h				R/W-0h	R/W-1h	R/W-0h	R/W-0h
7	6	5	4	3	2	1	0
RESERVED							
R-0h							

Table 12-28. DMABUSCFG Register Field Descriptions

Bit	Field	Type	Reset	Description
31-16	RESERVED	R	0h	Reserved
15-12	AHB_MST1_BURST_SIZE	R/W	2h	Maximum burst size that can be performed on the AHB bus 2h = 4_BYTE : 4 bytes 3h = 8_BYTE : 8 bytes 4h = 16_BYTE : 16 bytes 5h = 32_BYTE : 32 bytes 6h = 64_BYTE : 64 bytes
11	AHB_MST1_IDLE_EN	R/W	0h	Idle transfer insertion between consecutive burst transfers on AHB 0h = Do not insert idle transfers. 1h = Idle transfer insertion enabled
10	AHB_MST1_INCR_EN	R/W	1h	Burst length type of AHB transfer 0h = Unspecified length burst transfers 1h = Fixed length bursts or single transfers
9	AHB_MST1_LOCK_EN	R/W	0h	Locked transform on AHB 0h = Transfers are not locked 1h = Transfers are locked
8	AHB_MST1_BIGEND	R/W	0h	Endianess for the AHB master 0h = Little Endian 1h = Big Endian
7-0	RESERVED	R	0h	Reserved

12.9.1.10 DMAPORTERR Register (Offset = 7Ch) [Reset = 0000000h]

DMAPORTERR is shown in [Figure 12-12](#) and described in [Table 12-29](#).

Return to the [Table 12-18](#).

DMA Controller Port Error

Figure 12-12. DMAPORTERR Register

31	30	29	28	27	26	25	24
RESERVED							
R-0h							
23	22	21	20	19	18	17	16
RESERVED							
R-0h							
15	14	13	12	11	10	9	8
RESERVED			AHB_ERR	RESERVED		LAST_CH	RESERVED
R-0h			R-0h	R-0h		R-0h	R-0h
7	6	5	4	3	2	1	0
RESERVED							
R-0h							

Table 12-29. DMAPORTERR Register Field Descriptions

Bit	Field	Type	Reset	Description
31-13	RESERVED	R	0h	Reserved
12	AHB_ERR	R	0h	A 1 indicates that the Crypto peripheral has detected an AHB bus error
11-10	RESERVED	R	0h	Reserved
9	LAST_CH	R	0h	Indicates which channel was serviced last (channel 0 or channel 1) by the AHB master port.
8-0	RESERVED	R	0h	Reserved

12.9.1.11 DMAHWVER Register (Offset = FCh) [Reset = 01012ED1h]

DMAHWVER is shown in [Figure 12-13](#) and described in [Table 12-30](#).

Return to the [Table 12-18](#).

DMA Controller Version

Figure 12-13. DMAHWVER Register

31	30	29	28	27	26	25	24	23	22	21	20	19	18	17	16
RESERVED				HW_MAJOR_VER				HW_MINOR_VER				HW_PATCH_LVL			
R-0h				R-1h				R-0h				R-1h			
15	14	13	12	11	10	9	8	7	6	5	4	3	2	1	0
VER_NUM_COMPL								VER_NUM							
R-2Eh								R-D1h							

Table 12-30. DMAHWVER Register Field Descriptions

Bit	Field	Type	Reset	Description
31-28	RESERVED	R	0h	Reserved
27-24	HW_MAJOR_VER	R	1h	Major version number
23-20	HW_MINOR_VER	R	0h	Minor version number
19-16	HW_PATCH_LVL	R	1h	Patch level.
15-8	VER_NUM_COMPL	R	2Eh	Bit-by-bit complement of the VER_NUM field bits.
7-0	VER_NUM	R	D1h	Version number of the DMA Controller (209)

12.9.1.12 KEYWRITEAREA Register (Offset = 400h) [Reset = 0000000h]

KEYWRITEAREA is shown in [Figure 12-14](#) and described in [Table 12-31](#).

Return to the [Table 12-18](#).

Key Write Area

Figure 12-14. KEYWRITEAREA Register

31	30	29	28	27	26	25	24
RESERVED							
R-0h							
23	22	21	20	19	18	17	16
RESERVED							
R-0h							
15	14	13	12	11	10	9	8
RESERVED							
R-0h							
7	6	5	4	3	2	1	0
RAM_AREA7	RAM_AREA6	RAM_AREA5	RAM_AREA4	RAM_AREA3	RAM_AREA2	RAM_AREA1	RAM_AREA0
R/W-0h	R/W-0h	R/W-0h	R/W-0h	R/W-0h	R/W-0h	R/W-0h	R/W-0h

Table 12-31. KEYWRITEAREA Register Field Descriptions

Bit	Field	Type	Reset	Description
31-8	RESERVED	R	0h	Reserved
7	RAM_AREA7	R/W	0h	Represents an area of 128 bits. Select the key store RAM area(s) where the key(s) needs to be written. Writing to multiple RAM locations is only possible when the selected RAM areas are sequential. 0h = This RAM area is not selected to be written 1h = This RAM area is selected to be written
6	RAM_AREA6	R/W	0h	Represents an area of 128 bits. Select the key store RAM area(s) where the key(s) needs to be written. Writing to multiple RAM locations is only possible when the selected RAM areas are sequential. 0h = This RAM area is not selected to be written 1h = This RAM area is selected to be written
5	RAM_AREA5	R/W	0h	Represents an area of 128 bits. Select the key store RAM area(s) where the key(s) needs to be written. Writing to multiple RAM locations is only possible when the selected RAM areas are sequential. 0h = This RAM area is not selected to be written 1h = This RAM area is selected to be written
4	RAM_AREA4	R/W	0h	Represents an area of 128 bits. Select the key store RAM area(s) where the key(s) needs to be written. Writing to multiple RAM locations is only possible when the selected RAM areas are sequential. 0h = This RAM area is not selected to be written 1h = This RAM area is selected to be written

Table 12-31. KEYWRITEAREA Register Field Descriptions (continued)

Bit	Field	Type	Reset	Description
3	RAM_AREA3	R/W	0h	Represents an area of 128 bits. Select the key store RAM area(s) where the key(s) needs to be written. Writing to multiple RAM locations is only possible when the selected RAM areas are sequential. 0h = This RAM area is not selected to be written 1h = This RAM area is selected to be written
2	RAM_AREA2	R/W	0h	Represents an area of 128 bits. Select the key store RAM area(s) where the key(s) needs to be written. Writing to multiple RAM locations is only possible when the selected RAM areas are sequential. 0h = This RAM area is not selected to be written 1h = This RAM area is selected to be written
1	RAM_AREA1	R/W	0h	Represents an area of 128 bits. Select the key store RAM area(s) where the key(s) needs to be written. Writing to multiple RAM locations is only possible when the selected RAM areas are sequential. 0h = This RAM area is not selected to be written 1h = This RAM area is selected to be written
0	RAM_AREA0	R/W	0h	Represents an area of 128 bits. Select the key store RAM area(s) where the key(s) needs to be written. Writing to multiple RAM locations is only possible when the selected RAM areas are sequential. 0h = This RAM area is not selected to be written 1h = This RAM area is selected to be written

12.9.1.13 KEYWRITTENAREA Register (Offset = 404h) [Reset = 0000000h]

KEYWRITTENAREA is shown in [Figure 12-15](#) and described in [Table 12-32](#).

Return to the [Table 12-18](#).

Key Written Area Status

This register shows which areas of the key store RAM contain valid written keys.

When a new key needs to be written to the key store, on a location that is already occupied by a valid key, this key area must be cleared first. This can be done by writing this register before the new key is written to the key store memory.

Attempting to write to a key area that already contains a valid key is not allowed and will result in an error.

Figure 12-15. KEYWRITTENAREA Register

31	30	29	28	27	26	25	24
RESERVED							
R-0h							
23	22	21	20	19	18	17	16
RESERVED							
R-0h							
15	14	13	12	11	10	9	8
RESERVED							
R-0h							
7	6	5	4	3	2	1	0
RAM_AREA_W RITTEN7	RAM_AREA_W RITTEN6	RAM_AREA_W RITTEN5	RAM_AREA_W RITTEN4	RAM_AREA_W RITTEN3	RAM_AREA_W RITTEN2	RAM_AREA_W RITTEN1	RAM_AREA_W RITTEN0
R/W1C-0h	R/W1C-0h	R/W1C-0h	R/W1C-0h	R/W1C-0h	R/W1C-0h	R/W1C-0h	R/W1C-0h

Table 12-32. KEYWRITTENAREA Register Field Descriptions

Bit	Field	Type	Reset	Description
31-8	RESERVED	R	0h	Reserved
7	RAM_AREA_WRITTEN7	R/W1C	0h	On read this bit returns the key area written status. This bit can be reset by writing a 1. Note: This register will be reset on a soft reset initiated by writing to DMASWRESET.RESET. After a soft reset, all keys must be rewritten to the key store memory. 0h = This RAM area is not written with valid key information 1h = This RAM area is written with valid key information
6	RAM_AREA_WRITTEN6	R/W1C	0h	On read this bit returns the key area written status. This bit can be reset by writing a 1. Note: This register will be reset on a soft reset initiated by writing to DMASWRESET.RESET. After a soft reset, all keys must be rewritten to the key store memory. 0h = This RAM area is not written with valid key information 1h = This RAM area is written with valid key information
5	RAM_AREA_WRITTEN5	R/W1C	0h	On read this bit returns the key area written status. This bit can be reset by writing a 1. Note: This register will be reset on a soft reset initiated by writing to DMASWRESET.RESET. After a soft reset, all keys must be rewritten to the key store memory. 0h = This RAM area is not written with valid key information 1h = This RAM area is written with valid key information

Table 12-32. KEYWRITTENAREA Register Field Descriptions (continued)

Bit	Field	Type	Reset	Description
4	RAM_AREA_WRITTEN4	R/W1C	0h	On read this bit returns the key area written status. This bit can be reset by writing a 1. Note: This register will be reset on a soft reset initiated by writing to DMASWRESET.RESET. After a soft reset, all keys must be rewritten to the key store memory. 0h = This RAM area is not written with valid key information 1h = This RAM area is written with valid key information
3	RAM_AREA_WRITTEN3	R/W1C	0h	On read this bit returns the key area written status. This bit can be reset by writing a 1. Note: This register will be reset on a soft reset initiated by writing to DMASWRESET.RESET. After a soft reset, all keys must be rewritten to the key store memory. 0h = This RAM area is not written with valid key information 1h = This RAM area is written with valid key information
2	RAM_AREA_WRITTEN2	R/W1C	0h	On read this bit returns the key area written status. This bit can be reset by writing a 1. Note: This register will be reset on a soft reset initiated by writing to DMASWRESET.RESET. After a soft reset, all keys must be rewritten to the key store memory. 0h = This RAM area is not written with valid key information 1h = This RAM area is written with valid key information
1	RAM_AREA_WRITTEN1	R/W1C	0h	On read this bit returns the key area written status. This bit can be reset by writing a 1. Note: This register will be reset on a soft reset initiated by writing to DMASWRESET.RESET. After a soft reset, all keys must be rewritten to the key store memory. 0h = This RAM area is not written with valid key information 1h = This RAM area is written with valid key information
0	RAM_AREA_WRITTEN0	R/W1C	0h	On read this bit returns the key area written status. This bit can be reset by writing a 1. Note: This register will be reset on a soft reset initiated by writing to DMASWRESET.RESET. After a soft reset, all keys must be rewritten to the key store memory. 0h = This RAM area is not written with valid key information 1h = This RAM area is written with valid key information

12.9.1.14 KEYSIZE Register (Offset = 408h) [Reset = 0000001h]

KEYSIZE is shown in [Figure 12-16](#) and described in [Table 12-33](#).

Return to the [Table 12-18](#).

Key Size

This register defines the size of the keys that are written with DMA.

Figure 12-16. KEYSIZE Register

31	30	29	28	27	26	25	24	23	22	21	20	19	18	17	16
RESERVED															
R-0h															
15	14	13	12	11	10	9	8	7	6	5	4	3	2	1	0
RESERVED														SIZE	
R-0h														R/W-1h	

Table 12-33. KEYSIZE Register Field Descriptions

Bit	Field	Type	Reset	Description
31-2	RESERVED	R	0h	Reserved
1-0	SIZE	R/W	1h	Key size When writing to this register, KEYWRITTENAREA will be reset. Note: For the Crypto peripheral this field is fixed to 128 bits. For software compatibility KEYWRITTENAREA will be reset when writing to this register. 1h = 128_BIT : 128 bits

12.9.1.15 KEYREADAREA Register (Offset = 40Ch) [Reset = 0000008h]

KEYREADAREA is shown in [Figure 12-17](#) and described in [Table 12-34](#).

Return to the [Table 12-18](#).

Key Read Area

Figure 12-17. KEYREADAREA Register

31	30	29	28	27	26	25	24
BUSY	RESERVED						
R-0h				R-0h			
23	22	21	20	19	18	17	16
RESERVED							
R-0h							
15	14	13	12	11	10	9	8
RESERVED							
R-0h							
7	6	5	4	3	2	1	0
RESERVED				RAM_AREA			
R-0h				R/W-8h			

Table 12-34. KEYREADAREA Register Field Descriptions

Bit	Field	Type	Reset	Description
31	BUSY	R	0h	Key store operation busy status flag (read only) 0: operation is completed. 1: operation is not completed and the key store is busy.
30-4	RESERVED	R	0h	Reserved
3-0	RAM_AREA	R/W	8h	Selects the area of the key store RAM from where the key needs to be read that will be written to the AES engine. Only RAM areas that contain valid written keys can be selected. 0h = RAM Area 0 1h = RAM Area 1 2h = RAM Area 2 3h = RAM Area 3 4h = RAM Area 4 5h = RAM Area 5 6h = RAM Area 6 7h = RAM Area 7 8h = No RAM

12.9.1.16 AESKEY2_y Register (Offset = 500h + formula) [Reset = 0000000h]

AESKEY2_y is shown in [Figure 12-18](#) and described in [Table 12-35](#).

Return to the [Table 12-18](#).

Clear AES_KEY2/GHASH Key

Offset = 500h + (y * 4h); where y = 0h to 3h

Figure 12-18. AESKEY2_y Register

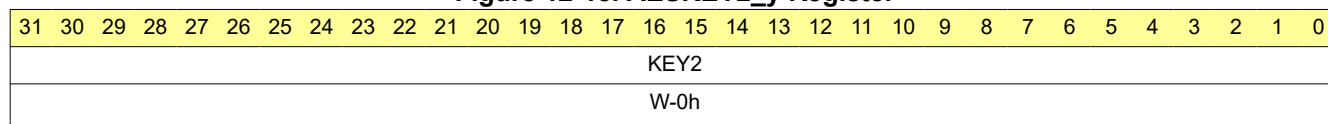


Table 12-35. AESKEY2_y Register Field Descriptions

Bit	Field	Type	Reset	Description
31-0	KEY2	W	0h	AESKEY2.* bits 31+x:0+x or AES_GHASH_H.* bits 31+x:0+x, where x = 0, 32, 64, 96 ordered from the LSW entry of this 4-deep register array. The interpretation of this field depends on the crypto operation mode.

12.9.1.17 AESKEY3_y Register (Offset = 510h + formula) [Reset = 0000000h]

AESKEY3_y is shown in [Figure 12-19](#) and described in [Table 12-36](#).

Return to the [Table 12-18](#).

Clear AES_KEY3

Offset = 510h + (y * 4h); where y = 0h to 3h

Figure 12-19. AESKEY3_y Register

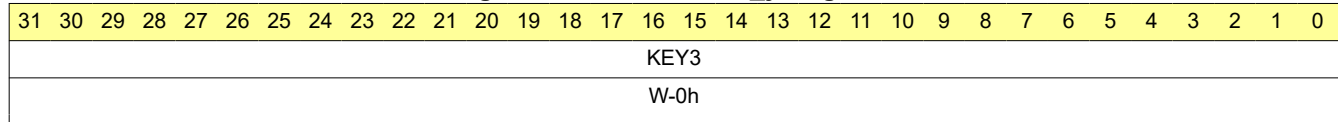


Table 12-36. AESKEY3_y Register Field Descriptions

Bit	Field	Type	Reset	Description
31-0	KEY3	W	0h	AESKEY3.* bits 31+x:0+x or AESKEY2.* bits 159+x:128+x, where x = 0, 32, 64, 96 ordered from the LSW entry of this 4-deep register array. The interpretation of this field depends on the crypto operation mode.

12.9.1.18 AESIV_y Register (Offset = 540h + formula) [Reset = 00000000h]

AESIV_y is shown in [Figure 12-20](#) and described in [Table 12-37](#).

Return to the [Table 12-18](#).

AES Initialization Vector

Offset = 540h + (y * 4h); where y = 0h to 3h

Figure 12-20. AESIV_y Register

31	30	29	28	27	26	25	24	23	22	21	20	19	18	17	16	15	14	13	12	11	10	9	8	7	6	5	4	3	2	1	0
IV																															
R/W-0h																															

Table 12-37. AESIV_y Register Field Descriptions

Bit	Field	Type	Reset	Description
31-0	IV	R/W	0h	The interpretation of this field depends on the crypto operation mode.

12.9.1.19 AESCTL Register (Offset = 550h) [Reset = 8000000h]

AESCTL is shown in [Figure 12-21](#) and described in [Table 12-38](#).

Return to the [Table 12-18](#).

AES Input/Output Buffer Control

Figure 12-21. AESCTL Register

31	30	29	28	27	26	25	24
CONTEXT_RDY	SAVED_CONTEXT_RDY	SAVE_CONTEXT	RESERVED				CCM_M
R-1h	R/W-0h	R/W-0h	R-0h				R/W-0h
23	22	21	20	19	18	17	16
CCM_M		CCM_L			CCM	RESERVED	
R/W-0h		R/W-0h			R/W-0h	R-0h	
15	14	13	12	11	10	9	8
CBC_MAC	RESERVED						CTR_WIDTH
R/W-0h		R-0h				R/W-0h	
7	6	5	4	3	2	1	0
CTR_WIDTH	CTR	CBC	KEY_SIZE		DIR	INPUT_RDY	OUTPUT_RDY
R/W-0h	R/W-0h	R/W-0h	R-0h		R/W-0h	R/W-0h	R/W-0h

Table 12-38. AESCTL Register Field Descriptions

Bit	Field	Type	Reset	Description
31	CONTEXT_RDY	R	1h	If 1, this status bit indicates that the context data registers can be overwritten and the Host is permitted to write the next context. Writing a context means writing either a mode, the crypto length or AESDATALEN1.LEN_MSW, AESDATALEN0.LEN_LSW length registers
30	SAVED_CONTEXT_RDY	R/W	0h	If read as 1, this status bit indicates that an AES authentication TAG and/or IV block(s) is/are available for the Host to retrieve. This bit is only asserted if SAVE_CONTEXT is set to 1. The bit is mutually exclusive with CONTEXT_RDY. Writing 1 clears the bit to zero, indicating the Crypto peripheral can start its next operation. This bit is also cleared when the 4th word of the output TAG and/or IV is read. Note: All other mode bit writes will be ignored when this mode bit is written with 1. Note: This bit is controlled automatically by the Crypto peripheral for TAG read DMA operations. For typical use, this bit does NOT need to be written, but is used for status reading only. In this case, this status bit is automatically maintained by the Crypto peripheral.
29	SAVE_CONTEXT	R/W	0h	IV must be read before the AES engine can start a new operation.
28-25	RESERVED	R	0h	Reserved
24-22	CCM_M	R/W	0h	Defines M that indicates the length of the authentication field for CCM operations the authentication field length equals two times the value of CCM_M plus one. Note: The Crypto peripheral always returns a 128-bit authentication field, of which the M least significant bytes are valid. All values are supported.
21-19	CCM_L	R/W	0h	Defines L that indicates the width of the length field for CCM operations the length field in bytes equals the value of CMM_L plus one. All values are supported.

Table 12-38. AESCTL Register Field Descriptions (continued)

Bit	Field	Type	Reset	Description
18	CCM	R/W	0h	AES-CCM mode enable. AES-CCM is a combined mode, using AES for both authentication and encryption. Note: Selecting AES-CCM mode requires writing of AESDATALEN1.LEN_MSW and AESDATALEN0.LEN_LSW after all other registers. Note: The CTR mode bit in this register must also be set to 1 to enable AES-CTR selecting other AES modes than CTR mode is invalid.
17-16	RESERVED	R	0h	Reserved
15	CBC_MAC	R/W	0h	MAC mode enable. The DIR bit must be set to 1 for this mode. Selecting this mode requires writing the AESDATALEN1.LEN_MSW and AESDATALEN0.LEN_LSW registers after all other registers.
14-9	RESERVED	R	0h	Reserved
8-7	CTR_WIDTH	R/W	0h	Specifies the counter width for AES-CTR mode 0h = 32_BIT : 32 bits 1h = 64_BIT : 64 bits 2h = 96_BIT : 96 bits 3h = 128_BIT : 128 bits
6	CTR	R/W	0h	AES-CTR mode enable This bit must also be set for CCM, when encryption/decryption is required.
5	CBC	R/W	0h	CBC mode enable
4-3	KEY_SIZE	R	0h	This field specifies the key size. The key size is automatically configured when a new key is loaded via the key store module. 00 = N/A - reserved 01 = 128 bits 10 = N/A - reserved 11 = N/A - reserved For the Crypto peripheral this field is fixed to 128 bits.
2	DIR	R/W	0h	Direction. 0 : Decrypt operation is performed. 1 : Encrypt operation is performed. This bit must be written with a 1 when CBC-MAC is selected.
1	INPUT_RDY	R/W	0h	If read as 1, this status bit indicates that the 16-byte AES input buffer is empty. The Host is permitted to write the next block of data. Writing a 0 clears the bit to zero and indicates that the AES engine can use the provided input data block. Writing a 1 to this bit will be ignored. Note: For DMA operations, this bit is automatically controlled by the Crypto peripheral. After reset, this bit is 0. After writing a context (note 1), this bit will become 1. For typical use, this bit does NOT need to be written, but is used for status reading only. In this case, this status bit is automatically maintained by the Crypto peripheral.
0	OUTPUT_RDY	R/W	0h	If read as 1, this status bit indicates that an AES output block is available to be retrieved by the Host. Writing a 0 clears the bit to zero and indicates that output data is read by the Host. The AES engine can provide a next output data block. Writing a 1 to this bit will be ignored. Note: For DMA operations, this bit is automatically controlled by the Crypto peripheral. For typical use, this bit does NOT need to be written, but is used for status reading only. In this case, this status bit is automatically maintained by the Crypto peripheral.

12.9.1.20 AESDATALEN0 Register (Offset = 554h) [Reset = 0000000h]

AESDATALEN0 is shown in [Figure 12-22](#) and described in [Table 12-39](#).

Return to the [Table 12-18](#).

Crypto Data Length LSW

Figure 12-22. AESDATALEN0 Register

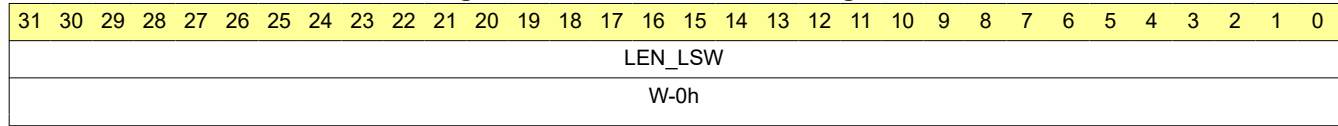


Table 12-39. AESDATALEN0 Register Field Descriptions

Bit	Field	Type	Reset	Description
31-0	LEN_LSW	W	0h	Used to write the Length values to the Crypto peripheral. This register contains bits [31:0] of the combined data length.

12.9.1.21 AESDATALEN1 Register (Offset = 558h) [Reset = 0000000h]

AESDATALEN1 is shown in [Figure 12-23](#) and described in [Table 12-40](#).

Return to the [Table 12-18](#).

Crypto Data Length MSW

Figure 12-23. AESDATALEN1 Register

31	30	29	28	27	26	25	24	23	22	21	20	19	18	17	16
RESERVED			LEN_MSW												
R-0h			W-0h												
15	14	13	12	11	10	9	8	7	6	5	4	3	2	1	0
LEN_MSW															
W-0h															

Table 12-40. AESDATALEN1 Register Field Descriptions

Bit	Field	Type	Reset	Description
31-29	RESERVED	R	0h	Reserved
28-0	LEN_MSW	W	0h	Bits [60:32] of the combined data length. Bits [60:0] of the crypto length registers AESDATALEN1 and AESDATALEN0 store the cryptographic data length in bytes for all modes. Once processing with this context starts, this length decrements to zero. Data lengths up to $(2^{61} - 1)$ bytes are allowed. A write to this register triggers the engine to start using this context. This is valid for all modes except CCM. For the combined modes (CCM), this length does not include the authentication only data the authentication length is specified in the AESAUTHLEN.LEN. All modes must have a length > 0. For the combined modes, it is allowed to have one of the lengths equal to zero. For the basic encryption modes (ECB/CBC/CTR) it is allowed to program zero to the length field in that case the length is assumed infinite. All data must be byte (8-bit) aligned for stream cipher modes bit aligned data streams are not supported by the Crypto peripheral. For block cipher modes, the data length must be programmed in multiples of the block cipher size, 16 bytes.

12.9.1.22 AESAUTHLEN Register (Offset = 55Ch) [Reset = 0000000h]

AESAUTHLEN is shown in [Figure 12-24](#) and described in [Table 12-41](#).

Return to the [Table 12-18](#).

AES Authentication Length

Figure 12-24. AESAUTHLEN Register

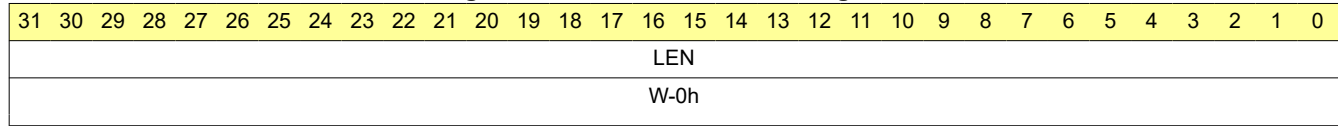


Table 12-41. AESAUTHLEN Register Field Descriptions

Bit	Field	Type	Reset	Description
31-0	LEN	W	0h	Authentication data length in bytes for combined mode, CCM only. Supported AAD-lengths for CCM are from 0 to (216 - 28) bytes. Once processing with this context is started, this length decrements to zero. Writing this register triggers the engine to start using this context for CCM.

12.9.1.23 AESDATAOUT0 Register (Offset = 560h) [Reset = 0000000h]

AESDATAOUT0 is shown in [Figure 12-25](#) and described in [Table 12-42](#).

Return to the [Table 12-18](#).

Data Input/Output

Figure 12-25. AESDATAOUT0 Register

31	30	29	28	27	26	25	24	23	22	21	20	19	18	17	16	15	14	13	12	11	10	9	8	7	6	5	4	3	2	1	0
DATA																															
R-0h																															

Table 12-42. AESDATAOUT0 Register Field Descriptions

Bit	Field	Type	Reset	Description
31-0	DATA	R	0h	Data register 0 for output block data from the Crypto peripheral. These bits = AES Output Data[31:0] of [127:0] For normal operations, this register is not used, since data input and output is transferred from and to the AES engine via DMA. For a Host read operation, these registers contain the 128-bit output block from the latest AES operation. Reading from a word-aligned offset within this address range will read one word (4 bytes) of data out the 4-word deep (16 bytes = 128-bits AES block) data output buffer. The words (4 words, one full block) should be read before the core will move the next block to the data output buffer. To empty the data output buffer, AESCTL.OUTPUT_RDY must be written. For the modes with authentication (CBC-MAC and CCM), the invalid (message) bytes/words can be written with any data. Note: The AAD / authentication only data is not copied to the output buffer but only used for authentication.

12.9.1.24 AESDATAIN0 Register (Offset = 560h) [Reset = 00000000h]

AESDATAIN0 is shown in [Figure 12-26](#) and described in [Table 12-43](#).

Return to the [Table 12-18](#).

AES Data Input/Output 0

Figure 12-26. AESDATAIN0 Register

31	30	29	28	27	26	25	24	23	22	21	20	19	18	17	16	15	14	13	12	11	10	9	8	7	6	5	4	3	2	1	0
DATA																															
W-0h																															

Table 12-43. AESDATAIN0 Register Field Descriptions

Bit	Field	Type	Reset	Description
31-0	DATA	W	0h	<p>Data registers for input block data to the Crypto peripheral. These bits = AES Input Data[31:0] of [127:0]. For normal operations, this register is not used, since data input and output is transferred from and to the AES engine via DMA. For a Host write operation, these registers must be written with the 128-bit input block for the next AES operation. Writing at a word-aligned offset within this address range will store the word (4 bytes) of data into the corresponding position of 4-word deep (16 bytes = 128-bit AES block) data input buffer. This buffer is used for the next AES operation. If the last data block is not completely filled with valid data (see notes below), it is allowed to write only the words with valid data. Next AES operation is triggered by writing to AESCTL.INPUT_RDY.</p> <p>Note: AES typically operates on 128 bits block multiple input data. The CTR and CCM modes form an exception. The last block of a CTR-mode message may contain less than 128 bits (refer to [NIST 800-38A]): $0 < n \leq 128$ bits. For CCM, the last block of both AAD and message data may contain less than 128 bits (refer to [NIST 800-38D]). The Crypto peripheral automatically pads or masks misaligned ending data blocks with zeroes for CCM and CBC-MAC. For CTR mode, the remaining data in an unaligned data block is ignored.</p>

12.9.1.25 AESDATAOUT1 Register (Offset = 564h) [Reset = 0000000h]

AESDATAOUT1 is shown in [Figure 12-27](#) and described in [Table 12-44](#).

Return to the [Table 12-18](#).

AES Data Input/Output 3

Figure 12-27. AESDATAOUT1 Register

31	30	29	28	27	26	25	24	23	22	21	20	19	18	17	16	15	14	13	12	11	10	9	8	7	6	5	4	3	2	1	0
DATA																															
R-0h																															

Table 12-44. AESDATAOUT1 Register Field Descriptions

Bit	Field	Type	Reset	Description
31-0	DATA	R	0h	Data registers for output block data from the Crypto peripheral. These bits = AES Output Data[63:32] of [127:0] For normal operations, this register is not used, since data input and output is transferred from and to the AES engine via DMA. For a Host read operation, these registers contain the 128-bit output block from the latest AES operation. Reading from a word-aligned offset within this address range will read one word (4 bytes) of data out the 4-word deep (16 bytes = 128-bits AES block) data output buffer. The words (4 words, one full block) should be read before the core will move the next block to the data output buffer. To empty the data output buffer, AESCTL.OUTPUT_RDY must be written. For the modes with authentication (CBC-MAC and CCM), the invalid (message) bytes/words can be written with any data. Note: The AAD / authentication only data is not copied to the output buffer but only used for authentication.

12.9.1.26 AESDATAIN1 Register (Offset = 564h) [Reset = 0000000h]

AESDATAIN1 is shown in [Figure 12-28](#) and described in [Table 12-45](#).

Return to the [Table 12-18](#).

AES Data Input/Output 1

Figure 12-28. AESDATAIN1 Register

31	30	29	28	27	26	25	24	23	22	21	20	19	18	17	16	15	14	13	12	11	10	9	8	7	6	5	4	3	2	1	0
DATA																															
W-0h																															

Table 12-45. AESDATAIN1 Register Field Descriptions

Bit	Field	Type	Reset	Description
31-0	DATA	W	0h	<p>Data registers for input block data to the Crypto peripheral. These bits = AES Input Data[63:32] of [127:0]</p> <p>For normal operations, this register is not used, since data input and output is transferred from and to the AES engine via DMA.</p> <p>For a Host write operation, these registers must be written with the 128-bit input block for the next AES operation. Writing at a word-aligned offset within this address range will store the word (4 bytes) of data into the corresponding position of 4-word deep (16 bytes = 128-bit AES block) data input buffer. This buffer is used for the next AES operation. If the last data block is not completely filled with valid data (see notes below), it is allowed to write only the words with valid data. Next AES operation is triggered by writing to AESCTL.INPUT_RDY.</p> <p>Note: AES typically operates on 128 bits block multiple input data. The CTR and CCM modes form an exception. The last block of a CTR-mode message may contain less than 128 bits (refer to [NIST 800-38A]): $0 < n \leq 128$ bits. For CCM, the last block of both AAD and message data may contain less than 128 bits (refer to [NIST 800-38D]). The Crypto peripheral automatically pads or masks misaligned ending data blocks with zeroes for CCM and CBC-MAC. For CTR mode, the remaining data in an unaligned data block is ignored.</p>

12.9.1.27 AESDATAOUT2 Register (Offset = 568h) [Reset = 0000000h]

AESDATAOUT2 is shown in [Figure 12-29](#) and described in [Table 12-46](#).

Return to the [Table 12-18](#).

AES Data Input/Output 2

Figure 12-29. AESDATAOUT2 Register

31	30	29	28	27	26	25	24	23	22	21	20	19	18	17	16	15	14	13	12	11	10	9	8	7	6	5	4	3	2	1	0
DATA																															
R-0h																															

Table 12-46. AESDATAOUT2 Register Field Descriptions

Bit	Field	Type	Reset	Description
31-0	DATA	R	0h	<p>Data registers for output block data from the Crypto peripheral. These bits = AES Output Data[95:64] of [127:0]</p> <p>For normal operations, this register is not used, since data input and output is transferred from and to the AES engine via DMA.</p> <p>For a Host read operation, these registers contain the 128-bit output block from the latest AES operation. Reading from a word-aligned offset within this address range will read one word (4 bytes) of data out the 4-word deep (16 bytes = 128-bits AES block) data output buffer. The words (4 words, one full block) should be read before the core will move the next block to the data output buffer. To empty the data output buffer, AESCTL.OUTPUT_RDY must be written.</p> <p>For the modes with authentication (CBC-MAC and CCM), the invalid (message) bytes/words can be written with any data.</p> <p>Note: The AAD / authentication only data is not copied to the output buffer but only used for authentication.</p>

12.9.1.28 AESDATAIN2 Register (Offset = 568h) [Reset = 0000000h]

AESDATAIN2 is shown in [Figure 12-30](#) and described in [Table 12-47](#).

Return to the [Table 12-18](#).

AES Data Input/Output 2

Figure 12-30. AESDATAIN2 Register

31	30	29	28	27	26	25	24	23	22	21	20	19	18	17	16	15	14	13	12	11	10	9	8	7	6	5	4	3	2	1	0
DATA																															
W-0h																															

Table 12-47. AESDATAIN2 Register Field Descriptions

Bit	Field	Type	Reset	Description
31-0	DATA	W	0h	<p>Data registers for input block data to the Crypto peripheral. These bits = AES Input Data[95:64] of [127:0]</p> <p>For normal operations, this register is not used, since data input and output is transferred from and to the AES engine via DMA.</p> <p>For a Host write operation, these registers must be written with the 128-bit input block for the next AES operation. Writing at a word-aligned offset within this address range will store the word (4 bytes) of data into the corresponding position of 4-word deep (16 bytes = 128-bit AES block) data input buffer. This buffer is used for the next AES operation. If the last data block is not completely filled with valid data (see notes below), it is allowed to write only the words with valid data. Next AES operation is triggered by writing to AESCTL.INPUT_RDY.</p> <p>Note: AES typically operates on 128 bits block multiple input data. The CTR and CCM modes form an exception. The last block of a CTR-mode message may contain less than 128 bits (refer to [NIST 800-38A]): $0 < n \leq 128$ bits. For CCM, the last block of both AAD and message data may contain less than 128 bits (refer to [NIST 800-38D]). The Crypto peripheral automatically pads or masks misaligned ending data blocks with zeroes for CCM and CBC-MAC. For CTR mode, the remaining data in an unaligned data block is ignored.</p>

12.9.1.29 AESDATAOUT3 Register (Offset = 56Ch) [Reset = 0000000h]

AESDATAOUT3 is shown in [Figure 12-31](#) and described in [Table 12-48](#).

Return to the [Table 12-18](#).

AES Data Input/Output 3

Figure 12-31. AESDATAOUT3 Register

31	30	29	28	27	26	25	24	23	22	21	20	19	18	17	16	15	14	13	12	11	10	9	8	7	6	5	4	3	2	1	0
DATA																															
R-0h																															

Table 12-48. AESDATAOUT3 Register Field Descriptions

Bit	Field	Type	Reset	Description
31-0	DATA	R	0h	Data registers for output block data from the Crypto peripheral. These bits = AES Output Data[127:96] of [127:0] For normal operations, this register is not used, since data input and output is transferred from and to the AES engine via DMA. For a Host read operation, these registers contain the 128-bit output block from the latest AES operation. Reading from a word-aligned offset within this address range will read one word (4 bytes) of data out the 4-word deep (16 bytes = 128-bits AES block) data output buffer. The words (4 words, one full block) should be read before the core will move the next block to the data output buffer. To empty the data output buffer, AESCTL.OUTPUT_RDY must be written. For the modes with authentication (CBC-MAC and CCM), the invalid (message) bytes/words can be written with any data. Note: The AAD / authentication only data is not copied to the output buffer but only used for authentication.

12.9.1.30 AESDATAIN3 Register (Offset = 56Ch) [Reset = 0000000h]

AESDATAIN3 is shown in [Figure 12-32](#) and described in [Table 12-49](#).

Return to the [Table 12-18](#).

Data Input/Output

Figure 12-32. AESDATAIN3 Register

31	30	29	28	27	26	25	24	23	22	21	20	19	18	17	16	15	14	13	12	11	10	9	8	7	6	5	4	3	2	1	0
DATA																															
W-0h																															

Table 12-49. AESDATAIN3 Register Field Descriptions

Bit	Field	Type	Reset	Description
31-0	DATA	W	0h	<p>Data registers for input block data to the Crypto peripheral. These bits = AES Input Data[127:96] of [127:0]</p> <p>For normal operations, this register is not used, since data input and output is transferred from and to the AES engine via DMA.</p> <p>For a Host write operation, these registers must be written with the 128-bit input block for the next AES operation. Writing at a word-aligned offset within this address range will store the word (4 bytes) of data into the corresponding position of 4-word deep (16 bytes = 128-bit AES block) data input buffer. This buffer is used for the next AES operation. If the last data block is not completely filled with valid data (see notes below), it is allowed to write only the words with valid data. Next AES operation is triggered by writing to AESCTL.INPUT_RDY.</p> <p>Note: AES typically operates on 128 bits block multiple input data. The CTR and CCM modes form an exception. The last block of a CTR-mode message may contain less than 128 bits (refer to [NIST 800-38A]): $0 < n \leq 128$ bits. For CCM, the last block of both AAD and message data may contain less than 128 bits (refer to [NIST 800-38D]). The Crypto peripheral automatically pads or masks misaligned ending data blocks with zeroes for CCM and CBC-MAC. For CTR mode, the remaining data in an unaligned data block is ignored.</p>

12.9.1.31 AESTAGOUT_y Register (Offset = 570h + formula) [Reset = 0000000h]

AESTAGOUT_y is shown in [Figure 12-33](#) and described in [Table 12-50](#).

Return to the [Table 12-18](#).

AES Tag Output

Offset = 570h + (y * 4h); where y = 0h to 3h

Figure 12-33. AESTAGOUT_y Register

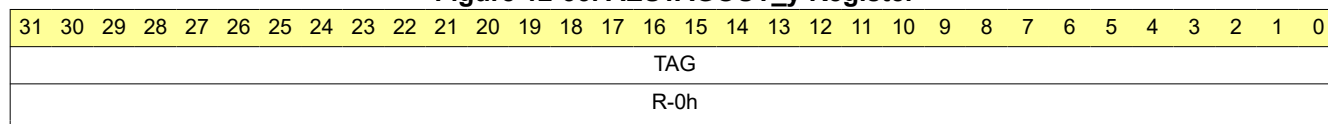


Table 12-50. AESTAGOUT_y Register Field Descriptions

Bit	Field	Type	Reset	Description
31-0	TAG	R	0h	This register contains the authentication TAG for the combined and authentication-only modes.

12.9.1.32 ALGSEL Register (Offset = 700h) [Reset = 0000000h]

ALGSEL is shown in [Figure 12-34](#) and described in [Table 12-51](#).

Return to the [Table 12-18](#).

Master Algorithm Select

This register configures the internal destination of the DMA controller.

Figure 12-34. ALGSEL Register

31	30	29	28	27	26	25	24
TAG		RESERVED					
R/W-0h		R-0h					
23	22	21	20	19	18	17	16
RESERVED							
R-0h							
15	14	13	12	11	10	9	8
RESERVED							
R-0h							
7	6	5	4	3	2	1	0
RESERVED						AES	KEY_STORE
R-0h						R/W-0h	R/W-0h

Table 12-51. ALGSEL Register Field Descriptions

Bit	Field	Type	Reset	Description
31	TAG	R/W	0h	If this bit is cleared to 0, the DMA operation involves only data. If this bit is set, the DMA operation includes a TAG (Authentication Result / Digest).
30-2	RESERVED	R	0h	Reserved
1	AES	R/W	0h	If set to 1, the AES data is loaded via DMA. Both Read and Write maximum transfer size to DMA engine is set to 16 bytes
0	KEY_STORE	R/W	0h	If set to 1, selects the Key Store to be loaded via DMA. The maximum transfer size to DMA engine is set to 32 bytes (however transfers of 16, 24 and 32 bytes are allowed)

12.9.1.33 DMAPROTCTL Register (Offset = 704h) [Reset = 0000000h]

DMAPROTCTL is shown in [Figure 12-35](#) and described in [Table 12-52](#).

Return to the [Table 12-18](#).

Master Protection Control

Figure 12-35. DMAPROTCTL Register

31	30	29	28	27	26	25	24	23	22	21	20	19	18	17	16
RESERVED															
R-0h															
15	14	13	12	11	10	9	8	7	6	5	4	3	2	1	0
RESERVED															EN
R-0h															R/W-0h

Table 12-52. DMAPROTCTL Register Field Descriptions

Bit	Field	Type	Reset	Description
31-1	RESERVED	R	0h	Reserved
0	EN	R/W	0h	Select AHB transfer protection control for DMA transfers using the key store area as destination. 0 : transfers use 'USER' type access. 1 : transfers use 'PRIVILEGED' type access.

12.9.1.34 SWRESET Register (Offset = 740h) [Reset = 0000000h]

SWRESET is shown in [Figure 12-36](#) and described in [Table 12-53](#).

Return to the [Table 12-18](#).

Software Reset

Figure 12-36. SWRESET Register

31	30	29	28	27	26	25	24
RESERVED							
R-0h							
23	22	21	20	19	18	17	16
RESERVED							
R-0h							
15	14	13	12	11	10	9	8
RESERVED							
R-0h							
7	6	5	4	3	2	1	0
RESERVED							RESET
R-0h							R/W1C-0h

Table 12-53. SWRESET Register Field Descriptions

Bit	Field	Type	Reset	Description
31-1	RESERVED	R	0h	Reserved
0	RESET	R/W1C	0h	If this bit is set to 1, the following modules are reset: - Master control internal state is reset. That includes interrupt, error status register and result available interrupt generation FSM. - Key store module state is reset. That includes clearing the Written Area flags therefore the keys must be reloaded to the key store module. Writing 0 has no effect. The bit is self cleared after executing the reset.

12.9.1.35 IRQTYPE Register (Offset = 780h) [Reset = 0000000h]

IRQTYPE is shown in [Figure 12-37](#) and described in [Table 12-54](#).

Return to the [Table 12-18](#).

Control Interrupt Configuration

Figure 12-37. IRQTYPE Register

31	30	29	28	27	26	25	24
RESERVED							
R-0h							
23	22	21	20	19	18	17	16
RESERVED							
R-0h							
15	14	13	12	11	10	9	8
RESERVED							
R-0h							
7	6	5	4	3	2	1	0
RESERVED							LEVEL
R-0h							R/W-0h

Table 12-54. IRQTYPE Register Field Descriptions

Bit	Field	Type	Reset	Description
31-1	RESERVED	R	0h	Reserved
0	LEVEL	R/W	0h	If this bit is 0, the interrupt output is a pulse. If this bit is set to 1, the interrupt is a level interrupt that must be cleared by writing the interrupt clear register. This bit is applicable for both interrupt output signals.

12.9.1.36 IRQEN Register (Offset = 784h) [Reset = 0000000h]

IRQEN is shown in [Figure 12-38](#) and described in [Table 12-55](#).

Return to the [Table 12-18](#).

Interrupt Enable

Figure 12-38. IRQEN Register

31	30	29	28	27	26	25	24
RESERVED							
R-0h							
23	22	21	20	19	18	17	16
RESERVED							
R-0h							
15	14	13	12	11	10	9	8
RESERVED							
R-0h							
7	6	5	4	3	2	1	0
RESERVED						DMA_IN_DONE	RESULT_AVAIL
R-0h						R/W-0h	R/W-0h

Table 12-55. IRQEN Register Field Descriptions

Bit	Field	Type	Reset	Description
31-2	RESERVED	R	0h	Reserved
1	DMA_IN_DONE	R/W	0h	This bit enables IRQSTAT.DMA_IN_DONE as source for IRQ.
0	RESULT_AVAIL	R/W	0h	This bit enables IRQSTAT.RESULT_AVAIL as source for IRQ.

12.9.1.37 IRQCLR Register (Offset = 788h) [Reset = 0000000h]

IRQCLR is shown in [Figure 12-39](#) and described in [Table 12-56](#).

Return to the [Table 12-18](#).

Interrupt Clear

Figure 12-39. IRQCLR Register

31	30	29	28	27	26	25	24
DMA_BUS_ER R	KEY_ST_WR_ ERR	KEY_ST_RD_E RR	RESERVED				
W-0h	W-0h	W-0h	R-0h				
23	22	21	20	19	18	17	16
RESERVED							
R-0h							
15	14	13	12	11	10	9	8
RESERVED							
R-0h							
7	6	5	4	3	2	1	0
RESERVED						DMA_IN_DONE	RESULT_AVAIL
R-0h						W-0h	W-0h

Table 12-56. IRQCLR Register Field Descriptions

Bit	Field	Type	Reset	Description
31	DMA_BUS_ERR	W	0h	If 1 is written to this bit, IRQSTAT.DMA_BUS_ERR is cleared.
30	KEY_ST_WR_ERR	W	0h	If 1 is written to this bit, IRQSTAT.KEY_ST_WR_ERR is cleared.
29	KEY_ST_RD_ERR	W	0h	If 1 is written to this bit, IRQSTAT.KEY_ST_RD_ERR is cleared.
28-2	RESERVED	R	0h	Reserved
1	DMA_IN_DONE	W	0h	If 1 is written to this bit, IRQSTAT.DMA_IN_DONE is cleared.
0	RESULT_AVAIL	W	0h	If 1 is written to this bit, IRQSTAT.RESULT_AVAIL is cleared.

12.9.1.38 IRQSET Register (Offset = 78Ch) [Reset = 0000000h]

IRQSET is shown in [Figure 12-40](#) and described in [Table 12-57](#).

Return to the [Table 12-18](#).

Interrupt Set

Figure 12-40. IRQSET Register

31	30	29	28	27	26	25	24
RESERVED							
R-0h							
23	22	21	20	19	18	17	16
RESERVED							
R-0h							
15	14	13	12	11	10	9	8
RESERVED							
R-0h							
7	6	5	4	3	2	1	0
RESERVED						DMA_IN_DONE	RESULT_AVAIL
R-0h						W-0h	W-0h

Table 12-57. IRQSET Register Field Descriptions

Bit	Field	Type	Reset	Description
31-2	RESERVED	R	0h	Reserved
1	DMA_IN_DONE	W	0h	If 1 is written to this bit, IRQSTAT.DMA_IN_DONE is set. Writing 0 has no effect.
0	RESULT_AVAIL	W	0h	If 1 is written to this bit, IRQSTAT.RESULT_AVAIL is set. Writing 0 has no effect.

12.9.1.39 IRQSTAT Register (Offset = 790h) [Reset = 0000000h]

IRQSTAT is shown in [Figure 12-41](#) and described in [Table 12-58](#).

Return to the [Table 12-18](#).

Interrupt Status

Figure 12-41. IRQSTAT Register

31	30	29	28	27	26	25	24
DMA_BUS_ER R	KEY_ST_WR_ ERR	KEY_ST_RD_E RR	RESERVED				
R-0h	R-0h	R-0h	R-0h				
23	22	21	20	19	18	17	16
RESERVED							
R-0h							
15	14	13	12	11	10	9	8
RESERVED							
R-0h							
7	6	5	4	3	2	1	0
RESERVED						DMA_IN_DONE	RESULT_AVAIL
R-0h						R-0h	R-0h

Table 12-58. IRQSTAT Register Field Descriptions

Bit	Field	Type	Reset	Description
31	DMA_BUS_ERR	R	0h	This bit is set when a DMA bus error is detected during a DMA operation. The value of this register is held until it is cleared via IRQCLR.DMA_BUS_ERR Note: This error is asserted if an error is detected on the AHB master interface during a DMA operation. Note: This is not an interrupt source.
30	KEY_ST_WR_ERR	R	0h	This bit is set when a write error is detected during the DMA write operation to the key store memory. The value of this register is held until it is cleared via IRQCLR.KEY_ST_WR_ERR Note: This error is asserted if a DMA operation does not cover a full key area or more areas are written than expected. Note: This is not an interrupt source.
29	KEY_ST_RD_ERR	R	0h	This bit will be set when a read error is detected during the read of a key from the key store, while copying it to the AES engine. The value of this register is held until it is cleared via IRQCLR.KEY_ST_RD_ERR. Note: This error is asserted if a key location is selected in the key store that is not available. Note: This is not an interrupt source.
28-2	RESERVED	R	0h	Reserved
1	DMA_IN_DONE	R	0h	This bit returns the status of DMA data in done interrupt.
0	RESULT_AVAIL	R	0h	This bit is set high when the Crypto peripheral has a result available.

12.9.1.40 HWVER Register (Offset = 7FCh) [Reset = 91118778h]

HWVER is shown in [Figure 12-42](#) and described in [Table 12-59](#).

Return to the [Table 12-18](#).

CTRL Module Version

Figure 12-42. HWVER Register

31	30	29	28	27	26	25	24	23	22	21	20	19	18	17	16
RESERVED				HW_MAJOR_VER				HW_MINOR_VER				HW_PATCH_LVL			
R-0h				R-1h				R-1h				R-1h			
15	14	13	12	11	10	9	8	7	6	5	4	3	2	1	0
VER_NUM_COMPL								VER_NUM							
R-87h								R-78h							

Table 12-59. HWVER Register Field Descriptions

Bit	Field	Type	Reset	Description
31-28	RESERVED	R	0h	Reserved
27-24	HW_MAJOR_VER	R	1h	Major version number
23-20	HW_MINOR_VER	R	1h	Minor version number
19-16	HW_PATCH_LVL	R	1h	Patch level, starts at 0 at first delivery of this version.
15-8	VER_NUM_COMPL	R	87h	These bits simply contain the complement of VER_NUM (0x87), used by a driver to ascertain that the Crypto peripheral register is indeed read.
7-0	VER_NUM	R	78h	The version number for the Crypto peripheral, this field contains the value 120 (decimal) or 0x78.

This page intentionally left blank.

This chapter describes the input/output controller (IOC) and the general-purpose inputs and outputs (GPIOs). The IOC provides a flexible configuration, as most of the peripheral ports can be mapped to any of the physical I/O pins. The CC13x1x3 and CC26x1x3 device platform has up to 31 I/O pins that are configurable as GPIO or peripheral I/O function.

13.1 Introduction	964
13.2 IOC Overview	964
13.3 I/O Mapping and Configuration	965
13.4 Edge Detection on DIO Pins	966
13.5 Unused I/O Pins	967
13.6 GPIO	967
13.7 I/O Pin Capability	968
13.8 Peripheral PORTIDs	969
13.9 I/O Pins	970
13.10 IOC Registers	971

13.1 Introduction

The I/O controller configures I/O pins and maps peripheral signals to physical pins (DIOx) on the CC13x1x3 and CC26x1x3 device packages. This chapter explains the I/O controller function and gives a few examples on how to map peripheral functions to the pins chosen by the user.

Several similar terms are defined as follows:

- PORTID is the number for a peripheral function.
- GPIO is a peripheral function with the PORTID of 0x0.
- DIO_n (DIO0 to DIO31) are the logical names of the different I/O pins on the specific package.

Eight of these DIOs also have analog capabilities. The device-specific data sheet provides the mapping between DIO and pins for the different packages.

13.2 IOC Overview

Figure 13-1 shows a general overview of the IOC.

The IOC module consists of two main submodules:

- Microcontroller unit IOC (MCU IOC) configures the peripheral ports to the user-defined pins.
- Always-on IOC (AON IOC) module handles JTAG, 32 kHz clock, AON Peripheral, and AUX Domain signals.

The always-on peripherals (RTC, Battery Monitor and internal temperature sensor) are clocked from the 32 kHz Low Frequency Clock (SCLK_LF, see Section 7.5 for more details). This allows the device to operate at very low power levels while still maintaining active operation of these peripheral functions. When configured correctly, the AON IOC ensures that output levels of all I/Os remain unchanged when the AUX power domain is powered down .

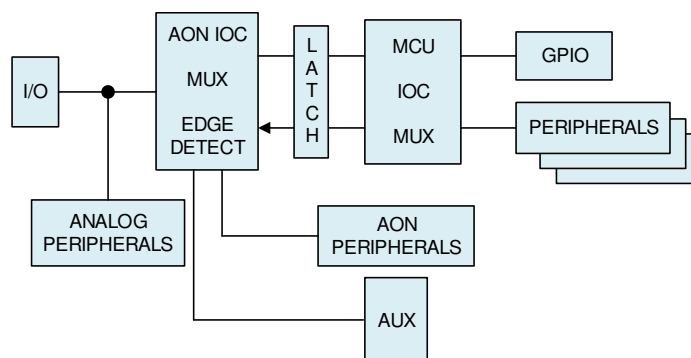


Figure 13-1. IOC Overview (Simplified)

13.3 I/O Mapping and Configuration

The MCU IOC can map a number of peripheral modules such as GPIO, SSI, UART, I²C, and I²S to any of the available I/Os. JTAG functions are limited to specific I/O pins. Each type of peripheral signal has a unique PORTID that can be assigned to selected I/O pins (referenced as DIOs). [Table 13-3](#) lists the different PORTID signals.

13.3.1 Basic I/O Mapping

To map a peripheral function to DIO_n, where n can range from 0 to a maximum of 31, the PORTID and pin configuration must be set in the corresponding IOC:IOCFG_n register. To select what kind of function the pin must be routed, choose the PORTID number for the desired peripheral function and write the PORTID number to the IOC:IOCFG_n.PORTID bit field.

The function can be set by using the following driver library function:

```
IOCPortConfigureSet(DION, PORTID, PIN-CONFIG);
```

See [Section 13.5](#) for the kind of configurations that can be set in PIN-CONFIG.

13.3.2 Mapping AUXIOs to DIO Pins

There are up to 32 signals (AUXIO0 to AUXIO31) in the AUX Domain. These signals can be routed to specific DIO pins given in [Table 13-2](#). The signals AUXIO19 to AUXIO26 have analog capability, but can also be used as digital I/Os. All the other AUXIO_n signals are digital only. The signals routed from the AUX Domain are configured differently than GPIO and other peripheral functions. This section does not cover the use of all the capabilities of the AUX Domain (for more details, see [Chapter 19](#)).

In this example, AUXIO1 is mapped to DIO17 and set up as a digital input.

1. Set the IOC:IOCFG17 PORTID bit field to 0x08 (AUX_I/O) to route AUXIO1 to DIO17.
2. The I/O signals in the AUX domain have their own open-source or open-drain configuration, which must be set in the AUX_AIODIO0:IOMODE register in the AUX domain. Set AUX_AIODIO0:IOMODE.IO1 to 0x01 to enable AUXIO1 as a digital input.
3. Enable the digital input buffer for AUXIO1 by setting the IO7_0 bit field to 0x02 in the AUX_AIODIO0:GPIODIE register.

13.3.3 Control External LNA/PA (Range Extender) With I/Os

There are four logic RF-Core internal output signals called *RF Core Data Out n*, where n goes from 0 to 3. These signals can be mapped to DIOs. By default, RF Core Data Out 0 is set to go high when the LNA must be enabled, and RF Core Data Out 1 is set high when the PA must be enabled. [Table 13-1](#) describes the signals. The signals can be mapped to any DIO by setting the relevant PORTID in the designated IOCFG_n register.

```
#include <driverlib/ioc.h>
// Map RFC_GPO0 to DIOx
IOCPortConfigureSet(IOID_x, IOC_PORT_RFC_GPO0, IOC_IOMODE_NORMAL);
```

Table 13-1. RF Core Data Signals for PA and LNA

Port Name	PORTID	RF Core Signal	Description
RFC_GPO0	0x2F	RF Core Data Out 0	LNA enable
RFC_GPO1	0x30	RF Core Data Out 1	PA enable
RFC_GPO2	0x31	RF Core Data Out 2	Synthesizer calibration running
RFC_GPO3	0x32	RF Core Data Out 3	TX start

13.3.4 Map the 32 kHz System Clock (LF Clock) to DIO

The AON IOC contains the output enable control for the 32 kHz LF system clock output, and the clock signal has its own PORTID called AON_CLK32K (0x7). This makes it easy to output the clock signal to a pin. Map the clock to a chosen DIO, and enable the clock output by setting the AON_IOC:CLK32KCTL.OE_N register field to 0x0. The following two driver library calls achieve the same result:

```
#include <driverlib/aon_ioc.h>
IOCPortConfigureSet(IOCIDn, IOC_PORT_AON_CLK32K, IOC_STD_OUTPUT);
AONIOC32kHzOutputEnable();
```

This outputs the LF system clock signal in all power modes except for shutdown.

The AON_CLK32K PORTID value is also chosen when using a DIO as the input source for the 32 kHz LF system clock. For a description of how to use a DIO as the clock source, see [Chapter 7](#).

Note

The AON_CLK32K PORTID must be used as only a single clock output or as only a clock input.

13.4 Edge Detection on DIO Pins

The AON IOC supports detection of positive and (or) negative edges on the digital I/Os and provides the resulting events to the AON event fabric as the following events:

- IOEV_AON_PROG0
- IOEV_AON_PROG1
- IOEV_AON_PROG2
- IOEV_RTC
- IOEV_MCU_WU

The edge-detect event can be cleared by both the MCU GPIO and the AUX Domain. The edge detect event can also be cleared from MCU IOC by doing a disable or enable cycle of the edge configuration. The MCU GPIO has a separate clear line to each edge detection cell, while the AUX Domain uses a single line to clear all events on pins connected to the AUX Domain. When clearing from AUX Domain, all events related to AUX Domain I/Os are cleared.

The EDGE DETECT block uses an edge-detect cell for each I/O. Each detection cell can flag edge-detected and trigger an interrupt signal. The interrupt signals from all cells are ORed together to form a single interrupt line toward the AON event fabric.

The AON IOC can also generate an interrupt event when any programmable subset of the input I/Os generates an event. The registers controlling the edge-detect circuit reside in the MCU IOC.

13.4.1 Configure DIO as GPIO Input to Generate Interrupt on EDGE DETECT

Interrupt and edge detect event generation from DIOs is configured through the IOC:IOCFGn EDGE_IRQ_EN and EDGE_DET bit fields. The DIO must have input enable set in order to perform edge detection. A GPIO edge-detect event is sent to the CPU interrupt IRQ0 (vector number 16). This interrupt must be enabled to call the GPIO interrupt handler. In this interrupt handler, the event source must be cleared by clearing the relevant GPIO:EVFLAGS31 event register DION bit. Reading this register returns 1 for triggered events and 0 for non-triggered events. The event is cleared from the MCU IOC by toggling the enabled EDGE_DET configuration. The event is cleared when the active-edge configuration is disabled and IOC:IOCFGn.EDGE_DET set to 0.

13.5 Unused I/O Pins

By default, the I/O driver (output) and input buffer (input) are disabled (tri-state mode) at power on or reset, and thus the I/O pin can safely be left unconnected (floating).

If the I/O pin is in a tri-state condition and connected to a node with a different voltage potential, a small leakage current can go through the pin. The same applies to an I/O pin configured as input, where the pin is connected to a voltage source (for example VDD/2). The input is then an undefined value of either 0 or 1.

13.6 GPIO

The MCU GPIO is a general-purpose input/output module that allows software to write to and read from the DIOs. GPIO supports up to 31 programmable I/O pins. These pins are configured by the IOC module. To modify a single GPIO output value, use the GPIO:DOUTn registers (see [Section 13.10.2](#)). To set up DIO1 as a GPIO output and toggle the bit, use the following procedure.

1. Map DIO1 as a GPIO output by setting the IOC:IOCFG1.PORT_ID register to 0 (GPIO PORTID).
2. Ensure DIO1 is set as output by clearing the IOC:IOCFG1.IE bit. More port configurations can also be set in the IOC:IOCFG1 register (for more details, see [Section 13.9.1.2](#)).
3. Set the data output enable bit for DIO1 in GPIO:DOE31_0.DIO1 by issuing a read-modify-write operation.
4. Toggle the DIO1 output by issuing an XOR operation on the GPIO:DOUT3_0:DIO1 bit with 0x100.
5. Call the following driver library functions:

```
IOCPinTypeGpioOutput(0x1);
GPIOPinToggle(0x1);
```

13.7 I/O Pin Capability

Table 13-2 shows the I/O capabilities for DIOs. Refer to the device-specific data sheet for DIO mapping to package pins.

Table 13-2. CC13x1x3 and CC26x1x3 Pin Mapping

Package Type	AUX Domain		Drive Strength	JTAG
	7 × 7 QFN (RGZ)	DIO		
	Analog Capable	AUX Domain I/O		
	yes	19	2 mA, 4 mA	
	yes	20	2 mA, 4 mA	
	yes	21	2 mA, 4 mA	
	yes	22	2 mA, 4 mA	
	yes	23	2 mA, 4 mA	
	yes	24	2 mA, 4 mA	
	yes	25	2 mA, 4 mA	
	yes	26	2 mA, 4 mA	
		27	2 mA, 4 mA	
		28	2 mA, 4 mA	
		29	2 mA, 4 mA	
		30	2 mA, 4 mA	
		31	2 mA, 4 mA	
		1	2 mA, 4 mA, 8 mA	TDI
		2	2 mA, 4 mA, 8 mA	TDO
		3	2 mA, 4 mA	
		4	2 mA, 4 mA	
		5	2 mA, 4 mA	
		6	2 mA, 4 mA	
		7	2 mA, 4 mA	
		8	2 mA, 4 mA	
		9	2 mA, 4 mA	
		10	2 mA, 4 mA	
		11	2 mA, 4 mA, 8 mA	
		12	2 mA, 4 mA, 8 mA	
		13	2 mA, 4 mA, 8 mA	
		14	2 mA, 4 mA	
		15	2 mA, 4 mA	
		16	2 mA, 4 mA	
		17	2 mA, 4 mA	
		18	2 mA, 4 mA	

- (1) The CC1311R3 and CC2651R3 devices do not support DIO0
The CC1311P3 and CC2651P3 devices do not support DIO0 to DIO4.

13.8 Peripheral PORTIDs

Table 13-3 lists the different PORTID signals.

Table 13-3. CC13x1x3 and CC26x1x3 PORTIDs

ID	Port Name	Port Description	ID	Port Name	Port Description
0	GPIO	Default GPIO usage	27	PORT_EVENT4	General-purpose I/O event 4
1–6		<i>Reserved</i>	28	PORT_EVENT5	General-purpose I/O event 5
7	AON_CLK32K	AON 32 kHz clock pin	29	PORT_EVENT6	General-purpose I/O event 6
8	AUX_Domain_IO	AUX Domain I/O pin	30	PORT_EVENT7	General-purpose I/O event 7
9	SSI0_RX	SSI 0 RX pin	31		<i>Reserved</i>
10	SSI0_TX	SSI 0 TX pin	32	CPU_SWV	CPU SWV
11	SSI0_FSS	SSI 0 FSS pin	33-36		<i>Reserved</i>
15	UART0_RX	UART 0 RX pin	37	I2S_AD0	I ² S data 0 pin
16	UART0_TX	UART 0 TX pin	38	I2S_AD1	I ² S data 1 pin
17	UART0_CTS	UART 0 CTS pin	39	I2S_WCLK	I ² S WCLK pin
18	UART0_RTS	UART 0 RTS pin	40	I2S_BCLK	I ² S BCLK pin
19-22		<i>Reserved</i>	41	I2S_MCLK	I ² S MCLK pin
23	PORT_EVENT0	General-purpose I/O event 0	48	RFC_GPO1	RF Core general-purpose output 1
24	PORT_EVENT1	General-purpose I/O event 1	49	RFC_GPO2	RF Core general-purpose output 2
25	PORT_EVENT2	General-purpose I/O event 2	50	RFC_GPO3	RF Core general-purpose output 3
26	PORT_EVENT3	General-purpose I/O event 3	51–56		RF Core internal signals

13.9 I/O Pins

This section discusses specific physical details and configuration possibilities for the I/O pins on the CC13x1x3 and CC26x1x3 device platform.

13.9.1 Input/Output Modes

Each I/O pin has separate input and output buffers which can be configured independently. The main configurations for input and output are:

- Input mode (detached, hysteresis, pullup, pulldown)
- Output mode (tri-state condition, push-pull, open drain, open source)

Both the input and the output buffer can be enabled or disabled at the same time. By disabling the output buffer the corresponding I/O pin will be in the tri-state condition (high impedance). If nothing is driving the I/O to a valid logical level when the output buffer is disabled then disable the input buffer to avoid excessive current draw through the I/O input buffer. [Section 13.9.1.2](#) describes the I/O pin configuration in more detail.

13.9.1.1 Physical Pin

The digital I/O driver and receiver is a wide-supply voltage range, bidirectional buffer combining an output buffer, an input buffer with optional hysteresis, and optional pullup and pulldown circuitry. The I/O has limited power-management features, including support for wakeup from sleep with core power gated. The sink and source capability of the pins are symmetrical, as shown in [Figure 13-2](#), which gives a rough overview of the I/O pin. Pullup and pulldown resistances are given in the data sheet.

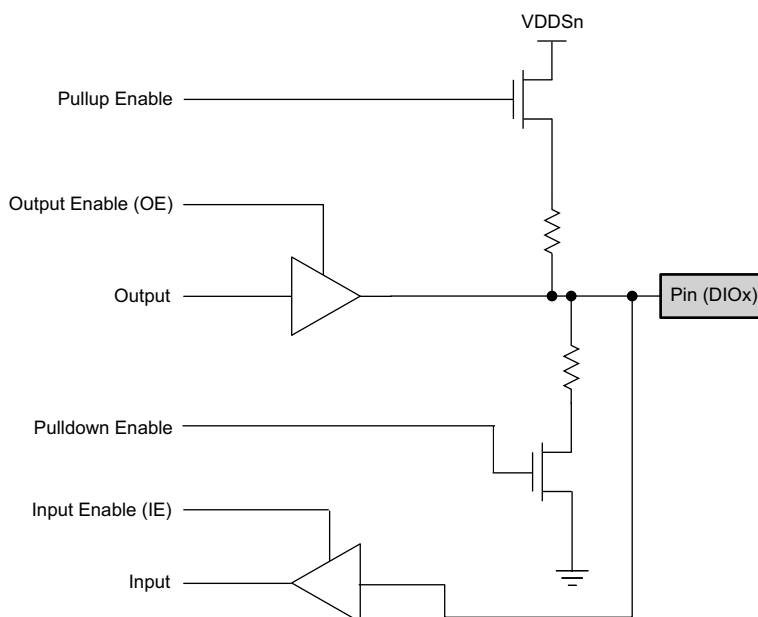


Figure 13-2. Generic I/O Pin (Simplified)

13.9.1.2 Pin Configuration

The IOC allows software to configure the pins based on the requirements of the application. The software can configure different characteristic settings for any or all of the I/O pins. All of the following features, except for output driver (output enable set in the GPIO:DOE31_0 register), are controlled in the IOC:IOCFGn registers:

- **Drive Strength** (IOC:IOCFGn.IOSTR)

Configures the drive strength and maximum current of an I/O pin. All I/O pins support 2 mA and 4 mA, while five pins support up to 8 mA. By setting IOC:IOCFGn.IOSTR to 0x0, the drive strength is automatically updated based upon inputs from the battery monitor, BATMON, to maintain the set drive strength level at different battery voltages.
- **Pull** (IOC:IOCFGn.PULL_CTL)

Configures a weak pull on an I/O pin. The following can be set: pullup, pulldown, or no pull. See the data sheet for specific pullup and pulldown resistance.
- **Slew Control** (IOC:IOCFGn.SLEW_RED)

Sets high or low slew rate on an I/O pin.
- **Hysteresis** (IOC:IOCFGn.HYST_EN)

Enables or disables input hysteresis on an I/O pin.
- **Open-Source or Open-Drain Configuration** (IOC:IOCFGn.IOMODE)

Configures the pin as normal, open source, or open drain; all of these can be set to either inverted or normal (noninverted).
- **Interrupt and Edge Detection** (IOC:IOCFGn.EDGE_IRQ_EN and IOC:IOCFGn.EDGE_DET)

Enables interrupt triggered by edge detection on I/O pin. Different edge detection modes are supported, and the possible modes are rising edge, falling edge, trigger on both rising and falling, or no edge detection.
- **Input Driver** (IOC:IOCFGn.IE)

Enables or disables the I/O input driver.
- **Output Driver** (Depends on specific peripheral mapped to pin)

Enables or disables the I/O output driver.

13.10 IOC Registers

The next sections show the register banks for the I/O Controller.

13.10.1 AON_IOC Registers

[AON_IOC Registers](#) lists the memory-mapped registers for the AON_IOC registers. All register offset addresses not listed in [AON_IOC Registers](#) should be considered as reserved locations and the register contents should not be modified.

Table 13-4. AON_IOC Registers

Offset	Acronym	Register Name	Section
0h	IOSTRMIN	Internal	Section 13.10.1.1
4h	IOSTRMED	Internal	Section 13.10.1.2
8h	IOSTRMAX	Internal	Section 13.10.1.3
10h	CLK32KCTL	SCLK_LF External Output Control	Section 13.10.1.4
14h	TCKCTL	TCK IO Pin Control	Section 13.10.1.5

Complex bit access types are encoded to fit into small table cells. [AON_IOC Access Type Codes](#) shows the codes that are used for access types in this section.

Table 13-5. AON_IOC Access Type Codes

Access Type	Code	Description
Read Type		
R	R	Read
Write Type		
W	W	Write
Reset or Default Value		
-n		Value after reset or the default value

13.10.1.1 IOSTRMIN Register (Offset = 0h) [Reset = 0000003h]

IOSTRMIN is shown in [IOSTRMIN Register](#) and described in [IOSTRMIN Register Field Descriptions](#).

Return to the [AON_IOC Registers](#).

Internal. Only to be used through TI provided API.

Figure 13-3. IOSTRMIN Register

31	30	29	28	27	26	25	24	23	22	21	20	19	18	17	16
RESERVED															
R-0h															
15	14	13	12	11	10	9	8	7	6	5	4	3	2	1	0
RESERVED													GRAY_CODE		
R-0h													R/W-3h		

Table 13-6. IOSTRMIN Register Field Descriptions

Bit	Field	Type	Reset	Description
31-3	RESERVED	R	0h	Reserved
2-0	GRAY_CODE	R/W	3h	Internal. Only to be used through TI provided API.

13.10.1.2 IOSTRMED Register (Offset = 4h) [Reset = 0000006h]

IOSTRMED is shown in [IOSTRMED Register](#) and described in [IOSTRMED Register Field Descriptions](#).

Return to the [AON_IOC Registers](#).

Internal. Only to be used through TI provided API.

Figure 13-4. IOSTRMED Register

31	30	29	28	27	26	25	24	23	22	21	20	19	18	17	16
RESERVED															
R-0h															
15	14	13	12	11	10	9	8	7	6	5	4	3	2	1	0
RESERVED												GRAY_CODE			
R-0h												R/W-6h			

Table 13-7. IOSTRMED Register Field Descriptions

Bit	Field	Type	Reset	Description
31-3	RESERVED	R	0h	Reserved
2-0	GRAY_CODE	R/W	6h	Internal. Only to be used through TI provided API.

13.10.1.3 IOSTRMAX Register (Offset = 8h) [Reset = 0000005h]

IOSTRMAX is shown in [IOSTRMAX Register](#) and described in [IOSTRMAX Register Field Descriptions](#).

Return to the [AON_IOC Registers](#).

Internal. Only to be used through TI provided API.

Figure 13-5. IOSTRMAX Register

31	30	29	28	27	26	25	24	23	22	21	20	19	18	17	16
RESERVED															
R-0h															
15	14	13	12	11	10	9	8	7	6	5	4	3	2	1	0
RESERVED													GRAY_CODE		
R-0h													R/W-5h		

Table 13-8. IOSTRMAX Register Field Descriptions

Bit	Field	Type	Reset	Description
31-3	RESERVED	R	0h	Reserved
2-0	GRAY_CODE	R/W	5h	Internal. Only to be used through TI provided API.

13.10.1.4 CLK32KCTL Register (Offset = 10h) [Reset = 0000001h]

CLK32KCTL is shown in [CLK32KCTL Register](#) and described in [CLK32KCTL Register Field Descriptions](#).

Return to the [AON_IOC Registers](#).

SCLK_LF External Output Control

Figure 13-6. CLK32KCTL Register

31	30	29	28	27	26	25	24
RESERVED							
R-0h							
23	22	21	20	19	18	17	16
RESERVED							
R-0h							
15	14	13	12	11	10	9	8
RESERVED							
R-0h							
7	6	5	4	3	2	1	0
RESERVED							OE_N
R-0h							R/W-1h

Table 13-9. CLK32KCTL Register Field Descriptions

Bit	Field	Type	Reset	Description
31-1	RESERVED	R	0h	Reserved
0	OE_N	R/W	1h	0: Output enable active. SCLK_LF output on IO pin that has PORT_ID (for example IOC:IOCFG0.PORT_ID) set to AON_CLK32K. 1: Output enable not active

13.10.1.5 TCKCTL Register (Offset = 14h) [Reset = 0000001h]

TCKCTL is shown in [TCKCTL Register](#) and described in [TCKCTL Register Field Descriptions](#).

Return to the [AON_IOC Registers](#).

TCK IO Pin Control

Figure 13-7. TCKCTL Register

31	30	29	28	27	26	25	24	23	22	21	20	19	18	17	16
RESERVED															
R-0h															
15	14	13	12	11	10	9	8	7	6	5	4	3	2	1	0
RESERVED															EN
R-0h															R/W-1h

Table 13-10. TCKCTL Register Field Descriptions

Bit	Field	Type	Reset	Description
31-1	RESERVED	R	0h	Reserved
0	EN	R/W	1h	0: Input driver for TCK disabled. 1: Input driver for TCK enabled.

13.10.2 GPIO Registers

[GPIO Registers](#) lists the memory-mapped registers for the GPIO registers. All register offset addresses not listed in [GPIO Registers](#) should be considered as reserved locations and the register contents should not be modified.

Table 13-11. GPIO Registers

Offset	Acronym	Register Name	Section
0h	DOUT3_0	Data Out 0 to 3	Section 13.10.2.1
4h	DOUT7_4	Data Out 4 to 7	Section 13.10.2.2
8h	DOUT11_8	Data Out 8 to 11	Section 13.10.2.3
Ch	DOUT15_12	Data Out 12 to 15	Section 13.10.2.4
10h	DOUT19_16	Data Out 16 to 19	Section 13.10.2.5
14h	DOUT23_20	Data Out 20 to 23	Section 13.10.2.6
18h	DOUT27_24	Data Out 24 to 27	Section 13.10.2.7
1Ch	DOUT31_28	Data Out 28 to 31	Section 13.10.2.8
80h	DOUT31_0	Data Output for DIO 0 to 31	Section 13.10.2.9
90h	DOUTSET31_0	Data Out Set	Section 13.10.2.10
A0h	DOUTCLR31_0	Data Out Clear	Section 13.10.2.11
B0h	DOUTTGL31_0	Data Out Toggle	Section 13.10.2.12
C0h	DIN31_0	Data Input from DIO 0 to 31	Section 13.10.2.13
D0h	DOE31_0	Data Output Enable for DIO 0 to 31	Section 13.10.2.14
E0h	EVFLAGS31_0	Event Register for DIO 0 to 31	Section 13.10.2.15

Complex bit access types are encoded to fit into small table cells. [GPIO Access Type Codes](#) shows the codes that are used for access types in this section.

Table 13-12. GPIO Access Type Codes

Access Type	Code	Description
Read Type		
R	R	Read
Write Type		
W	W	Write
W1C	W 1C	Write 1 to clear
W1S	W 1S	Write 1 to set
Reset or Default Value		
-n		Value after reset or the default value

13.10.2.1 DOUT3_0 Register (Offset = 0h) [Reset = 0000000h]

DOUT3_0 is shown in [DOUT3_0 Register](#) and described in [DOUT3_0 Register Field Descriptions](#).

Return to the [GPIO Registers](#).

Data Out 0 to 3

Alias register for byte access to each bit in DOUT31_0

Figure 13-8. DOUT3_0 Register

31	30	29	28	27	26	25	24
RESERVED							DIO3
R-0h							W-0h
23	22	21	20	19	18	17	16
RESERVED							DIO2
R-0h							W-0h
15	14	13	12	11	10	9	8
RESERVED							DIO1
R-0h							W-0h
7	6	5	4	3	2	1	0
RESERVED							DIO0
R-0h							W-0h

Table 13-13. DOUT3_0 Register Field Descriptions

Bit	Field	Type	Reset	Description
31-25	RESERVED	R	0h	Reserved
24	DIO3	W	0h	Sets the state of the pin that is configured as DIO#3, if the corresponding DOE31_0 bitfield is set.
23-17	RESERVED	R	0h	Reserved
16	DIO2	W	0h	Sets the state of the pin that is configured as DIO#2, if the corresponding DOE31_0 bitfield is set.
15-9	RESERVED	R	0h	Reserved
8	DIO1	W	0h	Sets the state of the pin that is configured as DIO#1, if the corresponding DOE31_0 bitfield is set.
7-1	RESERVED	R	0h	Reserved
0	DIO0	W	0h	Sets the state of the pin that is configured as DIO#0, if the corresponding DOE31_0 bitfield is set.

13.10.2.2 DOUT7_4 Register (Offset = 4h) [Reset = 0000000h]

DOUT7_4 is shown in [DOUT7_4 Register](#) and described in [DOUT7_4 Register Field Descriptions](#).

Return to the [GPIO Registers](#).

Data Out 4 to 7

Alias register for byte access to each bit in DOUT31_0

Figure 13-9. DOUT7_4 Register

31	30	29	28	27	26	25	24
RESERVED							DIO7
R-0h							W-0h
23	22	21	20	19	18	17	16
RESERVED							DIO6
R-0h							W-0h
15	14	13	12	11	10	9	8
RESERVED							DIO5
R-0h							W-0h
7	6	5	4	3	2	1	0
RESERVED							DIO4
R-0h							W-0h

Table 13-14. DOUT7_4 Register Field Descriptions

Bit	Field	Type	Reset	Description
31-25	RESERVED	R	0h	Reserved
24	DIO7	W	0h	Sets the state of the pin that is configured as DIO#7, if the corresponding DOE31_0 bitfield is set.
23-17	RESERVED	R	0h	Reserved
16	DIO6	W	0h	Sets the state of the pin that is configured as DIO#6, if the corresponding DOE31_0 bitfield is set.
15-9	RESERVED	R	0h	Reserved
8	DIO5	W	0h	Sets the state of the pin that is configured as DIO#5, if the corresponding DOE31_0 bitfield is set.
7-1	RESERVED	R	0h	Reserved
0	DIO4	W	0h	Sets the state of the pin that is configured as DIO#4, if the corresponding DOE31_0 bitfield is set.

13.10.2.3 DOUT11_8 Register (Offset = 8h) [Reset = 0000000h]

DOUT11_8 is shown in [DOUT11_8 Register](#) and described in [DOUT11_8 Register Field Descriptions](#).

Return to the [GPIO Registers](#).

Data Out 8 to 11

Alias register for byte access to each bit in DOUT31_0

Figure 13-10. DOUT11_8 Register

31	30	29	28	27	26	25	24
RESERVED							DIO11
R-0h							W-0h
23	22	21	20	19	18	17	16
RESERVED							DIO10
R-0h							W-0h
15	14	13	12	11	10	9	8
RESERVED							DIO9
R-0h							W-0h
7	6	5	4	3	2	1	0
RESERVED							DIO8
R-0h							W-0h

Table 13-15. DOUT11_8 Register Field Descriptions

Bit	Field	Type	Reset	Description
31-25	RESERVED	R	0h	Reserved
24	DIO11	W	0h	Sets the state of the pin that is configured as DIO#11, if the corresponding DOE31_0 bitfield is set.
23-17	RESERVED	R	0h	Reserved
16	DIO10	W	0h	Sets the state of the pin that is configured as DIO#10, if the corresponding DOE31_0 bitfield is set.
15-9	RESERVED	R	0h	Reserved
8	DIO9	W	0h	Sets the state of the pin that is configured as DIO#9, if the corresponding DOE31_0 bitfield is set.
7-1	RESERVED	R	0h	Reserved
0	DIO8	W	0h	Sets the state of the pin that is configured as DIO#8, if the corresponding DOE31_0 bitfield is set.

13.10.2.4 DOUT15_12 Register (Offset = Ch) [Reset = 0000000h]

DOUT15_12 is shown in [DOUT15_12 Register](#) and described in [DOUT15_12 Register Field Descriptions](#).

Return to the [GPIO Registers](#).

Data Out 12 to 15

Alias register for byte access to each bit in DOUT31_0

Figure 13-11. DOUT15_12 Register

31	30	29	28	27	26	25	24
RESERVED							DIO15
R-0h							W-0h
23	22	21	20	19	18	17	16
RESERVED							DIO14
R-0h							W-0h
15	14	13	12	11	10	9	8
RESERVED							DIO13
R-0h							W-0h
7	6	5	4	3	2	1	0
RESERVED							DIO12
R-0h							W-0h

Table 13-16. DOUT15_12 Register Field Descriptions

Bit	Field	Type	Reset	Description
31-25	RESERVED	R	0h	Reserved
24	DIO15	W	0h	Sets the state of the pin that is configured as DIO#15, if the corresponding DOE31_0 bitfield is set.
23-17	RESERVED	R	0h	Reserved
16	DIO14	W	0h	Sets the state of the pin that is configured as DIO#14, if the corresponding DOE31_0 bitfield is set.
15-9	RESERVED	R	0h	Reserved
8	DIO13	W	0h	Sets the state of the pin that is configured as DIO#13, if the corresponding DOE31_0 bitfield is set.
7-1	RESERVED	R	0h	Reserved
0	DIO12	W	0h	Sets the state of the pin that is configured as DIO#12, if the corresponding DOE31_0 bitfield is set.

13.10.2.5 DOUT19_16 Register (Offset = 10h) [Reset = 0000000h]

DOUT19_16 is shown in [DOUT19_16 Register](#) and described in [DOUT19_16 Register Field Descriptions](#).

Return to the [GPIO Registers](#).

Data Out 16 to 19

Alias register for byte access to each bit in DOUT31_0

Figure 13-12. DOUT19_16 Register

31	30	29	28	27	26	25	24
RESERVED							DIO19
R-0h							W-0h
23	22	21	20	19	18	17	16
RESERVED							DIO18
R-0h							W-0h
15	14	13	12	11	10	9	8
RESERVED							DIO17
R-0h							W-0h
7	6	5	4	3	2	1	0
RESERVED							DIO16
R-0h							W-0h

Table 13-17. DOUT19_16 Register Field Descriptions

Bit	Field	Type	Reset	Description
31-25	RESERVED	R	0h	Reserved
24	DIO19	W	0h	Sets the state of the pin that is configured as DIO#19, if the corresponding DOE31_0 bitfield is set.
23-17	RESERVED	R	0h	Reserved
16	DIO18	W	0h	Sets the state of the pin that is configured as DIO#18, if the corresponding DOE31_0 bitfield is set.
15-9	RESERVED	R	0h	Reserved
8	DIO17	W	0h	Sets the state of the pin that is configured as DIO#17, if the corresponding DOE31_0 bitfield is set.
7-1	RESERVED	R	0h	Reserved
0	DIO16	W	0h	Sets the state of the pin that is configured as DIO#16, if the corresponding DOE31_0 bitfield is set.

13.10.2.6 DOUT23_20 Register (Offset = 14h) [Reset = 0000000h]

DOUT23_20 is shown in [DOUT23_20 Register](#) and described in [DOUT23_20 Register Field Descriptions](#).

Return to the [GPIO Registers](#).

Data Out 20 to 23

Alias register for byte access to each bit in DOUT31_0

Figure 13-13. DOUT23_20 Register

31	30	29	28	27	26	25	24
RESERVED							DIO23
R-0h							W-0h
23	22	21	20	19	18	17	16
RESERVED							DIO22
R-0h							W-0h
15	14	13	12	11	10	9	8
RESERVED							DIO21
R-0h							W-0h
7	6	5	4	3	2	1	0
RESERVED							DIO20
R-0h							W-0h

Table 13-18. DOUT23_20 Register Field Descriptions

Bit	Field	Type	Reset	Description
31-25	RESERVED	R	0h	Reserved
24	DIO23	W	0h	Sets the state of the pin that is configured as DIO#23, if the corresponding DOE31_0 bitfield is set.
23-17	RESERVED	R	0h	Reserved
16	DIO22	W	0h	Sets the state of the pin that is configured as DIO#22, if the corresponding DOE31_0 bitfield is set.
15-9	RESERVED	R	0h	Reserved
8	DIO21	W	0h	Sets the state of the pin that is configured as DIO#21, if the corresponding DOE31_0 bitfield is set.
7-1	RESERVED	R	0h	Reserved
0	DIO20	W	0h	Sets the state of the pin that is configured as DIO#20, if the corresponding DOE31_0 bitfield is set.

13.10.2.7 DOUT27_24 Register (Offset = 18h) [Reset = 0000000h]

DOUT27_24 is shown in [DOUT27_24 Register](#) and described in [DOUT27_24 Register Field Descriptions](#).

Return to the [GPIO Registers](#).

Data Out 24 to 27

Alias register for byte access to each bit in DOUT31_0

Figure 13-14. DOUT27_24 Register

31	30	29	28	27	26	25	24
RESERVED							DIO27
R-0h							W-0h
23	22	21	20	19	18	17	16
RESERVED							DIO26
R-0h							W-0h
15	14	13	12	11	10	9	8
RESERVED							DIO25
R-0h							W-0h
7	6	5	4	3	2	1	0
RESERVED							DIO24
R-0h							W-0h

Table 13-19. DOUT27_24 Register Field Descriptions

Bit	Field	Type	Reset	Description
31-25	RESERVED	R	0h	Reserved
24	DIO27	W	0h	Sets the state of the pin that is configured as DIO#27, if the corresponding DOE31_0 bitfield is set.
23-17	RESERVED	R	0h	Reserved
16	DIO26	W	0h	Sets the state of the pin that is configured as DIO#26, if the corresponding DOE31_0 bitfield is set.
15-9	RESERVED	R	0h	Reserved
8	DIO25	W	0h	Sets the state of the pin that is configured as DIO#25, if the corresponding DOE31_0 bitfield is set.
7-1	RESERVED	R	0h	Reserved
0	DIO24	W	0h	Sets the state of the pin that is configured as DIO#24, if the corresponding DOE31_0 bitfield is set.

13.10.2.8 DOUT31_28 Register (Offset = 1Ch) [Reset = 0000000h]

DOUT31_28 is shown in [DOUT31_28 Register](#) and described in [DOUT31_28 Register Field Descriptions](#).

Return to the [GPIO Registers](#).

Data Out 28 to 31

Alias register for byte access to each bit in DOUT31_0

Figure 13-15. DOUT31_28 Register

31	30	29	28	27	26	25	24
RESERVED							DIO31
R-0h							W-0h
23	22	21	20	19	18	17	16
RESERVED							DIO30
R-0h							W-0h
15	14	13	12	11	10	9	8
RESERVED							DIO29
R-0h							W-0h
7	6	5	4	3	2	1	0
RESERVED							DIO28
R-0h							W-0h

Table 13-20. DOUT31_28 Register Field Descriptions

Bit	Field	Type	Reset	Description
31-25	RESERVED	R	0h	Reserved
24	DIO31	W	0h	Sets the state of the pin that is configured as DIO#31, if the corresponding DOE31_0 bitfield is set.
23-17	RESERVED	R	0h	Reserved
16	DIO30	W	0h	Sets the state of the pin that is configured as DIO#30, if the corresponding DOE31_0 bitfield is set.
15-9	RESERVED	R	0h	Reserved
8	DIO29	W	0h	Sets the state of the pin that is configured as DIO#29, if the corresponding DOE31_0 bitfield is set.
7-1	RESERVED	R	0h	Reserved
0	DIO28	W	0h	Sets the state of the pin that is configured as DIO#28, if the corresponding DOE31_0 bitfield is set.

13.10.2.9 DOUT31_0 Register (Offset = 80h) [Reset = 0000000h]

DOUT31_0 is shown in [DOUT31_0 Register](#) and described in [DOUT31_0 Register Field Descriptions](#).

Return to the [GPIO Registers](#).

Data Output for DIO 0 to 31

Figure 13-16. DOUT31_0 Register

31	30	29	28	27	26	25	24
DIO31	DIO30	DIO29	DIO28	DIO27	DIO26	DIO25	DIO24
R/W-0h	R/W-0h	R/W-0h	R/W-0h	R/W-0h	R/W-0h	R/W-0h	R/W-0h
23	22	21	20	19	18	17	16
DIO23	DIO22	DIO21	DIO20	DIO19	DIO18	DIO17	DIO16
R/W-0h	R/W-0h	R/W-0h	R/W-0h	R/W-0h	R/W-0h	R/W-0h	R/W-0h
15	14	13	12	11	10	9	8
DIO15	DIO14	DIO13	DIO12	DIO11	DIO10	DIO9	DIO8
R/W-0h	R/W-0h	R/W-0h	R/W-0h	R/W-0h	R/W-0h	R/W-0h	R/W-0h
7	6	5	4	3	2	1	0
DIO7	DIO6	DIO5	DIO4	DIO3	DIO2	DIO1	DIO0
R/W-0h	R/W-0h	R/W-0h	R/W-0h	R/W-0h	R/W-0h	R/W-0h	R/W-0h

Table 13-21. DOUT31_0 Register Field Descriptions

Bit	Field	Type	Reset	Description
31	DIO31	R/W	0h	Data output for DIO 31
30	DIO30	R/W	0h	Data output for DIO 30
29	DIO29	R/W	0h	Data output for DIO 29
28	DIO28	R/W	0h	Data output for DIO 28
27	DIO27	R/W	0h	Data output for DIO 27
26	DIO26	R/W	0h	Data output for DIO 26
25	DIO25	R/W	0h	Data output for DIO 25
24	DIO24	R/W	0h	Data output for DIO 24
23	DIO23	R/W	0h	Data output for DIO 23
22	DIO22	R/W	0h	Data output for DIO 22
21	DIO21	R/W	0h	Data output for DIO 21
20	DIO20	R/W	0h	Data output for DIO 20
19	DIO19	R/W	0h	Data output for DIO 19
18	DIO18	R/W	0h	Data output for DIO 18
17	DIO17	R/W	0h	Data output for DIO 17
16	DIO16	R/W	0h	Data output for DIO 16
15	DIO15	R/W	0h	Data output for DIO 15
14	DIO14	R/W	0h	Data output for DIO 14
13	DIO13	R/W	0h	Data output for DIO 13
12	DIO12	R/W	0h	Data output for DIO 12
11	DIO11	R/W	0h	Data output for DIO 11
10	DIO10	R/W	0h	Data output for DIO 10
9	DIO9	R/W	0h	Data output for DIO 9
8	DIO8	R/W	0h	Data output for DIO 8
7	DIO7	R/W	0h	Data output for DIO 7

Table 13-21. DOUT31_0 Register Field Descriptions (continued)

Bit	Field	Type	Reset	Description
6	DIO6	R/W	0h	Data output for DIO 6
5	DIO5	R/W	0h	Data output for DIO 5
4	DIO4	R/W	0h	Data output for DIO 4
3	DIO3	R/W	0h	Data output for DIO 3
2	DIO2	R/W	0h	Data output for DIO 2
1	DIO1	R/W	0h	Data output for DIO 1
0	DIO0	R/W	0h	Data output for DIO 0

13.10.2.10 DOUTSET31_0 Register (Offset = 90h) [Reset = 0000000h]

DOUTSET31_0 is shown in [DOUTSET31_0 Register](#) and described in [DOUTSET31_0 Register Field Descriptions](#).

Return to the [GPIO Registers](#).

Data Out Set

Writing 1 to a bit position sets the corresponding bit in the DOUT31_0 register

Figure 13-17. DOUTSET31_0 Register

31	30	29	28	27	26	25	24
DIO31	DIO30	DIO29	DIO28	DIO27	DIO26	DIO25	DIO24
W1S-0h	W1S-0h	W1S-0h	W1S-0h	W1S-0h	W1S-0h	W1S-0h	W1S-0h
23	22	21	20	19	18	17	16
DIO23	DIO22	DIO21	DIO20	DIO19	DIO18	DIO17	DIO16
W1S-0h	W1S-0h	W1S-0h	W1S-0h	W1S-0h	W1S-0h	W1S-0h	W1S-0h
15	14	13	12	11	10	9	8
DIO15	DIO14	DIO13	DIO12	DIO11	DIO10	DIO9	DIO8
W1S-0h	W1S-0h	W1S-0h	W1S-0h	W1S-0h	W1S-0h	W1S-0h	W1S-0h
7	6	5	4	3	2	1	0
DIO7	DIO6	DIO5	DIO4	DIO3	DIO2	DIO1	DIO0
W1S-0h	W1S-0h	W1S-0h	W1S-0h	W1S-0h	W1S-0h	W1S-0h	W1S-0h

Table 13-22. DOUTSET31_0 Register Field Descriptions

Bit	Field	Type	Reset	Description
31	DIO31	W1S	0h	Set bit 31
30	DIO30	W1S	0h	Set bit 30
29	DIO29	W1S	0h	Set bit 29
28	DIO28	W1S	0h	Set bit 28
27	DIO27	W1S	0h	Set bit 27
26	DIO26	W1S	0h	Set bit 26
25	DIO25	W1S	0h	Set bit 25
24	DIO24	W1S	0h	Set bit 24
23	DIO23	W1S	0h	Set bit 23
22	DIO22	W1S	0h	Set bit 22
21	DIO21	W1S	0h	Set bit 21
20	DIO20	W1S	0h	Set bit 20
19	DIO19	W1S	0h	Set bit 19
18	DIO18	W1S	0h	Set bit 18
17	DIO17	W1S	0h	Set bit 17
16	DIO16	W1S	0h	Set bit 16
15	DIO15	W1S	0h	Set bit 15
14	DIO14	W1S	0h	Set bit 14
13	DIO13	W1S	0h	Set bit 13
12	DIO12	W1S	0h	Set bit 12
11	DIO11	W1S	0h	Set bit 11
10	DIO10	W1S	0h	Set bit 10
9	DIO9	W1S	0h	Set bit 9
8	DIO8	W1S	0h	Set bit 8

Table 13-22. DOUTSET31_0 Register Field Descriptions (continued)

Bit	Field	Type	Reset	Description
7	DIO7	W1S	0h	Set bit 7
6	DIO6	W1S	0h	Set bit 6
5	DIO5	W1S	0h	Set bit 5
4	DIO4	W1S	0h	Set bit 4
3	DIO3	W1S	0h	Set bit 3
2	DIO2	W1S	0h	Set bit 2
1	DIO1	W1S	0h	Set bit 1
0	DIO0	W1S	0h	Set bit 0

13.10.2.11 DOUTCLR31_0 Register (Offset = A0h) [Reset = 0000000h]

DOUTCLR31_0 is shown in [DOUTCLR31_0 Register](#) and described in [DOUTCLR31_0 Register Field Descriptions](#).

Return to the [GPIO Registers](#).

Data Out Clear

Writing 1 to a bit position clears the corresponding bit in the DOUT31_0 register

Figure 13-18. DOUTCLR31_0 Register

31	30	29	28	27	26	25	24
DIO31	DIO30	DIO29	DIO28	DIO27	DIO26	DIO25	DIO24
W1C-0h	W1C-0h	W1C-0h	W1C-0h	W1C-0h	W1C-0h	W1C-0h	W1C-0h
23	22	21	20	19	18	17	16
DIO23	DIO22	DIO21	DIO20	DIO19	DIO18	DIO17	DIO16
W1C-0h	W1C-0h	W1C-0h	W1C-0h	W1C-0h	W1C-0h	W1C-0h	W1C-0h
15	14	13	12	11	10	9	8
DIO15	DIO14	DIO13	DIO12	DIO11	DIO10	DIO9	DIO8
W1C-0h	W1C-0h	W1C-0h	W1C-0h	W1C-0h	W1C-0h	W1C-0h	W1C-0h
7	6	5	4	3	2	1	0
DIO7	DIO6	DIO5	DIO4	DIO3	DIO2	DIO1	DIO0
W1C-0h	W1C-0h	W1C-0h	W1C-0h	W1C-0h	W1C-0h	W1C-0h	W1C-0h

Table 13-23. DOUTCLR31_0 Register Field Descriptions

Bit	Field	Type	Reset	Description
31	DIO31	W1C	0h	Clears bit 31
30	DIO30	W1C	0h	Clears bit 30
29	DIO29	W1C	0h	Clears bit 29
28	DIO28	W1C	0h	Clears bit 28
27	DIO27	W1C	0h	Clears bit 27
26	DIO26	W1C	0h	Clears bit 26
25	DIO25	W1C	0h	Clears bit 25
24	DIO24	W1C	0h	Clears bit 24
23	DIO23	W1C	0h	Clears bit 23
22	DIO22	W1C	0h	Clears bit 22
21	DIO21	W1C	0h	Clears bit 21
20	DIO20	W1C	0h	Clears bit 20
19	DIO19	W1C	0h	Clears bit 19
18	DIO18	W1C	0h	Clears bit 18
17	DIO17	W1C	0h	Clears bit 17
16	DIO16	W1C	0h	Clears bit 16
15	DIO15	W1C	0h	Clears bit 15
14	DIO14	W1C	0h	Clears bit 14
13	DIO13	W1C	0h	Clears bit 13
12	DIO12	W1C	0h	Clears bit 12
11	DIO11	W1C	0h	Clears bit 11
10	DIO10	W1C	0h	Clears bit 10
9	DIO9	W1C	0h	Clears bit 9
8	DIO8	W1C	0h	Clears bit 8

Table 13-23. DOUTCLR31_0 Register Field Descriptions (continued)

Bit	Field	Type	Reset	Description
7	DIO7	W1C	0h	Clears bit 7
6	DIO6	W1C	0h	Clears bit 6
5	DIO5	W1C	0h	Clears bit 5
4	DIO4	W1C	0h	Clears bit 4
3	DIO3	W1C	0h	Clears bit 3
2	DIO2	W1C	0h	Clears bit 2
1	DIO1	W1C	0h	Clears bit 1
0	DIO0	W1C	0h	Clears bit 0

13.10.2.12 DOUUTGL31_0 Register (Offset = B0h) [Reset = 0000000h]

DOUUTGL31_0 is shown in [DOUUTGL31_0 Register](#) and described in [DOUUTGL31_0 Register Field Descriptions](#).

Return to the [GPIO Registers](#).

Data Out Toggle

Writing 1 to a bit position will invert the corresponding DIO output.

Figure 13-19. DOUUTGL31_0 Register

31	30	29	28	27	26	25	24
DIO31	DIO30	DIO29	DIO28	DIO27	DIO26	DIO25	DIO24
R/W-0h	R/W-0h	R/W-0h	R/W-0h	R/W-0h	R/W-0h	R/W-0h	R/W-0h
23	22	21	20	19	18	17	16
DIO23	DIO22	DIO21	DIO20	DIO19	DIO18	DIO17	DIO16
R/W-0h	R/W-0h	R/W-0h	R/W-0h	R/W-0h	R/W-0h	R/W-0h	R/W-0h
15	14	13	12	11	10	9	8
DIO15	DIO14	DIO13	DIO12	DIO11	DIO10	DIO9	DIO8
R/W-0h	R/W-0h	R/W-0h	R/W-0h	R/W-0h	R/W-0h	R/W-0h	R/W-0h
7	6	5	4	3	2	1	0
DIO7	DIO6	DIO5	DIO4	DIO3	DIO2	DIO1	DIO0
R/W-0h	R/W-0h	R/W-0h	R/W-0h	R/W-0h	R/W-0h	R/W-0h	R/W-0h

Table 13-24. DOUUTGL31_0 Register Field Descriptions

Bit	Field	Type	Reset	Description
31	DIO31	R/W	0h	Toggles bit 31
30	DIO30	R/W	0h	Toggles bit 30
29	DIO29	R/W	0h	Toggles bit 29
28	DIO28	R/W	0h	Toggles bit 28
27	DIO27	R/W	0h	Toggles bit 27
26	DIO26	R/W	0h	Toggles bit 26
25	DIO25	R/W	0h	Toggles bit 25
24	DIO24	R/W	0h	Toggles bit 24
23	DIO23	R/W	0h	Toggles bit 23
22	DIO22	R/W	0h	Toggles bit 22
21	DIO21	R/W	0h	Toggles bit 21
20	DIO20	R/W	0h	Toggles bit 20
19	DIO19	R/W	0h	Toggles bit 19
18	DIO18	R/W	0h	Toggles bit 18
17	DIO17	R/W	0h	Toggles bit 17
16	DIO16	R/W	0h	Toggles bit 16
15	DIO15	R/W	0h	Toggles bit 15
14	DIO14	R/W	0h	Toggles bit 14
13	DIO13	R/W	0h	Toggles bit 13
12	DIO12	R/W	0h	Toggles bit 12
11	DIO11	R/W	0h	Toggles bit 11
10	DIO10	R/W	0h	Toggles bit 10
9	DIO9	R/W	0h	Toggles bit 9
8	DIO8	R/W	0h	Toggles bit 8

Table 13-24. DOUTTGL31_0 Register Field Descriptions (continued)

Bit	Field	Type	Reset	Description
7	DIO7	R/W	0h	Toggles bit 7
6	DIO6	R/W	0h	Toggles bit 6
5	DIO5	R/W	0h	Toggles bit 5
4	DIO4	R/W	0h	Toggles bit 4
3	DIO3	R/W	0h	Toggles bit 3
2	DIO2	R/W	0h	Toggles bit 2
1	DIO1	R/W	0h	Toggles bit 1
0	DIO0	R/W	0h	Toggles bit 0

13.10.2.13 DIN31_0 Register (Offset = C0h) [Reset = 0000000h]

DIN31_0 is shown in [DIN31_0 Register](#) and described in [DIN31_0 Register Field Descriptions](#).

Return to the [GPIO Registers](#).

Data Input from DIO 0 to 31

Figure 13-20. DIN31_0 Register

31	30	29	28	27	26	25	24
DIO31	DIO30	DIO29	DIO28	DIO27	DIO26	DIO25	DIO24
R-0h	R-0h	R-0h	R-0h	R-0h	R-0h	R-0h	R-0h
23	22	21	20	19	18	17	16
DIO23	DIO22	DIO21	DIO20	DIO19	DIO18	DIO17	DIO16
R-0h	R-0h	R-0h	R-0h	R-0h	R-0h	R-0h	R-0h
15	14	13	12	11	10	9	8
DIO15	DIO14	DIO13	DIO12	DIO11	DIO10	DIO9	DIO8
R-0h	R-0h	R-0h	R-0h	R-0h	R-0h	R-0h	R-0h
7	6	5	4	3	2	1	0
DIO7	DIO6	DIO5	DIO4	DIO3	DIO2	DIO1	DIO0
R-0h	R-0h	R-0h	R-0h	R-0h	R-0h	R-0h	R-0h

Table 13-25. DIN31_0 Register Field Descriptions

Bit	Field	Type	Reset	Description
31	DIO31	R	0h	Data input from DIO 31
30	DIO30	R	0h	Data input from DIO 30
29	DIO29	R	0h	Data input from DIO 29
28	DIO28	R	0h	Data input from DIO 28
27	DIO27	R	0h	Data input from DIO 27
26	DIO26	R	0h	Data input from DIO 26
25	DIO25	R	0h	Data input from DIO 25
24	DIO24	R	0h	Data input from DIO 24
23	DIO23	R	0h	Data input from DIO 23
22	DIO22	R	0h	Data input from DIO 22
21	DIO21	R	0h	Data input from DIO 21
20	DIO20	R	0h	Data input from DIO 20
19	DIO19	R	0h	Data input from DIO 19
18	DIO18	R	0h	Data input from DIO 18
17	DIO17	R	0h	Data input from DIO 17
16	DIO16	R	0h	Data input from DIO 16
15	DIO15	R	0h	Data input from DIO 15
14	DIO14	R	0h	Data input from DIO 14
13	DIO13	R	0h	Data input from DIO 13
12	DIO12	R	0h	Data input from DIO 12
11	DIO11	R	0h	Data input from DIO 11
10	DIO10	R	0h	Data input from DIO 10
9	DIO9	R	0h	Data input from DIO 9
8	DIO8	R	0h	Data input from DIO 8
7	DIO7	R	0h	Data input from DIO 7

Table 13-25. DIN31_0 Register Field Descriptions (continued)

Bit	Field	Type	Reset	Description
6	DIO6	R	0h	Data input from DIO 6
5	DIO5	R	0h	Data input from DIO 5
4	DIO4	R	0h	Data input from DIO 4
3	DIO3	R	0h	Data input from DIO 3
2	DIO2	R	0h	Data input from DIO 2
1	DIO1	R	0h	Data input from DIO 1
0	DIO0	R	0h	Data input from DIO 0

13.10.2.14 DOE31_0 Register (Offset = D0h) [Reset = 0000000h]

DOE31_0 is shown in [DOE31_0 Register](#) and described in [DOE31_0 Register Field Descriptions](#).

Return to the [GPIO Registers](#).

Data Output Enable for DIO 0 to 31

Figure 13-21. DOE31_0 Register

31	30	29	28	27	26	25	24
DIO31	DIO30	DIO29	DIO28	DIO27	DIO26	DIO25	DIO24
R/W-0h	R/W-0h	R/W-0h	R/W-0h	R/W-0h	R/W-0h	R/W-0h	R/W-0h
23	22	21	20	19	18	17	16
DIO23	DIO22	DIO21	DIO20	DIO19	DIO18	DIO17	DIO16
R/W-0h	R/W-0h	R/W-0h	R/W-0h	R/W-0h	R/W-0h	R/W-0h	R/W-0h
15	14	13	12	11	10	9	8
DIO15	DIO14	DIO13	DIO12	DIO11	DIO10	DIO9	DIO8
R/W-0h	R/W-0h	R/W-0h	R/W-0h	R/W-0h	R/W-0h	R/W-0h	R/W-0h
7	6	5	4	3	2	1	0
DIO7	DIO6	DIO5	DIO4	DIO3	DIO2	DIO1	DIO0
R/W-0h	R/W-0h	R/W-0h	R/W-0h	R/W-0h	R/W-0h	R/W-0h	R/W-0h

Table 13-26. DOE31_0 Register Field Descriptions

Bit	Field	Type	Reset	Description
31	DIO31	R/W	0h	Data output enable for DIO 31
30	DIO30	R/W	0h	Data output enable for DIO 30
29	DIO29	R/W	0h	Data output enable for DIO 29
28	DIO28	R/W	0h	Data output enable for DIO 28
27	DIO27	R/W	0h	Data output enable for DIO 27
26	DIO26	R/W	0h	Data output enable for DIO 26
25	DIO25	R/W	0h	Data output enable for DIO 25
24	DIO24	R/W	0h	Data output enable for DIO 24
23	DIO23	R/W	0h	Data output enable for DIO 23
22	DIO22	R/W	0h	Data output enable for DIO 22
21	DIO21	R/W	0h	Data output enable for DIO 21
20	DIO20	R/W	0h	Data output enable for DIO 20
19	DIO19	R/W	0h	Data output enable for DIO 19
18	DIO18	R/W	0h	Data output enable for DIO 18
17	DIO17	R/W	0h	Data output enable for DIO 17
16	DIO16	R/W	0h	Data output enable for DIO 16
15	DIO15	R/W	0h	Data output enable for DIO 15
14	DIO14	R/W	0h	Data output enable for DIO 14
13	DIO13	R/W	0h	Data output enable for DIO 13
12	DIO12	R/W	0h	Data output enable for DIO 12
11	DIO11	R/W	0h	Data output enable for DIO 11
10	DIO10	R/W	0h	Data output enable for DIO 10
9	DIO9	R/W	0h	Data output enable for DIO 9
8	DIO8	R/W	0h	Data output enable for DIO 8
7	DIO7	R/W	0h	Data output enable for DIO 7

Table 13-26. DOE31_0 Register Field Descriptions (continued)

Bit	Field	Type	Reset	Description
6	DIO6	R/W	0h	Data output enable for DIO 6
5	DIO5	R/W	0h	Data output enable for DIO 5
4	DIO4	R/W	0h	Data output enable for DIO 4
3	DIO3	R/W	0h	Data output enable for DIO 3
2	DIO2	R/W	0h	Data output enable for DIO 2
1	DIO1	R/W	0h	Data output enable for DIO 1
0	DIO0	R/W	0h	Data output enable for DIO 0

13.10.2.15 EVFLAGS31_0 Register (Offset = E0h) [Reset = 0000000h]

EVFLAGS31_0 is shown in [EVFLAGS31_0 Register](#) and described in [EVFLAGS31_0 Register Field Descriptions](#).

Return to the [GPIO Registers](#).

Event Register for DIO 0 to 31

Reading this registers will return 1 for triggered event and 0 for non-triggered events.

Writing a 1 to a bit field will clear the event.

The configuration of events is done inside MCU IOC, e.g. events for DIO #0 is configured in IOC:IOCFG0.EDGE_DET and IOC:IOCFG0.EDGE_IRQ_EN.

Figure 13-22. EVFLAGS31_0 Register

31	30	29	28	27	26	25	24
DIO31	DIO30	DIO29	DIO28	DIO27	DIO26	DIO25	DIO24
R/W1C-0h	R/W1C-0h	R/W1C-0h	R/W1C-0h	R/W1C-0h	R/W1C-0h	R/W1C-0h	R/W1C-0h
23	22	21	20	19	18	17	16
DIO23	DIO22	DIO21	DIO20	DIO19	DIO18	DIO17	DIO16
R/W1C-0h	R/W1C-0h	R/W1C-0h	R/W1C-0h	R/W1C-0h	R/W1C-0h	R/W1C-0h	R/W1C-0h
15	14	13	12	11	10	9	8
DIO15	DIO14	DIO13	DIO12	DIO11	DIO10	DIO9	DIO8
R/W1C-0h	R/W1C-0h	R/W1C-0h	R/W1C-0h	R/W1C-0h	R/W1C-0h	R/W1C-0h	R/W1C-0h
7	6	5	4	3	2	1	0
DIO7	DIO6	DIO5	DIO4	DIO3	DIO2	DIO1	DIO0
R/W1C-0h	R/W1C-0h	R/W1C-0h	R/W1C-0h	R/W1C-0h	R/W1C-0h	R/W1C-0h	R/W1C-0h

Table 13-27. EVFLAGS31_0 Register Field Descriptions

Bit	Field	Type	Reset	Description
31	DIO31	R/W1C	0h	Event for DIO 31
30	DIO30	R/W1C	0h	Event for DIO 30
29	DIO29	R/W1C	0h	Event for DIO 29
28	DIO28	R/W1C	0h	Event for DIO 28
27	DIO27	R/W1C	0h	Event for DIO 27
26	DIO26	R/W1C	0h	Event for DIO 26
25	DIO25	R/W1C	0h	Event for DIO 25
24	DIO24	R/W1C	0h	Event for DIO 24
23	DIO23	R/W1C	0h	Event for DIO 23
22	DIO22	R/W1C	0h	Event for DIO 22
21	DIO21	R/W1C	0h	Event for DIO 21
20	DIO20	R/W1C	0h	Event for DIO 20
19	DIO19	R/W1C	0h	Event for DIO 19
18	DIO18	R/W1C	0h	Event for DIO 18
17	DIO17	R/W1C	0h	Event for DIO 17
16	DIO16	R/W1C	0h	Event for DIO 16
15	DIO15	R/W1C	0h	Event for DIO 15
14	DIO14	R/W1C	0h	Event for DIO 14
13	DIO13	R/W1C	0h	Event for DIO 13
12	DIO12	R/W1C	0h	Event for DIO 12
11	DIO11	R/W1C	0h	Event for DIO 11

Table 13-27. EVFLAGS31_0 Register Field Descriptions (continued)

Bit	Field	Type	Reset	Description
10	DIO10	R/W1C	0h	Event for DIO 10
9	DIO9	R/W1C	0h	Event for DIO 9
8	DIO8	R/W1C	0h	Event for DIO 8
7	DIO7	R/W1C	0h	Event for DIO 7
6	DIO6	R/W1C	0h	Event for DIO 6
5	DIO5	R/W1C	0h	Event for DIO 5
4	DIO4	R/W1C	0h	Event for DIO 4
3	DIO3	R/W1C	0h	Event for DIO 3
2	DIO2	R/W1C	0h	Event for DIO 2
1	DIO1	R/W1C	0h	Event for DIO 1
0	DIO0	R/W1C	0h	Event for DIO 0

13.10.3 IOC Registers

Table 13-28 lists the memory-mapped registers for the IOC registers. All register offset addresses not listed in Table 13-28 should be considered as reserved locations and the register contents should not be modified.

Table 13-28. IOC Registers

Offset	Acronym	Register Name	Section
0h	IOCFG0	Configuration of DIO0	Section 13.10.3.1
4h	IOCFG1	Configuration of DIO1	Section 13.10.3.2
8h	IOCFG2	Configuration of DIO2	Section 13.10.3.3
Ch	IOCFG3	Configuration of DIO3	Section 13.10.3.4
10h	IOCFG4	Configuration of DIO4	Section 13.10.3.5
14h	IOCFG5	Configuration of DIO5	Section 13.10.3.6
18h	IOCFG6	Configuration of DIO6	Section 13.10.3.7
1Ch	IOCFG7	Configuration of DIO7	Section 13.10.3.8
20h	IOCFG8	Configuration of DIO8	Section 13.10.3.9
24h	IOCFG9	Configuration of DIO9	Section 13.10.3.10
28h	IOCFG10	Configuration of DIO10	Section 13.10.3.11
2Ch	IOCFG11	Configuration of DIO11	Section 13.10.3.12
30h	IOCFG12	Configuration of DIO12	Section 13.10.3.13
34h	IOCFG13	Configuration of DIO13	Section 13.10.3.14
38h	IOCFG14	Configuration of DIO14	Section 13.10.3.15
3Ch	IOCFG15	Configuration of DIO15	Section 13.10.3.16
40h	IOCFG16	Configuration of DIO16	Section 13.10.3.17
44h	IOCFG17	Configuration of DIO17	Section 13.10.3.18
48h	IOCFG18	Configuration of DIO18	Section 13.10.3.19
4Ch	IOCFG19	Configuration of DIO19	Section 13.10.3.20
50h	IOCFG20	Configuration of DIO20	Section 13.10.3.21
54h	IOCFG21	Configuration of DIO21	Section 13.10.3.22
58h	IOCFG22	Configuration of DIO22	Section 13.10.3.23
5Ch	IOCFG23	Configuration of DIO23	Section 13.10.3.24
60h	IOCFG24	Configuration of DIO24	Section 13.10.3.25
64h	IOCFG25	Configuration of DIO25	Section 13.10.3.26
68h	IOCFG26	Configuration of DIO26	Section 13.10.3.27
6Ch	IOCFG27	Configuration of DIO27	Section 13.10.3.28
70h	IOCFG28	Configuration of DIO28	Section 13.10.3.29
74h	IOCFG29	Configuration of DIO29	Section 13.10.3.30
78h	IOCFG30	Configuration of DIO30	Section 13.10.3.31
7Ch	IOCFG31	Configuration of DIO31	Section 13.10.3.32

Complex bit access types are encoded to fit into small table cells. Table 13-29 shows the codes that are used for access types in this section.

Table 13-29. IOC Access Type Codes

Access Type	Code	Description
Read Type		
R	R	Read
Write Type		
W	W	Write

Table 13-29. IOC Access Type Codes (continued)

Access Type	Code	Description
Reset or Default Value		
<i>-n</i>		Value after reset or the default value

13.10.3.1 IOCFG0 Register (Offset = 0h) [Reset = 00006000h]

IOCFG0 is shown in [Figure 13-23](#) and described in [Table 13-30](#).

Return to the [Table 13-28](#).

Configuration of DIO0

Figure 13-23. IOCFG0 Register

31	30	29	28	27	26	25	24
RESERVED	HYST_EN	IE	WU_CFG		IOMODE		
R-0h	R/W-0h	R/W-0h	R/W-0h		R/W-0h		
23	22	21	20	19	18	17	16
IOEV_AON_PR OG2_EN	IOEV_AON_PR OG1_EN	IOEV_AON_PR OG0_EN	RESERVED		EDGE_IRQ_EN	EDGE_DET	
R/W-0h	R/W-0h	R/W-0h	R-0h		R/W-0h	R/W-0h	
15	14	13	12	11	10	9	8
RESERVED	PULL_CTL		SLEW_RED	IOCURR		IOSTR	
R-0h	R/W-3h		R/W-0h	R/W-0h		R/W-0h	
7	6	5	4	3	2	1	0
IOEV_RTC_EN	IOEV_MCU_W U_EN	PORT_ID					
R/W-0h	R/W-0h	R/W-0h					

Table 13-30. IOCFG0 Register Field Descriptions

Bit	Field	Type	Reset	Description
31	RESERVED	R	0h	Reserved
30	HYST_EN	R/W	0h	0: Input hysteresis disable 1: Input hysteresis enable
29	IE	R/W	0h	0: Input disabled 1: Input enabled Note: If IO is configured for AUX PORT_ID = 0x08, the enable will be ignored.
28-27	WU_CFG	R/W	0h	If DIO is configured GPIO or non-AON peripheral signals, PORT_ID 0x00 or >0x08: 00: No wake-up 01: No wake-up 10: Wakes up from shutdown if this pad is going low. 11: Wakes up from shutdown if this pad is going high. If IO is configured for AON peripheral signals or AUX PORT_ID 0x01-0x08, this register only sets wakeup enable or not. 00, 01: Wakeup disabled 10, 11: Wakeup enabled Polarity is controlled from AON registers. Note: When the MSB is set, the IOC will deactivate the output enable for the DIO.

Table 13-30. IOCFG0 Register Field Descriptions (continued)

Bit	Field	Type	Reset	Description
26-24	IOMODE	R/W	0h	IO Mode Not applicable for IO configured for AON periph. signals and AUX PORT_ID 0x01-0x08 AUX has its own open_source/drain configuration. 0x2: Reserved. Undefined behavior. 0x3: Reserved. Undefined behavior. 0h = NORMAL : Normal input / output 1h = INV : Inverted input / output 4h = OPENDR : Open Drain, Normal input / output 5h = OPENDR_INV : Open Drain Inverted input / output 6h = OPENSRC : Open Source Normal input / output 7h = OPENSRC_INV : Open Source Inverted input/output
23	IOEV_AON_PROG2_EN	R/W	0h	Event asserted by this IO when edge detection is enabled 0: Input edge detection does not assert AON_PROG2 event 1: Input edge detection asserts AON_PROG2 event
22	IOEV_AON_PROG1_EN	R/W	0h	Event asserted by this IO when edge detection is enabled 0: Input edge detection does not assert AON_PROG1 event 1: Input edge detection asserts AON_PROG1 event
21	IOEV_AON_PROG0_EN	R/W	0h	Event asserted by this IO when edge detection is enabled 0: Input edge detection does not assert AON_PROG0 event 1: Input edge detection asserts AON_PROG0 event
20-19	RESERVED	R	0h	Reserved
18	EDGE_IRQ_EN	R/W	0h	0: No interrupt generation 1: Enable interrupt generation for this IO (Only effective if EDGE_DET is enabled)
17-16	EDGE_DET	R/W	0h	Enable generation of edge detection events on this IO 0h = NONE : No edge detection 1h = Negative edge detection 2h = Positive edge detection 3h = Positive and negative edge detection
15	RESERVED	R	0h	Reserved
14-13	PULL_CTL	R/W	3h	Pull control 1h = DWN : Pull down 2h = UP : Pull up 3h = DIS : No pull
12	SLEW_RED	R/W	0h	0: Normal slew rate 1: Enables reduced slew rate in output driver.
11-10	IOCURR	R/W	0h	Selects IO current mode of this IO. 0h = 2MA : Low-Current (LC) mode: Min 2 mA when IOSTR is set to AUTO 1h = 4MA : High-Current (HC) mode: Min 4 mA when IOSTR is set to AUTO 2h = 4_8MA : Extended-Current (EC) mode: Min 8 mA for double drive strength IOs (min 4 mA for normal IOs) when IOSTR is set to AUTO
9-8	IOSTR	R/W	0h	Select source for drive strength control of this IO. This setting controls the drive strength of the Low-Current (LC) mode. Higher drive strength can be selected in IOCURR 0h = Automatic drive strength, controlled by AON BATMON based on battery voltage. (min 2 mA @VDDS) 1h = Minimum drive strength, controlled by AON_IOC:IOSTRMIN (min 2 mA @3.3V with default values) 2h = MED : Medium drive strength, controlled by AON_IOC:IOSTRMED (min 2 mA @2.5V with default values) 3h = Maximum drive strength, controlled by AON_IOC:IOSTRMAX (min 2 mA @1.8V with default values)

Table 13-30. IOCFG0 Register Field Descriptions (continued)

Bit	Field	Type	Reset	Description
7	IOEV_RTC_EN	R/W	0h	Event asserted by this IO when edge detection is enabled 0: Input edge detection does not assert RTC event 1: Input edge detection asserts RTC event
6	IOEV_MCU_WU_EN	R/W	0h	Event asserted by this IO when edge detection is enabled 0: Input edge detection does not assert MCU_WU event 1: Input edge detection asserts MCU_WU event

Table 13-30. IOCFG0 Register Field Descriptions (continued)

Bit	Field	Type	Reset	Description
5-0	PORT_ID	R/W	0h	<p>Selects usage for DIO0</p> <p>Note: This field should not be written other than the times when PORT_ID value is specifically required to change.</p> <p>0h = General Purpose IO</p> <p>7h = AON 32 KHz clock (SCLK_LF)</p> <p>8h = AUX IO</p> <p>9h = SSI0_RX : SSI0 RX</p> <p>Ah = SSI0_TX : SSI0 TX</p> <p>Bh = SSI0_FSS : SSI0 FSS</p> <p>Ch = SSI0_CLK : SSI0 CLK</p> <p>Dh = I2C_MSSDA : I2C Data</p> <p>Eh = I2C_MSSCL : I2C Clock</p> <p>Fh = UART0_RX : UART0 RX</p> <p>10h = UART0_TX : UART0 TX</p> <p>11h = UART0_CTS : UART0 CTS</p> <p>12h = UART0_RTS : UART0 RTS</p> <p>17h = PORT_EVENT0 : PORT EVENT 0</p> <p>Can be used as a general purpose IO event by selecting it through registers in the EVENT module, for example EVENT:GPT0ACAPTSEL.EV, EVENT:UDMACH14BSEL.EV, and so on</p> <p>18h = PORT_EVENT1 : PORT EVENT 1</p> <p>Can be used as a general purpose IO event by selecting it through registers in the EVENT module, for example EVENT:GPT0ACAPTSEL.EV, EVENT:UDMACH14BSEL.EV, and so on</p> <p>19h = PORT_EVENT2 : PORT EVENT 2</p> <p>Can be used as a general purpose IO event by selecting it through registers in the EVENT module, for example EVENT:GPT0ACAPTSEL.EV, EVENT:UDMACH14BSEL.EV, and so on</p> <p>1Ah = PORT_EVENT3 : PORT EVENT 3</p> <p>Can be used as a general purpose IO event by selecting it through registers in the EVENT module, for example EVENT:GPT0ACAPTSEL.EV, EVENT:UDMACH14BSEL.EV, and so on</p> <p>1Bh = PORT_EVENT4 : PORT EVENT 4</p> <p>Can be used as a general purpose IO event by selecting it through registers in the EVENT module, for example EVENT:GPT0ACAPTSEL.EV, EVENT:UDMACH14BSEL.EV, and so on</p> <p>1Ch = PORT_EVENT5 : PORT EVENT 5</p> <p>Can be used as a general purpose IO event by selecting it through registers in the EVENT module, for example EVENT:GPT0ACAPTSEL.EV, EVENT:UDMACH14BSEL.EV, and so on</p> <p>1Dh = PORT_EVENT6 : PORT EVENT 6</p> <p>Can be used as a general purpose IO event by selecting it through registers in the EVENT module, for example EVENT:GPT0ACAPTSEL.EV, EVENT:UDMACH14BSEL.EV, and so on</p> <p>1Eh = PORT_EVENT7 : PORT EVENT 7</p> <p>Can be used as a general purpose IO event by selecting it through registers in the EVENT module, for example EVENT:GPT0ACAPTSEL.EV, EVENT:UDMACH14BSEL.EV, and so on</p> <p>20h = CPU_SWV : CPU SWV</p> <p>25h = I2S_AD0 : I2S Data 0</p> <p>26h = I2S_AD1 : I2S Data 1</p> <p>27h = I2S_WCLK : I2S WCLK</p> <p>28h = I2S_BCLK : I2S BCLK</p> <p>29h = I2S_MCLK : I2S MCLK</p> <p>2Eh = RF Core Trace</p> <p>2Fh = RF Core Data Out 0</p> <p>30h = RF Core Data Out 1</p>

Table 13-30. IOCFG0 Register Field Descriptions (continued)

Bit	Field	Type	Reset	Description
				31h = RF Core Data Out 2 32h = RF Core Data Out 3 33h = RF Core Data In 0 34h = RF Core Data In 1 35h = RF Core SMI Data Link Out 36h = RF Core SMI Data Link In 37h = RF Core SMI Command Link Out 38h = RF Core SMI Command Link In

13.10.3.2 IOCFG1 Register (Offset = 4h) [Reset = 00006000h]

IOCFG1 is shown in [Figure 13-24](#) and described in [Table 13-31](#).

Return to the [Table 13-28](#).

Configuration of DIO1

Figure 13-24. IOCFG1 Register

31	30	29	28	27	26	25	24
RESERVED	HYST_EN	IE	WU_CFG		IOMODE		
R-0h	R/W-0h	R/W-0h	R/W-0h		R/W-0h		
23	22	21	20	19	18	17	16
IOEV_AON_PR OG2_EN	IOEV_AON_PR OG1_EN	IOEV_AON_PR OG0_EN	RESERVED		EDGE_IRQ_EN	EDGE_DET	
R/W-0h	R/W-0h	R/W-0h	R-0h		R/W-0h	R/W-0h	
15	14	13	12	11	10	9	8
RESERVED	PULL_CTL		SLEW_RED	IOCURR		IOSTR	
R-0h	R/W-3h		R/W-0h	R/W-0h		R/W-0h	
7	6	5	4	3	2	1	0
IOEV_RTC_EN	IOEV_MCU_W U_EN	PORT_ID					
R/W-0h	R/W-0h	R/W-0h					

Table 13-31. IOCFG1 Register Field Descriptions

Bit	Field	Type	Reset	Description
31	RESERVED	R	0h	Reserved
30	HYST_EN	R/W	0h	0: Input hysteresis disable 1: Input hysteresis enable
29	IE	R/W	0h	0: Input disabled 1: Input enabled Note: If IO is configured for AUX PORT_ID = 0x08, the enable will be ignored.
28-27	WU_CFG	R/W	0h	If DIO is configured GPIO or non-AON peripheral signals, PORT_ID 0x00 or >0x08: 00: No wake-up 01: No wake-up 10: Wakes up from shutdown if this pad is going low. 11: Wakes up from shutdown if this pad is going high. If IO is configured for AON peripheral signals or AUX PORT_ID 0x01-0x08, this register only sets wakeup enable or not. 00, 01: Wakeup disabled 10, 11: Wakeup enabled Polarity is controlled from AON registers. Note: When the MSB is set, the IOC will deactivate the output enable for the DIO.

Table 13-31. IOCFG1 Register Field Descriptions (continued)

Bit	Field	Type	Reset	Description
26-24	IOMODE	R/W	0h	IO Mode Not applicable for IO configured for AON periph. signals and AUX PORT_ID 0x01-0x08 AUX has its own open_source/drain configuration. 0x2: Reserved. Undefined behavior. 0x3: Reserved. Undefined behavior. 0h = NORMAL : Normal input / output 1h = INV : Inverted input / output 4h = OPENDR : Open Drain, Normal input / output 5h = OPENDR_INV : Open Drain Inverted input / output 6h = OPENSRC : Open Source Normal input / output 7h = OPENSRC_INV : Open Source Inverted input / output
23	IOEV_AON_PROG2_EN	R/W	0h	Event asserted by this IO when edge detection is enabled 0: Input edge detection does not assert AON_PROG2 event 1: Input edge detection asserts AON_PROG2 event
22	IOEV_AON_PROG1_EN	R/W	0h	Event asserted by this IO when edge detection is enabled 0: Input edge detection does not assert AON_PROG1 event 1: Input edge detection asserts AON_PROG1 event
21	IOEV_AON_PROG0_EN	R/W	0h	Event asserted by this IO when edge detection is enabled 0: Input edge detection does not assert AON_PROG0 event 1: Input edge detection asserts AON_PROG0 event
20-19	RESERVED	R	0h	Reserved
18	EDGE_IRQ_EN	R/W	0h	0: No interrupt generation 1: Enable interrupt generation for this IO (Only effective if EDGE_DET is enabled)
17-16	EDGE_DET	R/W	0h	Enable generation of edge detection events on this IO 0h = NONE : No edge detection 1h = Negative edge detection 2h = Positive edge detection 3h = Positive and negative edge detection
15	RESERVED	R	0h	Reserved
14-13	PULL_CTL	R/W	3h	Pull control 1h = DWN : Pull down 2h = UP : Pull up 3h = DIS : No pull
12	SLEW_RED	R/W	0h	0: Normal slew rate 1: Enables reduced slew rate in output driver.
11-10	IOCURR	R/W	0h	Selects IO current mode of this IO. 0h = 2MA : Low-Current (LC) mode: Min 2 mA when IOSTR is set to AUTO 1h = 4MA : High-Current (HC) mode: Min 4 mA when IOSTR is set to AUTO 2h = 4_8MA : Extended-Current (EC) mode: Min 8 mA for double drive strength IOs (min 4 mA for normal IOs) when IOSTR is set to AUTO
9-8	IOSTR	R/W	0h	Select source for drive strength control of this IO. This setting controls the drive strength of the Low-Current (LC) mode. Higher drive strength can be selected in IOCURR 0h = Automatic drive strength, controlled by AON BATMON based on battery voltage. (min 2 mA @VDDS) 1h = Minimum drive strength, controlled by AON_IOC:IOSTRMIN (min 2 mA @3.3V with default values) 2h = MED : Medium drive strength, controlled by AON_IOC:IOSTRMED (min 2 mA @2.5V with default values) 3h = Maximum drive strength, controlled by AON_IOC:IOSTRMAX (min 2 mA @1.8V with default values)

Table 13-31. IOCFG1 Register Field Descriptions (continued)

Bit	Field	Type	Reset	Description
7	IOEV_RTC_EN	R/W	0h	Event asserted by this IO when edge detection is enabled 0: Input edge detection does not assert RTC event 1: Input edge detection asserts RTC event
6	IOEV_MCU_WU_EN	R/W	0h	Event asserted by this IO when edge detection is enabled 0: Input edge detection does not assert MCU_WU event 1: Input edge detection asserts MCU_WU event

Table 13-31. IOCFG1 Register Field Descriptions (continued)

Bit	Field	Type	Reset	Description
5-0	PORT_ID	R/W	0h	<p>Selects usage for DIO1</p> <p>Note: This field should not be written other than the times when PORT_ID value is specifically required to change.</p> <p>0h = General Purpose IO</p> <p>7h = AON 32 KHz clock (SCLK_LF)</p> <p>8h = AUX IO</p> <p>9h = SSI0_RX : SSI0 RX</p> <p>Ah = SSI0_TX : SSI0 TX</p> <p>Bh = SSI0_FSS : SSI0 FSS</p> <p>Ch = SSI0_CLK : SSI0 CLK</p> <p>Dh = I2C_MSSDA : I2C Data</p> <p>Eh = I2C_MSSCL : I2C Clock</p> <p>Fh = UART0_RX : UART0 RX</p> <p>10h = UART0_TX : UART0 TX</p> <p>11h = UART0_CTS : UART0 CTS</p> <p>12h = UART0_RTS : UART0 RTS</p> <p>17h = PORT_EVENT0 : PORT EVENT 0</p> <p>Can be used as a general purpose IO event by selecting it through registers in the EVENT module, for example EVENT:GPT0ACAPTSEL.EV, EVENT:UDMACH14BSEL.EV, and so on</p> <p>18h = PORT_EVENT1 : PORT EVENT 1</p> <p>Can be used as a general purpose IO event by selecting it through registers in the EVENT module, for example EVENT:GPT0ACAPTSEL.EV, EVENT:UDMACH14BSEL.EV, and so on</p> <p>19h = PORT_EVENT2 : PORT EVENT 2</p> <p>Can be used as a general purpose IO event by selecting it through registers in the EVENT module, for example EVENT:GPT0ACAPTSEL.EV, EVENT:UDMACH14BSEL.EV, and so on</p> <p>1Ah = PORT_EVENT3 : PORT EVENT 3</p> <p>Can be used as a general purpose IO event by selecting it through registers in the EVENT module, for example EVENT:GPT0ACAPTSEL.EV, EVENT:UDMACH14BSEL.EV, and so on</p> <p>1Bh = PORT_EVENT4 : PORT EVENT 4</p> <p>Can be used as a general purpose IO event by selecting it through registers in the EVENT module, for example EVENT:GPT0ACAPTSEL.EV, EVENT:UDMACH14BSEL.EV, and so on</p> <p>1Ch = PORT_EVENT5 : PORT EVENT 5</p> <p>Can be used as a general purpose IO event by selecting it through registers in the EVENT module, for example EVENT:GPT0ACAPTSEL.EV, EVENT:UDMACH14BSEL.EV, and so on</p> <p>1Dh = PORT_EVENT6 : PORT EVENT 6</p> <p>Can be used as a general purpose IO event by selecting it through registers in the EVENT module, for example EVENT:GPT0ACAPTSEL.EV, EVENT:UDMACH14BSEL.EV, and so on</p> <p>1Eh = PORT_EVENT7 : PORT EVENT 7</p> <p>Can be used as a general purpose IO event by selecting it through registers in the EVENT module, for example EVENT:GPT0ACAPTSEL.EV, EVENT:UDMACH14BSEL.EV, and so on</p> <p>20h = CPU_SWV : CPU SWV</p> <p>25h = I2S_AD0 : I2S Data 0</p> <p>26h = I2S_AD1 : I2S Data 1</p> <p>27h = I2S_WCLK : I2S WCLK</p> <p>28h = I2S_BCLK : I2S BCLK</p> <p>29h = I2S_MCLK : I2S MCLK</p> <p>2Eh = RF Core Trace</p> <p>2Fh = RF Core Data Out 0</p> <p>30h = RF Core Data Out 1</p>

Table 13-31. IOCFG1 Register Field Descriptions (continued)

Bit	Field	Type	Reset	Description
				31h = RF Core Data Out 2 32h = RF Core Data Out 3 33h = RF Core Data In 0 34h = RF Core Data In 1 35h = RF Core SMI Data Link Out 36h = RF Core SMI Data Link In 37h = RF Core SMI Command Link Out 38h = RF Core SMI Command Link In

13.10.3.3 IOCFG2 Register (Offset = 8h) [Reset = 00006000h]

IOCFG2 is shown in [Figure 13-25](#) and described in [Table 13-32](#).

Return to the [Table 13-28](#).

Configuration of DIO2

Figure 13-25. IOCFG2 Register

31	30	29	28	27	26	25	24
RESERVED	HYST_EN	IE	WU_CFG		IOMODE		
R-0h	R/W-0h	R/W-0h	R/W-0h		R/W-0h		
23	22	21	20	19	18	17	16
IOEV_AON_PR OG2_EN	IOEV_AON_PR OG1_EN	IOEV_AON_PR OG0_EN	RESERVED		EDGE_IRQ_EN	EDGE_DET	
R/W-0h	R/W-0h	R/W-0h	R-0h		R/W-0h	R/W-0h	
15	14	13	12	11	10	9	8
RESERVED	PULL_CTL		SLEW_RED	IOCURR		IOSTR	
R-0h	R/W-3h		R/W-0h	R/W-0h		R/W-0h	
7	6	5	4	3	2	1	0
IOEV_RTC_EN	IOEV_MCU_W U_EN	PORT_ID					
R/W-0h	R/W-0h	R/W-0h					

Table 13-32. IOCFG2 Register Field Descriptions

Bit	Field	Type	Reset	Description
31	RESERVED	R	0h	Reserved
30	HYST_EN	R/W	0h	0: Input hysteresis disable 1: Input hysteresis enable
29	IE	R/W	0h	0: Input disabled 1: Input enabled Note: If IO is configured for AUX PORT_ID = 0x08, the enable will be ignored.
28-27	WU_CFG	R/W	0h	If DIO is configured GPIO or non-AON peripheral signals, PORT_ID 0x00 or >0x08: 00: No wake-up 01: No wake-up 10: Wakes up from shutdown if this pad is going low. 11: Wakes up from shutdown if this pad is going high. If IO is configured for AON peripheral signals or AUX PORT_ID 0x01-0x08, this register only sets wakeup enable or not. 00, 01: Wakeup disabled 10, 11: Wakeup enabled Polarity is controlled from AON registers. Note: When the MSB is set, the IOC will deactivate the output enable for the DIO.

Table 13-32. IOCFG2 Register Field Descriptions (continued)

Bit	Field	Type	Reset	Description
26-24	IOMODE	R/W	0h	IO Mode Not applicable for IO configured for AON periph. signals and AUX PORT_ID 0x01-0x08 AUX has its own open_source/drain configuration. 0x2: Reserved. Undefined behavior. 0x3: Reserved. Undefined behavior. 0h = NORMAL : Normal input / output 1h = INV : Inverted input / output 4h = OPENDR : Open Drain, Normal input / output 5h = OPENDR_INV : Open Drain Inverted input / output 6h = OPENSRC : Open Source Normal input / output 7h = OPENSRC_INV : Open Source Inverted input / output
23	IOEV_AON_PROG2_EN	R/W	0h	Event asserted by this IO when edge detection is enabled 0: Input edge detection does not assert AON_PROG2 event 1: Input edge detection asserts AON_PROG2 event
22	IOEV_AON_PROG1_EN	R/W	0h	Event asserted by this IO when edge detection is enabled 0: Input edge detection does not assert AON_PROG1 event 1: Input edge detection asserts AON_PROG1 event
21	IOEV_AON_PROG0_EN	R/W	0h	Event asserted by this IO when edge detection is enabled 0: Input edge detection does not assert AON_PROG0 event 1: Input edge detection asserts AON_PROG0 event
20-19	RESERVED	R	0h	Reserved
18	EDGE_IRQ_EN	R/W	0h	0: No interrupt generation 1: Enable interrupt generation for this IO (Only effective if EDGE_DET is enabled)
17-16	EDGE_DET	R/W	0h	Enable generation of edge detection events on this IO 0h = NONE : No edge detection 1h = Negative edge detection 2h = Positive edge detection 3h = Positive and negative edge detection
15	RESERVED	R	0h	Reserved
14-13	PULL_CTL	R/W	3h	Pull control 1h = DWN : Pull down 2h = UP : Pull up 3h = DIS : No pull
12	SLEW_RED	R/W	0h	0: Normal slew rate 1: Enables reduced slew rate in output driver.
11-10	IOCURR	R/W	0h	Selects IO current mode of this IO. 0h = 2MA : Low-Current (LC) mode: Min 2 mA when IOSTR is set to AUTO 1h = 4MA : High-Current (HC) mode: Min 4 mA when IOSTR is set to AUTO 2h = 4_8MA : Extended-Current (EC) mode: Min 8 mA for double drive strength IOs (min 4 mA for normal IOs) when IOSTR is set to AUTO
9-8	IOSTR	R/W	0h	Select source for drive strength control of this IO. This setting controls the drive strength of the Low-Current (LC) mode. Higher drive strength can be selected in IOCURR 0h = Automatic drive strength, controlled by AON BATMON based on battery voltage. (min 2 mA @VDDS) 1h = Minimum drive strength, controlled by AON_IOC:IOSTRMIN (min 2 mA @3.3V with default values) 2h = MED : Medium drive strength, controlled by AON_IOC:IOSTRMED (min 2 mA @2.5V with default values) 3h = Maximum drive strength, controlled by AON_IOC:IOSTRMAX (min 2 mA @1.8V with default values)

Table 13-32. IOCFG2 Register Field Descriptions (continued)

Bit	Field	Type	Reset	Description
7	IOEV_RTC_EN	R/W	0h	Event asserted by this IO when edge detection is enabled 0: Input edge detection does not assert RTC event 1: Input edge detection asserts RTC event
6	IOEV_MCU_WU_EN	R/W	0h	Event asserted by this IO when edge detection is enabled 0: Input edge detection does not assert MCU_WU event 1: Input edge detection asserts MCU_WU event

Table 13-32. IOCFG2 Register Field Descriptions (continued)

Bit	Field	Type	Reset	Description
5-0	PORT_ID	R/W	0h	<p>Selects usage for DIO2</p> <p>Note: This field should not be written other than the times when PORT_ID value is specifically required to change.</p> <p>0h = General Purpose IO</p> <p>7h = AON 32 KHz clock (SCLK_LF)</p> <p>8h = AUX IO</p> <p>9h = SSI0_RX : SSI0 RX</p> <p>Ah = SSI0_TX : SSI0 TX</p> <p>Bh = SSI0_FSS : SSI0 FSS</p> <p>Ch = SSI0_CLK : SSI0 CLK</p> <p>Dh = I2C_MSSDA : I2C Data</p> <p>Eh = I2C_MSSCL : I2C Clock</p> <p>Fh = UART0_RX : UART0 RX</p> <p>10h = UART0_TX : UART0 TX</p> <p>11h = UART0_CTS : UART0 CTS</p> <p>12h = UART0_RTS : UART0 RTS</p> <p>17h = PORT_EVENT0 : PORT EVENT 0</p> <p>Can be used as a general purpose IO event by selecting it through registers in the EVENT module, for example EVENT:GPT0ACAPTSEL.EV, EVENT:UDMACH14BSEL.EV, and so on</p> <p>18h = PORT_EVENT1 : PORT EVENT 1</p> <p>Can be used as a general purpose IO event by selecting it through registers in the EVENT module, for example EVENT:GPT0ACAPTSEL.EV, EVENT:UDMACH14BSEL.EV, and so on</p> <p>19h = PORT_EVENT2 : PORT EVENT 2</p> <p>Can be used as a general purpose IO event by selecting it through registers in the EVENT module, for example EVENT:GPT0ACAPTSEL.EV, EVENT:UDMACH14BSEL.EV, and so on</p> <p>1Ah = PORT_EVENT3 : PORT EVENT 3</p> <p>Can be used as a general purpose IO event by selecting it through registers in the EVENT module, for example EVENT:GPT0ACAPTSEL.EV, EVENT:UDMACH14BSEL.EV, and so on</p> <p>1Bh = PORT_EVENT4 : PORT EVENT 4</p> <p>Can be used as a general purpose IO event by selecting it through registers in the EVENT module, for example EVENT:GPT0ACAPTSEL.EV, EVENT:UDMACH14BSEL.EV, and so on</p> <p>1Ch = PORT_EVENT5 : PORT EVENT 5</p> <p>Can be used as a general purpose IO event by selecting it through registers in the EVENT module, for example EVENT:GPT0ACAPTSEL.EV, EVENT:UDMACH14BSEL.EV, and so on</p> <p>1Dh = PORT_EVENT6 : PORT EVENT 6</p> <p>Can be used as a general purpose IO event by selecting it through registers in the EVENT module, for example EVENT:GPT0ACAPTSEL.EV, EVENT:UDMACH14BSEL.EV, and so on</p> <p>1Eh = PORT_EVENT7 : PORT EVENT 7</p> <p>Can be used as a general purpose IO event by selecting it through registers in the EVENT module, for example EVENT:GPT0ACAPTSEL.EV, EVENT:UDMACH14BSEL.EV, and so on</p> <p>20h = CPU_SWV : CPU SWV</p> <p>25h = I2S_AD0 : I2S Data 0</p> <p>26h = I2S_AD1 : I2S Data 1</p> <p>27h = I2S_WCLK : I2S WCLK</p> <p>28h = I2S_BCLK : I2S BCLK</p> <p>29h = I2S_MCLK : I2S MCLK</p> <p>2Eh = RF Core Trace</p> <p>2Fh = RF Core Data Out 0</p> <p>30h = RF Core Data Out 1</p>

Table 13-32. IOCFG2 Register Field Descriptions (continued)

Bit	Field	Type	Reset	Description
				31h = RF Core Data Out 2 32h = RF Core Data Out 3 33h = RF Core Data In 0 34h = RF Core Data In 1 35h = RF Core SMI Data Link Out 36h = RF Core SMI Data Link In 37h = RF Core SMI Command Link Out 38h = RF Core SMI Command Link In

13.10.3.4 IOCFG3 Register (Offset = Ch) [Reset = 00006000h]

IOCFG3 is shown in [Figure 13-26](#) and described in [Table 13-33](#).

Return to the [Table 13-28](#).

Configuration of DIO3

Figure 13-26. IOCFG3 Register

31	30	29	28	27	26	25	24
RESERVED	HYST_EN	IE	WU_CFG		IOMODE		
R-0h	R/W-0h	R/W-0h	R/W-0h		R/W-0h		
23	22	21	20	19	18	17	16
IOEV_AON_PR OG2_EN	IOEV_AON_PR OG1_EN	IOEV_AON_PR OG0_EN	RESERVED		EDGE_IRQ_EN	EDGE_DET	
R/W-0h	R/W-0h	R/W-0h	R-0h		R/W-0h	R/W-0h	
15	14	13	12	11	10	9	8
RESERVED	PULL_CTL		SLEW_RED	IOCURR		IOSTR	
R-0h	R/W-3h		R/W-0h	R/W-0h		R/W-0h	
7	6	5	4	3	2	1	0
IOEV_RTC_EN	IOEV_MCU_W U_EN	PORT_ID					
R/W-0h	R/W-0h	R/W-0h					

Table 13-33. IOCFG3 Register Field Descriptions

Bit	Field	Type	Reset	Description
31	RESERVED	R	0h	Reserved
30	HYST_EN	R/W	0h	0: Input hysteresis disable 1: Input hysteresis enable
29	IE	R/W	0h	0: Input disabled 1: Input enabled Note: If IO is configured for AUX PORT_ID = 0x08, the enable will be ignored.
28-27	WU_CFG	R/W	0h	If DIO is configured GPIO or non-AON peripheral signals, PORT_ID 0x00 or >0x08: 00: No wake-up 01: No wake-up 10: Wakes up from shutdown if this pad is going low. 11: Wakes up from shutdown if this pad is going high. If IO is configured for AON peripheral signals or AUX PORT_ID 0x01-0x08, this register only sets wakeup enable or not. 00, 01: Wakeup disabled 10, 11: Wakeup enabled Polarity is controlled from AON registers. Note: When the MSB is set, the IOC will deactivate the output enable for the DIO.

Table 13-33. IOCFG3 Register Field Descriptions (continued)

Bit	Field	Type	Reset	Description
26-24	IOMODE	R/W	0h	IO Mode Not applicable for IO configured for AON periph. signals and AUX PORT_ID 0x01-0x08 AUX has its own open_source/drain configuration. 0x2: Reserved. Undefined behavior. 0x3: Reserved. Undefined behavior. 0h = NORMAL : Normal input / output 1h = INV : Inverted input / output 4h = OPENDR : Open Drain, Normal input / output 5h = OPENDR_INV : Open Drain Inverted input / output 6h = OPENSRC : Open Source Normal input / output 7h = OPENSRC_INV : Open Source Inverted input / output
23	IOEV_AON_PROG2_EN	R/W	0h	Event asserted by this IO when edge detection is enabled 0: Input edge detection does not assert AON_PROG2 event 1: Input edge detection asserts AON_PROG2 event
22	IOEV_AON_PROG1_EN	R/W	0h	Event asserted by this IO when edge detection is enabled 0: Input edge detection does not assert AON_PROG1 event 1: Input edge detection asserts AON_PROG1 event
21	IOEV_AON_PROG0_EN	R/W	0h	Event asserted by this IO when edge detection is enabled 0: Input edge detection does not assert AON_PROG0 event 1: Input edge detection asserts AON_PROG0 event
20-19	RESERVED	R	0h	Reserved
18	EDGE_IRQ_EN	R/W	0h	0: No interrupt generation 1: Enable interrupt generation for this IO (Only effective if EDGE_DET is enabled)
17-16	EDGE_DET	R/W	0h	Enable generation of edge detection events on this IO 0h = NONE : No edge detection 1h = Negative edge detection 2h = Positive edge detection 3h = Positive and negative edge detection
15	RESERVED	R	0h	Reserved
14-13	PULL_CTL	R/W	3h	Pull control 1h = DWN : Pull down 2h = UP : Pull up 3h = DIS : No pull
12	SLEW_RED	R/W	0h	0: Normal slew rate 1: Enables reduced slew rate in output driver.
11-10	IOCURR	R/W	0h	Selects IO current mode of this IO. 0h = 2MA : Low-Current (LC) mode: Min 2 mA when IOSTR is set to AUTO 1h = 4MA : High-Current (HC) mode: Min 4 mA when IOSTR is set to AUTO 2h = 4_8MA : Extended-Current (EC) mode: Min 8 mA for double drive strength IOs (min 4 mA for normal IOs) when IOSTR is set to AUTO
9-8	IOSTR	R/W	0h	Select source for drive strength control of this IO. This setting controls the drive strength of the Low-Current (LC) mode. Higher drive strength can be selected in IOCURR 0h = Automatic drive strength, controlled by AON BATMON based on battery voltage. (min 2 mA @VDDS) 1h = Minimum drive strength, controlled by AON_IOC:IOSTRMIN (min 2 mA @3.3V with default values) 2h = MED : Medium drive strength, controlled by AON_IOC:IOSTRMED (min 2 mA @2.5V with default values) 3h = Maximum drive strength, controlled by AON_IOC:IOSTRMAX (min 2 mA @1.8V with default values)

Table 13-33. IOCFG3 Register Field Descriptions (continued)

Bit	Field	Type	Reset	Description
7	IOEV_RTC_EN	R/W	0h	Event asserted by this IO when edge detection is enabled 0: Input edge detection does not assert RTC event 1: Input edge detection asserts RTC event
6	IOEV_MCU_WU_EN	R/W	0h	Event asserted by this IO when edge detection is enabled 0: Input edge detection does not assert MCU_WU event 1: Input edge detection asserts MCU_WU event

Table 13-33. IOCFG3 Register Field Descriptions (continued)

Bit	Field	Type	Reset	Description
5-0	PORT_ID	R/W	0h	<p>Selects usage for DIO3</p> <p>Note: This field should not be written other than the times when PORT_ID value is specifically required to change.</p> <p>0h = General Purpose IO</p> <p>7h = AON 32 KHz clock (SCLK_LF)</p> <p>8h = AUX IO</p> <p>9h = SSI0_RX : SSI0 RX</p> <p>Ah = SSI0_TX : SSI0 TX</p> <p>Bh = SSI0_FSS : SSI0 FSS</p> <p>Ch = SSI0_CLK : SSI0 CLK</p> <p>Dh = I2C_MSSDA : I2C Data</p> <p>Eh = I2C_MSSCL : I2C Clock</p> <p>Fh = UART0_RX : UART0 RX</p> <p>10h = UART0_TX : UART0 TX</p> <p>11h = UART0_CTS : UART0 CTS</p> <p>12h = UART0_RTS : UART0 RTS</p> <p>17h = PORT_EVENT0 : PORT EVENT 0</p> <p>Can be used as a general purpose IO event by selecting it through registers in the EVENT module, for example EVENT:GPT0ACAPTSEL.EV, EVENT:UDMACH14BSEL.EV, and so on</p> <p>18h = PORT_EVENT1 : PORT EVENT 1</p> <p>Can be used as a general purpose IO event by selecting it through registers in the EVENT module, for example EVENT:GPT0ACAPTSEL.EV, EVENT:UDMACH14BSEL.EV, and so on</p> <p>19h = PORT_EVENT2 : PORT EVENT 2</p> <p>Can be used as a general purpose IO event by selecting it through registers in the EVENT module, for example EVENT:GPT0ACAPTSEL.EV, EVENT:UDMACH14BSEL.EV, and so on</p> <p>1Ah = PORT_EVENT3 : PORT EVENT 3</p> <p>Can be used as a general purpose IO event by selecting it through registers in the EVENT module, for example EVENT:GPT0ACAPTSEL.EV, EVENT:UDMACH14BSEL.EV, and so on</p> <p>1Bh = PORT_EVENT4 : PORT EVENT 4</p> <p>Can be used as a general purpose IO event by selecting it through registers in the EVENT module, for example EVENT:GPT0ACAPTSEL.EV, EVENT:UDMACH14BSEL.EV, and so on</p> <p>1Ch = PORT_EVENT5 : PORT EVENT 5</p> <p>Can be used as a general purpose IO event by selecting it through registers in the EVENT module, for example EVENT:GPT0ACAPTSEL.EV, EVENT:UDMACH14BSEL.EV, and so on</p> <p>1Dh = PORT_EVENT6 : PORT EVENT 6</p> <p>Can be used as a general purpose IO event by selecting it through registers in the EVENT module, for example EVENT:GPT0ACAPTSEL.EV, EVENT:UDMACH14BSEL.EV, and so on</p> <p>1Eh = PORT_EVENT7 : PORT EVENT 7</p> <p>Can be used as a general purpose IO event by selecting it through registers in the EVENT module, for example EVENT:GPT0ACAPTSEL.EV, EVENT:UDMACH14BSEL.EV, and so on</p> <p>20h = CPU_SWV : CPU SWV</p> <p>25h = I2S_AD0 : I2S Data 0</p> <p>26h = I2S_AD1 : I2S Data 1</p> <p>27h = I2S_WCLK : I2S WCLK</p> <p>28h = I2S_BCLK : I2S BCLK</p> <p>29h = I2S_MCLK : I2S MCLK</p> <p>2Eh = RF Core Trace</p> <p>2Fh = RF Core Data Out 0</p> <p>30h = RF Core Data Out 1</p>

Table 13-33. IOCFG3 Register Field Descriptions (continued)

Bit	Field	Type	Reset	Description
				31h = RF Core Data Out 2 32h = RF Core Data Out 3 33h = RF Core Data In 0 34h = RF Core Data In 1 35h = RF Core SMI Data Link Out 36h = RF Core SMI Data Link In 37h = RF Core SMI Command Link Out 38h = RF Core SMI Command Link In

13.10.3.5 IOCFG4 Register (Offset = 10h) [Reset = 00006000h]

IOCFG4 is shown in [Figure 13-27](#) and described in [Table 13-34](#).

Return to the [Table 13-28](#).

Configuration of DIO4

Figure 13-27. IOCFG4 Register

31	30	29	28	27	26	25	24
RESERVED	HYST_EN	IE	WU_CFG		IOMODE		
R-0h	R/W-0h	R/W-0h	R/W-0h		R/W-0h		
23	22	21	20	19	18	17	16
IOEV_AON_PR OG2_EN	IOEV_AON_PR OG1_EN	IOEV_AON_PR OG0_EN	RESERVED		EDGE_IRQ_EN	EDGE_DET	
R/W-0h	R/W-0h	R/W-0h	R-0h		R/W-0h	R/W-0h	
15	14	13	12	11	10	9	8
RESERVED	PULL_CTL		SLEW_RED	IOCURR		IOSTR	
R-0h	R/W-3h		R/W-0h	R/W-0h		R/W-0h	
7	6	5	4	3	2	1	0
IOEV_RTC_EN	IOEV_MCU_W U_EN	PORT_ID					
R/W-0h	R/W-0h	R/W-0h					

Table 13-34. IOCFG4 Register Field Descriptions

Bit	Field	Type	Reset	Description
31	RESERVED	R	0h	Reserved
30	HYST_EN	R/W	0h	0: Input hysteresis disable 1: Input hysteresis enable
29	IE	R/W	0h	0: Input disabled 1: Input enabled Note: If IO is configured for AUX PORT_ID = 0x08, the enable will be ignored.
28-27	WU_CFG	R/W	0h	If DIO is configured GPIO or non-AON peripheral signals, PORT_ID 0x00 or >0x08: 00: No wake-up 01: No wake-up 10: Wakes up from shutdown if this pad is going low. 11: Wakes up from shutdown if this pad is going high. If IO is configured for AON peripheral signals or AUX PORT_ID 0x01-0x08, this register only sets wakeup enable or not. 00, 01: Wakeup disabled 10, 11: Wakeup enabled Polarity is controlled from AON registers. Note: When the MSB is set, the IOC will deactivate the output enable for the DIO.

Table 13-34. IOCFG4 Register Field Descriptions (continued)

Bit	Field	Type	Reset	Description
26-24	IOMODE	R/W	0h	IO Mode Not applicable for IO configured for AON periph. signals and AUX PORT_ID 0x01-0x08 AUX has its own open_source/drain configuration. 0x2: Reserved. Undefined behavior. 0x3: Reserved. Undefined behavior. 0h = NORMAL : Normal input / output 1h = INV : Inverted input / output 4h = OPENDR : Open Drain, Normal input / output 5h = OPENDR_INV : Open Drain Inverted input / output 6h = OPENSRC : Open Source Normal input / output 7h = OPENSRC_INV : Open Source Inverted input / output
23	IOEV_AON_PROG2_EN	R/W	0h	Event asserted by this IO when edge detection is enabled 0: Input edge detection does not assert AON_PROG2 event 1: Input edge detection asserts AON_PROG2 event
22	IOEV_AON_PROG1_EN	R/W	0h	Event asserted by this IO when edge detection is enabled 0: Input edge detection does not assert AON_PROG1 event 1: Input edge detection asserts AON_PROG1 event
21	IOEV_AON_PROG0_EN	R/W	0h	Event asserted by this IO when edge detection is enabled 0: Input edge detection does not assert AON_PROG0 event 1: Input edge detection asserts AON_PROG0 event
20-19	RESERVED	R	0h	Reserved
18	EDGE_IRQ_EN	R/W	0h	0: No interrupt generation 1: Enable interrupt generation for this IO (Only effective if EDGE_DET is enabled)
17-16	EDGE_DET	R/W	0h	Enable generation of edge detection events on this IO 0h = NONE : No edge detection 1h = Negative edge detection 2h = Positive edge detection 3h = Positive and negative edge detection
15	RESERVED	R	0h	Reserved
14-13	PULL_CTL	R/W	3h	Pull control 1h = DWN : Pull down 2h = UP : Pull up 3h = DIS : No pull
12	SLEW_RED	R/W	0h	0: Normal slew rate 1: Enables reduced slew rate in output driver.
11-10	IOCURR	R/W	0h	Selects IO current mode of this IO. 0h = 2MA : Low-Current (LC) mode: Min 2 mA when IOSTR is set to AUTO 1h = 4MA : High-Current (HC) mode: Min 4 mA when IOSTR is set to AUTO 2h = 4_8MA : Extended-Current (EC) mode: Min 8 mA for double drive strength IOs (min 4 mA for normal IOs) when IOSTR is set to AUTO
9-8	IOSTR	R/W	0h	Select source for drive strength control of this IO. This setting controls the drive strength of the Low-Current (LC) mode. Higher drive strength can be selected in IOCURR 0h = Automatic drive strength, controlled by AON BATMON based on battery voltage. (min 2 mA @VDDS) 1h = Minimum drive strength, controlled by AON_IOC:IOSTRMIN (min 2 mA @3.3V with default values) 2h = MED : Medium drive strength, controlled by AON_IOC:IOSTRMED (min 2 mA @2.5V with default values) 3h = Maximum drive strength, controlled by AON_IOC:IOSTRMAX (min 2 mA @1.8V with default values)

Table 13-34. IOCFG4 Register Field Descriptions (continued)

Bit	Field	Type	Reset	Description
7	IOEV_RTC_EN	R/W	0h	Event asserted by this IO when edge detection is enabled 0: Input edge detection does not assert RTC event 1: Input edge detection asserts RTC event
6	IOEV_MCU_WU_EN	R/W	0h	Event asserted by this IO when edge detection is enabled 0: Input edge detection does not assert MCU_WU event 1: Input edge detection asserts MCU_WU event

Table 13-34. IOCFG4 Register Field Descriptions (continued)

Bit	Field	Type	Reset	Description
5-0	PORT_ID	R/W	0h	<p>Selects usage for DIO4</p> <p>Note: This field should not be written other than the times when PORT_ID value is specifically required to change.</p> <p>0h = General Purpose IO</p> <p>7h = AON 32 KHz clock (SCLK_LF)</p> <p>8h = AUX IO</p> <p>9h = SSI0_RX : SSI0 RX</p> <p>Ah = SSI0_TX : SSI0 TX</p> <p>Bh = SSI0_FSS : SSI0 FSS</p> <p>Ch = SSI0_CLK : SSI0 CLK</p> <p>Dh = I2C_MSSDA : I2C Data</p> <p>Eh = I2C_MSSCL : I2C Clock</p> <p>Fh = UART0_RX : UART0 RX</p> <p>10h = UART0_TX : UART0 TX</p> <p>11h = UART0_CTS : UART0 CTS</p> <p>12h = UART0_RTS : UART0 RTS</p> <p>17h = PORT_EVENT0 : PORT EVENT 0</p> <p>Can be used as a general purpose IO event by selecting it through registers in the EVENT module, for example EVENT:GPT0ACAPTSEL.EV, EVENT:UDMACH14BSEL.EV, and so on</p> <p>18h = PORT_EVENT1 : PORT EVENT 1</p> <p>Can be used as a general purpose IO event by selecting it through registers in the EVENT module, for example EVENT:GPT0ACAPTSEL.EV, EVENT:UDMACH14BSEL.EV, and so on</p> <p>19h = PORT_EVENT2 : PORT EVENT 2</p> <p>Can be used as a general purpose IO event by selecting it through registers in the EVENT module, for example EVENT:GPT0ACAPTSEL.EV, EVENT:UDMACH14BSEL.EV, and so on</p> <p>1Ah = PORT_EVENT3 : PORT EVENT 3</p> <p>Can be used as a general purpose IO event by selecting it through registers in the EVENT module, for example EVENT:GPT0ACAPTSEL.EV, EVENT:UDMACH14BSEL.EV, and so on</p> <p>1Bh = PORT_EVENT4 : PORT EVENT 4</p> <p>Can be used as a general purpose IO event by selecting it through registers in the EVENT module, for example EVENT:GPT0ACAPTSEL.EV, EVENT:UDMACH14BSEL.EV, and so on</p> <p>1Ch = PORT_EVENT5 : PORT EVENT 5</p> <p>Can be used as a general purpose IO event by selecting it through registers in the EVENT module, for example EVENT:GPT0ACAPTSEL.EV, EVENT:UDMACH14BSEL.EV, and so on</p> <p>1Dh = PORT_EVENT6 : PORT EVENT 6</p> <p>Can be used as a general purpose IO event by selecting it through registers in the EVENT module, for example EVENT:GPT0ACAPTSEL.EV, EVENT:UDMACH14BSEL.EV, and so on</p> <p>1Eh = PORT_EVENT7 : PORT EVENT 7</p> <p>Can be used as a general purpose IO event by selecting it through registers in the EVENT module, for example EVENT:GPT0ACAPTSEL.EV, EVENT:UDMACH14BSEL.EV, and so on</p> <p>20h = CPU_SWV : CPU SWV</p> <p>25h = I2S_AD0 : I2S Data 0</p> <p>26h = I2S_AD1 : I2S Data 1</p> <p>27h = I2S_WCLK : I2S WCLK</p> <p>28h = I2S_BCLK : I2S BCLK</p> <p>29h = I2S_MCLK : I2S MCLK</p> <p>2Eh = RF Core Trace</p> <p>2Fh = RF Core Data Out 0</p> <p>30h = RF Core Data Out 1</p>

Table 13-34. IOCFG4 Register Field Descriptions (continued)

Bit	Field	Type	Reset	Description
				31h = RF Core Data Out 2 32h = RF Core Data Out 3 33h = RF Core Data In 0 34h = RF Core Data In 1 35h = RF Core SMI Data Link Out 36h = RF Core SMI Data Link In 37h = RF Core SMI Command Link Out 38h = RF Core SMI Command Link In

13.10.3.6 IOCFG5 Register (Offset = 14h) [Reset = 00006000h]

IOCFG5 is shown in [Figure 13-28](#) and described in [Table 13-35](#).

Return to the [Table 13-28](#).

Configuration of DIO5

Figure 13-28. IOCFG5 Register

31	30	29	28	27	26	25	24
RESERVED	HYST_EN	IE	WU_CFG		IOMODE		
R-0h	R/W-0h	R/W-0h	R/W-0h		R/W-0h		
23	22	21	20	19	18	17	16
IOEV_AON_PR OG2_EN	IOEV_AON_PR OG1_EN	IOEV_AON_PR OG0_EN	RESERVED		EDGE_IRQ_EN	EDGE_DET	
R/W-0h	R/W-0h	R/W-0h	R-0h		R/W-0h	R/W-0h	
15	14	13	12	11	10	9	8
RESERVED	PULL_CTL		SLEW_RED	IOCURR		IOSTR	
R-0h	R/W-3h		R/W-0h	R/W-0h		R/W-0h	
7	6	5	4	3	2	1	0
IOEV_RTC_EN	IOEV_MCU_W U_EN	PORT_ID					
R/W-0h	R/W-0h	R/W-0h					

Table 13-35. IOCFG5 Register Field Descriptions

Bit	Field	Type	Reset	Description
31	RESERVED	R	0h	Reserved
30	HYST_EN	R/W	0h	0: Input hysteresis disable 1: Input hysteresis enable
29	IE	R/W	0h	0: Input disabled 1: Input enabled Note: If IO is configured for AUX PORT_ID = 0x08, the enable will be ignored.
28-27	WU_CFG	R/W	0h	If DIO is configured GPIO or non-AON peripheral signals, PORT_ID 0x00 or >0x08: 00: No wake-up 01: No wake-up 10: Wakes up from shutdown if this pad is going low. 11: Wakes up from shutdown if this pad is going high. If IO is configured for AON peripheral signals or AUX PORT_ID 0x01-0x08, this register only sets wakeup enable or not. 00, 01: Wakeup disabled 10, 11: Wakeup enabled Polarity is controlled from AON registers. Note: When the MSB is set, the IOC will deactivate the output enable for the DIO.

Table 13-35. IOCFG5 Register Field Descriptions (continued)

Bit	Field	Type	Reset	Description
26-24	IOMODE	R/W	0h	IO Mode Not applicable for IO configured for AON periph. signals and AUX PORT_ID 0x01-0x08 AUX has its own open_source/drain configuration. 0x2: Reserved. Undefined behavior. 0x3: Reserved. Undefined behavior. 0h = NORMAL : Normal input / output 1h = INV : Inverted input / output 4h = OPENDR : Open Drain, Normal input / output 5h = OPENDR_INV : Open Drain Inverted input / output 6h = OPENSRC : Open Source Normal input / output 7h = OPENSRC_INV : Open Source Inverted input / output
23	IOEV_AON_PROG2_EN	R/W	0h	Event asserted by this IO when edge detection is enabled 0: Input edge detection does not assert AON_PROG2 event 1: Input edge detection asserts AON_PROG2 event
22	IOEV_AON_PROG1_EN	R/W	0h	Event asserted by this IO when edge detection is enabled 0: Input edge detection does not assert AON_PROG1 event 1: Input edge detection asserts AON_PROG1 event
21	IOEV_AON_PROG0_EN	R/W	0h	Event asserted by this IO when edge detection is enabled 0: Input edge detection does not assert AON_PROG0 event 1: Input edge detection asserts AON_PROG0 event
20-19	RESERVED	R	0h	Reserved
18	EDGE_IRQ_EN	R/W	0h	0: No interrupt generation 1: Enable interrupt generation for this IO (Only effective if EDGE_DET is enabled)
17-16	EDGE_DET	R/W	0h	Enable generation of edge detection events on this IO 0h = NONE : No edge detection 1h = Negative edge detection 2h = Positive edge detection 3h = Positive and negative edge detection
15	RESERVED	R	0h	Reserved
14-13	PULL_CTL	R/W	3h	Pull control 1h = DWN : Pull down 2h = UP : Pull up 3h = DIS : No pull
12	SLEW_RED	R/W	0h	0: Normal slew rate 1: Enables reduced slew rate in output driver.
11-10	IOCURR	R/W	0h	Selects IO current mode of this IO. 0h = 2MA : Low-Current (LC) mode: Min 2 mA when IOSTR is set to AUTO 1h = 4MA : High-Current (HC) mode: Min 4 mA when IOSTR is set to AUTO 2h = 4_8MA : Extended-Current (EC) mode: Min 8 mA for double drive strength IOs (min 4 mA for normal IOs) when IOSTR is set to AUTO
9-8	IOSTR	R/W	0h	Select source for drive strength control of this IO. This setting controls the drive strength of the Low-Current (LC) mode. Higher drive strength can be selected in IOCURR 0h = Automatic drive strength, controlled by AON BATMON based on battery voltage. (min 2 mA @VDDS) 1h = Minimum drive strength, controlled by AON_IOC:IOSTRMIN (min 2 mA @3.3V with default values) 2h = MED : Medium drive strength, controlled by AON_IOC:IOSTRMED (min 2 mA @2.5V with default values) 3h = Maximum drive strength, controlled by AON_IOC:IOSTRMAX (min 2 mA @1.8V with default values)

Table 13-35. IOCFG5 Register Field Descriptions (continued)

Bit	Field	Type	Reset	Description
7	IOEV_RTC_EN	R/W	0h	Event asserted by this IO when edge detection is enabled 0: Input edge detection does not assert RTC event 1: Input edge detection asserts RTC event
6	IOEV_MCU_WU_EN	R/W	0h	Event asserted by this IO when edge detection is enabled 0: Input edge detection does not assert MCU_WU event 1: Input edge detection asserts MCU_WU event

Table 13-35. IOCFG5 Register Field Descriptions (continued)

Bit	Field	Type	Reset	Description
5-0	PORT_ID	R/W	0h	<p>Selects usage for DIO5</p> <p>Note: This field should not be written other than the times when PORT_ID value is specifically required to change.</p> <p>0h = General Purpose IO</p> <p>7h = AON 32 KHz clock (SCLK_LF)</p> <p>8h = AUX IO</p> <p>9h = SSI0_RX : SSI0 RX</p> <p>Ah = SSI0_TX : SSI0 TX</p> <p>Bh = SSI0_FSS : SSI0 FSS</p> <p>Ch = SSI0_CLK : SSI0 CLK</p> <p>Dh = I2C_MSSDA : I2C Data</p> <p>Eh = I2C_MSSCL : I2C Clock</p> <p>Fh = UART0_RX : UART0 RX</p> <p>10h = UART0_TX : UART0 TX</p> <p>11h = UART0_CTS : UART0 CTS</p> <p>12h = UART0_RTS : UART0 RTS</p> <p>17h = PORT_EVENT0 : PORT EVENT 0</p> <p>Can be used as a general purpose IO event by selecting it through registers in the EVENT module, for example EVENT:GPT0ACAPTSEL.EV, EVENT:UDMACH14BSEL.EV, and so on</p> <p>18h = PORT_EVENT1 : PORT EVENT 1</p> <p>Can be used as a general purpose IO event by selecting it through registers in the EVENT module, for example EVENT:GPT0ACAPTSEL.EV, EVENT:UDMACH14BSEL.EV, and so on</p> <p>19h = PORT_EVENT2 : PORT EVENT 2</p> <p>Can be used as a general purpose IO event by selecting it through registers in the EVENT module, for example EVENT:GPT0ACAPTSEL.EV, EVENT:UDMACH14BSEL.EV, and so on</p> <p>1Ah = PORT_EVENT3 : PORT EVENT 3</p> <p>Can be used as a general purpose IO event by selecting it through registers in the EVENT module, for example EVENT:GPT0ACAPTSEL.EV, EVENT:UDMACH14BSEL.EV, and so on</p> <p>1Bh = PORT_EVENT4 : PORT EVENT 4</p> <p>Can be used as a general purpose IO event by selecting it through registers in the EVENT module, for example EVENT:GPT0ACAPTSEL.EV, EVENT:UDMACH14BSEL.EV, and so on</p> <p>1Ch = PORT_EVENT5 : PORT EVENT 5</p> <p>Can be used as a general purpose IO event by selecting it through registers in the EVENT module, for example EVENT:GPT0ACAPTSEL.EV, EVENT:UDMACH14BSEL.EV, and so on</p> <p>1Dh = PORT_EVENT6 : PORT EVENT 6</p> <p>Can be used as a general purpose IO event by selecting it through registers in the EVENT module, for example EVENT:GPT0ACAPTSEL.EV, EVENT:UDMACH14BSEL.EV, and so on</p> <p>1Eh = PORT_EVENT7 : PORT EVENT 7</p> <p>Can be used as a general purpose IO event by selecting it through registers in the EVENT module, for example EVENT:GPT0ACAPTSEL.EV, EVENT:UDMACH14BSEL.EV, and so on</p> <p>20h = CPU_SWV : CPU SWV</p> <p>25h = I2S_AD0 : I2S Data 0</p> <p>26h = I2S_AD1 : I2S Data 1</p> <p>27h = I2S_WCLK : I2S WCLK</p> <p>28h = I2S_BCLK : I2S BCLK</p> <p>29h = I2S_MCLK : I2S MCLK</p> <p>2Eh = RF Core Trace</p> <p>2Fh = RF Core Data Out 0</p> <p>30h = RF Core Data Out 1</p>

Table 13-35. IOCFG5 Register Field Descriptions (continued)

Bit	Field	Type	Reset	Description
				31h = RF Core Data Out 2 32h = RF Core Data Out 3 33h = RF Core Data In 0 34h = RF Core Data In 1 35h = RF Core SMI Data Link Out 36h = RF Core SMI Data Link In 37h = RF Core SMI Command Link Out 38h = RF Core SMI Command Link In

13.10.3.7 IOCFG6 Register (Offset = 18h) [Reset = 0006000h]

IOCFG6 is shown in [Figure 13-29](#) and described in [Table 13-36](#).

Return to the [Table 13-28](#).

Configuration of DIO6

Figure 13-29. IOCFG6 Register

31	30	29	28	27	26	25	24
RESERVED	HYST_EN	IE	WU_CFG		IOMODE		
R-0h	R/W-0h	R/W-0h	R/W-0h		R/W-0h		
23	22	21	20	19	18	17	16
IOEV_AON_PR OG2_EN	IOEV_AON_PR OG1_EN	IOEV_AON_PR OG0_EN	RESERVED		EDGE_IRQ_EN	EDGE_DET	
R/W-0h	R/W-0h	R/W-0h	R-0h		R/W-0h	R/W-0h	
15	14	13	12	11	10	9	8
RESERVED	PULL_CTL		SLEW_RED	IOCURR		IOSTR	
R-0h	R/W-3h		R/W-0h	R/W-0h		R/W-0h	
7	6	5	4	3	2	1	0
IOEV_RTC_EN	IOEV_MCU_W U_EN	PORT_ID					
R/W-0h	R/W-0h	R/W-0h					

Table 13-36. IOCFG6 Register Field Descriptions

Bit	Field	Type	Reset	Description
31	RESERVED	R	0h	Reserved
30	HYST_EN	R/W	0h	0: Input hysteresis disable 1: Input hysteresis enable
29	IE	R/W	0h	0: Input disabled 1: Input enabled Note: If IO is configured for AUX PORT_ID = 0x08, the enable will be ignored.
28-27	WU_CFG	R/W	0h	If DIO is configured GPIO or non-AON peripheral signals, PORT_ID 0x00 or >0x08: 00: No wake-up 01: No wake-up 10: Wakes up from shutdown if this pad is going low. 11: Wakes up from shutdown if this pad is going high. If IO is configured for AON peripheral signals or AUX PORT_ID 0x01-0x08, this register only sets wakeup enable or not. 00, 01: Wakeup disabled 10, 11: Wakeup enabled Polarity is controlled from AON registers. Note: When the MSB is set, the IOC will deactivate the output enable for the DIO.

Table 13-36. IOCFG6 Register Field Descriptions (continued)

Bit	Field	Type	Reset	Description
26-24	IOMODE	R/W	0h	IO Mode Not applicable for IO configured for AON periph. signals and AUX PORT_ID 0x01-0x08 AUX has its own open_source/drain configuration. 0x2: Reserved. Undefined behavior. 0x3: Reserved. Undefined behavior. 0h = NORMAL : Normal input / output 1h = INV : Inverted input / output 4h = OPENDR : Open Drain, Normal input / output 5h = OPENDR_INV : Open Drain Inverted input / output 6h = OPENSRC : Open Source Normal input / output 7h = OPENSRC_INV : Open Source Inverted input / output
23	IOEV_AON_PROG2_EN	R/W	0h	Event asserted by this IO when edge detection is enabled 0: Input edge detection does not assert AON_PROG2 event 1: Input edge detection asserts AON_PROG2 event
22	IOEV_AON_PROG1_EN	R/W	0h	Event asserted by this IO when edge detection is enabled 0: Input edge detection does not assert AON_PROG1 event 1: Input edge detection asserts AON_PROG1 event
21	IOEV_AON_PROG0_EN	R/W	0h	Event asserted by this IO when edge detection is enabled 0: Input edge detection does not assert AON_PROG0 event 1: Input edge detection asserts AON_PROG0 event
20-19	RESERVED	R	0h	Reserved
18	EDGE_IRQ_EN	R/W	0h	0: No interrupt generation 1: Enable interrupt generation for this IO (Only effective if EDGE_DET is enabled)
17-16	EDGE_DET	R/W	0h	Enable generation of edge detection events on this IO 0h = NONE : No edge detection 1h = Negative edge detection 2h = Positive edge detection 3h = Positive and negative edge detection
15	RESERVED	R	0h	Reserved
14-13	PULL_CTL	R/W	3h	Pull control 1h = DWN : Pull down 2h = UP : Pull up 3h = DIS : No pull
12	SLEW_RED	R/W	0h	0: Normal slew rate 1: Enables reduced slew rate in output driver.
11-10	IOCURR	R/W	0h	Selects IO current mode of this IO. 0h = 2MA : Low-Current (LC) mode: Min 2 mA when IOSTR is set to AUTO 1h = 4MA : High-Current (HC) mode: Min 4 mA when IOSTR is set to AUTO 2h = 4_8MA : Extended-Current (EC) mode: Min 8 mA for double drive strength IOs (min 4 mA for normal IOs) when IOSTR is set to AUTO
9-8	IOSTR	R/W	0h	Select source for drive strength control of this IO. This setting controls the drive strength of the Low-Current (LC) mode. Higher drive strength can be selected in IOCURR 0h = Automatic drive strength, controlled by AON BATMON based on battery voltage. (min 2 mA @VDDS) 1h = Minimum drive strength, controlled by AON_IOC:IOSTRMIN (min 2 mA @3.3V with default values) 2h = MED : Medium drive strength, controlled by AON_IOC:IOSTRMED (min 2 mA @2.5V with default values) 3h = Maximum drive strength, controlled by AON_IOC:IOSTRMAX (min 2 mA @1.8V with default values)

Table 13-36. IOCFG6 Register Field Descriptions (continued)

Bit	Field	Type	Reset	Description
7	IOEV_RTC_EN	R/W	0h	Event asserted by this IO when edge detection is enabled 0: Input edge detection does not assert RTC event 1: Input edge detection asserts RTC event
6	IOEV_MCU_WU_EN	R/W	0h	Event asserted by this IO when edge detection is enabled 0: Input edge detection does not assert MCU_WU event 1: Input edge detection asserts MCU_WU event

Table 13-36. IOCFG6 Register Field Descriptions (continued)

Bit	Field	Type	Reset	Description
5-0	PORT_ID	R/W	0h	<p>Selects usage for DIO6</p> <p>Note: This field should not be written other than the times when PORT_ID value is specifically required to change.</p> <p>0h = General Purpose IO</p> <p>7h = AON 32 KHz clock (SCLK_LF)</p> <p>8h = AUX IO</p> <p>9h = SSI0_RX : SSI0 RX</p> <p>Ah = SSI0_TX : SSI0 TX</p> <p>Bh = SSI0_FSS : SSI0 FSS</p> <p>Ch = SSI0_CLK : SSI0 CLK</p> <p>Dh = I2C_MSSDA : I2C Data</p> <p>Eh = I2C_MSSCL : I2C Clock</p> <p>Fh = UART0_RX : UART0 RX</p> <p>10h = UART0_TX : UART0 TX</p> <p>11h = UART0_CTS : UART0 CTS</p> <p>12h = UART0_RTS : UART0 RTS</p> <p>17h = PORT_EVENT0 : PORT EVENT 0</p> <p>Can be used as a general purpose IO event by selecting it through registers in the EVENT module, for example EVENT:GPT0ACAPTSEL.EV, EVENT:UDMACH14BSEL.EV, and so on</p> <p>18h = PORT_EVENT1 : PORT EVENT 1</p> <p>Can be used as a general purpose IO event by selecting it through registers in the EVENT module, for example EVENT:GPT0ACAPTSEL.EV, EVENT:UDMACH14BSEL.EV, and so on</p> <p>19h = PORT_EVENT2 : PORT EVENT 2</p> <p>Can be used as a general purpose IO event by selecting it through registers in the EVENT module, for example EVENT:GPT0ACAPTSEL.EV, EVENT:UDMACH14BSEL.EV, and so on</p> <p>1Ah = PORT_EVENT3 : PORT EVENT 3</p> <p>Can be used as a general purpose IO event by selecting it through registers in the EVENT module, for example EVENT:GPT0ACAPTSEL.EV, EVENT:UDMACH14BSEL.EV, and so on</p> <p>1Bh = PORT_EVENT4 : PORT EVENT 4</p> <p>Can be used as a general purpose IO event by selecting it through registers in the EVENT module, for example EVENT:GPT0ACAPTSEL.EV, EVENT:UDMACH14BSEL.EV, and so on</p> <p>1Ch = PORT_EVENT5 : PORT EVENT 5</p> <p>Can be used as a general purpose IO event by selecting it through registers in the EVENT module, for example EVENT:GPT0ACAPTSEL.EV, EVENT:UDMACH14BSEL.EV, and so on</p> <p>1Dh = PORT_EVENT6 : PORT EVENT 6</p> <p>Can be used as a general purpose IO event by selecting it through registers in the EVENT module, for example EVENT:GPT0ACAPTSEL.EV, EVENT:UDMACH14BSEL.EV, and so on</p> <p>1Eh = PORT_EVENT7 : PORT EVENT 7</p> <p>Can be used as a general purpose IO event by selecting it through registers in the EVENT module, for example EVENT:GPT0ACAPTSEL.EV, EVENT:UDMACH14BSEL.EV, and so on</p> <p>20h = CPU_SWV : CPU SWV</p> <p>25h = I2S_AD0 : I2S Data 0</p> <p>26h = I2S_AD1 : I2S Data 1</p> <p>27h = I2S_WCLK : I2S WCLK</p> <p>28h = I2S_BCLK : I2S BCLK</p> <p>29h = I2S_MCLK : I2S MCLK</p> <p>2Eh = RF Core Trace</p> <p>2Fh = RF Core Data Out 0</p> <p>30h = RF Core Data Out 1</p>

Table 13-36. IOCFG6 Register Field Descriptions (continued)

Bit	Field	Type	Reset	Description
				31h = RF Core Data Out 2 32h = RF Core Data Out 3 33h = RF Core Data In 0 34h = RF Core Data In 1 35h = RF Core SMI Data Link Out 36h = RF Core SMI Data Link In 37h = RF Core SMI Command Link Out 38h = RF Core SMI Command Link In

13.10.3.8 IOCFG7 Register (Offset = 1Ch) [Reset = 00006000h]

IOCFG7 is shown in [Figure 13-30](#) and described in [Table 13-37](#).

Return to the [Table 13-28](#).

Configuration of DIO7

Figure 13-30. IOCFG7 Register

31	30	29	28	27	26	25	24
RESERVED	HYST_EN	IE	WU_CFG		IOMODE		
R-0h	R/W-0h	R/W-0h	R/W-0h		R/W-0h		
23	22	21	20	19	18	17	16
IOEV_AON_PR OG2_EN	IOEV_AON_PR OG1_EN	IOEV_AON_PR OG0_EN	RESERVED		EDGE_IRQ_EN	EDGE_DET	
R/W-0h	R/W-0h	R/W-0h	R-0h		R/W-0h	R/W-0h	
15	14	13	12	11	10	9	8
RESERVED	PULL_CTL		SLEW_RED	IOCURR		IOSTR	
R-0h	R/W-3h		R/W-0h	R/W-0h		R/W-0h	
7	6	5	4	3	2	1	0
IOEV_RTC_EN	IOEV_MCU_W U_EN	PORT_ID					
R/W-0h	R/W-0h	R/W-0h					

Table 13-37. IOCFG7 Register Field Descriptions

Bit	Field	Type	Reset	Description
31	RESERVED	R	0h	Reserved
30	HYST_EN	R/W	0h	0: Input hysteresis disable 1: Input hysteresis enable
29	IE	R/W	0h	0: Input disabled 1: Input enabled Note: If IO is configured for AUX PORT_ID = 0x08, the enable will be ignored.
28-27	WU_CFG	R/W	0h	If DIO is configured GPIO or non-AON peripheral signals, PORT_ID 0x00 or >0x08: 00: No wake-up 01: No wake-up 10: Wakes up from shutdown if this pad is going low. 11: Wakes up from shutdown if this pad is going high. If IO is configured for AON peripheral signals or AUX PORT_ID 0x01-0x08, this register only sets wakeup enable or not. 00, 01: Wakeup disabled 10, 11: Wakeup enabled Polarity is controlled from AON registers. Note: When the MSB is set, the IOC will deactivate the output enable for the DIO.

Table 13-37. IOCFG7 Register Field Descriptions (continued)

Bit	Field	Type	Reset	Description
26-24	IOMODE	R/W	0h	IO Mode Not applicable for IO configured for AON periph. signals and AUX PORT_ID 0x01-0x08 AUX has its own open_source/drain configuration. 0x2: Reserved. Undefined behavior. 0x3: Reserved. Undefined behavior. 0h = NORMAL : Normal input / output 1h = INV : Inverted input / output 4h = OPENDR : Open Drain, Normal input / output 5h = OPENDR_INV : Open Drain Inverted input / output 6h = OPENSRC : Open Source Normal input / output 7h = OPENSRC_INV : Open Source Inverted input / output
23	IOEV_AON_PROG2_EN	R/W	0h	Event asserted by this IO when edge detection is enabled 0: Input edge detection does not assert AON_PROG2 event 1: Input edge detection asserts AON_PROG2 event
22	IOEV_AON_PROG1_EN	R/W	0h	Event asserted by this IO when edge detection is enabled 0: Input edge detection does not assert AON_PROG1 event 1: Input edge detection asserts AON_PROG1 event
21	IOEV_AON_PROG0_EN	R/W	0h	Event asserted by this IO when edge detection is enabled 0: Input edge detection does not assert AON_PROG0 event 1: Input edge detection asserts AON_PROG0 event
20-19	RESERVED	R	0h	Reserved
18	EDGE_IRQ_EN	R/W	0h	0: No interrupt generation 1: Enable interrupt generation for this IO (Only effective if EDGE_DET is enabled)
17-16	EDGE_DET	R/W	0h	Enable generation of edge detection events on this IO 0h = NONE : No edge detection 1h = Negative edge detection 2h = Positive edge detection 3h = Positive and negative edge detection
15	RESERVED	R	0h	Reserved
14-13	PULL_CTL	R/W	3h	Pull control 1h = DWN : Pull down 2h = UP : Pull up 3h = DIS : No pull
12	SLEW_RED	R/W	0h	0: Normal slew rate 1: Enables reduced slew rate in output driver.
11-10	IOCURR	R/W	0h	Selects IO current mode of this IO. 0h = 2MA : Low-Current (LC) mode: Min 2 mA when IOSTR is set to AUTO 1h = 4MA : High-Current (HC) mode: Min 4 mA when IOSTR is set to AUTO 2h = 4_8MA : Extended-Current (EC) mode: Min 8 mA for double drive strength IOs (min 4 mA for normal IOs) when IOSTR is set to AUTO
9-8	IOSTR	R/W	0h	Select source for drive strength control of this IO. This setting controls the drive strength of the Low-Current (LC) mode. Higher drive strength can be selected in IOCURR 0h = Automatic drive strength, controlled by AON BATMON based on battery voltage. (min 2 mA @VDDS) 1h = Minimum drive strength, controlled by AON_IOC:IOSTRMIN (min 2 mA @3.3V with default values) 2h = MED : Medium drive strength, controlled by AON_IOC:IOSTRMED (min 2 mA @2.5V with default values) 3h = Maximum drive strength, controlled by AON_IOC:IOSTRMAX (min 2 mA @1.8V with default values)

Table 13-37. IOCFG7 Register Field Descriptions (continued)

Bit	Field	Type	Reset	Description
7	IOEV_RTC_EN	R/W	0h	Event asserted by this IO when edge detection is enabled 0: Input edge detection does not assert RTC event 1: Input edge detection asserts RTC event
6	IOEV_MCU_WU_EN	R/W	0h	Event asserted by this IO when edge detection is enabled 0: Input edge detection does not assert MCU_WU event 1: Input edge detection asserts MCU_WU event

Table 13-37. IOCFG7 Register Field Descriptions (continued)

Bit	Field	Type	Reset	Description
5-0	PORT_ID	R/W	0h	<p>Selects usage for DIO7</p> <p>Note: This field should not be written other than the times when PORT_ID value is specifically required to change.</p> <p>0h = General Purpose IO</p> <p>7h = AON 32 KHz clock (SCLK_LF)</p> <p>8h = AUX IO</p> <p>9h = SSI0_RX : SSI0 RX</p> <p>Ah = SSI0_TX : SSI0 TX</p> <p>Bh = SSI0_FSS : SSI0 FSS</p> <p>Ch = SSI0_CLK : SSI0 CLK</p> <p>Dh = I2C_MSSDA : I2C Data</p> <p>Eh = I2C_MSSCL : I2C Clock</p> <p>Fh = UART0_RX : UART0 RX</p> <p>10h = UART0_TX : UART0 TX</p> <p>11h = UART0_CTS : UART0 CTS</p> <p>12h = UART0_RTS : UART0 RTS</p> <p>17h = PORT_EVENT0 : PORT EVENT 0</p> <p>Can be used as a general purpose IO event by selecting it through registers in the EVENT module, for example EVENT:GPT0ACAPTSEL.EV, EVENT:UDMACH14BSEL.EV, and so on</p> <p>18h = PORT_EVENT1 : PORT EVENT 1</p> <p>Can be used as a general purpose IO event by selecting it through registers in the EVENT module, for example EVENT:GPT0ACAPTSEL.EV, EVENT:UDMACH14BSEL.EV, and so on</p> <p>19h = PORT_EVENT2 : PORT EVENT 2</p> <p>Can be used as a general purpose IO event by selecting it through registers in the EVENT module, for example EVENT:GPT0ACAPTSEL.EV, EVENT:UDMACH14BSEL.EV, and so on</p> <p>1Ah = PORT_EVENT3 : PORT EVENT 3</p> <p>Can be used as a general purpose IO event by selecting it through registers in the EVENT module, for example EVENT:GPT0ACAPTSEL.EV, EVENT:UDMACH14BSEL.EV, and so on</p> <p>1Bh = PORT_EVENT4 : PORT EVENT 4</p> <p>Can be used as a general purpose IO event by selecting it through registers in the EVENT module, for example EVENT:GPT0ACAPTSEL.EV, EVENT:UDMACH14BSEL.EV, and so on</p> <p>1Ch = PORT_EVENT5 : PORT EVENT 5</p> <p>Can be used as a general purpose IO event by selecting it through registers in the EVENT module, for example EVENT:GPT0ACAPTSEL.EV, EVENT:UDMACH14BSEL.EV, and so on</p> <p>1Dh = PORT_EVENT6 : PORT EVENT 6</p> <p>Can be used as a general purpose IO event by selecting it through registers in the EVENT module, for example EVENT:GPT0ACAPTSEL.EV, EVENT:UDMACH14BSEL.EV, and so on</p> <p>1Eh = PORT_EVENT7 : PORT EVENT 7</p> <p>Can be used as a general purpose IO event by selecting it through registers in the EVENT module, for example EVENT:GPT0ACAPTSEL.EV, EVENT:UDMACH14BSEL.EV, and so on</p> <p>20h = CPU_SWV : CPU SWV</p> <p>25h = I2S_AD0 : I2S Data 0</p> <p>26h = I2S_AD1 : I2S Data 1</p> <p>27h = I2S_WCLK : I2S WCLK</p> <p>28h = I2S_BCLK : I2S BCLK</p> <p>29h = I2S_MCLK : I2S MCLK</p> <p>2Eh = RF Core Trace</p> <p>2Fh = RF Core Data Out 0</p> <p>30h = RF Core Data Out 1</p>

Table 13-37. IOCFG7 Register Field Descriptions (continued)

Bit	Field	Type	Reset	Description
				31h = RF Core Data Out 2 32h = RF Core Data Out 3 33h = RF Core Data In 0 34h = RF Core Data In 1 35h = RF Core SMI Data Link Out 36h = RF Core SMI Data Link In 37h = RF Core SMI Command Link Out 38h = RF Core SMI Command Link In

13.10.3.9 IOCFG8 Register (Offset = 20h) [Reset = 00006000h]

IOCFG8 is shown in [Figure 13-31](#) and described in [Table 13-38](#).

Return to the [Table 13-28](#).

Configuration of DIO8

Figure 13-31. IOCFG8 Register

31	30	29	28	27	26	25	24
RESERVED	HYST_EN	IE	WU_CFG		IOMODE		
R-0h	R/W-0h	R/W-0h	R/W-0h		R/W-0h		
23	22	21	20	19	18	17	16
IOEV_AON_PR OG2_EN	IOEV_AON_PR OG1_EN	IOEV_AON_PR OG0_EN	RESERVED		EDGE_IRQ_EN	EDGE_DET	
R/W-0h	R/W-0h	R/W-0h	R-0h		R/W-0h	R/W-0h	
15	14	13	12	11	10	9	8
RESERVED	PULL_CTL		SLEW_RED	IOCURR		IOSTR	
R-0h	R/W-3h		R/W-0h	R/W-0h		R/W-0h	
7	6	5	4	3	2	1	0
IOEV_RTC_EN	IOEV_MCU_W U_EN	PORT_ID					
R/W-0h	R/W-0h	R/W-0h					

Table 13-38. IOCFG8 Register Field Descriptions

Bit	Field	Type	Reset	Description
31	RESERVED	R	0h	Reserved
30	HYST_EN	R/W	0h	0: Input hysteresis disable 1: Input hysteresis enable
29	IE	R/W	0h	0: Input disabled 1: Input enabled Note: If IO is configured for AUX PORT_ID = 0x08, the enable will be ignored.
28-27	WU_CFG	R/W	0h	If DIO is configured GPIO or non-AON peripheral signals, PORT_ID 0x00 or >0x08: 00: No wake-up 01: No wake-up 10: Wakes up from shutdown if this pad is going low. 11: Wakes up from shutdown if this pad is going high. If IO is configured for AON peripheral signals or AUX PORT_ID 0x01-0x08, this register only sets wakeup enable or not. 00, 01: Wakeup disabled 10, 11: Wakeup enabled Polarity is controlled from AON registers. Note: When the MSB is set, the IOC will deactivate the output enable for the DIO.

Table 13-38. IOCFG8 Register Field Descriptions (continued)

Bit	Field	Type	Reset	Description
26-24	IOMODE	R/W	0h	IO Mode Not applicable for IO configured for AON periph. signals and AUX PORT_ID 0x01-0x08 AUX has its own open_source/drain configuration. 0x2: Reserved. Undefined behavior. 0x3: Reserved. Undefined behavior. 0h = NORMAL : Normal input / output 1h = INV : Inverted input / output 4h = OPENDR : Open Drain, Normal input / output 5h = OPENDR_INV : Open Drain Inverted input / output 6h = OPENSRC : Open Source Normal input / output 7h = OPENSRC_INV : Open Source Inverted input / output
23	IOEV_AON_PROG2_EN	R/W	0h	Event asserted by this IO when edge detection is enabled 0: Input edge detection does not assert AON_PROG2 event 1: Input edge detection asserts AON_PROG2 event
22	IOEV_AON_PROG1_EN	R/W	0h	Event asserted by this IO when edge detection is enabled 0: Input edge detection does not assert AON_PROG1 event 1: Input edge detection asserts AON_PROG1 event
21	IOEV_AON_PROG0_EN	R/W	0h	Event asserted by this IO when edge detection is enabled 0: Input edge detection does not assert AON_PROG0 event 1: Input edge detection asserts AON_PROG0 event
20-19	RESERVED	R	0h	Reserved
18	EDGE_IRQ_EN	R/W	0h	0: No interrupt generation 1: Enable interrupt generation for this IO (Only effective if EDGE_DET is enabled)
17-16	EDGE_DET	R/W	0h	Enable generation of edge detection events on this IO 0h = NONE : No edge detection 1h = Negative edge detection 2h = Positive edge detection 3h = Positive and negative edge detection
15	RESERVED	R	0h	Reserved
14-13	PULL_CTL	R/W	3h	Pull control 1h = DWN : Pull down 2h = UP : Pull up 3h = DIS : No pull
12	SLEW_RED	R/W	0h	0: Normal slew rate 1: Enables reduced slew rate in output driver.
11-10	IOCURR	R/W	0h	Selects IO current mode of this IO. 0h = 2MA : Low-Current (LC) mode: Min 2 mA when IOSTR is set to AUTO 1h = 4MA : High-Current (HC) mode: Min 4 mA when IOSTR is set to AUTO 2h = 4_8MA : Extended-Current (EC) mode: Min 8 mA for double drive strength IOs (min 4 mA for normal IOs) when IOSTR is set to AUTO
9-8	IOSTR	R/W	0h	Select source for drive strength control of this IO. This setting controls the drive strength of the Low-Current (LC) mode. Higher drive strength can be selected in IOCURR 0h = Automatic drive strength, controlled by AON BATMON based on battery voltage. (min 2 mA @VDDS) 1h = Minimum drive strength, controlled by AON_IOC:IOSTRMIN (min 2 mA @3.3V with default values) 2h = MED : Medium drive strength, controlled by AON_IOC:IOSTRMED (min 2 mA @2.5V with default values) 3h = Maximum drive strength, controlled by AON_IOC:IOSTRMAX (min 2 mA @1.8V with default values)

Table 13-38. IOCFG8 Register Field Descriptions (continued)

Bit	Field	Type	Reset	Description
7	IOEV_RTC_EN	R/W	0h	Event asserted by this IO when edge detection is enabled 0: Input edge detection does not assert RTC event 1: Input edge detection asserts RTC event
6	IOEV_MCU_WU_EN	R/W	0h	Event asserted by this IO when edge detection is enabled 0: Input edge detection does not assert MCU_WU event 1: Input edge detection asserts MCU_WU event

Table 13-38. IOCFG8 Register Field Descriptions (continued)

Bit	Field	Type	Reset	Description
5-0	PORT_ID	R/W	0h	<p>Selects usage for DIO8</p> <p>Note: This field should not be written other than the times when PORT_ID value is specifically required to change.</p> <p>0h = General Purpose IO</p> <p>7h = AON 32 KHz clock (SCLK_LF)</p> <p>8h = AUX IO</p> <p>9h = SSI0_RX : SSI0 RX</p> <p>Ah = SSI0_TX : SSI0 TX</p> <p>Bh = SSI0_FSS : SSI0 FSS</p> <p>Ch = SSI0_CLK : SSI0 CLK</p> <p>Dh = I2C_MSSDA : I2C Data</p> <p>Eh = I2C_MSSCL : I2C Clock</p> <p>Fh = UART0_RX : UART0 RX</p> <p>10h = UART0_TX : UART0 TX</p> <p>11h = UART0_CTS : UART0 CTS</p> <p>12h = UART0_RTS : UART0 RTS</p> <p>17h = PORT_EVENT0 : PORT EVENT 0</p> <p>Can be used as a general purpose IO event by selecting it through registers in the EVENT module, for example EVENT:GPT0ACAPTSEL.EV, EVENT:UDMACH14BSEL.EV, and so on</p> <p>18h = PORT_EVENT1 : PORT EVENT 1</p> <p>Can be used as a general purpose IO event by selecting it through registers in the EVENT module, for example EVENT:GPT0ACAPTSEL.EV, EVENT:UDMACH14BSEL.EV, and so on</p> <p>19h = PORT_EVENT2 : PORT EVENT 2</p> <p>Can be used as a general purpose IO event by selecting it through registers in the EVENT module, for example EVENT:GPT0ACAPTSEL.EV, EVENT:UDMACH14BSEL.EV, and so on</p> <p>1Ah = PORT_EVENT3 : PORT EVENT 3</p> <p>Can be used as a general purpose IO event by selecting it through registers in the EVENT module, for example EVENT:GPT0ACAPTSEL.EV, EVENT:UDMACH14BSEL.EV, and so on</p> <p>1Bh = PORT_EVENT4 : PORT EVENT 4</p> <p>Can be used as a general purpose IO event by selecting it through registers in the EVENT module, for example EVENT:GPT0ACAPTSEL.EV, EVENT:UDMACH14BSEL.EV, and so on</p> <p>1Ch = PORT_EVENT5 : PORT EVENT 5</p> <p>Can be used as a general purpose IO event by selecting it through registers in the EVENT module, for example EVENT:GPT0ACAPTSEL.EV, EVENT:UDMACH14BSEL.EV, and so on</p> <p>1Dh = PORT_EVENT6 : PORT EVENT 6</p> <p>Can be used as a general purpose IO event by selecting it through registers in the EVENT module, for example EVENT:GPT0ACAPTSEL.EV, EVENT:UDMACH14BSEL.EV, and so on</p> <p>1Eh = PORT_EVENT7 : PORT EVENT 7</p> <p>Can be used as a general purpose IO event by selecting it through registers in the EVENT module, for example EVENT:GPT0ACAPTSEL.EV, EVENT:UDMACH14BSEL.EV, and so on</p> <p>20h = CPU_SWV : CPU SWV</p> <p>25h = I2S_AD0 : I2S Data 0</p> <p>26h = I2S_AD1 : I2S Data 1</p> <p>27h = I2S_WCLK : I2S WCLK</p> <p>28h = I2S_BCLK : I2S BCLK</p> <p>29h = I2S_MCLK : I2S MCLK</p> <p>2Eh = RF Core Trace</p> <p>2Fh = RF Core Data Out 0</p> <p>30h = RF Core Data Out 1</p>

Table 13-38. IOCFG8 Register Field Descriptions (continued)

Bit	Field	Type	Reset	Description
				31h = RF Core Data Out 2 32h = RF Core Data Out 3 33h = RF Core Data In 0 34h = RF Core Data In 1 35h = RF Core SMI Data Link Out 36h = RF Core SMI Data Link In 37h = RF Core SMI Command Link Out 38h = RF Core SMI Command Link In

13.10.3.10 IOCFG9 Register (Offset = 24h) [Reset = 00006000h]

IOCFG9 is shown in [Figure 13-32](#) and described in [Table 13-39](#).

Return to the [Table 13-28](#).

Configuration of DIO9

Figure 13-32. IOCFG9 Register

31	30	29	28	27	26	25	24
RESERVED	HYST_EN	IE	WU_CFG		IOMODE		
R-0h	R/W-0h	R/W-0h	R/W-0h		R/W-0h		
23	22	21	20	19	18	17	16
IOEV_AON_PR OG2_EN	IOEV_AON_PR OG1_EN	IOEV_AON_PR OG0_EN	RESERVED		EDGE_IRQ_EN	EDGE_DET	
R/W-0h	R/W-0h	R/W-0h	R-0h		R/W-0h	R/W-0h	
15	14	13	12	11	10	9	8
RESERVED	PULL_CTL		SLEW_RED	IOCURR		IOSTR	
R-0h	R/W-3h		R/W-0h	R/W-0h		R/W-0h	
7	6	5	4	3	2	1	0
IOEV_RTC_EN	IOEV_MCU_W U_EN	PORT_ID					
R/W-0h	R/W-0h	R/W-0h					

Table 13-39. IOCFG9 Register Field Descriptions

Bit	Field	Type	Reset	Description
31	RESERVED	R	0h	Reserved
30	HYST_EN	R/W	0h	0: Input hysteresis disable 1: Input hysteresis enable
29	IE	R/W	0h	0: Input disabled 1: Input enabled Note: If IO is configured for AUX PORT_ID = 0x08, the enable will be ignored.
28-27	WU_CFG	R/W	0h	If DIO is configured GPIO or non-AON peripheral signals, PORT_ID 0x00 or >0x08: 00: No wake-up 01: No wake-up 10: Wakes up from shutdown if this pad is going low. 11: Wakes up from shutdown if this pad is going high. If IO is configured for AON peripheral signals or AUX PORT_ID 0x01-0x08, this register only sets wakeup enable or not. 00, 01: Wakeup disabled 10, 11: Wakeup enabled Polarity is controlled from AON registers. Note: When the MSB is set, the IOC will deactivate the output enable for the DIO.

Table 13-39. IOCFG9 Register Field Descriptions (continued)

Bit	Field	Type	Reset	Description
26-24	IOMODE	R/W	0h	IO Mode Not applicable for IO configured for AON periph. signals and AUX PORT_ID 0x01-0x08 AUX has its own open_source/drain configuration. 0x2: Reserved. Undefined behavior. 0x3: Reserved. Undefined behavior. 0h = NORMAL : Normal input / output 1h = INV : Inverted input / output 4h = OPENDR : Open Drain, Normal input / output 5h = OPENDR_INV : Open Drain Inverted input / output 6h = OPENSRC : Open Source Normal input / output 7h = OPENSRC_INV : Open Source Inverted input / output
23	IOEV_AON_PROG2_EN	R/W	0h	Event asserted by this IO when edge detection is enabled 0: Input edge detection does not assert AON_PROG2 event 1: Input edge detection asserts AON_PROG2 event
22	IOEV_AON_PROG1_EN	R/W	0h	Event asserted by this IO when edge detection is enabled 0: Input edge detection does not assert AON_PROG1 event 1: Input edge detection asserts AON_PROG1 event
21	IOEV_AON_PROG0_EN	R/W	0h	Event asserted by this IO when edge detection is enabled 0: Input edge detection does not assert AON_PROG0 event 1: Input edge detection asserts AON_PROG0 event
20-19	RESERVED	R	0h	Reserved
18	EDGE_IRQ_EN	R/W	0h	0: No interrupt generation 1: Enable interrupt generation for this IO (Only effective if EDGE_DET is enabled)
17-16	EDGE_DET	R/W	0h	Enable generation of edge detection events on this IO 0h = NONE : No edge detection 1h = Negative edge detection 2h = Positive edge detection 3h = Positive and negative edge detection
15	RESERVED	R	0h	Reserved
14-13	PULL_CTL	R/W	3h	Pull control 1h = DWN : Pull down 2h = UP : Pull up 3h = DIS : No pull
12	SLEW_RED	R/W	0h	0: Normal slew rate 1: Enables reduced slew rate in output driver.
11-10	IOCURR	R/W	0h	Selects IO current mode of this IO. 0h = 2MA : Low-Current (LC) mode: Min 2 mA when IOSTR is set to AUTO 1h = 4MA : High-Current (HC) mode: Min 4 mA when IOSTR is set to AUTO 2h = 4_8MA : Extended-Current (EC) mode: Min 8 mA for double drive strength IOs (min 4 mA for normal IOs) when IOSTR is set to AUTO
9-8	IOSTR	R/W	0h	Select source for drive strength control of this IO. This setting controls the drive strength of the Low-Current (LC) mode. Higher drive strength can be selected in IOCURR 0h = Automatic drive strength, controlled by AON BATMON based on battery voltage. (min 2 mA @VDDS) 1h = Minimum drive strength, controlled by AON_IOC:IOSTRMIN (min 2 mA @3.3V with default values) 2h = MED : Medium drive strength, controlled by AON_IOC:IOSTRMED (min 2 mA @2.5V with default values) 3h = Maximum drive strength, controlled by AON_IOC:IOSTRMAX (min 2 mA @1.8V with default values)

Table 13-39. IOCFG9 Register Field Descriptions (continued)

Bit	Field	Type	Reset	Description
7	IOEV_RTC_EN	R/W	0h	Event asserted by this IO when edge detection is enabled 0: Input edge detection does not assert RTC event 1: Input edge detection asserts RTC event
6	IOEV_MCU_WU_EN	R/W	0h	Event asserted by this IO when edge detection is enabled 0: Input edge detection does not assert MCU_WU event 1: Input edge detection asserts MCU_WU event

Table 13-39. IOCFG9 Register Field Descriptions (continued)

Bit	Field	Type	Reset	Description
5-0	PORT_ID	R/W	0h	<p>Selects usage for DIO9</p> <p>Note: This field should not be written other than the times when PORT_ID value is specifically required to change.</p> <p>0h = General Purpose IO</p> <p>7h = AON 32 KHz clock (SCLK_LF)</p> <p>8h = AUX IO</p> <p>9h = SSI0_RX : SSI0 RX</p> <p>Ah = SSI0_TX : SSI0 TX</p> <p>Bh = SSI0_FSS : SSI0 FSS</p> <p>Ch = SSI0_CLK : SSI0 CLK</p> <p>Dh = I2C_MSSDA : I2C Data</p> <p>Eh = I2C_MSSCL : I2C Clock</p> <p>Fh = UART0_RX : UART0 RX</p> <p>10h = UART0_TX : UART0 TX</p> <p>11h = UART0_CTS : UART0 CTS</p> <p>12h = UART0_RTS : UART0 RTS</p> <p>17h = PORT_EVENT0 : PORT EVENT 0</p> <p>Can be used as a general purpose IO event by selecting it through registers in the EVENT module, for example EVENT:GPT0ACAPTSEL.EV, EVENT:UDMACH14BSEL.EV, and so on</p> <p>18h = PORT_EVENT1 : PORT EVENT 1</p> <p>Can be used as a general purpose IO event by selecting it through registers in the EVENT module, for example EVENT:GPT0ACAPTSEL.EV, EVENT:UDMACH14BSEL.EV, and so on</p> <p>19h = PORT_EVENT2 : PORT EVENT 2</p> <p>Can be used as a general purpose IO event by selecting it through registers in the EVENT module, for example EVENT:GPT0ACAPTSEL.EV, EVENT:UDMACH14BSEL.EV, and so on</p> <p>1Ah = PORT_EVENT3 : PORT EVENT 3</p> <p>Can be used as a general purpose IO event by selecting it through registers in the EVENT module, for example EVENT:GPT0ACAPTSEL.EV, EVENT:UDMACH14BSEL.EV, and so on</p> <p>1Bh = PORT_EVENT4 : PORT EVENT 4</p> <p>Can be used as a general purpose IO event by selecting it through registers in the EVENT module, for example EVENT:GPT0ACAPTSEL.EV, EVENT:UDMACH14BSEL.EV, and so on</p> <p>1Ch = PORT_EVENT5 : PORT EVENT 5</p> <p>Can be used as a general purpose IO event by selecting it through registers in the EVENT module, for example EVENT:GPT0ACAPTSEL.EV, EVENT:UDMACH14BSEL.EV, and so on</p> <p>1Dh = PORT_EVENT6 : PORT EVENT 6</p> <p>Can be used as a general purpose IO event by selecting it through registers in the EVENT module, for example EVENT:GPT0ACAPTSEL.EV, EVENT:UDMACH14BSEL.EV, and so on</p> <p>1Eh = PORT_EVENT7 : PORT EVENT 7</p> <p>Can be used as a general purpose IO event by selecting it through registers in the EVENT module, for example EVENT:GPT0ACAPTSEL.EV, EVENT:UDMACH14BSEL.EV, and so on</p> <p>20h = CPU_SWV : CPU SWV</p> <p>25h = I2S_AD0 : I2S Data 0</p> <p>26h = I2S_AD1 : I2S Data 1</p> <p>27h = I2S_WCLK : I2S WCLK</p> <p>28h = I2S_BCLK : I2S BCLK</p> <p>29h = I2S_MCLK : I2S MCLK</p> <p>2Eh = RF Core Trace</p> <p>2Fh = RF Core Data Out 0</p> <p>30h = RF Core Data Out 1</p>

Table 13-39. IOCFG9 Register Field Descriptions (continued)

Bit	Field	Type	Reset	Description
				31h = RF Core Data Out 2 32h = RF Core Data Out 3 33h = RF Core Data In 0 34h = RF Core Data In 1 35h = RF Core SMI Data Link Out 36h = RF Core SMI Data Link In 37h = RF Core SMI Command Link Out 38h = RF Core SMI Command Link In

13.10.3.11 IOCFG10 Register (Offset = 28h) [Reset = 00006000h]

IOCFG10 is shown in [Figure 13-33](#) and described in [Table 13-40](#).

Return to the [Table 13-28](#).

Configuration of DIO10

Figure 13-33. IOCFG10 Register

31	30	29	28	27	26	25	24
RESERVED	HYST_EN	IE	WU_CFG		IOMODE		
R-0h	R/W-0h	R/W-0h	R/W-0h		R/W-0h		
23	22	21	20	19	18	17	16
IOEV_AON_PR OG2_EN	IOEV_AON_PR OG1_EN	IOEV_AON_PR OG0_EN	RESERVED		EDGE_IRQ_EN	EDGE_DET	
R/W-0h	R/W-0h	R/W-0h	R-0h		R/W-0h	R/W-0h	
15	14	13	12	11	10	9	8
RESERVED	PULL_CTL		SLEW_RED	IOCURR		IOSTR	
R-0h	R/W-3h		R/W-0h	R/W-0h		R/W-0h	
7	6	5	4	3	2	1	0
IOEV_RTC_EN	IOEV_MCU_W U_EN	PORT_ID					
R/W-0h	R/W-0h	R/W-0h					

Table 13-40. IOCFG10 Register Field Descriptions

Bit	Field	Type	Reset	Description
31	RESERVED	R	0h	Reserved
30	HYST_EN	R/W	0h	0: Input hysteresis disable 1: Input hysteresis enable
29	IE	R/W	0h	0: Input disabled 1: Input enabled Note: If IO is configured for AUX PORT_ID = 0x08, the enable will be ignored.
28-27	WU_CFG	R/W	0h	If DIO is configured GPIO or non-AON peripheral signals, PORT_ID 0x00 or >0x08: 00: No wake-up 01: No wake-up 10: Wakes up from shutdown if this pad is going low. 11: Wakes up from shutdown if this pad is going high. If IO is configured for AON peripheral signals or AUX PORT_ID 0x01-0x08, this register only sets wakeup enable or not. 00, 01: Wakeup disabled 10, 11: Wakeup enabled Polarity is controlled from AON registers. Note: When the MSB is set, the IOC will deactivate the output enable for the DIO.

Table 13-40. IOCFG10 Register Field Descriptions (continued)

Bit	Field	Type	Reset	Description
26-24	IOMODE	R/W	0h	IO Mode Not applicable for IO configured for AON periph. signals and AUX PORT_ID 0x01-0x08 AUX has its own open_source/drain configuration. 0x2: Reserved. Undefined behavior. 0x3: Reserved. Undefined behavior. 0h = NORMAL : Normal input / output 1h = INV : Inverted input / output 4h = OPENDR : Open Drain, Normal input / output 5h = OPENDR_INV : Open Drain Inverted input / output 6h = OPENSRC : Open Source Normal input / output 7h = OPENSRC_INV : Open Source Inverted input / output
23	IOEV_AON_PROG2_EN	R/W	0h	Event asserted by this IO when edge detection is enabled 0: Input edge detection does not assert AON_PROG2 event 1: Input edge detection asserts AON_PROG2 event
22	IOEV_AON_PROG1_EN	R/W	0h	Event asserted by this IO when edge detection is enabled 0: Input edge detection does not assert AON_PROG1 event 1: Input edge detection asserts AON_PROG1 event
21	IOEV_AON_PROG0_EN	R/W	0h	Event asserted by this IO when edge detection is enabled 0: Input edge detection does not assert AON_PROG0 event 1: Input edge detection asserts AON_PROG0 event
20-19	RESERVED	R	0h	Reserved
18	EDGE_IRQ_EN	R/W	0h	0: No interrupt generation 1: Enable interrupt generation for this IO (Only effective if EDGE_DET is enabled)
17-16	EDGE_DET	R/W	0h	Enable generation of edge detection events on this IO 0h = NONE : No edge detection 1h = Negative edge detection 2h = Positive edge detection 3h = Positive and negative edge detection
15	RESERVED	R	0h	Reserved
14-13	PULL_CTL	R/W	3h	Pull control 1h = DWN : Pull down 2h = UP : Pull up 3h = DIS : No pull
12	SLEW_RED	R/W	0h	0: Normal slew rate 1: Enables reduced slew rate in output driver.
11-10	IOCURR	R/W	0h	Selects IO current mode of this IO. 0h = 2MA : Low-Current (LC) mode: Min 2 mA when IOSTR is set to AUTO 1h = 4MA : High-Current (HC) mode: Min 4 mA when IOSTR is set to AUTO 2h = 4_8MA : Extended-Current (EC) mode: Min 8 mA for double drive strength IOs (min 4 mA for normal IOs) when IOSTR is set to AUTO
9-8	IOSTR	R/W	0h	Select source for drive strength control of this IO. This setting controls the drive strength of the Low-Current (LC) mode. Higher drive strength can be selected in IOCURR 0h = Automatic drive strength, controlled by AON BATMON based on battery voltage. (min 2 mA @VDDS) 1h = Minimum drive strength, controlled by AON_IOC:IOSTRMIN (min 2 mA @3.3V with default values) 2h = MED : Medium drive strength, controlled by AON_IOC:IOSTRMED (min 2 mA @2.5V with default values) 3h = Maximum drive strength, controlled by AON_IOC:IOSTRMAX (min 2 mA @1.8V with default values)

Table 13-40. IOCFG10 Register Field Descriptions (continued)

Bit	Field	Type	Reset	Description
7	IOEV_RTC_EN	R/W	0h	Event asserted by this IO when edge detection is enabled 0: Input edge detection does not assert RTC event 1: Input edge detection asserts RTC event
6	IOEV_MCU_WU_EN	R/W	0h	Event asserted by this IO when edge detection is enabled 0: Input edge detection does not assert MCU_WU event 1: Input edge detection asserts MCU_WU event

Table 13-40. IOCFG10 Register Field Descriptions (continued)

Bit	Field	Type	Reset	Description
5-0	PORT_ID	R/W	0h	<p>Selects usage for DIO10</p> <p>Note: This field should not be written other than the times when PORT_ID value is specifically required to change.</p> <p>0h = General Purpose IO</p> <p>7h = AON 32 KHz clock (SCLK_LF)</p> <p>8h = AUX IO</p> <p>9h = SSI0_RX : SSI0 RX</p> <p>Ah = SSI0_TX : SSI0 TX</p> <p>Bh = SSI0_FSS : SSI0 FSS</p> <p>Ch = SSI0_CLK : SSI0 CLK</p> <p>Dh = I2C_MSSDA : I2C Data</p> <p>Eh = I2C_MSSCL : I2C Clock</p> <p>Fh = UART0_RX : UART0 RX</p> <p>10h = UART0_TX : UART0 TX</p> <p>11h = UART0_CTS : UART0 CTS</p> <p>12h = UART0_RTS : UART0 RTS</p> <p>17h = PORT_EVENT0 : PORT EVENT 0</p> <p>Can be used as a general purpose IO event by selecting it through registers in the EVENT module, for example EVENT:GPT0ACAPTSEL.EV, EVENT:UDMACH14BSEL.EV, and so on</p> <p>18h = PORT_EVENT1 : PORT EVENT 1</p> <p>Can be used as a general purpose IO event by selecting it through registers in the EVENT module, for example EVENT:GPT0ACAPTSEL.EV, EVENT:UDMACH14BSEL.EV, and so on</p> <p>19h = PORT_EVENT2 : PORT EVENT 2</p> <p>Can be used as a general purpose IO event by selecting it through registers in the EVENT module, for example EVENT:GPT0ACAPTSEL.EV, EVENT:UDMACH14BSEL.EV, and so on</p> <p>1Ah = PORT_EVENT3 : PORT EVENT 3</p> <p>Can be used as a general purpose IO event by selecting it through registers in the EVENT module, for example EVENT:GPT0ACAPTSEL.EV, EVENT:UDMACH14BSEL.EV, and so on</p> <p>1Bh = PORT_EVENT4 : PORT EVENT 4</p> <p>Can be used as a general purpose IO event by selecting it through registers in the EVENT module, for example EVENT:GPT0ACAPTSEL.EV, EVENT:UDMACH14BSEL.EV, and so on</p> <p>1Ch = PORT_EVENT5 : PORT EVENT 5</p> <p>Can be used as a general purpose IO event by selecting it through registers in the EVENT module, for example EVENT:GPT0ACAPTSEL.EV, EVENT:UDMACH14BSEL.EV, and so on</p> <p>1Dh = PORT_EVENT6 : PORT EVENT 6</p> <p>Can be used as a general purpose IO event by selecting it through registers in the EVENT module, for example EVENT:GPT0ACAPTSEL.EV, EVENT:UDMACH14BSEL.EV, and so on</p> <p>1Eh = PORT_EVENT7 : PORT EVENT 7</p> <p>Can be used as a general purpose IO event by selecting it through registers in the EVENT module, for example EVENT:GPT0ACAPTSEL.EV, EVENT:UDMACH14BSEL.EV, and so on</p> <p>20h = CPU_SWV : CPU SWV</p> <p>25h = I2S_AD0 : I2S Data 0</p> <p>26h = I2S_AD1 : I2S Data 1</p> <p>27h = I2S_WCLK : I2S WCLK</p> <p>28h = I2S_BCLK : I2S BCLK</p> <p>29h = I2S_MCLK : I2S MCLK</p> <p>2Eh = RF Core Trace</p> <p>2Fh = RF Core Data Out 0</p> <p>30h = RF Core Data Out 1</p>

Table 13-40. IOCFG10 Register Field Descriptions (continued)

Bit	Field	Type	Reset	Description
				31h = RF Core Data Out 2 32h = RF Core Data Out 3 33h = RF Core Data In 0 34h = RF Core Data In 1 35h = RF Core SMI Data Link Out 36h = RF Core SMI Data Link In 37h = RF Core SMI Command Link Out 38h = RF Core SMI Command Link In

13.10.3.12 IOCFG11 Register (Offset = 2Ch) [Reset = 00006000h]

IOCFG11 is shown in [Figure 13-34](#) and described in [Table 13-41](#).

Return to the [Table 13-28](#).

Configuration of DIO11

Figure 13-34. IOCFG11 Register

31	30	29	28	27	26	25	24
RESERVED	HYST_EN	IE	WU_CFG		IOMODE		
R-0h	R/W-0h	R/W-0h	R/W-0h		R/W-0h		
23	22	21	20	19	18	17	16
IOEV_AON_PR OG2_EN	IOEV_AON_PR OG1_EN	IOEV_AON_PR OG0_EN	RESERVED		EDGE_IRQ_EN	EDGE_DET	
R/W-0h	R/W-0h	R/W-0h	R-0h		R/W-0h	R/W-0h	
15	14	13	12	11	10	9	8
RESERVED	PULL_CTL		SLEW_RED	IOCURR		IOSTR	
R-0h	R/W-3h		R/W-0h	R/W-0h		R/W-0h	
7	6	5	4	3	2	1	0
IOEV_RTC_EN	IOEV_MCU_W U_EN	PORT_ID					
R/W-0h	R/W-0h	R/W-0h					

Table 13-41. IOCFG11 Register Field Descriptions

Bit	Field	Type	Reset	Description
31	RESERVED	R	0h	Reserved
30	HYST_EN	R/W	0h	0: Input hysteresis disable 1: Input hysteresis enable
29	IE	R/W	0h	0: Input disabled 1: Input enabled Note: If IO is configured for AUX PORT_ID = 0x08, the enable will be ignored.
28-27	WU_CFG	R/W	0h	If DIO is configured GPIO or non-AON peripheral signals, PORT_ID 0x00 or >0x08: 00: No wake-up 01: No wake-up 10: Wakes up from shutdown if this pad is going low. 11: Wakes up from shutdown if this pad is going high. If IO is configured for AON peripheral signals or AUX PORT_ID 0x01-0x08, this register only sets wakeup enable or not. 00, 01: Wakeup disabled 10, 11: Wakeup enabled Polarity is controlled from AON registers. Note: When the MSB is set, the IOC will deactivate the output enable for the DIO.

Table 13-41. IOCFG11 Register Field Descriptions (continued)

Bit	Field	Type	Reset	Description
26-24	IOMODE	R/W	0h	IO Mode Not applicable for IO configured for AON periph. signals and AUX PORT_ID 0x01-0x08 AUX has its own open_source/drain configuration. 0x2: Reserved. Undefined behavior. 0x3: Reserved. Undefined behavior. 0h = NORMAL : Normal input / output 1h = INV : Inverted input / output 4h = OPENDR : Open Drain, Normal input / output 5h = OPENDR_INV : Open Drain Inverted input / output 6h = OPENSRC : Open Source Normal input / output 7h = OPENSRC_INV : Open Source Inverted input / output
23	IOEV_AON_PROG2_EN	R/W	0h	Event asserted by this IO when edge detection is enabled 0: Input edge detection does not assert AON_PROG2 event 1: Input edge detection asserts AON_PROG2 event
22	IOEV_AON_PROG1_EN	R/W	0h	Event asserted by this IO when edge detection is enabled 0: Input edge detection does not assert AON_PROG1 event 1: Input edge detection asserts AON_PROG1 event
21	IOEV_AON_PROG0_EN	R/W	0h	Event asserted by this IO when edge detection is enabled 0: Input edge detection does not assert AON_PROG0 event 1: Input edge detection asserts AON_PROG0 event
20-19	RESERVED	R	0h	Reserved
18	EDGE_IRQ_EN	R/W	0h	0: No interrupt generation 1: Enable interrupt generation for this IO (Only effective if EDGE_DET is enabled)
17-16	EDGE_DET	R/W	0h	Enable generation of edge detection events on this IO 0h = NONE : No edge detection 1h = Negative edge detection 2h = Positive edge detection 3h = Positive and negative edge detection
15	RESERVED	R	0h	Reserved
14-13	PULL_CTL	R/W	3h	Pull control 1h = DWN : Pull down 2h = UP : Pull up 3h = DIS : No pull
12	SLEW_RED	R/W	0h	0: Normal slew rate 1: Enables reduced slew rate in output driver.
11-10	IOCURR	R/W	0h	Selects IO current mode of this IO. 0h = 2MA : Low-Current (LC) mode: Min 2 mA when IOSTR is set to AUTO 1h = 4MA : High-Current (HC) mode: Min 4 mA when IOSTR is set to AUTO 2h = 4_8MA : Extended-Current (EC) mode: Min 8 mA for double drive strength IOs (min 4 mA for normal IOs) when IOSTR is set to AUTO
9-8	IOSTR	R/W	0h	Select source for drive strength control of this IO. This setting controls the drive strength of the Low-Current (LC) mode. Higher drive strength can be selected in IOCURR 0h = Automatic drive strength, controlled by AON BATMON based on battery voltage. (min 2 mA @VDDS) 1h = Minimum drive strength, controlled by AON_IOC:IOSTRMIN (min 2 mA @3.3V with default values) 2h = MED : Medium drive strength, controlled by AON_IOC:IOSTRMED (min 2 mA @2.5V with default values) 3h = Maximum drive strength, controlled by AON_IOC:IOSTRMAX (min 2 mA @1.8V with default values)

Table 13-41. IOCFG11 Register Field Descriptions (continued)

Bit	Field	Type	Reset	Description
7	IOEV_RTC_EN	R/W	0h	Event asserted by this IO when edge detection is enabled 0: Input edge detection does not assert RTC event 1: Input edge detection asserts RTC event
6	IOEV_MCU_WU_EN	R/W	0h	Event asserted by this IO when edge detection is enabled 0: Input edge detection does not assert MCU_WU event 1: Input edge detection asserts MCU_WU event

Table 13-41. IOCFG11 Register Field Descriptions (continued)

Bit	Field	Type	Reset	Description
5-0	PORT_ID	R/W	0h	<p>Selects usage for DIO11</p> <p>Note: This field should not be written other than the times when PORT_ID value is specifically required to change.</p> <p>0h = General Purpose IO</p> <p>7h = AON 32 KHz clock (SCLK_LF)</p> <p>8h = AUX IO</p> <p>9h = SSI0_RX : SSI0 RX</p> <p>Ah = SSI0_TX : SSI0 TX</p> <p>Bh = SSI0_FSS : SSI0 FSS</p> <p>Ch = SSI0_CLK : SSI0 CLK</p> <p>Dh = I2C_MSSDA : I2C Data</p> <p>Eh = I2C_MSSCL : I2C Clock</p> <p>Fh = UART0_RX : UART0 RX</p> <p>10h = UART0_TX : UART0 TX</p> <p>11h = UART0_CTS : UART0 CTS</p> <p>12h = UART0_RTS : UART0 RTS</p> <p>17h = PORT_EVENT0 : PORT EVENT 0</p> <p>Can be used as a general purpose IO event by selecting it through registers in the EVENT module, for example EVENT:GPT0ACAPTSEL.EV, EVENT:UDMACH14BSEL.EV, and so on</p> <p>18h = PORT_EVENT1 : PORT EVENT 1</p> <p>Can be used as a general purpose IO event by selecting it through registers in the EVENT module, for example EVENT:GPT0ACAPTSEL.EV, EVENT:UDMACH14BSEL.EV, and so on</p> <p>19h = PORT_EVENT2 : PORT EVENT 2</p> <p>Can be used as a general purpose IO event by selecting it through registers in the EVENT module, for example EVENT:GPT0ACAPTSEL.EV, EVENT:UDMACH14BSEL.EV, and so on</p> <p>1Ah = PORT_EVENT3 : PORT EVENT 3</p> <p>Can be used as a general purpose IO event by selecting it through registers in the EVENT module, for example EVENT:GPT0ACAPTSEL.EV, EVENT:UDMACH14BSEL.EV, and so on</p> <p>1Bh = PORT_EVENT4 : PORT EVENT 4</p> <p>Can be used as a general purpose IO event by selecting it through registers in the EVENT module, for example EVENT:GPT0ACAPTSEL.EV, EVENT:UDMACH14BSEL.EV, and so on</p> <p>1Ch = PORT_EVENT5 : PORT EVENT 5</p> <p>Can be used as a general purpose IO event by selecting it through registers in the EVENT module, for example EVENT:GPT0ACAPTSEL.EV, EVENT:UDMACH14BSEL.EV, and so on</p> <p>1Dh = PORT_EVENT6 : PORT EVENT 6</p> <p>Can be used as a general purpose IO event by selecting it through registers in the EVENT module, for example EVENT:GPT0ACAPTSEL.EV, EVENT:UDMACH14BSEL.EV, and so on</p> <p>1Eh = PORT_EVENT7 : PORT EVENT 7</p> <p>Can be used as a general purpose IO event by selecting it through registers in the EVENT module, for example EVENT:GPT0ACAPTSEL.EV, EVENT:UDMACH14BSEL.EV, and so on</p> <p>20h = CPU_SWV : CPU SWV</p> <p>25h = I2S_AD0 : I2S Data 0</p> <p>26h = I2S_AD1 : I2S Data 1</p> <p>27h = I2S_WCLK : I2S WCLK</p> <p>28h = I2S_BCLK : I2S BCLK</p> <p>29h = I2S_MCLK : I2S MCLK</p> <p>2Eh = RF Core Trace</p> <p>2Fh = RF Core Data Out 0</p> <p>30h = RF Core Data Out 1</p>

Table 13-41. IOCFG11 Register Field Descriptions (continued)

Bit	Field	Type	Reset	Description
				31h = RF Core Data Out 2 32h = RF Core Data Out 3 33h = RF Core Data In 0 34h = RF Core Data In 1 35h = RF Core SMI Data Link Out 36h = RF Core SMI Data Link In 37h = RF Core SMI Command Link Out 38h = RF Core SMI Command Link In

13.10.3.13 IOCFG12 Register (Offset = 30h) [Reset = 00006000h]

IOCFG12 is shown in [Figure 13-35](#) and described in [Table 13-42](#).

Return to the [Table 13-28](#).

Configuration of DIO12

Figure 13-35. IOCFG12 Register

31	30	29	28	27	26	25	24
RESERVED	HYST_EN	IE	WU_CFG		IOMODE		
R-0h	R/W-0h	R/W-0h	R/W-0h		R/W-0h		
23	22	21	20	19	18	17	16
IOEV_AON_PR OG2_EN	IOEV_AON_PR OG1_EN	IOEV_AON_PR OG0_EN	RESERVED		EDGE_IRQ_EN	EDGE_DET	
R/W-0h	R/W-0h	R/W-0h	R-0h		R/W-0h	R/W-0h	
15	14	13	12	11	10	9	8
RESERVED	PULL_CTL		SLEW_RED	IOCURR		IOSTR	
R-0h	R/W-3h		R/W-0h	R/W-0h		R/W-0h	
7	6	5	4	3	2	1	0
IOEV_RTC_EN	IOEV_MCU_W U_EN	PORT_ID					
R/W-0h	R/W-0h	R/W-0h					

Table 13-42. IOCFG12 Register Field Descriptions

Bit	Field	Type	Reset	Description
31	RESERVED	R	0h	Reserved
30	HYST_EN	R/W	0h	0: Input hysteresis disable 1: Input hysteresis enable
29	IE	R/W	0h	0: Input disabled 1: Input enabled Note: If IO is configured for AUX PORT_ID = 0x08, the enable will be ignored.
28-27	WU_CFG	R/W	0h	If DIO is configured GPIO or non-AON peripheral signals, PORT_ID 0x00 or >0x08: 00: No wake-up 01: No wake-up 10: Wakes up from shutdown if this pad is going low. 11: Wakes up from shutdown if this pad is going high. If IO is configured for AON peripheral signals or AUX PORT_ID 0x01-0x08, this register only sets wakeup enable or not. 00, 01: Wakeup disabled 10, 11: Wakeup enabled Polarity is controlled from AON registers. Note: When the MSB is set, the IOC will deactivate the output enable for the DIO.

Table 13-42. IOCFG12 Register Field Descriptions (continued)

Bit	Field	Type	Reset	Description
26-24	IOMODE	R/W	0h	IO Mode Not applicable for IO configured for AON periph. signals and AUX PORT_ID 0x01-0x08 AUX has its own open_source/drain configuration. 0x2: Reserved. Undefined behavior. 0x3: Reserved. Undefined behavior. 0h = NORMAL : Normal input / output 1h = INV : Inverted input / output 4h = OPENDR : Open Drain, Normal input / output 5h = OPENDR_INV : Open Drain Inverted input / output 6h = OPENSRC : Open Source Normal input / output 7h = OPENSRC_INV : Open Source Inverted input / output
23	IOEV_AON_PROG2_EN	R/W	0h	Event asserted by this IO when edge detection is enabled 0: Input edge detection does not assert AON_PROG2 event 1: Input edge detection asserts AON_PROG2 event
22	IOEV_AON_PROG1_EN	R/W	0h	Event asserted by this IO when edge detection is enabled 0: Input edge detection does not assert AON_PROG1 event 1: Input edge detection asserts AON_PROG1 event
21	IOEV_AON_PROG0_EN	R/W	0h	Event asserted by this IO when edge detection is enabled 0: Input edge detection does not assert AON_PROG0 event 1: Input edge detection asserts AON_PROG0 event
20-19	RESERVED	R	0h	Reserved
18	EDGE_IRQ_EN	R/W	0h	0: No interrupt generation 1: Enable interrupt generation for this IO (Only effective if EDGE_DET is enabled)
17-16	EDGE_DET	R/W	0h	Enable generation of edge detection events on this IO 0h = NONE : No edge detection 1h = Negative edge detection 2h = Positive edge detection 3h = Positive and negative edge detection
15	RESERVED	R	0h	Reserved
14-13	PULL_CTL	R/W	3h	Pull control 1h = DWN : Pull down 2h = UP : Pull up 3h = DIS : No pull
12	SLEW_RED	R/W	0h	0: Normal slew rate 1: Enables reduced slew rate in output driver.
11-10	IOCURR	R/W	0h	Selects IO current mode of this IO. 0h = 2MA : Low-Current (LC) mode: Min 2 mA when IOSTR is set to AUTO 1h = 4MA : High-Current (HC) mode: Min 4 mA when IOSTR is set to AUTO 2h = 4_8MA : Extended-Current (EC) mode: Min 8 mA for double drive strength IOs (min 4 mA for normal IOs) when IOSTR is set to AUTO
9-8	IOSTR	R/W	0h	Select source for drive strength control of this IO. This setting controls the drive strength of the Low-Current (LC) mode. Higher drive strength can be selected in IOCURR 0h = Automatic drive strength, controlled by AON BATMON based on battery voltage. (min 2 mA @VDDS) 1h = Minimum drive strength, controlled by AON_IOC:IOSTRMIN (min 2 mA @3.3V with default values) 2h = MED : Medium drive strength, controlled by AON_IOC:IOSTRMED (min 2 mA @2.5V with default values) 3h = Maximum drive strength, controlled by AON_IOC:IOSTRMAX (min 2 mA @1.8V with default values)

Table 13-42. IOCFG12 Register Field Descriptions (continued)

Bit	Field	Type	Reset	Description
7	IOEV_RTC_EN	R/W	0h	Event asserted by this IO when edge detection is enabled 0: Input edge detection does not assert RTC event 1: Input edge detection asserts RTC event
6	IOEV_MCU_WU_EN	R/W	0h	Event asserted by this IO when edge detection is enabled 0: Input edge detection does not assert MCU_WU event 1: Input edge detection asserts MCU_WU event

Table 13-42. IOCFG12 Register Field Descriptions (continued)

Bit	Field	Type	Reset	Description
5-0	PORT_ID	R/W	0h	<p>Selects usage for DIO12</p> <p>Note: This field should not be written other than the times when PORT_ID value is specifically required to change.</p> <p>0h = General Purpose IO</p> <p>7h = AON 32 KHz clock (SCLK_LF)</p> <p>8h = AUX IO</p> <p>9h = SSI0_RX : SSI0 RX</p> <p>Ah = SSI0_TX : SSI0 TX</p> <p>Bh = SSI0_FSS : SSI0 FSS</p> <p>Ch = SSI0_CLK : SSI0 CLK</p> <p>Dh = I2C_MSSDA : I2C Data</p> <p>Eh = I2C_MSSCL : I2C Clock</p> <p>Fh = UART0_RX : UART0 RX</p> <p>10h = UART0_TX : UART0 TX</p> <p>11h = UART0_CTS : UART0 CTS</p> <p>12h = UART0_RTS : UART0 RTS</p> <p>17h = PORT_EVENT0 : PORT EVENT 0</p> <p>Can be used as a general purpose IO event by selecting it through registers in the EVENT module, for example EVENT:GPT0ACAPTSEL.EV, EVENT:UDMACH14BSEL.EV, and so on</p> <p>18h = PORT_EVENT1 : PORT EVENT 1</p> <p>Can be used as a general purpose IO event by selecting it through registers in the EVENT module, for example EVENT:GPT0ACAPTSEL.EV, EVENT:UDMACH14BSEL.EV, and so on</p> <p>19h = PORT_EVENT2 : PORT EVENT 2</p> <p>Can be used as a general purpose IO event by selecting it through registers in the EVENT module, for example EVENT:GPT0ACAPTSEL.EV, EVENT:UDMACH14BSEL.EV, and so on</p> <p>1Ah = PORT_EVENT3 : PORT EVENT 3</p> <p>Can be used as a general purpose IO event by selecting it through registers in the EVENT module, for example EVENT:GPT0ACAPTSEL.EV, EVENT:UDMACH14BSEL.EV, and so on</p> <p>1Bh = PORT_EVENT4 : PORT EVENT 4</p> <p>Can be used as a general purpose IO event by selecting it through registers in the EVENT module, for example EVENT:GPT0ACAPTSEL.EV, EVENT:UDMACH14BSEL.EV, and so on</p> <p>1Ch = PORT_EVENT5 : PORT EVENT 5</p> <p>Can be used as a general purpose IO event by selecting it through registers in the EVENT module, for example EVENT:GPT0ACAPTSEL.EV, EVENT:UDMACH14BSEL.EV, and so on</p> <p>1Dh = PORT_EVENT6 : PORT EVENT 6</p> <p>Can be used as a general purpose IO event by selecting it through registers in the EVENT module, for example EVENT:GPT0ACAPTSEL.EV, EVENT:UDMACH14BSEL.EV, and so on</p> <p>1Eh = PORT_EVENT7 : PORT EVENT 7</p> <p>Can be used as a general purpose IO event by selecting it through registers in the EVENT module, for example EVENT:GPT0ACAPTSEL.EV, EVENT:UDMACH14BSEL.EV, and so on</p> <p>20h = CPU_SWV : CPU SWV</p> <p>25h = I2S_AD0 : I2S Data 0</p> <p>26h = I2S_AD1 : I2S Data 1</p> <p>27h = I2S_WCLK : I2S WCLK</p> <p>28h = I2S_BCLK : I2S BCLK</p> <p>29h = I2S_MCLK : I2S MCLK</p> <p>2Eh = RF Core Trace</p> <p>2Fh = RF Core Data Out 0</p> <p>30h = RF Core Data Out 1</p>

Table 13-42. IOCFG12 Register Field Descriptions (continued)

Bit	Field	Type	Reset	Description
				31h = RF Core Data Out 2 32h = RF Core Data Out 3 33h = RF Core Data In 0 34h = RF Core Data In 1 35h = RF Core SMI Data Link Out 36h = RF Core SMI Data Link In 37h = RF Core SMI Command Link Out 38h = RF Core SMI Command Link In

13.10.3.14 IOCFG13 Register (Offset = 34h) [Reset = 00006000h]

IOCFG13 is shown in [Figure 13-36](#) and described in [Table 13-43](#).

Return to the [Table 13-28](#).

Configuration of DIO13

Figure 13-36. IOCFG13 Register

31	30	29	28	27	26	25	24
RESERVED	HYST_EN	IE	WU_CFG		IOMODE		
R-0h	R/W-0h	R/W-0h	R/W-0h		R/W-0h		
23	22	21	20	19	18	17	16
IOEV_AON_PR OG2_EN	IOEV_AON_PR OG1_EN	IOEV_AON_PR OG0_EN	RESERVED		EDGE_IRQ_EN	EDGE_DET	
R/W-0h	R/W-0h	R/W-0h	R-0h		R/W-0h	R/W-0h	
15	14	13	12	11	10	9	8
RESERVED	PULL_CTL		SLEW_RED	IOCURR		IOSTR	
R-0h	R/W-3h		R/W-0h	R/W-0h		R/W-0h	
7	6	5	4	3	2	1	0
IOEV_RTC_EN	IOEV_MCU_W U_EN	PORT_ID					
R/W-0h	R/W-0h	R/W-0h					

Table 13-43. IOCFG13 Register Field Descriptions

Bit	Field	Type	Reset	Description
31	RESERVED	R	0h	Reserved
30	HYST_EN	R/W	0h	0: Input hysteresis disable 1: Input hysteresis enable
29	IE	R/W	0h	0: Input disabled 1: Input enabled Note: If IO is configured for AUX PORT_ID = 0x08, the enable will be ignored.
28-27	WU_CFG	R/W	0h	If DIO is configured GPIO or non-AON peripheral signals, PORT_ID 0x00 or >0x08: 00: No wake-up 01: No wake-up 10: Wakes up from shutdown if this pad is going low. 11: Wakes up from shutdown if this pad is going high. If IO is configured for AON peripheral signals or AUX PORT_ID 0x01-0x08, this register only sets wakeup enable or not. 00, 01: Wakeup disabled 10, 11: Wakeup enabled Polarity is controlled from AON registers. Note: When the MSB is set, the IOC will deactivate the output enable for the DIO.

Table 13-43. IOCFG13 Register Field Descriptions (continued)

Bit	Field	Type	Reset	Description
26-24	IOMODE	R/W	0h	IO Mode Not applicable for IO configured for AON periph. signals and AUX PORT_ID 0x01-0x08 AUX has its own open_source/drain configuration. 0x2: Reserved. Undefined behavior. 0x3: Reserved. Undefined behavior. 0h = NORMAL : Normal input / output 1h = INV : Inverted input / output 4h = OPENDR : Open Drain, Normal input / output 5h = OPENDR_INV : Open Drain Inverted input / output 6h = OPENSRC : Open Source Normal input / output 7h = OPENSRC_INV : Open Source Inverted input / output
23	IOEV_AON_PROG2_EN	R/W	0h	Event asserted by this IO when edge detection is enabled 0: Input edge detection does not assert AON_PROG2 event 1: Input edge detection asserts AON_PROG2 event
22	IOEV_AON_PROG1_EN	R/W	0h	Event asserted by this IO when edge detection is enabled 0: Input edge detection does not assert AON_PROG1 event 1: Input edge detection asserts AON_PROG1 event
21	IOEV_AON_PROG0_EN	R/W	0h	Event asserted by this IO when edge detection is enabled 0: Input edge detection does not assert AON_PROG0 event 1: Input edge detection asserts AON_PROG0 event
20-19	RESERVED	R	0h	Reserved
18	EDGE_IRQ_EN	R/W	0h	0: No interrupt generation 1: Enable interrupt generation for this IO (Only effective if EDGE_DET is enabled)
17-16	EDGE_DET	R/W	0h	Enable generation of edge detection events on this IO 0h = NONE : No edge detection 1h = Negative edge detection 2h = Positive edge detection 3h = Positive and negative edge detection
15	RESERVED	R	0h	Reserved
14-13	PULL_CTL	R/W	3h	Pull control 1h = DWN : Pull down 2h = UP : Pull up 3h = DIS : No pull
12	SLEW_RED	R/W	0h	0: Normal slew rate 1: Enables reduced slew rate in output driver.
11-10	IOCURR	R/W	0h	Selects IO current mode of this IO. 0h = 2MA : Low-Current (LC) mode: Min 2 mA when IOSTR is set to AUTO 1h = 4MA : High-Current (HC) mode: Min 4 mA when IOSTR is set to AUTO 2h = 4_8MA : Extended-Current (EC) mode: Min 8 mA for double drive strength IOs (min 4 mA for normal IOs) when IOSTR is set to AUTO
9-8	IOSTR	R/W	0h	Select source for drive strength control of this IO. This setting controls the drive strength of the Low-Current (LC) mode. Higher drive strength can be selected in IOCURR 0h = Automatic drive strength, controlled by AON BATMON based on battery voltage. (min 2 mA @VDDS) 1h = Minimum drive strength, controlled by AON_IOC:IOSTRMIN (min 2 mA @3.3V with default values) 2h = MED : Medium drive strength, controlled by AON_IOC:IOSTRMED (min 2 mA @2.5V with default values) 3h = Maximum drive strength, controlled by AON_IOC:IOSTRMAX (min 2 mA @1.8V with default values)

Table 13-43. IOCFG13 Register Field Descriptions (continued)

Bit	Field	Type	Reset	Description
7	IOEV_RTC_EN	R/W	0h	Event asserted by this IO when edge detection is enabled 0: Input edge detection does not assert RTC event 1: Input edge detection asserts RTC event
6	IOEV_MCU_WU_EN	R/W	0h	Event asserted by this IO when edge detection is enabled 0: Input edge detection does not assert MCU_WU event 1: Input edge detection asserts MCU_WU event

Table 13-43. IOCFG13 Register Field Descriptions (continued)

Bit	Field	Type	Reset	Description
5-0	PORT_ID	R/W	0h	<p>Selects usage for DIO13</p> <p>Note: This field should not be written other than the times when PORT_ID value is specifically required to change.</p> <p>0h = General Purpose IO</p> <p>7h = AON 32 KHz clock (SCLK_LF)</p> <p>8h = AUX IO</p> <p>9h = SSI0_RX : SSI0 RX</p> <p>Ah = SSI0_TX : SSI0 TX</p> <p>Bh = SSI0_FSS : SSI0 FSS</p> <p>Ch = SSI0_CLK : SSI0 CLK</p> <p>Dh = I2C_MSSDA : I2C Data</p> <p>Eh = I2C_MSSCL : I2C Clock</p> <p>Fh = UART0_RX : UART0 RX</p> <p>10h = UART0_TX : UART0 TX</p> <p>11h = UART0_CTS : UART0 CTS</p> <p>12h = UART0_RTS : UART0 RTS</p> <p>17h = PORT_EVENT0 : PORT EVENT 0</p> <p>Can be used as a general purpose IO event by selecting it through registers in the EVENT module, for example EVENT:GPT0ACAPTSEL.EV, EVENT:UDMACH14BSEL.EV, and so on</p> <p>18h = PORT_EVENT1 : PORT EVENT 1</p> <p>Can be used as a general purpose IO event by selecting it through registers in the EVENT module, for example EVENT:GPT0ACAPTSEL.EV, EVENT:UDMACH14BSEL.EV, and so on</p> <p>19h = PORT_EVENT2 : PORT EVENT 2</p> <p>Can be used as a general purpose IO event by selecting it through registers in the EVENT module, for example EVENT:GPT0ACAPTSEL.EV, EVENT:UDMACH14BSEL.EV, and so on</p> <p>1Ah = PORT_EVENT3 : PORT EVENT 3</p> <p>Can be used as a general purpose IO event by selecting it through registers in the EVENT module, for example EVENT:GPT0ACAPTSEL.EV, EVENT:UDMACH14BSEL.EV, and so on</p> <p>1Bh = PORT_EVENT4 : PORT EVENT 4</p> <p>Can be used as a general purpose IO event by selecting it through registers in the EVENT module, for example EVENT:GPT0ACAPTSEL.EV, EVENT:UDMACH14BSEL.EV, and so on</p> <p>1Ch = PORT_EVENT5 : PORT EVENT 5</p> <p>Can be used as a general purpose IO event by selecting it through registers in the EVENT module, for example EVENT:GPT0ACAPTSEL.EV, EVENT:UDMACH14BSEL.EV, and so on</p> <p>1Dh = PORT_EVENT6 : PORT EVENT 6</p> <p>Can be used as a general purpose IO event by selecting it through registers in the EVENT module, for example EVENT:GPT0ACAPTSEL.EV, EVENT:UDMACH14BSEL.EV, and so on</p> <p>1Eh = PORT_EVENT7 : PORT EVENT 7</p> <p>Can be used as a general purpose IO event by selecting it through registers in the EVENT module, for example EVENT:GPT0ACAPTSEL.EV, EVENT:UDMACH14BSEL.EV, and so on</p> <p>20h = CPU_SWV : CPU SWV</p> <p>25h = I2S_AD0 : I2S Data 0</p> <p>26h = I2S_AD1 : I2S Data 1</p> <p>27h = I2S_WCLK : I2S WCLK</p> <p>28h = I2S_BCLK : I2S BCLK</p> <p>29h = I2S_MCLK : I2S MCLK</p> <p>2Eh = RF Core Trace</p> <p>2Fh = RF Core Data Out 0</p> <p>30h = RF Core Data Out 1</p>

Table 13-43. IOCFG13 Register Field Descriptions (continued)

Bit	Field	Type	Reset	Description
				31h = RF Core Data Out 2 32h = RF Core Data Out 3 33h = RF Core Data In 0 34h = RF Core Data In 1 35h = RF Core SMI Data Link Out 36h = RF Core SMI Data Link In 37h = RF Core SMI Command Link Out 38h = RF Core SMI Command Link In

13.10.3.15 IOCFG14 Register (Offset = 38h) [Reset = 00006000h]

IOCFG14 is shown in [Figure 13-37](#) and described in [Table 13-44](#).

Return to the [Table 13-28](#).

Configuration of DIO14

Figure 13-37. IOCFG14 Register

31	30	29	28	27	26	25	24
RESERVED	HYST_EN	IE	WU_CFG		IOMODE		
R-0h	R/W-0h	R/W-0h	R/W-0h		R/W-0h		
23	22	21	20	19	18	17	16
IOEV_AON_PR OG2_EN	IOEV_AON_PR OG1_EN	IOEV_AON_PR OG0_EN	RESERVED		EDGE_IRQ_EN	EDGE_DET	
R/W-0h	R/W-0h	R/W-0h	R-0h		R/W-0h	R/W-0h	
15	14	13	12	11	10	9	8
RESERVED	PULL_CTL		SLEW_RED	IOCURR		IOSTR	
R-0h	R/W-3h		R/W-0h	R/W-0h		R/W-0h	
7	6	5	4	3	2	1	0
IOEV_RTC_EN	IOEV_MCU_W U_EN	PORT_ID					
R/W-0h	R/W-0h	R/W-0h					

Table 13-44. IOCFG14 Register Field Descriptions

Bit	Field	Type	Reset	Description
31	RESERVED	R	0h	Reserved
30	HYST_EN	R/W	0h	0: Input hysteresis disable 1: Input hysteresis enable
29	IE	R/W	0h	0: Input disabled 1: Input enabled Note: If IO is configured for AUX PORT_ID = 0x08, the enable will be ignored.
28-27	WU_CFG	R/W	0h	If DIO is configured GPIO or non-AON peripheral signals, PORT_ID 0x00 or >0x08: 00: No wake-up 01: No wake-up 10: Wakes up from shutdown if this pad is going low. 11: Wakes up from shutdown if this pad is going high. If IO is configured for AON peripheral signals or AUX PORT_ID 0x01-0x08, this register only sets wakeup enable or not. 00, 01: Wakeup disabled 10, 11: Wakeup enabled Polarity is controlled from AON registers. Note: When the MSB is set, the IOC will deactivate the output enable for the DIO.

Table 13-44. IOCFG14 Register Field Descriptions (continued)

Bit	Field	Type	Reset	Description
26-24	IOMODE	R/W	0h	IO Mode Not applicable for IO configured for AON periph. signals and AUX PORT_ID 0x01-0x08 AUX has its own open_source/drain configuration. 0x2: Reserved. Undefined behavior. 0x3: Reserved. Undefined behavior. 0h = NORMAL : Normal input / output 1h = INV : Inverted input / output 4h = OPENDR : Open Drain, Normal input / output 5h = OPENDR_INV : Open Drain Inverted input / output 6h = OPENSRC : Open Source Normal input / output 7h = OPENSRC_INV : Open Source Inverted input / output
23	IOEV_AON_PROG2_EN	R/W	0h	Event asserted by this IO when edge detection is enabled 0: Input edge detection does not assert AON_PROG2 event 1: Input edge detection asserts AON_PROG2 event
22	IOEV_AON_PROG1_EN	R/W	0h	Event asserted by this IO when edge detection is enabled 0: Input edge detection does not assert AON_PROG1 event 1: Input edge detection asserts AON_PROG1 event
21	IOEV_AON_PROG0_EN	R/W	0h	Event asserted by this IO when edge detection is enabled 0: Input edge detection does not assert AON_PROG0 event 1: Input edge detection asserts AON_PROG0 event
20-19	RESERVED	R	0h	Reserved
18	EDGE_IRQ_EN	R/W	0h	0: No interrupt generation 1: Enable interrupt generation for this IO (Only effective if EDGE_DET is enabled)
17-16	EDGE_DET	R/W	0h	Enable generation of edge detection events on this IO 0h = NONE : No edge detection 1h = Negative edge detection 2h = Positive edge detection 3h = Positive and negative edge detection
15	RESERVED	R	0h	Reserved
14-13	PULL_CTL	R/W	3h	Pull control 1h = DWN : Pull down 2h = UP : Pull up 3h = DIS : No pull
12	SLEW_RED	R/W	0h	0: Normal slew rate 1: Enables reduced slew rate in output driver.
11-10	IOCURR	R/W	0h	Selects IO current mode of this IO. 0h = 2MA : Low-Current (LC) mode: Min 2 mA when IOSTR is set to AUTO 1h = 4MA : High-Current (HC) mode: Min 4 mA when IOSTR is set to AUTO 2h = 4_8MA : Extended-Current (EC) mode: Min 8 mA for double drive strength IOs (min 4 mA for normal IOs) when IOSTR is set to AUTO
9-8	IOSTR	R/W	0h	Select source for drive strength control of this IO. This setting controls the drive strength of the Low-Current (LC) mode. Higher drive strength can be selected in IOCURR 0h = Automatic drive strength, controlled by AON BATMON based on battery voltage. (min 2 mA @VDDS) 1h = Minimum drive strength, controlled by AON_IOC:IOSTRMIN (min 2 mA @3.3V with default values) 2h = MED : Medium drive strength, controlled by AON_IOC:IOSTRMED (min 2 mA @2.5V with default values) 3h = Maximum drive strength, controlled by AON_IOC:IOSTRMAX (min 2 mA @1.8V with default values)

Table 13-44. IOCFG14 Register Field Descriptions (continued)

Bit	Field	Type	Reset	Description
7	IOEV_RTC_EN	R/W	0h	Event asserted by this IO when edge detection is enabled 0: Input edge detection does not assert RTC event 1: Input edge detection asserts RTC event
6	IOEV_MCU_WU_EN	R/W	0h	Event asserted by this IO when edge detection is enabled 0: Input edge detection does not assert MCU_WU event 1: Input edge detection asserts MCU_WU event

Table 13-44. IOCFG14 Register Field Descriptions (continued)

Bit	Field	Type	Reset	Description
5-0	PORT_ID	R/W	0h	<p>Selects usage for DIO14</p> <p>Note: This field should not be written other than the times when PORT_ID value is specifically required to change.</p> <p>0h = General Purpose IO</p> <p>7h = AON 32 KHz clock (SCLK_LF)</p> <p>8h = AUX IO</p> <p>9h = SSI0_RX : SSI0 RX</p> <p>Ah = SSI0_TX : SSI0 TX</p> <p>Bh = SSI0_FSS : SSI0 FSS</p> <p>Ch = SSI0_CLK : SSI0 CLK</p> <p>Dh = I2C_MSSDA : I2C Data</p> <p>Eh = I2C_MSSCL : I2C Clock</p> <p>Fh = UART0_RX : UART0 RX</p> <p>10h = UART0_TX : UART0 TX</p> <p>11h = UART0_CTS : UART0 CTS</p> <p>12h = UART0_RTS : UART0 RTS</p> <p>17h = PORT_EVENT0 : PORT EVENT 0</p> <p>Can be used as a general purpose IO event by selecting it through registers in the EVENT module, for example EVENT:GPT0ACAPTSEL.EV, EVENT:UDMACH14BSEL.EV, and so on</p> <p>18h = PORT_EVENT1 : PORT EVENT 1</p> <p>Can be used as a general purpose IO event by selecting it through registers in the EVENT module, for example EVENT:GPT0ACAPTSEL.EV, EVENT:UDMACH14BSEL.EV, and so on</p> <p>19h = PORT_EVENT2 : PORT EVENT 2</p> <p>Can be used as a general purpose IO event by selecting it through registers in the EVENT module, for example EVENT:GPT0ACAPTSEL.EV, EVENT:UDMACH14BSEL.EV, and so on</p> <p>1Ah = PORT_EVENT3 : PORT EVENT 3</p> <p>Can be used as a general purpose IO event by selecting it through registers in the EVENT module, for example EVENT:GPT0ACAPTSEL.EV, EVENT:UDMACH14BSEL.EV, and so on</p> <p>1Bh = PORT_EVENT4 : PORT EVENT 4</p> <p>Can be used as a general purpose IO event by selecting it through registers in the EVENT module, for example EVENT:GPT0ACAPTSEL.EV, EVENT:UDMACH14BSEL.EV, and so on</p> <p>1Ch = PORT_EVENT5 : PORT EVENT 5</p> <p>Can be used as a general purpose IO event by selecting it through registers in the EVENT module, for example EVENT:GPT0ACAPTSEL.EV, EVENT:UDMACH14BSEL.EV, and so on</p> <p>1Dh = PORT_EVENT6 : PORT EVENT 6</p> <p>Can be used as a general purpose IO event by selecting it through registers in the EVENT module, for example EVENT:GPT0ACAPTSEL.EV, EVENT:UDMACH14BSEL.EV, and so on</p> <p>1Eh = PORT_EVENT7 : PORT EVENT 7</p> <p>Can be used as a general purpose IO event by selecting it through registers in the EVENT module, for example EVENT:GPT0ACAPTSEL.EV, EVENT:UDMACH14BSEL.EV, and so on</p> <p>20h = CPU_SWV : CPU SWV</p> <p>25h = I2S_AD0 : I2S Data 0</p> <p>26h = I2S_AD1 : I2S Data 1</p> <p>27h = I2S_WCLK : I2S WCLK</p> <p>28h = I2S_BCLK : I2S BCLK</p> <p>29h = I2S_MCLK : I2S MCLK</p> <p>2Eh = RF Core Trace</p> <p>2Fh = RF Core Data Out 0</p> <p>30h = RF Core Data Out 1</p>

Table 13-44. IOCFG14 Register Field Descriptions (continued)

Bit	Field	Type	Reset	Description
				31h = RF Core Data Out 2 32h = RF Core Data Out 3 33h = RF Core Data In 0 34h = RF Core Data In 1 35h = RF Core SMI Data Link Out 36h = RF Core SMI Data Link In 37h = RF Core SMI Command Link Out 38h = RF Core SMI Command Link In

13.10.3.16 IOCFG15 Register (Offset = 3Ch) [Reset = 00006000h]

IOCFG15 is shown in [Figure 13-38](#) and described in [Table 13-45](#).

Return to the [Table 13-28](#).

Configuration of DIO15

Figure 13-38. IOCFG15 Register

31	30	29	28	27	26	25	24
RESERVED	HYST_EN	IE	WU_CFG		IOMODE		
R-0h	R/W-0h	R/W-0h	R/W-0h		R/W-0h		
23	22	21	20	19	18	17	16
IOEV_AON_PR OG2_EN	IOEV_AON_PR OG1_EN	IOEV_AON_PR OG0_EN	RESERVED		EDGE_IRQ_EN	EDGE_DET	
R/W-0h	R/W-0h	R/W-0h	R-0h		R/W-0h	R/W-0h	
15	14	13	12	11	10	9	8
RESERVED	PULL_CTL		SLEW_RED	IOCURR		IOSTR	
R-0h	R/W-3h		R/W-0h	R/W-0h		R/W-0h	
7	6	5	4	3	2	1	0
IOEV_RTC_EN	IOEV_MCU_W U_EN	PORT_ID					
R/W-0h	R/W-0h	R/W-0h					

Table 13-45. IOCFG15 Register Field Descriptions

Bit	Field	Type	Reset	Description
31	RESERVED	R	0h	Reserved
30	HYST_EN	R/W	0h	0: Input hysteresis disable 1: Input hysteresis enable
29	IE	R/W	0h	0: Input disabled 1: Input enabled Note: If IO is configured for AUX PORT_ID = 0x08, the enable will be ignored.
28-27	WU_CFG	R/W	0h	If DIO is configured GPIO or non-AON peripheral signals, PORT_ID 0x00 or >0x08: 00: No wake-up 01: No wake-up 10: Wakes up from shutdown if this pad is going low. 11: Wakes up from shutdown if this pad is going high. If IO is configured for AON peripheral signals or AUX PORT_ID 0x01-0x08, this register only sets wakeup enable or not. 00, 01: Wakeup disabled 10, 11: Wakeup enabled Polarity is controlled from AON registers. Note: When the MSB is set, the IOC will deactivate the output enable for the DIO.

Table 13-45. IOCFG15 Register Field Descriptions (continued)

Bit	Field	Type	Reset	Description
26-24	IOMODE	R/W	0h	IO Mode Not applicable for IO configured for AON periph. signals and AUX PORT_ID 0x01-0x08 AUX has its own open_source/drain configuration. 0x2: Reserved. Undefined behavior. 0x3: Reserved. Undefined behavior. 0h = NORMAL : Normal input / output 1h = INV : Inverted input / output 4h = OPENDR : Open Drain, Normal input / output 5h = OPENDR_INV : Open Drain Inverted input / output 6h = OPENSRC : Open Source Normal input / output 7h = OPENSRC_INV : Open Source Inverted input / output
23	IOEV_AON_PROG2_EN	R/W	0h	Event asserted by this IO when edge detection is enabled 0: Input edge detection does not assert AON_PROG2 event 1: Input edge detection asserts AON_PROG2 event
22	IOEV_AON_PROG1_EN	R/W	0h	Event asserted by this IO when edge detection is enabled 0: Input edge detection does not assert AON_PROG1 event 1: Input edge detection asserts AON_PROG1 event
21	IOEV_AON_PROG0_EN	R/W	0h	Event asserted by this IO when edge detection is enabled 0: Input edge detection does not assert AON_PROG0 event 1: Input edge detection asserts AON_PROG0 event
20-19	RESERVED	R	0h	Reserved
18	EDGE_IRQ_EN	R/W	0h	0: No interrupt generation 1: Enable interrupt generation for this IO (Only effective if EDGE_DET is enabled)
17-16	EDGE_DET	R/W	0h	Enable generation of edge detection events on this IO 0h = NONE : No edge detection 1h = Negative edge detection 2h = Positive edge detection 3h = Positive and negative edge detection
15	RESERVED	R	0h	Reserved
14-13	PULL_CTL	R/W	3h	Pull control 1h = DWN : Pull down 2h = UP : Pull up 3h = DIS : No pull
12	SLEW_RED	R/W	0h	0: Normal slew rate 1: Enables reduced slew rate in output driver.
11-10	IOCURR	R/W	0h	Selects IO current mode of this IO. 0h = 2MA : Low-Current (LC) mode: Min 2 mA when IOSTR is set to AUTO 1h = 4MA : High-Current (HC) mode: Min 4 mA when IOSTR is set to AUTO 2h = 4_8MA : Extended-Current (EC) mode: Min 8 mA for double drive strength IOs (min 4 mA for normal IOs) when IOSTR is set to AUTO
9-8	IOSTR	R/W	0h	Select source for drive strength control of this IO. This setting controls the drive strength of the Low-Current (LC) mode. Higher drive strength can be selected in IOCURR 0h = Automatic drive strength, controlled by AON BATMON based on battery voltage. (min 2 mA @VDDS) 1h = Minimum drive strength, controlled by AON_IOC:IOSTRMIN (min 2 mA @3.3V with default values) 2h = MED : Medium drive strength, controlled by AON_IOC:IOSTRMED (min 2 mA @2.5V with default values) 3h = Maximum drive strength, controlled by AON_IOC:IOSTRMAX (min 2 mA @1.8V with default values)

Table 13-45. IOCFG15 Register Field Descriptions (continued)

Bit	Field	Type	Reset	Description
7	IOEV_RTC_EN	R/W	0h	Event asserted by this IO when edge detection is enabled 0: Input edge detection does not assert RTC event 1: Input edge detection asserts RTC event
6	IOEV_MCU_WU_EN	R/W	0h	Event asserted by this IO when edge detection is enabled 0: Input edge detection does not assert MCU_WU event 1: Input edge detection asserts MCU_WU event

Table 13-45. IOCFG15 Register Field Descriptions (continued)

Bit	Field	Type	Reset	Description
5-0	PORT_ID	R/W	0h	<p>Selects usage for DIO15</p> <p>Note: This field should not be written other than the times when PORT_ID value is specifically required to change.</p> <p>0h = General Purpose IO</p> <p>7h = AON 32 KHz clock (SCLK_LF)</p> <p>8h = AUX IO</p> <p>9h = SSI0_RX : SSI0 RX</p> <p>Ah = SSI0_TX : SSI0 TX</p> <p>Bh = SSI0_FSS : SSI0 FSS</p> <p>Ch = SSI0_CLK : SSI0 CLK</p> <p>Dh = I2C_MSSDA : I2C Data</p> <p>Eh = I2C_MSSCL : I2C Clock</p> <p>Fh = UART0_RX : UART0 RX</p> <p>10h = UART0_TX : UART0 TX</p> <p>11h = UART0_CTS : UART0 CTS</p> <p>12h = UART0_RTS : UART0 RTS</p> <p>17h = PORT_EVENT0 : PORT EVENT 0</p> <p>Can be used as a general purpose IO event by selecting it through registers in the EVENT module, for example EVENT:GPT0ACAPTSEL.EV, EVENT:UDMACH14BSEL.EV, and so on</p> <p>18h = PORT_EVENT1 : PORT EVENT 1</p> <p>Can be used as a general purpose IO event by selecting it through registers in the EVENT module, for example EVENT:GPT0ACAPTSEL.EV, EVENT:UDMACH14BSEL.EV, and so on</p> <p>19h = PORT_EVENT2 : PORT EVENT 2</p> <p>Can be used as a general purpose IO event by selecting it through registers in the EVENT module, for example EVENT:GPT0ACAPTSEL.EV, EVENT:UDMACH14BSEL.EV, and so on</p> <p>1Ah = PORT_EVENT3 : PORT EVENT 3</p> <p>Can be used as a general purpose IO event by selecting it through registers in the EVENT module, for example EVENT:GPT0ACAPTSEL.EV, EVENT:UDMACH14BSEL.EV, and so on</p> <p>1Bh = PORT_EVENT4 : PORT EVENT 4</p> <p>Can be used as a general purpose IO event by selecting it through registers in the EVENT module, for example EVENT:GPT0ACAPTSEL.EV, EVENT:UDMACH14BSEL.EV, and so on</p> <p>1Ch = PORT_EVENT5 : PORT EVENT 5</p> <p>Can be used as a general purpose IO event by selecting it through registers in the EVENT module, for example EVENT:GPT0ACAPTSEL.EV, EVENT:UDMACH14BSEL.EV, and so on</p> <p>1Dh = PORT_EVENT6 : PORT EVENT 6</p> <p>Can be used as a general purpose IO event by selecting it through registers in the EVENT module, for example EVENT:GPT0ACAPTSEL.EV, EVENT:UDMACH14BSEL.EV, and so on</p> <p>1Eh = PORT_EVENT7 : PORT EVENT 7</p> <p>Can be used as a general purpose IO event by selecting it through registers in the EVENT module, for example EVENT:GPT0ACAPTSEL.EV, EVENT:UDMACH14BSEL.EV, and so on</p> <p>20h = CPU_SWV : CPU SWV</p> <p>25h = I2S_AD0 : I2S Data 0</p> <p>26h = I2S_AD1 : I2S Data 1</p> <p>27h = I2S_WCLK : I2S WCLK</p> <p>28h = I2S_BCLK : I2S BCLK</p> <p>29h = I2S_MCLK : I2S MCLK</p> <p>2Eh = RF Core Trace</p> <p>2Fh = RF Core Data Out 0</p> <p>30h = RF Core Data Out 1</p>

Table 13-45. IOCFG15 Register Field Descriptions (continued)

Bit	Field	Type	Reset	Description
				31h = RF Core Data Out 2 32h = RF Core Data Out 3 33h = RF Core Data In 0 34h = RF Core Data In 1 35h = RF Core SMI Data Link Out 36h = RF Core SMI Data Link In 37h = RF Core SMI Command Link Out 38h = RF Core SMI Command Link In

13.10.3.17 IOCFG16 Register (Offset = 40h) [Reset = 00086000h]

IOCFG16 is shown in [Figure 13-39](#) and described in [Table 13-46](#).

Return to the [Table 13-28](#).

Configuration of DIO16

Figure 13-39. IOCFG16 Register

31	30	29	28	27	26	25	24
RESERVED	HYST_EN	IE	WU_CFG		IOMODE		
R-0h	R/W-0h	R/W-0h	R/W-0h		R/W-0h		
23	22	21	20	19	18	17	16
IOEV_AON_PR OG2_EN	IOEV_AON_PR OG1_EN	IOEV_AON_PR OG0_EN	RESERVED		EDGE_IRQ_EN	EDGE_DET	
R/W-0h	R/W-0h	R/W-0h	R-0h		R/W-0h	R/W-0h	
15	14	13	12	11	10	9	8
RESERVED	PULL_CTL		SLEW_RED	IOCURR		IOSTR	
R-0h	R/W-3h		R/W-0h	R/W-0h		R/W-0h	
7	6	5	4	3	2	1	0
IOEV_RTC_EN	IOEV_MCU_W U_EN	PORT_ID					
R/W-0h	R/W-0h	R/W-0h					

Table 13-46. IOCFG16 Register Field Descriptions

Bit	Field	Type	Reset	Description
31	RESERVED	R	0h	Reserved
30	HYST_EN	R/W	0h	0: Input hysteresis disable 1: Input hysteresis enable
29	IE	R/W	0h	0: Input disabled 1: Input enabled Note: If IO is configured for AUX PORT_ID = 0x08, the enable will be ignored.
28-27	WU_CFG	R/W	0h	If DIO is configured GPIO or non-AON peripheral signals, PORT_ID 0x00 or >0x08: 00: No wake-up 01: No wake-up 10: Wakes up from shutdown if this pad is going low. 11: Wakes up from shutdown if this pad is going high. If IO is configured for AON peripheral signals or AUX PORT_ID 0x01-0x08, this register only sets wakeup enable or not. 00, 01: Wakeup disabled 10, 11: Wakeup enabled Polarity is controlled from AON registers. Note: When the MSB is set, the IOC will deactivate the output enable for the DIO.

Table 13-46. IOCFG16 Register Field Descriptions (continued)

Bit	Field	Type	Reset	Description
26-24	IOMODE	R/W	0h	IO Mode Not applicable for IO configured for AON periph. signals and AUX PORT_ID 0x01-0x08 AUX has its own open_source/drain configuration. 0x2: Reserved. Undefined behavior. 0x3: Reserved. Undefined behavior. 0h = NORMAL : Normal input / output 1h = INV : Inverted input / output 4h = OPENDR : Open Drain, Normal input / output 5h = OPENDR_INV : Open Drain Inverted input / output 6h = OPENSRC : Open Source Normal input / output 7h = OPENSRC_INV : Open Source Inverted input / output
23	IOEV_AON_PROG2_EN	R/W	0h	Event asserted by this IO when edge detection is enabled 0: Input edge detection does not assert AON_PROG2 event 1: Input edge detection asserts AON_PROG2 event
22	IOEV_AON_PROG1_EN	R/W	0h	Event asserted by this IO when edge detection is enabled 0: Input edge detection does not assert AON_PROG1 event 1: Input edge detection asserts AON_PROG1 event
21	IOEV_AON_PROG0_EN	R/W	0h	Event asserted by this IO when edge detection is enabled 0: Input edge detection does not assert AON_PROG0 event 1: Input edge detection asserts AON_PROG0 event
20-19	RESERVED	R	0h	Reserved
18	EDGE_IRQ_EN	R/W	0h	0: No interrupt generation 1: Enable interrupt generation for this IO (Only effective if EDGE_DET is enabled)
17-16	EDGE_DET	R/W	0h	Enable generation of edge detection events on this IO 0h = NONE : No edge detection 1h = Negative edge detection 2h = Positive edge detection 3h = Positive and negative edge detection
15	RESERVED	R	0h	Reserved
14-13	PULL_CTL	R/W	3h	Pull control 1h = DWN : Pull down 2h = UP : Pull up 3h = DIS : No pull
12	SLEW_RED	R/W	0h	0: Normal slew rate 1: Enables reduced slew rate in output driver.
11-10	IOCURR	R/W	0h	Selects IO current mode of this IO. 0h = 2MA : Low-Current (LC) mode: Min 2 mA when IOSTR is set to AUTO 1h = 4MA : High-Current (HC) mode: Min 4 mA when IOSTR is set to AUTO 2h = 4_8MA : Extended-Current (EC) mode: Min 8 mA for double drive strength IOs (min 4 mA for normal IOs) when IOSTR is set to AUTO
9-8	IOSTR	R/W	0h	Select source for drive strength control of this IO. This setting controls the drive strength of the Low-Current (LC) mode. Higher drive strength can be selected in IOCURR 0h = Automatic drive strength, controlled by AON BATMON based on battery voltage. (min 2 mA @VDDS) 1h = Minimum drive strength, controlled by AON_IOC:IOSTRMIN (min 2 mA @3.3V with default values) 2h = MED : Medium drive strength, controlled by AON_IOC:IOSTRMED (min 2 mA @2.5V with default values) 3h = Maximum drive strength, controlled by AON_IOC:IOSTRMAX (min 2 mA @1.8V with default values)

Table 13-46. IOCFG16 Register Field Descriptions (continued)

Bit	Field	Type	Reset	Description
7	IOEV_RTC_EN	R/W	0h	Event asserted by this IO when edge detection is enabled 0: Input edge detection does not assert RTC event 1: Input edge detection asserts RTC event
6	IOEV_MCU_WU_EN	R/W	0h	Event asserted by this IO when edge detection is enabled 0: Input edge detection does not assert MCU_WU event 1: Input edge detection asserts MCU_WU event

Table 13-46. IOCFG16 Register Field Descriptions (continued)

Bit	Field	Type	Reset	Description
5-0	PORT_ID	R/W	0h	<p>Selects usage for DIO16</p> <p>Note: This field should not be written other than the times when PORT_ID value is specifically required to change.</p> <p>0h = General Purpose IO</p> <p>7h = AON 32 KHz clock (SCLK_LF)</p> <p>8h = AUX IO</p> <p>9h = SSI0_RX : SSI0 RX</p> <p>Ah = SSI0_TX : SSI0 TX</p> <p>Bh = SSI0_FSS : SSI0 FSS</p> <p>Ch = SSI0_CLK : SSI0 CLK</p> <p>Dh = I2C_MSSDA : I2C Data</p> <p>Eh = I2C_MSSCL : I2C Clock</p> <p>Fh = UART0_RX : UART0 RX</p> <p>10h = UART0_TX : UART0 TX</p> <p>11h = UART0_CTS : UART0 CTS</p> <p>12h = UART0_RTS : UART0 RTS</p> <p>17h = PORT_EVENT0 : PORT EVENT 0</p> <p>Can be used as a general purpose IO event by selecting it through registers in the EVENT module, for example EVENT:GPT0ACAPTSEL.EV, EVENT:UDMACH14BSEL.EV, and so on</p> <p>18h = PORT_EVENT1 : PORT EVENT 1</p> <p>Can be used as a general purpose IO event by selecting it through registers in the EVENT module, for example EVENT:GPT0ACAPTSEL.EV, EVENT:UDMACH14BSEL.EV, and so on</p> <p>19h = PORT_EVENT2 : PORT EVENT 2</p> <p>Can be used as a general purpose IO event by selecting it through registers in the EVENT module, for example EVENT:GPT0ACAPTSEL.EV, EVENT:UDMACH14BSEL.EV, and so on</p> <p>1Ah = PORT_EVENT3 : PORT EVENT 3</p> <p>Can be used as a general purpose IO event by selecting it through registers in the EVENT module, for example EVENT:GPT0ACAPTSEL.EV, EVENT:UDMACH14BSEL.EV, and so on</p> <p>1Bh = PORT_EVENT4 : PORT EVENT 4</p> <p>Can be used as a general purpose IO event by selecting it through registers in the EVENT module, for example EVENT:GPT0ACAPTSEL.EV, EVENT:UDMACH14BSEL.EV, and so on</p> <p>1Ch = PORT_EVENT5 : PORT EVENT 5</p> <p>Can be used as a general purpose IO event by selecting it through registers in the EVENT module, for example EVENT:GPT0ACAPTSEL.EV, EVENT:UDMACH14BSEL.EV, and so on</p> <p>1Dh = PORT_EVENT6 : PORT EVENT 6</p> <p>Can be used as a general purpose IO event by selecting it through registers in the EVENT module, for example EVENT:GPT0ACAPTSEL.EV, EVENT:UDMACH14BSEL.EV, and so on</p> <p>1Eh = PORT_EVENT7 : PORT EVENT 7</p> <p>Can be used as a general purpose IO event by selecting it through registers in the EVENT module, for example EVENT:GPT0ACAPTSEL.EV, EVENT:UDMACH14BSEL.EV, and so on</p> <p>20h = CPU_SWV : CPU SWV</p> <p>25h = I2S_AD0 : I2S Data 0</p> <p>26h = I2S_AD1 : I2S Data 1</p> <p>27h = I2S_WCLK : I2S WCLK</p> <p>28h = I2S_BCLK : I2S BCLK</p> <p>29h = I2S_MCLK : I2S MCLK</p> <p>2Eh = RF Core Trace</p> <p>2Fh = RF Core Data Out 0</p> <p>30h = RF Core Data Out 1</p>

Table 13-46. IOCFG16 Register Field Descriptions (continued)

Bit	Field	Type	Reset	Description
				31h = RF Core Data Out 2 32h = RF Core Data Out 3 33h = RF Core Data In 0 34h = RF Core Data In 1 35h = RF Core SMI Data Link Out 36h = RF Core SMI Data Link In 37h = RF Core SMI Command Link Out 38h = RF Core SMI Command Link In

13.10.3.18 IOCFG17 Register (Offset = 44h) [Reset = 00106000h]

IOCFG17 is shown in [Figure 13-40](#) and described in [Table 13-47](#).

Return to the [Table 13-28](#).

Configuration of DIO17

Figure 13-40. IOCFG17 Register

31	30	29	28	27	26	25	24
RESERVED	HYST_EN	IE	WU_CFG		IOMODE		
R-0h	R/W-0h	R/W-0h	R/W-0h		R/W-0h		
23	22	21	20	19	18	17	16
IOEV_AON_PR OG2_EN	IOEV_AON_PR OG1_EN	IOEV_AON_PR OG0_EN	RESERVED		EDGE_IRQ_EN	EDGE_DET	
R/W-0h	R/W-0h	R/W-0h	R-0h		R/W-0h	R/W-0h	
15	14	13	12	11	10	9	8
RESERVED	PULL_CTL		SLEW_RED	IOCURR		IOSTR	
R-0h	R/W-3h		R/W-0h	R/W-0h		R/W-0h	
7	6	5	4	3	2	1	0
IOEV_RTC_EN	IOEV_MCU_W U_EN	PORT_ID					
R/W-0h	R/W-0h	R/W-0h					

Table 13-47. IOCFG17 Register Field Descriptions

Bit	Field	Type	Reset	Description
31	RESERVED	R	0h	Reserved
30	HYST_EN	R/W	0h	0: Input hysteresis disable 1: Input hysteresis enable
29	IE	R/W	0h	0: Input disabled 1: Input enabled Note: If IO is configured for AUX PORT_ID = 0x08, the enable will be ignored.
28-27	WU_CFG	R/W	0h	If DIO is configured GPIO or non-AON peripheral signals, PORT_ID 0x00 or >0x08: 00: No wake-up 01: No wake-up 10: Wakes up from shutdown if this pad is going low. 11: Wakes up from shutdown if this pad is going high. If IO is configured for AON peripheral signals or AUX PORT_ID 0x01-0x08, this register only sets wakeup enable or not. 00, 01: Wakeup disabled 10, 11: Wakeup enabled Polarity is controlled from AON registers. Note: When the MSB is set, the IOC will deactivate the output enable for the DIO.

Table 13-47. IOCFG17 Register Field Descriptions (continued)

Bit	Field	Type	Reset	Description
26-24	IOMODE	R/W	0h	IO Mode Not applicable for IO configured for AON periph. signals and AUX PORT_ID 0x01-0x08 AUX has its own open_source/drain configuration. 0x2: Reserved. Undefined behavior. 0x3: Reserved. Undefined behavior. 0h = NORMAL : Normal input / output 1h = INV : Inverted input / output 4h = OPENDR : Open Drain, Normal input / output 5h = OPENDR_INV : Open Drain Inverted input / output 6h = OPENSRC : Open Source Normal input / output 7h = OPENSRC_INV : Open Source Inverted input / output
23	IOEV_AON_PROG2_EN	R/W	0h	Event asserted by this IO when edge detection is enabled 0: Input edge detection does not assert AON_PROG2 event 1: Input edge detection asserts AON_PROG2 event
22	IOEV_AON_PROG1_EN	R/W	0h	Event asserted by this IO when edge detection is enabled 0: Input edge detection does not assert AON_PROG1 event 1: Input edge detection asserts AON_PROG1 event
21	IOEV_AON_PROG0_EN	R/W	0h	Event asserted by this IO when edge detection is enabled 0: Input edge detection does not assert AON_PROG0 event 1: Input edge detection asserts AON_PROG0 event
20-19	RESERVED	R	0h	Reserved
18	EDGE_IRQ_EN	R/W	0h	0: No interrupt generation 1: Enable interrupt generation for this IO (Only effective if EDGE_DET is enabled)
17-16	EDGE_DET	R/W	0h	Enable generation of edge detection events on this IO 0h = NONE : No edge detection 1h = Negative edge detection 2h = Positive edge detection 3h = Positive and negative edge detection
15	RESERVED	R	0h	Reserved
14-13	PULL_CTL	R/W	3h	Pull control 1h = DWN : Pull down 2h = UP : Pull up 3h = DIS : No pull
12	SLEW_RED	R/W	0h	0: Normal slew rate 1: Enables reduced slew rate in output driver.
11-10	IOCURR	R/W	0h	Selects IO current mode of this IO. 0h = 2MA : Low-Current (LC) mode: Min 2 mA when IOSTR is set to AUTO 1h = 4MA : High-Current (HC) mode: Min 4 mA when IOSTR is set to AUTO 2h = 4_8MA : Extended-Current (EC) mode: Min 8 mA for double drive strength IOs (min 4 mA for normal IOs) when IOSTR is set to AUTO
9-8	IOSTR	R/W	0h	Select source for drive strength control of this IO. This setting controls the drive strength of the Low-Current (LC) mode. Higher drive strength can be selected in IOCURR 0h = Automatic drive strength, controlled by AON BATMON based on battery voltage. (min 2 mA @VDDS) 1h = Minimum drive strength, controlled by AON_IOC:IOSTRMIN (min 2 mA @3.3V with default values) 2h = MED : Medium drive strength, controlled by AON_IOC:IOSTRMED (min 2 mA @2.5V with default values) 3h = Maximum drive strength, controlled by AON_IOC:IOSTRMAX (min 2 mA @1.8V with default values)

Table 13-47. IOCFG17 Register Field Descriptions (continued)

Bit	Field	Type	Reset	Description
7	IOEV_RTC_EN	R/W	0h	Event asserted by this IO when edge detection is enabled 0: Input edge detection does not assert RTC event 1: Input edge detection asserts RTC event
6	IOEV_MCU_WU_EN	R/W	0h	Event asserted by this IO when edge detection is enabled 0: Input edge detection does not assert MCU_WU event 1: Input edge detection asserts MCU_WU event

Table 13-47. IOCFG17 Register Field Descriptions (continued)

Bit	Field	Type	Reset	Description
5-0	PORT_ID	R/W	0h	<p>Selects usage for DIO17</p> <p>Note: This field should not be written other than the times when PORT_ID value is specifically required to change.</p> <p>0h = General Purpose IO</p> <p>7h = AON 32 KHz clock (SCLK_LF)</p> <p>8h = AUX IO</p> <p>9h = SSI0_RX : SSI0 RX</p> <p>Ah = SSI0_TX : SSI0 TX</p> <p>Bh = SSI0_FSS : SSI0 FSS</p> <p>Ch = SSI0_CLK : SSI0 CLK</p> <p>Dh = I2C_MSSDA : I2C Data</p> <p>Eh = I2C_MSSCL : I2C Clock</p> <p>Fh = UART0_RX : UART0 RX</p> <p>10h = UART0_TX : UART0 TX</p> <p>11h = UART0_CTS : UART0 CTS</p> <p>12h = UART0_RTS : UART0 RTS</p> <p>17h = PORT_EVENT0 : PORT EVENT 0</p> <p>Can be used as a general purpose IO event by selecting it through registers in the EVENT module, for example EVENT:GPT0ACAPTSEL.EV, EVENT:UDMACH14BSEL.EV, and so on</p> <p>18h = PORT_EVENT1 : PORT EVENT 1</p> <p>Can be used as a general purpose IO event by selecting it through registers in the EVENT module, for example EVENT:GPT0ACAPTSEL.EV, EVENT:UDMACH14BSEL.EV, and so on</p> <p>19h = PORT_EVENT2 : PORT EVENT 2</p> <p>Can be used as a general purpose IO event by selecting it through registers in the EVENT module, for example EVENT:GPT0ACAPTSEL.EV, EVENT:UDMACH14BSEL.EV, and so on</p> <p>1Ah = PORT_EVENT3 : PORT EVENT 3</p> <p>Can be used as a general purpose IO event by selecting it through registers in the EVENT module, for example EVENT:GPT0ACAPTSEL.EV, EVENT:UDMACH14BSEL.EV, and so on</p> <p>1Bh = PORT_EVENT4 : PORT EVENT 4</p> <p>Can be used as a general purpose IO event by selecting it through registers in the EVENT module, for example EVENT:GPT0ACAPTSEL.EV, EVENT:UDMACH14BSEL.EV, and so on</p> <p>1Ch = PORT_EVENT5 : PORT EVENT 5</p> <p>Can be used as a general purpose IO event by selecting it through registers in the EVENT module, for example EVENT:GPT0ACAPTSEL.EV, EVENT:UDMACH14BSEL.EV, and so on</p> <p>1Dh = PORT_EVENT6 : PORT EVENT 6</p> <p>Can be used as a general purpose IO event by selecting it through registers in the EVENT module, for example EVENT:GPT0ACAPTSEL.EV, EVENT:UDMACH14BSEL.EV, and so on</p> <p>1Eh = PORT_EVENT7 : PORT EVENT 7</p> <p>Can be used as a general purpose IO event by selecting it through registers in the EVENT module, for example EVENT:GPT0ACAPTSEL.EV, EVENT:UDMACH14BSEL.EV, and so on</p> <p>20h = CPU_SWV : CPU SWV</p> <p>25h = I2S_AD0 : I2S Data 0</p> <p>26h = I2S_AD1 : I2S Data 1</p> <p>27h = I2S_WCLK : I2S WCLK</p> <p>28h = I2S_BCLK : I2S BCLK</p> <p>29h = I2S_MCLK : I2S MCLK</p> <p>2Eh = RF Core Trace</p> <p>2Fh = RF Core Data Out 0</p> <p>30h = RF Core Data Out 1</p>

Table 13-47. IOCFG17 Register Field Descriptions (continued)

Bit	Field	Type	Reset	Description
				31h = RF Core Data Out 2 32h = RF Core Data Out 3 33h = RF Core Data In 0 34h = RF Core Data In 1 35h = RF Core SMI Data Link Out 36h = RF Core SMI Data Link In 37h = RF Core SMI Command Link Out 38h = RF Core SMI Command Link In

13.10.3.19 IOCFG18 Register (Offset = 48h) [Reset = 00006000h]

IOCFG18 is shown in [Figure 13-41](#) and described in [Table 13-48](#).

Return to the [Table 13-28](#).

Configuration of DIO18

Figure 13-41. IOCFG18 Register

31	30	29	28	27	26	25	24
RESERVED	HYST_EN	IE	WU_CFG		IOMODE		
R-0h	R/W-0h	R/W-0h	R/W-0h		R/W-0h		
23	22	21	20	19	18	17	16
IOEV_AON_PR OG2_EN	IOEV_AON_PR OG1_EN	IOEV_AON_PR OG0_EN	RESERVED		EDGE_IRQ_EN	EDGE_DET	
R/W-0h	R/W-0h	R/W-0h	R-0h		R/W-0h	R/W-0h	
15	14	13	12	11	10	9	8
RESERVED	PULL_CTL		SLEW_RED	IOCURR		IOSTR	
R-0h	R/W-3h		R/W-0h	R/W-0h		R/W-0h	
7	6	5	4	3	2	1	0
IOEV_RTC_EN	IOEV_MCU_W U_EN	PORT_ID					
R/W-0h	R/W-0h	R/W-0h					

Table 13-48. IOCFG18 Register Field Descriptions

Bit	Field	Type	Reset	Description
31	RESERVED	R	0h	Reserved
30	HYST_EN	R/W	0h	0: Input hysteresis disable 1: Input hysteresis enable
29	IE	R/W	0h	0: Input disabled 1: Input enabled Note: If IO is configured for AUX PORT_ID = 0x08, the enable will be ignored.
28-27	WU_CFG	R/W	0h	If DIO is configured GPIO or non-AON peripheral signals, PORT_ID 0x00 or >0x08: 00: No wake-up 01: No wake-up 10: Wakes up from shutdown if this pad is going low. 11: Wakes up from shutdown if this pad is going high. If IO is configured for AON peripheral signals or AUX PORT_ID 0x01-0x08, this register only sets wakeup enable or not. 00, 01: Wakeup disabled 10, 11: Wakeup enabled Polarity is controlled from AON registers. Note: When the MSB is set, the IOC will deactivate the output enable for the DIO.

Table 13-48. IOCFG18 Register Field Descriptions (continued)

Bit	Field	Type	Reset	Description
26-24	IOMODE	R/W	0h	IO Mode Not applicable for IO configured for AON periph. signals and AUX PORT_ID 0x01-0x08 AUX has its own open_source/drain configuration. 0x2: Reserved. Undefined behavior. 0x3: Reserved. Undefined behavior. 0h = NORMAL : Normal input / output 1h = INV : Inverted input / output 4h = OPENDR : Open Drain, Normal input / output 5h = OPENDR_INV : Open Drain Inverted input / output 6h = OPENSRC : Open Source Normal input / output 7h = OPENSRC_INV : Open Source Inverted input / output
23	IOEV_AON_PROG2_EN	R/W	0h	Event asserted by this IO when edge detection is enabled 0: Input edge detection does not assert AON_PROG2 event 1: Input edge detection asserts AON_PROG2 event
22	IOEV_AON_PROG1_EN	R/W	0h	Event asserted by this IO when edge detection is enabled 0: Input edge detection does not assert AON_PROG1 event 1: Input edge detection asserts AON_PROG1 event
21	IOEV_AON_PROG0_EN	R/W	0h	Event asserted by this IO when edge detection is enabled 0: Input edge detection does not assert AON_PROG0 event 1: Input edge detection asserts AON_PROG0 event
20-19	RESERVED	R	0h	Reserved
18	EDGE_IRQ_EN	R/W	0h	0: No interrupt generation 1: Enable interrupt generation for this IO (Only effective if EDGE_DET is enabled)
17-16	EDGE_DET	R/W	0h	Enable generation of edge detection events on this IO 0h = NONE : No edge detection 1h = Negative edge detection 2h = Positive edge detection 3h = Positive and negative edge detection
15	RESERVED	R	0h	Reserved
14-13	PULL_CTL	R/W	3h	Pull control 1h = DWN : Pull down 2h = UP : Pull up 3h = DIS : No pull
12	SLEW_RED	R/W	0h	0: Normal slew rate 1: Enables reduced slew rate in output driver.
11-10	IOCURR	R/W	0h	Selects IO current mode of this IO. 0h = 2MA : Low-Current (LC) mode: Min 2 mA when IOSTR is set to AUTO 1h = 4MA : High-Current (HC) mode: Min 4 mA when IOSTR is set to AUTO 2h = 4_8MA : Extended-Current (EC) mode: Min 8 mA for double drive strength IOs (min 4 mA for normal IOs) when IOSTR is set to AUTO
9-8	IOSTR	R/W	0h	Select source for drive strength control of this IO. This setting controls the drive strength of the Low-Current (LC) mode. Higher drive strength can be selected in IOCURR 0h = Automatic drive strength, controlled by AON BATMON based on battery voltage. (min 2 mA @VDDS) 1h = Minimum drive strength, controlled by AON_IOC:IOSTRMIN (min 2 mA @3.3V with default values) 2h = MED : Medium drive strength, controlled by AON_IOC:IOSTRMED (min 2 mA @2.5V with default values) 3h = Maximum drive strength, controlled by AON_IOC:IOSTRMAX (min 2 mA @1.8V with default values)

Table 13-48. IOCFG18 Register Field Descriptions (continued)

Bit	Field	Type	Reset	Description
7	IOEV_RTC_EN	R/W	0h	Event asserted by this IO when edge detection is enabled 0: Input edge detection does not assert RTC event 1: Input edge detection asserts RTC event
6	IOEV_MCU_WU_EN	R/W	0h	Event asserted by this IO when edge detection is enabled 0: Input edge detection does not assert MCU_WU event 1: Input edge detection asserts MCU_WU event

Table 13-48. IOCFG18 Register Field Descriptions (continued)

Bit	Field	Type	Reset	Description
5-0	PORT_ID	R/W	0h	<p>Selects usage for DIO18</p> <p>Note: This field should not be written other than the times when PORT_ID value is specifically required to change.</p> <p>0h = General Purpose IO</p> <p>7h = AON 32 KHz clock (SCLK_LF)</p> <p>8h = AUX IO</p> <p>9h = SSI0_RX : SSI0 RX</p> <p>Ah = SSI0_TX : SSI0 TX</p> <p>Bh = SSI0_FSS : SSI0 FSS</p> <p>Ch = SSI0_CLK : SSI0 CLK</p> <p>Dh = I2C_MSSDA : I2C Data</p> <p>Eh = I2C_MSSCL : I2C Clock</p> <p>Fh = UART0_RX : UART0 RX</p> <p>10h = UART0_TX : UART0 TX</p> <p>11h = UART0_CTS : UART0 CTS</p> <p>12h = UART0_RTS : UART0 RTS</p> <p>17h = PORT_EVENT0 : PORT EVENT 0</p> <p>Can be used as a general purpose IO event by selecting it through registers in the EVENT module, for example EVENT:GPT0ACAPTSEL.EV, EVENT:UDMACH14BSEL.EV, and so on</p> <p>18h = PORT_EVENT1 : PORT EVENT 1</p> <p>Can be used as a general purpose IO event by selecting it through registers in the EVENT module, for example EVENT:GPT0ACAPTSEL.EV, EVENT:UDMACH14BSEL.EV, and so on</p> <p>19h = PORT_EVENT2 : PORT EVENT 2</p> <p>Can be used as a general purpose IO event by selecting it through registers in the EVENT module, for example EVENT:GPT0ACAPTSEL.EV, EVENT:UDMACH14BSEL.EV, and so on</p> <p>1Ah = PORT_EVENT3 : PORT EVENT 3</p> <p>Can be used as a general purpose IO event by selecting it through registers in the EVENT module, for example EVENT:GPT0ACAPTSEL.EV, EVENT:UDMACH14BSEL.EV, and so on</p> <p>1Bh = PORT_EVENT4 : PORT EVENT 4</p> <p>Can be used as a general purpose IO event by selecting it through registers in the EVENT module, for example EVENT:GPT0ACAPTSEL.EV, EVENT:UDMACH14BSEL.EV, and so on</p> <p>1Ch = PORT_EVENT5 : PORT EVENT 5</p> <p>Can be used as a general purpose IO event by selecting it through registers in the EVENT module, for example EVENT:GPT0ACAPTSEL.EV, EVENT:UDMACH14BSEL.EV, and so on</p> <p>1Dh = PORT_EVENT6 : PORT EVENT 6</p> <p>Can be used as a general purpose IO event by selecting it through registers in the EVENT module, for example EVENT:GPT0ACAPTSEL.EV, EVENT:UDMACH14BSEL.EV, and so on</p> <p>1Eh = PORT_EVENT7 : PORT EVENT 7</p> <p>Can be used as a general purpose IO event by selecting it through registers in the EVENT module, for example EVENT:GPT0ACAPTSEL.EV, EVENT:UDMACH14BSEL.EV, and so on</p> <p>20h = CPU_SWV : CPU SWV</p> <p>25h = I2S_AD0 : I2S Data 0</p> <p>26h = I2S_AD1 : I2S Data 1</p> <p>27h = I2S_WCLK : I2S WCLK</p> <p>28h = I2S_BCLK : I2S BCLK</p> <p>29h = I2S_MCLK : I2S MCLK</p> <p>2Eh = RF Core Trace</p> <p>2Fh = RF Core Data Out 0</p> <p>30h = RF Core Data Out 1</p>

Table 13-48. IOCFG18 Register Field Descriptions (continued)

Bit	Field	Type	Reset	Description
				31h = RF Core Data Out 2 32h = RF Core Data Out 3 33h = RF Core Data In 0 34h = RF Core Data In 1 35h = RF Core SMI Data Link Out 36h = RF Core SMI Data Link In 37h = RF Core SMI Command Link Out 38h = RF Core SMI Command Link In

13.10.3.20 IOCFG19 Register (Offset = 4Ch) [Reset = 00006000h]

IOCFG19 is shown in [Figure 13-42](#) and described in [Table 13-49](#).

Return to the [Table 13-28](#).

Configuration of DIO19

Figure 13-42. IOCFG19 Register

31	30	29	28	27	26	25	24
RESERVED	HYST_EN	IE	WU_CFG		IOMODE		
R-0h	R/W-0h	R/W-0h	R/W-0h		R/W-0h		
23	22	21	20	19	18	17	16
IOEV_AON_PR OG2_EN	IOEV_AON_PR OG1_EN	IOEV_AON_PR OG0_EN	RESERVED		EDGE_IRQ_EN	EDGE_DET	
R/W-0h	R/W-0h	R/W-0h	R-0h		R/W-0h	R/W-0h	
15	14	13	12	11	10	9	8
RESERVED	PULL_CTL		SLEW_RED	IOCURR		IOSTR	
R-0h	R/W-3h		R/W-0h	R/W-0h		R/W-0h	
7	6	5	4	3	2	1	0
IOEV_RTC_EN	IOEV_MCU_W U_EN	PORT_ID					
R/W-0h	R/W-0h	R/W-0h					

Table 13-49. IOCFG19 Register Field Descriptions

Bit	Field	Type	Reset	Description
31	RESERVED	R	0h	Reserved
30	HYST_EN	R/W	0h	0: Input hysteresis disable 1: Input hysteresis enable
29	IE	R/W	0h	0: Input disabled 1: Input enabled Note: If IO is configured for AUX PORT_ID = 0x08, the enable will be ignored.
28-27	WU_CFG	R/W	0h	If DIO is configured GPIO or non-AON peripheral signals, PORT_ID 0x00 or >0x08: 00: No wake-up 01: No wake-up 10: Wakes up from shutdown if this pad is going low. 11: Wakes up from shutdown if this pad is going high. If IO is configured for AON peripheral signals or AUX PORT_ID 0x01-0x08, this register only sets wakeup enable or not. 00, 01: Wakeup disabled 10, 11: Wakeup enabled Polarity is controlled from AON registers. Note: When the MSB is set, the IOC will deactivate the output enable for the DIO.

Table 13-49. IOCFG19 Register Field Descriptions (continued)

Bit	Field	Type	Reset	Description
26-24	IOMODE	R/W	0h	IO Mode Not applicable for IO configured for AON periph. signals and AUX PORT_ID 0x01-0x08 AUX has its own open_source/drain configuration. 0x2: Reserved. Undefined behavior. 0x3: Reserved. Undefined behavior. 0h = NORMAL : Normal input / output 1h = INV : Inverted input / output 4h = OPENDR : Open Drain, Normal input / output 5h = OPENDR_INV : Open Drain Inverted input / output 6h = OPENSRC : Open Source Normal input / output 7h = OPENSRC_INV : Open Source Inverted input / output
23	IOEV_AON_PROG2_EN	R/W	0h	Event asserted by this IO when edge detection is enabled 0: Input edge detection does not assert AON_PROG2 event 1: Input edge detection asserts AON_PROG2 event
22	IOEV_AON_PROG1_EN	R/W	0h	Event asserted by this IO when edge detection is enabled 0: Input edge detection does not assert AON_PROG1 event 1: Input edge detection asserts AON_PROG1 event
21	IOEV_AON_PROG0_EN	R/W	0h	Event asserted by this IO when edge detection is enabled 0: Input edge detection does not assert AON_PROG0 event 1: Input edge detection asserts AON_PROG0 event
20-19	RESERVED	R	0h	Reserved
18	EDGE_IRQ_EN	R/W	0h	0: No interrupt generation 1: Enable interrupt generation for this IO (Only effective if EDGE_DET is enabled)
17-16	EDGE_DET	R/W	0h	Enable generation of edge detection events on this IO 0h = NONE : No edge detection 1h = Negative edge detection 2h = Positive edge detection 3h = Positive and negative edge detection
15	RESERVED	R	0h	Reserved
14-13	PULL_CTL	R/W	3h	Pull control 1h = DWN : Pull down 2h = UP : Pull up 3h = DIS : No pull
12	SLEW_RED	R/W	0h	0: Normal slew rate 1: Enables reduced slew rate in output driver.
11-10	IOCURR	R/W	0h	Selects IO current mode of this IO. 0h = 2MA : Low-Current (LC) mode: Min 2 mA when IOSTR is set to AUTO 1h = 4MA : High-Current (HC) mode: Min 4 mA when IOSTR is set to AUTO 2h = 4_8MA : Extended-Current (EC) mode: Min 8 mA for double drive strength IOs (min 4 mA for normal IOs) when IOSTR is set to AUTO
9-8	IOSTR	R/W	0h	Select source for drive strength control of this IO. This setting controls the drive strength of the Low-Current (LC) mode. Higher drive strength can be selected in IOCURR 0h = Automatic drive strength, controlled by AON BATMON based on battery voltage. (min 2 mA @VDDS) 1h = Minimum drive strength, controlled by AON_IOC:IOSTRMIN (min 2 mA @3.3V with default values) 2h = MED : Medium drive strength, controlled by AON_IOC:IOSTRMED (min 2 mA @2.5V with default values) 3h = Maximum drive strength, controlled by AON_IOC:IOSTRMAX (min 2 mA @1.8V with default values)

Table 13-49. IOCFG19 Register Field Descriptions (continued)

Bit	Field	Type	Reset	Description
7	IOEV_RTC_EN	R/W	0h	Event asserted by this IO when edge detection is enabled 0: Input edge detection does not assert RTC event 1: Input edge detection asserts RTC event
6	IOEV_MCU_WU_EN	R/W	0h	Event asserted by this IO when edge detection is enabled 0: Input edge detection does not assert MCU_WU event 1: Input edge detection asserts MCU_WU event

Table 13-49. IOCFG19 Register Field Descriptions (continued)

Bit	Field	Type	Reset	Description
5-0	PORT_ID	R/W	0h	<p>Selects usage for DIO19</p> <p>Note: This field should not be written other than the times when PORT_ID value is specifically required to change.</p> <p>0h = General Purpose IO</p> <p>7h = AON 32 KHz clock (SCLK_LF)</p> <p>8h = AUX IO</p> <p>9h = SSI0_RX : SSI0 RX</p> <p>Ah = SSI0_TX : SSI0 TX</p> <p>Bh = SSI0_FSS : SSI0 FSS</p> <p>Ch = SSI0_CLK : SSI0 CLK</p> <p>Dh = I2C_MSSDA : I2C Data</p> <p>Eh = I2C_MSSCL : I2C Clock</p> <p>Fh = UART0_RX : UART0 RX</p> <p>10h = UART0_TX : UART0 TX</p> <p>11h = UART0_CTS : UART0 CTS</p> <p>12h = UART0_RTS : UART0 RTS</p> <p>17h = PORT_EVENT0 : PORT EVENT 0</p> <p>Can be used as a general purpose IO event by selecting it through registers in the EVENT module, for example EVENT:GPT0ACAPTSEL.EV, EVENT:UDMACH14BSEL.EV, and so on</p> <p>18h = PORT_EVENT1 : PORT EVENT 1</p> <p>Can be used as a general purpose IO event by selecting it through registers in the EVENT module, for example EVENT:GPT0ACAPTSEL.EV, EVENT:UDMACH14BSEL.EV, and so on</p> <p>19h = PORT_EVENT2 : PORT EVENT 2</p> <p>Can be used as a general purpose IO event by selecting it through registers in the EVENT module, for example EVENT:GPT0ACAPTSEL.EV, EVENT:UDMACH14BSEL.EV, and so on</p> <p>1Ah = PORT_EVENT3 : PORT EVENT 3</p> <p>Can be used as a general purpose IO event by selecting it through registers in the EVENT module, for example EVENT:GPT0ACAPTSEL.EV, EVENT:UDMACH14BSEL.EV, and so on</p> <p>1Bh = PORT_EVENT4 : PORT EVENT 4</p> <p>Can be used as a general purpose IO event by selecting it through registers in the EVENT module, for example EVENT:GPT0ACAPTSEL.EV, EVENT:UDMACH14BSEL.EV, and so on</p> <p>1Ch = PORT_EVENT5 : PORT EVENT 5</p> <p>Can be used as a general purpose IO event by selecting it through registers in the EVENT module, for example EVENT:GPT0ACAPTSEL.EV, EVENT:UDMACH14BSEL.EV, and so on</p> <p>1Dh = PORT_EVENT6 : PORT EVENT 6</p> <p>Can be used as a general purpose IO event by selecting it through registers in the EVENT module, for example EVENT:GPT0ACAPTSEL.EV, EVENT:UDMACH14BSEL.EV, and so on</p> <p>1Eh = PORT_EVENT7 : PORT EVENT 7</p> <p>Can be used as a general purpose IO event by selecting it through registers in the EVENT module, for example EVENT:GPT0ACAPTSEL.EV, EVENT:UDMACH14BSEL.EV, and so on</p> <p>20h = CPU_SWV : CPU SWV</p> <p>25h = I2S_AD0 : I2S Data 0</p> <p>26h = I2S_AD1 : I2S Data 1</p> <p>27h = I2S_WCLK : I2S WCLK</p> <p>28h = I2S_BCLK : I2S BCLK</p> <p>29h = I2S_MCLK : I2S MCLK</p> <p>2Eh = RF Core Trace</p> <p>2Fh = RF Core Data Out 0</p> <p>30h = RF Core Data Out 1</p>

Table 13-49. IOCFG19 Register Field Descriptions (continued)

Bit	Field	Type	Reset	Description
				31h = RF Core Data Out 2 32h = RF Core Data Out 3 33h = RF Core Data In 0 34h = RF Core Data In 1 35h = RF Core SMI Data Link Out 36h = RF Core SMI Data Link In 37h = RF Core SMI Command Link Out 38h = RF Core SMI Command Link In

13.10.3.21 IOCFG20 Register (Offset = 50h) [Reset = 00006000h]

IOCFG20 is shown in [Figure 13-43](#) and described in [Table 13-50](#).

Return to the [Table 13-28](#).

Configuration of DIO20

Figure 13-43. IOCFG20 Register

31	30	29	28	27	26	25	24
RESERVED	HYST_EN	IE	WU_CFG		IOMODE		
R-0h	R/W-0h	R/W-0h	R/W-0h		R/W-0h		
23	22	21	20	19	18	17	16
IOEV_AON_PR OG2_EN	IOEV_AON_PR OG1_EN	IOEV_AON_PR OG0_EN	RESERVED		EDGE_IRQ_EN	EDGE_DET	
R/W-0h	R/W-0h	R/W-0h	R-0h		R/W-0h	R/W-0h	
15	14	13	12	11	10	9	8
RESERVED	PULL_CTL		SLEW_RED	IOCURR		IOSTR	
R-0h	R/W-3h		R/W-0h	R/W-0h		R/W-0h	
7	6	5	4	3	2	1	0
IOEV_RTC_EN	IOEV_MCU_W U_EN	PORT_ID					
R/W-0h	R/W-0h	R/W-0h					

Table 13-50. IOCFG20 Register Field Descriptions

Bit	Field	Type	Reset	Description
31	RESERVED	R	0h	Reserved
30	HYST_EN	R/W	0h	0: Input hysteresis disable 1: Input hysteresis enable
29	IE	R/W	0h	0: Input disabled 1: Input enabled Note: If IO is configured for AUX PORT_ID = 0x08, the enable will be ignored.
28-27	WU_CFG	R/W	0h	If DIO is configured GPIO or non-AON peripheral signals, PORT_ID 0x00 or >0x08: 00: No wake-up 01: No wake-up 10: Wakes up from shutdown if this pad is going low. 11: Wakes up from shutdown if this pad is going high. If IO is configured for AON peripheral signals or AUX PORT_ID 0x01-0x08, this register only sets wakeup enable or not. 00, 01: Wakeup disabled 10, 11: Wakeup enabled Polarity is controlled from AON registers. Note: When the MSB is set, the IOC will deactivate the output enable for the DIO.

Table 13-50. IOCFG20 Register Field Descriptions (continued)

Bit	Field	Type	Reset	Description
26-24	IOMODE	R/W	0h	IO Mode Not applicable for IO configured for AON periph. signals and AUX PORT_ID 0x01-0x08 AUX has its own open_source/drain configuration. 0x2: Reserved. Undefined behavior. 0x3: Reserved. Undefined behavior. 0h = NORMAL : Normal input / output 1h = INV : Inverted input / output 4h = OPENDR : Open Drain, Normal input / output 5h = OPENDR_INV : Open Drain Inverted input / output 6h = OPENSRC : Open Source Normal input / output 7h = OPENSRC_INV : Open Source Inverted input / output
23	IOEV_AON_PROG2_EN	R/W	0h	Event asserted by this IO when edge detection is enabled 0: Input edge detection does not assert AON_PROG2 event 1: Input edge detection asserts AON_PROG2 event
22	IOEV_AON_PROG1_EN	R/W	0h	Event asserted by this IO when edge detection is enabled 0: Input edge detection does not assert AON_PROG1 event 1: Input edge detection asserts AON_PROG1 event
21	IOEV_AON_PROG0_EN	R/W	0h	Event asserted by this IO when edge detection is enabled 0: Input edge detection does not assert AON_PROG0 event 1: Input edge detection asserts AON_PROG0 event
20-19	RESERVED	R	0h	Reserved
18	EDGE_IRQ_EN	R/W	0h	0: No interrupt generation 1: Enable interrupt generation for this IO (Only effective if EDGE_DET is enabled)
17-16	EDGE_DET	R/W	0h	Enable generation of edge detection events on this IO 0h = NONE : No edge detection 1h = Negative edge detection 2h = Positive edge detection 3h = Positive and negative edge detection
15	RESERVED	R	0h	Reserved
14-13	PULL_CTL	R/W	3h	Pull control 1h = DWN : Pull down 2h = UP : Pull up 3h = DIS : No pull
12	SLEW_RED	R/W	0h	0: Normal slew rate 1: Enables reduced slew rate in output driver.
11-10	IOCURR	R/W	0h	Selects IO current mode of this IO. 0h = 2MA : Low-Current (LC) mode: Min 2 mA when IOSTR is set to AUTO 1h = 4MA : High-Current (HC) mode: Min 4 mA when IOSTR is set to AUTO 2h = 4_8MA : Extended-Current (EC) mode: Min 8 mA for double drive strength IOs (min 4 mA for normal IOs) when IOSTR is set to AUTO
9-8	IOSTR	R/W	0h	Select source for drive strength control of this IO. This setting controls the drive strength of the Low-Current (LC) mode. Higher drive strength can be selected in IOCURR 0h = Automatic drive strength, controlled by AON BATMON based on battery voltage. (min 2 mA @VDDS) 1h = Minimum drive strength, controlled by AON_IOC:IOSTRMIN (min 2 mA @3.3V with default values) 2h = MED : Medium drive strength, controlled by AON_IOC:IOSTRMED (min 2 mA @2.5V with default values) 3h = Maximum drive strength, controlled by AON_IOC:IOSTRMAX (min 2 mA @1.8V with default values)

Table 13-50. IOCFG20 Register Field Descriptions (continued)

Bit	Field	Type	Reset	Description
7	IOEV_RTC_EN	R/W	0h	Event asserted by this IO when edge detection is enabled 0: Input edge detection does not assert RTC event 1: Input edge detection asserts RTC event
6	IOEV_MCU_WU_EN	R/W	0h	Event asserted by this IO when edge detection is enabled 0: Input edge detection does not assert MCU_WU event 1: Input edge detection asserts MCU_WU event

Table 13-50. IOCFG20 Register Field Descriptions (continued)

Bit	Field	Type	Reset	Description
5-0	PORT_ID	R/W	0h	<p>Selects usage for DIO20</p> <p>Note: This field should not be written other than the times when PORT_ID value is specifically required to change.</p> <p>0h = General Purpose IO</p> <p>7h = AON 32 KHz clock (SCLK_LF)</p> <p>8h = AUX IO</p> <p>9h = SSI0_RX : SSI0 RX</p> <p>Ah = SSI0_TX : SSI0 TX</p> <p>Bh = SSI0_FSS : SSI0 FSS</p> <p>Ch = SSI0_CLK : SSI0 CLK</p> <p>Dh = I2C_MSSDA : I2C Data</p> <p>Eh = I2C_MSSCL : I2C Clock</p> <p>Fh = UART0_RX : UART0 RX</p> <p>10h = UART0_TX : UART0 TX</p> <p>11h = UART0_CTS : UART0 CTS</p> <p>12h = UART0_RTS : UART0 RTS</p> <p>17h = PORT_EVENT0 : PORT EVENT 0</p> <p>Can be used as a general purpose IO event by selecting it through registers in the EVENT module, for example EVENT:GPT0ACAPTSEL.EV, EVENT:UDMACH14BSEL.EV, and so on</p> <p>18h = PORT_EVENT1 : PORT EVENT 1</p> <p>Can be used as a general purpose IO event by selecting it through registers in the EVENT module, for example EVENT:GPT0ACAPTSEL.EV, EVENT:UDMACH14BSEL.EV, and so on</p> <p>19h = PORT_EVENT2 : PORT EVENT 2</p> <p>Can be used as a general purpose IO event by selecting it through registers in the EVENT module, for example EVENT:GPT0ACAPTSEL.EV, EVENT:UDMACH14BSEL.EV, and so on</p> <p>1Ah = PORT_EVENT3 : PORT EVENT 3</p> <p>Can be used as a general purpose IO event by selecting it through registers in the EVENT module, for example EVENT:GPT0ACAPTSEL.EV, EVENT:UDMACH14BSEL.EV, and so on</p> <p>1Bh = PORT_EVENT4 : PORT EVENT 4</p> <p>Can be used as a general purpose IO event by selecting it through registers in the EVENT module, for example EVENT:GPT0ACAPTSEL.EV, EVENT:UDMACH14BSEL.EV, and so on</p> <p>1Ch = PORT_EVENT5 : PORT EVENT 5</p> <p>Can be used as a general purpose IO event by selecting it through registers in the EVENT module, for example EVENT:GPT0ACAPTSEL.EV, EVENT:UDMACH14BSEL.EV, and so on</p> <p>1Dh = PORT_EVENT6 : PORT EVENT 6</p> <p>Can be used as a general purpose IO event by selecting it through registers in the EVENT module, for example EVENT:GPT0ACAPTSEL.EV, EVENT:UDMACH14BSEL.EV, and so on</p> <p>1Eh = PORT_EVENT7 : PORT EVENT 7</p> <p>Can be used as a general purpose IO event by selecting it through registers in the EVENT module, for example EVENT:GPT0ACAPTSEL.EV, EVENT:UDMACH14BSEL.EV, and so on</p> <p>20h = CPU_SWV : CPU SWV</p> <p>25h = I2S_AD0 : I2S Data 0</p> <p>26h = I2S_AD1 : I2S Data 1</p> <p>27h = I2S_WCLK : I2S WCLK</p> <p>28h = I2S_BCLK : I2S BCLK</p> <p>29h = I2S_MCLK : I2S MCLK</p> <p>2Eh = RF Core Trace</p> <p>2Fh = RF Core Data Out 0</p> <p>30h = RF Core Data Out 1</p>

Table 13-50. IOCFG20 Register Field Descriptions (continued)

Bit	Field	Type	Reset	Description
				31h = RF Core Data Out 2 32h = RF Core Data Out 3 33h = RF Core Data In 0 34h = RF Core Data In 1 35h = RF Core SMI Data Link Out 36h = RF Core SMI Data Link In 37h = RF Core SMI Command Link Out 38h = RF Core SMI Command Link In

13.10.3.22 IOCFG21 Register (Offset = 54h) [Reset = 00006000h]

IOCFG21 is shown in [Figure 13-44](#) and described in [Table 13-51](#).

Return to the [Table 13-28](#).

Configuration of DIO21

Figure 13-44. IOCFG21 Register

31	30	29	28	27	26	25	24
RESERVED	HYST_EN	IE	WU_CFG		IOMODE		
R-0h	R/W-0h	R/W-0h	R/W-0h		R/W-0h		
23	22	21	20	19	18	17	16
IOEV_AON_PR OG2_EN	IOEV_AON_PR OG1_EN	IOEV_AON_PR OG0_EN	RESERVED		EDGE_IRQ_EN	EDGE_DET	
R/W-0h	R/W-0h	R/W-0h	R-0h		R/W-0h	R/W-0h	
15	14	13	12	11	10	9	8
RESERVED	PULL_CTL		SLEW_RED	IOCURR		IOSTR	
R-0h	R/W-3h		R/W-0h	R/W-0h		R/W-0h	
7	6	5	4	3	2	1	0
IOEV_RTC_EN	IOEV_MCU_W U_EN	PORT_ID					
R/W-0h	R/W-0h	R/W-0h					

Table 13-51. IOCFG21 Register Field Descriptions

Bit	Field	Type	Reset	Description
31	RESERVED	R	0h	Reserved
30	HYST_EN	R/W	0h	0: Input hysteresis disable 1: Input hysteresis enable
29	IE	R/W	0h	0: Input disabled 1: Input enabled Note: If IO is configured for AUX PORT_ID = 0x08, the enable will be ignored.
28-27	WU_CFG	R/W	0h	If DIO is configured GPIO or non-AON peripheral signals, PORT_ID 0x00 or >0x08: 00: No wake-up 01: No wake-up 10: Wakes up from shutdown if this pad is going low. 11: Wakes up from shutdown if this pad is going high. If IO is configured for AON peripheral signals or AUX PORT_ID 0x01-0x08, this register only sets wakeup enable or not. 00, 01: Wakeup disabled 10, 11: Wakeup enabled Polarity is controlled from AON registers. Note: When the MSB is set, the IOC will deactivate the output enable for the DIO.

Table 13-51. IOCFG21 Register Field Descriptions (continued)

Bit	Field	Type	Reset	Description
26-24	IOMODE	R/W	0h	IO Mode Not applicable for IO configured for AON periph. signals and AUX PORT_ID 0x01-0x08 AUX has its own open_source/drain configuration. 0x2: Reserved. Undefined behavior. 0x3: Reserved. Undefined behavior. 0h = NORMAL : Normal input / output 1h = INV : Inverted input / output 4h = OPENDR : Open Drain, Normal input / output 5h = OPENDR_INV : Open Drain Inverted input / output 6h = OPENSRC : Open Source Normal input / output 7h = OPENSRC_INV : Open Source Inverted input / output
23	IOEV_AON_PROG2_EN	R/W	0h	Event asserted by this IO when edge detection is enabled 0: Input edge detection does not assert AON_PROG2 event 1: Input edge detection asserts AON_PROG2 event
22	IOEV_AON_PROG1_EN	R/W	0h	Event asserted by this IO when edge detection is enabled 0: Input edge detection does not assert AON_PROG1 event 1: Input edge detection asserts AON_PROG1 event
21	IOEV_AON_PROG0_EN	R/W	0h	Event asserted by this IO when edge detection is enabled 0: Input edge detection does not assert AON_PROG0 event 1: Input edge detection asserts AON_PROG0 event
20-19	RESERVED	R	0h	Reserved
18	EDGE_IRQ_EN	R/W	0h	0: No interrupt generation 1: Enable interrupt generation for this IO (Only effective if EDGE_DET is enabled)
17-16	EDGE_DET	R/W	0h	Enable generation of edge detection events on this IO 0h = NONE : No edge detection 1h = Negative edge detection 2h = Positive edge detection 3h = Positive and negative edge detection
15	RESERVED	R	0h	Reserved
14-13	PULL_CTL	R/W	3h	Pull control 1h = DWN : Pull down 2h = UP : Pull up 3h = DIS : No pull
12	SLEW_RED	R/W	0h	0: Normal slew rate 1: Enables reduced slew rate in output driver.
11-10	IOCURR	R/W	0h	Selects IO current mode of this IO. 0h = 2MA : Low-Current (LC) mode: Min 2 mA when IOSTR is set to AUTO 1h = 4MA : High-Current (HC) mode: Min 4 mA when IOSTR is set to AUTO 2h = 4_8MA : Extended-Current (EC) mode: Min 8 mA for double drive strength IOs (min 4 mA for normal IOs) when IOSTR is set to AUTO
9-8	IOSTR	R/W	0h	Select source for drive strength control of this IO. This setting controls the drive strength of the Low-Current (LC) mode. Higher drive strength can be selected in IOCURR 0h = Automatic drive strength, controlled by AON BATMON based on battery voltage. (min 2 mA @VDDS) 1h = Minimum drive strength, controlled by AON_IOC:IOSTRMIN (min 2 mA @3.3V with default values) 2h = MED : Medium drive strength, controlled by AON_IOC:IOSTRMED (min 2 mA @2.5V with default values) 3h = Maximum drive strength, controlled by AON_IOC:IOSTRMAX (min 2 mA @1.8V with default values)

Table 13-51. IOCFG21 Register Field Descriptions (continued)

Bit	Field	Type	Reset	Description
7	IOEV_RTC_EN	R/W	0h	Event asserted by this IO when edge detection is enabled 0: Input edge detection does not assert RTC event 1: Input edge detection asserts RTC event
6	IOEV_MCU_WU_EN	R/W	0h	Event asserted by this IO when edge detection is enabled 0: Input edge detection does not assert MCU_WU event 1: Input edge detection asserts MCU_WU event

Table 13-51. IOCFG21 Register Field Descriptions (continued)

Bit	Field	Type	Reset	Description
5-0	PORT_ID	R/W	0h	<p>Selects usage for DIO21</p> <p>Note: This field should not be written other than the times when PORT_ID value is specifically required to change.</p> <p>0h = General Purpose IO</p> <p>7h = AON 32 KHz clock (SCLK_LF)</p> <p>8h = AUX IO</p> <p>9h = SSI0_RX : SSI0 RX</p> <p>Ah = SSI0_TX : SSI0 TX</p> <p>Bh = SSI0_FSS : SSI0 FSS</p> <p>Ch = SSI0_CLK : SSI0 CLK</p> <p>Dh = I2C_MSSDA : I2C Data</p> <p>Eh = I2C_MSSCL : I2C Clock</p> <p>Fh = UART0_RX : UART0 RX</p> <p>10h = UART0_TX : UART0 TX</p> <p>11h = UART0_CTS : UART0 CTS</p> <p>12h = UART0_RTS : UART0 RTS</p> <p>17h = PORT_EVENT0 : PORT EVENT 0</p> <p>Can be used as a general purpose IO event by selecting it through registers in the EVENT module, for example EVENT:GPT0ACAPTSEL.EV, EVENT:UDMACH14BSEL.EV, and so on</p> <p>18h = PORT_EVENT1 : PORT EVENT 1</p> <p>Can be used as a general purpose IO event by selecting it through registers in the EVENT module, for example EVENT:GPT0ACAPTSEL.EV, EVENT:UDMACH14BSEL.EV, and so on</p> <p>19h = PORT_EVENT2 : PORT EVENT 2</p> <p>Can be used as a general purpose IO event by selecting it through registers in the EVENT module, for example EVENT:GPT0ACAPTSEL.EV, EVENT:UDMACH14BSEL.EV, and so on</p> <p>1Ah = PORT_EVENT3 : PORT EVENT 3</p> <p>Can be used as a general purpose IO event by selecting it through registers in the EVENT module, for example EVENT:GPT0ACAPTSEL.EV, EVENT:UDMACH14BSEL.EV, and so on</p> <p>1Bh = PORT_EVENT4 : PORT EVENT 4</p> <p>Can be used as a general purpose IO event by selecting it through registers in the EVENT module, for example EVENT:GPT0ACAPTSEL.EV, EVENT:UDMACH14BSEL.EV, and so on</p> <p>1Ch = PORT_EVENT5 : PORT EVENT 5</p> <p>Can be used as a general purpose IO event by selecting it through registers in the EVENT module, for example EVENT:GPT0ACAPTSEL.EV, EVENT:UDMACH14BSEL.EV, and so on</p> <p>1Dh = PORT_EVENT6 : PORT EVENT 6</p> <p>Can be used as a general purpose IO event by selecting it through registers in the EVENT module, for example EVENT:GPT0ACAPTSEL.EV, EVENT:UDMACH14BSEL.EV, and so on</p> <p>1Eh = PORT_EVENT7 : PORT EVENT 7</p> <p>Can be used as a general purpose IO event by selecting it through registers in the EVENT module, for example EVENT:GPT0ACAPTSEL.EV, EVENT:UDMACH14BSEL.EV, and so on</p> <p>20h = CPU_SWV : CPU SWV</p> <p>25h = I2S_AD0 : I2S Data 0</p> <p>26h = I2S_AD1 : I2S Data 1</p> <p>27h = I2S_WCLK : I2S WCLK</p> <p>28h = I2S_BCLK : I2S BCLK</p> <p>29h = I2S_MCLK : I2S MCLK</p> <p>2Eh = RF Core Trace</p> <p>2Fh = RF Core Data Out 0</p> <p>30h = RF Core Data Out 1</p>

Table 13-51. IOCFG21 Register Field Descriptions (continued)

Bit	Field	Type	Reset	Description
				31h = RF Core Data Out 2 32h = RF Core Data Out 3 33h = RF Core Data In 0 34h = RF Core Data In 1 35h = RF Core SMI Data Link Out 36h = RF Core SMI Data Link In 37h = RF Core SMI Command Link Out 38h = RF Core SMI Command Link In

13.10.3.23 IOCFG22 Register (Offset = 58h) [Reset = 00006000h]

IOCFG22 is shown in [Figure 13-45](#) and described in [Table 13-52](#).

Return to the [Table 13-28](#).

Configuration of DIO22

Figure 13-45. IOCFG22 Register

31	30	29	28	27	26	25	24
RESERVED	HYST_EN	IE	WU_CFG		IOMODE		
R-0h	R/W-0h	R/W-0h	R/W-0h		R/W-0h		
23	22	21	20	19	18	17	16
IOEV_AON_PR OG2_EN	IOEV_AON_PR OG1_EN	IOEV_AON_PR OG0_EN	RESERVED		EDGE_IRQ_EN	EDGE_DET	
R/W-0h	R/W-0h	R/W-0h	R-0h		R/W-0h	R/W-0h	
15	14	13	12	11	10	9	8
RESERVED	PULL_CTL		SLEW_RED	IOCURR		IOSTR	
R-0h	R/W-3h		R/W-0h	R/W-0h		R/W-0h	
7	6	5	4	3	2	1	0
IOEV_RTC_EN	IOEV_MCU_W U_EN	PORT_ID					
R/W-0h	R/W-0h	R/W-0h					

Table 13-52. IOCFG22 Register Field Descriptions

Bit	Field	Type	Reset	Description
31	RESERVED	R	0h	Reserved
30	HYST_EN	R/W	0h	0: Input hysteresis disable 1: Input hysteresis enable
29	IE	R/W	0h	0: Input disabled 1: Input enabled Note: If IO is configured for AUX PORT_ID = 0x08, the enable will be ignored.
28-27	WU_CFG	R/W	0h	If DIO is configured GPIO or non-AON peripheral signals, PORT_ID 0x00 or >0x08: 00: No wake-up 01: No wake-up 10: Wakes up from shutdown if this pad is going low. 11: Wakes up from shutdown if this pad is going high. If IO is configured for AON peripheral signals or AUX PORT_ID 0x01-0x08, this register only sets wakeup enable or not. 00, 01: Wakeup disabled 10, 11: Wakeup enabled Polarity is controlled from AON registers. Note: When the MSB is set, the IOC will deactivate the output enable for the DIO.

Table 13-52. IOCFG22 Register Field Descriptions (continued)

Bit	Field	Type	Reset	Description
26-24	IOMODE	R/W	0h	IO Mode Not applicable for IO configured for AON periph. signals and AUX PORT_ID 0x01-0x08 AUX has its own open_source/drain configuration. 0x2: Reserved. Undefined behavior. 0x3: Reserved. Undefined behavior. 0h = NORMAL : Normal input / output 1h = INV : Inverted input / output 4h = OPENDR : Open Drain, Normal input / output 5h = OPENDR_INV : Open Drain Inverted input / output 6h = OPENSRC : Open Source Normal input / output 7h = OPENSRC_INV : Open Source Inverted input / output
23	IOEV_AON_PROG2_EN	R/W	0h	Event asserted by this IO when edge detection is enabled 0: Input edge detection does not assert AON_PROG2 event 1: Input edge detection asserts AON_PROG2 event
22	IOEV_AON_PROG1_EN	R/W	0h	Event asserted by this IO when edge detection is enabled 0: Input edge detection does not assert AON_PROG1 event 1: Input edge detection asserts AON_PROG1 event
21	IOEV_AON_PROG0_EN	R/W	0h	Event asserted by this IO when edge detection is enabled 0: Input edge detection does not assert AON_PROG0 event 1: Input edge detection asserts AON_PROG0 event
20-19	RESERVED	R	0h	Reserved
18	EDGE_IRQ_EN	R/W	0h	0: No interrupt generation 1: Enable interrupt generation for this IO (Only effective if EDGE_DET is enabled)
17-16	EDGE_DET	R/W	0h	Enable generation of edge detection events on this IO 0h = NONE : No edge detection 1h = Negative edge detection 2h = Positive edge detection 3h = Positive and negative edge detection
15	RESERVED	R	0h	Reserved
14-13	PULL_CTL	R/W	3h	Pull control 1h = DWN : Pull down 2h = UP : Pull up 3h = DIS : No pull
12	SLEW_RED	R/W	0h	0: Normal slew rate 1: Enables reduced slew rate in output driver.
11-10	IOCURR	R/W	0h	Selects IO current mode of this IO. 0h = 2MA : Low-Current (LC) mode: Min 2 mA when IOSTR is set to AUTO 1h = 4MA : High-Current (HC) mode: Min 4 mA when IOSTR is set to AUTO 2h = 4_8MA : Extended-Current (EC) mode: Min 8 mA for double drive strength IOs (min 4 mA for normal IOs) when IOSTR is set to AUTO
9-8	IOSTR	R/W	0h	Select source for drive strength control of this IO. This setting controls the drive strength of the Low-Current (LC) mode. Higher drive strength can be selected in IOCURR 0h = Automatic drive strength, controlled by AON BATMON based on battery voltage. (min 2 mA @VDDS) 1h = Minimum drive strength, controlled by AON_IOC:IOSTRMIN (min 2 mA @3.3V with default values) 2h = MED : Medium drive strength, controlled by AON_IOC:IOSTRMED (min 2 mA @2.5V with default values) 3h = Maximum drive strength, controlled by AON_IOC:IOSTRMAX (min 2 mA @1.8V with default values)

Table 13-52. IOCFG22 Register Field Descriptions (continued)

Bit	Field	Type	Reset	Description
7	IOEV_RTC_EN	R/W	0h	Event asserted by this IO when edge detection is enabled 0: Input edge detection does not assert RTC event 1: Input edge detection asserts RTC event
6	IOEV_MCU_WU_EN	R/W	0h	Event asserted by this IO when edge detection is enabled 0: Input edge detection does not assert MCU_WU event 1: Input edge detection asserts MCU_WU event

Table 13-52. IOCFG22 Register Field Descriptions (continued)

Bit	Field	Type	Reset	Description
5-0	PORT_ID	R/W	0h	<p>Selects usage for DIO22</p> <p>Note: This field should not be written other than the times when PORT_ID value is specifically required to change.</p> <p>0h = General Purpose IO</p> <p>7h = AON 32 KHz clock (SCLK_LF)</p> <p>8h = AUX IO</p> <p>9h = SSI0_RX : SSI0 RX</p> <p>Ah = SSI0_TX : SSI0 TX</p> <p>Bh = SSI0_FSS : SSI0 FSS</p> <p>Ch = SSI0_CLK : SSI0 CLK</p> <p>Dh = I2C_MSSDA : I2C Data</p> <p>Eh = I2C_MSSCL : I2C Clock</p> <p>Fh = UART0_RX : UART0 RX</p> <p>10h = UART0_TX : UART0 TX</p> <p>11h = UART0_CTS : UART0 CTS</p> <p>12h = UART0_RTS : UART0 RTS</p> <p>17h = PORT_EVENT0 : PORT EVENT 0</p> <p>Can be used as a general purpose IO event by selecting it through registers in the EVENT module, for example EVENT:GPT0ACAPTSEL.EV, EVENT:UDMACH14BSEL.EV, and so on</p> <p>18h = PORT_EVENT1 : PORT EVENT 1</p> <p>Can be used as a general purpose IO event by selecting it through registers in the EVENT module, for example EVENT:GPT0ACAPTSEL.EV, EVENT:UDMACH14BSEL.EV, and so on</p> <p>19h = PORT_EVENT2 : PORT EVENT 2</p> <p>Can be used as a general purpose IO event by selecting it through registers in the EVENT module, for example EVENT:GPT0ACAPTSEL.EV, EVENT:UDMACH14BSEL.EV, and so on</p> <p>1Ah = PORT_EVENT3 : PORT EVENT 3</p> <p>Can be used as a general purpose IO event by selecting it through registers in the EVENT module, for example EVENT:GPT0ACAPTSEL.EV, EVENT:UDMACH14BSEL.EV, and so on</p> <p>1Bh = PORT_EVENT4 : PORT EVENT 4</p> <p>Can be used as a general purpose IO event by selecting it through registers in the EVENT module, for example EVENT:GPT0ACAPTSEL.EV, EVENT:UDMACH14BSEL.EV, and so on</p> <p>1Ch = PORT_EVENT5 : PORT EVENT 5</p> <p>Can be used as a general purpose IO event by selecting it through registers in the EVENT module, for example EVENT:GPT0ACAPTSEL.EV, EVENT:UDMACH14BSEL.EV, and so on</p> <p>1Dh = PORT_EVENT6 : PORT EVENT 6</p> <p>Can be used as a general purpose IO event by selecting it through registers in the EVENT module, for example EVENT:GPT0ACAPTSEL.EV, EVENT:UDMACH14BSEL.EV, and so on</p> <p>1Eh = PORT_EVENT7 : PORT EVENT 7</p> <p>Can be used as a general purpose IO event by selecting it through registers in the EVENT module, for example EVENT:GPT0ACAPTSEL.EV, EVENT:UDMACH14BSEL.EV, and so on</p> <p>20h = CPU_SWV : CPU SWV</p> <p>25h = I2S_AD0 : I2S Data 0</p> <p>26h = I2S_AD1 : I2S Data 1</p> <p>27h = I2S_WCLK : I2S WCLK</p> <p>28h = I2S_BCLK : I2S BCLK</p> <p>29h = I2S_MCLK : I2S MCLK</p> <p>2Eh = RF Core Trace</p> <p>2Fh = RF Core Data Out 0</p> <p>30h = RF Core Data Out 1</p>

Table 13-52. IOCFG22 Register Field Descriptions (continued)

Bit	Field	Type	Reset	Description
				31h = RF Core Data Out 2 32h = RF Core Data Out 3 33h = RF Core Data In 0 34h = RF Core Data In 1 35h = RF Core SMI Data Link Out 36h = RF Core SMI Data Link In 37h = RF Core SMI Command Link Out 38h = RF Core SMI Command Link In

13.10.3.24 IOCFG23 Register (Offset = 5Ch) [Reset = 00006000h]

IOCFG23 is shown in [Figure 13-46](#) and described in [Table 13-53](#).

Return to the [Table 13-28](#).

Configuration of DIO23

Figure 13-46. IOCFG23 Register

31	30	29	28	27	26	25	24
RESERVED	HYST_EN	IE	WU_CFG		IOMODE		
R-0h	R/W-0h	R/W-0h	R/W-0h		R/W-0h		
23	22	21	20	19	18	17	16
IOEV_AON_PR OG2_EN	IOEV_AON_PR OG1_EN	IOEV_AON_PR OG0_EN	RESERVED		EDGE_IRQ_EN	EDGE_DET	
R/W-0h	R/W-0h	R/W-0h	R-0h		R/W-0h	R/W-0h	
15	14	13	12	11	10	9	8
RESERVED	PULL_CTL		SLEW_RED	IOCURR		IOSTR	
R-0h	R/W-3h		R/W-0h	R/W-0h		R/W-0h	
7	6	5	4	3	2	1	0
IOEV_RTC_EN	IOEV_MCU_W U_EN	PORT_ID					
R/W-0h	R/W-0h	R/W-0h					

Table 13-53. IOCFG23 Register Field Descriptions

Bit	Field	Type	Reset	Description
31	RESERVED	R	0h	Reserved
30	HYST_EN	R/W	0h	0: Input hysteresis disable 1: Input hysteresis enable
29	IE	R/W	0h	0: Input disabled 1: Input enabled Note: If IO is configured for AUX PORT_ID = 0x08, the enable will be ignored.
28-27	WU_CFG	R/W	0h	If DIO is configured GPIO or non-AON peripheral signals, PORT_ID 0x00 or >0x08: 00: No wake-up 01: No wake-up 10: Wakes up from shutdown if this pad is going low. 11: Wakes up from shutdown if this pad is going high. If IO is configured for AON peripheral signals or AUX PORT_ID 0x01-0x08, this register only sets wakeup enable or not. 00, 01: Wakeup disabled 10, 11: Wakeup enabled Polarity is controlled from AON registers. Note: When the MSB is set, the IOC will deactivate the output enable for the DIO.

Table 13-53. IOCFG23 Register Field Descriptions (continued)

Bit	Field	Type	Reset	Description
26-24	IOMODE	R/W	0h	IO Mode Not applicable for IO configured for AON periph. signals and AUX PORT_ID 0x01-0x08 AUX has its own open_source/drain configuration. 0x2: Reserved. Undefined behavior. 0x3: Reserved. Undefined behavior. 0h = NORMAL : Normal input / output 1h = INV : Inverted input / output 4h = OPENDR : Open Drain, Normal input / output 5h = OPENDR_INV : Open Drain Inverted input / output 6h = OPENSRC : Open Source Normal input / output 7h = OPENSRC_INV : Open Source Inverted input / output
23	IOEV_AON_PROG2_EN	R/W	0h	Event asserted by this IO when edge detection is enabled 0: Input edge detection does not assert AON_PROG2 event 1: Input edge detection asserts AON_PROG2 event
22	IOEV_AON_PROG1_EN	R/W	0h	Event asserted by this IO when edge detection is enabled 0: Input edge detection does not assert AON_PROG1 event 1: Input edge detection asserts AON_PROG1 event
21	IOEV_AON_PROG0_EN	R/W	0h	Event asserted by this IO when edge detection is enabled 0: Input edge detection does not assert AON_PROG0 event 1: Input edge detection asserts AON_PROG0 event
20-19	RESERVED	R	0h	Reserved
18	EDGE_IRQ_EN	R/W	0h	0: No interrupt generation 1: Enable interrupt generation for this IO (Only effective if EDGE_DET is enabled)
17-16	EDGE_DET	R/W	0h	Enable generation of edge detection events on this IO 0h = NONE : No edge detection 1h = Negative edge detection 2h = Positive edge detection 3h = Positive and negative edge detection
15	RESERVED	R	0h	Reserved
14-13	PULL_CTL	R/W	3h	Pull control 1h = DWN : Pull down 2h = UP : Pull up 3h = DIS : No pull
12	SLEW_RED	R/W	0h	0: Normal slew rate 1: Enables reduced slew rate in output driver.
11-10	IOCURR	R/W	0h	Selects IO current mode of this IO. 0h = 2MA : Low-Current (LC) mode: Min 2 mA when IOSTR is set to AUTO 1h = 4MA : High-Current (HC) mode: Min 4 mA when IOSTR is set to AUTO 2h = 4_8MA : Extended-Current (EC) mode: Min 8 mA for double drive strength IOs (min 4 mA for normal IOs) when IOSTR is set to AUTO
9-8	IOSTR	R/W	0h	Select source for drive strength control of this IO. This setting controls the drive strength of the Low-Current (LC) mode. Higher drive strength can be selected in IOCURR 0h = Automatic drive strength, controlled by AON BATMON based on battery voltage. (min 2 mA @VDDS) 1h = Minimum drive strength, controlled by AON_IOC:IOSTRMIN (min 2 mA @3.3V with default values) 2h = MED : Medium drive strength, controlled by AON_IOC:IOSTRMED (min 2 mA @2.5V with default values) 3h = Maximum drive strength, controlled by AON_IOC:IOSTRMAX (min 2 mA @1.8V with default values)

Table 13-53. IOCFG23 Register Field Descriptions (continued)

Bit	Field	Type	Reset	Description
7	IOEV_RTC_EN	R/W	0h	Event asserted by this IO when edge detection is enabled 0: Input edge detection does not assert RTC event 1: Input edge detection asserts RTC event
6	IOEV_MCU_WU_EN	R/W	0h	Event asserted by this IO when edge detection is enabled 0: Input edge detection does not assert MCU_WU event 1: Input edge detection asserts MCU_WU event

Table 13-53. IOCFG23 Register Field Descriptions (continued)

Bit	Field	Type	Reset	Description
5-0	PORT_ID	R/W	0h	<p>Selects usage for DIO23</p> <p>Note: This field should not be written other than the times when PORT_ID value is specifically required to change.</p> <p>0h = General Purpose IO</p> <p>7h = AON 32 KHz clock (SCLK_LF)</p> <p>8h = AUX IO</p> <p>9h = SSI0_RX : SSI0 RX</p> <p>Ah = SSI0_TX : SSI0 TX</p> <p>Bh = SSI0_FSS : SSI0 FSS</p> <p>Ch = SSI0_CLK : SSI0 CLK</p> <p>Dh = I2C_MSSDA : I2C Data</p> <p>Eh = I2C_MSSCL : I2C Clock</p> <p>Fh = UART0_RX : UART0 RX</p> <p>10h = UART0_TX : UART0 TX</p> <p>11h = UART0_CTS : UART0 CTS</p> <p>12h = UART0_RTS : UART0 RTS</p> <p>17h = PORT_EVENT0 : PORT EVENT 0</p> <p>Can be used as a general purpose IO event by selecting it through registers in the EVENT module, for example EVENT:GPT0ACAPTSEL.EV, EVENT:UDMACH14BSEL.EV, and so on</p> <p>18h = PORT_EVENT1 : PORT EVENT 1</p> <p>Can be used as a general purpose IO event by selecting it through registers in the EVENT module, for example EVENT:GPT0ACAPTSEL.EV, EVENT:UDMACH14BSEL.EV, and so on</p> <p>19h = PORT_EVENT2 : PORT EVENT 2</p> <p>Can be used as a general purpose IO event by selecting it through registers in the EVENT module, for example EVENT:GPT0ACAPTSEL.EV, EVENT:UDMACH14BSEL.EV, and so on</p> <p>1Ah = PORT_EVENT3 : PORT EVENT 3</p> <p>Can be used as a general purpose IO event by selecting it through registers in the EVENT module, for example EVENT:GPT0ACAPTSEL.EV, EVENT:UDMACH14BSEL.EV, and so on</p> <p>1Bh = PORT_EVENT4 : PORT EVENT 4</p> <p>Can be used as a general purpose IO event by selecting it through registers in the EVENT module, for example EVENT:GPT0ACAPTSEL.EV, EVENT:UDMACH14BSEL.EV, and so on</p> <p>1Ch = PORT_EVENT5 : PORT EVENT 5</p> <p>Can be used as a general purpose IO event by selecting it through registers in the EVENT module, for example EVENT:GPT0ACAPTSEL.EV, EVENT:UDMACH14BSEL.EV, and so on</p> <p>1Dh = PORT_EVENT6 : PORT EVENT 6</p> <p>Can be used as a general purpose IO event by selecting it through registers in the EVENT module, for example EVENT:GPT0ACAPTSEL.EV, EVENT:UDMACH14BSEL.EV, and so on</p> <p>1Eh = PORT_EVENT7 : PORT EVENT 7</p> <p>Can be used as a general purpose IO event by selecting it through registers in the EVENT module, for example EVENT:GPT0ACAPTSEL.EV, EVENT:UDMACH14BSEL.EV, and so on</p> <p>20h = CPU_SWV : CPU SWV</p> <p>25h = I2S_AD0 : I2S Data 0</p> <p>26h = I2S_AD1 : I2S Data 1</p> <p>27h = I2S_WCLK : I2S WCLK</p> <p>28h = I2S_BCLK : I2S BCLK</p> <p>29h = I2S_MCLK : I2S MCLK</p> <p>2Eh = RF Core Trace</p> <p>2Fh = RF Core Data Out 0</p> <p>30h = RF Core Data Out 1</p>

Table 13-53. IOCFG23 Register Field Descriptions (continued)

Bit	Field	Type	Reset	Description
				31h = RF Core Data Out 2 32h = RF Core Data Out 3 33h = RF Core Data In 0 34h = RF Core Data In 1 35h = RF Core SMI Data Link Out 36h = RF Core SMI Data Link In 37h = RF Core SMI Command Link Out 38h = RF Core SMI Command Link In

13.10.3.25 IOCFG24 Register (Offset = 60h) [Reset = 00006000h]

IOCFG24 is shown in [Figure 13-47](#) and described in [Table 13-54](#).

Return to the [Table 13-28](#).

Configuration of DIO24

Figure 13-47. IOCFG24 Register

31	30	29	28	27	26	25	24
RESERVED	HYST_EN	IE	WU_CFG		IOMODE		
R-0h	R/W-0h	R/W-0h	R/W-0h		R/W-0h		
23	22	21	20	19	18	17	16
IOEV_AON_PR OG2_EN	IOEV_AON_PR OG1_EN	IOEV_AON_PR OG0_EN	RESERVED		EDGE_IRQ_EN	EDGE_DET	
R/W-0h	R/W-0h	R/W-0h	R-0h		R/W-0h	R/W-0h	
15	14	13	12	11	10	9	8
RESERVED	PULL_CTL		SLEW_RED	IOCURR		IOSTR	
R-0h	R/W-3h		R/W-0h	R/W-0h		R/W-0h	
7	6	5	4	3	2	1	0
IOEV_RTC_EN	IOEV_MCU_W U_EN	PORT_ID					
R/W-0h	R/W-0h	R/W-0h					

Table 13-54. IOCFG24 Register Field Descriptions

Bit	Field	Type	Reset	Description
31	RESERVED	R	0h	Reserved
30	HYST_EN	R/W	0h	0: Input hysteresis disable 1: Input hysteresis enable
29	IE	R/W	0h	0: Input disabled 1: Input enabled Note: If IO is configured for AUX PORT_ID = 0x08, the enable will be ignored.
28-27	WU_CFG	R/W	0h	If DIO is configured GPIO or non-AON peripheral signals, PORT_ID 0x00 or >0x08: 00: No wake-up 01: No wake-up 10: Wakes up from shutdown if this pad is going low. 11: Wakes up from shutdown if this pad is going high. If IO is configured for AON peripheral signals or AUX PORT_ID 0x01-0x08, this register only sets wakeup enable or not. 00, 01: Wakeup disabled 10, 11: Wakeup enabled Polarity is controlled from AON registers. Note: When the MSB is set, the IOC will deactivate the output enable for the DIO.

Table 13-54. IOCFG24 Register Field Descriptions (continued)

Bit	Field	Type	Reset	Description
26-24	IOMODE	R/W	0h	IO Mode Not applicable for IO configured for AON periph. signals and AUX PORT_ID 0x01-0x08 AUX has its own open_source/drain configuration. 0x2: Reserved. Undefined behavior. 0x3: Reserved. Undefined behavior. 0h = NORMAL : Normal input / output 1h = INV : Inverted input / output 4h = OPENDR : Open Drain, Normal input / output 5h = OPENDR_INV : Open Drain Inverted input / output 6h = OPENSRC : Open Source Normal input / output 7h = OPENSRC_INV : Open Source Inverted input / output
23	IOEV_AON_PROG2_EN	R/W	0h	Event asserted by this IO when edge detection is enabled 0: Input edge detection does not assert AON_PROG2 event 1: Input edge detection asserts AON_PROG2 event
22	IOEV_AON_PROG1_EN	R/W	0h	Event asserted by this IO when edge detection is enabled 0: Input edge detection does not assert AON_PROG1 event 1: Input edge detection asserts AON_PROG1 event
21	IOEV_AON_PROG0_EN	R/W	0h	Event asserted by this IO when edge detection is enabled 0: Input edge detection does not assert AON_PROG0 event 1: Input edge detection asserts AON_PROG0 event
20-19	RESERVED	R	0h	Reserved
18	EDGE_IRQ_EN	R/W	0h	0: No interrupt generation 1: Enable interrupt generation for this IO (Only effective if EDGE_DET is enabled)
17-16	EDGE_DET	R/W	0h	Enable generation of edge detection events on this IO 0h = NONE : No edge detection 1h = Negative edge detection 2h = Positive edge detection 3h = Positive and negative edge detection
15	RESERVED	R	0h	Reserved
14-13	PULL_CTL	R/W	3h	Pull control 1h = DWN : Pull down 2h = UP : Pull up 3h = DIS : No pull
12	SLEW_RED	R/W	0h	0: Normal slew rate 1: Enables reduced slew rate in output driver.
11-10	IOCURR	R/W	0h	Selects IO current mode of this IO. 0h = 2MA : Low-Current (LC) mode: Min 2 mA when IOSTR is set to AUTO 1h = 4MA : High-Current (HC) mode: Min 4 mA when IOSTR is set to AUTO 2h = 4_8MA : Extended-Current (EC) mode: Min 8 mA for double drive strength IOs (min 4 mA for normal IOs) when IOSTR is set to AUTO
9-8	IOSTR	R/W	0h	Select source for drive strength control of this IO. This setting controls the drive strength of the Low-Current (LC) mode. Higher drive strength can be selected in IOCURR 0h = Automatic drive strength, controlled by AON BATMON based on battery voltage. (min 2 mA @VDDS) 1h = Minimum drive strength, controlled by AON_IOC:IOSTRMIN (min 2 mA @3.3V with default values) 2h = MED : Medium drive strength, controlled by AON_IOC:IOSTRMED (min 2 mA @2.5V with default values) 3h = Maximum drive strength, controlled by AON_IOC:IOSTRMAX (min 2 mA @1.8V with default values)

Table 13-54. IOCFG24 Register Field Descriptions (continued)

Bit	Field	Type	Reset	Description
7	IOEV_RTC_EN	R/W	0h	Event asserted by this IO when edge detection is enabled 0: Input edge detection does not assert RTC event 1: Input edge detection asserts RTC event
6	IOEV_MCU_WU_EN	R/W	0h	Event asserted by this IO when edge detection is enabled 0: Input edge detection does not assert MCU_WU event 1: Input edge detection asserts MCU_WU event

Table 13-54. IOCFG24 Register Field Descriptions (continued)

Bit	Field	Type	Reset	Description
5-0	PORT_ID	R/W	0h	<p>Selects usage for DIO24</p> <p>Note: This field should not be written other than the times when PORT_ID value is specifically required to change.</p> <p>0h = General Purpose IO</p> <p>7h = AON 32 KHz clock (SCLK_LF)</p> <p>8h = AUX IO</p> <p>9h = SSI0_RX : SSI0 RX</p> <p>Ah = SSI0_TX : SSI0 TX</p> <p>Bh = SSI0_FSS : SSI0 FSS</p> <p>Ch = SSI0_CLK : SSI0 CLK</p> <p>Dh = I2C_MSSDA : I2C Data</p> <p>Eh = I2C_MSSCL : I2C Clock</p> <p>Fh = UART0_RX : UART0 RX</p> <p>10h = UART0_TX : UART0 TX</p> <p>11h = UART0_CTS : UART0 CTS</p> <p>12h = UART0_RTS : UART0 RTS</p> <p>17h = PORT_EVENT0 : PORT EVENT 0</p> <p>Can be used as a general purpose IO event by selecting it through registers in the EVENT module, for example EVENT:GPT0ACAPTSEL.EV, EVENT:UDMACH14BSEL.EV, and so on</p> <p>18h = PORT_EVENT1 : PORT EVENT 1</p> <p>Can be used as a general purpose IO event by selecting it through registers in the EVENT module, for example EVENT:GPT0ACAPTSEL.EV, EVENT:UDMACH14BSEL.EV, and so on</p> <p>19h = PORT_EVENT2 : PORT EVENT 2</p> <p>Can be used as a general purpose IO event by selecting it through registers in the EVENT module, for example EVENT:GPT0ACAPTSEL.EV, EVENT:UDMACH14BSEL.EV, and so on</p> <p>1Ah = PORT_EVENT3 : PORT EVENT 3</p> <p>Can be used as a general purpose IO event by selecting it through registers in the EVENT module, for example EVENT:GPT0ACAPTSEL.EV, EVENT:UDMACH14BSEL.EV, and so on</p> <p>1Bh = PORT_EVENT4 : PORT EVENT 4</p> <p>Can be used as a general purpose IO event by selecting it through registers in the EVENT module, for example EVENT:GPT0ACAPTSEL.EV, EVENT:UDMACH14BSEL.EV, and so on</p> <p>1Ch = PORT_EVENT5 : PORT EVENT 5</p> <p>Can be used as a general purpose IO event by selecting it through registers in the EVENT module, for example EVENT:GPT0ACAPTSEL.EV, EVENT:UDMACH14BSEL.EV, and so on</p> <p>1Dh = PORT_EVENT6 : PORT EVENT 6</p> <p>Can be used as a general purpose IO event by selecting it through registers in the EVENT module, for example EVENT:GPT0ACAPTSEL.EV, EVENT:UDMACH14BSEL.EV, and so on</p> <p>1Eh = PORT_EVENT7 : PORT EVENT 7</p> <p>Can be used as a general purpose IO event by selecting it through registers in the EVENT module, for example EVENT:GPT0ACAPTSEL.EV, EVENT:UDMACH14BSEL.EV, and so on</p> <p>20h = CPU_SWV : CPU SWV</p> <p>25h = I2S_AD0 : I2S Data 0</p> <p>26h = I2S_AD1 : I2S Data 1</p> <p>27h = I2S_WCLK : I2S WCLK</p> <p>28h = I2S_BCLK : I2S BCLK</p> <p>29h = I2S_MCLK : I2S MCLK</p> <p>2Eh = RF Core Trace</p> <p>2Fh = RF Core Data Out 0</p> <p>30h = RF Core Data Out 1</p>

Table 13-54. IOCFG24 Register Field Descriptions (continued)

Bit	Field	Type	Reset	Description
				31h = RF Core Data Out 2 32h = RF Core Data Out 3 33h = RF Core Data In 0 34h = RF Core Data In 1 35h = RF Core SMI Data Link Out 36h = RF Core SMI Data Link In 37h = RF Core SMI Command Link Out 38h = RF Core SMI Command Link In

13.10.3.26 IOCFG25 Register (Offset = 64h) [Reset = 00006000h]

IOCFG25 is shown in [Figure 13-48](#) and described in [Table 13-55](#).

Return to the [Table 13-28](#).

Configuration of DIO25

Figure 13-48. IOCFG25 Register

31	30	29	28	27	26	25	24
RESERVED	HYST_EN	IE	WU_CFG		IOMODE		
R-0h	R/W-0h	R/W-0h	R/W-0h		R/W-0h		
23	22	21	20	19	18	17	16
IOEV_AON_PR OG2_EN	IOEV_AON_PR OG1_EN	IOEV_AON_PR OG0_EN	RESERVED		EDGE_IRQ_EN	EDGE_DET	
R/W-0h	R/W-0h	R/W-0h	R-0h		R/W-0h	R/W-0h	
15	14	13	12	11	10	9	8
RESERVED	PULL_CTL		SLEW_RED	IOCURR		IOSTR	
R-0h	R/W-3h		R/W-0h	R/W-0h		R/W-0h	
7	6	5	4	3	2	1	0
IOEV_RTC_EN	IOEV_MCU_W U_EN	PORT_ID					
R/W-0h	R/W-0h	R/W-0h					

Table 13-55. IOCFG25 Register Field Descriptions

Bit	Field	Type	Reset	Description
31	RESERVED	R	0h	Reserved
30	HYST_EN	R/W	0h	0: Input hysteresis disable 1: Input hysteresis enable
29	IE	R/W	0h	0: Input disabled 1: Input enabled Note: If IO is configured for AUX PORT_ID = 0x08, the enable will be ignored.
28-27	WU_CFG	R/W	0h	If DIO is configured GPIO or non-AON peripheral signals, PORT_ID 0x00 or >0x08: 00: No wake-up 01: No wake-up 10: Wakes up from shutdown if this pad is going low. 11: Wakes up from shutdown if this pad is going high. If IO is configured for AON peripheral signals or AUX PORT_ID 0x01-0x08, this register only sets wakeup enable or not. 00, 01: Wakeup disabled 10, 11: Wakeup enabled Polarity is controlled from AON registers. Note: When the MSB is set, the IOC will deactivate the output enable for the DIO.

Table 13-55. IOCFG25 Register Field Descriptions (continued)

Bit	Field	Type	Reset	Description
26-24	IOMODE	R/W	0h	IO Mode Not applicable for IO configured for AON periph. signals and AUX PORT_ID 0x01-0x08 AUX has its own open_source/drain configuration. 0x2: Reserved. Undefined behavior. 0x3: Reserved. Undefined behavior. 0h = NORMAL : Normal input / output 1h = INV : Inverted input / output 4h = OPENDR : Open Drain, Normal input / output 5h = OPENDR_INV : Open Drain Inverted input / output 6h = OPENSRC : Open Source Normal input / output 7h = OPENSRC_INV : Open Source Inverted input / output
23	IOEV_AON_PROG2_EN	R/W	0h	Event asserted by this IO when edge detection is enabled 0: Input edge detection does not assert AON_PROG2 event 1: Input edge detection asserts AON_PROG2 event
22	IOEV_AON_PROG1_EN	R/W	0h	Event asserted by this IO when edge detection is enabled 0: Input edge detection does not assert AON_PROG1 event 1: Input edge detection asserts AON_PROG1 event
21	IOEV_AON_PROG0_EN	R/W	0h	Event asserted by this IO when edge detection is enabled 0: Input edge detection does not assert AON_PROG0 event 1: Input edge detection asserts AON_PROG0 event
20-19	RESERVED	R	0h	Reserved
18	EDGE_IRQ_EN	R/W	0h	0: No interrupt generation 1: Enable interrupt generation for this IO (Only effective if EDGE_DET is enabled)
17-16	EDGE_DET	R/W	0h	Enable generation of edge detection events on this IO 0h = NONE : No edge detection 1h = Negative edge detection 2h = Positive edge detection 3h = Positive and negative edge detection
15	RESERVED	R	0h	Reserved
14-13	PULL_CTL	R/W	3h	Pull control 1h = DWN : Pull down 2h = UP : Pull up 3h = DIS : No pull
12	SLEW_RED	R/W	0h	0: Normal slew rate 1: Enables reduced slew rate in output driver.
11-10	IOCURR	R/W	0h	Selects IO current mode of this IO. 0h = 2MA : Low-Current (LC) mode: Min 2 mA when IOSTR is set to AUTO 1h = 4MA : High-Current (HC) mode: Min 4 mA when IOSTR is set to AUTO 2h = 4_8MA : Extended-Current (EC) mode: Min 8 mA for double drive strength IOs (min 4 mA for normal IOs) when IOSTR is set to AUTO
9-8	IOSTR	R/W	0h	Select source for drive strength control of this IO. This setting controls the drive strength of the Low-Current (LC) mode. Higher drive strength can be selected in IOCURR 0h = Automatic drive strength, controlled by AON BATMON based on battery voltage. (min 2 mA @VDDS) 1h = Minimum drive strength, controlled by AON_IOC:IOSTRMIN (min 2 mA @3.3V with default values) 2h = MED : Medium drive strength, controlled by AON_IOC:IOSTRMED (min 2 mA @2.5V with default values) 3h = Maximum drive strength, controlled by AON_IOC:IOSTRMAX (min 2 mA @1.8V with default values)

Table 13-55. IOCFG25 Register Field Descriptions (continued)

Bit	Field	Type	Reset	Description
7	IOEV_RTC_EN	R/W	0h	Event asserted by this IO when edge detection is enabled 0: Input edge detection does not assert RTC event 1: Input edge detection asserts RTC event
6	IOEV_MCU_WU_EN	R/W	0h	Event asserted by this IO when edge detection is enabled 0: Input edge detection does not assert MCU_WU event 1: Input edge detection asserts MCU_WU event

Table 13-55. IOCFG25 Register Field Descriptions (continued)

Bit	Field	Type	Reset	Description
5-0	PORT_ID	R/W	0h	<p>Selects usage for DIO25</p> <p>Note: This field should not be written other than the times when PORT_ID value is specifically required to change.</p> <p>0h = General Purpose IO</p> <p>7h = AON 32 KHz clock (SCLK_LF)</p> <p>8h = AUX IO</p> <p>9h = SSI0_RX : SSI0 RX</p> <p>Ah = SSI0_TX : SSI0 TX</p> <p>Bh = SSI0_FSS : SSI0 FSS</p> <p>Ch = SSI0_CLK : SSI0 CLK</p> <p>Dh = I2C_MSSDA : I2C Data</p> <p>Eh = I2C_MSSCL : I2C Clock</p> <p>Fh = UART0_RX : UART0 RX</p> <p>10h = UART0_TX : UART0 TX</p> <p>11h = UART0_CTS : UART0 CTS</p> <p>12h = UART0_RTS : UART0 RTS</p> <p>17h = PORT_EVENT0 : PORT EVENT 0</p> <p>Can be used as a general purpose IO event by selecting it through registers in the EVENT module, for example EVENT:GPT0ACAPTSEL.EV, EVENT:UDMACH14BSEL.EV, and so on</p> <p>18h = PORT_EVENT1 : PORT EVENT 1</p> <p>Can be used as a general purpose IO event by selecting it through registers in the EVENT module, for example EVENT:GPT0ACAPTSEL.EV, EVENT:UDMACH14BSEL.EV, and so on</p> <p>19h = PORT_EVENT2 : PORT EVENT 2</p> <p>Can be used as a general purpose IO event by selecting it through registers in the EVENT module, for example EVENT:GPT0ACAPTSEL.EV, EVENT:UDMACH14BSEL.EV, and so on</p> <p>1Ah = PORT_EVENT3 : PORT EVENT 3</p> <p>Can be used as a general purpose IO event by selecting it through registers in the EVENT module, for example EVENT:GPT0ACAPTSEL.EV, EVENT:UDMACH14BSEL.EV, and so on</p> <p>1Bh = PORT_EVENT4 : PORT EVENT 4</p> <p>Can be used as a general purpose IO event by selecting it through registers in the EVENT module, for example EVENT:GPT0ACAPTSEL.EV, EVENT:UDMACH14BSEL.EV, and so on</p> <p>1Ch = PORT_EVENT5 : PORT EVENT 5</p> <p>Can be used as a general purpose IO event by selecting it through registers in the EVENT module, for example EVENT:GPT0ACAPTSEL.EV, EVENT:UDMACH14BSEL.EV, and so on</p> <p>1Dh = PORT_EVENT6 : PORT EVENT 6</p> <p>Can be used as a general purpose IO event by selecting it through registers in the EVENT module, for example EVENT:GPT0ACAPTSEL.EV, EVENT:UDMACH14BSEL.EV, and so on</p> <p>1Eh = PORT_EVENT7 : PORT EVENT 7</p> <p>Can be used as a general purpose IO event by selecting it through registers in the EVENT module, for example EVENT:GPT0ACAPTSEL.EV, EVENT:UDMACH14BSEL.EV, and so on</p> <p>20h = CPU_SWV : CPU SWV</p> <p>25h = I2S_AD0 : I2S Data 0</p> <p>26h = I2S_AD1 : I2S Data 1</p> <p>27h = I2S_WCLK : I2S WCLK</p> <p>28h = I2S_BCLK : I2S BCLK</p> <p>29h = I2S_MCLK : I2S MCLK</p> <p>2Eh = RF Core Trace</p> <p>2Fh = RF Core Data Out 0</p> <p>30h = RF Core Data Out 1</p>

Table 13-55. IOCFG25 Register Field Descriptions (continued)

Bit	Field	Type	Reset	Description
				31h = RF Core Data Out 2 32h = RF Core Data Out 3 33h = RF Core Data In 0 34h = RF Core Data In 1 35h = RF Core SMI Data Link Out 36h = RF Core SMI Data Link In 37h = RF Core SMI Command Link Out 38h = RF Core SMI Command Link In

13.10.3.27 IOCFG26 Register (Offset = 68h) [Reset = 00006000h]

IOCFG26 is shown in [Figure 13-49](#) and described in [Table 13-56](#).

Return to the [Table 13-28](#).

Configuration of DIO26

Figure 13-49. IOCFG26 Register

31	30	29	28	27	26	25	24
RESERVED	HYST_EN	IE	WU_CFG		IOMODE		
R-0h	R/W-0h	R/W-0h	R/W-0h		R/W-0h		
23	22	21	20	19	18	17	16
IOEV_AON_PR OG2_EN	IOEV_AON_PR OG1_EN	IOEV_AON_PR OG0_EN	RESERVED		EDGE_IRQ_EN	EDGE_DET	
R/W-0h	R/W-0h	R/W-0h	R-0h		R/W-0h	R/W-0h	
15	14	13	12	11	10	9	8
RESERVED	PULL_CTL		SLEW_RED	IOCURR		IOSTR	
R-0h	R/W-3h		R/W-0h	R/W-0h		R/W-0h	
7	6	5	4	3	2	1	0
IOEV_RTC_EN	IOEV_MCU_W U_EN	PORT_ID					
R/W-0h	R/W-0h	R/W-0h					

Table 13-56. IOCFG26 Register Field Descriptions

Bit	Field	Type	Reset	Description
31	RESERVED	R	0h	Reserved
30	HYST_EN	R/W	0h	0: Input hysteresis disable 1: Input hysteresis enable
29	IE	R/W	0h	0: Input disabled 1: Input enabled Note: If IO is configured for AUX PORT_ID = 0x08, the enable will be ignored.
28-27	WU_CFG	R/W	0h	If DIO is configured GPIO or non-AON peripheral signals, PORT_ID 0x00 or >0x08: 00: No wake-up 01: No wake-up 10: Wakes up from shutdown if this pad is going low. 11: Wakes up from shutdown if this pad is going high. If IO is configured for AON peripheral signals or AUX PORT_ID 0x01-0x08, this register only sets wakeup enable or not. 00, 01: Wakeup disabled 10, 11: Wakeup enabled Polarity is controlled from AON registers. Note: When the MSB is set, the IOC will deactivate the output enable for the DIO.

Table 13-56. IOCFG26 Register Field Descriptions (continued)

Bit	Field	Type	Reset	Description
26-24	IOMODE	R/W	0h	IO Mode Not applicable for IO configured for AON periph. signals and AUX PORT_ID 0x01-0x08 AUX has its own open_source/drain configuration. 0x2: Reserved. Undefined behavior. 0x3: Reserved. Undefined behavior. 0h = NORMAL : Normal input / output 1h = INV : Inverted input / output 4h = OPENDR : Open Drain, Normal input / output 5h = OPENDR_INV : Open Drain Inverted input / output 6h = OPENSRC : Open Source Normal input / output 7h = OPENSRC_INV : Open Source Inverted input / output
23	IOEV_AON_PROG2_EN	R/W	0h	Event asserted by this IO when edge detection is enabled 0: Input edge detection does not assert AON_PROG2 event 1: Input edge detection asserts AON_PROG2 event
22	IOEV_AON_PROG1_EN	R/W	0h	Event asserted by this IO when edge detection is enabled 0: Input edge detection does not assert AON_PROG1 event 1: Input edge detection asserts AON_PROG1 event
21	IOEV_AON_PROG0_EN	R/W	0h	Event asserted by this IO when edge detection is enabled 0: Input edge detection does not assert AON_PROG0 event 1: Input edge detection asserts AON_PROG0 event
20-19	RESERVED	R	0h	Reserved
18	EDGE_IRQ_EN	R/W	0h	0: No interrupt generation 1: Enable interrupt generation for this IO (Only effective if EDGE_DET is enabled)
17-16	EDGE_DET	R/W	0h	Enable generation of edge detection events on this IO 0h = NONE : No edge detection 1h = Negative edge detection 2h = Positive edge detection 3h = Positive and negative edge detection
15	RESERVED	R	0h	Reserved
14-13	PULL_CTL	R/W	3h	Pull control 1h = DWN : Pull down 2h = UP : Pull up 3h = DIS : No pull
12	SLEW_RED	R/W	0h	0: Normal slew rate 1: Enables reduced slew rate in output driver.
11-10	IOCURR	R/W	0h	Selects IO current mode of this IO. 0h = 2MA : Low-Current (LC) mode: Min 2 mA when IOSTR is set to AUTO 1h = 4MA : High-Current (HC) mode: Min 4 mA when IOSTR is set to AUTO 2h = 4_8MA : Extended-Current (EC) mode: Min 8 mA for double drive strength IOs (min 4 mA for normal IOs) when IOSTR is set to AUTO
9-8	IOSTR	R/W	0h	Select source for drive strength control of this IO. This setting controls the drive strength of the Low-Current (LC) mode. Higher drive strength can be selected in IOCURR 0h = Automatic drive strength, controlled by AON BATMON based on battery voltage. (min 2 mA @VDDS) 1h = Minimum drive strength, controlled by AON_IOC:IOSTRMIN (min 2 mA @3.3V with default values) 2h = MED : Medium drive strength, controlled by AON_IOC:IOSTRMED (min 2 mA @2.5V with default values) 3h = Maximum drive strength, controlled by AON_IOC:IOSTRMAX (min 2 mA @1.8V with default values)

Table 13-56. IOCFG26 Register Field Descriptions (continued)

Bit	Field	Type	Reset	Description
7	IOEV_RTC_EN	R/W	0h	Event asserted by this IO when edge detection is enabled 0: Input edge detection does not assert RTC event 1: Input edge detection asserts RTC event
6	IOEV_MCU_WU_EN	R/W	0h	Event asserted by this IO when edge detection is enabled 0: Input edge detection does not assert MCU_WU event 1: Input edge detection asserts MCU_WU event

Table 13-56. IOCFG26 Register Field Descriptions (continued)

Bit	Field	Type	Reset	Description
5-0	PORT_ID	R/W	0h	<p>Selects usage for DIO26</p> <p>Note: This field should not be written other than the times when PORT_ID value is specifically required to change.</p> <p>0h = General Purpose IO</p> <p>7h = AON 32 KHz clock (SCLK_LF)</p> <p>8h = AUX IO</p> <p>9h = SSI0_RX : SSI0 RX</p> <p>Ah = SSI0_TX : SSI0 TX</p> <p>Bh = SSI0_FSS : SSI0 FSS</p> <p>Ch = SSI0_CLK : SSI0 CLK</p> <p>Dh = I2C_MSSDA : I2C Data</p> <p>Eh = I2C_MSSCL : I2C Clock</p> <p>Fh = UART0_RX : UART0 RX</p> <p>10h = UART0_TX : UART0 TX</p> <p>11h = UART0_CTS : UART0 CTS</p> <p>12h = UART0_RTS : UART0 RTS</p> <p>17h = PORT_EVENT0 : PORT EVENT 0</p> <p>Can be used as a general purpose IO event by selecting it through registers in the EVENT module, for example EVENT:GPT0ACAPTSEL.EV, EVENT:UDMACH14BSEL.EV, and so on</p> <p>18h = PORT_EVENT1 : PORT EVENT 1</p> <p>Can be used as a general purpose IO event by selecting it through registers in the EVENT module, for example EVENT:GPT0ACAPTSEL.EV, EVENT:UDMACH14BSEL.EV, and so on</p> <p>19h = PORT_EVENT2 : PORT EVENT 2</p> <p>Can be used as a general purpose IO event by selecting it through registers in the EVENT module, for example EVENT:GPT0ACAPTSEL.EV, EVENT:UDMACH14BSEL.EV, and so on</p> <p>1Ah = PORT_EVENT3 : PORT EVENT 3</p> <p>Can be used as a general purpose IO event by selecting it through registers in the EVENT module, for example EVENT:GPT0ACAPTSEL.EV, EVENT:UDMACH14BSEL.EV, and so on</p> <p>1Bh = PORT_EVENT4 : PORT EVENT 4</p> <p>Can be used as a general purpose IO event by selecting it through registers in the EVENT module, for example EVENT:GPT0ACAPTSEL.EV, EVENT:UDMACH14BSEL.EV, and so on</p> <p>1Ch = PORT_EVENT5 : PORT EVENT 5</p> <p>Can be used as a general purpose IO event by selecting it through registers in the EVENT module, for example EVENT:GPT0ACAPTSEL.EV, EVENT:UDMACH14BSEL.EV, and so on</p> <p>1Dh = PORT_EVENT6 : PORT EVENT 6</p> <p>Can be used as a general purpose IO event by selecting it through registers in the EVENT module, for example EVENT:GPT0ACAPTSEL.EV, EVENT:UDMACH14BSEL.EV, and so on</p> <p>1Eh = PORT_EVENT7 : PORT EVENT 7</p> <p>Can be used as a general purpose IO event by selecting it through registers in the EVENT module, for example EVENT:GPT0ACAPTSEL.EV, EVENT:UDMACH14BSEL.EV, and so on</p> <p>20h = CPU_SWV : CPU SWV</p> <p>25h = I2S_AD0 : I2S Data 0</p> <p>26h = I2S_AD1 : I2S Data 1</p> <p>27h = I2S_WCLK : I2S WCLK</p> <p>28h = I2S_BCLK : I2S BCLK</p> <p>29h = I2S_MCLK : I2S MCLK</p> <p>2Eh = RF Core Trace</p> <p>2Fh = RF Core Data Out 0</p> <p>30h = RF Core Data Out 1</p>

Table 13-56. IOCFG26 Register Field Descriptions (continued)

Bit	Field	Type	Reset	Description
				31h = RF Core Data Out 2 32h = RF Core Data Out 3 33h = RF Core Data In 0 34h = RF Core Data In 1 35h = RF Core SMI Data Link Out 36h = RF Core SMI Data Link In 37h = RF Core SMI Command Link Out 38h = RF Core SMI Command Link In

13.10.3.28 IOCFG27 Register (Offset = 6Ch) [Reset = 00006000h]

IOCFG27 is shown in [Figure 13-50](#) and described in [Table 13-57](#).

Return to the [Table 13-28](#).

Configuration of DIO27

Figure 13-50. IOCFG27 Register

31	30	29	28	27	26	25	24
RESERVED	HYST_EN	IE	WU_CFG		IOMODE		
R-0h	R/W-0h	R/W-0h	R/W-0h		R/W-0h		
23	22	21	20	19	18	17	16
IOEV_AON_PR OG2_EN	IOEV_AON_PR OG1_EN	IOEV_AON_PR OG0_EN	RESERVED		EDGE_IRQ_EN	EDGE_DET	
R/W-0h	R/W-0h	R/W-0h	R-0h		R/W-0h	R/W-0h	
15	14	13	12	11	10	9	8
RESERVED	PULL_CTL		SLEW_RED	IOCURR		IOSTR	
R-0h	R/W-3h		R/W-0h	R/W-0h		R/W-0h	
7	6	5	4	3	2	1	0
IOEV_RTC_EN	IOEV_MCU_W U_EN	PORT_ID					
R/W-0h	R/W-0h	R/W-0h					

Table 13-57. IOCFG27 Register Field Descriptions

Bit	Field	Type	Reset	Description
31	RESERVED	R	0h	Reserved
30	HYST_EN	R/W	0h	0: Input hysteresis disable 1: Input hysteresis enable
29	IE	R/W	0h	0: Input disabled 1: Input enabled Note: If IO is configured for AUX PORT_ID = 0x08, the enable will be ignored.
28-27	WU_CFG	R/W	0h	If DIO is configured GPIO or non-AON peripheral signals, PORT_ID 0x00 or >0x08: 00: No wake-up 01: No wake-up 10: Wakes up from shutdown if this pad is going low. 11: Wakes up from shutdown if this pad is going high. If IO is configured for AON peripheral signals or AUX PORT_ID 0x01-0x08, this register only sets wakeup enable or not. 00, 01: Wakeup disabled 10, 11: Wakeup enabled Polarity is controlled from AON registers. Note: When the MSB is set, the IOC will deactivate the output enable for the DIO.

Table 13-57. IOCFG27 Register Field Descriptions (continued)

Bit	Field	Type	Reset	Description
26-24	IOMODE	R/W	0h	IO Mode Not applicable for IO configured for AON periph. signals and AUX PORT_ID 0x01-0x08 AUX has its own open_source/drain configuration. 0x2: Reserved. Undefined behavior. 0x3: Reserved. Undefined behavior. 0h = NORMAL : Normal input / output 1h = INV : Inverted input / output 4h = OPENDR : Open Drain, Normal input / output 5h = OPENDR_INV : Open Drain Inverted input / output 6h = OPENSRC : Open Source Normal input / output 7h = OPENSRC_INV : Open Source Inverted input / output
23	IOEV_AON_PROG2_EN	R/W	0h	Event asserted by this IO when edge detection is enabled 0: Input edge detection does not assert AON_PROG2 event 1: Input edge detection asserts AON_PROG2 event
22	IOEV_AON_PROG1_EN	R/W	0h	Event asserted by this IO when edge detection is enabled 0: Input edge detection does not assert AON_PROG1 event 1: Input edge detection asserts AON_PROG1 event
21	IOEV_AON_PROG0_EN	R/W	0h	Event asserted by this IO when edge detection is enabled 0: Input edge detection does not assert AON_PROG0 event 1: Input edge detection asserts AON_PROG0 event
20-19	RESERVED	R	0h	Reserved
18	EDGE_IRQ_EN	R/W	0h	0: No interrupt generation 1: Enable interrupt generation for this IO (Only effective if EDGE_DET is enabled)
17-16	EDGE_DET	R/W	0h	Enable generation of edge detection events on this IO 0h = NONE : No edge detection 1h = Negative edge detection 2h = Positive edge detection 3h = Positive and negative edge detection
15	RESERVED	R	0h	Reserved
14-13	PULL_CTL	R/W	3h	Pull control 1h = DWN : Pull down 2h = UP : Pull up 3h = DIS : No pull
12	SLEW_RED	R/W	0h	0: Normal slew rate 1: Enables reduced slew rate in output driver.
11-10	IOCURR	R/W	0h	Selects IO current mode of this IO. 0h = 2MA : Low-Current (LC) mode: Min 2 mA when IOSTR is set to AUTO 1h = 4MA : High-Current (HC) mode: Min 4 mA when IOSTR is set to AUTO 2h = 4_8MA : Extended-Current (EC) mode: Min 8 mA for double drive strength IOs (min 4 mA for normal IOs) when IOSTR is set to AUTO
9-8	IOSTR	R/W	0h	Select source for drive strength control of this IO. This setting controls the drive strength of the Low-Current (LC) mode. Higher drive strength can be selected in IOCURR 0h = Automatic drive strength, controlled by AON BATMON based on battery voltage. (min 2 mA @VDDS) 1h = Minimum drive strength, controlled by AON_IOC:IOSTRMIN (min 2 mA @3.3V with default values) 2h = MED : Medium drive strength, controlled by AON_IOC:IOSTRMED (min 2 mA @2.5V with default values) 3h = Maximum drive strength, controlled by AON_IOC:IOSTRMAX (min 2 mA @1.8V with default values)

Table 13-57. IOCFG27 Register Field Descriptions (continued)

Bit	Field	Type	Reset	Description
7	IOEV_RTC_EN	R/W	0h	Event asserted by this IO when edge detection is enabled 0: Input edge detection does not assert RTC event 1: Input edge detection asserts RTC event
6	IOEV_MCU_WU_EN	R/W	0h	Event asserted by this IO when edge detection is enabled 0: Input edge detection does not assert MCU_WU event 1: Input edge detection asserts MCU_WU event

Table 13-57. IOCFG27 Register Field Descriptions (continued)

Bit	Field	Type	Reset	Description
5-0	PORT_ID	R/W	0h	<p>Selects usage for DIO27</p> <p>Note: This field should not be written other than the times when PORT_ID value is specifically required to change.</p> <p>0h = General Purpose IO</p> <p>7h = AON 32 KHz clock (SCLK_LF)</p> <p>8h = AUX IO</p> <p>9h = SSI0_RX : SSI0 RX</p> <p>Ah = SSI0_TX : SSI0 TX</p> <p>Bh = SSI0_FSS : SSI0 FSS</p> <p>Ch = SSI0_CLK : SSI0 CLK</p> <p>Dh = I2C_MSSDA : I2C Data</p> <p>Eh = I2C_MSSCL : I2C Clock</p> <p>Fh = UART0_RX : UART0 RX</p> <p>10h = UART0_TX : UART0 TX</p> <p>11h = UART0_CTS : UART0 CTS</p> <p>12h = UART0_RTS : UART0 RTS</p> <p>17h = PORT_EVENT0 : PORT EVENT 0</p> <p>Can be used as a general purpose IO event by selecting it through registers in the EVENT module, for example EVENT:GPT0ACAPTSEL.EV, EVENT:UDMACH14BSEL.EV, and so on</p> <p>18h = PORT_EVENT1 : PORT EVENT 1</p> <p>Can be used as a general purpose IO event by selecting it through registers in the EVENT module, for example EVENT:GPT0ACAPTSEL.EV, EVENT:UDMACH14BSEL.EV, and so on</p> <p>19h = PORT_EVENT2 : PORT EVENT 2</p> <p>Can be used as a general purpose IO event by selecting it through registers in the EVENT module, for example EVENT:GPT0ACAPTSEL.EV, EVENT:UDMACH14BSEL.EV, and so on</p> <p>1Ah = PORT_EVENT3 : PORT EVENT 3</p> <p>Can be used as a general purpose IO event by selecting it through registers in the EVENT module, for example EVENT:GPT0ACAPTSEL.EV, EVENT:UDMACH14BSEL.EV, and so on</p> <p>1Bh = PORT_EVENT4 : PORT EVENT 4</p> <p>Can be used as a general purpose IO event by selecting it through registers in the EVENT module, for example EVENT:GPT0ACAPTSEL.EV, EVENT:UDMACH14BSEL.EV, and so on</p> <p>1Ch = PORT_EVENT5 : PORT EVENT 5</p> <p>Can be used as a general purpose IO event by selecting it through registers in the EVENT module, for example EVENT:GPT0ACAPTSEL.EV, EVENT:UDMACH14BSEL.EV, and so on</p> <p>1Dh = PORT_EVENT6 : PORT EVENT 6</p> <p>Can be used as a general purpose IO event by selecting it through registers in the EVENT module, for example EVENT:GPT0ACAPTSEL.EV, EVENT:UDMACH14BSEL.EV, and so on</p> <p>1Eh = PORT_EVENT7 : PORT EVENT 7</p> <p>Can be used as a general purpose IO event by selecting it through registers in the EVENT module, for example EVENT:GPT0ACAPTSEL.EV, EVENT:UDMACH14BSEL.EV, and so on</p> <p>20h = CPU_SWV : CPU SWV</p> <p>25h = I2S_AD0 : I2S Data 0</p> <p>26h = I2S_AD1 : I2S Data 1</p> <p>27h = I2S_WCLK : I2S WCLK</p> <p>28h = I2S_BCLK : I2S BCLK</p> <p>29h = I2S_MCLK : I2S MCLK</p> <p>2Eh = RF Core Trace</p> <p>2Fh = RF Core Data Out 0</p> <p>30h = RF Core Data Out 1</p>

Table 13-57. IOCFG27 Register Field Descriptions (continued)

Bit	Field	Type	Reset	Description
				31h = RF Core Data Out 2 32h = RF Core Data Out 3 33h = RF Core Data In 0 34h = RF Core Data In 1 35h = RF Core SMI Data Link Out 36h = RF Core SMI Data Link In 37h = RF Core SMI Command Link Out 38h = RF Core SMI Command Link In

13.10.3.29 IOCFG28 Register (Offset = 70h) [Reset = 00006000h]

IOCFG28 is shown in [Figure 13-51](#) and described in [Table 13-58](#).

Return to the [Table 13-28](#).

Configuration of DIO28

Figure 13-51. IOCFG28 Register

31	30	29	28	27	26	25	24
RESERVED	HYST_EN	IE	WU_CFG		IOMODE		
R-0h	R/W-0h	R/W-0h	R/W-0h		R/W-0h		
23	22	21	20	19	18	17	16
IOEV_AON_PR OG2_EN	IOEV_AON_PR OG1_EN	IOEV_AON_PR OG0_EN	RESERVED		EDGE_IRQ_EN	EDGE_DET	
R/W-0h	R/W-0h	R/W-0h	R-0h		R/W-0h	R/W-0h	
15	14	13	12	11	10	9	8
RESERVED	PULL_CTL		SLEW_RED	IOCURR		IOSTR	
R-0h	R/W-3h		R/W-0h	R/W-0h		R/W-0h	
7	6	5	4	3	2	1	0
IOEV_RTC_EN	IOEV_MCU_W U_EN	PORT_ID					
R/W-0h	R/W-0h	R/W-0h					

Table 13-58. IOCFG28 Register Field Descriptions

Bit	Field	Type	Reset	Description
31	RESERVED	R	0h	Reserved
30	HYST_EN	R/W	0h	0: Input hysteresis disable 1: Input hysteresis enable
29	IE	R/W	0h	0: Input disabled 1: Input enabled Note: If IO is configured for AUX PORT_ID = 0x08, the enable will be ignored.
28-27	WU_CFG	R/W	0h	If DIO is configured GPIO or non-AON peripheral signals, PORT_ID 0x00 or >0x08: 00: No wake-up 01: No wake-up 10: Wakes up from shutdown if this pad is going low. 11: Wakes up from shutdown if this pad is going high. If IO is configured for AON peripheral signals or AUX PORT_ID 0x01-0x08, this register only sets wakeup enable or not. 00, 01: Wakeup disabled 10, 11: Wakeup enabled Polarity is controlled from AON registers. Note: When the MSB is set, the IOC will deactivate the output enable for the DIO.

Table 13-58. IOCFG28 Register Field Descriptions (continued)

Bit	Field	Type	Reset	Description
26-24	IOMODE	R/W	0h	IO Mode Not applicable for IO configured for AON periph. signals and AUX PORT_ID 0x01-0x08 AUX has its own open_source/drain configuration. 0x2: Reserved. Undefined behavior. 0x3: Reserved. Undefined behavior. 0h = NORMAL : Normal input / output 1h = INV : Inverted input / output 4h = OPENDR : Open Drain, Normal input / output 5h = OPENDR_INV : Open Drain Inverted input / output 6h = OPENSRC : Open Source Normal input / output 7h = OPENSRC_INV : Open Source Inverted input / output
23	IOEV_AON_PROG2_EN	R/W	0h	Event asserted by this IO when edge detection is enabled 0: Input edge detection does not assert AON_PROG2 event 1: Input edge detection asserts AON_PROG2 event
22	IOEV_AON_PROG1_EN	R/W	0h	Event asserted by this IO when edge detection is enabled 0: Input edge detection does not assert AON_PROG1 event 1: Input edge detection asserts AON_PROG1 event
21	IOEV_AON_PROG0_EN	R/W	0h	Event asserted by this IO when edge detection is enabled 0: Input edge detection does not assert AON_PROG0 event 1: Input edge detection asserts AON_PROG0 event
20-19	RESERVED	R	0h	Reserved
18	EDGE_IRQ_EN	R/W	0h	0: No interrupt generation 1: Enable interrupt generation for this IO (Only effective if EDGE_DET is enabled)
17-16	EDGE_DET	R/W	0h	Enable generation of edge detection events on this IO 0h = NONE : No edge detection 1h = Negative edge detection 2h = Positive edge detection 3h = Positive and negative edge detection
15	RESERVED	R	0h	Reserved
14-13	PULL_CTL	R/W	3h	Pull control 1h = DWN : Pull down 2h = UP : Pull up 3h = DIS : No pull
12	SLEW_RED	R/W	0h	0: Normal slew rate 1: Enables reduced slew rate in output driver.
11-10	IOCURR	R/W	0h	Selects IO current mode of this IO. 0h = 2MA : Low-Current (LC) mode: Min 2 mA when IOSTR is set to AUTO 1h = 4MA : High-Current (HC) mode: Min 4 mA when IOSTR is set to AUTO 2h = 4_8MA : Extended-Current (EC) mode: Min 8 mA for double drive strength IOs (min 4 mA for normal IOs) when IOSTR is set to AUTO
9-8	IOSTR	R/W	0h	Select source for drive strength control of this IO. This setting controls the drive strength of the Low-Current (LC) mode. Higher drive strength can be selected in IOCURR 0h = Automatic drive strength, controlled by AON BATMON based on battery voltage. (min 2 mA @VDDS) 1h = Minimum drive strength, controlled by AON_IOC:IOSTRMIN (min 2 mA @3.3V with default values) 2h = MED : Medium drive strength, controlled by AON_IOC:IOSTRMED (min 2 mA @2.5V with default values) 3h = Maximum drive strength, controlled by AON_IOC:IOSTRMAX (min 2 mA @1.8V with default values)

Table 13-58. IOCFG28 Register Field Descriptions (continued)

Bit	Field	Type	Reset	Description
7	IOEV_RTC_EN	R/W	0h	Event asserted by this IO when edge detection is enabled 0: Input edge detection does not assert RTC event 1: Input edge detection asserts RTC event
6	IOEV_MCU_WU_EN	R/W	0h	Event asserted by this IO when edge detection is enabled 0: Input edge detection does not assert MCU_WU event 1: Input edge detection asserts MCU_WU event

Table 13-58. IOCFG28 Register Field Descriptions (continued)

Bit	Field	Type	Reset	Description
5-0	PORT_ID	R/W	0h	<p>Selects usage for DIO28</p> <p>Note: This field should not be written other than the times when PORT_ID value is specifically required to change.</p> <p>0h = General Purpose IO</p> <p>7h = AON 32 KHz clock (SCLK_LF)</p> <p>8h = AUX IO</p> <p>9h = SSI0_RX : SSI0 RX</p> <p>Ah = SSI0_TX : SSI0 TX</p> <p>Bh = SSI0_FSS : SSI0 FSS</p> <p>Ch = SSI0_CLK : SSI0 CLK</p> <p>Dh = I2C_MSSDA : I2C Data</p> <p>Eh = I2C_MSSCL : I2C Clock</p> <p>Fh = UART0_RX : UART0 RX</p> <p>10h = UART0_TX : UART0 TX</p> <p>11h = UART0_CTS : UART0 CTS</p> <p>12h = UART0_RTS : UART0 RTS</p> <p>17h = PORT_EVENT0 : PORT EVENT 0</p> <p>Can be used as a general purpose IO event by selecting it through registers in the EVENT module, for example EVENT:GPT0ACAPTSEL.EV, EVENT:UDMACH14BSEL.EV, and so on</p> <p>18h = PORT_EVENT1 : PORT EVENT 1</p> <p>Can be used as a general purpose IO event by selecting it through registers in the EVENT module, for example EVENT:GPT0ACAPTSEL.EV, EVENT:UDMACH14BSEL.EV, and so on</p> <p>19h = PORT_EVENT2 : PORT EVENT 2</p> <p>Can be used as a general purpose IO event by selecting it through registers in the EVENT module, for example EVENT:GPT0ACAPTSEL.EV, EVENT:UDMACH14BSEL.EV, and so on</p> <p>1Ah = PORT_EVENT3 : PORT EVENT 3</p> <p>Can be used as a general purpose IO event by selecting it through registers in the EVENT module, for example EVENT:GPT0ACAPTSEL.EV, EVENT:UDMACH14BSEL.EV, and so on</p> <p>1Bh = PORT_EVENT4 : PORT EVENT 4</p> <p>Can be used as a general purpose IO event by selecting it through registers in the EVENT module, for example EVENT:GPT0ACAPTSEL.EV, EVENT:UDMACH14BSEL.EV, and so on</p> <p>1Ch = PORT_EVENT5 : PORT EVENT 5</p> <p>Can be used as a general purpose IO event by selecting it through registers in the EVENT module, for example EVENT:GPT0ACAPTSEL.EV, EVENT:UDMACH14BSEL.EV, and so on</p> <p>1Dh = PORT_EVENT6 : PORT EVENT 6</p> <p>Can be used as a general purpose IO event by selecting it through registers in the EVENT module, for example EVENT:GPT0ACAPTSEL.EV, EVENT:UDMACH14BSEL.EV, and so on</p> <p>1Eh = PORT_EVENT7 : PORT EVENT 7</p> <p>Can be used as a general purpose IO event by selecting it through registers in the EVENT module, for example EVENT:GPT0ACAPTSEL.EV, EVENT:UDMACH14BSEL.EV, and so on</p> <p>20h = CPU_SWV : CPU SWV</p> <p>25h = I2S_AD0 : I2S Data 0</p> <p>26h = I2S_AD1 : I2S Data 1</p> <p>27h = I2S_WCLK : I2S WCLK</p> <p>28h = I2S_BCLK : I2S BCLK</p> <p>29h = I2S_MCLK : I2S MCLK</p> <p>2Eh = RF Core Trace</p> <p>2Fh = RF Core Data Out 0</p> <p>30h = RF Core Data Out 1</p>

Table 13-58. IOCFG28 Register Field Descriptions (continued)

Bit	Field	Type	Reset	Description
				31h = RF Core Data Out 2 32h = RF Core Data Out 3 33h = RF Core Data In 0 34h = RF Core Data In 1 35h = RF Core SMI Data Link Out 36h = RF Core SMI Data Link In 37h = RF Core SMI Command Link Out 38h = RF Core SMI Command Link In

13.10.3.30 IOCFG29 Register (Offset = 74h) [Reset = 00006000h]

IOCFG29 is shown in [Figure 13-52](#) and described in [Table 13-59](#).

Return to the [Table 13-28](#).

Configuration of DIO29

Figure 13-52. IOCFG29 Register

31	30	29	28	27	26	25	24
RESERVED	HYST_EN	IE	WU_CFG		IOMODE		
R-0h	R/W-0h	R/W-0h	R/W-0h		R/W-0h		
23	22	21	20	19	18	17	16
IOEV_AON_PR OG2_EN	IOEV_AON_PR OG1_EN	IOEV_AON_PR OG0_EN	RESERVED		EDGE_IRQ_EN	EDGE_DET	
R/W-0h	R/W-0h	R/W-0h	R-0h		R/W-0h	R/W-0h	
15	14	13	12	11	10	9	8
RESERVED	PULL_CTL		SLEW_RED	IOCURR		IOSTR	
R-0h	R/W-3h		R/W-0h	R/W-0h		R/W-0h	
7	6	5	4	3	2	1	0
IOEV_RTC_EN	IOEV_MCU_W U_EN	PORT_ID					
R/W-0h	R/W-0h	R/W-0h					

Table 13-59. IOCFG29 Register Field Descriptions

Bit	Field	Type	Reset	Description
31	RESERVED	R	0h	Reserved
30	HYST_EN	R/W	0h	0: Input hysteresis disable 1: Input hysteresis enable
29	IE	R/W	0h	0: Input disabled 1: Input enabled Note: If IO is configured for AUX PORT_ID = 0x08, the enable will be ignored.
28-27	WU_CFG	R/W	0h	If DIO is configured GPIO or non-AON peripheral signals, PORT_ID 0x00 or >0x08: 00: No wake-up 01: No wake-up 10: Wakes up from shutdown if this pad is going low. 11: Wakes up from shutdown if this pad is going high. If IO is configured for AON peripheral signals or AUX PORT_ID 0x01-0x08, this register only sets wakeup enable or not. 00, 01: Wakeup disabled 10, 11: Wakeup enabled Polarity is controlled from AON registers. Note: When the MSB is set, the IOC will deactivate the output enable for the DIO.

Table 13-59. IOCFG29 Register Field Descriptions (continued)

Bit	Field	Type	Reset	Description
26-24	IOMODE	R/W	0h	IO Mode Not applicable for IO configured for AON periph. signals and AUX PORT_ID 0x01-0x08 AUX has its own open_source/drain configuration. 0x2: Reserved. Undefined behavior. 0x3: Reserved. Undefined behavior. 0h = NORMAL : Normal input / output 1h = INV : Inverted input / output 4h = OPENDR : Open Drain, Normal input / output 5h = OPENDR_INV : Open Drain Inverted input / output 6h = OPENSRC : Open Source Normal input / output 7h = OPENSRC_INV : Open Source Inverted input / output
23	IOEV_AON_PROG2_EN	R/W	0h	Event asserted by this IO when edge detection is enabled 0: Input edge detection does not assert AON_PROG2 event 1: Input edge detection asserts AON_PROG2 event
22	IOEV_AON_PROG1_EN	R/W	0h	Event asserted by this IO when edge detection is enabled 0: Input edge detection does not assert AON_PROG1 event 1: Input edge detection asserts AON_PROG1 event
21	IOEV_AON_PROG0_EN	R/W	0h	Event asserted by this IO when edge detection is enabled 0: Input edge detection does not assert AON_PROG0 event 1: Input edge detection asserts AON_PROG0 event
20-19	RESERVED	R	0h	Reserved
18	EDGE_IRQ_EN	R/W	0h	0: No interrupt generation 1: Enable interrupt generation for this IO (Only effective if EDGE_DET is enabled)
17-16	EDGE_DET	R/W	0h	Enable generation of edge detection events on this IO 0h = NONE : No edge detection 1h = Negative edge detection 2h = Positive edge detection 3h = Positive and negative edge detection
15	RESERVED	R	0h	Reserved
14-13	PULL_CTL	R/W	3h	Pull control 1h = DWN : Pull down 2h = UP : Pull up 3h = DIS : No pull
12	SLEW_RED	R/W	0h	0: Normal slew rate 1: Enables reduced slew rate in output driver.
11-10	IOCURR	R/W	0h	Selects IO current mode of this IO. 0h = 2MA : Low-Current (LC) mode: Min 2 mA when IOSTR is set to AUTO 1h = 4MA : High-Current (HC) mode: Min 4 mA when IOSTR is set to AUTO 2h = 4_8MA : Extended-Current (EC) mode: Min 8 mA for double drive strength IOs (min 4 mA for normal IOs) when IOSTR is set to AUTO
9-8	IOSTR	R/W	0h	Select source for drive strength control of this IO. This setting controls the drive strength of the Low-Current (LC) mode. Higher drive strength can be selected in IOCURR 0h = Automatic drive strength, controlled by AON BATMON based on battery voltage. (min 2 mA @VDDS) 1h = Minimum drive strength, controlled by AON_IOC:IOSTRMIN (min 2 mA @3.3V with default values) 2h = MED : Medium drive strength, controlled by AON_IOC:IOSTRMED (min 2 mA @2.5V with default values) 3h = Maximum drive strength, controlled by AON_IOC:IOSTRMAX (min 2 mA @1.8V with default values)

Table 13-59. IOCFG29 Register Field Descriptions (continued)

Bit	Field	Type	Reset	Description
7	IOEV_RTC_EN	R/W	0h	Event asserted by this IO when edge detection is enabled 0: Input edge detection does not assert RTC event 1: Input edge detection asserts RTC event
6	IOEV_MCU_WU_EN	R/W	0h	Event asserted by this IO when edge detection is enabled 0: Input edge detection does not assert MCU_WU event 1: Input edge detection asserts MCU_WU event

Table 13-59. IOCFG29 Register Field Descriptions (continued)

Bit	Field	Type	Reset	Description
5-0	PORT_ID	R/W	0h	<p>Selects usage for DIO29</p> <p>Note: This field should not be written other than the times when PORT_ID value is specifically required to change.</p> <p>0h = General Purpose IO</p> <p>7h = AON 32 KHz clock (SCLK_LF)</p> <p>8h = AUX IO</p> <p>9h = SSI0_RX : SSI0 RX</p> <p>Ah = SSI0_TX : SSI0 TX</p> <p>Bh = SSI0_FSS : SSI0 FSS</p> <p>Ch = SSI0_CLK : SSI0 CLK</p> <p>Dh = I2C_MSSDA : I2C Data</p> <p>Eh = I2C_MSSCL : I2C Clock</p> <p>Fh = UART0_RX : UART0 RX</p> <p>10h = UART0_TX : UART0 TX</p> <p>11h = UART0_CTS : UART0 CTS</p> <p>12h = UART0_RTS : UART0 RTS</p> <p>17h = PORT_EVENT0 : PORT EVENT 0</p> <p>Can be used as a general purpose IO event by selecting it through registers in the EVENT module, for example EVENT:GPT0ACAPTSEL.EV, EVENT:UDMACH14BSEL.EV, and so on</p> <p>18h = PORT_EVENT1 : PORT EVENT 1</p> <p>Can be used as a general purpose IO event by selecting it through registers in the EVENT module, for example EVENT:GPT0ACAPTSEL.EV, EVENT:UDMACH14BSEL.EV, and so on</p> <p>19h = PORT_EVENT2 : PORT EVENT 2</p> <p>Can be used as a general purpose IO event by selecting it through registers in the EVENT module, for example EVENT:GPT0ACAPTSEL.EV, EVENT:UDMACH14BSEL.EV, and so on</p> <p>1Ah = PORT_EVENT3 : PORT EVENT 3</p> <p>Can be used as a general purpose IO event by selecting it through registers in the EVENT module, for example EVENT:GPT0ACAPTSEL.EV, EVENT:UDMACH14BSEL.EV, and so on</p> <p>1Bh = PORT_EVENT4 : PORT EVENT 4</p> <p>Can be used as a general purpose IO event by selecting it through registers in the EVENT module, for example EVENT:GPT0ACAPTSEL.EV, EVENT:UDMACH14BSEL.EV, and so on</p> <p>1Ch = PORT_EVENT5 : PORT EVENT 5</p> <p>Can be used as a general purpose IO event by selecting it through registers in the EVENT module, for example EVENT:GPT0ACAPTSEL.EV, EVENT:UDMACH14BSEL.EV, and so on</p> <p>1Dh = PORT_EVENT6 : PORT EVENT 6</p> <p>Can be used as a general purpose IO event by selecting it through registers in the EVENT module, for example EVENT:GPT0ACAPTSEL.EV, EVENT:UDMACH14BSEL.EV, and so on</p> <p>1Eh = PORT_EVENT7 : PORT EVENT 7</p> <p>Can be used as a general purpose IO event by selecting it through registers in the EVENT module, for example EVENT:GPT0ACAPTSEL.EV, EVENT:UDMACH14BSEL.EV, and so on</p> <p>20h = CPU_SWV : CPU SWV</p> <p>25h = I2S_AD0 : I2S Data 0</p> <p>26h = I2S_AD1 : I2S Data 1</p> <p>27h = I2S_WCLK : I2S WCLK</p> <p>28h = I2S_BCLK : I2S BCLK</p> <p>29h = I2S_MCLK : I2S MCLK</p> <p>2Eh = RF Core Trace</p> <p>2Fh = RF Core Data Out 0</p> <p>30h = RF Core Data Out 1</p>

Table 13-59. IOCFG29 Register Field Descriptions (continued)

Bit	Field	Type	Reset	Description
				31h = RF Core Data Out 2 32h = RF Core Data Out 3 33h = RF Core Data In 0 34h = RF Core Data In 1 35h = RF Core SMI Data Link Out 36h = RF Core SMI Data Link In 37h = RF Core SMI Command Link Out 38h = RF Core SMI Command Link In

13.10.3.31 IOCFG30 Register (Offset = 78h) [Reset = 00006000h]

IOCFG30 is shown in [Figure 13-53](#) and described in [Table 13-60](#).

Return to the [Table 13-28](#).

Configuration of DIO30

Figure 13-53. IOCFG30 Register

31	30	29	28	27	26	25	24
RESERVED	HYST_EN	IE	WU_CFG		IOMODE		
R-0h	R/W-0h	R/W-0h	R/W-0h		R/W-0h		
23	22	21	20	19	18	17	16
IOEV_AON_PR OG2_EN	IOEV_AON_PR OG1_EN	IOEV_AON_PR OG0_EN	RESERVED		EDGE_IRQ_EN	EDGE_DET	
R/W-0h	R/W-0h	R/W-0h	R-0h		R/W-0h	R/W-0h	
15	14	13	12	11	10	9	8
RESERVED	PULL_CTL		SLEW_RED	IOCURR		IOSTR	
R-0h	R/W-3h		R/W-0h	R/W-0h		R/W-0h	
7	6	5	4	3	2	1	0
IOEV_RTC_EN	IOEV_MCU_W U_EN	PORT_ID					
R/W-0h	R/W-0h	R/W-0h					

Table 13-60. IOCFG30 Register Field Descriptions

Bit	Field	Type	Reset	Description
31	RESERVED	R	0h	Reserved
30	HYST_EN	R/W	0h	0: Input hysteresis disable 1: Input hysteresis enable
29	IE	R/W	0h	0: Input disabled 1: Input enabled Note: If IO is configured for AUX PORT_ID = 0x08, the enable will be ignored.
28-27	WU_CFG	R/W	0h	If DIO is configured GPIO or non-AON peripheral signals, PORT_ID 0x00 or >0x08: 00: No wake-up 01: No wake-up 10: Wakes up from shutdown if this pad is going low. 11: Wakes up from shutdown if this pad is going high. If IO is configured for AON peripheral signals or AUX PORT_ID 0x01-0x08, this register only sets wakeup enable or not. 00, 01: Wakeup disabled 10, 11: Wakeup enabled Polarity is controlled from AON registers. Note: When the MSB is set, the IOC will deactivate the output enable for the DIO.

Table 13-60. IOCFG30 Register Field Descriptions (continued)

Bit	Field	Type	Reset	Description
26-24	IOMODE	R/W	0h	IO Mode Not applicable for IO configured for AON periph. signals and AUX PORT_ID 0x01-0x08 AUX has its own open_source/drain configuration. 0x2: Reserved. Undefined behavior. 0x3: Reserved. Undefined behavior. 0h = NORMAL : Normal input / output 1h = INV : Inverted input / output 4h = OPENDR : Open Drain, Normal input / output 5h = OPENDR_INV : Open Drain Inverted input / output 6h = OPENSRC : Open Source Normal input / output 7h = OPENSRC_INV : Open Source Inverted input / output
23	IOEV_AON_PROG2_EN	R/W	0h	Event asserted by this IO when edge detection is enabled 0: Input edge detection does not assert AON_PROG2 event 1: Input edge detection asserts AON_PROG2 event
22	IOEV_AON_PROG1_EN	R/W	0h	Event asserted by this IO when edge detection is enabled 0: Input edge detection does not assert AON_PROG1 event 1: Input edge detection asserts AON_PROG1 event
21	IOEV_AON_PROG0_EN	R/W	0h	Event asserted by this IO when edge detection is enabled 0: Input edge detection does not assert AON_PROG0 event 1: Input edge detection asserts AON_PROG0 event
20-19	RESERVED	R	0h	Reserved
18	EDGE_IRQ_EN	R/W	0h	0: No interrupt generation 1: Enable interrupt generation for this IO (Only effective if EDGE_DET is enabled)
17-16	EDGE_DET	R/W	0h	Enable generation of edge detection events on this IO 0h = NONE : No edge detection 1h = Negative edge detection 2h = Positive edge detection 3h = Positive and negative edge detection
15	RESERVED	R	0h	Reserved
14-13	PULL_CTL	R/W	3h	Pull control 1h = DWN : Pull down 2h = UP : Pull up 3h = DIS : No pull
12	SLEW_RED	R/W	0h	0: Normal slew rate 1: Enables reduced slew rate in output driver.
11-10	IOCURR	R/W	0h	Selects IO current mode of this IO. 0h = 2MA : Low-Current (LC) mode: Min 2 mA when IOSTR is set to AUTO 1h = 4MA : High-Current (HC) mode: Min 4 mA when IOSTR is set to AUTO 2h = 4_8MA : Extended-Current (EC) mode: Min 8 mA for double drive strength IOs (min 4 mA for normal IOs) when IOSTR is set to AUTO
9-8	IOSTR	R/W	0h	Select source for drive strength control of this IO. This setting controls the drive strength of the Low-Current (LC) mode. Higher drive strength can be selected in IOCURR 0h = Automatic drive strength, controlled by AON BATMON based on battery voltage. (min 2 mA @VDDS) 1h = Minimum drive strength, controlled by AON_IOC:IOSTRMIN (min 2 mA @3.3V with default values) 2h = MED : Medium drive strength, controlled by AON_IOC:IOSTRMED (min 2 mA @2.5V with default values) 3h = Maximum drive strength, controlled by AON_IOC:IOSTRMAX (min 2 mA @1.8V with default values)

Table 13-60. IOCFG30 Register Field Descriptions (continued)

Bit	Field	Type	Reset	Description
7	IOEV_RTC_EN	R/W	0h	Event asserted by this IO when edge detection is enabled 0: Input edge detection does not assert RTC event 1: Input edge detection asserts RTC event
6	IOEV_MCU_WU_EN	R/W	0h	Event asserted by this IO when edge detection is enabled 0: Input edge detection does not assert MCU_WU event 1: Input edge detection asserts MCU_WU event

Table 13-60. IOCFG30 Register Field Descriptions (continued)

Bit	Field	Type	Reset	Description
5-0	PORT_ID	R/W	0h	<p>Selects usage for DIO30</p> <p>Note: This field should not be written other than the times when PORT_ID value is specifically required to change.</p> <p>0h = General Purpose IO</p> <p>7h = AON 32 KHz clock (SCLK_LF)</p> <p>8h = AUX IO</p> <p>9h = SSI0_RX : SSI0 RX</p> <p>Ah = SSI0_TX : SSI0 TX</p> <p>Bh = SSI0_FSS : SSI0 FSS</p> <p>Ch = SSI0_CLK : SSI0 CLK</p> <p>Dh = I2C_MSSDA : I2C Data</p> <p>Eh = I2C_MSSCL : I2C Clock</p> <p>Fh = UART0_RX : UART0 RX</p> <p>10h = UART0_TX : UART0 TX</p> <p>11h = UART0_CTS : UART0 CTS</p> <p>12h = UART0_RTS : UART0 RTS</p> <p>17h = PORT_EVENT0 : PORT EVENT 0</p> <p>Can be used as a general purpose IO event by selecting it through registers in the EVENT module, for example EVENT:GPT0ACAPTSEL.EV, EVENT:UDMACH14BSEL.EV, and so on</p> <p>18h = PORT_EVENT1 : PORT EVENT 1</p> <p>Can be used as a general purpose IO event by selecting it through registers in the EVENT module, for example EVENT:GPT0ACAPTSEL.EV, EVENT:UDMACH14BSEL.EV, and so on</p> <p>19h = PORT_EVENT2 : PORT EVENT 2</p> <p>Can be used as a general purpose IO event by selecting it through registers in the EVENT module, for example EVENT:GPT0ACAPTSEL.EV, EVENT:UDMACH14BSEL.EV, and so on</p> <p>1Ah = PORT_EVENT3 : PORT EVENT 3</p> <p>Can be used as a general purpose IO event by selecting it through registers in the EVENT module, for example EVENT:GPT0ACAPTSEL.EV, EVENT:UDMACH14BSEL.EV, and so on</p> <p>1Bh = PORT_EVENT4 : PORT EVENT 4</p> <p>Can be used as a general purpose IO event by selecting it through registers in the EVENT module, for example EVENT:GPT0ACAPTSEL.EV, EVENT:UDMACH14BSEL.EV, and so on</p> <p>1Ch = PORT_EVENT5 : PORT EVENT 5</p> <p>Can be used as a general purpose IO event by selecting it through registers in the EVENT module, for example EVENT:GPT0ACAPTSEL.EV, EVENT:UDMACH14BSEL.EV, and so on</p> <p>1Dh = PORT_EVENT6 : PORT EVENT 6</p> <p>Can be used as a general purpose IO event by selecting it through registers in the EVENT module, for example EVENT:GPT0ACAPTSEL.EV, EVENT:UDMACH14BSEL.EV, and so on</p> <p>1Eh = PORT_EVENT7 : PORT EVENT 7</p> <p>Can be used as a general purpose IO event by selecting it through registers in the EVENT module, for example EVENT:GPT0ACAPTSEL.EV, EVENT:UDMACH14BSEL.EV, and so on</p> <p>20h = CPU_SWV : CPU SWV</p> <p>25h = I2S_AD0 : I2S Data 0</p> <p>26h = I2S_AD1 : I2S Data 1</p> <p>27h = I2S_WCLK : I2S WCLK</p> <p>28h = I2S_BCLK : I2S BCLK</p> <p>29h = I2S_MCLK : I2S MCLK</p> <p>2Eh = RF Core Trace</p> <p>2Fh = RF Core Data Out 0</p> <p>30h = RF Core Data Out 1</p>

Table 13-60. IOCFG30 Register Field Descriptions (continued)

Bit	Field	Type	Reset	Description
				31h = RF Core Data Out 2 32h = RF Core Data Out 3 33h = RF Core Data In 0 34h = RF Core Data In 1 35h = RF Core SMI Data Link Out 36h = RF Core SMI Data Link In 37h = RF Core SMI Command Link Out 38h = RF Core SMI Command Link In

13.10.3.32 IOCFG31 Register (Offset = 7Ch) [Reset = 00006000h]

IOCFG31 is shown in [Figure 13-54](#) and described in [Table 13-61](#).

Return to the [Table 13-28](#).

Configuration of DIO31

Figure 13-54. IOCFG31 Register

31	30	29	28	27	26	25	24
RESERVED	HYST_EN	IE	WU_CFG		IOMODE		
R-0h	R/W-0h	R/W-0h	R/W-0h		R/W-0h		
23	22	21	20	19	18	17	16
IOEV_AON_PR OG2_EN	IOEV_AON_PR OG1_EN	IOEV_AON_PR OG0_EN	RESERVED		EDGE_IRQ_EN	EDGE_DET	
R/W-0h	R/W-0h	R/W-0h	R-0h		R/W-0h	R/W-0h	
15	14	13	12	11	10	9	8
RESERVED	PULL_CTL		SLEW_RED	IOCURR		IOSTR	
R-0h	R/W-3h		R/W-0h	R/W-0h		R/W-0h	
7	6	5	4	3	2	1	0
IOEV_RTC_EN	IOEV_MCU_W U_EN	PORT_ID					
R/W-0h	R/W-0h	R/W-0h					

Table 13-61. IOCFG31 Register Field Descriptions

Bit	Field	Type	Reset	Description
31	RESERVED	R	0h	Reserved
30	HYST_EN	R/W	0h	0: Input hysteresis disable 1: Input hysteresis enable
29	IE	R/W	0h	0: Input disabled 1: Input enabled Note: If IO is configured for AUX PORT_ID = 0x08, the enable will be ignored.
28-27	WU_CFG	R/W	0h	If DIO is configured GPIO or non-AON peripheral signals, PORT_ID 0x00 or >0x08: 00: No wake-up 01: No wake-up 10: Wakes up from shutdown if this pad is going low. 11: Wakes up from shutdown if this pad is going high. If IO is configured for AON peripheral signals or AUX PORT_ID 0x01-0x08, this register only sets wakeup enable or not. 00, 01: Wakeup disabled 10, 11: Wakeup enabled Polarity is controlled from AON registers. Note: When the MSB is set, the IOC will deactivate the output enable for the DIO.

Table 13-61. IOCFG31 Register Field Descriptions (continued)

Bit	Field	Type	Reset	Description
26-24	IOMODE	R/W	0h	IO Mode Not applicable for IO configured for AON periph. signals and AUX PORT_ID 0x01-0x08 AUX has its own open_source/drain configuration. 0x2: Reserved. Undefined behavior. 0x3: Reserved. Undefined behavior. 0h = NORMAL : Normal input / output 1h = INV : Inverted input / output 4h = OPENDR : Open Drain, Normal input / output 5h = OPENDR_INV : Open Drain Inverted input / output 6h = OPENSRC : Open Source Normal input / output 7h = OPENSRC_INV : Open Source Inverted input / output
23	IOEV_AON_PROG2_EN	R/W	0h	Event asserted by this IO when edge detection is enabled 0: Input edge detection does not assert AON_PROG2 event 1: Input edge detection asserts AON_PROG2 event
22	IOEV_AON_PROG1_EN	R/W	0h	Event asserted by this IO when edge detection is enabled 0: Input edge detection does not assert AON_PROG1 event 1: Input edge detection asserts AON_PROG1 event
21	IOEV_AON_PROG0_EN	R/W	0h	Event asserted by this IO when edge detection is enabled 0: Input edge detection does not assert AON_PROG0 event 1: Input edge detection asserts AON_PROG0 event
20-19	RESERVED	R	0h	Reserved
18	EDGE_IRQ_EN	R/W	0h	0: No interrupt generation 1: Enable interrupt generation for this IO (Only effective if EDGE_DET is enabled)
17-16	EDGE_DET	R/W	0h	Enable generation of edge detection events on this IO 0h = NONE : No edge detection 1h = Negative edge detection 2h = Positive edge detection 3h = Positive and negative edge detection
15	RESERVED	R	0h	Reserved
14-13	PULL_CTL	R/W	3h	Pull control 1h = DWN : Pull down 2h = UP : Pull up 3h = DIS : No pull
12	SLEW_RED	R/W	0h	0: Normal slew rate 1: Enables reduced slew rate in output driver.
11-10	IOCURR	R/W	0h	Selects IO current mode of this IO. 0h = 2MA : Low-Current (LC) mode: Min 2 mA when IOSTR is set to AUTO 1h = 4MA : High-Current (HC) mode: Min 4 mA when IOSTR is set to AUTO 2h = 4_8MA : Extended-Current (EC) mode: Min 8 mA for double drive strength IOs (min 4 mA for normal IOs) when IOSTR is set to AUTO
9-8	IOSTR	R/W	0h	Select source for drive strength control of this IO. This setting controls the drive strength of the Low-Current (LC) mode. Higher drive strength can be selected in IOCURR 0h = Automatic drive strength, controlled by AON BATMON based on battery voltage. (min 2 mA @VDDS) 1h = Minimum drive strength, controlled by AON_IOC:IOSTRMIN (min 2 mA @3.3V with default values) 2h = MED : Medium drive strength, controlled by AON_IOC:IOSTRMED (min 2 mA @2.5V with default values) 3h = Maximum drive strength, controlled by AON_IOC:IOSTRMAX (min 2 mA @1.8V with default values)

Table 13-61. IOCFG31 Register Field Descriptions (continued)

Bit	Field	Type	Reset	Description
7	IOEV_RTC_EN	R/W	0h	Event asserted by this IO when edge detection is enabled 0: Input edge detection does not assert RTC event 1: Input edge detection asserts RTC event
6	IOEV_MCU_WU_EN	R/W	0h	Event asserted by this IO when edge detection is enabled 0: Input edge detection does not assert MCU_WU event 1: Input edge detection asserts MCU_WU event

Table 13-61. IOCFG31 Register Field Descriptions (continued)

Bit	Field	Type	Reset	Description
5-0	PORT_ID	R/W	0h	<p>Selects usage for DIO31</p> <p>Note: This field should not be written other than the times when PORT_ID value is specifically required to change.</p> <p>0h = General Purpose IO</p> <p>Note: This is not supported by SIP module. See device specific datasheet for more details.</p> <p>7h = AON 32 KHz clock (SCLK_LF)</p> <p>8h = AUX IO</p> <p>9h = SSI0_RX : SSI0 RX</p> <p>Ah = SSI0_TX : SSI0 TX</p> <p>Bh = SSI0_FSS : SSI0 FSS</p> <p>Ch = SSI0_CLK : SSI0 CLK</p> <p>Dh = I2C_MSSDA : I2C Data</p> <p>Eh = I2C_MSSCL : I2C Clock</p> <p>Fh = UART0_RX : UART0 RX</p> <p>10h = UART0_TX : UART0 TX</p> <p>11h = UART0_CTS : UART0 CTS</p> <p>12h = UART0_RTS : UART0 RTS</p> <p>17h = PORT_EVENT0 : PORT EVENT 0</p> <p>Can be used as a general purpose IO event by selecting it through registers in the EVENT module, for example EVENT:GPT0ACAPTSEL.EV, EVENT:UDMACH14BSEL.EV, and so on</p> <p>18h = PORT_EVENT1 : PORT EVENT 1</p> <p>Can be used as a general purpose IO event by selecting it through registers in the EVENT module, for example EVENT:GPT0ACAPTSEL.EV, EVENT:UDMACH14BSEL.EV, and so on</p> <p>19h = PORT_EVENT2 : PORT EVENT 2</p> <p>Can be used as a general purpose IO event by selecting it through registers in the EVENT module, for example EVENT:GPT0ACAPTSEL.EV, EVENT:UDMACH14BSEL.EV, and so on</p> <p>1Ah = PORT_EVENT3 : PORT EVENT 3</p> <p>Can be used as a general purpose IO event by selecting it through registers in the EVENT module, for example EVENT:GPT0ACAPTSEL.EV, EVENT:UDMACH14BSEL.EV, and so on</p> <p>1Bh = PORT_EVENT4 : PORT EVENT 4</p> <p>Can be used as a general purpose IO event by selecting it through registers in the EVENT module, for example EVENT:GPT0ACAPTSEL.EV, EVENT:UDMACH14BSEL.EV, and so on</p> <p>1Ch = PORT_EVENT5 : PORT EVENT 5</p> <p>Can be used as a general purpose IO event by selecting it through registers in the EVENT module, for example EVENT:GPT0ACAPTSEL.EV, EVENT:UDMACH14BSEL.EV, and so on</p> <p>1Dh = PORT_EVENT6 : PORT EVENT 6</p> <p>Can be used as a general purpose IO event by selecting it through registers in the EVENT module, for example EVENT:GPT0ACAPTSEL.EV, EVENT:UDMACH14BSEL.EV, and so on</p> <p>1Eh = PORT_EVENT7 : PORT EVENT 7</p> <p>Can be used as a general purpose IO event by selecting it through registers in the EVENT module, for example EVENT:GPT0ACAPTSEL.EV, EVENT:UDMACH14BSEL.EV, and so on</p> <p>20h = CPU_SWV : CPU SWV</p> <p>25h = I2S_AD0 : I2S Data 0</p> <p>26h = I2S_AD1 : I2S Data 1</p> <p>27h = I2S_WCLK : I2S WCLK</p> <p>28h = I2S_BCLK : I2S BCLK</p> <p>29h = I2S_MCLK : I2S MCLK</p> <p>2Eh = RF Core Trace</p>

Table 13-61. IOCFG31 Register Field Descriptions (continued)

Bit	Field	Type	Reset	Description
				2Fh = RF Core Data Out 0 30h = RF Core Data Out 1 31h = RF Core Data Out 2 32h = RF Core Data Out 3 33h = RF Core Data In 0 34h = RF Core Data In 1 35h = RF Core SMI Data Link Out 36h = RF Core SMI Data Link In 37h = RF Core SMI Command Link Out 38h = RF Core SMI Command Link In

This chapter describes the direct memory access (DMA) controller, known as μ DMA.

14.1 μDMA Introduction	1164
14.2 Block Diagram	1165
14.3 Functional Description	1165
14.4 Initialization and Configuration	1180
14.5 μDMA Registers	1181

14.1 μ DMA Introduction

The CC13x1x3 and CC26x1x3 device platform includes a direct memory access (DMA) controller, known as μ DMA. The μ DMA controller provides a way to offload data transfer tasks from the Arm[®] Cortex[®]-M4 processor, allowing for more efficient use of the processor and the available bus bandwidth. The μ DMA controller can perform transfers between memory and peripherals. The controller has dedicated channels for each supported on-chip module, and can be programmed to automatically perform transfers between peripherals and memory as the peripheral is ready to transfer more data. The μ DMA controller provides the following features:

- Arm PrimeCell[®] 32-channel configurable μ DMA controller
- Support for memory-to-memory, memory-to-peripheral, and peripheral-to-memory in multiple transfer modes:
 - Basic for simple transfer scenarios
 - Ping-pong for continuous data flow
 - Scatter-gather for a programmable list of arbitrary transfers initiated from a single request
- Highly flexible and configurable channel operation:
 - Independently configured and operated channels
 - Dedicated channels for supported on-chip modules
 - Primary and secondary channel assignments
 - Flexible channel assignments
 - One channel each for receive and transmit paths for bidirectional modules
 - Dedicated channel for software-initiated transfers
 - Per-channel configurable priority scheme
 - Optional software-initiated requests for any channel
- Two levels of priority
- Data sizes of 8, 16, and 32 bits
- Transfer size is programmable in binary steps from 1 to 1024
- Source and destination address increment size of byte, halfword, word, or no increment
- Maskable peripheral requests
- Interrupt on transfer completion with a separate interrupt per channel

14.2 Block Diagram

Figure 14-1 shows the μ DMA block diagram.

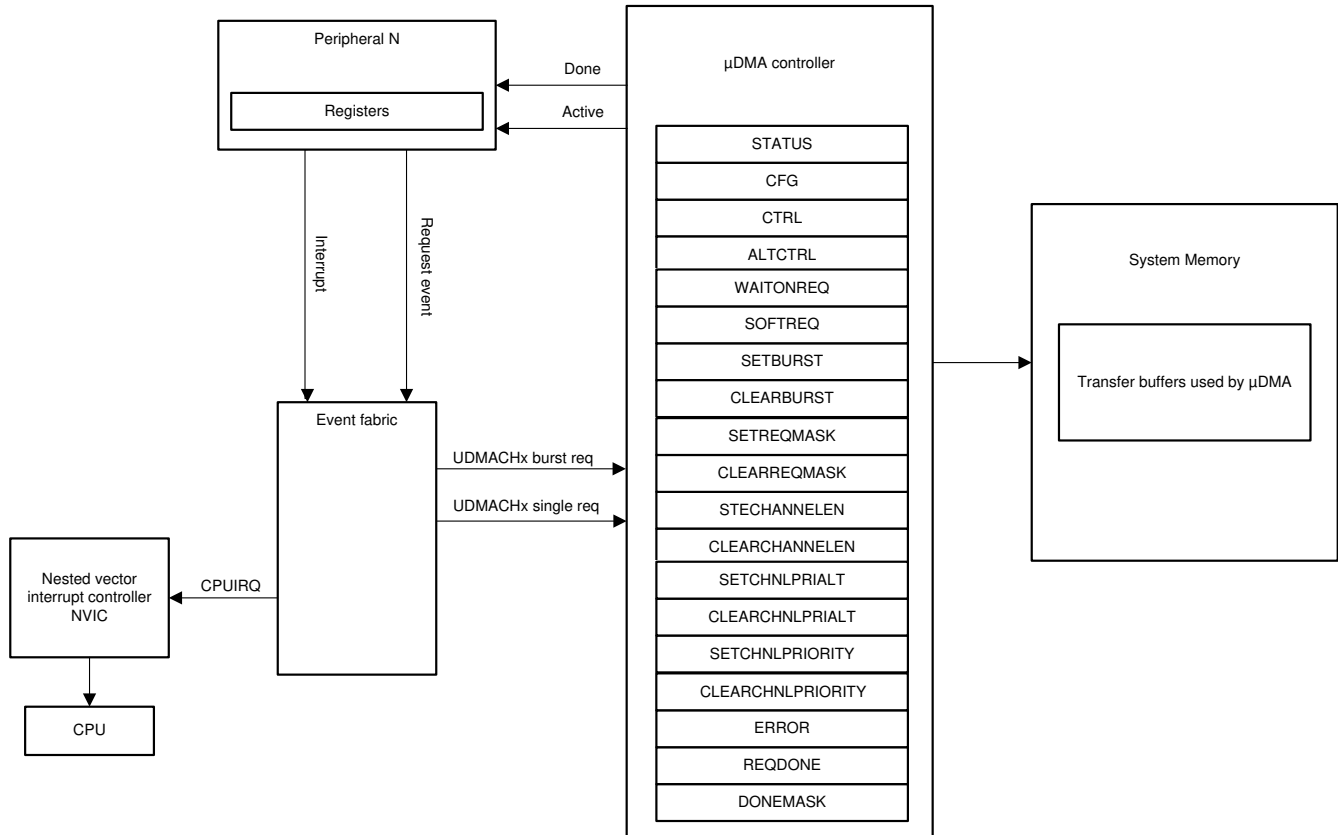


Figure 14-1. μ DMA Block Diagram

14.3 Functional Description

The μ DMA controller is a flexible and highly configurable DMA controller designed to work efficiently with the Arm[®] Cortex[®]-M4 processor core of the microcontroller. The controller supports multiple data sizes and address increment schemes, multiple levels of priority among DMA channels, and several transfer modes to allow for sophisticated programmed data transfers.

Each supported peripheral function has a dedicated channel on the μ DMA controller that can be configured independently. The μ DMA controller implements a configuration method using channel control structures maintained in system memory by the processor. While simple transfer modes are supported, it is also possible to build up sophisticated task lists in memory that allow the μ DMA controller to perform arbitrary-sized transfers to and from arbitrary locations as part of a single transfer request. The μ DMA controller also supports the use of ping-pong buffering to accommodate constant streaming of data to or from a peripheral.

Each channel also has a configurable arbitration size. The arbitration size is the number of items that are transferred in a burst before the μ DMA controller requests channel priority. Using the arbitration size, it is possible to control exactly how many items are transferred to or from a peripheral every time a μ DMA service request is made.

14.3.1 Channel Assignments

Table 14-1 lists μ DMA channel assignments to peripherals.

Table 14-1. Channel Assignments

Channel	Peripheral	waitonreq	map_wiatonreq	stall	dma_done	dma_active	DMA_CHANNEL_WITH_2STAGE_SYNC	DMA_ACTIVE_FF	DMA_CHANNEL_ASYNC
21–31	Reserved	1			yes	yes	0		0
20 ⁽¹⁾	Software 3	1					0		0
19 ⁽¹⁾	Software 2	1					0		0
18 ⁽¹⁾	Software 1	1			yes		0		0
16-17	Reserved	1			yes	yes	0		0
15	AON_RTC	0					0		1
14	DMA_PROG	0					0		1
13	AON_PROG2	0					0		1
12	GPT1_B	1			yes		1		0
11	GPT1_A	1			yes		1		0
10	GPT0_B	1			yes		1		0
9	GPT0_A	1			yes		1		0
8	AUX_SW	0					0		1
7	AUX_ADC	1			yes	yes	0	1	1
5-6	Reserved	1			yes	yes	0		0
4	SSI0_TX	1			yes	yes	0		0
3	SSI0_RX	1			yes	yes	0		0
2	UART0_TX	1			yes	yes	0		0
1	UART0_RX	1			yes	yes	0		0
0 ⁽¹⁾	Software 0	1		yes	yes		0		0

(1) DMA software trigger

14.3.2 Priority

The μ DMA controller assigns priority to each channel based on the channel number and the priority-level bit for the channel. Channel 0 has the highest priority, and as the channel number increases, the priority of a channel decreases. Each channel has a priority-level bit to provide two levels of priority: default priority and high priority. If the priority-level bit is set, then that channel has a higher priority than all other channels at default priority. If multiple channels are set for high priority, then the channel number is used to determine relative priority among all the high-priority channels.

The priority bit for a channel can be set using the UDMA:SETCHNLPRIORITY register and cleared with the UDMA:CLEARCHNLPRIORITY register (see [Section 14.5.1](#)).

14.3.3 Arbitration Size

When a μ DMA channel requests a transfer, the μ DMA controller arbitrates among all the channels making a request, and services the μ DMA channel with the highest priority. Once a transfer begins, it continues for a selectable number of transfers before re-arbitrating among the requesting channels. The arbitration size can be configured for each channel, ranging from 1 to 1024 item transfers. After the μ DMA controller transfers the number of items specified by the arbitration size, the controller then checks among all the channels making a request, and services the channel with the highest priority.

If a lower-priority μ DMA channel uses a large arbitration size, the latency for higher-priority channels is increased because the μ DMA controller completes the lower-priority burst before checking for higher-priority requests. Therefore, lower-priority channels must not use a large arbitration size for best response on high-priority channels.

The arbitration size can also be thought of as burst size. Arbitration size is the maximum number of items that are transferred at any one time in a burst. Here, the term *arbitration* refers to the determination of the μ DMA channel priority, not arbitration for the bus. When the μ DMA controller arbitrates for the bus, the processor always takes priority. Furthermore, the μ DMA controller is delayed whenever the processor must perform a bus transaction on the same bus, even in the middle of a burst transfer.

14.3.4 Request Types

The μ DMA controller responds to two types of requests from a peripheral: single request or burst request. Each peripheral may support either or both types of requests. A single request means that the peripheral is ready to transfer one item, while a burst request means that the peripheral is ready to transfer multiple items.

The μ DMA controller responds differently depending on whether the peripheral is making a single request or a burst request. If both types of requests are asserted and the μ DMA channel has been set up for a burst transfer, then the burst request takes precedence. [Table 14-2](#) lists how each peripheral supports the two request types.

Table 14-2. Request Type Support

Peripheral	Single Request Signal	Burst Request Signal
ADC	None (FIFO is not empty)	Sequencer IE bit (FIFO is half full)
General-purpose timer	Raw interrupt pulse	None
GPIO	Raw interrupt pulse	None
SSI TX	TX FIFO not full	TX FIFO level (fixed at 4)
SSI RX	RX FIFO not empty	RX FIFO level (fixed at 4)
UART TX	TX FIFO not full	TX FIFO level (configurable)
UART RX	RX FIFO not empty	RX FIFO level (configurable)

14.3.4.1 Single Request

When a single request is detected (not a burst request), the μ DMA controller transfers one item and then stops to wait for another request.

Note

Channels 8, 13, 14, and 15 do not respond to a single request because `waitonreq` is tied low.

14.3.4.2 Burst Request

When a burst request is detected, the μ DMA controller transfers the number of items that is the lesser of the arbitration size or the number of items remaining in the transfer. Therefore, the arbitration size must be the same as the number of data items that the peripheral can accommodate when making a burst request. For example, the UART and SPI, which use a mix of single or burst requests, could generate a burst request based on the FIFO trigger level. In this case, the arbitration size must be set to the amount of data that the FIFO can transfer when the trigger level is reached. A burst transfer runs to completion once it starts and cannot be interrupted, even by a higher-priority channel. Burst transfers complete in a shorter time than the same number of nonburst transfers.

It may be desirable to use only burst transfers and not allow single transfers (for example, when the nature of the data is such that it only makes sense when transferred together as a single unit rather than one piece at a time). The single request can be disabled in the `UDMA:SETBURST` register. By setting the bit for a channel in this register, the μ DMA controller responds only to burst requests for that channel.

14.3.5 Channel Configuration

The μ DMA controller uses an area of system memory to store a set of channel control structures in a table. The control table may have one or two entries for each μ DMA channel. Each entry in the table structure contains source and destination pointers, transfer size, and transfer mode. The control table can be located anywhere in system memory, but it must be contiguous and aligned on a 1024-byte boundary.

[Table 14-3](#) describes the memory layout of the channel control table. Each channel may have one or two control structures in the control table—a primary control structure and an optional, alternate control structure. The table is organized with all of the primary entries in the first half of the table, and with all the alternate structures in the second half of the table. The primary entry is used for simple transfer modes where transfers can be reconfigured and restarted after each transfer completes. In this case, the alternate control structures are not used and therefore, only the first half of the table must be allocated in memory; the second half of the control table is not necessary, and that memory can be used for something else. If a more complex transfer mode is used, such as ping-pong or scatter-gather, then the alternate control structure is also used and memory space must be allocated for the entire table.

Any unused memory in the control table may be used by the application, which includes the control structures for any channels that are unused by the application, as well as the unused control word for each channel.

Table 14-3. Control Structure Memory Map

Offset	Channel
0x0	0, Primary
0x10	1, Primary
...	...
0x1F0	31, Primary
0x200	0, Alternate
0x210	1, Alternate
...	...
0x3F0	31, Alternate

Table 14-4 describes an individual control-structure entry in the control table. Each entry is aligned on a 16-byte boundary. The entry contains four long words: the source end pointer, the destination end pointer, the control word, and an unused entry. The inclusive end pointers point to the ending address of the transfer. If the source or destination is nonincrementing (as for a peripheral register), then the pointer must point to the transfer address.

Table 14-4. Channel Control Structure

Offset	Description
0x000	Source end pointer
0x004	Destination end pointer
0x008	Control word
0x00C	Unused entry

The control word contains the following fields:

- Source and destination data sizes
- Source and destination address increment size
- Number of transfers before bus arbitration
- Total number of items to transfer
- Useburst flag
- Transfer mode

The control parameters for a channel can be set using the driver library function `void uDMAChannelControlSet();` function. The μDMA controller updates the transfer size and transfer mode fields as the transfer is performed. At the end of a transfer, the transfer size indicates 0, and the transfer mode indicates stopped. Because the control word is modified by the μDMA controller, it must be reconfigured before each new transfer. The source and destination end pointers are not modified, so they can be left unchanged if the source or destination addresses remain the same.

Before starting a transfer, a μDMA channel must be enabled by setting the appropriate bit in the UDMA:SETCHANLEN register. A channel can be disabled by setting the channel bit in the UDMA:CLEARCHANLEN register. At the end of a complete μDMA transfer, the controller automatically disables the channel.

14.3.6 Transfer Modes

The μ DMA controller supports several transfer modes. Two of the modes support simple, one-time transfers. Several complex modes support a continuous flow of data.

14.3.6.1 Stop Mode

While stop mode is not actually a transfer mode, stop is a valid value for the *mode* field of the control word. When the mode field has the *stop* value, the μ DMA controller does not perform any transfers and disables the channel if enabled. The μ DMA controller updates the control word to set the mode to stop at the end of a transfer. This mode can be useful in scatter-gather operations.

14.3.6.2 Basic Mode

In basic mode, the μ DMA controller performs transfers as long as there are more items to transfer, and a transfer request is present. This mode is used with peripherals that assert a μ DMA request signal whenever the peripheral is ready for a data transfer. Basic mode must not be used in any situation where the request is momentary, even though the entire transfer must be completed.

The μ DMA controller sets the mode for that channel to stop when all of the items have been transferred using basic mode.

14.3.6.3 Auto Mode

Auto mode is similar to basic mode, except that when a transfer request is received, the transfer completes, even if the μ DMA request is removed. This mode is suitable for software-triggered transfers. Generally, auto mode is not used with a peripheral.

The μ DMA controller sets the mode for that channel to stop when all the items have been transferred using auto mode.

14.3.6.4 Ping-Pong

Ping-pong mode is used to support a continuous data flow to or from a peripheral. Both the primary and alternate data structures must be implemented to use ping-pong mode. Both structures are set up by the processor for data transfer between memory and a peripheral. The transfer is started using the primary control structure. When the transfer using the primary control structure completes, the μ DMA controller reads the alternate control structure for that channel to continue the transfer. Each time this occurs, an interrupt is generated, and the processor can reload the control structure for the just-completed transfer. Data flow can continue indefinitely this way, using the primary and alternate control structures to switch between buffers as the data flows to or from the peripheral.

Figure 14-2 shows an example operation in ping-pong mode.

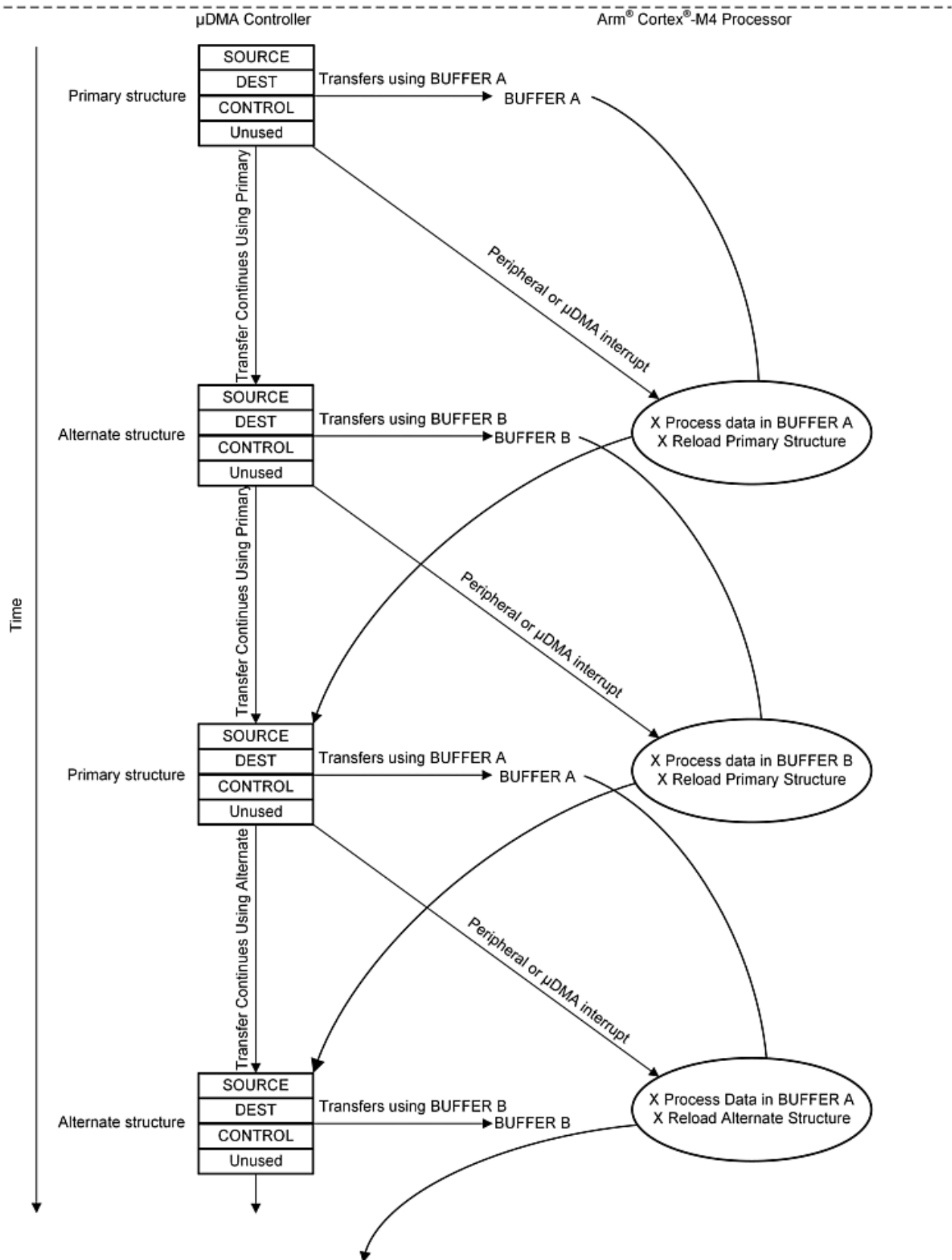


Figure 14-2. Example of Ping-Pong μ DMA Transaction

14.3.6.5 Memory Scatter-Gather Mode

Memory scatter-gather mode is a complex mode used when data must be transferred to or from varied locations in memory instead of a set of contiguous locations in a memory buffer. For example, a gather μ DMA operation could be used to selectively read the payload of several stored packets of a communication protocol, and store them together in sequence in a memory buffer.

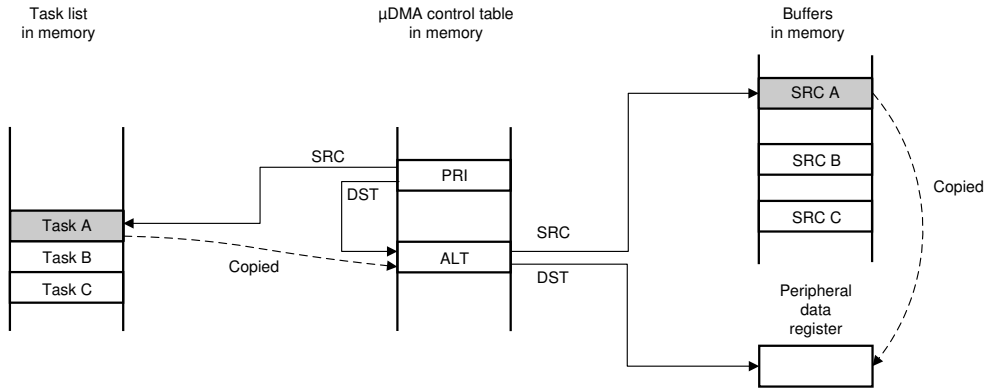
In memory scatter-gather mode, the primary control structure is used to program the alternate control structure from a table in memory. The table is set up by the processor software and contains a list of control structures, each containing the source and destination end pointers, and the control word for a specific transfer. The mode of each control word must be set to memory scatter-gather mode. Each entry in the table is, in turn, copied to the alternate structure where it is then executed. The μ DMA controller alternates between using the primary control structure to copy the next transfer instruction from the list, and then executing the new transfer instruction. The end of the list is marked by programming the control word for the last entry to use auto transfer mode. When the last transfer is performed using auto mode, the μ DMA controller stops. A completion interrupt is generated only after the last transfer.

It is possible to loop the list by having the last entry copy the primary control structure to point back to the beginning of the list (or to a new list). It is also possible to trigger a set of other channels to perform a transfer, either directly, by programming a write to the software trigger for another channel, or indirectly, by causing a peripheral action that results in a μ DMA request.

By programming the μ DMA controller using this method, a set of arbitrary transfers can be performed based on a single μ DMA request.

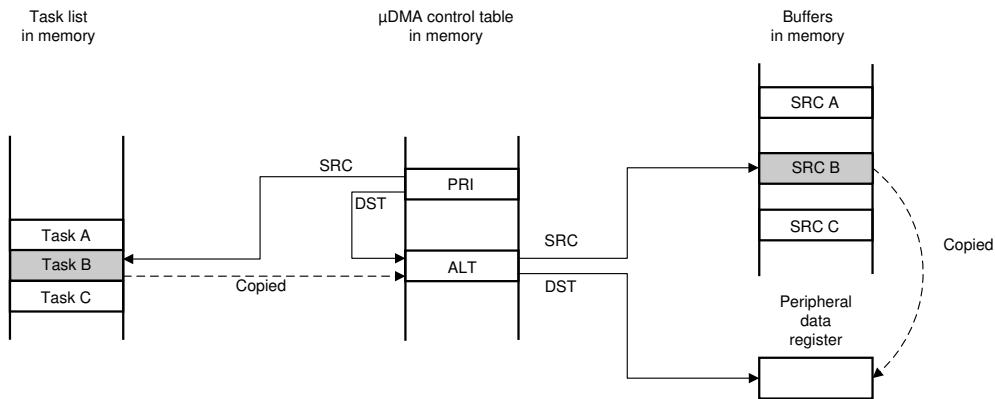
[Figure 14-3](#) shows an example of operation in memory scatter-gather mode. This example shows a gather operation, where data in three separate buffers in memory is copied together into one buffer. [Figure 14-3](#) shows how the application sets up a μ DMA task list in memory, that is then used by the controller to perform three sets of copy operations from different locations in memory. The primary control structure for the channel used for the operation is configured to copy from the task list to the alternate control structure.

[Figure 14-4](#) shows the sequence as the μ DMA controller performs the three sets of copy operations. First, using the primary control structure, the μ DMA controller loads the alternate control structure with Task A. The μ DMA controller then performs the copy operation specified by Task A, copying the data from the source buffer A to the destination buffer. Next, the μ DMA controller again uses the primary control structure to load Task B into the alternate control structure, and then performs the B operation with the alternate control structure. The process is repeated for Task C.



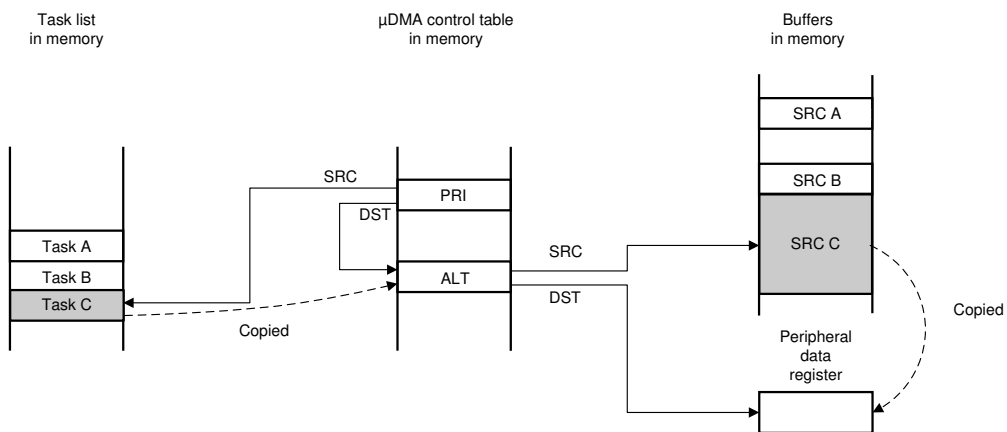
Using the primary control structure of the channel, the μ DMA controller copies task A configuration to the alternate control structure of the channel.

Then, using the alternate control structure of the channel, the μ DMA controller copies data from source buffer A to the peripheral data register.



Using the primary control structure of the channel, the μ DMA controller copies task B configuration to the alternate control structure of the channel.

Then, using the alternate control structure of the channel, the μ DMA controller copies data from source buffer B to the peripheral data register.



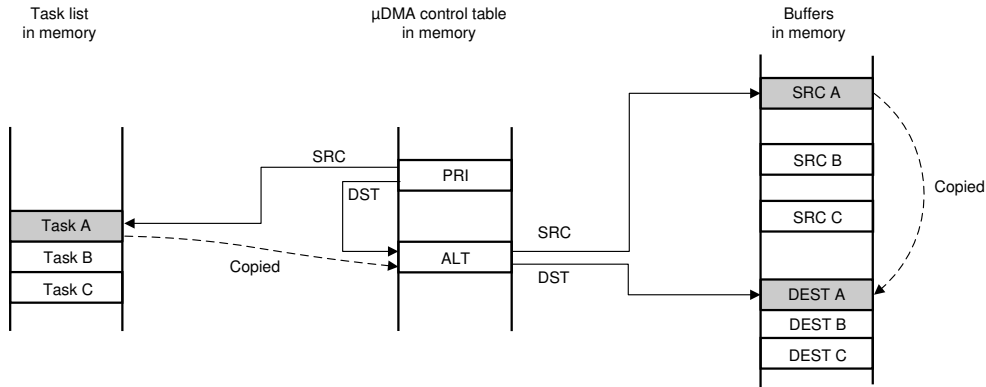
Using the primary control structure of the channel, the μ DMA controller copies task C configuration to the alternate control structure of the channel.

Then, using the alternate control structure of the channel, the μ DMA controller copies data from source buffer C to the peripheral data register.

- A. The application has a need to copy data items from three separate locations in memory into one combined buffer.
- B. The application sets up μ DMA "task list" in memory, which contains the pointers and control configuration for three μ DMA copy "tasks."

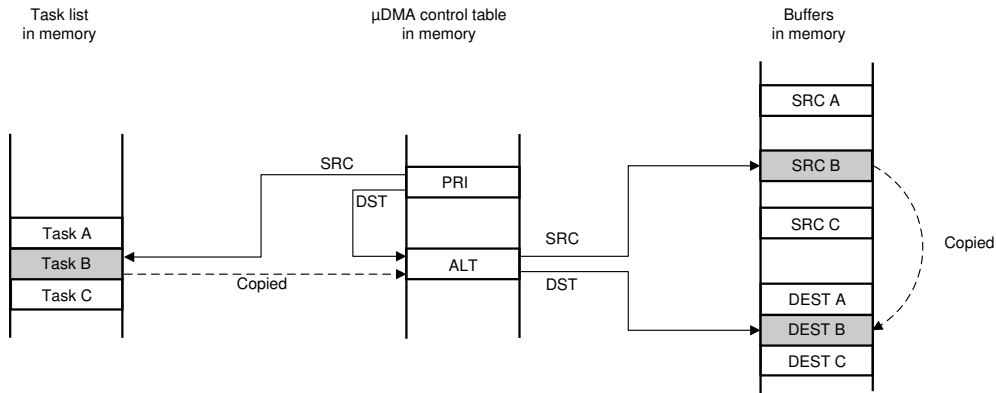
- C. The application sets up the channel primary control structure to copy each task configuration, one at a time, to the alternate control structure, where it is executed by the μ DMA controller.

Figure 14-3. Memory Scatter-Gather, Setup, and Configuration



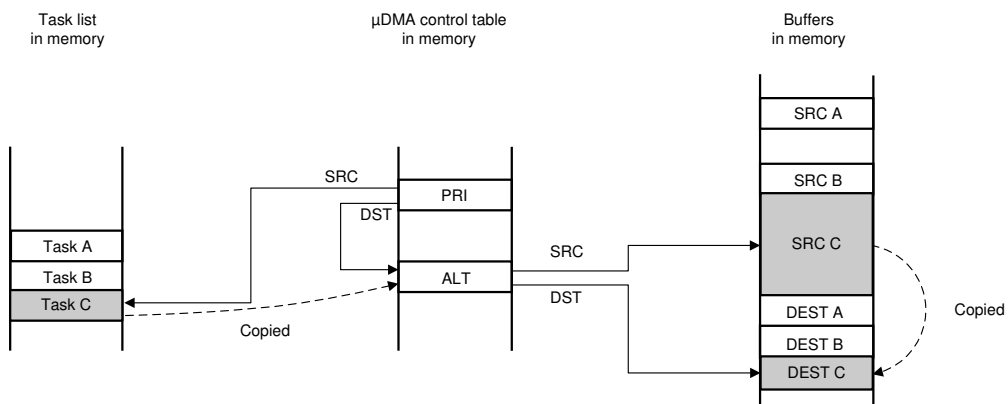
Using the primary control structure of the channel, the μ DMA controller copies task A configuration to the alternate control structure of the channel.

Then, using the alternate control structure of the channel, the μ DMA controller copies data from source buffer A to the destination buffer.



Using the primary control structure of the channel, the μ DMA controller copies task B configuration to the alternate control structure of the channel.

Then, using the alternate control structure of the channel, the μ DMA controller copies data from source buffer B to the destination buffer.



Using the primary control structure of the channel, the μ DMA controller copies task C configuration to the alternate control structure of the channel.

Then, using the alternate control structure of the channel, the μ DMA controller copies data from source buffer C to destination buffer.

Figure 14-4. Memory Scatter-Gather, μ DMA Copy Sequence

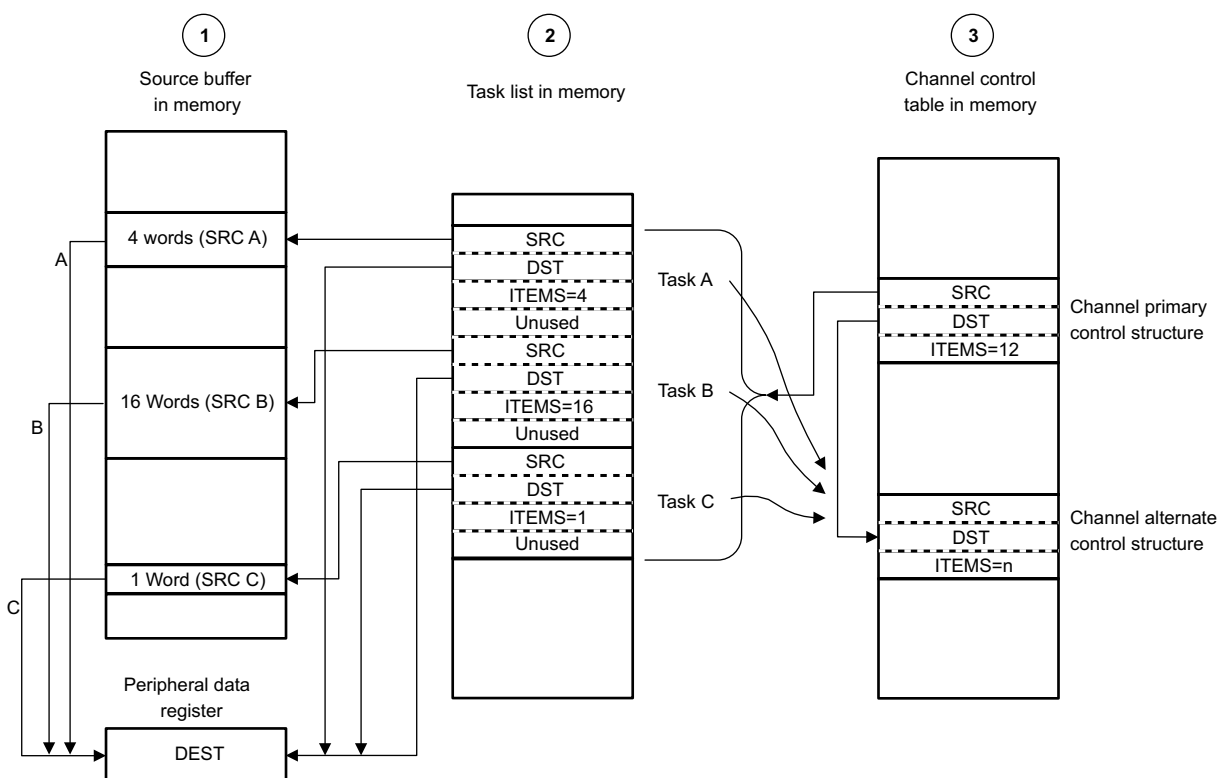
14.3.6.6 Peripheral Scatter-Gather Mode

Peripheral scatter-gather mode is similar to memory scatter-gather mode, except that the transfers are controlled by a peripheral making a μ DMA request. When the μ DMA controller detects a request from the peripheral, the μ DMA controller uses the primary control structure to copy one entry from the list to the alternate control structure, and then performs the transfer. At the end of this transfer, the next transfer is started only if the peripheral again asserts a μ DMA request. The μ DMA controller continues to perform transfers from the list only when the peripheral makes a request, until the last transfer completes. A completion interrupt is generated only after the last transfer.

By using this method, the μ DMA controller can transfer data to or from a peripheral from a set of arbitrary locations whenever the peripheral is ready to transfer data.

Figure 14-5 shows an example of operation in peripheral scatter-gather mode. This example shows a gather operation where data from three separate buffers in memory is copied to a single peripheral data register. Figure 14-5 shows how the application sets up a μ DMA task list in memory, that is then used by the controller to perform three sets of copy operations from different locations in memory. The primary control structure for the channel used for the operation is configured to copy from the task list to the alternate control structure.

Figure 14-6 shows the sequence as the μ DMA controller performs the three sets of copy operations. First, using the primary control structure, the μ DMA controller loads the alternate control structure with Task A. The μ DMA controller then performs the copy operation specified by Task A, copying the data from the source buffer A to the peripheral data register. Next, the μ DMA controller again uses the primary control structure to load Task B into the alternate control structure, and then performs the B operation with the alternate control structure. The process is repeated for Task C.



- The application has a need to copy data items from three separate locations in memory into a peripheral data register.
- The application sets up the μ DMA "task list" in memory, which contains the pointers and control configuration for three μ DMA copy "tasks."
- The application sets up the channel primary control structure to copy each task configuration, one at a time, to the alternate control structure, where it is executed by the μ DMA controller.

Figure 14-5. Peripheral Scatter-Gather, Setup, and Configuration

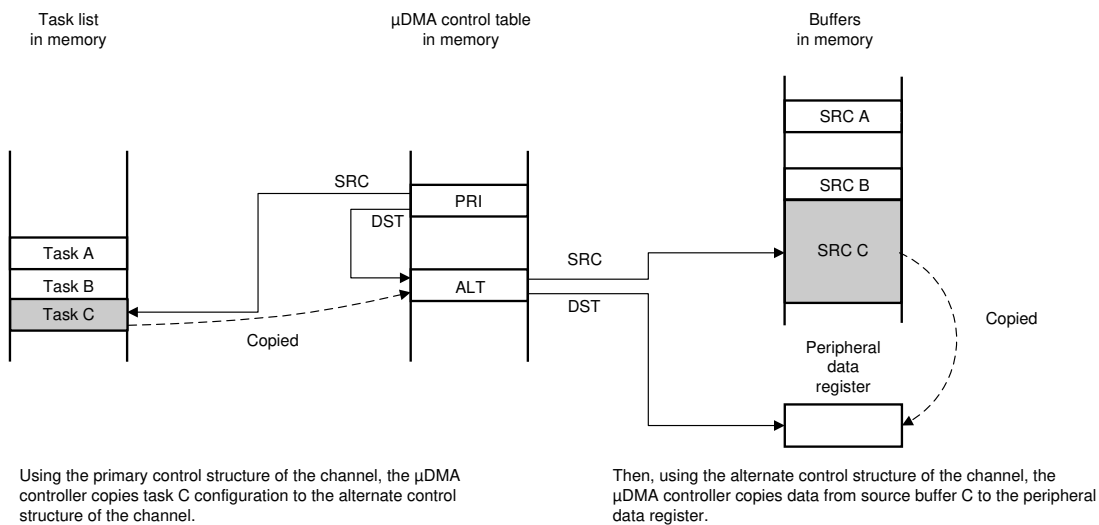
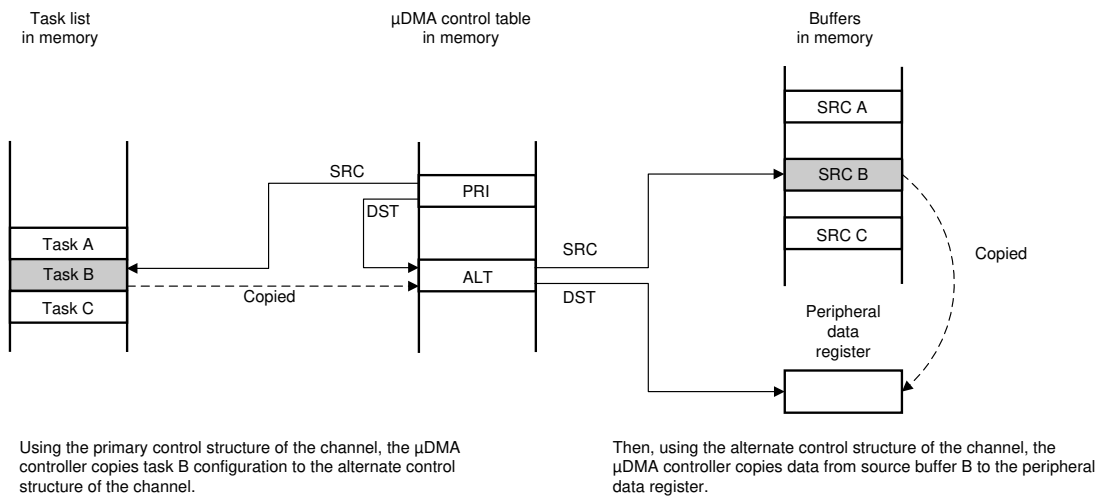
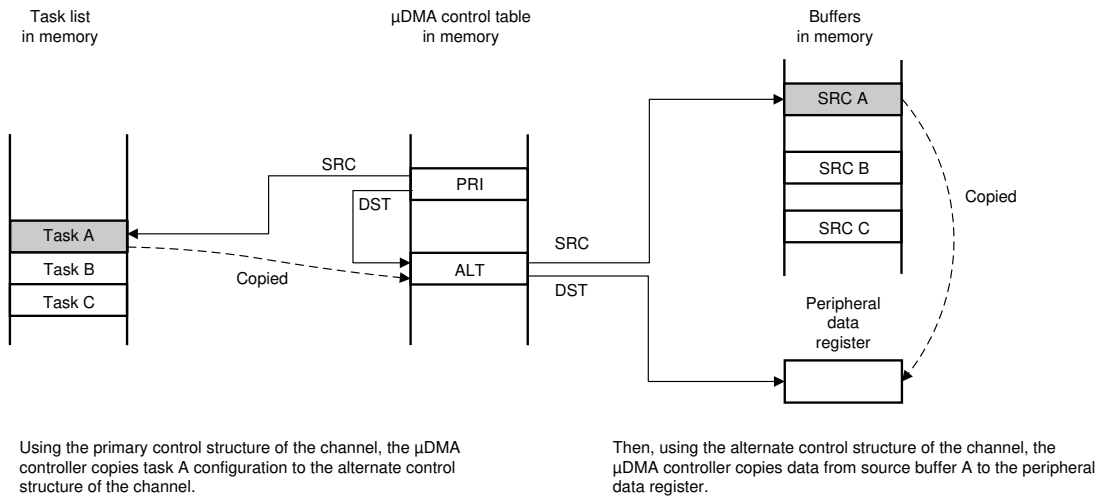


Figure 14-6. Peripheral Scatter-Gather, μ DMA Copy Sequence

14.3.7 Transfer Size and Increments

The μ DMA controller supports transfer data sizes of 8, 16, or 32 bits. The source and destination data size must be the same for any given transfer. The source and destination address can be automatically incremented by bytes, half-words, words, or set to no increment. The source and destination address increment values can be set independently; it is not necessary for the address increment to match the data size, as long as the increment is the same or larger than the data size. For example, it is possible to perform a transfer using 8-bit data size by using an address increment of full words (4 bytes). The data to be transferred must be aligned in memory according to the data size (8, 16, or 32 bits).

Table 14-5 provides the configuration to read from a peripheral that supplies 8-bit data.

Table 14-5. μ DMA Read Example: 8-Bit Peripheral

Field	Configuration
Source data size	8 bits
Destination data size	8 bits
Source address increment	No increment
Destination address increment	Byte
Source end pointer	Peripheral read FIFO register
Destination end pointer	End of the data buffer in memory

14.3.8 Peripheral Interface

Each peripheral that supports μ DMA has a single request or burst request signal that is asserted when the peripheral is ready to transfer data (see Table 14-2). The request signal can be disabled or enabled using the UDMA:SETREQMASK and UDMA:CLEARREQMASK registers, respectively. The μ DMA request signal is disabled, or masked, when the channel request mask bit is set. When the request is not masked, the μ DMA channel is configured correctly and enabled, the peripheral asserts the request signal, and the μ DMA controller begins the transfer.

Note

The peripheral must disable all interrupts to the event fabric when using μ DMA to transfer data to and from a peripheral.

When a μ DMA transfer is complete, the μ DMA controller generates an interrupt; for more information, see Section 14.3.10.

For more information on how a specific peripheral interacts with the μ DMA controller, refer to the DMA Operation section in the chapter that discusses that peripheral.

14.3.9 Software Request

Channels may be set up to perform software transfers through the UDMA:SOFTREQ register. If the channel used for software is also tied to a specific peripheral, the dma_done/interrupt signal is provided directly to the Arm[®] Cortex[®]-M4 CPU instead of sending it to the peripheral. The interrupt used is a combined interrupt, number 46 – software μ DMA interrupt, for all software transfers.

If software uses a μ DMA channel of the peripheral to initiate a request, then the completion interrupt occurs on the interrupt vector for the peripheral instead of occurring on the software interrupt vector.

Note

DMA software requests are specified on channels 0, 18, 19, and 20. For channel 0 and channel 18, dma_done is available as events DMA_CH0_DONE and DMA_CH18_DONE in the EV field of the EVENT:UDMACH14BSEL or EVENT:CPUIRQSEL30 registers.

14.3.10 Interrupts and Errors

The μ DMA controller generates a completion interrupt on the interrupt vector of the peripheral when a μ DMA transfer completes. Therefore, if μ DMA is used to transfer data for a peripheral and interrupts are used, then the interrupt handler for that peripheral must be designed to handle the μ DMA transfer completion interrupt. If the transfer uses the software μ DMA channel, then the completion interrupt occurs on the dedicated software μ DMA interrupt vector (see [Table 14-6](#)).

When μ DMA is enabled for a peripheral, the μ DMA controller stops the normal transfer interrupts for a peripheral from reaching the interrupt controller (INTC). The interrupts are still reported in the interrupt registers of the peripheral. Thus, when a large amount of data is transferred using μ DMA, instead of receiving multiple interrupts from the peripheral as data flows, the INTC receives only one interrupt when the transfer completes. Unmasked peripheral error interrupts continue to be sent to the INTC.

When a μ DMA channel generates a completion interrupt, the CHNLS bit corresponding to the peripheral channel is set in the DMA Channel Request Done register, UDMA:REQDONE. This register can be used by the interrupt handler code of the peripheral to determine if the interrupt was caused by the μ DMA channel or an error event reported by the interrupt registers of the peripheral. The completion interrupt request from the μ DMA controller is automatically cleared when the interrupt handler is activated.

If the μ DMA controller encounters a bus or memory protection error as it tries to perform a data transfer, the controller disables the μ DMA channel that caused the error and generates an interrupt on the μ DMA error interrupt vector. The processor can read the DMA Clear Bus Error register, UDMA:ERROR, to determine if an error is pending. The STATUS bit is set if an error occurred. The error can be cleared by setting the STATUS bit to 1.

Note

The error interrupt or event goes to the event fabric as DMA_ERR, and is connected as an interrupt to the Arm[®] Cortex[®]-M4 processor through the EVENT:CPUIRQSEL25 register.

[Table 14-6](#) lists the dedicated interrupt assignments for the μ DMA controller.

Table 14-6. μ DMA Interrupt Assignments

Interrupt	Assignment
40	μ DMA software channel transfer
41	μ DMA error

14.4 Initialization and Configuration

14.4.1 Module Initialization

The DMA controller resides in the peripheral domain, which must be powered up to enable the μ DMA controller. The following steps are necessary:

1. Enable the peripheral power domain by setting the PRCM:PDCTL0PERIPH.ON register bit or by using the driver library function (PRCM_DOMAIN_PERIPH):

```
PRCMPowerDomainOn
```

2. Enable the μ DMA controller by setting the PRCM:SECDMACLKGR.DMA_CLK_EN register bit and the PRCM:SECDMACLKGS.DMA_CLK_EN register bit or by using the driver library functions:

```
PRCMPPeripheralRunEnable (uint32_t)
```

and

```
PRCMPPeripheralSleepEnable (uint32_t)
```

3. Load the setting to clock controller by setting the PRCM:CLKLOADCTL.LOAD register bit or by using the function:

```
PRCMLoadSet ()
```

4. Enable the μ DMA controller by setting the DMA Configuration register, UDMA:CFG, MASTERENABLE bit.
5. Program the location of the channel control table by writing the base address of the table to the DMA Channel Control Base Pointer register, UDMA:CTRL. The base address must be aligned on a 1024-byte boundary.

14.4.2 Configuring a Memory-to-Memory Transfer

The μ DMA channels 0, 18, 19, and 20 are dedicated for software-initiated transfers. This specific example uses channel 0. No attributes must be set for a software-based transfer. The attributes are cleared by default, but are explicitly cleared as shown in the following sections.

14.4.2.1 Configure the Channel Attributes

Configure the channel attributes as follows, or use the following driver library function:

```
uDMAChannelAttributeDisable (uint32_t ui32Base, uint32_t ui32ChannelNum, uint32_t ui32Attr)
```

1. Program bit 0 of the DMA Set Channel Priority register, UDMA:SETCHNLPRIORITY, or the DMA Clear Channel Priority register, UDMA:CLEARCHNLPRIORITY, to set the channel to high priority or default priority.
2. Set bit 0 of the DMA Clear Channel Primary Alternate register, UDMA:CLEARCHNLPRIALT, to select the primary channel control structure for this transfer.
3. Set bit 0 of the DMA Channel Clear Useburst register, UDMA:CLEARBURST, to allow the μ DMA controller to respond to single requests and burst requests.
4. Set bit 0 of the DMA Clear Channel Request Mask register, UDMA:CLEARREQMASK, to allow the μ DMA controller to recognize requests for this channel.

14.4.2.2 Configure the Channel Control Structure

This example transfers 256 words from one memory buffer to another. Channel 0 is used for a software transfer, and the control structure for channel 0 must be configured to transfer 8-bit data with source and destination increments in bytes and byte-wise buffer copy. A bus arbitration size of eight can be used here.

The transfer buffer and transfer size are now configured. The transfer uses auto mode, which means that the transfer automatically runs to completion after the first request.

14.4.2.3 Start the Transfer

Finally, the channel must be enabled. A request must also be made because this is a software-initiated transfer. The request starts the transfer.

1. Enable global interrupts (IntMasterEnable();) and enable interrupt for DMA (IntEnable(uint32_t ui32Interrupt)).
2. Enable the channel by setting bit 0 of the DMA Set Channel Enable register, UDMA:SETCHANNELEN.
3. Issue a transfer request by setting bit 0 of the DMA Channel Software Request register, UDMA:SOFTREQ.
4. The μ DMA transfer begins. If the interrupt is enabled, then the processor is notified by interrupt when the transfer completes.

If needed, the status can be checked by reading the UDMA:SETCHANNELEN register bit 0. This bit is automatically cleared when the transfer completes.

14.5 μ DMA Registers

The next section shows the register bank for the μ DMA.

14.5.1 μ DMA Registers

[MDMA Registers](#) lists the memory-mapped registers for the μ DMA registers. All register offset addresses not listed in [MDMA Registers](#) should be considered as reserved locations and the register contents should not be modified.

Table 14-7. MDMA Registers

Offset	Acronym	Register Name	Section
0h	STATUS	Status	Section 14.5.1.1
4h	CFG	Configuration	Section 14.5.1.2
8h	CTRL	Channel Control Data Base Pointer	Section 14.5.1.3
Ch	ALTCTRL	Channel Alternate Control Data Base Pointer	Section 14.5.1.4
10h	WAITONREQ	Channel Wait On Request Status	Section 14.5.1.5
14h	SOFTREQ	Channel Software Request	Section 14.5.1.6
18h	SETBURST	Channel Set UseBurst	Section 14.5.1.7
1Ch	CLEARBURST	Channel Clear UseBurst	Section 14.5.1.8
20h	SETREQMASK	Channel Set Request Mask	Section 14.5.1.9
24h	CLEARREQMASK	Clear Channel Request Mask	Section 14.5.1.10
28h	SETCHANNELEN	Set Channel Enable	Section 14.5.1.11
2Ch	CLEARCHANNELEN	Clear Channel Enable	Section 14.5.1.12
30h	SETCHNLPRIALT	Channel Set Primary-Alternate	Section 14.5.1.13
34h	CLEARCHNLPRIALT	Channel Clear Primary-Alternate	Section 14.5.1.14
38h	SETCHNLPRIORITY	Set Channel Priority	Section 14.5.1.15
3Ch	CLEARCHNLPRIORITY	Clear Channel Priority	Section 14.5.1.16
4Ch	ERROR	Error Status and Clear	Section 14.5.1.17
504h	REQDONE	Channel Request Done	Section 14.5.1.18
520h	DONEMASK	Channel Request Done Mask	Section 14.5.1.19

Complex bit access types are encoded to fit into small table cells. [\$\mu\$ DMA Access Type Codes](#) shows the codes that are used for access types in this section.

Table 14-8. μ DMA Access Type Codes

Access Type	Code	Description
Read Type		
R	R	Read
Write Type		
W	W	Write
Reset or Default Value		
-n		Value after reset or the default value

14.5.1.1 STATUS Register (Offset = 0h) [Reset = 001F0000h]

STATUS is shown in [STATUS Register](#) and described in [STATUS Register Field Descriptions](#).

Return to the [MDMA Registers](#).

Status

Figure 14-7. STATUS Register

31	30	29	28	27	26	25	24
TEST				RESERVED			
R-0h				R-0h			
23	22	21	20	19	18	17	16
RESERVED				TOTALCHANNELS			
R-0h				R-1Fh			
15	14	13	12	11	10	9	8
RESERVED							
R-0h							
7	6	5	4	3	2	1	0
STATE				RESERVED			MASTERENAB LE
R-0h				R-0h			R-0h

Table 14-9. STATUS Register Field Descriptions

Bit	Field	Type	Reset	Description
31-28	TEST	R	0h	0x0: Controller does not include the integration test logic 0x1: Controller includes the integration test logic 0x2: Undefined ... 0xF: Undefined
27-21	RESERVED	R	0h	Reserved
20-16	TOTALCHANNELS	R	1Fh	Register value returns number of available μ DMA channels minus one. For example a read out value of: 0x00: Show that the controller is configured to use 1 μ DMA channel 0x01: Shows that the controller is configured to use 2 μ DMA channels ... 0x1F: Shows that the controller is configured to use 32 μ DMA channels (32-1=31=0x1F)
15-8	RESERVED	R	0h	Reserved
7-4	STATE	R	0h	Current state of the control state machine. State can be one of the following: 0x0: Idle 0x1: Reading channel controller data 0x2: Reading source data end pointer 0x3: Reading destination data end pointer 0x4: Reading source data 0x5: Writing destination data 0x6: Waiting for μ DMA request to clear 0x7: Writing channel controller data 0x8: Stalled 0x9: Done 0xA: Peripheral scatter-gather transition 0xB: Undefined ... 0xF: Undefined.
3-1	RESERVED	R	0h	Reserved

Table 14-9. STATUS Register Field Descriptions (continued)

Bit	Field	Type	Reset	Description
0	MASTERENABLE	R	0h	Shows the enable status of the controller as configured by CFG.MASTERENABLE: 0: Controller is disabled 1: Controller is enabled

14.5.1.2 CFG Register (Offset = 4h) [Reset = 0000000h]

CFG is shown in [CFG Register](#) and described in [CFG Register Field Descriptions](#).

Return to the [MDMA Registers](#).

Configuration

Figure 14-8. CFG Register

31	30	29	28	27	26	25	24
RESERVED							
R-0h							
23	22	21	20	19	18	17	16
RESERVED							
R-0h							
15	14	13	12	11	10	9	8
RESERVED							
R-0h							
7	6	5	4	3	2	1	0
PRTOCTRL			RESERVED				MASTERENAB LE
W-0h			R-0h				W-0h

Table 14-10. CFG Register Field Descriptions

Bit	Field	Type	Reset	Description
31-8	RESERVED	R	0h	Reserved
7-5	PRTOCTRL	W	0h	Sets the AHB-Lite bus protocol protection state by controlling the AHB signal HProt[3:1] as follows: Bit [7] Controls HProt[3] to indicate if a cacheable access is occurring. Bit [6] Controls HProt[2] to indicate if a bufferable access is occurring. Bit [5] Controls HProt[1] to indicate if a privileged access is occurring. When bit [n] = 1 then the corresponding HProt bit is high. When bit [n] = 0 then the corresponding HProt bit is low. This field controls HProt[3:1] signal for all transactions initiated by μ DMA except two transactions below: - the read from the address indicated by source address pointer - the write to the address indicated by destination address pointer HProt[3:1] for these two exceptions can be controlled by dedicated fields in the channel configuration descriptor.
4-1	RESERVED	R	0h	Reserved
0	MASTERENABLE	W	0h	Enables the controller: 0: Disables the controller 1: Enables the controller

14.5.1.3 CTRL Register (Offset = 8h) [Reset = 00000000h]

CTRL is shown in [CTRL Register](#) and described in [CTRL Register Field Descriptions](#).

Return to the [MDMA Registers](#).

Channel Control Data Base Pointer

Figure 14-9. CTRL Register

31	30	29	28	27	26	25	24	23	22	21	20	19	18	17	16	15	14	13	12	11	10	9	8	7	6	5	4	3	2	1	0
BASEPTR														RESERVED																	
R/W-0h														R-0h																	

Table 14-11. CTRL Register Field Descriptions

Bit	Field	Type	Reset	Description
31-10	BASEPTR	R/W	0h	This register point to the base address for the primary data structures of each μ DMA channel. This is not stored in module, but in system memory, thus space must be allocated for this usage when μ DMA is in usage
9-0	RESERVED	R	0h	Reserved

14.5.1.4 ALTCTRL Register (Offset = Ch) [Reset = 0000200h]

ALTCTRL is shown in [ALTCTRL Register](#) and described in [ALTCTRL Register Field Descriptions](#).

Return to the [MDMA Registers](#).

Channel Alternate Control Data Base Pointer

Figure 14-10. ALTCTRL Register

31	30	29	28	27	26	25	24	23	22	21	20	19	18	17	16	15	14	13	12	11	10	9	8	7	6	5	4	3	2	1	0
BASEPTR																															
R-200h																															

Table 14-12. ALTCTRL Register Field Descriptions

Bit	Field	Type	Reset	Description
31-0	BASEPTR	R	200h	This register shows the base address for the alternate data structures and is calculated by module, thus read only

14.5.1.5 WAITONREQ Register (Offset = 10h) [Reset = FFFF1EFFh]

WAITONREQ is shown in [WAITONREQ Register](#) and described in [WAITONREQ Register Field Descriptions](#).

Return to the [MDMA Registers](#).

Channel Wait On Request Status

Figure 14-11. WAITONREQ Register

31	30	29	28	27	26	25	24	23	22	21	20	19	18	17	16	15	14	13	12	11	10	9	8	7	6	5	4	3	2	1	0
CHNLSTATUS																															
R-FFFF1EFFh																															

Table 14-13. WAITONREQ Register Field Descriptions

Bit	Field	Type	Reset	Description
31-0	CHNLSTATUS	R	FFFF1EFFh	Channel wait on request status: Bit [Ch] = 0: Once μ DMA receives a single or burst request on channel Ch, this channel may come out of active state even if request is still present. Bit [Ch] = 1: Once μ DMA receives a single or burst request on channel Ch, it keeps channel Ch in active state until the requests are deasserted. This handshake is necessary for channels where the requester is in an asynchronous domain or can run at slower clock speed than μ DMA

14.5.1.6 SOFTREQ Register (Offset = 14h) [Reset = 0000000h]

SOFTREQ is shown in [SOFTREQ Register](#) and described in [SOFTREQ Register Field Descriptions](#).

Return to the [MDMA Registers](#).

Channel Software Request

Figure 14-12. SOFTREQ Register

31	30	29	28	27	26	25	24	23	22	21	20	19	18	17	16	15	14	13	12	11	10	9	8	7	6	5	4	3	2	1	0
CHNLS																															
W-0h																															

Table 14-14. SOFTREQ Register Field Descriptions

Bit	Field	Type	Reset	Description
31-0	CHNLS	W	0h	Set the appropriate bit to generate a software μDMA request on the corresponding μDMA channel Bit [Ch] = 0: Does not create a μDMA request for channel Ch Bit [Ch] = 1: Creates a μDMA request for channel Ch Writing to a bit where a μDMA channel is not implemented does not create a μDMA request for that channel

14.5.1.7 SETBURST Register (Offset = 18h) [Reset = 0000000h]

SETBURST is shown in [SETBURST Register](#) and described in [SETBURST Register Field Descriptions](#).

Return to the [MDMA Registers](#).

Channel Set UseBurst

Figure 14-13. SETBURST Register

31	30	29	28	27	26	25	24	23	22	21	20	19	18	17	16	15	14	13	12	11	10	9	8	7	6	5	4	3	2	1	0
CHNLS																															
R/W-0h																															

Table 14-15. SETBURST Register Field Descriptions

Bit	Field	Type	Reset	Description
31-0	CHNLS	R/W	0h	Returns the useburst status, or disables individual channels from generating single μ DMA requests. The value R is the arbitration rate and stored in the controller data structure. Read as: Bit [Ch] = 0: μ DMA channel Ch responds to both burst and single requests on channel C. The controller performs 2^R , or single, bus transfers. Bit [Ch] = 1: μ DMA channel Ch does not respond to single transfer requests. The controller only responds to burst transfer requests and performs 2^R transfers. Write as: Bit [Ch] = 0: No effect. Use the CLEARBURST.CHNLS to set bit [Ch] to 0. Bit [Ch] = 1: Disables single transfer requests on channel Ch. The controller performs 2^R transfers for burst requests. Writing to a bit where a μ DMA channel is not implemented has no effect

14.5.1.8 CLEARBURST Register (Offset = 1Ch) [Reset = 0000000h]

CLEARBURST is shown in [CLEARBURST Register](#) and described in [CLEARBURST Register Field Descriptions](#).

Return to the [MDMA Registers](#).

Channel Clear UseBurst

Figure 14-14. CLEARBURST Register

31	30	29	28	27	26	25	24	23	22	21	20	19	18	17	16	15	14	13	12	11	10	9	8	7	6	5	4	3	2	1	0
																	CHNLS														
																	W-0h														

Table 14-16. CLEARBURST Register Field Descriptions

Bit	Field	Type	Reset	Description
31-0	CHNLS	W	0h	Set the appropriate bit to enable single transfer requests. Write as: Bit [Ch] = 0: No effect. Use the SETBURST.CHNLS to disable single transfer requests. Bit [Ch] = 1: Enables single transfer requests on channel Ch. Writing to a bit where a μDMA channel is not implemented has no effect.

14.5.1.9 SETREQMASK Register (Offset = 20h) [Reset = 0000000h]

SETREQMASK is shown in [SETREQMASK Register](#) and described in [SETREQMASK Register Field Descriptions](#).

Return to the [MDMA Registers](#).

Channel Set Request Mask

Figure 14-15. SETREQMASK Register

31	30	29	28	27	26	25	24	23	22	21	20	19	18	17	16	15	14	13	12	11	10	9	8	7	6	5	4	3	2	1	0
																	CHNLS														
R/W-0h																															

Table 14-17. SETREQMASK Register Field Descriptions

Bit	Field	Type	Reset	Description
31-0	CHNLS	R/W	0h	Returns the burst and single request mask status, or disables the corresponding channel from generating μ DMA requests. Read as: Bit [Ch] = 0: External requests are enabled for channel Ch. Bit [Ch] = 1: External requests are disabled for channel Ch. Write as: Bit [Ch] = 0: No effect. Use the CLEARREQMASK.CHNLS to enable μ DMA requests. Bit [Ch] = 1: Disables μ DMA burst request channel [C] and μ DMA single request channel [C] input from generating μ DMA requests. Writing to a bit where a μ DMA channel is not implemented has no effect

14.5.1.10 CLEARREQMASK Register (Offset = 24h) [Reset = 0000000h]

CLEARREQMASK is shown in [CLEARREQMASK Register](#) and described in [CLEARREQMASK Register Field Descriptions](#).

Return to the [MDMA Registers](#).

Clear Channel Request Mask

Figure 14-16. CLEARREQMASK Register

31	30	29	28	27	26	25	24	23	22	21	20	19	18	17	16	15	14	13	12	11	10	9	8	7	6	5	4	3	2	1	0
																	CHNLS														
																	W-0h														

Table 14-18. CLEARREQMASK Register Field Descriptions

Bit	Field	Type	Reset	Description
31-0	CHNLS	W	0h	Set the appropriate bit to enable μ DMA request for the channel. Write as: Bit [Ch] = 0: No effect. Use the SETREQMASK.CHNLS to disable channel C from generating requests. Bit [Ch] = 1: Enables channel [C] to generate μ DMA requests. Writing to a bit where a μ DMA channel is not implemented has no effect.

14.5.1.11 SETCHANNELEN Register (Offset = 28h) [Reset = 0000000h]

SETCCHANNELEN is shown in [SETCCHANNELEN Register](#) and described in [SETCCHANNELEN Register Field Descriptions](#).

Return to the [MDMA Registers](#).

Set Channel Enable

Figure 14-17. SETCHANNELEN Register

31	30	29	28	27	26	25	24	23	22	21	20	19	18	17	16	15	14	13	12	11	10	9	8	7	6	5	4	3	2	1	0
																	CHNLS														
R/W-0h																															

Table 14-19. SETCHANNELEN Register Field Descriptions

Bit	Field	Type	Reset	Description
31-0	CHNLS	R/W	0h	Returns the enable status of the channels, or enables the corresponding channels. Read as: Bit [Ch] = 0: Channel Ch is disabled. Bit [Ch] = 1: Channel Ch is enabled. Write as: Bit [Ch] = 0: No effect. Use the CLEARCHANNELEN.CHNLS to disable a channel Bit [Ch] = 1: Enables channel Ch Writing to a bit where a μ DMA channel is not implemented has no effect

14.5.1.12 CLEARCHANNELEN Register (Offset = 2Ch) [Reset = 0000000h]

CLEARCHANNELEN is shown in [CLEARCHANNELEN Register](#) and described in [CLEARCHANNELEN Register Field Descriptions](#).

Return to the [MDMA Registers](#).

Clear Channel Enable

Figure 14-18. CLEARCHANNELEN Register

31	30	29	28	27	26	25	24	23	22	21	20	19	18	17	16	15	14	13	12	11	10	9	8	7	6	5	4	3	2	1	0
																	CHNLS														
																	W-0h														

Table 14-20. CLEARCHANNELEN Register Field Descriptions

Bit	Field	Type	Reset	Description
31-0	CHNLS	W	0h	Set the appropriate bit to disable the corresponding μ DMA channel. Write as: Bit [Ch] = 0: No effect. Use the SETCHANNELEN.CHNLS to enable μ DMA channels. Bit [Ch] = 1: Disables channel Ch Writing to a bit where a μ DMA channel is not implemented has no effect

14.5.1.13 SETCHNLPRIALT Register (Offset = 30h) [Reset = 0000000h]

SETPCHNLPRIALT is shown in [SETPCHNLPRIALT Register](#) and described in [SETPCHNLPRIALT Register Field Descriptions](#).

Return to the [MDMA Registers](#).

Channel Set Primary-Alternate

Figure 14-19. SETCHNLPRIALT Register

31	30	29	28	27	26	25	24	23	22	21	20	19	18	17	16	15	14	13	12	11	10	9	8	7	6	5	4	3	2	1	0
CHNLS																															
R/W-0h																															

Table 14-21. SETCHNLPRIALT Register Field Descriptions

Bit	Field	Type	Reset	Description
31-0	CHNLS	R/W	0h	Returns the channel control data structure status, or selects the alternate data structure for the corresponding μ DMA channel. Read as: Bit [Ch] = 0: μ DMA channel Ch is using the primary data structure. Bit [Ch] = 1: μ DMA channel Ch is using the alternate data structure. Write as: Bit [Ch] = 0: No effect. Use the CLEARCHNLPRIALT.CHNLS to disable a channel Bit [Ch] = 1: Selects the alternate data structure for channel Ch Writing to a bit where a μ DMA channel is not implemented has no effect

14.5.1.14 CLEARCHNLPRIALT Register (Offset = 34h) [Reset = 0000000h]

CLEARCHNLPRIALT is shown in [CLEARCHNLPRIALT Register](#) and described in [CLEARCHNLPRIALT Register Field Descriptions](#).

Return to the [MDMA Registers](#).

Channel Clear Primary-Alternate

Figure 14-20. CLEARCHNLPRIALT Register

31	30	29	28	27	26	25	24	23	22	21	20	19	18	17	16	15	14	13	12	11	10	9	8	7	6	5	4	3	2	1	0
																	CHNLS														
																	W-0h														

Table 14-22. CLEARCHNLPRIALT Register Field Descriptions

Bit	Field	Type	Reset	Description
31-0	CHNLS	W	0h	<p>Clears the appropriate bit to select the primary data structure for the corresponding μDMA channel.</p> <p>Write as:</p> <p>Bit [Ch] = 0: No effect. Use the SETCHNLPRIALT.CHNLS to select the alternate data structure.</p> <p>Bit [Ch] = 1: Selects the primary data structure for channel Ch.</p> <p>Writing to a bit where a μDMA channel is not implemented has no effect</p>

14.5.1.15 SETCHNLRIORITY Register (Offset = 38h) [Reset = 0000000h]

SEATCHNLRIORITY is shown in [SEATCHNLRIORITY Register](#) and described in [SEATCHNLRIORITY Register Field Descriptions](#).

Return to the [MDMA Registers](#).

Set Channel Priority

Figure 14-21. SETCHNLRIORITY Register

31	30	29	28	27	26	25	24	23	22	21	20	19	18	17	16	15	14	13	12	11	10	9	8	7	6	5	4	3	2	1	0
CHNLS																															
R/W-0h																															

Table 14-23. SETCHNLRIORITY Register Field Descriptions

Bit	Field	Type	Reset	Description
31-0	CHNLS	R/W	0h	Returns the channel priority mask status, or sets the channel priority to high. Read as: Bit [Ch] = 0: μ DMA channel Ch is using the default priority level. Bit [Ch] = 1: μ DMA channel Ch is using a high priority level. Write as: Bit [Ch] = 0: No effect. Use the CLEARCHNLRIORITY.CHNLS to set channel Ch to the default priority level. Bit [Ch] = 1: Channel Ch uses the high priority level. Writing to a bit where a μ DMA channel is not implemented has no effect

14.5.1.16 CLEARCHNLRIORITY Register (Offset = 3Ch) [Reset = 0000000h]

CLEARCHNLRIORITY is shown in [CLEARCHNLRIORITY Register](#) and described in [CLEARCHNLRIORITY Register Field Descriptions](#).

Return to the [MDMA Registers](#).

Clear Channel Priority

Figure 14-22. CLEARCHNLRIORITY Register

31	30	29	28	27	26	25	24	23	22	21	20	19	18	17	16	15	14	13	12	11	10	9	8	7	6	5	4	3	2	1	0
CHNLS																															
W-0h																															

Table 14-24. CLEARCHNLRIORITY Register Field Descriptions

Bit	Field	Type	Reset	Description
31-0	CHNLS	W	0h	Clear the appropriate bit to select the default priority level for the specified μDMA channel. Write as: Bit [Ch] = 0: No effect. Use the SETCHNLRIORITY.CHNLS to set channel Ch to the high priority level. Bit [Ch] = 1: Channel Ch uses the default priority level. Writing to a bit where a μDMA channel is not implemented has no effect

14.5.1.17 ERROR Register (Offset = 4Ch) [Reset = 0000000h]

ERROR is shown in [ERROR Register](#) and described in [ERROR Register Field Descriptions](#).

Return to the [MDMA Registers](#).

Error Status and Clear

Figure 14-23. ERROR Register

31	30	29	28	27	26	25	24
RESERVED							
R-0h							
23	22	21	20	19	18	17	16
RESERVED							
R-0h							
15	14	13	12	11	10	9	8
RESERVED							
R-0h							
7	6	5	4	3	2	1	0
RESERVED							STATUS
R-0h							R/W-0h

Table 14-25. ERROR Register Field Descriptions

Bit	Field	Type	Reset	Description
31-1	RESERVED	R	0h	Reserved
0	STATUS	R/W	0h	Returns the status of bus error flag in μ DMA, or clears this bit Read as: 0: No bus error detected 1: Bus error detected Write as: 0: No effect, status of bus error flag is unchanged. 1: Clears the bus error flag.

14.5.1.18 REQDONE Register (Offset = 504h) [Reset = 00000000h]

REQDONE is shown in [REQDONE Register](#) and described in [REQDONE Register Field Descriptions](#).

Return to the [MDMA Registers](#).

Channel Request Done

Figure 14-24. REQDONE Register

31	30	29	28	27	26	25	24	23	22	21	20	19	18	17	16	15	14	13	12	11	10	9	8	7	6	5	4	3	2	1	0
																	CHNLS														
R/W-0h																															

Table 14-26. REQDONE Register Field Descriptions

Bit	Field	Type	Reset	Description
31-0	CHNLS	R/W	0h	<p>Reflects the μDMA done status for the given channel, channel [Ch]. It's a sticky done bit. Unless cleared by writing a 1, it holds the value of 1.</p> <p>Read as:</p> <p>Bit [Ch] = 0: Request has not completed for channel Ch Bit [Ch] = 1: Request has completed for the channel Ch</p> <p>Writing a 1 to individual bits would clear the corresponding bit.</p> <p>Write as:</p> <p>Bit [Ch] = 0: No effect. Bit [Ch] = 1: The corresponding [Ch] bit is cleared and is set to 0</p>

14.5.1.19 DONEMASK Register (Offset = 520h) [Reset = 0000000h]

DONEMASK is shown in [DONEMASK Register](#) and described in [DONEMASK Register Field Descriptions](#).

Return to the [MDMA Registers](#).

Channel Request Done Mask

Figure 14-25. DONEMASK Register

31	30	29	28	27	26	25	24	23	22	21	20	19	18	17	16	15	14	13	12	11	10	9	8	7	6	5	4	3	2	1	0
																	CHNLS														
R/W-0h																															

Table 14-27. DONEMASK Register Field Descriptions

Bit	Field	Type	Reset	Description
31-0	CHNLS	R/W	0h	<p>Controls the propagation of the μDMA done and active state to the assigned peripheral. Specifically used for software channels.</p> <p>Read as:</p> <p>Bit [Ch] = 0: μDMA done and active state for channel Ch is not blocked from reaching to the peripherals.</p> <p>Note that the μDMA done state for channel [Ch] is blocked from contributing to generation of combined μDMA done signal</p> <p>Bit [Ch] = 1: μDMA done and active state for channel Ch is blocked from reaching to the peripherals.</p> <p>Note that the μDMA done state for channel [Ch] is not blocked from contributing to generation of combined μDMA done signal</p> <p>Write as:</p> <p>Bit [Ch] = 0: Allows μDMA done and active stat to propagate to the peripherals.</p> <p>Note that this disables μDMA done state for channel [Ch] from contributing to generation of combined μDMA done signal</p> <p>Bit [Ch] = 1: Blocks μDMA done and active state to propagate to the peripherals.</p> <p>Note that this enables μDMA done for channel [Ch] to contribute to generation of combined μDMA done signal.</p>

This chapter describes the general-purpose timers.

15.1 General-Purpose Timers	1204
15.2 Block Diagram	1205
15.3 Functional Description	1205
15.4 Initialization and Configuration	1215
15.5 GPTM Registers	1218

15.1 General-Purpose Timers

Programmable timers can be used to count or time external events that drive the timer input pins. The general-purpose timer module (GPTM) of the CC13x1x3 and CC26x1x3 device platform provides two 16-bit timers (Timer A and Timer B) that can be configured to operate independently as timers or concatenated to operate as one 32-bit timer.

The GPTM is one timing resource available on the CC13x1x3 and CC26x1x3 device platform. Other timer resources include the system timer (SysTick) and the watchdog timer (WDT). For reference, see [Section 4.2.1](#) and [Chapter 17](#).

The GPTM contains four GPTM blocks with the following functional options:

- Operating modes:
 - 16-bit with an 8-bit prescaler or 32-bit programmable one-shot timer
 - 16-bit with an 8-bit prescaler or 32-bit programmable periodic timer
 - Two capture compare PWM pins (CCP) for each 32-bit timer
 - 24-bit input-edge count or 24-bit time-capture modes
 - 24-bit PWM mode with software-programmable output inversion of the PWM signal
- Count up or down
- Daisy chaining of timer modules allows a single timer to initiate multiple timing events
- Timer synchronization allows selected timers to start counting on the same clock cycle
- User-enabled stalling when the microcontroller asserts a CPU Halt flag during debug
- Ability to determine the elapsed time between the assertion of the timer interrupt and entry into the interrupt service routine

15.2 Block Diagram

Figure 15-1 shows the GPTM module block diagram.

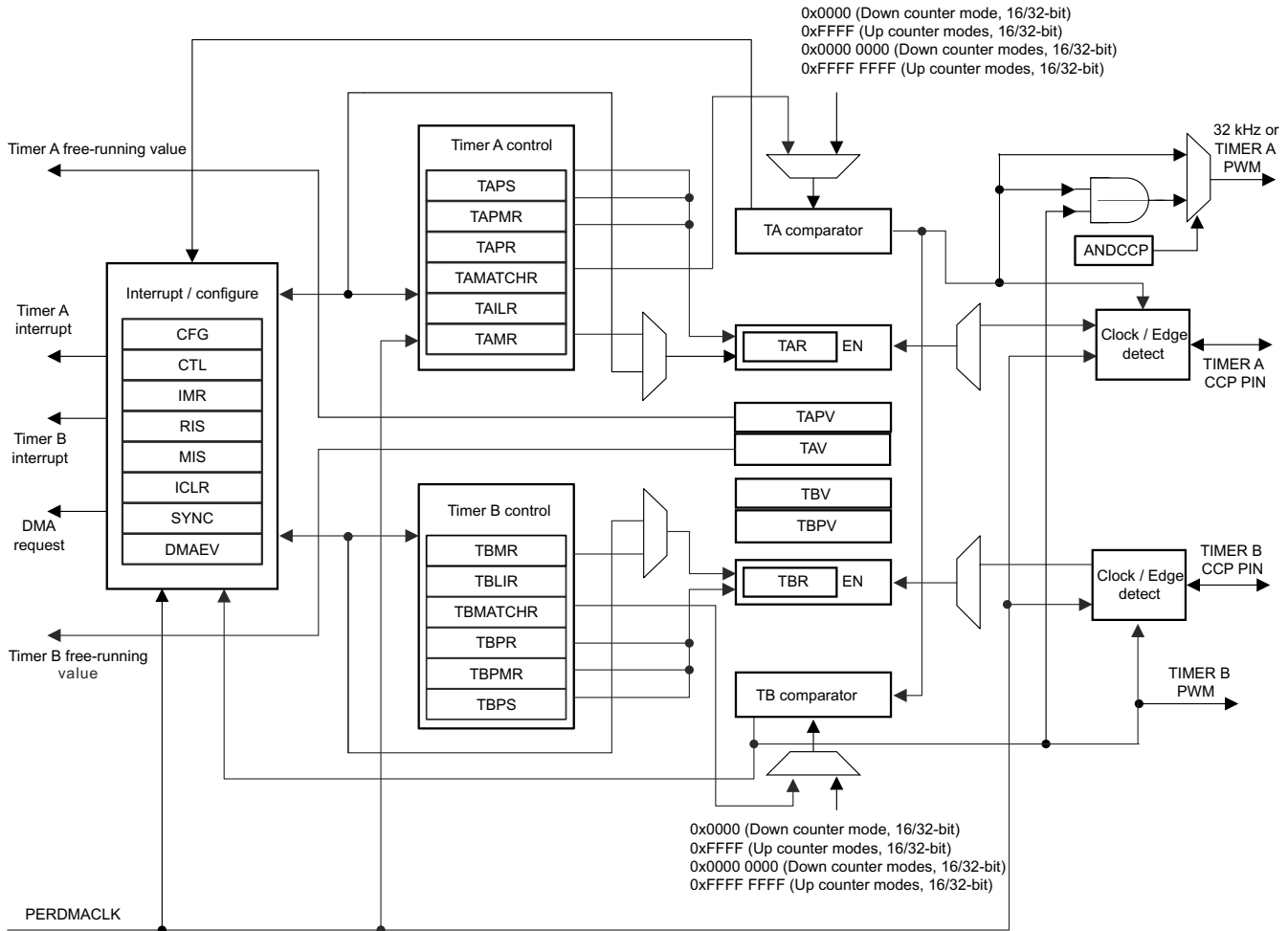


Figure 15-1. GPTM Module Block Diagram

15.3 Functional Description

The main components of each GPTM block are: two free-running up and down counters (Timer A and Timer B), two match registers, two prescaler match registers, two shadow registers, and two load and initialization registers and their associated control functions.

The exact function of each GPTM is controlled by software and configured through the register interface. Timer A and Timer B can be used individually, in which case they have a 16-bit counting range. In addition, Timer A and Timer B can be concatenated to provide a 32-bit counting range. The prescaler can only be used when the timers are used individually.

Table 15-1 lists the available modes for each GPTM block. When counting down in one-shot or periodic modes, the prescaler acts as a true prescaler and contains the least-significant bits (LSBs) of the count. When counting up in one-shot or periodic modes, the prescaler acts as a timer extension and holds the most-significant bits (MSBs) of the count. In input edge count, input edge time, and PWM mode, the prescaler always acts as a timer extension, regardless of the count direction.

Table 15-1. General-Purpose Timer Capabilities

Mode	Timer Use	Count Direction	Counter Size	Prescaler Size ⁽¹⁾	Prescaler Behavior (Count Direction)
One-Shot	Individual	Up or Down	16-bit	8-bit	Timer Extension (Up), Prescaler (Down)
	Concatenated	Up or Down	32-bit	–	Not applicable
Periodic	Individual	Up or Down	16-bit	8-bit	Timer Extension (Up), Prescaler (Down)
	Concatenated	Up or Down	32-bit	–	Not applicable
Edge Count	Individual	Up or Down	16-bit	8-bit	Timer Extension (Both)
Edge Time	Individual	Up or Down	16-bit	8-bit	Timer Extension (Both)
PWM	Individual	Down	16-bit	8-bit	Timer Extension

(1) The prescaler is available only when the timers are used individually.

Software configures the GPTM using the GPTM Configuration register (GPT:CFG), the GPTM Timer A Mode register (GPT:TAMR), and the GPTM Timer B Mode register (GPT:TBMR). When in one of the concatenated modes, Timer A and Timer B can operate in one mode only. However, when configured in an individual mode, Timer A and Timer B can be independently configured in any combination of the individual modes.

15.3.1 GPTM Reset Conditions

After reset is applied to the GPTM, the module is in an inactive state, and all control registers are cleared and are in their default states. Counters (Timer A and Timer B) are initialized to all 1s, along with their corresponding load registers: the GPTM Timer A Interval Load register (GPT:TALIR) and the GPTM Timer B Interval Load register (GPT:TBILR). The prescale counters are initialized to 0x00:

- The GPTM Timer A Prescale register (GPT:TAPR) and the GPTM Timer B Prescale register (GPT:TBPR)
- The GPTM Timer A Prescale Snapshot register (GPT:TAPS) and the GPTM Timer B Prescale Snapshot register (GPT:TBPS)
- The GPTM Timer A Prescale Value register (GPT:TAPV) and the GPTM Timer B Prescale Value register (GPT:TBPV)

15.3.2 Timer Modes

This section describes the operation of the various timer modes. When using Timer A and Timer B in concatenated mode, only the Timer A control and status bits must be used; there is no need to use the Timer B control and status bits. The GPTM is placed into individual or split mode by writing a value of 0x4 to the GPTM Configuration register (GPT:CFG). In the following sections, the variable *n* is used in bit field and register names to imply either a Timer A function or a Timer B function. Throughout this section, the time-out event in down-count mode is 0x0; in up-count mode the time-out event is the value in the GPTM Interval Load register (GPT:TnILR) and the optional GPTM Timer *n* Prescale register (GPT:TnPR).

15.3.2.1 One-Shot or Periodic Timer Mode

The selection of one-shot or periodic mode is determined by the value written to the GPTM Timer n Mode register (GPT:TnMR) TnMR field. The timer is configured to count up or down using the GPT:TnMR TnCDIR bit.

When software sets the GPTM Control register (GPTIMER:CTL) TnEN bit, the timer begins counting up from 0x0, or down from its preloaded value. Alternatively, if the GPT:TnMR register TnWOT bit is set when the TnEN bit is set, the timer waits for a trigger to begin counting (see [Section 15.3.2.5](#)).

When the timer is counting down and reaches the time-out event (0x0), the timer reloads its start value from the GPT:TnILR and the GPT:TnPR registers on the next cycle. When the timer is counting up and reaches the time-out event (the value in the GPT:TnILR and the optional GPT:TnPR registers), the timer reloads with 0x0. If configured to be a one-shot timer, the timer stops counting and clears the GPT:CTL TnEN register bit. If configured as a periodic timer, the timer starts counting again on the next cycle. In periodic snap-shot mode (the TnMR field is 0x2 and the GPT:TnMR TnSNAPS register bit is set), the actual free-running value of the timer at the time-out event is loaded into the GPT:TnR register. In this manner, software can determine the time elapsed from the interrupt assertion to the ISR entry by examining the snapshot values and the current value of the free-running timer, which is stored in the GPT:TnV register. Snapshot mode is not available when the timer is configured in one-shot mode.

In addition to reloading the count value, the GPTM generates interrupts and triggers when it reaches the time-out event. The GPTM sets the GPTM Raw Interrupt Status register (GPT:RIS) TnTORIS bit, and holds the bit until it is cleared by writing the GPTM Interrupt Clear register (GPT:ICR). If the time-out interrupt is enabled in the GPTM Interrupt Mask register (GPT:IMR), the GPTM also sets the GPTM Masked Interrupt Status register (GPT:MIS) TnTOMIS bit. By setting the GPT:TnMR TnMIE register bit, an interrupt condition can also be generated when the timer value equals the value loaded into the GPTM Timer n Match register (GPT:TnMATCHR) and the GPTM Timer n Prescale Match register (GPT:TnPMR). This interrupt has the same status, masking, and clearing functions as the time-out interrupt but uses the match interrupt bits instead (for example, the raw interrupt status is monitored through the GPTM Raw Interrupt Status register (GPT:RIS) TnMRIS bit). The interrupt status bits are not updated by the hardware unless the GPT:TnMR TnMIE register bit is set, which is different than the behavior for the time-out interrupt.

If software updates the GPT:TnILR or the GPT:TnPR registers while the counter is counting down, the counter loads the new value on the next clock cycle and continues counting from the new value if the GPT:TnMR TnILD register bit is clear. If the TnILD bit is set, the counter loads the new value after the next time out. If software updates the GPT:TnILR register or the GPT:TnPR register while the counter is counting up, the time-out event is changed on the next cycle to the new value. If software updates the GPTM Timer n Value register (GPT:TnV) while the counter is counting up or down, the counter loads the new value on the next clock cycle and continues counting from the new value. If software updates the GPT:TnMATCHR register or the GPT:TnPMR register while the counter is counting, the match registers reflect the new values on the next clock cycle if the GPT:TnMR TnMRSU register bit is clear. If the TnMRSU bit is set, the new value does not take effect until the next time out.

If the GPT:CTL TnSTALL register bit is set, the timer freezes counting while the processor is halted by the debugger. The timer resumes counting when the processor resumes execution.

[Table 15-2](#) lists a variety of configurations for a 16-bit free-running timer while using the prescaler. All values assume a 24 MHz clock with $T_c = 41.67$ ns (clock period). The prescaler can only be used when a 16- or 32-bit timer is configured in 16-bit mode.

Table 15-2. 16-Bit Timer With Prescaler Configurations

Prescale (8-bit Value)	Number of Timer Clocks (Tc) ⁽¹⁾	Maximum Time	Unit
00000000	1	2.7	ms
00000001	2	5.4	ms
00000010	3	8.1	ms
–	–	–	–
11111101	254	685.8	ms
11111110	255	688.5	ms
11111111	256	691.2	ms

(1) Tc is the clock period.

15.3.2.2 Input Edge-Count Mode

Note

For rising-edge detection, the input signal must be High for at least two system clock periods following the rising edge. Similarly, for falling-edge detection, the input signal must be low for at least two system clock periods following the falling edge. Based on this criteria, the maximum input frequency for edge detection is $\frac{1}{4}$ of the system frequency.

In edge-count mode, the timer is configured as a 24-bit down counter, including the optional prescaler with the upper count value stored in the GPTM Timer n Prescale register (GPT:TnPR) and the lower bits in the GPT:TnR register. In this mode, the timer is capable of capturing three types of events: rising edge, falling edge, or both. To place the timer in edge-count mode, the GPT:TnMR register TnCMR bit must be cleared. The type of edge that the timer counts is determined by the GPT:CTL register TnEVENT fields. During initialization in down-count mode, the GPT:TnMATCHR and the GPT:TnPMR registers are configured so that the difference between the value in the GPT:TnILR and the GPT:TnPR registers and the GPT:TnMATCHR and the GPT:TnPMR registers equals the number of edge events that must be counted. In up-count mode, the timer counts from 0x0 to the value in the GPT:TnMATCHR and the GPT:TnPMR registers. [Table 15-3](#) lists the values that are loaded into the timer registers when the timer is enabled.

Table 15-3. Counter Values When the Timer is Enabled in Input Edge-Count Mode

Register	Count Down Mode	Count Up Mode
GPT:TnR	GPT:TnILR	0x0
GPT:TnV	GPT:TnILR	0x0
GPT:TnPV	GPT:TnPR	0x0

When software writes the GPTM Control register (GPT:CTL) TnEN bit, the timer is enabled for event capture. Each input event on the CCP pin decrements or increments the counter by 1 until the event count matches the GPT:TnMATCHR and the GPT:TnPMR registers. When the counts match, the GPTM asserts the GPTM Raw Interrupt Status register (GPT:RIS) CnMRIS bit, and holds the bit until it is cleared by writing the GPTM Interrupt Clear register (GPT:ICR). If the capture mode match interrupt is enabled in the GPTM Interrupt Mask register (GPT:IMR), the GPTM also sets the GPTM Masked Interrupt Status register (GPT:MIS) CnMMIS bit. In this mode, the GPT:TnR register holds the count of the input events while the GPT:TnV and the GPT:TnPV registers hold the free-running timer value and the free-running prescaler value.

In addition to generating interrupts, a μ DMA trigger can be generated. The μ DMA trigger is enabled by configuring and enabling the appropriate μ DMA channel.

After the match value is reached in down-count mode, the counter is then reloaded using the value in the GPT:TnILR and the GPT:TnPR registers, and stopped because the GPTM automatically clears the GPT:CTL TnEN register bit. Once the event count has been reached, all further events are ignored until the TnEN bit is re-enabled by software. In up-count mode, the timer is reloaded with 0x0 and continues counting.

Figure 15-2 shows how Input edge-count mode works. In this case, the timer start value is set to GPT:TnILR = 0x000A, and the match value is set to GPT:TnMATCHR = 0x0006 so that four edge events are counted. The counter is configured to detect both edges of the input signal.

Note

The last two edges are not counted, because the timer automatically clears the TnEN bit after the current count matches the value in the GPT:TnMATCHR register.

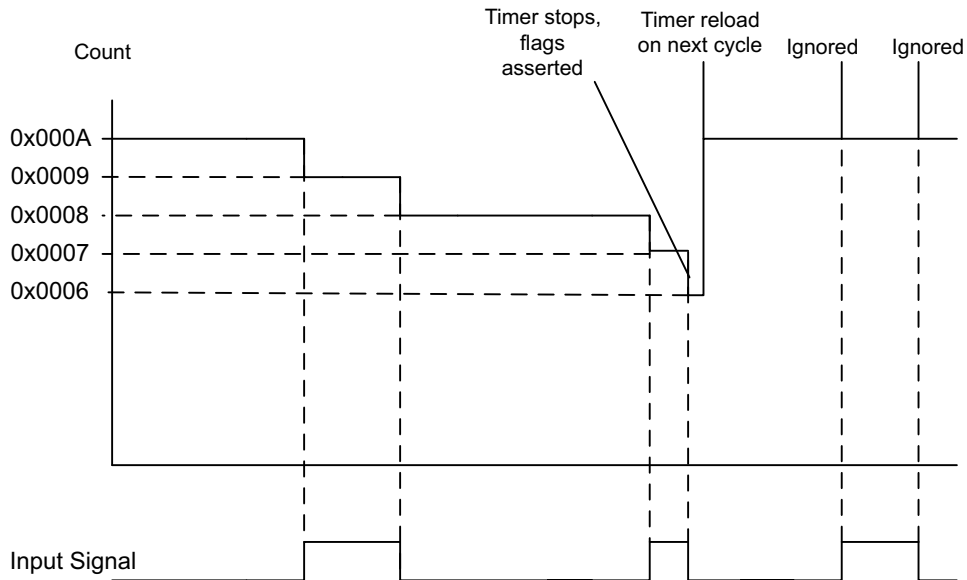


Figure 15-2. Input Edge-Count Mode Example, Counting Down

15.3.2.3 Input Edge-Time Mode

Note

For rising-edge detection, the input signal must be high for at least two system-clock periods following the rising edge. Similarly, for falling-edge detection, the input signal must be low for at least two system-clock periods following the falling edge. Based on this criteria, the maximum input frequency for edge detection is 1/4 of the system frequency.

In edge-time mode, the timer is configured as a 24-bit down counter, including the optional prescaler with the upper timer value stored in the GPT:TnPR register and the lower bits in the GPT:TnILR register. In this mode, the timer is initialized to the value loaded in the GPT:TnILR and the GPT:TnPR registers when counting down and 0x0 when counting up. The timer is capable of capturing three types of events: rising edge, falling edge, or both. The timer is placed into edge-time mode by setting the GPT:TnMR TnCM register bit, and the type of event that the timer captures is determined by the GPT:CTL TnEVENT register fields. Table 15-4 lists the values that are loaded into the timer registers when the timer is enabled.

Table 15-4. Counter Values When the Timer is Enabled in Input Event-Count Mode

Register	Count Down Mode	Count Up Mode
GPT:TnR	GPT:TnILR	0x0
GPT:TnV	GPT:TnILR	0x0
GPT:TnPV	GPT:TnPR	0x0

When software writes to the GPT:CTL TnEN register bit, the timer is enabled for event capture. When the selected input event is detected, the current timer counter value is captured in the GPT:TnR register and is available to be read by the microcontroller. The GPTM then asserts the GPTM Raw Interrupt Status register (GPT:RIS) CnERIS bit, and holds the bit until it is cleared by writing the GPTM Interrupt Clear register (GPT:ICR). If the capture mode event interrupt is enabled in the GPTM Interrupt Mask register (GPT:IMR), the GPTM also sets the GPTM Masked Interrupt Status register (GPT:MIS) CnEMIS bit. In this mode, the GPT:TnR register holds the time at which the selected input event occurred, while the GPT:TnV and the GPT:TnPV registers hold the free-running timer value and the free-running prescaler value. These registers can be read to determine the time that elapsed between the interrupt assertion and the entry into the ISR.

In addition to generating interrupts a μ DMA trigger can be generated. This trigger is enabled by configuring and enabling the appropriate μ DMA channel.

After an event has been captured, the timer does not stop counting. The timer continues to count until the TnEN bit is cleared. When the timer reaches the timeout value, it is reloaded with 0x0 in up-count mode, and the value from the GPT:TnILR and the GPT:TnPR registers in down-count mode.

Figure 15-3 shows how input edge timing mode works. In the diagram, it is assumed that the start value of the timer is the default value of 0xFFFF, and the timer is configured to capture rising-edge events.

Each time a rising-edge event is detected, the current count value is loaded into the GPTIMER:TnR register, and is held there until another rising edge is detected (at which point the new count value is loaded into the GPT:TnR register).

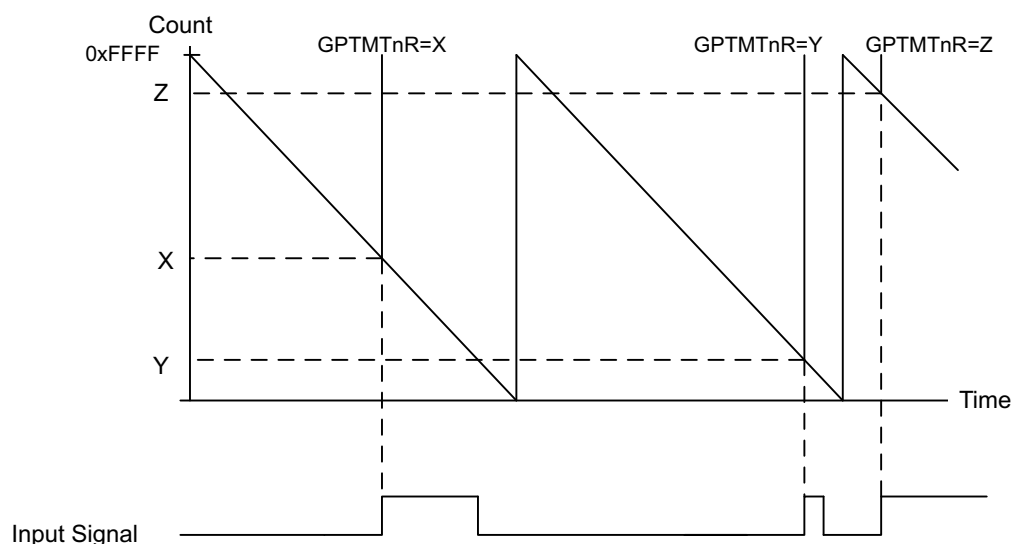


Figure 15-3. Input Edge-Time Mode Example

Note

When operating in edge-time mode, the counter uses a modulo 2^{24} count if prescaler is enabled, or 2^{16} if prescaler is not enabled. If there is a possibility the edge could take longer than the count, another timer can be used to ensure detection of the missed edge.

15.3.2.4 PWM Mode

The GPTM supports a simple PWM generation mode. In PWM mode, the timer is configured as a 16-bit down counter with a start value (and thus, period) defined by the GPT:TnILR and the GPT:TnPR registers. In this mode, the PWM frequency and period are synchronous events; therefore, they are ensured to be glitch-free. PWM mode is enabled with the GPT:TnMR register by setting the TnAMS bit to 0x1, setting the TnCM bit to 0x0, and setting the TnMR field to 0x2. [Table 15-5](#) lists the values that are loaded into the timer registers when the timer is enabled.

Note

Wait on trigger (daisy chaining) is not supported in PWM mode. The timer starts as soon as it is enabled and does not wait for a trigger from the previous timer.

Table 15-5. Counter Values When the Timer is Enabled in PWM Mode

Register	Count Down Mode	Count Up Mode
GPT:TnR	GPT:TnILR	Not Available
GPT:TnV	GPT:TnILR	Not Available
GPT:TnPV	GPT:TnPR	Not Available

When software writes to the GPT:CTL TnEN register bit, the counter begins counting down until it reaches the 0x0 state. Alternatively, if the GPT:TnMR TnWOT register bit is set when the TnEN bit is set, the timer waits for a trigger to begin counting. On the next counter cycle in periodic mode, the counter reloads its start value from the GPT:TnILR and the GPT:TnPR registers, and continues counting until disabled by software clearing the GPT:CTL TnEN register bit. The timer is capable of generating interrupts based on three types of events: rising edge, falling edge, or both. The event is configured by the GPT:CTL TnEVENT register field, and the interrupt is enabled by setting the GPT:TnMR TnPWMIE register bit. When the event occurs, the GPTM Raw Interrupt Status register (GPT:RIS) CnERIS bit is set, and holds the bit until it is cleared by writing the GPTM Interrupt Clear register (GPT:ICLR). If the capture mode event interrupt is enabled in the GPTM Interrupt Mask register (GPT:IMR), the GPTM also sets the GPTM Masked Interrupt Status register (GPT:MIS) CnEMIS bit.

Note

The interrupt status bits are not updated unless the TnPWMIE bit is set.

In PWM mode, the GPT:TnR and the GPT:TnV registers always have the same value, as do the GPT:TnPS and the GPT:TnPV registers.

The output PWM signal asserts when the counter is at the value of the GPT:TnILR and the GPT:TnPR registers (its start state), and is deasserted when the counter value equals the value in the GPT:TnMATCHR and the GPT:TnPMR registers. Software can invert the output PWM signal by setting the GPT:CTL TnPWML register bit. Inverting the output PWM does not affect the edge detection interrupt. Therefore, if a positive-edge interrupt trigger has been set, the event-trigger interrupt is asserted when the PWM inversion generates a positive edge.

Note

If TnILR is altered to a value smaller than the current counter value LD_TO_EN must be enabled to avoid transients on the PWM output. This is true even when the “Time Out UPDATE” mode is enabled.

Figure 15-4 shows how to generate an output PWM with a 1-ms period and a 66% duty cycle assuming a 50 MHz input clock and $TnPWML = 0$ (duty cycle would be 33% for the $TnPWML = 1$ configuration). For this example, the start value is $GPT:TnILR = 0xC350$ and the match value is $GPT:TnMATCHR = 0x411A$.

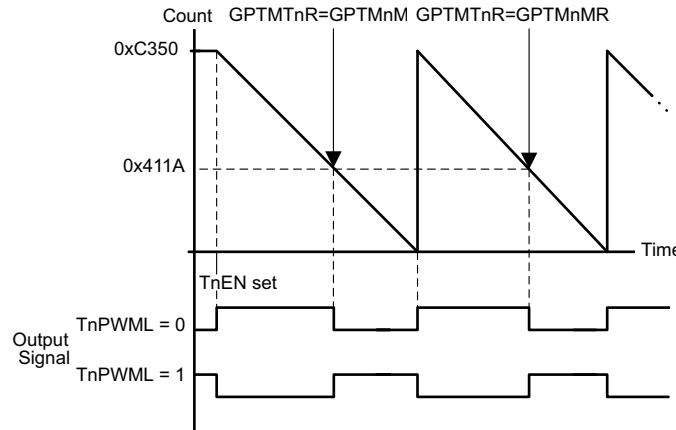


Figure 15-4. 16-Bit PWM Mode Example

When synchronizing the timers using the $GPT:SYNC$ register, the timer must be properly configured to avoid glitches on the CCP outputs. Both the $TnPLO$ and the $TnMRSU$ bits must be set in the $GPT:TnMR$ register. Figure 15-5 shows how the CCP output operates when the $TnPLO$ and $TnMRSU$ bits are set and the $GPT:TnMATCHR$ register value is greater than the $GPT:TnILR$ register value.

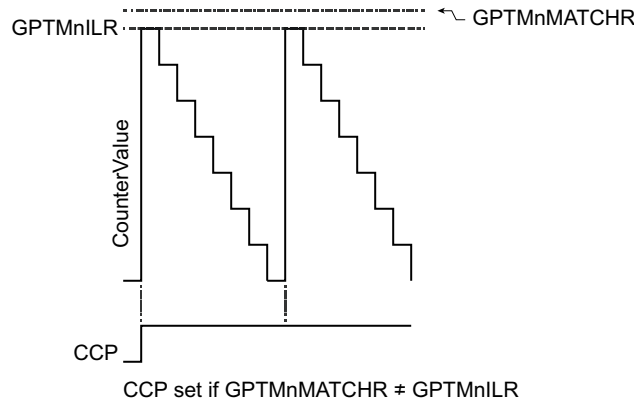


Figure 15-5. CCP Output, $GPT:TnMATCHR > GPT:TnILR$

Figure 15-6 shows how the CCP output operates when the PLO and MRSU bits are set and the GPT:TnMATCHR register value is the same as the GPT:TnILR register value. In this situation, if the PLO bit is 0, the CCP signal goes high when the GPT:TnILR register value is loaded, and the match would be essentially ignored.

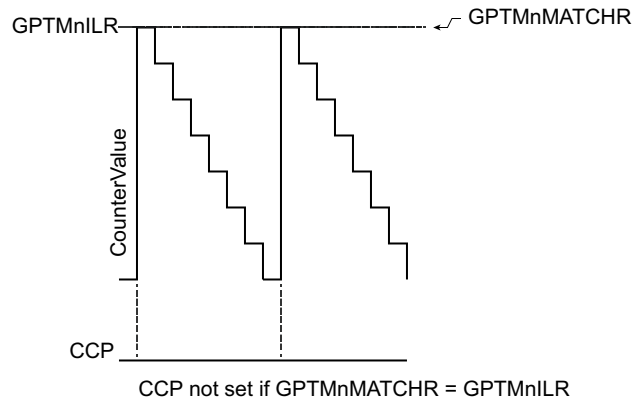


Figure 15-6. CCP Output, GPT:TnMATCHR = GPT:TnILR

Figure 15-7 shows how the CCP output operates when the PLO and MRSU bits are set and the GPT:TnILR register value is greater than the GPT:TnMATCHR register value.

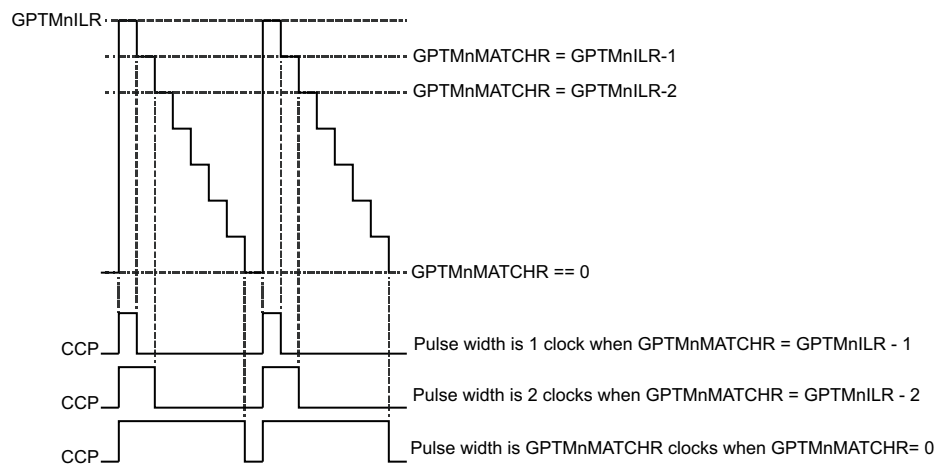


Figure 15-7. CCP Output, GPT:TnILR > GPT:TnMATCHR

15.3.2.5 Wait-for-Trigger Mode

Wait-for-trigger mode allows daisy-chaining of the timer modules such that once configured, a single timer can initiate multiple timing events using the timer triggers. Wait-for-trigger mode is enabled by setting the GPT:TnMR TnWOT register bit. When the TnWOT bit is set, timer N+1 does not begin counting until the timer in the previous position in the daisy-chain (timer N) reaches its time-out event. The daisy-chain is configured such that GPTM1 always follows GPTM0, GPTM2 follows GPTM1, and so forth. If Timer A is configured as a 32-bit (16 or 32-bit mode) timer (controlled by the CFG field in the GPT:CFG register), it triggers Timer A in the next module. If Timer A is configured as a 16-bit (16- or 32-bit mode) timer, it triggers Timer B in the same module and Timer B triggers Timer A in the next module. Ensure that the TAWOT bit is never set in GPTM0. [Figure 15-8](#) shows how the GPT:CFG CFG register bit affects the daisy-chain. This function is valid for one-shot and periodic modes.

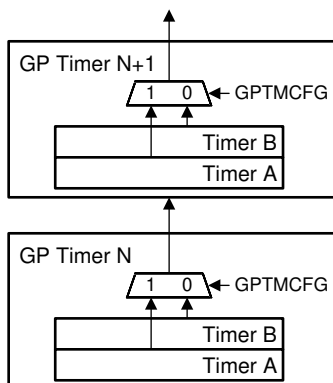


Figure 15-8. Timer Daisy-Chain

15.3.3 Synchronizing GPT Blocks

The GPTM Synchronizer Control register (GPT:SYNC) in the GPTM0 block can be used to synchronize selected timers to begin counting at the same time. To do so, the timers must be started first. Setting a bit in the GPT:SYNC register causes the associated timer to perform the actions of a time-out event. An interrupt is not generated when the timers are synchronized. If a timer is being used in concatenated mode, only the bit for Timer A must be set in the GPT:SYNC register. The register description shows which timers can be synchronized.

[Table 15-6](#) lists the actions for the time-out event performed when the timers are synchronized in the various timer modes.

Table 15-6. Time-Out Actions for GPTM Modes

Mode	Count Direction	Time-Out Action
16-bit and 32-bit one-shot (concatenated timers)	—	Not applicable
16-bit and 32-bit periodic (concatenated timers)	Down	Count value = ILR
	Up	Count value = 0
16-bit and 32-bit one-shot (individual and split timers)	—	Not applicable
16-bit and 32-bit periodic (individual and split timers)	Down	Count value = ILR
	Up	Count value = 0
16-bit and 32-bit edge-count (individual and split timers)	Down	Count value = ILR
	Up	Count value = 0
16-bit and 32-bit edge-time (individual and split timers)	Down	Count value = ILR
	Up	Count value = 0
16-bit PWM	Down	Count value = ILR

15.3.4 Accessing Concatenated 16- and 32-Bit GPTM Register Values

The GPTM is placed into concatenated mode by writing a 0x0 or a 0x1 to the GPTM Configuration register (GPT:CFG) GPTMCFG bit field. In both configurations, certain 16- and 32-bit GPTM registers are concatenated to form pseudo 32-bit registers. These registers include the following:

- GPTM Timer A Interval Load register (GPT:TAILR[15:0])
- GPTM Timer B Interval Load register (GPT:TBILR[15:0])
- GPTM Timer A register (GPT:TAR[15:0])
- GPTM Timer B register (GPT:TBR[15:0])
- GPTM Timer A Value register (GPT:TAV[15:0])
- GPTM Timer B Value register (GPT:TBV[15:0])
- GPTM Timer A Match register (GPT:TAMATCHR[15:0])
- GPTM Timer B Match register (GPT:TBMATCHR[15:0])

In the 32-bit modes, the GPTM translates a 32-bit write access to the GPT:TAILR register into a write access to both the GPT:TAILR and the GPT:TBILR registers. The resulting word ordering for such a write operation is: GPTMTBILR[15:0]:GPTMTAILR[15:0]. Likewise, a 32-bit read access to GPT:TAR register returns the value: GPTMTBR[15:0]:GPTMTAR[15:0]. A 32-bit read access to GPT:TAV returns the value: GPTMTBV[15:0]:GPTMTAV[15:0].

15.4 Initialization and Configuration

Use the sequence that follows to initialize and configure the timers:

1. To use a GPT module, enable the peripheral domain and the appropriate GPT module in the PRCM by writing to the PRCM:GPTCLKGR, the PRCM:GPTCLKGS, and the PRCM:GPTCLKGDS registers, or by using the following driver library functions:

```
PRCMPeripheralRunEnable(uint32_t, ui32Peripheral)
```

```
PRCMPeripheralSleepEnable(uint32_t, ui32Peripheral)
```

```
PRCMPeripheralDeepSleepEnable(uint32_t, ui32Peripheral)
```

2. Next, load the setting to the clock controller by writing to the PRCM:CLKLOADCTL register.
3. Configure the IOC module to route the output from the GPT module to the IOs.
4. The IOC module must then be configured to output the timer signal on the wanted I/O pin. For this, IOCFGn.PORTID must be written to the correct PORTIDs (for more details, see [Chapter 13](#)).

The following sections show module initialization and configuration examples for each of the supported timer modes.

15.4.1 One-Shot and Periodic Timer Modes

Configure the GPTM for one-shot and periodic modes with the following sequence:

1. Ensure the timer is disabled (clear the GPT:CTL TnEN register bit) before making any changes.
2. Write the GPTM Configuration register (GPT:CFG) with a value of 0x0000 0000.
3. Configure the GPTM Timer n Mode register (GPT:TnMR) TnMR field:
 - a. Write a value of 0x1 for one-shot mode.
 - b. Write a value of 0x2 for periodic mode.
4. Optionally, configure the GPT:TnMR TnSNAPS, TnWOT, TnMTE, and TnCDIR register bits to select whether to capture the value of the free-running timer at time-out, use an external trigger to start counting, configure an additional trigger or interrupt, and count up or down.
5. Load the start value into the GPTM Timer n Interval Load register (GPT:TnILR).
6. If interrupts are required, set the appropriate bits in the GPTM Interrupt Mask register (GPT:IMR).
7. Set the GPT:CTL TnEN register bit to enable the timer and start counting.
8. Poll the GPT:MRIS register or wait for the interrupt to be generated (if enabled). In both cases, the status flags are cleared by writing a 1 to the appropriate bit of the GPTM Interrupt Clear register (GPT:ICR).

In one-shot mode, the timer stops counting after the time-out event. To re-enable the timer, repeat the sequence. A timer configured in periodic mode reloads the timer and continues counting after the time-out event.

15.4.2 Input Edge-Count Mode

Configure a timer to input edge-count mode with the following sequence:

1. Ensure the timer is disabled (clear the TAEN bit) before making any changes.
2. Write the GPTM Configuration register (GPT:CFG) with a value of 0x0000 0004.
3. In the GPTM Timer Mode register (GPT:TnMR), write the TnCMR field to 0x0 and the TnMR field to 0x3.
4. Configure the type of events that the timer captures by writing the GPTM Control register (GPT:CTL) TnEVENT field.
5. If a prescaler is to be used, write the prescale value to the GPTM Timer n Prescale register (GPT:TnPR).
6. Load the timer start value into the GPTM Timer n Interval Load register (GPT:TnILR).
7. Load the event count into the GPTM Timer n Match register (GPT:TnMATCHR).
8. If interrupts are required, set the GPTM Interrupt Mask register (GPT:IMR) CnMIM bit.
9. Set the GPT:CTL TnEN register bit to enable the timer and begin waiting for edge events.
10. Poll the GPT:RIS CnMRIS register bit, or wait for the interrupt to be generated (if enabled). In both cases, the status flags are cleared by writing a 1 to the GPTM Interrupt Clear register (GPT:ICR) CnMCINT bit.

When counting down in input edge-count mode, the timer stops after the programmed number of edge events is detected. To re-enable the timer, ensure that the TnEN bit is cleared and repeat Step 4 through Step 9.

15.4.3 Input Edge-Timing Mode

Configure a timer to input edge-timing mode with the following sequence:

1. Ensure the timer is disabled (the TAEN bit is cleared) before making any changes.
2. Write the GPTM Configuration register (GPT:CFG) with a value of 0x0000 0004.
3. In the GPTM Timer Mode register (GPT:TnMR), write the TnCM field to 0x1 and write the TnMR field to 0x3.
4. Configure the type of events that the timer captures by writing the GPTM Control register (GPT:CTL) TnEVENT field.
5. If a prescaler is to be used, write the prescale value to the GPTM Timer n Prescale register (GPT:TnPR).
6. Load the timer start value into the GPTM Timer n Interval Load register (GPT:TnILR).
7. If interrupts are required, set the GPTM Interrupt Mask register (GPT:IMR) CnMIM bit.
8. Set the GPT:CTL TnEN register bit to enable the timer and start counting.
9. Poll the GPT:RIS CnMRIS register bit, or wait for the interrupt to be generated (if enabled). In both cases, the status flags are cleared by writing a 1 to the GPTM Interrupt Clear register (GPT:ICR) CnMCINT bit.

In input-edge timing mode, the timer continues to run after an edge event is detected, but the timer interval can be changed at any time by writing the GPT:TnILR register. The change takes effect at the next cycle after the write.

15.4.4 PWM Mode

Configure a timer to PWM mode with the following sequence:

1. Ensure the timer is disabled (clear the TnEN bit) before making any changes.
2. Write the GPTM Configuration register (GPT:CFG) with a value of 0x0000 0004.
3. In the GPTM Timer Mode register (GPT:TnMR), write the TnCMR field to 0x1 and write the TnMR field to 0x2.
4. Configure the output state of the PWM signal (whether or not it is inverted) in the GPTM Control register (GPT:CTL) TnPWML field.
5. If a prescaler is to be used, write the prescale value to the GPTM Timer n Prescale register (GPT:TnPR).
6. If PWM interrupts are used, configure the interrupt condition in the GPT:CTL TnEVENT register field, and enable the interrupts by setting the GPT:TnMR TnPWMIE register bit.
7. Load the timer start value into the GPTM Timer n Interval Load register (GPT:TnILR).
8. Load the GPTM Timer n Match register (GPT:TnMATCHR) with the match value.
9. Set the GPTM Control register (GPT:CTL) TnEN bit to enable the timer and begin generation of the output PWM signal.

In PWM timing mode, the timer continues to run after the PWM signal is generated. The PWM period can be adjusted at any time by writing the GPT:TnILR register, and the change takes effect at the next cycle after the write.

15.4.5 Producing DMA Trigger Events

The GPT can produce DMA trigger events through the event handler. Single or burst requests can be passed to the μ DMA controller by selecting the trigger source for μ DMA channels through the event fabric. Each timer only produces one signal per A and B, but this signal can be selected as either single or burst in the event module. The DMA done interrupt is routed back to the timer module that originated the trigger.

Use the following procedure to configure μ DMA triggers by GPT events:

1. Configure the GPT operation.
2. Configure the GPT:DMAEV register to enable the appropriate timer event to DMA. The application can select a match, capture, or time-out event for each timer.
3. Configure the event fabric (see [Chapter 5](#)) to select the appropriate timer. The event fabric supports five channels for the GPT DMA event, out of which four are dedicated to the GPT block. These dedicated channels are: 9, 10, 11, and 12. Single requests and burst requests are supported on channels 9 through 12 for GPT DMA events. The fifth supported channel is 14, which is configurable for GPT support and handles only burst requests. The configuration is done through the EVENT:UDMACHrSEL register where *c* is the channel number and *r* is either the S (single) or B (burst) option. Channel 14 can be configured using the EVENT:UDMACH14BSEL register. Each timer produces only one signal per A and B, but this signal can be selected as either single or burst in the event module.
4. Enable the GPT.
5. The DMA done interrupt is routed back to the timer module that originated the trigger. The GPT:RIS DMArRIS register bit gives the DMA transfer completed information.

15.5 GPTM Registers

The next section shows the register bank for General-purpose Timers.

15.5.1 GPT Registers

[GPT Registers](#) lists the memory-mapped registers for the GPT registers. All register offset addresses not listed in [GPT Registers](#) should be considered as reserved locations and the register contents should not be modified.

Table 15-7. GPT Registers

Offset	Acronym	Register Name	Section
0h	CFG	Configuration	Section 15.5.1.1
4h	TAMR	Timer A Mode	Section 15.5.1.2
8h	TBMR	Timer B Mode	Section 15.5.1.3
Ch	CTL	Control	Section 15.5.1.4
10h	SYNC	Synch Register	Section 15.5.1.5
18h	IMR	Interrupt Mask	Section 15.5.1.6
1Ch	RIS	Raw Interrupt Status	Section 15.5.1.7
20h	MIS	Masked Interrupt Status	Section 15.5.1.8
24h	ICLR	Interrupt Clear	Section 15.5.1.9
28h	TAILR	Timer A Interval Load Register	Section 15.5.1.10
2Ch	TBILR	Timer B Interval Load Register	Section 15.5.1.11
30h	TAMATCHR	Timer A Match Register	Section 15.5.1.12
34h	TBMATCHR	Timer B Match Register	Section 15.5.1.13
38h	TAPR	Timer A Pre-scale	Section 15.5.1.14
3Ch	TBPR	Timer B Pre-scale	Section 15.5.1.15
40h	TAPMR	Timer A Pre-scale Match	Section 15.5.1.16
44h	TBPMR	Timer B Pre-scale Match	Section 15.5.1.17
48h	TAR	Timer A Register	Section 15.5.1.18
4Ch	TBR	Timer B Register	Section 15.5.1.19
50h	TAV	Timer A Value	Section 15.5.1.20
54h	TBV	Timer B Value	Section 15.5.1.21
5Ch	TAPS	Timer A Pre-scale Snap-shot	Section 15.5.1.22
60h	TBPS	Timer B Pre-scale Snap-shot	Section 15.5.1.23
64h	TAPV	Timer A Pre-scale Value	Section 15.5.1.24
68h	TBPV	Timer B Pre-scale Value	Section 15.5.1.25
6Ch	DMAEV	DMA Event	Section 15.5.1.26
FB0h	VERSION	Peripheral Version	Section 15.5.1.27
FB4h	ANDCCP	Combined CCP Output	Section 15.5.1.28

Complex bit access types are encoded to fit into small table cells. [GPT Access Type Codes](#) shows the codes that are used for access types in this section.

Table 15-8. GPT Access Type Codes

Access Type	Code	Description
Read Type		
R	R	Read
Write Type		
W	W	Write
W1C	W 1C	Write 1 to clear
Reset or Default Value		

Table 15-8. GPT Access Type Codes (continued)

Access Type	Code	Description
$-n$		Value after reset or the default value

15.5.1.1 CFG Register (Offset = 0h) [Reset = 00000000h]

CFG is shown in [CFG Register](#) and described in [CFG Register Field Descriptions](#).

Return to the [GPT Registers](#).

Configuration

Figure 15-9. CFG Register

31	30	29	28	27	26	25	24	23	22	21	20	19	18	17	16	15	14	13	12	11	10	9	8	7	6	5	4	3	2	1	0
RESERVED																CFG															
R-0h																R/W-0h															

Table 15-9. CFG Register Field Descriptions

Bit	Field	Type	Reset	Description
31-3	RESERVED	R	0h	Reserved
2-0	CFG	R/W	0h	GPT Configuration 0x2- 0x3 - Reserved 0x5- 0x7 - Reserved 0h = 32BIT_TIMER : 32-bit timer configuration 4h = 16BIT_TIMER : 16-bit timer configuration. Configure for two 16-bit timers. Also see TAMR.TAMR and TBMR.TBMR.

15.5.1.2 TAMR Register (Offset = 4h) [Reset = 0000000h]

TAMR is shown in [TAMR Register](#) and described in [TAMR Register Field Descriptions](#).

Return to the [GPT Registers](#).

Timer A Mode

Figure 15-10. TAMR Register

31	30	29	28	27	26	25	24
RESERVED							
R-0h							
23	22	21	20	19	18	17	16
RESERVED							
R-0h							
15	14	13	12	11	10	9	8
TCACT		TACINTD		TAPLO	TAMRSU	TAPWMIE	TAILD
R/W-0h		R/W-0h		R/W-0h	R/W-0h	R/W-0h	R/W-0h
7	6	5	4	3	2	1	0
TASNAPS	TAWOT	TAMIE	TACDIR	TAAMS	TACM	TAMR	
R/W-0h	R/W-0h	R/W-0h	R/W-0h	R/W-0h	R/W-0h	R/W-0h	

Table 15-10. TAMR Register Field Descriptions

Bit	Field	Type	Reset	Description
31-16	RESERVED	R	0h	Reserved
15-13	TCACT	R/W	0h	Timer Compare Action Select 0h = DIS_CMP : Disable compare operations 1h = Toggle State on Time-Out 2h = Clear CCP output pin on Time-Out 3h = Set CCP output pin on Time-Out 4h = Set CCP output pin immediately and toggle on Time-Out 5h = Clear CCP output pin immediately and toggle on Time-Out 6h = Set CCP output pin immediately and clear on Time-Out 7h = Clear CCP output pin immediately and set on Time-Out
12	TACINTD	R/W	0h	One-Shot/Periodic Interrupt Disable 0h = Time-out interrupt function as normal 1h = Time-out interrupt are disabled
11	TAPLO	R/W	0h	GPTM Timer A PWM Legacy Operation 0 Legacy operation with CCP pin driven Low when the TAILR register is reloaded after the timer reaches 0. 1 CCP is driven High when the TAILR register is reloaded after the timer reaches 0. This bit is only valid in PWM mode. 0h = Legacy operation 1h = CCP output pin is set to 1 on time-out
10	TAMRSU	R/W	0h	Timer A Match Register Update mode This bit defines when the TAMATCHR and TAPR registers are updated. If the timer is disabled (CTL.TAEN = 0) when this bit is set, TAMATCHR and TAPR are updated when the timer is enabled. If the timer is stalled (CTL.TASTALL = 1) when this bit is set, TAMATCHR and TAPR are updated according to the configuration of this bit. 0h = Update TAMATCHR and TAPR, if used, on the next cycle. 1h = Update TAMATCHR and TAPR, if used, on the next time-out.

Table 15-10. TAMR Register Field Descriptions (continued)

Bit	Field	Type	Reset	Description
9	TAPWMIE	R/W	0h	<p>GPTM Timer A PWM Interrupt Enable</p> <p>This bit enables interrupts in PWM mode on rising, falling, or both edges of the CCP output, as defined by the CTL.TAEVENT. In addition, when this bit is set and a capture event occurs, Timer A automatically generates triggers to the DMA if the trigger capability is enabled by setting the CTL.TAOTE bit and the DMAEV.CAEDMAEN bit respectively.</p> <p>0 Capture event interrupt is disabled. 1 Capture event interrupt is enabled.</p> <p>This bit is only valid in PWM mode. 0h = Interrupt is disabled. 1h = Interrupt is enabled. This bit is only valid in PWM mode.</p>
8	TAILD	R/W	0h	<p>GPT Timer A PWM Interval Load Write</p> <p>0h = Update the TAR register with the value in the TAILR register on the next clock cycle. If the pre-scaler is used, update the TAPS register with the value in the TAPR register on the next clock cycle. 1h = Update the TAR register with the value in the TAILR register on the next timeout. If the prescaler is used, update the TAPS register with the value in the TAPR register on the next timeout.</p>
7	TASNAPS	R/W	0h	<p>GPT Timer A Snap-Shot Mode</p> <p>0h = Snap-shot mode is disabled. 1h = If Timer A is configured in the periodic mode, the actual free-running value of Timer A is loaded at the time-out event into the GPT Timer A (TAR) register.</p>
6	TAWOT	R/W	0h	<p>GPT Timer A Wait-On-Trigger</p> <p>0h = Timer A begins counting as soon as it is enabled. 1h = If Timer A is enabled (CTL.TAEN = 1), Timer A does not begin counting until it receives a trigger from the timer in the previous position in the daisy chain. This bit must be clear for GPT Module 0, Timer A. This function is valid for one-shot, periodic, and PWM modes.</p>
5	TAMIE	R/W	0h	<p>GPT Timer A Match Interrupt Enable</p> <p>0h = The match interrupt is disabled for match events. Additionally, output triggers on match events are prevented. 1h = An interrupt is generated when the match value in TAMATCHR is reached in the one-shot and periodic modes.</p>
4	TACDIR	R/W	0h	<p>GPT Timer A Count Direction</p> <p>0h = DOWN : The timer counts down. 1h = UP : The timer counts up. When counting up, the timer starts from a value of 0x0.</p>
3	TAAMS	R/W	0h	<p>GPT Timer A Alternate Mode</p> <p>Note: To enable PWM mode, you must also clear TACM and then configure TAMR field to 0x2.</p> <p>0h = Capture/Compare mode is enabled. 1h = PWM mode is enabled</p>
2	TACM	R/W	0h	<p>GPT Timer A Capture Mode</p> <p>0h = EDGCNT : Edge-Count mode 1h = EDGTIME : Edge-Time mode</p>
1-0	TAMR	R/W	0h	<p>GPT Timer A Mode</p> <p>0x0 Reserved 0x1 One-Shot Timer mode 0x2 Periodic Timer mode 0x3 Capture mode</p> <p>The Timer mode is based on the timer configuration defined by bits 2:0 in the CFG register</p> <p>1h = One-Shot Timer mode 2h = Periodic Timer mode 3h = Capture mode</p>

15.5.1.3 TBMR Register (Offset = 8h) [Reset = 0000000h]

TBMR is shown in [TBMR Register](#) and described in [TBMR Register Field Descriptions](#).

Return to the [GPT Registers](#).

Timer B Mode

Figure 15-11. TBMR Register

31	30	29	28	27	26	25	24
RESERVED							
R-0h							
23	22	21	20	19	18	17	16
RESERVED							
R-0h							
15	14	13	12	11	10	9	8
TCACT			TBCINTD	TBPLO	TBMRSU	TBPWMIE	TBILD
R/W-0h			R/W-0h	R/W-0h	R/W-0h	R/W-0h	R/W-0h
7	6	5	4	3	2	1	0
TBSNAPS	TBWOT	TBMIE	TBCDIR	TBAMS	TBCM	TBMR	
R/W-0h	R/W-0h	R/W-0h	R/W-0h	R/W-0h	R/W-0h	R/W-0h	

Table 15-11. TBMR Register Field Descriptions

Bit	Field	Type	Reset	Description
31-16	RESERVED	R	0h	Reserved
15-13	TCACT	R/W	0h	Timer Compare Action Select 0h = DIS_CMP : Disable compare operations 1h = Toggle State on Time-Out 2h = Clear CCP output pin on Time-Out 3h = Set CCP output pin on Time-Out 4h = Set CCP output pin immediately and toggle on Time-Out 5h = Clear CCP output pin immediately and toggle on Time-Out 6h = Set CCP output pin immediately and clear on Time-Out 7h = Clear CCP output pin immediately and set on Time-Out
12	TBCINTD	R/W	0h	One-Shot/Periodic Interrupt Mode 0h = Normal Time-Out Interrupt 1h = Mask Time-Out Interrupt
11	TBPLO	R/W	0h	GPTM Timer B PWM Legacy Operation 0 Legacy operation with CCP pin driven Low when the TBILR register is reloaded after the timer reaches 0. 1 CCP is driven High when the TBILR register is reloaded after the timer reaches 0. This bit is only valid in PWM mode. 0h = Legacy operation 1h = CCP output pin is set to 1 on time-out
10	TBMRSU	R/W	0h	Timer B Match Register Update mode This bit defines when the TBMATCHR and TBPR registers are updated If the timer is disabled (CTL.TBEN is clear) when this bit is set, TBMATCHR and TBPR are updated when the timer is enabled. If the timer is stalled (CTL.TBSTALL is set) when this bit is set, TBMATCHR and TBPR are updated according to the configuration of this bit. 0h = Update TBMATCHR and TBPR, if used, on the next cycle. 1h = Update TBMATCHR and TBPR, if used, on the next time-out.

Table 15-11. TBMR Register Field Descriptions (continued)

Bit	Field	Type	Reset	Description
9	TBPWMIE	R/W	0h	GPTM Timer B PWM Interrupt Enable This bit enables interrupts in PWM mode on rising, falling, or both edges of the CCP output, as defined by the CTL.TBEVENT In addition, when this bit is set and a capture event occurs, Timer A automatically generates triggers to the DMA if the trigger capability is enabled by setting the CTL.TBOTE bit and the DMAEV.CBEDMAEN bit respectively. 0 Capture event interrupt is disabled. 1 Capture event interrupt is enabled. This bit is only valid in PWM mode. 0h = Interrupt is disabled. 1h = Interrupt is enabled. This bit is only valid in PWM mode.
8	TBILD	R/W	0h	GPT Timer B PWM Interval Load Write 0h = Update the TBR register with the value in the TBILR register on the next clock cycle. If the pre-scaler is used, update the TBPS register with the value in the TBPR register on the next clock cycle. 1h = Update the TBR register with the value in the TBILR register on the next timeout. If the prescaler is used, update the TBPS register with the value in the TBPR register on the next timeout.
7	TBSNAPS	R/W	0h	GPT Timer B Snap-Shot Mode 0h = Snap-shot mode is disabled. 1h = If Timer B is configured in the periodic mode
6	TBWOT	R/W	0h	GPT Timer B Wait-On-Trigger 0h = Timer B begins counting as soon as it is enabled. 1h = If Timer B is enabled (CTL.TBEN is set), Timer B does not begin counting until it receives a trigger from the timer in the previous position in the daisy chain. This function is valid for one-shot, periodic, and PWM modes
5	TBMIE	R/W	0h	GPT Timer B Match Interrupt Enable. 0h = The match interrupt is disabled for match events. Additionally, output triggers on match events are prevented. 1h = An interrupt is generated when the match value in the TBMATCHR register is reached in the one-shot and periodic modes.
4	TBCDIR	R/W	0h	GPT Timer B Count Direction 0h = DOWN : The timer counts down. 1h = UP : The timer counts up. When counting up, the timer starts from a value of 0x0.
3	TBAMS	R/W	0h	GPT Timer B Alternate Mode Note: To enable PWM mode, you must also clear TBCM bit and configure TBMR field to 0x2. 0h = Capture/Compare mode is enabled. 1h = PWM mode is enabled
2	TBCM	R/W	0h	GPT Timer B Capture Mode 0h = EDGCNT : Edge-Count mode 1h = EDGTIME : Edge-Time mode
1-0	TBMR	R/W	0h	GPT Timer B Mode 0x0 Reserved 0x1 One-Shot Timer mode 0x2 Periodic Timer mode 0x3 Capture mode The Timer mode is based on the timer configuration defined by bits 2:0 in the CFG register 1h = One-Shot Timer mode 2h = Periodic Timer mode 3h = Capture mode

15.5.1.4 CTL Register (Offset = Ch) [Reset = 0000000h]

CTL is shown in [CTL Register](#) and described in [CTL Register Field Descriptions](#).

Return to the [GPT Registers](#).

Control

Figure 15-12. CTL Register

31	30	29	28	27	26	25	24
RESERVED							
R-0h							
23	22	21	20	19	18	17	16
RESERVED							
R-0h							
15	14	13	12	11	10	9	8
RESERVED	TBPWML	RESERVED		TBEVENT		TBSTALL	TBEN
R-0h	R/W-0h	R-0h		R/W-0h		R/W-0h	R/W-0h
7	6	5	4	3	2	1	0
RESERVED	TAPWML	RESERVED		TAEVENT		TASTALL	TAEN
R-0h	R/W-0h	R-0h		R/W-0h		R/W-0h	R/W-0h

Table 15-12. CTL Register Field Descriptions

Bit	Field	Type	Reset	Description
31-15	RESERVED	R	0h	Reserved
14	TBPWML	R/W	0h	GPT Timer B PWM Output Level 0: Output is unaffected. 1: Output is inverted. 0h = Not inverted 1h = Inverted
13-12	RESERVED	R	0h	Reserved
11-10	TBEVENT	R/W	0h	GPT Timer B Event Mode The values in this register are defined as follows: Value Description 0x0 Positive edge 0x1 Negative edge 0x2 Reserved 0x3 Both edges Note: If PWM output inversion is enabled, edge detection interrupt behavior is reversed. Thus, if a positive-edge interrupt trigger has been set and the PWM inversion generates a positive edge, no event-trigger interrupt asserts. Instead, the interrupt is generated on the negative edge of the PWM signal. 0h = Positive edge 1h = Negative edge 3h = Both edges
9	TBSTALL	R/W	0h	GPT Timer B Stall Enable 0h = Timer B continues counting while the processor is halted by the debugger. 1h = Timer B freezes counting while the processor is halted by the debugger.
8	TBEN	R/W	0h	GPT Timer B Enable 0h = Timer B is disabled. 1h = Timer B is enabled and begins counting or the capture logic is enabled based on CFG register.
7	RESERVED	R	0h	Reserved

Table 15-12. CTL Register Field Descriptions (continued)

Bit	Field	Type	Reset	Description
6	TAPWML	R/W	0h	GPT Timer A PWM Output Level 0h = Not inverted 1h = Inverted
5-4	RESERVED	R	0h	Reserved
3-2	TAEVENT	R/W	0h	GPT Timer A Event Mode The values in this register are defined as follows: Value Description 0x0 Positive edge 0x1 Negative edge 0x2 Reserved 0x3 Both edges Note: If PWM output inversion is enabled, edge detection interrupt behavior is reversed. Thus, if a positive-edge interrupt trigger has been set and the PWM inversion generates a positive edge, no event-trigger interrupt asserts. Instead, the interrupt is generated on the negative edge of the PWM signal. 0h = Positive edge 1h = Negative edge 3h = Both edges
1	TASTALL	R/W	0h	GPT Timer A Stall Enable 0h = Timer A continues counting while the processor is halted by the debugger. 1h = Timer A freezes counting while the processor is halted by the debugger.
0	TAEN	R/W	0h	GPT Timer A Enable 0h = Timer A is disabled. 1h = Timer A is enabled and begins counting or the capture logic is enabled based on the CFG register.

15.5.1.5 SYNC Register (Offset = 10h) [Reset = 00000000h]

SYNC is shown in [SYNC Register](#) and described in [SYNC Register Field Descriptions](#).

Return to the [GPT Registers](#).

Sync Register

Figure 15-13. SYNC Register

31	30	29	28	27	26	25	24	23	22	21	20	19	18	17	16
RESERVED															
R-0h															
15	14	13	12	11	10	9	8	7	6	5	4	3	2	1	0
RESERVED								SYNC3		SYNC2		SYNC1		SYNC0	
R-0h								W-0h		W-0h		W-0h		W-0h	

Table 15-13. SYNC Register Field Descriptions

Bit	Field	Type	Reset	Description
31-8	RESERVED	R	0h	Reserved
7-6	SYNC3	W	0h	Synchronize GPT Timer 3. 0h = No Sync. GPT3 is not affected. 1h = A timeout event for Timer A of GPT3 is triggered 2h = A timeout event for Timer B of GPT3 is triggered 3h = A timeout event for both Timer A and Timer B of GPT3 is triggered
5-4	SYNC2	W	0h	Synchronize GPT Timer 2. 0h = No Sync. GPT2 is not affected. 1h = A timeout event for Timer A of GPT2 is triggered 2h = A timeout event for Timer B of GPT2 is triggered 3h = A timeout event for both Timer A and Timer B of GPT2 is triggered
3-2	SYNC1	W	0h	Synchronize GPT Timer 1 0h = No Sync. GPT1 is not affected. 1h = A timeout event for Timer A of GPT1 is triggered 2h = A timeout event for Timer B of GPT1 is triggered 3h = A timeout event for both Timer A and Timer B of GPT1 is triggered
1-0	SYNC0	W	0h	Synchronize GPT Timer 0 0h = No Sync. GPT0 is not affected. 1h = A timeout event for Timer A of GPT0 is triggered 2h = A timeout event for Timer B of GPT0 is triggered 3h = A timeout event for both Timer A and Timer B of GPT0 is triggered

15.5.1.6 IMR Register (Offset = 18h) [Reset = 0000000h]

IMR is shown in [IMR Register](#) and described in [IMR Register Field Descriptions](#).

Return to the [GPT Registers](#).

Interrupt Mask

This register is used to enable the interrupts.

Associated registers:

RIS, MIS, ICLR

Figure 15-14. IMR Register

31	30	29	28	27	26	25	24
RESERVED							
R-0h							
23	22	21	20	19	18	17	16
RESERVED							
R-0h							
15	14	13	12	11	10	9	8
RESERVED	DMABIM	RESERVED	TBMIM	CBEIM	CBMIM	TBTOIM	
R-0h	R/W-0h	R-0h	R/W-0h	R/W-0h	R/W-0h	R/W-0h	R/W-0h
7	6	5	4	3	2	1	0
RESERVED	DMAAIM	TAMIM	RESERVED	CAEIM	CAMIM	TATOIM	
R-0h	R/W-0h	R/W-0h	R-0h	R/W-0h	R/W-0h	R/W-0h	R/W-0h

Table 15-14. IMR Register Field Descriptions

Bit	Field	Type	Reset	Description
31-14	RESERVED	R	0h	Reserved
13	DMABIM	R/W	0h	Enabling this bit will make the RIS.DMABRIS interrupt propagate to MIS.DMABMIS 0h = Disable Interrupt 1h = Enable Interrupt
12	RESERVED	R	0h	Reserved
11	TBMIM	R/W	0h	Enabling this bit will make the RIS.TBMRIS interrupt propagate to MIS.TBMMIS 0h = Disable Interrupt 1h = Enable Interrupt
10	CBEIM	R/W	0h	Enabling this bit will make the RIS.CBERIS interrupt propagate to MIS.CBEMIS 0h = Disable Interrupt 1h = Enable Interrupt
9	CBMIM	R/W	0h	Enabling this bit will make the RIS.CBMRIS interrupt propagate to MIS.CBMMIS 0h = Disable Interrupt 1h = Enable Interrupt
8	TBTOIM	R/W	0h	Enabling this bit will make the RIS.TBTORIS interrupt propagate to MIS.TBTOMIS 0h = Disable Interrupt 1h = Enable Interrupt
7-6	RESERVED	R	0h	Reserved
5	DMAAIM	R/W	0h	Enabling this bit will make the RIS.DMAARIS interrupt propagate to MIS.DMAAMIS 0h = Disable Interrupt 1h = Enable Interrupt

Table 15-14. IMR Register Field Descriptions (continued)

Bit	Field	Type	Reset	Description
4	TAMIM	R/W	0h	Enabling this bit will make the RIS.TAMRIS interrupt propagate to MIS.TAMMIS 0h = Disable Interrupt 1h = Enable Interrupt
3	RESERVED	R	0h	Reserved
2	CAEIM	R/W	0h	Enabling this bit will make the RIS.CAERIS interrupt propagate to MIS.CAEMIS 0h = Disable Interrupt 1h = Enable Interrupt
1	CAMIM	R/W	0h	Enabling this bit will make the RIS.CAMRIS interrupt propagate to MIS.CAMMIS 0h = Disable Interrupt 1h = Enable Interrupt
0	TATOIM	R/W	0h	Enabling this bit will make the RIS.TATORIS interrupt propagate to MIS.TATOMIS 0h = Disable Interrupt 1h = Enable Interrupt

15.5.1.7 RIS Register (Offset = 1Ch) [Reset = 0000000h]

RIS is shown in [RIS Register](#) and described in [RIS Register Field Descriptions](#).

Return to the [GPT Registers](#).

Raw Interrupt Status

Associated registers:

IMR, MIS, ICLR

Figure 15-15. RIS Register

31	30	29	28	27	26	25	24
RESERVED							
R-0h							
23	22	21	20	19	18	17	16
RESERVED							
R-0h							
15	14	13	12	11	10	9	8
RESERVED		DMABRIS	RESERVED	TBMRIS	CBERIS	CBMRIS	TBTORIS
R-0h		R-0h	R-0h	R-0h	R-0h	R-0h	R-0h
7	6	5	4	3	2	1	0
RESERVED		DMAARIS	TAMRIS	RESERVED	CAERIS	CAMRIS	TATORIS
R-0h		R-0h	R-0h	R-0h	R-0h	R-0h	R-0h

Table 15-15. RIS Register Field Descriptions

Bit	Field	Type	Reset	Description
31-14	RESERVED	R	0h	Reserved
13	DMABRIS	R	0h	GPT Timer B DMA Done Raw Interrupt Status 0: Transfer has not completed 1: Transfer has completed
12	RESERVED	R	0h	Reserved
11	TBMRIS	R	0h	GPT Timer B Match Raw Interrupt 0: The match value has not been reached 1: The match value is reached. TBMR.TBMIE is set, and the match values in TBMATCHR and optionally TBPMR have been reached when configured in one-shot or periodic mode.
10	CBERIS	R	0h	GPT Timer B Capture Mode Event Raw Interrupt 0: The event has not occurred. 1: The event has occurred. This interrupt asserts when the subtimer is configured in Input Edge-Time mode
9	CBMRIS	R	0h	GPT Timer B Capture Mode Match Raw Interrupt 0: The capture mode match for Timer B has not occurred. 1: A capture mode match has occurred for Timer B. This interrupt asserts when the values in the TBR and TBPR match the values in the TBMATCHR and TBPMR when configured in Input Edge-Time mode. This bit is cleared by writing a 1 to the ICLR.CBMCINT bit.
8	TBTORIS	R	0h	GPT Timer B Time-out Raw Interrupt 0: Timer B has not timed out 1: Timer B has timed out. This interrupt is asserted when a one-shot or periodic mode timer reaches its count limit. The count limit is 0 or the value loaded into TBILR, depending on the count direction.
7-6	RESERVED	R	0h	Reserved

Table 15-15. RIS Register Field Descriptions (continued)

Bit	Field	Type	Reset	Description
5	DMAARIS	R	0h	GPT Timer A DMA Done Raw Interrupt Status 0: Transfer has not completed 1: Transfer has completed
4	TAMRIS	R	0h	GPT Timer A Match Raw Interrupt 0: The match value has not been reached 1: The match value is reached. TAMR.TAMIE is set, and the match values in TAMATCHR and optionally TAPMR have been reached when configured in one-shot or periodic mode.
3	RESERVED	R	0h	Reserved
2	CAERIS	R	0h	GPT Timer A Capture Mode Event Raw Interrupt 0: The event has not occurred. 1: The event has occurred. This interrupt asserts when the subtimer is configured in Input Edge-Time mode
1	CAMRIS	R	0h	GPT Timer A Capture Mode Match Raw Interrupt 0: The capture mode match for Timer A has not occurred. 1: A capture mode match has occurred for Timer A. This interrupt asserts when the values in the TAR and TAPR match the values in the TAMATCHR and TAPMR when configured in Input Edge-Time mode. This bit is cleared by writing a 1 to the ICLR.CAMCINT bit.
0	TATORIS	R	0h	GPT Timer A Time-out Raw Interrupt 0: Timer A has not timed out 1: Timer A has timed out. This interrupt is asserted when a one-shot or periodic mode timer reaches its count limit. The count limit is 0 or the value loaded into TAILR, depending on the count direction.

15.5.1.8 MIS Register (Offset = 20h) [Reset = 0000000h]

MIS is shown in [MIS Register](#) and described in [MIS Register Field Descriptions](#).

Return to the [GPT Registers](#).

Masked Interrupt Status

Values are result of bitwise AND operation between RIS and IMR

Associated clear register: ICLR

Figure 15-16. MIS Register

31	30	29	28	27	26	25	24
RESERVED							
R-0h							
23	22	21	20	19	18	17	16
RESERVED							
R-0h							
15	14	13	12	11	10	9	8
RESERVED		DMABMIS	RESERVED	TBMMIS	CBEMIS	CBMMIS	TBTOMIS
R-0h		R-0h	R-0h	R-0h	R-0h	R-0h	R-0h
7	6	5	4	3	2	1	0
RESERVED		DMAAMIS	TAMMIS	RESERVED	CAEMIS	CAMMIS	TATOMIS
R-0h		R-0h	R-0h	R-0h	R-0h	R-0h	R-0h

Table 15-16. MIS Register Field Descriptions

Bit	Field	Type	Reset	Description
31-14	RESERVED	R	0h	Reserved
13	DMABMIS	R	0h	0: No interrupt or interrupt not enabled 1: RIS.DMABRIS = 1 && IMR.DMABIM = 1
12	RESERVED	R	0h	Reserved
11	TBMMIS	R	0h	0: No interrupt or interrupt not enabled 1: RIS.TBMRIS = 1 && IMR.TBMIM = 1
10	CBEMIS	R	0h	0: No interrupt or interrupt not enabled 1: RIS.CBERIS = 1 && IMR.CBEIM = 1
9	CBMMIS	R	0h	0: No interrupt or interrupt not enabled 1: RIS.CBMRIS = 1 && IMR.CBMIM = 1
8	TBTOMIS	R	0h	0: No interrupt or interrupt not enabled 1: RIS.TBTORIS = 1 && IMR.TBTOIM = 1
7-6	RESERVED	R	0h	Reserved
5	DMAAMIS	R	0h	0: No interrupt or interrupt not enabled 1: RIS.DMAARIS = 1 && IMR.DMAAIM = 1
4	TAMMIS	R	0h	0: No interrupt or interrupt not enabled 1: RIS.TAMRIS = 1 && IMR.TAMIM = 1
3	RESERVED	R	0h	Reserved
2	CAEMIS	R	0h	0: No interrupt or interrupt not enabled 1: RIS.CAERIS = 1 && IMR.CAEIM = 1
1	CAMMIS	R	0h	0: No interrupt or interrupt not enabled 1: RIS.CAMRIS = 1 && IMR.CAMIM = 1
0	TATOMIS	R	0h	0: No interrupt or interrupt not enabled 1: RIS.TATORIS = 1 && IMR.TATOIM = 1

15.5.1.9 ICLR Register (Offset = 24h) [Reset = 0000000h]

ICLR is shown in [ICLR Register](#) and described in [ICLR Register Field Descriptions](#).

Return to the [GPT Registers](#).

Interrupt Clear

This register is used to clear status bits in the RIS and MIS registers

Figure 15-17. ICLR Register

31	30	29	28	27	26	25	24
RESERVED							
R-0h							
23	22	21	20	19	18	17	16
RESERVED							
R-0h							
15	14	13	12	11	10	9	8
RESERVED		DMABINT	RESERVED	TBMCINT	CBECINT	CBMCINT	TBTOCINT
R-0h		R/W1C-0h	R-0h	R/W1C-0h	R/W1C-0h	R/W1C-0h	R/W1C-0h
7	6	5	4	3	2	1	0
RESERVED		DMAAINT	TAMCINT	RESERVED	CAECINT	CAMCINT	TATOCINT
R-0h		R/W1C-0h	R/W1C-0h	R-0h	R/W1C-0h	R/W1C-0h	R/W1C-0h

Table 15-17. ICLR Register Field Descriptions

Bit	Field	Type	Reset	Description
31-14	RESERVED	R	0h	Reserved
13	DMABINT	R/W1C	0h	0: Do nothing. 1: Clear RIS.DMABRIS and MIS.DMABMIS
12	RESERVED	R	0h	Reserved
11	TBMCINT	R/W1C	0h	0: Do nothing. 1: Clear RIS.TBMRIS and MIS.TBMMIS
10	CBECINT	R/W1C	0h	0: Do nothing. 1: Clear RIS.CBERIS and MIS.CBEMIS
9	CBMCINT	R/W1C	0h	0: Do nothing. 1: Clear RIS.CBMRIS and MIS.CBMMIS
8	TBTOCINT	R/W1C	0h	0: Do nothing. 1: Clear RIS.TBTORIS and MIS.TBTOMIS
7-6	RESERVED	R	0h	Reserved
5	DMAAINT	R/W1C	0h	0: Do nothing. 1: Clear RIS.DMAARIS and MIS.DMAAMIS
4	TAMCINT	R/W1C	0h	0: Do nothing. 1: Clear RIS.TAMRIS and MIS.TAMMIS
3	RESERVED	R	0h	Reserved
2	CAECINT	R/W1C	0h	0: Do nothing. 1: Clear RIS.CAERIS and MIS.CAEMIS
1	CAMCINT	R/W1C	0h	0: Do nothing. 1: Clear RIS.CAMRIS and MIS.CAMMIS
0	TATOCINT	R/W1C	0h	0: Do nothing. 1: Clear RIS.TATORIS and MIS.TATOMIS

15.5.1.10 TAILR Register (Offset = 28h) [Reset = FFFFFFFFh]

TAILR is shown in [TAILR Register](#) and described in [TAILR Register Field Descriptions](#).

Return to the [GPT Registers](#).

Timer A Interval Load Register

Figure 15-18. TAILR Register

31	30	29	28	27	26	25	24	23	22	21	20	19	18	17	16	15	14	13	12	11	10	9	8	7	6	5	4	3	2	1	0
TAILR																															
R/W-FFFFFFFh																															

Table 15-18. TAILR Register Field Descriptions

Bit	Field	Type	Reset	Description
31-0	TAILR	R/W	FFFFFFFh	GPT Timer A Interval Load Register Writing this field loads the counter for Timer A. A read returns the current value of TAILR.

15.5.1.11 TBILR Register (Offset = 2Ch) [Reset = 0000FFFFh]

TBILR is shown in [TBILR Register](#) and described in [TBILR Register Field Descriptions](#).

Return to the [GPT Registers](#).

Timer B Interval Load Register

Figure 15-19. TBILR Register

31	30	29	28	27	26	25	24	23	22	21	20	19	18	17	16	15	14	13	12	11	10	9	8	7	6	5	4	3	2	1	0
TBILR																															
R/W-FFFFh																															

Table 15-19. TBILR Register Field Descriptions

Bit	Field	Type	Reset	Description
31-0	TBILR	R/W	FFFFh	GPT Timer B Interval Load Register Writing this field loads the counter for Timer B. A read returns the current value of TBILR.

15.5.1.12 TAMATCHR Register (Offset = 30h) [Reset = FFFFFFFFh]

TAMATCHR is shown in [TAMATCHR Register](#) and described in [TAMATCHR Register Field Descriptions](#).

Return to the [GPT Registers](#).

Timer A Match Register

Interrupts can be generated when the timer value is equal to the value in this register in one-shot or periodic mode.

In Edge-Count mode, this register along with TAILR, determines how many edge events are counted.

The total number of edge events counted is equal to the value in TAILR minus this value.

Note that in edge-count mode, when executing an up-count, the value of TAPR and TAILR must be greater than the value of TAPMR and this register.

In PWM mode, this value along with TAILR, determines the duty cycle of the output PWM signal.

When a 16/32-bit GPT is configured to one of the 32-bit modes, TAMATCHR appears as a 32-bit register. (The upper 16-bits correspond to the contents TBMATCHR).

In a 16-bit mode, the upper 16 bits of this register read as 0s and have no effect on the state of TBMATCHR.

Note : This register is updated internally (takes effect) based on TAMR.TAMRSU

Figure 15-20. TAMATCHR Register

31	30	29	28	27	26	25	24	23	22	21	20	19	18	17	16	15	14	13	12	11	10	9	8	7	6	5	4	3	2	1	0
TAMATCHR																															
R/W-FFFFFFFh																															

Table 15-20. TAMATCHR Register Field Descriptions

Bit	Field	Type	Reset	Description
31-0	TAMATCHR	R/W	FFFFFFFh	GPT Timer A Match Register

15.5.1.13 TBMATCHR Register (Offset = 34h) [Reset = 0000FFFFh]

TBMATCHR is shown in [TBMATCHR Register](#) and described in [TBMATCHR Register Field Descriptions](#).

Return to the [GPT Registers](#).

Timer B Match Register

When a GPT is configured to one of the 32-bit modes, the contents of bits 15:0 in this register are loaded into the upper 16 bits of TAMATCHR.

Reads from this register return the current match value of Timer B and writes are ignored.

In a 16-bit mode, bits 15:0 are used for the match value. Bits 31:16 are reserved in both cases.

Note : This register is updated internally (takes effect) based on TBMR.TBMRSU

Figure 15-21. TBMATCHR Register

31	30	29	28	27	26	25	24	23	22	21	20	19	18	17	16	15	14	13	12	11	10	9	8	7	6	5	4	3	2	1	0
RESERVED																TBMATCHR															
R-0h																R/W-FFFFh															

Table 15-21. TBMATCHR Register Field Descriptions

Bit	Field	Type	Reset	Description
31-16	RESERVED	R	0h	Reserved
15-0	TBMATCHR	R/W	FFFFh	GPT Timer B Match Register

15.5.1.14 TAPR Register (Offset = 38h) [Reset = 0000000h]

TAPR is shown in [TAPR Register](#) and described in [TAPR Register Field Descriptions](#).

Return to the [GPT Registers](#).

Timer A Pre-scale

This register allows software to extend the range of the timers when they are used individually.

When in one-shot or periodic down count modes, this register acts as a true prescaler for the timer counter.

When acting as a true prescaler, the prescaler counts down to 0 before the value in TAR and TAV registers are incremented.

In all other individual/split modes, this register is a linear extension of the upper range of the timer counter, holding bits 23:16 in the 16-bit modes of the 16/32-bit GPT.

Figure 15-22. TAPR Register

31	30	29	28	27	26	25	24	23	22	21	20	19	18	17	16	15	14	13	12	11	10	9	8	7	6	5	4	3	2	1	0
RESERVED																TAPSR															
R-0h																R/W-0h															

Table 15-22. TAPR Register Field Descriptions

Bit	Field	Type	Reset	Description
31-8	RESERVED	R	0h	Reserved
7-0	TAPSR	R/W	0h	Timer A Pre-scale. Prescaler ratio in one-shot and periodic count mode is TAPSR + 1, that is: 0: Prescaler ratio = 1 1: Prescaler ratio = 2 2: Prescaler ratio = 3 ... 255: Prescaler ratio = 256

15.5.1.15 TBPR Register (Offset = 3Ch) [Reset = 0000000h]

TBPR is shown in [TBPR Register](#) and described in [TBPR Register Field Descriptions](#).

Return to the [GPT Registers](#).

Timer B Pre-scale

This register allows software to extend the range of the timers when they are used individually.

When in one-shot or periodic down count modes, this register acts as a true prescaler for the timer counter.

When acting as a true prescaler, the prescaler counts down to 0 before the value in TBR and TBV registers are incremented.

In all other individual/split modes, this register is a linear extension of the upper range of the timer counter, holding bits 23:16 in the 16-bit modes of the 16/32-bit GPT.

Figure 15-23. TBPR Register

31	30	29	28	27	26	25	24	23	22	21	20	19	18	17	16	15	14	13	12	11	10	9	8	7	6	5	4	3	2	1	0
RESERVED																TBPSR															
R-0h																R/W-0h															

Table 15-23. TBPR Register Field Descriptions

Bit	Field	Type	Reset	Description
31-8	RESERVED	R	0h	Reserved
7-0	TBPSR	R/W	0h	Timer B Pre-scale. Prescale ratio in one-shot and periodic count mode is TBPSR + 1, that is: 0: Prescaler ratio = 1 1: Prescaler ratio = 2 2: Prescaler ratio = 3 ... 255: Prescaler ratio = 256

15.5.1.16 TAPMR Register (Offset = 40h) [Reset = 0000000h]

TAPMR is shown in [TAPMR Register](#) and described in [TAPMR Register Field Descriptions](#).

Return to the [GPT Registers](#).

Timer A Pre-scale Match

This register allows software to extend the range of the TAMATCHR when used individually.

Figure 15-24. TAPMR Register

31	30	29	28	27	26	25	24	23	22	21	20	19	18	17	16	15	14	13	12	11	10	9	8	7	6	5	4	3	2	1	0
RESERVED																TAPSMR															
R-0h																R/W-0h															

Table 15-24. TAPMR Register Field Descriptions

Bit	Field	Type	Reset	Description
31-8	RESERVED	R	0h	Reserved
7-0	TAPSMR	R/W	0h	GPT Timer A Pre-scale Match. In 16 bit mode this field holds bits 23 to 16.

15.5.1.17 TBPMR Register (Offset = 44h) [Reset = 0000000h]

TBPMR is shown in [TBPMR Register](#) and described in [TBPMR Register Field Descriptions](#).

Return to the [GPT Registers](#).

Timer B Pre-scale Match

This register allows software to extend the range of the TBMATCHR when used individually.

Figure 15-25. TBPMR Register

31	30	29	28	27	26	25	24	23	22	21	20	19	18	17	16	15	14	13	12	11	10	9	8	7	6	5	4	3	2	1	0
RESERVED																TBPSMR															
R-0h																R/W-0h															

Table 15-25. TBPMR Register Field Descriptions

Bit	Field	Type	Reset	Description
31-8	RESERVED	R	0h	Reserved
7-0	TBPSMR	R/W	0h	GPT Timer B Pre-scale Match Register. In 16 bit mode this field holds bits 23 to 16.

15.5.1.18 TAR Register (Offset = 48h) [Reset = FFFFFFFFh]

TAR is shown in [TAR Register](#) and described in [TAR Register Field Descriptions](#).

Return to the [GPT Registers](#).

Timer A Register

This register shows the current value of the Timer A counter in all cases except for Input Edge Count and Time modes. In the Input Edge Count mode, this register contains the number of edges that have occurred. In the Input Edge Time mode, this register contains the time at which the last edge event took place.

When a GPT is configured to one of the 32-bit modes, this register appears as a 32-bit register (the upper 16-bits correspond to the contents of the Timer B (TBR) register). In the 16-bit Input Edge Count, Input Edge Time, and PWM modes, bits 15:0 contain the value of the counter and bits 23:16 contain the value of the prescaler, which is the upper 8 bits of the count. Bits 31:24 always read as 0. To read the value of the prescaler in 16-bit One-Shot and Periodic modes, read bits [23:16] in the TAV register. To read the value of the prescaler in periodic snapshot mode, read the Timer A Prescale Snapshot (TAPS) register.

Figure 15-26. TAR Register

31	30	29	28	27	26	25	24	23	22	21	20	19	18	17	16	15	14	13	12	11	10	9	8	7	6	5	4	3	2	1	0
TAR																															
R-FFFFFFFh																															

Table 15-26. TAR Register Field Descriptions

Bit	Field	Type	Reset	Description
31-0	TAR	R	FFFFFFFh	<p>GPT Timer A Register</p> <p>Based on the value in the register field TAMR.TAILED, this register is updated with the value from TAILR register either on the next cycle or on the next timeout.</p> <p>A read returns the current value of the Timer A Count Register, in all cases except for Input Edge count and Timer modes.</p> <p>In the Input Edge Count Mode, this register contains the number of edges that have occurred. In the Input Edge Time mode, this register contains the time at which the last edge event took place.</p>

15.5.1.19 TBR Register (Offset = 4Ch) [Reset = 0000FFFFh]

TBR is shown in [TBR Register](#) and described in [TBR Register Field Descriptions](#).

Return to the [GPT Registers](#).

Timer B Register

This register shows the current value of the Timer B counter in all cases except for Input Edge Count and Time modes. In the Input Edge Count mode, this register contains the number of edges that have occurred. In the Input Edge Time mode, this register contains the time at which the last edge event took place.

When a GPTM is configured to one of the 32-bit modes, the contents of bits 15:0 in this register are loaded into the upper 16 bits of the TAR register. Reads from this register return the current value of Timer B. In a 16-bit mode, bits 15:0 contain the value of the counter and bits 23:16 contain the value of the prescaler in Input Edge Count, Input Edge Time, and PWM modes, which is the upper 8 bits of the count. Bits 31:24 always read as 0. To read the value of the prescaler in 16-bit One-Shot and Periodic modes, read bits [23:16] in the TBV register. To read the value of the prescaler in periodic snapshot mode, read the Timer B Prescale Snapshot (TBPS) register.

Figure 15-27. TBR Register

31	30	29	28	27	26	25	24	23	22	21	20	19	18	17	16	15	14	13	12	11	10	9	8	7	6	5	4	3	2	1	0
TBR																															
R-FFFFh																															

Table 15-27. TBR Register Field Descriptions

Bit	Field	Type	Reset	Description
31-0	TBR	R	FFFFh	<p>GPT Timer B Register</p> <p>Based on the value in the register field TBMR.TBILD, this register is updated with the value from TBILR register either on the next cycle or on the next timeout.</p> <p>A read returns the current value of the Timer B Count Register, in all cases except for Input Edge count and Timer modes.</p> <p>In the Input Edge Count Mode, this register contains the number of edges that have occurred. In the Input Edge Time mode, this register contains the time at which the last edge event took place.</p>

15.5.1.20 TAV Register (Offset = 50h) [Reset = FFFFFFFFh]

TAV is shown in [TAV Register](#) and described in [TAV Register Field Descriptions](#).

Return to the [GPT Registers](#).

Timer A Value

When read, this register shows the current, free-running value of Timer A in all modes. Software can use this value to determine the time elapsed between an interrupt and the ISR entry when using the snapshot feature with the periodic operating mode. When written, the value written into this register is loaded into the TAR register on the next clock cycle.

When a 16/32-bit GPTM is configured to one of the 32-bit modes, this register appears as a 32-bit register (the upper 16-bits correspond to the contents of the GPTM Timer B Value (TBV) register). In a 16-bit mode, bits 15:0 contain the value of the counter and bits 23:16 contain the current, free-running value of the prescaler, which is the upper 8 bits of the count in Input Edge Count, Input Edge Time, PWM and one-shot or periodic up count modes. In one-shot or periodic

down count modes, the prescaler stored in 23:16 is a true prescaler, meaning bits 23:16 count down before decrementing the value in bits 15:0. The prescaler in bits 31:24 always reads as 0.

Figure 15-28. TAV Register

31	30	29	28	27	26	25	24	23	22	21	20	19	18	17	16	15	14	13	12	11	10	9	8	7	6	5	4	3	2	1	0
TAV																															
R/W-FFFFFFFh																															

Table 15-28. TAV Register Field Descriptions

Bit	Field	Type	Reset	Description
31-0	TAV	R/W	FFFFFFFh	<p>GPT Timer A Register</p> <p>A read returns the current, free-running value of Timer A in all modes.</p> <p>When written, the value written into this register is loaded into the TAR register on the next clock cycle.</p> <p>Note: In 16-bit mode, only the lower 16-bits of this register can be written with a new value. Writes to the prescaler bits have no effect</p>

15.5.1.21 TBV Register (Offset = 54h) [Reset = 0000FFFFh]

TBV is shown in [TBV Register](#) and described in [TBV Register Field Descriptions](#).

Return to the [GPT Registers](#).

Timer B Value

When read, this register shows the current, free-running value of Timer B in all modes. Software can use this value to determine the time elapsed between an interrupt and the ISR entry. When written, the value written into this register is loaded into the TBR register on the next clock cycle.

When a 16/32-bit GPTM is configured to one of the 32-bit modes, the contents of bits 15:0 in this register are loaded into the upper 16 bits of the TAV register. Reads from this register return

the current free-running value of Timer B. In a 16-bit mode, bits 15:0 contain the value of the counter and bits 23:16 contain the current, free-running value of the prescaler, which is the upper 8 bits of the count in Input Edge Count, Input Edge Time, PWM and one-shot or periodic up count modes.

In one-shot or periodic down count modes, the prescaler stored in 23:16 is a true prescaler, meaning bits 23:16 count down before decrementing the value in bits 15:0. The prescaler in bits 31:24 always reads as 0.

Figure 15-29. TBV Register

31	30	29	28	27	26	25	24	23	22	21	20	19	18	17	16	15	14	13	12	11	10	9	8	7	6	5	4	3	2	1	0
TBV																															
R/W-FFFFh																															

Table 15-29. TBV Register Field Descriptions

Bit	Field	Type	Reset	Description
31-0	TBV	R/W	FFFFh	<p>GPT Timer B Register</p> <p>A read returns the current, free-running value of Timer B in all modes.</p> <p>When written, the value written into this register is loaded into the TBR register on the next clock cycle.</p> <p>Note: In 16-bit mode, only the lower 16-bits of this register can be written with a new value. Writes to the prescaler bits have no effect</p>

15.5.1.22 TAPS Register (Offset = 5Ch) [Reset = 0000000h]

TAPS is shown in [TAPS Register](#) and described in [TAPS Register Field Descriptions](#).

Return to the [GPT Registers](#).

Timer A Pre-scale Snap-shot

Based on the value in the register field TAMR.TAILD, this register is updated with the value from TAPR register either on the next cycle or on the next timeout.

This register shows the current value of the Timer A pre-scaler in the 16-bit mode.

Figure 15-30. TAPS Register

31	30	29	28	27	26	25	24	23	22	21	20	19	18	17	16	15	14	13	12	11	10	9	8	7	6	5	4	3	2	1	0
RESERVED																PSS															
R-0h																R-0h															

Table 15-30. TAPS Register Field Descriptions

Bit	Field	Type	Reset	Description
31-8	RESERVED	R	0h	Reserved
7-0	PSS	R	0h	GPT Timer A Pre-scaler

15.5.1.23 TBPS Register (Offset = 60h) [Reset = 0000000h]

TBPS is shown in [TBPS Register](#) and described in [TBPS Register Field Descriptions](#).

Return to the [GPT Registers](#).

Timer B Pre-scale Snap-shot

Based on the value in the register field TBMR.TBILD, this register is updated with the value from TBPR register either on the next cycle or on the next timeout.

This register shows the current value of the Timer B pre-scaler in the 16-bit mode.

Figure 15-31. TBPS Register

31	30	29	28	27	26	25	24	23	22	21	20	19	18	17	16	15	14	13	12	11	10	9	8	7	6	5	4	3	2	1	0
RESERVED														PSS																	
R-0h														R-0h																	

Table 15-31. TBPS Register Field Descriptions

Bit	Field	Type	Reset	Description
31-8	RESERVED	R	0h	Reserved
7-0	PSS	R	0h	GPT Timer B Pre-scaler

15.5.1.24 TAPV Register (Offset = 64h) [Reset = 0000000h]

TAPV is shown in [TAPV Register](#) and described in [TAPV Register Field Descriptions](#).

Return to the [GPT Registers](#).

Timer A Pre-scale Value

This register shows the current value of the Timer A free running pre-scaler in the 16-bit mode.

Figure 15-32. TAPV Register

31	30	29	28	27	26	25	24	23	22	21	20	19	18	17	16	15	14	13	12	11	10	9	8	7	6	5	4	3	2	1	0
RESERVED																PSV															
R-0h																R-0h															

Table 15-32. TAPV Register Field Descriptions

Bit	Field	Type	Reset	Description
31-8	RESERVED	R	0h	Reserved
7-0	PSV	R	0h	GPT Timer A Pre-scaler Value

15.5.1.25 TBPV Register (Offset = 68h) [Reset = 0000000h]

TBPV is shown in [TBPV Register](#) and described in [TBPV Register Field Descriptions](#).

Return to the [GPT Registers](#).

Timer B Pre-scale Value

This register shows the current value of the Timer B free running pre-scaler in the 16-bit mode.

Figure 15-33. TBPV Register

31	30	29	28	27	26	25	24	23	22	21	20	19	18	17	16	15	14	13	12	11	10	9	8	7	6	5	4	3	2	1	0
RESERVED																PSV															
R-0h																R-0h															

Table 15-33. TBPV Register Field Descriptions

Bit	Field	Type	Reset	Description
31-8	RESERVED	R	0h	Reserved
7-0	PSV	R	0h	GPT Timer B Pre-scaler Value

15.5.1.26 DMAEV Register (Offset = 6Ch) [Reset = 0000000h]

DMAEV is shown in [DMAEV Register](#) and described in [DMAEV Register Field Descriptions](#).

Return to the [GPT Registers](#).

DMA Event

This register allows software to enable/disable GPT DMA trigger events.

Figure 15-34. DMAEV Register

31	30	29	28	27	26	25	24
RESERVED							
R-0h							
23	22	21	20	19	18	17	16
RESERVED							
R-0h							
15	14	13	12	11	10	9	8
RESERVED				TBMDMAEN	CBEDMAEN	CBMDMAEN	TBTODMAEN
R-0h				R/W-0h	R/W-0h	R/W-0h	R/W-0h
7	6	5	4	3	2	1	0
RESERVED			TAMDMAEN	RESERVED	CAEDMAEN	CAMDMAEN	TATODMAEN
R/W-0h			R/W-0h	R-0h	R/W-0h	R/W-0h	R/W-0h

Table 15-34. DMAEV Register Field Descriptions

Bit	Field	Type	Reset	Description
31-12	RESERVED	R	0h	Software should not rely on the value of a reserved field. Writing any other value may result in undefined behavior.
11	TBMDMAEN	R/W	0h	GPT Timer B Match DMA Trigger Enable
10	CBEDMAEN	R/W	0h	GPT Timer B Capture Event DMA Trigger Enable
9	CBMDMAEN	R/W	0h	GPT Timer B Capture Match DMA Trigger Enable
8	TBTODMAEN	R/W	0h	GPT Timer B Time-Out DMA Trigger Enable
7-5	RESERVED	R/W	0h	Software should not rely on the value of a reserved field. Writing any other value may result in undefined behavior.
4	TAMDMAEN	R/W	0h	GPT Timer A Match DMA Trigger Enable
3	RESERVED	R	0h	Reserved
2	CAEDMAEN	R/W	0h	GPT Timer A Capture Event DMA Trigger Enable
1	CAMDMAEN	R/W	0h	GPT Timer A Capture Match DMA Trigger Enable
0	TATODMAEN	R/W	0h	GPT Timer A Time-Out DMA Trigger Enable

15.5.1.27 VERSION Register (Offset = FB0h) [Reset = 0000400h]

VERSION is shown in [VERSION Register](#) and described in [VERSION Register Field Descriptions](#).

Return to the [GPT Registers](#).

Peripheral Version

This register provides information regarding the GPT version

Figure 15-35. VERSION Register

31	30	29	28	27	26	25	24	23	22	21	20	19	18	17	16	15	14	13	12	11	10	9	8	7	6	5	4	3	2	1	0
VERSION																															
R-400h																															

Table 15-35. VERSION Register Field Descriptions

Bit	Field	Type	Reset	Description
31-0	VERSION	R	400h	Timer Revision.

15.5.1.28 ANDCCP Register (Offset = FB4h) [Reset = 0000000h]

ANDCCP is shown in [ANDCCP Register](#) and described in [ANDCCP Register Field Descriptions](#).

Return to the [GPT Registers](#).

Combined CCP Output

This register is used to logically AND CCP output pairs for each timer

Figure 15-36. ANDCCP Register

31	30	29	28	27	26	25	24		
RESERVED									
R-0h									
23	22	21	20	19	18	17	16		
RESERVED									
R-0h									
15	14	13	12	11	10	9	8		
RESERVED									
R-0h									
7	6	5	4	3	2	1	0	LD_TO_EN	CCP_AND_EN
RESERVED									
R-0h							R/W-0h	R/W-0h	

Table 15-36. ANDCCP Register Field Descriptions

Bit	Field	Type	Reset	Description
31-2	RESERVED	R	0h	Reserved
1	LD_TO_EN	R/W	0h	PWM assertion would happen at timeout 0: PWM assertion happens when counter matches load value 1: PWM assertion happens at timeout of the counter
0	CCP_AND_EN	R/W	0h	Enables AND operation of the CCP outputs for timers A and B. 0 : PWM outputs of Timer A and Timer B are the internal generated PWM signals of the respective timers. 1 : PWM output of Timer A is ANDed version of Timer A and Timer B PWM signals and Timer B PWM output is Timer B PWM signal only.

This page intentionally left blank.

This chapter describes the functionality and design of the always-on, real-time clock (AON_RTC) for the CC13x1x3 and CC26x1x3 device platform.

16.1 Introduction	1256
16.2 Functional Specifications	1256
16.3 RTC Register Information	1258
16.4 RTC Registers	1259

16.1 Introduction

This section describes the functionality and design of the always-on, real-time clock (AON_RTC) for the CC13x1x3 and CC26x1x3 device platform. The AON_RTC implements a second and subsecond counter with support for software-compensation of ppm-offsets, with three match register and one compare register.

A special mechanism is in place to support power down of the MCU domain while the AON_RTC continues to operate. The AON_RTC is powered in all power modes except for the deepest power-down mode, known as shutdown.

16.2 Functional Specifications

This section gives a functional description of the AON_RTC.

16.2.1 Functional Overview

The functionality of the AON_RTC is described as follows:

- Increments on positive edges of the 32 kHz clock
- A 70-bit incrementing counter with support for programmable increment to support ppm-adjustment
- Three general-purpose channels (0, 1, and 2) with comparators supporting the generation of events
- Software and hardware reset of events
- All events can be delayed by a programmable amount to generated corresponding delayed events.
- A programmable set of the delayed events can be combined to generate a delayed combined event.

16.2.2 Free-Running Counter

The AON_RTC implements a 70-bit, free-running counter incremented by a programmable value for each 32 kHz clock. The programmable value allows compensation of ppm-offsets in the 32 kHz clock, making it possible for the counter to operate with a very high precision.

The counter starts from 0 when enabled following power up of the AON_RTC, but can also be reset to 0 or any other new value by the software. The counter measures seconds (32 bit) and subseconds (32 bit).

By default, the AON_RTC increments its counter with 1/32768 seconds each 32 kHz clock tick. A subsecond increment value of 0x20 000 corresponds to 1/32768 seconds. Increasing or decreasing the subsecond increments value increases or decreases the speed of the AON_RTC by the same amount.

Change the increment by updating the AUX_SYSIF:RTCSUBSECINC0 and the AUX_SYSIF:RTCSUBSECINC1 registers, and then load the new setting to the AON_RTC by a write to the AUX_SYSIF:RTCSUBSECINCCTL.UPD_REQ register. The new subsecond increment value must not be changed by AUX until it has received an acknowledgment from the AON_RTC. The acknowledgment can be read from the AUX_SYSIF:RTCSUBSECINCCTL.UPD_ACK register. After the acknowledgment has been received, the AUX_SYSIF:RTCSUBSECINCCTL.UPD_REQ register can be written back to 0 and a new subsecond increment can be uploaded, if needed.

To perform an atomic read of the free-running counter, a read must first be done of the seconds part AON_RTC:SEC. This will latch the subseconds part AON_RTC:SUBSEC until read. In addition AON_RTC:TIME register returns the lower halfword of the AON_RTC:SEC register and the upper halfword of the AON_RTC:SUBSEC register. This is the same format as the match and capture registers.

16.2.3 Channels

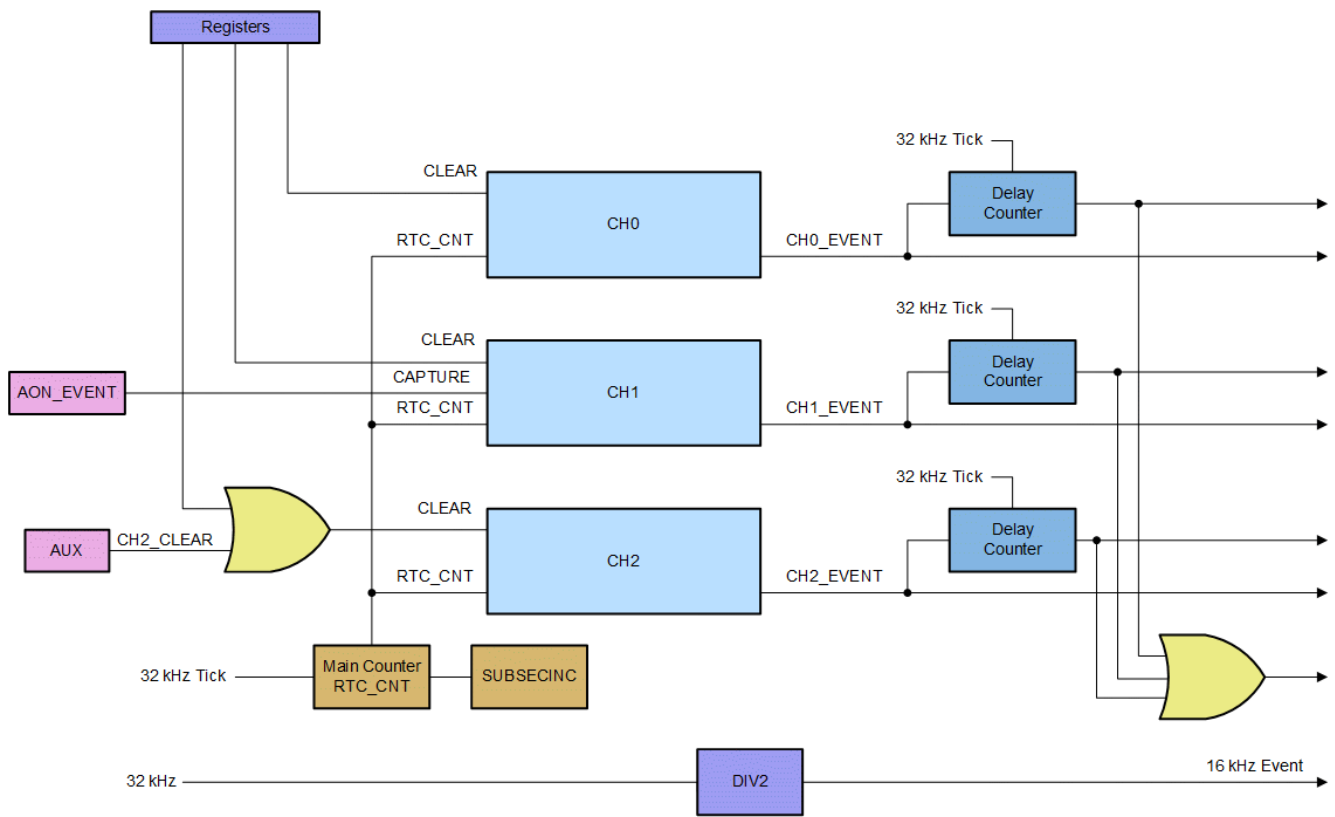
The AON_RTC contains three independent channels (0, 1, and 2) that have slightly different behaviors.

All channels can operate in a compare mode; each channel generates a compare event when a programmable time limit has been reached or exceeded. This is the only mode of operation for channel 0.

Channel 1 can be operated in a capture mode, where an external event causes the current value of the free-running timer to be latched, to remember the time of the event. A capture event is subsequently generated. As the channel 1 timer is operating in either compare mode or capture mode, the same physical event is generated in each mode.

Channel 2 can operate in a continuous compare mode, automatically incrementing its compare value following a compare event. This enables the generation of completely equidistant events.

Figure 16-1 shows the three AON_RTC channels.



Copyright © 2021, Texas Instruments Incorporated

Figure 16-1. AON_RTC Channels

16.2.3.1 Capture and Compare

A RTC capture event can be set up on channel 1 by configuring a capture source in AON_EVENT:RTCSEL and setting channel 1 to capture mode in AON_RTC:CHCTL. The captured RTC value is available in the register AON_RTC:CH1CAPT after a capture event

Compare events are configured by writing to the corresponding channel compare register AON_RTC:CHnCMP.

Note

If a compare value is set so that the compare value minus current value is larger than the seconds wrap-around time minus one second ($2^{32} \times \text{SCLK_LF}_{\text{period}} - 1$), an immediate compare event is set to avoid losing the event.

16.2.4 Events

A programmable combination of the three delayed events can be combined into a seventh delayed event. All events are fed to the AON event fabric, where they are available, for example, as wake-up events for the MCU or AUX domains.

The three channels can individually generate an event. Each of these three events can generate a corresponding event by delaying the channel event by a programmable amount of clocks, using a delay counter. The delay counters use the uncompensated 32 kHz clock; thus, the delay time varies with this clock. This process can generate precise events in the future, even when, for example, the MCU must be woken up following an event—a process that takes an indeterministic, yet bounded, amount of time.

Note

Disabling a channel does not clear any pending events from that channel. The only way to clear an event is by asserting the external clear signal, or by writing 1 to the corresponding CHx bit in the AON_RTC:EVFLAGS register.

16.3 RTC Register Information

The RTC registers are placed in the AON domain and are clocked using 2 MHz MF clock. All configuration and status registers are preserved in all power modes except for SHUTDOWN. The MCU domain contains an interface to the AON_RTC registers to ensure fast access with minimum latency on the system bus. Due to synchronization between the MCU interface and the AON domain, there is a delay in the system that software must take into account.

16.3.1 Register Access

A write access is delayed with one or two 2 MHz MF clock periods. The system bus is not affected by this delay, so the MCU completes the bus transactions before the actual AON_RTC register is written in the AON_RTC. This process enables the application to write several registers consecutively, without any extra delay due to synchronization.

Due to synchronization, a read access always reads a value that is two to three system clocks (48 MHz) delayed. In this case, the system bus is not halted.

The AON_RTC:EVFLAGS register has a fast-clear feature. When written to 1, the MCU intermediately clears the EVFLAGS bit field. This process enables the MCU to clear the source quickly if the status is used as an interrupt or event. Due to synchronization, the actual flag in the RTC is not cleared until 1 or 2 clock cycles later. For this reason, a new event is masked for up to two 2 MHz MF periods.

16.3.2 Entering Sleep and Wakeup From Sleep

Before entering sleep, it must be ensured that all write requests to the AON registers are completed. This is done by the hardware in the MCU domain.

Upon wakeup from sleep, the application must wait for one 2 MHz MF period. This wait ensures that the MCU domain register interface is correctly synchronized. If registers are read before synchronization is completed, the value might not be updated. For example, reading the AON_RTC:SEC register might show the value from before entering sleep, and not the current value.

16.3.3 AON_RTC:SYNC Register

The AON_RTC:SYNC register synchronizes between the MCU domain and AON domain.

A read request from the AON_RTC:SYNC register does not return if there are outstanding write requests to the AON registers; in other words, the bus is halted until all outstanding requests are completed.

A write request triggers a dummy write to the AON domain. This write can ensure synchronization to the MF clock. This dummy write takes one to two 2 MHz MF clock cycles.

1. Write to the AON_RTC:SYNC register or any other register in the AON domain. The write triggers an outstanding write request to be registered on the AON domain.
2. Read from the AON_RTC:SYNC register. This read does not return until all outstanding requests are completed.

The AON_RTC:SYNC register operation is typically used when a specific order must be ensured. For example, when disabling a channel, the AON_RTC:SYNC register can be polled to ensure that the channel has been disabled and no further events can occur:

1. Set AON_RTC:CHCTL.CH2_EN = 0.
2. Read the AON_RTC:SYNC register.
3. The channel is now disabled. No further events can occur.

Another typical use is to ensure the correct values are updated in the MCU domain on wakeup. This MCU domain is only updated on a positive edge of the 2 MHz MF clock.

1. Write to the AON_RTC:SYNC register.
2. Read the AON_RTC:SYNC register.
3. Other AON_RTC registers can now be read safely as their information is correctly updated.

16.4 RTC Registers

The next section shows the register bank for Real-time Clock.

16.4.1 AON_RTC Registers

[AON_RTC Registers](#) lists the memory-mapped registers for the AON_RTC registers. All register offset addresses not listed in [AON_RTC Registers](#) should be considered as reserved locations and the register contents should not be modified.

Table 16-1. AON_RTC Registers

Offset	Acronym	Register Name	Section
0h	CTL	Control	Section 16.4.1.1
4h	EVFLAGS	Event Flags, RTC Status	Section 16.4.1.2
8h	SEC	Second Counter Value, Integer Part	Section 16.4.1.3
Ch	SUBSEC	Second Counter Value, Fractional Part	Section 16.4.1.4
10h	SUBSECINC	Subseconds Increment	Section 16.4.1.5
14h	CHCTL	Channel Configuration	Section 16.4.1.6
18h	CH0CMP	Channel 0 Compare Value	Section 16.4.1.7
1Ch	CH1CMP	Channel 1 Compare Value	Section 16.4.1.8
20h	CH2CMP	Channel 2 Compare Value	Section 16.4.1.9
24h	CH2CMPINC	Channel 2 Compare Value Auto-increment	Section 16.4.1.10
28h	CH1CAPT	Channel 1 Capture Value	Section 16.4.1.11
2Ch	SYNC	AON Synchronization	Section 16.4.1.12
30h	TIME	Current Counter Value	Section 16.4.1.13
34h	SYNCLF	Synchronization to SCLK_LF	Section 16.4.1.14

Complex bit access types are encoded to fit into small table cells. [AON_RTC Access Type Codes](#) shows the codes that are used for access types in this section.

Table 16-2. AON_RTC Access Type Codes

Access Type	Code	Description
Read Type		
R	R	Read
Write Type		
W	W	Write
W1C	W 1C	Write 1 to clear
Reset or Default Value		
-n		Value after reset or the default value

16.4.1.1 CTL Register (Offset = 0h) [Reset = 0000000h]

CTL is shown in [CTL Register](#) and described in [CTL Register Field Descriptions](#).

Return to the [AON_RTC Registers](#).

Control

This register contains various bitfields for configuration of RTC

RTL Name = CONFIG

Figure 16-2. CTL Register

31	30	29	28	27	26	25	24
RESERVED							
R-0h							
23	22	21	20	19	18	17	16
RESERVED				COMB_EV_MASK			
R-0h				R/W-0h			
15	14	13	12	11	10	9	8
RESERVED				EV_DELAY			
R-0h				R/W-0h			
7	6	5	4	3	2	1	0
RESET	RESERVED				RTC_4KHZ_EN	RTC_UPD_EN	EN
W1C-0h	R-0h				R/W-0h	R/W-0h	R/W-0h

Table 16-3. CTL Register Field Descriptions

Bit	Field	Type	Reset	Description
31-19	RESERVED	R	0h	Reserved
18-16	COMB_EV_MASK	R/W	0h	Eventmask selecting which delayed events that form the combined event. 0h = No event is selected for combined event. 1h = Use Channel 0 delayed event in combined event 2h = Use Channel 1 delayed event in combined event 4h = Use Channel 2 delayed event in combined event
15-12	RESERVED	R	0h	Reserved
11-8	EV_DELAY	R/W	0h	Number of SCLK_LF clock cycles waited before generating delayed events. (Common setting for all RTC channels) the delayed event is delayed 0h = No delay on delayed event 1h = Delay by 1 clock cycles 2h = Delay by 2 clock cycles 3h = Delay by 4 clock cycles 4h = Delay by 8 clock cycles 5h = Delay by 16 clock cycles 6h = Delay by 32 clock cycles 7h = Delay by 48 clock cycles 8h = Delay by 64 clock cycles 9h = Delay by 80 clock cycles Ah = Delay by 96 clock cycles Bh = Delay by 112 clock cycles Ch = Delay by 128 clock cycles Dh = Delay by 144 clock cycles
7	RESET	W1C	0h	RTC Counter reset. Writing 1 to this bit will reset the RTC counter. This bit is cleared when reset takes effect
6-3	RESERVED	R	0h	Reserved

Table 16-3. CTL Register Field Descriptions (continued)

Bit	Field	Type	Reset	Description
2	RTC_4KHZ_EN	R/W	0h	RTC_4KHZ is a 4 KHz reference output, tapped from SUBSEC.VALUE bit 19 which is used by AUX timer. 0: RTC_4KHZ signal is forced to 0 1: RTC_4KHZ is enabled (provided that RTC is enabled EN)
1	RTC_UPD_EN	R/W	0h	RTC_UPD is a 16 KHz signal used to sync up the radio timer. The 16 KHz is SCLK_LF divided by 2 0: RTC_UPD signal is forced to 0 1: RTC_UPD signal is toggling @16 kHz
0	EN	R/W	0h	Enable RTC counter 0: Halted (frozen) 1: Running

16.4.1.2 EVFLAGS Register (Offset = 4h) [Reset = 0000000h]

EVFLAGS is shown in [EVFLAGS Register](#) and described in [EVFLAGS Register Field Descriptions](#).

Return to the [AON_RTC Registers](#).

Event Flags, RTC Status

This register contains event flags from the 3 RTC channels. Each flag will be cleared when writing a '1' to the corresponding bitfield.

Figure 16-3. EVFLAGS Register

31	30	29	28	27	26	25	24	23	22	21	20	19	18	17	16
RESERVED															CH2
R-0h															R/ W1C-0 h
15	14	13	12	11	10	9	8	7	6	5	4	3	2	1	0
RESERVED							CH1	RESERVED							CH0
R-0h							R/ W1C-0 h	R-0h							R/ W1C-0 h

Table 16-4. EVFLAGS Register Field Descriptions

Bit	Field	Type	Reset	Description
31-17	RESERVED	R	0h	Reserved
16	CH2	R/W1C	0h	Channel 2 event flag, set when CHCTL.CH2_EN = 1 and the RTC value matches or passes the CH2CMP value. An event will be scheduled to occur as soon as possible when writing to CH2CMP provided that the channel is enabled and the new value matches any time between next RTC value and 1 second in the past. Writing 1 clears this flag. AUX_SCE can read the flag through AUX_EVCTL:EVSTAT2.AON_RTC_CH2 and clear it using AUX_SYSIF:RTCEVCLR.RTC_CH2_EV_CLR.
15-9	RESERVED	R	0h	Reserved
8	CH1	R/W1C	0h	Channel 1 event flag, set when CHCTL.CH1_EN = 1 and one of the following: - CHCTL.CH1_CAPT_EN = 0 and the RTC value matches or passes the CH1CMP value. - CHCTL.CH1_CAPT_EN = 1 and capture occurs. An event will be scheduled to occur as soon as possible when writing to CH1CMP provided that the channel is enabled, in compare mode and the new value matches any time between next RTC value and 1 second in the past. Writing 1 clears this flag.
7-1	RESERVED	R	0h	Reserved
0	CH0	R/W1C	0h	Channel 0 event flag, set when CHCTL.CH0_EN = 1 and the RTC value matches or passes the CH0CMP value. An event will be scheduled to occur as soon as possible when writing to CH0CMP provided that the channels is enabled and the new value matches any time between next RTC value and 1 second in the past. Writing 1 clears this flag.

16.4.1.3 SEC Register (Offset = 8h) [Reset = 00000000h]

SEC is shown in [SEC Register](#) and described in [SEC Register Field Descriptions](#).

Return to the [AON_RTC Registers](#).

Second Counter Value, Integer Part

Figure 16-4. SEC Register

31	30	29	28	27	26	25	24	23	22	21	20	19	18	17	16	15	14	13	12	11	10	9	8	7	6	5	4	3	2	1	0
VALUE																															
R/W-0h																															

Table 16-5. SEC Register Field Descriptions

Bit	Field	Type	Reset	Description
31-0	VALUE	R/W	0h	Unsigned integer representing Real Time Clock in seconds. When reading this register the content of SUBSEC.VALUE is simultaneously latched. A consistent reading of the combined Real Time Clock can be obtained by first reading this register, then reading SUBSEC register.

16.4.1.4 SUBSEC Register (Offset = Ch) [Reset = 00000000h]

SUBSEC is shown in [SUBSEC Register](#) and described in [SUBSEC Register Field Descriptions](#).

Return to the [AON_RTC Registers](#).

Second Counter Value, Fractional Part

Figure 16-5. SUBSEC Register

31	30	29	28	27	26	25	24	23	22	21	20	19	18	17	16	15	14	13	12	11	10	9	8	7	6	5	4	3	2	1	0
VALUE																															
R/W-0h																															

Table 16-6. SUBSEC Register Field Descriptions

Bit	Field	Type	Reset	Description
31-0	VALUE	R/W	0h	Unsigned integer representing Real Time Clock in fractions of a second ($VALUE/2^{32}$ seconds) at the time when SEC register was read. Examples : - 0x0000_0000 = 0.0 sec - 0x4000_0000 = 0.25 sec - 0x8000_0000 = 0.5 sec - 0xC000_0000 = 0.75 sec

16.4.1.5 SUBSECINC Register (Offset = 10h) [Reset = 00800000h]

SUBSECINC is shown in [SUBSECINC Register](#) and described in [SUBSECINC Register Field Descriptions](#).

Return to the [AON_RTC Registers](#).

Subseconds Increment

Value added to SUBSEC.VALUE on every SCLK_LFclock cycle.

Figure 16-6. SUBSECINC Register

31	30	29	28	27	26	25	24	23	22	21	20	19	18	17	16	15	14	13	12	11	10	9	8	7	6	5	4	3	2	1	0
RESERVED								VALUEINC																							
R-0h								R-00800000h																							

Table 16-7. SUBSECINC Register Field Descriptions

Bit	Field	Type	Reset	Description
31-24	RESERVED	R	0h	Reserved
23-0	VALUEINC	R	00800000h	<p>This value compensates for a SCLK_LF clock which has an offset from 32768 Hz.</p> <p>The compensation value can be found as $2^{38} / \text{freq}$, where freq is SCLK_LF clock frequency in Hertz</p> <p>This value is added to SUBSEC.VALUE on every cycle, and carry of this is added to SEC.VALUE. To perform the addition, bits [23:6] are aligned with SUBSEC.VALUE bits [17:0]. The remaining bits [5:0] are accumulated in a hidden 6-bit register that generates a carry into the above mentioned addition on overflow.</p> <p>The default value corresponds to incrementing by precisely 1/32768 of a second.</p> <p>NOTE: This register is read only. Modification of the register value must be done using registers AUX_SYSIF:RTCSUBSECINC0, AUX_SYSIF:RTCSUBSECINC1 and AUX_SYSIF:RTCSUBSECINCCTL</p>

16.4.1.6 CHCTL Register (Offset = 14h) [Reset = 0000000h]

CHCTL is shown in [CHCTL Register](#) and described in [CHCTL Register Field Descriptions](#).

Return to the [AON_RTC Registers](#).

Channel Configuration

Figure 16-7. CHCTL Register

31	30	29	28	27	26	25	24
RESERVED							
R-0h							
23	22	21	20	19	18	17	16
RESERVED					CH2_CONT_EN	RESERVED	CH2_EN
R-0h					R/W-0h	R-0h	R/W-0h
15	14	13	12	11	10	9	8
RESERVED						CH1_CAPT_EN	CH1_EN
R-0h						R/W-0h	R/W-0h
7	6	5	4	3	2	1	0
RESERVED							CH0_EN
R-0h							R/W-0h

Table 16-8. CHCTL Register Field Descriptions

Bit	Field	Type	Reset	Description
31-19	RESERVED	R	0h	Reserved
18	CH2_CONT_EN	R/W	0h	Set to enable continuous operation of Channel 2
17	RESERVED	R	0h	Reserved
16	CH2_EN	R/W	0h	RTC Channel 2 Enable 0: Disable RTC Channel 2 1: Enable RTC Channel 2
15-10	RESERVED	R	0h	Reserved
9	CH1_CAPT_EN	R/W	0h	Set Channel 1 mode 0: Compare mode (default) 1: Capture mode
8	CH1_EN	R/W	0h	RTC Channel 1 Enable 0: Disable RTC Channel 1 1: Enable RTC Channel 1
7-1	RESERVED	R	0h	Reserved
0	CH0_EN	R/W	0h	RTC Channel 0 Enable 0: Disable RTC Channel 0 1: Enable RTC Channel 0

16.4.1.7 CH0CMP Register (Offset = 18h) [Reset = 0000000h]

CH0CMP is shown in [CH0CMP Register](#) and described in [CH0CMP Register Field Descriptions](#).

Return to the [AON_RTC Registers](#).

Channel 0 Compare Value

Figure 16-8. CH0CMP Register

31	30	29	28	27	26	25	24	23	22	21	20	19	18	17	16	15	14	13	12	11	10	9	8	7	6	5	4	3	2	1	0
VALUE																															
R/W-0h																															

Table 16-9. CH0CMP Register Field Descriptions

Bit	Field	Type	Reset	Description
31-0	VALUE	R/W	0h	RTC Channel 0 compare value. Bit 31 to 16 represents seconds and bits 15 to 0 represents subseconds of the compare value. The compare value is compared against SEC.VALUE (15:0) and SUBSEC.VALUE (31:16) values of the Real Time Clock register. A Channel 0 event is generated when {SEC.VALUE(15:0),SUBSEC.VALUE (31:16)} is reaching or exciting the compare value. Writing to this register can trigger an immediate*) event in case the new compare value matches a Real Time Clock value from 1 second in the past up till current Real Time Clock value. Example: To generate a compare 5.5 seconds RTC start, - set this value = 0x0005_8000 *) It can take up to one SCLK_LF clock cycles before event occurs due to synchronization.

16.4.1.8 CH1CMP Register (Offset = 1Ch) [Reset = 0000000h]

CH1CMP is shown in [CH1CMP Register](#) and described in [CH1CMP Register Field Descriptions](#).

Return to the [AON_RTC Registers](#).

Channel 1 Compare Value

Figure 16-9. CH1CMP Register

31	30	29	28	27	26	25	24	23	22	21	20	19	18	17	16	15	14	13	12	11	10	9	8	7	6	5	4	3	2	1	0
VALUE																															
R/W-0h																															

Table 16-10. CH1CMP Register Field Descriptions

Bit	Field	Type	Reset	Description
31-0	VALUE	R/W	0h	<p>RTC Channel 1 compare value.</p> <p>Bit 31 to 16 represents seconds and bits 15 to 0 represents subseconds of the compare value.</p> <p>The compare value is compared against SEC.VALUE (15:0) and SUBSEC.VALUE (31:16) values of the Real Time Clock register. A Channel 0 event is generated when {SEC.VALUE(15:0),SUBSEC.VALUE (31:16)} is reaching or exciting the compare value.</p> <p>Writing to this register can trigger an immediate*) event in case the new compare value matches a Real Time Clock value from 1 second in the past up till current Real Time Clock value.</p> <p>Example: To generate a compare 5.5 seconds RTC start,- set this value = 0x0005_8000</p> <p>*) It can take up to one SCLK_LF clock cycles before event occurs due to synchronization.</p>

16.4.1.9 CH2CMP Register (Offset = 20h) [Reset = 0000000h]

CH2CMP is shown in [CH2CMP Register](#) and described in [CH2CMP Register Field Descriptions](#).

Return to the [AON_RTC Registers](#).

Channel 2 Compare Value

Figure 16-10. CH2CMP Register

31	30	29	28	27	26	25	24	23	22	21	20	19	18	17	16	15	14	13	12	11	10	9	8	7	6	5	4	3	2	1	0
VALUE																															
R/W-0h																															

Table 16-11. CH2CMP Register Field Descriptions

Bit	Field	Type	Reset	Description
31-0	VALUE	R/W	0h	RTC Channel 2 compare value. Bit 31 to 16 represents seconds and bits 15 to 0 represents subseconds of the compare value. The compare value is compared against SEC.VALUE (15:0) and SUBSEC.VALUE (31:16) values of the Real Time Clock register. A Channel 0 event is generated when {SEC.VALUE(15:0),SUBSEC.VALUE (31:16)} is reaching or exciting the compare value. Writing to this register can trigger an immediate*) event in case the new compare value matches a Real Time Clock value from 1 second in the past up till current Real Time Clock value. Example: To generate a compare 5.5 seconds RTC start, - set this value = 0x0005_8000 *) It can take up to one SCLK_LF clock cycles before event occurs due to synchronization.

16.4.1.10 CH2CMPINC Register (Offset = 24h) [Reset = 0000000h]

CH2CMPINC is shown in [CH2CMPINC Register](#) and described in [CH2CMPINC Register Field Descriptions](#).

Return to the [AON_RTC Registers](#).

Channel 2 Compare Value Auto-increment

This register is primarily used to generate periodical wake-up for the AUX_SCE module, through the [AUX_EVCTL.EVSTAT0.AON_RTC] event.

Figure 16-11. CH2CMPINC Register

31	30	29	28	27	26	25	24	23	22	21	20	19	18	17	16	15	14	13	12	11	10	9	8	7	6	5	4	3	2	1	0
VALUE																															
R/W-0h																															

Table 16-12. CH2CMPINC Register Field Descriptions

Bit	Field	Type	Reset	Description
31-0	VALUE	R/W	0h	If CHCTL.CH2_CONT_EN is set, this value is added to CH2CMP.VALUE on every channel 2 compare event.

16.4.1.11 CH1CAPT Register (Offset = 28h) [Reset = 00000000h]

CH1CAPT is shown in [CH1CAPT Register](#) and described in [CH1CAPT Register Field Descriptions](#).

Return to the [AON_RTC Registers](#).

Channel 1 Capture Value

If CHCTL.CH1_EN = 1 and CHCTL.CH1_CAPT_EN = 1, capture occurs on each rising edge of the event selected in AON_EVENT:RTCSEL.

Figure 16-12. CH1CAPT Register

31	30	29	28	27	26	25	24	23	22	21	20	19	18	17	16	15	14	13	12	11	10	9	8	7	6	5	4	3	2	1	0
SEC																SUBSEC															
R-0h																R-0h															

Table 16-13. CH1CAPT Register Field Descriptions

Bit	Field	Type	Reset	Description
31-16	SEC	R	0h	Value of SEC.VALUE bits 15:0 at capture time.
15-0	SUBSEC	R	0h	Value of SUBSEC.VALUE bits 31:16 at capture time.

16.4.1.12 SYNC Register (Offset = 2Ch) [Reset = 0000000h]

SYNC is shown in [SYNC Register](#) and described in [SYNC Register Field Descriptions](#).

Return to the [AON_RTC Registers](#).

AON Synchronization

This register is used for synchronizing between MCU and entire AON domain.

Figure 16-13. SYNC Register

31	30	29	28	27	26	25	24
RESERVED							
R-0h							
23	22	21	20	19	18	17	16
RESERVED							
R-0h							
15	14	13	12	11	10	9	8
RESERVED							
R-0h							
7	6	5	4	3	2	1	0
RESERVED							WBUSY
R-0h							R/W-0h

Table 16-14. SYNC Register Field Descriptions

Bit	Field	Type	Reset	Description
31-1	RESERVED	R	0h	Reserved
0	WBUSY	R/W	0h	This register will always return 0,- however it will not return the value until there are no outstanding write requests between MCU and AON Note: Writing to this register prior to reading will force a wait until next SCLK_MF edge. This is recommended for syncing read registers from AON when waking up from sleep Failure to do so may result in reading AON values from prior to going to sleep

16.4.1.13 TIME Register (Offset = 30h) [Reset = 0000000h]

TIME is shown in [TIME Register](#) and described in [TIME Register Field Descriptions](#).

Return to the [AON_RTC Registers](#).

Current Counter Value

Figure 16-14. TIME Register

31	30	29	28	27	26	25	24	23	22	21	20	19	18	17	16	15	14	13	12	11	10	9	8	7	6	5	4	3	2	1	0
SEC_L																SUBSEC_H															
R-0h																R-0h															

Table 16-15. TIME Register Field Descriptions

Bit	Field	Type	Reset	Description
31-16	SEC_L	R	0h	Returns the lower halfword of SEC register.
15-0	SUBSEC_H	R	0h	Returns the upper halfword of SUBSEC register.

16.4.1.14 SYNCLF Register (Offset = 34h) [Reset = 0000000h]

SYNCLF is shown in [SYNCLF Register](#) and described in [SYNCLF Register Field Descriptions](#).

Return to the [AON_RTC Registers](#).

Synchronization to SCLK_LF

This register is used for synchronizing MCU to positive or negative edge of SCLK_LF.

Figure 16-15. SYNCLF Register

31	30	29	28	27	26	25	24
RESERVED							
R-0h							
23	22	21	20	19	18	17	16
RESERVED							
R-0h							
15	14	13	12	11	10	9	8
RESERVED							
R-0h							
7	6	5	4	3	2	1	0
RESERVED							PHASE
R-0h							R-0h

Table 16-16. SYNCLF Register Field Descriptions

Bit	Field	Type	Reset	Description
31-1	RESERVED	R	0h	Reserved
0	PHASE	R	0h	This bit will always return the SCLK_LF phase. The return will be delayed until a positive or negative edge of SCLK_LF is seen. 0: Falling edge of SCLK_LF 1: Rising edge of SCLK_LF

This page intentionally left blank.

The watchdog timer (WDT) is used to regain control when the system has failed due to a software error or to the failure of an external device to respond in the expected way. The WDT can generate a nonmaskable interrupt (NMI), a regular interrupt, or a reset when a time-out value is reached. In addition, the WDT can be configured to generate an interrupt to the microcontroller (MCU) on its first time-out and to generate a reset signal on its second time-out.

17.1 Introduction	1278
17.2 Functional Description	1278
17.3 Initialization and Configuration	1279
17.4 WDT Registers	1279

17.1 Introduction

WDT has the following features:

- 32-bit down counter with a programmable load register
- Programmable interrupt generation logic with interrupt masking and optional NMI function
- Lock register protection from runaway software
- Reset generation logic with an enable or disable
- User-enabled stalling when the microcontroller asserts the CPU Halt flag during debug

The WDT can be configured to generate an interrupt to the controller on its first time-out, and to generate a reset signal on its second time-out. Once the WDT has been configured, the lock register can be written to prevent the timer configuration from being inadvertently altered.

There are two possible interrupts that can be driven out of the WDT. The interrupt choice is controlled using the WDT:CTL.INTTYPE register.

17.2 Functional Description

The WDT module generates the first time-out signal when the 32-bit counter reaches the zero state after being enabled; enabling the counter also enables the WDT interrupt. [Figure 17-1](#) shows the WDT block diagram.

The watchdog interrupt can be programmed to be a nonmaskable interrupt (NMI) using the WDT:CTL.INTTYPE register. After the first time-out event, the 32-bit counter is reloaded with the value of the WDT Load register (WDT:LOAD), and the timer resumes counting down from that value. To prevent the WDT configuration from being inadvertently altered by software, the write access to the watchdog registers can be locked by writing the WDT:LOCK register to any value. To unlock the WDT, write the WDT:LOCK register to the value 0x1ACC E551.

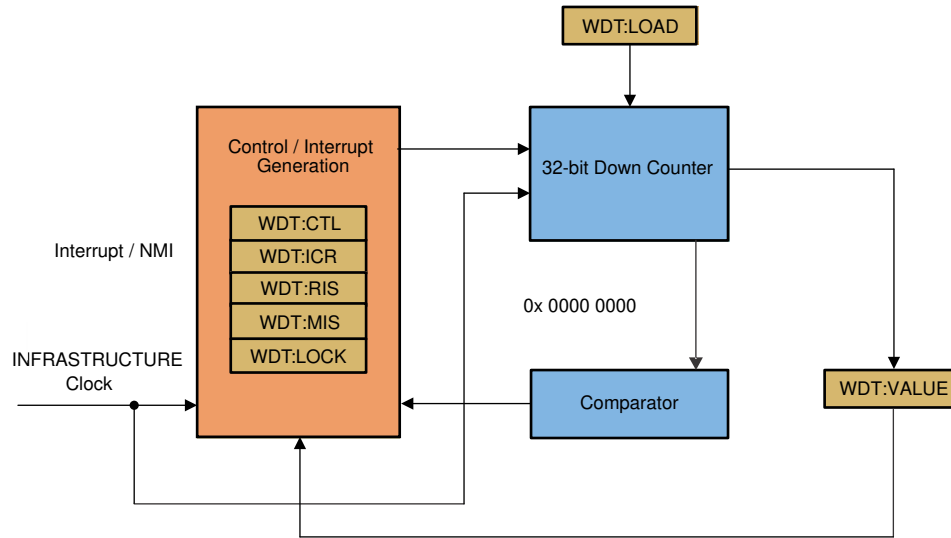
If the timer counts down to its zero state again before the first time-out interrupt is cleared, and the reset signal has been enabled by setting the WDT:CTL.RESEN register to 1, the WDT asserts its reset signal to the system. If the interrupt is cleared before the 32-bit counter reaches its second time-out, the 32-bit counter is loaded with the value in the WDT:LOAD register, and counting resumes from that value.

If the WDT:LOAD register is written with a new value while the WDT counter is counting, then the counter is loaded with the new value and continues counting.

Writing to the WDT:LOAD register does not clear an active interrupt. An interrupt must be cleared by writing to the Watchdog Interrupt Clear register (WDT:ICR). The watchdog module interrupt and reset generation can be enabled or disabled as required. When the interrupt is enabled again, the 32-bit counter is preloaded with the load register value (not its last state).

Note

The watchdog causes a warm reset in the system. This warm reset can be blocked by ICEPick, which is useful for debugging. When ICEPick is asserted, the warm reset is blocked from the rest of the system; however, watchdog itself is reset.



Copyright © 2018, Texas Instruments Incorporated

Figure 17-1. WDT Block Diagram

17.3 Initialization and Configuration

To use the WDT, its peripheral clock must be enabled. The WDT is running off the INFRASTRUCTURE clock sourced by the MCU PRCM module. The WDT is then configured using the following sequence:

1. Load the WDT:LOAD register with the desired timer load value.
2. If the watchdog is configured to trigger system resets, set the WDT:CTL.RESEN bit.
3. Set the WDT:CTL.INTEN register bit to enable the WDT.
4. Lock the WDT module using the WDT:LOCK register.

17.4 WDT Registers

The next section shows the register bank for the Watchdog Timer.

17.4.1 WDT Registers

[WDT Registers](#) lists the memory-mapped registers for the WDT registers. All register offset addresses not listed in [WDT Registers](#) should be considered as reserved locations and the register contents should not be modified.

Table 17-1. WDT Registers

Offset	Acronym	Register Name	Section
0h	LOAD	Configuration	Section 17.4.1.1
4h	VALUE	Current Count Value	Section 17.4.1.2
8h	CTL	Control	Section 17.4.1.3
Ch	ICR	Interrupt Clear	Section 17.4.1.4
10h	RIS	Raw Interrupt Status	Section 17.4.1.5
14h	MIS	Masked Interrupt Status	Section 17.4.1.6
418h	TEST	Test Mode	Section 17.4.1.7
41Ch	INT_CAUS	Interrupt Cause Test Mode	Section 17.4.1.8
C00h	LOCK	Lock	Section 17.4.1.9

Complex bit access types are encoded to fit into small table cells. [WDT Access Type Codes](#) shows the codes that are used for access types in this section.

Table 17-2. WDT Access Type Codes

Access Type	Code	Description
Read Type		
R	R	Read
Write Type		
W	W	Write
Reset or Default Value		
-n		Value after reset or the default value

17.4.1.1 LOAD Register (Offset = 0h) [Reset = FFFFFFFFh]

LOAD is shown in [LOAD Register](#) and described in [LOAD Register Field Descriptions](#).

Return to the [WDT Registers](#).

Configuration

Figure 17-2. LOAD Register

31	30	29	28	27	26	25	24	23	22	21	20	19	18	17	16	15	14	13	12	11	10	9	8	7	6	5	4	3	2	1	0
WDTLOAD																															
R/W-FFFFFFFh																															

Table 17-3. LOAD Register Field Descriptions

Bit	Field	Type	Reset	Description
31-0	WDTLOAD	R/W	FFFFFFFh	This register is the 32-bit interval value used by the 32-bit counter. When this register is written, the value is immediately loaded and the counter is restarted to count down from the new value. If this register is loaded with 0x0000.0000, an interrupt is immediately generated.

17.4.1.2 VALUE Register (Offset = 4h) [Reset = FFFFFFFFh]

VALUE is shown in [VALUE Register](#) and described in [VALUE Register Field Descriptions](#).

Return to the [WDT Registers](#).

Current Count Value

Figure 17-3. VALUE Register

31	30	29	28	27	26	25	24	23	22	21	20	19	18	17	16	15	14	13	12	11	10	9	8	7	6	5	4	3	2	1	0
WDTVALUE																															
R-FFFFFFFh																															

Table 17-4. VALUE Register Field Descriptions

Bit	Field	Type	Reset	Description
31-0	WDTVALUE	R	FFFFFFFh	This register contains the current count value of the timer.

17.4.1.3 CTL Register (Offset = 8h) [Reset = 0000000h]

CTL is shown in [CTL Register](#) and described in [CTL Register Field Descriptions](#).

Return to the [WDT Registers](#).

Control

Figure 17-4. CTL Register

31	30	29	28	27	26	25	24
RESERVED							
R-0h							
23	22	21	20	19	18	17	16
RESERVED							
R-0h							
15	14	13	12	11	10	9	8
RESERVED							
R-0h							
7	6	5	4	3	2	1	0
RESERVED					INTTYPE	RESEN	INTEN
R-0h					R/W-0h	R/W-0h	R/W-0h

Table 17-5. CTL Register Field Descriptions

Bit	Field	Type	Reset	Description
31-3	RESERVED	R	0h	Reserved
2	INTTYPE	R/W	0h	WDT Interrupt Type 0: WDT interrupt is a standard interrupt. 1: WDT interrupt is a non-maskable interrupt. 0h = Maskable interrupt 1h = Non-maskable interrupt
1	RESEN	R/W	0h	WDT Reset Enable. Defines the function of the WDT reset source (see PRCM:WARMRESET.WDT_STAT if enabled) 0: Disabled. 1: Enable the Watchdog reset output. 0h = Reset output Disabled 1h = Reset output Enabled
0	INTEN	R/W	0h	WDT Interrupt Enable 0: Interrupt event disabled. 1: Interrupt event enabled. Once set, this bit can only be cleared by a hardware reset. 0h = Interrupt Disabled 1h = Interrupt Enabled

17.4.1.4 ICR Register (Offset = Ch) [Reset = 0000000h]

ICR is shown in [ICR Register](#) and described in [ICR Register Field Descriptions](#).

Return to the [WDT Registers](#).

Interrupt Clear

Figure 17-5. ICR Register

31	30	29	28	27	26	25	24	23	22	21	20	19	18	17	16	15	14	13	12	11	10	9	8	7	6	5	4	3	2	1	0
WDTICR																															
W-0h																															

Table 17-6. ICR Register Field Descriptions

Bit	Field	Type	Reset	Description
31-0	WDTICR	W	0h	This register is the interrupt clear register. A write of any value to this register clears the WDT interrupt and reloads the 32-bit counter from the LOAD register.

17.4.1.5 RIS Register (Offset = 10h) [Reset = 0000000h]

RIS is shown in [RIS Register](#) and described in [RIS Register Field Descriptions](#).

Return to the [WDT Registers](#).

Raw Interrupt Status

Figure 17-6. RIS Register

31	30	29	28	27	26	25	24
RESERVED							
R-0h							
23	22	21	20	19	18	17	16
RESERVED							
R-0h							
15	14	13	12	11	10	9	8
RESERVED							
R-0h							
7	6	5	4	3	2	1	0
RESERVED							WDTRIS
R-0h							R-0h

Table 17-7. RIS Register Field Descriptions

Bit	Field	Type	Reset	Description
31-1	RESERVED	R	0h	Reserved
0	WDTRIS	R	0h	This register is the raw interrupt status register. WDT interrupt events can be monitored via this register if the controller interrupt is masked. Value Description 0: The WDT has not timed out 1: A WDT time-out event has occurred

17.4.1.6 MIS Register (Offset = 14h) [Reset = 0000000h]

MIS is shown in [MIS Register](#) and described in [MIS Register Field Descriptions](#).

Return to the [WDT Registers](#).

Masked Interrupt Status

Figure 17-7. MIS Register

31	30	29	28	27	26	25	24
RESERVED							
R-0h							
23	22	21	20	19	18	17	16
RESERVED							
R-0h							
15	14	13	12	11	10	9	8
RESERVED							
R-0h							
7	6	5	4	3	2	1	0
RESERVED							WDTMIS
R-0h							R-0h

Table 17-8. MIS Register Field Descriptions

Bit	Field	Type	Reset	Description
31-1	RESERVED	R	0h	Reserved
0	WDTMIS	R	0h	This register is the masked interrupt status register. The value of this register is the logical AND of the raw interrupt bit and the WDT interrupt enable bit CTL.INTEN. Value Description 0: The WDT has not timed out or is masked. 1: An unmasked WDT time-out event has occurred.

17.4.1.7 TEST Register (Offset = 418h) [Reset = 0000000h]

TEST is shown in [TEST Register](#) and described in [TEST Register Field Descriptions](#).

Return to the [WDT Registers](#).

Test Mode

Figure 17-8. TEST Register

31	30	29	28	27	26	25	24
RESERVED							
R-0h							
23	22	21	20	19	18	17	16
RESERVED							
R-0h							
15	14	13	12	11	10	9	8
RESERVED							STALL
R-0h							R/W-0h
7	6	5	4	3	2	1	0
RESERVED							TEST_EN
R-0h							R/W-0h

Table 17-9. TEST Register Field Descriptions

Bit	Field	Type	Reset	Description
31-9	RESERVED	R	0h	Reserved
8	STALL	R/W	0h	WDT Stall Enable 0: The WDT timer continues counting if the CPU is stopped with a debugger. 1: If the CPU is stopped with a debugger, the WDT stops counting. Once the CPU is restarted, the WDT resumes counting. 0h = Disable STALL 1h = Enable STALL
7-1	RESERVED	R	0h	Reserved
0	TEST_EN	R/W	0h	The test enable bit 0: Enable external reset 1: Disables the generation of an external reset. Instead bit 1 of the INT_CAUS register is set and an interrupt is generated 0h = Test mode Disabled 1h = Test mode Enabled

17.4.1.8 INT_CAUS Register (Offset = 41Ch) [Reset = 0000000h]

INT_CAUS is shown in [INT_CAUS Register](#) and described in [INT_CAUS Register Field Descriptions](#).

Return to the [WDT Registers](#).

Interrupt Cause Test Mode

Figure 17-9. INT_CAUS Register

31	30	29	28	27	26	25	24
RESERVED							
R-0h							
23	22	21	20	19	18	17	16
RESERVED							
R-0h							
15	14	13	12	11	10	9	8
RESERVED							
R-0h							
7	6	5	4	3	2	1	0
RESERVED						CAUSE_RESE T	CAUSE_INTR
R-0h						R-0h	R-0h

Table 17-10. INT_CAUS Register Field Descriptions

Bit	Field	Type	Reset	Description
31-2	RESERVED	R	0h	Reserved
1	CAUSE_RESET	R	0h	Indicates that the cause of an interrupt was a reset generated but blocked due to TEST.TEST_EN (only possible when TEST.TEST_EN is set).
0	CAUSE_INTR	R	0h	Replica of RIS.WDTRIS

17.4.1.9 LOCK Register (Offset = C00h) [Reset = 0000000h]

LOCK is shown in [LOCK Register](#) and described in [LOCK Register Field Descriptions](#).

Return to the [WDT Registers](#).

Lock

Figure 17-10. LOCK Register

31	30	29	28	27	26	25	24	23	22	21	20	19	18	17	16	15	14	13	12	11	10	9	8	7	6	5	4	3	2	1	0
WDTLOCK																															
R/W-0h																															

Table 17-11. LOCK Register Field Descriptions

Bit	Field	Type	Reset	Description
31-0	WDTLOCK	R/W	0h	<p>WDT Lock: A write of the value 0x1ACC.E551 unlocks the watchdog registers for write access. A write of any other value reapplies the lock, preventing any register updates (NOTE: TEST.TEST_EN bit is not lockable).</p> <p>A read of this register returns the following values: 0x0000.0000: Unlocked 0x0000.0001: Locked</p>

This page intentionally left blank.

The true random number generator (TRNG) module provides a true, nondeterministic noise source for the purpose of generating keys, initialization vectors (IVs), and other random number requirements. The TRNG is built on 24 ring oscillators that create unpredictable output to feed a complex nonlinear combinatorial circuit. That post-processing of the output data is required to obtain cryptographically secure random data. Typical applications might be (but are not limited to) the following:

- Generation of cryptographic key material
- Generation of initialization vectors
- Generation of cookies and nonces
- Statistical sampling
- Retry timers in communication protocols
- Noise generation

18.1 Introduction	1292
18.2 Block Diagram	1292
18.3 TRNG Software Reset	1293
18.4 Interrupt Requests	1293
18.5 TRNG Operation Description	1294
18.6 TRNG Low-Level Programming Guide	1296
18.7 TRNG Registers	1298

18.1 Introduction

The TRNG has the following features:

- The TRNG is based on 24 ring oscillators (shot noise) that create entropy. To generate this entropy, the system needs a minimum of 2^8 system clock cycles (for reference) to produce the first random output. Then the TRNG takes a minimum of 2^6 system clock cycles to produce each subsequent 64-bit random number.
- Startup time and entropy regeneration time can be controlled between 2^8 and 2^{24} sampling clock cycles, and entropy regeneration time can be controlled between 2^6 and 2^{24} sampling clock cycles to adapt entropy accumulation time to basic entropy generation rate. Entropy regeneration time can be tailored in a trade-off between speed of random number generation and amount of entropy in each of those random numbers.
- The TRNG architecture is based on linear-feedback shift register (LFSR) in association with a nonlinear entropic hasher.
- The random numbers are accessible to the applications in a 64-bit read-only register. When the register is read, the TRNG immediately generates a new value, which is then shifted into the output register when ready.
- If the ready value is not read within a maximum time-out window, the TRNG is set to idle mode.
- The TRNG provides a built-in self-test that checks the number of consecutive bits sampled to provide the statistical robustness required by FIPS 140. System alarms are generated based on feedback from this test.
- The internal power-saving mode is built to carefully manage the entropy previously generated.
- The interrupt channel allows the transfer of 32-bit data blocks.

18.2 Block Diagram

The TRNG core uses dual-shot noise generators that create unpredictable jittering output when asynchronously sampled by the system clock provided to the TRNG. The outputs from the shot noise generators feed a complex nonlinear combinatorial circuit (mixer) that produces the final TRNG output (see [Figure 18-1](#)).

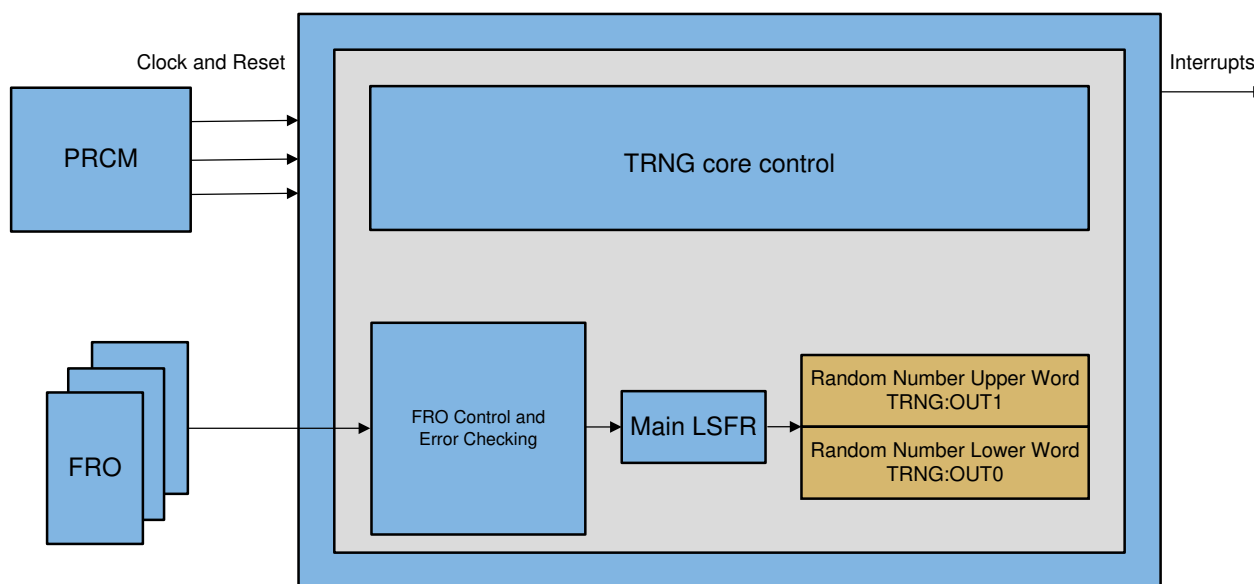


Figure 18-1. Random Number Generator Block Diagram

The TRNG core consists of two parts:

- The first part contains the FROs, whose output signals are sampled at regular intervals. The FROs are asynchronous to one another and asynchronous to the sampling clock to make their behavior truly nondeterministic. Each FRO has an error detection circuit that checks for repeating patterns coming out of the FRO. If a repeating pattern is detected, the FRO is suspect of having locked onto the sampling clock, which drastically reduces the amount of entropy generated by that FRO (this is signaled as a FRO error event).
- The second part is the entropy accumulation circuit that uses an XOR tree to combine the sampled FRO clock outputs and an 81-bit LFSR to accumulate entropy (TRNG:LFSR0, TRNG:LFSR1, and TRNG:LFSR2 registers give the 81 bits main entropy accumulation LFSR).

The true entropy source is based upon a predetermined number of free-running oscillators (FROs). The accumulation of timing jitter, caused (for the largest part) by shot noise, creates uncertainty intervals for the output transitions of each FRO. Sampling within the uncertainly interval generates a small amount of entropy, which is accumulated in an LFSR. Entropy generation with multiple FROs in parallel allows the entropy accumulation to be done far more rapidly than is possible with one FRO.

18.3 TRNG Software Reset

A software reset of the module can be done by writing 1 to the TRNG:SWRESET.RESET register. When a software reset completes the TRNG:SWRESET.RESET register is automatically reset to 0. By polling the TRNG:SWRESET.RESET register for 0 the software can ensure that the reset is completed, the software reset must be completed before doing any TRNG operations.

18.4 Interrupt Requests

An interrupt request, TRNG_IRQ, is generated when data is ready for transmission (or an alarm was triggered). [Table 18-1](#) lists the event flags, and their masks, that can cause module interrupts.

Table 18-1. Events

Event Flag	Event Mask	Description
TRNG:IRQSTAT.STAT	TRNG:IRQFLAGMASK.RDY and TRNG:IRQFLAGMASK. SHUTDOWN_OVF	Not used, but can be read for combined status of the two available interrupts
TRNG:IRQFLAGSTAT.RDY	TRNG:IRQFLAGMASK.RDY	When 1, data is available in the TRNG:OUT1 and the TRNG:OUT0 registers. Use TRNG:IRQFLAGCLR.RDY to clear it.
TRNG:IRQFLAGSTAT. SHUTDOWN_OVF	TRNG:IRQFLAGMASK. SHUTDOWN_OVF	When 1, the number of FROs shut down after a second error event (the number of 1 bits in the TRNG:ALARMSTOP register) has exceeded the threshold set by the TRNG:ALARMCNT.SHUTDOWN_THR register. Use the TRNG:IRQFLAGCLR.SHUTDOWN_OVF register to clear it.

The TRNG:ALARMCNT register, together with the TRNG:ALARMMASK and TRNG:ALARMSTOP registers, can be used by the host to determine if the FRO or sample cycle locking is a problem.

Lock detection in functional mode is performed using the sampled outputs of the individual FROs. A FRO alarm event is declared when a repeating pattern (of up to four samples length) is detected continuously for the number of samples defined by the TRNG:ALARMCNT:ALARM_THR register. The alarm event is logged by setting a bit to pinpoint the FRO in the TRNG:ALARMMASK register. If that bit in the TRNG:ALARMMASK register was already set, the corresponding bit in the TRNG:ALARMSTOP register is set and the FRO is switched off to prevent further alarm events from that FRO. If the TRNG:ALARMMASK register bit was not yet set, the FRO is restarted automatically in an attempt to break the locking. If a FRO is locked again after detune and re-enable, software must leave the FRO deactivated.

The TRNG:ALARMCNT.SHUTDOWN_CNT register bit field keeps track of the number of FROs switched off (actually, is a count of the number of 1 bits in the TRNG:ALARMSTOP register). The TRNG:ALARMCNT.SHUTDOWN_THR register bit field allows a configurable threshold to be set to generate the SHUTDOWN_OVF interrupt. When the TRNG:ALARMCNT.SHUTDOWN_CNT register exceeds the TRNG:ALARMCNT.SHUTDOWN_THR register, the TRNG:IRQFLAGSTAT.SHUTDOWN_OVF register bit is set to 1, which can be used to generate an interrupt.

18.5 TRNG Operation Description

Before the first random number generation, the TRNG:CTL and the TRNG:CFG0 registers must be written to start accumulating entropy. The entropy is a measure of the uncertainty associated with a random value. The random numbers are accessible to the application in a 64-bit read-only register TRNG:OUT0 and TRNG:OUT1. When the register is read, the TRNG generates a new value, which is available after the TRNG:CFG0.MIN_REFILL_CYCLES register system clock cycles and is then shifted into the output register. Software can use two strategies for operating the TRNG:

- **Monitored mode:** Software checks the TRNG:ALARMMASK register at regular intervals (on the order of seconds). If a bit is set there, the TRNG:ALARMSTOP register must also be checked to see if a FRO was shut down due to multiple alarm events—if none were shut down, the TRNG:ALARMMASK register can be cleared to get rid of the spurious alarm events. If one or more FROs were shut down, software can modify the delay selection of those FROs in the TRNG:FRODETUNE register in an attempt to prevent further locking. For this type of operation, the TRNG:ALARMCNT.SHUTDOWN_THR register would normally be set to a low value (for instance, value 2) and the SHUTDOWN_OVF interrupt can then be used to signal abnormal operation conditions and/or breakdowns of FROs.
- **Unmonitored mode:** Software sets the TRNG:ALARMCNT.SHUTDOWN_THR register to the number of FROs that are allowed to be shut down before corrective actions must be taken, and then uses the SHUTDOWN_OVF interrupt to initiate those corrective actions (clearing the TRNG:ALARMMASK and the TRNG:ALARMSTOP registers, toggling bits in the TRNG:FRODETUNE register). Software must keep track of the time interval between these interrupts—if they happen too often, this indicates abnormal operating conditions and/or breakdown of FROs.

18.5.1 TRNG Shutdown

The TRNG can be shutdown in many ways, but not all of them result in storing of entropy. The different modes are discussed here.

The best way is to not read the last generated random number. After the MAX_REFILL time (maximum of 2^{24} cycles) defined in the TRNG:CFG0 register, the TRNG enters idle mode where all FROs are turned off. When the generated value is read, the TRNG starts up again and generates a new random seed, which is ready after the time TRNG:CFG0.MIN_REFILL_CYCLES register. When the TRNG is in idle mode, the module clock can be turned off. Entropy is kept in between random number creations, so no reset (SW) of module is needed.

Another approach to shut down the TRNG is to just stop the module clock. By shutting down the TRNG by stopping the module clock, the entropy is also kept (that is, does not affect randomness), but the FROs might still be running. The clock can be enabled at any time, and the generation of a random seed is continued. There is no need for a soft reset of the module.

If the clock is stopped, the TRNG cannot be accessed and a bus fault is generated (within the Interconnect).

If an application that no longer needs the TRNG must go into deep sleep mode without waiting, the application can write 0 in the TRNG:CTL.TRNG_EN register bit, and the input system clock can be switched off. After such a shutdown, a soft reset of the TRNG module (see the register description in [Section 18.7.1](#)) should be performed before generating a new random number because randomness cannot be ensured. The penalty of this shutdown method is that entropy accumulation time is required before the next random number is ready.

18.5.2 TRNG Alarms

TRNG alarms happen and are most likely caused by FRO clock to sampling clock frequency locking. The sampling clock is the same as the system clock for the TRNG, and when the FRO oscillating frequency gets too close to a multiple of this clock, frequency lock might result in sampling the FRO clock at the same phase

too many times so a repeated pattern is detected. When such a repeated pattern is detected it is counted, and when this count exceeds the limit set by the TRNG:ALARMCNT.ALARM_THR register and the alarm event is triggered. Keeping this value high limits the number of alarms, and default is 255 alarm indications before an alarm event is enabled.

When an alarm event is triggered, the associated FRO is automatically shut down and not allowed to contribute to entropy accumulation. The user must then decide what to do with this event. Two options exist:

- Change the FRO oscillating frequency
- Leave the FRO off

For the first option, a bit in the TRNG:FRODETUNE.FRO_MASK register set to 1 allows the associated FRO run approximately 5 percent faster. The value of one of these bits may only be changed while the corresponding FRO is turned off (by temporary writing 0 in the corresponding bits of the TRNG:FROEN register—in case of an alarm this bit is already set to 0). When the value is updated, the corresponding FRO must be enabled again.

For the second option, the detune probably had no effect, or the FRO is not oscillating. This state must be stored so the corresponding bit in the TRNG:FROEN register is kept in off state to eliminate new alarm triggers caused by the particular FRO.

18.5.3 TRNG Entropy

Entropy is defined as a result of:

- How many FROs are enabled—with more, entropy is achieved faster
- How many samples are accumulated—longer running times yield higher entropy

The more FROs are enabled and the longer they run (that is, how many samples have been stored in the LSFR), the higher the entropy becomes.

The TRNG module must be running at maximum frequency when creating random values.

Creation time for a random value is defined by the values set in the TRNG:CTL.STARTUP_CYCLES register, the TRNG:CFG0.MIN_REFILL_CYCLES or the TRNG:CFG0.MAX_REFILL_CYCLES register and the TRNG:CFG0.SMPL_DIV register; modifications of all these registers can only be done when the TRNG:CTL.TRNG_EN register is 0.

The TRNG:CFG0.SMPL_DIV register defines how often a sample is collected from the FRO, default value 0 indicates that samples are taken every clock cycle, maximum value 0xF takes one sample every 16 clock cycles. All values of SAMPLE_DIV can be used on this device and it must be set as small as possible.

To have the same amount of entropy in each created seed, the startup and minimum refill times must be identical. By using minimum startup and minimum refill time, the entropy per bit is very low. When all FROs are enabled, a start-up time of 5 ms generates a word with 64-bit entropy.

Low values in the TRNG:CTL.STARTUP_CYCLES register and the TRNG:CFG0.MIN_REFILL_CYCLES or TRNG:CFG0.MAX_REFILL_CYCLES registers must only be used to generate random values for nonsecure use like synchronization words, CRC initialization, and so forth. For more secure usages the minimum of 64-bit entropy and beyond must be defined.

18.6 TRNG Low-Level Programming Guide

This section covers the low-level hardware programming sequences for configuration and usage of the module.

18.6.1 Initialization

18.6.1.1 Interfacing Modules

This section identifies the requirements of initializing the interfacing modules when the TRNG is to be used for the first time after a device reset. [Table 18-2](#) lists the Initialization of interfacing modules.

Table 18-2. Initialization of Surrounding Modules

Interfacing Module	Comment
PRCM	TRNG module interface clock must be enabled. See PRCM registers, PRCM:PDCTL0.PERIPH_ON and PRCM:SECDMACLKGR.TRNG_CLK_EN in Section 7.8.2 .
Arm® Cortex®-M4	NVIC configuration must be done to enable the interrupt from the TRNG. Only needed for interrupt based communication.
Interconnect	Interconnect must be enabled for communication with TRNG, which is handled in the PRCM as a consequence of many settings like CPU in run, sleep, or deep sleep mode, usage of DMA, I ² S, RFCORE, and Crypto engine.

18.6.1.2 TRNG Main Sequence

This procedure initializes the TRNG after a power-on reset (POR). [Table 18-3](#) lists the TRNG main initialization sequence.

Table 18-3. TRNG Initialization Sequence

Step	Register or Bit Field
Execute a SW reset	TRNG:SWRESET.RESET
Wait for SW completion by polling	TRNG:SWRESET.RESET
Select the number of FRO clock input cycles between two samples	TRNG:CFG0.SMPL_DIV
Select the number of samples taken to gather enough entropy in the FROs of the module and to generate the first random value	TRNG:CTL.STARTUP_CYCLES
Select the minimum number of samples taken regenerate entropy in the FROs of the module and to generate subsequent random values	TRNG:CFG0.MIN_REFILL_CYCLES
Select the maximum number of samples taken regenerate entropy in the FROs of the module and to generate subsequent random values Also defines timeout period for shutting down the FROs after inactivity	TRNG:CFG0.MAX_REFILL_CYCLES
Configure the desired FROs to run 5% faster	TRNG:FRODETUNE.FRO_MASK
Enable all FROs	TRNG:FROEN.FRO_MASK
Select the maximum number of samples after which a detected repeated pattern an alarm event is generated	TRNG:ALARMCNT.ALARM_THR
Set the shutdown threshold to the number of FROs allowed to be shut down ⁽¹⁾	TRNG:ALARMCNT.SHUTDOWN_THR
Enable and start	TRNG:CTL.TRNG_EN

(1) This step is only required if unmonitored mode is used.

18.6.1.3 TRNG Operating Modes

This section presents the flow for different operating modes of the TRNG module.

18.6.1.3.1 Polling Mode

In polling mode, both monitored and unmonitored modes are covered. Figure 18-2 shows the TRNG polling mode.

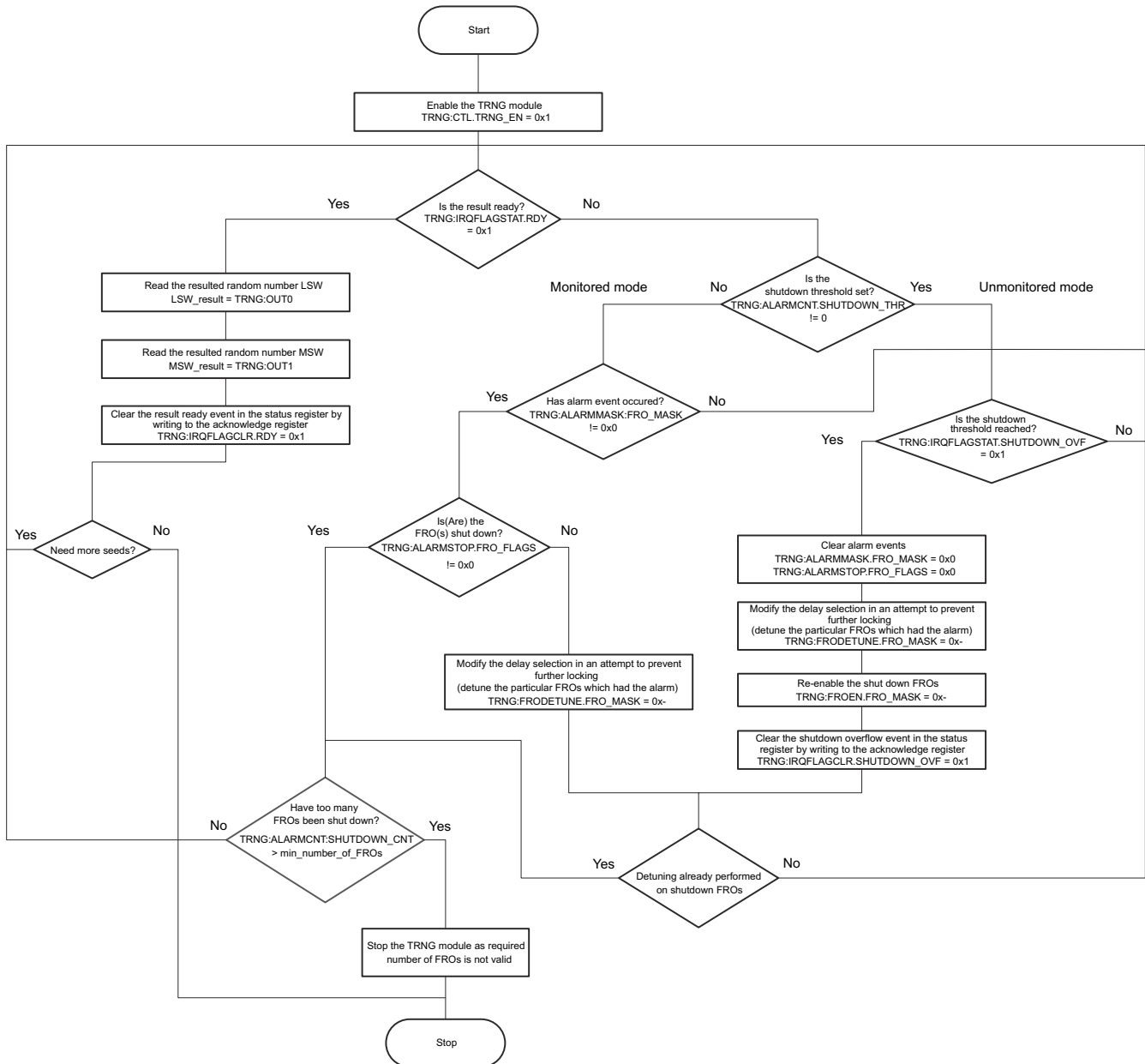


Figure 18-2. TRNG Polling Mode

18.6.1.3.2 Interrupt Mode

This section describes the event servicing of the module. Only the unmonitored mode is covered. [Table 18-4](#) lists the TRNG interrupt mode steps, while [Figure 18-3](#) shows the interrupt service routine flow.

Table 18-4. TRNG Interrupt Mode

Step	Register or Bit Field	Value
Enable interrupt generation when data is ready (available) in the output registers.	TRNG:IRQFLAGMASK.RDY	0x1
Enable the shutdown overflow interrupt generation when the maximum possible FRO shutdowns reach the selected shutdown threshold	TRNG:IRQFLAGMASK.SHUTDOWN_OVF	0x1
Enable the TRNG	TRNG:CTL.TRNG_EN	0x1

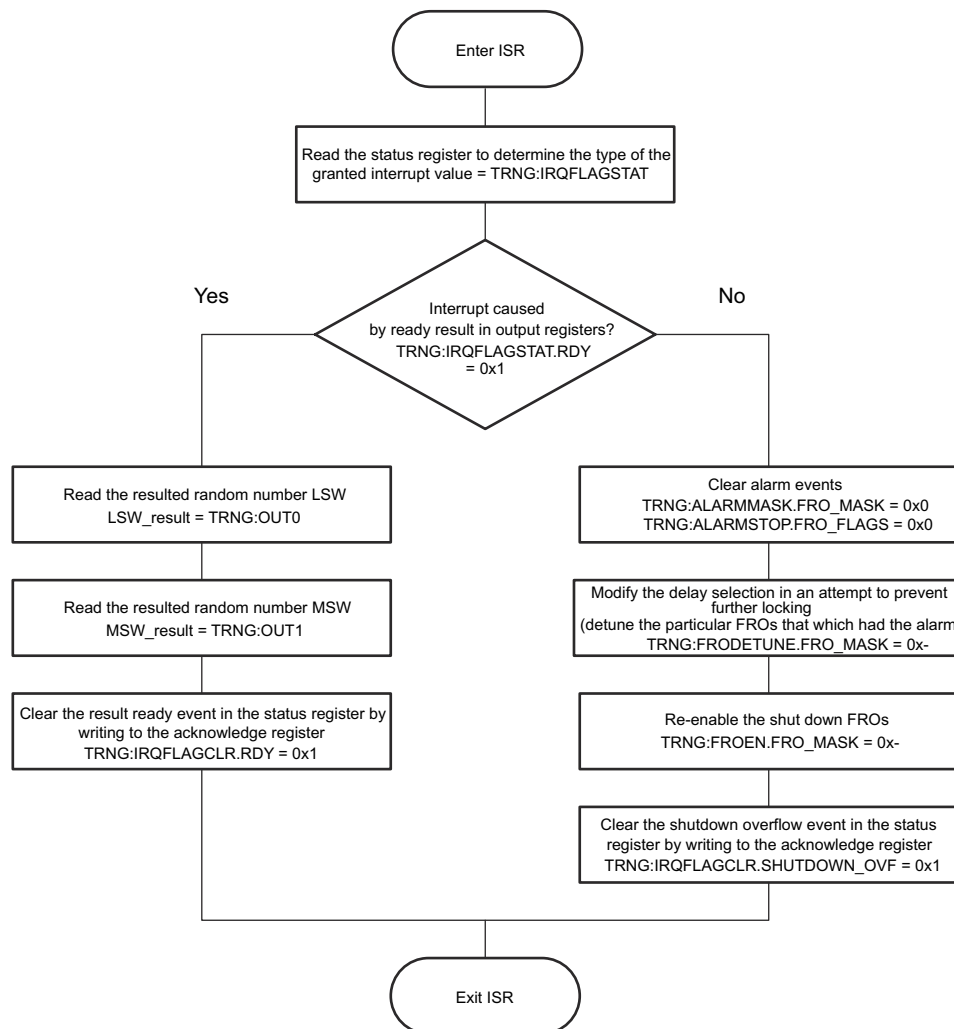


Figure 18-3. Interrupt Service Routine

18.7 TRNG Registers

The next section shows the register bank for the True Random Number Generator.

18.7.1 TRNG Registers

[TRNG Registers](#) lists the memory-mapped registers for the TRNG registers. All register offset addresses not listed in [TRNG Registers](#) should be considered as reserved locations and the register contents should not be modified.

Table 18-5. TRNG Registers

Offset	Acronym	Register Name	Section
0h	OUT0	Random Number Lower Word Readout Value	Section 18.7.1.1
4h	OUT1	Random Number Upper Word Readout Value	Section 18.7.1.2
8h	IRQFLAGSTAT	Interrupt Status	Section 18.7.1.3
Ch	IRQFLAGMASK	Interrupt Mask	Section 18.7.1.4
10h	IRQFLAGCLR	Interrupt Flag Clear	Section 18.7.1.5
14h	CTL	Control	Section 18.7.1.6
18h	CFG0	Configuration 0	Section 18.7.1.7
1Ch	ALARMCNT	Alarm Control	Section 18.7.1.8
20h	FROEN	FRO Enable	Section 18.7.1.9
24h	FRODETUNE	FRO De-tune Bit	Section 18.7.1.10
28h	ALARMMASK	Alarm Event	Section 18.7.1.11
2Ch	ALARMSTOP	Alarm Shutdown	Section 18.7.1.12
30h	LFSR0	LFSR Readout Value	Section 18.7.1.13
34h	LFSR1	LFSR Readout Value	Section 18.7.1.14
38h	LFSR2	LFSR Readout Value	Section 18.7.1.15
78h	HWOPT	TRNG Engine Options Information	Section 18.7.1.16
7Ch	HWVER0	HW Version 0	Section 18.7.1.17
1FD8h	IRQSTATMASK	Interrupt Status After Masking	Section 18.7.1.18
1FE0h	HWVER1	HW Version 1	Section 18.7.1.19
1FECh	IRQSET	Interrupt Set	Section 18.7.1.20
1FF0h	SWRESET	SW Reset Control	Section 18.7.1.21
1FF8h	IRQSTAT	Interrupt Status	Section 18.7.1.22

Complex bit access types are encoded to fit into small table cells. [TRNG Access Type Codes](#) shows the codes that are used for access types in this section.

Table 18-6. TRNG Access Type Codes

Access Type	Code	Description
Read Type		
R	R	Read
Write Type		
W	W	Write
Reset or Default Value		
-n		Value after reset or the default value

18.7.1.1 OUT0 Register (Offset = 0h) [Reset = 00000000h]

OUT0 is shown in [OUT0 Register](#) and described in [OUT0 Register Field Descriptions](#).

Return to the [TRNG Registers](#).

Random Number Lower Word Readout Value

Figure 18-4. OUT0 Register

31	30	29	28	27	26	25	24	23	22	21	20	19	18	17	16	15	14	13	12	11	10	9	8	7	6	5	4	3	2	1	0
VALUE_31_0																															
R-0h																															

Table 18-7. OUT0 Register Field Descriptions

Bit	Field	Type	Reset	Description
31-0	VALUE_31_0	R	0h	LSW of 64- bit random value. New value ready when IRQFLAGSTAT.RDY = 1.

18.7.1.2 OUT1 Register (Offset = 4h) [Reset = 00000000h]

OUT1 is shown in [OUT1 Register](#) and described in [OUT1 Register Field Descriptions](#).

Return to the [TRNG Registers](#).

Random Number Upper Word Readout Value

Figure 18-5. OUT1 Register

31	30	29	28	27	26	25	24	23	22	21	20	19	18	17	16	15	14	13	12	11	10	9	8	7	6	5	4	3	2	1	0
VALUE_63_32																															
R-0h																															

Table 18-8. OUT1 Register Field Descriptions

Bit	Field	Type	Reset	Description
31-0	VALUE_63_32	R	0h	MSW of 64-bit random value. New value ready when IRQFLAGSTAT.RDY = 1.

18.7.1.3 IRQFLAGSTAT Register (Offset = 8h) [Reset = 0000000h]

IRQFLAGSTAT is shown in [IRQFLAGSTAT Register](#) and described in [IRQFLAGSTAT Register Field Descriptions](#).

Return to the [TRNG Registers](#).

Interrupt Status

Figure 18-6. IRQFLAGSTAT Register

31	30	29	28	27	26	25	24
NEED_CLOCK		RESERVED					
R-0h		R-0h					
23	22	21	20	19	18	17	16
RESERVED							
R-0h							
15	14	13	12	11	10	9	8
RESERVED							
R-0h							
7	6	5	4	3	2	1	0
RESERVED						SHUTDOWN_OVF	RDY
R-0h						R-0h	R-0h

Table 18-9. IRQFLAGSTAT Register Field Descriptions

Bit	Field	Type	Reset	Description
31	NEED_CLOCK	R	0h	1: Indicates that the TRNG is busy generating entropy or is in one of its test modes - clocks may not be turned off and the power supply voltage must be kept stable. 0: TRNG is idle and can be shut down
30-2	RESERVED	R	0h	Reserved
1	SHUTDOWN_OVF	R	0h	1: The number of FROs shut down (i.e. the number of '1' bits in the ALARMSTOP register) has exceeded the threshold set by ALARMCNT.SHUTDOWN_THR Writing '1' to IRQFLAGCLR.SHUTDOWN_OVF clears this bit to '0' again.
0	RDY	R	0h	1: Data are available in OUT0 and OUT1. Acknowledging this state by writing '1' to IRQFLAGCLR.RDY clears this bit to '0'. If a new number is already available in the internal register of the TRNG, the number is directly clocked into the result register. In this case the status bit is asserted again, after one clock cycle.

18.7.1.4 IRQFLAGMASK Register (Offset = Ch) [Reset = 0000000h]

IRQFLAGMASK is shown in [IRQFLAGMASK Register](#) and described in [IRQFLAGMASK Register Field Descriptions](#).

Return to the [TRNG Registers](#).

Interrupt Mask

Figure 18-7. IRQFLAGMASK Register

31	30	29	28	27	26	25	24
RESERVED							
R-0h							
23	22	21	20	19	18	17	16
RESERVED							
R-0h							
15	14	13	12	11	10	9	8
RESERVED							
R-0h							
7	6	5	4	3	2	1	0
RESERVED						SHUTDOWN_OVF	RDY
R-0h						R/W-0h	R/W-0h

Table 18-10. IRQFLAGMASK Register Field Descriptions

Bit	Field	Type	Reset	Description
31-2	RESERVED	R	0h	Reserved
1	SHUTDOWN_OVF	R/W	0h	1: Allow IRQFLAGSTAT.SHUTDOWN_OVF to activate the interrupt from this module.
0	RDY	R/W	0h	1: Allow IRQFLAGSTAT.RDY to activate the interrupt from this module.

18.7.1.5 IRQFLAGCLR Register (Offset = 10h) [Reset = 0000000h]

IRQFLAGCLR is shown in [IRQFLAGCLR Register](#) and described in [IRQFLAGCLR Register Field Descriptions](#).

Return to the [TRNG Registers](#).

Interrupt Flag Clear

Figure 18-8. IRQFLAGCLR Register

31	30	29	28	27	26	25	24
RESERVED							
R-0h							
23	22	21	20	19	18	17	16
RESERVED							
R-0h							
15	14	13	12	11	10	9	8
RESERVED							
R-0h							
7	6	5	4	3	2	1	0
RESERVED						SHUTDOWN_OVF	RDY
R-0h						W-0h	W-0h

Table 18-11. IRQFLAGCLR Register Field Descriptions

Bit	Field	Type	Reset	Description
31-2	RESERVED	R	0h	Reserved
1	SHUTDOWN_OVF	W	0h	1: Clear IRQFLAGSTAT.SHUTDOWN_OVF.
0	RDY	W	0h	1: Clear IRQFLAGSTAT.RDY.

18.7.1.6 CTL Register (Offset = 14h) [Reset = 0000000h]

CTL is shown in [CTL Register](#) and described in [CTL Register Field Descriptions](#).

Return to the [TRNG Registers](#).

Control

Figure 18-9. CTL Register

31	30	29	28	27	26	25	24
STARTUP_CYCLES							
R/W-0h							
23	22	21	20	19	18	17	16
STARTUP_CYCLES							
R/W-0h							
15	14	13	12	11	10	9	8
RESERVED					TRNG_EN	RESERVED	
R-0h					R/W-0h	R-0h	
7	6	5	4	3	2	1	0
RESERVED					NO_LFSR_FB	TEST_MODE	RESERVED
R-0h					R/W-0h	R/W-0h	R-0h

Table 18-12. CTL Register Field Descriptions

Bit	Field	Type	Reset	Description
31-16	STARTUP_CYCLES	R/W	0h	This field determines the number of samples (between 2^8 and 2^{24}) taken to gather entropy from the FROs during startup. If the written value of this field is zero, the number of samples is 2^{24} , otherwise the number of samples equals the written value times 2^8 . 0x0000: 2^{24} samples 0x0001: $1*2^8$ samples 0x0002: $2*2^8$ samples 0x0003: $3*2^8$ samples ... 0x8000: $32768*2^8$ samples 0xC000: $49152*2^8$ samples ... 0xFFFF: $65535*2^8$ samples This field can only be modified while TRNG_EN is 0. If 1 an update will be ignored.
15-11	RESERVED	R	0h	Reserved
10	TRNG_EN	R/W	0h	0: Forces all TRNG logic back into the idle state immediately. 1: Starts TRNG, gathering entropy from the FROs for the number of samples determined by STARTUP_CYCLES.
9-3	RESERVED	R	0h	Reserved
2	NO_LFSR_FB	R/W	0h	1: Remove XNOR feedback from the main LFSR, converting it into a normal shift register for the XOR-ed outputs of the FROs (shifting data in on the LSB side). A '1' also forces the LFSR to sample continuously. This bit can only be set to '1' when TEST_MODE is also set to '1' and should not be used for other than test purposes
1	TEST_MODE	R/W	0h	1: Enables access to the TESTCNT and LFSR0/LFSR1/LFSR2 registers (the latter are automatically cleared before enabling access) and keeps IRQFLAGSTAT.NEED_CLOCK at '1'. This bit shall not be used unless you need to change the LFSR seed prior to creating a new random value. All other testing is done external to register control.
0	RESERVED	R	0h	Reserved

18.7.1.7 CFG0 Register (Offset = 18h) [Reset = 0000000h]

CFG0 is shown in [CFG0 Register](#) and described in [CFG0 Register Field Descriptions](#).

Return to the [TRNG Registers](#).

Configuration 0

Figure 18-10. CFG0 Register

31	30	29	28	27	26	25	24	23	22	21	20	19	18	17	16
MAX_REFILL_CYCLES															
R/W-0h															
15	14	13	12	11	10	9	8	7	6	5	4	3	2	1	0
RESERVED				SMPL_DIV				MIN_REFILL_CYCLES							
R-0h				R/W-0h				R/W-0h							

Table 18-13. CFG0 Register Field Descriptions

Bit	Field	Type	Reset	Description
31-16	MAX_REFILL_CYCLES	R/W	0h	<p>This field determines the maximum number of samples (between 2^8 and 2^{24}) taken to re-generate entropy from the FROs after reading out a 64 bits random number. If the written value of this field is zero, the number of samples is 2^{24}, otherwise the number of samples equals the written value times 2^8.</p> <p>0x0000: 2^{24} samples 0x0001: $1 \cdot 2^8$ samples 0x0002: $2 \cdot 2^8$ samples 0x0003: $3 \cdot 2^8$ samples ... 0x8000: $32768 \cdot 2^8$ samples 0xC000: $49152 \cdot 2^8$ samples ... 0xFFFF: $65535 \cdot 2^8$ samples</p> <p>This field can only be modified while CTL.TRNG_EN is 0.</p>
15-12	RESERVED	R	0h	Reserved
11-8	SMPL_DIV	R/W	0h	<p>This field directly controls the number of clock cycles between samples taken from the FROs. Default value 0 indicates that samples are taken every clock cycle, maximum value 0xF takes one sample every 16 clock cycles. This field must be set to a value such that the slowest FRO (even under worst-case conditions) has a cycle time less than twice the sample period. This field can only be modified while CTL.TRNG_EN is '0'.</p>
7-0	MIN_REFILL_CYCLES	R/W	0h	<p>This field determines the minimum number of samples (between 2^6 and 2^{14}) taken to re-generate entropy from the FROs after reading out a 64 bits random number. If the value of this field is zero, the number of samples is fixed to the value determined by the MAX_REFILL_CYCLES field, otherwise the minimum number of samples equals the written value times 64 (which can be up to 2^{14}). To ensure same entropy in all generated random numbers the value 0 should be used. Then MAX_REFILL_CYCLES controls the minimum refill interval. The number of samples defined here cannot be higher than the number defined by the 'max_refill_cycles' field (i.e. that field takes precedence). No random value will be created if min refill > max refill.</p> <p>This field can only be modified while CTL.TRNG_EN = 0.</p> <p>0x00: Minimum samples = MAX_REFILL_CYCLES (all numbers have same entropy) 0x01: $1 \cdot 2^6$ samples 0x02: $2 \cdot 2^6$ samples ... 0xFF: $255 \cdot 2^6$ samples</p>

18.7.1.8 ALARMCNT Register (Offset = 1Ch) [Reset = 00000FFh]

ALARMCNT is shown in [ALARMCNT Register](#) and described in [ALARMCNT Register Field Descriptions](#).

Return to the [TRNG Registers](#).

Alarm Control

Figure 18-11. ALARMCNT Register

31	30	29	28	27	26	25	24
RESERVED				SHUTDOWN_CNT			
R-0h				R/W-0h			
23	22	21	20	19	18	17	16
RESERVED				SHUTDOWN_THR			
R-0h				R/W-0h			
15	14	13	12	11	10	9	8
RESERVED							
R-0h							
7	6	5	4	3	2	1	0
ALARM_THR							
R/W-FFh							

Table 18-14. ALARMCNT Register Field Descriptions

Bit	Field	Type	Reset	Description
31-30	RESERVED	R	0h	Reserved
29-24	SHUTDOWN_CNT	R/W	0h	Read-only, indicates the number of '1' bits in ALARMSTOP register. The maximum value equals the number of FROs.
23-21	RESERVED	R	0h	Reserved
20-16	SHUTDOWN_THR	R/W	0h	Threshold setting for generating IRQFLAGSTAT.SHUTDOWN_OVF interrupt. The interrupt is triggered when SHUTDOWN_CNT value exceeds this bit field.
15-8	RESERVED	R	0h	Reserved
7-0	ALARM_THR	R/W	FFh	Alarm detection threshold for the repeating pattern detectors on each FRO. An FRO 'alarm event' is declared when a repeating pattern (of up to four samples length) is detected continuously for the number of samples defined by this field's value. Reset value 0xFF should keep the number of 'alarm events' to a manageable level.

18.7.1.9 FROEN Register (Offset = 20h) [Reset = 00FFFFFFh]

FROEN is shown in [FROEN Register](#) and described in [FROEN Register Field Descriptions](#).

Return to the [TRNG Registers](#).

FRO Enable

Figure 18-12. FROEN Register

31	30	29	28	27	26	25	24	23	22	21	20	19	18	17	16	15	14	13	12	11	10	9	8	7	6	5	4	3	2	1	0
RESERVED								FRO_MASK																							
R-0h								R/W-00FFFFFFh																							

Table 18-15. FROEN Register Field Descriptions

Bit	Field	Type	Reset	Description
31-24	RESERVED	R	0h	Reserved
23-0	FRO_MASK	R/W	00FFFFFFh	Enable bits for the individual FROs. A '1' in bit [n] enables FRO 'n'. Default state is all '1's to enable all FROs after power-up. Note that they are not actually started up before the CTL.TRNG_EN bit is set to '1'. Bits are automatically forced to '0' here (and cannot be written to '1') while the corresponding bit in ALARMSTOP.FRO_FLAGS has value '1'.

18.7.1.10 FRODETUNE Register (Offset = 24h) [Reset = 0000000h]

FRODETUNE is shown in [FRODETUNE Register](#) and described in [FRODETUNE Register Field Descriptions](#).

Return to the [TRNG Registers](#).

FRO De-tune Bit

Figure 18-13. FRODETUNE Register

31	30	29	28	27	26	25	24	23	22	21	20	19	18	17	16	15	14	13	12	11	10	9	8	7	6	5	4	3	2	1	0
RESERVED								FRO_MASK																							
R-0h								R/W-0h																							

Table 18-16. FRODETUNE Register Field Descriptions

Bit	Field	Type	Reset	Description
31-24	RESERVED	R	0h	Reserved
23-0	FRO_MASK	R/W	0h	De-tune bits for the individual FROs. A '1' in bit [n] lets FRO 'n' run approximately 5% faster. The value of one of these bits may only be changed while the corresponding FRO is turned off (by temporarily writing a '0' in the corresponding bit of the FROEN.FRO_MASK register).

18.7.1.11 ALARMMASK Register (Offset = 28h) [Reset = 0000000h]

ALARMMASK is shown in [ALARMMASK Register](#) and described in [ALARMMASK Register Field Descriptions](#).

Return to the [TRNG Registers](#).

Alarm Event

Figure 18-14. ALARMMASK Register

31	30	29	28	27	26	25	24	23	22	21	20	19	18	17	16	15	14	13	12	11	10	9	8	7	6	5	4	3	2	1	0
RESERVED								FRO_MASK																							
R-0h								R/W-0h																							

Table 18-17. ALARMMASK Register Field Descriptions

Bit	Field	Type	Reset	Description
31-24	RESERVED	R	0h	Reserved
23-0	FRO_MASK	R/W	0h	Logging bits for the 'alarm events' of individual FROs. A '1' in bit [n] indicates FRO 'n' experienced an 'alarm event'.

18.7.1.12 ALARMSTOP Register (Offset = 2Ch) [Reset = 0000000h]

ALARMSTOP is shown in [ALARMSTOP Register](#) and described in [ALARMSTOP Register Field Descriptions](#).

Return to the [TRNG Registers](#).

Alarm Shutdown

Figure 18-15. ALARMSTOP Register

31	30	29	28	27	26	25	24	23	22	21	20	19	18	17	16	15	14	13	12	11	10	9	8	7	6	5	4	3	2	1	0
RESERVED								FRO_FLAGS																							
R-0h								R/W-0h																							

Table 18-18. ALARMSTOP Register Field Descriptions

Bit	Field	Type	Reset	Description
31-24	RESERVED	R	0h	Reserved
23-0	FRO_FLAGS	R/W	0h	Logging bits for the 'alarm events' of individual FROs. A '1' in bit [n] indicates FRO 'n' experienced more than one 'alarm event' in quick succession and has been turned off. A '1' in this field forces the corresponding bit in FROEN.FRO_MASK to '0'.

18.7.1.13 LFSR0 Register (Offset = 30h) [Reset = 0000000h]

LFSR0 is shown in [LFSR0 Register](#) and described in [LFSR0 Register Field Descriptions](#).

Return to the [TRNG Registers](#).

LFSR Readout Value

Figure 18-16. LFSR0 Register

31	30	29	28	27	26	25	24	23	22	21	20	19	18	17	16	15	14	13	12	11	10	9	8	7	6	5	4	3	2	1	0
LFSR_31_0																															
R/W-0h																															

Table 18-19. LFSR0 Register Field Descriptions

Bit	Field	Type	Reset	Description
31-0	LFSR_31_0	R/W	0h	Bits [31:0] of the main entropy accumulation LFSR. Register can only be accessed when CTL.TEST_MODE = 1. Register contents will be cleared to zero before access is enabled.

18.7.1.14 LFSR1 Register (Offset = 34h) [Reset = 0000000h]

LFSR1 is shown in [LFSR1 Register](#) and described in [LFSR1 Register Field Descriptions](#).

Return to the [TRNG Registers](#).

LFSR Readout Value

Figure 18-17. LFSR1 Register

31	30	29	28	27	26	25	24	23	22	21	20	19	18	17	16	15	14	13	12	11	10	9	8	7	6	5	4	3	2	1	0
LFSR_63_32																															
R/W-0h																															

Table 18-20. LFSR1 Register Field Descriptions

Bit	Field	Type	Reset	Description
31-0	LFSR_63_32	R/W	0h	Bits [63:32] of the main entropy accumulation LFSR. Register can only be accessed when CTL.TEST_MODE = 1. Register contents will be cleared to zero before access is enabled.

18.7.1.15 LFSR2 Register (Offset = 38h) [Reset = 0000000h]

LFSR2 is shown in [LFSR2 Register](#) and described in [LFSR2 Register Field Descriptions](#).

Return to the [TRNG Registers](#).

LFSR Readout Value

Figure 18-18. LFSR2 Register

31	30	29	28	27	26	25	24	23	22	21	20	19	18	17	16	15	14	13	12	11	10	9	8	7	6	5	4	3	2	1	0
RESERVED																LFSR_80_64															
R-0h																R/W-0h															

Table 18-21. LFSR2 Register Field Descriptions

Bit	Field	Type	Reset	Description
31-17	RESERVED	R	0h	Reserved
16-0	LFSR_80_64	R/W	0h	Bits [80:64] of the main entropy accumulation LFSR. Register can only be accessed when CTL.TEST_MODE = 1. Register contents will be cleared to zero before access is enabled.

18.7.1.16 HWOPT Register (Offset = 78h) [Reset = 0000600h]

HWOPT is shown in [HWOPT Register](#) and described in [HWOPT Register Field Descriptions](#).

Return to the [TRNG Registers](#).

TRNG Engine Options Information

Figure 18-19. HWOPT Register

31	30	29	28	27	26	25	24	23	22	21	20	19	18	17	16
RESERVED															
R-0h															
15	14	13	12	11	10	9	8	7	6	5	4	3	2	1	0
RESERVED				NR_OF_FROS						RESERVED					
R-0h				R-18h						R-0h					

Table 18-22. HWOPT Register Field Descriptions

Bit	Field	Type	Reset	Description
31-12	RESERVED	R	0h	Reserved
11-6	NR_OF_FROS	R	18h	Number of FROs implemented in this TRNG, value 24 (decimal).
5-0	RESERVED	R	0h	Reserved

18.7.1.17 HWVER0 Register (Offset = 7Ch) [Reset = 0200B44Bh]

HWVER0 is shown in [HWVER0 Register](#) and described in [HWVER0 Register Field Descriptions](#).

Return to the [TRNG Registers](#).

HW Version 0

EIP Number And Core Revision

Figure 18-20. HWVER0 Register

31	30	29	28	27	26	25	24	23	22	21	20	19	18	17	16
RESERVED				HW_MAJOR_VER				HW_MINOR_VER				HW_PATCH_LVL			
R-0h				R-2h				R-0h				R-0h			
15	14	13	12	11	10	9	8	7	6	5	4	3	2	1	0
EIP_NUM_COMPL								EIP_NUM							
R-B4h								R-4Bh							

Table 18-23. HWVER0 Register Field Descriptions

Bit	Field	Type	Reset	Description
31-28	RESERVED	R	0h	Reserved
27-24	HW_MAJOR_VER	R	2h	4 bits binary encoding of the major hardware revision number.
23-20	HW_MINOR_VER	R	0h	4 bits binary encoding of the minor hardware revision number.
19-16	HW_PATCH_LVL	R	0h	4 bits binary encoding of the hardware patch level, initial release will carry value zero.
15-8	EIP_NUM_COMPL	R	B4h	Bit-by-bit logic complement of bits [7:0]. This TRNG gives 0xB4.
7-0	EIP_NUM	R	4Bh	8 bits binary encoding of the module number. This TRNG gives 0x4B.

18.7.1.18 IRQSTATMASK Register (Offset = 1FD8h) [Reset = 0000000h]

IRQSTATMASK is shown in [IRQSTATMASK Register](#) and described in [IRQSTATMASK Register Field Descriptions](#).

Return to the [TRNG Registers](#).

Interrupt Status After Masking

Figure 18-21. IRQSTATMASK Register

31	30	29	28	27	26	25	24
RESERVED							
R-0h							
23	22	21	20	19	18	17	16
RESERVED							
R-0h							
15	14	13	12	11	10	9	8
RESERVED							
R-0h							
7	6	5	4	3	2	1	0
RESERVED						SHUTDOWN_O VF	RDY
R-0h						R-0h	R-0h

Table 18-24. IRQSTATMASK Register Field Descriptions

Bit	Field	Type	Reset	Description
31-2	RESERVED	R	0h	Reserved
1	SHUTDOWN_OVF	R	0h	Shutdown Overflow (result of IRQFLAGSTAT.SHUTDOWN_OVF AND'ed with IRQFLAGMASK.SHUTDOWN_OVF)
0	RDY	R	0h	New random value available (result of IRQFLAGSTAT.RDY AND'ed with IRQFLAGMASK.RDY)

18.7.1.19 HWVER1 Register (Offset = 1FE0h) [Reset = 0000020h]

HWVER1 is shown in [HWVER1 Register](#) and described in [HWVER1 Register Field Descriptions](#).

Return to the [TRNG Registers](#).

HW Version 1

TRNG Revision Number

Figure 18-22. HWVER1 Register

31	30	29	28	27	26	25	24	23	22	21	20	19	18	17	16	15	14	13	12	11	10	9	8	7	6	5	4	3	2	1	0
RESERVED																REV															
R-0h																R-20h															

Table 18-25. HWVER1 Register Field Descriptions

Bit	Field	Type	Reset	Description
31-8	RESERVED	R	0h	Reserved
7-0	REV	R	20h	The revision number of this module is Rev 2.0.

18.7.1.20 IRQSET Register (Offset = 1FECh) [Reset = 0000000h]

IRQSET is shown in [IRQSET Register](#) and described in [IRQSET Register Field Descriptions](#).

Return to the [TRNG Registers](#).

Interrupt Set

Figure 18-23. IRQSET Register

31	30	29	28	27	26	25	24	23	22	21	20	19	18	17	16	15	14	13	12	11	10	9	8	7	6	5	4	3	2	1	0
RESERVED																															
R-0h																															

Table 18-26. IRQSET Register Field Descriptions

Bit	Field	Type	Reset	Description
31-0	RESERVED	R	0h	Reserved

18.7.1.21 SWRESET Register (Offset = 1FF0h) [Reset = 0000000h]

SWRESET is shown in [SWRESET Register](#) and described in [SWRESET Register Field Descriptions](#).

Return to the [TRNG Registers](#).

SW Reset Control

Figure 18-24. SWRESET Register

31	30	29	28	27	26	25	24
RESERVED							
R-0h							
23	22	21	20	19	18	17	16
RESERVED							
R-0h							
15	14	13	12	11	10	9	8
RESERVED							
R-0h							
7	6	5	4	3	2	1	0
RESERVED							RESET
R-0h							R/W-0h

Table 18-27. SWRESET Register Field Descriptions

Bit	Field	Type	Reset	Description
31-1	RESERVED	R	0h	Reserved
0	RESET	R/W	0h	Write '1' to soft reset , reset will be low for 4-5 clock cycles. Poll to 0 for reset to be completed.

18.7.1.22 IRQSTAT Register (Offset = 1FF8h) [Reset = 0000000h]

IRQSTAT is shown in [IRQSTAT Register](#) and described in [IRQSTAT Register Field Descriptions](#).

Return to the [TRNG Registers](#).

Interrupt Status

Figure 18-25. IRQSTAT Register

31	30	29	28	27	26	25	24
RESERVED							
R-0h							
23	22	21	20	19	18	17	16
RESERVED							
R-0h							
15	14	13	12	11	10	9	8
RESERVED							
R-0h							
7	6	5	4	3	2	1	0
RESERVED							STAT
R-0h							R-0h

Table 18-28. IRQSTAT Register Field Descriptions

Bit	Field	Type	Reset	Description
31-1	RESERVED	R	0h	Reserved
0	STAT	R	0h	TRNG Interrupt status. OR'ed version of IRQFLAGSTAT.SHUTDOWN_OVF and IRQFLAGSTAT.RDY

This page intentionally left blank.

This chapter describes the functionality of the AUX subsystem on the CC13x1x3 and CC26x1x3 device platform.

19.1 Introduction	1324
19.2 Power and Clock Management	1325
19.3 Digital Peripheral Modules	1330
19.4 Analog Peripheral Modules	1346
19.5 Event Routing and Usage	1362
19.6 AUX Domain Peripheral Registers	1367

19.1 Introduction

The auxiliary (AUX) domain is a subsystem inside the AON domain and it features a limited version of the AUX domain found in the CC13x2/CC26x2 family of devices. The following peripherals are available:

- Analog peripherals:
 - ADC: 12-bit analog-to-digital converter, sample rate maximum of 200 kHz
 - COMPA: continuous-time comparator
 - COMPB: low-power clocked comparator (see note)
 - ISRC: 0 to 20 μ A current source (see note)
 - Reference DAC: digital-to-analog converter
- Digital peripherals:
 - TDC: high-precision time-to-digital converter
 - AUX Timer0 and Timer1: simple 16-bit synchronous timers
 - AUX I/O controllers
- I/O pins:
 - Up to 32 digital-only, general-purpose I/O pins
 - Up to 8 analog-capable, general-purpose I/O pins
- System oscillator control
- Multiple clocking and power options

Note

COMPB and ISRC are not supported in all devices. Please consult the device datasheet.

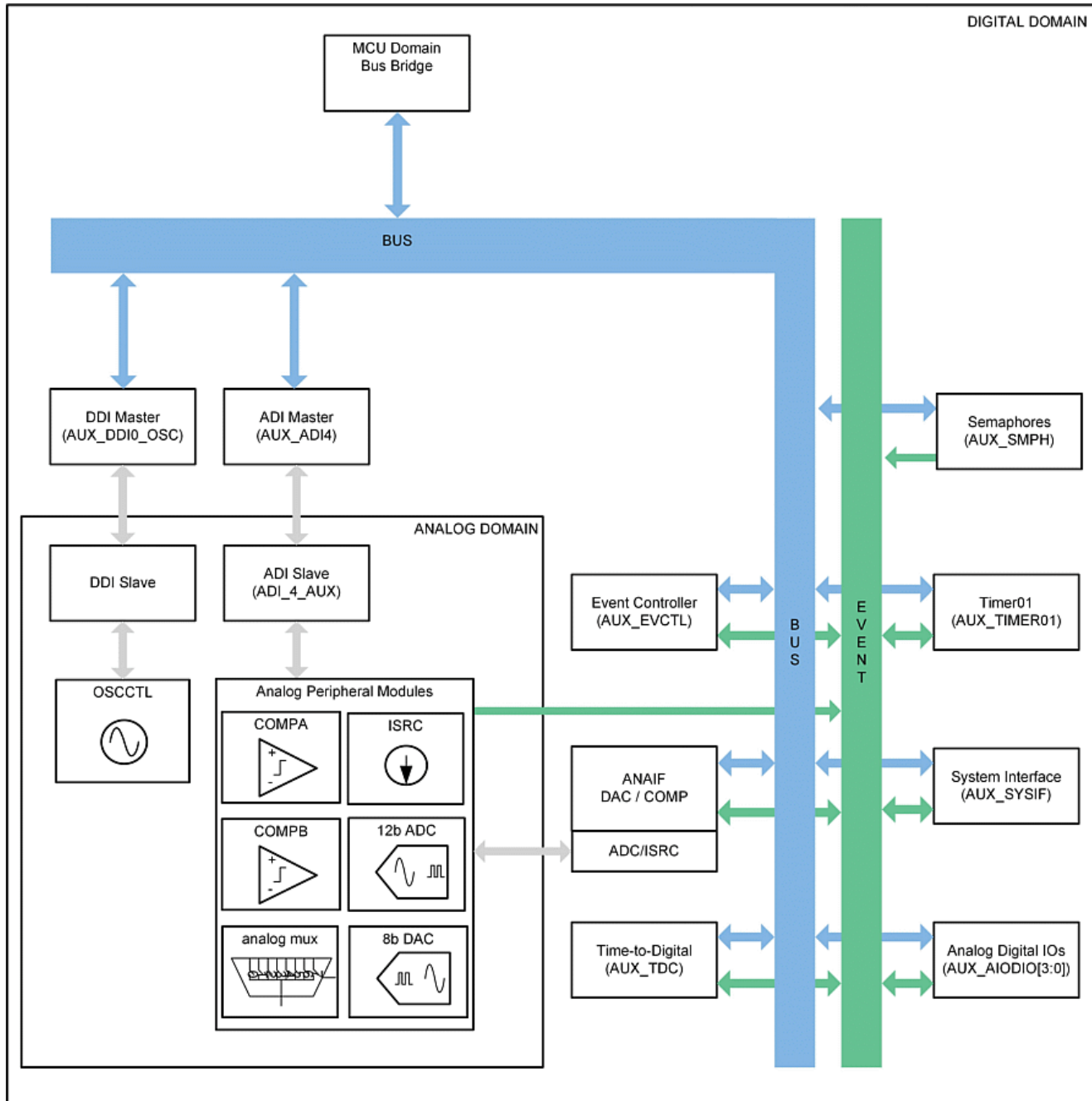
The System CPU and μ DMA have access to all AUX domain peripherals at all times, and access speed from the MCU domain is independent of the selected AUX clock.

The system CPU can use peripherals of the AUX domain to perform various functions such as:

- Analog sensor polling, using the ADC or comparator
- Capacitive sensing, using the integrated current source, comparator, and time-to-digital converter
- Signal period and pulse width measurements using TDC

19.1.1 AUX Block Diagram

[Figure 19-1](#) shows connections for the modules in the AUX domain.



Copyright © 2021, Texas Instruments Incorporated

Figure 19-1. AUX Domain Block Diagram

Figure 19-1 shows that the MCU domain Bus Bridge is the Bus Master. The System CPU and the μ DMA access the AUX domain over the bus bridge.

19.2 Power and Clock Management

The AUX power and clock management is mostly independent of the MCU domain. An active MCU domain state has the potential to:

- Increase the AUX bus clock speed to minimize access time.
- Cause small clock jitter on the clock selected by AON_PMCTL:AUXSCECLK that clocks the selected peripherals.

These topics are described in [Section 19.2.1](#). The MCU domain is active when it receives SCLK_HF, which occur in TI-RTOS power modes (active and idle).

19.2.1 Operational Modes

The System CPU can program the operational mode for peripherals that use the SCE clock rate, so that these are active when the System CPU is inactive. Through CPU programming, the AUX domain can be set to active, low-power, or power-down modes with the register and bit settings shown in [Figure 19-2](#).

Given the AUX Domain has its own interface to the Power Controller, it can remain active even if the System CPU is in standby. This can be useful to generate clock to timers or enable COMPA or COMPB wakeup, for example.

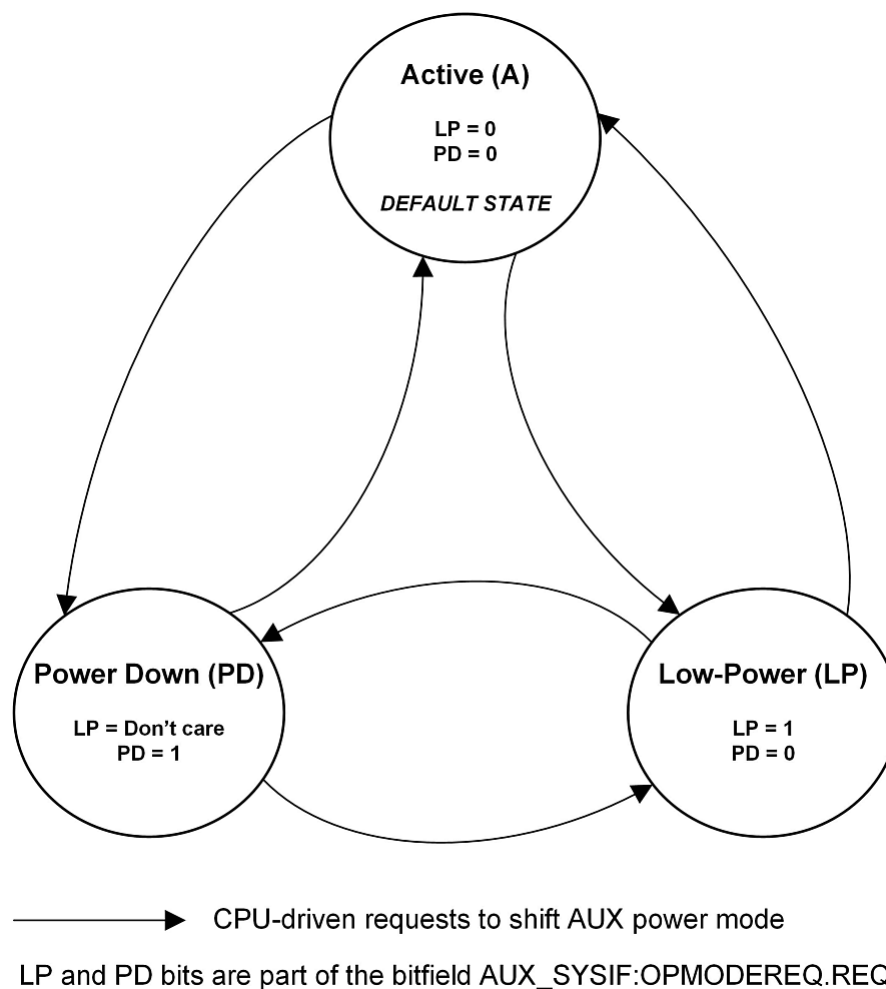


Figure 19-2. AUX State Diagram

Each operational mode is characterized by:

- System power supply request
- SCE clock rate

The system does not change the AUX operational mode request. As shown in [Figure 19-2](#), the system overrides the request as long as the AUX wake-up event is active.

[Table 19-1](#) summarizes the properties for each operational mode.

Table 19-1. AUX Operational Modes

Operational Mode		Active		Low-Power	Power-Down	
AUX SCE Clock Source		AON_PMCTL:AUXSCECLK.SRC		SCLK_MF	AON_PMCTL:AUXSCECLK.PDSRC	
SCE Clock Rate		24 MHz	2 MHz	2 MHz	32.768 kHz	NO_CLOCK
AUX Bus Clock Rate	MCU Inactive	24 MHz	24 MHz	2 MHz	32.768 kHz	NO_CLOCK
	MCU Active	24 MHz	24 MHz	24 MHz	24 MHz	24 MHz
Power Supply Request		DCDC or GLDO		μLDO	μLDO	

Follow the steps described in AUX_SYSIF:OPMODEREQ to request an operational mode. For AUX wakeup, see [Section 19.1](#).

Note

An Active operational mode request prevents the system from entering standby or shutdown because the power controller requests a high-frequency clock source.

19.2.1.1 Dual-Rate AUX Clock

The AUX module operates internally at either the SCE clock rate or at the Bus clock rate. The System CPU and μDMA always accesses the AUX modules at the Bus clock rate. As listed in [Table 19-1](#), the AUX Bus clock rate can be higher than the SCE clock rate under two conditions:

- SCE clock rate is 2 MHz in Active operational mode
- MCU domain is active

In both cases, the bus clock rate equals 24 MHz. [Table 19-2](#) lists the operational clock rates for the various AUX modules.

To ensure correct timing, the modules and clocked resources must operate at the SCE clock rate if possible, since the bus clock rate can change when the MCU power mode changes. This is especially important for the Timer01 peripheral.

Table 19-2. AUX Operational Clock Rates

Module	Operational Clock Rate ⁽¹⁾	
	AUX Bus	AUX SCE
AUX_TDC	X	
AUX_EVCTL	X	
AUX_SYSIF	X	
AUX_TIMER01	(X)	X
AUX_SMPH	X	
AUX_ANAIF:ADC	X	
AUX_ANAIF:DAC	(X)	
AUX_DDI0_OSC	X	
AUX_AD14	X	
AUX_AIODIO0		X

Table 19-2. AUX Operational Clock Rates (continued)

Module	Operational Clock Rate ⁽¹⁾	
	AUX Bus	AUX SCE
AUX_AIODIO1		X
AUX_AIODIO2		X
AUX_AIODIO3		X

- (1) X = Default rate
(X) = Rate overrides the capability
(XX) = Rate overrides the capability for event synchronization

19.2.2 Use Scenarios

19.2.2.1 MCU

When the MCU domain is active, all AUX modules are both accessible with minimum latency and functional to an MCU master, independent of the AUX clock and power management. Hence, the System CPU application has no need to configure the AUX operational mode to use a peripheral. The System CPU application cannot use an AUX peripheral in standby TI-RTOS power mode, except for wakeup.

TI-RTOS requests the Power-Down operational mode by default.

19.2.3 SCE Clock Emulation

The SCE clock source gets emulated when it equals SCLK_MF or SCLK_LF and the MCU domain is active. Clock emulation results in SCE clock period jitter:

- SCLK_MF clock emulation: The instant SCE clock period jitter equals ± 2 SCLK_HF periods.
- SCLK_LF clock emulation: The instant SCE clock period jitter is 2 SCLK_HF periods. A single SCE clock period increases or decreases by 6 to 8 SCLK_HF periods when emulation starts or ends.

Clock emulation has the following implications:

- The small time uncertainty that clock emulation introduces in the clock period affects only modules that operate at the SCE clock rate.
- The SCE clock period jitter is not accumulative.

19.3 Digital Peripheral Modules

19.3.1 Overview

Table 19-3 lists the digital peripherals in the AUX domain together with respective operational rates. For a description about operational rates, see Section 19.2.

Table 19-3. Digital Peripherals

Digital Peripheral	Operational Clock Rate ⁽¹⁾	
	AUX Bus Rate	AUX SCE Rate
AUX_TDC	X	
AUX_TIMER01	(X)	X
AUX_SMPH	X	
AUX_AIODIO0		X
AUX_AIODIO1		X
AUX_AIODIO2		X
AUX_AIODIO3		X
AUX_DDI0_OSC	X	

(1) X = Default rate
(X) = Rate overrides the capability

19.3.1.1 DDI Control-Configuration

AUX_DDI_OSC (listed in Table 19-3) is not really a digital peripheral. As shown in Figure 19-1, the System CPU access DDI_0_OSC through the AUX_DDI0_OSC module to control and configure the system clocks (for details about DDI_0_OSC registers, see OSC_DIG). The AUX_DDI_OSC module supports four different types of accesses to provide efficiency as it connects to the analog domain over a multicycle bus interface. The access types are:

- Direct
- Set
- Clear
- Masked

If the System CPU application requires access to this module, the application must use the TI provided DriverLib API functions.

For system clock description, see Section 19.2.

19.3.2 AIODIO

19.3.2.1 Introduction

The AUX analog I/O digital I/O (AUX_AIODIOx) peripherals control the 32 AUX I/Os that map to separate package DIOs.

The four AIODIO instances configure and control the 32 AUX I/Os. Each AIODIO peripheral manages 8 AUX I/Os, as shown in Table 19-4.

Table 19-4. AUX I/O Control

Peripheral	AUX I/O
AUX_AIODIO0	0 to 7
AUX_AIODIO1	8 to 15
AUX_AIODIO2	16 to 23
AUX_AIODIO3	24 to 31

Peripheral features are:

- 32 general-purpose I/Os with configurable I/O modes:
 - Digital input
 - Digital output
 - Open-drain digital output
 - Open-source digital output
- Up to eight I/Os support analog transfer.
- Configurable output data source:
 - Peripheral
 - Event
 - Register

Figure 19-3 shows the block diagram of a single AUX I/O(k) and how it connects to DIO(n).

19.3.2.2 Functional Description

19.3.2.2.1 Mapping to DIO Pins

The package-specific AUXIO–DIO mapping is listed in Table 13-2. To connect DIO(n) to AUX IO(k), the user must set IOC:IOCFGn.PORT_ID to AUX_IO.

19.3.2.2.2 Configuration

Section 19.3.2.2.3 describes the AUX I/O configuration.

19.3.2.2.3 GPIO Mode

AUX_AIODIO_n:IOMODE (see Section 19.6.2) configures I/O mode for each AUX I/O as:

- Input
- Digital output
- Open-drain digital output
- Open-source digital output

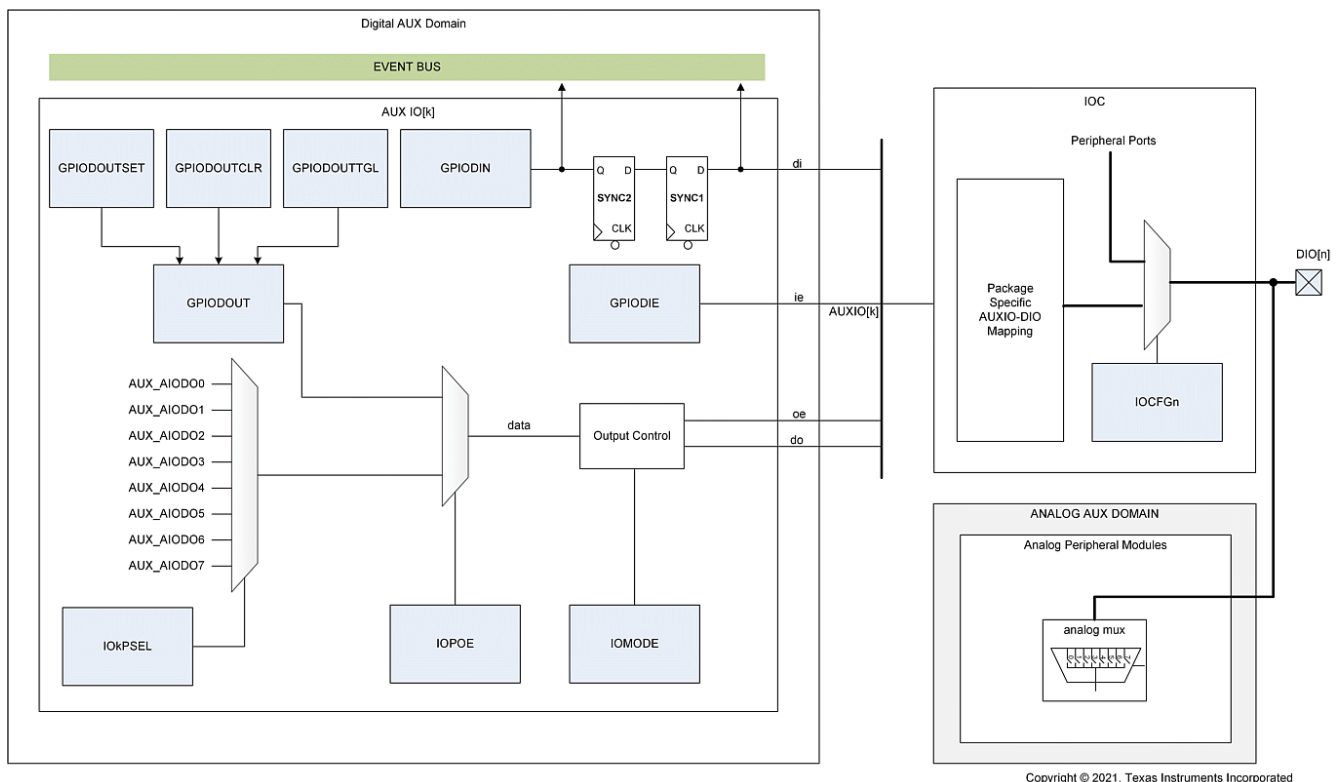


Figure 19-3. AUX I/O Block Diagram

19.3.2.2.4 Input Buffer

The digital input buffer must be enabled to use the AUX I/O as digital input. The buffer is enabled when the user sets the corresponding bit in AUX_AIODION:GPIODIE.

The AUX I/Os are synchronized by default at the SCE clock rate and when the System CPU writes the AIODIO instance. The latter must be confined to initialize before the AUX peripheral to get constant synchronization clock rate.

Up to eight AUX I/Os enable analog transfer between DIOs and the analog AUX peripherals. To enable analog transfer, set the I/O mode to *input* and disable the digital input buffer. To determine which AUX I/O enables analog transfer, see [Table 13-2](#).

19.3.2.2.5 Data Output Source

Each AUX I/O propagates data as per I/O mode output configuration. The data source is controlled by AUX_AIODION:IOPOE as:

- **Direct mode:** The data source is the internal AUX_AIODION:GPIODOUT register.
- **Peripheral mode:** The data source is selected by AUX_AIODION:IONPSEL.SRC.

For the register description, see [Section 19.6.2](#).

19.3.3 SMPH

19.3.3.1 Introduction

The AUX semaphore (AUX_SMPH) peripheral contains eight hardware semaphores. The System CPU implements resource ownership.

19.3.3.2 Functional Description

The hardware semaphore functionality is simple. To reserve a resource such as the rights to access and use a module, the System CPU application requests a specific semaphore by read operation. The read value determines the ownership:

- 0 = No ownership
- 1 = The System CPU owns the semaphore and the resource associated with it.

Only the owner of a semaphore shall release it by writing the value 1 to the semaphore. There is no hardware mechanism that forces this rule.

To avoid polling and to save power, the System CPU can request a semaphore by writing the SMPH_ID to AUX_SMPH:AUTOTAKE.SMPH_ID. The AUX_EVCTL:EVTOMCUFLAGS. The AUX_SMPH_AUTOTAKE_DONE event becomes 1 when that semaphore belongs to the System CPU. There is no hardware mechanism that forces this rule.

19.3.3.3 Semaphore Allocation in TI Software

Table 19-5 summarizes how TI software assigns resources to the semaphores.

Table 19-5. Semaphore Resource Allocation

SMPH_ID	Resource Allocation
0	Unassigned by TI
1	TDC
2	ADC + COMPB*
3	COMPA + ISRC*
4	Reference DAC
5	Unassigned by TI
6	Unassigned by TI
7	Unassigned by TI

*COMPB and ISRC are not supported in all devices. Please consult the device datasheet.

19.3.4 Time-to-Digital Converter (TDC)

19.3.4.1 Introduction

The AUX TDC (AUX_TDC) peripheral is a high-precision TDC used to measure the time between a configurable start event and another configurable stop event. The TDC counts at either 96 MHz or 48 MHz, using both edges of a selected counter clock source.

TDC peripheral features are:

- Configurable counter clock source
- Configurable reference clock source for on-chip clock calibration
- Configurable start event source and polarity
- Configurable stop event source and polarity
- Optional prescaling of start and stop events:
 - The prescaler can also be used for standalone, asynchronous pulse counting.
- Optional stop event ignore counter:
 - Several periods can be measured during a single TDC conversion.
- 25-bit TDC conversion counter with configurable saturation limit

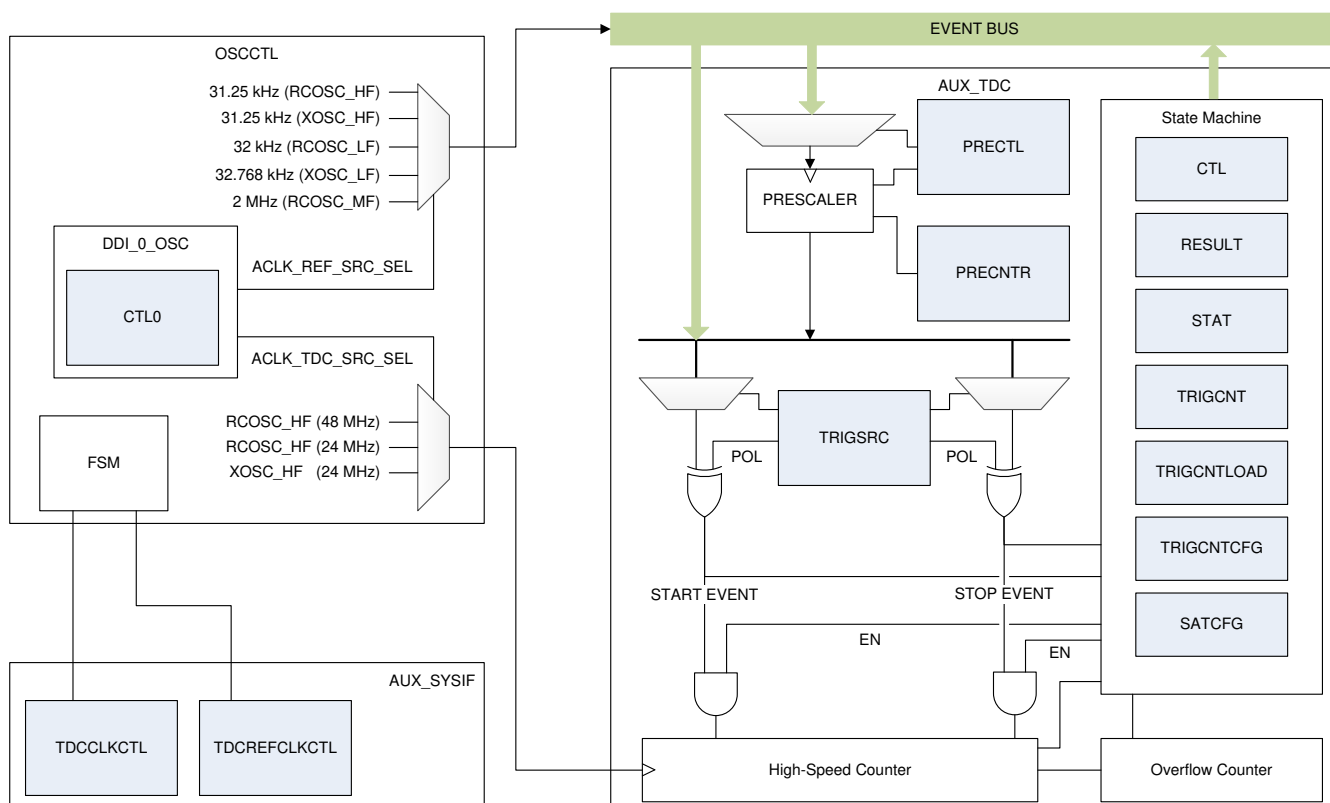
- TDC measurement-done event

The TDC is typically used for the following:

- Frequency measurements
- Capacitive sensing, in conjunction with the analog AUX peripherals *ISRC* and *COMP*A (selected devices)
- Precise time between arbitrary event measurements
- Standalone, asynchronous pulse counting using the prescaler

TI-RTOS uses the TDC peripheral for RCOSC calibration. Both masters must implement and honor resource sharing to use this peripheral. For details, see [Section 19.3.3.3](#).

[Figure 19-4](#) shows the block diagram of the TDC. It also shows the connections to the Oscillator Control (OSCCTL) module, which requires configuration to use the TDC.



Copyright © 2017, Texas Instruments Incorporated

Figure 19-4. AUX_TDC Block Diagram

19.3.4.2 Functional Description

The TDC state machine shown in [Figure 19-4](#) controls and monitors the TDC conversion process. The TDC state machine has the following user interfaces:

- Command
- Conversion Time Configuration
- Status and Results

The TDC state machine performs the conversion based on the configuration of the following:

- Clock source selection
- Start and stop event selection
- Prescaler configuration

[Section 19.3.4.2.1](#) through [Section 19.3.4.2.6](#) explain the interfaces and configuration.

Note

- The System CPU must configure the TDC while AUX_TDC:STAT.STATE = IDLE. Allowed exceptions are the following:
 - Update of AUX_TDC:TRIGCNT
 - Abort command
-

19.3.4.2.1 Command

The TDC state machine supports the following four user commands:

- Synchronous counter start:
The TDC conversion starts when the start event edge occurs, which is useful for frequency measurements.
- Asynchronous counter start:
The TDC conversion starts immediately when the start event level occurs. Precise edge-to-edge measurement is not assured unless the user controls the event source. In the latter case, the user must ensure that the start event does not arrive until AUX_TDC:STAT.STATE is less than 0x5, which takes approximately 420 ns.
- Abort:
Forces the state machine to abort an ongoing TDC measurement. Do not write this command if AUX_TDC:STAT.STATE equals any of the following values:
 - CLR_CNT
 - WAIT_CLR_CNT_DONE
Failure to comply may stall the TDC in these states.
- Clear:
Clears results and status registers.

For further description, see AUX_TDC:CTL in [Section 19.6.5](#).

19.3.4.2.2 Conversion Time Configuration

The user can configure the TDC state machine to:

- Saturate the conversion result at a selected value:
This is equivalent to specifying a time-out. For details, see AUX_TDC:SATCFG in [Section 19.6.5](#).
- Ignore AUX_TDC:TRIGCNTLOAD number of stop events during conversion.

Configure AUX_TDC:TRIGCNTLOAD and set AUX_TDC:TRIGCNTCFG.EN to enable the internal stop-counter while the TDC state machine is IDLE.

To override the current value of the internal stop-counter during a TDC conversion, write AUX_TDC:TRIGCNT. Any readback of this register must be handled with care because the stop-counter can decrement while the user reads it. In this case, the user may read a value of 1 while there are no stop events left to ignore. The TDC measurement will ignore any updates of the stop-counter in this case. To safely update the stop-counter during a TDC conversion, the update must happen when AUX_TDC:TRIGCNT > 1.

19.3.4.2.3 Status and Result

The following state and conversion status flags are available in the AUX_TDC:STAT register:

- Saturation flag
- Complete flag
- State of TDC state machine

The TDC state machine updates AUX_TDC:RESULT when conversion completes on its own or when it ends by an abort command. At the same time, AUX_TDC:STAT.DONE transitions from low to high.

19.3.4.2.4 Clock Source Selection

19.3.4.2.4.1 Counter Clock

The TDC high-speed counter clock source is configurable by DDI_0_OSC:CTL0.ACLK_TDC_SRC_SEL, as listed in [Table 19-6](#).

Table 19-6. TDC Counter Clock Source

ACLK_TDC_SRC_SEL	Oscillator	Frequency (MHz)
0x0	RCOSC_HF	48
0x1	RCOSC_HF	24
0x2	XOSC_HF	24
0x3	Not Used	Not applicable

Configuration of DDI_0_OSC:CTL0.ACLK_TDC_SRC_SEL is done through the DDI Control-Configuration interface. See [Section 19.3.1.1](#) for details.

The user must activate the selected counter clock source before TDC measurements can start:

- Set AUX_SYSIF:TDCCLKCTL.REQ to request the clock source.
- The clock source is active when AUX_SYSIF:TDCCLKCTL.ACK is set.

Note

The user must deactivate the counter clock source when the TDC measurements are complete. Failure to do so will prevent the system from entering standby mode because the Oscillator Control module requests resources from the supply system. To remove the clock source request, clear AUX_SYSIF:TDCCLKCTL.REQ.

19.3.4.2.4.2 Reference Clock

Configure the reference clock to measure the frequency of on-chip oscillators. The reference clock source is configurable by DDI_0_OSC:CTL0.ACLK_REF_SRC_SEL, as listed in [Table 19-7](#).

Table 19-7. TDC Reference Clock Source

ACLK_REF_SRC_SEL	Oscillator	Frequency (kHz)
0x0	RCOSC_HF	31.25
0x1	XOSC_HF	31.25
0x2	RCOSC_LF	32
0x3	XOSC_LF	32.786
0x4	RCOSC_MF	2000
0x5–0x7	Not Used	Not applicable

Configuration of DDI_0_OSC:CTL0.ACLK_REF_SRC_SEL is done through the DDI Control-Configuration interface. For details, see [Section 19.3.1.1](#).

The user must activate the selected reference clock source before a TDC measurements can start:

- Set AUX_SYSIF:TDCREFCLKCTL.REQ to request the reference clock source.
- The clock source is active when AUX_SYSIF:TDCREFCLKCTL.ACK is set.

Note

The user must deactivate any requests from high-frequency oscillators when the TDC measurements are complete. Failure to do so will prevent the system from entering standby mode because the Oscillator Control module requests resources from the supply system. Clear AUX_SYSIF:TDCREFCLKCTL.REQ to remove clock source request.

19.3.4.2.5 Start and Stop Events

The TDC conversion start and stop events are derived from events on the AUX event bus. As shown in [Figure 19-4](#), the AUX_TDC:TRIGSRC register individually selects two events and corresponding polarity for this purpose. Both events are optionally gated by the TDC state machine, according to user command and configuration.

19.3.4.2.6 Prescaler

The prescaler depicted in [Figure 19-4](#) is used to divide a high-frequency signal to comply with the timing requirements detailed in [Section 19.3.4.3](#). The prescaler divides an event from the event bus to generate a lower-frequency event named *AUX_TDC_PRE*. The division ratio is either 16 or 64, and the resulting event waveform has a 50% duty cycle. The user must select *AUX_TDC_PRE* as both start and stop events for TDC conversion.

Initialize the prescaler with the sequence that follows:

1. Reset the prescaler by setting AUX_TDC:PRECTL.RESET_N to 0. This resets the internal counter, and clears the *AUX_TDC_PRE* event.
2. Configure prescaler event source, AUX_TDC:PRECTL.SRC.
3. Configure division ratio, AUX_TDC:PRECTL.RATIO.

Next, enable the prescaler event generation by setting AUX_TDC:PRECTL.RESET_N to 1.

The following limitations apply when the prescaler is used for event prescaling:

- The only supported TDC command is synchronous counter start.
- Prescaler input frequency must be less than 24 MHz.
- The TDC conversion result does not account for event prescaling, and software must scale the TDC result appropriately.

19.3.4.3 Supported Measurement Types

The TDC allows the user to measure time between two arbitrary selected events. This section ([Section 19.3.4.3.1](#) through [Section 19.3.4.3.4](#)) identifies the most important measurement types and lists the associated event timing requirements. The latter must be ensured to assure correctness and repeatability of the measurements.

19.3.4.3.1 Measure Pulse Width

The following configuration is required to measure the time of high phase or low phase of an event source waveform. Use the sequence that follows:

1. Set AUX_TDC:TRIGSRC.START_SRC equal to AUX_TDC:TRIGSRC.STOP_SRC.
2. Decide on the event source phase to measure:
 - High phase:
 - Set AUX_TDC:TRIGSRC.START_POL = 0.
 - Set AUX_TDC:TRIGSRC.STOP_POL = 1.
 - Low phase:
 - Set AUX_TDC:TRIGSRC.START_POL = 1.
 - Set AUX_TDC:TRIGSRC.STOP_POL = 0.
3. Set AUX_TDC:TRIGCNTLOAD = 0 to configure the stop-counter to ignore zero stop events.
4. Set AUX_TDC:TRIGCNTCFG.EN = 1 to enable the stop-counter.

Figure 19-5 illustrates a generic event source waveform.

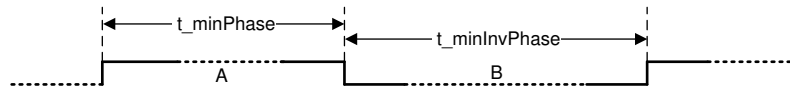


Figure 19-5. Phase Width Timing Requirements

The phase to measure is labeled A, and it is arbitrarily set to the high phase of the event source in Figure 19-5. The opposite phase, which is not measured, is labeled B. Table 19-8 lists the timing requirements for both of these phases.

Table 19-8. Phase Width Timing Requirements

Description	Label	Requirement	Condition
Minimum phase	t_minPhase	292 ns	DDI_0_OSC:CTL0.ACLK_TDC_SRC_SEL = 0x0
Minimum phase	t_minPhase	230 ns	DDI_0_OSC:CTL0.ACLK_TDC_SRC_SEL = (0x1 0x2)
Minimum inverted-phase	t_minInvPhase	126 ns	AUX_TDC:CTL.CMD = 0x1
Minimum inverted-phase	t_minInvPhase	42 ns	AUX_TDC:CTL.CMD = 0x2

If AUX_TDC:CTL.CMD = 0x2, the event source level must equal the level of inverted phase until AUX_TDC:STAT.STATE < 5. Failure to fulfill this requirement makes the TDC conversion start too late.

19.3.4.3.2 Measure Frequency

The following configuration is required to measure the frequency of an event source waveform. Use the sequence that follows:

- Set AUX_TDC:TRIGSRC.START_SRC equal to AUX_TDC:TRIGSRC.STOP_SRC.
- Set AUX_TDC:TRIGSRC.START_POL equal to AUX_TDC:TRIGSRC.STOP_POL.
- Set AUX_TDC:TRIGCNTLOAD to N to allow TDC conversion span N signal periods.
- Set AUX_TDC:TRIGCNTCFG.EN = 1 to enable the stop counter.
- Set AUX_TDC:CTL.CMD = 1 to start the TDC conversion.

Figure 19-6 shows a generic event source waveform.

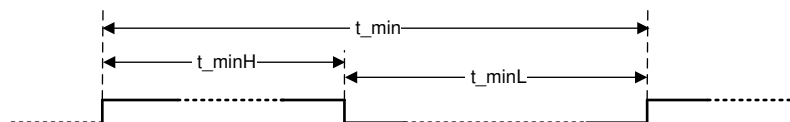


Figure 19-6. Frequency Measurement Waveform

The TDC measures correct signal frequency if the selected event source waveform matches the requirements listed in Table 19-9.

Table 19-9. Timing Requirements for Frequency Measurements

Description	Label	Requirement
Minimum low time	t_minL	208 ns
Minimum high time	t_minH	208 ns
Minimum period	t_min	416 ns

If an event waveform does not directly fulfill these requirements, the user must complete the following sequence:

1. Set AUX_TDC:TRIGSRC.START_SRC to AUX_TDC_PRE.
2. Initialize and enable the prescaler.

For more details, see [Section 19.3.4.2.6](#).

19.3.4.3.3 Measure Time Between Edges of Different Events Sources

To measure time between events derived from different event sources, complete the following sequence:

1. Set AUX_TDC:TRIGSRC.START_SRC unequal to AUX_TDC:TRIGSRC.STOP_SRC.
2. Specify AUX_TDC:TRIGSRC.START_POL and AUX_TDC:TRIGSRC.STOP_POL.

The following subsections describe four ways to perform such measurements.

19.3.4.3.3.1 Asynchronous Counter Start – Ignore 0 Stop Events

In this scenario the user:

- Wants to measure the time between the start event and the first stop event
- Sets AUX_TDC:TRIGCNTCFG.EN = 0 to disable the stop counter
- Starts the TDC measurement by writing AUX_TDC:CTL.CMD = 2
- Assures that the start event is low until AUX_TDC.STAT.STATE = WAIT_START
- Assures that the stop event goes high later than the start event

[Figure 19-7](#) shows the scenario for asynchronous counter start – ignore 0 stop events.

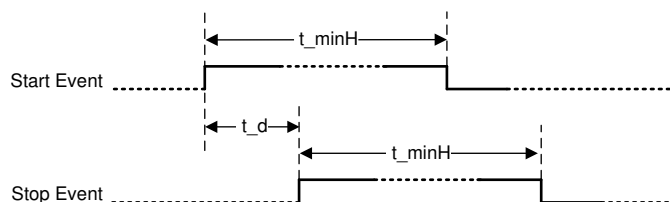


Figure 19-7. Arbitrary Time Measurement 1

[Table 19-10](#) lists the associated timing requirements for this scenario.

Table 19-10. Arbitrary Time Measurement 1

Description	Label	Requirement
Minimum high time	t_minH	42 ns
Minimum delay	t_d	21 ns

19.3.4.3.3.2 Synchronous Counter Start – Ignore 0 Stop Events

In this scenario the user:

- Wants to measure the time between the start event that follows falling edge and the first stop event
- Sets AUX_TDC:TRIGCNTCFG.EN = 0 to disable the stop counter
- Starts the TDC measurement by writing AUX_TDC:CTL.CMD = 1
- Assures that the stop event goes high later than the start event

Figure 19-8 shows the scenario for synchronous counter start – ignore 0 stop events.

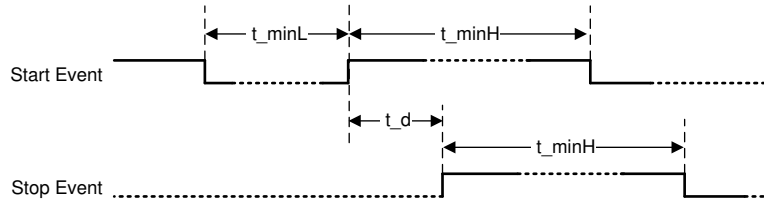


Figure 19-8. Arbitrary Time Measurement 2

Table 19-11 lists the associated timing requirements for this scenario.

Table 19-11. Arbitrary Time Measurement 2

Description	Label	Requirement
Minimum high time	t_minH	42 ns
Minimum low time	t_minL	126 ns
Minimum delay	t_d	21 ns

19.3.4.3.3.3 Asynchronous Counter Start – Ignore Stop Events

In this scenario the user:

- Wants to measure the time between the start event and the Nth stop event, where $N > 0$:
 - Sets AUX_TDC:TRIGCNTLOAD to N minus 1.
 - Sets AUX_TDC:TRIGCNTCFG.EN = 1 to enable the stop counter.
- Starts the TDC measurement by writing AUX_TDC:CTL.CMD = 2.
- Assures that the start event is low until AUX_TDC.STAT.STATE = WAIT_START.
- Assures that the stop event goes high later than the start event.

Figure 19-9 shows the scenario when $N = 2$, which ignores 1 stop event.

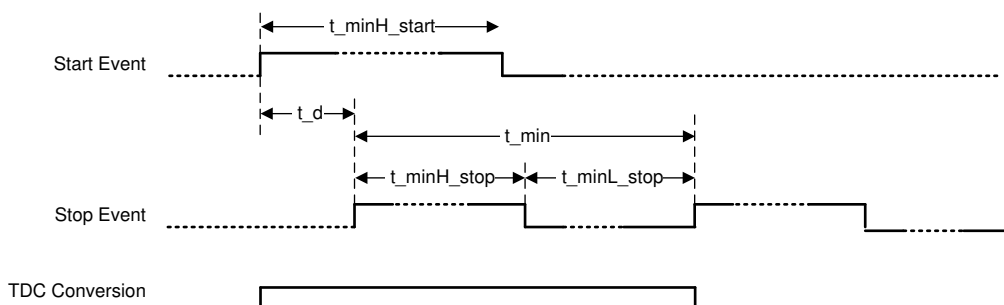


Figure 19-9. Arbitrary Time Measurement 3

Table 19-12 lists the associated timing requirements for this scenario.

Table 19-12. Arbitrary Time Measurement 3

Description	Label	Requirement
Minimum high time, start	t_minH_start	42 ns
Minimum high time, stop	t_minH_stop	42 ns
Minimum low time, stop	t_minL_Stop	168 ns
Minimum stop event period	t_min	210 ns
Minimum delay TRIGCNTLOAD > 0	t_d	168 ns
Minimum delay TRIGCNTLOAD = 0	t_d	292 ns

19.3.4.3.3.4 Synchronous Counter Start – Ignore Stop Events

In this scenario the user:

- Wants to measure the time between the start event that follows a falling edge and the Nth stop event, where $N > 0$.
 - Sets AUX_TDC:TRIGCNTLOAD to N minus 1.
 - Sets AUX_TDC:TRIGCNTCFG.EN = 1 to enable the stop counter.
- Starts the TDC measurement by writing AUX_TDC:CTL.CMD = 1.
- Assures that the stop event goes high later than the start event.

Figure 19-10 shows the scenario when $N = 2$, which ignores 1 stop event.

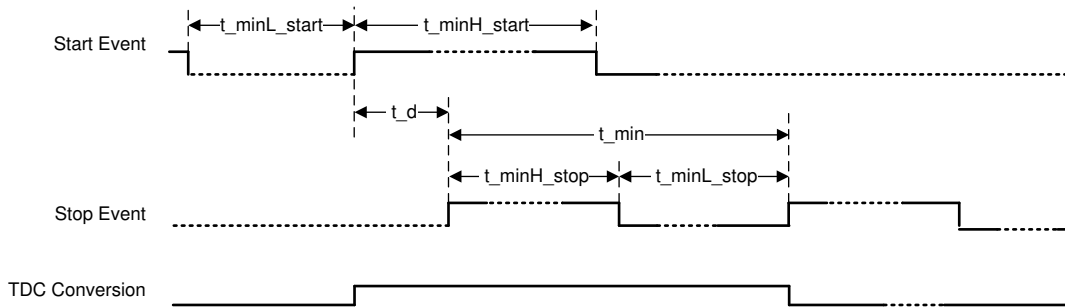


Figure 19-10. Arbitrary Time Measurement 4

Table 19-13 lists the associated timing requirements for this scenario.

Table 19-13. Arbitrary Time Measurement 4

Description	Label	Requirement
Minimum high time, start	t_{minH_start}	42 ns
Minimum low time, start	t_{minL_start}	126 ns
Minimum high time, stop	t_{minH_stop}	42 ns
Minimum low time, stop	t_{minL_Stop}	168 ns
Minimum stop event period	t_{min}	210 ns
Minimum delay TRIGCNTLOAD > 0	t_d	168 ns
Minimum delay TRIGCNTLOAD = 0	t_d	292 ns

19.3.4.3.4 Pulse Counting

The prescaler can function as a pulse counter when it is not used as event prescaler for TDC start events and stop events.

To initialize the prescaler for the purpose of pulse counting, use the sequence that follows:

1. Set AUX_TDC:PRECTL.RESET_N to 0 to reset the prescaler. This resets the internal counter, and clears the AUX_TDC_PRE event. However, the AUX_TDC_PRE event is not used when counting pulses.
2. Configure AUX_TDC:PRECTL.SRC to set the prescaler event source.

Set AUX_TDC:PRECTL.RESET_N to 1 to enable the prescaler for pulse counting.

The prescaler now requires three or four event pulses before it starts to count. The number of required pulses is dependent on the timing between reset release and event pulse arrival, as shown in [Figure 19-11](#).

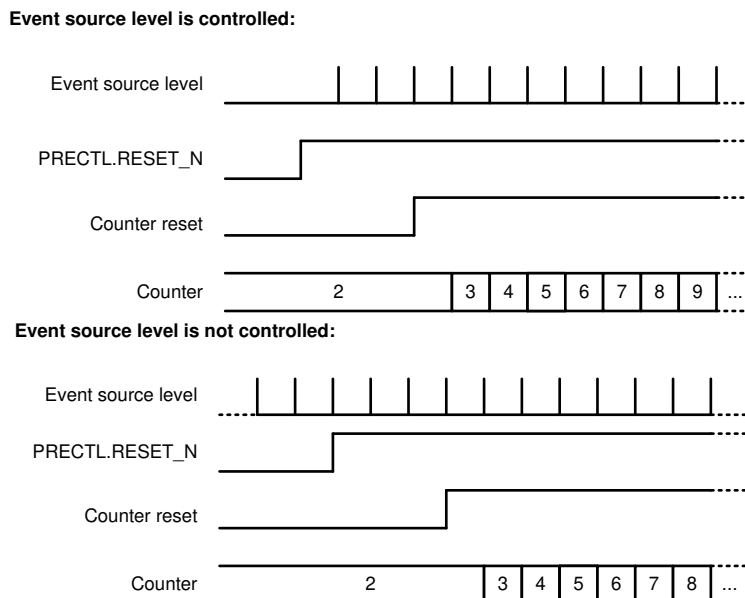


Figure 19-11. Pulse Counting

If the event pulse is inactive at the time of reset release, the counter starts to increment at the fourth event pulse. Hence, the counter value is as follows:

- If number of event pulses is less than 3, counter equals two.
- Otherwise, counter equals number of event pulses minus 1.

The situation becomes different if the user does not control the level of the event at reset release. In this case, the counter may require one more event pulse before it starts to increment. Hence, the counter value could behave as follows:

- If number of event pulses is less than 4, counter equals two.
- Otherwise, counter equals number of event pulses minus 2.

Because of this uncertainty, it is advised to control the level of the selected event at time of reset release.

For information about how to read the prescaler counter value, see AUX_TDC:PRECNTR in [Section 19.6.5](#).

19.3.5 Timer01

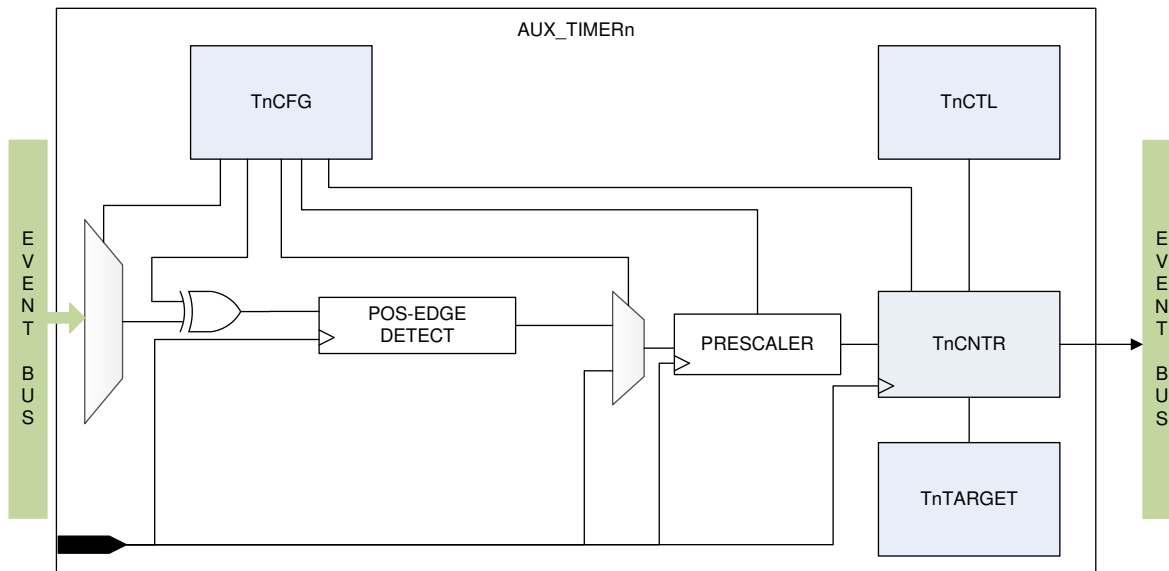
19.3.5.1 Introduction

The AUX Timer0 and Timer1 (AUX_TIMER01) peripherals are two identical 16-bit compare timers.

Timer01 peripheral features are:

- Configurable counter target
- Optional clock source prescaling
- Configurable prescaler clock source:
 - Peripheral clock
 - Configurable event from AUX domain event bus
- One-shot and continuous counter modes:
 - Single or periodical event generation

The main purpose of the timers is to generate events for the AUX domain event bus subscribers. The timers are not used directly for waveform generation. [Figure 19-12](#) shows the block diagram for a single timer.



Copyright © 2017, Texas Instruments Incorporated

Figure 19-12. AUX_TIMER01 Block Diagram

19.3.5.2 Functional Description

The timers generate an event (AUX_TIMERn_EV) at the end of each counter period. The counter period is determined by the following:

- Counter clock source selection:
 - AUX_TIMER01:TnCFG.MODE selects the peripheral clock or a configurable event as counter clock source. Hence, it sets the counter clock source base frequency.
- Counter clock source prescaling:
 - AUX_TIMER01:TnCFG.PRE divides the counter clock source base frequency. The result is the counter frequency. Division by one is default.
- Counter target value:
 - The counter increments for each counter period as long as AUX_TIMER01:TnCNTR is less than AUX_TIMER01:TnTARGET.

The counter period ends when AUX_TIMER01:TnCNTR is equal to or greater than AUX_TIMER01:TnTARGET. The value of AUX_TIMER01:TnCFG.RELOAD decides if the counter restarts or idles.

19.4 Analog Peripheral Modules

19.4.1 Overview

Table 19-14 lists the analog peripherals in the AUX domain. The AUX Analog Interface (AUX_ANAIF) holds digital control and data interfaces to the ADC, ISRC, and DAC peripherals. The operational clock rates for these interfaces are listed in Table 19-14. See Section 19.2 for description about operational rates. The COMPA and COMPB modules are entirely controlled and configured through AUX_AD14.

It is recommended that the System CPU leaves the peripherals in reset state after usage. See Table 19-5 for how TI software assigns resources to the semaphores.

Table 19-14. Analog Peripherals

Analog Peripheral	Direct Digital Interface	Operational Clock Rate
		BUS
ADC	AUX_ANAIF:ADCx	X
ISRC	AUX_ANAIF:ISRCCTL	X
DAC	AUX_ANAIF:DACx	(X)
COMPA	–	–
COMPB	–	–
AUX_AD14	–	X

Note

COMPB and ISRC are not supported in all devices. Please consult the device data sheet.

19.4.1.1 ADI Control-Configuration

AUX_AD14, which is listed in Table 19-14, is not really an analog peripheral. As shown in Figure 19-1, the System CPU accesses ADI_4_AUX through the AUX_AD14 module to control and configure the analog AUX peripherals. The AUX_AD14 module supports four different types of access to provide efficiency because it connects to the analog domain over a multicycle bus interface. The access types are:

- Direct
- Set
- Clear
- Masked

If the System CPU application requires access to this module, the application must use the TI provided DriverLib API functions.

19.4.1.2 Block Diagram

Figure 19-13 shows the AUX analog block diagram.

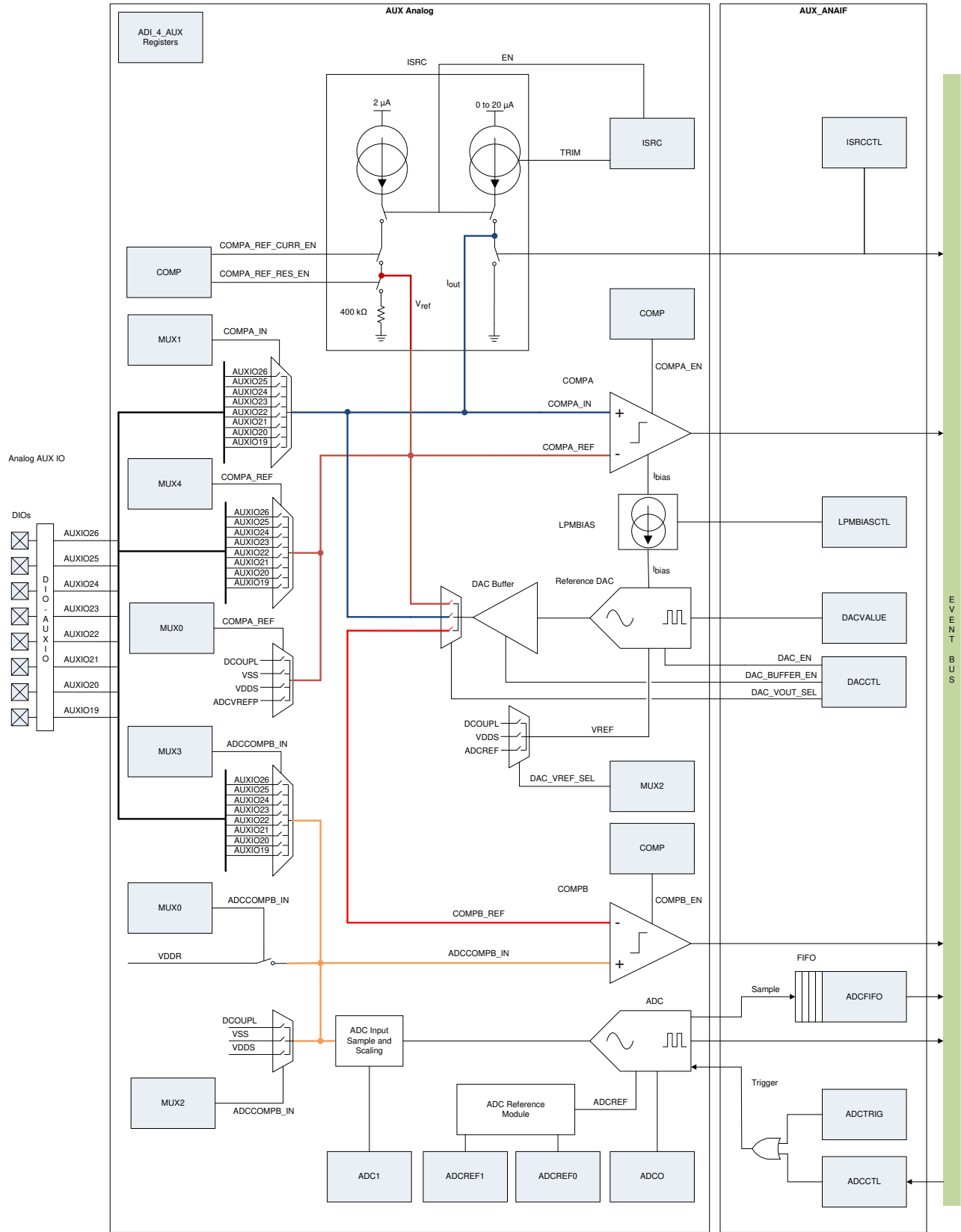


Figure 19-13. AUX Analog Block Diagram

Copyright © 2017, Texas Instruments Incorporated

19.4.2 Analog-to-Digital Converter (ADC)

19.4.2.1 Introduction

The AUX ADC peripheral has the following features:

- 12-bit general purpose successive-approximation type (SAR) ADC
- Samples analog-capable AUX I/O pins or internal chip voltages
- Sample rates up to 200 ksp/s
- Manual or event-driven ADC trigger to start ADC sampling or conversion dependent of ADC operation mode:
 - ADC trigger starts sampling followed by conversion
 - Continuous sampling, ADC trigger starts conversion
- Configurable sampling time
- Fixed or relative ADC reference
- Four-element ADC sample FIFO with event interface

Figure 19-14 shows how the ADC connects to analog nodes and the digital control provided by AUX_ANAIF and ADI_4_AUX registers.

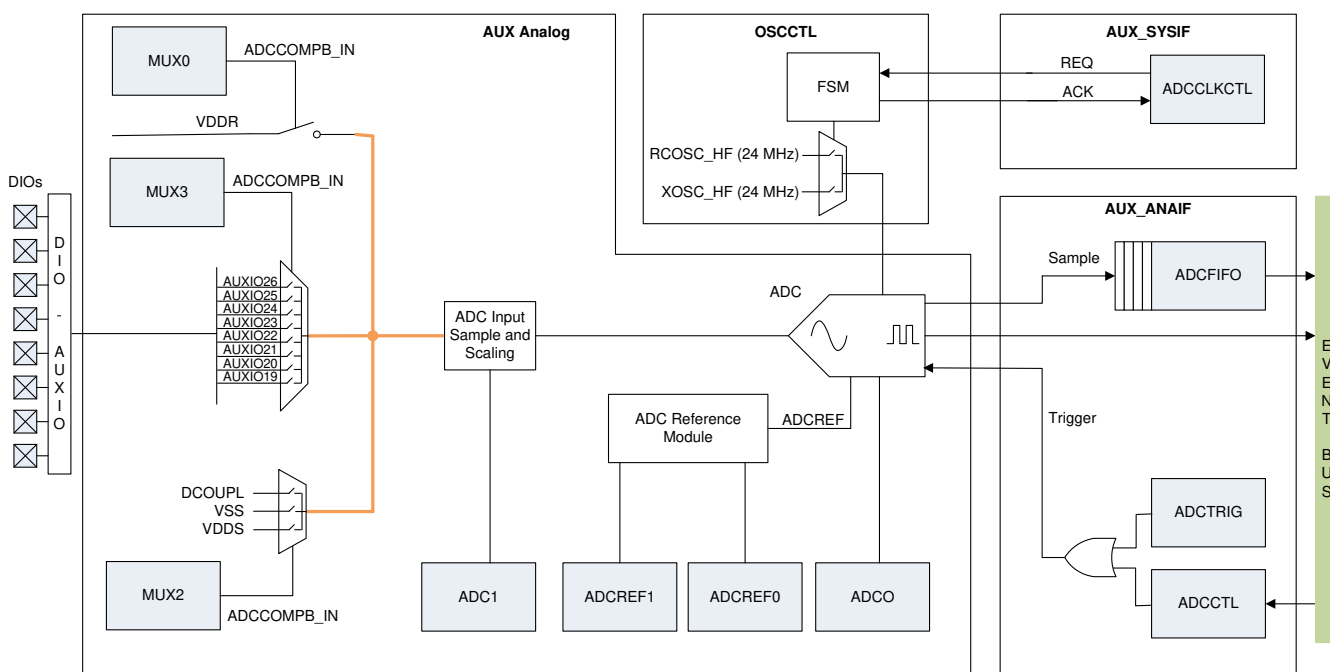


Figure 19-14. ADC Block Diagram

19.4.2.2 Functional Description

19.4.2.2.1 Input Selection and Scaling

The AUX analog-capable I/Os, AUXIO19 to AUXIO26, and some internal chip voltages can connect to the ADC input.

By default, the input is scaled down internally by a factor of 1408 / 4095 before it is used in the ADC. It is possible to disable down-scaling of the ADC input for increased resolution at the cost of reduced input range.

CAUTION

Disabling down-scaling changes the maximum input rating of the ADC input. Higher voltages can damage the ADC. See the device-specific data sheet.

The user must ensure that the ADC input has only one driver at all times. To avoid shorting signals together internally, TI provides ROM-based DriverLib functions that ensure a break-before-make switching of the internal muxes.

19.4.2.2.2 Reference Selection

Configuration of the ADC reference module must only happen while `ADI_4_AUX.ADC0.RESET_N = 0`. The ADC reference module must be enabled to perform ADC sample and conversion. The module provides the ADC reference voltage selected by `ADI_4_AUX.ADCREF0.SRC`, which can be a fixed voltage or a voltage relative to `VDDS`.

It is possible to turn off the ADC reference module to save power in synchronous ADC sample mode, as described in [Section 19.4.2.2.3](#), which requires that the configurable sample period is longer than the ADC reference module power-up time. For a description, see `ADI_4_AUX.ADCREF0.REF_ON_IDLE` in [Section 19.6.1](#).

Set `ADI_4_AUX.ADCREF0.EN` to enable the ADC reference module.

19.4.2.2.3 ADC Sample Mode

Configuration of sample mode and sample duration must only happen while `ADI_4_AUX.ADC0.RESET_N = 0`. The ADC input is a switched capacitor stage where the input voltage is sampled and then held before the conversion is done. The ADC operates in either synchronous or asynchronous mode, as described in the following:

- In synchronous mode, the ADC trigger enables sampling of the input for a programmable amount of time followed by conversion. This mode allows proper sampling of high-impedance sources. `ADI_4_AUX.ADC0.SMPL_CYCLE_EXP` sets the sampling duration.
- In asynchronous mode, the ADC continuously samples until the ADC trigger stops sampling and starts conversion. This mode allows jitter-free sampling at the expense of increased current consumption.

`ADI_4_AUX.ADC0.SMPL_MODE` selects the sample mode.

19.4.2.2.4 ADC Clock Source

The ADC core uses an internal 24 MHz clock for sampling and conversion. This internal clock source is required to enable the ADC core clock to use the ADC. For a description, see AUX_SYSIF:ADCCLKCTL in [Section 19.6.8](#).

Once the ADC clock is requested, the clock source follows from [Table 19-15](#).

Table 19-15. ADC Clock Source

RCOSC_HF	XOSC_HF	ADC Clock Source
Off	Off	RCOSC_HF
Off	On	XOSC_HF
On	Off	RCOSC_HF
On	On	XOSC_HF

For accurate, low-jitter sampling in asynchronous mode, software must ensure that SCLK_HF is sourced from the 24 MHz crystal.

Note

When the ADC clock is enabled, the system cannot go into standby or shutdown mode because the power controller requests a high-frequency clock source.

Finally, the user must set ADI_4_AUX:ADC0.EN to enable the analog ADC core and enable reaction to ADC triggers.

19.4.2.2.5 ADC Trigger

Configure the ADC start trigger with the sequence that follows:

1. Event-driven: AUX_ANAIF:ADCCTL selects an event source and polarity that will trigger the ADC
2. Manual: AUX_ANAIF:ADCCTL.START_SRC to NO_EVENT to manually trigger the ADC

The ADC sample mode, described in [Section 19.4.2.2.3](#), controls the action when an ADC trigger occurs.

19.4.2.2.6 Sample FIFO

The ADC connects to a FIFO that can hold up to four ADC samples. Read AUX_ANAIF:ADCFIFO to get the oldest sample. It is possible to write dummy samples to the FIFO for debug purposes. The FIFO samples are not compensated for offset and gain errors in the ADC. The user must perform the compensation manually using the factory configuration data stored during chip production, see [Table 11-24](#). The System CPU can use the AUX_ADC TI-DriverLib module to accomplish this task.

AUX_ANAIF:ADCFIFOSTAT provides FIFO status flags such as overflow, underflow, and utilization. All FIFO status flags and the ADC-conversion-done event connect to the AUX event bus.

To recover from an overflow or underflow condition, the user must flush the FIFO and re-enable the digital ADC interface, as described in AUX_ANAIF:ADCCTL.CMD (see [Section 19.6.7](#)).

Note

When debugging the software, showing the AUX_ANAIF_ADCFIFO register causes JTAG to read the FIFO, which pops the sample from the FIFO, and consequently the software cannot read it.

19.4.2.2.7 μ DMA Interface

The μ DMA Channel 7 is dedicated to transfer ADC samples from the ADC FIFO. Use the sequence that follows to set up a μ DMA transfer:

1. Configure and enable the μ DMA interface in AUX_EVCTL:DMACTL
 - Burst or single requests
2. μ DMA transfer trigger
 - AUX_ADC_FIFO_NOT_EMPTY
 - AUX_ADC_FIFO_ALMOST_FULL
3. Configure the block size in the μ DMA

The AUX_ADC_IRQ event sets when the μ DMA completes data block transfer. AUX_ADC_IRQ is mapped to System CPU interrupt line 32 (for further description, see EVENT:CPUIRQSEL32 in [Section 5.7.2](#)).

Note

This event will also set when the ADC FIFO either overflows or underflows, as indicated by AUX_ANAIF:ADCFIFOSTAT.

19.4.2.2.8 Resource Ownership and Usage

ADC usage requires application ownership. For semaphore allocation in TI software, see [Section 19.3.3.3](#).

The System CPU can use the peripheral in TI-RTOS power modes Active and Idle.

19.4.3 COMPA

19.4.3.1 Introduction

The AUX COMPA peripheral is a high-performance continuous-time comparator that features:

- Input from analog-capable AUX I/O pins
- Reference from analog-capable AUX I/O pins or internal chip voltages

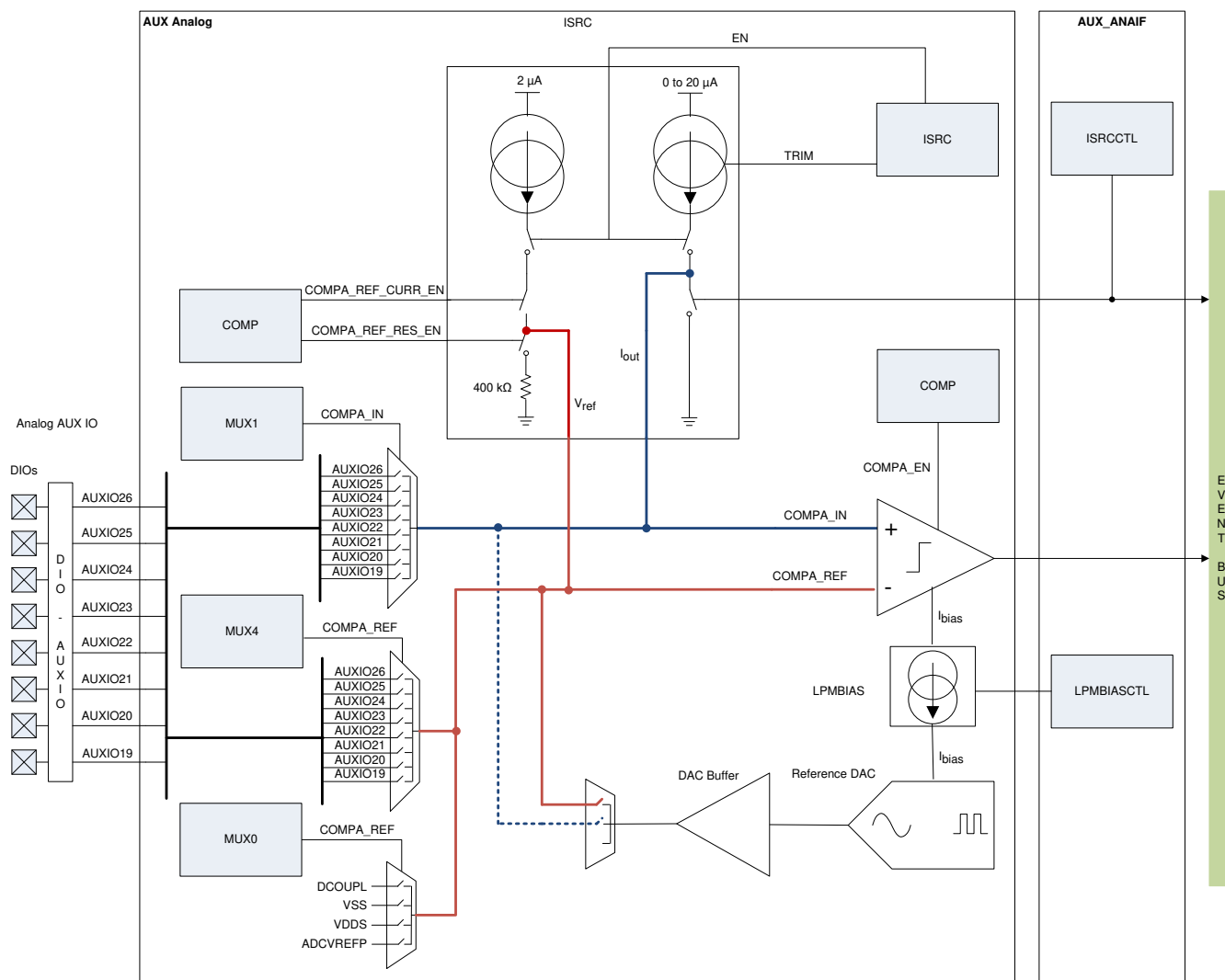
For capacitive touch sensing, COMPA is used together with the ISRC and TDC peripherals. ISRC will then drive an internal reference voltage for COMPA, nominally 0.8 V, while charging the capacitance that is also connected to the COMPA input. The time from start of charging until the COMPA output goes high is measured using the TDC.

Note

ISRC is not supported in all devices. Please consult the device datasheet.

Pulse counting is another application that involves COMPA and the TDC. In this application, the TDC prescaler counts COMPA events.

[Figure 19-15](#) shows how COMPA connects to analog nodes and analog peripherals, as well as the digital interfaces. Proper reference DAC control and connections are described in [Section 19.1](#).



Copyright © 2017, Texas Instruments Incorporated

Figure 19-15. COMPA Block Diagram

19.4.3.2 Functional Description

19.4.3.2.1 Input Selection

The COMPA positive input can connect to:

- AUXIO19 through AUXIO26, which are analog-capable
- The programmable current output of the ISRC peripheral
- Reference DAC output

The reference DAC output connection is not intended for COMPA usage. Hence, the connection shows as dotted in [Figure 19-15](#).

The user must ensure that the positive input of the COMPA peripheral has only one driver at all times. To avoid shorting signals together internally, TI provides ROM-based TI-DriverLib functions that ensure a break-before-make switching of the internal muxes.

19.4.3.2.2 Reference Selection

The reference input for COMPA can connect to:

- AUXIO19 through AUXIO26, which are analog-capable
- The voltage reference output of the ISRC peripheral
- Reference DAC output

The user must ensure that the reference input for COMPA has only one driver at all times. To avoid shorting signals together internally, TI provides ROM-based TI-DriverLib functions that ensure a break-before-make switching of the internal muxes.

19.4.3.2.3 LPM Bias and COMPA Enable

The COMPA peripheral requires bias current from the Low-Power Mode Bias (LPMBIAS) module when the System CPU owns and uses the peripheral in Standby TI-RTOS power mode

Set `AUX_ANAIF:LPMBIASCTL.EN` to enable the LPM Bias module, then set `ADI_4_AUX:COMP.COMPA_EN` to enable COMPA.

19.4.3.2.4 Resource Ownership and Usage

COMPA usage requires application ownership of COMPA and the Reference DAC, if it generates the reference. For semaphore allocation in TI software, see [Section 19.3.3.3](#).

The System CPU can use the peripheral in TI-RTOS power modes Active and Idle. In this case, set `AUX_SYSIF:EVSYNCRATE.AUX_COMPA_SYNC_RATE` to `BUS_RATE`. To use the comparator in Standby TI-RTOS power mode, see [Section 19.4.5.2.6](#).

19.4.4 COMPB

19.4.4.1 Introduction

The AUX COMPB peripheral is low-power clocked comparator that is updated at 32 kHz and features:

- Input from analog-capable AUX I/O pins
- Programmable reference

The primary application for COMPB is to continuously monitor slow signals and wake up the System CPU.

Note

COMPB and ISRC are not supported in all devices. Please consult the device datasheet.

[Figure 19-16](#) shows how COMPB connects to analog nodes and analog peripherals, as well as the digital interfaces. Proper Reference DAC control and connections are described in [Section 19.1](#).

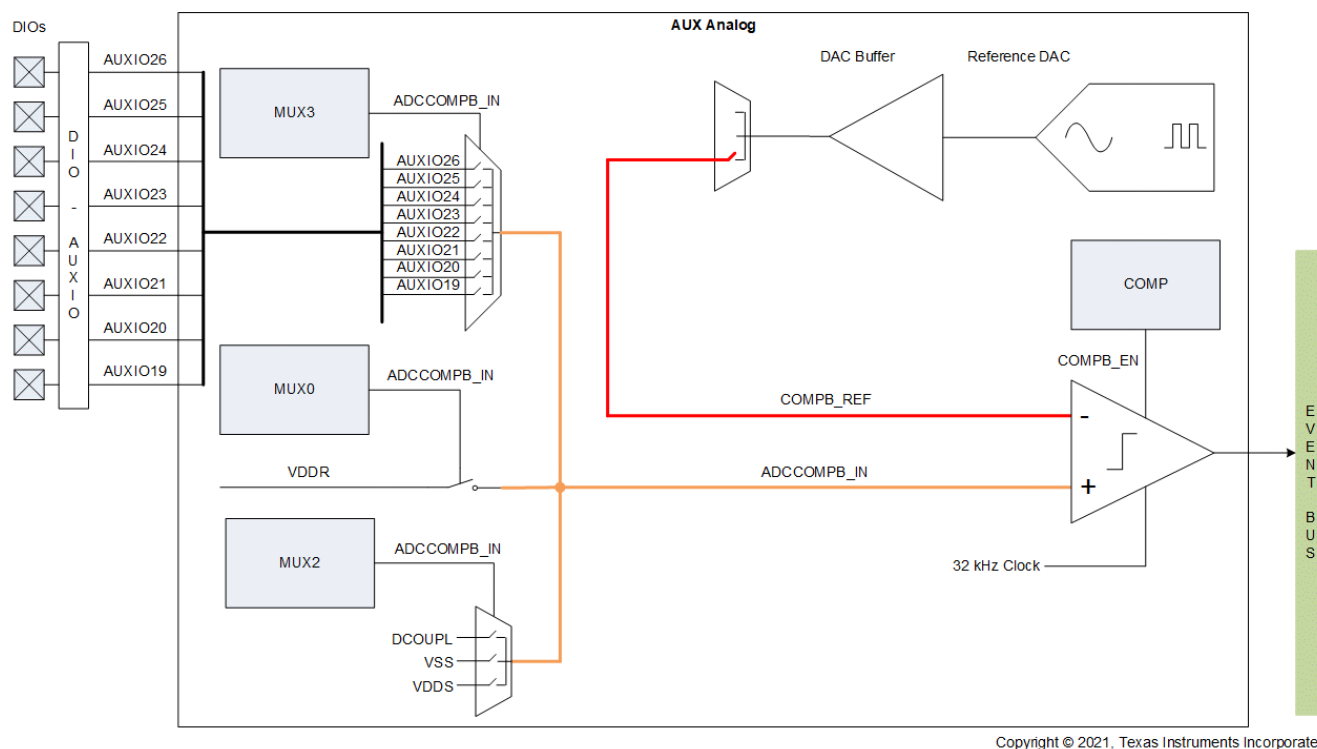


Figure 19-16. COMPB Block Diagram

19.4.4.2 Functional Description

19.4.4.2.1 Input Selection

The COMPB positive input can connect to:

- AUXIO19 through AUXIO26, which are analog-capable
- Internal power-supply voltages

The user must ensure that the COMPB positive input only has one driver at all times. To avoid shorting signals together internally, TI provides ROM-based TI-DriverLib functions that ensure a break-before-make switching of the internal muxes.

19.4.4.2.2 Reference Selection

The Reference DAC provides a programmable COMPB voltage reference. Set `AUX_ANAIF:DACCTL.DAC_VOUT_SEL` to `COMPB_REF` to connect the analog nodes.

19.4.4.2.3 Resource Ownership and Usage

COMPB usage requires application ownership of both COMPB and the Reference DAC that generates the reference. For semaphore allocation in TI software, see [Section 19.3.3.3](#).

The primary application for COMPB is to wake up the System CPU.

19.4.4.2.3.1 System CPU Wakeup

The COMPB event can trigger System CPU wakeup in two ways:

- Direct wakeup: Select `AUX_COMPB_ASYNC` or `AUX_COMPB_ASYNC_N` as `AON_EVENT:MCUWUSEL` event source.
- Indirect wakeup: Select `AUX_COMPB` as `AON_EVENT:MCUWUSEL` event source, and configure the COMPB event polarity that sets the `AUX_EVCTL:EVTOAONFLAGS.AUX_COMPB` flag.

Direct wakeup infers minimum wake-up latency. It is however not possible to clear the COMPB event in AON_EVENT as it comes directly from the comparator.

Indirect wakeup infers latency that scales with the SCE clock rate, which depends on the AUX operational mode, as described in [Section 19.2.1](#). The latency is given by a two-stage synchronizer and event flag capture and bounded upwards by three SCE clock periods. The System CPU can clear the event flag on wake up, and hence return to sleep while the COMPB event level that triggered wake up is active. For AUX event interface to the AON domain, see [Section 19.5.6](#).

For indirect wakeup, the System CPU application must use the sequence that follows:

1. Set AON_PMCTL:AUXSCECLK.PD_SRC = SCLK_LF
2. Configure the Reference DAC to produce COMPB reference in standby. See TRM section for Reference DAC enable sequence when owned by CPU.
3. Wait for Reference to settle.
4. Configure COMPB in ADI_4_AUX:COMP and enable CLK in DDI_0_OSC:ATESTCTL.SCLK_LF_AUX_EN
5. Set AUX_SYSIF:EVSYNCRATE.AUX_COMPB_SYNC_RATE to BUS_RATE
6. Set AUX_EVCTL:EVTOAONPOL.AUX_COMPB = RISE|FALL
7. Clear the current event, write 1 to AUX_EVCTL:EVTOAONFLAGS.AUX_COMPB
8. Set AON_EVENT:MCUWUSEL = AUX_COMPB
9. Wakeup MCU
 - a. If not using TI-RTOS: configure AUX_COMB event to alert the System CPU
 - i. Select edge for AUX_EVCTL:EVTOMCUPOL.AUX_COMPB
 - ii. Set AUX_EVCTL:EVTOMCUMASK.AUX_COMPB
 - iii. Upon wakeup, System CPU clears the AON wakeup and the AUX_COMPB event
 1. Write 1 to AUX_EVCTL:EVTOAONFLAGSCCLR.AUX_COMPB
 2. Write 1 to AUX_EVCTL:EVTOMCUFLAGSCCLR.AUX_COMPB
 - b. If using TI-RTOS: set AON_EVENT:EVTOMCUSEL.AON_PROG_EV0=AUX_COMPB, and enable IRQ (29) for this event
 - i. Upon wakeup, write 1 to AUX_EVCTL:EVTOAONFLAGSCCLR.AUX_COMPB

19.4.5 Reference DAC

19.4.5.1 Introduction

The AUX Reference digital-to-analog converter (DAC) peripheral has the following features:

- An 8-bit digital control word
- Configurable output range
- COMPA and COMPB reference generation
- Precharge analog-capable AUX I/O pins

The primary application for the Reference DAC is to provide configurable references for the comparators in various power modes. Hence, the Reference DAC is often used together with other analog peripherals.

Figure 19-17 shows how the Reference DAC connects to analog nodes and to the digital interfaces.

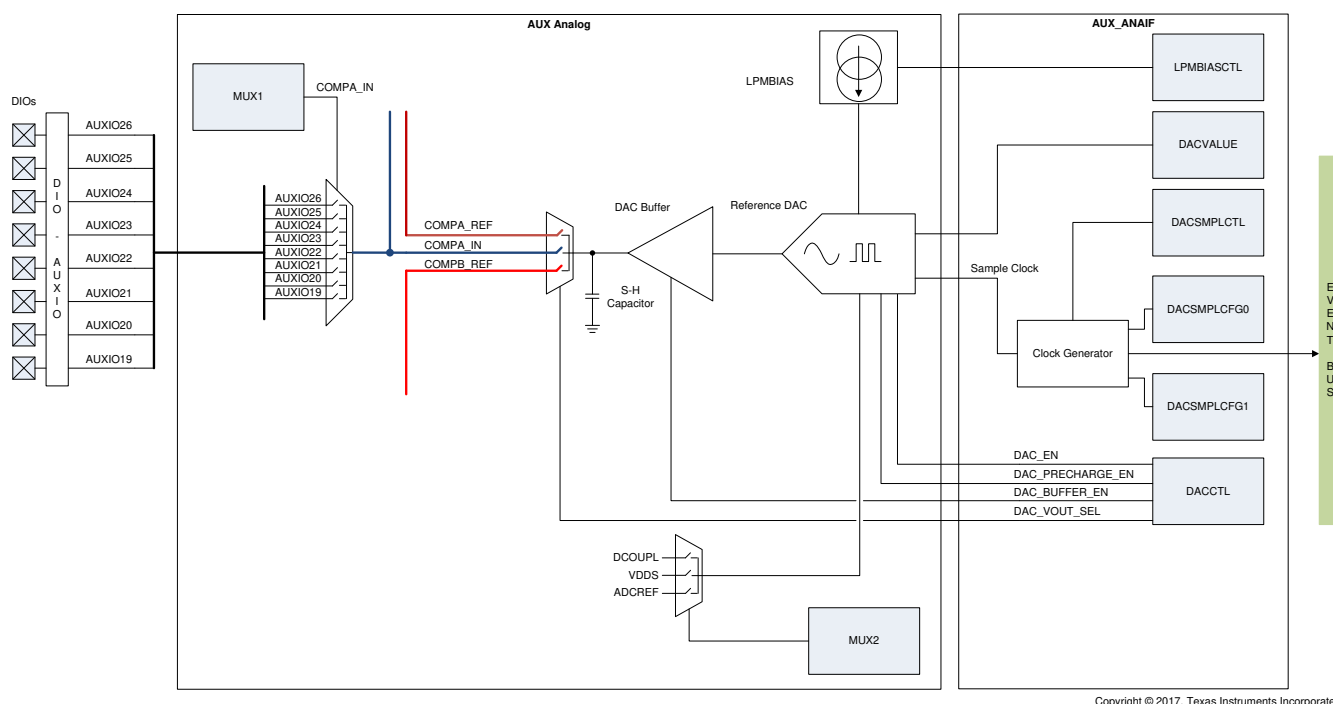


Figure 19-17. Reference DAC Block Diagram

19.4.5.2 Functional Description

The Reference DAC uses a configurable sample clock to translate an 8-bit digital code into an analog voltage stored in a Sample-and-Hold (S-H) capacitor. The S-H capacitor interfaces a selected load directly or through a buffer when driving higher loads.

19.4.5.2.1 Reference Selection

ADI_4_AUX:MUX2.DAC_VREF_SEL sets the DAC reference as:

- DCOUPL
- ADCREF
- VDDS

The ADI_4_AUX:MUX2.DAC_VREF_SEL register is only allowed to select one reference at a time. The reference gives the output voltage range.

19.4.5.2.2 Output Voltage Control and Range

The S-H capacitor voltage target is set by AUX_ANAIF:DACVALUE (see Section 19.6.7).

The Reference DAC transfer function exhibits nonlinearity.

Reference DAC calibration data is stored during chip production in the factory configuration, see DAC_CAL0 and DAC_CAL1 in [Section 11.4.1](#).

19.4.5.2.3 Sample Clock

The DAC sample clock charges and maintains the DAC voltage stored in the S-H capacitor. The DAC sample clock waveform consists of a setup phase followed by a hold phase. The sample clock frequency is generally higher in the setup phase compared to the hold phase.

In the setup phase the sample-and-hold capacitor charges to the target voltage, while the hold phase maintains the S-H voltage. Power can be saved by reducing the sample clock frequency in the hold phase. [Figure 19-18](#) shows the concept.

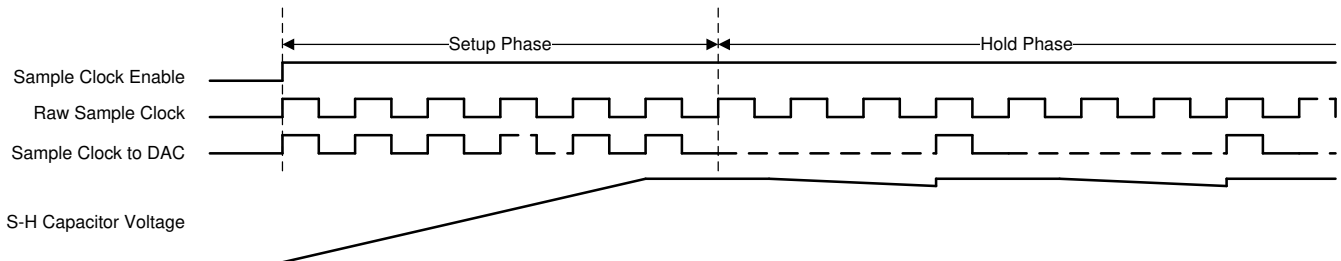


Figure 19-18. DAC Sample Clock Phases

The sample clock period is configured by AUX_ANAIF:DACSMPLCFG0 and AUX_ANAIF:DACSMPLCFG1 registers and enabled by the AUX_ANAIF:DACSMPLCTL register. The sample clock period scales with the peripheral clock frequency set by AUX_SYSIF:PEROPRATE.ANAIF_DAC_OP_RATE. [Figure 19-19](#) shows how the sample clock period derives from the peripheral clock.

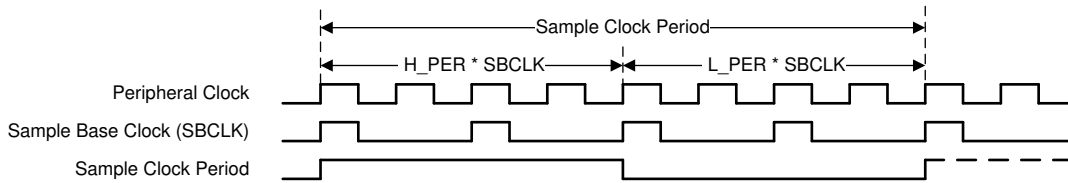


Figure 19-19. Sample Clock Period Configuration

AUX_ANAIF:DACSMPLCFG0 controls the clock division from the peripheral clock to the sample base clock. The AUX_ANAIF:DACSMPLCFG0 register is set to 2 in [Figure 19-19](#).

AUX_ANAIF:DACSMPLCFG.H_PER and AUX_ANAIF:DACSMPLCFG.L_PER specify the duration of the high and low phase, respectively, of a single sample clock period in terms of the base clock period. They are both set to 2 periods in [Figure 19-19](#).

A state machine can control the transition from setup phase to hold phase, or the user can control this manually.

19.4.5.2.3.1 Automatic Phase Control

Automatic phase transition requires that the setup phase needs less than 17 sample clock periods to charge the S-H capacitor to the target voltage. This is generally not the case when the Reference DAC drives an external load.

Configure the automatic phase control with the sequence as follows:

1. AUX_ANAIF:DACSMPLCFG1.SETUP_CNT specifies number of sample clock cycles in the setup phase.
2. AUX_ANAIF:DACSMPLCFG1.HOLD_INTERVAL specifies the number of inactive sample clock periods between each S-H refresh clock.

The transition sets the AUX_EVCTL:EVSTAT3.AUX_DAC_HOLD_ACTIVE event.

19.4.5.2.3.2 Manual Phase Control

The user must control the transition manually if the setup phase requires more than 16 sample clock periods to charge the S-H capacitor to the target value. Configure the manual phase control as follows:

1. Set AUX_ANAIF:DACSMPLCFG1.SETUP_CNT to 0.
2. Set AUX_ANAIF:DACSMPLCFG1.HOLD_INTERVAL initially to 0.

The user must update AUX_ANAIF:DACSMPLCFG1.HOLD_INTERVAL when the S-H capacitor target voltage has been reached.

Alternatively, the user can utilize the AUX_EVCTL:EVSTAT3.AUX_DAC_HOLD_ACTIVE and restart sample clock generation in a loop. This approach does not require any other hardware resources.

19.4.5.2.3.3 Operational Mode Dependency

There is only one allowed sample clock configuration in AUX Power-Down operational mode with AUX_SYSIF:OPMODEREQ.REQ equal to LPPD.

- Set all AUX_ANAIF:DACSMPLCFG1 fields to 0.

In the scenario, the user must enable the sample clock generation when AUX_SYSIF:OPMODEREQ.REQ = LP and then request LPPD.

Generation of the sample clock is not allowed when AUX_SYSIF:OPMODEREQ.REQ = PDA.

19.4.5.2.4 Output Selection

AUX_ANAIF:DACCTL.DAC_VOUT_SEL selects Reference DAC output connection:

- No Connection
- External load, COMPA_IN analog node
- COMPA reference input, COMPA_REF analog node
- COMPB reference input, COMPB_REF analog node

Selection of only one output connection at a time is allowed. The user must ensure that the connected analog node only has one driver at all times. To avoid shorting signals together internally, TI provides ROM-based TI-DriverLib functions that ensure a break-before-make switching of the internal muxes.

The following subsections describe the different connections.

19.4.5.2.4.1 Buffer

The Reference DAC can interface the selected load through a buffer. The buffer must be enabled when the Reference DAC interfaces an external load. It is not recommended to interface internal loads with the buffer.

To enable the buffer, set AUX_ANAIF:DACCTL.DAC_BUFFER_EN to 1. To enable the buffer in LPM (Low Power Mode) also set AUX_ANAIF:LPMBIASCTL.EN to 1 to enable the bias module. The buffer cannot be used when AUX requests Power-Down operational mode.

19.4.5.2.4.2 External Load

The Reference DAC can drive an external load connected to the COMPA_IN analog node when the peripheral clock frequency is 2 MHz or 24 MHz. This is valid for:

- Active and Low-Power AUX operational mode
- Active and Idle TI-RTOS power mode

The user must enable the buffer when the Reference DAC interfaces an external load.

Load support:

- Resistive loads > 10 M Ω
- From the AUX_DAC_Drvier specification: "If the DAC is operating at 2.0 V, the load is required to have a resistance >>10 M Ω or be purely capacitive . If this condition is not met, the CHP must be used to reduce the VOUT error."
- Capacitive loads < 200 pF (always stable)
- Capacitive loads
- R+C

19.4.5.2.4.3 COMPA_REF

The Reference DAC can drive the COMPA_REF analog node in all power modes. In this case, the two COMPA_REF muxes shown in [Figure 19-13](#) are disconnected from the COMPA_REF node. It is generally not recommended to use the buffer for this connection.

19.4.5.2.4.4 COMPB_REF

The Reference DAC can drive the COMPB_REF analog node in all power modes. It is generally not recommended to use the buffer for this connection.

19.4.5.2.5 LPM Bias

The Reference DAC requires bias current from the Low Power Mode Bias (LPMBIAS) module when the System CPU owns and uses the peripheral in Standby TI-RTOS power mode.

Set AUX_ANAIF:LPMBIASCTL.EN to enable the LPM Bias module, then set AUX_ANAIF:DACCTL.DAC_EN to enable the Reference DAC.

19.4.5.2.6 Resource Ownership and Usage

Reference DAC usage requires application ownership. For semaphore allocation in TI software, see [Section 19.3.3.3](#).

The System CPU can use the peripheral in TI-RTOS power modes Active and Idle. In this case, set AUX_SYSIF:PEROPRATE.ANAIF_DAC_OP_RATE to BUS_RATE.

The System CPU can use the peripheral in Standby TI-RTOS power mode. In this case, the System CPU must set AON_PMCTL.AUXSCECLK.PD_SRC to SCLK_LF and switch between Low-Power and Power-Down operational modes. The following sequence is required:

1. Set AUX_SYSIF:PEROPRATE.ANAIF_DAC_OP_RATE to SCE_RATE.
2. Set AUX_SYSIF:OPMODEREQ to LP.
3. Set the required AUX_ANAIF:DACVALUE.
4. Configure AUX_ANAIF:DACCTL:
 - a. Set DAC_PRECHARGE_EN to desired value.
 - b. Set DAC_VOUT_SEL to desired value.
 - c. Set AUX_ANAIF:DACCTL.DAC_BUFFER_EN to 0.
5. Set AUX_ANAIF:LPMBIASCTL to 1.
6. Wait 15 μ s.
7. Set AUX_ANAIF:DACSMPLCFG0.CLKDIV to 0.
8. Configure AUX_ANAIF:DACSMPLCFG1:
 - a. Set H_PER to 1.
 - b. Set L_PER to 0.
 - c. Set SETUP_CNT to 0.
 - d. Set HOLD_INTERVAL to 0.
9. Set AUX_ANAIF:DACSMPLCTL to 1 to enable sample clock generation.
10. Set AUX_ANAIF:DACSMPLCFG1.H_PER to 0.
11. Wait for the required time to charge the S-H capacitor to the requested voltage.
12. Set AUX_SYSIF:OPMODEREQ to PDLF.
13. Enter sleep and wait for interrupt.

19.4.6 ISRC

19.4.6.1 Introduction

The AUX Current Source (ISRC) module has the following features:

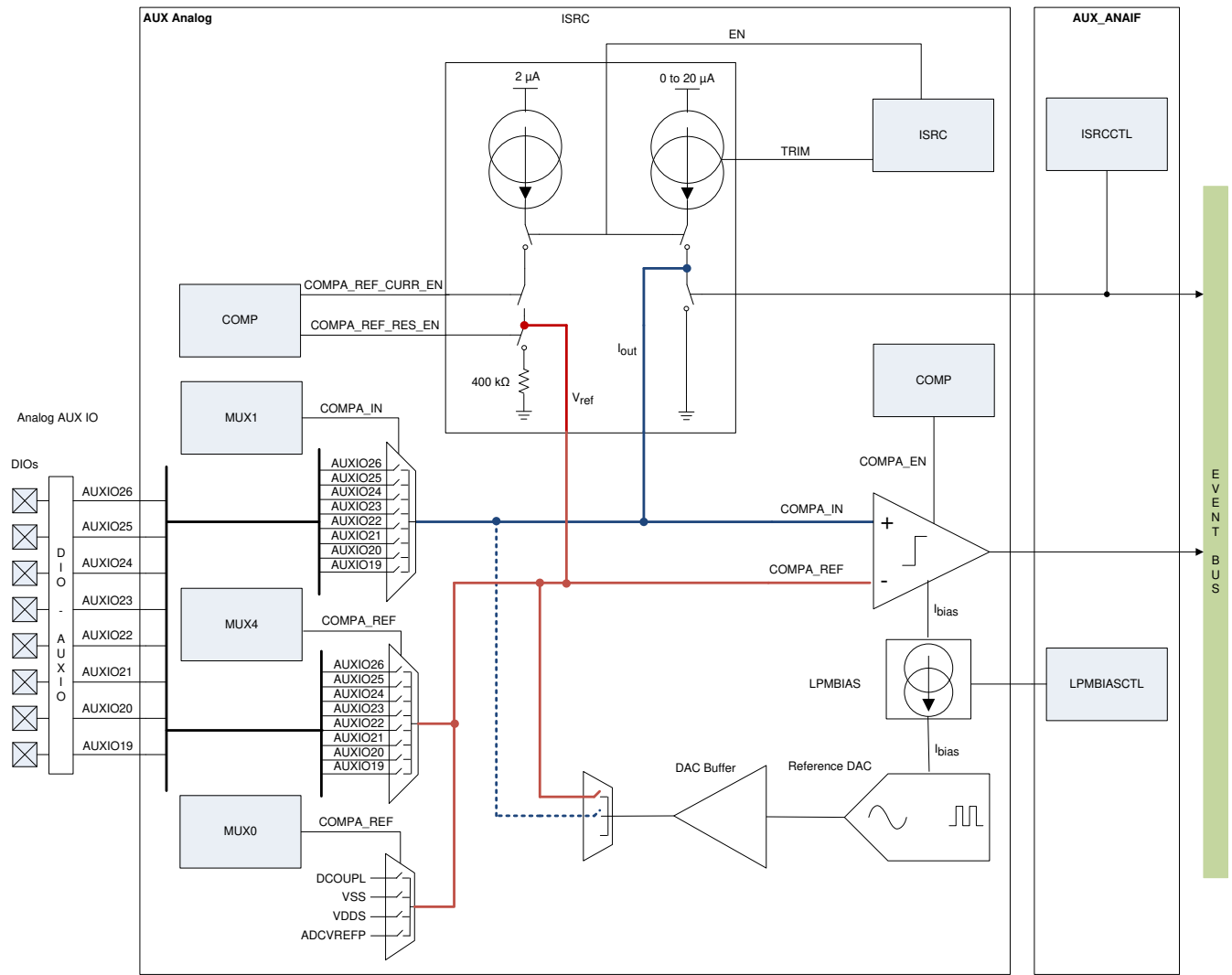
- Programmable current output: 0 to 20 μ A
- Voltage reference output: nominally at 0.8 V

The primary application for the ISRC peripheral is capacitive touch sensing, where it is used together with the COMPA and TDC peripherals. In this application, ISRC drives an internal reference voltage for COMPA, nominally 0.8 V, while charging the capacitance connected to the COMPA input. The time from start of charging until the COMPA output goes high is measured using the TDC.

Note

ISRC is not supported in all devices. Please consult the device datasheet.

[Figure 19-20](#) shows the ISRC analog connections and digital control. Proper Reference DAC control and connections are described in [Section 19.1](#).



Copyright © 2017, Texas Instruments Incorporated

Figure 19-20. ISRC Block Diagram

19.4.6.2 Functional Description

19.4.6.2.1 Programmable Current

The programmable current output connects to the positive input of COMPA, which makes it possible to charge an external capacitance connected to an analog-capable AUX I/O. Physically, this output also connects to the reference DAC output. This connection is not intended for ISRC usage. Hence, the connection shows as a dotted line in Figure 19-20.

When ISRC is enabled, it drives the current configured by ADI_4_AUX:ISRC.TRIM onto the COMPA_IN analog node or to ground. The connection controlled by AUX_ANAIF:ISRCCTL.RESET_N.

The user must ensure that the COMPA positive input only has one driver at all times. To avoid shorting signals together internally, TI provides ROM-based TI-DriverLib functions that ensure a break-before-make switching of the internal muxes.

19.4.6.2.2 Voltage Reference

The voltage reference output connects to the reference input of COMPA. The generated voltage reference is nominally at 0.8 V when using the internal 400 kΩ resistor. To generate and connect the reference voltage to COMPA reference input:

- Set ADI_4_AUX:COMP.COMPA_REF_RES_EN to enable the internal 400 kΩ resistor.
- Set ADI_4_AUX:COMP.COMPA_REF_CURR_EN to enable the 2 μA current.

It is also possible to generate other voltages by using an external resistor. To generate and connect the reference voltage to COMPA reference input in this case:

- Connect a resistor to an analog-capable AUX I/O.
- Connect that AUX I/O to COMPA reference input.
- Set ADI_4_AUX:COMP.COMPA_REF_CURR_EN to enable the 2 μA current.

The user must ensure that the COMPA reference input only has one driver at all times. To avoid shorting signals together internally, TI provides ROM-based TI-DriverLib functions that ensure a break-before-make switching of the internal muxes.

19.4.6.2.3 ISRC Enable

Set ADI_4_AUX:ISRC.EN to enable the module and to generate any current.

19.4.6.2.4 Temperature Dependency

The ISRC outputs are temperature dependent. The effect cancels out when ISRC both charges the COMPA positive input node and connects the internally generated 0.8 reference voltage to COMPA reference input.

19.4.6.2.5 Resource Ownership and Usage

ISRC usage requires application. For semaphore allocation in TI software, see [Section 19.3.3.3](#).

The System CPU can use the peripheral in TI-RTOS power modes Active and Idle.

19.5 Event Routing and Usage

19.5.1 AUX Event Bus

The AUX domain event bus assembles events from:

- AUX peripherals
- AUX I/O pins
- Real-Time clock
- Battery Monitor and Temperature Sensor
- System Power and Clock Management

The event assembles into a 64-bit event bus that exists in two versions, one that is partly asynchronous and one that is fully synchronous to the AUX clock. The user can read the level of the synchronous events in the AUX_EVCTL:EVSTAT0 through AUX_EVCTL:EVSTAT3 registers.

19.5.1.1 Event Signals

Table 19-16 summarizes the event signals. For detailed event description, see the AUX_EVCTL:EVSTAT0 through AUX_EVCTL:EVSTAT3 registers in Section 19.6.3.

Table 19-16. AUX Event Bus

Index	Asynchronous Event Bus ^{(1) (2)}		Synchronous Event Bus ^{(3) (4) (5)}		
	Origin	Signal	SCE Rate	Bus Rate	
[0:31]	DIO	AUXIO[0:31]	X		
32	AUX	MANUAL_EV	X		
33	System	AON_RTC_CH2	X		
34		AON_RTC_CH2_DLY	X		
35		AON_RTC_4KHZ	X		
38		SCLK_LF	X		
39		PWR_DWN	X		
40		MCU_ACTIVE	X		
41		VDDR_RECHARGE	X		
42		ACLK_REF	X		
43		MCU_EV	X		
44		MCU_OBSMUX0	X		
45		MCU_OBSMUX1	X		
46		AUX	AUX_COMPA	X	(X)
47		AUX	AUX_COMPB ⁶	X	(X)
53	AUX	AUX_TIMER1_EV	X	(X)	
54		AUX_TIMER0_EV	X	(X)	
55		AUX_TDC_DONE		X	
56		AUX_ISRC_RESET_N ⁶		X	
57		AUX_ADC_DONE		X	
58		AUX_ADC_IRQ		X	
59		AUX_ADC_FIFO_ALMOST_FULL		X	
60		AUX_ADC_FIFO_NOT_EMPTY		X	
61		AUX_SMPH_AUTOTAKE_DONE		X	
62		DAC_HOLD_ACTIVE	X	(X)	

- (1) Events not shaded have asynchronous origin referenced to the AUX clock.
- (2) Events shaded in blue have synchronous origin referenced to the AUX clock.
- (3) X = Default Rate
- (4) (X) = Rate overrides the capability
- (5) These columns show the event update rate on the synchronous event bus.

The update rate is determined by either event synchronization or the operational rate of the synchronous peripheral that generates it.

Table 19-16 shows the following:

- Some events of asynchronous origin have configurable synchronization rate. The rate is configured by AUX_SYSIF:EVSYNCRATE.
- Some events of synchronous origin have configurable update rate. The rate is configured by AUX_SYSIF:PEROPRATE.

Because of synchronization there will always be a time delay between the asynchronous and the synchronous version of an event of asynchronous origin. The System CPU may require minimum synchronization latency, in which case the synchronization must happen at bus clock rate.

19.5.1.2 Event Subscribers

Table 19-17 lists the AUX event bus subscribers and to which version of the event bus they subscribe.

Table 19-17. AUX Event Subscribers

Subscribers	Asynchronous Event Bus	Synchronous Event Bus
Timer0 and Timer1		X
TDC State Machine	X	
TDC Prescaler	X	
TDC High-Speed Counter	X	
ADC Interface	X	
AUX Programmable Wakeup	X	

19.5.1.2.1 Event Detection

The subscribers detect events differently. In general, there is no assurance that an event will be long enough for detection.

19.5.1.2.1.1 Detection of Asynchronous Events

An asynchronous event is either detected by a synchronizer or the event is used as clock to set a detection flag, which then gets synchronized. Table 19-18 lists the detection schemes used for the subscribers.

Table 19-18. Asynchronous Event Detection

Subscribers	Detection Scheme
TDC Prescaler	Event as clock
TDC High-Speed Counter	Synchronizer
ADC Interface	Event as clock
AUX Programmable Wakeup	Event as clock

Any event of asynchronous origin, such as AUX I/O or COMPA event, may be too short to allow proper synchronizer detection at a given clock frequency. In general, the pulse width of an asynchronous event must be longer than the sample clock period to allow proper synchronizer detection.

To assure that the event subscriber catches the synchronized event, either of the following must be true:

- The operational clock rate of the event subscriber must be equal or higher than the synchronizer clock rate.
- The synchronized event duration must at least equal the effective clock period of the subscriber module.

When an asynchronous event is used as clock to set a detection flag, the tolerated event pulse width is a lot less than for synchronizers.

19.5.1.2.1.2 Detection of Synchronous Events

Similar requirement exist when the Timer01 uses events that have synchronous origin. If the operational rate of the event subscriber is lower than the operational rate of the event publisher, the subscriber may lose events. This happens when the event duration is shorter than the effective clock period of the subscriber module. As the ADC interface operates at SCLK_HFDIV2 clock rate, the Timer01 operational rate must equal SCLK_HFDIV2 to subscribe to AUX_ADC_DONE event.

19.5.2 Event Observation on External Pin

It is possible to observe the asynchronous event selected by AUX_EVCTL.EVOBSCFG on an external AUX I/O pin. To do so the user must configure the corresponding AUX I/O for peripheral mode output and set the AUX_EV_OBS event as data source.

This feature is useful for:

- Debug
- Setting the external pin level and simultaneously triggering an internal peripheral operation, such as TDC conversion

For AUX I/O configuration, see [Section 19.3.2](#) and [Figure 19-3](#).

19.5.3 Events From MCU Domain

The MCU event fabric defines the MCU_EV event at index 43 in [Table 19-16](#). EVENT:AUXSEL0 configures the source for this event.

AUX_EVCTL:EVTOMCUFLAGS holds 16 event flags that connect to the MCU event fabric and System CPU. The event flag name is identical to the event on the synchronous event bus it derives from. [Table 19-19](#) lists the event flags and their sensitivity type.

19.5.4 Events to MCU Domain

AUX_EVCTL:EVTOMCUFLAGS holds 16 event flags that connect to the MCU event fabric and System CPU. The event flag name is identical to the event on the synchronous event bus it derives from. [Table 19-19](#) lists the event flags and their sensitivity type.

An event flag sets when the level or edge configured in AUX_EVCTL:EVTOMCUPOL occurs for that event. In order to clear a level-sensitive flag, the corresponding event must be cleared before the user clears the event flag. Write 1 to an event index in AUX_EVCTL:EVTOMCUFLAGSCLR to clear a level- or edge-sensitive flag.

Table 19-19. Events to MCU

Index	Event Flag Name	Sensitivity	Description
0	AUX_WU_EV	Level	AUX wakeup event ⁽¹⁾
1	AUX_COMP_A	Edge	Comparator A event
2	AUX_COMP_B	Edge	Comparator B event
3	AUX_TDC_DONE	Level	TDC conversion done or time-out
4	AUX_TIMER0_EV	Level	AUX Timer0 has reached its target value
5	AUX_TIMER1_EV	Level	AUX Timer1 has reached its target value
6	AUX_SMPH_AUTOTAKE_DONE	Level	A user-specified semaphore has been released
7	AUX_ADC_DONE	Level	ADC conversion is done
8	AUX_ADC_FIFO_ALMOST_FULL	Level	ADC FIFO almost full
9	MCU_OBSMUX0	Level	MCU observable event.
10	AUX_ADC_IRQ	Level	ADC IRQ ⁽²⁾

(1) Logical OR of the AUX wake-up events in the AUX_SYSIF:WUFLAGS register.

(2) ADC new sample available, FIFO underflow or overflow. If DMA is used: ADC DMA done, FIFO underflow or overflow.

The user can optionally enable the AUX_COMB event as a function of the 16 event flags in AUX_EVCTL:EVTOMCUFLAGS. The AUX_EVCTL:COMBEVTOMCUMASK configuration determines if a set event flag will set the AUX_COMB event. The AUX_COMB event is high as long as one or more of the event flags selected by AUX_EVCTL:COMBEVTOMCUMASK are set.

The MCU event fabric connects the 16 event flags and the AUX_COMB event as:

- DMA Triggers
- Radio Timer Capture
- System CPU Interrupts
- General-Purpose Timer Capture

See EVENT:* in [Chapter 5](#) for all the possible connections.

19.5.5 Events From AON Domain

Events with index 32 through index 41 in [Table 19-16](#) come from the AON domain.

19.5.6 Events to AON Domain

AUX_EVCTL:EVTOAONFLAGS holds nine event flags that connect to the AON event fabric. The event flag name is identical to the event on the synchronous event bus it derives from. [Table 19-20](#) lists the event flags and their sensitivity type.

Table 19-20. Events to AON

Index	Event Flag Name	Sensitivity	Description
0	SWEV0	NA	Maps directly to AUX_EVCTL:SWEVSET.SWEV0
1	SWEV1	NA	Maps directly to AUX_EVCTL:SWEVSET.SWEV1
2	SWEV2	NA	Maps directly to AUX_EVCTL:SWEVSET.SWEV2
3	AUX_COMPA	Edge	Comparator A event
4	AUX_COMPB	Edge	Comparator B event
5	AUX_ADC_DONE	Level	ADC conversion is done
6	AUX_TDC_DONE	Level	TDC conversion done or time-out
7	AUX_TIMER0_EV	Level	AUX Timer0 has reached its target value
8	AUX_TIMER1_EV	Level	AUX Timer1 has reached its target value

An event flag sets when the level or edge configured in AUX_EVCTL:EVTOAONPOL occurs for that event. The level of SWEV0 through SWEV2 event flags is controlled by register. To clear a level-sensitive flag, the corresponding event must be cleared before the user clears the event flag. Write 1 to an event index in AUX_EVCTL:EVTOAONFLAGSCLR to clear a level- or edge-sensitive flag.

The event flags SWEV0 and SWEV1 also connect directly to the System CPU.

The event flags are useful for:

- MCU domain wakeup (see AON_EVENT:MCUWUSEL in [Section 5.7.1](#))
- Programmable Event to MCU (see AON_EVENT:EVTOMCUSEL in [Section 5.7.1](#))
- RTC Capture Events (see AON_EVENT:RTCSEL in [Section 5.7.1](#))
- System CPU interrupt:
 - SWEV0 maps to EVENT:CPUIRQSEL6
 - SWEV1 maps to EVENT:CPUIRQSEL13
- Software-defined handshake protocol

19.5.7 μ DMA Interface

The μ DMA channel 7 is dedicated to transfer ADC samples from the ADC FIFO. For further description, see [Section 19.4.2.2.7](#).

The System CPU can request μ DMA transfer on channel 8 through AUX_EVCTL:DMASWREQ register. This requires properly setup of μ DMA channel 8.

19.6 AUX Domain Peripheral Registers

[Table 19-21](#) lists the registers in the AUX subsystem. See [Section 3.1](#) for the memory-map.

Table 19-21. AUX Domain Peripheral Registers

Module	Name	Section
AUX_ADI4	ADI Master	Section 19.6.1
AUX_AIODIO	Analog Digital IOs	Section 19.6.2
AUX_EVCTL	Event Controller	Section 19.6.3
AUX_SMPH	Semaphores	Section 19.6.4
AUX_TDC	Time-to-Digital Converter	Section 19.6.5
AUX_TIMER01	Timer01	Section 19.6.6
AUX_ANAIF	Analog Interface	Section 19.6.7

Table 19-21. AUX Domain Peripheral Registers (continued)

Module	Name	Section
AUX_SYSIF	System Interface	Section 19.6.8

Note

COMPB and ISRC are not supported in all devices. Please consult the device data sheet.

19.6.1 ADI_4_AUX Registers

[ADI_4_AUX Registers](#) lists the memory-mapped registers for the ADI_4_AUX registers. All register offset addresses not listed in [ADI_4_AUX Registers](#) should be considered as reserved locations and the register contents should not be modified.

Table 19-22. ADI_4_AUX Registers

Offset	Acronym	Register Name	Section
0h	MUX0	Internal	Section 19.6.1.1
1h	MUX1	Internal	Section 19.6.1.2
2h	MUX2	Internal	Section 19.6.1.3
3h	MUX3	Internal	Section 19.6.1.4
4h	ISRC	Current Source	Section 19.6.1.5
5h	COMP	Comparator	Section 19.6.1.6
7h	MUX4	Internal	Section 19.6.1.7
8h	ADC0	ADC Control 0	Section 19.6.1.8
9h	ADC1	ADC Control 1	Section 19.6.1.9
Ah	ADCREFO	ADC Reference 0	Section 19.6.1.10
Bh	ADCREFO	ADC Reference 1	Section 19.6.1.11
Eh	LPMBIAS	Internal	Section 19.6.1.12

Complex bit access types are encoded to fit into small table cells. [ADI_4_AUX Access Type Codes](#) shows the codes that are used for access types in this section.

Table 19-23. ADI_4_AUX Access Type Codes

Access Type	Code	Description
Read Type		
R	R	Read
Write Type		
W	W	Write
Reset or Default Value		
-n		Value after reset or the default value

19.6.1.1 MUX0 Register (Offset = 0h) [Reset = 00h]

MUX0 is shown in [MUX0 Register](#) and described in [MUX0 Register Field Descriptions](#).

Return to the [ADI_4_AUX Registers](#).

Internal. Only to be used through TI provided API.

Figure 19-21. MUX0 Register

7	6	5	4	3	2	1	0
RESERVED	ADCCOMPB_I N	RESERVED		COMPA_REF			
R-0h	R/W-0h	R-0h		R/W-0h			

Table 19-24. MUX0 Register Field Descriptions

Bit	Field	Type	Reset	Description
7	RESERVED	R	0h	Reserved
6	ADCCOMPB_IN	R/W	0h	Internal. Only to be used through TI provided API.
5-4	RESERVED	R	0h	Reserved
3-0	COMPA_REF	R/W	0h	Internal. Only to be used through TI provided API.

19.6.1.2 MUX1 Register (Offset = 1h) [Reset = 00h]

MUX1 is shown in [MUX1 Register](#) and described in [MUX1 Register Field Descriptions](#).

Return to the [ADI_4_AUX Registers](#).

Internal. Only to be used through TI provided API.

Figure 19-22. MUX1 Register

7	6	5	4	3	2	1	0
COMPA_IN							
R/W-0h							

Table 19-25. MUX1 Register Field Descriptions

Bit	Field	Type	Reset	Description
7-0	COMPA_IN	R/W	0h	Internal. Only to be used through TI provided API.

19.6.1.3 MUX2 Register (Offset = 2h) [Reset = 00h]

MUX2 is shown in [MUX2 Register](#) and described in [MUX2 Register Field Descriptions](#).

Return to the [ADI_4_AUX Registers](#).

Internal. Only to be used through TI provided API.

Figure 19-23. MUX2 Register

7	6	5	4	3	2	1	0
ADCCOMP_B_IN				DAC_VREF_SEL			
R/W-0h				R/W-0h			

Table 19-26. MUX2 Register Field Descriptions

Bit	Field	Type	Reset	Description
7-3	ADCCOMP_B_IN	R/W	0h	Internal. Only to be used through TI provided API.
2-0	DAC_VREF_SEL	R/W	0h	Internal. Only to be used through TI provided API.

19.6.1.4 MUX3 Register (Offset = 3h) [Reset = 00h]

MUX3 is shown in [MUX3 Register](#) and described in [MUX3 Register Field Descriptions](#).

Return to the [ADI_4_AUX Registers](#).

Internal. Only to be used through TI provided API.

Figure 19-24. MUX3 Register

7	6	5	4	3	2	1	0
ADCCOMPB_IN							
R/W-0h							

Table 19-27. MUX3 Register Field Descriptions

Bit	Field	Type	Reset	Description
7-0	ADCCOMPB_IN	R/W	0h	Internal. Only to be used through TI provided API.

19.6.1.5 ISRC Register (Offset = 4h) [Reset = 00h]

ISRC is shown in [ISRC Register](#) and described in [ISRC Register Field Descriptions](#).

Return to the [ADI_4_AUX Registers](#).

Current Source

Strength and trim control for current source. Only to be used through TI provided API.

Figure 19-25. ISRC Register

7	6	5	4	3	2	1	0
TRIM						RESERVED	EN
R/W-0h						R-0h	R/W-0h

Table 19-28. ISRC Register Field Descriptions

Bit	Field	Type	Reset	Description
7-2	TRIM	R/W	0h	Adjust current from current source. Output currents may be combined to get desired total current. 0h = No current connected 1h = 0P25U : 0.25 uA 2h = 0P5U : 0.5 uA 4h = 1P0U : 1.0 uA 8h = 2P0U : 2.0 uA 10h = 4P5U : 4.5 uA 20h = 11P75U : 11.75 uA
1	RESERVED	R	0h	Reserved
0	EN	R/W	0h	Current source enable

19.6.1.6 COMP Register (Offset = 5h) [Reset = 00h]

COMP is shown in [COMP Register](#) and described in [COMP Register Field Descriptions](#).

Return to the [ADI_4_AUX Registers](#).

Comparator

Control COMPA and COMPB comparators. Only to be used through TI provided API.

Figure 19-26. COMP Register

7	6	5	4	3	2	1	0
COMPA_REF_RES_EN	COMPA_REF_CURR_EN	LPM_BIAS_WIDTH_TRIM		COMPB_EN	RESERVED	COMPA_EN	
R/W-0h	R/W-0h	R/W-0h		R/W-0h	R-0h	R/W-0h	

Table 19-29. COMP Register Field Descriptions

Bit	Field	Type	Reset	Description
7	COMPA_REF_RES_EN	R/W	0h	Enables 400kΩ resistance from COMPA reference node to ground. Used with COMPA_REF_CURR_EN to generate voltage reference for cap-sense.
6	COMPA_REF_CURR_EN	R/W	0h	Enables 2uA IPTAT current from ISRC to COMPA reference node. Requires ISRC.EN = 1. Used with COMPA_REF_RES_EN to generate voltage reference for cap-sense.
5-3	LPM_BIAS_WIDTH_TRIM	R/W	0h	Internal. Only to be used through TI provided API.
2	COMPB_EN	R/W	0h	COMPB enable
1	RESERVED	R	0h	Reserved
0	COMPA_EN	R/W	0h	COMPA enable

19.6.1.7 MUX4 Register (Offset = 7h) [Reset = 00h]

MUX4 is shown in [MUX4 Register](#) and described in [MUX4 Register Field Descriptions](#).

Return to the [ADI_4_AUX Registers](#).

Internal. Only to be used through TI provided API.

Figure 19-27. MUX4 Register

7	6	5	4	3	2	1	0
COMPA_REF							
R/W-0h							

Table 19-30. MUX4 Register Field Descriptions

Bit	Field	Type	Reset	Description
7-0	COMPA_REF	R/W	0h	Internal. Only to be used through TI provided API.

19.6.1.8 ADC0 Register (Offset = 8h) [Reset = 00h]

ADC0 is shown in [ADC0 Register](#) and described in [ADC0 Register Field Descriptions](#).

Return to the [ADI_4_AUX Registers](#).

ADC Control 0

ADC Sample Control. Only to be used through TI provided API.

Figure 19-28. ADC0 Register

7	6	5	4	3	2	1	0
SMPL_MODE	SMPL_CYCLE_EXP			RESERVED	RESET_N	EN	
R/W-0h	R/W-0h			R-0h	R/W-0h	R/W-0h	

Table 19-31. ADC0 Register Field Descriptions

Bit	Field	Type	Reset	Description
7	SMPL_MODE	R/W	0h	<p>ADC Sampling mode:</p> <p>0: Synchronous mode</p> <p>1: Asynchronous mode</p> <p>The ADC does a sample-and-hold before conversion. In synchronous mode the sampling starts when the ADC clock detects a rising edge on the trigger signal. Jitter/uncertainty will be inferred in the detection if the trigger signal originates from a domain that is asynchronous to the ADC clock. SMPL_CYCLE_EXP determines the duration of sampling.</p> <p>Conversion starts immediately after sampling ends.</p> <p>In asynchronous mode the sampling is continuous when enabled. Sampling ends and conversion starts immediately with the rising edge of the trigger signal. Sampling restarts when the conversion has finished.</p> <p>Asynchronous mode is useful when it is important to avoid jitter in the sampling instant of an externally driven signal</p>
6-3	SMPL_CYCLE_EXP	R/W	0h	<p>Controls the sampling duration before conversion when the ADC is operated in synchronous mode (SMPL_MODE = 0). The setting has no effect in asynchronous mode. The sampling duration is given as $2^{\text{SMPL_CYCLE_EXP} + 1} / 6$ us.</p> <p>3h = 2P7_US : 16x 6 MHz clock periods = 2.7us</p> <p>4h = 5P3_US : 32x 6 MHz clock periods = 5.3us</p> <p>5h = 10P6_US : 64x 6 MHz clock periods = 10.6us</p> <p>6h = 21P3_US : 128x 6 MHz clock periods = 21.3us</p> <p>7h = 42P6_US : 256x 6 MHz clock periods = 42.6us</p> <p>8h = 85P3_US : 512x 6 MHz clock periods = 85.3us</p> <p>9h = 170_US : 1024x 6 MHz clock periods = 170us</p> <p>Ah = 341_US : 2048x 6 MHz clock periods = 341us</p> <p>Bh = 682_US : 4096x 6 MHz clock periods = 682us</p> <p>Ch = 1P37_MS : 8192x 6 MHz clock periods = 1.37ms</p> <p>Dh = 2P73_MS : 16384x 6 MHz clock periods = 2.73ms</p> <p>Eh = 5P46_MS : 32768x 6 MHz clock periods = 5.46ms</p> <p>Fh = 10P9_MS : 65536x 6 MHz clock periods = 10.9ms</p>
2	RESERVED	R	0h	Reserved
1	RESET_N	R/W	0h	<p>Reset ADC digital subchip, active low. ADC must be reset every time it is reconfigured.</p> <p>0: Reset</p> <p>1: Normal operation</p>
0	EN	R/W	0h	<p>ADC Enable</p> <p>0: Disable</p> <p>1: Enable</p>

19.6.1.9 ADC1 Register (Offset = 9h) [Reset = 00h]

ADC1 is shown in [ADC1 Register](#) and described in [ADC1 Register Field Descriptions](#).

Return to the [ADI_4_AUX Registers](#).

ADC Control 1

ADC Comparator Control. Only to be used through TI provided API.

Figure 19-29. ADC1 Register

7	6	5	4	3	2	1	0
RESERVED							SCALE_DIS
R-0h							R/W-0h

Table 19-32. ADC1 Register Field Descriptions

Bit	Field	Type	Reset	Description
7-1	RESERVED	R	0h	Reserved
0	SCALE_DIS	R/W	0h	Internal. Only to be used through TI provided API.

19.6.1.10 ADCREF0 Register (Offset = Ah) [Reset = 00h]

ADCREF0 is shown in [ADCREF0 Register](#) and described in [ADCREF0 Register Field Descriptions](#).

Return to the [ADI_4_AUX Registers](#).

ADC Reference 0

Control reference used by the ADC. Only to be used through TI provided API.

Figure 19-30. ADCREF0 Register

7	6	5	4	3	2	1	0
RESERVED	REF_ON_IDLE	IOMUX	EXT	SRC	RESERVED		EN
R-0h	R/W-0h	R/W-0h	R/W-0h	R/W-0h	R-0h		R/W-0h

Table 19-33. ADCREF0 Register Field Descriptions

Bit	Field	Type	Reset	Description
7	RESERVED	R	0h	Reserved
6	REF_ON_IDLE	R/W	0h	Enable ADCREF in IDLE state. 0: Disabled in IDLE state 1: Enabled in IDLE state Keep ADCREF enabled when ADC0.SMPL_MODE = 0. Recommendation: Enable ADCREF always when ADC0.SMPL_CYCLE_EXP is less than 0x6 (21.3us sampling time).
5	IOMUX	R/W	0h	Internal. Only to be used through TI provided API.
4	EXT	R/W	0h	Internal. Only to be used through TI provided API.
3	SRC	R/W	0h	ADC reference source: 0: Fixed reference = 4.3V 1: Relative reference = VDDS
2-1	RESERVED	R	0h	Reserved
0	EN	R/W	0h	ADC reference module enable: 0: ADC reference module powered down 1: ADC reference module enabled

19.6.1.11 ADCREF1 Register (Offset = Bh) [Reset = 00h]

ADCREF1 is shown in [ADCREF1 Register](#) and described in [ADCREF1 Register Field Descriptions](#).

Return to the [ADI_4_AUX Registers](#).

ADC Reference 1

Control reference used by the ADC. Only to be used through TI provided API.

Figure 19-31. ADCREF1 Register

7	6	5	4	3	2	1	0
RESERVED			VTRIM				
R-0h			R/W-0h				

Table 19-34. ADCREF1 Register Field Descriptions

Bit	Field	Type	Reset	Description
7-6	RESERVED	R	0h	Reserved
5-0	VTRIM	R/W	0h	Trim output voltage of ADC fixed reference (64 steps, 2's complement). Applies only for ADCREF0.SRC = 0. Examples: 0x00 - nominal voltage 1.43V 0x01 - nominal + 0.4% 1.435V 0x3F - nominal - 0.4% 1.425V 0x1F - maximum voltage 1.6V 0x20 - minimum voltage 1.3V

19.6.1.12 LPMBIAS Register (Offset = Eh) [Reset = 00h]

LPMBIAS is shown in [LPMBIAS Register](#) and described in [LPMBIAS Register Field Descriptions](#).

Return to the [ADI_4_AUX Registers](#).

Internal. Only to be used through TI provided API.

Figure 19-32. LPMBIAS Register

7	6	5	4	3	2	1	0
RESERVED			LPM_TRIM_IOUT				
R-0h			R/W-0h				

Table 19-35. LPMBIAS Register Field Descriptions

Bit	Field	Type	Reset	Description
7-6	RESERVED	R	0h	Reserved
5-0	LPM_TRIM_IOUT	R/W	0h	Internal. Only to be used through TI provided API.

19.6.2 AUX_AIODIO Registers

Table 19-36 lists the memory-mapped registers for the AUX_AIODIO registers. All register offset addresses not listed in Table 19-36 should be considered as reserved locations and the register contents should not be modified.

Table 19-36. AUX_AIODIO Registers

Offset	Acronym	Register Name	Section
0h	IOMODE	Input Output Mode	Section 19.6.2.1
4h	GPIODIE	General Purpose Input Output Digital Input Enable	Section 19.6.2.2
8h	IOPOE	Input Output Peripheral Output Enable	Section 19.6.2.3
Ch	GPIODOUT	General Purpose Input Output Data Out	Section 19.6.2.4
10h	GPIODIN	General Purpose Input Output Data In	Section 19.6.2.5
14h	GPIODOUTSET	General Purpose Input Output Data Out Set	Section 19.6.2.6
18h	GPIODOUTCLR	General Purpose Input Output Data Out Clear	Section 19.6.2.7
1Ch	GPIODOUTTGL	General Purpose Input Output Data Out Toggle	Section 19.6.2.8
20h	IO0PSEL	Input Output 0 Peripheral Select	Section 19.6.2.9
24h	IO1PSEL	Input Output 1 Peripheral Select	Section 19.6.2.10
28h	IO2PSEL	Input Output 2 Peripheral Select	Section 19.6.2.11
2Ch	IO3PSEL	Input Output 3 Peripheral Select	Section 19.6.2.12
30h	IO4PSEL	Input Output 4 Peripheral Select	Section 19.6.2.13
34h	IO5PSEL	Input Output 5 Peripheral Select	Section 19.6.2.14
38h	IO6PSEL	Input Output 6 Peripheral Select	Section 19.6.2.15
3Ch	IO7PSEL	Input Output 7 Peripheral Select	Section 19.6.2.16

Complex bit access types are encoded to fit into small table cells. Table 19-37 shows the codes that are used for access types in this section.

Table 19-37. AUX_AIODIO Access Type Codes

Access Type	Code	Description
Read Type		
R	R	Read
Write Type		
W	W	Write
Reset or Default Value		
-n		Value after reset or the default value

19.6.2.1 IOMODE Register (Offset = 0h) [Reset = 0000000h]

IOMODE is shown in [Figure 19-33](#) and described in [Table 19-38](#).

Return to the [Table 19-36](#).

Input Output Mode

This register controls pull-up, pull-down, and output mode for AUXIO that are controlled by instance i of AUX_AIODIO. Hence, in formulas below $i = 0$ for AUX_AIODIO0, $i = 1$ for AUX_AIODIO1, and so forth.

Figure 19-33. IOMODE Register

31	30	29	28	27	26	25	24	23	22	21	20	19	18	17	16
RESERVED															
R-0h															
15	14	13	12	11	10	9	8	7	6	5	4	3	2	1	0
IO7		IO6		IO5		IO4		IO3		IO2		IO1		IO0	
R/W-0h		R/W-0h		R/W-0h		R/W-0h		R/W-0h		R/W-0h		R/W-0h		R/W-0h	

Table 19-38. IOMODE Register Field Descriptions

Bit	Field	Type	Reset	Description
31-16	RESERVED	R	0h	Reserved
15-14	IO7	R/W	0h	<p>Selects mode for AUXIO[8i+7].</p> <p>0h = Output Mode: When IOPOE bit 7 is 0: GPIODOUT bit 7 drives AUXIO[8i+7]. When IOPOE bit 7 is 1: The signal selected by IO7PSEL.SRC drives AUXIO[8i+7].</p> <p>1h = Input Mode: When GPIODIE bit 7 is 0: AUXIO[8i+7] is enabled for analog signal transfer. When GPIODIE bit 7 is 1: AUXIO[8i+7] is enabled for digital input.</p> <p>2h = Open-Drain Mode: When IOPOE bit 7 is 0: - If GPIODOUT bit 7 is 0: AUXIO[8i+7] is driven low. - If GPIODOUT bit 7 is 1: AUXIO[8i+7] is tri-stated or pulled. This depends on IOC:IOCFGn.PULL_CTL. When IOPOE bit 7 is 1: - If signal selected by IO7PSEL.SRC is 0: AUXIO[8i+7] is driven low. - If signal selected by IO7PSEL.SRC is 1: AUXIO[8i+7] is tri-stated or pulled. This depends on IOC:IOCFGn.PULL_CTL.</p> <p>3h = Open-Source Mode: When IOPOE bit 7 is 0: - If GPIODOUT bit 7 is 0: AUXIO[8i+7] is tri-stated or pulled. This depends on IOC:IOCFGn.PULL_CTL. - If GPIODOUT bit 7 is 1: AUXIO[8i+7] is driven high. When IOPOE bit 7 is 1: - If signal selected by IO7PSEL.SRC is 0: AUXIO[8i+7] is tri-stated or pulled. This depends on IOC:IOCFGn.PULL_CTL. - If signal selected by IO7PSEL.SRC is 1: AUXIO[8i+7] is driven high.</p>

Table 19-38. IOMODE Register Field Descriptions (continued)

Bit	Field	Type	Reset	Description
13-12	IO6	R/W	0h	Selects mode for AUXIO[8i+6]. 0h = Output Mode: When IOPOE bit 6 is 0: GPIODOUT bit 6 drives AUXIO[8i+6]. When IOPOE bit 6 is 1: The signal selected by IO6PSEL.SRC drives AUXIO[8i+6]. 1h = Input Mode: When GPIODIE bit 6 is 0: AUXIO[8i+6] is enabled for analog signal transfer. When GPIODIE bit 6 is 1: AUXIO[8i+6] is enabled for digital input. 2h = Open-Drain Mode: When IOPOE bit 6 is 0: - If GPIODOUT bit 6 is 0: AUXIO[8i+6] is driven low. - If GPIODOUT bit 6 is 1: AUXIO[8i+6] is tri-stated or pulled. This depends on IOC:IOCFGn.PULL_CTL. When IOPOE bit 6 is 1: - If signal selected by IO6PSEL.SRC is 0: AUXIO[8i+6] is driven low. - If signal selected by IO6PSEL.SRC is 1: AUXIO[8i+6] is tri-stated or pulled. This depends on IOC:IOCFGn.PULL_CTL. 3h = Open-Source Mode: When IOPOE bit 6 is 0: - If GPIODOUT bit 6 is 0: AUXIO[8i+6] is tri-stated or pulled. This depends on IOC:IOCFGn.PULL_CTL. - If GPIODOUT bit 6 is 1: AUXIO[8i+6] is driven high. When IOPOE bit 6 is 1: - If signal selected by IO6PSEL.SRC is 0: AUXIO[8i+6] is tri-stated or pulled. This depends on IOC:IOCFGn.PULL_CTL. - If signal selected by IO6PSEL.SRC is 1: AUXIO[8i+6] is driven high.
11-10	IO5	R/W	0h	Selects mode for AUXIO[8i+5]. 0h = Output Mode: When IOPOE bit 5 is 0: GPIODOUT bit 5 drives AUXIO[8i+5]. When IOPOE bit 5 is 1: The signal selected by IO5PSEL.SRC drives AUXIO[8i+5]. 1h = Input Mode: When GPIODIE bit 5 is 0: AUXIO[8i+5] is enabled for analog signal transfer. When GPIODIE bit 5 is 1: AUXIO[8i+5] is enabled for digital input. 2h = Open-Drain Mode: When IOPOE bit 5 is 0: - If GPIODOUT bit 5 is 0: AUXIO[8i+5] is driven low. - If GPIODOUT bit 5 is 1: AUXIO[8i+5] is tri-stated or pulled. This depends on IOC:IOCFGn.PULL_CTL. When IOPOE bit 5 is 1: - If signal selected by IO5PSEL.SRC is 0: AUXIO[8i+5] is driven low. - If signal selected by IO5PSEL.SRC is 1: AUXIO[8i+5] is tri-stated or pulled. This depends on IOC:IOCFGn.PULL_CTL. 3h = Open-Source Mode: When IOPOE bit 5 is 0: - If GPIODOUT bit 5 is 0: AUXIO[8i+5] is tri-stated or pulled. This depends on IOC:IOCFGn.PULL_CTL. - If GPIODOUT bit 5 is 1: AUXIO[8i+5] is driven high. When IOPOE bit 5 is 1: - If signal selected by IO5PSEL.SRC is 0: AUXIO[8i+5] is tri-stated or pulled. This depends on IOC:IOCFGn.PULL_CTL. - If signal selected by IO5PSEL.SRC is 1: AUXIO[8i+5] is driven high.

Table 19-38. IOMODE Register Field Descriptions (continued)

Bit	Field	Type	Reset	Description
9-8	IO4	R/W	0h	<p>Selects mode for AUXIO[8i+4].</p> <p>0h = Output Mode: When IOPOE bit 4 is 0: GPIODOUT bit 4 drives AUXIO[8i+4]. When IOPOE bit 4 is 1: The signal selected by IO4PSEL.SRC drives AUXIO[8i+4].</p> <p>1h = Input Mode: When GPIODIE bit 4 is 0: AUXIO[8i+4] is enabled for analog signal transfer. When GPIODIE bit 4 is 1: AUXIO[8i+4] is enabled for digital input.</p> <p>2h = Open-Drain Mode: When IOPOE bit 4 is 0: - If GPIODOUT bit 4 is 0: AUXIO[8i+4] is driven low. - If GPIODOUT bit 4 is 1: AUXIO[8i+4] is tri-stated or pulled. This depends on IOC:IOCFGn.PULL_CTL. When IOPOE bit 4 is 1: - If signal selected by IO4PSEL.SRC is 0: AUXIO[8i+4] is driven low. - If signal selected by IO4PSEL.SRC is 1: AUXIO[8i+4] is tri-stated or pulled. This depends on IOC:IOCFGn.PULL_CTL.</p> <p>3h = Open-Source Mode: When IOPOE bit 4 is 0: - If GPIODOUT bit 4 is 0: AUXIO[8i+4] is tri-stated or pulled. This depends on IOC:IOCFGn.PULL_CTL. - If GPIODOUT bit 4 is 1: AUXIO[8i+4] is driven high. When IOPOE bit 4 is 1: - If signal selected by IO4PSEL.SRC is 0: AUXIO[8i+4] is tri-stated or pulled. This depends on IOC:IOCFGn.PULL_CTL. - If signal selected by IO4PSEL.SRC is 1: AUXIO[8i+4] is driven high.</p>
7-6	IO3	R/W	0h	<p>Selects mode for AUXIO[8i+3].</p> <p>0h = Output Mode: When IOPOE bit 3 is 0: GPIODOUT bit 3 drives AUXIO[8i+3]. When IOPOE bit 3 is 1: The signal selected by IO3PSEL.SRC drives AUXIO[8i+3].</p> <p>1h = Input Mode: When GPIODIE bit 3 is 0: AUXIO[8i+3] is enabled for analog signal transfer. When GPIODIE bit 3 is 1: AUXIO[8i+3] is enabled for digital input.</p> <p>2h = Open-Drain Mode: When IOPOE bit 3 is 0: - If GPIODOUT bit 3 is 0: AUXIO[8i+3] is driven low. - If GPIODOUT bit 3 is 1: AUXIO[8i+3] is tri-stated or pulled. This depends on IOC:IOCFGn.PULL_CTL. When IOPOE bit 3 is 1: - If signal selected by IO3PSEL.SRC is 0: AUXIO[8i+3] is driven low. - If signal selected by IO3PSEL.SRC is 1: AUXIO[8i+3] is tri-stated or pulled. This depends on IOC:IOCFGn.PULL_CTL.</p> <p>3h = Open-Source Mode: When IOPOE bit 3 is 0: - If GPIODOUT bit 3 is 0: AUXIO[8i+3] is tri-stated or pulled. This depends on IOC:IOCFGn.PULL_CTL. - If GPIODOUT bit 3 is 1: AUXIO[8i+3] is driven high. When IOPOE bit 3 is 1: - If signal selected by IO3PSEL.SRC is 0: AUXIO[8i+3] is tri-stated or pulled. This depends on IOC:IOCFGn.PULL_CTL. - If signal selected by IO3PSEL.SRC is 1: AUXIO[8i+3] is driven high.</p>

Table 19-38. IOMODE Register Field Descriptions (continued)

Bit	Field	Type	Reset	Description
5-4	IO2	R/W	0h	Select mode for AUXIO[8i+2]. 0h = Output Mode: When IOPOE bit 2 is 0: GPIODOUT bit 2 drives AUXIO[8i+2]. When IOPOE bit 2 is 1: The signal selected by IO2PSEL.SRC drives AUXIO[8i+2]. 1h = Input Mode: When GPIODIE bit 2 is 0: AUXIO[8i+2] is enabled for analog signal transfer. When GPIODIE bit 2 is 1: AUXIO[8i+2] is enabled for digital input. 2h = Open-Drain Mode: When IOPOE bit 2 is 0: - If GPIODOUT bit 2 is 0: AUXIO[8i+2] is driven low. - If GPIODOUT bit 2 is 1: AUXIO[8i+2] is tri-stated or pulled. This depends on IOC:IOCFGn.PULL_CTL. When IOPOE bit 2 is 1: - If signal selected by IO2PSEL.SRC is 0: AUXIO[8i+2] is driven low. - If signal selected by IO2PSEL.SRC is 1: AUXIO[8i+2] is tri-stated or pulled. This depends on IOC:IOCFGn.PULL_CTL. 3h = Open-Source Mode: When IOPOE bit 2 is 0: - If GPIODOUT bit 2 is 0: AUXIO[8i+2] is tri-stated or pulled. This depends on IOC:IOCFGn.PULL_CTL. - If GPIODOUT bit 2 is 1: AUXIO[8i+2] is driven high. When IOPOE bit 2 is 1: - If signal selected by IO2PSEL.SRC is 0: AUXIO[8i+2] is tri-stated or pulled. This depends on IOC:IOCFGn.PULL_CTL. - If signal selected by IO2PSEL.SRC is 1: AUXIO[8i+2] is driven high.
3-2	IO1	R/W	0h	Select mode for AUXIO[8i+1]. 0h = Output Mode: When IOPOE bit 1 is 0: GPIODOUT bit 1 drives AUXIO[8i+1]. When IOPOE bit 1 is 1: The signal selected by IO1PSEL.SRC drives AUXIO[8i+1]. 1h = Input Mode: When GPIODIE bit 1 is 0: AUXIO[8i+1] is enabled for analog signal transfer. When GPIODIE bit 1 is 1: AUXIO[8i+1] is enabled for digital input. 2h = Open-Drain Mode: When IOPOE bit 1 is 0: - If GPIODOUT bit 1 is 0: AUXIO[8i+1] is driven low. - If GPIODOUT bit 1 is 1: AUXIO[8i+1] is tri-stated or pulled. This depends on IOC:IOCFGn.PULL_CTL. When IOPOE bit 1 is 1: - If signal selected by IO1PSEL.SRC is 0: AUXIO[8i+1] is driven low. - If signal selected by IO1PSEL.SRC is 1: AUXIO[8i+1] is tri-stated or pulled. This depends on IOC:IOCFGn.PULL_CTL. 3h = Open-Source Mode: When IOPOE bit 1 is 0: - If GPIODOUT bit 1 is 0: AUXIO[8i+1] is tri-stated or pulled. This depends on IOC:IOCFGn.PULL_CTL. - If GPIODOUT bit 1 is 1: AUXIO[8i+1] is driven high. When IOPOE bit 1 is 1: - If signal selected by IO1PSEL.SRC is 0: AUXIO[8i+1] is tri-stated or pulled. This depends on IOC:IOCFGn.PULL_CTL. - If signal selected by IO1PSEL.SRC is 1: AUXIO[8i+1] is driven high.

Table 19-38. IOMODE Register Field Descriptions (continued)

Bit	Field	Type	Reset	Description
1-0	IO0	R/W	0h	<p>Select mode for AUXIO[8i+0].</p> <p>0h = Output Mode: When IOPOE bit 0 is 0: GPIODOUT bit 0 drives AUXIO[8i+0]. When IOPOE bit 0 is 1: The signal selected by IO0PSEL.SRC drives AUXIO[8i+0].</p> <p>1h = Input Mode: When GPIODIE bit 0 is 0: AUXIO[8i+0] is enabled for analog signal transfer. When GPIODIE bit 0 is 1: AUXIO[8i+0] is enabled for digital input.</p> <p>2h = Open-Drain Mode: When IOPOE bit 0 is 0: - If GPIODOUT bit 0 is 0: AUXIO[8i+0] is driven low. - If GPIODOUT bit 0 is 1: AUXIO[8i+0] is tri-stated or pulled. This depends on IOC:IOCFGn.PULL_CTL. When IOPOE bit 0 is 1: - If signal selected by IO0PSEL.SRC is 0: AUXIO[8i+0] is driven low. - If signal selected by IO0PSEL.SRC is 1: AUXIO[8i+0] is tri-stated or pulled. This depends on IOC:IOCFGn.PULL_CTL.</p> <p>3h = Open-Source Mode: When IOPOE bit 0 is 0: - If GPIODOUT bit 0 is 0: AUXIO[8i+0] is tri-stated or pulled. This depends on IOC:IOCFGn.PULL_CTL. - If GPIODOUT bit 0 is 1: AUXIO[8i+0] is driven high. When IOPOE bit 0 is 1: - If signal selected by IO0PSEL.SRC is 0: AUXIO[8i+0] is tri-stated or pulled. This depends on IOC:IOCFGn.PULL_CTL. - If signal selected by IO0PSEL.SRC is 1: AUXIO[8i+0] is driven high.</p>

19.6.2.2 GPIODIE Register (Offset = 4h) [Reset = 0000000h]

GPIODIE is shown in [Figure 19-34](#) and described in [Table 19-39](#).

Return to the [Table 19-36](#).

General Purpose Input Output Digital Input Enable

This register controls input buffers for AUXIO that are controlled by instance i of AUX_AIODIO. Hence, in formulas below $i = 0$ for AUX_AIODIO0, $i = 1$ for AUX_AIODIO1, and so forth.

Figure 19-34. GPIODIE Register

31	30	29	28	27	26	25	24	23	22	21	20	19	18	17	16	15	14	13	12	11	10	9	8	7	6	5	4	3	2	1	0
RESERVED																								IO7_0							
R-0h																								R/W-0h							

Table 19-39. GPIODIE Register Field Descriptions

Bit	Field	Type	Reset	Description
31-8	RESERVED	R	0h	Reserved
7-0	IO7_0	R/W	0h	Write 1 to bit index n in this bit vector to enable digital input buffer for AUXIO[8i+n]. Write 0 to bit index n in this bit vector to disable digital input buffer for AUXIO[8i+n]. You must enable the digital input buffer for AUXIO[8i+n] to read the pin value in GPIODIN. You must disable the digital input buffer for analog input or pins that float to avoid current leakage.

19.6.2.3 IOPOE Register (Offset = 8h) [Reset = 00000000h]

IOPOE is shown in [Figure 19-35](#) and described in [Table 19-40](#).

Return to the [Table 19-36](#).

Input Output Peripheral Output Enable

This register selects the output source for AUXIO that are controlled by instance *i* of AUX_AIODIO. Hence, in formulas below *i* = 0 for AUX_AIODIO0, *i* = 1 for AUX_AIODIO1, and so forth.

Figure 19-35. IOPOE Register

31	30	29	28	27	26	25	24	23	22	21	20	19	18	17	16	15	14	13	12	11	10	9	8	7	6	5	4	3	2	1	0
RESERVED																								IO7_0							
R-0h																								R/W-0h							

Table 19-40. IOPOE Register Field Descriptions

Bit	Field	Type	Reset	Description
31-8	RESERVED	R	0h	Reserved
7-0	IO7_0	R/W	0h	Write 1 to bit index <i>n</i> in this bit vector to configure AUXIO[8 <i>i</i> + <i>n</i>] to be driven from source given in [IO <i>n</i> PSEL.*]. Write 0 to bit index <i>n</i> in this bit vector to configure AUXIO[8 <i>i</i> + <i>n</i>] to be driven from bit <i>n</i> in GPIO <i>D</i> OUT.

19.6.2.4 GPIODOUT Register (Offset = Ch) [Reset = 0000000h]

GPIODOUT is shown in [Figure 19-36](#) and described in [Table 19-41](#).

Return to the [Table 19-36](#).

General Purpose Input Output Data Out

The output data register is used to set data on AUXIO that are controlled by instance i of AUX_AIODIO. Hence, in formulas below $i = 0$ for AUX_AIODIO0, $i = 1$ for AUX_AIODIO1, and so forth.

Figure 19-36. GPIODOUT Register

31	30	29	28	27	26	25	24	23	22	21	20	19	18	17	16	15	14	13	12	11	10	9	8	7	6	5	4	3	2	1	0
RESERVED																								IO7_0							
R-0h																								R/W-0h							

Table 19-41. GPIODOUT Register Field Descriptions

Bit	Field	Type	Reset	Description
31-8	RESERVED	R	0h	Reserved
7-0	IO7_0	R/W	0h	Write 1 to bit index n in this bit vector to set AUXIO[8i+n]. Write 0 to bit index n in this bit vector to clear AUXIO[8i+n]. You must clear bit n in IOPOE to connect bit n in this bit vector to AUXIO[8i+n].

19.6.2.5 GPIODIN Register (Offset = 10h) [Reset = 0000000h]

GPIODIN is shown in [Figure 19-37](#) and described in [Table 19-42](#).

Return to the [Table 19-36](#).

General Purpose Input Output Data In

This register provides synchronized input data for AUXIO that are controlled by instance *i* of AUX_AIODIO.

Hence, in formulas below *i* = 0 for AUX_AIODIO0, *i* = 1 for AUX_AIODIO1, and so forth

Figure 19-37. GPIODIN Register

31	30	29	28	27	26	25	24	23	22	21	20	19	18	17	16	15	14	13	12	11	10	9	8	7	6	5	4	3	2	1	0
RESERVED																								IO7_0							
R-0h																								R-0h							

Table 19-42. GPIODIN Register Field Descriptions

Bit	Field	Type	Reset	Description
31-8	RESERVED	R	0h	Reserved
7-0	IO7_0	R	0h	Bit <i>n</i> in this bit vector contains the value for AUXIO[8i+n] when GPIODIE bit <i>n</i> is set. Otherwise, bit <i>n</i> is read as 0.

19.6.2.6 GPIODOUTSET Register (Offset = 14h) [Reset = 0000000h]

GPIODOUTSET is shown in [Figure 19-38](#) and described in [Table 19-43](#).

Return to the [Table 19-36](#).

General Purpose Input Output Data Out Set

Set bits in GPIODOUT in instance i of AUX_AIODIO. Hence, in formulas below i = 0 for AUX_AIODIO0, i = 1 for AUX_AIODIO1, and so forth.

Figure 19-38. GPIODOUTSET Register

31	30	29	28	27	26	25	24	23	22	21	20	19	18	17	16	15	14	13	12	11	10	9	8	7	6	5	4	3	2	1	0
RESERVED														IO7_0																	
R-0h														R/W-0h																	

Table 19-43. GPIODOUTSET Register Field Descriptions

Bit	Field	Type	Reset	Description
31-8	RESERVED	R	0h	Reserved
7-0	IO7_0	R/W	0h	Write 1 to bit index n in this bit vector to set GPIODOUT bit n. Read value is 0.

19.6.2.7 GPIODOUTCLR Register (Offset = 18h) [Reset = 0000000h]

GPIODOUTCLR is shown in [Figure 19-39](#) and described in [Table 19-44](#).

Return to the [Table 19-36](#).

General Purpose Input Output Data Out Clear

Clear bits in GPIODOUT instance i of AUX_AIODIO. Hence, in formulas below i = 0 for AUX_AIODIO0, i = 1 for AUX_AIODIO1, and so forth.

Figure 19-39. GPIODOUTCLR Register

31	30	29	28	27	26	25	24	23	22	21	20	19	18	17	16	15	14	13	12	11	10	9	8	7	6	5	4	3	2	1	0
RESERVED														IO7_0																	
R-0h														R/W-0h																	

Table 19-44. GPIODOUTCLR Register Field Descriptions

Bit	Field	Type	Reset	Description
31-8	RESERVED	R	0h	Reserved
7-0	IO7_0	R/W	0h	Write 1 to bit index n in this bit vector to clear GPIODOUT bit n. Read value is 0.

19.6.2.8 GPIODOUTTGL Register (Offset = 1Ch) [Reset = 0000000h]

GPIODOUTTGL is shown in [Figure 19-40](#) and described in [Table 19-45](#).

Return to the [Table 19-36](#).

General Purpose Input Output Data Out Toggle

Toggle bits in GPIODOUT in instance i of AUX_AIODIO. Hence, in formulas below i = 0 for AUX_AIODIO0, i = 1 for AUX_AIODIO1, and so forth.

Figure 19-40. GPIODOUTTGL Register

31	30	29	28	27	26	25	24	23	22	21	20	19	18	17	16	15	14	13	12	11	10	9	8	7	6	5	4	3	2	1	0
RESERVED														IO7_0																	
R-0h														R/W-0h																	

Table 19-45. GPIODOUTTGL Register Field Descriptions

Bit	Field	Type	Reset	Description
31-8	RESERVED	R	0h	Reserved
7-0	IO7_0	R/W	0h	Write 1 to bit index n in this bit vector to toggle GPIODOUT bit n. Read value is 0.

19.6.2.9 IO0PSEL Register (Offset = 20h) [Reset = 00000000h]

IO0PSEL is shown in [Figure 19-41](#) and described in [Table 19-46](#).

Return to the [Table 19-36](#).

Input Output 0 Peripheral Select

This register selects a peripheral signal that connects to AUXIO[8i+0] when IOPOE bit 0 is 1.

To avoid glitches on AUXIO[8i+0] you must configure this register while IOPOE bit 0 is 0.

In the formulas $i = 0$ for AUX_AIODIO0, $i = 1$ for AUX_AIODIO1, and so forth.

Figure 19-41. IO0PSEL Register

31	30	29	28	27	26	25	24	23	22	21	20	19	18	17	16	15	14	13	12	11	10	9	8	7	6	5	4	3	2	1	0
RESERVED																SRC															
R-0h																R/W-0h															

Table 19-46. IO0PSEL Register Field Descriptions

Bit	Field	Type	Reset	Description
31-3	RESERVED	R	0h	Reserved
2-0	SRC	R/W	0h	Select a peripheral signal that connects to AUXIO[8i+0] when IOPOE bit 0 is set.

19.6.2.10 IO1PSEL Register (Offset = 24h) [Reset = 0000000h]

IO1PSEL is shown in [Figure 19-42](#) and described in [Table 19-47](#).

Return to the [Table 19-36](#).

Input Output 1 Peripheral Select

This register selects a peripheral signal that connects to AUXIO[8i+1] when IOPOE bit 1 is 1.

To avoid glitches on AUXIO[8i+1] you must configure this register while IOPOE bit 1 is 0.

In the formulas $i = 0$ for AUX_AIODIO0, $i = 1$ for AUX_AIODIO1, and so forth.

Figure 19-42. IO1PSEL Register

31	30	29	28	27	26	25	24	23	22	21	20	19	18	17	16	15	14	13	12	11	10	9	8	7	6	5	4	3	2	1	0
RESERVED																SRC															
R-0h																R/W-0h															

Table 19-47. IO1PSEL Register Field Descriptions

Bit	Field	Type	Reset	Description
31-3	RESERVED	R	0h	Reserved
2-0	SRC	R/W	0h	Select a peripheral signal that connects to AUXIO[8i+1] when IOPOE bit 1 is set.

19.6.2.11 IO2PSEL Register (Offset = 28h) [Reset = 0000000h]

IO2PSEL is shown in [Figure 19-43](#) and described in [Table 19-48](#).

Return to the [Table 19-36](#).

Input Output 2 Peripheral Select

This register selects a peripheral signal that connects to AUXIO[8i+2] when IOPOE bit 2 is 1.

To avoid glitches on AUXIO[8i+2] you must configure this register while IOPOE bit 2 is 0.

In the formulas $i = 0$ for AUX_AIODIO0, $i = 1$ for AUX_AIODIO1, and so forth.

Figure 19-43. IO2PSEL Register

31	30	29	28	27	26	25	24	23	22	21	20	19	18	17	16	15	14	13	12	11	10	9	8	7	6	5	4	3	2	1	0
RESERVED																SRC															
R-0h																R/W-0h															

Table 19-48. IO2PSEL Register Field Descriptions

Bit	Field	Type	Reset	Description
31-3	RESERVED	R	0h	Reserved
2-0	SRC	R/W	0h	Select a peripheral signal that connects to AUXIO[8i+2] when IOPOE bit 2 is set.

19.6.2.12 IO3PSEL Register (Offset = 2Ch) [Reset = 0000000h]

IO3PSEL is shown in [Figure 19-44](#) and described in [Table 19-49](#).

Return to the [Table 19-36](#).

Input Output 3 Peripheral Select

This register selects a peripheral signal that connects to AUXIO[8i+3] when IOPOE bit 3 is 1.

To avoid glitches on AUXIO[8i+3] you must configure this register while IOPOE bit 3 is 0.

In the formulas $i = 0$ for AUX_AIODIO0, $i = 1$ for AUX_AIODIO1, and so forth.

Figure 19-44. IO3PSEL Register

31	30	29	28	27	26	25	24	23	22	21	20	19	18	17	16	15	14	13	12	11	10	9	8	7	6	5	4	3	2	1	0
RESERVED																SRC															
R-0h																R/W-0h															

Table 19-49. IO3PSEL Register Field Descriptions

Bit	Field	Type	Reset	Description
31-3	RESERVED	R	0h	Reserved
2-0	SRC	R/W	0h	Select a peripheral signal that connects to AUXIO[8i+3] when IOPOE bit 3 is set.

19.6.2.13 IO4PSEL Register (Offset = 30h) [Reset = 0000000h]

IO4PSEL is shown in [Figure 19-45](#) and described in [Table 19-50](#).

Return to the [Table 19-36](#).

Input Output 4 Peripheral Select

This register selects a peripheral signal that connects to AUXIO[8i+4] when IOPOE bit 4 is 1.

To avoid glitches on AUXIO[8i+4] you must configure this register while IOPOE bit 4 is 0.

In the formulas $i = 0$ for AUX_AIODIO0, $i = 1$ for AUX_AIODIO1, and so forth.

Figure 19-45. IO4PSEL Register

31	30	29	28	27	26	25	24	23	22	21	20	19	18	17	16	15	14	13	12	11	10	9	8	7	6	5	4	3	2	1	0
RESERVED																SRC															
R-0h																R/W-0h															

Table 19-50. IO4PSEL Register Field Descriptions

Bit	Field	Type	Reset	Description
31-3	RESERVED	R	0h	Reserved
2-0	SRC	R/W	0h	Select a peripheral signal that connects to AUXIO[8i+4] when IOPOE bit 4 is set.

19.6.2.14 IO5PSEL Register (Offset = 34h) [Reset = 0000000h]

IO5PSEL is shown in [Figure 19-46](#) and described in [Table 19-51](#).

Return to the [Table 19-36](#).

Input Output 5 Peripheral Select

This register selects a peripheral signal that connects to AUXIO[8i+5] when IOPOE bit 5 is 1.

To avoid glitches on AUXIO[8i+5] you must configure this register while IOPOE bit 5 is 0.

In the formulas $i = 0$ for AUX_AIODIO0, $i = 1$ for AUX_AIODIO1, and so forth.

Figure 19-46. IO5PSEL Register

31	30	29	28	27	26	25	24	23	22	21	20	19	18	17	16	15	14	13	12	11	10	9	8	7	6	5	4	3	2	1	0
RESERVED																												SRC			
R-0h																												R/W-0h			

Table 19-51. IO5PSEL Register Field Descriptions

Bit	Field	Type	Reset	Description
31-3	RESERVED	R	0h	Reserved
2-0	SRC	R/W	0h	Select a peripheral signal that connects to AUXIO[8i+5] when IOPOE bit 5 is set.

19.6.2.15 IO6PSEL Register (Offset = 38h) [Reset = 0000000h]

IO6PSEL is shown in [Figure 19-47](#) and described in [Table 19-52](#).

Return to the [Table 19-36](#).

Input Output 6 Peripheral Select

This register selects a peripheral signal that connects to AUXIO[8i+6] when IOPOE bit 6 is 1.

To avoid glitches on AUXIO[8i+6] you must configure this register while IOPOE bit 6 is 0.

In the formulas $i = 0$ for AUX_AIODIO0, $i = 1$ for AUX_AIODIO1, and so forth.

Figure 19-47. IO6PSEL Register

31	30	29	28	27	26	25	24	23	22	21	20	19	18	17	16	15	14	13	12	11	10	9	8	7	6	5	4	3	2	1	0
RESERVED																											SRC				
R-0h																											R/W-0h				

Table 19-52. IO6PSEL Register Field Descriptions

Bit	Field	Type	Reset	Description
31-3	RESERVED	R	0h	Reserved
2-0	SRC	R/W	0h	Select a peripheral signal that connects to AUXIO[8i+6] when IOPOE bit 6 is set.

19.6.2.16 IO7PSEL Register (Offset = 3Ch) [Reset = 0000000h]

IO7PSEL is shown in [Figure 19-48](#) and described in [Table 19-53](#).

Return to the [Table 19-36](#).

Input Output 7 Peripheral Select

This register selects a peripheral signal that connects to AUXIO[8i+7] when IOPOE bit 7 is 1.

To avoid glitches on AUXIO[8i+7] you must configure this register while IOPOE bit 7 is 0.

In the formulas $i = 0$ for AUX_AIODIO0, $i = 1$ for AUX_AIODIO1, and so forth.

Figure 19-48. IO7PSEL Register

31	30	29	28	27	26	25	24	23	22	21	20	19	18	17	16	15	14	13	12	11	10	9	8	7	6	5	4	3	2	1	0
RESERVED																											SRC				
R-0h																											R/W-0h				

Table 19-53. IO7PSEL Register Field Descriptions

Bit	Field	Type	Reset	Description
31-3	RESERVED	R	0h	Reserved
2-0	SRC	R/W	0h	Select a peripheral signal that connects to AUXIO[8i+7] when IOPOE bit 7 is set.

19.6.3 AUX_EVCTL Registers

[AUX_EVCTL Registers](#) lists the memory-mapped registers for the AUX_EVCTL registers. All register offset addresses not listed in [AUX_EVCTL Registers](#) should be considered as reserved locations and the register contents should not be modified.

Table 19-54. AUX_EVCTL Registers

Offset	Acronym	Register Name	Section
0h	EVSTAT0	Event Status 0	Section 19.6.3.1
4h	EVSTAT1	Event Status 1	Section 19.6.3.2
8h	EVSTAT2	Event Status 2	Section 19.6.3.3
Ch	EVSTAT3	Event Status 3	Section 19.6.3.4
18h	DMACTL	Direct Memory Access Control	Section 19.6.3.5
20h	SWEVSET	Software Event Set	Section 19.6.3.6
24h	EVTOAONFLAGS	Events To AON Flags	Section 19.6.3.7
28h	EVTOAONPOL	Events To AON Polarity	Section 19.6.3.8
2Ch	EVTOAONFLAGSCLR	Events To AON Clear	Section 19.6.3.9
30h	EVTOMCUFLAGS	Events to MCU Flags	Section 19.6.3.10
34h	EVTOMCUPOL	Event To MCU Polarity	Section 19.6.3.11
38h	EVTOMCUFLAGSCLR	Events To MCU Flags Clear	Section 19.6.3.12
3Ch	COMBEVTOMCUMASK	Combined Event To MCU Mask	Section 19.6.3.13
40h	EVOBSCFG	Event Observation Configuration	Section 19.6.3.14
48h	MANUAL	Manual	Section 19.6.3.15

Complex bit access types are encoded to fit into small table cells. [AUX_EVCTL Access Type Codes](#) shows the codes that are used for access types in this section.

Table 19-55. AUX_EVCTL Access Type Codes

Access Type	Code	Description
Read Type		
R	R	Read
Write Type		
W	W	Write
W0C	W 0C	Write 0 to clear
Reset or Default Value		
-n		Value after reset or the default value

19.6.3.1 EVSTAT0 Register (Offset = 0h) [Reset = 0000000h]

EVSTAT0 is shown in [EVSTAT0 Register](#) and described in [EVSTAT0 Register Field Descriptions](#).

Return to the [AUX_EVCTL Registers](#).

Event Status 0

Register holds events 0 thru 15 of the 64-bit event bus that is synchronous to AUX clock. All events read through this register are synchronized at SCE clock rate, unless otherwise noted. The following subscribers use the asynchronous version of events in this register.

- AUX_ANAIF.
- AUX_TDC.
- AUX_SYSIF.
- AUX_AIODIO_n.
- EVOBSCFG.

Figure 19-49. EVSTAT0 Register

31	30	29	28	27	26	25	24
RESERVED							
R-0h							
23	22	21	20	19	18	17	16
RESERVED							
R-0h							
15	14	13	12	11	10	9	8
AUXIO15	AUXIO14	AUXIO13	AUXIO12	AUXIO11	AUXIO10	AUXIO9	AUXIO8
R-0h	R-0h	R-0h	R-0h	R-0h	R-0h	R-0h	R-0h
7	6	5	4	3	2	1	0
AUXIO7	AUXIO6	AUXIO5	AUXIO4	AUXIO3	AUXIO2	AUXIO1	AUXIO0
R-0h	R-0h	R-0h	R-0h	R-0h	R-0h	R-0h	R-0h

Table 19-56. EVSTAT0 Register Field Descriptions

Bit	Field	Type	Reset	Description
31-16	RESERVED	R	0h	Reserved
15	AUXIO15	R	0h	AUXIO15 pin level, read value corresponds to AUX_AIODIO1:GPIODIN bit 7.
14	AUXIO14	R	0h	AUXIO14 pin level, read value corresponds to AUX_AIODIO1:GPIODIN bit 6.
13	AUXIO13	R	0h	AUXIO13 pin level, read value corresponds to AUX_AIODIO1:GPIODIN bit 5.
12	AUXIO12	R	0h	AUXIO12 pin level, read value corresponds to AUX_AIODIO1:GPIODIN bit 4.
11	AUXIO11	R	0h	AUXIO11 pin level, read value corresponds to AUX_AIODIO1:GPIODIN bit 3.
10	AUXIO10	R	0h	AUXIO10 pin level, read value corresponds to AUX_AIODIO1:GPIODIN bit 2.
9	AUXIO9	R	0h	AUXIO9 pin level, read value corresponds to AUX_AIODIO1:GPIODIN bit 1.
8	AUXIO8	R	0h	AUXIO8 pin level, read value corresponds to AUX_AIODIO1:GPIODIN bit 0.
7	AUXIO7	R	0h	AUXIO7 pin level, read value corresponds to AUX_AIODIO0:GPIODIN bit 7.
6	AUXIO6	R	0h	AUXIO6 pin level, read value corresponds to AUX_AIODIO0:GPIODIN bit 6.

Table 19-56. EVSTAT0 Register Field Descriptions (continued)

Bit	Field	Type	Reset	Description
5	AUXIO5	R	0h	AUXIO5 pin level, read value corresponds to AUX_AIODIO0:GPIODIN bit 5.
4	AUXIO4	R	0h	AUXIO4 pin level, read value corresponds to AUX_AIODIO0:GPIODIN bit 4.
3	AUXIO3	R	0h	AUXIO3 pin level, read value corresponds to AUX_AIODIO0:GPIODIN bit 3.
2	AUXIO2	R	0h	AUXIO2 pin level, read value corresponds to AUX_AIODIO0:GPIODIN bit 2.
1	AUXIO1	R	0h	AUXIO1 pin level, read value corresponds to AUX_AIODIO0:GPIODIN bit 1.
0	AUXIO0	R	0h	AUXIO0 pin level, read value corresponds to AUX_AIODIO0:GPIODIN bit 0.

19.6.3.2 EVSTAT1 Register (Offset = 4h) [Reset = 0000000h]

EVSTAT1 is shown in [EVSTAT1 Register](#) and described in [EVSTAT1 Register Field Descriptions](#).

Return to the [AUX_EVCTL Registers](#).

Event Status 1

Register holds events 16 thru 31 of the 64-bit event bus that is synchronous to AUX clock. All events read through this register are synchronized at SCE clock rate, unless otherwise noted. The following subscribers use the asynchronous version of events in this register.

- AUX_ANAIF.
- AUX_TDC.
- AUX_SYSIF.
- AUX_AIODION.
- EVOBSCFG.

Figure 19-50. EVSTAT1 Register

31	30	29	28	27	26	25	24
RESERVED							
R-0h							
23	22	21	20	19	18	17	16
RESERVED							
R-0h							
15	14	13	12	11	10	9	8
AUXIO31	AUXIO30	AUXIO29	AUXIO28	AUXIO27	AUXIO26	AUXIO25	AUXIO24
R-0h	R-0h	R-0h	R-0h	R-0h	R-0h	R-0h	R-0h
7	6	5	4	3	2	1	0
AUXIO23	AUXIO22	AUXIO21	AUXIO20	AUXIO19	AUXIO18	AUXIO17	AUXIO16
R-0h	R-0h	R-0h	R-0h	R-0h	R-0h	R-0h	R-0h

Table 19-57. EVSTAT1 Register Field Descriptions

Bit	Field	Type	Reset	Description
31-16	RESERVED	R	0h	Reserved
15	AUXIO31	R	0h	AUXIO31 pin level, read value corresponds to AUX_AIODIO3:GPIODIN bit 7.
14	AUXIO30	R	0h	AUXIO30 pin level, read value corresponds to AUX_AIODIO3:GPIODIN bit 6.
13	AUXIO29	R	0h	AUXIO29 pin level, read value corresponds to AUX_AIODIO3:GPIODIN bit 5.
12	AUXIO28	R	0h	AUXIO28 pin level, read value corresponds to AUX_AIODIO3:GPIODIN bit 4.
11	AUXIO27	R	0h	AUXIO27 pin level, read value corresponds to AUX_AIODIO3:GPIODIN bit 3.
10	AUXIO26	R	0h	AUXIO26 pin level, read value corresponds to AUX_AIODIO3:GPIODIN bit 2.
9	AUXIO25	R	0h	AUXIO25 pin level, read value corresponds to AUX_AIODIO3:GPIODIN bit 1.
8	AUXIO24	R	0h	AUXIO24 pin level, read value corresponds to AUX_AIODIO3:GPIODIN bit 0.
7	AUXIO23	R	0h	AUXIO23 pin level, read value corresponds to AUX_AIODIO2:GPIODIN bit 7.
6	AUXIO22	R	0h	AUXIO22 pin level, read value corresponds to AUX_AIODIO2:GPIODIN bit 6.

Table 19-57. EVSTAT1 Register Field Descriptions (continued)

Bit	Field	Type	Reset	Description
5	AUXIO21	R	0h	AUXIO21 pin level, read value corresponds to AUX_AIODIO2:GPIODIN bit 5.
4	AUXIO20	R	0h	AUXIO20 pin level, read value corresponds to AUX_AIODIO2:GPIODIN bit 4.
3	AUXIO19	R	0h	AUXIO19 pin level, read value corresponds to AUX_AIODIO2:GPIODIN bit 3.
2	AUXIO18	R	0h	AUXIO18 pin level, read value corresponds to AUX_AIODIO2:GPIODIN bit 2.
1	AUXIO17	R	0h	AUXIO17 pin level, read value corresponds to AUX_AIODIO2:GPIODIN bit 1.
0	AUXIO16	R	0h	AUXIO16 pin level, read value corresponds to AUX_AIODIO2:GPIODIN bit 0.

19.6.3.3 EVSTAT2 Register (Offset = 8h) [Reset = 0000000h]

EVSTAT2 is shown in [EVSTAT2 Register](#) and described in [EVSTAT2 Register Field Descriptions](#).

Return to the [AUX_EVCTL Registers](#).

Event Status 2

Register holds events 32 thru 47 of the 64-bit event bus that is synchronous to AUX clock. All events read through this register are synchronized at SCE clock rate, unless otherwise noted. The following subscribers use the asynchronous version of events in this register.

- AUX_ANAIF.
- AUX_TDC.
- AUX_SYSIF.
- AUX_AIODION.
- EVOBSCFG.

Figure 19-51. EVSTAT2 Register

31	30	29	28	27	26	25	24
RESERVED							
R-0h							
23	22	21	20	19	18	17	16
RESERVED							
R-0h							
15	14	13	12	11	10	9	8
AUX_COMPB	AUX_COMPA	MCU_OBSMUX 1	MCU_OBSMUX 0	MCU_EV	ACLK_REF	VDDR_RECHA RGE	MCU_ACTIVE
R-0h	R-0h	R-0h	R-0h	R-0h	R-0h	R-0h	R-0h
7	6	5	4	3	2	1	0
PWR_DWN	SCLK_LF	RESERVED		AON_RTC_4K HZ	AON_RTC_CH 2_DLY	AON_RTC_CH 2	MANUAL_EV
R-0h	R-0h	R-0h		R-0h	R-0h	R-0h	R-0h

Table 19-58. EVSTAT2 Register Field Descriptions

Bit	Field	Type	Reset	Description
31-16	RESERVED	R	0h	Reserved
15	AUX_COMPB	R	0h	Comparator B output. Configuration of AUX_SYSIF:EVSYNCRATE.AUX_COMPB_SYNC_RATE sets the synchronization rate for this event.
14	AUX_COMPA	R	0h	Comparator A output. Configuration of AUX_SYSIF:EVSYNCRATE.AUX_COMPA_SYNC_RATE sets the synchronization rate for this event.
13	MCU_OBSMUX1	R	0h	Observation input 1 from IOC. This event is configured by IOC:OBSAUXOUTPUT.SEL1.
12	MCU_OBSMUX0	R	0h	Observation input 0 from IOC. This event is configured by IOC:OBSAUXOUTPUT.SEL0 and can be overridden by IOC:OBSAUXOUTPUT.SEL_MISC.
11	MCU_EV	R	0h	Event from EVENT configured by EVENT:AUXSEL0.
10	ACLK_REF	R	0h	TDC reference clock. It is configured by DDI_0_OSC:CTL0.ACLK_REF_SRC_SEL and enabled by AUX_SYSIF:TDCREFCLKCTL.REQ.
9	VDDR_RECHARGE	R	0h	Event is high during VDDR recharge.

Table 19-58. EVSTAT2 Register Field Descriptions (continued)

Bit	Field	Type	Reset	Description
8	MCU_ACTIVE	R	0h	Event is high while system(MCU, AUX, or JTAG domains) is active or transitions to active (GLDO or DCDC power supply state). Event is not high during VDDR recharge.
7	PWR_DWN	R	0h	Event is high while system(MCU, AUX, or JTAG domains) is in powerdown (uLDO power supply).
6	SCLK_LF	R	0h	SCLK_LF clock
5-4	RESERVED	R	0h	Software should not rely on the value of a reserved bit. To provide compatibility with future products, the value of a reserved bit should be preserved across a read-modify-write operation.
3	AON_RTC_4KHZ	R	0h	AON_RTC:SUBSEC.VALUE bit 19. AON_RTC:CTL.RTC_4KHZ_EN enables this event.
2	AON_RTC_CH2_DLY	R	0h	AON_RTC:EVFLAGS.CH2 delayed by AON_RTC:CTL.EV_DELAY configuration.
1	AON_RTC_CH2	R	0h	AON_RTC:EVFLAGS.CH2.
0	MANUAL_EV	R	0h	Programmable event. See MANUAL for description.

19.6.3.4 EVSTAT3 Register (Offset = Ch) [Reset = 0000000h]

EVSTAT3 is shown in [EVSTAT3 Register](#) and described in [EVSTAT3 Register Field Descriptions](#).

Return to the [AUX_EVCTL Registers](#).

Event Status 3

Register holds events 48 thru 63 of the 64-bit event bus that is synchronous to AUX clock. All events read through this register are synchronized at SCE clock rate, unless otherwise noted. The following subscribers use the asynchronous version of events in this register.

- AUX_ANAIF.
- AUX_TDC .
- AUX_SYSIF.
- AUX_AIODION.
- EVOBSCFG.

Figure 19-52. EVSTAT3 Register

31	30	29	28	27	26	25	24	
RESERVED								
R-0h								
23	22	21	20	19	18	17	16	
RESERVED								
R-0h								
15	14	13	12	11	10	9	8	
RESERVED	AUX_DAC_HOLD_ACTIVE	AUX_SMPH_AUTOTAKE_DONE	AUX_ADC_FIFO_NOT_EMPTY	AUX_ADC_FIFO_ALMOST_FULL	AUX_ADC_IRQ	AUX_ADC_DONE	AUX_ISRC_RESET_N	
R-0h	R-0h	R-0h	R-0h	R-0h	R-0h	R-0h	R-0h	
7	6	5	4	3	2	1	0	
AUX_TDC_DONE	AUX_TIMER0_EV	AUX_TIMER1_EV	RESERVED					
R-0h	R-0h	R-0h	R-0h					

Table 19-59. EVSTAT3 Register Field Descriptions

Bit	Field	Type	Reset	Description
31-16	RESERVED	R	0h	Reserved
15	RESERVED	R	0h	Software should not rely on the value of a reserved bit. To provide compatibility with future products, the value of a reserved bit should be preserved across a read-modify-write operation.
14	AUX_DAC_HOLD_ACTIVE	R	0h	AUX_ANAIF:DACSTAT.HOLD_ACTIVE
13	AUX_SMPH_AUTOTAKE_DONE	R	0h	See AUX_SMPH:AUTOTAKE.SMPH_ID for description.
12	AUX_ADC_FIFO_NOT_EMPTY	R	0h	AUX_ANAIF:ADCFIFOSTAT.EMPTY negated
11	AUX_ADC_FIFO_ALMOST_FULL	R	0h	AUX_ANAIF:ADCFIFOSTAT.ALMOST_FULL

Table 19-59. EVSTAT3 Register Field Descriptions (continued)

Bit	Field	Type	Reset	Description
10	AUX_ADC_IRQ	R	0h	The logical function for this event is configurable. When DMACTL.EN = 1 : Event = UDMA0 Channel 7 done event OR AUX_ANAIF:ADCFIFOSTAT.OVERFLOW OR AUX_ANAIF:ADCFIFOSTAT.UNDERFLOW When DMACTL.EN = 0 : Event = (NOT AUX_ANAIF:ADCFIFOSTAT.EMPTY) OR AUX_ANAIF:ADCFIFOSTAT.OVERFLOW OR AUX_ANAIF:ADCFIFOSTAT.UNDERFLOW Bit 7 in UDMA0:DONEMASK must be 0.
9	AUX_ADC_DONE	R	0h	AUX_ANAIF ADC conversion done event. Event is synchronized at AUX bus rate.
8	AUX_ISRC_RESET_N	R	0h	AUX_ANAIF:ISRCCTL.RESET_N
7	AUX_TDC_DONE	R	0h	AUX_TDC:STAT.DONE
6	AUX_TIMER0_EV	R	0h	AUX_TIMER0_EV event, see AUX_TIMER01:T0TARGET for description.
5	AUX_TIMER1_EV	R	0h	AUX_TIMER1_EV event, see AUX_TIMER01:T1TARGET for description.
4-0	RESERVED	R	0h	Software should not rely on the value of a reserved bit. To provide compatibility with future products, the value of a reserved bit should be preserved across a read-modify-write operation.

19.6.3.5 DMACTL Register (Offset = 18h) [Reset = 0000000h]

DMACTL is shown in [DMACTL Register](#) and described in [DMACTL Register Field Descriptions](#).

Return to the [AUX_EVCTL Registers](#).

Direct Memory Access Control

Figure 19-53. DMACTL Register

31	30	29	28	27	26	25	24
RESERVED							
R-0h							
23	22	21	20	19	18	17	16
RESERVED							
R-0h							
15	14	13	12	11	10	9	8
RESERVED							
R-0h							
7	6	5	4	3	2	1	0
RESERVED					REQ_MODE	EN	SEL
R-0h					R/W-0h	R/W-0h	R/W-0h

Table 19-60. DMACTL Register Field Descriptions

Bit	Field	Type	Reset	Description
31-3	RESERVED	R	0h	Reserved
2	REQ_MODE	R/W	0h	UDMA0 Request mode 0h = Burst requests are generated on UDMA0 channel 7 when the condition configured in SEL is met. 1h = Single requests are generated on UDMA0 channel 7 when the condition configured in SEL is met.
1	EN	R/W	0h	uDMA ADC interface enable. 0: Disable UDMA0 interface to ADC. 1: Enable UDMA0 interface to ADC.
0	SEL	R/W	0h	Select FIFO watermark level required to trigger a UDMA0 transfer of ADC FIFO data. 0h = UDMA0 trigger event will be generated when there are samples in the ADC FIFO. 1h = UDMA0 trigger event will be generated when the ADC FIFO is almost full (3/4 full).

19.6.3.6 SWEVSET Register (Offset = 20h) [Reset = 0000000h]

SWEVSET is shown in [SWEVSET Register](#) and described in [SWEVSET Register Field Descriptions](#).

Return to the [AUX_EVCTL Registers](#).

Software Event Set

Set software event flags from AUX domain to AON and MCU domains. CPUs in MCU domain can read the event flags from EVTOAONFLAGS and clear them in EVTOAONFLAGSCLR.

Use of these event flags is software-defined.

Figure 19-54. SWEVSET Register

31	30	29	28	27	26	25	24
RESERVED							
R-0h							
23	22	21	20	19	18	17	16
RESERVED							
R-0h							
15	14	13	12	11	10	9	8
RESERVED							
R-0h							
7	6	5	4	3	2	1	0
RESERVED					SWEV2	SWEV1	SWEV0
R-0h					W-0h	W-0h	W-0h

Table 19-61. SWEVSET Register Field Descriptions

Bit	Field	Type	Reset	Description
31-3	RESERVED	R	0h	Reserved
2	SWEV2	W	0h	Software event flag 2. 0: No effect. 1: Set software event flag 2.
1	SWEV1	W	0h	Software event flag 1. 0: No effect. 1: Set software event flag 1.
0	SWEV0	W	0h	Software event flag 0. 0: No effect. 1: Set software event flag 0.

19.6.3.7 EVTOAONFLAGS Register (Offset = 24h) [Reset = 0000000h]

EVTOAONFLAGS is shown in [EVTOAONFLAGS Register](#) and described in [EVTOAONFLAGS Register Field Descriptions](#).

Return to the [AUX_EVCTL Registers](#).

Events To AON Flags

This register contains a collection of event flags routed to AON_EVENT.

To clear an event flag, write to EVTOAONFLAGSCLR or write 0 to event flag in this register.

Figure 19-55. EVTOAONFLAGS Register

31	30	29	28	27	26	25	24
RESERVED							
R-0h							
23	22	21	20	19	18	17	16
RESERVED							
R-0h							
15	14	13	12	11	10	9	8
RESERVED							AUX_TIMER1_EV
R-0h							R/W0C-0h
7	6	5	4	3	2	1	0
AUX_TIMER0_EV	AUX_TDC_DONE	AUX_ADC_DONE	AUX_COMPB	AUX_COMPA	SWEV2	SWEV1	SWEV0
R/W0C-0h	R/W0C-0h	R/W0C-0h	R/W0C-0h	R/W0C-0h	R/W0C-0h	R/W0C-0h	R/W0C-0h

Table 19-62. EVTOAONFLAGS Register Field Descriptions

Bit	Field	Type	Reset	Description
31-9	RESERVED	R	0h	Reserved
8	AUX_TIMER1_EV	R/W0C	0h	This event flag is set when level selected by EVTOAONPOL.AUX_TIMER1_EV occurs on EVSTAT3.AUX_TIMER1_EV.
7	AUX_TIMER0_EV	R/W0C	0h	This event flag is set when level selected by EVTOAONPOL.AUX_TIMER0_EV occurs on EVSTAT3.AUX_TIMER0_EV.
6	AUX_TDC_DONE	R/W0C	0h	This event flag is set when level selected by EVTOAONPOL.AUX_TDC_DONE occurs on EVSTAT3.AUX_TDC_DONE.
5	AUX_ADC_DONE	R/W0C	0h	This event flag is set when level selected by EVTOAONPOL.AUX_ADC_DONE occurs on EVSTAT3.AUX_ADC_DONE.
4	AUX_COMPB	R/W0C	0h	This event flag is set when edge selected by EVTOAONPOL.AUX_COMPB occurs on EVSTAT2.AUX_COMPB.
3	AUX_COMPA	R/W0C	0h	This event flag is set when edge selected by EVTOAONPOL.AUX_COMPA occurs on EVSTAT2.AUX_COMPA.
2	SWEV2	R/W0C	0h	This event flag is set when software writes a 1 to SWEVSET.SWEV2.
1	SWEV1	R/W0C	0h	This event flag is set when software writes a 1 to SWEVSET.SWEV1.
0	SWEV0	R/W0C	0h	This event flag is set when software writes a 1 to SWEVSET.SWEV0.

19.6.3.8 EVTOAONPOL Register (Offset = 28h) [Reset = 0000000h]

EVTOAONPOL is shown in [EVTOAONPOL Register](#) and described in [EVTOAONPOL Register Field Descriptions](#).

Return to the [AUX_EVCTL Registers](#).

Events To AON Polarity

Event source polarity configuration for EVTOAONFLAGS.

Figure 19-56. EVTOAONPOL Register

31	30	29	28	27	26	25	24
RESERVED							
R-0h							
23	22	21	20	19	18	17	16
RESERVED							
R-0h							
15	14	13	12	11	10	9	8
RESERVED							AUX_TIMER1_EV
R-0h							R/W-0h
7	6	5	4	3	2	1	0
AUX_TIMER0_EV	AUX_TDC_DONE	AUX_ADC_DONE	AUX_COMPB	AUX_COMPA	RESERVED		
R/W-0h	R/W-0h	R/W-0h	R/W-0h	R/W-0h	R-0h		

Table 19-63. EVTOAONPOL Register Field Descriptions

Bit	Field	Type	Reset	Description
31-9	RESERVED	R	0h	Reserved
8	AUX_TIMER1_EV	R/W	0h	Select the level of EVSTAT3.AUX_TIMER1_EV that sets EVTOAONFLAGS.AUX_TIMER1_EV. 0h = High level 1h = Low level
7	AUX_TIMER0_EV	R/W	0h	Select the level of EVSTAT3.AUX_TIMER0_EV that sets EVTOAONFLAGS.AUX_TIMER0_EV. 0h = High level 1h = Low level
6	AUX_TDC_DONE	R/W	0h	Select level of EVSTAT3.AUX_TDC_DONE that sets EVTOAONFLAGS.AUX_TDC_DONE. 0h = High level 1h = Low level
5	AUX_ADC_DONE	R/W	0h	Select the level of EVSTAT3.AUX_ADC_DONE that sets EVTOAONFLAGS.AUX_ADC_DONE. 0h = High level 1h = Low level
4	AUX_COMPB	R/W	0h	Select the edge of EVSTAT2.AUX_COMPB that sets EVTOAONFLAGS.AUX_COMPB. 0h = Rising edge 1h = Falling edge
3	AUX_COMPA	R/W	0h	Select the edge of EVSTAT2.AUX_COMPA that sets EVTOAONFLAGS.AUX_COMPA. 0h = Rising edge 1h = Falling edge
2-0	RESERVED	R	0h	Reserved

19.6.3.9 EVTOAONFLAGSLR Register (Offset = 2Ch) [Reset = 0000000h]

EVTOAONFLAGSLR is shown in [EVTOAONFLAGSLR Register](#) and described in [EVTOAONFLAGSLR Register Field Descriptions](#).

Return to the [AUX_EVCTL Registers](#).

Events To AON Clear

Clear event flags in EVTOAONFLAGS.

In order to clear a level sensitive event flag, the event must be deasserted.

Figure 19-57. EVTOAONFLAGSLR Register

31	30	29	28	27	26	25	24
RESERVED							
R-0h							
23	22	21	20	19	18	17	16
RESERVED							
R-0h							
15	14	13	12	11	10	9	8
RESERVED							AUX_TIMER1_EV
R-0h							W-0h
7	6	5	4	3	2	1	0
AUX_TIMER0_EV	AUX_TDC_DONE	AUX_ADC_DONE	AUX_COMPB	AUX_COMPA	SWEV2	SWEV1	SWEV0
W-0h	W-0h	W-0h	W-0h	W-0h	W-0h	W-0h	W-0h

Table 19-64. EVTOAONFLAGSLR Register Field Descriptions

Bit	Field	Type	Reset	Description
31-9	RESERVED	R	0h	Reserved
8	AUX_TIMER1_EV	W	0h	Write 1 to clear EVTOAONFLAGS.AUX_TIMER1_EV. Read value is 0.
7	AUX_TIMER0_EV	W	0h	Write 1 to clear EVTOAONFLAGS.AUX_TIMER0_EV. Read value is 0.
6	AUX_TDC_DONE	W	0h	Write 1 to clear EVTOAONFLAGS.AUX_TDC_DONE. Read value is 0.
5	AUX_ADC_DONE	W	0h	Write 1 to clear EVTOAONFLAGS.AUX_ADC_DONE. Read value is 0.
4	AUX_COMPB	W	0h	Write 1 to clear EVTOAONFLAGS.AUX_COMPB. Read value is 0.
3	AUX_COMPA	W	0h	Write 1 to clear EVTOAONFLAGS.AUX_COMPA. Read value is 0.
2	SWEV2	W	0h	Write 1 to clear EVTOAONFLAGS.SWEV2. Read value is 0.
1	SWEV1	W	0h	Write 1 to clear EVTOAONFLAGS.SWEV1. Read value is 0.
0	SWEV0	W	0h	Write 1 to clear EVTOAONFLAGS.SWEV0. Read value is 0.

19.6.3.10 EVTOMCUFLAGS Register (Offset = 30h) [Reset = 0000000h]

EVTOMCUFLAGS is shown in [EVTOMCUFLAGS Register](#) and described in [EVTOMCUFLAGS Register Field Descriptions](#).

Return to the [AUX_EVCTL Registers](#).

Events to MCU Flags

This register contains a collection of event flags routed to MCU domain.

To clear an event flag, write to EVTOMCUFLAGSCLR or write 0 to event flag in this register. Follow procedure described in AUX_SYSIF:WUCLR to clear AUX_WU_EV event flag.

Figure 19-58. EVTOMCUFLAGS Register

31	30	29	28	27	26	25	24
RESERVED							
R-0h							
23	22	21	20	19	18	17	16
RESERVED							
R-0h							
15	14	13	12	11	10	9	8
RESERVED					AUX_ADC_IRQ	MCU_OBSMUX0	AUX_ADC_FIFO_ALMOST_FULL
R-0h					R/W0C-0h	R/W0C-0h	R/W0C-0h
7	6	5	4	3	2	1	0
AUX_ADC_DONE	AUX_SMPH_AUTOTAKE_DONE	AUX_TIMER1_EV	AUX_TIMER0_EV	AUX_TDC_DONE	AUX_COMPB	AUX_COMPA	RESERVED
R/W0C-0h	R/W0C-0h	R/W0C-0h	R/W0C-0h	R/W0C-0h	R/W0C-0h	R/W0C-0h	R-0h

Table 19-65. EVTOMCUFLAGS Register Field Descriptions

Bit	Field	Type	Reset	Description
31-11	RESERVED	R	0h	Reserved
10	AUX_ADC_IRQ	R/W0C	0h	This event flag is set when level selected by EVTOMCUPOL.AUX_ADC_IRQ occurs on EVSTAT3.AUX_ADC_IRQ.
9	MCU_OBSMUX0	R/W0C	0h	This event flag is set when level selected by EVTOMCUPOL.MCU_OBSMUX0 occurs on EVSTAT2.MCU_OBSMUX0.
8	AUX_ADC_FIFO_ALMOST_FULL	R/W0C	0h	This event flag is set when level selected by EVTOMCUPOL.AUX_ADC_FIFO_ALMOST_FULL occurs on EVSTAT3.AUX_ADC_FIFO_ALMOST_FULL.
7	AUX_ADC_DONE	R/W0C	0h	This event flag is set when level selected by EVTOMCUPOL.AUX_ADC_DONE occurs on EVSTAT3.AUX_ADC_DONE.
6	AUX_SMPH_AUTOTAKE_DONE	R/W0C	0h	This event flag is set when level selected by EVTOMCUPOL.AUX_SMPH_AUTOTAKE_DONE occurs on EVSTAT3.AUX_SMPH_AUTOTAKE_DONE.
5	AUX_TIMER1_EV	R/W0C	0h	This event flag is set when level selected by EVTOMCUPOL.AUX_TIMER1_EV occurs on EVSTAT3.AUX_TIMER1_EV.
4	AUX_TIMER0_EV	R/W0C	0h	This event flag is set when level selected by EVTOMCUPOL.AUX_TIMER0_EV occurs on EVSTAT3.AUX_TIMER0_EV.

Table 19-65. EVTOMCUFLAGS Register Field Descriptions (continued)

Bit	Field	Type	Reset	Description
3	AUX_TDC_DONE	R/W0C	0h	This event flag is set when level selected by EVTOMCUPOL.AUX_TDC_DONE occurs on EVSTAT3.AUX_TDC_DONE.
2	AUX_COMPB	R/W0C	0h	This event flag is set when edge selected by EVTOMCUPOL.AUX_COMPB occurs on EVSTAT2.AUX_COMPB.
1	AUX_COMPA	R/W0C	0h	This event flag is set when edge selected by EVTOMCUPOL.AUX_COMPA occurs on EVSTAT2.AUX_COMPA.
0	RESERVED	R	0h	Reserved

19.6.3.11 EVTOMCUPOL Register (Offset = 34h) [Reset = 0000000h]

EVTOMCUPOL is shown in [EVTOMCUPOL Register](#) and described in [EVTOMCUPOL Register Field Descriptions](#).

Return to the [AUX_EVCTL Registers](#).

Event To MCU Polarity

Event source polarity configuration for EVTOMCUFLAGS.

Figure 19-59. EVTOMCUPOL Register

31	30	29	28	27	26	25	24
RESERVED							
R-0h							
23	22	21	20	19	18	17	16
RESERVED							
R-0h							
15	14	13	12	11	10	9	8
RESERVED					AUX_ADC_IRQ	MCU_OBSMUX0	AUX_ADC_FIFO_ALMOST_FULL
R-0h					R/W-0h	R/W-0h	R/W-0h
7	6	5	4	3	2	1	0
AUX_ADC_DONE	AUX_SMPH_AUTOTAKE_DONE	AUX_TIMER1_EV	AUX_TIMER0_EV	AUX_TDC_DONE	AUX_COMPB	AUX_COMPA	RESERVED
R/W-0h	R/W-0h	R/W-0h	R/W-0h	R/W-0h	R/W-0h	R/W-0h	R-0h

Table 19-66. EVTOMCUPOL Register Field Descriptions

Bit	Field	Type	Reset	Description
31-11	RESERVED	R	0h	Reserved
10	AUX_ADC_IRQ	R/W	0h	Select the event source level that sets EVTOMCUFLAGS.AUX_ADC_IRQ. 0h = High level 1h = Low level
9	MCU_OBSMUX0	R/W	0h	Select the event source level that sets EVTOMCUFLAGS.MCU_OBSMUX0. 0h = High level 1h = Low level
8	AUX_ADC_FIFO_ALMOST_FULL	R/W	0h	Select the event source level that sets EVTOMCUFLAGS.AUX_ADC_FIFO_ALMOST_FULL. 0h = High level 1h = Low level
7	AUX_ADC_DONE	R/W	0h	Select the event source level that sets EVTOMCUFLAGS.AUX_ADC_DONE. 0h = High level 1h = Low level
6	AUX_SMPH_AUTOTAKE_DONE	R/W	0h	Select the event source level that sets EVTOMCUFLAGS.AUX_SMPH_AUTOTAKE_DONE. 0h = High level 1h = Low level
5	AUX_TIMER1_EV	R/W	0h	Select the event source level that sets EVTOMCUFLAGS.AUX_TIMER1_EV. 0h = High level 1h = Low level

Table 19-66. EVTOMCUPOL Register Field Descriptions (continued)

Bit	Field	Type	Reset	Description
4	AUX_TIMER0_EV	R/W	0h	Select the event source level that sets EVTOMCUFLAGS.AUX_TIMER0_EV. 0h = High level 1h = Low level
3	AUX_TDC_DONE	R/W	0h	Select the event source level that sets EVTOMCUFLAGS.AUX_TDC_DONE. 0h = High level 1h = Low level
2	AUX_COMPB	R/W	0h	Select the event source edge that sets EVTOMCUFLAGS.AUX_COMPB. 0h = Rising edge 1h = Falling edge
1	AUX_COMPA	R/W	0h	Select the event source edge that sets EVTOMCUFLAGS.AUX_COMPA. 0h = Rising edge 1h = Falling edge
0	RESERVED	R	0h	Reserved

19.6.3.12 EVTOMCUFLAGSLR Register (Offset = 38h) [Reset = 0000000h]

EVTOMCUFLAGSLR is shown in [EVTOMCUFLAGSLR Register](#) and described in [EVTOMCUFLAGSLR Register Field Descriptions](#).

Return to the [AUX_EVCTL Registers](#).

Events To MCU Flags Clear

Clear event flags in EVTOMCUFLAGS.

In order to clear a level sensitive event flag, the event must be deasserted.

Figure 19-60. EVTOMCUFLAGSLR Register

31	30	29	28	27	26	25	24
RESERVED							
R-0h							
23	22	21	20	19	18	17	16
RESERVED							
R-0h							
15	14	13	12	11	10	9	8
RESERVED					AUX_ADC_IRQ	MCU_OBSMUX0	AUX_ADC_FIFO_ALMOST_FULL
R-0h				W-0h		W-0h	W-0h
7	6	5	4	3	2	1	0
AUX_ADC_DONE	AUX_SMPH_AUTOTAKE_DONE	AUX_TIMER1_EV	AUX_TIMER0_EV	AUX_TDC_DONE	AUX_COMPB	AUX_COMPA	RESERVED
W-0h	W-0h	W-0h	W-0h	W-0h	W-0h	W-0h	R-0h

Table 19-67. EVTOMCUFLAGSLR Register Field Descriptions

Bit	Field	Type	Reset	Description
31-11	RESERVED	R	0h	Reserved
10	AUX_ADC_IRQ	W	0h	Write 1 to clear EVTOMCUFLAGS.AUX_ADC_IRQ. Read value is 0.
9	MCU_OBSMUX0	W	0h	Write 1 to clear EVTOMCUFLAGS.MCU_OBSMUX0. Read value is 0.
8	AUX_ADC_FIFO_ALMOST_FULL	W	0h	Write 1 to clear EVTOMCUFLAGS.AUX_ADC_FIFO_ALMOST_FULL. Read value is 0.
7	AUX_ADC_DONE	W	0h	Write 1 to clear EVTOMCUFLAGS.AUX_ADC_DONE. Read value is 0.
6	AUX_SMPH_AUTOTAKE_DONE	W	0h	Write 1 to clear EVTOMCUFLAGS.AUX_SMPH_AUTOTAKE_DONE. Read value is 0.
5	AUX_TIMER1_EV	W	0h	Write 1 to clear EVTOMCUFLAGS.AUX_TIMER1_EV. Read value is 0.
4	AUX_TIMER0_EV	W	0h	Write 1 to clear EVTOMCUFLAGS.AUX_TIMER0_EV. Read value is 0.
3	AUX_TDC_DONE	W	0h	Write 1 to clear EVTOMCUFLAGS.AUX_TDC_DONE. Read value is 0.
2	AUX_COMPB	W	0h	Write 1 to clear EVTOMCUFLAGS.AUX_COMPB. Read value is 0.
1	AUX_COMPA	W	0h	Write 1 to clear EVTOMCUFLAGS.AUX_COMPA. Read value is 0.
0	RESERVED	R	0h	Reserved

19.6.3.13 COMBEVTOMCUMASK Register (Offset = 3Ch) [Reset = 0000000h]

COMBEVTOMCUMASK is shown in [COMBEVTOMCUMASK Register](#) and described in [COMBEVTOMCUMASK Register Field Descriptions](#).

Return to the [AUX_EVCTL Registers](#).

Combined Event To MCU Mask

Select event flags in EVTOMCUFLAGS that contribute to the AUX_COMB event to EVENT and system CPU. The AUX_COMB event is high as long as one or more of the included event flags are set.

Figure 19-61. COMBEVTOMCUMASK Register

31	30	29	28	27	26	25	24
RESERVED							
R-0h							
23	22	21	20	19	18	17	16
RESERVED							
R-0h							
15	14	13	12	11	10	9	8
RESERVED					AUX_ADC_IRQ	MCU_OBSMUX0	AUX_ADC_FIFO_ALMOST_FULL
R-0h				R/W-0h		R/W-0h	R/W-0h
7	6	5	4	3	2	1	0
AUX_ADC_DONE	AUX_SMPH_AUTOTAKE_DONE	AUX_TIMER1_EV	AUX_TIMER0_EV	AUX_TDC_DONE	AUX_COMPB	AUX_COMPA	RESERVED
R/W-0h	R/W-0h	R/W-0h	R/W-0h	R/W-0h	R/W-0h	R/W-0h	R-0h

Table 19-68. COMBEVTOMCUMASK Register Field Descriptions

Bit	Field	Type	Reset	Description
31-11	RESERVED	R	0h	Reserved
10	AUX_ADC_IRQ	R/W	0h	EVTOMCUFLAGS.AUX_ADC_IRQ contribution to the AUX_COMB event. 0: Exclude. 1: Include.
9	MCU_OBSMUX0	R/W	0h	EVTOMCUFLAGS.MCU_OBSMUX0 contribution to the AUX_COMB event. 0: Exclude. 1: Include.
8	AUX_ADC_FIFO_ALMOST_FULL	R/W	0h	EVTOMCUFLAGS.AUX_ADC_FIFO_ALMOST_FULL contribution to the AUX_COMB event. 0: Exclude. 1: Include.
7	AUX_ADC_DONE	R/W	0h	EVTOMCUFLAGS.AUX_ADC_DONE contribution to the AUX_COMB event. 0: Exclude. 1: Include.
6	AUX_SMPH_AUTOTAKE_DONE	R/W	0h	EVTOMCUFLAGS.AUX_SMPH_AUTOTAKE_DONE contribution to the AUX_COMB event. 0: Exclude. 1: Include.
5	AUX_TIMER1_EV	R/W	0h	EVTOMCUFLAGS.AUX_TIMER1_EV contribution to the AUX_COMB event. 0: Exclude. 1: Include.

Table 19-68. COMBEVTOMCUMASK Register Field Descriptions (continued)

Bit	Field	Type	Reset	Description
4	AUX_TIMER0_EV	R/W	0h	EVTOMCUFLAGS.AUX_TIMER0_EV contribution to the AUX_COMB event. 0: Exclude. 1: Include.
3	AUX_TDC_DONE	R/W	0h	EVTOMCUFLAGS.AUX_TDC_DONE contribution to the AUX_COMB event. 0: Exclude. 1: Include.
2	AUX_COMPB	R/W	0h	EVTOMCUFLAGS.AUX_COMPB contribution to the AUX_COMB event. 0: Exclude 1: Include.
1	AUX_COMPA	R/W	0h	EVTOMCUFLAGS.AUX_COMPA contribution to the AUX_COMB event. 0: Exclude. 1: Include.
0	RESERVED	R	0h	Reserved

19.6.3.14 EVOBSCFG Register (Offset = 40h) [Reset = 0000000h]

EVOBSCFG is shown in [EVOBSCFG Register](#) and described in [EVOBSCFG Register Field Descriptions](#).

Return to the [AUX_EVCTL Registers](#).

Event Observation Configuration

Figure 19-62. EVOBSCFG Register

31	30	29	28	27	26	25	24	23	22	21	20	19	18	17	16
RESERVED															
R-0h															
15	14	13	12	11	10	9	8	7	6	5	4	3	2	1	0
RESERVED										EVOBS_SEL					
R-0h										R/W-0h					

Table 19-69. EVOBSCFG Register Field Descriptions

Bit	Field	Type	Reset	Description
31-6	RESERVED	R	0h	Reserved

Table 19-69. EVOBSCFG Register Field Descriptions (continued)

Bit	Field	Type	Reset	Description
5-0	EVOBS_SEL	R/W	0h	Select which event from the asynchronous event bus that represents AUX_EV_OBS in AUX_AIODION. 0h = EVSTAT0.AUXIO0 1h = EVSTAT0.AUXIO1 2h = EVSTAT0.AUXIO2 3h = EVSTAT0.AUXIO3 4h = EVSTAT0.AUXIO4 5h = EVSTAT0.AUXIO5 6h = EVSTAT0.AUXIO6 7h = EVSTAT0.AUXIO7 8h = EVSTAT0.AUXIO8 9h = EVSTAT0.AUXIO9 Ah = EVSTAT0.AUXIO10 Bh = EVSTAT0.AUXIO11 Ch = EVSTAT0.AUXIO12 Dh = EVSTAT0.AUXIO13 Eh = EVSTAT0.AUXIO14 Fh = EVSTAT0.AUXIO15 10h = EVSTAT1.AUXIO16 11h = EVSTAT1.AUXIO17 12h = EVSTAT1.AUXIO18 13h = EVSTAT1.AUXIO19 14h = EVSTAT1.AUXIO20 15h = EVSTAT1.AUXIO21 16h = EVSTAT1.AUXIO22 17h = EVSTAT1.AUXIO23 18h = EVSTAT1.AUXIO24 19h = EVSTAT1.AUXIO25 1Ah = EVSTAT1.AUXIO26 1Bh = EVSTAT1.AUXIO27 1Ch = EVSTAT1.AUXIO28 1Dh = EVSTAT1.AUXIO29 1Eh = EVSTAT1.AUXIO30 1Fh = EVSTAT1.AUXIO31 20h = EVSTAT2.MANUAL_EV 21h = EVSTAT2.AON_RTC_CH2 22h = EVSTAT2.AON_RTC_CH2_DLY 23h = EVSTAT2.AON_RTC_4KHZ 26h = EVSTAT2.SCLK_LF 27h = EVSTAT2.PWR_DWN 28h = EVSTAT2.MCU_ACTIVE 29h = EVSTAT2.VDDR_RECHARGE 2Ah = EVSTAT2.ACLK_REF 2Bh = EVSTAT2.MCU_EV 2Ch = EVSTAT2.MCU_OBSMUX0 2Dh = EVSTAT2.MCU_OBSMUX1 2Eh = EVSTAT2.AUX_COMPA 2Fh = EVSTAT2.AUX_COMPB 35h = EVSTAT3.AUX_TIMER1_EV 36h = EVSTAT3.AUX_TIMER0_EV 37h = EVSTAT3.AUX_TDC_DONE 38h = EVSTAT3.AUX_ISRC_RESET_N 39h = EVSTAT3.AUX_ADC_DONE 3Ah = EVSTAT3.AUX_ADC_IRQ 3Bh = EVSTAT3.AUX_ADC_FIFO_ALMOST_FULL 3Ch = EVSTAT3.AUX_ADC_FIFO_NOT_EMPTY 3Dh = EVSTAT3.AUX_SMPH_AUTOTAKE_DONE 3Eh = EVSTAT3.AUX_DAC_HOLD_ACTIVE

19.6.3.15 MANUAL Register (Offset = 48h) [Reset = 0000000h]

MANUAL is shown in [MANUAL Register](#) and described in [MANUAL Register Field Descriptions](#).

Return to the [AUX_EVCTL Registers](#).

Manual

Programmable event.

Figure 19-63. MANUAL Register

31	30	29	28	27	26	25	24	23	22	21	20	19	18	17	16
RESERVED															
R-0h															
15	14	13	12	11	10	9	8	7	6	5	4	3	2	1	0
RESERVED															EV
R-0h															R/W-0h

Table 19-70. MANUAL Register Field Descriptions

Bit	Field	Type	Reset	Description
31-1	RESERVED	R	0h	Reserved
0	EV	R/W	0h	This bit field sets the value of EVSTAT2.MANUAL_EV.

19.6.4 AUX_SMPH Registers

[AUX_SMPH Registers](#) lists the memory-mapped registers for the AUX_SMPH registers. All register offset addresses not listed in [AUX_SMPH Registers](#) should be considered as reserved locations and the register contents should not be modified.

Table 19-71. AUX_SMPH Registers

Offset	Acronym	Register Name	Section
0h	SMPH0	Semaphore 0	Section 19.6.4.1
4h	SMPH1	Semaphore 1	Section 19.6.4.2
8h	SMPH2	Semaphore 2	Section 19.6.4.3
Ch	SMPH3	Semaphore 3	Section 19.6.4.4
10h	SMPH4	Semaphore 4	Section 19.6.4.5
14h	SMPH5	Semaphore 5	Section 19.6.4.6
18h	SMPH6	Semaphore 6	Section 19.6.4.7
1Ch	SMPH7	Semaphore 7	Section 19.6.4.8
20h	AUTOTAKE	Auto Take	Section 19.6.4.9

Complex bit access types are encoded to fit into small table cells. [AUX_SMPH Access Type Codes](#) shows the codes that are used for access types in this section.

Table 19-72. AUX_SMPH Access Type Codes

Access Type	Code	Description
Read Type		
R	R	Read
Write Type		
W	W	Write
Reset or Default Value		
-n		Value after reset or the default value

19.6.4.1 SMPH0 Register (Offset = 0h) [Reset = 0000001h]

SMPH0 is shown in [SMPH0 Register](#) and described in [SMPH0 Register Field Descriptions](#).

Return to the [AUX_SMPH Registers](#).

Semaphore 0

Figure 19-64. SMPH0 Register

31	30	29	28	27	26	25	24
RESERVED							
R-0h							
23	22	21	20	19	18	17	16
RESERVED							
R-0h							
15	14	13	12	11	10	9	8
RESERVED							
R-0h							
7	6	5	4	3	2	1	0
RESERVED							STAT
R-0h							R/W-1h

Table 19-73. SMPH0 Register Field Descriptions

Bit	Field	Type	Reset	Description
31-1	RESERVED	R	0h	Reserved
0	STAT	R/W	1h	Request or release of semaphore. Request by read: 0: Semaphore not available. 1: Semaphore granted. Release by write: 0: Do not use. 1: Release semaphore.

19.6.4.2 SMPH1 Register (Offset = 4h) [Reset = 0000001h]

SMPH1 is shown in [SMPH1 Register](#) and described in [SMPH1 Register Field Descriptions](#).

Return to the [AUX_SMPH Registers](#).

Semaphore 1

Figure 19-65. SMPH1 Register

31	30	29	28	27	26	25	24
RESERVED							
R-0h							
23	22	21	20	19	18	17	16
RESERVED							
R-0h							
15	14	13	12	11	10	9	8
RESERVED							
R-0h							
7	6	5	4	3	2	1	0
RESERVED							STAT
R-0h							R/W-1h

Table 19-74. SMPH1 Register Field Descriptions

Bit	Field	Type	Reset	Description
31-1	RESERVED	R	0h	Reserved
0	STAT	R/W	1h	Request or release of semaphore. Request by read: 0: Semaphore not available. 1: Semaphore granted. Release by write: 0: Do not use. 1: Release semaphore.

19.6.4.3 SMPH2 Register (Offset = 8h) [Reset = 0000001h]

SMPH2 is shown in [SMPH2 Register](#) and described in [SMPH2 Register Field Descriptions](#).

Return to the [AUX_SMPH Registers](#).

Semaphore 2

Figure 19-66. SMPH2 Register

31	30	29	28	27	26	25	24
RESERVED							
R-0h							
23	22	21	20	19	18	17	16
RESERVED							
R-0h							
15	14	13	12	11	10	9	8
RESERVED							
R-0h							
7	6	5	4	3	2	1	0
RESERVED							STAT
R-0h							R/W-1h

Table 19-75. SMPH2 Register Field Descriptions

Bit	Field	Type	Reset	Description
31-1	RESERVED	R	0h	Reserved
0	STAT	R/W	1h	Request or release of semaphore. Request by read: 0: Semaphore not available. 1: Semaphore granted. Release by write: 0: Do not use. 1: Release semaphore.

19.6.4.4 SMPH3 Register (Offset = Ch) [Reset = 0000001h]

SMPH3 is shown in [SMPH3 Register](#) and described in [SMPH3 Register Field Descriptions](#).

Return to the [AUX_SMPH Registers](#).

Semaphore 3

Figure 19-67. SMPH3 Register

31	30	29	28	27	26	25	24
RESERVED							
R-0h							
23	22	21	20	19	18	17	16
RESERVED							
R-0h							
15	14	13	12	11	10	9	8
RESERVED							
R-0h							
7	6	5	4	3	2	1	0
RESERVED							STAT
R-0h							R/W-1h

Table 19-76. SMPH3 Register Field Descriptions

Bit	Field	Type	Reset	Description
31-1	RESERVED	R	0h	Reserved
0	STAT	R/W	1h	Request or release of semaphore. Request by read: 0: Semaphore not available. 1: Semaphore granted. Release by write: 0: Do not use. 1: Release semaphore.

19.6.4.5 SMPH4 Register (Offset = 10h) [Reset = 0000001h]

SMPH4 is shown in [SMPH4 Register](#) and described in [SMPH4 Register Field Descriptions](#).

Return to the [AUX_SMPH Registers](#).

Semaphore 4

Figure 19-68. SMPH4 Register

31	30	29	28	27	26	25	24
RESERVED							
R-0h							
23	22	21	20	19	18	17	16
RESERVED							
R-0h							
15	14	13	12	11	10	9	8
RESERVED							
R-0h							
7	6	5	4	3	2	1	0
RESERVED							STAT
R-0h							R/W-1h

Table 19-77. SMPH4 Register Field Descriptions

Bit	Field	Type	Reset	Description
31-1	RESERVED	R	0h	Reserved
0	STAT	R/W	1h	Request or release of semaphore. Request by read: 0: Semaphore not available. 1: Semaphore granted. Release by write: 0: Do not use. 1: Release semaphore.

19.6.4.6 SMPH5 Register (Offset = 14h) [Reset = 0000001h]

SMPH5 is shown in [SMPH5 Register](#) and described in [SMPH5 Register Field Descriptions](#).

Return to the [AUX_SMPH Registers](#).

Semaphore 5

Figure 19-69. SMPH5 Register

31	30	29	28	27	26	25	24
RESERVED							
R-0h							
23	22	21	20	19	18	17	16
RESERVED							
R-0h							
15	14	13	12	11	10	9	8
RESERVED							
R-0h							
7	6	5	4	3	2	1	0
RESERVED							STAT
R-0h							R/W-1h

Table 19-78. SMPH5 Register Field Descriptions

Bit	Field	Type	Reset	Description
31-1	RESERVED	R	0h	Reserved
0	STAT	R/W	1h	Request or release of semaphore. Request by read: 0: Semaphore not available. 1: Semaphore granted. Release by write: 0: Do not use. 1: Release semaphore.

19.6.4.7 SMPH6 Register (Offset = 18h) [Reset = 0000001h]

SMPH6 is shown in [SMPH6 Register](#) and described in [SMPH6 Register Field Descriptions](#).

Return to the [AUX_SMPH Registers](#).

Semaphore 6

Figure 19-70. SMPH6 Register

31	30	29	28	27	26	25	24
RESERVED							
R-0h							
23	22	21	20	19	18	17	16
RESERVED							
R-0h							
15	14	13	12	11	10	9	8
RESERVED							
R-0h							
7	6	5	4	3	2	1	0
RESERVED							STAT
R-0h							R/W-1h

Table 19-79. SMPH6 Register Field Descriptions

Bit	Field	Type	Reset	Description
31-1	RESERVED	R	0h	Reserved
0	STAT	R/W	1h	Request or release of semaphore. Request by read: 0: Semaphore not available. 1: Semaphore granted. Release by write: 0: Do not use. 1: Release semaphore.

19.6.4.8 SMPH7 Register (Offset = 1Ch) [Reset = 0000001h]

SMPH7 is shown in [SMPH7 Register](#) and described in [SMPH7 Register Field Descriptions](#).

Return to the [AUX_SMPH Registers](#).

Semaphore 7

Figure 19-71. SMPH7 Register

31	30	29	28	27	26	25	24
RESERVED							
R-0h							
23	22	21	20	19	18	17	16
RESERVED							
R-0h							
15	14	13	12	11	10	9	8
RESERVED							
R-0h							
7	6	5	4	3	2	1	0
RESERVED							STAT
R-0h							R/W-1h

Table 19-80. SMPH7 Register Field Descriptions

Bit	Field	Type	Reset	Description
31-1	RESERVED	R	0h	Reserved
0	STAT	R/W	1h	Request or release of semaphore. Request by read: 0: Semaphore not available. 1: Semaphore granted. Release by write: 0: Do not use. 1: Release semaphore.

19.6.4.9 AUTOTAKE Register (Offset = 20h) [Reset = 0000000h]

AUTOTAKE is shown in [AUTOTAKE Register](#) and described in [AUTOTAKE Register Field Descriptions](#).

Return to the [AUX_SMPH Registers](#).

Auto Take

Sticky Request for Single Semaphore.

Figure 19-72. AUTOTAKE Register

31	30	29	28	27	26	25	24	23	22	21	20	19	18	17	16
RESERVED															
R-0h															
15	14	13	12	11	10	9	8	7	6	5	4	3	2	1	0
RESERVED													SMPH_ID		
R-0h													R/W-0h		

Table 19-81. AUTOTAKE Register Field Descriptions

Bit	Field	Type	Reset	Description
31-3	RESERVED	R	0h	Reserved
2-0	SMPH_ID	R/W	0h	Write the semaphore ID, 0x0-0x7, to SMPH_ID to request this semaphore until it is granted. When semaphore SMPH_ID is granted, event AUX_EVCTL:EVSTAT3.AUX_SMPH_AUTOTAKE_DONE becomes 1. The event becomes 0 when software releases the semaphore or writes a new value to SMPH_ID. To avoid corrupted semaphores: - Usage of this functionality must be restricted to one CPU core. - Software must wait until AUX_EVCTL:EVSTAT3.AUX_SMPH_AUTOTAKE_DONE is 1 before it writes a new value to SMPH_ID.

19.6.5 AUX_TDC Registers

[AUX_TDC Registers](#) lists the memory-mapped registers for the AUX_TDC registers. All register offset addresses not listed in [AUX_TDC Registers](#) should be considered as reserved locations and the register contents should not be modified.

Table 19-82. AUX_TDC Registers

Offset	Acronym	Register Name	Section
0h	CTL	Control	Section 19.6.5.1
4h	STAT	Status	Section 19.6.5.2
8h	RESULT	Result	Section 19.6.5.3
Ch	SATCFG	Saturation Configuration	Section 19.6.5.4
10h	TRIGSRC	Trigger Source	Section 19.6.5.5
14h	TRIGCNT	Trigger Counter	Section 19.6.5.6
18h	TRIGCNTLOAD	Trigger Counter Load	Section 19.6.5.7
1Ch	TRIGCNTCFG	Trigger Counter Configuration	Section 19.6.5.8
20h	PRECTL	Prescaler Control	Section 19.6.5.9
24h	PRECNTR	Prescaler Counter	Section 19.6.5.10

Complex bit access types are encoded to fit into small table cells. [AUX_TDC Access Type Codes](#) shows the codes that are used for access types in this section.

Table 19-83. AUX_TDC Access Type Codes

Access Type	Code	Description
Read Type		
R	R	Read
Write Type		
W	W	Write
Reset or Default Value		
-n		Value after reset or the default value

19.6.5.1 CTL Register (Offset = 0h) [Reset = 0000000h]

CTL is shown in [CTL Register](#) and described in [CTL Register Field Descriptions](#).

Return to the [AUX_TDC Registers](#).

Control

Figure 19-73. CTL Register

31	30	29	28	27	26	25	24	23	22	21	20	19	18	17	16
RESERVED															
R-0h															
15	14	13	12	11	10	9	8	7	6	5	4	3	2	1	0
RESERVED														CMD	
R-0h														W-0h	

Table 19-84. CTL Register Field Descriptions

Bit	Field	Type	Reset	Description
31-2	RESERVED	R	0h	Reserved
1-0	CMD	W	0h	TDC commands. 0h = Clear STAT.SAT, STAT.DONE, and RESULT.VALUE. This is not needed as prerequisite for a measurement. Reliable clear is only guaranteed from IDLE state. 1h = Synchronous counter start. The counter looks for the opposite edge of the selected start event before it starts to count when the selected edge occurs. This guarantees an edge-triggered start and is recommended for frequency measurements. 2h = Asynchronous counter start. The counter starts to count when the start event is high. To achieve precise edge-to-edge measurements you must ensure that the start event is low for at least 420 ns after you write this command. 3h = Force TDC state machine back to IDLE state. Never write this command while AUX_TDC:STAT.STATE equals CLR_CNT or WAIT_CLR_CNT_DONE.

19.6.5.2 STAT Register (Offset = 4h) [Reset = 0000006h]

STAT is shown in [STAT Register](#) and described in [STAT Register Field Descriptions](#).

Return to the [AUX_TDC Registers](#).

Status

Figure 19-74. STAT Register

31	30	29	28	27	26	25	24
RESERVED							
R-0h							
23	22	21	20	19	18	17	16
RESERVED							
R-0h							
15	14	13	12	11	10	9	8
RESERVED							
R-0h							
7	6	5	4	3	2	1	0
SAT	DONE	STATE					
R-0h	R-0h	R-6h					

Table 19-85. STAT Register Field Descriptions

Bit	Field	Type	Reset	Description
31-8	RESERVED	R	0h	Reserved
7	SAT	R	0h	TDC measurement saturation flag. 0: Conversion has not saturated. 1: Conversion stopped due to saturation. This field is cleared when a new measurement is started or when CLR_RESULT is written to CTL.CMD.
6	DONE	R	0h	TDC measurement complete flag. 0: TDC measurement has not yet completed. 1: TDC measurement has completed. This field clears when a new TDC measurement starts or when you write CLR_RESULT to CTL.CMD.

Table 19-85. STAT Register Field Descriptions (continued)

Bit	Field	Type	Reset	Description
5-0	STATE	R	6h	<p>TDC state machine status.</p> <p>0h = Current state is TDC_STATE_WAIT_START. The fast-counter circuit looks for the start condition. The state machine waits for the fast-counter to increment.</p> <p>4h = Current state is TDC_STATE_WAIT_STARTSTOPCNTEN. The fast-counter circuit looks for the start condition. The state machine waits for the fast-counter to increment.</p> <p>6h = Current state is TDC_STATE_IDLE. This is the default state after reset and abortion. State will change when you write CTL.CMD to either RUN_SYNC_START or RUN.</p> <p>7h = Current state is TDC_STATE_CLRCNT. The fast-counter circuit is reset.</p> <p>8h = Current state is TDC_STATE_WAIT_STOP. The state machine waits for the fast-counter circuit to stop.</p> <p>Ch = Current state is TDC_STATE_WAIT_STOPCNTDOWN. The fast-counter circuit looks for the stop condition. It will ignore a number of stop events configured in TRIGCNTLOAD.CNT.</p> <p>Eh = Current state is TDC_STATE_GETRESULTS. The state machine copies the counter value from the fast-counter circuit.</p> <p>Fh = Current state is TDC_STATE_POR. This is the reset state.</p> <p>16h = Current state is TDC_STATE_WAIT_CLRCNT_DONE. The state machine waits for fast-counter circuit to finish reset.</p> <p>1Eh = Current state is TDC_WAIT_STARTFALL. The fast-counter circuit waits for a falling edge on the start event.</p> <p>2Eh = Current state is TDC_FORCESTOP. You wrote ABORT to CTL.CMD to abort the TDC measurement.</p>

19.6.5.3 RESULT Register (Offset = 8h) [Reset = 0000002h]

RESULT is shown in [RESULT Register](#) and described in [RESULT Register Field Descriptions](#).

Return to the [AUX_TDC Registers](#).

Result

Result of last TDC conversion.

Figure 19-75. RESULT Register

31	30	29	28	27	26	25	24	23	22	21	20	19	18	17	16
RESERVED								VALUE							
R-0h								R-2h							
15	14	13	12	11	10	9	8	7	6	5	4	3	2	1	0
VALUE															
R-2h															

Table 19-86. RESULT Register Field Descriptions

Bit	Field	Type	Reset	Description
31-25	RESERVED	R	0h	Reserved
24-0	VALUE	R	2h	TDC conversion result. The result of the TDC conversion is given in number of clock edges of the clock source selected in DDI_0_OSC:CTL0.ACLK_TDC_SRC_SEL. Both rising and falling edges are counted. If TDC counter saturates, VALUE is slightly higher than SATCFG.LIMIT, as it takes a non-zero time to stop the measurement. Hence, the maximum value of this field becomes slightly higher than 2 ²⁴ if you configure SATCFG.LIMIT to R24.

19.6.5.4 SATCFG Register (Offset = Ch) [Reset = 000000Fh]

SATCFG is shown in [SATCFG Register](#) and described in [SATCFG Register Field Descriptions](#).

Return to the [AUX_TDC Registers](#).

Saturation Configuration

Figure 19-76. SATCFG Register

31	30	29	28	27	26	25	24	23	22	21	20	19	18	17	16
RESERVED															
R-0h															
15	14	13	12	11	10	9	8	7	6	5	4	3	2	1	0
RESERVED												LIMIT			
R-0h												R/W-Fh			

Table 19-87. SATCFG Register Field Descriptions

Bit	Field	Type	Reset	Description
31-4	RESERVED	R	0h	Reserved
3-0	LIMIT	R/W	Fh	Saturation limit. The flag STAT.SAT is set when the TDC counter saturates. Values not enumerated are not supported 3h = Result bit 12: TDC conversion saturates and stops when RESULT.VALUE[12] is set. 4h = Result bit 13: TDC conversion saturates and stops when RESULT.VALUE[13] is set. 5h = Result bit 14: TDC conversion saturates and stops when RESULT.VALUE[14] is set. 6h = Result bit 15: TDC conversion saturates and stops when RESULT.VALUE[15] is set. 7h = Result bit 16: TDC conversion saturates and stops when RESULT.VALUE[16] is set. 8h = Result bit 17: TDC conversion saturates and stops when RESULT.VALUE[17] is set. 9h = Result bit 18: TDC conversion saturates and stops when RESULT.VALUE[18] is set. Ah = Result bit 19: TDC conversion saturates and stops when RESULT.VALUE[19] is set. Bh = Result bit 20: TDC conversion saturates and stops when RESULT.VALUE[20] is set. Ch = Result bit 21: TDC conversion saturates and stops when RESULT.VALUE[21] is set. Dh = Result bit 22: TDC conversion saturates and stops when RESULT.VALUE[22] is set. Eh = Result bit 23: TDC conversion saturates and stops when RESULT.VALUE[23] is set. Fh = Result bit 24: TDC conversion saturates and stops when RESULT.VALUE[24] is set.

19.6.5.5 TRIGSRC Register (Offset = 10h) [Reset = 0000000h]

TRIGSRC is shown in [TRIGSRC Register](#) and described in [TRIGSRC Register Field Descriptions](#).

Return to the [AUX_TDC Registers](#).

Trigger Source

Select source and polarity for TDC start and stop events. See the Technical Reference Manual for event timing requirements.

Figure 19-77. TRIGSRC Register

31	30	29	28	27	26	25	24
RESERVED							
R-0h							
23	22	21	20	19	18	17	16
RESERVED							
R-0h							
15	14	13	12	11	10	9	8
RESERVED	STOP_POL	STOP_SRC					
R-0h	R/W-0h	R/W-0h					
7	6	5	4	3	2	1	0
RESERVED	START_POL	START_SRC					
R-0h	R/W-0h	R/W-0h					

Table 19-88. TRIGSRC Register Field Descriptions

Bit	Field	Type	Reset	Description
31-15	RESERVED	R	0h	Reserved
14	STOP_POL	R/W	0h	Polarity of stop source. Change only while STAT.STATE is IDLE. 0h = TDC conversion stops when high level is detected. 1h = TDC conversion stops when low level is detected.

Table 19-88. TRIGSRC Register Field Descriptions (continued)

Bit	Field	Type	Reset	Description
13-8	STOP_SRC	R/W	0h	Select stop source from the asynchronous AUX event bus. Change only while STAT.STATE is IDLE. 0h = AUX_EVCTL:EVSTAT0.AUXIO0 1h = AUX_EVCTL:EVSTAT0.AUXIO1 2h = AUX_EVCTL:EVSTAT0.AUXIO2 3h = AUX_EVCTL:EVSTAT0.AUXIO3 4h = AUX_EVCTL:EVSTAT0.AUXIO4 5h = AUX_EVCTL:EVSTAT0.AUXIO5 6h = AUX_EVCTL:EVSTAT0.AUXIO6 7h = AUX_EVCTL:EVSTAT0.AUXIO7 8h = AUX_EVCTL:EVSTAT0.AUXIO8 9h = AUX_EVCTL:EVSTAT0.AUXIO9 Ah = AUX_EVCTL:EVSTAT0.AUXIO10 Bh = AUX_EVCTL:EVSTAT0.AUXIO11 Ch = AUX_EVCTL:EVSTAT0.AUXIO12 Dh = AUX_EVCTL:EVSTAT0.AUXIO13 Eh = AUX_EVCTL:EVSTAT0.AUXIO14 Fh = AUX_EVCTL:EVSTAT0.AUXIO15 10h = AUX_EVCTL:EVSTAT1.AUXIO16 11h = AUX_EVCTL:EVSTAT1.AUXIO17 12h = AUX_EVCTL:EVSTAT1.AUXIO18 13h = AUX_EVCTL:EVSTAT1.AUXIO19 14h = AUX_EVCTL:EVSTAT1.AUXIO20 15h = AUX_EVCTL:EVSTAT1.AUXIO21 16h = AUX_EVCTL:EVSTAT1.AUXIO22 17h = AUX_EVCTL:EVSTAT1.AUXIO23 18h = AUX_EVCTL:EVSTAT1.AUXIO24 19h = AUX_EVCTL:EVSTAT1.AUXIO25 1Ah = AUX_EVCTL:EVSTAT1.AUXIO26 1Bh = AUX_EVCTL:EVSTAT1.AUXIO27 1Ch = AUX_EVCTL:EVSTAT1.AUXIO28 1Dh = AUX_EVCTL:EVSTAT1.AUXIO29 1Eh = AUX_EVCTL:EVSTAT1.AUXIO30 1Fh = AUX_EVCTL:EVSTAT1.AUXIO31 20h = AUX_EVCTL:EVSTAT2.MANUAL_EV 21h = AUX_EVCTL:EVSTAT2.AON_RTC_CH2 22h = AUX_EVCTL:EVSTAT2.AON_RTC_CH2_DLY 23h = AUX_EVCTL:EVSTAT2.AON_RTC_4KHZ 26h = AUX_EVCTL:EVSTAT2.SCLK_LF 27h = AUX_EVCTL:EVSTAT2.PWR_DWN 28h = AUX_EVCTL:EVSTAT2.MCU_ACTIVE 29h = AUX_EVCTL:EVSTAT2.VDDR_RECHARGE 2Ah = AUX_EVCTL:EVSTAT2.ACLK_REF 2Bh = AUX_EVCTL:EVSTAT2.MCU_EV 2Ch = AUX_EVCTL:EVSTAT2.MCU_OBSMUX0 2Dh = AUX_EVCTL:EVSTAT2.MCU_OBSMUX1 2Eh = AUX_EVCTL:EVSTAT2.AUX_COMPA 2Fh = AUX_EVCTL:EVSTAT2.AUX_COMPB 35h = AUX_EVCTL:EVSTAT3.AUX_TIMER1_EV 36h = AUX_EVCTL:EVSTAT3.AUX_TIMER0_EV 37h = AUX_EVCTL:EVSTAT3.AUX_TDC_DONE 38h = AUX_EVCTL:EVSTAT3.AUX_ISRC_RESET_N 39h = AUX_EVCTL:EVSTAT3.AUX_ADC_DONE 3Ah = AUX_EVCTL:EVSTAT3.AUX_ADC_IRQ 3Bh = AUX_EVCTL:EVSTAT3.AUX_ADC_FIFO_ALMOST_FULL 3Ch = AUX_EVCTL:EVSTAT3.AUX_ADC_FIFO_NOT_EMPTY 3Dh = AUX_EVCTL:EVSTAT3.AUX_SMPH_AUTOTAKE_DONE 3Eh = Select TDC Prescaler event which is generated by configuration of PRECTL. 3Fh = No event.
7	RESERVED	R	0h	Reserved
6	START_POL	R/W	0h	Polarity of start source. Change only while STAT.STATE is IDLE. 0h = TDC conversion starts when high level is detected. 1h = TDC conversion starts when low level is detected.

Table 19-88. TRIGSRC Register Field Descriptions (continued)

Bit	Field	Type	Reset	Description
5-0	START_SRC	R/W	0h	<p>Select start source from the asynchronous AUX event bus. Change only while STAT.STATE is IDLE.</p> <p>0h = AUX_EVCTL:EVSTAT0.AUXIO0 1h = AUX_EVCTL:EVSTAT0.AUXIO1 2h = AUX_EVCTL:EVSTAT0.AUXIO2 3h = AUX_EVCTL:EVSTAT0.AUXIO3 4h = AUX_EVCTL:EVSTAT0.AUXIO4 5h = AUX_EVCTL:EVSTAT0.AUXIO5 6h = AUX_EVCTL:EVSTAT0.AUXIO6 7h = AUX_EVCTL:EVSTAT0.AUXIO7 8h = AUX_EVCTL:EVSTAT0.AUXIO8 9h = AUX_EVCTL:EVSTAT0.AUXIO9 Ah = AUX_EVCTL:EVSTAT0.AUXIO10 Bh = AUX_EVCTL:EVSTAT0.AUXIO11 Ch = AUX_EVCTL:EVSTAT0.AUXIO12 Dh = AUX_EVCTL:EVSTAT0.AUXIO13 Eh = AUX_EVCTL:EVSTAT0.AUXIO14 Fh = AUX_EVCTL:EVSTAT0.AUXIO15 10h = AUX_EVCTL:EVSTAT1.AUXIO16 11h = AUX_EVCTL:EVSTAT1.AUXIO17 12h = AUX_EVCTL:EVSTAT1.AUXIO18 13h = AUX_EVCTL:EVSTAT1.AUXIO19 14h = AUX_EVCTL:EVSTAT1.AUXIO20 15h = AUX_EVCTL:EVSTAT1.AUXIO21 16h = AUX_EVCTL:EVSTAT1.AUXIO22 17h = AUX_EVCTL:EVSTAT1.AUXIO23 18h = AUX_EVCTL:EVSTAT1.AUXIO24 19h = AUX_EVCTL:EVSTAT1.AUXIO25 1Ah = AUX_EVCTL:EVSTAT1.AUXIO26 1Bh = AUX_EVCTL:EVSTAT1.AUXIO27 1Ch = AUX_EVCTL:EVSTAT1.AUXIO28 1Dh = AUX_EVCTL:EVSTAT1.AUXIO29 1Eh = AUX_EVCTL:EVSTAT1.AUXIO30 1Fh = AUX_EVCTL:EVSTAT1.AUXIO31 20h = AUX_EVCTL:EVSTAT2.MANUAL_EV 21h = AUX_EVCTL:EVSTAT2.AON_RTC_CH2 22h = AUX_EVCTL:EVSTAT2.AON_RTC_CH2_DLY 23h = AUX_EVCTL:EVSTAT2.AON_RTC_4KHZ 26h = AUX_EVCTL:EVSTAT2.SCLK_LF 27h = AUX_EVCTL:EVSTAT2.PWR_DWN 28h = AUX_EVCTL:EVSTAT2.MCU_ACTIVE 29h = AUX_EVCTL:EVSTAT2.VDDR_RECHARGE 2Ah = AUX_EVCTL:EVSTAT2.ACLK_REF 2Bh = AUX_EVCTL:EVSTAT2.MCU_EV 2Ch = AUX_EVCTL:EVSTAT2.MCU_OBSMUX0 2Dh = AUX_EVCTL:EVSTAT2.MCU_OBSMUX1 2Eh = AUX_EVCTL:EVSTAT2.AUX_COMPA 2Fh = AUX_EVCTL:EVSTAT2.AUX_COMPB 35h = AUX_EVCTL:EVSTAT3.AUX_TIMER1_EV 36h = AUX_EVCTL:EVSTAT3.AUX_TIMER0_EV 37h = AUX_EVCTL:EVSTAT3.AUX_TDC_DONE 38h = AUX_EVCTL:EVSTAT3.AUX_ISRC_RESET_N 39h = AUX_EVCTL:EVSTAT3.AUX_ADC_DONE 3Ah = AUX_EVCTL:EVSTAT3.AUX_ADC_IRQ 3Bh = AUX_EVCTL:EVSTAT3.AUX_ADC_FIFO_ALMOST_FULL 3Ch = AUX_EVCTL:EVSTAT3.AUX_ADC_FIFO_NOT_EMPTY 3Dh = AUX_EVCTL:EVSTAT3.AUX_SMPH_AUTOTAKE_DONE 3Eh = Select TDC Prescaler event which is generated by configuration of PRECTL. 3Fh = No event.</p>

19.6.5.6 TRIGCNT Register (Offset = 14h) [Reset = 0000000h]

TRIGCNT is shown in [TRIGCNT Register](#) and described in [TRIGCNT Register Field Descriptions](#).

Return to the [AUX_TDC Registers](#).

Trigger Counter

Stop-counter control and status.

Figure 19-78. TRIGCNT Register

31	30	29	28	27	26	25	24	23	22	21	20	19	18	17	16	15	14	13	12	11	10	9	8	7	6	5	4	3	2	1	0
RESERVED																CNT															
R-0h																R/W-0h															

Table 19-89. TRIGCNT Register Field Descriptions

Bit	Field	Type	Reset	Description
31-16	RESERVED	R	0h	Reserved
15-0	CNT	R/W	0h	Number of stop events to ignore when AUX_TDC:TRIGCNTCFG.EN is 1. Read CNT to get the remaining number of stop events to ignore during a TDC measurement. Write CNT to update the remaining number of stop events to ignore during a TDC measurement. The TDC measurement ignores updates of CNT if there are no more stop events left to ignore. When AUX_TDC:TRIGCNTCFG.EN is 1, TRIGCNTLOAD.CNT is loaded into CNT at the start of the measurement.

19.6.5.7 TRIGCNTLOAD Register (Offset = 18h) [Reset = 0000000h]

TRIGCNTLOAD is shown in [TRIGCNTLOAD Register](#) and described in [TRIGCNTLOAD Register Field Descriptions](#).

Return to the [AUX_TDC Registers](#).

Trigger Counter Load
Stop-counter load.

Figure 19-79. TRIGCNTLOAD Register

31	30	29	28	27	26	25	24	23	22	21	20	19	18	17	16	15	14	13	12	11	10	9	8	7	6	5	4	3	2	1	0
RESERVED																CNT															
R-0h																R/W-0h															

Table 19-90. TRIGCNTLOAD Register Field Descriptions

Bit	Field	Type	Reset	Description
31-16	RESERVED	R	0h	Reserved
15-0	CNT	R/W	0h	<p>Number of stop events to ignore when AUX_TDC:TRIGCNTCFG.EN is 1.</p> <p>To measure frequency of an event source:</p> <ul style="list-style-type: none"> - Set start event equal to stop event. - Set CNT to number of periods to measure. Both 0 and 1 values measures a single event source period. <p>To measure pulse width of an event source:</p> <ul style="list-style-type: none"> - Set start event source equal to stop event source. - Select different polarity for start and stop event. - Set CNT to 0. <p>To measure time from the start event to the Nth stop event when N > 1:</p> <ul style="list-style-type: none"> - Select different start and stop event source. - Set CNT to (N-1). <p>See the Technical Reference Manual for event timing requirements. When AUX_TDC:TRIGCNTCFG.EN is 1, CNT is loaded into TRIGCNT.CNT at the start of the measurement.</p>

19.6.5.8 TRIGNTCFG Register (Offset = 1Ch) [Reset = 0000000h]

TRIGNTCFG is shown in [TRIGNTCFG Register](#) and described in [TRIGNTCFG Register Field Descriptions](#).

Return to the [AUX_TDC Registers](#).

Trigger Counter Configuration
Stop-counter configuration.

Figure 19-80. TRIGNTCFG Register

31	30	29	28	27	26	25	24	23	22	21	20	19	18	17	16
RESERVED															
R-0h															
15	14	13	12	11	10	9	8	7	6	5	4	3	2	1	0
RESERVED															EN
R-0h															R/W-0h

Table 19-91. TRIGNTCFG Register Field Descriptions

Bit	Field	Type	Reset	Description
31-1	RESERVED	R	0h	Reserved
0	EN	R/W	0h	Enable stop-counter. 0: Disable stop-counter. 1: Enable stop-counter. Change only while STAT.STATE is IDLE.

19.6.5.9 PRECTL Register (Offset = 20h) [Reset = 000003Fh]

PRECTL is shown in [PRECTL Register](#) and described in [PRECTL Register Field Descriptions](#).

Return to the [AUX_TDC Registers](#).

Prescaler Control

The prescaler can be used to count events that are faster than the AUX bus rate.

It can be used to:

- count pulses on a specified event from the asynchronous event bus.
- prescale a specified event from the asynchronous event bus.

To use the prescaler output as an event source in TDC measurements you must set both TRIGSRC.START_SRC and TRIGSRC.STOP_SRC to AUX_TDC_PRE.

It is recommended to use the prescaler when the signal frequency to measure exceeds 1/10th of the AUX bus rate.

Figure 19-81. PRECTL Register

31	30	29	28	27	26	25	24
RESERVED							
R-0h							
23	22	21	20	19	18	17	16
RESERVED							
R-0h							
15	14	13	12	11	10	9	8
RESERVED							
R-0h							
7	6	5	4	3	2	1	0
RESET_N	RATIO	SRC					
R/W-0h	R/W-0h	R/W-3Fh					

Table 19-92. PRECTL Register Field Descriptions

Bit	Field	Type	Reset	Description
31-8	RESERVED	R	0h	Reserved
7	RESET_N	R/W	0h	Prescaler reset. 0: Reset prescaler. 1: Release reset of prescaler. AUX_TDC_PRE event becomes 0 when you reset the prescaler.
6	RATIO	R/W	0h	Prescaler ratio. This controls how often the AUX_TDC_PRE event is generated by the prescaler. 0h = Prescaler divides input by 16. AUX_TDC_PRE event has a rising edge for every 16 rising edges of the input. AUX_TDC_PRE event toggles on every 8th rising edge of the input. 1h = Prescaler divides input by 64. AUX_TDC_PRE event has a rising edge for every 64 rising edges of the input. AUX_TDC_PRE event toggles on every 32nd rising edge of the input.

Table 19-92. PRECTL Register Field Descriptions (continued)

Bit	Field	Type	Reset	Description
5-0	SRC	R/W	3Fh	<p>Prescaler event source. Select an event from the asynchronous AUX event bus to connect to the prescaler input. Configure only while RESET_N is 0.</p> <p>0h = AUX_EVCTL:EVSTAT0.AUXIO0 1h = AUX_EVCTL:EVSTAT0.AUXIO1 2h = AUX_EVCTL:EVSTAT0.AUXIO2 3h = AUX_EVCTL:EVSTAT0.AUXIO3 4h = AUX_EVCTL:EVSTAT0.AUXIO4 5h = AUX_EVCTL:EVSTAT0.AUXIO5 6h = AUX_EVCTL:EVSTAT0.AUXIO6 7h = AUX_EVCTL:EVSTAT0.AUXIO7 8h = AUX_EVCTL:EVSTAT0.AUXIO8 9h = AUX_EVCTL:EVSTAT0.AUXIO9 Ah = AUX_EVCTL:EVSTAT0.AUXIO10 Bh = AUX_EVCTL:EVSTAT0.AUXIO11 Ch = AUX_EVCTL:EVSTAT0.AUXIO12 Dh = AUX_EVCTL:EVSTAT0.AUXIO13 Eh = AUX_EVCTL:EVSTAT0.AUXIO14 Fh = AUX_EVCTL:EVSTAT0.AUXIO15 10h = AUX_EVCTL:EVSTAT1.AUXIO16 11h = AUX_EVCTL:EVSTAT1.AUXIO17 12h = AUX_EVCTL:EVSTAT1.AUXIO18 13h = AUX_EVCTL:EVSTAT1.AUXIO19 14h = AUX_EVCTL:EVSTAT1.AUXIO20 15h = AUX_EVCTL:EVSTAT1.AUXIO21 16h = AUX_EVCTL:EVSTAT1.AUXIO22 17h = AUX_EVCTL:EVSTAT1.AUXIO23 18h = AUX_EVCTL:EVSTAT1.AUXIO24 19h = AUX_EVCTL:EVSTAT1.AUXIO25 1Ah = AUX_EVCTL:EVSTAT1.AUXIO26 1Bh = AUX_EVCTL:EVSTAT1.AUXIO27 1Ch = AUX_EVCTL:EVSTAT1.AUXIO28 1Dh = AUX_EVCTL:EVSTAT1.AUXIO29 1Eh = AUX_EVCTL:EVSTAT1.AUXIO30 1Fh = AUX_EVCTL:EVSTAT1.AUXIO31 20h = AUX_EVCTL:EVSTAT2.MANUAL_EV 21h = AUX_EVCTL:EVSTAT2.AON_RTC_CH2 22h = AUX_EVCTL:EVSTAT2.AON_RTC_CH2_DLY 23h = AUX_EVCTL:EVSTAT2.AON_RTC_4KHZ 26h = AUX_EVCTL:EVSTAT2.SCLK_LF 27h = AUX_EVCTL:EVSTAT2.PWR_DWN 28h = AUX_EVCTL:EVSTAT2.MCU_ACTIVE 29h = AUX_EVCTL:EVSTAT2.VDDR_RECHARGE 2Ah = AUX_EVCTL:EVSTAT2.ACLK_REF 2Bh = AUX_EVCTL:EVSTAT2.MCU_EV 2Ch = AUX_EVCTL:EVSTAT2.MCU_OBSMUX0 2Dh = AUX_EVCTL:EVSTAT2.MCU_OBSMUX1 2Eh = AUX_EVCTL:EVSTAT2.AUX_COMPB 2Fh = AUX_EVCTL:EVSTAT2.AUX_COMPB 35h = AUX_EVCTL:EVSTAT3.AUX_TIMER1_EV 36h = AUX_EVCTL:EVSTAT3.AUX_TIMER0_EV 37h = AUX_EVCTL:EVSTAT3.AUX_TDC_DONE 38h = AUX_EVCTL:EVSTAT3.AUX_ISRC_RESET_N 39h = AUX_EVCTL:EVSTAT3.AUX_ADC_DONE 3Ah = AUX_EVCTL:EVSTAT3.AUX_ADC_IRQ 3Bh = AUX_EVCTL:EVSTAT3.AUX_ADC_FIFO_ALMOST_FULL 3Ch = AUX_EVCTL:EVSTAT3.AUX_ADC_FIFO_NOT_EMPTY 3Dh = AUX_EVCTL:EVSTAT3.AUX_SMPH_AUTOTAKE_DONE 3Fh = No event.</p>

19.6.5.10 PRECNTR Register (Offset = 24h) [Reset = 0000000h]

PRECNTR is shown in [PRECNTR Register](#) and described in [PRECNTR Register Field Descriptions](#).

Return to the [AUX_TDC Registers](#).

Prescaler Counter

Figure 19-82. PRECNTR Register

31	30	29	28	27	26	25	24	23	22	21	20	19	18	17	16	15	14	13	12	11	10	9	8	7	6	5	4	3	2	1	0
RESERVED																CNT															
R-0h																R/W-0h															

Table 19-93. PRECNTR Register Field Descriptions

Bit	Field	Type	Reset	Description
31-16	RESERVED	R	0h	Reserved
15-0	CNT	R/W	0h	<p>Prescaler counter value.</p> <p>Write a value to CNT to capture the value of the 16-bit prescaler counter into CNT. Read CNT to get the captured value.</p> <p>The read value gets 1 LSB uncertainty if the event source level rises when you release the reset.</p> <p>The read value gets 1 LSB uncertainty if the event source level rises when you capture the prescaler counter.</p> <p>Please note the following:</p> <ul style="list-style-type: none"> - The prescaler counter is reset to 2 by PRECTL.RESET_N. - The captured value is 2 when the number of rising edges on prescaler input is less than 3. Otherwise, captured value equals number of event pulses - 1.

19.6.6 AUX_TIMER01 Registers

[AUX_TIMER01 Registers](#) lists the memory-mapped registers for the AUX_TIMER01 registers. All register offset addresses not listed in [AUX_TIMER01 Registers](#) should be considered as reserved locations and the register contents should not be modified.

Table 19-94. AUX_TIMER01 Registers

Offset	Acronym	Register Name	Section
0h	T0CFG	Timer 0 Configuration	Section 19.6.6.1
4h	T0CTL	Timer 0 Control	Section 19.6.6.2
8h	T0TARGET	Timer 0 Target	Section 19.6.6.3
Ch	T0CNTR	Timer 0 Counter	Section 19.6.6.4
10h	T1CFG	Timer 1 Configuration	Section 19.6.6.5
14h	T1CTL	Timer 1 Control	Section 19.6.6.6
18h	T1TARGET	Timer 1 Target	Section 19.6.6.7
1Ch	T1CNTR	Timer 1 Counter	Section 19.6.6.8

Complex bit access types are encoded to fit into small table cells. [AUX_TIMER01 Access Type Codes](#) shows the codes that are used for access types in this section.

Table 19-95. AUX_TIMER01 Access Type Codes

Access Type	Code	Description
Read Type		
R	R	Read
Write Type		
W	W	Write
Reset or Default Value		
-n		Value after reset or the default value

19.6.6.1 T0CFG Register (Offset = 0h) [Reset = 0000000h]

T0CFG is shown in [T0CFG Register](#) and described in [T0CFG Register Field Descriptions](#).

Return to the [AUX_TIMER01 Registers](#).

Timer 0 Configuration

Figure 19-83. T0CFG Register

31	30	29	28	27	26	25	24
RESERVED							
R-0h							
23	22	21	20	19	18	17	16
RESERVED							
R-0h							
15	14	13	12	11	10	9	8
RESERVED	TICK_SRC_PO L	TICK_SRC					
R-0h	R/W-0h	R/W-0h					
7	6	5	4	3	2	1	0
PRE				RESERVED		MODE	RELOAD
R/W-0h				R-0h		R/W-0h	R/W-0h

Table 19-96. T0CFG Register Field Descriptions

Bit	Field	Type	Reset	Description
31-15	RESERVED	R	0h	Reserved
14	TICK_SRC_POL	R/W	0h	Tick source polarity for Timer 0. 0h = Count on rising edges of TICK_SRC. 1h = Count on falling edges of TICK_SRC.

Table 19-96. T0CFG Register Field Descriptions (continued)

Bit	Field	Type	Reset	Description
13-8	TICK_SRC	R/W	0h	Select Timer 0 tick source from the synchronous event bus. 0h = AUX_EVCTL:EVSTAT0.AUXIO0 1h = AUX_EVCTL:EVSTAT0.AUXIO1 2h = AUX_EVCTL:EVSTAT0.AUXIO2 3h = AUX_EVCTL:EVSTAT0.AUXIO3 4h = AUX_EVCTL:EVSTAT0.AUXIO4 5h = AUX_EVCTL:EVSTAT0.AUXIO5 6h = AUX_EVCTL:EVSTAT0.AUXIO6 7h = AUX_EVCTL:EVSTAT0.AUXIO7 8h = AUX_EVCTL:EVSTAT0.AUXIO8 9h = AUX_EVCTL:EVSTAT0.AUXIO9 Ah = AUX_EVCTL:EVSTAT0.AUXIO10 Bh = AUX_EVCTL:EVSTAT0.AUXIO11 Ch = AUX_EVCTL:EVSTAT0.AUXIO12 Dh = AUX_EVCTL:EVSTAT0.AUXIO13 Eh = AUX_EVCTL:EVSTAT0.AUXIO14 Fh = AUX_EVCTL:EVSTAT0.AUXIO15 10h = AUX_EVCTL:EVSTAT1.AUXIO16 11h = AUX_EVCTL:EVSTAT1.AUXIO17 12h = AUX_EVCTL:EVSTAT1.AUXIO18 13h = AUX_EVCTL:EVSTAT1.AUXIO19 14h = AUX_EVCTL:EVSTAT1.AUXIO20 15h = AUX_EVCTL:EVSTAT1.AUXIO21 16h = AUX_EVCTL:EVSTAT1.AUXIO22 17h = AUX_EVCTL:EVSTAT1.AUXIO23 18h = AUX_EVCTL:EVSTAT1.AUXIO24 19h = AUX_EVCTL:EVSTAT1.AUXIO25 1Ah = AUX_EVCTL:EVSTAT1.AUXIO26 1Bh = AUX_EVCTL:EVSTAT1.AUXIO27 1Ch = AUX_EVCTL:EVSTAT1.AUXIO28 1Dh = AUX_EVCTL:EVSTAT1.AUXIO29 1Eh = AUX_EVCTL:EVSTAT1.AUXIO30 1Fh = AUX_EVCTL:EVSTAT1.AUXIO31 20h = AUX_EVCTL:EVSTAT2.MANUAL_EV 21h = AUX_EVCTL:EVSTAT2.AON_RTC_CH2 22h = AUX_EVCTL:EVSTAT2.AON_RTC_CH2_DLY 23h = AUX_EVCTL:EVSTAT2.AON_RTC_4KHZ 26h = AUX_EVCTL:EVSTAT2.SCLK_LF 27h = AUX_EVCTL:EVSTAT2.PWR_DWN 28h = AUX_EVCTL:EVSTAT2.MCU_ACTIVE 29h = AUX_EVCTL:EVSTAT2.VDDR_RECHARGE 2Ah = AUX_EVCTL:EVSTAT2.ACLK_REF 2Bh = AUX_EVCTL:EVSTAT2.MCU_EV 2Ch = AUX_EVCTL:EVSTAT2.MCU_OBSMUX0 2Dh = AUX_EVCTL:EVSTAT2.MCU_OBSMUX1 2Eh = AUX_EVCTL:EVSTAT2.AUX_COMPA 2Fh = AUX_EVCTL:EVSTAT2.AUX_COMPB 35h = AUX_EVCTL:EVSTAT3.AUX_TIMER1_EV 36h = No event. 37h = AUX_EVCTL:EVSTAT3.AUX_TDC_DONE 38h = AUX_EVCTL:EVSTAT3.AUX_ISRC_RESET_N 39h = AUX_EVCTL:EVSTAT3.AUX_ADC_DONE 3Ah = AUX_EVCTL:EVSTAT3.AUX_ADC_IRQ 3Bh = AUX_EVCTL:EVSTAT3.AUX_ADC_FIFO_ALMOST_FULL 3Ch = AUX_EVCTL:EVSTAT3.AUX_ADC_FIFO_NOT_EMPTY 3Dh = AUX_EVCTL:EVSTAT3.AUX_SMPH_AUTOTAKE_DONE 3Eh = AUX_EVCTL:EVSTAT3.AUX_DAC_HOLD_ACTIVE
7-4	PRE	R/W	0h	Prescaler division ratio is 2 ^{PRE} : 0x0: Divide by 1. 0x1: Divide by 2. 0x2: Divide by 4. ... 0xF: Divide by 32,768.
3-2	RESERVED	R	0h	Reserved

Table 19-96. T0CFG Register Field Descriptions (continued)

Bit	Field	Type	Reset	Description
1	MODE	R/W	0h	<p>Timer 0 mode.</p> <p>Configure source for Timer 0 prescaler.</p> <p>0h = Use clock as source for prescaler. Note that AUX_SYSIF:PEROPRATE.TIMER01_OP_RATE sets the clock frequency.</p> <p>1h = Use event set by TICK_SRC as source for prescaler.</p>
0	RELOAD	R/W	0h	<p>Timer 0 reload mode.</p> <p>0h = Manual mode.</p> <p>Timer 0 stops and T0CTL.EN becomes 0 when the counter value becomes equal to or greater than T0TARGET.VALUE.</p> <p>1h = Continuous mode.</p> <p>Timer 0 restarts when the counter value becomes equal to or greater than (T0TARGET.VALUE - 1).</p>

19.6.6.2 T0CTL Register (Offset = 4h) [Reset = 0000000h]

T0CTL is shown in [T0CTL Register](#) and described in [T0CTL Register Field Descriptions](#).

Return to the [AUX_TIMER01 Registers](#).

Timer 0 Control

Figure 19-84. T0CTL Register

31	30	29	28	27	26	25	24	23	22	21	20	19	18	17	16
RESERVED															
R-0h															
15	14	13	12	11	10	9	8	7	6	5	4	3	2	1	0
RESERVED															EN
R-0h															R/W-0h

Table 19-97. T0CTL Register Field Descriptions

Bit	Field	Type	Reset	Description
31-1	RESERVED	R	0h	Reserved
0	EN	R/W	0h	Timer 0 enable. 0: Disable Timer 0. 1: Enable Timer 0. The counter restarts from 0 when you enable Timer 0.

19.6.6.3 T0TARGET Register (Offset = 8h) [Reset = 0000000h]

T0TARGET is shown in [T0TARGET Register](#) and described in [T0TARGET Register Field Descriptions](#).

Return to the [AUX_TIMER01 Registers](#).

Timer 0 Target

Figure 19-85. T0TARGET Register

31	30	29	28	27	26	25	24	23	22	21	20	19	18	17	16	15	14	13	12	11	10	9	8	7	6	5	4	3	2	1	0
RESERVED																VALUE															
R-0h																R/W-0h															

Table 19-98. T0TARGET Register Field Descriptions

Bit	Field	Type	Reset	Description
31-16	RESERVED	R	0h	Reserved
15-0	VALUE	R/W	0h	<p>Timer 0 target value.</p> <p>Manual Reload Mode:</p> <ul style="list-style-type: none"> - Timer 0 increments until the counter value becomes equal to or greater than VALUE. - AUX_TIMER0_EV pulses high for 1 peripheral clock period when the counter value is equal to or greater than VALUE. <p>Note: When VALUE is 0, Timer 0 counts to 1. AUX_TIMER0_EV pulses high for 1 peripheral clock period.</p> <p>Continuous Reload Mode:</p> <ul style="list-style-type: none"> - Timer 0 increments until the counter value becomes equal to or greater than (VALUE - 1), then restarts from 0. - AUX_TIMER0_EV pulses high for 1 peripheral clock period when the counter value is 0, except for when you enable the timer. <p>Note: When VALUE is less than 2, Timer 0 counter value remains 0. AUX_TIMER0_EV goes high and remains high 1 peripheral clock period after you enable the timer.</p> <p>It is allowed to update the VALUE while the timer runs.</p>

19.6.6.4 T0CNTR Register (Offset = Ch) [Reset = 0000000h]

T0CNTR is shown in [T0CNTR Register](#) and described in [T0CNTR Register Field Descriptions](#).

Return to the [AUX_TIMER01 Registers](#).

Timer 0 Counter

Figure 19-86. T0CNTR Register

31	30	29	28	27	26	25	24	23	22	21	20	19	18	17	16	15	14	13	12	11	10	9	8	7	6	5	4	3	2	1	0
RESERVED																VALUE															
R-0h																R-0h															

Table 19-99. T0CNTR Register Field Descriptions

Bit	Field	Type	Reset	Description
31-16	RESERVED	R	0h	Reserved
15-0	VALUE	R	0h	Timer 0 counter value.

19.6.6.5 T1CFG Register (Offset = 10h) [Reset = 0000000h]

T1CFG is shown in [T1CFG Register](#) and described in [T1CFG Register Field Descriptions](#).

Return to the [AUX_TIMER01 Registers](#).

Timer 1 Configuration

Figure 19-87. T1CFG Register

31	30	29	28	27	26	25	24
RESERVED							
R-0h							
23	22	21	20	19	18	17	16
RESERVED							
R-0h							
15	14	13	12	11	10	9	8
RESERVED	TICK_SRC_PO L	TICK_SRC					
R-0h	R/W-0h	R/W-0h					
7	6	5	4	3	2	1	0
PRE				RESERVED		MODE	RELOAD
R/W-0h				R-0h		R/W-0h	R/W-0h

Table 19-100. T1CFG Register Field Descriptions

Bit	Field	Type	Reset	Description
31-15	RESERVED	R	0h	Reserved
14	TICK_SRC_POL	R/W	0h	Tick source polarity for Timer 1. 0h = Count on rising edges of TICK_SRC. 1h = Count on falling edges of TICK_SRC.

Table 19-100. T1CFG Register Field Descriptions (continued)

Bit	Field	Type	Reset	Description
13-8	TICK_SRC	R/W	0h	Select Timer 1 tick source from the synchronous event bus. 0h = AUX_EVCTL:EVSTAT0.AUXIO0 1h = AUX_EVCTL:EVSTAT0.AUXIO1 2h = AUX_EVCTL:EVSTAT0.AUXIO2 3h = AUX_EVCTL:EVSTAT0.AUXIO3 4h = AUX_EVCTL:EVSTAT0.AUXIO4 5h = AUX_EVCTL:EVSTAT0.AUXIO5 6h = AUX_EVCTL:EVSTAT0.AUXIO6 7h = AUX_EVCTL:EVSTAT0.AUXIO7 8h = AUX_EVCTL:EVSTAT0.AUXIO8 9h = AUX_EVCTL:EVSTAT0.AUXIO9 Ah = AUX_EVCTL:EVSTAT0.AUXIO10 Bh = AUX_EVCTL:EVSTAT0.AUXIO11 Ch = AUX_EVCTL:EVSTAT0.AUXIO12 Dh = AUX_EVCTL:EVSTAT0.AUXIO13 Eh = AUX_EVCTL:EVSTAT0.AUXIO14 Fh = AUX_EVCTL:EVSTAT0.AUXIO15 10h = AUX_EVCTL:EVSTAT1.AUXIO16 11h = AUX_EVCTL:EVSTAT1.AUXIO17 12h = AUX_EVCTL:EVSTAT1.AUXIO18 13h = AUX_EVCTL:EVSTAT1.AUXIO19 14h = AUX_EVCTL:EVSTAT1.AUXIO20 15h = AUX_EVCTL:EVSTAT1.AUXIO21 16h = AUX_EVCTL:EVSTAT1.AUXIO22 17h = AUX_EVCTL:EVSTAT1.AUXIO23 18h = AUX_EVCTL:EVSTAT1.AUXIO24 19h = AUX_EVCTL:EVSTAT1.AUXIO25 1Ah = AUX_EVCTL:EVSTAT1.AUXIO26 1Bh = AUX_EVCTL:EVSTAT1.AUXIO27 1Ch = AUX_EVCTL:EVSTAT1.AUXIO28 1Dh = AUX_EVCTL:EVSTAT1.AUXIO29 1Eh = AUX_EVCTL:EVSTAT1.AUXIO30 1Fh = AUX_EVCTL:EVSTAT1.AUXIO31 20h = AUX_EVCTL:EVSTAT2.MANUAL_EV 21h = AUX_EVCTL:EVSTAT2.AON_RTC_CH2 22h = AUX_EVCTL:EVSTAT2.AON_RTC_CH2_DLY 23h = AUX_EVCTL:EVSTAT2.AON_RTC_4KHZ 26h = AUX_EVCTL:EVSTAT2.SCLK_LF 27h = AUX_EVCTL:EVSTAT2.PWR_DWN 28h = AUX_EVCTL:EVSTAT2.MCU_ACTIVE 29h = AUX_EVCTL:EVSTAT2.VDDR_RECHARGE 2Ah = AUX_EVCTL:EVSTAT2.ACLK_REF 2Bh = AUX_EVCTL:EVSTAT2.MCU_EV 2Ch = AUX_EVCTL:EVSTAT2.MCU_OBSMUX0 2Dh = AUX_EVCTL:EVSTAT2.MCU_OBSMUX1 2Eh = AUX_EVCTL:EVSTAT2.AUX_COMPA 2Fh = AUX_EVCTL:EVSTAT2.AUX_COMPB 35h = No event. 36h = AUX_EVCTL:EVSTAT3.AUX_TIMER0_EV 37h = AUX_EVCTL:EVSTAT3.AUX_TDC_DONE 38h = AUX_EVCTL:EVSTAT3.AUX_ISRC_RESET_N 39h = AUX_EVCTL:EVSTAT3.AUX_ADC_DONE 3Ah = AUX_EVCTL:EVSTAT3.AUX_ADC_IRQ 3Bh = AUX_EVCTL:EVSTAT3.AUX_ADC_FIFO_ALMOST_FULL 3Ch = AUX_EVCTL:EVSTAT3.AUX_ADC_FIFO_NOT_EMPTY 3Dh = AUX_EVCTL:EVSTAT3.AUX_SMPH_AUTOTAKE_DONE 3Eh = AUX_EVCTL:EVSTAT3.AUX_DAC_HOLD_ACTIVE
7-4	PRE	R/W	0h	Prescaler division ratio is 2 ^{PRE} : 0x0: Divide by 1. 0x1: Divide by 2. 0x2: Divide by 4. ... 0xF: Divide by 32,768.
3-2	RESERVED	R	0h	Reserved

Table 19-100. T1CFG Register Field Descriptions (continued)

Bit	Field	Type	Reset	Description
1	MODE	R/W	0h	Timer 1 mode. Configure source for Timer 1 prescaler. 0h = Use clock as source for prescaler. Note that AUX_SYSIF:PEROPRATE.TIMER01_OP_RATE sets the clock frequency. 1h = Use event set by TICK_SRC as source for prescaler.
0	RELOAD	R/W	0h	Timer 1 reload mode. 0h = Manual mode. Timer 1 stops and T1CTL.EN becomes 0 when the counter value becomes equal to or greater than T1TARGET.VALUE. 1h = Continuous mode. Timer 1 restarts when the counter value becomes equal to or greater than (T1TARGET.VALUE - 1).

19.6.6.6 T1CTL Register (Offset = 14h) [Reset = 0000000h]

T1CTL is shown in [T1CTL Register](#) and described in [T1CTL Register Field Descriptions](#).

Return to the [AUX_TIMER01 Registers](#).

Timer 1 Control

Figure 19-88. T1CTL Register

31	30	29	28	27	26	25	24	23	22	21	20	19	18	17	16
RESERVED															
R-0h															
15	14	13	12	11	10	9	8	7	6	5	4	3	2	1	0
RESERVED															EN
R-0h															R/W-0h

Table 19-101. T1CTL Register Field Descriptions

Bit	Field	Type	Reset	Description
31-1	RESERVED	R	0h	Reserved
0	EN	R/W	0h	Timer 1 enable. 0: Disable Timer 1. 1: Enable Timer 1. The counter restarts from 0 when you enable Timer 1.

19.6.6.7 T1TARGET Register (Offset = 18h) [Reset = 00000000h]

T1TARGET is shown in [T1TARGET Register](#) and described in [T1TARGET Register Field Descriptions](#).

Return to the [AUX_TIMER01 Registers](#).

Timer 1 Target
Timer 1 counter target value

Figure 19-89. T1TARGET Register

31	30	29	28	27	26	25	24	23	22	21	20	19	18	17	16	15	14	13	12	11	10	9	8	7	6	5	4	3	2	1	0
RESERVED																VALUE															
R-0h																R/W-0h															

Table 19-102. T1TARGET Register Field Descriptions

Bit	Field	Type	Reset	Description
31-16	RESERVED	R	0h	Reserved
15-0	VALUE	R/W	0h	<p>Timer 1 target value.</p> <p>Manual Reload Mode:</p> <ul style="list-style-type: none"> - Timer 1 increments until the counter value becomes equal to or greater than VALUE. - AUX_TIMER1_EV pulses high for 1 peripheral clock period when the counter value is equal to or greater than VALUE. <p>Note: When VALUE is 0, Timer 1 counts to 1. AUX_TIMER1_EV pulses high for 1 peripheral clock period.</p> <p>Continuous Reload Mode:</p> <ul style="list-style-type: none"> - Timer 1 increments until the counter value becomes equal to or greater than (VALUE - 1), then restarts from 0. - AUX_TIMER1_EV pulses high for 1 peripheral clock period when the counter value is 0, except for when you enable the timer. <p>Note: When VALUE is less than 2, Timer 1 counter value remains 0. AUX_TIMER1_EV goes high and remains high 1 peripheral clock period after you enable the timer.</p> <p>It is allowed to update the VALUE while the timer runs.</p>

19.6.6.8 T1CNTR Register (Offset = 1Ch) [Reset = 0000000h]

T1CNTR is shown in [T1CNTR Register](#) and described in [T1CNTR Register Field Descriptions](#).

Return to the [AUX_TIMER01 Registers](#).

Timer 1 Counter

Figure 19-90. T1CNTR Register

31	30	29	28	27	26	25	24	23	22	21	20	19	18	17	16	15	14	13	12	11	10	9	8	7	6	5	4	3	2	1	0
RESERVED																VALUE															
R-0h																R-0h															

Table 19-103. T1CNTR Register Field Descriptions

Bit	Field	Type	Reset	Description
31-16	RESERVED	R	0h	Reserved
15-0	VALUE	R	0h	Timer 1 counter value.

19.6.7 AUX_ANAIF Registers

Table 19-104 lists the memory-mapped registers for the AUX_ANAIF registers. All register offset addresses not listed in Table 19-104 should be considered as reserved locations and the register contents should not be modified.

Table 19-104. AUX_ANAIF Registers

Offset	Acronym	Register Name	Section
10h	ADCCTL	ADC Control	Section 19.6.7.1
14h	ADCFIFOSTAT	ADC FIFO Status	Section 19.6.7.2
18h	ADCFIFO	ADC FIFO	Section 19.6.7.3
1Ch	ADCTRIG	ADC Trigger	Section 19.6.7.4
20h	ISRCCTL	Current Source Control	Section 19.6.7.5
30h	DACCTL	DAC Control	Section 19.6.7.6
34h	LPMBIASCTL	Low Power Mode Bias Control	Section 19.6.7.7
38h	DACSMPLCTL	DAC Sample Control	Section 19.6.7.8
3Ch	DACSMPLCFG0	DAC Sample Configuration 0	Section 19.6.7.9
40h	DACSMPLCFG1	DAC Sample Configuration 1	Section 19.6.7.10
44h	DACVALUE	DAC Value	Section 19.6.7.11
48h	DACSTAT	DAC Status	Section 19.6.7.12

Complex bit access types are encoded to fit into small table cells. Table 19-105 shows the codes that are used for access types in this section.

Table 19-105. AUX_ANAIF Access Type Codes

Access Type	Code	Description
Read Type		
R	R	Read
Write Type		
W	W	Write
Reset or Default Value		
-n		Value after reset or the default value

19.6.7.1 ADCCTL Register (Offset = 10h) [Reset = 00003F00h]

ADCCTL is shown in [Figure 19-91](#) and described in [Table 19-106](#).

Return to the [Table 19-104](#).

ADC Control

Configuration of ADI_4_AUX:ADC0.SMPL_MODE decides if the ADC trigger starts sampling or conversion.

Figure 19-91. ADCCTL Register

31	30	29	28	27	26	25	24
RESERVED							
R-0h							
23	22	21	20	19	18	17	16
RESERVED							
R-0h							
15	14	13	12	11	10	9	8
RESERVED	START_POL	START_SRC					
R-0h	R/W-0h	R/W-3Fh					
7	6	5	4	3	2	1	0
RESERVED						CMD	
R-0h						R/W-0h	

Table 19-106. ADCCTL Register Field Descriptions

Bit	Field	Type	Reset	Description
31-15	RESERVED	R	0h	Reserved
14	START_POL	R/W	0h	Select active polarity for START_SRC event. 0h = Set ADC trigger on rising edge of event source. 1h = Set ADC trigger on falling edge of event source.

Table 19-106. ADCCTL Register Field Descriptions (continued)

Bit	Field	Type	Reset	Description
13-8	START_SRC	R/W	3Fh	<p>Select ADC trigger event source from the asynchronous AUX event bus.</p> <p>Set START_SRC to NO_EVENT if you want to trigger the ADC manually through ADCTRIG.START.</p> <p>If you write a non-enumerated value the behavior is identical to NO_EVENT. The written value is returned when read.</p> <p>0h = AUX_EVCTL:EVSTAT0.AUXIO0 1h = AUX_EVCTL:EVSTAT0.AUXIO1 2h = AUX_EVCTL:EVSTAT0.AUXIO2 3h = AUX_EVCTL:EVSTAT0.AUXIO3 4h = AUX_EVCTL:EVSTAT0.AUXIO4 5h = AUX_EVCTL:EVSTAT0.AUXIO5 6h = AUX_EVCTL:EVSTAT0.AUXIO6 7h = AUX_EVCTL:EVSTAT0.AUXIO7 8h = AUX_EVCTL:EVSTAT0.AUXIO8 9h = AUX_EVCTL:EVSTAT0.AUXIO9 Ah = AUX_EVCTL:EVSTAT0.AUXIO10 Bh = AUX_EVCTL:EVSTAT0.AUXIO11 Ch = AUX_EVCTL:EVSTAT0.AUXIO12 Dh = AUX_EVCTL:EVSTAT0.AUXIO13 Eh = AUX_EVCTL:EVSTAT0.AUXIO14 Fh = AUX_EVCTL:EVSTAT0.AUXIO15 10h = AUX_EVCTL:EVSTAT1.AUXIO16 11h = AUX_EVCTL:EVSTAT1.AUXIO17 12h = AUX_EVCTL:EVSTAT1.AUXIO18 13h = AUX_EVCTL:EVSTAT1.AUXIO19 14h = AUX_EVCTL:EVSTAT1.AUXIO20 15h = AUX_EVCTL:EVSTAT1.AUXIO21 16h = AUX_EVCTL:EVSTAT1.AUXIO22 17h = AUX_EVCTL:EVSTAT1.AUXIO23 18h = AUX_EVCTL:EVSTAT1.AUXIO24 19h = AUX_EVCTL:EVSTAT1.AUXIO25 1Ah = AUX_EVCTL:EVSTAT1.AUXIO26 1Bh = AUX_EVCTL:EVSTAT1.AUXIO27 1Ch = AUX_EVCTL:EVSTAT1.AUXIO28 1Dh = AUX_EVCTL:EVSTAT1.AUXIO29 1Eh = AUX_EVCTL:EVSTAT1.AUXIO30 1Fh = AUX_EVCTL:EVSTAT1.AUXIO31 20h = AUX_EVCTL:EVSTAT2.MANUAL_EV 21h = AUX_EVCTL:EVSTAT2.AON_RTC_CH2 22h = AUX_EVCTL:EVSTAT2.AON_RTC_CH2_DLY 23h = AUX_EVCTL:EVSTAT2.AON_RTC_4KHZ 26h = AUX_EVCTL:EVSTAT2.SCLK_LF 27h = AUX_EVCTL:EVSTAT2.PWR_DWN 28h = AUX_EVCTL:EVSTAT2.MCU_ACTIVE 29h = AUX_EVCTL:EVSTAT2.VDDR_RECHARGE 2Ah = AUX_EVCTL:EVSTAT2.ACLK_REF 2Bh = AUX_EVCTL:EVSTAT2.MCU_EV 2Eh = AUX_EVCTL:EVSTAT2.AUX_COMPB 2Fh = AUX_EVCTL:EVSTAT2.AUX_COMPB 35h = AUX_EVCTL:EVSTAT3.AUX_TIMER1_EV 36h = AUX_EVCTL:EVSTAT3.AUX_TIMER0_EV 37h = AUX_EVCTL:EVSTAT3.AUX_TDC_DONE 38h = AUX_EVCTL:EVSTAT3.AUX_ISRC_RESET_N 3Dh = AUX_EVCTL:EVSTAT3.AUX_SMPH_AUTOTAKE_DONE 3Fh = No event.</p>
7-2	RESERVED	R	0h	Reserved

Table 19-106. ADCCTL Register Field Descriptions (continued)

Bit	Field	Type	Reset	Description
1-0	CMD	R/W	0h	ADC interface command. Non-enumerated values are not supported. The written value is returned when read. 0h = Disable ADC interface. 1h = Enable ADC interface. 3h = Flush ADC FIFO. You must set CMD to EN or DIS after flush. System CPU must wait two clock cycles before it sets CMD to EN or DIS.

19.6.7.2 ADCFIFOSTAT Register (Offset = 14h) [Reset = 0000001h]

ADCFIFOSTAT is shown in [Figure 19-92](#) and described in [Table 19-107](#).

Return to the [Table 19-104](#).

ADC FIFO Status

FIFO can hold up to four ADC samples.

Figure 19-92. ADCFIFOSTAT Register

31	30	29	28	27	26	25	24
RESERVED							
R-0h							
23	22	21	20	19	18	17	16
RESERVED							
R-0h							
15	14	13	12	11	10	9	8
RESERVED							
R-0h							
7	6	5	4	3	2	1	0
RESERVED			OVERFLOW	UNDERFLOW	FULL	ALMOST_FULL	EMPTY
R-0h			R-0h	R-0h	R-0h	R-0h	R-1h

Table 19-107. ADCFIFOSTAT Register Field Descriptions

Bit	Field	Type	Reset	Description
31-5	RESERVED	R	0h	Reserved
4	OVERFLOW	R	0h	FIFO overflow flag. 0: FIFO has not overflowed. 1: FIFO has overflowed, this flag is sticky until you flush the FIFO. When the flag is set, the ADC FIFO write pointer is static. It is not possible to add more samples to the ADC FIFO. Flush FIFO to clear the flag.
3	UNDERFLOW	R	0h	FIFO underflow flag. 0: FIFO has not underflowed. 1: FIFO has underflowed, this flag is sticky until you flush the FIFO. When the flag is set, the ADC FIFO read pointer is static. Read returns the previous sample that was read. Flush FIFO to clear the flag.
2	FULL	R	0h	FIFO full flag. 0: FIFO is not full, there is less than 4 samples in the FIFO. 1: FIFO is full, there are 4 samples in the FIFO. When the flag is set, it is not possible to add more samples to the ADC FIFO. An attempt to add samples sets the OVERFLOW flag.
1	ALMOST_FULL	R	0h	FIFO almost full flag. 0: There are less than 3 samples in the FIFO, or the FIFO is full. The FULL flag is also asserted in the latter case. 1: There are 3 samples in the FIFO, there is room for one more sample.
0	EMPTY	R	1h	FIFO empty flag. 0: FIFO contains one or more samples. 1: FIFO is empty. When the flag is set, read returns the previous sample that was read and sets the UNDERFLOW flag.

19.6.7.3 ADCFIFO Register (Offset = 18h) [Reset = 0000000h]

ADCFIFO is shown in [Figure 19-93](#) and described in [Table 19-108](#).

Return to the [Table 19-104](#).

ADC FIFO

Figure 19-93. ADCFIFO Register

31	30	29	28	27	26	25	24	23	22	21	20	19	18	17	16	15	14	13	12	11	10	9	8	7	6	5	4	3	2	1	0
RESERVED												DATA																			
R-0h												R/W-0h																			

Table 19-108. ADCFIFO Register Field Descriptions

Bit	Field	Type	Reset	Description
31-12	RESERVED	R	0h	Reserved
11-0	DATA	R/W	0h	FIFO data. Read: Get oldest ADC sample from FIFO. Write: Write dummy sample to FIFO. This is useful for code development when you do not have real ADC samples.

19.6.7.4 ADCTRIG Register (Offset = 1Ch) [Reset = 0000000h]

ADCTRIG is shown in [Figure 19-94](#) and described in [Table 19-109](#).

Return to the [Table 19-104](#).

ADC Trigger

Figure 19-94. ADCTRIG Register

31	30	29	28	27	26	25	24
RESERVED							
R-0h							
23	22	21	20	19	18	17	16
RESERVED							
R-0h							
15	14	13	12	11	10	9	8
RESERVED							
R-0h							
7	6	5	4	3	2	1	0
RESERVED							START
R-0h							W-0h

Table 19-109. ADCTRIG Register Field Descriptions

Bit	Field	Type	Reset	Description
31-1	RESERVED	R	0h	Reserved
0	START	W	0h	Manual ADC trigger. Write any value to START to trigger ADC. To manually trigger the ADC, you must set ADCCTL.START_SRC to NO_EVENT to avoid conflict with event-driven ADC trigger.

19.6.7.5 ISRCCTL Register (Offset = 20h) [Reset = 0000001h]

ISRCCTL is shown in [Figure 19-95](#) and described in [Table 19-110](#).

Return to the [Table 19-104](#).

Current Source Control

Figure 19-95. ISRCCTL Register

31	30	29	28	27	26	25	24
RESERVED							
R-0h							
23	22	21	20	19	18	17	16
RESERVED							
R-0h							
15	14	13	12	11	10	9	8
RESERVED							
R-0h							
7	6	5	4	3	2	1	0
RESERVED							RESET_N
R-0h							R/W-1h

Table 19-110. ISRCCTL Register Field Descriptions

Bit	Field	Type	Reset	Description
31-1	RESERVED	R	0h	Reserved
0	RESET_N	R/W	1h	ISRC reset control. 0: ISRC drives 0 uA. 1: ISRC drives current ADI_4_AUX:ISRC.TRIM to COMPA_IN.

19.6.7.6 DACCTL Register (Offset = 30h) [Reset = 0000000h]

DACCTL is shown in [Figure 19-96](#) and described in [Table 19-111](#).

Return to the [Table 19-104](#).

DAC Control

This register controls the analog part of the DAC.

Figure 19-96. DACCTL Register

31	30	29	28	27	26	25	24
RESERVED							
R-0h							
23	22	21	20	19	18	17	16
RESERVED							
R-0h							
15	14	13	12	11	10	9	8
RESERVED							
R-0h							
7	6	5	4	3	2	1	0
RESERVED		DAC_EN	DAC_BUFFER_EN	DAC_PRECHARGE_EN	DAC_VOUT_SEL		
R-0h		R/W-0h	R/W-0h	R/W-0h	R/W-0h		

Table 19-111. DACCTL Register Field Descriptions

Bit	Field	Type	Reset	Description
31-6	RESERVED	R	0h	Reserved
5	DAC_EN	R/W	0h	DAC module enable. 0: Disable DAC. 1: Enable DAC. The System CPU must not use the DAC when AUX_SYSIF:OPMODEREQ.REQ equals PDA in Standby TI-RTOS power mode. The System CPU must set AUX_SYSIF:PEROPRATE.ANAIF_DAC_OP_RATE to BUS_RATE to use the DAC in Active and Idle TI-RTOS power modes.
4	DAC_BUFFER_EN	R/W	0h	DAC buffer enable. DAC buffer reduces the time required to produce the programmed voltage at the expense of increased current consumption. 0: Disable DAC buffer. 1: Enable DAC buffer. Enable buffer when DAC_VOUT_SEL equals COMPA_IN. Do not enable the buffer when AUX_SYSIF:OPMODEREQ.REQ equals PDA or PDLF.
3	DAC_PRECHARGE_EN	R/W	0h	DAC precharge enable. Only enable precharge when ADI_4_AUX:MUX2.DAC_VREF_SEL equals DCOUPL and VDDS is higher than 2.65 V. DAC output voltage range: 0: 0 V to 1.28 V. 1: 1.28 V to 2.56 V. Otherwise, see ADI_4_AUX:MUX2.DAC_VREF_SEL for DAC output voltage range. Enable precharge 1 us before you enable the DAC and the buffer.

Table 19-111. DACCTL Register Field Descriptions (continued)

Bit	Field	Type	Reset	Description
2-0	DAC_VOUT_SEL	R/W	0h	<p>DAC output connection.</p> <p>An analog node must only have one driver. Other drivers for the following analog nodes are configured in [ANATOP_MMAP::ADI_4_AUX:*].</p> <p>0h = Connect to nothing</p> <p>It is recommended to use NC as intermediate step when you change DAC_VOUT_SEL.</p> <p>1h = Connect to COMPB_REF analog node. Required setting to use Comparator B.</p> <p>2h = Connect to COMPA_REF analog node.</p> <p>It is not possible to drive external loads connected to COMPA_REF I/O mux with this setting.</p> <p>4h = Connect to COMPA_IN analog node. Required setting to drive external load selected in ADI_4_AUX:MUX1.COMPA_IN.</p>

19.6.7.7 LPMBIASCTL Register (Offset = 34h) [Reset = 0000000h]

LPMBIASCTL is shown in [Figure 19-97](#) and described in [Table 19-112](#).

Return to the [Table 19-104](#).

Low Power Mode Bias Control

The low power mode bias module provides bias current to DAC and Comparator A when AUX_SYSIF:OPMODEREQ.REQ differs from A.

Figure 19-97. LPMBIASCTL Register

31	30	29	28	27	26	25	24	23	22	21	20	19	18	17	16
RESERVED															
R-0h															
15	14	13	12	11	10	9	8	7	6	5	4	3	2	1	0
RESERVED															EN
R-0h															R/W-0h

Table 19-112. LPMBIASCTL Register Field Descriptions

Bit	Field	Type	Reset	Description
31-1	RESERVED	R	0h	Reserved
0	EN	R/W	0h	Module enable. 0: Disable low power mode bias module. 1: Enable low power mode bias module. Set EN to 1 15 us before you enable the DAC or Comparator A.

19.6.7.8 DACSMPLCTL Register (Offset = 38h) [Reset = 0000000h]

DACSMPLCTL is shown in [Figure 19-98](#) and described in [Table 19-113](#).

Return to the [Table 19-104](#).

DAC Sample Control

The DAC sample clock maintains the DAC voltage stored in the sample-and-hold capacitor. The DAC sample clock waveform consists of a setup phase followed by a hold phase. In the setup phase the sample-and-hold capacitor charges to the programmed voltage. The hold phase maintains the voltage with minimal power. DACSMPLCFG0 and DACSMPLCFG1 configure the DAC sample clock waveform.

Figure 19-98. DACSMPLCTL Register

31	30	29	28	27	26	25	24	23	22	21	20	19	18	17	16
RESERVED															
R-0h															
15	14	13	12	11	10	9	8	7	6	5	4	3	2	1	0
RESERVED															EN
R-0h															R/W-0h

Table 19-113. DACSMPLCTL Register Field Descriptions

Bit	Field	Type	Reset	Description
31-1	RESERVED	R	0h	Reserved
0	EN	R/W	0h	DAC sample clock enable. 0: Disable sample clock. The sample clock stops low and DACSTAT becomes 0 when the current sample clock period completes. 1: Enable DAC sample clock. DACSTAT must be 0 before you enable sample clock.

19.6.7.9 DACSMPLCFG0 Register (Offset = 3Ch) [Reset = 0000000h]

DACSMPLCFG0 is shown in [Figure 19-99](#) and described in [Table 19-114](#).

Return to the [Table 19-104](#).

DAC Sample Configuration 0

Figure 19-99. DACSMPLCFG0 Register

31	30	29	28	27	26	25	24	23	22	21	20	19	18	17	16	15	14	13	12	11	10	9	8	7	6	5	4	3	2	1	0
RESERVED																								CLKDIV							
R-0h																								R/W-0h							

Table 19-114. DACSMPLCFG0 Register Field Descriptions

Bit	Field	Type	Reset	Description
31-6	RESERVED	R	0h	Reserved
5-0	CLKDIV	R/W	0h	Clock division. AUX_SYSIF:PEROPRATE.ANAIF_DAC_OP_RATE divided by (CLKDIV + 1) determines the sample clock base frequency. 0: Divide by 1. 1: Divide by 2. ... 63: Divide by 64.

19.6.7.10 DACSMPLCFG1 Register (Offset = 40h) [Reset = 0000000h]

DACSMPLCFG1 is shown in [Figure 19-100](#) and described in [Table 19-115](#).

Return to the [Table 19-104](#).

DAC Sample Configuration 1

The sample clock period equals (high time + low time) * base period. DACSMPLCFG0.CLKDIV determines the base period.

Timing requirements (DAC Buffer On / DAC Buffer Off):

- (high time + low time) * base period > (4 us / 1 us)
- (high time * base period) > (2 us / 0.5 us)
- (low time * base period) > (2 us / 0.5 us)
- (low time * base period + HOLD_INTERVAL * sample clock period) < 32 us

If AUX_SYSIF:OPMODEREQ.REQ equals PDLP, you must set:

- H_PER = L_PER = HOLD_INTERVAL = 0.

Figure 19-100. DACSMPLCFG1 Register

31	30	29	28	27	26	25	24
RESERVED							
R-0h							
23	22	21	20	19	18	17	16
RESERVED							
R-0h							
15	14	13	12	11	10	9	8
RESERVED	H_PER	L_PER		SETUP_CNT			
R-0h	R/W-0h	R/W-0h		R/W-0h			
7	6	5	4	3	2	1	0
HOLD_INTERVAL							
R/W-0h							

Table 19-115. DACSMPLCFG1 Register Field Descriptions

Bit	Field	Type	Reset	Description
31-15	RESERVED	R	0h	Reserved
14	H_PER	R/W	0h	High time. The sample clock period is high for this many base periods. 0: 2 periods 1: 4 periods
13-12	L_PER	R/W	0h	Low time. The sample clock period is low for this many base periods. 0: 1 period 1: 2 periods 2: 3 periods 3: 4 periods
11-8	SETUP_CNT	R/W	0h	Setup count. Number of active sample clock periods during the setup phase. 0: 1 sample clock period 1: 2 sample clock periods ... 15: 16 sample clock periods
7-0	HOLD_INTERVAL	R/W	0h	Hold interval. Number of inactive sample clock periods between each active sample clock period during hold phase. The sample clock is low when inactive. The range is 0 to 255.

19.6.7.11 DACVALUE Register (Offset = 44h) [Reset = 0000000h]

DACVALUE is shown in [Figure 19-101](#) and described in [Table 19-116](#).

Return to the [Table 19-104](#).

DAC Value

Figure 19-101. DACVALUE Register

31	30	29	28	27	26	25	24	23	22	21	20	19	18	17	16	15	14	13	12	11	10	9	8	7	6	5	4	3	2	1	0
RESERVED														VALUE																	
R-0h														R/W-0h																	

Table 19-116. DACVALUE Register Field Descriptions

Bit	Field	Type	Reset	Description
31-8	RESERVED	R	0h	Reserved
7-0	VALUE	R/W	0h	DAC value. Digital data word for the DAC. Only change VALUE when DACCTL.DAC_EN is 0. Then wait 1 us before you enable the DAC.

19.6.7.12 DACSTAT Register (Offset = 48h) [Reset = 0000000h]

DACSTAT is shown in [Figure 19-102](#) and described in [Table 19-117](#).

Return to the [Table 19-104](#).

DAC Status

Figure 19-102. DACSTAT Register

31	30	29	28	27	26	25	24
RESERVED							
R-0h							
23	22	21	20	19	18	17	16
RESERVED							
R-0h							
15	14	13	12	11	10	9	8
RESERVED							
R-0h							
7	6	5	4	3	2	1	0
RESERVED						SETUP_ACTIVE	HOLD_ACTIVE
R-0h						R-0h	R-0h

Table 19-117. DACSTAT Register Field Descriptions

Bit	Field	Type	Reset	Description
31-2	RESERVED	R	0h	Reserved
1	SETUP_ACTIVE	R	0h	DAC setup phase status. 0: Sample clock is disabled or setup phase is complete. 1: Setup phase in progress.
0	HOLD_ACTIVE	R	0h	DAC hold phase status. 0: Sample clock is disabled or DAC is not in hold phase. 1: Hold phase in progress.

19.6.8 AUX_SYSIF Registers

Table 19-118 lists the memory-mapped registers for the AUX_SYSIF registers. All register offset addresses not listed in Table 19-118 should be considered as reserved locations and the register contents should not be modified.

Table 19-118. AUX_SYSIF Registers

Offset	Acronym	Register Name	Section
0h	OPMODEREQ	Operational Mode Request	Section 19.6.8.1
4h	OPMODEACK	Operational Mode Acknowledgement	Section 19.6.8.2
48h	EVSYNCRATE	Event Synchronization Rate	Section 19.6.8.3
4Ch	PEROPRATE	Peripheral Operational Rate	Section 19.6.8.4
50h	ADCCLKCTL	ADC Clock Control	Section 19.6.8.5
54h	TDCCLKCTL	TDC Counter Clock Control	Section 19.6.8.6
58h	TDCREFCLKCTL	TDC Reference Clock Control	Section 19.6.8.7
7Ch	RTCSUBSECINC0	Real Time Counter Sub Second Increment 0	Section 19.6.8.8
80h	RTCSUBSECINC1	Real Time Counter Sub Second Increment 1	Section 19.6.8.9
84h	RTCSUBSECINCCTL	Real Time Counter Sub Second Increment Control	Section 19.6.8.10
90h	RTCEVCLR	AON_RTC Event Clear	Section 19.6.8.11
A0h	TIMERHALT	Timer Halt	Section 19.6.8.12
B4h	SWPWRPROF	Software Power Profiler	Section 19.6.8.13

Complex bit access types are encoded to fit into small table cells. Table 19-119 shows the codes that are used for access types in this section.

Table 19-119. AUX_SYSIF Access Type Codes

Access Type	Code	Description
Read Type		
R	R	Read
RH	R H	Read Set or cleared by hardware
Write Type		
W	W	Write
Reset or Default Value		
-n		Value after reset or the default value

19.6.8.1 OPMODEREQ Register (Offset = 0h) [Reset = 0000000h]

OPMODEREQ is shown in [Figure 19-103](#) and described in [Table 19-120](#).

Return to the [Table 19-118](#).

Operational Mode Request

AUX can operate in three operational modes. Each mode is associated with:

- a SCE clock source or rate, given by AON_PMCTL:AUXSCECLK. This rate is termed SCE_RATE.
- a system power supply state request. AUX can request powerdown (uLDO) or active (GLDO or DCDC) system power supply state.

Follow these rules:

- It is not allowed to change a request until it has been acknowledged through OPMODEACK.
- A change in mode request must happen stepwise along this sequence, the direction is irrelevant: PDA - A - LP - PDLP.

Failure to follow these rules might result in unexpected behavior and must be avoided.

Figure 19-103. OPMODEREQ Register

31	30	29	28	27	26	25	24	23	22	21	20	19	18	17	16
RESERVED															
R-0h															
15	14	13	12	11	10	9	8	7	6	5	4	3	2	1	0
RESERVED														REQ	
R-0h														R/W-0h	

Table 19-120. OPMODEREQ Register Field Descriptions

Bit	Field	Type	Reset	Description
31-2	RESERVED	R	0h	Reserved
1-0	REQ	R/W	0h	<p>AUX operational mode request.</p> <p>0h = Active operational mode, characterized by:</p> <ul style="list-style-type: none"> - Active system power supply state (GLDO or DCDC) request. - AON_PMCTL:AUXSCECLK.SRC sets the SCE clock frequency (SCE_RATE). - An active wakeup flag does not change operational mode. <p>1h = Lowpower operational mode, characterized by:</p> <ul style="list-style-type: none"> - Powerdown system power supply state (uLDO) request. - SCE clock frequency (SCE_RATE) equals SCLK_MF. - An active wakeup flag does not change operational mode. <p>2h = Powerdown operational mode with wakeup to active mode, characterized by:</p> <ul style="list-style-type: none"> - Powerdown system power supply state (uLDO) request. - AON_PMCTL:AUXSCECLK.PD_SRC sets the SCE clock frequency (SCE_RATE). - An active wakeup flag overrides the operational mode externally to active (A) as long as the flag is set. <p>3h = Powerdown operational mode with wakeup to lowpower mode, characterized by:</p> <ul style="list-style-type: none"> - Powerdown system power supply state (uLDO) request. - AON_PMCTL:AUXSCECLK.PD_SRC sets the SCE clock frequency (SCE_RATE). - An active wakeup flag overrides the operational mode externally to lowpower (LP) as long as the flag is set.

19.6.8.2 OPMODEACK Register (Offset = 4h) [Reset = 0000000h]

OPMODEACK is shown in [Figure 19-104](#) and described in [Table 19-121](#).

Return to the [Table 19-118](#).

Operational Mode Acknowledgement

User must assume that the current operational mode is the one acknowledged.

Figure 19-104. OPMODEACK Register

31	30	29	28	27	26	25	24	23	22	21	20	19	18	17	16
RESERVED															
R-0h															
15	14	13	12	11	10	9	8	7	6	5	4	3	2	1	0
RESERVED														ACK	
R-0h														R-0h	

Table 19-121. OPMODEACK Register Field Descriptions

Bit	Field	Type	Reset	Description
31-2	RESERVED	R	0h	Reserved
1-0	ACK	R	0h	AUX operational mode acknowledgement. 0h = Active operational mode is acknowledged. 1h = Lowpower operational mode is acknowledged. 2h = Powerdown operational mode with wakeup to active mode is acknowledged. 3h = Powerdown operational mode with wakeup to lowpower mode is acknowledged.

19.6.8.3 EVSYNCRATE Register (Offset = 48h) [Reset = 0000000h]

EVSYNCRATE is shown in [Figure 19-105](#) and described in [Table 19-122](#).

Return to the [Table 19-118](#).

Event Synchronization Rate

Configure synchronization rate for certain events to the synchronous AUX event bus.

Select AUX bus rate when system CPU uses the event.

SCE rate equals rate configured in AON_PMCTL:AUXSCECLK. AUX bus rate equals SCE rate, or SCLK_HF divided by two when MCU domain is active.

Figure 19-105. EVSYNCRATE Register

31	30	29	28	27	26	25	24
RESERVED							
R-0h							
23	22	21	20	19	18	17	16
RESERVED							
R-0h							
15	14	13	12	11	10	9	8
RESERVED							
R-0h							
7	6	5	4	3	2	1	0
RESERVED					AUX_COMPA_SYNC_RATE	AUX_COMPB_SYNC_RATE	RESERVED
R-0h					R/W-0h	R/W-0h	R-0h

Table 19-122. EVSYNCRATE Register Field Descriptions

Bit	Field	Type	Reset	Description
31-3	RESERVED	R	0h	Reserved
2	AUX_COMPA_SYNC_RATE	R/W	0h	Select synchronization rate for AUX_EVCTL:EVSTAT2.AUX_COMPA event. 0h = SCE rate 1h = AUX bus rate
1	AUX_COMPB_SYNC_RATE	R/W	0h	Select synchronization rate for AUX_EVCTL:EVSTAT2.AUX_COMPB event. 0h = SCE rate 1h = AUX bus rate
0	RESERVED	R	0h	Reserved

19.6.8.4 PEROPRATE Register (Offset = 4Ch) [Reset = 0000000h]

PEROPRATE is shown in [Figure 19-106](#) and described in [Table 19-123](#).

Return to the [Table 19-118](#).

Peripheral Operational Rate

Some AUX peripherals are operated at either SCE or at AUX bus rate.

Select AUX bus rate when system CPU uses such peripheral.

SCE rate equals rate configured in AON_PMCTL:AUXSCECLK. AUX bus rate equals SCE rate, or SCLK_HF divided by 2 when MCU domain is active.

Figure 19-106. PEROPRATE Register

31	30	29	28	27	26	25	24
RESERVED							
R-0h							
23	22	21	20	19	18	17	16
RESERVED							
R-0h							
15	14	13	12	11	10	9	8
RESERVED							
R-0h							
7	6	5	4	3	2	1	0
RESERVED				ANAIF_DAC_O P_RATE	TIMER01_OP_ RATE	RESERVED	
R-0h				R/W-0h	R/W-0h	R-0h	

Table 19-123. PEROPRATE Register Field Descriptions

Bit	Field	Type	Reset	Description
31-4	RESERVED	R	0h	Reserved
3	ANAIF_DAC_OP_RATE	R/W	0h	Select operational rate for AUX_ANAIF DAC sample clock state machine. 0h = SCE rate 1h = AUX bus rate
2	TIMER01_OP_RATE	R/W	0h	Select operational rate for AUX_TIMER01. 0h = SCE rate 1h = AUX bus rate
1-0	RESERVED	R	0h	Reserved

19.6.8.5 ADCCLKCTL Register (Offset = 50h) [Reset = 0000000h]

ADCCLKCTL is shown in [Figure 19-107](#) and described in [Table 19-124](#).

Return to the [Table 19-118](#).

ADC Clock Control

Figure 19-107. ADCCLKCTL Register

31	30	29	28	27	26	25	24	23	22	21	20	19	18	17	16
RESERVED															
R-0h															
15	14	13	12	11	10	9	8	7	6	5	4	3	2	1	0
RESERVED														ACK	REQ
R-0h														R-0h	R/W-0h

Table 19-124. ADCCLKCTL Register Field Descriptions

Bit	Field	Type	Reset	Description
31-2	RESERVED	R	0h	Reserved
1	ACK	R	0h	Clock acknowledgement. 0: ADC clock is disabled. 1: ADC clock is enabled.
0	REQ	R/W	0h	ADC clock request. 0: Disable ADC clock. 1: Enable ADC clock. Only modify REQ when equal to ACK.

19.6.8.6 TDCCLKCTL Register (Offset = 54h) [Reset = 0000000h]

TDCCLKCTL is shown in [Figure 19-108](#) and described in [Table 19-125](#).

Return to the [Table 19-118](#).

TDC Counter Clock Control

Controls if the AUX_TDC counter clock source is enabled.

These are the recommended steps to configure and request the counter clock:

- Ensure that REQ=0 and ACK=0.
- Configure clock source in DDI_0_OSC:CTL0.ACLK_TDC_SRC_SEL.
- Read DDI_0_OSC:CTL0 to avoid a race condition between previous step and next step.
- Set REQ=1 to request the clock.
- Wait until ACK=1.

After these steps ACK stays high until REQ=0. It is hence not recommended to reconfigure DDI_0_OSC:CTL0.ACLK_TDC_SRC_SEL when ACK=1. In this case, there will be no indication of when the new clock source selection is ready.

These are the recommended steps to stop the counter clock:

- Ensure that REQ=1 and ACK=1.
- Set REQ=0 to stop the clock.
- Wait until ACK=0.

Figure 19-108. TDCCLKCTL Register

31	30	29	28	27	26	25	24	23	22	21	20	19	18	17	16
RESERVED															
R-0h															
15	14	13	12	11	10	9	8	7	6	5	4	3	2	1	0
RESERVED													ACK	REQ	
R-0h													R-0h	R/W-0h	

Table 19-125. TDCCLKCTL Register Field Descriptions

Bit	Field	Type	Reset	Description
31-2	RESERVED	R	0h	Software should not rely on the value of a reserved. Writing any other value than the reset value may result in undefined behavior.
1	ACK	R	0h	TDC counter clock acknowledgement. 0: TDC counter clock is disabled. 1: TDC counter clock is enabled.
0	REQ	R/W	0h	TDC counter clock request. 0: Disable TDC counter clock. 1: Enable TDC counter clock. Only modify REQ when equal to ACK.

19.6.8.7 TDCREFCLKCTL Register (Offset = 58h) [Reset = 0000000h]

TDCREFCLKCTL is shown in [Figure 19-109](#) and described in [Table 19-126](#).

Return to the [Table 19-118](#).

TDC Reference Clock Control

Controls if the AUX_TDC reference clock source is enabled.

These are the recommended steps to configure and request the reference clock:

- Ensure that REQ=0 and ACK=0.
- Configure clock source in DDI_0_OSC:CTL0.ACLK_REF_SRC_SEL.
- Read DDI_0_OSC:CTL0 to avoid a race condition between previous step and next step.
- Set REQ=1 to request the clock.
- Wait until ACK=1.

After these steps ACK stays high until REQ=0. It is hence not recommended to reconfigure DDI_0_OSC:CTL0.ACLK_REF_SRC_SEL when ACK=1. In this case, there will be no indication of when the new clock source selection is ready.

These are the recommended steps to stop the reference clock:

- Ensure that REQ=1 and ACK=1.
- Set REQ=0 to stop the clock.
- Wait until ACK=0.

Figure 19-109. TDCREFCLKCTL Register

31	30	29	28	27	26	25	24	23	22	21	20	19	18	17	16
RESERVED															
R-0h															
15	14	13	12	11	10	9	8	7	6	5	4	3	2	1	0
RESERVED														ACK	REQ
R-0h														R-0h	R/W-0h

Table 19-126. TDCREFCLKCTL Register Field Descriptions

Bit	Field	Type	Reset	Description
31-2	RESERVED	R	0h	Reserved
1	ACK	R	0h	TDC reference clock acknowledgement. 0: TDC reference clock is disabled. 1: TDC reference clock is enabled.
0	REQ	R/W	0h	TDC reference clock request. 0: Disable TDC reference clock. 1: Enable TDC reference clock. Only modify REQ when equal to ACK.

19.6.8.8 RTCSUBSECINC0 Register (Offset = 7Ch) [Reset = 0000000h]

RTCSUBSECINC0 is shown in [Figure 19-110](#) and described in [Table 19-127](#).

Return to the [Table 19-118](#).

Real Time Counter Sub Second Increment 0

INC15_0 will replace bits 15:0 in AON_RTC:SUBSECINC when RTCSUBSECINCCTL.UPD_REQ is set.

Figure 19-110. RTCSUBSECINC0 Register

31	30	29	28	27	26	25	24	23	22	21	20	19	18	17	16	15	14	13	12	11	10	9	8	7	6	5	4	3	2	1	0
RESERVED																INC15_0															
R-0h																R/W-0h															

Table 19-127. RTCSUBSECINC0 Register Field Descriptions

Bit	Field	Type	Reset	Description
31-16	RESERVED	R	0h	Reserved
15-0	INC15_0	R/W	0h	New value for bits 15:0 in AON_RTC:SUBSECINC.

19.6.8.9 RTCSUBSECINC1 Register (Offset = 80h) [Reset = 0000000h]

RTCSUBSECINC1 is shown in [Figure 19-111](#) and described in [Table 19-128](#).

Return to the [Table 19-118](#).

Real Time Counter Sub Second Increment 1

INC23_16 will replace bits 23:16 in AON_RTC:SUBSECINC when RTCSUBSECINCCTL.UPD_REQ is set.

Figure 19-111. RTCSUBSECINC1 Register

31	30	29	28	27	26	25	24	23	22	21	20	19	18	17	16	15	14	13	12	11	10	9	8	7	6	5	4	3	2	1	0
RESERVED																INC23_16															
R-0h																R/W-0h															

Table 19-128. RTCSUBSECINC1 Register Field Descriptions

Bit	Field	Type	Reset	Description
31-8	RESERVED	R	0h	Reserved
7-0	INC23_16	R/W	0h	New value for bits 23:16 in AON_RTC:SUBSECINC.

19.6.8.10 RTCSUBSECINCCTL Register (Offset = 84h) [Reset = 0000000h]

RTCSUBSECINCCTL is shown in [Figure 19-112](#) and described in [Table 19-129](#).

Return to the [Table 19-118](#).

Real Time Counter Sub Second Increment Control

Figure 19-112. RTCSUBSECINCCTL Register

31	30	29	28	27	26	25	24
RESERVED							
R-0h							
23	22	21	20	19	18	17	16
RESERVED							
R-0h							
15	14	13	12	11	10	9	8
RESERVED							
R-0h							
7	6	5	4	3	2	1	0
RESERVED						UPD_ACK	UPD_REQ
R-0h						R-0h	R/W-0h

Table 19-129. RTCSUBSECINCCTL Register Field Descriptions

Bit	Field	Type	Reset	Description
31-2	RESERVED	R	0h	Reserved
1	UPD_ACK	R	0h	Update acknowledgement. 0: AON_RTC has not acknowledged UPD_REQ. 1: AON_RTC has acknowledged UPD_REQ.
0	UPD_REQ	R/W	0h	Request AON_RTC to update AON_RTC:SUBSECINC. 0: Clear request to update. 1: Set request to update. Only change UPD_REQ when it equals UPD_ACK. Clear UPD_REQ after UPD_ACK is 1.

19.6.8.11 RTCEVCLR Register (Offset = 90h) [Reset = 0000000h]

RTCEVCLR is shown in [Figure 19-113](#) and described in [Table 19-130](#).

Return to the [Table 19-118](#).

AON_RTC Event Clear

Request to clear events:

- AON_RTC:EVFLAGS.CH2.
- AON_RTC:EVFLAGS.CH2 delayed version.
- AUX_EVCTL:EVSTAT2.AON_RTC_CH2.
- AUX_EVCTL:EVSTAT2.AON_RTC_CH2_DLY.

Figure 19-113. RTCEVCLR Register

31	30	29	28	27	26	25	24
RESERVED							
R-0h							
23	22	21	20	19	18	17	16
RESERVED							
R-0h							
15	14	13	12	11	10	9	8
RESERVED							
R-0h							
7	6	5	4	3	2	1	0
RESERVED							RTC_CH2_EV_CLR
R-0h							R/W-0h

Table 19-130. RTCEVCLR Register Field Descriptions

Bit	Field	Type	Reset	Description
31-1	RESERVED	R	0h	Reserved
0	RTC_CH2_EV_CLR	R/W	0h	Clear events from AON_RTC channel 2. 0: No effect. 1: Clear events from AON_RTC channel 2. Keep RTC_CH2_EV_CLR high until AUX_EVCTL:EVSTAT2.AON_RTC_CH2 and AUX_EVCTL:EVSTAT2.AON_RTC_CH2_DLY are 0.

19.6.8.12 TIMERHALT Register (Offset = A0h) [Reset = 0000000h]

TIMERHALT is shown in [Figure 19-114](#) and described in [Table 19-131](#).

Return to the [Table 19-118](#).

Timer Halt
Debug register

Figure 19-114. TIMERHALT Register

31	30	29	28	27	26	25	24
RESERVED							
R-0h							
23	22	21	20	19	18	17	16
RESERVED							
R-0h							
15	14	13	12	11	10	9	8
RESERVED							
R-0h							
7	6	5	4	3	2	1	0
RESERVED						AUX_TIMER1	AUX_TIMER0
R-0h						RH/W-0h	RH/W-0h

Table 19-131. TIMERHALT Register Field Descriptions

Bit	Field	Type	Reset	Description
31-2	RESERVED	R	0h	Reserved
1	AUX_TIMER1	RH/W	0h	Halt AUX_TIMER01 Timer 1. 0: AUX_TIMER01 Timer 1 operates as normal. 1: Halt AUX_TIMER01 Timer 1 operation.
0	AUX_TIMER0	RH/W	0h	Halt AUX_TIMER01 Timer 0. 0: AUX_TIMER01 Timer 0 operates as normal. 1: Halt AUX_TIMER01 Timer 0 operation.

19.6.8.13 SWPWRPROF Register (Offset = B4h) [Reset = 0000000h]

SWPWRPROF is shown in [Figure 19-115](#) and described in [Table 19-132](#).

Return to the [Table 19-118](#).

Software Power Profiler

Figure 19-115. SWPWRPROF Register

31	30	29	28	27	26	25	24	23	22	21	20	19	18	17	16
RESERVED															
R-0h															
15	14	13	12	11	10	9	8	7	6	5	4	3	2	1	0
RESERVED													STAT		
R-0h													R/W-0h		

Table 19-132. SWPWRPROF Register Field Descriptions

Bit	Field	Type	Reset	Description
31-3	RESERVED	R	0h	Reserved
2-0	STAT	R/W	0h	Software status bits that can be read by the power profiler.



Battery Monitor and Temperature Sensor (BATMON)

This chapter describes the battery monitor and temperature sensor in the CC13x1x3 and CC26x1x3 device platform.

20.1 Introduction	1496
20.2 Functional Description	1496
20.3 BATMON Registers	1496

20.1 Introduction

The battery monitor is a small block automatically enabled at boot that monitors both the VDDS supply voltage and the temperature through an on-chip temperature sensor. When enabled, the battery and temperature monitor block is operational in all operation modes except the deepest power modes, STANDBY and SHUTDOWN. When the device is in STANDBY, the measurements of battery monitor module will be limited to recharge cycles. At least two measurements will be performed in each recharge cycle.

The battery monitor provides voltage and temperature information to several modules, including the flash and the radio, to ensure correct operation and lowest power consumption. Therefore, it is not recommended to modify any settings in the battery monitor or turn it off.

20.2 Functional Description

The battery monitor is a 7-bit SAR-like ADC running at 125 kHz that performs alternate measurements of the supply voltage and the temperature sensor. When the battery monitor has settled on its first measurement, it stops working in SAR mode and starts linear tracking of voltage and temperature. A small digital core transforms these measurements to voltage and temperature in °C, which are read directly from the AON_BATMON:BAT and AON_BATMON:TEMP registers.

When a change in supply voltage or temperature is detected, the Battery Monitor will solely track the voltage until it has settled on a new constant level. The resolution of the ADC and the 125 kHz clock speed will limit the Battery Monitors capability of measuring voltage spikes. Due to the Battery Monitor not only alternating between temperature and battery voltage, but also between checking if there has been a positive or negative change since last read, there can be a delay of 6 clock cycles between a voltage dip and the time when the ADC notices that the temperature or voltage has changed. Due to the prioritization of voltage tracking upon detection of voltage changes, temperature changes might be detected with more delays if the voltage is also changing at the same time. This is important to keep in mind because the Battery Monitor is designed to measure the battery voltage; it is not designed to measure voltage spurs due to short periods of higher current consumption.

The module also includes an event register, AON_BATMON:EVENT, that includes six events:

- TEMP_UPDATE: indicates that the temperature has changed
- BATT_UPDATE: indicates that the voltage has changed
- TEMP_BELOW_LL: indicates that the temperature is below the lower limit value that is set in the AON_BATMON:TEMPLL register
- TEMP_OVER_UL: indicates that the temperature is over the upper limit value that is set in the AON_BATMON:TEMPUL register
- BATT_BELOW_LL: indicates that the voltage is below the lower limit value that is set in the AON_BATMON:BATTLL register
- BATT_OVER_UL: indicates that the voltage is over the upper limit value that is set in the AON_BATMON:BATTUL register

These events must be cleared by writing to the AON_BATMON:EVENT register. The events will be asserted again if the conditions for the events are met (assertion of the new events takes precedence over the clearing of the events). In addition to the individual events listed previously, the battery monitor module has a combined event that is connected to the CPU as an interrupt line. The mask register, AON_BATMON:EVENTMASK, can be used to select which of the events in AON_BATMON:EVENT contribute to the combined event. These events are connected to the AON event fabric. For details, see [Chapter 5](#).

20.3 BATMON Registers

The next section shows the register bank for the Battery Monitor and Temperature Sensor.

20.3.1 AON_BATMON Registers

[AON_BATMON Registers](#) lists the memory-mapped registers for the AON_BATMON registers. All register offset addresses not listed in [AON_BATMON Registers](#) should be considered as reserved locations and the register contents should not be modified.

Table 20-1. AON_BATMON Registers

Offset	Acronym	Register Name	Section
0h	CTL	Internal	Section 20.3.1.1
4h	MEASCFG	Internal	Section 20.3.1.2
Ch	TEMPP0	Internal	Section 20.3.1.3
10h	TEMPP1	Internal	Section 20.3.1.4
14h	TEMPP2	Internal	Section 20.3.1.5
18h	BATMONP0	Internal	Section 20.3.1.6
1Ch	BATMONP1	Internal	Section 20.3.1.7
20h	IOSTRP0	Internal	Section 20.3.1.8
24h	FLASHPUMPP0	Internal	Section 20.3.1.9
28h	BAT	Last Measured Battery Voltage	Section 20.3.1.10
2Ch	BATUPD	Battery Update	Section 20.3.1.11
30h	TEMP	Temperature	Section 20.3.1.12
34h	TEMPUPD	Temperature Update	Section 20.3.1.13
48h	EVENTMASK	Event Mask	Section 20.3.1.14
4Ch	EVENT	Event	Section 20.3.1.15
50h	BATTUL	Battery Upper Limit	Section 20.3.1.16
54h	BATLL	Battery Lower Limit	Section 20.3.1.17
58h	TEMPUL	Temperature Upper Limit	Section 20.3.1.18
5Ch	TEMPLL	Temperature Lower Limit	Section 20.3.1.19

Complex bit access types are encoded to fit into small table cells. [AON_BATMON Access Type Codes](#) shows the codes that are used for access types in this section.

Table 20-2. AON_BATMON Access Type Codes

Access Type	Code	Description
Read Type		
R	R	Read
Write Type		
W	W	Write
W1C	W 1C	Write 1 to clear
Reset or Default Value		
-n		Value after reset or the default value

20.3.1.1 CTL Register (Offset = 0h) [Reset = 0000000h]

CTL is shown in [CTL Register](#) and described in [CTL Register Field Descriptions](#).

Return to the [AON_BATMON Registers](#).

Internal. Only to be used through TI provided API.

Figure 20-1. CTL Register

31	30	29	28	27	26	25	24		
RESERVED									
R-0h									
23	22	21	20	19	18	17	16		
RESERVED									
R-0h									
15	14	13	12	11	10	9	8		
RESERVED									
R-0h									
7	6	5	4	3	2	1	0	CALC_EN	MEAS_EN
RESERVED								CALC_EN	MEAS_EN
R-0h								R/W-0h	R/W-0h

Table 20-3. CTL Register Field Descriptions

Bit	Field	Type	Reset	Description
31-2	RESERVED	R	0h	Reserved
1	CALC_EN	R/W	0h	Internal. Only to be used through TI provided API.
0	MEAS_EN	R/W	0h	Internal. Only to be used through TI provided API.

20.3.1.2 MEASCFG Register (Offset = 4h) [Reset = 0000000h]

MEASCFG is shown in [MEASCFG Register](#) and described in [MEASCFG Register Field Descriptions](#).

Return to the [AON_BATMON Registers](#).

Internal. Only to be used through TI provided API.

Figure 20-2. MEASCFG Register

31	30	29	28	27	26	25	24	23	22	21	20	19	18	17	16
RESERVED															
R-0h															
15	14	13	12	11	10	9	8	7	6	5	4	3	2	1	0
RESERVED														PER	
R-0h														R/W-0h	

Table 20-4. MEASCFG Register Field Descriptions

Bit	Field	Type	Reset	Description
31-2	RESERVED	R	0h	Reserved
1-0	PER	R/W	0h	Internal. Only to be used through TI provided API.

20.3.1.3 TEMPP0 Register (Offset = Ch) [Reset = 0000000h]

TEMPP0 is shown in [TEMPP0 Register](#) and described in [TEMPP0 Register Field Descriptions](#).

Return to the [AON_BATMON Registers](#).

Internal. Only to be used through TI provided API.

Figure 20-3. TEMPP0 Register

31	30	29	28	27	26	25	24	23	22	21	20	19	18	17	16	15	14	13	12	11	10	9	8	7	6	5	4	3	2	1	0
RESERVED														CFG																	
R-0h														R/W-0h																	

Table 20-5. TEMPP0 Register Field Descriptions

Bit	Field	Type	Reset	Description
31-8	RESERVED	R	0h	Reserved
7-0	CFG	R/W	0h	Internal. Only to be used through TI provided API.

20.3.1.4 TEMPP1 Register (Offset = 10h) [Reset = 00000000h]

TEMPP1 is shown in [TEMPP1 Register](#) and described in [TEMPP1 Register Field Descriptions](#).

Return to the [AON_BATMON Registers](#).

Internal. Only to be used through TI provided API.

Figure 20-4. TEMPP1 Register

31	30	29	28	27	26	25	24	23	22	21	20	19	18	17	16	15	14	13	12	11	10	9	8	7	6	5	4	3	2	1	0
RESERVED																										CFG					
R-0h																										R/W-0h					

Table 20-6. TEMPP1 Register Field Descriptions

Bit	Field	Type	Reset	Description
31-6	RESERVED	R	0h	Reserved
5-0	CFG	R/W	0h	Internal. Only to be used through TI provided API.

20.3.1.5 TEMPP2 Register (Offset = 14h) [Reset = 00000000h]

TEMPP2 is shown in [TEMPP2 Register](#) and described in [TEMPP2 Register Field Descriptions](#).

Return to the [AON_BATMON Registers](#).

Internal. Only to be used through TI provided API.

Figure 20-5. TEMPP2 Register

31	30	29	28	27	26	25	24	23	22	21	20	19	18	17	16	15	14	13	12	11	10	9	8	7	6	5	4	3	2	1	0
RESERVED																											CFG				
R-0h																											R/W-0h				

Table 20-7. TEMPP2 Register Field Descriptions

Bit	Field	Type	Reset	Description
31-5	RESERVED	R	0h	Reserved
4-0	CFG	R/W	0h	Internal. Only to be used through TI provided API.

20.3.1.6 BATMONP0 Register (Offset = 18h) [Reset = 0000000h]

BATMONP0 is shown in [BATMONP0 Register](#) and described in [BATMONP0 Register Field Descriptions](#).

Return to the [AON_BATMON Registers](#).

Internal. Only to be used through TI provided API.

Figure 20-6. BATMONP0 Register

31	30	29	28	27	26	25	24	23	22	21	20	19	18	17	16	15	14	13	12	11	10	9	8	7	6	5	4	3	2	1	0
RESERVED														CFG																	
R-0h														R/W-0h																	

Table 20-8. BATMONP0 Register Field Descriptions

Bit	Field	Type	Reset	Description
31-7	RESERVED	R	0h	Reserved
6-0	CFG	R/W	0h	Internal. Only to be used through TI provided API.

20.3.1.7 BATMONP1 Register (Offset = 1Ch) [Reset = 0000000h]

BATMONP1 is shown in [BATMONP1 Register](#) and described in [BATMONP1 Register Field Descriptions](#).

Return to the [AON_BATMON Registers](#).

Internal. Only to be used through TI provided API.

Figure 20-7. BATMONP1 Register

31	30	29	28	27	26	25	24	23	22	21	20	19	18	17	16	15	14	13	12	11	10	9	8	7	6	5	4	3	2	1	0
RESERVED																										CFG					
R-0h																										R/W-0h					

Table 20-9. BATMONP1 Register Field Descriptions

Bit	Field	Type	Reset	Description
31-6	RESERVED	R	0h	Reserved
5-0	CFG	R/W	0h	Internal. Only to be used through TI provided API.

20.3.1.8 IOSTRP0 Register (Offset = 20h) [Reset = 0000028h]

IOSTRP0 is shown in [IOSTRP0 Register](#) and described in [IOSTRP0 Register Field Descriptions](#).

Return to the [AON_BATMON Registers](#).

Internal. Only to be used through TI provided API.

Figure 20-8. IOSTRP0 Register

31	30	29	28	27	26	25	24	23	22	21	20	19	18	17	16
RESERVED															
R-0h															
15	14	13	12	11	10	9	8	7	6	5	4	3	2	1	0
RESERVED										CFG2		CFG1			
R-0h										R/W-2h		R/W-8h			

Table 20-10. IOSTRP0 Register Field Descriptions

Bit	Field	Type	Reset	Description
31-6	RESERVED	R	0h	Reserved
5-4	CFG2	R/W	2h	Internal. Only to be used through TI provided API.
3-0	CFG1	R/W	8h	Internal. Only to be used through TI provided API.

20.3.1.9 FLASHPUMPP0 Register (Offset = 24h) [Reset = 0000000h]

FLASHPUMPP0 is shown in [FLASHPUMPP0 Register](#) and described in [FLASHPUMPP0 Register Field Descriptions](#).

Return to the [AON_BATMON Registers](#).

Internal. Only to be used through TI provided API.

Figure 20-9. FLASHPUMPP0 Register

31	30	29	28	27	26	25	24
RESERVED							
R-0h							
23	22	21	20	19	18	17	16
RESERVED							
R-0h							
15	14	13	12	11	10	9	8
RESERVED						DIS_NOISE_FILTER	FALLB
R-0h						R/W-0h	R/W-0h
7	6	5	4	3	2	1	0
HIGHLIM		LOWLIM	OVR	CFG			
R/W-0h		R/W-0h	R/W-0h	R/W-0h			

Table 20-11. FLASHPUMPP0 Register Field Descriptions

Bit	Field	Type	Reset	Description
31-10	RESERVED	R	0h	Reserved
9	DIS_NOISE_FILTER	R/W	0h	Internal. Only to be used through TI provided API.
8	FALLB	R/W	0h	Internal. Only to be used through TI provided API.
7-6	HIGHLIM	R/W	0h	Internal. Only to be used through TI provided API.
5	LOWLIM	R/W	0h	Internal. Only to be used through TI provided API.
4	OVR	R/W	0h	Internal. Only to be used through TI provided API.
3-0	CFG	R/W	0h	Internal. Only to be used through TI provided API.

20.3.1.10 BAT Register (Offset = 28h) [Reset = 0000000h]

BAT is shown in [BAT Register](#) and described in [BAT Register Field Descriptions](#).

Return to the [AON_BATMON Registers](#).

Last Measured Battery Voltage

This register may be read while BATUPD.STAT = 1

Figure 20-10. BAT Register

31	30	29	28	27	26	25	24	23	22	21	20	19	18	17	16	15	14	13	12	11	10	9	8	7	6	5	4	3	2	1	0
RESERVED															INT			FRAC													
R-0h															R-0h			R-0h													

Table 20-12. BAT Register Field Descriptions

Bit	Field	Type	Reset	Description
31-11	RESERVED	R	0h	Reserved
10-8	INT	R	0h	Integer part: 0x0: 0V + fractional part ... 0x3: 3V + fractional part 0x4: 4V + fractional part
7-0	FRAC	R	0h	Fractional part, standard binary fractional encoding. 0x00: .0V ... 0x20: 1/8 = .125V 0x40: 1/4 = .25V 0x80: 1/2 = .5V ... 0xA0: 1/2 + 1/8 = .625V ... 0xFF: Max

20.3.1.11 BATUPD Register (Offset = 2Ch) [Reset = 0000000h]

BATUPD is shown in [BATUPD Register](#) and described in [BATUPD Register Field Descriptions](#).

Return to the [AON_BATMON Registers](#).

Battery Update
Indicates BAT Updates

Figure 20-11. BATUPD Register

31	30	29	28	27	26	25	24
RESERVED							
R-0h							
23	22	21	20	19	18	17	16
RESERVED							
R-0h							
15	14	13	12	11	10	9	8
RESERVED							
R-0h							
7	6	5	4	3	2	1	0
RESERVED							STAT
R-0h							R/W1C-0h

Table 20-13. BATUPD Register Field Descriptions

Bit	Field	Type	Reset	Description
31-1	RESERVED	R	0h	Reserved
0	STAT	R/W1C	0h	0: No update since last clear 1: New battery voltage is present. Write 1 to clear the status.

20.3.1.12 TEMP Register (Offset = 30h) [Reset = 0000000h]

TEMP is shown in [TEMP Register](#) and described in [TEMP Register Field Descriptions](#).

Return to the [AON_BATMON Registers](#).

Temperature

Last Measured Temperature in Degrees Celsius

This register may be read while TEMPUPD.STAT = 1.

Figure 20-12. TEMP Register

31	30	29	28	27	26	25	24	23	22	21	20	19	18	17	16	15	14	13	12	11	10	9	8	7	6	5	4	3	2	1	0
RESERVED											INT						RESERVED														
R-0h											R-0h						R-0h														

Table 20-14. TEMP Register Field Descriptions

Bit	Field	Type	Reset	Description
31-17	RESERVED	R	0h	Reserved
16-8	INT	R	0h	Integer part (signed) of temperature value. Total value = INTEGER + FRACTIONAL 2's complement encoding 0x100: Min value 0x1D8: -40C 0x1FF: -1C 0x00: 0C 0x1B: 27C 0x55: 85C 0xFF: Max value
7-0	RESERVED	R	0h	Reserved

20.3.1.13 TEMPUPD Register (Offset = 34h) [Reset = 0000000h]

TEMPUPD is shown in [TEMPUPD Register](#) and described in [TEMPUPD Register Field Descriptions](#).

Return to the [AON_BATMON Registers](#).

Temperature Update
Indicates TEMP Updates

Figure 20-13. TEMPUPD Register

31	30	29	28	27	26	25	24
RESERVED							
R-0h							
23	22	21	20	19	18	17	16
RESERVED							
R-0h							
15	14	13	12	11	10	9	8
RESERVED							
R-0h							
7	6	5	4	3	2	1	0
RESERVED							STAT
R-0h							R/W1C-0h

Table 20-15. TEMPUPD Register Field Descriptions

Bit	Field	Type	Reset	Description
31-1	RESERVED	R	0h	Reserved
0	STAT	R/W1C	0h	0: No update since last clear 1: New temperature is present. Write 1 to clear the status.

20.3.1.14 EVENTMASK Register (Offset = 48h) [Reset = 0000000h]

EVENTMASK is shown in [EVENTMASK Register](#) and described in [EVENTMASK Register Field Descriptions](#).

Return to the [AON_BATMON Registers](#).

Event Mask

Figure 20-14. EVENTMASK Register

31	30	29	28	27	26	25	24
RESERVED							
R-0h							
23	22	21	20	19	18	17	16
RESERVED							
R-0h							
15	14	13	12	11	10	9	8
RESERVED							
R-0h							
7	6	5	4	3	2	1	0
RESERVED		TEMP_UPDAT E_MASK	BATT_UPDATE _MASK	TEMP_BELOW _LL_MASK	TEMP_OVER_ UL_MASK	BATT_BELOW_ LL_MASK	BATT_OVER_U L_MASK
R-0h		R/W-0h	R/W-0h	R/W-0h	R/W-0h	R/W-0h	R/W-0h

Table 20-16. EVENTMASK Register Field Descriptions

Bit	Field	Type	Reset	Description
31-6	RESERVED	R	0h	Reserved
5	TEMP_UPDATE_MASK	R/W	0h	1: EVENT.TEMP_UPDATE contributes to combined event from BATMON 0: EVENT.TEMP_UPDATE does not contribute to combined event from BATMON
4	BATT_UPDATE_MASK	R/W	0h	1: EVENT.BATT_UPDATE contributes to combined event from BATMON 0: EVENT.BATT_UPDATE does not contribute to combined event from BATMON
3	TEMP_BELOW_LL_MASK	R/W	0h	1: EVENT.TEMP_BELOW_LL contributes to combined event from BATMON 0: EVENT.TEMP_BELOW_LL does not contribute to combined event from BATMON
2	TEMP_OVER_UL_MASK	R/W	0h	1: EVENT.TEMP_OVER_UL contributes to combined event from BATMON 0: EVENT.TEMP_OVER_UL does not contribute to combined event from BATMON
1	BATT_BELOW_LL_MASK	R/W	0h	1: EVENT.BATT_BELOW_LL contributes to combined event from BATMON 0: EVENT.BATT_BELOW_LL does not contribute to combined event from BATMON
0	BATT_OVER_UL_MASK	R/W	0h	1: EVENT.BATT_OVER_UL contributes to combined event from BATMON 0: EVENT.BATT_OVER_UL does not contribute to combined event from BATMON

20.3.1.15 EVENT Register (Offset = 4Ch) [Reset = 0000000h]

EVENT is shown in [EVENT Register](#) and described in [EVENT Register Field Descriptions](#).

Return to the [AON_BATMON Registers](#).

Event

Figure 20-15. EVENT Register

31	30	29	28	27	26	25	24
RESERVED							
R-0h							
23	22	21	20	19	18	17	16
RESERVED							
R-0h							
15	14	13	12	11	10	9	8
RESERVED							
R-0h							
7	6	5	4	3	2	1	0
RESERVED		TEMP_UPDATE	BATT_UPDATE	TEMP_BELOW_LL	TEMP_OVER_UL	BATT_BELOW_LL	BATT_OVER_UL
R-0h		R/W1C-0h	R/W1C-0h	R/W1C-0h	R/W1C-0h	R/W1C-0h	R/W1C-0h

Table 20-17. EVENT Register Field Descriptions

Bit	Field	Type	Reset	Description
31-6	RESERVED	R	0h	Reserved
5	TEMP_UPDATE	R/W1C	0h	Alias to TEMPUPD.STAT
4	BATT_UPDATE	R/W1C	0h	Alias to BATUPD.STAT
3	TEMP_BELOW_LL	R/W1C	0h	Read: 1: Temperature level is below the lower limit set by TEMPLL. 0: Temperature level is not below the lower limit set by TEMPLL. Write: 1: Clears the flag 0: No change in the flag
2	TEMP_OVER_UL	R/W1C	0h	Read: 1: Temperature level is above the upper limit set by TEMPUL. 0: Temperature level is not above the upper limit set by TEMPUL. Write: 1: Clears the flag 0: No change in the flag
1	BATT_BELOW_LL	R/W1C	0h	Read: 1: Battery level is below the lower limit set by BATTLL. 0: Battery level is not below the lower limit set by BATTLL. Write: 1: Clears the flag 0: No change in the flag
0	BATT_OVER_UL	R/W1C	0h	Read: 1: Battery level is above the upper limit set by BATTUL. 0: Battery level is not above the upper limit set by BATTUL. Write: 1: Clears the flag 0: No change in the flag

20.3.1.16 BATTUL Register (Offset = 50h) [Reset = 000007FFh]

BATTUL is shown in [BATTUL Register](#) and described in [BATTUL Register Field Descriptions](#).

Return to the [AON_BATMON Registers](#).

Battery Upper Limit

Figure 20-16. BATTUL Register

31	30	29	28	27	26	25	24	23	22	21	20	19	18	17	16	15	14	13	12	11	10	9	8	7	6	5	4	3	2	1	0
RESERVED														INT				FRAC													
R-0h														R/W-7h				R/W-FFh													

Table 20-18. BATTUL Register Field Descriptions

Bit	Field	Type	Reset	Description
31-11	RESERVED	R	0h	Reserved
10-8	INT	R/W	7h	Integer part: 0x0: 0V + fractional part ... 0x3: 3V + fractional part 0x4: 4V + fractional part
7-0	FRAC	R/W	FFh	Fractional part, standard binary fractional encoding. 0x00: .0V ... 0x20: 1/8 = .125V 0x40: 1/4 = .25V 0x80: 1/2 = .5V ... 0xA0: 1/2 + 1/8 = .625V ... 0xFF: Max

20.3.1.17 BATTLL Register (Offset = 54h) [Reset = 0000000h]

BATTLL is shown in [BATTLL Register](#) and described in [BATTLL Register Field Descriptions](#).

Return to the [AON_BATMON Registers](#).

Battery Lower Limit

Figure 20-17. BATTLL Register

31	30	29	28	27	26	25	24	23	22	21	20	19	18	17	16	15	14	13	12	11	10	9	8	7	6	5	4	3	2	1	0
RESERVED										INT			FRAC																		
R-0h										R/W-0h			R/W-0h																		

Table 20-19. BATTLL Register Field Descriptions

Bit	Field	Type	Reset	Description
31-11	RESERVED	R	0h	Reserved
10-8	INT	R/W	0h	Integer part: 0x0: 0V + fractional part ... 0x3: 3V + fractional part 0x4: 4V + fractional part
7-0	FRAC	R/W	0h	Fractional part, standard binary fractional encoding. 0x00: .0V ... 0x20: 1/8 = .125V 0x40: 1/4 = .25V 0x80: 1/2 = .5V ... 0xA0: 1/2 + 1/8 = .625V ... 0xFF: Max

20.3.1.18 TEMPUL Register (Offset = 58h) [Reset = 000FFC0h]

TEMPUL is shown in [TEMPUL Register](#) and described in [TEMPUL Register Field Descriptions](#).

Return to the [AON_BATMON Registers](#).

Temperature Upper Limit

Figure 20-18. TEMPUL Register

31	30	29	28	27	26	25	24	23	22	21	20	19	18	17	16
RESERVED															INT
R-0h															R/W- FFh
15	14	13	12	11	10	9	8	7	6	5	4	3	2	1	0
INT								FRAC			RESERVED				
R/W-FFh								R/W-3h			R-0h				

Table 20-20. TEMPUL Register Field Descriptions

Bit	Field	Type	Reset	Description
31-17	RESERVED	R	0h	Reserved
16-8	INT	R/W	FFh	Integer part (signed) of temperature upper limit. Total value = INTEGER + FRACTIONAL 2's complement encoding 0x100: Min value 0x1D8: -40C 0x1FF: -1C 0x00: 0C 0x1B: 27C 0x55: 85C 0xFF: Max value
7-6	FRAC	R/W	3h	Fractional part of temperature upper limit. Total value = INTEGER + FRACTIONAL The encoding is an extension of the 2's complement encoding. 00: 0.0C 01: 0.25C 10: 0.5C 11: 0.75C For example: 00000000,00 = (1+0,00) = 1,00 00000000,11 = (0+0,75) = 0,75 00000000,10 = (0+0,50) = 0,50 00000000,01 = (0+0,25) = 0,25 00000000,00 = (0+0,00) = 0,00 11111111,11 = (-1+0,75) = -0,25 11111111,10 = (-1+0,50) = -0,50 11111111,01 = (-1+0,25) = -0,75 11111111,00 = (-1+0,00) = -1,00 11111110,11 = (-2+0,75) = -1,25
5-0	RESERVED	R	0h	Reserved

20.3.1.19 TEMPLL Register (Offset = 5Ch) [Reset = 00010000h]

TEMPLL is shown in [TEMPLL Register](#) and described in [TEMPLL Register Field Descriptions](#).

Return to the [AON_BATMON Registers](#).

Temperature Lower Limit

Figure 20-19. TEMPLL Register

31	30	29	28	27	26	25	24	23	22	21	20	19	18	17	16
RESERVED															INT
R-0h															R/ W-100 h
15	14	13	12	11	10	9	8	7	6	5	4	3	2	1	0
INT							FRAC			RESERVED					
R/W-100h							R/W-0h			R-0h					

Table 20-21. TEMPLL Register Field Descriptions

Bit	Field	Type	Reset	Description
31-17	RESERVED	R	0h	Reserved
16-8	INT	R/W	100h	Integer part (signed) of temperature lower limit. Total value = INTEGER + FRACTIONAL 2's complement encoding 0x100: Min value 0x1D8: -40C 0x1FF: -1C 0x00: 0C 0x1B: 27C 0x55: 85C 0xFF: Max value
7-6	FRAC	R/W	0h	Fractional part of temperature lower limit. Total value = INTEGER + FRACTIONAL The encoding is an extension of the 2's complement encoding. 00: 0.0C 01: 0.25C 10: 0.5C 11: 0.75C For example: 00000000,00 = (1+0,00) = 1,00 00000000,11 = (0+0,75) = 0,75 00000000,10 = (0+0,50) = 0,50 00000000,01 = (0+0,25) = 0,25 00000000,00 = (0+0,00) = 0,00 11111111,11 = (-1+0,75) = -0,25 11111111,10 = (-1+0,50) = -0,50 11111111,01 = (-1+0,25) = -0,75 11111111,00 = (-1+0,00) = -1,00 11111110,11 = (-2+0,75) = -1,25
5-0	RESERVED	R	0h	Reserved

Universal Asynchronous Receiver/Transmitter (UART)



This chapter describes the Universal Asynchronous Receiver/Transmitter (UART).

21.1 Introduction	1518
21.2 Block Diagram	1519
21.3 Signal Description	1519
21.4 Functional Description	1519
21.5 Interface to DMA	1524
21.6 Initialization and Configuration	1525
21.7 UART Registers	1526

21.1 Introduction

The controller of the CC13x1x3 and CC26x1x3 device platform includes a UART with the following features:

- Programmable baud-rate generator allowing speeds up to 3 Mbps
- Separate 32 × 8 transmit (TX) and 32 × 12 receive (RX) first-in first-out (FIFO) buffers to reduce CPU interrupt service loading
- Programmable FIFO length, including 1-byte deep operation providing conventional double-buffered interface
- FIFO trigger levels of $\frac{1}{8}$, $\frac{1}{4}$, $\frac{1}{2}$, $\frac{3}{4}$, and $\frac{7}{8}$
- Standard asynchronous communication bits for start, stop, and parity
- Line-break generation and detection
- Fully programmable serial interface characteristics:
 - 5, 6, 7, or 8 data bits
 - Even, odd, stick, or no parity bit generation and detection
 - 1 or 2 stop-bit generation
- Support for modem control functions CTS and RTS
- Independent masking of the TX FIFO, RX FIFO RX time-out, modem status, and error conditions
- Standard FIFO-level and end-of-transmission interrupts
- Efficient transfers using micro direct memory access controller (μDMA):
 - Separate channels for transmit and receive
 - Receive single request asserted when data is in the FIFO; burst request asserted at programmed FIFO level
 - Transmit single request is asserted when there is space in the FIFO; burst request is asserted at programmed FIFO level
- Programmable hardware flow control

21.2 Block Diagram

Figure 21-1 shows the UART module block diagram.

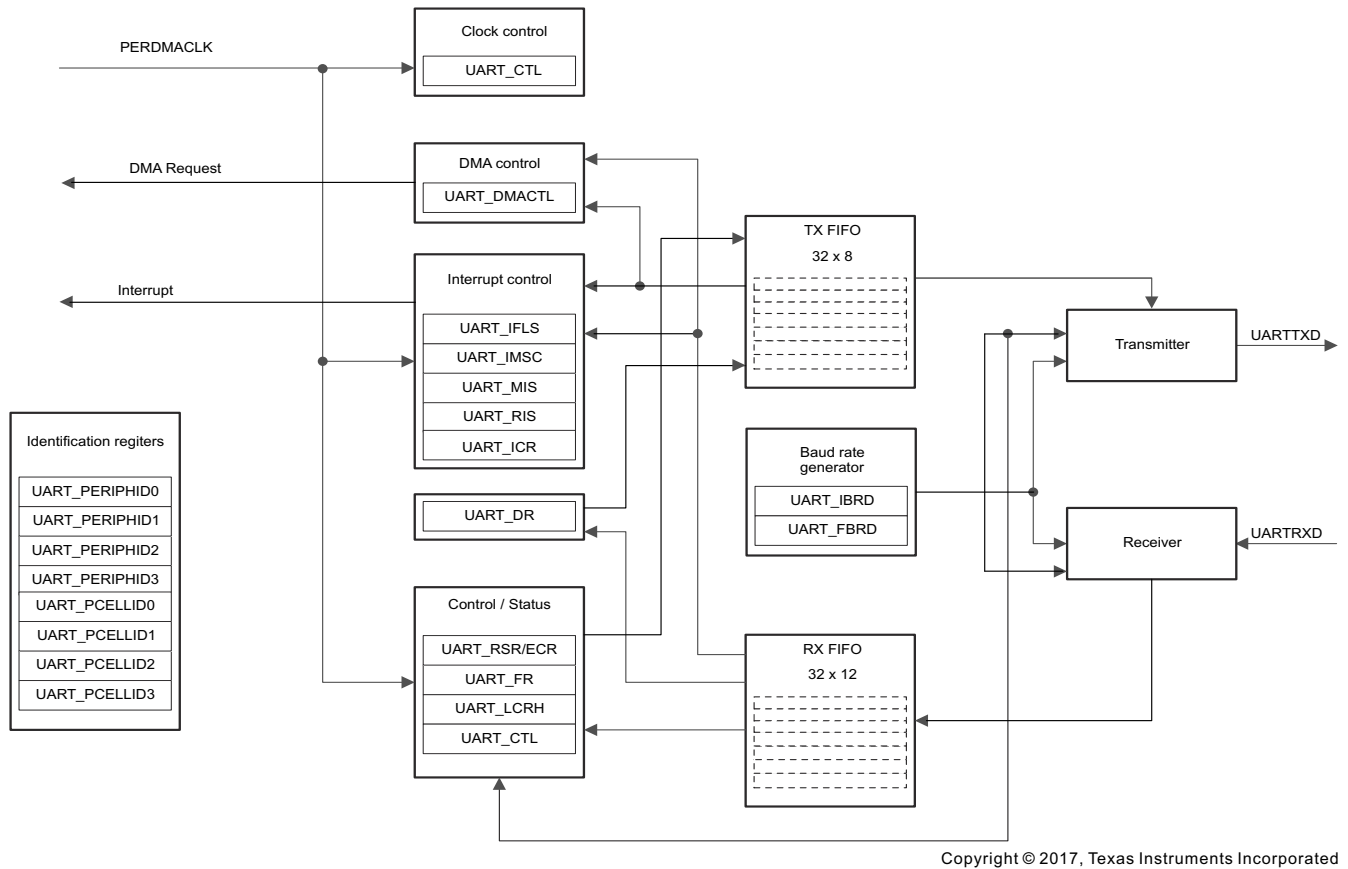


Figure 21-1. UART Module Block Diagram

21.3 Signal Description

Table 21-1 lists the external signals of the UART module and describes the function of each. The UART signals are set in the IOCFGn registers. For more information on configuring GPIOs, see Chapter 13.

Table 21-1. Signals for UART

Pin Name	Pin Number	Pin Type ⁽¹⁾	Description
UARTRxD	Assigned through GPIO configuration	I	UART module 0 receive
UARTTxD		O	UART module 0 transmit

(1) I = Input; O = Output; I/O = Bidirectional

21.4 Functional Description

Each CC13x1x3 and CC26x1x3 UART performs the functions of parallel-to-serial and serial-to-parallel conversions. The CC13x1x3 and CC26x1x3 UART is similar in functionality to a 16C550 UART, but is not register compatible.

The UART is configured for transmit and receive through the UART Control Register (UART:CTL) TXE and RXE bits. Transmit and receive are both enabled out of reset. Before any control registers are programmed, the UART must be disabled by clearing the UART:CTL UARTEN register bit. If the UART is disabled during a transmit or receive operation, the current transaction completes before the UART stops.

21.4.1 Transmit and Receive Logic

The transmit logic performs parallel-to-serial conversion on the data read from the TX FIFO. The control logic outputs the serial bit stream beginning with a start bit and followed by the data bits (LSB first), parity bit, and the stop bits, according to the programmed configuration in the control registers. For details, see [Figure 21-2](#).

The receive logic performs serial-to-parallel conversion on the received bit stream after a valid start pulse is detected. Overrun, parity, frame error checking, and line-break detection are also performed, and their status accompanies the data written to the RX FIFO.

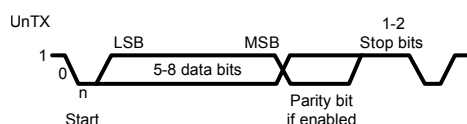


Figure 21-2. UART Character Frame

21.4.2 Baud-rate Generation

The baud-rate divisor (BRD) is a 22-bit number consisting of a 16-bit integer and a 6-bit fractional part. The number formed by these two values is used by the baud-rate generator to determine the bit period. Having a fractional baud-rate divider allows the UART to generate all standard baud rates.

The 16-bit integer is loaded through the UART Integer Baud-Rate Divisor Register (UART:IBRD), and the 6-bit fractional part is loaded with the UART Fractional Baud-Rate Divisor Register (UART:FBRD). The equation below shows the relationship of the BRD and the system clock.

$$BRD = BRDI + BRDF = \frac{PERDMACLK}{ClkDiv \times Baud\ Rate}$$

where:

- BRDI is the integer part of the BRD
- BRDF is the fractional part, separated by a decimal place
- PERDMACLK is the system clock connected to the UART
- ClkDiv is 16

The 6-bit fractional number that is loaded into the UART:FBRD DIVFRAC bit field can be calculated by taking the fractional part of the baud-rate divisor, multiplying it by 64, and adding 0.5 to account for rounding errors, as shown by the equation below.

$$UART:FBRD.DIVFRAC = integer(BRDF \times 64 + 0.5)$$

Along with the UART Line Control, High Byte Register (UART:LCRH), the UART_IBRD and the UART:FBRD registers form an internal 30-bit register. This internal register is updated only when a write operation to the UART:LCRH register is performed, so a write to the UART:LCRH register must follow any changes to the BRD for the changes to take effect.

The four possible sequences to update the baud-rate registers are as follows:

- UART:IBRD write, UART:FBRD write, and UART:LCRH write
- UART:FBRD write, UART:IBRD write, and UART:LCRH write
- UART:IBRD write and UART:LCRH write
- UART:FBRD write and UART:LCRH write

21.4.3 Data Transmission

Data received or transmitted is stored in two FIFOs, though the RX FIFO has an extra 4 bits per character for status information. For transmission, data is written into the TX FIFO. If the UART is enabled, a data frame starts transmitting with the parameters indicated in the UART:LCRH register. Data continues to transmit until no data is left in the TX FIFO. The UART Flag Register (UART:FR) BUSY bit is asserted as soon as data is written to the TX FIFO (that is, if the FIFO is not empty), and remains asserted while data is transmitting. The BUSY bit is

negated only when the TX FIFO is empty, and the last character has transmitted from the shift register, including the stop bits. The UART can indicate that it is busy even though the UART may no longer be enabled.

When the receiver is idle (the UARTRXD signal is continuously 1), and the data input goes low (a start bit was received), the receive counter begins running and data is sampled.

The start bit is valid and recognized if the UARTRXD signal is still low on the eighth cycle of the baud rate clock otherwise the start bit is ignored. After a valid start bit is detected, successive data bits are sampled on every sixteenth cycle of the baud rate clock. The parity bit is then checked if parity mode is enabled. Data length and parity are defined in the UART:LCRH register.

Lastly, a valid stop bit is confirmed if the UARTRXD signal is high; otherwise a framing error has occurred. When a full word is received, the data is stored in the receive FIFO with any error bits associated with that word.

21.4.4 Modem Handshake Support

This section describes how to configure and use the modem flow control signals for UART0 when connected as a data terminal equipment (DTE), or as a data communications equipment (DCE). A modem is a DCE, and a computing device that connects to a modem is the DTE.

21.4.4.1 Signaling

The status signals provided by UART0 differ based on whether the UART is used as a DTE or a DCE. When used as a DTE, the modem flow control signals are defined as:

- **UART0CTS** is Clear To Send
- **UART0RTS** is Request To Send

When used as a DCE, the modem flow control signals are defined as:

- **UART0CTS** is Request To Send
- **UART0RTS** is Clear To Send

21.4.4.2 Flow Control

Either hardware or software can accomplish flow control. The following sections describe the different methods.

21.4.4.2.1 Hardware Flow Control (RTS and CTS)

Hardware flow control between two devices is accomplished by connecting the UART0RTS output to the Clear-To-Send input on the receiving device, and connecting the Request-To-Send output on the receiving device to the UART0CTS input.

The UART0CTS input controls the transmitter. The transmitter can transmit data only when the UART0CTS input is asserted. The UART0RTS output signal indicates the state of the receive FIFO. UART0CTS remains asserted until the preprogrammed watermark level is reached, indicating that the RX FIFO has no space to store additional characters.

The UART:CTL register bits CTSEN and RTSEN specify the flow control mode as shown in [Table 21-2](#).

Table 21-2. Flow Control Mode

CTSEN	RTSEN	Description
1	1	RTS and CTS flow control enabled
1	0	Only CTS flow control enabled
0	1	Only RTS flow control enabled
0	0	Both RTS and CTS flow control disabled

21.4.4.2.2 Software Flow Control (Modem Status Interrupts)

Software flow control between two devices is accomplished by using interrupts to indicate the status of the UART. Interrupts can be generated for the U1CTS signal using bit 3 of the UART:IMSC register. The raw and

masked interrupt status can be checked using the UART:RIS and UART:MIS registers. These interrupts can be cleared using the UART:ICR register.

21.4.5 FIFO Operation

The UART has two 32-entry FIFOs; one for transmit and one for receive. Both FIFOs are accessed through the UART Data Register (UART:DR). Read operations of the UART:DR register return a 12-bit value consisting of 8 data bits and 4 error flags, while write operations place 8-bit data in the TX FIFO.

Out of reset, both FIFOs are disabled and act as 1-byte-deep holding registers. The FIFOs are enabled by setting the UART:LCRH FEN register bit.

FIFO status can be monitored through the UART Flag Register (UART:FR) and the UART Receive Status Register (UART:RSR). Hardware monitors empty, full, and overrun conditions. The UART:FR register contains empty and full flags (TXFE, TXFF, RXFE, and RXFF bits), and the UART:RSR register shows overrun status through the OE bit. If the FIFOs are disabled, the empty and full flags are set according to the status of the 1-byte deep holding registers.

The trigger points at which the FIFOs generate interrupts are controlled through the UART Interrupt FIFO Level Select Register (UART:IFLS). Both FIFOs can be individually configured to trigger interrupts at different levels. Available configurations include $\frac{1}{8}$, $\frac{1}{4}$, $\frac{1}{2}$, $\frac{3}{4}$, and $\frac{7}{8}$. For example, if the $\frac{1}{4}$ option is selected for the receive FIFO, the UART generates a receive interrupt after 4 data bytes are received. Out of reset, both FIFOs are configured to trigger an interrupt at the $\frac{1}{2}$ mark.

21.4.6 Interrupts

The UART can generate interrupts when the following conditions are observed:

- Overrun error
- Break error
- Parity error
- Framing error
- Receive time-out
- Transmit (when the condition defined in the UART:IFLS TXSEL register bit is met)
- Receive (when the condition defined in the UART:IFLS RXSEL register bit is met)
- End of transmission (when no data on TX line and TX FIFO underflow)

All of the interrupt events are ORed together before being sent to the interrupt controller, so the UART can only generate a single interrupt request to the controller at any given time. Software can service multiple interrupt events in a single interrupt service routine (ISR) by reading the UART Masked Interrupt Status Register (UART:MIS).

The interrupt events that can trigger a controller-level interrupt are defined in the UART Interrupt Mask Register (UART:IMSC) by setting the corresponding bits. If interrupts are not used, the raw interrupt status is always visible through the UART Raw Interrupt Status Register (UART:RIS).

Interrupts can be cleared (for the UART:MIS and UART:RIS registers) by setting the corresponding bit in the UART Interrupt Clear Register (UART:ICR).

The receive time-out interrupt is asserted when the RX FIFO is not empty, and no further data is received over a 32-bit period. The receive time-out interrupt is cleared either when the FIFO becomes empty through reading all the data (or by reading the holding register), or when the corresponding bit in the UART:ICR register is set.

The UART module provides the possibility of setting and clearing masks for every individual interrupt source using the UART Interrupt Mask Set/Clear Register (UART:IMSC). The five events that can cause combined interrupts to CPU are:

- RX: The receive interrupt changes state when one of the following events occurs:
 - If the FIFOs are enabled and the receive FIFO reaches the programmed trigger level. When this happens, the receive interrupt is asserted high. The receive interrupt is cleared by reading data from the receive FIFO until it becomes less than the trigger level, or by clearing the interrupt.
 - If the FIFOs are disabled (have a depth of one location) and data is received, thereby filling the location, the receive interrupt is asserted high. The receive interrupt is cleared by performing a single read of the receive FIFO, or by clearing the interrupt.
- TX: The transmit interrupt changes state when one of the following events occurs:
 - If the FIFOs are enabled and the transmit FIFO is equal to or lower than the programmed trigger level, then the transmit interrupt is asserted high. The transmit interrupt is cleared by writing data to the transmit FIFO until it becomes greater than the trigger level, or by clearing the interrupt.
 - If the FIFOs are disabled (have a depth of one location) and there is no data present in the transmitters single location, the transmit interrupt is asserted high. The interrupt is cleared by performing a single write to the transmit FIFO, or by clearing the interrupt.
- RX time-out: The receive time-out interrupt is asserted when the receive FIFO is not empty, and no more data is received during a 32-bit period. The receive time-out interrupt is cleared either when the FIFO becomes empty through reading all the data (or by reading the holding register), or when 1 is written to the corresponding bit of the Interrupt Clear Register (UART:ICR).
- Modem status: The modem status interrupt is asserted if the modem status signal *uart_cts* changes. It can be cleared using the corresponding clear bit in the UART:ICR register.
- Error: The error interrupt is asserted when an error occurs in the reception of data by the UART. The interrupt can be caused by a number of different error conditions:
 - framing
 - parity
 - break
 - overrun

The cause of the interrupt can be determined by reading the UART:RIS register or the UART:MIS register. The interrupt can be cleared by writing to the relevant bits of the UART:ICR register.

In addition to the five events produced by the UART module, two additional events are ORed to the interrupt line:

- RX DMA done: Indicates that the receiver DMA has completed its task. This is a level interrupt provided by the DMA module, and is cleared using the *dma_done* clear register (UDMA:REQDONE) in DMA module.
- TX DMA done: Indicates that the transmit DMA has completed its task. This is a level interrupt provided by the DMA module, and is cleared using the *dma_done* clear register (UDMA:REQDONE) in DMA module.

21.4.7 Loopback Operation

The UART can be placed into an internal loopback mode for diagnostic or debug work by setting the UART:CTL LBE register bit. In loopback mode, data transmitted on the UARTTXD output is received on the UARTRXD input. The LBE bit must be set before the UART is enabled.

21.5 Interface to DMA

The CC13x1x3 and CC26x1x3 devices provide an interface to connect to a DMA controller. Figure 21-3 shows the interface between the DMA and UART. This interface contains four DMA requests as outputs (RX Single, RX Burst, TX Single, and TX Burst). The DMA interface also has two DMA request clears as inputs (for clearing TX and RX DMA requests). Each DMA request signal remains asserted until the relevant DMA clear signal is asserted. After the DMA clear signal is deasserted, a request signal can become active again, if conditions are setup correctly. The DMA clear signal must be connected to the DMA active signal from the DMA module. This signal is asserted when DMA is granted access and is active. The DMA active signal is deasserted when the DMA transfer completes. Connecting the DMA active signal from DMA to the DMA request clear input of the UART module ensures that no requests are generated by the UART module while the DMA is active.

The burst transfer and single transfer request signals are not mutually exclusive, and both can be asserted at the same time. For example, when there is more data than the watermark level in the receive FIFO, the burst transfer request and the single transfer request are asserted.

The single and burst requests cannot be masked separately by the UART module and if corresponding DMA (RX or TX) is enabled, both of these requests are sent to the DMA. The DMA configuration selects either single or burst request as the trigger. All request signals are deasserted if the UART is disabled or if the relevant DMA enable bit (TXDMAE or RXDMAE) in the DMA Control Register (UART:DMACTL) is cleared.

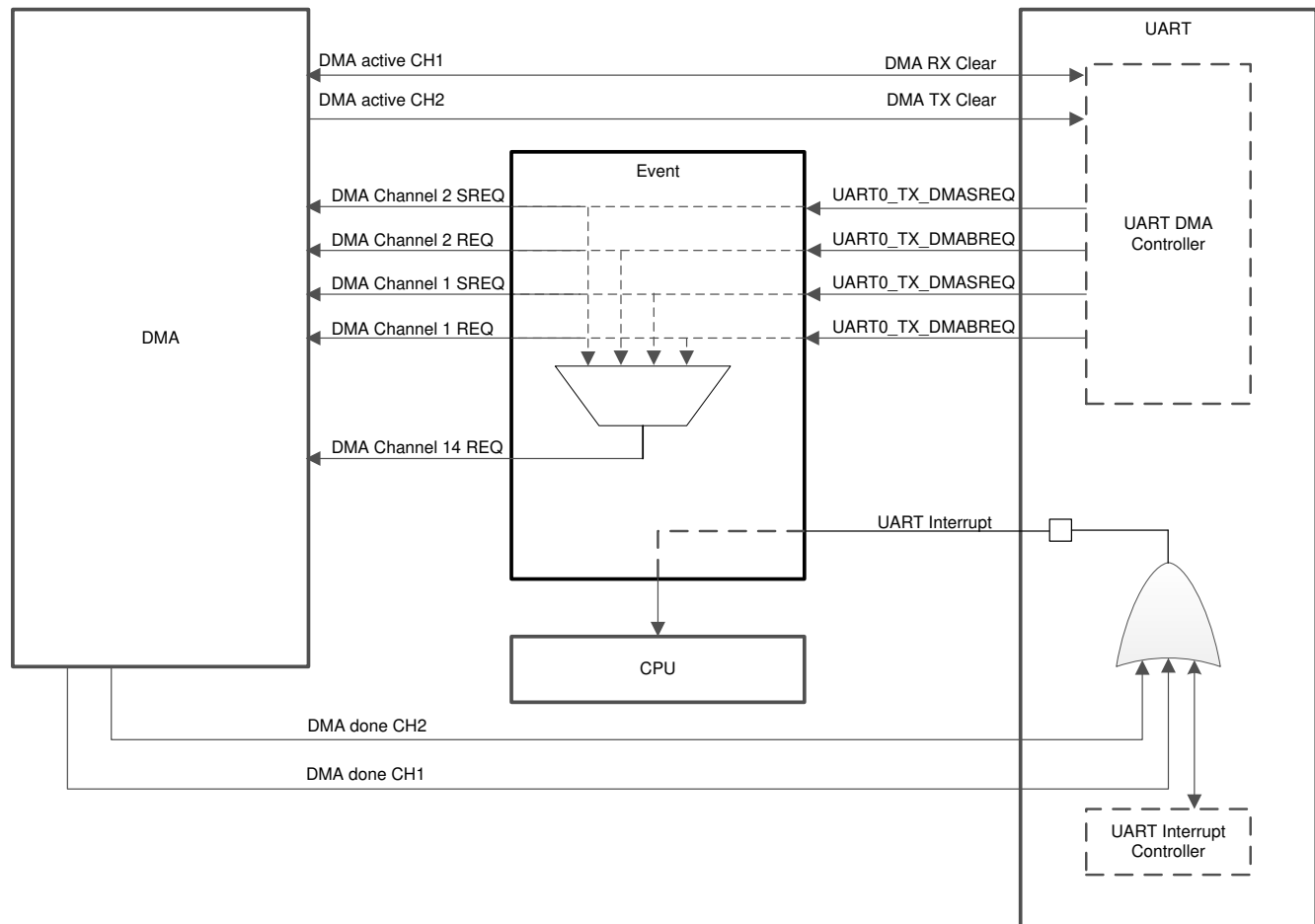


Figure 21-3. μ DMA Example

21.6 Initialization and Configuration

The UART module provides four I/O signals to be routed to the DIOs. The following signals are selected through the IOCFGn registers in the IOC module.

- Inputs: RXD, CTS
- Outputs: TXD, RTS

CTS and RTS lines are active low.

Note

IOC must be configured before enabling UART, or unwanted transitions on input signals may confuse UART on incoming transactions. When IOC is configured as UART-specific I/Os (RXD, CTS, TXD, or RTS), IOC sets static output driver enable to the DIO (output driver enable = 1 for output TXD and RTS and output driver enable = 0 for inputs RXD and CTS).

To enable and initialize the UART, use the following steps:

1. Enable the serial power domain and enable the UART module in the PRCM module by writing to the PRCM:UARTCLKGR register, the PRCM:UARTCLKGS register, and the PRCM:UARTCLKGDS register, or by using the driver library functions:

```
PRCMPeripheralRunEnable(uint32_t), PRCMPeripheralSleepEnable(uint32_t),
PRCMPeripheralDeepSleepEnable(uint32_t)
```

and loading the setting to the clock controller by writing to the PRCM:CLKLOADCTL register or by using the function

```
PRCMLoadSet().
```

2. Configure the IOC module to map UART signals to the correct GPIO pins. For more information on pin connections, see [Chapter 13](#).

This section discusses the steps required to use a UART module. For this example, the UART clock is assumed to be 24 MHz, and the desired UART configuration is the following:

- Baud rate: 115 200
- Data length of 8 bits
- One stop bit
- No parity
- FIFOs disabled
- No interrupts

The first thing to consider when programming the UART is the BRD because the UART:IBRD and UART:FBRD registers must be written before the UART:LCRH register. The BRD can be calculated using the equation described in [Section 21.4.2](#).

$$BRD = \frac{24 \times 10^6 \text{ MHz}}{16 \times 115200 \text{ bps}} = 13.0208 \quad (1)$$

The result of [Equation 1](#) indicates that the UART:IBRD DIVINT field must be set to 13 decimal or 0xD. [Equation 2](#) calculates the value to be loaded into the UART:FBRD register.

$$UART:FBRD.DIVFRAC = \text{integer}(0.0208 \times 64 + 0.5) = 1 \quad (2)$$

With the BRD values available, the UART configuration is written to the module in the following order:

1. Disable the UART by clearing the UART:CTL UARTEEN bit.
2. Write the integer portion of the BRD to the UART:IBRD register.
3. Write the fractional portion of the BRD to the UART:FBRD register.

4. Write the desired serial parameters to the UART:LCRH register (in this case, a value of 0x0000 0060).
5. Enable the UART by setting the UART:CTL UARTEN bit.

21.7 UART Registers

The next section shows the register bank for the UART.

21.7.1 UART Registers

[UART Registers](#) lists the memory-mapped registers for the UART registers. All register offset addresses not listed in [UART Registers](#) should be considered as reserved locations and the register contents should not be modified.

Table 21-3. UART Registers

Offset	Acronym	Register Name	Section
0h	DR	Data	Section 21.7.1.1
4h	RSR	Status	Section 21.7.1.2
4h	ECR	Error Clear	Section 21.7.1.3
18h	FR	Flag	Section 21.7.1.4
24h	IBRD	Integer Baud-Rate Divisor	Section 21.7.1.5
28h	FBRD	Fractional Baud-Rate Divisor	Section 21.7.1.6
2Ch	LCRH	Line Control	Section 21.7.1.7
30h	CTL	Control	Section 21.7.1.8
34h	IFLS	Interrupt FIFO Level Select	Section 21.7.1.9
38h	IMSC	Interrupt Mask Set/Clear	Section 21.7.1.10
3Ch	RIS	Raw Interrupt Status	Section 21.7.1.11
40h	MIS	Masked Interrupt Status	Section 21.7.1.12
44h	ICR	Interrupt Clear	Section 21.7.1.13
48h	DMACTL	DMA Control	Section 21.7.1.14

Complex bit access types are encoded to fit into small table cells. [UART Access Type Codes](#) shows the codes that are used for access types in this section.

Table 21-4. UART Access Type Codes

Access Type	Code	Description
Read Type		
R	R	Read
Write Type		
W	W	Write
Reset or Default Value		
-n		Value after reset or the default value

21.7.1.1 DR Register (Offset = 0h) [Reset = X]

DR is shown in [DR Register](#) and described in [DR Register Field Descriptions](#).

Return to the [UART Registers](#).

Data

For words to be transmitted:

- if the FIFOs are enabled (LCRH.FEN = 1), data written to this location is pushed onto the transmit FIFO
- if the FIFOs are not enabled (LCRH.FEN = 0), data is stored in the transmitter holding register (the bottom word of the transmit FIFO).

The write operation initiates transmission from the UART. The data is prefixed with a start bit, appended with the appropriate parity bit (if parity is enabled), and a stop bit.

The resultant word is then transmitted.

For received words:

- if the FIFOs are enabled (LCRH.FEN = 1), the data byte and the 4-bit status (break, frame, parity, and overrun) is pushed onto the 12-bit wide receive FIFO
- if the FIFOs are not enabled (LCRH.FEN = 0), the data byte and status are stored in the receiving holding register (the bottom word of the receive FIFO).

The received data byte is read by performing reads from this register along with the corresponding status information. The status information can also be read by a read of the RSR register.

Figure 21-4. DR Register

31	30	29	28	27	26	25	24	23	22	21	20	19	18	17	16
RESERVED															
R-0h															
15	14	13	12	11	10	9	8	7	6	5	4	3	2	1	0
RESERVED				OE	BE	PE	FE	DATA							
R-0h				R-X	R-X	R-X	R-X	R/W-X							

Table 21-5. DR Register Field Descriptions

Bit	Field	Type	Reset	Description
31-12	RESERVED	R	0h	Reserved
11	OE	R	X	UART Overrun Error: This bit is set to 1 if data is received and the receive FIFO is already full. The FIFO contents remain valid because no more data is written when the FIFO is full, only the contents of the shift register are overwritten. This is cleared to 0 once there is an empty space in the FIFO and a new character can be written to it.
10	BE	R	X	UART Break Error: This bit is set to 1 if a break condition was detected, indicating that the received data input (UARTRXD input pin) was held LOW for longer than a full-word transmission time (defined as start, data, parity and stop bits). In FIFO mode, this error is associated with the character at the top of the FIFO (that is, the oldest received data character since last read). When a break occurs, a 0 character is loaded into the FIFO. The next character is enabled after the receive data input (UARTRXD input pin) goes to a 1 (marking state), and the next valid start bit is received.
9	PE	R	X	UART Parity Error: When set to 1, it indicates that the parity of the received data character does not match the parity that the LCRH.EPS and LCRH.SPS select. In FIFO mode, this error is associated with the character at the top of the FIFO (that is, the oldest received data character since last read).

Table 21-5. DR Register Field Descriptions (continued)

Bit	Field	Type	Reset	Description
8	FE	R	X	<p>UART Framing Error:</p> <p>When set to 1, it indicates that the received character did not have a valid stop bit (a valid stop bit is 1).</p> <p>In FIFO mode, this error is associated with the character at the top of the FIFO (that is., the oldest received data character since last read).</p>
7-0	DATA	R/W	X	<p>Data transmitted or received:</p> <p>On writes, the transmit data character is pushed into the FIFO.</p> <p>On reads, the oldest received data character since the last read is returned.</p>

21.7.1.2 RSR Register (Offset = 4h) [Reset = 0000000h]

RSR is shown in [RSR Register](#) and described in [RSR Register Field Descriptions](#).

Return to the [UART Registers](#).

Status

This register is mapped to the same address as ECR register. Reads from this address are associated with RSR register and return the receive status. Writes to this address are associated with ECR register and clear the receive status flags (framing, parity, break, and overrun errors).

If the status is read from this register, then the status information for break, framing and parity corresponds to the data character read from the Data Register, DR prior to reading the RSR. The status information for overrun is set immediately when an overrun condition occurs.

Figure 21-5. RSR Register

31	30	29	28	27	26	25	24	23	22	21	20	19	18	17	16
RESERVED															
R-0h															
15	14	13	12	11	10	9	8	7	6	5	4	3	2	1	0
RESERVED												OE	BE	PE	FE
R-0h												R-0h	R-0h	R-0h	R-0h

Table 21-6. RSR Register Field Descriptions

Bit	Field	Type	Reset	Description
31-4	RESERVED	R	0h	Reserved
3	OE	R	0h	UART Overrun Error: This bit is set to 1 if data is received and the receive FIFO is already full. The FIFO contents remain valid because no more data is written when the FIFO is full, only the contents of the shift register are overwritten. This is cleared to 0 once there is an empty space in the FIFO and a new character can be written to it.
2	BE	R	0h	UART Break Error: This bit is set to 1 if a break condition was detected, indicating that the received data input (UARTRXD input pin) was held LOW for longer than a full-word transmission time (defined as start, data, parity and stop bits). When a break occurs, a 0 character is loaded into the FIFO. The next character is enabled after the receive data input (UARTRXD input pin) goes to a 1 (marking state), and the next valid start bit is received.
1	PE	R	0h	UART Parity Error: When set to 1, it indicates that the parity of the received data character does not match the parity that the LCRH.EPS and LCRH.SPS select.
0	FE	R	0h	UART Framing Error: When set to 1, it indicates that the received character did not have a valid stop bit (a valid stop bit is 1).

21.7.1.3 ECR Register (Offset = 4h) [Reset = 0000000h]

ECR is shown in [ECR Register](#) and described in [ECR Register Field Descriptions](#).

Return to the [UART Registers](#).

Error Clear

This register is mapped to the same address as RSR register. Reads from this address are associated with RSR register and return the receive status. Writes to this address are associated with ECR register and clear the receive status flags (framing, parity, break, and overrun errors).

Figure 21-6. ECR Register

31	30	29	28	27	26	25	24	23	22	21	20	19	18	17	16
RESERVED															
R-0h															
15	14	13	12	11	10	9	8	7	6	5	4	3	2	1	0
RESERVED												OE	BE	PE	FE
R-0h												W-0h	W-0h	W-0h	W-0h

Table 21-7. ECR Register Field Descriptions

Bit	Field	Type	Reset	Description
31-4	RESERVED	R	0h	Reserved
3	OE	W	0h	The framing (FE), parity (PE), break (BE) and overrun (OE) errors are cleared to 0 by any write to this register.
2	BE	W	0h	The framing (FE), parity (PE), break (BE) and overrun (OE) errors are cleared to 0 by any write to this register.
1	PE	W	0h	The framing (FE), parity (PE), break (BE) and overrun (OE) errors are cleared to 0 by any write to this register.
0	FE	W	0h	The framing (FE), parity (PE), break (BE) and overrun (OE) errors are cleared to 0 by any write to this register.

21.7.1.4 FR Register (Offset = 18h) [Reset = X]

FR is shown in [FR Register](#) and described in [FR Register Field Descriptions](#).

Return to the [UART Registers](#).

Flag

Reads from this register return the UART flags.

Figure 21-7. FR Register

31	30	29	28	27	26	25	24
RESERVED							
R-0h							
23	22	21	20	19	18	17	16
RESERVED							
R-0h							
15	14	13	12	11	10	9	8
RESERVED							
R-0h							
7	6	5	4	3	2	1	0
TXFE	RXFF	TXFF	RXFE	BUSY	RESERVED		CTS
R-1h	R-0h	R-0h	R-1h	R-0h	R-0h		R-X

Table 21-8. FR Register Field Descriptions

Bit	Field	Type	Reset	Description
31-8	RESERVED	R	0h	Reserved
7	TXFE	R	1h	UART Transmit FIFO Empty: The meaning of this bit depends on the state of LCRH.FEN . - If the FIFO is disabled, this bit is set when the transmit holding register is empty. - If the FIFO is enabled, this bit is set when the transmit FIFO is empty. This bit does not indicate if there is data in the transmit shift register.
6	RXFF	R	0h	UART Receive FIFO Full: The meaning of this bit depends on the state of LCRH.FEN. - If the FIFO is disabled, this bit is set when the receive holding register is full. - If the FIFO is enabled, this bit is set when the receive FIFO is full.
5	TXFF	R	0h	UART Transmit FIFO Full: Transmit FIFO full. The meaning of this bit depends on the state of LCRH.FEN. - If the FIFO is disabled, this bit is set when the transmit holding register is full. - If the FIFO is enabled, this bit is set when the transmit FIFO is full.
4	RXFE	R	1h	UART Receive FIFO Empty: Receive FIFO empty. The meaning of this bit depends on the state of LCRH.FEN. - If the FIFO is disabled, this bit is set when the receive holding register is empty. - If the FIFO is enabled, this bit is set when the receive FIFO is empty.
3	BUSY	R	0h	UART Busy: If this bit is set to 1, the UART is busy transmitting data. This bit remains set until the complete byte, including all the stop bits, has been sent from the shift register. This bit is set as soon as the transmit FIFO becomes non-empty, regardless of whether the UART is enabled or not.
2-1	RESERVED	R	0h	Reserved

Table 21-8. FR Register Field Descriptions (continued)

Bit	Field	Type	Reset	Description
0	CTS	R	X	Clear To Send: This bit is the complement of the active-low UART CTS input pin. That is, the bit is 1 when CTS input pin is LOW.

21.7.1.5 IBRD Register (Offset = 24h) [Reset = 0000000h]

IBRD is shown in [IBRD Register](#) and described in [IBRD Register Field Descriptions](#).

Return to the [UART Registers](#).

Integer Baud-Rate Divisor

If this register is modified while transmission or reception is on-going, the baud rate will not be updated until transmission or reception of the current character is complete.

Figure 21-8. IBRD Register

31	30	29	28	27	26	25	24	23	22	21	20	19	18	17	16	15	14	13	12	11	10	9	8	7	6	5	4	3	2	1	0
RESERVED																DIVINT															
R-0h																R/W-0h															

Table 21-9. IBRD Register Field Descriptions

Bit	Field	Type	Reset	Description
31-16	RESERVED	R	0h	Reserved
15-0	DIVINT	R/W	0h	The integer baud rate divisor: The baud rate divisor is calculated using the formula below: Baud rate divisor = (UART reference clock frequency) / (16 * Baud rate) Baud rate divisor must be minimum 1 and maximum 65535. That is, DIVINT=0 does not give a valid baud rate. Similarly, if DIVINT=0xFFFF, any non-zero values in FBRD.DIVFRAC will be illegal. A valid value must be written to this field before the UART can be used for RX or TX operations.

21.7.1.6 FBRD Register (Offset = 28h) [Reset = 0000000h]

FBRD is shown in [FBRD Register](#) and described in [FBRD Register Field Descriptions](#).

Return to the [UART Registers](#).

Fractional Baud-Rate Divisor

If this register is modified while transmission or reception is on-going, the baudrate will not be updated until transmission or reception of the current character is complete.

Figure 21-9. FBRD Register

31	30	29	28	27	26	25	24	23	22	21	20	19	18	17	16
RESERVED															
R-0h															
15	14	13	12	11	10	9	8	7	6	5	4	3	2	1	0
RESERVED										DIVFRAC					
R-0h										R/W-0h					

Table 21-10. FBRD Register Field Descriptions

Bit	Field	Type	Reset	Description
31-6	RESERVED	R	0h	Reserved
5-0	DIVFRAC	R/W	0h	Fractional Baud-Rate Divisor: The baud rate divisor is calculated using the formula below: Baud rate divisor = (UART reference clock frequency) / (16 * Baud rate) Baud rate divisor must be minimum 1 and maximum 65535. That is, IBRD.DIVINT=0 does not give a valid baud rate. Similarly, if IBRD.DIVINT=0xFFFF, any non-zero values in DIVFRAC will be illegal. A valid value must be written to this field before the UART can be used for RX or TX operations.

21.7.1.7 LCRH Register (Offset = 2Ch) [Reset = 0000000h]

LCRH is shown in [LCRH Register](#) and described in [LCRH Register Field Descriptions](#).

Return to the [UART Registers](#).

Line Control

Figure 21-10. LCRH Register

31	30	29	28	27	26	25	24
RESERVED							
R-0h							
23	22	21	20	19	18	17	16
RESERVED							
R-0h							
15	14	13	12	11	10	9	8
RESERVED							
R-0h							
7	6	5	4	3	2	1	0
SPS	WLEN		FEN	STP2	EPS	PEN	BRK
R/W-0h	R/W-0h		R/W-0h	R/W-0h	R/W-0h	R/W-0h	R/W-0h

Table 21-11. LCRH Register Field Descriptions

Bit	Field	Type	Reset	Description
31-8	RESERVED	R	0h	Reserved
7	SPS	R/W	0h	UART Stick Parity Select: 0: Stick parity is disabled 1: The parity bit is transmitted and checked as invert of EPS field (i.e. the parity bit is transmitted and checked as 1 when EPS = 0). This bit has no effect when PEN disables parity checking and generation.
6-5	WLEN	R/W	0h	UART Word Length: These bits indicate the number of data bits transmitted or received in a frame. 0h = 5 : Word Length 5 bits 1h = 6 : Word Length 6 bits 2h = 7 : Word Length 7 bits 3h = 8 : Word Length 8 bits
4	FEN	R/W	0h	UART Enable FIFOs 0h = FIFOs are disabled (character mode) that is, the FIFOs become 1-byte-deep holding registers. 1h = Transmit and receive FIFO buffers are enabled (FIFO mode)
3	STP2	R/W	0h	UART Two Stop Bits Select: If this bit is set to 1, two stop bits are transmitted at the end of the frame. The receive logic does not check for two stop bits being received.
2	EPS	R/W	0h	UART Even Parity Select 0h = Odd parity: The UART generates or checks for an odd number of 1s in the data and parity bits. 1h = Even parity: The UART generates or checks for an even number of 1s in the data and parity bits.
1	PEN	R/W	0h	UART Parity Enable This bit controls generation and checking of parity bit. 0h = Parity is disabled and no parity bit is added to the data frame 1h = Parity checking and generation is enabled.

Table 21-11. LCRH Register Field Descriptions (continued)

Bit	Field	Type	Reset	Description
0	BRK	R/W	0h	UART Send Break If this bit is set to 1, a low-level is continually output on the UARTTXD output pin, after completing transmission of the current character. For the proper execution of the break command, the software must set this bit for at least two complete frames. For normal use, this bit must be cleared to 0.

21.7.1.8 CTL Register (Offset = 30h) [Reset = 0000300h]

CTL is shown in [CTL Register](#) and described in [CTL Register Field Descriptions](#).

Return to the [UART Registers](#).

Control

Figure 21-11. CTL Register

31	30	29	28	27	26	25	24
RESERVED							
R-0h							
23	22	21	20	19	18	17	16
RESERVED							
R-0h							
15	14	13	12	11	10	9	8
CTSEN	RTSEN	RESERVED		RTS	RESERVED	RXE	TXE
R/W-0h	R/W-0h	R-0h		R/W-0h	R-0h	R/W-1h	R/W-1h
7	6	5	4	3	2	1	0
LBE	RESERVED						UARTEN
R/W-0h	R-0h						R/W-0h

Table 21-12. CTL Register Field Descriptions

Bit	Field	Type	Reset	Description
31-16	RESERVED	R	0h	Reserved
15	CTSEN	R/W	0h	CTS hardware flow control enable 0h = CTS hardware flow control disabled 1h = CTS hardware flow control enabled
14	RTSEN	R/W	0h	RTS hardware flow control enable 0h = RTS hardware flow control disabled 1h = RTS hardware flow control enabled
13-12	RESERVED	R	0h	Reserved
11	RTS	R/W	0h	Request to Send This bit is the complement of the active-low UART RTS output. That is, when the bit is programmed to a 1 then RTS output on the pins is LOW.
10	RESERVED	R	0h	Reserved
9	RXE	R/W	1h	UART Receive Enable If the UART is disabled in the middle of reception, it completes the current character before stopping. 0h = UART Receive disabled 1h = UART Receive enabled
8	TXE	R/W	1h	UART Transmit Enable If the UART is disabled in the middle of transmission, it completes the current character before stopping. 0h = UART Transmit disabled 1h = UART Transmit enabled
7	LBE	R/W	0h	UART Loop Back Enable: Enabling the loop-back mode connects the UARTTXD output from the UART to UARTRXD input of the UART. 0h = Loop Back disabled 1h = Loop Back enabled
6-1	RESERVED	R	0h	Reserved

Table 21-12. CTL Register Field Descriptions (continued)

Bit	Field	Type	Reset	Description
0	UARTEN	R/W	0h	UART Enable 0h = UART disabled 1h = UART enabled

21.7.1.9 IFLS Register (Offset = 34h) [Reset = 0000012h]

IFLS is shown in [IFLS Register](#) and described in [IFLS Register Field Descriptions](#).

Return to the [UART Registers](#).

Interrupt FIFO Level Select

Figure 21-12. IFLS Register

31	30	29	28	27	26	25	24	23	22	21	20	19	18	17	16
RESERVED															
R-0h															
15	14	13	12	11	10	9	8	7	6	5	4	3	2	1	0
RESERVED										RXSEL			TXSEL		
R-0h										R/W-2h			R/W-2h		

Table 21-13. IFLS Register Field Descriptions

Bit	Field	Type	Reset	Description
31-6	RESERVED	R	0h	Reserved
5-3	RXSEL	R/W	2h	Receive interrupt FIFO level select: This field sets the trigger points for the receive interrupt. Values 0b101-0b111 are reserved. 0h = 1_8 : Receive FIFO becomes >= 1/8 full 1h = 2_8 : Receive FIFO becomes >= 1/4 full 2h = 4_8 : Receive FIFO becomes >= 1/2 full 3h = 6_8 : Receive FIFO becomes >= 3/4 full 4h = 7_8 : Receive FIFO becomes >= 7/8 full
2-0	TXSEL	R/W	2h	Transmit interrupt FIFO level select: This field sets the trigger points for the transmit interrupt. Values 0b101-0b111 are reserved. 0h = 1_8 : Transmit FIFO becomes <= 1/8 full 1h = 2_8 : Transmit FIFO becomes <= 1/4 full 2h = 4_8 : Transmit FIFO becomes <= 1/2 full 3h = 6_8 : Transmit FIFO becomes <= 3/4 full 4h = 7_8 : Transmit FIFO becomes <= 7/8 full

21.7.1.10 IMSC Register (Offset = 38h) [Reset = 0000000h]

IMSC is shown in [IMSC Register](#) and described in [IMSC Register Field Descriptions](#).

Return to the [UART Registers](#).

Interrupt Mask Set/Clear

Figure 21-13. IMSC Register

31	30	29	28	27	26	25	24
RESERVED							
R-0h							
23	22	21	20	19	18	17	16
RESERVED							
R-0h							
15	14	13	12	11	10	9	8
RESERVED				EOTIM	OEIM	BEIM	PEIM
R-0h				R/W-0h	R/W-0h	R/W-0h	R/W-0h
7	6	5	4	3	2	1	0
FEIM	RTIM	TXIM	RXIM	RESERVED		CTSMIM	RESERVED
R/W-0h	R/W-0h	R/W-0h	R/W-0h	R-0h		R/W-0h	R-0h

Table 21-14. IMSC Register Field Descriptions

Bit	Field	Type	Reset	Description
31-12	RESERVED	R	0h	Reserved
11	EOTIM	R/W	0h	End of Transmission interrupt mask. A read returns the current mask for UART's EoT interrupt. On a write of 1, the mask of the EoT interrupt is set which means the interrupt state will be reflected in MIS.EOTMIS. A write of 0 clears the mask which means MIS.EOTMIS will not reflect the interrupt.
10	OEIM	R/W	0h	Overrun error interrupt mask. A read returns the current mask for UART's overrun error interrupt. On a write of 1, the mask of the overrun error interrupt is set which means the interrupt state will be reflected in MIS.OEMIS. A write of 0 clears the mask which means MIS.OEMIS will not reflect the interrupt.
9	BEIM	R/W	0h	Break error interrupt mask. A read returns the current mask for UART's break error interrupt. On a write of 1, the mask of the overrun error interrupt is set which means the interrupt state will be reflected in MIS.BEMIS. A write of 0 clears the mask which means MIS.BEMIS will not reflect the interrupt.
8	PEIM	R/W	0h	Parity error interrupt mask. A read returns the current mask for UART's parity error interrupt. On a write of 1, the mask of the overrun error interrupt is set which means the interrupt state will be reflected in MIS.PEMIS. A write of 0 clears the mask which means MIS.PEMIS will not reflect the interrupt.
7	FEIM	R/W	0h	Framing error interrupt mask. A read returns the current mask for UART's framing error interrupt. On a write of 1, the mask of the overrun error interrupt is set which means the interrupt state will be reflected in MIS.FEMIS. A write of 0 clears the mask which means MIS.FEMIS will not reflect the interrupt.

Table 21-14. IMSC Register Field Descriptions (continued)

Bit	Field	Type	Reset	Description
6	RTIM	R/W	0h	Receive timeout interrupt mask. A read returns the current mask for UART's receive timeout interrupt. On a write of 1, the mask of the overrun error interrupt is set which means the interrupt state will be reflected in MIS.RTMIS. A write of 0 clears the mask which means this bitfield will not reflect the interrupt. The raw interrupt for receive timeout RIS.RTRIS cannot be set unless the mask is set (RTIM = 1). This is because the mask acts as an enable for power saving. That is, the same status can be read from MIS.RTMIS and RIS.RTRIS.
5	TXIM	R/W	0h	Transmit interrupt mask. A read returns the current mask for UART's transmit interrupt. On a write of 1, the mask of the overrun error interrupt is set which means the interrupt state will be reflected in MIS.TXMIS. A write of 0 clears the mask which means MIS.TXMIS will not reflect the interrupt.
4	RXIM	R/W	0h	Receive interrupt mask. A read returns the current mask for UART's receive interrupt. On a write of 1, the mask of the overrun error interrupt is set which means the interrupt state will be reflected in MIS.RXMIS. A write of 0 clears the mask which means MIS.RXMIS will not reflect the interrupt.
3-2	RESERVED	R	0h	Reserved
1	CTSMIM	R/W	0h	Clear to Send (CTS) modem interrupt mask. A read returns the current mask for UART's clear to send interrupt. On a write of 1, the mask of the overrun error interrupt is set which means the interrupt state will be reflected in MIS.CTSMMIS. A write of 0 clears the mask which means MIS.CTSMMIS will not reflect the interrupt.
0	RESERVED	R	0h	Reserved

21.7.1.11 RIS Register (Offset = 3Ch) [Reset = X]

RIS is shown in [RIS Register](#) and described in [RIS Register Field Descriptions](#).

Return to the [UART Registers](#).

Raw Interrupt Status

Figure 21-14. RIS Register

31	30	29	28	27	26	25	24
RESERVED							
R-0h							
23	22	21	20	19	18	17	16
RESERVED							
R-0h							
15	14	13	12	11	10	9	8
RESERVED				EOTRIS	OERIS	BERIS	PERIS
R-0h				R-0h	R-0h	R-0h	R-0h
7	6	5	4	3	2	1	0
FERIS	RTRIS	TXRIS	RXRIS	RESERVED		CTSRMIS	RESERVED
R-0h	R-0h	R-0h	R-0h	R-0h		R-X	R-0h

Table 21-15. RIS Register Field Descriptions

Bit	Field	Type	Reset	Description
31-12	RESERVED	R	0h	Reserved
11	EOTRIS	R	0h	End of Transmission interrupt status: This field returns the raw interrupt state of UART's end of transmission interrupt. End of transmission flag is set when all the Transmit data in the FIFO and on the TX Line is transmitted.
10	OERIS	R	0h	Overrun error interrupt status: This field returns the raw interrupt state of UART's overrun error interrupt. Overrun error occurs if data is received and the receive FIFO is full.
9	BERIS	R	0h	Break error interrupt status: This field returns the raw interrupt state of UART's break error interrupt. Break error is set when a break condition is detected, indicating that the received data input (UARTRXD input pin) was held LOW for longer than a full-word transmission time (defined as start, data, parity and stop bits).
8	PERIS	R	0h	Parity error interrupt status: This field returns the raw interrupt state of UART's parity error interrupt. Parity error is set if the parity of the received data character does not match the parity that the LCRH.EPS and LCRH.SPS select.
7	FERIS	R	0h	Framing error interrupt status: This field returns the raw interrupt state of UART's framing error interrupt. Framing error is set if the received character does not have a valid stop bit (a valid stop bit is 1).
6	RTRIS	R	0h	Receive timeout interrupt status: This field returns the raw interrupt state of UART's receive timeout interrupt. The receive timeout interrupt is asserted when the receive FIFO is not empty, and no more data is received during a 32-bit period. The receive timeout interrupt is cleared either when the FIFO becomes empty through reading all the data, or when a 1 is written to ICR.RTIC. The raw interrupt for receive timeout cannot be set unless the mask is set (IMSC.RTIM = 1). This is because the mask acts as an enable for power saving. That is, the same status can be read from MIS.RTMIS and RTRIS.

Table 21-15. RIS Register Field Descriptions (continued)

Bit	Field	Type	Reset	Description
5	TXRIS	R	0h	Transmit interrupt status: This field returns the raw interrupt state of UART's transmit interrupt. When FIFOs are enabled (LCRH.FEN = 1), the transmit interrupt is asserted if the number of bytes in transmit FIFO is equal to or lower than the programmed trigger level (IFLS.TXSEL). The transmit interrupt is cleared by writing data to the transmit FIFO until it becomes greater than the trigger level, or by clearing the interrupt through ICR.TXIC. When FIFOs are disabled (LCRH.FEN = 0), that is they have a depth of one location, the transmit interrupt is asserted if there is no data present in the transmitters single location. It is cleared by performing a single write to the transmit FIFO, or by clearing the interrupt through ICR.TXIC.
4	RXRIS	R	0h	Receive interrupt status: This field returns the raw interrupt state of UART's receive interrupt. When FIFOs are enabled (LCRH.FEN = 1), the receive interrupt is asserted if the receive FIFO reaches the programmed trigger level (IFLS.RXSEL). The receive interrupt is cleared by reading data from the receive FIFO until it becomes less than the trigger level, or by clearing the interrupt through ICR.RXIC. When FIFOs are disabled (LCRH.FEN = 0), that is they have a depth of one location, the receive interrupt is asserted if data is received thereby filling the location. The receive interrupt is cleared by performing a single read of the receive FIFO, or by clearing the interrupt through ICR.RXIC.
3-2	RESERVED	R	0h	Reserved
1	CTSRMIS	R	X	Clear to Send (CTS) modem interrupt status: This field returns the raw interrupt state of UART's clear to send interrupt.
0	RESERVED	R	0h	Reserved

21.7.1.12 MIS Register (Offset = 40h) [Reset = 0000000h]

MIS is shown in [MIS Register](#) and described in [MIS Register Field Descriptions](#).

Return to the [UART Registers](#).

Masked Interrupt Status

Figure 21-15. MIS Register

31	30	29	28	27	26	25	24
RESERVED							
R-0h							
23	22	21	20	19	18	17	16
RESERVED							
R-0h							
15	14	13	12	11	10	9	8
RESERVED				EOTMIS	OEMIS	BEMIS	PEMIS
R-0h				R-0h	R-0h	R-0h	R-0h
7	6	5	4	3	2	1	0
FEMIS	RTMIS	TXMIS	RXMIS	RESERVED		CTSMMIS	RESERVED
R-0h	R-0h	R-0h	R-0h	R-0h		R-0h	R-0h

Table 21-16. MIS Register Field Descriptions

Bit	Field	Type	Reset	Description
31-12	RESERVED	R	0h	Reserved
11	EOTMIS	R	0h	End of Transmission interrupt status: This field returns the masked interrupt state of the overrun interrupt which is the AND product of raw interrupt state RIS.EOTRIS and the mask setting IMSC.EOTIM.
10	OEMIS	R	0h	Overrun error masked interrupt status: This field returns the masked interrupt state of the overrun interrupt which is the AND product of raw interrupt state RIS.OERIS and the mask setting IMSC.OEIM.
9	BEMIS	R	0h	Break error masked interrupt status: This field returns the masked interrupt state of the break error interrupt which is the AND product of raw interrupt state RIS.BERIS and the mask setting IMSC.BEIM.
8	PEMIS	R	0h	Parity error masked interrupt status: This field returns the masked interrupt state of the parity error interrupt which is the AND product of raw interrupt state RIS.PERIS and the mask setting IMSC.PEIM.
7	FEMIS	R	0h	Framing error masked interrupt status: Returns the masked interrupt state of the framing error interrupt which is the AND product of raw interrupt state RIS.FERIS and the mask setting IMSC.FEIM.
6	RTMIS	R	0h	Receive timeout masked interrupt status: Returns the masked interrupt state of the receive timeout interrupt. The raw interrupt for receive timeout cannot be set unless the mask is set (IMSC.RTIM = 1). This is because the mask acts as an enable for power saving. That is, the same status can be read from RTMIS and RIS.RTRIS.
5	TXMIS	R	0h	Transmit masked interrupt status: This field returns the masked interrupt state of the transmit interrupt which is the AND product of raw interrupt state RIS.TXRIS and the mask setting IMSC.TXIM.

Table 21-16. MIS Register Field Descriptions (continued)

Bit	Field	Type	Reset	Description
4	RXMIS	R	0h	Receive masked interrupt status: This field returns the masked interrupt state of the receive interrupt which is the AND product of raw interrupt state RIS.RXRIS and the mask setting IMSC.RXIM.
3-2	RESERVED	R	0h	Reserved
1	CTSMMIS	R	0h	Clear to Send (CTS) modem masked interrupt status: This field returns the masked interrupt state of the clear to send interrupt which is the AND product of raw interrupt state RIS.CTSRMIS and the mask setting IMSC.CTSMIM.
0	RESERVED	R	0h	Reserved

21.7.1.13 ICR Register (Offset = 44h) [Reset = X]

ICR is shown in [ICR Register](#) and described in [ICR Register Field Descriptions](#).

Return to the [UART Registers](#).

Interrupt Clear

On a write of 1, the corresponding interrupt is cleared. A write of 0 has no effect.

Figure 21-16. ICR Register

31	30	29	28	27	26	25	24
RESERVED							
R-0h							
23	22	21	20	19	18	17	16
RESERVED							
R-0h							
15	14	13	12	11	10	9	8
RESERVED				EOTIC	OEIC	BEIC	PEIC
R-0h				W-X	W-X	W-X	W-X
7	6	5	4	3	2	1	0
FEIC	RTIC	TXIC	RXIC	RESERVED		CTSMIC	RESERVED
W-X	W-X	W-X	W-X	W-X		W-X	W-X

Table 21-17. ICR Register Field Descriptions

Bit	Field	Type	Reset	Description
31-12	RESERVED	R	0h	Reserved
11	EOTIC	W	X	End of Transmission interrupt clear: Writing 1 to this field clears the overrun error interrupt (RIS.EOTRIS). Writing 0 has no effect.
10	OEIC	W	X	Overrun error interrupt clear: Writing 1 to this field clears the overrun error interrupt (RIS.OERIS). Writing 0 has no effect.
9	BEIC	W	X	Break error interrupt clear: Writing 1 to this field clears the break error interrupt (RIS.BERIS). Writing 0 has no effect.
8	PEIC	W	X	Parity error interrupt clear: Writing 1 to this field clears the parity error interrupt (RIS.PERIS). Writing 0 has no effect.
7	FEIC	W	X	Framing error interrupt clear: Writing 1 to this field clears the framing error interrupt (RIS.FERIS). Writing 0 has no effect.
6	RTIC	W	X	Receive timeout interrupt clear: Writing 1 to this field clears the receive timeout interrupt (RIS.RTRIS). Writing 0 has no effect.
5	TXIC	W	X	Transmit interrupt clear: Writing 1 to this field clears the transmit interrupt (RIS.TXRIS). Writing 0 has no effect.
4	RXIC	W	X	Receive interrupt clear: Writing 1 to this field clears the receive interrupt (RIS.RXRIS). Writing 0 has no effect.
3-2	RESERVED	W	X	Software should not rely on the value of a reserved. Writing any other value than the reset value may result in undefined behavior. Write 0
1	CTSMIC	W	X	Clear to Send (CTS) modem interrupt clear: Writing 1 to this field clears the clear to send interrupt (RIS.CTSRMIS). Writing 0 has no effect.

Table 21-17. ICR Register Field Descriptions (continued)

Bit	Field	Type	Reset	Description
0	RESERVED	W	X	Software should not rely on the value of a reserved. Writing any other value than the reset value may result in undefined behavior. Write 0.

21.7.1.14 DMACTL Register (Offset = 48h) [Reset = 0000000h]

DMACTL is shown in [DMACTL Register](#) and described in [DMACTL Register Field Descriptions](#).

Return to the [UART Registers](#).

DMA Control

Figure 21-17. DMACTL Register

31	30	29	28	27	26	25	24
RESERVED							
R-0h							
23	22	21	20	19	18	17	16
RESERVED							
R-0h							
15	14	13	12	11	10	9	8
RESERVED							
R-0h							
7	6	5	4	3	2	1	0
RESERVED					DMAONERR	TXDMAE	RXDMAE
R-0h					R/W-0h	R/W-0h	R/W-0h

Table 21-18. DMACTL Register Field Descriptions

Bit	Field	Type	Reset	Description
31-3	RESERVED	R	0h	Reserved
2	DMAONERR	R/W	0h	DMA on error. If this bit is set to 1, the DMA receive request outputs (for single and burst requests) are disabled when the UART error interrupt is asserted (more specifically if any of the error interrupts RIS.PERIS, RIS.BERIS, RIS.FERIS or RIS.OERIS are asserted).
1	TXDMAE	R/W	0h	Transmit DMA enable. If this bit is set to 1, DMA for the transmit FIFO is enabled.
0	RXDMAE	R/W	0h	Receive DMA enable. If this bit is set to 1, DMA for the receive FIFO is enabled.

This page intentionally left blank.

This chapter describes the synchronous serial interface (SSI).

22.1 Introduction	1552
22.2 Block Diagram	1553
22.3 Signal Description	1554
22.4 Functional Description	1554
22.5 DMA Operation	1563
22.6 Initialization and Configuration	1563
22.7 SSI Registers	1564

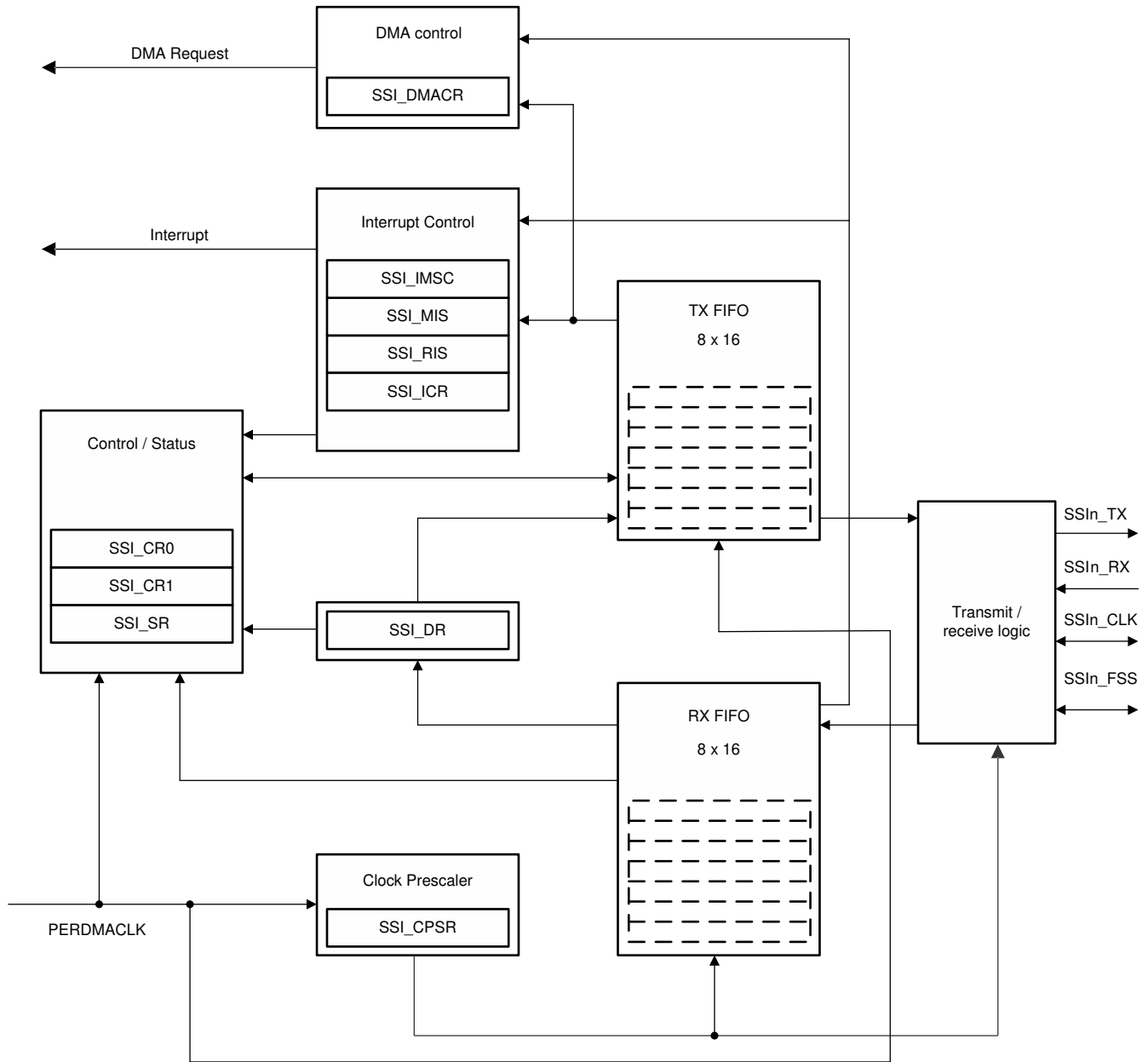
22.1 Introduction

The SSI module of the CC13x1x3 and CC26x1x3 device platform has the following features:

- Programmable interface operation for Motorola SPI, MICROWIRE, or TI SSIs
- Configurable as a master or a slave on the interface
- Programmable clock bit rate and prescaler
- Separate transmit (TX) and receive (RX) first-in first-out buffers (FIFOs), each 16 bits wide and 8 locations deep
- Programmable data frame size from 4 bits to 16 bits
- Internal loopback test mode for diagnostic and debug testing
- Interrupts for transmit and receive FIFOs, overrun and time-out interrupts, and DMA done interrupts
- Efficient transfers using micro direct memory access controller (μ DMA):
 - Separate channels for transmit and receive
 - Receive single request asserted when data is in the FIFO; burst request asserted when FIFO contains four or more entries
 - Transmit single request asserted when there is space in the FIFO; burst request asserted when FIFO contains four or fewer entries

22.2 Block Diagram

Figure 22-1 shows the SSI block diagram.



Copyright © 2017, Texas Instruments Incorporated

Figure 22-1. SSI Module Block Diagram

22.3 Signal Description

Table 22-1 lists the external signals of the SSI module and describes the function of each. The SSI signals are selected in the IOC module through the IOCFGn registers. For more information on configuration of GPIOs, see Chapter 5.

Table 22-1. SSI Signals

Signal Name	Pin Number	Pin Type ⁽¹⁾	Description
SSI0_CLK	Assigned in the I/O Controller	I/O	SSI module 0 clock pin
SSI0_FSS		I/O	SSI module 0 frame pin
SSI0_RX		I	SSI module 0 RX pin
SSI0_TX		O	SSI module 0 TX pin

(1) I = Input; O = Output; I/O = Bidirectional

22.4 Functional Description

The SSI performs serial-to-parallel conversion on data received from a peripheral device. The CPU accesses data, control, and status information. Internal FIFO memories buffer the transmit and receive paths, allowing independent storage of up to eight 16-bit values in both transmit and receive modes. The SSI also supports the μ DMA interface. The TX and RX FIFOs can be programmed as destination or source addresses in the μ DMA module. The μ DMA operation is enabled by setting the appropriate bits in the SSI:DMACR register.

22.4.1 Bit Rate Generation

The SSI includes a programmable bit rate clock divider and prescaler to generate the serial output clock. The bit rates are supported to 2 MHz and higher, with maximum bit rate is determined by peripheral devices.

The serial bit rate is derived by dividing down the input clock (SysClk). First, the clock is divided by an even prescale value CPSDVSR from 2 to 254, which is programmed in the SSI Clock Prescale register (SSI:CPSR) (see Section 22.7.1). The clock is further divided by a value from 1 to 256, which is $1 + SCR$, where SCR is the value programmed in the SSI Control 0 register (SSI:CR0) (see Section 22.7.1).

The equation below defines the frequency of the output clock SSIn_CLK.

$$SSIn_CLK = \frac{PERDMACLK}{CPSDVSR \times (1 + SCR)}$$

Note

For slave mode, the core clock (PERDMACLK) must be at least 12 times faster than SSIn_CLK.

For master mode, the core clock (PERDMACLK) must be at least two times faster than SSIn_CLK.

22.4.2 FIFO Operation

22.4.2.1 Transmit FIFO

The common TX FIFO is a 16 bit wide, 8 location deep, first-in first-out memory buffer. The CPU writes data to the FIFO by writing the SSI Data register, SSI:DR (see [Section 22.4.1](#)), and data is stored in the FIFO until it is read out by the transmission logic.

When configured as a master or a slave, parallel data is written into the TX FIFO before serial conversion and transmission to the attached slave or master, respectively, through the SSIn_TX pin.

In slave mode, the SSI transmits data each time the master initiates a transaction. If the TX FIFO is empty and the master initiates transaction, the slave transmits zeroes. User or software is responsible to make valid data available in the FIFO as needed. The SSI can be configured to generate an interrupt when the FIFO is half full (< 4 words), or a μ DMA request when the FIFO is not FULL.

22.4.2.2 Receive FIFO

The common RX FIFO is a 16 bit wide, 8 location deep, first-in-first-out memory buffer. Received data from the serial interface is stored in the buffer until read out by the CPU, which accesses the read FIFO by reading the SSI:DR register.

When configured as a master or slave, serial data received through the SSIn_RX pin is registered before parallel loading into the attached slave or master RX FIFO, respectively.

22.4.3 Interrupts

The SSI can generate interrupts when the following conditions are observed:

- TX FIFO service (when the TX FIFO is half full or less)
- RX FIFO service (when the RX FIFO is half full or more)
- RX FIFO time-out
- RX FIFO overrun

All interrupt events are ORed together before sent to the event fabric, so the SSI generates a single interrupt request to the controller regardless of the number of active interrupts. The TX FIFO, RX FIFO, RX time-out, and RX overrun interrupts can be masked by clearing the appropriate bit in the SSI:IMSC register. Setting the appropriate mask bit in the SSI:IMSC register enables the interrupt. RX DMA done and TX DMA done interrupts can be masked by setting the appropriate bit in the UDMA Channel Request Done Mask register (UDMA:DONEMASK). Clearing the appropriate bit in the UDMA:DONEMASK register enables the RX or TX DMA done interrupt.

The status of the individual interrupt sources can be read from the SSI Raw Interrupt Status register (SSI:RIS) and the SSI Masked Interrupt Status register (SSI:MIS) (see [Section 22.7.1](#)).

The receive FIFO service interrupt request SSI:RIS.RXRIS is asserted when there are four or more valid entries in the receive FIFO.

The transmit FIFO service interrupt request SSI:RIS.TXRIS is asserted when there are four or fewer valid entries in the transmit FIFO. The transmitter interrupt is not qualified with the SSP enable signal, which allows data to be written to the transmit FIFO before enabling the SSP and the interrupts and allows the SSP and interrupts to be enabled so that data can be written to the transmit FIFO by an interrupt service routine (ISR).

The receive overrun interrupt SSI:RIS.RORRIS request is asserted when the FIFO is already full and an additional data frame is received, causing an overrun of the FIFO. Data is overwritten in the receive shift register, but not in the FIFO.

The RX FIFO has a time-out period of 32 periods at the rate of SSIn_CLK (whether or not SSIn_CLK is currently active), and is started when the RX FIFO goes from empty to not empty. If the RX FIFO is emptied before 32 clocks pass, the time-out period is reset. As a result, the ISR clears the RX FIFO time-out interrupt just after reading out the RX FIFO by setting the RTIC bit in the SSI Interrupt Clear SSI:ICR register to 1.

Note

The interrupt must not be cleared so late that the ISR returns before the interrupt is actually cleared, or the ISR may be reactivated unnecessarily.

22.4.4 Frame Formats

Each data frame is between 4 and 16 bits long, depending on the size of data programmed, and is transmitted starting with the most significant bit (MSB). The following three basic frame types can be selected:

- TI synchronous serial
- Motorola™ SPI
- National MICROWIRE

For all three formats, the serial clock (SSIn_CLK) is held inactive while the SSI is idle and SSIn_CLK transitions at the programmed frequency only during active transmission or reception of data. The IDLE state of SSIn_CLK provides a receive time-out indication that occurs when the RX FIFO still contains data after a time-out period.

For Motorola SPI and MICROWIRE frame formats, the serial frame (SSIn_FSS) pin is active low and is asserted (pulled down) during the entire transmission of the frame.

For TI synchronous serial frame format, the SSIn_FSS pin is pulsed for one serial clock period which starts at its rising edge before the transmission of each frame. For this frame format, both the SSI and the off-chip slave device drive their output data on the rising edge of SSIn_CLK and latch data from the other device on the falling edge.

Unlike the full-duplex transmission of the other two frame formats, the MICROWIRE format uses a special master-slave messaging technique that operates at half-duplex. When a frame begins, an 8-bit control message is transmitted to the off-chip slave. No incoming data is received by the SSI during this transmission. After the message is sent, the off-chip slave decodes it and responds with the requested data after waiting one serial clock after the last bit of the 8-bit control message is sent. The returned data can be 4 to 16 bits long, making the total frame length anywhere from 13 to 25 bits.

22.4.4.1 Texas Instruments Synchronous Serial Frame Format

Figure 22-2 shows the TI synchronous serial frame format for a single transmitted frame.

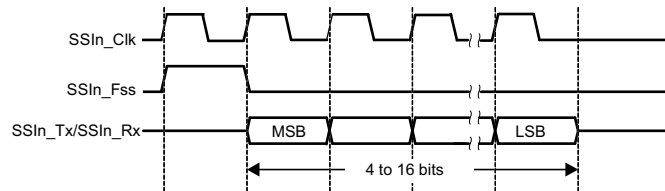


Figure 22-2. TI Synchronous Serial Frame Format (Single Transfer)

SSIn_CLK and SSIn_FSS are forced low and the transmit data line SSIn_TX is put in tristate whenever the SSI is idle. When the bottom entry of the TX FIFO contains data, SSIn_FSS is pulsed high for one SSIn_CLK period. The transmitted value is also transferred from the TX FIFO to the serial shift register of the transmit logic. On the next rising edge of SSIn_CLK, the MSB of the 4- to 16-bit data frame is shifted out on the SSIn_TX pin. Likewise, the MSB of the received data is shifted onto the SSIn_RX pin by the off-chip serial slave device.

Both the SSI and the off-chip serial slave device then clock each data bit into their serial shifter on each falling edge of SSIn_CLK. The received data is transferred from the serial shifter to the RX FIFO on the first rising edge of SSIn_CLK after the least significant bit (LSB) is latched.

Figure 22-3 shows the TI synchronous serial frame format when back-to-back frames are transmitted.

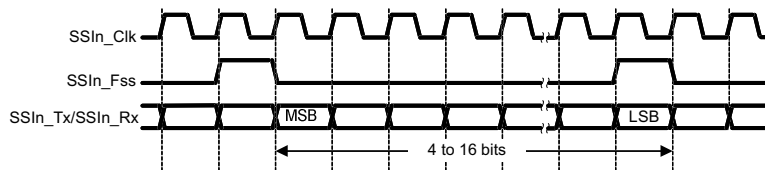


Figure 22-3. TI Synchronous Serial Frame Format (Continuous Transfer)

22.4.4.2 Motorola SPI Frame Format

The Motorola SPI interface is a 4-wire interface where the SSIn_FSS signal behaves as a slave select. The main feature of the Motorola SPI format is that the inactive state and phase of the SSIn_CLK signal can be programmed through the SPO and SPH bits in the SSI:CR0 control register.

22.4.4.2.1 SPO Clock Polarity Bit

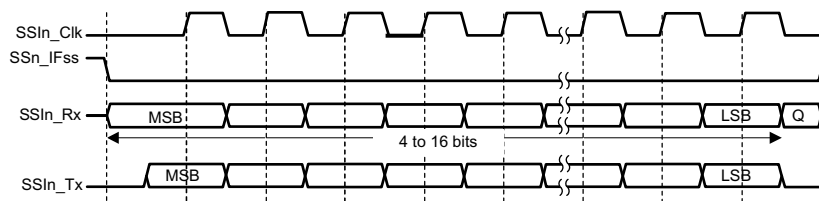
When the SPO clock polarity control bit is clear, the bit produces a steady-state low value on the SSIn_CLK pin. If the SPO bit is set, the bit places a steady-state high value on the SSIn_CLK pin when data is not being transferred.

22.4.4.2.2 SPH Phase-Control Bit

The SPH phase-control bit selects the clock edge that captures data, and allows it to change state. The state of this bit has the most impact on the first bit transmitted, by either allowing or not allowing a clock transition before the first data capture edge. When the SPH phase-control bit is clear, data is captured on the first clock edge transition. If the SPH bit is set, data is captured on the second clock edge transition.

22.4.4.3 Motorola SPI Frame Format With SPO = 0 and SPH = 0

Figure 22-4 and Figure 22-5 show single and continuous transmission signal sequences for Motorola SPI format with SPO = 0 and SPH = 0, respectively.



Q is undefined.

Figure 22-4. Motorola SPI Format (Single Transfer) With SPO = 0 and SPH = 0

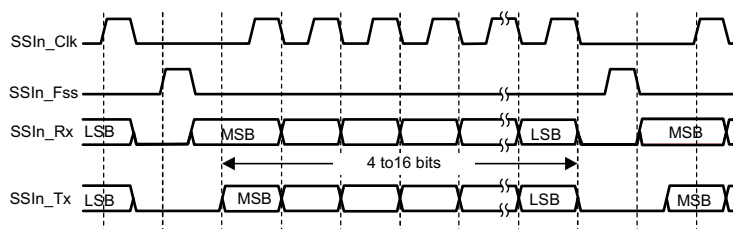


Figure 22-5. Motorola SPI Format (Continuous Transfer) With SPO = 0 and SPH = 0

In this configuration, the following occurs during idle periods:

- SSIn_CLK is forced low
- SSIn_FSS is forced high
- The transmit data line SSIn_TX is arbitrarily forced low
- When the SSI is configured as a master, the SSI enables the SSIn_CLK DIO
- When the SSI is configured as a slave, the SSI disables the SSIn_CLK DIO

If the SSI is enabled and valid data is in the TX FIFO, the SSIn_FSS master signal is driven low at the start of transmission which causes enabling of slave data onto the SSIn_RX input line of the master. The master SSIn_TX output DIO is enabled.

One-half SSIn_CLK period later, valid master data is transferred to the SSIn_TX pin. Once both the master and slave data are set, the SSIn_CLK master clock pin goes high after an additional one-half SSIn_CLK period.

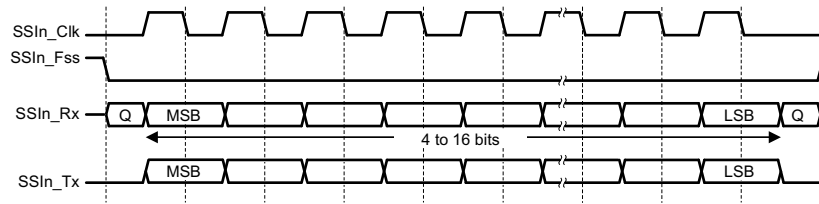
The data is now captured on the rising edges and propagated on the falling edges of the SSIn_CLK signal.

For a single-word transmission after all bits of the data word are transferred, the SSIn_FSS line is returned to its IDLE high state one SSIn_CLK period after the last bit is captured.

For continuous back-to-back transmissions, the SSIn_FSS signal must pulse high between each data word transfer because the slave-select pin freezes the data in its serial peripheral register and does not allow altering of the data if the SPH bit is clear. The master device must raise the SSIn_FSS pin of the slave device between each data transfer to enable the serial peripheral data write. When the continuous transfer completes, the SSIn_FSS pin is returned to its IDLE state one SSIn_CLK period after the last bit is captured.

22.4.4.4 Motorola SPI Frame Format With SPO = 0 and SPH = 1

Figure 22-6 shows the transfer signal sequence for Motorola SPI format with SPO = 0 and SPH = 1, which covers both single and continuous transfers.



Q is undefined.

Figure 22-6. Motorola SPI Frame Format With SPO = 0 and SPH = 1

In this configuration, the following occurs during idle periods:

- SSIn_CLK is forced low
- SSIn_FSS is forced high
- The transmit data line SSIn_TX is arbitrarily forced low
- When the SSI is configured as a master, the SSI enables the SSIn_CLK DIO
- When the SSI is configured as a slave, the SSI disables the SSIn_CLK DIO

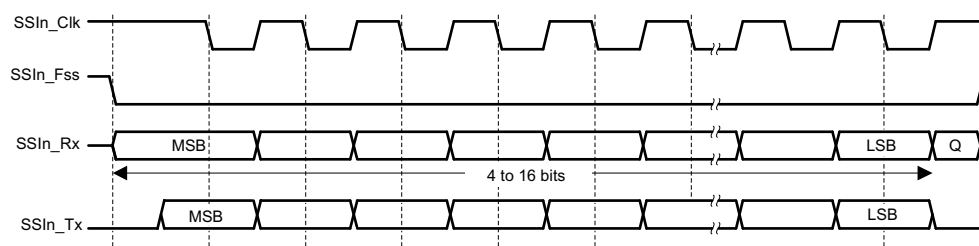
If the SSI is enabled and valid data is in the TX FIFO, the SSIn_FSS master signal goes low at the start of transmission. The master SSIn_TX output is enabled. After an additional one-half SSIn_CLK period, both master and slave valid data are enabled onto their respective transmission lines. At the same time, SSIn_CLK is enabled with a rising-edge transition. Data is then captured on the falling edges and propagated on the rising edges of the SSIn_CLK signal.

For a single-word transfer, after all bits are transferred, the SSIn_FSS line is returned to its IDLE high state one SSIn_CLK period after the last bit is captured.

For continuous back-to-back transfers, the SSIn_FSS pin is held low between successive data words and terminates like a single-word transfer.

22.4.4.5 Motorola SPI Frame Format With SPO = 1 and SPH = 0

Figure 22-7 and Figure 22-8 show single and continuous transmission signal sequences, respectively, for Motorola SPI format with SPO = 1 and SPH = 0.



Q is undefined.

Figure 22-7. Motorola SPI Frame Format (Single Transfer) With SPO = 1 and SPH = 0

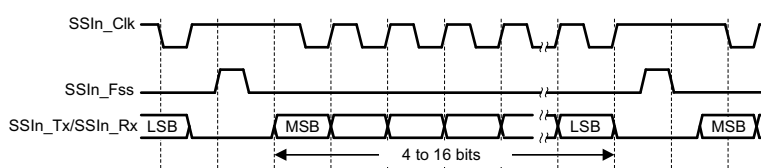


Figure 22-8. Motorola SPI Frame Format (Continuous Transfer) With SPO = 1 and SPH = 0

In this configuration, the following occurs during idle periods:

- SSIn_CLK is forced high
- SSIn_FSS is forced high
- The transmit data line SSIn_TX is arbitrarily forced low
- When the SSI is configured as a master, the SSI enables the SSIn_CLK DIO
- When the SSI is configured as a slave, the SSI disables the SSIn_CLK DIO

If the SSI is enabled and valid data is in the TX FIFO, the SSIFss master signal goes low at the start of transmission and transfers slave data onto the SSIn_RX line of the master immediately. The master SSIn_TX output DIO is enabled.

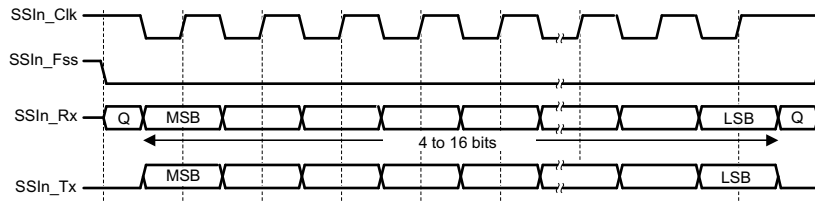
One-half SSIn_CLK period later, valid master data is transferred to the SSIn_TX line. When both the master and slave data have been set, the SSIn_CLK master clock pin becomes low after one additional half SSIn_CLK period. Data is captured on the falling edges and propagated on the rising edges of the SSIn_CLK signal.

For a single-word transmission after all bits of the data word are transferred, the SSIn_FSS line is returned to its IDLE high state one SSIn_CLK period after the last bit is captured.

For continuous back-to-back transmissions, the SSIn_FSS signal must pulse high between each data word transfer as the slave-select pin freezes the data in its serial peripheral register and keeps it from being altered if the SPH bit is clear. The master device must raise the SSIn_FSS pin of the slave device between each data transfer to enable the serial peripheral data write. When the continuous transfer completes, the SSIn_FSS pin returns to its IDLE state one SSIn_CLK period after the last bit is captured.

22.4.4.6 Motorola SPI Frame Format With SPO = 1 and SPH = 1

Figure 22-9 shows the transfer signal sequence for Motorola SPI format with SPO = 1 and SPH = 1, which covers both single and continuous transfers.



Q is undefined.

Figure 22-9. Motorola SPI Frame Format With SPO = 1 and SPH = 1

In this configuration, the following occurs during idle periods:

- SSIClk is forced high
- SSIn_FSS is forced high
- The transmit data line SSIn_TX is arbitrarily forced low
- When the SSI is configured as a master, the SSI enables the SSIn_CLK DIO
- When the SSI is configured as a slave, the SSI disables the SSIn_CLK DIO

If the SSI is enabled and valid data is in the TX FIFO, the start of transmission is signified by the SSIn_FSS master signal going low. The master SSIn_TX output DIO is enabled. After an additional one-half SSIn_CLK period, both master and slave data are enabled onto their respective transmission lines. At the same time, SSIn_CLK is enabled with a falling-edge transition. Data is then captured on the rising edges and propagated on the falling edges of the SSIn_CLK signal.

For a single word transmission, after all bits are transferred, the SSIn_FSS line returns to its IDLE high state one SSIn_CLK period after the last bit is captured.

For continuous back-to-back transmissions, the SSIn_FSS pin remains in its active low state until the final bit of the last word is captured and then returns to its IDLE state.

For continuous back-to-back transfers, the SSIn_FSS pin is held low between successive data words and terminates like a single-word transfer.

22.4.4.7 MICROWIRE Frame Format

Figure 22-10 shows the MICROWIRE frame format for a single frame. Figure 22-11 shows the same format when back-to-back frames are transmitted.

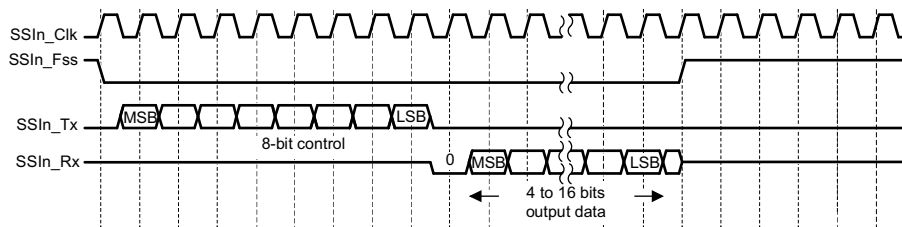


Figure 22-10. MICROWIRE Frame Format (Single Frame)

MICROWIRE format is similar to SPI format, except that transmission is half-duplex and uses a master-slave message passing technique. Each serial transmission begins with an 8-bit control word that is transmitted from the SSI to the off-chip slave device. During this transmission, the SSI does not receive incoming data. After the message is sent, the off-chip slave decodes it and waits one serial clock after the last bit of the 8-bit control message is sent. The off-chip slave then responds with the required data. The returned data is 4 to 16 bits long, making the total frame length anywhere from 13 to 25 bits.

In this configuration, the following occurs during idle periods:

- SSIn_CLK is forced low
- SSIn_FSS is forced high
- The transmit data line SSIn_TX is arbitrarily forced low

Writing a control byte to the TX FIFO triggers a transmission. The falling edge of SSIn_FSS transfers the value in the bottom entry of the TX FIFO to the serial shift register of the transmit logic and shifts the MSB of the 8-bit control frame out onto the SSIn_TX pin. SSIn_FSS remains low for the duration of the frame transmission. The SSIn_RX pin remains in the tri-state condition during this transmission.

The off-chip serial slave device latches each control bit into its serial shifter on each rising edge of SSIn_CLK. After the last bit is latched by the slave device, the control byte is decoded during a one clock wait state and the slave responds by transmitting data back to the SSI. Each bit is driven onto the SSIn_RX line on the falling edge of SSIn_CLK. The SSI latches each bit on the rising edge of SSIn_CLK. At the end of the frame for single transfers, the SSIFss signal is pulled high one clock period after the last bit is latched in the receive serial shifter transferring the data to the RX FIFO.

Note

The off-chip slave device can place the receive line in a tri-state condition either on the falling edge of SSIn_CLK (after the LSB has been latched by the receive shifter), or when the SSIn_FSS pin goes high.

For continuous transfers, data transmission begins and ends like a single transfer, but the SSIn_FSS line is held low and data transmits back-to-back. The control byte of the next frame follows the LSB of the received data from the current frame. After the LSB of the frame is latched into the SSI, each received value is transferred from the receive shifter on the falling edge of SSIn_CLK.

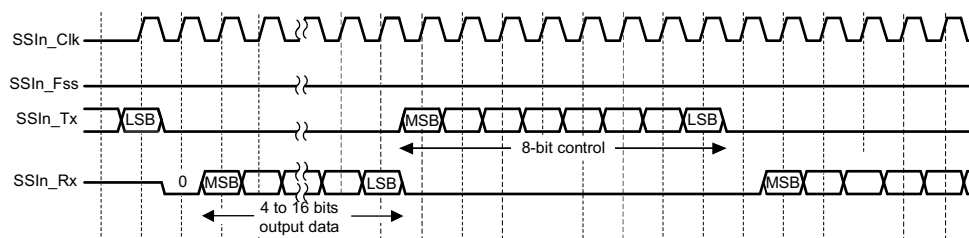


Figure 22-11. MICROWIRE Frame Format (Continuous Transfer)

In the MICROWIRE mode, the SSI slave samples the first bit of receive data on the rising edge of SSIn_CLK after SSIFss has gone low. Masters driving a free-running SSIn_CLK must ensure that the SSIFss signal has sufficient setup and hold margins compared to the rising edge of SSIn_CLK.

Figure 22-12 shows these setup and hold time requirements. With respect to the SSIn_CLK rising edge on which the first bit of receive data is to be sampled by the SSI slave, SSIn_FSS must have a setup of at least two times the period of SSIn_CLK on which the SSI operates. With respect to the SSIn_CLK rising edge previous to this edge, SSIn_FSS must have a hold of at least one SSIn_CLK period.

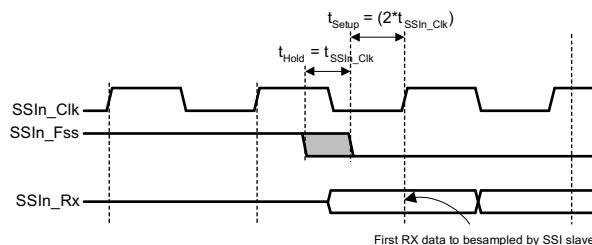


Figure 22-12. MICROWIRE Frame Format, SSIFss Input Setup, and Hold Requirements

22.5 DMA Operation

The SSI peripheral provides an interface to the μ DMA controller with separate channels for transmit and receive. The SSI DMA Control register (SSI:DMACR) allows the μ DMA to operate the SSI. When μ DMA operation is enabled, the SSI asserts a μ DMA request on the receive or transmit channel when the associated FIFO can transfer data. For the receive channel, a single transfer request is asserted whenever any data is in the RX FIFO. Whenever data in the RX FIFO is four or more items, a burst transfer request is asserted. For the transmit channel, a single transfer request is asserted whenever at least one empty location is in the TX FIFO. Whenever the TX FIFO has four or more empty slots, the burst request is asserted. The μ DMA controller handles the single and burst μ DMA transfer requests automatically depending on how the μ DMA channel is configured.

To enable μ DMA operation for the receive channel, set the SSI:DMACR RXDMAE register bit. To enable μ DMA operation for the transmit channel, set the SSI:MAC RTXDMAE register bit. If the μ DMA is enabled and appropriate bits are cleared in the DMA Done Mask register (UDMA:DONEMASK) the μ DMA controller triggers an interrupt when a transfer completes. The interrupt occurs on the SSI interrupt vector. If interrupts are used for SSI operation and the μ DMA is enabled, the SSI interrupt handler must be designed to handle the μ DMA completion interrupt. The status of TX and RX DMA done interrupts can be read from the Channel Request Done register (UDMA:REQDONE). For clearing the TX and RX DMA done interrupts, the corresponding bits in the UDMA:REQDONE register must be 1.

For more details about programming the μ DMA controller, see [Chapter 14](#).

22.6 Initialization and Configuration

To enable and initialize the SSI, perform the following steps:

1. Ensure the corresponding power domain is powered up properly. For details, see [Chapter 7](#).
2. Enable the appropriate SSI module in PRCM by writing to the PRCM:SSICLKGR register, the PRCM:SSICLKGS register, and the PRCM:SSICLKGDSD register, or by using the DriverLib functions:

```
PRCMPeripheralRunEnable (uint32_t)
```

```
PRCMPeripheralSleepEnable (uint32_t)
```

```
PRCMPeripheralDeepSleepEnable (uint32_t)
```

```
and then loading the setting to clock controller by writing to PRCM:CLKLOADCTL
```

or by using the DriverLib function.

```
PRCMLoadSet () .
```

3. Configure the IOC module to route the SSIn_RX, SSIn_TX, SSIn_FSS, and SSIn_CLK functionalities from I/Os to the SSI module. IOCFGn.PORTID must be written to the correct PORTIDs.

For each of the frame formats, the SSI is configured using the following steps:

1. Ensure that the SSE bit in the SSI:CR1 register is clear before making any configuration changes.
2. Select whether the SSI is a master or slave:
 - a. For master operations, set the SSI:CR1 register to 0x0000 0000.
 - b. For slave mode (output enabled), set the SSI:CR1 register to 0x0000 0004.
 - c. For slave mode (output disabled), set the SSI:CR1 register to 0x0000 000C.
3. Configure the clock prescale divisor by writing to the SSI:CPSR register.
4. Write the SSI:CR0 register with the following configuration:
 - Serial clock rate (SCR)
 - Desired clock phase and polarity, if using Motorola SPI mode (SPH and SPO)
 - The protocol mode: Motorola SPI, TI SSF, MICROWIRE (FRF)
 - The data size (DSS)

5. Optionally, configure the μ DMA channel (see [Chapter 14](#)) and enable the DMA options in the SSI:DMACR register.
6. Enable the SSI by setting the SSE bit in the SSI:CR1 register.

As an example, assume that the SSI configuration is required to operate with the following parameters:

- Master operation
- Texas Instruments SSI mode
- 1-Mbps bit rate
- 8 data bits

Assuming the system clock is 48 MHz, the bit-rate calculation is shown in the equation below.

$$SSI0_CLK = \frac{PERDMACLK}{CPSDVSR \times (1 + SCR)} \Rightarrow 1 \times 10^6 bps = \frac{48 \times 10^6 Hz}{CPSDVSR \times (1 + SCR)} \Rightarrow CPSDVSR \times (1 + SCR) = 48$$

In this case, if CPSDVSR = 0x2, SCR must be 0x18.

The configuration sequence is:

1. Ensure that the SSE bit in the SSI:CR1 register is clear.
2. Write the SSI:CR1 register with a value of 0x0000 0000.
3. Write the SSI:CPSR register with a value of 0x0000 0002.
4. Write the SSI:CR0 register with a value of 0x0000 1817.
5. The SSI is then enabled by setting the SSE bit in the SSI:CR1 register.

22.7 SSI Registers

The next section shows the register bank for the Synchronous Serial Interface.

22.7.1 SSI Registers

[SSI Registers](#) lists the memory-mapped registers for the SSI registers. All register offset addresses not listed in [SSI Registers](#) should be considered as reserved locations and the register contents should not be modified.

Table 22-2. SSI Registers

Offset	Acronym	Register Name	Section
0h	CR0	Control 0	Section 22.7.1.1
4h	CR1	Control 1	Section 22.7.1.2
8h	DR	Data	Section 22.7.1.3
Ch	SR	Status	Section 22.7.1.4
10h	CPSR	Clock Prescale	Section 22.7.1.5
14h	IMSC	Interrupt Mask Set and Clear	Section 22.7.1.6
18h	RIS	Raw Interrupt Status	Section 22.7.1.7
1Ch	MIS	Masked Interrupt Status	Section 22.7.1.8
20h	ICR	Interrupt Clear	Section 22.7.1.9
24h	DMACR	DMA Control	Section 22.7.1.10

Complex bit access types are encoded to fit into small table cells. [SSI Access Type Codes](#) shows the codes that are used for access types in this section.

Table 22-3. SSI Access Type Codes

Access Type	Code	Description
Read Type		
R	R	Read
Write Type		
W	W	Write
Reset or Default Value		
-n		Value after reset or the default value

22.7.1.1 CR0 Register (Offset = 0h) [Reset = 0000000h]

CR0 is shown in [CR0 Register](#) and described in [CR0 Register Field Descriptions](#).

Return to the [SSI Registers](#).

Control 0

Figure 22-9. CR0 Register

31	30	29	28	27	26	25	24	23	22	21	20	19	18	17	16		
RESERVED																	
R-0h																	
15	14	13	12	11	10	9	8	7	6	5	4	3	2	1	0		
SCR								SPH		SPO		FRF		DSS			
R/W-0h								R/W-0h		R/W-0h		R/W-0h		R/W-0h			

Table 22-4. CR0 Register Field Descriptions

Bit	Field	Type	Reset	Description
31-16	RESERVED	R	0h	Reserved
15-8	SCR	R/W	0h	Serial clock rate: This is used to generate the transmit and receive bit rate of the SSI. The bit rate is $(SSI's\ clock\ frequency) / ((SCR+1) * CPSR.CPSDVSR)$. SCR is a value from 0-255.
7	SPH	R/W	0h	CLKOUT phase (Motorola SPI frame format only) This bit selects the clock edge that captures data and enables it to change state. It has the most impact on the first bit transmitted by either permitting or not permitting a clock transition before the first data capture edge. 0h = 1ST_CLK_EDGE : Data is captured on the first clock edge transition. 1h = 2ND_CLK_EDGE : Data is captured on the second clock edge transition.
6	SPO	R/W	0h	CLKOUT polarity (Motorola SPI frame format only) 0h = SSI produces a steady state LOW value on the CLKOUT pin when data is not being transferred. 1h = SSI produces a steady state HIGH value on the CLKOUT pin when data is not being transferred.
5-4	FRF	R/W	0h	Frame format. The supported frame formats are Motorola SPI, TI synchronous serial and National Microwire. Value 0'b11 is reserved and shall not be used. 0h = Motorola SPI frame format 1h = TI synchronous serial frame format 2h = National Microwire frame format
3-0	DSS	R/W	0h	Data Size Select. Values 0b0000, 0b0001, 0b0010 are reserved and shall not be used. 3h = 4_BIT : 4-bit data 4h = 5_BIT : 5-bit data 5h = 6_BIT : 6-bit data 6h = 7_BIT : 7-bit data 7h = 8_BIT : 8-bit data 8h = 9_BIT : 9-bit data 9h = 10_BIT : 10-bit data Ah = 11_BIT : 11-bit data Bh = 12_BIT : 12-bit data Ch = 13_BIT : 13-bit data Dh = 14_BIT : 14-bit data Eh = 15_BIT : 15-bit data Fh = 16_BIT : 16-bit data

22.7.1.2 CR1 Register (Offset = 4h) [Reset = 0000000h]

CR1 is shown in [CR1 Register](#) and described in [CR1 Register Field Descriptions](#).

Return to the [SSI Registers](#).

Control 1

Figure 22-10. CR1 Register

31	30	29	28	27	26	25	24	23	22	21	20	19	18	17	16
RESERVED															
R-0h															
15	14	13	12	11	10	9	8	7	6	5	4	3	2	1	0
RESERVED												SOD	MS	SSE	LBM
R-0h												R/W-0h	R/W-0h	R/W-0h	R/W-0h

Table 22-5. CR1 Register Field Descriptions

Bit	Field	Type	Reset	Description
31-4	RESERVED	R	0h	Reserved
3	SOD	R/W	0h	Slave-mode output disabled This bit is relevant only in the slave mode, MS=1. In multiple-slave systems, it is possible for an SSI master to broadcast a message to all slaves in the system while ensuring that only one slave drives data onto its serial output line. In such systems the RXD lines from multiple slaves could be tied together. To operate in such systems, this bitfield can be set if the SSI slave is not supposed to drive the TXD line: 0: SSI can drive the TXD output in slave mode. 1: SSI cannot drive the TXD output in slave mode.
2	MS	R/W	0h	Master or slave mode select. This bit can be modified only when SSI is disabled, SSE=0. 0h = Device configured as master 1h = Device configured as slave
1	SSE	R/W	0h	Synchronous serial interface enable. 0h = SSI_DISABLED : Operation disabled 1h = SSI_ENABLED : Operation enabled
0	LBM	R/W	0h	Loop back mode: 0: Normal serial port operation enabled. 1: Output of transmit serial shifter is connected to input of receive serial shifter internally.

22.7.1.3 DR Register (Offset = 8h) [Reset = X]

DR is shown in [DR Register](#) and described in [DR Register Field Descriptions](#).

Return to the [SSI Registers](#).

Data

16-bits wide data register:

When read, the entry in the receive FIFO, pointed to by the current FIFO read pointer, is accessed. As data values are removed by the receive logic from the incoming data frame, they are placed into the entry in the receive FIFO, pointed to by the current FIFO write pointer.

When written, the entry in the transmit FIFO, pointed to by the write pointer, is written to. Data values are removed from the transmit FIFO one value at a time by the transmit logic. It is loaded into the transmit serial shifter, then serially shifted out onto the TXD output pin at the programmed bit rate.

When a data size of less than 16 bits is selected, the user must right-justify data written to the transmit FIFO. The transmit logic ignores the unused bits. Received data less than 16 bits is automatically right-justified in the receive buffer.

Figure 22-11. DR Register

31	30	29	28	27	26	25	24	23	22	21	20	19	18	17	16	15	14	13	12	11	10	9	8	7	6	5	4	3	2	1	0
RESERVED																DATA															
R-0h																R/W-X															

Table 22-6. DR Register Field Descriptions

Bit	Field	Type	Reset	Description
31-16	RESERVED	R	0h	Reserved
15-0	DATA	R/W	X	Transmit/receive data The values read from this field or written to this field must be right-justified when SSI is programmed for a data size that is less than 16 bits (CR0.DSS != 0b1111). Unused bits at the top are ignored by transmit logic. The receive logic automatically right-justifies.

22.7.1.4 SR Register (Offset = Ch) [Reset = 0000003h]

SR is shown in [SR Register](#) and described in [SR Register Field Descriptions](#).

Return to the [SSI Registers](#).

Status

Figure 22-12. SR Register

31	30	29	28	27	26	25	24	23	22	21	20	19	18	17	16
RESERVED															
R-0h															
15	14	13	12	11	10	9	8	7	6	5	4	3	2	1	0
RESERVED											BSY	RFF	RNE	TNF	TFE
R-0h											R-0h	R-0h	R-0h	R-1h	R-1h

Table 22-7. SR Register Field Descriptions

Bit	Field	Type	Reset	Description
31-5	RESERVED	R	0h	Reserved
4	BSY	R	0h	Serial interface busy: 0: SSI is idle 1: SSI is currently transmitting and/or receiving a frame or the transmit FIFO is not empty.
3	RFF	R	0h	Receive FIFO full: 0: Receive FIFO is not full. 1: Receive FIFO is full.
2	RNE	R	0h	Receive FIFO not empty 0: Receive FIFO is empty. 1: Receive FIFO is not empty.
1	TNF	R	1h	Transmit FIFO not full: 0: Transmit FIFO is full. 1: Transmit FIFO is not full.
0	TFE	R	1h	Transmit FIFO empty: 0: Transmit FIFO is not empty. 1: Transmit FIFO is empty.

22.7.1.5 CPSR Register (Offset = 10h) [Reset = 00000000h]

CPSR is shown in [CPSR Register](#) and described in [CPSR Register Field Descriptions](#).

Return to the [SSI Registers](#).

Clock Prescale

Figure 22-13. CPSR Register

31	30	29	28	27	26	25	24	23	22	21	20	19	18	17	16	15	14	13	12	11	10	9	8	7	6	5	4	3	2	1	0
RESERVED														CPSDVSR																	
R-0h														R/W-0h																	

Table 22-8. CPSR Register Field Descriptions

Bit	Field	Type	Reset	Description
31-8	RESERVED	R	0h	Reserved
7-0	CPSDVSR	R/W	0h	Clock prescale divisor: This field specifies the division factor by which the input system clock to SSI must be internally divided before further use. The value programmed into this field must be an even non-zero number (2-254). The least significant bit of the programmed number is hard-coded to zero. If an odd number is written to this register, data read back from this register has the least significant bit as zero.

22.7.1.6 IMSC Register (Offset = 14h) [Reset = 0000000h]

IMSC is shown in [IMSC Register](#) and described in [IMSC Register Field Descriptions](#).

Return to the [SSI Registers](#).

Interrupt Mask Set and Clear

Figure 22-14. IMSC Register

31	30	29	28	27	26	25	24
RESERVED							
R-0h							
23	22	21	20	19	18	17	16
RESERVED							
R-0h							
15	14	13	12	11	10	9	8
RESERVED							
R-0h							
7	6	5	4	3	2	1	0
RESERVED				TXIM	RXIM	RTIM	RORIM
R-0h				R/W-0h	R/W-0h	R/W-0h	R/W-0h

Table 22-9. IMSC Register Field Descriptions

Bit	Field	Type	Reset	Description
31-4	RESERVED	R	0h	Reserved
3	TXIM	R/W	0h	Transmit FIFO interrupt mask: A read returns the current mask for transmit FIFO interrupt. On a write of 1, the mask for transmit FIFO interrupt is set which means the interrupt state will be reflected in MIS.TXMIS. A write of 0 clears the mask which means MIS.TXMIS will not reflect the interrupt.
2	RXIM	R/W	0h	Receive FIFO interrupt mask: A read returns the current mask for receive FIFO interrupt. On a write of 1, the mask for receive FIFO interrupt is set which means the interrupt state will be reflected in MIS.RXMIS. A write of 0 clears the mask which means MIS.RXMIS will not reflect the interrupt.
1	RTIM	R/W	0h	Receive timeout interrupt mask: A read returns the current mask for receive timeout interrupt. On a write of 1, the mask for receive timeout interrupt is set which means the interrupt state will be reflected in MIS.RTMIS. A write of 0 clears the mask which means MIS.RTMIS will not reflect the interrupt.
0	RORIM	R/W	0h	Receive overrun interrupt mask: A read returns the current mask for receive overrun interrupt. On a write of 1, the mask for receive overrun interrupt is set which means the interrupt state will be reflected in MIS.RORMIS. A write of 0 clears the mask which means MIS.RORMIS will not reflect the interrupt.

22.7.1.7 RIS Register (Offset = 18h) [Reset = 0000008h]

RIS is shown in [RIS Register](#) and described in [RIS Register Field Descriptions](#).

Return to the [SSI Registers](#).

Raw Interrupt Status

Figure 22-15. RIS Register

31	30	29	28	27	26	25	24
RESERVED							
R-0h							
23	22	21	20	19	18	17	16
RESERVED							
R-0h							
15	14	13	12	11	10	9	8
RESERVED							
R-0h							
7	6	5	4	3	2	1	0
RESERVED				TXRIS	RXRIS	RTRIS	RORRIS
R-0h				R-1h	R-0h	R-0h	R-0h

Table 22-10. RIS Register Field Descriptions

Bit	Field	Type	Reset	Description
31-4	RESERVED	R	0h	Reserved
3	TXRIS	R	1h	Raw transmit FIFO interrupt status: The transmit interrupt is asserted when there are four or fewer valid entries in the transmit FIFO. The transmit interrupt is not qualified with the SSI enable signal. Therefore one of the following ways can be used: - data can be written to the transmit FIFO prior to enabling the SSI and the interrupts. - SSI and interrupts can be enabled so that data can be written to the transmit FIFO by an interrupt service routine.
2	RXRIS	R	0h	Raw interrupt state of receive FIFO interrupt: The receive interrupt is asserted when there are four or more valid entries in the receive FIFO.
1	RTRIS	R	0h	Raw interrupt state of receive timeout interrupt: The receive timeout interrupt is asserted when the receive FIFO is not empty and SSI has remained idle for a fixed 32 bit period. This mechanism can be used to notify the user that data is still present in the receive FIFO and requires servicing. This interrupt is deasserted if the receive FIFO becomes empty by subsequent reads, or if new data is received on RXD. It can also be cleared by writing to ICR.RTIC.
0	RORRIS	R	0h	Raw interrupt state of receive overrun interrupt: The receive overrun interrupt is asserted when the FIFO is already full and an additional data frame is received, causing an overrun of the FIFO. Data is over-written in the receive shift register, but not the FIFO so the FIFO contents stay valid. It can also be cleared by writing to ICR.RORIC.

22.7.1.8 MIS Register (Offset = 1Ch) [Reset = 0000000h]

MIS is shown in [MIS Register](#) and described in [MIS Register Field Descriptions](#).

Return to the [SSI Registers](#).

Masked Interrupt Status

Figure 22-16. MIS Register

31	30	29	28	27	26	25	24
RESERVED							
R-0h							
23	22	21	20	19	18	17	16
RESERVED							
R-0h							
15	14	13	12	11	10	9	8
RESERVED							
R-0h							
7	6	5	4	3	2	1	0
RESERVED				TXMIS	RXMIS	RTMIS	RORMIS
R-0h				R-0h	R-0h	R-0h	R-0h

Table 22-11. MIS Register Field Descriptions

Bit	Field	Type	Reset	Description
31-4	RESERVED	R	0h	Reserved
3	TXMIS	R	0h	Masked interrupt state of transmit FIFO interrupt: This field returns the masked interrupt state of transmit FIFO interrupt which is the AND product of raw interrupt state RIS.TXRIS and the mask setting IMSC.TXIM.
2	RXMIS	R	0h	Masked interrupt state of receive FIFO interrupt: This field returns the masked interrupt state of receive FIFO interrupt which is the AND product of raw interrupt state RIS.RXRIS and the mask setting IMSC.RXIM.
1	RTMIS	R	0h	Masked interrupt state of receive timeout interrupt: This field returns the masked interrupt state of receive timeout interrupt which is the AND product of raw interrupt state RIS.RTRIS and the mask setting IMSC.RTIM.
0	RORMIS	R	0h	Masked interrupt state of receive overrun interrupt: This field returns the masked interrupt state of receive overrun interrupt which is the AND product of raw interrupt state RIS.RORIS and the mask setting IMSC.RORIM.

22.7.1.9 ICR Register (Offset = 20h) [Reset = 00000000h]

ICR is shown in [ICR Register](#) and described in [ICR Register Field Descriptions](#).

Return to the [SSI Registers](#).

Interrupt Clear

On a write of 1, the corresponding interrupt is cleared. A write of 0 has no effect.

Figure 22-17. ICR Register

31	30	29	28	27	26	25	24
RESERVED							
R-0h							
23	22	21	20	19	18	17	16
RESERVED							
R-0h							
15	14	13	12	11	10	9	8
RESERVED							
R-0h							
7	6	5	4	3	2	1	0
RESERVED						RTIC	RORIC
R-0h						W-0h	W-0h

Table 22-12. ICR Register Field Descriptions

Bit	Field	Type	Reset	Description
31-2	RESERVED	R	0h	Reserved
1	RTIC	W	0h	Clear the receive timeout interrupt: Writing 1 to this field clears the timeout interrupt (RIS.RTRIS). Writing 0 has no effect.
0	RORIC	W	0h	Clear the receive overrun interrupt: Writing 1 to this field clears the overrun error interrupt (RIS.RORRIS). Writing 0 has no effect.

22.7.1.10 DMACR Register (Offset = 24h) [Reset = 0000000h]

DMACR is shown in [DMACR Register](#) and described in [DMACR Register Field Descriptions](#).

Return to the [SSI Registers](#).

DMA Control

Figure 22-18. DMACR Register

31	30	29	28	27	26	25	24
RESERVED							
R-0h							
23	22	21	20	19	18	17	16
RESERVED							
R-0h							
15	14	13	12	11	10	9	8
RESERVED							
R-0h							
7	6	5	4	3	2	1	0
RESERVED						TXDMAE	RXDMAE
R-0h						R/W-0h	R/W-0h

Table 22-13. DMACR Register Field Descriptions

Bit	Field	Type	Reset	Description
31-2	RESERVED	R	0h	Reserved
1	TXDMAE	R/W	0h	Transmit DMA enable. If this bit is set to 1, DMA for the transmit FIFO is enabled.
0	RXDMAE	R/W	0h	Receive DMA enable. If this bit is set to 1, DMA for the receive FIFO is enabled.

This page intentionally left blank.

This chapter describes the inter-integrated circuit interface.

23.1 Introduction	1578
23.2 Block Diagram	1578
23.3 Functional Description	1579
23.4 Initialization and Configuration	1590
23.5 I²C Registers	1590

23.1 Introduction

The I²C bus provides bidirectional data transfer through a 2-wire design, a serial data line (SDA) and a serial clock line (SCL), and interfaces to external I²C devices such as serial memory (RAM and ROM), networking devices, LCDs, tone generators, and so on. The I²C bus may also be used for system testing and diagnostic purposes in product development and manufacture. The CC13x1x3 and CC26x1x3 device platform includes one I²C module, which provides the ability to interact (both transmit and receive) with other I²C devices on the bus.

The CC13x1x3 and CC26x1x3 device platform includes one I²C module with the following features:

- Devices on the I²C bus can be designated as either a master or a slave:
 - Supports both transmitting and receiving data as either a master or a slave
 - Supports simultaneous master and slave operation
- Four I²C modes:
 - Master transmit
 - Master receive
 - Slave transmit
 - Slave receive
- Two transmission speeds: standard (100 Kbps) and fast (400 Kbps)
- Master and slave interrupt generation:
 - Master generates interrupts when a transmit or receive operation completes (or aborts due to an error).
 - Slave generates interrupts when data has been transferred or requested by a master or when a Start or Stop condition is detected.
- Master with arbitration and clock synchronization, multimaster support, and 7-bit addressing mode

23.2 Block Diagram

Figure 23-1 shows the I²C block diagram.

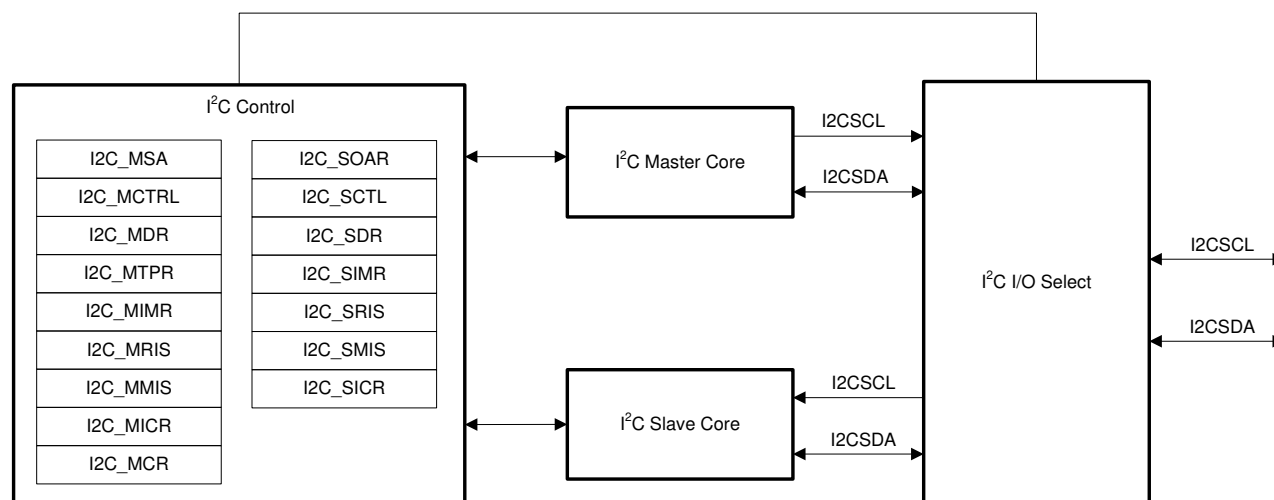


Figure 23-1. I²C Block Diagram

23.3 Functional Description

The I²C module is comprised of both master and slave functions. For proper operation, the SDA pin must be configured as an open-drain signal. Figure 23-2 shows a typical I²C bus configuration.

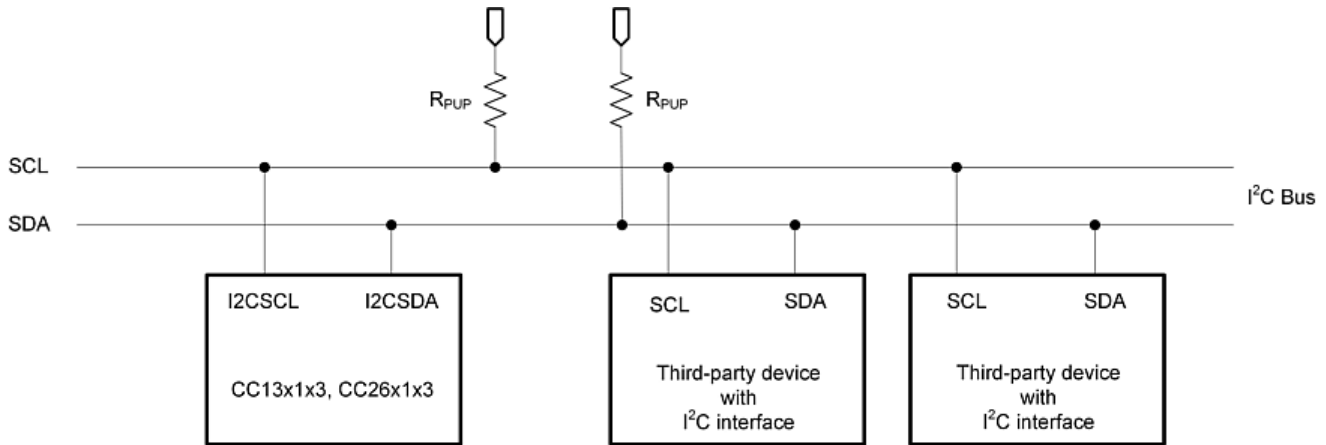


Figure 23-2. I²C Bus Configuration

23.3.1 I²C Bus Functional Overview

The I²C bus uses only two signals: SDA and SCL, named I2CSDA and I2CSCL on the CC13x1x3 and CC26x1x3 controllers. SDA is the bidirectional serial data line and SCL line is the bidirectional serial clock line. The bus is considered idle when both lines are high.

Every transaction on the I²C bus is 9 bits long, consisting of 8 data bits and 1 acknowledge bit. The number of bytes per transfer (defined as the time between a valid Start and Stop condition, described in Section 23.3.1.1) is unrestricted, an acknowledge bit must follow each byte, and data must be transferred by the MSB first. When a receiver cannot receive another complete byte, the receiver can hold the clock line SCL low and force the transmitter into a wait state. The data transfer continues when the receiver releases the clock SCL.

23.3.1.1 Start and Stop Conditions

The protocol of the I²C bus defines two states to begin and end a transaction: Start and Stop. A high-to-low transition on the SDA line while the SCL is high is defined as a Start condition, and a low-to-high transition on the SDA line while the SCL line is high is defined as a Stop condition. The bus is considered busy after a Start condition and free after a Stop condition (see Figure 23-3).

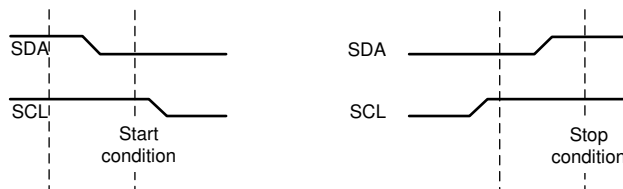


Figure 23-3. Start and Stop Conditions

The STOP bit determines if the cycle stops at the end of the data cycle or continues on to a Repeated Start condition. To generate a single transmit cycle, the I²C Master Slave Address I2C:MSA register is written with the desired address, the R/S bit is cleared, and the control register, I2C:MCTRL, is written with ACK = X (0 or 1), STOP = 1, START = 1, and RUN = 1 to perform the operation and stop. When the operation is completed (or aborted due an error), the interrupt pin becomes active and the data is readable from the I²C Master Data I2C:MDR register. When the I²C module operates in master receiver mode, the ACK bit is normally set, causing the I²C bus controller to transmit an acknowledge automatically after each byte. When the I²C bus controller requires no further data transmission from the slave transmitter, the ACK bit must be cleared.

When operating in slave mode, 2 bits in the I²C Slave Raw Interrupt Status I2C:SRIS register indicate detection of Start and Stop conditions on the bus, while 2 bits in the I²C Slave Masked Interrupt Status I2C:SMIS register allow promotion of Start and Stop conditions to controller interrupts (when interrupts are enabled).

23.3.1.2 Data Format With 7-Bit Address

Data transfers follow the format shown in Figure 23-4. After the Start condition, a slave address is transmitted. This address is 7 bits long followed by an eighth bit, which is a data direction bit (the R/S bit in the I2C:MSA register). If the RS bit is clear, it indicates a transmit operation (send), and if it is set, it indicates a request for data (receive). A data transfer is always terminated by a Stop condition generated by the master; however, a master can initiate communications with another device on the bus, by generating a Repeated Start condition and addressing another slave without first generating a Stop condition. Various combinations of receive and transmit formats are then possible within a single transfer.

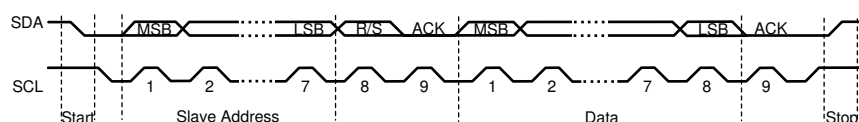


Figure 23-4. Complete Data Transfer With a 7-Bit Address

The first 7 bits of the first byte comprise the slave address (see Figure 23-5). The eighth bit determines the direction of the message. A 0 in the R/S position of the first byte means that the master transmits (sends) data to the selected slave, and a 1 in this position means that the master receives data from the slave.

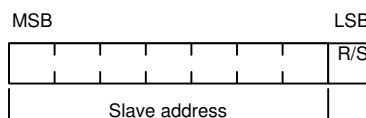


Figure 23-5. R/S Bit in First Byte

23.3.1.3 Data Validity

The SDA line must contain stable data during the high period of the clock, and the data line can change only when SCL is low (see Figure 23-6).

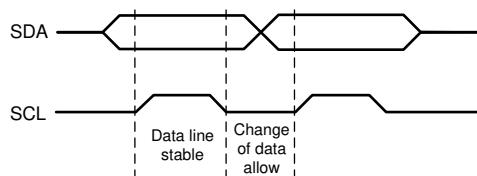


Figure 23-6. Data Validity During Bit Transfer on the I²C Bus

23.3.1.4 Acknowledge

All bus transactions have a required acknowledge clock cycle generated by the master. During the acknowledge cycle, the transmitter (master or slave) releases the SDA line. To acknowledge the transaction, the receiver must pull down SDA during the acknowledge clock cycle. The data transmitted by the receiver during the acknowledge cycle must comply with the data validity requirements described in Section 23.3.1.3.

When a slave receiver does not acknowledge the slave address, the slave must leave SDA high so that the master can generate a Stop condition and abort the current transfer. If the master device is acting as a receiver during a transfer, it is responsible for acknowledging each transfer made by the slave. Because the master controls the number of bytes in the transfer, it signals the end of data to the slave transmitter by not generating

an acknowledge on the last data byte. The slave transmitter must then release SDA to let the master generate a Stop or a Repeated Start condition.

23.3.1.5 Arbitration

A master may start a transfer only if the bus is idle. Two or more masters can generate a Start condition within minimum hold time of the Start condition. In these situations, an arbitration scheme occurs on the SDA line, while SCL is high. During arbitration, the first of the competing master devices to place 1 (high) on SDA while another master transmits 0 (low) switches off its data output stage, and retires until the bus is idle again.

Arbitration can occur over several bits. The first stage of arbitration is a comparison of address bits; if both masters are trying to address the same device, arbitration continues to the comparison of data bits.

23.3.2 Available Speed Modes

The I²C bus can run in either standard mode (100 kbps) or fast mode (400 kbps). The selected mode must match the speed of the other I²C devices on the bus.

23.3.2.1 Standard and Fast Modes

Standard and fast modes are selected using a value in the I²C Master Timer Period I2C:MTPR register that results in an SCL frequency of 100 kbps for standard mode, or 400 kbps for fast mode.

The I²C clock rate is determined by the parameters CLK_PRD, TIMER_PRD, SCL_LP, and SCL_HP where:

- CLK_PRD is the system clock period.
- TIMER_PRD is the programmed value in the I2C:MTPR register.
- SCL_LP is the low phase of SCL (fixed at 6).
- SCL_HP is the high phase of SCL (fixed at 4).

The I²C clock period is calculated as follows:

$$\text{SCL_PERIOD} = 2 \times (1 + \text{TIMER_PRD}) \times (\text{SCL_LP} + \text{SCL_HP}) \times \text{CLK_PRD} \quad (3)$$

For example:

CLK_PRD = 50 ns

TIMER_PRD = 2

SCL_LP = 6

SCL_HP = 4

yields a SCL frequency of:

$1 / \text{SCL_PERIOD} = 333 \text{ kHz}$

Table 23-1 lists examples of the timer periods used to generate both standard and fast-mode SCL frequencies, based on various system clock frequencies.

Table 23-1. Examples of I²C Master Timer Period versus Speed Mode

System Clock (MHz)	Timer Period	Standard Mode (kbps)	Timer Period	Fast Mode (kbps)
4	0x01	100	–	–
8	0x03	100	0x01	–
16	0x07	100	0x01	400

23.3.3 Interrupts

The I²C can generate interrupts when the following conditions are observed:

- Master transaction completed
- Master arbitration lost
- Master transaction error
- Master bus time-out
- Slave transaction received
- Slave transaction requested
- Stop condition on bus detected
- Start condition on bus detected

The I²C master and I²C slave modules have separate interrupt signals. While both modules can generate interrupts for multiple conditions, only a single interrupt signal is sent to the interrupt controller (INTC).

23.3.3.1 I²C Master Interrupts

The I²C master module generates an interrupt when a transaction completes (either transmit or receive), when arbitration is lost, or when an error occurs during a transaction. To enable the I²C master interrupt, software must set the IM bit in the I²C Master Interrupt Mask register, I2C:MIMR. When an interrupt condition is met, software must check the I²C Master Control and Status register (I2C:MSTAT) ERR and ARBLST bits to verify that an error did not occur during the last transaction, and to ensure that arbitration has not been lost. An error condition is asserted if the last transaction was not acknowledged by the slave. If an error is not detected and the master has not lost arbitration, the application can proceed with the transfer. The interrupt is cleared by setting the IC bit in the I²C Master Interrupt Clear register (I2C:MICR) to 1.

If the application does not require the use of interrupts, the raw interrupt status is always visible through the I²C Master Raw Interrupt Status register (I2C:MRIS).

23.3.3.2 I²C Slave Interrupts

The slave module can generate an interrupt when data is received or requested. This interrupt is enabled by setting the in the I²C Slave Interrupt Mask register (I2C:SIMR). Software determines whether the module must write (transmit) or read (receive) data from the I²C Slave Data register (I2C:SDR) DATAIM bit, by checking the RREQ and TREQ bits of the I²C Slave Control and Status register (I2C:SSTAT). If the slave module is in receive mode and the first byte of a transfer is received, the FBR and RREQ bits are set. The interrupt is cleared by setting the I²C Slave Interrupt Clear register (I2C:SICR) DATAIC bit.

In addition, the slave module generates an interrupt when a Start and a Stop condition is detected. These interrupts are enabled by setting the I2C:SIMR register STARTIM and STOPIM bits; these interrupts are cleared by setting the I2C:SICR register STOPIC and STARTIC bits to 1.

If the application does not require the use of interrupts, the raw interrupt status is always visible through the I²C Slave Raw Interrupt Status register (I2C:SRIS).

23.3.4 Loopback Operation

The I²C modules can be placed into an internal-loopback mode for diagnostic or debug work by setting the I²C Master Configuration register (I2C:MCR) LPBK bit. In loopback mode, the SDA and SCL signals from the master and slave modules are tied together.

23.3.5 Command Sequence Flow Charts

This section details the steps required to perform the various I²C transfer types in both master and slave mode. To do this, the SDA and SCL signal configuration must be done in the IOC:IOCFG register.

23.3.5.1 I²C Master Command Sequences

Figure 23-7 through Figure 23-12 show the command sequences available for the I²C master.

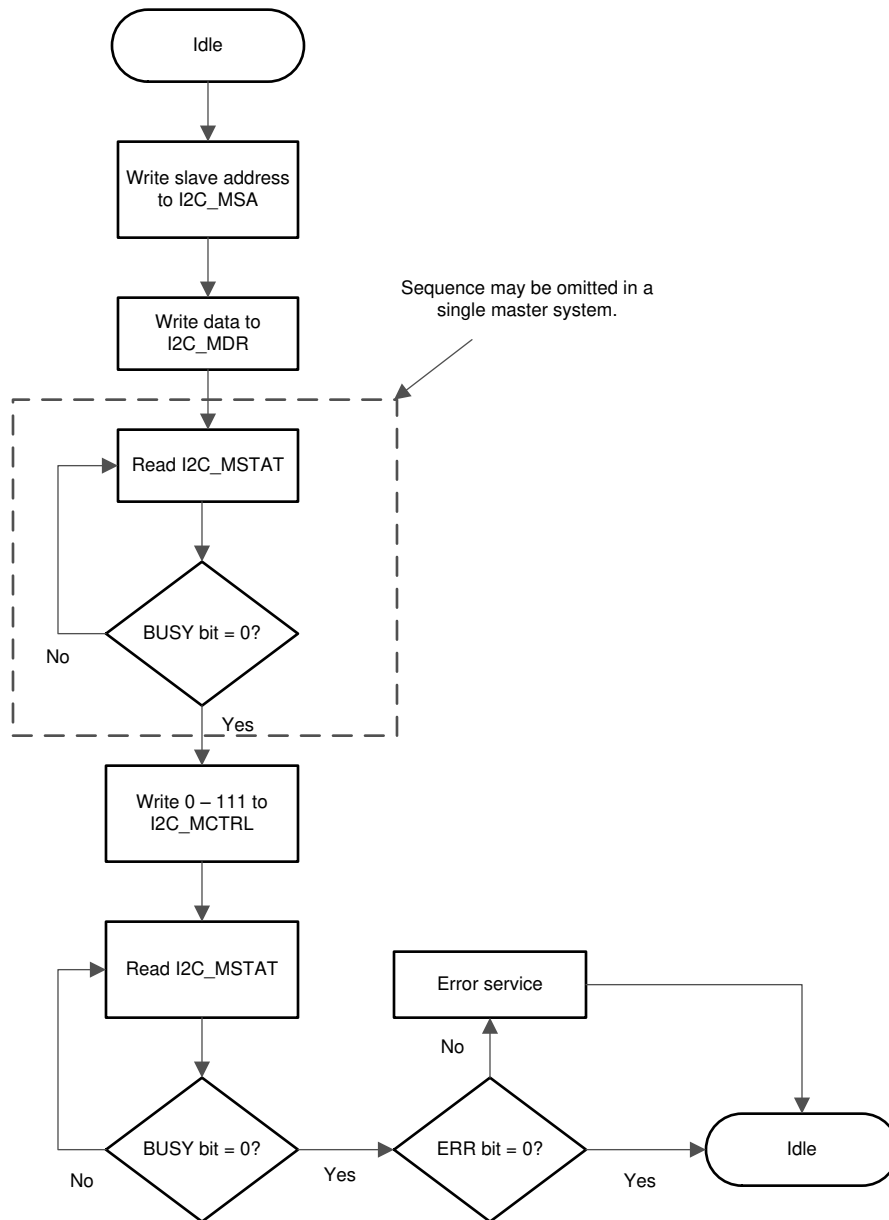


Figure 23-7. Master Single TRANSMIT

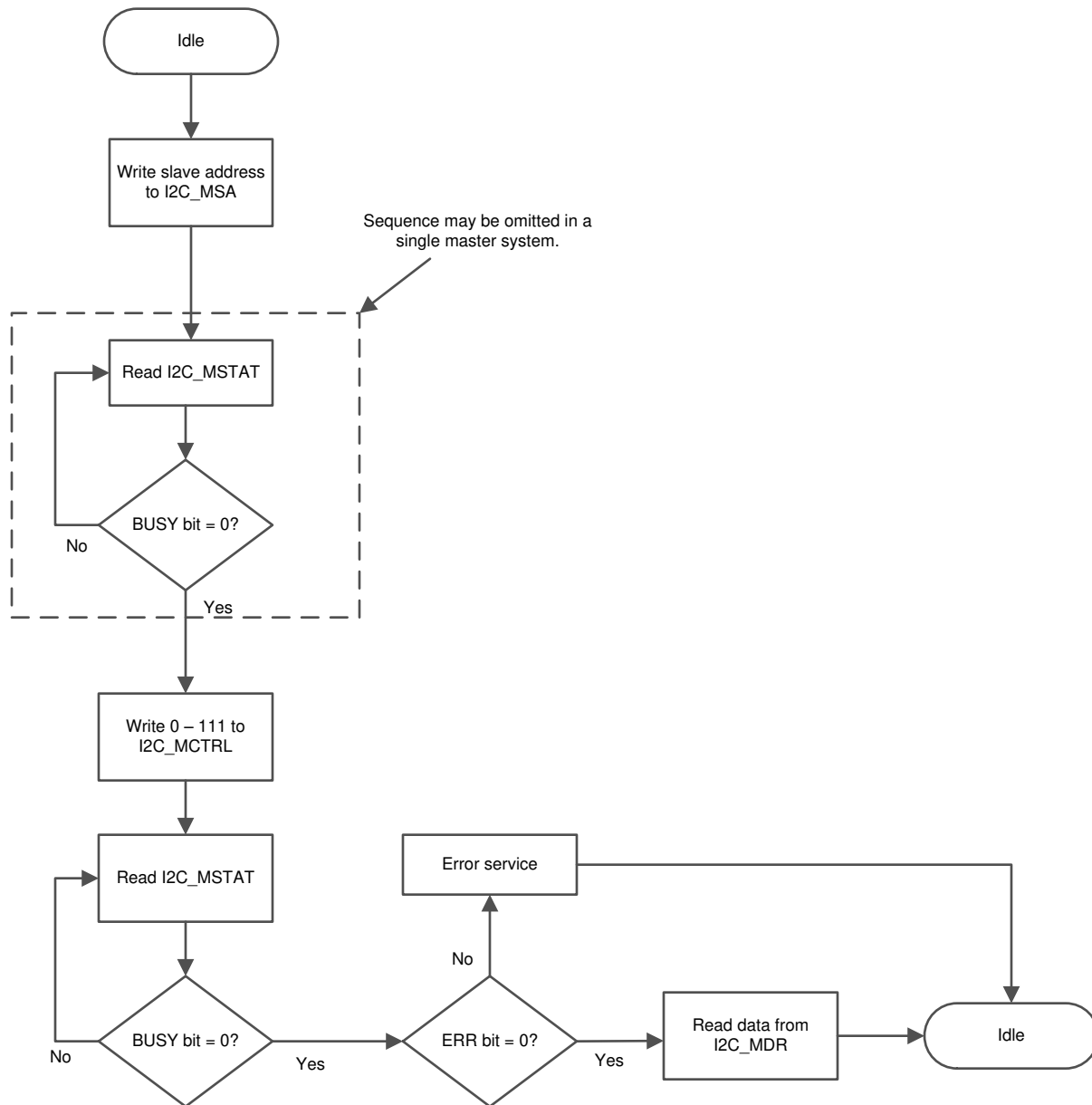


Figure 23-8. Master Single RECEIVE

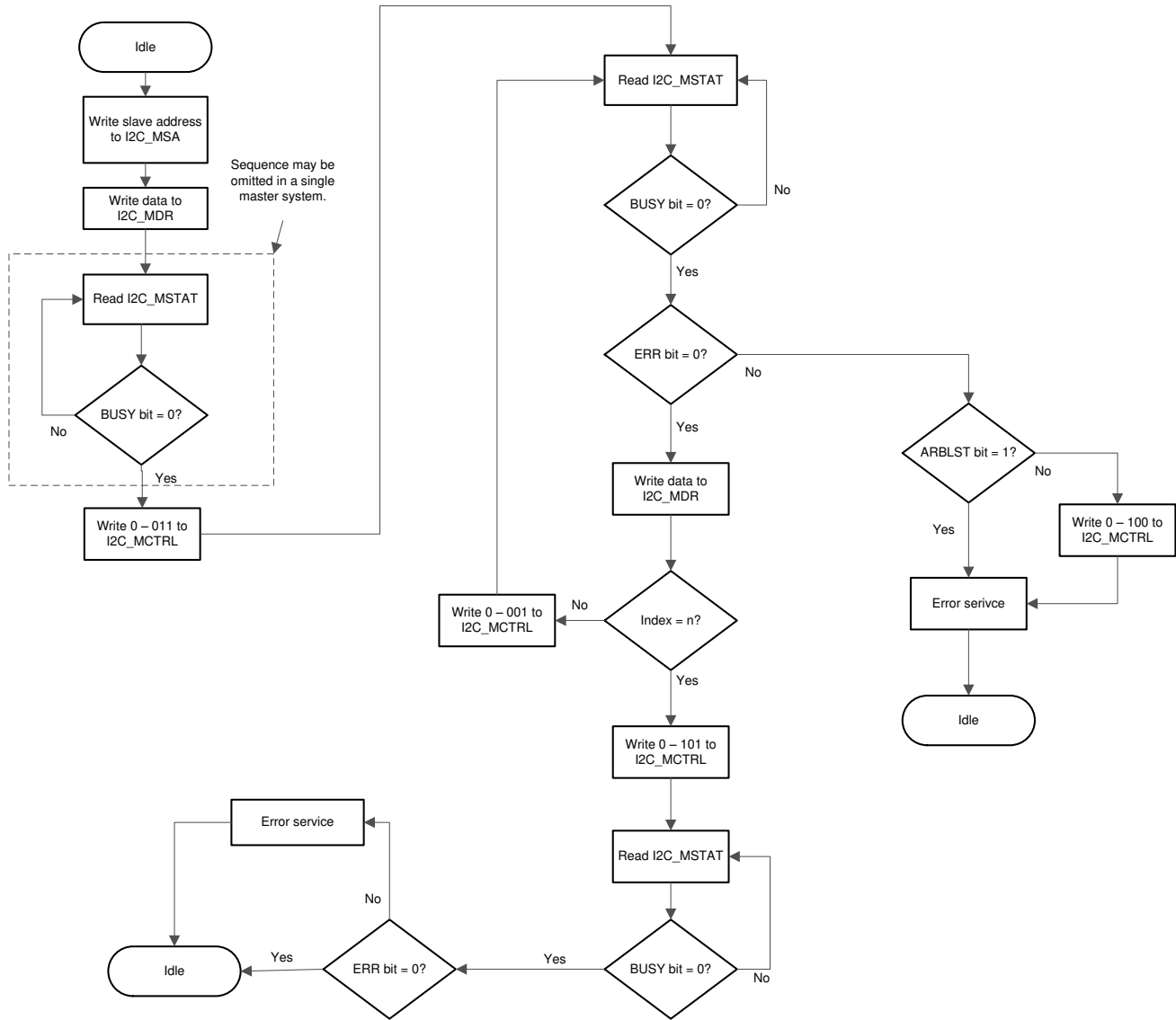


Figure 23-9. Master TRANSMIT With Repeated Start Condition

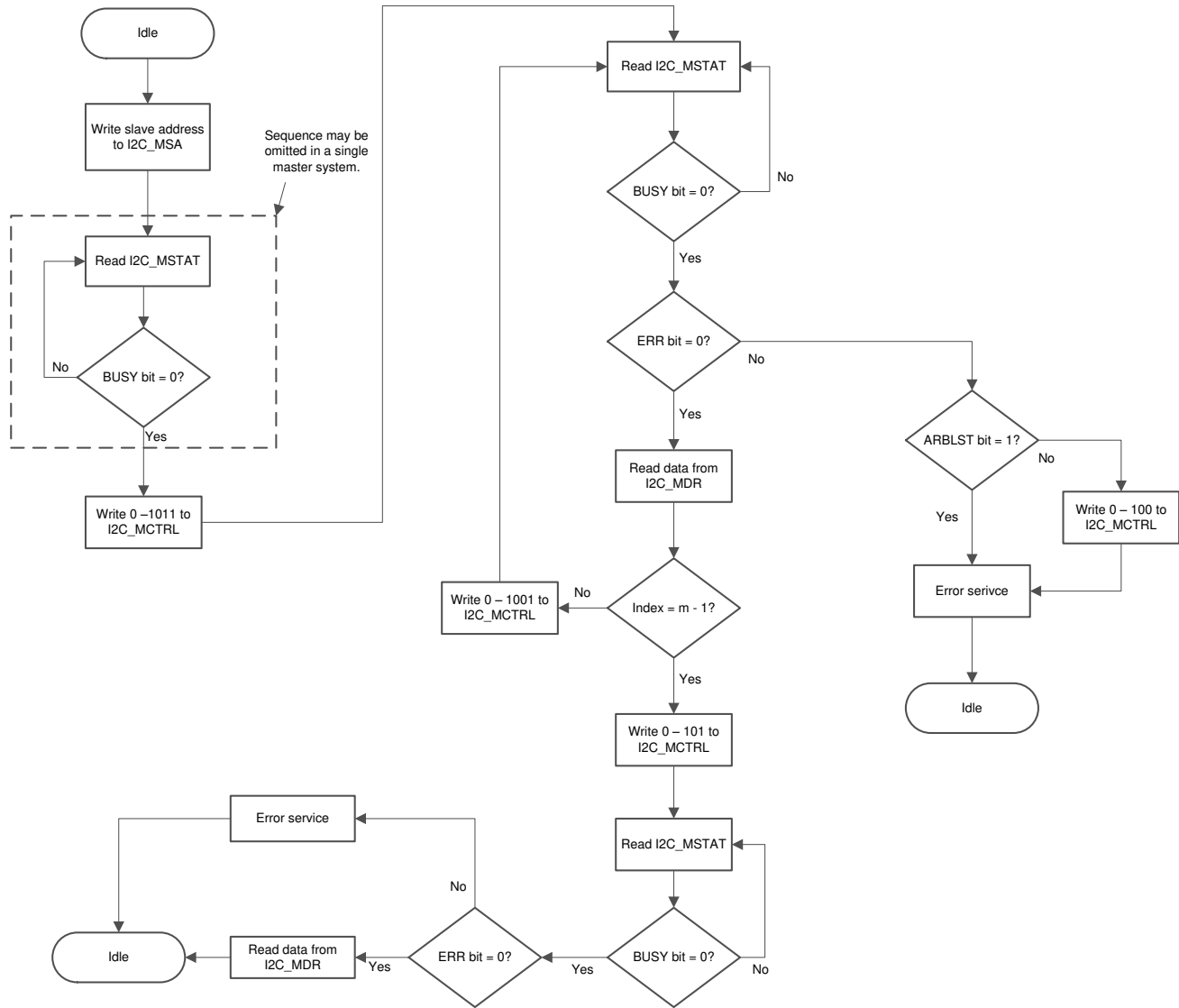


Figure 23-10. Master RECEIVE With Repeated Start Condition

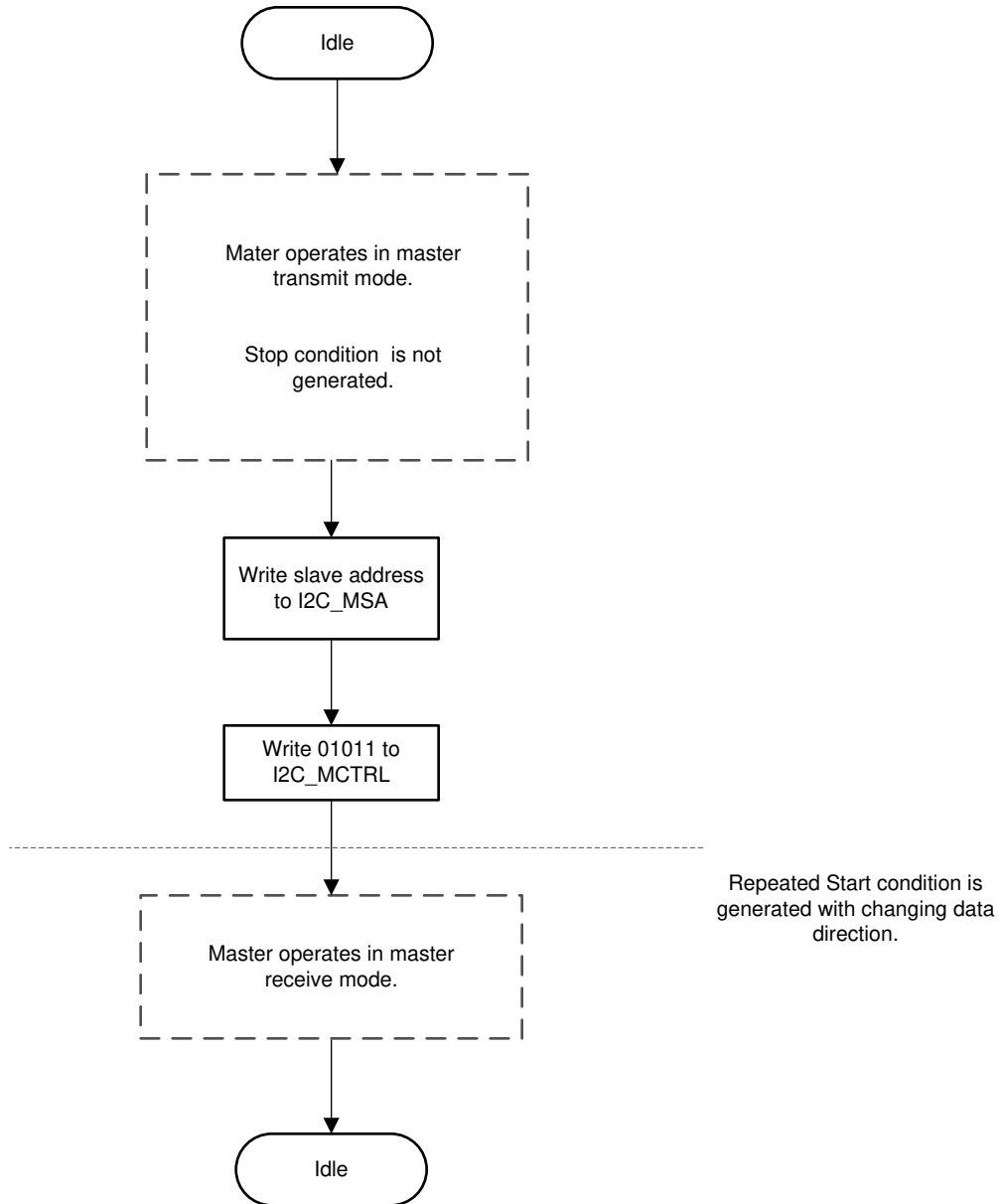


Figure 23-11. Master RECEIVE With Repeated Start After TRANSMIT With Repeated Start Condition

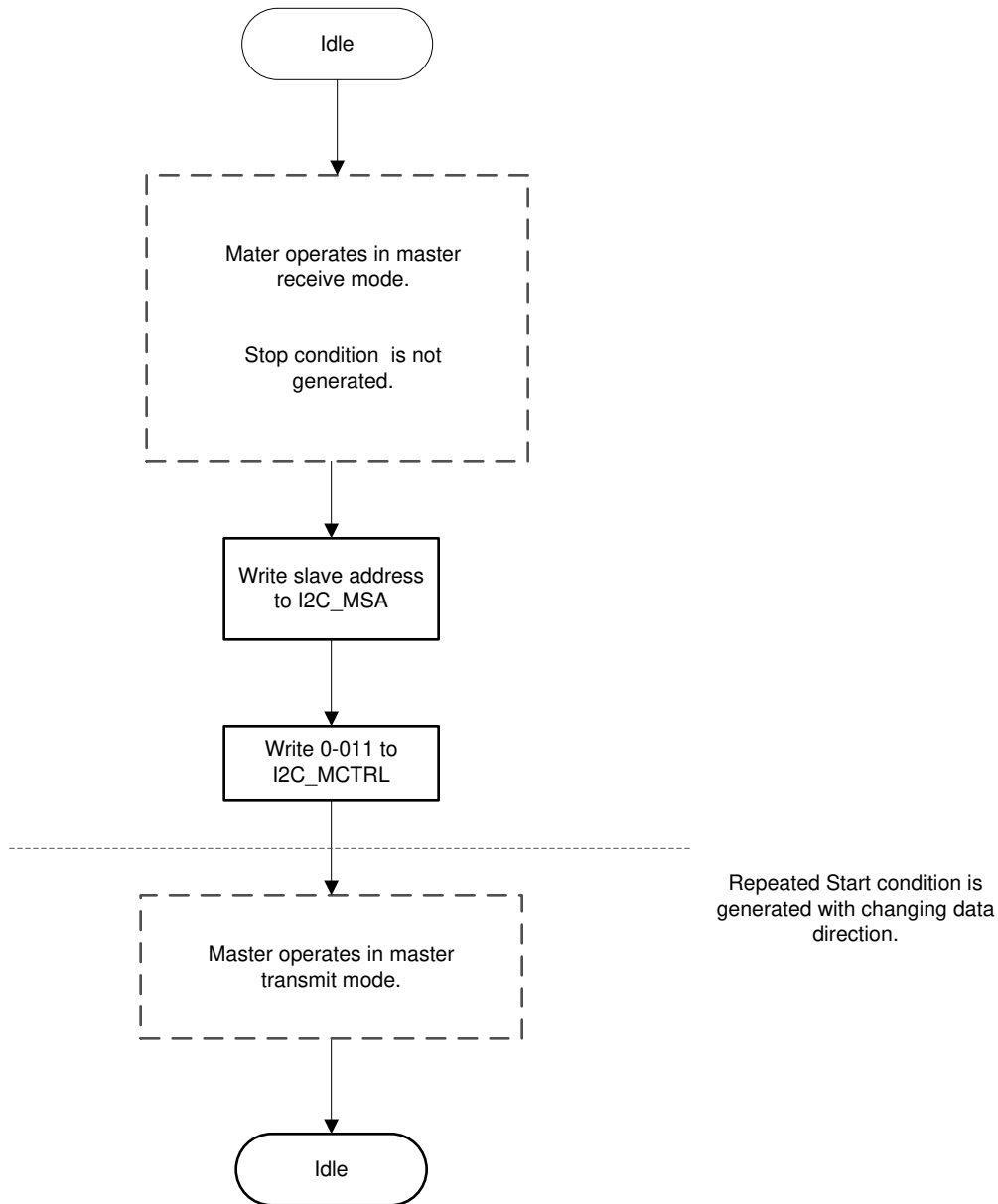


Figure 23-12. Master TRANSMIT With Repeated Start After RECEIVE With Repeated Start Condition

23.3.5.2 I²C Slave Command Sequences

Figure 23-13 shows the command sequence available for the I²C slave.

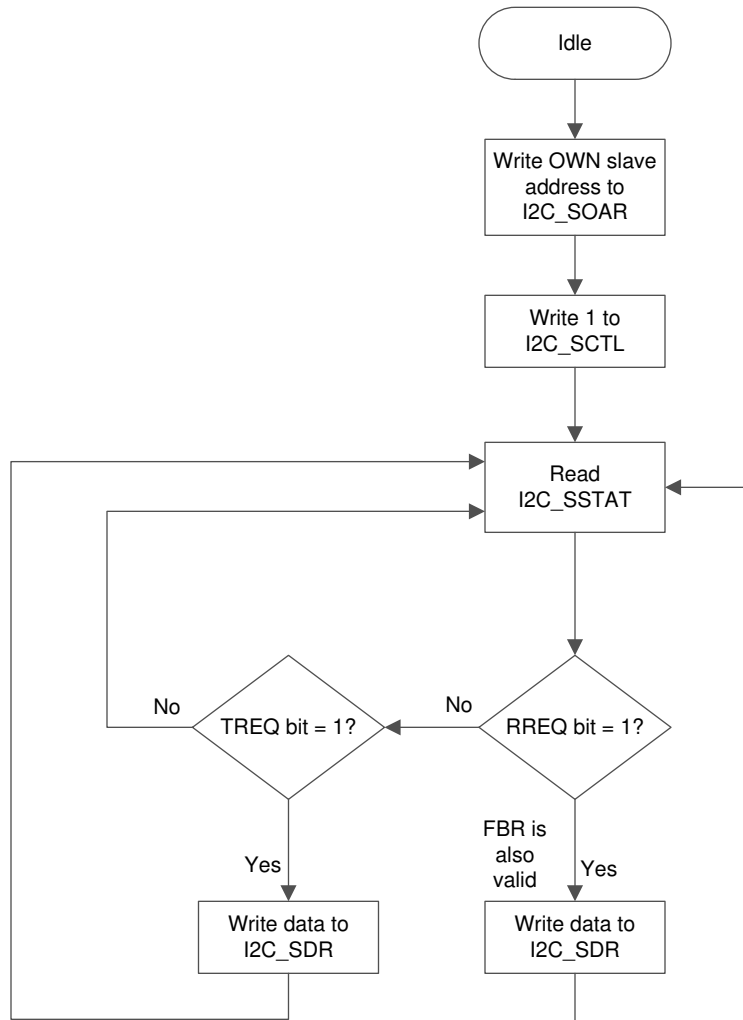


Figure 23-13. Slave Command Sequence

23.4 Initialization and Configuration

The following example shows how to configure the I²C module to transmit a single byte as a master, assuming that the system clock is 24 MHz.

1. Enable the serial power domain and enable the I²C module in PRCM by writing to the PRCM:I2CCLKGR register, the PRCM:I2CCLKGS register, the PRCM:I2CCLKGDS register, or by using the following driver library functions:

```
PRCMPeripheralRunEnable(uint32_t)
```

```
PRCMPeripheralSleepEnable(uint32_t)
```

```
PRCMPeripheralDeepSleepEnable(uint32_t)
```

and loading the setting to clock controller by writing to the PRCM:CLKLOADCTL register

or by using the driverlib function PRCMLoadSet().

2. Configure the IOC module to route the SDA and SCL signals from I/Os to the I²C module.
3. Initialize the I²C master by writing the I2C:MCR register with a value of 0x0000 0010.
4. Set the desired SCL clock speed of 100 kbps by writing the I2C:MTPR register with the correct value. The value written to the I2C:MTPR register represents the number of system clock periods in one SCL clock period. The TPR value is determined by the equation below:

$$TPR = \frac{PERDMACLK}{2 \times SCL_CLK \times (SCL_LP + SCL_HP)} - 1 \Rightarrow TPR = \frac{24 \times 10^6}{2 \times 10^5 \times (6 + 4)} - 1 \Rightarrow TPR = 11$$

Write the I2C:MTPR register with the value of 0x0000 000B.

5. Specify the slave address of the master and that the next operation is a transmit by writing the I2C:MSA register with a value of 0x0000 0076, which sets the slave address to 0x3B.
6. Place data (byte) to be transmitted in the data register by writing the I2C:MDR register with the desired data.
7. Initiate a single-byte transmit of the data from master to slave by writing the I2C:MCTRL register with a value of 0x0000 0007 (Stop, Start, Run).
8. Wait until the transmission completes by polling the I2C:MSTAT BUSBSY register bit until it is cleared.
9. Check the I2C:MSTAT ERR register bit to confirm the transmit was acknowledged.

23.5 I²C Registers

The next section shows the register bank for the I²C.

23.5.1 I2C Registers

[I2C Registers](#) lists the memory-mapped registers for the I2C registers. All register offset addresses not listed in [I2C Registers](#) should be considered as reserved locations and the register contents should not be modified.

Table 23-2. I2C Registers

Offset	Acronym	Register Name	Section
0h	SOAR	Slave Own Address	Section 23.5.1.1
4h	SSTAT	Slave Status	Section 23.5.1.2
4h	SCTL	Slave Control	Section 23.5.1.3
8h	SDR	Slave Data	Section 23.5.1.4
Ch	SIMR	Slave Interrupt Mask	Section 23.5.1.5
10h	SRIS	Slave Raw Interrupt Status	Section 23.5.1.6
14h	SMIS	Slave Masked Interrupt Status	Section 23.5.1.7
18h	SICR	Slave Interrupt Clear	Section 23.5.1.8
800h	MSA	Master Salve Address	Section 23.5.1.9
804h	MSTAT	Master Status	Section 23.5.1.10
804h	MCTRL	Master Control	Section 23.5.1.11
808h	MDR	Master Data	Section 23.5.1.12
80Ch	MTPR	I2C Master Timer Period	Section 23.5.1.13
810h	MIMR	Master Interrupt Mask	Section 23.5.1.14
814h	MRIS	Master Raw Interrupt Status	Section 23.5.1.15
818h	MMIS	Master Masked Interrupt Status	Section 23.5.1.16
81Ch	MICR	Master Interrupt Clear	Section 23.5.1.17
820h	MCR	Master Configuration	Section 23.5.1.18

Complex bit access types are encoded to fit into small table cells. [I2C Access Type Codes](#) shows the codes that are used for access types in this section.

Table 23-3. I2C Access Type Codes

Access Type	Code	Description
Read Type		
R	R	Read
Write Type		
W	W	Write
Reset or Default Value		
-n		Value after reset or the default value

23.5.1.1 SOAR Register (Offset = 0h) [Reset = 00000000h]

SOAR is shown in [SOAR Register](#) and described in [SOAR Register Field Descriptions](#).

Return to the [I2C Registers](#).

Figure 23-14. SOAR Register

31	30	29	28	27	26	25	24	23	22	21	20	19	18	17	16	15	14	13	12	11	10	9	8	7	6	5	4	3	2	1	0
RESERVED														OAR																	
R-0h														R/W-0h																	

Table 23-4. SOAR Register Field Descriptions

Bit	Field	Type	Reset	Description
31-7	RESERVED	R	0h	Reserved
6-0	OAR	R/W	0h	HASH(0x220a2e8)

23.5.1.2 SSTAT Register (Offset = 4h) [Reset = 0000000h]

SSTAT is shown in [SSTAT Register](#) and described in [SSTAT Register Field Descriptions](#).

Return to the [I2C Registers](#).

Slave Status

Note: This register shares address with SCTL, meaning that this register functions as a control register when written, and a status register when read.

Figure 23-15. SSTAT Register

31	30	29	28	27	26	25	24
RESERVED							
R-0h							
23	22	21	20	19	18	17	16
RESERVED							
R-0h							
15	14	13	12	11	10	9	8
RESERVED							
R-0h							
7	6	5	4	3	2	1	0
RESERVED					FBR	TREQ	RREQ
R-0h					R-0h	R-0h	R-0h

Table 23-5. SSTAT Register Field Descriptions

Bit	Field	Type	Reset	Description
31-3	RESERVED	R	0h	Reserved
2	FBR	R	0h	First byte received 0: The first byte has not been received. 1: The first byte following the slave's own address has been received. This bit is only valid when the RREQ bit is set and is automatically cleared when data has been read from the SDR register. Note: This bit is not used for slave transmit operations.
1	TREQ	R	0h	HASH(0x22256c8)
0	RREQ	R	0h	HASH(0x2063970)

23.5.1.3 SCTL Register (Offset = 4h) [Reset = 0000000h]

SCTL is shown in [SCTL Register](#) and described in [SCTL Register Field Descriptions](#).

Return to the [I2C Registers](#).

Slave Control

Note: This register shares address with SSTAT, meaning that this register functions as a control register when written, and a status register when read.

Figure 23-16. SCTL Register

31	30	29	28	27	26	25	24	23	22	21	20	19	18	17	16
RESERVED															
W-0h															
15	14	13	12	11	10	9	8	7	6	5	4	3	2	1	0
RESERVED															DA
W-0h															W-0h

Table 23-6. SCTL Register Field Descriptions

Bit	Field	Type	Reset	Description
31-1	RESERVED	W	0h	Software should not rely on the value of a reserved field. Writing any other value may result in undefined behavior.
0	DA	W	0h	HASH(0x20acd50)

23.5.1.4 SDR Register (Offset = 8h) [Reset = 0000000h]

SDR is shown in [SDR Register](#) and described in [SDR Register Field Descriptions](#).

Return to the [I2C Registers](#).

Slave Data

This register contains the data to be transmitted when in the Slave Transmit state, and the data received when in the Slave Receive state.

Figure 23-17. SDR Register

31	30	29	28	27	26	25	24	23	22	21	20	19	18	17	16	15	14	13	12	11	10	9	8	7	6	5	4	3	2	1	0
RESERVED														DATA																	
R-0h														R/W-0h																	

Table 23-7. SDR Register Field Descriptions

Bit	Field	Type	Reset	Description
31-8	RESERVED	R	0h	Reserved
7-0	DATA	R/W	0h	Data for transfer This field contains the data for transfer during a slave receive or transmit operation. When written the register data is used as transmit data. When read, this register returns the last data received. Data is stored until next update, either by a system write for transmit or by an external master for receive.

23.5.1.5 SIMR Register (Offset = Ch) [Reset = 0000000h]

SIMR is shown in [SIMR Register](#) and described in [SIMR Register Field Descriptions](#).

Return to the [I2C Registers](#).

Slave Interrupt Mask

This register controls whether a raw interrupt is promoted to a controller interrupt.

Figure 23-18. SIMR Register

31	30	29	28	27	26	25	24
RESERVED							
R-0h							
23	22	21	20	19	18	17	16
RESERVED							
R-0h							
15	14	13	12	11	10	9	8
RESERVED							
R-0h							
7	6	5	4	3	2	1	0
RESERVED					STOPIM	STARTIM	DATAIM
R-0h					R/W-0h	R/W-0h	R/W-0h

Table 23-8. SIMR Register Field Descriptions

Bit	Field	Type	Reset	Description
31-3	RESERVED	R	0h	Reserved
2	STOPIM	R/W	0h	Stop condition interrupt mask 0: The SRIS.STOPRIS interrupt is suppressed and not sent to the interrupt controller. 1: The SRIS.STOPRIS interrupt is enabled and sent to the interrupt controller. 0h = Disable Interrupt 1h = Enable Interrupt
1	STARTIM	R/W	0h	Start condition interrupt mask 0: The SRIS.STARTRIS interrupt is suppressed and not sent to the interrupt controller. 1: The SRIS.STARTRIS interrupt is enabled and sent to the interrupt controller. 0h = Disable Interrupt 1h = Enable Interrupt
0	DATAIM	R/W	0h	Data interrupt mask 0: The SRIS.DATARIS interrupt is suppressed and not sent to the interrupt controller. 1: The SRIS.DATARIS interrupt is enabled and sent to the interrupt controller.

23.5.1.6 SRIS Register (Offset = 10h) [Reset = 0000000h]

SRIS is shown in [SRIS Register](#) and described in [SRIS Register Field Descriptions](#).

Return to the [I2C Registers](#).

Slave Raw Interrupt Status

This register shows the unmasked interrupt status.

Figure 23-19. SRIS Register

31	30	29	28	27	26	25	24
RESERVED							
R-0h							
23	22	21	20	19	18	17	16
RESERVED							
R-0h							
15	14	13	12	11	10	9	8
RESERVED							
R-0h							
7	6	5	4	3	2	1	0
RESERVED					STOPRIS	STARTRIS	DATARIS
R-0h					R-0h	R-0h	R-0h

Table 23-9. SRIS Register Field Descriptions

Bit	Field	Type	Reset	Description
31-3	RESERVED	R	0h	Reserved
2	STOPRIS	R	0h	Stop condition raw interrupt status 0: No interrupt 1: A Stop condition interrupt is pending. This bit is cleared by writing a 1 to SICR.STOPIC.
1	STARTRIS	R	0h	Start condition raw interrupt status 0: No interrupt 1: A Start condition interrupt is pending. This bit is cleared by writing a 1 to SICR.STARTIC.
0	DATARIS	R	0h	Data raw interrupt status 0: No interrupt 1: A data received or data requested interrupt is pending. This bit is cleared by writing a 1 to the SICR.DATAIC.

23.5.1.7 SMIS Register (Offset = 14h) [Reset = 0000000h]

SMIS is shown in [SMIS Register](#) and described in [SMIS Register Field Descriptions](#).

Return to the [I2C Registers](#).

Slave Masked Interrupt Status

This register show which interrupt is active (based on result from SRIS and SIMR).

Figure 23-20. SMIS Register

31	30	29	28	27	26	25	24
RESERVED							
R-0h							
23	22	21	20	19	18	17	16
RESERVED							
R-0h							
15	14	13	12	11	10	9	8
RESERVED							
R-0h							
7	6	5	4	3	2	1	0
RESERVED					STOPMIS	STARTMIS	DATAMIS
R-0h					R-0h	R-0h	R-0h

Table 23-10. SMIS Register Field Descriptions

Bit	Field	Type	Reset	Description
31-3	RESERVED	R	0h	Reserved
2	STOPMIS	R	0h	Stop condition masked interrupt status 0: An interrupt has not occurred or is masked/disabled. 1: An unmasked Stop condition interrupt is pending. This bit is cleared by writing a 1 to the SICR.STOPIC.
1	STARTMIS	R	0h	Start condition masked interrupt status 0: An interrupt has not occurred or is masked/disabled. 1: An unmasked Start condition interrupt is pending. This bit is cleared by writing a 1 to the SICR.STARTIC.
0	DATAMIS	R	0h	Data masked interrupt status 0: An interrupt has not occurred or is masked/disabled. 1: An unmasked data received or data requested interrupt is pending. This bit is cleared by writing a 1 to the SICR.DATAIC.

23.5.1.8 SICR Register (Offset = 18h) [Reset = 0000000h]

SICR is shown in [SICR Register](#) and described in [SICR Register Field Descriptions](#).

Return to the [I2C Registers](#).

Slave Interrupt Clear

This register clears the raw interrupt SRIS.

Figure 23-21. SICR Register

31	30	29	28	27	26	25	24
RESERVED							
R-0h							
23	22	21	20	19	18	17	16
RESERVED							
R-0h							
15	14	13	12	11	10	9	8
RESERVED							
R-0h							
7	6	5	4	3	2	1	0
RESERVED					STOPIC	STARTIC	DATAIC
R-0h					W-0h	W-0h	W-0h

Table 23-11. SICR Register Field Descriptions

Bit	Field	Type	Reset	Description
31-3	RESERVED	R	0h	Reserved
2	STOPIC	W	0h	Stop condition interrupt clear Writing 1 to this bit clears SRIS.STOPRIS and SMIS.STOPMIS.
1	STARTIC	W	0h	Start condition interrupt clear Writing 1 to this bit clears SRIS.STARTRIS SMIS.STARTMIS.
0	DATAIC	W	0h	Data interrupt clear Writing 1 to this bit clears SRIS.DATARIS SMIS.DATAMIS.

23.5.1.9 MSA Register (Offset = 800h) [Reset = 00000000h]

MSA is shown in [MSA Register](#) and described in [MSA Register Field Descriptions](#).

Return to the [I2C Registers](#).

Master Salve Address

This register contains seven address bits of the slave to be accessed by the master (a6-a0), and an RS bit determining if the next operation is a receive or transmit.

Figure 23-22. MSA Register

31	30	29	28	27	26	25	24	23	22	21	20	19	18	17	16
RESERVED															
R-0h															
15	14	13	12	11	10	9	8	7	6	5	4	3	2	1	0
RESERVED								SA						RS	
R-0h								R/W-0h						R/W-0h	

Table 23-12. MSA Register Field Descriptions

Bit	Field	Type	Reset	Description
31-8	RESERVED	R	0h	Reserved
7-1	SA	R/W	0h	HASH(0x21b15d0)
0	RS	R/W	0h	Receive or Send This bit-field specifies if the next operation is a receive (high) or a transmit/send (low) from the addressed slave SA. 0h = Transmit/send data to slave 1h = Receive data from slave

23.5.1.10 MSTAT Register (Offset = 804h) [Reset = 0000020h]

MSTAT is shown in [MSTAT Register](#) and described in [MSTAT Register Field Descriptions](#).

Return to the [I2C Registers](#).

Master Status

Figure 23-23. MSTAT Register

31	30	29	28	27	26	25	24
RESERVED							
R-0h							
23	22	21	20	19	18	17	16
RESERVED							
R-0h							
15	14	13	12	11	10	9	8
RESERVED							
R-0h							
7	6	5	4	3	2	1	0
RESERVED	BUSBSY	IDLE	ARBLST	DATAACK_N	ADRACK_N	ERR	BUSY
R-0h	R-0h	R-1h	R-0h	R-0h	R-0h	R-0h	R-0h

Table 23-13. MSTAT Register Field Descriptions

Bit	Field	Type	Reset	Description
31-7	RESERVED	R	0h	Reserved
6	BUSBSY	R	0h	HASH(0x201d238)
5	IDLE	R	1h	HASH(0x2108c10)
4	ARBLST	R	0h	HASH(0x2203910)
3	DATAACK_N	R	0h	Data Was Not Acknowledge 0: The transmitted data was acknowledged. 1: The transmitted data was not acknowledged.
2	ADRACK_N	R	0h	Address Was Not Acknowledge 0: The transmitted address was acknowledged. 1: The transmitted address was not acknowledged.
1	ERR	R	0h	Error 0: No error was detected on the last operation. 1: An error occurred on the last operation.
0	BUSY	R	0h	HASH(0x1f67308)

23.5.1.11 MCTRL Register (Offset = 804h) [Reset = 0000000h]

MCTRL is shown in [MCTRL Register](#) and described in [MCTRL Register Field Descriptions](#).

Return to the [I2C Registers](#).

Figure 23-24. MCTRL Register

31	30	29	28	27	26	25	24
RESERVED							
R-0h							
23	22	21	20	19	18	17	16
RESERVED							
R-0h							
15	14	13	12	11	10	9	8
RESERVED							
R-0h							
7	6	5	4	3	2	1	0
RESERVED				ACK	STOP	START	RUN
R-0h				W-0h	W-0h	W-0h	W-0h

Table 23-14. MCTRL Register Field Descriptions

Bit	Field	Type	Reset	Description
31-4	RESERVED	R	0h	Reserved
3	ACK	W	0h	HASH(0x202c3d0) 0h = Disable acknowledge 1h = Enable acknowledge
2	STOP	W	0h	This bit-field determines if the cycle stops at the end of the data cycle or continues on to a repeated START condition. 0: The controller does not generate the Stop condition. 1: The controller generates the Stop condition. 0h = Disable STOP 1h = Enable STOP
1	START	W	0h	This bit-field generates the Start or Repeated Start condition. 0: The controller does not generate the Start condition. 1: The controller generates the Start condition. 0h = Disable START 1h = Enable START
0	RUN	W	0h	HASH(0x2231df8) 0h = Disable Master 1h = Enable Master

23.5.1.12 MDR Register (Offset = 808h) [Reset = 0000000h]

MDR is shown in [MDR Register](#) and described in [MDR Register Field Descriptions](#).

Return to the [I2C Registers](#).

Master Data

This register contains the data to be transmitted when in the Master Transmit state and the data received when in the Master Receive state.

Figure 23-25. MDR Register

31	30	29	28	27	26	25	24	23	22	21	20	19	18	17	16	15	14	13	12	11	10	9	8	7	6	5	4	3	2	1	0
RESERVED														DATA																	
R-0h														R/W-0h																	

Table 23-15. MDR Register Field Descriptions

Bit	Field	Type	Reset	Description
31-8	RESERVED	R	0h	Reserved
7-0	DATA	R/W	0h	When Read: Last RX Data is returned When Written: Data is transferred during TX transaction

23.5.1.13 MTPR Register (Offset = 80Ch) [Reset = 0000001h]

MTPR is shown in [MTPR Register](#) and described in [MTPR Register Field Descriptions](#).

Return to the [I2C Registers](#).

Figure 23-26. MTPR Register

31	30	29	28	27	26	25	24
RESERVED							
R-0h							
23	22	21	20	19	18	17	16
RESERVED							
R-0h							
15	14	13	12	11	10	9	8
RESERVED							
R-0h							
7	6	5	4	3	2	1	0
TPR_7	TPR						
R/W-0h	R/W-1h						

Table 23-16. MTPR Register Field Descriptions

Bit	Field	Type	Reset	Description
31-8	RESERVED	R	0h	Reserved
7	TPR_7	R/W	0h	Must be set to 0 to set TPR. If set to 1, a write to TPR will be ignored.
6-0	TPR	R/W	1h	HASH(0x224aab0)

23.5.1.14 MIMR Register (Offset = 810h) [Reset = 0000000h]

MIMR is shown in [MIMR Register](#) and described in [MIMR Register Field Descriptions](#).

Return to the [I2C Registers](#).

Master Interrupt Mask

This register controls whether a raw interrupt is promoted to a controller interrupt.

Figure 23-27. MIMR Register

31	30	29	28	27	26	25	24	23	22	21	20	19	18	17	16
RESERVED															
R-0h															
15	14	13	12	11	10	9	8	7	6	5	4	3	2	1	0
RESERVED															IM
R-0h															R/W-0h

Table 23-17. MIMR Register Field Descriptions

Bit	Field	Type	Reset	Description
31-1	RESERVED	R	0h	Reserved
0	IM	R/W	0h	Interrupt mask 0: The MRIS.RIS interrupt is suppressed and not sent to the interrupt controller. 1: The master interrupt is sent to the interrupt controller when the MRIS.RIS is set. 0h = Disable Interrupt 1h = Enable Interrupt

23.5.1.15 MRIS Register (Offset = 814h) [Reset = 0000000h]

MRIS is shown in [MRIS Register](#) and described in [MRIS Register Field Descriptions](#).

Return to the [I2C Registers](#).

Master Raw Interrupt Status

This register show the unmasked interrupt status.

Figure 23-28. MRIS Register

31	30	29	28	27	26	25	24	23	22	21	20	19	18	17	16
RESERVED															
R-0h															
15	14	13	12	11	10	9	8	7	6	5	4	3	2	1	0
RESERVED															RIS
R-0h															R-0h

Table 23-18. MRIS Register Field Descriptions

Bit	Field	Type	Reset	Description
31-1	RESERVED	R	0h	Reserved
0	RIS	R	0h	Raw interrupt status 0: No interrupt 1: A master interrupt is pending. This bit is cleared by writing 1 to the MICR.IC bit .

23.5.1.16 MMIS Register (Offset = 818h) [Reset = 0000000h]

MMIS is shown in [MMIS Register](#) and described in [MMIS Register Field Descriptions](#).

Return to the [I2C Registers](#).

Master Masked Interrupt Status

This register show which interrupt is active (based on result from MRIS and MIMR).

Figure 23-29. MMIS Register

31	30	29	28	27	26	25	24	23	22	21	20	19	18	17	16
RESERVED															
R-0h															
15	14	13	12	11	10	9	8	7	6	5	4	3	2	1	0
RESERVED															MIS
R-0h															R-0h

Table 23-19. MMIS Register Field Descriptions

Bit	Field	Type	Reset	Description
31-1	RESERVED	R	0h	Reserved
0	MIS	R	0h	Masked interrupt status 0: An interrupt has not occurred or is masked. 1: A master interrupt is pending. This bit is cleared by writing 1 to the MICR.IC bit .

23.5.1.17 MICR Register (Offset = 81Ch) [Reset = 0000000h]

MICR is shown in [MICR Register](#) and described in [MICR Register Field Descriptions](#).

Return to the [I2C Registers](#).

Master Interrupt Clear

This register clears the raw and masked interrupt.

Figure 23-30. MICR Register

31	30	29	28	27	26	25	24	23	22	21	20	19	18	17	16
RESERVED															
R-0h															
15	14	13	12	11	10	9	8	7	6	5	4	3	2	1	0
RESERVED															IC
R-0h															W-0h

Table 23-20. MICR Register Field Descriptions

Bit	Field	Type	Reset	Description
31-1	RESERVED	R	0h	Reserved
0	IC	W	0h	Interrupt clear Writing 1 to this bit clears MRIS.RIS and MMIS.MIS . Reading this register returns no meaningful data.

23.5.1.18 MCR Register (Offset = 820h) [Reset = 0000000h]

MCR is shown in [MCR Register](#) and described in [MCR Register Field Descriptions](#).

Return to the [I2C Registers](#).

Master Configuration

This register configures the mode (Master or Slave) and sets the interface for test mode loopback.

Figure 23-31. MCR Register

31	30	29	28	27	26	25	24
RESERVED							
R-0h							
23	22	21	20	19	18	17	16
RESERVED							
R-0h							
15	14	13	12	11	10	9	8
RESERVED							
R-0h							
7	6	5	4	3	2	1	0
RESERVED		SFE	MFE	RESERVED			LPBK
R-0h		R/W-0h	R/W-0h	R-0h			R/W-0h

Table 23-21. MCR Register Field Descriptions

Bit	Field	Type	Reset	Description
31-6	RESERVED	R	0h	Reserved
5	SFE	R/W	0h	HASH(0x254bf38) 0h = Slave mode is disabled. 1h = Slave mode is enabled.
4	MFE	R/W	0h	HASH(0x254a130) 0h = Master mode is disabled. 1h = Master mode is enabled.
3-1	RESERVED	R	0h	Reserved
0	LPBK	R/W	0h	HASH(0x2546730) 0h = Disable Test Mode 1h = Enable Test Mode

This page intentionally left blank.

This chapter describes the Inter-IC Sound (I²S) module.

24.1 Introduction	1612
24.2 Block Diagram	1613
24.3 Signal Description	1614
24.4 Functional Description	1614
24.5 Memory Interface	1620
24.6 Samplestamp Generator	1623
24.7 Error Detection	1626
24.8 Usage	1626
24.9 I²S Registers	1626

24.1 Introduction

The I²S module provides a standardized serial interface to transfer audio samples between the CC13x1x3 and CC26x1x3 device platform and the external audio devices (such as a codec, DAC, or ADC).

The I²S module can also receive pulse density modulation (PDM) signals from devices (such as digital microphones) followed by conversion to pulse code modulation (PCM) in software.

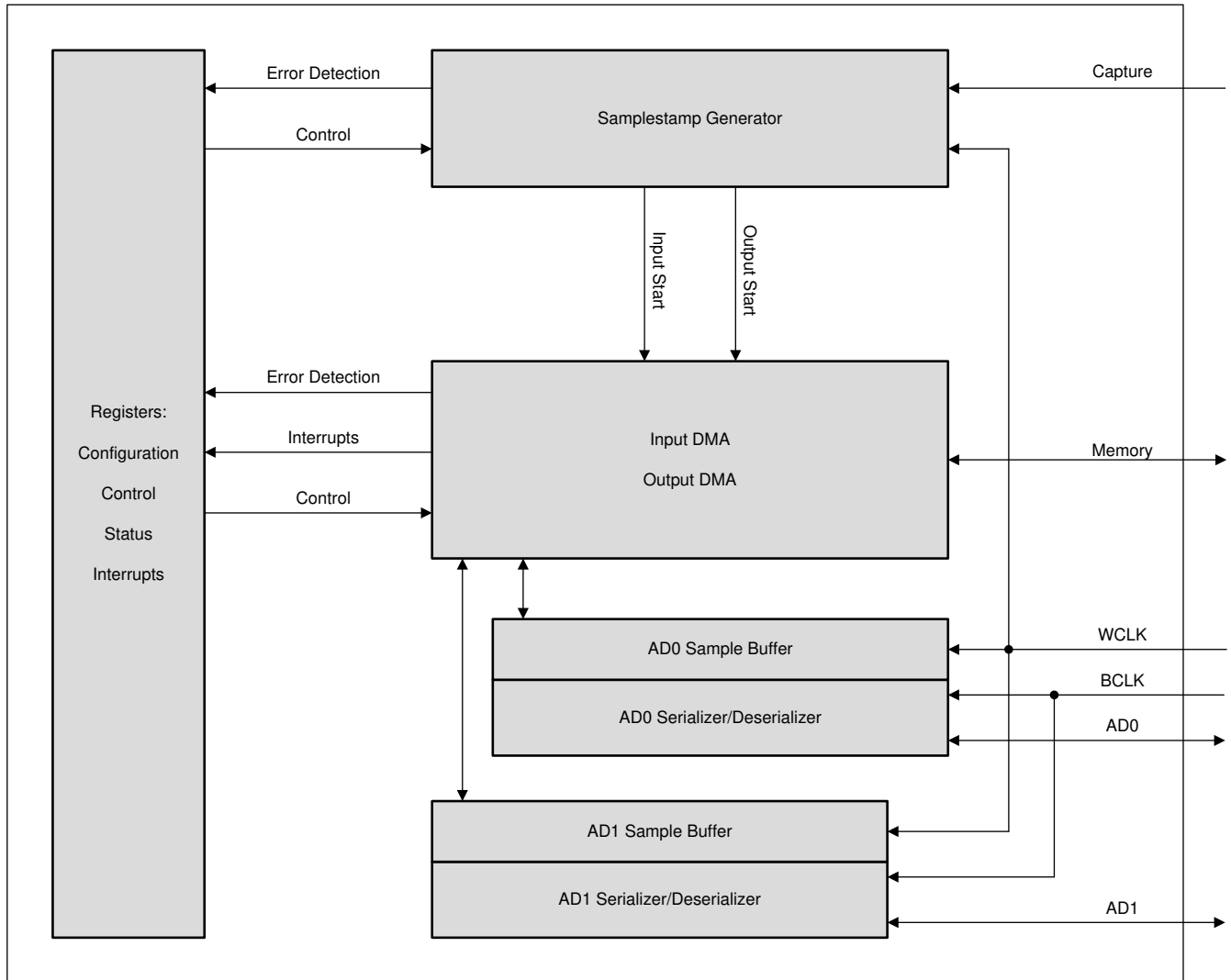
The I²S module has the following features:

- Audio clock signals are internally generated by the PRCM module or externally by another device.
- One or two data pins, which can be configured independently as input or output
- I²S, left-justified (LJF), and right-justified (RJF) serial interface formats that support up to two audio channels per data pin
- DSP serial interface format that supports up to eight audio channels per data pin
- Up to 24-bit sample word length, with truncation or zero-padding if not matching:
 - Serial interface: 8 to 24 bits per sample word, most significant bit (MSB) transferred first
 - Memory: 16 or 24 bits per sample word, stored in little-endian byte order
- DMA with double-buffered pointers
- Error detection for DMA and audio clock signal integrity
- A Samplestamp generator that allows maintaining of constant audio latency when audio samples are produced by the I²S module on one CC13x1x3 or CC26x1x3 device and consumed by the I²S module on another CC13x1x3 or CC26x1x3 device.

24.2 Block Diagram

Figure 24-1 shows a block diagram of the I²S module.

Figure 24-1. Simplified I²S Module Block Diagram



Copyright © 2017, Texas Instruments Incorporated

24.3 Signal Description

The serial audio interface consists of two or three clock signals and one or two data signals, depending on how the I²S module is used. The clock signals can be generated either internally (by the PRCM module of the CC13x1x3 and CC26x1x3 device platform) or externally (by the audio device or another clock source).

Table 24-1 lists details about the serial audio pin interface.

Table 24-1. Serial Audio Pin Interface

Pin	Function and Direction	Description
MCLK (optional)	Master clock output	Master clock for sample conversion in the external audio device. This signal is not used internally by the device; hence, will never be an input to the CC13x1x3 and CC26x1x3 device. Some external audio devices do not require this signal.
BCLK	Bit clock input/output	Bit clock for the WCLK and the AD0 and AD1 signals. This signal is an input when using an external clock source, and it is an output when using the internal clock source.
WCLK	Word clock input/output	Sample framing signal that defines the audio sample frequency and the sample word boundaries in the AD0 and AD1 serial data streams. The WCLK frequency is identical to the audio sample frequency. This signal is an input when using an external clock source, and it is an output when using the internal clock source.
AD0 AD1	Serial data input/output	Serial data signals responsible for transferring audio sample words. Each pin can be configured independently as an input, an output, or it can be unused. All pins use the same interface format (for example, LJF). The AD0 and AD1 pins are hereafter referred to as <i>ADx pins</i> .

The CC13x1x3 and CC26x1x3 device platform cannot dynamically place the ADx pins in a tri-state condition. Therefore, TDM mode is supported for ADx input pins where only external audio devices drive these signals, but TDM mode is not supported for ADx output pins.

24.4 Functional Description

24.4.1 Dependencies

Enable system clock to the I²S module before accessing any I²S module registers:

- For system CPU run mode: PRCM:I2SCLKGR.CLK_EN = 1 (loaded with PRCM:CLKLOADCTL)
- For system CPU sleep mode: PRCM:I2SCLKGS.CLK_EN = 1 (loaded with PRCM:CLKLOADCTL)
- For system CPU deep-sleep mode: PRCM:I2SCLKGDS.CLK_EN = 1 (loaded with PRCM:CLKLOADCTL)

24.4.1.1 System CPU Deep-Sleep Mode

If the system bus is turned off, the I²S DMA loses access to RAM and flash.

The system bus is turned off if all of the following conditions are true:

- PRCM:PDCTL1.CPU_ON = 0
- PRCM:PDCTL1.VIMS_MODE = 0
- PRCM:SECDMACLKGDS.DMA_CLK_EN = 0
- PRCM:SECDMACLKGDS.CRYPTO_CLK_EN = 0
- RFCORE does not request access to BUS.
- System CPU is in deep-sleep mode.

For lowest current consumption, set PRCM:SECDMACLKGDS.DMA_CLK_EN = 1 (loaded with PRCM:CLKLOADCTL) to keep the system bus enabled for the I²S DMA.

24.4.2 Pin Configuration

The I2S:AIFDIRCFG register configures whether each ADx signal is input, output, or unused.

Each used I²S signal must be mapped to a physical I/O pin, DION, by configuring the corresponding IOC:IOCFGn register.

24.4.3 Serial Format Configuration

The WCLK and ADx signals are updated on one edge of the BCLK and sampled on the opposite edge.

The sample words transferred on the ADx pins are aligned with the WCLK signal, according to the configured serial interface format. The first WCLK edge of a sample word is either rising or falling, depending on the configured serial interface format.

The period from the first WCLK edge of an audio sample (one or more channels) to the first WCLK edge of the next audio sample is called a *frame*. A frame consists of either one or two phases. A phase is divided into the following intervals:

- Data delay (optional): The BCLK periods between the first WCLK edge and MSB of the (first) audio channel data transferred during the phase
- Word: The BCLK periods during which sample words are transferred on the ADx pin or pins
 - For single-phase, from 1 to 8 sample words are transferred back-to-back.
 - For dual-phase, one sample word is transferred. The least significant bit (LSB) of the sample word can extend into the data delay interval of the next phase.
- Idle (optional): The BCLK periods between the word interval and the next phase

A sample word on the serial interface can contain from 8 to 24 bits.

24.4.4 I²S

I²S is a dual-phase format with a 50% WCLK duty cycle and the start of an MSB of each sample word aligned with each edge of WCLK + one BCLK period. For any given frame, the left channel is transferred first when WCLK is low, and the right channel is transferred next when WCLK is high. Figure 24-2 shows the I²S serial format.

Data is sampled on the rising edge of BCLK and updated on the falling edge of BCLK.

The I²S format is unique in the sense that the CC13x1x3 and CC26x1x3 device platform can automatically detect the number of BCLK periods per WCLK period. Therefore, I²S supports any BCLK rate from an external audio clock source and also variable sample word length:

- If the configured sample word length is higher than the number of bits per WCLK period, the sample words are truncated.
- If the configured sample word length is lower than the number of bits per WCLK period, the sample words are zero-padded.

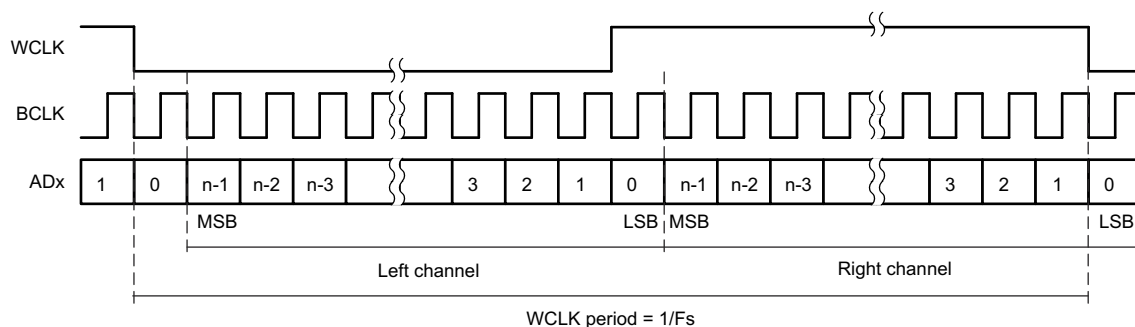


Figure 24-2. I²S Serial Format

24.4.4.1 Register Configuration

The register configuration follows:

- I2S:AIFWCLKSRC.WCLK_INV = 1
- I2S:AIFFMTCFG.DUAL_PHASE = 1
- I2S:AIFFMTCFG.SMPL_EDGE = 1
- I2S:AIFFMTCFG.WORD_LEN = Maximum number of bits per sample word
- I2S:AIFFMTCFG.DATA_DELAY = 1

24.4.5 Left-Justified (LJF)

LJF is a dual-phase format with a 50% WCLK duty cycle and the start of an MSB of each sample word aligned with each edge of WCLK. For any given frame, the left channel is transferred first when WCLK is high, and the right channel is transferred next when WCLK is low.

Data is sampled on the rising edge of BCLK and updated on the falling edge of BCLK. Figure 24-3 shows the LJF serial format.

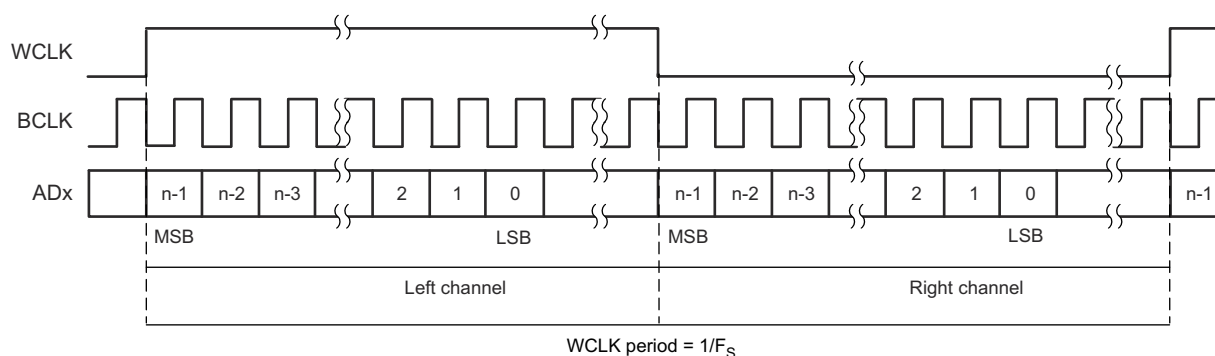


Figure 24-3. LJF Serial Format

24.4.5.1 Register Configuration

The register configuration follows:

- I2S:AIFWCLKSRC.WCLK_INV = 0
- I2S:AIFFMTCFG.DUAL_PHASE = 1
- I2S:AIFFMTCFG.SMPL_EDGE = 1
- I2S:AIFFMTCFG.WORD_LEN = Maximum number of bits per sample word
- I2S:AIFFMTCFG.DATA_DELAY = 0

WORD_LEN must be equal to or less than the number of BCLK periods per phase.

24.4.6 Right-Justified (RJF)

RJF is a dual-phase format with a 50% WCLK duty cycle and the end of an LSB of each sample word aligned with each edge of WCLK. For any given frame, the left channel is transferred first when WCLK is high, and the right channel is transferred next when WCLK is low.

Data is sampled on the rising edge of BCLK and updated on the falling edge of BCLK. Figure 24-4 shows the RJF serial format.

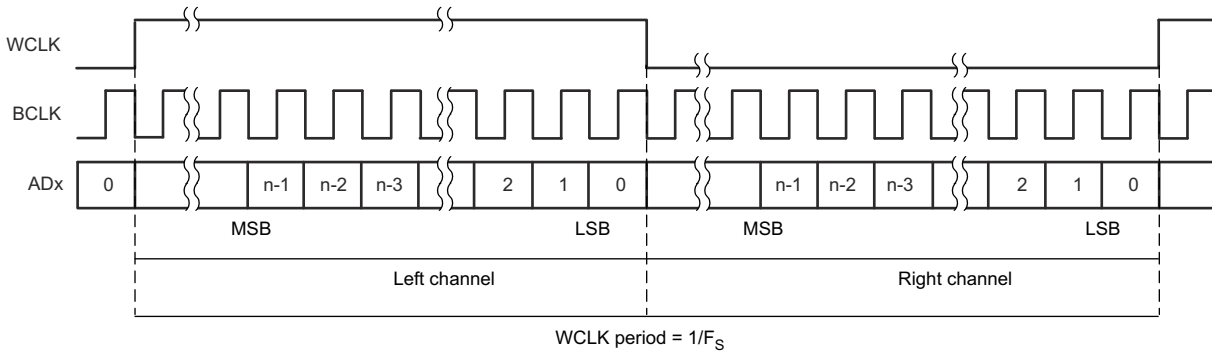


Figure 24-4. RJF Serial Format

24.4.6.1 Register Configuration

The register configuration follows:

- I2S:AIFWCLKSRC.WCLK_INV = 0
- I2S:AIFFMTCFG.DUAL_PHASE = 1
- I2S:AIFFMTCFG.SMPL_EDGE = 1
- I2S:AIFFMTCFG.WORD_LEN = Exact number of bits per sample word
- I2S:AIFFMTCFG.DATA_DELAY = Number of BCLK periods per phase minus the value of I2S:AIFFMTCFG.WORD_LEN

DATA_DELAY + WORD_LEN must be equal to or less than the number of BCLK periods per phase.

24.4.7 DSP

DSP is a single-phase format where WCLK is high for one BCLK period, and the MSB of the first sample word is typically aligned with this WCLK pulse, or it follows in the next BCLK period. Sample words for subsequent audio channels are then transferred back-to-back, followed by an idle period until the next phase or frame begins.

Data is sampled on the falling edge of BCLK and updated on the rising edge of BCLK. Figure 24-5 shows the DSP serial format with zero data delay.

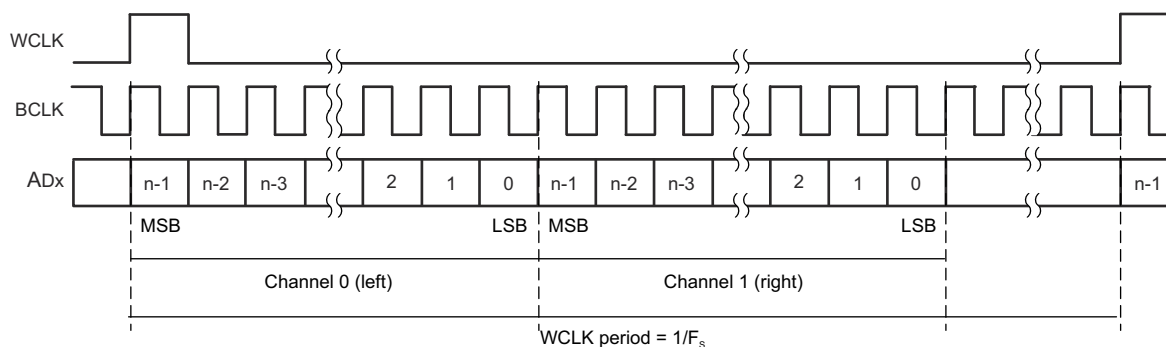


Figure 24-5. DSP Serial Format (Zero Data Delay)

24.4.7.1 Register Configuration

The register configuration follows:

- I2S:AIFWCLKSRC.WCLK_INV = 0
- I2S:AIFFMTCFG.DUAL_PHASE = 0
- I2S:AIFFMTCFG.SMPL_EDGE = 0
- I2S:AIFFMTCFG.WORD_LEN = Exact number of bits per sample word
- I2S:AIFFMTCFG.DATA_DELAY = 0 or 1

$DATA_DELAY + (WORD_LEN \times channel\ count)$ must be equal to or less than the number of BCLK periods per phase.

The *channel count* is determined by the MSB set in the I2S:AIFWMASK0 and I2S:AIFWMASK1 registers.

24.4.8 Clock Configuration

The audio clocks signals, MCLK, BCLK, and WCLK, can be generated either internally by the PRCM module or by an external clock source.

The internally generated audio clock signals might not be suitable for all applications for the reasons that follow:

- Jitter performance
- Clock configuration only provides support for frequencies that can be divided down from 48 MHz.
- Frequency that cannot be tuned to maintain constant audio latency

When using the internally generated audio clock, the 48 MHz high-frequency system clock, SCLK_HF, must always be derived from XOSC_HF. This derivation is done to reduce jitter and to avoid side-effects of switching the SCLK_HF source from RCOSC_HF to XOSC_HF (missing clock cycles and frequency shift).

24.4.8.1 Internal Audio Clock Source

Internal audio clock source must be selected for both the I²S module and the PRCM module:

- I2S:AIFWCLKSRC = 2
- PRCM:I2SBCLKSEL.SRC = 1

The setting for the PRCM:I2SCLKCTL.SMPL_ON_POSEDGE register specifies on which edge of BCLK the WCLK signal shall be sampled. This setting must be equal to the setting for the I2S:AIFFMTCFG.SMPL_EDGE register.

The MCLK, BCLK, WCLK frequencies, and WCLK duty cycle are configured as follows:

- MCLK frequency = 48 MHz / PRCM:I2SMCLKDIV.MDIV
- BCLK frequency = 48 MHz / PRCM:I2SBCLKDIV.BDIV
- For WCLK the configuration depends on the duty cycle (PRCM:I2SWCLKDIV.WDIV is referred to as WDIV):
 - Single phase (DSP format): PRCM:I2SCLKCTL.WCLK_PHASE = 0
 - WCLK is high for 1 BCLK period and low for WDIV[9:0] (1 to 1023) BCLK periods.
 - WCLK frequency = BCLK frequency / (1 + PRCM:I2SWCLKDIV.WDIV[9:0])
 - Dual phase (I²S, LJF, and RJF formats): PRCM:I2SCLKCTL.WCLK_PHASE = 1
 - WCLK is high for WDIV[9:0] (1 to 1023) BCLK periods and low for WDIV[9:0] (1 to 1023) BCLK periods.
 - WCLK frequency = BCLK frequency / (2 × WDIV[9:0])
- User-defined: PRCM:I2SCLKCTL.WCLK_PHASE = 2
 - WCLK is high for WDIV[7:0] (1 to 255) BCLK periods and low for WDIV[15:8] (1 to 255) BCLK periods.
 - WCLK frequency = BCLK frequency / (WDIV[7:0] + WDIV[15:8])

The signal generation of the clock signals MCLK, BCLK, and WCLK must be enabled by setting PRCM:I2SCLKCTL.EN = 1. The MCLK, BCLK, and WCLK signals are static low when PRCM:I2SCLKCTL.EN = 0.

24.4.8.2 External Audio Clock Source

External audio clock source must be selected both for the I²S module and for the PRCM module:

- I2S:AIFWCLKSRC = 1
- PRCM:I2SBCLKSEL.SRC = 0

24.5 Memory Interface

The integrated direct memory access controller (DMA) independently handles input samples (from one or two ADx pins to RAM) and output samples (from RAM or flash to one or two ADx pins).

There is one shift-register and one sample word buffer for each ADx pin. The DMA stores input sample words to memory while the next sample words are received, and it loads output sample words from memory while the last loaded sample words are transmitted.

The DMA operates on blocks of memory. While the DMA works on one block of memory, software must write the start address of the next memory block to I2S:AIFINPTRNEXT for input samples and to I2S:AIFOUTPTRNEXT for output samples.

24.5.1 Sample Word Length

The sample word length in memory (16 or 24 bits) is configured independently of sample word length on the serial interface (8 to 24 bits). Sample words are truncated when the destination is shorter than the source and zero-padded when the destination is longer than the source.

The I2S:AIFFMTCFG.MEM_LEN_24 field configures whether sample words in memory are 16 bit or 24 bit:

- 0: Each 16-bit sample word is moved to or from memory using one 16-bit transfer. The DMA pointers written to the I2S:AIFINPTRNEXT and I2S:AIFOUTPTRNEXT registers must be halfword aligned.
- 1: Each 24-bit sample word is moved to or from memory using one 16-bit transfer and one 8-bit transfer in a locked bus transfer. The DMA pointers written to the I2S:AIFINPTRNEXT and I2S:AIFOUTPTRNEXT registers do not need to be aligned to any memory size.

24.5.2 Channel Mapping

For each ADx pin, the corresponding I2S:AIFWMASKx register determines which sample words are present in memory:

- For each frame when I2S:AIFFMTCFG.DUAL_PHASE = 0 (DSP format):
 - Input: The I2S:AIFWMASKx.MASK register determines whether or not channels are stored to memory.
 - Output: The I2S:AIFWMASKx.MASK register determines whether or not channels are fetched from memory. The ADx output is low for excluded channels.
- For each frame when I2S:AIFFMTCFG.DUAL_PHASE = 1 (I²S, LJF, and RJF formats):
 - Mono: I2S:AIFWMASKx.MASK = 0x01
 - Input: Left (0) channel is stored to memory.
 - Output: Left (0) channel is fetched from memory and is repeated for the right channel.
 - Stereo: I2S:AIFWMASKx.MASK = 0x03
 - Input: Left (0) and right (1) channels are stored to memory.
 - Output: Left (0) and right (1) channels are fetched from memory.

24.5.3 Sample Storage in Memory

Sample words are stored to memory in little-endian byte order, meaning that the least significant byte (LSByte) is stored at the lower byte address, and the most significant byte (MSByte) is stored at the higher byte address.

If both ADx pins are configured as input or both ADx pins are configured as output, the sample words for each audio channel are stored AD0 first and AD1 last.

Figure 24-6, Figure 24-7, Figure 24-8, Figure 24-9, and Figure 24-10 show examples of sample storage for typical use cases (F = frame index, C = channel index, P = ADx pin index).

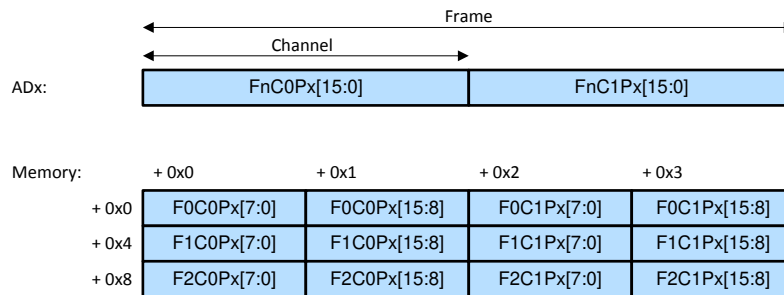


Figure 24-6. 16-Bit Mono I²S, LJF, and RJF Formats on One ADx Pin, Showing Six Frames in Memory

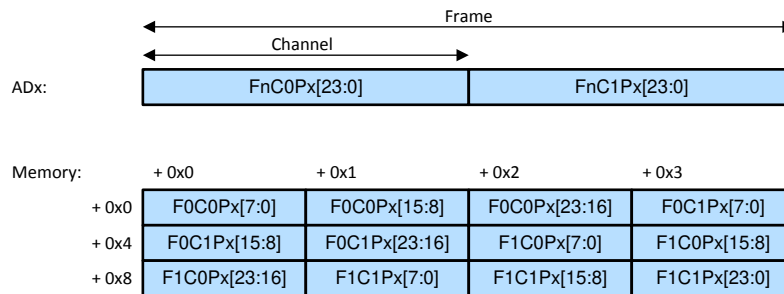


Figure 24-7. 16-Bit Stereo I²S, LJF, and RJF Formats on One ADx Pin, Showing Three Frames in Memory

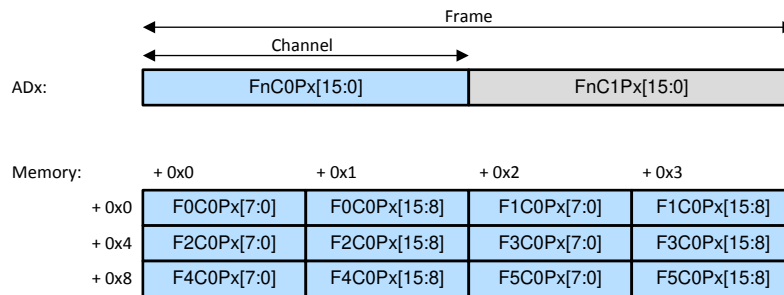


Figure 24-8. 24-Bit Stereo I²S, LJF, and RJF Formats on One ADx Pin, Showing Two Frames in Memory

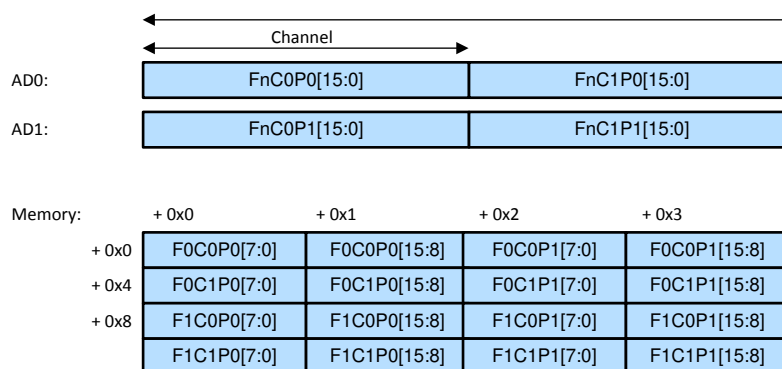


Figure 24-9. 16-Bit I²S Format on AD0 and AD1 Pins, Showing Two Frames in Memory

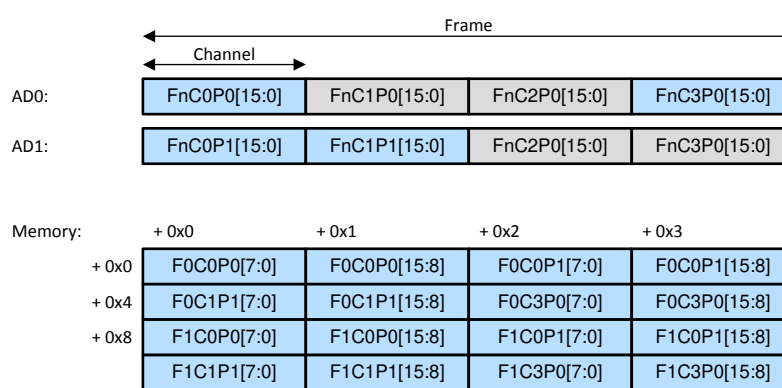


Figure 24-10. 16-Bit DSP Format on AD0 and AD1 Pins, Showing Two Frames in Memory

24.5.4 DMA Operation

The DMA operates on blocks of memory. Each input and output DMA memory block contains the input and output sample words, respectively, for I2S:AIFDMACFG.END_FRAME_IDX + 1 frames.

Writing a nonzero value to I2S:AIFDMACFG.END_FRAME_IDX initializes the DMA and prepares it to be started. Writing zero to I2S:AIFDMACFG.END_FRAME_IDX disables the DMA and resets the serial audio interface.

If input ADx pins are used, software must write memory block start addresses for input DMA to I2S:AIFINPTRNEXT. The current input DMA memory location can be observed in I2S:AIFINPTR.

If output ADx pins are used, software must write memory block start addresses for output DMA to I2S:AIFOUTPTRNEXT. The current output DMA memory location can be observed in I2S:AIFOUTPTR.

This writing operation_or_DMA operation allows the software to implement sample block ring buffers in memory with an arbitrary number of blocks for input and output samples.

24.5.4.1 Start-Up

All other audio interface-related register configuration (pins, serial format, clocks, sample word sizes, and channel mapping) must be completed before writing a nonzero value to the I2S:AIFDMACFG.END_FRAME_IDX register.

To prepare input and output DMA for start-up, the software must preload the first and second DMA pointers to be used and must arm the DMA:

- Write the first memory block start addresses to be used to I2S:AIFINPTRNEXT and (or) I2S:AIFOUTPTRNEXT

- Set I2S:AIFDMACFG.END_FRAME_IDX = the number of frames per block minus one.
 - This loads I2S:AIFINPTRNEXT into I2S:AIFINPTR, and I2S:AIFOUTPTRNEXT into I2S:AIFOUTPTR, and the output DMA will immediately prefetch sample words for the first two audio channels.
- Write the second memory block start addresses to be used to I2S:AIFINPTRNEXT and (or) I2S:AIFOUTPTRNEXT.

The input and output DMA are then started independently by the samplestamp generator, as described in [Section 24.6.2](#).

24.5.4.2 Operation

To maintain DMA operation, software must provide new memory block start addresses each time a memory block is finished.

When a block is finished, the following occurs:

- For the input memory interface block:
 - I2S:AIFINPTR = I2S:AIFINPTRNEXT
 - I2S:AIFINPTRNEXT = 0x0000 0000
 - I2S:IRQFLAGS.AIF_DMA_IN is set to generate an I2S_IRQ interrupt.
- For the output memory interface block:
 - I2S:AIFOUTPTR = I2S:AIFOUTPTRNEXT
 - I2S:AIFOUTPTRNEXT = 0x0000 0000
 - I2S:IRQFLAGS.AIF_DMA_OUT is set to generate an I2S_IRQ interrupt.

To handle this operation, software must either poll if the I2S:AIFINPTRNEXT and (or) I2S:AIFOUTPTRNEXT registers are zero, or use the I2S:IRQFLAGS.AIF_DMA_IN and (or) I2S:IRQFLAGS.AIF_DMA_OUT interrupt requests.

Software must write the new memory block start addresses to I2S:AIFINPTRNEXT and (or) I2S:AIFOUTPTRNEXT before the running block finishes. If the running block finishes while I2S:AIFINPTRNEXT and (or) I2S:AIFOUTPTRNEXT are zero, the affected DMA channels stop and I2S:IRQFLAGS.PTR_ERR is set.

24.5.4.3 Shutdown

Before DMA shutdown, all output external audio devices (for example, a DAC) should be muted, or silence should be transmitted on output ADx pins.

The DMA must not be stopped while there could be ongoing DMA memory transfer.

When using the internal audio clock source or an external audio clock source that cannot stop unexpectedly, software should use the following procedure to stop the DMA:

- Stop writing to the I2S:AIFINPTRNEXT and/or I2S:AIFOUTPTRNEXT registers.
- Optional: Wait for I2S:IRQFLAGS.PTR_ERR to occur.
- Wait for I2S:AIFINPTRNEXT and I2S:AIFOUTPTRNEXT to become zero.
- Write I2S:AIFDMACFG.END_FRAME_IDX = 0.

When using an external audio clock source that can stop unexpectedly, software should use the following procedure to stop the DMA:

- Stop writing to the I2S:AIFINPTRNEXT and (or) I2S:AIFOUTPTRNEXT registers.
- Stop the external audio clock source.
- Wait for I2S:IRQFLAGS.WCLK_TIMEOUT to occur, or for I2S:AIFINPTRNEXT and I2S:AIFOUTPTRNEXT to become zero, whichever happens first.
- Write I2S:AIFDMACFG.END_FRAME_IDX = 0.

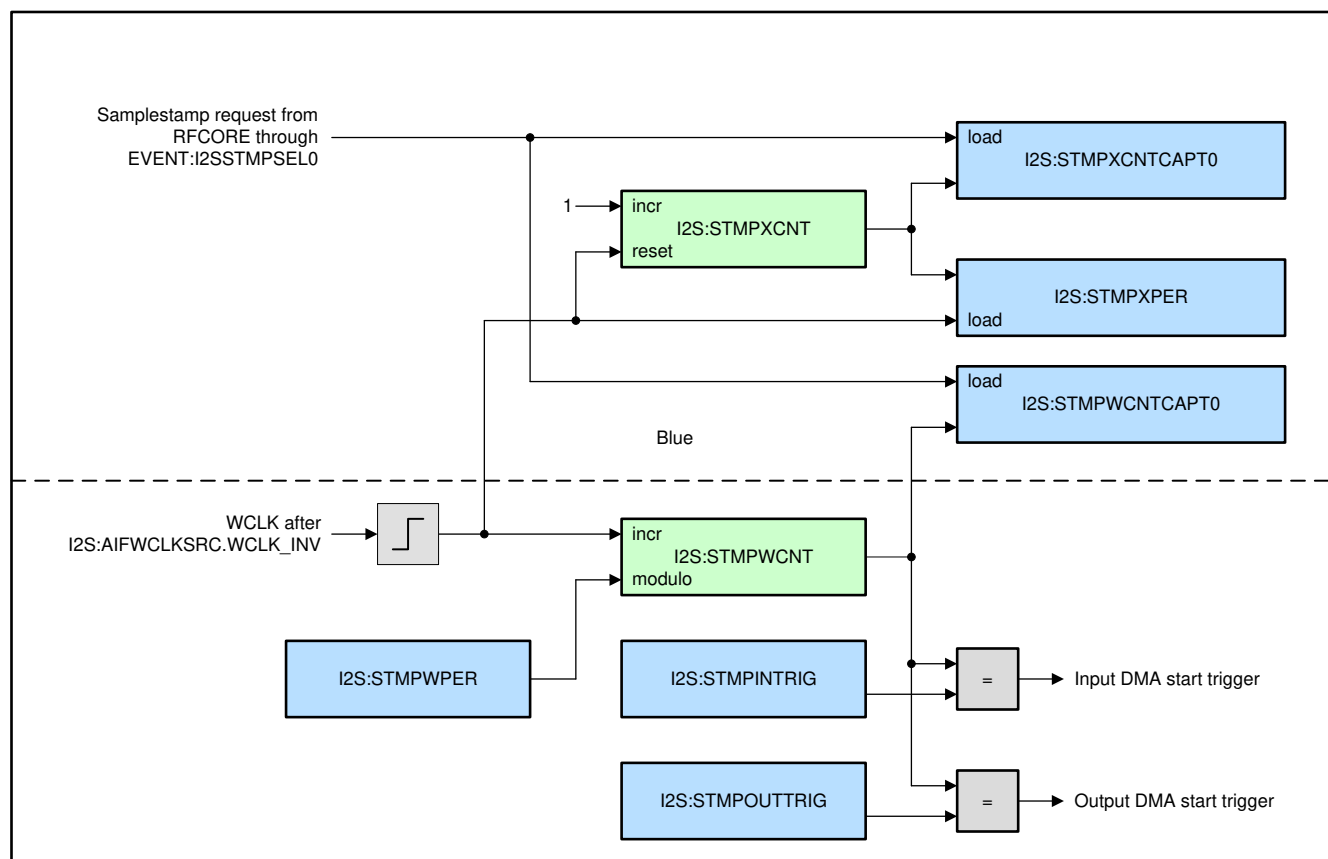
24.6 Samplestamp Generator

The samplestamp generator is used to start input and output DMA operation. The samplestamp generator is also used to synchronize I²S modules over a wireless network, so correct and fixed audio latency can be achieved. Synchronization over a wireless network is an optional feature that can be bypassed.

The samplestamp generator is enabled and is running while I2S:STMPCTL.STMP_EN = 1. Counter and capture registers are reset when software writes I2S:STMPCTL.STMP_EN = 0.

Figure 24-11 shows a simplified block diagram of the samplestamp generator:

- The lower part of the diagram is related to start-up of input and output DMA.
- The upper part of the diagram is related to RFCORE event capture for I²S module synchronization.



Copyright © 2017, Texas Instruments Incorporated

Figure 24-11. Samplestamp Generator

24.6.1 Samplestamp Counters

The samplestamp generator counts frames (WCLK periods) and 48 MHz clock cycles (crystal oscillator periods) within each frame:

- I2S:STMPWCNT increments at the first WCLK edge of each frame, module the period value I2S:STMPWPER.
- I2S:STMPXCNT resets to 0 at the first WCLK edge of each frame, and then increments by 1 for each 48 MHz clock cycle. Reading I2S:STMPWCNT latches the read value of I2S:STMPXCNT.

Software can modify the value of I2S:STMPWCNT by writing an absolute value to I2S:STMPWSET or a relative value to I2S:STMPWADD.

24.6.2 Start-Up Triggers

The I2S:STMPINTRIG and I2S:STMPOUTTRIG registers contain I2S:STMPWCNT compare values that are used to start the input and output DMA, respectively:

- When I2S:STMPWCNT equals I2S:STMPINTRIG, the input DMA begins storing sample words to memory in the next frame: $(I2S:STMPINTRIG + 1) \% I2S:STMPWPER$

- When I2S:STMPWCNT equals I2S:STMPOUTTRIG, the output DMA begins outputting sample words from memory in the next frame: $(I2S:STMPOUTTRIG + 1) \% I2S:STMPWPER$

To avoid false start-up triggers, I2S:STMPINTRIG and I2S:STMPOUTTRIG must initially be equal to or higher than I2S:STMPWPER.

The I2S:STMPCTL.IN_RDY and I2S:STMPCTL.OUT_RDY status bits are set when the input and output DMA are ready to be started and cleared when DMA start triggers have occurred.

24.6.3 Samplestamp Capture

A capture request signal can be routed from RFCORE to trigger samplestamp capture. The EVENT:I2SSTMPSEL0 register selects the RFCORE signal to be used. Whenever this capture request signal is high:

- The current value of I2S:STMPXCNT is copied into I2S:STMPXCNTCAPT0.
- The current value of I2S:STMPWCNT is copied into I2S:STMPWCNTCAPT0.

Also, on the first WCLK edge of each frame, the current value of I2S:STMPXCNT is captured in I2S:STMPXPER, and I2S:STMPXCNT then restarts counting from 0.

Using these values, a fixed-point samplestamp value can be calculated:

$$I2S:STMPWCNTCAPT0 + (I2S:STMPXCNTCAPT0 / I2S:STMPXPER)$$

Notice that the value of I2S:STMPXPER will not normally be captured at the same time as the other values. Therefore, I2S:STMPXPER can be less than I2S:STMPXCNTCAPT0.

24.6.4 Achieving Constant Audio Latency

The following actions can be taken to achieve the same constant audio latency in either direction over a wireless network (from the I²S pins on one CC13x1x3 and CC26x1x3 device platform to the I²S pins on another CC13x1x3 and CC26x1x3 device platform):

- One node must be defined as audio clock master and the other node must be defined as audio clock slave. The slave must use an external audio clock source with adjustable rate.
- For both nodes, set $I2S:STMPWPER = N \times (I2S:AIFDMACFG.END_FRAME_IDX + 1)$, where N is a whole number.
 - The value of I2S:STMPWPER equals audio latency in number of frames.
 - The value of I2S:STMPWPER also equals the memory buffer size in number of samples.
- Perform samplestamp capture on the master when it transmits the RF packet synchronization word, and include the value of the fixed-point samplestamp in the transmitted packet.
- Perform samplestamp capture on the slave when it receives the RF packet synchronization word, and store the samplestamp value of the master in the RF packet. Calculate the difference between the samplestamp values of the master and slave, which is used to:
 - Initially offset the I2S:STMPWCNT counter of the slave so that it matches the samplestamp value of the master.
 - While running, adjust the external audio clock source rate so that the difference between the samplestamp values of the slave and the master approach 0.
- For both nodes, set up DMA pointers and DMA start triggers so that the value of STMPWCNT represents the input and output buffer positions of the current frame on the ADx pins.

24.7 Error Detection

The I²S module can detect errors related to the following:

- DMA operation
- Audio clock signal integrity

The following errors are detected:

- WCLK frequency error (STMPXPERMIN:VALUE)
- Noise on the WCLK signal (IRQFLAGS:WCLK_ERR)
- Audio clock loss (IRQFLAGS:WCLK_TIMEOUT)
- DMA pointer not loaded in time (IRQFLAGS:PTR_ERR)
- DMA transfer not completed in time (IRQFLAGS:BUS_ERR)

24.8 Usage

24.8.1 Start-Up Sequence

Perform the following steps in the indicated order to begin I²S module operation:

1. Set up dependencies (see [Section 24.4.1](#)).
2. Configure the pins (see [Chapter 13](#)).
3. Configure the serial format (see [Section 24.4.3](#)).
4. Configure the clock (see [Section 24.4.8](#)).
5. Configure the sample word length (see [Section 24.5.1](#)).
6. Configure the channel mapping (see [Section 24.5.2](#)).
7. Perform the DMA start-up sequence (see [Section 24.5.4.1](#)).
8. Set up the samplestamp generator:
 - Set the I2S:STMPWPER register.
 - Set the I2S:STMPINTRIG and I2S:STMPOUTTRIG > I2S:STMPWPER to avoid false DMA start triggers.
 - Set I2S:STMPCTL.EN = 1.
 - If needed, follow the guidelines for achieving constant audio latency (see [Section 24.6.4](#)).
 - Otherwise, just set I2S:STMPINTRIG and I2S:STMPOUTTRIG to match the current (I2S:STMPWCNT + 2) % I2S:STMPWPER.

Note

DMA interrupts will begin after the DMA has completed the first sample block or blocks.

24.8.2 Shutdown Sequence

Perform the following steps in the indicated order to end I²S module operation:

1. DMA shutdown sequence (see [Section 24.5.4.3](#)).
2. Set I2S:STMPCTL.EN = 0.
3. Disable the internal or external audio clock source.
4. Disable dependencies (see [Section 24.4.1](#)).

24.9 I²S Registers

The next section shows the register bank for I²S.

24.9.1 I2S Registers

[I2S Registers](#) lists the memory-mapped registers for the I2S registers. All register offset addresses not listed in [I2S Registers](#) should be considered as reserved locations and the register contents should not be modified.

Table 24-2. I2S Registers

Offset	Acronym	Register Name	Section
0h	AIFWCLKSRC	WCLK Source Selection	Section 24.9.1.1
4h	AIFDMACFG	DMA Buffer Size Configuration	Section 24.9.1.2
8h	AIFDIRCFG	Pin Direction	Section 24.9.1.3
Ch	AIFFMTCFG	Serial Interface Format Configuration	Section 24.9.1.4
10h	AIFWMASK0	Word Selection Bit Mask for Pin 0	Section 24.9.1.5
14h	AIFWMASK1	Word Selection Bit Mask for Pin 1	Section 24.9.1.6
1Ch	AIFPWMVALUE	Audio Interface PWM Debug Value	Section 24.9.1.7
20h	AIFINPTRNEXT	DMA Input Buffer Next Pointer	Section 24.9.1.8
24h	AIFINPTR	DMA Input Buffer Current Pointer	Section 24.9.1.9
28h	AIFOUTPTRNEXT	DMA Output Buffer Next Pointer	Section 24.9.1.10
2Ch	AIFOUTPTR	DMA Output Buffer Current Pointer	Section 24.9.1.11
34h	STMPCTL	Samplestamp Generator Control Register	Section 24.9.1.12
38h	STMPXCNTCAPT0	Captured XOSC Counter Value, Capture Channel 0	Section 24.9.1.13
3Ch	STMPXPER	XOSC Period Value	Section 24.9.1.14
40h	STMPWCNTCAPT0	Captured WCLK Counter Value, Capture Channel 0	Section 24.9.1.15
44h	STMPWPER	WCLK Counter Period Value	Section 24.9.1.16
48h	STMPINTRIG	WCLK Counter Trigger Value for Input Pins	Section 24.9.1.17
4Ch	STMPOUTTRIG	WCLK Counter Trigger Value for Output Pins	Section 24.9.1.18
50h	STMPWSET	WCLK Counter Set Operation	Section 24.9.1.19
54h	STMPWADD	WCLK Counter Add Operation	Section 24.9.1.20
58h	STMPXPERMIN	XOSC Minimum Period Value	Section 24.9.1.21
5Ch	STMPWCNT	Current Value of WCNT	Section 24.9.1.22
60h	STMPXCNT	Current Value of XCNT	Section 24.9.1.23
64h	STMPXCNTCAPT1	Internal	Section 24.9.1.24
68h	STMPWCNTCAPT1	Internal	Section 24.9.1.25
70h	IRQMASK	Interrupt Mask Register	Section 24.9.1.26
74h	IRQFLAGS	Raw Interrupt Status Register	Section 24.9.1.27
78h	IRQSET	Interrupt Set Register	Section 24.9.1.28
7Ch	IRQCLR	Interrupt Clear Register	Section 24.9.1.29

Complex bit access types are encoded to fit into small table cells. [I2S Access Type Codes](#) shows the codes that are used for access types in this section.

Table 24-3. I2S Access Type Codes

Access Type	Code	Description
Read Type		
R	R	Read
Write Type		
W	W	Write
Reset or Default Value		

Table 24-3. I2S Access Type Codes (continued)

Access Type	Code	Description
<i>-n</i>		Value after reset or the default value

24.9.1.1 AIFWCLKSRC Register (Offset = 0h) [Reset = 0000000h]

AIFWCLKSRC is shown in [AIFWCLKSRC Register](#) and described in [AIFWCLKSRC Register Field Descriptions](#).

Return to the [I²S Registers](#).

WCLK Source Selection

Figure 24-12. AIFWCLKSRC Register

31	30	29	28	27	26	25	24
RESERVED							
R-0h							
23	22	21	20	19	18	17	16
RESERVED							
R-0h							
15	14	13	12	11	10	9	8
RESERVED							
R-0h							
7	6	5	4	3	2	1	0
RESERVED					WCLK_INV	WCLK_SRC	
R-0h					R/W-0h	R/W-0h	

Table 24-4. AIFWCLKSRC Register Field Descriptions

Bit	Field	Type	Reset	Description
31-3	RESERVED	R	0h	Reserved
2	WCLK_INV	R/W	0h	Inverts WCLK source (pad or internal) when set. 0: Not inverted 1: Inverted
1-0	WCLK_SRC	R/W	0h	Selects WCLK source for AIF (should be the same as the BCLK source). The BCLK source is defined in the PRCM:I2SBCLKSEL.SRC 0h = None ('0') 1h = External WCLK generator, from pad 2h = Internal WCLK generator, from module PRCM 3h = Not supported. Will give same WCLK as 'NONE' ('00')

24.9.1.2 AIFDMACFG Register (Offset = 4h) [Reset = 0000000h]

AIFDMACFG is shown in [AIFDMACFG Register](#) and described in [AIFDMACFG Register Field Descriptions](#).

Return to the [I2S Registers](#).

DMA Buffer Size Configuration

Figure 24-13. AIFDMACFG Register

31	30	29	28	27	26	25	24	23	22	21	20	19	18	17	16
RESERVED															
R-0h															
15	14	13	12	11	10	9	8	7	6	5	4	3	2	1	0
RESERVED								END_FRAME_IDX							
R-0h								R/W-0h							

Table 24-5. AIFDMACFG Register Field Descriptions

Bit	Field	Type	Reset	Description
31-8	RESERVED	R	0h	Reserved
7-0	END_FRAME_IDX	R/W	0h	Defines the length of the DMA buffer. Writing a non-zero value to this register field enables and initializes AIF. Note that before doing so, all other configuration must have been done, and AIFINPTRNEXT/AIFOUTPTRNEXT must have been loaded.

24.9.1.3 AIFDIRCFG Register (Offset = 8h) [Reset = 0000000h]

AIFDIRCFG is shown in [AIFDIRCFG Register](#) and described in [AIFDIRCFG Register Field Descriptions](#).

Return to the [I²S Registers](#).

Pin Direction

Figure 24-14. AIFDIRCFG Register

31	30	29	28	27	26	25	24
RESERVED							
R-0h							
23	22	21	20	19	18	17	16
RESERVED							
R-0h							
15	14	13	12	11	10	9	8
RESERVED							
R-0h							
7	6	5	4	3	2	1	0
RESERVED		AD1		RESERVED		AD0	
R-0h		R/W-0h		R-0h		R/W-0h	

Table 24-6. AIFDIRCFG Register Field Descriptions

Bit	Field	Type	Reset	Description
31-6	RESERVED	R	0h	Reserved
5-4	AD1	R/W	0h	Configures the AD1 audio data pin usage: 0x3: Reserved 0h = Not in use (disabled) 1h = Input mode 2h = Output mode
3-2	RESERVED	R	0h	Reserved
1-0	AD0	R/W	0h	Configures the AD0 audio data pin usage: 0x3: Reserved 0h = Not in use (disabled) 1h = Input mode 2h = Output mode

24.9.1.4 AIFMTCFG Register (Offset = Ch) [Reset = 0000170h]

AIFMTCFG is shown in [AIFMTCFG Register](#) and described in [AIFMTCFG Register Field Descriptions](#).

Return to the [I2S Registers](#).

Serial Interface Format Configuration

Figure 24-15. AIFMTCFG Register

31	30	29	28	27	26	25	24	
RESERVED								
R-0h								
23	22	21	20	19	18	17	16	
RESERVED								
R-0h								
15	14	13	12	11	10	9	8	
DATA_DELAY								
R/W-1h								
7	6	5	4	3	2	1	0	
MEM_LEN_24	SMPL_EDGE	DUAL_PHASE	WORD_LEN					
R/W-0h	R/W-1h	R/W-1h	R/W-10h					

Table 24-7. AIFMTCFG Register Field Descriptions

Bit	Field	Type	Reset	Description
31-16	RESERVED	R	0h	Reserved
15-8	DATA_DELAY	R/W	1h	HASH(0x22cc1f0)
7	MEM_LEN_24	R/W	0h	The size of each word stored to or loaded from memory: 0h = 16BIT : 16-bit (one 16 bit access per sample) 1h = 24BIT : 24-bit (one 8 bit and one 16 bit locked access per sample)
6	SMPL_EDGE	R/W	1h	On the serial audio interface, data (and wclk) is sampled and clocked out on opposite edges of BCLK. 0h = Data is sampled on the negative edge and clocked out on the positive edge. 1h = Data is sampled on the positive edge and clocked out on the negative edge.
5	DUAL_PHASE	R/W	1h	HASH(0x2119dc0)
4-0	WORD_LEN	R/W	10h	Number of bits per word (8-24): In single-phase format, this is the exact number of bits per word. In dual-phase format, this is the maximum number of bits per word. Values below 8 and above 24 give undefined behavior. Data written to memory is always aligned to 16 or 24 bits as defined by MEM_LEN_24. Bit widths that differ from this alignment will either be truncated or zero padded.

24.9.1.5 AIFWMASK0 Register (Offset = 10h) [Reset = 0000003h]

AIFWMASK0 is shown in [AIFWMASK0 Register](#) and described in [AIFWMASK0 Register Field Descriptions](#).

Return to the [I²S Registers](#).

Word Selection Bit Mask for Pin 0

Figure 24-16. AIFWMASK0 Register

31	30	29	28	27	26	25	24	23	22	21	20	19	18	17	16	15	14	13	12	11	10	9	8	7	6	5	4	3	2	1	0
RESERVED																MASK															
R-0h																R/W-3h															

Table 24-8. AIFWMASK0 Register Field Descriptions

Bit	Field	Type	Reset	Description
31-8	RESERVED	R	0h	Reserved
7-0	MASK	R/W	3h	<p>Bit-mask indicating valid channels in a frame on AD0.</p> <p>In single-phase mode, each bit represents one channel, starting with LSB for the first word in the frame. A frame can contain up to 8 channels. Channels that are not included in the mask will not be sampled and stored in memory, and clocked out as '0'.</p> <p>In dual-phase mode, only the two LSBs are considered. For a stereo configuration, set both bits. For a mono configuration, set bit 0 only. In mono mode, only channel 0 will be sampled and stored to memory, and channel 0 will be repeated when clocked out.</p> <p>In mono mode, only channel 0 will be sampled and stored to memory, and channel 0 will be repeated in the second phase when clocked out.</p> <p>If all bits are zero, no input words will be stored to memory, and the output data lines will be constant '0'. This can be utilized when PWM debug output is desired without any actively used output pins.</p>

24.9.1.6 AIFWMASK1 Register (Offset = 14h) [Reset = 0000003h]

AIFWMASK1 is shown in [AIFWMASK1 Register](#) and described in [AIFWMASK1 Register Field Descriptions](#).

Return to the [I2S Registers](#).

Word Selection Bit Mask for Pin 1

Figure 24-17. AIFWMASK1 Register

31	30	29	28	27	26	25	24	23	22	21	20	19	18	17	16	15	14	13	12	11	10	9	8	7	6	5	4	3	2	1	0
RESERVED														MASK																	
R-0h														R/W-3h																	

Table 24-9. AIFWMASK1 Register Field Descriptions

Bit	Field	Type	Reset	Description
31-8	RESERVED	R	0h	Reserved
7-0	MASK	R/W	3h	Bit-mask indicating valid channels in a frame on AD1. In single-phase mode, each bit represents one channel, starting with LSB for the first word in the frame. A frame can contain up to 8 channels. Channels that are not included in the mask will not be sampled and stored in memory, and clocked out as '0'. In dual-phase mode, only the two LSBs are considered. For a stereo configuration, set both bits. For a mono configuration, set bit 0 only. In mono mode, only channel 0 will be sampled and stored to memory, and channel 0 will be repeated when clocked out. In mono mode, only channel 0 will be sampled and stored to memory, and channel 0 will be repeated in the second phase when clocked out. If all bits are zero, no input words will be stored to memory, and the output data lines will be constant '0'. This can be utilized when PWM debug output is desired without any actively used output pins.

24.9.1.7 AIFPWMVALUE Register (Offset = 1Ch) [Reset = 0000000h]

AIFPWMVALUE is shown in [AIFPWMVALUE Register](#) and described in [AIFPWMVALUE Register Field Descriptions](#).

Return to the [I2S Registers](#).

Audio Interface PWM Debug Value

Figure 24-18. AIFPWMVALUE Register

31	30	29	28	27	26	25	24	23	22	21	20	19	18	17	16	15	14	13	12	11	10	9	8	7	6	5	4	3	2	1	0
RESERVED																PULSE_WIDTH															
R-0h																R/W-0h															

Table 24-10. AIFPWMVALUE Register Field Descriptions

Bit	Field	Type	Reset	Description
31-16	RESERVED	R	0h	Reserved
15-0	PULSE_WIDTH	R/W	0h	The value written to this register determines the width of the active high PWM pulse (pwm_debug), which starts together with MSB of the first output word in a DMA buffer: 0x0000: Constant low 0x0001: Width of the pulse (number of BCLK cycles, here 1). ... 0xFFFF: Width of the pulse (number of BCLK cycles, here 65534). 0xFFFF: Constant high

24.9.1.8 AIFINPTRNEXT Register (Offset = 20h) [Reset = 0000000h]

AIFINPTRNEXT is shown in [AIFINPTRNEXT Register](#) and described in [AIFINPTRNEXT Register Field Descriptions](#).

Return to the [I2S Registers](#).

DMA Input Buffer Next Pointer

Figure 24-19. AIFINPTRNEXT Register

31	30	29	28	27	26	25	24	23	22	21	20	19	18	17	16	15	14	13	12	11	10	9	8	7	6	5	4	3	2	1	0
PTR																															
R/W-0h																															

Table 24-11. AIFINPTRNEXT Register Field Descriptions

Bit	Field	Type	Reset	Description
31-0	PTR	R/W	0h	Pointer to the first byte in the next DMA input buffer. The read value equals the last written value until the currently used DMA input buffer is completed, and then becomes null when the last written value is transferred to the DMA controller to start on the next buffer. This event is signaled by IRQFLAGS.AIF_DMA_IN. At startup, the value must be written once before and once after configuring the DMA buffer size in AIFDMACFG. The next pointer must be written to this register while the DMA function uses the previously written pointer. If not written in time, IRQFLAGS.PTR_ERR will be raised and all input pins will be disabled.

24.9.1.9 AIFINPTR Register (Offset = 24h) [Reset = 0000000h]

AIFINPTR is shown in [AIFINPTR Register](#) and described in [AIFINPTR Register Field Descriptions](#).

Return to the [I2S Registers](#).

DMA Input Buffer Current Pointer

Figure 24-20. AIFINPTR Register

31	30	29	28	27	26	25	24	23	22	21	20	19	18	17	16	15	14	13	12	11	10	9	8	7	6	5	4	3	2	1	0
																PTR															
																R-0h															

Table 24-12. AIFINPTR Register Field Descriptions

Bit	Field	Type	Reset	Description
31-0	PTR	R	0h	Value of the DMA input buffer pointer currently used by the DMA controller. Incremented by 1 (byte) or 2 (word) for each AHB access.

24.9.1.10 AIFOUTPTRNEXT Register (Offset = 28h) [Reset = 0000000h]

AIFOUTPTRNEXT is shown in [AIFOUTPTRNEXT Register](#) and described in [AIFOUTPTRNEXT Register Field Descriptions](#).

Return to the [I2S Registers](#).

DMA Output Buffer Next Pointer

Figure 24-21. AIFOUTPTRNEXT Register

31	30	29	28	27	26	25	24	23	22	21	20	19	18	17	16	15	14	13	12	11	10	9	8	7	6	5	4	3	2	1	0
PTR																															
R/W-0h																															

Table 24-13. AIFOUTPTRNEXT Register Field Descriptions

Bit	Field	Type	Reset	Description
31-0	PTR	R/W	0h	<p>Pointer to the first byte in the next DMA output buffer. The read value equals the last written value until the currently used DMA output buffer is completed, and then becomes null when the last written value is transferred to the DMA controller to start on the next buffer. This event is signaled by IRQFLAGS.AIF_DMA_OUT. At startup, the value must be written once before and once after configuring the DMA buffer size in AIFDMACFG. At this time, the first two samples will be fetched from memory.</p> <p>The next pointer must be written to this register while the DMA function uses the previously written pointer. If not written in time, IRQFLAGS.PTR_ERR will be raised and all output pins will be disabled.</p>

24.9.1.11 AIFOUTPTR Register (Offset = 2Ch) [Reset = 0000000h]

AIFOUTPTR is shown in [AIFOUTPTR Register](#) and described in [AIFOUTPTR Register Field Descriptions](#).

Return to the [I2S Registers](#).

DMA Output Buffer Current Pointer

Figure 24-22. AIFOUTPTR Register

31	30	29	28	27	26	25	24	23	22	21	20	19	18	17	16	15	14	13	12	11	10	9	8	7	6	5	4	3	2	1	0
																PTR															
																R-0h															

Table 24-14. AIFOUTPTR Register Field Descriptions

Bit	Field	Type	Reset	Description
31-0	PTR	R	0h	Value of the DMA output buffer pointer currently used by the DMA controller Incremented by 1 (byte) or 2 (word) for each AHB access.

24.9.1.12 STMPCTL Register (Offset = 34h) [Reset = 0000000h]

STMPCTL is shown in [STMPCTL Register](#) and described in [STMPCTL Register Field Descriptions](#).

Return to the [I2S Registers](#).

Samplestamp Generator Control Register

Figure 24-23. STMPCTL Register

31	30	29	28	27	26	25	24
RESERVED							
R-0h							
23	22	21	20	19	18	17	16
RESERVED							
R-0h							
15	14	13	12	11	10	9	8
RESERVED							
R-0h							
7	6	5	4	3	2	1	0
RESERVED					OUT_RDY	IN_RDY	STMP_EN
R-0h					R-0h	R-0h	R/W-0h

Table 24-15. STMPCTL Register Field Descriptions

Bit	Field	Type	Reset	Description
31-3	RESERVED	R	0h	Reserved
2	OUT_RDY	R	0h	Low until the output pins are ready to be started by the samplestamp generator. When started (that is STMPOUTTRIG equals the WCLK counter) the bit goes back low.
1	IN_RDY	R	0h	Low until the input pins are ready to be started by the samplestamp generator. When started (that is STMPINTRIG equals the WCLK counter) the bit goes back low.
0	STMP_EN	R/W	0h	Enables the samplestamp generator. The samplestamp generator must only be enabled after it has been properly configured. When cleared, all samplestamp generator counters and capture values are cleared.

24.9.1.13 STMPXCNTCAPT0 Register (Offset = 38h) [Reset = 0000000h]

STMPXCNTCAPT0 is shown in [STMPXCNTCAPT0 Register](#) and described in [STMPXCNTCAPT0 Register Field Descriptions](#).

Return to the [I2S Registers](#).

Captured XOSC Counter Value, Capture Channel 0

Figure 24-24. STMPXCNTCAPT0 Register

31	30	29	28	27	26	25	24	23	22	21	20	19	18	17	16	15	14	13	12	11	10	9	8	7	6	5	4	3	2	1	0
RESERVED																CAPT_VALUE															
R-0h																R-0h															

Table 24-16. STMPXCNTCAPT0 Register Field Descriptions

Bit	Field	Type	Reset	Description
31-16	RESERVED	R	0h	Reserved
15-0	CAPT_VALUE	R	0h	<p>The value of the samplestamp XOSC counter (STMPXCNT.CURR_VALUE) last time an event was pulsed (event source selected in [EVENT.I2SSTMPSEL0.EV] for channel 0). This number corresponds to the number of 24 MHz clock cycles since the last positive edge of the selected WCLK.</p> <p>The value is cleared when STMPCTL.STMP_EN = 0.</p> <p>Note: Due to buffering and synchronization, WCLK is delayed by a small number of BCLK periods and clk periods.</p> <p>Note: When calculating the fractional part of the sample stamp, STMPXPER may be less than this bit field.</p>

24.9.1.14 STMPXPER Register (Offset = 3Ch) [Reset = 0000000h]

STMPXPER is shown in [STMPXPER Register](#) and described in [STMPXPER Register Field Descriptions](#).

Return to the [I2S Registers](#).

XOSC Period Value

Figure 24-25. STMPXPER Register

31	30	29	28	27	26	25	24	23	22	21	20	19	18	17	16	15	14	13	12	11	10	9	8	7	6	5	4	3	2	1	0
RESERVED																VALUE															
R-0h																R-0h															

Table 24-17. STMPXPER Register Field Descriptions

Bit	Field	Type	Reset	Description
31-16	RESERVED	R	0h	Reserved
15-0	VALUE	R	0h	The number of 24 MHz clock cycles in the previous WCLK period (that is - the next value of the XOSC counter at the positive WCLK edge, had it not been reset to 0). The value is cleared when STMPCTL.STMP_EN = 0.

24.9.1.15 STMPWCNTCAPT0 Register (Offset = 40h) [Reset = 0000000h]

STMPWCNTCAPT0 is shown in [STMPWCNTCAPT0 Register](#) and described in [STMPWCNTCAPT0 Register Field Descriptions](#).

Return to the [I2S Registers](#).

Captured WCLK Counter Value, Capture Channel 0

Figure 24-26. STMPWCNTCAPT0 Register

31	30	29	28	27	26	25	24	23	22	21	20	19	18	17	16	15	14	13	12	11	10	9	8	7	6	5	4	3	2	1	0
RESERVED																CAPT_VALUE															
R-0h																R-0h															

Table 24-18. STMPWCNTCAPT0 Register Field Descriptions

Bit	Field	Type	Reset	Description
31-16	RESERVED	R	0h	Reserved
15-0	CAPT_VALUE	R	0h	The value of the samplestamp WCLK counter (STMPWCNT.CURR_VALUE) last time an event was pulsed (event source selected in EVENT:I2SSTMPSEL0.EV for channel 0). This number corresponds to the number of positive WCLK edges since the samplestamp generator was enabled (not taking modification through STMPWADD/STMPWSET into account). The value is cleared when STMPCTL.STMP_EN = 0.

24.9.1.16 STMPWPER Register (Offset = 44h) [Reset = 0000000h]

STMPWPER is shown in [STMPWPER Register](#) and described in [STMPWPER Register Field Descriptions](#).

Return to the [I2S Registers](#).

WCLK Counter Period Value

Figure 24-27. STMPWPER Register

31	30	29	28	27	26	25	24	23	22	21	20	19	18	17	16	15	14	13	12	11	10	9	8	7	6	5	4	3	2	1	0
RESERVED																VALUE															
R-0h																R/W-0h															

Table 24-19. STMPWPER Register Field Descriptions

Bit	Field	Type	Reset	Description
31-16	RESERVED	R	0h	Reserved
15-0	VALUE	R/W	0h	Used to define when STMPWCNT is to be reset so number of WCLK edges are found for the size of the sample buffer. This is thus a modulo value for the WCLK counter. This number must correspond to the size of the sample buffer used by the system (that is the index of the last sample plus 1).

24.9.1.17 STMPINTRIG Register (Offset = 48h) [Reset = 0000000h]

STMPINTRIG is shown in [STMPINTRIG Register](#) and described in [STMPINTRIG Register Field Descriptions](#).

Return to the [I²S Registers](#).

WCLK Counter Trigger Value for Input Pins

Figure 24-28. STMPINTRIG Register

31	30	29	28	27	26	25	24	23	22	21	20	19	18	17	16	15	14	13	12	11	10	9	8	7	6	5	4	3	2	1	0
RESERVED																IN_START_WCNT															
R-0h																R/W-0h															

Table 24-20. STMPINTRIG Register Field Descriptions

Bit	Field	Type	Reset	Description
31-16	RESERVED	R	0h	Reserved
15-0	IN_START_WCNT	R/W	0h	<p>Compare value used to start the incoming audio streams. This bit field shall equal the WCLK counter value during the WCLK period in which the first input word(s) are sampled and stored to memory (that is the sample at the start of the very first DMA input buffer).</p> <p>The value of this register takes effect when the following conditions are met:</p> <ul style="list-style-type: none"> - One or more pins are configured as inputs in AIFDIRCFG. - AIFDMACFG has been configured for the correct buffer size, and at least 32 BCLK cycle ticks have happened. <p>Note: To avoid false triggers, this bit field should be set higher than STMPWPER.VALUE.</p>

24.9.1.18 STMPOUTTRIG Register (Offset = 4Ch) [Reset = 0000000h]

STMPOUTTRIG is shown in [STMPOUTTRIG Register](#) and described in [STMPOUTTRIG Register Field Descriptions](#).

Return to the [I2S Registers](#).

WCLK Counter Trigger Value for Output Pins

Figure 24-29. STMPOUTTRIG Register

31	30	29	28	27	26	25	24	23	22	21	20	19	18	17	16	15	14	13	12	11	10	9	8	7	6	5	4	3	2	1	0
RESERVED																OUT_START_WCNT															
R-0h																R/W-0h															

Table 24-21. STMPOUTTRIG Register Field Descriptions

Bit	Field	Type	Reset	Description
31-16	RESERVED	R	0h	Reserved
15-0	OUT_START_WCNT	R/W	0h	Compare value used to start the outgoing audio streams. This bit field must equal the WCLK counter value during the WCLK period in which the first output word(s) read from memory are clocked out (that is the sample at the start of the very first DMA output buffer). The value of this register takes effect when the following conditions are met: - One or more pins are configured as outputs in AIFDIRCFG. - AIFDMACFG has been configured for the correct buffer size, and 32 BCLK cycle ticks have happened. - 2 samples have been preloaded from memory (examine the AIFOUTPTR register if necessary). Note: The memory read access is only performed when required, that is channels 0/1 must be selected in AIFWMASK0/AIFWMASK1. Note: To avoid false triggers, this bit field should be set higher than STMPWPER.VALUE.

24.9.1.19 STMPWSET Register (Offset = 50h) [Reset = 0000000h]

STMPWSET is shown in [STMPWSET Register](#) and described in [STMPWSET Register Field Descriptions](#).

Return to the [I2S Registers](#).

WCLK Counter Set Operation

Figure 24-30. STMPWSET Register

31	30	29	28	27	26	25	24	23	22	21	20	19	18	17	16	15	14	13	12	11	10	9	8	7	6	5	4	3	2	1	0
RESERVED																VALUE															
R-0h																R/W-0h															

Table 24-22. STMPWSET Register Field Descriptions

Bit	Field	Type	Reset	Description
31-16	RESERVED	R	0h	Reserved
15-0	VALUE	R/W	0h	WCLK counter modification: Sets the running WCLK counter equal to the written value.

24.9.1.20 STMPWADD Register (Offset = 54h) [Reset = 0000000h]

STMPWADD is shown in [STMPWADD Register](#) and described in [STMPWADD Register Field Descriptions](#).

Return to the [I2S Registers](#).

WCLK Counter Add Operation

Figure 24-31. STMPWADD Register

31	30	29	28	27	26	25	24	23	22	21	20	19	18	17	16	15	14	13	12	11	10	9	8	7	6	5	4	3	2	1	0
RESERVED																VALUE_INC															
R-0h																R/W-0h															

Table 24-23. STMPWADD Register Field Descriptions

Bit	Field	Type	Reset	Description
31-16	RESERVED	R	0h	Reserved
15-0	VALUE_INC	R/W	0h	WCLK counter modification: Adds the written value to the running WCLK counter. If a positive edge of WCLK occurs at the same time as the operation, this will be taken into account. To add a negative value, write "STMPWPER.VALUE - value".

24.9.1.21 STMPXPERMIN Register (Offset = 58h) [Reset = 0000FFFFh]

STMPXPERMIN is shown in [STMPXPERMIN Register](#) and described in [STMPXPERMIN Register Field Descriptions](#).

Return to the [I2S Registers](#).

XOSC Minimum Period Value
Minimum Value of STMPXPER

Figure 24-32. STMPXPERMIN Register

31	30	29	28	27	26	25	24	23	22	21	20	19	18	17	16	15	14	13	12	11	10	9	8	7	6	5	4	3	2	1	0
RESERVED																VALUE															
R-0h																R/W-FFFFh															

Table 24-24. STMPXPERMIN Register Field Descriptions

Bit	Field	Type	Reset	Description
31-16	RESERVED	R	0h	Reserved
15-0	VALUE	R/W	FFFFh	Each time STMPXPER is updated, the value is also loaded into this register, provided that the value is smaller than the current value in this register. When written, the register is reset to 0xFFFF (65535), regardless of the value written. The minimum value can be used to detect extra WCLK pulses (this registers value will be significantly smaller than STMPXPER.VALUE).

24.9.1.22 STMPWCNT Register (Offset = 5Ch) [Reset = 0000000h]

STMPWCNT is shown in [STMPWCNT Register](#) and described in [STMPWCNT Register Field Descriptions](#).

Return to the [I2S Registers](#).

Current Value of WCNT

Figure 24-33. STMPWCNT Register

31	30	29	28	27	26	25	24	23	22	21	20	19	18	17	16	15	14	13	12	11	10	9	8	7	6	5	4	3	2	1	0
RESERVED																CURR_VALUE															
R-0h																R-0h															

Table 24-25. STMPWCNT Register Field Descriptions

Bit	Field	Type	Reset	Description
31-16	RESERVED	R	0h	Reserved
15-0	CURR_VALUE	R	0h	Current value of the WCLK counter

24.9.1.23 STMPXCNT Register (Offset = 60h) [Reset = 0000000h]

STMPXCNT is shown in [STMPXCNT Register](#) and described in [STMPXCNT Register Field Descriptions](#).

Return to the [I2S Registers](#).

Current Value of XCNT

Figure 24-34. STMPXCNT Register

31	30	29	28	27	26	25	24	23	22	21	20	19	18	17	16	15	14	13	12	11	10	9	8	7	6	5	4	3	2	1	0
RESERVED																CURR_VALUE															
R-0h																R-0h															

Table 24-26. STMPXCNT Register Field Descriptions

Bit	Field	Type	Reset	Description
31-16	RESERVED	R	0h	Reserved
15-0	CURR_VALUE	R	0h	Current value of the XOSC counter, latched when reading STMPWCNT.

24.9.1.24 STMPXCNTCAPT1 Register (Offset = 64h) [Reset = 0000000h]

STMPXCNTCAPT1 is shown in [STMPXCNTCAPT1 Register](#) and described in [STMPXCNTCAPT1 Register Field Descriptions](#).

Return to the [I2S Registers](#).

Internal. Only to be used through TI provided API.

Figure 24-35. STMPXCNTCAPT1 Register

31	30	29	28	27	26	25	24	23	22	21	20	19	18	17	16	15	14	13	12	11	10	9	8	7	6	5	4	3	2	1	0
RESERVED																CAPT_VALUE															
R-0h																R-0h															

Table 24-27. STMPXCNTCAPT1 Register Field Descriptions

Bit	Field	Type	Reset	Description
31-16	RESERVED	R	0h	Reserved
15-0	CAPT_VALUE	R	0h	Internal. Only to be used through TI provided API.

24.9.1.25 STMPWCNTCAPT1 Register (Offset = 68h) [Reset = 0000000h]

STMPWCNTCAPT1 is shown in [STMPWCNTCAPT1 Register](#) and described in [STMPWCNTCAPT1 Register Field Descriptions](#).

Return to the [I2S Registers](#).

Internal. Only to be used through TI provided API.

Figure 24-36. STMPWCNTCAPT1 Register

31	30	29	28	27	26	25	24	23	22	21	20	19	18	17	16	15	14	13	12	11	10	9	8	7	6	5	4	3	2	1	0
RESERVED																CAPT_VALUE															
R-0h																R-0h															

Table 24-28. STMPWCNTCAPT1 Register Field Descriptions

Bit	Field	Type	Reset	Description
31-16	RESERVED	R	0h	Reserved
15-0	CAPT_VALUE	R	0h	Internal. Only to be used through TI provided API.

24.9.1.26 IRQMASK Register (Offset = 70h) [Reset = 0000000h]

IRQMASK is shown in [IRQMASK Register](#) and described in [IRQMASK Register Field Descriptions](#).

Return to the [I2S Registers](#).

Interrupt Mask Register

Selects mask states of the flags in IRQFLAGS that contribute to the I2S_IRQ event.

Figure 24-37. IRQMASK Register

31	30	29	28	27	26	25	24
RESERVED							
R-0h							
23	22	21	20	19	18	17	16
RESERVED							
R-0h							
15	14	13	12	11	10	9	8
RESERVED							
R-0h							
7	6	5	4	3	2	1	0
RESERVED		AIF_DMA_IN	AIF_DMA_OUT	WCLK_TIMEO UT	BUS_ERR	WCLK_ERR	PTR_ERR
R-0h		R/W-0h	R/W-0h	R/W-0h	R/W-0h	R/W-0h	R/W-0h

Table 24-29. IRQMASK Register Field Descriptions

Bit	Field	Type	Reset	Description
31-6	RESERVED	R	0h	Reserved
5	AIF_DMA_IN	R/W	0h	IRQFLAGS.AIF_DMA_IN interrupt mask 0: Disable 1: Enable
4	AIF_DMA_OUT	R/W	0h	IRQFLAGS.AIF_DMA_OUT interrupt mask 0: Disable 1: Enable
3	WCLK_TIMEOUT	R/W	0h	IRQFLAGS.WCLK_TIMEOUT interrupt mask 0: Disable 1: Enable
2	BUS_ERR	R/W	0h	IRQFLAGS.BUS_ERR interrupt mask 0: Disable 1: Enable
1	WCLK_ERR	R/W	0h	IRQFLAGS.WCLK_ERR interrupt mask 0: Disable 1: Enable
0	PTR_ERR	R/W	0h	IRQFLAGS.PTR_ERR interrupt mask. 0: Disable 1: Enable

24.9.1.27 IRQFLAGS Register (Offset = 74h) [Reset = 0000000h]

IRQFLAGS is shown in [IRQFLAGS Register](#) and described in [IRQFLAGS Register Field Descriptions](#).

Return to the [I²S Registers](#).

Raw Interrupt Status Register

Figure 24-38. IRQFLAGS Register

31	30	29	28	27	26	25	24
RESERVED							
R-0h							
23	22	21	20	19	18	17	16
RESERVED							
R-0h							
15	14	13	12	11	10	9	8
RESERVED							
R-0h							
7	6	5	4	3	2	1	0
RESERVED		AIF_DMA_IN	AIF_DMA_OUT	WCLK_TIMEOUT	BUS_ERR	WCLK_ERR	PTR_ERR
R-0h		R-0h	R-0h	R-0h	R-0h	R-0h	R-0h

Table 24-30. IRQFLAGS Register Field Descriptions

Bit	Field	Type	Reset	Description
31-6	RESERVED	R	0h	Reserved
5	AIF_DMA_IN	R	0h	Set when condition for this bit field event occurs (auto cleared when input pointer is updated - AIFINPTRNEXT), see description of AIFINPTRNEXT register for details.
4	AIF_DMA_OUT	R	0h	Set when condition for this bit field event occurs (auto cleared when output pointer is updated - AIFOUTPTRNEXT), see description of AIFOUTPTRNEXT register for details
3	WCLK_TIMEOUT	R	0h	Set when the sample stamp generator does not detect a positive WCLK edge for 65535 clk periods. This signalizes that the internal or external BCLK and WCLK generator source has been disabled. The bit is sticky and may only be cleared by software (by writing '1' to IRQCLR.WCLK_TIMEOUT).
2	BUS_ERR	R	0h	Set when a DMA operation is not completed in time (that is audio output buffer underflow, or audio input buffer overflow). This error requires a complete restart since word synchronization has been lost. The bit is sticky and may only be cleared by software (by writing '1' to IRQCLR.BUS_ERR). Note that DMA initiated transactions to illegal addresses will not trigger an interrupt. The response to such transactions is undefined.
1	WCLK_ERR	R	0h	Set when: - An unexpected WCLK edge occurs during the data delay period of a phase. Note unexpected WCLK edges during the word and idle periods of the phase are not detected. - In dual-phase mode, when two WCLK edges are less than 4 BCLK cycles apart. - In single-phase mode, when a WCLK pulse occurs before the last channel. This error requires a complete restart since word synchronization has been lost. The bit is sticky and may only be cleared by software (by writing '1' to IRQCLR.WCLK_ERR).

Table 24-30. IRQFLAGS Register Field Descriptions (continued)

Bit	Field	Type	Reset	Description
0	PTR_ERR	R	0h	Set when AIFINPTRNEXT or AIFOUTPTRNEXT has not been loaded with the next block address in time. This error requires a complete restart since word synchronization has been lost. The bit is sticky and may only be cleared by software (by writing '1' to IRQCLR.PTR_ERR).

24.9.1.28 IRQSET Register (Offset = 78h) [Reset = 0000000h]

IRQSET is shown in [IRQSET Register](#) and described in [IRQSET Register Field Descriptions](#).

Return to the [I2S Registers](#).

Interrupt Set Register

Figure 24-39. IRQSET Register

31	30	29	28	27	26	25	24
RESERVED							
R-0h							
23	22	21	20	19	18	17	16
RESERVED							
R-0h							
15	14	13	12	11	10	9	8
RESERVED							
R-0h							
7	6	5	4	3	2	1	0
RESERVED		AIF_DMA_IN	AIF_DMA_OUT	WCLK_TIMEO UT	BUS_ERR	WCLK_ERR	PTR_ERR
R-0h		W-0h	W-0h	W-0h	W-0h	W-0h	W-0h

Table 24-31. IRQSET Register Field Descriptions

Bit	Field	Type	Reset	Description
31-6	RESERVED	R	0h	Reserved
5	AIF_DMA_IN	W	0h	1: Sets the interrupt of IRQFLAGS.AIF_DMA_IN (unless a auto clear criteria was given at the same time, in which the set will be ignored)
4	AIF_DMA_OUT	W	0h	1: Sets the interrupt of IRQFLAGS.AIF_DMA_OUT (unless a auto clear criteria was given at the same time, in which the set will be ignored)
3	WCLK_TIMEOUT	W	0h	1: Sets the interrupt of IRQFLAGS.WCLK_TIMEOUT
2	BUS_ERR	W	0h	1: Sets the interrupt of IRQFLAGS.BUS_ERR
1	WCLK_ERR	W	0h	1: Sets the interrupt of IRQFLAGS.WCLK_ERR
0	PTR_ERR	W	0h	1: Sets the interrupt of IRQFLAGS.PTR_ERR

24.9.1.29 IRQCLR Register (Offset = 7Ch) [Reset = 0000000h]

IRQCLR is shown in [IRQCLR Register](#) and described in [IRQCLR Register Field Descriptions](#).

Return to the [I2S Registers](#).

Interrupt Clear Register

Figure 24-40. IRQCLR Register

31	30	29	28	27	26	25	24
RESERVED							
R-0h							
23	22	21	20	19	18	17	16
RESERVED							
R-0h							
15	14	13	12	11	10	9	8
RESERVED							
R-0h							
7	6	5	4	3	2	1	0
RESERVED		AIF_DMA_IN	AIF_DMA_OUT	WCLK_TIMEO UT	BUS_ERR	WCLK_ERR	PTR_ERR
R-0h		W-0h	W-0h	W-0h	W-0h	W-0h	W-0h

Table 24-32. IRQCLR Register Field Descriptions

Bit	Field	Type	Reset	Description
31-6	RESERVED	R	0h	Reserved
5	AIF_DMA_IN	W	0h	1: Clears the interrupt of IRQFLAGS.AIF_DMA_IN (unless a set criteria was given at the same time in which the clear will be ignored)
4	AIF_DMA_OUT	W	0h	1: Clears the interrupt of IRQFLAGS.AIF_DMA_OUT (unless a set criteria was given at the same time in which the clear will be ignored)
3	WCLK_TIMEOUT	W	0h	1: Clears the interrupt of IRQFLAGS.WCLK_TIMEOUT (unless a set criteria was given at the same time in which the clear will be ignored)
2	BUS_ERR	W	0h	1: Clears the interrupt of IRQFLAGS.BUS_ERR (unless a set criteria was given at the same time in which the clear will be ignored)
1	WCLK_ERR	W	0h	1: Clears the interrupt of IRQFLAGS.WCLK_ERR (unless a set criteria was given at the same time in which the clear will be ignored)
0	PTR_ERR	W	0h	1: Clears the interrupt of IRQFLAGS.PTR_ERR (unless a set criteria was given at the same time in which the clear will be ignored)

The radio in the CC13x1x3 and CC26x1x3 device platform offers a wide variety of different operational modes, covering many different packet formats. The radio firmware executes from the CC13x1x3 and CC26x1x3 platform radio domain on an Arm® Cortex®-M0 processor, which can provide extensive baseband automation. The application software interfaces and interoperates with the radio firmware using shared memory interface (system RAM or radio RAM) and specific handshake hardware (radio doorbell).

25.1 RF Core	1660
25.2 Radio Doorbell	1662
25.3 RF Core HAL	1666
25.4 Data Queue Usage	1705
25.5 IEEE 802.15.4	1709
25.6 Bluetooth® low energy	1734
25.7 Data Handling	1756
25.8 Radio Operation Command Descriptions	1757
25.9 Immediate Commands	1796
25.10 Proprietary Radio	1797
25.11 Radio Registers	1817

25.1 RF Core

The RF core contains an Arm® Cortex®-M0 processor that interfaces the analog RF and baseband circuits, handles data to and from the system side, and assembles the information bits in a given packet structure. The RF core offers a high-level, command-based application program interface (API) to the system CPU (Arm Cortex-M4 processor). The RF core can autonomously handle the time-critical aspects of the radio protocols (802.15.4 RF4CE and Zigbee®, Bluetooth® low energy, and so on), thus offloading the system CPU and leaving more resources for the user's application.

The RF core has a dedicated 8 kB retention SRAM block and a 4 kB nonretention SRAM block and runs almost entirely from separate ROM. The contents of the nonretention SRAM block is lost every time the radio is powered down.

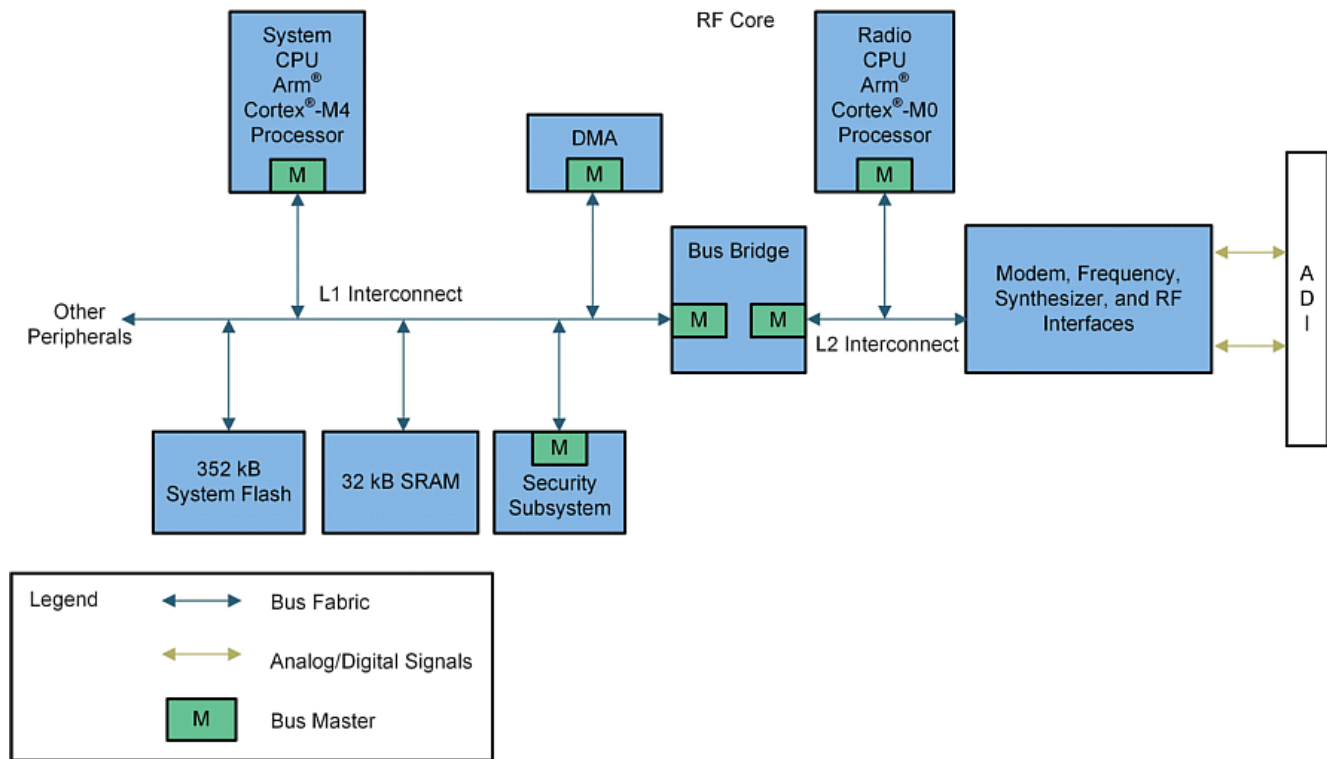
25.1.1 High-Level Description and Overview

The RF core receives high-level requests from the system CPU and performs all the necessary transactions to fulfill them. These requests are basically oriented to the transmission and reception of information through the radio channel, but can also include additional maintenance tasks such as calibration, test, or debug features.

As a general framework, the transactions between the system CPU and the RF core operate as follows:

- The RF core can access data and configuration parameters from the system RAM. This reduces the memory requirements of the RF core, avoids needless traffic between the different parts of the system, and reduces the total energy consumption.
- In a similar fashion, the RF core can decode and write back the contents of the received radio packet, together with status information, to the system RAM.
- For protocol confidentiality and authentication support purposes, the RF core can also access the security subsystem.
- In general, the RF core recognizes complex commands from the system CPU (CCA transmissions, RX with automatic acknowledge, and so forth) and divides them into subcommands without further intervention from the system CPU.

Figure 25-1 shows the external interfaces and dependencies of the RF core.



Copyright © 2021, Texas Instruments Incorporated

Figure 25-1. Limited RF Core Overview With External Dependencies

Each block shown in Figure 25-1 performs the following functions:

System Side

- System CPU: Main system processor that runs the user’s application, together with the high-level protocol stack (for a number of supported configurations) and eventually some higher-level MAC features for some protocols. The system CPU runs code from the boot ROM and the system flash.
- System RAM: Contains packet information (TX and RX payloads) and the different parameters or configuration options for a given transaction.
- Security Subsystem: Encompasses the different elements to provide protocol confidentiality and authentication.
- DMA: Optionally charged with the task of moving information from the radio RAM to the system RAM and vice versa, if direct CPU access is not used.

Radio Side

- Radio CPU: Main RF core processor. Receives high-level commands from the system CPU and schedules them into the different parts of the RF core.
- Modem, Frequency Synthesizer, RF Interfaces: This is the core of the radio, converting the bits into modulated signals and vice versa.

25.2 Radio Doorbell

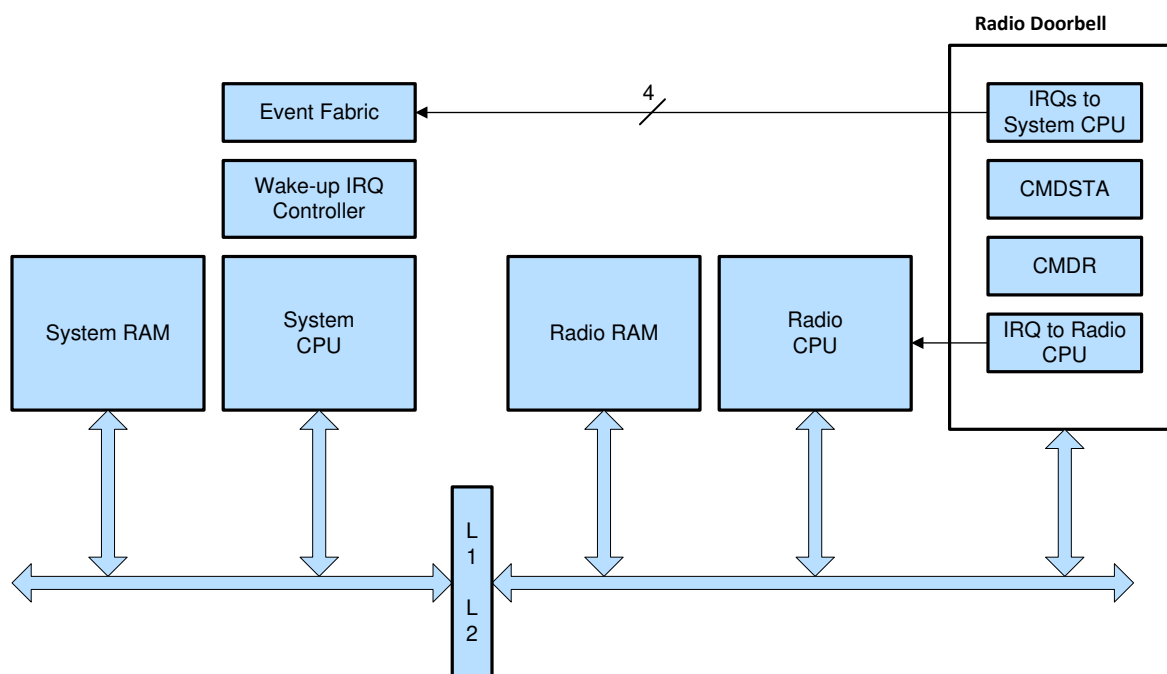
The radio doorbell module (RFC_DBELL) is the primary means of communication between the system CPU and the radio CPU, also known as command and packet engine (CPE). The radio doorbell contains a set of dedicated registers, parameters in any of the RAMs of the device platform, and a set of interrupts to both the radio CPU and to the system CPU.

In addition, parameters and payload are transferred through the system RAM or the radio RAM. If any parameters or payload are in the system RAM, the system CPU must remain powered. However, if everything is in the radio RAM, the system CPU may go into power-down mode to save current.

During operation, the radio CPU updates parameters and payload in RAM and raises interrupts. The system CPU can mask out interrupts so that it remains in idle or power-down mode until the entire radio operation finishes.

Because the system CPU and the radio CPU share a common RAM area, ensure that no contention or race conditions can occur. This is achieved in software by rules set up in the radio hardware abstraction layer (HAL).

Figure 25-2 shows the relevant modules for information exchange between the CPUs.



Copyright © 2017, Texas Instruments Incorporated

Figure 25-2. Hardware Support for the HAL

25.2.1 Special Boot Process

The PRCM:RFCBITS register aggregates control information to be evaluated by the CPE at boot. The features can be enabled/disabled individually by setting the corresponding bit, and help to automate the most commonly used functionalities, see Table 25-1.

Table 25-1. Format of RFCBITS for Enabling Selected Features as Part of Boot Process

Bit Index	Value	Description
0	1	Special boot sequence
1..2	0	Boot options
3	x	If 1, force on all clocks that are enabled at boot time
4	x	If 1, request system bus immediately
5	x	If 1, start radio timer immediately

Table 25-1. Format of RFCBITS for Enabling Selected Features as Part of Boot Process (continued)

Bit Index	Value	Description
6	x	If 1, disable pointer checks immediately
7	x	If 1, assume the RF core retention RAM is initialized
8..11	x	Reserved
12	x	If 1, enable interrupts Command_Started and FG_Command_Started to be generated (PG2.0 only)
13..28	0	Reserved
29..31	7	Special boot option

25.2.2 Command and Status Register and Events

Sending commands to the radio is done through the CMDR register, while the CMDSTA read-only register provides status back from the radio. The CMDR register can only be written while it reads 0; otherwise, writes are ignored. When the CMDR register is 0 and a nonzero value is written to it, the radio CPU is notified and the CMDSTA register becomes 0. After this action, the value written is readable from the CMDR register until the radio CPU has processed the command, at which point it goes back to 0.

When the command is processed by the radio CPU, the CMDSTA register contains a nonzero status, which is provided at the same instant when the CMDR register goes back to 0. At this instant, an RFCMDACK interrupt occurs. This interrupt is also mapped to the RFACKIFG register, which should be cleared when the interrupt is processed.

See [Section 25.3.2](#) for the format of the command and status registers.

25.2.3 RF Core Interrupts

The RF core has four interrupt lines to the Arm Cortex-M4 processor (see [Figure 25-2](#)). The following interrupts are controlled by the radio doorbell module:

- RF_CPE0 (interrupt number 9)
- RF_CPE1 (interrupt number 2)
- RF_HW (interrupt number 10)
- RF_CMD_ACK (interrupt number 11)

25.2.3.1 RF Command and Packet Engine Interrupts

The two system-level interrupts RF_CPE0 and RF_CPE1 can be produced from a number of low-level interrupts produced by the CPE. Each of these low-level interrupts can be mapped to RF_CPE0 or RF_CPE1 using the RFCPEISL register. In addition, interrupt generation at system level may be switched on and off using the RFCPEIEN register.

In case of an event that triggers a low-level interrupt, the corresponding bit in the RFCPEIFG register is set to 1. Whenever a bit in RFCPEIFG and the corresponding bit in RFCPEIEN are both 1, the system-level interrupt selected in RFCPEISL is raised. This means that the interrupt service routine (ISR) must clear the bits in RFCPEIFG that correspond to low-level interrupts that have been processed.

The register description for RFCPEIFG in [Section 25.11.2](#) provides a list of the available interrupts.

Clear bits in RFCPEIFG by writing 0 to those bits, while any bits written to 1 remain unchanged.

Note

When clearing bits in the RFCPEIFG register, interrupts may be lost if a read-modify-write operation is done because interrupt flags that became active between the read and write operation might be lost. Thus, clearing an interrupt flag should be done as follows:

```
HWREG(RFC_DBELL_BASE + RFC_DBELL_O_RFCPEIFG) = ~(1 << irq_no);
```

and not as:

```
HWREG(RFC_DBELL_BASE + RFC_DBELL_O_RFCPEIFG) &= ~(1 << irq_no); // wrong
```

25.2.3.2 RF Core Hardware Interrupts

The system-level interrupt RF_HW can be produced from a number of low-level interrupts produced by RF core hardware. Interrupt generation at system level may be switched on and off for each source by using the RFHWEN register.

In the case of an event that triggers a low-level interrupt, the corresponding bit in the RFHWIFG register is set to 1. Whenever a bit in RFHWIFG and the corresponding bit in RFHWIEN are both 1, the RF_HW interrupt is raised. This means that the ISR should clear the bits in RFHWIFG that correspond to low-level interrupts that have been processed.

The register description for RFHWIFG in [Section 25.11.2](#) provides a list of the available interrupts. In general, TI does not recommend servicing these interrupts in the System CPU, but the available radio timer channel interrupts may be served this way.

Clearing bits in RFHWIFG is done by writing 0 to those bits, while any bits written to 1 remain unchanged.

Note

When clearing bits in RFHWIFG, interrupts may be lost if a read-modify-write operation is done. Therefore, the same rule applies for the RFHWIFG register as for RFCPEIFG (see [Section 25.2.3.1](#)).

25.2.3.3 RF Core Command Acknowledge Interrupt

The system-level interrupt RF_CMD_ACK is produced when an RF core command is acknowledged, that is, when the status becomes available in CMDSTA (see [Section 25.11.2](#)). When the status becomes available, the RFACKIFG.ACKFLAG register bit is set to 1. Whenever this bit is 1, the RF_CMD_ACK interrupt is raised, which means that the ISR must clear RFACKIFG.ACKFLAG when processing the RF_CMD_ACK interrupt.

25.2.4 Radio Timer

The radio has its own dedicated timer, the radio timer (RAT) module. The RAT is a free-running 32-bit timer that runs on 4 MHz. The RAT has eight channels with compare and capture functionality. Five of these channels are reserved for the radio CPU, while the remaining three are available for use by the System CPU. The available channels are numbered 5, 6, and 7.

The RAT can only run while the RF core is powered up. The RAT must be started by the command CMD_START_RAT or CMD_SYNC_START_RAT. The radio timer must be running to run a radio operation command with delayed start or any radio operation command that runs the receiver or transmitter.

When the RAT is running, the current value of the timer can be read from the RATCNT register (see [Section 25.11.1](#)).

25.2.4.1 Compare and Capture Events

The available channels may be set up in compare mode or capture mode.

Compare mode can be set up using the CMD_SET_RAT_CMP command (see [Section 25.3.3.2.10](#)). In this case, the timer generates an interrupt when the counter reaches the value given by compareTime. The interrupt is

mapped to RFHWIFG (see [Section 25.2.3.2](#) and [Section 25.11.2](#)). For the available RAT channels, the interrupt flags in use are RATCH5, RATCH6, and RATCH7. Optionally, it is also possible to control an I/O pin when the counter reaches the value given by compareTime (see [Section 25.2.4.2](#)). When the CMD_SET_RAT_CMP command is sent, the value of compareTime is stored in the radio channel value register (RATCHnVAL) corresponding to the selected channel (see [Section 25.11.1](#)).

Capture mode can be used to capture a transition on an input pin and record the RAT counter value at the time when the transition occurred. Compare mode can be set up using the CMD_SET_RAT_CPT command (see [Section 25.3.3.2.11](#)). When the transition occurs, the current value of the RAT is stored in the RATCHnVAL register corresponding to the selected channel (see [Section 25.11.1](#)), and the timer generates an interrupt. As for compare mode, the interrupt is mapped to RFHWIFG. For the available RAT channels, the interrupt flags in use are RATCH5, RATCH6, and RATCH7. If single-capture mode is configured in CMD_SET_CPT, only the first transition is captured, unless the channel is armed again, as explained in the following paragraph. If repeated mode is configured, every transition is captured.

Note

In this case, the captured value in RATCHnVAL register may be overwritten at any time if a new transition occurs.

A channel set up in compare mode or single capture mode may be armed or disarmed. When CMD_SET_RAT_CMP or CMD_SET_RAT_CPT is sent, the channel is armed automatically, and when the capture or compare event occurs, the channel is disarmed automatically. A disarmed channel does not produce any interrupt or cause any timer value to be captured. In addition, a channel may be armed or disarmed using CMD_ARM_RAT_CH or CMD_DISARM_RAT_CH (see [Section 25.3.3.2.14](#) through [Section 25.3.3.2.15](#)). While disarmed, the channel keeps its configuration. To disable a channel that is not going to be re-armed with the same configuration, the CMD_DISABLE_RAT_CH command may be used (see [Section 25.3.3.2.12](#)).

25.2.4.2 Radio Timer Outputs

The RAT module has four controllable outputs, RAT_GPO0 through RAT_GPO3. These signals may be controlled by one of the RAT channels and mapped to signals available for the IOC using the SYSGPOCTL register (see [Section 25.11.2](#)). The signal RAT_GPO0 is reserved for starting the transmitter and is controlled internally by the radio CPU (see [Section 25.3.2.8](#)). The other three signals may be configured using the CMD_SET_RAT_OUTPUT command (see [Section 25.11.2](#)). The different output modes indicate the transition of the output when an interrupt occurs on the chosen RAT channel except for the always-0 and always-1 configurations, which take effect immediately and may be used for initialization.

25.2.4.3 Synchronization With Real-Time Clock

When the radio is powered down, the RAT module is not counting. To keep a consistent time base over time for synchronized protocols, it is possible to synchronize the radio timer with the real-time clock (RTC) (see [Chapter 16](#)).

To allow synchronization after power up, the CMD_SYNC_STOP_RAT command (see [Section 25.3.3.1.10](#)) must be sent before RF core is powered down. This command (until the next RTC tick) stops the radio timer and returns a parameter rat0, should be stored and provided when the radio timer is restarted.

The next time the RF core is powered up and the RAT is started, this synchronization must be done using CMD_SYNC_START_RAT (see [Section 25.3.3.1.11](#)), where the rat0 parameter obtained from CMD_SYNC_STOP_RAT must be provided. This command starts the RAT, waits for an RTC tick, and adjusts the RAT. Depending on the application, it may not be necessary to run the CMD_SYNC_STOP_RAT command every time the radio is powered down; a previous value of rat0 may be reused. In some cases, however, this may cause issues if the radio is powered for a long time and the low-frequency and high-frequency crystal oscillators have a significant error relative to each other.

To get accurate synchronization, it is important that the system is running on the high-frequency crystal oscillator starting before the CMD_SYNC_START_RAT command is run and extending to after the CMD_SYNC_STOP_RAT command is finished.

Note

For the CMD_SYNC_START_RAT and CMD_SYNC_STOP_RAT commands, the AON_RTC:CTL_RTC_UPD_EN register bit must be set to 1 (see [Section 16.4.1](#)). It is never necessary to reset this bit to 0; it may be set permanently to 1 when the RTC is started.

25.3 RF Core HAL

The RF core hides the complexity of the radio operations by providing a unified HAL to the system CPU.

Note

To ensure optimum radio performance always use the latest radio patches provided by TI. See the product pages on www.ti.com for the latest patches.

25.3.1 Hardware Support

The radio HAL is supported by hardware, by means of the radio doorbell module in the RF core area and command descriptors in the system RAM.

25.3.2 Firmware Support

The RF core accepts a set of high-level primitives. The desired functionality is described at a high level in [Section 25.3.2.1](#) through [Section 25.3.2.8](#).

25.3.2.1 Commands

The radio CPU allows the user run a set of high-level primitives or commands from the system CPU. After a command is issued through the CMDR register, the radio CPU examines it and decides a course of action.

Three classes of commands are issued:

- Radio operation command
- Immediate command
- Direct command

For the first two classes of commands, CMDR contains a pointer to a command structure. This pointer must be a valid pointer with 32-bit word alignment, so the 2 least significant bits (LSBs) must be 0 0, as shown in [Figure 25-3](#). A direct command is signaled by setting the 2 LSBs to 01 or 10 and placing the command ID number in bits 16 to 31 of CMDR. Bits 8 through 15, or alternatively 2 through 15, may be used as an optional byte parameter. [Figure 25-4](#) shows the format for a direct command.

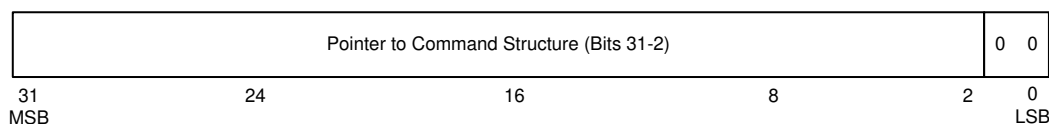


Figure 25-3. CMDR Register for Radio Operation Commands and Immediate Commands

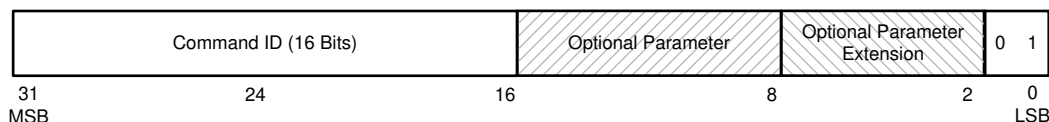


Figure 25-4. CMDR Register for Direct Commands

The data structure pointed to by the CMDR register for radio operation and immediate commands may be in the system RAM or the radio RAM. The system CPU must ensure that the memory area in use is free for access, in particular when using the radio RAM, where a part of the memory is reserved for use by the radio CPU. This information may be obtained with the CMD_GET_FW_INFO command (see [Section 25.3.3.2.6](#)). The format of

the command follows the structure given in [Section 25.3.2.6](#) and [Section 25.3.2.6.1](#), and they are defined in more detail specifically for each command.

When deciding in which memory area to place data, consider which modules may be powered down:

- The radio RAM is accessible for the radio CPU at any time, but does not have retention when the radio is powered down. Data that must be retained must therefore be copied into or out of the radio RAM whenever the radio is powered up or down, respectively.

- The system RAM has retention in most low-power modes. If the system side is powered down, the radio CPU requests that it is powered up again to access the RAM. The active current consumption from the radio CPU accessing the system RAM is higher than the current consumption from accessing the radio RAM, especially if the system side could otherwise have been powered down.
- The lowest peak-power consumption is obtained by putting all data structures in the radio RAM and powering down the system side while the radio CPU is running. In some cases the average power consumption may be lower by putting data structures in the system RAM, as less copying is then needed, and the system side can still be powered down for long periods (for instance, while the receiver is in sync search).

A radio operation command causes the radio hardware to be accessed. Radio operation commands can do operations such as transmitting or receiving a packet, setting up radio hardware registers, or doing more complex, protocol-dependent operations. A radio operation command can normally be issued only while the radio is idle.

An immediate command is a command to change or request status of the radio, or to manipulate TX or RX data queues. An intermediate command can monitor status such as received signal strength. An immediate command can be issued at any time, but the response is, in many cases, only of interest while a radio operation is ongoing.

A direct command is an immediate command with no parameters, or in some cases, a direct command has 1- or 2-byte parameters. A direct command is issued by sending a value to the CMDR register with the format of [Figure 25-4](#). The 16 most significant bits (MSBs) contain the command ID of the immediate command to run. Bits 8 through 15 or bits 2 through 15 may contain an optional parameter if specified for the command.

25.3.2.2 Command Status

After a command is issued, the CMDSTA register is updated by the radio CPU, causing an RFCMDACK interrupt to be sent back to the system CPU. This update occurs after the command finishes for immediate and direct commands and after the command is scheduled for radio operation commands. No new command may be issued until this interrupt is received. The CMDSTA register consists of 32 bits; the 8 LSBs give the result, while the upper 24 bits may be used for specific signaling in each command. [Figure 25-5](#) shows this format.

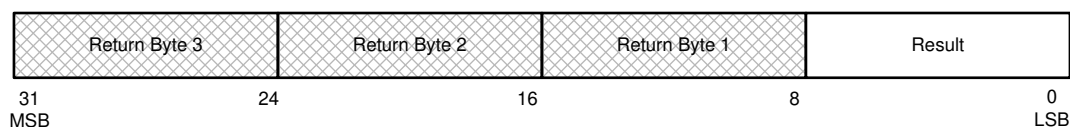


Figure 25-5. Format of CMDSTA Register

In the result byte, bit 7 indicates whether an error occurred or not. The result byte of 0x00, meaning *pending*, is produced automatically by the radio doorbell hardware when a command is issued, and the other bits in the CMDSTA register also become 0, which is the value of CMDSTA before the RF_CMD_ACK interrupt is raised.

[Table 25-2](#) lists the values of the result byte in the CMDSTA register.

Table 25-2. Values of the Result Byte in the CMDSTA Register

Value	Name	Description
No Error		
0x00	Pending	The command has not been parsed.
0x01	Done	Immediate command: The command finished successfully. Radio operation command: The command was successfully submitted for execution.
Error		
0x81	IllegalPointer	The pointer signaled in CMDR is not valid.
0x82	UnknownCommand	The command ID number in the command structure is unknown.
0x83	UnknownDirCommand	The command number for a direct command is unknown, or the command is not a direct command.
0x85	ContextError	An immediate or direct command was issued in a context where it is not supported.

Table 25-2. Values of the Result Byte in the CMDSTA Register (continued)

Value	Name	Description
0x86	SchedulingError	A radio operation command was attempted to be scheduled while another operation was already running in the RF core. The new command is rejected, while the command already running is not impacted.
0x87	ParError	There were errors in the command parameters that are parsed on submission. For radio operation commands, errors in parameters parsed after start of the command are signaled by the command ending, and an error is indicated in the status field of that command structure.
0x88	QueueError	An operation on a data entry queue was attempted, but the operation was not supported by the queue in its current state.
0x89	QueueBusy	An operation on a data entry was attempted while that entry was busy.

In addition to the command status register, each radio operation command contains a status field (see [Table 25-9](#)). This field may have values in the following categories.

- Idle: The command has not started.
- Pending: The command is parsed, but the start trigger has not yet occurred.
- Active: The command is running.
- Suspended: The command was active, and may become active again. The command is supported only by certain IEEE 802.15.4 commands.
- Finished: The command is finished, and the system CPU is free to modify the command structure or free memory.
- Skipped: The command was skipped and never executed.

[Table 25-3](#) lists the status codes for common commands and when parsing any command before starting.

Table 25-3. Common Radio Operation Status Codes

Number	Name	Description
Operation Not Finished		
0x0000	IDLE	Operation has not started.
0x0001	PENDING	Waiting for start trigger.
0x0002	ACTIVE	Running operation.
0x0003	SKIPPED	Operation skipped due to condition in another command.
Operation Finished Normally		
0x0400	DONE_OK	Operation ended normally.
0x0401	DONE_COUNTDOWN	Counter reached zero.
0x0402	DONE_RXERR	Operation ended with CRC error.
0x0403	DONE_TIMEOUT	Operation ended with time-out.
0x0404	DONE_STOPPED	Operation stopped after CMD_STOP command.
0x0405	DONE_ABORT	Operation aborted by CMD_ABORT command.
Operation Finished With Error		
0x0800	ERROR_PAST_START	The start trigger occurred in the past.
0x0801	ERROR_START_TRIG	Illegal start trigger parameter.
0x0802	ERROR_CONDITION	Illegal condition for next operation.
0x0803	ERROR_PAR	Error in a command specific parameter.
0x0804	ERROR_POINTER	Invalid pointer to next operation.
0x0805	ERROR_CMDID	Next operation has a command ID that is undefined or not a radio operation command.
0x0807	ERROR_NO_SETUP	Operation using RX, TX or synthesizer attempted without CMD_RADIO_SETUP.
0x0808	ERROR_NO_FS	Operation using RX or TX attempted without the synthesizer being programmed or powered on.

Table 25-3. Common Radio Operation Status Codes (continued)

Number	Name	Description
0x0809	ERROR_SYNTN_PROG	Synthesizer programming failed.
0x080A	ERROR_TXUNF	Modem TX underflow observed.
0x080B	ERROR_RXOVF	Modem RX overflow observed.
0x080C	ERROR_NO_RX	Data requested from last RX when no such data exists.

When the system CPU prepares a command structure, the CPU should initialize the status field to IDLE. Commands may be set up in a loop. If so, the system CPU must not modify command structures until the radio CPU becomes idle (the system CPU receives a LAST_COMMAND_DONE interrupt, even if the status is finished or skipped (see [Section 25.11.2](#)).

25.3.2.3 Interrupts

The radio CPU has 32 software interrupt sources that generate the RFCPE0 and RFCPE1 interrupts in the system CPU. An interrupt flag register can tell which software interrupt is raised, and the interrupts are enabled individually. In addition, the RFCMDACK interrupt is raised automatically when CMDSTA is updated.

Some software-defined interrupts have a common meaning across all commands; the details of each of the other interrupts are defined for each protocol that uses a particular interrupt. Some interrupts are used in only one protocol, while others are used in several protocols. The interrupts are listed in the description of the RFCPEIFG register (see [Section 25.11.2](#)).

25.3.2.4 Passing Data

There are two basic ways to pass data transmitted or received over the air: directly or through a queue.

The most straight-forward way to pass data is to append it as part of the command parameters (directly or through a pointer). The exact format depends on the command being run; normally there is a length field and a data buffer for TX and a maximum length, received length (if variable length), and receive buffer for RX.

Queues are used to support operations where the number of packets received or transmitted cannot be known in advance. An operation can use one or more queues, for instance one RX and one TX queue for a combined RX/TX operation. Any operation using queues uses a common system for maintaining them, as explained in [Section 25.3.2.7](#). For each radio command, it is stated whether they use a queue or a single buffer.

A radio operation command declares which data method is used.

25.3.2.5 Command Scheduling

The system CPU is responsible for scheduling the commands as required. When using low-power modes, the system CPU must wake up a short time before the start of the next operation, using the RTC.

A radio operation command can be scheduled with a delayed start (see [Section 25.3.2.5.1](#)). If a command is started with a delay, the radio CPU goes to idle mode until the command starts. The radio operation command is considered to be running during this delay, and no other radio operation command can be scheduled unless the pending command is aborted or stopped first.

The system CPU can schedule back-to-back radio operation commands by using the next operation pointer in any radio operation command. This pointer can point to the next command to perform in the chain, and by this method, complex operations can be made. Under some conditions (such as an error or the expiration of a timer), the next command is not started. Instead, the operation ends or a number of commands may be skipped (see [Section 25.3.2.5.2](#)). If a new command is scheduled while another command is running, the system CPU must wait for the previous command or chain of commands to finish. The IEEE 802.15.4 commands have exceptions for this rule.

When a radio operation command is finished, the radio CPU raises a `COMMAND_DONE` interrupt to the system CPU. If a number of commands are chained as explained previously, the `COMMAND_DONE` interrupt is raised after each command, while the `LAST_COMMAND_DONE` interrupt is raised after the last command in the chain. For one nonchained command, the `LAST_COMMAND_DONE` interrupt is also raised after the command. When `LAST_COMMAND_DONE` is raised, `COMMAND_DONE` is always raised at the same time. Before raising the `COMMAND_DONE` interrupt, the radio CPU updates the status field of the command structure to a status that indicates the command is finished. The radio CPU does not access the command structure after raising the `COMMAND_DONE` interrupt.

25.3.2.5.1 Triggers

Triggers can be used to set up a start time, or for other specific purposes in specific radio operation commands. A common trigger byte definition exists, as defined in [Table 25-4](#).

Table 25-4. Format of Trigger Definition Byte

Bit Index	Field	Description
0–3	triggerType	The type of trigger
4	bEnaCmd	0: No alternative trigger command. 1: CMD_TRIGGER can be used as an alternative trigger.
5–6	triggerNo	The trigger number of the CMD_TRIGGER command that triggers this action.
7	pastTrig	0: A trigger in the past is never triggered, or for start of commands, give an error. 1: A trigger in the past is triggered as soon as possible.

The triggerType can take the values listed in [Table 25-5](#). Other values are reserved.

Table 25-5. Supported Trigger Types

Number	Name	Description
0	TRIG_NOW	Now (not applicable to end triggers)
1	TRIG_NEVER	Never (except possibly by CMD_TRIGGER if bEnaCmd = 1)
2	TRIG_ABSTIME	At absolute time, given by timer parameter
3	TRIG_REL_SUBMIT	At a time relative to the time the command was submitted
4	TRIG_REL_START	At a time relative to start of this command (not allowed for start triggers)
5	TRIG_REL_PREVSTART	At a time relative to the start of the previous command
6	TRIG_REL_FIRSTSTART	At a time relative to the start of the first command of the chain
7	TRIG_REL_PREVEND	At a time relative to the end of the previous command
8	TRIG_REL_EVT1	At a time relative to event 1 of the previous command
9	TRIG_REL_EVT2	At a time relative to event 2 of the previous command
10	TRIG_EXTERNAL	On an external trigger input to the RAT

A 32-bit time parameter is used together with all triggers except for TRIG_NOW and TRIG_NEVER. Absolute timing uses the value of the 32-bit RAT. Relative timing uses the number of RAT ticks. The external trigger uses an identifier of source and edge, as defined in [Table 25-6](#).

Table 25-6. Fields of Time Parameter for External Event Trigger

Bit Index	Field	Description
0–1		Reserved
2–3	inputMode	Input mode 00: Rising edge 01: Falling edge 10: Both edges 11: Reserved
4–7		Reserved
8–12	source	22: RFC_GPIO 23: RFC_GPIO1 Others: Reserved
13–31		Reserved

Relative timing can either be relative to the time of submitting the command chain, to the start of the command, to the start of the previous or first command, or to certain observed events inside the command, to be defined for each command. The following rules apply:

- For the first command in a chain, if the start trigger is any of the types 5 through 9, the start is immediate. If another trigger referenced in the first command in a chain is any of the types 5 through 9, the trigger time is relative to the time the command was submitted.
- If the start trigger of a command is TRIG_REL_START, an error is produced.
- If the start trigger of a command is TRIG_NEVER and bEnaCmd is 0, an error is produced.
- Some radio operation commands define events 1 and 2. These are context-dependent events that can be observed by the radio CPU. See the description of each command for a definition in that context. If undefined, these events are the time of the start of the command.

If bEnaCmd is 1, the action may also be triggered with a command (CMD_TRIGGER command, see [Section 25.3.3.2.5](#)). The triggerNo parameter identifies the trigger number of this command.

If a trigger occurs in the past when evaluated, the behavior depends on the pastTrig bit. If this bit is 0, the trigger does not occur, or for start triggers, an error is produced. If this bit is 1, the trigger occurs as soon as possible. If the pastTrig bit is 1 for start triggers, timing relative to the start of the command is relative to the programmed start time, not the actual start time.

For an external trigger, the radio CPU sets the RAT to use the selected input event as a one-capture trigger; the CPU then uses this capture interrupt to trigger the action. If the event occurs before the setup occurs, the event is not captured, and the pastTrig bit is ignored.

25.3.2.5.2 Conditional Execution

The execution of a command may be conditional on the result of the previous command. For each command, three results are possible:

- TRUE
- FALSE
- ABORT

The criteria are defined for each command. If not defined, the result is TRUE unless the command ended with an error, in which case the result is ABORT.

Each command structure contains a condition for running the next command. The condition byte is as given in [Table 25-7](#). If the rule is COND_SKIP_ON_FALSE or COND_SKIP_ON_TRUE, the number of commands to skip is signaled in the nSkip field. If the number of skips is zero, rerun the same command. If the number of skips is one, run the next command in the chain. If the number of skips is two, run the command after the next, and so forth. If the rule is COND_NEVER and no previous commands use skipping, the next command pointer is ignored and may be NULL.

Table 25-7. Format of Condition Byte

Bit Index	Field Name	Description
0–3	rule	Rule for how to proceed, as defined in Table 25-8
4–7	nSkip	Number of skips + 1 if the rule involves skipping 0: Same, 1: next, 2: skip next, ...

Table 25-8. Condition Rules

Number	Name	Description
0	COND_ALWAYS	Always run next command (except in case of ABORT).
1	COND_NEVER	Never run next command (next command pointer can still be used for skip).
2	COND_STOP_ON_FALSE	Run next command if this command returned TRUE, stop if it returned FALSE.
3	COND_STOP_ON_TRUE	Stop if this command returned TRUE, run next command if it returned FALSE.
4	COND_SKIP_ON_FALSE	Run next command if this command returned TRUE, skip a number of commands if it returned FALSE.
5	COND_SKIP_ON_TRUE	Skip a number of commands if this command returned TRUE, run next command if it returned FALSE.

If execution is stopped, the radio CPU goes back to idle and no further commands are run until a new command is entered through the CMDR register. The LAST_COMMAND_DONE interrupt is raised.

If a command ends with the ABORT result, the execution ends regardless of the condition. The LAST_COMMAND_DONE interrupt is raised. An example of criterion for the ABORT result is that a CMD_ABORT command is issued.

25.3.2.5.3 Handling Before Start of Command

For all radio operation commands, the start trigger and condition code are checked before parsing the rest of the command. If the start trigger has an illegal trigger type (including TRIG_REL_START, which is not allowed for start triggers, and TRIG_NEVER in combination with no command trigger), the radio CPU sets the status field to ERROR_START_TRIG. If the condition field has an illegal value, the radio CPU sets the status field to ERROR_CONDITION. If the start trigger occurs in the past and startTrigger.pastTrig is 0, the radio CPU sets the status field to ERROR_PAST_START.

25.3.2.6 Command Data Structures

The data structures are listed in tables throughout this chapter. The Byte Index is the offset from the pointer to that structure. Multibyte fields are little endian, and 16-bit halfword or 32-bit word alignment as given by the field size is required. For bit numbering, 0 is the LSB. The R/W column is used as follows:

R: The system CPU can read a result back; the radio CPU does not read the field.

W: The system CPU writes a value, the radio CPU reads it and does not modify it.

R/W: The system CPU writes an initial value, the radio CPU may modify it.

For data structures that are a specialization of another data structure, the fields from the parent structure are not repeated, but the Byte Index column reflects their presence.

The only mandatory field for all commands is the command ID number, which is a 16-bit number sent as the first 2 bytes of the command structure.

Some immediate commands have additional fields, which are defined for each command. The radio operation commands have additional mandatory fields as defined in [Table 25-9](#).

All command fields marked as *Reserved* should be written to 0.

25.3.2.6.1 Radio Operation Command Structure

Table 25-9 lists the command structure for radio operation commands. Some commands have additional fields appended after this.

Table 25-9. Radio Operation Command Format

Byte Index	Field Name	Bits	Bit Field Name	Type	Description
0–1	commandNo			W	The command ID number
2–3	status			R/W	An integer telling the status of the command. This value is updated by the radio CPU during operation and may be read by the system CPU at any time.
4–7	pNextOp			W	Pointer to the next operation to run after this operation is done
8–11	startTime			W	Absolute or relative start time (depending on the value of the startTrigger field)
12	startTrigger				Identification of the trigger that starts the operation
13	condition			W	Condition for running next operation

25.3.2.7 Data Entry Structures

A data entry must belong to a queue. The queues are set up as part of the command structure of a radio operation command.

Operations on queues available as commands are described in [Section 25.3.4](#).

25.3.2.7.1 Data Entry Queue

Any command that uses a queue contains a pointer to a data entry queue structure, as given in [Table 25-10](#). The system CPU allocates and initializes this queue structure.

Table 25-10. Data Entry Queue Structure

Byte Index	Field Name	Bits	Bit Field Name	Type	Description
0–3	pCurrEntry			R/W	Pointer to the data entry currently in use by the radio CPU (or next in line to be used if the radio is not using the queue). NULL means that no buffer is currently in the queue.
4–7	pLastEntry			R/W	Pointer to the last entry entered in this queue. If pCurrEntry is nonNULL and pLastEntry is NULL, further entries may not be appended.

25.3.2.7.2 Data Entry

A data entry queue contains data entries of the type listed in [Table 25-11](#). These entries are organized in a linked list. The first entry of the queue is pointed to by the pCurrEntry field of the queue structure (see [Table 25-10](#)). Each pNextEntry field points to the next entry. The last entry in the queue is also pointed to by the pLastEntry field of the queue structure.

Table 25-11. General Data Entry Structure

Byte Index	Field Name	Bits	Bit Field Name	Type	Description
0–3	pNextEntry			R/W	Pointer to next entry in the queue, NULL if this is the last entry
4	status			R/W	Indicates status of entry, including whether it is free to receive a write from the system CPU
5	config	0–1	type	W	Type of data entry structure 0: General data entry 1: Reserved 2: Pointer entry 3: Partial read RX entry
		2–3	lenSz	W	Size of length word in start of each RX entry element 0: No length indicator 1: 1-byte length indicator 2: 2-byte length indicator 3: Reserved
		4–7	irqIntv	W	For partial read RX entry only: The number of bytes between interrupt generated by the radio CPU (0000: 16 bytes)
6–7	length			W	Length of data field, or for pointer entries, of the data buffer. For TX entries, this corresponds to one entry element (packet). For RX entries, this gives the total available storage space.
8–(7+n)	data			R/W	Array of data to be received or transmitted (n = length)

The status field can take the following values:

- 0: Pending: The entry is not yet in use by the radio CPU. This is the status to write by the system CPU before submitting the entry.
- 1: Active: The entry is the entry in the queue currently open for writing (RX) or reading (TX) by the radio CPU.
- 2: Busy: An ongoing radio operation is writing or reading an unfinished packet. Certain operations are not allowed while an entry is in this state (see [Section 25.3.4](#)).
- 3: Finished: The radio CPU is finished writing data into this entry, and is free for the system CPU to reuse or free memory (if dynamically allocated).

For data entries, the system CPU sets up the required data structure, either in system RAM or in the available part of the radio RAM. If the data structure is dynamically allocated, the system CPU frees the memory after use.

In an entry is being used for received data, the radio CPU may start the entry element with a length indicator. If config.lenSz is 00, no such indicator is written. This option must only be used if the length of the received packet can be determined by other means. If config.lenSz is 01, 1 byte indicates the number of bytes following the length byte. This may only be used if no element of more than 255 bytes is written to the entry. If config.lenSz is 10, a 16-bit word indicates the number of bytes following the length word.

25.3.2.7.3 Pointer Entry

A pointer entry is an entry where the data are not contained in the entry itself, but the entry holds a pointer to the buffer. Such an entry is indicated by setting `config.type` to 2. The pointer replaces the data field, as shown in [Table 25-12](#).

Table 25-12. Pointer Field in Pointer Entry Structure

Byte Index	Field Name	Bits	Bit Field Name	Type	Description
8–11	pData			W	Pointer to data buffer of size length bytes

The data is read from or stored in the buffer given by pData. The size of this buffer is given by length, just as for the size of the data field in a general data entry.

25.3.2.7.4 Partial Read RX Entry

Proprietary mode supports an RX entry where the data can be read before the entire packet is received over the air, which can be used for the following purposes:

- When data must be read before the entire packet is received
- When the length of the packet is not known in the beginning of the packet
- When the length of the packet is too long for the entire payload to be kept in memory simultaneously

To support this, a special variant of the structure in [Table 25-11](#) is used. Several entry elements may be contained in the same entry. Each entry element corresponds to one packet received over the air, or part of it. The element may also contain additional fields. This type is selected by setting `config.type` to 3. In the entry, the data field is composed as shown in [Table 25-13](#) (the indexes are relative to the entire entry structure).

Table 25-13. Fields in a Partial Read RX Entry

Byte Index	Byte Field Name	Bits	Bit Field Name	Type	Description
8–9	pktStatus	0–12	numElements	R	Number of entry elements committed in the entry
		13	bEntryOpen	R	The entry contains an element that is still open for appending data.
		14	bFirstCont	R	The first element is a continuation of the last packet from the previous entry.
		15	bLastCont	R	The packet in the last element continues in the next entry.
10–11	nextIndex			R	Index to the byte after the last byte of the last entry element committed by the radio CPU
12–(7+n)	rxData			R	Data received. Exact format depends on operation being run. Each entry element may start with a length byte or word.

The entry is updated as follows:

- The nextIndex field is updated as new bytes are written to the buffer.
- While a packet is being received, `pktStatus.bEntryOpen` is set to 1 by the radio CPU.

When an entry element is finished, either because the packet ended or because the element reached the end of the entry, `pktStatus.bEntryOpen` is set to 0 by the radio CPU, and `pktStatus.numElements` is incremented. If the packet continues in the next entry, `pktStatus.bLastCont` is set to 1 by the radio CPU. In this case, the `pktStatus.bFirstCont` bit of the next entry is also set to 1 by the radio CPU. If no next entry is available, the status is set to Unfinished, otherwise it is set to Finished.

The length field specified in the beginning of an entry element (depending on `config.lenSz`) gives the length of that entry element within the entry, not the entire packet. If the length is not known when the entry is opened,

the length field is written to the remaining length of the entry and updated by the radio CPU before the entry is finished.

For a partial read RX entry, the radio CPU generates an Rx_Data_Written interrupt to the system CPU whenever one or more bytes are written to the entry. In addition, it generates an Rx_N_Data_Written interrupt when k bytes have been written since the last interrupt or the start of the entry element, where k is given by config.iqrInvtv.

25.3.2.8 External Signaling

The radio CPU controls the signals CPEGPO0 and CPEGPO1. For control of an external front end, CPEGPO0 is high when the LNA must be enabled and low otherwise. CPEGPO1 is high when the PA must be enabled and low otherwise. The radio CPU also controls the signal CPEGPO2 to go high when synthesizer calibration starts, and low when the calibration is done. This control can be used for debugging.

Two of the output signals from the radio timer have automatic configuration that may be used for observation. The signal RATGPO0 goes high when transmission of a packet is initiated and low when transmission is done. The RATGPO0 signal may be observed for accurate timing of packet transmission, as the same signal is used internally. The signal is very similar to CPEGPO1, but it goes high some microseconds earlier, and the timing is more accurate compared to the first transmitted symbol out of the modem. However, CPEGPO1 is recommended for control of external PA to avoid turning it on too early. The signal RATGPO1 may be configured to go high when sync is found in the receiver, and low when the packet is received or reception aborted (this does not work for the IEEE 802.15.4 receiver command). To map RATGPO1 to a RFC_GPO signal, an additional override is needed. The other radio timer outputs may be configured to generate events as required, using CMD_SET_RAT_OUTPUT.

By default, the radio CPU maps CPEGPO0 to the signal RFC_GPO0, CPEGPO1 to the signal RFC_GPO1, CPEGPO2 to the signal RFC_GPO2, and RATGPO0 to the signal RFC_GPO3 at boot time. This mapping can be modified by writing to the RFC_DBELL:SYSGPOCTL register.

The RFC_GPO signals can be mapped to output pins using the system I/O controller.

25.3.3 Command Definitions

There is a set of commands independent of the current RF protocol. These commands are related to the low-level operations of the radio.

25.3.3.1 Protocol-Independent Radio Operation Commands

For radio operation commands described in the subsections that follow ([Section 25.3.3.1.1](#) through [Section 25.3.3.1.14](#)), the operation ends due to one of the causes listed in [Table 25-14](#) or by additional statuses listed for each command. After the operation has ended, the status field of the command structure indicates the reason why the operation ended. In each case, it is indicated if the result is TRUE, FALSE, or ABORT (see [Section 25.3.2.5.2](#)). This result indicates whether to start the next command (if any) indicated in pNextOp, or to return to an IDLE state.

Table 25-14. End of Radio Operation Commands

Condition	Status Code	Result
Finished operation	DONE_OK	TRUE
Received CMD_STOP while waiting for start trigger	DONE_STOPPED	FALSE
Received CMD_ABORT	DONE_ABORT	ABORT
The start trigger occurred in the past with startTrigger.pastTrig = 0	ERROR_PAST_START	ABORT
Illegal start trigger parameter	ERROR_START_TRIG	ABORT
Illegal condition for next operation	ERROR_CONDITION	ABORT
Observed illegal parameter	ERROR_PAR	ABORT
Invalid pointer to next operation	ERROR_POINTER	ABORT
Next operation has a command ID that is undefined or not a radio operation command	ERROR_CMDID	ABORT
Operation using RX, TX or synthesizer attempted without CMD_RADIO_SETUP	ERROR_NO_SETUP	ABORT
Operation using RX or TX attempted without the synthesizer being programmed	ERROR_NO_FS	ABORT

25.3.3.1.1 CMD_NOP: No Operation Command

Command ID number: 0x0801

CMD_NOP is a radio operation command that only takes the mandatory arguments listed in [Table 25-9](#). The command only waits for the start trigger, and then ends. The command can be used to test the communication between the system CPU and the radio CPU or to insert a wait.

25.3.3.1.2 CMD_RADIO_SETUP: Set Up Radio Settings Command

Command ID number: 0x0802

CMD_RADIO_SETUP is a radio operation command. In addition to the parameters listed in [Table 25-9](#), the command structure contains the fields listed in [Table 25-15](#).

Table 25-15. CMD_RADIO_SETUP Command Format

Byte Index	Field	Bit Index	Bit Field name	Type	Description
14	mode			W	This is the main mode to use. 0x00: Bluetooth low energy 0x01: IEEE 802.15.4 0x02: 2-Mbps GFSK 0x05: 5-Mbps coded 8-FSK 0xFF: Keep existing mode; update overrides only.
15	loDivider			W	Divider setting to use. Refer to Smart RF Studio for the recommended settings per device and band. Range is limited for some chip versions.
16–17	config	0–2	frontEndMode		0x00: Differential mode 0x01: Single-ended mode RFP 0x02: Single-ended mode RFN Others: Reserved
		3	biasMode	W	0: Internal bias 1: External bias
		4-9	analogCfgMode	W	0x00: Write analog configuration. Required first time after boot and when changing frequency band or front-end configuration. 0x2D: Keep analog configuration. May be used after standby or when changing mode with the same frequency band and front-end configuration. Others: Reserved
		10	bNoFsPowerup	W	0: Power up frequency synthesizer. 1: Do not power up frequency synthesizer.
		11	InalBoost		Use setting from SmartRF Studio
		12	bSynthNarrowBand		Use setting from SmartRF Studio
		13–15			Reserved
18–19	txPower			W	Output power setting; use value from SmartRF Studio. For more details, see Section 25.3.3.2.16 . 0xFFFF: Use 20 dBm PA
20–23	pRegOverride			W	Pointer to a list of hardware and configuration registers to override. If NULL, no override is used.

On start, the radio CPU sets up parameters for the operational mode given by `mode.radioMode`, with the modifications given in `pRegOverride`, a pointer to a structure containing override values for certain hardware registers, radio configuration controlled by the radio CPU, and protocol-related variables. If `pRegOverride` is NULL, no registers are overridden. The override value structure is a string of 32-bit entries provided by TI or produced by [SmartRF Studio](#).

Running `CMD_RADIO_SETUP` or another radio setup command is mandatory before using any command that uses the receiver, transmitter, or frequency synthesizer. If the RF core is reset, `CMD_RADIO_SETUP` must be re-run.

When `CMD_RADIO_SETUP` is executing, trim values are read from FCFG1 unless they have been provided elsewhere. If these values are read from FCFG1, the following limitations apply while `CMD_RADIO_SETUP` is executing:

The VIMS module must be powered, allowing flash reads.

If the previously defined limitation is violated, the internal system bus might end up in a non-responsive state. A system reset is required to exit this state. To ensure that FCFG1 can be read while running `CMD_RADIO_SETUP`, the TI provided RF driver automatically enables VIMS while running a radio setup command.

[Table 25-16](#) lists the format of a hardware register override entry. [Table 25-17](#) lists the format of array initiator. [Table 25-18](#) lists the format of an ADI register override entry. [Table 25-19](#) lists the format of a firmware-defined parameter override entry. [Table 25-20](#) lists the format of an MCE/RFE override mode entry. [Table 25-21](#) lists the format of a center frequency entry.

The `txPower` parameter is stored and applied every time transmission of a packet starts to set an output power with temperature compensation. This setting can be changed later with the command `CMD_SET_TX_POWER` (see [Section 25.3.3.2.16](#)). If `txPower` is `0xFFFF`, the 20 dBm PA is selected instead of the normal one. This setting is only allowed on a "P" device. If this setting is used, a 20 dBm PA power override as defined in [Table 25-22](#) is mandatory; if missing the setup command will end with error.

Table 25-16. Format of a Hardware Register Override Entry

Bit Index	Bit Field Name	Description
0–1	entryType	00: Hardware register 01: Array initiator, see Table 25-17 10: ADI register, see Table 25-18 , or MCE/RFE override 11: Firmware defined parameter, see Table 25-19
2–15	hwAddr	Bits 2–15 of the address to the hardware register. Bits 0–1 of the address are 0.
16–31	value	The value to write to the register

Table 25-17. Format of Array Initiator

Bit Index	Bit Field Name	Description
0–1	entryType	01: Array initiator
2–15	startAddr	First address or index to write to: Hardware registers: Bits 2–15 of the address (bits 0–1 are 0) ADI registers: ADI bus address, half-byte indicator in bit 6, ADI selector in bit 7 Firmware-defined parameters: Byte Index
16–29	length	Number of entries
30–31	arrayType	Type of array: 00: Hardware registers with 16-bit values 01: Hardware registers with 32-bit values 10: ADI registers 11: Firmware-defined parameters

Table 25-18. Format of an ADI Register Override Entry

Bit Index	Bit Field Name	Description
0–1	entryType	10: ADI register
2–9	adiValue2	Optional second value to write
10–15	adiAddr2	Optional second ADI bus address
16–23	adiValue	Value to write to register
24–29	adiAddr	ADI bus address
30	bHalfSize	0: Use full-size writes 1: Use half-size writes, causing read-modify-write functionality
31	adiNo	0: Write to ADI 0 (RF) 1: Write to ADI 1 (synthesizer)

Table 25-19. Format of a Firmware-Defined Parameter Override Entry

Bit Index	Bit Field Name	Description
0–1	entryType	11: Firmware-defined parameter
2–3	entrySubType	00: Firmware-defined parameter 01: MCE/RFE override mode (must be in first entry), see Table 25-20 10: Reserved 11: End of override list
4–14	fwAddr	Byte index into parameter structure
15	bByte	0: 16-bit value 1: 8-bit value
16–31	value	The value to write to the parameter

Table 25-20. Format of an MCE/RFE Override Mode Entry

Bit Index	Bit Field Name	Description
0–1	entryType	11: Firmware-defined parameter
2–3	entrySubType	01: MCE/RFE override mode
4	bMceCopyRam	If 1, copy the contents of the MDM ROM bank given by mceRomBank to RAM after MCE has completed setup.
5	bRfeCopyRam	If 1, copy the contents of the RFE ROM bank given by rfeRomBank to RAM after MCE has completed setup.
6	bMceUseRam	0: Run MCE from ROM 1: Run MCE from RAM
7–10	mceRomBank	MCE ROM bank to run from
11	bRfeUseRam	0: Run RFE from ROM 1: Run RFE from RAM
12–15	rfeRomBank	RFE ROM bank to run from
16–23	mceMode	Mode to send to MCE
24–31	rfeMode	Mode to send to RFE

Table 25-21. Format of a Center Frequency Entry

Bit Index	Bit Field Name	Description
0–1	entryType	11: Firmware-defined parameter
2–3	entrySubType	10: Special configuration
4–7	specialType	0001: Center frequency entry
8		Reserved
9	bAutoTxIf	If 1, set TX IF to RX IF.
10	bApplyRx	If 1, use invRfFreq to recalculate RX IF.
11	bApplyTx	If 1, use invRfFreq to recalculate TX shape.
12–31	invRfFreq	Value where fRFMHz is center frequency in MHz: (12 × 24 × 220) / (fRFMHz × loDivider)

Table 25-22. 20 dBm PA TX Power Entry

Bit Index	Bit Field Name	Description
0–1	entryType	11: Firmware defined parameter
2–3	entrySubType	10: Special configuration
4–7	specialType	0010: 20 dBm PA TX power entry
8–9		Reserved
10–15	IB	New TX power setting. TI recommends using values from the SmartRF Studio. Value to write to the PA power control field at 25°C. Check the note below.
16–17	ibBoost	Value to write to the bias control field of the PA
18	boost	Driver strength into the PA 0: Low driver strength 1: High driver strength
19–25	tempCoeff	Temperature coefficient for IB 0: No temperature compensation
26–31	paLdoTrim	Value to write to the output voltage control of the 20 dBm PA LDO

Note

to calculate IB, use the following equation: $IB = IB_{25^{\circ}C} + \frac{(Temp[^{\circ}C] - 25) \times tempCoeff}{256}$

Table 25-23. Format of an End of List Entry

Bit Index	Bit Field Name	Description
0–1	entryType	11: Firmware-defined parameter
2–3	entrySubType	11: End of list segment
4–7	nextEntryRegion	0x0: End of list 0x1: SRAM. Base = 0x2000 0000 0x2: RF core RAM. Base = 0x2100 0000 0x3: Flash. Base = 0xA000 0000 0xF: End of list Others: Reserved
8–31	addrOffset	Address offset for next list part. Next address is: Base + (addrOffset × 4)

Use the Code Export feature in [SmartRF Studio](#) to generate an override list for the different PHYs and settings.

If the pointer in pRegOverride is invalid, any override entry is invalid. If the length of an array is too large or zero, the operation ends with the status ERROR_PAR. If config.bNoFsPowerup = 0 and powering up the synthesizer fails, the command ends with ERROR_SYNTH_PROG as the status.

If CMD_ABORT or CMD_STOP is received while waiting for the start trigger, the operation ends without any setup. If CMD_STOP is received after the start trigger, setup proceeds until finished. If CMD_ABORT is received

after the start trigger, the setup process is aborted. This leaves the registers in an incomplete state, so another CMD_RADIO_SETUP command must be issued before using the radio.

25.3.3.1.3 CMD_FS_POWERUP: Power Up Frequency Synthesizer

Command ID number: 0x080C

CMD_FS_POWERUP is a radio operation command. In addition to the parameters listed in [Table 25-9](#), the command structure contains the fields listed in [Table 25-24](#).

On start, the radio CPU powers up the frequency synthesizer and applies the register modifications given in pRegOverride. If pRegOverride is NULL, no registers are overridden. The format of the override structure is the same as the format for CMD_RADIO_SETUP (see [Section 25.3.3.1.2](#)). Only overrides applicable to the synthesizer hardware are applied.

Running CMD_FS_POWERUP is mandatory before using any command that uses the frequency synthesizer (and thus, the transmitter or receiver), unless the synthesizer is powered up as part of the radio setup. The radio must be set up using CMD_RADIO_SETUP or another setup command before CMD_FS_POWERUP.

If the pointer in pRegOverride is invalid, the address or index is invalid, the length of an array is zero or is too large. If another parameter in an entry is not permitted, the operation ends with the status ERROR_PAR. If powering up the synthesizer fails, the command ends with ERROR_SYNTH_PROG as the status. When otherwise finished, the command ends with DONE_OK as the status.

Table 25-24. CMD_FS_POWERUP Command Format

Byte Index	Field Name	Bit Index	Bit Field Name	Type	Description
14–15					Reserved
16–19	pRegOverride			W	Pointer to a list of hardware and configuration registers to override. If NULL, no override is used.

25.3.3.1.4 CMD_FS_POWERDOWN: Power Down Frequency Synthesizer

Command ID number: 0x080D

CMD_FS_POWERDOWN is a radio operation command that only takes the mandatory arguments listed in [Table 25-9](#). The command waits for the start trigger and then powers down the synthesizer. The act of powering down not only stops the synthesizer, as is done with CMD_FS_OFF (see [Section 25.3.3.1.6](#)) or at the end of certain other radio operation commands, but it also switches off analog modules.

After running CMD_FS_POWERDOWN, the synthesizer must be powered up again using CMD_FS_POWERUP, or another command that powers up the synthesizer before it is used.

CMD_FS_POWERDOWN must always be run before the radio is powered down (for instance, when the device is going into low-power modes).

When finished, the CMD_FS_POWERDOWN command ends with a DONE_OK status.

25.3.3.1.5 CMD_FS: Frequency Synthesizer Controls Command

Command ID number: 0x0803

CMD_FS is a radio operation command. In addition to the parameters listed in [Table 25-9](#), the command structure contains the fields listed in [Table 25-25](#), and can program the synthesizer to a specific frequency.

The frequency to use is given by frequency and fractFreq, and must be as close as possible to $(\text{frequency} + \text{fractFreq} / 65536)$ MHz.

The synthesizer is set up in RX mode or TX mode, depending on synthConf.bTxMode. This mode may be changed by radio operation commands when setting up RX or TX. If synthConf.refFreq is nonzero, a reference frequency of 24 MHz / synthConf.refFreq is used instead of the default one.

If the synthesizer is programmed and reports loss of lock after being in lock, the radio CPU raises the Synth_No_Lock interrupt. The synthesizer keeps running, but the system CPU may use this information to stop and restart the radio. The Synth_No_Lock is not raised more than once for each time the synthesizer is programmed. The interrupt may also occur for commands with implicit-frequency programming.

If the command is called with an illegal frequency or divider setting, the command ends with ERROR_PAR as the status. If the command is called without the radio being configured, it ends with ERROR_NO_SETUP as the status. If the command is called without the synthesizer being powered up, it ends with ERROR_NO_FS as status.

Table 25-25. CMD_FS Command Format

Byte Index	Field Name	Bit Index	Bit Field Name	Type	Description
14–15	frequency			W	The frequency in MHz to which the synthesizer should be tuned
16–17	fractFreq			W	Fractional part of the frequency to which the synthesizer should be tuned
18	synthConf	0	bTxMode	W	0: Start synthesizer in RX mode. 1: Start synthesizer in TX mode.
		1–6	refFreq	W	0: Use default reference frequency. Others: Use reference frequency 24 MHz/refFreq.
		7	Reserved	W	Reserved
19–23			Reserved	W	Reserved

25.3.3.1.6 CMD_FS_OFF: Turn Off Frequency Synthesizer

Command ID number: 0x0804

CMD_FS_OFF is a radio operation command that only takes the mandatory arguments listed in [Table 25-9](#), and turns off the frequency synthesizer if it has been started by CMD_FS or left on by a radio operation command that does not turn off the synthesizer.

When the command is started, the synthesizer outputs are disabled and the state machine is reset. The analog parts are still powered; CMD_FS_POWERDOWN (see [Section 25.3.3.1.4](#)) can power down the synthesizer to further reduce the current consumption.

25.3.3.1.7 CMD_RX_TEST: Receiver Test Command

Command ID number: 0x0807

CMD_RX_TEST is a radio operation command used to set the receiver in infinite RX mode for test purposes.

The sync word programmed in the receiver is given in the LSBs of syncWord. If config.bNoSync is 1, the correlation thresholds for sync search are set to the maximum value to avoid getting sync. The thresholds are restored after the command ends.

If pktConfig.bFsOff is 1, the synthesizer is turned off (corresponding to CMD_FS_OFF; see [Section 25.3.3.1.6](#)) after the operation is done; otherwise the synthesizer is left on.

A trigger to end the operation is set up by endTrigger and endTime (see [Section 25.3.2.5.1](#)). If the trigger that is defined by this parameter occurs, the radio operation ends.

The operation ends by one of the causes listed in [Table 25-14](#).

The command structure for CMD_RX_TEST contains the fields listed in [Table 25-26](#).

Table 25-26. CMD_RX_TEST Command Format

Byte Index	Byte Field Name	Bits	Bit Field Name	Type	Description
14	config	0	Reserved	W	Set to 0
		1	bFsOff	W	0: Keep frequency synthesizer on after command. 1: Turn frequency synthesizer off after command.
		2	bNoSync	W	0: Run sync search as normal for the configured mode. 1: Write correlation thresholds to the maximum value to avoid getting sync.
15	endTrigger			W	Trigger classifier for ending the operation
16–19	syncWord			W	Sync word to use for receiver
20–23	endTime			W	Time to end the operation

25.3.3.1.8 CMD_TX_TEST: Transmitter Test Command

Command ID number: 0x0808

CMD_TX_TEST is a radio operation command used to set the receiver in infinite TX mode and transmit either a CW or modulated data for test purposes.

When starting, the radio CPU starts the transmitter. The radio must be configured with the CMD_RADIO_SETUP and the radio synthesizer must be started and in TX mode with the CMD_FS radio command before CMD_TX_TEST is issued. The radio transmits a preamble and a sync word of the size given by the current radio configuration, specified using CMD_RADIO_SETUP. The sync word is given in the LSBs of syncWord. The payload after the sync word consists of the 16-bit word txWord, repeated indefinitely. This word may be run through whitening, with the options given in config.whitenMode, which can take the following values:

- 0: No whitening is used. This value is useful for testing with a repeated pattern, but gives spurs if used for spectral measurements.
- 1: Default whitening. This value means that the whitening is as configured for the mode in use (potentially with overrides). If the mode does not use whitening, no whitening is applied.
- 2: PRBS-15: The polynomial $x^{15} + x^{14} + 1$ is used. This value gives a pseudo-noise sequence with length 32767.
- 3: PRBS-31: The polynomial $x^{32} + x^{22} + x^2 + x + 1$ is used. This value gives a pseudo-noise sequence with length 4294967295.

For whitening modes 2 and 3, initialization is done by the radio CPU writing 0xAAAA 0000 to the PRBS value register before transmission starts. For whitening mode 1, the default initialization is used.

The transmitter runs until the trigger set up by endTrigger and endTime (see [Section 25.3.2.5.1](#)) occurs, or until an abort command is issued.

If pktConfig.bFsOn is 1, the synthesizer is turned off (corresponding to CMD_FS_OFF; see [Section 25.3.3.1.6](#)) after the operation is done; otherwise it is left on.

The operation ends by one of the causes listed in [Table 25-14](#).

The command structure for CMD_TX_TEST contains the fields listed in [Table 25-27](#).

Table 25-27. CMD_TX_TEST Command Format

Byte Index	Field Name	Bits	Bit Field Name	Type	Description
14	config	0	bUseCw	W	0: Send modulated signal. 1: Send continuous wave.
		1	bFsOff	W	0: Keep frequency synthesizer on after command. 1: Turn frequency synthesizer off after command.
		2–3	whitenMode	W	0: No whitening 1: Default whitening 2: PRBS-15 3: PRBS-32
15					Reserved
16–17	txWord			W	Value to send to the modem before whitening
18					Reserved
19	endTrigger			W	Trigger classifier for ending the operation
20–23	syncWord			W	Sync word to use for transmitter
24–27	endTime			W	Time to end the operation

25.3.3.1.9 CMD_SYNC_STOP_RAT: Synchronize and Stop Radio Timer Command

Command ID number: 0x0809

CMD_SYNC_STOP_RAT is a radio operation command. In addition to the parameters listed in [Table 25-9](#), the command structure contains the fields listed in [Table 25-28](#).

For more details, see [Chapter 16](#).

AON_RTC:CTL.RTC_UPD_EN must be 1.

Table 25-28. CMD_SYNC_STOP_RAT Command Format

Byte Index	Field Name	Bits	Bit Field Name	Type	Description
14–15					Unused
16–19	rat0			R	The returned RAT value corresponding to the value the RAT would have had when the RTC was zero.

When starting, the radio CPU sets up capture of an RTC tick and waits for this tick, then stops the RAT and calculates the value rat0. This value must be stored for use when the RAT restarts.

25.3.3.1.10 CMD_SYNC_START_RAT: Synchronously Start Radio Timer Command

Command ID number: 0x080A

CMD_SYNC_START_RAT is a radio operation command. In addition to the parameters listed in [Table 25-9](#), the command structure contains the fields listed in [Table 25-29](#).

For more details, see [Chapter 16](#).

TOP:AON_RTC:CTL.RTC_UPD_EN must be 1.

Table 25-29. CMD_SYNC_START_RAT Command Format

Byte Index	Field Name	Bits	Bit Field Name	Type	Description
14–15					Unused
16–19	rat0			W	The desired RAT value corresponding to the value the RAT would have had when the RTC was zero. This parameter is returned by CMD_SYNC_STOP_RAT.

When starting, the radio CPU starts the RAT and sets up capture of an RTC tick and waits for this tick, then calculates the necessary timer adjustment based on the input parameter rat0 and performs this adjustment. The input parameter rat0 is the value previously returned by CMD_SYNC_STOP_RAT.

Because the radio timer is normally not running when this command is issued, the start trigger must be TRIG_NOW (see [Section 25.3.2.5.1](#)).

The first time the RAT is started after system boot, the command CMD_START_RAT must be used (see [Section 25.3.3.2.7](#)). As an alternative, CMD_SYNC_START_RAT may be issued with a fixed parameter such as 0; however, this gives an arbitrary start value for the RAT. Before powering down the radio, the system CPU must run the CMD_SYNC_STOP_RAT command. After powering it up the radio again, the system CPU must run the CMD_SYNC_START_RAT command with the same parameter as the one received when CMD_SYNC_STOP_RAT was issued.

25.3.3.1.11 CMD_COUNT: Counter Command

Command ID number: 0x080B

CMD_COUNT is a radio operation command. In addition to the parameters listed in [Table 25-9](#), the command structure contains the fields listed in [Table 25-30](#).

Table 25-30. CMD_COUNT Command Format

Byte Index	Field Name	Bits	Bit Field Name	Type	Description
14–15	counter			R/W	Counter. When starting, the radio CPU decrements the value, and the end status of the operation differs if the result is zero.

When starting, the radio CPU decrements the counter field by 1 and writes the result back to this field. If the result of the decrement is zero, the operation ends with the status DONE_COUNTDOWN and the result FALSE. Otherwise, the operation ends with the status DONE_OK and the result TRUE, which can be used in conditional execution to create a loop.

If the operation is started with counter equal to zero, this is an illegal parameter, so the operation ends with the status ERROR_PAR.

The operation ends by one of the causes listed in [Table 25-26](#) or [Table 25-31](#).

Table 25-31. Additional End Causes for CMD_COUNT

Condition	Status Code	Result
Finished operation with counter > 0	DONE_OK	TRUE
Finished operation with counter = 0	DONE_COUNTDOWN	FALSE

25.3.3.1.12 CMD_SCH_IMM: Run Immediate Command as Radio Operation

Command ID number: 0x0810

CMD_SCH_IMM is a radio operation command. In addition to the parameters listed in [Table 25-9](#), the command structure contains the fields listed in [Table 25-32](#).

Table 25-32. CMD_SCH_IMM Command Format

Byte Index	Field Name	Bits	Bit Field Name	Type	Description
14–15					Reserved
16–19	cmdrVal			W	Value as would be written to CMDR
20–23	cmdstaVal			R	Value as would be returned in CMDSTA

When starting, the radio CPU takes the value in cmdrVal and processes it as if it had been written to the CMDR register. This command may be a pointer to an immediate command, or it may form a direct command as shown in [Figure 25-4](#). A pointer to a radio operation command causes a scheduling error. The value that would normally have been returned in CMDSTA is written to cmdstaVal, which means that no command RF_CMD_ACK interrupt is raised. Instead, a COMMAND_DONE interrupt is raised, as for any other radio operation command.

Depending on the result of the immediate or direct command, the status and result of the radio operation command is as shown in [Table 25-33](#).

CMD_SCH_IMM may run immediate commands as part of a chain of radio operation commands, or to schedule them in the future. If an immediate or direct command received in the CMDR register is being processed at the same time that a scheduled CMD_SCH_IMM command starts, the processing of the scheduled command starts after the other command has finished.

Table 25-33. End Statuses for CMD_SCH_IMM

Condition	Status Code	Result
Immediate command ended with the result DONE	DONE_OK	TRUE
There was an error in the execution of the command, giving a CMDSTA result that is not listed in the table row that follows.	DONE_FAILED	FALSE
There was an error in the command, giving one of the following results: <ul style="list-style-type: none"> SchedulingError UnknownCommand UnknownDirCommand IllegalPointer ParError. 	ERROR_PAR	ABORT

25.3.3.1.13 CMD_COUNT_BRANCH: Counter Command With Branch of Command Chain

Command ID number: 0x0812

CMD_COUNT_BRANCH is a radio operation command. In addition to the parameters listed in [Table 25-9](#), the command structure contains the fields listed in [Table 25-34](#).

Table 25-34. CMD_COUNT_BRANCH Command Format

Byte Index	Field Name	Bits	Bit Field Name	Type	Description
14–15	counter			R/W	Counter When starting, the radio CPU decrements the value, and the end status of the operation differs if the result is zero.
16–19	pNextOpIfOk			W	Pointer to next operation if counter did not expire.

When starting, the radio CPU decrements the counter field by 1, unless it was already 0, and writes the result back to this field. If the result of the decrement is zero, the operation ends with the status DONE_COUNTDOWN and the result FALSE. Otherwise, the operation ends with the status DONE_OK and the result TRUE. In this case, the next radio operation command to run is given by pNextOpIfOk instead of pNextOp (see [Table 25-9](#)), which can be used in conditional execution to create a loop.

If the operation is started with the counter equal to zero, the operation ends with the status DONE_OK and the next operation is taken from pNextOpIfOk. This operation can be used if the previous command is set up to skip optionally, as skipping from a previous command in the chain follows pNextOp.

The operation ends by one of the causes listed in [Table 25-14](#) or [Table 25-35](#).

Table 25-35. Additional End Causes for CMD_COUNT_BRANCH

Condition	Status Code	Result
Finished operation with counter = 0 when being started	DONE_OK	TRUE
Finished operation with counter > 0 after decrementing	DONE_OK	TRUE
Finished operation with counter = 0 after decrementing	DONE_COUNTDOWN	FALSE

25.3.3.1.14 CMD_PATTERN_CHECK: Check a Value in Memory Against a Pattern

Command ID number: 0x0813

CMD_PATTERN_CHECK is a radio operation command. In addition to the parameters listed in [Table 25-9](#), the command structure contains the fields listed in [Table 25-36](#).

Table 25-36. CMD_PATTERN_CHECK Command Format

Byte Index	Field Name	Bits	Bit Field Name	Type	Description
14–15	patternOpt	0–1	operation	W	Operation to perform: 0: TRUE if value == compareVal 1: TRUE if value < compareVal 2: TRUE if value > compareVal 3: Reserved
		2	bByteRev	W	If 1, interchange the 4 bytes of the value, so that they are read MSB first.
		3	bBitRev	W	If 1, perform bit reversal of the value.
		4–8	signExtend	W	0: Treat value and compareVal as unsigned. 1–31: Treat value and compareVal as signed, where the value gives the number of the MSB in the signed number.
		9	bRxVal	W	0: Use pValue as a pointer. 1: Use pValue as a signed offset to the start of the last committed RX entry element.
16–19	pNextOpIfOk			W	Pointer to next operation if comparison result was TRUE
20–23	pValue			W	Pointer from which to read, or offset from last RX entry if patternOpt.bRxVal == 1
24–27	mask			W	Bit mask to apply before comparison
28–31	compareVal			W	Value to which to compare

When starting, the radio CPU reads a 4-byte value from the location pointed to by pValue if patternOpt.bRxVal == 0. If patternOpt.bRxVal == 1, the location to read from is found by taking the pointer to the start of the last committed RX entry element and adding the signed number found in pValue as a byte offset. In either case, this pointer does not need to be 4-byte-aligned. If the pointer is not byte-aligned, the value is read byte by byte.

The value is then subject to the following operations in this order:

1. If patternOpt.bByteRev == 1, interchange byte 3 with byte 0, and byte 1 with byte 2, as if the bytes had been read MSB first.
2. If patternOpt.bBitRev == 1, reverse the bit order of the entire 32-bit word.
3. Perform a bitwise 'AND' operation between the value and mask.
4. If patternOpt.signExtend > 0, copy the value of bit number patternOpt.signExtend (where bit 0 is the LSB) into all the more significant bits.
5. Perform a compare operation between the resulting value and compareVal, depending on patternOpt.operation (see [Table 25-36](#)). The compare operation is unsigned if patternOpt.signExtend == 0; otherwise it is signed.

If patternOpt.operation or pValue have illegal values, the operation ends with a status of ERROR_PAR. Otherwise, the operation ends by one of the causes listed in [Table 25-14](#) or [Table 25-37](#), depending on the result of the comparison in Step 5 in the previous list. If the comparison result was TRUE, the next radio operation command to run is given by pNextOpIfOk instead of pNextOp.

Table 25-37. Additional End Causes for CMD_PATTERN_CHECK

Condition	Status Code	Result
Comparison result was TRUE.	DONE_OK	TRUE
Comparison result was FALSE.	DONE_FAILED	FALSE
Command run with patternOpt.bRxVal when no RX data is fully received	ERROR_NO_RX	ABORT

25.3.3.2 Protocol-Independent Direct and Immediate Commands

This section contains immediate commands that can be used across protocols. [Section 25.3.4](#) describes the commands for manipulating data queues.

25.3.3.2.1 CMD_ABORT: ABORT Command

Command ID number: 0x0401

CMD_ABORT is a direct command.

On reception, the radio CPU ends ongoing radio operation commands as soon as possible. Analog circuitry for RX and TX is safely turned off, and data structures are updated so they are not left in an unfinished state.

If a radio operation command is running when the CMD_ABORT is issued, the radio CPU produces a COMMAND_DONE and LAST_COMMAND_DONE interrupt when the radio operation command finishes. The status of the command structure of that radio operation command reflects that the command was aborted.

If no radio operation command is running, no action is taken. The result signaled in the CMDSTA register is DONE in all cases. If a radio operation command is running, CMDSTA may be updated before the radio operation ends.

25.3.3.2.2 CMD_STOP: Stop Command

Command ID number: 0x0402

CMD_STOP is a direct command.

On reception, the radio CPU informs the radio operation command currently running that it is requested to stop. The CMD_STOP command is more *graceful* than the CMD_ABORT command, but might take more time to finish. Normally, a packet being received or transmitted is handled to completion. The exact behavior on reception of CMD_STOP is described for each radio operation command. Some commands always end in a known time and do not respond to CMD_STOP.

If no radio operation command is running, no action is taken. The result signaled in CMDSTA is done in all cases. If a radio operation command is running, CMDSTA may be updated before the radio operation ends.

25.3.3.2.3 CMD_GET_RSSI: Read RSSI Command

Command ID number: 0x0403

CMD_GET_RSSI is an immediate command that takes no parameters, and therefore, can be used as a direct command.

On reception, the radio CPU reads the RSSI from an underlying receiver. The RSSI is returned in result byte 2 (bit 23–16) of CMDSTA (see [Figure 25-5](#)). The RSSI is given on signed form in dBm. If no RSSI is available, this is signaled with a special value of the RSSI (–128, or 0x80).

If no radio operation command is running, the radio CPU returns the result ContextError in CMDSTA. Otherwise, the radio CPU returns DONE along with the RSSI value.

25.3.3.2.4 CMD_UPDATE_RADIO_SETUP: Update Radio Settings Command

Command ID number: 0x0001

CMD_UPDATE_RADIO_SETUP is an immediate command that takes the parameters listed in [Table 25-38](#).

Table 25-38. CMD_UPDATE_RADIO_SETUP Command Format

Byte Index	Field Name	Bits	Bit Field Name	Type	Description
0–1	commandNo			W	The command ID number
2–3					Reserved
4–7	pRegOverride			W	Pointer to a list of hardware and configuration registers to override

On reception, the radio CPU updates the registers given in pRegOverride. This is a pointer to a structure containing an override value for certain hardware registers, a radio configuration controlled by the radio CPU, and protocol-related variables. The format is as for CMD_RADIO_SETUP (see [Section 25.3.3.1](#)). If done while the radio is running, the update must primarily be done on the radio and protocol configuration, as modifications to hardware registers may cause undesired behavior.

25.3.3.2.5 CMD_TRIGGER: Generate Command Trigger

Command ID number: 0x0404

CMD_TRIGGER is an immediate command that takes the parameters listed in [Table 25-39](#).

Table 25-39. CMD_TRIGGER Command Format

Byte Index	Field Name	Bits	Bit Field Name	Type	Description
0–1	commandNo			W	The command ID number
2	triggerNo			W	Command trigger number

On reception, the radio CPU generates the command trigger specified with triggerNo, so that running radio operation commands respond accordingly (see [Section 25.3.2.5.1](#)).

If the trigger number is outside the valid range 0–3, the radio CPU returns the result ParError in CMDSTA. If no radio operation command running is pending on the trigger number sent, the radio CPU returns the result ContextError in CMDSTA. Otherwise, the radio CPU returns DONE, which may be returned before the running radio operation command responds to the trigger.

CMD_TRIGGER may be sent as a direct command. If so, the trigger number is given by the parameter in bits 8–15 of CMDR.

25.3.3.2.6 CMD_GET_FW_INFO: Request Information on the Firmware Being Run

Command ID number: 0x0002

CMD_GET_FW_INFO is an immediate command that takes the parameters listed in [Table 25-40](#).

Table 25-40. CMD_GET_FW_INFO Command Format

Byte Index	Field Name	Bits	Bit Field Name	Type	Description
0–1	commandNo			W	The command ID number
2–3	versionNo			R	Firmware version number
4–5	startOffset			R	The start of free RAM
6–7	freeRamSz			R	The size of free RAM
8–9	availRatCh			R	Bitmap of available RAT channels

On reception, the radio CPU reports information on the running radio firmware. A version number is returned in versionNo. The startOffset and freeRamSz fields contain information on the area in the nonretention part of the radio RAM that is not used by the radio CPU for data (including stack and heap). This area is free to use by the system CPU for data exchange, radio CPU patching, or other purposes. The start and end address of the free RAM is given as offset from the start of the radio RAM. The RF core retention RAM is free to use except for the first 36 bytes.

Note

Some of this free RAM is used for patches provided by TI.

The availRatCh field is a bitmap where bit position *n* indicates whether RAT channel *n* may be used by the system CPU. A bit value of 1 indicates that the corresponding channel may be used by the system CPU, while a bit value of 0 means that the channel is reserved for the radio CPU or is nonexistent.

25.3.3.2.7 CMD_START_RAT: Asynchronously Start Radio Timer Command

Command ID number: 0x0405

CMD_START_RAT is a direct command.

On reception, the radio CPU starts the RAT if it has not already started.

If the RAT is already running, the radio CPU returns the result ContextError in CMDSTA. Otherwise, the radio CPU returns DONE.

25.3.3.2.8 CMD_PING: Respond With Interrupt

Command ID number: 0x0406

CMD_PING is a direct command.

On reception, the radio CPU returns DONE in CMDSTA. This command can test the communication between the two CPUs, or to check when the radio CPU is ready after boot.

25.3.3.2.9 CMD_READ_RFREG: Read RF Core Register

Command ID number: 0x0601

CMD_READ_RFREG is an immediate command that takes the parameters listed in [Table 25-41](#).

Table 25-41. CMD_READ_RFREG Command Format

Byte Index	Field Name	Bits	Bit Field Name	Type	Description
0–1	commandNo			W	The command ID number
2–3	address			W	The offset from the start of the RF core hardware register bank (0x4004 0000)
4–7	value			R	Returned value of the register

On reception, the radio CPU reads the RF core register with address 0x4004 0000 + address. The result is written to value. If the address is not divisible by 4, the radio CPU returns ParError in CMDSTA.

CMD_READ_RFREG may be sent as a direct command. If so, the address is given by bits 2–15 of CMDR, with the 2 LSBs of the address set to 00.

When reading is performed, the result is returned in value. The 24 LSBs of the result are returned in CMDSTA bits 8–31. The result returned in CMDSTA is DONE.

25.3.3.2.10 CMD_SET_RAT_CMP: Set RAT Channel to Compare Mode

Command ID number: 0x000A

CMD_SET_RAT_CMP is an immediate command that takes the parameters listed in [Table 25-42](#).

Table 25-42. CMD_SET_RAT_CMP Command Format

Byte Index	Field Name	Bits	Bit Field Name	Type	Description
0–1	commandNo			W	The command ID number
2	ratCh			W	The radio timer channel number
3					Reserved
4–7	compareTime			W	The time at which the compare occurs

On reception, the radio CPU sets the RAT channel given by ratCh in compare mode, and sets the channel compare time to compareTime, which also arms the channel. A channel event occurs at the given time, and this can be enabled as an RF hardware interrupt to the system CPU through the RFC_DBELL module.

The channel number must indicate a channel that is not reserved for use by the radio CPU. Otherwise, the radio CPU returns ParError in CMDSTA. If the compare time is in the past when the command is evaluated, the radio CPU returns ContextError in CMDSTA and disables the RAT channel. If the compare event is successfully set up, the radio CPU returns DONE in CMDSTA.

25.3.3.2.11 CMD_SET_RAT_CPT: Set RAT Channel to Capture Mode

Command ID number: 0x0603

CMD_SET_RAT_CPT is an immediate command that takes the parameters listed in [Table 25-43](#).

Table 25-43. CMD_SET_RAT_CPT Command Format

Byte Index	Field Name	Bits	Bit Field Name	Type	Description
0–1	commandNo			W	The command ID number
2–3	config	0–2			Reserved
		3–7	inputSrc	W	Input source indicator: 22: RFC_GPIO 23: RFC_GPI1 Others: Reserved
		8–11	ratCh	W	The radio timer channel number
		12	bRepeated	W	0: Single capture mode 1: Repeated capture mode
		13–14	inputMode	W	Input mode: 00: Rising edge 01: Falling edge 10: Both edges 11: Reserved

On reception, the radio CPU sets the RAT channel given by config.ratCh in capture mode. If config.bRepeated is 0, the channel is set to single capture mode; otherwise, the channel is set to repeated capture mode. The radio CPU sets the input source to config.inputSrc and the input mode to config.inputMode. If the channel is set in single capture mode, it is also armed. This causes a channel event to occur when capture occurs, and can be enabled as an RF hardware interrupt to the system CPU through the RFC_DBELL module.

CMD_SET_RAT_CMP may be sent as a direct command. If so, bits 2–15 of the config word are given by bits 2–15 of CMDR (bits 0–1 of config are not used).

The channel number must indicate a channel that is not reserved for use by the radio CPU. Otherwise, the radio CPU returns ParError in CMDSTA. If the channel is successfully set up, the radio CPU returns DONE in CMDSTA.

25.3.3.2.12 CMD_DISABLE_RAT_CH: Disable RAT Channel

Command ID number: 0x0408

CMD_DISABLE_RAT_CH is an immediate command that takes the parameters listed in [Table 25-44](#).

Table 25-44. CMD_DISABLE_RAT_CH Command Format

Byte Index	Field Name	Bits	Bit Field Name	Type	Description
0–1	commandNo			W	The command ID number
2	ratCh			W	The RAT channel number

On reception, the radio CPU disables the RAT channel given by ratCh. This disables previous configurations of that channel done by the CMD_SET_RAT_CMP or CMD_SET_RAT_CPT command.

CMD_DISABLE_RAT_CH may be sent as a direct command. If so, ratCh is given by the parameter in bits 8–15 of CMDR.

The channel number must indicate a channel that is not reserved for use by the radio CPU. Otherwise, the radio CPU returns ParError in CMDSTA. If the channel number is valid, the CPU returns DONE in CMDSTA after the channel is disabled.

25.3.3.2.13 CMD_SET_RAT_OUTPUT: Set RAT Output to a Specified Mode

Command ID number: 0x0604

CMD_SET_RAT_OUTPUT is an immediate command that takes the parameters listed in [Table 25-45](#).

Table 25-45. CMD_SET_RAT_OUTPUT Command Format

Byte Index	Field Name	Bits	Bit Field Name	Type	Description
0–1	commandNo			W	The command ID number
2–3	config	0–1			Reserved
		2–4	outputSel	W	Output event indicator: 1: RAT_GPO1 2: RAT_GPO2 3: RAT_GPO3 Others: Reserved
		5–7	outputMode	W	Output mode: 000: Pulse 001: Set 010: Clear 011: Toggle 100: Always 0 101: Always 1 Others: Reserved
		8–11	ratCh	W	The RAT channel number

On reception, the radio CPU sets the RAT output event given by config.outputSel in the mode given by config.outputMode, and to be controlled by the RAT channel given by config.ratCh. This command must be combined with setting this channel in compare mode, using the CMD_SET_RAT_CMP command.

CMD_SET_RAT_OUTPUT may be sent as a direct command. If so, bits 2–15 of the config word are given by bits 2–15 of CMDR (bits 0–1 of config are not used).

The channel number, config.ratCh, must indicate a channel that is not reserved for use by the radio CPU, and the output number, config.outputSel, must not be an output used by the radio CPU. Otherwise, the radio CPU returns ParError in CMDSTA. If the output event is successfully set up, the radio CPU returns DONE in CMDSTA.

25.3.3.2.14 CMD_ARM_RAT_CH: Arm RAT Channel

Command ID number: 0x0409

CMD_ARM_RAT_CH is an immediate command that takes the parameters listed in [Table 25-46](#).

Table 25-46. CMD_ARM_RAT_CH Command Format

Byte Index	Field Name	Bits	Bit Field Name	Type	Description
0–1	commandNo			W	The command ID number
2	ratCh			W	The RAT channel number

On reception, the radio CPU arms the RAT channel given by ratCh.

The CMD_DISABLE_RAT_CH command may be sent as a direct command. If so, ratCh is given by the parameter in bits 8–15 of CMDR.

The channel number must indicate a channel not reserved for use by the radio CPU. Otherwise, the radio CPU returns ParError in CMDSTA. If the channel number is valid, the CPU returns DONE in CMDSTA after the channel is armed.

25.3.3.2.15 CMD_DISARM_RAT_CH: Disarm RAT Channel

Command ID number: 0x040A

CMD_DISARM_RAT_CH is an immediate command that takes the parameters listed in [Table 25-47](#).

Table 25-47. CMD_DISARM_RAT_CH Command Format

Byte Index	Field Name	Bits	Bit Field Name	Type	Description
0–1	commandNo			W	The command ID number
2	ratCh			W	The RAT channel number

On reception, the radio CPU disarms the RAT channel given by ratCh.

CMD_DISABLE_RAT_CH may be sent as a direct command. If so, ratCh is given by the parameter in bits 8–15 of CMDR.

The channel number must indicate a channel not reserved for use by the radio CPU. Otherwise, the radio CPU returns ParError in CMDSTA. If the channel number is valid, the CPU returns DONE in CMDSTA after the channel is armed.

25.3.3.2.16 CMD_SET_TX_POWER: Set Transmit Power

Command ID number: 0x0010

CMD_SET_TX_POWER is an immediate command that takes the parameters listed in [Table 25-48](#).

Table 25-48. CMD_SET_TX_POWER Command Format

Byte Index	Field Name	Bits	Bit Field Name	Type	Description
0–1	commandNo			W	The command ID number
2–3	txPower			W	New TX power setting. TI recommends using values from the SmartRF Studio. Bits 0-6: IB Value to write to the PA power control field at 25°C. Check the note below. Bits 6-7: GC Value to write to the gain control of the first stage of the PA. Bit 8: boost Driver strength into the PA. 0: Low driver strength 1: High driver strength Bits 9-15: tempCoeff Temperature coefficient for IB. 0: No temperature compensation.

Note

to calculate IB, use the following equation: $IB = IB_{25^{\circ}C} + \frac{(Temp[^{\circ}C] - 25) \times tempCoeff}{256}$

On reception, the radio CPU sets the transmit power for use the next time transmission begins. If a packet is being transmitted, the transmit power is not updated until transmission begins for the next packet.

Each time transmission of a packet begins, temperature compensation of the transmit power is done.

It is not allowed to use CMD_SET_TX_POWER if the 20 dBm PA was configured in the radio setup command; in this case, CMD_SET_TX20_POWER (see [Section 25.3.3.2.17](#)) should be used.

On completion, the radio CPU returns DONE in CMDSTA.

25.3.3.2.17 CMD_SET_TX20_POWER: Set Transmit Power of the 20 dBm PA

Command ID number: 0x0014

CMD_SET_TX20_POWER is an immediate command that takes the parameters listed in [Table 25-49](#).

Table 25-49. CMD_SET_TX20_POWER Command Format

Byte Index	Field Name	Bits	Bit Field Name	Type	Description
0–1	commandNo			W	The command ID number
2–3					Reserved
4–7	txPower	0–6	IB	W	New TX power setting. TI recommends using values from the SmartRF Studio. Value to write to the PA power control field at 25°C. Check the note below.
		6–7	ibBoost	W	Value to write to the bias control field of the PA
		8	boost	W	Driver strength into the PA 0: Low driver strength 1: High driver strength
		9–15	tempCoeff	W	Temperature coefficient for IB 0: No temperature compensation
		16–21	paLdoTrim	W	Value to write to the output voltage control of the 20 dBm PA LDO
		22–31			Reserved

Note

to calculate IB, use the following equation: $IB = IB_{25^{\circ}C} + \frac{(Temp[^{\circ}C] - 25) \times tempCoeff}{256}$

On reception, the radio CPU will set the transmit power and temperature coefficient for the 20 dBm PA for use the next time transmission is started. If a packet is being transmitted, the transmit power will not be updated until transmission starts for the next packet.

Each time transmission of a packet begins, temperature compensation of the transmit power is done.

It is not allowed to use CMD_SET_TX20_POWER if the 20 dBm PA was not configured in the radio setup command; in this case, CMD_SET_TX_POWER (see [Section 25.3.3.2.16](#)) should be used.

The radio CPU returns DONE in CMDSTA when finished.

25.3.3.2.18 CMD_UPDATE_FS: Set New Synthesizer Frequency Without Recalibration (Deprecated)

Command ID number: 0x0011

CMD_UPDATE_FS is an immediate command that takes the parameters listed in [Table 25-50](#). The command is provided for backwards compatibility with other devices, but is not recommended for use. Instead, CMD_MODIFY_FS (see [Section 25.3.3.2.19](#)) should be used.

Table 25-50. CMD_UPDATE_FS Command Format

Byte Index	Field Name	Bits	Bit Field Name	Type	Description
0–1	commandNo			W	The command ID number
2–13					Reserved
14–15	frequency			W	The frequency in MHz to which to tune
16–17	fractFreq			W	Fractional part of the frequency to which to tune

The command does the same as CMD_MODIFY_FS, but the command format has a lot of unused space, and the frequency is not interpreted correctly if the LO divider is not 2.

25.3.3.2.19 CMD_MODIFY_FS: Set New Synthesizer Frequency Without Recalibration

Command ID number: 0x0013

CMD_MODIFY_FS is an immediate command that takes the parameters listed in [Table 25-51](#).

Table 25-51. CMD_MODIFY_FS Command Format

Byte Index	Field Name	Bits	Bit Field Name	Type	Description
0–1	commandNo			W	The command ID number
2–3	frequency			W	The frequency in MHz to which to tune
4–5	fractFreq			W	Fractional part of the frequency to which to tune

On reception, the radio CPU will program a new frequency in the synthesizer without restarting calibration. This has to be a small change compared to the frequency used under calibration, otherwise the synthesizer will most likely be unable to relock. Extra distortion may occur if the command is done during RX or TX.

The frequency to use is given by frequency and fractFreq, and the frequency will be as close as possible to $(\text{frequency} + \text{fractFreq} / 65536)$ MHz.

If the synthesizer is not running and the calibration is done, the radio CPU will return ContextError in CMDSTA. If frequency is invalid, the radio CPU will return ParError in CMDSTA. Otherwise, the radio CPU will return DONE in CMDSTA when the update is complete.

25.3.3.2.20 CMD_BUS_REQUEST: Request System BUS Available for RF Core

Command ID number: 0x040E

CMD_BUS_REQUEST is an immediate command that takes the parameters listed in [Table 25-52](#).

Table 25-52. CMD_BUS_REQUEST Command Format

Byte Index	Field Name	Bits	Bit Field Name	Type	Description
0–1	commandNo			W	The command ID number
2	bSysBusNeeded			W	0: System bus may sleep 1: System bus access needed

On reception, the radio CPU sets the bus request bit toward the PRCM to 1 if bSysBusNeeded is nonzero, or to 0 if bSysBusNeeded is zero. If bSysBusNeeded is nonzero, this indicates that the system bus stays awake even if the system goes to deep sleep, which must be done for the RF core to run and access the system side for one of the following reasons:

- Any command structure, data structure, and so on, pointed to by a pointer sent to the RF core is placed in system RAM or flash.
- The RF core must read the temperature because the TX power has a nonzero temperature coefficient.
- The RF core must read the RTC to synchronize with the RAT during CMD_SYNC_STOP_RAT or CMD_SYNC_START_RAT.

CMD_BUS_REQUEST may be sent as a direct command. If so, bSysBusNeeded is given by the parameter in bits 8–15 of CMDR.

The radio CPU returns DONE in CMDSTA when the update finishes.

25.3.4 Immediate Commands for Data Queue Manipulation

The following commands are immediate commands used for data queue manipulation for all radio operations that use data queues.

25.3.4.1 *CMD_ADD_DATA_ENTRY: Add Data Entry to Queue*

Command ID number: 0x0005

CMD_ADD_DATA_ENTRY is an immediate command that takes the parameters listed in [Table 25-53](#).

Table 25-53. CMD_ADD_DATA_ENTRY Command Format

Byte Index	Field Name	Bits	Bit Field Name	Type	Description
0–1	commandNo			W	The command ID number
2–3					Reserved
4–7	pQueue			W	Pointer to the queue structure to which the entry is added
8–11	pEntry			W	Pointer to the entry

On reception, the radio CPU appends the provided data entry to the queue indicated. The radio CPU performs the following operations:

```
Set pQueue-> pLastEntry-> pNextEntry = pEntry
Set pQueue-> pLastEntry = pEntry
```

If either of the pointers pQueue or pEntry are invalid (that is, in an address range that is not memory or without 32-bit word alignment), the command fails, and the radio CPU sets the result byte of CMDSTA to ParError. If the queue specified in pQueue is set up not to allow entries to be appended (see [Section 25.3.2.7.1](#)), the command fails, and the radio CPU sets the result byte of CMDSTA to QueueError.

25.3.4.2 *CMD_REMOVE_DATA_ENTRY: Remove First Data Entry From Queue*

Command ID number: 0x0006

CMD_REMOVE_DATA_ENTRY is an immediate command that takes the parameters listed in [Table 25-54](#).

Table 25-54. CMD_REMOVE_DATA_ENTRY Command Format

Byte Index	Field Name	Bits	Bit Field Name	Type	Description
0–1	commandNo			W	The command ID number
2–3					Reserved
4–7	pQueue			W	Pointer to the queue structure from which the entry is removed
8–11	pEntry			R	Pointer to the entry that was removed

On reception, the radio CPU removes the first data entry from the queue indicated. The command returns a pointer to the entry that was removed. The radio CPU performs the following operations:

```
Set pEntry = pQueue->pCurrEntry
Set pQueue->pCurrEntry = pEntry->pNextEntry
Set pEntry->status = Finished
```

If the pointer pQueue is invalid, the command fails, and the radio CPU sets the result byte of CMDSTA to ParError. If the queue specified in pQueue is empty, the command fails, and the radio CPU sets the result byte of CMDSTA to QueueError. If the entry to be removed is in the BUSY state, the command fails, and the radio CPU sets the result byte of CMDSTA to QueueBusy.

25.3.4.3 CMD_FLUSH_QUEUE: Flush Queue

Command ID number: 0x0007

CMD_FLUSH_QUEUE is an immediate command that takes the parameters listed in [Table 25-55](#).

Table 25-55. CMD_FLUSH_QUEUE Command Format

Byte Index	Field Name	Bits	Bit Field Name	Type	Description
0–1	commandNo			W	The command ID number
2–3					Reserved
4–7	pQueue			W	Pointer to the queue structure to be flushed
8–11	pFirstEntry			R	Pointer to the first entry that was removed

On reception, the radio CPU flushes the queue indicated, and returns a pointer to the first entry that was removed. The radio CPU performs the following operations:

```
Set pFirstEntry = pQueue->pCurrEntry
Set pQueue->pCurrEntry = NULL
Set pQueue->pLastEntry = NULL
```

If the pointer pQueue is invalid, the command fails, and the radio CPU sets the result byte of CMDSTA to ParError. If the first entry to be removed is in the BUSY state, the command fails, and the radio CPU sets the result byte of CMDSTA to QueueBusy. If the queue specified in pQueue is empty, the radio CPU does not need to do any operation, but this is still viewed as a success. The returned pFirstEntry is NULL in this case.

25.3.4.4 CMD_CLEAR_RX: Clear All RX Queue Entries

Command ID number: 0x0008

CMD_CLEAR_RX is an immediate command that takes the parameters listed in [Table 25-56](#).

Table 25-56. CMD_CLEAR_RX Command Format

Byte Index	Field Name	Bits	Bit Field Name	Type	Description
0–1	commandNo			W	The command ID number
2–3					Reserved
4–7	pQueue			W	Pointer to the queue structure be cleared

On reception, the radio CPU makes all RX entries indicate that they are empty. The radio CPU performs the following operations:

```
Set pTemp = pQueue->pCurrEntry
Loop: Set pTemp->status = Pending
If pTemp->type == 1 then:
Set pTemp->nextIndex = 0
Set pTemp->numElements = 0
Set pTemp = pTemp->nextIndex
If pTemp != NULL and pTemp != pQueue->pCurrEntry, repeat from Loop
```

If the pointer pQueue is invalid, the command fails, and the radio CPU sets the result byte of CMDSTA to ParError. If the queue specified in pQueue is empty, the command fails, and the radio CPU sets the result byte of CMDSTA to QueueError. If the first entry to be removed is in the BUSY state, the command fails, and the radio CPU sets the result byte of CMDSTA to QueueBusy.

25.3.4.5 CMD_REMOVE_PENDING_ENTRIES: Remove Pending Entries From Queue

Command ID number: 0x0009

CMD_REMOVE_PENDING_ENTRIES is an immediate command that takes the parameters listed in [Table 25-57](#).

Table 25-57. CMD_REMOVE_PENDING_ENTRIES Command Format

Byte Index	Field Name	Bits	Bit Field Name	Type	Description
0–1	commandNo			W	The command ID number
2–3					Reserved
4–7	pQueue			W	Pointer to the queue structure to be flushed
8–11	pFirstEntry			R	Pointer to the first entry that was removed

On reception, the radio CPU removes all entries that are in the Pending state from the queue indicated, and returns a pointer to the first entry that was removed. The radio CPU performs the following operations:

```

If pQueue->pCurrEntry->status = Pending, then
Set pFirstEntry = pQueue->pCurrEntry
Set pQueue->pCurrEntry = NULL
Set pQueue->pLastEntry = NULL
else
Set pFirstEntry = pQueue->pCurrEntry->pNextEntry
Set pQueue->pCurrEntry->pNextEntry = NULL
Set pQueue->pLastEntry = pQueue->pCurrEntry

```

If the pointer pQueue is invalid, the command fails, and the radio CPU sets the result byte of CMDSTA to ParError. If the queue specified in pQueue is empty, the radio CPU does not need to do any operation, but this is still viewed as a success. The returned pFirstEntry is NULL in this case.

25.4 Data Queue Usage

This section describes how the radio CPU uses data queues.

25.4.1 Operations on Data Queues Available Only for Internal Radio CPU Operations

[Section 25.3.4](#) lists commands used for data queue manipulation. For internal radio CPU operations described, additional operations are available. These operations are described in [Section 25.4.1.1](#) through [Section 25.4.1.5](#).

25.4.1.1 PROC_ALLOCATE_TX: Allocate TX Entry for Reading

The procedure takes the following input parameter:

- Pointer to queue, pQueue

The procedure returns the following:

- Pointer to allocated data entry, pEntry

The procedure returns with error if the specified queue is empty, or if the first entry of the queue is already busy. Otherwise, the following is done:

```
Set pQueue->pCurrEntry->status = Busy
Set pEntry = pQueue->pCurrEntry
```

25.4.1.2 PROC_FREE_DATA_ENTRY: Free Allocated Data Entry

The procedure takes the following input parameter:

- Pointer to queue, pQueue

The procedure returns the following:

- Pointer to allocated data entry, pEntry

The procedure returns with error if the specified queue is empty. Otherwise, the following is done:

```
Set pQueue->pCurrEntry->status = Active
```

25.4.1.3 PROC_FINISH_DATA_ENTRY: Finish Use of First Data Entry From Queue

The procedure takes the following input parameter:

- Pointer to queue, pQueue

The procedure returns the following:

- Pointer to new entry, pEntry

The procedure returns with error if the specified queue is empty. Otherwise, the following is done:

```
Set pTemp = pQueue->pCurrEntry
Set pQueue->pCurrEntry = pTemp->pNextEntry
Set pTemp->status = Finished
Set pEntry = pQueue->pCurrEntry
```

25.4.1.4 PROC_ALLOCATE_RX: Allocate RX Buffer for Storing Data

The procedure takes the following input parameters:

- Pointer to queue, pQueue
- Size of entry element to store, size

The procedure returns the following:

- Pointer to data entry where data is stored, pEntry
- Pointer to a finished data entry, or NULL if not finished, pFinishedEntry

The procedure returns with error if the first entry of the queue is already busy. If there is not room for an entry element of the specified size, including if the queue is empty, a *no space* error is returned. The following procedure describes the operations:

```

Set pFinishedEntry == NULL
If pQueue->pCurrEntry == NULL then
Return with no space error
end if
If pQueue->pCurrEntry->type != 1 then
if pQueue->pCurrEntry->length < size then
Return with no space error
else
Set pQueue->pCurrEntry->status = Busy
Set pEntry = pQueue->pCurrEntry
end if
else
Set pTemp = pQueue->pCurrEntry
If pTemp->nextIndex + 2 + size > pTemp->length then
Set pQueue->pCurrEntry = pTemp->pNextEntry
Set pTemp->status = Finished
Set pFinishedEntry = pTemp
Set pTemp = pTemp->pNextEntry
If pTemp == NULL or pTemp->length < size + 2 then
Return with no space error
end if
end if
Set pTemp->status = Busy
Set pEntry = pTemp
end if

```

25.4.1.5 PROC_FINISH_RX: Commit Received Data to RX Data Entry

The procedure takes the following input parameters:

- Pointer to queue, pQueue
- Size of entry element that is stored, size

The procedure returns the following:

- Pointer to data entry where data is stored, pEntry
- Pointer to a finished data entry, or NULL if not finished, pFinishedEntry

The procedure returns with error if the queue is empty or if there is not room for an entry element of the specified size. Otherwise, the following is done:

```

If pQueue->pCurrEntry->type != 1 then
Set pTemp = pQueue->pCurrEntry
Set pQueue->pCurrEntry = pTemp->pNextEntry
Set pTemp->status = Finished
else
Increase pQueue->pCurrEntry->nextIndex by size
Increment pQueue->pCurrEntry->numElements by 1
If pQueue->pCurrEntry->nextIndex + 2 == pQueue->pCurrEntry->length then
Set pTemp = pQueue->pCurrEntry
Set pQueue->pCurrEntry = pTemp->pNextEntry
Set pTemp->status = Finished
Set pFinishedEntry == pTemp
else
Set pQueue->pCurrEntry->status = Active
Set pFinishedEntry == NULL
end if
end if

```

This operation is done after doing PROC_ALLOCATE_RX and writing to the correct locations in the buffer; the size must be the same as with PROC_ALLOCATE_RX.

25.4.2 Radio CPU Usage Model

25.4.2.1 Receive Queues

When the radio CPU receives a packet, it prepares a buffer for reading by calling `PROC_ALLOCATE_RX`. If this is successful, the allocated buffer is used for storing the incoming packet as defined for each protocol. If a no space error occurs, the received data cannot be stored, and the handling is defined for each protocol.

After a packet is received, it may be kept or discarded depending on rules defined for each protocol. To keep the packet, the radio CPU calls `PROC_FINISH_RX`. This makes the received data available for the system CPU. To discard the packet, the radio CPU calls `PROC_FREE_DATA_ENTRY`, meaning that the next packet may overwrite the data received in the last packet.

25.4.2.2 Transmit Queues

When the radio CPU is about to transmit a packet from a TX queue, it calls `PROC_ALLOCATE_TX` to get a pointer to the data to transmit. When the packet transmits, the radio CPU calls `PROC_FINISH_DATA_ENTRY` or `PROC_FREE_DATA_ENTRY`. If `PROC_FINISH_DATA_ENTRY` is called, the system CPU is informed that the entry is finished and may be reused. This calling process must be used if retransmission of the packet is not an option. If `PROC_FREE_DATA_ENTRY` is called, the transmitted entry remains first in the queue so that it may be transmitted, which is used when an acknowledgment is expected.

If an acknowledgment is received on a packet that was transmitted, followed by the radio CPU calling `PROC_FREE_DATA_ENTRY`, the radio CPU calls `PROC_ALLOCATE_TX` followed by `PROC_FINISH_DATA_ENTRY` (this is equivalent to `CMD_REMOVE_DATA_ENTRY`, see [Section 25.3.3.2](#)). This calling process causes the next entry in the queue to be transmitted. If an acknowledgment is not received, the last transmitted packet is retransmitted.

25.5 IEEE 802.15.4

This section describes IEEE 802.15.4-specific command structure, interrupts, data handling, radio operation commands, and immediate commands.

25.5.1 IEEE 802.15.4 Commands

[Table 25-58](#) and [Table 25-59](#) define the IEEE 802.15.4-specific radio operation commands.

Table 25-58. IEEE 802.15.4 Radio Operation Commands on Background Level

ID	Command Name	Description
0x2801	CMD_IEEE_RX	Run receiver
0x2802	CMD_IEEE_ED_SCAN	Run energy detect scan

Table 25-59. IEEE 802.15.4 Radio Operation Commands on Foreground Level

ID	Command Name	Description
0x2C01	CMD_IEEE_TX	Transmit packet
0x2C02	CMD_IEEE_CSMA	Perform CSMA-CA
0x2C03	CMD_IEEE_RX_ACK	Receive acknowledgment
0x2C04	CMD_IEEE_ABORT_BG	ABORT background level operation

Table 25-60. Common Radio Operation Commands on Foreground Level

ID	Command Name	Description
0x0C10	CMD_FG_SCH_IMM	Behaves as CMD_SCH_IMM

[Table 25-61](#) defines immediate commands.

Table 25-61. IEEE 802.15.4 Immediate Commands

ID	Command Name	Description
0x2001	CMD_IEEE_MOD_CCA	Modify CCA parameters for running receiver
0x2002	CMD_IEEE_MOD_FILTER	Modify frame filtering parameters for running receiver
0x2003	CMD_IEEE_MOD_SRC_MATCH	Modify source matching parameters for running receiver
0x2401	CMD_IEEE_ABORT_FG	ABORT foreground level operation
0x2402	CMD_IEEE_STOP_FG	Stop foreground level operation
0x2403	CMD_IEEE_CCA_REQ	Request CCA and RSSI information

25.5.1.1 IEEE 802.15.4 Radio Operation Command Structures

Table 25-9 defines the first 14 bytes for all radio operation commands. The CMD_IEEE_ABORT_BG command does not have any additional fields to those 14 bytes.

Table 25-62. IEEE 802.15.4 RX Command Structure

Byte Index	Field Name	Type	Description
14	channel	W	Channel to tune to in the start of the operation: 0: Use existing channel 11–26: Use as IEEE 802.15.4 channel, that is frequency is $[2405 + 5 \times (\text{channel} - 11)]$ MHz 60–207: Frequency is $(2300 + \text{channel})$ MHz Others: reserved
15	rxConfig	W	Configuration bits for the receive queue entries (see Table 25-72 for details)
16–19	pRxQ	W	Receive queue
20–23	pOutput	W	Pointer to result structure (see Table 25-71) (NULL: Do not store results)
24–25	frameFiltOpt	R/W	Frame filtering options (see Table 25-74 for details)
26	frameTypes	R/W	Frame types to receive in frame filtering (see Table 25-75 for details)
27	ccaOpt	R/W	CCA options (see Table 25-73 for details)
28	ccaRssiThr	R/W	RSSI threshold for CCA
29			Reserved
30	numExtEntries	W	Number of extended address entries
31	numShortEntries	W	Number of short address entries
32–35	pExtEntryList	W	Pointer to list of extended address entries
36–39	pShortEntryList	W	Pointer to list of short address entries
40–47	localExtAddr	W	The extended address of the local device
48–49	localShortAddr	W	The short address of the local device
50–51	localPanID	W	The PAN ID of the local device
52–54			Reserved
55	endTrigger	W	Trigger that causes the device to end the RX operation
56–59	endTime	W	Time parameter for endTrigger

Table 25-63. IEEE 802.15.4 Energy Detect Scan Command Structure

Byte Index	Field Name	Type	Description
14	channel	W	Channel to tune to at the start of the operation: 0: Use existing channel 11–26: Use as IEEE 802.15.4 channel, that is frequency is $[2405 + 5 \times (\text{channel} - 11)]$ MHz 60–207: Frequency is $(2300 + \text{channel})$ MHz Others: reserved
15	ccaOpt	R/W	CCA options (see Table 25-73 for details)
16	ccaRssiThr	R/W	RSSI threshold for CCA
17			Reserved
18	maxRssi	R	The maximum RSSI recorded during the ED scan
19	endTrigger	W	Trigger that causes the device to end the RX operation
20–23	endTime	W	Time parameter for endTrigger

Table 25-64. IEEE 802.15.4 CSMA-CA Command Structure

Byte Index	Field Name	Bits	Bit Field Name	Type	Description
14–15	randomState			R/W	The state of the pseudo-random generator
16	macMaxBE			W	The IEEE 802.15.4 MAC parameter macMaxBE
17	macMaxCSMABackoffs			W	The IEEE 802.15.4 MAC parameter macMaxCSMABackoffs
18	csmaConfig	0–4	initCW	W	The initialization value for the CW parameter
		5	bSlotted	W	0 for non-slotted CSMA, 1 for slotted CSMA
		6–7	rxOffMode	W	0: RX stays on during CSMA backoffs 1: The CSMA-CA algorithm suspends the receiver if no frame is being received 2: The CSMA-CA algorithm suspends the receiver if no frame is being received, or after finishing it (including auto ACK) otherwise 3: The CSMA-CA algorithm suspends the receiver immediately during back-offs
19	NB			R/W	The NB parameter from the IEEE 802.15.4 CSMA-CA algorithm
20	BE			R/W	The BE parameter from the IEEE 802.15.4 CSMA-CA algorithm
21	remainingPeriods			R/W	The number of remaining periods from a paused backoff countdown
22	lastRssi			R	RSSI measured at the last CCA operation
23	endTrigger			W	Trigger that causes the device to end the CSMA-CA operation
24–27	lastTimeStamp			R	Time of the last CCA operation
28–31	endTime			W	Time parameter for endTrigger

Table 25-65. IEEE 802.15.4 TX Command Structure

Byte Index	Field Name	Bits	Bit Field Name	Type	Description
14	txOpt	0	bIncludePhyHdr	W	0: Find PHY header automatically. 1: Insert PHY header from the buffer.
		1	bIncludeCrc	W	0: Append automatically calculated CRC. 1: Insert FCS (CRC) from the buffer.
		2			Reserved
		3–7	payloadLenMsb	W	Most significant bits of payload length. Must only be nonzero to create long nonstandard packets for test purposes
15	payloadLen			W	Number of bytes in the payload
16–19	pPayload			W	Pointer to payload buffer of size payloadLen
20–23	timeStamp			R	Timestamp of transmitted frame

Table 25-66. IEEE 802.15.4 Receive ACK Command Structure

Byte Index	Field Name	Type	Description
14	seqNo	W	Sequence number to expect
15	endTrigger	W	Trigger that causes the device to give up acknowledgment reception
16–19	endTime	W	Time parameter for endTrigger

25.5.1.2 IEEE 802.15.4 Immediate Command Structures

Table 25-67. IEEE 802.15.4 Modify CCA Immediate Command Structure

Byte Index	Field Name	Type	Description
0–1	commandNo	W	The command number
2	newCcaOpt	W	New value of ccaOpt for the running background level operation (see Table 25-73 for details)
3	newCcaRssiThr	W	New value of ccaRssiThr for the running background level operation

Table 25-68. IEEE 802.15.4 Modify Frame Filtering Immediate Command Structure

Byte Index	Field Name	Type	Description
0–1	commandNo	W	The command number
2–3	newFrameFiltOpt	W	New value of frameFiltOpt for the running background level operation
4	newFrameTypes	W	New value of frameTypes for the running background level operation

Table 25-69. IEEE 802.15.4 Enable or Disable Source Matching Entry Immediate Command Structure

Byte Index	Field Name	Bits	Bit Field Name	Type	Description
0–1	commandNo			W	The command number
2	options	0	bEnable	W	0: Disable entry 1: Enable entry
		1	srcPend	W	New value of the pending bit for the entry
		2	entryType	W	0: Extended address 1: Short address
		3–7			Reserved
3	entryNo			W	Index of entry to enable or disable

Table 25-70. IEEE 802.15.4 Request CCA State Immediate Command Structure

Byte Index	Field Name	Bits	Bit Field Name	Type	Description
0–1	commandNo			W	The command number
2	currentRssi			R	The RSSI currently observed on the channel
3	maxRssi			R	The maximum RSSI observed on the channel because RX was started
4	ccaInfo	0–1	ccaState	R	Value of the current CCA state: 00: Idle 01: Busy 10: Invalid
		2–3	ccaEnergy	R	Value of the current energy detect CCA state: 00: Idle 01: Busy 10: Invalid
		4–5	ccaCorr	R	Value of the current correlator based carrier sense CCA state: 00: Idle 01: Busy 10: Invalid
		6	ccaSync	R	Value of the current sync found based carrier sense CCA state: 0: Idle 1: Busy
		7			

25.5.1.3 Output Structures

Table 25-71. RX Command

Byte Index	Field Name	Type	Description
0	nTxAck	R/W	Total number of transmitted ACK frames
1	nRxBeacon	R/W	Number of received beacon frames
2	nRxData	R/W	Number of received data frames
3	nRxAck	R/W	Number of received acknowledgment frames
4	nRxMacCmd	R/W	Number of received MAC command frames
5	nRxReserved	R/W	Number of received frames with reserved frame type
6	nRxOk	R/W	Number of received frames with CRC error
7	nRxIgnored	R/W	Number of frames received that are to be ignored
8	nRxBufFull	R/W	Number of received frames discarded because the RX buffer was full
9	lastRssi	R	RSSI of last received frame
10	maxRssi	R	Highest RSSI observed in the operation
11			Reserved
12–15	beaconTimeStamp	R	Timestamp of last received beacon frame

25.5.1.4 Other Structures and Bit Fields

Table 25-72. Receive Queue Entry Configuration Bit Field

Bits	Bit Field Name	Description
0	bAutoFlushCrc	If 1, automatically remove packets with CRC error from RX queue.
1	bAutoFlushIgn	If 1, automatically remove packets that can be ignored according to frame filtering from RX queue.
2	bIncludePhyHdr	If 1, include the received PHY header field in the stored packet; otherwise discard it.
3	bIncludeCrc	If 1, include the received CRC field in the stored packet; otherwise discard it. This requires pktConf.bUseCrc to be 1.
4	bAppendRssi	If 1, append an RSSI byte to the packet in the RX queue.
5	bAppendCorrCrc	If 1, append a correlation value and CRC result byte to the packet in the RX queue.
6	bAppendSrcInd	If 1, append an index from the source matching algorithm.
7	bAppendTimestamp	If 1, append a timestamp to the packet in the RX queue.

Table 25-73. CCA Configuration Bit Field

Bits	Bit Field Name	Description
0	ccaEnEnergy	Enable energy scan as CCA source.
1	ccaEnCorr	Enable correlator-based carrier sense as CCA source.
2	ccaEnSync	Enable sync found based carrier sense as CCA source.
3	ccaCorrOp	Operator to use between energy based and correlator-based CCA 0: Report busy channel if either ccaEnergy or ccaCorr are busy. 1: Report busy channel if both ccaEnergy and ccaCorr are busy.
4	ccaSyncOp	Operator to use between sync found based CCA and the others 0: Always report busy channel if ccaSync is busy. 1: Always report idle channel if ccaSync is idle.
5–6	ccaCorrThr	Threshold for number of correlation peaks in correlator-based carrier sense
7		Reserved

Table 25-74. Frame Filtering Configuration Bit Field

Bits	Bit Field Name	Description
0	frameFiltEn	0: Disable frame filtering. 1: Enable frame filtering.
1	frameFiltStop	0: Receive all packets to the end. 1: Stop receiving frame once frame filtering has caused the frame to be rejected.
2	autoAckEn	0: Disable auto ACK. 1: Enable auto ACK.
3	slottedAckEn	0: Nonslotted ACK. 1: Slotted ACK.
4	autoPendEn	0: Auto-pend disabled. 1: Auto-pend enabled.
5	defaultPend	The value of the pending data bit in auto ACK packets that are not subject to auto-pend.
6	bPendDataReqOnly	0: Use auto-pend for any packet. 1: Use auto-pend for data request packets only.
7	bPanCoord	0: Device is not the PAN coordinator. 1: Device is the PAN coordinator.
8–9	maxFrameVersion	Reject frames where the frame version field in the FCF is greater than this value.
10–12	fcfReservedMask	Value to be ANDed with the reserved part of the FCF; frame rejected if result is nonzero.
13–14	modifyFtFilter	Treatment of MSB of frame type field before frame-type filtering: 0: No modification. 1: Invert MSB. 2: Set MSB to 0. 3: Set MSB to 1.
15	bStrictLenFilter	0: Accept acknowledgment frames of any length ≥ 5 . 1: Accept only acknowledgment frames of length 5.

Table 25-75. Frame Type Filtering Bit Field

Bits	Bit Field Name	Description
0	bAcceptFt0Beacon	Treatment of frames with frame type 000 (beacon): 0: Reject 1: Accept
1	bAcceptFt1Data	Treatment of frames with frame type 001 (data): 0: Reject 1: Accept
2	bAcceptFt2Ack	Treatment of frames with frame type 010 (ACK): 0: Reject, unless running ACK receive command 1: Always accept
3	bAcceptFt3MacCmd	Treatment of frames with frame type 011 (MAC command): 0: Reject 1: Accept
4	bAcceptFt4Reserved	Treatment of frames with frame type 100 (reserved): 0: Reject 1: Accept
5	bAcceptFt5Reserved	Treatment of frames with frame type 101 (reserved): 0: Reject 1: Accept
6	bAcceptFt6Reserved	Treatment of frames with frame type 110 (reserved): 0: Reject 1: Accept

Table 25-75. Frame Type Filtering Bit Field (continued)

Bits	Bit Field Name	Description
7	bAcceptFt7Reserved	Treatment of frames with frame type 111 (reserved): 0: Reject 1: Accept

Table 25-76. Short Address Entry Structure

Byte Index	Field Name	Description
0–1	shortAddr	Short address of the entry
2–3	panID	PAN ID of the entry

Table 25-77. Extended Address List Structure

Byte Index	Field Name	Type	Description
0–4K–1	srcMatchEn	R/W	Words with enable bits for each extAddrEntry; LSB of first word corresponds to entry 0. The array size K = ceil (N / 32), where N is the number of entries (given by numExtEntries, see Table 25-62) and ceil denotes rounding upward.
4K–8K–1	srcPendEn	R/W	Words with pending data bits for each extAddrEntry; LSB of first word corresponds to entry 0.
8K–8K+7	extAddrEntry[0]	W	Extended address number 0
...			
8K+8n–8K+8n+7	extAddrEntry[n]	W	Extended address number n
...			
8K+8(N–1)–8K+8N+7	extAddrEntry[N–1]	W	Extended address number N–1 (last entry)

Table 25-78. Short Address List Structure

Byte Index	Field Name	Type	Description
0:4K–1	srcMatchEn	R/W	Words with enable bits for each shortAddrEntry; LSB of first word corresponds to entry 0. The array size K = ceil (N / 32), where N is the number of entries (given by numShortEntries, see Table 25-62) and ceil denotes rounding upward.
4K:8K–1	srcPendEn	R/W	Words with pending data bits for each shortAddrEntry; LSB of first word corresponds to entry 0.
8K–8K+3	shortAddrEntry[0]	W	Short address number 0; the entry is an address/PAN ID pair as defined in Table 25-76 .
...			
8K+4n–8K+4n+3	shortAddrEntry[n]	W	Short address number n; the entry is an address/PAN ID pair as defined in Table 25-76 .
...			
8K+4(N–1)–8K+4N+3	shortAddrEntry[N–1]	W	Short address number N–1 (last entry); the entry is an address/PAN ID pair as defined in Table 25-76 .

Table 25-79. Receive Correlation/CRC Result Bit Field

Bits	Bit Field Name	Description
0–5	corr	The correlation value
6	blgnore	1 if the packet must be rejected by frame filtering; 0 otherwise.
7	bCrcErr	1 if the packet was received with CRC error; 0 otherwise.

25.5.2 Interrupts

The interrupts to be used by the IEEE 802.15.4 commands are listed in [Table 25-80](#). Each interrupt may be enabled individually in the system CPU. Details for when the interrupts are generated are given in [Section 25.5.4](#).

Table 25-80. Interrupt Definitions Applicable to IEEE 802.15.4

Interrupt Number	Interrupt Name	Description
0	COMMAND_DONE	A background level radio operation command has finished.
1	LAST_COMMAND_DONE	The last background level radio operation command in a chain of commands has finished.
2	FG_COMMAND_DONE	A foreground radio operation command has finished.
3	LAST_FG_COMMAND_DONE	The last foreground radio operation command in a chain of commands has finished.
4	TX_DONE	Transmitted frame
5	TX_ACK	Transmitted automatic ACK frame
16	RX_OK	Frame received with CRC OK
17	RX_NOK	Frame received with CRC error
18	RX_IGNORED	Frame received with ignore flag set
22	RX_BUF_FULL	Frame received that did not fit in the TX queue
23	RX_ENTRY_DONE	TX queue data entry changing state to Finished
29	MODULES_UNLOCKED	As part of the boot process, the Arm Cortex-M0 processor has opened access to RF core modules and memories.
30	BOOT_DONE	The RF core CPU boot is finished.
31	INTERNAL_ERROR	The radio CPU has observed an unexpected error.

25.5.3 Data Handling

For all the IEEE 802.15.4 commands, data received over the air is stored in a receive queue.

Data to be transmitted is fetched from a buffer given in the transmit command.

25.5.3.1 Receive Buffers

A frame being received is stored in the receive buffer. First, a length byte or word is stored, if configured in the RX entry, by `config.lenSz`, and calculated from the length received over the air and the configuration of appended status information.

The format of the entry elements in the receive queue pointed to by `pRxQ` is given by the configuration `rxConfig` defined in [Section 25.6.1.4](#).

Following the length field, the received PHY header byte is stored if `rxConfig.blIncludePhyHdr` is 1. If a length field is present, this byte is redundant except for the reserved bit. The received MAC header and MAC payload is stored as received over the air. The MAC footer containing the 16-bit frame check sequence is stored if `rxConfig.blIncludeCrc` is 1.

If `rxConfig.bAppendRssi` is 1, a byte indicating the received RSSI value is appended. If `rxConfig.bAppendCorrCrc` is 1, a status byte of the type defined in [Table 25-79](#), is appended. If `rxConfig.bAppendSrcInd` is 1, a byte giving the index of the first source matching entry that matches the header of the received packet is appended, or 0xFF if no match. If `rxConfig.bAppendTimeStamp` is 1, a timestamp indicating the start of the frame is appended. This timestamp is a four-byte number from the radio timer. Though the timestamp is multibyte, no word-address alignment is made, so the timestamp must be written and read bitwise. The timestamp is captured when SFD is found, but adjusted to reflect the start of the frame (assuming 8 preamble bytes as per the standard), defined so that it corresponds to the time of the start trigger used on

the transmit side. The adjustment is defined in the syncTimeAdjust firmware-defined parameter, and may be overridden.

Figure 25-6 shows the format of an entry element in the RX queues.

0–2 bytes	0 or 1 byte	0–125 bytes	0 or 2 bytes	0 or 1 byte	0 or 1 byte	0 or 1 byte	0 or 4 bytes
Element Length	PHY Header	MAC Header and Payload	MAC Footer (FCS)	RSSI	Status	Source Index	Timestamp

Figure 25-6. RX Queue Entry Element (Stapled Fields are Optional)

25.5.3.2 Transmit Buffers

In the transmit operation, a pointer to a buffer containing the payload is given by pPayload. The length of this buffer is given separately by payloadLen. The contents of the transmit buffer is given by the txOpt parameter. The transmit buffer always contains the MAC header and MAC payload. If txOpt.blIncludePhyHdr is 1, the buffer also includes the byte to be transmitted as a PHY header as the first byte in the buffer. If txOpt.blIncludeCrc is 1, the two last bytes of the buffer are transmitted as a CRC instead of the CRC being calculated automatically.

25.5.4 Radio Operation Commands

Before running any radio operation command described in this document, the radio must be set up in IEEE 802.15.4 mode using the command CMD_RADIO_SETUP. Otherwise, the operation ends with an error.

In IEEE 802.15.4 mode, the radio CPU accepts two levels of radio operation commands. Operations can run in the background level or in the foreground level. Each operation can only run in one of these levels. Operations in the foreground level normally require a background-level operation running at the same time.

The background-level operations are the receive and energy detect scan operations. Only one of these can run at a time. The foreground-level operations are the CSMA-CA operation, the receive ACK operation, the transmit operation, the abort background level operation, and the modify radio setup operation. These can be entered as one command or a command chain, even if a background-level operation is running. The CSMA-CA and receive ACK operations run simultaneously with the background-level operation. The transmit operation causes the background level operation to be suspended until the transmission is done. Table 25-81 shows the allowed combinations of background and foreground-level operations. Violation of these combinations causes an error when the foreground-level command is about to start, signaled by the ERROR_WRONG_BG status in the status field of the foreground-level command structure.

Table 25-81. Allowed Combinations of Foreground and Background Level Operations

Foreground Level Operation	Background Level Operation		
	None	CMD_IEEE_RX	CMD_IEEE_ED_SCAN
None	Allowed	Allowed	Allowed
CMD_IEEE_TX	Allowed1	Allowed	Allowed
CMD_IEEE_CSMA	Forbidden	Allowed	Allowed
CMD_IEEE_RX_ACK	Forbidden	Allowed	Forbidden
CMD_IEEE_ABORT_BG	Allowed2	Allowed	Allowed

A non-15.4 radio operation may not be run simultaneously with a 15.4 radio operation; if a non-15.4 radio operation is entered while a 15.4 operation is running on either level, scheduling error occurs. Chains of 15.4 and non-15.4 operations can be created, however.

When a foreground-level operation finishes, an FG_COMMAND_DONE interrupt is raised. If the command was the last one in a chain, a LAST_FG_COMMAND_DONE interrupt is raised as well (refer to [Table 25-80](#)). Background-level operations use the common interrupts, COMMAND_DONE and LAST_COMMAND_DONE (see [Table 25-80](#)).

The status field of the command structure is updated during the operation. When submitting the command, the system CPU writes this field with a state of IDLE. During the operation, the radio CPU updates the field to indicate the operation mode. When the operation is done, the radio CPU writes a status indicating that the command has finished. [Table 25-82](#) lists the status codes for IEEE 802.15.4 radio operation.

Table 25-82. IEEE 802.15.4 Radio Operation Status Codes

Number	Name	Description
Operation Not Finished		
0x0000	IDLE	Operation not started
0x0001	PENDING	Waiting for start trigger
0x0002	ACTIVE	Running operation
0x2001	IEEE_SUSPENDED	Operation suspended
Normal Operation Ending		
0x2400	IEEE_DONE_OK	Operation ended normally
0x2401	IEEE_DONE_BUSY	CSMA-CA operation ended with failure
0x2402	IEEE_DONE_STOPPED	Operation stopped after stop command
0x2403	IEEE_DONE_ACK	ACK packet received with pending data bit cleared
0x2404	IEEE_DONE_ACKPEND	ACK packet received with pending data bit set
0x2405	IEEE_DONE_TIMEOUT	Operation ended due to timeout
0x2406	IEEE_DONE_BGEND	FG operation ended because necessary background-level operation ended
0x2407	IEEE_DONE_ABORT	Operation aborted by command
Operation Ending With Error		
0x0806	ERROR_WRONG_BG	Foreground level operation is not compatible with running background-level operation
0x2800	IEEE_ERROR_PAR	Illegal parameter
0x2801	IEEE_ERROR_NO_SETUP	Radio was not set up in IEEE 802.15.4 mode
0x2802	IEEE_ERROR_NO_FS	Synthesizer was not programmed when running RX or TX
0x2803	IEEE_ERROR_SYNTH_PROG	Synthesizer programming failed
0x2804	IEEE_ERROR_RXOVF	RX overflow observed during operation
0x2805	IEEE_ERROR_TXUNF	TX underflow observed during operation

The conditions for giving each status are listed for each operation. Some of the error causes listed in [Table 25-82](#) are not repeated in these lists. In some cases, general error causes described in [Section 25.3](#) may occur. In all of these cases, the result of the operation as defined in [Section 25.3](#) is ABORT.

25.5.4.1 RX Operation

The receive radio operation is a background-level operation, started with the `CMD_IEEE_RX` command and using the command structure given in [Table 25-62](#).

At the start of an RX operation, the radio CPU waits for the start trigger, then programs the frequency based on the channel parameter. If channel is `0xFF`, the operation keeps running on an already configured channel. This requires that the operation follows another receive operation or a synthesizer programming operation. If the frequency synthesizer is not running, the operation ends with an error. After programming the frequency, the radio CPU configures the receiver to receive IEEE 802.15.4 packets.

When the demodulator obtains sync on a frame, the PHY header is read first. The 7 LSBs of this byte give the frame length. The further treatment depends on the setting of `frameFiltOpt`. If `frameFiltOpt.frameFiltEn` is 1, further frame filtering is done as explained below. If it is 0, no frame filtering is done.

The number of bytes given by the received PHY header are received and stored in the receive queue given by `pRxQ`. As explained in [Section 25.7.1](#), the format depends on `rxConfig`. The last two bytes of the PHY payload are the FCS, or CRC, for the packet. These bytes are checked according to the FCS specification, and the further treatment depends on the CRC result.

If there is a CRC error and `rxConfig.bAutoFlushCrc` is 1, the packet is discarded from the RX buffer. If there is no available RX buffer with enough available space to hold the received packet, the received data is discarded. If `frameFiltOpt.frameFiltStop` is 1, the reception stops, otherwise the packet is received so that the CRC can be checked.

25.5.4.1.1 Frame Filtering and Source Matching

If `frameFiltOpt.frameFiltEn` is 1, frame filtering and source matching are performed as described in this section. The frame filtering can have several purposes:

- Distinction between different packet types
- Rejection of packets with a nonmatching destination address
- Rejection of packets with unknown version or illegal fields
- Automatic identification of source address
- Automatic acknowledgment transmission
- Automatic insertion of pending data bit based on source address

25.5.4.1.1.1 Frame Filtering

When frame filtering is enabled, the MAC header of the packet is investigated by the radio CPU. The frame control field (FCF) is checked first. The frame type subfield is the first subfield of the FCF to be checked, and determines the further processing. The MSB of the frame type is processed according to `frameFiltOpt.modifyFtFilter` before the check is made. The result of this modification is only used when checking, not when storing the FCF in the RX queue entry. For each of the eight possible values of the frame type field (including four reserved values), the frame can be setup to be accepted or rejected. This is controlled by the bits of `frameTypes`. If the frame type is Acknowledgment (010b) and a `CMD_RX_ACK` operation is running in the foreground, the packet is processed further even if `frameTypes.bAcceptFt2Ack` is 0. [Section 25.5.4.5](#) gives more details on the processing in that case.

Filtering is performed on the Frame Version and Reserved subfields. If the frame version is greater than `frameFiltOpt.maxFrameVersion`, the frame is rejected.

If the Reserved subfield ANDed with `frameFiltOpt.fcfReservedMask` is nonzero, the frame is rejected. The addressing fields are checked to see if the frame must be accepted or not. This filtering follows the rules for third-level filtering (refer to the IEEE 802.15.4 standard). When checking against the local address, the `localExtAddr` or `localShortAddr` field is used, and when checking against the local PAN ID, the `localPanID` field is used.

If `frameFiltOpt.bStrictLenFilter` is 1 and the frame type indicates that the frame is an acknowledgment frame, the frame is rejected if the length of the PHY payload is not 5, which is the length of a correctly-formulated ACK frame.

If `frameFiltOpt.frameFiltStop` is 1 and the frame filtering gives the conclusion that the frame is to be rejected, reception stops and the radio returns to sync search. Otherwise, the frame is received to the end.

The radio CPU checks the header to see if an acknowledgment is to be transmitted. This gives a preliminary result; the actual transmission of the ACK depends on the status at the end of the frame. The condition for transmitting an acknowledgment frame is given in [Section 25.5.4.1.3](#).

25.5.4.1.1.2 Source Matching

Source matching is performed on frames accepted by the frame filtering with a source address present. If the source address was an extended address, the received address is compared against the entries in the list `pExtEntryList`. If the source address was a short address, the received address and source pan ID are compared against the entries in the list `pShortEntryList`.

The number of entries that the lists can hold is given by `numExtEntries` and `numShortEntries`. If either of these values are 0, no source matching is performed on addresses of the corresponding type, and the corresponding pointer is NULL. The lists start with source mapping enable bits, `srcMatchEn`, and continue with pending enable bits, `srcPendEn`, followed by the list entries, see [Table 25-76](#) and [Table 25-77](#). The enable bits consist of the number of 32-bit words needed to hold an enable bit for each entry in the list. For each entry where the corresponding `srcMatchEn` bit is 1, the entry is compared against the received source address for extended addresses, or against the received source address and PAN ID for short addresses. If a match is found, the index is stored, and reported back in the message footer if configured (see [Section 25.7.1](#)). If no match is found, the index reported back is 0xFF.

The source matching procedure may also be used for finding the pending data bit to be transmitted in an auto-acknowledgment frame (see [Section 25.5.4.1.3](#)). If `frameFiltOpt.autoPendEn` is 1 and a source match was found, the pending data bit is set to the value of the bit in `srcPendEn` corresponding to the index of the match. If no match was found or if `frameFiltOpt.autoPendEn` is 0, the pending data bit is set equal to `frameFiltOpt.defaultPend`. If `frameFiltOpt.bPendDataReqOnly` is 1, the radio CPU investigates the frame to determine if it is a MAC command frame with the command frame identifier set to a Data Request. If not, the pending data bit of an auto ACK is set equal to 0, regardless of the source matching result and the value of `frameFiltOpt.defaultPend`.

25.5.4.1.2 Frame Reception

After the frame filtering is done, the rest of the packet is received and stored in the receive queue. The last two bytes of the PHY packet is the MAC footer, or FCS, which is a checked CRC. The CRC is only stored in the queue if `rxConfig.bIncludeCrc` is 1.

The status of the received frame depends on the frame filtering result and the CRC check result. Two status bits `bCrcErr` and `blgnore` must be maintained. If configured, these bits are present in the Status byte of the RX queue entry. The `bCrcErr` bit is 1 if the frame had a CRC error, and 0 otherwise. The `blgnore` bit is 1 if frame filtering is enabled and the frame was rejected by frame filtering, and 0 otherwise.

Note

If `frameFiltOpt.frameFiltStop` is 1, frames with `blgnore` equal to 1 are never observed, as the reception is stopped and the received bytes are not stored in the queue. If `rxConfig.bAutoFlushCrc` is 1, packets with `bCrcErr` equal to 1 are removed from the queue after reception, and if `rxConfig.bAutoFlushIgn` is 1, packets with `blgnore` equal to 1 are removed from the queue after reception.

After a packet is received, an interrupt is raised and one of the counters in `pOutput` is incremented. [Table 25-83](#) lists these conditions.

Table 25-83. Conditions for Incrementing Counters and Raising Interrupts for RX Operation

Condition	Counter Incremented	Interrupt Generated
Frame received with CRC OK and frame filtering disabled	nRxData	RX_OK
Frame received with CRC error	nRxnok	RX_NOK
Frame received that did not fit in the RX queue	nRxBufFull	RX_BUF_FULL

Table 25-83. Conditions for Incrementing Counters and Raising Interrupts for RX Operation (continued)

Condition	Counter Incremented	Interrupt Generated
Beacon frame received with CRC OK and bIgnore = 0	nRxBeacon	RX_OK
ACK frame received with CRC OK and bIgnore = 0	nRxAck	RX_OK
Data frame received with CRC OK and bIgnore = 0	nRxData	RX_OK
MAC command frame received with CRC OK and bIgnore = 0	nRxMacCmd	RX_OK
Frame with reserved frame type received with CRC OK and bIgnore = 0	nRxReserved	RX_OK
Frame received with CRC OK and bIgnore = 1	nRxIgnored	RX_IGNORED
The first RX data entry in the RX queue changed state to finished	—	RX_ENTRY_DONE

When a frame is received, the RSSI observed while receiving the frame is written to pOutput->lastRssi. If the frame was a beacon frame accepted by the frame filtering and with CRC OK, the timestamp at the beginning of the frame is written to pOutput->beaconTimeStamp. If the timestamp is appended to the RX entry element (see [Section 25.7.1](#)), these two timestamps are the same for a beacon frame.

After a packet is received, the radio CPU either restarts sync search or sends an acknowledgment frame. The conditions for the latter are as given in [Section 25.5.4.1.3](#).

25.5.4.1.3 ACK Transmission

After a packet is received, the radio CPU initiates transmission of an acknowledgment frame, given that all of the following conditions are satisfied:

- Auto ACK is enabled by frameFiltOpt.autoAckEn = 1
- The frame is accepted by frame filtering (bIgnore = 0)
- The frame is a data frame or a MAC command frame
- The destination address is not the broadcast address
- The ACK request bit of the FCF is set
- The CRC check is passed (bCrcErr = 0)
- The frame fits in the receive queue

The transmit time of the ACK packet is timed by the radio CPU, depending on frameFiltOpt.slottedAckEn. If this bit is 0, the ACK packet is transmitted 192 μ s after the end of the received packet. Otherwise, slotted ACK is used. Assume that the received packet started on a backoff-slot boundary. The ACK frame then starts a whole number of backoff periods later than the start of the received frame, at the first backoff boundary following at least one TurnaroundTime-symbol period after the end of the received frame.

The contents of the automatically transmitted ACK frame are as follows:

- The PHY header is 0x05
- The PHY payload consists of a 3-byte MAC header and a 2-byte MAC footer
- The MAC header starts with the 2-byte FCF with the following fields:
 - The Frame Type subfield is 010b
 - The Frame Pending subfield is set as described in [Section 25.5.4.1.1.2](#)
 - The remaining subfields are set to all zeros
- The next byte in the MAC header is the sequence number, which is set equal to the sequence number of the received frame
- The MAC footer is the FCS, which is calculated automatically

After the ACK frame is transmitted, a TX_ACK interrupt is raised. The radio CPU then enables the receiver again.

25.5.4.1.4 End of Receive Operation

The receive operation can end as a result of the end trigger given by `endTrigger` and `endTime`, or by a command. The commands that can end the receive operation are the immediate commands `CMD_ABORT` and `CMD_STOP`, and the foreground-level radio operation command `CMD_IEEE_ABORT_BG`. The end-trigger and the `CMD_STOP` command cause the receiver to keep running until the end of the frame, or until the reception would otherwise be stopped if observed while a packet was being received. The `CMD_ABORT` and `CMD_IEEE_ABORT_BG` commands cause the receiver to stop as quickly as the implementation allows.

A receive operation ends through one of the causes listed in [Table 25-84](#). The status field of the command structure after the command has ended indicates the reason why the operation ended. In all cases, a `COMMAND_DONE` interrupt is raised. In each case, the result is indicated as `TRUE`, `FALSE`, or `ABORT`. The receiver decides whether to start the next command (if any) indicated in `pNextOp`, or to return to an `IDLE` state depending on the result. Before the receive operation ends, the radio CPU writes the maximum observed RSSI during the receive operation to `pOutput->maxRssi`.

If a transmit operation is started in the foreground, the receive operation is suspended. The receiver stops as when aborted, but the synthesizer is left on to the extent possible when switching to transmit mode. When the receiver has stopped, the status field of the command structure is set to `IEEE_SUSPENDED`. When the transmit command is done, the receiver restarts and the status field of the command structure is set back to `RUNNING`.

Table 25-84. End of Receive Operation

Condition	Status Code	Result
Observed end trigger and finished any ongoing reception	<code>IEEE_DONE_OK</code>	<code>TRUE</code>
Received <code>CMD_STOP</code>	<code>IEEE_DONE_STOPPED</code>	<code>FALSE</code>
Received <code>CMD_ABORT</code> or <code>CMD_IEEE_ABORT_BG</code>	<code>IEEE_DONE_ABORT</code>	<code>ABORT</code>
Observed illegal parameter	<code>IEEE_ERROR_PAR</code>	<code>ABORT</code>

25.5.4.1.5 CCA Monitoring

While the receiver is running, the radio CPU monitors some signals for use in clear-channel assessment. This monitoring is controlled by `ccaOpt`. There are three sources for CCA: RSSI above level (`ccaEnergy`), carrier sense based on the correlation value (`ccaCorr`), and carrier sense based on sync found (`ccaSync`). Each of these may have the state `BUSY`, `IDLE`, or `INVALID`.

The RSSI above-level is maintained by monitoring the RSSI. If the RSSI is greater than or equal to `ccaRssiThr`, `ccaEnergy` is `BUSY`. If the RSSI is smaller than `ccaRssiThr`, `ccaEnergy` is `IDLE`. When an RSSI calculation has not yet been completed because the receiver started, `ccaEnergy` is `INVALID`.

The carrier-sense monitoring based on correlation value uses correlation peaks as defined for use in the SFD search algorithm in the receiver. If the number of correlation peaks observed in the last 8 symbol periods (32 μ s) is greater than `ccaOpt.corrThr`, `ccaCorr` is `BUSY`; otherwise `ccaCorr` is `IDLE`. The value of `ccaOpt.corrThr` can be from 0 to 3. While the receiver is receiving a frame, `ccaCorr` is `BUSY` regardless of the observed correlation peaks. If the time since the receiver started is less than 8 symbol periods and the number of correlation peaks observed since the receiver started is less than or equal to `ccaOpt.corrThr`, `ccaCorr` is `INVALID`.

The carrier-sense monitoring based on sync found is maintained by the radio CPU as follows. If sync is obtained on the receiver, the radio CPU checks the PHY header to find the frame length. The radio CPU considers the channel to be busy for the duration of this frame. This check is done even if reception of the frame is stopped due to the frame filtering and sync search is restarted. If sync is found again while the channel is viewed as `BUSY`, the channel is viewed as `Busy` until both these frames have ended according to the observed frame lengths. The `INVALID` state is not used for `ccaSync`.

If the radio is transmitting an ACK or is suspended for running a TX operation, `ccaEnergy`, `ccaCorr`, and `ccaSync` are all `BUSY`.

The overall CCA state `ccaState` depends on the `ccaEnEnergy`, `ccaEnCorr`, and `ccaEnSync` bits of `ccaOpt` together with the `ccaCorrOp` and `ccaSyncOp` bits. The following rules apply for finding the `ccaState` (`ccaTmp` is a helper state in the description):

- If `ccaEnEnergy` = 0 and `ccaEnCorr` = 0 and `ccaEnSync` = 0, then `ccaState` = IDLE
- If `ccaEnEnergy` = 1 and `ccaEnCorr` = 0, then `ccaTmp` = `ccaEnergy`
- If `ccaEnEnergy` = 0 and `ccaEnCorr` = 1, then `ccaTmp` = `ccaCorr`
- If `ccaEnEnergy` = 1 and `ccaEnCorr` = 1 and `ccaCorrOp` = 0, then:
 - If either `ccaEnergy` or `ccaCorr` is BUSY, then `ccaTmp` = BUSY;
 - Otherwise, if either `ccaEnergy` or `ccaCorr` is INVALID, then `ccaTmp` = INVALID;
 - Otherwise, `ccaTmp` = IDLE
- If `ccaEnEnergy` = 1 and `ccaEnCorr` = 1 and `ccaCorrOp` = 1, then:
 - If either `ccaEnergy` or `ccaCorr` is IDLE, then `ccaTmp` = IDLE;
 - Otherwise, if either `ccaEnergy` or `ccaCorr` is Invalid, then `ccaTmp` = INVALID;
 - Otherwise, `ccaTmp` = BUSY
- If `ccaEnEnergy` = 0 and `ccaEnCorr` = 0 and `ccaEnSync` = 1, then `ccaState` = `ccaSync`
- Otherwise, if `ccaEnSync` = 1 and `ccaSyncOp` = 0, then:
 - If either `ccaTmp` or `ccaSync` is BUSY, then `ccaState` = BUSY;
 - Otherwise, if `ccaTmp` is Invalid, then `ccaState` = INVALID;
 - Otherwise, `ccaState` = IDLE
- Otherwise, if `ccaEnSync` = 1 and `ccaSyncOp` = 1, then:
 - If either `ccaTmp` or `ccaSync` is IDLE, then `ccaState` = IDLE;
 - Otherwise, if `ccaTmp` is INVALID, then `ccaState` = INVALID;
 - Otherwise, `ccaState` = BUSY

The `ccaSync` CCA state is required to be Idle for the overall CCA state to be IDLE, according to the IEEE 802.15.4 standard. Thus, to comply, `ccaEnSync` is 1 and `ccaSyncOp` is 0.

CCA mode 1, as defined in the IEEE 802.15.4 standard, is implemented by setting `ccaEnEnergy` = 1 and `ccaEnCorr` = 0. CCA mode 2 is implemented by setting `ccaEnEnergy` = 0 and `ccaEnCorr` = 1. CCA mode 3 is implemented by setting `ccaEnEnergy` = 1 and `ccaEnCorr` = 1. With CCA mode 3, `ccaCorrOp` is allowed to be either 0 or 1; this distinguishes between the logical operator AND (1) and OR (0), as described in the IEEE 802.15.4 standard.

The CCA states and the current RSSI can be read by the system CPU by issuing the immediate command `CMD_IEEE_CCA_REQ`. If a `CMD_IEEE_CSMA` operation is running in the foreground, the radio CPU also monitors the CCA autonomously.

25.5.4.2 Energy Detect Scan Operation

The energy detect scan radio operation is a background-level operation that starts with the `CMD_IEEE_ED_SCAN` command and uses a command structure, as given in [Table 25-63](#).

At the start of an RX operation, the radio CPU waits for the start trigger, then programs the frequency based on the channel parameter. If channel is `0xFF`, the operation keeps running on an already-configured channel. This requires that the operation follows another receive operation or a synthesizer programming operation. If the frequency synthesizer is not running, the operation ends with an error. After programming the frequency, the radio CPU configures the receiver to receive IEEE 802.15.4 packets, but it does not store any received data.

While the receiver is running, CCA is updated as described in [Section 25.5.4.1.5](#). When the demodulator obtains sync on a frame, the PHY header is read. This is used only for determining the carrier sense based on sync found, and sync search restarts immediately afterwards.

The energy detect scan operation ends under the same conditions as the RX operation, as described in [Section 25.5.4.1.4](#). Before the operation ends, the radio CPU writes the maximum-observed RSSI during the energy detect scan operation to `maxRssi`.

25.5.4.3 CSMA-CA Operation

The CSMA-CA operation is a foreground-level operation that runs on top of a receive or energy-detect scan operation. If run on top of an energy-detect scan operation, this does not perform the energy-detect scan procedure, but starts a receiver without having to receive packets. This operation starts with the `CMD_IEEE_CSMA` command, and uses the command structure given in [Table 25-64](#).

At the start of a CSMA-CA operation, the radio CPU waits for the start trigger.

The radio CPU maintains a variable `CW`, which initializes to `csmaConfig.initCW`.

If `remainingPeriods` is nonzero at the start of the command, the radio CPU delays for that number of backoff periods (default 320 μ s) measured from the start trigger before proceeding. Otherwise, the radio CPU draws a pseudo-random number in the range 0 to $2^{(BE)-1}$, where `BE` is listed in [Table 25-64](#). The radio CPU then waits that number of backoff periods from the start trigger before proceeding.

After this wait time, the radio CPU checks the CCA state from the background-level operation, as described in [Section 25.5.4.1.5](#). If the CCA state was `INVALID`, the radio CPU waits before trying again. If `csmaConfig.bSlotted = 1`, the wait is for one backoff period, otherwise it waits until an RSSI result is available. If the CCA state was `IDLE`, the radio CPU decrements `CW` by 1, and if this results in a value of zero, the CSMA-CA operation ends with success. If this results in a nonzero value, the radio CPU waits one backoff period timed from the end of the wait time, and then checks the CCA state again as described previously.

If the channel was `BUSY` when the CCA state was checked, the radio CPU updates the variables as follows:

`CW = csmaConfig.initCW; NB += 1; BE += min (BE + 1, macMaxBE);`

If `NB` after this update is greater than `macMaxCSMABackoffs`, the CSMA-CA operation ends with failure. Otherwise, the radio CPU draws a random number of backoff periods to wait as described previously, and proceeds as before. If `csmaConfig.bSlotted = 1`, the wait is from the next backoff period after the end of the previous wait time; otherwise, the wait is from a configurable time after the end of the previous wait time.

Figure 25-7 shows the flow chart for the CSMA-CA operation.

In addition to the CSMA-CA operation ending with success or failure as previously described, the operation can end as a result of the end trigger given by `endTrigger` and `endTime`, or by a command. The commands that can end the CSMA-CA operation are the immediate commands `CMD_ABORT`, `CMD_STOP`, `CMD_IEEE_ABORT_FG`, and `CMD_IEEE_STOP_FG`. When the CSMA-CA operation ends, the radio CPU writes `lastTimeStamp` with the timer value at the end of the most recent wait period before a CCA check was done, and `lastRssi` with the RSSI value at that time. If the operation ended because of a timeout or stop command, the radio CPU writes `remainingPeriods` with the number of backoff periods remaining of the wait time. Otherwise, the radio CPU writes `remainingPeriods` to 0.

The pseudo-random algorithm is based on a maximum-length 16-bit linear-feedback shift register (LFSR). The seed is as provided in `randomState`. When the operation ends, the radio CPU writes the current state back to this field. If `randomState` is 0, the radio CPU self-seeds by initializing the LFSR to the 16 LSBs of the radio timer. There is some randomness to this value, but this is limited, especially for slotted CSMA-CA, and seeding with a true-random number (or a pseudo-random number based on a true-random seed) by the system CPU is therefore recommended. If the 16 LSBs of the radio timer are all 0, another fixed value is substituted.

Depending on `csmaConfig.rxOffMode`, the underlying RX operation may be suspended during the backoff before another CCA check, if there is enough time for it. The different values have the following meaning:

- `rxOffMode = 0`: The radio stays on during CSMA backoffs.
- `rxOffMode = 1`: If a frame is being received, an ACK being transmitted, or in the transition between those, the radio stays on. Otherwise, the radio switches off until the end of the backoff period.
- `rxOffMode = 2`: If a frame is being received, an ACK being transmitted, or in the transition between those, the radio stays on until the packet is fully received and the ACK is transmitted if applicable. After that, the radio switches off until the end of the backoff period.
- `rxOffMode = 3`: The radio switches off immediately at the beginning of a backoff period. This aborts a frame being received or an ACK being transmitted. The radio remains switched off until the end of the backoff period.

If the radio switches off this way, the receiver restarts sufficiently early for the next CCA operation to be done, and the radio only switches off if there is sufficient time. This feature can be used for power saving in systems that do not always need to be in RX. All modes except mode 0 may cause frames to be lost, at increasing probability.

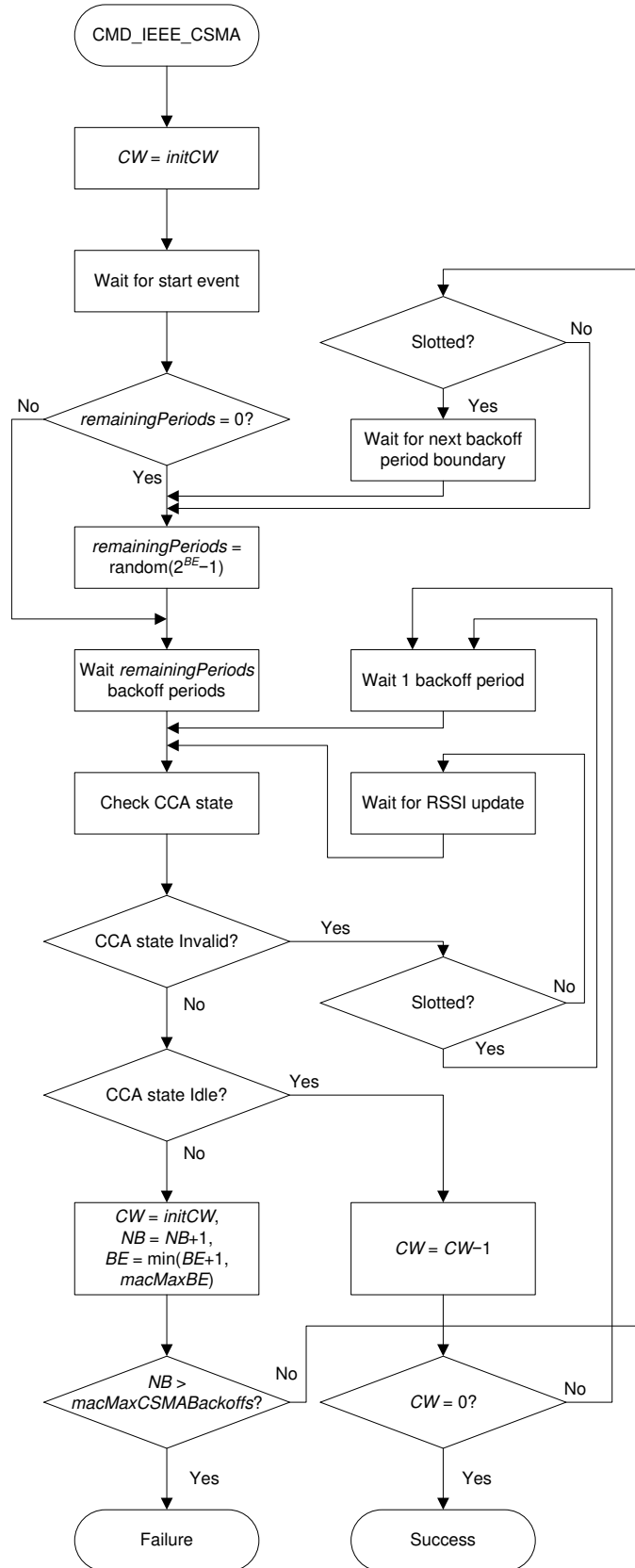


Figure 25-7. CSMA-CA Operation

For operation according to IEEE 802.15.4, the parameters must be initialized as follows before starting a new CSMA-CA operation:

1. randomState must be set to a random value
2. csmaConfig.initCW must be set to 2 for slotted CSMA-CA and 1 for unslotted CSMA-CA
3. csmaConfig.bSlotted must be set to 1 for slotted CSMA-CA and 0 for unslotted CSMA-CA
4. NB must be set to 0
5. BE must be set to macMinBE, except for slotted CSMA-CA with battery-life extension, where BE must be set to min (2, macMinBE)
6. remainingPeriods must be set to 0
7. macMaxBE and macMaxCSMABackoffs must be set to their corresponding MAC PIB attribute

For slotted CSMA-CS, startTrigger must be set up to occur on a backoff-slot boundary. For slotted CSMA-CA, the endTrigger must be set up to occur at the latest time that the transaction can be completed within the superframe, as specified in the IEEE 802.15.4 standard. If the CSMA-CA ends due to timeout, the CSMA can be restarted without modifying the parameters (except possibly the end time) at the next superframe.

Table 25-85 lists the causes of a CSMA-CA operation end. The status field of the command structure after the command has ended indicates the reason why the operation ended. In all cases, an FG_COMMAND_DONE interrupt is raised. In each case, it is indicated if the result is TRUE, FALSE, or ABORT. This indicates whether to start the next command (if any) in pNextOp, or to return to an IDLE state.

Table 25-85. End of CSMA-CA Operation

Condition	Status Code	Result
CSMA-CA operation finished with success	IEEE_DONE_OK	TRUE
CSMA-CA operation finished with failure	IEEE_DONE_BUSY	FALSE
End trigger occurred	IEEE_DONE_TIMEOUT	FALSE
Received CMD_STOP or CMD_IEEE_STOP_FG	IEEE_DONE_STOPPED	FALSE
Received CMD_ABORT or CMD_IEEE_ABORT_FG	IEEE_DONE_ABORT	ABORT
Background operation ended	IEEE_DONE_BGEND	ABORT
Observed illegal parameter	IEEE_ERROR_PAR	ABORT

When the operation ends, the time of the last CCA check (that is, the time written into lastTimeStamp) is defined as event 1, and may be used for timing subsequent chained operations.

25.5.4.4 Transmit Operation

The transmit operation is a foreground-level operation that transmits one packet. The operation is started with the CMD_IEEE_TX command, and uses the command structure given in Table 25-65.

When the radio CPU receives the command, it waits for the start trigger. Any background-level operation keeps running during this wait time. At the start trigger, the radio CPU suspends the receiver and configures the transmitter. It is assumed that the synthesizer is powered and calibrated, so if no background-level operation is running, the TX operation must be preceded with a calibrate synthesizer command. If the frequency synthesizer is not running, the operation ends with an error.

The transmitter transmits the payload found in the buffer pointer to pPayload, which consists of payloadLen bytes. If txOpt.payloadLenMsb is nonzero, this field is multiplied by 256 and added to payloadLen to create (for test purposes) a long frame that is not compliant with IEEE 802.15.4. If txOpt.bIncludePhyHdr is 0, the radio CPU inserts a PHY header automatically, calculated from the payload length. Otherwise, no PHY header is inserted by the radio CPU, so for IEEE 802.15.4 compliance, the first byte in the payload buffer must be the PHY header.

The payload is then transmitted as found in the payload buffer. If txOpt.bIncludeCrc is 0, the radio CPU appends two CRC bytes, calculated according to the IEEE 802.15.4 standard. Otherwise, no CRC is appended, so for IEEE 802.15.4 MAC compliance, the last two bytes in the payload buffer must be the MAC footer.

The transmit operation can be ended by one of the immediate commands CMD_ABORT, CMD_STOP, CMD_IEEE_ABORT_FG, and CMD_IEEE_STOP_FG. If CMD_ABORT or CMD_IEEE_ABORT_FG is received,

the transmission ends as soon as possible in the middle of the packet. If CMD_STOP or CMD_IEEE_STOP_BG is received while the radio CPU is waiting for the start trigger, the operation ends without any transmission; otherwise, the transmission is finished, but the end status and result differ as explained in the following.

When transmission of the packet starts, the trigger RAT time used for starting the modem is written to the timeStamp field by the radio CPU. This timestamp is delayed by the firmware-defined parameter startToTXRatOffset, compared to the configured start time of the CMD_IEEE_TX command. If the transmitter and receiver have synchronized RAT timers, this timestamp is the same as the timestamp appended to the RX entry element, as in [Section 25.7.1](#), although with estimation uncertainty on the receiver side.

When the operation ends, the end time of the transmitted frame is defined as event 1, and may be used for timing subsequent chained operations.

[Table 25-86](#) lists the causes of a transmit operation end. The status field of the command structure after the command has ended indicates the reason why the operation ended. In all cases, an FG_COMMAND_DONE interrupt is raised. In each case, it is indicated if the result is TRUE, FALSE, or ABORT. This indicates whether to start the next command (if any) in pNextOp, or to return to an IDLE state.

Table 25-86. End of Transmit Operation

Condition	Status Code	Result
Packet transmitted	IEEE_DONE_OK	TRUE
Received CMD_STOP or CMD_IEEE_STOP_FG, then finished transmitting if started	IEEE_DONE_STOPPED	FALSE
Received CMD_ABORT or CMD_IEEE_ABORT_FG	IEEE_DONE_ABORT	ABORT
Observed illegal parameter	IEEE_ERROR_PAR	ABORT

25.5.4.5 Receive Acknowledgment Operation

The receive-ACK operation is a foreground-level operation that runs on top of a receive operation. The operation starts with the CMD_IEEE_RX_ACK command, and uses the command structure listed in [Table 25-66](#).

At the start of a receive-ACK operation, the radio CPU waits for the start trigger. If the receiver was suspended due to a TX operation before the receive-ACK operation, the background-level RX operation is not resumed until the start trigger occurs.

While the receive-ACK operation is running, the background-level RX operation runs normally. However, in addition to looking for the packets, the operation looks for ACK packets with the sequence number given in seqNo. The packet is stored in the receive queue only if configured to in the background-level receive operation (frameTypes.bAcceptFt2Ack = 1). If ACK packets are filtered out in the background RX operation, for an ACK packet the sequence number is received, and if it matches, also the FCS.

If the ACK packet with the requested sequence number is received, the FCS is checked. If the CRC is OK, the receive-ACK operation ends, otherwise it continues. If the ACK is received OK, the pending-data bit of the header is checked.

In addition to the receive-ACK operation ending after receiving the ACK as described previously, the operation can end as a result of the end trigger given by endTrigger and endTime, or by a command. The commands that can end the receive-ACK operation are the immediate commands CMD_ABORT, CMD_STOP, CMD_IEEE_ABORT_FG, and CMD_IEEE_STOP_FG.

A receive-ACK operation ends due to one of the causes listed in [Table 25-87](#). The status field of the command structure after the command has ended indicates the reason why the operation ended. In all cases, an FG_COMMAND_DONE interrupt is raised. In each case, it is indicated if the result is TRUE, FALSE, or ABORT. This indicates whether to start the next command (if any) in pNextOp, or to return to an IDLE state.

Table 25-87. End of Receive ACK Operation

Condition	Status Code	Result
Requested ACK successfully received with pending data bit cleared	IEEE_DONE_ACK	FALSE
Requested ACK successfully received with pending data bit set	IEEE_DONE_ACKPEND	TRUE

Table 25-87. End of Receive ACK Operation (continued)

Condition	Status Code	Result
End trigger occurred	IEEE_DONE_TIMEOUT	FALSE
Received CMD_STOP or CMD_IEEE_STOP_FG	IEEE_DONE_STOPPED	FALSE
Received CMD_ABORT or CMD_IEEE_ABORT_FG	IEEE_DONE_ABORT	ABORT
Background operation ended	IEEE_DONE_BGEND	ABORT
Observed illegal parameter	IEEE_ERROR_PAR	ABORT

25.5.4.6 Abort Background-Level Operation Command

The abort background-level operation command is a foreground-level command that stops the command running in the background. The abort background-level operation command is defined as a foreground-operation command so that it has a start time, and so that it can be chained with other foreground-operation commands. The command is executed with the CMD_IEEE_ABORT_BG command and uses a command structure with only the minimum set of parameters.

At the start of an abort background-level operation, the radio CPU waits for the start trigger, then aborts the ongoing background-level receive or energy-detect scan operation.

The operation may be stopped by a command while waiting for the start trigger. The commands that can stop the operation are CMD_ABORT, CMD_STOP, CMD_IEEE_ABORT_FG, and CMD_IEEE_STOP_FG. The first two cause the background-level operation to stop regardless.

An abort background-level operation ends due to one of the causes listed in [Table 25-88](#). The status field of the command structure after the command has ended indicates the reason why the operation ended. In all cases, an FG_COMMAND_DONE interrupt is raised. In each case, it is indicated if the result is TRUE, FALSE, or ABORT. This indicates whether to start the next command (if any) in pNextOp, or to return to an IDLE state.

Table 25-88. End of ABORT Background-Level Operation

Condition	Status Code	Result
Background level aborted	IEEE_DONE_OK	TRUE
Received CMD_STOP or CMD_IEEE_STOP_FG	IEEE_DONE_STOPPED	FALSE
Received CMD_ABORT or CMD_IEEE_ABORT_FG	IEEE_DONE_ABORT	ABORT

25.5.5 Immediate Commands

25.5.5.1 Modify CCA Parameter Command

The `CMD_IEEE_MOD_CCA` command takes a command structure as defined in [Table 25-67](#).

`CMD_IEEE_MOD_CCA` must only be sent while an RX or energy-detect scan operation is running. On reception, the radio CPU modifies the values of `ccaRssiThr` and `ccaOpt` for the running process into the values given by `newCcaRssiThr` and `newCcaOpt`, respectively. The radio CPU updates the command structure. The new settings are used for future CCA requests.

If the command is issued without an active or suspended background-level operation, the radio CPU returns the result `ContextError` in `CMDSTA`. If any of the parameters entered are illegal, the radio CPU returns the result `ParError` in `CMDSTA`. Otherwise, the radio CPU returns `DONE`.

25.5.5.2 Modify Frame-Filtering Parameter Command

The `CMD_IEEE_MOD_FILT` command takes a command structure as defined in [Table 25-68](#).

`CMD_IEEE_MOD_FILT` must only be sent while an RX operation is running. On reception, the radio CPU modifies the values of `frameFiltOpt` and `frameTypes` for the running process into the values given by `newFrameFiltOpt` and `newFrameTypes`, respectively. The radio CPU updates the command structure.

The new values of the frame-filtering options are used from the next time frame filtering is started. If `autoAckEn` or `slottedAckEn` are changed, the change applies from the next time reception of a packet ends.

If the command is issued without an active or suspended background-level RX operation, the radio CPU returns the result `ContextError` in `CMDSTA`. If any of the parameters entered are illegal, the radio CPU returns the result `ParError` in `CMDSTA`. Otherwise, the radio CPU returns `DONE`.

25.5.5.3 Enable or Disable Source Matching Entry Command

The `CMD_IEEE_MOD_SRC_MATCH` command takes a command structure as defined in [Table 25-68](#).

`CMD_IEEE_MOD_SRC_MATCH` must only be sent while an RX operation is running. On reception, the radio CPU enables or disables the source-matching entry signaled in the command structure. If `options.entryType` is 0, the entry is extended-address entry in the structure pointed to by `pExtEntryList`, and if `options.entryType` is 1, the entry is short-address entry in the structure pointed to by `pShortEntryList`. The index of the entry is signaled in `entryNo`. If `options.bEnable` is 0, the entry is disabled, and if it is 1, the entry is enabled. The corresponding source pending bit is set to the value of `options.srcMatch`. The new values of the enable values are used from the next time source-matching is performed. The system CPU may modify the address of a disabled entry, but not an enabled one. If the command is issued without an active or suspended background-level RX operation, the radio CPU returns the result `ContextError` in `CMDSTA`. If any of the parameters entered are illegal, for example, pointing to a nonexistent entry, the radio CPU returns the result `ParError` in `CMDSTA`. Otherwise, the radio CPU returns `DONE`.

25.5.5.4 Abort Foreground-Level Operation Command

`CMD_IEEE_ABORT_FG` is an immediate command that takes no parameters, and can thus be used as a direct command.

The `CMD_IEEE_ABORT_FG` command aborts the foreground-level operation while the background-level operation continues to run. For more detail, see the description of the foreground-level operations in [Table 25-59](#).

If no foreground-level radio operation command is running, no action is taken. The result signaled in `CMDSTA` is `DONE` in all cases. If a foreground-level radio operation command was running, `CMDSTA` may be updated before the radio operation has ended.

25.5.5.5 Stop Foreground-Level Operation Command

CMD_IEEE_STOP_FG is an immediate command that takes no parameters, and can thus be used as a direct command.

The CMD_IEEE_STOP_FG command causes the foreground-level operation to stop gracefully, while the background-level operation continues to run. For more detail, see the description of the foreground-level operations in [Table 25-59](#).

If no foreground-level radio operation command is running, no action is taken. The result signaled in CMDSTA is DONE in all cases. If a foreground-level radio operation command was running, CMDSTA may be updated before the radio operation has ended.

25.5.5.6 Request CCA and RSSI Information Command

The CMD_IEEE_CCA_REQ command takes a command structure as defined in [Table 25-70](#).

CMD_IEEE_CCA_REQ must only be sent while an RX or energy-detect scan operation is running. On reception, the radio CPU writes the following figures back into the command structure:

- currentRssi is set to the RSSI number currently available from the demodulator
- maxRssi is set to the maximum RSSI observed because the background-level operation was started
- ccaState is set to the CCA state according to the current CCA options, refer to [Section 25.5.4.1.5](#)
- ccaEnergy is set to the energy-detect CCA state according to [Section 25.5.4.1.5](#)
- ccaCorr is set to the correlator-based carrier-sense CCA state according to [Section 25.5.4.1.5](#)
- ccaSync is set to the sync found-based carrier-sense CCA state according to [Section 25.5.4.1.5](#)

If no valid RSSI is found when the request is sent, the currentRssi and maxRssi returned indicate this by using a special value (0x80).

If the command is issued without an active or suspended background-level RX operation, the radio CPU returns the result ContextError in CMDSTA. Otherwise, the radio CPU returns DONE.

25.6 Bluetooth® low energy

This section describes Bluetooth low-energy-specific command structure, data handling, radio operation commands, and immediate commands.

25.6.1 Bluetooth® low energy Commands

The Bluetooth low-energy-specific radio operation commands for legacy mode are defined in [Table 25-89](#). These commands should be used for running Bluetooth versions 4.0, 4.1, 4.2, and for legacy features of Bluetooth 5.0.

Table 25-89. Legacy Bluetooth® low energy Radio Operation Commands

ID	Command Name	Description
0x1801	CMD_BLE_SLAVE	Start slave operation.
0x1802	CMD_BLE_MASTER	Start master operation.
0x1803	CMD_BLE_ADV	Start connectable undirected advertiser operation.
0x1804	CMD_BLE_ADV_DIR	Start connectable directed advertiser operation.
0x1805	CMD_BLE_ADV_NC	Start the nonconnectable advertiser operation.
0x1806	CMD_BLE_ADV_SCAN	Start scannable undirected advertiser operation.
0x1807	CMD_BLE_SCANNER	Start scanner operation.
0x1808	CMD_BLE_INITIATOR	Start initiator operation.
0x1809	CMD_BLE_GENERIC_RX	Receive generic packets (used for PHY test or packet sniffing).
0x180A	CMD_BLE_TX_TEST	Transmit PHY test packets.

Table 25-90 defines the Bluetooth low-energy-specific radio operation commands for Bluetooth 5 mode.

Table 25-90. Bluetooth® low energy 5 Radio Operation Commands

ID	Command name	Description
0x1820	CMD_BLE5_RADIO_SETUP	Set up radio in Bluetooth 5 mode with the ability to switch between PHYs.
0x1821	CMD_BLE5_SLAVE	Start slave operation.
0x1822	CMD_BLE5_MASTER	Start master operation.
0x1823	CMD_BLE5_ADV_EXT	Start extended advertiser operation on primary channel.
0x1824	CMD_BLE5_ADV_AUX	Start extended advertiser operation on secondary channel.
0x1827	CMD_BLE5_SCANNER	Start scanner operation.
0x1828	CMD_BLE5_INITIATOR	Start initiator operation.
0x1829	CMD_BLE5_GENERIC_RX	Receive generic packets (used for PHY test or packet sniffing).
0x182A	CMD_BLE5_TX_TEST	Transmit PHY test packets.

Table 25-91 defines the Bluetooth low-energy-specific immediate command.

Table 25-91. Bluetooth® low energy Immediate Command

ID	Command Name	Description
0x1001	CMD_BLE_ADV_PAYLOAD	Modify the payload used in advertiser operations.

25.6.1.1 Command Data Definitions

This section defines data types used in describing the data structures used for communication between the system CPU and the radio CPU. The data structures are listed with tables. The byte index is the offset from the pointer to that structure. Multibyte fields are little endian, and half-word or word alignment is required. For bit numbering, 0 is the least significant bit. The R/W column is used as follows:

- R: The system CPU can read a result back; the radio CPU will not read the field.
- W: The system CPU shall write a value, the radio CPU will read it and will not modify the value.
- R/W: The system CPU shall write an initial value, the radio CPU may modify the initial value.

25.6.1.1.1 Bluetooth® low energy Command Structures

Table 25-92. Legacy Bluetooth® low energy Radio Operation Command Structure⁽¹⁾

Byte Index	Field Name	Bits	Bit Field Name	Type	Description
0–1	commandNo			W	The command ID number
2–3	status			R/W	An integer telling the status of the command. This value is updated by the radio CPU during operation and may be read by the system CPU at any time.
4–7	pNextOp			W	Pointer to the next operation to run after this operation is done
8–11	startTime			W	Absolute or relative start time (depending on the value of startTrigger)
12	startTrigger				Identification of the trigger that starts the operation.
13	condition	0–3	rule	W	Condition for running next command: Rule for how to proceed.
		4–7	nSkip	W	Number of skips + 1 if the rule involves skipping. 0: same 1: next 2: skip next ...

Table 25-92. Legacy Bluetooth® low energy Radio Operation Command Structure⁽¹⁾ (continued)

Byte Index	Field Name	Bits	Bit Field Name	Type	Description
14	channel			W	Channel to use 0–39: Bluetooth low energy advertising/data channel number 60–207: Custom frequency; (2300 + channel) MHz 255: Use existing frequency Others: Reserved
15	whitening	0–6	init	W	If bOverride = 1 or custom frequency is used: 0: Do not use whitening Other value: Initialization for 7-bit LFSR whitener
		7	bOverride	W	0: Use default whitening for Bluetooth low energy advertising/data channels 1: Override whitening initialization with value of init
16–19	pParams			W	Pointer to command specific parameter structure
20–23	pOutput			W	Pointer to command specific output structure

(1) This command structure shall be used for all the radio operation commands for legacy Bluetooth low energy support that are listed in [Table 25-89](#).

Table 25-93. Bluetooth® low energy 5 Radio Operation Command Structure⁽¹⁾

Byte Index	Field Name	Bits	Bit Field Name	Type	Description
0–1	commandNo			W	The command ID number 0x1821
2–3	status			R/W	An integer telling the status of the command. This value is updated by the radio CPU during operation and may be read by the system CPU at any time.
4–7	pNextOp			W	Pointer to the next operation to run after this operation is done
8–11	startTime			W	Absolute or relative start time (depending on the value of startTrigger)
12	startTrigger				Identification of the trigger that starts the operation
13	condition	0–3	rule	W	Condition for running next command: Rule for how to proceed
		4–7	nSkip	W	Number of skips + 1 if the rule involves skipping. 0: same 1: next 2: skip next ...
14	channel			W	Channel to use 0–39: Bluetooth low energy advertising/data channel number 60–207: Custom frequency; (2300 + channel) MHz 255: Use existing frequency Others: Reserved
15	whitening	0–6	init	W	If bOverride = 1 or custom frequency is used: 0: Do not use whitening Other value: Initialization for 7-bit LFSR whitener
		7	bOverride	W	0: Use default whitening for Bluetooth low energy advertising/data channels 1: Override whitening initialization with value of init
16	phyMode	0–1	mainMode	W	PHY to use: 0: 1 Mbps 1: 2 Mbps 2: Coded 3: Reserved
		2–7	coding	W	Coding to use for TX if coded PHY is selected. See Section 25.8.3

Table 25-93. Bluetooth® low energy 5 Radio Operation Command Structure⁽¹⁾ (continued)

Byte Index	Field Name	Bits	Bit Field Name	Type	Description
17	rangeDelay			W	Number of RAT ticks to add to the listening time after T_IFS
18–19	txPower			W	Transmit power to use (overrides the one given in radio setup). 0x0000: Use default TX power.
20–23	pParams			W	Pointer to command specific parameter structure
24–27	pOutput			W	Pointer to command specific output structure

(1) This command structure shall be used for all the radio operation commands for Bluetooth low energy 5 support, listed in [Table 25-90](#), except CMD_BLE5_RADIO_SETUP.

Table 25-94. Bluetooth® low energy 5 Radio Setup Command Structure⁽¹⁾

Byte Index	Field Name	Bits	Bit Field Name	Type	Description
0–1	commandNo			W	The command ID number 0x1820
2–3	status			R/W	An integer telling the status of the command. This value is updated by the radio CPU during operation and may be read by the system CPU at any time.
4–7	pNextOp			W	Pointer to the next operation to run after this operation is done
8–11	startTime			W	Absolute or relative start time (depending on the value of startTrigger)
12	startTrigger				Identification of the trigger that starts the operation
13	condition	0–3	rule	W	Condition for running next command: Rule for how to proceed
		4–7	nSkip	W	Number of skips + 1 if the rule involves skipping. 0: same 1: next 2: skip next ...
14	defaultPhy	0–1	mainMode	W	PHY to use for non-BLE commands: 0: 1 Mbps 1: 2 Mbps 2: Coded 3: Reserved
		2	coding	W	Coding to use for TX if coded PHY is selected for non-BLE commands 0: S = 8 (125 kbps) 1: S = 2 (500 kbps)
		3–7			Reserved
15					Reserved
16–17	config				Configuration options
18–19	txPower				Default transmit power
20–23	pRegOverrideCommon			W	Pointer to a list of hardware and configuration registers to override during common initialization. If NULL, no override is used.
24–27	pRegOverride1Mbps			W	Pointer to a list of hardware and configuration registers to override when selecting 1 Mbps PHY mode. If NULL, no override is used.
28–31	pRegOverride2Mbps			W	Pointer to a list of hardware and configuration registers to override when selecting 2-Mbps PHY mode. If NULL, no override is used.

Table 25-94. Bluetooth® low energy 5 Radio Setup Command Structure⁽¹⁾ (continued)

Byte Index	Field Name	Bits	Bit Field Name	Type	Description
32–35	pRegOverrideCoded			W	Pointer to a list of hardware and configuration registers to override when selecting coded PHY mode. If NULL, no override is used.

(1) This command structure shall be used for CMD_BLE5_RADIO_SETUP.

Table 25-95. Update Advertising Payload Command⁽¹⁾

Byte Index	Field Name	Type	Description
0–1	commandNo	W	The command ID number 0x1001
2	payloadType	W	0: Advertising data 1: Scan response data
3	newLen	W	Length of the new payload
4–7	pNewData	W	Pointer to the buffer containing the new data
8–11	pParams	W	Pointer to the parameter structure to update

(1) This command structure shall be used for CMD_BLE_ADV_PAYLOAD.

25.6.1.2 Parameter Structures

Table 25-96. Legacy Slave Command⁽¹⁾

Byte Index	Field Name	Type	Description
0–3	pRxQ	W	Pointer to receive queue
4–7	pTxQ	W	Pointer to transmit queue
8	rxConfig	W	Configuration bits for the receive queue entries (see Table 25-116)
9	seqStat	R/W	Sequence number status (see Table 25-117)
10	maxNack	W	Maximum number of NACKs received before operation ends. 0: No limit
11	maxPkt	W	Maximum number of packets transmitted in the operation before it ends. 0: No limit
12–15	accessAddress	W	Access address used on the connection
16	crclnit0	W	CRC initialization value used on the connection – least significant byte
17	crclnit1	W	CRC initialization value used on the connection – middle byte
18	crclnit2	W	CRC initialization value used on the connection – most significant byte
19	timeoutTrigger	W	Trigger that defines timeout of the first receive operation
20–23	timeoutTime	W	Time used together with timeoutTrigger that defines timeout of the first receive operation
24–26			Reserved
27	endTrigger	W	Trigger that causes the device to end the connection event as soon as allowed
28–31	endTime	W	Time used together with endTrigger that causes the device to end the connection event as soon as allowed

(1) This parameter structure is used for legacy slave commands, CMD_BLE_SLAVE.

Table 25-97. Legacy Master Command⁽¹⁾

Byte Index	Field Name	Type	Description
0–3	pRxQ	W	Pointer to receive queue
4–7	pTxQ	W	Pointer to transmit queue
8	rxConfig	W	Configuration bits for the receive queue entries (see Table 25-116)
9	seqStat	R/W	Sequence number status (see Table 25-117)
10	maxNack	W	Maximum number of NACKs received before operation ends. 0: No limit
11	maxPkt	W	Maximum number of packets transmitted in the operation before it ends. 0: No limit

Table 25-97. Legacy Master Command⁽¹⁾ (continued)

Byte Index	Field Name	Type	Description
12–15	accessAddress	W	Access address used on the connection
16	crclnit0	W	CRC initialization value used on the connection – least significant byte
17	crclnit1	W	CRC initialization value used on the connection – middle byte
18	crclnit2	W	CRC initialization value used on the connection – most significant byte
19	endTrigger	W	Trigger that causes the device to end the connection event as soon as allowed
20–23	endTime	W	Time used together with endTrigger that causes the device to end the connection event as soon as allowed

(1) This parameter structure is used for legacy master commands, CMD_BLE_MASTER.

Table 25-98. Legacy Advertiser Commands⁽¹⁾

Byte Index	Field Name	Bits	Bit Field Name	Type	Description
0–3	pRxQ			W	Pointer to receive queue
4	rxConfig			W	Configuration bits for the receive queue entries (see Table 25-116)
5	advConfig	0–1	advFilterPolicy	W	Advertiser filter policy 0: Process scan and connect requests from all devices 1: Process connect requests from all devices and only scan requests from devices that are in the whitelist 2: Process scan requests from all devices and only connect requests from devices that are in the whitelist 3: Process scan and connect requests only from devices in the whitelist
		2	deviceAddrType	W	The type of the device address: public (0) or random (1)
		3	peerAddrType	W	Directed advertiser: The type of the peer address: public (0) or random (1)
		4	bStrictLenFilter	W	0: Accept any packet with a valid advertising packet length 1: Discard messages with illegal length for the given packet type
		5	chSel	W	0: Do not report support of Channel Selection Algorithm 2 1: Report support of Channel Selection Algorithm 2
		6			Reserved
		7	rpaMode	W	Resolvable private address mode 0: Normal operation 1: Use whitelist for a received RPA regardless of filter policy
6	advLen			W	Size of advertiser data
7	scanRspLen			W	Size of scan response data
8–11	pAdvData			W	Pointer to buffer containing ADV*_IND data
12–15	pScanRspData			W	Pointer to buffer containing SCAN_RSP data
16–19	pDeviceAddress			W	Pointer (with least significant bit set to 0) to device address used for this device. If least significant bit is 1, the address type given by advConfig.deviceAddrType is inverted.
20–23	pWhiteList			W	Pointer (with least significant bit set to 0) to whitelist or peer address (directed advertiser). If least significant bit is 1, the address type given by advConfig.peerAddrType is inverted.
24–26					Reserved
27	endTrigger			W	Trigger that causes the device to end the advertiser event as soon as allowed

Table 25-98. Legacy Advertiser Commands⁽¹⁾ (continued)

Byte Index	Field Name	Bits	Bit Field Name	Type	Description
28–31	endTime			W	Time used together with endTrigger that causes the device to end the advertiser event as soon as allowed

- (1) This parameter structure is used for all the legacy advertiser commands, CMD_BLE_ADV, CMD_BLE_ADV_DIR, CMD_BLE_ADV_NC, and CMD_BLE_ADV_SCAN.

Table 25-99. Legacy Scanner Command⁽¹⁾

Byte Index	Field Name	Bits	Bit Field Name	Type	Description
0–3	pRxQ			W	Pointer to receive queue
4	rxConfig			W	Configuration bits for the receive queue entries
5	scanConfig	0	scanFilterPolicy	W	Scanning filter policy regarding advertiser address 0: Accept all advertisement packets. 1: Accept only advertisement packets from devices where the address of the advertiser is in the whitelist.
		1	bActiveScan	W	0: Passive scan 1: Active scan
		2	deviceAddrType	W	The type of the device address: public (0) or random (1)
		3	rpaFilterPolicy	W	Filter policy for TargetA for ADV_DIRECT_IND messages 0: Accept only TargetA that matches own address. 1: Also accept all resolvable private addresses.
		4	bStrictLenFilter	W	0: Accept any packet with a valid advertising packet length 1: Discard messages with illegal length for the given packet type
		5	bAutoWlIgnore	W	0: Do not set ignore bit in whitelist from radio CPU 1: Automatically set ignore bit in whitelist
		6	bEndOnRpt	W	0: Continue scanner operation after each reporting ADV*_IND or sending SCAN_RSP 1: End scanner operation after each reported ADV*_IND and potentially SCAN_RSP
7	rpaMode	W	Resolvable private address mode 0: Normal operation 1: Use whitelist for a received RPA regardless of filter policy		
6–7	randomState			R/W	State for pseudo-random number generation used in backoff procedure
8–9	backoffCount			R/W	Parameter backoffCount used in backoff procedure (see the Bluetooth Specification documents in Related Documentation).
10	backoffPar	0–3	logUpperLimit	R/W	Binary logarithm of parameter upperLimit used in scanner backoff procedure
		4	bLastSucceeded	R/W	1 if the last SCAN_RSP was successfully received and upperLimit not changed
		5	bLastFailed	R/W	1 if reception of the last SCAN_RSP failed and upperLimit was not changed
		6–7			Reserved
11	scanReqLen			W	Size of scan request data
12–15	pScanReqData			W	Pointer to buffer containing SCAN_REQ data
16–19	pDeviceAddress			W	Pointer (with least significant bit set to 0) to device address used for this device. If least significant bit is 1, the address type given by scanConfig.deviceAddrType is inverted.
20–23	pWhiteList			W	Pointer to whitelist
24–25					Reserved
26	timeoutTrigger			W	Trigger that causes the device to stop receiving as soon as allowed
27	endTrigger			W	Trigger that causes the device to stop receiving as soon as allowed

Table 25-99. Legacy Scanner Command⁽¹⁾ (continued)

Byte Index	Field Name	Bits	Bit Field Name	Type	Description
28–31	timeoutTime			W	Time used together with timeoutTrigger that causes the device to stop receiving as soon as allowed, ending with BLE_DONE_RXTIMEOUT
32–35	endTime			W	Time used together with endTrigger that causes the device to stop receiving as soon as allowed, ending with BLE_DONE_ENDED

(1) This parameter structure is used for the legacy scanner command, CMD_BLE_SCANNER.

Table 25-100. Legacy Initiator Command⁽¹⁾

Byte Index	Field Name	Bits	Bit Field Name	Type	Description
0–3	pRxQ			W	Pointer to receive queue
4	rxConfig			W	Configuration bits for the receive queue entries (see Table 25-116)
5	initConfig	0	bUseWhiteList	W	Initiator filter policy 0: Use specific peer address 1: Use whitelist
		1	bDynamicWinOffset		0: No dynamic WinOffset insertion 1: Use dynamic WinOffset insertion
		2	deviceAddrType	W	The type of the device address: public (0) or random (1)
		3	peerAddrType	W	The type of the peer address: public (0) or random (1)
		4	bStrictLenFilter	W	0: Accept any packet with a valid advertising packet length 1: Discard messages with illegal length for the given packet type
		5	chSel	W	0: Do not report support of Channel Selection Algorithm 2 1: Report support of Channel Selection Algorithm 2
		6			
6					Reserved
7	connectReqLen			W	Size of connect request data
8–11	pConnectReqData			W	Pointer to buffer containing LLData to go in the CONNECT_IND (CONNECT_REQ)
12–15	pDeviceAddress			W	Pointer (with least significant bit set to 0) to device address used for this device. If least significant bit is 1, the address type given by initConfig.deviceAddrType is inverted.
16–19	pWhiteList			W	Pointer (with least significant bit set to 0) to whitelist or peer address. If least significant bit is 1, the address type given by initConfig.peerAddrType is inverted.
20–23	connectTime			R/W	Indication of timer value of the first possible start time of the first connection event. Set to the calculated value if a connection is made and to the next possible connection time (see Table 25-112) if not.
24–25					Reserved
26	timeoutTrigger			W	Trigger that causes the device to stop receiving as soon as allowed
27	endTrigger			W	Trigger that causes the device to stop receiving as soon as allowed

Table 25-100. Legacy Initiator Command⁽¹⁾ (continued)

Byte Index	Field Name	Bits	Bit Field Name	Type	Description
28–31	timeoutTime			W	Time used together with timeoutTrigger that causes the device to stop receiving as soon as allowed, ending with BLE_DONE_RXTIMEOUT
32–35	endTime			W	Time used together with endTrigger that causes the device to stop receiving as soon as allowed, ending with BLE_DONE_ENDED

(1) This parameter structure is used for the legacy initiator command, CMD_BLE_INITIATOR.

Table 25-101. Generic RX Command⁽¹⁾

Byte Index	Field Name	Type	Description
0–3	pRxQ	W	Pointer to receive queue. May be NULL; if so, received packets are not stored.
4	rxConfig	W	Configuration bits for the receive queue entries (see Table 25-116)
5	bRepeat	W	0: End operation after receiving a packet 1: Restart receiver after receiving a packet
6–7			Reserved
8–11	accessAddress	W	Access address used on the connection
12	crclnit0	W	CRC initialization value used on the connection – least significant byte
13	crclnit1	W	CRC initialization value used on the connection – middle byte
14	crclnit2	W	CRC initialization value used on the connection – most significant byte
15	endTrigger	W	Trigger that causes the device to end the RX operation
16–19	endTime	W	Time used together with endTrigger that causes the device to end the RX operation.

(1) This parameter structure is used both for legacy and Bluetooth low energy 5 generic receiver commands, CMD_BLE_GENERIC_RX and CMD_BLE5_GENERIC_RX.

Table 25-102. TX Test Command⁽¹⁾

Byte Index	Field Name	Bits	Bit Field Name	Type	Description
0–1	numPackets			W	Number of packets to transmit 0: Transmit unlimited number of packets
2	payloadLength			W	The number of payload bytes in each packet.
3	packetType			W	The packet type to be used, encoded according to the Bluetooth 5.0 Specification (see Related Documentation).
4–7	period			W	Number of radio timer cycles between the start of each packet
8	config	0	bOverrideDefault	W	0: Use default packet encoding 1: Override packet contents
		1	bUsePrbs9	W	If bOverride is 1: 0: No PRBS15 encoding of packet 1: Use PRBS9 encoding of packet
		2	bUsePrbs15	W	If bOverride is 1: 0: No PRBS15 encoding of packet 1: Use PRBS15 encoding of packet
		3–7			Reserved
9	byteVal			W	If config.bOverride is 1, value of each byte to be sent
10					Reserved
11	endTrigger			W	Trigger that causes the device to end the Test TX operation

Table 25-102. TX Test Command⁽¹⁾ (continued)

Byte Index	Field Name	Bits	Bit Field Name	Type	Description
12–15	endTime			W	Time used together with endTrigger that causes the device to end the Test TX operation

- (1) This parameter structure is used both for legacy and Bluetooth low energy 5 transmitter test commands, CMD_BLE_TX_TEST and CMD_BLE5_TX_TEST.

Table 25-103. Bluetooth® 5 Slave Command⁽¹⁾

Byte Index	Field Name	Type	Description
0–3	pRxQ	W	Pointer to receive queue
4–7	pTxQ	W	Pointer to transmit queue
8	rxConfig	W	Configuration bits for the receive queue entries (see Table 25-116)
9	seqStat	RW	Sequence number status (see Table 25-117)
10	maxNack	W	Maximum number of NACKs received before operation ends. 0: No limit
11	maxPkt	W	Maximum number of packets transmitted in the operation before it ends. 0: No limit
12–15	accessAddress	W	Access address used on the connection
16	crclnit0	W	CRC initialization value used on the connection – least significant byte
17	crclnit1	W	CRC initialization value used on the connection – middle byte
18	crclnit2	W	CRC initialization value used on the connection – most significant byte
19	timeoutTrigger	W	Trigger that defines timeout of the first receive operation
20–23	timeoutTime	W	Time used together with timeoutTrigger that defines timeout of the first receive operation
24	maxRxPktLen	W	Maximum packet length currently allowed for received packets on the connection
25	maxLenLowRate	W	Maximum packet length for which using S = 8 (125 kbps) is allowed when transmitting. 0: No limit
26			Reserved
27	endTrigger	W	Trigger that causes the device to end the connection event as soon as allowed
28–31	endTime	W	Time used together with endTrigger that causes the device to end the connection event as soon as allowed

(1) This parameter structure is used for the Bluetooth 5 slave, CMD_BLE5_SLAVE.

Table 25-104. Bluetooth® 5 Master Command⁽¹⁾

Byte Index	Field Name	Type	Description
0–3	pRxQ	W	Pointer to receive queue
4–7	pTxQ	W	Pointer to transmit queue
8	rxConfig	W	Configuration bits for the receive queue entries (see Table 25-116)
9	seqStat	RW	Sequence number status (see Table 25-117)
10	maxNack	W	Maximum number of NACKs received before operation ends. 0: No limit
11	maxPkt	W	Maximum number of packets transmitted in the operation before it ends. 0: No limit
12–15	accessAddress	W	Access address used on the connection
16	crclnit0	W	CRC initialization value used on the connection – least significant byte
17	crclnit1	W	CRC initialization value used on the connection – middle byte
18	crclnit2	W	CRC initialization value used on the connection – most significant byte
19	endTrigger	W	Trigger that causes the device to end the connection event as soon as allowed
20–23	endTime	W	Time used together with endTrigger that causes the device to end the connection event as soon as allowed
24	maxRxPktLen	W	Maximum packet length currently allowed for received packets on the connection
25	maxLenLowRate	W	Maximum packet length for which using S = 8 (125 kbps) is allowed when transmitting. 0: No limit

(1) This parameter structure is used for the Bluetooth 5 master, CMD_BLE5_MASTER.

Table 25-105. Extended Advertiser Command⁽¹⁾

Byte Index	Field Name	Bits	Bit Field Name	Type	Description
0	advConfig	0–1			Reserved
		2	deviceAddrType	W	The type of the device address public (0) or random (1)
		3–7			Reserved
1–2					Reserved
3	auxPtrTargetType			W	Number indicating reference for auxPtrTargetTime. Takes same values as trigger types, but only TRIG_ABSTIME and TRIG_REL_* are allowed.
4–7	auxPtrTargetTime			W	Time of start of packet to which auxPtr points
8–11	pAdvPkt			W	Pointer to extended advertising packet for the ADV_EXT_IND packet
12–15	pDeviceAddress			W	Pointer (with least significant bit set to 0) to device address used for this device. If least significant bit is 1, the address type given by advConfig.deviceAddrType is inverted.

(1) This parameter structure is used for the Bluetooth low energy 5 extended advertiser command, CMD_BLE5_ADV_EXT. For definition of the structure pointed to by pAdvPkt, see [Table 25-123](#).

Table 25-106. Secondary Channel Advertiser Command⁽¹⁾

Byte Index	Field Name	Bits	Bit Field Name	Type	Description	
0–3	pRxQ			W	Pointer to receive queue	
4	rxConfig			W	Configuration bits for the receive queue entries (see Table 25-116)	
5	advConfig	0–1	advFilterPolicy	W	Advertiser filter policy 0: Process scan and connect requests from all devices. 1: Process connect requests from all devices and only scan requests from devices that are in the whitelist. 2: Process scan requests from all devices and only connect requests from devices that are in the whitelist. 3: Process scan and connect requests only from devices in the whitelist.	
		2	deviceAddrType	W	The type of the device address public (0) or random (1)	
		3	targetAddrType	W	Directed secondary advertiser: The type of the target address public (0) or random (1)	
		4	bStrictLenFilter	W	0: Accept any packet with a valid advertising packet length. 1: Discard messages with illegal length for the given packet type.	
		5	bDirected	W	0: Advertiser is undirected: pWhiteList points to a whitelist 1: Advertiser is directed: pWhiteList points to a single device address.	
		6				Reserved
		7	rpaMode	W	Resolvable private address mode 0: Normal operation 1: Use whitelist for a received RPA regardless of filter policy.	
6					Reserved	
7	auxPtrTargetType			W	Number indicating reference for auxPtrTargetTime. Takes same values as trigger types, but only TRIG_ABSTIME and TRIG_REL_* are allowed.	

Table 25-106. Secondary Channel Advertiser Command⁽¹⁾ (continued)

Byte Index	Field Name	Bits	Bit Field Name	Type	Description
8–11	auxPtrTargetTime			W	Time of start of packet to which auxPtr points
12–15	pAdvPkt			W	Pointer to extended advertising packet for the ADV_AUX_IND packet
16–19	pRspPkt			W	Pointer to extended advertising packet for the AUX_SCAN_RSP or AUX_CONNECT_RSP packet (may be NULL if not applicable)
20–23	pDeviceAddress			W	Pointer (with least significant bit set to 0) to device address used for this device. If least significant bit is 1, the address type given by advConfig.deviceAddrType is inverted.
24–27	pWhiteList			W	Pointer (with least significant bit set to 0) to whitelist or peer address (directed advertiser). If least significant bit is 1, the address type given by advConfig.peerAddrType is inverted.

(1) This parameter structure is used for the Bluetooth low energy 5 secondary channel advertiser command, CMD_BLE5_ADV_AUX. For definition of the structure pointed to by pAdvPkt and pRspPkt, see [Table 25-123](#).

Table 25-107. Bluetooth® 5 Scanner Command⁽¹⁾

Byte Index	Field Name	Bits	Bit Field Name	Type	Description
0–3	pRxQ			W	Pointer to receive queue
4	rxConfig			W	Configuration bits for the receive queue entries (see Table 25-116)
5	scanConfig	0	scanFilterPolicy	W	Scanning filter policy regarding advertiser address 0: Accept all advertisement packets. 1: Accept only advertisement packets from devices where the address of the advertiser is in the whitelist.
		1	bActiveScan	W	0: Passive scan 1: Active scan
		2	deviceAddrType	W	The type of the device address public (0) or random (1)
		3	rpaFilterPolicy	W	Filter policy for initA of ADV_DIRECT_IND messages 0: Accept only initA that matches own address. 1: Also accept all resolvable private addresses.
		4	bStrictLenFilter	W	0: Accept any packet with a valid advertising packet length. 1: Discard messages with illegal length for the given packet type.
		5	bAutoWllgnore	W	0: Do not set ignore bit in whitelist from radio CPU for legacy packets. 1: Automatically set ignore bit in whitelist for legacy packets.
		6	bEndOnRpt	W	0: Continue scanner operation after each reporting ADV*_IND or sending SCAN_RSP. 1: End scanner operation after each reported ADV*_IND and potentially SCAN_RSP.
		7	rpaMode	W	Resolvable private address mode 0: Normal operation 1: Use whitelist for a received RPA regardless of filter policy.
6–7	randomState			R/W	State for pseudo-random number generation used in backoff procedure
8–9	backoffCount			R/W	Parameter backoffCount used in backoff procedure, see the Bluetooth Specification listed in Related Documentation .

Table 25-107. Bluetooth® 5 Scanner Command⁽¹⁾ (continued)

Byte Index	Field Name	Bits	Bit Field Name	Type	Description
10	backoffPar	0–3	logUpperLimit	R/W	Binary logarithm of parameter upperLimit used in scanner backoff procedure
		4	bLastSucceeded	R/W	1 if the last SCAN_RSP was successfully received and upperLimit not changed
		5	bLastFailed	R/W	1 if reception of the last SCAN_RSP failed and upperLimit was not changed
		6–7			Reserved
11	extFilterConfig	0	bCheckAdi	W	0: Do not perform ADI filtering. 1: Perform ADI filtering on packets where ADI is present.
		1	bAutoAdiUpdate	W	0: Do not update ADI entries in radio CPU. 1: Automatically update ADI entry for received packets with AdvDataIndex.
		2	bApplyDuplicateFiltering	W	0: Do not apply duplicate filtering based on device address for extended advertiser packets. 1: Apply duplicate filtering based on device address for extended advertiser packets with no ADI field.
		3	bAutoWillIgnore	W	0: Do not set ignore bit in whitelist from radio CPU for extended advertising packets. 1: Automatically set ignore bit in whitelist for extended advertising packets.
		4–7			Reserved
12–15					Reserved
16–19	pDeviceAddress			W	Pointer (with least significant bit set to 0) to device address used for this device. If least significant bit is 1, the address type given by scanConfig.deviceAddrType is inverted.
20–23	pWhiteList			W	Pointer to whitelist
24–27	pAdiList			W	Pointer to advDataInfo list
28–29	maxWaitTimeForAuxCh			W	Maximum wait time for switching to secondary scanning within the command. If the time to the start of the event is greater than this, the command will end with BLE_DONE_AUX. If it is smaller, the radio will automatically switch to the correct channel and PHY.
30	timeoutTrigger			W	Trigger that causes the device to stop receiving as soon as allowed
31	endTrigger			W	Trigger that causes the device to stop receiving as soon as allowed
32–35	timeoutTime			W	Time used together with timeoutTrigger that causes the device to stop receiving as soon as allowed, ending with BLE_DONE_RXTIMEOUT
36–39	endTime			W	Time used together with endTrigger that causes the device to stop receiving as soon as allowed, ending with BLE_DONE_ENDED
40–43	rxStartTime			R	The time needed to start RX in order to receive the packet
44–45	rxListenTime			R	The time needed to listen in order to receive the packet. 0: No AUX packet
46	channelNo			R	The channel number used for secondary advertising
47	phyMode			R	PHY to use on secondary channel: 0: 1 Mbps 1: 2 Mbps 2: Coded Others: Reserved

(1) This parameter structure is used for the Bluetooth 5 scanner command, CMD_BLE5_SCANNER.

Table 25-108. Bluetooth® 5 Initiator Command⁽¹⁾

Byte Index	Field Name	Bits	Bit Field Name	Type	Description
0–3	pRxQ			W	Pointer to receive queue
4	rxConfig			W	Configuration bits for the receive queue entries (see Table 25-116)
5	initConfig	0	bUseWhiteList	W	Initiator filter policy 0: Use specific peer address. 1: Use whitelist.
		1	bDynamicWinOffset		1: Use dynamic WinOffset insertion.
		2	deviceAddrType	W	The type of the device address public (0) or random (1)
		3	peerAddrType	W	The type of the peer address public (0) or random (1)
		4	bStrictLenFilter	W	0: Accept any packet with a valid advertising packet length. 1: Discard messages with illegal length for the given packet type.
		5	chSel	W	0: Do not report support of Channel Selection Algorithm 2 in CONNECT_IND. 1: Report support of Channel Selection Algorithm 2 in CONNECT_IND.
		6			Reserved
7			Reserved		
6–7	randomState			R/W	State for pseudo-random number generation used in backoff procedure
8–9	backoffCount			R/W	Parameter backoffCount used in backoff procedure, see the Bluetooth specification listed in Related Documentation .
10	backoffPar	0–3	logUpperLimit	R/W	Binary logarithm of parameter upperLimit used in scanner backoff procedure
		4	bLastSucceeded	R/W	1 if the last SCAN_RSP was successfully received and upperLimit not changed
		5	bLastFailed	R/W	1 if reception of the last SCAN_RSP failed and upperLimit was not changed
		6–7			Reserved
11	connectReqLen			W	Size of connect request data
12–15	pConnectReqData			W	Pointer to buffer containing LLData to go in the CONNECT_IND or AUX_CONNECT_REQ packet
16–19	pDeviceAddress			W	Pointer (with least significant bit set to 0) to device address used for this device. If least significant bit is 1, the address type given by initConfig.deviceAddrType is inverted.
20–23	pWhiteList			W	Pointer (with least significant bit set to 0) to whitelist or peer address. If least significant bit is 1, the address type given by initConfig.peerAddrType is inverted.
24–27	connectTime			R/W	Indication of timer value of the first possible start time of the first connection event. Set to the calculated value if a connection is made and to the next possible connection time if not.
28–29	maxWaitTimeForAuxCh			W	Maximum wait time for switching to secondary scanning within the command. If the time to the start of the event is greater than this, the command will end with BLE_DONE_AUX. If it is smaller, the radio will automatically switch to the correct channel and PHY.

Table 25-108. Bluetooth® 5 Initiator Command⁽¹⁾ (continued)

Byte Index	Field Name	Bits	Bit Field Name	Type	Description
30	timeoutTrigger			W	Trigger that causes the device to stop receiving as soon as allowed
31	endTrigger			W	Trigger that causes the device to stop receiving as soon as allowed
32–35	timeoutTime			W	Time used together with timeoutTrigger that causes the device to stop receiving as soon as allowed, ending with BLE_DONE_RXTIMEOUT
36–39	endTime			W	Time used together with endTrigger that causes the device to stop receiving as soon as allowed, ending with BLE_DONE_ENDED
40–43	rxStartTime			R	The time needed to start RX in order to receive the packet
44–45	rxListenTime			R	The time needed to listen in order to receive the packet. 0: No AUX packet
46	channelNo			R	The channel number used for secondary advertising
47	phyMode			R	PHY to use on secondary channel: 0: 1 Mbps 1: 2 Mbps 2: Coded Others: Reserved
40	auxChRes				

(1) This parameter structure is used for the Bluetooth 5 initiator command, CMD_BLE5_INITIATOR.

25.6.1.3 Output Structures

Table 25-109. Master and Slave Commands

Byte Index	Field Name	Type	Description
0	nTx	R/W	Total number of packets (including auto-empty and retransmissions) that have been transmitted
1	nTxAck	R/W	Total number of transmitted packets (including auto-empty) that have been ACKed
2	nTxCtrl	R/W	Number of unique LL control packets from the TX queue that have been transmitted
3	nTxCtrlAck	R/W	Number of LL control packets from the TX queue that have been finished (ACKed)
4	nTxCtrlAckAck	R/W	Number of LL control packets that have been ACKed and where an ACK is sent in response
5	nTxRetrans	R/W	Number of retransmissions that is done
6	nTxEntryDone	R/W	Number of packets from the TX queue that have been finished (ACKed)
7	nRxOk	R/W	Number of packets that have been received with payload, CRC OK and not ignored
8	nRxCtrl	R/W	Number of LL control packets that have been received with CRC OK and not ignored
9	nRxCtrlAck	R/W	Number of LL control packets that have been received with CRC OK and not ignored, and then ACKed
10	nRxNok	R/W	Number of packets that have been received with CRC error
11	nRxIgnored	R/W	Number of packets that have been received with CRC OK and ignored due to repeated sequence number
12	nRxEmpty	R/W	Number of packets that have been received with CRC OK and no payload
13	nRxBufFull	R/W	Number of packets that have been received and discarded due to lack of buffer space
14	lastRssi	R	RSSI of last received packet (signed)
15	pktStatus	R/W	Status of received packets (see Table 25-122)
16–19	timeStamp	R	Slave operation: Timestamp of first received packet

Table 25-110. Advertiser Commands

Byte Index	Field Name	Type	Description
0–1	nTxAdvInd	R/W	Number of ADV*_IND packets completely transmitted
2	nTxScanRsp	R/W	Number of AUX_SCAN_RSP or SCAN_RSP packets transmitted
3	nRxScanReq	R/W	Number of AUX_SCAN_REQ or SCAN_REQ packets received OK and not ignored
4	nRxConnectReq	R/W	Number of AUX_CONNECT_REQ or CONNECT_IND (CONNECT_REQ) packets received OK and not ignored
5	nTxConnectRsp	R/W	Number of AUX_CONNECT_RSP packets transmitted
6–7	nRxNok	R/W	Number of packets received with CRC error
8–9	nRxIgnored	R/W	Number of packets received with CRC OK, but ignored
10	nRxBufFull	R/W	Number of packets received that did not fit in RX queue
11	lastRssi	R	The RSSI of the last received packet (signed)
12–15	timeStamp	R	Timestamp of the last received packet

Table 25-111. Legacy Scanner Command

Byte Index	Field Name	Type	Description
0–1	nTxScanReq	R/W	Number of transmitted SCAN_REQ packets
2–3	nBackedOffScanReq	R/W	Number of SCAN_REQ packets not sent due to backoff procedure
4–5	nRxAdvOk	R/W	Number of ADV*_IND packets received with CRC OK and not ignored
6–7	nRxAdvIgnored	R/W	Number of ADV*_IND packets received with CRC OK, but ignored
8–9	nRxAdvNok	R/W	Number of ADV*_IND packets received with CRC error
10–11	nRxScanRspOk	R/W	Number of SCAN_RSP packets received with CRC OK and not ignored
12–13	nRxScanRspIgnored	R/W	Number of SCAN_RSP packets received with CRC OK, but ignored
14–15	nRxScanRspNok	R/W	Number of SCAN_RSP packets received with CRC error
16	nRxAdvBufFull	R/W	Number of ADV*_IND packets received that did not fit in RX queue
17	nRxScanRspBufFull	R/W	Number of SCAN_RSP packets received that did not fit in RX queue
18	lastRssi	R	The RSSI of the last received packet (signed)
19			Reserved
20–23	timeStamp	R	Timestamp of the last successfully received ADV*_IND packet that was not ignored

Table 25-112. Legacy Initiator Command

Byte Index	Field Name	Type	Description
0	nTxConnectReq	R/W	Number of transmitted CONNECT_IND (CONNECT_REQ) packets
1	nRxAdvOk	R/W	Number of ADV*_IND packets received with CRC OK and not ignored
2–3	nRxAdvIgnored	R/W	Number of ADV*_IND packets received with CRC OK, but ignored
4–5	nRxAdvNok	R/W	Number of ADV*_IND packets received with CRC error
6	nRxAdvBufFull	R/W	Number of ADV*_IND packets received that did not fit in RX queue
7	lastRssi	R	The RSSI of the last received packet (signed)
8–11	timeStamp	R	Timestamp of the received ADV*_IND packet that caused transmission of CONNECT_IND (CONNECT_REQ)

Table 25-113. Bluetooth® low energy 5 Scanner and Initiator Command

Byte Index	Field Name	Type	Description
0–1	nTxReq	R/W	Number of transmitted AUX_SCAN_REQ, SCAN_REQ, AUX_CONNECT_REQ, or CONNECT_IND packets
2–3	nBackedOffReq	R/W	Number of AUX_SCAN_REQ, SCAN_REQ, or AUX_CONNECT_REQ packets not sent due to backoff procedure

Table 25-113. Bluetooth® low energy 5 Scanner and Initiator Command (continued)

Byte Index	Field Name	Type	Description
4–5	nRxAdvOk	R/W	Number of ADV*_IND packets received with CRC OK and not ignored
6–7	nRxAdvIgnored	R/W	Number of ADV*_IND packets received with CRC OK, but ignored
8–9	nRxAdvNok	R/W	Number of ADV*_IND packets received with CRC error
10–11	nRxRspOk	R/W	Number of AUX_SCAN_RSP, SCAN_RSP, or AUX_CONNECT_RSP packets received with CRC OK and not ignored
12–13	nRxRspIgnored	R/W	Number of AUX_SCAN_RSP, SCAN_RSP, or AUX_CONNECT_RSP packets received with CRC OK, but ignored
14–15	nRxRspNok	R/W	Number of AUX_SCAN_RSP, SCAN_RSP, or AUX_CONNECT_RSP packets received with CRC error
16	nRxAdvBufFull	R/W	Number of ADV*_IND packets received that did not fit in RX queue
17	nRxRspBufFull	R/W	Number of AUX_SCAN_RSP, SCAN_RSP, or AUX_CONNECT_RSP packets received that did not fit in RX queue
18	lastRssi	R	The RSSI of the last received packet (signed)
19			Reserved
20–23	timeStamp	R	Timestamp of the last successfully received *ADV*_IND packet that was not ignored

Table 25-114. Generic RX Command

Byte Index	Field Name	Type	Description
0–1	nRxOk	R/W	Number of packets received with CRC OK
2–3	nRxNok	R/W	Number of packets received with CRC error
4–5	nRxBufFull	R/W	Number of packets that have been received and discarded due to lack of buffer space
6	lastRssi	R	The RSSI of the last received packet (signed)
7			Reserved
8–11	timeStamp	R	Timestamp of the last received packet

Table 25-115. Test TX Command

Byte Index	Field Name	Type	Description
0–1	nTx	R/W	Number of packets transmitted

25.6.1.4 Other Structures and Bit Fields

Table 25-116. Receive Queue Entry Configuration Bit Field⁽¹⁾

Bit Index	Bit Field Name	Type	Description
0	bAutoFlushIgnored	W	If 1, automatically remove ignored packets from RX queue.
1	bAutoFlushCrcErr	W	If 1, automatically remove packets with CRC error from RX queue.
2	bAutoFlushEmpty	W	If 1, automatically remove empty packets from RX queue.
3	bIncludeLenByte	W	If 1, include the received length byte in the stored packet; otherwise discard it.
4	bIncludeCrc	W	If 1, include the received CRC field in the stored packet; otherwise discard it.
5	bAppendRssi	W	If 1, append an RSSI byte to the packet in the RX queue.
6	bAppendStatus	W	If 1, append a status word to the packet in the RX queue.
7	bAppendTimestamp	W	If 1, append a timestamp to the packet in the RX queue.

(1) This bit field is used for the rxConfig byte of the parameter structures.

Table 25-117. Sequence Number Status Bit Field⁽¹⁾

Bit Index	Bit Field Name	Type	Description
0	lastRxSn	R/W	The SN bit of the header of the last packet received with CRC OK
1	lastTxSn	R/W	The SN bit of the header of the last transmitted packet
2	nextTxSn	R/W	The SN bit of the header of the next packet to transmit
3	bFirstPkt	R/W	For slave: 0 if a packet is transmitted on the connection; 1 otherwise
4	bAutoEmpty	R/W	1 if the last transmitted packet was an auto-empty packet
5	bLICtrlTx	R/W	1 if the last transmitted packet was an LL control packet (LLID = 11)
6	bLICtrlAckRx	R/W	1 if the last received packet was the ACK of an LL control packet
7	bLICtrlAckPending	R/W	1 if the last successfully received packet was an LL control packet, which has not yet been ACKED

(1) This bit field is used for the seqStat byte of the master and slave parameter structures.

The whitelist structure has the form of an array. Each element consists of 8 bytes, as depicted in [Table 25-118](#). The first byte of the first element tells the number of entries, while this byte is reserved in the remaining entries. The second byte contains some configuration bits, and the remaining 6 bytes contain the address.

Table 25-118. Whitelist Structure

Byte Index	Field Name	Bits	Bit Field Name	Type	Description
0	size			W	Number of while list entries. Used in the first entry of the list only.
1	conf	0	bEnable	W	1 if the entry is in use, 0 if the entry is not in use
		1	addrType	W	The type address in the entry public (0) or random (1)
		2	bWllgn	R/W	1 if the entry is to be ignored by a scanner if the AdvDataInfo field is not present, 0 otherwise. Used to mask out entries that have already been scanned and reported.
		3			Reserved
		4	blrkValid	R/W	1 if a valid IRK exists, so that the entry is to be ignored by an initiator; 0 otherwise
		5–7			Reserved
2–3	address			W	Least significant 16 bits of the address contained in the entry
4–7	addressHi			W	Most significant 32 bits of the address contained in the entry

The ADI list has the form of an array that consists of 16 entries of the type given in [Table 25-119](#).

Table 25-119. Advertising Data ID Entry Structure

Bit Index	Bit Field Name	Type	Description
0–11	advDataId	R/W	If mode = 1: Last Advertising Data ID (DID) for the Advertising Set ID (SID) corresponding to the entry number in the array
12–13	mode	R/W	0: Entry is invalid (always receive packet with the given SID) 1: Entry is valid (ignore packets with the given SID where DID equals advDataId) 2: Entry is blocked (always ignore packet with the given SID) 3: Reserved
14–15			Reserved

Table 25-120. Receive Status Byte Bit Field for Legacy Commands⁽¹⁾

Bit Index	Bit Field Name	Type	Description
0–5	channel	R	The channel on which the packet was received, provided channel is in the range 0–39; otherwise 0x3F
6	bIgnore	R	1 if the packet is marked as ignored; 0 otherwise
7	bCrcErr	R	1 if the packet was received with CRC error; 0 otherwise

(1) A byte of this bit field is appended to the received entries of legacy commands if configured.

Table 25-121. Receive Status Word Bit Field for Bluetooth[®] low energy 5 Commands⁽¹⁾

Bit Index	Bit Field Name	Type	Description
0–5	Channel	R	The channel on which the packet was received, provided channel is in the range 0–39; otherwise 0x3F
6	bIgnore	R	1 if the packet is marked as ignored; 0 otherwise
7	bCrcErr	R	1 if the packet was received with CRC error; 0 otherwise
8–9	phyMode	R	The PHY on which the packet was received 0: 1 Mbps 1: 2 Mbps 2: Coded, S = 8 (125 kbps) 3: Coded, S = 2 (500 kbps)
10–15			Reserved

(1) A 16-bit word of this bit field is appended to the received entries of Bluetooth low energy 5 commands if configured.

The master and slave output structure field pktStatus has the format listed in [Table 25-122](#). The bTimeStampValid bit is set to 0 by the radio CPU at the start of the operation and to 1 if a timestamp is written to the output structure (this happens for slave operation only). The bLastCrcErr bit is set according to the CRC result when a packet is fully received; if no packet is received, then this bit remains unaffected. The remaining bits are set when a packet is received with CRC OK; if no packet is correctly received, then these bits remain unaffected.

Table 25-122. Master and Slave Packet Status Byte

Bit Index	Bit Field Name	Type	Description
0	bTimeStampValid	R/W	1 if a valid timestamp is written to timeStamp; 0 otherwise
1	bLastCrcErr	R/W	1 if the last received packet had CRC error; 0 otherwise
2	bLastIgnored	R/W	1 if the last received packet with CRC OK was ignored; 0 otherwise
3	bLastEmpty	R/W	1 if the last received packet with CRC OK was empty; 0 otherwise
4	bLastCtrl	R/W	1 if the last received packet with CRC OK was an LL control packet; 0 otherwise
5	bLastMd	R/W	1 if the last received packet with CRC OK had MD = 1; 0 otherwise
6	bLastAck	R/W	1 if the last received packet with CRC OK was an ACK of a transmitted packet; 0 otherwise
7			Reserved

Table 25-123. Common Extended Packet Entry Format⁽¹⁾

Byte Index	Field Name	Bits	Bit Field Name	Type	Description
0	extHdrInfo	0–5	length	W	Extended header length
		6–7	advMode	W	Advertiser mode as defined in Bluetooth low energy: 0: Nonconnectable, nonscannable 1: Connectable, nonscannable 2: Nonconnectable, scannable 3: Reserved
1	extHdrFlags			W	Extended header flags as defined in Bluetooth low energy
2	extHdrConfig	0	bSkipAdvA	W	0: AdvA is present in extended payload if configured in extHdrFlags. 1: AdvA is inserted automatically from command structure if configured in extHdrFlags and is omitted from extended header.
		1	bSkipTargetA	W	0: TargetA is present in extended payload if configured in extHdrFlags. For response messages, the value is replaced by the received address when sending. 1: TargetA is inserted automatically from command structure or received address if configured in extHdrFlags and is omitted from extended header.
		2	deviceAddrType	W	If bSkipAdvA = 0: The type of the device address in extended header buffer public (0) or random (1)
		3	targetAddrType	W	If bSkipAdvA = 0: The type of the target address in extended header buffer public (0) or random (1)
		4–7			Reserved
3	advDataLen			W	Size of payload buffer
4–7	pExtHeader			W	Pointer to buffer containing extended header. If no fields except extended header flags, automatic advertiser address, or automatic target address are present, pointer may be NULL.
8–11	pAdvData			W	Pointer to buffer containing advData. If advDataLen = 0, pointer may be NULL.

(1) This structure is used for the packet format of transmitted packets of the common extended advertising payload format (see the Specification of the Bluetooth System, Version 5.0 listed in [Related Documentation](#)), used with CMD_BLE5_ADV_EXT and CMD_BLE5_ADV_AUX.

25.6.2 Interrupts

The radio CPU uses firmware-defined interrupts to signal events back to the system CPU. [Table 25-124](#) lists the interrupts used by the Bluetooth low energy commands. Each interrupt may be enabled individually in the system CPU. [Section 25.8](#) describes the details about when the interrupts are generated.

Table 25-124. Interrupt Definitions Applicable to Bluetooth® low energy

Interrupt Number	Interrupt Name	Description
0	Command_Done	A radio operation command has finished
1	Last_Command_Done	The last radio operation command in a chain of commands has finished
4	Tx_Done	A packet is transmitted
5	Tx_Ack	Acknowledgment received on a transmitted packet
6	Tx_Ctrl	Transmitted LL control packet
7	Tx_Ctrl_Ack	Acknowledgment received on a transmitted LL control packet
8	Tx_Ctrl_Ack_Ack	Acknowledgment received on a transmitted LL control packet, and acknowledgment transmitted for that packet
9	Tx_Retrans	Packet retransmitted

Table 25-124. Interrupt Definitions Applicable to Bluetooth® low energy (continued)

Interrupt Number	Interrupt Name	Description
10	Tx_Entry_Done	TX queue data entry state changed to Finished
11	Tx_Buffer_Changed	A buffer change is complete after CMD_BLE_ADV_PAYLOAD
16	Rx_Ok	Packet received with CRC OK, payload, and not to be ignored
17	Rx_Nok	Packet received with CRC error
18	Rx_Ignored	Packet received with CRC OK, but to be ignored
19	Rx_Empty	Packet received with CRC OK, not to be ignored, no payload
20	Rx_Ctrl	LL control packet received with CRC OK, not to be ignored
21	Rx_Ctrl_Ack	LL control packet received with CRC OK, not to be ignored, then acknowledgment sent
22	Rx_Buf_Full	Packet received that did not fit in the RX queue
23	Rx_Entry_Done	RX queue data entry changing state to FINISHED
29	Modules_Unlocked	As part of the boot process, the Arm Cortex-M0 processor has opened access to RF core modules and memories
30	Boot_Done	The RF core CPU boot is finished
31	Internal_Error	The radio CPU has observed an unexpected error

25.7 Data Handling

For all the Bluetooth low energy commands, data received over the air is stored in a receive queue. Data to be transmitted is fetched from a transmit queue for master and slave operation, while for the nonconnected operations, the data is fetched from a specific buffer, or created entirely by the radio CPU based on other available information.

25.7.1 Receive Buffers

A packet being received is stored in a receive buffer. First, a length byte or word is stored if configured in the RX entry by `config.lenSz`, as explained in [Section 25.3.2.7.2](#). This is calculated from the length received over the air and the configuration of appended information.

Following the optional length field, the received header and payload are stored as received over the air. If `rxConfig.bIncludeLenByte` is 1, the full 16-bit header (including the received length field) is stored, despite the length field being redundant information if a length byte or word is present. If `rxConfig.bIncludeLenByte` is 0, only the first byte of the header is stored so that the second byte, which only contains the redundant length field, and (depending on the Bluetooth version) some RFU bits are discarded.

If `rxConfig.bIncludeCrc` is 1, the received CRC value is stored in the RX buffer. If `rxConfig.bAppendRssi` is 1, a signed byte indicating the received RSSI value is appended. If `rxConfig.bAppendStatus` is 1, a status word is appended. For the legacy Bluetooth low energy commands, this is a 1-byte field as defined in [Table 25-120](#), while for the Bluetooth low energy 5 commands, this is a 2-byte field as defined in [Table 25-121](#). If `rxConfig.bAppendTimeStamp` is 1, a timestamp indicating the start of the packet is appended. This timestamp corresponds to the `ratmr_t` data type, which is a 32-bit value in little-endian format. No padding shall be done to ensure a certain alignment in the multibyte fields (timestamp and Bluetooth low energy 5 status). Therefore, the multibyte fields must be written and read bitwise.

[Figure 25-8](#) shows the format of an entry element in the RX queue.

Optional	Mandatory Fields		Optional Fields			
0–2 bytes	1–2 bytes	0–255 bytes	0 or 3 bytes	0 or 1 byte	0–2 bytes	0 or 4 bytes
Element Length	BLE Header	BLE Payload	Received CRC	RSSI	Status	Timestamp

Figure 25-8. Receive Buffer Entry Element

25.7.2 Transmit Buffers

For master and slave operations, transmit buffers are set up in a buffer queue. The length of the packet is defined by the length field in the data entry. The first byte of the data entry gives the LLID that goes into the data channel packet header. The NESN, SN, and MD bits shall be inserted automatically by the radio CPU, the RFU bits shall be set to 0, and the length field shall be calculated from the length of the data entry.

For legacy advertising channel packets and packets transmitted by the Bluetooth low energy scanner and initiator, the radio CPU shall automatically generate the header and the address fields of the payload. The data that comes after the address fields for each message type is given by a pointer to a data buffer. The number of bytes in this buffer is given in a separate parameter. If no data bytes are to be transmitted, this can be indicated by setting the length to 0. In this case, the pointer shall be ignored, and may be set to NULL. For Bluetooth low energy compliance, the ADV_DIRECT_IND and SCAN_REQ messages shall have no payload (but for the possibility of overriding this, data buffers are still present in the legacy commands). With the Bluetooth low energy 5 scanner command, SCAN_REQ and AUX_SCAN_REQ messages are always sent without payload, as per the Bluetooth specification. For CONNECT_IND and AUX_CONNECT_REQ messages, the data is required to have length 22 for Bluetooth low energy compliance, but the implementation shall allow any length.

For the Bluetooth low energy 5 advertising commands, the transmitted packets use the common extended advertising format. [Table 25-123](#) lists the structure used for describing such packets. The PDU header and parts of the extended header shall be automatically generated by the radio CPU based on this structure. The transmitted packets, the PDU header, or the extended header has pointers to a buffer containing the rest of the extended header and another buffer containing the payload.

25.8 Radio Operation Command Descriptions

25.8.1 Bluetooth® 5 Radio Setup Command

When running Bluetooth 5, the radio should be set up using the CMD_BLE5_RADIO_SETUP command. This command will set up the radio in a similar way as the CMD_RADIO_SETUP command, but with the possibility to switch between the different supported PHYs from command to command.

The parameter *defaultPhy* gives the PHY to use if the command is used with a non-Bluetooth low energy RX or TX command. For the Bluetooth low energy commands, the defaultPhy parameter is ignored. The Bluetooth low energy 5 commands have a selection of PHY in the command, and the legacy Bluetooth low energy commands will always use the 1-Mbps PHY if the radio is configured using the CMD_BLE5_RADIO_SETUP command.

The parameters *config* and *txPower* have the same meaning as for the CMD_RADIO_SETUP command.

The command has four pointers to override lists. These override lists are processed the same way as for the CMD_RADIO_SETUP command. The override list pRegOverrideCommon is processed only when the setup command is run, and should contain any override that applies to all the PHYs. The override lists pRegOverride1Mbps, pRegOverrideCoded, and pRegOverride2Mbps are processed when switching to a given PHY. The radio CPU will store these override pointers and read the override list at each switch, so these override lists must remain available in memory. Any of the override pointers may be NULL if no overrides are needed.

For running legacy Bluetooth low energy mode with 1-Mbps support only, CMD_RADIO_SETUP with mode 0 may be used as on the CC26x0 devices.

25.8.2 Radio Operation Commands for Bluetooth® low energy Packet Transfer

Before running any radio operation command described in this document (with exception to the CMD_BLE5_RADIO_SETUP command), the radio must be set up in Bluetooth low energy mode using the CMD_BLE5_RADIO_SETUP command or the CMD_RADIO_SETUP command. Otherwise, the operation will end with error. When running any of the Bluetooth low energy 5 commands, the CMD_BLE5_RADIO_SETUP command must be used.

The operations start with a radio operation command from the system CPU. The actual start of the operation is set up by the radio CPU according to startTrigger and startTime in the command structure. At this time, the radio CPU starts configuring the transmitter or receiver, depending on the type of operation. The system CPU must take the setup time of the transmitter or receiver into account when calculating the start time of the operation.

The radio CPU sets up the channel based on the channel parameter. If the channel is in the range 0–39, it indicates a data channel index or advertising channel index. In this case, only the values 0–36 are allowed in master and slave commands, and only the values 37–39 are allowed in advertiser, scanner, and initiator commands. If the channel is in the range 60–207, it indicates an RF frequency with an offset of 2300 MHz. If the channel is 255, the radio CPU does not program any frequency word, but keeps the frequency already programmed with `CMD_FS`. If the channel is 255 and the frequency synthesizer is not running, the operation ends with an error.

The whitening parameter indicates the initialization of the 7-bit LFSR used for data whitening in Bluetooth low energy. If `whitening.bOverride` is 0 and the channel is in the range 0–39, the LFSR initializes with `(0x40 | channel)`. Otherwise, the LFSR initializes with `whitening.init`. If `whitening.init` is 0 in this case, no whitening is used.

All packets transmitted using the Bluetooth low energy radio operation commands shall have a Bluetooth-low-energy-compliant CRC appended. On all packets received using the Bluetooth low energy radio operation commands, a Bluetooth-low-energy-compliant CRC check shall be performed. The initialization of the CRC register is defined for each command.

The Bluetooth low energy 5 commands have some additional parameters. The `phyMode` parameter is used to select which of the PHYs to use for the command. For the coded PHY, `phyMode.coding` gives a rule for selecting the coding used for each packet (see [Section 25.8.3](#) for details). The `txPower` parameter can be used to select a specific TX power for use in this command, which overrides the one set in the radio setup command and the one set with the `CMD_SET_TX_POWER` command. If `txPower` is set to `0x0000`, the TX power from the setup command or last `CMD_SET_TX_POWER` command is used. The `rangeDelay` parameter gives an extra listening time used for a receiver after `T_IFS`. The number of RAT ticks given is added to the end of the listening window.

To fulfill the requirements for `T_IFS`, transmissions following receptions is timed and synchronized by the radio CPU. For reception immediately following transmissions, the radio CPU times the start of RX and timeout so that it always receives a packet transmitted at a time within the limits set by the Bluetooth low energy standard, but without excessive margins, to avoid false syncing on advertising channels. For the first receive operation in a slave command, the radio CPU sets up a timeout as defined in `pParams->timeoutTrigger` and `pParams->timeoutTime`. The time of this trigger depends on the sleep-clock uncertainty, both in the slave and the peer master.

When the receiver is running, the message is received into an RX entry, as described in [Section 25.3.2.7.2](#). The radio CPU shall have flags `bCrcErr` and `blgnore`, which are to be written to the corresponding fields of the status byte of the RX entry, if present. If there is a CRC error on the received packet, the `bCrcErr` flag shall be set. If the CRC is OK, the `blgnore` flag may be set based on principles defined for each role. This flag means that the system CPU may ignore the packet. After receiving a packet, the radio CPU shall raise an interrupt to the system CPU.

If a packet is received with a length field that is greater than the maximum length defined in the following, the reception is stopped, and this is treated as if sync had not been obtained on the packet. When the radio is set up using the `CMD_RADIO_SETUP` command, the length field in data channel packets is configured to have 5 bits and the length field in advertising channel packets is configured to have 6 bits, which corresponds to the specification in Bluetooth 4.0 and Bluetooth 4.1. In Bluetooth 4.2, the data channel packets have an 8-bit length field, which may be configured with an override, see [Section 25.8.4](#). When the radio is set up using the `CMD_BLE5_RADIO_SETUP` command, all length fields are configured to have 8 bits, which corresponds to the specification in Bluetooth 5.0.

By default, the maximum allowed payload length of legacy advertising channel packets is 37, and the maximum allowed payload length of extended advertising channel packets is 255. For legacy master and slave commands, the default maximum allowed length of received data channel packets is 31 (which will never be violated with the default setting using the `CMD_RADIO_SETUP` command because the length field in this case is 5 bits). For Bluetooth low energy 5 master and slave commands, the maximum packet length of received packets is set in the command structure `pParams->maxRxPktLen`.

If either the bCrcErr or bIgnore flag is set or if the packet was empty (as defined under each operation), the packet may be removed from the RX entry prior to raising the interrupt, depending on the bAutoFlushIgnored, bAutoFlushCrc, and bAutoFlushEmpty bits of pParams->rxConfig.

The status field of the command issued shall be updated during the operation. When submitting the command, the system CPU shall write this field with a state of IDLE. During the operation, the radio CPU shall update the field to indicate the operation mode. When the operation is done, the radio CPU shall write a status indicating that the operation is finished. [Table 25-125](#) lists the status codes to be used by a Bluetooth low energy radio operation.

Table 25-125. Bluetooth® low energy Radio Operation Status Codes

Number	Name	Description
Operation Not Finished		
0x0000	IDLE	Operation not started
0x0001	PENDING	Waiting for start trigger
0x0002	ACTIVE	Running operation
Operation Finished Normally		
0x1400	BLE_DONE_OK	Operation ended normally
0x1401	BLE_DONE_RXTIMEOUT	Timeout of first RX of slave operation or end of scan window
0x1402	BLE_DONE_NOSYNC	Timeout of subsequent RX
0x1403	BLE_DONE_RXERR	Operation ended because of receive error (CRC or other)
0x1404	BLE_DONE_CONNECT	CONNECT_IND or AUX_CONNECT_RSP received or transmitted
0x1405	BLE_DONE_MAXNACK	Maximum number of retransmissions exceeded
0x1406	BLE_DONE_ENDED	Operation stopped after end trigger
0x1407	BLE_DONE_ABORT	Operation aborted by abort command
0x1408	BLE_DONE_STOPPED	Operation stopped after stop command
0x1409	BLE_DONE_AUX	Operation ended after receiving AuxPtr pointing a long time ahead
0x140A	BLE_DONE_CONNECT_CHSEL0	CONNECT_IND received or transmitted; peer does not support channel selection algorithm number 2
Operation Finished With Error		
0x1800	BLE_ERROR_PAR	Illegal parameter
0x1801	BLE_ERROR_RXBUF	No available RX buffer (Advertiser, Scanner, Initiator)
0x1802	BLE_ERROR_NO_SETUP	Radio was not set up in Bluetooth low energy mode
0x1803	BLE_ERROR_NO_FS	Synthesizer was not programmed when running RX or TX
0x1804	BLE_ERROR_SYNTN_PROG	Synthesizer programming failed
0x1805	BLE_ERROR_RXOVF	RX overflow observed during operation
0x1806	BLE_ERROR_TXUNF	TX underflow observed during operation
0x1807	BLE_ERROR_AUX	AUX pointer target is too far into the future

The conditions for giving each status are listed for each operation. Some of the error causes listed in [Table 25-125](#) are not repeated in these lists. In some cases, general error causes may occur. In all of these cases, the result of the operation is ABORT.

25.8.3 Coding Selection for Coded PHY

The phyMode.coding parameter of the Bluetooth 5 commands is used when the coded PHY is selected, which determines the coding rate of transmitted packets. The phyMode.coding parameter has a different meaning for link layer connection commands (master and slave) and other commands.

For master and slave commands, the pParams->maxLenLowRate parameter is also used for determining the coding rate. If the length of the transmitted packet is greater than pParams->maxLenLowRate, the packet is

transmitted with $S = 2$ (500 kbps) regardless of phyMode.coding. This feature can be used to ensure that the maximum packet duration is not violated. In other cases, the phyMode.coding parameter is used, and the meaning of the bits are described in [Table 25-126](#).

Table 25-126. Coding Selection for Master and Slave Commands

Bit Number	Description
0	0: Default to $S = 8$ (125 kbps) 1: Default to $S = 2$ (500 kbps)
1	0: Do not modify default rate based on last received packet 1: Always use $S = 8$ (125 kbps) if the last received packet in the same connection event was coded with $S = 8$ (125 kbps)
2	0: Use default rate for empty packets 1: Always use $S = 8$ (125 kbps) for empty packets
3	0: Use default rate for retransmissions 1: Always use $S = 8$ (125 kbps) for retransmissions
4–5	Reserved

For the other Bluetooth 5 commands, the meaning of phyMode.coding is given in [Table 25-127](#). For the CMD_BLE5_ADV_EXT and CMD_BLE5_TX_TEST commands, bits 1 and 2 are not applicable. For the CMD_BLE5_SCANNER and CMD_BLE5_INITIATOR commands, bit 0 is not applicable. For the CMD_BLE5_ADV_AUX command, all bit 0, bit 1, and bit 2 are applicable.

Table 25-127. Coding Selection for Advertiser, Scanner, and Initiator Commands

Bit Number	Description
0	Code rate to use for advertising indications (ADV_EXT_IND, AUX_ADV_IND, AUX_CHAIN_IND) and TX test packets 0: Use $S = 8$ (125 kbps) 1: Use $S = 2$ (500 kbps)
1	Default code rate to use for request and response packets (AUX_SCAN_REQ, AUX_CONNECT_REQ, AUX_SCAN_RSP, AUX_CONNECT_RSP) 0: Default to $S = 8$ (125 kbps) 1: Default to $S = 2$ (500 kbps)
2	0: Use default rate for request and response packets 1: Always use $S = 8$ (125 kbps) for a request or response packet if the last received packet was coded with $S = 8$ (125 kbps)
3–5	Reserved

25.8.4 Parameter Override

Several parameters that are not configurable through the parameter structures can still be overridden by using the CMD_BLE5_RADIO_SETUP, CMD_RADIO_SETUP, CMD_UPDATE_RADIO_SETUP, or CMD_WRITE_FWPAR commands.

The parameters that can be overridden in Bluetooth low energy mode are described in the Bluetooth Specification documents listed in [Related Documentation](#). The parameters can, for example, be used to improve performance or to create noncompliant behavior that may be useful in some cases. Examples follow:

- Modification of T_IFS and other timing
- Modification of maximum RX packet length (needed for the LE Data Packet Length Extension feature in Bluetooth 4.2)
- Modification of automatically generated headers and so forth
- Modifications to CRC, to generate bit errors for testing and to use different CRC

25.8.5 Link Layer Connection

At the start of a slave or master operation, the radio CPU shall wait for the start trigger. It shall then program the frequency based on the channel parameter of the command structure. The channel parameter is not allowed to be 37, 38, or 39 because they are not data channels. For the Bluetooth low energy 5 commands, it shall also set up the PHY mode given in `phyMode.mainMode`. The radio CPU shall set up the access address defined in `pParams->accessAddress` and shall use the CRC initialization value defined in `pParams->crclnit`. The whitener shall be set up as defined in the whitening parameter. The radio CPU shall then configure the receiver or the transmitter. The operation proceeds with reception and transmission in turn until it ends by one of the end-of-command criteria.

When the demodulator obtains sync on a message, the message is received into the first available RX buffer that can fit the packet. The flags `bCrcErr` and `blgnore` are set according to [Table 25-128](#), depending on the CRC result and whether the SN field of the header was the same as the SN field of the last successfully received packet. A received packet that has a payload length of 0 shall be viewed as an empty packet, which means that if `pParams->rxConfig.bAutoflushEmpty` is 1 and `bCrcErr` and `blgnore` are both 0, the packet is removed from the RX buffer.

Table 25-128. Actions on Received Packets

CRC Result	SN Different from Previous	bCrcErr	blgnore
OK	Yes	0	0
OK	No	0	1
NOK	X	1	0

If there is no available RX buffer with enough available space to hold the received packet, the received data shall be discarded. However, the packet shall be received so that the CRC can be checked. When the packet is received, the radio CPU shall set the sequence bits so that a retransmission of the lost packet is requested (that is, NACK), unless the packet would have been discarded from the RX queue anyway due to the setting of `pParams->rxConfig`.

If two subsequent packets are received with CRC error, the command shall end, as required by the Bluetooth low energy specification.

When a packet is to be transmitted or retransmitted, it is read from the current data entry in the TX queue unless the TX queue is empty or an auto-empty packet has to be retransmitted. The radio CPU shall create the header as follows.

- The LLID bits shall be inserted from the first byte of the TX data entry.
- The SN and NESN bits will be set to values according to the Bluetooth low energy protocol (this is discussed in the following text)
- The MD bit shall be calculated automatically as discussed in the following text, unless this is overridden (see [Section 25.8.4](#)).
- If the TX queue is empty, an empty packet (LLID = 0x1, Length = 0) is transmitted. Such a packet is referred to as an auto-empty packet.

There are a number of interrupts that can be raised on different conditions. The `pOutput` structure contains a number of counters corresponding to the interrupts. [Table 25-129](#) lists the conditions for incrementing each counter or raising an interrupt. There may be more than one condition fulfilled after a packet is transmitted or received. In the list of conditions, the term *acknowledgment* is used to define a successfully received packet with an NESN value in the header that is different from the SN value of the last transmitted packet.

Table 25-129. Conditions for Incrementing Counters and Raising Interrupts for Master and Slave Commands

Condition	Counter Incremented	Interrupt Generated
Packet transmitted	nTx	Tx_Done
Packet transmitted and acknowledgment received	nTxAck	Tx_Ack
Packet with LLID = 11b transmitted	nTxCtrl	Tx_Ctrl
Packet with LLID = 11b transmitted and acknowledgment received	nTxCtrlAck	Tx_Ctrl_Ack
Packet with LLID = 11b transmitted, acknowledgment received, and acknowledgment sent	nTxCtrlAckAck	Tx_Ctrl_Ack_Ack
Packet transmitted with same SN as previous transmitted packet	nTxRetrans	Tx_Retrans
Packet with payload transmitted and acknowledgment received	nTxEntryDone	Tx_Entry_Done
Packet received with bCrcErr = 0, bIgnore = 0, and payload length > 0	nRxOk	Rx_Ok
Packet received with CRC error (bCrcErr = 1)	nRxBad	Rx_Nok
Packet received with bCrcErr = 0 and bIgnore = 1	nRxIgnored	Rx_Ignored
Packet received with bCrcErr = 0, bIgnore = 0, and payload length = 0	nRxEmpty	Rx_Empty
Packet received with LLID = 11b, bCrcErr = 0 and bIgnore = 0	nRxCtrl	Rx_Ctrl
Packet received with LLID = 11b, bCrcErr = 0 and bIgnore = 0, and acknowledgment sent	nRxCtrlAck	Rx_Ctrl_Ack
Packet received that did not fit in RX buffer and was not to be flushed	nRxBufFull	Rx_Buf_Full
The first RX data entry in the RX queue changed state to finished	—	Rx_Entry_Done

The radio CPU shall maintain two counters: one packet counter *nPkt* and one NACK counter *nNack*. At the start of the master or slave radio operation, both counters shall be initialized to `pParams->maxPkt` and `pParams->maxNack`, respectively. The packet counter *nPkt* shall be decremented each time a packet transmitted. The NACK counter *nNack* shall be decremented if a packet is received that does not contain an acknowledgment of the last transmitted packet, otherwise it shall be reset to `pParams->maxNack` if an acknowledgment is received. If either counter counts to 0, the operation shall end. This shall happen after a packet is received for master and a packet is transmitted for slave. Setting `pParams->maxPkt` or `pParams->maxNack` to 0 shall disable the corresponding counter functionality.

A trigger to end the operation is set up by `pParams->endTrigger` and `pParams->endTime`. If the trigger that is defined by this parameter occurs, the radio operation shall end as soon as possible. After the radio operation ends, any transmitted packet shall have MD = 0 and the connection event shall end after the next packet is transmitted for a slave or received for a master. If the immediate command *CMD_STOP* is received by the radio CPU, it shall have the same meaning as the end trigger occurring (except that after ending, the status code shall be *CMD_DONE_STOPPED*). For slave commands, `pParams->endTrigger.triggerType` may take the value *BLE_TRIG_REL_SYNC*, which is 15. This value means that `pParams->endTime` is relative to the timestamp of the first received packet. If no packet is received, the end trigger will not occur (the timeout trigger should be used to handle this situation).

The register `pParams->seqStat` contains bits that shall be updated by the radio CPU during operation and shall be used for getting correct operation on SN, NESN, and retransmissions. The rules that must be followed for the radio CPU are:

- Before the first operation on a connection, the bits in `pParams->seqStat` shall be set as follows by the system CPU:
 - `lastRxSn = 1`
 - `lastTxSn = 1`
 - `nextTxSn = 0`
 - `bFirstPkt = 1`
 - `bAutoEmpty = 0`
 - `bLICtrlRx = 0`
 - `bLICtrlAckRx = 0`
 - `bLICtrlAckPending = 0`
- When determining if the SN field of the header was the same as the SN field of the last successfully received packet, the received SN bit is compared to `pParams->seqStat.lastRxSn`.
- If a packet is received with correct CRC and the packet fit in an RX buffer, the received SN shall be stored in `pParams->seqStat.lastRxSn`. If the packet was an LL control packet (LLID = 11b) and the packet was not to be ignored, `pParams->seqStat.bLICtrlAckPending` shall be set to 1 and an `Rx_Ctrl` interrupt shall be raised.
- If a packet is received with correct CRC and the received NESN is different from `pParams->seqStat.lastTxSn`, `pParams->seqStat.nextTxSn` shall be set to the value of the received NESN (regardless of whether the packet fit in an RX buffer).
- If `pParams->seqStat.bFirstPkt = 0`:
 - If `pParams->seqStat.nextTxSn` was updated and became different from `pParams->seqStat.lastTxSn` after reception of a packet, `nNack` shall be set to `pParams->maxNack` and a `Tx_Ack` interrupt shall be raised.
 - Otherwise, `nNack` shall be decremented.
 - If `pParams->seqStat.nextTxSn` was updated and became different from `pParams->seqStat.lastTxSn` after reception of a packet and `pParams->seqStat.bAutoEmpty = 0`, the current TX queue entry shall be finished, the next one shall be set as active (see [Section 25.3.2.7.2](#)), and a `Tx_Entry_Done` interrupt shall be raised. If `pParams->seqStat.bLICtrlTx = 1`, a `Tx_Ctrl_Ack` interrupt shall be raised and `pParams->seqStat.bLICtrlAckRx` shall be set to 1.
 - If `pParams->seqStat.nextTxSn` was updated and became different from `pParams->seqStat.lastTxSn` after reception of a packet, `pParams->seqStat.bAutoEmpty` shall be set to 0.
- If no buffer is available in the TX queue, or if `pParams->seqStat.nextTxSn` is equal to `pParams->seqStat.lastTxSn` and `pParams->seqStat.bAutoEmpty = 1` when transmission of a packet is to take place, an auto-empty packet shall be transmitted. Nothing shall be read from the TX queue. Otherwise, the transmitted packet shall be read from the first entry of the TX queue.

- In the header of a transmitted packet, the SN bit shall be set to the value of `pParams->seqStat.nextTxSn`, and the NESN bit shall be set to the inverse of `pParams->seqStat.lastRxSn`.
- After a packet is transmitted:
 - If `pParams->seqStat.nextTxSn` is equal to `pParams->seqStat.lastTxSn`, a `Tx_Retrans` interrupt shall be raised.
 - If `pParams->seqStat.nextTxSn` is different from `pParams->seqStat.lastTxSn` after a transmission and the transmitted packet had `LLID = 11b`, a `Tx_Ctrl` interrupt shall be raised.
 - If `pParams->seqStat.nextTxSn` is different from `pParams->seqStat.lastTxSn` after a transmission and `pParams->seqStat.bLICtrlAckPending = 1`, an `Rx_Ctrl_Ack` interrupt shall be raised.
 - If `pParams->seqStat.nextTxSn` is different from `pParams->seqStat.lastTxSn` after a transmission and `pParams->seqStat.bLICtrlAckRx = 1`, a `Tx_Ctrl_Ack_Ack` interrupt shall be raised.
 - `pParams->seqStat.lastTxSn` shall be set to the value of `pParams->seqStat.nextTxSn`.
 - `pParams->seqStat.bAutoEmpty` shall be set to 1 if the packet was not read from the TX queue, otherwise set to 0.
 - `pParams->seqStat.bLICtrlTx` shall be set to 1 if the transmitted packet had `LLID = 11`, otherwise set to 0.
 - `pParams->seqStat.firstPkt`, `pParams->seqStat.bLICtrlAckPending`, and `pParams->seqStat.bLICtrlAckRx` shall be set to 0.
 - A `Tx_Done` interrupt shall be raised.
 - `nPkt` shall be decremented.

When an interrupt is raised as described in the previous list, the corresponding counter given in [Table 25-129](#) shall be incremented.

In the header of a transmitted packet, the MD bit shall be set according to the following rules:

- If the transmit queue is empty or the packet being transmitted is the last packet of the transmit queue, MD shall be set to 0.
- If the trigger described in `pParams->endTrigger` has occurred, MD shall be set to 0.
- If the counter `nPkt` is 1, MD shall be set to 0.
- Otherwise, MD shall be set to 1.

The `pOutput` structure contains counters, which shall be updated by the radio CPU as explained in the previous list and in [Table 25-129](#). The radio CPU shall not initialize the fields, so this must be done by the system CPU when a reset of the counters is desired. In addition to the counters, the following fields shall be set by the radio CPU:

- If a packet is received, `lastRssi` is set to the RSSI of that packet.
- For slave commands, `timeStamp` shall be set to the timestamp of the start of the first received packet (if any packet is received). The `bValidTimeStamp` field shall be set to 0 at the beginning of the operation and to 1 if a packet is received so that `timeStamp` is written.

For correct operation, the value of `pParams->seqStat` shall be the same at the beginning of a command as the value at the end of the previous operation of the same connection. The TX queue should also be unmodified between commands operating on the same connection (except that packets may be appended to the queue).

25.8.6 Slave Command

A slave radio operation is started by a `CMD_BLE_SLAVE` or `CMD_BLE5_SLAVE` command. In the command structure, it shall have a `pParams` parameter of the type defined in [Table 25-96](#) or [Table 25-103](#) and a `pOutput` parameter of the type defined in [Table 25-109](#). The operation starts with reception. The parameters `pParams->timeoutTrigger` and `pParams->timeoutTime` define the time to end the operation if no sync is found by the demodulator. Together, the `startTrigger` and `pParams->timeoutTrigger` define the receive window for the slave.

The first received packet of a new LL connection on a slave shall be treated in a special way. This is signaled by the system CPU by setting `pParams->seqStat.bFirstPkt` to 1 when starting the first slave operation of a new connection. When this flag is set, the received packet shall not be viewed as an ACK or NACK of a packet transmitted previously. When a packet is transmitted, `pParams->seqStat.bFirstPkt` shall be cleared by the radio CPU.

The radio CPU shall write a timestamp of the first received packet of the radio operation into `pOutput->timeStamp`. The captured time can be used by the system CPU as an anchor point to calculate the start of future slave commands. This time shall also be defined as *event 1*. This may be used for timing subsequent chained operations. If no anchor point is found, event 1 will be the time of the start of the slave operation.

If a packet is received with CRC error, the radio CPU shall end the radio operation if the previous packet in the same radio operation was also received with CRC error (see [Table 25-130](#)). Otherwise if a packet is received, the radio CPU shall start the transmitter and transmit from the TX queue, or transmit an auto-empty packet if the TX queue is empty. The transmission may be a retransmission. Unless the operation is to end by the criteria listed in [Table 25-130](#), the receiver will be started after the transmission is complete.

A slave operation shall end by one of the causes listed in [Table 25-130](#). After the operation has ended, the status field of the command structure indicates the reason why the operation ended. In all cases, a `Command_Done` interrupt is raised. In each case, the result is indicated as `TRUE`, `FALSE`, or `ABORT`, which will decide the next action.

Table 25-130. End of Slave Operation

Condition	Status Code	Result
Transmitted packet with MD = 0 after successfully receiving a packet where the MD bit of the header is 0	<code>BLE_DONE_OK</code>	<code>TRUE</code>
Transmitted packet with MD = 0 after receiving a packet that did not fit in the RX queue	<code>BLE_DONE_OK</code>	<code>TRUE</code>
Finished transmitting packet and <code>nPkt</code> counted to 0	<code>BLE_DONE_OK</code>	<code>TRUE</code>
Trigger indicated by <code>pParams->timeoutTrigger</code> occurred before demodulator sync is ever obtained after starting the command	<code>BLE_DONE_RXTIMEOUT</code>	<code>FALSE</code>
No sync obtained on receive operation after transmit	<code>BLE_DONE_NOSYNC</code>	<code>TRUE</code>
Two subsequent packets in the same operation were received with CRC error	<code>BLE_DONE_RXERR</code>	<code>TRUE</code>
Finished transmitting packet after the internal counter <code>nNack</code> has counted down to 0	<code>BLE_DONE_MAXNACK</code>	<code>TRUE</code>
Finished transmitting packet after observing a trigger indicated by <code>pParams->endTrigger</code>	<code>BLE_DONE_ENDED</code>	<code>FALSE</code>
Finished transmitting packet after observing a <code>CMD_STOP</code>	<code>BLE_DONE_STOPPED</code>	<code>FALSE</code>
Received <code>CMD_ABORT</code>	<code>BLE_DONE_ABORT</code>	<code>ABORT</code>
Illegal value of channel	<code>BLE_ERROR_PAR</code>	<code>ABORT</code>
TX data entry length field has illegal value	<code>BLE_ERROR_PAR</code>	<code>ABORT</code>

25.8.7 Master Command

A master radio operation is started by a `CMD_BLE_MASTER` or a `CMD_BLE5_MASTER` command. In the command structure, it shall have a `pParams` parameter of the type defined in [Table 25-97](#) and a `pOutput` parameter of the type defined in [Table 25-109](#). The operation starts with transmission. After each transmission, the receiver is started.

A master operation shall end by one of the causes listed in [Table 25-131](#). The status field of the command structure after the operation is ended indicates the reason why the operation ended. In all cases, a `Command_Done` interrupt is raised. In each case, the result of `TRUE`, `FALSE`, or `ABORT` is indicated, which will decide the next action.

Table 25-131. End of Master Operation

Condition	Status Code	Result
Successfully received packet with MD = 0 after transmitting a packet with MD = 0	BLE_DONE_OK	TRUE
Received packet that did not fit in RX queue after transmitting a packet with MD = 0	BLE_DONE_OK	TRUE
Received a packet after nPkt had counted to 0	BLE_DONE_OK	TRUE
No sync obtained on receive operation after transmit	BLE_DONE_NOSYNC	TRUE
Two subsequent packets in the same operation were received with CRC error	BLE_DONE_RXERR	TRUE
The internal counter nNack counted down to 0 after a packet was received	BLE_DONE_MAXNACK	TRUE
Received a packet after observing a trigger indicated by <code>pParams->endTrigger</code>	BLE_DONE_ENDED	FALSE
Received a packet after observing a <code>CMD_STOP</code>	BLE_DONE_STOPPED	FALSE
Received <code>CMD_ABORT</code>	BLE_DONE_ABORT	ABORT
Illegal value of channel	BLE_ERROR_PAR	ABORT
TX data entry length field has illegal value	BLE_ERROR_PAR	ABORT

25.8.8 Legacy Advertiser

At the start of an advertiser operation of any kind, the radio CPU waits for the start trigger, then programs the frequency based on the channel parameter of the command structure. The channel parameter is not allowed to be in the range of 0–36, because these are data channels. The radio CPU sets up the advertising channel access address and uses the CRC initialization value of 0x55 5555. The whitener is set up as defined in the whitening parameter. The radio CPU then configures the transmitter. Except for an advertiser that is not connectable, the operation goes on with reception after transmission, and if a SCAN_REQ is received, another transmission of a SCAN_RSP may occur.

In Bluetooth low energy mode, advertising is usually done over all three advertising channels. To set this up, three command structures can be chained using the pNextOp parameter. Typically, the parameter and output structures can be the same for all channels.

The first packet transmitted is always an ADV*_IND packet. This packet consists of a header, an advertiser address, and advertising data (except for the ADV_DIRECT_IND packet that is used in directed advertising). The radio CPU constructs these packets as follows (the ADV_DIRECT_IND packet is described in [Section 25.8.8.2](#)).

- In the header, the PDU Type bits are as shown in [Table 25-132](#).
- The TXAdd bit is as shown in pParams->advConfig.deviceAddrType.
- The length is calculated from the size of the advertising data, meaning that it is pParams->advLen + 6.
- The RXAdd bit is not used and is 0, along with the RFU bits.
- The payload starts with the 6-byte device address, which are read from pParams->pDeviceAddress.
- The rest of the payload is read from the pParams->pAdvData buffer (if pParams->advLen is nonzero).

Table 25-132. PDU Types for Different Advertiser Commands

Command	Type of Advertising Packet	Value of PDU Type Bits in Header
CMD_BLE_ADV	ADV_IND	0000b
CMD_BLE_ADV_DIR	ADV_DIRECT_IND	0001b
CMD_BLE_ADV_NC	ADV_NONCONN_IND	0010b
CMD_BLE_ADV_SCAN	ADV_SCAN_IND	0110b

Except for the nonconnectable advertiser, the receiver shall be started after the ADV*_IND packet is transmitted. Depending on the type of advertiser operation, the receiver shall listen for a SCAN_REQ and (or) a CONNECT_IND (known as *CONNECT_REQ* in Bluetooth 4.0, 4.1, and 4.2 Specifications listed in [Related Documentation](#)). If the demodulator obtains sync, the header shall be checked when it is received, and if it is not a SCAN_REQ or CONNECT_IND message, the demodulator shall be stopped immediately.

A SCAN_REQ or CONNECT_IND message is received into the RX queue given by pParams->pRxQ, as described in [Section 25.10.4.1](#). The bCrcErr and bIgnore bits are set according to the CRC result and the received message. The AdvA field in the message and the TxAdd bit of the received header are compared to the pParams->pDeviceAddress array and pParams->advConfig.deviceAddrType, respectively, to see if the message was addressed to this advertiser. Then, depending on the advertising filter policy that is given by pParams->advConfig.advFilterPolicy, the received ScanA or InitA field, along with the RxAdd bit of the received header, is checked against the whitelist (see [Section 25.8.14](#)), except for a directed advertiser, where the received header is compared against the peer address (see [Section 25.8.8.2](#)). If the resolvable private address (RPA) mode (given by pParams->advConfig.rpaMode) is nonzero, an extra check is done to see if the peer address is a resolvable private address. If the received TxAdd is 1 and the two most significant bits of the received ScanA or InitA field are 01b, the address is a RPA. If so, a whitelist check is performed regardless of the filter policy. Depending on the received packet, the actions taken shall be as given in [Table 25-133](#), where the definition of each action (including the value that will be used on bCrcErr and bIgnore) is given in [Table 25-134](#). If pParams->advConfig.bStrictLenFilter is 1, only length fields that are compliant with the Bluetooth low energy specification shall be considered valid. For a SCAN_REQ, that means a length field of 12, and for a CONNECT_IND it means a length field of 34. If pParams->advConfig.bStrictLenFilter is 0, all received packets with a length field less than or equal to the maximum length of an advertiser packet shall be considered valid. If the length is not valid, the receiver shall be stopped.

Table 25-133. Actions to Take Based on Received Packets for Advertisers

PDU Type	CRC Result	Adv. Type	Valid Length	AdvA Matches Own Address	Filter Policy	RPA Mode	Resolvable Private Address	ScanA or InitA Present in Whitelist	Action No.
SCAN_REQ	OK	C, S	Yes	No	X	X	X	X	1
SCAN_REQ	OK	C, S	Yes	Yes	1 or 3	X	X	No	1
SCAN_REQ	OK	C, S	Yes	Yes	1 or 3	X	X	Yes	2
SCAN_REQ	OK	C, S	Yes	Yes	0 or 2	0	X	X	2
SCAN_REQ	OK	C, S	Yes	Yes	0 or 2	1	No	X	2
SCAN_REQ	OK	C, S	Yes	Yes	0 or 2	1	Yes	No	1
SCAN_REQ	OK	C, S	Yes	Yes	0 or 2	1	Yes	Yes	2
SCAN_REQ	NOK	C, S	Yes	X	X	X	X	X	3
SCAN_REQ	X	C, S	No	X	X	X	X	X	5
SCAN_REQ	X	D	X	X	X	X	X	X	5
CONNECT_IND	OK	C, D	Yes	No	X	X	X	X	1
CONNECT_IND	OK	C, D	Yes	Yes	2 or 3	X	X	No	1
CONNECT_IND	OK	C, D	Yes	Yes	2 or 3	X	X	Yes	4
CONNECT_IND	OK	C, D	Yes	Yes	0 or 1	0	X	X	4
CONNECT_IND	OK	C, D	Yes	Yes	0 or 1	1	No	X	4
CONNECT_IND	OK	C, D	Yes	Yes	0 or 1	1	Yes	No	1
CONNECT_IND	OK	C, D	Yes	Yes	0 or 1	1	Yes	Yes	4
CONNECT_IND	NOK	C, D	Yes	X	X	X	X	X	3
CONNECT_IND	X	C, D	No	X	X	X	X	X	5
CONNECT_IND	X	S	X	X	X	X	X	X	5
Other	X	X	X	N/A	X	X	N/A	N/A	5
No packet received	N/A	X	N/A	N/A	X	X	N/A	N/A	5

Table 25-134. Descriptions of the Actions to Take on Received Packets

Action No.	bCrcErr	blgnore	Description
1	0	1	End operation with BLE_DONE_OK status
2	0	0	Transmit SCAN_RSP message
3	1	0	End operation with BLE_DONE_RXERR status
4	0	0	End operation with BLE_DONE_CONNECT or BLE_DONE_CONNECT_CHSEL0 status
5	—	—	Stop receiver immediately and end operation with BLE_DONE_NOSYNC status

If a SCAN_REQ packet is received with a length of 12 (or less), it shall be viewed as an empty packet. This means that if pParams->rxConfig.bAutoflushEmpty is 1 and bCrcErr and blgnore are both 0, the packet is removed from the RX buffer. If a packet is flagged by blgnore or bCrcErr, it may also be removed based on the bits in pParams->rxConfig.

If the packet being received did not fit in the RX queue, the packet is received to the end, but the received bytes are not stored. If the packet would normally not have been discarded from the RX queue based on the bits in pParams->rxConfig, the command shall end.

If a CONNECT_IND packet is correctly received (see Action 4 in [Table 25-134](#)) and pParams->advConfig.chSel is 1, the ChSel bit of the received header is checked. If this bit is 0 (meaning that the peer does not support Channel Selection Algorithm 2), the status is set to BLE_DONE_CONNECT_CHSEL0 instead of to BLE_DONE_CONNECT.

If the next action (according to [Table 25-133](#) and [Table 25-134](#)) is to transmit a SCAN_RSP packet, the radio CPU shall start the transmitter to transmit this packet. This packet consists of a header, an advertiser address, and advertising data.

The radio CPU shall construct these packets as follows:

- In the header, the PDU Type bits shall be 0100b.
- The TxAdd bit shall be as in pParams->advConfig.deviceAddrType.
- The length shall be calculated from the size of the scan response data, meaning that it shall be pParams->scanRspLen + 6.
- The RxAdd and ChSel bits are not used and shall be 0.
- The RFU bit shall be 0.
- The payload shall start with the 6-byte device address, which shall be read from pParams->pDeviceAddress.
- The rest of the payload shall be read from the pParams->pScanRspData buffer.
- After the SCAN_RSP is transmitted, the command shall end.

A trigger to end the operation is set up by pParams->endTrigger. If the trigger that is defined by this parameter occurs, the radio operation shall continue to completion, but the status code after ending shall be BLE_DONE_ENDED and the result shall be FALSE. This trigger can be used to stop execution instead of proceeding with the next chained operation by use of the condition in the command structure. If the immediate command CMD_STOP is received by the radio CPU, it shall have the same meaning as when the end trigger occurs (except that the status code after ending shall be CMD_DONE_STOPPED).

The output structure pOutput contains fields that give information on the command being run. The radio CPU shall not initialize the fields, so this must be done by the system CPU when a reset of the counters is desired. The fields shall be updated by the radio CPU as described in the following list. The list also indicates when interrupts shall be raised in the system CPU.

- When the ADV*_IND packet is transmitted, nTxAdvInd is incremented and a Tx_Done interrupt is raised.
- If a SCAN_RSP packet is transmitted, nTxScanRsp is incremented afterward, and a Tx_Done interrupt is raised.
- If a SCAN_REQ packet is received with CRC OK and the bIgnore flag cleared, nRxScanReq is incremented. If the payload length is 12 or less, an Rx_Empty interrupt is raised. If the payload length is greater than 12, an Rx_Ok interrupt is raised.
- If a CONNECT_IND packet is received with CRC OK and the bIgnore flag cleared, nRxConnectReq is incremented and an Rx_OK interrupt is raised.
- If a packet is received with a CRC error, nRxnok is incremented and an Rx_Nok interrupt is raised.
- If a packet is received and the bIgnore flag is set, nRxIgnored is incremented and an Rx_Ignored interrupt is raised.
- If a packet is received that did not fit in the RX queue, nRxBufFull is incremented and an Rx_Buf_Full interrupt is raised.
- If a packet is received, lastRssi is set to the RSSI of that packet.
- If a packet is received, timeStamp is set to a timestamp of the start of that packet. For a CONNECT_IND packet, this can be used to calculate the anchor point of the first packet.
- If the first RX data entry in the RX queue changed state to Finished after a packet was received, an Rx_Entry_Done interrupt is raised.

25.8.8.1 Connectable Undirected Advertiser Command

A connectable undirected advertiser operation is started by a CMD_BLE_ADV command. In the command structure, it shall have a pParams parameter of the type defined in [Table 25-98](#) and a pOutput parameter of the type defined in [Table 25-110](#). The operation starts with transmission and operates as described in [Section 25.8.8](#).

A connectable undirected advertiser operation shall end with one of the statuses listed in [Table 25-135](#). The status field of the command structure after the operation is ended indicates the reason why the operation ended. In all cases, a Command_Done interrupt is raised. In each case, the result of TRUE, FALSE, or ABORT is indicated, which will decide the next action.

Table 25-135. End of Connectable Undirected Advertiser Operation

Condition	Status Code	Result
Performed Action 1 after running receiver	BLE_DONE_OK	TRUE
Performed Action 2 and transmitted SCAN_RSP	BLE_DONE_OK	TRUE
Performed Action 3 after running receiver	BLE_DONE_RXERR	TRUE
Performed Action 4 after running receiver if pParams->advConfig.chSel = 0 or the ChSel bit of the received CONNECT_IND is 1	BLE_DONE_CONNECT	FALSE
Performed Action 4 after running receiver if pParams->advConfig.chSel = 1 and the ChSel bit of the received CONNECT_IND is 0	BLE_DONE_CONNECT_CHSEL0	FALSE
Performed Action 5 after running receiver	BLE_DONE_NOSYNC	TRUE
Observed trigger indicated by pParams->endTrigger, then performed Actions 1, 2, 3, or 5	BLE_DONE_ENDED	FALSE
Observed CMD_STOP, then performed Actions 1, 2, 3, or 5	BLE_DONE_STOPPED	FALSE
Received CMD_ABORT	BLE_DONE_ABORT	ABORT
No space in RX buffer to store received packet	BLE_ERROR_RXBUF	FALSE
Illegal value of channel	BLE_ERROR_PAR	ABORT
Advertising data or scan response data length field has illegal value	BLE_ERROR_PAR	ABORT

25.8.8.2 Connectable Directed Advertiser Command

A connectable directed advertiser operation is started by a CMD_BLE_ADV_DIR command. In the command structure, it shall have a pParams parameter of the type defined in [Table 25-98](#) and a pOutput parameter of the type defined in [Table 25-110](#). The operation starts with transmission and operates as described in [Section 25.8.8](#) with some modifications as described in the following list.

For the directed advertiser, pParams->pWhiteList shall point to a buffer containing only the device address of the device to which to connect. The address type of the peer shall be given in pParams->advConfig.peerAddrType.

The first transmit operation will send an ADV_DIRECT_IND packet. The radio CPU shall construct this packet as follows:

- In the header, the PDU Type bits shall be 0001b as shown in [Table 25-132](#).
- The TxAdd bit shall be as in pParams->advConfig.deviceAddrType.
- The RxAdd bit shall be as in pParams->advConfig.peerAddrType (if the least significant bit of pParams->pWhiteList is 1, the RxAdd bit is inverted, see [Section 25.8.17](#)).
- The ChSel bit shall be 1 if pParams->advConfig.chSel is 1; otherwise, ChSel shall be 0.
- The length shall be calculated from the size of the advertising data, which means that it shall be pParams->advLen + 12.
- The RFU bit shall be 0.
- The payload shall start with the 6-byte device address, which shall be read from pParams->pDeviceAddress, followed by the 6-byte peer address read from pParams->pWhiteList.
- By the Bluetooth low energy specification, there shall be no more payload, but a noncompliant message may be constructed by setting pParams->advLen to a nonzero value. If so, the rest of the payload shall be read from the pParams->pAdvData buffer.

The receiver is started after the ADV_DIRECT_IND packet is transmitted as described in [Section 25.8.8](#), and received packets are processed as described there. Instead of being checked against the whitelist, the received TargetA field and TxAdd bit are checked against pParams->pWhiteList and pParams->advConfig.peerAddrType, respectively.

A directed advertiser operation shall end with one of the statuses listed in [Table 25-136](#). The status field of the command structure after the operation is ended indicates the reason why the operation ended. In all cases, a Command_Done interrupt is raised. In each case, the result of TRUE, FALSE, or ABORT is indicated, which will decide the next action.

Table 25-136. End of Directed Advertiser Operation

Condition	Status Code	Result
Performed Action 1 after running receiver	BLE_DONE_OK	TRUE
Performed Action 3 after running receiver	BLE_DONE_RXERR	TRUE
Performed Action 4 after running receiver if pParams->advConfig.chSel = 0 or the ChSel bit of the received CONNECT_IND is 1	BLE_DONE_CONNECT	FALSE
Performed Action 4 after running receiver if pParams->advConfig.chSel = 1 and the ChSel bit of the received CONNECT_IND is 0	BLE_DONE_CONNECT_CHSEL0	FALSE
Performed Action 5 after running receiver	BLE_DONE_NOSYNC	TRUE
Observed trigger indicated by pParams->endTrigger, then performed Actions 1, 3, or 5	BLE_DONE_ENDED	FALSE
Observed CMD_STOP, then performed Actions 1, 3, or 5	BLE_DONE_STOPPED	FALSE
Received CMD_ABORT	BLE_DONE_ABORT	ABORT
No space in RX buffer to store received packet	BLE_ERROR_RXBUF	FALSE
Illegal value of channel	BLE_ERROR_PAR	ABORT
Advertising data length field has illegal value	BLE_ERROR_PAR	ABORT

25.8.8.3 Nonconnectable Advertiser Command

A nonconnectable advertiser operation is started by a CMD_BLE_ADV_NC command. In the command structure, it shall have a pParams parameter of the type defined in [Table 25-98](#) and a pOutput parameter of the type defined in [Table 25-110](#). The operation starts with transmission and operates as described in [Section 25.8.8](#). After transmission of an ADV_NONCONN_IND packet, the operation shall end without any receive operation.

A nonconnectable advertiser operation shall end with one of the statuses listed in [Table 25-137](#). The status field of the command structure after the operation is ended indicates the reason why the operation ended. In all cases, a Command_Done interrupt is raised. In each case, the result of TRUE, FALSE, or ABORT is indicated, which will decide the next action.

Table 25-137. End of Nonconnectable Advertiser Operation

Condition	Status Code	Result
Transmitted ADV_NONCONN_IND	BLE_DONE_OK	TRUE
Observed trigger indicated by pParams->endTrigger, then finished transmitting ADV_NONCONN_IND	BLE_DONE_ENDED	FALSE
Observed CMD_STOP, then finished transmitting ADV_NONCONN_IND	BLE_DONE_STOPPED	FALSE
Received CMD_ABORT	BLE_DONE_ABORT	ABORT
Illegal value of channel	BLE_ERROR_PAR	ABORT
Advertising data length field has illegal value	BLE_ERROR_PAR	ABORT

25.8.8.4 Scannable Undirected Advertiser Command

A scannable undirected advertiser operation is started by a CMD_BLE_ADV_SCAN command. In the command structure, it shall have a pParams parameter of the type defined in [Table 25-98](#) and a pOutput parameter of the type defined in [Table 25-110](#). The operation starts with transmission operation and operates as described in [Section 25.8.8](#).

A scannable undirected advertiser operation shall end with one of the statuses listed in [Table 25-138](#). The status field of the command structure after the operation is ended indicates the reason why the operation ended. In all cases, a Command_Done interrupt is raised. In each case, the result of TRUE, FALSE, or ABORT is indicated, which will decide the next action.

Table 25-138. End of Scannable Undirected Advertiser Operation

Condition	Status Code	Result
Performed Action 1 after running receiver	BLE_DONE_OK	TRUE

Table 25-138. End of Scannable Undirected Advertiser Operation (continued)

Condition	Status Code	Result
Performed Action 2 and transmitted SCAN_RSP	BLE_DONE_OK	TRUE
Performed Action 3 after running receiver	BLE_DONE_RXERR	TRUE
Performed Action 5 after running receiver	BLE_DONE_NOSYNC	TRUE
Observed trigger indicated by pParams->endTrigger, then performed Actions 1, 2, 3, or 5	BLE_DONE_ENDED	FALSE
Observed CMD_STOP, then performed Actions 1, 2, 3, or 5	BLE_DONE_STOPPED	FALSE
Received CMD_ABORT	BLE_DONE_ABORT	ABORT
No space in RX buffer to store received packet	BLE_ERROR_RXBUF	FALSE
Illegal value of channel	BLE_ERROR_PAR	ABORT
Advertising data or scan response data length field has illegal value	BLE_ERROR_PAR	ABORT

25.8.9 Bluetooth® 5 Advertiser Commands

At the start of an extended or secondary channel advertiser, the radio CPU shall wait for the start trigger. It shall then program the frequency based on the channel parameter of the command structure. The channel parameter must indicate the correct type of advertiser channel, so it must be 37, 38, or 39 for extended advertiser and in the range 0–36 for the secondary channel advertiser. The radio CPU shall also set up the PHY mode given in phyMode.mainMode. Furthermore, it shall set up the advertising channel access address and use the CRC initialization value 0x55 5555. The whitener shall be set up as defined in the whitening parameter. The radio CPU shall then configure the transmitter. For the secondary channel advertiser, the operation will go on with reception after transmission if the transmitted packet is scannable or connectable, and if a request packet is received, transmission of a response packet may follow.

In Bluetooth low energy, advertising is usually done over all three primary advertising channels, followed by advertising on one or more secondary channels. To set this up, four (or more) command structures can be chained using the pNextOp parameter. The parameter structures can be the same for the three extended advertiser commands, and the output structures can be the same for all channels.

The transmitted packets always use the common extended advertising format. Such packets are constructed by the radio CPU based on the information in a descriptor as given in [Table 25-105](#). The details of the packet handling are described in [Section 25.8.9.1](#). The first transmitted packet is given by the descriptor pointed to by pParams->pAdvPkt.

If the transmitted packet contains an AuxPtr field, the Offset Units, and Aux Offset (see the Specification of the Bluetooth System, Version 5.0 listed in [Related Documentation](#)) fields shall be modified by the radio CPU so that they point to a packet transmitted at the time given by pParams->auxPtrType and pParams->auxPtrTime. The values allowed for pParams->auxPtrType are the same as the triggers used generally in commands, but only TRIG_ABSTIME, TRIG_NEVER, and the various relative times are allowed; TRIG_NEVER means that no modification of AuxPtr shall be done by the radio CPU. The radio CPU shall calculate the time from the start of the transmitted packet to the given time and find the smallest offset unit that can be used to represent that time. Aux Offset shall then be set to the time difference divided by the unit rounded down.

[Section 25.8.9.2](#) and [Section 25.8.9.3](#) describe the detail of operation of CMD_ADV_EXT and CMD_ADV_AUX.

25.8.9.1 Common Extended Advertising Packets

A transmitted packet using the common extended advertising format consists of the following:

- A header
- An extended header length and advertiser mode
- An optional extended header
- An optional payload

In the header, the PDU type is set to 0111b for all relevant types except AUX_CONNECT_RSP, where the PDU type is 1000b. The TxAdd and RxAdd bits are inserted automatically as described in the following. The length is calculated by the radio CPU based on the extended header length and the payload length. The extended header

length and advertiser mode fields are inserted from the corresponding fields of `extHdrInfo`. If the extended header length is greater than 0, the first byte of the extended header is the extended header flags. This is inserted by the radio CPU from `extHdrFlags`. The rest of the extended header is located in the buffer pointed to by `pExtHeader`.

The addresses in the extended header may be omitted from the buffer (in this case, the buffer pointed to by `pExtHdr` shall be 6 or 12 bytes shorter). If `extHdrConfig.bSkipAdvA` is 1 and the AdvA bit is 1 in `extHdrInfo`, the advertiser address is inserted from the buffer pointed to by `pDeviceAddress` in the parameter structure. In this case, the TxAdd bit of the header is set from the parameter structure bit `advConfig.deviceAddrType`. If `extHdrConfig.bSkipAdvA` is 0 and the AdvA bit is 1 in `extHdrInfo`, the TxAdd bit of the header is set from `extHdrConfig.deviceAddrType`. If the AdvA bit is 0 in `extHdrInfo`, the TxAdd bit of the header is 0. Similarly, for a directed advertising packet on a secondary channel, if `extHdrConfig.bSkipTargetA` is 1 and the TargetA bit is 1 in `extHdrInfo`, the target address is inserted from the buffer pointed to by `pWhiteList` in the parameter structure. In this case, the RxAdd bit of the header is set from the parameter structure bit `advConfig.peerAddrType` (inverted if the LSB of `pWhiteList` is 1 as described in [Section 25.8.17](#)). If `extHdrConfig.bSkipTargetA` is 0 and the TargetA bit is 1 in `extHdrInfo`, the RxAdd bit of the header is set from `extHdrConfig.targetAddrType`. If the TargetA bit is 0 in `extHdrInfo`, the RxAdd bit of the header is 0.

For `AUX_CONNECT_RSP` packets, the TargetA field and RxAdd bit of the header are always inserted from the received address of the `AUX_CONNECT_REQ`. If `extHdrConfig.bSkipTargetA` is 0, the buffer pointed to by `pExtHeader` shall contain a placeholder for the target address, while if `extHdrConfig.bSkipTargetA` is 1, the TargetA field shall be omitted.

A trigger to end the operation is set up by `pParams->endTrigger`. If the trigger that is defined by this parameter occurs, the radio operation shall continue to completion, but the status code after ending shall be `BLE_DONE_ENDED` and the result shall be `FALSE`. This can for instance be used to stop execution instead of proceeding with the next chained operation by use of the condition in the command structure. If the immediate command `CMD_STOP` is received by the radio CPU, it shall have the same meaning as the end trigger occurring, except that the status code after ending shall be `CMD_DONE_STOPPED`.

The output structure `pOutput` contains fields that give information on the command being run. The radio CPU shall not initialize the fields, so this must be done by the system CPU when a reset of the counters is desired. The fields shall be updated by the radio CPU as described in the following list. The list also indicates when interrupts shall be raised in the system CPU.

- When the `ADV_EXT_IND`, `AUX_ADV_IND`, or `AUX_CHAIN_IND` packet is transmitted, `nTxAdvInd` is incremented and a `Tx_Done` interrupt is raised.
- If an `AUX_SCAN_RSP` packet is transmitted, `nTxScanRsp` is incremented afterwards, and a `Tx_Done` interrupt is raised.
- If an `AUX_CONNECT_RSP` packet is transmitted, `nTxConnectRsp` is incremented afterwards, and a `Tx_Done` interrupt is raised.
- If an `AUX_SCAN_REQ` is received with CRC OK and the `blgnore` flag cleared, `nRxScanReq` is incremented. If the payload length is 12 or less, an `Rx_Empty` interrupt is raised. If the payload length is greater than 12, an `Rx_Ok` interrupt is raised.
- If an `AUX_CONNECT_REQ` message is received with CRC OK and the `blgnore` flag cleared, `nRxConnectReq` is incremented and an `Rx_OK` interrupt is raised.
- If a packet is received with CRC error, `nRxNok` is incremented and an `Rx_Nok` interrupt is raised.
- If a packet is received and the `blgnore` flag is set, `nRxIgnored` is incremented and an `Rx_Ignored` interrupt is raised.
- If a packet is received that did not fit in the RX queue, `nRxBufFull` is incremented and an `Rx_Buf_Full` interrupt is raised.

- If a packet is received, lastRssi is set to the RSSI of that packet.
- If a packet is received, timeStamp is set to a timestamp of the start of that packet. For an AUX_CONNECT_REQ message, this can be used to calculate the anchor point of the first packet
- If the first RX data entry in the RX queue changed state to Finished after a packet was received, an Rx_Entry_Done interrupt is raised.

25.8.9.2 Extended Advertiser Command

An extended advertiser operation is started by a CMD_BLE5_ADV_EXT command. In the command structure, it shall have a pParams parameter of the type defined in [Table 25-105](#) and a pOutput parameter of the type defined in [Table 25-110](#). The operation consists of transmission of one packet on a primary advertising channel. After transmission of an ADV_EXT_IND, the operation shall end without any receive operation.

An extended advertiser operation shall end with one of the statuses listed in [Table 25-139](#). The status field of the command structure after the operation is ended indicates the reason why the operation ended. In all cases, a Command_Done interrupt is raised. In each case, the result of TRUE, FALSE, or ABORT is indicated, which will decide the next action.

Table 25-139. End of Extended Advertiser Operation

Condition	Status Code	Result
Transmitted ADV_EXT_IND	BLE_DONE_OK	TRUE
Observed trigger indicated by pParams->endTrigger, then finished transmitting ADV_EXT_IND	BLE_DONE_ENDED	FALSE
Observed CMD_STOP, then finished transmitting ADV_EXT_IND	BLE_DONE_STOPPED	FALSE
Received CMD_ABORT	BLE_DONE_ABORT	ABORT
Illegal parameter value	BLE_ERROR_PAR	ABORT
Aux pointer target time gives higher Aux Offset than can be represented numerically	BLE_ERROR_AUX	ABORT

25.8.9.3 Secondary Channel Advertiser Command

A secondary channel advertiser operation is started by a CMD_BLE5_ADV_AUX command. In the command structure, it shall have a pParams parameter of the type defined in [Table 25-106](#) and a pOutput parameter of the type defined in [Table 25-110](#). The operation starts with transmission.

After an AUX_ADV_IND packet is transmitted, the receiver shall be started if the transmitted packet is connectable or scannable. If the transmitted advertising packet is scannable, the receiver shall look for an AUX_CONNECT_REQ message. If the transmitted advertising packet is connectable, the receiver shall look for an AUX_SCAN_REQ message.

An AUX_SCAN_REQ or AUX_CONNECT_REQ message is received into the RX queue given by pParams->pRxQ, as described in [Section 25.10.4.1](#). The bCrcErr and bIgnore bits are set according to the CRC result and the received message. The AdvA field in the message, along with the TxAdd bit of the received header, is compared to the pParams->pDeviceAddress array and pParams->advConfig.deviceAddrType, respectively, to see if the message was addressed to this advertiser. The received ScanA or InitA field, along with the RxAdd bit of the received header, is checked as follows:

- If pParams->advConfig.bDirected is 1, ScanA or InitA is checked against the single address pointed to by pParams->pWhiteList, and RxAdd is checked against pParams->advConfig.peerAddrType
- If pParams->advConfig.bDirected is 0, depending on the advertising filter policy, given by pParams->advConfig.advFilterPolicy, the received ScanA or InitA field, along with the RxAdd bit of the received header, is checked against the whitelist as described in [Section 25.8.14](#). If the resolvable private address (RPA) mode, given by pParams->advConfig.rpaMode, is nonzero, an extra check is done to see if the peer address is a resolvable private address. If the received TxAdd is 1 and the two most significant bits of the received ScanA or InitA field are 01b, the address is a RPA. If so, a whitelist check is performed regardless of the filter policy.

Depending on the received packet, the actions taken shall be as given in [Table 25-140](#) and [Table 25-141](#), where the definition of each action (including the value that will be used on bCrcErr and bIgnore) is given in [Table](#)

25-142. If pParams->advConfig.bStrictLenFilter is 1, only length fields that are compliant with the Bluetooth low energy specification shall be considered valid. For an AUX_SCAN_REQ packet, it means a length field of 12, and for an AUX_CONNECT_REQ packet, it means a length field of 34. If pParams->advConfig.bStrictLenFilter is 0, all received packets with a length field less than or equal to the maximum length of an advertiser packet (255, but can be overridden) shall be considered valid. If the length is not valid, the receiver shall be stopped.

Table 25-140. Actions to Take Based on Received Packets for Scannable Advertiser (extHdrInfo.advMode = 2)⁽¹⁾

PDU Type	CRC Result	Directed	Valid Length	AdvA Match	Filter Policy	RPA Mode	Resolvable Private Address	ScanA or InitA Match	Action No.
AUX_SCAN_REQ	OK	X	Yes	No	X	X	X	X	1
AUX_SCAN_REQ	OK	No	Yes	Yes	2 or 3	X	X	No	1
AUX_SCAN_REQ	OK	No	Yes	Yes	2 or 3	X	X	Yes	2
AUX_SCAN_REQ	OK	No	Yes	Yes	0 or 1	0	X	X	2
AUX_SCAN_REQ	OK	No	Yes	Yes	0 or 1	1	No	X	2
AUX_SCAN_REQ	OK	No	Yes	Yes	0 or 1	1	Yes	No	1
AUX_SCAN_REQ	OK	No	Yes	Yes	0 or 1	1	Yes	Yes	2
AUX_SCAN_REQ	OK	Yes	Yes	Yes	X	X	X	No	1
AUX_SCAN_REQ	OK	Yes	Yes	Yes	X	X	X	Yes	2
AUX_SCAN_REQ	NOK	X	Yes	X	X	X	X	X	3
AUX_SCAN_REQ	X	X	No	X	X	X	X	X	5
Other	X	X	X	N/A	X	X	N/A	N/A	5
No packet received	N/A	X	N/A	N/A	X	X	N/A	N/A	5

(1) X = Don't care. N/A = Not applicable.

Table 25-141. Actions to Take Based on Received Packets for Connectable Advertiser (extHdrInfo.advMode = 1)⁽¹⁾

PDU Type	CRC Result	Directed	Valid Length	AdvA Match	Filter Policy	RPA Mode	Resolvable Private Address	ScanA or InitA Match	Action No.
AUX_CONNECT_REQ	OK	X	Yes	No	X	X	X	X	1
AUX_CONNECT_REQ	OK	No	Yes	Yes	2 or 3	X	X	No	1
AUX_CONNECT_REQ	OK	No	Yes	Yes	2 or 3	X	X	Yes	4
AUX_CONNECT_REQ	OK	No	Yes	Yes	0 or 1	0	X	X	4
AUX_CONNECT_REQ	OK	No	Yes	Yes	0 or 1	1	No	X	4
AUX_CONNECT_REQ	OK	No	Yes	Yes	0 or 1	1	Yes	No	1
AUX_CONNECT_REQ	OK	No	Yes	Yes	0 or 1	1	Yes	Yes	4
AUX_CONNECT_REQ	OK	Yes	Yes	Yes	X	X	X	No	1
AUX_CONNECT_REQ	OK	Yes	Yes	Yes	X	X	X	Yes	4
AUX_CONNECT_REQ	NOK	X	Yes	X	X	X	X	X	3
AUX_CONNECT_REQ	X	X	No	X	X	X	X	X	5
Other	X	X	X	N/A	X	X	N/A	N/A	5
No packet received	N/A	X	N/A	N/A	X	X	N/A	N/A	5

(1) X = Don't care. N/A = Not applicable.

Table 25-142. Descriptions of the Actions to Take on Received Packets

Action No.	bCrcErr	blgnore	Description
1	0	1	End operation with BLE_DONE_OK status
2	0	0	Transmit AUX_SCAN_RSP message
3	1	0	End operation with BLE_DONE_RXERR status
4	0	0	Transmit AUX_CONNECT_RSP message

Table 25-142. Descriptions of the Actions to Take on Received Packets (continued)

Action No.	bCrcErr	blgnore	Description
5	—	—	Stop receiver immediately and end operation with BLE_DONE_NOSYNC status

If an AUX_SCAN_REQ packet is received with a length of 12 (or less), it shall be viewed as an empty packet. This means that if pParams->rxConfig.bAutoflushEmpty is 1 and bCrcErr and blgnore are both 0, the packet is removed from the RX buffer. If a packet is flagged by blgnore or bCrcErr, it may also be removed, based on the bits in pParams->rxConfig.

If the packet being received did not fit in the RX queue, the packet is received to the end, but the received bytes are not stored. If the packet would normally not have been discarded from the RX queue based on the bits in pParams->rxConfig, the command shall end.

If the next action according to [Table 25-142](#) is to transmit an AUX_SCAN_RSP or AUX_CONNECT_RSP message, the radio CPU shall start the transmitter to transmit this packet from the descriptor in pParams->pRspPkt as described in [Section 25.8.9.1](#).

A secondary channel advertiser operation shall end with one of the statuses listed in [Table 25-143](#). The status field of the command structure after the operation is ended indicates the reason why the operation ended. In all cases, a Command_Done interrupt is raised. In each case, the result of TRUE, FALSE, or ABORT is indicated, which will decide the next action.

Table 25-143. End of Secondary Channel Advertiser Operation

Condition	Status Code	Result
Performed action 1 after running receiver	BLE_DONE_OK	TRUE
Performed action 2 and transmitted AUX_SCAN_RSP	BLE_DONE_OK	TRUE
Performed action 3 after running receiver	BLE_DONE_RXERR	TRUE
Performed action 4 and transmitted AUX_CONNECT_RSP	BLE_DONE_CONNECT	FALSE
Performed action 5 after running receiver	BLE_DONE_NOSYNC	TRUE
Observed trigger indicated by pParams->endTrigger, then performed Actions 1, 2, 3, or 5	BLE_DONE_ENDED	FALSE
Observed CMD_STOP, then performed Actions 1, 2, 3, or 5	BLE_DONE_STOPPED	FALSE
Received CMD_ABORT	BLE_DONE_ABORT	ABORT
No space in RX buffer to store received packet	BLE_ERROR_RXBUF	FALSE
Illegal parameter	BLE_ERROR_PAR	ABORT
Aux pointer target time gives higher Aux Offset than can be represented numerically	BLE_ERROR_AUX	ABORT

25.8.10 Scanner Commands

A scanner operation is started by a CMD_BLE_SCANNER or CMD_BLE5_SCANNER command. In the command structure, it shall have a pParams parameter of the type defined in [Table 25-99](#) or [Table 25-107](#) and a pOutput parameter of the type defined in [Table 25-99](#) or [Table 25-113](#). At the start of a scanner operation, the radio CPU shall wait for the start trigger. It shall then program the frequency based on the channel parameter of the command structure. For CMD_BLE_SCANNER, the channel parameter is not allowed to be in the range 0–36 because they are not primary advertising channels. For CMD_BLE5_SCANNER, it shall also set up the PHY mode given in phyMode.mainMode. The radio CPU shall set up the advertising channel access address and use the CRC initialization value 0x55 5555. The whitener shall be set up as defined in the whitening parameter. The radio CPU shall then configure receiver.

After tuning to the correct channel, the radio CPU shall start listening for an advertising channel packet. If sync is obtained on the demodulator, the message is received into the RX queue. The header is checked, and if it is not an advertising packet, reception shall be stopped and sync search shall be restarted. The packets accepted and further operation depends on the command run, the channel type, and PHY mode (see the descriptions

in [Section 25.8.10.1](#), [Section 25.8.10.2](#), and [Section 25.8.10.3](#)). All scanner commands end as described in [Section 25.8.10.5](#).

25.8.10.1 Scanner Receiving Legacy Advertising Packets on Primary Channel

Legacy advertising packets (ADV_IND, ADV_NONCONN_IND, ADV_SCAN_IND, and ADV_DIRECT_IND), are accepted if running CMD_BLE_SCANNER or if running CMD_BLE5_SCANNER on a primary advertising channel with 1-Mbps PHY. The operation is described as follows:

- The bCrcErr and bIgnore bits are set according to the CRC result and the received message.
- Depending on the scanning filter policy, given by pParams->scanConfig.scanFilterPolicy, the received AdvA field in the message, along with the TxAdd bit of the received header is checked against whitelist as described in [Section 25.8.14](#). If the resolvable private address (RPA) mode, given by pParams->scanConfig.rpaMode, is nonzero, an extra check is done to see if the peer address is a resolvable private address.
- If the received TxAdd is 1 and the two most significant bits of the received AdvA field are 01b, the address is an RPA. If so, a whitelist check is performed regardless of the filter policy. The complete check on AdvA is performed as listed in [Table 25-144](#). For ADV_DIRECT_IND messages, the received TargetA field and RxAdd bit are checked against pParams->pDeviceAddress and pParams->scanConfig.deviceAddrType, respectively. If the RPA filter policy, given by pParams->scanConfig.rpaFilterPolicy, is 1, a packet is also accepted if InitA and RxAdd indicate an RPA. The full filtering of ADV_DIRECT_IND messages is given in [Table 25-145](#).
- Depending on the received packet, and whether the scan is active or passive, signaled in pParams->scanConfig.bActiveScan, the actions taken shall be as given in [Table 25-146](#), where the definition of each action, including the value that will be used on bCrcErr and bIgnore, is given in [Table 25-147](#).
- If pParams->scanConfig.bStrictLenFilter is 1, only length fields that are compliant with the Bluetooth low energy specification shall be considered valid. For an ADV_DIRECT_IND, that means a length field of 12, and for other ADV*_IND messages it means a length field in the range 6–37.
- If pParams->advConfig.bStrictLenFilter is 0, all received packets with a length field less than or equal to the maximum length of an advertiser packet shall be considered valid. If the length is not valid, the receiver shall be stopped.

Table 25-144. Filtering on Received Advertiser Address

Filter Policy	RPA Mode	AdvA is RPA	AdvA Matches Whitelist Entry with bWillgn = 1	AdvA Matches Whitelist Entry with bEnable = 1	AdvA Filter Result	Perform Auto-Ignore if bAutoWillignore = 1
1	X	X	No	No	Reject	No
1	X	X	No	Yes	Accept	Yes
1	X	X	Yes	X	Reject	No
0	0	X	No	X	Accept	No
0	0	X	Yes	X	Reject	No
0	1	No	No	X	Accept	No
0	1	No	Yes	X	Reject	No
0	1	Yes	No	No	Reject	No
0	1	Yes	No	Yes	Accept	Yes
0	1	Yes	Yes	X	Reject	No

Table 25-145. Filtering on Received Initiator Address of ADV_DIRECT_IND Packets

RPA Filter Policy	TargetA is RPA	TargetA is Equal to Device Address	TargetA Match
0	X	No	No
0	X	Yes	Yes
1	No	No	No
1	No	Yes	Yes

Table 25-145. Filtering on Received Initiator Address of ADV_DIRECT_IND Packets (continued)

RPA Filter Policy	TargetA is RPA	TargetA is Equal to Device Address	TargetA Match
1	Yes	X	Yes

Table 25-146. Actions on Received Packets by Scanner

PDU Type	CRC Result	AdvA Filter Result	TargetA Match	Active Scan	Action No.
ADV_IND	OK	Reject	N/A	X	1
ADV_IND	OK	Accept	N/A	No	2
ADV_IND	OK	Accept	N/A	Yes	3
ADV_IND	NOK	X	N/A	X	4
ADV_SCAN_IND	OK	Reject	N/A	X	1
ADV_SCAN_IND	OK	Accept	N/A	No	2
ADV_SCAN_IND	OK	Accept	N/A	Yes	3
ADV_SCAN_IND	NOK	X	N/A	X	4
ADV_NONCONN_IND	OK	Reject	N/A	X	1
ADV_NONCONN_IND	OK	Accept	N/A	X	2
ADV_NONCONN_IND	NOK	X	N/A	X	4
ADV_DIRECT_IND	OK	Reject	X	X	1
ADV_DIRECT_IND	OK	Accept	No	X	1
ADV_DIRECT_IND	OK	Accept	Yes	X	2
ADV_DIRECT_IND	NOK	X	X	X	4
ADV*_IND with invalid length	X	X	X	X	5
Other (see also Section 25.8.10.2)	X	X	N/A	X	5

Table 25-147. Descriptions of the Actions to Take on Packets Received by Scanner

Action No.	bCrcErr	bIgnore	Description
1	0	1	Continue scanning
2	0	0	Continue scanning or end operation with BLE_DONE_OK status
3	0	0	Perform backoff procedure and send SCAN_REQ and receive SCAN_RSP if applicable. Then continue scanning or end operation
4	1	0	Continue scanning
5	—	—	Stop receiving packet, then continue scanning

If the packet being received did not fit in the RX queue, the packet shall be received to the end, but the received bytes are not stored. If the packet would normally not have been discarded from the RX buffer, the operation shall end.

If the action from the received packet is 3, a SCAN_REQ message is to be transmitted if allowed after a backoff procedure. This procedure starts with decrementing pParams->backoffCount. If this variable becomes 0 after the decrement, a SCAN_REQ message shall be transmitted. If not, the operation shall end.

If the action from the received packet is 2 or 3, the next action may either be to continue scanning or to end the operation. This is configured with pParams->scanConfig.bEndOnRpt; if 1, the operation shall end, otherwise scanning shall continue.

When transmitting a SCAN_REQ message, the radio CPU shall construct this packet. In the header, the PDU Type bits shall be 0011b. The TxAdd bit shall be as in pParams->scanConfig.deviceAddrType (if the least significant bit of pParams->pDeviceAddress is 1, the TxAdd bit is inverted, see [Section 25.8.17](#)). The RxAdd bit shall be as in the TxAdd field of the header of the received ADV_IND or ADV_SCAN_IND message. The length shall be calculated from the size of the scan request data, meaning that it shall be pParams->scanReqLen + 12. The ChSel and RFU bits shall be 0. The payload shall start with the 6-byte device address, which shall be read from pParams->pDeviceAddress, followed by the 6-byte peer address read from the AdvA field of the received message. By the Bluetooth low energy specification, there shall be no more payload, but when

using the `CMD_BLE_SCANNER` command, a noncompliant message may be constructed by setting `pParams->scanReqLen` to a nonzero value. If so, the rest of the payload shall be read from the `pParams->pScanData` buffer.

After a `SCAN_REQ` message is transmitted, the radio CPU shall configure receiver and look for a `SCAN_RSP` from the advertiser to which the `SCAN_REQ` was sent. If sync is obtained on the demodulator, the header is shall be checked once it is received, and if it is not a `SCAN_RSP` message, the demodulator shall be stopped immediately. If it is a `SCAN_RSP` message, then it shall be received into the RX queue. Depending on the received `SCAN_RSP` message, the values of `bCrcErr` and `blgnore` shall be as given in [Table 25-148](#). If `pParams->scanConfig.bStrictLenFilter` is 1, only length fields that are compliant with the Bluetooth low energy specification shall be considered valid. For a `SCAN_RSP`, it means a length field in the range 6–37. If `pParams->scanConfig.bStrictLenFilter` is 0, all received packets with a length field less than or equal to the maximum length of an advertiser packet shall be considered valid. If the length is not valid, the receiver shall be stopped.

Table 25-148. Actions on Packets Received by Scanner After Transmission of `SCAN_REQ`

PDU Type	CRC Result	AdvA Same as in Request	bCrcErr	blgnore	Response Packet Result
SCAN_RSP	OK	No	0	1	Failure
SCAN_RSP	OK	Yes	0	0	Success
SCAN_RSP	NOK	X	1	0	Failure
SCAN_RSP with invalid length	X	X	—	—	Failure
Other	X	N/A	—	—	Failure
No packet received	N/A	N/A	—	—	Failure

After receiving or attempting to receive a `SCAN_RSP`, the backoff parameters shall be updated by the radio CPU as described in [Section 25.8.15](#), based on the result as given in the *Response Packet Result* column of [Table 25-148](#) and the old values of the backoff parameters.

If `pParams->scanConfig.bAutoWllgnore` is 1, an auto-ignore feature is enabled. In the cases where stated in the right-most column of [Table 25-154](#), the radio CPU shall then automatically set the `bWllgn` bit of the whitelist entry corresponding to the address from which an `ADV*_IND` message was received. This shall be done either after action 2 is performed or after action 3 is performed and a `SCAN_RSP` is received with the result `Success`. This can be used to avoid reporting multiple advertising messages from the same device and to avoid scanning the same device repeatedly.

25.8.10.2 Scanner Receiving Extended Advertising Packets on Primary Channel

Extended advertising packets on primary channel (`ADV_EXT_IND`), are accepted if running `CMD_BLE5_SCANNER` on a primary advertising channel, prior to following an `AuxPtr`.

The `bCrcErr` and `blgnore` bits are set according to the CRC result and the received message. If the extended header flags indicate that `AdvA` is present, the received `AdvA` field in the message, along with the `TxAdd` bit of the received header is checked against whitelist as described in [Section 25.8.14](#). If the resolvable private address (RPA) mode, given by `pParams->scanConfig.rpaMode`, is nonzero, an extra check is done to see if the peer address is a resolvable private address. If the received `TxAdd` is 1 and the two most significant bits of the received `AdvA` field are 01b, the address is an RPA. If so, a whitelist check is performed regardless of the filter policy. The complete check on `AdvA` is performed as listed in [Table 25-144](#); however, the rule on the `bWllgn` bit set in the whitelist is only applied if no `ADI` field is present in the extended header and `pParams->extFilterConfig.bApplyDuplicateFiltering` is 1. The `ADI` result is found as described in [Section 25.8.10.4](#). If the extended header flags indicate that `AdvA` is not present, the `AdvA` filter result is always `Accept`. If the extended header flags indicate that `TargetA` is present (that is, the packet is directed), the received `TargetA` field and `RxAdd` bit are checked against `pParams->pDeviceAddress` and `pParams->scanConfig.deviceAddrType`, respectively. If the RPA filter policy, given by `pParams->scanConfig.rpaFilterPolicy`, is 1, a packet is also accepted if `TargetA` and `RxAdd` indicate an RPA. The full filtering of directed messages is given in [Table 25-145](#). Nondirected messages always have `TargetA` match. Depending on the received packet, the actions taken shall be as given in [Table 25-149](#), where the definition of each action (including the value that will be used on `bCrcErr` and `blgnore`) is given in [Table 25-150](#). The packet length of a received `ADV_EXT_IND` packet

is always valid by default, but it is possible to configure a maximum length by overriding the firmware defined parameter `maxAdvExtLen`. In addition, the extended header length and flags are checked. If the extended header length is too large for the extended header to fit in the packet, or if it is too small to hold the configured, the length is invalid. If `pParams->scanConfig.bStrictLenFilter` is 1, all defined fields are considered, while if `pParams->scanConfig.bStrictLenFilter` is 0, the fields that are not automatically checked by the CPE (SyncInfo and TxPower) are ignored when finding the minimum allowed extended header length.

Table 25-149. Actions on Received Extended Advertiser Packets by Scanner

PDU Type	CRC Result	AdvA Filter Result	TargetA Match	ADI Result	AuxPtr Present	Action No.
ADV_EXT_IND	OK	Reject	X	X	X	1
ADV_EXT_IND	OK	Accept	No	X	X	1
ADV_EXT_IND	OK	Accept	Yes	Reject	X	1
ADV_EXT_IND	OK	Accept	Yes	Accept	No	2
ADV_EXT_IND	OK	Accept	Yes	Accept	Yes	6
ADV_EXT_IND	NOK	X	X	X	X	4
ADV_EXT_IND with invalid lengths	X	X	X	X	X	5
Other (see also Section 25.8.10.1)	X	X	X	X	X	5

Table 25-150. Descriptions of the Actions to Take on Extended Advertiser Packets Received by Scanner

Action No.	bCrcErr	blgnore	Description
1	0	1	Continue scanning
2	0	0	Continue scanning or end operation with BLE_DONE_OK status
4	1	0	Continue scanning
5	—	—	Stop receiving packet, then continue scanning
6	0	0	Follow Aux pointer and receive on the new channel, or end operation with BLE_DONE_AUX

If the packet being received did not fit in the RX queue, the packet shall be received to the end, but the received bytes are not stored. If the packet would normally not have been discarded from the RX buffer, the operation shall end.

If the action from the received packet is 2, the next action may either be to continue scanning or to end the operation. This is configured with `pParams->scanConfig.bEndOnRpt`; if 1, the operation shall end, otherwise scanning shall continue.

If `pParams->extFilterConfig.bAutoWlIgnore` is 1, an auto-ignore feature is enabled. In the cases where stated in the right-most column of [Table 25-144](#) and no ADI field is present in the extended header, the radio CPU shall then automatically set the `bWlIgn` bit of the whitelist entry corresponding to the address from which an ADV_EXT_IND message was received. This shall be done either after action 2 is performed or when action 6 is about to be performed. This can be used to avoid reporting multiple advertising messages from the same device and to avoid scanning the same device repeatedly.

If the action from the received packet is 6, the radio CPU shall follow the procedure in [Section 25.8.16](#). This will either cause the receiver to look for a secondary advertising packet as described in [Section 25.8.10.3](#) or to end the operation with status BLE_DONE_AUX.

25.8.10.3 Scanner Receiving Extended Advertising Packets on Secondary Channel

Extended advertising packets on secondary channel (AUX_ADV_IND and AUX_CHAIN_IND), are accepted if running CMD_BLE5_SCANNER on a secondary advertising channel, or if following an AuxPtr.

The `bCrcErr` and `blgnore` bits are set according to the CRC result and the received message. Depending on the scanning filter policy, given by `pParams->scanConfig.scanFilterPolicy`, the received AdvA field in the message, along with the TxAdd bit of the received header is checked against whitelist as described in [Section](#)

25.8.14. If the resolvable private address (RPA) mode, given by `pParams->scanConfig.rpaMode`, is nonzero, an extra check is done to see if the peer address is a resolvable private address. If the received `TxAdd` is 1 and the two most significant bits of the received `AdvA` field are 01b, the address is an RPA. If so, a whitelist check is performed regardless of the filter policy. The complete check on `AdvA` is performed as listed in [Table 25-154](#); however, entries with the `bWillgn` bit set in the whitelist are only considered if no `ADI` field is present in the extended header and `pParams->extFilterConfig.bApplyDuplicateFiltering` is 1. The `ADI` result is found as described in [Section 25.8.10.4](#). If the extended header flags indicate that `TargetA` is present (that is, the packet is directed), the received `TargetA` field and `RxAdd` bit are checked against `pParams->pDeviceAddress` and `pParams->scanConfig.deviceAddrType`, respectively (see also [Section 25.8.17](#)). If the RPA filter policy, given by `pParams->scanConfig.rpaFilterPolicy`, is 1, a packet is also accepted if `TargetA` and `RxAdd` indicate an RPA. The full filtering of directed messages is given in [Table 25-145](#). Nondirected messages always have `TargetA` match. Depending on the received packet, and whether the scan is active or passive, signaled in `pParams->scanConfig.bActiveScan`, the actions taken shall be as given in [Table 25-151](#), where the definition of each action, including the value that will be used on `bCrcErr` and `blgnore`, is given in [Table 25-152](#). The packet length of a received `AUX_ADV_IND` or `AUX_CHAIN_IND` packet is always valid by default, but it is possible to configure a maximum length by overriding the firmware defined parameter `maxAdvExtLen`. In addition, the extended header length and flags are checked. If the extended header length is too large for the extended header to fit in the packet, or if it is too small to hold the configured, the length is invalid. If `pParams->scanConfig.bStrictLenFilter` is 1, all defined fields are considered, while if `pParams->scanConfig.bStrictLenFilter` is 0, the fields that are not automatically checked by the CPE (`SyncInfo` and `TxPower`) are ignored when finding the minimum allowed extended header length.

Table 25-151. Actions on Received Secondary Channel Packets by Scanner

PDU Type	AdvMode	CRC Result	AdvA Filter Result	TargetA Match	ADI Result	AuxPtr Present	Active Scan	Action No.
AUX_ADV_IND	X	OK	Reject	X	X	X	X	1
AUX_ADV_IND	X	OK	Accept	No	X	X	X	1
AUX_ADV_IND	X	OK	Accept	Yes	Reject	X	X	1
AUX_ADV_IND	00	OK	Accept	Yes	Accept	No	X	2
AUX_ADV_IND	00	OK	Accept	Yes	Accept	Yes	X	6
AUX_ADV_IND	01, 11	OK	Accept	Yes	Accept	X	X	2
AUX_ADV_IND	10	OK	Accept	Yes	Accept	X	No	2
AUX_ADV_IND	10	OK	Accept	Yes	Accept	X	Yes	3
AUX_ADV_IND	X	NOK	X	X	X	X	X	4
AUX_ADV_IND with invalid length	X	X	X	X	X	X	X	5
Other	X	X	X	X	X	X	X	5

Table 25-152. Descriptions of the Actions to Take on Secondary Channel Packets Received by Scanner

Action No.	bCrcErr	blgnore	Description
1	0	1	End operation with <code>BLE_DONE_RXERR</code> status
2	0	0	End operation with <code>BLE_DONE_OK</code> status
3	0	0	Perform backoff procedure and send <code>AUX_SCAN_REQ</code> and receive <code>AUX_SCAN_RSP</code> if applicable. Then end operation
4	1	0	End operation with <code>BLE_DONE_RXERR</code> status
5	—	—	Stop receiving packet, then continue scanning
6	0	0	Follow Aux pointer and receive on the new channel, or end operation with <code>BLE_DONE_AUX</code>

If the packet being received did not fit in the RX queue, the packet shall be received to the end, but the received bytes are not stored. If the packet would normally not have been discarded from the RX buffer, the operation shall end.

If the action from the received packet is 3, an AUX_SCAN_REQ is to be transmitted if allowed after a backoff procedure. This procedure starts with decrementing pParams->backoffCount. If this variable becomes 0 after the decrement, an AUX_SCAN_REQ shall be transmitted. If not, the operation shall end.

When transmitting an AUX_SCAN_REQ, the radio CPU shall construct this packet. In the header, the PDU Type bits shall be 0011b. The TxAdd bit shall be as in pParams->scanConfig.deviceAddrType (if the least significant bit of pParams->pDeviceAddress is 1, the TxAdd bit is inverted, see [Section 25.8.17](#)). The RxAdd bit shall be as in the TxAdd field of the header of the received AUX_ADV_IND message. The length shall be 12. The ChSel and RFU bits shall be 0. The payload shall start with the 6-byte device address, which shall be read from pParams->pDeviceAddress, followed by the 6-byte peer address read from the AdvA field of the received message.

After an AUX_SCAN_REQ message is transmitted, the radio CPU shall configure receiver and look for an AUX_SCAN_RSP. The packet will be received using the rules from [Table 25-151](#), except that action 3 is not performed, and action 2 is performed instead, and action 5 in this case is end operation with BLE_DONE_NOSYNC status. This means that a packet may be accepted even if it has a different AdvA than the first AUX_ADV_IND packet. To correct this issue, a check could be made in the system CPU, or a patch could be considered.

After receiving or attempting to receive an AUX_SCAN_RSP, the backoff parameters shall be updated by the radio CPU, based on the result as given in the *Response Packet Result* column of [Table 25-148](#) and the old values of the backoff parameters.

If the action from the received packet is 6, the radio CPU shall follow the procedure in [Section 25.8.16](#). This will either cause the receiver to look for a secondary advertising packet as described in this section or to end the operation with status BLE_DONE_AUX.

25.8.10.4 ADI Filtering

If a received extended advertiser packet contains an AdvDataIndex field in the extended header and pParams->extFilterConfig.bCheckAdi is 1, the AdvDataIndex field is checked against an entry of the list pointed to by pParams->pAdiList. This list consists of 16 entries of the type defined in [Table 25-119](#).

The AdvDataIndex field consists of an Advertising Set ID (SID) and an Advertising Data ID (DID) field. When checking against the list, the entry with the index given by the received SID is used. The mode field of this entry is first checked. If it is 0, no filtering is used for this DID, and the ADI is accepted. If mode is 2, the ADI is always rejected. If mode is 1, the received DID is checked against the advDataId field of the entry. If they are equal, the ADI is rejected, otherwise it is accepted.

If the packet is received with CRC OK, not ignored, and the buffer did not go full, and pParams->extFilterConfig.bCheckAdi and pParams->extFilterConfig.bAutoAdiUpdate are both 1, the radio CPU shall update the ADI list automatically. It shall then copy the received DID field into the advDataId field of the entry given by the received SID.

Note

If the mode is 0, the copying is done, but the mode is not modified automatically, future packets with the same DID will be ignored, the mode must be modified by the system CPU.

25.8.10.5 End of Scanner Commands

Two triggers to end the operation are set up by `pParams->endTrigger/pParams->endTime` and `pParams->timeoutTrigger/pParams->timeoutTime`, respectively. The triggers have the following behavior:

- If the timeout trigger occurs while waiting for sync on an advertiser packet, the operation shall end immediately
- If the timeout trigger occurs at another time while operating on a primary channel, the operation shall continue until the scan would otherwise be resumed on the primary channel, and then end.
- If an Aux pointer is followed, any timeout trigger (past or future) is ignored.
- If the end trigger occurs while waiting for sync on an advertiser packet, the operation shall end immediately.
- If the end trigger occurs at another time, the operation shall continue until an Aux pointer would be followed or the scan would otherwise be resumed on the primary channel, and then end.

If the immediate command `CMD_STOP` is received by the radio CPU, it shall have the same meaning as the end trigger occurring, except that the status code after ending shall be `CMD_DONE_STOPPED`. Typically, `timeoutTrigger` can be used at the end of a scan window, while `endTrigger` can be used when scanning is to end entirely.

The output structure `pOutput` contains fields which give information on the command being run. The radio CPU shall not initialize the fields, so this must be done by the system CPU when a reset of the counters is desired. The fields shall be updated by the radio CPU as described below. The list also indicates when interrupts shall be raised in the system CPU.

- If a `SCAN_REQ` or `AUX_SCAN_REQ` packet is transmitted, `nTxScanReq` (`CMD_BLE_SCANNER`) or `nTxReq` (`CMD_BLE5_SCANNER`) is incremented and a `Tx_Done` interrupt is raised.
- If a `SCAN_REQ` or `AUX_SCAN_REQ` is not transmitted due to the backoff procedure, `nBackedOffScanReq` (`CMD_BLE_SCANNER`) or `nBackedOffReq` (`CMD_BLE5_SCANNER`) is incremented
- If an `*ADV*_IND` or `AUX_CHAIN_IND` packet is received with CRC OK and the `blgnore` flag cleared, `nRxAdvOk` is incremented, an `Rx_Ok` interrupt is raised, and `timeStamp` is set to a timestamp of the start of the packet.
- If an `*ADV*_IND` or `AUX_CHAIN_IND` packet is received with CRC OK and the `blgnore` flag set, `nRxAdvIgnored` is incremented and an `Rx_Ignored` interrupt is raised.
- If an `*ADV*_IND` or `AUX_CHAIN_IND` packet is received with CRC error, `nRxAdvNok` is incremented and an `Rx_Nok` interrupt is raised.
- If an `*ADV*_IND` or `AUX_CHAIN_IND` packet is received and did not fit in the RX queue, `nRxAdvBufFull` is incremented and an `Rx_Buf_Full` interrupt is raised.
- If a `SCAN_RSP` or `AUX_SCAN_RSP` packet is received with CRC OK and the `blgnore` flag cleared, `nRxScanRspOk` (`CMD_BLE_SCANNER`) or `nRxRspOk` (`CMD_BLE5_SCANNER`) is incremented and an `Rx_Ok` interrupt is raised.
- If a `SCAN_RSP` or `AUX_SCAN_RSP` packet is received with CRC OK and the `blgnore` flag set, `nRxScanRspIgnored` (`CMD_BLE_SCANNER`) or `nRxRspIgnored` (`CMD_BLE5_SCANNER`) is incremented and an `Rx_Ignored` interrupt is raised.
- If a `SCAN_RSP` or `AUX_SCAN_RSP` packet is received with CRC error, `nRxScanRspNok` (`CMD_BLE_SCANNER`) or `nRxRspNok` (`CMD_BLE5_SCANNER`) is incremented and an `Rx_Nok` interrupt is raised.
- If a `SCAN_RSP` or `AUX_SCAN_RSP` packet is received and did not fit in the RX queue, `nRxScanRspBufFull` (`CMD_BLE_SCANNER`) or `nRxRspBufFull` (`CMD_BLE5_SCANNER`) is incremented and an `Rx_Buf_Full` interrupt is raised.
- If a packet is received, `lastRssi` is set to the RSSI of that packet.
- If the first RX data entry in the RX queue changed state to `Finished` after a packet was received, an `Rx_Entry_Done` interrupt is raised.

A scanner operation shall end with one of the statuses listed in [Table 25-153](#). The status field of the command structure after the operation is ended indicates the reason why the operation ended. In all cases, a Command_Done interrupt is raised. In each case, the result of TRUE, FALSE, or ABORT is indicated, which will decide the next action.

Table 25-153. End of Scanner Operation

Condition	Status Code	Result
Performed action 2 with pParams->scanConfig.bEndOnRpt = 1 or when receiving on secondary channel	BLE_DONE_OK	TRUE
Performed action 3 with pParams->scanConfig.bEndOnRpt = 1 or on secondary channel, and did not send SCAN_REQ or AUX_SCAN_REQ due to backoff	BLE_DONE_OK	TRUE
Performed action 3 with pParams->scanConfig.bEndOnRpt = 1 or on secondary channel, sent SCAN_REQ or AUX_SCAN_REQ and received SCAN_RSP or AUX_SCAN_RSP with bCrcErr = 0 and blgnore = 0	BLE_DONE_OK	TRUE
Performed action 1 or action 4 on secondary channel	BLE_DONE_RXERR	TRUE
Performed action 3 with pParams->scanConfig.bEndOnRpt = 1 or on secondary channel, sent SCAN_REQ or AUX_SCAN_REQ and received SCAN_RSP or AUX_SCAN_RSP with bCrcErr = 1 or blgnore = 1	BLE_DONE_RXERR	TRUE
Performed action 3 with pParams->scanConfig.bEndOnRpt = 1 or on secondary channel, sent SCAN_REQ or AUX_SCAN_REQ, but did not get sync or found wrong packet type or invalid length	BLE_DONE_NOSYNC	TRUE
Observed trigger indicated by pParams->timeoutTrigger while waiting for sync on advertiser packet	BLE_DONE_RXTIMEOUT	TRUE
Observed trigger indicated by pParams->timeoutTrigger while on primary channel, then performed actions 1, 2, 3, 4, or 5.	BLE_DONE_RXTIMEOUT	TRUE
Observed trigger indicated by pParams->endTrigger while waiting for sync on advertiser packet	BLE_DONE_ENDED	FALSE
Observed trigger indicated by pParams->endTrigger, then performed actions 1, 2, 3, 4, 5, or 6.	BLE_DONE_ENDED	FALSE
Observed CMD_STOP while waiting for sync on advertiser packet	BLE_DONE_STOPPED	FALSE
Observed CMD_STOP, then performed actions 1, 2, 3, 4, 5, or 6.	BLE_DONE_STOPPED	FALSE
Performed action 6 with wait time to AUX packet more than pParams->maxWaitTimeForAuxCh.	BLE_DONE_AUX	FALSE
Received CMD_ABORT	BLE_DONE_ABORT	ABORT
No space in RX buffer to store received packet	BLE_ERROR_RXBUF	FALSE
Illegal value of channel	BLE_ERROR_PAR	ABORT
Scan request data length field has illegal value	BLE_ERROR_PAR	ABORT

25.8.11 Initiator Command

An initiator operation is started by a CMD_BLE_INITIATOR or CMD_BLE5_INITIATOR command. In the command structure, it shall have a pParams parameter of the type defined in [Table 25-100](#) or [Table 25-108](#) and a pOutput parameter of the type defined in [Table 25-100](#) or [Table 25-113](#). At the start of an initiator operation, the radio CPU shall wait for the start trigger. It shall then program the frequency based on the channel parameter of the command structure. For CMD_BLE_INITIATOR, the channel parameter is not allowed to be in the range 0–36 because they are not primary advertising channels. For CMD_BLE5_INITIATOR, it shall also set up the PHY mode given in phyMode.mainMode. The radio CPU shall set up the advertising channel access address and use the CRC initialization value 0x55 5555. The whitener shall be set up as defined in the whitening parameter. The radio CPU shall then configure receiver.

After tuning to the correct channel, the radio CPU shall start listening for an advertising channel packet. If sync is obtained on the demodulator, the message is received into the RX queue. The header is checked, and if it is not a connectable advertising packet, reception shall be stopped and sync search shall be restarted. The packets accepted and further operation depends on the command run and the channel type and PHY mode.

25.8.11.1 Initiator Receiving Legacy Advertising Packets on Primary Channel

Legacy advertising packets (ADV_IND and ADV_DIRECT_IND), are accepted if running CMD_BLE_INITIATOR or if CMD_BLE5_INITIATOR on a primary advertising channel with 1-Mbps PHY. The operation is a described in the following list:

- The bCrcErr and bIgnore bits are set according to the CRC result and the received message.
- The parameter pParams->initConfig.bUseWhiteList determines if the initiator should try to connect to a specific device or against the whitelist. If this parameter is 0, the whitelist is not used, and pParams->pWhiteList shall point to a buffer containing only the device address of the device to connect to.
- The address type of the peer shall be given in pParams->advConfig.peerAddrType (see also [Section 25.8.17](#)). Otherwise, pParams->pWhiteList shall point to a whitelist, and the received AdvA field in the message, along with the TxAdd bit of the received header is checked against whitelist as described in [Section 25.8.14](#).
- The filtering is summarized in [Table 25-154](#).
- For ADV_DIRECT_IND messages, the received TargetA field and RxAdd bit are checked against pParams->pDeviceAddress and pParams->initConfig.deviceAddrType, respectively (see also [Section 25.8.17](#)). Depending on this, the actions taken shall be as given in [Table 25-155](#), where the definition of each action (including the value that will be used on bCrcErr and bIgnore) is given in [Table 25-156](#).
- If pParams->initConfig.bStrictLenFilter is 1, only length fields that are compliant with the Bluetooth low energy specification shall be considered valid.
- For an ADV_DIRECT_IND, that means a length field of 12, and for ADV_IND messages it means a length field in the range 6–37.
- If pParams->initConfig.bStrictLenFilter is 0, all received packets with a length field less than or equal to the maximum length of an advertiser packet shall be considered valid. If the length is not valid, the receiver shall be stopped.

Table 25-154. Filtering on Received Advertiser Address

bUseWhiteList	AdvA Matches Specific Peer Address	AdvA Matches Whitelist Entry with bEnable = 1	AdvA Matches Whitelist Entry with blrkValid = 1	AdvA Filter Result
0	No	N/A	N/A	Reject
0	Yes	N/A	N/A	Accept
1	N/A	No	X	Reject
1	N/A	Yes	No	Accept
1	N/A	Yes	Yes	Reject

Table 25-155. Actions on Received Packets by Initiator

PDU Type	CRC result	AdvA filter result	TargetA match	Action No.
ADV_IND	OK	Reject	N/A	1
ADV_IND	OK	Accept	N/A	3
ADV_IND	NOK	X	N/A	4
ADV_DIRECT_IND	OK	Reject	X	1
ADV_DIRECT_IND	OK	Accept	No	1
ADV_DIRECT_IND	OK	Accept	Yes	3
ADV_DIRECT_IND	NOK	X	X	4
ADV*_IND with invalid length	X	X	X	5
Other (see also Section 25.8.11.2)	X	N/A	N/A	5

Table 25-156. Descriptions of the Actions to Take on Packets Received by Initiator

Action No.	bCrcErr	bIgnore	Description
1	0	1	Continue scanning
3	0	0	Send CONNECT_IND and end operation

Table 25-156. Descriptions of the Actions to Take on Packets Received by Initiator (continued)

Action No.	bCrcErr	blgnore	Description
4	1	0	Continue scanning
5	—	—	Stop receiving packet, then continue scanning

If the packet being received did not fit in the RX queue, the packet shall be received to the end, but the received bytes are not stored. If the packet would normally not have been discarded from the RX buffer, the operation shall end.

If the action from the received packet is 2, a CONNECT_IND (known as CONNECT_REQ in Bluetooth 4.0, 4.1, and 4.2 Specifications listed in [Related Documentation](#)) packet shall be transmitted. When transmitting a CONNECT_IND, the radio CPU shall construct this packet. In the header, the PDU Type bits shall be 0101b. The TxAdd bit shall be as in pParams->initConfig.deviceAddrType (if the least significant bit of pParams->pDeviceAddress is 1, the TxAdd bit is inverted, see [Section 25.8.17](#)). The RxAdd bit shall be as in the TxAdd field of the header of the received ADV_IND or ADV_DIRECT_IND message. The ChSel bit shall be 1 if pParams->initConfig.chSel is 1 ; otherwise, ChSel shall be 0. The length shall be calculated from the length of the LLData, meaning that it shall be pParams->connectReqLen + 12. The RFU bit shall be 0. The payload shall start with the 6-byte device address, which shall be read from pParams->pDeviceAddress, followed by the 6-byte peer address read from the AdvA field of the received message. The rest of the payload shall be read from the pParams->pConnectData buffer. If pParams->initConfig.bDynamicWinOffset is 1, the radio CPU shall replace the bytes in the WinSize and WinOffset position (see Specification of the Bluetooth System, Version 5.0 listed in [Related Documentation](#)) with a calculated value as explained in [Section 25.8.11.4](#). After a CONNECT_IND message is transmitted, the operation shall end. If pParams->initConfig.chSel is 1, the ChSel bit of the received ADV_IND or ADV_DIRECT_IND packet shall be checked to determine the end status; see [Section 25.8.11.5](#).

25.8.11.2 Initiator Receiving Extended Advertising Packets on Primary Channel

Extended advertising packets on primary channel (ADV_EXT_IND), are accepted if running CMD_BLE5_SCANNER on a primary advertising channel, prior to following an AuxPtr.

The bCrcErr and blgnore bits are set according to the CRC result and the received message. Only connectable packets are accepted by an initiator. The parameter pParams->initConfig.bUseWhiteList determines if the initiator should try to connect to a specific device or against the whitelist. If this parameter is 0, the whitelist is not used, and pParams->pWhiteList shall point to a buffer containing only the device address of the device to connect to. The address type of the peer shall be given in pParams->advConfig.peerAddrType (see also [Section 25.8.17](#)). Otherwise, pParams->pWhiteList shall point to a whitelist, and the received AdvA field in the message, along with the TxAdd bit of the received header is checked against whitelist as described in [Section 25.8.14](#). The complete check on AdvA is performed as listed in [Table 25-144](#). If the extended header flags indicate that AdvA is not present, the AdvA filter result is always Accept. If the extended header flags indicate that TargetA is present (that is, the packet is directed), the received TargetA field and RxAdd bit are checked against pParams->pDeviceAddress and pParams->initConfig.deviceAddrType, respectively (see also [Section 25.8.17](#)), and match if they are equal. Nondirected messages always have TargetA match. Depending on the received packet, the actions taken shall be as given in [Table 25-157](#), where the definition of each action (including the value that will be used on bCrcErr and blgnore) is given in [Table 25-158](#). The packet length of a received ADV_EXT_IND packet is always valid by default, but it is possible to configure a maximum length by overriding the firmware defined parameter maxAdvExtLen. In addition, the extended header length and flags are checked. If the extended header length is too large for the extended header to fit in the packet, or if it is too small to hold the configured, the length is invalid. If pParams->initConfig.bStrictLenFilter is 1, all defined fields are considered, while if pParams->initConfig.bStrictLenFilter is 0, the fields that are not automatically checked by the CPE (SyncInfo and TxPower) are ignored when finding the minimum allowed extended header length.

Table 25-157. Actions on Received Extended Advertiser Packets by Initiator

PDU Type	CRC Result	AdvMode	AdvA Filter Result	TargetA Match	AuxPtr Present	Action No.
ADV_EXT_IND	OK	01	Reject	X	X	1

Table 25-157. Actions on Received Extended Advertiser Packets by Initiator (continued)

PDU Type	CRC Result	AdvMode	AdvA Filter Result	TargetA Match	AuxPtr Present	Action No.
ADV_EXT_IND	OK	01	Accept	No	X	1
ADV_EXT_IND	OK	01	Accept	Yes	No	2
ADV_EXT_IND	OK	01	Accept	Yes	Yes	6
ADV_EXT_IND	NOK	01	X	X	X	4
ADV_EXT_IND	X	00, 10, or 11	X	X	X	5
ADV_EXT_IND with invalid lengths	X	X	X	X	X	5
Other (see also Section 25.8.10.1)	X	X	X	X	X	5

Table 25-158. Descriptions of the Actions to Take on Extended Advertiser Packets Received by Initiator

Action No.	bCrcErr	blgnore	Description
1	0	1	Continue scanning
2	0	0	Continue scanning
4	1	0	Continue scanning
5	—	—	Stop receiving packet, then continue scanning
6	0	0	Follow Aux pointer and receive on the new channel, or end operation with BLE_DONE_AUX

If the packet being received did not fit in the RX queue, the packet shall be received to the end, but the received bytes are not stored. If the packet would normally not have been discarded from the RX buffer, the operation shall end.

If the action from the received packet is 6, the radio CPU will either look for a secondary advertising packet or end the operation with status BLE_DONE_AUX.

25.8.11.3 Initiator Receiving Extended Advertising Packets on Secondary Channel

Extended advertising packets on secondary channel (AUX_ADV_IND) are accepted if running CMD_BLE5_INITIATOR on a secondary advertising channel or if following an AuxPtr.

The bCrcErr and blgnore bits are set according to the CRC result and the received message. Only connectable packets are accepted by an initiator. The parameter pParams->initConfig.bUseWhiteList determines if the initiator should try to connect to a specific device or against the whitelist. If this parameter is 0, the whitelist is not used, and pParams->pWhiteList shall point to a buffer containing only the device address of the device to connect to. The address type of the peer shall be given in pParams->advConfig.peerAddrType (see also [Section 25.8.17](#)). Otherwise, pParams->pWhiteList shall point to a whitelist, and the received AdvA field in the message, along with the TxAdd bit of the received header is checked against whitelist as described in [Section 25.8.14](#). The complete check on AdvA is performed as listed in [Table 25-144](#). If the extended header flags indicate that AdvA is not present, the AdvA filter result is always Accept. If the extended header flags indicate that TargetA is present (that is, the packet is directed), the received TargetA field and RxAdd bit are checked against pParams->pDeviceAddress and pParams->initConfig.deviceAddrType, respectively (see also [Section 25.8.17](#)), and match if they are equal. Nondirected messages always have TargetA match. Depending on the received packet, the actions taken shall be as given in [Table 25-159](#), where the definition of each action, including the value that will be used on bCrcErr and blgnore, is given in [Table 25-160](#). The packet length of a received AUX_ADV_IND packet is always valid by default, but it is possible to configure a maximum length by overriding the firmware defined parameter maxAdvExtLen. In addition, the extended header length and flags are checked. If the extended header length is too large for the extended header to fit in the packet, or if it is too small to hold the configured, the length is invalid. If pParams->initConfig.bStrictLenFilter is 1, all defined fields are considered, while if pParams->initConfig.bStrictLenFilter is 0, the fields that are not automatically checked by the CPE (SynchInfo and TxPower) are ignored when finding the minimum allowed extended header length.

Table 25-159. Actions on Received Secondary Channel Packets by Initiator

PDU Type	CRC Result	AdvMode	AdvA filter result	TargetA Match	Action No.
AUX_ADV_IND	OK	01	Reject	X	1
AUX_ADV_IND	OK	01	Accept	No	1
AUX_ADV_IND	OK	01	Accept	Yes	3
AUX_ADV_IND	NOK	01	X	X	4
AUX_ADV_IND	X	00, 10, or 11	X	X	5
AUX_ADV_IND with invalid length	X	X	X	X	5
Other	X	X	X	X	5

Table 25-160. Descriptions of the Actions to Take on Secondary Channel Packets Received by Initiator

Action No.	bCrcErr	blgnore	Description
1	0	1	End operation with BLE_DONE_RXERR status
3	0	0	Perform backoff procedure and send AUX_CONNECT_REQ and receive AUX_CONNECT_RSP, if applicable; then end operation
4	1	0	End operation with BLE_DONE_RXERR status
5	—	—	Stop receiving packet, then continue scanning

If the packet being received did not fit in the RX queue, the packet shall be received to the end, but the received bytes are not stored. If the packet would normally not have been discarded from the RX buffer, the operation shall end.

If the action from the received packet is 3, an AUX_CONNECT_REQ is to be transmitted if allowed after a backoff procedure. This procedure starts with decrementing pParams->backoffCount. If this variable becomes 0 after the decrement, an AUX_CONNECT_REQ shall be transmitted. If not, the operation shall end.

When transmitting an AUX_CONNECT_REQ, the radio CPU shall construct this packet. In the header, the PDU Type bits shall be 0101b. The TxAdd bit shall be as in pParams->initConfig.deviceAddrType (if the least significant bit of pParams->pDeviceAddress is 1, the TxAdd bit is inverted, [Section 25.8.17](#)). The RxAdd bit shall be as in the TxAdd field of the header of the received AUX_ADV_IND message. The length shall be calculated from the length of the LLData, meaning that it shall be pParams->connectReqLen + 12. The ChSel and RFU bits shall be 0. The payload shall start with the 6-byte device address, which shall be read from pParams->pDeviceAddress, followed by the 6-byte peer address read from the AdvA field of the received message. The rest of the payload shall be read from the pParams->pConnectData buffer. If pParams->initConfig.bDynamicWinOffset is 1, the radio CPU will replace the bytes in the WinSize and WifOffset position with a calculated value (see the Specification of the Bluetooth System, Version 5.0 listed in [Related Documentation](#)).

After an AUX_CONNECT_REQ message is transmitted, the radio CPU shall configure receiver and look for an AUX_CONNECT_RSP. The packet will be received using the rules from [Table 25-161](#) and [Table 25-162](#). The rules in [Table 25-161](#) mean that a packet may be accepted even if it has a different AdvA than the first AUX_ADV_IND packet. To correct this issue, a check could be made in the system CPU, or a patch could be considered.

Table 25-161. Actions on Received AUX_CONNECT_RSP Packets by Initiator

PDU Type	CRC Result	AdvA Filter Result	TargetA Match	Action No.
AUX_CONNECT_RSP	OK	Reject	X	1
AUX_CONNECT_RSP	OK	Accept	No	1
AUX_CONNECT_RSP	OK	Accept	Yes	3
AUX_CONNECT_RSP	NOK	X	X	4
AUX_CONNECT_RSP with invalid length	X	X	X	5
Other	X	X	X	5

Table 25-162. Descriptions of the Actions to Take on Secondary Channel Packets Received by Initiator

Action No.	bCrcErr	blgnore	Description
1	0	1	End operation with BLE_DONE_RXERR status
3	0	0	End operation with BLE_DONE_CONNECT status
4	1	0	End operation with BLE_DONE_RXERR status
5	—	—	Stop receiving packet, then end operation with BLE_DONE_NOSYNC status

After receiving or attempting to receive an AUX_CONNECT_RSP, the backoff parameters shall be updated by the radio CPU as described in [Section 25.8.15](#), based on the result as given in the *Response Packet Result* column of [Table 25-148](#) and the old values of the backoff parameters.

25.8.11.4 Automatic Window Offset Insertion

If pParams->initConfig.bDynamicWinOffset is 1, the radio CPU shall perform automatic calculation of the WinSize and WinOffset parameters in the transmitted CONNECT_IND or AUX_CONNECT_REQ message. WinSize is byte 7 of the payload, and WinOffset is byte 8 and 9 (see the Bluetooth Specification documents listed in [Related Documentation](#)). The radio CPU shall find the possible start times of the first connection event from the pParams->connectTime parameter and the connection interval, which shall be given in units of 1.25 ms by the Interval field (byte 10 and 11) from the payload to be transmitted (see the Bluetooth Specification documents listed in [Related Documentation](#)). The possible times of the first connection event are any whole multiple of connection intervals from pParams->connectTime, which may be in the past or the future from the start of the initiator command.

The radio CPU shall insert a WinOffset parameter in the transmitted CONNECT_IND or AUX_CONNECT_RSP such that the first connection event is signaled to be at the first connection event that comes sufficiently long after the end of the CONNECT_IND or AUX_CONNECT_REQ packet to be transmitted. This means that the time from the end of the CONNECT_IND or AUX_CONNECT_REQ packet to the start of the first packet in the connection is between transmitWindowDelay + WinOffset and transmitWindowDelay + WinOffset + WinSize, where transmitWindowDelay is 1.25 ms when a CONNECT_IND PDU is used, 2.5 ms when an AUX_CONNECT_REQ PDU is used on an LE Uncoded PHY, and 3.75 ms when an AUX_CONNECT_REQ PDU is used on the LE Coded PHY, (for details, see the Specification of the Bluetooth System, Version 5.0 listed in [Related Documentation](#)). The radio CPU shall set up the transmit window (WinOffset and WinSize) so that there is margin both between the start of the transmit window and the start of the first master packet and between the start of the first master packet and the end of the transmit window (see the Specification of the Bluetooth System, Version 5.0 listed in [Related Documentation](#)). The inserted WinSize shall be either 1 or 2; ensuring such a margin. The margin is set to the correct value through an override in the BLE stack (see [Section 25.8.4](#)).

The radio CPU shall write the calculated values for WinSize and WinOffset into the corresponding locations in the pParams->pConnectData buffer. The start time of the first connection event to be used in order to transmit the first packet within the signaled transmit window shall be written back by the radio CPU in pParams->connectTime. If no connection is made, the radio CPU shall add a multiple of connection intervals to pParams->connectTime so that it is the first possible time of a connection event after the operation ended.

25.8.11.5 End of Initiator Commands

Two triggers to end the operation are set up by pParams->endTrigger/pParams->endTime and pParams->timeoutTrigger/pParams->timeoutTime, respectively. If either of these triggers occurs, the radio operation shall end as soon as possible. If it occurs while waiting for sync on an ADV*_IND packet, the operation shall end immediately. If it occurs at another time, the operation shall continue until the scan would otherwise be resumed, and then end. If the immediate command CMD_STOP (see [Section 25.3.3.2.2](#)) is received by the radio CPU, it shall have the same meaning as the end trigger occurring, except that the status code after ending shall be CMD_DONE_STOPPED. The differences between the two triggers are the status and result at the end of the operation. Typically, timeoutTrigger can be used at the end of a scan window, while endTrigger can be used when scanning is to end entirely.

The output structure pOutput contains fields that give information on the command being run. The radio CPU shall not initialize the fields, so this must be done by the system CPU when a reset of the counters is desired. The fields shall be updated by the radio CPU as described in the list that follows. The list also indicates when interrupts shall be raised in the system CPU.

- If a CONNECT_IND or AUX_CONNECT_REQ packet is transmitted, nTxConnectReq (CMD_BLE_INITIATOR) or nTxReq (CMD_BLE5_INITIATOR) is incremented and a Tx_Done interrupt is raised.
- If an AUX_CONNECT_REQ is not transmitted due to the backoff procedure, nBackedOffReq is incremented
- If an *ADV*_IND packet is received with CRC OK and the bIgnore flag cleared, nRxAdvOk is incremented, an Rx_Ok interrupt is raised, and timeStamp is set to a timestamp of the start of the packet.
- If an *ADV*_IND packet is received with CRC OK and the bIgnore flag set, nRxAdvIgnored is incremented and an Rx_Ignored interrupt is raised.
- If an *ADV*_IND packet is received with CRC error, nRxAdvNok is incremented and an Rx_Nok interrupt is raised.
- If an *ADV*_IND is received and did not fit in the RX queue, nRxAdvBufFull is incremented and an Rx_Buf_Full interrupt is raised.
- If an AUX_CONNECT_RSP packet is received with CRC OK and the bIgnore flag cleared, nRxRspOk is incremented and an Rx_Ok interrupt is raised.
- If an AUX_CONNECT_RSP packet is received with CRC OK and the bIgnore flag set, nRxRspIgnored is incremented and an Rx_Ignored interrupt is raised.
- If an AUX_CONNECT_RSP packet is received with CRC error, nRxRspNok is incremented and an Rx_Nok interrupt is raised.
- If an AUX_SCAN_RSP packet is received and did not fit in the RX queue, nRxRspBufFull is incremented and an Rx_Buf_Full interrupt is raised.
- If a packet is received, lastRssi is set to the RSSI of that packet.
- If the first RX data entry in the RX queue changed state to Finished after a packet was received, an Rx_Entry_Done interrupt is raised.

An initiator operation shall end with one of the statuses listed in [Table 25-163](#). The status field of the command structure after the operation is ended indicates the reason why the operation ended. In all cases, a Command_Done interrupt is raised. In each case, the result of TRUE, FALSE, or ABORT is indicated, which will decide the next action, as defined in [Section 25.3.2.5.2](#).

Table 25-163. End of Initiator Operation

Condition	Status Code	Result
Performed action 3 after receiving a legacy packet (transmitted CONNECT_IND) if pParams->advConfig.chSel = 0 or the ChSel bit of the received ADV_IND or ADV_DIRECT_IND was 1	BLE_DONE_CONNECT	FALSE
Performed action 3 after receiving a legacy packet (transmitted CONNECT_IND) if pParams->advConfig.chSel = 1 and the ChSel bit of the received ADV_IND or ADV_DIRECT_IND was 0	BLE_DONE_CONNECT_CHSEL0	FALSE
Correctly received AUX_CONNECT_RSP after sending AUX_CONNECT_REQ	BLE_DONE_CONNECT	FALSE
Received connectable ADV_EXT_IND packet not to be ignored without AUX pointer	BLE_DONE_OK	TRUE
Performed action 3 on secondary channel, and did not send AUX_CONNECT_REQ due to backoff	BLE_DONE_OK	TRUE
Performed action 1 or action 4 on secondary channel	BLE_DONE_RXERR	TRUE
Performed action 3 on secondary channel, sent AUX_CONNECT_REQ and received AUX_CONNECT_RSP with bCrcErr = 1 or bIgnore = 1	BLE_DONE_RXERR	TRUE
Performed action 3 on secondary channel, sent AUX_CONNECT_REQ, but did not get sync or found wrong packet type or invalid length	BLE_DONE_NOSYNC	TRUE
Observed trigger indicated by pParams->timeoutTrigger while waiting for sync on advertiser packet	BLE_DONE_RXTIMEOUT	TRUE
Observed trigger indicated by pParams->timeoutTrigger, then performed actions 1, 2, 3, 4, or 5.	BLE_DONE_RXTIMEOUT	TRUE

Table 25-163. End of Initiator Operation (continued)

Condition	Status Code	Result
Observed trigger indicated by pParams->endTrigger while waiting for sync on advertiser packet	BLE_DONE_ENDED	FALSE
Observed trigger indicated by pParams->endTrigger, then performed actions 1, 2, 3, 4, 5, or 6.	BLE_DONE_ENDED	FALSE
Observed CMD_STOP while waiting for sync on advertiser packet	BLE_DONE_STOPPED	FALSE
Observed CMD_STOP, then performed actions 1, 2, 3, 4, 5, or 6.	BLE_DONE_STOPPED	FALSE
Performed action 6 with wait time to AUX packet more than pParams->maxWaitTimeForAuxCh.	BLE_DONE_AUX	FALSE
Received CMD_ABORT	BLE_DONE_ABORT	ABORT
No space in RX buffer to store received packet	BLE_ERROR_RXBUF	FALSE
Illegal value of channel	BLE_ERROR_PAR	ABORT
LLData length field has illegal value	BLE_ERROR_PAR	ABORT

25.8.12 Generic Receiver Command

The generic receiver command may be used to receive physical layer test packets or to receive any packet, such as in a packet sniffer application.

A generic receiver operation is started by a CMD_BLE_GENERIC_RX or CMD_BLE5_GENERIC_RX command. In the command structure, it shall have a pParams parameter of the type defined in [Table 25-101](#) and a pOutput parameter of the type defined in [Table 25-114](#). At the start of a generic receiver operation, the radio CPU shall wait for the start trigger. It shall then program the frequency based on the channel parameter of the command structure. For CMD_BLE5_GENERIC_RX, it shall also set up the PHY mode given in phyMode.mainMode. The radio CPU shall set up the access address defined in pParams->accessAddress and use the CRC initialization value defined in pParams->crclnit. The whitener shall be set up as defined in the whitening parameter. The radio CPU shall then configure receiver.

In a generic receiver operation, the only assumption made on the packet format is that the second received byte is a length field that indicates the length of the payload following that byte, and that a standard BLE-type CRC is appended to the packet. The number of bits in the length field is assumed to be the same as for an advertising packet, that is by default 8 bits if configured using CMD_BLE5_RADIO_SETUP and 6 bits otherwise.

After tuning to the correct channel, the radio CPU shall start listening for a packet. If sync is obtained on the demodulator, the message is received into the RX queue (if any). If the length is greater than the maximum allowed length for BLE legacy advertising packets (37, but can be overridden), reception shall be stopped and restarted.

If pParams->pRxQ is NULL, the received packets shall not be stored. The counters shall still be updated and interrupts generated.

If a packet is received with CRC error, the bCrcErr bit shall be set. The bIgnored flag shall never be set for the generic RX command.

If the packet being received did not fit in the RX queue, the packet shall be received to the end, but the received bytes are not stored. If the packet would normally not have been discarded from the RX buffer, the operation shall end.

A trigger to end the operation is set up by pParams->endTrigger and pParams->endTime. If the trigger that is defined by this parameter occurs, the radio operation shall end as soon as possible. If it occurs while waiting for sync, the operation shall end immediately. If it occurs at another time, the operation shall continue until the current packet is fully received, and then end. If the immediate command CMD_STOP (see [Section 25.3.3.2.2](#)) is received by the radio CPU, it shall have the same meaning as the end trigger occurring, except that the status code after ending shall be CMD_DONE_STOPPED.

The output structure pOutput contains fields that give information on the command being run. The radio CPU shall not initialize the fields, so this must be done by the system CPU when a reset of the counters is desired.

The fields shall be updated by the radio CPU as described in the following list. The list also indicates when interrupts shall be raised in the system CPU.

- If a packet is received with CRC OK, nRxOk is incremented and an Rx_Ok interrupt is raised.
- If a packet is received with CRC error, nRxNok is incremented and an Rx_Nok interrupt is raised.
- If a packet is received and did not fit in the RX queue, nRxBufFull is incremented and an Rx_Buf_Full interrupt is raised.
- If a packet is received, lastRssi is set to the RSSI of that packet.
- If a packet is received, timeStamp is set to a timestamp of the start of that packet.
- If the first RX data entry in the RX queue changed state to Finished after a packet was received, an Rx_Entry_Done interrupt is raised.

After a packet is received, reception shall be restarted on the same channel if pParams->bRepeat = 1, the end event has not been observed, and the packet fit in the receive queue. If pParams->bRepeat = 0, the operation shall always end after receiving a packet.

A generic RX operation shall end with one of the statuses listed in [Table 25-164](#). The status field of the command structure after the operation is ended indicates the reason why the operation ended. In all cases, a Command_Done interrupt is raised. In each case, the result of TRUE, FALSE, or ABORT, is indicated, which will decide the next action, as defined in [Section 25.3.2.5.2](#). The pNextOp field of a generic RX command structure may point to the same command structure. That way, RX may be performed until the end trigger or until the RX buffer goes full.

Table 25-164. End of Generic RX Operation

Condition	Status Code	Result
Received a packet with CRC OK and pParams->bRepeat = 0	BLE_DONE_OK	TRUE
Received a packet with CRC error and pParams->bRepeat = 0	BLE_DONE_RXERR	TRUE
Observed trigger indicated by pParams->endTrigger while waiting for sync	BLE_DONE_ENDED	FALSE
Observed trigger indicated by pParams->endTrigger, then finished receiving packet	BLE_DONE_ENDED	FALSE
Observed CMD_STOP while waiting for sync	BLE_DONE_STOPPED	FALSE
Observed CMD_STOP, then finished receiving packet	BLE_DONE_STOPPED	FALSE
Received CMD_ABORT	BLE_DONE_ABORT	ABORT
No space in RX buffer to store received packet	BLE_ERROR_RXBUF	FALSE
Illegal value of channel	BLE_ERROR_PAR	ABORT

25.8.13 PHY Test Transmit Command

The test packet transmitter command may be used to transmit physical layer test packets.

A test packet transmitter operation is started by a CMD_BLE_TX_TEST or CMD_BLE5_TX_TEST command. In the command structure, it shall have a pParams parameter of the type defined in [Table 25-102](#) and a pOutput parameter of the type defined in [Table 25-115](#). At the start of a test TX operation, the radio CPU shall wait for the start trigger. It shall then program the frequency based on the channel parameter of the command structure. For CMD_BLE5_TX_TEST, it shall also set up the PHY mode given in phyMode.mainMode. The radio CPU shall set up the test packet synchronization word (see the Bluetooth Specification documents listed in [Related Documentation](#)) and use the CRC initialization value 0x55 5555. The whitener shall be set up as defined in the whitening parameter. To produce PHY test packets conforming to the Specification of the Bluetooth System, Version 5.0 document listed in [Related Documentation](#)), the whitener should be disabled.

The radio CPU shall transmit pParams->numPackets packets and then end the operation. If pParams->numPackets is 0, transmission shall continue until the operation ends for another reason (timeout, stop, or abort command). The time (number of radio timer ticks) between the start of each packet shall be given by pParams->period. If this time is smaller than the duration of a packet, each packet shall be transmitted as soon as possible. Each packet shall be assembled as follows by the radio CPU. The first byte is a header byte. It shall contain the value of pParams->packetType, provided this one of the values listed in [Table 25-165](#). The next byte is the length byte, which shall be the value of pParams->payloadLength. This shall be followed by a

number of payload bytes that shall be as listed in [Table 25-165](#). The number of payload bytes shall be equal to `pParams->payloadLength`. If `pParams->packetType` is 0, the bytes shall be from the PRBS9 sequence defined in Specification of the Bluetooth System documents listed in [Related Documentation](#). Otherwise, all the bytes shall be the same, as listed in [Table 25-165](#). A 3-byte CRC, according to the Bluetooth low energy specification listed in [Related Documentation](#), shall be appended.

Table 25-165. Supported PHY Test Packet Types

Value of <code>packetType</code>	Transmitted Bytes
0	PRBS9 sequence
1	Repeated 0x0F
2	Repeated 0x55
3	PRBS15 sequence
4	Repeated 0xFF
5	Repeated 0x00
6	Repeated 0xF0
7	Repeated 0xAA

The PRBS15 payload type defined in the Bluetooth Specification documents listed in [Related Documentation](#), which corresponds to payload type 3, shall be implemented using the polynomial $x^{15} + x^{14} + 1$. The initialization shall be taken from the radio timer for the first packet transmitted and not re-initialized for subsequent packets.

If `pParams->config.overrideDefault` is 1, the packet shall be nonstandard. The header shall contain the value given in `pParams->packetType`, and each byte transmitted shall be as given in `pParams->byteVal`. If `pParams->config.bUsePrbs9` is 1, the sequence shall be generated through an XOR operation where each byte of the PRBS9 sequence used for packet type 0 with `pParams->byteVal`. If `pParams->config.bUsePrbs15` is 1, the sequence shall be generated through an XOR operation where each byte of the PRBS15 sequence used for packet type 3 with `pParams->byteVal`.

If either of the PRBS sequences is used, whitening will be disabled regardless of the setting in the whitening parameter.

A trigger to end the operation is set up by `pParams->endTrigger` and `pParams->endTime`. If the trigger that is defined by this parameter occurs, the radio operation shall end as soon as possible. If it occurs while waiting between packets, the operation shall end immediately. If it occurs at another time, the operation shall continue until the current packet is fully transmitted, and then end. If the immediate command `CMD_STOP` (see [Section 25.3.3.2.2](#)) is received by the radio CPU, it shall have the same meaning as the end trigger occurring, except that the status code after ending shall be `CMD_DONE_STOPPED`.

The output structure `pOutput` contains only the field `nTx`. The `nTx` field shall be incremented each time a packet is transmitted. The radio CPU shall not initialize the field, so this must be done by the system CPU when a reset of the counters is desired. A `Tx_Done` interrupt shall be raised each time a packet is transmitted.

A PHY test TX operation will end with one of the statuses listed in [Table 25-166](#). The status field of the command structure after the operation is ended indicates the reason why the operation ended. In all cases, a `Command_Done` interrupt is raised. In each case, the result of `TRUE`, `FALSE`, or `ABORT` is indicated, which will decide the next action, as defined in [Section 25.3.3.2.2](#).

Table 25-166. End of PHY Test TX Operation

Condition	Status Code	Result
Transmitted <code>pParams->numPackets</code> packets	<code>BLE_DONE_OK</code>	<code>TRUE</code>
Observed trigger indicated by <code>pParams->endTrigger</code> while waiting between packets	<code>BLE_DONE_ENDED</code>	<code>FALSE</code>
Observed trigger indicated by <code>pParams->endTrigger</code> , then finished transmitting packet	<code>BLE_DONE_ENDED</code>	<code>FALSE</code>
Observed <code>CMD_STOP</code> while waiting between packets	<code>BLE_DONE_STOPPED</code>	<code>FALSE</code>
Observed <code>CMD_STOP</code> , then finished transmitting packet	<code>BLE_DONE_STOPPED</code>	<code>FALSE</code>

Table 25-166. End of PHY Test TX Operation (continued)

Condition	Status Code	Result
Received CMD_ABORT	BLE_DONE_ABORT	ABORT
Illegal value of channel	BLE_ERROR_PAR	ABORT
Illegal value of pParams->packetType	BLE_ERROR_PAR	ABORT

25.8.14 Whitelist Processing

A whitelist is used in advertiser, scanner, and initiator operation. The whitelist consists of a configurable number of entries. The whitelist is an array of entries of the type defined in [Table 25-118](#). The first entry of the array shall contain the array size in the size field.

The minimum number of entries in a whitelist array is 1, but if no whitelist is to be used, pParams->pWhiteList may be NULL. The maximum number of entries is limited by the performance obtained in the radio CPU for doing the filtering. Testing indicates that up to at least 24 entries can be used.

Each entry contains one address and three configuration bits. The bEnable bit is 1 if the entry is enabled, otherwise the address shall be ignored when doing whitelist filtering. The addrType bit tells if the entry is a public or random address. The bIgnore bit can be used by a scanner to avoid reporting and scanning the same device multiple times.

When an address is to be checked against the whitelist, the address is compared against the address field of each entry in the whitelist. The address is said to be present in the whitelist if and only if there is an entry where:

- bEnable is 1
- addrType is equal to the address type of the address to check
- All bytes of the address array are equal to the bytes of the address to check
- For scanner only: bWllgn is 0
- For initiator only: blrkValid is 0

For scanners, the bWllgn bit may be set in the whitelist to indicate that a device shall be ignored even if the whitelist entry would otherwise be a match. This can be used to check for advertisers that have already been scanned or where the advertising data has already been reported. Even if no whitelist filtering is to be performed, this feature may be used. The whitelist shall be scanned for devices that match the address and address type, and where bWllgn is 1. Such devices shall be ignored. The bEnable bit shall not be checked in this case. The check is always done when receiving legacy packets, while for extended advertiser packets, the check is only done when pParams->extFilterConfig.bApplyDuplicateFiltering is 1 and no ADI field is present in the extended header. It is possible to configure the radio CPU to automatically set the bWllgn bit, see [Section 25.8.10](#).

For initiators, the blrkValid bit may be set in the whitelist to indicate that a device shall be ignored even if the whitelist entry would otherwise be a match. This can be used to avoid connecting to a device with a resolvable private address where a valid identity resolving key (IRK) exists. The blrkValid bit should never be set by the system CPU for address entries not containing an RPA.

25.8.15 Backoff Procedure

After receiving or attempting to receive a SCAN_RSP, AUX_SCAN_RSP or AUX_CONNECT_RSP packet, the backoff parameters shall be updated by the radio CPU. The update depends on the Response Packet Result and the old values of the backoff parameters. The backoff parameters given in pParams->backoffPar shall be updated as shown in [Table 25-167](#). After this update, the radio CPU shall set pParams->backoffCount to a pseudo-random number between 1 and $2^{pParams->backoffPar.logUpperLimit}$.

Table 25-167. Update of Backoff Parameters

Response Packet Result	Old pParams->backoffPar		New pParams->backoffPar		
	bLastSucceeded	bLastFailed	bLastSucceeded	bLastFailed	logUpperLimit
Failure	X	0	0	1	logUpperLimit
Failure	0	1	0	0	min(logUpperLimit+1, 8)

Table 25-167. Update of Backoff Parameters (continued)

Response Packet Result	Old pParams->backoffPar		New pParams->backoffPar		
	bLastSucceeded	bLastFailed	bLastSucceeded	bLastFailed	logUpperLimit
Success	0	X	1	0	logUpperLimit
Success	1	0	0	0	max(logUpperLimit-1, 0)

The pseudo-random algorithm shall be based on a maximum-length 16-bit linear feedback shift register (LFSR). The seed shall be as provided in pParams->randomState. When the operation ends, the radio CPU shall write the current state back to this field. If pParams->randomState is 0, the radio CPU shall self-seed by initializing the LFSR to the 16 least significant bits of the radio timer. This shall only be done when the LFSR is first needed (that is, after receiving an ADV*_IND), so there will be some randomness to this value. If the 16 least significant bits of the radio timer are all 0, another fixed value shall be substituted.

When the device enters the scanning or initiating (Bluetooth 5 only) state, the system CPU should initialize pParams->backoffCount to 1, pParams->backoffPar.logUpperLimit to 0, pParams->backoffPar.bLastSucceeded and pParams->backoffPar.bLastFailed to 0, and pParams->randomState to a true-random value (or a pseudo-random number based on a true-random seed). When starting new scanner operations while remaining in the scanning state, the system CPU should keep pParams->randomState, pParams->backoffCount, and pParams->backoffPar at the values they had at the end of the last scanner operation.

25.8.16 AUX Pointer Processing

If an extended advertiser packet that contains an Aux pointer is received, the radio CPU shall follow the Aux pointer or return information on how the Aux pointer can be followed in a subsequent command. An Aux pointer is not followed in any of the following cases:

- The packet has CRC error
- The packet is ignored
- The receive buffer is full
- The packet is a scannable or connectable AUX_ADV_IND packet or an AUX_CONNECT_RSP packet (these packets shall not have an Aux pointer)

If the Aux pointer is followed, the AUX Offset is read and derived values are stored in the parameter structure. pParams->rxStartTime is set to the time that the receiver should be started in order to receive the packet, taking into account the length of the received packet, clock inaccuracies, and receiver startup time for the PHY to use for the next packet. pParams->rxListenTime is set to the time from pParams->rxStartTime to timeout of the receive operation. pParams->channelNo is set to the secondary channel pointed to, and pParams->phyMode indicates the PHY to be used.

If the time from the end of the packet containing the Aux pointer to the time given in pParams->rxStartTime is more than pParams->maxWaitTimeForAuxCh, the operation will end after the packet is received with status BLE_DONE_AUX. It is then up to the system CPU to start a new scanner or initiator command on a secondary channel at the specified time, usually after having been in low-power mode. This command should be started with an absolute start time of pParams->rxStartTime - startToSynthRatOffset, where startToSynthRatOffset is a firmware defined parameter. The command should have a timeout trigger at the time pParams->rxStartTime + pParams->rxListenTime.

If the time given in pParams->rxStartTime is earlier than this, the radio CPU shall automatically schedule the channel and PHY switch. The receiver will be stopped after receiving the packet with the Aux pointer and restarted at pParams->rxStartTime, after the synthesizer is reprogrammed and the PHY mode switched. If the time from the end of the received packet to pParams->rxStartTime is too small, the receiver will start as early as possible. The receiver will run as described in [Section 25.8.10.3](#) for a scanner or [Section 25.8.11.3](#) for an initiator. It will have a timeout after pParams->rxListenTime, and if timed out the operation ends with status BLE_DONE_RXTIMEOUT.

25.8.17 Dynamic Change of Device Address

For advertiser, scanner and initiator commands, it is possible to change the device address while a command is running. If a new pointer is written to the pDeviceAddress or pWhiteList field of an advertiser, scanner or initiator parameter structure, this pointer is taken into use for the device address or peer address at the following time:

- For advertisers, the next time an advertiser command (in a command chain) is started. For a command already running, the address is not updated.
- For scanners and initiators, the next time sync is found on an advertiser packet.

Until the new pointer is taken into use, the previous pointer will be used for the device address.

The advConfig, scanConfig, and initConfig fields are re-read at the same time as the device address pointer. However, it is not recommended to change the device address type or peer address type in these fields while a command or command chain is running, as there is a small probability that the address type could be out of sync with the address. Instead, the least significant bit of pDeviceAddress can be set to 1 to indicate that the device address type should be inverted compared to the type found in advConfig, scanConfig, or initConfig. Similarly, the least significant bit of pWhiteList can be set to 1 to indicate that the peer address type should be inverted compared to the type found in advConfig or initConfig. This means that the address and address type may be modified in an atomic operation. The least significant bit of pDeviceAddress and pWhiteList is ignored when finding the address of the array that holds the address; the radio CPU will always read from a half-word-aligned address.

Note

The contents of the array pointed to by pDeviceAddress or pWhiteList (when pointing to a single address) should not be modified while a command is running. If the pointer is updated in the command structure, the array pointed to by the old value of pDeviceAddress or pWhiteList should not be modified until it can be known that the address pointed to is no longer in use by the radio CPU.

25.9 Immediate Commands

In addition to the immediate commands otherwise available, the immediate command *Update Advertising Payload Command* shall be supported (for more details, see [Section 25.9.1](#)).

25.9.1 Update Advertising Payload Command

The CMD_BLE_ADV_PAYLOAD command can be used to change the payload buffer for a legacy advertising command. It may be issued regardless of whether an advertising command is running or not.

The command structure shall have the format given in [Table 25-95](#). When received, the radio CPU shall check if an advertiser radio operation command is running using the parameter structure given in pParams of the immediate command structure. If not, the radio CPU shall update the parameter structure immediately. If a radio operation command is running using the parameter structure to be updated, the radio CPU shall only modify the parameter structure if the payload to be changed is not currently being transmitted. If it is being transmitted, the radio CPU shall store the request and update as soon as transmission of the packet has finished.

When updating the parameter structure, the payload to change depends on the payloadType parameter of the command structure. If payloadType is 0, the radio CPU shall set pParams->advLen equal to newLen and pParams->pAdvData equal to newData. If payloadType is 1, the radio CPU shall set pParams->scanRspLen equal to newLen and pParams->pScanRspData equal to newData. After the update has taken place, the radio CPU shall raise a Tx_Buffer_Changed interrupt, see [Table 25-124](#). This interrupt shall be raised regardless of whether the update was delayed or not.

If any of the parameters are illegal, the radio CPU shall respond with ParError in CMDSTAT and not perform any update. Otherwise, the radio CPU shall respond with Done in CMDSTAT. This may be done before the update has taken place.

This command is provided to provide an atomic change of the payload and length. For the Bluetooth 5 advertiser command, this is not needed. The pointers pAdvPkt and pRspPkt may safely be changed at any time; however, the packet entry pointed to must not be modified until the command has ended.

25.10 Proprietary Radio

This section describes proprietary radio command structure, data handling, radio operations commands, and immediate commands. The commands define a flexible packet handling compatible with the CC110x, CC111x, CC112x, CC120x, CC2500, and CC251x devices, as well as supporting other legacy modes.

25.10.1 Packet Formats

For compatibility with existing TI parts, the packet format given in [Figure 25-9](#) can be used in most cases. This packet format is supported through the use of the commands CMD_PROP_TX and CMD_PROP_RX.

1 bit to 32 bytes	8 to 32 bits	0 or 1 byte	0 or 1 byte	0 to 255 bytes	0 or 16 bits (0 to 32 bits)
Preamble	Sync word	Length field	Address	Payload	CRC

Figure 25-9. Standard Packet Format

A more flexible packet format is also possible, as defined in [Figure 25-10](#). This format is supported by the commands CMD_PROP_RX_ADV and CMD_PROP_TX_ADV. The format in [Figure 25-9](#) is an example of this format.

1 bit to 32 bytes or repetition	8 to 32 bits	0 to 32 bits	0 to 8 bytes	Arbitrary	0 or 16 bits (0 to 32 bits)
Preamble	Sync word	Header	Address	Payload	CRC

Figure 25-10. Advanced Packet Format

25.10.2 Commands

[Table 25-168](#) defines the proprietary radio operation commands.

Table 25-168. Proprietary Radio Operation Commands

ID	Command Name	Description
0x3801	CMD_PROP_TX	Transmit packet
0x3802	CMD_PROP_RX	Receive packet or packets
0x3803	CMD_PROP_TX_ADV	Transmit packet with advanced modes
0x3804	CMD_PROP_RX_ADV	Receive packet or packets with advanced modes
0x3805	CMD_PROP_CS	Run carrier sense command
0x3806	CMD_PROP_RADIO_SETUP	Set up radio in proprietary mode
0x3807	CMD_PROP_RADIO_DIV_SETUP	Set up radio in proprietary mode
0x3808	CMD_PROP_RX_SNIFF	Receive packet or packets with sniff mode support
0x3809	CMD_PROP_RX_ADV_SNIFF	Receive packet or packets with advanced modes and sniff mode support

[Table 25-169](#) defines the proprietary immediate commands.

Table 25-169. Proprietary Immediate Commands

ID	Command Name	Description
0x3401	CMD_PROP_SET_LEN	Set length of packet being received
0x3402	CMD_PROP_RESTART_RX	Stop receiving a packet and go back to sync search

25.10.2.1 Command Data Definitions

This section defines data types used in describing the data structures used for communication between the system CPU and the radio CPU. The data structures are listed with tables. The Byte Index is the offset from the pointer to that structure. Multibyte fields are little endian, and halfword or word alignment is required. For bit numbering, 0 is the LSB. The R/W column is used as follows:

R: The system CPU can read a result back; the radio CPU does not read the field.

W: The system CPU writes a value, the radio CPU reads it and does not modify the value.

R/W: The system CPU writes an initial value, the radio CPU may modify the initial value.

25.10.2.1.1 Command Structures

For all the radio operation commands, the first 14 bytes are as defined in [Table 25-9](#).

Table 25-170. CMD_PROP_TX Command Structure

Byte Index	Field Name	Bits	Bit Field name	Type	Description
14	pktConf	0	bFsOff	W	0: Keep frequency synthesizer on after command. 1: Turn frequency synthesizer off after command.
		1–2			Reserved
		3	bUseCrc	W	0: Do not append CRC. 1: Append CRC.
		4	bVarLen	W	0: Fixed length 1: Transmit length as first byte
		5–7			Reserved
15	pktLen			W	Packet length
16–19	syncWord			W	Sync word to transmit
20–23	pPkt			W	Pointer to packet

Table 25-171. CMD_PROP_TX_ADV Command Structure

Byte Index	Field Name	Bits	Bit Field name	Type	Description
14	pktConf	0	bFsOff	W	0: Keep frequency synthesizer on after command. 1: Turn frequency synthesizer off after command.
		1–2			Reserved
		3	bUseCrc	W	0: Do not append CRC. 1: Append CRC.
		4	bCrcIncSw	W	0: Do not include sync word in CRC calculation. 1: Include sync word in CRC calculation.
		5	bCrcIncHdr	W	0: Do not include header in CRC calculation. 1: Include header in CRC calculation.
		6–7			Reserved
15	numHdrBits			W	Number of bits in header (0–32)
16–17	pktLen			W	Packet length. 0: Unlimited
18	startConf	0	bExtTxTrig	W	0: Start packet on a fixed time from the command start trigger. 1: Start packet on an external trigger (Contact T1 to enable this feature).
		1–2	inputMode	W	Input mode if external trigger is used for TX start. 00: Rising edge 01: Falling edge 10: Both edges 11: Reserved
		3–7	source	W	RAT input event number used for capture if external trigger is used for TX start.

Table 25-171. CMD_PROP_TX_ADV Command Structure (continued)

Byte Index	Field Name	Bits	Bit Field name	Type	Description
19	preTrigger			W	Trigger for transition from preamble to sync word. If this is set to "now", one preamble as configured in the setup is sent. Otherwise, the preamble is repeated until this trigger is observed.
20–23	preTime			W	Time parameter for preTrigger
24–27	syncWord			W	Sync word to transmit
28–31	pPkt			W	Pointer to packet, or TX queue for unlimited length

Table 25-172. CMD_PROP_RX and CMD_PROP_RX_SNIFF Command Structure

Byte Index	Field Name	Bits	Bit Field Name	Type	Description
14	pktConf	0	bFsOff	W	0: Keep frequency synthesizer on after command. 1: Turn frequency synthesizer off after command.
		1	bRepeatOk	W	0: End operation after receiving a packet correctly. 1: Go back to sync search after receiving a packet correctly.
		2	bRepeatNok	W	0: End operation after receiving a packet with CRC error. 1: Go back to sync search after receiving a packet with CRC error.
		3	bUseCrc	W	0: Do not check CRC. 1: Check CRC.
		4	bVarLen	W	0: Fixed length 1: Receive length as first byte.
		5	bChkAddress	W	0: No address check. 1: Check address.
		6	endType	W	0: Packet is received to the end if end trigger happens after sync is obtained. 1: Packet reception is stopped if end trigger happens.
		7	filterOp	W	0: Stop receiver and restart sync search on address mismatch. 1: Receive packet and mark it as ignored on address mismatch.
15	rxConf			W	RX configuration, see Table 25-179 for details
16–19	syncWord			W	Sync word to listen for
20	maxPktLen			W	Packet length for fixed length, maximum packet length for variable length 0: Unlimited or unknown length
21	address0			W	Address
22	address1			W	Address (set equal to address0 to accept only one address. If 0xFF, accept 0x00 as well)
23	endTrigger			W	Trigger classifier for ending the operation
24–27	endTime			W	Time to end the operation
28–31	pQueue			W	Pointer to receive queue
32–35	pOutput			W	Pointer to output structure
36–47	CMD_PROP_RX_SNIFF only: carrier sense options as given in Table 25-178				

Table 25-173. CMD_PROP_RX_ADV and CMD_PROP_RX_ADV_SNIFF Command Structure

Byte Index	Field Name	Bits	Bit Field Name	Type	Description
14	pktConf	0	bFsOff	W	0: Keep frequency synthesizer on after command. 1: Turn frequency synthesizer off after command.
		1	bRepeatOk	W	0: End operation after receiving a packet correctly. 1: Go back to sync search after receiving a packet correctly.
		2	bRepeatNok	W	0: End operation after receiving a packet with CRC error. 1: Go back to sync search after receiving a packet with CRC error.
		3	bUseCrc	W	0: Do not check CRC. 1: Check CRC.
		4	bCrclncSw	W	0: Do not include sync word in CRC calculation. 1: Include sync word in CRC calculation.
		5	bCrclncHdr	W	0: Do not include header in CRC calculation. 1: Include header in CRC calculation.
		6	endType	W	0: Packet is received to the end if end trigger happens after sync is obtained. 1: Packet reception is stopped if end trigger happens.
		7	filterOp	W	0: Stop receiver and restart sync search on address mismatch. 1: Receive packet and mark it as ignored on address mismatch.
15	rxConf			W	RX configuration (for details, see Table 25-179)
16–19	syncWord0			W	Sync word to listen for
20–23	syncWord1			W	Alternative sync word if nonzero
24–25	maxPktLen			W	Maximum length of received packets 0: Unlimited or unknown length
26–27	hdrConf	0–5	numHdrBits	W	Number of bits in header (0–32)
		6–10	lenPos	W	Position of length field in header (0–31)
		11–15	numLenBits	W	Number of bits in length field (0–16)
28–29	addrConf	0	addrType	W	0: Address after header 1: Address in header
		1–5	addrSize	W	If addrType = 0: Address size in bytes. If addrType = 1: Address size in bits.
		6–10	addrPos	W	If addrType = 1: Bit position of address in header If addrType = 0: nonzero to extend address with sync word identifier
		11–15	numAddr	W	Number of addresses in address list
30	lenOffset			W	Signed value to add to length field
31	endTrigger			W	Trigger classifier for ending the operation
32–35	endTime			W	Time to end the operation
36–39	pAddr			W	Pointer to address list
40–43	pQueue			W	Pointer to receive queue
44–47	pOutput			W	Pointer to output structure
48–59	CMD_PROP_RX_ADV_SNIFF only: carrier sense options as given in Table 25-178				

Table 25-174. CMD_PROP_CS Command Structure

Byte Index	Field Name	Bits	Bit Field Name	Type	Description
14	csFsConf	0	bFsOffIdle	W	0: Keep synthesizer running if command ends with channel Idle. 1: Turn off synthesizer if command ends with channel Idle.
		1	bFsOffBusy	W	0: Keep synthesizer running if command ends with channel Busy. 1: Turn off synthesizer if command ends with channel Busy.
15					Reserved

Table 25-174. CMD_PROP_CS Command Structure (continued)

Byte Index	Field Name	Bits	Bit Field Name	Type	Description
16–27	Carrier sense options as given in Table 25-178 .				

Table 25-175. CMD_PROP_RADIO_SETUP and CMD_PROP_RADIO_DIV_SETUP Command Structure

Byte Index	Field Name	Bits	Bit Field Name	Type	Description
14–15	modulation	0–2	modType	W	0: FSK 1: GFSK Others: Reserved
		3–13	deviation	W	Deviation (step size given by deviationStepSz)
		14–15	deviationStepSz		Deviation step size: 0: 250 Hz 1: 1000 Hz 2: 15.625 Hz 3: 62.5 Hz
16–19	symbolRate	0–7	preScale	W	Prescaler value (see Section 25.10.5.2)
		8–28	rateWord	W	Rate word (see Section 25.10.5.2)
		29–31			Reserved, set to 0
20	rxBw			W	Receiver bandwidth (see Table 25-183) 1–18: Legacy mode (bandwidth 87–4236 kHz) 32–52: Normal mode (bandwidth 45–4236 kHz) 64–103: Enhanced mode (bandwidth 4.8–4236 kHz)
21	preamConf	0–5	nPreamBytes	W	0: 1 preamble bit 1–16: Number of preamble bytes 18, 20, ..., 30: Number of preamble bytes 31: 4 preamble bits 32: 32 preamble bytes Others: Reserved
		6–7	preamMode	W	00: Send 0 as the first preamble bit 01: Send 1 as the first preamble bit 10: Send same first bit in preamble and sync word 11: Send different first bit in preamble and sync word
22–23	formatConf	0–5	nSwBits	W	Number of sync word bits. Valid values are from 8–32
		6	bBitReversal	W	0: Use positive deviation for 1 1: Use positive deviation for 0
		7	bMsbFirst	W	0: Least significant bit transmitted first 1: Most significant bit transmitted first
		8–11	fecMode	W	Select Coding 0000: Uncoded binary modulation 1000: Long range mode 1010: Manchester coded binary modulation (FSK/GFSK) Others: Reserved
		12			Reserved
		13–15	whitenMode	W	000: No whitening 001: CC1101 and CC2500 compatible whitening 010: PN9 whitening without byte reversal 011: Reserved 100: No whitener, 32-bit IEEE 802.15.4g compatible CRC 101: IEEE 802.15.4g compatible whitener and 32-bit CRC 110: No whitener, dynamically IEEE 802.15.4g compatible 16-bit or 32-bit CRC 111: Dynamically IEEE 802.15.4g compatible whitener and 16-bit or 32-bit CRC

**Table 25-175. CMD_PROP_RADIO_SETUP and CMD_PROP_RADIO_DIV_SETUP
Command Structure (continued)**

Byte Index	Field Name	Bits	Bit Field Name	Type	Description
24–25	config	0–2	Reserved	W	
		3	Reserved	W	
		4–9	Reserved	W	
		10	Reserved	W	
		11	Reserved	W	
		12	Reserved	W	
		13–15	Reserved		
26–27	txPower			W	Output power setting, use value from SmartRF Studio. See Section 25.3.3.2.16 for more details. 0xFFFF: Use 20 dBm PA ("P" devices only)
28–31	pRegOverride			W	Pointer to a list of hardware and configuration registers to override. If NULL, no override is used.
32–33	centerFreq			W	CMD_PROP_RADIO_DIV_SETUP only: Center frequency of the band. To be used in the initial parameter computations.
34–35	intFreq			W	CMD_PROP_RADIO_DIV_SETUP only: Intermediate frequency to use for RX, in MHz on 4.12 signed format. TX will use same intermediate frequency if supported, otherwise 0. 0x8000: Use default
36	loDivider			W	CMD_PROP_RADIO_DIV_SETUP only: Divider setting to use. See the Smart RF Studio for the recommended settings per device and band.

Table 25-176. CMD_PROP_SET_LEN Command Structure

Byte Index	Field Name	Bits	Bit Field Name	Type	Description
0–1	RXLen			W	Payload length to use

25.10.2.2 Output Structures

Table 25-177. Receive Commands

Byte Index	Field Name	Type	Description
0–1	nRxOk	R/W	Number of packets that have been received with payload, CRC OK and not ignored
2–3	nRxNok	R/W	Number of packets that have been received with CRC error
4	nRxIgnored	R/W	Number of packets that have been received with CRC OK and ignored due to address mismatch
5	nRxStopped	R/W	Number of packets not received due to illegal length or address mismatch with pktConf.filterOp = 1
6	nRxBufFull	R/W	Number of packets that have been received and discarded due to lack of buffer space
7	lastRssi	R	RSSI of last received packet. RSSI is captured when sync word is found.
8–11	timeStamp	R	Timestamp of last received packet

25.10.2.3 Other Structures and Bit Fields

Table 25-178. Carrier Sense Fields for CMD_PROP_RX_SNIFF, CMD_PROP_RX_ADV_SNIFF, and CMD_PROP_CS

Byte Index	Field Name	Bits	Bit Field Name	Type	Description
0	csConf	0	bEnaRssi	W	If 1, enable RSSI as a criterion.
		1	bEnaCorr	W	If 1, enable correlation as a criterion.
		2	operation	W	0: Busy if either RSSI or correlation indicates BUSY. 1: Busy if both RSSI and correlation indicates BUSY.
		3	busyOp	W	0: Continue carrier sense on channel BUSY. 1: End carrier sense on channel BUSY. For an RX command, the receiver continues when carrier sense ends, then it does not end if the channel goes IDLE.
		4	idleOp	W	0: Continue on channel IDLE. 1: End on channel IDLE.
		5	timeoutRes	W	0: Timeout with channel state Invalid treated as BUSY. 1: Timeout with channel state Invalid treated as IDLE.
1	rssiThr			W	RSSI threshold
2	numRssiIdle			W	Number of consecutive RSSI measurements below the threshold needed before the channel is declared IDLE.
3	numRssiBusy			W	Number of consecutive RSSI measurements above the threshold needed before the channel is declared BUSY.
4–5	corrPeriod			W	Number of RAT ticks for a correlation observation periods
6	corrConfig	0–3	numCorrInv	W	Number of subsequent correlation tops with maximum corrPeriod RAT ticks between them needed to go from IDLE to INVALID.
		4–7	numCorrBusy	W	Number of subsequent correlation tops with maximum corrPeriod RAT ticks between them needed to go from INVALID to BUSY.
7	csEndTrigger			W	Trigger classifier for ending the carrier sense
8–11	csEndTime			W	Time to end carrier sense

Table 25-179. Receive Queue Entry Configuration Bit Field⁽¹⁾

Bits	Bit Field Name	Description
0	bAutoFlushIgnored	If 1, automatically discard ignored packets from RX queue.
1	bAutoFlushCrcErr	If 1, automatically discard packets with CRC error from RX queue.
2		Reserved
3	bIncludeHdr	If 1, include the received header or length byte in the stored packet; otherwise discard it.
4	bIncludeCrc	If 1, include the received CRC field in the stored packet; otherwise discard it. This requires pktConf.bUseCrc to be 1.
5	bAppendRssi	If 1, append an RSSI byte to the packet in the RX queue.
6	bAppendTimestamp	If 1, append a timestamp to the packet in the RX queue.
7	bAppendStatus	If 1, append a status byte to the packet in the RX queue.

(1) This bit field is used for the rxConf byte of the parameter structures.

Table 25-180. Receive Status Byte Bit Field⁽¹⁾

Bits	Bit Field Name	Description
0–4	addressIdx	Index of address found (0 if not applicable)
5	syncWordIdx	0 for primary sync word, 1 for alternate sync word.
6–7	result	00: Packet received correctly, not ignored. 01: Packet received with CRC error. 10: Packet received correctly, but can be ignored. 11: Packet reception was aborted.

(1) A byte of this bit field is appended to the received entries if configured.

25.10.3 Interrupts

The radio CPU signals events back to the system CPU using firmware defined interrupts. [Table 25-181](#) lists the interrupts to be used by the proprietary commands. Each interrupt may be enabled individually in the system CPU. [Section 25.10.4](#) and [Section 25.10.5](#) give details about when the interrupts are generated.

Table 25-181. Interrupt Definitions

Interrupt Number	Interrupt Name	Description
0	COMMAND_DONE	A radio operation command has finished
1	LAST_COMMAND_DONE	The last radio operation command in a chain of commands has finished
10	TX_ENTRY_DONE	For transmission of packets with unlimited length: Reading from a TX entry is finished
16	RX_OK	Packet received with CRC OK, payload, and not to be ignored
17	RX_NOK	Packet received with CRC error
18	RX_IGNORED	Packet received with CRC OK, but to be ignored
22	RX_BUF_FULL	Packet received that did not fit in RX buffer
23	RX_ENTRY_DONE	RX queue data entry changing state to Finished
24	RX_DATA_WRITTEN	Data written to partial read RX buffer
25	RX_N_DATA_WRITTEN	Specified number of bytes written to partial read RX buffer
26	RX_ABORTED	Packet reception stopped before packet was done
28	SYNTH_NO_LOCK	The synthesizer has reported loss of lock
29	MODULES_UNLOCKED	As part of the boot process, the Arm Cortex-M0 processor has opened access to RF core modules and memories
30	BOOT_DONE	The RF core CPU boot is finished
31	INTERNAL_ERROR	The radio CPU has observed an unexpected error

25.10.4 Data Handling

For the proprietary mode TX commands, data received over the air is stored in a receive queue. Partial-read RX buffers are supported, and mandatory for unlimited length. Data transmitted is fetched from a specific buffer.

25.10.4.1 Receive Buffers

A packet being received is stored in a receive buffer. First, a length byte or word is stored if configured in the RX entry by `config.lenSz`, and calculated from the length received over the air and the configuration of appended information, or for a partial-read RX buffer initialized to maximal possible size of that segment, and set to the length of the segment in one buffer when finished.

Following the optional length field, the received header is stored as received over the air if `rxConf.bIncludeHdr` is 1. This header is the length byte for `CMD_PROP_RX` and a field with up to 32 bits for `CMD_PROP_RX_ADV`. In the latter case, the last byte of the header is padded with zeros in the MSBs if the number of bits does not divide by 8, and followed by the received address (if configured) and payload.

If `rxConf.bIncludeCrc` is 1, the received CRC value is stored in the RX buffer; otherwise, it is not stored, but only used to check the CRC result. If `rxConf.bAppendRssi` is 1, a byte indicating the received RSSI value is appended. If `rxConf.bAppendStatus` is 1, a status byte of the type defined in [Table 25-180](#) is appended. If `rxConf.bAppendTimeStamp` is 1, a timestamp indicating the start of the packet is appended. This timestamp corresponds to the `ratmr_t` data type. Though the timestamp is multibyte, no word-address alignment is made, so the timestamp must be written and read bitwise.

If the reception of a packet is aborted, the packet is immediately removed from the receive queue, except if a partial-read RX entry is used. In that case, the RSSI, Timestamp, and Status fields are appended if configured (except if no more buffer space is available), and the Status byte indicates that the reception was aborted.

[Figure 25-11](#) shows the format of an entry element in the RX queue.

0–2 bytes	0–4 bytes	n bytes	0–4 bytes	0 or 1 byte	0 or 4 bytes	0 or 1 byte
Element Length	Header/Length byte	Payload	Received CRC	RSSI	Timestamp	Status

Figure 25-11. Receive Buffer Entry Element

An `RX_ENTRY_DONE` interrupt is raised when an RX entry changes its state to Finished. Depending on the type of RX entry used, this means:

- For a general or pointer entry, an `RX_ENTRY_DONE` interrupt is raised after a packet is fully received, unless the packet is automatically flushed.
- For a multielement entry, an `RX_ENTRY_DONE` interrupt is raised when a new buffer is allocated and a new entry was taken into use, or when a buffer is finished and fills the entire entry.
- For a partial-read entry, an `RX_ENTRY_DONE` interrupt is raised when an RX entry is full, so writing must continue in the next entry.

For partial-read entries, an `RX_Data_Written` interrupt is raised whenever data is written to the receive buffer. An `RX_N_Data_Written` is raised whenever a multiple of `config.irqlntv` (as given in the data entry) bytes have been written since the start of the packet.

25.10.4.2 Transmit Buffers

The transmit operations contain a buffer with the data to be transmitted. The number of bytes in this buffer is given by `pktLen`. For the `CMD_PROP_TX` command, the length given in `pktLen` is transmitted as the first byte if `pktConf.bVarLen` is 1, and then followed by the contents of the transmit buffer.

For `CMD_PROP_TX_ADV`, the first bytes of the buffer contain the header if the header length is greater than 0. The number of bytes is the number of bits in the header divided by 8, rounded up. The MSBs of the last header byte are not sent if the number of bits does not divide by 8. If a length field is to be transmitted using `CMD_PROP_TX_ADV`, it must be given explicitly from the system side as part of the header.

If unlimited length is configured, a TX queue is used instead of one buffer. In this case, transmission of payload continues until the queue is emptied. Every time transmission from one entry is finished, meaning reading continues from the next entry or the entire payload is entered into the modem, a `TX_ENTRY_DONE` interrupt is raised.

25.10.5 Radio Operation Command Descriptions

Before running any of the proprietary RX or TX radio operation commands, the radio must be set up in proprietary mode using the command `CMD_PROP_RADIO_SETUP` or `CMD_PROP_RADIO_DIV_SETUP`, or in another compatible mode with `CMD_RADIO_SETUP`. Otherwise, the operation ends with an error. The RX and TX commands also need the synthesizer to be programmed using the `CMD_FS` command, which can typically be done by a command chain where an RX or TX command follows immediately after the `CMD_FS`.

25.10.5.1 End of Operation

The status field of the command issued is updated during the operation. When submitting the command, the system CPU must write this field with a state of IDLE. During the operation, the radio CPU updates the field to indicate the operation mode. When the operation is done, the radio CPU writes a status indicating that the operation is finished. The status codes used by a proprietary radio operation are listed in [Table 25-182](#).

Table 25-182. Proprietary Radio Operation Status Codes

Number	Name	Description
Operation Not Finished		
0x0000	IDLE	Operation not started
0x0001	PENDING	Waiting for start trigger
0x0002	ACTIVE	Running operation
Operation Finished Normally		
0x3400	PROP_DONE_OK	Operation ended normally
0x3401	PROP_DONE_RXTIMEOUT	Operation stopped after end trigger while waiting for sync
0x3402	PROP_DONE_BREAK	RX stopped due to timeout in the middle of a packet
0x3403	PROP_DONE_ENDED	Operation stopped after end trigger during reception
0x3404	PROP_DONE_STOPPED	Operation stopped after stop command
0x3405	PROP_DONE_ABORT	Operation aborted by abort command
0x3406	PROP_DONE_RXERR	Operation ended after receiving packet with CRC error
0x3407	PROP_DONE_IDLE	Carrier sense operation ended because of idle channel
0x3408	PROP_DONE_BUSY	Carrier sense operation ended because of busy channel
0x3409	PROP_DONE_IDLETIMEOUT	Carrier sense operation ended because of time-out with csConf.timeoutRes = 1
0x340A	PROP_DONE_BUSYTIMEOUT	Carrier sense operation ended because of time-out with csConf.timeoutRes = 0
Operation Finished With Error		
0x3800	PROP_ERROR_PAR	Illegal parameter
0x3801	PROP_ERROR_RXBUF	No RX buffer large enough for the received data available at the start of a packet
0x3802	PROP_ERROR_RXFULL	Out of RX buffer during reception in a partial read buffer
0x3803	PROP_ERROR_NO_SETUP	Radio was not set up in proprietary mode
0x3804	PROP_ERROR_NO_FS	Synthesizer was not programmed when running RX or TX
0x3805	PROP_ERROR_RXOVF	TX overflow observed during operation
0x3806	PROP_ERROR_TXUNF	TX underflow observed during operation

The conditions for giving each status are listed for each operation. Some of the error causes listed in [Table 25-182](#) are not repeated in these lists. If CMD_STOP or CMD_ABORT is received while waiting for the start trigger, the end cause is DONE_STOPPED or DONE_ABORT, with an end result of FALSE and ABORT, respectively. In some cases, general error causes may occur. For all these error cases, the result of the operation is ABORT.

25.10.5.2 Proprietary Mode Setup Command

The CMD_PROP_RADIO_SETUP and CMD_PROP_RADIO_DIV_SETUP commands are used instead of CMD_RADIO_SETUP for proprietary mode radio. When CMD_PROP_RADIO_SETUP or CMD_PROP_RADIO_DIV_SETUP is executing, trim values are read from FCFG1 unless they have been provided elsewhere (see [Section 25.3.3.1.2](#) for more details).

On start, the radio CPU sets up parameters for the proprietary mode with parameters given in [Table 25-175](#). The modulation.modType parameter selects between GFSK and unshaped FSK. For FSK and GFSK, modulation.deviation gives the deviation in a step size that is programmable in modulation.stepSize. The radio CPU uses this parameter to calculate a proper shape for use in TX.

Note

The accuracy of the deviation may be less than the programmed step size due to hardware limitations.

The symbol rate is programmed with symbolRate. The parameters are passed directly to the modem and may be calculated using an external tool. The symbol rate is given by the equation below:

$$f_{baud} = \frac{R \times f_{clk}}{p \times 2^{21}}$$

where

- f_{baud} is the obtained baud rate
- f_{clk} is the system clock frequency of 48 MHz
- R is the rate word given by `symbolRate.rateWord`
- p is the prescaler value, given by `symbolRate.preScale`, which can be from 4 to 255

The `rxBw` parameter gives the receiver bandwidth. Values 64–108 give the supported bandwidths with the recommended settings. Values 32–52 give a subset of this and is supported for backwards compatibility with CC13x0. Values 1–18 give the same bandwidths as settings 35–52, for compatibility with the CC13x2 and CC26x2 device platform. The values supported and corresponding settings are summarized in [Table 25-183](#). The receiver bandwidths are stated for an RF frequency of 868 MHz (LO divider 5), 915 MHz (LO divider 5), and 2432 MHz (LO divider 2). The bandwidth is proportional to the RF frequency multiplied by the LO divider.

Table 25-183. Receiver Bandwidth Settings

Setting (Legacy)	Setting (Normal)	Setting (Enhanced)	Receiver Bandwidth (868 MHz)	Receiver Bandwidth (915 MHz)	Receiver Bandwidth (2432 MHz)	Default Intermediate Frequency (kHz)
—	—	64	4.3	4.5	4.8	62.5
—	—	65	4.9	5.1	5.4	62.5
—	—	66	6.1	6.5	6.9	62.5
—	—	67	7.4	7.8	8.2	62.5
—	—	68	8.5	9.0	9.6	125
—	—	69	9.7	10.2	10.9	125
—	—	70	12.2	12.9	13.7	125
—	—	71	14.7	15.5	16.5	125
—	—	72	17.1	18.0	19.1	125
—	—	73	19.4	20.5	21.8	125
—	—	74	24.5	25.8	27.4	125
—	—	75	29.4	31.0	33.0	125
—	—	76	34.1	36.0	38.3	250
—	32	77	38.9	41.0	43.5	250
—	33	78	49.0	51.6	54.9	250
—	34	79	58.9	62.1	66.0	250
—	—	80	68.3	72.0	76.5	250
1	35	81	77.7	81.9	87.1	250
2	36	82	98.0	103.3	109.8	250
3	37	83	117.7	124.1	131.9	250
—	—	84	136.6	144.0	153.1	500
4	38	85	155.4	163.8	174.2	500
5	39	86	195.9	206.5	219.6	500
6	40	87	235.5	248.2	263.9	500
—	—	88	273.1	287.9	306.1	1000
7	41	89	310.8	327.6	348.3	1000
8	42	90	391.8	413.0	439.1	1000
9	43	91	470.9	496.4	527.8	1000
—	-	92	546.3	575.8	612.2	1000
10	44	93	621.6	655.3	696.7	1000

Table 25-183. Receiver Bandwidth Settings (continued)

Setting (Legacy)	Setting (Normal)	Setting (Enhanced)	Receiver Bandwidth (868 MHz)	Receiver Bandwidth (915 MHz)	Receiver Bandwidth (2432 MHz)	Default Intermediate Frequency (kHz)
11	45	94	783.6	826.0	878.2	1000
12	46	95	941.8	992.8	1055.6	1000
—	—	96	1092.5	1151.7	1224.4	1000
13	47	97	1243.2	1310.5	1393.3	1000
14	48	98	1567.2	1652.1	1756.4	1000
15	49	99	1883.7	1985.7	2111.1	1000
—	—	100	2185.1	2303.4	2448.9	1000
16	50	101	2486.5	2621.1	2786.7	1000
17	51	102	3134.4	3304.2	3512.9	1000
18	52	103	3767.4	3971.4	4222.2	1000
Others			Reserved			

The `CMD_PROP_RADIO_DIV_SETUP` command contains settings for frequency band and intermediate frequency. The center frequency of the band to use is given by `centerFreq`, and used for calculating the transmitter shaping filter and the TX IF. The divider to use in the synthesizer is given by `loDivider`. The user must ensure that the setting is compatible with the given frequency. A value of 0 or 2 is only allowed for devices supporting operation in the 2.4 GHz band, and a value greater than 2 is only allowed for devices supporting operation in the Sub-1 GHz band. In the `CMD_PROP_RADIO_SETUP` command, `centerFreq` defaults to 2432 MHz and `loDivider` defaults to 0.

For `CMD_PROP_RADIO_DIV_SETUP`, the intermediate frequency can be specified through the `intFreq` parameter, which calculates the setting in the modem for RX and is written to the configuration parameter area. If this parameter is 0x8000 and for `CMD_PROP_RADIO_SETUP`, a default intermediate frequency as given in [Table 25-183](#) is used. It is checked whether the configured intermediate frequency is supported for TX. If not, the TX intermediate frequency is set to 0. This happens if the intermediate frequency is greater than the RF center frequency divided by 15500. This causes the synthesizer to be reprogrammed without recalibration between RX and TX. This may increase the necessary turnaround time or in some cases cause the frequency synthesizer to get out of lock, meaning that a recalibration is necessary when switching between RX and TX.

The `preamConf` setting gives the preamble. The preamble is a sequence of 1010... or 0101..., where `preamConf.preamMode` gives the first transmitted bit. For more than 16 bytes, only an even number of bytes is supported. Setting `preamConf.nPreamBytes = 31` gives a 4-bit preamble, and setting `preamConf.nPreamBytes = 0` gives a 1-bit preamble.

The `formatConf` setting is used for various setup of the packet format. The sync word length is given by `nSwBits`, which can be up to 32 bits. The bit polarity for FSK type modulation is given by `bBitReversal`, which must be 1 for compatibility with CC1101. The bit ordering is given by `bMsbFirst`, where 1 gives compatibility with the CC1101 device, and so forth. The `whitenMode` setting can select a whitener scheme. Other whiteners are obtained using override settings. Details of the IEEE802.15.4g settings are given in [Section 25.10.5.2.1](#). The `fecMode` setting can be used to change the encoding of the transmitted or received signal. For long-range mode (`fecMode = 8`), the `nSwBits` setting and the sync word programmed in the RX and TX commands are ignored, and a hard-coded 64-bit sync word with good performance is used. Setting `fecMode` to 10 enables Manchester coding. Only encoding/decoding of the payload and CRC is supported. A 0 will be encoded as 01b and a 1 as 10b.

The command sets up a 16-bit CRC with the polynomial $x^{16} + x^{15} + x^2 + 1$ and initialization of all 1s. This is compatible with the CC1101 device. Other polynomials, lengths, and initializations can be obtained by parameter overrides.

The `pRegOverride` parameter gives a pointer to an override structure, just as the one given for `CMD_RADIO_SETUP`. This parameter can be used for overriding parameters calculated from the other settings in the commands, as well as other parameters. If the value is `NULL`, no overrides are used.

25.10.5.2.1 IEEE 802.15.4g Packet Format

IEEE 802.15.4g PHY, including header, is supported by using the `CMD_PROP_RX_ADV` and `CMD_PROP_TX_ADV` commands.

The radio is configured to IEEE 802.15.4g mode by setting the `formatConf.whitenMode` field to the values 4, 5, 6, or 7, and `formatConf.bMsbFirst` must be set to 1 using the `CMD_PROP_RADIO_DIV_SETUP` command. For the `CMD_PROP_TX_ADV` and `CMD_PROP_RX_ADV` commands, `pktConf.bCrclncSw` and `pktConf.bCrclncHdr` must both be set to 0. For `CMD_PROP_RX_ADV`, `hdrConf.numHdrBits` must be set to 16, `hdrConf.lenPos` must be set to 0, `hdrConf.numLenBits` must be set to 11, and `lenOffset` must be -4.

When `formatConf.whitenMode` is 5 or 7, the radio is configured to produce the 32-bit CRC and whitening defined in IEEE 802.15.4g. When `formatConf.whitenMode` is 6 or 7, the radio also processes the headers in both receive and transmit as follows:

- If bit 15 of the header (counted from the LSB) is 1, the frame is assumed to consist of only a header, with no payload or CRC.
- If bit 12 of the header (counted from the LSB) is 1, the 16-bit CRC defined in IEEE 802.15.4g is assumed instead of the 32-bit CRC. For TX, 2 is added to the length offset to account for this, assuming the CRC is included in the received frame length.
- For mode 7: If bit 11 of the header (counted from the LSB) is 1, whitening is enabled; otherwise it is disabled.

Note

The IEEE 802.15.4g PHY header must be presented MSB first to the RF Core. In IEEE 802.15.4g specification, the payload part is LSB first, however the payload length info in physical layer header (PHR) is MSB first. This means that the payload needs to be flipped in the System CPU. This can be achieved with the System CPU assembly instruction `RBIT`.

The following example shows how to send a CRC-32 IEEE 802.15.4g frame with whitening enabled using the automatic headers processing feature (`formatConf.whitenMode = 7`).

```
/*
 * Prepare the .15.4g PHY header
 * MS=0, Length MSBits=0, DW and CRC settings read from 15.4g header (PHDR) by RF core.
 * Total length = transmit_len (payload) + CRC length
 *
 * The Radio will flip the bits around, so tx_buf[0] must have the
 * length LSBs (PHR[15:8] and tx_buf[1] will have PHR[7:0]
 */
/* Length in .15.4g PHY HDR includes the CRC but not the HDR itself */
```

```
uint16_t total_length;
```

```
total_length = transmit_len + CRC_LEN; /* CRC_LEN is 2 for CRC-16 and 4 for CRC-32 */
```

```
tx_buf[0] = total_length & 0xFF;
tx_buf[1] = (total_length >> 8) + 0x08 + 0x0; /* Whitening and CRC-32 bits */
tx_buf[2] = data;
```

An MCE patch is necessary to support FEC, Mode Switch, or other advanced features of IEEE 802.15.4g PHY.

25.10.5.3 Transmitter Commands

There are two commands for sending packets, `CMD_PROP_TX` and `CMD_PROP_TX_ADV`. The latter gives more flexibility in how the packet can be formed. Details of this are described in [Section 25.10.5.3.1](#) and [Section 25.10.5.3.2](#), respectively.

Both commands require the radio is set up in a compatible mode (such as proprietary mode), and that the synthesizer is programmed using `CMD_FS`.

For both commands, after the packet is transmitted, the frequency synthesizer is turned off when the command ends if `pktConf.bFsOff` is 1. If `pktConf.bFsOff` is 0, the synthesizer keeps running, so that the command must either be followed by an RX or TX command (which operate on the same frequency) or a `CMD_FS_OFF` command to turn off the synthesizer.

The end statuses for use with `CMD_PROP_TX` and `CMD_PROP_TX_ADV` are listed in [Table 25-184](#). This status decides the next operation, see [Section 25.10.5.1](#).

Table 25-184. End of Radio `CMD_PROP_TX` and `CMD_PROP_TX_ADV` Commands

Condition	Status Code	Result
Transmitted packet	PROP_DONE_OK	TRUE
Received <code>CMD_STOP</code> while transmitting packet and finished transmitting packet	PROP_DONE_STOPPED	FALSE
Received <code>CMD_ABORT</code> while transmitting packet	PROP_DONE_ABORT	ABORT
Observed illegal parameter	PROP_ERROR_PAR	ABORT
Command sent without setting up the radio in a supported mode using <code>CMD_PROP_RADIO_SETUP</code> or <code>CMD_RADIO_SETUP</code>	PROP_ERROR_NO_SETUP	ABORT
Command sent without the synthesizer being programmed	PROP_ERROR_NO_FS	ABORT
TX underflow observed during operation	PROP_ERROR_TXUNF	ABORT

25.10.5.3.1 Standard Transmit Command, `CMD_PROP_TX`

The `CMD_PROP_TX` command transmits a packet with the format from [Table 25-172](#). The parameters are as given in [Table 25-168](#).

The packet transmission starts at the given start trigger, with a fixed delay. The modem first transmits the preamble and sync word as configured. The sync word to transmit is given in the `syncWord` field, in the LSBs if less than 32 bits are used. The word is transmitted in the bit order programmed in the radio.

If `pktConf.bVarLen` is 1, a length byte equal to the value of `pktLen` is sent next. After this, the content of the buffer pointed to by `pPkt` is sent. This buffer consists of the number of bytes given in `pktLen`. If an address byte as shown in [Figure 25-9](#) is needed, it must be sent as the first payload byte.

If `pktConf.bUseCrc` is 1, a CRC is calculated and transmitted at the end. The number of CRC bits, polynomial, and initialization are as configured in the radio. The CRC is calculated over the length byte (if present) and over the entire contents of the buffer pointed to by `pPkt`.

If whitening is enabled, the optional length byte, the entire contents of the buffer pointed to by `pPkt`, and the CRC are subject to whitening. The whitening is done after the data is used for CRC calculation.

25.10.5.3.2 Advanced Transmit Command, `CMD_PROP_TX_ADV`

The `CMD_PROP_TX_ADV` command transmits a packet with the format from [Figure 25-10](#). As a special case, the user can set up packets as in [Figure 25-9](#). The radio must be set up in a compatible mode (such as proprietary mode) and the synthesizer programmed using `CMD_FS`. The parameters are as given in [Table 25-173](#).

The packet transmission starts at the given start trigger, with a fixed delay. Alternatively, if `startConf.bExtTXTrig` is 1, the packet transmission starts on an external trigger to the RF core. The trigger is identified as one of the inputs to the radio timer, and can be configured as rising edge, falling edge, or both edges through the `startConf` parameter. The system must ensure that this trigger comes after the start trigger, otherwise it is lost. The minimum delay after the start trigger is implementation-dependent and subject to characterization.

The modem first transmits the preamble and sync word as configured. If `preTrigger` is not `TRIG_NOW`, the configured preamble is repeated until that trigger (seen in combination with `preTime`) is observed. After the trigger is observed, the configured preamble under transmission finishes before the sync word transmission starts. If `preTrigger` is `TRIG_NOW`, the preamble is sent once, followed by the sync word. The sync word to

transmit is given in the syncWord field, in the LSBs if less than 32 bits are used, and is transmitted in the bit order programmed in the radio.

If numHdrBits is greater than 0, a header of numHdrBits is sent next. The header may contain a length field or an address. If so, these fields must be inserted correctly in the packet buffer. The header to be transmitted is the first bytes of the buffer pointed to by pPkt. If numHdrBits does not divide by 8, the MSBs of the last byte of the header are ignored.

The header is transmitted as one field in the bit ordering programmed in the radio. If the header has more than 8 bits, it is always read from the transmit buffer in little-endian byte order. If the radio is configured to transmit the MSB first, the last header byte from the TX buffer is transmitted first.

After the header, the remaining bytes in the buffer pointed to by pPkt are transmitted. The payload is transmitted byte by byte, so after the header, no swapping of bytes occurs regardless of bit ordering over the air. The total number of bytes (including the header) in this buffer is given by pktLen. If this length is too small to fit the header, the operation ends with PROP_ERROR_PAR as status. If an address field after the header as shown in [Figure 25-10](#) is needed, it must be sent as the first payload byte.

If pktLen is 0, unlimited length is used. In this case, pPkt points to a transmit queue instead of a buffer, see [Section 25.5.3.2](#).

If pktConf.bUseCrc is 1, a CRC is calculated and transmitted at the end. The number of CRC bits, polynomial, and initialization are as configured in the radio. If pktConf.bCrclncSw is 1, the transmitted sync word is included in the data set over which the CRC is calculated. If pktConf.bCrclncHdr is 1, the transmitted header is included in the data set over which the CRC is calculated. The payload is always used for calculating the CRC.

If whitening is enabled, the optional header is subject to whitening if pktConf.bCrclncHdr is 1. The entire payload and the CRC are always subject to whitening when enabled. The whitening is done after the data is used for CRC calculation.

25.10.5.4 Receiver Commands

There are two commands for receiving packets, CMD_PROP_RX and CMD_PROP_RX_ADV. The latter gives more flexibility in how the packet can be formed. Details of this are described in [Section 25.10.5.4.1](#) and [Section 25.10.5.4.2](#), respectively.

For both commands, the radio must be set up in a compatible mode (such as proprietary mode), and the synthesizer must be programmed using CMD_FS before the command is sent to the radio core.

Both commands have an end trigger, given by endTrigger and endTime. If this trigger occurs while the receiver is searching for sync, the operation ends with the status PROP_DONE_RXTIMEOUT. If the trigger occurs while receiving a packet, the action depends on pktConf.endType. If pktConf.endType = 0, the packet is received to the end and the operation then ends with PROP_DONE_ENDED as the status. If pktConf.endType = 1, the packet reception is aborted and the operation ends with PROP_DONE_BREAK as the status. The radio receives packets according to the details given in [Section 25.10.5.4.1](#) and [Section 25.10.5.4.2](#), respectively. After receiving a packet, an interrupt is raised. If pOutput is not NULL, an output structure as given in [Table 25-173](#), pointed to by pOutput, is updated as well. The interrupt to raise and field to update is given in [Table 25-185](#). This table also gives the result to write in the status field of the receive buffer, if enabled. The condition for packets being ignored is described in [Section 25.10.5.4.1](#) and [Section 25.10.5.4.2](#), respectively.

Table 25-185. Interrupt, Counter, and Result Field for Received Packets ⁽¹⁾

Condition	Interrupt Raised	Counter Incremented	Result Field of Status Byte
Packet fully received with CRC OK and not to be ignored	RX_OK	nRxOk	0
Packet fully received with CRC error	RX_NOK	nRxNok	1
Packet fully received with CRC OK and address mismatch (pktConf.filterOp = 1)	RX_IGNORED	nRxIgnored	2
Packet reception aborted due to timeout (pktConf.endType = 1), CMD_ABORT, too short length in CMD_PROP_SET_LEN, or CMD_PROP_RESTART_RX	RX_ABORTED	nRxStopped	3 ⁽¹⁾

Table 25-185. Interrupt, Counter, and Result Field for Received Packets ⁽¹⁾ (continued)

Condition	Interrupt Raised	Counter Incremented	Result Field of Status Byte
Packet reception aborted due to illegal length or address mismatch (pktConf.filterOp = 0)	RX_ABORTED	nRxStopped	–
Packet could not be stored due to lack of buffer space	RX_BUF_FULL	nRxBufFull	3 ⁽¹⁾

(1) Provided partial read entry is used and data is written to the buffer.

For both types of commands, the packet length may be configured as unlimited or unknown at the start of packet reception, by setting maxPktLen to 0. This mode can only be used with partial-read RX buffers. If the length is later determined, it can be set by the immediate or direct command CMD_PROP_SET_LEN, where the number of bytes between the header (if any) and the CRC is given. In addition to setting the length this way, packet reception may be stopped in the following ways (CRC check is not performed in the following cases):

- If CMD_PROP_SET_LEN is called with a smaller number of bytes than already received
- If CMD_PROP_RESTART_RX is given
- If no more RX buffer is available
- If the end trigger occurs and pktConf.endType is 1
- If the command is aborted with CMD_ABORT

For ignored packets and packets with CRC error, automatic flush of the receive buffer can be configured. In this case, packets are removed from the receive buffer after they have been received, so the next packet overwrites it and the counters are not updated to reflect the packet received.

Note

Automatic flush is not supported for partial-read RX entries. Packets with CRC error (that is, for which the RX_NOK interrupt is raised) are automatically flushed if rxConf.bAutoFlushCrcErr is 1.

Ignored packets (that is, for which the RX_IGNORED interrupt is raised) are automatically flushed if rxConf.bAutoFlushIgnored is 1. After a packet is received, the next action depends on pktConf.bRepeat. If this is 0, the command ends. Otherwise, it goes back into RX, unless another criterion exists that leads to the command to end. When the command ends, the frequency synthesizer is turned off if pktConf.bFsOff is 1. If pktConf.bFsOff is 0, the synthesizer keeps running, so that the command must either be followed by an RX or TX command (which operate on the same frequency) or a CMD_FS_OFF command to turn off the synthesizer.

The end statuses for CMD_PROP_RX and CMD_PROP_RX_ADV are listed in [Table 25-186](#). This status decides the next operation, see [Section 25.10.5.1](#).

Table 25-186. End of Radio CMD_PROP_RX and CMD_PROP_RX_ADV Commands

Condition	Status Code	Result
Received packet with CRC OK and pktConf.bRepeatOk = 0	PROP_DONE_OK	TRUE
Received packet with CRC error and pktConf.bRepeatNok = 0	PROP_DONE_RXERR	FALSE
Observed end trigger while in sync search	PROP_DONE_RXTIMEOUT	FALSE
Observed end trigger while receiving packet with pktConf.endType = 1	PROP_DONE_BREAK	FALSE
Received packet after observing an end trigger while receiving packet with pktConf.endType = 0	PROP_DONE_ENDED	FALSE
Received CMD_STOP after command started and, if sync found, packet is received	PROP_DONE_STOPPED	FALSE
Received CMD_ABORT after command started	PROP_DONE_ABORT	ABORT
No available RX buffer at the start of a packet	PROP_ERROR_RXBUF	FALSE
Out of RX buffer during reception in a partial read buffer	PROP_ERROR_RXFULL	FALSE
Observed illegal parameter	PROP_ERROR_PAR	ABORT
Command sent without setting up the radio in a supported mode using CMD_PROP_RADIO_SETUP or CMD_RADIO_SETUP	PROP_ERROR_NO_SETUP	ABORT
Command sent without the synthesizer being programmed	PROP_ERROR_NO_FS	ABORT

Table 25-186. End of Radio CMD_PROP_RX and CMD_PROP_RX_ADV Commands (continued)

Condition	Status Code	Result
TX overflow observed during operation	PROP_ERROR_RXOVF	ABORT

25.10.5.4.1 Standard Receive Command, CMD_PROP_RX

The CMD_PROP_RX receives packets with the format from [Figure 25-9](#). The parameters are as given in [Table 25-174](#).

The modem configures the receiver and starts listening for sync. The sync word to listen for is given in the syncWord field, in the LSBs if less than 32 bits are used. The word is in the bit order programmed in the radio.

If sync is found, the radio CPU starts receiving data. If pktConf.bVarLen is 1 and maxPktLen is nonzero, a length byte is assumed as the next byte. This length byte is compared to maxPktLen, and if it is greater, reception is stopped and synch search is restarted. Otherwise, this indicates the number of bytes after the length byte and before the CRC. If pktConf.bVarLen is 0, the length is fixed, and the receiver assumes maxPktLen bytes after the sync word and before the CRC. If maxPktLen is zero, the length is unlimited as described in the beginning of [Section 25.10.5.4](#).

If pktConf.bChkAddress is 1, an address byte is checked next. The address byte is checked against the values of address0 and address1. If only one address is needed, these two fields must be set to the same value. If address1 is 0xFF, it is also checked against the value 0x00. To check for 0xFF without checking for 0x00, address0 must be the one set to 0xFF. If the address byte does not match the configured addresses, the further treatment depends on pktConf.filterOp. If this is 0, reception is stopped and synch search is restarted. If it is 1, the packet is received as if the address had matched, but it is marked as ignored.

If the packet is being received, the data is placed in the receive buffer. This receive buffer is found from the receive queue pointed to by pQueue. If pQueue is NULL, the packet is never stored.

If pktConf.bUseCrc is 1, a CRC is received and checked at the end. The number of CRC bits, polynomial, and initialization are as configured in the radio. The CRC is calculated over the length byte (if present), the optional address, and the payload. If pktConf.bUseCrc is 0, the treatment is as for CRC OK.

If whitening is enabled, the optional length byte, the payload including the optional address, and the received CRC are subject to dewatering. The dewatering is done before the CRC is evaluated.

If a status byte is appended (rxConf.bAppendStatus is 1) to the packet, it is formatted as follows (see [Table 25-180](#)). If pktConf.addressMode is nonzero, the addressInd field is 0 if the address matched address0, 1 if it matched address1, 2 if it matched 0x00 and this address was enabled, and 3 if it matched 0xFF and this address was enabled. Otherwise, addressInd is 0. The syncWordId field is always 0 for CMD_PROP_RX. The result field is written according to [Table 25-186](#).

25.10.5.4.2 Advanced Receive Command, CMD_PROP_RX_ADV

The CMD_PROP_RX_ADV is used for receiving packets with the format from [Figure 25-10](#). As a special case, the user can set up packets as in [Figure 25-9](#). The parameters are as given in [Table 25-175](#).

The modem configures the receiver and starts listening for sync. The sync word to listen for is given in the syncWord0 field, in the LSBs if less than 32 bits are used. The word is in the bit order programmed in the radio. If syncWord1 is nonzero, the receiver also listens for the sync word given in the syncWord1 field (formatted in the same way) if supported in the MCE. It is not possible to use two sync words when using CMD_PROP_RX_ADV_SNIFF with csConf.bEnaCorr set to 1.

If sync is found, the radio CPU starts receiving data. The packet may contain a header, which can consist of any number of bits up to 32, given by hdrConf.numHdrBits. If the number of bits in the header does not divide by 8, it is considered to consist of a sufficient number of bytes to contain all the stored bits, as shown in [Section 25.5.3.1](#). This header may contain a length field or an address.

The received packet may have fixed or variable length. If hdrConf.numLenBits is 0 and maxPktLen is nonzero, the packet has a fixed length, consisting of maxPktLen bytes after the header and before the CRC. If hdrConf.numLenBits is greater than 0, a field of hdrConf.numLenBits, read from bit number hdrConf.lenPos

from the LSB of the header, is taken as a length field. The signed number `lenOffset` is added to the received length to give the number of bytes after the header and before the CRC. If this number is less than or equal to `maxPktLen`, the packet is received. If `maxPktLen` is zero, the length is unlimited as described in the beginning of [Section 25.10.5.4](#). The definition of packet length for `CMD_PROP_RX_ADV` differs from the one for `CMD_PROP_TX_ADV`, see [Section 25.10.5.4.2](#) where the header is included in the packet length.

Two kinds of addresses are supported. With the first option, the address is part of the header. In this case, the address size can be from 1 to 31 bits. The other option is to have an address after the header. If so, this address consists of between 1 and 8 bytes. To use an address as part of the header, `addrConf.addrType` must be set to 1. The number of bits in the address is given by `addrConf.addrSize`. These bits are read from bit number `addrConf.addrPos` from the first bit of the header. To use an address after the header, `addrConf.addrType` must be set to 0. In this case, the number of bytes in the address is given by `addrConf.addrSize`.

The received address is compared to an address list pointed to by `pAddr`. The address to compare against this list is as received. In addition, one bit identifying the sync word is concatenated with the address as the MSBs, if one of the following conditions is fulfilled:

- `syncWord1` \neq 0 and `addrConf.addrType` = 1
- `syncWord1` \neq 0, `addrConf.addrType` = 0, and `addrConf.addrPos` \neq 0

This extra bit is 0 if the received sync word was `syncWord0`, and 1 if the received sync word was `syncWord1`. The entries in the address list have a size of 8, 16, 32, or 64 bits; the smallest size that can fit the address size, including the sync word identification bit if applicable. The number of entries in the address list is given by `addrConf.numAddr`. The radio CPU scans through the addresses in the address list and compares it to the received address. If there is no match, the further treatment depends on `pktConf.filterOp`. If this is 0, reception is stopped and sync search is restarted. If it is 1, the packet is received as if the address had matched, but marked as ignored.

If `addrConf.addrSize` is zero, no address is used. In this case, `pAddr` is ignored and must be NULL.

If the packet is being received, the data is placed in the receive buffer, as in [Section 25.5.3.1](#). This receive buffer is found from the receive queue pointed to by `pQueue`. If `pQueue` is NULL, the packet is never stored.

The header is received as one field in the bit ordering programmed in the radio. If the header has more than 8 bits and `rxConf.bIncludeHdr` is 1, the header is always written in little-endian byte order to the receive buffer. If the radio is configured to receive the MSB first, the last header byte stored in the receive buffer is received first. The payload is stored byte by byte, so after the header, no swapping of bytes occurs regardless of bit ordering over the air.

If `pktConf.bUseCrc` is 1, a CRC is received and checked at the end. The number of CRC bits, polynomial, and initialization are as configured in the radio. If `pktConf.bCrcIncSw` is 1, the received sync word (assuming it to be exactly equal to `syncWord0` or `syncWord1`) is included in the data set over which the CRC is calculated. If `pktConf.bCrcIncHdr` is 1, the received header is included in the data set over which the CRC is calculated. The payload, including the optional address after the header, is always used for calculating the CRC. If `pktConf.bUseCrc` is 0, the treatment is as for CRC OK.

If whitening is enabled, the optional header is subject to dewhitening only if `pktConf.bCrcIncHdr` is 1. The payload including the optional address after the header, and the received CRC, are always subject to dewhitening when enabled. The dewhitening is done before the CRC is evaluated.

If a status byte is appended (`rxConf.bAppendStatus` is 1) to the packet, it is formatted as follows (see [Receive Buffers](#)

[Table 25-180](#)). If `addrConf.addrSize` is nonzero, the `addressInd` field is the first index into the address list that matched the received address if an address match existed. Otherwise, `addressInd` is 0. The `syncWordId` field is 0 if the received sync word was `syncWord0`, and 1 if `syncWord1`. The result field is written according to [Table 25-185](#).

25.10.5.5 Carrier-Sense Operation

The carrier-sense operation detects if a signal is present, which has the following main purposes:

- Turns off the radio instead of receiving when no signal is present
- Turns the radio to transmit only if no signal is present

The carrier sense operation can be used with the command `CMD_PROP_CS` to chain with another operation (for example, a transmit operation), or with the commands `CMD_PROP_RX_SNIFF` or `CMD_PROP_RX_ADV_SNIFF` to combine with a normal receive operation in order to implement sniff mode. The details of these commands are described in [Section 25.10.5.5.1](#), [Section 25.10.5.5.2](#), and [Section 25.10.5.5.3](#).

25.10.5.5.1 Common Carrier-Sense Description

[Section 25.10.2.3](#) gives the parameters for the carrier-sense operation, which are common for all the commands. The offset from the first byte used for carrier-sense parameters are also given in [Section 25.10.2.3](#).

The channel can be in one of three states: BUSY, IDLE, or INVALID. BUSY indicates a signal on the channel. IDLE indicates no signal is present on the channel. INVALID indicates that the state cannot be determined. There are two sources of channel information, RSSI and correlation, and a separate state is maintained for each source.

The operation starts when the radio is set up in receive mode. The RSSI or correlation is monitored, according to the enable bits `csConf.bEnaRssi` and `csConf.bEnaCorr`. If `csConf.bEnaRssi` is 1, the RSSI is monitored. If `csConf.bEnaCorr` is 1, the correlator is set up to correlate against the preamble. It is not possible to set both enable bits to 0.

If `csConf.bEnaRssi` is 1, the RSSI is monitored every time a new value is available from the radio. At each update, the RSSI is compared against the signed value `rssiThr`. If the RSSI is below `rssiThr` and `numRssiIdle` consecutive RSSI measurements below the threshold have been observed, the RSSI state is IDLE. If the RSSI is above `rssiThr` and `numRssiBusy` consecutive RSSI measurements above the threshold have been observed, the RSSI state is BUSY. Otherwise, the RSSI state is INVALID.

If `csConf.bEnaCorr` is 1, the radio CPU monitors correlation peaks from the modem. When the radio starts, the state is INVALID. If no correlation top is observed until `corrPeriod` RAT ticks after the carrier sense command was started, the state becomes IDLE. If the state is IDLE and at least `corrConfig.numCorrInv` correlation tops with at most `corrPeriod` RAT ticks between them are observed, the state becomes INVALID. If the state is INVALID and at least `corrConfig.numCorrBusy` correlation tops with at most `corrPeriod` RAT ticks between them are observed, the state becomes BUSY. If `corrConfig.numCorrBusy` is 0, the state goes directly to BUSY from IDLE. The value of `corrConfig.numCorrIdle` must be greater than 0. If the state is not Idle and `corrTime` RAT ticks pass after the last correlation top, the state becomes IDLE again.

If only one of the enable bits is 1, the channel state is equal to the state of the corresponding source. If both enable bits are 1, the channel state depends on the state of the two sources and the `csConf.operation` bit, as shown in [Table 25-187](#).

Table 25-187. Channel State When Both Sources are Enabled

csConf.operation = 0			
RSSI State	Correlation State		
	INVALID	IDLE	BUSY
INVALID	INVALID	INVALID	BUSY
IDLE	INVALID	IDLE	BUSY
BUSY	BUSY	BUSY	BUSY
csConf.operation = 1			
RSSI State	Correlation State		
	INVALID	IDLE	BUSY
INVALID	INVALID	IDLE	INVALID
IDLE	IDLE	IDLE	IDLE
BUSY	INVALID	IDLE	BUSY

If the state of the channel changes to BUSY, the action depends on `csConf.busyOp` and the command being run. If `csConf.busyOp` is 0, the operation continues. If `csConf.busyOp` is 1 and the command is `CMD_PROP_CS`, the operation ends with `PROP_DONE_BUSY` as status. If `csConf.busyOp` is 1 and the command is `CMD_PROP_RX_SNIFF` or `CMD_PROP_RX_ADV_SNIFF`, the receive operation continues, but carrier sense is stopped, so the operation is not affected if the channel state later changes to IDLE.

If the state of the channel changes to IDLE, the action depends on `csConf.idleOp`. If the value of this field is 0, the receiver and carrier sense operation continues. If it is 1, the operation ends with `PROP_DONE_IDLE` as status.

If the trigger given by `csEndTrigger` and `csEndTime` is observed, the action depends on the command being run and the channel state at that time. The details are described in [Section 25.10.5.5.2](#) and [Section 25.10.5.5.3](#).

25.10.5.5.2 Carrier-Sense Command, `CMD_PROP_CS`

When the carrier-sense command starts, the radio is set up in receive mode, and the operations described in [Section 25.10.5.5.1](#) are performed. The radio must be set up in a compatible mode (such as proprietary mode) and the synthesizer programmed using `CMD_FS`.

If the trigger given by `csEndTrigger` and `csEndTime` is observed, the operation ends, and the current channel state is checked. If the state is BUSY or IDLE, the status is `PROP_DONE_BUSY` or `PROP_DONE_IDLE`, respectively. If the state is INVALID, the status depends on `csConf.timeoutRes`. If 0, the status is `PROP_DONE_BUSYTIMEOUT`; if 1, `PROP_DONE_IDLETIMEOUT`.

When `CMD_PROP_CS` ends and the status is `PROP_DONE_BUSY` or `PROP_DONE_BUSYTIMEOUT`, the synthesizer is turned off if `csFsConf.bFsOffBusy` is 1. If the command ends and the status is `PROP_DONE_IDLE` or `PROP_DONE_IDLETIMEOUT`, the synthesizer is turned off if `csFsConf.bFsOffIdle` is 1. If it ends with another status, the synthesizer is turned off if either of these bits is 1.

The end statuses for use with `CMD_PROP_CS` are summarized in [Table 25-188](#). This status decides the next operation, as shown in [Section 25.10.5.1](#).

Table 25-188. End of `CMD_PROP_CS` Command

Condition	Status Code	Result
Observed channel state Busy with <code>csConf.busyOp</code> = 1	<code>PROP_DONE_BUSY</code>	TRUE
Observed channel state Idle with <code>csConf.idleOp</code> = 1	<code>PROP_DONE_IDLE</code>	FALSE
Timeout trigger observed with channel state Busy	<code>PROP_DONE_BUSY</code>	TRUE
Timeout trigger observed with channel state Idle	<code>PROP_DONE_IDLE</code>	FALSE
Timeout trigger observed with channel state Invalid and <code>csConf.timeoutRes</code> = 0	<code>PROP_DONE_BUSYTIMEOUT</code>	TRUE
Timeout trigger observed with channel state Invalid and <code>csConf.timeoutRes</code> = 1	<code>PROP_DONE_IDLETIMEOUT</code>	FALSE
Received <code>CMD_STOP</code> after command started	<code>PROP_DONE_STOPPED</code>	FALSE
Received <code>CMD_ABORT</code> after command started	<code>PROP_DONE_ABORT</code>	ABORT
Observed illegal parameter	<code>PROP_ERROR_PAR</code>	ABORT
Command sent without setting up the radio in a supported mode using <code>CMD_PROP_RADIO_SETUP</code> or <code>CMD_RADIO_SETUP</code>	<code>PROP_ERROR_NO_SETUP</code>	ABORT
Command sent without the synthesizer being programmed	<code>PROP_ERROR_NO_FS</code>	ABORT

25.10.5.5.3 Sniff Mode Receiver Commands, `CMD_PROP_RX_SNIFF` and `CMD_PROP_RX_ADV_SNIFF`

The commands `CMD_PROP_RX_SNIFF` and `CMD_PROP_RX_ADV_SNIFF` behave like the commands `CMD_PROP_RX` and `CMD_PROP_RX_ADV`, respectively, but they perform carrier-sense operations during sync search.

When started, the commands perform the carrier-sense operations described in [Section 25.10.5.5.1](#). As described, the operation may end if the channel state becomes IDLE.

If the trigger given by `csEndTrigger` and `csEndTime` is observed, the current channel state is checked. If BUSY, the receiver continues, but may end later if the channel state becomes IDLE and `csConf.busyOp` is 0. If the channel state is IDLE, the operation ends (even if `csConf.idleOp` is 0), and the status is `PROP_DONE_IDLE`. If

the channel state is INVALID, the action depends on `csConf.timeoutRes`. If 0, the receive operation continues, and if `csConf.busyOp` is 1, carrier sense is no longer checked. If `csConf.timeoutRes` is 1, the operation ends and the status is `PROP_DONE_IDLETIMEOUT`.

If sync is found, the receiver operates as described in [Section 25.10.5.4](#). If sync search is restarted after a packet is received or after reception is stopped due to an invalid length field or address mismatch, the carrier-sense operation is resumed if it was running when sync was found.

The end statuses for use with `CMD_PROP_RX_SNIFF` and `CMD_PROP_RX_ADV_SNIFF` are listed in [Table 25-186](#) and [Table 25-189](#). This status decides the next operation, as in [Section 25.10.5.1](#).

Table 25-189. Additional End Statuses for `CMD_PROP_RX_SNIFF` and `CMD_PROP_RX_ADV_SNIFF`

Condition	Status Code	Result
Observed channel state IDLE with <code>csConf.idleOp = 1</code>	<code>PROP_DONE_IDLE</code>	FALSE
Timeout trigger observed with channel state IDLE	<code>PROP_DONE_IDLE</code>	FALSE
Timeout trigger observed with channel state INVALID and <code>csConf.timeoutRes = 1</code>	<code>PROP_DONE_IDLETIMEOUT</code>	FALSE

25.10.6 Immediate Commands

25.10.6.1 Set Packet Length Command, `CMD_PROP_SET_LEN`

The `CMD_PROP_SET_LEN` command takes a command structure as defined in [Table 25-176](#).

`CMD_PROP_SET_LEN` must only be sent while a `CMD_PROP_RX` or `CMD_PROP_RX_ADV` command is running configured with unlimited packet length. On reception of the command, the radio CPU sets the number of bytes to receive between the header and the CRC to `RXLen`. If at least this number of bytes has already been received, reception is aborted, as in [Section 25.10.5.4](#) and [Section 25.10.5.4.2](#).

The command may be sent as a direct command if the payload length to set is 255 bytes or less. In this case, the `RXLen` parameter is written in bits 8–16 of `CMDR`, and the 8 MSBs of this parameter is 0.

If the command is issued without a `CMD_PROP_RX` or `CMD_PROP_RX_ADV` command running, or if such a command is not configured with unlimited length, the radio CPU returns the result `ContextError` in `CMDSTA`. Otherwise, the radio CPU returns `DONE`.

25.10.6.2 Restart Packet RX Command, `CMD_PROP_RESTART_RX`

The `CMD_PROP_RESTART_RX` command is a direct command that takes no parameters.

`CMD_PROP_RESTART_RX` must only be sent while a `CMD_PROP_RX` or `CMD_PROP_RX_ADV` command is running. If a packet is being received, reception is aborted as described in [Section 25.10.5.4](#) and the packet returns to sync search.

If the command is issued without an RX command running, the radio CPU returns the result `ContextError` in `CMDSTA`. Otherwise, the radio CPU returns `DONE`.

25.11 Radio Registers

The next sections show the register banks for the Radio.

25.11.1 RFC_RAT Registers

[RFC_RAT Registers](#) lists the memory-mapped registers for the RFC_RAT registers. All register offset addresses not listed in [RFC_RAT Registers](#) should be considered as reserved locations and the register contents should not be modified.

Table 25-190. RFC_RAT Registers

Offset	Acronym	Register Name	Section
4h	RATCNT	Radio Timer Counter Value	Section 25.11.1.1
80h	RATCH0VAL	Timer Channel 0 Capture/Compare Register	Section 25.11.1.2
84h	RATCH1VAL	Timer Channel 1 Capture/Compare Register	Section 25.11.1.3
88h	RATCH2VAL	Timer Channel 2 Capture/Compare Register	Section 25.11.1.4
8Ch	RATCH3VAL	Timer Channel 3 Capture/Compare Register	Section 25.11.1.5
90h	RATCH4VAL	Timer Channel 4 Capture/Compare Register	Section 25.11.1.6
94h	RATCH5VAL	Timer Channel 5 Capture/Compare Register	Section 25.11.1.7
98h	RATCH6VAL	Timer Channel 6 Capture/Compare Register	Section 25.11.1.8
9Ch	RATCH7VAL	Timer Channel 7 Capture/Compare Register	Section 25.11.1.9

Complex bit access types are encoded to fit into small table cells. [RFC_RAT Access Type Codes](#) shows the codes that are used for access types in this section.

Table 25-191. RFC_RAT Access Type Codes

Access Type	Code	Description
Read Type		
R	R	Read
Write Type		
W	W	Write
Reset or Default Value		
-n		Value after reset or the default value

25.11.1.1 RATCNT Register (Offset = 4h) [Reset = 00000000h]

RATCNT is shown in [RATCNT Register](#) and described in [RATCNT Register Field Descriptions](#).

Return to the [RFC_RAT Registers](#).

Radio Timer Counter Value

Figure 25-12. RATCNT Register

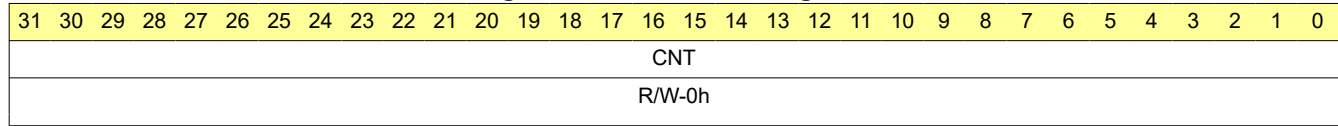


Table 25-192. RATCNT Register Field Descriptions

Bit	Field	Type	Reset	Description
31-0	CNT	R/W	0h	Counter value. This is not writable while radio timer counter is enabled.

25.11.1.2 RATCH0VAL Register (Offset = 80h) [Reset = 00000000h]

RATCH0VAL is shown in [RATCH0VAL Register](#) and described in [RATCH0VAL Register Field Descriptions](#).

Return to the [RFC_RAT Registers](#).

Timer Channel 0 Capture/Compare Register

Figure 25-13. RATCH0VAL Register

31	30	29	28	27	26	25	24	23	22	21	20	19	18	17	16	15	14	13	12	11	10	9	8	7	6	5	4	3	2	1	0
VAL																															
R/W-0h																															

Table 25-193. RATCH0VAL Register Field Descriptions

Bit	Field	Type	Reset	Description
31-0	VAL	R/W	0h	Capture/compare value. Only writable when the channel is configured for compare mode. In compare mode, a write to this register will auto-arm the channel.

25.11.1.3 RATCH1VAL Register (Offset = 84h) [Reset = 00000000h]

RATCH1VAL is shown in [RATCH1VAL Register](#) and described in [RATCH1VAL Register Field Descriptions](#).

Return to the [RFC_RAT Registers](#).

Timer Channel 1 Capture/Compare Register

Figure 25-14. RATCH1VAL Register

31	30	29	28	27	26	25	24	23	22	21	20	19	18	17	16	15	14	13	12	11	10	9	8	7	6	5	4	3	2	1	0
VAL																															
R/W-0h																															

Table 25-194. RATCH1VAL Register Field Descriptions

Bit	Field	Type	Reset	Description
31-0	VAL	R/W	0h	Capture/compare value. Only writable when the channel is configured for compare mode. In compare mode, a write to this register will auto-arm the channel.

25.11.1.4 RATCH2VAL Register (Offset = 88h) [Reset = 00000000h]

RATCH2VAL is shown in [RATCH2VAL Register](#) and described in [RATCH2VAL Register Field Descriptions](#).

Return to the [RFC_RAT Registers](#).

Timer Channel 2 Capture/Compare Register

Figure 25-15. RATCH2VAL Register

31	30	29	28	27	26	25	24	23	22	21	20	19	18	17	16	15	14	13	12	11	10	9	8	7	6	5	4	3	2	1	0
VAL																															
R/W-0h																															

Table 25-195. RATCH2VAL Register Field Descriptions

Bit	Field	Type	Reset	Description
31-0	VAL	R/W	0h	Capture/compare value. Only writable when the channel is configured for compare mode. In compare mode, a write to this register will auto-arm the channel.

25.11.1.5 RATCH3VAL Register (Offset = 8Ch) [Reset = 0000000h]

RATCH3VAL is shown in [RATCH3VAL Register](#) and described in [RATCH3VAL Register Field Descriptions](#).

Return to the [RFC_RAT Registers](#).

Timer Channel 3 Capture/Compare Register

Figure 25-16. RATCH3VAL Register

31	30	29	28	27	26	25	24	23	22	21	20	19	18	17	16	15	14	13	12	11	10	9	8	7	6	5	4	3	2	1	0
VAL																															
R/W-0h																															

Table 25-196. RATCH3VAL Register Field Descriptions

Bit	Field	Type	Reset	Description
31-0	VAL	R/W	0h	Capture/compare value. Only writable when the channel is configured for compare mode. In compare mode, a write to this register will auto-arm the channel.

25.11.1.6 RATCH4VAL Register (Offset = 90h) [Reset = 00000000h]

RATCH4VAL is shown in [RATCH4VAL Register](#) and described in [RATCH4VAL Register Field Descriptions](#).

Return to the [RFC_RAT Registers](#).

Timer Channel 4 Capture/Compare Register

Figure 25-17. RATCH4VAL Register

31	30	29	28	27	26	25	24	23	22	21	20	19	18	17	16	15	14	13	12	11	10	9	8	7	6	5	4	3	2	1	0
VAL																															
R/W-0h																															

Table 25-197. RATCH4VAL Register Field Descriptions

Bit	Field	Type	Reset	Description
31-0	VAL	R/W	0h	Capture/compare value. Only writable when the channel is configured for compare mode. In compare mode, a write to this register will auto-arm the channel.

25.11.1.7 RATCH5VAL Register (Offset = 94h) [Reset = 00000000h]

RATCH5VAL is shown in [RATCH5VAL Register](#) and described in [RATCH5VAL Register Field Descriptions](#).

Return to the [RFC_RAT Registers](#).

Timer Channel 5 Capture/Compare Register

Figure 25-18. RATCH5VAL Register

31	30	29	28	27	26	25	24	23	22	21	20	19	18	17	16	15	14	13	12	11	10	9	8	7	6	5	4	3	2	1	0
VAL																															
R/W-0h																															

Table 25-198. RATCH5VAL Register Field Descriptions

Bit	Field	Type	Reset	Description
31-0	VAL	R/W	0h	Capture/compare value. Only writable when the channel is configured for compare mode. In compare mode, a write to this register will auto-arm the channel.

25.11.1.8 RATCH6VAL Register (Offset = 98h) [Reset = 0000000h]

RATCH6VAL is shown in [RATCH6VAL Register](#) and described in [RATCH6VAL Register Field Descriptions](#).

Return to the [RFC_RAT Registers](#).

Timer Channel 6 Capture/Compare Register

Figure 25-19. RATCH6VAL Register

31	30	29	28	27	26	25	24	23	22	21	20	19	18	17	16	15	14	13	12	11	10	9	8	7	6	5	4	3	2	1	0
VAL																															
R/W-0h																															

Table 25-199. RATCH6VAL Register Field Descriptions

Bit	Field	Type	Reset	Description
31-0	VAL	R/W	0h	Capture/compare value. Only writable when the channel is configured for compare mode. In compare mode, a write to this register will auto-arm the channel.

25.11.1.9 RATCH7VAL Register (Offset = 9Ch) [Reset = 0000000h]

RATCH7VAL is shown in [RATCH7VAL Register](#) and described in [RATCH7VAL Register Field Descriptions](#).

Return to the [RFC_RAT Registers](#).

Timer Channel 7 Capture/Compare Register

Figure 25-20. RATCH7VAL Register

31	30	29	28	27	26	25	24	23	22	21	20	19	18	17	16	15	14	13	12	11	10	9	8	7	6	5	4	3	2	1	0
VAL																															
R/W-0h																															

Table 25-200. RATCH7VAL Register Field Descriptions

Bit	Field	Type	Reset	Description
31-0	VAL	R/W	0h	Capture/compare value. Only writable when the channel is configured for compare mode. In compare mode, a write to this register will auto-arm the channel.

25.11.2 RFC_DBELL Registers

[RFC_DBELL Registers](#) lists the memory-mapped registers for the RFC_DBELL registers. All register offset addresses not listed in [RFC_DBELL Registers](#) should be considered as reserved locations and the register contents should not be modified.

Table 25-201. RFC_DBELL Registers

Offset	Acronym	Register Name	Section
0h	CMDR	Doorbell Command Register	Section 25.11.2.1
4h	CMDSTA	Doorbell Command Status Register	Section 25.11.2.2
8h	RFHWIFG	Interrupt Flags From RF Hardware Modules	Section 25.11.2.3
Ch	RFHWIEN	Interrupt Enable For RF Hardware Modules	Section 25.11.2.4
10h	RFCPEIFG	Interrupt Flags For Command and Packet Engine Generated Interrupts	Section 25.11.2.5
14h	RFCPEIEN	Interrupt Enable For Command and Packet Engine Generated Interrupts	Section 25.11.2.6
18h	RFCPEISL	Interrupt Vector Selection For Command and Packet Engine Generated Interrupts	Section 25.11.2.7
1Ch	RFACKIFG	Doorbell Command Acknowledgement Interrupt Flag	Section 25.11.2.8
20h	SYSGPOCTL	RF Core General Purpose Output Control	Section 25.11.2.9

Complex bit access types are encoded to fit into small table cells. [RFC_DBELL Access Type Codes](#) shows the codes that are used for access types in this section.

Table 25-202. RFC_DBELL Access Type Codes

Access Type	Code	Description
Read Type		
R	R	Read
Write Type		
W	W	Write
Reset or Default Value		
-n		Value after reset or the default value

25.11.2.1 CMDR Register (Offset = 0h) [Reset = 0000000h]

CMDR is shown in [CMDR Register](#) and described in [CMDR Register Field Descriptions](#).

Return to the [RFC_DBELL Registers](#).

Doorbell Command Register

Figure 25-21. CMDR Register

31	30	29	28	27	26	25	24	23	22	21	20	19	18	17	16	15	14	13	12	11	10	9	8	7	6	5	4	3	2	1	0
CMD																															
R/W-0h																															

Table 25-203. CMDR Register Field Descriptions

Bit	Field	Type	Reset	Description
31-0	CMD	R/W	0h	Command register. Raises an interrupt to the Command and packet engine (CPE) upon write.

25.11.2.2 CMDSTA Register (Offset = 4h) [Reset = 0000000h]

CMDSTA is shown in [CMDSTA Register](#) and described in [CMDSTA Register Field Descriptions](#).

Return to the [RFC_DBELL Registers](#).

Doorbell Command Status Register

Figure 25-22. CMDSTA Register

31	30	29	28	27	26	25	24	23	22	21	20	19	18	17	16	15	14	13	12	11	10	9	8	7	6	5	4	3	2	1	0
																	STAT														
																	R-0h														

Table 25-204. CMDSTA Register Field Descriptions

Bit	Field	Type	Reset	Description
31-0	STAT	R	0h	Status of the last command used

25.11.2.3 RFHWIFG Register (Offset = 8h) [Reset = 0000000h]

RFHWIFG is shown in [RFHWIFG Register](#) and described in [RFHWIFG Register Field Descriptions](#).

Return to the [RFC_DBELL Registers](#).

Interrupt Flags From RF Hardware Modules

Figure 25-23. RFHWIFG Register

31	30	29	28	27	26	25	24
RESERVED							
R-0h							
23	22	21	20	19	18	17	16
RESERVED				RATCH7	RATCH6	RATCH5	RATCH4
R-0h				R/W-0h	R/W-0h	R/W-0h	R/W-0h
15	14	13	12	11	10	9	8
RATCH3	RATCH2	RATCH1	RATCH0	RFESOFT2	RFESOFT1	RFESOFT0	RFEDONE
R/W-0h	R/W-0h	R/W-0h	R/W-0h	R/W-0h	R/W-0h	R/W-0h	R/W-0h
7	6	5	4	3	2	1	0
RESERVED	TRCTK	MDMSOFT	MDMOUT	MDMIN	MDMDONE	FSCA	RESERVED
R-0h	R/W-0h	R/W-0h	R/W-0h	R/W-0h	R/W-0h	R/W-0h	R-0h

Table 25-205. RFHWIFG Register Field Descriptions

Bit	Field	Type	Reset	Description
31-20	RESERVED	R	0h	Reserved
19	RATCH7	R/W	0h	Radio timer channel 7 interrupt flag. Write zero to clear flag. Write to one has no effect.
18	RATCH6	R/W	0h	Radio timer channel 6 interrupt flag. Write zero to clear flag. Write to one has no effect.
17	RATCH5	R/W	0h	Radio timer channel 5 interrupt flag. Write zero to clear flag. Write to one has no effect.
16	RATCH4	R/W	0h	Radio timer channel 4 interrupt flag. Write zero to clear flag. Write to one has no effect.
15	RATCH3	R/W	0h	Radio timer channel 3 interrupt flag. Write zero to clear flag. Write to one has no effect.
14	RATCH2	R/W	0h	Radio timer channel 2 interrupt flag. Write zero to clear flag. Write to one has no effect.
13	RATCH1	R/W	0h	Radio timer channel 1 interrupt flag. Write zero to clear flag. Write to one has no effect.
12	RATCH0	R/W	0h	Radio timer channel 0 interrupt flag. Write zero to clear flag. Write to one has no effect.
11	RFESOFT2	R/W	0h	RF engine software defined interrupt 2 flag. Write zero to clear flag. Write to one has no effect.
10	RFESOFT1	R/W	0h	RF engine software defined interrupt 1 flag. Write zero to clear flag. Write to one has no effect.
9	RFESOFT0	R/W	0h	RF engine software defined interrupt 0 flag. Write zero to clear flag. Write to one has no effect.
8	RFEDONE	R/W	0h	RF engine command done interrupt flag. Write zero to clear flag. Write to one has no effect.
7	RESERVED	R	0h	Reserved
6	TRCTK	R/W	0h	Debug tracer system tick interrupt flag. Write zero to clear flag. Write to one has no effect.
5	MDMSOFT	R/W	0h	Modem software defined interrupt flag. Write zero to clear flag. Write to one has no effect.

Table 25-205. RFHWIFG Register Field Descriptions (continued)

Bit	Field	Type	Reset	Description
4	MDMOUT	R/W	0h	Modem FIFO output interrupt flag. Write zero to clear flag. Write to one has no effect.
3	MDMIN	R/W	0h	Modem FIFO input interrupt flag. Write zero to clear flag. Write to one has no effect.
2	MDMDONE	R/W	0h	Modem command done interrupt flag. Write zero to clear flag. Write to one has no effect.
1	FSCA	R/W	0h	Frequency synthesizer calibration accelerator interrupt flag. Write zero to clear flag. Write to one has no effect.
0	RESERVED	R	0h	Reserved

25.11.2.4 RFHWIEN Register (Offset = Ch) [Reset = 0000000h]

RFHWIEN is shown in [RFHWIEN Register](#) and described in [RFHWIEN Register Field Descriptions](#).

Return to the [RFC_DBELL Registers](#).

Interrupt Enable For RF Hardware Modules

Figure 25-24. RFHWIEN Register

31	30	29	28	27	26	25	24
RESERVED							
R-0h							
23	22	21	20	19	18	17	16
RESERVED				RATCH7	RATCH6	RATCH5	RATCH4
R-0h				R/W-0h	R/W-0h	R/W-0h	R/W-0h
15	14	13	12	11	10	9	8
RATCH3	RATCH2	RATCH1	RATCH0	RFESOF2	RFESOF1	RFESOF0	RFEDONE
R/W-0h	R/W-0h	R/W-0h	R/W-0h	R/W-0h	R/W-0h	R/W-0h	R/W-0h
7	6	5	4	3	2	1	0
RESERVED	TRCTK	MDMSOFT	MDMOUT	MDMIN	MDMDONE	FSCA	RESERVED
R-0h	R/W-0h	R/W-0h	R/W-0h	R/W-0h	R/W-0h	R/W-0h	R-0h

Table 25-206. RFHWIEN Register Field Descriptions

Bit	Field	Type	Reset	Description
31-20	RESERVED	R	0h	Reserved
19	RATCH7	R/W	0h	Interrupt enable for RFHWIFG.RATCH7.
18	RATCH6	R/W	0h	Interrupt enable for RFHWIFG.RATCH6.
17	RATCH5	R/W	0h	Interrupt enable for RFHWIFG.RATCH5.
16	RATCH4	R/W	0h	Interrupt enable for RFHWIFG.RATCH4.
15	RATCH3	R/W	0h	Interrupt enable for RFHWIFG.RATCH3.
14	RATCH2	R/W	0h	Interrupt enable for RFHWIFG.RATCH2.
13	RATCH1	R/W	0h	Interrupt enable for RFHWIFG.RATCH1.
12	RATCH0	R/W	0h	Interrupt enable for RFHWIFG.RATCH0.
11	RFESOF2	R/W	0h	Interrupt enable for RFHWIFG.RFESOF2.
10	RFESOF1	R/W	0h	Interrupt enable for RFHWIFG.RFESOF1.
9	RFESOF0	R/W	0h	Interrupt enable for RFHWIFG.RFESOF0.
8	RFEDONE	R/W	0h	Interrupt enable for RFHWIFG.RFEDONE.
7	RESERVED	R	0h	Reserved
6	TRCTK	R/W	0h	Interrupt enable for RFHWIFG.TRCTK.
5	MDMSOFT	R/W	0h	Interrupt enable for RFHWIFG.MDMSOFT.
4	MDMOUT	R/W	0h	Interrupt enable for RFHWIFG.MDMOUT.
3	MDMIN	R/W	0h	Interrupt enable for RFHWIFG.MDMIN.
2	MDMDONE	R/W	0h	Interrupt enable for RFHWIFG.MDMDONE.
1	FSCA	R/W	0h	Interrupt enable for RFHWIFG.FSCA.
0	RESERVED	R	0h	Reserved

25.11.2.5 RFCPEIFG Register (Offset = 10h) [Reset = 0000000h]

RFCPEIFG is shown in [RFCPEIFG Register](#) and described in [RFCPEIFG Register Field Descriptions](#).

Return to the [RFC_DBELL Registers](#).

Interrupt Flags For Command and Packet Engine Generated Interrupts

Figure 25-25. RFCPEIFG Register

31	30	29	28	27	26	25	24
INTERNAL_ER ROR	BOOT_DONE	MODULES_UN LOCKED	SYNTH_NO_L OCK	IRQ27	RX_ABORTED	RX_N_DATA_W RITTEN	RX_DATA_WRI TTEN
R/W-0h	R/W-0h	R/W-0h	R/W-0h	R/W-0h	R/W-0h	R/W-0h	R/W-0h
23	22	21	20	19	18	17	16
RX_ENTRY_D ONE	RX_BUF_FULL	RX_CTRL_ACK	RX_CTRL	RX_EMPTY	RX_IGNORED	RX_NOK	RX_OK
R/W-0h	R/W-0h	R/W-0h	R/W-0h	R/W-0h	R/W-0h	R/W-0h	R/W-0h
15	14	13	12	11	10	9	8
IRQ15	IRQ14	FG_COMMAND STARTED	COMMAND_ST ARTED	TX_BUFFER_C HANGED	TX_ENTRY_D ONE	TX_RETRANS	TX_CTRL_ACK ACK
R/W-0h	R/W-0h	R/W-0h	R/W-0h	R/W-0h	R/W-0h	R/W-0h	R/W-0h
7	6	5	4	3	2	1	0
TX_CTRL_ACK	TX_CTRL	TX_ACK	TX_DONE	LAST_FG_CO MMAND_DONE	FG_COMMAND _DONE	LAST_COMMA ND_DONE	COMMAND_D ONE
R/W-0h	R/W-0h	R/W-0h	R/W-0h	R/W-0h	R/W-0h	R/W-0h	R/W-0h

Table 25-207. RFCPEIFG Register Field Descriptions

Bit	Field	Type	Reset	Description
31	INTERNAL_ERROR	R/W	0h	Interrupt flag 31. The command and packet engine (CPE) has observed an unexpected error. A reset of the CPE is needed. This can be done by switching the RF Core power domain off and on in PRCM:PDCTL1RFC. Write zero to clear flag. Write to one has no effect.
30	BOOT_DONE	R/W	0h	Interrupt flag 30. The command and packet engine (CPE) boot is finished. Write zero to clear flag. Write to one has no effect.
29	MODULES_UNLOCKED	R/W	0h	Interrupt flag 29. As part of command and packet engine (CPE) boot process, it has opened access to RF Core modules and memories. Write zero to clear flag. Write to one has no effect.
28	SYNTH_NO_LOCK	R/W	0h	Interrupt flag 28. The phase-locked loop in frequency synthesizer has reported loss of lock. Write zero to clear flag. Write to one has no effect.
27	IRQ27	R/W	0h	Interrupt flag 27. Write zero to clear flag. Write to one has no effect.
26	RX_ABORTED	R/W	0h	Interrupt flag 26. Packet reception stopped before packet was done. Write zero to clear flag. Write to one has no effect.
25	RX_N_DATA_WRITTEN	R/W	0h	Interrupt flag 25. Specified number of bytes written to partial read Rx buffer. Write zero to clear flag. Write to one has no effect.
24	RX_DATA_WRITTEN	R/W	0h	Interrupt flag 24. Data written to partial read Rx buffer. Write zero to clear flag. Write to one has no effect.
23	RX_ENTRY_DONE	R/W	0h	Interrupt flag 23. Rx queue data entry changing state to finished. Write zero to clear flag. Write to one has no effect.
22	RX_BUF_FULL	R/W	0h	Interrupt flag 22. Packet received that did not fit in Rx queue. BLE mode: Packet received that did not fit in the Rx queue. IEEE 802.15.4 mode: Frame received that did not fit in the Rx queue. Write zero to clear flag. Write to one has no effect.

Table 25-207. RFCPEIFG Register Field Descriptions (continued)

Bit	Field	Type	Reset	Description
21	RX_CTRL_ACK	R/W	0h	Interrupt flag 21. BLE mode only: LL control packet received with CRC OK, not to be ignored, then acknowledgement sent. Write zero to clear flag. Write to one has no effect.
20	RX_CTRL	R/W	0h	Interrupt flag 20. BLE mode only: LL control packet received with CRC OK, not to be ignored. Write zero to clear flag. Write to one has no effect.
19	RX_EMPTY	R/W	0h	Interrupt flag 19. BLE mode only: Packet received with CRC OK, not to be ignored, no payload. Write zero to clear flag. Write to one has no effect.
18	RX_IGNORED	R/W	0h	Interrupt flag 18. Packet received, but can be ignored. BLE mode: Packet received with CRC OK, but to be ignored. IEEE 802.15.4 mode: Frame received with ignore flag set. Write zero to clear flag. Write to one has no effect.
17	RX_NOK	R/W	0h	Interrupt flag 17. Packet received with CRC error. BLE mode: Packet received with CRC error. IEEE 802.15.4 mode: Frame received with CRC error. Write zero to clear flag. Write to one has no effect.
16	RX_OK	R/W	0h	Interrupt flag 16. Packet received correctly. BLE mode: Packet received with CRC OK, payload, and not to be ignored. IEEE 802.15.4 mode: Frame received with CRC OK. Write zero to clear flag. Write to one has no effect.
15	IRQ15	R/W	0h	Interrupt flag 15. Write zero to clear flag. Write to one has no effect.
14	IRQ14	R/W	0h	Interrupt flag 14. Write zero to clear flag. Write to one has no effect.
13	FG_COMMAND_STARTED	R/W	0h	Interrupt flag 13. IEEE 802.15.4 mode only: A foreground radio operation command has gone into active state.
12	COMMAND_STARTED	R/W	0h	Interrupt flag 12. A radio operation command has gone into active state.
11	TX_BUFFER_CHANGED	R/W	0h	Interrupt flag 11. BLE mode only: A buffer change is complete after CMD_BLE_ADV_PAYLOAD. Write zero to clear flag. Write to one has no effect.
10	TX_ENTRY_DONE	R/W	0h	Interrupt flag 10. Tx queue data entry state changed to finished. Write zero to clear flag. Write to one has no effect.
9	TX_RETRANS	R/W	0h	Interrupt flag 9. BLE mode only: Packet retransmitted. Write zero to clear flag. Write to one has no effect.
8	TX_CTRL_ACK_ACK	R/W	0h	Interrupt flag 8. BLE mode only: Acknowledgement received on a transmitted LL control packet, and acknowledgement transmitted for that packet. Write zero to clear flag. Write to one has no effect.
7	TX_CTRL_ACK	R/W	0h	Interrupt flag 7. BLE mode: Acknowledgement received on a transmitted LL control packet. Write zero to clear flag. Write to one has no effect.
6	TX_CTRL	R/W	0h	Interrupt flag 6. BLE mode: Transmitted LL control packet. Write zero to clear flag. Write to one has no effect.
5	TX_ACK	R/W	0h	Interrupt flag 5. BLE mode: Acknowledgement received on a transmitted packet. IEEE 802.15.4 mode: Transmitted automatic ACK frame. Write zero to clear flag. Write to one has no effect.
4	TX_DONE	R/W	0h	Interrupt flag 4. Packet transmitted. (BLE mode: A packet has been transmitted.) (IEEE 802.15.4 mode: A frame has been transmitted). Write zero to clear flag. Write to one has no effect.
3	LAST_FG_COMMAND_DONE	R/W	0h	Interrupt flag 3. IEEE 802.15.4 mode only: The last foreground radio operation command in a chain of commands has finished. Write zero to clear flag. Write to one has no effect.
2	FG_COMMAND_DONE	R/W	0h	Interrupt flag 2. IEEE 802.15.4 mode only: A foreground radio operation command has finished. Write zero to clear flag. Write to one has no effect.

Table 25-207. RFCPEIFG Register Field Descriptions (continued)

Bit	Field	Type	Reset	Description
1	LAST_COMMAND_DONE	R/W	0h	Interrupt flag 1. The last radio operation command in a chain of commands has finished. (IEEE 802.15.4 mode: The last background level radio operation command in a chain of commands has finished.) Write zero to clear flag. Write to one has no effect.
0	COMMAND_DONE	R/W	0h	Interrupt flag 0. A radio operation has finished. (IEEE 802.15.4 mode: A background level radio operation command has finished.) Write zero to clear flag. Write to one has no effect.

25.11.2.6 RFCPEIEN Register (Offset = 14h) [Reset = FFFFFFFFh]

RFCPEIEN is shown in [RFCPEIEN Register](#) and described in [RFCPEIEN Register Field Descriptions](#).

Return to the [RFC_DBELL Registers](#).

Interrupt Enable For Command and Packet Engine Generated Interrupts

Figure 25-26. RFCPEIEN Register

31	30	29	28	27	26	25	24
INTERNAL_ER ROR	BOOT_DONE	MODULES_UN LOCKED	SYNTH_NO_L OCK	IRQ27	RX_ABORTED	RX_N_DATA_W RITTEN	RX_DATA_WRI TTEN
R/W-1h	R/W-1h	R/W-1h	R/W-1h	R/W-1h	R/W-1h	R/W-1h	R/W-1h
23	22	21	20	19	18	17	16
RX_ENTRY_D ONE	RX_BUF_FULL	RX_CTRL_ACK	RX_CTRL	RX_EMPTY	RX_IGNORED	RX_NOK	RX_OK
R/W-1h	R/W-1h	R/W-1h	R/W-1h	R/W-1h	R/W-1h	R/W-1h	R/W-1h
15	14	13	12	11	10	9	8
IRQ15	IRQ14	FG_COMMAND STARTED	COMMAND_ST ARTED	TX_BUFFER_C HANGED	TX_ENTRY_D ONE	TX_RETRANS	TX_CTRL_ACK ACK
R/W-1h	R/W-1h	R/W-1h	R/W-1h	R/W-1h	R/W-1h	R/W-1h	R/W-1h
7	6	5	4	3	2	1	0
TX_CTRL_ACK	TX_CTRL	TX_ACK	TX_DONE	LAST_FG_CO MMAND_DONE	FG_COMMAND _DONE	LAST_COMMA ND_DONE	COMMAND_D ONE
R/W-1h	R/W-1h	R/W-1h	R/W-1h	R/W-1h	R/W-1h	R/W-1h	R/W-1h

Table 25-208. RFCPEIEN Register Field Descriptions

Bit	Field	Type	Reset	Description
31	INTERNAL_ERROR	R/W	1h	Interrupt enable for RFCPEIFG.INTERNAL_ERROR.
30	BOOT_DONE	R/W	1h	Interrupt enable for RFCPEIFG.BOOT_DONE.
29	MODULES_UNLOCKED	R/W	1h	Interrupt enable for RFCPEIFG.MODULES_UNLOCKED.
28	SYNTH_NO_LOCK	R/W	1h	Interrupt enable for RFCPEIFG.SYNTH_NO_LOCK.
27	IRQ27	R/W	1h	Interrupt enable for RFCPEIFG.IRQ27.
26	RX_ABORTED	R/W	1h	Interrupt enable for RFCPEIFG.RX_ABORTED.
25	RX_N_DATA_WRITTEN	R/W	1h	Interrupt enable for RFCPEIFG.RX_N_DATA_WRITTEN.
24	RX_DATA_WRITTEN	R/W	1h	Interrupt enable for RFCPEIFG.RX_DATA_WRITTEN.
23	RX_ENTRY_DONE	R/W	1h	Interrupt enable for RFCPEIFG.RX_ENTRY_DONE.
22	RX_BUF_FULL	R/W	1h	Interrupt enable for RFCPEIFG.RX_BUF_FULL.
21	RX_CTRL_ACK	R/W	1h	Interrupt enable for RFCPEIFG.RX_CTRL_ACK.
20	RX_CTRL	R/W	1h	Interrupt enable for RFCPEIFG.RX_CTRL.
19	RX_EMPTY	R/W	1h	Interrupt enable for RFCPEIFG.RX_EMPTY.
18	RX_IGNORED	R/W	1h	Interrupt enable for RFCPEIFG.RX_IGNORED.
17	RX_NOK	R/W	1h	Interrupt enable for RFCPEIFG.RX_NOK.
16	RX_OK	R/W	1h	Interrupt enable for RFCPEIFG.RX_OK.
15	IRQ15	R/W	1h	Interrupt enable for RFCPEIFG.IRQ15.
14	IRQ14	R/W	1h	Interrupt enable for RFCPEIFG.IRQ14.
13	FG_COMMAND_STARTED	R/W	1h	Interrupt enable for RFCPEIFG.FG_COMMAND_STARTED.
12	COMMAND_STARTED	R/W	1h	Interrupt enable for RFCPEIFG.COMMAND_STARTED.
11	TX_BUFFER_CHANGED	R/W	1h	Interrupt enable for RFCPEIFG.TX_BUFFER_CHANGED.
10	TX_ENTRY_DONE	R/W	1h	Interrupt enable for RFCPEIFG.TX_ENTRY_DONE.

Table 25-208. RFCPEIEN Register Field Descriptions (continued)

Bit	Field	Type	Reset	Description
9	TX_RETRANS	R/W	1h	Interrupt enable for RFCPEIFG.TX_RETRANS.
8	TX_CTRL_ACK_ACK	R/W	1h	Interrupt enable for RFCPEIFG.TX_CTRL_ACK_ACK.
7	TX_CTRL_ACK	R/W	1h	Interrupt enable for RFCPEIFG.TX_CTRL_ACK.
6	TX_CTRL	R/W	1h	Interrupt enable for RFCPEIFG.TX_CTRL.
5	TX_ACK	R/W	1h	Interrupt enable for RFCPEIFG.TX_ACK.
4	TX_DONE	R/W	1h	Interrupt enable for RFCPEIFG.TX_DONE.
3	LAST_FG_COMMAND_DONE	R/W	1h	Interrupt enable for RFCPEIFG.LAST_FG_COMMAND_DONE.
2	FG_COMMAND_DONE	R/W	1h	Interrupt enable for RFCPEIFG.FG_COMMAND_DONE.
1	LAST_COMMAND_DONE	R/W	1h	Interrupt enable for RFCPEIFG.LAST_COMMAND_DONE.
0	COMMAND_DONE	R/W	1h	Interrupt enable for RFCPEIFG.COMMAND_DONE.

25.11.2.7 RFCPEISL Register (Offset = 18h) [Reset = FFFF000h]

RFCPEISL is shown in [RFCPEISL Register](#) and described in [RFCPEISL Register Field Descriptions](#).

Return to the [RFC_DBELL Registers](#).

Interrupt Vector Selection For Command and Packet Engine Generated Interrupts

Figure 25-27. RFCPEISL Register

31	30	29	28	27	26	25	24
INTERNAL_ER ROR	BOOT_DONE	MODULES_UN LOCKED	SYNTH_NO_L OCK	IRQ27	RX_ABORTED	RX_N_DATA_W RITTEN	RX_DATA_WRI TTEN
R/W-1h	R/W-1h	R/W-1h	R/W-1h	R/W-1h	R/W-1h	R/W-1h	R/W-1h
23	22	21	20	19	18	17	16
RX_ENTRY_D ONE	RX_BUF_FULL	RX_CTRL_ACK	RX_CTRL	RX_EMPTY	RX_IGNORED	RX_NOK	RX_OK
R/W-1h	R/W-1h	R/W-1h	R/W-1h	R/W-1h	R/W-1h	R/W-1h	R/W-1h
15	14	13	12	11	10	9	8
IRQ15	IRQ14	FG_COMMAND _STARTED	COMMAND_ST ARTED	TX_BUFFER_C HANGED	TX_ENTRY_D ONE	TX_RETRANS	TX_CTRL_ACK _ACK
R/W-0h	R/W-0h	R/W-0h	R/W-0h	R/W-0h	R/W-0h	R/W-0h	R/W-0h
7	6	5	4	3	2	1	0
TX_CTRL_ACK	TX_CTRL	TX_ACK	TX_DONE	LAST_FG_CO MMAND_DONE	FG_COMMAND _DONE	LAST_COMMA ND_DONE	COMMAND_D ONE
R/W-0h	R/W-0h	R/W-0h	R/W-0h	R/W-0h	R/W-0h	R/W-0h	R/W-0h

Table 25-209. RFCPEISL Register Field Descriptions

Bit	Field	Type	Reset	Description
31	INTERNAL_ERROR	R/W	1h	Select which CPU interrupt vector the RFCPEIFG.INTERNAL_ERROR interrupt should use. 0h = Associate this interrupt line with INT_RF_CPE0 interrupt vector 1h = Associate this interrupt line with INT_RF_CPE1 interrupt vector
30	BOOT_DONE	R/W	1h	Select which CPU interrupt vector the RFCPEIFG.BOOT_DONE interrupt should use. 0h = Associate this interrupt line with INT_RF_CPE0 interrupt vector 1h = Associate this interrupt line with INT_RF_CPE1 interrupt vector
29	MODULES_UNLOCKED	R/W	1h	Select which CPU interrupt vector the RFCPEIFG.MODULES_UNLOCKED interrupt should use. 0h = Associate this interrupt line with INT_RF_CPE0 interrupt vector 1h = Associate this interrupt line with INT_RF_CPE1 interrupt vector
28	SYNTH_NO_LOCK	R/W	1h	Select which CPU interrupt vector the RFCPEIFG.SYNTH_NO_LOCK interrupt should use. 0h = Associate this interrupt line with INT_RF_CPE0 interrupt vector 1h = Associate this interrupt line with INT_RF_CPE1 interrupt vector
27	IRQ27	R/W	1h	Select which CPU interrupt vector the RFCPEIFG.IRQ27 interrupt should use. 0h = Associate this interrupt line with INT_RF_CPE0 interrupt vector 1h = Associate this interrupt line with INT_RF_CPE1 interrupt vector
26	RX_ABORTED	R/W	1h	Select which CPU interrupt vector the RFCPEIFG.RX_ABORTED interrupt should use. 0h = Associate this interrupt line with INT_RF_CPE0 interrupt vector 1h = Associate this interrupt line with INT_RF_CPE1 interrupt vector
25	RX_N_DATA_WRITTEN	R/W	1h	Select which CPU interrupt vector the RFCPEIFG.RX_N_DATA_WRITTEN interrupt should use. 0h = Associate this interrupt line with INT_RF_CPE0 interrupt vector 1h = Associate this interrupt line with INT_RF_CPE1 interrupt vector

Table 25-209. RFCPEISL Register Field Descriptions (continued)

Bit	Field	Type	Reset	Description
24	RX_DATA_WRITTEN	R/W	1h	Select which CPU interrupt vector the RFCPEIFG.RX_DATA_WRITTEN interrupt should use. 0h = Associate this interrupt line with INT_RF_CPE0 interrupt vector 1h = Associate this interrupt line with INT_RF_CPE1 interrupt vector
23	RX_ENTRY_DONE	R/W	1h	Select which CPU interrupt vector the RFCPEIFG.RX_ENTRY_DONE interrupt should use. 0h = Associate this interrupt line with INT_RF_CPE0 interrupt vector 1h = Associate this interrupt line with INT_RF_CPE1 interrupt vector
22	RX_BUF_FULL	R/W	1h	Select which CPU interrupt vector the RFCPEIFG.RX_BUF_FULL interrupt should use. 0h = Associate this interrupt line with INT_RF_CPE0 interrupt vector 1h = Associate this interrupt line with INT_RF_CPE1 interrupt vector
21	RX_CTRL_ACK	R/W	1h	Select which CPU interrupt vector the RFCPEIFG.RX_CTRL_ACK interrupt should use. 0h = Associate this interrupt line with INT_RF_CPE0 interrupt vector 1h = Associate this interrupt line with INT_RF_CPE1 interrupt vector
20	RX_CTRL	R/W	1h	Select which CPU interrupt vector the RFCPEIFG.RX_CTRL interrupt should use. 0h = Associate this interrupt line with INT_RF_CPE0 interrupt vector 1h = Associate this interrupt line with INT_RF_CPE1 interrupt vector
19	RX_EMPTY	R/W	1h	Select which CPU interrupt vector the RFCPEIFG.RX_EMPTY interrupt should use. 0h = Associate this interrupt line with INT_RF_CPE0 interrupt vector 1h = Associate this interrupt line with INT_RF_CPE1 interrupt vector
18	RX_IGNORED	R/W	1h	Select which CPU interrupt vector the RFCPEIFG.RX_IGNORED interrupt should use. 0h = Associate this interrupt line with INT_RF_CPE0 interrupt vector 1h = Associate this interrupt line with INT_RF_CPE1 interrupt vector
17	RX_NOK	R/W	1h	Select which CPU interrupt vector the RFCPEIFG.RX_NOK interrupt should use. 0h = Associate this interrupt line with INT_RF_CPE0 interrupt vector 1h = Associate this interrupt line with INT_RF_CPE1 interrupt vector
16	RX_OK	R/W	1h	Select which CPU interrupt vector the RFCPEIFG.RX_OK interrupt should use. 0h = Associate this interrupt line with INT_RF_CPE0 interrupt vector 1h = Associate this interrupt line with INT_RF_CPE1 interrupt vector
15	IRQ15	R/W	0h	Select which CPU interrupt vector the RFCPEIFG.IRQ15 interrupt should use. 0h = Associate this interrupt line with INT_RF_CPE0 interrupt vector 1h = Associate this interrupt line with INT_RF_CPE1 interrupt vector
14	IRQ14	R/W	0h	Select which CPU interrupt vector the RFCPEIFG.IRQ14 interrupt should use. 0h = Associate this interrupt line with INT_RF_CPE0 interrupt vector 1h = Associate this interrupt line with INT_RF_CPE1 interrupt vector
13	FG_COMMAND_STARTED	R/W	0h	Select which CPU interrupt vector the RFCPEIFG.FG_COMMAND_STARTED interrupt should use. 0h = Associate this interrupt line with INT_RF_CPE0 interrupt vector 1h = Associate this interrupt line with INT_RF_CPE1 interrupt vector
12	COMMAND_STARTED	R/W	0h	Select which CPU interrupt vector the RFCPEIFG.COMMAND_STARTED interrupt should use. 0h = Associate this interrupt line with INT_RF_CPE0 interrupt vector 1h = Associate this interrupt line with INT_RF_CPE1 interrupt vector
11	TX_BUFFER_CHANGED	R/W	0h	Select which CPU interrupt vector the RFCPEIFG.TX_BUFFER_CHANGED interrupt should use. 0h = Associate this interrupt line with INT_RF_CPE0 interrupt vector 1h = Associate this interrupt line with INT_RF_CPE1 interrupt vector

Table 25-209. RFCPEISL Register Field Descriptions (continued)

Bit	Field	Type	Reset	Description
10	TX_ENTRY_DONE	R/W	0h	Select which CPU interrupt vector the RFCPEIFG.TX_ENTRY_DONE interrupt should use. 0h = Associate this interrupt line with INT_RF_CPE0 interrupt vector 1h = Associate this interrupt line with INT_RF_CPE1 interrupt vector
9	TX_RETRANS	R/W	0h	Select which CPU interrupt vector the RFCPEIFG.TX_RETRANS interrupt should use. 0h = Associate this interrupt line with INT_RF_CPE0 interrupt vector 1h = Associate this interrupt line with INT_RF_CPE1 interrupt vector
8	TX_CTRL_ACK_ACK	R/W	0h	Select which CPU interrupt vector the RFCPEIFG.TX_CTRL_ACK_ACK interrupt should use. 0h = Associate this interrupt line with INT_RF_CPE0 interrupt vector 1h = Associate this interrupt line with INT_RF_CPE1 interrupt vector
7	TX_CTRL_ACK	R/W	0h	Select which CPU interrupt vector the RFCPEIFG.TX_CTRL_ACK interrupt should use. 0h = Associate this interrupt line with INT_RF_CPE0 interrupt vector 1h = Associate this interrupt line with INT_RF_CPE1 interrupt vector
6	TX_CTRL	R/W	0h	Select which CPU interrupt vector the RFCPEIFG.TX_CTRL interrupt should use. 0h = Associate this interrupt line with INT_RF_CPE0 interrupt vector 1h = Associate this interrupt line with INT_RF_CPE1 interrupt vector
5	TX_ACK	R/W	0h	Select which CPU interrupt vector the RFCPEIFG.TX_ACK interrupt should use. 0h = Associate this interrupt line with INT_RF_CPE0 interrupt vector 1h = Associate this interrupt line with INT_RF_CPE1 interrupt vector
4	TX_DONE	R/W	0h	Select which CPU interrupt vector the RFCPEIFG.TX_DONE interrupt should use. 0h = Associate this interrupt line with INT_RF_CPE0 interrupt vector 1h = Associate this interrupt line with INT_RF_CPE1 interrupt vector
3	LAST_FG_COMMAND_DONE	R/W	0h	Select which CPU interrupt vector the RFCPEIFG.LAST_FG_COMMAND_DONE interrupt should use. 0h = Associate this interrupt line with INT_RF_CPE0 interrupt vector 1h = Associate this interrupt line with INT_RF_CPE1 interrupt vector
2	FG_COMMAND_DONE	R/W	0h	Select which CPU interrupt vector the RFCPEIFG.FG_COMMAND_DONE interrupt should use. 0h = Associate this interrupt line with INT_RF_CPE0 interrupt vector 1h = Associate this interrupt line with INT_RF_CPE1 interrupt vector
1	LAST_COMMAND_DONE	R/W	0h	Select which CPU interrupt vector the RFCPEIFG.LAST_COMMAND_DONE interrupt should use. 0h = Associate this interrupt line with INT_RF_CPE0 interrupt vector 1h = Associate this interrupt line with INT_RF_CPE1 interrupt vector
0	COMMAND_DONE	R/W	0h	Select which CPU interrupt vector the RFCPEIFG.COMMAND_DONE interrupt should use. 0h = Associate this interrupt line with INT_RF_CPE0 interrupt vector 1h = Associate this interrupt line with INT_RF_CPE1 interrupt vector

25.11.2.8 RFACKIFG Register (Offset = 1Ch) [Reset = 0000000h]

RFACKIFG is shown in [RFACKIFG Register](#) and described in [RFACKIFG Register Field Descriptions](#).

Return to the [RFC_DBELL Registers](#).

Doorbell Command Acknowledgement Interrupt Flag

Figure 25-28. RFACKIFG Register

31	30	29	28	27	26	25	24
RESERVED							
R-0h							
23	22	21	20	19	18	17	16
RESERVED							
R-0h							
15	14	13	12	11	10	9	8
RESERVED							
R-0h							
7	6	5	4	3	2	1	0
RESERVED							ACKFLAG
R-0h							R/W-0h

Table 25-210. RFACKIFG Register Field Descriptions

Bit	Field	Type	Reset	Description
31-1	RESERVED	R	0h	Reserved
0	ACKFLAG	R/W	0h	Interrupt flag for Command ACK

25.11.2.9 SYSGPOCTL Register (Offset = 20h) [Reset = 0000000h]

SYSGPOCTL is shown in [SYSGPOCTL Register](#) and described in [SYSGPOCTL Register Field Descriptions](#).

Return to the [RFC_DBELL Registers](#).

RF Core General Purpose Output Control

Figure 25-29. SYSGPOCTL Register

31	30	29	28	27	26	25	24	23	22	21	20	19	18	17	16
RESERVED															
R-0h															
15	14	13	12	11	10	9	8	7	6	5	4	3	2	1	0
GPOCTL3				GPOCTL2				GPOCTL1				GPOCTL0			
R/W-0h				R/W-0h				R/W-0h				R/W-0h			

Table 25-211. SYSGPOCTL Register Field Descriptions

Bit	Field	Type	Reset	Description
31-16	RESERVED	R	0h	Reserved
15-12	GPOCTL3	R/W	0h	RF Core GPO control bit 3. Selects which signal to output on the RF Core GPO line 3. 0h = CPE GPO line 0 1h = CPE GPO line 1 2h = CPE GPO line 2 3h = CPE GPO line 3 4h = MCE GPO line 0 5h = MCE GPO line 1 6h = MCE GPO line 2 7h = MCE GPO line 3 8h = RFE GPO line 0 9h = RFE GPO line 1 Ah = RFE GPO line 2 Bh = RFE GPO line 3 Ch = RAT GPO line 0 Dh = RAT GPO line 1 Eh = RAT GPO line 2 Fh = RAT GPO line 3
11-8	GPOCTL2	R/W	0h	RF Core GPO control bit 2. Selects which signal to output on the RF Core GPO line 2. 0h = CPE GPO line 0 1h = CPE GPO line 1 2h = CPE GPO line 2 3h = CPE GPO line 3 4h = MCE GPO line 0 5h = MCE GPO line 1 6h = MCE GPO line 2 7h = MCE GPO line 3 8h = RFE GPO line 0 9h = RFE GPO line 1 Ah = RFE GPO line 2 Bh = RFE GPO line 3 Ch = RAT GPO line 0 Dh = RAT GPO line 1 Eh = RAT GPO line 2 Fh = RAT GPO line 3

Table 25-211. SYSGPOCTL Register Field Descriptions (continued)

Bit	Field	Type	Reset	Description
7-4	GPOCTL1	R/W	0h	RF Core GPO control bit 1. Selects which signal to output on the RF Core GPO line 1. 0h = CPE GPO line 0 1h = CPE GPO line 1 2h = CPE GPO line 2 3h = CPE GPO line 3 4h = MCE GPO line 0 5h = MCE GPO line 1 6h = MCE GPO line 2 7h = MCE GPO line 3 8h = RFE GPO line 0 9h = RFE GPO line 1 Ah = RFE GPO line 2 Bh = RFE GPO line 3 Ch = RAT GPO line 0 Dh = RAT GPO line 1 Eh = RAT GPO line 2 Fh = RAT GPO line 3
3-0	GPOCTL0	R/W	0h	RF Core GPO control bit 0. Selects which signal to output on the RF Core GPO line 0. 0h = CPE GPO line 0 1h = CPE GPO line 1 2h = CPE GPO line 2 3h = CPE GPO line 3 4h = MCE GPO line 0 5h = MCE GPO line 1 6h = MCE GPO line 2 7h = MCE GPO line 3 8h = RFE GPO line 0 9h = RFE GPO line 1 Ah = RFE GPO line 2 Bh = RFE GPO line 3 Ch = RAT GPO line 0 Dh = RAT GPO line 1 Eh = RAT GPO line 2 Fh = RAT GPO line 3

25.11.3 RFC_PWR Registers

[RFC_PWR Registers](#) lists the memory-mapped registers for the RFC_PWR registers. All register offset addresses not listed in [RFC_PWR Registers](#) should be considered as reserved locations and the register contents should not be modified.

Table 25-212. RFC_PWR Registers

Offset	Acronym	Register Name	Section
0h	PWMCLKEN	RF Core Power Management and Clock Enable	Section 25.11.3.1

Complex bit access types are encoded to fit into small table cells. [RFC_PWR Access Type Codes](#) shows the codes that are used for access types in this section.

Table 25-213. RFC_PWR Access Type Codes

Access Type	Code	Description
Read Type		
R	R	Read
Write Type		
W	W	Write
Reset or Default Value		
-n		Value after reset or the default value

25.11.3.1 PWMCLKEN Register (Offset = 0h) [Reset = 0000001h]

PWMCLKEN is shown in [PWMCLKEN Register](#) and described in [PWMCLKEN Register Field Descriptions](#).

Return to the [RFC_PWR Registers](#).

RF Core Power Management and Clock Enable

Figure 25-30. PWMCLKEN Register

31	30	29	28	27	26	25	24
RESERVED							
R-0h							
23	22	21	20	19	18	17	16
RESERVED							
R-0h							
15	14	13	12	11	10	9	8
RESERVED					RFCTRC	FSCA	PHA
R-0h					R/W-0h	R/W-0h	R/W-0h
7	6	5	4	3	2	1	0
RAT	RFERAM	RFE	MDMRAM	MDM	CPERAM	CPE	RFC
R/W-0h	R/W-0h	R/W-0h	R/W-0h	R/W-0h	R/W-0h	R/W-0h	R-1h

Table 25-214. PWMCLKEN Register Field Descriptions

Bit	Field	Type	Reset	Description
31-11	RESERVED	R	0h	Reserved
10	RFCTRC	R/W	0h	Enable clock to the RF Core Tracer (RFCTRC) module.
9	FSCA	R/W	0h	Enable clock to the Frequency Synthesizer Calibration Accelerator (FSCA) module.
8	PHA	R/W	0h	Enable clock to the Packet Handling Accelerator (PHA) module.
7	RAT	R/W	0h	Enable clock to the Radio Timer (RAT) module.
6	RFERAM	R/W	0h	Enable clock to the RF Engine RAM module.
5	RFE	R/W	0h	Enable clock to the RF Engine (RFE) module.
4	MDMRAM	R/W	0h	Enable clock to the Modem RAM module.
3	MDM	R/W	0h	Enable clock to the Modem (MDM) module.
2	CPERAM	R/W	0h	Enable clock to the Command and Packet Engine (CPE) RAM module. As part of RF Core initialization, set this bit together with CPE bit to enable CPE to boot.
1	CPE	R/W	0h	Enable processor clock (hclk) to the Command and Packet Engine (CPE). As part of RF Core initialization, set this bit together with CPERAM bit to enable CPE to boot.
0	RFC	R	1h	Enable essential clocks for the RF Core interface. This includes the interconnect, the radio doorbell DBELL command interface, the power management (PWR) clock control module, and bus clock (sclk) for the CPE. To remove possibility of locking yourself out from the RF Core, this bit can not be cleared. If you need to disable all clocks to the RF Core, see the PRCM:RFCCLKG.CLK_EN register.

DATE	REVISION	NOTES
February 2022	*	Initial Release

This page intentionally left blank.

IMPORTANT NOTICE AND DISCLAIMER

TI PROVIDES TECHNICAL AND RELIABILITY DATA (INCLUDING DATA SHEETS), DESIGN RESOURCES (INCLUDING REFERENCE DESIGNS), APPLICATION OR OTHER DESIGN ADVICE, WEB TOOLS, SAFETY INFORMATION, AND OTHER RESOURCES "AS IS" AND WITH ALL FAULTS, AND DISCLAIMS ALL WARRANTIES, EXPRESS AND IMPLIED, INCLUDING WITHOUT LIMITATION ANY IMPLIED WARRANTIES OF MERCHANTABILITY, FITNESS FOR A PARTICULAR PURPOSE OR NON-INFRINGEMENT OF THIRD PARTY INTELLECTUAL PROPERTY RIGHTS.

These resources are intended for skilled developers designing with TI products. You are solely responsible for (1) selecting the appropriate TI products for your application, (2) designing, validating and testing your application, and (3) ensuring your application meets applicable standards, and any other safety, security, regulatory or other requirements.

These resources are subject to change without notice. TI grants you permission to use these resources only for development of an application that uses the TI products described in the resource. Other reproduction and display of these resources is prohibited. No license is granted to any other TI intellectual property right or to any third party intellectual property right. TI disclaims responsibility for, and you will fully indemnify TI and its representatives against, any claims, damages, costs, losses, and liabilities arising out of your use of these resources.

TI's products are provided subject to [TI's Terms of Sale](#) or other applicable terms available either on ti.com or provided in conjunction with such TI products. TI's provision of these resources does not expand or otherwise alter TI's applicable warranties or warranty disclaimers for TI products.

TI objects to and rejects any additional or different terms you may have proposed.

Mailing Address: Texas Instruments, Post Office Box 655303, Dallas, Texas 75265
Copyright © 2022, Texas Instruments Incorporated