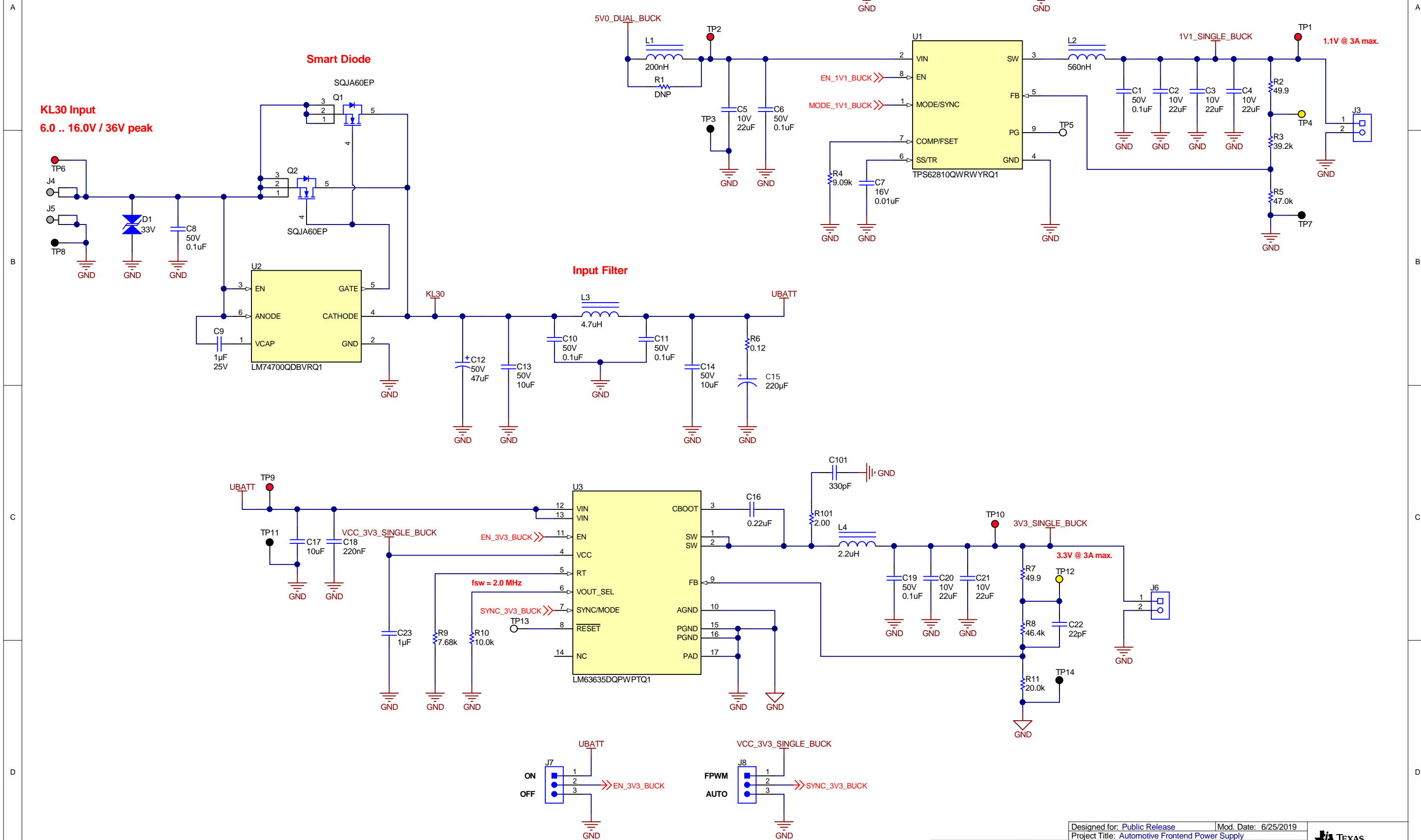


Design Notes:

- Input filter corner frequency ~18kHz
- R2 / R7 for test purpose only
- Components with designators >100 do not have a footprint on the PCB

| Revision History | |
|------------------|------------------|
| Revision | Notes |
| A | * preliminary |
| B | * built & tested |



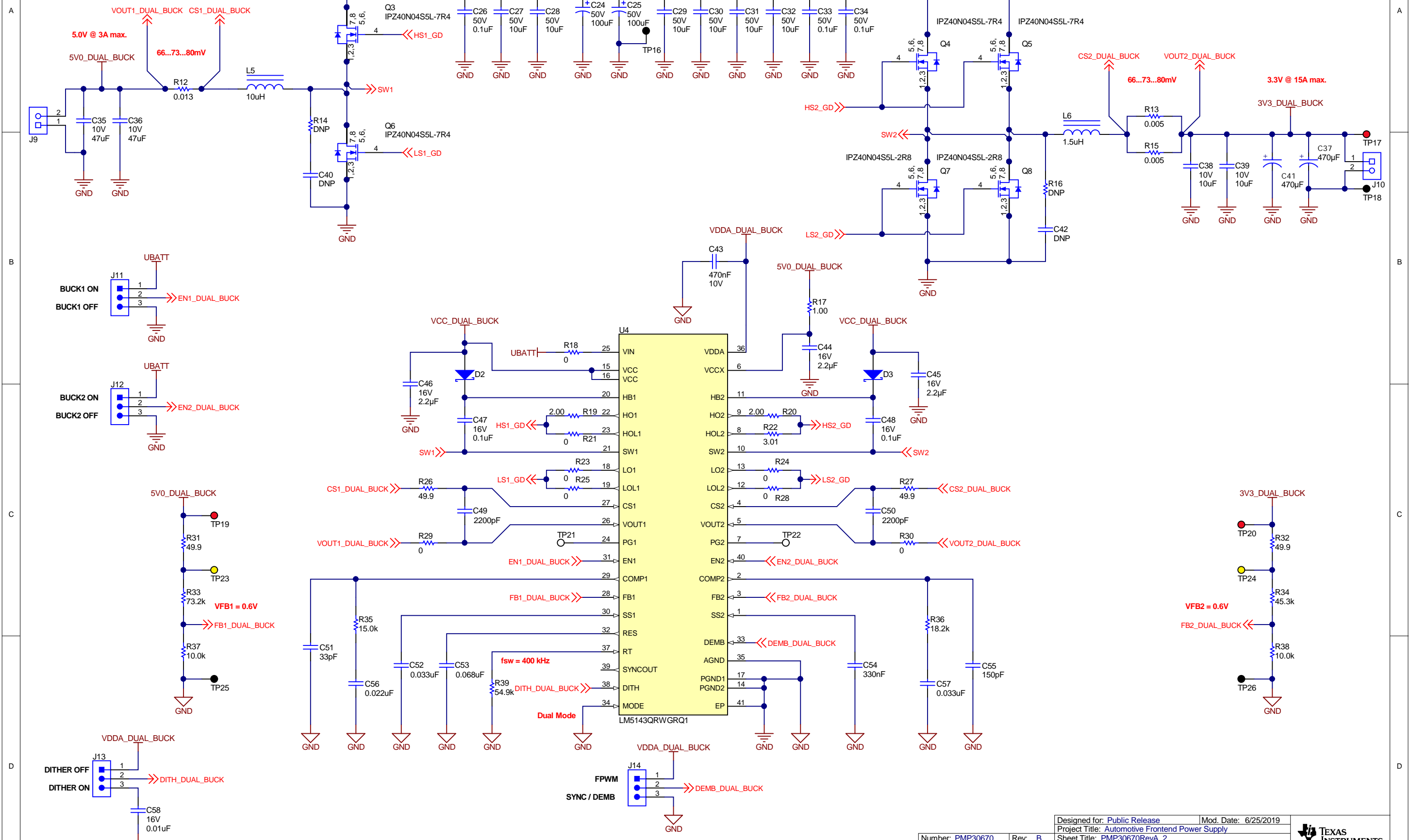
Texas Instruments and/or its licensors do not warrant the accuracy or completeness of this specification or any information contained therein. Texas Instruments and/or its licensors do not warrant that this design will meet the specifications, will be suitable for your application or fit for any particular purpose, or will operate in an implementation. Texas Instruments and/or its licensors do not warrant that the design is production worthy. You should completely validate and test your design implementation to confirm the system functionality for your application.

| | | | |
|---------------------------------|-----------------------|-----------------------|--|
| Number: PMP30670 | Rev: B | Mod. Date: 6/25/2019 | Project Title: Automotive Frontend Power Supply Sheet Title: PMP30670RevA_1 Assembly Variant: [No Variations] File: PMP30670RevB_1.SchDoc Contact: http://www.ti.com/support |
| SVN Rev: Not in version control | Drawn By: M Zehendner | Engineer: M Zehendner | |
| Sheet: 1 of 3 | Size: A3 | | |
| © Texas Instruments 2019 | | | |

Design Notes:

- R31 / R32 for test purpose only

| Revision History | |
|------------------|------------------|
| Revision | Notes |
| A | * preliminary |
| B | * built & tested |



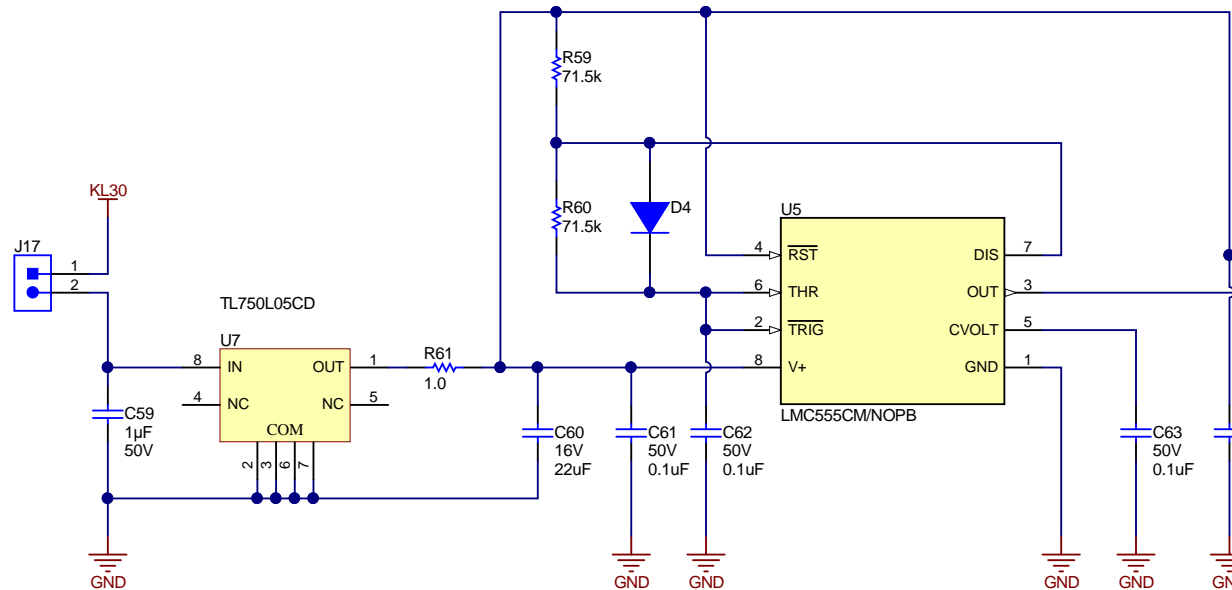
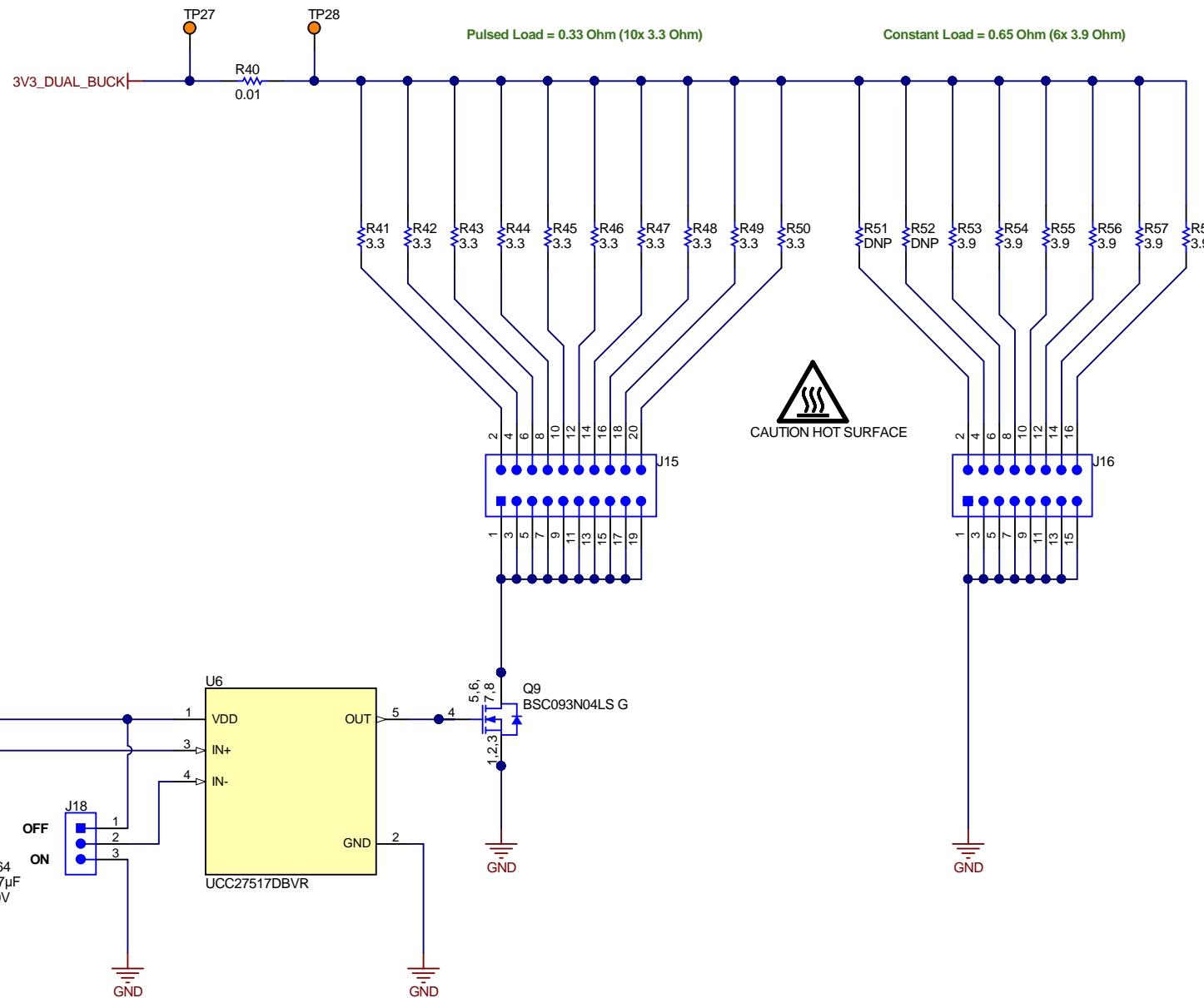
Texas Instruments and/or its licensors do not warrant the accuracy or completeness of this specification or any information contained therein. Texas Instruments and/or its licensors do not warrant that this design will meet the specifications, will be suitable for your application or fit for any particular purpose, or will operate in an implementation. Texas Instruments and/or its licensors do not warrant that the design is production worthy. You should completely validate and test your design implementation to confirm the system functionality for your application.

| | | | |
|---------------------------------|--|----------------------|--|
| Number: PMP30670 | Rev: B | Mod. Date: 6/25/2019 | TEXAS INSTRUMENTS http://www.ti.com © Texas Instruments 2019 |
| SVN Rev: Not in version control | Assembly Variant: [No Variations] | Sheet: 2 of 3 | |
| Drawn By: M Zehndner | File: PMP30670RevB_2.SchDoc | Size: A3 | |
| Engineer: M Zehndner | Contact: http://www.ti.com/support | | |

Design Notes:

- Electronic load for 3.3V / 15A Buck, supports transients up to 10A
- The constant load should only be used with a fan or heat sink, when on for more than a couple of seconds

| Revision History | |
|------------------|------------------|
| Revision | Notes |
| A | * preliminary |
| B | * built & tested |



Texas Instruments and/or its licensors do not warrant the accuracy or completeness of this specification or any information contained therein. Texas Instruments and/or its licensors do not warrant that this design will meet the specifications, will be suitable for your application or fit for any particular purpose, or will operate in an implementation. Texas Instruments and/or its licensors do not warrant that the design is production worthy. You should completely validate and test your design implementation to confirm the system functionality for your application.

| | | | |
|--|-----------------------------------|---|-----------------------------|
| Number: PMP30670 | Rev: B | Designed for: Public Release | Mod. Date: 6/25/2019 |
| SVN Rev: Not in version control | Assembly Variant: [No Variations] | Project Title: Automotive Frontend Power Supply | Sheet Title: PMP30670RevA_3 |
| Drawn By: M Zehendner | Engineer: M Zehendner | File: PMP30670RevB_3.SchDoc | Size: A3 |
| Contact: http://www.ti.com/support | | http://www.ti.com © Texas Instruments 2019 | |

IMPORTANT NOTICE AND DISCLAIMER

TI PROVIDES TECHNICAL AND RELIABILITY DATA (INCLUDING DATASHEETS), DESIGN RESOURCES (INCLUDING REFERENCE DESIGNS), APPLICATION OR OTHER DESIGN ADVICE, WEB TOOLS, SAFETY INFORMATION, AND OTHER RESOURCES "AS IS" AND WITH ALL FAULTS, AND DISCLAIMS ALL WARRANTIES, EXPRESS AND IMPLIED, INCLUDING WITHOUT LIMITATION ANY IMPLIED WARRANTIES OF MERCHANTABILITY, FITNESS FOR A PARTICULAR PURPOSE OR NON-INFRINGEMENT OF THIRD PARTY INTELLECTUAL PROPERTY RIGHTS.

These resources are intended for skilled developers designing with TI products. You are solely responsible for (1) selecting the appropriate TI products for your application, (2) designing, validating and testing your application, and (3) ensuring your application meets applicable standards, and any other safety, security, or other requirements. These resources are subject to change without notice. TI grants you permission to use these resources only for development of an application that uses the TI products described in the resource. Other reproduction and display of these resources is prohibited. No license is granted to any other TI intellectual property right or to any third party intellectual property right. TI disclaims responsibility for, and you will fully indemnify TI and its representatives against, any claims, damages, costs, losses, and liabilities arising out of your use of these resources.

TI's products are provided subject to TI's Terms of Sale (www.ti.com/legal/termsofsale.html) or other applicable terms available either on ti.com or provided in conjunction with such TI products. TI's provision of these resources does not expand or otherwise alter TI's applicable warranties or warranty disclaimers for TI products.

Mailing Address: Texas Instruments, Post Office Box 655303, Dallas, Texas 75265
Copyright © 2019, Texas Instruments Incorporated