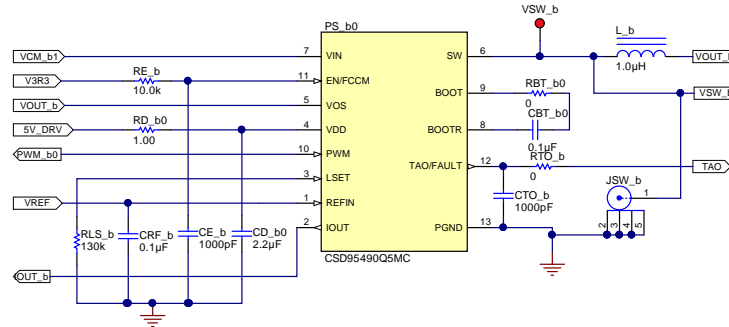
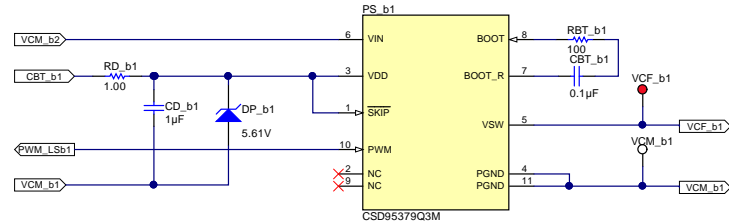
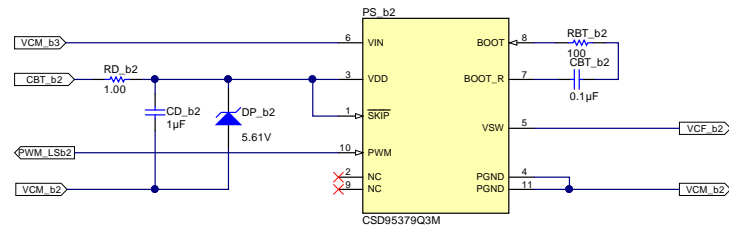
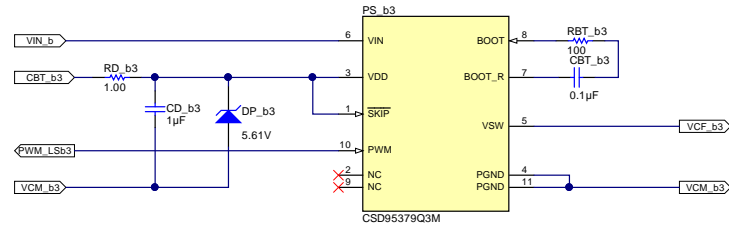
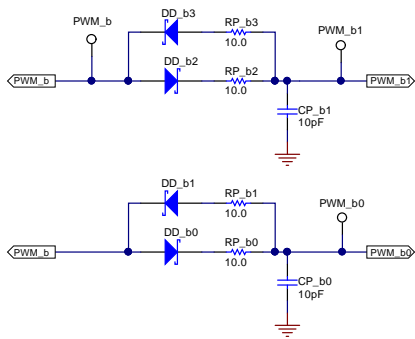
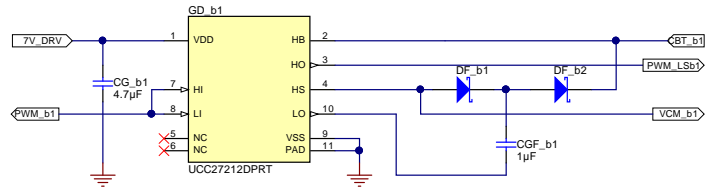
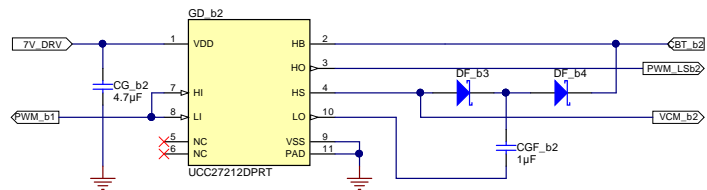
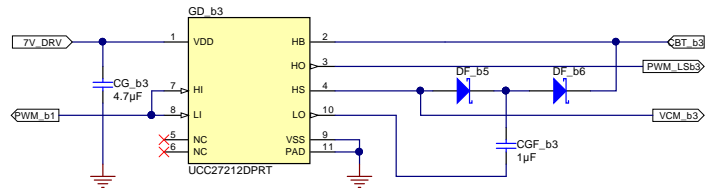


Texas Instruments and/or its licensors do not warrant the accuracy or completeness of this specification or any information contained therein. Texas Instruments and/or its licensors warrant that this design will meet the specifications, will be suitable for your application or fit for any particular purpose, or will operate in an implementation. Texas Instruments and/or its licensors do not warrant that the design is production worthy. You should completely validate and test your design implementation to confirm the system functionality for your application.

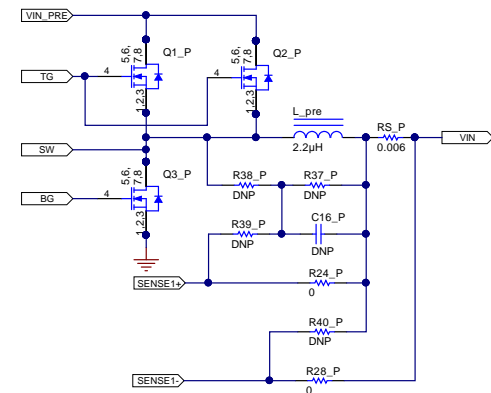
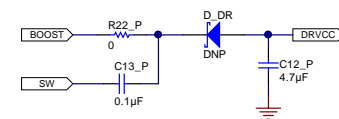
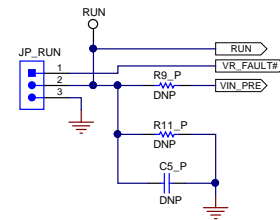
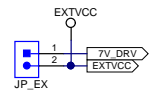
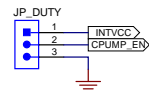
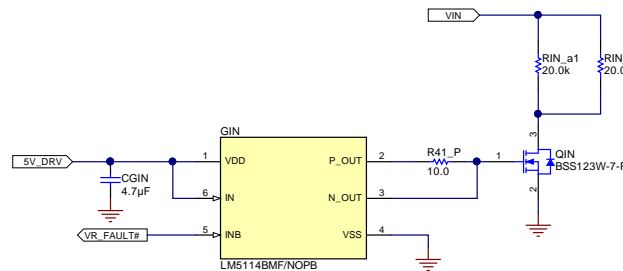
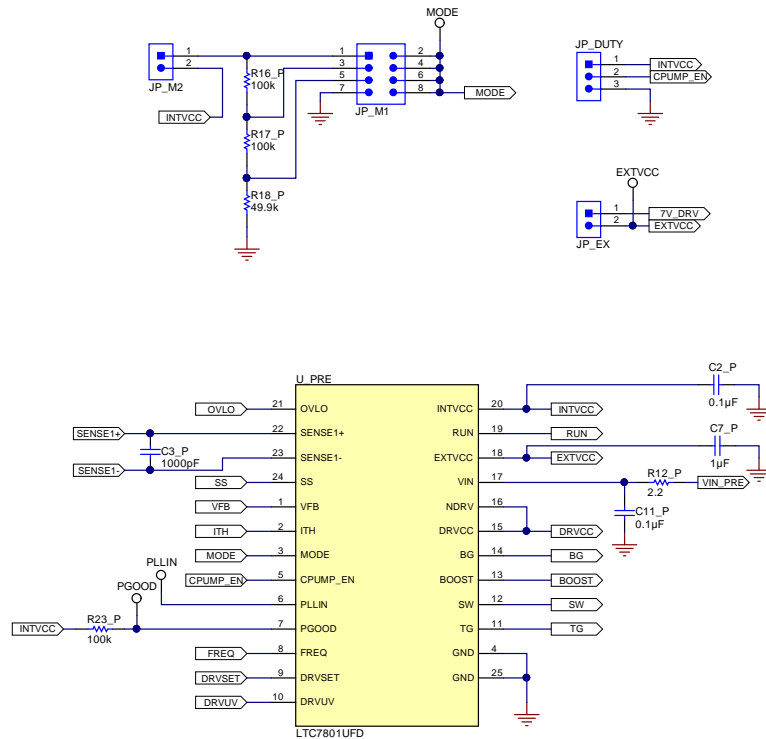
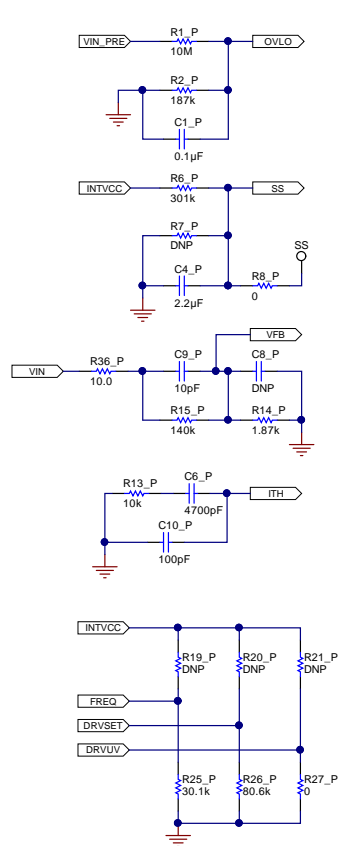
Orderable: EVM_orderable	Designed for: Public Release	Mod. Date: 3/9/2020
TID #: PMP22510	Project Title: SCIB2.0 EVM	
Number: SCIB2.0EVM Rev: v4.0	Sheet Title: SCIB2.0 Power Stage Phase 1	
SW Rev: Version control disabled	Assembly Variant: No Variations	Sheet: 1 of 8
Drawn By: Yichao Tang	File: SCIB2.0_2ph_Power Stage_SchDoc	Size: B
Engineer: Yichao Tang	Contact: http://www.ti.com/support	





Orderable: EVM, orderable | Designed for: Public Release | Mod. Date: 3/9/2020
 TID #: PMP22510 | Project Title: SCIB2.0 EVM
 Number: SCIB2.0EVM | Rev: v4.0 | Sheet Title: SCIB2.0 Power Stage Phase 2
 SVN Rev: Version control disabled | Assembly Variant: No Variations | Sheet: 2 of 8
 Drawn By: Yichao Tang | File: SCIB2.0_2ph Power Stage_2_SchDoc | Size: B
 Engineer: Yichao Tang | Contact: http://www.ti.com/support | © Texas Instruments 2020

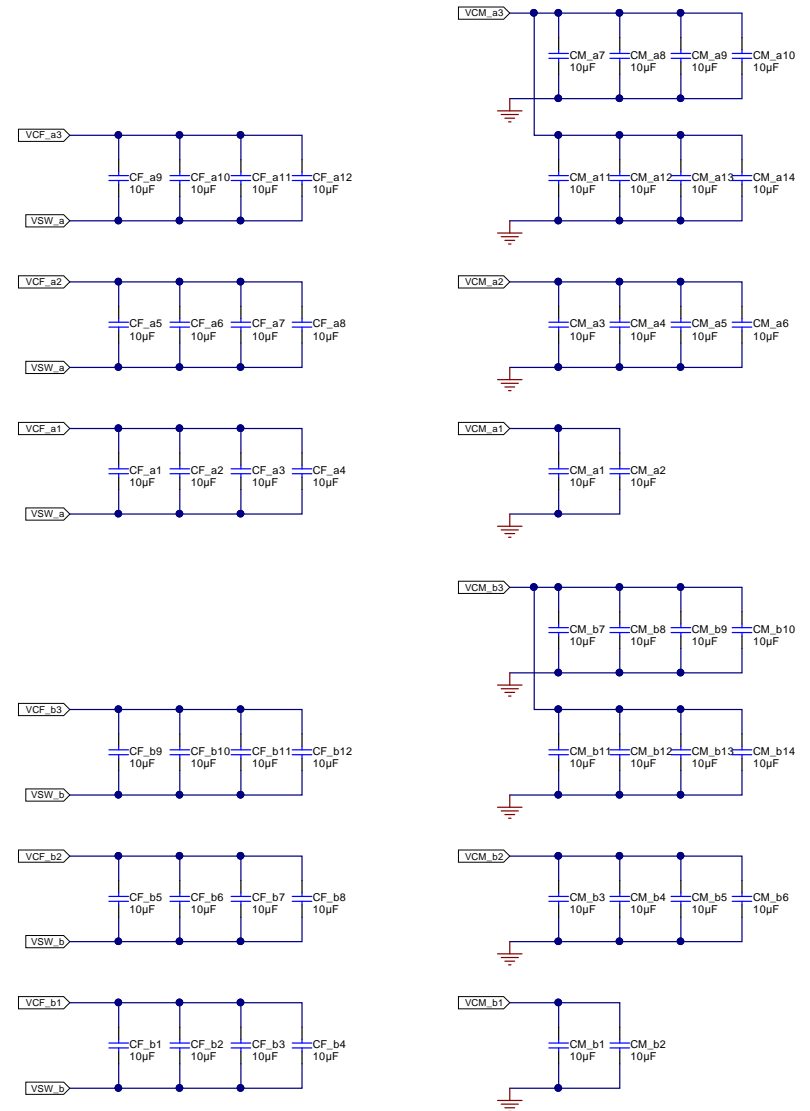
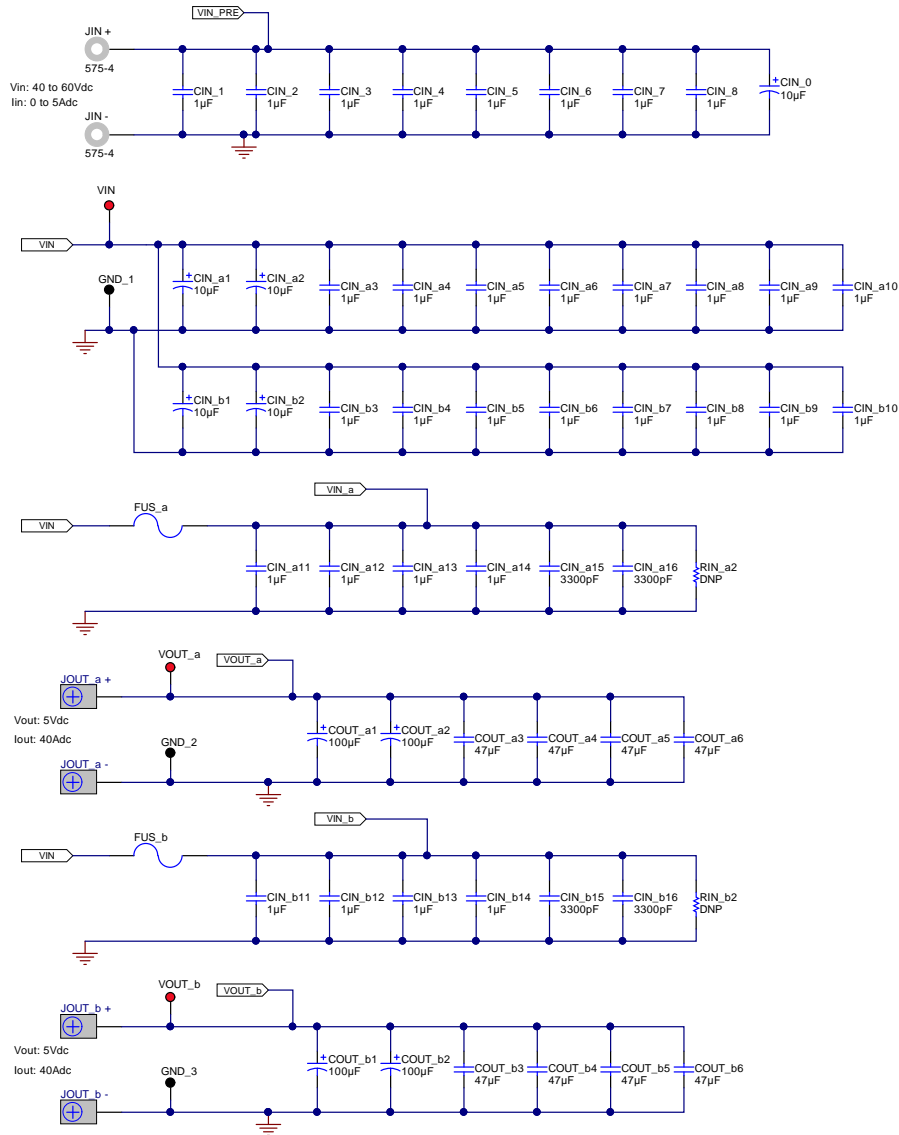
Texas Instruments and/or its licensors do not warrant the accuracy or completeness of this specification or any information contained therein. Texas Instruments and/or its licensors warrant that this design will meet the specifications, will be suitable for your application or fit for any particular purpose, or will operate in an implementation. Texas Instruments and/or its licensors do not warrant that the design is production worthy. You should completely validate and test your design implementation to confirm the system functionality for your application.



Orderable: EVM_orderable	Designed for: Public Release	Mod. Date: 2/10/2020
TID #: PMP22510	Project File: SCIB2.0_EVM	
Number: SCIB2.0EVM Rev: v4.0	Sheet Title: SCIB2.0_Pre-regulator	
Assembly Variant [No Variations]	Sheet: 3 of 8	
Drawn By: Yichao Tang	File: SCIB2.0_2ph_Pre-regulator_SchDoc	Size: B
Engineer: Yichao Tang	Contact: http://www.ti.com/support	

Texas Instruments and/or its licensors do not warrant the accuracy or completeness of this specification or any information contained therein. Texas Instruments and/or its licensors warrant that this design will meet the specifications, will be suitable for your application or fit for any particular purpose, or will operate in an implementation. Texas Instruments and/or its licensors do not warrant that the design is production worthy. You should completely validate and test your design implementation to confirm the system functionality for your application.

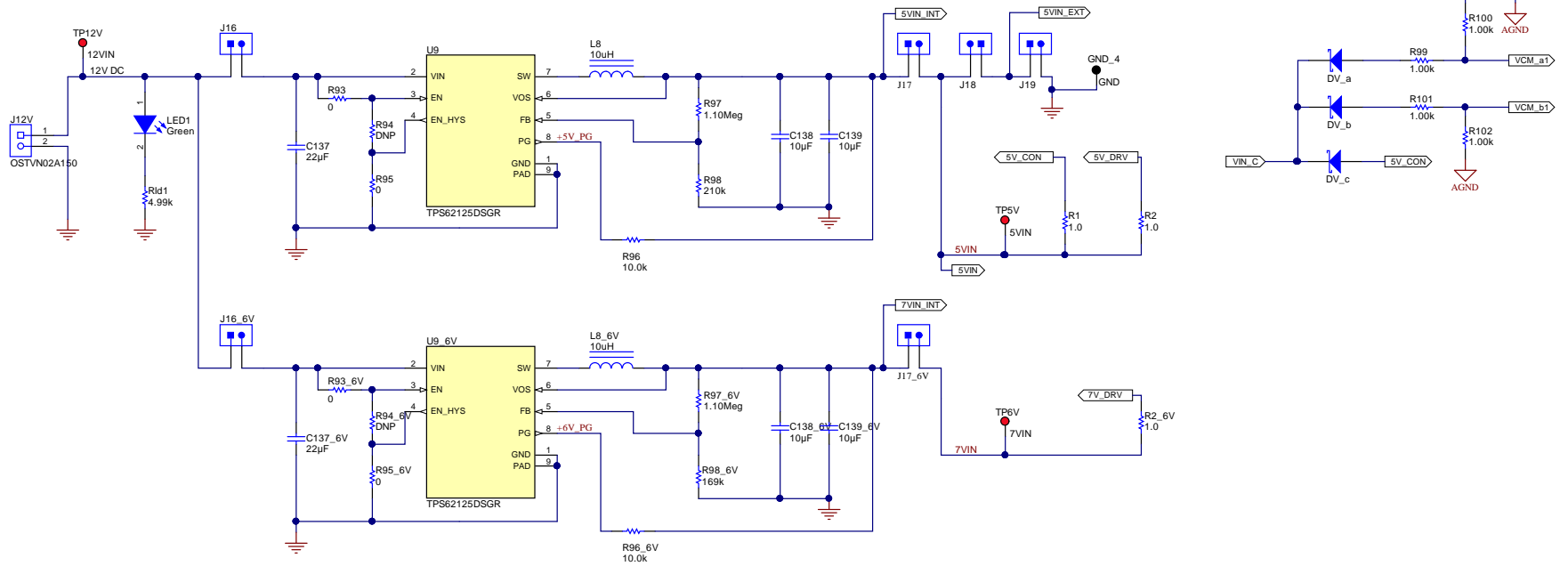
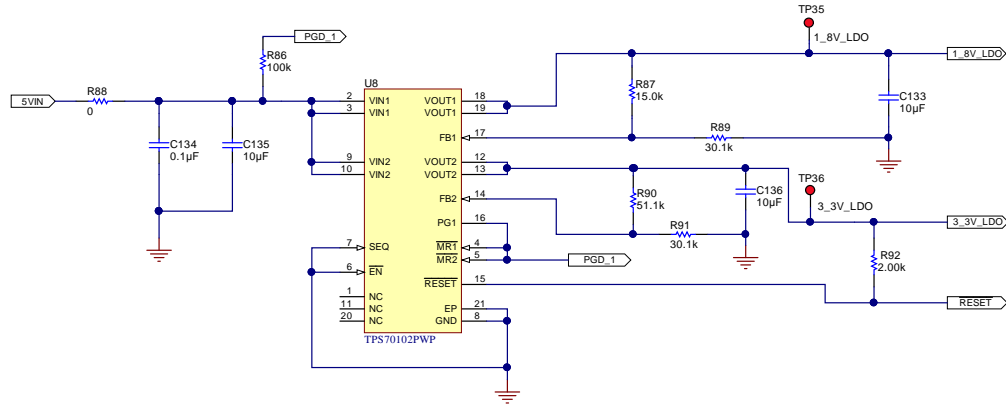




Texas Instruments and/or its licensors do not warrant the accuracy or completeness of this specification or any information contained therein. Texas Instruments and/or its licensors warrant that this design will meet the specifications, will be suitable for your application or fit for any particular purpose, or will operate in an implementation. Texas Instruments and/or its licensors do not warrant that the design is production worthy. You should completely validate and test your design implementation to confirm the system functionality for your application.

Orderable: EVM, orderable	Designed for: Public Release	Mod. Date: 6/11/2020
TID #: PM22510	Project Title: SCIB2.0 EVM	
Number: SCIB2.0EVM Rev: v4.0	Sheet Title: SCIB2.0 Capacitors	
Rev: Version control disabled	Assembly Variant: [No Variations]	Sheet: 4 of 8
Drawn By: Yichao Tang	File: SCIB2.0_2ph_Flying_Capacitor_SchDoc	Size: B
Engineer: Yichao Tang	Contact: http://www.ti.com/support	

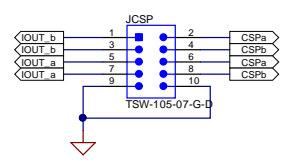
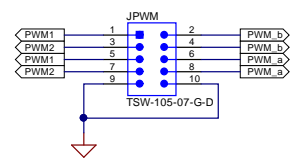
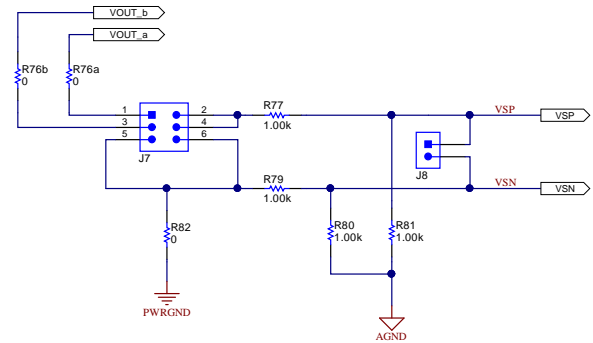
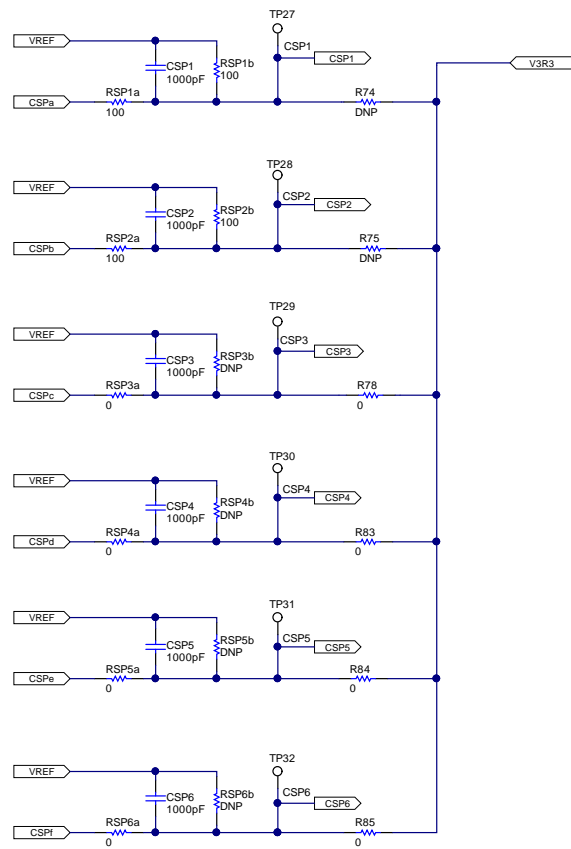


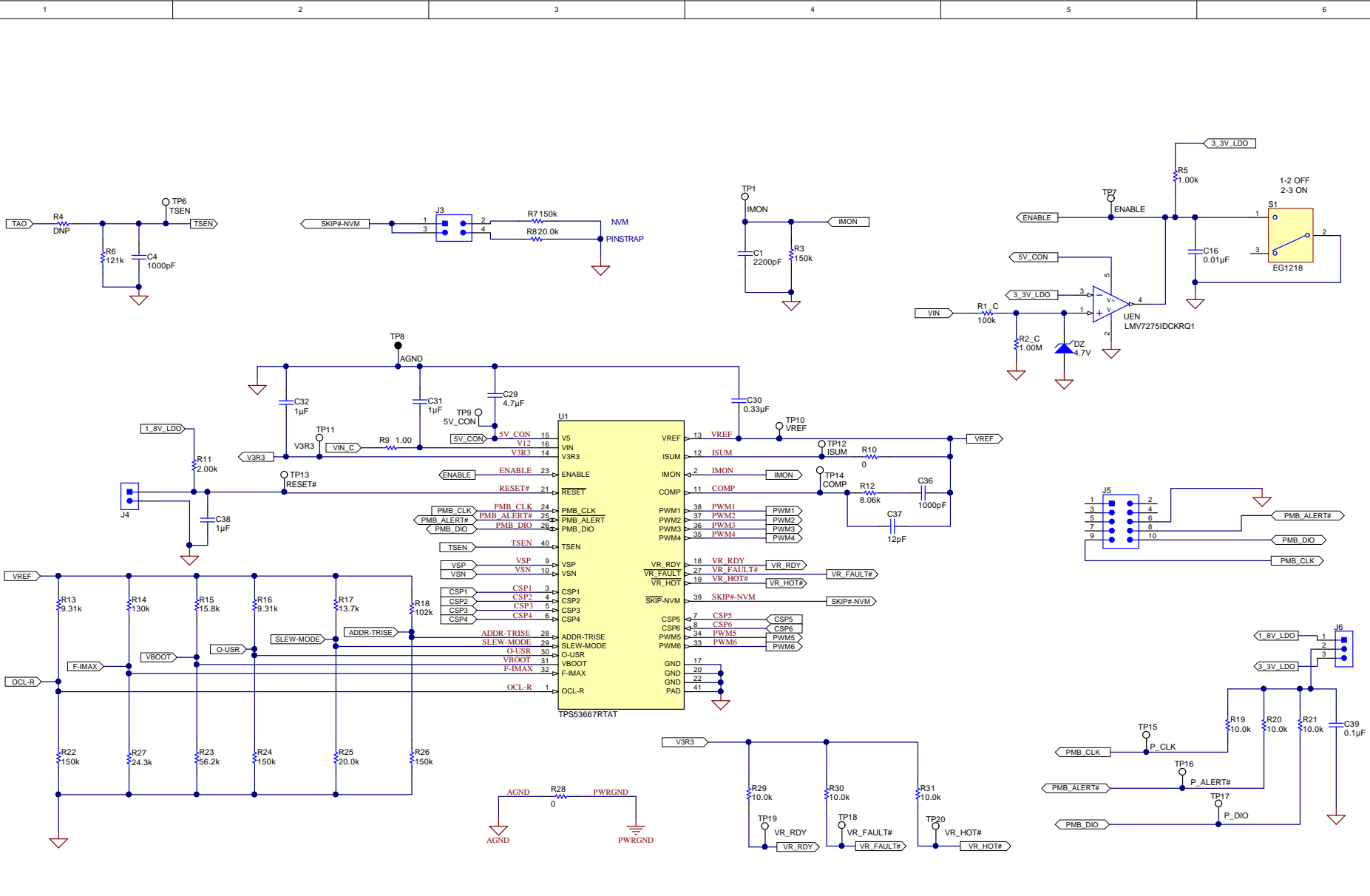


Orderable: EVM, orderable	Designed for: Public Release	Mod. Date: 3/9/2020
TID #: PMP22510	Project Title: SCIB2.0 EVM	
Number: SCIB2.0EVM Rev: v4.0	Sheet Title: SCIB2.0_LDO	
SWN Rev: Version control disabled	Assembly Variant: [No Variations]	Sheet: 5 of 8
Drawn By: Yichao Tang	File: SCIB2.0_2ph_LDOs_SchDoc	Size: B
Engineer: Yichao Tang	Contact: http://www.ti.com/support	

Texas Instruments and/or its licensors do not warrant the accuracy or completeness of this specification or any information contained therein. Texas Instruments and/or its licensors warrant that this design will meet the specifications, will be suitable for your application or fit for any particular purpose, or will operate in an implementation. Texas Instruments and/or its licensors do not warrant that the design is production worthy. You should completely validate and test your design implementation to confirm the system functionality for your application.





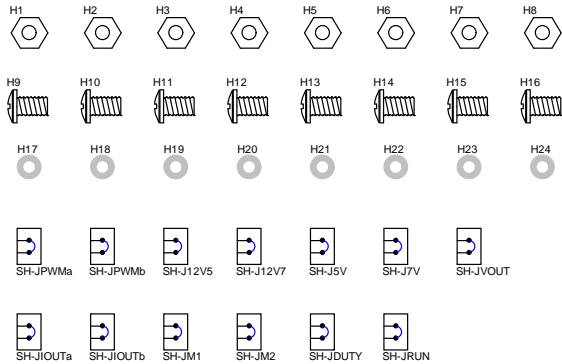


SCIB2.0_Controller

Orderable: EVM_orderable	Designed for: Public Release	Mod. Date: 3/9/2020
TID #: PMP22510	Project Title: SCIB2.0_EVM	
Number: SCIB2.0EVM Rev: v4.0	Sheet Title: SCIB2.0_Controller	Sheet: 7 of 8
SW Rev: Version control disabled	Assembly Variant: No Variations	
Drawn By: Yichao Tang	File: SCIB2.0_2ph_Controller.SchDoc	Size: B
Engineer: Yichao Tang	Contact: http://www.ti.com/support	



Texas Instruments and/or its licensors do not warrant the accuracy or completeness of this specification or any information contained therein. Texas Instruments and/or its licensors warrant that this design will meet the specifications, will be suitable for your application or fit for any particular purpose, or will operate in an implementation. Texas Instruments and/or its licensors do not warrant that the design is production worthy. You should completely validate and test your design implementation to confirm the system functionality for your application.



PCB Number: SCIB2.0EVM
 PCB Rev: v4.0

ZZ1

Assembly Note
 These assemblies are ESD sensitive, ESD precautions shall be observed.

ZZ2

Assembly Note
 These assemblies must be clean and free from flux and all contaminants. Use of no clean flux is not acceptable.

ZZ3

Assembly Note
 These assemblies must comply with workmanship standards IPC-A-610 Class 2, unless otherwise specified.

PCB
 LOGO
 Texas Instruments

ZZ4

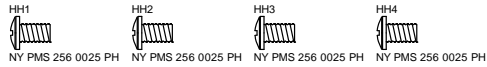
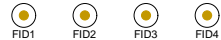
Assembly Note
 Assemble Jumper SH-J3 on J3, pins 1 & 2

PCB
 LOGO
 Pb-Free Symbol

ZZ5

Assembly Note
 Assemble hardware items H1 to H24 to secure solder lugs to board. Nut and washer go on bottom side.

PCB
 LOGO
 FCC disclaimer



Orderable: EVM, orderable	Designed for: Public Release	Mod. Date: 11/8/2019
TID #: PMP22510	Project Title: SCIB2.0 EVM	
Number: SCIB2.0EVM Rev: v4.0	Sheet Title: SCIB2.0 Hardware	
Drawn By: Yichao Tang	Assembled By: [No Variations]	Sheet: 8 of 8
Engineer: Yichao Tang	File: SCIB2.0_2ph_hardware.SchDoc	Size: B
	Contact: http://www.ti.com/support	

Texas Instruments and/or its licensors do not warrant the accuracy or completeness of this specification or any information contained therein. Texas Instruments and/or its licensors warrant that this design will meet the specifications, will be suitable for your application or fit for any particular purpose, or will operate in an implementation. Texas Instruments and/or its licensors do not warrant that the design is production worthy. You should completely validate and test your design implementation to confirm the system functionality for your application. © Texas Instruments 2020



IMPORTANT NOTICE AND DISCLAIMER

TI PROVIDES TECHNICAL AND RELIABILITY DATA (INCLUDING DATASHEETS), DESIGN RESOURCES (INCLUDING REFERENCE DESIGNS), APPLICATION OR OTHER DESIGN ADVICE, WEB TOOLS, SAFETY INFORMATION, AND OTHER RESOURCES "AS IS" AND WITH ALL FAULTS, AND DISCLAIMS ALL WARRANTIES, EXPRESS AND IMPLIED, INCLUDING WITHOUT LIMITATION ANY IMPLIED WARRANTIES OF MERCHANTABILITY, FITNESS FOR A PARTICULAR PURPOSE OR NON-INFRINGEMENT OF THIRD PARTY INTELLECTUAL PROPERTY RIGHTS.

These resources are intended for skilled developers designing with TI products. You are solely responsible for (1) selecting the appropriate TI products for your application, (2) designing, validating and testing your application, and (3) ensuring your application meets applicable standards, and any other safety, security, or other requirements. These resources are subject to change without notice. TI grants you permission to use these resources only for development of an application that uses the TI products described in the resource. Other reproduction and display of these resources is prohibited. No license is granted to any other TI intellectual property right or to any third party intellectual property right. TI disclaims responsibility for, and you will fully indemnify TI and its representatives against, any claims, damages, costs, losses, and liabilities arising out of your use of these resources.

TI's products are provided subject to TI's Terms of Sale (www.ti.com/legal/termsofsale.html) or other applicable terms available either on ti.com or provided in conjunction with such TI products. TI's provision of these resources does not expand or otherwise alter TI's applicable warranties or warranty disclaimers for TI products.

Mailing Address: Texas Instruments, Post Office Box 655303, Dallas, Texas 75265
Copyright © 2020, Texas Instruments Incorporated