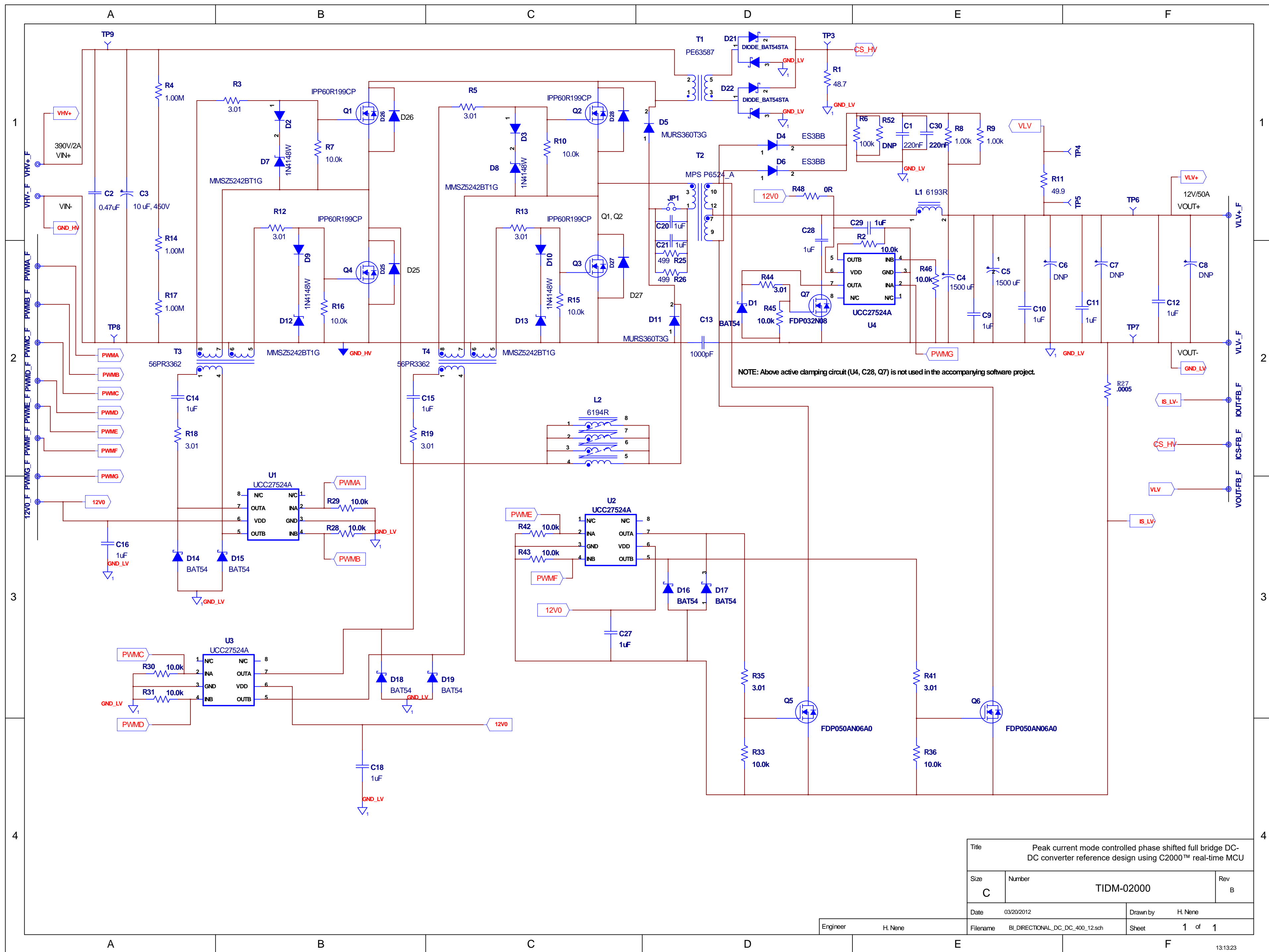
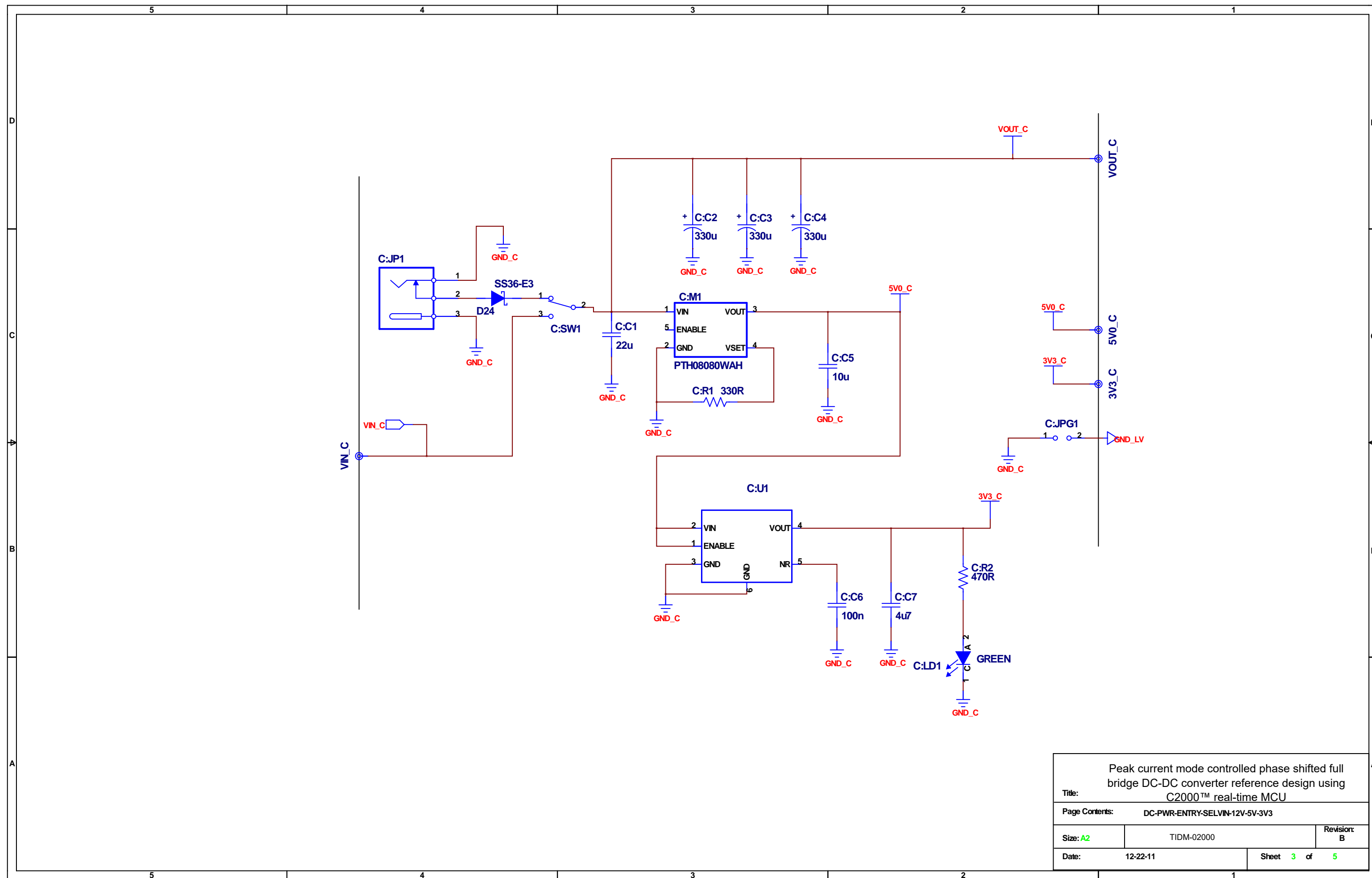


Populate following jumpers:  
 C:JPG1, E:JPG1, J2, J5, J6, J7, J8, J10, J11, J12, J13, J15, J16, and J19

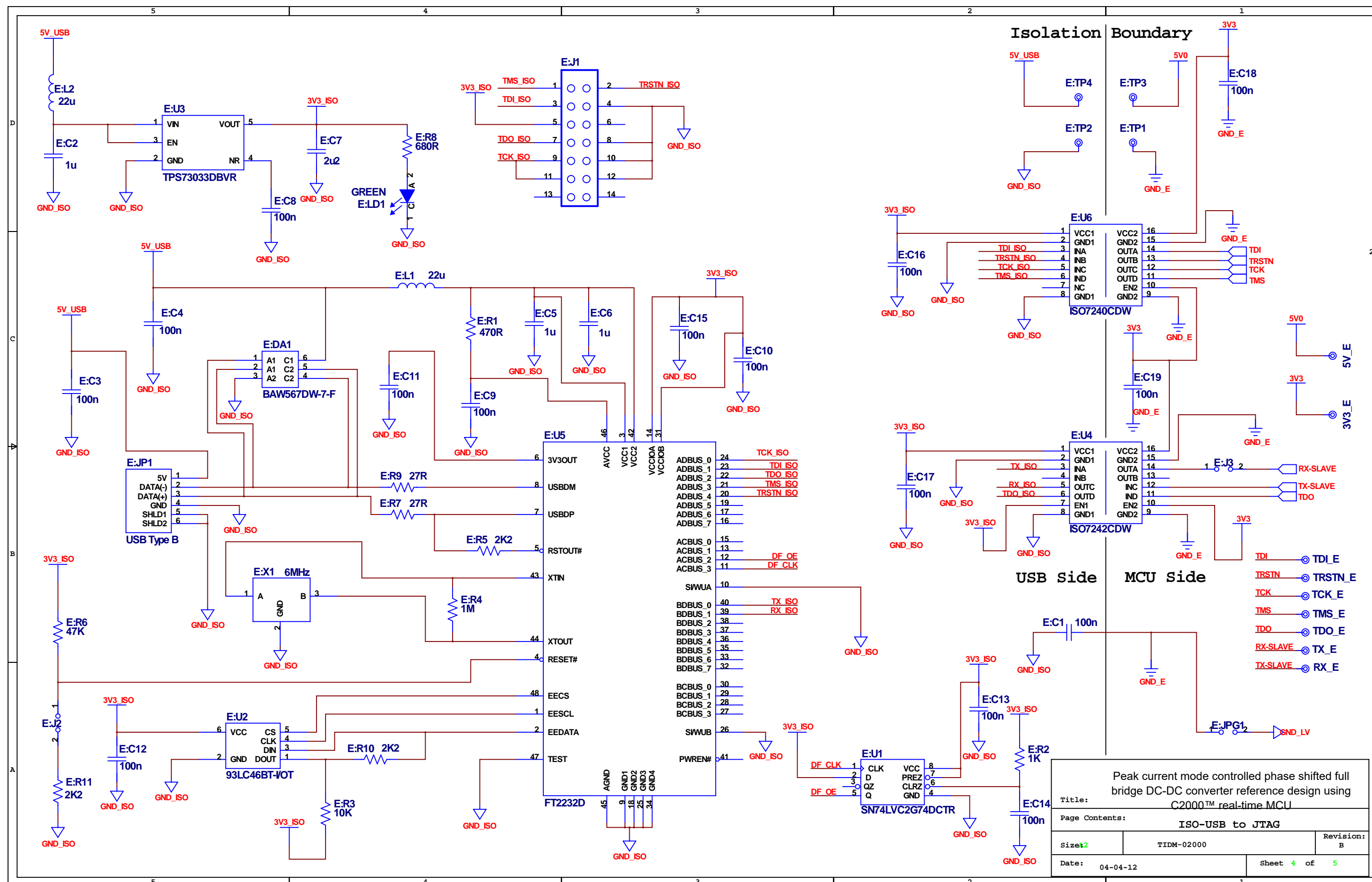
Title				Peak current mode controlled phase shifted full bridge DC-DC converter reference design using C2000™ real-time MCU			
Size	C	Number	TIDM-02000	Rev	B		
Date	Thu Dec 16, 2010			Drawn by	H. Nene		
Filename	BLDIRECTIONAL_DC_DC_400_12.sch			Sheet	1 of 1		

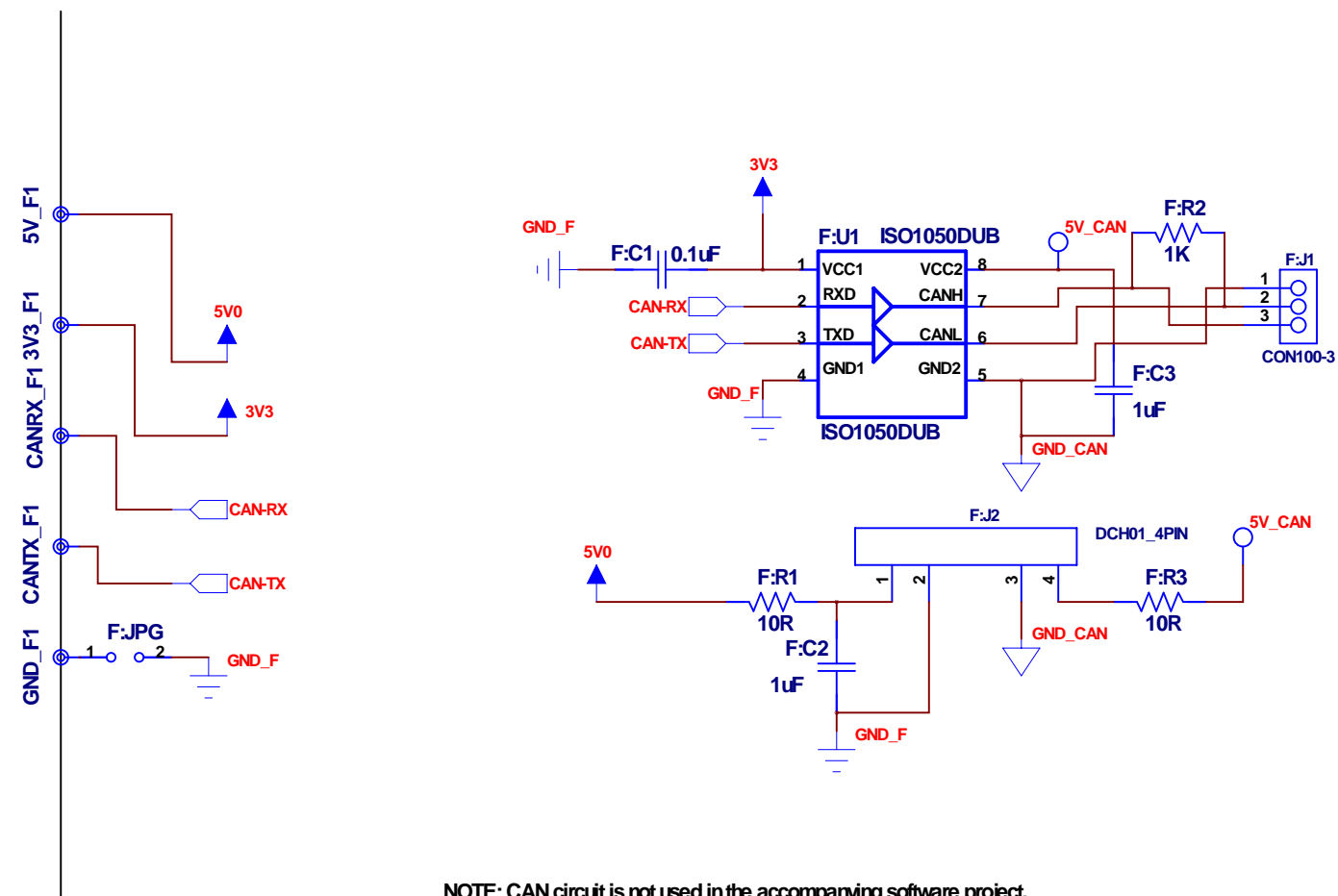


Title			
Peak current mode controlled phase shifted full bridge DC-DC converter reference design using C2000™ real-time MCU			
Size	Number	Rev	
C	TIDM-02000	B	
Date	03/20/2012	Drawn by	H. Nene
Engineer	H. Nene	Filename	BL_DIRECTIONAL_DC_DC_400_12.sch
		Sheet	1 of 1



Peak current mode controlled phase shifted full bridge DC-DC converter reference design using C2000™ real-time MCU		
Title:		
Page Contents: DC-PWR-ENTRY-SELVIN-12V-5V-3V3		
Size: A2	TIDM-02000	Revision: B
Date: 12-22-11	Sheet 3 of 5	





NOTE: CAN circuit is not used in the accompanying software project.

Peak current mode controlled phase shifted full bridge DC-DC converter reference design using C2000™ real-time MCU		
Title:		
Page Contents: CAN		
Size: A2	TIDM-02000	Revision: B
Date: 12-22-11	Sheet 5 of 5	

## IMPORTANT NOTICE AND DISCLAIMER

TI PROVIDES TECHNICAL AND RELIABILITY DATA (INCLUDING DATASHEETS), DESIGN RESOURCES (INCLUDING REFERENCE DESIGNS), APPLICATION OR OTHER DESIGN ADVICE, WEB TOOLS, SAFETY INFORMATION, AND OTHER RESOURCES "AS IS" AND WITH ALL FAULTS, AND DISCLAIMS ALL WARRANTIES, EXPRESS AND IMPLIED, INCLUDING WITHOUT LIMITATION ANY IMPLIED WARRANTIES OF MERCHANTABILITY, FITNESS FOR A PARTICULAR PURPOSE OR NON-INFRINGEMENT OF THIRD PARTY INTELLECTUAL PROPERTY RIGHTS.

These resources are intended for skilled developers designing with TI products. You are solely responsible for (1) selecting the appropriate TI products for your application, (2) designing, validating and testing your application, and (3) ensuring your application meets applicable standards, and any other safety, security, or other requirements. These resources are subject to change without notice. TI grants you permission to use these resources only for development of an application that uses the TI products described in the resource. Other reproduction and display of these resources is prohibited. No license is granted to any other TI intellectual property right or to any third party intellectual property right. TI disclaims responsibility for, and you will fully indemnify TI and its representatives against, any claims, damages, costs, losses, and liabilities arising out of your use of these resources.

TI's products are provided subject to TI's Terms of Sale ([www.ti.com/legal/termsofsale.html](http://www.ti.com/legal/termsofsale.html)) or other applicable terms available either on [ti.com](http://ti.com) or provided in conjunction with such TI products. TI's provision of these resources does not expand or otherwise alter TI's applicable warranties or warranty disclaimers for TI products.

Mailing Address: Texas Instruments, Post Office Box 655303, Dallas, Texas 75265  
Copyright © 2020, Texas Instruments Incorporated