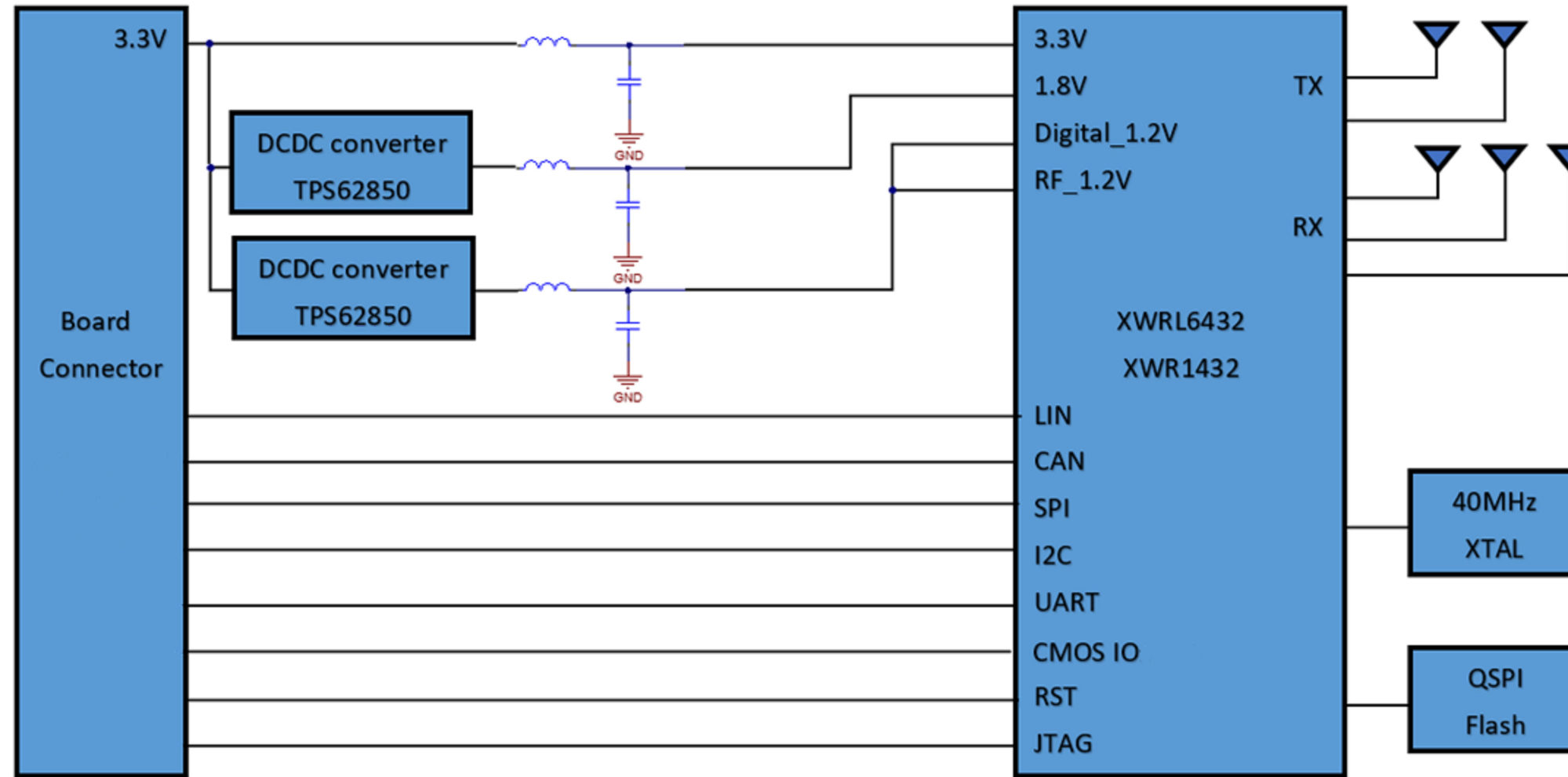



Revision History				
Rev	ECN #	Approved Date	Approved by	Notes
N/A	N/A	N/A	N/A	N/A

## BLOCK DIAGRAM




Texas Instruments and/or its licensors do not warrant the accuracy or completeness of this specification or any information contained therein. Texas Instruments and/or its licensors do not warrant that this design will meet the specifications, will be suitable for your application or fit for any particular purpose, or will operate in an implementation. Texas Instruments and/or its licensors do not warrant that the design is production worthy. You should completely validate and test your design implementation to confirm the system functionality for your application.

Orderable: <a href="#">IWRL6432FSPEVM</a>	Designed for: <a href="#">Public Release</a>	Mod. Date: 8/31/2023	 <a href="http://www.ti.com">http://www.ti.com</a> © Texas Instruments 2022
TID #: N/A	Project Title: <a href="#">TIDA_010254_module</a>	Sheet: 1 of 8	
Number: <a href="#">TIDA_010254_module</a>	Sheet Title: <a href="#">BLOCK DIAGRAM</a>	File: <a href="#">TIDA_010254_module_Block_Diagram.SchDoc</a>	
SVN Rev: Not in version control	Assembly Variant: <a href="#">001_IWR</a>	Size: B	
Drawn By: <a href="#">Justin</a>	Contact: <a href="http://www.ti.com/support">http://www.ti.com/support</a>		

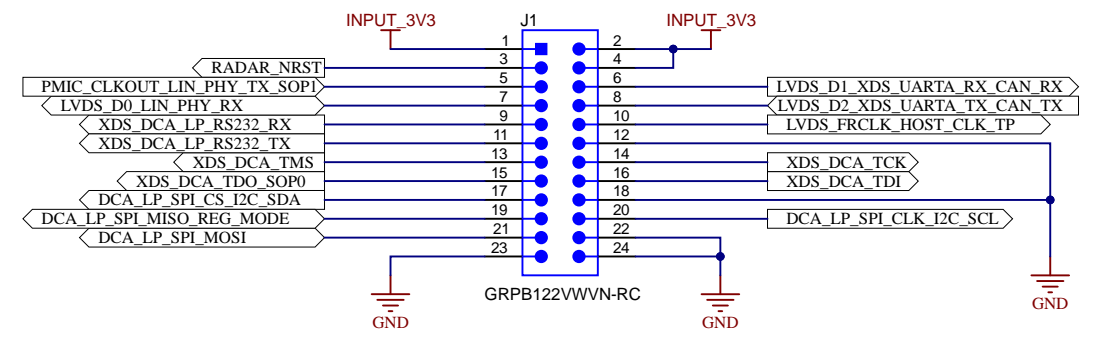
### TABLE OF CONTENTS

SHEET NO.	SHEET NAME
1	BLOCK DIAGRAM
2	TABLE OF CONTENTS
3	PWR_Connector
4	DC REGULATORS
5	xWRL6432_CHIP
6	DECOUPLING_CAPS
7	QSPI_FLASH
8	HARDWARE


Texas Instruments and/or its licensors do not warrant the accuracy or completeness of this specification or any information contained therein. Texas Instruments and/or its licensors do not warrant that this design will meet the specifications, will be suitable for your application or fit for any particular purpose, or will operate in an implementation. Texas Instruments and/or its licensors do not warrant that the design is production worthy. You should completely validate and test your design implementation to confirm the system functionality for your application.

Orderable: <a href="#">IWR6432FSPEVM</a>	Designed for: <a href="#">Public Release</a>	Mod. Date: 1/9/2023	 <a href="http://www.ti.com">http://www.ti.com</a> <small>© Texas Instruments 2022</small>
TID #: N/A	Project Title: <a href="#">TIDA_010254_module</a>		
Number: <a href="#">TIDA_010254_ModuleA</a>	Sheet Title: <a href="#">TABLE OF CONTENTS</a>		
SVN Rev: Not in version control	Assembly Variant: <a href="#">001_IWR</a>	Sheet: <a href="#">2</a> of <a href="#">8</a>	
Drawn By: <a href="#">Justin</a>	File: <a href="#">TIDA_010254_module_Table_Of_Contents.Sch</a>	Size: B	
Engineer: <a href="#">Justin</a>	Contact: <a href="http://www.ti.com/support">http://www.ti.com/support</a>		

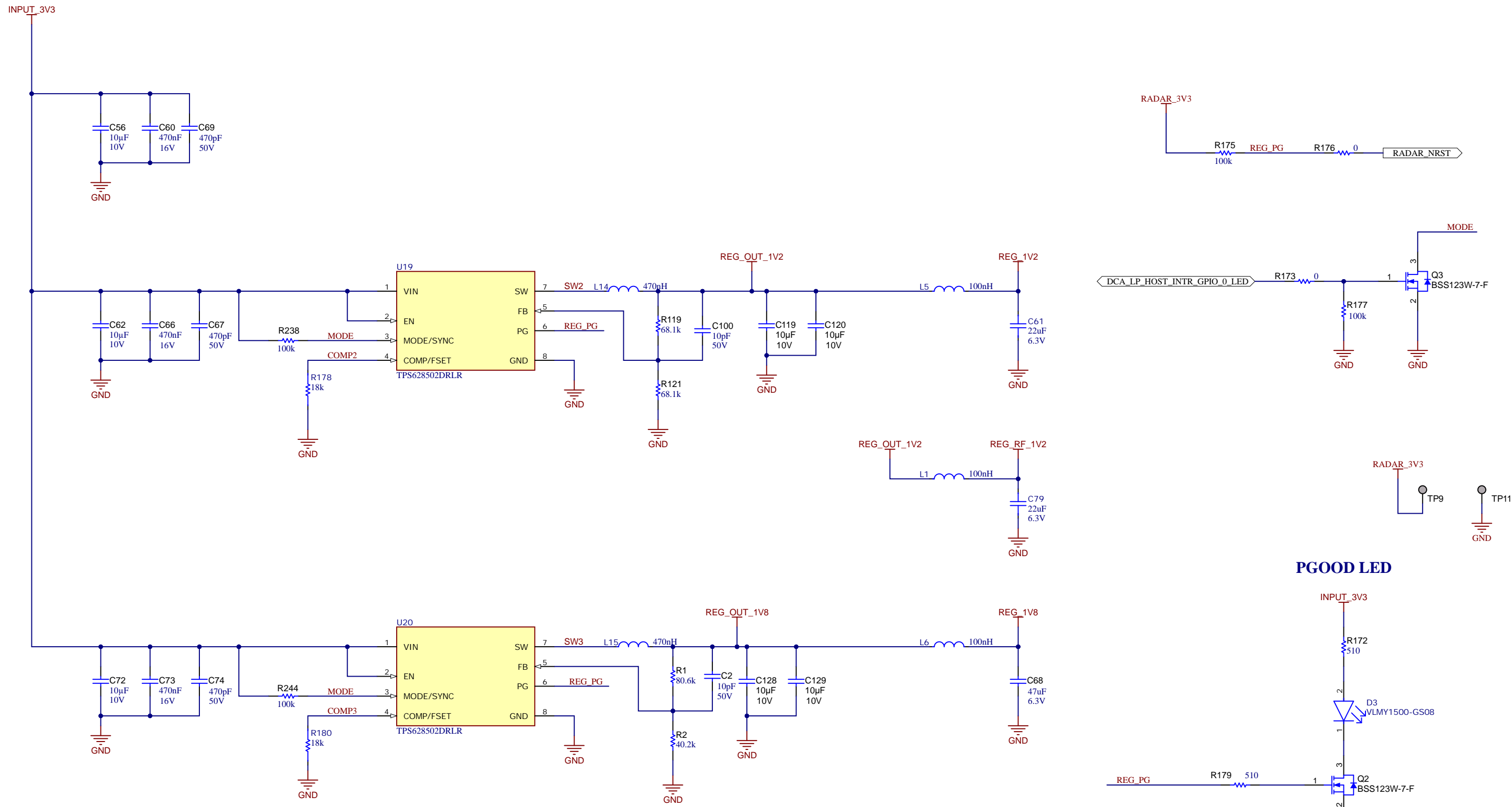
### Connectors



Texas Instruments and/or its licensors do not warrant the accuracy or completeness of this specification or any information contained therein. Texas Instruments and/or its licensors do not warrant that this design will meet the specifications, will be suitable for your application or fit for any particular purpose, or will operate in an implementation. Texas Instruments and/or its licensors do not warrant that the design is production worthy. You should completely validate and test your design implementation to confirm the system functionality for your application.

Orderable: <a href="#">IWR6432FSPEVM</a>	Designed for: Public Release	Mod. Date: 7/1/2023	 <a href="http://www.ti.com">http://www.ti.com</a> © Texas Instruments 2022
TID #: N/A	Project Title: TIDA_010254_module		
Number: <a href="#">TIDA_010254</a>	Sheet Title: PWR_Connector		
SVN Rev: Not in version control	Assembly Variant: 001_IWR	Sheet: 3 of 8	
Drawn By: Justin	File: <a href="#">TIDA_010254_module_PWR_Connector.SchDoc</a>	Size: B	
Engineer: Justin	Contact: <a href="http://www.ti.com/support">http://www.ti.com/support</a>		

# DC-DC REGULATORS - 3.3V, 1.2V & 1.8V OUTPUTS



CAD NOTE : Place all Input & Output Decaps close to Regulator Pins - U[19:20]

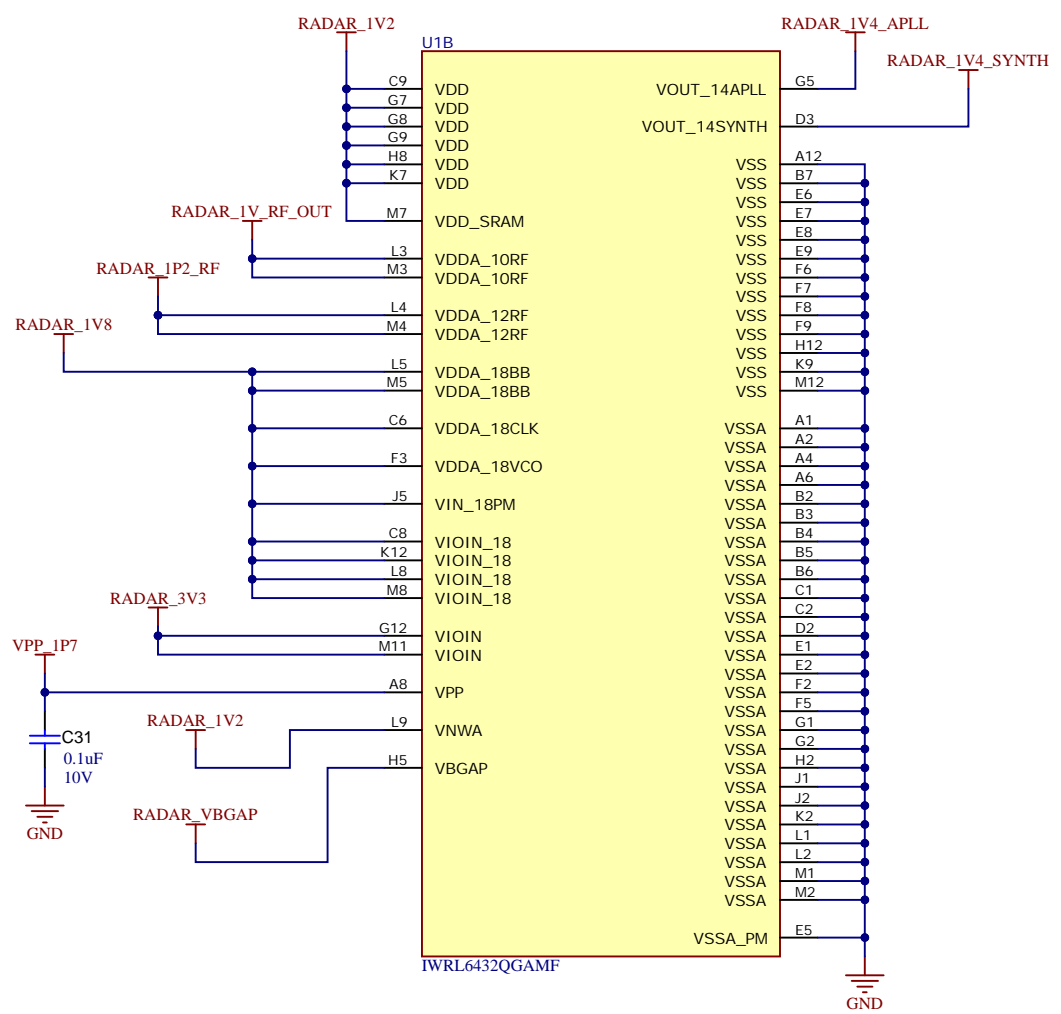
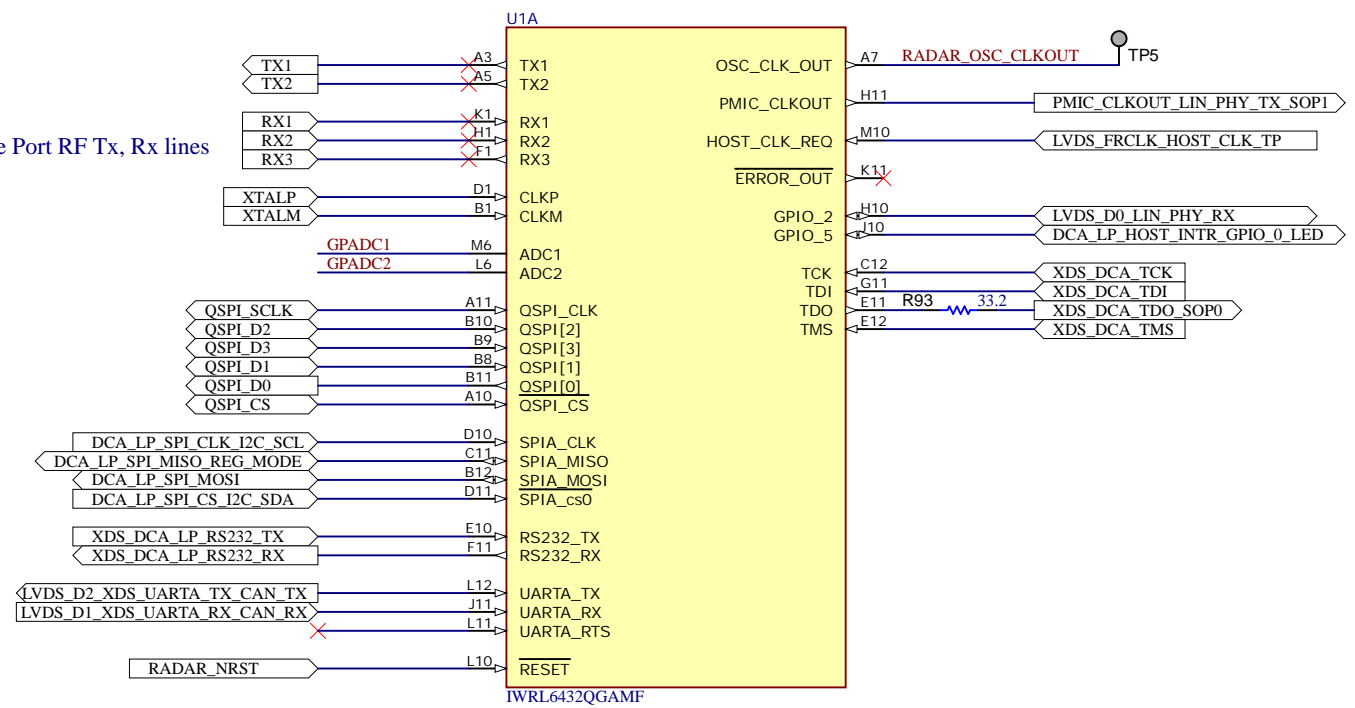
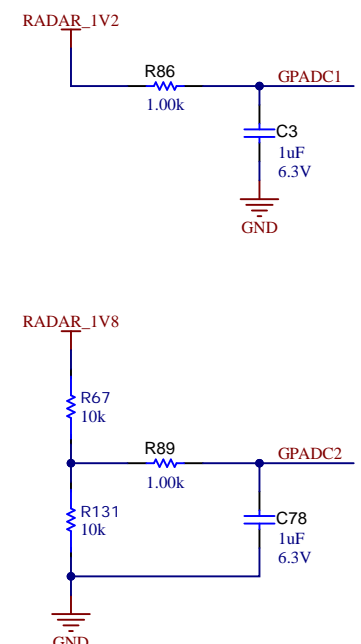
Texas Instruments and/or its licensors do not warrant the accuracy or completeness of this specification or any information contained therein. Texas Instruments and/or its licensors do not warrant that this design will meet the specifications, will be suitable for your application or fit for any particular purpose, or will operate in an implementation. Texas Instruments and/or its licensors do not warrant that the design is production worthy. You should completely validate and test your design implementation to confirm the system functionality for your application.

Orderable: IWRL6432FSPEVM	Designed for: Public Release	Mod. Date: 1/17/2023
TID #: N/A	Project Title: TIDA_010254_module	
Number: TIDA_010254_Module A	Sheet Title: DC REGULATORS	
SVN Rev: Not in version control	Assembly Variant: 001_IWR	Sheet: 4 of 8
Drawn By: Justin	File: TIDA_010254_module_DC_Regulators.SchDoc	Size: B
Engineer: Justin	Contact: <a href="http://www.ti.com/support">http://www.ti.com/support</a>	

# xWRL6432 CHIP

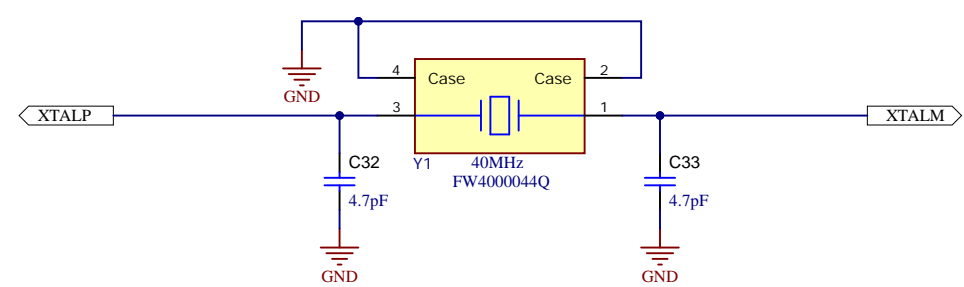
**Design Note:**

1. Antenna traces are GCPW traces
2. 'Generic No ERCs' were placed intentionally on Single Port RF Tx, Rx lines



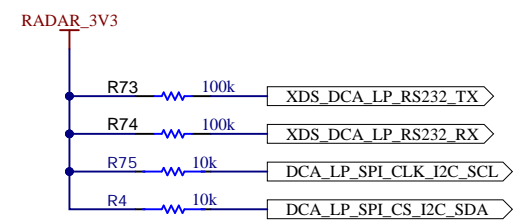
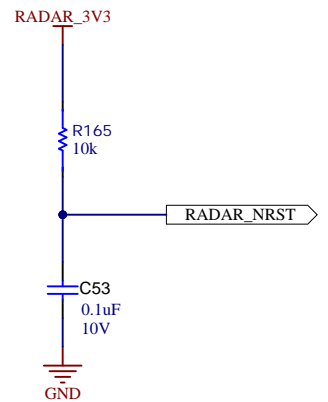
CAD Note: Place C3 and C78 close to xWRL6432 IC

## 40 MHz CRYSTAL OSCILLATOR



Alternate Crystal part number : CX2016SA40000D0PTWC1

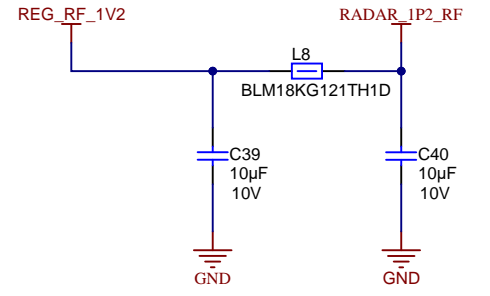
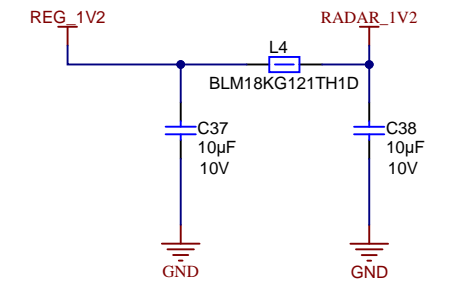
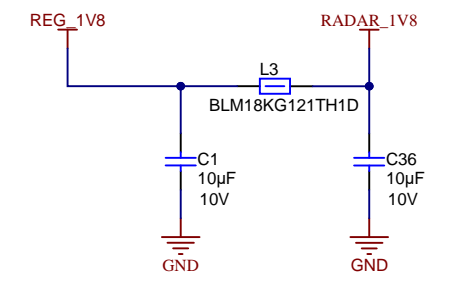
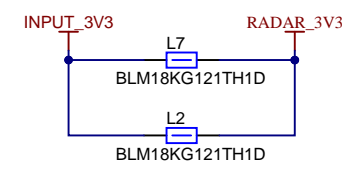
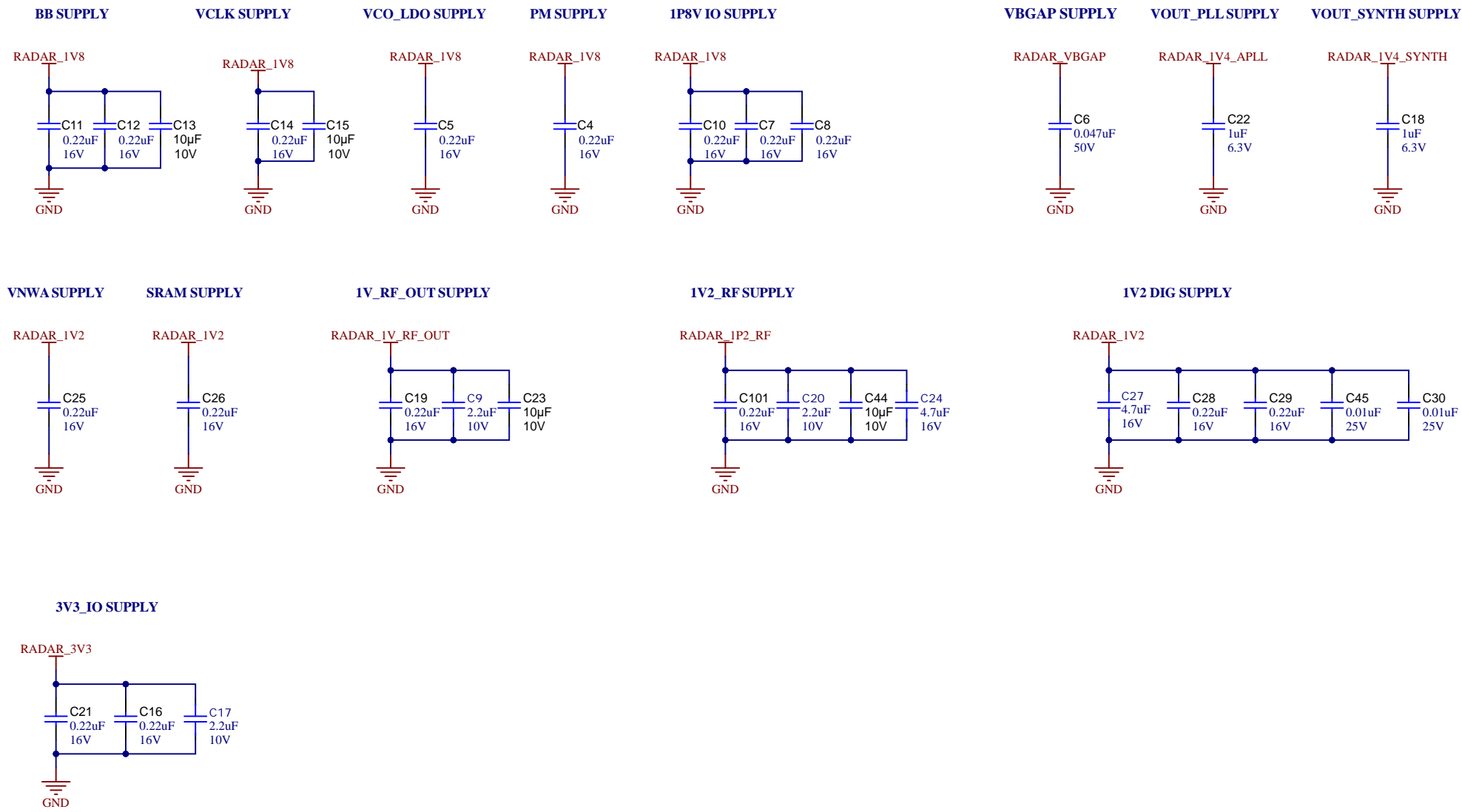
## RESET



Orderable: IWRL6432FSPEVM	Designed for: Public Release	Mod. Date: 10/17/2023
TID #: N/A	Project Title: TIDA_010254_module	
Number: TIDA_010254_module_A	Sheet Title: xWRL6432_CHIP	
SVN Rev: Not in version control	Assembly Variant: 001_IWR	Sheet: 5 of 8
Drawn By: Justin	File: TIDA_010254_module_xWRL6432_Chip.SchDoc	Size: B
Engineer: Justin	Contact: <a href="http://www.ti.com/support">http://www.ti.com/support</a>	

Texas Instruments and/or its licensors do not warrant the accuracy or completeness of this specification or any information contained therein. Texas Instruments and/or its licensors do not warrant that this design will meet the specifications, will be suitable for your application or fit for any particular purpose, or will operate in an implementation. Texas Instruments and/or its licensors do not warrant that the design is production worthy. You should completely validate and test your design implementation to confirm the system functionality for your application.

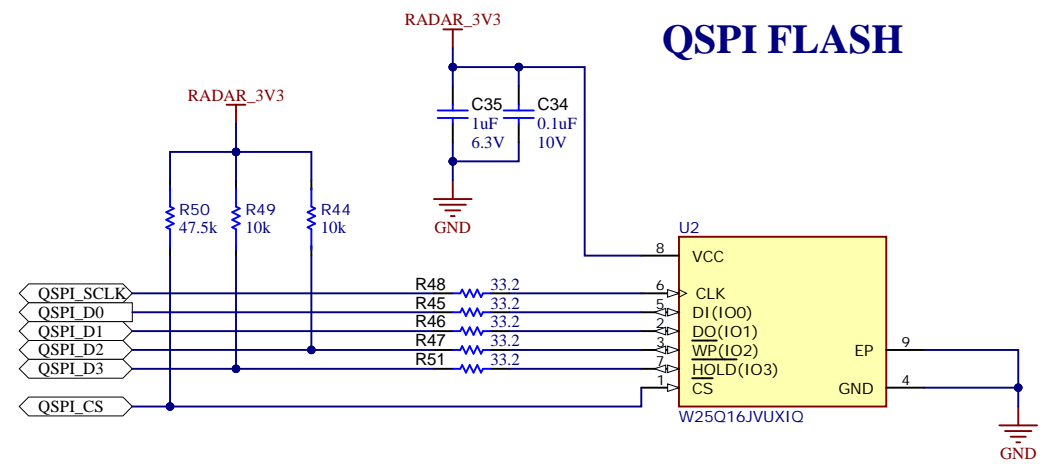
# SUPPLY\_DECOUPLING\_CAPS




Texas Instruments and/or its licensors do not warrant the accuracy or completeness of this specification or any information contained therein. Texas Instruments and/or its licensors do not warrant that this design will meet the specifications, will be suitable for your application or fit for any particular purpose, or will operate in an implementation. Texas Instruments and/or its licensors do not warrant that the design is production worthy. You should completely validate and test your design implementation to confirm the system functionality for your application.

Orderable: IWRL6432FSPEVM	Designed for: Public Release	Mod. Date: 2/15/2023
TID #: N/A	Project Title: TIDA_010254_module	
Number: TIDA_010254_module	Sheet Title: DECOUPLING_CAPS	
SVN Rev: Not in version control	Assembly Variant: 001_IWR	Sheet: 6 of 8
Drawn By: Justin	File: TIDA_010254_module_Decoupling_caps.SchDoc	Size: B
Engineer: Justin	Contact: <a href="http://www.ti.com/support">http://www.ti.com/support</a>	





Texas Instruments and/or its licensors do not warrant the accuracy or completeness of this specification or any information contained therein. Texas Instruments and/or its licensors do not warrant that this design will meet the specifications, will be suitable for your application or fit for any particular purpose, or will operate in an implementation. Texas Instruments and/or its licensors do not warrant that the design is production worthy. You should completely validate and test your design implementation to confirm the system functionality for your application.

Orderable: <a href="#">IWR6432FSPEVM</a>	Designed for: <a href="#">Public Release</a>	Mod. Date: 1/28/2023	 <a href="http://www.ti.com">http://www.ti.com</a> © Texas Instruments 2022
TID #: N/A	Project Title: <a href="#">TIDA_010254_module</a>	Sheet: 7 of 8	
Number: <a href="#">TIDA_010254_RevA</a>	Sheet Title: <a href="#">QSPI_FLASH</a>	Size: B	
SVN Rev: Not in version control	Assembly Variant: <a href="#">001_IWR</a>	Contact: <a href="http://www.ti.com/support">http://www.ti.com/support</a>	
Drawn By: <a href="#">Justin</a>	File: <a href="#">TIDA_010254_module_QSPI_Flash.SchDoc</a>		
Engineer: <a href="#">Justin</a>			



PCB Number: TIDA\_010254\_module  
PCB Rev: A

PCB  
LOGO  
Texas Instruments

Variant/Label Table	
Variant	Label Text
001_IWR	IWRL6432BOOST
002_AWR	AWRL6432BOOST

CAPACITORS HIGHLIGHTED IN THE RED COLOR BOXES ARE ADDED FOR IMPROVEMENT AND THOSE ARE NOT MANDATORY.

ZZ1  
Label Assembly Note  
This Assembly Note is for PCB labels only

ZZ2  
Assembly Note  
These assemblies are ESD sensitive, ESD precautions shall be observed.

ZZ3  
Assembly Note  
These assemblies must be clean and free from flux and all contaminants. Use of no clean flux is not acceptable.

ZZ4  
Assembly Note  
These assemblies must comply with workmanship standards IPC-A-610 Class 2, unless otherwise specified.

ZZ5  
Assembly Note  
These assemblies must comply with workmanship standards IPC-A-610 Class 2, unless otherwise specified.

Orderable: IWRL6432FSPEVM	Designed for: Public Release	Mod. Date: 1/28/2023	<p>TEXAS INSTRUMENTS http://www.ti.com © Texas Instruments 2022</p>
TID #: N/A	Project Title: TIDA_010254_module		
Number: TIDA_010254_module A	Sheet Title: HARDWARE		
SVN Rev: Not in version control	Assembly Variant: 001_IWR	Sheet: 8 of 8	
Drawn By: Justin	File: TIDA_010254_module_Hardware.SchDoc	Size: B	
Engineer: Justin	Contact: http://www.ti.com/support		

Texas Instruments and/or its licensors do not warrant the accuracy or completeness of this specification or any information contained therein. Texas Instruments and/or its licensors do not warrant that this design will meet the specifications, will be suitable for your application or fit for any particular purpose, or will operate in an implementation. Texas Instruments and/or its licensors do not warrant that the design is production worthy. You should completely validate and test your design implementation to confirm the system functionality for your application.



## IMPORTANT NOTICE AND DISCLAIMER

TI PROVIDES TECHNICAL AND RELIABILITY DATA (INCLUDING DATA SHEETS), DESIGN RESOURCES (INCLUDING REFERENCE DESIGNS), APPLICATION OR OTHER DESIGN ADVICE, WEB TOOLS, SAFETY INFORMATION, AND OTHER RESOURCES "AS IS" AND WITH ALL FAULTS, AND DISCLAIMS ALL WARRANTIES, EXPRESS AND IMPLIED, INCLUDING WITHOUT LIMITATION ANY IMPLIED WARRANTIES OF MERCHANTABILITY, FITNESS FOR A PARTICULAR PURPOSE OR NON-INFRINGEMENT OF THIRD PARTY INTELLECTUAL PROPERTY RIGHTS.

These resources are intended for skilled developers designing with TI products. You are solely responsible for (1) selecting the appropriate TI products for your application, (2) designing, validating and testing your application, and (3) ensuring your application meets applicable standards, and any other safety, security, regulatory or other requirements.

These resources are subject to change without notice. TI grants you permission to use these resources only for development of an application that uses the TI products described in the resource. Other reproduction and display of these resources is prohibited. No license is granted to any other TI intellectual property right or to any third party intellectual property right. TI disclaims responsibility for, and you will fully indemnify TI and its representatives against, any claims, damages, costs, losses, and liabilities arising out of your use of these resources.

TI's products are provided subject to [TI's Terms of Sale](#) or other applicable terms available either on [ti.com](https://www.ti.com) or provided in conjunction with such TI products. TI's provision of these resources does not expand or otherwise alter TI's applicable warranties or warranty disclaimers for TI products.

TI objects to and rejects any additional or different terms you may have proposed.

Mailing Address: Texas Instruments, Post Office Box 655303, Dallas, Texas 75265  
Copyright © 2023, Texas Instruments Incorporated