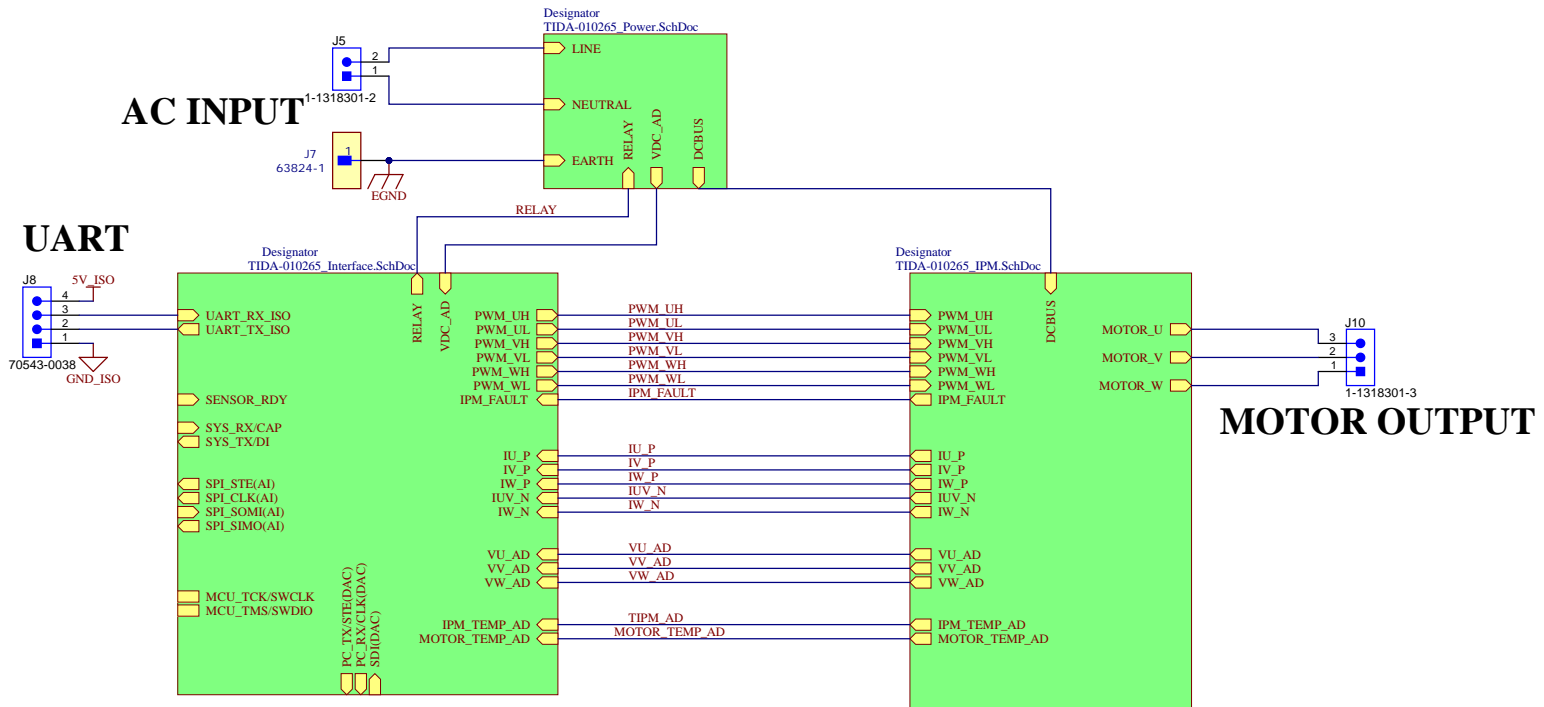
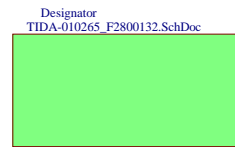


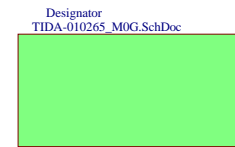
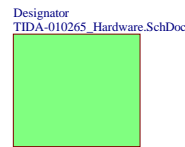
MOTHER BOARD



F2800132 DAUGHTER BOARD



MSPM0G DAUGHTER BOARD

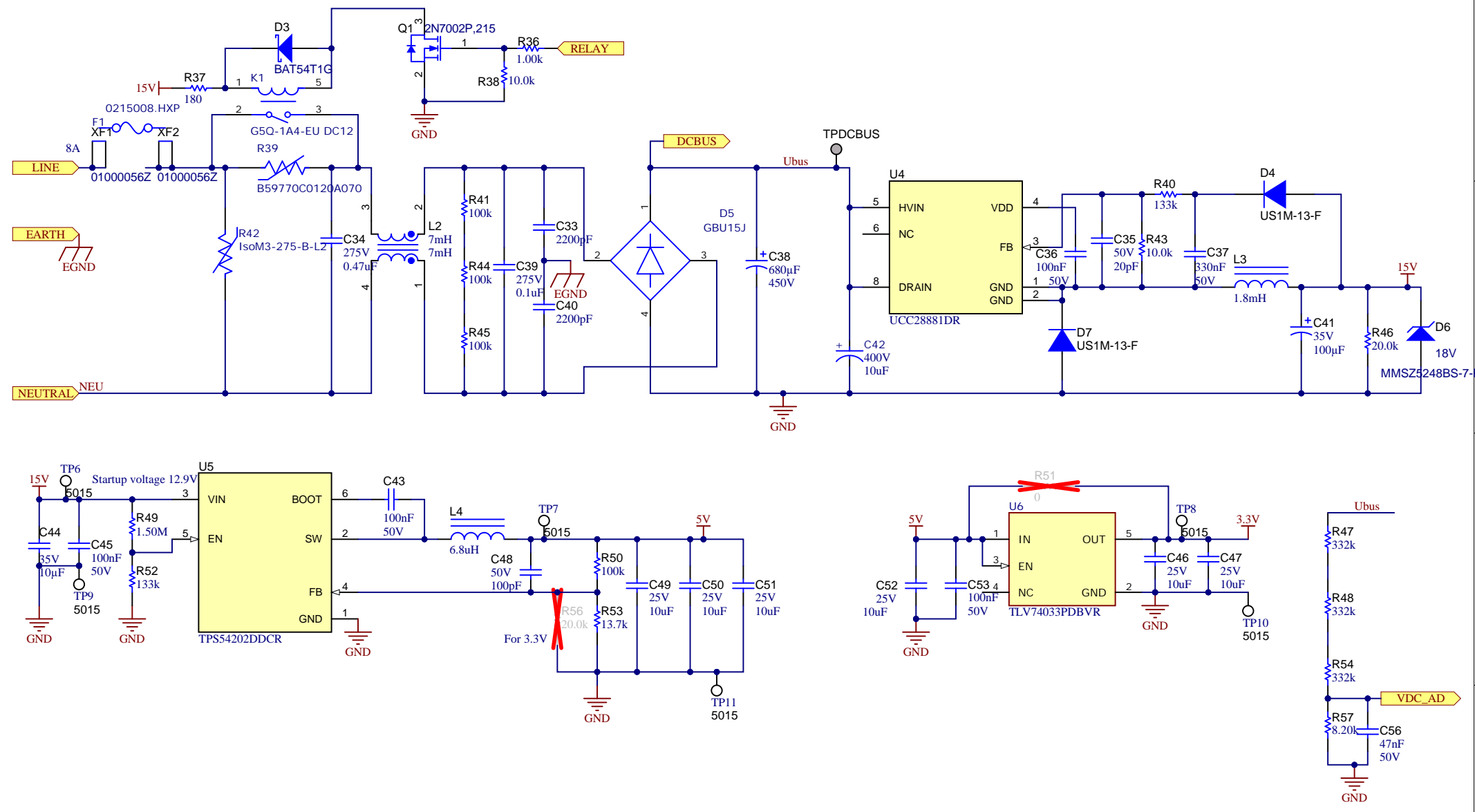


Texas Instruments and/or its licensors do not warrant the accuracy or completeness of this specification or any information contained therein. Texas Instruments and/or its licensors do not warrant that this design will meet the specifications, will be suitable for your application or fit for any particular purpose, or will operate in an implementation. Texas Instruments and/or its licensors do not warrant that the design is production worthy. You should completely validate and test your design implementation to confirm the system functionality for your application.

Orderable: Yes	Designed for: Public Release	Mod. Date: 10/18/2023
TID #: TIDA-010265	Project Title: TIDA-010265	
Number: TIDA-010265 Rev: B	Sheet Title: Main	
SVN Rev: Unknown revision	Assembly Variant: 3-Shunts	Sheet: 2 of 8
Drawn By: Hely Zhang	File: TIDA-010265_Main.SchDoc	Size: A3
Engineer: Hely Zhang	Contact: http://www.ti.com/support	



POWER SUPPLIES

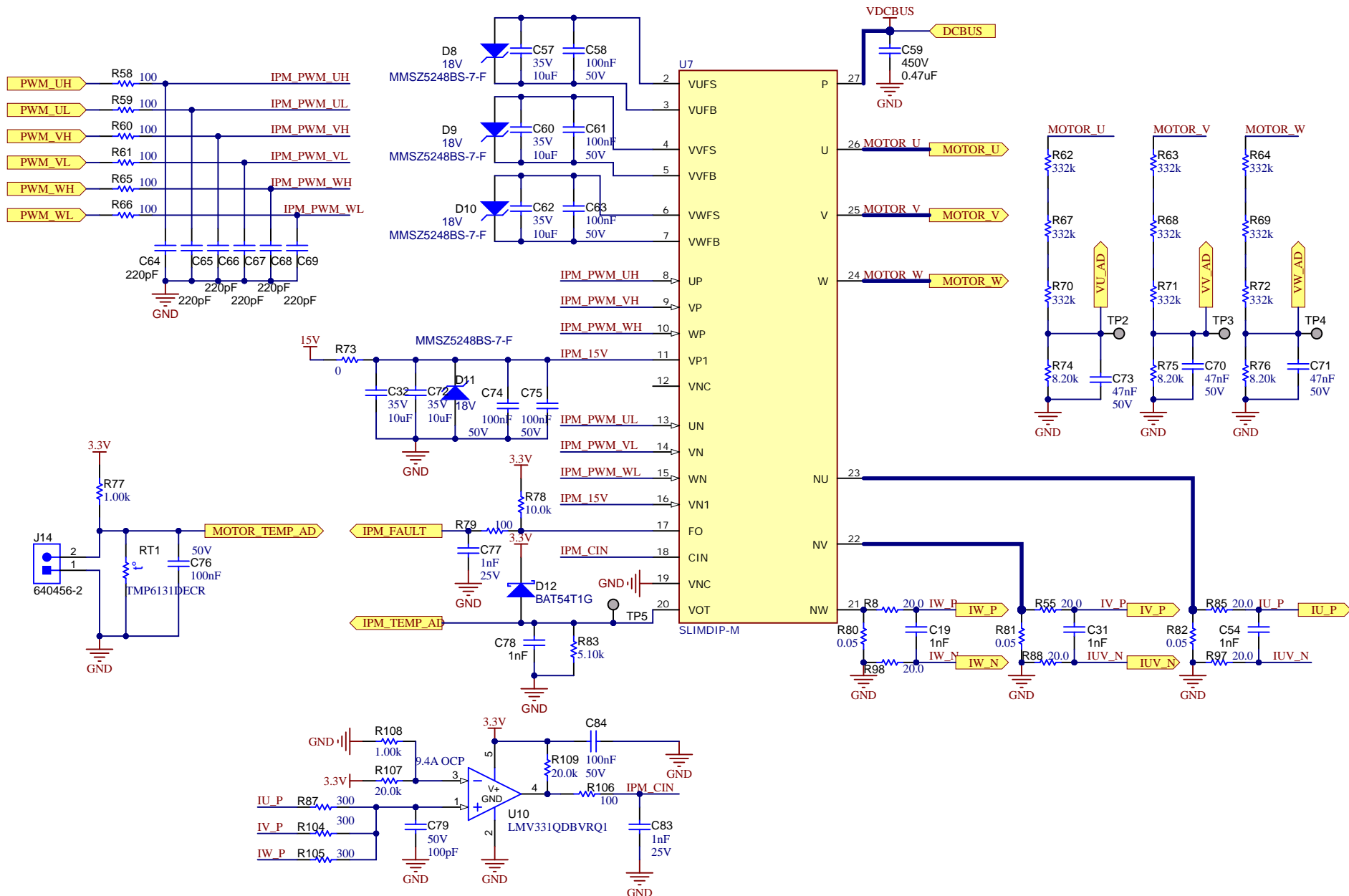


Orderable: Yes	Designed for: Public Release	Mod. Date: 11/22/2023
TID #: TIDA-010265	Project Title: TIDA-010265	
Number: TIDA-010265	Rev: B	Sheet Title:
SVN Rev: Unknown revision	Assembly Variant: 3-Shunts	Sheet: 3 of 8
Drawn By:	File: TIDA-010265_Power_SchDoc	Size: A4
Engineer: Hely Zhang	Contact: http://www.ti.com/support	



Texas Instruments and/or its licensors do not warrant the accuracy or completeness of this specification or any information contained therein. Texas Instruments and/or its licensors do not warrant that this design will meet the specifications, will be suitable for your application or fit for any particular purpose, or will operate in an implementation. Texas Instruments and/or its licensors do not warrant that the design is production worthy. You should completely validate and test your design implementation to confirm the system functionality for your application.

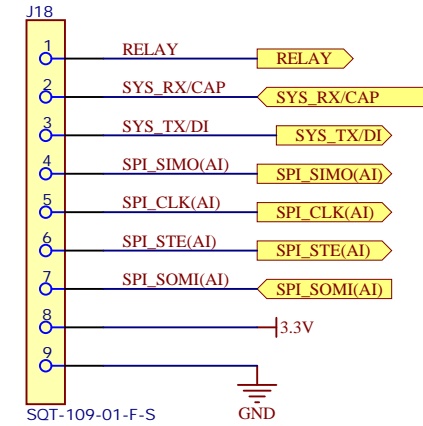
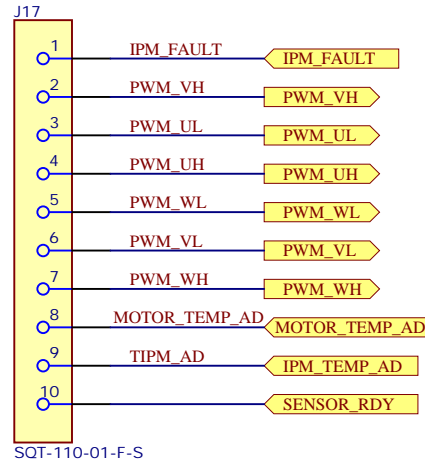
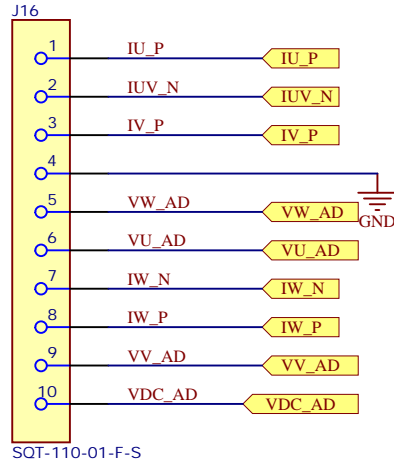
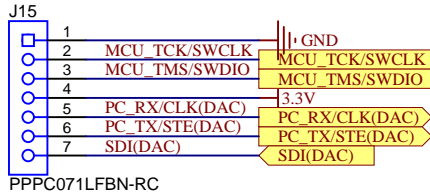
INVERTER STAGE



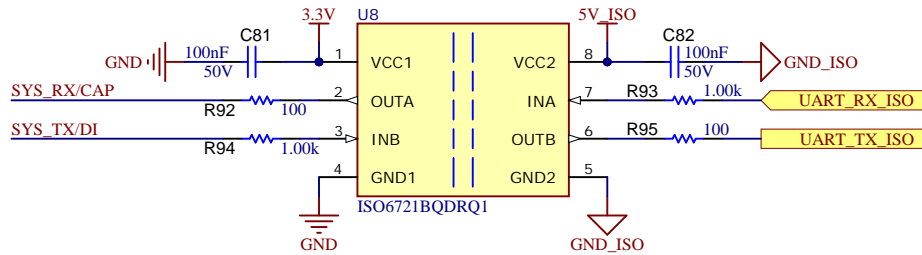
Texas Instruments and/or its licensors do not warrant the accuracy or completeness of this specification or any information contained therein. Texas Instruments and/or its licensors do not warrant that this design will meet the specifications, will be suitable for your application or fit for any particular purpose, or will operate in an implementation. Texas Instruments and/or its licensors do not warrant that the design is production worthy. You should completely validate and test your design implementation to confirm the system functionality for your application.

Orderable: Yes	Designed for: Public Release	Mod. Date: 11/29/2023
TID #: TIDA-010265	Project Title: TIDA-010265	
Number: TIDA-010265	Rev: B	Sheet Title: IPM
SVN Rev: Unknown revision	Assembly Variant: 3-Shunts	Sheet: 4 of 8
Drawn By: Hely Zhang	File: TIDA-010265_IPM.SchDoc	Size: Letter
Engineer: Hely Zhang	Contact: http://www.ti.com/support	

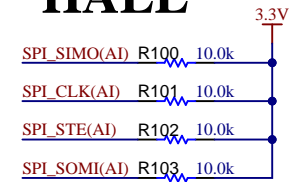
INTERFACE



UART



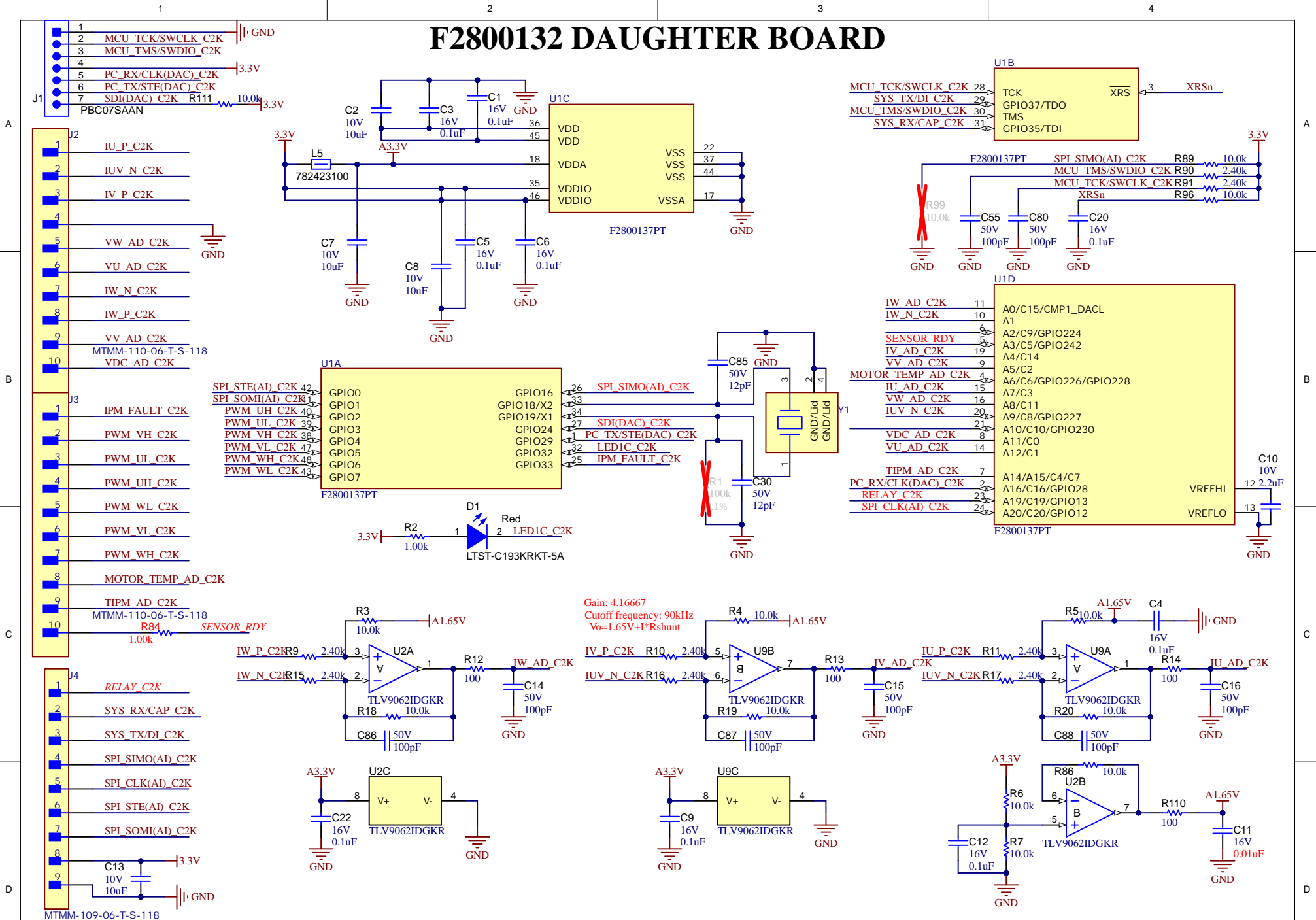
HALL



Texas Instruments and/or its licensors do not warrant the accuracy or completeness of this specification or any information contained therein. Texas Instruments and/or its licensors do not warrant that this design will meet the specifications, will be suitable for your application or fit for any particular purpose, or will operate in an implementation. Texas Instruments and/or its licensors do not warrant that the design is production worthy. You should completely validate and test your design implementation to confirm the system functionality for your application.

Orderable: Yes	Designed for: Public Release	Mod. Date: 12/11/2023
TID #: TIDA-010265	Project Title: TIDA-010265	
Number: TIDA-010265 Rev: B	Sheet Title: Interface	
SVN Rev: Unknown revision	Assembly Variant: 3-Shunts	Sheet: 5 of 8
Drawn By: Hely Zhang	File: TIDA-010265_Interface_SchDoc	Size: A4
Engineer: Hely Zhang	Contact: http://www.ti.com/support	

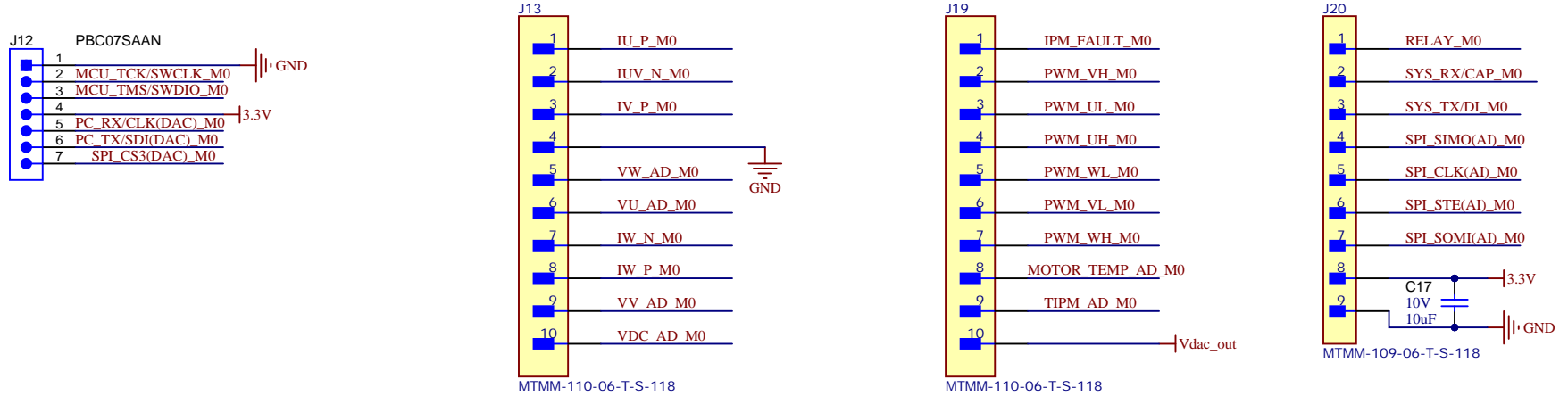
F2800132 DAUGHTER BOARD



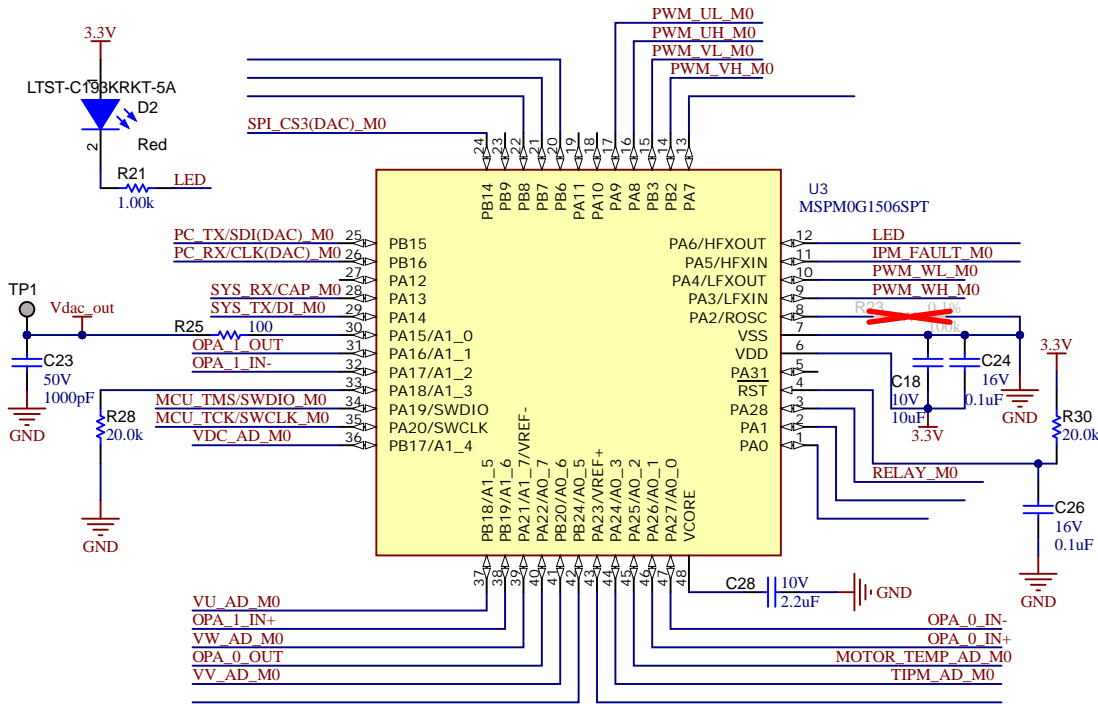
Texas Instruments and/or its licensors do not warrant the accuracy or completeness of this specification or any information contained therein. Texas Instruments and/or its licensors do not warrant that this design will meet the specifications, will be suitable for your application or fit for any particular purpose, or will operate in an implementation. Texas Instruments and/or its licensors do not warrant that the design is production worthy. You should completely validate and test your design implementation to confirm the system functionality for your application.

Orderable: Yes	Designed for: Public Release	Mod. Date: 12/6/2023
TID #: TIDA-010265	Project Title: TIDA-010265	
Number: TIDA-010265	Rev: B	Sheet Title: F2800132 DSP
SVN Rev: Unknown revision	Assembly Variant: 3-Shunts	Sheet: 6 of 8
Drawn By: Hely Zhang	File: TIDA-010265_F2800132_SchDoc	Size: Letter
Engineer: Hely Zhang	Contact: http://www.ti.com/support	

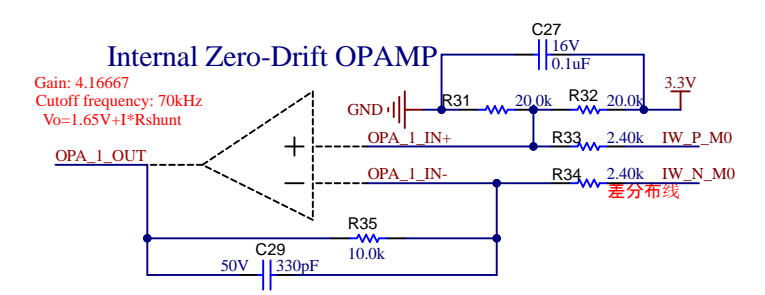
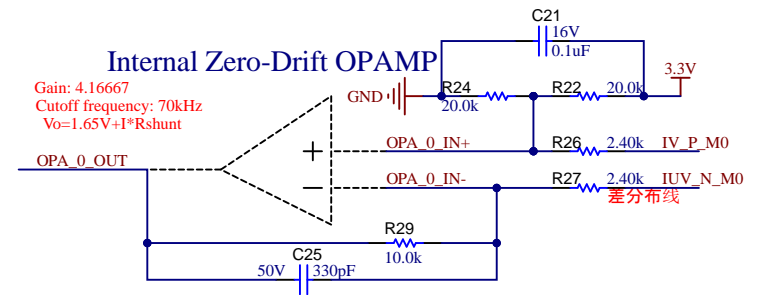
MSPM0G DAUGHTER BOARD



MICROCONTROLLER




INTERNAL OPAMP

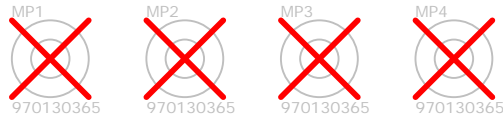


Texas Instruments and/or its licensors do not warrant the accuracy or completeness of this specification or any information contained therein. Texas Instruments and/or its licensors do not warrant that this design will meet the specifications, will be suitable for your application or fit for any particular purpose, or will operate in an implementation. Texas Instruments and/or its licensors do not warrant that the design is production worthy. You should completely validate and test your design implementation to confirm the system functionality for your application.

Orderable: Yes	Designed for: Public Release	Mod. Date: 11/3/2023
TID #: TIDA-010265	Project Title: TIDA-010265	
Number: TIDA-010265	Rev: B	Sheet Title: M0G Microcontroller
SVN Rev: Unknown revision		Assembly Variant: 3-Shunts
Drawn By: Hely Zhang	File: TIDA-010265_M0G.SchDoc	Sheet: 7 of 8
Engineer: Hely Zhang	Contact: http://www.ti.com/support	Size: Letter



<http://www.ti.com>
 © Texas Instruments 2023



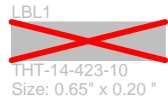
PCB Number: TIDA-010265
PCB Rev:

PCB LOGO
Texas Instruments



PCB LOGO
FCC disclaimer

PCB LOGO
WEEE logo



Variant/Label Table	
Variant	Label Text
001	With 3.3V LDO
002	Without 3.3V LDO



CAUTION HOT SURFACE



DANGER HIGH VOLTAGE



CAUTION HOT SURFACE



DANGER HIGH VOLTAGE

Orderable: Yes	Designed for: Public Release	Mod. Date: 6/27/2023
TID #: TIDA-010265	Project Title: TIDA-010265	
Number: TIDA-010265 Rev: B	Sheet Title:	
SVN Rev: Unknown revision	Assembly Variant: 3-Shunts	Sheet: 8 of 8
Drawn By:	File: TIDA-010265_Hardware.SchDoc	Size: A4
Engineer: Hely Zhang	Contact: http://www.ti.com/support	



<http://www.ti.com>

© Texas Instruments 2023

Texas Instruments and/or its licensors do not warrant the accuracy or completeness of this specification or any information contained therein. Texas Instruments and/or its licensors do not warrant that this design will meet the specifications, will be suitable for your application or fit for any particular purpose, or will operate in an implementation. Texas Instruments and/or its licensors do not warrant that the design is production worthy. You should completely validate and test your design implementation to confirm the system functionality for your application.

IMPORTANT NOTICE AND DISCLAIMER

TI PROVIDES TECHNICAL AND RELIABILITY DATA (INCLUDING DATA SHEETS), DESIGN RESOURCES (INCLUDING REFERENCE DESIGNS), APPLICATION OR OTHER DESIGN ADVICE, WEB TOOLS, SAFETY INFORMATION, AND OTHER RESOURCES "AS IS" AND WITH ALL FAULTS, AND DISCLAIMS ALL WARRANTIES, EXPRESS AND IMPLIED, INCLUDING WITHOUT LIMITATION ANY IMPLIED WARRANTIES OF MERCHANTABILITY, FITNESS FOR A PARTICULAR PURPOSE OR NON-INFRINGEMENT OF THIRD PARTY INTELLECTUAL PROPERTY RIGHTS.

These resources are intended for skilled developers designing with TI products. You are solely responsible for (1) selecting the appropriate TI products for your application, (2) designing, validating and testing your application, and (3) ensuring your application meets applicable standards, and any other safety, security, regulatory or other requirements.

These resources are subject to change without notice. TI grants you permission to use these resources only for development of an application that uses the TI products described in the resource. Other reproduction and display of these resources is prohibited. No license is granted to any other TI intellectual property right or to any third party intellectual property right. TI disclaims responsibility for, and you will fully indemnify TI and its representatives against, any claims, damages, costs, losses, and liabilities arising out of your use of these resources.

TI's products are provided subject to [TI's Terms of Sale](#) or other applicable terms available either on [ti.com](https://www.ti.com) or provided in conjunction with such TI products. TI's provision of these resources does not expand or otherwise alter TI's applicable warranties or warranty disclaimers for TI products.

TI objects to and rejects any additional or different terms you may have proposed.

Mailing Address: Texas Instruments, Post Office Box 655303, Dallas, Texas 75265
Copyright © 2023, Texas Instruments Incorporated