

A

A

Version	Release Date	History
E1	2015/12/18	First release.
A	2016/03/18	1. Install R576 with 100K thermistor 2. Install R729 with 10K resistor 3. R471 change from 0R to 215K, R474 change from NC to 47K resistor 4. Uninstall C314, C315 5. Uninstall U64, R796
	2016/03/28	6. Update the silkscreen from Rev E1 to Rev A Change the soldermask from Green to RED
	2016/04/11	7. R622 change from 0R to 33R

B

B

C

C

D


D

E

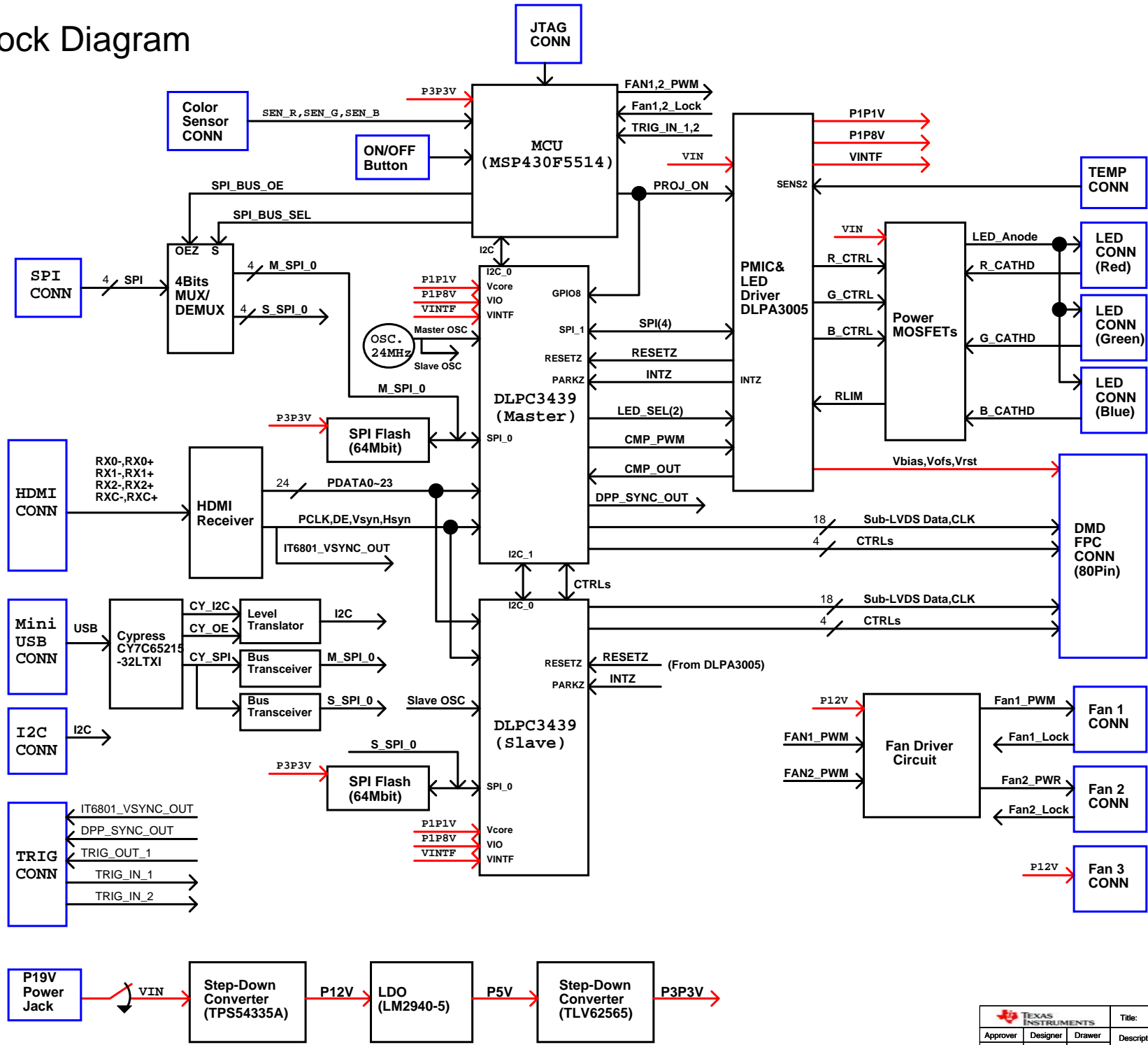
E

F

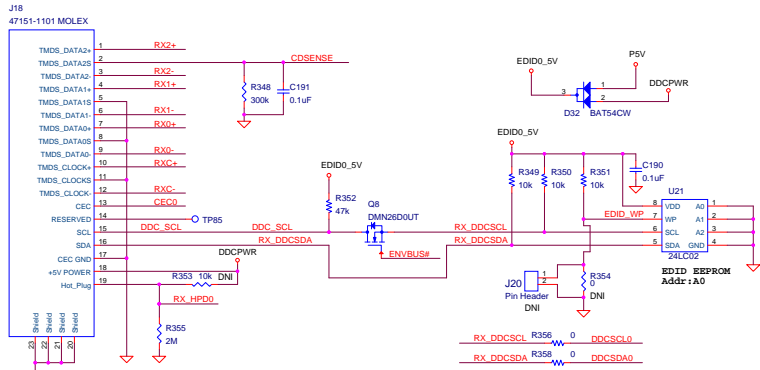
F

 <b>TEXAS INSTRUMENTS</b>			Title: TIDA-01226 DLPDLCR4710EVM-G2		
Approver	Designer	Drawer	Description: History		
CS Tsai	Mason Tseng	Mason Tseng	Size: A	Document Number: DLP001	Rev: A
Date: Tuesday, July 12, 2016				Sheet 1 of 12	

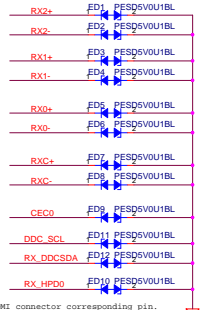
# Block Diagram



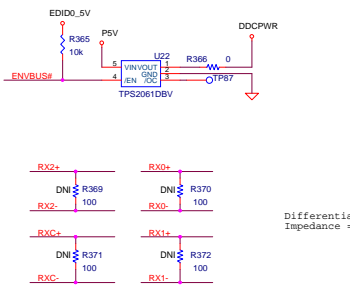
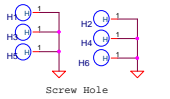
			Title: TIDA-01226 DLPDLCR4710EVM-G2		
Approver	Designer	Drawer	Description: Block Diagram		
CS Tsai	Mason Tseng	Mason Tseng	Document Number: DLP001	Rev A	Rev A
Date: Tuesday, July 12, 2016			Sheet 2 of 12		



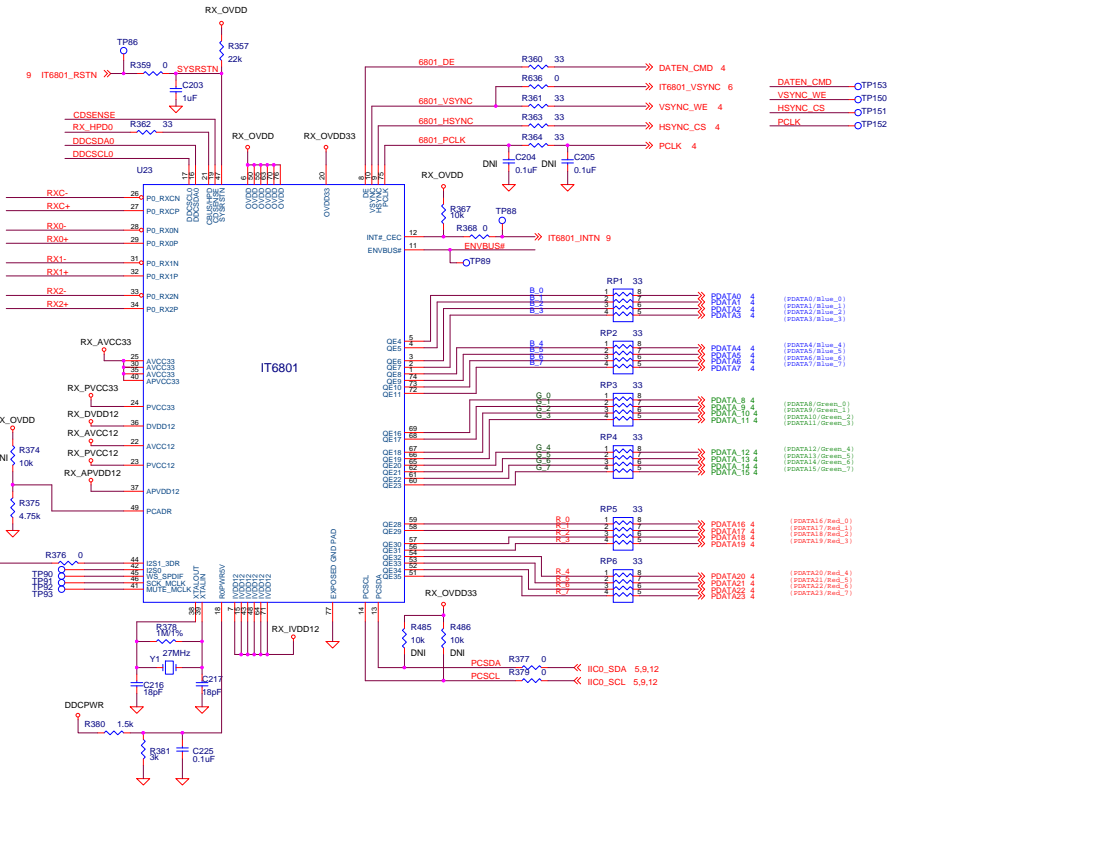
**HDMI CNNT**



Close to HDMI connector corresponding pin.



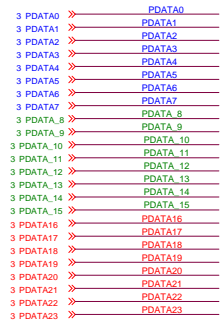
Differential pairs Impedance = 100 Ω



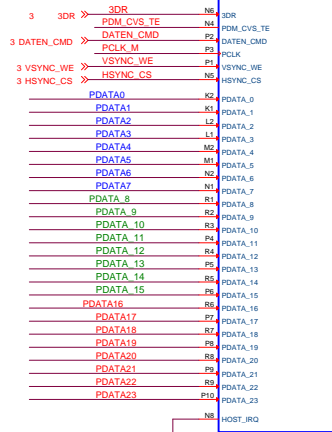
Title: DLPLCR4715V1M-G2			
Approver	Designer	Drawer	Description: IT6801 HDMI Receiver
CS	Yue	Mason	Yue
CS	Yue	Mason	Yue

(PDATA0/Blue\_0)  
 (PDATA1/Blue\_1)  
 (PDATA2/Blue\_2)  
 (PDATA3/Blue\_3)  
 (PDATA4/Blue\_4)  
 (PDATA5/Blue\_5)  
 (PDATA6/Blue\_6)  
 (PDATA7/Blue\_7)  
 (PDATA8/Green\_0)  
 (PDATA9/Green\_1)  
 (PDATA10/Green\_2)  
 (PDATA11/Green\_3)  
 (PDATA12/Green\_4)  
 (PDATA13/Green\_5)  
 (PDATA14/Green\_6)  
 (PDATA15/Green\_7)  
 (PDATA16/Red\_0)  
 (PDATA17/Red\_1)  
 (PDATA18/Red\_2)  
 (PDATA19/Red\_3)  
 (PDATA20/Red\_4)  
 (PDATA21/Red\_5)  
 (PDATA22/Red\_6)  
 (PDATA23/Red\_7)

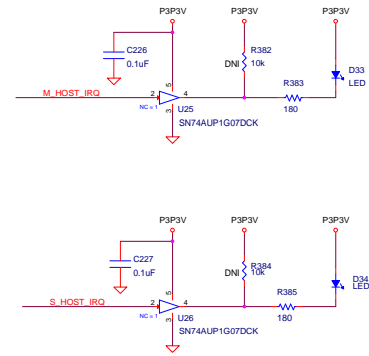
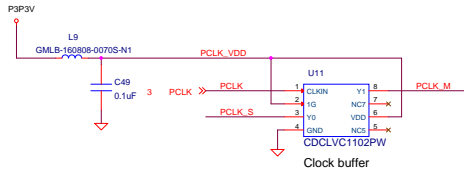
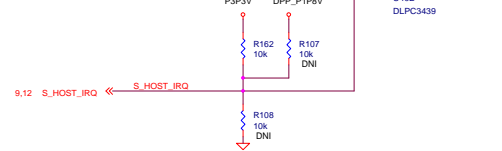
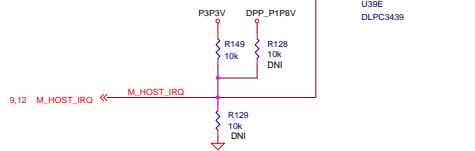
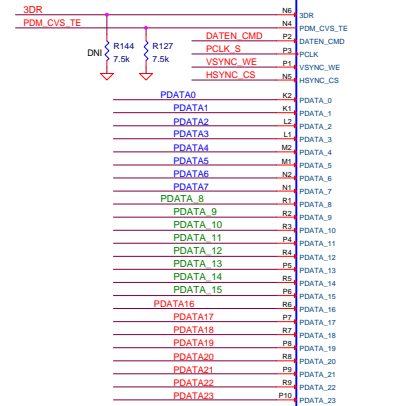
From IT6801  
 HDMI Receiver



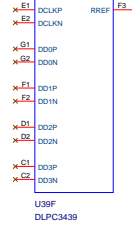
**MASTER  
 PIXEL DATA**



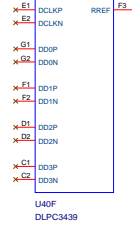
**SLAVE  
 PIXEL DATA**



**MASTER  
 DSI**

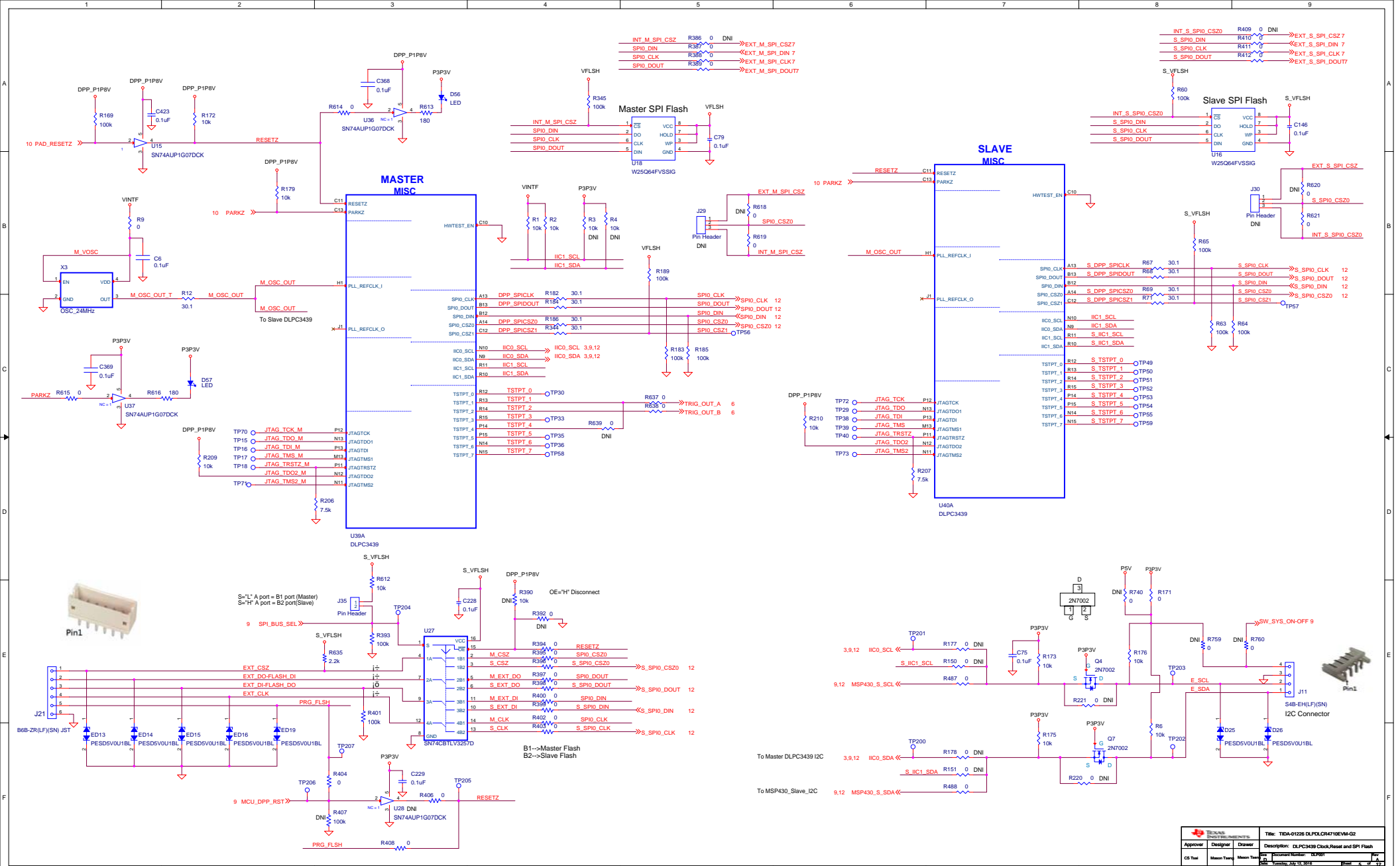


**SLAVE  
 DSI**

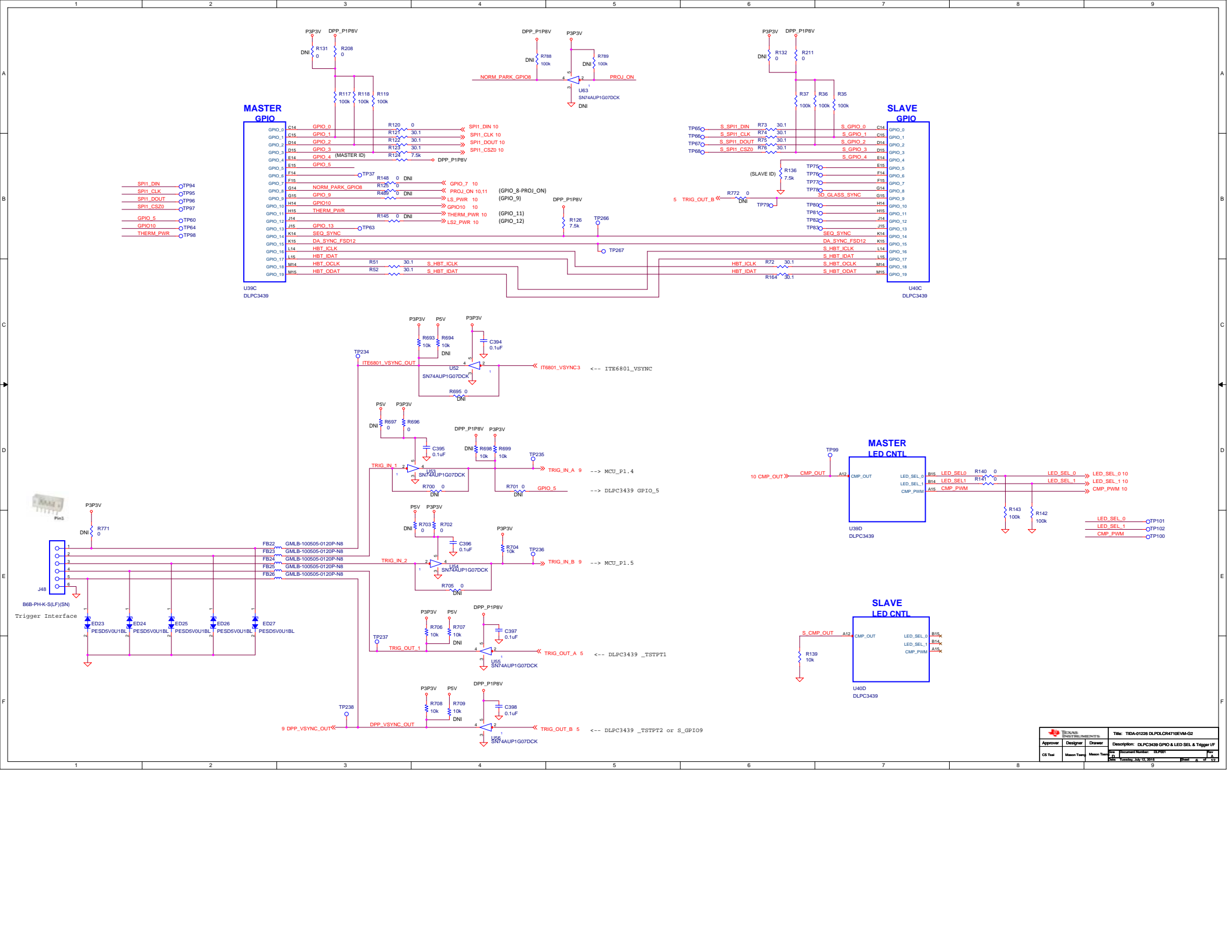


The DSI Port is not used.  
 Inputs are left unconnected per ASIC spec recommendation.

				<b>Title:</b> TDA-01228 DLPC3439 Video Input & DSI IF	
<b>Approver:</b>	<b>Designer:</b>	<b>Drawer:</b>	<b>Description:</b>	DLPC3439 Video Input & DSI IF	
<b>CS Tool:</b>	<b>Mean Time:</b>	<b>Mean Time:</b>	<b>Doc Number:</b> DLPC3439	<b>Rev:</b> 1.0	<b>File:</b> DLPC3439_VI_DSI_IF.txd
			<b>Created:</b> 06/15/2016	<b>Page:</b> 4	<b>of:</b> 42

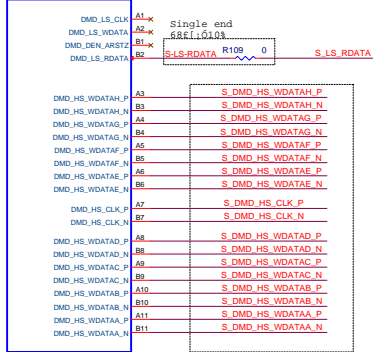


				<b>Title:</b> TDA-0128 DLPC3439 I2C/Reset and SPI Flash			
<b>Approver:</b>	<b>Designer:</b>	<b>Drawer:</b>	<b>Description:</b>	<b>Doc. Number:</b>	<b>Doc. Rev:</b>	<b>Date:</b>	<b>Page:</b>
			DLPC3439 Clock, Reset and SPI Flash	DL3981	1.0	04/15/2016	1 of 2
<b>CS Tool:</b>	<b>Mean Time:</b>	<b>Mean Year:</b>	<b>Mean Time:</b>	<b>Mean Year:</b>	<b>Mean Time:</b>	<b>Mean Year:</b>	<b>Page:</b>
							1 of 2

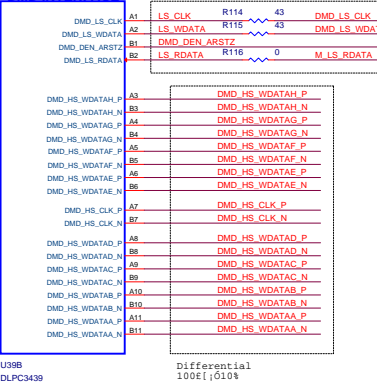


				<b>Title:</b> TDA-0128 DLPC3439 GPIO & LED VMA-G2	
<b>Approver:</b>	<b>Designer:</b>	<b>Drawer:</b>	<b>Description:</b>	DLPC3439 GPIO & LED SEL & Trigger I/F	
<b>CS Tool:</b>	<b>Mean Time:</b>	<b>Mean Year:</b>	<b>Doc Number:</b>	DL3981	<b>Rev:</b>
			<b>Date:</b>	Thursday, July 15, 2016	<b>Page:</b> 4 of 42

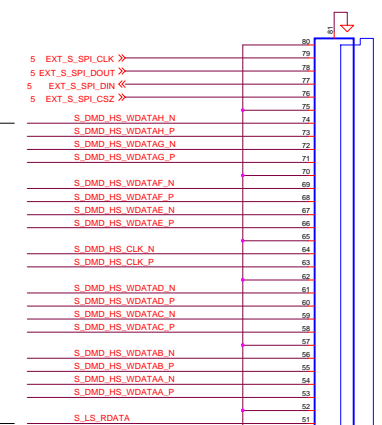
**SLAVE DMD INTERFACE**



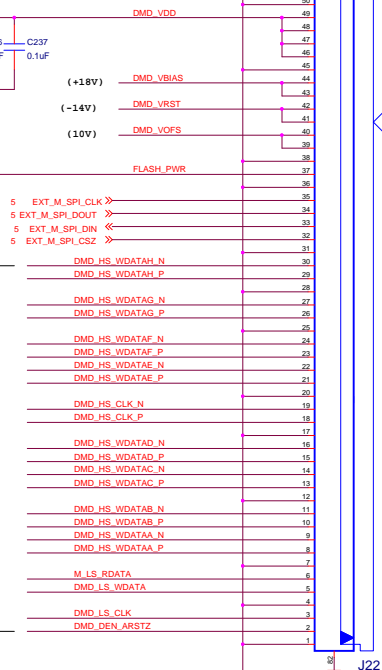
**MASTER DMD INTERFACE**



Slave DMD Signals

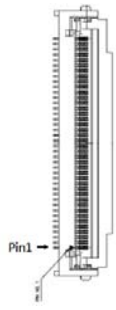
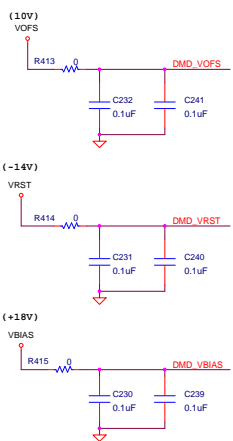


Master DMD Signals



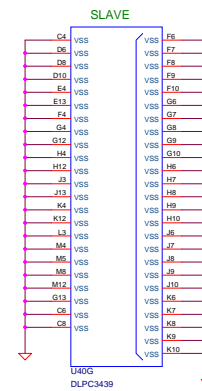
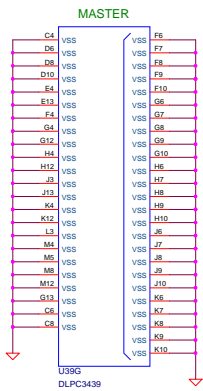
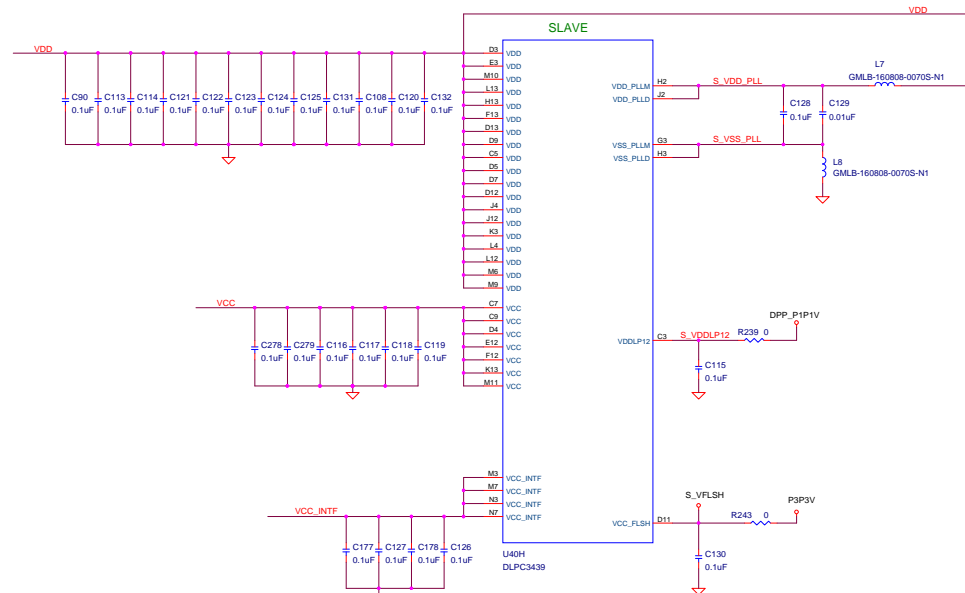
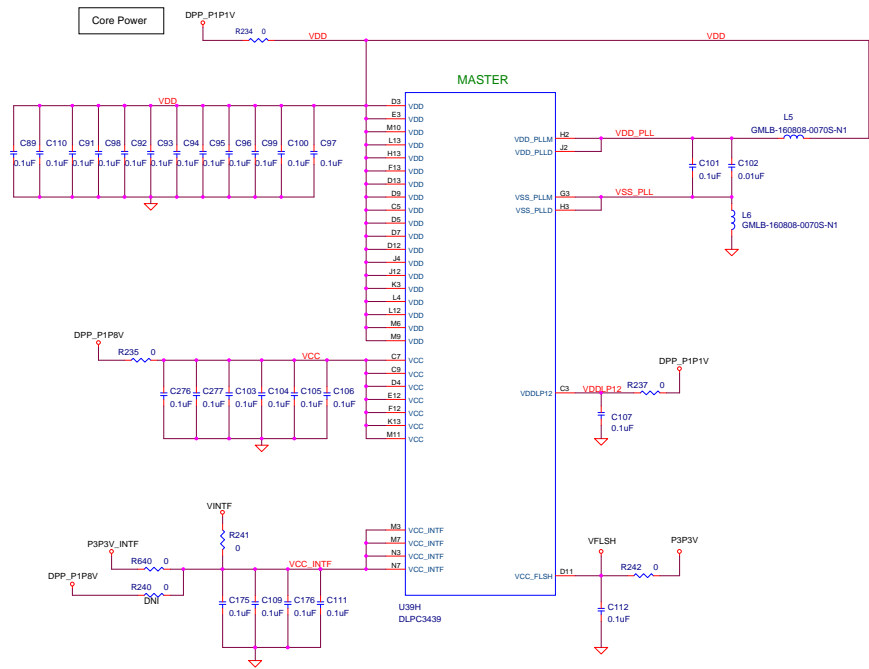
← Cable Insert Direction

104060-8017 Molex



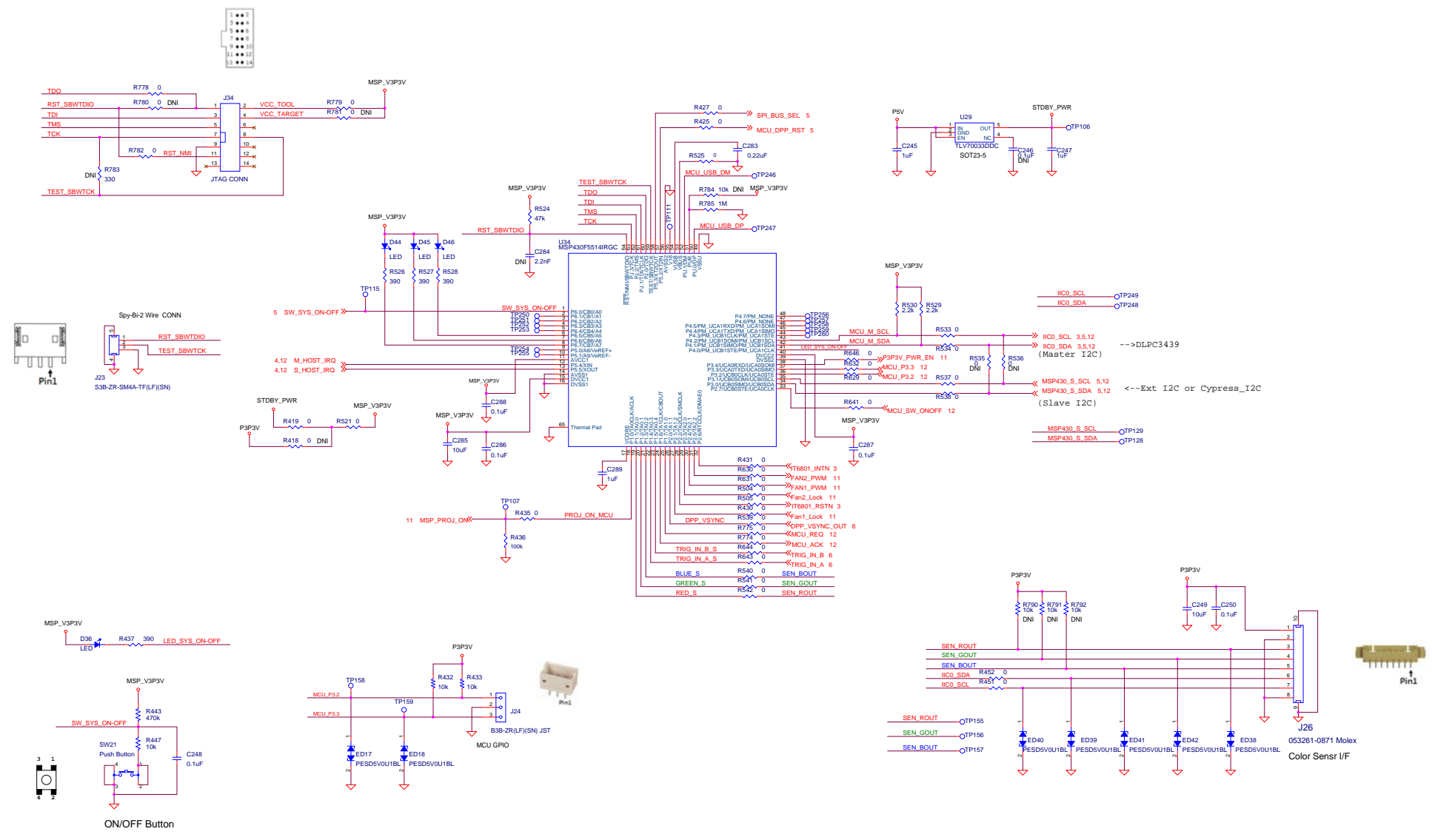
Configuration

DLPA3439 Side		DMD Side
Option2 - Master	Option1 - Slave	
HS_WDATA_E_P	HS_WDATA_D_P	Input DATA_p_0
HS_WDATA_E_N	HS_WDATA_D_N	Input DATA_n_0
HS_WDATA_F_P	HS_WDATA_C_P	Input DATA_p_1
HS_WDATA_F_N	HS_WDATA_C_N	Input DATA_n_1
HS_WDATA_G_P	HS_WDATA_B_P	Input DATA_p_2
HS_WDATA_G_N	HS_WDATA_B_N	Input DATA_n_2
HS_WDATA_H_P	HS_WDATA_A_P	Input DATA_p_3
HS_WDATA_H_N	HS_WDATA_A_N	Input DATA_n_3
HS_WDATA_A_P	HS_WDATA_H_P	Input DATA_p_4
HS_WDATA_A_N	HS_WDATA_H_N	Input DATA_n_4
HS_WDATA_B_P	HS_WDATA_G_P	Input DATA_p_5
HS_WDATA_B_N	HS_WDATA_G_N	Input DATA_n_5
HS_WDATA_C_P	HS_WDATA_F_P	Input DATA_p_6
HS_WDATA_C_N	HS_WDATA_F_N	Input DATA_n_6
HS_WDATA_D_P	HS_WDATA_E_P	Input DATA_p_7
HS_WDATA_D_N	HS_WDATA_E_N	Input DATA_n_7

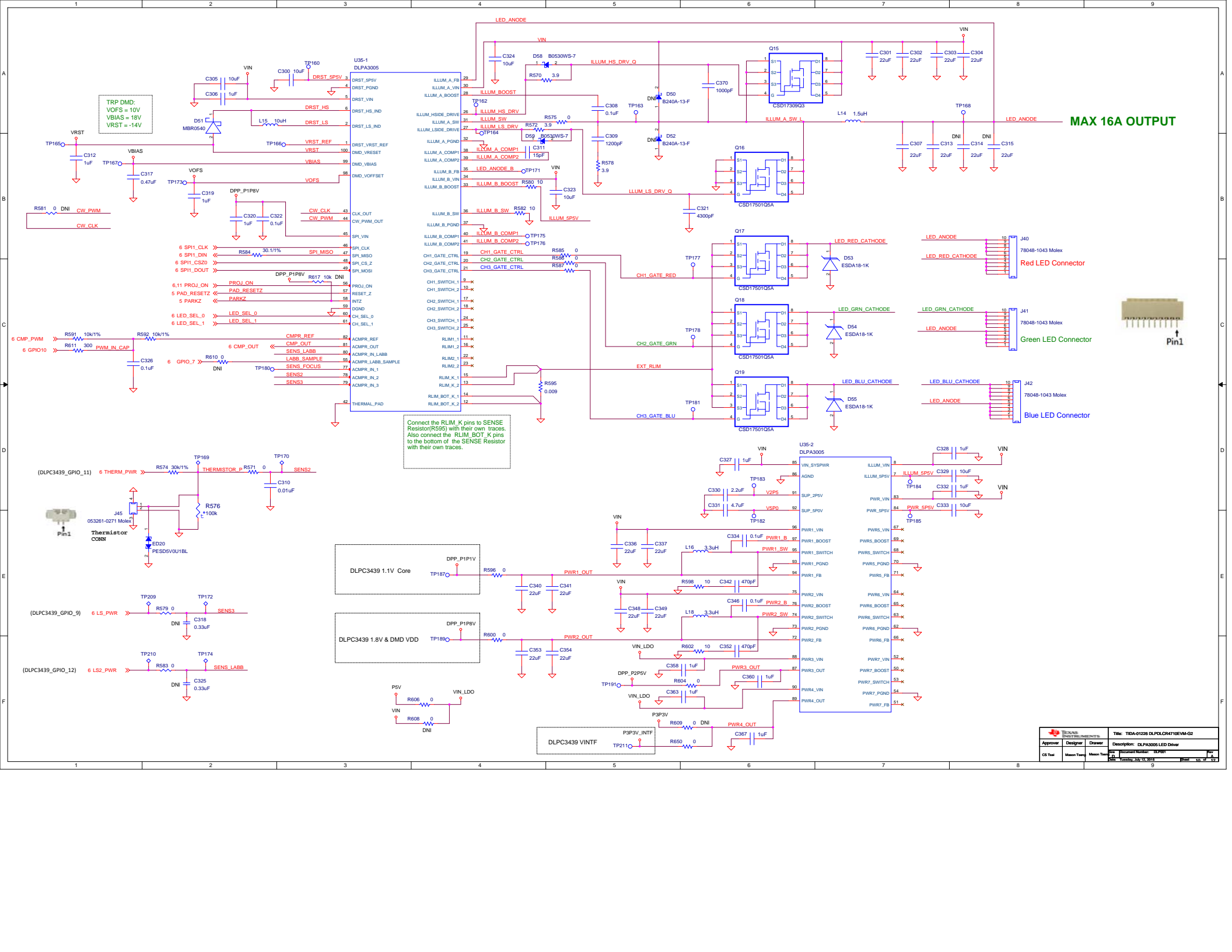


			<b>Title:</b> TDA-0128 DLPC34710EVM-Q2	
<b>Approver:</b>	<b>Designer:</b>	<b>Drawer:</b>	<b>Description:</b> DLPC3439_VDD_VSS	
<b>CS Tool:</b>	<b>Mean Time:</b>	<b>Mean Year:</b>	<b>Doc Number:</b> DCP981	<b>Rev:</b>
			<b>Created:</b> 06/15/2016	<b>Page:</b> 4 of 42





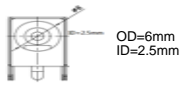
			<b>Title:</b> TDA-0128 DLPOLC24710EVM-Q2	
<b>Approver:</b>	<b>Designer:</b>	<b>Drawer:</b>	<b>Description:</b> Microcontroller	
<b>CS Tool:</b>	<b>Mean Time:</b>	<b>Mean Time:</b>	<b>Doc. Number:</b> DLP281	<b>Rev:</b>
			Tuesday, 24. 12. 2016	Page 4 of 42



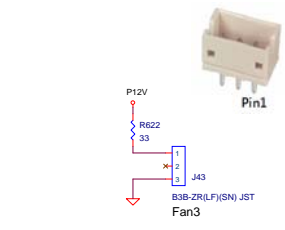
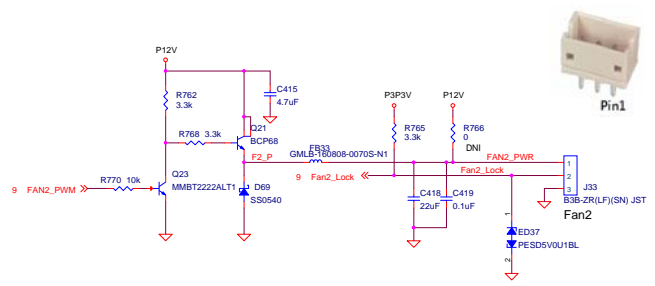
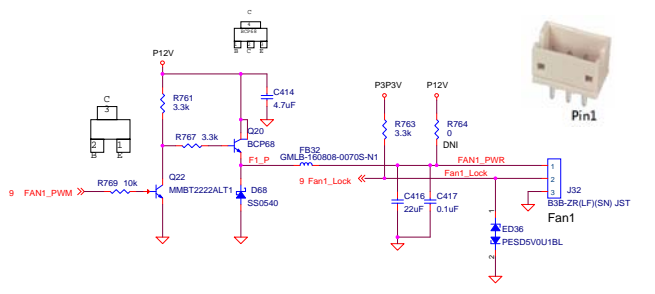
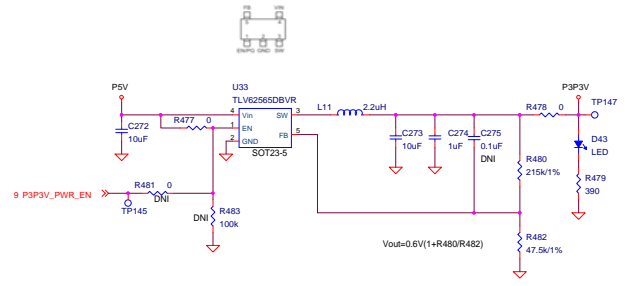
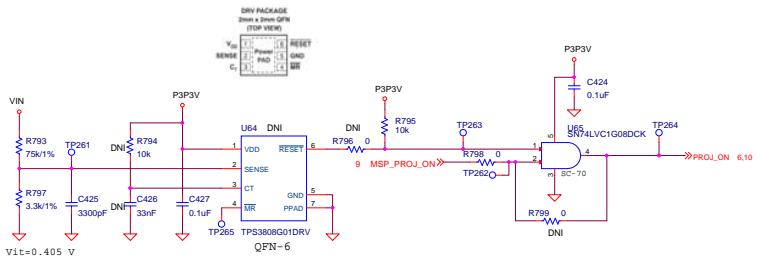
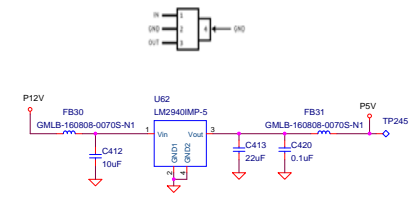
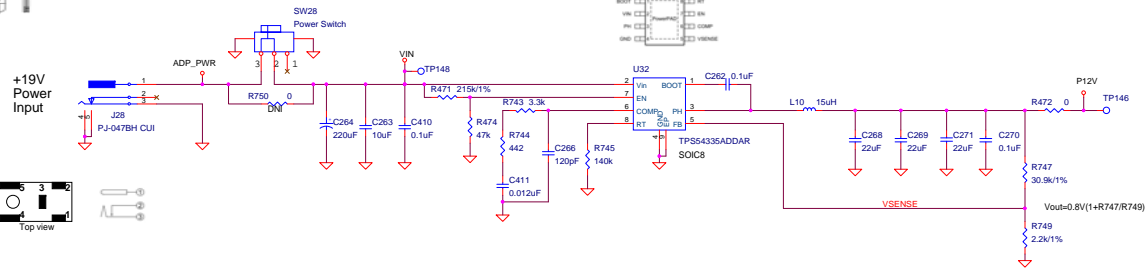
MAX 16A OUTPUT

Connect the RLIM\_K pins to SENSE Resistor (R55) with their own traces. Also connect the RLIM\_BOT\_K pins to the bottom of the SENSE Resistor with their own traces.

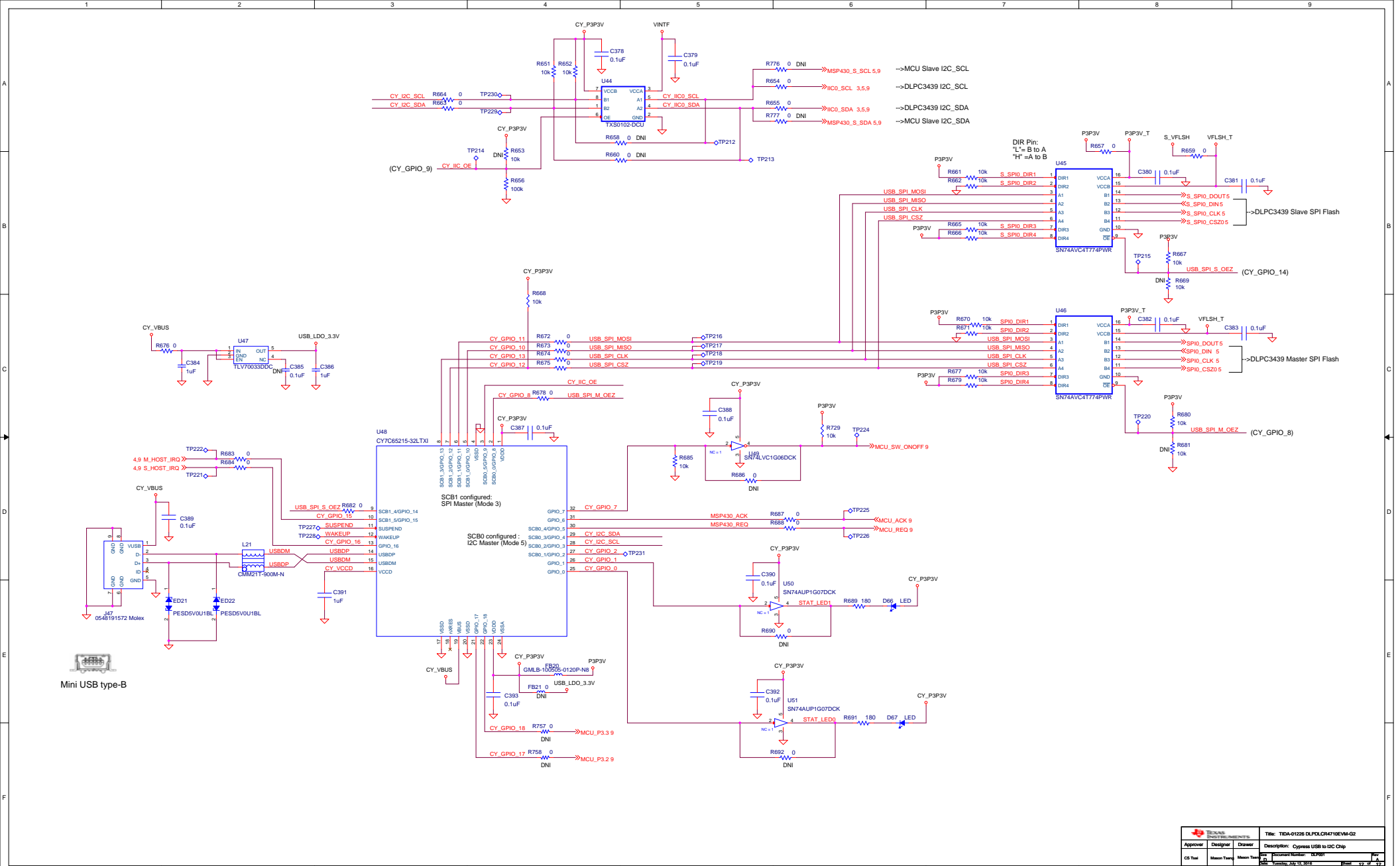
Approver	Designer	Drawer	Title
			TDA-0128 DLP3439 1.1V Core
			Description: DLP3439 LED Driver
CS Test	Mean Test	Mean Test	Doc Number: DLP3439
			Version: 1.0
			Created: 10/15/2016
			Page: 1 of 1



OD=6mm  
ID=2.5mm



				<b>Title:</b> TDA-0128 DLPC14710EVM-Q2	
<b>Approver:</b>	<b>Designer:</b>	<b>Drawer:</b>	<b>Description:</b>	Power supply & Fan Driver	
<b>CS Tool:</b>	<b>Mean Time:</b>	<b>Mean Year:</b>	<b>Doc Number:</b> DLPC14710	<b>Rev:</b>	<b>Date:</b>
			Rev. 1.0	Thursday, July 15, 2016	Page 11 of 42



Mini USB type-B

				<b>Title:</b> TDA-0128 DLPC34710EVM-Q2	
<b>Approver:</b>	<b>Designer:</b>	<b>Drawer:</b>	<b>Description:</b> Cypress USB to I2C Chip	<b>Doc No:</b>	<b>Rev:</b>
<b>CS Tool:</b>	<b>Make Tool:</b>	<b>Make Year:</b>	<b>Doc Number:</b> DCP81	<b>File:</b>	<b>Page:</b> 12 of 42
				<b>Date:</b> Tuesday, July 15, 2014	<b>Time:</b>

## IMPORTANT NOTICE FOR TI REFERENCE DESIGNS

Texas Instruments Incorporated ("TI") reference designs are solely intended to assist designers ("Designer(s)") who are developing systems that incorporate TI products. TI has not conducted any testing other than that specifically described in the published documentation for a particular reference design.

TI's provision of reference designs and any other technical, applications or design advice, quality characterization, reliability data or other information or services does not expand or otherwise alter TI's applicable published warranties or warranty disclaimers for TI products, and no additional obligations or liabilities arise from TI providing such reference designs or other items.

TI reserves the right to make corrections, enhancements, improvements and other changes to its reference designs and other items.

Designer understands and agrees that Designer remains responsible for using its independent analysis, evaluation and judgment in designing Designer's systems and products, and has full and exclusive responsibility to assure the safety of its products and compliance of its products (and of all TI products used in or for such Designer's products) with all applicable regulations, laws and other applicable requirements. Designer represents that, with respect to its applications, it has all the necessary expertise to create and implement safeguards that (1) anticipate dangerous consequences of failures, (2) monitor failures and their consequences, and (3) lessen the likelihood of failures that might cause harm and take appropriate actions. Designer agrees that prior to using or distributing any systems that include TI products, Designer will thoroughly test such systems and the functionality of such TI products as used in such systems. Designer may not use any TI products in life-critical medical equipment unless authorized officers of the parties have executed a special contract specifically governing such use. Life-critical medical equipment is medical equipment where failure of such equipment would cause serious bodily injury or death (e.g., life support, pacemakers, defibrillators, heart pumps, neurostimulators, and implantables). Such equipment includes, without limitation, all medical devices identified by the U.S. Food and Drug Administration as Class III devices and equivalent classifications outside the U.S.

Designers are authorized to use, copy and modify any individual TI reference design only in connection with the development of end products that include the TI product(s) identified in that reference design. HOWEVER, NO OTHER LICENSE, EXPRESS OR IMPLIED, BY ESTOPPEL OR OTHERWISE TO ANY OTHER TI INTELLECTUAL PROPERTY RIGHT, AND NO LICENSE TO ANY TECHNOLOGY OR INTELLECTUAL PROPERTY RIGHT OF TI OR ANY THIRD PARTY IS GRANTED HEREIN, including but not limited to any patent right, copyright, mask work right, or other intellectual property right relating to any combination, machine, or process in which TI products or services are used. Information published by TI regarding third-party products or services does not constitute a license to use such products or services, or a warranty or endorsement thereof. Use of the reference design or other items described above may require a license from a third party under the patents or other intellectual property of the third party, or a license from TI under the patents or other intellectual property of TI.

TI REFERENCE DESIGNS AND OTHER ITEMS DESCRIBED ABOVE ARE PROVIDED "AS IS" AND WITH ALL FAULTS. TI DISCLAIMS ALL OTHER WARRANTIES OR REPRESENTATIONS, EXPRESS OR IMPLIED, REGARDING THE REFERENCE DESIGNS OR USE OF THE REFERENCE DESIGNS, INCLUDING BUT NOT LIMITED TO ACCURACY OR COMPLETENESS, TITLE, ANY EPIDEMIC FAILURE WARRANTY AND ANY IMPLIED WARRANTIES OF MERCHANTABILITY, FITNESS FOR A PARTICULAR PURPOSE, AND NON-INFRINGEMENT OF ANY THIRD PARTY INTELLECTUAL PROPERTY RIGHTS.

TI SHALL NOT BE LIABLE FOR AND SHALL NOT DEFEND OR INDEMNIFY DESIGNERS AGAINST ANY CLAIM, INCLUDING BUT NOT LIMITED TO ANY INFRINGEMENT CLAIM THAT RELATES TO OR IS BASED ON ANY COMBINATION OF PRODUCTS AS DESCRIBED IN A TI REFERENCE DESIGN OR OTHERWISE. IN NO EVENT SHALL TI BE LIABLE FOR ANY ACTUAL, DIRECT, SPECIAL, COLLATERAL, INDIRECT, PUNITIVE, INCIDENTAL, CONSEQUENTIAL OR EXEMPLARY DAMAGES IN CONNECTION WITH OR ARISING OUT OF THE REFERENCE DESIGNS OR USE OF THE REFERENCE DESIGNS, AND REGARDLESS OF WHETHER TI HAS BEEN ADVISED OF THE POSSIBILITY OF SUCH DAMAGES.

TI's standard terms of sale for semiconductor products (<http://www.ti.com/sc/docs/stdterms.htm>) apply to the sale of packaged integrated circuit products. Additional terms may apply to the use or sale of other types of TI products and services.

Designer will fully indemnify TI and its representatives against any damages, costs, losses, and/or liabilities arising out of Designer's non-compliance with the terms and provisions of this Notice.

Mailing Address: Texas Instruments, Post Office Box 655303, Dallas, Texas 75265  
Copyright © 2016, Texas Instruments Incorporated