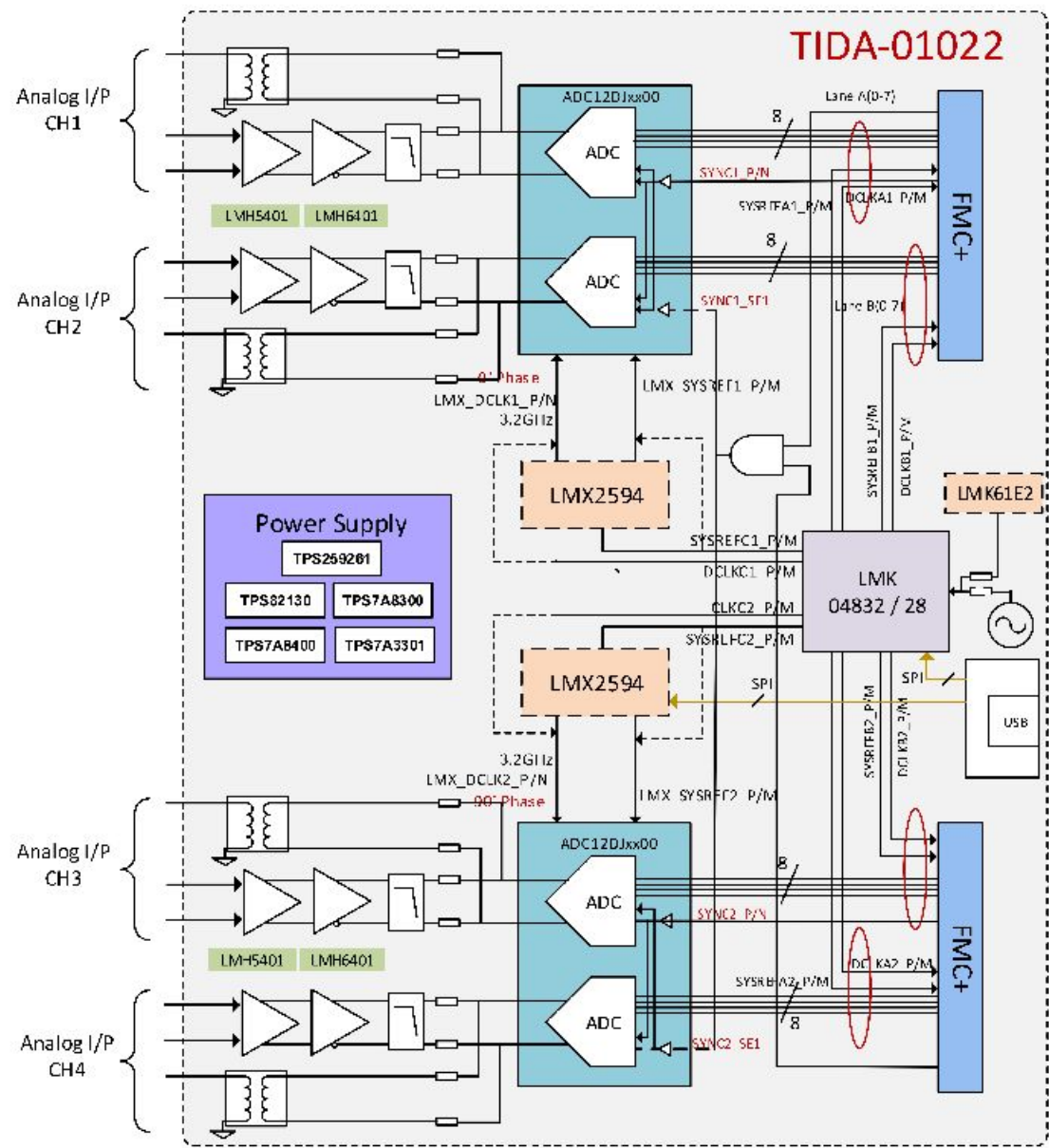


TIDA-01022

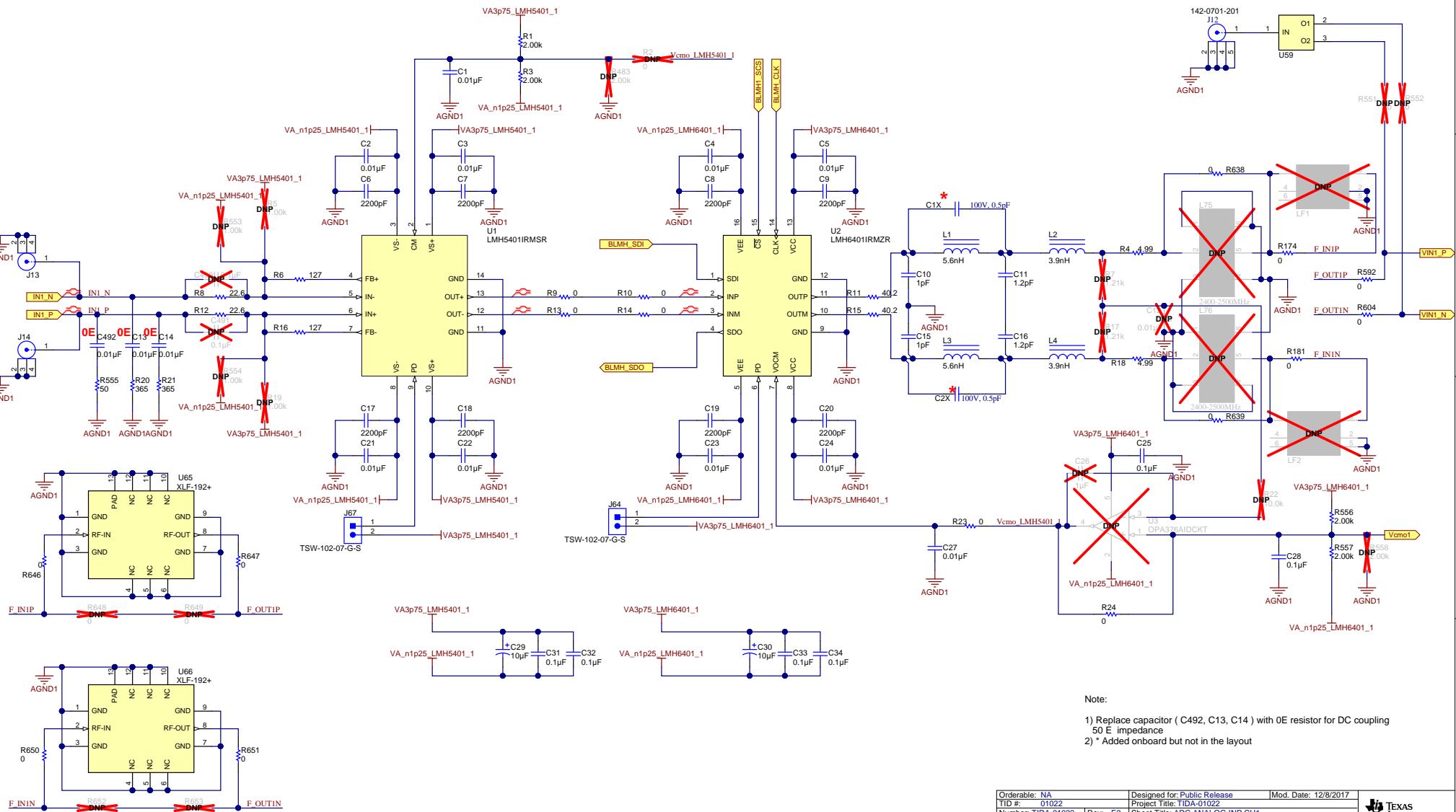


Texas Instruments and/or its licensors do not warrant the accuracy or completeness of this specification or any information contained therein. Texas Instruments and/or its licensors do not warrant that this design will meet the specifications, will be suitable for your application or fit for any particular purpose, or will operate in an implementation. Texas Instruments and/or its licensors do not warrant that the design is production worthy. You should completely validate and test your design implementation to confirm the system functionality for your application.

Orderable: NA	Designed for: Public Release	Mod. Date: 12/8/2017
TID #: 01022	Project Title: TIDA-01022	
Number: TIDA-01022 Rev: E2	Sheet Title: Block Diagram	
SVN Rev: Version control disabled	Assembly Variant: TIDA-01022A_Onboard_Po	Sheet: 1 of 26
Drawn By: Avinash N	File: TIDA-01022-E2_CoverSheet_SchDoc	Size: B
Engineer: Anbu Mami	Contact: http://www.ti.com/support	



ANALOG INPUT CH-1

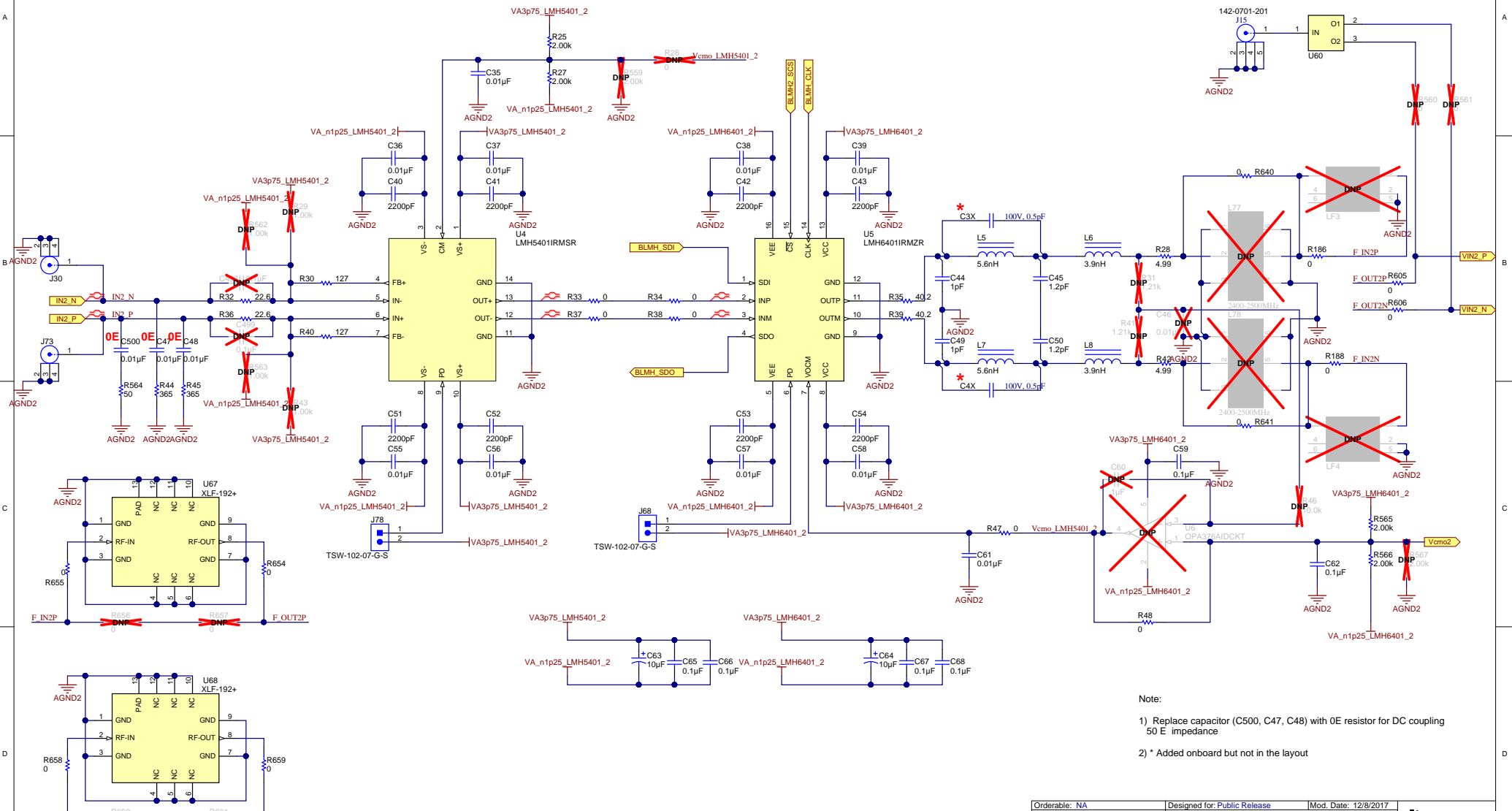


- Note:
- 1) Replace capacitor (C492, C13, C14) with 0E resistor for DC coupling 50 E impedance
 - 2) * Added onboard but not in the layout

Texas Instruments and/or its licensors do not warrant the accuracy or completeness of this specification or any information contained therein. Texas Instruments and/or its licensors do not warrant that this design will meet the specifications, will be suitable for your application or fit for any particular purpose, or will operate in an implementation. Texas Instruments and/or its licensors do not warrant that the design is production worthy. You should completely validate and test your design implementation to confirm the system functionality for your application.

Orderable: NA	Designed for: Public Release	Mod. Date: 12/8/2017	 http://www.ti.com
TID #: 01022	Project Title: TIDA-01022	Sheet Title: ADC ANALOG INP CH1	
Number: TIDA-01022 Rev: E2	Assembly Variant: TIDA-01022A_Onboard_Po	Sheet: 2 of 26	
SVN Rev. Version control disabled	Drawn By: Avinash N	File: TIDA-01022-E2_ADC ANALOG INP CH1.Sch.Dwg	
Engineer: Anbu Mami	Contact: http://www.ti.com/support	Size: B	

ANALOG INPUT CH-2

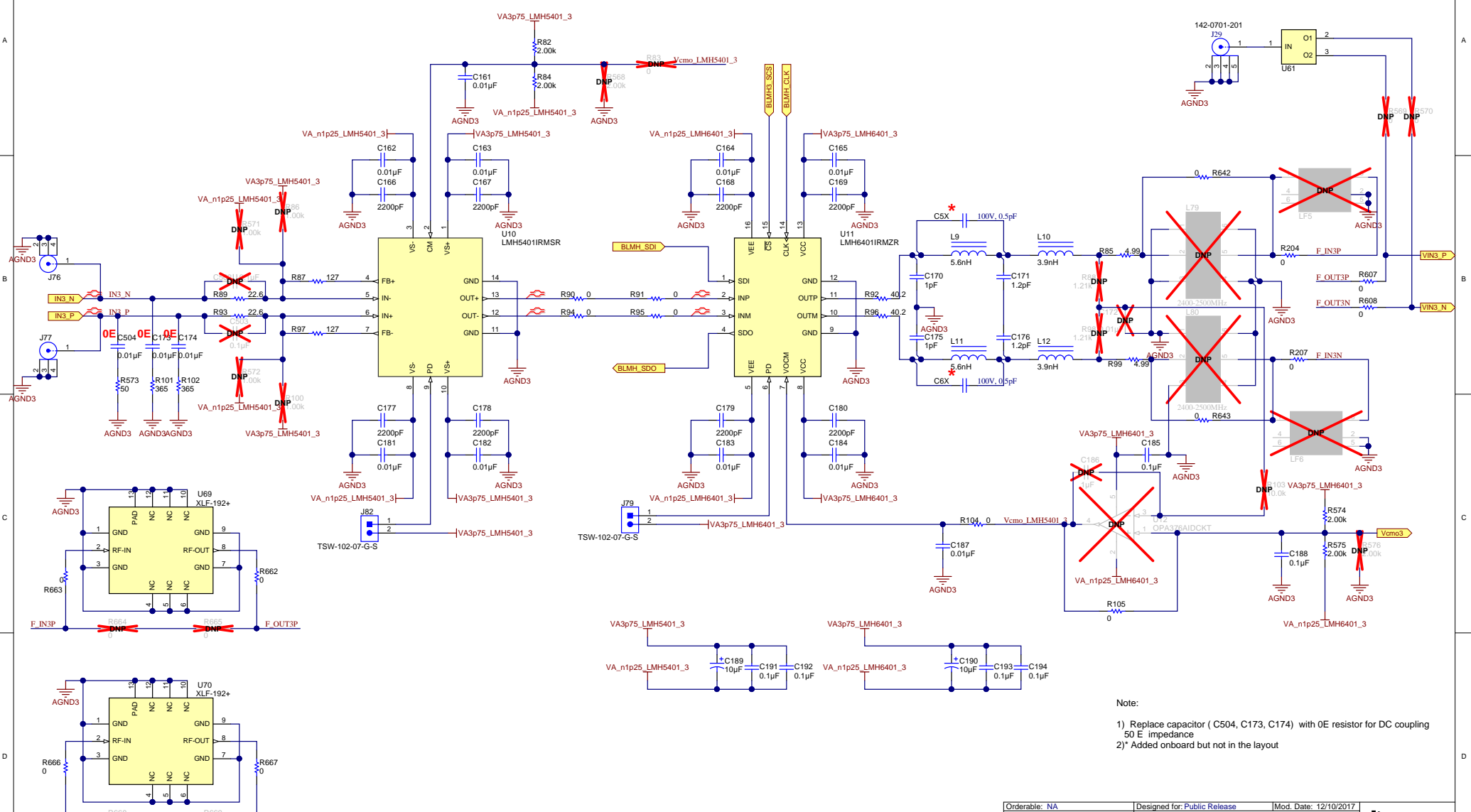


- Note:
- 1) Replace capacitor (C500, C47, C48) with 0E resistor for DC coupling 50 E impedance
 - 2) * Added onboard but not in the layout

Texas Instruments and/or its licensors do not warrant the accuracy or completeness of this specification or any information contained therein. Texas Instruments and/or its licensors do not warrant that this design will meet the specifications, will be suitable for your application or fit for any particular purpose, or will operate in an implementation. Texas Instruments and/or its licensors do not warrant that the design is production worthy. You should completely validate and test your design implementation to confirm the system functionality for your application.

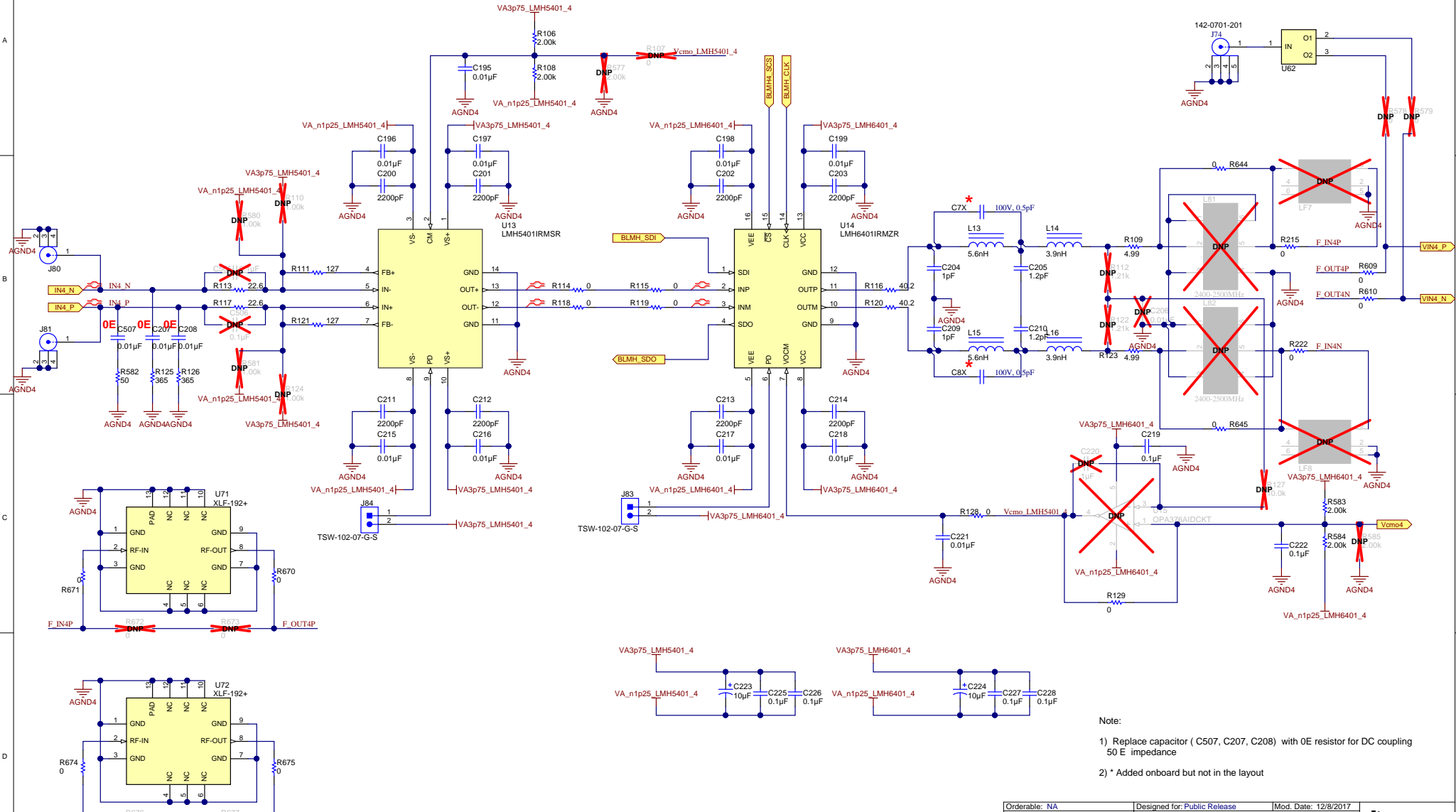
Orderable: NA	Designed for: Public Release	Mod. Date: 12/8/2017	 http://www.ti.com
TID #: 01022	Project Title: TIDA-01022	Sheet Title: ADC12Dxx00_CH2	
Number: TIDA-01022 Rev: E2	Assembly Variant: TIDA-01022A_Onboard_Pcb	Sheet: 3 of 26	
SVN Rev. Version control disabled	Drawn By: Avinash N	File: TIDA-01022-E2_ADC_ANALOG_INP_CH2_Sch.Dwg	
Engineer: Anbu Mami	Contact: http://www.ti.com/support	Size: B	

ANALOG INPUT CH-3



- Note:
- 1) Replace capacitor (C504, C173, C174) with 0E resistor for DC coupling 50 E impedance
 - 2)* Added onboard but not in the layout

ANALOG INPUT CH-4



- Note:
- 1) Replace capacitor (C507, C207, C208) with 0E resistor for DC coupling 50 E impedance
 - 2) * Added onboard but not in the layout

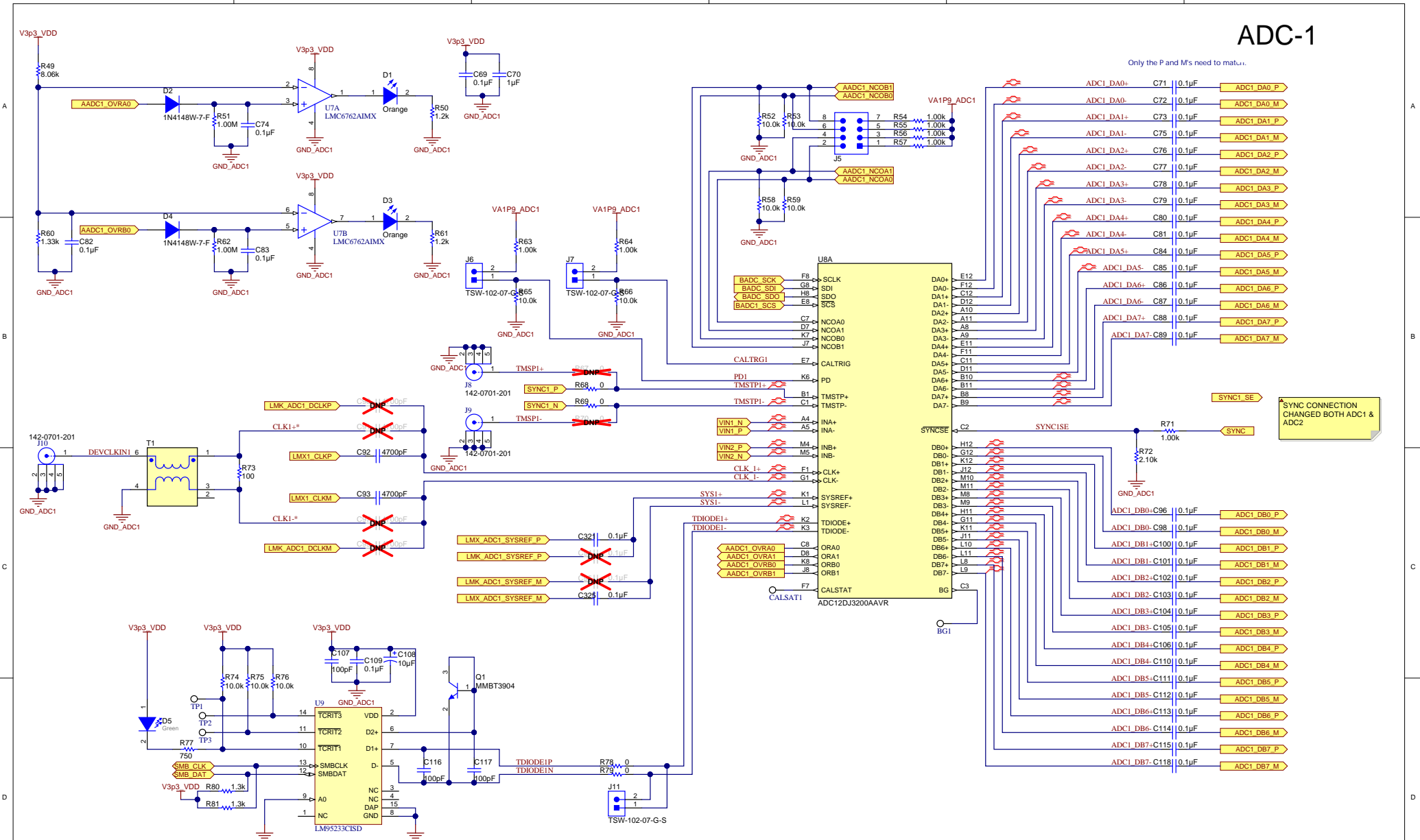
Texas Instruments and/or its licensors do not warrant the accuracy or completeness of this specification or any information contained therein. Texas Instruments and/or its licensors do not warrant that this design will meet the specifications, will be suitable for your application or fit for any particular purpose, or will operate in an implementation. Texas Instruments and/or its licensors do not warrant that the design is production worthy. You should completely validate and test your design implementation to confirm the system functionality for your application.

Orderable: NA	Designed for: Public Release	Mod. Date: 12/8/2017
TID #: 01022	Project Title: TIDA-01022	
Number: TIDA-01022 Rev: E2	Sheet Title: ADC12DJx00 CH4	
SVN Rev: Version control disabled	Assembly Variant: TIDA-01022A Onboard Pcb	Sheet 5 of 26
Drawn By: Avinash N	File: TIDA-01022-E2_ADC_ANALOG_INP_CH4_SchD	Size: B
Engineer: Anbu Mami	Contact: http://www.ti.com/support	



ADC-1

Only the P and M's need to matu...



SYNC CONNECTION CHANGED BOTH ADC1 & ADC2

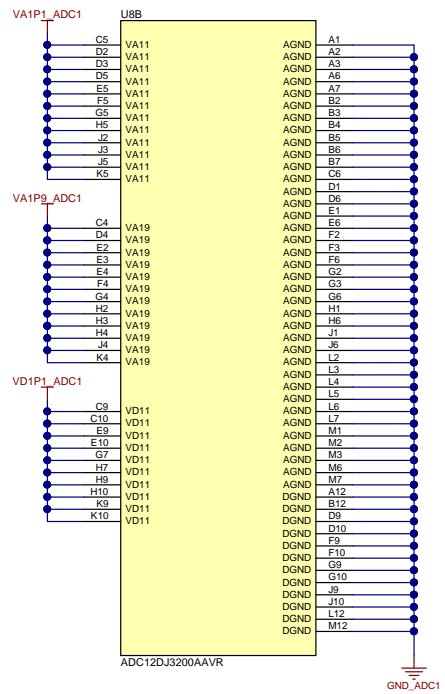
Texas Instruments and/or its licensors do not warrant the accuracy or completeness of this specification or any information contained therein. Texas Instruments and/or its licensors do not warrant that this design will meet the specifications, will be suitable for your application or fit for any particular purpose, or will operate in an implementation. Texas Instruments and/or its licensors do not warrant that the design is production worthy. You should completely validate and test your design implementation to confirm the system functionality for your application.

Orderable: NA	Designed for: Public Release	Mod. Date: 12/8/2017
TID #: 01022	Project File: TIDA-01022	
Number: TIDA-01022 Rev: E2	Sheet Title: ADC12DJ3200_1	
SVN Rev. Version control disabled	Assembly Variant: TIDA-01022A_Onboard_Pcb	Sheet 6 of 26
Drawn By: Avinash N	File: TIDA-01022-E2_ADC12DJ3200_1_SchDoc	TSize: B
Engineer: Anbu Mami	Contact: http://www.ti.com/support	

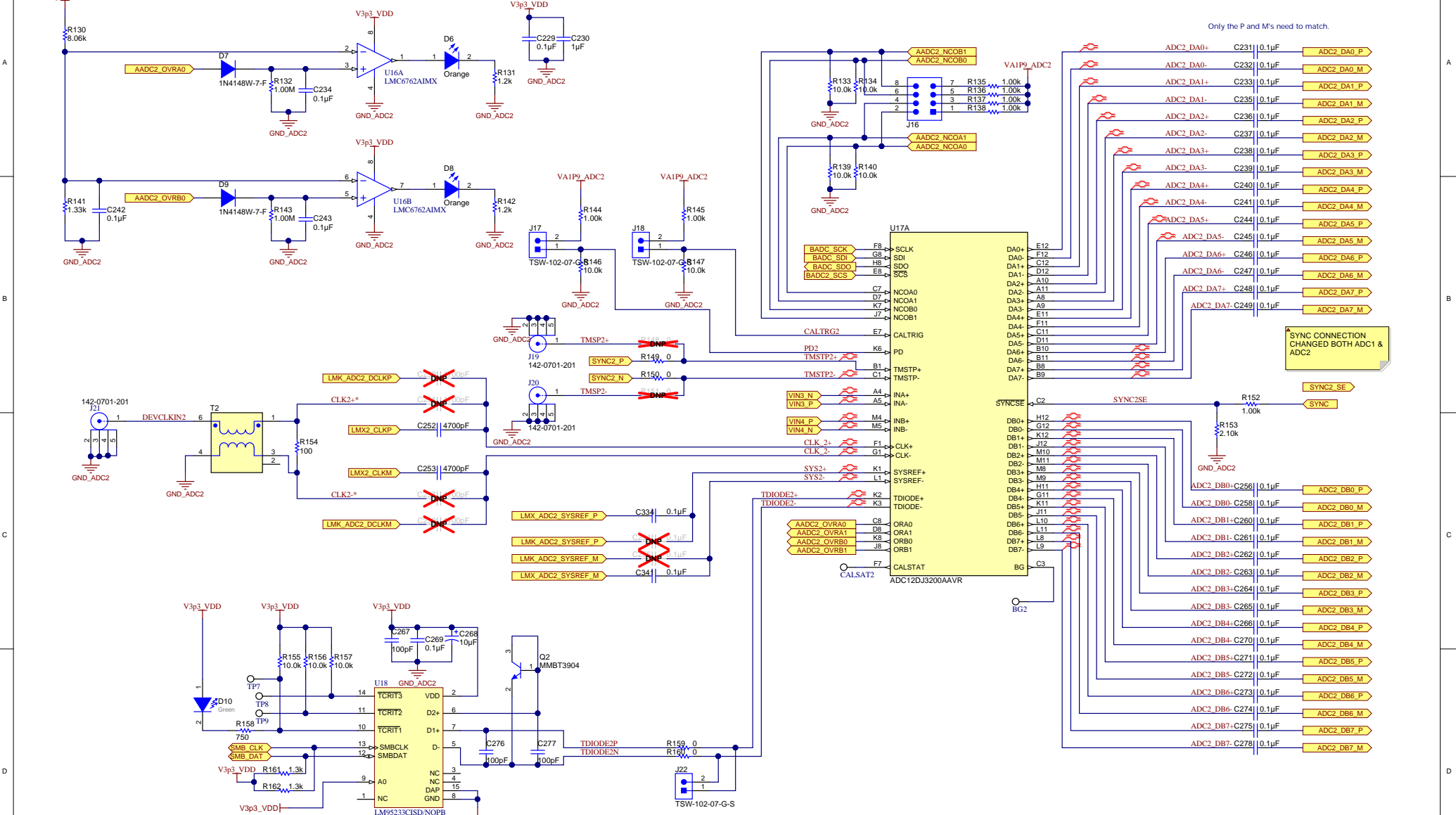


http://www.ti.com
© Texas Instruments 2017

ADC-1



ADC-2



Only the P and M's need to match.

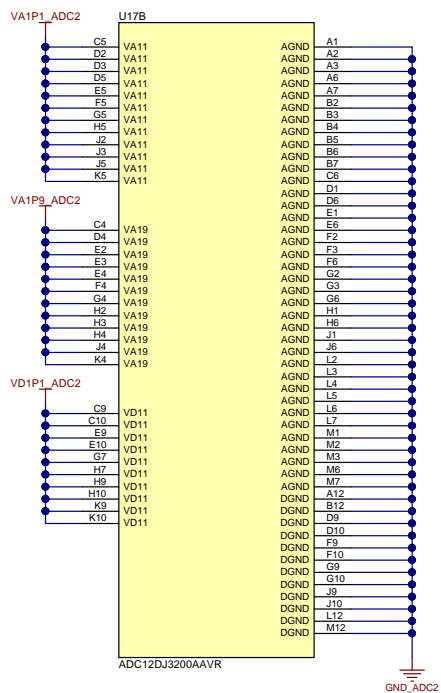
SYNC CONNECTION CHANGED BOTH ADC1 & ADC2

Texas Instruments and/or its licensors do not warrant the accuracy or completeness of this specification or any information contained therein. Texas Instruments and/or its licensors do not warrant that this design will meet the specifications, will be suitable for your application or fit for any particular purpose, or will operate in an implementation. Texas Instruments and/or its licensors do not warrant that the design is production worthy. You should completely validate and test your design implementation to confirm the system functionality for your application.

Orderable: NA	Designed for: Public Release	Mod. Date: 12/13/2017
TID #: 01022	Project Title: TIDA-01022	
Number: TIDA-01022 Rev: E2	Sheet Title: ADC12DJ3200_2	Sheet: 8 of 26
SVN Rev. Version control disabled	Assembly Variant: TIDA-01022A_Onboard_Pcb	
Drawn By: Avinash N	File: TIDA-01022-E2_ADC12DJ3200_2_SchDoc	TSize: B
Engineer: Anbu Mami	Contact: http://www.ti.com/support	



ADC-2



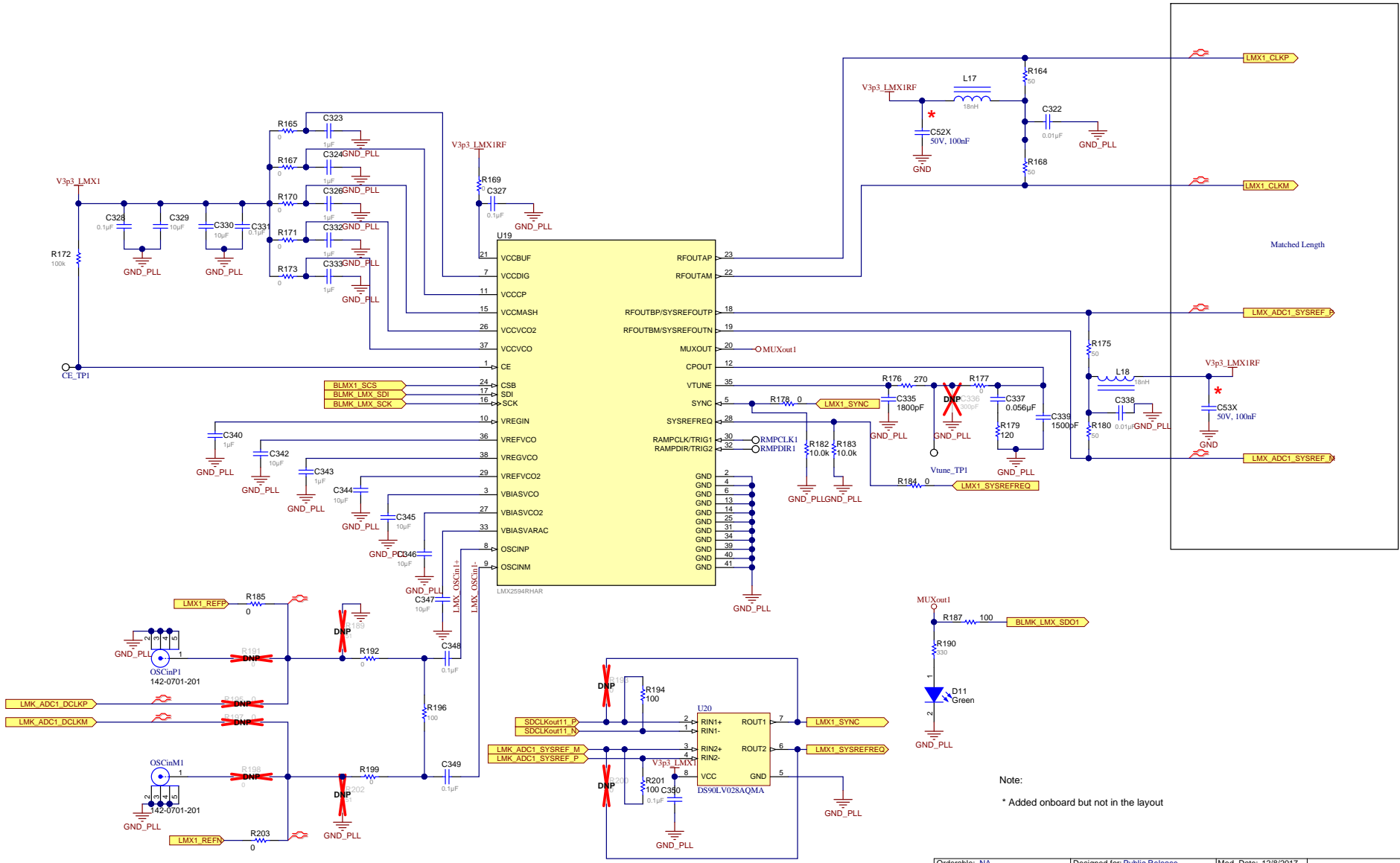
Texas Instruments and/or its licensors do not warrant the accuracy or completeness of this specification or any information contained therein. Texas Instruments and/or its licensors do not warrant that this design will meet the specifications, will be suitable for your application or fit for any particular purpose, or will operate in an implementation. Texas Instruments and/or its licensors do not warrant that the design is production worthy. You should completely validate and test your design implementation to confirm the system functionality for your application.

Orderable: NA	Designed for: Public Release	Mod. Date: 8/4/2017
TID #: 01022	Project Title: TIDA-01022	
Number: TIDA-01022 Rev: E2	Sheet Title: ADC12DJ3200_1PWR	
SVN Rev. Version control disabled	Assembly Variant: TIDA-01022A_Onboard_Po	Sheet: 9 of 26
Drawn By: Avinash N	File: TIDA-01022-E2_ADC12DJ3200_2PWR_SchDoc	Size: B
Engineer: Anbu Mami	Contact: http://www.ti.com/support	



© Texas Instruments 2017

LMX2594 -1



Note:
* Added on-board but not in the layout

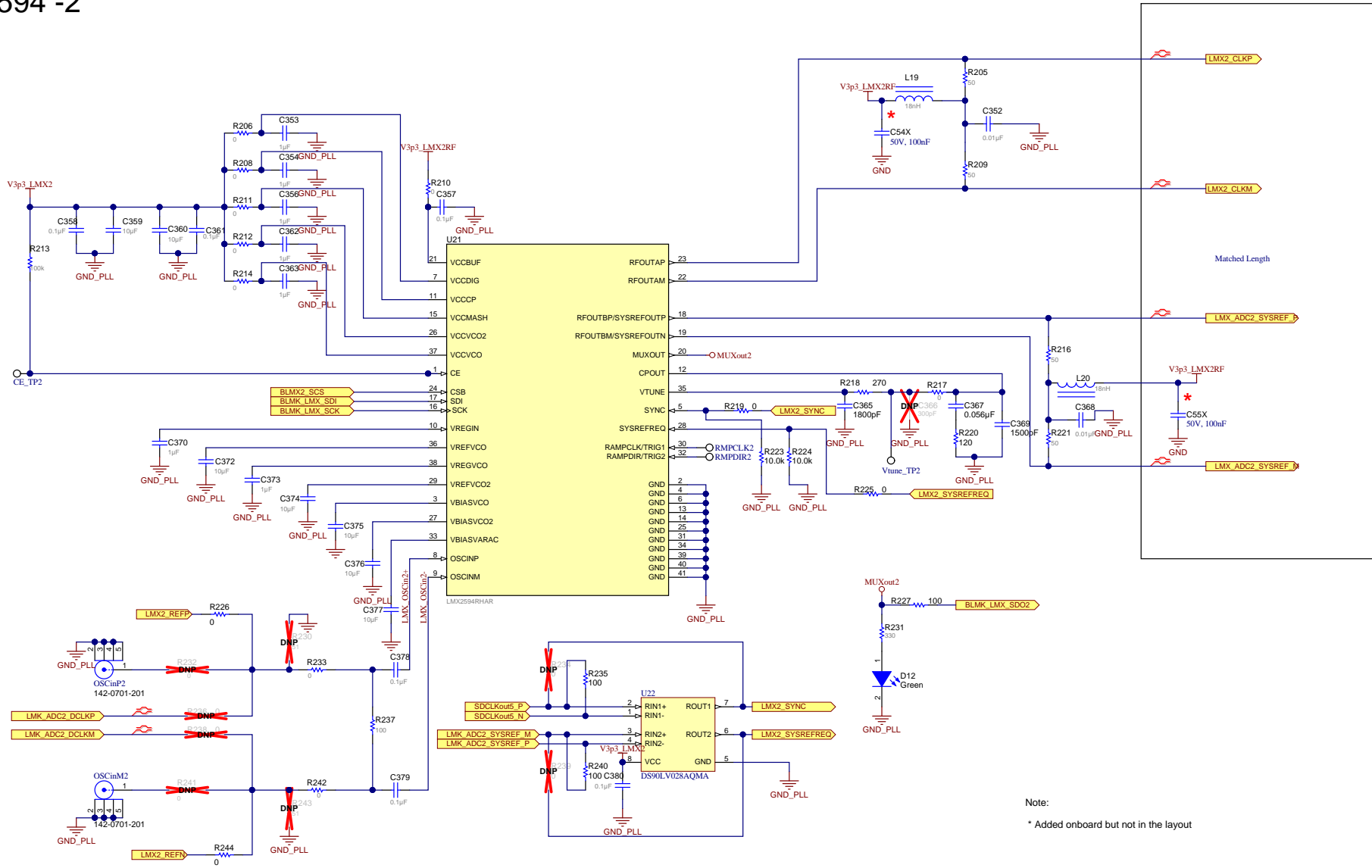
Texas Instruments and/or its licensors do not warrant the accuracy or completeness of this specification or any information contained therein. Texas Instruments and/or its licensors do not warrant that this design will meet the specifications, will be suitable for your application or fit for any particular purpose, or will operate in an implementation. Texas Instruments and/or its licensors do not warrant that the design is production worthy. You should completely validate and test your design implementation to confirm the system functionality for your application.

Orderable: NA	Designed for: Public Release	Mod. Date: 12/8/2017
TID #: 01022	Project Title: TIDA-01022	
Number: TIDA-01022 Rev: E2	Sheet Title: LMX2594R	
SVN Rev. Version control disabled	Assembly Variant: TIDA-01022A_Onboard_Po	Sheet: 10 of 26
Drawn By: Avinash N	File: TIDA-01022-E2_LMX2594R_1_SchDoc	Size: B
Engineer: Anbu Mami	Contact: http://www.ti.com/support	



© Texas Instruments 2017

LMX2594 -2



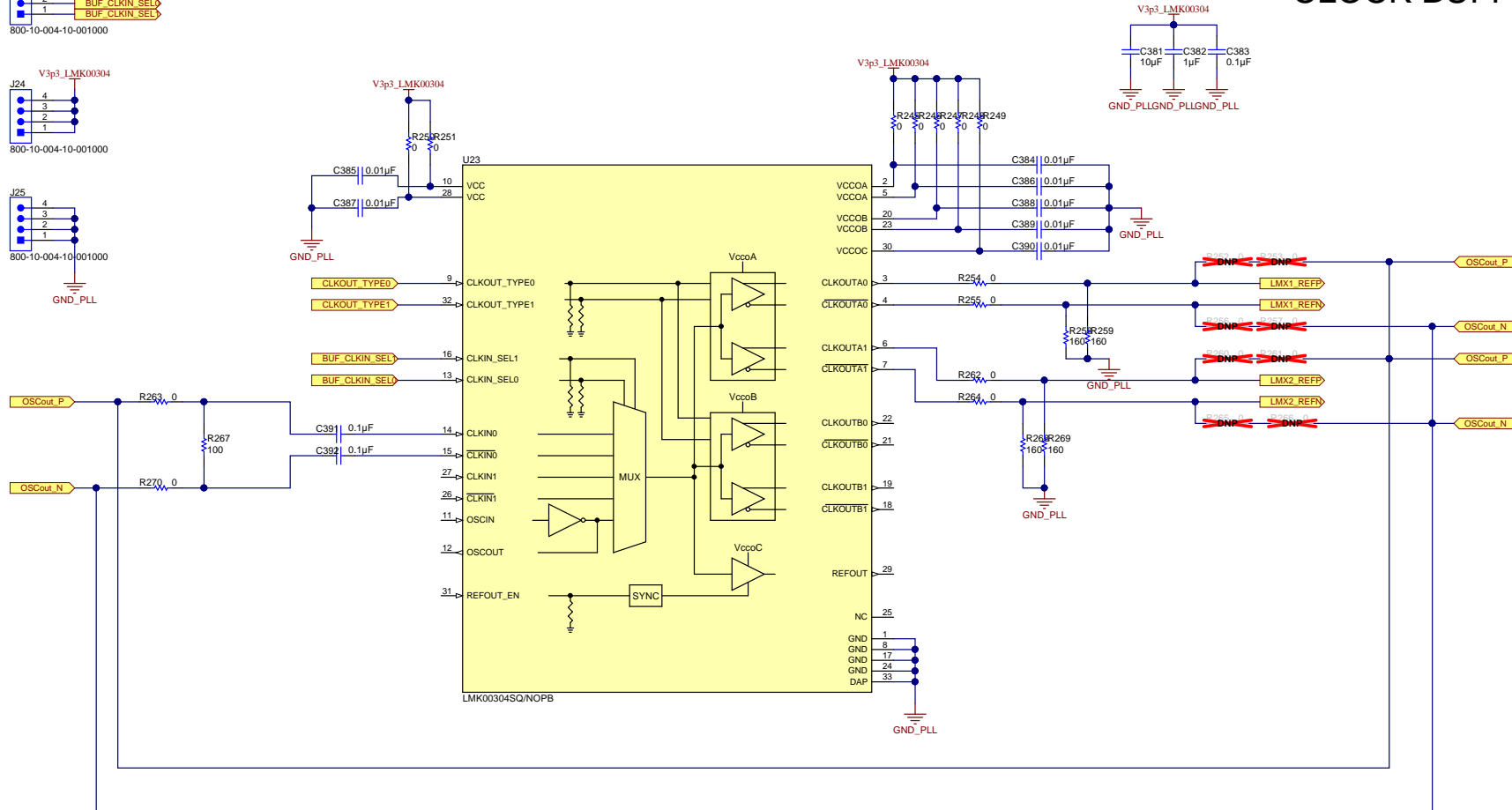
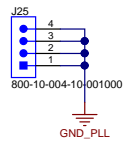
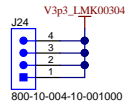
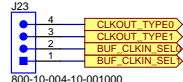
Note:
* Added onboard but not in the layout

Texas Instruments and/or its licensors do not warrant the accuracy or completeness of this specification or any information contained therein. Texas Instruments and/or its licensors do not warrant that this design will meet the specifications, will be suitable for your application or fit for any particular purpose, or will operate in an implementation. Texas Instruments and/or its licensors do not warrant that the design is production worthy. You should completely validate and test your design implementation to confirm the system functionality for your application.

Orderable: NA	Designed for: Public Release	Mod. Date: 12/8/2017
TID #: 01022	Project Title: TIDA-01022	
Number: TIDA-01022 Rev: E2	Sheet Title: LMX2594R	
SVN Rev. Version control disabled	Assembly Variant: TIDA-01022A Onboard Po	Sheet: 11 of 26
Drawn By: Avinash N	File: TIDA-01022-E2_LMX2594R_2_SchDoc	Size: B
Engineer: Anbu Mami	Contact: http://www.ti.com/support	



CLOCK BUFFER/MUX

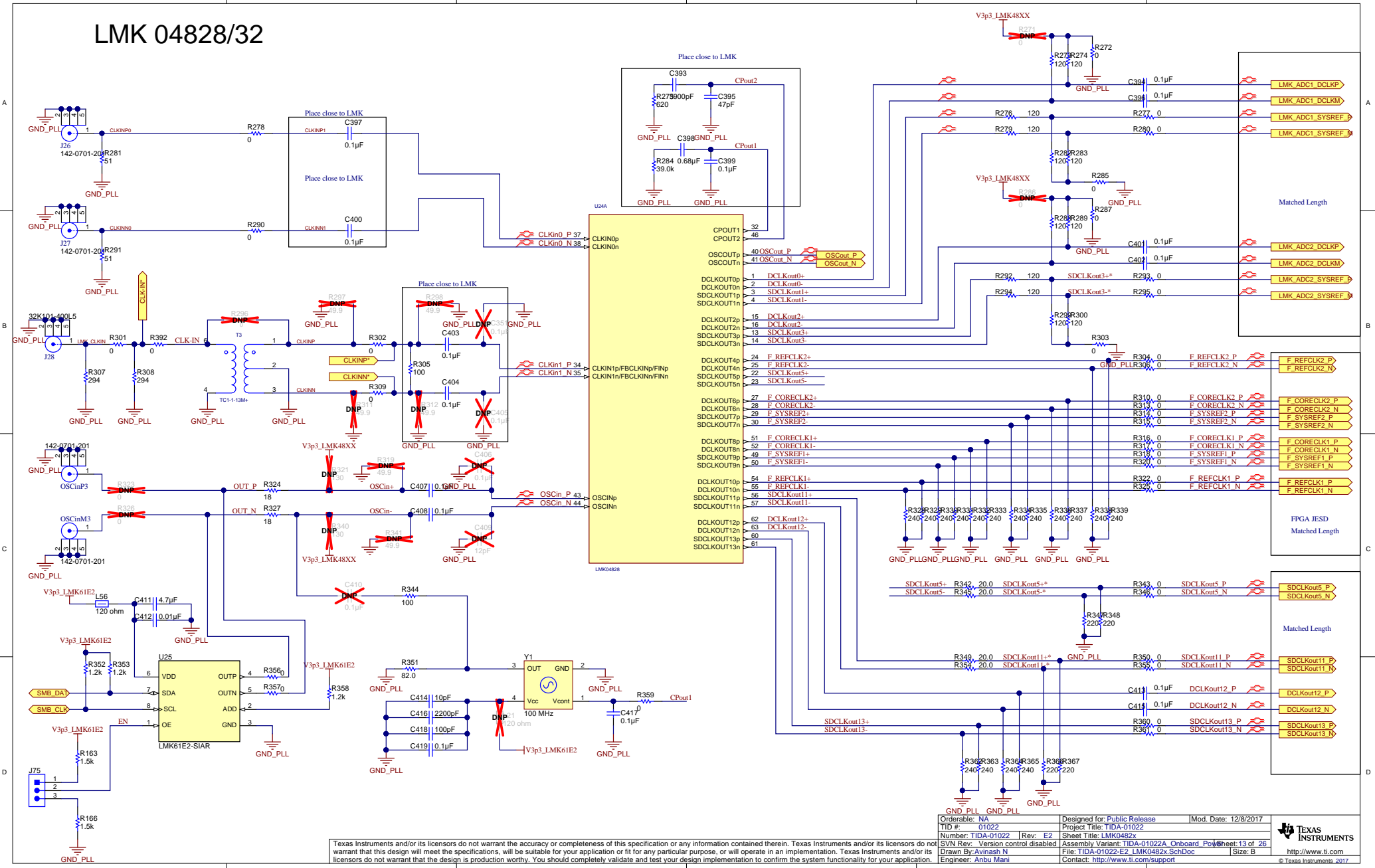


Texas Instruments and/or its licensors do not warrant the accuracy or completeness of this specification or any information contained therein. Texas Instruments and/or its licensors do not warrant that this design will meet the specifications, will be suitable for your application or fit for any particular purpose, or will operate in an implementation. Texas Instruments and/or its licensors do not warrant that the design is production worthy. You should completely validate and test your design implementation to confirm the system functionality for your application.

Orderable: NA	Designed for: Public Release	Mod. Date: 8/4/2017
TID #: 01022	Project Title: TIDA-01022	
Number: TIDA-01022 Rev: E2	Sheet Title: LMK00304 Buffer	
SVN Rev. Version control disabled	Assembly Variant: TIDA-01022A Onboard Po	Sheet: 12 of 26
Drawn By: Avinash N	File: TIDA-01022-E2_LMK00304_Buffer_SchDoc	Size: B
Engineer: Anbu Mami	Contact: http://www.ti.com/support	



LMK 04828/32

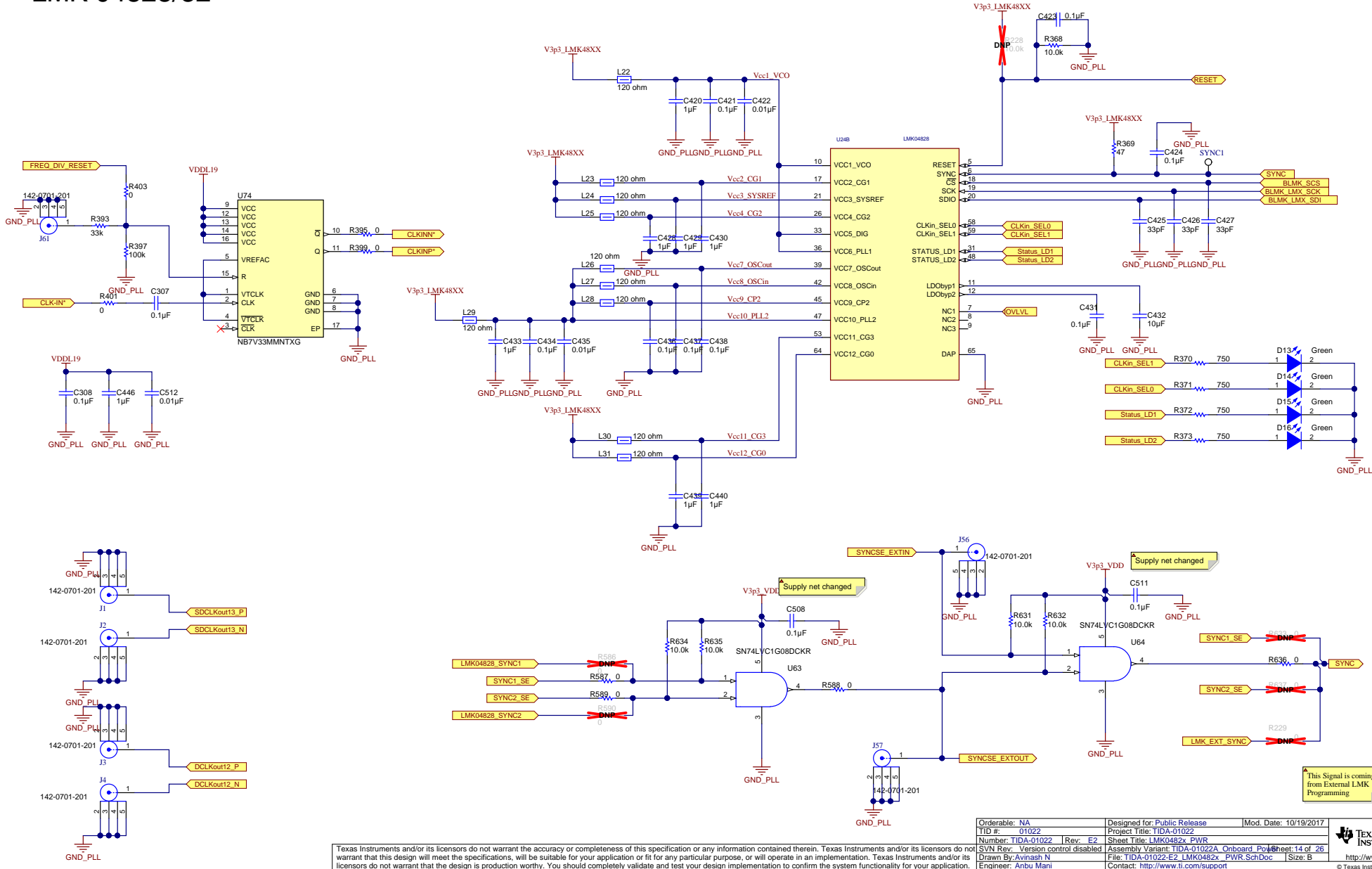


Texas Instruments and/or its licensors do not warrant the accuracy or completeness of this specification or any information contained therein. Texas Instruments and/or its licensors do not warrant that this design will meet the specifications, will be suitable for your application or fit for any particular purpose, or will operate in an implementation. Texas Instruments and/or its licensors do not warrant that the design is production worthy. You should completely validate and test your design implementation to confirm the system functionality for your application.

Orderable: NA	Designed for: Public Release	Mod. Date: 12/8/2017
TID #: 01022	Project Title: TIDA-01022	
Number: TIDA-01022 Rev: E2	Sheet Title: LMK0482X	
SVM Rev: Version control disabled	Assembly Variant: TIDA-01022A_Onboard_Po	Sheet: 13 of 26
Drawn By: Avinash N	File: TIDA-01022-E2_LMK0482X_SchDoc	Size: B
Engineer: Anbu Mami	Contact: http://www.ti.com/support	



LMK 04828/32



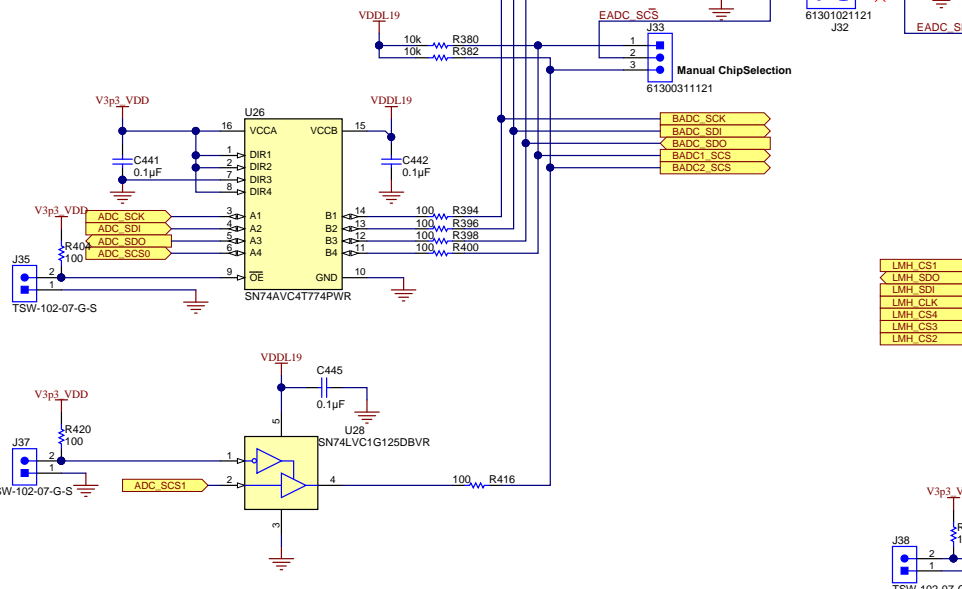
Texas Instruments and/or its licensors do not warrant the accuracy or completeness of this specification or any information contained therein. Texas Instruments and/or its licensors do not warrant that this design will meet the specifications, will be suitable for your application or fit for any particular purpose, or will operate in an implementation. Texas Instruments and/or its licensors do not warrant that the design is production worthy. You should completely validate and test your design implementation to confirm the system functionality for your application.

Orderable: NA	Designed for: Public Release	Mod. Date: 10/19/2017
TID #: 01022	Project Title: TIDA-01022	
Number: TIDA-01022 Rev: E2	Sheet Title: LMK0482x_PWR	
SVN Rev. Version control disabled	Assembly Variant: TIDA-01022A_Onboard_PoW	Sheet: 14 of 26
Drawn By: Avinash N	File: TIDA-01022-E2_LMK0482x_PWR_SchDoc	Size: B
Engineer: Anbu Mami	Contact: http://www.ti.com/support	

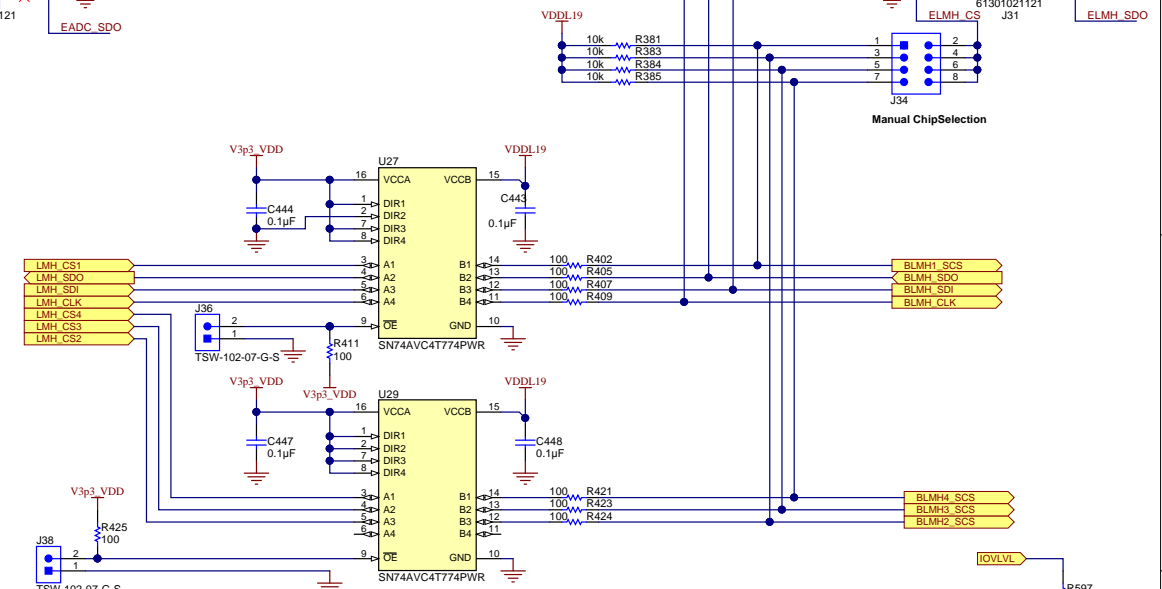


© Texas Instruments 2017

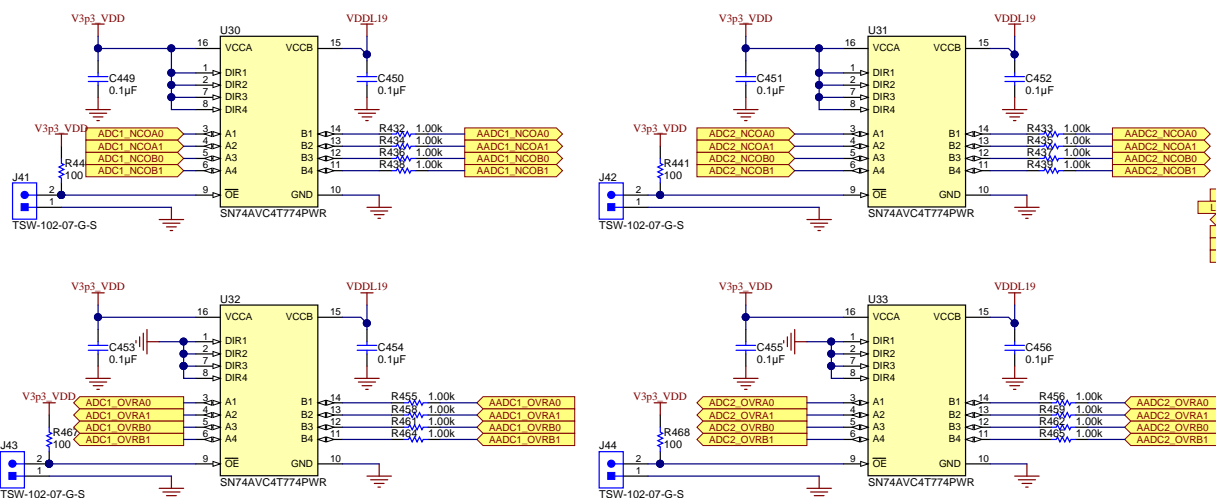
ADC Programming



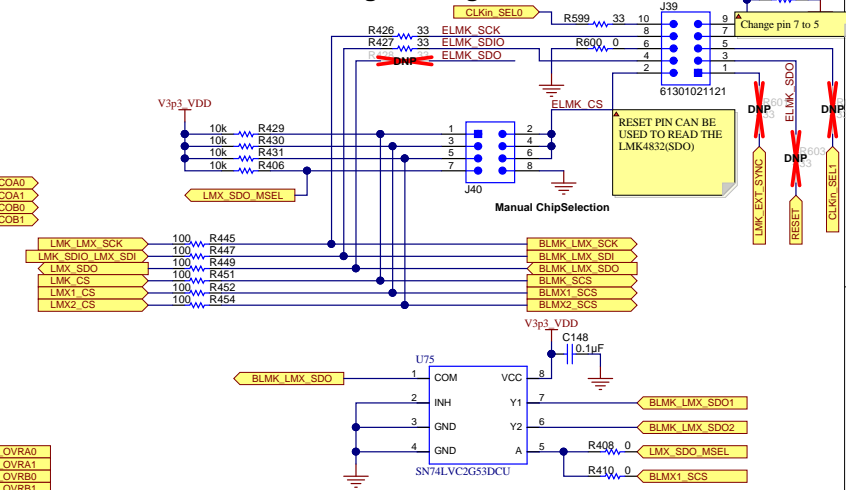
LMH6401 Programming



ADC1 & 2 OverRange & NCO Selection



LMK04828 & LMX2594 Programming

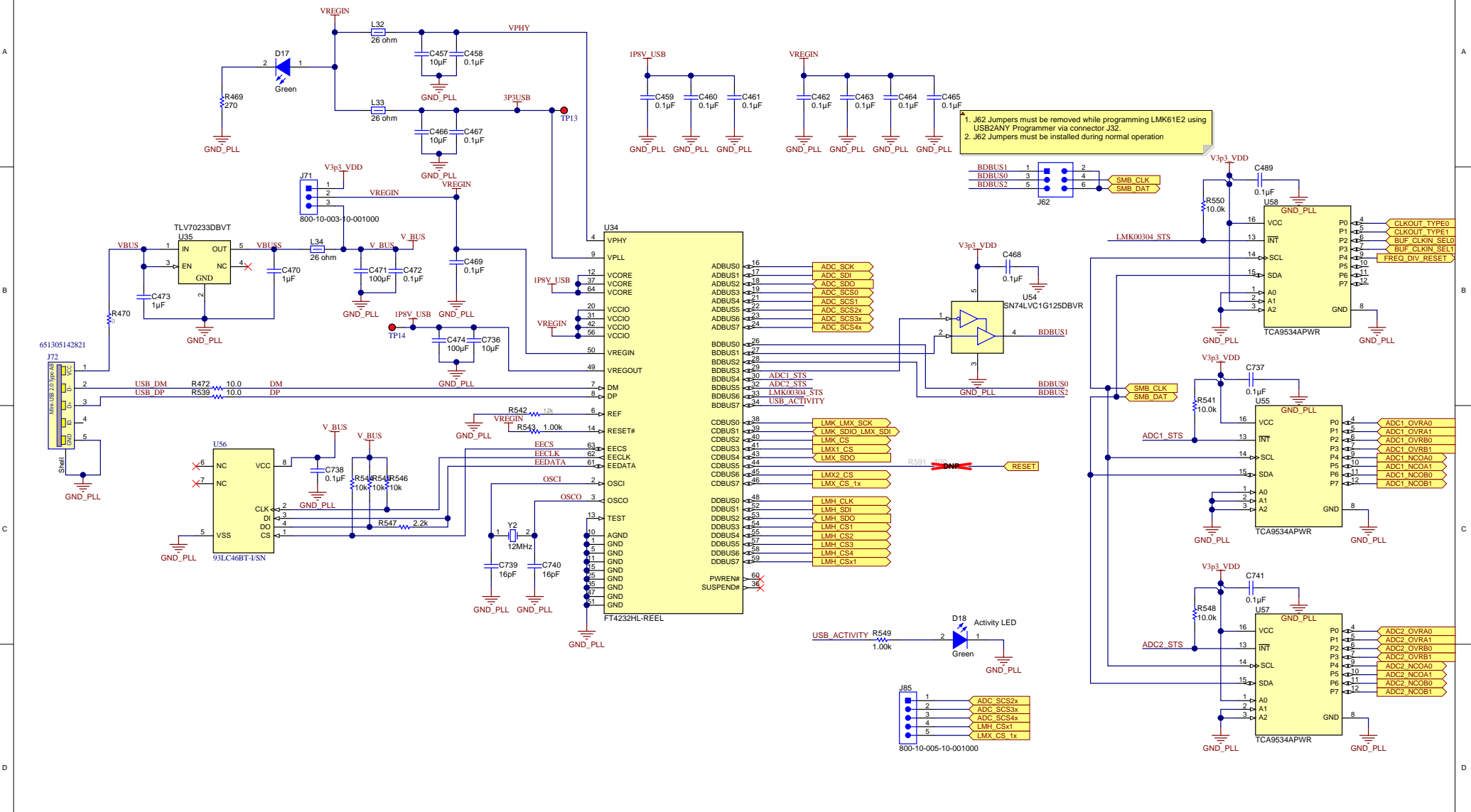


Texas Instruments and/or its licensors do not warrant the accuracy or completeness of this specification or any information contained therein. Texas Instruments and/or its licensors do not warrant that this design will meet the specifications, will be suitable for your application or fit for any particular purpose, or will operate in an implementation. Texas Instruments and/or its licensors do not warrant that the design is production worthy. You should completely validate and test your design implementation to confirm the system functionality for your application.

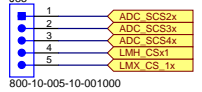
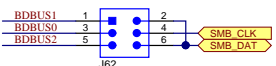
Orderable: NA	Designed for: Public Release	Mod. Date: 12/6/2017
TID #: 01022	Project Title: TIDA-01022	
Number: TIDA-01022 Rev: E2	Sheet Title: Programming for ADC, LMK, LMX	
SVN Rev. Version control disabled	Assembly Variant: Onboard_PoW	Page: 15 of 26
Drawn By: Avinash N	File: TIDA-01022-E2_Programming for ADC LMK	Size: 58Kb
Engineer: Anbu Mami	Contact: http://www.ti.com/support	



USB to SPI Interface



1. J62 Jumpers must be removed while programming LMK61E2 using USB2ANY Programmer via connector J32.
 2. J62 Jumpers must be installed during normal operation

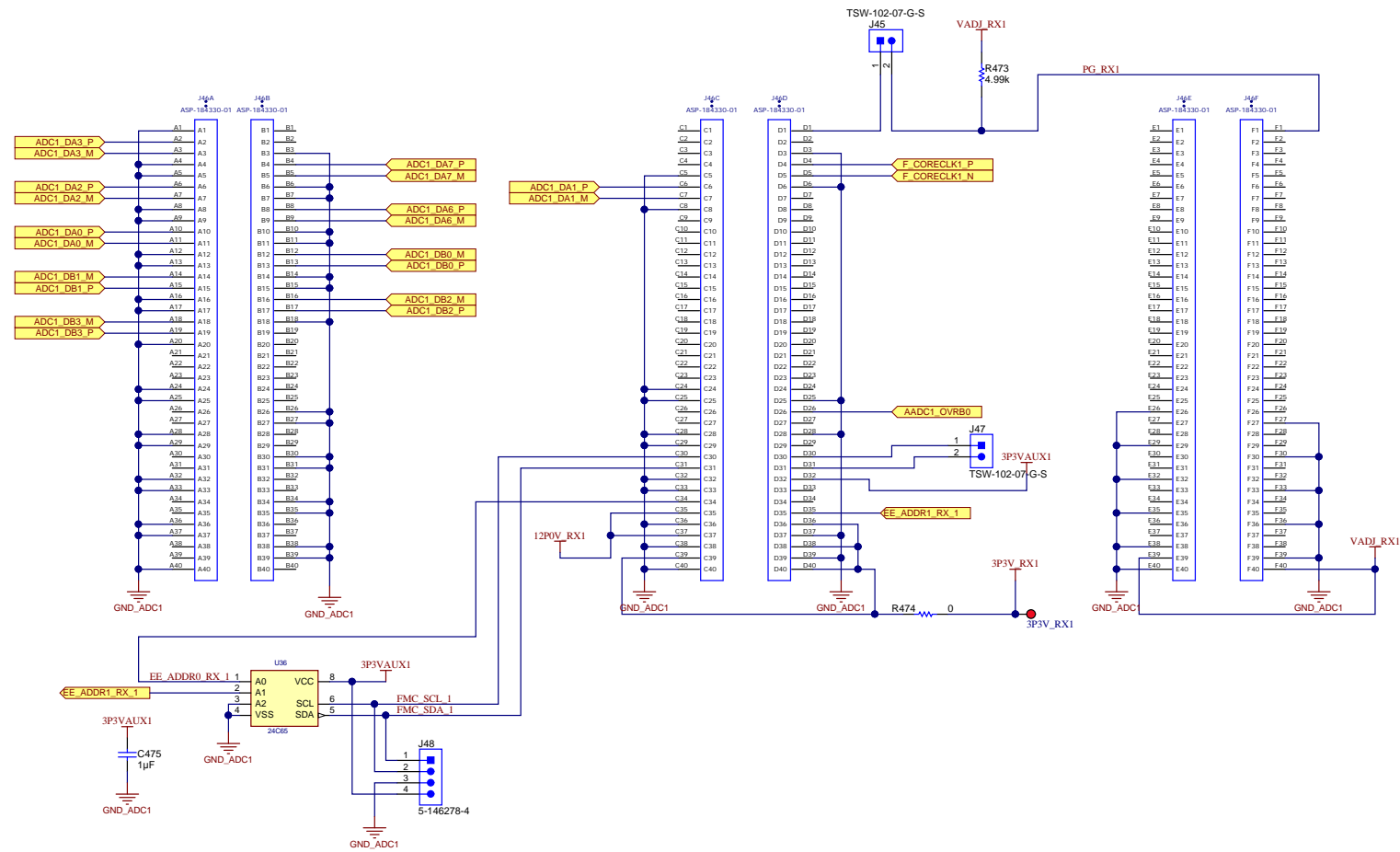


Orderable: NA	Designed for: Public Release	Mod. Date: 12/8/2017
TID #: 01022	Project Title: TIDA-01022	
Number: TIDA-01022 Rev: E2	Sheet Title: USB	
SVN Rev: Version control disabled	Assembly Variant: TIDA-01022A Onboard Po	Sheet: 16 of 26
Drawn By: Avinash N	File: TIDA-01022-E2_USB_SchDoc	Size: B
Engineer: Anbu Mami	Contact: http://www.ti.com/support	

Texas Instruments and/or its licensors do not warrant the accuracy or completeness of this specification or any information contained therein. Texas Instruments and/or its licensors do not warrant that this design will meet the specifications, will be suitable for your application or fit for any particular purpose, or will operate in an implementation. Texas Instruments and/or its licensors do not warrant that the design is production worthy. You should completely validate and test your design implementation to confirm the system functionality for your application.



ADC1 FMC+_1 Connector



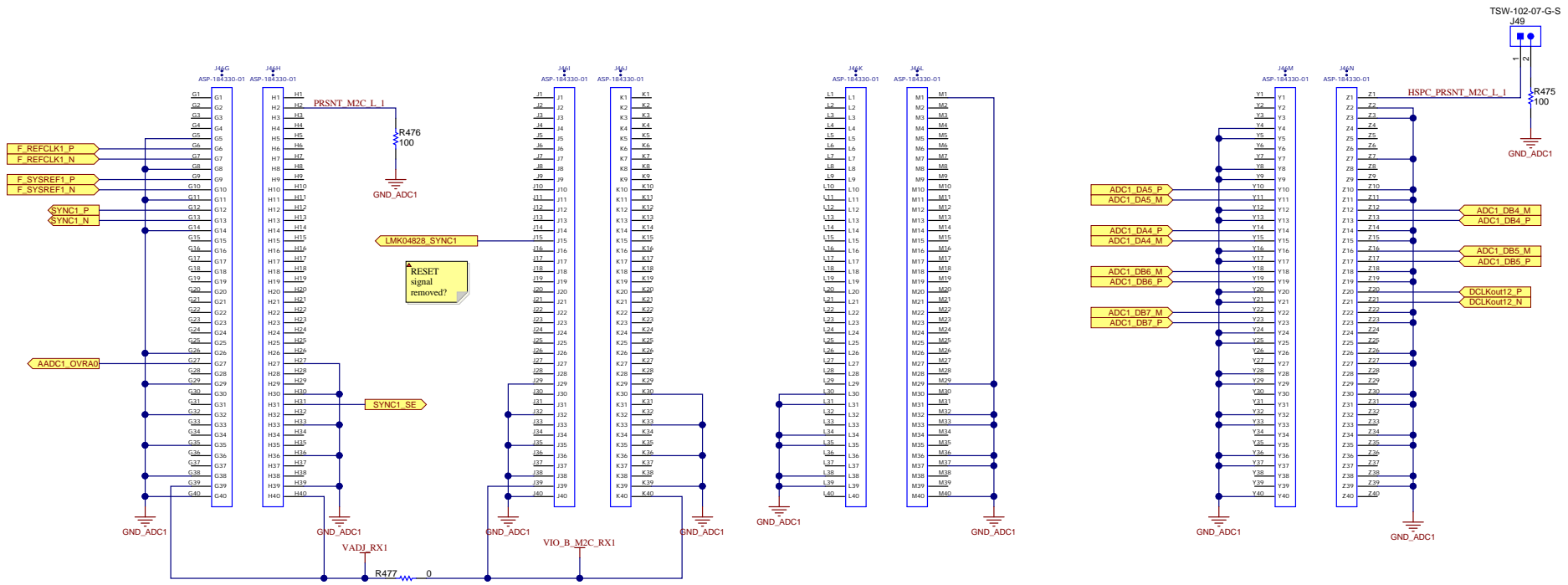
Texas Instruments and/or its licensors do not warrant the accuracy or completeness of this specification or any information contained therein. Texas Instruments and/or its licensors do not warrant that this design will meet the specifications, will be suitable for your application or fit for any particular purpose, or will operate in an implementation. Texas Instruments and/or its licensors do not warrant that the design is production worthy. You should completely validate and test your design implementation to confirm the system functionality for your application.

Orderable: NA	Designed for: Public Release	Mod. Date: 12/8/2017
TID #: 01022	Project Title: TIDA-01022	
Number: TIDA-01022 Rev: E2	Sheet Title: FMC+CONN1	
SVN Rev. Version control disabled	Assembly Variant: TIDA-01022A_Onboard_Po	Sheet: 17 of 26
Drawn By: Avinash N	File: TIDA-01022-E2_FMC+CONN1_1.SchDoc	Size: B
Engineer: Anbu Mami	Contact: http://www.ti.com/support	



© Texas Instruments 2017

ADC1 FMC+_1 Connector



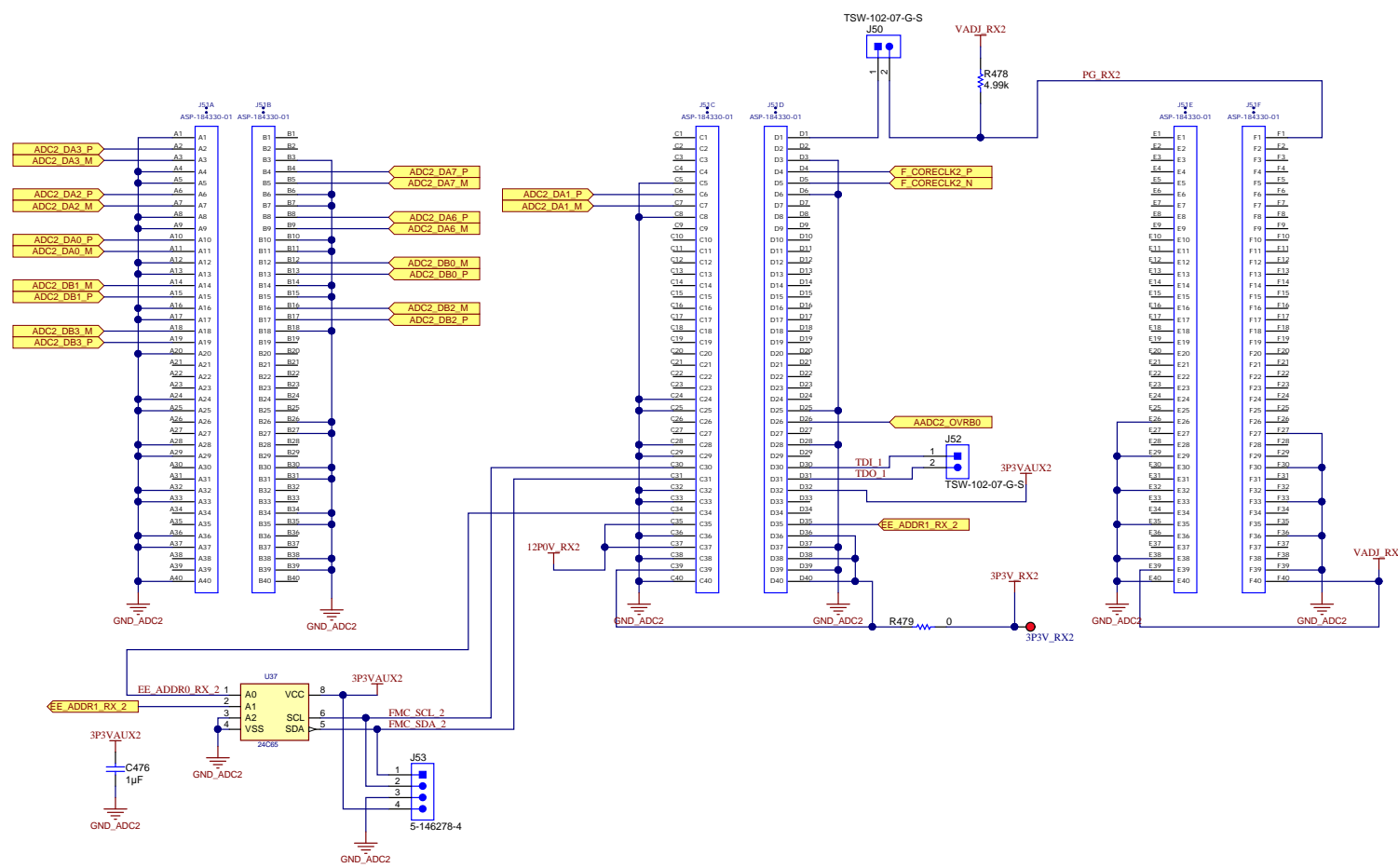
Texas Instruments and/or its licensors do not warrant the accuracy or completeness of this specification or any information contained therein. Texas Instruments and/or its licensors do not warrant that this design will meet the specifications, will be suitable for your application or fit for any particular purpose, or will operate in an implementation. Texas Instruments and/or its licensors do not warrant that the design is production worthy. You should completely validate and test your design implementation to confirm the system functionality for your application.

Orderable: NA	Designed for: Public Release	Mod. Date: 10/24/2017
TID #: 01022	Project File:	
Number: TIDA-01022 Rev: E2	Sheet Title: FMC+CONN1	
SVN Rev. Version control disabled	Assembly Variant: TIDA-01022A_Onboard_Pcb	Sheet: 18 of 26
Drawn By: Avinash N	File: TIDA-01022-E2_FMC+CONN1_2_SchDoc	Size: B
Engineer: Anbu Mami	Contact: http://www.ti.com/support	



© Texas Instruments 2017

ADC1 FMC+_2 Connector



ADC1 FMC+_2 Connector

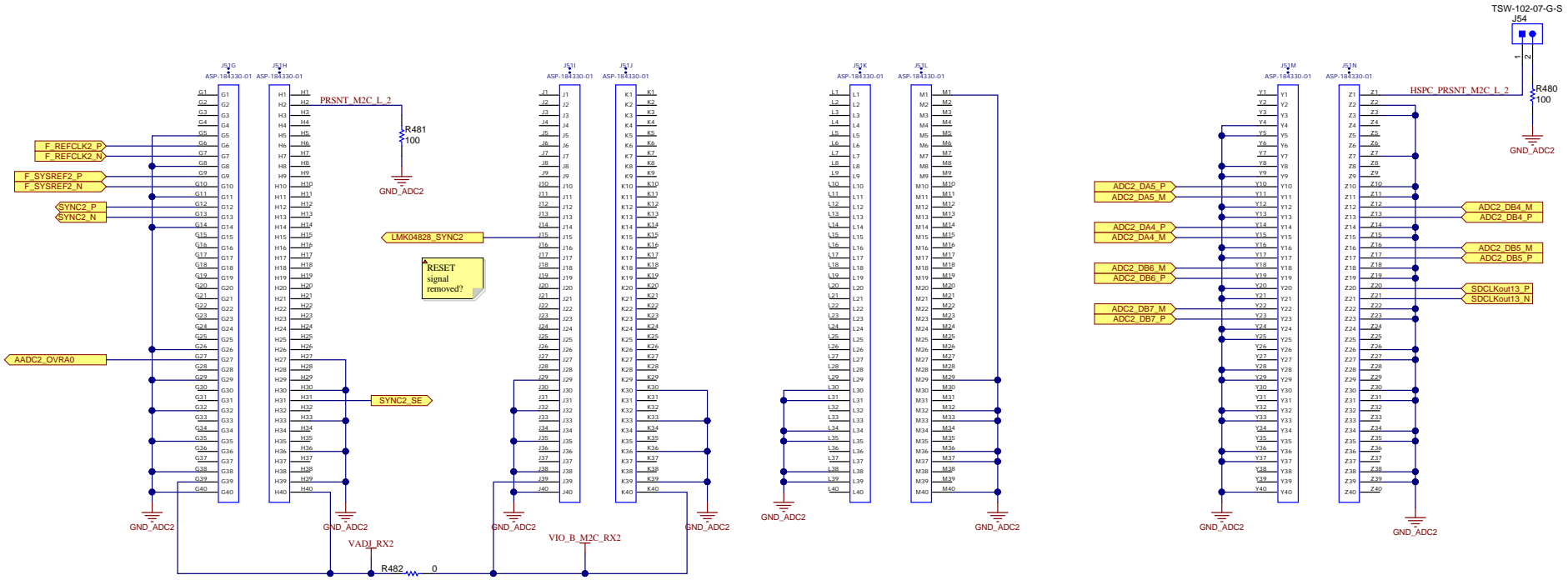
1 2 3 4 5 6

A

B

C

D



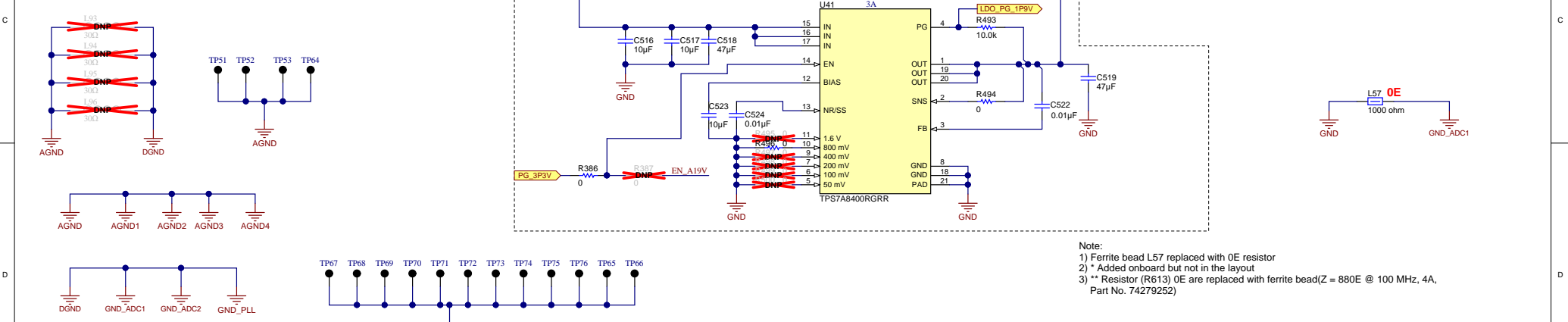
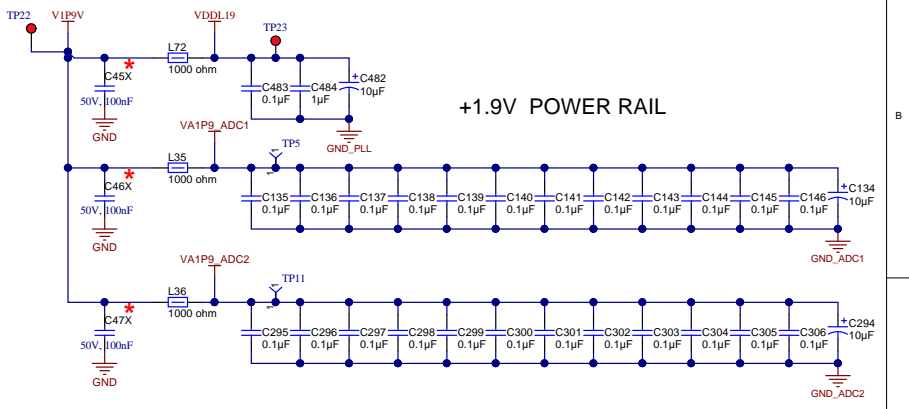
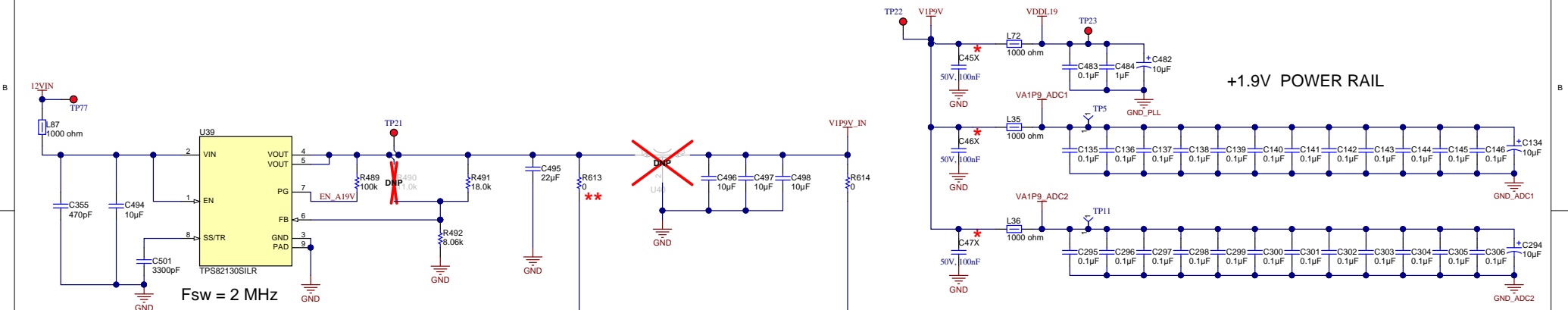
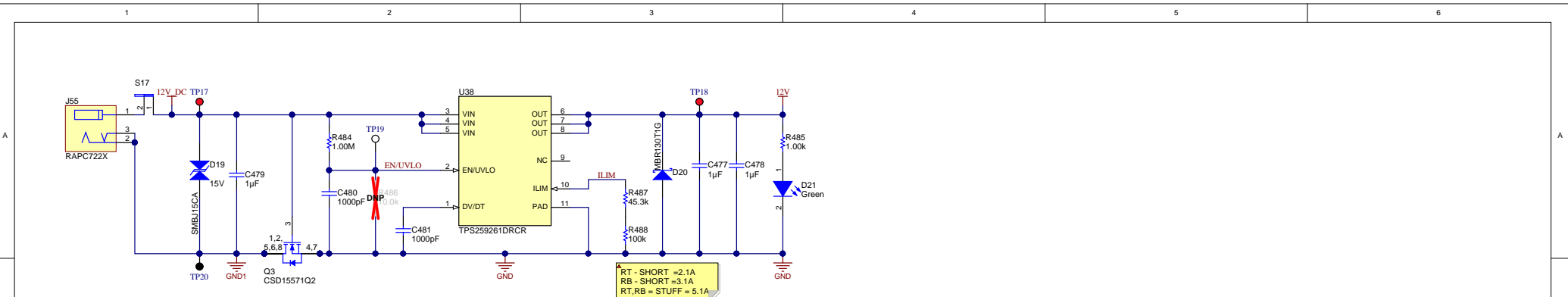
Texas Instruments and/or its licensors do not warrant the accuracy or completeness of this specification or any information contained therein. Texas Instruments and/or its licensors do not warrant that this design will meet the specifications, will be suitable for your application or fit for any particular purpose, or will operate in an implementation. Texas Instruments and/or its licensors do not warrant that the design is production worthy. You should completely validate and test your design implementation to confirm the system functionality for your application.

Orderable: NA	Designed for: Public Release	Mod. Date: 10/24/2017
TID #: 01022	Project Title: TIDA-01022	
Number: TIDA-01022 Rev: E2	Sheet Title: FMC+CONN2	
SVN Rev. Version control disabled	Assembly Variant: TIDA-01022A_Onboard_Pcb	Sheet: 20 of 26
Drawn By: Avinash N	File: TIDA-01022-E2_FMC+CONN2_2_SchDoc	Size: B
Engineer: Anbu Mami	Contact: http://www.ti.com/support	



1 2 3 4 5 6

© Texas Instruments 2017



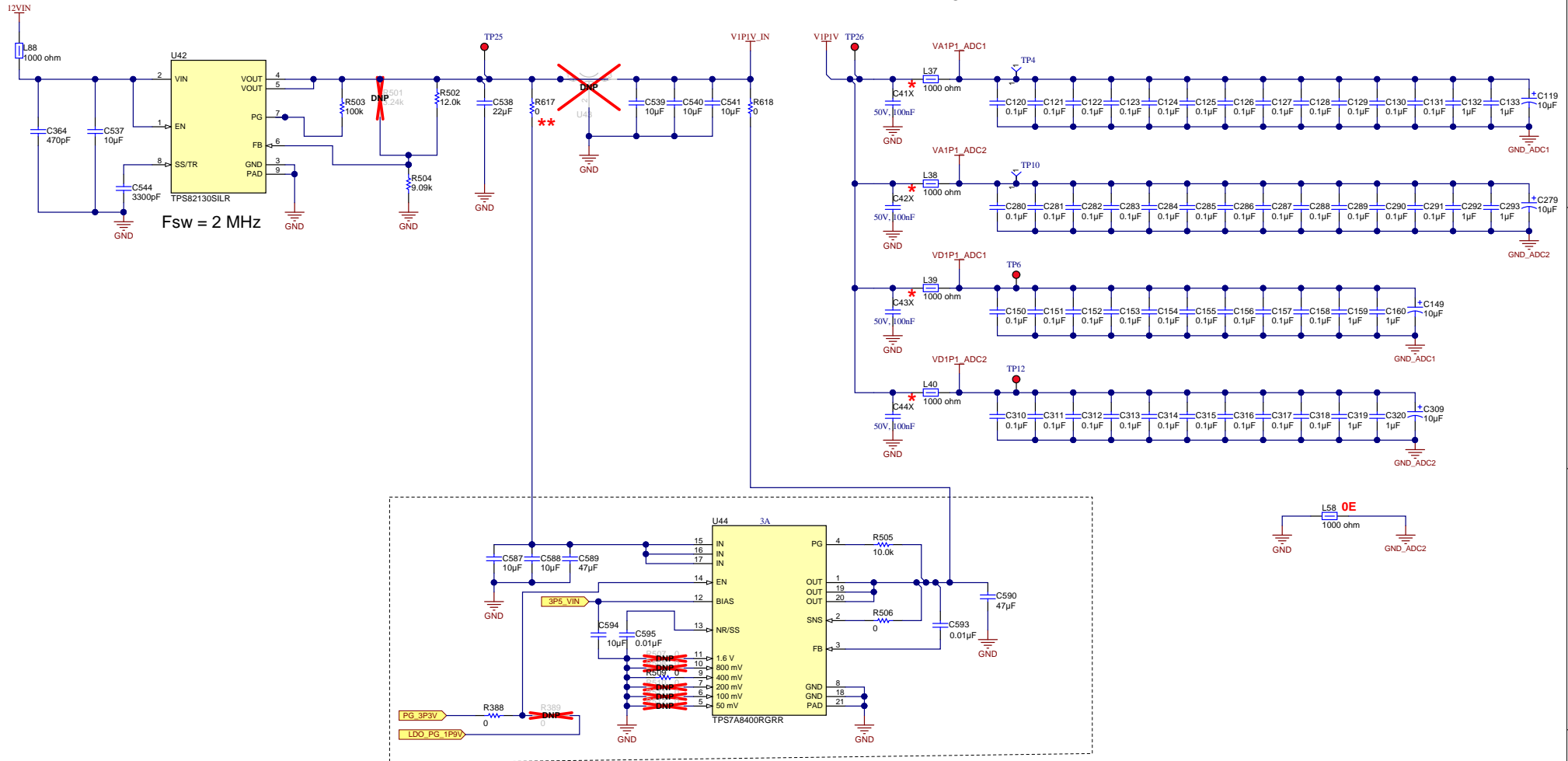
Note:
 1) Ferrite bead L57 replaced with 0E resistor
 2) * Added onboard but not in the layout
 3) ** Resistor (R613) 0E are replaced with ferrite bead (Z = 880E @ 100 MHz, 4A, Part No. 74279252)

Texas Instruments and/or its licensors do not warrant the accuracy or completeness of this specification or any information contained therein. Texas Instruments and/or its licensors do not warrant that this design will meet the specifications, will be suitable for your application or fit for any particular purpose, or will operate in an implementation. Texas Instruments and/or its licensors do not warrant that the design is production worthy. You should completely validate and test your design implementation to confirm the system functionality for your application.

Orderable: NA	Designed for: Public Release	Mod. Date: 12/8/2017
TID #: 01022	Project Title: TIDA-01022	
Number: TIDA-01022 Rev: E2	Sheet Title: Power Supplies	
SVN Rev. Version control disabled	Assembly Variant: TIDA-01022A_Onboard_Pow	Sheet: 21 of 26
Drawn By: Avinash N	File: TIDA-01022-E2_Power1_SchDoc	Size: B
Engineer: Anbu Mami	Contact: http://www.ti.com/support	

TEXAS INSTRUMENTS
<http://www.ti.com>
 © Texas Instruments 2017

+1.1V POWER RAIL



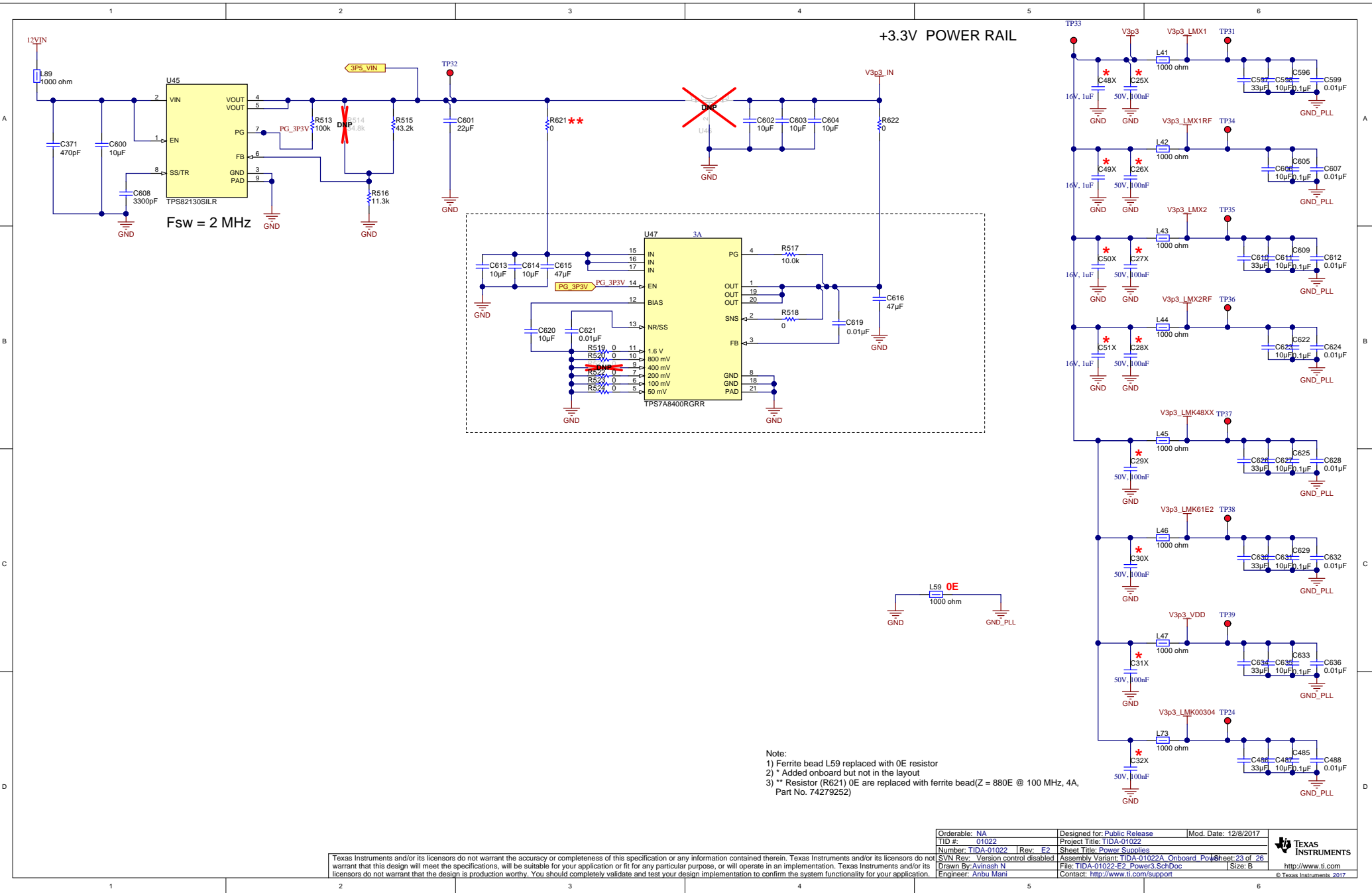
- Note:
- 1) Ferrite bead L58 replaced with 0E resistor
 - 2) * Added onboard but not in the layout
 - 3) ** Resistor (R617) 0E are replaced with ferrite bead(Z = 880E @ 100 MHz, 4A, Part No. 74279252)

Texas Instruments and/or its licensors do not warrant the accuracy or completeness of this specification or any information contained therein. Texas Instruments and/or its licensors do not warrant that this design will meet the specifications, will be suitable for your application or fit for any particular purpose, or will operate in an implementation. Texas Instruments and/or its licensors do not warrant that the design is production worthy. You should completely validate and test your design implementation to confirm the system functionality for your application.

Orderable: NA	Designed for: Public Release	Mod. Date: 12/8/2017
TID #: 01022	Project Title: TIDA-01022	
Number: TIDA-01022 Rev: E2	Sheet Title: Power Supplies	
SVN Rev. Version control disabled	Assembly Variant: TIDA-01022A_Onboard_Po	Sheet: 22 of 26
Drawn By: Avinash N	File: TIDA-01022-E2_Power2_SchDoc	Size: B
Engineer: Anbu Mami	Contact: http://www.ti.com/support	http://www.ti.com



© Texas Instruments 2017



+3.3V POWER RAIL

Fsw = 2 MHz

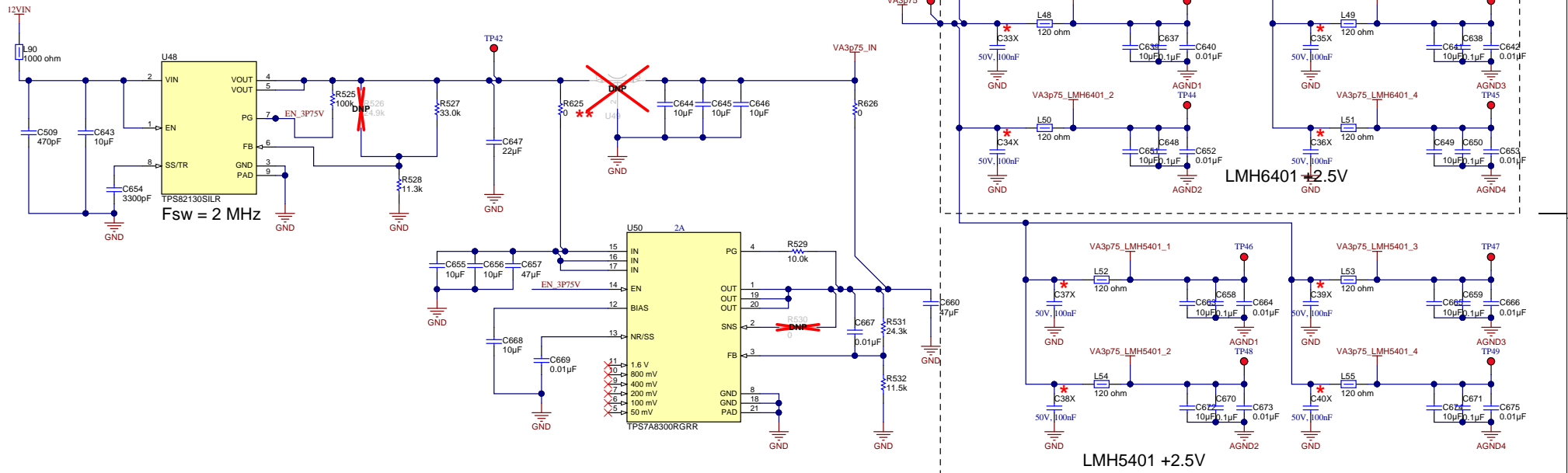
Note:
 1) Ferrite bead L59 replaced with OE resistor
 2) * Added onboard but not in the layout
 3) ** Resistor (R621) OE are replaced with ferrite bead(Z = 880E @ 100 MHz, 4A, Part No. 74279252)

Orderable: NA	Designed for: Public Release	Mod. Date: 12/8/2017
TID #: 01022	Project Title: TIDA-01022	
Number: TIDA-01022 Rev: E2	Sheet Title: Power Supplies	
SVN Rev. Version control disabled	Assembly Variant: TIDA-01022A_Onboard_PoW	Sheet: 23 of 26
Drawn By: Avinash N	File: TIDA-01022-E2_Power3_SchDoc	Size: B
Engineer: Anbu Mami	Contact: http://www.ti.com/support	

Texas Instruments and/or its licensors do not warrant the accuracy or completeness of this specification or any information contained therein. Texas Instruments and/or its licensors do not warrant that this design will meet the specifications, will be suitable for your application or fit for any particular purpose, or will operate in an implementation. Texas Instruments and/or its licensors do not warrant that the design is production worthy. You should completely validate and test your design implementation to confirm the system functionality for your application.

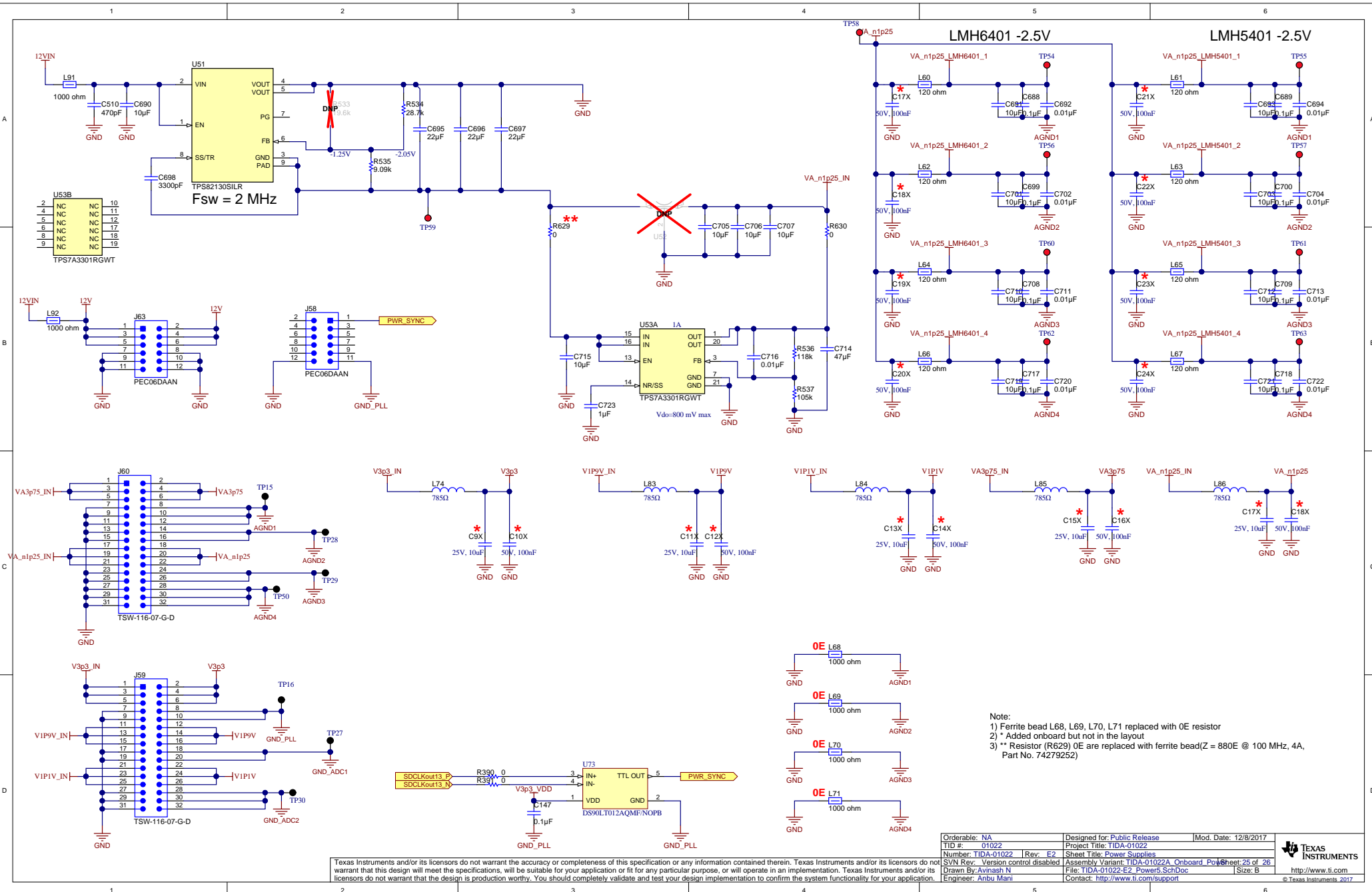


© Texas Instruments 2017

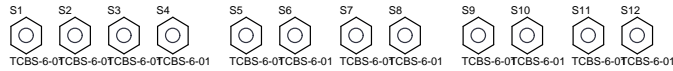


Note:

- 1) * Added onboard but not in the layout
- 2) ** Resistor (R625) 0E are replaced with ferrite bead(Z = 880E @ 100 MHz, 4A, Part No. 74279252)



Note:
 1) Ferrite bead L68, L69, L70, L71 replaced with 0E resistor
 2) * Added onboard but not in the layout
 3) ** Resistor (R629) 0E are replaced with ferrite bead(Z = 880E @ 100 MHz, 4A, Part No. 74279252)



PCB Number: TIDA-01022
PCB Rev: E2

PCB LOGO
Logo1

PCB LOGO
Pb-Free Symbol

PCB LOGO
FCC disclaimer

PCB LOGO
Logo4

PCB LOGO
Logo5

Variant	Label Text
001	ChangeMe!
002	ChangeMe!

LBL1
PCB Label
Size: 0.65" x 0.20"

ZZ1
Label Assembly Note
This Assembly Note is for PCB labels only

ZZ2
Assembly Note
These assemblies are ESD sensitive, ESD precautions shall be observed.

ZZ3
Assembly Note
These assemblies must be clean and free from flux and all contaminants. Use of no clean flux is not acceptable.

ZZ4
Assembly Note
These assemblies must comply with workmanship standards IPC-A-610 Class 2, unless otherwise specified.

You should delete the nylon screws/standoffs and/or the bumpsons as needed for your design (or substitute other parts from Hardware.IntLib). Bumpsons are cheaper, but provide less clearance.

Deleting anything else from this page may result in your EVM submission being rejected (until you add them back).

Update the Label Text in the Label Table as needed for each Assembly Variant.

You should delete this note too.

Texas Instruments and/or its licensors do not warrant the accuracy or completeness of this specification or any information contained therein. Texas Instruments and/or its licensors do not warrant that this design will meet the specifications, will be suitable for your application or fit for any particular purpose, or will operate in an implementation. Texas Instruments and/or its licensors do not warrant that the design is production worthy. You should completely validate and test your design implementation to confirm the system functionality for your application.

Orderable: NA	Designed for: Public Release	Mod. Date: 10/14/2017
TID #: 01022	Project Title: TIDA-01022	
Number: TIDA-01022 Rev: E2	Sheet Title: Hardware	
SVN Rev. Version control disabled	Assembly Variant: TIDA-01022A_Onboard_Pcb	Sheet: 26 of 26
Drawn By: Avinash N	File: TIDA-01022-E2_Hardware.SchDoc	Size: B
Engineer: Anbu Mami	Contact: http://www.ti.com/support	

IMPORTANT NOTICE FOR TI DESIGN INFORMATION AND RESOURCES

Texas Instruments Incorporated ("TI") technical, application or other design advice, services or information, including, but not limited to, reference designs and materials relating to evaluation modules, (collectively, "TI Resources") are intended to assist designers who are developing applications that incorporate TI products; by downloading, accessing or using any particular TI Resource in any way, you (individually or, if you are acting on behalf of a company, your company) agree to use it solely for this purpose and subject to the terms of this Notice.

TI's provision of TI Resources does not expand or otherwise alter TI's applicable published warranties or warranty disclaimers for TI products, and no additional obligations or liabilities arise from TI providing such TI Resources. TI reserves the right to make corrections, enhancements, improvements and other changes to its TI Resources.

You understand and agree that you remain responsible for using your independent analysis, evaluation and judgment in designing your applications and that you have full and exclusive responsibility to assure the safety of your applications and compliance of your applications (and of all TI products used in or for your applications) with all applicable regulations, laws and other applicable requirements. You represent that, with respect to your applications, you have all the necessary expertise to create and implement safeguards that (1) anticipate dangerous consequences of failures, (2) monitor failures and their consequences, and (3) lessen the likelihood of failures that might cause harm and take appropriate actions. You agree that prior to using or distributing any applications that include TI products, you will thoroughly test such applications and the functionality of such TI products as used in such applications. TI has not conducted any testing other than that specifically described in the published documentation for a particular TI Resource.

You are authorized to use, copy and modify any individual TI Resource only in connection with the development of applications that include the TI product(s) identified in such TI Resource. NO OTHER LICENSE, EXPRESS OR IMPLIED, BY ESTOPPEL OR OTHERWISE TO ANY OTHER TI INTELLECTUAL PROPERTY RIGHT, AND NO LICENSE TO ANY TECHNOLOGY OR INTELLECTUAL PROPERTY RIGHT OF TI OR ANY THIRD PARTY IS GRANTED HEREIN, including but not limited to any patent right, copyright, mask work right, or other intellectual property right relating to any combination, machine, or process in which TI products or services are used. Information regarding or referencing third-party products or services does not constitute a license to use such products or services, or a warranty or endorsement thereof. Use of TI Resources may require a license from a third party under the patents or other intellectual property of the third party, or a license from TI under the patents or other intellectual property of TI.

TI RESOURCES ARE PROVIDED "AS IS" AND WITH ALL FAULTS. TI DISCLAIMS ALL OTHER WARRANTIES OR REPRESENTATIONS, EXPRESS OR IMPLIED, REGARDING TI RESOURCES OR USE THEREOF, INCLUDING BUT NOT LIMITED TO ACCURACY OR COMPLETENESS, TITLE, ANY EPIDEMIC FAILURE WARRANTY AND ANY IMPLIED WARRANTIES OF MERCHANTABILITY, FITNESS FOR A PARTICULAR PURPOSE, AND NON-INFRINGEMENT OF ANY THIRD PARTY INTELLECTUAL PROPERTY RIGHTS.

TI SHALL NOT BE LIABLE FOR AND SHALL NOT DEFEND OR INDEMNIFY YOU AGAINST ANY CLAIM, INCLUDING BUT NOT LIMITED TO ANY INFRINGEMENT CLAIM THAT RELATES TO OR IS BASED ON ANY COMBINATION OF PRODUCTS EVEN IF DESCRIBED IN TI RESOURCES OR OTHERWISE. IN NO EVENT SHALL TI BE LIABLE FOR ANY ACTUAL, DIRECT, SPECIAL, COLLATERAL, INDIRECT, PUNITIVE, INCIDENTAL, CONSEQUENTIAL OR EXEMPLARY DAMAGES IN CONNECTION WITH OR ARISING OUT OF TI RESOURCES OR USE THEREOF, AND REGARDLESS OF WHETHER TI HAS BEEN ADVISED OF THE POSSIBILITY OF SUCH DAMAGES.

You agree to fully indemnify TI and its representatives against any damages, costs, losses, and/or liabilities arising out of your non-compliance with the terms and provisions of this Notice.

This Notice applies to TI Resources. Additional terms apply to the use and purchase of certain types of materials, TI products and services. These include; without limitation, TI's standard terms for semiconductor products (<http://www.ti.com/sc/docs/stdterms.htm>), [evaluation modules](#), and [samples](http://www.ti.com/sc/docs/sampterm.htm) (<http://www.ti.com/sc/docs/sampterm.htm>).

Mailing Address: Texas Instruments, Post Office Box 655303, Dallas, Texas 75265
Copyright © 2017, Texas Instruments Incorporated