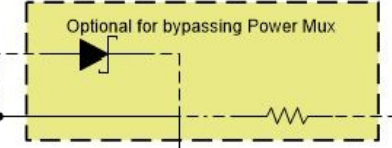
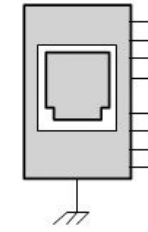


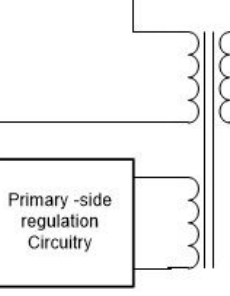
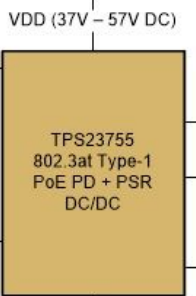
2A Fuse



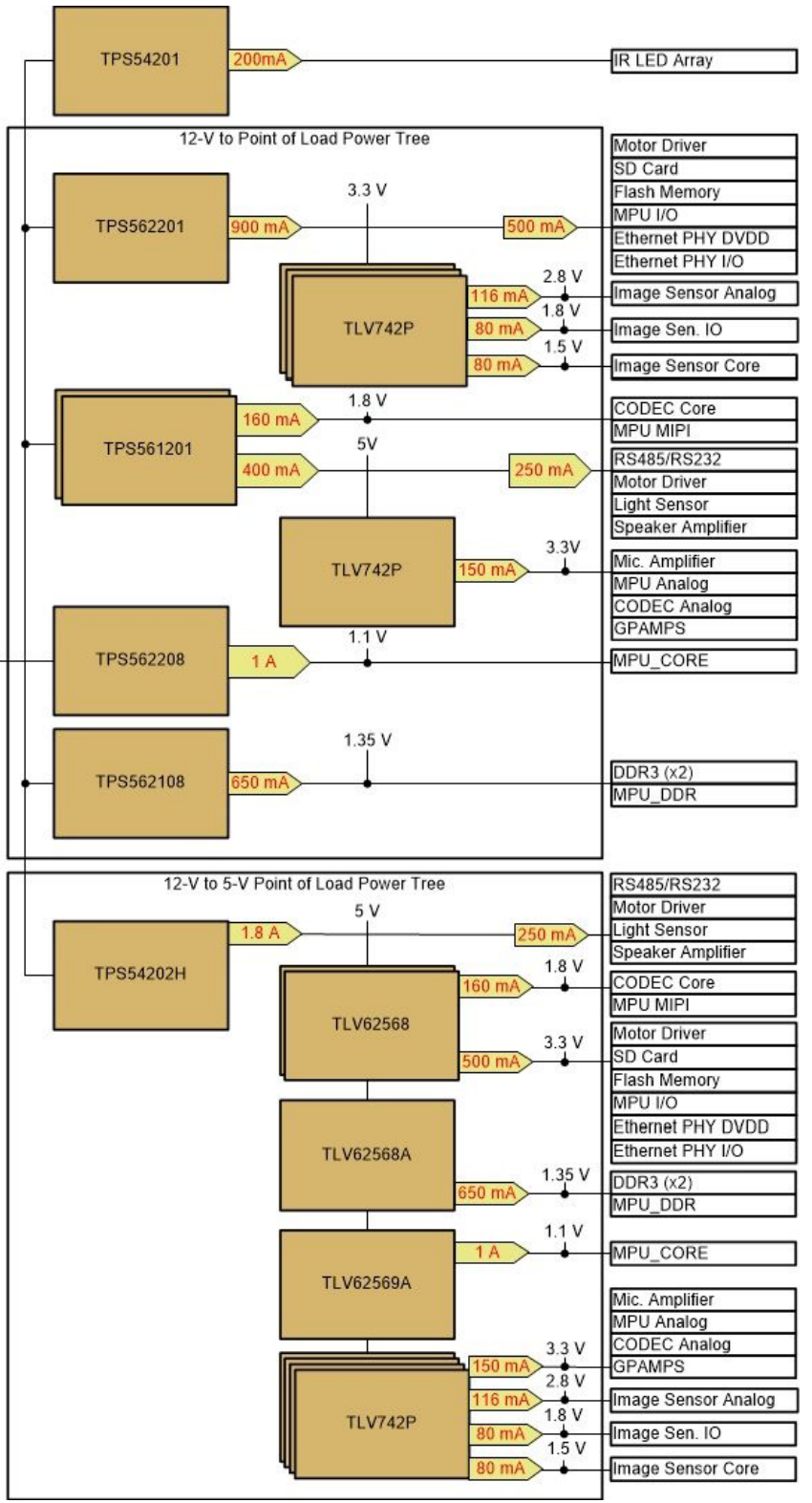
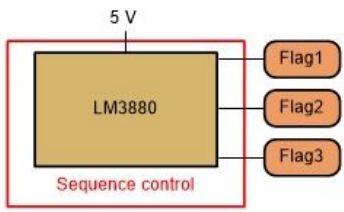
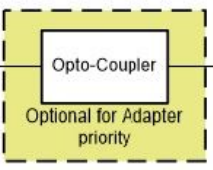
RJ45 Connector



500mA Fuse



AUX_D
Adapter Power
Supply Detection



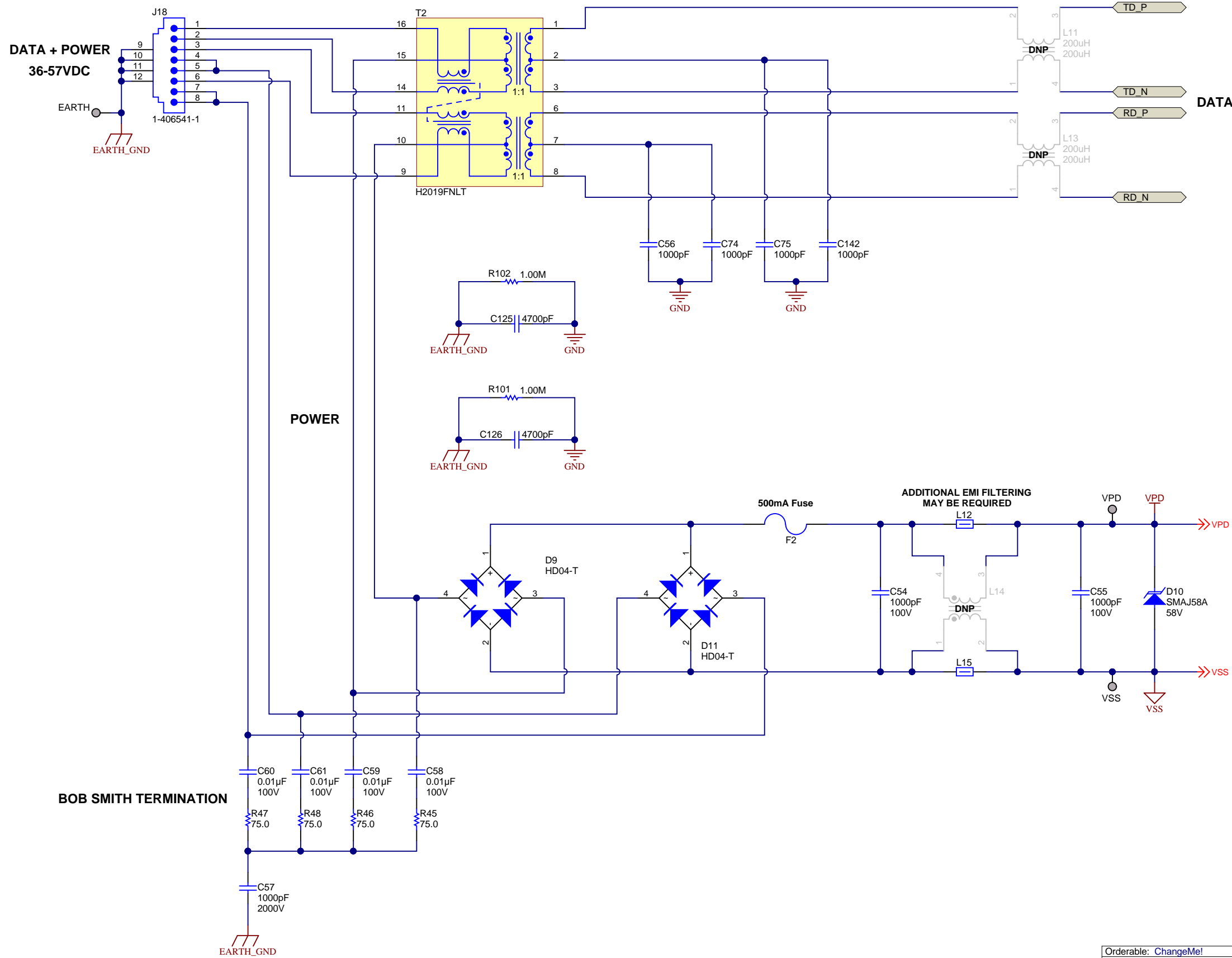
- Motor Driver
- SD Card
- Flash Memory
- MPU I/O
- Ethernet PHY DVDD
- Ethernet PHY I/O
- Image Sensor Analog
- Image Sen. IO
- Image Sensor Core
- CODEC Core
- MPU MIPI
- RS485/RS232
- Motor Driver
- Light Sensor
- Speaker Amplifier
- Mic. Amplifier
- MPU Analog
- CODEC Analog
- GPAMPS
- MPU_CORE
- DDR3 (x2)
- MPU_DDR

- RS485/RS232
- Motor Driver
- Light Sensor
- Speaker Amplifier
- CODEC Core
- MPU MIPI
- Motor Driver
- SD Card
- Flash Memory
- MPU I/O
- Ethernet PHY DVDD
- Ethernet PHY I/O
- DDR3 (x2)
- MPU_DDR
- MPU_CORE
- Mic. Amplifier
- MPU Analog
- CODEC Analog
- GPAMPS
- Image Sensor Analog
- Image Sen. IO
- Image Sensor Core

Orderable: ChangeMe!	Designed for: Public Release	Mod. Date: 2/3/2019
TID #: TIDA-010034	Project Title: IPNC Power tree reference design	
Number: TIDA-010034 Rev: E1	Sheet Title: TIDA-010034 Power tree block diagram	
SVN Rev: Version control disabled	Assembly Variant: 001	Sheet: 1 of 9
Drawn By: Surya Mishra	File: TIDA-010034 Block Diagram.SchDoc	Size: B
Engineer: Surya Mishra	Contact: http://www.ti.com/support	



Texas Instruments and/or its licensors do not warrant the accuracy or completeness of this specification or any information contained therein. Texas Instruments and/or its licensors do not warrant that this design will meet the specifications, will be suitable for your application or fit for any particular purpose, or will operate in an implementation. Texas Instruments and/or its licensors do not warrant that the design is production worthy. You should completely validate and test your design implementation to confirm the system functionality for your application.

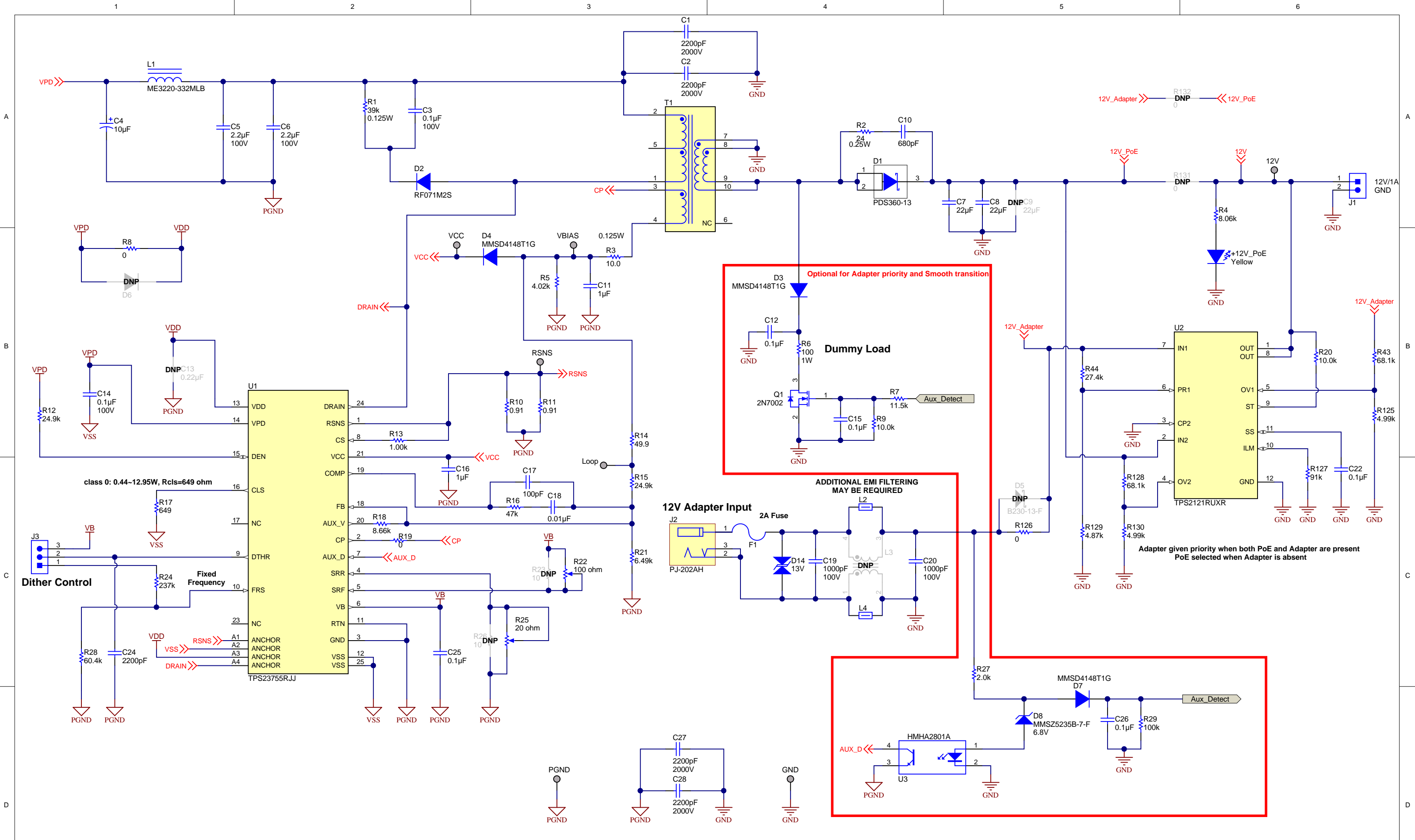


Texas Instruments and/or its licensors do not warrant the accuracy or completeness of this specification or any information contained therein. Texas Instruments and/or its licensors do not warrant that this design will meet the specifications, will be suitable for your application or fit for any particular purpose, or will operate in an implementation. Texas Instruments and/or its licensors do not warrant that the design is production worthy. You should completely validate and test your design implementation to confirm the system functionality for your application.

Orderable: ChangeMe!	Designed for: Public Release	Mod. Date: 1/10/2019
TID #: TIDA-010034	Project Title: IPNC Power tree reference design	
Number: TIDA-010034 Rev: E1	Sheet Title: PoE Input	
SVN Rev: Version control disabled	Assembly Variant: 001	Sheet: 2 of 9
Drawn By: Surya Mishra	File: TIDA-010034 PoE INPUT_SchDoc	Size: B
Engineer: Surya Mishra	Contact: http://www.ti.com/support	

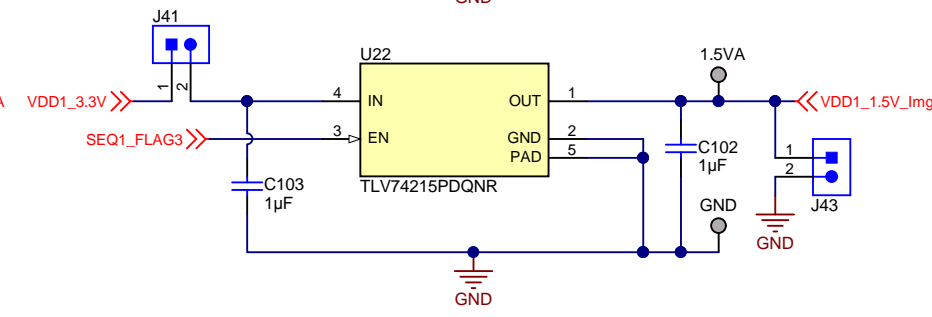
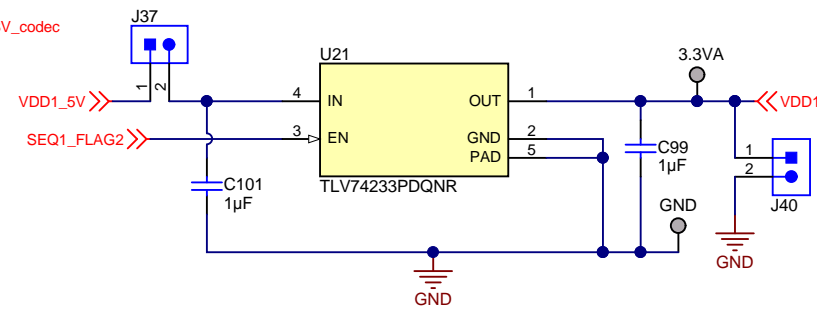
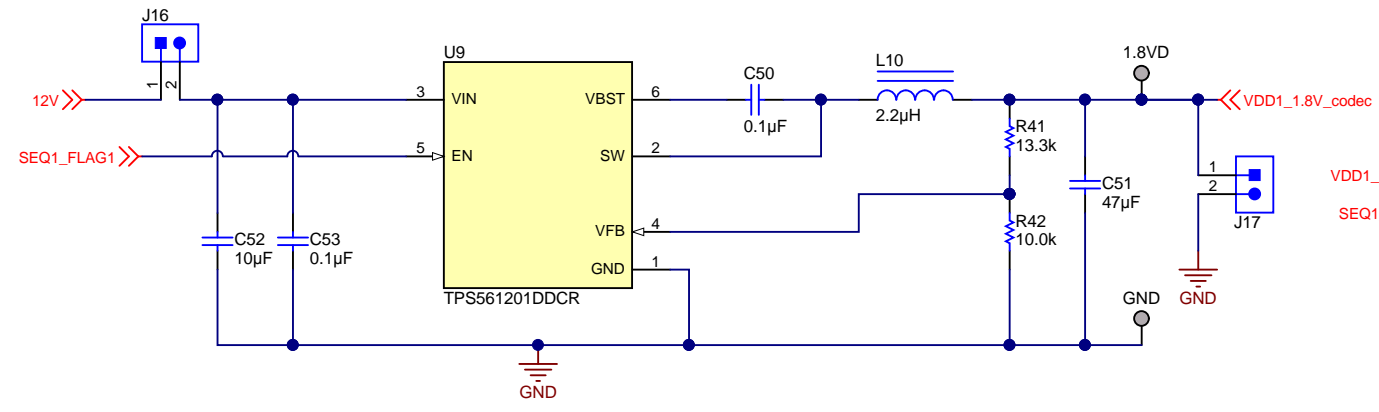
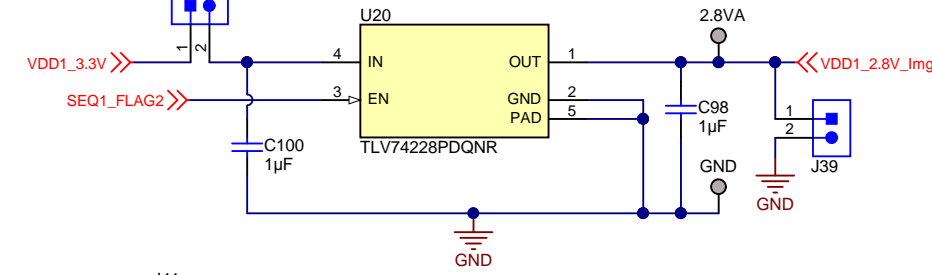
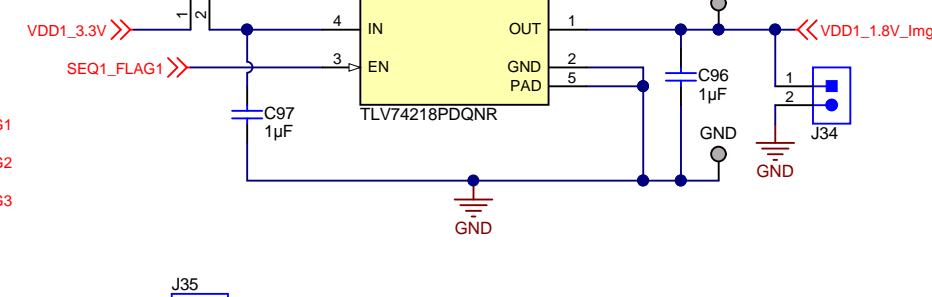
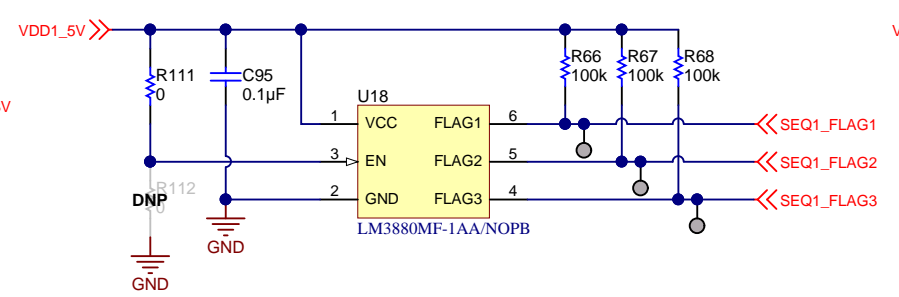
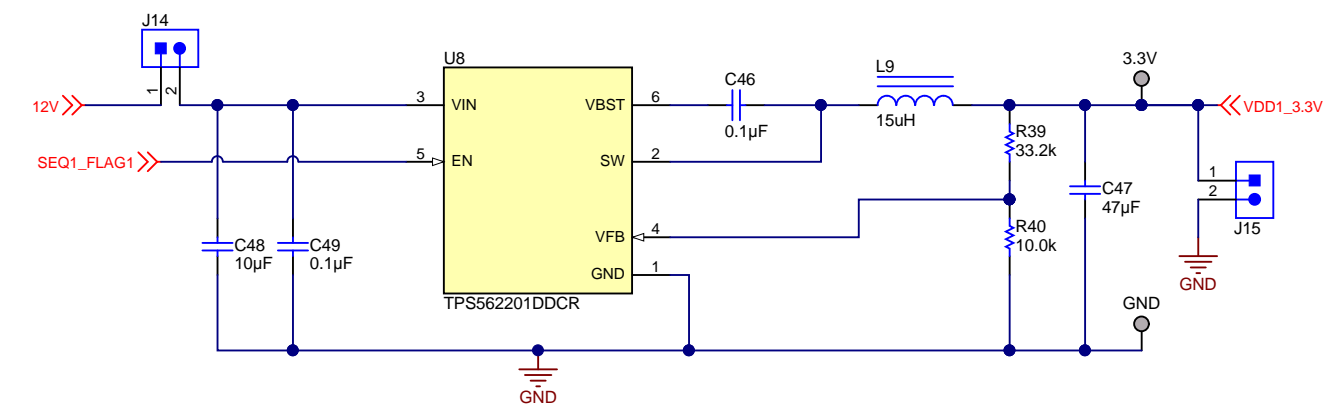
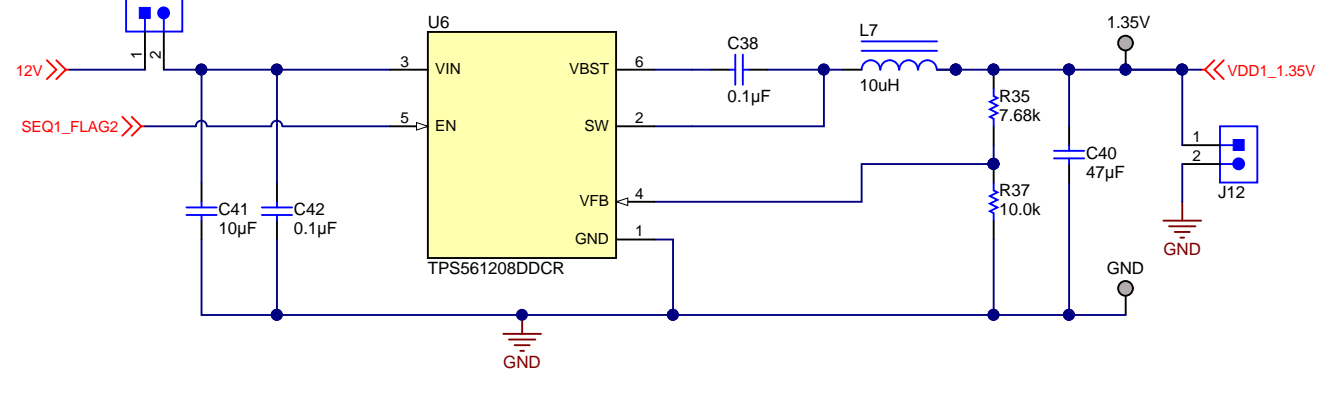
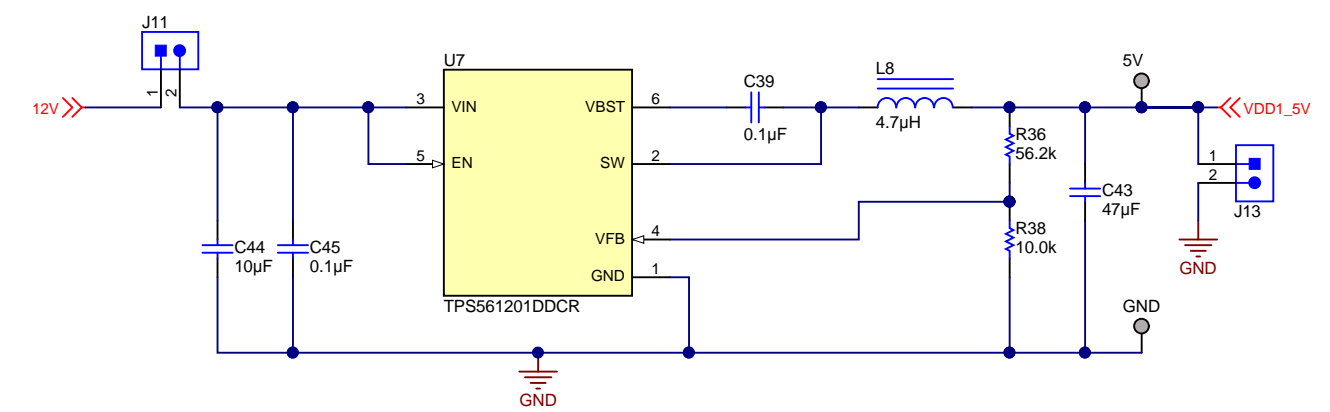
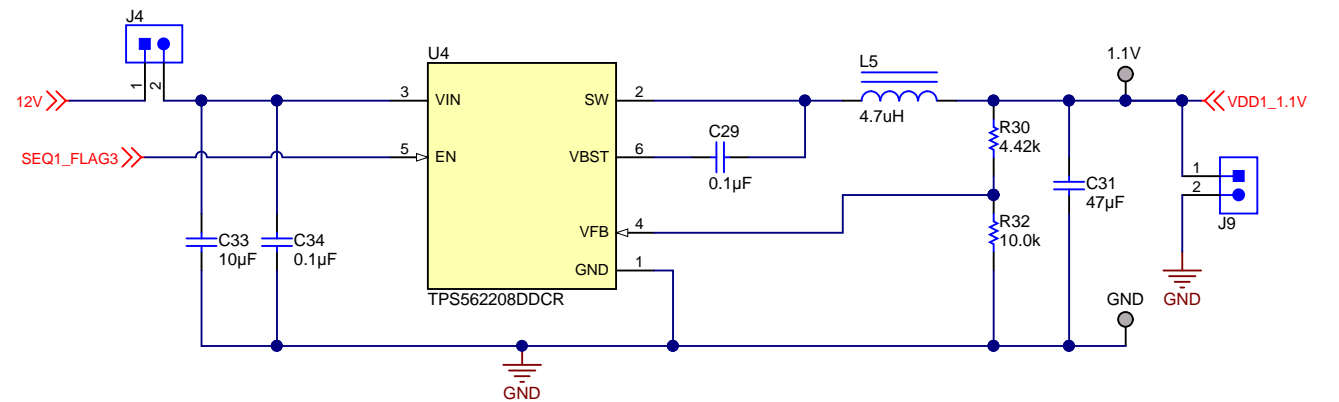
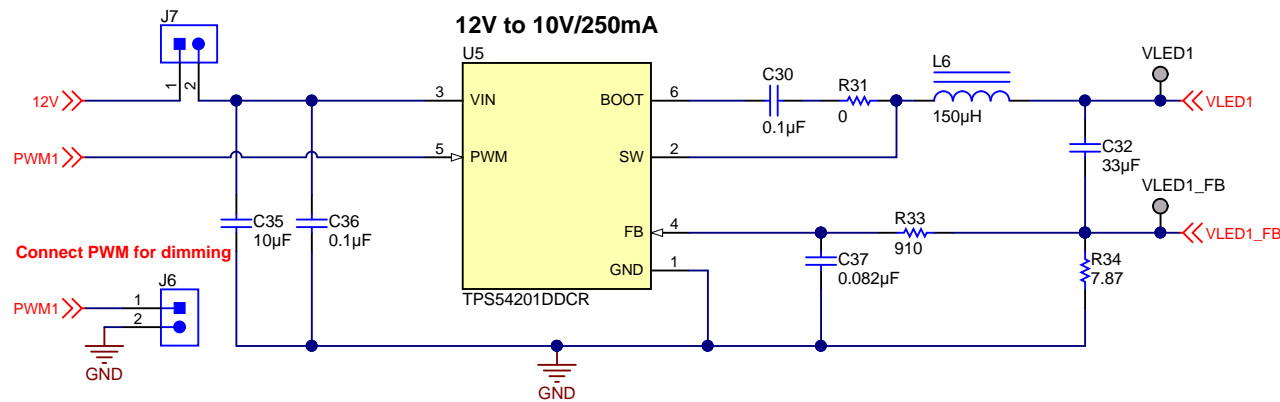


© Texas Instruments 2018

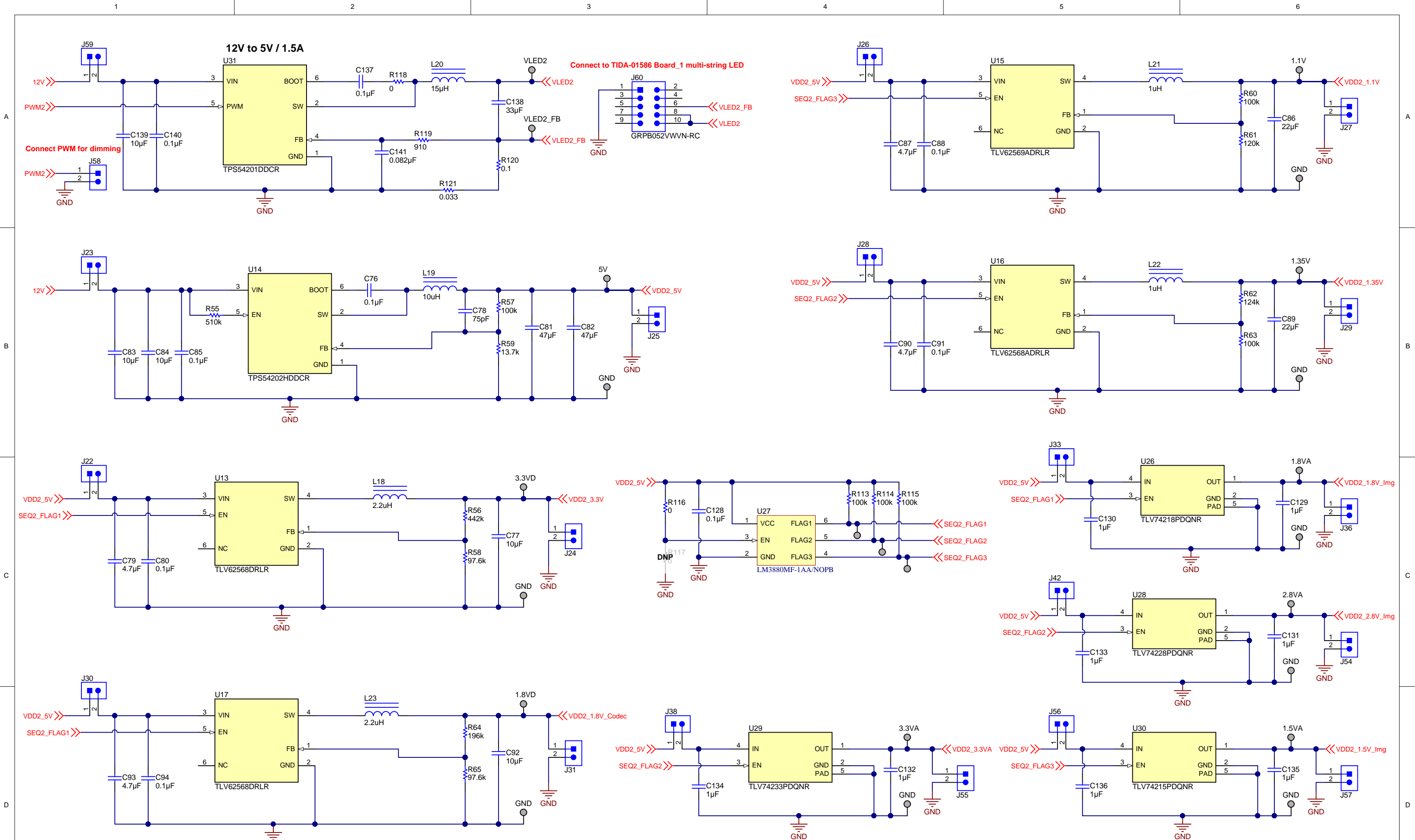


Texas Instruments and/or its licensors do not warrant the accuracy or completeness of this specification or any information contained therein. Texas Instruments and/or its licensors do not warrant that this design will meet the specifications, will be suitable for your application or fit for any particular purpose, or will operate in an implementation. Texas Instruments and/or its licensors do not warrant that the design is production worthy. You should completely validate and test your design implementation to confirm the system functionality for your application.

Orderable: ChangeMe!	Designed for: Public Release	Mod. Date: 1/14/2019
TID #: TIDA-010034	Project Title: IPNC Power tree reference design	
Number: TIDA-010034	Rev: E1	Sheet Title: TPS23755 based PD Front-end and 12V Adapter
SVN Rev: Version control disabled	Assembly Variant: 001	Sheet: 3 of 9
Drawn By: Surya Mishra	File: TIDA-010034 TPS23755 PD FRONT-END.SchDoc	Size: B
Engineer: Surya Mishra	Contact: http://www.ti.com/support	© Texas Instruments 2018



Texas Instruments and/or its licensors do not warrant the accuracy or completeness of this specification or any information contained therein. Texas Instruments and/or its licensors do not warrant that this design will meet the specifications, will be suitable for your application or fit for any particular purpose, or will operate in an implementation. Texas Instruments and/or its licensors do not warrant that the design is production worthy. You should completely validate and test your design implementation to confirm the system functionality for your application.



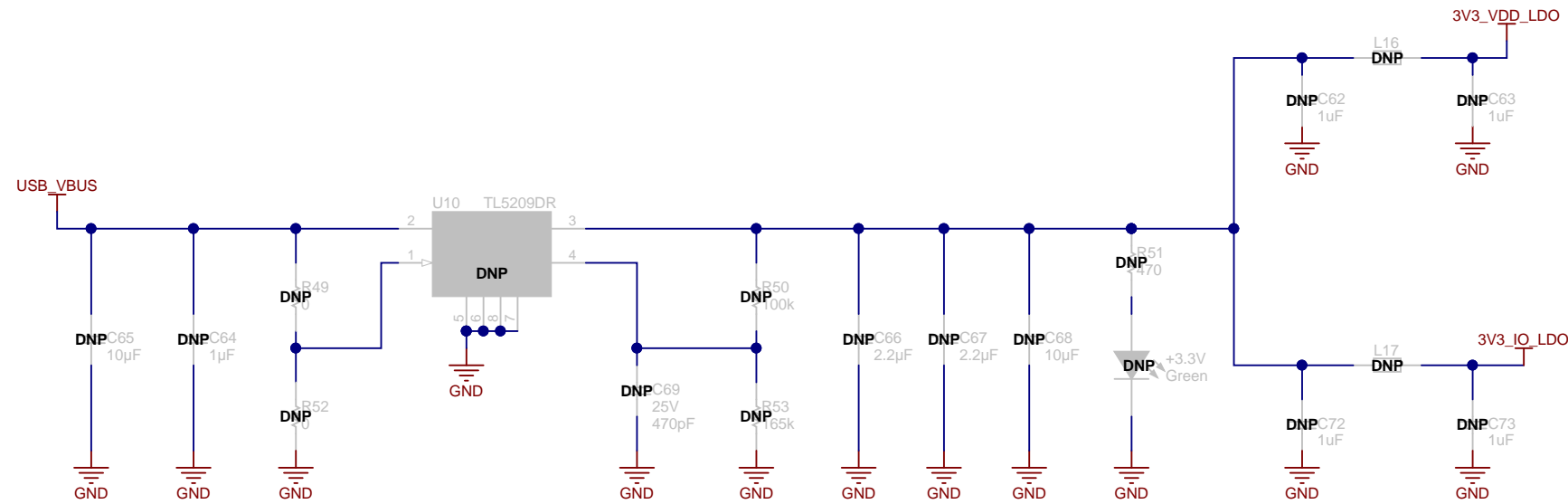
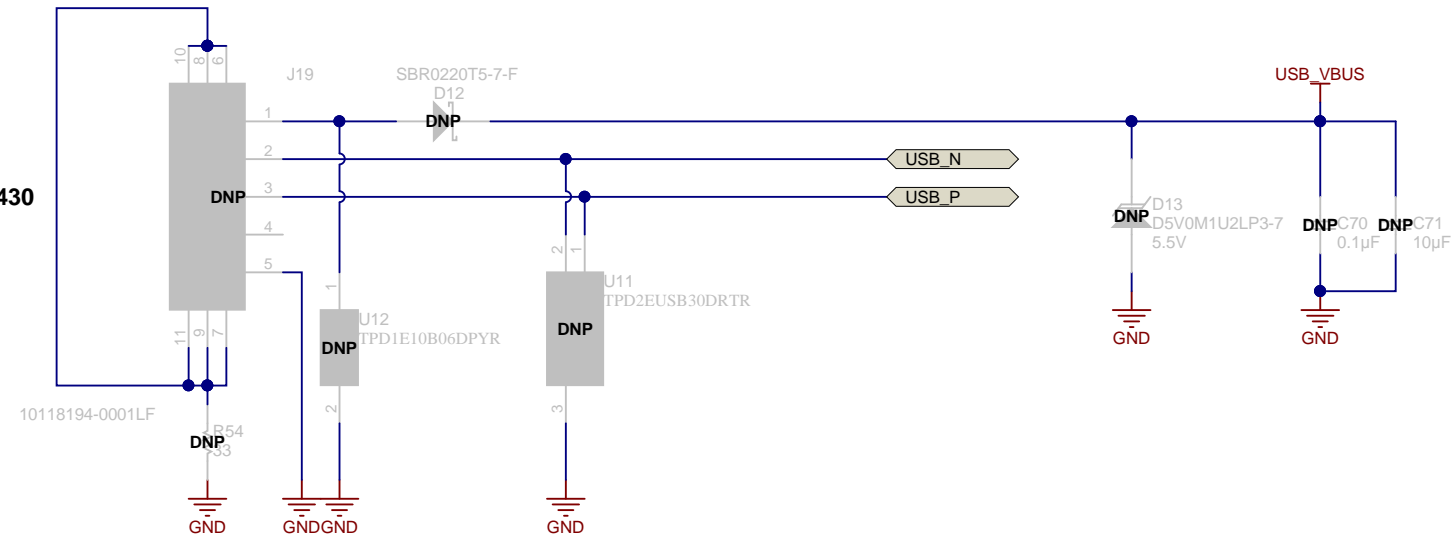
Texas Instruments and/or its licensors do not warrant the accuracy or completeness of this specification or any information contained therein. Texas Instruments and/or its licensors do not warrant that this design will meet the specifications, will be suitable for your application or fit for any particular purpose, or will operate in an implementation. Texas Instruments and/or its licensors do not warrant that the design is production worthy. You should completely validate and test your design implementation to confirm the system functionality for your application.

Orderable: ChangeMe!	Designed for: Public Release	Mod. Date: 1/14/2019
TID #: TIDA-010034	Project Title: IPNC Power tree reference design	
Number: TIDA-010034	Rev: E1	Sheet Title: 12V --> 5V --> PoLs
SVN Rev: Version control disabled	Assembly Variant: 001	Sheet: 5 of 9
Drawn By: Surya Mishra	File: TIDA-010034 12V TO 5V TO POINT OF LOADS PCB	Size: 11.0 x 17.0
Engineer: Surya Mishra	Contact: http://www.ti.com/support	



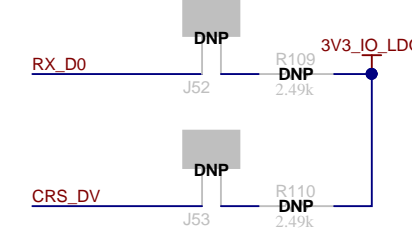
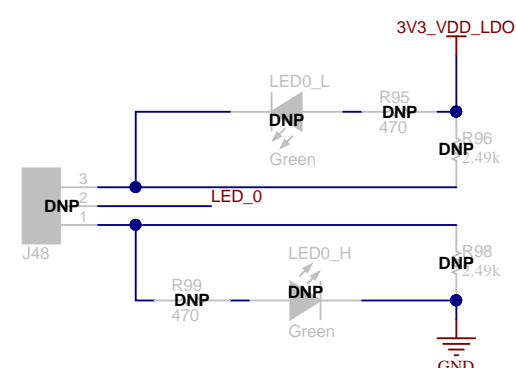
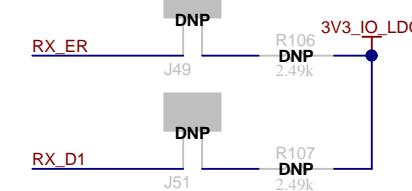
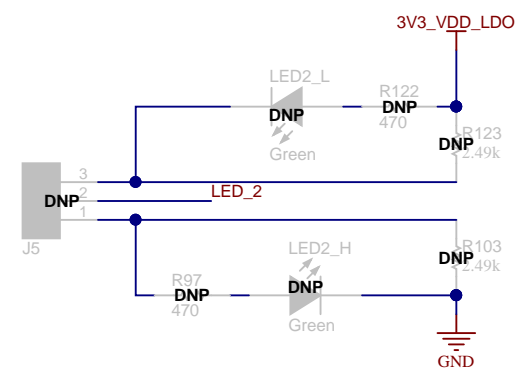
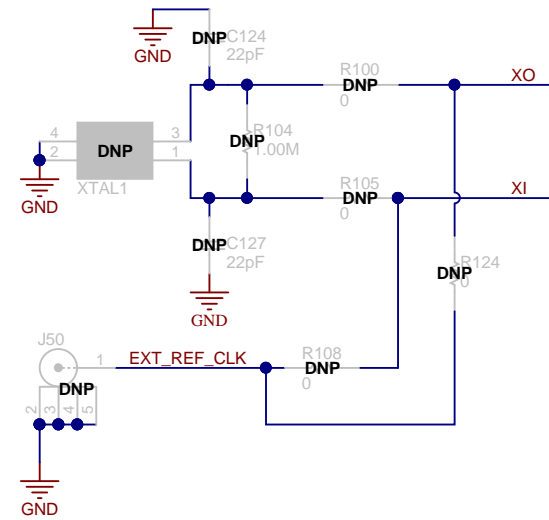
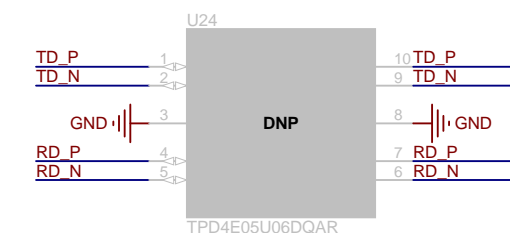
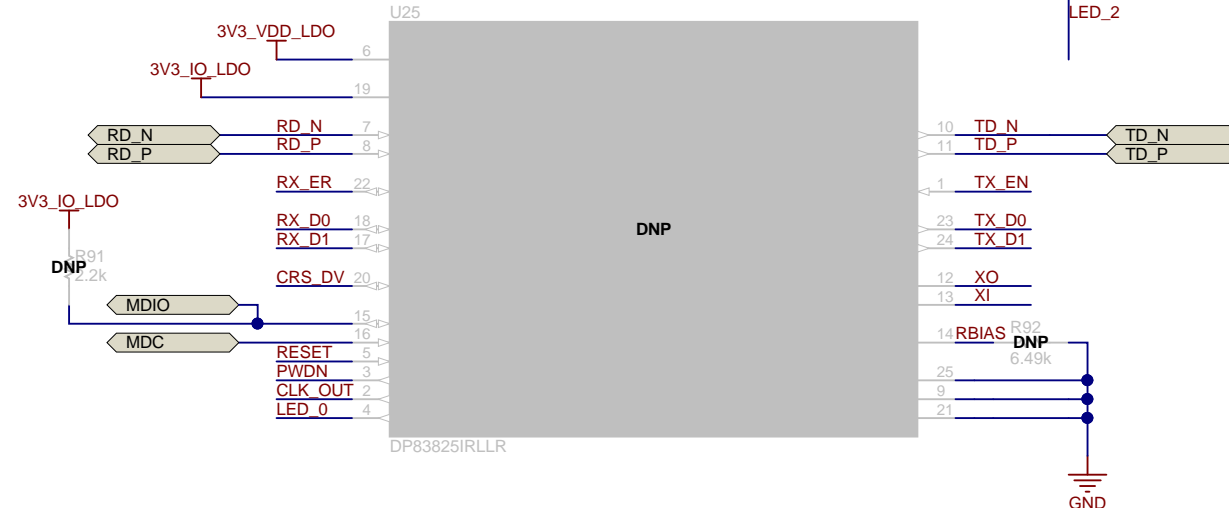
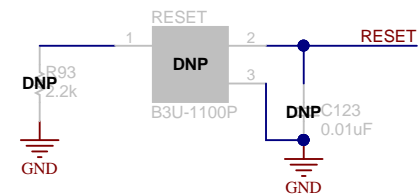
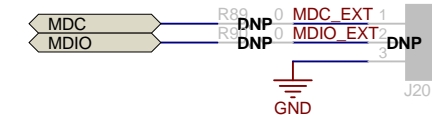
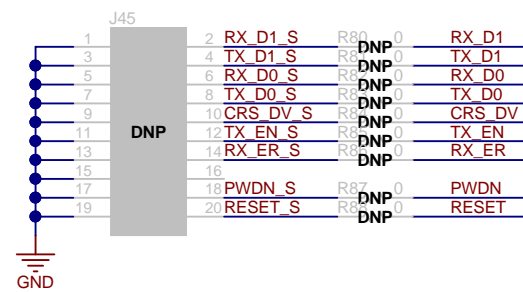
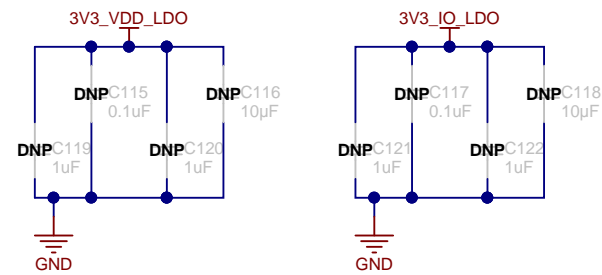
© Texas Instruments 2018

USB INPUT FOR PHY AND MSP430



Texas Instruments and/or its licensors do not warrant the accuracy or completeness of this specification or any information contained therein. Texas Instruments and/or its licensors do not warrant that this design will meet the specifications, will be suitable for your application or fit for any particular purpose, or will operate in an implementation. Texas Instruments and/or its licensors do not warrant that the design is production worthy. You should completely validate and test your design implementation to confirm the system functionality for your application.

Orderable: ChangeMe!	Designed for: Public Release	Mod. Date: 1/10/2019	
TID #: TIDA-010034	Project Title: IPNC Power tree reference design	Sheet: 6 of 9	
Number: TIDA-010034 Rev: E1	Sheet Title: USB Input for MSP430	Assembly Variant: 001	http://www.ti.com
SVN Rev: Version control disabled	File: TIDA-010034 USB INPUT.SchDoc	Size: B	
Drawn By: Surya Mishra	Contact: http://www.ti.com/support		

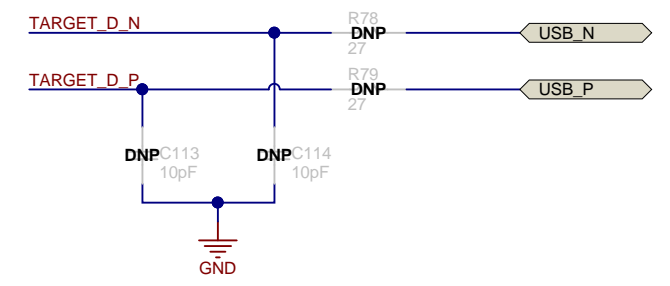
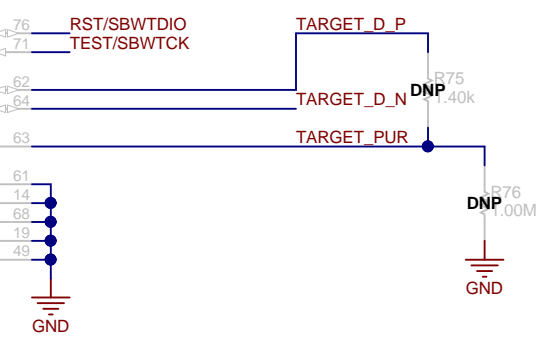
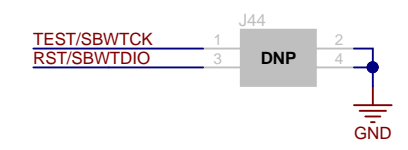
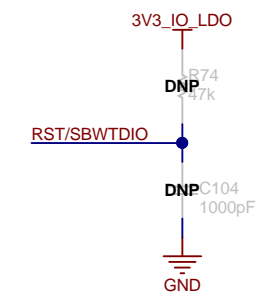
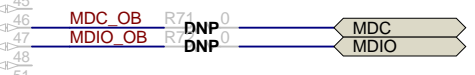
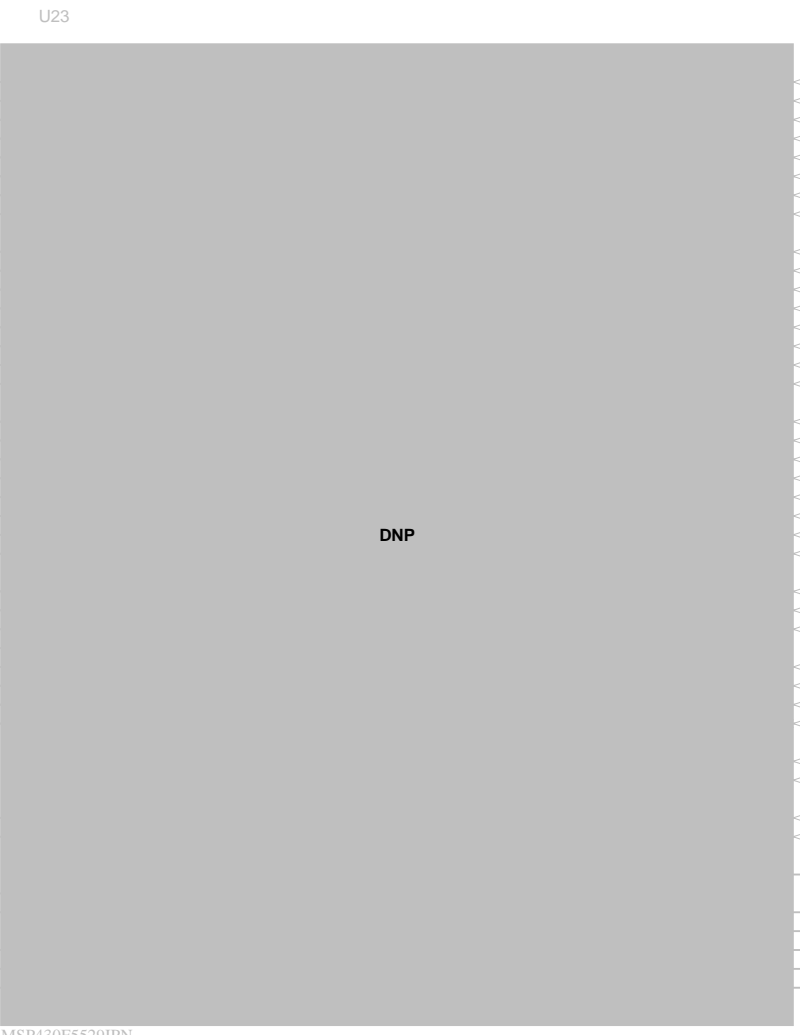
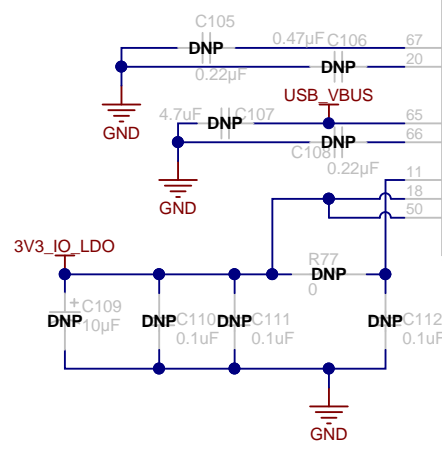
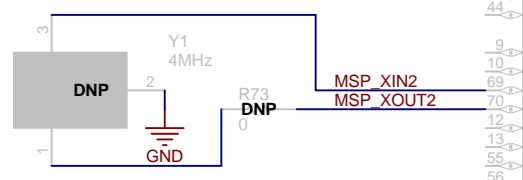
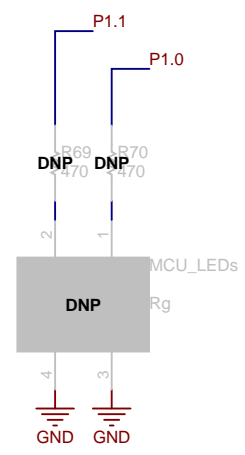


Texas Instruments and/or its licensors do not warrant the accuracy or completeness of this specification or any information contained therein. Texas Instruments and/or its licensors do not warrant that this design will meet the specifications, will be suitable for your application or fit for any particular purpose, or will operate in an implementation. Texas Instruments and/or its licensors do not warrant that the design is production worthy. You should completely validate and test your design implementation to confirm the system functionality for your application.

Orderable: ChangeMe!	Designed for: Public Release	Mod. Date: 1/14/2019
TID #: TIDA-010034	Project Title: IPNC Power tree reference design	
Number: TIDA-010034	Rev: E1	Sheet Title: DP83825 based Ethernet PHY
SVN Rev: Version control disabled	Assembly Variant: 001	Sheet: 7 of 9
Drawn By: Surya Mishra	File: TIDA-010034 DP83825 ETHERNET PHY.SchDoc	Size: B
Engineer: Surya Mishra	Contact: http://www.ti.com/support	



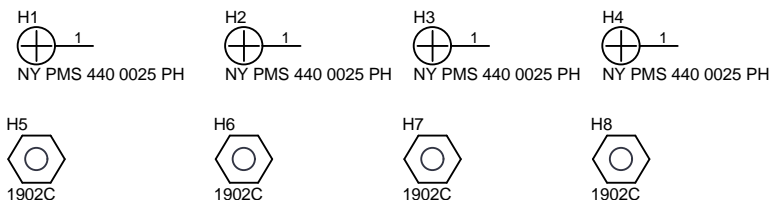
© Texas Instruments 2018



Texas Instruments and/or its licensors do not warrant the accuracy or completeness of this specification or any information contained therein. Texas Instruments and/or its licensors do not warrant that this design will meet the specifications, will be suitable for your application or fit for any particular purpose, or will operate in an implementation. Texas Instruments and/or its licensors do not warrant that the design is production worthy. You should completely validate and test your design implementation to confirm the system functionality for your application.

Orderable: ChangeMe!	Designed for: Public Release	Mod. Date: 1/10/2019
TID #: TIDA-010034	Project Title: IPNC Power tree reference design	
Number: TIDA-010034	Rev: E1	Sheet Title: MSP430 for accessing registers of DP83825
SVN Rev: Version control disabled	Assembly Variant: 001	Sheet: 8 of 9
Drawn By: Surya Mishra	File: TIDA-010034 MSP430.SchDoc	Size: B
Engineer: Surya Mishra	Contact: http://www.ti.com/support	





PCB Number: TIDA-010034
PCB Rev: E1

PCB
LOGO

PCB
LOGO

Variant/Label Table	
Variant	Label Text
001	ChangeMe!
002	ChangeMe!

LBL1
PCB Label
Size: 0.65" x 0.20"

ZZ1
Label Assembly Note
This Assembly Note is for PCB labels only

ZZ2
Assembly Note
This Assembly Note will show in the PcbDoc and associated outputs

ZZ3
Assembly Note
This Assembly Note will show in the PcbDoc and associated outputs

ZZ4
Assembly Note
This Assembly Note will show in the PcbDoc and associated outputs

Orderable: ChangeMe!	Designed for: Public Release	Mod. Date: 2/12/2019
TID #: TIDA-010034	Project Title: IPNC Power tree reference design	
Number: TIDA-010034 Rev: E1	Sheet Title: Hardware	
SVN Rev: Version control disabled	Assembly Variant: 001	Sheet: 9 of 9
Drawn By: Surya Mishra	File: TIDA-010034 Hardware.SchDoc	Size: B
Engineer: Surya Mishra	Contact: http://www.ti.com/support	

Texas Instruments and/or its licensors do not warrant the accuracy or completeness of this specification or any information contained therein. Texas Instruments and/or its licensors do not warrant that this design will meet the specifications, will be suitable for your application or fit for any particular purpose, or will operate in an implementation. Texas Instruments and/or its licensors do not warrant that the design is production worthy. You should completely validate and test your design implementation to confirm the system functionality for your application.



http://www.ti.com
© Texas Instruments 2018

IMPORTANT NOTICE AND DISCLAIMER

TI PROVIDES TECHNICAL AND RELIABILITY DATA (INCLUDING DATASHEETS), DESIGN RESOURCES (INCLUDING REFERENCE DESIGNS), APPLICATION OR OTHER DESIGN ADVICE, WEB TOOLS, SAFETY INFORMATION, AND OTHER RESOURCES "AS IS" AND WITH ALL FAULTS, AND DISCLAIMS ALL WARRANTIES, EXPRESS AND IMPLIED, INCLUDING WITHOUT LIMITATION ANY IMPLIED WARRANTIES OF MERCHANTABILITY, FITNESS FOR A PARTICULAR PURPOSE OR NON-INFRINGEMENT OF THIRD PARTY INTELLECTUAL PROPERTY RIGHTS.

These resources are intended for skilled developers designing with TI products. You are solely responsible for (1) selecting the appropriate TI products for your application, (2) designing, validating and testing your application, and (3) ensuring your application meets applicable standards, and any other safety, security, or other requirements. These resources are subject to change without notice. TI grants you permission to use these resources only for development of an application that uses the TI products described in the resource. Other reproduction and display of these resources is prohibited. No license is granted to any other TI intellectual property right or to any third party intellectual property right. TI disclaims responsibility for, and you will fully indemnify TI and its representatives against, any claims, damages, costs, losses, and liabilities arising out of your use of these resources.

TI's products are provided subject to TI's Terms of Sale (www.ti.com/legal/termsofsale.html) or other applicable terms available either on ti.com or provided in conjunction with such TI products. TI's provision of these resources does not expand or otherwise alter TI's applicable warranties or warranty disclaimers for TI products.

Mailing Address: Texas Instruments, Post Office Box 655303, Dallas, Texas 75265
Copyright © 2019, Texas Instruments Incorporated